



**NATIONAL INTELLECTUAL PROPERTY CENTER OF GEORGIA
SAKPATENTI**

**OFFICIAL BULLETIN
OF THE INDUSTRIAL PROPERTY**

10(398)

**2014
TBILISI**

**NATIONAL INTELLECTUAL PROPERTY CENTER OF GEORGIA
SAKPATENTI**

**OFFICIAL BULLETIN
OF THE INDUSTRIAL PROPERTY**

**ОФИЦИАЛЬНЫЙ БЮЛЛЕТЕНЬ
ПРОМЫШЛЕННОЙ СОБСТВЕННОСТИ**

10(398)

**INVENTIONS
UTILITY MODELS
DESIGNS
TRADEMARKS**

DATE OF PUBLICATION

2014 05 27

INID CODES FOR IDENTIFICATION OF BIBLIOGRAPHIC DATA

INVENTIONS, UTILITY MODELS

- (10) Number of publication for application, which has been examined
- (11) Number of patent and kind of document
- (21) Serial number of application
- (22) Date of filing of the application
- (23) Date of exhibition or the date of the earlier filing and the number of application, if any
- (24) Date from which patent may have effect
- (31) Number of priority application
- (32) Date of filing of priority application
- (33) Code of the country or regional organization allotting priority application number
- (44) Date of publication of application not granted, but examined and number of bulletin
- (45) Date of publication of registered document
- (51) International Patent Classification Index
- (54) Title of the invention
- (57) Abstract
- (60) Number of examined patent document granted by foreign patent office, date from which patent has effect and country code
- (62) Number of the earlier application and in case of divided application, date of filing an application
- (71) Name, surname and address of applicant (country code)
- (72) Name, surname of inventor (country code)
- (73) Name, surname and address of patent owner (country code)
- (74) Name, surname of representative or patent attorney
- (85) Date of commencement of the national phase of International Application
- (86) Number and date of filing of international application
- (87) Number and date of publication of international application

DESIGNS

- (10) Number of publication for application
- (11) Number of patent and kind of document or number of registration
- (15) Date of registration/Date of patent renewal
- (18) Expected expiration date of patent or registration
- (21) Serial number of application
- (22) Date of filing of the application
- (23) Date of exhibition or the date of the earlier filing and the number of application, if any
- (24) Date from which patent may have effect
- (28) Number of designs included in the application
- (30) Data relating to priority (number of application, date of filing of application, two-letter code identifying the authority with whom the priority application was made)
- (31) Number of priority application
- (32) Date of filing of priority application
- (33) Code of the country or regional organization allotting priority application number
- (34) Two-letter code according to WIPO St.3 identifying the authority with which the priority application was made
- (44) Date of publication of design and number of bulletin (the first publication)
- (45) Date of publication of design registered by WIPO and number of bulletin
- (51) International Classification for designs (class and subclass of the Locarno Classification)
- (54) Title of the invention
- (55) Reproduction of the design
- (57) Description of characteristic features of the design including indication of colors
- (62) Number of the earlier application, registration and document number and if available the date of filing an application in case of divided application
- (71) Name, surname and address of applicant (country code)
- (72) Name, surname of creator (country code)
- (73) Name, surname and address of patent owner (country code)
- (74) Name, surname of representative or patent attorney
- (81) Contracting states concerned
 - II designated contracting states according to the 1960 Act
 - III designated contracting states according to the 1999 Act
- (85) Owner's permanent address
- (86) Owner's nationality
- (87) Owner's residence
- (88) State in which the owner has a real and effective industrial or commercial establishment

TRADEMARKS

- (111) - Number of registration
- (151) - Date of registration
- (156) - Date of the renewal
- (181) - Expected expiration date of registration
- (186) - Renewal expiration date of registration
- (141) - Date of cancel of duration of the mark
- (210) - Serial number of application
- (220) - Date of filing of the application
- (230) - Data concerning exhibition
- (260) - Number of application, for which favorable decision of examination about registration has been taken (publication number)
- (310) - Number of the first application
- (320) - Date of filing of the first application
- (330) - Code, identifying national or regional Office where the first application was made
- (511) - International Classification of Goods and Services for the purposes of registration of trade marks and/or list of goods and/or services classified according thereto
- (526) - Disclaimer
- (531) - Description of figurative elements of Trade Marks according to the International Classification of the Figurative Elements of Marks
- (540) - Reproduction of Trade Mark
- (550) - Nature and kind of Trade Mark
- (580) - Date of recording of any kind changes in respect of applications or registrations
- (591) - Information concerning colors claimed
- (731) - Name and address of the applicant
- (732) - Name and address of the holder of the registration
- (740) - Name and address of the representative
- (750) - Address for correspondence
- (770) - Name and address of the previous applicant or holder in case of change in ownership
- (771) - Previous name and address of the applicant or holder in case of change in ownership
- (791) - Name and address of the licensee
- (793) - Indication of conditions and/or restrictions under the license (Type of license, number of license agreement, data of license, data of validity of license)
- (800) - Certain data relating to the international registration of Trade Marks under the Protocol Relating to Madrid Agreement (International registration number
- (891) - Date of subsequent designation

CODES FOR PUBLICATION IN BULLETIN

- (21) AP 0000 000000 - serial number of application for invention
- (10) AP 0000 0000 A - number of published application for invention (first publication)
- (11) P 0000 0000 B - number of patent for invention (second publication)
- (21) API 0000 000000 - number of application for imported patent
- (11) PI 0000 0000 A - number of imported patent (first publication)
- (21) AU 0000 000000 - serial number of application for utility model
- (10) AU 0000 000 U - number of published application for utility model (first publication)
- (11) U 0000 000 Y - number of patent for utility model (second publication)
- (21) AD 0000 000000 - serial number of application for design
- (10) AD 0000 000 S - number of published application for design (first publication)
- (11) D 0000 000 S - number of patent for design (second publication)

INTERNATIONAL PATENT CLASSIFICATION FOR INVENTIONS AND UTILITY MODELS

- SECTION A - HUMAN NECESSITIES
- SECTION B - PERFORMING OPERATIONS; TRANSPORTING
- SECTION C - CHEMISTRY; METALLURGY
- SECTION D - TEXTILES; PAPER
- SECTION E - FIXED CONSTRUCTIONS
- SECTION F - MECHANICAL ENGINEERING; LIGHTING; HEATING; WEAPONS; BLASTING
- SECTION G - PHYSICS
- SECTION H - ELECTRICITY

-
- M - Trade Mark
 - (210) AM 0000 000000 - Serial number of application;
 - (260) AAM 0000 00000 A - Publication number of application;
 - (111) M 0000 00000 R - Number of registration;
 - (111) MMM0000 00000 Rn - Number of renewals, in which n=1,2,3;
 - (111) M 0000 00000 R(P) - Number of registration under partial assignment of rights
-

LIST OF CODES, IN ALPHABETIC SEQUENCE, AND THE CORRESPONDING (SHORT) NAMES OF STATES, OTHER ENTITIES AND INTERGOVERNMENTAL ORGANIZATIONS
(WIPO STANDARD ST.3)

| | | | | | | |
|----|--|----|---|--|----|--|
| AD | Andorra | | | | | |
| AE | United Arab Emirates | | | | | |
| AF | Afghanistan | | | | | |
| AG | Antigua and Barbuda | | | | | |
| AI | Anguilla | | | | | |
| AL | Albania | | | | | |
| AM | Armenia | | | | | |
| AN | Netherlands Antilles | | | | | |
| AO | Angola | | | | | |
| AP | African Regional Intellectual Property Organization (ARIPO) | | | | | |
| AR | Argentina | | | | | |
| AT | Austria | | | | | |
| AU | Australia | | | | | |
| AW | Aruba | | | | | |
| AZ | Azerbaijan | | | | | |
| BA | Bosnia and Herzegovina | | | | | |
| BB | Barbados | | | | | |
| BD | Bangladesh | | | | | |
| BE | Belgium | | | | | |
| BF | Burkina Faso | | | | | |
| BG | Bulgaria | | | | | |
| BH | Bahrain | | | | | |
| BI | Burundi | | | | | |
| BJ | Benin | | | | | |
| BM | Bermuda | | | | | |
| BN | Brunei Darussalam | | | | | |
| BO | Bolivia | | | | | |
| BR | Brazil | | | | | |
| BS | Bahamas | | | | | |
| BT | Bhutan | | | | | |
| BV | Bouvet Island | | | | | |
| BW | Botswana | | | | | |
| BX | Benelux Office for Intellectual Property (BOIP) | | | | | |
| BY | Belarus | | | | | |
| BZ | Belize | | | | | |
| CA | Canada | | | | | |
| CD | Democratic Republic of the Congo | | | | | |
| CF | Central African Republic | | | | | |
| CG | Congo | | | | | |
| CH | Switzerland | | | | | |
| CI | Cote d'Ivoire | | | | | |
| CK | Cook Islands | | | | | |
| CL | Chile | | | | | |
| CM | Cameroon | | | | | |
| CN | China | | | | | |
| CO | Colombia | | | | | |
| CR | Costa Rica | | | | | |
| CU | Cuba | | | | | |
| CV | Cape Verde | | | | | |
| CY | Cyprus | | | | | |
| CZ | Czech Republic | | | | | |
| DE | Germany | | | | | |
| DJ | Djibouti | | | | | |
| DM | Dominica | | | | | |
| DO | Dominican Republic | | | | | |
| DZ | Algeria | | | | | |
| EA | Eurasian Patent Organization (EAPO) | | | | | |
| EC | Ecuador | | | | | |
| EE | Estonia | | | | | |
| EG | Egypt | | | | | |
| EH | Western Sahara | | | | | |
| EM | Office for Harmonization in the Internal Market (Trademarks and Designs)(OHIM) | | | | | |
| EP | European Patent Office (EPO) | | | | | |
| ER | Eritrea | | | | | |
| ES | Spain | | | | | |
| ET | Ethiopia | | | | | |
| FI | Finland | | | | | |
| FJ | Fiji | | | | | |
| FK | Falkland Islands (Malvinas) | | | | | |
| FO | Faroe Islands | | | | | |
| FR | France | | | | | |
| GA | Gabon | | | | | |
| GB | United Kingdom | | | | | |
| GC | Patent Office of the Cooperation Council | | | | | |
| | | | for the Arab States of the Gulf (GCC) | | | |
| | | GD | Grenada | | NE | Niger |
| | | GG | Guernsey | | NG | Nigeria |
| | | GH | Ghana | | NI | Nicaragua |
| | | GI | Gibraltar | | NL | Netherlands |
| | | GT | Guatemala | | NO | Norway |
| | | GW | Guinea- Bissau | | NP | Nepal |
| | | GY | Guyana | | NR | Nauru |
| | | HK | The Hong Kong Special Administrative Region of the People's Republic of China | | NZ | New Zealand |
| | | | | | OA | African Intellectual Property Organization (OAPI) |
| | | HN | Honduras | | OM | Oman |
| | | HR | Croatia | | PA | Panama |
| | | HT | Haiti | | PE | Peru |
| | | HU | Hungary | | PG | Papua New Guinea |
| | | IB | International Bureau of the World Intellectual Property Organization (WIPO) | | PH | Philippines |
| | | ID | Indonesia | | PK | Pakistan |
| | | IE | Ireland | | PL | Poland |
| | | IL | Israel | | PT | Portugal |
| | | IM | Isle of Man | | PW | Palau |
| | | IN | India | | PY | Paraguay |
| | | IQ | Iraq | | QA | Qatar |
| | | ID | Indonesia | | QZ | Community Plant Variety Office (European Community) (CPVO) |
| | | IE | Ireland | | RO | Romania |
| | | IL | Israel | | RS | Serbia |
| | | IM | Isle of Man | | RU | Russian Federation |
| | | IN | India | | RW | Rwanda |
| | | IQ | Iraq | | SA | Saudi Arabia |
| | | IR | Iran (Islamic Republic of) | | SB | Solomon Islands |
| | | IS | Iceland | | SC | Seychelles |
| | | IT | Italy | | SD | Sudan |
| | | JE | Jersey | | SG | Singapore |
| | | JM | Jamaica | | SH | Saint Helena |
| | | JO | Jordan | | SI | Slovenia |
| | | JP | Japan | | SK | Slovakia |
| | | KE | Kenya | | SL | Sierra Leone |
| | | KG | Kyrgyzstan | | SM | San Marino |
| | | KH | Cambodia | | SN | Senegal |
| | | KI | Kiribati | | SO | Somalia |
| | | KM | Saint Kitts and Nevis | | SR | Suriname |
| | | KP | Democratic People's Republic of Korea | | ST | Sao Tome and Principe |
| | | KR | Republic of Korea | | SV | El Salvador |
| | | KW | Kuwait | | SY | Syrian Arab Republic |
| | | KY | Cayman Islands | | SZ | Swaziland |
| | | KZ | Kazakhstan | | TC | Turks and Caicos Islands |
| | | LA | Lao People's Democratic Republic | | TD | Chad |
| | | LB | Lebanon | | TG | Togo |
| | | LC | Saint Lucia | | TH | Thailand |
| | | LI | Liechtenstein | | TJ | Tajikistan |
| | | LK | Sri Lanka | | TL | Timor-Leste |
| | | LR | Liberia | | TM | Turkmenistan |
| | | LS | Lesotho | | TN | Tunisia |
| | | LT | Lithuania | | TO | Tonga |
| | | LU | Luxembourg | | TR | Turkey |
| | | LV | Latvia | | SE | Sweden |
| | | LY | Libyan Arab Jamahiriya | | TT | Trinidad and Tobago |
| | | MA | Morocco | | TV | Tuvalu |
| | | MC | Monaco | | TW | Taiwan, Province of China |
| | | MD | Republic of Moldova | | TZ | United Republic of Tanzania |
| | | ME | Montenegro | | UA | Ukraine |
| | | MG | Madagascar | | UG | Uganda |
| | | MK | The former Yugoslav Republic of Macedonia | | US | United States of America |
| | | ML | Mali | | UY | Uruguay |
| | | MM | Myanmar | | UZ | Uzbekistan |
| | | MN | Mongolia | | VA | Holy See |
| | | MO | Macao | | VC | Saint Vincent and the Grenadines |
| | | MP | Northern Mariana Islands | | VE | Venezuela |
| | | MR | Mauritania | | VG | Virgin Islands (British) |
| | | MS | Montserrat | | VN | Viet Nam |
| | | MT | Malta | | VU | Vanuatu |
| | | MU | Mauritius | | WO | World Intellectual Property Organization (WIPO) |
| | | MV | Maldives | | WS | Samoa |
| | | MW | Malawi | | XN | Nordic Patent Institute (NPI) |
| | | MX | Mexico | | YE | Yemen |
| | | MY | Malaysia | | ZA | South Africa |
| | | MZ | Mozambique | | ZM | Zambia |
| | | NA | Namibia | | ZW | Zimbabwe |

CONTENTS

| | |
|---|----------|
| PUBLISHED TITLES OF PROTECTION | 2 |
| INVENTIONS | |
| ▪ APPLICATIONS APPROVED FOR GRANTING PATENTS | 4 |
| ▪ PATENTED INVENTIONS | 9 |
| UTILITY MODELS | |
| ▪ APPLICATIONS APPROVED FOR GRANTING PATENTS | 13 |
| ▪ PATENTED UTILITY MODEL:..... | 15 |
| DESIGNS | |
| ▪ APPLICATIONS APPROVED FOR REGISTRATION..... | 16 |
| TRADEMARKS | |
| ▪ APPLICATIONS FILED UNDER THE NATIONAL PROCEDURE APPROVED FOR REGISTRATION | 17 |
| ▪ REGISTERED TRADEMARKS..... | 21 |
| ▪ TRADEMARKS REGISTERED ACCORDING TO THE ACCELERATED PROCEDURE | 27 |
| ▪ INTERNATIONAL TRADEMARKS FOR WHICH A DECISION ON GANTING PROTECTION IS TAKEN | 30 |
| ▪ INTERNATIONAL TRADEMARKS PROTECTED IN GEORGIA | 105 |
| CLASSIFICATION INDEXES | |
| INVENTIONS | 117 |
| UTILITY MODELS | 119 |
| DESIGNS | 121 |
| TRADEMARKS | 122 |

PUBLISHED TITLES OF PROTECTION

INVENTIONS

- APPLICATIONS APPROVED FOR GRANTING PATENTS
11362; 12965; 12558; 12743; 12770; 12268; 12346; 12805; 12973; 11504; 12772; 12601
- PATENTED INVENTIONS
6092-6105

UTILITY MODELS

- APPLICATIONS APPROVED FOR GRANTING PATENTS
13147; 13017; 13018; 13066; 13208; 13276; 13196
- PATENTED UTILITY MODEL:
1813, 1814

DESIGNS

- APPLICATIONS APPROVED FOR REGISTRATION
783

TRADEMARKS

- APPLICATIONS FILED UNDER THE NATIONAL PROCEDURE APPROVED FOR REGISTRATION
67747; 71311; 71585; 71619; 71624; 72074; 72432; 72490; 73039; 73109, 73110; 73118; 73122; 73127, 73128; 73171; 73441; 73451; 73536; 73566, 73567; 73645
- REGISTERED TRADEMARKS
24726-24781
- TRADEMARKS REGISTERED ACCORDING TO THE ACCELERATED PROCEDURE
24718-24725; 24782-24788
- INTERNATIONAL TRADEMARKS FOR WHICH A DECISION ON GRANTING PROTECTION IS TAKEN
71135; 71138; 71154; 71345; 71356; 71377; 71379; 71381, 71382; 71384; 71386, 71387; 71389, 71390; 71393-71401; 71403; 71405; 71503-71509; 71511-71514; 71516; 71630; 71632-71640; 71642-71650; 72081; 72668-72670; 72672-72677; 72679, 72680; 72737-72739; 72741; 72746-72748; 72752, 72753; 72755-72757; 72902; 72999, 73000; 73005; 73007-73011; 73013; 73017; 73019-73021; 73024, 73025; 73027; 73133; 73138; 73141; 73144; 73213; 73215-73217; 73220-73222; 73313; 73316, 73317; 73319-73323; 73325-73330; 73332-73335; 73337; 73342; 73344; 73347, 73348; 73351; 73353, 73354; 73357-73359; 74190-74192; 74196; 74198-74201; 70351*
- INTERNATIONAL TRADEMARKS PROTECTED IN GEORGIA
69061; 70044-70058; 70231-70235; 70239; 70275; 70370-70377; 70442-70444; 70446, 70447; 70449; 70549-70557; 70559, 70560; 70629-70632; 70669; 70677; 70684-70691; 70693; 70695-70697; 70706; 70709-70723; 70735; 70737; 70740; 70752, 70753; 70755-70758; 70762-70766; 70768-70776; 70778-70788; 70801, 70802; 70809-70812; 70815-80719; 70823-70825; 71001, 71002; 71004; 71006-71008; 71011-71015; 71017; 71020-71024; 71027, 71028; 71032; 71042-71045; 71272, 71273; 71281; 71286; 71295; 71298; 71303, 71304; 71316, 71317; 71321, 71322; 71324-71326; 71328; 71338, 71339; 73428

INVENTIONS

APPLICATIONS APPROVED FOR GRANTING PATENTS

The decision can be appealed at the Chamber of Appeal of Sakpatenti within 3 months from the publication or at the Mtskheta District Court Administrative Cases Board (Address: №17, Samkhedro str., Mtskheta), within 1 month following the publication.

PART A

A 01

- (10) AP 2014 11362 A (51) Int. Cl. (2006)
A 01 N 43/653
A 01 N 25/02
A 01 N 25/22
A 01 P 3/00
B 27 K 3/50
- (21) AP 2007 011362 (22) 2007 12 04
(31) 0625095.5
(32) 2006 12 15
(33) GB
(71) SYNGENTA LIMITED (GB)
European Regional Centre, Priestley Road,
Surrey Research Park, Guildford, Surrey
GU2 7YH (GB)
(72) BROQUET, Jean-Charles, Daniel,
Nicolas (FR);
CHUNG, Richard, Chi, Shing (GB);
BELL, Gordon, Alastair (GB)
(74) Tamar Kochlamazashvili
(85) 2009 07 14
(86) PCT/GB2007/004636, 2007 12 04
(54) **COMPOSITIONS OF TRIAZOLE**
(57) Present invention relates to concentrated solution of triazole compounds, as well as one triazole compound application to avoid another triazole compound crystallization in such solutions.
Claims: 3 independent
3 dependent
Fig.: 1
-

A 61

- (10) AP 2014 12965 A (51) Int. Cl. (2006)
A 61 K 31/00
A 01 K 51/00
- (21) AP 2013 012965 (22) 2013 01 14
(71) Venera Stepanishvili (GE)
Tsknetis q. 1, b. 118, 0162 Tbilisi (GE);
Ucha Abzianidze (GE)
Tsknetis q. 1, b. 118, 0162 Tbilisi (GE);
Shalva Abzianidze (GE)
Tsknetis q. 1, b. 118, 0162 Tbilisi (GE)
(72) Venera Stepanishvili (GE);
Ucha Abzianidze (GE);
Shalva Abzianidze (GE)
(54) **FOULBROODS THERAPEUTIC AGENT
"VESTA"**
(57) There is represented foulbroods therapeutic agent containing: 12 oxytetracycline, 6 chlortetracycline, 54 wheat bran and 28 sugar powder, in parts by weight.
Claims: 1 independent
-
- (10) AP 2014 12558 A (51) Int. Cl. (2006)
A 61 K 31/416
- (21) AP 2010 012558 (22) 2010 06 23
(31) 09425270.7
(32) 2009 07 08
(33) EP
(71) AZIENDE CHIMICHE RIUNITE ANGELINI
FRANCESCO A.C.R.A.F. S.p.A. (IT)
Viale Amelia 70, I-00181 Roma (IT)
(72) GUGLIELMOTTI, Angelo (IT);
MANGANO, Giorgina (IT);
BIONDI, Giuseppe (IT)
(74) Liliana Darakhvelidze
(85) 2012 02 07
(86) PCT/EP2010/058881, 2010 06 23
(54) **BENZYDAMINE USAGE AT P40-DEPENDENT DISEASES TREATMENT**
(57) There is represented benzydamine applied at the treatment of inflammatory diseases caused by expression or overexpression of cytokine subunit p40; at that, said diseases are selected from following group: rheumatoid arthritis, psoriatic arthritis, psoriasis, and Crohn's disease.
Claims: 2 independent
3 dependent
-

PART B**B 61**

(10) AP 2014 12743 A (51) Int. Cl. (2006)
B 61 G 9/06

(21) AP 2010 012743

(22) 2010 09 17

(31) PCT/US2010/002537

(32) 2010 09 17

(33) WO

(71) MINER ENTERPRISES, INC. (US)

1200 East State Street P.O. Box 471 Geneva,
IL 60134 (US)

(72) WILT, Donald, E. (US);

SALIS, Keith, A. (US);

GALINDO, Rosie (US);

POKORSKI, Robert, J. (US);

JURASEK, Kris, C. (US);

O'DONNELL, William, P. (US)

(74) Davit Zurabishvili

(85) 2012 06 07

(86) PCT/US2010/002537, 2010 09 17

(54) **FRICION/ELASTOMERIC DRAFT
GEAR**

(57) There is represented friction/elastomeric draft gear having spring assembly 70 arranged within housing 16, and friction clutch assembly 40 having wedge member 50 and defining first sliding friction surface 49 disposed at an angle θ relative to longitudinal axis of draft gear, and second friction surface 59 disposed at an angle β relative thereto. Spring assembly is designed in combination with the angles θ and β of first and second friction sliding surfaces relative to longitudinal axis such, that the draft gear consistently and repeatedly withstands between about 100KJ and 130 KJ of energy imparted at less than three meganewtons over the range of travel of wedge member in inward axial direction relative to draft gear housing, not exceeding 120mm.

Claims: 3 independent
19 dependent

Fig.: 9

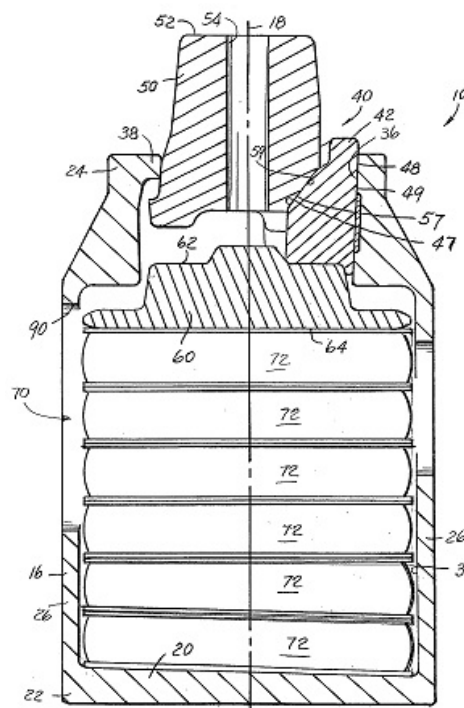


Fig. 3

PART C**C 07**

(10) AP 2014 12770 A (51) Int. Cl. (2006)

C 07 D 413/12

C 07 D 413/14

C 07 D 419/12

(21) AP 2010 012770 (22) 2010 12 01

(31) 09177640.1; 10186537.6

(32) 2009 12 01; 2010 10 05

(33) EP; EP

(71) SYNGENTA PARTICIPATIONS AG (CH)
Schwarzwaldallee 215 CH-4058 Basel (CH)

(72) CASSAYRE, Jérôme Yves (FR);

RENOLD, Peter (CH);

EL QACEMI, Myriem (FR);

PITTERNA, Thomas (AT);

TOUEG, Julie Clementine (FR)

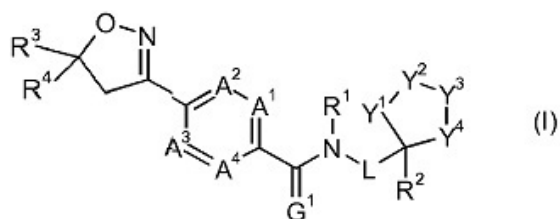
(74) Tamar Kochlamazashvili

(85) 2012 06 29

(86) PCT/EP2010/068605, 2010 12 01

(54) **INSECTICIDAL COMPOUNDS BASED
ON ISOXAZOLINE DERIVATIVES**

(57) There are represented compound of formula (I),



intermediate compounds applied at preparation method thereof, pesticide compositions on their basis, and application therefor combat pests.

Claims: 6 independent
5 dependent

Table: 2

(10) AP 2014 12268 A (51) Int. Cl. (2006)
C 07 D 453/02
C 07 D 211/46
C 07 D 207/12
C 07 D 211/42
C 07 D 451/10
A 61 K 31/439
A 61 P 11/08
A 61 K 31/4465
A 61 K 31/401

(21) AP 2009 012268 (22) 2009 12 11

(31) 08172818.0

(32) 2008 12 23

(33) EP

(71) CHIESI FARMACEUTICI S.P.A. (IT)
Via Palermo, 26/A, I-43100 Parma (IT)

(72) CALIGIURI, Antonio (IT);
RICCABONI, Mauro (IT);
AMARI, Gabriele (IT)

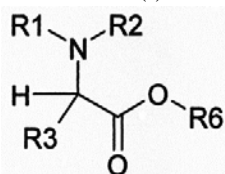
(74) Shalva Gvaramadze

(85) 2011 06 22

(86) PCT/EP2009/008870, 2009 12 11

(54) **ALKALOID AMINOESTER
DERIVATIVES AND MEDICINAL
COMPOSITIONS THEREOF**

(57) Present invention relates to alkaloid amino-
ester derivatives of formula (I)



acting as muscarinic receptor antagonists, preparation methods, compositions comprising medicinal compositions, and therapeutic application thereof.

Claims: 10 independent
10 dependent

(10) AP 2014 12346 A (51) Int. Cl. (2006)
C 07 D 471/04
C 07 D 471/14
C 07 D 498/14
C 07 D 513/14
A 61 K 31/4985
A 61 K 31/5365
A 61 K 31/542
A 61 P 25/00
A 61 P 35/00
A 61 P 9/00
A 61 P 29/00

(21) AP 2010 012346 (22) 2010 01 21

(31) 61/146,740; 61/228,879

(32) 2008 01 23; 2009 07 27

(33) US; US

(71) TAKEDA PHARMACEUTICAL
COMPANY LIMITED (JP)
1-1, Doshomachi 4-chome, Chuo-ku,
Osaka-shi, Osaka 541-0045 (JP)

(72) GANGLOFF, Anthony R. (US);
JENNINGS, Andrew John (US);
JONES, Benjamin (US);
KIRYANOV, Andre A (US)

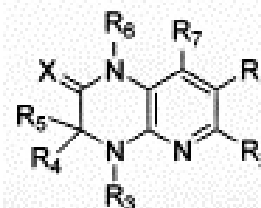
(74) Alexander Gegechkori

(85) 2011 08 23

(86) PCT/US2010/ 021669, 2010 01 21

(54) **POLY (ADP-RIBOSE) POLYMERASE
(PARP) INHIBITORS**

(57) There are represented compounds of formula (1),



wherein substituent X is selected from the group O, S, NR₈, and values of R₁, R₂, R₃, R₄, R₅, R₆, R₇, R₈ substituents are provided in the claims. Pharmaceutical compositions or combinations with at least one additional pharmacologically active compound on the basis of specified compounds are applied at cancer, cardiovascular, metabolic, inflammatory, ischemic, and neurodegenerative diseases treatment and for medicine preparation treating thereof.

Claims: 6 independent
13 dependent

Table: 2

**(10) AP 2014 12805 A (51) Int. Cl. (2006)
C 07 D 495/04**

- (21) AP 2010 012805 (22) 2010 12 21
 (31) P0900794
 (32) 2009 12 21
 (33) HU
 (71) EGIS GYÓGYSZERGYÁR YILVÁNOSAN
 MŰKÖDŐ RÉSZVÉNYTÁRSASÁG (HU)
 Keresztúri út 30-38 H-1106 Budapest (HU)
 (72) PORCS-MAKKAY, Márta (HU);
 VOLK, Balázs (HU);
 GREGOR, Tamás (HU);
 BARKÓCZY, József (HU);
 MEZEI, Tibor (HU);
 BRODA, Judit (HU);
 NYULASI, Bálint (HU);
 RUZSICS, György (HU);
 MOLNÁR, Enikő (HU);
 DEBRECZENI, József (HU);
 NAGY, Kálmán (HU);
 PANDUR, Angéla (HU);
 SZENT-KIRÁLLYI, Zsuzsanna (HU)

- (74) Liliana Darakhvelidze
 (85) 2012 07 20
 (86) PCT/HU2010/000149, 2010 12 21

**(54) PROCESS FOR PREPARING
PHARMACEUTICAL COMPOUNDS
AND INTERMEDIATE COMPOUNDS**

(57) Present invention relates to preparation process of 2-acetoxy-5-(2-fluor- α - cyclopropyl-carbonyl-benzyl)-4,5,6,7-tetrahydro-4H-tieno[3,2-c]pyridine (prasugrel) of formula (I), wherein novel crystalline form of 5-trityl-4,5,6,7-tetrahydro-tieno[3,2-c] pyridine is applied as starting product.

Claims: 6 independent
 3 dependent

Fig.: 8

C 12**(10) AP 2014 12973 A (51) Int. Cl. (2006)
C 12 G 3/12**

- (21) AP 2013 012973 (22) 2013 01 21
 (71) Zurab Dzneladze (GE)
 Metsnierebis q. 9, b. 5, 3500 Ozurgeti (GE);
 Zaal Dugladze (GE)
 Oniashvilis q. 4, 0160 Tbilisi (GE);
 Gia Antadze (GE)
 Lavrenti Goliazis q. 4, 3500 Ozurgeti (GE);
 Gocha Dzneladze (GE)
 I. Chavchavadzis Gamz. 80, korp. 4, b. 7,
 0162 Tbilisi (GE);
 Davit Dugladze (GE)
 I.Abashidzis q. 16, 0179 Tbilisi (GE);
 Bichiko Antadze (GE)
 Lavrenti Goliazis q. 4, 3500 Ozurgeti (GE)

- (72) Zurab Dzneladze (GE);
 Zaal Dugladze (GE);
 Gia Antadze (GE);
 Gocha Dzneladze (GE);
 Davit Dugladze (GE);
 Bichiko Antadze (GE)

**(54) METHOD OF ALCOHOL BRAND
SPIRIT PREPARATION**

(57) There is represented a method providing wine material extraction up to 33°C with 96% ethyl alcohol within no less than two days, when wine material and ethyl alcohol are taken in ratio 1:1.8; then, spirit preparation, filtration, and aging thereof.

Claims: 1 independent
 2 dependent

Table: 3

**(10) AP 2014 11504 A (51) Int. Cl. (2006)
C 12 N 15/82
A 01 H 1/06**

- (21) AP 2007 011504 (22) 2007 08 27
 (31) RM2007A000129
 (32) 2007 03 14
 (33) IT
 (71) AEP ADVANCED ECOPOWER PATENTS
 SA (CH)
 Via Luini 12, CH-6600 Locarno (CH)

(72) FOGHER, Corrado (IT)

- (74) Alexander Gegechkori
 (85) 2009 10 12
 (86) PCT/IB2007/053412, 2007 08 27

**(54) MUTAGENIZED TOBACCO PLANT AS
SEED CULTURE FOR OIL PRODUCTION
FOR ENERGETIC, INDUSTRIAL AND
ALIMENTARY USES**

(57) Present invention relates to mutagenized tobacco plants, producing high amount of seeds. The plant is cultivated via somatic in vitro chemical and physical methods. The plant is additionally modified by means of genetic engineering methods by including high amount of oil marked with fatty acid metabolism in the seeds. The seeds of tobacco plant cultivated via said method are applied for oil, combustion oils, solid fuel, biodiesel, animal and human alimentation preparation.

Claims: 6 independent
 7 dependent

Fig.: 2

PART F**F 41****(10) AP 2014 12772 A (51) Int. Cl. (2006)
F 41 G 1/34**

(21) AP 2010 012772 (22) 2010 12 01

(31) A1912/2009

(32) 2009 12 02

(33) AT

(71) MB-MICROTEC AG (CH)

Freiburgstrasse 624, CH-3172 Niederwangen-
Bei-Bern (CH);

KRISS INTERNATIONAL S.A. (CH)

Ch. de la Vuarpilli 35, 1260 Nyon (CH)

(72) PROFOS, Markus; (CH) (CH)

(74) Pavle Meipariani

(85) 2012 07 02

(86) PCT/EP2010/068644, 2010 12 01

(54) SIGHTING DEVICE

(57) There is represented sighting device (1, 11) comprising at least one self-illuminated light source (2), and at least one body made of light-conducting and/or light-collecting material; at that, the body is implemented as tube (3) or ring (8), and the light source (2) is disposed at least in one segment of tube (3) or ring (8).

Claims: 1 independent

20 dependent

Fig.: 21

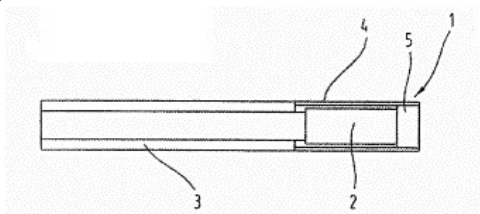


Fig. 1

PART G**G 06****(10) AP 2014 12601 A (51) Int. Cl. (2006)
G 06 Q 40/00****G 06 F 19/00**

(21) AP 2010 012601 (22) 2010 08 12

(31) 2009903787

(32) 2009 08 12

(33) AU

(71) BUCKNELL TECHNOLOGIES PTY

LTD (AU)

6/414 Edgecliff Road Woollahra, New South

Wales 2025 (AU)

(72) BUCKNELL, Benjamin George

Wentworth (AU)

(74) Shalva Gvaramadze

(85) 2012 02 29

(86) PCT/AU2010/001027, 2010 08 12

**(54) METHOD AND SYSTEM FOR PRICING
AND ALLOCATING SECURITIES**

(57) There is represented method/system for pricing and allocating identified securities of a company on a registered securities exchange, as opposed to an off-market offer. A host computer system receives bid data indicative of one or more bids for the identified securities from one or more eligible investors. Novel methods/algorithms are applied in a determination of at least one price of the identified securities and an allocation of the identified securities to the one or more eligible investors.

Claims: 3 independent

16 dependent

Fig: 5

PATENTED INVENTIONS

PART A

A 61

- (11) P 2014 6095 B** **(51) Int. Cl. (2006)**
A 61 F 13/537
- (10) AP 2014 11479 A (44) 3(391)/2014
 (21) AP 2008 011479
 (22) 2008 03 11
 (24) 2008 03 11
 (31) 2007/01707
 (32) 2007 03 19
 (33) TR
 (86) PCT/IB2008/050883, 2008 03 11
 (73) EVYAP SABUN YAG GLISERIN SANAYI
 VE TICARET ANONIM SIRKETI (TR)
 Ayazaga Cendere Yolu No.10 Levent 34396
 Istanbul (TR)
 (72) EVYAP ARIN, Ayse (TR);
 OZER, Emre (TR);
 KUCUKOGLU, Sule (TR);
 ALGUL, Fatma (TR);
 AKYUZ, Sinan (TR);
 SUZEN, Mesut (TR);
 GENÇ, Gultekin (TR)
 (74) Tamaz Shilakadze
 (54) **LAYERED ACQUISITION AND**
DISTRIBUTION COMPONENT
-

PART B

B 26

- (11) P 2014 6094 B** **(51) Int. Cl. (2006)**
B 26 F 1/28
B 23 H 9/14
- (10) AP 2014 12545 A (44) 1(389)/2014
 (21) AP 2012 012545
 (22) 2012 01 24
 (24) 2012 01 24
 (73) Levan Chkhartishvili (GE)
 A. Khazbegis Gamz. 11, b. 12, 0160
 Tbilisi (GE)
 (72) Levan Chkhartishvili (GE)
 (54) **FLITCH PLATE THERMAL**
PERFORATION
-

PART C

C 07

- (11) P 2014 6096 B** **(51) Int. Cl. (2006)**
C 07 D 401/04
C 07 D 403/04
C 07 D 409/04
C 07 D 471/04
C 07 D 235/02
- (10) AP 2014 12274 A (44) 1(389)/2014
 (21) AP 2009 012274
 (22) 2009 12 23
 (24) 2009 12 23
 (31) 2705/MUM/2008; 61/146,865; 1732/MUM/2009;
 61/237,434
 (32) 2008 12 26; 2009 01 23; 2009 07 29; 2009 08 27
 (33) IN; US; IN; US
 (86) PCT/IB2009/008018, 2009 12 23
 (73) GLENMARK PHARMACEUTICALS,
 S.A. (CH)
 Chemin De La Combeta 5, CH-2300
 La Chaux-de-Fonds (CH)
 (72) LINGAM, V. S. Prasadarao (IN);
 THOMAS, Abraham (IN);
 PHATANGARE, Shantaram Kashinath (IN);
 MINDHE, Ajit Shankar (IN);
 KHATIK, Javed Yusuf (IN);
 KHAIRATKAR-JOSHI, Neelima (IN);
 KATTIGE, Vidya Ganapati (IN)
 (74) Alexander Kvernadze
 (54) **FUSED IMIDAZOLE DERIVATIVES AS**
TRPV3 ANTAGONISTS
-

- (11) P 2014 6103 B** **(51) Int. Cl. (2006)**
C 07 D 401/12
C 07 D 471/04
A 61 K 31/437
A 61 K 31/4439
- (10) AP 2014 12715 A (44) 3(391)/2014
 (21) AP 2010 012715
 (22) 2010 10 19
 (24) 2010 10 19
 (31) 61/253590
 (32) 2009 10 21
 (33) US
 (86) PCT/US2010/053142, 2010 10 19
 (73) BOEHRINGER INGELHEIM
 INTERNATIONAL GMBH (DE)
 Binger Strasse 173, 55216 Ingelheim
 Am Rhein (DE)
 (72) COOK, Brian Nicholas (US);
 KUZMICH, Daniel (US);

MAO, Can (CN);
RAZAVI, Hossein (US)
(74) Tamar Kochalamazashvili
(54) **INDAZOLE AND PYRAZOLOPYRIDINE
COMPOUNDS AS CCR1 RECEPTOR
ANTAGONISTS**

(11) P 2014 6102 B **(51) Int. Cl. (2006)**
C 07 D 401/14
C 07 D 403/04
A 61 K 31/506
A 61 P 35/00

(10) AP 2014 12645 A (44) 3(391)/2014
(21) AP 2010 012645
(22) 2010 08 27
(24) 2010 08 27
(31) 61/238073; 61/313039
(32) 2009 08 28; 2010 03 11
(33) US; US
(86) PCT/US2010/046930, 2010 08 27
(73) IRM LLC (US)
131 Front Street, P.O Box HM 2899,
Hamilton, HM LX (BM) (US);
NOVARTIS AG (CH)
Lichtstrasse 35, CH-4056, Basel (CH)
(72) HUANG, Shenlin (CN);
JIN, Xianming (US);
LIU, Zuosheng (CN);
POON, Daniel (US);
TELLEW, John E. (US);
WAN, Yongqin (CN);
WANG, Xing (CN);
XIE, Yongping (US)
(74) Alexander Kartvelishvili
(54) **COMPOUNDS AND COMPOSITIONS AS
PROTEIN KINASE INHIBITORS**

(11) P 2014 6101 B **(51) Int. Cl. (2006)**
C 07 D 213/74
C 07 D 401/04
C 07 D 401/12
A 61 K 31/506
A 61 P 29/00
A 61 P 35/00

(10) AP 2014 12602 A (44) 3(391)/2014
(21) AP 2010 012602
(22) 2010 07 28
(24) 2010 07 28
(31) 61/273154; 61/357720
(32) 2009 07 30; 2010 06 23
(33) US; US
(86) PCT/EP2010/060984, 2010 07 28
(73) NOVARTIS AG (CH)
Lichtstrasse 35 CH-4056 Basel (CH)
(72) BARSANTI, Paul, A. (GB);
HU, Cheng (CN);
JIN, Jeff (US);

KEYES, Robert (US);
KUCEJKO, Robert (US);
LIN, Xiaodong (US);
PAN, Yue (CN);
PFISTER, Keith, B. (US);
SENDZIK, Martin (DE);
SUTTON, James (US);
WAN, Lifeng (CN)

(74) Alexander Kartvelishvili
(54) **PYRIDINE AND PYRAZINE
DERIVATIVES AS PROTEIN KINASE
MODULATORS**

(11) P 2014 6100 B **(51) Int. Cl. (2006)**
C 07 D 403/12
C 07 D 487/04
A 61 K 31/519
A 61 K 31/4353
A 61 K 31/4184
A 61 P 25/00

(10) AP 2014 12536 A (44) 3(391)/2014
(21) AP 2010 012536
(22) 2010 06 17
(24) 2010 06 17
(31) PCT/DK2009/050134
(32) 2009 06 19
(33) DK
(86) PCT/DK2010/050147, 2010 06 17
(73) H. LUNDBECK A/S (DK)
Ottiliavej 9, DK-2500 Valby (DK)
(72) RITZEN, Andreas (SE);
KEHLER, Jan (DK);
LANGGÅRD, Morten (DK);
NIELSEN, Jacob (DK);
KILBURN, John Paul (GB);
FARAH, Mohamed M. (DK)
(74) Shalva Gvaramadze
(54) **NOVEL PHENYLIMIDAZOLE
DERIVATIVE AS PDE10A ENZYME
INHIBITOR**

(11) P 2014 6099 B (51) **Int. Cl. (2006)**
C 07 D 471/04
C 07 D 513/04
C 07 D 519/00
A 61 K 31/429
A 61 K 31/437
A 61 K 31/4985
A 61 P 29/00

(10) AP 2014 12526 A (44) 1(389)/2014
(21) AP 2009 012526
(22) 2009 12 15
(24) 2009 12 15
(31) 1397/MUM/2009; 61/221615; 145/MUM/2009;
61/141133; 1730/MUM/2009; 61/150248;
61/237456; 2610/MUM/2008
(32) 2009 06 10; 2009 06 30; 2009 01 22; 2008 12 29;
2009 07 29; 2009 02 05; 2009 08 27; 2008 12 15
(33) IN; US; IN; US; IN; US; US; IN
(86) PCT/IB2009/007951, 2009 12 15
(73) GLENMARK PHARMACEUTICALS,
S.A. (CH)
Chemin De La Combeta 5, CH-2300
La Chaux-de-Fonds (CH)
(72) CHAUDHARI, Sachin Sunarlal (IN);
THOMAS, Abraham (IN);
KADAM, Ashok Bhausahab (IN);
DHONE, Sachin Vasantrao (IN);
KADAM, Suresh Mahadev (IN);
KHAIRATKAR-JOSH, Neelima (IN);
KATTIGE, Vidya Ganapati (IN)
(74) Alexander Kvernadze
(54) **FUSED IMIDAZOLE CARBOXAMIDES**
AS TRPV3 MODULATORS

(11) P 2014 6098 B (51) **Int. Cl. (2006)**
C 07 D 487/04
A 61 K 31/519

(10) AP 2014 12436 A (44) 3(391)/2014
(21) AP 2010 012436
(22) 2010 03 26
(24) 2010 03 26
(31) 2009 - 000574; PCT/EP2009/053907;
09171906.2
(32) 2009 03 31; 2009 04 01; 2009 09 30
(33) VE; EP; EP
(86) PCT/EP2010/054050, 2010 03 26
(73) BOEHRINGER INGELHEIM
INTERNATIONAL GMBH (DE)
Binger Straße 173, 55216 Ingelheim Am
Rhein (DE)
(72) GIOVANNINI, Riccardo (DE);
DORNER-CIOSSEK, Cornelia (DE);
EICKMEIER, Christian (DE);
FIEGEN, Dennis (DE);
FOX, Thomas (DE);
FUCHS, Klaus (DE);
HEINE, Niklas (DE);

ROSENBROCK, Holger (DE);
SCHAENZLE, Gerhard (DE)
(74) Tamar Kochlamazashvili
(54) **1-HETEROCYCLYL-1, 5-DIHYDRO-**
PYRAZOLO [3, 4-D] PYRIMIDIN-4-ONE
DERIVATIVES AND THEIR USAGE AS
PDE9A MODULATORS

(11) P 2014 6104 B (51) **Int. Cl. (2006)**
C 07 D 493/08
C 07 H 7/04
A 61 K 31/35
A 61 P 3/04
A 61 P 3/10

(10) AP 2014 12727 A (44) 3(391)/2014
(21) AP 2010 012727
(22) 2010 10 21
(24) 2010 10 21
(31) 61/257140; 61/372938
(32) 2009 11 02; 2010 08 12
(33) US; US
(86) PCT/IB2010/054775, 2010 10 21
(73) PFIZER INC. (US)
235 East 42nd Street New York,
NY 10017 (US)
(72) MASCITTI, Vincent (FR)
(74) Shalva Gvaramadze
(54) **DIOXA-BICYCLO[3.2.1]OCTANE-2,3,4-**
TRIOLE DERIVATIVES

(11) P 2014 6105 B (51) **Int. Cl. (2006)**
C 07 D 519/00
A 61 K 31/519
A 61 P 11/00
A 61 P 11/06
A 61 P 11/08

(10) AP 2014 12783 A (44) 3(391)/2014
(21) AP 2010 012783
(22) 2010 12 15
(24) 2010 12 15
(31) 09179982.5; 61/315552; PCT/EP2010/069704
(32) 2009 12 18; 2010 03 19; 2010 12 15
(33) EP; US; EP
(86) PCT/EP2010/069704, 2010 12 15
(73) TAKEDA GMBH (DE)
Byk-Gulden-Str. 2, 78467 Konstanz (DE)
(72) FLOCKERZI, Dieter (DE);
STENGEL, Thomas (DE);
MANN, Alexander (DE);
OHMER, Harald (DE);
KAUTZ, Ulrich (DE);
WEINBRENNER, Steffen (DE);
FISCHER, Stefan (DE);
ZITT, Christof (DE);
HATZELMANN, Armin (DE);
DUNKERN, Torsten (DE);
HESSLINGER, Christian (DE);

MAIER, Thomas (DE);
 TENOR, Hermann (DE);
 BRAUN, Clemens (DE);
 KÜLZER, Raimund (DE);
 MARX, Degenhard; (DE)
 (74) Tamar Kochalamazashvili
 (54) **3,4,4A,10B-TETRAHYDRO-1H-
 THIOPYRANO-[4,3-c] ISOQUINOLINE
 DERIVATIVES**

Carel van Bylandtlaan 30 NL-2596 HR
 Hague (NL)
 (72) EFTHYMIOU, Michalakis (NL);
 KLOMP, Ulfert, Cornelis (NL);
 PASFIELD, Thomas, Alexander (NL);
 SORENSEN, Kjeld, Aaby (NL)
 (74) Liliana Darakhvelidze
 (54) **METHOD FOR CONVERTING HYDRA-
 TES BURIED IN WATERBOTTOM INTO
 MARKETABLE HYDROCARBON
 COMPOSITION**

C 10

**(11) P 2014 6097 B (51) Int. Cl. (2006)
 C 10 J 3/20**
 (10) AP 2014 12407 A (44) 3(391)/2014
 (21) AP 2010 012407
 (22) 2010 03 03
 (24) 2010 03 03
 (31) 10 2009 011 358.4
 (32) 2009 03 05
 (33) DE
 (86) PCT/EP2010/052655, 2010 03 03
 (73) KRONES AG (DE)
 Böhmerwaldstraße 5 93073
 Neutraubling (DE)
 (72) KAMMERLOHER, Helmut (DE);
 JOHANNSEN, Sven (DE);
 TRAN, Van Cung (DE)
 (74) Shalva Gvaramadze
 (54) **METHOD AND DEVICE FOR UTILIZING
 STRAW-LIKE BIOMASS IN FIXED
 BED GASIFICATION PROCESS**

PART E

E 21

**(11) P 2014 6093 B (51) Int. Cl. (2006)
 E 21 B 43/36
 E 21 C 45/00
 E 21 B 43/01
 E 02 F 3/00**
 (10) AP 2014 12368 A (44) 1(389)/2014
 (21) AP 2010 012368
 (22) 2010 02 12
 (24) 2010 02 12
 (31) 09152818.2
 (32) 2009 02 13
 (33) EP
 (86) PCT/EP2010/051782, 2010 02 12
 (73) SHELL INTERNATIONALE RESEARCH
 MAATSCHAPPIJ B.V. (NL)

PART F

F 41

**(11) P 2014 6092 B (51) Int. Cl. (2006)
 F 41 A 21/18**
 (10) AP 2013 11083 A (44) 22(386)/2013
 (21) AP 2009 011083
 (22) 2009 01 30
 (24) 2009 01 30
 (73) Vitali Abramyan (GE)
 Vazisubnis Das., II mkr., korp. 1, b. 42,
 0152 Tbilisi (GE);
 Konstantine Abramyan (GE)
 Vazisubnis Das., II mkr., korp. 1, b. 42,
 0152 Tbilisi (GE);
 Vianor Abramyan (GE)
 Vazisubnis Das., II mkr., korp. 1, b. 42,
 0152 Tbilisi (GE);
 Ronald Abramyan (GE)
 Vazisubnis Das., II mkr., korp. 1, b. 42,
 0152 Tbilisi (GE)
 (72) Vitali Abramyan (GE);
 Konstantine Abramyan (GE);
 Vianor Abramyan (GE);
 Ronald Abramyan (GE)
 (54) **METHOD OF RIFLED ARM FIGHTING
 AND EXPLOITING CHARACTERISTICS
 COMPLEX IMPROVEMENT AND ABRA-
 MYAN RIFLED ARM BARREL**

UTILITY MODELS

APPLICATIONS APPROVED FOR GRANTING PATENT

The decision can be appealed at the Chamber of Appeal of Sakpatenti within 3 months from the publication or at the Mtskheta District Court Administrative Cases Board (Address: №17, Samkhedro str., Mtskheta), within 1 month following the publication.

PART A

A 21

(10) AU 2014 13147 U (51) Int. Cl. (2006)

A 21 D 2/00

(21) AU 2013 013147 (22) 2013 06 28

(71) Konstantine Chakhunashvili (GE)
Nutsbidzis Perd., III mkr., II kvart.,
korp. 6, b. 25, 0177 Tbilisi (GE);
Irakli Kalandia (GE)
Tsknetis q., korp. 4A, b. 37, 0162
Tbilisi (GE);
Davit Chakhunashvili (GE)
A. Machavarianis q. 21, 0179 Tbilisi (GE)

(72) Konstantine Chakhunashvili (GE);

Irakli Kalandia (GE);

Davit Chakhunashvili (GE)

(54) **DOUGH COMPOSITION FOR BREAD-
BAKERY PREPARATION**

(57) There is represented a composition containing in mass%: 60-61 flour, 0.6-0.8 yeast, 0.78-0.79 salt, 0.16-0.8 pollen spirit-water solution suspension, and the rest is water.

Claims: 1 independent

Table: 1

A 23

(10) AU 2014 13017 U (51) Int. Cl. (2006)

A 23 L 1/20

(21) AU 2013 013017 (22) 2013 02 27

(71) Simon Begheladze (GE)
Kostavas II Shes. 5A, b. 22, 0179
Tbilisi (GE)

(72) Simon Begheladze (GE)

(54) **METHOD OF PHASEOLUS DISH
PREPARATION IN POWDER FORM**

(57) A method provides phaseolus dish preparation, prepared dish pouring on drying cupboard shelves, drying thereof during 24h-s up to 30-40°C temperature, and grinding.

Claims: 1 independent

(10) AU 2014 13018 U (51) Int. Cl. (2006)

A 23 L 1/20

(21) AU 2013 013018 (22) 2013 02 27

(71) Simon Begheladze (GE)
Kostavas II Shes. 5A, b. 22, 0179
Tbilisi (GE)

(72) Simon Begheladze (GE)

(54) **METHOD OF FOOD PRODUCT
"ELARJI" PREPARATION IN
POWDER FORM**

(57) A method provides "Elarji" preparation, covering drying cupboard shelves with prepared "Elarji" of 5mm thickness, drying thereof during 24h-s up to 50°C temperature, and grinding.

Claims: 1 independent

(10) AU 2014 13066 U (51) Int. Cl. (2006)

A 23 G 3/34

(21) AU 2013 013066 (22) 2013 04 23

(71) Larisa Arutinyan (GE)
Baraletis q. 75, 0189 Tbilisi (GE)

(72) Larisa Arutinyan (GE)

(54) **CONFECTIONARY**

(57) There is represented confectionary containing in parts by weight: 87-90 sugar powder, 0.087-0.089 glycerol, 1.6-1.9 gelatin, 0.015-0.017 vanillin, 0.34-0.36 glucose, 0.087-0.089 citric acid, 8.7-8.9 water, 0.009-0.011 coloring agent, and 0.703-0.705 egg.

Claims: 1 independent

Table: 1

A 47

(10) AU 2014 13208 U (51) Int. Cl. (2006)

A 47 G 19/22

(21) AU 2013 013208 (22) 2013 08 27

(71) Nugzar Kakhniauri (GE)

Mikola Bazhanis q. 23, 0162 Tbilisi (GE)

(72) Nugzar Kakhniauri (GE)

(54) **LIQUID KEEPING VESSEL HAVING SHAPE OF "QVEVRI" (WINE JAR)**

(57) There is represented a vessel having shape of "qvevri", which mouth hole fits to standard established for bottleneck hole.

Claims: 1 independent

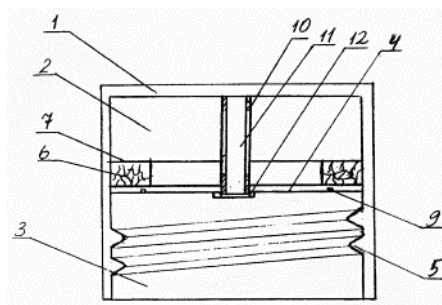


Fig. 1

PART B

B 65

(10) AU 2014 13276 U (51) Int. Cl. (2006)

B 65 D 25/08

B 65 D 81/32

(21) AU 2013 013276 (22) 2013 10 31

(71) Rostom Khurtsilava (GE)

Amirejibis q. 22, b. 4, 0148 Tbilisi (GE)

(72) Rostom Khurtsilava (GE)

(54) **PLUG**

(57) There is represented a plug 1 comprising hollow parts: one therefrom has capacity 2, and another is appropriated to be forced 3 on a vessel. Those parts are separated from each other with partition 4. Sealing means 6 is inserted in the part having capacity, and the partition has a central hole 8 and breaking line 9. Furthermore, the part with capacity is equipped with central supporting means 10 allocated axially and having a channel 11 connecting plug said parts to each other; at that, said channel and partition central hole are equipped with plugging means 12 from hollow part appropriated to be forced on the vessel.

Claims: 1 independent

4 dependent

Fig.: 2

PART E

E 02

(10) AU 2014 13196 U (51) Int. Cl. (2006)

E 02 B 13/00

(21) AU 2013 013196 (22) 2013 08 19

(71) Jemal Burkiashvili (GE)

M. Burdzglas q. 100, b. 18, 0194 Tbilisi (GE)

(72) Jemal Burkiashvili (GE)

(54) **IRRIGATING CONSTRUCTION**

(57) There is represented a construction comprising, for example, installed on the stands 2 and tied to each other the surface water gutters 1 having parabolic cut. The gutters are made with composite material executed with polymer, for example, layers made with mineral resources saturated with polyester. The stands are executed capable of height control.

Claims: 1 independent

5 dependent

Fig.: 6

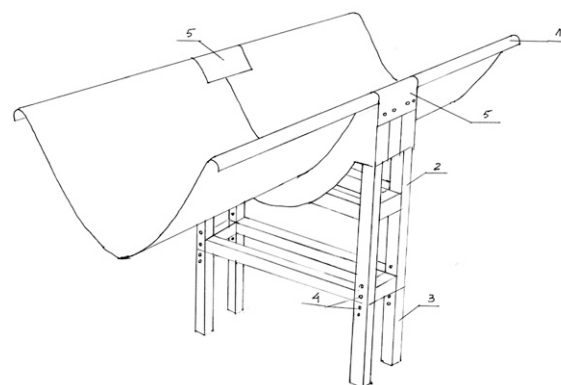


Fig. 1

PATENTED UTILITY MODEL**PART B**

Davit Sharabidze (GE);
Vladimer Dolidze (GE)
(54) **ENVIRONMENTALLY SAFE
CONVEYANCE FACILITY**

B 61

(11) U 2014 1813 Y (51) Int. Cl. (2006)

B 61 H 13/20

(10) AU 2014 13121 U (44) 3(391)/2014

(21) AU 2013 013121

(22) 2013 06 18

(24) 2013 06 18

(73) Giorgi Usanetashvili (GE)

Sop. Teliani, 2608 Kaspis R-ni (GE);

Levan Lomsadze (GE)

Didi Dighomi, III mkr. korp. 17, b. 31,

0131 Tbilisi (GE);

Guri Sharashenidze (GE)

Tsodniskaris q. 1 a, 0178 Tbilisi (GE)

(72) Giorgi Usanetashvili (GE);

Levan Lomsadze (GE);

Guri Sharashenidze (GE)

(54) **RAILCAR BRAKE LINKAGE**

B 65

(11) U 2014 1814 Y (51) Int. Cl. (2006)

B 65 D 88/00

(10) AU 2014 13148 U (44) 3(391)/2014

(21) AU 2013 013148

(22) 2013 06 28

(24) 2013 06 28

(73) Merab Jibladze (GE)

I.Chavchavadzis Gamz. 16, b. 23,

0179 Tbilisi (GE);

Irakli Sharabidze (GE)

I.Chavchavadzis q. 78, b. 140,

6010 Batumi (GE);

Tamaz Batsikadze (GE)

R. Laghidzis q. 16, 0108 Tbilisi (GE);

Guram Varshalomidze (GE)

Baratashvilis q. 20, 6010 Batumi (GE);

Zurab Razmadze (GE)

Barnovis q. 26, 0108 Tbilisi (GE);

Davit Sharabidze (GE)

A. Kazbegis q. 11, b. 36, 6010 Batumi (GE);

Vladimer Dolidze (GE)

Parnavaz Mepis q. 105, b. 51,

6010 Batumi (GE)

(72) Merab Jibladze (GE);

Irakli Sharabidze (GE);

Tamaz Batsikadze (GE);

Guram Varshalomidze (GE);

Zurab Razmadze (GE);

DESIGNS

APPLICATION APPROVED FOR REGISTRATION

The decision can be appealed at the Chamber of Appeal of Sakpatenti within 3 months from the publication or at the Mtskheta District Court Administrative Cases Board (Address: №17, Samkhedro str., Mtskheta), within 1 month following the publication.

(10) AD 2014 783 S (51) 19-08

(21) AD 2014 000783

(22) 2014 02 07

(28) 8

(71) JSC "MITANA" (GE)

G. Chkondidelis q. 26, 0180 Tbilisi (GE)

(72) Zaur Morbedadze (GE)

(54) LABELS: 1-4 - BOILED SAUSAGES, 5 - CERVELAT, 6 - SMOKED AND COOKED SAUSAGES, 7-8 - FRANKFURTERS

(55)



1



2



3



4



5



6



7



8

TRADEMARKS

APPLICATIONS FILED UNDER THE NATIONAL PROCEDURE APPROVED FOR REGISTRATION

The decision can be appealed at the Chamber of Appeal of Sakpatenti within 3 months from the publication or at the Mtskheta District Court Administrative Cases Board (Address: №17, Samkhedro str., Mtskheta), within 1 month following the publication.

(260) AM 2014 67747 A
(210) AM 067747
(220) 2013 04 09
(731) Ioseb Boghlotsishvili
Gogolis q. 3, 0164 Tbilisi, Georgia
(540)



(591) Black, white
(531) 26.11.08-27.05.21-27.05.24-27.07.24-
(511) 29, 30, 32, 33, 35

(260) AM 2014 71311 A
(210) AM 071311
(220) 2013 03 12
(731) LTD "KAKHETIAN TRADITIONAL
WINE-MAKING"
Ksnis q. 12, 0141 Tbilisi, Georgia
(740) Ketevan Chuchulashvili
(540)

ასკანელი
Askaneli
Асканели

(591) Black, white
(511) 43

(260) AM 2014 71585 A
(210) AM 071585
(220) 2013 03 29
(310) 2642594
(320) 2012 11 16
(330) GB
(731) BRITISH AMERICAN TOBACCO
(BRANDS) LIMITED
Global House, 4 Temple Place, London
WC2R 2 PG, UK
(740) Tamar Kochlamazashvili
(540)

ADJUST

(591) Black, white
(511) 34

(260) AM 2014 71619 A
(210) AM 071619
(220) 2013 04 02
(731) GOLDEN FRANCHISING CORPORATION
1131 Rockingham Drive, Suite 250,
Richardson, Texas 75080, USA
(740) Liliana Darakhvelidze
(540)

GOLDEN CHICK

(591) Black, white
(511) 43

(260) AM 2014 71624 A
(210) AM 071624
(220) 2013 04 02
(731) GENERAL MOTORS LLC
300 Renaissance Center, City of Detroit,
State of Michigan 48265-3000, USA
(740) Giorgi Taktakishvili
(540)



(591) Black, white
(531) 26.04.09-27.05.21-
(511) 12

(260) AM 2014 72074 A
(210) AM 072074
(220) 2013 04 29
(731) THE PROCTER & GAMBLE COMPANY
One Procter & Gamble Plaza, Cincinnati Ohio
45202, USA
(740) Shalva Gvaramadze
(540)

OLAY

(591) Black, white
(511) 3

(260) AM 2014 72432 A
 (210) AM 072432
 (220) 2013 05 30
 (731) Davit Jerenashvili
 Dolidzis q. korp. 5, b. 29, 0102 Tbilisi,
 Georgia
 (540)

INTELLIGENTSIA

(591) Black, white
 (511) 30, 35, 43

(260) AM 2014 72490 A
 (210) AM 072490
 (220) 2013 06 03
 (731) THE PROCTER & GAMBLE COMPANY
 One Procter & Gamble Plaza, Cincinnati Ohio
 45202, USA
 (740) Shalva Gvaramadze
 (540)

PODS

(591) Black, white
 (511) 11

(260) AM 2014 73039 A
 (210) AM 073039
 (220) 2013 07 09
 (731) LTD "MODERNRUFFING"
 Ak. Tseretlis Gamz. 118, 0119 Tbilisi,
 Georgia
 (540)



(591) Green, white
 (531) 07.01.09-26.11.08-27.05.11-28.19.00-
 29.01.03-
 (511) 35, 37

(260) AM 2014 73109 A
 (210) AM 073109
 (220) 2013 07 15
 (731) LTD "GMP"
 Kvemo Ponichala 65, 0165 Tbilisi, Georgia
 (740) Nugzar Ksovreli
 (540)

**პერუფენი
 ПЕРУФЕН
 PERUFEN**

(591) Black, white
 (511) 5

(260) AM 2014 73110 A
 (210) AM 073110
 (220) 2013 07 15
 (731) LTD "GMP"
 Kvemo Ponichala 65, 0165 Tbilisi, Georgia
 (740) Nugzar Ksovreli
 (540)

**ვაგინაპოლი
 ВАГИНАПОЛИ
 VAGINAPOLY**

(591) Black, white
 (511) 5

(260) AM 2014 73118 A
 (210) AM 073118
 (220) 2013 07 15
 (731) M7 TOBACCO TRADING FZCO
 Plot N.S51302, Jebel Ali, Dubai, United Arab
 Emirates
 (740) Giorgi Taktakishvili
 (540)

ZUMERRET

(591) Black, white
 (511) 34

(260) AM 2014 73122 A
 (210) AM 073122
 (220) 2013 07 15
 (731) LAVENA PLC
 P.O.Box 114, 9700 Shumen, Bulgaria
 (540)

**მატერნეა
 Матернеа
 Maternea**

(591) Black, white
 (511) 3

(260) AM 2014 73127 A
 (210) AM 073127
 (220) 2013 07 17
 (731) LTD "MATRIX"
 E. Takaishvilis q. 80, 6000 Batumi, Georgia
 (740) Givi Akopashvili
 (540)



(591) Black, white
 (531) 25.01.01-25.05.02-26.04.03-26.11.07-
 28.19.00-
 (511) 34

(260) AM 2014 73128 A
 (210) AM 073128
 (220) 2013 07 17
 (731) LTD "MATRIX"
 E. Takaishvilis q. 80, 6000 Batumi, Georgia
 (740) Givi Akopashvili
 (540)



(591) Black, white
 (531) 18.03.02-18.03.05-25.01.01-28.19.00-
 (526) **DISCLAIMER** – The trademark is protected
 as a whole, verbal sign "კოლხეთი" included there-
 in shall not be subject to independent legal pro-
 tection.
 (511) 34

(260) AM 2014 73171 A
 (210) AM 073171
 (220) 2013 07 23
 (731) MERCK SHARP & DOHME B.V
 Waarderweg 39, Haarlem 2013 BN,
 Netherlands
 (740) Tamaz Shilakadze
 (540)



(591) White, light yellow, light green, light sky blue
 (531) 01.15.05-26.11.13-29.01.13-
 (511) 5, 10

(260) AM 2014 73441 A
 (210) AM 073441
 (220) 2013 08 08
 (731) ACER INCORPORATED
 7F-5, No.369, Fuxing N. Rd., Songshan Dist.,
 Taipei City 10541, Taiwan, China
 (740) Liliana Darakhvelidze
 (540)



(591) Black, white
 (531) 27.05.05-27.05.22-
 (511) 9

(260) AM 2014 73451 A
 (210) AM 073451
 (220) 2013 08 08
 (731) API INTERNATIONAL INC.
 12505 SW Herman Rd, Tualatin, OREGON
 97062, USA
 (740) Tamaz Shilakadze
 (540)

WARCO

(591) Black, white
 (511) 1, 4

(260) AM 2014 73536 A
 (210) AM 073536
 (220) 2013 08 14
 (731) MONSTER ENERGY COMPANY
 Delaware Corporation
 1 Monster Way, Corona, CA 92879, USA
 (740) Shalva Gvaramadze
 (540)

MONSTER

(591) Black, white
 (511) 33

(260) AM 2014 73566 A
 (210) AM 073566
 (220) 2013 08 16
 (731) Ruslan S. Shostak
 Gagarinis Gamz. 7, b. 21, 49000
 Dnepropetrovsk, Ukraine
 (740) Pavle Meipariani
 (540)

EVA

(591) Black, white
 (511) 35

(260) AM 2014 73567 A
(210) AM 073567
(220) 2013 08 16
(731) Ruslan S. Shostak
Gagarinis Gamz. 7, b. 21, 49000
Dnepropetrovsk, Ukraine
(740) Pavle Meipariani
(540)



(591) White, green, orange
(531) 05.03.14-27.05.07-27.05.08-27.05.11-
29.01.12-
(511) 35

(260) AM 2014 73645 A
(210) AM 073645
(220) 2013 08 22
(731) GLAXO GROUP LIMITED
980 Great West Road, Brentford,
TW8 9GS Middlesex, UK
(740) Shalva Gvaramadze
(540)

АВАМИС

(591) Black, white
(511) 5

REGISTERED TRADEMARKS

(111) M 2014 024726 R
 (151) 2014 05 07
 (181) 2024 05 07
 (260) AM 2014 62823 A
 (220) 2011 06 13
 (732) BERLIN-CHEMIE AG
 Glienicker Weg 125, 12489 Berlin, Germany

(111) M 2014 024727 R
 (151) 2014 05 07
 (181) 2024 05 07
 (260) AM 2013 63254 A
 (220) 2011 07 18
 (732) N(N)LE "GEORGIAN GLASS AND
 MINERAL WATERS"
 Sop. Kvibisi JSC "GEORGIAN MINERAL
 WATERS"
 Borjomi Bottling Factory Territory No.2,
 0112 Borjomi, Georgia

(111) M 2014 024728 R
 (151) 2014 05 07
 (181) 2024 05 07
 (260) AM 2013 68063 A
 (220) 2012 07 13
 (732) LTD BROADCASTING COMPANY
 "RUSTAVI 2"
 Vazha-Pshavelas Gamz. 45, 0177 Tbilisi,
 Georgia

(111) M 2014 024729 R
 (151) 2014 05 07
 (181) 2024 05 07
 (260) AM 2014 68853 A
 (220) 2012 09 14
 (732) BRITISH AMERICAN TOBACCO
 (BRANDS) INC. (Delaware Corporation)
 2711 Centerville Road, Suite 300, Wilmington,
 DE 19808, USA

(111) M 2014 024730 R
 (151) 2014 05 07
 (181) 2024 05 07
 (260) AM 2013 70091 A
 (220) 2012 12 18
 (732) INGCO TOOLS CO. LIMITED
 2nd Floor, Abbot Building, Road Town,
 Tortola, Virgin islands (GB)

(111) M 2014 024731 R
 (151) 2014 05 07
 (181) 2024 05 07
 (260) AM 2013 70296 A
 (220) 2013 01 11
 (732) HERSHEY CHOCOLATE &
 CONFECTIONERY CORPORATION
 4860, Robb Street, Suite 204, Wheat Ridge,
 Colorado 80033, USA

(111) M 2014 024732 R
 (151) 2014 05 07
 (181) 2024 05 07
 (260) AM 2013 70482 A
 (220) 2013 01 22
 (732) LTD "AEA"
 Kaloubnis q. 35, b. 9, 0101 Tbilisi, Georgia

(111) M 2014 024733 R
 (151) 2014 05 07
 (181) 2024 05 07
 (260) AM 2013 70483 A
 (220) 2013 03 11
 (732) LTD "AEA"
 Kaloubnis q. 35, b. 9, 0101 Tbilisi, Georgia

(111) M 2014 024734 R
 (151) 2014 05 07
 (181) 2024 05 07
 (260) AM 2013 70707 A
 (220) 2013 02 01
 (732) SUBSIDIARY ENTERPRISE WITH
 FOREIGN INVESTMENT "SUNTRADE"
 19-21A, B. Khmelnytskogo Str., Kyiv, 01030,
 Ukraine

(111) M 2014 024735 R
 (151) 2014 05 07
 (181) 2024 05 07
 (260) AM 2014 70759 A
 (220) 2013 02 05
 (732) FORD MOTOR COMPANY
 One American Road, Dearborn, Michigan
 48126, USA

(111) M 2014 024736 R
(151) 2014 05 07
(181) 2024 05 07
(260) AM 2014 70797 A
(220) 2013 02 07
(732) LITTLE MISS MOGUL, LLC
Delaware Limited Liability Company
7 Times Square, New York, NY 10036-6569,
USA

(111) M 2014 024737 R
(151) 2014 05 07
(181) 2024 05 07
(260) AM 2013 70897 A
(220) 2013 02 14
(732) TWENTIETH CENTURY FOX FILM
CORPORATION
10201 West Pico Boulevard, Los Angeles,
CA 90035, USA

(111) M 2014 024738 R
(151) 2014 05 07
(181) 2024 05 07
(260) AM 2013 70916 A
(220) 2013 02 15
(732) ABBOTT LABORATORIES
100 Abbott Park Road, Abbott Park, Illinois
60064, USA

(111) M 2014 024739 R
(151) 2014 05 07
(181) 2024 05 07
(260) AM 2013 71094 A
(220) 2013 02 27
(732) JSC "LVIV TOBACCO FACTORY"
Ul. Promishlennaya, 50/52, k. 716, Lviv
79024, Ukraine

(111) M 2014 024740 R
(151) 2014 05 07
(181) 2024 05 07
(260) AM 2013 71095 A
(220) 2013 02 27
(732) JSC "LVIV TOBACCO FACTORY"
Ul. Promishlennaya, 50/52, k. 716, Lviv
79024, Ukraine

(111) M 2014 024741 R
(151) 2014 05 07
(181) 2024 05 07
(260) AM 2013 71097 A
(220) 2013 02 27
(732) JSC "LVIV TOBACCO FACTORY"
Ul. Promishlennaya, 50/52, k. 716, Lviv
79024, Ukraine

(111) M 2014 024742 R
(151) 2014 05 07
(181) 2024 05 07
(260) AM 2013 71098 A
(220) 2013 02 27
(732) JSC "LVIV TOBACCO FACTORY"
Ul. Promishlennaya, 50/52, k. 716, Lviv
79024, Ukraine

(111) M 2014 024743 R
(151) 2014 05 07
(181) 2024 05 07
(260) AM 2013 71359 A
(220) 2013 03 14
(732) STARBUCKS CORPORATION d/b/a
STARBUCKS COFFEE COMPANY
(Washington Corporation)
2401 Utah Avenue South, Seattle, Washington
98134, USA

(111) M 2014 024744 R
(151) 2014 05 07
(181) 2024 05 07
(260) AM 2013 71452 A
(220) 2013 03 21
(732) LTD "USHBA DISTILLERY"
Lortkipanidzis q. 20, 0137 Tbilisi, Georgia

(111) M 2014 024745 R
(151) 2014 05 07
(181) 2024 05 07
(260) AM 2013 71524 A
(220) 2013 03 25
(732) AT&T INTELLECTUAL PROPERTY II,
L.P.
645 East Plumb Lane, Reno, Nevada 89502,
USA

(111) M 2014 024746 R
(151) 2014 05 07
(181) 2024 05 07
(260) AM 2014 71660 A
(220) 2013 04 03
(732) HARRY WINSTON S.A.
718 Fifth Avenue, New York, NY 10019, USA

(111) M 2014 024747 R
(151) 2014 05 07
(181) 2024 05 07
(260) AM 2014 71673 A
(220) 2013 04 03
(732) HARRY WINSTON S.A.
718 Fifth Avenue, New York, NY 10019, USA

(111) M 2014 024748 R
(151) 2014 05 07
(181) 2024 05 07
(260) AM 2014 71674 A
(220) 2013 04 03
(732) HARRY WINSTON S.A.
718 Fifth Avenue, New York, NY 10019, USA

(111) M 2014 024749 R
(151) 2014 05 07
(181) 2024 05 07
(260) AM 2014 71676 A
(220) 2013 04 03
(732) HARRY WINSTON S.A.
718 Fifth Avenue, New York, NY 10019, USA

(111) M 2014 024750 R
(151) 2014 05 07
(181) 2024 05 07
(260) AM 2014 71678 A
(220) 2013 04 03
(732) Elguja Bubuteishvili
Paliashvilis q. 62, 0179 Tbilisi, Georgia

(111) M 2014 024751 R
(151) 2014 05 07
(181) 2024 05 07
(260) AM 2014 71683 A
(220) 2013 04 04
(732) BRITISH AMERICAN TOBACCO
(BRANDS) INC. (Delaware Corporation)
2711 Centerville Road, Suite 300,
Wilmington, DE 19808, USA

(111) M 2014 024752 R
(151) 2014 05 07
(181) 2024 05 07
(260) AM 2013 71726 A
(220) 2013 04 08
(732) ADVANCE MAGAZINE PUBLISHERS
INC.
Four Times Square New York, NY 10036,
USA

(111) M 2014 024753 R
(151) 2014 05 07
(181) 2024 05 07
(260) AM 2014 71762 A
(220) 2013 04 10
(732) LTD "AVERSI-PHARMA"
Davit Aghmasheneblis Gamz., 148/2, 0112
Tbilisi, Georgia

(111) M 2014 024754 R
(151) 2014 05 07
(181) 2024 05 07
(260) AM 2014 71766 A
(220) 2013 04 10
(732) COLGATE-PALMOLIVE COMPANY
Delaware Corporation
300 Park Avenue, New York, NY 10022,
USA

(111) M 2014 024755 R
(151) 2014 05 07
(181) 2024 05 07
(260) AM 2013 71773 A
(220) 2013 04 10
(732) E.R. AMANTINO & CIA LTDA
R. Fiorindo Dalla Colleta, 140-1
Distrito-Veranópolis-RS, Brazil

(111) M 2014 024756 R
(151) 2014 05 07
(181) 2024 05 07
(260) AM 2014 71789 A
(220) 2013 04 11
(732) SOUTHERN LIQUEUR COMPANY
LIMITED
South African Limited Liability Company
Aan-de-Wagenweg, Stellenbosch, South
Africa

(111) M 2014 024757 R
(151) 2014 05 07
(181) 2024 05 07
(260) AM 2014 71791 A
(220) 2013 04 11
(732) N.V. NUTRICIA
Eerste Stationsstraat 186-2712 HM
Zoetermeer, Netherlands

(111) M 2014 024758 R
(151) 2014 05 07
(181) 2024 05 07
(260) AM 2014 71793 A
(220) 2013 04 12
(732) CHEVRON INTELLECTUAL PROPERTY
LLC
6001 Bollinger Canyon Road, San Ramon,
CA 94583, USA

(111) M 2014 024759 R
(151) 2014 05 07
(181) 2024 05 07
(260) AM 2014 71794 A
(220) 2013 04 12
(732) CHEVRON INTELLECTUAL PROPERTY
LLC
6001 Bollinger Canyon Road, San Ramon,
CA 94583, USA

(111) M 2014 024760 R
(151) 2014 05 07
(181) 2024 05 07
(260) AM 2014 71795 A
(220) 2013 04 12
(732) CHEVRON INTELLECTUAL PROPERTY
LLC
6001 Bollinger Canyon Road, San Ramon,
CA 94583, USA

(111) M 2014 024761 R
(151) 2014 05 07
(181) 2024 05 07
(260) AM 2014 71796 A
(220) 2013 04 12
(732) CHEVRON INTELLECTUAL PROPERTY
LLC
6001 Bollinger Canyon Road, San Ramon,
CA 94583, USA

(111) M 2014 024762 R
(151) 2014 05 07
(181) 2024 05 07
(260) AM 2014 71798 A
(220) 2013 04 12
(732) CHEVRON INTELLECTUAL PROPERTY
LLC
6001 Bollinger Canyon Road, San Ramon,
CA 94583, USA

(111) M 2014 024763 R
(151) 2014 05 07
(181) 2024 05 07
(260) AM 2014 71799 A
(220) 2013 04 12
(732) CHEVRON INTELLECTUAL PROPERTY
LLC
6001 Bollinger Canyon Road, San Ramon,
CA 94583, USA

(111) M 2014 024764 R
(151) 2014 05 07
(181) 2024 05 07
(260) AM 2014 71800 A
(220) 2013 04 12
(732) CHEVRON INTELLECTUAL PROPERTY
LLC
6001 Bollinger Canyon Road, San Ramon,
CA 94583, USA

(111) M 2014 024765 R
(151) 2014 05 07
(181) 2024 05 07
(260) AM 2014 71801 A
(220) 2013 04 12
(732) CHEVRON INTELLECTUAL PROPERTY
LLC
6001 Bollinger Canyon Road, San Ramon,
CA 94583, USA

(111) M 2014 024766 R
(151) 2014 05 07
(181) 2024 05 07
(260) AM 2014 71802 A
(220) 2013 04 12
(732) CHEVRON INTELLECTUAL PROPERTY
LLC
6001 Bollinger Canyon Road, San Ramon,
CA 94583, USA

(111) M 2014 024767 R
(151) 2014 05 07
(181) 2024 05 07
(260) AM 2014 71803 A
(220) 2013 04 12
(732) CHEVRON INTELLECTUAL PROPERTY
LLC
6001 Bollinger Canyon Road, San Ramon,
CA 94583, USA

(111) M 2014 024768 R
(151) 2014 05 07
(181) 2024 05 07
(260) AM 2014 71804 A
(220) 2013 04 12
(732) CHEVRON INTELLECTUAL PROPERTY
LLC
6001 Bollinger Canyon Road, San Ramon,
CA 94583, USA

| | |
|---|--|
| (111) M 2014 024769 R (151) 2014 05 07 (181) 2024 05 07 (260) AM 2014 71805 A (220) 2013 04 12 (732) CHEVRON INTELLECTUAL PROPERTY LLC 6001 Bollinger Canyon Road, San Ramon, CA 94583, USA | 2711 Centerville Road, Suite 300, Wilmington, DE 19808, USA |
| (111) M 2014 024770 R (151) 2014 05 07 (181) 2024 05 07 (260) AM 2014 71830 A (220) 2013 04 12 (732) CHEVRON INTELLECTUAL PROPERTY LLC 6001 Bollinger Canyon Road, San Ramon, CA 94583, USA | (111) M 2014 024775 R (151) 2014 05 07 (181) 2024 05 07 (260) AM 2014 71970 A (220) 2013 04 19 (732) LTD "GEOINVEST" Corner of Zovreti and Mgaloblishvili St-s, 0160 Tbilisi, Georgia |
| (111) M 2014 024771 R (151) 2014 05 07 (181) 2024 05 07 (260) AM 2014 71839 A (220) 2013 04 12 (732) VIFOR SA Route de Moncor 10, CH -1752 Villars-sur-Glâne, Switzerland | (111) M 2014 024776 R (151) 2014 05 07 (181) 2024 05 07 (260) AM 2014 72000 A (220) 2013 04 23 (732) BRITISH AMERICAN TOBACCO (BRANDS) INC. (Delaware Corporation) 2711 Centerville Road, Suite 300, Wilmington, DE 19808, USA |
| (111) M 2014 024772 R (151) 2014 05 07 (181) 2024 05 07 (260) AM 2014 71840 A (220) 2013 04 12 (732) LTD "NOVA" DIDUBE-Chughureti R-ni, Dighmis Mas. II kv., 9A, b. 13, 0119 Tbilisi, Georgia | (111) M 2014 024777 R (151) 2014 05 07 (181) 2024 05 07 (260) AM 2014 72013 A (220) 2013 04 24 (732) ATT & INTELLECTUAL PROPERTY II, L.P. 645 East Plumb Lane, Reno, Nevada 89502, USA |
| (111) M 2014 024773 R (151) 2014 05 07 (181) 2024 05 07 (260) AM 2014 71915 A (220) 2013 04 17 (732) LTD "AVIASERVICE" I. Chavchavadzis Gamz. 39A, 0162 Tbilisi, Georgia | (111) M 2014 024778 R (151) 2014 05 07 (181) 2024 05 07 (260) AM 2014 72080 A (220) 2013 04 30 (732) Zaza Kachkachishvili Bogdan Khmel'nitskis q. 48, 383507 Tbilisi, Georgia |
| (111) M 2014 024774 R (151) 2014 05 07 (181) 2024 05 07 (260) AM 2014 71942 A (220) 2013 04 18 (732) BRITISH AMERICAN TOBACCO (BRANDS) INC. (Delaware Corporation) | (111) M 2014 024779 R (151) 2014 05 07 (181) 2024 05 07 (260) AM 2014 72193 A (220) 2013 05 10 (732) STIEFEL LABORATORIES, INC. Corporation Service Company 2711 Centerville Road, Suite 400, 19808 Wilmington, DE, USA |

(111) M 2014 024780 R
(151) 2014 05 07
(181) 2024 05 07
(260) AM 2014 72219 A
(220) 2013 05 15
(732) LTD EUROODUL
20th Mkr 20-13, 3700 Rustavi, Georgia

(111) M 2014 024781 R
(151) 2014 05 07
(181) 2024 05 07
(260) AM 2014 72220 A
(220) 2013 05 15
(732) LTD EUROODUL
20th Mkr 20-13, 3700 Rustavi, Georgia

TRADEMARKS REGISTERED ACCORDING TO THE ACCELERATED PROCEDURE

The decision can be appealed at the Chamber of Appeal of Sakpatenti within 3 months from the publication.

(111) M 2014 24718 R
(151) 2014 05 01
(181) 2024 05 01
(210) AM 076455
(220) 2014 03 27
(732) LTD "MARNISKARI"
Askurava St. 17A, 0101 Tbilisi, Georgia
(740) Davit Lortkipanidze
(540)



(591) Black, cream-colored, yellow, red, brown
(531) 19.09.02-25.01.19-27.05.24-28.19.00-
29.01.15-
(511) 33

(111) M 2014 24719 R
(151) 2014 05 01
(181) 2024 05 01
(210) AM 076713
(220) 2014 04 15
(732) LTD "CARAPS MEDLINE"
Adjasent to Lubliana St. (Plot n37/38), 0159
Tbilisi, Georgia
(740) Ketevan Bantsuri
(540)



(591) Blue, red, grey, white
(531) 26.01.12-26.01.22-26.11.13-27.05.01-
27.05.10-29.01.14-
(511) 44

(111) M 2014 24720 R
(151) 2014 05 01
(181) 2024 05 01
(210) AM 076714
(220) 2014 04 15
(732) LTD "CARAPS MEDLINE"
Adjasent to Lubliana St. (Plot 37/38), 0159
Tbilisi, Georgia
(740) Ketevan Bantsuri
(540)

CARAPS
კარაპსი

(591) Black, white
(511) 44

(111) M 2014 24721 R
(151) 2014 05 01
(181) 2024 05 01
(210) AM 076715
(220) 2014 04 15
(732) LTD "BORAN SOPKIMIA"
Marneulis q. 44, 0165 Tbilisi, Georgia
(740) Boris Bigvava
(540)

SAFA TARIM

(591) Black, white
(511) 5, 35

(111) M 2014 24722 R
(151) 2014 05 05
(181) 2024 05 05
(210) AM 076668
(220) 2014 04 11
(732) LTD (Healthcare Agency International)
"NEW LIFE GEORGIA"
Kazbegis Gamz. 34, b. 63, 0177 Tbilisi,
Georgia
(540)

New Life

ახალი სიცოცხლე

(591) Black, white
(531) 27.05.05-28.19.00-
(511) 44

(111) M 2014 24723 R
 (151) 2014 05 06
 (181) 2024 05 06
 (210) AM 076711
 (220) 2014 04 15
 (732) LTD "KREDITON"
 A.Kazbegis Gamz. 24, 0160 Tbilisi, Georgia
 (740) Lika Bekauri
 (540)



(591) White, black, green, blue, orange, raspberry pink
 (531) 24.17.01-26.01.01-26.11.12-27.01.06-29.01.15-
 (511) 36

(111) M 2014 24724 R
 (151) 2014 05 06
 (181) 2024 05 06
 (210) AM 076786
 (220) 2014 04 24
 (732) LTD "ABD GEORGIA"
 Sop. Akaurta, 1110 Bolnisis R-ni, Georgia
 (740) Gogita Okropiridze
 (540)



(591) Dark red, golden
 (531) 25.03.03-25.03.07-27.05.08-29.01.12-
 (511) 29

(111) M 2014 24725 R
 (151) 2014 05 06
 (181) 2024 05 06
 (210) AM 076732
 (220) 2014 04 17
 (732) LTD "CARAPS MEDLINE"
 Adjacent to Lubliana St. (Plot 37/38), 0159
 Tbilisi, Georgia
 (740) Ketevan Bantsuri
 (540)



(591) Blue, red, grey, white
 (531) 24.13.01-26.01.02-26.01.04-26.01.22-26.11.13-27.05.11-28.19.00-29.01.14-
 (511) 44

(111) M 2014 24782 R
 (151) 2014 05 16
 (181) 2024 05 16
 (210) AM 076773
 (220) 2014 04 23
 (732) LTD "WISHER ENTERPRISE GE"
 Gudiashvilis Moedani 4, 0105 Tbilisi, Georgia
 (740) Irakli Gvilia
 (540)



(591) Red, golden
 (531) 26.04.22-26.04.14-27.01.06-27.05.24-29.01.12-
 (526) **DISCLAIMER** – The trademark is protected as a whole, verbal sign "Hotel Casino Batumi" included therein shall not be subject to independent legal protection.
 (511) 41, 43

(111) M 2014 24783 R
 (151) 2014 05 16
 (181) 2024 05 16
 (210) AM 076932
 (220) 2014 05 01
 (732) LTD GEODISTRIBUTION
 G. Nadareishvilis q. 5A, 0120 Tbilisi, Georgia
 (740) Tea Gogsadze
 (540)

პირველი კრისტალი

PIRVELI KRISTALI

ПІРВЕЛІ КРИСТАЛ

(591) Black, white
 (531) 27.05.05-28.05.00-28.19.00-
 (511) 43

(111) M 2014 24784 R
 (151) 2014 05 19
 (181) 2024 05 19
 (210) AM 076717
 (220) 2014 04 16
 (732) LTD TRANSIT-M
 26 Maisis q. 68/10, 6000 Batumi, Georgia
 (540)



(591) Red, orange, green, yellow, sky blue, lilac, blue

(531) 03.03.01-26.01.08-26.11.09-26.11.12-
29.01.15-
(511) 2

(111) M 2014 24785 R
(151) 2014 05 19
(181) 2024 05 19
(210) AM 076821
(220) 2014 04 25
(732) LTD "ASSORTI-VERE"
Mkhatvris q. 8, 0183 Tbilisi, Georgia
(540)



(591) Brown, golden, pale yellow
(531) 25.01.01-25.01.09-26.01.18-27.05.01-
28.19.00-29.01.13-
(526) **DISCLAIMER** – The trademark is protected as a
whole, verbal signs "Assorti" and "ასორტი" included
therein shall not be subject to independent legal pro-
tection.
(511) 30, 35

(111) M 2014 24786 R
(151) 2014 05 19
(181) 2024 05 19
(210) AM 076939
(220) 2014 05 01
(732) JSC "FIRM "DISNA"
Ul. Lavrskaya, 16, 01015 Kiev, Ukraine
(740) Davit Zurabishvili
(540)



(591) Brown, black, yellow, beige, orange, white
(531) 25.01.19-26.01.11-26.11.08-29.01.14-
(511) 33

(111) M 2014 24787 R
(151) 2014 05 19
(181) 2024 05 19
(210) AM 076941
(220) 2014 05 01
(732) JSC "FIRM "DISNA"
Ul. Lavrskaya, 16, 01015 Kiev, Ukraine
(740) Davit Zurabishvili
(540)



(591) Brown, black, yellow, white
(531) 07.01.01-07.01.03-25.01.19-29.01.13-
(526) **DISCLAIMER** – The trademark is protected
as a whole, verbal signs "Величественный, памят-
ный исторический город, который был известен в
старину могущественной крепостью – символом
мужества и надежды" "КОЛЛЕКЦИЯ ГРУЗИНС-
КИХ ВИН" and "ქართველი ღვინის კოლექცია"
included therein shall not be subject to independent
legal protection.
(511) 33

(111) M 2014 24788 R
(151) 2014 05 19
(181) 2024 05 19
(210) AM 076695
(220) 2014 04 14
(310) AM864/2014
(320) 2014 04 09
(330) AT
(732) ALEXANDER SCHÄRF & SÖHNE
GESELLSCHAFT M.B.H.
Dr. Alexander Schärf Platz 1, 7100 Neusiedl
Am See, Austria
(740) Giorgi Taktakishvili
(540)

SCHÄRF - THE ART OF COFFEE

(591) Black, white
(511) 43

INTERNATIONAL TRADEMARKS FOR WHICH A DECISION ON GRANTING PROTECTIONS IS TAKEN

The decision can be appealed at the Chamber of Appeal of Sakpatenti within 3 months from the publication or at the Mtskheta District Court Administrative Cases Board (Address: №17, Samkhedro str., Mtskheta), within 1 month following the publication.

(260) AM 2014 71135 A

(800) 1148306

(151) 2012 09 04

(731) ACEA group s.r.o.

Lublaňská 653/51, CZ-120 00 Praha 2,
Czech Republic

(540)



(591) Black, white

(511)

11 – Electric and electronic installations for inlet, movement, ventilation, cleaning, conditioning, heating and cooling of air, especially portable and industrial fans, industrial and household air-conditioning apparatus and installations; industrial and household air purifiers; industrial and household hot-air heating installations (systems), air intake and distribution installations (systems).

(260) AM 2014 71138 A

(800) 1148311

(151) 2012 09 06

(731) SILHOUETTE International Schmied AG

Ellbognerstraße 24, A-4020 Linz, Austria

(540)



(591) Black, white

(511)

9 – Optical apparatus and instruments, in particular optical apparatus for the eyes; spectacles, in particular optical spectacles, sunglasses, sports glasses, protective glasses, spectacles equipped with decorative elements; spectacle frames, chassis and mountings and supports and sides for spectacles; spectacle frames, spectacle mountings, chassis, supports as well as sides for spectacles equipped with decorative elements; optical spectacles and sunglasses, the frames thereof manufactured of metal or of a combination of metal and plastics; spectacle mountings, sides for spectacles, spectacle supports and spectacle frames manufactured of metal or of a combination of metal

and plastics; chains for spectacles, in particular chains for spectacles equipped with decorative elements; spectacle glasses; optical lenses, contact lenses; optical goods, optical goods of plastics; optical glass; containers and cases for the aforesaid goods.

42 – Services provided by an industrial designer; preparation of technical expertise and documentary reports, research in the field of optics, in particular in the field of lenses and spectacles, as well as in the field of material for the manufacture of optical equipment, apparatus and instruments, in particular ophthalmic instruments as well as of spectacles and spectacle frames.

(260) AM 2014 71154 A

(800) 1148325

(151) 2012 09 21

(731) HUNCA KOZMETİK SANAYİ ANONİM
ŞİRKETİ

Bahçeköy Hunca Cad. No. 12, Sarıyer
İstanbul, Turkey

(540)



(591) Blue

(511)

3 – Bleaching preparations and other substances for laundry use; cleaning, polishing, scouring and abrasive preparations; soaps; perfumery, essential oils, cosmetics, hair lotions; dentifrices.

(260) AM 2014 71345 A

(800) 1150275

(151) 2012 10 17

(731) ROYAL-VOSTOK INVESTMENTS
LIMITED

8 Kalypsous street, CY-3101 Limassol, Cyprus

(540)



(591) White, black, gray, brown, yellow, golden and silver

(511)
33 – Vodka.

(260) AM 2014 71356 A

(800) 1150417
(151) 2013 01 07

(731) DALIAN RICH ENTERPRISE GROUP CO., LTD.

Cotton Island Village, Dalianwan Town,
Ganjingzi District, Dalian City, Liaoning
Province, China

(540)



海大厨

(591) Black, white

(511)

29 – Dried fish floss; dried scallops; jelly fish; fish, preserved; fish fillets; salmon; shellfish, not live; shrimps, not live; food products made from fish; oysters, not live; meat; weed extracts for food; sea-cucumbers, not live; aquatic products, tinned [canned]; fruit pulp; vegetables, preserved; eggs; soya milk [milk substitute]; milk products; edible oils; fruit salads; fruit jellies; nuts, prepared.

(260) AM 2014 71377 A

(800) 1150424
(151) 2012 12 06

(731) Carmeda AB

Kanalvägen 3 B SE-194 61 Upplands Väsby,
Germany

(540)



(591) Black, white

(511)

10 – Disposable and implantable medical devices for use within cardiology, surgery, intensive care, nephrology, endocrinology, neurology, blood management, organ preservation and ophthalmology; surgical implants.

40 – Surface treatment of disposable medical devices and implants; consulting services relating to bio-active coating technology.

45 – Licensing services relating to bioactive coating technology.

(260) AM 2014 71379 A

(800) 1150429
(151) 2013 01 03

(731) Tour Constructor Ltd.

The Mews, St. Nicholas Lane, Lewes, East
Sussex BN7 2JZ, United Kingdom

(540)



(591) Blue, yellow, orange, green and white

(511)

39 – Holiday travel services, including on-line travel services.

(260) AM 2014 71381 A

(800) 1150449
(151) 2012 09 20

(731) Spey Medical Limited

Lynton House, 7-12 Tavistock Square,
London WC1H 9LT, United Kingdom

(540)



(591) White and pacific blue

(511)

5 – Pharmaceutical and veterinary preparations; sanitary preparations for medical purposes; dietetic substances adapted for medical use, food for babies; plasters, materials for dressings; material for stopping teeth, dental wax; disinfectants; preparations for destroying vermin; fungicides, herbicides; dietetic foods and beverages adapted for medical purposes; air deodorising preparations.

(260) AM 2014 71382 A

(800) 1150489
(151) 2012 11 15

(731) Obchtchestvo s ogranitchennoi

otvetstvennostyou "Tsikoria S.A."
Str. 1, d. 5/6, oul. Irkoutskaya, RU-107497
Moskva, Russian Federation

(540)



(591) Red, yellow, dark green and white
(511)

16 – Paper, cardboard and goods made from these materials, not included in other classes; printed matter (printing products); bookbinding material; photographs; stationery; adhesives [glues] for stationery or household purposes; artists' materials; paintbrushes; typewriters and office requisites (except furniture); instructional or teaching material (except apparatus); plastic materials for packaging (not included in other classes); printing type; printing blocks; books; newspapers; magazines [periodicals]; labels, not of textile.

29 – Meat, fish, poultry and game; meat extracts; preserved, dried and cooked fruit and vegetables; jellies, jams, compotes; eggs; milk and dairy products; edible oils and fats; charcuterie; sausages.

30 – Coffee, tea, cocoa and artificial coffee; rice; tapioca and sago; flour and preparations made from cereals; bread, pastry and confectionery; edible ices; sugar, honey, treacle; yeast, baking-powder; salt; mustard; vinegar, sauces (condiments); ketchup [sauce]; spices; bread; bread slices; bread rolls; pancakes [foodstuffs]; chewing gum; gruel, with a milk base, for food; candy; starch for food; groats for human food; popcorn; corn flakes; noodles; macaroni; mayonnaise; farinaceous foods; pelmeni; ravioli; pepper; biscuits, cookies; pies; cakes; pizzas; spaghetti; sandwiches; pasta; chocolate; hot chocolate-based beverages.

31 – Grains and agricultural, horticultural and forestry products, not included in other classes; live animals; fresh fruit and vegetables; seeds; natural plants and flowers; foodstuffs for animals; malt.

35 – Advertising; television advertising; business management; business administration; office functions; distribution of samples; demonstration of goods; sales promotion for others; marketing studies; commercial or industrial management assistance; efficiency experts; services provided by models for advertising or sales promotion purposes; modeling services for advertising or sales promotion purposes; public relations; opinion polling; publication of advertising texts; import-export agencies; auditing; professional business consultancy; shop window dressing; business appraisals; economic forecasting; commercial information agencies; business information; compilation of statistics; business management of performing artists; wholesale and retail sale services for goods; wholesale and retail sale services in stores for goods; rental of equipment for exhibitions; providing information on the current situation and the development of fashion.

42 – Scientific and technological services and research and design relating thereto; industrial design; packaging design services; quality control; cosmetic research; computer programming; hosting of compu-

ter sites [Web sites]; design of interior decor; fashion designer services (dress designing).

43 – Restaurants; coffee shops; hotel reservations.

44 – Medical services; hygienic and beauty care for human beings or animals; veterinary services; agricultural services, hairdressing salons; beauty salons; medical assistance; sanatoriums; rest homes; medical clinic services; manicure services; skin care services; hair care services; massage; cosmetic care services; public baths for hygiene purposes.

45 – Legal services; intellectual property licensing; intellectual property consultancy; copyright management; genealogical research; personal body guarding; security consultancy.

(260) AM 2014 71384 A
(800) 1150554

(151) 2012 11 05

(731) Motel One GmbH
Theatinerstrasse 16, 80333 München,
Germany

(540)



(591) Black, white, light blue

(511)

35 – Business management consultancy; professional business consultancy for service enterprises providing food and drink, or temporary accommodation; professional business consultancy and organizational consultancy for the management, supervision and control of service enterprises providing food and drink, or temporary accommodation; professional business consultancy for franchising concepts.

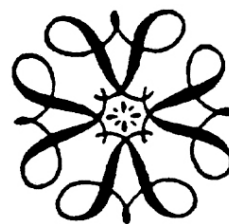
43 – Services for providing food and drink; temporary accommodation; motel and hotel services; accommodation reservation services.

(260) AM 2014 71386 A
(800) 1150567

(151) 2013 01 25

(731) Avon Products, Inc.
World Headquarters, 777 Third Avenue,
New York, NY 10017, USA

(540)



(591) Black, white

(511)

18 – Bags, handbags, clutch bags, tote bags, cases, holdalls, luggage tags of leather, suitcases, trunks, travelling bags; toiletry bags, make-up bags; backpacks; athletic bags, beach bags, duffel bags, gym bags, shopping bags; credit card cases; purses, pocket wallets; umbrellas.

25 – Clothing; underclothing; lingerie; clothing for children; hosiery, tights, vests; sweaters, tank tops, dresses, skirts, trousers, sweat pants, sweat shirts, track suits, shirts, blouses, shorts, socks, T-shirts, headgear; swimwear and beachwear; pyjamas, night-dresses; jackets; bath robes, bath sandals and bath slippers; gloves, mittens; baseball caps, visors, hats; scarves; belts; footwear; slippers, boots and shoes, women's shoes, flip flops.

(260) AM 2014 71387 A

(800) 1150572

(151) 2012 09 27

(731) HARMENGTON LIMITED

Poseidonos 1, Ledra Business Centre,
Egkomi, CY-2406 Nicosia, Cyprus

(540)



(591) White, blue and light blue

(511)

16 – Napkins of paper (Terms Too Vague in the opinion of the International Bureau – Rule 13(2)(b) of the Common Regulations).

(260) AM 2014 71389 A

(800) 1150587

(151) 2012 06 06

(731) Rautaruukki Oyj

Suolakivenkatu 1, FI-00810 Helsinki, Finland

(540)

LIVING. WORKING. MOVING.

(591) Black, white

(511)

6 – Common metals and their alloys; metal building materials; transportable buildings of metal; materials of metal for railway tracks; non-electric cables and wires of common metal; ironmongery, small items of metal hardware; pipes and tubes of metal; safes; goods of common metal not included in other classes; ores; steel frame structures; metal trusses, metal beams and columns for building purposes, metal profiles, welded profiles for buildings, metal structural hollow sections; metal foundations; metal

piles for foundations, metal underpinnings of building foundations, road foundations of metal, metal foundations for railway construction, metal foundations for harbor construction; spliced metal piles, metal pile casings, metal pile shoes, metal pile interlocks, mechanical splices of metal; steel piles, retaining wall of metal, bridge structures of metal, noise barriers of metal, road safety barriers of metal, metal wind towers and transmission towers; facade claddings of metal, facade panels of metal, metal structures for mounting solar panels; sandwich panels of metal; airtight sandwich panels of metal, prefabricated wall structures of metal incorporating insulation material; prefabricated sandwich panels of metal used in interior and exterior walls; metal profiles for thermal insulation purposes; steel and aluminum facades and construction elements; low profile metal sheets, load-bearing metal sheets, purlins of metal, lightweight purlins of metal, steel roofs, pre-fabricated roof elements of metal, metal liner trays, pre-fabricated external wall elements of metal incorporating insulation core, external claddings of metal; pre-fabricated metal structures for construction, pre-fabricated construction halls of metal; steel chimneys and telecommunication towers of steel; down pipes of metal, verge trims of metal, metal gutters, lead throughs of metal for roofs; metal roof fasteners, snow bars of metal, roof bridges of metal, metal snow guards of roofs, metal ladders; metal ceilings and studs; steels, steel plates, steel sheets, steel coils, hot rolled steels, wear resistant steels, structural steels, armour steels, steels for shipbuilding, steels for marine and offshore industries, weather resistant steels, patterned steels, high strength steels, high strength formable steels, ultra high strength steels, formable steels, boron steels, non alloy structural steels, normalized steels, normalized rolled structural steels, thermo mechanical rolled steels, quenched and tempered steels, direct quenched steels; cold rolled steels; metal, zinc, galfan and galvanized coated steels; slit sheet coils; color coated steels, color coated steel plates, color coated steel sheets, color coated coils of metal, laminate coated steels, glue coated steels, steels with anticondensation layer, colored metal laminates, food safe metal laminates, hollow sections of metal, metal structural hollow sections in the form of circular, rectangular and square; metal precision tubes in the form of circular, rectangular, square, flat and oval; shaped tubes of metal, structural tubes of metal, ferritic stainless tubes, pressure pipes of metal, steel sections, line pipes of metal; metal pipes and tubes suitable for threading; expandable rock bolts of metal, cold formed steel sections; aluminum flat products, aluminum bars, aluminum profiles, aluminum tubes, stainless steel flat products, stainless steel bars, stainless steel tubes, steel bars, merchant bar steel and flat bars; lead, copper; sheets and coils of copper and lead; road construction materials of me-

tal; containers of metal, containers of metal for the transportation and storage of goods, casings of metal, metal profiles, hoppers of metal, non-mechanical hoppers, frames of metal, support legs and buckets of metal; laser welded wide sheets, laser welded honeycomb structures, protection structures of metal, steels for shipbuilding, steels for marine and offshore industries and component parts therefore as far as included in this class, metal structures for solar power plants, grain silos of metal; components in the form of tubes used in mining industry; external claddings of metal; components for offshore industry, namely suction anchors and pile anchors; welded components and metal offshore structures such as metal platforms; high-strength open sections and tubular products of metal.

7 – Machines and machine tools; motors and engines (except for land vehicles); machine coupling and transmission components (except for land vehicles); agricultural implements other than hand-operated; incubators for eggs; automatic vending machines; components for agricultural machines, excavator buckets, crushers, hopper machines, crane components, booms; heavy lift machinery, washing machines; cabins for lifting, material handling and transportation machines; welded and assembly ready components for lifting and transportation devices; thick wall welded tubular components being parts of machines for process and offshore industry; components for heavy lift and transport devices, cranes; machines, namely booms, frames and enclosures for machines used to handle lumber, paper and paperboard, cardboard, construction materials, mining and oil drilling; mobile cranes and grapples; hydraulic rock hammers; compressors for machines; hydraulic hoists; engines (except for land vehicles); machine coupling and transmission components (except for land vehicles); agricultural implements other than hand-operated; components for machines and machine tools, material handling machines; wind turbines.

37 – Building construction; repair; installation services; rental of construction equipments; construction and maintenance of pipes and pipeline; providing information in connection with the repair and maintenance services; building insulating; renovation and rust proofing of roofs and information and advisory services relating thereto; project preparation relating to construction engineering; installation and maintenance services for roofs and roofing; mining and mining extraction services; mining services; repair or maintenance of mining machines and apparatus; providing technical information in the field of mining extraction; assembly (installation) of mobile machines; repair services for electric generators, wind turbines.

(260) AM 2014 71390 A

(800) 1150594

(151) 2012 08 15

(731) GLENDLANE HOLDING LIMITED

Trident Center, 115 Griva Digeni,
CY-3101 Limassol, Cyprus

(540)



(591) Black, white

(511)

14 – Agates; alarm clocks; alloys of precious metal; amulets (jewellery, jewelry (am.)); anchors (clock and watch making); atomic clocks; badges of precious metal; barrels (clock and watch making); beads for making jewelry; boxes of precious metal; bracelets (jewellery, jewelry (am.)); brooches (jewellery, jewelry (am.)); busts of precious metal; cases for clock- and watchmaking; cases for watches (presentation); chains (jewellery, jewelry (am.)); watch chains; charms (jewellery, jewelry (am.)); chronographs (watches); chronometers; chronometrical instruments; chronoscopes; tie clips; clock cases; clock hands (clock and watch making); clocks; clocks and watches, electric; clockworks; coins; control clocks (master clocks); copper tokens; cuff links; dials (clock and watch making); sun dials; diamonds; earrings; figurines (statuettes) of precious metal; gold thread (jewellery, jewelry (am.)); gold, unwrought or beaten; hat ornaments of precious metal; ingots of precious metals; iridium; ivory (jewellery, jewelry (am.)); ornaments of jet; jet, unwrought or semi-wrought; jewellery; jewellery cases (caskets); jewellery of yellow amber; paste jewellery; jewelry; jewelry cases (caskets); jewelry of yellow amber; paste jewelry (costume jewelry); key rings (trinkets or fobs); master clocks; medallions (jewellery, jewelry (am.)); medals; movements for clocks and watches; necklaces (jewellery, jewelry (am.)); olivene (gems); ornamental pins; ornaments (jewellery, jewelry (am.)); shoe ornaments of precious metal; osmium; palladium; paste jewellery (costume jewelry (am.)); pearls (jewellery, jewelry (am.)); pearls made of ambroid (pressed amber); pendulums (clock and watch making); pins (jewellery, jewelry (am.)); tie pins; platinum (metal); precious stones; rhodium; rings (jewellery, jewelry (am.)); ruthenium; semi-precious stones; silver thread; silver, unwrought or beaten; spinel (precious stones); watch springs; spun silver (silver wire); statues of precious metal; statuettes of precious metal; stopwatches; straps for wristwatches; sundials; threads of precious metal

(jewellery, jewelry (am.)); trinkets (jewellery, jewelry (am.)); watch bands; watch cases; watch crystals; watch glasses; watch straps; watches; wire of precious metal (jewellery, jewelry (am.)); works of art of precious metal; wristwatches; cloisonné jewellery (jewelry (Am.)); precious metals, unwrought or semi-wrought.

24 – Adhesive fabric for application by heat; banners; bath linen, except clothing; bed blankets; bed clothes; bed covers; bed covers of paper; bed linen; bedspreads; billiard cloth; bolting cloth; brocades; buckram; bunting; calico; printed calico cloth; canvas for tapestry or embroidery; cheese cloth; chenille fabric; chevots (cloth); cloth; coasters (table linen); cotton fabrics; furniture coverings of textile; coverings of plastic for furniture; coverlets (bedspreads); fitted toilet lid covers of fabric; covers for cushions; covers (loose) for furniture; crepe (fabric); crepon; curtain holders of textile material; curtains of textile or plastic; damask; diapered linen; dimity; door curtains; drugget; eiderdowns (down coverlets); elastic woven material; traced cloth for embroidery; esparto fabric; fabric; fabric for footwear; fabric, impervious to gases, for aeronautical balloons; fabric of imitation animal skins; fabrics for textile use; face towels of textile; felt; fiberglass fabrics, for textile use; fibreglass fabrics for textile use; filtering materials of textile; flags, not of paper; flannel (fabric); sanitary flannel; frieze (cloth); furniture coverings of plastic; loose covers for furniture; fustian; gauze (cloth); glass cloths (towels); gummed cloth, other than for stationery; haircloth (sackcloth); handkerchiefs of textile; hat linings, of textile, in the piece; hemp cloth; hemp fabric; household linen; jersey (fabric); jute fabric; knitted fabric; labels of cloth; linen cloth; lingerie fabric; lining fabric for shoes; linings (textile); napkins for removing make-up (cloth); marabouts (cloth); textile material; place mats, not of paper; mattress covers; washing mitts; moleskin (fabric); mosquito nets; napkins, of cloth, for removing make-up; table napkins of textile; net curtains; non-woven textile fabrics; oilcloth for use as tablecloths; pillow shams; pillowcases; plastic material (substitute for fabrics); printers' blankets of textile; quilts; ramie fabric; rayon fabric; travelling rugs (lap robes); table runners; serviettes of textile; sheets (textile); shower curtains of textile or plastic; shrouds; silk (cloth); silk fabrics for printing patterns; sleeping bags (sheeting); table linen, not of paper; tablecloths, not of paper; tablemats, not of paper; taffeta (cloth); tapestry (wall hangings), of textile; tick (linen); ticks (mattress covers); tissues of textile for removing make-up; towels of textile; traced cloths for embroidery; trellis (cloth); tulle; upholstery fabrics; velvet; wall hangings of textile; woollen cloth; woollen fabric; zephyr (cloth).

28 – Air pistols (toys); amusement machines, automatic and coin-operated; arcade video game machi-

nes; archery implements; ascenders (mountaineering equipment); backgammon games; bags especially designed for skis and surfboards; artificial fishing bait; play balloons; balls for games; bar-bells; baseball gloves; bats for games; batting gloves (accessories for games); bells for Christmas trees; weight lifting belts (sports articles); stationary exercise bicycles; billiard balls; billiard cue tips; billiard cues; billiard markers; billiard table cushions; billiard tables; coin-operated billiard tables; bingo cards; bite indicators (fishing tackle); bite sensors (fishing tackle); bladders of balls for games; building blocks (toys); board games; bob-sleighs; body boards; body-building apparatus; body-training apparatus; explosive bonbons (christmas crackers); skating boots with skates attached; bowling apparatus and machinery; bows for archery; boxing gloves; building games; butterfly nets; camouflage screens (sports articles); candle holders for christmas trees; caps for pistols (toys); playing cards; chalk for billiard cues; checkerboards; checkers (games); chess games; chessboards; chest expanders (exercisers); chips for gambling; christmas tree stands; christmas trees of synthetic material; ornaments for christmas trees, except illumination articles and confectionery; clay pigeon traps; clay pigeons (targets); climbers' harness; golf clubs; confetti; conjuring apparatus; cozaques (toy fireworks); counters (discs) for games; sole coverings for skis; creels (fishing traps); cricket bags; cups for dice; darts; decoys for hunting or fishing; detonating caps (toys); dice; discuses for sports; divot repair tools (golf accessories); dolls; dolls' beds; dolls' clothes; dolls' feeding bottles; dolls' houses; dolls' rooms; dominoes; draughtboards; draughts (games); dumb-bells; edges of skis; elbow guards (sports articles); electronic targets; rollers for stationary exercise bicycles; exercisers (expanders); fairground ride apparatus; fencing gauntlets; fencing masks; fencing weapons; fish hooks; fishing tackle; flippers for swimming; floats for bathing and swimming; floats for fishing; flying discs (toys); tables for indoor football; hunting game calls; games; apparatus for games; marbles for games; gaming machines for gambling; fencing gloves; gloves for games; golf gloves; golf bags, with or without wheels; harpoon guns (sports articles); paintball guns (sports apparatus); gut for fishing; gut for rackets; appliances for gymnastics; hang gliders; harness for sailboards; hockey sticks; horseshoe games; ice skates; in-line roller skates; jigsaw puzzles; practical jokes (novelties); kaleidoscopes; kite reels; kites; knee guards (sports articles); landing nets for anglers; lines for fishing; lures for hunting or fishing; scent lures for hunting or fishing; mah-jong; marionettes; theatrical masks; toy masks; masts for sailboards; men's athletic supporters (sports articles); mobiles (toys); scale model vehicles; nets for sports; ninepins; novelties for parties, dances (party favors, favours); pachinkos; protective

paddings (parts of sports suits); paintballs (ammunition for paintball guns) (sports apparatus); paper party hats; paragliders; parlor games; parlour games; percussion caps (toys); machines for physical exercises; pinatas; toy pistols; pitch mark repair tools (golf accessories); playing balls; plush toys; poles for pole vaulting; swimming pools (play articles); portable games with liquid crystal displays; punching bags; puppets; quoits; rackets; guts for rackets; strings for rackets; radio-controlled toy vehicles; rattles (playthings); reels for fishing; ring games; rocking horses; rods for fishing; roller skates; rosin used by athletes; roulette wheels; sailboards; scale model kits (toys); scooters (toys); scrapers for skis; scratch cards for playing lottery games; seal skins (coverings for skis); shin guards (sports articles); shuttlecocks; skateboards; ski bindings; skis; wax for skis; skittles; skittles (games); sleighs (sports articles); slides (playthings); sling shots (sports articles); slot machines (gaming machines); artificial snow for christmas trees; snow globes; snowboards; snowshoes; soap bubbles (toys); spinning tops (toys); spring boards (sports articles); starting blocks for sports; stuffed toys; surfboards; surf skis; surfboard leashes; swimming belts; swimming jackets; swimming kick boards; swimming webs (flippers); swings; tables for table tennis; targets; teddy bears; tennis ball throwing apparatus; tennis nets; toy vehicles; toys; toys for domestic pets; trampolines; twirling batons; video game machines; water wings; water skis; body rehabilitation apparatus.

30 – Allspice; almond confectionery; almond paste; aniseed; aromatic preparations for food; artificial coffee; baking powder; baking soda (bicarbonate of soda for cooking purposes); crushed barley; husked barley; barley meal; bean meal; bee glue; beer vinegar; chocolate-based beverages; cocoa-based beverages; coffee-based beverages; flavorings (flavourings), other than essential oils, for beverages; tea-based beverages; bicarbonate of soda for cooking purposes (baking soda); binding agents for ice cream (edible ices); biscuits; bread; ginger bread; bread rolls; breadcrumbs; buns; cake paste; cake powder; cakes; flavorings (flavourings), other than essential oils, for cakes; rice cakes; candy; capers; caramels (candy); celery salt; cereal preparations; cereal-based snack food; cheeseburgers (sandwiches); chewing gum; chicory (coffee substitute); chips (cereal products); chocolate; chocolate beverages with milk; chow-chow (condiment); confectionery for decorating Christmas trees; chutneys (condiments); cinnamon (spice); cloves (spice); cocoa; cocoa beverages with milk; cocoa products; coffee; coffee beverages with milk; coffee flavorings (flavourings); vegetal preparations for use as coffee substitutes; unroasted coffee; condiments; confectionery; cookies; cooking salt; corn flakes; corn flour; corn meal; corn, milled; pop corn; corn, roasted; fruit coulis (sauces); cous-cous (semolina); crackers; ice cream; cream of tartar

for cooking purposes; cream of tartar for culinary purposes; curry (spice); custard; dressings for salad; edible ices; essences for foodstuffs, except etheric essences and essential oils; farinaceous food pastes; farinaceous foods; ferments for pastes; maize flakes; oat flakes; flaxseed for human consumption; flour; flour-milling products; fondants (confectionery); cake frosting (icing); frozen yoghurt (confectionery ices); frozen yogurt (confectionery ices); fruit jellies (confectionery); garden herbs, preserved (seasonings); ginger (spice); gingerbread; glucose for culinary purposes; gluten additives for culinary purposes; gluten prepared as foodstuff; golden syrup; meat gravies; groats for human food; gruel, with a milk base, for food; halvah; ham glaze; high-protein cereal bars; hominy; hominy grits; honey; husked oats; binding agents for ice cream; ice for refreshment; ice, natural or artificial; iced tea; binding agents for edible ices; powder for edible ices; infusions, not medicinal; ketchup (sauce); leaven; linseed for human consumption; liquorice (confectionery); lozenges (confectionery); macaroni; macarons (pastry); maize flour; maize meal; maize, milled; maize, roasted; malt biscuits; malt extract for food; malt for human consumption; maltose; marinades; marzipan; mayonnaise; meat pies; meat tenderizers, for household purposes; mint for confectionery; molasses for food; chocolate mousses; dessert mousses (confectionery); muesli; mustard; mustard meal; noodle-based prepared meals; noodles; nutmegs; oat-based food; oatmeal; crushed oats; pancakes; pasta; soya bean paste (condiment); pasties; pastilles (confectionery); pastries; pastry; peanut confectionery; pepper; peppermint sweets; peppers (seasonings); pesto (sauce); petit-beurre biscuits; petits fours (cakes); pies; pizzas; popcorn; potato flour for food; powders for ice cream; pralines; propolis; puddings; quiches; ravioli; relish (condiment); ribbon vermicelli; rice; rice-based snack food; royal jelly; rusks; saffron (seasoning); sago; salt for preserving foodstuffs; sandwiches; tomato sauce; sauces (condiments); sausage binding materials; sea water for cooking; seasonings; semolina; sherbets (ices); sorbets (ices); soya flour; soya sauce; spaghetti; spices; spring rolls; star aniseed; starch for food; stick liquorice (confectionery); preparations for stiffening whipped cream; sugar; sugar confectionery; sushi; natural sweeteners; sweetmeats (candy); tabbouleh; tacos; tapioca; tapioca flour for food; tarts; tea; thickening agents for cooking foodstuffs; tortillas; turmeric for food; unleavened bread; vanilla (flavoring) (flavouring); vanillin (vanilla substitute); vermicelli (noodles); vinegar; waffles; weeds (condiment); wheat flour; wheat germ for human consumption; yeast; flavourings, other than essential oils; meal.

(260) AM 2014 71393 A
 (800) 1150603
 (151) 2012 10 30
 (731) Heineken Česká republika, a.s.
 U Pivovaru 1, CZ-270 53 Krušovice,
 Czech Republic
 (540)

KRUŠOVICE

(591) Black, white
 (511)
 32 – Beer, malt beer, extracts of hops for making beer, essences for making beer.
 40 – Hop processing, including concentrates and additives, brewing.
 43 – Services for provision and serving of beer.

(260) AM 2014 71394 A
 (800) 1150605
 (151) 2012 11 05
 (731) Modern Creation Luxembourg S.a.r.l.
 Navas Business Center, 2B Ennert Dem
 Bierg, L-5244 Sandweiler, Luxembourg
 (540)

GRUNDIG

(591) Black, white
 (511)
 12 – Automobiles, motorcycles and parts all of the afore mentioned goods exclusively for use in the areas of entertainment, information navigation, telematics, security and safety electronics

(260) AM 2014 71395 A
 (800) 1150641
 (151) 2012 12 19
 (731) Publichne aktsionerne tovarystvo
 "Kharkivska biskvitna fabryka"
 vul. Lozivska, 8, Kharkiv 61017, Ukraine
 (540)



(591) Black, white, yellow, green, blue, pink, orange and red
 (511)
 30 – Sweetmeats (candy).

(260) AM 2014 71396 A
 (800) 1150661
 (151) 2013 01 04
 (731) Soci t  des Produits Nestl  S.A.
 CH-1800 Vevey, Switzerland
 (540)

VERTUO

(591) Black, white
 (511)
 11 – Heating and cooking apparatus; apparatus for heating and foaming milk; electric apparatus for preparing beverages; electric coffee machines, coffee pots and electric percolators; parts and component parts for all the aforesaid goods.
 21 – Utensils and containers for household or kitchen use (neither of precious metal nor coated therewith); non-electric coffee making machines, coffee pots and non-electric percolators; parts and component parts for all the aforesaid goods; tableware, other than knives, forks and spoons; glassware, porcelain and earthenware not included in other classes.
 30 – Coffee, coffee extracts, coffee-based beverages and preparations; iced coffee; artificial coffee, artificial coffee extracts, artificial coffee-based beverages and preparations; chicory (coffee substitute); tea, tea extracts, tea-based beverages and preparations; iced tea; cocoa and cocoa-based beverages and preparations; chocolate, chocolate products, chocolate-based beverages and preparations; sugar; biscuits and cookies.

(260) AM 2014 71397 A
 (800) 1150666
 (151) 2013 01 22
 (731) Citodat Invest O 
 Narva mnt 13a, EE-10151 Tallinn, Estonia
 (540)

Контейнерный поезд "Zubr"

(591) Black, white
 (511)
 39 – Rental of storage containers; freight forwarding, brokering and logistic services relating to the transportation of freight and property by land, sea, air or rail.

(260) AM 2014 71398 A
 (800) 1150669
 (151) 2013 01 07
 (731) EGIS Gyógyszergyár Nyilvánosan Működő
 Részvénytársaság
 Kereszturi ut. 30-38, H-1106 Budapest, Hungary
 (540)

BRIZIO

(591) Black, white
 (511)
 5 – Human pharmaceutical preparations for the treatment of oncological and/or immunological diseases, excluding respiratory diseases.

(260) AM 2014 71399 A
 (800) 1150681
 (151) 2013 01 15
 (731) Badakh Ievgen Valeriiovych
 vul. Tolstoho, 5A/1, kv. 44, Kyiv 01044,
 Ukraine;
 Kovalevych Ievgen Vsevolodovych
 vul. Malynovskoho, 3B, kv. 334, Kyiv 04212,
 Ukraine
 (540)



(591) Black, white
 (511)
 35 – Administrative processing of purchase orders; advertising; advertising agencies; advertising by mail order; advisory services for business management; arranging newspaper subscriptions for others; arranging subscriptions to telecommunication services for others; auctioneering; auditing; bill-posting; book-keeping; business appraisals; business information; business inquiries; business investigations; business management and organization consultancy; business management assistance; business management consultancy; business management of hotels; business management of performing artists; business management of sports people; business organization consultancy; business research; commercial administration of the licensing of the goods and services of others; commercial information agencies; commercial information and advice for consumers [consumer advice shop]; commercial or industrial management assistance; compilation of information into computer databases; compilation of statistics; computerized file management; cost price analysis; data search in computer files for others; demonstration of goods; direct mail advertising; dissemination of advertising matter; distribution of samples; document reproduction; drawing up of statements of accounts; economic forecasting; efficiency experts; employment agencies; import-export agencies; invoicing; layout services for advertising purposes; marketing; marke-

ting research; marketing studies; modelling for advertising or sales promotion; news clipping services; office machines and equipment rental; on-line advertising on a computer network; opinion polling; organization of exhibitions for commercial or advertising purposes; organization of fashion shows for promotional purposes; organization of trade fairs for commercial or advertising purposes; outsourcing services [business assistance]; payroll preparation; personnel management consultancy; personnel recruitment; photocopying services; presentation of goods on communication media, for retail purposes; price comparison services; procurement services for others [purchasing goods and services for other businesses]; production of advertising films; professional business consultancy; psychological testing for the selection of personnel; publication of publicity texts; publicity columns preparation; publicity material rental; public relations; radio advertising; relocation services for businesses; rental of advertising space; rental of advertising time on communication media; rental of photocopying machines; rental of vending machines; sales promotion for others; secretarial services; shop window dressing; shorthand; sponsorship search; systemization of information into computer databases; tax preparation; telemarketing services; telephone answering for unavailable subscribers; television advertising; transcription; typing; updating of advertising material.

(260) AM 2014 71400 A
 (800) 1150685
 (151) 2013 01 24
 (731) Janssen Pharmaceutica NV
 Turnhoutseweg 30, B-2340 Beerse, Belgium
 (540)

VOKANAMET

(591) Black, white
 (511)
 5 – Human pharmaceutical preparations.

(260) AM 2014 71401 A
 (800) 714180
 (151) 1999 05 03
 (891) 2012 12 10
 (731) Fritz Egger GmbH & Co. OG
 Weiberndorf 20, A-6380 St. Johann in Tirol,
 Austria
 (540)

EUROSTRAND

(591) Black, white
 (511)
 19 – Nonmetallic construction materials; construction elements made of wood such as load-bearing units, blocks, beams and machined pieces for construction purposes.

(260) AM 2014 71403 A
 (800) 775478
 (151) 2001 12 20
 (891) 2012 12 10
 (731) Fritz Egger GmbH & Co. OG
 Weiberndorf 20, A-6380 St. Johann in Tirol,
 Austria
 (540)

EURODEKOR

(591) Black, white
 (511)
 17 – Goods made from plastics, plastic laminates
 (semi-finished goods).
 19 – Building materials (non metallic); laminated or
 non-laminated chip boards and wood-fiber boards;
 laminated wood-fiber panels; wooden construction
 components, such as load-bearing elements, boards,
 beams and pre-formed elements for building purpo-
 ses; window sills.
 20 – Furniture and parts for furniture made from
 wood fiber boards or chip boards, such as worktops,
 frontal elements for furniture, body elements for fur-
 niture, edge elements; boards made from laminated
 material and plastic laminates, all being parts of fur-
 niture.

(260) AM 2014 71405 A
 (800) 1113067
 (151) 2012 03 01
 (731) Dubey & Schaldenbrand SA
 Rue des Champs 12, CH-2300 La Chaux-de-
 Fonds, Switzerland
 (540)


dubey & schaldenbrand

(591) Black, white
 (511)
 14 – Horological and chronometric instruments; je-
 welry.

(260) AM 2014 71503 A
 (800) 1151449
 (151) 2012 09 06
 (731) ORIFLAME COSMETICS S.A.
 24, avenue Emile Reuter, L-2420
 LUXEMBOURG, Luxembourg
 (540)

ORIFLAME HAIR X TRUCOLOUR

(591) Black, white
 (511)
 3 – Soaps, perfumery, essential oils, cosmetics, hair
 lotions.

(260) AM 2014 71504 A
 (800) 1151472
 (151) 2013 01 08
 (731) QD VISION, INC.
 29 Hartwell Ave, Lexington MA 02421, USA
 (540)



(591) Black, white
 (511)
 9 – Lighting components, namely optical converters
 which contain quantum dots that can change the
 light output of a light source, for use in backlighting
 units in display applications, namely televisions,
 monitors, all-in-one computers, notebooks, and
 smart phones.

(260) AM 2014 71505 A
 (800) 1151481
 (151) 2013 01 18
 (731) DAVINES S.p.A.
 Via Ravasini, 9/A, I-43100 PARMA, Italy
 (540)



(591) Black, white
 (511)
 3 – Hair colorants; preparations for colouring the
 hair; hair cream; hair bleaching preparations; kits for
 colouring or removing colour from the hair; soaps;
 perfumery, essential oils, cosmetics, hair lotions;
 dentifrices.

(260) AM 2014 71506 A
 (800) 1151488
 (151) 2012 12 20
 (731) UZUNOĞLU PLASTİK SANAYİ VE
 TİCARET LİMİTED ŞİRKETİ
 Osmangazi Mah., Alsancak Cad. No.24,
 SAMANDIRA KARTAL İSTANBUL,
 Turkey

(540)



(591) Blue, yellow, white

(511)

11 – Apparatus for lighting, heating, steam generating, cooking, refrigerating, drying, ventilating, water supply and sanitary purposes.

17 – Rubber, gutta-percha, gum, asbestos, mica and goods made from these materials and not included in other classes; plastics in extruded form for use in manufacture; packing, stopping and insulating materials; flexible pipes, not of metal.

(260) AM 2014 71507 A

(800) 1151500

(151) 2013 01 23

(731) Japan Tobacco Inc.
 2-2-1 Toranomom, Minato-ku, Tokyo, Japan

(540)



(591) Black, white

(511)

34 – Tobacco, raw or manufactured; smoking tobacco, pipe tobacco, rolling tobacco, chewing tobacco, moist tobacco powder called "snus"; cigarettes, cigars, cigarillos; substances for smoking sold separately or mixed with tobacco for non-medical and non-therapeutic purposes; snuff; smokers' articles included in this class; cigarette paper, cigarette tubes and matches.

(260) AM 2014 71508 A

(800) 445415

(151) 1979 06 25

(891) 2012 11 23

(731) ISTITUTO GANASSINI S.P.A.
 di RICERCHE BIOCHIMICHE
 Via Pietro Gaggia, 16, I-20139 Milano, Italy

(540)

KORFF

(591) Black, white

(511)

3 – Washing preparations for lingerie and other substances for laundry use; cleaning, polishing, degreasing and abrasive preparations; soaps; perfumery, essential oils, cosmetics, hair lotions; dentifrices.

(260) AM 2014 71509 A

(800) 687542

(151) 1997 12 22

(891) 2013 01 17

(731) B.R.A.H.M.S. GmbH
 Neuendorfstrasse 25, 16761 Hennigsdorf,
 Germany

(540)

B.R.A.H.M.S PCT

(591) Black, white

(511)

5 – Chemical products intended for diagnostic medicine for laboratory use.

(260) AM 2014 71511 A

(800) 798533

(151) 2003 02 27

(891) 2013 02 28

(731) Nobilia-Werke J. Stickling GmbH & Co. KG
 Waldstrasse 53-57, 33415 Verl, Germany

(540)

Nobilia

(591) Black, white

(511)

20 – Furniture.

(260) AM 2014 71512 A

(800) 838871

(151) 2004 02 20

(891) 2013 01 23

(731) Sertrans Holding Anonim Şirketi
Ömerli Mah. Hadimköy-İstanbul, Cad.
No. 262, TR-34555 Arnavutköy, İstanbul,
Turkey

(540)



(591) Light blue, dark blue, dark green, white

(511)

12 – Vehicles and airplanes.

35 – Services of import-export agencies, services of experts for the evaluation of commercial and industrial products, services concerning the bringing together, for the benefit of others, of a variety of goods (excluding the transport thereof), enabling customers to conveniently view and purchase those goods.

36 – Insurance services (including accident insurance underwriting, health insurance underwriting, life insurance underwriting, marine insurance underwriting), statistics services concerning life insurance, actuarial services, insurance information, customs brokerage.

37 – Services concerning the maintaining and repairing of land vehicles, services concerning the maintaining and repairing of sea vehicles, services for the construction of ships, services concerning the maintaining and repairing of air vehicles.

39 – Transport; packaging and storage of goods; travel arrangement.

(260) AM 2014 71513 A

(800) 904980

(151) 2006 08 17

(891) 2013 01 23

(731) Sertrans Holding Anonim Şirketi
Ömerli Mah. Hadimköy-İstanbul, Cad.
No. 262, TR-34555 Arnavutköy, İstanbul,
Turkey

(540)



(591) Blue, green, white

(511)

39 – Transport; packaging and storage of goods; travel arrangement.

(260) AM 2014 71514 A

(800) 919666

(151) 2007 04 02

(891) 2013 01 23

(731) Sertrans Holding Anonim Şirketi
Ömerli Mah. Hadimköy-İstanbul, Cad.
No. 262, TR-34555 Arnavutköy, İstanbul,
Turkey

(540)



(591) Red, green, white, yellow

(511)

39 – Transport; packaging and storage of goods; travel arrangement.

(260) AM 2014 71516 A

(800) 1067019

(151) 2010 12 22

(891) 2012 12 24

(731) "Delta Medical Promotions AG"
Oetenbachgasse 26, CH-8001 Zurich,
Switzerland

(540)



(591) Black, white

(511)

3 – Abrasives; abrasive cloth; glass cloth; abrasive paper; breath freshening sprays; diamantine (abrasive); alum stones (antiseptic); amber (perfume); volatile alkali (ammonia) (detergent); antistatic preparations for household purposes; badian essence; laundry blueing; colorants for toilet purposes; color-brightening chemicals for household purposes (laundry); bergamot oil; sachets for perfuming linen; joss sticks; preparations to make shiny the leaves of plants; laundry glaze; shining preparations (polish); beard dyes; pastes for razor strops; shaving stones, antiseptic; shaving soap; shaving preparations; eyebrow cosmetics; eyebrow pencils; petroleum jelly for cosmetic purposes; cosmetic preparations for baths; bath salts, not for medical purposes; cotton wool for cosmetic purposes; cotton sticks for cosmetic purposes; shoe wax; boot cream; bleaching soda; skin whitening creams; bleaching preparations (laundry);

bleaching salts; dental bleaching gels; bleaching preparations (decolorants) for cosmetic purposes; leather bleaching preparations; cosmetic preparations for slimming purposes; decorative transfers for cosmetic purposes; cosmetic preparations for eyelashes; false eyelashes; adhesives for affixing false eyelashes; moustache wax; creams for leather; tailors' wax; polishing wax; cobblers' wax; windscreen cleaning liquids; hair colorants; hair lotions; hair waving preparations; volcanic ash for cleaning; astringents for cosmetic purposes; cloths impregnated with a detergent for cleaning; gaultheria oil; heliotropine; geraniol; potassium hypochloride; grinding preparations; make-up; make-up preparations; make-up removing preparations; lipsticks; disinfectant soap; deodorants for personal use; deodorant soap; depilatories; depilatory wax; shampoos for pets; scented water; scented wood; extracts of flowers (perfumes); essential oils; jasmine oil; greases for cosmetic purposes; laundry soaking preparations; aromatics (essential oils); flavorings (flavourings) for beverages (essential oils); cake flavourings (essential oils); leather preservatives (polishes); color-removing preparations; degreasers other than for use in manufacturing processes; scale removing preparations for household purposes; jewellers' rouge; dentifrices; denture polishes; preparations for cleaning dentures; ionone (perfumery); rust removing preparations; silicon carbide (abrasive); carbides of metal (abrasives); bases for flower perfumes; essential oils of cedarwood; adhesives for affixing false hair; adhesives for cosmetic purposes; quillaia bark for washing; corundum (abrasive); cosmetics; cosmetics for animals; make-up powder; beauty masks; cosmetic kits; whitening; cleaning chalk; cosmetic creams; laundry starch; starch glaze for laundry purposes; cakes of toilet soap; lavender water; lavender oil; incense; lacquer-removing preparations; hair spray; nail polish; essential oils of citron; polishing paper; polishing stones; polishing creams; polishing preparations; polish for furniture and flooring; medicated soap; lotions for cosmetic purposes; tissues impregnated with cosmetic lotions; after-shave lotions; smoothing preparations (starching); floor wax; non-slipping wax for floors; almond oil; almond soap; almond milk for cosmetic purposes; washing soda, for cleaning; detergents other than for use in manufacturing operations and for medical purposes; soap; soap for brightening textile; soap for foot perspiration; antiperspirant soap; cleansing milk for toilet purposes; musk (perfumery); fabric softeners for laundry use; mint for perfumery; mint essence (essential oil); emery; emery cloth; emery paper; neutralizers for permanent waving; nail care preparations; false nails; fumigation preparations (perfumes); eau de Cologne; cosmetic pencils; oils for perfumes and scents; oils for cosmetic purposes; oils for toilet purposes; oils for cleaning purposes; oil of turpentine for degrea-

sing; perfumery; perfumes; laundry wax; pumice stone; hydrogen peroxide for cosmetic purposes; non-slipping liquids for floors; floor wax removers (scouring preparations); stain removers; canned pressurized air for cleaning and dusting purposes; varnish-removing preparations; mouth washes, not for medical purposes; pomades for cosmetic purposes; laundry bleach; dry-cleaning preparations; antiperspirants (toiletries); safrol; blueing for laundry; turpentine, for degreasing; glass paper; sun-tanning preparations (cosmetics); soda lye; preparations for cleaning waste pipes; potpourris (fragrances); talcum powder, for toilet use; terpenes (essential oils); tripoli stone for polishing; rose oil; toiletries; toilet water; mascara; paint stripping preparations; cosmetic dyes; refurbishing preparations; cleaning preparations; scouring solutions; shampoos; shoemakers' wax; cosmetic preparations for skin care; smoothing stones; wallpaper cleaning preparations.

5 – Dental abrasives; acaricides; aconitine; alkaloids for medical purposes; algicides; aldehydes for pharmaceutical purposes; aluminium acetate for pharmaceutical purposes; dental amalgams; amino acids for veterinary purposes; amino acids for medical purposes; analgesics; angostura bark for medical purposes; anaesthetics; antibiotics; appetite suppressants for medical purposes; first-aid boxes, filled; acetates for pharmaceutical purposes; cotton for medical purposes; tonics (medicines); germicides; bacterial poisons; bacterial preparations for medical and veterinary use; bouillons for bacteriological cultures; bacteriological preparations for medical and veterinary use; balms for medical purposes; balsamic preparations for medical purposes; hygienic bandages; menstruation bandages; aseptic cotton; tobacco-free cigarettes for medical purposes; bandages for dressings; albuminous milk; albuminous preparations for medical purposes; albuminous foodstuffs for medical purposes; biological preparations for veterinary purposes; biological preparations for medical purposes; biocides; bismuth preparations for pharmaceutical purposes; bismuth subnitrate for pharmaceutical purposes; wart pencils; flour for pharmaceutical purposes; bracelets for medical purposes; bromine for pharmaceutical purposes; bronchodilating preparations; vaginal washes; chemical preparations for the diagnosis of pregnancy; petroleum jelly for medical purposes; vaccines; therapeutic preparations for the bath; salts for mineral water baths; oxygen baths; bath preparations, medicated; bath salts for medical purposes; preparations of lime for pharmaceutical purposes; wadding for medical purposes; absorbent cotton; veterinary preparations; decoctions for pharmaceutical purposes; tartar for pharmaceutical purposes; vine disease treating chemicals; vitamin preparations; sea water for medicinal bathing; mineral water for medical purposes; hydrated chloral for pharmaceutical purposes; edible plant fibers, non-nutritive; medicinal hair growth

preparations; charcoal for pharmaceutical purposes; gases for medical purposes; gallic acid for pharmaceutical purposes; guaiacol for pharmaceutical purposes; haematogen; haemoglobin; haemorrhoid preparations; herbicides; menstruation knickers; sanitary napkins; hydrastine; hydrastinine; stick liquorice for pharmaceutical purposes; mustard for pharmaceutical purposes; mustard oil for medical purposes; mustard plasters; anthelmintics; glycerine for medical purposes; glycerophosphates; glucose for medical purposes; breast-nursing pads; articles for headache; headache pencils; hormones for medical purposes; preparations for destroying dry rot fungus; mud for baths; medicinal mud; vulnerary sponges; rubber for dental purposes; gamboge for medical purposes; gurjun (gurjon, gurjan) balsam for medical purposes; anti-horse-fly oils; soil-sterilising preparations; disinfectants for hygiene purposes; disinfectants for chemical toilets; deodorants for clothing and textiles; deodorants, other than for personal use; detergents for medical purposes; digitalin; lacteal flour for babies; diabetic bread; diagnostic preparations for medical purposes; diastase for medical purposes; dietetic beverages adapted for medical purposes; dietetic substances adapted for medical use; dietetic foods adapted for medical purposes; milking grease; additives to fodder for medical purposes; yeast for pharmaceutical purposes; eucalyptus for pharmaceutical purposes; eucalyptol for pharmaceutical purposes; chemical conductors for electrocardiograph electrodes; elixirs (pharmaceutical preparations); esters for pharmaceutical purposes; ethers for pharmaceutical purposes; gelatin(e) for medical purposes; cod liver oil; greases for veterinary purposes; greases for medical purposes; jujube, medicated; chewing gum for medical purposes; medicines for alleviating constipation; semen for artificial insemination; nervines; sedatives; chemical preparations to treat wheat blight (smut); dental amalgams of gold; teeth filling material; preparations to facilitate teething; dental impression materials; dental lacquer; dental mastics; adhesives for dentures; dental cements; isotopes for medical purposes; adjuvants for medical purposes; insecticides; Irish moss for medical purposes; caustic pencils; caustics for pharmaceutical purposes; iodine for pharmaceutical purposes; alkaline iodides for pharmaceutical purposes; iodides for pharmaceutical purposes; iodoform; potassium salts for medical purposes; calomel; gum for medical purposes; camphor for medical purposes; camphor oil for medical purposes; cachets for pharmaceutical purposes; capsules for medicines; carbolineum (parasiticide); castor oil for medical purposes; cachou for pharmaceutical purposes; quassia for medical purposes; quebracho for medical purposes; cedar wood for use as an insect repellent; oxygen for medical purposes; acids for pharmaceutical purposes; anti-rheumatism rings; bone cement for surgical and orthopaedic purposes; fly

catching adhesives; cocaine; collodion for pharmaceutical purposes; insect repellents; insect repellent incense; compresses; condurango bark for medical purposes; solutions for use with contact lenses; contact lens cleaning preparations; barks for pharmaceutical purposes; cinchona for medical purposes; medicinal roots; rhubarb roots for pharmaceutical purposes; lint for medical purposes; cream of tartar for pharmaceutical purposes; creosote for pharmaceutical purposes; blood plasma; blood for medical purposes; depuratives; haemostatic pencils; styptic preparations; dill oil for medical purposes; croton bark; starch for dietetic or pharmaceutical purposes; cultures of microorganisms for medical and veterinary use; curare; smoking herbs for medical purposes; lactose; adhesive plaster; lecithin for medical purposes; adhesive bands for medical purposes; larvae exterminating preparations; alcohol for pharmaceutical purposes; medicine cases, portable, filled; medicines for veterinary purposes; medicines for human purposes; medicines for dental purposes; medicinal tea; medicinal herbs; remedies for foot perspiration; medicinal drinks; medicinal infusions; medicinal oils; liniments; liquorice for pharmaceutical purposes; tissues impregnated with pharmaceutical lotions; lotions for veterinary purposes; lotions for pharmaceutical purposes; pharmaceutical preparations for treating dandruff; lupulin for pharmaceutical purposes; candy for medical purposes; linseed meal for pharmaceutical purposes; linseed for pharmaceutical purposes; magnesia for pharmaceutical purposes; ointments for pharmaceutical purposes; mangrove bark for pharmaceutical purposes; gauze for dressings; royal jelly (for medical purposes); melissa water for pharmaceutical purposes; menstruation pads; menthol; milk of almonds for pharmaceutical purposes; myrobalan bark for pharmaceutical purposes; preparations for destroying mice; preparations of trace elements for human and animal use; nutritive substances for microorganisms; chemical preparations to treat mildew; mothproofing paper; mothproofing preparations; mineral water salts; mineral food-supplements; preparations for callouses; corn remedies; bunion pads; moleskin for medical purposes; milk ferments for pharmaceutical purposes; fly catching paper; fly destroying preparations; powder of cantarides; mint for pharmaceutical purposes; scapulars for surgical purposes; vesicants; narcotics; drugs for medical purposes; tincture of iodine; tinctures for medical purposes; sodium salts for medical purposes; sal ammoniac lozenges; antiparasitic collars for animals; smelling salts; fumigation preparations for medical purposes; fumigating pastilles; frostbite salve for pharmaceutical purposes; chilblain preparations; oil of turpentine for pharmaceutical purposes; opium; opiates; preparations for the treatment of burns; opodeldoc; opotherapy preparations; poisons; eyepatches for medical purposes; eye-wash;

sulphur sticks (disinfectants); pants, absorbent, for incontinents; paper for mustard plasters; vermin destroying preparations; parasiticides; pectin for pharmaceutical purposes; napkins for incontinents; pepsins for pharmaceutical purposes; peptones for pharmaceutical purposes; dressings, medical; surgical dressings; surgical implants (living tissues); hydrogen peroxide for medical purposes; preparations for destroying noxious animals; pills for pharmaceutical purposes; pyrethrum powder; remedies for perspiration; plasters for medical purposes; air freshening preparations; air purifying preparations; nutritional additives for medical purposes; mouth-washes for medical purposes; pomades for medical purposes; porcelain for dental prostheses; laxatives; belts for sanitary napkins (towels); poultices; food for babies; by-products of the processing of cereals for medical purposes; evacuants; asthmatic tea; febrifuges; chemical contraceptives; antiseptic cotton; antiseptics; corn rings for the feet; antiparasitic preparations; anti-rheumatism bracelets; anti-uric preparations; anticryptogamic preparations; leeches for medical purposes; radium for medical purposes; radioactive substances for medical purposes; cement for animal hooves; chemical reagents for medical or veterinary purposes; radiological contrast substances for medical purposes; repellents for dogs; fishmeal for pharmaceutical purposes; ergot for pharmaceutical purposes; solvents for removing adhesive plasters; mercurial ointments; sarsaparilla (for medical purposes); goulard water; suppositories; serotherapeutic medicines; siccatives (drying agents) for medical purposes; serums; syrups for pharmaceutical purposes; turpentine for pharmaceutical purposes; slug exterminating preparations; soporifics; dog lotions; dog washes; bicarbonate of soda for pharmaceutical purposes; salts for medical purposes; malt for pharmaceutical purposes; malted milk beverages for medical purposes; sunburn ointments; sunburn preparations for pharmaceutical purposes; alloys of precious metals for dental purposes; sterilising preparations; steroids; strychnine; sulphonamides (medicines); lozenges for pharmaceutical purposes; animal washes; thermal water; thymol for pharmaceutical purposes; gentian for pharmaceutical purposes; surgical cloth (tissues); digestives for pharmaceutical purposes; herbs teas for medicinal purposes; panty liners (sanitary); tobacco extracts (insecticides); pharmaceutical preparations; phenol for pharmaceutical purposes; fennel for medical purposes; enzymes for veterinary purposes; enzymes for medical purposes; ferments for pharmaceutical purposes; enzyme preparations for veterinary purposes; enzyme preparations for medical purposes; chemical preparations for treating phylloxera; formic aldehyde for pharmaceutical purposes; molding wax for dentists; phosphates for pharmaceutical purposes; fungicides; chemico-pharmaceutical preparations; chemical preparations for veterinary purposes;

chemical preparations for medical purposes; chemical preparations for pharmaceutical purposes; quinine for medical purposes; chinoline for medical purposes; chloroform; extracts of hops for pharmaceutical purposes; reducing tea for medical purposes; medical preparations for slimming purposes; cattle washes; flowers of sulphur for pharmaceutical purposes; cellulose esters for pharmaceutical purposes; cellulose ethers for pharmaceutical purposes; candy, medicated; sugar for medical purposes; pharmaceutical preparations for skin care; rat poison; jalap.

10 – Aerosol dispensers for medical purposes; obstetric apparatus; forceps; apparatus for use in medical analysis; anaesthetic apparatus; anaesthetic masks; arterial blood pressure measuring apparatus; hernia bandages; cupping glasses; soporific pillows for insomnia; bandages, elastic; dental burs; vaginal syringes; cases fitted for medical instruments; obstetric apparatus for cattle; veterinary apparatus and instruments; orthopaedic (orthopedic) footwear; traction apparatus for medical purposes; castrating pincers; hot air vibrators for medical purposes; bed vibrators; vibromassage apparatus; containers especially made for medical waste; basins for medical purposes; hydrostatic (water) beds for medical purposes; hair prostheses; artificial teeth; ear picks; galvanic belts for medical purposes; galvanic therapeutic appliances; babies' pacifiers (teats); strait jackets; hot air therapeutic apparatus; gastroscopes; hematometers; bed pans; plaster bandages for orthopaedic purposes (casts (am.)); apparatus for the treatment of deafness; babies' bottles; feeding bottle valves; feeding bottle teats; nursing appliances; needles for medical purposes; suture needles; acupuncture needles; electric acupuncture instruments; artificial breasts; surgical sponges; defibrillators; mirrors for dentists; mirrors for surgeons; diagnostic apparatus for medical purposes; dialyzers; drainage tubes for medical purposes; medical guide-wires; radiology screens for medical purposes; stockings for varices; elastic stockings for surgical purposes; electrodes for medical use; electrocardiographs; heart pacemakers; heating cushions, electric, for medical purposes; clips, surgical; protection devices against X-rays (roentgen rays), for medical purposes; probes for medical purposes; corn knives; dental apparatus, electric; dental apparatus; teething rings; sets of artificial teeth; invalids' hoists; inhalers; injectors for medical purposes; incubators for babies; incubators for medical purposes; insufflators; cannulae; catheters; quartz lamps for medical purposes; catgut; artificial limbs; enema apparatus for medical purposes; thermo-electric compresses (surgery); compressors (surgical); corsets for medical purposes; abdominal corsets; esthetic massage apparatus; dropper bottles for medical purposes; droppers for medical purposes; dentists' armchairs; armchairs for medical or dental purposes; blood testing ap-

paratus; lasers for medical purposes; lamps for medical purposes; fleams; beds, specially made for medical purposes; medical apparatus and instruments; spoons for administering medicine; lenses (intraocular prostheses) for surgical implantation; massage apparatus; horsehair gloves for massage; gloves for massage; masks for use by medical personnel; uterine syringes; childbirth mattresses; furniture especially made for medical purposes; crutches; tips for crutches for invalids; breast pumps; instrument cases for use by surgeons and doctors; air mattresses, for medical purposes; air pillows for medical purposes; air cushions for medical purposes; knee bandages, orthopedic; finger guards for medical purposes; thread, surgical; scissors for surgery; knives for surgical purposes; ambulance stretchers; stretchers, wheeled; fumigation apparatus for medical purposes; operating tables; orthodontic appliances; orthopaedic articles; orthopaedic soles; orthopaedic (orthopedic) belts; ophthalmometers; ophthalmoscopes; artificial eyes; gloves for medical purposes; pessaries; saws for surgical purposes; sprayers for medical purposes; suspensory bandages; draw-sheets for sick beds; supportive bandages; hypodermic syringes; supports for flat feet; spittoons for medical purposes; slings (supporting bandages); cushions for medical purposes; pads (pouches) for preventing pressure sores on patient bodies; abdominal pads; pumps for medical purposes; appliances for washing body cavities; receptacles for applying medicines; maternity belts; belts, electric, for medical purposes; belts for medical purposes; condoms; brushes for cleaning body cavities; balling guns; incontinence sheets; artificial jaws; contraceptives, non-chemical; umbilical belts; radiological apparatus for medical purposes; resuscitation apparatus; apparatus and installations for the production of X-rays, for medical purposes; roentgen apparatus for medical purposes; X-rays tubes for medical purposes; X-ray photographs for medical purposes; radiotherapy apparatus; respirators for artificial respiration; cutlery (surgical); bougies (surgery); urinals (vessels); scalpels; tongue scrapers; hearing aids for the deaf; ear trumpets; hearing protectors; clothing especially for operating rooms; spirometers (medical apparatus); sterile sheets, surgical; stethoscopes; commode chairs; cases fitted for use by surgeons and doctors; arch supports for boots and shoes; thermal packs for first aid purposes; thermometers for medical purposes; water bags for medical purposes; ice bags for medical purposes; trocars; radium tubes for medical purposes; blankets, electric, for medical purposes; filters for ultraviolet rays, for medical purposes; ultraviolet ray lamps for medical purposes; urethral probes; urethral syringes; urological apparatus and instruments; physical exercise apparatus, for medical purposes; physiotherapy apparatus; surgical apparatus and instruments; surgical implants (artificial materials); sur-

gical drapes; boots for medical purposes; hypogastric belts; abdominal belts; suture materials; splints, surgical; syringes for injections; syringes for medical purposes; pins for artificial teeth; artificial skin for surgical purposes; apparatus for artificial respiration.

(260) AM 2014 71630 A

(800) 1152237

(151) 2012 11 05

(731) Vegapharm LLP

Intershore Suites Vernon House, Sicilian
Avenue London WC1A 2QS, United
Kingdom

(540)

Klavirex
Клавирекс

(591) Black, white

(511)

5 – Pharmaceutical and veterinary preparations; sanitary preparations for medical purposes; dietetic substances adapted for medical use, food for babies; plasters, materials for dressings; material for stopping teeth, dental wax; disinfectants; preparations for destroying vermin; fungicides, herbicides; foods and beverages which are adapted for medical purposes; air deodorising preparations.

(260) AM 2014 71632 A

(800) 1152239

(151) 2012 11 05

(731) Vegapharm LLP

Intershore Suites Vernon House, Sicilian
Avenue London WC1A 2QS, United Kingdom

(540)

ALWORMIN
АЛВОРМИН

(591) Black, white

(511)

5 – Pharmaceutical and veterinary preparations; sanitary preparations for medical purposes; dietetic substances adapted for medical use, food for babies; plasters, materials for dressings; material for stopping teeth, dental wax; disinfectants; preparations for destroying vermin; fungicides, herbicides; foods and beverages which are adapted for medical purposes; air deodorising preparations.

(260) AM 2014 71633 A
 (800) 1152244
 (151) 2012 12 20
 (731) ROYCE' CONFECT CO., LTD.
 1-1, Ainosato 4-jo 9-chome, Kita-ku,
 Sapporo-shi, Hokkaido 002-8074, Japan

(540)

ROYCE'

(591) Black, white
 (511)
 30 – Coffee and cocoa, tea, confectionery, bread and buns, honey, curry.

(260) AM 2014 71634 A
 (800) 624708
 (151) 1994 09 20
 (891) 2013 01 29
 (731) Boehringer Ingelheim Pharma GmbH & Co. KG
 55218 Ingelheim, Germany

(540)

FINALGON

(591) Black, white
 (511)
 5 – Pharmaceutical, veterinary and sanitary products; transdermal plasters.

(260) AM 2014 71635 A
 (800) 718055
 (151) 1999 07 26
 (891) 2013 01 07
 (731) OROBIANCO S.R.L.
 Via Schiapparelli, 10, I-21013 Gallarate
 (VA), Italy

(540)



(591) Black, white
 (511)
 18 – Leather and imitations thereof, articles made thereof, not included in other classes; articles of hide; trunks and suitcases, travelling bags, make-up cases, rucksacks, handbags, small overnight and weekend suitcases; satchels, attaché cases; wallets, change purses, kangaroo pouches; umbrellas; key rings not of metal; garment bags for travel; bags and suitcases with built-in wheels; small and large bags for sports.

25 – Clothing, footwear, headgear; articles made of cashmere; accessories for clothing included in this class, belts.

(260) AM 2014 71636 A
 (800) 774724
 (151) 2001 12 07
 (891) 2012 12 21
 (731) Staatliches Hofbräuhaus in München
 Hofbräu Allee 1, 81829 München, Germany

(540)

HOFBRÄUHAUS

(591) Black, white
 (511)
 21 – Glassware, porcelain and earthenware not included in other classes, household and kitchen utensils and containers (not of precious metal or coated therewith).

25 – Clothing, in particular T-shirts, jumpers, waterproof jackets, waterproof clothing; ties, braces, gloves, pocket handkerchiefs, headscarves and bandanas; regional costumes, blouses, belts; headgear, footwear.

42 – Temporary accommodation and provision of food and drink, franchising services, namely brokering of legal and technical know-how.

(260) AM 2014 71637 A
 (800) 786528
 (151) 2002 07 11
 (891) 2012 12 28
 (731) KIKU Srl-GmbH
 Via Lamm 23c, I-39050 APPIANO-CORNAIANO (Bolzano), Italy

(540)



(591) Black, white
 (511)
 29 – Preserved, dried and cooked apples, jellies made with apples, jams made with apples.
 31 – Fresh apples, apple trees, grafts, rootstocks, plant parts.
 32 – Apple drinks and juices, syrups and other preparations for making beverages made with apples.
 33 – Apple distillates, liqueurs made with apples.

(260) AM 2014 71638 A
 (800) 896788
 (151) 2006 03 31
 (891) 2012 12 28
 (731) Bioline Pharmaceutical AG
 Blegistrasse 5, CH-6340 Baar, Switzerland
 (540)

Enterosgel

(591) Black, white
 (511)
 1 – Silicon organic compounds; siloxanes.

3 – Cosmetic preparations for skin care; beauty masks; cosmetic preparations for hair care; dentifrices.

5 – Medicines for human, namely preparation used for treatment of intestinal disorders; medicines for animals; nutritional additives for medical purposes; dietetic foods adapted for medical purposes; teas for medical purposes; medicinal herbs.

(260) AM 2014 71639 A
 (800) 960445
 (151) 2008 02 15
 (891) 2013 01 10
 (731) Savych Andrij Eduardovych
 Naberezhna Peremogy, 108, corp. 1, kv. 5,
 Dnipropetrovsk 49000, Ukraine;
 Moroz Kostyantyn Mykolayovych
 Naberezhna Peremogy, 2-A, Dnipropetrovsk
 49000, Ukraine
 (540)



(591) Black, white
 (511)
 21 – Bottles.

32 – Beers; mineral and aerated waters and other non-alcoholic drinks; fruit drinks and fruit juices; syrups and other preparations for making beverages.

33 – Alcoholic beverages (except beers).

(260) AM 2014 71640 A
 (800) 993513
 (151) 2008 12 31
 (891) 2012 12 17
 (731) ÇİPO TEKSTİL SANAYİ VE TİCARET
 LİMİTED ŞİRKETİ
 Güneşli Mahallesi, Fevzi Çakmak Caddesi,
 Elif Çikmazi Sokak No.1, BAĞCILAR –
 İSTANBUL, Turkey
 (540)

RED BRIDGE

(591) Black, white
 (511)
 25 – Clothing namely pullovers; skirts; dresses; blouses; jeans; trousers; jackets; coats, raincoats, anoraks; sportswear, namely shirts, shorts, pants and jackets; shirts; T-shirts; sweatshirts; beach clothes, namely, bathing suits and beach cover-ups; shorts; knitwear, namely shirts, shorts, sweaters and scarves; overalls; underclothing; bodices; brassieres; camisoles; underpants; dressing gowns; bath robes; bathing suits; pyjamas; gloves clothing; ski suits; headgear namely hats, caps, knitted caps, berets; footwear namely shoes excluding orthopaedic shoes, slippers, boots, sandals, beach shoes, sports shoes, lace boots and parts thereof; shoe parts namely heelpieces; heels; footwear uppers; stockings; belts clothing; ties; neckties; shawls; scarves; mufflers; neck scarves; sarongs; collars for dresses; maniples; muffs; suspenders; braces for clothing; garters; bandanas; headbands; clothing for babies, namely babies' diapers of textile.

35 – Advertising; business management; business administration; office functions, retail services in relation to clothing.

(260) AM 2014 71642 A
 (800) 1043331
 (151) 2010 05 17
 (891) 2012 12 18
 (731) Public Joint-Stock Company
 "Kijivskij kartonno-paperovij kombinat"
 vul. Kijivska, 130, m. Obukhihv, Kijivska
 obl. 08700, Ukraine
 (540)

DivoEco

(591) Black, white
 (511)
 16 – Paper, cardboard and goods made from these materials, not included in other classes; fountain pens; forms, printed; pamphlets; booklets; tear-off calendars; greeting cards; labels, not of textile; sealing wafers; cardboard; wood pulp board (stationery); cardboard articles; cardboard tubes; hat boxes of cardboard; envelopes (stationery); boxes of car-

dboard or paper; conical paper bags; bags (envelopes, pouches) of paper or plastics, for packaging; garbage bags of paper or of plastics; packing paper; paper; paper sheets (stationery); wood pulp paper; wrapping paper; document files (stationery); folders for papers; plastic cling film, extensible, for palletization; plastic film for wrapping; flags of paper; prospectuses; ledgers (books); towels of paper; face towels of paper; babies' napkins of paper and cellulose, disposable; napkins of paper for removing make-up; table napkins of paper; tablecloths of paper; table linen of paper; tablemats of paper; hygienic paper.

(260) AM 2014 71643 A

(800) 1043332

(151) 2010 05 17

(891) 2012 12 18

(731) Public Joint-Stock Company

"Kijivskij kartonno-paperovij kombinat"

vul. Kijivska, 130, m. Obukhihv, Kijivska

obl. 08700, Ukraine

(540)

DivoPrint

(591) Black, white

(511)

16 – Paper, cardboard and goods made from these materials, not included in other classes; fountain pens; forms, printed; pamphlets; booklets; tear-off calendars; greeting cards; labels, not of textile; sealing wafers; cardboard; wood pulp board (stationery); cardboard articles; cardboard tubes; hat boxes of cardboard; envelopes (stationery); boxes of cardboard or paper; conical paper bags; bags (envelopes, pouches) of paper or plastics, for packaging; garbage bags of paper or of plastics; packing paper; paper; paper sheets (stationery); wood pulp paper; wrapping paper; document files (stationery); folders for papers; plastic cling film, extensible, for palletization; plastic film for wrapping; flags of paper; prospectuses; ledgers (books); towels of paper; face towels of paper; babies' napkins of paper and cellulose, disposable; napkins of paper for removing make-up; table napkins of paper; tablecloths of paper; table linen of paper; tablemats of paper; hygienic paper.

(260) AM 2014 71644 A

(800) 1043333

(151) 2010 05 17

(891) 2012 12 18

(731) Public Joint-Stock Company

"Kijivskij kartonno-paperovij kombinat"

vul. Kijivska, 130, m. Obukhihv, Kijivska

obl. 08700, Ukraine

(540)

DivoPack

(591) Black, white

(511)

16 – Paper, cardboard and goods made from these materials, not included in other classes; fountain pens; forms, printed; pamphlets; booklets; tear-off calendars; greeting cards; labels, not of textile; sealing wafers; cardboard; wood pulp board (stationery); cardboard articles; cardboard tubes; hat boxes of cardboard; envelopes (stationery); boxes of cardboard or paper; conical paper bags; bags (envelopes, pouches) of paper or plastics, for packaging; garbage bags of paper or of plastics; packing paper; paper; paper sheets (stationery); wood pulp paper; wrapping paper; document files (stationery); folders for papers; plastic cling film, extensible, for palletization; plastic film for wrapping; flags of paper; prospectuses; ledgers (books); towels of paper; face towels of paper; babies' napkins of paper and cellulose, disposable; napkins of paper for removing make-up; table napkins of paper; tablecloths of paper; table linen of paper; tablemats of paper; hygienic paper.

(260) AM 2014 71645 A

(800) 1043334

(151) 2010 05 17

(891) 2012 12 18

(731) Public Joint-Stock Company

"Kijivskij kartonno-paperovij kombinat"

vul. Kijivska, 130, m. Obukhihv, Kijivska

obl. 08700, Ukraine

(540)

DivoLux

(591) Black, white

(511)

16 – Paper, cardboard and goods made from these materials, not included in other classes; fountain pens; forms, printed; pamphlets; booklets; tear-off calendars; greeting cards; labels, not of textile; sealing wafers; cardboard; wood pulp board (stationery); cardboard articles; cardboard tubes; hat boxes of cardboard; envelopes (stationery); boxes of cardboard or paper; conical paper bags; bags (envelopes, pouches) of paper or plastics, for packaging; garbage bags of paper or of plastics; packing paper; paper; paper sheets (stationery); wood pulp paper;

wrapping paper; document files (stationery); folders for papers; plastic cling film, extensible, for palletization; plastic film for wrapping; flags of paper; prospectuses; ledgers (books); towels of paper; face towels of paper; babies' napkins of paper and cellulose, disposable; napkins of paper for removing make-up; table napkins of paper; tablecloths of paper; table linen of paper; tablemats of paper; hygienic paper.

(260) AM 2014 71646 A

(800) 1052458

(151) 2010 08 24

(891) 2013 01 23

(731) OÜ Anvol

Madikse 7, EE-74114 Maardu, Estonia

(540)



(591) Blue, red, yellow, green and white

(511)

28 – Games and playthings; gymnastic and sporting articles not included in other classes; decorations for Christmas trees.

35 – Advertising; business management; business administration; office functions; import-export agencies; retail and wholesale services (for third parties), including via Internet; procurement services for others; commercial information; management services in connection with founding and running of commercial firms; business information; demonstration of goods; sales promotion for others; rental of advertising space; outdoor advertising; information and consultancy services related to the above services.

(260) AM 2014 71647 A

(800) 1066930

(151) 2010 12 14

(891) 2012 12 18

(731) Public Joint-Stock Company

"Kijivskij kartonno-paperovij kombinat"
vul. Kijivska, 130, m. Obukhihv, Kijivska
obl. 08700, Ukraine

(540)

DivoPremium

(591) Black, white

(511)

16 – Paper, cardboard and goods made from these materials, not included in other classes; fountain

pens; forms, printed; pamphlets; booklets; tear-off calendars; greeting cards; labels, not of textile; sealing wafers; cardboard; wood pulp board (stationery); cardboard articles; cardboard tubes; hat boxes of cardboard; envelopes (stationery); boxes of cardboard or paper; conical paper bags; bags (envelopes, pouches) of paper or plastics, for packaging; garbage bags of paper or of plastics; packing paper; paper; paper sheets (stationery); wood pulp paper; wrapping paper; document files (stationery); folders for papers; plastic cling film, extensible, for palletization; plastic film for wrapping; flags of paper; prospectuses; ledgers (books); towels of paper; face towels of paper; babies' napkins of paper and cellulose, disposable; napkins of paper for removing make-up; table napkins of paper; tablecloths of paper; table linen of paper; tablemats of paper; hygienic paper.

(260) AM 2014 71648 A

(800) 1097836

(151) 2011 10 28

(891) 2013 02 11

(731) Alexza Pharmaceuticals, Inc.

2091 Stierlin Court, Mountain View CA
94043, USA

(540)

ADASUVE

(591) Black, white

(511)

5 – Pharmaceutical preparations for the treatment of diseases and conditions of the central nervous system.

(260) AM 2014 71649 A

(800) 1112504

(151) 2012 03 08

(891) 2013 01 21

(731) 9 MM American Beverage Company LLC

1901 60 TH Place e. Suite, Bradenton, Florida
L2306, USA

(540)



(591) Gold, bronze, black and red

(511)

32 – Beers; mineral and aerated waters and other non-alcoholic drinks; fruit drinks and fruit juices; syrups and other preparations for making beverages.

33 – Alcoholic beverages (except beers and sparkling wines).

(260) AM 2014 71650 A

(800) 1140521

(151) 2012 10 26

(731) SANOFI PASTEUR

2, avenue Pont Pasteur, F-69007 LYON,
France

(540)

HEXACIMA

(591) Black, white

(511)

5 – Pharmaceutical preparations, vaccines.

(260) AM 2014 72081 A

(800) 1155378

(151) 2012 11 20

(731) DUKE UNIVERSITY

Trade Mark Licensing Office, Box 90850,
Durham, NC 27708, USA

(540)



(591) Blue and white

(511)

16 – Books, printed matter, pamphlets, leaflets, bulletins, magazines, periodical publications, instruction manuals, photographs, event programmes, publications, posters, postcards, book markers, writing implements, instructional and teaching material (except apparatus), transfers [decalcomanias], stationery, diaries, calendars, pictures, notebooks and bumper stickers.

35 – Business and market research; business management and administration services; business information, business surveys, business analysis, business appraisals; preparation of business reports; marketing services.

(260) AM 2014 72668 A

(800) 1160826

(151) 2013 04 10

(731) OBSHCHESTVO S OGRANICHENNOY

OTVETSTVENNOSTYU Nauchno-
proizvodstvennoe predpriyatie "BIONOKS"
ul. Novogireevskaya, d.3 A, komn. 3,
RU-111123 Moskva, Russian Federation

(540)



(591) Black, white

(511)

3 – Cosmetics, including for animals; soap; lotions for cosmetic purposes; shampoos.

5 – Pharmaceutical and veterinary preparations.

35 – Marketing studies; business investigations; business efficiency expert services; business appraisals; business inquiries; professional business consultancy; import-export agencies; commercial information agencies; sales promotion for others; commercial or industrial management assistance; radio advertising; advertising; television advertising; publication of publicity texts; dissemination of advertising matter; direct mail advertising; rental of advertising space; shop window dressing; bill-posting.

(260) AM 2014 72669 A

(800) 1160868

(151) 2013 02 07

(731) Grundig Multimedia B.V.

Luna Arena, Herikerbergweg 238, NL-1101
CM Amsterdam Zuidoost, Netherlands

(540)



(591) Black, white

(511)

7 – Engines, electrical engines, their parts and fittings and accessories other than for land vehicles (including parts), electric door openers/closers used in land vehicles (included in this class); alternators, generators, generators of electricity, generators working with solar energy; textile milling, scotching, tentering or washing machines, sewing machines and industrial robots with the same function as the above-mentioned machines; pumps other than parts of machines or engines (including fuel dispensing pumps and guns for these); electrical appliances used in kitchen for chopping, grinding, crushing, whisking and milling; washing machines (laundry machines/dishwashing machines); electrical machines for cleaning floors and carpets, vacuum cleaners and their parts; laundry dryers namely machines not drying with heating method.

9 – Apparatus for recording, transmission or reproduction of sound or images (including apparatus and peripheral devices for data processing, telecommunication and reproduction); magnetic and optical data carriers and software recorded in these; downloadable electronic publications, recorded to magnetic and optical media; magnetic/optical cards; antennas, satellite dishes, amplifiers and their parts; electronic components used in machines and apparatus; apparatus and instruments for conducting, switching, transforming, accumulating, regulating or controlling electricity (including cables used for electric and electronic purposes, power supply apparatus [generators], batteries, accumulators, anodes and cathodes); apparatus for warning and alarms [other than for vehicles], electric bells.

11 – Lighting apparatus and installations (lighting installations for vehicles, interior and exterior spaces); devices for cooking, heating and vapor producing installations and apparatus (including electric ovens, microwave ovens, gas ovens, electric heating apparatus or heating apparatus for solid, liquid or gaseous fuels); air conditioning devices; cooling apparatus, namely refrigerators, milk coolers, water coolers, ice-boxes, ice machines and devices, freezers; electric and gas operated apparatus, machines and devices used in cooling, drying and boiling (including electric and heating operated laundry dryers, hair dryers and hand drying apparatus); industrial type cooking, drying and cooling installations; laundry dryers.

(260) AM 2014 72670 A
(800) 1160879
(151) 2013 03 20
(731) Shenzhen Huafu Import & Export Co., Ltd
Rm01, 14F, Block B United Plaza, Binhe
Boulevard Shenzhen, China
(540)



(591) Black, white
(511)
23 – Yarn; cotton thread and yarn; woolen thread and yarn; linen thread and yarn; darning thread and yarn; rayon thread and yarn; spun wool; spun cotton; elastic thread and yarn for textile use; embroidery thread and yarn.

(260) AM 2014 72672 A
(800) 1160905
(151) 2013 03 28
(731) British American Tobacco (Brands) Limited;
Globe House, 4 Temple Place, London WC2R
2PG, United Kingdom
(540)

iMODE

(591) Black, white
(511)
34 – Cigarettes; tobacco; tobacco products; lighters; matches; smokers' articles.

(260) AM 2014 72673 A
(800) 1160931
(151) 2013 03 29
(731) DOMAINE CHATEAU DE FONTPINOT
S.A.S.
Distillerie des Gabloteaux, F-16130
JUILLAC-LE-COQ, France
(540)

FRAPIN

(591) Black, white
(511)
3 – Soaps; perfumery products; perfumes, room fragrances; essential oils; cosmetics; hair lotions.
33 – Alcoholic beverages (except beers); cognacs; eaux-de-vie (brandy); digesters (liqueurs and spirits); liqueurs; wines; spirits.

(260) AM 2014 72674 A
(800) 1160955
(151) 2013 02 28
(731) COTTON CLUB INVESTMENT LTD.
1 st Lipovy, building number 4, Moscow
area, Balashihinsky area, RU-143985
Sobolikhha, Russian Federation
(540)



(591) Red, wine and red
(511)
10 – Suture materials; surgical, medical, dental and veterinary apparatus and instruments; masks for use by medical personnel; orthopedic articles; artificial limbs; artificial eyes; dentures.

16 – Paper; toilet paper; table linen of paper; printing blocks; towels of paper; face towels of paper; cardboard articles; paintbrushes for decorators; pastes and other adhesives for stationery or household purposes; garbage bags of paper or of plas-

tics; bags [envelopes, pouches] of paper or plastics, for merchandise packaging; printed matter; stationery; typewriters and office requisites [except furniture]; plastic materials for packaging [not included in other classes]; plastic film for wrapping; artists' materials; tissues of paper for removing make-up; manuals [handbooks]; paper, cardboard and goods made from these materials, not included in other classes.

21 – Abrasive sponges for scrubbing the skin; sponges for household purposes; toilet sponges; containers for household or kitchen use; kitchen containers; chamois leather for cleaning; toothpicks; brush goods; cleaning instruments, hand-operated; polishing leather; material for brush-making; polishing materials for making shiny, except preparations, paper and stone; saucepan scourers of metal; gloves for household purposes; polishing gloves; gardening gloves; abrasive pads for kitchen purposes; scouring pads; crumb trays; cups of paper or plastic; drinking glasses; disposable table plates; cloth for washing floors; cloths for cleaning; dusting cloths [rags]; furniture dusters; kitchen utensils; ice cube molds [moulds]; dishwashing brushes; brushes for cleaning tanks and containers; lamp-glass brushes; horse brushes; scrubbing brushes; brushes for footwear; toilet brushes; glass [receptacles]; cooking utensils, non-electric; carpet sweepers.

22 – String; tarpaulins; wadding for filtering; clothes lines; textile fibers [fibres]; horsehair; hammocks; jute; wax ends; cord; cocoons; strips for tying-up vines; ladder tapes for Venetian blinds; rope ladders; liber; twine for nets; thread, not of metal, for wrapping or binding; sawdust; straw wrappers for bottles; tow; cotton tow; silk flock; tents; sails; sails for ski sailing; hemp; tarred brattice cloth; feathers for bedding; animal hair; fibrous gaskets for ships; down [feathers]; eiderdown; raffia; hemp bands; fleece wool; nets for camouflage; fishing nets; nets; glass fibers [fibres] for textile use; wood shavings; bags for washing hosiery; raw fibrous textile; network; car towing ropes; wool flock; raw cotton; covers for camouflage; raw silk; carded wool; camel hair; wood wool; combed wool; raw or treated wool; shorn wool; cords for hanging pictures; sash cords; wadding for padding and stuffing upholstery; kapok; raw linen [flax]; linters; padding materials, not of rubber or plastics; packing [cushioning, stuffing] materials, not of rubber or plastics; bags [sacks] for the transport and storage of materials in bulk; mail bags; binding thread, not of metal, for agricultural purposes; wrapping or binding bands, not of metal; bags [envelopes, pouches] of textile, for packaging; slings, not of metal, for handling loads; snares [nets]; sisal; sheaf-binding yarns; vitreous silica fibers [fibres] for textile use; braces, not of metal, for handling loads; straps, not of metal, for handling loads; cables, not of metal; vehicle covers, not fitted;

spa covers, not fitted; unfitted covers for boats and marine vehicles.

24 – Household linen; bed linen; shower curtains of textile or plastic; non-woven textile fabrics; plastic material [substitute for fabrics]; textile material; sleeping bags [sheeting]; bed blankets; handkerchiefs of textile; travelling rugs [lap robes]; bed throws; towels of textile; cloth; napkins, of cloth, for removing make-up; face towels of textile; tablecloths of textile; textiles and textile goods, not included in other classes; tulle; covers [loose] for furniture.

35 – Business investigations; sales promotion for others; commercial information and advice for consumers [consumer advice shop]; marketing research; business efficiency expert services.

41 – Physical education; discotheque services; providing sports facilities; radio entertainment; scriptwriting services; production of shows; recreation information; entertainment information; health club services [health and fitness training]; gymnastic instruction; presentation of live performances; theatre productions; rental of sports equipment, except vehicles.

44 – Veterinary services; medical services; hygienic and beauty care for human beings or animals; providing information about agriculture, horticulture, and forestry services; consultancy in the field of agriculture, horticulture and forestry.

(260) AM 2014 72675 A

(800) 1160971

(151) 2013 04 05

(731) "Delta Medical Promotions AG"

Oetenbachgasse 26, CH-8001 Zurich,
Switzerland

(540)

VAGETTA

(591) Black, white

(511)

3 – Adhesives for cosmetic purposes; after-shave lotions; air fragrancing preparations; almond milk for cosmetic purposes; almond oil; almond soap; aloe vera preparations for cosmetic purposes; amber [perfume]; antiperspirant soap; antiperspirants [toilettries]; antistatic preparations for household purposes; aromatics [essential oils]; astringents for cosmetic purposes; badian essence; balms other than for medical purposes; bath salts, not for medical purposes; cosmetic preparations for baths; beauty masks; bergamot oil; flavorings [flavourings] for beverages [essential oils]; bleaching preparations [decolorants] for cosmetic purposes; bleaching preparations [laundry]; bleaching salts; laundry blueing; breath freshening sprays; breath freshening strips;

color [colour] brightening chemicals for household purposes [laundry]; cake flavourings [essential oils]; cakes of toilet soap; essential oils of cedarwood; essential oils of citron; preparations for cleaning dentures; cleaning preparations; cleansing milk for toilet purposes; cloths impregnated with a detergent for cleaning; color-removing preparations; colorants for toilet purposes; cosmetic kits; cosmetic preparations for slimming purposes; cosmetics; cosmetics for animals; cotton sticks for cosmetic purposes; cotton wool for cosmetic purposes; cosmetic creams; skin whitening creams; dental bleaching gels; dentifrices; denture polishes; deodorant soap; deodorants for pets; depilatories; detergents other than for use in manufacturing operations and for medical purposes; disinfectant soap; douching preparations for personal sanitary or deodorant purposes [toiletries]; dry shampoos; dry-cleaning preparations; drying agents for dishwashing machines; cosmetic dyes; eau de cologne; ethereal essences; essential oils; extracts of flowers [perfumes]; eyebrow cosmetics; eyebrow pencils; cosmetic preparations for eyelashes; false eyelashes; fabric softeners for laundry use; false nails; bases for flower perfumes; soap for foot perspiration; fumigation preparations [perfumes]; furbishing preparations; greases for cosmetic purposes; hair colorants; hair lotions; hair spray; hair waving preparations; hydrogen peroxide for cosmetic purposes; potassium hypochloride; incense; ionone [perfumery]; jasmine oil; petroleum jelly for cosmetic purposes; joss sticks; lacquer-removing preparations; laundry bleach; laundry soaking preparations; lavender oil; lavender water; sachets for perfuming linen; lip glosses; lipsticks; tissues impregnated with cosmetic lotions; lotions for cosmetic purposes; make-up; make-up powder; make-up preparations; make-up removing preparations; mascara; massage gels other than for medical purposes; medicated soap; mint essence [essential oil]; mint for perfumery; mouth washes, not for medical purposes; musk [perfumery]; nail art stickers; nail care preparations; nail polish; neutralizers for permanent waving; oils for cosmetic purposes; oils for perfumes and scents; oils for toilet purposes; paint stripping preparations; cosmetic pencils; perfumery; perfumes; shampoos for pets; pomades for cosmetic purposes; potpourris [fragrances]; pumice stone; rose oil; safrol; scented water; scented wood; scouring solutions; shampoos; shaving preparations; shaving soap; shoemakers' wax; cosmetic preparations for skin care; smoothing preparations [starching]; soap; soap for brightening textile; suntanning preparations [cosmetics]; sunscreen preparations; talcum powder, for toilet use; terpenes [essential oils]; toilet water; toiletries; decorative transfers for cosmetic purposes; depilatory wax; deodorants for human beings or for animals.

5 – Dental abrasives; absorbent cotton; acaricides; acetates for pharmaceutical purposes; acids for phar-

maceutical purposes; aconitine; adhesive bands for medical purposes; adhesive plaster; fly catching adhesives; adhesives for dentures; adjuvants for medical purposes; air deodorizing preparations; air purifying preparations; albumin dietary supplements; albuminous foodstuffs for medical purposes; albuminous preparations for medical purposes; alcohol for pharmaceutical purposes; aldehydes for pharmaceutical purposes; algicides; alginate dietary supplements; alginates for pharmaceutical purposes; alkaline iodides for pharmaceutical purposes; alkaloids for medical purposes; alloys of precious metals for dental purposes; milk of almonds for pharmaceutical purposes; aloe vera preparations for pharmaceutical purposes; aluminium acetate for pharmaceutical purposes; dental amalgams; amino acids for medical purposes; amino acids for veterinary purposes; anaesthetics; analgesics; angostura bark for medical purposes; animal washes; anthelmintics; anti-rheumatism bracelets; anti-rheumatism rings; anti-uric preparations; antibiotics; anticryptogamic preparations; antioxidant pills; antiparasitic collars for animals; antiparasitic preparations; antiseptic cotton; antiseptics; appetite suppressant pills; appetite suppressants for medical purposes; aseptic cotton; asthmatic tea; babies' napkin-pants [diaper-pants]; bacterial poisons; bacterial preparations for medical and veterinary use; bouillons for bacteriological cultures; bacteriological preparations for medical and veterinary use; balms for medical purposes; balsamic preparations for medical purposes; hygienic bandages; menstruation bandages; bandages for dressings; barks for pharmaceutical purposes; therapeutic preparations for the bath; bath preparations, medicated; bath salts for medical purposes; oxygen baths; salts for mineral water baths; belts for sanitary napkins [towels]; bicarbonate of soda for pharmaceutical purposes; biocides; biological preparations for medical purposes; biological preparations for veterinary purposes; biological tissue cultures for medical purposes; biological tissue cultures for veterinary purposes; bismuth preparations for pharmaceutical purposes; bismuth subnitrate for pharmaceutical purposes; blood for medical purposes; blood plasma; bone cement for surgical and orthopaedic purposes; bracelets for medical purposes; diabetic bread adapted for medical use; breast-nursing pads; bromine for pharmaceutical purposes; bronchodilating preparations; bunion pads; preparations for the treatment of burns; by-products of the processing of cereals for dietetic or medical purposes; cachets for pharmaceutical purposes; cachou for pharmaceutical purposes; preparations for callouses; calomel; camphor for medical purposes; camphor oil for medical purposes; candy for medical purposes; candy, medicated; powder of cantharides; capsules for medicines; carbolineum [parasiticide]; casein dietary supplements; castor oil for medical purposes; cattle washes; cau-

stic pencils; caustics for pharmaceutical purposes; cedar wood for use as an insect repellent; cellulose esters for pharmaceutical purposes; cellulose ethers for pharmaceutical purposes; cement for animal hooves; charcoal for pharmaceutical purposes; chemical conductors for electrocardiograph electrodes; chemical preparations for medical purposes; chemical preparations for pharmaceutical purposes; chemical preparations for veterinary purposes; chemical reagents for medical or veterinary purposes; chemico-pharmaceutical preparations; chewing gum for medical purposes; chilblain preparations; chinoline for medical purposes; chloroform; tobacco-free cigarettes for medical purposes; cinchona for medical purposes; contact lens cleaning preparations; deodorants for clothing and textiles; cocaine; cod liver oil; collodion for pharmaceutical purposes; collyrium; compresses; condurango bark for medical purposes; medicines for alleviating constipation; solutions for use with contact lenses; chemical contraceptives; cooling sprays for medical purposes; corn remedies; corn rings for the feet; cotton for medical purposes; cream of tartar for pharmaceutical purposes; creosote for pharmaceutical purposes; croton bark; cultures of microorganisms for medical and veterinary use; curare; pharmaceutical preparations for treating dandruff; decoctions for pharmaceutical purposes; dental cements; dental impression materials; dental lacquer; dental mastics; deodorants, other than for human beings or for animals; depuratives; detergents for medical purposes; chemical preparations for the diagnosis of pregnancy; diagnostic preparations for medical purposes; diapers [babies' napkins]; diastase for medical purposes; dietary supplements for animals; dietetic beverages adapted for medical purposes; dietetic foods adapted for medical purposes; dietetic substances adapted for medical use; digestives for pharmaceutical purposes; digitalin; dill oil for medical purposes; disinfectants for chemical toilets; disinfectants for hygiene purposes; dog lotions; dog washes; repellents for dogs; douching preparations for medical purposes; surgical dressings; dressings, medical; medicinal drinks; drugs for medical purposes; preparations for destroying dry rot fungus; elixirs [pharmaceutical preparations]; enzyme dietary supplements; enzyme preparations for medical purposes; enzyme preparations for veterinary purposes; enzymes for medical purposes; enzymes for veterinary purposes; ergot for pharmaceutical purposes; esters for pharmaceutical purposes; ethers for pharmaceutical purposes; eucalyptol for pharmaceutical purposes; eucalyptus for pharmaceutical purposes; evacuants; eye-washes; eyepatches for medical purposes; febrifuges; fennel for medical purposes; milk ferments for pharmaceutical purposes; ferments for pharmaceutical purposes; dietary fiber; first-aid boxes, filled; fish meal for pharmaceutical purposes; flaxseed dietary supplements; flaxseed for pharmaceutical purposes; flaxseed meal

for pharmaceutical purposes; flaxseed oil dietary supplements; flour for pharmaceutical purposes; flowers of sulphur for pharmaceutical purposes; fly catching paper; fly destroying preparations; food for babies; remedies for foot perspiration; formic aldehyde for pharmaceutical purposes; frostbite salve for pharmaceutical purposes; fumigating pastilles; fumigation preparations for medical purposes; fungicides; gallic acid for pharmaceutical purposes; gamboge for medical purposes; gases for medical purposes; gauze for dressings; gelatine for medical purposes; gentian for pharmaceutical purposes; germicides; glucose dietary supplements; glucose for medical purposes; glycerine for medical purposes; glycerophosphates; dental amalgams of gold; goulard water; greases for medical purposes; greases for veterinary purposes; guaiacol for pharmaceutical purposes; gum for medical purposes; gurjun [gurjon, gurjan] balsam for medical purposes; haematogen; haemoglobin; haemorrhoid preparations; haemostatic pencils; medicinal hair growth preparations; articles for headache; headache pencils; herbal teas for medicinal purposes; herbicides; medicinal herbs; smoking herbs for medical purposes; extracts of hops for pharmaceutical purposes; hormones for medical purposes; hydrastine; hydrastinine; hydrated chloral for pharmaceutical purposes; hydrogen peroxide for medical purposes; surgical implants [living tissues]; insect repellent incense; napkins for incontinents; pants, absorbent, for incontinents; medicinal infusions; insect repellents; insecticides; semen for artificial insemination; iodides for pharmaceutical purposes; iodine for pharmaceutical purposes; iodoform; irish moss for medical purposes; isotopes for medical purposes; jalap; petroleum jelly for medical purposes; jujube, medicated; menstruation knickers; lacteal flour for babies; lactose for pharmaceutical purposes; larvae exterminating preparations; laxatives; lecithin dietary supplements; lecithin for medical purposes; leeches for medical purposes; preparations of lime for pharmaceutical purposes; liniments; lint for medical purposes; liquorice for pharmaceutical purposes; tissues impregnated with pharmaceutical lotions; lotions for pharmaceutical purposes; lotions for veterinary purposes; lozenges for pharmaceutical purposes; lupulin for pharmaceutical purposes; magnesia for pharmaceutical purposes; malt for pharmaceutical purposes; malted milk beverages for medical purposes; mangrove bark for pharmaceutical purposes; medicinal oils; medicinal roots; medicinal tea; medicine cases, portable, filled; medicines for dental purposes; medicines for human purposes; medicines for veterinary purposes; melissa water for pharmaceutical purposes; menstruation tampons; menthol; mercurial ointments; preparations for destroying mice; nutritive substances for microorganisms; chemical preparations to treat mildew; milking grease; mineral food supplements; mineral water salts; mineral waters for medical purposes;

mint for pharmaceutical purposes; molding wax for dentists; moleskin for medical purposes; mothproofing paper; mothproofing preparations; mouthwashes for medical purposes; medicinal mud; mud for baths; mustard for pharmaceutical purposes; mustard oil for medical purposes; mustard plasters; myrobalan bark for pharmaceutical purposes; narcotics; nervines; preparations for destroying noxious animals; nutritional supplements; oil of turpentine for pharmaceutical purposes; ointments for pharmaceutical purposes; opiates; opium; opodeldoc; opotherapy preparations; oxygen for medical purposes; panty liners [sanitary]; paper for mustard plasters; parasiticides; pearl powder for medical purposes; pectin for pharmaceutical purposes; pepsins for pharmaceutical purposes; peptones for pharmaceutical purposes; personal sexual lubricants; pharmaceutical preparations; phenol for pharmaceutical purposes; phosphates for pharmaceutical purposes; chemical preparations for treating phylloxera; plasters for medical purposes; poisons; pollen dietary supplements; pomades for medical purposes; porcelain for dental prostheses; potassium salts for medical purposes; poultices; propolis dietary supplements; propolis for pharmaceutical purposes; protein dietary supplements; protein supplements for animals; pyrethrum powder; quassia for medical purposes; quebracho for medical purposes; quinine for medical purposes; radioactive substances for medical purposes; radiological contrast substances for medical purposes; radium for medical purposes; rat poison; preparations for reducing sexual activity; remedies for perspiration; rhubarb roots for pharmaceutical purposes; royal jelly dietary supplements; royal jelly for pharmaceutical purposes; rubber for dental purposes; salts for medical purposes; sanitary napkins; sarsaparilla for medical purposes; scapulars for surgical purposes; sea water for medicinal bathing; sedatives; serotherapeutic medicines; serums; siccatives [drying agents] for medical purposes; pharmaceutical preparations for skin care; slimming pills; medical preparations for slimming purposes; slug exterminating preparations; smelling salts; sodium salts for medical purposes; soil-sterilising preparations; solvents for removing adhesive plasters; soporifics; vulnerary sponges; starch for dietetic or pharmaceutical purposes; stem cells for medical purposes; stem cells for veterinary purposes; sterilising preparations; steroids; stick liquorice for pharmaceutical purposes; sulphur sticks [disinfectants]; strychnine; styptic preparations; sugar for medical purposes; sulphonamides [medicines]; sunburn ointments; sunburn preparations for pharmaceutical purposes; suppositories; surgical cloth [tissues]; syrups for pharmaceutical purposes; tanning pills; tartar for pharmaceutical purposes; teeth filling material; preparations to facilitate teething; thermal water; thymol for pharmaceutical purposes; tincture of iodine; tinctures for medical purposes; tobacco

extracts [insecticides]; tonics [medicines]; preparations of trace elements for human and animal use; turpentine for pharmaceutical purposes; vaccines; vaginal washes; vermin destroying preparations; vesicants; veterinary preparations; vine disease treating chemicals; vitamin preparations; wadding for medical purposes; wart pencils; chemical preparations to treat wheat blight [smut]; wheat germ dietary supplements; yeast dietary supplements; yeast for pharmaceutical purposes.

10 – Abdominal belts; abdominal corsets; abdominal pads; acupuncture needles; aerosol dispensers for medical purposes; air cushions for medical purposes; air mattresses, for medical purposes; air pillows for medical purposes; ambulance stretchers; anaesthetic apparatus; anaesthetic masks; apparatus for use in medical analysis; arch supports for footwear; armchairs for medical or dental purposes; arterial blood pressure measuring apparatus; artificial breasts; artificial eyes; artificial jaws; artificial limbs; apparatus for artificial respiration; artificial skin for surgical purposes; artificial teeth; sets of artificial teeth; babies' bottles; babies' pacifiers [teats]; balling guns; knee bandages, orthopedic; supportive bandages; suspensory bandages; bandages, elastic; basins for medical purposes; bed pans; bed vibrators; hydrostatic [water] beds for medical purposes; beds, specially made for medical purposes; orthopaedic [orthopedic] belts; belts for medical purposes; belts, electric, for medical purposes; blankets, electric, for medical purposes; blood testing apparatus; appliances for washing body cavities; boots for medical purposes; bougies [surgery]; breast pumps; brushes for cleaning body cavities; dental burs; cannulae; cases fitted for medical instruments; cases fitted for use by surgeons and doctors; castrating pincers; catgut; catheters; obstetric apparatus for cattle; commode chairs; childbirth mattresses; clips, surgical; clothing especially for operating rooms; thermoelectric compresses [surgery]; compressors (surgical); condoms; containers especially made for medical waste; contraceptives, non-chemical; corn knives; corsets for medical purposes; crutches; tips for crutches for invalids; cupping glasses; heating cushions, electric for medical purposes; cushions for medical purposes; cutlery [surgical]; apparatus for the treatment of deafness; defibrillators; dental apparatus; dental apparatus, electric; dentists' armchairs; diagnostic apparatus for medical purposes; dialyzers; douche bags; drainage tubes for medical purposes; draw-sheets for sick beds; dropper bottles for medical purposes; droppers for medical purposes; ear picks; ear plugs [ear protection devices]; ear trumpets; elastic stockings for surgical purposes; electric acupuncture instruments; electrocardiographs; electrodes for medical use; enema apparatus for medical purposes; esthetic massage apparatus; feeding bottle teats; feeding bottle valves; filters for ultraviolet rays, for medical purposes; finger guards

for medical purposes; supports for flat feet; fleams; orthopaedic [orthopedic] footwear; forceps; fumigation apparatus for medical purposes; furniture especially made for medical purposes; galvanic belts for medical purposes; galvanic therapeutic appliances; gastroscopes; gloves for massage; gloves for medical purposes; medical guidewires; hair prostheses; hearing aids for the deaf; hearing protectors; heart pacemakers; hematimeters; hernia bandages; hot air therapeutic apparatus; hot air vibrators for medical purposes; hypodermic syringes; hypogastric belts; ice bags for medical purposes; incontinence sheets; incubators for babies; incubators for medical purposes; inhalers; injectors for medical purposes; instrument cases for use by surgeons and doctors; insufflators; invalids' hoists; knives for surgical purposes; lamps for medical purposes; lasers for medical purposes; lenses [intraocular prostheses] for surgical implantation; love dolls [sex dolls]; masks for use by medical personnel; massage apparatus; maternity belts; medical apparatus and instruments; spoons for administering medicine; microdermabrasion apparatus; mirrors for dentists; mirrors for surgeons; needles for medical purposes; nursing appliances; obstetric apparatus; operating tables; ophthalmometers; ophthalmoscopes; orthodontic appliances; orthopaedic articles; orthopaedic soles; pads [pouches] for preventing pressure sores on patient bodies; pessaries; physical exercise apparatus, for medical purposes; physiotherapy apparatus; soporific pillows for insomnia; pins for artificial teeth; plaster bandages for orthopaedic purposes [casts (Am.)]; probes for medical purposes; protection devices against X-rays, for medical purposes; pulse meters; pumps for medical purposes; quartz lamps for medical purposes; radiological apparatus for medical purposes; radiology screens for medical purposes; radiotherapy apparatus; radium tubes for medical purposes; receptacles for applying medicines; body rehabilitation apparatus for medical purposes; respirators for artificial respiration; resuscitation apparatus; teething rings; saws for surgical purposes; scalpels; scissors for surgery; tongue scrapers; slings [supporting bandages]; spirometers [medical apparatus]; spittoons for medical purposes; splints, surgical; surgical sponges; sprayers for medical purposes; stents; sterile sheets, surgical; stethoscopes; stockings for varices; strait jackets; stretchers, wheeled; surgical apparatus and instruments; surgical drapes; surgical implants [artificial materials]; suture materials; suture needles; syringes for injections; syringes for medical purposes; thermal packs for first aid purposes; thermometers for medical purposes; thread, surgical; traction apparatus for medical purposes; trocars; ultraviolet ray lamps for medical purposes; umbilical belts; urethral probes; urethral syringes; urinals [vessels]; urological apparatus and instruments; uterine syringes; vaginal syringes; veterinary apparatus and instruments;

vibromassage apparatus; water bags for medical purposes; X-ray apparatus for medical purposes; X-ray photographs for medical purposes; X-ray tubes for medical purposes; apparatus and installations for the production of X-rays for medical purposes.

(260) AM 2014 72676 A

(800) 1160972

(151) 2013 04 05

(731) "Delta Medical Promotions AG"

Oetenbachgasse 26, CH-8001 Zurich,
Switzerland

(540)

BAGETTA

(591) Black, white

(511)

3 – Adhesives for cosmetic purposes; after-shave lotions; air fragrancing preparations; almond milk for cosmetic purposes; almond oil; almond soap; aloe vera preparations for cosmetic purposes; amber [perfume]; antiperspirant soap; antiperspirants [toiletries]; antistatic preparations for household purposes; aromatics [essential oils]; astringents for cosmetic purposes; badian essence; balms other than for medical purposes; bath salts, not for medical purposes; cosmetic preparations for baths; beauty masks; bergamot oil; flavorings [flavourings] for beverages [essential oils]; bleaching preparations [decolorants] for cosmetic purposes; bleaching preparations [laundry]; bleaching salts; laundry blueing; breath freshening sprays; breath freshening strips; color [colour] brightening chemicals for household purposes [laundry]; cake flavourings [essential oils]; cakes of toilet soap; essential oils of cedarwood; essential oils of citron; preparations for cleaning dentures; cleaning preparations; cleansing milk for toilet purposes; cloths impregnated with a detergent for cleaning; color-removing preparations; colorants for toilet purposes; cosmetic kits; cosmetic preparations for slimming purposes; cosmetics; cosmetics for animals; cotton sticks for cosmetic purposes; cotton wool for cosmetic purposes; cosmetic creams; skin whitening creams; dental bleaching gels; dentifrices; denture polishes; deodorant soap; deodorants for pets; depilatories; detergents other than for use in manufacturing operations and for medical purposes; disinfectant soap; douching preparations for personal sanitary or deodorant purposes [toiletries]; dry shampoos; dry-cleaning preparations; drying agents for dishwashing machines; cosmetic dyes; eau de cologne; ethereal essences; essential oils; extracts of flowers [perfumes]; eyebrow cosmetics; eyebrow pencils; cosmetic preparations for eyelashes; false eyelashes; fabric softeners for laundry use; false nails; bases for flower perfumes; soap for foot perspiration; fumigation preparations [perfumes]; furbishing preparations; greases for cosmetic purposes;

hair colorants; hair lotions; hair spray; hair waving preparations; hydrogen peroxide for cosmetic purposes; potassium hypochloride; incense; ionone [perfumery]; jasmine oil; petroleum jelly for cosmetic purposes; joss sticks; lacquer-removing preparations; laundry bleach; laundry soaking preparations; lavender oil; lavender water; sachets for perfuming linen; lip glosses; lipsticks; tissues impregnated with cosmetic lotions; lotions for cosmetic purposes; make-up; make-up powder; make-up preparations; make-up removing preparations; mascara; massage gels other than for medical purposes; medicated soap; mint essence [essential oil]; mint for perfumery; mouth washes, not for medical purposes; musk [perfumery]; nail art stickers; nail care preparations; nail polish; neutralizers for permanent waving; oils for cosmetic purposes; oils for perfumes and scents; oils for toilet purposes; paint stripping preparations; cosmetic pencils; perfumery; perfumes; shampoos for pets; pomades for cosmetic purposes; potpourris [fragrances]; pumice stone; rose oil; safrol; scented water; scented wood; scouring solutions; shampoos; shaving preparations; shaving soap; shoemakers' wax; cosmetic preparations for skin care; smoothing preparations [starching]; soap; soap for brightening textile; sun-tanning preparations [cosmetics]; sunscreen preparations; talcum powder, for toilet use; terpenes [essential oils]; toilet water; toiletries; decorative transfers for cosmetic purposes; depilatory wax; deodorants for human beings or for animals.

5 – Dental abrasives; absorbent cotton; acaricides; acetates for pharmaceutical purposes; acids for pharmaceutical purposes; aconitine; adhesive bands for medical purposes; adhesive plaster; fly catching adhesives; adhesives for dentures; adjuvants for medical purposes; air deodorizing preparations; air purifying preparations; albumin dietary supplements; albuminous foodstuffs for medical purposes; albuminous preparations for medical purposes; alcohol for pharmaceutical purposes; aldehydes for pharmaceutical purposes; algicides; alginates dietary supplements; alginates for pharmaceutical purposes; alkaline iodides for pharmaceutical purposes; alkaloids for medical purposes; alloys of precious metals for dental purposes; milk of almonds for pharmaceutical purposes; aloe vera preparations for pharmaceutical purposes; aluminium acetate for pharmaceutical purposes; dental amalgams; amino acids for medical purposes; amino acids for veterinary purposes; anesthetics; analgesics; angostura bark for medical purposes; animal washes; anthelmintics; anti-rheumatism bracelets; anti-rheumatism rings; anti-uric preparations; antibiotics; anticryptogamic preparations; antioxidant pills; antiparasitic collars for animals; antiparasitic preparations; antiseptic cotton; antiseptics; appetite suppressant pills; appetite suppressants for medical purposes; aseptic cotton; asthmatic tea; babies' napkin-pants [diaper-pants]; bacterial poisons; bacterial preparations for medical and

veterinary use; bouillons for bacteriological cultures; bacteriological preparations for medical and veterinary use; balms for medical purposes; balsamic preparations for medical purposes; hygienic bandages; menstruation bandages; bandages for dressings; barks for pharmaceutical purposes; therapeutic preparations for the bath; bath preparations, medicated; bath salts for medical purposes; oxygen baths; salts for mineral water baths; belts for sanitary napkins [towels]; bicarbonate of soda for pharmaceutical purposes; biocides; biological preparations for medical purposes; biological preparations for veterinary purposes; biological tissue cultures for medical purposes; biological tissue cultures for veterinary purposes; bismuth preparations for pharmaceutical purposes; bismuth subnitrate for pharmaceutical purposes; blood for medical purposes; blood plasma; bone cement for surgical and orthopaedic purposes; bracelets for medical purposes; diabetic bread adapted for medical use; breast-nursing pads; bromine for pharmaceutical purposes; bronchodilating preparations; bunion pads; preparations for the treatment of burns; by-products of the processing of cereals for dietetic or medical purposes; cachets for pharmaceutical purposes; cachou for pharmaceutical purposes; preparations for callouses; calomel; camphor for medical purposes; camphor oil for medical purposes; candy for medical purposes; candy, medicated; powder of cantharides; capsules for medicines; carbolineum [parasiticide]; casein dietary supplements; castor oil for medical purposes; cattle washes; caustic pencils; caustics for pharmaceutical purposes; cedar wood for use as an insect repellent; cellulose esters for pharmaceutical purposes; cellulose ethers for pharmaceutical purposes; cement for animal hooves; charcoal for pharmaceutical purposes; chemical conductors for electrocardiograph electrodes; chemical preparations for medical purposes; chemical preparations for pharmaceutical purposes; chemical preparations for veterinary purposes; chemical reagents for medical or veterinary purposes; chemico-pharmaceutical preparations; chewing gum for medical purposes; chilblain preparations; chinoline for medical purposes; chloroform; tobacco-free cigarettes for medical purposes; cinchona for medical purposes; contact lens cleaning preparations; deodorants for clothing and textiles; cocaine; cod liver oil; colloidion for pharmaceutical purposes; collyrium; compresses; condurango bark for medical purposes; medicines for alleviating constipation; solutions for use with contact lenses; chemical contraceptives; cooling sprays for medical purposes; corn remedies; corn rings for the feet; cotton for medical purposes; cream of tartar for pharmaceutical purposes; creosote for pharmaceutical purposes; croton bark; cultures of microorganisms for medical and veterinary use; curare; pharmaceutical preparations for treating dandruff; decoctions for pharmaceutical purposes; dental cements; dental impression materials; dental

lacquer; dental mastics; deodorants, other than for human beings or for animals; depuratives; detergents for medical purposes; chemical preparations for the diagnosis of pregnancy; diagnostic preparations for medical purposes; diapers [babies' napkins]; diastase for medical purposes; dietary supplements for animals; dietetic beverages adapted for medical purposes; dietetic foods adapted for medical purposes; dietetic substances adapted for medical use; digestives for pharmaceutical purposes; digitalin; dill oil for medical purposes; disinfectants for chemical toilets; disinfectants for hygiene purposes; dog lotions; dog washes; repellents for dogs; douching preparations for medical purposes; surgical dressings; dressings, medical; medicinal drinks; drugs for medical purposes; preparations for destroying dry rot fungus; elixirs [pharmaceutical preparations]; enzyme dietary supplements; enzyme preparations for medical purposes; enzyme preparations for veterinary purposes; enzymes for medical purposes; enzymes for veterinary purposes; ergot for pharmaceutical purposes; esters for pharmaceutical purposes; ethers for pharmaceutical purposes; eucalyptol for pharmaceutical purposes; eucalyptus for pharmaceutical purposes; evacuants; eye-washes; eyepatches for medical purposes; febrifuges; fennel for medical purposes; milk ferments for pharmaceutical purposes; ferments for pharmaceutical purposes; dietary fiber; first-aid boxes, filled; fish meal for pharmaceutical purposes; flaxseed dietary supplements; flaxseed for pharmaceutical purposes; flaxseed meal for pharmaceutical purposes; flaxseed oil dietary supplements; flour for pharmaceutical purposes; flowers of sulphur for pharmaceutical purposes; fly catching paper; fly destroying preparations; food for babies; remedies for foot perspiration; formic aldehyde for pharmaceutical purposes; frostbite salve for pharmaceutical purposes; fumigating pastilles; fumigation preparations for medical purposes; fungicides; gallic acid for pharmaceutical purposes; gamboge for medical purposes; gases for medical purposes; gauze for dressings; gelatine for medical purposes; gentian for pharmaceutical purposes; germicides; glucose dietary supplements; glucose for medical purposes; glycerine for medical purposes; glycerophosphates; dental amalgams of gold; goulard water; greases for medical purposes; greases for veterinary purposes; guaiacol for pharmaceutical purposes; gum for medical purposes; gurjun [gurjon, gurjan] balsam for medical purposes; haematogen; haemoglobin; haemorrhoid preparations; haemostatic pencils; medicinal hair growth preparations; articles for headache; headache pencils; herbal teas for medicinal purposes; herbicides; medicinal herbs; smoking herbs for medical purposes; extracts of hops for pharmaceutical purposes; hormones for medical purposes; hydrastine; hydrastinine; hydrated chloral for pharmaceutical purposes; hydrogen peroxide for medical purposes; surgical implants [living tissues]; insect re-

pellent incense; napkins for incontinents; pants, absorbent, for incontinents; medicinal infusions; insect repellents; insecticides; semen for artificial insemination; iodides for pharmaceutical purposes; iodine for pharmaceutical purposes; iodoform; irish moss for medical purposes; isotopes for medical purposes; jalap; petroleum jelly for medical purposes; jujube, medicated; menstruation knickers; lacteal flour for babies; lactose for pharmaceutical purposes; larvae exterminating preparations; laxatives; lecithin dietary supplements; lecithin for medical purposes; leeches for medical purposes; preparations of lime for pharmaceutical purposes; liniments; lint for medical purposes; liquorice for pharmaceutical purposes; tissues impregnated with pharmaceutical lotions; lotions for pharmaceutical purposes; lotions for veterinary purposes; lozenges for pharmaceutical purposes; lupulin for pharmaceutical purposes; magnesia for pharmaceutical purposes; malt for pharmaceutical purposes; malted milk beverages for medical purposes; mangrove bark for pharmaceutical purposes; medicinal oils; medicinal roots; medicinal tea; medicine cases, portable, filled; medicines for dental purposes; medicines for human purposes; medicines for veterinary purposes; melissa water for pharmaceutical purposes; menstruation tampons; menthol; mercurial ointments; preparations for destroying mice; nutritive substances for microorganisms; chemical preparations to treat mildew; milking grease; mineral food supplements; mineral water salts; mineral waters for medical purposes; mint for pharmaceutical purposes; molding wax for dentists; moleskin for medical purposes; mothproofing paper; mothproofing preparations; mouthwashes for medical purposes; medicinal mud; mud for baths; mustard for pharmaceutical purposes; mustard oil for medical purposes; mustard plasters; myrobalan bark for pharmaceutical purposes; narcotics; nervines; preparations for destroying noxious animals; nutritional supplements; oil of turpentine for pharmaceutical purposes; ointments for pharmaceutical purposes; opiates; opium; opodeldoc; ophotherapy preparations; oxygen for medical purposes; panty liners [sanitary]; paper for mustard plasters; parasiticides; pearl powder for medical purposes; pectin for pharmaceutical purposes; pepsins for pharmaceutical purposes; peptones for pharmaceutical purposes; personal sexual lubricants; pharmaceutical preparations; phenol for pharmaceutical purposes; phosphates for pharmaceutical purposes; chemical preparations for treating phylloxera; plasters for medical purposes; poisons; pollen dietary supplements; pomades for medical purposes; porcelain for dental prostheses; potassium salts for medical purposes; poultices; propolis dietary supplements; propolis for pharmaceutical purposes; protein dietary supplements; protein supplements for animals; pyrethrum powder; quassia for medical purposes; quebracho for medical purposes; quinine for medical purposes; radioactive substances

for medical purposes; radiological contrast substances for medical purposes; radium for medical purposes; rat poison; preparations for reducing sexual activity; remedies for perspiration; rhubarb roots for pharmaceutical purposes; royal jelly dietary supplements; royal jelly for pharmaceutical purposes; rubber for dental purposes; salts for medical purposes; sanitary napkins; sarsaparilla for medical purposes; scapulars for surgical purposes; sea water for medicinal bathing; sedatives; serotherapeutic medicines; serums; siccatives [drying agents] for medical purposes; pharmaceutical preparations for skin care; slimming pills; medical preparations for slimming purposes; slug exterminating preparations; smelling salts; sodium salts for medical purposes; soil-sterilising preparations; solvents for removing adhesive plasters; soporifics; vulnerary sponges; starch for dietetic or pharmaceutical purposes; stem cells for medical purposes; stem cells for veterinary purposes; sterilising preparations; steroids; stick liquorice for pharmaceutical purposes; sulphur sticks [disinfectants]; strychnine; styptic preparations; sugar for medical purposes; sulphonamides [medicines]; sunburn ointments; sunburn preparations for pharmaceutical purposes; suppositories; surgical cloth [tissues]; syrups for pharmaceutical purposes; tanning pills; tartar for pharmaceutical purposes; teeth filling material; preparations to facilitate teething; thermal water; thymol for pharmaceutical purposes; tincture of iodine; tinctures for medical purposes; tobacco extracts [insecticides]; tonics [medicines]; preparations of trace elements for human and animal use; turpentine for pharmaceutical purposes; vaccines; vaginal washes; vermin destroying preparations; vesicants; veterinary preparations; vine disease treating chemicals; vitamin preparations; wadding for medical purposes; wart pencils; chemical preparations to treat wheat blight [smut]; wheat germ dietary supplements; yeast dietary supplements; yeast for pharmaceutical purposes.

10 – Abdominal belts; abdominal corsets; abdominal pads; acupuncture needles; aerosol dispensers for medical purposes; air cushions for medical purposes; air mattresses, for medical purposes; air pillows for medical purposes; ambulance stretchers; anaesthetic apparatus; anaesthetic masks; apparatus for use in medical analysis; arch supports for footwear; armchairs for medical or dental purposes; arterial blood pressure measuring apparatus; artificial breasts; artificial eyes; artificial jaws; artificial limbs; apparatus for artificial respiration; artificial skin for surgical purposes; artificial teeth; sets of artificial teeth; babies' bottles; babies' pacifiers [teats]; balling guns; knee bandages, orthopedic; supportive bandages; suspensory bandages; bandages, elastic; basins for medical purposes; bed pans; bed vibrators; hydrostatic [water] beds for medical purposes; beds, specially made for medical purposes; orthopaedic [orthopedic] belts; belts for medical purposes; belts, elec-

tric, for medical purposes; blankets, electric, for medical purposes; blood testing apparatus; appliances for washing body cavities; boots for medical purposes; bougies [surgery]; breast pumps; brushes for cleaning body cavities; dental burs; cannulae; cases fitted for medical instruments; cases fitted for use by surgeons and doctors; castrating pincers; catgut; catheters; obstetric apparatus for cattle; commode chairs; childbirth mattresses; clips, surgical; clothing especially for operating rooms; thermo-electric compresses [surgery]; compressors (surgical); condoms; containers especially made for medical waste; contraceptives, non-chemical; corn knives; corsets for medical purposes; crutches; tips for crutches for invalids; cupping glasses; heating cushions, electric for medical purposes; cushions for medical purposes; cutlery [surgical]; apparatus for the treatment of deafness; defibrillators; dental apparatus; dental apparatus, electric; dentists' armchairs; diagnostic apparatus for medical purposes; dialyzers; douche bags; drainage tubes for medical purposes; draw-sheets for sick beds; dropper bottles for medical purposes; droppers for medical purposes; ear picks; ear plugs [ear protection devices]; ear trumpets; elastic stockings for surgical purposes; electric acupuncture instruments; electrocardiographs; electrodes for medical use; enema apparatus for medical purposes; esthetic massage apparatus; feeding bottle teats; feeding bottle valves; filters for ultraviolet rays, for medical purposes; finger guards for medical purposes; supports for flat feet; fleams; orthopaedic [orthopedic] footwear; forceps; fumigation apparatus for medical purposes; furniture especially made for medical purposes; galvanic belts for medical purposes; galvanic therapeutic appliances; gastroscopes; gloves for massage; gloves for medical purposes; medical guidewires; hair prostheses; hearing aids for the deaf; hearing protectors; heart pacemakers; hematimeters; hernia bandages; hot air therapeutic apparatus; hot air vibrators for medical purposes; hypodermic syringes; hypogastric belts; ice bags for medical purposes; incontinence sheets; incubators for babies; incubators for medical purposes; inhalers; injectors for medical purposes; instrument cases for use by surgeons and doctors; insufflators; invalids' hoists; knives for surgical purposes; lamps for medical purposes; lasers for medical purposes; lenses [intraocular prostheses] for surgical implantation; love dolls [sex dolls]; masks for use by medical personnel; massage apparatus; maternity belts; medical apparatus and instruments; spoons for administering medicine; microdermabrasion apparatus; mirrors for dentists; mirrors for surgeons; needles for medical purposes; nursing appliances; obstetric apparatus; operating tables; ophthalmometers; ophthalmoscopes; orthodontic appliances; orthopaedic articles; orthopaedic soles; pads [pouches] for preventing pressure sores on patient bodies; pessaries; physical exercise apparatus, for medical purposes; physiothe-

rapy apparatus; soporific pillows for insomnia; pins for artificial teeth; plaster bandages for orthopaedic purposes [casts (Am.)]; probes for medical purposes; protection devices against X-rays, for medical purposes; pulse meters; pumps for medical purposes; quartz lamps for medical purposes; radiological apparatus for medical purposes; radiology screens for medical purposes; radiotherapy apparatus; radium tubes for medical purposes; receptacles for applying medicines; body rehabilitation apparatus for medical purposes; respirators for artificial respiration; resuscitation apparatus; teething rings; saws for surgical purposes; scalpels; scissors for surgery; tongue scrapers; slings [supporting bandages]; spirometers [medical apparatus]; spittoons for medical purposes; splints, surgical; surgical sponges; sprayers for medical purposes; stents; sterile sheets, surgical; stethoscopes; stockings for varices; strait jackets; stretchers, wheeled; surgical apparatus and instruments; surgical drapes; surgical implants [artificial materials]; suture materials; suture needles; syringes for injections; syringes for medical purposes; thermal packs for first aid purposes; thermometers for medical purposes; thread, surgical; traction apparatus for medical purposes; trocars; ultraviolet ray lamps for medical purposes; umbilical belts; urethral probes; urethral syringes; urinals [vessels]; urological apparatus and instruments; uterine syringes; vaginal syringes; veterinary apparatus and instruments; vibromassage apparatus; water bags for medical purposes; X-ray apparatus for medical purposes; X-ray photographs for medical purposes; X-ray tubes for medical purposes; apparatus and installations for the production of X-rays for medical purposes.

(260) AM 2014 72677 A

(800) 1160980

(151) 2013 04 05

(731) "Delta Medical Promotions AG"

Oetenbachgasse 26, CH-8001 Zurich,
Switzerland

(540)

АНТИКАНД

(591) Black, white

(511)

3 – Adhesives for cosmetic purposes; after-shave lotions; air fragrancing preparations; almond milk for cosmetic purposes; almond oil; almond soap; aloe vera preparations for cosmetic purposes; amber [perfume]; antiperspirant soap; antiperspirants [toiletries]; antistatic preparations for household purposes; aromatics [essential oils]; astringents for cosmetic purposes; badian essence; balms other than for medical purposes; bath salts, not for medical purposes; cosmetic preparations for baths; beauty masks; bergamot oil; flavorings [flavourings] for beverages [essential oils]; bleaching preparations [decolorants]

for cosmetic purposes; bleaching preparations [laundry]; bleaching salts; laundry blueing; breath freshening sprays; breath freshening strips; color- [colour-] brightening chemicals for household purposes [laundry]; cake flavourings [essential oils]; cakes of toilet soap; essential oils of cedarwood; essential oils of citron; preparations for cleaning dentures; cleaning preparations; cleansing milk for toilet purposes; cloths impregnated with a detergent for cleaning; color-removing preparations; colorants for toilet purposes; cosmetic kits; cosmetic preparations for slimming purposes; cosmetics; cosmetics for animals; cotton sticks for cosmetic purposes; cotton wool for cosmetic purposes; cosmetic creams; skin whitening creams; dental bleaching gels; dentifrices; denture polishes; deodorant soap; deodorants for pets; depilatories; detergents other than for use in manufacturing operations and for medical purposes; disinfectant soap; douching preparations for personal sanitary or deodorant purposes [toiletries]; dry shampoos; dry-cleaning preparations; drying agents for dishwashing machines; cosmetic dyes; eau de Cologne; ethereal essences; essential oils; extracts of flowers [perfumes]; eyebrow cosmetics; eyebrow pencils; cosmetic preparations for eyelashes; false eyelashes; fabric softeners for laundry use; false nails; bases for flower perfumes; soap for foot perspiration; fumigation preparations [perfumes]; furnishing preparations; greases for cosmetic purposes; hair colorants; hair lotions; hair spray; hair waving preparations; hydrogen peroxide for cosmetic purposes; potassium hypochloride; incense; ionone [perfumery]; jasmine oil; petroleum jelly for cosmetic purposes; joss sticks; lacquer-removing preparations; laundry bleach; laundry soaking preparations; lavender oil; lavender water; sachets for perfuming linen; lip glosses; lipsticks; tissues impregnated with cosmetic lotions; lotions for cosmetic purposes; make-up; make-up powder; make-up preparations; make-up removing preparations; mascara; massage gels other than for medical purposes; medicated soap; mint essence [essential oil]; mint for perfumery; mouth washes, not for medical purposes; musk [perfumery]; nail art stickers; nail care preparations; nail polish; neutralizers for permanent waving; oils for cosmetic purposes; oils for perfumes and scents; oils for toilet purposes; paint stripping preparations; cosmetic pencils; perfumery; perfumes; shampoos for pets; pomades for cosmetic purposes; potpourris [fragrances]; pumice stone; rose oil; safrol; scented water; scented wood; scouring solutions; shampoos; shaving preparations; shaving soap; shoemakers' wax; cosmetic preparations for skin care; smoothing preparations [starching]; soap; soap for brightening textile; sun-tanning preparations [cosmetics]; sunscreen preparations; talcum powder, for toilet use; terpenes [essential oils]; toilet water; toiletries; decorative transfers for cosmetic purposes; depilatory wax; deodorants for human beings or for animals.

5 – Dental abrasives; absorbent cotton; acaricides; acetates for pharmaceutical purposes; acids for pharmaceutical purposes; aconitine; adhesive bands for medical purposes; adhesive plaster; fly catching adhesives; adhesives for dentures; adjuvants for medical purposes; air deodorizing preparations; air purifying preparations; albumin dietary supplements; albuminous foodstuffs for medical purposes; albuminous preparations for medical purposes; alcohol for pharmaceutical purposes; aldehydes for pharmaceutical purposes; algicides; alginate dietary supplements; alginates for pharmaceutical purposes; alkaline iodides for pharmaceutical purposes; alkaloids for medical purposes; alloys of precious metals for dental purposes; milk of almonds for pharmaceutical purposes; aloe vera preparations for pharmaceutical purposes; aluminium acetate for pharmaceutical purposes; dental amalgams; amino acids for medical purposes; amino acids for veterinary purposes; anaesthetics; analgesics; angostura bark for medical purposes; animal washes; anthelmintics; anti-rheumatism bracelets; anti-rheumatism rings; anti-uric preparations; antibiotics; anticryptogamic preparations; antioxidant pills; antiparasitic collars for animals; antiparasitic preparations; antiseptic cotton; antiseptics; appetite suppressant pills; appetite suppressants for medical purposes; aseptic cotton; asthmatic tea; babies' napkin-pants [diaper-pants]; bacterial poisons; bacterial preparations for medical and veterinary use; bouillons for bacteriological cultures; bacteriological preparations for medical and veterinary use; balms for medical purposes; balsamic preparations for medical purposes; hygienic bandages; menstruation bandages; bandages for dressings; barks for pharmaceutical purposes; therapeutic preparations for the bath; bath preparations, medicated; bath salts for medical purposes; oxygen baths; salts for mineral water baths; belts for sanitary napkins [towels]; bicarbonate of soda for pharmaceutical purposes; biocides; biological preparations for medical purposes; biological preparations for veterinary purposes; biological tissue cultures for medical purposes; biological tissue cultures for veterinary purposes; bismuth preparations for pharmaceutical purposes; bismuth subnitrate for pharmaceutical purposes; blood for medical purposes; blood plasma; bone cement for surgical and orthopaedic purposes; bracelets for medical purposes; diabetic bread adapted for medical use; breast-nursing pads; bromine for pharmaceutical purposes; bronchodilating preparations; bunion pads; preparations for the treatment of burns; by-products of the processing of cereals for dietetic or medical purposes; cachets for pharmaceutical purposes; cachou for pharmaceutical purposes; preparations for callouses; calomel; camphor for medical purposes; camphor oil for medical purposes; candy for medical purposes; candy, medicated; powder of cantharides; capsules for medicines; carbolineum [parasiticide]; casein dietary sup-

plements; castor oil for medical purposes; cattle washes; caustic pencils; caustics for pharmaceutical purposes; cedar wood for use as an insect repellent; cellulose esters for pharmaceutical purposes; cellulose ethers for pharmaceutical purposes; cement for animal hooves; charcoal for pharmaceutical purposes; chemical conductors for electrocardiograph electrodes; chemical preparations for medical purposes; chemical preparations for pharmaceutical purposes; chemical preparations for veterinary purposes; chemical reagents for medical or veterinary purposes; chemico-pharmaceutical preparations; chewing gum for medical purposes; chilblain preparations; chinoline for medical purposes; chloroform; tobacco-free cigarettes for medical purposes; cinchona for medical purposes; contact lens cleaning preparations; deodorants for clothing and textiles; cocaine; cod liver oil; collodion for pharmaceutical purposes; collyrium; compresses; condurango bark for medical purposes; medicines for alleviating constipation; solutions for use with contact lenses; chemical contraceptives; cooling sprays for medical purposes; corn remedies; corn rings for the feet; cotton for medical purposes; cream of tartar for pharmaceutical purposes; creosote for pharmaceutical purposes; croton bark; cultures of microorganisms for medical and veterinary use; curare; pharmaceutical preparations for treating dandruff; decoctions for pharmaceutical purposes; dental cements; dental impression materials; dental lacquer; dental mastics; deodorants, other than for human beings or for animals; depuratives; detergents for medical purposes; chemical preparations for the diagnosis of pregnancy; diagnostic preparations for medical purposes; diapers [babies' napkins]; diastase for medical purposes; dietary supplements for animals; dietetic beverages adapted for medical purposes; dietetic foods adapted for medical purposes; dietetic substances adapted for medical use; digestives for pharmaceutical purposes; digitalin; dill oil for medical purposes; disinfectants for chemical toilets; disinfectants for hygiene purposes; dog lotions; dog washes; repellents for dogs; douching preparations for medical purposes; surgical dressings; dressings, medical; medicinal drinks; drugs for medical purposes; preparations for destroying dry rot fungus; elixirs [pharmaceutical preparations]; enzyme dietary supplements; enzyme preparations for medical purposes; enzyme preparations for veterinary purposes; enzymes for medical purposes; enzymes for veterinary purposes; ergot for pharmaceutical purposes; esters for pharmaceutical purposes; ethers for pharmaceutical purposes; eucalyptol for pharmaceutical purposes; eucalyptus for pharmaceutical purposes; evacuating; eye-washes; eyepatches for medical purposes; febrifuges; fennel for medical purposes; milk ferments for pharmaceutical purposes; ferments for pharmaceutical purposes; dietary fiber; first-aid boxes, filled; fish meal for pharmaceutical purposes; flaxseed dietary supple-

ments; flaxseed for pharmaceutical purposes; flaxseed meal for pharmaceutical purposes; flaxseed oil dietary supplements; flour for pharmaceutical purposes; flowers of sulphur for pharmaceutical purposes; fly catching paper; fly destroying preparations; food for babies; remedies for foot perspiration; formic aldehyde for pharmaceutical purposes; frostbite salve for pharmaceutical purposes; fumigating pastilles; fumigation preparations for medical purposes; fungicides; gallic acid for pharmaceutical purposes; gamboge for medical purposes; gases for medical purposes; gauze for dressings; gelatine for medical purposes; gentian for pharmaceutical purposes; germicides; glucose dietary supplements; glucose for medical purposes; glycerine for medical purposes; glycerophosphates; dental amalgams of gold; goulard water; greases for medical purposes; greases for veterinary purposes; guaiacol for pharmaceutical purposes; gum for medical purposes; gurjun [gurjon, gurjan] balsam for medical purposes; haematogen; haemoglobin; haemorrhoid preparations; haemostatic pencils; medicinal hair growth preparations; articles for headache; headache pencils; herbal teas for medicinal purposes; herbicides; medicinal herbs; smoking herbs for medical purposes; extracts of hops for pharmaceutical purposes; hormones for medical purposes; hydrastine; hydrastinine; hydrated chloral for pharmaceutical purposes; hydrogen peroxide for medical purposes; surgical implants [living tissues]; insect repellent incense; napkins for incontinents; pants, absorbent, for incontinents; medicinal infusions; insect repellents; insecticides; semen for artificial insemination; iodides for pharmaceutical purposes; iodine for pharmaceutical purposes; iodoform; Irish moss for medical purposes; isotopes for medical purposes; jalap; petroleum jelly for medical purposes; jujube, medicated; menstruation knickers; lacteal flour for babies; lactose for pharmaceutical purposes; larvae exterminating preparations; laxatives; lecithin dietary supplements; lecithin for medical purposes; leeches for medical purposes; preparations of lime for pharmaceutical purposes; liniments; lint for medical purposes; liquorice for pharmaceutical purposes; tissues impregnated with pharmaceutical lotions; lotions for pharmaceutical purposes; lotions for veterinary purposes; lozenges for pharmaceutical purposes; lupulin for pharmaceutical purposes; magnesia for pharmaceutical purposes; malt for pharmaceutical purposes; malted milk beverages for medical purposes; mangrove bark for pharmaceutical purposes; medicinal oils; medicinal roots; medicinal tea; medicine cases, portable, filled; medicines for dental purposes; medicines for human purposes; medicines for veterinary purposes; melissa water for pharmaceutical purposes; menstruation tampons; menthol; mercurial ointments; preparations for destroying mice; nutritive substances for microorganisms; chemical preparations to treat mildew; milking grease; mineral food supplements; mineral

water salts; mineral waters for medical purposes; mint for pharmaceutical purposes; molding wax for dentists; moleskin for medical purposes; mothproofing paper; mothproofing preparations; mouthwashes for medical purposes; medicinal mud; mud for baths; mustard for pharmaceutical purposes; mustard oil for medical purposes; mustard plasters; myrobalan bark for pharmaceutical purposes; narcotics; nervines; preparations for destroying noxious animals; nutritional supplements; oil of turpentine for pharmaceutical purposes; ointments for pharmaceutical purposes; opiates; opium; opodeldoc; ophotherapy preparations; oxygen for medical purposes; panty liners [sanitary]; paper for mustard plasters; parasitocides; pearl powder for medical purposes; pectin for pharmaceutical purposes; pepsins for pharmaceutical purposes; peptones for pharmaceutical purposes; personal sexual lubricants; pharmaceutical preparations; phenol for pharmaceutical purposes; phosphates for pharmaceutical purposes; chemical preparations for treating phylloxera; plasters for medical purposes; poisons; pollen dietary supplements; pomades for medical purposes; porcelain for dental prostheses; potassium salts for medical purposes; poultices; propolis dietary supplements; propolis for pharmaceutical purposes; protein dietary supplements; protein supplements for animals; pyrethrum powder; quassia for medical purposes; quebracho for medical purposes; quinine for medical purposes; radioactive substances for medical purposes; radiological contrast substances for medical purposes; radium for medical purposes; rat poison; preparations for reducing sexual activity; remedies for perspiration; rhubarb roots for pharmaceutical purposes; royal jelly dietary supplements; royal jelly for pharmaceutical purposes; rubber for dental purposes; salts for medical purposes; sanitary napkins; sarsaparilla for medical purposes; scapulars for surgical purposes; sea water for medicinal bathing; sedatives; serotherapeutic medicines; serums; siccatives [drying agents] for medical purposes; pharmaceutical preparations for skin care; slimming pills; medical preparations for slimming purposes; slug exterminating preparations; smelling salts; sodium salts for medical purposes; soil-sterilising preparations; solvents for removing adhesive plasters; soporifics; vulnerary sponges; starch for dietetic or pharmaceutical purposes; stem cells for medical purposes; stem cells for veterinary purposes; sterilising preparations; steroids; stick liquorice for pharmaceutical purposes; sulphur sticks [disinfectants]; strychnine; styptic preparations; sugar for medical purposes; sulphonamides [medicines]; sunburn ointments; sunburn preparations for pharmaceutical purposes; suppositories; surgical cloth [tissues]; syrups for pharmaceutical purposes; tanning pills; tartar for pharmaceutical purposes; teeth filling material; preparations to facilitate teething; thermal water; thymol for pharmaceutical purposes; tincture of iodine; tinctu-

res for medical purposes; tobacco extracts [insecticides]; tonics [medicines]; preparations of trace elements for human and animal use; turpentine for pharmaceutical purposes; vaccines; vaginal washes; vermin destroying preparations; vesicants; veterinary preparations; vine disease treating chemicals; vitamin preparations; wadding for medical purposes; wart pencils; chemical preparations to treat wheat blight [smut]; wheat germ dietary supplements; yeast dietary supplements; yeast for pharmaceutical purposes.

10 – Abdominal belts; abdominal corsets; abdominal pads; acupuncture needles; aerosol dispensers for medical purposes; air cushions for medical purposes; air mattresses, for medical purposes; air pillows for medical purposes; ambulance stretchers; anaesthetic apparatus; anaesthetic masks; apparatus for use in medical analysis; arch supports for footwear; armchairs for medical or dental purposes; arterial blood pressure measuring apparatus; artificial breasts; artificial eyes; artificial jaws; artificial limbs; apparatus for artificial respiration; artificial skin for surgical purposes; artificial teeth; sets of artificial teeth; babies' bottles; babies' pacifiers [teats]; balling guns; knee bandages, orthopaedic; supportive bandages; suspensory bandages; bandages, elastic; basins for medical purposes; bed pans; bed vibrators; hydrostatic [water] beds for medical purposes; beds, specially made for medical purposes; orthopaedic [orthopedic] belts; belts for medical purposes; belts, electric, for medical purposes; blankets, electric, for medical purposes; blood testing apparatus; appliances for washing body cavities; boots for medical purposes; bougies [surgery]; breast pumps; brushes for cleaning body cavities; dental burs; cannulae; cases fitted for medical instruments; cases fitted for use by surgeons and doctors; castrating pincers; catgut; catheters; obstetric apparatus for cattle; commode chairs; childbirth mattresses; clips, surgical; clothing especially for operating rooms; thermo-electric compresses [surgery]; compressors [surgical]; condoms; containers especially made for medical waste; contraceptives, non-chemical; corn knives; corsets for medical purposes; crutches; tips for crutches for invalids; cupping glasses; heating cushions, electric, for medical purposes; cushions for medical purposes; cutlery [surgical]; apparatus for the treatment of deafness; defibrillators; dental apparatus; dental apparatus, electric; dentists' armchairs; diagnostic apparatus for medical purposes; dialyzers; douche bags; drainage tubes for medical purposes; draw-sheets for sick beds; dropper bottles for medical purposes; droppers for medical purposes; ear picks; ear plugs [ear protection devices]; ear trumpets; elastic stockings for surgical purposes; electric acupuncture instruments; electrocardiographs; electrodes for medical use; enema apparatus for medical purposes; esthetic massage apparatus; feeding bottle teats; feeding bottle valves; filters for ultraviolet

rays, for medical purposes; finger guards for medical purposes; supports for flat feet; fleams; orthopaedic [orthopedic] footwear; forceps; fumigation apparatus for medical purposes; furniture especially made for medical purposes; galvanic belts for medical purposes; galvanic therapeutic appliances; gastroscopes; gloves for massage; gloves for medical purposes; medical guidewires; hair prostheses; hearing aids for the deaf; hearing protectors; heart pacemakers; hematometers; hernia bandages; hot air therapeutic apparatus; hot air vibrators for medical purposes; hypodermic syringes; hypogastric belts; ice bags for medical purposes; incontinence sheets; incubators for babies; incubators for medical purposes; inhalers; injectors for medical purposes; instrument cases for use by surgeons and doctors; insufflators; invalids' hoists; knives for surgical purposes; lamps for medical purposes; lasers for medical purposes; lenses [intraocular prostheses] for surgical implantation; love dolls [sex dolls]; masks for use by medical personnel; massage apparatus; maternity belts; medical apparatus and instruments; spoons for administering medicine; microdermabrasion apparatus; mirrors for dentists; mirrors for surgeons; needles for medical purposes; nursing appliances; obstetric apparatus; operating tables; ophthalmometers; ophthalmoscopes; orthodontic appliances; orthopaedic articles; orthopaedic soles; pads [pouches] for preventing pressure sores on patient bodies; pessaries; physical exercise apparatus, for medical purposes; physiotherapy apparatus; soporific pillows for insomnia; pins for artificial teeth; plaster bandages for orthopaedic purposes [casts (Am.)]; probes for medical purposes; protection devices against X-rays, for medical purposes; pulse meters; pumps for medical purposes; quartz lamps for medical purposes; radiological apparatus for medical purposes; radiology screens for medical purposes; radiotherapy apparatus; radium tubes for medical purposes; receptacles for applying medicines; body rehabilitation apparatus for medical purposes; respirators for artificial respiration; resuscitation apparatus; teething rings; saws for surgical purposes; scalpels; scissors for surgery; tongue scrapers; slings [supporting bandages]; spirometers [medical apparatus]; spittoons for medical purposes; splints, surgical; surgical sponges; sprayers for medical purposes; stents; sterile sheets, surgical; stethoscopes; stockings for varices; strait jackets; stretchers, wheeled; surgical apparatus and instruments; surgical drapes; surgical implants [artificial materials]; suture materials; suture needles; syringes for injections; syringes for medical purposes; thermal packs for first aid purposes; thermometers for medical purposes; thread, surgical; traction apparatus for medical purposes; trocars; ultraviolet ray lamps for medical purposes; umbilical belts; urethral probes; urethral syringes; urinals [vessels]; urological apparatus and instruments; uterine syringes; vaginal syringes; veterinary apparatus and

instruments; vibromassage apparatus; water bags for medical purposes; X-ray apparatus for medical purposes; X-ray photographs for medical purposes; X-ray tubes for medical purposes; apparatus and installations for the production of X-rays, for medical purposes.

(260) AM 2014 72679 A

(800) 1160981

(151) 2013 04 05

(731) "Delta Medical Promotions AG"

Oetenbachgasse 26, CH-8001 Zurich,
Switzerland

(540)

КомфиДерм

(591) Black, white

(511)

3 – Adhesives for cosmetic purposes; after-shave lotions; air fragrancing preparations; almond milk for cosmetic purposes; almond oil; almond soap; aloe vera preparations for cosmetic purposes; amber [perfume]; antiperspirant soap; antiperspirants [toiletries]; antistatic preparations for household purposes; aromatics [essential oils]; astringents for cosmetic purposes; badian essence; balms other than for medical purposes; bath salts, not for medical purposes; cosmetic preparations for baths; beauty masks; bergamot oil; flavorings [flavourings] for beverages [essential oils]; bleaching preparations [decolorants] for cosmetic purposes; bleaching preparations [laundry]; bleaching salts; laundry blueing; breath freshening sprays; breath freshening strips; color- [colour-] brightening chemicals for household purposes [laundry]; cake flavourings [essential oils]; cakes of toilet soap; essential oils of cedarwood; essential oils of citron; preparations for cleaning dentures; cleaning preparations; cleansing milk for toilet purposes; cloths impregnated with a detergent for cleaning; color-removing preparations; colorants for toilet purposes; cosmetic kits; cosmetic preparations for slimming purposes; cosmetics; cosmetics for animals; cotton sticks for cosmetic purposes; cotton wool for cosmetic purposes; cosmetic creams; skin whitening creams; dental bleaching gels; dentifrices; denture polishes; deodorant soap; deodorants for pets; depilatories; detergents other than for use in manufacturing operations and for medical purposes; disinfectant soap; douching preparations for personal sanitary or deodorant purposes [toiletries]; dry shampoos; dry-cleaning preparations; drying agents for dishwashing machines; cosmetic dyes; eau de Cologne; ethereal essences; essential oils; extracts of flowers [perfumes]; eyebrow cosmetics; eyebrow pencils; cosmetic preparations for eyelashes; false eyelashes; fabric softeners for laundry use; false nails; bases for flower perfumes; soap for foot perspiration; fumigation preparations [perfumes]; furbis-

hing preparations; greases for cosmetic purposes; hair colorants; hair lotions; hair spray; hair waving preparations; hydrogen peroxide for cosmetic purposes; potassium hypochloride; incense; ionone [perfumery]; jasmine oil; petroleum jelly for cosmetic purposes; joss sticks; lacquer-removing preparations; laundry bleach; laundry soaking preparations; lavender oil; lavender water; sachets for perfuming linen; lip glosses; lipsticks; tissues impregnated with cosmetic lotions; lotions for cosmetic purposes; make-up; make-up powder; make-up preparations; make-up removing preparations; mascara; massage gels other than for medical purposes; medicated soap; mint essence [essential oil]; mint for perfumery; mouth washes, not for medical purposes; musk [perfumery]; nail art stickers; nail care preparations; nail polish; neutralizers for permanent waving; oils for cosmetic purposes; oils for perfumes and scents; oils for toilet purposes; paint stripping preparations; cosmetic pencils; perfumery; perfumes; shampoos for pets; pomades for cosmetic purposes; potpourris [fragrances]; pumice stone; rose oil; safrol; scented water; scented wood; scouring solutions; shampoos; shaving preparations; shaving soap; shoemakers' wax; cosmetic preparations for skin care; smoothing preparations [starching]; soap; soap for brightening textile; sun-tanning preparations [cosmetics]; sunscreen preparations; talcum powder, for toilet use; terpenes [essential oils]; toilet water; toiletries; decorative transfers for cosmetic purposes; depilatory wax; deodorants for human beings or for animals.

5 – Dental abrasives; absorbent cotton; acaricides; acetates for pharmaceutical purposes; acids for pharmaceutical purposes; aconitine; adhesive bands for medical purposes; adhesive plaster; fly catching adhesives; adhesives for dentures; adjuvants for medical purposes; air deodorizing preparations; air purifying preparations; albumin dietary supplements; albuminous foodstuffs for medical purposes; albuminous preparations for medical purposes; alcohol for pharmaceutical purposes; aldehydes for pharmaceutical purposes; algicides; alginate dietary supplements; alginates for pharmaceutical purposes; alkaline iodides for pharmaceutical purposes; alkaloids for medical purposes; alloys of precious metals for dental purposes; milk of almonds for pharmaceutical purposes; aloe vera preparations for pharmaceutical purposes; aluminium acetate for pharmaceutical purposes; dental amalgams; amino acids for medical purposes; amino acids for veterinary purposes; anaesthetics; analgesics; angostura bark for medical purposes; animal washes; anthelmintics; anti-rheumatism bracelets; anti-rheumatism rings; anti-uric preparations; antibiotics; anticryptogamic preparations; antioxidant pills; antiparasitic collars for animals; antiparasitic preparations; antiseptic cotton; antiseptics; appetite suppressant pills; appetite suppressants for medical purposes; aseptic cotton; asthmatic tea; babies' napkin-pants [diaper-pants];

bacterial poisons; bacterial preparations for medical and veterinary use; bouillons for bacteriological cultures; bacteriological preparations for medical and veterinary use; balms for medical purposes; balsamic preparations for medical purposes; hygienic bandages; menstruation bandages; bandages for dressings; barks for pharmaceutical purposes; therapeutic preparations for the bath; bath preparations, medicated; bath salts for medical purposes; oxygen baths; salts for mineral water baths; belts for sanitary napkins [towels]; bicarbonate of soda for pharmaceutical purposes; biocides; biological preparations for medical purposes; biological preparations for veterinary purposes; biological tissue cultures for medical purposes; biological tissue cultures for veterinary purposes; bismuth preparations for pharmaceutical purposes; bismuth subnitrate for pharmaceutical purposes; blood for medical purposes; blood plasma; bone cement for surgical and orthopaedic purposes; bracelets for medical purposes; diabetic bread adapted for medical use; breast-nursing pads; bromine for pharmaceutical purposes; bronchodilating preparations; bunion pads; preparations for the treatment of burns; by-products of the processing of cereals for dietetic or medical purposes; cachets for pharmaceutical purposes; cachou for pharmaceutical purposes; preparations for callouses; calomel; camphor for medical purposes; camphor oil for medical purposes; candy for medical purposes; candy, medicated; powder of cantharides; capsules for medicines; carbolineum [parasiticide]; casein dietary supplements; castor oil for medical purposes; cattle washes; caustic pencils; caustics for pharmaceutical purposes; cedar wood for use as an insect repellent; cellulose esters for pharmaceutical purposes; cellulose ethers for pharmaceutical purposes; cement for animal hooves; charcoal for pharmaceutical purposes; chemical conductors for electrocardiograph electrodes; chemical preparations for medical purposes; chemical preparations for pharmaceutical purposes; chemical preparations for veterinary purposes; chemical reagents for medical or veterinary purposes; chemico-pharmaceutical preparations; chewing gum for medical purposes; chilblain preparations; chinoline for medical purposes; chloroform; tobacco-free cigarettes for medical purposes; cinchona for medical purposes; contact lens cleaning preparations; deodorants for clothing and textiles; cocaine; cod liver oil; collodion for pharmaceutical purposes; collyrium; compresses; condurango bark for medical purposes; medicines for alleviating constipation; solutions for use with contact lenses; chemical contraceptives; cooling sprays for medical purposes; corn remedies; corn rings for the feet; cotton for medical purposes; cream of tartar for pharmaceutical purposes; creosote for pharmaceutical purposes; croton bark; cultures of microorganisms for medical and veterinary use; curare; pharmaceutical preparations for treating dandruff; decoctions for pharma-

ceutical purposes; dental cements; dental impression materials; dental lacquer; dental mastics; deodorants, other than for human beings or for animals; depuratives; detergents for medical purposes; chemical preparations for the diagnosis of pregnancy; diagnostic preparations for medical purposes; diapers [babies' napkins]; diastase for medical purposes; dietary supplements for animals; dietetic beverages adapted for medical purposes; dietetic foods adapted for medical purposes; dietetic substances adapted for medical use; digestives for pharmaceutical purposes; digitalin; dill oil for medical purposes; disinfectants for chemical toilets; disinfectants for hygiene purposes; dog lotions; dog washes; repellents for dogs; douching preparations for medical purposes; surgical dressings; dressings, medical; medicinal drinks; drugs for medical purposes; preparations for destroying dry rot fungus; elixirs [pharmaceutical preparations]; enzyme dietary supplements; enzyme preparations for medical purposes; enzyme preparations for veterinary purposes; enzymes for medical purposes; enzymes for veterinary purposes; ergot for pharmaceutical purposes; esters for pharmaceutical purposes; ethers for pharmaceutical purposes; eucalyptol for pharmaceutical purposes; eucalyptus for pharmaceutical purposes; evacuants; eye-washes; eyepatches for medical purposes; febrifuges; fennel for medical purposes; milk ferments for pharmaceutical purposes; ferments for pharmaceutical purposes; dietary fiber; first-aid boxes, filled; fish meal for pharmaceutical purposes; flaxseed dietary supplements; flaxseed for pharmaceutical purposes; flaxseed meal for pharmaceutical purposes; flaxseed oil dietary supplements; flour for pharmaceutical purposes; flowers of sulphur for pharmaceutical purposes; fly catching paper; fly destroying preparations; food for babies; remedies for foot perspiration; formic aldehyde for pharmaceutical purposes; frostbite salve for pharmaceutical purposes; fumigating pastilles; fumigation preparations for medical purposes; fungicides; gallic acid for pharmaceutical purposes; gamboge for medical purposes; gases for medical purposes; gauze for dressings; gelatine for medical purposes; gentian for pharmaceutical purposes; germicides; glucose dietary supplements; glucose for medical purposes; glycerine for medical purposes; glycerophosphates; dental amalgams of gold; goulard water; greases for medical purposes; greases for veterinary purposes; guaiacol for pharmaceutical purposes; gum for medical purposes; gurjun [gurjon, gurjan] balsam for medical purposes; haematogen; haemoglobin; haemorrhoid preparations; haemostatic pencils; medicinal hair growth preparations; articles for headache; headache pencils; herbal teas for medicinal purposes; herbicides; medicinal herbs; smoking herbs for medical purposes; extracts of hops for pharmaceutical purposes; hormones for medical purposes; hydrastine; hydrastinine; hydrated chloral for pharmaceutical purposes; hydrogen pero-

xide for medical purposes; surgical implants [living tissues]; insect repellent incense; napkins for incontinents; pants, absorbent, for incontinents; medicinal infusions; insect repellents; insecticides; semen for artificial insemination; iodides for pharmaceutical purposes; iodine for pharmaceutical purposes; iodoform; Irish moss for medical purposes; isotopes for medical purposes; jalap; petroleum jelly for medical purposes; jujube, medicated; menstruation knickers; lacteal flour for babies; lactose for pharmaceutical purposes; larvae exterminating preparations; laxatives; lecithin dietary supplements; lecithin for medical purposes; leeches for medical purposes; preparations of lime for pharmaceutical purposes; liniments; lint for medical purposes; liquorice for pharmaceutical purposes; tissues impregnated with pharmaceutical lotions; lotions for pharmaceutical purposes; lotions for veterinary purposes; lozenges for pharmaceutical purposes; lupulin for pharmaceutical purposes; magnesia for pharmaceutical purposes; malt for pharmaceutical purposes; malted milk beverages for medical purposes; mangrove bark for pharmaceutical purposes; medicinal oils; medicinal roots; medicinal tea; medicine cases, portable, filled; medicines for dental purposes; medicines for human purposes; medicines for veterinary purposes; melissa water for pharmaceutical purposes; menstruation tampons; menthol; mercurial ointments; preparations for destroying mice; nutritive substances for microorganisms; chemical preparations to treat mildew; milking grease; mineral food supplements; mineral water salts; mineral waters for medical purposes; mint for pharmaceutical purposes; molding wax for dentists; moleskin for medical purposes; mothproofing paper; mothproofing preparations; mouthwashes for medical purposes; medicinal mud; mud for baths; mustard for pharmaceutical purposes; mustard oil for medical purposes; mustard plasters; myrobalan bark for pharmaceutical purposes; narcotics; nervines; preparations for destroying noxious animals; nutritional supplements; oil of turpentine for pharmaceutical purposes; ointments for pharmaceutical purposes; opiates; opium; opodeldoc; ootherapy preparations; oxygen for medical purposes; panty liners [sanitary]; paper for mustard plasters; parasiticides; pearl powder for medical purposes; pectin for pharmaceutical purposes; pepsins for pharmaceutical purposes; peptones for pharmaceutical purposes; personal sexual lubricants; pharmaceutical preparations; phenol for pharmaceutical purposes; phosphates for pharmaceutical purposes; chemical preparations for treating phylloxera; plasters for medical purposes; poisons; pollen dietary supplements; pomades for medical purposes; porcelain for dental prostheses; potassium salts for medical purposes; poultices; propolis dietary supplements; propolis for pharmaceutical purposes; protein dietary supplements; protein supplements for animals; pyrethrum powder; quassia for medical

purposes; quebracho for medical purposes; quinine for medical purposes; radioactive substances for medical purposes; radiological contrast substances for medical purposes; radium for medical purposes; rat poison; preparations for reducing sexual activity; remedies for perspiration; rhubarb roots for pharmaceutical purposes; royal jelly dietary supplements; royal jelly for pharmaceutical purposes; rubber for dental purposes; salts for medical purposes; sanitary napkins; sarsaparilla for medical purposes; scapulars for surgical purposes; sea water for medicinal bathing; sedatives; serotherapeutic medicines; serums; siccatives [drying agents] for medical purposes; pharmaceutical preparations for skin care; slimming pills; medical preparations for slimming purposes; slug exterminating preparations; smelling salts; sodium salts for medical purposes; soil-sterilising preparations; solvents for removing adhesive plasters; soporifics; vulnerary sponges; starch for dietetic or pharmaceutical purposes; stem cells for medical purposes; stem cells for veterinary purposes; sterilising preparations; steroids; stick liquorice for pharmaceutical purposes; sulphur sticks [disinfectants]; strychnine; styptic preparations; sugar for medical purposes; sulphonamides [medicines]; sunburn ointments; sunburn preparations for pharmaceutical purposes; suppositories; surgical cloth [tissues]; syrups for pharmaceutical purposes; tanning pills; tartar for pharmaceutical purposes; teeth filling material; preparations to facilitate teething; thermal water; thymol for pharmaceutical purposes; tincture of iodine; tinctures for medical purposes; tobacco extracts [insecticides]; tonics [medicines]; preparations of trace elements for human and animal use; turpentine for pharmaceutical purposes; vaccines; vaginal washes; vermin destroying preparations; vesicants; veterinary preparations; vine disease treating chemicals; vitamin preparations; wadding for medical purposes; wart pencils; chemical preparations to treat wheat blight [smut]; wheat germ dietary supplements; yeast dietary supplements; yeast for pharmaceutical purposes.

10 – Abdominal belts; abdominal corsets; abdominal pads; acupuncture needles; aerosol dispensers for medical purposes; air cushions for medical purposes; air mattresses, for medical purposes; air pillows for medical purposes; ambulance stretchers; anaesthetic apparatus; anaesthetic masks; apparatus for use in medical analysis; arch supports for footwear; armchairs for medical or dental purposes; arterial blood pressure measuring apparatus; artificial breasts; artificial eyes; artificial jaws; artificial limbs; apparatus for artificial respiration; artificial skin for surgical purposes; artificial teeth; sets of artificial teeth; babies' bottles; babies' pacifiers [teats]; balling guns; knee bandages, orthopedic; supportive bandages; suspensory bandages; bandages, elastic; basins for medical purposes; bed pans; bed vibrators; hydrostatic [water] beds for medical purposes; beds,

specially made for medical purposes; orthopaedic [orthopedic] belts; belts for medical purposes; belts, electric, for medical purposes; blankets, electric, for medical purposes; blood testing apparatus; appliances for washing body cavities; boots for medical purposes; bougies [surgery]; breast pumps; brushes for cleaning body cavities; dental burs; cannulae; cases fitted for medical instruments; cases fitted for use by surgeons and doctors; castrating pincers; catgut; catheters; obstetric apparatus for cattle; commode chairs; childbirth mattresses; clips, surgical; clothing especially for operating rooms; thermoelectric compresses [surgery]; compressors [surgical]; condoms; containers especially made for medical waste; contraceptives, non-chemical; corn knives; corsets for medical purposes; crutches; tips for crutches for invalids; cupping glasses; heating cushions, electric, for medical purposes; cushions for medical purposes; cutlery [surgical]; apparatus for the treatment of deafness; defibrillators; dental apparatus; dental apparatus, electric; dentists' armchairs; diagnostic apparatus for medical purposes; dialyzers; douche bags; drainage tubes for medical purposes; draw-sheets for sick beds; dropper bottles for medical purposes; droppers for medical purposes; ear picks; ear plugs [ear protection devices]; ear trumpets; elastic stockings for surgical purposes; electric acupuncture instruments; electrocardiographs; electrodes for medical use; enema apparatus for medical purposes; esthetic massage apparatus; feeding bottle teats; feeding bottle valves; filters for ultraviolet rays, for medical purposes; finger guards for medical purposes; supports for flat feet; fleams; orthopaedic [orthopedic] footwear; forceps; fumigation apparatus for medical purposes; furniture especially made for medical purposes; galvanic belts for medical purposes; galvanic therapeutic appliances; gastroscopes; gloves for massage; gloves for medical purposes; medical guidewires; hair prostheses; hearing aids for the deaf; hearing protectors; heart pacemakers; hematimeters; hernia bandages; hot air therapeutic apparatus; hot air vibrators for medical purposes; hypodermic syringes; hypogastric belts; ice bags for medical purposes; incontinence sheets; incubators for babies; incubators for medical purposes; inhalers; injectors for medical purposes; instrument cases for use by surgeons and doctors; insufflators; invalids' hoists; knives for surgical purposes; lamps for medical purposes; lasers for medical purposes; lenses [intraocular prostheses] for surgical implantation; love dolls [sex dolls]; masks for use by medical personnel; massage apparatus; maternity belts; medical apparatus and instruments; spoons for administering medicine; microdermabrasion apparatus; mirrors for dentists; mirrors for surgeons; needles for medical purposes; nursing appliances; obstetric apparatus; operating tables; ophthalmometers; ophthalmoscopes; orthodontic appliances; orthopaedic articles; orthopaedic soles; pads [pouches] for

preventing pressure sores on patient bodies; pessaries; physical exercise apparatus, for medical purposes; physiotherapy apparatus; soporific pillows for insomnia; pins for artificial teeth; plaster bandages for orthopaedic purposes [casts (Am.)]; probes for medical purposes; protection devices against X-rays, for medical purposes; pulse meters; pumps for medical purposes; quartz lamps for medical purposes; radiological apparatus for medical purposes; radiology screens for medical purposes; radiotherapy apparatus; radium tubes for medical purposes; receptacles for applying medicines; body rehabilitation apparatus for medical purposes; respirators for artificial respiration; resuscitation apparatus; teething rings; saws for surgical purposes; scalpels; scissors for surgery; tongue scrapers; slings [supporting bandages]; spirometers [medical apparatus]; spittoons for medical purposes; splints, surgical; surgical sponges; sprayers for medical purposes; stents; sterile sheets, surgical; stethoscopes; stockings for varices; strait jackets; stretchers, wheeled; surgical apparatus and instruments; surgical drapes; surgical implants [artificial materials]; suture materials; suture needles; syringes for injections; syringes for medical purposes; thermal packs for first aid purposes; thermometers for medical purposes; thread, surgical; traction apparatus for medical purposes; trocars; ultraviolet ray lamps for medical purposes; umbilical belts; urethral probes; urethral syringes; urinals [vessels]; urological apparatus and instruments; uterine syringes; vaginal syringes; veterinary apparatus and instruments; vibromassage apparatus; water bags for medical purposes; X-ray apparatus for medical purposes; X-ray photographs for medical purposes; X-ray tubes for medical purposes; apparatus and installations for the production of X-rays, for medical purposes.

(260) AM 2014 72680 A

(800) 1160982

(151) 2013 04 05

(731) "Delta Medical Promotions AG"

Oetenbachgasse 26, CH-8001 Zurich,
Switzerland

(540)

ComfeeDerm

(591) Black, white

(511)

3 – Adhesives for cosmetic purposes; after-shave lotions; air fragrancing preparations; almond milk for cosmetic purposes; almond oil; almond soap; aloe vera preparations for cosmetic purposes; amber [perfume]; antiperspirant soap; antiperspirants [toiletries]; antistatic preparations for household purposes; aromatics [essential oils]; astringents for cosmetic purposes; badian essence; balms other than for medical purposes; bath salts, not for medical pur-

poses; cosmetic preparations for baths; beauty masks; bergamot oil; flavorings [flavourings] for beverages [essential oils]; bleaching preparations [decolorants] for cosmetic purposes; bleaching preparations [laundry]; bleaching salts; laundry blueing; breath freshening sprays; breath freshening strips; color- [colour-] brightening chemicals for household purposes [laundry]; cake flavourings [essential oils]; cakes of toilet soap; essential oils of cedarwood; essential oils of citron; preparations for cleaning dentures; cleaning preparations; cleansing milk for toilet purposes; cloths impregnated with a detergent for cleaning; color-removing preparations; colorants for toilet purposes; cosmetic kits; cosmetic preparations for slimming purposes; cosmetics; cosmetics for animals; cotton sticks for cosmetic purposes; cotton wool for cosmetic purposes; cosmetic creams; skin whitening creams; dental bleaching gels; dentifrices; denture polishes; deodorant soap; deodorants for pets; depilatories; detergents other than for use in manufacturing operations and for medical purposes; disinfectant soap; douching preparations for personal sanitary or deodorant purposes [toiletries]; dry shampoos; dry-cleaning preparations; drying agents for dishwashing machines; cosmetic dyes; eau de Cologne; ethereal essences; essential oils; extracts of flowers [perfumes]; eyebrow cosmetics; eyebrow pencils; cosmetic preparations for eyelashes; false eyelashes; fabric softeners for laundry use; false nails; bases for flower perfumes; soap for foot perspiration; fumigation preparations [perfumes]; furbishing preparations; greases for cosmetic purposes; hair colorants; hair lotions; hair spray; hair waving preparations; hydrogen peroxide for cosmetic purposes; potassium hypochloride; incense; ionone [perfumery]; jasmine oil; petroleum jelly for cosmetic purposes; joss sticks; lacquer-removing preparations; laundry bleach; laundry soaking preparations; lavender oil; lavender water; sachets for perfuming linen; lip glosses; lipsticks; tissues impregnated with cosmetic lotions; lotions for cosmetic purposes; make-up; make-up powder; make-up preparations; make-up removing preparations; mascara; massage gels other than for medical purposes; medicated soap; mint essence [essential oil]; mint for perfumery; mouth washes, not for medical purposes; musk [perfumery]; nail art stickers; nail care preparations; nail polish; neutralizers for permanent waving; oils for cosmetic purposes; oils for perfumes and scents; oils for toilet purposes; paint stripping preparations; cosmetic pencils; perfumery; perfumes; shampoos for pets; pomades for cosmetic purposes; potpourris [fragrances]; pumice stone; rose oil; safrol; scented water; scented wood; scouring solutions; shampoos; shaving preparations; shaving soap; shoemakers' wax; cosmetic preparations for skin care; smoothing preparations [starching]; soap; soap for brightening textile; sun-tanning preparations [cosmetics]; sunscreen preparations; tal-

cum powder, for toilet use; terpenes [essential oils]; toilet water; toiletries; decorative transfers for cosmetic purposes; depilatory wax; deodorants for human beings or for animals.

5 – Dental abrasives; absorbent cotton; acaricides; acetates for pharmaceutical purposes; acids for pharmaceutical purposes; aconitine; adhesive bands for medical purposes; adhesive plaster; fly catching adhesives; adhesives for dentures; adjuvants for medical purposes; air deodorizing preparations; air purifying preparations; albumin dietary supplements; albuminous foodstuffs for medical purposes; albuminous preparations for medical purposes; alcohol for pharmaceutical purposes; aldehydes for pharmaceutical purposes; algicides; alginate dietary supplements; alginates for pharmaceutical purposes; alkaline iodides for pharmaceutical purposes; alkaloids for medical purposes; alloys of precious metals for dental purposes; milk of almonds for pharmaceutical purposes; aloe vera preparations for pharmaceutical purposes; aluminium acetate for pharmaceutical purposes; dental amalgams; amino acids for medical purposes; amino acids for veterinary purposes; anaesthetics; analgesics; angostura bark for medical purposes; animal washes; anthelmintics; anti-rheumatism bracelets; anti-rheumatism rings; anti-uric preparations; antibiotics; anticryptogamic preparations; antioxidant pills; antiparasitic collars for animals; antiparasitic preparations; antiseptic cotton; antiseptics; appetite suppressant pills; appetite suppressants for medical purposes; aseptic cotton; asthmatic tea; babies' napkin-pants [diaper-pants]; bacterial poisons; bacterial preparations for medical and veterinary use; bouillons for bacteriological cultures; bacteriological preparations for medical and veterinary use; balms for medical purposes; balsamic preparations for medical purposes; hygienic bandages; menstruation bandages; bandages for dressings; barks for pharmaceutical purposes; therapeutic preparations for the bath; bath preparations, medicated; bath salts for medical purposes; oxygen baths; salts for mineral water baths; belts for sanitary napkins [towels]; bicarbonate of soda for pharmaceutical purposes; biocides; biological preparations for medical purposes; biological preparations for veterinary purposes; biological tissue cultures for medical purposes; biological tissue cultures for veterinary purposes; bismuth preparations for pharmaceutical purposes; bismuth subnitrate for pharmaceutical purposes; blood for medical purposes; blood plasma; bone cement for surgical and orthopaedic purposes; bracelets for medical purposes; diabetic bread adapted for medical use; breast-nursing pads; bromine for pharmaceutical purposes; bronchodilating preparations; bunion pads; preparations for the treatment of burns; by-products of the processing of cereals for dietetic or medical purposes; cachets for pharmaceutical purposes; cachou for pharmaceutical purposes; preparations for callouses; calomel; camphor for me-

dical purposes; camphor oil for medical purposes; candy for medical purposes; candy, medicated; powder of cantharides; capsules for medicines; carbolic-neum [parasiticide]; casein dietary supplements; castor oil for medical purposes; cattle washes; caustic pencils; caustics for pharmaceutical purposes; cedar wood for use as an insect repellent; cellulose esters for pharmaceutical purposes; cellulose ethers for pharmaceutical purposes; cement for animal hooves; charcoal for pharmaceutical purposes; chemical conductors for electrocardiograph electrodes; chemical preparations for medical purposes; chemical preparations for pharmaceutical purposes; chemical preparations for veterinary purposes; chemical reagents for medical or veterinary purposes; chemico-pharmaceutical preparations; chewing gum for medical purposes; chilblain preparations; chinoline for medical purposes; chloroform; tobacco-free cigarettes for medical purposes; cinchona for medical purposes; contact lens cleaning preparations; deodorants for clothing and textiles; cocaine; cod liver oil; colloidion for pharmaceutical purposes; collyrium; compresses; condurango bark for medical purposes; medicines for alleviating constipation; solutions for use with contact lenses; chemical contraceptives; cooling sprays for medical purposes; corn remedies; corn rings for the feet; cotton for medical purposes; cream of tartar for pharmaceutical purposes; creosote for pharmaceutical purposes; croton bark; cultures of microorganisms for medical and veterinary use; curare; pharmaceutical preparations for treating dandruff; decoctions for pharmaceutical purposes; dental cements; dental impression materials; dental lacquer; dental mastics; deodorants, other than for human beings or for animals; depuratives; detergents for medical purposes; chemical preparations for the diagnosis of pregnancy; diagnostic preparations for medical purposes; diapers [babies' napkins]; diastase for medical purposes; dietary supplements for animals; dietetic beverages adapted for medical purposes; dietetic foods adapted for medical purposes; dietetic substances adapted for medical use; digestives for pharmaceutical purposes; digitalin; dill oil for medical purposes; disinfectants for chemical toilets; disinfectants for hygiene purposes; dog lotions; dog washes; repellents for dogs; douching preparations for medical purposes; surgical dressings; dressings, medical; medicinal drinks; drugs for medical purposes; preparations for destroying dry rot fungus; elixirs [pharmaceutical preparations]; enzyme dietary supplements; enzyme preparations for medical purposes; enzyme preparations for veterinary purposes; enzymes for medical purposes; enzymes for veterinary purposes; ergot for pharmaceutical purposes; esters for pharmaceutical purposes; ethers for pharmaceutical purposes; eucalyptol for pharmaceutical purposes; eucalyptus for pharmaceutical purposes; evacuants; eye-washes; eyepatches for medical purposes; febrifuges; fennel for medical purposes;

milk ferments for pharmaceutical purposes; ferments for pharmaceutical purposes; dietary fiber; first-aid boxes, filled; fish meal for pharmaceutical purposes; flaxseed dietary supplements; flaxseed for pharmaceutical purposes; flaxseed meal for pharmaceutical purposes; flaxseed oil dietary supplements; flour for pharmaceutical purposes; flowers of sulphur for pharmaceutical purposes; fly catching paper; fly destroying preparations; food for babies; remedies for foot perspiration; formic aldehyde for pharmaceutical purposes; frostbite salve for pharmaceutical purposes; fumigating pastilles; fumigation preparations for medical purposes; fungicides; gallic acid for pharmaceutical purposes; gamboge for medical purposes; gases for medical purposes; gauze for dressings; gelatine for medical purposes; gentian for pharmaceutical purposes; germicides; glucose dietary supplements; glucose for medical purposes; glycerine for medical purposes; glycerophosphates; dental amalgams of gold; goulard water; greases for medical purposes; greases for veterinary purposes; guaiacol for pharmaceutical purposes; gum for medical purposes; gurjun [gurjon, gurjan] balsam for medical purposes; haematogen; haemoglobin; haemorrhoid preparations; haemostatic pencils; medicinal hair growth preparations; articles for headache; headache pencils; herbal teas for medicinal purposes; herbicides; medicinal herbs; smoking herbs for medical purposes; extracts of hops for pharmaceutical purposes; hormones for medical purposes; hydrastine; hydrastinine; hydrated chloral for pharmaceutical purposes; hydrogen peroxide for medical purposes; surgical implants [living tissues]; insect repellent incense; napkins for incontinents; pants, absorbent, for incontinents; medicinal infusions; insect repellents; insecticides; semen for artificial insemination; iodides for pharmaceutical purposes; iodine for pharmaceutical purposes; iodoform; Irish moss for medical purposes; isotopes for medical purposes; jalap; petroleum jelly for medical purposes; jujube, medicated; menstruation knickers; lacteal flour for babies; lactose for pharmaceutical purposes; larvae exterminating preparations; laxatives; lecithin dietary supplements; lecithin for medical purposes; leeches for medical purposes; preparations of lime for pharmaceutical purposes; liniments; lint for medical purposes; liquorice for pharmaceutical purposes; tissues impregnated with pharmaceutical lotions; lotions for pharmaceutical purposes; lotions for veterinary purposes; lozenges for pharmaceutical purposes; lupulin for pharmaceutical purposes; magnesia for pharmaceutical purposes; malt for pharmaceutical purposes; malted milk beverages for medical purposes; mangrove bark for pharmaceutical purposes; medicinal oils; medicinal roots; medicinal tea; medicine cases, portable, filled; medicines for dental purposes; medicines for human purposes; medicines for veterinary purposes; melissa water for pharmaceutical purposes; menstruation tampons;

menthol; mercurial ointments; preparations for destroying mice; nutritive substances for microorganisms; chemical preparations to treat mildew; milking grease; mineral food supplements; mineral water salts; mineral waters for medical purposes; mint for pharmaceutical purposes; molding wax for dentists; moleskin for medical purposes; mothproofing paper; mothproofing preparations; mouthwashes for medical purposes; medicinal mud; mud for baths; mustard for pharmaceutical purposes; mustard oil for medical purposes; mustard plasters; myrobalan bark for pharmaceutical purposes; narcotics; nervines; preparations for destroying noxious animals; nutritional supplements; oil of turpentine for pharmaceutical purposes; ointments for pharmaceutical purposes; opiates; opium; opodoldoc; ophotherapy preparations; oxygen for medical purposes; panty liners [sanitary]; paper for mustard plasters; parasiticides; pearl powder for medical purposes; pectin for pharmaceutical purposes; pepsins for pharmaceutical purposes; peptones for pharmaceutical purposes; personal sexual lubricants; pharmaceutical preparations; phenol for pharmaceutical purposes; phosphates for pharmaceutical purposes; chemical preparations for treating phylloxera; plasters for medical purposes; poisons; pollen dietary supplements; pomades for medical purposes; porcelain for dental prostheses; potassium salts for medical purposes; poultices; propolis dietary supplements; propolis for pharmaceutical purposes; protein dietary supplements; protein supplements for animals; pyrethrum powder; quassia for medical purposes; quebracho for medical purposes; quinine for medical purposes; radioactive substances for medical purposes; radiological contrast substances for medical purposes; radium for medical purposes; rat poison; preparations for reducing sexual activity; remedies for perspiration; rhubarb roots for pharmaceutical purposes; royal jelly dietary supplements; royal jelly for pharmaceutical purposes; rubber for dental purposes; salts for medical purposes; sanitary napkins; sarsaparilla for medical purposes; scapulars for surgical purposes; sea water for medicinal bathing; sedatives; serotherapeutic medicines; serums; siccatives [drying agents] for medical purposes; pharmaceutical preparations for skin care; slimming pills; medical preparations for slimming purposes; slug exterminating preparations; smelling salts; sodium salts for medical purposes; soil-sterilising preparations; solvents for removing adhesive plasters; soporifics; vulnerary sponges; starch for dietetic or pharmaceutical purposes; stem cells for medical purposes; stem cells for veterinary purposes; sterilising preparations; steroids; stick liquorice for pharmaceutical purposes; sulphur sticks [disinfectants]; strychnine; styptic preparations; sugar for medical purposes; sulphonamides [medicines]; sunburn ointments; sunburn preparations for pharmaceutical purposes; suppositories; surgical cloth [tissues]; syrups for phar-

maceutical purposes; tanning pills; tartar for pharmaceutical purposes; teeth filling material; preparations to facilitate teething; thermal water; thymol for pharmaceutical purposes; tincture of iodine; tinctures for medical purposes; tobacco extracts [insecticides]; tonics [medicines]; preparations of trace elements for human and animal use; turpentine for pharmaceutical purposes; vaccines; vaginal washes; vermin destroying preparations; vesicants; veterinary preparations; vine disease treating chemicals; vitamin preparations; wadding for medical purposes; wart pencils; chemical preparations to treat wheat blight [smut]; wheat germ dietary supplements; yeast dietary supplements; yeast for pharmaceutical purposes.

10 – Abdominal belts; abdominal corsets; abdominal pads; acupuncture needles; aerosol dispensers for medical purposes; air cushions for medical purposes; air mattresses, for medical purposes; air pillows for medical purposes; ambulance stretchers; anaesthetic apparatus; anaesthetic masks; apparatus for use in medical analysis; arch supports for footwear; armchairs for medical or dental purposes; arterial blood pressure measuring apparatus; artificial breasts; artificial eyes; artificial jaws; artificial limbs; apparatus for artificial respiration; artificial skin for surgical purposes; artificial teeth; sets of artificial teeth; babies' bottles; babies' pacifiers [teats]; balling guns; knee bandages, orthopedic; supportive bandages; suspensory bandages; bandages, elastic; basins for medical purposes; bed pans; bed vibrators; hydros-tatic [water] beds for medical purposes; beds, specially made for medical purposes; orthopaedic [orthopedic] belts; belts for medical purposes; belts, electric, for medical purposes; blankets, electric, for medical purposes; blood testing apparatus; appliances for washing body cavities; boots for medical purposes; bougies [surgery]; breast pumps; brushes for cleaning body cavities; dental burs; cannulae; cases fitted for medical instruments; cases fitted for use by surgeons and doctors; castrating pincers; catgut; catheters; obstetric apparatus for cattle; com-mode chairs; childbirth mattresses; clips, surgical; clothing especially for operating rooms; thermo-electric compresses [surgery]; compressors [surgical]; condoms; containers especially made for medical waste; contraceptives, non-chemical; corn knives; corsets for medical purposes; crutches; tips for crutches for invalids; cupping glasses; heating cushions, electric, for medical purposes; cushions for medical purposes; cutlery [surgical]; apparatus for the treatment of deafness; defibrillators; dental apparatus; dental apparatus, electric; dentists' armchairs; diagnostic apparatus for medical purposes; dialyzers; douche bags; drainage tubes for medical purposes; draw-sheets for sick beds; dropper bottles for medical purposes; droppers for medical purposes; ear picks; ear plugs [ear protection devices]; ear trumpets; elastic stockings for surgical purposes;

electric acupuncture instruments; electrocardiographs; electrodes for medical use; enema apparatus for medical purposes; esthetic massage apparatus; feeding bottle teats; feeding bottle valves; filters for ultraviolet rays, for medical purposes; finger guards for medical purposes; supports for flat feet; fleams; orthopaedic [orthopedic] footwear; forceps; fumigation apparatus for medical purposes; furniture especially made for medical purposes; galvanic belts for medical purposes; galvanic therapeutic appliances; gastroscopes; gloves for massage; gloves for medical purposes; medical guidewires; hair prostheses; hearing aids for the deaf; hearing protectors; heart pacemakers; hematimeters; hernia bandages; hot air therapeutic apparatus; hot air vibrators for medical purposes; hypodermic syringes; hypogastric belts; ice bags for medical purposes; incontinence sheets; incubators for babies; incubators for medical purposes; inhalers; injectors for medical purposes; instrument cases for use by surgeons and doctors; insufflators; invalids' hoists; knives for surgical purposes; lamps for medical purposes; lasers for medical purposes; lenses [intraocular prostheses] for surgical implantation; love dolls [sex dolls]; masks for use by medical personnel; massage apparatus; maternity belts; medical apparatus and instruments; spoons for administering medicine; microdermabrasion apparatus; mirrors for dentists; mirrors for surgeons; needles for medical purposes; nursing appliances; obstetric apparatus; operating tables; ophthalmometers; ophthalmoscopes; orthodontic appliances; orthopaedic articles; orthopaedic soles; pads [pouches] for preventing pressure sores on patient bodies; pessaries; physical exercise apparatus, for medical purposes; physiotherapy apparatus; soporific pillows for insomnia; pins for artificial teeth; plaster bandages for orthopaedic purposes [casts (Am.)]; probes for medical purposes; protection devices against X-rays, for medical purposes; pulse meters; pumps for medical purposes; quartz lamps for medical purposes; radiological apparatus for medical purposes; radiology screens for medical purposes; radiotherapy apparatus; radium tubes for medical purposes; receptacles for applying medicines; body rehabilitation apparatus for medical purposes; respirators for artificial respiration; resuscitation apparatus; teething rings; saws for surgical purposes; scalpels; scissors for surgery; tongue scrapers; slings [supporting bandages]; spirometers [medical apparatus]; spittoons for medical purposes; splints, surgical; surgical sponges; sprayers for medical purposes; stents; sterile sheets, surgical; stethoscopes; stockings for varices; strait jackets; stretchers, wheeled; surgical apparatus and instruments; surgical drapes; surgical implants [artificial materials]; suture materials; suture needles; syringes for injections; syringes for medical purposes; thermal packs for first aid purposes; thermometers for medical purposes; thread, surgical; traction apparatus for

medical purposes; trocars; ultraviolet ray lamps for medical purposes; umbilical belts; urethral probes; urethral syringes; urinals [vessels]; urological apparatus and instruments; uterine syringes; vaginal syringes; veterinary apparatus and instruments; vibromassage apparatus; water bags for medical purposes; X-ray apparatus for medical purposes; X-ray photographs for medical purposes; X-ray tubes for medical purposes; apparatus and installations for the production of X-rays, for medical purposes.

(260) AM 2014 72737 A

(800) 1161337

(151) 2013 02 08

(731) World Page Co., Ltd

oul. Borissenko, 23, 13 app., Primorsky Krai,
RU-690016 Vladivostok, Russian Federation

(540)

Worldpage

(591) Black, white

(511)

35 – Subscriptions to telecommunication services; commercial information agencies; advertising agencies; rental of advertising space; demonstration of goods; opinion polling; marketing studies; commercial information and advice for consumers; business investigations; marketing research; layout services for advertising purposes; business management of performing artists; updating of advertising material; word processing; organization of exhibitions for commercial or advertising purposes; organization of trade fairs for commercial or advertising purposes; business appraisals; presentation of goods on all communication media for retail sale; auctioneering; sales promotion for others; rental of advertising time on all communication media; rental of advertising material; rental of vending machines; publication of advertising texts; dissemination of advertisements; writing of advertising texts; advertising; on-line advertising on a computer network; compilation of statistics; compilation of information into computer databases; systematization of information into computer databases; price comparison services.

(260) AM 2014 72738 A
 (800) 1161348
 (151) 2013 03 20
 (731) Difeng Group Co., Ltd.
 No.168 Shuanglian Road, Qingpu District
 Shanghai, China
 (540)



DIDIBOY
 迪迪博迓

(591) Black, white
 (511)
 18 – Animal skins; pocket wallets; handbags; valises; leather straps; umbrellas; mountaineering sticks; clothing for pets; gut for making sausages.
 25 – Clothing; bathing suits; raincoats; masquerade costumes; football shoes; footwear; hats; hosiery; gloves [clothing]; neckties; leather belts [clothing]; chasubles; sashes for wear; wimples; maniples; shower caps; sleep masks; wedding dresses.

(260) AM 2014 72739 A
 (800) 1161359
 (151) 2013 01 30
 (731) Zentiva Group, a.s.
 U kabelovny 130, CZ-102 37 Praha 10 – dolní
 Měcholupy, Czech Republic
 (540)

DUTAZEN

(591) Black, white
 (511)
 5 – Medicines, pharmaceutical preparations for human use.

(260) AM 2014 72741 A
 (800) 1161361
 (151) 2013 01 30
 (731) Zentiva Group, a.s.
 U kabelovny 130, CZ-102 37 Praha 10 – dolní
 Měcholupy, Czech Republic
 (540)

ZODGANE

(591) Black, white
 (511)
 5 – Medicines, pharmaceutical preparations for human use.

(260) AM 2014 72746 A
 (800) 1161366
 (151) 2013 04 17
 (731) Meffert AG Farbwerke
 Sandweg 15, 55543 Bad Kreuznach, Germany
 (540)

SUPERNOVA

(591) Black, white
 (511)
 2 – Paints, lacquers; preservatives against rust and against deterioration of wood.

(260) AM 2014 72747 A
 (800) 1161373
 (151) 2013 03 25
 (731) PEGASUS HAVA TAŞIMACILIĞI
 ANONİM ŞİRKETİ
 AEROPARK Yenişehir Mahallesi, Osmanlı
 Bulvarı No.11, Kurtkoy Pendik, İstanbul,
 Turkey
 (540)

PEGASUS
 ASIA

(591) Black, white
 (511)
 39 – Land, sea and air transport services; rental services for land, sea and air vehicles; arranging of travel and tours; travel reservation and booking services; courier services.

(260) AM 2014 72748 A
 (800) 1161379
 (151) 2013 03 06
 (731) MUZAFFER SOY
 Koska Caddesi Azimkar Sokak No.82/B,
 Laleli İstanbul, Turkey;
 SEDAT TAHIROĞLU
 Koska Caddesi Azimkar Sokak No.82/B,
 Laleli İstanbul, Turkey
 (540)



(591) Black, gold
 (511)
 18 – Leather, unworked or semi-worked; imitation leather; cattle skins and goods made of these materials and not included in other classes; animal skins, hides; trunks and travelling bags; umbrellas and parasols; walking sticks; whips, harness and saddlery.

25 – Clothing of all kinds of materials except clothing for protection; socks, footwear, headgear.

35 – Services of advertising, marketing and public relations, organization of trade fairs for commercial or advertising purposes; office functions; consultancy and advisory services relating to business administration and management; accounting services, including services of import-export agencies; commercial or industrial management assistance; auctioneering; the bringing together, for the benefit of others, of a variety of goods, excluding the transport thereof, enabling customers to conveniently view and purchase those goods; presentation of goods on communication media, for retail purposes.

(260) AM 2014 72752 A

(800) 1161385

(151) 2012 08 20

(731) Modern Times Group MTG AB

P.O. Box 2094, SE-10313 Stockholm, Sweden

(540)

VIASTORE

(591) Black, white

(511)

35 – Advertising and sales promotion services; business management; business consultancy; business management consultancy; business administration; rental of advertising space; provision of television advertising commercials, provision of radio advertising commercials and provision of mobile television advertising commercials; provision of advertising space/time for sponsors; rental of advertising space on the internet and via mobile telephones; production of filmed/graphic advertising material for use in marketing or sponsorship; provision of information, advisory and consultancy services relating to advertising and promotional services; provision of information, advisory and consultancy services relating to organization, operation and supervision of sales and promotional incentive schemes; provision of information, advisory and consultancy services relating to rental of advertising space, television advertising commercials, radio advertising commercials, mobile television advertising commercials, preparation and presentation of audio visual display for advertising purposes, dissemination of advertising matter and the arranging and conducting of trade shows and exhibitions; compilation of business statistics and commercial information; marketing studies; business planning, inspection, surveys and appraisal services; provision of business information; compilation and provision of computerized business information data; compilation of business statistics and commercial information, all relating to television, radio and satellite broadcasting; advisory and information services relating to the aforesaid.

38 – Transmission of audio, video and images by means of telecommunication devices including mobile telephones; cable, satellite and terrestrial television broadcasting; television, internet and radio broadcasting; computer aided transmission of messages and images; satellite transmission; telecommunication; provision of information about telecommunication; rental of telecommunications, communications and broadcasting apparatus; provision of user access to telecommunication networks; provision of information about broadcasting via the Internet; professional consultancy services relating to television and radio broadcasting, transmission and communication services; provision of information, advisory and consultancy services relating to broadcasting and transmission of radio or television programs or computer aided transmission of messages and images; provision of information, advisory and consultancy services relating to communications services by satellite, television, mobile telephones and radio; provision of information, advisory and consultancy services relating to news agency services; provision of information, advisory and consultancy services relating to hiring, rental and leasing of communications apparatus and the provision of telecommunications links to computer databases and Websites on the Internet; provision of information, advisory and consultancy services relating to telecommunications services dedicated to retailing goods through interactive communications with customers; provision of information, advisory and consultancy services relating to interactive television services; provision of information, advisory and consultancy services relating to broadcasting and transmission of interactive television, interactive entertainment and interactive competitions; provision of information services relating to the aforesaid.

41 – Amusement, education and entertainment services including television and radio entertainment; production and performing of shows, theatre and other amusement performances; film, radio and video production; provision of film studios; recording studio and recording studio services; production of radio and television programmes; information regarding amusement, education and entertainment services; rental of movies, videotapes, DVDs and radio and television programmes; provision of information, advisory and consultancy services relating to education and entertainment services; provision of information, advisory and consultancy services relating to education and entertainment provided on-line and/or via the Internet; provision of information, advisory and consultancy services relating to television and radio entertainment services; provision of information, advisory and consultancy services relating to entertainment and education services provided on-line and/or via an interactive television platform; provision of information, advisory and consultancy services relating to interactive games, interactive en-

tertainment and interactive competitions; provision of information, advisory and consultancy services relating to betting, gaming and gambling services; organization of conferences, lectures and symposiums relating to television and radio; provision of information, advisory and consultancy services relating to television viewing guide services; information services related to the aforesaid.

(260) AM 2014 72753 A

(800) 1161445

(151) 2013 03 22

(731) Lodestar Anstalt

Lova-Center, P.O. Box 1150., FL-9490,

Vaduz, Liechtenstein

(540)



(591) Black, white

(511)

33 – Alcoholic beverages (except beer); rum; whiskey; vodka; gin; distilled beverages; distilled spirits; liqueurs; cocktails.

(260) AM 2014 72755 A

(800) 1161489

(151) 2013 03 18

(731) EDC NAKLIYE LOJİSTİK GIDA SANAYİ

VE DIS TİCARET LİMİTED ŞİRKETİ

Camiiserif Mah. 1. İnönü Bulv., Nail Gökse

is Hani Kat:1/5, MERSİN, Turkey

(540)



(591) Gold, dark blue, light blue, black, white

(511)

33 – Alcoholic beverages (except beers), wines, alcoholic compounds for the preparation of alcoholic beverages, milk mixed alcoholic drinks, cocktails and snacks, cognacs, whiskeys, anise drinks, Japanese drink (sake), vodka, rum, arrack.

(260) AM 2014 72756 A

(800) 1161504

(151) 2012 11 02

(731) Actavis Group PTC ehf

Reykjavikurvegi 76-78, IS-220 Hafnarfjordur,

Iceland

(540)



(591) Green and blue

(511)

1 – Chemicals used in industry, science and photography, as well as in agriculture, horticulture and forestry; unprocessed artificial resins, unprocessed plastics; manures; fire extinguishing compositions; tempering and soldering preparations; chemical substances for preserving foodstuffs; tanning substances; adhesives used in industry.

3 – Bleaching preparations and other substances for laundry use; cleaning, polishing, scouring and abrasive preparations; soaps; perfumery; essential oils, cosmetics, hair lotions; dentifrices; skin and hair care preparations not for medical use.

5 – Pharmaceutical and veterinary preparations; sanitary preparations for medical purposes; dietetic food and substances adapted for medical or veterinary use, food for babies, dietary supplements for humans and animals; plasters, materials for dressings; material for stopping teeth, dental wax; disinfectants; preparations for destroying vermin; fungicides, herbicides.

41 – Education; providing of training; entertainment; sporting and cultural activities.

42 – Scientific and technological services and research and design relating thereto; industrial analysis and research services; design and development of computer hardware and software; scientific and technological developing.

(260) AM 2014 72757 A

(800) 1161514

(151) 2012 11 14

(731) Amann Girschbach AG

Herrschaftswiesen 1, A-6842 Koblach, Austria

(540)

CERAMILL SINTRON

(591) Black, white

(511)

5 – Plastics, common metals, porcelain and dental ceramics for medical and dental use, in particular for dental crowns, dental prostheses and for making dental bridges; materials for making false teeth, in

particular plastics, common metals, porcelain and dental ceramics for dental crowns, dental prostheses and for making dental bridges; dental lacquers; dental mastics; tooth filling materials; dental impression materials.

9 – Scanners; computer peripheral devices; computer software; computer programs.

10 – Dentures; artificial teeth; dental and dentistry devices, instruments and apparatuses; milling devices and copy milling devices for dental purposes; electric dental devices; sintering furnaces for dental purposes.

(260) AM 2014 72902 A

(800) 1162929

(151) 2013 05 02

(731) Auris Medical Limited

2 Upperton Gardens Eastbourne, East Sussex
BN21 2AH, United Kingdom

(540)



(591) Black, white

(511)

10 – Medical apparatus and instruments; medical devices for treating premature ejaculation; devices for enhancing sexual performance; vibrators; vibromassage apparatus; massage apparatus.

(260) AM 2014 72999 A

(800) 1164121

(151) 2013 05 29

(731) HYDERSON(ZHANGZHOU) LIGHTING CO.,LTD.

Xing Tai Industrial Zone, Changtai County,
Zhangzhou 363900 Fujian, China

(540)

iBulb

(591) Black, white

(511)

11 – Lamps; incandescent burners; light-emitting diodes [LED] lighting apparatus; sockets for electric lights; lighting apparatus and installations; street lamps; cooling appliances and installations; air conditioning apparatus; bath fittings; lights for automobiles.

(260) AM 2014 73000 A

(800) 1164126

(151) 2013 05 21

(731) Algete Spółka z ograniczoną

Odpowiedzialnością

ul. Chemików 1, PL-37-310 Nowa Sarzyna,
Poland

(540)

Chwastox

(591) Black, white

(511)

1 – Plant growth regulants; fertilizers.

5 – Herbicides; fungicides; pesticides; biocides; insecticides.

(260) AM 2014 73005 A

(800) 1164234

(151) 2013 01 24

(731) MAGNUS ENTERPRISES LIMITED

RM 606, 6/F WING FU BLDG 22, WING
KUT ST CENTRAL, HONG KONG, China

(540)

element

(591) Black, white

(511)

7 – Aerated water making apparatus; water heaters [parts of machines]; lawnmowers [machines]; alternators; dynamos; generators of electricity; raking machines; de-aerators for feedwater; electric hand drills; grinders/crushers, electric, for household purposes; tools [parts of machines]; hand-held tools, other than hand-operated; air condensers; can openers, electric; harvesting machines; coffee grinders, other than hand-operated; blowing machines; garbage [waste] disposals; grinding machines; bottle washing machines; dishwashers; sifting machines; brewing machines; bread cutting machines; machines and apparatus for cleaning, electric; rinsing machines; wringing machines for laundry; steam engines; cutters [machines]; electric washing machines; washing machines [laundry]; coin-operated washing machines; clippers [machines]; spin driers [not heated]; packing machines; sewing machines; mills for household purposes, other than hand-operated; pepper mills other than hand-operated; blenders, electric, for household purposes; vacuum cleaner bags; meat choppers [machines]; knives, electric; scissors, electric; drilling machines; cleaning appliances utilizing steam; food processors, electric; vacuum cleaners; whisks, electric, for household purposes; fruit presses, electric, for household purposes; sharpening machines; dust exhausting installations for cleaning purposes; dust removing installations for cleaning purposes; air suction machines; washing apparatus; beverage preparation machines, electromechanical;

food preparation machines, electromechanical; vacuum cleaner hoses.

9 – Answering machines; accumulators, electric; antennas; telephone apparatus; anode batteries; galvanic batteries; batteries for lighting; solar batteries; batteries, electric; scales; video telephones; neon signs; thermionic tubes; amplifying tubes; flashlights [photography]; microphones; weighing machines; limiters [electricity]; circuit breakers; weighing apparatus and instruments; optical apparatus and instruments; apparatus and instruments for physics; measuring apparatus; measuring devices, electric; control panels [electricity]; radios; relays, electric; resistances, electric; radiotelephony sets; television apparatus; transformers [electricity]; telephone receivers.

11 – Distillation apparatus; air deodorising apparatus; ionization apparatus for the treatment of air or water; coffee roasters; beverage cooling apparatus; refrigerating apparatus and machines; freezers; fruit roasters; structural plates for ovens; waffle irons, electric; fans [air-conditioning]; fans [parts of air-conditioning installations]; electric fans for personal use; roasting spits; refrigerating display cabinets [display cases]; air reheaters; burners; petrol burners; gas burners; burners for lamps; germicidal burners; footwarmers, electric or non-electric; refrigerating containers; gas lighters; lighters; evaporators; heating apparatus; refrigerating chambers; fireplaces, domestic; air conditioning apparatus; coffee machines, electric; barbecues; heaters for heating irons; refrigerating appliances and installations; steam boilers, other than parts of machines; coffee percolators, electric; stoves [heating apparatus]; bakers' ovens; microwave ovens [cooking apparatus]; microwave ovens for industrial purposes; cookers; kitchen ranges [ovens]; apparatus for dehydrating foodstuffs organic materials; air purifying apparatus and machines; ice machines and apparatus; cooling appliances and installations; cooking apparatus and installations; cooking rings; heating apparatus for solid, liquid or gaseous fuels; heating apparatus, electric; hot air apparatus; plate warmers; electric appliances for making yogurt; rotisseries; radiators [heating]; central heating radiators; radiators, electric; roasters; water sterilizers; air sterilisers; laundry dryers, electric; bread toasters; humidifiers for central heating radiators; air conditioning installations; cooling installations for liquids; milk cooling installations; air filtering installations; ventilation [air-conditioning] installations and apparatus; cooling installations and machines; heating installations; air cooling apparatus; filters [parts of household or industrial installations]; filters for air conditioning; coffee filters, electric; filters for drinking water; deep fryers, electric; refrigerators; kettles, electric; refrigerating cabinets; ice boxes.

(260) AM 2014 73007 A

(800) 1164255

(151) 2013 04 12

(731) ROBERTO CAVALLI S.P.A.

Piazza San Babila, 3, I-20122 MILANO, Italy

(540)



The logo for 'Cavalli CLASS' features the word 'cavalli' in a lowercase, bold, sans-serif font, with the 'i' having a dot. Below it, the word 'CLASS' is written in a smaller, uppercase, bold, sans-serif font.

(591) Black, white

(511)

18 – Leather and imitations of leather, and goods made of these materials and not included in other classes; purses, school bags, school satchels, card cases, travelling trunks, backpacks, rucksacks, wallets, shopping bags, attaché cases, beach bags, handbags, travelling bags, handbag frames, pouches, briefcases, cases of leather, vanity cases not fitted, leather key cases, suitcases, bags for sports, hat boxes of leather, garment bags for travel, leather shoulder belts, leather straps, fur, raw skins, dog collars, clothing for pets, umbrellas, walking sticks; whips, saddlery, harness fittings.

25 – Clothing, overalls, underwear, sweaters, shirts, jumpers, suits, ready-made clothing, trousers, outer clothing, knitwear, coats, skirts, petticoats, pullovers, overcoats, jackets, stuff jackets, ski jackets, ski pants, parkas, clothing of leather, T-shirts, blouses, pants, dressing gowns, formal dresses, vests, jerseys, pajamas, bathrobes, brassieres, camisoles, corselets, slips, children's clothing, layettes, bathing caps, bathing suits, clothing for gymnastics, waterproof clothing, raincoats, masquerade costumes; footwear, slippers, bath slippers, boots, sport boots, horse-riding boots, galoshes, shoes, beach shoes, sandals, sport shoes, gymnastic shoes, overshoes; headgear, hats, caps, cap peaks; socks, sock suspenders, stockings, garters, gloves, mittens, muffs, shawls, ties, neckties, scarves and foulards, veils, bandanas, furs (clothing), fur stoles, belts; wedding dresses.

35 – Advertising; business management; business administration; office functions; dissemination of advertisements; dissemination of advertising matter; rental of advertising spaces; commercial or Industrial business management consultancy and assistance; professional business consultancy; modelling for advertising or business promotion; franchising, namely services provided by a franchisor in helping, managing and developing commercial enterprises (services for third parties); gathering various goods allowing the consumer to view and buy the aforesaid goods in retail stores.

(260) AM 2014 73008 A
 (800) 1164296
 (151) 2013 04 23
 (731) EGIS GYÓGYSZERGYÁR Nyilvánosan
 Muködő Részvénytársaság
 Keresztúri út 30-38, H-1106 Budapest,
 Hungary

(540)
TAMARILJA

(591) Black, white
 (511)
 5 – Pharmaceutical preparations for human use.

(260) AM 2014 73009 A
 (800) 1164297
 (151) 2013 04 23
 (731) EGIS GYÓGYSZERGYÁR Nyilvánosan
 Muködő Részvénytársaság
 Keresztúri út 30-38, H-1106 Budapest,
 Hungary

(540)
РОЗИ

(591) Black, white
 (511)
 5 – Pharmaceutical preparations for human use.

(260) AM 2014 73010 A
 (800) 1164298
 (151) 2013 04 23
 (731) EGIS GYÓGYSZERGYÁR Nyilvánosan
 Muködő Részvénytársaság
 Keresztúri út 30-38, H-1106 Budapest,
 Hungary

(540)
СУЗАНА

(591) Black, white
 (511)
 5 – Pharmaceutical preparations for human use.

(260) AM 2014 73011 A
 (800) 1164299
 (151) 2013 04 23
 (731) EGIS GYÓGYSZERGYÁR Nyilvánosan
 Muködő Részvénytársaság
 Keresztúri út 30-38, H-1106 Budapest,
 Hungary

(540)
РОЗАХЕТТА

(591) Black, white
 (511)
 5 – Pharmaceutical preparations for human use.

(260) AM 2014 73013 A
 (800) 1164305
 (151) 2013 05 03
 (731) Sovmestnoe predpriyatie otkrytoe
 aktsionernoie obshchestvo "Spartak"
 d.63, ul. Sovetskaya, 246655 Gomel,
 Belarus

(540)
ESCAMINIO

(591) Black, white
 (511)
 30 – Pastry and confectionery.

(260) AM 2014 73017 A
 (800) 868023
 (151) 2005 06 09
 (891) 2013 03 27
 (731) ZAKRYTOE AKTSIONERNOE
 OBCHTCHESTVO "LA VINCHI"
 34 km Leningradskogo chosse, str.20,
 d.Elino, s.p.Louneuvskoe, Solnetchnogorsky
 raion, RU-141441 Moskovskaya oblast,
 Russian Federation

(540)
LAVINCHI

(591) Black, white
 (511)
 32 – Beers; mineral and aerated water and other non-
 alcoholic beverages; fruit beverages and fruit juices;
 syrups and other preparations for making beverages.

33 – Alcoholic beverages (except beers).

35 – Company management; business administra-
 tion; sales promotion (for others); supply services
 for third parties (purchase of goods and services for
 other companies); import-export agencies; auctione-
 ring; organization of exhibitions for commercial or
 advertising purposes; demonstration of goods.

(260) AM 2014 73019 A
 (800) 970860
 (151) 2008 07 01
 (891) 2013 04 24
 (731) AVISTA OIL AG
 Bahnhofstraße 82, 31311 Uetze-Dollbergen,
 Germany

(540)
AVISTA

(591) Black, white
 (511)
 4 – Industrial oils and greases; lubricants; dust ab-
 sorbing, wetting and binding compositions; fuels (in-
 cluding motor fuels) and illuminants; candles and
 wicks for lighting.

35 – Retail and wholesale services with industrial oils and greases, lubricants, fuels (including motor fuels) and illuminants.

(260) AM 2014 73020 A

(800) 1090325

(151) 2011 03 25

(891) 2013 03 04

(731) INDUSTRIA DE DISEÑO TEXTIL, S.A.

(INDITEX, S.A.)

Avenida. de la Diputación, Edificio Inditex,

E-15142 ARTEIXO (A CORUNA), Spain

(540)

LEFTIES

(591) Black, white

(511)

18 – Leather and imitations of leather, goods made of these materials not included in other classes; animal skins, hides; trunks and travelling bags; umbrellas, parasols and walking sticks; whips, harness and saddlery; climbing, camping and beach bags; handbag frames; frames for umbrellas or parasols (parasols); mountaineering sticks; bags; handbags; travelling bags; travel and key cases (leathercraft); briefcases; purses not made of precious metal; school satchels; garment bags for travel; hat boxes of leather; sling bags for carrying infants; wheeled shopping bags; containers and boxes of leather or leatherboard; boxes of vulcanised fibre; school bags; pocket wallets; briefcases; unfitted vanity cases; animal collars; leather leashes; leather laces; umbrella covers; saddle cloths for horses; rucksacks; horse blankets; haversacks; school bags; music cases; halters; bags (envelopes, pouches) of leather, for packaging; riding saddles; pads for horse saddles; umbrella rings; blinkers (harness); harness fittings of iron; harnesses for animals; harness fittings; walking stick seats; shoulder belts (straps), of leather; unfitted leather tool bags; chain mesh purses (not of precious metal); beach bags; muzzles; bridles (harnesses); head-stalls; leatherboard; leather straps; travelling trunks; shopping bags; straps for soldiers' equipment; harness traces; leather thongs (saddlery); straps for skates; leather trimmings for furniture; leather straps; butts (parts of hides); curried skins; whips; coverings of skins (furs for clothing or ornaments); stirrup leathers; parts of rubber for stirrups; bits for animals (harness); reins; small suitcases; moleskin (imitation leather); fur; skins of chamois, other than for cleaning purposes; nose bags (feed bags); net bags for shopping; springs casings of leather for plate; knee-pads for horses; fastenings for saddles (girths); card holders (document holders); straps (harnesses); leather valves; stirrups.

25 – Ready-to-wear clothing for men, women and children, footwear (except orthopaedic footwear), headwear; clothing for motorists and cyclists; bibs,

not of paper; headbands (clothing); dressing gowns; swimsuits; bathing caps and sandals; boas (necklets); lingerie; babies pants; scarves; sports and bach footwear; hoods (clothing); shawls; belts (clothing); moneybelts; water skiing suits; neckties; corsets; sashes for wear; fur stoles; girdles (lingerie); foulards; caps; stiff caps; gloves (clothing); waterproof clothing; underclothing, head scarves; stockings; socks; neckerchiefs; babies' diapers of textile; pocket kerchiefs; furs (clothing); pyjamas; soles; heels; veils (clothing); braces; paper clothing; gymnastic and sports outfits; layettes; collars (clothing), jerseys, mittens; earmuffs (clothing); inner soles; bowties; pareus; cuffs for clothing; dress shields; masquerade costumes; beach clothes; cap visors (headwear); dressing gowns; pockets for clothing; sock suspenders; stocking suspenders; petticoats; tights (complete stockings or leotards); aprons (clothing); headdresses (headwear); wooden shoes; head coverings; garters; coats; espadrilles; non slipping devices for boots; bath robes; bath slippers; toques; overalls; bodies (lingerie); berets; non-electrically heated footmuffs; heavy duty boots; boots; boot uppers; studs for football boots; half-boots; iron fittings for shoes; tips for footwear; welts for boots; heelpieces for shoes (heel reinforcements); briefs and pants; shirts; shirt yokes; shirt fronts; short-sleeved shirts; camisoles; vests; jackets; fishing jackets; heavy jackets; combinations (clothing); combination underwear; detachable collars; collars; leather clothing; imitation leather clothing; shower caps; slippers; skirts; ready-made linings (parts of clothing); overcoats; gabardines (for clothing); gymnastic shoes; jerseys; pullovers; sweaters; livery; muffs (for clothing); footwear uppers; parkas; pelerines; pelisses; leggings; leg protectors; knitwear; knitted clothing; gymnastic clothing; outerclothing; sandals; saris; panties and underpants; hats; brassieres; wimples (for clothing); togas; trouser straps; suits; turbans; dresses; slippers: sport shoes, pants.

35 – Advertising; business management; business administration; office functions; provision of retail sales and wholesale in stores, via global computer networks, through catalog, by mail order, by telephone, via radio and television, and via other electronic means of chemicals for industrial, scientific and photographic purposes, as well as for agricultural, horticulture and forestry, unprocessed artificial resins, unprocessed plastics, manures, fire-extinguishing agents, tempering and soldering preparations, chemical products for preservation of foodstuffs, tanning substances, adhesives for industrial use, colors, varnishes, lacquers, preservatives against rust and deterioration of wood, dyes, mordants, raw natural resins, metals foils and metals in powder form for painters, decorators, printers and artists, anti-corrosive preparations, whitewash, dyes, wood preservatives, ink for leather, indigo (colorant), wood stains, wallpaper removing preparations, ink

for skin-dressing; paints, thinners for paints, siccatives for paints, varnishes, lacquers; preservatives against rust and deterioration of wood, dyes, mordants, raw natural resins, metals foils and metals in powder form for painters, decorators, printers and artists, bleaching preparations and other substances for laundry use, cleaning, polishing, scouring and abrasive preparations, soaps, perfumery, essential oils, cosmetics, hair lotions, dentifrices, shaving preparations, toilet water, bluing for laundry, starch for laundry purposes, colour brightening chemicals for household purposes (laundry), cotton sticks for cosmetic purposes, beauty masks, suntanning preparations (cosmetics), cosmetic preparations for skin care, hair dyes, boot polish and cream, wax, shoemakers' wax, non-slipping wax for floors, parquet floor wax, polishing wax, tailors' wax, waxes for leather, shampoos, cosmetic kits, depilatory preparations, make-up removing preparations, deodorants for personal use, lipsticks, cosmetic pencils, hair spray and nail varnish, nail varnish removers, tissues impregnated with cosmetic lotions, premoistened or impregnated cleansing pads, after-shave lotions, lotions for cosmetic purposes, make-up preparations, pomades for cosmetic purposes, stain removers, sachets for perfuming linen, nail care preparations, cobblers' wax, boot cream, bleaching preparations (decolorants) for cosmetic purposes, extracts of flowers (perfumes), incense, scented wood, decorative transfers for cosmetic purposes, false eyelashes and nails, pumice stone, potpourris (fragrances), cosmetic preparations for slimming purposes, cosmetic preparations for baths, hair waving preparations, washing preparations, toiletries, mouth washes not for medical purposes, bath salts not for medical purposes, sanitary toiletries, oils for toilet purposes, sun-tanning preparations, eau de Cologne, deodorant soap, talcum powder for toilet use, abrasives, moustache wax, hair dyes, eyebrow cosmetics, depilatory wax, cleaning wax, shampoos for pets, cosmetics for animals, cosmetic creams, cakes of toilet soap, soap for foot perspiration, detergents other than for use in manufacturing operations and for medical purposes, cleansing milk for toilet purposes, lyes, dry cleaning products, scented water, perfumes, cosmetic preparations for eyelashes, make-up powder, adhesives for affixing false hair, fabric softeners, cosmetic dyes, color-removing preparations, cloths impregnated with a detergent for cleaning; industrial oils and greases, lubricants, dust absorbing, wetting and binding compositions, fuels (including motor spirit) and illuminants, candles and wicks for lighting, moistening oil, grease for shoes, grease for leather, candles, pharmaceutical and veterinary preparations, sanitary preparations for medical purposes, dietetic substances adapted for medical purposes, food for babies, plasters, materials for dressings, material for stopping teeth, dental wax, disinfectants, preparations for destroying vermin,

fungicides, herbicides, mineral water for medical purposes, cotton for medical purposes, sanitary panties, sanitary towels, deodorants other than for personal purposes, portable filled medicine cases, lotions for pharmaceutical purposes, solutions for contact lenses, napkins for incontinents, sanitary pads, chemical preparations for the diagnosis of pregnancy, sunburn ointments, pharmaceutical preparations for skin care, mouthwashes for medical purposes, smelling salts, bath salts for medical purposes, salts for mineral water baths, sanitary panties, menstruation tampons, surgical cloth (tissues), tissues impregnated with pharmaceutical lotions, breast-nursing pads, balsamic preparations, balms for medical purposes, common metals and their alloys, metal building materials, transportable buildings of metal, materials of metal for railway tracks, non-electric cables and wires of common metal, ironmongery, small items of metal hardware, pipes and tubes of metal, safes, goods of common metal, ores, vaults of metal, empty tool boxes of metal, boxes of metal, padlocks, bells, chests of metal, zip fasteners of metal, stepladders of metal, hooks (metal hardware), buckles of common metal, money boxes of metal, signboards of metal, preserving boxes of metal, key rings, ice moulds of metal, works of art of common metal, poles of metal, identity plates of metal, ironmongery, wire gauze, wire cloth, door bells, knobs of metal, door handles of metal, machines and machine tools, motors and engines (except for land vehicles), machine coupling and transmission components (except for land vehicles), agricultural implements other than hand-operated, incubators for eggs, hand tools and implements (hand-operated), cutlery, side arms, razors, non-electric can openers, non-electric hand implements for hair curling, electric and non-electric depilation appliances, nutcrackers not of precious metal, electric and non-electric nail clippers, manicure sets, razor cases, razor blades, lasts (shoemakers' hand tools), nail files, electric and non-electric hair clippers, beard clippers, shaving cases, hair-removing tweezers, nail nippers, rasps, scissors, vegetable choppers, mortars for pounding, oyster openers, sharpening stones, pliers, insecticide atomisers, sugar tongs, graving needles, tool belts, non-electric pizza cutters, non-electric egg slicers, non-electric cheese slicers, table cutlery, needle-threaders, fireplace bellows, keys, eyelash curlers, rakes, pincers, scientific, nautical, surveying, photographic, cinematographic, optical, weighing, measuring, signalling, checking (supervision), life-saving and teaching apparatus and instruments, apparatus and instruments for conducting, switching, transforming, accumulating, regulating or controlling electricity, apparatus for recording, transmission, reproduction of sound or images, magnetic data carriers, recording disks, automatic vending machines and mechanisms for coin-operated apparatus, cash registers, calculating machines, data proce-

ssing equipment and computers, fire-extinguishing apparatus, computer peripheral devices, anti-glare glasses, eyeglass chains, shoes for protection against accidents, irradiation and fire, bullet-proof jackets, swimming jackets and life jackets, contact lenses, eyeglass cords, dressmakers' measures, spectacle glasses, spectacle cases, eyeglass cases and containers for contact lenses, clothing for protection against fire, spectacle frames, spectacles (optics), sunglasses, gloves for divers, gloves for protection against accidents, diving suits, pince-nez, optical lenses, magnetic encoded cards, magnetic identity cards, clothing for protection against accidents and irradiation, protective suits for aviators, electronic agendas, electric make-up removing appliances, telephone apparatus, weighbridges, directional compasses, accounting machines, protective helmets, telescopes, chronographs (time recording apparatus), measuring spoons, pedometers, compact disks (audio-video), optical compact disks, mirrors (optics), water wings, binoculars, printers for use with computers, temperature indicators, instruments containing eyepieces, game programs, cassette readers, barcode readers, compact disk players, optical character readers, signal, magic and optical lanterns, magnifying glasses (optics), dictating and invoicing machines, mechanisms for counter-operated apparatus, weights, electric, solar and galvanic batteries, electric flat irons, recorded computer programs, recorded computer operating programs, computer mice (data processing equipment), electronic pocket translators, transistors (electronic), thermometers not for medical purposes, apparatus for games adapted for use with television receivers only, audio, video receivers, intercommunication apparatus, video cassettes, animated cartoons, teaching apparatus, walkie-talkies, downloadable electronic publications, egg timers (sand-glasses), teeth protectors, electrically heated hair-curlers, pocket calculators, camcorders, capacity measures, video game cartridges, headphones, abacuses, loudspeakers, mouse pads, aerials, apparatus and instruments for astronomy, telephone receivers, scales, life-saving rafts, barometers, electric batteries, electrically heated hair curlers, flashlights (photography), answering machines, graduated glassware, protective helmets for sports, sports goggles, transparencies, transparency projection apparatus, reflecting disks for wear for the prevention of traffic accidents, cases fitted with dissecting instruments (microscopy), dosage dispensers, cigar lighters for automobiles, covers for electric outlets, electric outlet boxes, fire escapes, exposed films, filters for respiratory masks, flash-bulbs (photography), stands for photographic apparatus, holograms, magnets and decorative magnets, ear plugs for divers, ear plugs, electric devices for attracting and killing insects, electric switches, lasers not for medical purposes, luminous signals, neon signs for advertising, megaphones, computer memories, meteorological instru-

ments, rules (measuring instruments), microphones, microscopes, peepholes (magnifying lenses) for doors, modems, lenses, shutters (photography), recorded computer programs, computer programs (downloadable software), ozonisers, projection screens and apparatus, dog whistles, weighing apparatus and instruments, nose clips for divers and swimmers, prisms (optics), push buttons for bells, light-emitting electronic pointers, radios, radiotelephony equipment, radiotelephony sets, rulers (measuring instruments), knee-pads for workers, vehicle breakdown warning triangles, sirens, electronic notice boards, computer keyboards, telescopes, word processors, rods for water diviners, video telephones, antidazzle shades, photographic viewfinders, eyeshades, voting machines, buzzers, surgical, medical, dental and veterinary apparatus and instruments, artificial limbs, eyes and teeth, orthopedic articles, suture materials, teething rings, feeding bottles, feeding bottle valves, feeding bottle teats, dummies for babies, nursing apparatus, ear picks, incubators for babies, respirators for artificial respiration, breast pumps, commode chairs, orthopaedic footwear (shoes), arch supports for boots and shoes, apparatus for lighting, heating, steam generating, cooking, refrigerating, drying, ventilating, water supply and sanitary purposes, electric heating pads not for medical purposes, toasting apparatus, drying apparatus, bath tubs, bidets, light bulbs, electric coffee percolators, electric heaters for feeding bottles, cookers, showers, lighters, lanterns, sinks, lamp globes, taps, lamps, hand basins, electric pocket torches, blankets, burners, lamp shades, hair dryers, electric laundry dryers, toilet bowls, vehicles, apparatus for locomotion by land, air or water, security harness for vehicle seats, safety seats for children for vehicles, headrests for vehicle seats, safety belts for vehicle seats, seat covers for vehicles, bicycles, parts and/or accessories and/or fittings for bicycles, pushchairs, parts and/or accessories and/or fittings for pushchairs, prams, parts and/or accessories and/or fittings for prams, sleighs, kick sledges, firearms, ammunition and projectiles, explosives, fireworks, precious metals and their alloys and goods in precious metals or coated therewith, jewelry, precious stones, timepieces and chronometric instruments, ornamental pins, tie pins, works of art of precious metal, key rings, medals, coins, badges of precious metal, shoe and hat ornaments of precious metal, cuff links, wristwatches, cases for watches, straps for wristwatches, jewelry cases, pocket watches, sundials, electric clocks and watches, tie clips, charms (jewelry), paste jewelry, ivory (jewelry), pearls (jewelry), precious stones, earrings, alarm clocks, rings, chronometers, musical instruments, musical boxes, cases for musical instruments, music rolls, music stands, plectrums, paper, cardboard and goods of these materials, printed matter, printed publications, bookbinding material, photographs, statio-

nery, adhesives for stationery or household purposes, artists' materials, paint brushes, typewriters and office requisites (except furniture), instructional and teaching material (except apparatus), plastic materials for packaging, printers' type, printing blocks, engravings, boxes of cardboard or paper, patterns for making clothes and for dressmaking, tissues of paper for removing make-up, stencil cases, labels not of textile, table linen of paper, table napkins of paper, disposable babies' nappies of paper and cellulose, disposable babies' napkin pants of paper and cellulose, handkerchiefs of paper, pen cases, holders for cheque books, writing cases, inking sheets for document reproducing machines, bags (envelopes, pouches) for packaging (of paper or plastics), tailors' chalk, face towels of paper, hat boxes, tracing cloth and paper, bookbinding cloth, canvas for painting, hand towels of paper, albums, almanacs, hand labelling appliances, loose-leaf binders, writing materials and instruments, decalcomanias, calendars, posters, document files, passport holders, catalogs, pictures, drawing sets, newspapers, periodicals, magazines, books, lithographs, wrapping paper, hygienic paper, paperweights, mats for beer glasses (disks), book-markers, page markers, bookends, ink, inkwells, bibs of paper, drawing materials, graphic prints, school supplies, writing slates, comic books, trays for sorting and counting money, adhesive patterns (embroidery), garbage bags of paper or of plastics, geographical maps, terrestrial globes, moisteners (office requisites), plastics for modelling, blueprints, stencils (stationery), placards of paper or cardboard, cards, steel letters and pens, aquarelles, adhesive tape dispensers, adhesive tapes and bands for stationery or household purposes, adhesives (stationery), cigar bands, files (office requisites), modelling clay, arithmetical tables, drawer liners of paper (perfumed or not), architects' models, atlases, flags of paper, tickets, pads (stationery), ball-point pens, bags for microwave cooking, writing board erasers, rubber erasers, erasing products, bottle wrappers and envelopes of cardboard or paper, painters' easels, song books, charcoal pencils, writing paper, advertisement boards of paper or cardboard, booklets, ink sticks, modelling wax not for dental purposes, sealing wax, drawing pins, paper ribbons and bows, inking ribbons for computer printers, typewriter ribbons, surfaces for holding clips (office requisites), cabinets for stationery (office requisites), compasses for drawing, paper clips, paper cutters (office requisites), patterns for dressmaking, note books, framed or unframed paintings (pictures), finger-stalls (office requisites), bookbinding material, bookbinding apparatus and machines (office equipment), gummed cloth for stationery purposes, inking pads, drawing squares, shields (paper seals), greeting cards, filter paper, wrappers (stationery), photograph stands, elastic bands for offices, staplers (office requisites), staples for offices, paper sheets (stationery),

ry), electric or non-electric pencil sharpeners, pencil holders, luminous paper, palettes for painters, silver paper, waxed paper, modelling paste, office perforators, painters brushes, house painters' rollers, post-cards, rosaries, blotters, envelopes (stationery), money clips of metal, rubber, gutta-percha, gum, asbestos, mica and goods made from these materials plastics in extruded form for use in manufacturing, packing, stopping and insulating materials, flexible pipes not of metal, leather and imitations of leather and goods made of these materials, animal skins, trunks and traveling bags, umbrellas, parasols and walking sticks, whips, harnesses and saddlery, bags for climbers, campers and the beach, handbag frames, frames for umbrellas or parasols, mountaineering sticks, bags, handbags, traveling bags, traveling sets and key cases (leatherware), attaché cases, purses not of precious metal, school satchels, garment bags for travel, hat boxes of leather, leather (or material) bags for carrying infants, wheeled shopping bags, containers and boxes of leather or leather board, boxes of vulcanised fibre, school bags (for documents), pocket wallets, handbags, vanity cases, not fitted, collars for animals, dog leashes, leather leads, umbrella covers, saddle cloths for horses, haversacks, horse blankets, backpacks, school backpacks, music cases, head-stalls, bags (envelopes, pouches) for packaging (of leather), riding saddles, pads for horse saddles, umbrella rings, blinkers (harness), harness fittings of iron, harness for animals, harness fittings, walking stick seats, shoulder belts of leather, empty tool bags of leather, chain mesh purses (not of precious metal), beach bags, muzzles, bridles, halters, leatherboard, bands of leather, traveling trunks, shopping bags, straps for soldiers' equipment, harness straps, straps of leather (saddlery), straps for skates, trimmings of leather for furniture, leather straps, butts (parts of hides), curried skins, whips, coverings of skins (furs for clothing or ornaments), stirrup leathers, parts of rubber for stirrups, bits for animals (harness), reins, briefcases, moleskin (imitation of leather), fur-skins, skins of chamois other than for cleaning purposes, nose bags (feed bags), net bags for shopping, casings of leather for springs, knee-pads for horses, fastenings for saddles (girths), card holders (document holders), straps (harnesses), valves of leather, stirrups, non-metallic building materials, non-metallic rigid pipes for building, asphalt, pitch and bitumen, non-metallic transportable buildings, non-metallic monuments, furniture, mirrors, picture frames, goods of wood, cork, reed, cane, wicker, horn, bone, ivory, whalebone, shell, amber, mother-of-pearl, meerschaum and substitutes for all these materials, or of plastics, non-electric fans for personal use, pillows, curtain holders, infant walkers, curtain rings, bins not of metal, cupboards, works of art of wood, wax, plaster or plastic, lecterns, benches (furniture), trays, curtain rods, chests for toys, screens (furniture), embroidery

frames, bottle racks, medicine cabinets, busts of wood, wax, plaster or plastic, head-rests (furniture), boxes of wood or plastic, chests for toys, beds, water beds not for medical purposes, beds for household pets, settees, figurines of wax, head-rests (furniture), trolleys, bottle racks, brushes, baskets not of metal, cushions, mattresses, chests of drawers, bamboo curtains, cots, divans, desks, statuettes of wood, wax, plaster or plastic, shelves, mirrors, display stands, index cabinets (furniture), meat chests not of metal, covers for clothing (wardrobe), bed and furniture fittings, hammocks, flower-stands, jewellery cases not of precious metal, tailors' dummies, tables, works of art of wood, wax, plaster or plastic, drinking straws, fireguards, umbrella stands, playpens for babies, flower-pot pedestals, coat hangers and hat stands, coatstands, door handles not of metal, indoor window blinds (furniture), door openers not of metal, desks, magazine racks, curtain rails, curtain rollers, writing desks, sleeping bags for camping, chairs, armchairs, settees, spring mattresses, book rests (furniture), table tops, display boards, stools, corks for bottles, corks, stoppers not of metal, embroidery frames, high chairs for babies, keyboards for hanging keys, high chairs for children, deck chairs, showcases (furniture), household or kitchen utensils and containers, combs and sponges, brushes, brush-making materials, articles for cleaning purposes, steelwool, iron chips, unworked or semi-worked glass (except glass used in building), glassware, porcelain and earthenware, bottle openers, oil cruets, indoor aquaria, cocktail stirrers, candle extinguishers, non-electric appliances for removing makeup, sugar bowls, trays, portable baby baths, cloth for washing floors, bowls, tea balls, candy boxes, powder puffs, bottles, shaving brushes, insulating flasks, stew-pans, pottery, non-electric coffee-pots, boxes, non-electric heaters for feeding bottles, shoe horns, candlesticks, drinking flasks for travelers, pipettes (wine-tasters), fly swatters, epergnes, brushes for footwear, nail brushes, toothbrushes, dishwashing brushes, baskets, fitted picnic baskets including dishes, domestic bread baskets, cocktail shakers, strainers, trouser stretchers, ice buckets, ice pails, mixing spoons (kitchen utensils), basting spoons for kitchen use, bowls (basins), decanters, tie presses, soap dispensers, funnels, door knobs of porcelain, salad bowls, brooms, spatulas, spice sets, comb cases, mess-tins, flasks, vegetable dishes, dishes, shaped ironing board covers, chamois leather for cleaning, frying pans, gardening gloves, gloves for household purposes, polishing gloves, non-electric kettles, shoe trees, piggy banks not of metal, egg cups, soap dispensers, decanters, vases, birdcages, signboards of porcelain or glass, cabarets (trays), liqueur sets, flower pots, butter dishes, fly swatters, cookery moulds, hand-operated mills for domestic purposes, toothpicks, mops, non-electric portable coolboxes, cooking pots, toilet cases, works of art of

porcelain, terra-cotta or glass, chamber pots, toothpick holders, candelabra, carpet beaters, domestic bread baskets, dusting cloths, pepper pots, clothes-pegs and drying racks for washing, table plates, feather-dusters, powder compacts, knobs of porcelain, shaving brush stands, sponge holders, soap holders, coasters not of paper and other than table linen, toilet paper holders, trouser presses, perfume vaporisers, perfume burners, graters, heat-insulated containers, crumb trays, coasters, trivets, boot jacks, corkscrews, carpet beaters, salt cellars, frying pans, clothes racks for drying, coffee and tea services, napkin holders, soup bowls, washing boards, ironing boards, bread boards, cutting boards for the kitchen, pot lids, cups, bowls (basins), shirt stretchers, shoe trees (stretchers), insulating flasks, teapots, flower pots, lye washtubs, towel rails and rings, toilet utensils, tableware other than knives forks and spoons, drinking glasses, cruets, ropes, string, nets, tents, awnings, tarpaulins, sails, material bags for padding and stuffing (except of rubber or plastics), raw fibrous textile materials, eiderdown, straw wrappers for bottles, hammocks, tarpaulins, yarns and threads for textile purposes, textiles and textile goods, bed and table covers, bath linen (except clothing), tissues of textile for removing make-up, labels of cloth, linings (textile), washing mitts, wall hangings of textile, handkerchiefs of textile, curtains of textile or plastic, household linen, towels of textile, traveling rugs, net curtains, curtain holders of textile material, flags not of paper, eiderdowns, loose covers for furniture, covers for cushions, mosquito nets, glass cloths, billiard cloth, traced cloths for embroidery, upholstery fabrics, face towels of textile, sleeping bags (sheeting), table runners, bedspreads, mattress covers, oilcloth for use as table cloths, tablecloths not of paper, sheets (textile), tablemats, table napkins of textile, adhesive fabric for application by heat, fabric of imitation animal skins, brocades, trellis (cloth), lining fabric for shoes, fabric for boots and shoes, cheviots (cloth), velvet, felt, cotton fabrics, bed covers, tulle, crepe (fabric), crepon, damask, lingerie fabric, elastic woven material, flannel (fabric), cheese cloth, gauze (cloth), gummed cloth other than for stationery, hessian, jersey (fabric), woollen fabric and cloth, linen cloth, diapered linen, marabouts (cloth), ticks (mattress covers), upholstery fabrics, pillowcases, ramie fabrics, rayon fabric (artificial silk), silk cloths, esparto fabric, taffeta (cloth), knitwear (textiles), zephyr (textile), fiberglass fabrics for textile use, printers' blankets of textile, chenille fabric, placemats of textile, bed blankets, toilet seat covers, shower curtains of textile or plastic; ready-made clothing for men, women and children, footwear, headgear, motorists' and cyclists' clothing, bibs not of paper, headbands (clothing), bath robes, bathing suits, bathing caps and sandals, boas (necklets), underwear, babies' pants, scarves, boots for sports and beach shoes, hoods (clothing), shawls,

belts, money belts, wet suits for water-skiing, neckties, corsets, sashes for wear, fur stoles, girdles, scarves, caps, peaked caps, gloves, waterproof clothing, underwear, mantillas, stockings, socks, ascots, babies' soles for footwear, pocket handkerchiefs, furs (for wear), pyjamas, soles, heels, veils (clothing), suspenders, clothing of paper, gymnastics and sports suits, layettes, collars (clothing), sports jerseys, mittens, ear muffs, inner soles, bow ties, long skirts, cuffs for clothing, dress shields, masquerade costumes, beach clothes, cap peaks, dressing gowns, pockets for clothing, sock suspenders, stocking suspenders, petticoats, tights, aprons (clothing), headgear for wear, wooden shoes, caps, garters, coats, esparto shoes or sandals, non-slipping devices for footwear, bath robes, bath slippers, caps, smocks, teddies (undergarments), berets, footmuffs not electrically heated, lace boots, boots, boot uppers, studs for football boots, half-boots, fittings of metal for footwear, tips for footwear, welts for footwear, heelpieces for footwear, pants, shirts, shirt yokes, shirt fronts, tee-shirts, bodices, waistcoats, jackets, fishing vests, stuff jackets, combinations (clothing), slippers (undergarments), detachable collars, collars (clothing), clothing of leather, clothing of imitations of leather, shower caps, slippers, skirts, ready-made linings (parts of clothing), overcoats, gabardines, gymnastic shoes, jerseys (clothing), pullovers, sweaters, liveries, muffs (clothing), footwear uppers, parkas, pelerines, pelisses, spats, leggings, knitwear, hosiery, gymnastic clothing, outerclothing, sandals, saris, underpants, hats, brassieres, wimples, togas, trouser straps, suits, turbans, frocks, slippers, sports shoes, lace and embroidery, ribbons and braid, buttons, hooks and eyes, pins and needles, artificial flowers, tinsels (trimmings for clothing), needle cushions, hair ornaments, shoe and hat ornaments not of precious metal, hair bands, brassards, reins for guiding children, brooches (clothing accessories), hair pins, hair grips, sewing boxes, shoe fasteners, belt clasps, zip fasteners, bows for the hair, needle cases, buckles (clothing accessories), shoulder pads for clothing, badges for wear not of precious metal, spangles for clothing, haberdashery except thread, lace trimmings, feathers (clothing accessories), shoe laces, wreaths of artificial flowers, tea cosies, ornamental novelty badges (buttons), sewing thimbles, numerals or letters for marking linen, bodkins, top-knots (pompoms), competitors' numbers, heat adhesive patches for decoration of textile articles (haberdashery), snap fasteners, ostrich feathers (clothing accessories), prize ribbons, false beards, false moustaches, non-electric hair curlers other than hand implements, tassels (haberdashery), nets for lace trimmings and embroidery, ribbons and laces, buttons, hooks and eyelets, pins and needles, artificial flowers, frills (lacework), lace trimmings, collar supports, elastic ribbons, braids, festoons (embroidery), hair colouring caps, darning lasts, gold embroidery,

silver embroidery, plaited hair, wigs, heat adhesive patches, patches for repairing textile articles, toupees, edgings for clothing, suit flounces, carpets, rugs, mats and matting, linoleum and other materials for covering existing floors, wall hangings (non-textile), bath mats, paper for upholstery or wallpapering, wallpaper, floor coverings, carpet underlay, floor coverings, games, playthings, gymnastic and sporting articles, decorations for Christmas trees, fishing tackle, rods for fishing, toy and theatrical masks, dolls' houses, climbers' harness, novelties for parties, dances (party favours), gloves for games, baseball, boxing, fencing and golf gloves, puppets, automatic games other than coin-operated and those adapted for use with television receivers only, machines for physical exercises, Christmas trees of synthetic material, bladders of balls for games, elbow and knee guards (sports articles), kites, rattles (playthings), kaleidoscopes, rocking horses, building games, automatic and coin-operated amusement machines, playing cards, teddy bears, dolls, dolls' clothes, air pistols (toys), chess games, flippers for swimming, ring games, Christmas tree stands, archery implements, practical jokes (novelties), balls for games, dolls' feeding bottles, building blocks (toys), body boards, skittles, stationary exercise bicycles, golf bags, with or without wheels, dolls' beds, marbles for games, dolls' houses, butterfly nets, swings, confetti, cups for dice, dice, draughts (games), draughtboards, darts, discuses for sports, flying disks (toys), dominoes, counters for games, skis, bags especially designed for skis and surfboards, tables for indoor football, appliances for gymnastics, horseshoe games, hockey sticks, soap bubbles (toys), board games, toys for domestic pets, scale model vehicles, skateboards, mobiles (toys), paintballs (sports apparatus), artificial snow for Christmas trees, billiard and golf balls, billiard tables, skating boots with skates attached, in-line roller skates, ice skates, roller skates, scooters (toys), plush toys, spinning tops, piñatas, swimming pools (play articles), punching bags, jigsaw puzzles, conjuring apparatus, rackets, parlour games, surf boards and sailboards, chessboards, sling shots (sports articles), slides (playthings), spring boards (sports articles), sleighs (sports articles), toy vehicles, radio-controlled toy vehicles, shuttlecocks, meat, fish, poultry and game, meat extracts, preserved, frozen, dried and cooked fruits and vegetables, jellies, jams, compotes, eggs, milk and milk products, edible oils and fats, coffee, tea, cocoa, sugar, rice, tapioca, sago, artificial coffee, flour and preparations made from cereals, bread, pastry and confectionery, ices, honey, treacle, yeast, baking powder, salt, mustard, vinegar, sauces (condiments), spices, ice, agricultural, horticultural and forestry products and grains, live animals, fresh fruits and vegetables, seeds, natural plants and flowers, foodstuffs for animals, malt, beers, mineral and aerated waters and other non-alcoholic drinks,

fruit drinks and fruit juices, syrups and other preparations for making beverages, alcoholic beverages (except beers), tobacco, smokers' articles, matches, humidors, cigarette cases, cigar cases, tobacco pouches, cigarette cases, ashtrays for smokers, lighters for smokers, tobacco pipes, cigar cutters, cigar cases, pipe cleaners for tobacco pipes, cigarette paper, tobacco jars, cigarette tips, match boxes, gas containers for cigar lighters, pocket machines for rolling cigarettes, books of cigarette papers, firestones, pipe racks for tobacco pipes, match holders and ashtrays for smokers of precious metal; commercial or industrial business operation and management assistance; organization of exhibitions for commercial and advertising purposes; promotion provided by a commercial company by means of a client loyalty card; modelling for advertising or sales promotion; publication of advertising texts; shop-window dressing; commercial operations assistance in relation to franchises; demonstration of goods; organization of trade fairs for commercial or advertising purposes; sales promotion (for others); auctioneering; promotion and management of shopping centres; import-export agencies; online advertising on a computer network; procurement for others (purchasing of goods and services for other companies); arranging newspaper subscriptions (for others); distribution of samples; computerized file management; public relations; commercial information agencies; publicity agencies; rental of vending machines; rental of advertising space; dissemination of advertisements; business management assistance; data searches in computer files for others; compilation of data on a central computer; transcription of communications; advertising mail; professional management of artistic affairs; distribution of advertising material (leaflets, prospectuses, printed matter, samples); updating of advertising material; document reproduction; marketing studies; outdoor advertising; opinion polling; systematization of data on a central computer; advertising; mail, radio and television advertising; presentation of goods on any communication media for retail purposes.

(260) AM 2014 73021 A
 (800) 1090326
 (151) 2011 03 25
 (891) 2013 03 04
 (731) INDUSTRIA DE DISEÑO TEXTIL, S.A.
 (INDITEX, S.A.)
 Avenida. de la Diputación, Edificio Inditex,
 E-15142 ARTEIXO (A CORUNA), Spain
 (540)

LFT

(591) Black, white
 (511)

18 – Leather and imitations of leather, goods made of these materials not included in other classes; animal skins, hides; trunks and travelling bags; umbrellas, parasols and walking sticks; whips, harness and saddlery; climbing, camping and beach bags; handbag frames; frames for umbrellas or parasols (parasols); mountaineering sticks; bags; handbags; travelling bags; travel and key cases (leathercraft); briefcases; purses not made of precious metal; school satchels; garment bags for travel; hat boxes of leather; leather (or material) bags for carrying infants; wheeled shopping bags; containers and boxes of leather or leatherboard; boxes of vulcanised fibre; school bags (document holders); pocket wallets; briefcases (leatherware); unfitted vanity cases; animal collars; dog leashes; leather laces; umbrella covers; saddle cloths for horses; rucksacks; horse blankets; haversacks; school bags; music cases; reins for horses; bags (envelopes, pouches) for packaging (of leather); horse riding saddles; pads for horse saddles; umbrella rings; blinkers (harness); harness fittings of iron; harnesses for animals; harness fittings; walking stick seats; shoulder belts (straps) of leather; unfitted leather tool bags; chain mesh purses (not of precious metal); beach bags; muzzles; bridles (harnesses); head-stalls; leatherboard; leather straps; traveling trunks; shopping bags; straps for soldiers' equipment; harness straps; straps of leather (saddlery); straps for skates; leather trimmings for furniture; leather straps; butts (parts of hides); curried skins; whips; coverings of skins (furs for clothing or ornaments); stirrup leathers; parts of rubber for stirrups; bits for animals (harness); reins; small suitcases; moleskin (imitation leather); fur (animals skins); skins of chamois, other than for cleaning purposes; nose bags (feed bags); net bags for shopping; casings, of leather, for springs; knee-pads for horses; fastenings for saddles (girths); card holders (document holders); straps (harnesses); leather valves; stirrups.

25 – Ready-to-wear clothing for men, women and children, footwear (except orthopaedic footwear), headwear; clothing for motorists and cyclists; bibs, not of paper; headbands (clothing); dressing gowns; swimsuits; bathing caps and sandals; boas (necklets); lingerie; babies pants; scarves; sports and

beach footwear; hoods (clothing); shawls; belts (clothing); moneybelts; water skiing suits; neckties; corsets; sashes for wear; fur stoles; girdles (lingerie); foulards; caps; stiff caps; gloves (clothing); waterproof clothing; underclothing, head scarves; stockings; socks; neckerchieves; babies' diapers of textile; pocket kerchiefs; furs (clothing); pyjamas; soles; heels; veils (clothing); braces; paper clothing; gymnastic and sports outfits; layettes; collars (clothing), jerseys, mittens; earmuffs (clothing); inner soles; bowties; pareus; cuffs for clothing; dress shields; masquerade costumes; beach clothes; cap visors (headwear); dressing gowns; pockets for clothing; sock suspenders; stocking suspenders; petticoats; tights (complete stockings or leotards); aprons (clothing); headdresses (headwear); wooden shoes; head coverings; garters; coats; espadrilles; non slipping devices for footwear; bath robes; bath slippers; mortar boards (caps); overalls; bodies (lingerie); berets; non-electrically heated footmuffs; heavy duty boots; boots; boot uppers; studs for football boots; half-boots; iron fittings for footwear; tips for footwear; welts for footwear; heelpieces for footwear (heel reinforcements); briefs and pants; shirts; shirt yokes; shirt fronts; short-sleeved shirts; camisoles; vests; jackets; fishing jackets; heavy jackets; combinations (clothing); combination underwear; detachable collars; collars; leather clothing; imitation leather clothing; shower caps; slippers; skirts; ready-made linings (parts of clothing); overcoats; gabardines (for clothing); gymnastic shoes; jerseys; pullovers; sweaters; livery; muffs (for clothing); footwear uppers; parkas; pelerines; pelisses; leggings; leg protectors (socks); knitwear; knitted clothing; gymnastic clothing; outerclothing; sandals; saris; panties and underpants; hats; brassieres; wimples (for clothing); togas; trouser straps; suits; turbans; dresses; slippers; sport shoes, pants.

35 – Advertising; business management; business administration; office functions; provision of retail sales and wholesale in stores, via global computer networks, via catalog, mail order, telephone, radio and television, and other electronic means of chemicals for industrial, scientific and photographic purposes, as well as for agricultural, horticulture and forestry, unprocessed artificial resins, unprocessed plastics, manures, fire-extinguishing agents, tempering and soldering preparations, chemical products for preservation of foodstuffs, tanning substances, adhesives for industrial use, colors, varnishes, lacquers, preservatives against rust and deterioration of wood, dyes, mordants, raw natural resins, metals foils and metals in powder form for painters, decorators, printers and artists, anti-corrosive preparations, whitewash, dyes, wood preservatives, ink for leather, indigo (colorant), wood stains, wallpaper removing preparations, ink for skin-dressing; paints, thinners for paints, siccatives for paints, varnishes, lacquers; preservatives against rust and deterioration

of wood, dyes, mordants, raw natural resins, metals foils and metals in powder form for painters, decorators, printers and artists, bleaching preparations and other substances for laundry use, cleaning, polishing, scouring and abrasive preparations, soaps, perfumery, essential oils, cosmetics, hair lotions, dentifrices, shaving preparations, toilet water, bluing for laundry, starch for laundry purposes, colour brightening chemicals for household purposes (laundry), cotton sticks for cosmetic purposes, beauty masks, sun-tanning preparations (cosmetics), cosmetic preparations for skin care, hair dyes, boot polish and cream, wax, shoemakers' wax, non-slipping wax for floors, parquet floor wax, polishing wax, tailors' wax, waxes for leather, shampoos, cosmetic kits, depilatory preparations, make-up removing preparations, deodorants for personal use, lipsticks, cosmetic pencils, hair spray and nail varnish, nail varnish removers, tissues impregnated with cosmetic lotions, premoistened or impregnated cleansing pads, after-shave lotions, lotions for cosmetic purposes, make-up preparations, pomades for cosmetic purposes, stain removers, sachets for perfuming linen, nail care preparations, cobblers' wax, boot cream, bleaching preparations (decolorants) for cosmetic purposes, extracts of flowers (perfumes), incense, scented wood, decorative transfers for cosmetic purposes, false eyelashes and nails, pumice stone, potpourris (fragrances), cosmetic preparations for slimming purposes, cosmetic preparations for baths, hair waving preparations, washing preparations, toiletries, mouth washes not for medical purposes, bath salts not for medical purposes, sanitary toiletries, oils for toilet purposes, sun-tanning preparations, eau de Cologne, deodorant soap, talcum powder for toilet use, moustache wax, hair dyes, eyebrow cosmetics, depilatory wax, cleaning wax, shampoos for pets, cosmetics for animals, cosmetic creams, cakes of toilet soap, soap for foot perspiration, detergents other than for use in manufacturing operations and for medical purposes, cleansing milk for toilet purposes, lyes, dry cleaning products, scented water, perfumes, cosmetic preparations for eyelashes, make-up powder, adhesives for affixing false hair, fabric softeners, cosmetic dyes, color-removing preparations, cloths impregnated with a detergent for cleaning, industrial oils and greases, lubricants, dust absorbing, wetting and binding compositions, fuels (including motor spirit) and illuminants, candles and wicks for lighting, moistening oil, grease for shoes, grease for leather, candles, pharmaceutical and veterinary preparations, sanitary preparations for medical purposes, dietetic substances adapted for medical purposes, food for babies, plasters, materials for dressings, material for stopping teeth, dental wax, disinfectants, preparations for destroying vermin, fungicides, herbicides, mineral water for medical purposes, cotton for medical purposes, sanitary panties, sanitary towels, deodorants other than for personal purposes, portable

filled medicine cases, lotions for pharmaceutical purposes, solutions for contact lenses, napkins for incontinents, sanitary pads, chemical preparations for the diagnosis of pregnancy, sunburn ointments, pharmaceutical preparations for skin care, mouth-washes for medical purposes, smelling salts, bath salts for medical purposes, salts for mineral water baths, sanitary panties, menstruation tampons, surgical cloth (tissues), tissues impregnated with pharmaceutical lotions, breast-nursing pads, balsamic preparations, balms for medical purposes, common metals and their alloys, metal building materials, transportable buildings of metal, materials of metal for railway tracks, non-electric cables and wires of common metal, ironmongery, small items of metal hardware, pipes and tubes of metal, safes, goods of common metal, ores, vaults of metal, empty tool boxes of metal, preserving boxes and containers of metal, padlocks, bells, chests of metal, zip fasteners of metal, stepladders of metal, hooks (metal hardware), buckles of common metal, money boxes of metal, signboards of metal, preserving boxes of metal, key rings, ice moulds of metal, works of art of common metal, poles of metal, identity plates of metal, ironmongery, wire gauze, wire cloth, door bells, knobs of metal, door handles of metal, machines and machine tools, motors and engines (except for land vehicles), machine coupling and transmission components (except for land vehicles), agricultural implements other than hand-operated, incubators for eggs, hand tools and implements (hand-operated), cutlery, side arms, razors, non-electric can openers, non-electric hand implements for hair curling, electric and non-electric depilation appliances, nutcrackers not of precious metal, electric and non-electric nail clippers, manicure sets, razor cases, razor blades, lasts (shoemakers' hand tools), nail files, electric and non-electric hair clippers, beard clippers, shaving cases, hair-removing tweezers, nail nippers, rasps, scissors, vegetable choppers, mortars for pounding, oyster openers, sharpening stones, pliers, insecticide atomisers, sugar tongs, graving needles, tool belts, non-electric pizza cutters, non-electric egg slicers, non-electric cheese slicers, table cutlery, needle-threaders, fireplace bellows, keys, eyelash curlers, rakes, pincers, scientific, nautical, surveying, photographic, cinematographic, optical, weighing, measuring, signalling, checking (supervision), life-saving and teaching apparatus and instruments, apparatus and instruments for conducting, switching, transforming, accumulating, regulating or controlling electricity, apparatus for recording, transmission or reproduction of sound or images, magnetic data carriers, recording disks, automatic vending machines and mechanisms for coin-operated apparatus, cash registers, calculating machines, data processing equipment and computers, fire-extinguishing apparatus, computer peripheral devices, anti-glare glasses, eyeglass chains, shoes for protection

against accidents, irradiation and fire, bullet-proof jackets, swimming jackets and life jackets, contact lenses, eyeglass cords, dressmakers' measures, spectacle glasses, spectacle cases, eyeglass cases and containers for contact lenses, clothing for protection against fire, spectacle frames, spectacles (optics), sunglasses, gloves for divers, gloves for protection against accidents, diving suits, pince-nez, optical lenses, magnetic encoded cards, magnetic identity cards, clothing for protection against accidents and irradiation, protective suits for aviators, electronic agendas, electric make-up removing appliances, telephone apparatus, weighbridges, directional compasses, accounting machines, protective helmets, telescopes, chronographs (time recording apparatus), measuring spoons, pedometers, compact disks (audio-video), optical compact disks, mirrors (optics), water wings, binoculars, printers for use with computers, temperature indicators, instruments containing eyepieces, game programs, cassette readers, barcode readers, compact disk players, optical character readers, signal, magic and optical lanterns, magnifying glasses (optics), dictating and invoicing machines, mechanisms for counter-operated apparatus, weights, electric, solar and galvanic batteries, electric flat irons, recorded computer programs, recorded computer operating programs, computer mice (data processing equipment), electronic pocket translators, transistors (electronic), thermometers not for medical purposes, apparatus for games adapted for use with television receivers only, audio, video receivers, intercommunication apparatus, video cassettes, animated cartoons, teaching apparatus, walkie-talkies, downloadable electronic publications, egg timers (sandglasses), teeth protectors, electrically heated hair-curlers, pocket calculators, camcorders, capacity measures, video game cartridges, headphones, abacuses, loudspeakers, mouse pads, aerials, apparatus and instruments for astronomy, telephone receivers, scales, life-saving rafts, barometers, electric batteries, electrically heated hair curlers, flashlights (photography), answering machines, graduated glassware, protective helmets for sports, sports goggles, transparencies, transparency projection apparatus, reflecting disks for wear for the prevention of traffic accidents, cases fitted with dissecting instruments (microscopy), dosage dispensers, cigar lighters for automobiles, covers for electric outlets, electric outlet boxes, fire escapes, exposed films, filters for respiratory masks, flash-bulbs (photography), stands for photographic apparatus, holograms, magnets and decorative magnets, ear plugs for divers, ear plugs, electric devices for attracting and killing insects, electric switches, lasers not for medical purposes, luminous signals, neon signs for advertising, megaphones, computer memories, meteorological instruments, rules (measuring instruments), microphones, microscopes, peepholes (magnifying lenses) for doors, modems, lenses, shutters (photo-

graphy), recorded computer programs, computer programs (downloadable software), ozonisers, projection screens and apparatus, dog whistles, weighing apparatus and instruments, nose clips for divers and swimmers, prisms (optics), push buttons for bells, light-emitting electronic pointers, radios, radiotelephony equipment, radiotelephony sets, rulers (measuring instruments), knee-pads for workers, vehicle breakdown warning triangles, sirens, electronic notice boards, computer keyboards, telescopes, word processors, rods for water diviners, video telephones, antidazzle shades, photographic viewfinders, eyeshades, voting machines, buzzers, surgical, medical, dental and veterinary apparatus and instruments, artificial limbs, eyes and teeth, orthopedic articles, suture materials, teething rings, feeding bottles, feeding bottle valves, feeding bottle teats, dummies for babies, nursing apparatus, ear picks, incubators for babies, respirators for artificial respiration, breast pumps, commode chairs, orthopaedic footwear (shoes), arch supports for boots and shoes, apparatus for lighting, heating, steam generating, cooking, refrigerating, drying, ventilating, water supply and sanitary purposes, electric heating pads not for medical purposes, toasting apparatus, drying apparatus, bath tubs, bidets, light bulbs, electric coffee percolators, electric heaters for feeding bottles, cookers, showers, lighters, lanterns, sinks, lamp globes, taps, lamps, hand basins, electric pocket torches, blankets, burners, lamp shades, hair dryers, electric laundry dryers, toilet bowls, vehicles, apparatus for locomotion by land, air or water, security harness for vehicle seats, safety seats for children for vehicles, head-rests for vehicle seats, safety belts for vehicle seats, seat covers for vehicles, bicycles, parts and/or accessories and/or fittings for bicycles, pushchairs, parts and/or accessories and/or fittings for pushchairs, prams, parts and/or accessories and/or fittings for prams, sleighs, kick sledges, firearms, ammunition and projectiles, explosives, fireworks, precious metals and their alloys and goods in precious metals or coated therewith, jewelry, precious stones, timepieces and chronometric instruments, ornamental pins, tie pins, works of art of precious metal, key rings, medals, coins, badges of precious metal, shoe and hat ornaments of precious metal, cuff links, wristwatches, cases for watches, straps for wristwatches, jewelry cases, pocket watches, sundials, electric clocks and watches, tie clips, charms (jewelry), paste jewelry, ivory (jewelry), pearls (jewelry), precious stones, earrings, alarm clocks, rings, chronometers, musical instruments, musical boxes, cases for musical instruments, music rolls, music stands, plectrums, paper, cardboard and goods from these materials, printed matter, printed publications, bookbinding material, photographs, stationery, adhesives for stationery or household purposes, artists' materials, paint brushes, typewriters and office requisites (except furniture), ins-

tructional and teaching material (except apparatus), plastic materials for packaging, printers' type, printing blocks, engravings, boxes of cardboard or paper, patterns for making clothes and for dressmaking, tissues of paper for removing make-up, stencil cases, labels not of textile, table linen of paper, table napkins of paper, disposable babies' nappies of paper and cellulose, disposable babies' napkin pants of paper and cellulose, handkerchiefs of paper, pen cases, holders for cheque books, writing cases, inking sheets for document reproducing machines, bags (envelopes, pouches) of paper or plastics for packaging, tailors' chalk, face towels of paper, hat boxes, tracing cloth and paper, bookbinding cloth, canvas for painting, hand towels of paper, albums, almanacs, hand labelling appliances, loose-leaf binders, writing materials and instruments, decalcomanias, calendars, posters, document files, passport holders, catalogs, pictures, drawing sets, newspapers, periodicals, magazines, books, lithographs, wrapping paper, hygienic paper, paperweights, mats for beer glasses (disks), bookmarkers, page markers, bookends, ink, inkwells, bibs of paper, drawing materials, graphic prints, school supplies, writing slates, comic books, trays for sorting and counting money, adhesive patterns (embroidery), garbage bags of paper or of plastics, geographical maps, terrestrial globes, moisteners (office requisites), plastics for modelling, blueprints, stencils (stationery), placards of paper or cardboard, cards, steel letters and pens, aquarelles, adhesive tape dispensers, adhesive tapes and bands for stationery or household purposes, adhesives (stationery), cigar bands, files (office requisites), modelling clay, arithmetical tables, drawer liners of paper (perfumed or not), architects' models, atlases, flags of paper, tickets, pads (stationery), ball-point pens, bags for microwave cooking, writing board erasers, rubber erasers, erasing products, bottle wrappers and envelopes of cardboard or paper, painters' easels, song books, charcoal pencils, writing paper, advertisement boards of paper or cardboard, booklets, ink sticks, modelling wax not for dental purposes, sealing wax, drawing pins, paper ribbons and bows, inking ribbons for computer printers, typewriter ribbons, clipboards, cabinets for stationery (office requisites), compasses for drawing, paper clips, paper cutters (office requisites), patterns for dressmaking, note books, framed or unframed paintings (pictures), finger-stalls (office requisites), bookbinding material, bookbinding apparatus and machines (office equipment), gummed cloth for stationery purposes, inking pads, drawing squares, shields (paper seals), greeting cards, filter paper, wrappers (stationery), photograph stands, elastic bands for offices, staplers (office requisites), staples for offices, paper sheets (stationery), electric or non-electric pencil sharpeners, pencil holders, luminous paper, palettes for painters, silver paper, waxed paper, modelling paste, office perforators, painters

brushes, house painters' rollers, postcards, rosaries, blotters, envelopes (stationery), money clips of metal, rubber, gutta-percha, gum, asbestos, mica and goods made from these materials plastics in extruded form for use in manufacturing, packing, stopping and insulating materials, flexible pipes not of metal, leather and imitations of leather and goods made of these materials, animal skins, trunks and traveling bags, umbrellas, parasols and walking sticks, whips, harnesses and saddlery, bags for climbers, campers and the beach, handbag frames, frames for umbrellas or parasols, mountaineering sticks, bags, handbags, traveling bags, traveling sets and key cases (leatherware), attaché cases, purses not of precious metal, school satchels, garment bags for travel, hat boxes of leather, leather (or material) bags for carrying infants, wheeled shopping bags, containers and boxes of leather or leather board, boxes of vulcanised fibre, school bags (for documents), pocket wallets, handbags, vanity cases, not fitted, collars for animals, dog leashes, leather leads, umbrella covers, saddle cloths for horses, haversacks, horse blankets, backpacks, school backpacks, music cases, head-stalls, bags (envelopes, pouches) for packaging (of leather), riding saddles, pads for horse saddles, umbrella rings, blinkers (harness), harness fittings of iron, harness for animals, harness fittings, walking stick seats, shoulder belts of leather, empty tool bags of leather, chain mesh purses (not of precious metal), beach bags, muzzles, bridles, halters, leatherboard, bands of leather, traveling trunks, shopping bags, straps for soldiers' equipment, harness straps, straps of leather (saddlery), straps for skates, trimmings of leather for furniture, leather straps, butts (parts of hides), curried skins, whips, coverings of skins (furs for clothing or ornaments), stirrup leathers, parts of rubber for stirrups, bits for animals (harness), reins, briefcases, moleskin (imitation of leather), fur-skins, skins of chamois other than for cleaning purposes, nose bags (feed bags), net bags for shopping, casings of leather for springs, knee-pads for horses, fastenings for saddles (girths), card holders (document holders), straps (harnesses), valves of leather, stirrups, non-metallic building materials, non-metallic rigid pipes for building, asphalt, pitch and bitumen, non-metallic transportable buildings, non-metallic monuments, furniture, mirrors, picture frames, goods of wood, cork, reed, cane, wicker, horn, bone, ivory, whalebone, shell, amber, mother-of-pearl, meerschaum and substitutes for all these materials, or of plastics, non-electric fans for personal use, pillows, curtain holders, infant walkers, curtain rings, bins not of metal, cupboards, works of art of wood, wax, plaster or plastic, lecterns, benches (furniture), trays, curtain rods, chests for toys, screens (furniture), embroidery frames, bottle racks, medicine cabinets, busts of wood, wax, plaster or plastic, head-rests (furniture), boxes of wood or plastic, chests for toys, beds, water beds not for medical purposes, beds for

household pets, settees, figurines of wax, head-rests (furniture), trolleys, bottle racks, brushes, baskets not of metal, cushions, mattresses, chests of drawers, bamboo curtains, cots, divans, desks, statuettes of wood, wax, plaster or plastic, shelves, mirrors, display stands, index cabinets (furniture), meat chests not of metal, covers for clothing (wardrobe), bed and furniture fittings, hammocks, flower-stands, jewellery cases not of precious metal, tailors' dummies, tables, works of art of wood, wax, plaster or plastic, drinking straws, fireguards, umbrella stands, playpens for babies, flower-pot pedestals, coat hangers and hat stands, coatstands, door handles not of metal, indoor window blinds (furniture), door handles not of metal, desks, magazine racks, curtain rails, curtain rollers, writing desks, sleeping bags for camping, chairs, armchairs, settees, spring mattresses, book rests (furniture), table tops, display boards, stools, corks for bottles, corks, stoppers not of metal, embroidery frames, high chairs for babies, keyboards for hanging keys, high chairs for children, deck chairs, showcases (furniture), household or kitchen utensils and containers; combs and sponges; brushes; brush-making materials, articles for cleaning purposes, steelwool, iron chips, unworked or semi-worked glass (except glass used in building), glassware, porcelain and earthenware, bottle openers, oil cruets, indoor aquaria, cocktail stirrers, candle extinguishers, non-electric appliances for removing makeup, sugar bowls, trays, portable baby baths, cloth for washing floors, bowls, tea balls, candy boxes, powder puffs, bottles, shaving brushes, insulating flasks, stew-pans, pottery, non-electric coffeepots, boxes, non-electric heaters for feeding bottles, shoe horns, candlesticks, drinking flasks for travelers, pipettes (wine-tasters), fly swatters, epergnes, brushes for footwear, nail brushes, toothbrushes, dishwashing brushes, baskets, fitted picnic baskets including dishes, domestic bread baskets, cocktail shakers, strainers, trouser stretchers, ice buckets, ice pails, mixing spoons (kitchen utensils), basting spoons for kitchen use, bowls (basins), decanters, tie presses, soap dispensers, funnels, door knobs of porcelain, salad bowls, brooms, spatulas, spice sets, comb cases, mess-tins, flasks, vegetable dishes, dishes, shaped ironing board covers, chamois leather for cleaning, frying pans, gardening gloves, gloves for household purposes, polishing gloves, non-electric kettles, shoe trees, piggy banks not of metal, egg cups, soap dispensers, decanters, vases, birdcages, signboards of porcelain or glass, cabarets (trays), liqueur sets, flower pots, butter dishes, fly swatters, cookery moulds, hand-operated mills for domestic purposes, toothpicks, mops, non-electric portable coolboxes, cooking pots, toilet cases, works of art of porcelain, terra-cotta or glass, chamber pots, toothpick holders, candelabra, carpet beaters, domestic bread baskets, dusting cloths, pepper pots, clothes-pegs and drying racks for washing, table plates,

feather-dusters, powder compacts, knobs of porcelain, shaving brush stands, sponge holders, soap holders, coasters not of paper and other than table linen, toilet paper holders, trouser presses, perfume vaporisers, perfume burners, graters, heat-insulated containers, crumb trays, coasters, trivets, boot jacks, corkscrews, carpet beaters, salt cellars, frying pans, clothes racks for drying, coffee and tea services, napkin holders, soup bowls, washing boards, ironing boards, bread boards, cutting boards for the kitchen, pot lids, cups, bowls (basins), shirt stretchers, shoe trees (stretchers), insulating flasks, teapots, flower pots, lye washtubs, towel rails and rings, toilet utensils, tableware other than knives forks and spoons, drinking glasses, cruets, ropes, string, nets, tents, awnings, tarpaulins, sails, material bags for padding and stuffing (except of rubber or plastics), raw fibrous textile materials, eiderdown, straw wrappers for bottles, hammocks, tarpaulins, yarns and threads for textile purposes, textiles and textile goods, bed and table covers, bath linen (except clothing), tissues of textile for removing make-up, labels of cloth, linings (textile), washing mitts, wall hangings of textile, handkerchiefs of textile, curtains of textile or plastic, household linen, towels of textile, traveling rugs, net curtains, curtain holders of textile material, flags not of paper, eiderdowns, loose covers for furniture, covers for cushions, mosquito nets, glass cloths, billiard cloth, traced cloths for embroidery, upholstery fabrics, face towels of textile, sleeping bags (sheeting), table runners, bedspreads, mattress covers, oilcloth for use as table cloths, tablecloths not of paper, sheets (textile), tablemats, table napkins of textile, adhesive fabric for application by heat, fabric of imitation animal skins, brocades, trellis (cloth), lining fabric for shoes, fabric for boots and shoes, cheviots (cloth), velvet, felt, cotton fabrics, bed covers, tulle, crepe (fabric), crepon, damask, lingerie fabric, elastic woven material, flannel (fabric), cheese cloth, gauze (cloth), gummed cloth other than for stationery, hessian, jersey (fabric), woollen fabric and cloth, linen cloth, diapered linen, marabouts (cloth), ticks (mattress covers), upholstery fabrics, pillowcases, ramie fabrics, rayon fabric (artificial silk), silk cloths, esparto fabric, taffeta (cloth), knitwear (textiles) zephyr (textile), fiberglass fabrics for textile use, printers' blankets of textile, chenille fabric, placemats of textile, bed blankets, toilet seat covers, shower curtains of textile or plastic; ready-made clothing for men, women and children, footwear, headgear, motorists' and cyclists' clothing, bibs not of paper, headbands (clothing), bath robes, bathing suits, bathing caps and sandals, boas (necklets), underwear, babies' pants, scarves, boots for sports and beach shoes, hoods (clothing), shawls, belts, money belts, wet suits for water-skiing, neckties, corsets, sashes for wear, fur stoles, girdles, scarves, caps, peaked caps, gloves, waterproof clothing, underwear, mantillas, stockings, socks, ascots,

babies' soles for footwear, pocket handkerchiefs, furs (for wear), pyjamas, soles, heels, veils (clothing), suspenders, clothing of paper, gymnastics and sports suits, layettes, collars (clothing), sports jerseys, mittens, ear muffs, inner soles, bow ties, long skirts, cuffs for clothing, dress shields, masquerade costumes, beach clothes, cap peaks, dressing gowns, pockets for clothing, sock suspenders, stocking suspenders, petticoats, tights, aprons (clothing), headgear for wear, wooden shoes, caps, garters, coats, esparto shoes or sandals, non-slipping devices for footwear, bath robes, bath slippers, caps, smocks, teddies (undergarments), berets, footmuffs not electrically heated, lace boots, boots, boot uppers, studs for football boots, half-boots, fittings of metal for footwear, tips for footwear, welts for footwear, heelpieces for footwear, pants, shirts, shirt yokes, shirt fronts, tee-shirts, bodices, waistcoats, jackets, fishing vests, stuff jackets, combinations (clothing), slips (undergarments), detachable collars, collars (clothing), clothing of leather, clothing of imitations of leather, shower caps, slippers, skirts, ready-made linings (parts of clothing), overcoats, gabardines, gymnastic shoes, jerseys (clothing), pullovers, sweaters, liveries, muffs (clothing), footwear uppers, parkas, pelerines, pelisses, spats, leggings, knitwear, hosiery, gymnastic clothing, outerclothing, sandals, saris, underpants, hats, brassieres, wimples, togas, trouser straps, suits, turbans, frocks, slippers, sports shoes, lace and embroidery, ribbons and braid, buttons, hooks and eyes, pins and needles, artificial flowers, tinsels (trimmings for clothing), needle cushions, hair ornaments, shoe and hat ornaments not of precious metal, hair bands, brassards, reins for guiding children, brooches (clothing accessories), hair pins, hair grips, sewing boxes, shoe fasteners, belt clasps, zip fasteners, bows for the hair, needle cases, buckles (clothing accessories), shoulder pads for clothing, badges for wear not of precious metal, spangles for clothing, haberdashery except thread, lace trimmings, feathers (clothing accessories), shoe laces, wreaths of artificial flowers, tea cosies, ornamental novelty badges (buttons), sewing thimbles, numerals or letters for marking linen, bodkins, top-knots (pompoms), competitors' numbers, heat adhesive patches for decoration of textile articles (haberdashery), snap fasteners, ostrich feathers (clothing accessories), prize ribbons, false beards, false moustaches, non-electric hair curlers other than hand implements, tassels (haberdashery), nets for lace trimmings and embroidery, ribbons and laces, buttons, hooks and eyelets, pins and needles, artificial flowers, frills (lacework), lace trimmings, collar supports, elastic ribbons, braids, festoons (embroidery), hair colouring caps, darning lasts, gold embroidery, silver embroidery, plaited hair, wigs, heat adhesive patches, patches for repairing textile articles, toupees, edgings for clothing, suit flounces, carpets, rugs, mats and matting, linoleum and other materials

for covering existing floors, wall hangings (non-textile), bath mats, paper for upholstery or wallpapering, wallpaper, floor coverings, carpet underlay, floor coverings, games, playthings, gymnastic and sporting articles, decorations for Christmas trees, fishing tackle, rods for fishing, toy and theatrical masks, dolls' houses, climbers' harness, novelties for parties, dances (party favours), gloves for games, baseball, boxing, fencing and golf gloves, puppets, automatic games other than coin-operated and those adapted for use with television receivers only, machines for physical exercises, Christmas trees of synthetic material, bladders of balls for games, elbow and knee guards (sports articles), kites, rattles (playthings), kaleidoscopes, rocking horses, building games, automatic and coin-operated amusement machines, playing cards, teddy bears, dolls, dolls' clothes, air pistols (toys), chess games, flippers for swimming, ring games, Christmas tree stands, archery implements, practical jokes (novelties), balls for games, dolls' feeding bottles, building blocks (toys), body boards, skittles, stationary exercise bicycles, golf bags, with or without wheels, dolls' beds, marbles for games, dolls' houses, butterfly nets, swings, confetti, cups for dice, dice, draughts (games), draughtboards, darts, discuses for sports, flying disks (toys), dominoes, counters for games, skis, bags especially designed for skis and surfboards, tables for indoor football, appliances for gymnastics, horseshoe games, hockey sticks, soap bubbles (toys), board games, toys for domestic pets, scale model vehicles, skateboards, mobiles (toys), paintballs (sports apparatus), artificial snow for Christmas trees, billiard and golf balls, billiard tables, skating boots with skates attached, in-line roller skates, ice skates, roller skates, scooters (toys), plush toys, spinning tops, piñatas, swimming pools (play articles), punching bags, jigsaw puzzles, conjuring apparatus, rackets, parlour games, surf boards and sailboards, chessboards, sling shots (sports articles), slides (playthings), spring boards (sports articles), sleighs (sports articles), toy vehicles, radio-controlled toy vehicles, shuttlecocks, meat, fish, poultry and game, meat extracts, preserved, frozen, dried and cooked fruits and vegetables, jellies, jams, compotes, eggs, milk and milk products, edible oils and fats, coffee, tea, cocoa, sugar, rice, tapioca, sago, artificial coffee, flour and preparations made from cereals, bread, pastry and confectionery, ices, honey, treacle, yeast, baking powder, salt, mustard, vinegar, sauces (condiments), spices, ice, agricultural, horticultural and forestry products and grains, live animals, fresh fruits and vegetables, seeds, natural plants and flowers, foodstuffs for animals, malt, beers, mineral and aerated waters and other non-alcoholic drinks, fruit drinks and fruit juices, syrups and other preparations for making beverages, alcoholic beverages (except beers), tobacco, smokers' articles, matches, humidors, cigarette cases, cigar cases, tobacco pouc-

hes, cigarette cases, ashtrays for smokers, lighters for smokers, tobacco pipes, cigar cutters, cigar cases, pipe cleaners for tobacco pipes, cigarette paper, tobacco jars, cigarette tips, match boxes, gas containers for cigar lighters, pocket machines for rolling cigarettes, books of cigarette papers, firestones, pipe racks for tobacco pipes, match holders and ashtrays for smokers of precious metal; commercial or industrial business operation and management assistance; organization of exhibitions for commercial and advertising purposes; promotion provided by a commercial company by means of a client loyalty card; modelling for advertising or sales promotion; publication of advertising texts; shop-window dressing; commercial management assistance in relation to franchises; demonstration of goods; organization of trade fairs for commercial or advertising purposes; sales promotion (for others); auctioneering; promotion and management of shopping centres; import-export agencies; online advertising on a computer network; procurement for others (purchasing of goods and services for other companies); arranging newspaper subscriptions (for others); distribution of samples; computerized file management; public relations; commercial information agencies; publicity agencies; rental of vending machines; rental of advertising space; dissemination of advertisements; business management assistance; data searches in computer files for others; compilation of data on a central computer; transcription of communications; advertising mail; professional management of artistic affairs; distribution of advertising material (leaflets, prospectuses, printed matter, samples); updating of advertising material; document reproduction; marketing studies; outdoor advertising; opinion polling; systematization of data on a central computer; advertising; mail, radio and television advertising; presentation of goods on any communication media for retail purposes.

(260) AM 2014 73024 A

(800) 1139875

(151) 2011 11 30

(891) 2013 02 18

(731) New Yorker Hungary Kereskedelmi Kft.

Kékgyöly útca 6, H-1213 Budapest, Hungary

(540)

dress for the moment

(591) Black, white

(511)

35 – Advertising; business management; business administration; office functions; promotion of goods; retail services in respect of bleaching preparations and other substances for laundry use, cleaning, polishing, scouring and abrasive preparations, soaps, scented waters of all kinds, in particular perfume, eau de parfum, toilet waters, deo-

dorants, perfumery, cosmetics, essential oils, hair lotions, shampoos and hair care preparations, cosmetics, creams for leather, lotions for cosmetic purposes, shaving preparations and shaving care preparations, dentifrices, cosmetic preparations for baths, lipsticks, cotton sticks for cosmetic purposes, nail polish, shoe polish, make-up, scientific, nautical, surveying, photographic, cinematographic, optical, weighing, measuring, signalling, checking (supervision), life-saving and teaching apparatus and instruments, apparatus for recording, transmission or reproduction of sound or images, magnetic data carriers, electronic data carriers, sound carriers of all kinds, automatic vending machines and mechanisms for coin-operated apparatus, cash registers, calculating machines, data processing equipment and computers, spectacles and parts therefor, in particular sunglasses, sports goggles, ski goggles, protective goggles, spectacle frames, spectacle glasses, spectacle cases, protective helmets, helmet visors, face protectors for protective helmets, protective equipment for sports, in particular elbow and knee pads, protective hand and ankle sleeves, body-protection articles, protective gloves, precious metals and their alloys and goods of precious metals or coated therewith (included in class 14), jewellery, precious stones, fashion jewellery, stickers, ornamental novelty badges (buttons), precious stones, horological and chronometric instruments, watch straps, leather and imitations of leather, and goods made of these materials (included in class 18), animal skins, trunks, attaché cases and travelling bags, bags, sports bags, handbags, school satchels, rucksacks, travelling sets, small leather goods, purses, pocket wallets, key wallets, belt bags and hip bags, umbrellas, parasols and walking sticks, whips, harness and saddlery, clothing, footwear, headgear, men's and women's outer clothing, children's fashion clothing, layettes (clothing), underwear, ladies' underwear, corsetry, hosiery, belts, braces, scarves, gloves, neckties, headbands, men and women's fashion bathing clothing, hiking, trekking, outdoor and climbing clothing, footwear and headgear, men's and women's city and leisure shoes, children's shoes, clothing, footwear and headgear for football, basketball, handball and volleyball, clothing, footwear and headgear for jogging, fitness training and gymnastics, clothing, footwear and headgear for tennis, squash and badminton, clothing, footwear and headgear for in-line skating, skateboarding and roller skating, and for hockey, football, baseball and boxing, clothing, footwear and headgear for cycling, clothing, footwear and headgear for equestrian sports, clothing, footwear and headgear for golf, clothing, footwear and headgear for water sports, in particular for surfing, sailing, rowing, canoeing and diving, clothing, footwear and headgear for alpine skiing, cross country skiing and snowboarding, clothing, footwear and headgear for ice skating and ice

hockey, games and playthings, gymnastic and sporting articles (included in class 28), and parts therefor, in particular sporting articles for trekking, climbing, football, basketball, handball, volleyball, tennis, squash, badminton, hockey, soccer, baseball, cycling, riding, golf, surfing, sailing, rowing, canoeing, diving, alpine skiing, cross-country skiing and snowboarding, ice skating and ice hockey, for fitness training, in-line skating, roller skating and skateboarding, ski bags, special purpose bags for storing and transporting sports equipment, in particular bags for skis, snowboards, skateboards, ski boots, roller skates, ice skates and in-line skates.

(260) AM 2014 73025 A

(800) 1143657

(151) 2012 03 27

(891) 2012 07 30

(731) AL-CO ALÜMİNYUM BAKIR VE

MADENCİLİK SANAYİ TİCARET

ANONİM ŞİRKETİ

E-5 Karayolu Üzeri, Akmeşe Kavsığı,

Uzunçiftlik, Kartepe – Kocaeli, Turkey

(540)

papilla

(591) Black, white

(511)

8 – Hand tools and implements (hand-operated), knives made of precious metal, forks made of precious metal, spoons made of precious metal, ladles (hand tools), cheese slicers, non-electric, egg slicers, non-electric, pizza cutters, non-electric, fruit peelers, non-electric, vegetable peelers, non-electric, cutters, sword scabbards, daggers, harpoons; hair clippers for personal use, electric and non-electric; razors, electric or non-electric, razors, depilation appliances, electric and non-electric, scissors, nail scissors, nail files, electric, eyelash curlers, manicure implements, manicure sets, manicure sets, electric, pedicure implements, pedicure sets, pedicure sets, electric; hand tools, hand-operated; adzes (tools), saws (hand tools), planers (hand tools), lawn clippers (hand instruments), pipe wrenches, nut wrenches, spatulas (hand tools), scythes, hatchets, hammers (hand tools), sledgehammers, lawn edgers, hand-operated, stamping-out tools (hand tools), syringes for spraying insecticides, chisels, screwdrivers, hand drills (hand tools), sharpening instruments, sharpening stones, socket spanners, cutting pliers (lineman's pliers), pliers, lifting jacks, hand-operated, levers, mincers, non-electric, tool belts (holders).

14 – Precious metals and their alloys and goods in precious metals or coated therewith, not included in other classes; jewellery, precious stones; horological and chronometric instruments, clocks and parts there-

refor, ornaments of precious metal, model figures (ornaments) made of precious metal, model figures (ornaments) made of precious metal, figurines (statuettes) of precious metal, commemorative statuary cups made of precious metal, trophies of precious metal, trophy columns of precious metal.

21 – Household or kitchen utensils and containers, blenders, non-electric, for household purposes, mixing machines, non-electric, for household purposes, coffee grinders, hand-operated, spice sets, fruit presses, non-electric, for household purposes, graters (household utensils), cleaning instruments, hand-operated, brushes (except paint brushes); brush-making materials; articles for cleaning purposes; steel wool, sponges for household purposes, mops, cotton waste for cleaning, cloths for cleaning, gloves for household purposes, polishing apparatus and machines, for household purposes, non-electric, carpet sweepers, carpet beaters (hand instruments), abrasive pads for kitchen purposes, toothbrushes, toothbrushes, electric, floss for dental purposes, shaving brush stands, hair for brushes, combs, glassware, porcelain and earthenware not included in other classes, buckets, trash cans, cooking pots, table plates, paper plates, cups of paper or plastic, cabarets (trays), coffee percolators, non-electric, strainers, basting spoons, for kitchen use, mixing spoons (kitchen utensils), spatulas (kitchen utensils), bowls (basins), egg cups, cake molds (moulds), pitchers, kitchen containers, coasters, not of paper and other than table linen, flower pots, soap holders, soap dispensers, boxes of metal, for dispensing paper towels, toilet paper holders, baby baths, portable, coolers (ice pails), ice cube molds (moulds), thermally insulated containers for food, flasks, fitted picnic baskets, including dishes, goblets, bread baskets, domestic, bread bins, bread boards, cooking utensils, non-electric, cups, kettles, non-electric, grills (cooking utensils), grill supports, cooking skewers, of metal, flat-iron stands, ironing board covers, shaped, clothes racks, for drying, drying racks for washing, cages for household pets, litter boxes (trays) for pets, mangers for animals, bird baths, rings for birds; figurines (statuettes) of porcelain, ceramic, earthenware or glass, bottles, cookie jars, demijohns, beaters, non-electric, mouse traps, insect traps, fly swatters, toilet cases, deodorising apparatus for personal use, perfume burners, perfume sprayers, perfume vaporizers, cosmetic utensils, appliances for removing make-up, non-electric, powder puffs, nozzles for sprinkler hose, nozzles for watering cans, watering devices, syringes for watering flowers and plants, corkscrews, shoe horns, toothpicks, pipettes (wine-tasters), indoor terrariums (vivariums), indoor terrariums (plant cultivation), glass, unworked or semi-worked, except building glass, mosaics of glass, not for building, powdered glass for decoration, glass wool other than for insulation.

(260) AM 2014 73027 A

(800) 1148431

(151) 2012 12 22

(891) 2013 04 26

(731) Merck KGaA

Frankfurter Strasse 250, 64293 Darmstadt,
Germany

(540)

TRIBION HARMONIS

(591) Black, white

(511)

5 – Pharmaceutical and veterinary preparations as well as preparations for health care, dietetic substances adapted for medical use, food for babies, plasters, materials for dressings; disinfectants.

29 – Dietetic preparations and food supplements not for medical use, included in this class.

30 – Dietetic preparations and food supplements not for medical use, included in this class.

(260) AM 2014 73133 A

(800) 1165286

(151) 2013 03 13

(731) S.C. KAYA TIME S.R.L.

Str. Traian 2, bloc F1, scara 4, etaj 7,
ap. 20/21, sector 3, Bucuresti, Romania

(540)

PAUDEX

(591) Black, white

(511)

14 – Jewellery, horological and chronometric instruments.

35 – Advertising; business management; business administration; office functions.

(260) AM 2014 73138 A

(800) 1165304

(151) 2012 12 21

(731) Avon Products, Inc.

World Headquarters, 777 Third Avenue,
New York, NY 10017, USA

(540)

AVON 015

(591) Black, white

(511)

3 – Non-medicated toilet preparations; toiletries; skin care preparations; skin moisturizers; body and beauty care preparations; powders, creams and lotions, all for the face, hands and body; cosmetic suntan preparations; soaps; shower and bath preparations; beauty masks; talcum powder; nail polish; nail polish remover; enamel for nails; false nails; adhesives for cosmetic purposes; cosmetics; eye make-up remover, eye shadow, eye liner, mascara, lips-

tick, lip liner, lipgloss; make-up foundation; blusher; tissues impregnated with cosmetic lotions; cotton sticks for cosmetic purposes; cotton wool for cosmetic purposes; preparations for cleaning, moisturising, colouring and styling the hair; preparations for cleaning the teeth; shaving and aftershave preparations; perfumes, fragrances, toilet waters, eau de cologne; deodorants and anti-perspirants for personal use; essential oils (cosmetic).

(260) AM 2014 73141 A
 (800) 1165367
 (151) 2013 03 13
 (731) American Express Marketing & Development Corp.
 200 Vesey Street, New York NY 102854900, USA

(540)

BLUE FROM AMERICAN EXPRESS

(591) Black, white
 (511)

36 – Financial services, namely, providing credit card; electronic funds and currency transfer services, electronic payments services, namely, electronic processing and transmission of bill payment; cash disbursement services, and, transaction, authorization and settlement services, and financial services for travelers, namely, financial exchange and transfer of electronic funds; mutual fund investment services, and credit card purchase protection, namely, potential reimbursement of funds for disputed items; providing an interactive web site featuring information in the field of financial services (terms too vague in the opinion of the International Bureau – Rule 13(2) (b) of the Common Regulations); computerized credit card verification; electronic cash transactions.

39 – Arranging travel tours as a bonus program for credit card customers; travel agency services, namely, transportation reservation services.

42 – Computer security services, namely, providing secured transaction and online security services over a global computer network to ensure the security, authentication and verification of online financial transactions.

43 – Travel agency services, namely, making reservations and bookings for temporary lodging.

(260) AM 2014 73144 A
 (800) 1165441
 (151) 2013 05 15
 (731) NIPPON KAYAKU KABUSHIKI KAISHA
 11-2, Fujimi 1-chome, Chiyoda-ku, Tokyo
 102-8172, Japan

(540)

NIPPON KAYAKU

(591) Black, white
 (511)

5 – Pharmaceutical preparations; drugs for medical purposes; medicines for human purposes; tumor suppressing agents; diagnostic preparations for medical purposes; biocides; insecticides; pesticides.

(260) AM 2014 73213 A
 (800) 1166331
 (151) 2013 05 09

(731) NEW FRUITS S.A.S. DI RAGGI
 GIORDANO, DANESI SECONDO E C.
 Via Cerchia di S. Egidio, 3000, CESENA
 (FORLI'-CESENA), Italy

(540)

Roxana 

(591) Black, white and red.
 (511)

31 – Agricultural products, fresh fruits, strawberries, seeds.

(260) AM 2014 73215 A
 (800) 1166335
 (151) 2013 05 09
 (731) NEW FRUITS S.A.S. DI RAGGI
 GIORDANO, DANESI SECONDO E C.
 Via Cerchia di S. Egidio, 3000, CESENA
 (FORLI'-CESENA), Italy

(540)

Alba 

(591) Black, white and red.
 (511)

31 – Agricultural products, fresh fruits, strawberries, seeds.

(260) AM 2014 73216 A
 (800) 1166336
 (151) 2013 05 09
 (731) NEW FRUITS S.A.S. DI RAGGI
 GIORDANO, DANESI SECONDO E C.
 Via Cerchia di S. Egidio, 3000, CESENA
 (FORLI'-CESENA), Italy

(540)



(591) Black, white and red.
 (511)
 31 – Agricultural products, fresh fruits, strawberries, seeds.

(260) AM 2014 73217 A
 (800) 1166340
 (151) 2013 05 29
 (731) CINQUE Moda GmbH
 Dohrweg 48, 41066 Mönchengladbach,
 Germany

(540)



(591) Black, white
 (511)
 18 – Goods of leather and imitations of leather, namely bags (included in this class) and small leather goods, namely wallets, purses and key cases; trunks and travelling bags; umbrellas and parasols.

25 – Clothing, belts (clothing), footwear, headgear.

(260) AM 2014 73220 A
 (800) 1166386
 (151) 2013 06 07
 (731) Apple Inc.
 1 Infinite Loop, Cupertino, 95014, USA

(540)

KEYCHAIN

(591) Black, white
 (511)
 9 – Computer software, namely, software for providing security and verifying authentication which allows users to gain secure access to multiple network and desktop applications.

(260) AM 2014 73221 A
 (800) 1166389
 (151) 2013 05 07
 (731) Takeda Pharmaceutical Company Limited
 1-1, Doshomachi 4-chome, Chuo-ku, Osaka
 540-8645, Japan

(540)

EFYZAS

(591) Black, white
 (511)
 5 – Pharmaceutical preparations for the treatment and prevention of diabetic diseases.

(260) AM 2014 73222 A
 (800) 1166403
 (151) 2013 05 21
 (731) HUTESA AGROALIMENTARIA, S.A.
 Carretera Nacional 334, Km. 136, E-29520
 FUENTE DE PIEDRA, Málaga, Spain

(540)

HUTESA ROYAL

(591) Black, white
 (511)
 29 – Canned olives and olive oils.

(260) AM 2014 73313 A
 (800) 957648
 (151) 2008 01 16
 (891) 2013 05 31
 (731) Eataly srl
 Via Vittorio Emanuele, 6, I-12051 Alba (CN),
 Italy

(540)

EATALY

(591) Black, white
 (511)
 35 – The bringing together, for the benefit of others, of a variety of goods (excluding the transport thereof), enabling customers to conveniently view and purchase goods in the field of small household or kitchen utensils and containers, unworked or semi-worked glass, glassware, porcelain and earthenware, textiles and textile goods, bed blankets and table covers, clothing, foodstuffs and alcoholic and non-alcoholic beverages; organization and conducting of exhibitions for commercial or advertising purposes.

41 – Arranging and conducting of conferences, congresses, seminars, symposiums and workshop in the fields of cookery, gastronomy, oenology and food science; organization of exhibitions and shows for cultural and educational purposes in the fields of cookery, gastronomy, oenology and food science, publication of books and magazines in the fields of cookery, gastronomy, oenology and food science;

organization of competitions in the fields of cookery, gastronomy, oenology and food science.

43 – Providing of food and drink; temporary accommodation.

(260) AM 2014 73316 A

(800) 1072561

(151) 2011 01 31

(891) 2013 04 24

(731) Public Joint Stock Company "Pharmstandard" Likhachevsky proezd, d. 5 "B", g. Dolgoprudny, RU-141700 Moscow Region, Russian Federation

(540)

БЛОКТРАН
BLOCTRAN

(591) Black, white

(511)

5 – Pharmaceutical, veterinary preparations and sanitary preparations.

(260) AM 2014 73317 A

(800) 1105273

(151) 2011 12 22

(891) 2013 06 17

(731) QUANZHOU JIYOU SHOES CO., LTD. Huinan Industrial District (Zhangban), Hui'an County, Quanzhou City, Fujian province, China

(540)

JOY&MARIO

(591) Black, white

(511)

25 – Footwear; football shoes; clothing; layettes; bathing suits; waterproof clothing; masquerade costumes; hats; hosiery; gloves (clothing); neckties; leather belts for clothing; wedding gowns.

(260) AM 2014 73319 A

(800) 1135839

(151) 2012 09 06

(891) 2013 05 24

(731) KWH Mirka Ltd FI-66850 Jepua, Finland

(540)

АБРАНЕТ

(591) Black, white

(511)

3 – Abrasives, coated abrasives, non-woven abrasives, flexible abrasives, abrasive cloth, abrasive paper.

(260) AM 2014 73320 A

(800) 1149642

(151) 2012 12 14

(891) 2013 06 19

(731) Imperial Tobacco Limited P.O. Box 244, Southville Bristol BS99 7UJ, United Kingdom

(540)

GV

(591) Black, white

(511)

34 – Tobacco whether manufactured or unmanufactured; tobacco products; tobacco substitutes, not being for medicinal or curative purposes; hand rolling tobacco; cigarette papers, cigarette tubes, cigarette filters, pocket cigarette rolling machines, hand held machines for injecting tobacco into paper tubes; smokers' articles and matches.

(260) AM 2014 73321 A

(800) 1152869

(151) 2012 12 11

(891) 2013 05 21

(731) LABORATORIOS FARMACEÚTICOS ROVI, S.A. Julián Camarillo, 35, E-28037 Madrid, Spain

(540)

NITVIEW

(591) Black, white

(511)

21 – Household and kitchen utensils and containers; combs and sponges; brushes; brush-making materials; articles for cleaning purposes; steel wool; unworked or semi-worked glass (except building glass); glassware, porcelain and earthenware, not included in other classes, combs; battery-operated combs, electric combs, including electrical devices for identifying and eliminating lice, nits and other insects.

(260) AM 2014 73322 A

(800) 1159947

(151) 2012 11 20

(891) 2013 06 20

(731) LEO Pharma A/S Industriparken 55, DK-2750 Ballerup, Denmark

(540)

KINELSO

(591) Black, white

(511)

3 – Non-medicated skin and hair care preparations; cosmetic preparations, including preparations for the reconditioning of hair and skin after medicinal treatments; medicated soaps; medicated shampoos;

artificial fingernails; talcum powders and foundation for the treatment of dermatological disorders, cancer and skin infections; artificial fingernails, for medical use.

5 – Pharmaceutical preparations for the treatment of cancer and dermatological, hematological, renal and endocrine disorders; medicated powders, creams, lotions, gels and lip balm for the treatment of dermatological disorders, cancer and skin infections; glues for medical use; medical and wound dressings; dressings for the treatment of dermatological disorders, cancer and skin infections.

10 – Medical apparatus and instruments, including medical devices for applying pharmaceutical preparations and for introducing pharmaceutical preparations into the human body; medical and non-medical devices for the treatment of cancer and dermatological, hematological, renal and endocrine disorders; medical apparatus and units for dosage, measuring and monitoring, including drug introducing devices and systems; medical devices, including devices for measuring body surface area affected by disease; medical devices for the treatment of cancer, dermatological, hematological, renal and endocrine disorders, including biofeedback sensors; microneedles for medical use; containers specially for medical waste and for storage of drugs.

(260) AM 2014 73323 A

(800) 1167472

(151) 2012 10 30

(731) Mejeriforeningen Danish Dairy Board
Sønderhøj 1, DK-8260 Viby J, Denmark

(540)

LURPAK

(591) Black, white

(511)

29 – Meat, fish, poultry and game; meat extracts; preserved, frozen, dried and cooked fruits and vegetables; jellies, jams, compotes; eggs, milk and milk products; edible oils and fats; protein for human consumption; casein and caseinates for human consumption; rennet; cheese powder; substitutes for milk and cream; milk and cream in powder form; milk based dessert mousses; meat pates; soufflés.

30 – Coffee, tea, cocoa and artificial coffee; rice; tapioca and sago; flour and preparations made from cereals; bread, pastry and confectionery, ices; sugar, honey, treacle; yeast, baking-powder; salt, mustard; vinegar, sauces (condiments), spices; ice; salad dressings; meat pies; pizzas; puddings; dessert mousses (confectionery); rice pudding; powders and preparations for making cappuccino, cocoa, chocolate, coffee and tea beverages; beverages based on chocolate, cocoa and coffee.

32 – Mineral and aerated waters and other non-alcoholic beverages; fruit beverages and fruit juices; syrups and other preparations for making beverages.

(260) AM 2014 73325 A

(800) 1167549

(151) 2013 01 29

(731) VVPP Investment Anstalt AG
Vaduz Landstrasse 25, Postfach 439,
FL-9490 Vaduz, Liechtenstein

(540)



(591) Red and black

(511)

3 – Bleaching preparations and other substances for laundry use; cleaning polishing, scouring and abrasive preparations; soaps; perfumery, essential oils, cosmetics, hair lotions; dentifrices; almond oil; almond soap; cosmetic dyes; hair dyes; mouth washes; toothpaste; make-up; mascara; deodorants for personal use; shampoos for pets; cosmetic kits; cream for leather; lotions for cosmetic purposes; after-shave lotions; cosmetic pencils; nail polish; nail vanish; eau de cologne; fabric softeners (for laundry use); hair colorants; shaving preparations; color-removing preparations; shaving soap; toilet water; lipstick; shampoos; children cosmetics; baby shampoos; baby lotions.

(260) AM 2014 73326 A

(800) 1167570

(151) 2013 04 09

(731) GRUPPO COIN S.p.A.
Via Terraglio, 17, I-30174 Venezia Mestre
(VE), Italy

(540)



(591) Black, white

(511)

18 – Leather and imitations of leather, goods made of these materials not included in other classes, namely, handbags, sling bags, hold-alls, carryalls, school bags, schoolchildren's backpacks, beach bags, suit carriers being travelling bags, bags for sports, overnight bags, shoe cases for travel; business card cases, briefcases, purses, pocket wallets, credit card pouches, backpacks, day packs, waist pouches, slings for carrying infants, slings for carrying infants, key cases, shopping bags, vanity cases and

bags (not fitted), beauty cases (not fitted), animal skins, hides; trunks and travel bags, suit cases, travelling sets (leather wear), attaché cases, tags for suitcases; umbrellas and parasols; walking sticks; whips, harness and saddlery.

25 – Clothing, footwear, headgear; clothing, footwear and headgear for men, women, children and babies; underwear, nightwear, beachwear for men, women, children and babies; clothing accessories, namely, sashes for wear, mitts, mittens, belts, neckties, stockings, socks, tights, panty hose, leg warmers, dressing gowns.

35 – Advertising; business management; business administration; presentation of goods and services on all means of communication for retailing; retailing and online sales of cosmetics, perfumery, preparations for care and treatment of the body and hair, jewellery, horological and chronometric instruments, leather and imitations of leather, trunks and travelling bags, umbrellas and parasols, clothing, footwear, headgear for men, women and children and personal accessories, management of department stores, shops and outlets; business advice and consultancy relating to franchising; organisation, implementation, management and supervision of customer loyalty schemes, customer reward schemes, customer incentive schemes, including via the internet; organization of fashion shows for promotional purposes.

41 – Organisation of artistic competitions; academies for stylists; arranging of courses and seminars in the fashion design sector; conducting of training laboratories in the fashion and design sector; photography (reporting); organization of fashion shows for entertainment purposes.

42 – Fashion design; dress designing; graphic arts design; interior decoration; design of fashion accessories; packaging design; styling [industrial design]; consultancy in fashion design; interior design for the retailing sector.

(260) AM 2014 73327 A

(800) 1167579

(151) 2013 01 24

(731) BTA UNLU MAMULLER PASTA ÜRETİM
TURİZM GIDA YİYECEK VE İÇECEK
HİZMETLERİ SANAYİ VE TİCARET
ANONİM ŞİRKETİ

İkitelli Organize Sanayi Bölgesi Aykosan
Ayakkabıcılar Sitesi İkinci Kısım 10 Ada
No.7-8-9, İkitelli – İSTANBUL, Turkey

(540)



(591) Dark brown, yellow, white

(511)

30 – Coffee, tea, cocoa and artificial coffee, rice, tapioca and sago; flour and preparations made from cereals; bread, pastry and confectionery; ices, sugar, honey, treacle; yeast, baking-powder; salt; mustard; vinegar, sauces (condiments), spices; ice.

32 – Beers, mineral and aerated waters and other non-alcoholic beverages; fruit beverages and fruit juices; syrups and other preparations for making beverages.

35 – Advertising; business management; business administration; office functions; retail services of electrical appliances used in the kitchen for chopping, grinding, crushing, mixing and crumbling, washing machines (washing machine) dishwashing machines, tumble dryers (including the ones that do not dry by the heating method), electrical machines used for floor, carpet or upholstery cleaning, vacuum cleaners and their parts, forks, spoons, knives and non-electric kitchen appliances for the purposes of cutting, chopping, peeling (including the ones made of precious metal) appliances and instruments used for shaving, hair removal, manicures, pedicures, beauty and personal care (electric hair straighteners and crimpers, scissors included), steam irons, machines and equipment, that are operated by electricity or gas, used for cooking, drying and boiling (hair dryers and hand dryers included), paper, cardboard (carton) and articles thereof (excluding products for stationery), packaging and wrapping materials made of plastic material, printed documents, printed publications, calendars, posters, photographs, posters, paintings, stickers, (stamps), non-electrical household and kitchen utensils, clothes pegs, pots and pans, vases (including those of precious metals), glass, porcelain, ceramic, clay ornaments and decorations, women's, men's and children's clothes and socks, footwear, headgear, coffee, cocoa, coffee or

cocoa-based beverages, chocolate-based beverages, pastas, manti namely a traditional Turkish dish consisting of spiced meat mixtures in a dough wrapper served with yogurt, noodles, confectionery and bakery products, desserts, honey, royal jelly, propolis, seasonings for food yeast, baking powders, all kinds of flour, semolina, corn starch, granulated sugar, sugar cubes, powdered sugar, teas, iced teas, candies, chocolates, biscuits, crackers, wafers, chewing gums, ice creams, edible ice, salt, cereals (grains) and their products, molasses, beers, mineral and aerated waters and other non-alcoholic beverages, fruit beverages and fruit juices, syrups and other preparations for making beverages.

39 – Transport; packaging and storage of goods; travel arrangement.

43 – Services for providing food and drink; temporary accommodation.

(260) AM 2014 73328 A
(800) 1167649
(151) 2013 06 14
(731) Zakrytoe aktsionernoye obshchestvo "Evalar" 23/6, Sotsialisticheskaya st. RU-659332 Biysk, Altai territory, Russian Federation
(540)

OCTPYM

(591) Black, white
(511)

5 – Balms for medical purposes; dietary fiber; mineral food supplements; nutritional supplements, namely, nutritional additives for medical purposes; capsules for medicines; candy, medicated; medicinal roots; lotions for pharmaceutical purposes; liniments; medicinal oils; drugs for medical purposes; medicinal drinks; flour for pharmaceutical purposes; dietetic beverages adapted for medical purposes; medicinal infusions; tinctures for medical purposes; decoctions for pharmaceutical purposes; pills for pharmaceutical purposes; vitamin preparations; preparations of trace elements for human and animal use; pharmaceutical preparations; chemico-pharmaceutical preparations; syrups for pharmaceutical purposes; tonics [medicines]; medicinal herbs; tablets for pharmaceutical purposes; herbal teas for medicinal purposes; elixirs [pharmaceutical preparations]; plant extracts for pharmaceutical purposes.

(260) AM 2014 73329 A
(800) 1167654
(151) 2013 06 07
(731) Parfums Christian Dior
33, Avenue Hoche, F-75008 Paris, France
(540)

IT-LASH

(591) Black, white
(511)
3 – Cosmetic products; make-up products.

(260) AM 2014 73330 A
(800) 1167655
(151) 2013 06 07
(731) Parfums Christian Dior
33, Avenue Hoche, F-75008 Paris, France
(540)

DIOR ADDICT IT-LASH

(591) Black, white
(511)
3 – Cosmetic products; make-up products.

(260) AM 2014 73332 A
(800) 1167681
(151) 2013 02 13
(731) Fédération Internationale de Football Association (FIFA)
FIFA-Strasse 20, CH-8044 Zürich, Switzerland
(540)



FULECO

(591) Black, white
(511)
25 – Clothing; footwear; headgear; shirts; knitwear (clothing); pullovers, sleeveless pullovers; tee-shirts; singlets; sleeveless jerseys, dresses; skirts; underwear; bathing suits, two-piece swimming suits (bikinis); shorts; trousers; sweaters; caps; caps (headwear); hats; sashes for wear; scarves, shawls; caps with visors; tracksuits; sweatshirts; jackets; sports jackets; stadium jackets; blazers; waterproof clothing; coats; uniforms; neckties; wrist bands; headbands; gloves; aprons; bibs (not of paper); pajamas; play suits for infants and children; socks and stockings; garters; belts; suspenders; sandals, flip-flops.

28 – Games and toys; play balloons; board games; tables for indoor football; dolls and plush toys; vehicles (toys); jigsaw puzzles; balloons; inflatable toys; playing cards; confetti; articles for gymnastics and sports; appliances for gymnastics; football equipment, namely footballs, gloves, knee guards, elbow guards, shoulder guards, shin guards, football goals, kick-at-goal walls; sports bags and containers adapted for carrying sports articles; party hats (toys); electronic games adapted for use only with televi-

sion sets; video games; apparatus for video games; game consoles; electronic game machines with liquid crystal displays; electronic hand-held games other than those designed to be used only with a television receiver; foam hands (toys); robots (toys) for entertainment, arcade games; replica aircraft models, toys for pets; scratch cards.

43 – Providing of food and drink, fast-food restaurant services; hospitality and reception services, namely providing of food and drink for sporting or entertainment events; hospitality boxes, namely provision of accommodation, food and beverages at sports sites and elsewhere; food and drink catering; hotel services; providing accommodation and food and drink, booking hotels and temporary accommodation.

(260) AM 2014 73333 A

(800) 1167709

(151) 2013 06 10

(731) Ostfriesische Tee Gesellschaft Laurens Spethmann GmbH & Co. KG
Am Bauhof 13-15, 21218 Seevetal, Germany

(540)

Milford

(591) Black, white

(511)

1 – Artificial sweeteners.

30 – Natural sweeteners.

(260) AM 2014 73334 A

(800) 1167735

(151) 2013 01 25

(731) Fugro Geoteam AS
Hoffsveien 1C, N-0275 Oslo, Norway

(540)

xBand

(591) Black, white

(511)

7 – Devices and arrangements for use in connection with offshore and seismic/seismological activity; cable systems, cable handling systems, and machines and devices related to these; conveyor belts, machine bearings; lifting devices; wave quelling devices; stabilizing systems and equipment, namely machines.

9 – Computer programs, data processing equipment and computers for the processing of seismic data and signals, and pertaining seismic data services, namely acquisition, processing, reservoir monitoring and characterization of seismic data.

40 – Services related to the production of oil and gas.

42 – Services related to seismic explorations, including broadband seismic services, data analyses for the oil and gas industry, consultancy in prospecting and reservoir monitoring in the oil and gas industry; geological surveys, geological research, analysis for oil-field exploitation, oil-well testing, geological prospecting and oil-field surveys.

(260) AM 2014 73335 A

(800) 1167777

(151) 2013 05 18

(731) Nafhutdinov Farid Fanisovych
vul. Flahmanska, bud. 1, kv. 62, m. Sevastopol
99040, Ukraine

(540)

BLACK WINE KPACHEE KPACHOGO

(591) Black, white

(511)

33 – Wine.

(260) AM 2014 73337 A

(800) 1167794

(151) 2013 04 15

(731) AKTSIONERNO DROUJESTVO
"BULGARTABAC-HOLDING"
"Graf Ignatiev" Str. 62, BG-1000 SOFIA,
Bulgaria

(540)



(591) Black, white

(511)

32 – Beers; mineral and aerated waters and other non-alcoholic beverages; fruit beverages and fruit juices; syrups and other preparations for making beverages.

34 – tobacco; smokers' articles; matches; cigarettes; cigars; cigarillos; lighters for smokers; tobacco-raw, manipulated or processed; tobacco products; cigarette filters; cigarette paper; ashtrays for smokers.

(260) AM 2014 73342 A

(800) 1167819

(151) 2013 01 23

(731) Duktus S.A.

Niederlassung Österreich; Innsbrucker Str. 51,
A-6060 Hall in Tirol, Austria

(540)

The logo for DUKTUS features the word "DUKTUS" in a bold, blue, sans-serif font. The letter "U" is stylized with a red vertical bar on its right side.

(591) Blue, red

(511)

17 – Sealing rings, clamp rings and junctions, not of metal, for pipes.

19 – Posts, pipes, shaped parts and fittings (not of metal).

20 – Valves (other than parts of machines), not of metal; bars (not of metal) (term considered too vague by the International Bureau – rule 13.2.b) of the Common Regulations).

(260) AM 2014 73344 A

(800) 1167856

(151) 2013 05 13

(731) Vifor SA

Route de Moncor 10, CH-1752 Villars-sur-Glâne, Switzerland

(540)

The logo for TRIOMER consists of the word "TRIOMER" in a bold, black, sans-serif font.

(591) Black, white

(511)

5 – Pharmaceutical products.

(260) AM 2014 73347 A

(800) 1167948

(151) 2013 04 10

(731) Vorogovskyy Oleksandr Mykolajovich

Sumska Str., 128, Apt. 72, Kharkiv 61002,
Ukraine

(540)

The logo for MAXUS features the word "MAXUS" in a bold, black, sans-serif font.

(591) Black, white

(511)

7 – Alternators; current generators; door closers, electric; door openers, electric; dynamo belts; dynamo brushes; dynamos; emergency power generators; generators of electricity.

9 – Accumulator boxes; accumulator jars; accumulators, electric; accumulators, electric, for vehicles; acoustic [sound] alarms; alarm bells, electric; anode batteries; answering machines; antennas; batteries for lighting; batteries, electric; bells [warning devices]; blinkers [signalling lights]; branch boxes [electricity]; cables, electric; camcorders; circuit closers; conductors, electric; connections for electric lines;

connections, electric; connectors [electricity]; current rectifiers; detectors; ducts [electricity]; electric apparatus for remote ignition; electric door bells; electric installations for the remote control of industrial operations; electricity conduits; electrified rails for mounting spot lights; electro-dynamic apparatus for the remote control of signals; electronic notice boards; flashlights [photography]; fuses; galvanic batteries; galvanic cells; heat regulating apparatus; inverters [electricity]; junction boxes [electricity]; light conducting filaments [optical fibers [fibres]]; light dimmers [regulators], electric; light-emitting diodes [LED]; light-emitting electronic pointers; lighting ballasts; locks, electric; magic lanterns; materials for electricity mains [wires, cables]; measuring devices, electric; neon signs; optical lamps; plugs, sockets and other contacts [electric connections]; remote control apparatus; semi-conductors; signal bells; signal lanterns; signals, luminous or mechanical; smart cards [integrated circuit cards]; smoke detectors; solar batteries; switchboxes [electricity]; switches, electric; telerupters; temperature indicators; terminals [electricity]; thermionic tubes; thermostats; transformers [electricity]; transistors [electronic]; video screens; voltage surge protectors; wires, electric.

11 – cetylene flares; aquarium lights; arc lamps; automobile lights; burners for lamps; ceiling lights; chandeliers; cycle lights; discharge tubes, electric, for lighting; diving lights; electric lamps; flare stacks for use in the oil industry; flashlights [torches]; gas lamps; incandescent burners; laboratory burners; laboratory lamps; lamp casings; lamp chimneys; lamp glasses; lamp globes; lamp reflectors; lamp shades; lamps; lampshade holders; lanterns for lighting; light bulbs; light bulbs, electric; lighting apparatus and installations; lighting apparatus for vehicles; lighting installations for air vehicles; lights for vehicles; lights, electric, for Christmas trees; luminous house numbers; luminous tubes for lighting; magnesium filaments for lighting; metal-halide lamps; pocket searchlights; pocket torches, electric; solar furnaces; solar thermal collectors [heating]; street lamps; torches for lighting.

(260) AM 2014 73348 A
 (800) 1167961
 (151) 2013 05 30
 (731) Kraft Foods Europe GmbH
 Lindbergh-Allee 1, CH-8152 Glattpark,
 Switzerland
 (540)



(591) Black, white
 (511)
 30 – Coffee, coffee extracts, artificial coffee.

35 – Business consulting for companies, business management assistance for companies.

39 – rovision of information relating to tourist travel regarding environmental protection, responsible management of natural resources, long-term protection, biodiversity and social and economic issues, relating to the workplace and in connection with standards for environmental protection in the field of tourism.

41 – Education services, seminars and conferences, publication of research reports and educational information in relation to sustainable environmental protection.

42 – Testing, analysis, evaluation and certification of products of others, of technology and practices for compliance with standards for environmental protection, responsible natural resource management, long-term protection, biodiversity; assessment of compliance with standards of third-party volunteers in the field of environmental protection, responsible natural resource management, long-term protection, questions relating to social issues and connected with work in agriculture, forestry and tourism.

44 – gricultural, horticultural and forestry services, advice and consultancy with regard to land and forest use, provision of information relating to forestry.

(260) AM 2014 73351 A
 (800) 1168099
 (151) 2013 03 25
 (731) Aktsionernoe obshchestvo "Eurasian Foods Corporation"
 oul. Baizakova, 69, 050026 g. Almaty,
 Kazakstan
 (540)

златые горы

(591) Black, white
 (511)
 29 – Meat, fish, poultry and game; meat extracts; preserved, dried and cooked fruits and vegetables including tomato puree, canned beans, canned peas, canned mushrooms, gherkins; piccalilli, pickles; jellies, jams, compotes; eggs, milk, condensed milk, milk products; edible oils and fats, including vegetable oils, blend of vegetable oils, oils for deep-frying, butter, margarines, spreads, edible creams and pastes based on vegetable fats and suet for food, edible creams and pastes based on vegetable oils; fat-containing mixtures for bread slices; sunflower seeds prepared, prepared nuts; potato chips; cutlets.

30 – Coffee, tea, cocoa, sugar, rice, tapioca (manio-
 ca); sago; artificial coffee; flour and preparations made from cereals, groats for human food (including buckwheat), bread, pastry and confectionary, ices; honey, treacle; yeast, baking-powder; salt, mustard, vinegar, sauces (condiments), including horseradish sauce, prepared mustard, sauces including soya sauces, tomato sauces, pepper sauces, vegetable sauces, sauces based on vegetable puree, fruit sauces, fruit coulis [sauces], fat and milk based sauces, mayonnaise sauce, vegetable oils based sauces, dressings for salad; mayonnaise, ketchup; spices, edible ice; popcorn; semi-finished products included in this class, particularly ravioli, manti (dumplings), vare-niki (dumplings).

43 – Services for providing food and drink including snack-bars, cafes, cafeterias, restaurants, self-service restaurants, canteens, bar services; food and drink catering; temporary accommodation.

(260) AM 2014 73353 A
 (800) 1168184
 (151) 2013 05 16
 (731) Bayer Intellectual Property GmbH
 Alfred-Nobel-Straße 10, 40789 Monheim am
 Rhein, Germany
 (540)

ACARMET

(591) Black, white
 (511)
 5 – Pharmaceutical preparations.

(260) AM 2014 73354 A
 (800) 1168208
 (151) 2013 01 24
 (731) QURAMAX LIMITED
 Artisan House, 7 Queensbridge Northampton
 NN4 7BF, United Kingdom
 (540)

Travamax

(591) Black, white
(511)
5 – Pharmaceutical preparations.

(260) AM 2014 73357 A
(800) 1168295

(151) 2013 04 10
(731) NİLÜPA NİLÜFER İPEK TEKSTİL
SANAYİ VE TİCARET LİMİTED ŞİRKETİ
Küçükbalıklı Mahallesi, Sarıyer Caddesi,
Gezici Sokak No:6, BURSA, Turkey

(540)



(591) Brown, yellow and white
(511)

24 – Woven textiles, namely, fabrics for use in the manufacture of clothing, towels, table linen, bed linen, household linen; non-woven textiles, namely, fabrics for use in the manufacture of clothing, towels, table linen, bed linen, household linen; fiberglass fabrics for textile use; fabric impervious to gases for aeronautical balloons; waterproof fabrics, namely, waterproof fabric for manufacturing clothing, furniture, luggage and automobile upholstery; gummed waterproof cloth; fabric of imitation animal skins; textile linings, namely, linen lining fabric for shoes, unfinished textile for the manufacture of linings for garments, textile used as lining for clothing; buckram; filtering materials of textile, namely, chemical fiber fabrics, synthetic fiber fabrics, inorganic fiber mixed fabrics all for use in filtering liquids and powders; quilts of textile, blankets; washing mitts, bath linen, hand towels, face towels of textile, bathing towels; tapestries of textile, traveling rugs, namely, lap rugs; curtains of textile, shower curtains of textile, shower curtains of plastics; oilcloth for use as table cloths; bed blankets, bed sheets, bedspreads, bed linen, diapered linen, pillowcases, quilt covers; furniture coverings of textile, namely, unfitted fabric furniture covers; upholstery fabrics; table napkins of textile; bed covers of paper; banners of textile, namely, cloth banners; flags not of paper, namely, cloth flags, fabric flags; cloth labels.

(260) AM 2014 73358 A
(800) 1168309

(151) 2013 05 16
(731) Liu.Jo S.p.A.
Viale John Ambrose Fleming 17, I-41012
Carpi, Modena, Italy

(540)

LIU·JO

(591) Black, white
(511)

35 – Advertising; business management; business administration; office functions; the bringing together, for the benefit of others, of a variety of goods (excluding the transport thereof), such as perfumery, cosmetics, eyeglasses, eyeglass frames and eyeglass cases, telephone cases, telephone chains, telephone strings, articles of jewelry, costume jewelry, watches and clocks, paper and cardboard goods, stationery and pens, furniture, mirrors, picture frames, bed and table covers, towels, household or kitchen utensils and containers, cutlery, carpets, articles of clothing, footwear, headgear, bags, suitcases and wallets and articles made of leather, enabling customers to conveniently view and purchase those goods; as well as retail store services for the abovementioned products.

(260) AM 2014 73359 A
(800) 1168326

(151) 2013 05 10
(731) FORANS, SIA
"Piepilsētas", Krustkalni, Ķekavas pagasts,
LV-2111 Ķekavas novads, Latvia

(540)

Wadex

(591) Black, white
(511)

5 – Lubrication gel (chemical contraceptives).

10 – Condoms, lubricated, contraceptives, non-chemical.

(260) AM 2014 74190 A
(800) 1175579

(151) 2013 08 15
(731) POZEN Inc.
1414 Raleigh Road, Chapel Hill, NC 27517, USA

(540)

DUTAVI

(591) Black, white
(511)

5 – Pharmaceuticals, preparations and medications for prevention and treatment of cardiovascular and cerebrovascular diseases and disorders; acetylsalicylic acid; pain relief medication; anti-thrombotic pharmaceuticals, preparations and medications; pharmaceuticals, preparations and medications for inhibiting platelet activation and aggregation; pharmaceuticals, preparations and medications for suppressing gastric acid; pharmaceuticals, preparations and medications for prevention and treatment of gastrointestinal diseases and disorders.

(260) AM 2014 74191 A
 (800) 1175631
 (151) 2013 08 30
 (731) MB & F Holding SA
 Rue Saint-Honoré 1, CH-2000 Neuchâtel,
 Switzerland

(540)


(591) Black, white
 (511)
 14 – Timepieces and chronometric instruments, jewelry.

(260) AM 2014 74192 A
 (800) 1175645
 (151) 2013 07 18
 (731) European Holiday Rentals AG
 Bahnhofstrasse 2, CH-9100 Herisau,
 Switzerland

(540)

 European Holiday Rentals

(591) Black, white
 (511)
 39 – Insurance underwriting; financial affairs; monetary affairs; real estate affairs.
 39 – Transport; packaging and storage of goods; travel arrangement.
 43 – Services for providing food and drink, temporary accommodation.

(260) AM 2014 74196 A
 (800) 1175655
 (151) 2013 06 27
 (731) KPO MARKETING KOMPANI LIMITED
 3 Temistokli Dervi, Dzhulia Khaus, CY-1066
 Nikosia, Cyprus

(540)



(591) Black, white
 (511)
 33 – Alcoholic beverages containing fruit; alcoholic beverages, except beer; alcoholic essences; alcoholic extracts; anise [liqueur]; anisette [liqueur]; aperitifs; arrack [arak]; bitters; brandy; cider; cocktails; curacao; digesters [liqueurs and spirits]; distilled beverages; fruit extracts, alcoholic; gin; kirsch; liqueurs; mead [hydromel]; nira [sugarcane-based alcoholic beverage]; peppermint liqueurs; perry; piquette; premixed alcoholic beverages, other than beer-based; rice alcohol; rum; sake; spirits [beverages]; vodka; whisky; wine.

(260) AM 2014 74198 A
 (800) 1175657
 (151) 2013 07 17
 (731) Procter & Gamble International Operations
 S.A.
 47, route de Saint-Georges, CH-1213 Petit-
 Lancy, Switzerland

(540)


(591) Black, white
 (511)
 3 – Toilet soap, perfumery, essential oils, cosmetics, hair products, dentifrices.

(260) AM 2014 74199 A
 (800) 1175682
 (151) 2013 07 08
 (731) Nordischer Maschinenbau Rud. Baader
 GmbH + Co. KG
 Geniner Strasse 249, 23560 Lübeck, Germany

(540)


(591) Black, white
 (511)
 7 – Machines for the food processing industry; fish, poultry and meat processing machines and parts thereof, as far as contained in this class; machines for treating and processing of fish, meat and poultry as well as fruit and vegetables and products made therefrom; transport belts; conveyor belts; mechanical conveyor belts for loading machines with goods and articles for further processing; sorting machines for industry; separators (machines); control mechanisms for machines.

9 – Photographic, cinematographic, optical, weighing, measuring and checking (supervision) apparatus and instruments; apparatus for recording, transmission or reproduction of sound or images; cameras; data processing apparatus and computers; electrical and electronic controls, control installations, control units, control systems and control apparatus; programmable controls and control apparatus; controls and control apparatus for the fish, meat and poultry processing industry; dosage dispensers; computer peripheral devices; computer software (stored); electric sensors; optical sensors; infrared sensors; microwave sensors (measuring devices); optical apparatus and instruments and checking devices consisting thereof; detectors; lasers, not for medical purposes; quantity indicators; measuring devices; weighing apparatus and instruments; weighing machines; electric switching devices; electric control panels and control cabinets; Roentgen apparatus, not for medical purposes; temperature indicators; thermometers (not for medical purposes); camcorders; digital cameras; cameras (photography); counters; counting mechanisms; apparatus for dosing solid or deformable food.

(260) AM 2014 74200 A
(800) 1175695
(151) 2013 07 17
(731) Publichne aktsionerne tovarystvo
"Kharkivska biskvitna fabryka"
vul. Lozivska, 8, Kharkiv 61017, Ukraine
(540)

ГАРДЭ
ГАРДЕ
GARDEZ

(591) Black, white
(511)
30 – Sponge cakes; cookies; buns; waffles; confectionery (sweets); pastries; confectionery for decorating christmas trees; fruit jellies (confectionery); cakes; peanut confectionery; almond confectionery; pies; cocoa; cocoa products; caramels (candy); sweetmeats (candy); liquorice (confectionery); peppermint sweets; crackers; candy; marzipan; custard; pastilles (confectionery); lozenges (confectionery); petits fours (cakes); biscuits; fondants (confectionery); popcorn; pralines; gingerbread; puddings; cake powder; sugar; sweet paste for cakes, pies, cookies, gingerbread, puddings; rusks; sandwiches; tarts; candy decorations for cakes; chocolate decorations for cakes; halvah; chips (cereal products); chocolate.

(260) AM 2014 74201 A
(800) 1175697
(151) 2013 08 07
(731) FXDirectDealer, LLC
250 Greenwich Street, 7 World Trade Center,
32nd Floor, New York NY 10007, USA
(540)

FXDD

(591) Black, white
(511)
9 – Downloadable software for use by traders in the financial market in connection with trading various instruments, namely, commodities, options, and foreign exchange.
36 – Financial services via a global communications network, namely, foreign exchange trading and options brokering.
41 – Educational services, namely, conducting financial trading tutoring courses on the internet and through the use of supporting printed and audio/visual materials distributed as course materials in connection therewith.

(260) AM 70351 A *
(800) 1141114
(731) EGIS GYOGYSZERGYÁR Nyilvánosan
Működő Részvénytársaság
Kereszturi ut 30-38, H-1106 Budapest,
Hungary
(540)

SELLMUS

(591) Black, white
(511)
5 – Pharmaceutical preparations for human use.

INTERNATIONAL TRADEMARKS PROTECTED IN GEORGIA

(260) AM 2014 69061 A
(800) 1127533
(151) 2012 06 06
(181) 2022 06 06
(511) 07

(260) AM 2014 70050 A
(800) 1138165
(151) 2012 07 31
(181) 2022 07 31
(511) 05

(260) AM 2014 70044 A
(800) 1138112
(151) 2012 09 05
(181) 2022 09 05
(511) 05

(260) AM 2014 70051 A
(800) 1138182
(151) 2012 11 06
(181) 2022 11 06
(511) 03

(260) AM 2014 70045 A
(800) 1138114
(151) 2012 09 28
(181) 2022 09 28
(511) 05

(260) AM 2014 70052 A
(800) 1138189
(151) 2012 07 31
(181) 2022 07 31
(511) 05

(260) AM 2014 70046 A
(800) 1138115
(151) 2012 09 05
(181) 2022 09 05
(511) 05

(260) AM 2014 70053 A
(800) 1138200
(151) 2012 08 29
(181) 2022 08 29
(511) 30

(260) AM 2014 70047 A
(800) 1138116
(151) 2012 10 26
(181) 2022 10 26
(511) 29, 30, 32, 43

(260) AM 2014 70054 A
(800) 1138208
(151) 2012 10 16
(181) 2022 10 16
(511) 07, 16, 17, 20

(260) AM 2014 70048 A
(800) 1138163
(151) 2012 09 05
(181) 2022 09 05
(511) 14, 18, 25, 35

(260) AM 2014 70055 A
(800) 1138214
(151) 2012 08 20
(181) 2022 08 20
(511) 05, 29, 30

(260) AM 2014 70049 A
(800) 1138164
(151) 2012 07 31
(181) 2022 07 31
(511) 05

(260) AM 2014 70056 A
(800) 1138215
(151) 2012 05 28
(181) 2022 05 28
(511) 32, 33, 35

(260) AM 2014 70057 A
(800) 1138217
(151) 2012 07 05
(181) 2022 07 05
(511) 05, 16

(260) AM 2014 70058 A
(800) 1138229
(151) 2012 08 23
(181) 2022 08 23
(511) 18, 25

(260) AM 2014 70231 A
(800) 1139774
(151) 2012 11 01
(181) 2022 11 01
(511) 03

(260) AM 2014 70232 A
(800) 1139777
(151) 2012 09 14
(181) 2022 09 14
(511) 03

(260) AM 2014 70233 A
(800) 1139781
(151) 2012 10 22
(181) 2022 10 22
(511) 02

(260) AM 2014 70234 A
(800) 1139786
(151) 2012 11 06
(181) 2022 11 06
(511) 21

(260) AM 2014 70235 A
(800) 1139795
(151) 2012 10 31
(181) 2022 10 31
(511) 09

(260) AM 2014 70239 A
(800) 1139933
(151) 2012 04 18
(181) 2022 04 18
(511) 03, 08, 09, 14, 16, 18, 20, 21, 25, 27, 28, 34,
35, 36, 37, 39, 41, 42, 43

(260) AM 2014 70275 A
(800) 1139547
(151) 2012 08 23
(181) 2022 08 23
(511) 05, 10

(260) AM 2014 70370 A
(800) 1141390
(151) 2012 07 05
(181) 2022 07 05
(511) 30

(260) AM 2014 70371 A
(800) 1141393
(151) 2012 06 26
(181) 2022 06 26
(511) 07

(260) AM 2014 70372 A
(800) 1141399
(151) 2012 07 16
(181) 2022 07 16
(511) 18, 25, 35

(260) AM 2014 70373 A
(800) 1141403
(151) 2012 06 19
(181) 2022 06 19
(511) 25, 35

(260) AM 2014 70374 A
(800) 1141416
(151) 2012 08 01
(181) 2022 08 01
(511) 05

(260) AM 2014 70375 A
(800) 1141422
(151) 2012 08 14
(181) 2022 08 14
(511) 02

(260) AM 2014 70376 A
(800) 1141429
(151) 2012 08 16
(181) 2022 08 16
(511) 10

(260) AM 2014 70377 A
(800) 1141433
(151) 2012 09 06
(181) 2022 09 06
(511) 07, 09, 11, 37, 42

(260) AM 2014 70550 A
(800) 1143785
(151) 2012 10 25
(181) 2022 10 25
(511) 29, 30

(260) AM 2014 70442 A
(800) 1142368
(151) 2012 11 02
(181) 2022 11 02
(511) 01, 05, 44

(260) AM 2014 70551 A
(800) 1143820
(151) 2012 10 10
(181) 2022 10 10
(511) 32, 35

(260) AM 2014 70443 A
(800) 1142396
(151) 2012 09 04
(181) 2022 09 04
(511) 03

(260) AM 2014 70552 A
(800) 1143822
(151) 2012 11 12
(181) 2022 11 12
(511) 09

(260) AM 2014 70444 A
(800) 1142420
(151) 2012 11 09
(181) 2022 11 09
(511) 05

(260) AM 2014 70553 A
(800) 1143824
(151) 2012 11 12
(181) 2022 11 12
(511) 09

(260) AM 2014 70446 A
(800) 1142435
(151) 2012 10 31
(181) 2022 10 31
(511) 16, 41

(260) AM 2014 70554 A
(800) 1143843
(151) 2012 11 21
(181) 2022 11 21
(511) 34

(260) AM 2014 70447 A
(800) 1142446
(151) 2012 09 20
(181) 2022 09 20
(511) 03, 25

(260) AM 2014 70555 A
(800) 1143848
(151) 2012 11 14
(181) 2022 11 14
(511) 03

(260) AM 2014 70449 A
(800) 1142449
(151) 2012 09 20
(181) 2022 09 20
(511) 03, 25

(260) AM 2014 70556 A
(800) 1143872
(151) 2012 04 26
(181) 2022 04 26
(511) 25, 35

(260) AM 2014 70549 A
(800) 1143776
(151) 2012 11 05
(181) 2022 11 05
(511) 14, 18, 25

(260) AM 2014 70557 A
(800) 1143897
(151) 2012 10 04
(181) 2022 10 04
(511) 03

(260) AM 2014 70559 A
(800) 1143930
(151) 2012 11 29
(181) 2022 11 29
(511) 05

(260) AM 2014 70560 A
(800) 1143931
(151) 2012 11 29
(181) 2022 11 29
(511) 05

(260) AM 2014 70629 A
(800) 1144725
(151) 2012 12 03
(181) 2022 12 03
(511) 17, 35

(260) AM 2014 70630 A
(800) 1144726
(151) 2012 11 19
(181) 2022 11 19
(511) 05

(260) AM 2014 70631 A
(800) 1144743
(151) 2012 07 18
(181) 2022 07 18
(511) 05

(260) AM 2014 70632 A
(800) 1144756
(151) 2012 10 26
(181) 2022 10 26
(511) 05

(260) AM 2014 70669 A
(800) 1144932
(151) 2012 12 11
(181) 2022 12 11
(511) 05

(260) AM 2014 70677 A
(800) 1145022
(151) 2012 04 13
(181) 2022 04 13
(511) 05, 29

(260) AM 2014 70684 A
(800) 1145150
(151) 2012 09 19
(181) 2022 09 19
(511) 05

(260) AM 2014 70685 A
(800) 1145154
(151) 2012 10 04
(181) 2022 10 04
(511) 30

(260) AM 2014 70686 A
(800) 1145160
(151) 2012 11 29
(181) 2022 11 29
(511) 07

(260) AM 2014 70687 A
(800) 1145163
(151) 2012 06 18
(181) 2022 06 18
(511) 19

(260) AM 2014 70688 A
(800) 1145172
(151) 2012 05 03
(181) 2022 05 03
(511) 18, 25, 35

(260) AM 2014 70689 A
(800) 1145173
(151) 2012 05 09
(181) 2022 05 09
(511) 21

(260) AM 2014 70690 A
(800) 1145179
(151) 2012 10 03
(181) 2022 10 03
(511) 18, 25

(260) AM 2014 70691 A
(800) 1145184
(151) 2012 11 14
(181) 2022 11 14
(511) 01, 02, 03, 05, 35

(260) AM 2014 70693 A
(800) 1145241
(151) 2012 11 05
(181) 2022 11 05
(511) 06, 09, 11, 27

(260) AM 2014 70695 A
(800) 1145267
(151) 2012 11 21
(181) 2022 11 21
(511) 05

(260) AM 2014 70696 A
(800) 1145274
(151) 2012 12 17
(181) 2022 12 17
(511) 05

(260) AM 2014 70697 A
(800) 1145288
(151) 2012 07 04
(181) 2022 07 04
(511) 01

(260) AM 2014 70706 A
(800) 1145299
(151) 2012 10 12
(181) 2022 10 12
(511) 06, 09, 35

(260) AM 2014 70709 A
(800) 785671
(151) 2002 07 01
(891) 2012 07 24
(181) 2022 07 01
(511) 35, 36

(260) AM 2014 70710 A
(800) 929348
(151) 2007 06 08
(891) 2012 02 09
(181) 2017 06 08
(511) 12, 20

(260) AM 2014 70711 A
(800) 941394
(151) 2007 05 08
(891) 2012 05 18
(181) 2017 05 08
(511) 03, 09, 14, 18, 25, 35

(260) AM 2014 70712 A
(800) 1046504
(151) 2010 06 07
(891) 2012 10 09
(181) 2020 06 07
(511) 14, 35, 38, 41

(260) AM 2014 70713 A
(800) 1051838
(151) 2010 08 26
(891) 2012 10 29
(181) 2020 08 26
(511) 05

(260) AM 2014 70714 A
(800) 1052316
(151) 2010 08 25
(891) 2012 10 30
(181) 2020 08 25
(511) 03

(260) AM 2014 70715 A
(800) 1053482
(151) 2010 09 21
(891) 2012 10 16
(181) 2020 09 21
(511) 01, 02, 03, 05, 09, 10, 30, 32, 35, 42, 44, 45

(260) AM 2014 70716 A
(800) 1053763
(151) 2010 09 24
(891) 2012 10 05
(181) 2020 09 24
(511) 39, 42

(260) AM 2014 70717 A
(800) 1056066
(151) 2010 09 28
(891) 2012 10 15
(181) 2020 09 28
(511) 35, 41

(260) AM 2014 70718 A
(800) 1065287
(151) 2011 01 14
(891) 2012 10 16
(181) 2021 01 14
(511) 05, 29, 30, 32

(260) AM 2014 70719 A
(800) 1078808
(151) 2011 05 02
(891) 2012 10 01
(181) 2021 05 02
(511) 05

(260) AM 2014 70720 A
(800) 1078808
(151) 2011 05 02
(891) 2012 10 01
(181) 2021 05 02
(511) 05

(260) AM 2014 70721 A
(800) 1078810
(151) 2011 05 02
(891) 2012 10 01
(181) 2021 05 02
(511) 05

(260) AM 2014 70722 A
(800) 1079724
(151) 2011 03 28
(891) 2012 10 05
(181) 2021 03 28
(511) 25

(260) AM 2014 70723 A
(800) 1084779
(151) 2011 07 12
(891) 2012 11 02
(181) 2021 07 12
(511) 05

(260) AM 2014 70735 A
(800) 1145333
(151) 2012 07 31
(181) 2022 07 31
(511) 05

(260) AM 2014 70737 A
(800) 1145362
(151) 2012 07 24
(181) 2022 07 24
(511) 36

(260) AM 2014 70740 A
(800) 1145424
(151) 2012 10 26
(181) 2022 10 26
(511) 09, 10

(260) AM 2014 70752 A
(800) 1145616
(151) 2012 09 06
(181) 2022 09 06
(511) 05, 29, 30, 32

(260) AM 2014 70753 A
(800) 1145618
(151) 2012 08 04
(181) 2022 08 04
(511) 09, 18, 25

(260) AM 2014 70755 A
(800) 1145624
(151) 2012 09 20
(181) 2022 09 20
(511) 05

(260) AM 2014 70756 A
(800) 1145625
(151) 2012 09 20
(181) 2022 09 20
(511) 05

(260) AM 2014 70757 A
(800) 1145626
(151) 2012 09 20
(181) 2022 09 20
(511) 05

(260) AM 2014 70758 A
(800) 1145627
(151) 2012 09 20
(181) 2022 09 20
(511) 05

(260) AM 2014 70762 A
(800) 1145679
(151) 2012 11 30
(181) 2022 11 30
(511) 20

(260) AM 2014 70763 A
(800) 1145720
(151) 2012 12 03
(181) 2022 12 03
(511) 05

(260) AM 2014 70764 A
(800) 1145721
(151) 2012 12 03
(181) 2022 12 03
(511) 05

(260) AM 2014 70765 A
(800) 1145727
(151) 2012 06 07
(181) 2022 06 07
(511) 09, 36

(260) AM 2014 70766 A
(800) 1145728
(151) 2012 06 07
(181) 2022 06 07
(511) 09, 36

(260) AM 2014 70768 A
(800) 1145749
(151) 2012 06 18
(181) 2022 06 18
(511) 35

(260) AM 2014 70769 A
(800) 1145762
(151) 2012 10 26
(181) 2022 10 26
(511) 05

(260) AM 2014 70770 A
(800) 1145763
(151) 2012 10 26
(181) 2022 10 26
(511) 05

(260) AM 2014 70771 A
(800) 1145764
(151) 2012 10 26
(181) 2022 10 26
(511) 05

(260) AM 2014 70772 A
(800) 1145765
(151) 2012 10 26
(181) 2022 10 26
(511) 05

(260) AM 2014 70773 A
(800) 1145766
(151) 2012 10 26
(181) 2022 10 26
(511) 05

(260) AM 2014 70774 A
(800) 1145767
(151) 2012 10 26
(181) 2022 10 26
(511) 05

(260) AM 2014 70775 A
(800) 1145768
(151) 2012 10 26
(181) 2022 10 26
(511) 05

(260) AM 2014 70776 A
(800) 1145771
(151) 2012 10 26
(181) 2022 10 26
(511) 14

(260) AM 2014 70778 A
(800) 1145807
(151) 2012 11 12
(181) 2022 11 12
(511) 09

(260) AM 2014 70779 A
(800) 1145826
(151) 2012 09 19
(181) 2022 09 19
(511) 30

(260) AM 2014 70780 A
(800) 1145870
(151) 2012 12 03
(181) 2022 12 03
(511) 05

(260) AM 2014 70781 A
(800) 393165
(151) 1972 11 20
(891) 2012 12 14
(181) 2022 11 20
(511) 19

(260) AM 2014 70782 A
(800) 679607
(151) 1997 07 25
(891) 2012 07 04
(181) 2017 07 25
(511) 09, 37, 42

(260) AM 2014 70801 A
(800) 1108871
(151) 2012 01 26
(891) 2012 10 22
(181) 2022 01 26
(511) 34

(260) AM 2014 70783 A
(800) 882776
(151) 2006 02 15
(891) 2012 11 28
(181) 2016 02 15
(511) 33

(260) AM 2014 70802 A
(800) 1108873
(151) 2012 01 26
(891) 2012 10 22
(181) 2022 01 26
(511) 34

(260) AM 2014 70784 A
(800) 923297
(151) 2007 01 24
(891) 2012 11 28
(181) 2017 01 24
(511) 33

(260) AM 2014 70809 A
(800) 1109859
(151) 2011 12 09
(891) 2012 10 30
(181) 2021 12 09
(511) 05

(260) AM 2014 70785 A
(800) 923880
(151) 2006 12 19
(891) 2012 11 15
(181) 2016 12 19
(511) 12

(260) AM 2014 70810 A
(800) 1110433
(151) 2012 02 28
(891) 2012 09 07
(181) 2022 02 28
(511) 18, 25

(260) AM 2014 70786 A
(800) 988616
(151) 2008 10 17
(891) 2012 12 04
(181) 2018 10 17
(511) 29, 31

(260) AM 2014 70811 A
(800) 1111578
(151) 2012 03 09
(891)
(181) 2022 03 09
(511) 05

(260) AM 2014 70787 A
(800) 1080886
(151) 2011 02 24
(891) 2012 11 16
(181) 2021 02 24
(511) 05

(260) AM 2014 70812 A
(800) 1111579
(151) 2012 03 09
(891) 2012 11 01
(181) 2022 03 09
(511) 05

(260) AM 2014 70788 A
(800) 1101394
(151) 2011 11 08
(891) 2012 10 26
(181) 2021 11 08
(511) 32, 41, 43

(260) AM 2014 70815 A
(800) 1116531
(151) 2012 03 13
(891) 2012 10 22
(181) 2022 03 13
(511) 34

(260) AM 2014 70816 A
(800) 1123674
(151) 2012 03 13
(891) 2012 10 17
(181) 2022 03 13
(511) 03, 21, 35, 42, 44

(260) AM 2014 70817 A
(800) 1126338
(151) 2012 06 21
(891) 2012 10 24
(181) 2022 06 21
(511) 11, 35, 42

(260) AM 2014 70818 A
(800) 1128499
(151) 2011 11 08
(891) 2012 10 15
(181) 2021 11 08
(511) 01, 02, 03, 04, 05, 06, 07, 09, 10, 11, 12, 14,
16, 17, 18, 19, 25, 28, 29, 30, 32, 35, 36, 37,
38, 39, 40, 41, 42, 43, 44

(260) AM 2014 70819 A
(800) 1128501
(151) 2011 11 08
(891) 2012 10 15
(181) 2021 11 08
(511) 01, 02, 03, 04, 05, 06, 07, 09, 10, 11, 12, 14,
16, 17, 18, 19, 25, 28, 29, 30, 32, 35, 36, 37,
38, 39, 40, 41, 42, 43, 44

(260) AM 2014 70823 A
(800) 1134842
(151) 2012 09 11
(891) 2012 11 19
(181) 2022 09 11
(511) 31

(260) AM 2014 70824 A
(800) 1135976
(151) 2012 08 21
(891) 2012 12 26
(181) 2022 08 21
(511) 32, 33, 43

(260) AM 2014 70825 A
(800) 1145039
(151) 2012 08 07
(891) 2012 12 19
(181) 2022 08 07
(511) 07, 08, 09, 11, 35

(260) AM 2014 71001 A
(800) 1147177
(151) 2012 12 25
(181) 2022 12 25
(511) 25

(260) AM 2014 71002 A
(800) 1147190
(151) 2012 07 25
(181) 2022 07 25
(511) 12

(260) AM 2014 71004 A
(800) 1147209
(151) 2012 09 11
(181) 2022 09 11
(511) 09, 11, 16, 35

(260) AM 2014 71006 A
(800) 1147217
(151) 2012 10 12
(181) 2022 10 12
(511) 05, 35

(260) AM 2014 71007 A
(800) 1147230
(151) 2012 10 23
(181) 2022 10 23
(511) 09, 37, 42

(260) AM 2014 71008 A
(800) 1147289
(151) 2012 11 01
(181) 2022 11 01
(511) 05, 29, 31

(260) AM 2014 71011 A
(800) 1147307
(151) 2012 12 18
(181) 2022 12 18
(511) 05

(260) AM 2014 71012 A
(800) 1147310
(151) 2012 12 21
(181) 2022 12 21
(511) 34

(260) AM 2014 71013 A
(800) 1147321
(151) 2012 11 30
(181) 2022 11 30
(511) 05

(260) AM 2014 71014 A
(800) 1147322
(151) 2012 11 30
(181) 2022 11 30
(511) 05

(260) AM 2014 71015 A
(800) 1147336
(151) 2013 01 10
(181) 2023 01 10
(511) 11

(260) AM 2014 71017 A
(800) 1147340
(151) 2012 12 12
(181) 2022 12 12
(511) 05

(260) AM 2014 71020 A
(800) 1147341
(151) 2012 12 12
(181) 2022 12 12
(511) 05

(260) AM 2014 71021 A
(800) 1147342
(151) 2012 12 12
(181) 2022 12 12
(511) 05

(260) AM 2014 71022 A
(800) 1147356
(151) 2012 12 17
(181) 2022 12 17
(511) 05

(260) AM 2014 71023 A
(800) 1147358
(151) 2013 01 07
(181) 2023 01 07
(511) 34

(260) AM 2014 71024 A
(800) 1147359
(151) 2013 01 07
(181) 2023 01 07
(511) 34

(260) AM 2014 71027 A
(800) 1147395
(151) 2012 12 18
(181) 2022 12 18
(511) 25

(260) AM 2014 71028 A
(800) 1147429
(151) 2012 12 12
(181) 2022 12 12
(511) 05

(260) AM 2014 71032 A
(800) 1147435
(151) 2012 12 25
(181) 2022 12 25
(511) 25

(260) AM 2014 71042 A
(800) 1147471
(151) 2012 12 14
(181) 2022 12 14
(511) 35, 36, 42

(260) AM 2014 71043 A
(800) 1147472
(151) 2012 12 17
(181) 2022 12 17
(511) 35, 36, 42

(260) AM 2014 71044 A
(800) 1147485
(151) 2011 12 14
(181) 2021 12 14
(511) 05, 41, 42

(260) AM 2014 71045 A
(800) 1147492
(151) 2012 07 23
(181) 2022 07 23
(511) 09

(260) AM 2014 71272 A
(800) 1149558
(151) 2012 11 14
(181) 2022 11 14
(511) 24, 27

(260) AM 2014 71273 A
(800) 1149559
(151) 2012 11 14
(181) 2022 11 14
(511) 24, 27

(260) AM 2014 71281 A
(800) 1149566
(151) 2012 12 06
(181) 2022 12 06
(511) 10, 16, 41, 44

(260) AM 2014 71286 A
(800) 1149654
(151) 2012 10 09
(181) 2022 10 09
(511) 03, 07, 08, 09, 11, 12, 14, 16, 18, 20, 21, 22,
25, 28, 34

(260) AM 2014 71295 A
(800) 1149723
(151) 2012 11 23
(181) 2022 11 23
(511) 09, 42

(260) AM 2014 71298 A
(800) 895270
(151) 2006 06 23
(891) 2012 12 10
(181) 2016 06 23
(511) 25

(260) AM 2014 71303 A
(800) 1132201
(151) 2012 08 06
(181) 2022 08 06
(511) 09

(260) AM 2014 71304 A
(800) 1149623
(151) 2012 12 28
(181) 2022 12 28
(511) 14, 26

(260) AM 2014 71316 A
(800) 1149867
(151) 2012 10 17
(181) 2022 10 17
(511) 33

(260) AM 2014 71317 A
(800) 1149872
(151) 2012 10 24
(181) 2022 10 24
(511) 06, 19, 37, 40

(260) AM 2014 71321 A
(800) 1149961
(151) 2012 12 28
(181) 2022 12 28
(511) 18, 24, 35

(260) AM 2014 71322 A
(800) 1150007
(151) 2012 12 28
(181) 2022 12 28
(511) 02

(260) AM 2014 71324 A
(800) 1150027
(151) 2012 09 05
(181) 2022 09 05
(511) 02, 19

(260) AM 2014 71325 A
(800) 1150036
(151) 2012 10 05
(181) 2022 10 05
(511) 18, 25

(260) AM 2014 71326 A
(800) 1150043
(151) 2012 10 30
(181) 2022 10 30
(511) 29

(260) AM 2014 71328 A
(800) 1150044
(151) 2012 10 30
(181) 2022 10 30
(511) 29

(260) AM 2014 71338 A
(800) 1150193
(151) 2012 11 14
(181) 2022 11 14
(511) 33

(260) AM 2014 71339 A
(800) 1150194
(151) 2012 11 14
(181) 2022 11 14
(511) 33

(260) AM 2014 73428 A
(800) 1168909
(151) 2013 06 21
(181) 2023 06 21
(511) 05, 29, 31

CLASSIFICATION INDEXES

INVENTIONS

CONCORDANCE TABLE OF INTERNATIONAL CLASSIFICATION INDEX AND PUBLICATION NUMBERS

| INTERNATIONAL CLASSIFICATION INDEXES (51) | NUMBER OF PUBLISHED APPLICATION (10) |
|--|--|
| A 01 N 43/653; A 01 N 25/02; A 01 N 25/22; A 01 P 3/00; B 27 K 3/50 | AP 2014 11362 A |
| A 61 K 31/00; A 01 K 51/00 | AP 2014 12965 A |
| A 61 K 31/416 | AP 2014 12558 A |
| B 61 G 9/06 | AP 2014 12743 A |
| C 07 D 413/12; C 07 D 413/14; C 07 D 419/12 | AP 2014 12770 A |
| C 07 D 453/02; C 07 D 211/46; C 07 D 207/12; C 07 D 211/42; C 07 D 451/10; A 61 K 31/439; A 61 P 11/08; A 61 K 31/4465; A 61 K 31/401 | AP 2014 12268 A |
| C 07 D 471/04; C 07 D 471/14; C 07 D 498/14; C 07 D 513/14; A 61 K 31/4985; A 61 K 31/5365; A 61 K 31/542; A 61 P 25/00; A 61 P 35/00; A 61 P 9/00; A 61 P 29/00 | AP 2014 12346 A |
| C 07 D 495/04 | AP 2014 12805 A |
| C 12 G 3/12 | AP 2014 12973 A |
| C 12 N 15/82; A 01 H 1/06 | AP 2014 11504 A |
| F 41 G 1/34 | AP 2014 12772 A |
| G 06 Q 40/00; G 06 F 19/00 | AP 2014 12601 A |

CONCORDANCE TABLE OF APPLICATION PUBLICATION NUMBERS AND INTERNATIONAL CLASSIFICATION INDEXES

| NUMBER OF PUBLISHED APPLICATION (10) | INTERNATIONAL CLASSIFICATION INDEXES (51) |
|---|--|
| AP 2014 11362 A | A 01 N 43/653; A 01 N 25/02; A 01 N 25/22; A 01 P 3/00; B 27 K 3/50 |
| AP 2014 12965 A | A 61 K 31/00; A 01 K 51/00 |
| AP 2014 12558 A | A 61 K 31/416 |
| AP 2014 12743 A | B 61 G 9/06 |
| AP 2014 12770 A | C 07 D 413/12; C 07 D 413/14; C 07 D 419/12 |
| AP 2014 12268 A | C 07 D 453/02; C 07 D 211/46; C 07 D 207/12; C 07 D 211/42; C 07 D 451/10; A 61 K 31/439; A 61 P 11/08; A 61 K 31/4465; A 61 K 31/401 |
| AP 2014 12346 A | C 07 D 471/04; C 07 D 471/14; C 07 D 498/14; C 07 D 513/14; A 61 K 31/4985; A 61 K 31/5365; A 61 K 31/542; A 61 P 25/00; A 61 P 35/00; A 61 P 9/00; A 61 P 29/00 |
| AP 2014 12805 A | C 07 D 495/04 |
| AP 2014 12973 A | C 12 G 3/12 |
| AP 2014 11504 A | C 12 N 15/82; A 01 H 1/06 |
| AP 2014 12772 A | F 41 G 1/34 |
| AP 2014 12601 A | G 06 Q 40/00; G 06 F 19/00 |

**CONCORDANCE TABLE OF INTERNATIONAL CLASSIFICATION INDEXES,
PATENT NUMBERS AND PUBLICATION NUMBERS**

| INTERNATIONAL CLASSIFICATION INDEX (51) | NUMBER OF PATENT (11) | NUMBER OF PUBLISHED APPLICATION (10) |
|---|-----------------------------|---|
| A 61 F 13/537 | P 2014 6095 B | AP 2014 11479 A |
| B 26 F 1/28; B 23 H 9/14 | P 2014 6094 B | AP 2014 12545 A |
| C 07 D 401/04; C 07 D 403/04; C 07 D 409/04; C 07 D 471/04; C 07 D 235/02 | P 2014 6096 B | AP 2014 12274 A |
| C 07 D 401/12; C 07 D 471/04; A 61 K 31/437; A 61 K 31/4439 | P 2014 6103 B | AP 2014 12715 A |
| C 07 D 401/14; C 07 D 403/04; A 61 K 31/506; A 61 P 35/00 | P 2014 6102 B | AP 2014 12645 A |
| C 07 D 213/74; C 07 D 401/04; C 07 D 401/12; A 61 K 31/506; A 61 P 29/00; A 61 P 35/00 | P 2014 6101 B | AP 2014 12602 A |
| C 07 D 403/12; C 07 D 487/04; A 61 K 31/519; A 61 K 31/4353; A 61 K 31/4184; A 61 P 25/00 | P 2014 6100 B | AP 2014 12536 A |
| C 07 D 471/04; C 07 D 513/04; C 07 D 519/00; A 61 K 31/429; A 61 K 31/437; A 61 K 31/4985; A 61 P 29/00 | P 2014 6099 B | AP 2014 12526 A |
| C 07 D 487/04; A 61 K 31/519 | P 2014 6098 B | AP 2014 12436 A |
| C 07 D 493/08; C 07 H 7/04; A 61 K 31/35; A 61 P 3/04; A 61 P 3/10 | P 2014 6104 B | AP 2014 12727 A |
| C 07 D 519/00; A 61 K 31/519; A 61 P 11/00; A 61 P 11/06; A 61 P 11/08 | P 2014 6105 B | AP 2014 12783 A |
| C 10 J 3/20 | P 2014 6097 B | AP 2014 12407 A |
| E 21 B 43/36; E 21 C 45/00; E 21 B 43/01; E 02 F 3/00 | P 2014 6093 B | AP 2014 12368 A |
| F 41 A 21/18 | P 2014 6092 B | AP 2013 11083 A |

**CONCORDANCE TABLE OF PATENT NUMBERS,
PUBLICATION NUMBERS AND INTERNATIONAL CLASSIFICATION INDEXES**

| NUMBER OF PATENT (11) | NUMBER OF PUBLISHED APPLICATION (10) | INTERNATIONAL CLASSIFICATION INDEX (51) |
|-----------------------------|---|---|
| 1 | 2 | 3 |
| P 2014 6092 B | AP 2013 11083 A | F 41 A 21/18 |
| P 2014 6093 B | AP 2014 12368 A | E 21 B 43/36; E 21 C 45/00; E 21 B 43/01; E 02 F 3/00 |
| P 2014 6094 B | AP 2014 12545 A | B 26 F 1/28; B 23 H 9/14 |
| P 2014 6095 B | AP 2014 11479 A | A 61 F 13/537 |
| P 2014 6096 B | AP 2014 12274 A | C 07 D 401/04; C 07 D 403/04; C 07 D 409/04; C 07 D 471/04; C 07 D 235/02 |
| P 2014 6097 B | AP 2014 12407 A | C 10 J 3/20 |
| P 2014 6098 B | AP 2014 12436 A | C 07 D 487/04; A 61 K 31/519 |
| P 2014 6099 B | AP 2014 12526 A | C 07 D 471/04; C 07 D 513/04; C 07 D 519/00; A 61 K 31/429; A 61 K 31/437; A 61 K 31/4985; A 61 P 29/00 |
| P 2014 6100 B | AP 2014 12536 A | C 07 D 403/12; C 07 D 487/04; A 61 K 31/519; A 61 K 31/4353; A 61 K 31/4184; A 61 P 25/00 |
| P 2014 6101 B | AP 2014 12602 A | C 07 D 213/74; C 07 D 401/04; C 07 D 401/12; A 61 K 31/506; A 61 P 29/00; A 61 P 35/00 |

| 1 | 2 | 3 |
|---------------|-----------------|---|
| P 2014 6102 B | AP 2014 12645 A | C 07 D 401/14; C 07 D 403/04; A 61 K 31/506; A 61 P 35/00 |
| P 2014 6103 B | AP 2014 12715 A | C 07 D 401/12; C 07 D 471/04; A 61 K 31/437; A 61 K 31/4439 |
| P 2014 6104 B | AP 2014 12727 A | C 07 D 493/08; C 07 H 7/04; A 61 K 31/35; A 61 P 3/04; A 61 P 3/10 |
| P 2014 6105 B | AP 2014 12783 A | C 07 D 519/00; A 61 K 31/519; A 61 P 11/00; A 61 P 11/06; A 61 P 11/08 |

**CONCORDANCE TABLE OF APPLICATION NUMBERS, APPLICATION
PUBLICATION NUMBERS AND PATENT NUMBERS**

| NUMBER OF APPLICATION (21) | NUMBER OF PUBLISHED APPLICATION (10) | NUMBER OF PATENT (11) |
|----------------------------------|--|--------------------------|
| AP 2008 011479 | AP 2014 11479 A | P 2014 6095 B |
| AP 2009 011083 | AP 2013 11083 A | P 2014 6092 B |
| AP 2009 012274 | AP 2014 12274 A | P 2014 6096 B |
| AP 2009 012526 | AP 2014 12526 A | P 2014 6099 B |
| AP 2010 012368 | AP 2014 12368 A | P 2014 6093 B |
| AP 2010 012407 | AP 2014 12407 A | P 2014 6097 B |
| AP 2010 012436 | AP 2014 12436 A | P 2014 6098 B |
| AP 2010 012536 | AP 2014 12536 A | P 2014 6100 B |
| AP 2010 012602 | AP 2014 12602 A | P 2014 6101 B |
| AP 2010 012645 | AP 2014 12645 A | P 2014 6102 B |
| AP 2010 012715 | AP 2014 12715 A | P 2014 6103 B |
| AP 2010 012727 | AP 2014 12727 A | P 2014 6104 B |
| AP 2010 012783 | AP 2014 12783 A | P 2014 6105 B |
| AP 2012 012545 | AP 2014 12545 A | P 2014 6094 B |

UTILITY MODELS

**CONCORDANCE TABLE OF INTERNATIONAL CLASSIFICATION INDEXES
AND PUBLICATION NUMBERS**

| INTERNATIONAL CLASSIFICATION INDEXES (51) | NUMBER OF PUBLISHED APPLICATION (10) |
|--|--|
| A 21 D 2/00 | AU 2014 13147 U |
| A 23 L 1/20 | AU 2014 13017 U |
| A 23 L 1/20 | AU 2014 13018 U |
| A 23 G 3/34 | AU 2014 13066 U |
| A 47 G 19/22 | AU 2014 13208 U |
| B 65 D 25/08; B 65 D 81/32 | AU 2014 13276 U |
| E 02 B 13/00 | AU 2014 13196 U |

**CONCORDANCE TABLE OF PUBLICATION NUMBERS
AND INTERNATIONAL CLASSIFICATION INDEX**

| NUMBER OF PUBLISHED APPLICATION (10) | INTERNATIONAL CLASSIFICATION INDEXES (51) |
|---|--|
| AU 2014 13147 U | A 21 D 2/00 |
| AU 2014 13017 U | A 23 L 1/20 |
| AU 2014 13018 U | A 23 L 1/20 |
| AU 2014 13066 U | A 23 G 3/34 |
| AU 2014 13208 U | A 47 G 19/22 |
| AU 2014 13276 U | B 65 D 25/08; B 65 D 81/32 |
| AU 2014 13196 U | E 02 B 13/00 |

**CONCORDANCE TABLE OF INTERNATIONAL CLASSIFICATION INDEX,
PATENT NUMBERS AND PUBLICATION NUMBERS**

| INTERNATIONAL CLASSIFICATION INDEX (51) | NUMBER OF PATENT (11) | NUMBER OF PUBLISHED APPLICATION (10) |
|--|--------------------------|---|
| B 61 H 13/20 | U 2014 1813 Y | AU 2014 13121 U |
| B 65 D 88/00 | U 2014 1814 Y | AU 2014 13148 U |

**CONCORDANCE TABLE OF PATENT NUMBERS,
PUBLICATION NUMBERS AND INTERNATIONAL CLASSIFICATION INDEX**

| NUMBER OF PATENT (11) | NUMBER OF PUBLISHED APPLICATION (10) | INTERNATIONAL CLASSIFICATION INDEX (51) |
|--------------------------|---|--|
| U 2014 1813 Y | AU 2014 13121 U | B 61 H 13/20; |
| U 2014 1814 Y | AU 2014 13148 U | B 65 D 88/00 |

**CONCORDANCE TABLE OF APPLICATION NUMBERS, PUBLICATION NUMBERS
AND PATENTS**

| NUMBER OF APPLICATION (21) | NUMBER OF PUBLISHED APPLICATION (10) | NUMBER OF PATENT (11) |
|-------------------------------|---|--------------------------|
| AU 2013 013121 | AU 2014 13121 U | U 2014 1813 Y |
| AU 2013 013148 | AU 2014 13148 U | U 2014 1814 Y |

DESIGNS**CONCORDANCE TABLE OF INTERNATIONAL CLASSIFICATION INDEXES
AND PUBLICATION NUMBERS**

| INTERNATIONAL CLASSIFICATION INDEX (51) | NUMBER OF PUBLISHED APPLICATION (10) |
|--|--|
| 19-08 | AD 2014 783 S |

**CONCORDANCE TABLE OF PUBLICATION NUMBERS
AND INTERNATIONAL CLASSIFICATION INDEX**

| NUMBER OF PUBLISHED APPLICATION (10) | INTERNATIONAL CLASSIFICATION INDEXES (51) |
|--|--|
| AD 2014 783 S | 19-08 |

TRADEMARKS

CONCORDANCE TABLE OF REGISTRATION NUMBERS, APPLICATION NUMBERS, PUBLICATION NUMBERS AND BULLETIN NUMBERS

| NUMBER OF REGISTRATION (111) | NUMBER OF APPLICATION (210) | NUMBER OF PUBLISHED APPLICATION (260) | NUMBER OF BULLETIN |
|------------------------------------|-----------------------------------|--|-----------------------|
| M 2014 24718 R | AM 2014 76455 | - | 10(398) 2014 |
| M 2014 24719 R | AM 2014 76713 | - | 10(398) 2014 |
| M 2014 24720 R | AM 2014 76714 | - | 10(398) 2014 |
| M 2014 24721 R | AM 2014 76715 | - | 10(398) 2014 |
| M 2014 24722 R | AM 2014 76668 | - | 10(398) 2014 |
| M 2014 24723 R | AM 2014 76711 | - | 10(398) 2014 |
| M 2014 24724 R | AM 2014 76786 | - | 10(398) 2014 |
| M 2014 24725 R | AM 2014 76732 | - | 10(398) 2014 |
| M 2014 24726 R | AM 2011 62823 | AM 2014 62823 A | 2(390) 2014 |
| M 2014 24727 R | AM 2011 63254 | AM 2013 63254 A | 23(387) 2013 |
| M 2014 24728 R | AM 2012 68063 | AM 2013 68063 A | 21(385) 2013 |
| M 2014 24729 R | AM 2012 68853 | AM 2014 68853 A | 1(389) 2014 |
| M 2014 24730 R | AM 2012 70091 | AM 2013 70091 A | 22(386) 2013 |
| M 2014 24731 R | AM 2013 70296 | AM 2013 70296 A | 24(388) 2013 |
| M 2014 24732 R | AM 2013 70482 | AM 2013 70482 A | 24(388) 2013 |
| M 2014 24733 R | AM 2013 70483 | AM 2013 70483 A | 24(388) 2013 |
| M 2014 24734 R | AM 2013 70707 | AM 2013 70707 A | 24(388) 2013 |
| M 2014 24735 R | AM 2013 70759 | AM 2014 70759 A | 1(389) 2014 |
| M 2014 24736 R | AM 2013 70797 | AM 2014 70797 A | 1(389) 2014 |
| M 2014 24737 R | AM 2013 70897 | AM 2013 70897 A | 24(388) 2013 |
| M 2014 24738 R | AM 2013 70916 | AM 2013 70916 A | 24(388) 2013 |
| M 2014 24739 R | AM 2013 71094 | AM 2013 71094 A | 24(388) 2013 |
| M 2014 24740 R | AM 2013 71095 | AM 2013 71095 A | 24(388) 2013 |
| M 2014 24741 R | AM 2013 71097 | AM 2013 71097 A | 24(388) 2013 |
| M 2014 24742 R | AM 2013 71098 | AM 2013 71098 A | 24(388) 2013 |
| M 2014 24743 R | AM 2013 71359 | AM 2013 71359 A | 24(388) 2013 |
| M 2014 24744 R | AM 2013 71452 | AM 2013 71452 A | 24(388) 2013 |
| M 2014 24745 R | AM 2013 71524 | AM 2013 71524 A | 23(387) 2013 |
| M 2014 24746 R | AM 2013 71660 | AM 2014 71660 A | 1(389) 2014 |
| M 2014 24747 R | AM 2013 71673 | AM 2014 71673 A | 1(389) 2014 |
| M 2014 24748 R | AM 2013 71674 | AM 2014 71674 A | 1(389) 2014 |
| M 2014 24749 R | AM 2013 71676 | AM 2014 71676 A | 1(389) 2014 |
| M 2014 24750 R | AM 2013 71678 | AM 2014 71678 A | 1(389) 2014 |
| M 2014 24751 R | AM 2013 71683 | AM 2014 71683 A | 1(389) 2014 |
| M 2014 24752 R | AM 2013 71726 | AM 2013 71726 A | 24(388) 2013 |
| M 2014 24753 R | AM 2013 71762 | AM 2014 71762 A | 1(389) 2014 |
| M 2014 24754 R | AM 2013 71766 | AM 2014 71766 A | 1(389) 2014 |
| M 2014 24755 R | AM 2013 71773 | AM 2013 71773 A | 24(388) 2013 |
| M 2014 24756 R | AM 2013 71789 | AM 2014 71789 A | 1(389) 2014 |
| M 2014 24757 R | AM 2013 71791 | AM 2014 71791 A | 1(389) 2014 |
| M 2014 24758 R | AM 2013 71793 | AM 2014 71793 A | 1(389) 2014 |
| M 2014 24759 R | AM 2013 71794 | AM 2014 71794 A | 1(389) 2014 |
| M 2014 24760 R | AM 2013 71795 | AM 2014 71795 A | 1(389) 2014 |
| M 2014 24761 R | AM 2013 71796 | AM 2014 71796 A | 1(389) 2014 |
| M 2014 24762 R | AM 2013 71798 | AM 2014 71798 A | 1(389) 2014 |

| 1 | 2 | 3 | 4 |
|----------------|---------------|-----------------|--------------|
| M 2014 24763 R | AM 2013 71799 | AM 2014 71799 A | 1(389) 2014 |
| M 2014 24764 R | AM 2013 71800 | AM 2014 71800 A | 1(389) 2014 |
| M 2014 24765 R | AM 2013 71801 | AM 2014 71801 A | 1(389) 2014 |
| M 2014 24766 R | AM 2013 71802 | AM 2014 71802 A | 1(389) 2014 |
| M 2014 24767 R | AM 2013 71803 | AM 2014 71803 A | 1(389) 2014 |
| M 2014 24768 R | AM 2013 71804 | AM 2014 71804 A | 1(389) 2014 |
| M 2014 24769 R | AM 2013 71805 | AM 2014 71805 A | 1(389) 2014 |
| M 2014 24770 R | AM 2013 71830 | AM 2014 71830 A | 1(389) 2014 |
| M 2014 24771 R | AM 2013 71839 | AM 2014 71839 A | 1(389) 2014 |
| M 2014 24772 R | AM 2013 71840 | AM 2014 71840 A | 1(389) 2014 |
| M 2014 24773 R | AM 2013 71915 | AM 2014 71915 A | 1(389) 2014 |
| M 2014 24774 R | AM 2013 71942 | AM 2014 71942 A | 1(389) 2014 |
| M 2014 24775 R | AM 2013 71970 | AM 2014 71970 A | 1(389) 2014 |
| M 2014 24776 R | AM 2013 72000 | AM 2014 72000 A | 1(389) 2014 |
| M 2014 24777 R | AM 2013 72013 | AM 2014 72013 A | 1(389) 2014 |
| M 2014 24778 R | AM 2013 72080 | AM 2014 72080 A | 1(389) 2014 |
| M 2014 24779 R | AM 2013 72193 | AM 2014 72193 A | 1(389) 2014 |
| M 2014 24780 R | AM 2013 72219 | AM 2014 72219 A | 1(389) 2014 |
| M 2014 24781 R | AM 2013 72220 | AM 2014 72220 A | 1(389) 2014 |
| M 2014 24782 R | AM 2014 76773 | - | 10(398) 2014 |
| M 2014 24783 R | AM 2014 76932 | - | 10(398) 2014 |
| M 2014 24784 R | AM 2014 76717 | - | 10(398) 2014 |
| M 2014 24785 R | AM 2014 76821 | - | 10(398) 2014 |
| M 2014 24786 R | AM 2014 76939 | - | 10(398) 2014 |
| M 2014 24787 R | AM 2014 76941 | - | 10(398) 2014 |
| M 2014 24788 R | AM 2014 76695 | - | 10(398) 2014 |

**CONCORDANCE TABLE OF PUBLICATION NUMBERS
AND APPLICATION NUMBERS**

| NUMBER OF PUBLISHED APPLICATION (260) | NUMBER OF APPLICATION (210) | 1 | 2 |
|--|-----------------------------------|-----------------|---------------|
| | | 1 | 2 |
| AM 2014 67747 A | AM 2012 67747 | AM 2014 73109 A | AM 2013 73109 |
| AM 2014 71311 A | AM 2013 71311 | AM 2014 73110 A | AM 2013 73110 |
| AM 2014 71585 A | AM 2013 71585 | AM 2014 73118 A | AM 2013 73118 |
| AM 2014 71619 A | AM 2013 71619 | AM 2014 73122 A | AM 2013 73122 |
| AM 2014 71624 A | AM 2013 71624 | AM 2014 73127 A | AM 2013 73127 |
| AM 2014 72074 A | AM 2013 72074 | AM 2014 73128 A | AM 2013 73128 |
| AM 2014 72432 A | AM 2013 72432 | AM 2014 73171 A | AM 2013 73171 |
| AM 2014 72490 A | AM 2013 72490 | AM 2014 73441 A | AM 2013 73441 |
| AM 2014 73039 A | AM 2013 73039 | AM 2014 73451 A | AM 2013 73451 |
| | | AM 2014 73536 A | AM 2013 73536 |
| | | AM 2014 73566 A | AM 2013 73566 |
| | | AM 2014 73567 A | AM 2013 73567 |
| | | AM 2014 73645 A | AM 2013 73645 |

**CONCORDANCE TABLE OF INDEX OF GOODS AND/OR SERVICES
AND APPLICATION NUMBERS**

| INDEX OF GOODS AND/OR SERVICES (511) | NUMBER OF PUBLISHED APPLICATION (260) | 1 | 2 |
|--|--|----|-----------------|
| 1 | 2 | 30 | AM 2014 67747 A |
| 1 | AM 2014 73451 A | 30 | AM 2014 72432 A |
| 3 | AM 2014 72074 A | 32 | AM 2014 67747 A |
| 3 | AM 2014 73122 A | 33 | AM 2014 67747 A |
| 4 | AM 2014 73451 A | 33 | AM 2014 73536 A |
| 5 | AM 2014 73109 A | 34 | AM 2014 71585 A |
| 5 | AM 2014 73110 A | 34 | AM 2014 73118 A |
| 5 | AM 2014 73171 A | 34 | AM 2014 73127 A |
| 5 | AM 2014 73645 A | 34 | AM 2014 73128 A |
| 9 | AM 2014 73441 A | 35 | AM 2014 67747 A |
| 10 | AM 2014 73171 A | 35 | AM 2014 72432 A |
| 11 | AM 2014 72490 A | 35 | AM 2014 73039 A |
| 12 | AM 2014 71624 A | 35 | AM 2014 73566 A |
| 29 | AM 2014 67747 A | 35 | AM 2014 73567 A |
| | | 37 | AM 2014 73039 A |
| | | 43 | AM 2014 71311 A |
| | | 43 | AM 2014 71619 A |
| | | 43 | AM 2014 72432 A |

**CONCORDANCE TABLE OF INDEX OF GOODS AND/OR SERVICES
AND NUMBERS OF TRADEMARKS REGISTERED ACCORDING
TO THE ACCELERATED PROCEDURE**

| INDEX OF GOODS AND/OR SERVICES (511) | NUMBER OF REGISTERED ACCORDING TO THE ACCELERATED PROCEDURE (111) |
|---|---|
| 2 | M 2014 24784 R |
| 5 | M 2014 24721 R |
| 29 | M 2014 24724 R |
| 30 | M 2014 24785 R |
| 33 | M 2014 24718 R |
| 33 | M 2014 24786 R |
| 33 | M 2014 24787 R |
| 35 | M 2014 24721 R |
| 35 | M 2014 24785 R |
| 36 | M 2014 24723 R |
| 41 | M 2014 24782 R |
| 43 | M 2014 24782 R |
| 43 | M 2014 24783 R |
| 43 | M 2014 24788 R |
| 44 | M 2014 24719 R |
| 44 | M 2014 24720 R |
| 44 | M 2014 24722 R |
| 44 | M 2014 24725 R |

OFFICIAL BULLETIN OF THE INDUSTRIAL PROPERTY

10(398)

EDITOR-IN-CHIEF: N. Bebrishvili

EDITORS-TRANSLATORS: E. Gabunia
G. Nadareishvili

COMPUTER LAYOUT: K. Svanidze