



**NATIONAL INTELLECTUAL PROPERTY CENTER OF GEORGIA  
SAKPATENTI**

**OFFICIAL BULLETIN  
OF THE INDUSTRIAL PROPERTY**

**1(341)**

**2012  
TBILISI**

# INID CODES FOR IDENTIFICATION OF BIBLIOGRAPHIC DATA

## INVENTIONS, UTILITY MODELS

- (10) Number of publication for application, which has been examined
- (11) Number of patent and kind of document
- (21) Serial number of application
- (22) Date of filing of the application
- (23) Date of exhibition or the date of the earlier filing and the number of application, if any
- (24) Date from which patent may have effect
- (31) Number of priority application
- (32) Date of filing of priority application
- (33) Code of the country or regional organization allotting priority application number
- (44) Date of publication of application not granted, but examined and number of bulletin
- (45) Date of publication of registered document
- (51) International Patent Classification Index
- (54) Title of the invention
- (57) Abstract
- (60) Number of examined patent document granted by foreign patent office, date from which patent has effect and country code
- (62) Number of the earlier application and in case of divided application, date of filing an application
- (71) Name, surname and address of applicant (country code)
- (72) Name, surname of inventor (country code)
- (73) Name, surname and address of patent owner (country code)
- (74) Name, surname of representative or patent attorney
- (85) Date of commencement of the national phase of International Application
- (86) Number and date of filing of international application
- (87) Number and date of publication of international application

## DESIGNS

- (10) Number of publication for application
- (11) Number of patent and kind of document or number of registration
- (15) Date of registration/Date of patent renewal
- (18) Expected expiration date of patent or registration
- (21) Serial number of application
- (22) Date of filing of the application
- (23) Date of exhibition or the date of the earlier filing and the number of application, if any
- (24) Date from which patent may have effect
- (28) Number of designs included in the application
- (30) Data relating to priority (number of application, date of filing of application, two-letter code identifying the authority with whom the priority application was made)
- (31) Number of priority application
- (32) Date of filing of priority application
- (33) Code of the country or regional organization allotting priority application number
- (34) Two-letter code according to WIPO St.3 identifying the authority with which the priority application was made
- (44) Date of publication of design and number of bulletin (the first publication)
- (45) Date of publication of design registered by WIPO and number of bulletin
- (51) International Classification for designs (class and subclass of the Locarno Classification)
- (54) Title of the invention
- (55) Reproduction of the design
- (57) Description of characteristic features of the design including indication of colors
- (58) Date of recording of any kind of amendment in the Register
- (62) Number of the earlier application, registration and document number and if available the date of filing an application in case of divided application
- (71) Name, surname and address of applicant (country code)
- (72) Name, surname of creator (country code)
- (73) Name, surname and address of patent owner (country code)
- (74) Name, surname of representative or patent attorney
- (81) Contracting states concerned
  - II designated contracting states according to the 1960 Act
  - III designated contracting states according to the 1999 Act
- (85) Owner's permanent address
- (86) Owner's nationality
- (87) Owner's residence
- (88) State in which the owner has a real and effective industrial or commercial establishment

## TRADEMARKS

- (111) – Number of registration
- (151) – Date of registration
- (156) – Date of the renewal
- (181) – Expected expiration date of registration
- (186) – Renewal expiration date of registration
- (141) – Date of cancel of duration of the mark
- (210) – Serial number of application
- (220) – Date of filing of the application
- (230) – Date concerning exhibition
- (260) – Number of application, for which favorable decision of examination about registration has been taken (publication number)
- (310) – Number of the first application
- (320) – Date of filing of the first application
- (330) – Code, identifying national or regional Office where the first application was made
- (511) – International Classification of Goods and Services for the purposes of registration of trade marks and/or list of goods and/or services classified according thereto
- (531) – Description of figurative elements of Trade Marks according to the International Classification of the Figurative Elements of Marks
- (540) – Reproduction of Trade Mark
- (550) – Nature and kind of Trade Mark
- (580) – Date of recording of any kind changes in respect of applications or registrations
- (591) – Information concerning colors claimed
- (731) – Name and address of the applicant
- (732) – Name and address of the holder of the registration
- (740) – Name and address of the representative
- (750) – Address for correspondence
- (770) – Name and address of the previous applicant or holder in case of change in ownership
- (771) – Previous name and address of the applicant or holder in case of change in ownership
- (791) – Name and address of the licensee
- (793) – Indication of conditions and/or restrictions under the license (Type of license, number of license agreement, data of license, data of validity of license)
- (800) – Certain data relating to the international registration of Trade Marks under the Protocol Relating to Madrid Agreement (International registration number)

## CODES FOR PUBLICATION IN BULLETIN

- (21) AP 0000 000000 – serial number of application for invention
- (10) AP 0000 0000 A – number of published application for invention (first publication)
- (11) P 0000 0000 B – number of patent for invention (second publication)
- (21) API 0000 000000 – number of application for imported patent
- (11) PI 0000 0000 A – number of imported patent (first publication)
- (21) AU 0000 000000 – serial number of application for utility model
- (10) AU 0000 000 U – number of published application for utility model (first publication)
- (11) U 0000 000 Y – number of patent for utility model (second publication)
- (21) AD 0000 000000 – serial number of application for design
- (10) AD 0000 000 S – number of published application for design (first publication)
- (11) D 0000 000 S – number of patent for design (second publication)

## INTERNATIONAL PATENT CLASSIFICATION FOR INVENTIONS AND UTILITY MODELS

- SECTION A – HUMAN NECESSITIES
- SECTION B – PERFORMING OPERATIONS; TRANSPORTING
- SECTION C – CHEMISTRY; METALLURGY
- SECTION D – TEXTILES; PAPER
- SECTION E – FIXED CONSTRUCTIONS
- SECTION F – MECHANICAL ENGINEERING; LIGHTING; HEATING; WEAPONS; BLASTING
- SECTION G – PHYSICS
- SECTION H – ELECTRICITY

- 
- M – Trade Mark
  - (210) AM 0000 000000 – Serial number of application;
  - (260) AAM 0000 00000 A – Publication number of application;
  - (111) M 0000 00000 R – Number of registration;
  - (111) MMM0000 00000 Rn – Number of renewals, in which n=1,2,3;
  - (111) M 0000 00000 R(P) – Number of registration under partial assignment of rights
-



**NATIONAL INTELLECTUAL PROPERTY CENTER OF GEORGIA  
SAKPATENTI**

**OFFICIAL BULLETIN  
OF THE INDUSTRIAL PROPERTY**

**1(341)**

**INVENTIONS  
UTILITY MODELS  
DESIGNS  
TRADEMARKS**

**DATE OF PUBLICATION  
2012 01 10**

# CONTENTS

<b>PUBLISHED TITLES OF PROTECTION .....</b>	<b>3</b>
<b>INVENTIONS</b>	
▪ Applications for inventions .....	4
▪ Patents for inventions .....	26
<b>UTILITY MODELS</b>	
▪ Applications for utility models .....	29
▪ Patents for utility models .....	31
<b>DESIGNS</b>	
▪ Applications for designs .....	32
▪ Designs registered according to the accelerated procedure .....	34
<b>TRADEMARKS</b>	
▪ National trademarks .....	37
▪ Registered trademarks .....	50
▪ Trademarks registered according to the accelerated procedure .....	55
▪ International trademarks laid open for the purpose of taking protection granting decisions .....	58
▪ International trademarks protected in Georgia .....	74
<b>OFFICIAL NOTIFICATIONS</b>	
<b>TRADEMARKS</b>	
▪ Renewal of registrations .....	78
▪ Complete transfer of rights .....	81
▪ Changes in names and/or addresses of owners .....	82
<b>CLASSIFICATION INDEXES</b>	
INVENTIONS .....	86
UTILITY MODELS .....	90
DESIGNS .....	91
TRADEMARKS .....	93

## **PUBLISHED TITLES OF PROTECTION**

### **INVENTIONS**

#### **▪ APPLICATIONS:**

11560; 11679; 11648; 11519; 11649; 11713; 11053; 11072; 11000; 11318; 10809; 11633; 11707; 11767; 11680; 10654; 11431; 11935; 11936; 10907; 11651; 12010; 11610; 11474; 11607; 11266; 11676; 10944; 11064; 11582; 11653; 11603; 10503; 11314; 11441; 10025; 10583; 11629; 11866; 11867; 11702; 9821; 9327; 11396; 11378; 11282; 10857; 10865; 10193; 11299; 11300; 10962; 9978; 10112; 10321; 10384

#### **▪ PATENTS:**

5368-5379

### **UTILITY MODELS**

#### **▪ APPLICATIONS:**

12041; 12206; 11973; 12191; 11972

#### **▪ PATENT:**

1693

### **DESIGNS**

#### **▪ APPLICATIONS:**

663; 651

#### **▪ DESIGNS REGISTERED ACCORDING TO THE ACCELERATED PROCEDURE:**

485, 486

### **TRADEMARKS**

#### **▪ NATIONAL TRADEMARKS:**

56986, 56987; 57459; 57797; 57802-57806; 58058; 58584-58586; 59198; 59493; 59972; 60915; 61197; 61326; 61328; 61608; 61752; 61935, 61936; 61964; 62027; 62029; 62047; 62079; 62096; 62103; 62112; 62114-62117; 62138; 62162; 62186; 62190; 62323-62325; 62448, 62449; 62451; 62601-62604; 62606-62609; 62614, 62615; 62623-62625; 62683; 62743; 62755-62757; 62769-62773; 62783-62785; 62797-72799; 62803; 62822; 62825-62828; 62908, 62909; 62911, 62912; 60041\*

#### **▪ REGISTERED TRADEMARKS:**

22055-22057; 22059-22101; 22103-22107

#### **▪ TRADEMARKS REGISTERED ACCORDING TO THE ACCELERATED PROCEDURE:**

22109-22114; 22116-22120; 22122

#### **▪ INTERNATIONAL TRADEMARKS LAID OPEN FOR THE PURPOSE OF TAKING PROTECTION GRANTING DECISIONS:**

59936; 61106; 61354; 61400, 61401; 61403-61414; 61458-61462; 61464, 61465; 61467; 61469-61473; 61547-61554; 61557-61561; 61638; 61644; 61646-61648; 61698, 61699; 61701; 61721; 61794; 61796; 61798; 61801; 61806, 61807; 61813, 61814; 61871-61873; 61875-61878; 61896; 61899-61906; 61913; 61976, 61977; 61979-61984; 61992, 61993; 61995-62004; 62034; 62052; 62072-62076; 62204-62213; 62215-62217; 62221, 62222; 62289; 62410-62412; 62443; 60020\*; 60501\*

#### **▪ INTERNATIONAL TRADEMARKS PROTECTED IN GEORGIA:**

60937-60946; 60951, 60952; 61060, 61061; 61063-61072; 61091, 61092; 61095; 61100; 61103; 61189-61193; 61196; 61199, 61200; 61202-61204; 61259-61268; 61271, 61272

# INVENTIONS

## APPLICATIONS LAID OPEN FOR THE PURPOSE OF TAKING PATENT GRANTING DECISIONS

To appeal a decision is possible at Chamber of Appeal of Sakpatenti within 3 months from the publication or at The Board of Administrative Actions of Tbilisi City Court within a 1 month period. (Address: 12 km., №6, David Aghmashenebeli Kheivani, Tbilisi).

### PART A

#### A 01

(10) AP 2012 11560 A (51) Int. Cl. (2006)  
A 01 D 46/24

- (21) AP 2009 011560 (22) 2009 11 12  
(71) Givi Saginashvili (GE);  
Pekinis k. 7, b.14, 0171, Tbilisi (GE);  
Nona Kirikashvili (GE);  
Moskovis gamz. 40a, b. 3, 0137, Tbilisi (GE)  
(72) Givi Saginashvili (GE);  
Nona Kirikashvili (GE)  
(54) **DEVICE FOR TAKING AWAY FRUITS  
FROM TREE**

(57) A device comprises a telescopic rod 2 with frame 3 attached thereon, an operating element and an electric drive, executed as a linear motor 7. The device is additionally supplied by control panel 11 of a remote control and by receiver 10 of infra-red rays having power supply device 14. The receiver is fixed on the frame and electrically coupled with the linear motor. The operating element is performed in the form of two levers 4 hingedly joined together by their ends. The middle part of one of the levers by means of axis is hingedly linked with the frame and on the end of another lever the axis is rigidly fastened on which the roller 6 is mounted. The roller is placed with a rotor of linear motor and located in a through vertical channel 5 performed in the frame, and has moving ability in a vertical plane.

Claims: 1 independent

Fig.: 2

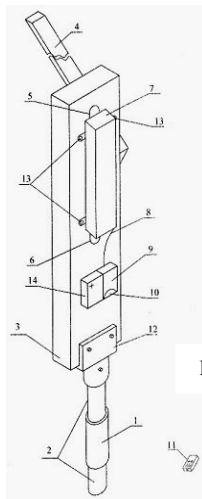


Fig. 2

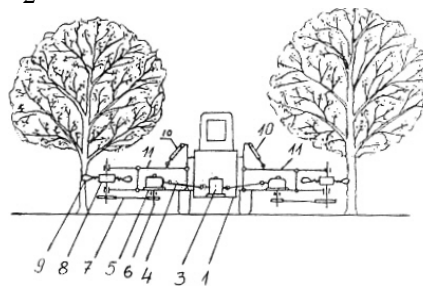
(10) AP 2012 11679 A (51) Int. Cl. (2006)  
A 01 D 46/26

- (21) AP 2010 011679 (22) 2010 02 05  
(71) Nugzar Ebanoidze (GE);  
Gugunava St. 22, 4618, Kutaisi (GE);  
Igor Tkebuchava (GE);  
Tsotne Dadianis k. 189, 5800, Khobi (GE);  
Zurab Ebanoidze (GE);  
Didi Digomi, I. Petrici St. 6, ap. 160,  
0131, Tbilisi (GE)  
(72) Nugzar Ebanoidze (GE);  
Igor Tkebuchava (GE);  
Zurab Ebanoidze (GE)  
(54) **DEVICE FOR SHAKING OFF FRUITS  
FROM TREES**

(57) A device contains a power source frame 1 and an operating element linked with drive 2 of power source. The operating element is arranged from both sides of drive, and executed in the form of drum 8 having a vertical rotation axis on which the elastic hammers 9 are fixed. The drums are connected with the drive by belt 7, conic 5 and cardan 4 gears and are installed on the parallelogram mechanisms 11 having hydro cylinder 10. The parallelogram mechanisms are connected with the frame of power source.

Claims: 1 independent

Fig.: 2



(10) AP 2012 11648 A (51) Int. Cl. (2006)  
A 01 G 31/00

- (21) AP 2010 011648 (22) 2010 01 18  
(71) Evgenij Ushveridze (GE);  
Pekinis k.13, b.57, 0171, Tbilisi (GE);  
Zurab Ushveridze (GE);  
Tsinamdzgvrishvilis k. 146, 0112, Tbilisi (GE);  
Kakhi Ushveridze (GE);  
Nino Ramishvilis k. 33, b.49, 0179, Tbilisi (GE);  
Slava Mebonia (GE)

Gldanis Khevi, korp. 3a, b. 55, 0153,  
Tbilisi (GE);  
Sandro Katamadze (GE)  
Pekinis k. 13, b. 57, 0171, Tbilisi (GE)

- (72) Evgenij Ushveridze (GE);  
Zurab Ushveridze (GE);  
Kakhi Ushveridze (GE);  
Slava Mebonia (GE);  
Sandro Katamadze (GE)

(54) **USHVERIDZE METHOD OF  
GARDENING IN HYDROPONICS  
VERTICAL MODULE WITH  
INCLINED SIDES**

(57) A method provides sowing a seed matter into the seed pockets executed in an external layer of module consisting of at least two layers. It also provides watering and fertilizing by nutrient solution supplement top-down in an area between external and internal water-resistant layers. At that, the seed matter is sowed from both sides of module – on the external, inclined under definite certain angle in respect to vertical of a textile layer which is always illuminated, and the internal water-resistant textile layer is always darkened. The nutrient solution is delivered to the upper zone of the module and the lower zone is for sowing.

Claims: 1 independent

## A 23

(10) **AP 2012 11519 A** (51) **Int. Cl. (2006)  
A 23 F 3/00**

- (21) AP 2009 011519 (22) 2009 10 20  
(71) Soso Guruli (GE)  
Metsnierebis St. 12, Anaseuli 3503,  
Ozurgeti (GE);  
Temur Revishvili (GE)  
Metsnierebis St. 9., Anaseuli, 3503,  
Ozurgeti (GE);  
Bakhva Dolidze (GE)  
Shemokmedelis Str. 32, 3500, Ozurgeti (GE);  
Zurab Andghuladze (GE)  
Sop. Dzimiti, 3526, Ozurgetis r-ni  
Ingush Choladze (GE)  
Metsnierebis St. 3, Anaseuli, 3503,  
Ozurgeti (GE)  
(72) Soso Guruli (GE);  
Temuri Revishvili (GE);  
Bakhva Dolidze (GE);  
Zurab Andghuladze (GE);  
Ingush Choladze (GE)

(54) **MACHINE FOR PLANT RAW DRYING**

(57) A machine contains the units 16 and 17 to heat and charge a heat carrier, an oval drying chamber 1 with the horizontal 7 and vertical 8 partitions, by means of which the chamber is divided into sections, an unit 14 for discharging and clearance of exhausted heat carrier, a feed conveyor 9 with

the IR lamps 10 placed above it. The conveyors 2, 3, 4, 5 and 6 with the perforated plates are located in the chamber by a tiered way. Diameters of perforation openings of those plates are decreasing top-down. A sluice lock 11 is located in the place of connection of feed conveyor with the drying chamber. The machine is provided with the unit 15 for decreasing the heat carrier humidity regeneration, and with a mechanism 21 for regulation of heat carrier delivery.

Claims: 1 independent  
2 dependent

Fig.: 1

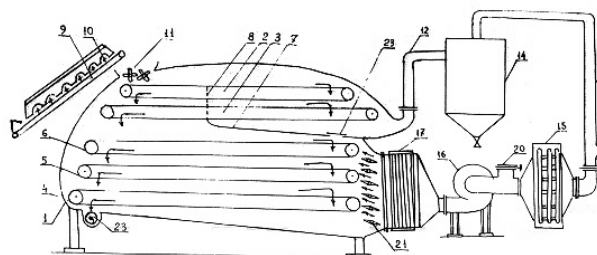


Fig. 1

(10) **AP 2012 11649 A** (51) **Int. Cl. (2006)  
A 23 F 3/00**

- (21) AP 2010 011649 (22) 2010 01 18  
(71) Ingush Choladze (GE)  
Metsnierebis St. 3, Anaseuli, 3503,  
Ozurgeti (GE)  
Temur Revishvili (GE)  
Universiteti St. 9, Anaseuli, 3503,  
Ozurgeti (GE);  
Tamaz Mikadze (GE)  
Tseretlis k. 276 a/31, 4600, Kutaisi (GE);  
Soso Guruli (GE)  
Universiteti St. 12, Anaseuli, 3503,  
Ozurgeti (GE);  
Bakhva Dolidze (GE)  
I. Shemokmedelis St. 32, 3500,  
Ozurgeti (GE);  
Mirza Choladze (GE)  
Metsnierebis St. 3, Anaseuli, 3503,  
Ozurgeti (GE)  
(72) Ingush Choladze (GE);  
Temur Revishvili (GE);  
Tamaz Mikadze (GE);  
Soso Guruli (GE);  
Bakhva Dolidze (GE);  
Mirza Choladze (GE)

(54) **TEA DRYING MACHINE**

(57) A machine comprises a drying chamber 2 having the heat-insulated walls. Inside of chamber are located four lamellar conveyors 3, an air injection ventilator 9, an electro heater 8 for thermal agent heating, an air channel 7 for thermal agent supply and the sluice gates 5 and 6 placed in the upper and the lower parts of the chamber. A collecting-drawing out



cap 10 for an exhaust air having a rectangular form in the cross-section is installed above the chamber. The lower surface 19 of cap on adjacent with the drying chamber site is perforated by the round openings, diameter of which is gradually decreasing towards of thermal agent bleed exhaust. The cap is linked with the sluice gate by the chamber blank walls and a diffuser 11 of a pyramidal form. The diffuser is linked with a ventilator 13 by an air channel 12; one branch 15 of extracting air channel 14 is linked with a delivery ventilator by a regulative lock 16, and another branch 17 with a regulative lock 18 passing to atmosphere.

Claims: 1 independent

Fig.: 2

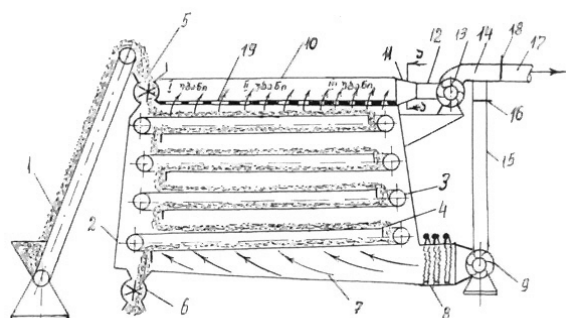


Fig. 1

(10) AP 2012 11713 A (51) Int. Cl. (2006) A 23 N 5/00

(21) AP 2010 011713 (22) 2010 03 05

(71) Nugzar Ebanoidze (GE)

Gugunava St. 22, 4618, Kutaisi (GE);

Zurab Ebanoidze (GE)

Didi Dighomi, I. Petritsi St. 6, ap. 160, 0131, Tbilisi (GE)

(72) Nugzar Ebanoidze (GE);

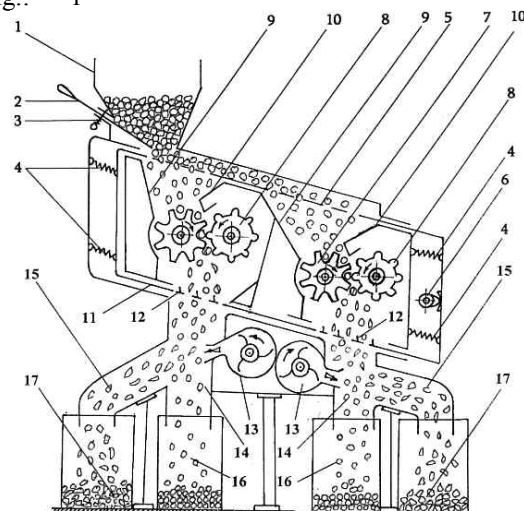
Zurab Ebanoidze (GE)

(54) **DEVICE FOR HAZELNUT-FILBERT CRACKING**

(57) A device contains a carcass, an inclined lattice platform 5 connected with it by means of springs 4, an oscillator linked with the platform, an operating element tied with a drive and a device for hazel core separation from nutshell. The oscillator is carried out in the form of unbalanced mass vibration generator 6 fixed on the lattice platform, and the driven element – in the form of pair of rolls 7 and 8, having some grooves of various forms, arranged under the lattice platform. The guides 9 and 10 are rigidly fastened on the carcass above the operating element, and an inclined frame 11 which is rigidly linked with the lattice platform is executed under it. The inclined frame has a perforation and the vertical plates 12 in the zone of the operating element.

Claims: 1 independent

Fig.: 1



### A 43

(10) AP 2012 11053 A (51) Int. Cl. (2006)

A 43 B 7/12

A 43 B 13/12

B 29 D 31/518

(21) AP 2006 011053 (22) 2006 06 20

(31) PCT/EP/2006/005906

(32) 2006 06 20

(33) EP

(71) GEOX S.P.A. (IT)

Via Feltrina Centro, 16, I-31044 Montebelluna,

Località Biadene (Treviso) (IT)

(72) POLEGATO MORETTI, Mario (IT)

(74) Alexander Gegechkori

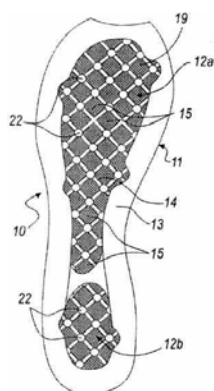
(85) 2009 01 12

(86) PCT/EP2006/005906, 2006 06 20

(54) **VAPOR-PERMEABLE ELEMENT TO BE USED IN COMPOSING SOLES FOR SHOES, SOLE PROVIDED WITH SUCH VAPOR-PERMEABLE ELEMENT, AND SHOE PROVIDED WITH SUCH SOLE**

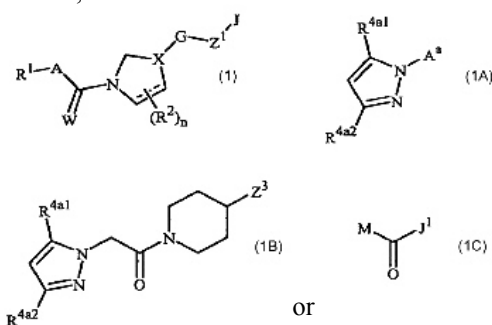
(57) A vapor-permeable element (10, 210, 310, 410, 510, 610) of soles for shoes comprises: a supporting frame (11, 211, 311, 411), which essentially delimits at least one large through hole (12, 512), a membrane (17, 117), which is impermeable to water and vapor-permeable and arranged above the supporting frame so, as to cover at least one large through hole (12, 512), one vapor-permeable or perforated protective layer (19) for the membrane, which is arranged between the supporting frame and the membrane so, as to cover at least one large through hole. The membrane and the protective layer are joined at least at the perimetric edges to each other and to said supporting frame. At least one protective layer with the protector connected with the sole is available for contact with the ground during use of the sole.

Claims: 3 independent  
19 dependent  
Fig.: 12



**A 61**

(10) AP 2012 11072 A (51) Int. Cl. (2006)  
A 61 K 31/454  
(21) AP 2007 011072 (22) 2007 07 27  
(31) 60/833,824; 60/897,173; PCT/US2007/014647  
(32) 2006 07 27; 2007 01 24; 2007 06 22  
(33) US; US; US  
(71) E. I. DU PONT DE NEMOURS AND  
COMPANY (US)  
1007 Market Street, Wilmington, Delaware  
19898 (US)  
(72) PASTERIS, Robert, James (US)  
HANAGAN, Mary, Ann (US)  
SHAPIRO, Rafael (US)  
(74) Tamaz Shilakadze  
(85) 2009 01 20  
(86) PCT/US2007/016875, 2007 07 27  
(54) **FUNGICIDAL AZOCYCLIC AMIDES**  
(57) An invention concerns compounds of formula 1,  
1A and 1C,



all their geometrical stereo isomeric forms, N-oxides and salts. The values R<sup>1</sup>, R<sup>2</sup>, R<sup>4a1</sup>, R<sup>4a2</sup>, A, A<sup>a</sup>, G, M, W, Z<sup>1</sup>, Z<sup>3</sup>, X, J, J<sup>1</sup> and n are such, that defined in the disclosure of invention. As well as it concerns compositions, which contain the compounds of formula 1, and a method for controlling plant disease caused by a fungal pathogen.  
Claims: 6 independent  
17 dependent

(10) AP 2012 11000 A (51) Int. Cl. (2006)  
A 61 K 35/74  
A 61 P 1/06  
C 12 N 1/20  
A 61 K 47/44  
C 07 K 14/335  
C 12 R 1/225

(21) AP 2007 011000 (22) 2007 05 30  
(31) 11/446,628  
(32) 2006 06 05  
(33) US  
(71) BIOGAIA AB (SE)  
Kungsbroplan 3A, P.O. Box 3242, SE-103 64  
Stockholm (SE)  
(72) CONNOLLY, Eamonn (GB);  
MÖLLSTAM, Bo (SE)  
(74) Shalva Gvaramadze  
(85) 2008 12 05  
(86) PCT/SE2007/050371, 2007 05 30  
(54) **USE OF SELECTED LACTIC ACID  
BACTERIA FOR REDUCING INFANTILE  
COLIC**

(57) There is provided certain strains of bacteria Lactobacillus reuteri DSM 17938. Said strain is used for preparation of medicament for reducing infantile colic.  
Claims: 4 independent  
3 dependent  
Fig.: 2

(10) AP 2012 11318 A (51) Int. Cl. (2006)  
A 61 K 36/00

(21) AP 2009 011318 (22) 2009 06 18  
(31) 102008002685.9  
(32) 2008 06 26  
(33) DE  
(71) STEIGERWALD ARZNEIMITTELWERK  
GMBH (DE)  
PavelStrasse 5, 64295 Darmstadt (DE)  
(72) KUPER, Willi (DE);  
BECKER, Wulf (DE)  
(74) David Zurabishvili  
(54) **METHOD FOR THE PRODUCTION OF A  
PLANT-BASED MEDICAMENT**

(57) To prepare the medicament the alcoholic extracts of roots of Angelica and roots of licorice Glycyrrhiza glabra are mixed. Then the obtained mixture is mixed with the alcoholic extracts of Clown's mustard Iberis amara, leaves of peppermint Menthe piperita, flowers of horse gowan Matricaria chamomilla, fruits of caraway Carum carvi, leaves of Melissa officinalis, fruits of thistle Carduus marianus and celandine Chelidonium majus. The medicament produced according to this method is used for treatment of diseases of gastrointestinal tract.  
Claims: 3 independent  
31 dependent  
Fig.: 2

(10) AP 2012 10809 A (51) Int. Cl. (2006)

A 61 P 19/08

A 61 K 35/04

A 61 P 39/395

(21) AP 2007 010809 (22) 2007 01 12

(31) 60/759,216

(32) 2006 01 13

(33) US

(71) NOVARTIS AG (CH)

Lichtstrasse 35, CH-4056 Basel (CH)

(72) SHULOK, Janine (US);

CONG, Feng (CN);

FISHMAN, Mark (US);

ETTENBERG, Seth (US);

BARDROFF, Michael (DE);

DONZEAU, Mariel (FR);

URLINGER, Stefanie (DE)

(74) Alexander Kartvelishvili

(85) 2008 07 11

(86) PCT/US2007/000777, 2007 01 12

(54) **COMPOSITIONS OF ANTIBODIES OF DICKKOPF-1 AND USE THEREOF**

(57) There are provided isolated human antibodies, which specifically bind epitope in human polypeptide of DKK1 and/or DKK4 to KD140pm or less affinity and inhibit the tumor growth.

Claims: 26 independent

27 dependent

Fig.: 14

## PART B

### B 01

(10) AP 2012 11633 A (51) Int. Cl. (2006)  
B 01 D 25/00

(21) AP 2010 011633 (22) 2010 01 08

(71) Giorgi Miruashvili (GE)

Dolidze St. 132, 0171, Tbilisi (GE)

(72) Giorgi Miruashvili (GE)

(54) **PRESS-FILTER OF PERIODICAL ACTION**

(57) A press-filter comprises a frame 1, the pressure chambers 17 and 18, the pressure plates 4, 5, 6 and 7. The filter plates 19 are disposed in series between the pressure plates. The filter plates are capable of longitudinal movement by means of drive 8, 9, 10 and 11 tied with the pressure plates. The bottom of pressure chambers is perforated and the filter plates are made of elastic matter and the perforated hollow conic fingers 22 are attached thereon on which the nets 26 are set. The nets disposed from one side of pressure chambers having individual drives 28 are tied with each other by means of flexible elements 25.

Claims: 1 independent

Fig.: 12

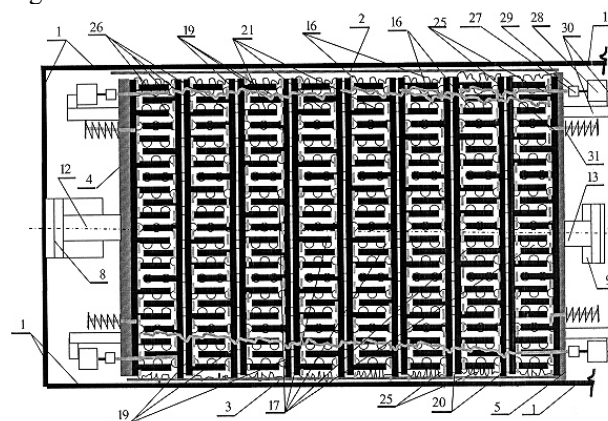


Fig. 1

### B 21

(10) AP 2012 11707 A (51) Int. Cl. (2006)  
B 21 B 1/02

(21) AP 2010 011707 (22) 2010 03 01

(71) Jemal Lomsadze (GE)

Z. Panaskerteli St. 19, b.170, 0194, Tbilisi (GE);

Merab Mikautadze (GE)

Petriashvilis 32, b.5, 0179, Tbilisi (GE);

Zurab Lomsadze (GE)

Gldanis II mkr., korp.29a, b. 61, 0167, Tbilisi (GE);

Slava Mebonia (GE)

Gldanis Khevi, korp. 3a, ap. 55, 0153, Tbilisi (GE);

Sandro Katamadze (GE)

Pekinis k. 13, b. 57, 0171, Tbilisi (GE)

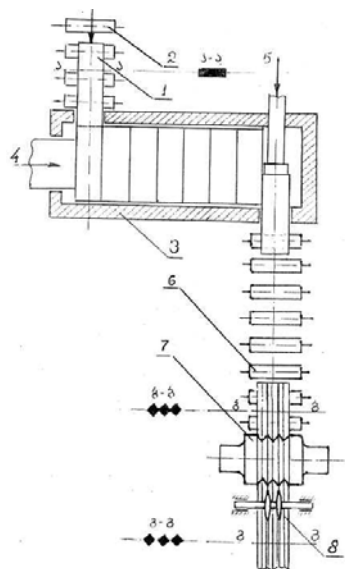
- (72) Jemal Lomsadze (GE);
- Merab Mikautadze (GE);
- Zurab Lomsadze (GE);
- Slava Mebonia (GE);
- Sandro Katamadze (GE)

**(54) METHOD OF SQUARE PROFILE ROLLING PRODUCTION**

(57) A method provides receiving a cast 1 of small section of rectangular profile directly by continuous casting. The cast is additionally heated in an oven 3 up to the rolling temperature and it is rolled up to finishing pass only on a reverse mill 7 at least by its passing into two-stream square caliber to receive the square profiles tied to each other by edges, at that, together with finishing pass square profile rolling is separated from each other by means of clippers 8 installed behind the mill.

Claims: 1 independent

Fig.: 1



**B 25**

- (10) AP 2012 11767 A (51) Int. Cl. (2006)**  
**B 25 J 9/00**  
**F 16 H 21/00**

- (21) AP 2010 011767 (22) 2010 04 23
- (71) Nodar Davitashvili (GE)  
 Vazha-Pshavelas gamz., VII kvart., korp. 10, b. 7, 0186, Tbilisi (GE)

- (72) Nodar Davitashvili (GE)

**(54) MANIPULATORS**

(57) A manipulator contains a spatial five-sectional mechanism executed in the form of two driving sections 2 and 5 with which two rods 3 and 4 are hingedly linked by a motionless section 1. Those rods (3 and 4) are connected with each other by means of spherical kinematical pairs. At that, one rod is extended over the spherical kinematical pair connecting rods so, that a capture M is located on its

endpoint. The capture M at the existence of the rods of same sizes has capability of describing various spatial trajectories in the operation zone by changing speed of rotation of driving links of initial positions and of transmission ratio. The hinged link is executed by means of rotary and spherical and/or rotary, spherical, advancing and cylindrical pairs.

Claims: 1 independent

Fig.: 8

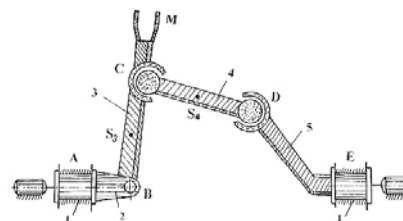


Fig. 1

**B 28**

- (10) AP 2012 11680 A (51) Int. Cl. (2006)**  
**B 28 C 5/18**  
**B 28 C 5/42**

- (21) AP 2010 011680 (22) 2010 02 08
- (71) Teimuraz Davitashvili (GE)  
 Gonashvilis k., korp. 5, b. 36, 0190, Tbilisi (GE)

- (72) Teimuraz Davitashvili (GE)

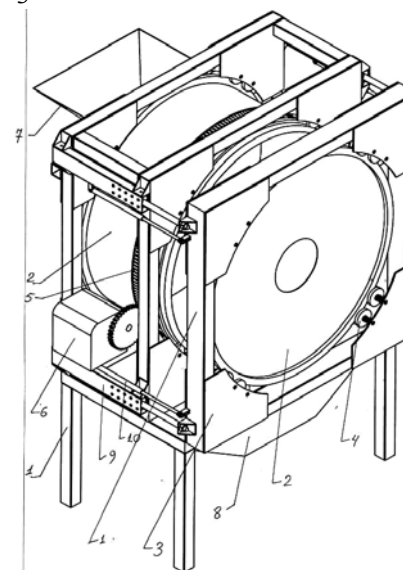
- (74) Khatuna Imnadze

**(54) MIXING DEVICE**

(57) A device contains a bed 1, a drum 2, loading 7 and unloading 8 bunkers, a delivery pipe 11, thus the drum from within is covered with a plastic material, has a door 3 capable of movement which is connected with rails 9; and the delivery pipe is capable of water and/or air delivery and is mounted in the door.

Claims: 1 independent

Fig.: 3



**B 64**

(10) AP 2012 10654 A (51) Int. Cl. (2006)  
B 64 C 39/00

(21) AP 2008 010654 (22) 2008 04 21

(71) David Nadaraja (GE)  
Panaskertelis k. korp. 1, b. 188, 0194,  
Tbilisi (GE)

(72) David Nadaraja (GE)

(54) **NADARAJA HELICOPTER**

(57) A helicopter contains a fuselage 1 with a lifting rotor 5 and a pilot cabin 2, a tail-end 3 with the steering-wheel 6 and an engine 4. The lifting rotor and the tail-end are connected with the steering-wheel and the fuselage by quick-disconnect connector 7. Above the fuselage the parachute 9 is mounted and a cumulative explosive means 10 to activate it, and on each side of the fuselage, under windows 11 there are inflatable tanks 12; on the bottom surface of the fuselage the jet engine 13 is mounted; besides, on the lifting rotor and the tail-end the remote explosive assembly 14 is located, which can be controlled from the pilot cabin.

Claims: 1 independent

Fig.: 3

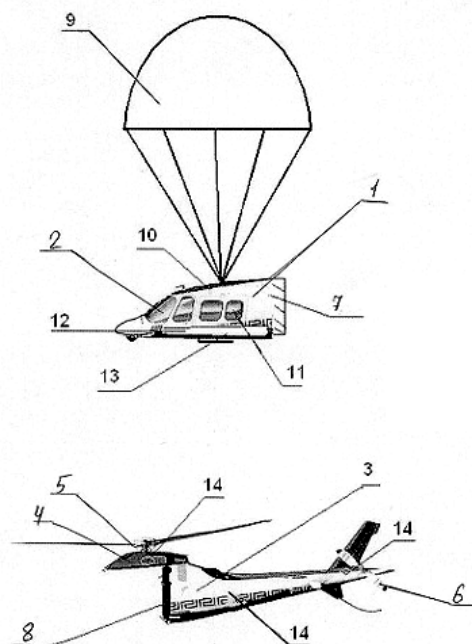


Fig. 3

**B 65**

(10) AP 2012 11431 A (51) Int. Cl. (2006)  
B 65 G 25/01

(21) AP 2009 011431 (22) 2009 08 19

(71) Zaur Balamtsarashvili (GE)  
Sabutralo St. 37, ap. 12, 0160, Tbilisi (GE);  
Zaur Chitidze (GE)

Tarkhnishvili St. 16, ap. 19, 0179,  
Tbilisi (GE);

Igor Gelashvili (GE)

Rustavi Highway 28a, ap.1, 0165, Tbilisi (GE);

Alexander Gelashvili (GE)

Rustavi Highway 28a, ap.1, 0165, Tbilisi (GE)

(72) Zaur Balamtsarashvili (GE);

Zaur Chitidze (GE);

Igor Gelashvili (GE);

Alexander Gelashvili (GE)

(54) **STEP-MOTION CONVEYOR OF  
AUTOMATIC MACHINE FOR  
CUTTING ORNAMENT**

(57) A spring loaded 61 double-arm rocker 55 is hingedly installed in the end of conveyor on a guiding 29 for raw material transfer. Its shorter arm 56 by its contact part is engaged with the contact part installed on the one of pushers of conveyor chain, and the longer arm 57 of rocker is supplied by an arrow 59 which is linked with a circular limb 58 – a step error indicator fixed into the hinge center. At that, an abrasion-resistant ball 62 is set into the contact part of rocker, and an abrasion-resistant plate 63 is fixed on the contact part of chain pusher 28.

Claims: 1 independent

1 dependent

Fig.: 3

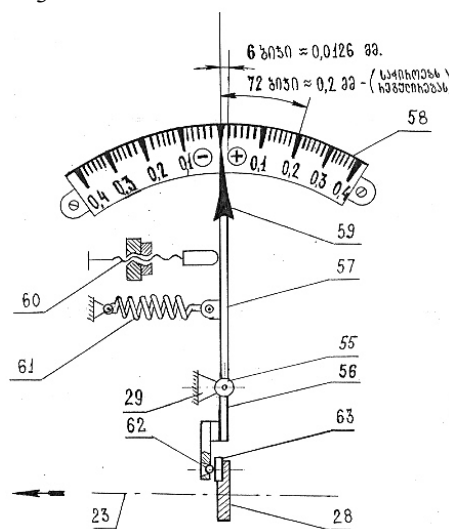


Fig. 3

**PART C**

**C 07**

(10) AP 2012 11935 A (51) Int. Cl. (2006)  
C 07 C 241/02

C 07 C 243/40

(21) AP 2009 011935 (22) 2009 02 19

(31) P-08-22; P-08-23

(32) 2008 02 19; 2008 02 19

(33) LV; LV

(71) GRINDEKS, A JOINT STOCK COMPANY (LV)  
53, Krustpils street, LV-1057 Riga (LV)

(72) KALVINS, Ivars (LV);  
PUGOVICS, Osvalds (LV);  
CERNOBROVIJS, Aleksandrs (LV);  
IEVINA, Agnija (LV);  
LEBEDEVIS, Antons (LV)

(74) Khatuna Imnadze

(85) 2010 08 30

(86) PCT/EP2009/051995, 2009 02 19

(54) **CARBONIC AND SULPHURIC ACID SALTS OF 3-(2,2,2-TRIMETHYLHYDRAZINIUM) PROPIONATE ESTERS AND THEIR USE FOR 3-(2,2,2-TRIMETHYLHYDRAZINIUM) PROPIONATE DIHYDRATE PREPARATION**

(57) The present invention relates to carbonic and sulphuric salts of 3-(2,2,2-trimethylhydrazinium) propionate esters and their use for the preparation of 3-(2,2,2-trimethylhydrazinium) propionate dihydrate.

Claims: 3 independent

35 dependent

**(10) AP 2012 11936 A (51) Int. Cl. (2006)  
C 07 C 241/02  
C 07 C 243/40**

(21) AP 2009 011936 (22) 2009 02 19

(31) P-08-22; P-08-23

(32) 2008 02 19; 2008 02 19

(33) LV; LV

(71) GRINDEKS, A JOINT STOCK COMPANY (LV)  
53, Krustpils street, LV-1057 Riga (LV)

(72) KALVINS, Ivars (LV);  
LEBEDEVIS, Antons (LV);  
IEVINA, Agnija (LV);  
CERNOBROVIJS, Aleksandrs (LV);  
PUGOVICS, Osvalds (LV)

(74) Khatuna Imnadze

(85) 2010 08 30

(86) PCT/EP2009/051996, 2009 02 19

(54) **A ONE-POT PROCESS FOR PREPARING 3-(2,2,2-TRIMETHYLHYDRAZINIUM) PROPIONATE DIHYDRATE**

(57) The present invention relates to one-pot process for preparing 3-(2,2,2-trimethylhydrazinium) propionate dihydrate from 3-(2,2-dimethylhydrazino) propionate esters with application of dimethyl carbonate as an intermediate compound.

Claims: 1 independent

7 dependent

**(10) AP 2012 10907 A (51) Int. Cl. (2006)  
C 07 D 207/09  
A 61 K 31/40**

(21) AP 2008 010907 (22) 2008 09 16

(31) 07.06629

(32) 2007 09 21

(33) FR

(71) LES LABORATOIRES SERVIER (FR)  
12, Place ge la Defense, F-92415 Courbevoie Cedex (FR)

(72) DE NANTEUIL, Guillaume (FR);

PORTEVIN, Bernard (FR);

GLOANEC, Philippe (FR);

PARMENTIER, Jean-Gilles (FR);

BENOIST, Alain (FR);

VERBEUREN, Tony (FR);

RUPIN, Alain (FR);

COURCHAY, Christine (FR);

SIMONET, Serge (FR)

(74) Tamaz Shilakadze

(54) **NEW ADDITION SALTS OF ANGIOTENSIN-CONVERTING ENZYME INHIBITORS WITH NO DONOR ACIDS, A PROCESS FOR THEIR PREPARATION AND PHARMACEUTICAL COMPOSITIONS CONTAINING THEM**

(57) Compounds of formula (I):

$$(A)_m \times (B)_n \quad (I)$$

wherein A represents an angiotensin-converting enzyme inhibitor compound containing at least one salt-forming basic function, B represents a compound containing at least one salt-forming acid function and at least one NO donor group, m represents the number of acid functions of B that have been converted to a salt and n represents the number of basic functions of A that have been converted to a salt, the bond or bonds between A and B being of the ionic type.

Claims: 6 independent

4 dependent

**(10) AP 2012 11651 A (51) Int. Cl. (2006)  
C 07 D 215/36  
C 07 D 409/12**

**A 61 K 31/4706**

**A 61 K 31/4709**

**A 61 P 25/00**

(21) AP 2008 011651 (22) 2008 06 17

(31) P07 00417; P08 00376

(32) 2007 06 18; 2008 06 12

(33) HU; HU

(71) RICHTER GEDEON NYRT. (HU)  
Gyömrői út 19-21 H-1103 Budapest (HU)

(72) GALAMBOS, János (HU);

KESERÜ, György (HU);

GÁL, Krisztina (HU);

VASTAG, Mónika (HU);

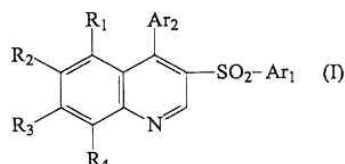
BOBOK, Amrita, Ágnes (HU);

WÉBER, Csaba (HU);

PRAUDA, Ibolya (HU);

WÁGNER, Gábor, András (HU)

- (74) Liliana Darakhvelidze  
 (85) 2010 01 18  
 (86) PCT/HU2008/000068, 2008 06 17  
 (54) **SULFONYL-QUINOLINE DERIVATIVES**  
 (57) New mGluR1 and mGluR5 receptor subtype preferring ligands of formula (I),

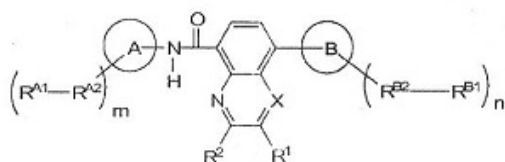


wherein R<sub>1</sub>-R<sub>4</sub>, Ar<sub>1</sub> and Ar<sub>2</sub> have values indicated in the claims, and/or salts and/or hydrates and/or solvates thereof; processes of their production and intermediates; pharmaceutical compositions comprising them and use thereof for treatment and/or prevention of such conditions, for which modulation of mGluR1 and mGluR5 receptors is required.  
 Claims: 16 independent  
 7 dependent

- (10) AP 2012 12010 A (51) Int. Cl. (2006)  
 C 07 D 215/48  
 C 07 D 241/44  
 C 07 D 403/12  
 C 07 D 403/14  
 A 61 K 31/4709  
 A 61 K 31/498  
 A 61 P 35/00

- (21) AP 2009 012010 (22) 2009 05 20  
 (31) 08156846.1  
 (32) 2008 05 23  
 (33) EP  
 (71) NOVARTIS AG (CH)  
 Lichtstrasse 35 CH-4056 Basel (CH)  
 (72) FURET, Pascal (FR);  
 GRAUS PORTA, Diana (ES);  
 GUAGNANO, Vito (IT)

- (74) Alexander Kartvelishvili  
 (85) 2010 11 22  
 (86) PCT/EP2009/056154, 2009 05 20  
 (54) **DERIVATIVES OF QUINOLINES AND QUINOXALINES AS PROTEIN TYROSINE KINASE INHIBITORS**  
 (57) The invention relates to compounds of formula (I),



wherein the substituents are as defined in the specification, in free form or in the form of a pharmaceutically acceptable salt, solvate, ester, N-oxide thereof; processes for the preparation thereof; to pharmaceuticals containing such compounds, in

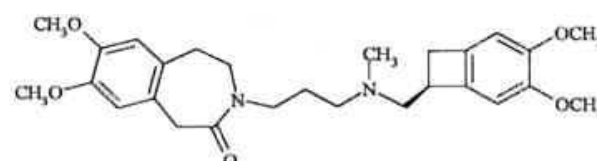
particular for the use in one or more Protein tyrosine kinase mediated diseases.  
 Claims: 10 independent  
 6 dependent

- (10) AP 2012 11610 A (51) Int. Cl. (2006)  
 C 07 D 223/16  
 A 61 K 31/55

- (21) AP 2009 011610 (22) 2009 12 18  
 (31) 08.07444  
 (32) 2008 12 24  
 (33) FR  
 (71) LES LABORATOIRES SERVIER (FR)  
 12, Place de la Defense, F-92415 Courbevoie Cedex (FR)  
 (72) PEGLION, Jean-Louis (FR);  
 DESSINGES, Aimée (FR);  
 SERKIZ, Bernard (FR);  
 LERESTIF, Jean-Michel (FR);  
 LECOUBE, Jean-Pierre (FR)

- (74) Tamaz Shilakadze  
 (54) **NEW PROCESS FOR THE SYNTHESIS OF IVABRADINE AND ADDITION SALTS THEREOF WITH A PHARMACEUTICALLY ACCEPTABLE ACID**

(57) An invention concerns a process for the synthesis of ivabradine of formula (I)



and pharmaceutically acceptable acid-addition salts thereof.

Claims: 2 independent  
 10 dependent

- (10) AP 2012 11474 A (51) Int. Cl. (2006)  
 C 07 D 237/28  
 C 07 D 401/04  
 C 07 D 401/06  
 C 07 D 401/12  
 C 07 D 401/14  
 C 07 D 403/12  
 C 07 F 9/58  
 C 07 D 405/14  
 C 07 D 417/14  
 C 07 D 487/04  
 C 07 D 491/048  
 C 07 D 498/14  
 C 07 D 237/30  
 A 61 K 31/502  
 A 61 K 31/4545

- (21) AP 2008 011474 (22) 2008 03 13

- (31) 60/894,991  
 (32) 2007 03 15  
 (33) US  
 (71) NOVARTIS AG (CH)  
 Lichtstrasse 35, CH-4056 Basel (CH)  
 (72) DAI, Miao (CN);  
 HE, Feng (CN);  
 JAIN, Rishi Kumar (IN);  
 KARKI, Rajesh (CA);  
 KELLEHER, Joseph, III (US);  
 LEI, John (CA);  
 LLAMAS, Luis (MX);  
 MCEWAN, Michael A. (US);  
 MILLER-MOSLIN, Karen (US);  
 PEREZ, Lawrence Blas (US);  
 PEUKERT, Stefan (DE);  
 YUSUFF, Naem (US)

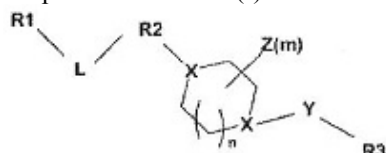
(74) Alexander Kartvelishvili

(85) 2009 09 15

(86) PCT/EP2008/053040, 2008 03 13

(54) **ORGANIC COMPOUNDS AND THERE  
 USAGE**

(57) A compound of formula (I)



(the values R1, R2, R3, X, Y, Z, L m and n are defined in the description), there pharmaceutically acceptable salts, pharmaceutical compositions containing them and the usage thereof for treatment of pathologies relating to the Hedgehog pathway.

Claims: 4 independent  
 6 dependent

(10) **AP 2012 11607 A** (51) **Int. Cl. (2006)**  
**C 07 D 295/155**  
**C 07 D 295/24**  
**A 61 K 31/495**  
**A 61 P 25/00**

- (21) AP 2008 011607 (22) 2008 05 15  
 (31) PO700353  
 (32) 2007 05 18  
 (33) HU  
 (71) RICHTER GEDEON NYRT. (HU)  
 Gyömrői út 19-21., H-1103 Budapest (HU)  
 (72) ÁGAINÉ CSONGOR, Éva (HU);  
 KIRSCHNER, Norbert, Antal (HU);  
 SCHMIDT, Éva (HU);  
 GYERTYÁN, István (HU);  
 KISS, Béla (HU)

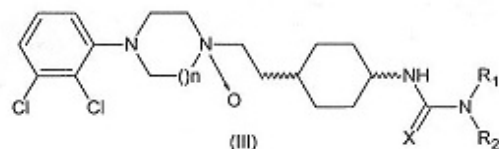
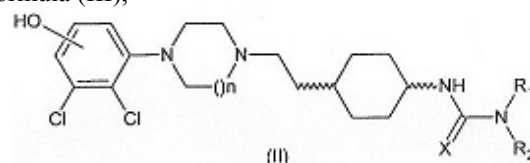
(74) Liliana Darakhvelidze

(85) 2009 12 17

(86) PCT/HU2008/000046, 2008 05 15

(54) **METABOLITES OF (THIO)  
 CARBAMOYL-CYCLOHEXANE  
 DERIVATIVES**

(57) A compound of formula (II) and compound of formula (III),



where X is O or S, n=1 or 2, R<sub>1</sub> and R<sub>2</sub> have values indicated in the claims, and/or geometrical isomers thereof, and/or diastereomers, and/or salts, and/or solvates, and/or hydrates, and/or polymorphs. A pharmaceutical composition is on a basis thereof.

Claims: 4 independent  
 4 dependent

Tables: 1

(10) **AP 2012 11266 A** (51) **Int. Cl. (2006)**  
**C 07 D 401/12**  
**C 07 D 403/06**  
**C 07 D 405/12**  
**C 07 D 413/06**  
**C 07 D 239/557**  
**C 07 D 239/545**  
**A 61 K 31/513**  
**A 61 P 35/00**

(21) AP 2007 011266 (22) 2007 10 22

(31) 60/862,569; PCT/US2007/082138

(32) 2006 10 23; 2007 10 22

(33) US; WO

(71) TAKEDA PHARMACEUTICAL COMPANY  
 LIMITED (JP)  
 1-1, Doshomachi 4-chome Chuo-ku, Osaka-shi,  
 Osaka 541-0045 (JP);

(72) DONG, Qing (CN);  
 FEHER, Victoria (US);  
 KALDOR, Stephen W. (US);  
 TOMITA, Naoki (JP)

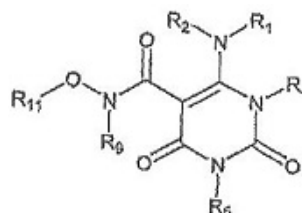
(74) Tamara Kochlamazashvili

(85) 2009 05 22

(86) PCT/US2007/082138, 2007 10 22

(54) **MARK/ERK KINASE INHIBITORS**

(57) An invention concerns the compounds with a general formula indicated below



pharmaceutical compositions and usage thereof for inhibition of mitogen-active protein kinases MEK at



treatment of cancerous hyper proliferative disorders and other diseases.

Claims: 3 independent  
24 dependent

Fig.: 11

(10) AP 2012 11676 A (51) Int. Cl. (2006)  
C 07 D 498/04  
A 61 K 31/553  
A 61 P 3/04  
A 61 P 3/10

(21) AP 2008 011676 (22) 2008 07 22

(31) 60/953,507; PCT/IB2008/001963

(32) 2007 08 02; 2008 07 22

(33) US; WO

(71) PFIZER PRODUCTS INC. (US)

Eastern Point Road, Groton, CT 06340 (US)

(72) DOW, Robert, Lee (US);

MUNCHHOF, Michael, John (US)

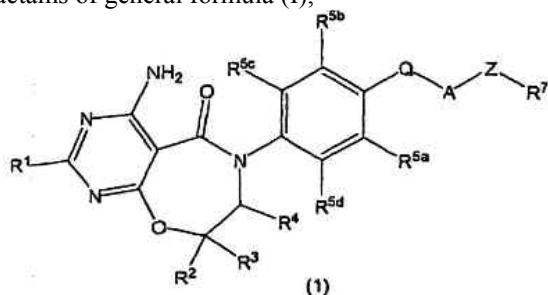
(74) Shalva Fvaramadze

(85) 2010 02 02

(86) PCT/IB2008/001963, 2008 07 22

(54) **SUBSTITUTED BICYCLOLACTAM COMPOUNDS**

(57) An invention concerns the derivative bicycle lactams of general formula (I),



wherein R<sup>1</sup>, R<sup>2</sup>, R<sup>3</sup>, R<sup>4</sup>, R<sup>5a</sup>, R<sup>5b</sup>, R<sup>5c</sup>, R<sup>5d</sup>, Q, A, Z and R<sup>7</sup> have values indicated in the claims; as well as pharmaceutically acceptable salts, compositions and the usage thereof for the treatment of diabetes and obesity.

Claims: 4 independent  
23 dependent

## C 11

(10) AP 2012 10944 A (51) Int. Cl. (2006)  
C 11 D 3/00

(21) AP 2007 010944 (22) 2007 03 28

(31) 60/788,243

(32) 2006 04 01

(33) US

(71) GALAXY BIOTECH, LLC (US)

22830 San Juan Road, Cupertino, California  
95014 (US)

(72) KIM, Kyung, Jin (US);

WANG, Lihong (CN);

PARK, Hangil (KR);

VASQUEZ, Maximiliano (US)

(74) George Meipariani

(85) 2008 10 23

(86) PCT/US2007/065385, 2007 03 28

(54) **HUMANIZED MONOCLONICAL ANTIBODIES TO HEPATOCYTE GROWTH FACTOR**

(57) An invention concerns the humanized antibodies HuL2G7, which are joined and neutralizing human hepatocyte growth factor. There are given completed amino-acid sequences of the variable parts of their heavy and light chains are and indicated those amino-acid substitutions, which were executed for humanization in corresponding mouse acceptor molecule L2G7. Said antibodies are used for cancer treatment, partly of glioblastom.

Claims: 8 independent

9 dependent

Fig.: 8

## C 12

(10) AP 2012 11064 A (51) Int. Cl. (2006)

C 12 N 9/20

C 07 K 14/39

C 12 P 21/02

C 12 N 1/16

A 61 K 38/46

(21) AP 2006 011064 (22) 2006 06 15

(71) LABORATOIRES MAYOLY

SPINDLER (FR)

6, Avenue de L'Europe, F-78400 Chatou (FR)

(72) LEBLOND, Yves (FR);

MOUZ, Nicolas (FR);

MART Alain (FR);

Jean-Louis URIBELARREA (FR)

(74) Shalva Gvaramadze

(85) 2009 01 15

(86) PCT/FR2006/001352, 2006 06 15

(54) **METHOD FOR PRODUCING LIPASE, TRANSFORMED YARROWIA LIPOLYTICA CELL CAPABLE OF PRODUCING SAID LIPASE AND THEIR USE**

(57) The invention refers to producing recombinant lipase by culturing the transformed cells of *Yarrowia lipolytica* in the culture medium without any products of animal origin or non-characterized mixtures consisting of proteins or decomposition products. The recombinant lipase preparation resistant to yeasts acid is obtained, which is used for preparing the medicament for treating fats malabsorption caused by insufficiency of pancreas.

Claims: 6 independent

8 dependent

Fig.: 6

## PART E

## E 02

(10) AP 2012 11582 A (51) Int. Cl. (2006)  
E 02 B 8/06

(21) AP 2009 011582 (22) 2009 11 30

(71) SSIP INSTITUTE OF WATER

ECONOMY (GE)

I. Chavchavadze gamz. 60. 0162, Tbilisi (GE);

Goga Chakhaia (GE)

Martqopis k. 16, 0103, Tbilisi (GE);

Robert Diakonidze (GE)

Gldanis mas., VIII mkr., korp. 23, b. 90, 0107,

Tbilisi (GE);

Levan Tsulukidze (GE)

Nutsubidzis perd. I mkr. korp. 1, b. 40, 0183,

Tbilisi (GE)

(72) Goga Chakhaia (GE);

Robert Diakonidze (GE);

Levan Tsulukidze (GE)

(54) ANTI-MUDFLOW STEPPED BARRAGE

(57) The barrage steps contain pairs of semi-cylindrical curvilinear elements 1, which are located under an obtuse angle in respect to the mudflow stream movement. The elements by some bases 4 are directed towards each other and by other bases are fixed on the mudflow-bed sides 5. The step elements curvature radiuses are increasing and the distances between them are decreasing along mudflow movement direction.

Claims: 1 independent

Fig.: 4

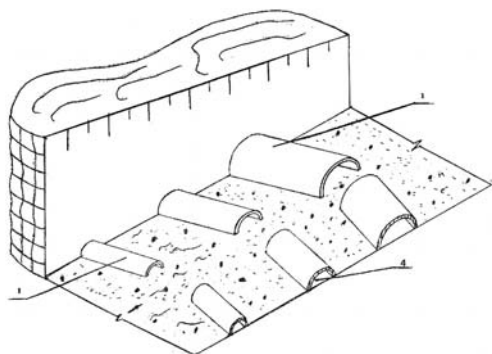


Fig. 1

(10) AP 2012 11653 A (51) Int. Cl. (2006)  
E 02 B 8/08

(21) AP 2010 011653 (22) 2010 01 20

(71) Anzor Chitanava (GE)

I.Chavchavadzis gamz. 39, b. 26, 0179,

Tbilisi (GE);

Ylon Gabrichidze (GE)

Nutsubidze St., 30, ap. 21, 0177, Tbilisi (GE);

Abram Chrelashvili (GE)

Al. Kazbegis gamz. 29/22, b.20, 0177,

Tbilisi (GE);

Anguli Tkebuchava (GE)

Nutsubidzis III mkr., I kvart., korp.15, b.31,

0177, Tbilisi (GE);

Vladimir Tatarishvili (GE)

Balanchivadzis k.43, 0171, Tbilisi (GE);

Irakli Mosavlidze (GE)

Nutsubidzis Plato, II mkr., II kvart., korp.12,

b.19, Tbilisi (GE)

(72) Anzor Chitanava (GE);

Ylon Gabrichidze (GE);

Abram Chrelashvili (GE);

Anguli Tkebuchava (GE);

Vladimir Tatarishvili (GE);

Irakli Mosavlidze (GE)

(54) FISH-PASSING CONSTRUCTION

(57) A construction comprises a fish-passing pipe 2, which is built to a dam 1 of reservoir 15 from outside, an upper chamber 3 built to the dam of reservoir and the valves 4 and 13 of hydraulic control located vertically on the outside wall of this chamber, a lower chamber 8 with a shield 9 for fish entrance. From one of the free sides of the lower chamber, a pipe 10 for system evacuation is taken out in the place of connection of which to the lower chamber the shield 11 is installed. In the order to accelerate the fish transfer process, the pipe 5 is taken out from the basis of the upper chamber by passing through the upper chamber supplies water into the lower chamber and in the zone of the upper chamber is provided with lever-operated gate and with electro-mechanical mechanism 7 of open-lock.

Claims: 1 independent

Fig.: 6

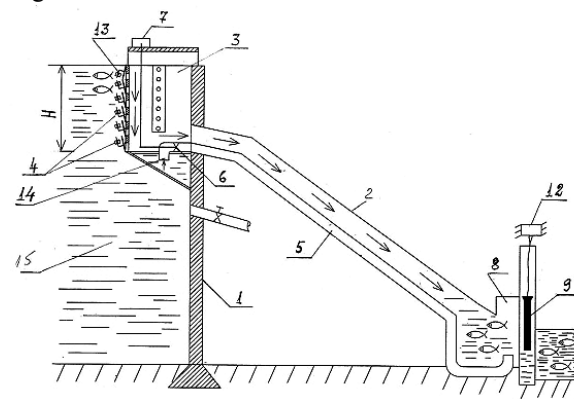


Fig. 1

## E 04

(10) AP 2012 11603 A (51) Int. Cl. (2006)  
E 04 H 9/10

(21) AP 2008 011603 (22) 2008 04 18

(31) 0709319.8; 0709569.8; 0800652.0; 0803661.8

(32) 2007 05 15; 2007 05 18; 2008 01 15;

2008 02 28

(33) GB; GB; GB; GB

(71) HESCO BASTION LIMITED (GB)  
 Unit 37 Knowshorpe Gate, Cross Green  
 Industrial Estate Leeds Yorkshire LS9 ONP (GB)

(72) HESELDEN, James (GB)

(74) Tamaz Shilakadze

(85) 2009 12 15

(86) PCT/GB2008/050275, 2008 04 18

(54) **PROTECTIVE SHELTER**

(57) A protective shelter comprises opposite outer walls (12a, 12b) and a roof between the walls. The roof contains plurality of tray members, arranged to receive earth, sand and another aggregate material to form internal case and to provide a first layer. The tray members are supported by beams (18, 20, 22) creating the shallow arcs transversely to the shelter, so, that the internal height of shelter centrally and away from the opposite walls is greater than the height of said walls.

Claims: 1 independent

21 dependent

Fig.: 16

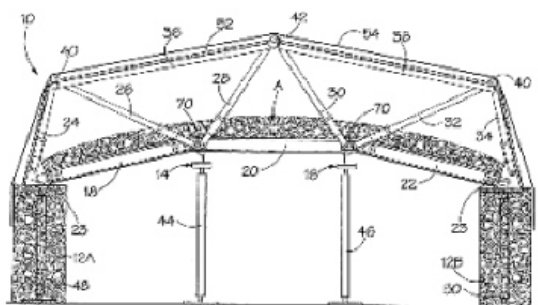


Fig. 1

**E 05**

(10) AP 2012 10503 A (51) Int. Cl. (2006)

E 05 C 9/04

E 05 B 15/10

E 05 B 59/00

(21) AP 2006 010503 (22) 2006 06 22

(31) 169398

(32) 2005 06 26

(33) IL

(71) MUL-T LOCK TECHNOLOGIES

LTD. (IL);

Mul-T-Lock Park, PO Box 637, 81 104

Yavne (IL)

(72) MATYKO, Adalbert (IL);

AKERMAN, Alex (IL)

(74) Tamara Kochlamazashvili

(85) 2008 02 08

(86) PCT/IL2006/000735, 2006 06 22

(54) **MORTISE LOCK**

(57) A mortise lock including a locking linking element 22 actable by a cylinder lock 14 arranged for movement in and out of a lock case in a first direction between locked and unlocked orientations, the

locking elements 26 and 28 which are actuated by said locking linking element and they are being arranged for movement in and out of the lock case between locked and unlocked orientations in a second direction, different from the direction of movement of locking linking element. Each locking element is guided to move towards the slots 48 formed in the said locking linking element. The locking linking element is formed by plates attached together and contains element 56 against breaking which is represented as tempered pins installed in the cavities 58 formed in the plates of said locked linked element. The slots 48 formed in the plates of the locked linked element at least partly coincide with each other.

Claims: 1 independent

6 dependent

Fig.: 8

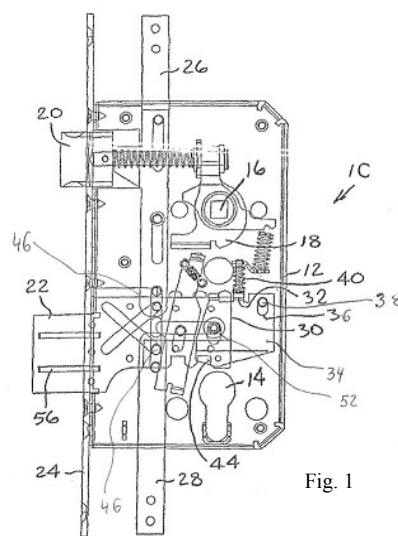


Fig. 1

**E 21**

(10) AP 2012 11314 A (51) Int. Cl. (2006)

E 21 B 33/13

(21) AP 2009 011314 (22) 2009 06 16

(71) Omar Mukbaniani (GE)

Choportis k.28, 0143, Tbilisi (GE);

Valerian Achelashvili (GE)

Vazisubani, I mkr., korp.20b, b.20, 0152,

Tbilisi (GE);

Nana Gogesashvili (GE)

Chitaia k. 7, 0102, Tbilisi (GE)

(72) Omar Mukbaniani (GE);

Valerian Achelashvili (GE);

Nana Gogesashvili (GE)

(54) **ISOLATION METHOD OF FORMATION WATER**

(57) The mix of organophenoxy-chlorine silanes and methylcellulose is injected in the bed of the oil well for isolation of the reservoir water stream.

Claims: 1 independent

**PART F**

**F 01**

(10) AP 2012 11441 A (51) Int. Cl. (2006)  
**F 01 L 7/02**  
**F 01 L 33/02**

(21) AP 2009 011441 (22) 2009 08 27

(71) Temur Darakhvelidze (GE)  
 Mkurnalis k.16, 4600, Kutaisi (GE);  
 Grisha Khelaia (GE)  
 Sop. Opurchkheti, 3900, Tsqaltubo (GE)

(72) Temur Darakhvelidze (GE);  
 Grisha Khelaia (GE)

(54) **ROTATING SLIDE VALVE OF  
 INTERNAL COMBUSTION ENGINE  
 CONTROL GEAR**

(57) A rotating slide valve comprises the grooves 7 and 8 executed on a shaft 5 and 6 with phase displacement. The basis of each groove is concave ovally 9 and its geometrical axis is parallel to the axis of said shaft, and the edges of grooves are rounded 10.

Claims: 1 independent

Fig.: 4

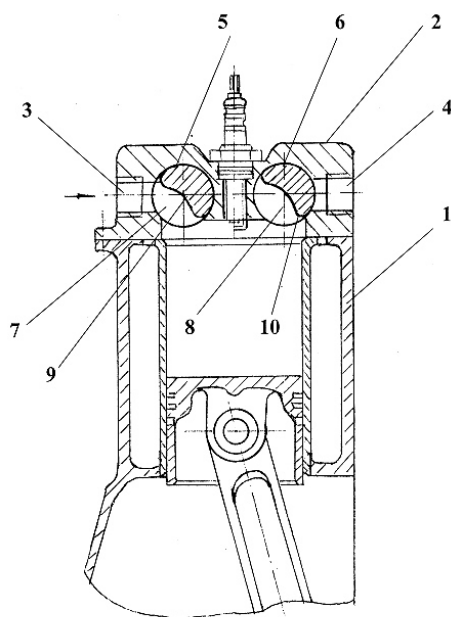


Fig. 1

**F 02**

(10) AP 2012 10025 A (51) Int. Cl. (2006)  
**F 02 B 57/00**

(21) AP 2007 010025 (22) 2007 04 26

(71) Ramzan Goitemirov (GE)  
 N. Chkheidze St. 21, 0102, Tbilisi (GE)

(72) Ramzan Goitemirov (GE)

(54) **INTERNAL COMBUSTION ENGINE**

(57) An engine contains a rim 1 of central-symmetric configuration having a path with the T-shaped groove 3, mounted rotary. The motionless block 4 of cylinders with the radially located combustion chambers 5 with the pistons 7 placed therein. The rods are hingedly connected with the pistons and mounted on the block of cylinders by means of single-arm levers with the supporting rollers 10 on another end, which are in contact to the link rail of said groove. The motionless block of cylinders is capable of operated movement in respect to the rim rotation axis, and the engine is equipped by the executive mechanism for this movement.

Claims: 2 independent

4 dependent

Fig.: 4

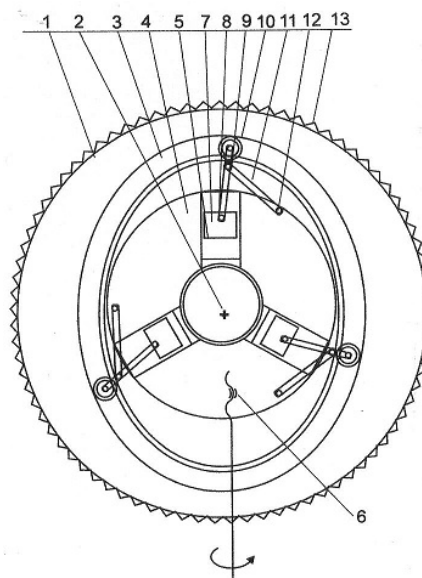


Fig. 1

**F 16**

(10) AP 2012 10583 A (51) Int. Cl. (2006)  
**F 16 C 1/04**

(21) AP 2008 010583 (22) 2008 03 25

(71) Ramzan Goitemirov (GE)  
 Tsinamdzgvishvilis k.50, 0102, Tbilisi (GE)

(72) Ramzan Goitemirov (GE)

(54) **ROLLING LINK SUPPORT**

(57) A rolling link support contains an arbor 1, the rollers 3 located in its groove 2, a becket 4 with a contact link rail 5 rollers. The grooves 2 have narrowing by one side and by another side have the rollers 3 support. The becket 4 has the external grooves 6 to place the rollers 7. The rollers rolling support has the external becket 8 with the internal groove 9 for rollers 7 rolling.

Claims: 1 independent

1 dependent

Fig.: 6

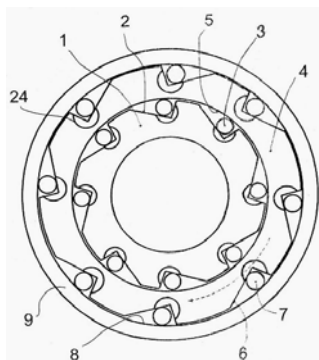


Fig. 1

(10) AP 2012 11629 A (51) Int. Cl. (2006)  
F 16 H 21/00

(21) AP 2010 011629 (22) 2010 01 05

(71) Nodar Davitashvili (GE)

Vazha-Pshavelas gamz., VII kvart., korp. 10,  
b. 7, 0186, Tbilisi (GE)

(72) Nodar Davitashvili (GE)

(54) SPHERICAL SIX-LINK  
HINGED MECHANISM

(57) All kinds of spherical six-link hinged mechanisms are formed on the bases of spherical four-linking mechanisms which comprise a drive link 2 hingedly connected with motionless link 1 and hingedly connected rod 3 with which is linked a rock arm 4 which is tied with motionless link by another end. At that, the rod contains three rotary kinematical pairs located on the great-cercal arc or on three intercrossing great-cercal arcs and the another rod 5, which in its turn is hingedly connected with a rock arm 6 or a slider hingedly connected with motionless link is hingedly linked thereon by means of rotary kinematical pair. The hinge connecting rods of mechanism and the points located on rods at the time of mechanism transfer are capable of describing various trajectories on the spherical surface.

Claims: 3 independent

Fig.: 2

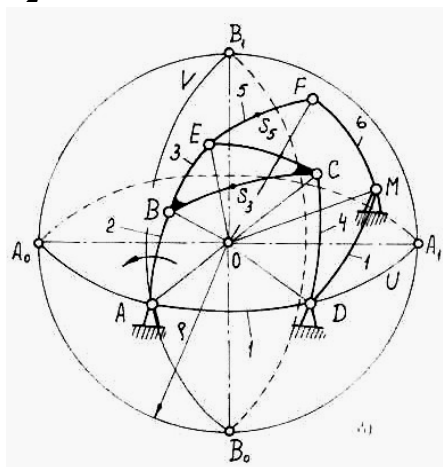


Fig. 1

(10) AP 2012 11866 A (51) Int. Cl. (2006)  
F 16 K 17/14  
F 16 L 55/02

(21) AP 2010 011866 (22) 2010 06 25

(71) Leon Makharadze (GE)

Zestafoni St. 18, build 2, ap. 12, 0180,  
Tbilisi (GE);

Levan Gavasheli (GE)

Iqaltos k.8, b.10, 0171, Tbilisi (GE);

Sophia Makharadze (GE)

Dighmis mas., korp. 6v, b.5, 0159,  
Tbilisi (GE);

Svetlana Sterjakova (GE)

Kandelakis k. 8b, b. 46, 0160, Tbilisi (GE)

(72) Leon Makharadze (GE);

Levan Gavasheli (GE);

Sophia Makharadze (GE);

Svetlana Sterjakova (GE)

(54) PROTECTIVE DEVICE OF TRUNK  
PIPELINE AGAINST HYDRAULIC  
HAMMER

(57) A device comprises a damping body executed at least by two telescopic cylinders 3, 4 and 5, the central 2 of which has a dead end upper side, the springs 6, 7 and 8 are installed in an annular space between the cylinders. Furthermore, the device is supplied at least with one basic operating element – bursting disk 9 and 10, which is vertically fixed in the openings executed in the lateral walls of upper part of the central cylinder.

Claims: 1 independent

Fig.: 1

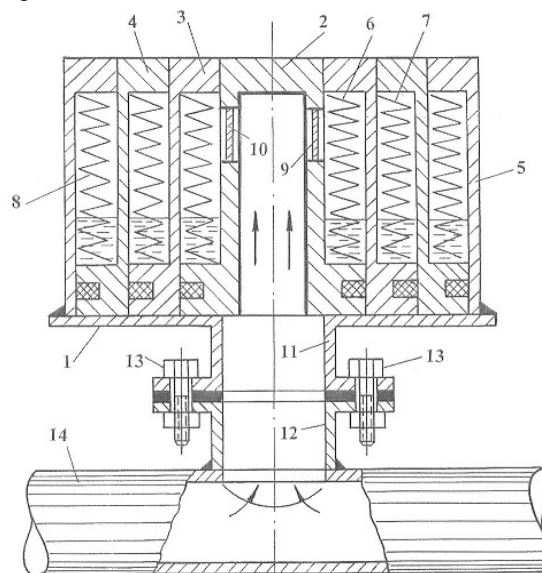


Fig. 1

(10) AP 2012 11867 A (51) Int. Cl. (2006)  
F 16 L 55/02  
F 16 L 55/04

(21) AP 2010 011867 (22) 2010 06 25

(71) Leon Makharadze (GE)

Zestafoni St. 18, build 2, ap. 12, 0180,  
Tbilisi (GE);  
Levan Gavasheli (GE)  
Iqaltos k.8, b.10, 0171, Tbilisi (GE);  
Sofia Makharadze (GE)  
Dighmis mas., korp. 6v, b. 5, 0159, Tbilisi (GE);  
Svetlana Steriakova (GE)  
Kandelakis k. 8b, b. 46, 0160, Tbilisi (GE)

(72) Leon Makharadze (GE);

Levan Gavasheli (GE);  
Sofia Makharadze (GE);  
Svetlana Steriakova (GE)

**(54) DEVICE FOR PROTECTION OF MULTISTAGE HYDROTRANSPORT SYSTEM AGAINST HYDRAULIC IMPACT**

(57) A device comprises a hydropneumatic accumulator mounted on a cover 9 of check valve 2 located on a pressure head pipeline 6 of pump installations 7 and 8; the hydropneumatic accumulator case 10 is connected with suction tube 5 of pump installation by bypass pipe 1. Thus, in the cover of the accumulator the aperture is executed by which it is connected with an atmosphere. And the bypass pipe is attached to the lower part of hydropneumatic accumulator near to the bottom, and the float inlet-outlet valve 11 is mounted on the cover.

Claims: 1 independent

Fig.: 1

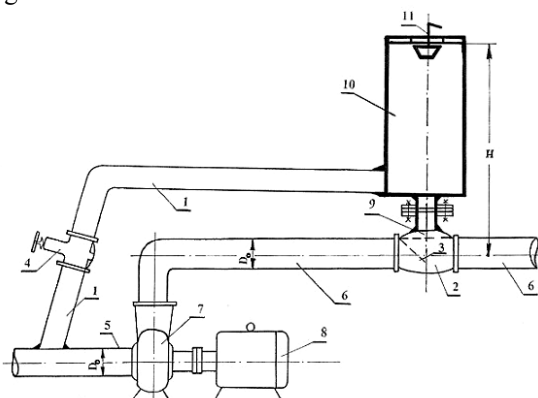


Fig. 1

**F 21**

**(10) AP 2012 11702 A (51) Int. Cl. (2006) F 21 F 15/08**

(21) AP 2010 011702 (22) 2010 02 25

(71) Leon Makharadze (GE)  
Zestafoni St. 18, build 2, ap. 12, 0180,  
Tbilisi (GE);  
Vladimir Silagadze (GE)  
Radianis k.20, b.9, 0179, Tbilisi (GE);  
Marad Jangidze (GE)  
Gldanis mas. IV mkr., korp. 92a, b.38,  
0167, Tbilisi (GE);

Svetlana Steriakova (GE)  
Kandelakis k. 8b, b. 46, 0160, Tbilisi (GE)

(72) Leon Makharadze (GE);  
Vladimir Silagadze (GE);  
Marad Jangidze (GE);  
Svetlana Steriakova (GE)

**(54) DEVICE FOR PREVENTION OF CENTRIFUGAL PUMP COUNTER-ROTATION**

(57) The ratchet-wheel 2 by means of feather 3 is fixed on the pump shaft 1 and the electric motor in the device. The stopper 4 which comes to interaction with a ratchet wheel by hinge 5 is fixed on the bed 6 separated from the pump and the electric motor, on which the electromagnet 7 which winding is switched in the general power network is rigidly fixed.

Claims: 1 independent

Fig.: 1

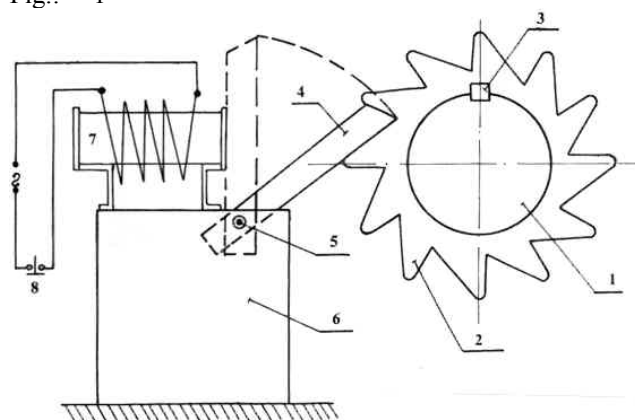


Fig. 1

**F 41**

**(10) AP 2012 9821 A (51) Int. Cl. (2006)**

**F 41 A 21/18**

**F 41 A 21/28**

(21) AP 2007 009821 (22) 2007 01 23

(71) Vitalij Abramjan (GE)  
Vazisubani, II m/d, build 1, ap. 42, 0152,  
Tbilisi (GE);  
Konstantin Abramjan (GE)  
Vazisubani II m/d, build. 1, ap. 42, 0152,  
Tbilisi (GE);  
Vianor Abramjan (GE)  
Vazisubani II m/d, build. 1, ap. 42, Tbilisi (GE);  
Ronald Abramjan (GE)  
Vazisubani II m/d, build. 1, ap. 42, Tbilisi (GE)

(72) Vitalij Abramjan (GE);  
Konstantin Abramjan (GE);  
Vianor Abramjan (GE);  
Ronald Abramjan (GE)

**(54) ABRAMJAN METHOD OF BULLET INITIAL SPEED ENHANCING IN RIFLED WEAPON AND RIFLED WEAPON BARREL**

(57) A method provides to give a bullet 8 forward movement by charge ignition, its pressing in the screw grooves 4 available in a barrel channel 1 and setting the bullet in rotary movement at the shooting process. A total mass is increased by transfer of compressed air existed in the barrel channel in a space 13 beyond the bullet. The transfer is carried out by clearances arising at the bullet transfer in the barrel channel executed on the fields 3 between the uninterrupted and/or interrupted longitudinal and/or longitudinal-inclined channels 5 and/or by a drive part 7 of bullet and the cavities 6 executed with extended area between all the rifling or part thereof. Said transfer in interrupted channels and/or in the cavities is carried out at bullet penetration in the grooves from its drive part from the place of diameter decrease between the fields up to a muzzle cut 12, and by the uninterrupted channels and/or cavities up to muzzle cut from this place of barrel channel in which an increasing pressure of compressed air of ballistic wave at the bullet movement process is more than pressure of gunpowder air in the rear space, for air mass decrease in front of bullet of its any resistance and by filling of space with air beyond the bullet for friction force decrease between the bullet and the barrel channel. The length of the interrupted channels 5 or the cavities 6 is less than that of the drive part 7 of bullet.

Claims: 2 independent

Fig.: 5

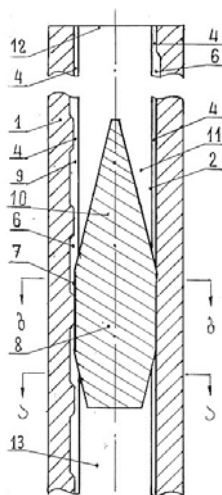


Fig. 1

(57) A method provides giving a bullet 1 forward movement by means of gasses arising at charge ignition, bullet pressing in the screw threads 6 located in a barrel channel 3 and setting the bullet into a rotary motion at the shooting process. The total power is increased by compressed air displacement available in the barrel channel, into the space beyond the bullet after appearance of ballistic wave. The compressed air displacement into the space beyond the bullet is carried out by means of clearances 9 arising between its drive part 10 and all or some threads executed with extended area. Said displacement is executed up to muzzle cut from this place of barrel channel, where, at the time of bullet motion, the increasing pressure of compressed air of ballistic wave is more than the gunpowder gasses pressure in the space behind the bullet by existed air mass decreasing in front of bullet, its head resistance thereof and by filling the space beyond the bullet with the air to decrease the friction power between the bullet and the barrel channel.

Claims: 1 independent

Fig.: 1

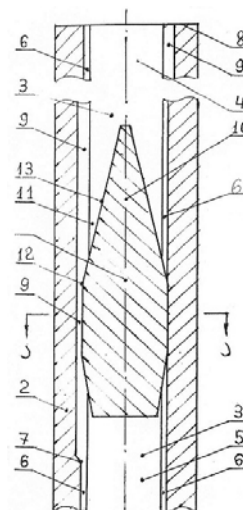


Fig. 1

(10) AP 2012 9327 A (51) Int. Cl. (2006)  
F 41 A 21/18

(21) AP 2006 009327 (22) 2006 03 31

(71) Vitalij Abramjan (GE)  
Vazisubani, II m/d, build 1, ap. 42, 0152,  
Tbilisi (GE)

(72) Vitalij Abramjan (GE)

(54) **ABRAMJAN METHOD OF  
BULLET INITIAL SPEED  
ENHANCING IN RIFLED WEAPON**

**PART G****G 01**

(10) AP 2012 11396 A (51) Int. Cl. (2006)  
G 01 N 9/00

(21) AP 2009 011396 (22) 2009 07 31

(71) Amiran Ugulava (GE)  
Shanidze st. 9, 3900, Tskaltubo (GE)

(72) Amiran Ugulava (GE)

**(54) AIR DENSITY MEASURING DEVICE**

(57) An air density measuring device comprises a case having an air density indicating scale and a plug. A beam balance located in the case is balanced by the loads of different mass and capacity. At that, one of the loads is placed in a vessel with water.

Claims: 1 independent

Fig.: 3

**G 07**

(10) AP 2012 11378 A (51) Int. Cl. (2006)  
G 07 D 11/00

(21) AP 2007 011378 (22) 2007 11 21

(31) 10 2006 060 619.1

(32) 2006 12 21

(33) DE

(71) ADP GAUSELMANN GMBH (DE)  
Mercur-Allee 1-15, 32339 Espelkamp (DE)

(72) GAUSELMANN Paul (DE)

(74) Alexander Kartvelishvili

(85) 2009 07 21

(86) PCT/DE2007/002110, 2007 11 21

**(54) DEVICE FOR PAPER MONEY ACCEPTING AND ISSUING**

(57) A device comprises a unit 2 of nominal definition of accepted payment means and authenticity thereof, a money box in which the received payment means are piled up, an storage module of received payment means for accepting and issuing and a transport system by which the received payment means from unit of nominal definition are transferred into the box 4 for piling up bank notes or into the storage module. At that, storage module is executed in the form of receiver with rotary mechanism which comprises several reeling cartridges. Each of them has one entry and one exit openings which by drive is rotated to the entry and exit openings 20 of transport system 5. The reeling cartridge 23 comprises a reeling coil 24 with independent drive for transporting tape and a drum 25 for money accumulation with its own drive. The transporting tape partly winds round two rollers 27 and 28, turning the tape in the zone of entry and exit openings for bank notes.

Claims: 1 independent

6 dependent

Fig.: 2

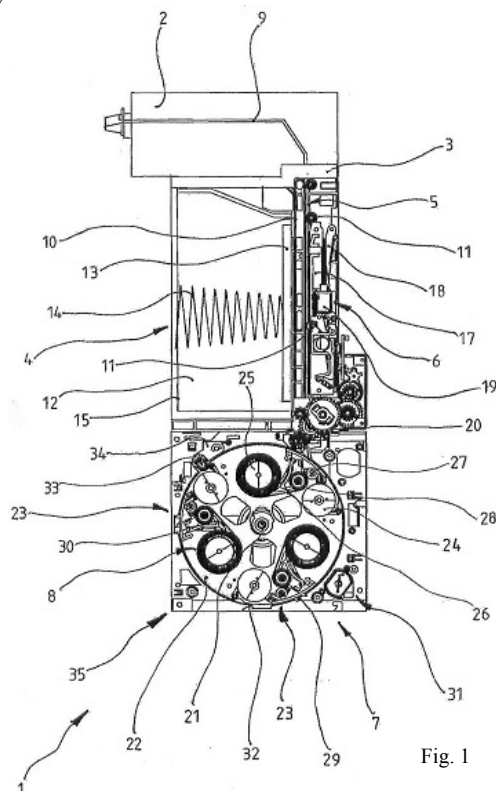


Fig. 1

**PART H****H 01**

(10) AP 2012 11282 A (51) Int. Cl. (2006)

H 01 M 8/00

H 01 M 8/04

H 01 M 8/08

H 01 M 8/22

H 01 M 4/20

H 01 M 4/29

H 01 M 4/30

(21) AP 2009 011282 (22) 2009 06 01

(71) George Agladze (GE)  
D. Agmashenebeli av. 86/90, b.1, 0102,  
Tbilisi (GE)

(72) George Agladze (GE);  
Paata Nikoleishvili (GE)

**(54) FUEL ELEMENT OF SPIRIT DIRECT OXIDATION AND METHOD OF GENERATION OF ELECTRIC POWER AND HYDROGEN PEROXIDE OR ALKALINE METALS PEROXIDE**

(57) A fuel element of direct spirit oxidation comprises a case, a carbon gas-diffusion cathode which is not containing the catalyst and carbon gas-diffusion anode containing as the catalyst an alloy of



platinum-ruthenium, on one of which sides by hot pressing an ionic-selective membrane is applied and which divides cathodic and anode cells of the fuel element in such a manner that no-diaphragm surface of the anode is directed to the anode cell, and the membrane surface - to the cathodic cell. Generation of the electric power, of hydrogen peroxide or alkaline metals peroxide in said fuel element is carried out by separate circulation of catholite and anolite in corresponding circulating contours, the catholite is submitted to the cathodic cell located between the cathode and membrane surface of the anode, and anolite - to the anode cell adjacent with no-diaphragm surface of the anode, thus, as catholite a water solution of chloride of alkaline metals is used in quantity 1-30g/l or sea water, and as anolite - a water solution having concentration of hydroxide sodium or potassium-1-7 mole/l and spirit - 1-4 mole/l.

Claims: 2 independent  
 Tables: 1  
 Fig.: 1

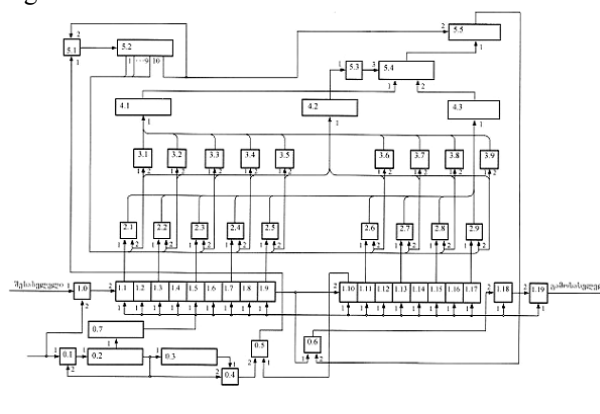
**H 03**

(10) AP 2012 10857 A (51) Int. Cl. (2006) H 03 M 13/00

(21) AP 2008 010857 (22) 2008 08 06  
 (71) Melor Elizbarashvili (GE)  
 Kvishkhetis k.korp.2, b.74, 0192, Tbilisi (GE);  
 Papuna Elizbarashvili (GE)  
 Kvishkhetis k.korp.2, b.74, 0192, Tbilisi (GE)  
 (72) Melor Elizbarashvili (GE);  
 Papuna Elizbarashvili (GE)  
 (54) **DEVICE FOR LOST READINGS RECONSTRUCTION**

(57) A device comprises a shift (cell 1.1-1.8) register with the code transformers 1.0 and 1.19 switched, accordingly, to the input and output lines. The cells inputs are tied with the source 0.2 of low frequency clock pulses. The cell outputs 1.1-1.17 are switched to the first inputs "AND" of elements 2.1-2.9 which second inputs are switched to the register 5.2 inputs of source 5.1 of high frequency clock pulses, with the registers 3.1-3.9 of multiplication factors and "OR" of element 4.2. The outputs of elements 2.1-2.9 and 3.1-3.9 are switched accordingly with the inputs "OR" of elements 4.1 and 4.3. The outputs of elements 4.1-4.3 are tied with the inputs of multiplier 5.4 and with summarizer 5.5 switched thereon, which starting input is switched to the block 5.1 and output is switched to the second input "OR" of element 0.6, which first input is switched to the output of cell 1.9 and the output is switched to the input of cell 1.18. The block 0.2 is tied with the starting input of block 5.1 through "AND" of element 0.5.  
 Claims: 1 independent

Fig.: 1



(10) AP 2012 10865 A (51) Int. Cl. (2006) H 03 M 13/00

(21) AP 2008 010865 (22) 2008 08 08  
 (71) Melor Elizbarashvili (GE)  
 Kvishkhetis k.korp.2, b.74, 0192, Tbilisi (GE);  
 Papuna Elizbarashvili (GE)  
 Kvishkhetis k.korp.2, b.74, 0192, Tbilisi (GE)  
 (72) Melor Elizbarashvili (GE);  
 Papuna Elizbarashvili (GE)  
 (54) **METHOD FOR RECONSTRUCTION OF NONUNIFORMLY QUANTIFIED MISSED READINGS**

(57) A method provides accumulation of number shift of readings sequentially entering in a register, where the readings are separated by doubled interval in respect to  $\Delta t$  interval determined in accordance of Kotelnikov-Shannon sampling theorem. Fixation of missed readings non-existence, in conditions of permanent monitoring, in the shift register cell, which arrangement is considered as  $2\Delta t$  interval midpoint of sampling interval. At that, quantity of reading in this point is calculated on the bases of readings sampling interval  $2k\Delta t$  ( $k=\pm 1, \pm 2, \dots$ ), directly bordering and distant from it, by summation of their totals multiplication on chosen coefficient determined on the bases of sampling theorem.

Claims: 1 independent  
 Fig.: 2

**H 04**

(10) AP 2012 10193 A (51) Int. Cl. H 04 L 12/56 (2006.01) H 04 W 28/16 (2009.01)

(21) AP 2006 010193 (22) 2006 01 19  
 (31) 60/646,662; 11/234,792  
 (32) 2005 01 25; 2005 09 23  
 (33) US; US  
 (71) INTERDIGITAL TECHNOLOGY CORPORATION (US)  
 3411 Silverside Road, Concord Plaza, Suite

105, Hagley Building, Wilmington, Delaware  
19810 (US)

- (72) CHANDRA, Arty (IN);  
LEVY, Joseph, S. (US);  
GRANDHI, Sudheer A. (US);  
ZEIRA, Eldad (US)

(74) Tamara Kochlamazashvili

(85) 2007 07 24

(86) PCT/US2006/001840, 2006 01 19

(54) **PEER-TO-PEER WIRELESS  
COMMUNICATION SYSTEM**

(57) A peer-to-peer communication system using a direct link setup (DLS) is disclosed. A mobile station (STA) establishes a direct communication link with another STA by sending a message requesting a DLS to an access point (AP), (i.e., a centralized controller). The AP may accept or reject the DLS request based on channel measurements. If the DLS request is accepted, the DLS is established such that the STAs may directly communicate with each other. An established DLS connection may be torn down by the AP sending a message including a DLS teardown request to one of the STAs, or based on channel measurements. The system may be an Ad hoc network comprising a plurality of STAs without an AP where each STA maintains a database of one-hop and two-hop STAs, and establishes a direct link to other STAs after informing neighboring STAs of an intention to establish a direct communication link.

Claims: 2 independent

24 dependent

Fig.: 3

(10) **AP 2012 11299 A** (51) **Int. Cl. (2006)  
H 04 L 25/00**

(21) AP 2009 011299 (22) 2009 06 09

- (71) Melor Elizbarashvili (GE)  
Kvishkhetis k.korp.2, b.74, 0192, Tbilisi (GE);  
Papuna Elizbarashvili (GE)  
Kvishkhetis k.korp.2, b.74, 0192, Tbilisi (GE);  
Eliso Elizbarashvili (GE)  
Kvishkhetis k.korp.2, b.74, 0192, Tbilisi (GE)

- (72) Melor Elizbarashvili (GE);  
Papuna Elizbarashvili (GE);  
Eliso Elizbarashvili (GE)

(54) **METHOD FOR TRANSFORMATION OF  
SYMMETRIC CODE OF  
NONUNIFORMLY QUANTIFIED  
READINGS IN SIMPLE BINARY CODE**

(57) A method is based on usage of etalon voltages. The tables are used to reduce the quantity thereof and divided into eight segments on the bases of rule of quasi-logarithmic quantification. The quantities of lower bounds of segments, of step of quantification of internal code weight and of absolute error are displayed in the tables. A symmetrical code of nonuniformly quantified reading is written down in parallel in an 8-digit input statistic register. A sign

determining polarity of reading is given to 12-th digit of 8-digit output statistic register of simple binary code. Determinative code combination of one of eight reading segments of symmetric code is transformed in decimal number for segment lower bound fixation in the output register. The corresponding quantity of digits located in the segment is overwritten in the four cells situated to the right side, the quantities of correction numbers determined for this segment is overwritten in the 5-th cell.

Claims: 1 independent

Fig.: 1

(10) **AP 2012 11300 A** (51) **Int. Cl. (2006)  
H 04 L 25/00**

(21) AP 2009 011300 (22) 2009 06 09

- (71) Melor Elizbarashvili (GE)  
Kvishkhetis k.korp.2, b.74, 0192, Tbilisi (GE);  
Papuna Elizbarashvili (GE)  
Kvishkhetis k.korp.2, b.74, 0192, Tbilisi (GE);  
Eliso Elizbarashvili (GE)  
Kvishkhetis k.korp.2, b.74, 0192, Tbilisi (GE)

- (72) Melor Elizbarashvili (GE);  
Papuna Elizbarashvili (GE);  
Eliso Elizbarashvili (GE)

(54) **METHOD OF TRANSFORMATION OF  
SIMPLE BINARY CODE OF  
UNIFORMLY QUANTIFIED READINGS  
IN SYMMETRIC CODE**

(57) A method is based on usage of etalon voltages. The tables are used to reduce the quantity thereof and divided into eight segments on the bases of rule of quasi-logarithmic quantification in which the quantities of lower bounds of segments, of step of quantification of internal code weight and of absolute error are displayed. A 8-digit output symmetrical code of simple binary code of uniformly quantified reading is written down in parallel in a 12-digit input statistic register. A sign determining polarity of reading from output of 12-th digit of input register is given to 8-th digit of statistic output symmetrical 8-digit register. Determination by dynamic register of one of said eight segments from simple binary code register and fixation of reading binary system in the upper three digits of output register is carried out by impact of tactic impulses sequence, and the overwriting of available number in the segment is carried out in the lower four digits, and accordingly, the symmetric code is formed.

Claims: 1 independent

Fig.: 1

(10) **AP 2012 10962 A** (51) **Int. Cl. (2006)  
H 04 M 1/725  
H 04 M 1/02**

(21) AP 2008 010962 (22) 2008 11 04

(71) LTD “TSIKOLIA DIZAINI R&D” (GE)  
Kostava St. 47/57, 0179, Tbilisi (GE)  
(72) Zviad Tsikolia (GE)  
(74) Vakhtang Torotadze  
(54) **ZVIAD TSIKOLIA MOBILE PHONE  
CAPABLE OF AUTOMATIC TURNING  
OF IMAGE AND/OR KEYBOARD ON  
DISPLAY**  
(57) A phone has a square rectangular or round form from the front. It comprises a display, sensor keyboard and two, four, six or eight dynamics located on the edges or on an end surface. The phone is equipped by compensation techniques of image and/or keyboard angular location and by engaging means at the option of all dynamics or one of them.  
Claims: 1 independent  
3 dependent  
Fig.: 10

**(10) AP 2012 9978 A (51) Int. Cl.  
H 04 W 36/00 (2009.01)  
H 04 L 12/28 (2006.01)**  
(21) AP 2005 009978 (22) 2005 09 08  
(31) 60/608,768; 11/018,182  
(32) 2004 09 10; 2004 12 21  
(33) US; US  
(71) INTERDIGITAL TECHNOLOGY CORPORATION (US)  
3411 Silverside Road, Concord Plaza, Suite 105, Hagley Building, Wilmington, Delaware 19810 (US)  
(72) TOUAG, Athmane (DZ);  
CUFFARO, Angelo (CA);  
LA SITA, Frank (US);  
CAVE, Christopher (CA);  
ROY, Vincent (CA);  
MARINIER, Paul (CA)  
(74) Shalva Gvaramadze  
(85) 2007 04 10  
(86) PCT/US2005/031975, 2005 09 08  
(54) **WIRELESS COMMUNICATION  
METHODS AND DEVICE THAT  
IMPLEMENT HANDOFF IN WIRELESS  
LOCAL AREA NETWORKS**  
(57) This invention relates to wireless local area networks, and particularly to the IEEE 802.11 family of standards. It consists of a method and apparatus that can be implemented in access points (APs) and subscriber wireless transmit/receive units (WTRUs), in order to allow an AP to initiate re-association of a WTRU to itself or a different AP. The invention improves the robustness of the network by enabling more efficient load balancing, congestion control, and roaming, without compromising the user experience.  
Claims: 6 independent  
6 dependent  
Fig.: 6

**(10) AP 2012 10112 A (51) Int. Cl. (2009.01)  
H 04 W 36/14**  
(21) AP 2005 010112 (22) 2005 11 01  
(31) 60/625,611  
(32) 2004 11 05  
(33) US  
(71) INTERDIGITAL TECHNOLOGY CORPORATION (US)  
3411 Silverside Road, Concord Plaza, Suite 105, Hagley Building, Wilmington, Delaware 19810 (US)  
(72) OLIVERA-HERNANDEZ, Ulises (MX);  
SHAHEEN, Kamel, M. (EG);  
CARLTON, Alan, Gerald (US);  
RUDOLF, Marian (DE);  
LU, Guang (CA);  
ZUNIGA, Juan, Carlos (MX);  
ZAKI, Maged (CA)  
(74) Shalva Gvaramadze  
(85) 2007 06 05  
(86) PCT/US2005/039546, 2005 11 01  
(54) **WIRELESS COMMUNICATION  
METHOD AND SYSTEM FOR  
IMPLEMENTING MEDIA  
INDEPENDENT HANDOVER BETWEEN  
TECHNOLOGICALLY DIVERSIFIED  
ACCESS NETWORKS**  
(57) A wireless communication system including at least one IEEE 802 multi-stack wireless transmit/receive unit (WTRU) and a plurality of technologically diversified access networks, such as IEEE 802.X networks and Third Generation Partnership Project (3GPP) networks, that are concurrently deployed. Both the multi-stack WTRU and the technologically diversified networks include a media independent handover (MIH) function. The WTRU is configured to read MIH information transmitted from one of the IEEE 802.X networks, trigger 3GPP authentication and authorization procedures based on the MIH information, obtain a local Internet Protocol (IP) address, establish a tunnel to a packet data gateway (PDG) on a 3GPP core network, construct a care of address (CoA) and register the CoA with a home agent of the WTRU, whereby data destined for the WTRU is routed via the home agent through a new tunnel established between the home agent and a foreign agent based on the CoA.  
Claims: 2 independent  
11 dependent  
Fig.: 31

**(10) AP 2012 10321 A (51) Int. Cl. (2009.01)  
H 04 W 36/14  
H 04 W 36/00**  
(21) AP 2006 010321 (22) 2006 03 14  
(31) 60/661,379; 11/373,926  
(32) 2005 03 14; 2006 03 13  
(33) US; US

(71) INTERDIGITAL TECHNOLOGY CORPORATION (US)  
3411 Silverside Road Concord Plaza, Suite 105  
Hagley Building Wilmington, Delaware,  
19810 (US)

(72) OLVERA-HERNANDEZ, Ulises (MX);  
CARLTON, Alan, Gerald (US)

(74) Shalva Gvaramadze

(85) 2007 10 12

(86) PCT/US2006/009088, 2006 03 14

(54) **WIRELESS COMMUNICATION  
METHOD AND SYSTEM FOR  
CONVEYING MEDIA INDEPENDENT  
HANDOVER CAPABILITY  
INFORMATION**

(57) A method and system for conveying media independent handover (MIH) capability information are disclosed. A wireless communication system includes a plurality of wireless networks deployed under different wireless communication protocols. A multi-mode wireless transmit/receive unit (WTRU) may perform a handover from one wireless network to another for continuous reception of services. The wireless network sends a message to the WTRU which indicates whether the wireless network supports MIH services and a supported MIH mode. The WTRU receives the message and makes a handover decision based on the message.

Claims: 2 independent

14 dependent

Fig.: 7

capabilities of the WTRUs. In response, each of the WTRUs sends a deferral management capabilities indicator message to the AP. The AP may also send a deferral management parameter set message to the WTRUs to indicate values for setting deferral management parameters. In response, each of the WTRUs may optionally send a deferral management parameter set execution confirmation message to the AP. The WTRUs may also set the values of various deferral management parameters in accordance with a certain rule specified in a deferral management rule message sent by the AP. Optionally, the WTRUs may respond to the AP with a deferral management rule execution confirmation message.

Claims: 4 independent

18 dependent

Fig.: 3

(10) **AP 2012 10384 A** (51) **Int. Cl.**  
**H 04 W 52/00 (2009. 01)**  
**H 04 W 52/36 (2009. 01)**  
**H 04 W 28/24 (2009. 01)**

(21) AP 2006 010384 (22) 2006 04 13

(31) 60/673,679; 11/402,606

(32) 2005 04 21; 2006 04 12

(33) US; US

(71) INTERDIGITAL TECHNOLOGY CORPORATION (US)  
3411 Silverside Road, Concord Plaza, Suite  
105, Hagley Building, Wilmington, Delaware  
19810 (US)

(72) ROY, Vincent (CA);  
MARINIER, Paul (CA)

(74) Tamara Kochlamazashvili

(85) 2007 11 21

(86) PCT/US2006/014037, 2006 04 13

(54) **WIRELESS COMMUNICATION  
METHOD AND WLAN FOR SIGNALING  
DEFERRAL MANAGEMENT MESSAGES**

(57) A deferral management method is implemented in a wireless local area network (WLAN) including an access point (AP) and a plurality of wireless transmit/receive units (WTRUs). The AP sends a deferral management capabilities request message to the WTRUs to determine the deferral management

---

# PATENTS FOR INVENTIONS

## PART A

### A 01

**(11) P 2012 5376 B** (51) **Int. Cl. (2006)**  
**A 01 B 59/04**

- (10) AP 2011 11692 A (44) 17(333)/2011  
(21) AP 2010 011692  
(22) 2010 02 16  
(24) 2010 02 16  
(73) Vladimir Miruashvili (GE)  
Dolidzis k. 132, 0171, Tbilisi (GE);  
Shorena Kavtaradze (GE)  
sop.Natakhtari, 3308, Mtskhetis r-ni (GE);  
Malkhaz Miruashvili (GE)  
Dolidzis k. 132, 0171, Tbilisi (GE)  
(72) Vladimir Miruashvili (GE);  
Shorena Kavtaradze (GE);  
Malkhaz Miruashvili (GE)  
(54) **HINGED TRACTOR SYSTEM**
- 

**(11) P 2012 5373 B** (51) **Int. Cl. (2006)**  
**A 01 D 46/04**

- (10) AP 2011 11409 A (44) 13(329)/2011  
(21) AP 2009 011409  
(22) 2009 08 04  
(24) 2009 08 04  
(73) Mikheil Bagrationi (GE)  
Vazha-Pshavelas gamz. 67, b.85, 0186,  
Tbilisi (GE);  
Otar Asatiani (GE)  
Ketevan Tsamebulis gamz. 65a, b. 13, 0144,  
Tbilisi (GE);  
Igor Lagvilava (GE)  
Nutsbidze Plateau, IV m/d, build. 21, ap. 29,  
0183, Tbilisi (GE);  
George Begiashvili (GE)  
Dighmis mas. V kvart., korp. 13, b.71,  
0159, Tbilisi (GE);  
Leila Kordzakhia (GE)  
Sopeli Digomi, 0126, Tbilisi (GE)  
(72) Mikheil Bagrationi (GE);  
Otar Asatiani (GE);  
Igor Lagvilava (GE);  
George Begiashvili (GE);  
Leila Kordzakhia (GE)  
(54) **HINGED MECHANISM OF CUTTING-  
COLLECTING DEVICE FOR TEA  
BUSHES**
- 

**(11) P 2012 5372 B**

(51) **Int. Cl. (2006)**  
**A 01 N 43/90**  
**A 01 N 25/22**  
**A 01 P 13/00**

- (10) AP 2011 11272 A (44) 17(333)/2011  
(21) AP 2007 011272  
(22) 2007 10 25  
(24) 2007 10 25  
(31) 0621440.7  
(32) 2006 10 27  
(33) GB  
(73) SYNGENTA PARTICIPATIONS AG (CH)  
Schwarzwaldallee 215, CH-4058 Basel (CH);  
SYNGENTA LIMITED (GB)  
European Regional Centre, Priestley Road,  
Surrey Research Park, Guildford, Surrey GU2  
7YH (GB)  
(72) STOCK, David (GB);  
TAYLOR, Philip (GB);  
SCHNEIDER, Rudolf (AT)  
(74) Tamara Kochlamazashvili  
(85) 2009 05 27  
(86) PCT/EP2007/009276, 2007 10 25  
(54) **HERBICIDAL COMPOSITIONS**
- 

### A 61

**(11) P 2012 5377 B**

(51) **Int. Cl. (2006)**  
**A 61 K 31/00**

- (10) AP 2011 11751 A (44) 17(333)/2011  
(21) AP 2010 011751  
(22) 2010 04 08  
(24) 2010 04 08  
(73) Erna Lekveishvili (GE)  
D. Uznadzis k. 4, b. 46, 0102, Tbilisi (GE);  
Vladimir Tsitsishvili (GE)  
D. Uznadzis k. 4, b. 14, 0102, Tbilisi (GE);  
Nugzar Joglidze (GE)  
Miminoshvilis k. 6, 0108, Tbilisi (GE)  
(72) Erna Lekveishvili (GE);  
Vladimir Tsitsishvili (GE);  
Nugzar Joglidze (GE)  
(54) **HIGHLY EFFECTIVE ACTOPROTE-  
CTIVE, ADAPTOGENIC, IMMUNOSTI-  
MULATING MEDICAL AND  
PREVENTIVE MEANS**
-

- (11) P 2012 5378 B**      **(51) Int. Cl. (2006)**  
**A 61 K 38/05**  
(10) AP 2011 10941 A      (44) 15(331)/2011  
(21) AP 2007 010941  
(22) 2007 03 19  
(24) 2007 03 19  
(31) 60/784,275; 60/871,692  
(32) 2006 03 20; 2006 12 22  
(33) US; US  
(73) VERTEX PHARMACEUTICALS  
INCORPORATED (US)  
130 Waverly Street, Cambridge, MA  
02139 (US)  
(72) BITTORF, Kevin, John (CA);  
KATSTRA, Jeffrey, P. (US);  
GASPAR, Filipe (PT)  
(74) Tamara Kochlamazashvili  
(85) 2008 10 20  
(86) PCT/US2007/064294, 2007 03 19  
(54) **PHARMACEUTICAL COMPOSITIONS**
- 

**PART B****B 21**

- (11) P 2012 5374 B**      **(51) Int. Cl. (2006)**  
**B 21 D 26/14**  
(10) AP 2011 11420 A      (44) 15(331)/2011  
(21) AP 2009 011420  
(22) 2009 08 14  
(24) 2009 08 14  
(73) Shota Nemsadze (GE)  
Digomi, III kvart., build. 11, ap. 38,  
0159, Tbilisi (GE);  
Avtandil Torondjadze (GE)  
Nutsubidzis Perd., IV mkr., korp. 11, b. 60,  
0183, Tbilisi (GE);  
George Torondjade (GE)  
Nutsubidzis Perd., IV mkr., korp. 11, b. 60,  
0183, Tbilisi (GE);  
Marine Giuashvili (GE)  
Sop. Khidistavi, 1400, Gori (GE)  
(72) Shota Nemsadze (GE);  
Avtandil Torondjadze (GE);  
George Torondjade (GE);  
Marine Giuashvili (GE)  
(54) **MAGNETOIMPULS INSTALLATION**
- 

**PART C****C 07**

- (11) P 2012 5379 B**      **(51) Int. Cl. (2006)**  
**C 07 D 401/12**  
**C 07 D 213/75**  
**A 61 K 31/4439**  
**A 61 K 31/4427**  
**A 61 K 31/44**  
**A 61 P 29/00**  
**A 61 P 25/28**  
(10) AP 2011 11541 A      (44) 17(333)/2011  
(21) AP 2008 011541  
(22) 2008 04 21  
(24) 2008 04 21  
(31) 60/915,745; 60/957,536  
(32) 2007 05 03; 2007 08 23  
(33) US; US  
(73) PFIZER LIMITED (GB)  
Ramsgate Road, Sandwich, Kent CT13  
9NJ (GB)  
(72) BAGAL, Sharanjeet, Kaur (GB);  
DENTON, Stephen, Martin (GB);  
GIBSON, Karl, Richard (GB);  
GLOSSOP, Melanie, Susanne (GB);  
KEMP, Mark, Ian (GB);  
POINSARD, Cedric (FR);  
STAMMEN, Blanda, Luzia (DE)  
(74) Shalva Gvaramadze  
(85) 2009 11 03  
(86) PCT/IB2008/001050, 2008 04 21  
(54) **2-PYRIDINE CARBOXAMIDE  
DERIVATIVES AS SODIUM CHANNEL  
MODULATORS**
- 
- (11) P 2012 5368 B**      **(51) Int. Cl. (2006)**  
**C 07 D 471/04**  
**C 07 D 471/12**  
**A 61 K 31/437**  
**A 61 P 25/16**  
**A 61 P 25/28**  
**A 61 P 35/00**  
(10) AP 2011 10601 A      (44) 13(329)/2011  
(21) AP 2006 010601  
(22) 2006 10 10  
(24) 2006 10 10  
(31) 60/724,619  
(32) 2005 10 07  
(33) US  
(73) TAKEDA PHARMACEUTICAL COMPANY  
LIMITED (JP)  
1-1, Doshomachi 4-chome, Chuo-ku, Osaka-  
shi, Osaka, 5410045 (JP)  
(72) BROWN, Jason, W. (US);  
DAS, Sanjib (IN);  
DONG, Qing (CN);  
GONG, Xianchang (US);

KALDOR, Stephen, W. (US);  
 LIU, Yan (US);  
 PARASELLI, Bheema, R. (IN);  
 SCORAH, Nicholas (GB);  
 STAFFORD, Jeffrey, A. (US);  
 WALLACE, Michael, B. (US)  
 (74) Shalva Gvaramadze  
 (85) 2008 03 28  
 (86) PCT/US2006/039667, 2006 10 10  
 (54) **KINASE INHIBITORS**

## PART G

### G 01

(11) P 2012 5375 B (51) Int. Cl. (2006)  
**G 01 B 11/02**  
**G 01 S 17/00**  
 (10) AP 2011 11454 A (44) 17(333)/2011  
 (21) AP 2009 011454  
 (22) 2009 09 08  
 (24) 2009 09 08  
 (73) Arkady Danelian (GE)  
 R. Tabukashvilis k. 38, 0108, Tbilisi (GE);  
 Yuri Machekhin (UA)  
 K. Kharkovi, 61091, Kharkovis Diviziebis  
 k. 16, b. 47 (UA);  
 Devi Garibashvili (GE)  
 Kiachelis k. 5/7, b.8, 0108, Tbilisi (GE);  
 Vladimir Danelian (GE)  
 R. Tabukashvilis k. 38, 0108, Tbilisi (GE);  
 Raul Kankia (GE)  
 Bakhtrionis k. 11, b. 54, 0194, Tbilisi (GE);  
 Samvel Mkrtychian (GE)  
 Dviris k. 12, 0192, Tbilisi (GE);  
 Stanislav Shotashvili (GE)  
 Dolidzis k., korp. 13, b. 21, 0171, Tbilisi (GE)  
 (72) Arkady Danelian (GE);  
 Yuri Machekhin (UA);  
 Devi Garibashvili (GE);  
 Vladimir Danelian (GE);  
 Raul Kankia (GE);  
 Samvel Mkrtychian (GE);  
 Stanislav Shotashvili (GE)  
 (54) **METHOD AND DEVICE FOR**  
**MEASUREMENT OF LINEAR SIZES**

## PART H

### H 02

(11) P 2012 5370 B (51) Int. Cl. (2006)  
**H 02 K 21/00**  
**H 02 K 21/16**  
 (10) AP 2011 10930 A (44) 17(333)/2011  
 (21) AP 2008 010930  
 (22) 2008 10 10  
 (24) 2008 10 10  
 (73) Otari Labadze (GE)  
 Gorgaslis k. 97, korp. 4, b. 4, 0114,  
 Tbilisi (GE)  
 (72) Otari Labadze (GE)  
 (54) **METHOD FOR BRUSHLESS**  
**GENERATION OF ELECTRIC ENERGY**

(11) P 2012 5371 B (51) Int. Cl. (2006)  
**H 02 K 21/00**  
**H 02 K 21/16**  
 (10) AP 2011 10931 A (44) 17(333)/2011  
 (21) AP 2008 010931  
 (22) 2008 10 10  
 (24) 2008 10 10  
 (73) Otari Labadze (GE)  
 Gorgaslis k. 97, korp. 4, b. 4, 0114,  
 Tbilisi (GE)  
 (72) Otari Labadze (GE)  
 (54) **ELECTROGENERATOR**

### H 04

(11) P 2012 5369 B (51) Int. Cl. (2006)  
**H 04 L 12/66**  
**G 06 Q 10/00**  
 (10) AP 2011 10669 A (44) 13(329)/2011  
 (21) AP 2005 010669  
 (22) 2005 09 28  
 (24) 2005 09 28  
 (73) ONE SMART STAR LIMITED (GB)  
 c/o Commonwealth Trust Limited, Drake  
 Chambers, Tortola, 00000 (VG) (GB)  
 (72) MECILATI, Didi Avraham (IL)  
 (74) Tamaz Shilakadze  
 (85) 2008 04 29  
 (86) PCT/IL2005/001044, 2005 09 28  
 (54) **COMMUNICATING WITH BUSINESS**  
**CUSTOMERS**

# UTILITY MODELS

## APPLICATIONS LAID OPEN FOR THE PURPOSE OF TAKING PATENT GRANTING DECISIONS

To appeal a decision is possible at Chamber of Appeal of Sakpatenti within 3 months from the publication or at The Board of Administrative Actions of Tbilisi City Court within a 1 month period. (Address: 12 km., №6, David Aghmashenebeli Kheivani, Tbilisi).

### PART A

#### A 47

(10) AU 2012 12041 U (51) Int. Cl. (2006)  
A 47 D 9/00

(21) AU 2010 012041 (22) 2010 12 17

(71) Grigol Vashakidze (GE)

Veriko Anjaparidzis k.5, 4600, Kutaisi (GE)

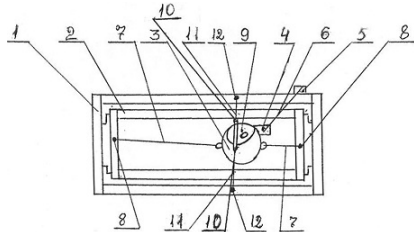
(72) Grigol Vashakidze (GE)

(54) COT

(57) A cot comprises a lie part 1, a motionless part 2 hingedly connected thereto and a microphone 5 linked with a control unit 4. The control unit is fixed on a drive 3. An eccentric 9, is fastened on a drive axis with a plate 10 hingedly fixed thereon, which by means of two flexible elements is connected with the pins 12 fixed on the lower edges of lie part.

Claims: 1 independent

Fig.: 3



### PART D

#### D 06

(10) AU 2012 12206 U (51) Int. Cl. (2006)  
D 06 P 5/12

(21) AU 2011 012206 (22) 2011 04 26

(71) Tinatin Kldiashvili (GE);

I. Chavchavadze Gamz. 50, b. 5, 0179,

Tbilisi (GE);

Ketevan Kavtaradze (GE);

Nioradzis k. 18, 0103, Tbilisi (GE)

(72) Tinatin Kldiashvili (GE);

Ketevan Kavtaradze (GE)

(54) METOD OF CLOTH PRINTING

(57) A method provides for a preliminary fiber laundering, drying thereof by following application by the means of especial device of a hot reserve composite, containing colophony, paraffin and solid oil, dyeing by natural or acid dyes, holding the fiber in dyeing at the temperature no more than 30°C, drying after dyeing and removing the reserve composite by rinsing in a soap-calced soda solution containing 75% of washing soap, calced soda and water.

Claims: 1 independent

3 dependent

### PART E

#### E 02

(10) AU 2012 11973 U (51) Int. Cl. (2006)  
E 02 D 29/00

(21) AU 2010 011973 (22) 2010 10 18

(71) Nikoloz Konstantinidi (GE)

Nutsubidze ferdobi III mkr., I kvartali korpusi  
8, b 27, 0183, Tbilisi (GE)

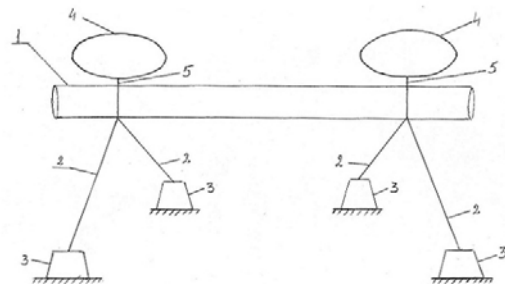
(72) Nikoloz Konstantinidi (GE)

(54) MAIN UNDERWATER WAY

(57) A main underwater way comprises a cylindrical pipe 1, which, by means of cables 2 is linked with the loads 3 and with the floats 4 – by means of cables 5.

Claims: 1 independent

Fig.: 1





**E 04**

(10) AU 2012 12191 U (51) Int. Cl. (2006)  
E 04 F 21/02

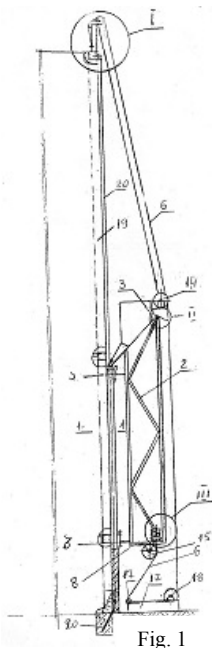
(21) AU 2011 012191 (22) 2011 04 18  
(71) Geno Nijaradze (GE)  
Vazha-Pshavela Ave 45, build. 25, ap. 42,  
0177, Tbilisi (GE);  
Aguli Sokhadze (GE)  
I. Abashidze St. 48, 0179, Tbilisi (GE);  
Levan Makhviladze (GE)  
Al. Kazbegi Ave 47, ap. 9, 0183, Tbilisi (GE);  
Irakli Jincharadze (GE)  
Tskhneti St. 1a, ap. 91, 0162, Tbilisi (GE);  
Giorgi Bobghiashvili (GE)  
Ninoshvili k. 15. 2200. Telavi (GE);  
Koba Nadiradze (GE)  
Sachkheris r-ni, sop. Orghuli, 4012 (GE)

(72) Geno Nijaradze (GE);  
Aguli Sokhadze (GE);  
Levan Makhviladze (GE);  
Irakli Jincharadze (GE);  
Giorgi Bobghiashvili (GE);  
Koba Nadiradze (GE)

(54) **DEVICE FOR APPLYING MORTAR MIX ON BUILDING WALLS**

(57) A device comprises the guides – a pair of panels 1 to which a moving cradle 2 is attached. A bunker 3 for mortar mixing is attached on the upper cradle wall. The cradle is hanged by means of the ropes 6 on the supporting structure fixed on a building parapet. The compressed springs 9 are inserted between the upper and the lower walls 7 and 8 and between the upper and the lower support plates 9 and 10 respectively. By means of the bolts 12 the supporting plates are attached to the upper and the lower cradle walls for preliminary compression of springs.

Fig.: 5



(10) AU 2012 11972 U (51) Int. Cl. (2006)  
E 04 H 14/00

(21) AU 2010 011972 (22) 2010 10 18  
(71) Nikoloz Konstantinidi (GE)  
Nutsubidzis perd. III mkr., I kvart. korp. 8,  
b.27, 0183, Tbilisi (GE)

(72) Nikoloz Konstantinidi (GE)  
(54) **PAVILION PENETRATED INTO WATER**

(57) A pavilion comprises a front wall 1, a back wall 2 located in water and the side walls 3 partly disposed in water. A shield 4 capable of vertical motion is attached on the outside of back wall. A lodgment 5 having transparent walls and roof, together with vertically movable back wall 6 is mounted on the supporting walls. The pavilion is supplied with a heating system with water contained therein and a bank line.

Claims: 1 independent

Fig.: 2

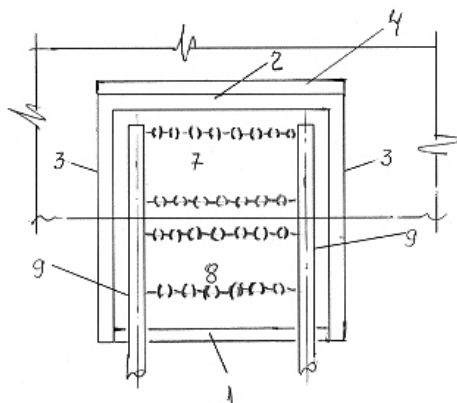


Fig. 1



---

# DESIGNS

## APPLICATIONS LAID OPEN FOR THE PURPOSE OF TAKING PATENT GRANTING DECISIONS

To appeal a decision is possible at Chamber of Appeal of Sakpatenti within 3 months from the publication or at The Board of Administrative Actions of Tbilisi City Court within a 1 month period. (Address: 12 km., №6, David Aghmashenebeli Kheivani, Tbilisi).

(10) **AD 2012 663 S**      (51) **02-02**  
(21) AD 2011 000663  
(22) 2011 10 03  
(28) 1  
(71) Mariam Tsikaridze (GE)  
Kvaloni St. 7a, 0101, Tbilisi (GE)  
(72) Mariam Tsikaridze (GE)  
(54) **NECK SCARF**  
(55)



1

- (10) AD 2012 651 S (51) 19-99  
 (21) AD 2011 000651  
 (22) 2011 06 02  
 (28) 1  
 (71) LTD "RONI 4" (GE)  
 Gudauta St. 7, 0119, Tbilisi (GE)  
 (72) Levan Natroshvili (GE)  
 (54) **MAGNETIC BOARD AND ALPHABET**  
 (with additional letters and figures)  
 (55)



1.1



1.2



1.3



1.4



1.5

---

## DESIGNS REGISTERED ACCORDING TO THE ACCELERATED PROCEDURE

To file an appeal on request of the registration cancelling is possible at Chamber of Appeal of Sakpatenti within 3 months from the publication.

- (11) **D 2012 485 S**      (51) **09-01**  
(21) AD 2011 000673    (22) 2011 12 13  
(24) 2011 12 13  
(28) 1  
(18) 2016 12 13  
(73) AO "LOMISI" (GE)  
    Vil. Natakhtari, 3308, Mckheta (GE)  
(72) Haid Almstedt (DE)  
(74) Elguja Amozashvili  
(54) **BOTTLE**  
(55)



1.1



1.2



1.3



1.4



1.5



1.6



1.7

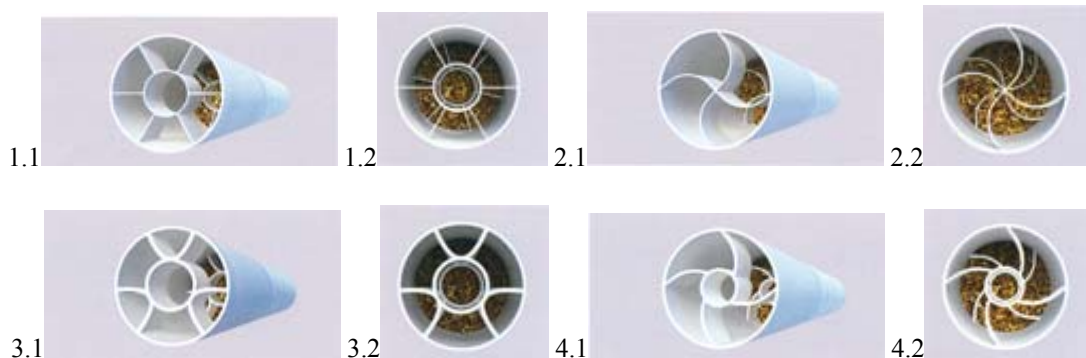


1.8



1.9

(11) D 2012 486 S (51) 27-01  
(21) AD 2011 000669 (22) 2011 12 09  
(24) 2011 12 09  
(28) 4  
(18) 2016 12 09  
(73) ALLIED GLOBAL TOBACCOLIMITED (GB)  
Wey Court West, Union Road Farnham Surrey GU9 7PT (GB)  
(72) Mariam Gurgenzidze (GE)  
(74) Givi Akopashvili  
(54) **FILTER FREE CIGARETTES**  
(55)



---

# TRADEMARKS

## APPLICATIONS FILED UNDER THE NATIONAL PROCEDURE LAID OPEN FOR THE PURPOSE OF TAKING PATENT GRANTING DECISIONS

To appeal a decision is possible at Chamber of Appeal of Sakpatenti within 3 months from the publication or at The Board of Administrative Actions of Tbilisi City Court within a 1 month period. (Address: 12 km., №6, David Aghmashenebeli Kheivani, Tbilisi).

(260) AM 2012 56986 A  
(210) AM 056986  
(220) 2010 02 10  
(731) SS "NAVTOBPRODUQTETBIS  
SADISTRIBUTSIO KORPORATSIA"  
Tskalsadenis q.11, 0153, Tbilisi, Georgia  
(540)

**მიიღე მეტი.**

**NRG Get More. NRG**

(591) Black, white  
(511) 37

---

(260) AM 2012 56987 A  
(210) AM 056987  
(220) 2010 11 22  
(731) SS "NAVTOBPRODUQTETBIS  
SADISTRIBUTSIO KORPORATSIA"  
Tskalsadenis q.11, 0153, Tbilisi, Georgia  
(540)

**მიიღე მეტი. ენერჯი**

**Get More. Energy**

(591) Black, white  
(511) 37

---

(260) AM 2012 57459 A  
(210) AM 057459  
(220) 2010 11 26  
(731) SH.P.S "JTK"  
M. Kostavas q.5, bina 12, 0700 Akhaltsikhe,  
Georgia  
(540)

**მაკარენა**

**MAKARENA  
МАКАРЕНА**

(591) Black, white  
(511) 29, 30

---

(260) AM 2012 57797 A  
(210) AM 057797  
(220) 2011 03 17  
(731) SH.P.S "PRIMA-VITA"  
Tamar Mefis gamz. 7/13, 0112, Tbilisi,  
Georgia  
(740) George Taktakishvili  
(540)



(591) White, blue  
(531) 26.01.18-27.05.04-27.05.11-29.01.00-  
(511) 5, 35

---

(260) AM 2012 57802 A  
(210) AM 057802  
(220) 2011 03 17  
(731) SH.P.S "PRIMA-VITA"  
Tamar Mefis gamz. 7/13, 0112, Tbilisi,  
Georgia  
(740) George Taktakishvili  
(540)

**პროსტა-ზი**

**Prosta-zi**

**Проста-зи**

(591) Black, white  
(511) 5

---

(260) AM 2012 57803 A  
(210) AM 057803  
(220) 2011 03 17  
(731) SH.P.S "PRIMA-VITA"  
Tamar Mefis gamz. 7/13, 0112, Tbilisi,  
Georgia  
(740) George Taktakishvili  
(540)

**პრიმა-ვიტა**

**Prima-Vita**

**Прима-Вита**



(591) Black, white  
(511) 5, 35

(260) AM 2012 57804 A  
(210) AM 057804  
(220) 2011 03 17  
(731) SH.P.S "PRIMA-VITA"  
Tamar Mefis gamz. 7/13, 0112, Tbilisi,  
Georgia  
(740) George Taktakishvili  
(540)

ჰეზოლი  
**Hezol**  
Гезол

(591) Black, white  
(511) 5

(260) AM 2012 57805 A  
(210) AM 057805  
(220) 2011 03 17  
(731) SH.P.S "PRIMA-VITA"  
Tamar Mefis gamz. 7/13, 0112, Tbilisi,  
Georgia  
(740) George Taktakishvili  
(540)

ფოსტრა  
**Fostr**  
Фостра

(591) Black, white  
(511) 5

(260) AM 2012 57806 A  
(210) AM 057806  
(220) 2011 03 17  
(731) SH.P.S "PRIMA-VITA"  
Tamar Mefis gamz. 7/13, 0112, Tbilisi,  
Georgia  
(740) George Taktakishvili  
(540)

უნი-ზოლი  
**Uni-zol**  
Юни-зол

(591) Black, white  
(511) 5

(260) AM 2012 58058 A  
(210) AM 058058  
(220) 2011 02 28  
(731) SH.P.S "ENSISI"

Krtsanisis q. 16, korp.5, bina 24, 0153 Tbilisi,  
Georgia

(540)

ბუდა-ბარ

(591) Black, white  
(511) 9, 41

(260) AM 2012 58584 A  
(210) AM 058584  
(220) 2010 12 21  
(731) BAOTOU BEI BEN HEAVY-DUTY  
TRUCK CO., LTD  
East of N1 Machinery Factory, Qingshan  
District, Baotou City, Inner Mongolia  
Autonomous Region, China  
(740) Vakhtang Torotadze  
(540)

北奔

(591) Black, white  
(531) 28.03.00-  
(511) 12, 37

(260) AM 2012 58585 A  
(210) AM 058585  
(220) 2010 12 21  
(731) BAOTOU BEI BEN HEAVY-DUTY  
TRUCK CO., LTD  
East of N1 Machinery Factory, Qingshan  
District, Baotou City, Inner Mongolia  
Autonomous Region, China  
(740) Vakhtang Torotadze  
(540)

**BEI BEN**

(591) Black, white  
(531) 27.05.05-  
(511) 12, 37

(260) AM 2012 58586 A  
(210) AM 058586  
(220) 2010 12 21  
(731) BAOTOU BEI BEN HEAVY-DUTY  
TRUCK CO., LTD  
East of N1 Machinery Factory, Qingshan  
District, Baotou City, Inner Mongolia  
Autonomous Region, China  
(740) Vakhtang Torotadze  
(540)



(591) Black, white  
(531) 26.01.10-26.03.23-  
(511) 12, 37

(260) AM 2012 59198 A  
(210) AM 059198  
(220) 2010 08 25  
(731) BAGI PROFESSIONAL CLEANING  
PRODUCTS LTD  
194 Acco Road, Kiryat Bialik 27232, Israel  
(740) Jumber Egriselashvili  
(540)

**BOOSTER OXY**  
**БУСТЕР ОКСИ**  
**ბუსტიერი ოქსი**

(591) Black, white  
(511) 3

(260) AM 2012 59493 A  
(210) AM 059493  
(220) 2010 09 21  
(731) SH.P.S. "ABIFARMI"  
Gudiashvilis q., 9, 0105, Tbilisi, Georgia  
(740) Davit Zurabishvili  
(540)

**ABiPharm**  
**აბიფარმი**  
**АбиФарм**

(591) Black, white  
(511) 3, 5

(260) AM 2012 59972 A  
(210) AM 059972  
(220) 2011 05 25  
(731) KAVKASIIS GAREMOSDATSVITI  
ARASAMTAVROBO ORGANIZATSIEBIS  
QSELI (CENN)  
Betlemis q. 27, 0105, Tbilisi, Georgia  
(540)

  
Caucasus Environmental NGO Network

(591) White, yellow, green  
(531) 26.11.08-27.05.05-27.05.17-29.01.12-  
(511) 16, 35, 41, 42

(260) AM 2012 60915 A  
(210) AM 060915  
(220) 2011 01 20  
(731) SH.P.S "AGARIS SHAQRIS KOMPANIA"  
Abuseridze-Tbelis q. (kofili Matrosovis q.)  
13, 0120 Tbilisi, Georgia  
(740) Vakhtang Torotadze  
(540)



(591) Green, dark green, cornelian cherries, white  
(531) 27.05.01-28.19.00-29.01.12-  
(511) 30, 35

(260) AM 2012 61197 A  
(210) AM 061197  
(220) 2011 02 07  
(731) SH.P.S. "ASFARMA - SAQARTVELO  
FARMATSEVTULI KOMPANIA"  
Metexis q. 22, 0103 Tbilisi, Georgia  
(540)



(591) White, blue, light blue, pink  
(531) 27.01.06-27.05.05-28.05.00-28.19.00-  
29.01.13-  
(511) 5

(260) AM 2012 61326 A  
(210) AM 061326  
(220) 2011 02 15  
(731) SH.P.S "BARAMBO"  
Tashkentis q. N23, 0160 Tbilisi, Georgia  
(540)

**საღამოს არომატი**  
**Evening aroma**  
**Вечерний аромат**

(591) Black, white  
(511) 30

(260) AM 2012 61328 A  
 (210) AM 061328  
 (220) 2011 02 15  
 (731) SH.P.S "BARAMBO"  
 Tashkentis q. N23, 0160 Tbilisi, Georgia  
 (540)

**ოაზისი**  
**Oasis**  
**Оазис**

(591) Black, white  
 (511) 30

(260) AM 2012 61608 A  
 (210) AM 061608  
 (220) 2011 03 09  
 (310) 009706326  
 (320) 2011 02 02  
 (330) EM  
 (731) DIAGEO BRANDS B.V.  
 Molenwerf 10-12, 1014 BG Amsterdam,  
 Netherlands  
 (740) Tamar Kochlamazashvili  
 (540)

**JOHNNIE WALKER**  
**PLATINUM LABEL**

(591) Black, white  
 (511) 33

(260) AM 2012 61752 A  
 (210) AM 061752  
 (220) 2011 03 21  
 (731) KRAFT FOODS GLOBAL BRANDS LLC.  
 Three Lakes Drive, Northfield, Illinois  
 60093, USA  
 (740) Tamar Kochlamazashvili  
 (540)



(591) White, blue, light blue, sky blue, dark brown,  
 yellow, grey  
 (531) 08.01.19-08.03.01-25.01.01-29.01.15-  
 (511) 30

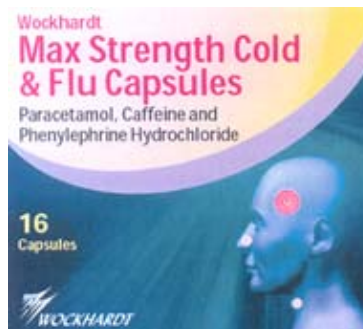
(260) AM 2012 61935 A  
 (210) AM 061935  
 (220) 2011 04 01  
 (731) SH.P.S "EI-BI-SI FARMATSIA"  
 sanapiros q.10a, 0108, Tbilisi, Georgia

(740) Ani Bochorishvili  
 (540)



(591) Yellow, black, red, carrot-red, green  
 (531) 05.07.12-11.03.04-25.01.01-29.01.15-  
 (511) 5

(260) AM 2012 61936 A  
 (210) AM 061936  
 (220) 2011 04 01  
 (731) SH.P.S "EI-BI-SI FARMATSIA"  
 sanapiros q.10a, 0108, Tbilisi, Georgia  
 (740) Ani Bochorishvili  
 (540)



(591) Yellow, black, red, grey, green  
 (531) 02.01.01-25.01.01-29.01.15-  
 (511) 5

(260) AM 2012 61964 A  
 (210) AM 061964  
 (220) 2011 04 05  
 (731) DENK PHARMA GmbH & Co. KG  
 Prinzregentenstr. 79, 81675 München,  
 Germany  
 (740) Tinatin Bochorishvili  
 (540)



(591) Black, yellow, white  
 (531) 26.04.22-27.05.05-28.19.00-29.01.12-  
 (511) 44

(260) AM 2012 62027 A  
 (210) AM 062027  
 (220) 2011 04 08  
 (731) Amoun Pharmaceutical Industries Co. S.A.E.  
 El Salam City 11491, PO Box 3001, Cairo,  
 Egypt  
 (740) Shalva Gvaramadze  
 (540)

**OXYBRAL**

(591) Black, white  
 (511) 5

(260) AM 2012 62029 A  
 (210) AM 062029  
 (220) 2011 04 08  
 (731) Amoun Pharmaceutical Industries Co. S.A.E.  
 El Salam City 11491, PO Box 3001, Cairo,  
 Egypt  
 (740) Shalva Gvaramadze  
 (540)

**VITAMAX**

(591) Black, white  
 (511) 5

(260) AM 2012 62047 A  
 (210) AM 062047  
 (220) 2011 04 12  
 (731) SS "SASTUMROEBISA DA  
 RESTORNEBIS MENEJMENT JGUFI -  
 EM/GRUP"  
 Marshal Gelovanis gamz. 2, me-5 sartuli,  
 0159, Tbilisi, Georgia  
 (540)

**ZAFRAN**  
 GEORGIAN FUSION

(591) Black and brown  
 (531) 26.04.18-26.11.08-27.05.11-29.01.12-  
 (511) 43

(260) AM 2012 62079 A  
 (210) AM 062079  
 (220) 2011 04 14  
 (731) SH.P.S "ARTE"  
 Uznadzis 4, 0102, Tbilisi, Georgia

(540)



(591) White, grey  
 (531) 25.01.01-27.05.01-27.05.02-28.19.00-  
 (511) 35

(260) AM 2012 62096 A  
 (210) AM 062096  
 (220) 2011 04 15  
 (731) LASHA LOMIDZE  
 Vazisubnis me-4 m/r-ni, kvart.2, korpusi 10,  
 bina 75, 0152, Georgia  
 (540)

**SECRETO**

(591) Black, white  
 (531) 09.07.19-27.05.04-  
 (511) 30

(260) AM 2012 62103 A  
 (210) AM 062103  
 (220) 2011 04 18  
 (731) SH.P.S "GOLBI"  
 Qavtaradzis q. N27, 0186, Tbilisi, Georgia  
 (540)

**პაპილონი**  
**PAPILLON**  
**ПАПИЛЛОН**

(591) Black, white  
 (511) 20, 35

(260) AM 2012 62112 A  
 (210) AM 062112  
 (220) 2011 04 18  
 (731) SH.P.S MISO "KAPITAL KREDITI"  
 Davit Agmasheneblis gamz.111. korp.5,  
 0102 Tbilisi, Georgia

(540)



(591) Blue, sky blue, orange, grey, black

(531) 26.03.23-28.19.00-29.01.14-

(511) 36

(260) AM 2012 62114 A

(210) AM 062114

(220) 2011 04 18

(731) SH.P.S "BARAMBO"

Tashkentis q. N23, 0160 Tbilisi, Georgia

(540)

**სივრილის გენერალური  
სპონსორი**

(591) Black, white

(511) 30

(260) AM 2012 62115 A

(210) AM 062115

(220) 2011 04 18

(731) AMGEN INC.

One Amgen Center Drive, Thousand Oaks,  
California 91320-1799, USA

(740) Shalva Gvaramadze

(540)

**STROSTEO**

(591) Black, white

(511) 5

(260) AM 2012 62116 A

(210) AM 062116

(220) 2011 04 18

(310) 85/155,120

(320) 2010 10 18

(330) US

(731) AVOCENT HUNTSVILLE CORP.

4991 Corporate Drive, Huntsville, Alabama  
35805, USA

(740) Shalva Gvaramadze

(540)

**TRELLIS**

(591) Black, white

(511) 9, 11, 35, 37, 38, 42

(260) AM 2012 62117 A

(210) AM 062117

(220) 2011 04 18

(731) OMER BABUR

Ilia Chavchavadzis gamz. 37, 0179, Tbilisi,  
Georgia

(540)



(591) შავი, თეთრი, ოქროს ფერი

(531) 05.05.20-27.05.07-29.01.13-

(511) 20, 35

(260) AM 2012 62138 A

(210) AM 062138

(220) 2011 04 19

(731) GENERAL MOTORS LLC

300 Renaissance Center, City of Detroit,  
State of Michigan 48265-3000, USA

(740) George Taktakishvili

(540)



(591) Grey, black, white

(531) 26.11.12-27.05.11-

(511) 12

(260) AM 2012 62162 A

(210) AM 062162

(220) 2011 04 20

(731) SH.P.S "TONUSI"

Khvamlis q.14, 0112, Tbilisi, Georgia

(740) Alexander Kartvelishvili

(540)



(591) Black, white, blue, green, brown, yellow,  
orange, grey, light grey, dark grey, cornelian  
cherry

(531) 06.07.01-24.13.01-28.19.00-29.01.15-

(511) 35

(260) AM 2012 62186 A  
 (210) AM 062186  
 (220) 2011 04 26  
 (731) NIPPON KAYAKU KABUSHIKI KAISHA  
 of 11-2, Fujimi 1-chome, Chiyoda-ku, Tokyo,  
 Japan  
 (740) George Taktakishvili  
 (540)

## BLEOCIN

(591) Black, white  
 (531) 27.05.17-  
 (511) 5

(260) AM 2012 62190 A  
 (210) AM 062190  
 (220) 2011 04 26  
 (731) APPLE, INC.  
 1, Infinite Loop, Cupertino, California 95014,  
 USA  
 (740) Tamar Kochlamazashvili  
 (540)

## APP STORE

(591) Black, white  
 (511) 9, 35

(260) AM 2012 62323 A  
 (210) AM 062323  
 (220) 2011 05 04  
 (731) ASSAN GIDA SANAYİ VE TİCARET  
 ANONİM ŞİRKETİ  
 Tersane Caddesi İşic İş Merkezi, No: 92 Kat:  
 6 34420 Karaköy-Istanbul, Turkey  
 (740) George Taktakishvili  
 (540)



(591) White, red, orange, beige  
 (531) 26.01.20-27.05.19-27.05.24-29.01.14-  
 (511)

(260) AM 2012 62324 A  
 (210) AM 062324  
 (220) 2011 05 04  
 (731) ASSAN GIDA SANAYİ VE TİCARET  
 ANONİM ŞİRKETİ  
 Tersane Caddesi İşic İş Merkezi, No: 92 Kat:  
 6 34420 Karaköy-Istanbul, Turkey  
 (740) George Taktakishvili

(540)

## Merve

(591) Green  
 (531) 27.05.17-29.01.03-  
 (511) 29, 30, 32

(260) AM 2012 62325 A  
 (210) AM 062325  
 (220) 2011 05 04  
 (731) ASSAN GIDA SANAYİ VE TİCARET  
 ANONİM ŞİRKETİ  
 Tersane Caddesi İşic İş Merkezi, No: 92 Kat:  
 6 34420 Karaköy-Istanbul, Turkey  
 (740) George Taktakishvili  
 (540)



(591) Green, white, red, black  
 (531) 05.03.14-26.11.13-27.05.07-29.01.14-  
 (511) 29, 32

(260) AM 2012 62448 A  
 (210) AM 062448  
 (220) 2011 05 17  
 (731) SH.P.S "GUDFUD JORJIA"  
 H. Abashidzis 17, 0160, Tbilisi, Georgia  
 (540)



(591) White, grey, beige, blue, red, yellow, green,  
 black  
 (531) 05.07.19-25.01.09-27.05.05-29.01.15-  
 (511) 29

(260) AM 2012 62449 A  
 (210) AM 062449  
 (220) 2011 05 17  
 (731) SH.P.S "GUDFUD JORJIA"  
 H. Abashidzis 17, 0160, Tbilisi, Georgia  
 (540)



(591) White, red, yellow, green, grey, black  
 (531) 05.11.05-25.01.01-28.05.00-29.01.14-  
 (511) 29

(260) AM 2012 62451 A  
 (210) AM 062451  
 (220) 2011 05 17  
 (731) SH.P.S LUNITEX  
 M. Tsknetelis q.19/2 arqiteqtorta sakhli,  
 0162, Tskneti, Georgia  
 (540)



(591) Red, blue  
 (531) 07.01.09-27.05.05-29.01.12-  
 (511) 19

(260) AM 2012 62601 A  
 (210) AM 062601  
 (220) 2011 05 27  
 (731) CREATIVE NAIL DESIGN, INC.  
 1125 Joshua Way, Vista, California 92083,  
 USA  
 (740) George Meipariani  
 (540)



(591) Black, white  
 (531) 26.04.12-26.04.18-  
 (511) 3

(260) AM 2012 62602 A  
 (210) AM 062602  
 (220) 2011 05 27

(731) CREATIVE NAIL DESIGN, INC.  
 1125 Joshua Way, Vista, California 92083,  
 USA  
 (740) George Meipariani  
 (540)



(591) Black, white  
 (531) 26.04.12-26.04.18-27.05.05-  
 (511) 3, 11

(260) AM 2012 62603 A  
 (210) AM 062603  
 (220) 2011 05 27  
 (731) CREATIVE NAIL DESIGN, INC.  
 1125 Joshua Way, Vista, California 92083,  
 USA  
 (740) George Meipariani  
 (540)

**CND SHELLAC**

(591) Black, white  
 (511) 3, 11

(260) AM 2012 62604 A  
 (210) AM 062604  
 (220) 2011 05 27  
 (731) CREATIVE NAIL DESIGN, INC.  
 1125 Joshua Way, Vista, California 92083,  
 USA  
 (740) George Meipariani  
 (540)

**SHELLAC**

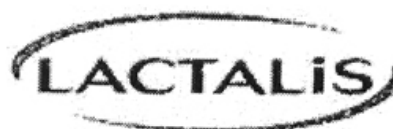
(591) Black, white  
 (511) 3, 11

(260) AM 2012 62601 A  
 (210) AM 062601  
 (220) 2011 05 27  
 (731) CREATIVE NAIL DESIGN, INC.  
 1125 Joshua Way, Vista, California 92083,  
 USA  
 (740) George Meipariani  
 (540)



(591) Black, white  
 (531) 26.04.12-26.04.18-  
 (511) 3

(260) AM 2012 62606 A  
 (210) AM 062606  
 (220) 2011 05 27  
 (731) GROUPE LACTALIS  
 10 rue Adolphe Beck 53000 Laval, France  
 (740) Tamaz Shilakadze  
 (540)



(591) Black, white  
 (531) 26.01.20-26.11.12-  
 (511) 5, 29, 30, 32, 35

(260) AM 2012 62607 A  
 (210) AM 062607  
 (220) 2011 05 27  
 (731) HONGTA TOBACCO (GROUP) CO., LTD.  
 N118, HONGTA AVENUE, HONGTA  
 DISTRICT, YUXI, YUNNAN, China  
 (740) Tamaz Shilakadze  
 (540)

*Ashima*

(591) Black, white  
 (531) 27.05.01-27.05.19-  
 (511) 34

(260) AM 2012 62608 A  
 (210) AM 062608  
 (220) 2011 05 27  
 (731) HONGTA TOBACCO (GROUP) CO., LTD.  
 N118, HONGTA AVENUE, HONGTA  
 DISTRICT, YUXI, YUNNAN, China  
 (740) Tamaz Shilakadze  
 (540)

*Gem*

(591) Black, white  
 (531) 27.05.01-27.05.19-  
 (511) 34

(260) AM 2012 62609 A  
 (210) AM 062609  
 (220) 2011 05 27  
 (731) MIKHEIL FUKHASHVILI  
 Zestafonis q. N19, bina N33, 0180, Tbilisi,  
 Georgia  
 (540)



(591) Black, white  
 (531) 02.01.04-02.01.08-26.01.21-27.05.24-  
 28.19.00-  
 (511) 16, 25, 41

(260) AM 2012 62614 A  
 (210) AM 062614  
 (220) 2011 05 27  
 (731) SH.P.S "EKOGAZI"  
 Ambrolauris 166, 8/2, 0160, Tbilisi, Georgia

(740) Nino Tskhvariashvili  
 (540)



(591) Red, yellow  
 (531) 01.15.05-28.19.00-29.01.12-  
 (511) 37

(260) AM 2012 62615 A  
 (210) AM 062615  
 (220) 2011 05 27  
 (731) S.C. JOHNSON & SON, INC.  
 a Wisconsin corporation, 1525 Howe Street,  
 Racine, Wisconsin 53403-2236, USA  
 (740) Shalva Gvaramadze  
 (540)

**ЭФФЕКТ СВЕЖЕСТИ**

(591) Black, white  
 (511) 5

(260) AM 2012 62623 A  
 (210) AM 062623  
 (220) 2011 05 30  
 (731) TIFFANY AND COMPANY  
 727 Fifth Avenue, New York, New York,  
 USA  
 (740) Shalva Gvaramadze  
 (540)

**TIFFANY**

(591) Black, white  
 (511) 9

(260) AM 2012 62624 A  
 (210) AM 062624  
 (220) 2011 05 30  
 (731) TIFFANY AND COMPANY  
 727 Fifth Avenue, New York, New York,  
 USA  
 (740) Shalva Gvaramadze  
 (540)

**TIFFANY & CO.**

(591) Black, white  
 (511) 9

(260) AM 2012 62625 A  
 (210) AM 062625  
 (220) 2011 05 30



(731) TIFFANY AND COMPANY  
727 Fifth Avenue, New York, New York,  
USA  
(740) Shalva Gvaramadze  
(540)

## T & CO.

(591) Black, white  
(511) 9

---

(260) AM 2012 62683 A  
(210) AM 062683  
(220) 2011 06 02  
(731) TELEFÓNICA S.A.  
RAN VIA, 28, 28013 MADRID, Spain  
(740) Shalva Gvaramadze  
(540)



(591) Blue  
(531) 27.05.17-29.01.04-  
(511) 9, 38

---

(260) AM 2012 62743 A  
(210) AM 062743  
(220) 2011 06 07  
(731) KAREN VARDANIANI  
Baironis q.3, bina 36, Erevani, Armenia  
(740) Davit Zurabishvili  
(540)



(591) White, red, blue, sky blue  
(531) 19.03.03-29.01.13-  
(511) 30

---

(260) AM 2012 62755 A  
(210) AM 062755  
(220) 2011 06 07  
(731) HOLLAND & BARRETT RETAIL  
LIMITED  
Samuel Ryder House, Barling Way,  
Eliot Park, Nuneaton, Warwickshire,  
CV10 7 RH, United Kingdom  
(740) Tamaz Shilakadze

(540)  
**Precision Engineered**  
(591) Black, white  
(511) 5, 29, 30, 32

---

(260) AM 2012 62756 A  
(210) AM 062756  
(220) 2011 06 07  
(731) HOLLAND & BARRETT RETAIL  
LIMITED  
Samuel Ryder House, Barling Way,  
Eliot Park, Nuneaton, Warwickshire,  
CV10 7 RH, United Kingdom  
(740) Tamaz Shilakadze  
(540)

## Neal's Yard Wholefoods

(591) Black, white  
(511) 29, 30, 31

---

(260) AM 2012 62757 A  
(210) AM 062757  
(220) 2011 06 07  
(731) HOLLAND & BARRETT RETAIL  
LIMITED  
Samuel Ryder House, Barling Way,  
Eliot Park, Nuneaton, Warwickshire,  
CV10 7 RH, United Kingdom  
(740) Tamaz Shilakadze  
(540)

## Good 'N' Natural

(591) Black, white  
(531) 27.05.05-  
(511) 5

---

(260) AM 2012 62769 A  
(210) AM 062769  
(220) 2011 06 08  
(310) MGU20111013  
(320) 2011 05 31  
(330) UZ  
(731) NATIONAL INVESTMENTS Co. Ltd.  
Usman Nosir Str. 45, office 11, 100100  
Tashkent, Uzbekistan  
(740) Givi Akopashvili  
(540)



(591) White, blue, sky blue  
(531) 01.15.15-27.05.07-29.01.12-  
(511) 3, 5

---

(260) AM 2012 62770 A  
 (210) AM 062770  
 (220) 2011 06 08  
 (731) HARRINGTON DEVELOPMENT INC.  
 Arango-Orillac Bldg. East 54 th street,  
 Panama, Panama  
 (740) Givi Akopashvili  
 (540)

**NUMBER 5**

(591) Black, white  
 (511) 34

(260) AM 2012 62771 A  
 (210) AM 062771  
 (220) 2011 06 08  
 (731) HARRINGTON DEVELOPMENT INC.  
 Arango-Orillac Bldg. East 54 th street,  
 Panama, Panama  
 (740) Givi Akopashvili  
 (540)

**NUMBER 7**

(591) Black, white  
 (511) 34

(260) AM 2012 62772 A  
 (210) AM 062772  
 (220) 2011 06 08  
 (731) HARRINGTON DEVELOPMENT INC.  
 Arango-Orillac Bldg. East 54 th street,  
 Panama, Panama  
 (740) Givi Akopashvili  
 (540)

**NUMBER 9**

(591) Black, white  
 (511) 34

(260) AM 2012 62773 A  
 (210) AM 062773  
 (220) 2011 06 08  
 (731) SH.P.S "SAFEKHBURTO KLUBI  
 TORPEDO QUTAISI"  
 Akaki Khoravas q.N1, 4610, Qutaisi, Georgia  
 (540)



(591) Yellow, green, black  
 (531) 03.04.11-21.03.01-24.01.09-24.01.15-  
 24.09.01-27.01.01-28.19.00-29.01.13-  
 (511) 41

(260) AM 2012 62783 A  
 (210) AM 062783  
 (220) 2011 06 08  
 (731) KT & G Corporation  
 100, Pyong chon-dong, Daedeog-gu, Daejeon,  
 Republic of Korea  
 (740) Shalva Gvaramadze  
 (540)



(591) Black, white  
 (531) 25.01.09-26.04.22-  
 (511) 34

(260) AM 2012 62784 A  
 (210) AM 062784  
 (220) 2011 06 08  
 (731) NATALIA VIQTOROVNA VASILENKO  
 Ulitsa Piperskaia, 3, kv. 10, 03087, Kievi,  
 Ukraine;  
 ELENA VLADIMIROVNA VISOTSKAIA  
 Ulitsa dovnar-zapolskogo, 2/20, kv. 6, 04116,  
 Kiev, Ukraine  
 (740) Shalva Gvaramadze  
 (540)



(591) Black, white  
 (531) 26.04.03-26.04.09-  
 (511) 9, 11

(260) AM 2012 62785 A  
 (210) AM 062785  
 (220) 2011 06 08  
 (731) NATALIA VIQTOROVNA VASILENKO  
 Ulitsa Piperskaia, 3, kv. 10, 03087, Kievi,  
 Ukraine;  
 ELENA VLADIMIROVNA VISOTSKAIA  
 Ulitsa dovnar-zapolskogo, 2/20, kv. 6, 04116,  
 Kiev, Ukraine  
 (740) Shalva Gvaramadze

(540)



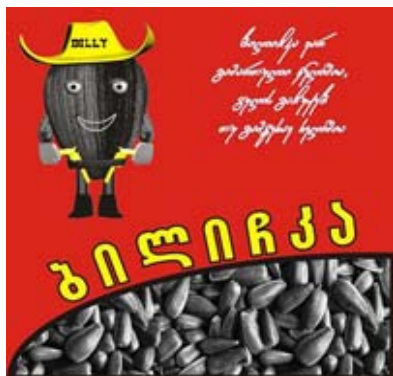
(591) Black, white  
(531) 27.05.17-27.05.22-  
(511) 9, 11

(260) AM 2012 62797 A  
(210) AM 062797  
(220) 2011 06 09  
(731) ERKAN EMEN  
Mesihpaşa Mahallesi Malkoç Pasajı  
No. 41/1 Laleli Eminönü Istanbul, Turkey  
(740) Tamar Kochlamazashvili  
(540)

**SOCCKER**

(591) Black, white  
(531) 27.05.01-27.05.17-  
(511) 25, 35

(260) AM 2012 62798 A  
(210) AM 062798  
(220) 2011 06 09  
(731) SH.P.S "MTSVANE QVEKANA"  
Qsnis q.36, 0141, Tbilisi, Georgia  
(540)



(591) Red, yellow, black, golden, white  
(531) 04.05.11-05.07.06-25.01.01-28.19.00-  
29.01.14-  
(511) 29

(260) AM 2012 62799 A  
(210) AM 062799  
(220) 2011 06 09  
(731) HANSEN BEVERAGE COMPANY  
550 Monica Circle, Suite 201, Corona,  
California 92880, USA  
(740) Shalva Gvaramadze  
(540)

**MONSTER REHAB**

(591) Black, white  
(511) 5, 30, 32

(260) AM 2012 62803 A  
(210) AM 062803  
(220) 2011 06 10  
(731) SH.P.S "PRIMA-VITA"  
Saq. samkhedro gzisa da Akhmetelis quchis  
(740) Michael Lomtadze  
(540)

**უნიკრეონი  
D Unicreon D  
Уникреон Д**

(591) Black, white  
(511) 5

(260) AM 2012 62822 A  
(210) AM 062822  
(220) 2011 06 13  
(731) MARS, INCORPORATED  
6885 Elm Street Mclean, Virginia  
22101-3883, USA  
(740) Tamar Kochlamazashvili  
(540)

**Твоё желание исполнится**

(591) Black, white  
(511) 30

(260) AM 2012 62825 A  
(210) AM 062825  
(220) 2011 06 13  
(731) BERLIN-CHEMIE AG  
Glienicke Weg 125, 12489 Berlin, Germany  
(740) George Gvinjilia  
(540)

**BERTON**

(591) Black, white  
(511) 5

(260) AM 2012 62826 A  
(210) AM 062826  
(220) 2011 06 13  
(731) BERLIN-CHEMIE AG  
Glienicke Weg 125, 12489 Berlin, Germany  
(740) George Gvinjilia  
(540)

**БЕРТОН**

(591) Black, white  
(511) 5

(260) AM 2012 62827 A  
 (210) AM 062827  
 (220) 2011 06 13  
 (731) BERLIN-CHEMIE AG  
 Glienicker Weg 125, 12489 Berlin, Germany  
 (740) George Gvinjilia  
 (540)

**RADITEP**

(591) Black, white  
 (511) 5

(260) AM 2012 62828 A  
 (210) AM 062828  
 (220) 2011 06 13  
 (731) BERLIN-CHEMIE AG  
 Glienicker Weg 125, 12489 Berlin, Germany  
 (740) George Gvinjilia  
 (540)

**РАДИТЕП**

(591) Black, white  
 (511) 5

(260) AM 2012 62908 A  
 (210) AM 062908  
 (220) 2011 06 20  
 (731) AAIP "AGROBIZNESTSENTRI-  
 LANCHKHUTI"  
 Kostavas 37, 2800, Lanchkhuti, Georgia  
 (540)



(591) Blue, green, yellow, white  
 (531) 05.03.15-26.01.15-28.19.00-29.01.13-  
 (511) 7

(260) AM 2012 62909 A  
 (210) AM 062909  
 (220) 2011 06 20  
 (731) THE PRIESTMEN ELECTRONICS  
 CORPORATION  
 107 Connie Crescent, Concord, Ontario L4K  
 1L3, Canada  
 (740) Tamaz Shilakadze

(540)



(591) Black, white  
 (531) 24.09.01-27.05.22-  
 (511) 9, 18

(260) AM 2012 62911 A  
 (210) AM 062911  
 (220) 2011 06 20  
 (310) 2011714271  
 (320) 2011 05 10  
 (330) RU  
 (731) BRITISH AMERICAN TOBACCO  
 (BRANDS) INC.  
 (A DELAWARE CORPORATION)  
 2711 Centerville Road, Suite 300,  
 Wilmington, Delaware 19808, USA  
 (740) Tamar Kochlamazashvili  
 (540)

**I AM TOMORROW**

(591) Black, white  
 (511) 34

(260) AM 2012 62912 A  
 (210) AM 062912  
 (220) 2011 06 20  
 (731) LUKA ALLIANCE LIMITED  
 Akara bldg., 24 De Castro Street, Wickhams  
 Cay 1, Road-Town, Tortola, British Virgin  
 Islands  
 (540)



(591) Green  
 (531) 05.03.15-27.05.05-28.19.00-29.01.03-  
 (511) 29, 30, 31, 43

(260) AM 2012 60041 A\*  
 (210) AM 060041  
 (220) 2010 10 29  
 (731) ЗАКРЫТОЕ АКЦИОНЕРНОЕ  
 ОБЩЕСТВО "КРАФТ ФУДС УКРАИНА"  
 42600, Сумская обл., м. Тростянец,  
 вул. Набережна 28а, Ukraine  
 (740) Tamar Kochlamazashvili  
 (540)



(591) Black, white  
 (531) 28.19.00-  
 (511) 30

---

## REGISTERED TRADEMARKS

(111) M 2012 022055 R (151) 2011 12 14 (181) 2021 12 14 (260) AM 2011 58721 A (220) 2010 07 16 (732) LABORATOIRE HRA-PHARMA 15, ru Beranger, 75003 Paris, France	3200 Natal Street, Fayetteville, North Carolina 28306, USA
(111) M 2012 022056 R (151) 2011 12 14 (181) 2021 12 14 (260) AM 2011 58761 A (220) 2010 07 20 (732) SS "TELIANI VELI" Tbilisis gzatketsili N3, 2200, Telavi, Georgia	(111) M 2012 022062 R (151) 2011 12 14 (181) 2021 12 14 (260) AM 2011 59141 A (220) 2010 08 16 (732) SH.P.S "PREMIERI 777" Tsabadzis q.8, 0112, Georgia
(111) M 2012 022057 R (151) 2011 12 14 (181) 2021 12 14 (260) AM 2011 58990 A (220) 2010 08 06 (732) SS "TELIANI VELI" Tbilisis gzatketsili N3, 2200, Telavi, Georgia	(111) M 2012 022063 R (151) 2011 12 14 (181) 2021 12 14 (260) AM 2011 59142 A (220) 2010 08 16 (732) SH.P.S "PREMIERI 777" Tsabadzis q.8, 0112, Georgia
(111) M 2012 022059 R (151) 2011 12 14 (181) 2021 12 14 (260) AM 2011 58993 A (220) 2010 08 06 (732) SS "TELIANI VELI" Tbilisis gzatketsili N3, 2200, Telavi, Georgia	(111) M 2012 022064 R (151) 2011 12 14 (181) 2021 12 14 (260) AM 2011 59183 A (220) 2010 08 24 (732) SPIRITS INTERNATIONAL B.V. 7, rue Nicolas Bove, L-1253 Luxemburg, Luxembourg
(111) M 2012 022060 R (151) 2011 12 14 (181) 2021 12 14 (260) AM 2011 59122 A (220) 2010 08 13 (732) PUROLATOR FILTERS NA LLC 3200 Natal Street, Fayetteville, North Carolina 28306, USA	(111) M 2012 022065 R (151) 2011 12 14 (181) 2021 12 14 (260) AM 2011 59184 A (220) 2010 08 24 (732) SPIRITS INTERNATIONAL B.V. 7, rue Nicolas Bove, L-1253 Luxemburg, Luxembourg
(111) M 2012 022061 R (151) 2011 12 14 (181) 2021 12 14 (260) AM 2011 59123 A (220) 2010 08 13 (732) PUROLATOR FILTERS NA LLC	(111) M 2012 022066 R (151) 2011 12 14 (181) 2021 12 14 (260) AM 2011 59185 A (220) 2010 08 25 (732) SS "SAQARTVELOS BANKI" Pushkinis q. 3, 0105, Tbilisi, Georgia

(111) M 2012 022067 R  
(151) 2011 12 14  
(181) 2021 12 14  
(260) AM 2011 59222 A  
(220) 2010 09 01  
(732) ASPINAL OF LONDON LIMITED  
Aspinal House, Longfield, Midhurst Road,  
Fernhurst, West Sussex GU27 3HA,  
United Kingdom

---

(111) M 2012 022068 R  
(151) 2011 12 14  
(181) 2021 12 14  
(260) AM 2011 59223 A  
(220) 2010 09 01  
(732) ASPINAL OF LONDON LIMITED  
Aspinal House, Longfield, Midhurst Road,  
Fernhurst, West Sussex GU27 3HA,  
United Kingdom

---

(111) M 2012 022069 R  
(151) 2011 12 14  
(181) 2021 12 14  
(260) AM 2011 59345 A  
(220) 2010 09 13  
(732) KOREA ELECTRIC POWER  
CORPORATION  
#411, Youngdong-daero, Gangnam-gu, Seoul,  
Republic of Korea

---

(111) M 2012 022070 R  
(151) 2011 12 14  
(181) 2021 12 14  
(260) AM 2011 59346 A  
(220) 2010 09 13  
(732) KOREA ELECTRIC POWER  
CORPORATION  
#411, Youngdong-daero, Gangnam-gu, Seoul,  
Republic of Korea

---

(111) M 2012 022071 R  
(151) 2011 12 14  
(181) 2021 12 14  
(260) AM 2011 59736 A  
(220) 2010 10 06  
(732) UPSA CONSEIL  
A FRANCH CORPORATION  
3, rue Joseph Monier 92500 Rueill  
Malmaison, France

---

(111) M 2012 022072 R  
(151) 2011 12 14  
(181) 2021 12 14

(260) AM 2011 59943 A  
(220) 2010 10 21  
(732) ASTELLAS DEUTSCHLAND GMBH  
Georg Brauchle Ring 64-66, 80992 München,  
Germany

---

(111) M 2012 022073 R  
(151) 2011 12 14  
(181) 2021 12 14  
(260) AM 2011 59944 A  
(220) 2010 10 21  
(732) ASTELLAS DEUTSCHLAND GMBH  
Georg Brauchle Ring 64-66, 80992 München,  
Germany

---

(111) M 2012 022074 R  
(151) 2011 12 14  
(181) 2021 12 14  
(260) AM 2011 60043 A  
(220) 2010 10 29  
(732) BRISTOL-MYERS SQUIBB COMPANY  
a Delaware Corporation;  
345 Park Avenue, New York, New York  
10154, USA

---

(111) M 2012 022075 R  
(151) 2011 12 14  
(181) 2021 12 14  
(260) AM 2011 60044 A  
(220) 2010 10 29  
(732) OTKRITOE AKTSIONERNOE  
OBSCHESTVO "ASTON PRODUKTI  
PITANIA I PISHCHEVIE INGREDIENTI"  
(OAO "ACTOH")  
ul. 1-ia lugovaia 3b, 344002 Rostov-na-donu,  
Russian Federation

---

(111) M 2012 022076 R  
(151) 2011 12 14  
(181) 2021 12 14  
(260) AM 2011 60045 A  
(220) 2010 10 29  
(732) OTKRITOE AKTSIONERNOE  
OBSCHESTVO "ASTON PRODUKTI  
PITANIA I PISHCHEVIE INGREDIENTI"  
(OAO "ACTOH")  
ul. 1-ia lugovaia 3b, 344002 Rostov-na-donu,  
Russian Federation

---

(111) M 2012 022077 R  
(151) 2011 12 14  
(181) 2021 12 14

(260) AM 2011 60046 A  
(220) 2010 10 29  
(732) OTKRITOE AKTSIONERNOE  
OBSHCHESTVO "ASTON PRODUKTI  
PITANIA I PISHCHEVIE INGREDIENTI"  
(OAO "ACTOH")  
ul. 1-ia lugovaia 3b, 344002 Rostov-na-donu,

---

(111) M 2012 022078 R  
(151) 2011 12 14  
(181) 2021 12 14  
(260) AM 2011 60047 A  
(220) 2010 10 29  
(732) OTKRITOE AKTSIONERNOE  
OBSHCHESTVO "ASTON PRODUKTI  
PITANIA I PISHCHEVIE INGREDIENTI"  
(OAO "ACTOH")  
ul. 1-ia lugovaia 3b, 344002 Rostov-na-donu,  
Russian Federation

---

(111) M 2012 022079 R  
(151) 2011 12 14  
(181) 2021 12 14  
(260) AM 2011 60062 A  
(220) 2010 11 01  
(732) SH.P.S "T-ARTI"  
D. Aleqsidzis q. 8,, 0193, Tbilisi, Georgia

---

(111) M 2012 022080 R  
(151) 2011 12 14  
(181) 2021 12 14  
(260) AM 2011 60068 A  
(220) 2010 11 02  
(732) SH.P.S "BARAMBO"  
Tashkentis q. N23, 0160, Tbilisi, Georgia

---

(111) M 2012 022081 R  
(151) 2011 12 14  
(181) 2021 12 14  
(260) AM 2011 60069 A  
(220) 2010 11 02  
(732) SH.P.S "BARAMBO"  
Tashkentis q. N23, 0160, Tbilisi, Georgia

---

(111) M 2012 022082 R  
(151) 2011 12 14  
(181) 2021 12 14  
(260) AM 2011 60070 A  
(220) 2010 11 02  
(732) SH.P.S "BARAMBO"  
Tashkentis q. N23, 0160, Tbilisi, Georgia

---

(111) M 2012 022083 R  
(151) 2011 12 14  
(181) 2021 12 14  
(260) AM 2011 60143 A  
(220) 2010 11 08  
(732) GRANT THORNTON INTERNATIONAL  
LIMITED  
Grant thornton House, 22 Melton street,  
London, NW1 2EP, United Kingdom

---

(111) M 2012 022084 R  
(151) 2011 12 14  
(181) 2021 12 14  
(260) AM 2011 60205 A  
(220) 2010 11 10  
(732) RUM CREATION & PRODUCTS INC.  
P.O. Box 3152, Road Town, Tórtola,  
British Virgin Islands

---

(111) M 2012 022085 R  
(151) 2011 12 14  
(181) 2021 12 14  
(260) AM 2011 60206 A  
(220) 2010 11 10  
(732) RUM CREATION & PRODUCTS INC.  
P.O. Box 3152, Road Town, Tórtola,  
British Virgin Islands

---

(111) M 2012 022086 R  
(151) 2011 12 14  
(181) 2021 12 14  
(260) AM 2011 60207 A  
(220) 2010 11 10  
(732) RUM CREATION & PRODUCTS INC.  
P.O. Box 3152, Road Town, Tórtola,  
British Virgin Islands

---

(111) M 2012 022087 R  
(151) 2011 12 14  
(181) 2021 12 14  
(260) AM 2011 60208 A  
(220) 2010 11 10  
(732) RUM CREATION & PRODUCTS INC.  
P.O. Box 3152, Road Town, Tórtola,  
British Virgin Islands

---

(111) M 2012 022088 R  
(151) 2011 12 14  
(181) 2021 12 14  
(260) AM 2011 60285 A  
(220) 2010 11 16  
(732) G. L. PHARMA GmbH  
Shlossplatz 1, 8502 Lannach, Austria

---

(111) M 2012 022089 R  
 (151) 2011 12 14  
 (181) 2021 12 14  
 (260) AM 2011 60286 A  
 (220) 2010 11 16  
 (732) G. L. PHARMA GmbH  
 Schlossplatz 1, 8502 Lannach, Austria

(111) M 2012 022095 R  
 (151) 2011 12 14  
 (181) 2021 12 14  
 (260) AM 2011 60327 A  
 (220) 2010 11 19  
 (732) SH.P.S "SI BI ES FARMATSEVTIKALS"  
 Jansug Kakhidzis qucha 8, 0102, Tbilisi,  
 Georgia

(111) M 2012 022090 R  
 (151) 2011 12 14  
 (181) 2021 12 14  
 (260) AM 2011 60287 A  
 (220) 2010 11 16  
 (732) G. L. PHARMA GmbH  
 Schlossplatz 1, 8502 Lannach, Austria

(111) M 2012 022096 R  
 (151) 2011 12 14  
 (181) 2021 12 14  
 (260) AM 2011 60328 A  
 (220) 2010 11 22  
 (732) JOHN PLAYER & SONS LIMITED  
 21 Beckett Way, Park West, Nangor Road,  
 Dublin 12, Ireland

(111) M 2012 022091 R  
 (151) 2011 12 14  
 (181) 2021 12 14  
 (260) AM 2011 60288 A  
 (220) 2010 11 16  
 (732) VECKMAN STEEL OY  
 Harkalantie 72, 19110 Vierumaki, Finland

(111) M 2012 022097 R  
 (151) 2011 12 14  
 (181) 2021 12 14  
 (260) AM 2011 60331 A  
 (220) 2010 11 22  
 (732) SS "SAQARTVELOS BANKI"  
 Pushkinis q. 3, 0105, Tbilisi, Georgia

(111) M 2012 022092 R  
 (151) 2011 12 14  
 (181) 2021 12 14  
 (260) AM 2011 60311 A  
 (220) 2010 11 17  
 (732) TOTO LTD, A JAPANESE  
 CORPORATION  
 1-1, Nakashima 2-chome, Kokurakita-ku,  
 Kitakyushu-shi, Fukuoka-Ken, Japan

(111) M 2012 022098 R  
 (151) 2011 12 14  
 (181) 2021 12 14  
 (260) AM 2011 60332 A  
 (220) 2010 11 22  
 (732) SS "SAQARTVELOS BANKI"  
 Pushkinis q. 3, 0105, Tbilisi, Georgia

(111) M 2012 022093 R  
 (151) 2011 12 14  
 (181) 2021 12 14  
 (260) AM 2011 60325 A  
 (220) 2010 11 19  
 (732) SH.P.S "SI BI ES FARMATSEVTIKALS"  
 Jansug Kakhidzis qucha 8, 0102, Tbilisi,

(111) M 2012 022099 R  
 (151) 2011 12 14  
 (181) 2021 12 14  
 (260) AM 2011 60578 A  
 (220) 2010 12 10  
 (732) KULTURUL-ISTORIULI GANDZIS  
 SHESTSAVLIS TSENTRI ASOTSIATSIA  
 "KOLKHETIS VARDI"  
 Mshvidobis q.51, 3100, Martvili, Georgia

(111) M 2012 022094 R  
 (151) 2011 12 14  
 (181) 2021 12 14  
 (260) AM 2011 60326 A  
 (220) 2010 11 19  
 (732) SH.P.S "SI BI ES FARMATSEVTIKALS"  
 Jansug Kakhidzis qucha 8, 0102, Tbilisi,  
 Georgia

(111) M 2012 022100 R  
 (151) 2011 12 14  
 (181) 2021 12 14  
 (260) AM 2011 60581 A  
 (220) 2010 12 10  
 (732) JX NIPPON OIL & ENERGY  
 CORPORATION  
 6-3 Otemachi 2-chome, Chiyodaku, Tokyo  
 100-8162, Japan



(111) M 2012 022101 R  
(151) 2011 12 14  
(181) 2021 12 14  
(260) AM 2011 60582 A  
(220) 2010 12 10  
(732) RECKITT & COLMAN (OVERSEAS)  
LIMITED  
Dansom Lane, Hull, HU8 7DS,

---

(111) M 2012 022103 R  
(151) 2011 12 14  
(181) 2021 12 14  
(260) AM 2011 60584 A  
(220) 2010 12 10  
(732) MARRIOTT WORLDWIDE  
CORPORATION a Maryland Corporation  
10400 Fernwood Road, Bethesda, Maryland  
20817, USA

---

(111) M 2012 022104 R  
(151) 2011 12 14  
(181) 2021 12 14  
(260) AM 2011 60598 A  
(220) 2010 12 14  
(732) SH.P.S "NIU VEI"  
Mitrofané lagidzis N21, 0108, Tbilisi,  
Georgia

---

(111) M 2012 022105 R  
(151) 2011 12 14  
(181) 2021 12 14  
(260) AM 2011 60736 A  
(220) 2010 12 27  
(732) SS "SB UDZRAVI QONEBA"  
Tavisuflebis moedani 4, 0105, Tbilisi,  
Georgia

---

(111) M 2012 022106 R  
(151) 2011 12 14  
(181) 2021 12 14  
(260) AM 2011 60737 A  
(220) 2010 12 27  
(732) SS "SB UDZRAVI QONEBA"  
Tavisuflebis moedani 4, 0105, Tbilisi,  
Georgia

---

(111) M 2012 022107 R  
(151) 2011 12 14  
(181) 2021 12 14  
(260) AM 2011 60825 A  
(220) 2011 01 10  
(732) SH.P.S "BASTI-BUBU"  
Vazha-Pshavelas gamz. 76b, 0186, Tbilisi,  
Georgia

---

---

## TRADEMARKS REGISTERED ACCORDING TO THE ACCELERATED PROCEDURE

To file an appeal on request of the registration cancelling is possible at Chamber of Appeal of Sakpatenti within 3 months from the publication.

(111) M 2012 22109 R  
(151) 2011 12 19  
(181) 2021 12 19  
(220) 2011 11 18  
(732) HARRINGTON DEVELOPMENT INC.  
Arango-Orillac Bldg. East 54 th street,  
Panama  
(740) Givi Akopashvili  
(540)



(591) Blue, light blue, light yellow, golden, brown, white, light sky  
(531) 19.03.24-24.09.09-25.01.01-27.05.17-27.07.17-29.01.13-  
(526) **Disclaimer** – The trademark is protected as a whole. Figure "1", word combinations "AMERICAN BLAND", "SPECIAL SELECTION" and warning inscriptions shall be withdrawn from protection.  
(511) 34

---

(111) M 2012 22110 R  
(151) 2011 12 19  
(181) 2021 12 19  
(220) 2011 12 02  
(732) SH.P.S "GD ALKO"  
M. Aleqsidzis q.8, 0193, Tbilisi, Georgia  
(740) Vakhtang Torotadze  
(540)



(591) Blak, white, terra-cotta  
(531) 26.11.12-27.05.01-28.19.00-29.01.12-  
(526) **Disclaimer** – The trademark is protected as a whole, word combinations "Whisky", "House" shall not be the object of independent protection.  
(511) 35

---

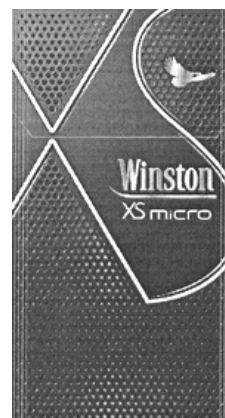
(111) M 2012 22111 R  
(151) 2011 12 20  
(181) 2021 12 20  
(220) 2011 12 12  
(732) SH.P.S "GUDAURI SQI RESORT"  
Makashvilis q.N31, dzveli Tbilisis raioni,  
0105, Tbilisi, Georgia  
(540)



(591) Grey, yellow  
(531) 27.05.22-29.01.12-  
(526) **Disclaimer** – Word combination "GUDAURI" is the unprotectable part of the trademark.  
(511) 43

---

(111) M 2012 22112 R  
(151) 2011 12 20  
(181) 2021 12 20  
(220) 2011 11 08  
(732) JAPAN TOBACCO INC.  
2-2-1, Toranomom, Minato-ku, Tokyo, Japan  
(740) Shalva Gvaramadze  
(540)



(591) Black, white  
(531) 03.07.16-19.03.03-25.07.07-26.03.23-  
26.11.13-27.05.24-  
(511) 34

---

(111) M 2012 22113 R  
(151) 2011 12 23  
(181) 2021 12 23  
(220) 2011 12 15  
(732) SPIRITS PRODUCT INTERNATIONAL  
INTELLECTUAL PROPERTY B.V.  
7, Rue Nicolas Bove, 1253 Luxembourg,  
Luxembourg  
(740) Davit Zurabishvili  
(540)

**GRADUS**

(591) Black, white  
(511) 32, 33

---

(111) M 2012 22114 R  
(151) 2011 12 23  
(181) 2021 12 23  
(220) 2011 12 02  
(732) SH.P.S "SANTREIDI"  
Varketili-3, III a m/r, korpusi 340, bina 8,  
0163, Tbilisi, Georgia  
(540)



(591) White, red, blue  
(531) 28.05.00-29.01.12-  
(511) 29, 30

---

(111) M 2012 22116 R  
(151) 2011 12 26  
(181) 2021 12 26  
(220) 2011 12 06  
(732) KAREN MARGARIANI  
Erznkian 30, 0033 Erevan, Armenia  
(740) Khatuna Imnadze  
(540)



**BACON**  
P R O D U C T

(591) Red, pink, black, white  
(531) 24.05.01-26.01.18-27.05.05-27.05.21-  
29.01.15-  
(526) **Disclaimer** – Word combination "BACON  
PRODUCT" in the trademark shall not be  
subject of independent protection.  
(511) 29

---

(111) M 2012 22117 R  
(151) 2011 12 27  
(181) 2021 12 27  
(220) 2011 12 08  
(732) GRANT VARDANIANI  
N. Dumanis 1, bina 76, Erevani, Armenia  
(740) Davit Zurabishvili  
(540)

**AMIGO**  
**АМИГО**  
**ამიგო**

(591) Black, white  
(511) 34

---

(111) M 2012 22118 R  
(151) 2011 12 27  
(181) 2021 12 27  
(220) 2011 12 08  
(732) GRANT VARDANIANI  
N. Dumanis 1, bina 76, Erevani, Armenia  
(740) Davit Zurabishvili  
(540)

**HOLIDAY**  
**ХОЛИДЕЙ**  
**ჰოლიდუ**

(591) Black, white  
(511) 34

---

(111) M 2012 22119 R  
(151) 2011 12 27  
(181) 2021 12 27  
(220) 2011 12 08  
(732) GRANT VARDANIANI  
N. Dumanis 1, bina 76, Erevani, Armenia  
(740) Davit Zurabishvili  
(540)

**UNITED**  
**ЮНАЙТЕД**  
**იუნაიტედ**

(591) Black, white  
(511) 34

---

(111) M 2012 22120 R  
(151) 2011 12 27  
(181) 2021 12 27  
(220) 2011 12 08  
(732) GRANT VARDANIANI  
N. Dumanis 1, bina 76, Erevani, Armenia  
(740) Davit Zurabishvili  
(540)

**GALAXY**  
**ԴԱԼԱԿՈՒ**  
**ԶԱԼԻՄԻ**

(591) Black, white  
(511) 34

---

(111) M 2012 22122 R  
(151) 2011 12 29  
(181) 2021 12 29  
(220) 2011 12 21  
(732) SH.P.S "KANTI"  
Chkondidelis q. 26, 0180, Tbilisi, Georgia  
(740) George Kavtaradze  
(540)



(591) Yellow, black, green  
(531) 05.03.14-27.05.02-27.05.17-29.01.12-  
(511) 29, 30, 31

---

---

## INTERNATIONAL TRADEMARKS LAID OPEN FOR THE PURPOSE OF TAKING PROTECTION GRANTING DECISIONS

To appeal a decision is possible at Chamber of Appeal of Sakpatenti within 3 months from the publication or at The Board of Administrative Actions of Tbilisi City Court within a 1 month period. (Address: 12 km., №6, David Aghmashenebeli Kheivani, Tbilisi).

(260) AM 2012 59936 A  
(800) 1050616  
(731) The European Fund for Southeast  
Europe, S.A  
31, zone d'Activités Bourmicht, L-8070  
BERTRANGE, Luxembourg  
(540)

### EFSE

(591) Black, white  
(511) 35, 36, 41

---

(260) AM 2012 61106 A  
(800) 1061513  
(731) CHOCOLATS ET CACAOS FAVARGER  
S.A.  
Chemin de la Chocolaterie 2, CH-1290  
VERSOIX, Switzerland  
(540)



(591) Black, white  
(511) 30, 35, 43

---

(260) AM 2012 61354 A  
(800) 692755  
(731) ZAKRYTE AKTSIONERNE  
TOVARYSTVO "KRAFT FOODS  
UKRAINA"  
28a, vul. Naberezhna, m. Trostjanetz,  
UA-42600 Sumska obl., Ukraine  
(540)

### KOPOHA

(591) Black, white  
(511) 30

---

(260) AM 2012 61400 A  
(800) 1064422  
(731) LIMITED TRADE COMPANY "F-LINE  
TECHNOLOGIES"  
d. 6, ul. Anatolya, RU-656056

Barnaul, Russian Federation  
(540)

### Total Ledger

(591) Black, white  
(511) 09, 35, 38, 42

---

(260) AM 2012 61401 A  
(800) 1064423  
(731) ARMSAN SILAH SANAYI VE TICARET  
ANONIM SIRKETI  
Inkilap Mah. Alemdag Cad. Siteyolu,  
Sk. N3 Umraniye, ISTANBUL, Turkey  
(540)



(591) Black, white  
(511) 13

---

(260) AM 2012 61403 A  
(800) 1064432  
(731) OJSC "Confectionery Group SladCo"  
19, Sibirsky trakt, RU-620100 Ekaterinburg,  
Russian Federation  
(540)

MonLiebe



(591) Brown, light brown, dark yellow, beige, pink,  
white, dark-blue, green-blue and black  
(511) 30

---

(260) AM 2012 61404 A  
(800) 1064433  
(731) EGIS Gyógyszergyár Nyilvánosan Működő  
Részvénytársaság  
Kereszturi ut. 30-38, H-1106 Budapest, Hungary

(540)

**BRELUNCOL**

(591) Black, white

(511) 05

(260) AM 2012 61405 A

(800) 1064434

(731) EGIS Gyógyszergyár Nyilvánosan Működő  
Részvénytársaság  
Kereszturi ut. 30-38, H-1106 Budapest,  
Hungary

(540)

**LIVIZUX**

(591) Black, white

(511) 05

(260) AM 2012 61406 A

(800) 1064435

(731) EGIS Gyógyszergyár Nyilvánosan Működő  
Részvénytársaság  
Kereszturi ut. 30-38, H-1106 Budapest,  
Hungary

(540)

**GADAREM**

(591) Black, white

(511) 05

(260) AM 2012 61407 A

(800) 1064461

(731) Talibov Aydin Veysal ogli  
Village Siyaqut, région Charur, AZ-6830  
République autonome la Naknchivan,  
Azerbaijan

(540)

**Swoy**

(591) Black, white

(511) 30, 35

(260) AM 2012 61408 A

(800) 1064462

(731) Talibov Aydin Veysal ogli  
Village Siyaqut, région Charur, AZ-6830  
République autonome la Naknchivan,  
Azerbaijan

(540)

**Meté**

(591) Black, white

(511) 30, 35

(260) AM 2012 61409 A

(800) 1064463

(731) Talibov Aydin Veysal ogli  
Village Siyaqut, région Charur, AZ-6830  
République autonome la Naknchivan,  
Azerbaijan

(540)

**Favo**

(591) Black, white

(511) 30, 35

(260) AM 2012 61410 A

(800) 1064489

(731) OTKRYTOE AKTSIONERNOE  
OBSHESTVO "WIMM-BILL-DANN  
PRODUKTY PITANIYA"  
komn. 306, d.16/15, Yauzsky bulvar,  
RU-109028 Moscow, Russian Federation

(540)

**Дары России**

(591) Black, white

(511) 05, 32

(260) AM 2012 61411 A

(800) 1064490

(731) EGIS GYÓGYSZERGYÁR Nyilvánosan  
Működő Részvénytársaság  
Keresztúri út 30-38 H-1106 Budapest,  
Hungary

(540)

**SYNSTOP**

(591) Black, white

(511) 05

(260) AM 2012 61412 A

(800) 1064499

(731) LA SOCIÉTÉ À RESPONSABILITÉ  
LIMITÉE "NOVY DOM"  
17 a, rue Rabochaya, La ville Ijevsk,  
RU-426027 La République Oudmourtie,  
Russian Federation

(540)

**Палиж****Palizh**

(591) Black, white

(511) 02, 07, 19, 35, 37, 39, 42

(260) AM 2012 61413 A

(800) 1064524

(731) WATER GROUP LTD OY  
Eteläkaupatori 4 A FI-28100 Pori, Finland

(540)

**FiltroSmart™**

(591) Blue and black  
(511) 01, 40

(260) AM 2012 61414 A

(800) 1064529

(731) Walter Niemetz Süßwarenfabrik-Fabrikation von Zucker-, Schokolade-, -Konditorei-, - und Dauerbackwaren OHG  
Aspangstrasse 27, A-1030 Wien, Austria

(540)

**BOMBINI**

(591) Black, white  
(511) 30

(260) AM 2012 61458 A

(800) 1064916

(731) EGIS GYÓGYSZERGYÁR Nyilvánosan Működő Részvénytársaság  
Keresztúri út 30-38, H-1106 Budapest, Hungary

(540)

**FEREGIS**

(591) Black, white  
(511) 05

(260) AM 2012 61459 A

(800) 1064935

(731) ZENTIVA, K.S.  
U Kabelovny 130, CZ-102 36 Praha 10, Dolní Měcholupy, Czech Republic

(540)

**ZEDEOS**

(591) Black, white  
(511) 05

(260) AM 2012 61460 A

(800) 1064971

(731) PHILIP MORRIS PRODUCTS S.A.  
Quai Jeanrenaud 3, CH-2000 Neuchâtel, Switzerland

(540)



(591) Dark blue, light blue, blue, green, white and silver

(511) 34

(260) AM 2012 61461 A

(800) 1064972

(731) Philip Morris Products S.A.  
Quai Jeanrenaud 3, CH-2000 Neuchâtel, Switzerland

(540)



(591) Green, white and silver

(511) 34

(260) AM 2012 61462 A

(800) 1064973

(731) PHILIP MORRIS BRANDS SÀRL  
Quai Jeanrenaud 3, CH-2000 Neuchâtel, Switzerland

(540)



(591) Black, white

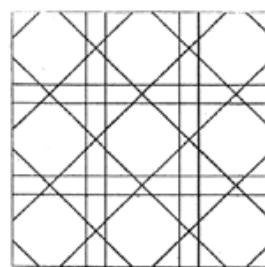
(511) 34

(260) AM 2012 61464 A

(800) 1064983

(731) PARFUMS CHRISTIAN DIOR  
33 avenue Hoche, F-75008 PARIS, France

(540)



(591) Black, white

(511) 03, 20, 21, 35, 44

(260) AM 2012 61465 A

(800) 1065060

(731) SICPA Holding SA  
Avenue de Florissant 41, CH-1008 Prilly, Switzerland

(540)

**SICPA**

(591) Black, white

(511) 01, 02, 07, 09, 16, 40, 45

(260) AM 2012 61467 A

(800) 1065100

(731) WULF GAERTNER AUTOPARTS AG

Merkurring 111, 22143 Hamburg, Germany

(540)

**Wulf Gaertner**

(591) Black, white

(511) 01, 07, 09, 11, 12, 16, 17, 35

(260) AM 2012 61469 A

(800) 1065019

(731) Merck KGaA

Frankfurter Strasse 250, 64293 Darmstadt,  
Germany

(540)



(591) Dark red and bright red

(511) 01, 05, 07, 09, 11, 16, 40, 42

(260) AM 2012 61470 A

(800) 1065064

(731) Merck KGaA

Frankfurter Strasse 250, 64293 Darmstadt,  
Germany

(540)



(591) Dark blue and bright blue

(511) 01, 05, 07, 09, 11, 16, 40, 42

(260) AM 2012 61471 A

(800) 1065066

(731) Merck KGaA

Frankfurter Strasse 250, 64293 Darmstadt,  
Germany

(540)



(591) Dark blue and bright blue

(511) 01, 05, 07, 09, 11, 16, 40, 42

(260) AM 2012 61472 A

(800) 1065067

(731) Merck KGaA

Frankfurter Strasse 250, 64293 Darmstadt,  
Germany

(540)



(591) Dark green and bright green

(511) 01, 05, 07, 09, 11, 16, 40, 42

(260) AM 2012 61473 A

(800) 1065068

(731) Merck KGaA

Frankfurter Strasse 250, 64293 Darmstadt,  
Germany

(540)



(591) Dark yellow and bright yellow

(511) 01, 05, 09, 16, 42

(260) AM 2012 61547 A

(800) 1065854

(731) INDESIT COMPANY S.P.A.

Viale Aristide Merloni, 47, I-60044  
FABRIANO (AN), Italy

(540)

**LUCE**

(591) Black, white

(511) 07, 09, 11

(260) AM 2012 61548 A

(800) 1065962

(731) CARSON S.R.L.

Via Nicola Fabrizi, 44, I-10143 Torino, Italy

(540)



(591) Black, white

(511) 28

(260) AM 2012 61549 A

(800) 1065999

(731) SYNGENTA LIMITED

Syngenta European Regional Centre,  
Priestley Road, Surrey Research Park  
Guildford, Surrey GU2 7YH,  
United Kingdom



(540)

**KARATE ZEON**

(591) Black, white  
(511) 01, 05

---

(260) AM 2012 61550 A

(800) 1066015

(731) Zamil Industrial Investment Company LLC  
doing business via its strategical business unit  
Zamil Coolcare; First Industrial City 7th  
Street, Dammam-AI Khoba, DAMMAM  
31424, Saudi Arabia

(540)

**RESISTEC**

(591) Black, white  
(511) 02

---

(260) AM 2012 61551 A

(800) 1066032

(731) JULES  
152 avenue Alfred Motte, F-59100  
ROUBAIX, France

(540)

**JULES, LOVE IS ALL**

(591) Black, white  
(511) 25, 35

---

(260) AM 2012 61552 A

(800) 1066055

(731) IVOCLAR VIVADENT AG  
Bendererstrasse 2, FL-9494 Schaan,  
Liechtenstein

(540)

**CAD ON**

(591) Black, white  
(511) 05, 10

---

(260) AM 2012 61553 A

(800) 1066071

(731) SANOFI  
174 avenue de France, F-75013 PARIS,  
France

(540)



**sanofi aventis**  
ONCOLOGY

(591) Black, white  
(511) 05, 09, 10, 16, 35, 38, 41, 42, 44

---

(260) AM 2012 61554 A

(800) 1066094

(731) EDNOLITCHNO DRUJESTVO S  
OGRANITCHENA OTGOVORNOST  
"FINANSKONSULT"  
Altzeko str. 16, BG-4000 PLOVDIV,  
Bulgaria

(540)

**007**

(591) Black, white  
(511) 32, 33, 34

---

(260) AM 2012 61557 A

(800) 1066096

(731) EDNOLITCHNO DRUJESTVO S  
OGRANITCHENA OTGOVORNOST  
"FINANSKONSULT"  
Altzeko str. 16, BG-4000 PLOVDIV,  
Bulgaria

(540)

**BEST MAN**

(591) Black, white  
(511) 32, 33, 34

---

(260) AM 2012 61558 A

(800) 1066099

(731) COIALNÍC VICTOR  
str. Onisifor Ghibu, Nr 1, ap. 76, MD-2051  
Chisinau, Republic of Moldova

(540)

**VERTUS**

(591) Black, white  
(511) 34

---

(260) AM 2012 61559 A

(800) 1066113

(731) CANTINA DELLA VOLTA DI  
CHRISTIAN BELLEI & C. S.r.l.  
Via per Modena, 82, I-41030 BOMPORTO  
(MO), Italy

(540)

**CANTINA DELLA VOLTA**

(591) Black, white  
(511) 33

---

(260) AM 2012 61560 A

(800) 1066124

(731) Obschestvo s ogranichennoi otvetstvennostyu  
"NAUCHNO-PROIZVODSTVENNAYA  
FIRMA "MATERIA MEDICA HOLDING"  
Trety Samotekhn pereulok, 9, RU-127473  
Moscow, Russian Federation

(540)

**СУБЕТТА**(591) Black, white  
(511) 05

(260) AM 2012 61561 A

(800) 1066147

(731) APPLE INC.

1 Infinite Loop, Cupertino, CA 95014, USA

(540)

**RETINA**(591) Black, white  
(511) 09

(260) AM 2012 61638 A

(800) 1066963

(731) FONDITAL S.P.A.

Via Cerreto, 40, VOBARNO (Brescia), Italy

(540)

**CALIDOR**(591) Black, white  
(511) 11

(260) AM 2012 61644 A

(800) 1067047

(731) Koninklijke Philips Electronics N.V.

Groenewoudseweg 1, NL-5621 BA

Eindhoven, Netherlands

(540)

**LEDPRO**(591) Black, white  
(511) 09

(260) AM 2012 61646 A

(800) 1067050

(731) KONINKLIJKE PHILIPS

ELECTRONICS N.V.

Groenewoudseweg 1, NL-5621 BA

Eindhoven, Netherlands

(540)



(591) Yellow, orange, green, blue, red, purple, dark blue, pale blue, pale orange, dark orange, pale green, bordeaux, turquoise

(511) 09

(260) AM 2012 61647 A

(800) 1067073

(731) ALCON, INC.

Bösch 69, CH-6331 Hünenberg, Switzerland

(540)

**OPTI-FREE SEPT**

(591) Black, white

(511) 05

(260) AM 2012 61648 A

(800) 1067074

(731) G+J HOLDING GMBH

Parkring 12, A-1010 Wien, Austria

(540)

**Geolino**

(591) Black, white

(511) 16, 28

(260) AM 2012 61698 A

(800) 1067715

(731) DAIICHI SANKYO COMPANY, LIMITED

3-5-1, Nihonbashi Honcho, Chuo-ku,

Tokyo 103-8426, Japan

(540)



(591) Magenta, yellow and orange

(511) 05

(260) AM 2012 61699 A

(800) 1067730

(731) PROJETCLUB SA

4 boulevard de Mons, F-59650

VILLENEUVE D'ASCQ, France

(540)

**NATIMEO**

(591) Black, white

(511) 24, 25, 29, 30, 35

(260) AM 2012 61701 A

(800) 1067741

(731) Henkel AG &amp; Co. KGaA

Henkelstraße 67, 40589 Düsseldorf,

Germany

(540)

**Fa****NutriSkin**

(591) Black, white  
(511) 03

---

(260) AM 2012 61721 A  
(800) 1067875  
(731) VIENNA INSURANCE GROUP AG Wiener  
Versicherung Gruppe  
Schottenring 30, A-1010 Vienna, Austria  
(540)



(591) Black, white  
(511) 36

---

(260) AM 2012 61794 A  
(800) 1068268  
(731) SKYPORT A.S.  
Laglerové 1075/4, CZ-161 00 Praha 6,  
Czech Republic  
(540)

**Skyport**

(591) Black, white  
(511) 12, 39

---

(260) AM 2012 61796 A  
(800) 1068274  
(731) VESTAS WIND SYSTEMS A/S  
Alsvej 21, DK-8940 Randers SV, Denmark  
(540)

**Wind. It means the world to us**

(591) Black, white  
(511) 07, 09, 37, 42

---

(260) AM 2012 61798 A  
(800) 1068326  
(731) ZENTIVA, K.S.  
U Kabelovny 130, CZ-102 36 Praha 10,  
Dolní Měcholupy, Czech Republic  
(540)

**ZENADEA**

(591) Black, white  
(511) 05

---

(260) AM 2012 61801 A  
(800) 1068373  
(731) LEO SCHIRNHOFER  
Hainfelder Straße 48, A-2564 Weissenbach  
and der Triesting, Austria

(540)

**POLYTECHNIK**

(591) Black, white  
(511) 07, 11

---

(260) AM 2012 61806 A  
(800) 1028701  
(731) FROMAGERIES BEL  
16, boulevard Malesherbes, F-75008 Paris,  
France  
(540)



(591) Red, green, yellow, white and black  
(511) 29

---

(260) AM 2012 61807 A  
(800) 908779  
(731) YENİ AS METAL ROT VE ROTİL  
SANAYİ VE TİCARET LİMİTED ŞİRKETİ  
Yeni Yalova Yolu, Alaşar Köyü Girişi N3,  
BURSA, Turkey  
(540)



(591) Black, white, red  
(511) 12

---

(260) AM 2012 61813 A  
(800) 1068426  
(731) ZABLOČKYJ JAROSLAV  
VOLODYMYROVYCH  
vul. Iv. Franka, 12, s. Birky, Javorivskyj  
rajon, Lvivska oblast 81092, Ukraine  
(540)



(591) Red, grey, white and black  
(511) 16, 35, 40, 41, 42, 44

(260) AM 2012 61814 A  
(800) 1068427  
(731) MERCK KGAA  
Frankfurter Strasse 250, 64293 Darmstadt,  
Germany

(540)

**MERCK MILLIPORE**

(591) Black, white  
(511) 01, 05, 07, 09, 11, 16, 40, 42

(260) AM 2012 61871 A  
(800) 1068894  
(731) ERGO Versicherungsgruppe AG  
Victoriaplatz 2, 40198 Düsseldorf, Germany

(540)

**ERGO**

(591) Red  
(511) 35, 36, 42, 44, 45

(260) AM 2012 61872 A  
(800) 1068896  
(731) BRAVO PREMIUM LLC  
Kuznetsovskaya str., 52, korp. 3, lit. A,  
RU-196105 Saint-Petersburg, Russian  
Federation

(540)

**CHATEAU AMORE**

(591) Black, white  
(511) 32, 33

(260) AM 2012 61873 A  
(800) 1068901  
(731) DINA-Petrokemija d.d. proizvodnja,  
terminali i servisi; Poje 1, HR-51513 Omišalj,  
Croatia

(540)

**DINAVIL**  
Polivinil-klorid PVC  
Polyvinyl-chloride PVC

(591) Orange  
(511) 01

(260) AM 2012 61875 A  
(800) 1068927  
(731) LIMITED STORES, LLC

7775 Walton Parkway New Albany OH  
43054, USA

(540)

**THE LIMITED**

(591) Black, white  
(511) 03, 09, 14, 18, 25, 26, 35

(260) AM 2012 61876 A  
(800) 1068946  
(731) SORRENTINO BONAVENTURA  
Via Palmentello, 50, I-84012 ANGRI (SA),  
Italy

(540)

**AMY GEE**

(591) Black, white  
(511) 03, 09, 18, 25

(260) AM 2012 61877 A  
(800) 1068955  
(731) FAITH CONNEXION  
61, rue Servan, F-75011 Paris, France

(540)

**Faith**  
Connexion

(591) Black, white  
(511) 03, 18

(260) AM 2012 61878 A  
(800) 1068998  
(731) OBSHESTVO S OGRANICHENNOY  
OTVETSTVENNOSTIYU "FERON"  
73, autoroute Volokolamsk, RU-123362  
Moscou, Russian Federation

(540)



(591) Black, white  
(511) 05

(260) AM 2012 61896 A  
(800) 1069088A  
(731) ACKERMANN & GRITZNER PTE. LTD.  
1 Scotts Road, #21-04 Shaw Centre,  
Singapore 228208, Singapore

(540)

**Ackermann**

(591) Black, white  
(511) 23

---

(260) AM 2012 61899 A  
(800) 1069136  
(731) Opel Special Vehicles GmbH  
Mainzer Str. (Adam Opel AG - M55),  
65428 Rüsselsheim, Germany  
(540)

**MOKKA**

(591) Black, white  
(511) 12, 27, 28

---

(260) AM 2012 61900 A  
(800) 1069139  
(731) BIOFARMA  
50 rue Carnot, F-92284 SURESNES CEDEX,  
France  
(540)

**DIAXELOR**

(591) Black, white  
(511) 05

---

(260) AM 2012 61901 A  
(800) 1069159  
(731) EGIS GYÓGYSZERGYÁR Nyilvánosan  
Működő Részvénytársaság  
Kereszturi út 30-38, H-1106 Budapest,  
Hungary  
(540)

**RIDUTRIN**

(591) Black, white  
(511) 05

---

(260) AM 2012 61902 A  
(800) 1069195  
(731) GUANGZHOU AUTOMOBILE GROUP  
CO., LTD.  
23/F, Chengyue Building, N448-458,  
Dongfengzhong Rd. Guangzhou, China  
(540)

**广汽**

(591) Black, white  
(511) 07, 12, 37

---

(260) AM 2012 61903 A  
(800) 1069198  
(731) OTKRYTOE AKTSIONERNOE  
OBSHCHESTVO

"GRODNENSKAYA TABACHNAYA  
FABRIKA "NEMAN"  
18, ul. Ordzhonikidze, 230071 Grodno, Belarus  
(540)



(591) Black, white  
(511) 34

---

(260) AM 2012 61904 A  
(800) 1069206  
(731) LOHMANN ANIMAL HEALTH GMBH &  
CO. KG  
Heinz-Lohmann-Strasse 4, 27472 Cuxhaven,  
Germany  
(540)



(591) Black, white  
(511) 05, 31

---

(260) AM 2012 61905 A  
(800) 1069217  
(731) HANSEN BEVERAGE COMPANY  
550 Monica Circle, Suite 201, Corona CA  
92880, USA  
(540)

**ASSAULT**

(591) Black, white  
(511) 05, 32

---

(260) AM 2012 61906 A  
(800) 1069225  
(731) PERIPRODUCTS LIMITED  
262-270 Field End Road, Ruislip, Middlesex  
HA4 9NB, United Kingdom  
(540)

**FOR THE BREATH OF  
CONFIDENCE**

(591) Black, white  
(511) 03

---

(260) AM 2012 61913 A  
(800) 1069263  
(731) SANOFI

174 avenue de France, F-75013 PARIS,  
France

(540)



(591) White and red  
(511) 05, 16, 35, 38, 41, 44

(260) AM 2012 61976 A  
(800) 1069639  
(731) OBSHCHESTVO S OGRANICHENNOY  
OTVETSTVENNOSTYU "ASAY  
CYBERSYSTEMS"  
Office 337, bld. 162, 3 Floor, Technopark  
"Telemechanica", str. Kabardinskaya, Nalchik  
RU-360019 Kabardino-Balkarian republic,  
Russian Federation

(540)

**ASAYCYBER**

(591) Black, white  
(511) 07, 09, 35, 37, 42

(260) AM 2012 61977 A  
(800) 1069660  
(731) CSF KUYUMCULUK İTHALAT  
İHRACAT SANAYİ VE TİCARET  
LİMİTED ŞİRKETİ  
Çemberlitaş Molla Fenari Mahallesi,  
Kürkçüler Pazarı Sokak N63, Eminönü –  
İstanbul, Turkey

(540)

**CSF**

(591) Black, white  
(511) 14

(260) AM 2012 61979 A  
(800) 1069686  
(731) RICHTER GEDEON NYRT.  
Gyömroi út 19-21, H-1103 Budapest,  
Hungary

(540)

**VIDONORM**

(591) Black, white  
(511) 05

(260) AM 2012 61980 A  
(800) 1069687  
(731) RICHTER GEDEON NYRT.  
Gyömroi út 19-21, H-1103 Budapest,  
Hungary

(540)

**ВИДОНОРМ**

(591) Black, white  
(511) 05

(260) AM 2012 61981 A  
(800) 1069699  
(731) Hi-tron USA, LLC  
12751 Maplewood Court Poway, CA 92064,  
USA

(540)

**REVO**

(591) Black, white  
(511) 05, 09, 11

(260) AM 2012 61982 A  
(800) 1069703  
(731) NORTHLAND GmbH  
Grabenstrasse 90c, A-8010 Graz, Austria

(540)

**NORTHLAND PROFESSIONAL**

(591) Black, white  
(511) 03, 09, 14, 18, 20, 22, 24, 25

(260) AM 2012 61983 A  
(800) 1069704  
(731) MEPHA GMBH  
Dornacherstrasse 114, Boîte postale 445,  
CH-4147 Aesch BL, Switzerland

(540)

**GASTROPANT**

(591) Black, white  
(511) 05

(260) AM 2012 61984 A  
(800) 1069723  
(731) AUDI AG  
85057 Ingolstadt, Germany

(540)

**R6**

(591) Black, white  
(511) 12, 28

(260) AM 2012 61992 A  
(800) 1069789  
(731) ZENTIVA S.A.  
50, Theodor Pallady Blvd. 032266 Bucharest  
3, Romania  
(540)

**ALGOCALM**

(591) Black, white  
(511) 05

---

(260) AM 2012 61993 A  
(800) 1069810  
(731) SBERBANK OF RUSSIA  
19, Vavilova str., RU-117997 MOSCOW,  
Russian Federation  
(540)

**Сбербанк-Премьер**

(591) Black, white  
(511) 36

---

(260) AM 2012 61995 A  
(800) 1069888  
(731) CHOCOLADEFABRIKEN LINDT &  
SPRÜNGLI AG  
Seestrasse 204, CH-8802 Kilchberg,  
Switzerland  
(540)



(591) Black, white  
(511) 30

---

(260) AM 2012 61996 A  
(800) 1069930  
(731) SUNECHO LIMITED  
Themistokli Dervi 3, Julia House, P.C.,  
CY-1066 Nicosia, Cyprus  
(540)

**ROLROL®**

(591) White, black, yellow and light brown  
(511) 29, 30, 35

---

(260) AM 2012 61997 A  
(800) 1069933  
(731) "MOSCOW-EFES BREWERY", CLOSED  
JOINT STOCK COMPANY  
d.15B, ul. Podolskikh Kursantov, RU-117546  
Moscow, Russian Federation  
(540)



(591) Green, dark-green, light-green, lettuce-green,  
yellow, red and white  
(511) 32

---

(260) AM 2012 61998 A  
(800) 1069955  
(731) DUNSMUR HOLDINGS LIMITED  
El Greco House, 1st floor, Flat/Office 104,  
CY-1066 Nicosia, Cyprus  
(540)



(591) White, red, golden and bronze  
(511) 33

---

(260) AM 2012 61999 A  
(800) 1069962  
(731) JOLIDON EXPORT IMPORT SRL  
Str. Tabacarilor Nr. 1, Cluj Napoca, 400139  
Jud. Cluj, Romania  
(540)

**Kelitha**

(591) Black, white  
(511) 03, 25, 35

---

(260) AM 2012 62000 A  
 (800) 1069971  
 (731) OMEGA SA (Omega AG) (Omega Ltd.)  
 Jakob-Stämpfli-Strasse 94, CH-2502  
 Biel/Bienne, Switzerland

(540)



(591) Black, white  
 (511) 14

(260) AM 2012 62001 A  
 (800) 1069990  
 (731) FERRING B.V.  
 Polarisavenue 144, NL-2132 JX Hoofddorp,  
 Netherlands

(540)

**NOCDURNA**

(591) Black, white  
 (511) 05

(260) AM 2012 62002 A  
 (800) 1069998  
 (731) BAYER AKTIENGESELLSCHAFT  
 51373 Leverkusen, Germany

(540)

**Йогалекс**

(591) Black, white  
 (511) 05, 29, 30

(260) AM 2012 62003 A  
 (800) 1070012  
 (731) F.J. ASCHWANDEN AG  
 Grenzstrasse 24, CH-3250 Lyss, Switzerland

(540)

**RINO**

(591) Black, white  
 (511) 06, 19

(260) AM 2012 62004 A  
 (800) 1070013  
 (731) LAIMA, akciju sabiedriba  
 Sporta iela 2, LV-1145 Riga, Latvia

(540)



(591) Dark blue, silver and white  
 (511) 30

(260) AM 2012 62034 A  
 (800) 1070288  
 (731) LAIMA, akciju sabiedriba  
 Sporta iela 2, LV-1145 Riga, Latvia

(540)



(591) Brown, beige, orange and yellow  
 (511) 30

(260) AM 2012 62052 A  
 (800) 1070291  
 (731) LAIMA, akciju sabiedriba  
 Sporta iela 2, LV-1145 Riga, Latvia

(540)



(591) Red, blue, golden, black and white  
 (511) 30

(260) AM 2012 62072 A  
 (800) 1065216  
 (731) ALTANEA GIDA ANONIM SIRKETI  
 Turgut Reis Mah., Fatih Bulvari Kalkavan  
 Sokak N16, Sultanbeyli-Istanbul, Turkey

(540)



(591) Red, blue, white  
 (511) 32

(260) AM 2012 62073 A  
 (800) 1065252  
 (731) NINGBO WATER METER CO., LTD.



N99, Lane 268, Beihai Road, Jiangbei  
District, Ningbo, China

(540)



(591) Blue, green and black  
(511) 09

(260) AM 2012 62074 A

(800) 1065483

(731) ÇAYIROVA OTOMOTİV GIDA  
TAŞIMACILIK SANAYİ VE TİCARET  
LİMİTED ŞİRKETİ  
Fevzi Çakmak Mh., Büsan Organize Sanayi  
Bölgesi, Kosgeb Cd.N74/ A, KONYA,  
Turkey

(540)



(591) White, red and navy blue  
(511) 07, 12

(260) AM 2012 62075 A

(800) 1065503

(731) ALFONSO EGÜED, NELSON  
Calle Islas de Cabo Verde, 62, E-28035  
Madrid, Spain

(540)



(591) Ocher, beige, black and white  
(511) 34

(260) AM 2012 62076 A

(800) 1065551

(731) NART SİGORTA VE REASURANS  
BROKERLİĞİ ANONİM ŞİRKETİ  
Abide-i Hürriyet, Cad. Geçit Sk. N12/4,  
Şişli, İstanbul, Turkey

(540)

**NART**

(591) Burgundy  
(511) 36

(260) AM 2012 62204 A

(800) 1071458

(731) OTKRYTOE AKTSIONERNOE  
OBCHTCHESTVO  
"SAVOUCHKIN PRODOUKT"  
108, oul. Ya. Koupaly, 224028 Brest, Belarus

(540)



(591) Black, white  
(511) 29

(260) AM 2012 62205 A

(800) 1071470

(731) TYSON FOODS, INC.  
2200 Don Tyson Parkway, Springdale  
AR 72762, USA

(540)

**ANY'TIZERS**

(591) Black, white  
(511) 29

(260) AM 2012 62206 A

(800) 1071472

(731) TAN-ALİZE KOZMETİK VE TEMİZLİK  
ÜRÜNLERİ SANAYİ VE TİCARET  
ANONİM ŞİRKETİ  
Omerli Beldesi, Fabrikalar Yolu, N43,  
ÜMRANİYE - İSTANBUL, Turkey

(540)

**FARMASİ**



(591) Black, white  
(511) 03, 05

(260) AM 2012 62207 A

(800) 1071473

(731) ERHAS BORU VE MAKİNA  
EKİPMANLARI İNDÜSTRİSİ A.Ş.  
Kayacık Mh. 3 Org.San. Böl., İhsandede Cd.  
12 Sk. N6, Konya, Turkey

(540)

**erhas**

(591) Black, white  
(511) 11, 17, 21

(260) AM 2012 62208 A  
 (800) 1071486  
 (731) CHINA NATIONAL HEAVY DUTY  
 TRUCK GROUP CO., LTD.  
 No.53, Wuyingshan Zhong Road, Jinan,  
 Shandong Province, China  
 (540)



(591) Black, white  
 (511) 07, 37

(260) AM 2012 62209 A  
 (800) 1071492  
 (731) ERKAN SOYYIĞIT  
 Suri Mahallesi, Sultan mektep Sokak, Funda  
 HanN20 Kat: 1, Yeşildirek, İstanbul,  
 Turkey  
 (540)



(591) Black, orange, brown  
 (511) 25

(260) AM 2012 62210 A  
 (800) 1071497  
 (731) MARTELL & Co  
 Place Edouard Martell, F-16100 COGNAC,  
 France  
 (540)



(591) Black, white  
 (511) 33

(260) AM 2012 62211 A  
 (800) 1071500  
 (731) SANOFI  
 174 avenue de France, F-75013 PARIS,  
 France  
 (540)

**FineStar**

(591) Black, white  
 (511) 10

(260) AM 2012 62212 A  
 (800) 1071547  
 (731) FÉDÉRATION INTERNATIONALE DE  
 FOOTBALL ASSOCIATION (FIFA)  
 FIFA-Strasse 20, CH-8044 Zürich,  
 Switzerland  
 (540)



(591) Black, white  
 (511) 03, 04, 09, 12, 14, 16, 18, 20, 25, 28, 30, 32,  
 35, 36, 38, 39, 41, 43

(260) AM 2012 62213 A  
 (800) 1071579  
 (731) TRABUCCO FISHING DIFFUSION Co.  
 S.r.l.  
 Via Atene, 7, I-43010 Bianconese-Fontevivo  
 (PR), Italy  
 (540)

*Rapture*

(591) Black, white  
 (511) 25, 28

(260) AM 2012 62215 A  
 (800) 1071589  
 (731) S.A.R. TEKSTİL İTHALAT İHRACAT VE  
 DIŞ TİCARET LİMİTED ŞİRKETİ  
 Keresteciler Sitesi, Fatih Caddesi, Alaybeyi  
 SokakN1/A MERTER-İSTANBUL,  
 Turkey  
 (540)

**sweetthings**

(591) Black, white  
 (511) 18, 25, 35

(260) AM 2012 62216 A  
 (800) 1071596  
 (731) BUCHER INDUSTRIES AG  
 Murzlenstrasse 80, CH-8166  
 Niederweningen, Switzerland  
 (540)

**BUCHER**

(591) Black, white  
(511) 06, 07, 09, 11, 12, 37, 41, 42

---

(260) AM 2012 62217 A  
(800) 1071610  
(731) ASHLEY FURNITURE INDUSTRIES,  
INC.  
ONE ASHLEY WAY, ARCADIA WI 54612,  
USA  
(540)

**MILLENNIUM**

(591) Black, white  
(511) 20

---

(260) AM 2012 62221 A  
(800) 1071619  
(731) FERRERO S.P.A.  
Piazzale Pietro Ferrero, 1, I-12051 ALBA  
(CN), Italy  
(540)



(591) Light brown, dark brown and black  
(511) 30

---

(260) AM 2012 62222 A  
(800) 1071663  
(731) FERNAS ALCI SANAYI VE TICARET  
ANONIM SIRKETI  
Diyarbakir Cad. Nasiroglu, Is Merkezi Kat:1  
N101, Batman, Turkey  
(540)



(591) Red, blue  
(511) 19

---

(260) AM 2012 62289 A  
(800) 1026242  
(731) COMITÉ INTERNATIONAL OLYMPIQUE  
Château de Vidy, CH-1007 Lausanne,  
Switzerland  
(540)



(591) Black, white  
(511) 01, 03, 04, 05, 06, 07, 09, 10, 11, 12, 14, 16,  
17, 18, 19, 25, 28, 29, 30, 32, 35, 36, 37, 38,  
39, 40, 41, 42, 43, 44

---

(260) AM 2012 62410 A  
(800) 1073033  
(731) GRINDEKS, akciju sabiedrība  
Krustpils iela 53, LV-1057 Rīga, Latvia  
(540)



(591) Dark green, green and light green  
(511) 05

---

(260) AM 2012 62411 A  
(800) 1073034  
(731) GRINDEKS, akciju sabiedrība  
Krustpils iela 53, LV-1057 Rīga, Latvia  
(540)



(591) Green, yellow and gray  
(511) 05

---

(260) AM 2012 62412 A  
(800) 1073035  
(731) GRINDEKS, akciju sabiedrība  
Krustpils iela 53, LV-1057 Rīga, Latvia  
(540)



(591) Red, black and white  
(511) 05

---

(260) AM 2012 62443 A  
(800) 527729  
(731) NYCOMED AUSTRIA GMBH  
St. Peter-Strasse 25, A-4020 Linz, Austria  
(540)

**TACHOCOMB**

(591) Black, white  
(511) 05

---

(260) AM 2012 60020 A\*  
(800) 1051530  
(731) BETTY BLUE S.P.A.  
Via Viadagola, 30, Fraz. Quarto Inferiore,  
GRANAROLO DELL'EMILIA (BO), Italy  
(540)



**ELISABETTA FRANCHI**

(591) Black, white  
(511) 03, 09, 14, 18, 25, 35

---

(260) AM 2012 60501 A\*  
(800) 1056109  
(731) WIRTGEN GMBH  
Reinhard-Wirtgen-Str. 2, 53578 Windhagen,  
Germany  
(540)



(591) Black, white  
(511) 07, 25, 37, 42

---

---

## INTERNATIONAL TRADEMARKS PROTECTED IN GEORGIA

(260) AM 2012 60937 A  
(800) 1060137  
(151) 2010 10 25  
(181) 2020 10 25  
(511) 09, 11, 12

---

(260) AM 2012 60938 A  
(800) 1060140  
(151) 2010 09 23  
(181) 2020 09 23  
(511) 05

---

(260) AM 2012 60939 A  
(800) 1060149  
(151) 2010 11 03  
(181) 2020 11 03  
(511) 05

---

(260) AM 2012 60940 A  
(800) 1060158  
(151) 2010 11 08  
(181) 2020 11 08  
(511) 03

---

(260) AM 2012 60941 A  
(800) 1060161  
(151) 2010 11 15  
(181) 2020 11 15  
(511) 05

---

(260) AM 2012 60942 A  
(800) 1060170  
(151) 2010 10 13  
(181) 2020 10 13  
(511) 06, 19

---

(260) AM 2012 60943 A  
(800) 1060196  
(151) 2010 06 24  
(181) 2020 06 24  
(511) 06, 07, 09

---

(260) AM 2012 60944 A  
(800) 1060218  
(151) 2010 08 02

(181) 2020 08 02  
(511) 01, 19

---

(260) AM 2012 60945 A  
(800) 1060227  
(151) 2010 08 23  
(181) 2020 08 23  
(511) 03, 05

---

(260) AM 2012 60946 A  
(800) 1060233  
(151) 2010 08 13  
(181) 2020 08 13  
(511) 16, 21

---

(260) AM 2012 60951 A  
(800) 1060273  
(151) 2009 12 22  
(181) 2019 12 22  
(511) 11

---

(260) AM 2012 60952 A  
(800) 1060278  
(151) 2010 04 20  
(181) 2020 04 20  
(511) 06, 09, 10, 11, 19, 35

---

(260) AM 2012 61060 A  
(800) 449138  
(151) 2009 12 19  
(181) 2019 12 19  
(511) 24, 25, 28

---

(260) AM 2012 61061 A  
(800) 467510  
(151) 2002 01 27  
(181) 2012 01 27  
(511) 14, 25

---

(260) AM 2012 61063 A  
(800) 560881  
(151) 2010 09 27  
(181) 2020 09 27  
(511) 09

---

(260) AM 2012 61064 A  
(800) 682416  
(151) 2007 10 13  
(181) 2017 10 13  
(511) 30

---

(260) AM 2012 61072 A  
(800) 772591  
(151) 2002 01 16  
(181) 2012 01 16  
(511) 29

---

(260) AM 2012 61065 A  
(800) 716636  
(151) 2009 07 15  
(181) 2019 07 15  
(511) 16, 35, 41

---

(260) AM 2012 61091 A  
(800) 1006791  
(151) 2009 04 20  
(181) 2019 04 20  
(511) 03, 09, 14, 15, 16, 18, 24, 25, 28, 30, 32, 41

---

(260) AM 2012 61066 A  
(800) 719835  
(151) 2009 09 09  
(181) 2019 09 09  
(511) 05

---

(260) AM 2012 61092 A  
(800) 1028199  
(151) 2009 03 23  
(181) 2019 03 23  
(511) 01, 02, 07, 09, 10, 16, 40

---

(260) AM 2012 61067 A  
(800) 728219  
(151) 2010 01 06  
(181) 2020 01 06  
(511) 16, 35, 41

---

(260) AM 2012 61095 A  
(800) 1036051  
(151) 2009 12 16  
(181) 2019 12 16  
(511) 25

---

(260) AM 2012 61068 A  
(800) 729641  
(151) 2009 11 26  
(181) 2019 11 26  
(511) 36, 39

---

(260) AM 2012 61100 A  
(800) 1061326  
(151) 2010 07 29  
(181) 2020 07 29  
(511) 18, 35

---

(260) AM 2012 61069 A  
(800) 729643  
(151) 2009 11 26  
(181) 2019 11 26  
(511) 36, 39

---

(260) AM 2012 61103 A  
(800) 1061369  
(151) 2010 08 02  
(181) 2020 08 02  
(511) 07, 09

---

(260) AM 2012 61070 A  
(800) 742770A  
(151) 2010 09 13  
(181) 2020 09 13  
(511) 03

---

(260) AM 2012 61189 A  
(800) 1062671  
(151) 2010 09 24  
(181) 2020 09 24  
(511) 30

---

(260) AM 2012 61071 A  
(800) 758432  
(151) 2001 04 23  
(181) 2011 04 23  
(511) 35, 36

---

(260) AM 2012 61190 A  
(800) 1062694  
(151) 2010 06 11  
(181) 2020 06 11  
(511) 06, 07, 12, 17

---

**TRADEMARKS**

---

(260) AM 2012 61191 A  
(800) 1062699  
(151) 2010 09 15  
(181) 2020 09 15  
(511) 16, 29

---

(260) AM 2012 61204 A  
(800) 949912  
(151) 2007 09 03  
(181) 2017 09 03  
(511) 03, 09, 14, 16, 18, 25, 35

---

(260) AM 2012 61192 A  
(800) 1062719  
(151) 2010 05 05  
(181) 2020 05 05  
(511) 39, 41, 43

---

(260) AM 2012 61259 A  
(800) 682000  
(151) 2007 10 02  
(181) 2017 10 02  
(511) 05

---

(260) AM 2012 61193 A  
(800) 1062725  
(151) 2010 06 28  
(181) 2020 06 28  
(511) 35, 38, 42, 43

---

(260) AM 2012 61260 A  
(800) 682664  
(151) 2007 10 02  
(181) 2017 10 02  
(511) 05

---

(260) AM 2012 61196 A  
(800) 1062761  
(151) 2010 11 23  
(181) 2020 11 23  
(511) 32

---

(260) AM 2012 61261 A  
(800) 682665  
(151) 2007 10 02  
(181) 2017 10 02  
(511) 05

---

(260) AM 2012 61199 A  
(800) 186976  
(151) 2005 08 16  
(181) 2015 08 16  
(511) 14

---

(260) AM 2012 61262 A  
(800) 784385  
(151) 2002 07 24  
(181) 2012 07 24  
(511) 05

---

(260) AM 2012 61200 A  
(800) 562300  
(151) 2010 10 25  
(181) 2020 10 25  
(511) 05

---

(260) AM 2012 61263 A  
(800) 812144  
(151) 2003 09 19  
(181) 2013 09 19  
(511) 12

---

(260) AM 2012 61202 A  
(800) 896386  
(151) 2006 08 09  
(181) 2016 08 09  
(511) 05

---

(260) AM 2012 61264 A  
(800) 818659  
(151) 2003 12 29  
(181) 2013 12 29  
(511) 05

---

(260) AM 2012 61203 A  
(800) 922113  
(151) 2007 04 26  
(181) 2017 04 26  
(511) 05

---

(260) AM 2012 61265 A  
(800) 925238  
(151) 2007 02 07  
(181) 2017 02 07  
(511) 11, 34

---

(260) AM 2012 61266 A  
(800) 996626  
(151) 2008 11 18  
(181) 2018 11 18  
(511) 06, 09, 11, 20

---

(260) AM 2012 61267 A  
(800) 1009875  
(151) 2009 04 17  
(181) 2019 04 17  
(511) 05, 35, 42, 45

---

(260) AM 2012 61268 A  
(800) 1016455  
(151) 2009 06 19  
(181) 2019 06 19  
(511) 05, 35, 44

---

(260) AM 2012 61271 A  
(800) 1063395  
(151) 2010 03 23  
(181) 2020 03 23  
(511) 06, 07, 08, 09, 11, 12, 21

---

(260) AM 2012 61272 A  
(800) 1063404  
(151) 2010 11 25  
(181) 2020 11 25  
(511) 03

---



---

# OFFICIAL NOTIFICATIONS

## TRADEMARKS

### RENEWAL OF REGISTRATIONS

(111) M 2001 13831 R1  
(156) 2011 11 29  
(186) 2021 03 21  
(732) SHPS "N1 Likiorisa Da Arqis Karkhana"  
Abuseridze-Tbelis 13, 0120, 0120, Tbilisi,  
Georgia

---

(111) M 2001 14001 R1  
(156) 2011 12 21  
(186) 2021 09 11  
(732) THE COCA-COLA COMPANY  
One Coca-Cola Plaza, Atlanta, Georgia  
30313, USA

---

(111) M 2001 14048 R1  
(156) 2011 12 05  
(186) 2021 10 01  
(732) M & B. - MARCHI E BREVETTI S.R.L.  
Via San Filippo 2, I - 60044, Fabriano  
(Ancona), Italy

---

(111) M 2001 14049 R1  
(156) 2011 12 05  
(186) 2021 10 01  
(732) M & B. - MARCHI E BREVETTI S.R.L.  
Via San Filippo 2, I - 60044, Fabriano  
(Ancona), Italy

---

(111) M 2001 14086 R1  
(156) 2011 10 18  
(186) 2021 10 18  
(732) NEXEN TIRE CORPORATION  
30, Yusan-Dong, Yangsan City,  
Kyongsangnam-Do, Republic of Korea

---

(111) M 2001 14106 R1  
(156) 2011 12 08  
(186) 2021 10 18  
(732) GLAXO GROUP LIMITED  
Glaxo Wellcome House, Berkeley Avenue,  
Greenford, Middlesex UB6 0NN,  
United Kingdom

---

(111) M 2001 14129 R1  
(156) 2011 12 08  
(186) 2021 10 31  
(732) GLAXO GROUP LIMITED  
Glaxo Wellcome House, Berkeley Avenue,  
Greenford, Middlesex UB6 0NN,  
United Kingdom

---

(111) M 2001 14188 R1  
(156) 2011 12 13  
(186) 2021 12 13  
(732) GLAXO GROUP LIMITED  
Glaxo Wellcome House, Berkeley Avenue,  
Greenford, Middlesex UB6 0NN,  
United Kingdom

---

(111) M 2001 14219 R1  
(156) 2011 12 17  
(186) 2021 12 17  
(732) CORNING INCORPORATED  
Haughton Park, City of Corning, State of  
New York 14831, USA

---

(111) M 2001 14220 R1  
(156) 2011 12 17  
(186) 2021 12 17  
(732) SCHERING-PLOUGH LTD  
Topferstrasse 5, CH 6004, Lucerne, Switzerland

---

(111) M 2001 14221 R1  
(156) 2011 12 17  
(186) 2021 12 17  
(732) SCHERING-PLOUGH LTD  
Topferstrasse 5, CH 6004, Lucerne, Switzerland

---

(111) M 2002 14234 R1  
(156) 2012 01 08  
(186) 2022 01 08  
(732) 3M COMPANY  
3M Center, 2501 Hudson Road, St. Paul,  
Minnesota 55144, USA

---

(111) M 2002 14237 R1  
(156) 2012 01 08  
(186) 2022 01 08  
(732) 3M COMPANY  
3M Center, 2501 Hudson Road, St. Paul,  
Minnesota 55144, USA

---

(111) M 2002 14239 R1  
(156) 2012 01 08  
(186) 2022 01 08  
(732) SMITHKLINE BEECHAM LIMITED  
980 Great West Road, Brentford, Middlesex  
TW8 9GS, United Kingdom

---

(111) M 2002 14246 R1  
(156) 2012 01 08  
(186) 2022 01 08  
(732) PERDUE HOLDINGS, INC.  
(a corporation of Delaware)  
31149 Old Ocean City Road, Salisbury,  
MD 21804, USA

---

(111) M 2002 14247 R1  
(156) 2012 01 08  
(186) 2022 01 08  
(732) PERDUE HOLDINGS, INC.  
(a corporation of Delaware)  
31149 Old Ocean City Road, Salisbury,  
MD 21804, USA

---

(111) M 2002 14251 R1  
(156) 2012 01 08  
(186) 2022 01 08  
(732) MARSAYAG GIDA SANAYI VE  
TICARET ANONIM ŞİRKETİ  
Organize Sanayi Bölgesi, Cumhuriyet Cad.,  
№ 2/26 Manisa, Turkey

---

(111) M 2002 14259 R1  
(156) 2012 01 18  
(186) 2022 01 18  
(732) MARSAYAG GIDA SANAYI VE  
TICARET ANONIM ŞİRKETİ  
Organize Sanayi Bölgesi, Cumhuriyet Cad.,  
No: 2/26 Manisa, Turkey

---

(111) M 2002 14260 R1  
(156) 2012 01 18  
(186) 2022 01 18  
(732) MARSAYAG GIDA SANAYI VE  
TICARET ANONIM ŞİRKETİ

---

Organize Sanayi Bölgesi, Cumhuriyet Cad.,  
№ 2/26 Manisa, Turkey

---

(111) M 2002 14291 R1  
(156) 2012 02 18  
(186) 2022 02 18  
(732) WM. WRIGLEY JR. COMPANY  
410 North Michigan Avenue, Chicago,  
Illinois 60611, USA

---

(111) M 2002 14327 R1  
(156) 2012 02 18  
(186) 2022 02 18  
(732) BRISTOL-MYERS SQUIBB SARL  
3, rue Joseph Monier, 92500 Rueil  
Melmaison, France

---

(111) M 2002 14463 R1  
(156) 2012 05 24  
(186) 2022 05 24  
(732) BALKANFARMA DUPNITSA AD  
Samokovsko shosse; 3, Dupnitsa 2600,  
Bulgaria;  
BALKANFARMA TROJAN AD  
"Krajrečna" 1, Trojan 5600, Bulgaria;  
"ACTAVIS" EAD  
ul. Athanas Dukov 29, Sofia, Raion Lozenets,  
Bulgaria

---

(111) M 2002 14464 R1  
(156) 2012 05 24  
(186) 2022 05 24  
(732) BALKANFARMA DUPNITSA AD  
Samokovsko shosse; 3, Dupnitsa 2600,  
Bulgaria;  
"ACTAVIS" EAD  
ul. Athanas Dukov 29, Sofia, Raion Lozenets,  
Bulgaria

---

(111) M 2002 14465 R1  
(156) 2012 05 24  
(186) 2022 05 24  
(732) "ACTAVIS" EAD  
ul. Athanas Dukov 29, Sofia, Raion Lozenets,  
Bulgaria

---

(111) M 2002 14789 R1  
(156) 2012 11 15  
(186) 2022 11 15  
(732) BALKANFARMA TROJAN AD  
"Krajrečna" 1, Trojan 5600, Bulgaria

---

(111) M 2002 14807 R1

(156) 2012 11 15

(186) 2022 11 15

(732) FIRAT PLASTIK KAUCUK SANAYI VE  
TICARET A.S.

Turkoba Koyu, Buyukcekmece Istanbul,  
Turkey

---

## COMPLETE TRANSFER OF RIGHTS

(111) M 1999 012590 R1  
(732) ARAMEX INTERNATIONAL LLC  
Business Central Towers, A2302, Dubai  
Media City (TECOM), Sheikh Zayed Road,  
P.O. Box 95946, Dubai, United Arab  
Emirates  
(770) ARAMEX INTERNATIONAL LIMITED  
Canons Court 22, Victoria Street, Hamilton,  
Bermuda  
(580) 2011 12 28

---

(111) M 2006 016727 R  
(732) PETRE MESKHIDZE  
Gamsakhurdias gamz. N37, bina 24, 0160,  
Tbilisi, Georgia  
(770) Sh.P.S "VAZI -1"  
Sof. Tserovani, 3318 , Mtskhეთის რაიონი,  
Georgia  
(580) 2011 12 19

---

(111) M 2008 018620 R  
(732) SH.P.S "JGUFი QARTULI PRODUQTI"  
K. Kekelidzis q. 14, b. 2, 0179, Tbilisi,  
Georgia  
(770) SH.P.S "DZVELI QARTULI  
TRADITSIEBI"  
Ilia Chavchavadzis gamz. 50a, 0179, Tbilisi,  
Georgia  
(580) 2011 12 19

---

(111) M 2010 020400 R  
(732) ARAMEX INTERNATIONAL LLC  
Business Central Towers, A2302, Dubai  
Media City (TECOM), Sheikh Zayed Road,  
P.O. Box 95946, Dubai, United Arab  
Emirates  
(770) ARAMEX INTERNATIONAL LTD.  
Canons Court 22, Victoria Street, Hamilton,  
Bermuda  
(580) 2011 12 28

---

(111) M 2010 020622 R  
(732) CAFCO INTERNATIONAL S.A.  
42, rue de l'Avenir, 1147, Luxembourg  
(770) PROMAT UK LIMITED  
The Sterling Centre, Eastern Road, Bracknell,  
Berkshire RG12 2TD, United Kingdom  
(580) 2011 12 28

---

(111) M 2011 021327 R  
(732) PHILIP MORRIS BRANDS SARL  
Quai Jeanrenaud 3, 2000 Neuchâtel,  
Switzerland  
(770) PHILIP MORRIS PRODUCTS S. A.  
Quai Jeanrenaud 3, 2000 Neuchâtel,  
Switzerland  
(580) 2011 12 16

---

(111) M 1995 000867 R1  
(732) REEBOK INTERNATIONAL LIMITED  
4th Flor, 11/12 Pall Mall, London SW1Y  
5LU, United Kingdom  
(770) REEBOK INTERNATIONAL LTD  
1895 J.W. Foster Boulevard, Canton,  
Massachusetts, USA  
(580) 2011 12 28

---

CHANGES IN NAMES AND/OR ADDRESSES OF OWNERS

(111) M 1998 011243 R1  
(732) WYETH LLC  
Five Giralda Farms, Madison, New Jersey,  
07940, USA  
(770) WYETH  
Five Giralda Farms, Madison, New Jersey  
07940, USA  
(580) 2011 12 16

---

(111) M 1998 011244 R1  
(732) WYETH LLC  
Five Giralda Farms, Madison, New Jersey,  
07940, USA  
(770) WYETH  
Five Giralda Farms, Madison, New Jersey  
07940, USA  
(580) 2011 12 16

---

(111) M 1998 011261 R1  
(732) WYETH LLC  
Five Giralda Farms, Madison, New Jersey,  
07940, USA  
(770) WYETH  
Five Giralda Farms, Madison, New Jersey  
07940, USA  
(580) 2011 12 16

---

(111) M 1999 011924 R1  
(732) WYETH LLC  
Five Giralda Farms, Madison, New Jersey,  
07940, USA  
(770) WYETH  
Five Giralda Farms, Madison, New Jersey  
07940, USA  
(580) 2011 12 16

---

(111) M 1999 011925 R1  
(732) WYETH LLC  
Five Giralda Farms, Madison, New Jersey,  
07940, USA  
(770) WYETH  
Five Giralda Farms, Madison, New Jersey  
07940, USA  
(580) 2011 12 16

---

(111) M 1999 012213 R1  
(732) NBCUNIVERSAL MEDIA, LLC  
30 Rockefeller Plaza, New York, New York,  
USA

(770) NBC Universal, Inc.  
30 Rockefeller Plaza, New York, New York,  
USA  
(580) 2011 12 20

---

(111) M 1999 012427 R1  
(732) WYETH LLC  
Five Giralda Farms, Madison, New Jersey,  
07940, USA  
(770) WYETH  
Five Giralda Farms, Madison, New Jersey  
07940, USA  
(580) 2011 12 16

---

(111) M 1999 012428 R1  
(732) WYETH LLC  
Five Giralda Farms, Madison, New Jersey,  
07940, USA  
(770) WYETH  
Five Giralda Farms, Madison, New Jersey  
07940, USA  
(580) 2011 12 16

---

(111) M 1999 012515 R1  
(732) WYETH LLC  
Five Giralda Farms, Madison, New Jersey,  
07940, USA  
(770) WYETH  
Five Giralda Farms, Madison, New Jersey  
07940, USA  
(580) 2011 12 16

---

(111) M 1999 012638 R1  
(732) WYETH LLC  
Five Giralda Farms, Madison, New Jersey,  
07940, USA  
(770) WYETH  
Five Giralda Farms, Madison, New Jersey  
07940, USA  
(580) 2011 12 16

---

(111) M 1999 012660 R1  
(732) WYETH LLC  
Five Giralda Farms, Madison, New Jersey,  
07940, USA  
(770) WYETH  
Five Giralda Farms, Madison, New Jersey

07940, USA  
(580) 2011 12 16

---

(111) M 1999 012740 R1  
(732) WYETH LLC  
Five Giralda Farms, Madison, New Jersey,  
07940, USA  
(770) WYETH  
Five Giralda Farms, Madison, New Jersey  
07940, USA  
(580) 2011 12 16

---

(111) M 1999 012741 R1  
(732) WYETH LLC  
Five Giralda Farms, Madison, New Jersey,  
07940, USA  
(770) WYETH  
Five Giralda Farms, Madison, New Jersey  
07940, USA  
(580) 2011 12 16

---

(111) M 1999 012750 R1  
(732) WYETH LLC  
Five Giralda Farms, Madison, New Jersey,  
07940, USA  
(770) WYETH  
Five Giralda Farms, Madison, New Jersey  
07940, USA  
(580) 2011 12 16

---

(111) M 1999 012797 R1  
(732) WYETH LLC  
Five Giralda Farms, Madison, New Jersey,  
07940, USA  
(770) WYETH  
Five Giralda Farms, Madison, New Jersey  
07940, USA  
(580) 2011 12 16

---

(111) M 2001 013831 R1  
(732) SHPS "N1 Likiorisa Da Arqis Karkhana"  
Abuseridze-Tbelis 13, 0120, 0120, Tbilisi,  
Georgia  
(770) SH.P.S. "SAMGORI-ALKO"  
Abuseridze-Tbelis q.13, 0120, Tbilisi,  
Georgia  
(580) 2011 12 26

---

(111) M 2002 014387 R  
(732) WYETH LLC  
Five Giralda Farms, Madison, New Jersey,  
07940, USA  
(770) WYETH

Five Giralda Farms, Madison, New Jersey  
07940, USA  
(580) 2011 12 16

---

(111) M 2002 014730 R  
(732) WYETH LLC  
Five Giralda Farms, Madison, New Jersey,  
07940, USA  
(770) WYETH  
Five Giralda Farms, Madison, New Jersey  
07940, USA  
(580) 2011 12 16

---

(111) M 2003 015187 R  
(732) WYETH LLC  
Five Giralda Farms, Madison, New Jersey,  
07940, USA  
(770) WYETH (A DELAWARE CORPORATION)  
Five Giralda Farms, Madison, New Jersey  
07940, USA  
(580) 2011 12 16

---

(111) M 2004 015473 R  
(732) WYETH LLC  
Five Giralda Farms, Madison, New Jersey,  
07940, USA  
(770) WYETH (A DELAWARE CORPORATION)  
Five Giralda Farms, Madison, New Jersey  
07940, USA  
(580) 2011 12 16

---

(111) M 2004 015474 R  
(732) WYETH LLC  
Five Giralda Farms, Madison, New Jersey,  
07940, USA  
(770) WYETH (A DELAWARE CORPORATION)  
Five Giralda Farms, Madison, New Jersey  
07940, USA  
(580) 2011 12 16

---

(111) M 2004 015475 R  
(732) WYETH LLC  
Five Giralda Farms, Madison, New Jersey,  
07940, USA  
(770) WYETH (A DELAWARE CORPORATION)  
Five Giralda Farms, Madison, New Jersey  
07940, USA  
(580) 2011 12 16

---

(111) M 2004 015478 R  
(732) WYETH LLC  
Five Giralda Farms, Madison, New Jersey,  
07940, USA

**OFFICIAL NOTIFICATIONS**

---

(770) WYETH (A DELAWARE CORPORATION)  
Five Giralda Farms, Madison, New Jersey  
07940, USA  
(580) 2011 12 16

---

(111) M 2004 015479 R  
(732) WYETH LLC  
Five Giralda Farms, Madison, New Jersey,  
07940, USA  
(770) WYETH (A DELAWARE CORPORATION)  
Five Giralda Farms, Madison, New Jersey  
07940, USA  
(580) 2011 12 16

---

(111) M 2004 015494 R  
(732) WYETH LLC  
Five Giralda Farms, Madison, New Jersey,  
07940, USA  
(770) WYETH (A DELAWARE CORPORATION)  
Five Giralda Farms, Madison, New Jersey  
07940, USA  
(580) 2011 12 16

---

(111) M 2004 015567 R  
(732) WYETH LLC  
Five Giralda Farms, Madison, New Jersey,  
07940, USA  
(770) WYETH (A DELAWARE CORPORATION)  
Five Giralda Farms, Madison, New Jersey  
07940, USA  
(580) 2011 12 16

---

(111) M 2004 015568 R  
(732) WYETH LLC  
Five Giralda Farms, Madison, New Jersey,  
07940, USA  
(770) WYETH (A DELAWARE CORPORATION)  
Five Giralda Farms, Madison, New Jersey  
07940, USA  
(580) 2011 12 16

---

(111) M 2004 015569 R  
(732) WYETH LLC  
Five Giralda Farms, Madison, New Jersey,  
07940, USA  
(770) WYETH (A DELAWARE CORPORATION)  
Five Giralda Farms, Madison, New Jersey  
07940, USA  
(580) 2011 12 16

---

(111) M 1996 002064 R1  
(732) WYETH LLC  
Five Giralda Farms, Madison, New Jersey,  
07940, USA

(770) WYETH  
Five Giralda Farms, Madison, New Jersey  
07940, USA  
(580) 2011 12 16

---

(111) M 1996 002065 R1  
(732) WYETH LLC  
Five Giralda Farms, Madison, New Jersey,  
07940, USA  
(770) WYETH  
Five Giralda Farms, Madison, New Jersey  
07940, USA  
(580) 2011 12 16

---

(111) M 1996 002141 R1  
(732) WYETH LLC  
Five Giralda Farms, Madison, New Jersey,  
07940, USA  
(770) WYETH  
Five Giralda Farms, Madison, New Jersey  
07940, USA  
(580) 2011 12 16

---

(111) M 1996 003074 R1  
(732) UNIVERSAL CITI STUDIOS LLC  
100 Universal City Plaza, Universal City,  
California 91608, USA  
(770) UNIVERSAL CITY STUDIOS LLLP  
100 Universal City Plaza, Universal City,  
California 91608, USA  
(580) 2011 12 20

---

(111) M 1996 003075 R1  
(732) UNIVERSAL CITI STUDIOS LLC  
100 Universal City Plaza, Universal City,  
California 91608, USA  
(770) UNIVERSAL CITY STUDIOS LLLP  
100 Universal City Plaza, Universal City,  
California 91608, USA  
(580) 2011 12 20

---

(111) M 1996 003076 R1  
(732) UNIVERSAL CITI STUDIOS LLC  
100 Universal City Plaza, Universal City,  
California 91608, USA  
(770) UNIVERSAL CITY STUDIOS LLLP  
100 Universal City Plaza, Universal City,  
California 91608, USA  
(580) 2011 12 20

---

(111) M 1996 003078 R1  
(732) UNIVERSAL CITI STUDIOS LLC  
100 Universal City Plaza, Universal City,  
California 91608, USA

(770) UNIVERSAL CITY STUDIOS LLLP  
100 Universal City Plaza, Universal City,  
California 91608, USA  
(580) 2011 12 20

---

(111) M 1996 004160 R1  
(732) AUTOMOBILI LAMBORGHINI S.P.A.  
12, via Modena, 40019 Sant Agata Bolognese  
(BO), Italy  
(770) AUTOMOBILI LAMBORGHINI  
HOLDING S.P.A.  
12, via Modena, 40019 Sant Agata Bolognese  
(BO), Italy  
(580) 2011 12 19

---

(111) M 1998 008821 R1  
(732) UNIVERSAL CITI STUDIOS LLC  
100 Universal City Plaza, Universal City,  
California 91608, USA  
(770) UNIVERSAL CITY STUDIOS LLLP  
100 Universal City Plaza, Universal City,  
California 91608, USA  
(580) 2011 12 20

---



---

# CLASSIFICATION INDEXES

## INVENTIONS

### CONCORDANCE TABLE OF INTERNATIONAL CLASSIFICATION INDEX WITH REFERENCE TO NUMBERS OF PUBLISHED APPLICATIONS

INTERNATIONAL CLASSIFICATION INDEXES (51)	NUMBER OF PUBLISHED APPLICATION (10)
1	2
A 01 D 46/24	AP 2112 11560 A
A 01 D 46/26	AP 2112 11679 A
A 01 G 31/00	AP 2112 11648 A
A 23 F 3/00	AP 2112 11519 A
A 23 F 3/00	AP 2112 11649 A
A 23 N 5/00	AP 2112 11713 A
A 43 B 7/12; A 43 B 13/12; B 29 D 31/518	AP 2112 11053 A
A 61 K 31/454	AP 2112 11072 A
A 61 K 35/74; A 61 P 1/06; C 12 N 1/20; A 61 K 47/44; C 07 K 14/335; C 12 R 1/225	AP 2112 11000 A
A 61 K 36/00	AP 2112 11318 A
A 61 P 19/08; A 61 K 35/04; A 61 P 39/395	AP 2112 10809 A
B 01 D 25/00	AP 2112 11633 A
B 21 B 1/02	AP 2112 11707 A
B 25 J 9/00; F 16 H 21/00	AP 2112 11767 A
B 28 C 5/18; B 28 C 5/42	AP 2112 11680 A
B 64 C 39/00	AP 2112 10654 A
B 65 G 25/01	AP 2112 11431 A
C 07 C 241/02; C 07 C 243/40	AP 2112 11935 A
C 07 C 241/02; C 07 C 243/40	AP 2112 11936 A
C 07 D 207/09; A 61 K 31/40	AP 2112 10907 A
C 07 D 215/36; C 07 D 409/12; A 61 K 31/4706; A 61 K 31/4709; A 61 P 25/00	AP 2112 11651 A
C 07 D 215/48; C 07 D 241/44; C 07 D 403/12; C 07 D 403/14; A 61 K 31/4709; A 61 K 31/498; A 61 P 35/00	AP 2112 12010 A
C 07 D 223/16; A 61 K 31/55	AP 2112 11610 A
C 07 D 237/28; C 07 D 401/04; C 07 D 401/06; C 07 D 401/12; C 07 D 401/14; C 07 D 403/12; C 07 F 9/58; C 07 D 405/14; C 07 D 417/14; C 07 D 487/04; C 07 D 491/048; C 07 D 498/14; C 07 D 237/30; A 61 K 31/502; A 61 K 31/4545	AP 2112 11474 A
C 07 D 295/155; C 07 D 295/24; A 61 K 31/495; A 61 P 25/00	AP 2112 11607 A
C 07 D 401/12; C 07 D 403/06; C 07 D 405/12; C 07 D 413/06; C 07 D 239/557; C 07 D 239/545; A 61 K 31/513; A 61 P 35/00	AP 2112 11266 A
C 07 D 498/04; A 61 K 31/553; A 61 P 3/04; A 61 P 3/10	AP 2112 11676 A
C 11 D 3/00	AP 2112 10944 A
C 12 N 9/20; C 07 K 14/39; C 12 P 21/02; C 12 N 1/16; A 61 K 38/46	AP 2112 11064 A
E 02 B 8/06	AP 2112 11582 A
E 02 B 8/08	AP 2112 11653 A
E 04 H 9/10	AP 2112 11603 A
E 05 C 9/04; E 05 B 15/10; E 05 B 59/00	AP 2112 10503 A
E 21 B 33/13	AP 2112 11314 A
F 01 L 7/02; F 01 L 33/02	AP 2112 11441 A
F 02 B 57/00	AP 2112 10025 A
F 16 C 1/04	AP 2112 10583 A

1	2
F 16 H 21/00	AP 2112 11629 A
F 16 K 17/14; F 16 L 55/02	AP 2112 11866 A
F 16 L 55/02; F 16 L 55/04	AP 2112 11867 A
F 21 F 15/08	AP 2112 11702 A
F 41 A 21/18, 21/28	AP 2112 9821 A
F 41 A 21/18	AP 2112 9327 A
G 01 N 9/00	AP 2112 11396 A
G 07 D 11/00	AP 2112 11378 A
H 01 M 8/00; H 01 M 8/04; H 01 M 8/08; H 01 M 8/22; H 01 M 4/20; H 01 M 4/29; H 01 M 4/30	AP 2112 11282 A
H 03 M 13/00	AP 2112 10857 A
H 03 M 13/00	AP 2112 10865 A
H 04 L 12/56; H 04 W 28/16	AP 2112 10193 A
H 04 L 25/00	AP 2112 11299 A
H 04 L 25/00	AP 2112 11300 A
H 04 M 1/725; H 04 M 1/02	AP 2112 10962 A
H 04 W 36/00; H 04 L 12/28	AP 2112 9978 A
H 04 W 36/14	AP 2112 10112 A
H 04 W 36/14; H 04 W 36/00	AP 2112 10321 A
H 04 W 52/00; H 04 W 52/36; H 04 W 28/24	AP 2112 10384 A

**CONCORDANCE TABLE OF NUMBERS OF PUBLISHED APPLICATIONS  
WITH REFERENCE TO INTERNATIONAL CLASSIFICATION INDEX**

NUMBER OF PUBLISHED APPLICATION (10)	INTERNATIONAL CLASSIFICATION INDEXES (51)
	1
	2
AP 2112 9327 A	F 41 A 21/18
AP 2112 9821 A	F 41 A 21/18, 21/28
AP 2112 9978 A	H 04 W 36/00; H 04 L 12/28
AP 2112 10025 A	F 02 B 57/00
AP 2112 10112 A	H 04 W 36/14
AP 2112 10193 A	H 04 L 12/56; H 04 W 28/16
AP 2112 10321 A	H 04 W 36/14; H 04 W 36/00
AP 2112 10384 A	H 04 W 52/00; H 04 W 52/36; H 04 W 28/24
AP 2112 10503 A	E 05 C 9/04; E 05 B 15/10; E 05 B 59/00
AP 2112 10583 A	F 16 C 1/04
AP 2112 10654 A	B 64 C 39/00
AP 2112 10809 A	A 61 P 19/08; A 61 K 35/04; A 61 P 39/395
AP 2112 10857 A	H 03 M 13/00
AP 2112 10865 A	H 03 M 13/00
AP 2112 10907 A	C 07 D 207/09; A 61 K 31/40
AP 2112 10944 A	C 11 D 3/00
AP 2112 10962 A	H 04 M 1/725; H 04 M 1/02
AP 2112 11000 A	A 61 K 35/74; A 61 P 1/06; C 12 N 1/20; A 61 K 47/44; C 07 K 14/335; C 12 R 1/225
AP 2112 11053 A	A 43 B 7/12; A 43 B 13/12; B 29 D 31/518
AP 2112 11064 A	C 12 N 9/20; C 07 K 14/39; C 12 P 21/02; C 12 N 1/16; A 61 K 38/46
AP 2112 11072 A	A 61 K 31/454
AP 2112 11266 A	C 07 D 401/12; C 07 D 403/06; C 07 D 405/12; C 07 D 413/06; C 07 D 239/557; C 07 D 239/545; A 61 K 31/513; A 61 P 35/00

**CLASSIFICATION INDEXES**

1	2
AP 2112 11282 A	H 01 M 8/00; H 01 M 8/04; H 01 M 8/08; H 01 M 8/22; H 01 M 4/20; H 01 M 4/29; H 01 M 4/30
AP 2112 11299 A	H 04 L 25/00
AP 2112 11300 A	H 04 L 25/00
AP 2112 11314 A	E 21 B 33/13
AP 2112 11318 A	A 61 K 36/00
AP 2112 11378 A	G 07 D 11/00
AP 2112 11396 A	G 01 N 9/00
AP 2112 11431 A	B 65 G 25/01
AP 2112 11441 A	F 01 L 7/02; F 01 L 33/02
AP 2112 11474 A	C 07 D 237/28; C 07 D 401/04; C 07 D 401/06; C 07 D 401/12; C 07 D 401/14; C 07 D 403/12; C 07 F 9/58; C 07 D 405/14; C 07 D 417/14; C 07 D 487/04; C 07 D 491/048; C 07 D 498/14; C 07 D 237/30; A 61 K 31/502; A 61 K 31/4545
AP 2112 11519 A	A 23 F 3/00
AP 2112 11560 A	A 01 D 46/24
AP 2112 11582 A	E 02 B 8/06
AP 2112 11603 A	E 04 H 9/10
AP 2112 11607 A	C 07 D 295/155; C 07 D 295/24; A 61 K 31/495; A 61 P 25/00
AP 2112 11610 A	C 07 D 223/16; A 61 K 31/55
AP 2112 11629 A	F 16 H 21/00
AP 2112 11633 A	B 01 D 25/00
AP 2112 11648 A	A 01 G 31/00
AP 2112 11649 A	A 23 F 3/00
AP 2112 11651 A	C 07 D 215/36; C 07 D 409/12; A 61 K 31/4706; A 61 K 31/4709; A 61 P 25/00
AP 2112 11653 A	E 02 B 8/08
AP 2112 11676 A	C 07 D 498/04; A 61 K 31/553; A 61 P 3/04; A 61 P 3/10
AP 2112 11679 A	A 01 D 46/26
AP 2112 11680 A	B 28 C 5/18; B 28 C 5/42
AP 2112 11702 A	F 21 F 15/08
AP 2112 11707 A	B 21 B 1/02
AP 2112 11713 A	A 23 N 5/00
AP 2112 11767 A	B 25 J 9/00; F 16 H 21/00
AP 2112 11866 A	F 16 K 17/14; F 16 L 55/02
AP 2112 11867 A	F 16 L 55/02; F 16 L 55/04
AP 2112 11935 A	C 07 C 241/02; C 07 C 243/40
AP 2112 11936 A	C 07 C 241/02; C 07 C 243/40
AP 2112 12010 A	C 07 D 215/48; C 07 D 241/44; C 07 D 403/12; C 07 D 403/14; A 61 K 31/4709; A 61 K 31/498; A 61 P 35/00

**CONCORDANCE TABLE OF INTERNATIONAL CLASSIFICATION INDEX  
WITH REFERENCE TO NUMBERS OF PATENTS AND NUMBERS  
OF PUBLISHED APPLICATIONS**

INTERNATIONAL CLASSIFICATION INDEX (51)	NUMBER OF PATENT (11)	NUMBER OF PUBLISHED APPLICATION (10)
A 01 B 59/04	P 2012 5376 B	AP 2011 11692 A
A 01 D 46/04	P 2012 5373 B	AP 2011 11409 A
A 01 N 43/90; A 01 N 25/22; A 01 P 13/00	P 2012 5372 B	AP 2011 11272 A
A 61 K 31/00	P 2012 5377 B	AP 2011 11751 A
A 61 K 38/05	P 2012 5378 B	AP 2011 10941 A
B 21 D 26/14	P 2012 5374 B	AP 2011 11420 A
C 07 D 401/12; C 07 D 213/75; A 61 K 31/4439; A 61 K 31/4427; A 61 K 31/44; A 61 P 29/00; A 61 P 25/28	P 2012 5379 B	AP 2011 11541 A
C 07 D 471/04; C 07 D 471/12; A 61 K 31/437; A 61 P 25/16; A 61 P 25/28; A 61 P 35/00	P 2012 5368 B	AP 2011 10601 A
G 01 B 11/02; G 01 S 17/00	P 2012 5375 B	AP 2011 11454 A
H 02 K 21/00; H 02 K 21/16	P 2012 5370 B	AP 2011 10930 A
H 02 K 21/00; H 02 K 21/16	P 2012 5371 B	AP 2011 10931 A
H 04 L 12/66; G 06 Q 10/00	P 2012 5369 B	AP 2011 10669 A

**CONCORDANCE TABLES OF NUMBERS OF PATENTS AND NUMBERS  
OF PUBLISHED APPLICATIONS WITH REFERENCE  
TO CLASSIFICATION INDEX**

NUMBER OF PATENT (11)	NUMBER OF PUBLISHED APPLICATION (10)	INTERNATIONAL CLASSIFICATION INDEX (51)
P 2012 5368 B	AP 2011 10601 A	C 07 D 471/04; C 07 D 471/12; A 61 K 31/437; A 61 P 25/16; A 61 P 25/28; A 61 P 35/00
P 2012 5369 B	AP 2011 10669 A	H 04 L 12/66; G 06 Q 10/00
P 2012 5370 B	AP 2011 10930 A	H 02 K 21/00; H 02 K 21/16
P 2012 5371 B	AP 2011 10931 A	H 02 K 21/00; H 02 K 21/16
P 2012 5372 B	AP 2011 11272 A	A 01 N 43/90; A 01 N 25/22; A 01 P 13/00
P 2012 5373 B	AP 2011 11409 A	A 01 D 46/04
P 2012 5374 B	AP 2011 11420 A	B 21 D 26/14
P 2012 5375 B	AP 2011 11454 A	G 01 B 11/02; G 01 S 17/00
P 2012 5376 B	AP 2011 11692 A	A 01 B 59/04
P 2012 5377 B	AP 2011 11751 A	A 61 K 31/00
P 2012 5378 B	AP 2011 10941 A	A 61 K 38/05
P 2012 5379 B	AP 2011 11541 A	C 07 D 401/12; C 07 D 213/75; A 61 K 31/4439; A 61 K 31/4427; A 61 K 31/44; A 61 P 29/00; A 61 P 25/28

**CONCORDANCE TABLE OF NUMBERS OF APPLICATIONS, NUMBERS OF PUBLISHED APPLICATIONS AND NUMBERS OF PATENTS**

<b>NUMBER OF APPLICATION (21)</b>	<b>NUMBER OF PUBLISHED APPLICATION (10)</b>	<b>NUMBER OF PATENT (11)</b>
AP 2006 010601	AP 2011 10601 A	P 2012 5368 B
AP 2005 010669	AP 2011 10669 A	P 2012 5369 B
AP 2008 010930	AP 2011 10930 A	P 2012 5370 B
AP 2008 010931	AP 2011 10931 A	P 2012 5371 B
AP 2007 010941	AP 2011 10941 A	P 2012 5378 B
AP 2007 011272	AP 2011 11272 A	P 2012 5372 B
AP 2009 011409	AP 2011 11409 A	P 2012 5373 B
AP 2009 011420	AP 2011 11420 A	P 2012 5374 B
AP 2009 011454	AP 2011 11454 A	P 2012 5375 B
AP 2008 011541	AP 2011 11541 A	P 2012 5379 B
AP 2010 011692	AP 2011 11692 A	P 2012 5376 B
AP 2010 011751	AP 2011 11751 A	P 2012 5377 B

**UTILITY MODELS**

**CONCORDANCE TABLE OF INTERNATIONAL CLASSIFICATION INDEX WITH REFERENCE TO NUMBERS OF PUBLISHED APPLICATIONS**

<b>INTERNATIONAL CLASSIFICATION INDEXES (51)</b>	<b>NUMBER OF PUBLISHED APPLICATION (10)</b>
A 47 D 9/00	AU 2112 12041 U
D 06 P 5/12	AU 2112 12206 U
E 02 D 29/00	AU 2112 11973 U
E 04 F 21/02	AU 2112 12191 U
E 04 H 14/00	AU 2112 11972 U

**CONCORDANCE TABLE OF NUMBERS OF PUBLISHED APPLICATIONS WITH REFERENCE TO INTERNATIONAL CLASSIFICATION INDEX**

<b>NUMBER OF PUBLISHED APPLICATION (10)</b>	<b>INTERNATIONAL CLASSIFICATION INDEXES (51)</b>
AU 2112 11972 U	E 04 H 14/00
AU 2112 11973 U	E 02 D 29/00
AU 2112 12041 U	A 47 D 9/00
AU 2112 12191 U	E 04 F 21/02
AU 2112 12206 U	D 06 P 5/12

**CONCORDANCE TABLE OF INTERNATIONAL CLASSIFICATION INDEX  
WITH REFERENCE TO NUMBERS OF PATENTS AND NUMBERS  
OF PUBLISHED APPLICATIONS**

INTERNATIONAL CLASSIFICATION INDEX (51)	NUMBER OF PATENT (11)	NUMBER OF PUBLISHED APPLICATION (10)
A 23 G 3/00	U 2012 1693 Y	AU 2011 11495 U

**CONCORDANCE TABLES OF NUMBERS OF PATENTS AND NUMBERS  
OF PUBLISHED APPLICATIONS WITH REFERENCE  
TO CLASSIFICATION INDEX**

NUMBER OF PATENT (11)	NUMBER OF PUBLISHED APPLICATION (10)	INTERNATIONAL CLASSIFICATION INDEX (51)
U 2012 1693 Y	AU 2011 11495 U	A 23 G 3/00

**CONCORDANCE TABLE OF NUMBERS OF APPLICATIONS, NUMBERS  
OF PUBLISHED APPLICATIONS AND NUMBERS OF PATENTS**

NUMBER OF APPLICATION (21)	NUMBER OF PUBLISHED APPLICATION (10)	NUMBER OF PATENT (11)
AU 2009 011495	AU 2011 11495 U	U 2012 1693 Y

## DESIGNS

**CONCORDANCE TABLE OF INTERNATIONAL CLASSIFICATION INDEX  
WITH REFERENCE TO NUMBERS OF PUBLISHED APPLICATIONS**

INTERNATIONAL CLASSIFICATION INDEXES (51)	NUMBER OF PUBLISHED APPLICATION (10)
02-02	AD 2112 663 S
19-99	AD 2112 651 S

**CONCORDANCE TABLE OF NUMBERS OF PUBLISHED APPLICATIONS  
WITH REFERENCE TO INTERNATIONAL CLASSIFICATION INDEX**

<b>NUMBER OF PUBLISHED APPLICATION (10)</b>	<b>INTERNATIONAL CLASSIFICATION INDEXES (51)</b>
AD 2112 651 S	19-99
AD 2112 663 S	02-02

**DESIGN REGISTERED ACCORDING TO THE  
ACCELERATED PROCEDURE**

**CONCORDANCE TABLE OF INTERNATIONAL CLASSIFICATION INDEX  
WITH REFERENCE TO NUMBERS OF PATENTS**

<b>INTERNATIONAL CLASSIFICATION INDEX (51)</b>	<b>NUMBER OF PATENT (11)</b>
09-01	D 2012 485 S
27-01	D 2012 486 S

**CONCORDANCE TABLES OF NUMBERS OF PATENTS AND INTERNATIONAL  
CLASSIFICATION INDEX**

<b>NUMBER OF PATENT (11)</b>	<b>INTERNATIONAL CLASSIFICATION INDEX (51)</b>
D 2012 485 S	09-01
D 2012 486 S	27-01

**CONCORDANCE TABLE OF NUMBERS OF APPLICATIONS  
AND NUMBERS OF PATENTS**

<b>NUMBER OF APPLICATION (21)</b>	<b>NUMBER OF PATENT (11)</b>
AD 2011 000669	D 2012 486 S
AD 2011 000673	D 2012 485 S

## TRADEMARKS

### CONCORDANCE TABLE OF NUMBERS OF REGISTRATIONS OF TRADEMARKS, NUMBERS OF APPLICATIONS, NUMBERS OF PUBLISHED APPLICATIONS WITH REFERENCE TO NUMBERS OF BULLETINS

NUMBER OF REGISTRATION (111)	NUMBER OF APPLICATION (210)	NUMBER OF PUBLISHED APPLICATION (260)	NUMBER OF BULLETIN
1	2	3	4
M 2012 22055 R	AM 2010 58721	AM 2012 58721 A	Nº15(331) 2011
M 2012 22056 R	AM 2010 58761	AM 2012 58761 A	Nº14(330) 2011
M 2012 22057 R	AM 2010 58990	AM 2012 58990 A	Nº11(327) 2011
M 2012 22059 R	AM 2010 58993	AM 2012 58993 A	Nº11(327) 2011
M 2012 22060 R	AM 2010 59122	AM 2012 59122 A	Nº11(327) 2011
M 2012 22061 R	AM 2010 59123	AM 2012 59123 A	Nº11(327) 2011
M 2012 22062 R	AM 2010 59141	AM 2012 59141 A	Nº12(328) 2011
M 2012 22063 R	AM 2010 59142	AM 2012 59142 A	Nº12(328) 2011
M 2012 22064 R	AM 2010 59183	AM 2012 59183 A	Nº11(327) 2011
M 2012 22065 R	AM 2010 59184	AM 2012 59184 A	Nº11(327) 2011
M 2012 22066 R	AM 2010 59185	AM 2012 59185 A	Nº13(329) 2011
M 2012 22067 R	AM 2010 59222	AM 2012 59222 A	Nº12(328) 2011
M 2012 22068 R	AM 2010 59223	AM 2012 59223 A	Nº12(328) 2011
M 2012 22069 R	AM 2010 59345	AM 2012 59345 A	Nº15(331) 2011
M 2012 22070 R	AM 2010 59346	AM 2012 59346 A	Nº15(331) 2011
M 2012 22071 R	AM 2010 59736	AM 2012 59736 A	Nº14(330) 2011
M 2012 22072 R	AM 2010 59943	AM 2012 59943 A	Nº13(329) 2011
M 2012 22073 R	AM 2010 59944	AM 2012 59944 A	Nº13(329) 2011
M 2012 22074 R	AM 2010 60043	AM 2012 60043 A	Nº14(330) 2011
M 2012 22075 R	AM 2010 60044	AM 2012 60044 A	Nº14(330) 2011
M 2012 22076 R	AM 2010 60045	AM 2012 60045 A	Nº14(330) 2011
M 2012 22077 R	AM 2010 60046	AM 2012 60046 A	Nº14(330) 2011
M 2012 22078 R	AM 2010 60047	AM 2012 60047 A	Nº14(330) 2011
M 2012 22079 R	AM 2010 60062	AM 2012 60062 A	Nº15(331) 2011
M 2012 22080 R	AM 2010 60068	AM 2012 60068 A	Nº14(330) 2011
M 2012 22081 R	AM 2010 60069	AM 2012 60069 A	Nº14(330) 2011
M 2012 22082 R	AM 2010 60070	AM 2012 60070 A	Nº14(330) 2011
M 2012 22083 R	AM 2010 60143	AM 2012 60143 A	Nº14(330) 2011
M 2012 22084 R	AM 2010 60205	AM 2012 60205 A	Nº14(330) 2011
M 2012 22085 R	AM 2010 60206	AM 2012 60206 A	Nº14(330) 2011
M 2012 22086 R	AM 2010 60207	AM 2012 60207 A	Nº14(330) 2011
M 2012 22087 R	AM 2010 60208	AM 2012 60208 A	Nº14(330) 2011
M 2012 22088 R	AM 2010 60285	AM 2012 60285 A	Nº14(330) 2011
M 2012 22089 R	AM 2010 60286	AM 2012 60286 A	Nº14(330) 2011
M 2012 22090 R	AM 2010 60287	AM 2012 60287 A	Nº14(330) 2011
M 2012 22091 R	AM 2010 60288	AM 2012 60288 A	Nº14(330) 2011
M 2012 22092 R	AM 2010 60311	AM 2012 60311 A	Nº14(330) 2011
M 2012 22093 R	AM 2010 60325	AM 2012 60325 A	Nº15(331) 2011
M 2012 22094 R	AM 2010 60326	AM 2012 60326 A	Nº15(331) 2011
M 2012 22095 R	AM 2010 60327	AM 2012 60327 A	Nº15(331) 2011
M 2012 22096 R	AM 2010 60328	AM 2012 60328 A	Nº15(331) 2011
M 2012 22097 R	AM 2010 60331	AM 2012 60331 A	Nº15(331) 2011



1	2	3	4
M 2012 22098 R	AM 2010 60332	AM 2012 60332 A	Nº15(331) 2011
M 2012 22099 R	AM 2010 60578	AM 2012 60578 A	Nº15(331) 2011
M 2012 22100 R	AM 2010 60581	AM 2012 60581 A	Nº15(331) 2011
M 2012 22101 R	AM 2010 60582	AM 2012 60582 A	Nº15(331) 2011
M 2012 22103 R	AM 2010 60584	AM 2012 60584 A	Nº15(331) 2011
M 2012 22104 R	AM 2010 60598	AM 2012 60598 A	Nº16(332) 2011
M 2012 22105 R	AM 2010 60736	AM 2012 60736 A	Nº16(332) 2011
M 2012 22106 R	AM 2010 60737	AM 2012 60737 A	Nº16(332) 2011
M 2012 22107 R	AM 2011 60825	AM 2012 60825 A	Nº16(332) 2011
M 2011 22109 R	-	-	Nº1(341) 2012
M 2011 22110 R	-	-	Nº1(341) 2012
M 2011 22111 R	-	-	Nº1(341) 2012
M 2011 22112 R	-	-	Nº1(341) 2012
M 2011 22113R	-	-	Nº1(341) 2012
M 2011 22114 R	-	-	Nº1(341) 2012
M 2011 22116 R	-	-	Nº1(341) 2012
M 2011 22117 R	-	-	Nº1(341) 2012
M 2011 22118 R	-	-	Nº1(341) 2012
M 2011 22119 R	-	-	Nº1(341) 2012
M 2011 22120 R	-	-	Nº1(341) 2012
M 2011 22122 R	-	-	Nº1(341) 2012

**CONCORDANCE TABLE OF NUMBERS OF PUBLISHED TRADEMARK APPLICATIONS WITH REFERENCE TO NUMBERS OF APPLICATIONS**

NUMBER OF PUBLISHED APPLICATION (260)	NUMBER OF APPLICATION (210)	1	2
		1	2
AM 2112 56986 A	AM 2010 56986	AM 2112 59493 A	AM 2010 59493
AM 2112 56987 A	AM 2010 56987	AM 2112 59972 A	AM 2010 59972
AM 2112 57459 A	AM 2010 57459	AM 2112 60915 A	AM 2011 60915
AM 2112 57797 A	AM 2010 57797	AM 2112 61197 A	AM 2011 61197
AM 2112 57802 A	AM 2010 57802	AM 2112 61326 A	AM 2011 61326
AM 2112 57803 A	AM 2010 57803	AM 2112 61328 A	AM 2011 61328
AM 2112 57804 A	AM 2010 57804	AM 2112 61608 A	AM 2011 61608
AM 2112 57805 A	AM 2010 57805	AM 2112 61752 A	AM 2011 61752
AM 2112 57806 A	AM 2010 57806	AM 2112 61935 A	AM 2011 61935
AM 2112 58058 A	AM 2010 58058	AM 2112 61936 A	AM 2011 61936
AM 2112 58584 A	AM 2010 58584	AM 2112 61964 A	AM 2011 61964
AM 2112 58585 A	AM 2010 58585	AM 2112 62027 A	AM 2011 62027
AM 2112 58586 A	AM 2010 58586	AM 2112 62029 A	AM 2011 62029
AM 2112 59198 A	AM 2010 59198	AM 2112 62047 A	AM 2011 62047
AM 2112 62115 A	AM 2011 62115	AM 2112 62079 A	AM 2011 62079
AM 2112 62116 A	AM 2011 62116	AM 2112 62096 A	AM 2011 62096
AM 2112 62117 A	AM 2011 62117	AM 2112 62103 A	AM 2011 62103
AM 2112 62138 A	AM 2011 62138	AM 2112 62112 A	AM 2011 62112
		AM 2112 62114 A	AM 2011 62114
		AM 2112 62743 A	AM 2011 62743
		AM 2112 62755 A	AM 2011 62755
		AM 2112 62756 A	AM 2011 62756
		AM 2112 62757 A	AM 2011 62757

1	2
AM 2112 62162 A	AM 2011 62162
AM 2112 62186 A	AM 2011 62186
AM 2112 62190 A	AM 2011 62190
AM 2112 62323 A	AM 2011 62323
AM 2112 62324 A	AM 2011 62324
AM 2112 62325 A	AM 2011 62325
AM 2112 62448 A	AM 2011 62448
AM 2112 62449 A	AM 2011 62449
AM 2112 62451 A	AM 2011 62451
AM 2112 62601 A	AM 2011 62601
AM 2112 62602 A	AM 2011 62602
AM 2112 62603 A	AM 2011 62603
AM 2112 62604 A	AM 2011 62604
AM 2112 62606 A	AM 2011 62606
AM 2112 62607 A	AM 2011 62607
AM 2112 62608 A	AM 2011 62608
AM 2112 62609 A	AM 2011 62609
AM 2112 62614 A	AM 2011 62614
AM 2112 62615 A	AM 2011 62615
AM 2112 62623 A	AM 2011 62623
AM 2112 62624 A	AM 2011 62624
AM 2112 62625 A	AM 2011 62625
AM 2112 62683 A	AM 2011 62683

1	2
AM 2112 62769 A	AM 2011 62769
AM 2112 62770 A	AM 2011 62770
AM 2112 62771 A	AM 2011 62771
AM 2112 62772 A	AM 2011 62772
AM 2112 62773 A	AM 2011 62773
AM 2112 62783 A	AM 2011 62783
AM 2112 62784 A	AM 2011 62784
AM 2112 62785 A	AM 2011 62785
AM 2112 62797 A	AM 2011 62797
AM 2112 62798 A	AM 2011 62798
AM 2112 62799 A	AM 2011 62799
AM 2112 62803 A	AM 2011 62803
AM 2112 62822 A	AM 2011 62822
AM 2112 62825 A	AM 2011 62825
AM 2112 62826 A	AM 2011 62826
AM 2112 62827 A	AM 2011 62827
AM 2112 62828 A	AM 2011 62828
AM 2112 62908 A	AM 2011 62908
AM 2112 62909 A	AM 2011 62909
AM 2112 62911 A	AM 2011 62911
AM 2112 62912 A	AM 2011 62912
AM 2112 60041 A*	AM 2010 60041

**CONCORDANCE TABLE OF INDEX OF GOODS AND/OR SERVICES  
WITH REFERENCE TO NUMBERS OF PUBLISHED APPLICATIONS**

<b>INDEX OF GOODS AND/OR SERVICES (511)</b>	<b>NUMBER OF PUBLISHED APPLICATION (260)</b>	<b>1</b>	<b>2</b>
1	2	9	AM 2112 62909 A
3	AM 2112 59198 A	11	AM 2112 62116 A
3	AM 2112 59493 A	11	AM 2112 62602 A
3	AM 2112 62601 A	11	AM 2112 62603 A
3	AM 2112 62602 A	11	AM 2112 62604 A
3	AM 2112 62603 A	11	AM 2112 62784 A
3	AM 2112 62604 A	11	AM 2112 62785 A
3	AM 2112 62769 A	12	AM 2112 58584 A
5	AM 2112 57797 A	12	AM 2112 58585 A
5	AM 2112 57802 A	12	AM 2112 58586 A
5	AM 2112 57803 A	12	AM 2112 62138 A
5	AM 2112 57804 A	16	AM 2112 59972 A
5	AM 2112 57805 A	16	AM 2112 62609 A
5	AM 2112 57806 A	18	AM 2112 62909 A
5	AM 2112 59493 A	19	AM 2112 62451 A
5	AM 2112 61197 A	20	AM 2112 62103 A
5	AM 2112 61935 A	20	AM 2112 62117 A
5	AM 2112 61936 A	25	AM 2112 62609 A
5	AM 2112 62027 A	25	AM 2112 62797 A
5	AM 2112 62029 A	29	AM 2112 57459 A
5	AM 2112 62115 A	29	AM 2112 62323 A
5	AM 2112 62186 A	29	AM 2112 62324 A
5	AM 2112 62606 A	29	AM 2112 62325 A
5	AM 2112 62615 A	29	AM 2112 62448 A
5	AM 2112 62755 A	29	AM 2112 62449 A
5	AM 2112 62757 A	29	AM 2112 62606 A
5	AM 2112 62769 A	29	AM 2112 62755 A
5	AM 2112 62799 A	29	AM 2112 62756 A
5	AM 2112 62803 A	29	AM 2112 62798 A
5	AM 2112 62825 A	29	AM 2112 62912 A
5	AM 2112 62826 A	30	AM 2112 57459 A
5	AM 2112 62827 A	30	AM 2112 60041 A*
5	AM 2112 62828 A	30	AM 2112 60915 A
7	AM 2112 62908 A	30	AM 2112 61326 A
9	AM 2112 58058 A	30	AM 2112 61328 A
9	AM 2112 62116 A	30	AM 2112 61752 A
9	AM 2112 62190 A	30	AM 2112 62096 A
9	AM 2112 62623 A	30	AM 2112 62114 A
9	AM 2112 62624 A	30	AM 2112 62323 A
9	AM 2112 62625 A	30	AM 2112 62324 A
9	AM 2112 62683 A	30	AM 2112 62606 A
9	AM 2112 62784 A	30	AM 2112 62743 A
9	AM 2112 62785 A	30	AM 2112 62755 A
31	AM 2112 62912 A	30	AM 2112 62756 A
		30	AM 2112 62799 A
		30	AM 2112 62822 A
		30	AM 2112 62912 A
		31	AM 2112 62756 A
		35	AM 2112 62162 A

1	2	1	2
32	AM 2112 62323 A	35	AM 2112 62190 A
32	AM 2112 62324 A	35	AM 2112 62606 A
32	AM 2112 62325 A	35	AM 2112 62797 A
32	AM 2112 62606 A	36	AM 2112 62112 A
32	AM 2112 62755 A	37	AM 2112 56986 A
32	AM 2112 62799 A	37	AM 2112 56987 A
33	AM 2112 61608 A	37	AM 2112 58584 A
34	AM 2112 62607 A	37	AM 2112 58585 A
34	AM 2112 62608 A	37	AM 2112 58586 A
34	AM 2112 62770 A	37	AM 2112 62116 A
34	AM 2112 62771 A	37	AM 2112 62614 A
34	AM 2112 62772 A	38	AM 2112 62116 A
34	AM 2112 62783 A	38	AM 2112 62683 A
34	AM 2112 62911 A	41	AM 2112 58058 A
35	AM 2112 57797 A	41	AM 2112 59972 A
35	AM 2112 57803 A	41	AM 2112 62609 A
35	AM 2112 59972 A	41	AM 2112 62773 A
35	AM 2112 60915 A	42	AM 2112 59972 A
35	AM 2112 62079 A	42	AM 2112 62116 A
35	AM 2112 62103 A	43	AM 2112 62047 A
35	AM 2112 62116 A	43	AM 2112 62912 A
35	AM 2112 62117 A	44	AM 2112 61964 A

**CONCORDANCE TABLE OF INDEX OF GOODS AND/OR SERVICES  
WITH REFERENCE TO NUMBERS OF REGISTERED ACCORDING TO THE  
ACCELERATED PROCEDURE**

INDEX OF GOODS AND/OR SERVICES (511)	NUMBER OF REGISTERED ACCORDING TO THE ACCELERATED PROCEDURE (111)
29	M 2012 22114 R
29	M 2012 22116 R
29	M 2012 22122 R
30	M 2012 22114 R
30	M 2012 22122 R
31	M 2012 22122 R
32	M 2012 22113 R
33	M 2012 22113 R
34	M 2012 22109 R
34	M 2012 22112 R
34	M 2012 22117 R
34	M 2012 22118 R
34	M 2012 22119 R
34	M 2012 22120 R
35	M 2012 22110 R
43	M 2012 22111 R

**OFFICIAL BULLETIN OF THE INDUSTRIAL PROPERTY**  
**ОФИЦИАЛЬНЫЙ БЮЛЛЕТЕНЬ ПРОМЫШЛЕННОЙ СОБСТВЕННОСТИ**

**1(341)**

EDITOR-IN-CHIEF: N. Bebrishvili  
ГЛАВНЫЙ РЕДАКТОР: Н. Бебришвили

EDITORS-TRANSLATORS: M. Sichinava  
РЕДАКТОРЫ-ПЕРЕВОДЧИКИ: М. Сичинава  
G. Nadareishvili  
Г. Надареишвили

PROOFREADER: L. Chanturia  
КОРРЕКТОР: Л. Чантурия

COMPUTER LAYOUT: M. Ordenidze  
КОМПЬЮТЕРНАЯ ВЕРСТКА: М. Орденидзе  
K. Svanidze  
К. Сванидзе

[www.sakpatenti.org.ge](http://www.sakpatenti.org.ge)  
E-mail: [info@sakpatenti.org.ge](mailto:info@sakpatenti.org.ge)