



**NATIONAL INTELLECTUAL PROPERTY CENTER OF GEORGIA
SAKPATENTI**

**OFFICIAL BULLETIN
OF THE INDUSTRIAL PROPERTY**

12(376)

**2013
TBILISI**

INID CODES FOR IDENTIFICATION OF BIBLIOGRAPHIC DATA

INVENTIONS, UTILITY MODELS

- (10) Number of publication for application, which has been examined
- (11) Number of patent and kind of document
- (21) Serial number of application
- (22) Date of filing of the application
- (23) Date of exhibition or the date of the earlier filing and the number of application, if any
- (24) Date from which patent may have effect
- (31) Number of priority application
- (32) Date of filing of priority application
- (33) Code of the country or regional organization allotting priority application number
- (44) Date of publication of application not granted, but examined and number of bulletin
- (45) Date of publication of registered document
- (51) International Patent Classification Index
- (54) Title of the invention
- (57) Abstract
- (60) Number of examined patent document granted by foreign patent office, date from which patent has effect and country code
- (62) Number of the earlier application and in case of divided application, date of filing an application
- (71) Name, surname and address of applicant (country code)
- (72) Name, surname of inventor (country code)
- (73) Name, surname and address of patent owner (country code)
- (74) Name, surname of representative or patent attorney
- (85) Date of commencement of the national phase of International Application
- (86) Number and date of filing of international application
- (87) Number and date of publication of international application

DESIGNS

- (10) Number of publication for application
- (11) Number of patent and kind of document or number of registration
- (15) Date of registration/Date of patent renewal
- (18) Expected expiration date of patent or registration
- (21) Serial number of application
- (22) Date of filing of the application
- (23) Date of exhibition or the date of the earlier filing and the number of application, if any
- (24) Date from which patent may have effect
- (28) Number of designs included in the application
- (30) Data relating to priority (number of application, date of filing of application, two-letter code identifying the authority with whom the priority application was made)
- (31) Number of priority application
- (32) Date of filing of priority application
- (33) Code of the country or regional organization allotting priority application number
- (34) Two-letter code according to WIPO St.3 identifying the authority with which the priority application was made
- (44) Date of publication of design and number of bulletin (the first publication)
- (45) Date of publication of design registered by WIPO and number of bulletin
- (51) International Classification for designs (class and subclass of the Locarno Classification)
- (54) Title of the invention
- (55) Reproduction of the design
- (57) Description of characteristic features of the design including indication of colors
- (58) Date of recording of any kind of amendment in the Register
- (62) Number of the earlier application, registration and document number and if available the date of filing an application in case of divided application
- (71) Name, surname and address of applicant (country code)
- (72) Name, surname of creator (country code)
- (73) Name, surname and address of patent owner (country code)
- (74) Name, surname of representative or patent attorney
- (81) Contracting states concerned
 - II designated contracting states according to the 1960 Act
 - III designated contracting states according to the 1999 Act
- (85) Owner's permanent address
- (86) Owner's nationality
- (87) Owner's residence
- (88) State in which the owner has a real and effective industrial or commercial establishment

TRADEMARKS

- (111) – Number of registration
- (151) – Date of registration
- (156) – Date of the renewal
- (181) – Expected expiration date of registration
- (186) – Renewal expiration date of registration
- (141) – Date of cancel of duration of the mark
- (210) – Serial number of application
- (220) – Date of filing of the application
- (230) – Date concerning exhibition
- (260) – Number of application, for which favorable decision of examination about registration has been taken (publication number)
- (310) – Number of the first application
- (320) – Date of filing of the first application
- (330) – Code, identifying national or regional Office where the first application was made
- (511) – International Classification of Goods and Services for the purposes of registration of trade marks and/or list of goods and/or services classified according thereto
- (531) – Description of figurative elements of Trade Marks according to the International Classification of the Figurative Elements of Marks
- (540) – Reproduction of Trade Mark
- (550) – Nature and kind of Trade Mark
- (580) – Date of recording of any kind changes in respect of applications or registrations
- (591) – Information concerning colors claimed
- (731) – Name and address of the applicant
- (732) – Name and address of the holder of the registration
- (740) – Name and address of the representative
- (750) – Address for correspondence
- (770) – Name and address of the previous applicant or holder in case of change in ownership
- (771) – Previous name and address of the applicant or holder in case of change in ownership
- (791) – Name and address of the licensee
- (793) – Indication of conditions and/or restrictions under the license (Type of license, number of license agreement, data of license, data of validity of license)
- (800) – Certain data relating to the international registration of Trade Marks under the Protocol Relating to Madrid Agreement (International registration number)

CODES FOR PUBLICATION IN BULLETIN

- (21) AP 0000 000000 – serial number of application for invention
- (10) AP 0000 0000 A – number of published application for invention (first publication)
- (11) P 0000 0000 B – number of patent for invention (second publication)
- (21) API 0000 000000 – number of application for imported patent
- (11) PI 0000 0000 A – number of imported patent (first publication)
- (21) AU 0000 000000 – serial number of application for utility model
- (10) AU 0000 000 U – number of published application for utility model (first publication)
- (11) U 0000 000 Y – number of patent for utility model (second publication)
- (21) AD 0000 000000 – serial number of application for design
- (10) AD 0000 000 S – number of published application for design (first publication)
- (11) D 0000 000 S – number of patent for design (second publication)

INTERNATIONAL PATENT CLASSIFICATION FOR INVENTIONS AND UTILITY MODELS

- SECTION A – HUMAN NECESSITIES
- SECTION B – PERFORMING OPERATIONS; TRANSPORTING
- SECTION C – CHEMISTRY; METALLURGY
- SECTION D – TEXTILES; PAPER
- SECTION E – FIXED CONSTRUCTIONS
- SECTION F – MECHANICAL ENGINEERING; LIGHTING; HEATING; WEAPONS; BLASTING
- SECTION G – PHYSICS
- SECTION H – ELECTRICITY

-
- M – Trade Mark
 - (210) AM 0000 000000 – Serial number of application;
 - (260) AAM 0000 00000 A – Publication number of application;
 - (111) M 0000 00000 R – Number of registration;
 - (111) MMM0000 00000 Rn – Number of renewals, in which n=1,2,3;
 - (111) M 0000 00000 R(P) – Number of registration under partial assignment of rights
-

LIST OF CODES, IN ALPHABETIC SEQUENCE, AND THE CORRESPONDING (SHORT) NAMES OF STATES, OTHER ENTITIES AND INTERGOVERNMENTAL ORGANIZATIONS
(WIPO STANDARD ST.3)

AD	Andorra				
AE	United Arab Emirates				
AF	Afghanistan				
AG	Antigua and Barbuda				
AI	Anguilla				
AL	Albania				
AM	Armenia				
AN	Netherlands Antilles				
AO	Angola				
AP	African Regional Intellectual Property Organization (ARIPO)				
AR	Argentina				
AT	Austria				
AU	Australia				
AW	Aruba				
AZ	Azerbaijan				
BA	Bosnia and Herzegovina				
BB	Barbados				
BD	Bangladesh				
BE	Belgium				
BF	Burkina Faso				
BG	Bulgaria				
BH	Bahrain				
BI	Burundi				
BJ	Benin				
BM	Bermuda				
BN	Brunei Darussalam				
BO	Bolivia				
BR	Brazil				
BS	Bahamas				
BT	Bhutan				
BV	Bouvet Island				
BW	Botswana				
BX	Benelux Office for Intellectual Property (BOIP)				
BY	Belarus				
BZ	Belize				
CA	Canada				
CD	Democratic Republic of the Congo				
CF	Central African Republic				
CG	Congo				
CH	Switzerland				
CI	Cote d'Ivoire				
CK	Cook Islands				
CL	Chile				
CM	Cameroon				
CN	China				
CO	Colombia				
CR	Costa Rica				
CU	Cuba				
CV	Cape Verde				
CY	Cyprus				
CZ	Czech Republic				
DE	Germany				
DJ	Djibouti				
DM	Dominica				
DO	Dominican Republic				
DZ	Algeria				
EA	Eurasian Patent Organization (EAPO)				
EC	Ecuador				
EE	Estonia				
EG	Egypt				
EH	Western Sahara				
EM	Office for Harmonization in the Internal Market (Trademarks and Designs)(OHIM)				
EP	European Patent Office (EPO)				
ER	Eritrea				
ES	Spain				
ET	Ethiopia				
FI	Finland				
FJ	Fiji				
FK	Falkland Islands (Malvinas)				
FO	Faroe Islands				
FR	France				
GA	Gabon				
GB	United Kingdom				
GC	Patent Office of the Cooperation Council for the Arab States of the Gulf (GCC)				
GD	Grenada				
GG	Guernsey				
GH	Ghana				
GI	Gibraltar				
GT	Guatemala				
GW	Guinea- Bissau				
GY	Guyana				
HK	The Hong Kong Special Administrative Region of the People's Republic of China				
HN	Honduras				
HR	Croatia				
HT	Haiti				
HU	Hungary				
IB	International Bureau of the World Intellectual Property Organization (WIPO)				
ID	Indonesia				
IE	Ireland				
IL	Israel				
IM	Isle of Man				
IN	India				
IQ	Iraq				
ID	Indonesia				
IE	Ireland				
IL	Israel				
IM	Isle of Man				
IN	India				
IQ	Iraq				
IR	Iran (Islamic Republic of)				
IS	Iceland				
IT	Italy				
JE	Jersey				
JM	Jamaica				
JO	Jordan				
JP	Japan				
KE	Kenya				
KG	Kyrgyzstan				
KH	Cambodia				
KI	Kiribati				
KM	Saint Kitts and Nevis				
KP	Democratic People's Republic of Korea				
KR	Republic of Korea				
KW	Kuwait				
KY	Cayman Islands				
KZ	Kazakhstan				
LA	Lao People's Democratic Republic				
LB	Lebanon				
LC	Saint Lucia				
LI	Liechtenstein				
LK	Sri Lanka				
LR	Liberia				
LS	Lesotho				
LT	Lithuania				
LU	Luxembourg				
LV	Latvia				
LY	Libyan Arab Jamahiriya				
MA	Morocco				
MC	Monaco				
MD	Republic of Moldova				
ME	Montenegro				
MG	Madagascar				
MK	The former Yugoslav Republic of Macedonia				
ML	Mali				
MM	Myanmar				
MN	Mongolia				
MO	Macao				
MP	Northern Mariana Islands				
MR	Mauritania				
MS	Montserrat				
MT	Malta				
MU	Mauritius				
MV	Maldives				
MW	Malawi				
MX	Mexico				
MY	Malaysia				
MZ	Mozambique				
NA	Namibia				
NE	Niger				
NG	Nigeria				
NI	Nicaragua				
NL	Netherlands				
NO	Norway				
NP	Nepal				
NR	Nauru				
NZ	New Zealand				
OA	African Intellectual Property Organization (OAPI)				
OM	Oman				
PA	Panama				
PE	Peru				
PG	Papua New Guinea				
PH	Philippines				
PK	Pakistan				
PL	Poland				
PT	Portugal				
PW	Palau				
PY	Paraguay				
QA	Qatar				
QZ	Community Plant Variety Office (European Community) (CPVO)				
RO	Romania				
RS	Serbia				
RU	Russian Federation				
RW	Rwanda				
SA	Saudi Arabia				
SB	Solomon Islands				
SC	Seychelles				
SD	Sudan				
SG	Singapore				
SH	Saint Helena				
SI	Slovenia				
SK	Slovakia				
SL	Sierra Leone				
SM	San Marino				
SN	Senegal				
SO	Somalia				
SR	Suriname				
ST	Sao Tome and Principe				
SV	El Salvador				
SY	Syrian Arab Republic				
SZ	Swaziland				
TC	Turks and Caicos Islands				
TD	Chad				
TG	Togo				
TH	Thailand				
TJ	Tajikistan				
TL	Timor-Leste				
TM	Turkmenistan				
TN	Tunisia				
TO	Tonga				
TR	Turkey				
SE	Sweden				
TT	Trinidad and Tobago				
TV	Tuvalu				
TW	Taiwan, Province of China				
TZ	United Republic of Tanzania				
UA	Ukraine				
UG	Uganda				
US	United States of America				
UY	Uruguay				
UZ	Uzbekistan				
VA	Holy See				
VC	Saint Vincent and the Grenadines				
VE	Venezuela				
VG	Virgin Islands (British)				
VN	Viet Nam				
VU	Vanuatu				
WO	World Intellectual Property Organization (WIPO)				
WS	Samoa				
XN	Nordic Patent Institute (NPI)				
YE	Yemen				
ZA	South Africa				
ZM	Zambia				
ZW	Zimbabwe				

**NATIONAL INTELLECTUAL PROPERTY CENTER OF GEORGIA
SAKPATENTI**

**OFFICIAL BULLETIN
OF THE INDUSTRIAL PROPERTY**

12(376)

INVENTIONS

UTILITY MODELS

DESIGNS

TRADEMARKS

**APPELLATIONS OF ORIGIN AND GEOGRAPHICAL
INDICATIONS OF GOODS**

DATE OF PUBLICATION

2013 06 25

CONTENTS

PUBLISHED TITLES OF PROTECTION	2
INVENTIONS	
▪ APPLICATIONS APPROVED FOR GRANTING PATENTS	4
▪ PATENTED INVENTIONS	12
UTILITY MODELS	
▪ PATENTED UTILITY MODEL	16
DESIGNS	
▪ APPLICATIONS APPROVED FOR GRANTING PATENTS	17
▪ REGISTERED DESIGN	19
TRADEMARKS	
▪ APPLICATIONS FILED UNDER THE NATIONAL PROCEDURE APPROVED FOR REGISTRATION	20
▪ REGISTERED TRADEMARKS	26
▪ TRADEMARKS REGISTERED ACCORDING TO THE ACCELERATED PROCEDURE	31
▪ INTERNATIONAL TRADEMARKS FOR WHICH A DECISION ON GRANTING PROTECTION IS TAKEN	34
▪ INTERNATIONAL TRADEMARKS PROTECTED IN GEORGIA	99
APPELLATIONS OF ORIGIN AND GEOGRAPHICAL INDICATIONS OF GOODS	
▪ THE RIGHT TO USE OF REGISTERED APPELLATIONS OF ORIGIN OF GOODS	101
OFFICIAL NOTIFICATIONS	
TRADEMARKS	
▪ RENEWAL OF REGISTRATIONS	102
▪ COMPLETE TRANSFER OF RIGHTS	104
▪ CHANGES IN NAMES AND/OR ADDRESSES OF OWNERS	108
CLASSIFICATION INDEXES	
INVENTIONS	110
UTILITY MODELS	113
DESIGNS	113
TRADEMARKS	115

PUBLISHED TITLES OF PROTECTION

INVENTIONS

- **APPLICATIONS APPROVED FOR GRANTING PATENTS:**
12480; 12831; 12423; 10793; 12401; 12400; 12403; 12668; 12308; 12394; 11964; 11506; 11709; 12280; 12279; 12242; 12402; 12431; 12220
- **PATENTED INVENTIONS:**
5853-5865

UTILITY MODELS

- **PATENTED UTILITY MODEL:**
1770

DESIGNS

- **APPLICATIONS APPROVED FOR GRANTING PATENT:**
734; 744
- **REGISTERED DESIGN:**
547

TRADEMARKS

- **APPLICATIONS FILED UNDER THE NATIONAL PROCEDURE APPROVED FOR REGISTRATION:**
68007; 68138; 68712; 68746, 68747; 68768; 68792-68795; 68797; 68807, 68808; 68810; 68846; 68849, 68850; 68876; 68910; 68928; 68992; 69031; 69077; 69100-69102; 69244-69247; 69277; 69421
- **REGISTERED TRADEMARKS:**
23717-23770
- **TRADEMARKS REGISTERED ACCORDING TO THE ACCELERATED PROCEDURE:**
23716; 23771-23779
- **INTERNATIONAL TRADEMARKS FOR WHICH A DECISION ON GRANTING PROTECTIONS IS TAKEN:**
67431; 67645-67650; 67652, 67653; 67655-67663; 67686; 67742; 67744, 67745; 67755, 67756; 67758-67761; 67763, 67764; 67766-67770; 67774; 67791-67795; 67797-67799; 67837; 67841; 67847-67852; 67855-67861; 67863; 67868, 67869; 67871, 67872; 67902-67904; 67908, 67909; 67911, 67912; 67914; 67917-67920; 67922, 67923; 67925, 67926; 67950-67960; 67962-67964; 68015-68020; 68023; 68025, 68026; 68029, 68030; 68036; 68101-68104; 68107-68120; 68200; 68218; 68223-68241; 68243; 68245; 68265-68269; 68291; 68293; 68295-68297; 68301-68304; 68306; 68312-68314; 68349-68365; 68367; 68369-68374; 68376-68379; 68381, 68382; 68399; 68402-68412; 68414-68416; 68418, 68419; 68423; 68425-68427; 68429; 68501; 68506-68508; 68510-68514, 68516; 68518; 68528, 68529; 68531, 68532; 68534-68540; 68622
- **INTERNATIONAL TRADEMARKS PROTECTED IN GEORGIA:**
65033; 64076; 64463; 65369; 66126; 66130, 66131; 66169; 66365; 66455; 66700; 66704; 66706; 66711; 66778; 66785; 66868; 66875; 66941; 67043; 67101, 67102; 67104; 67106-67111; 67154, 67155; 67157, 67158

APPELLATIONS OF ORIGIN AND GEOGRAPHICAL INDICATIONS OF GOODS

- **THE RIGHT TO USE OF REGISTERED APPELLATIONS OF ORIGIN OF GOODS:**
1/2-13; 2/3-13; 3/3-13; 4/3-13; 5/2-13; 787/3-13

INVENTIONS

APPLICATIONS APPROVED FOR GRANTING PATENTS

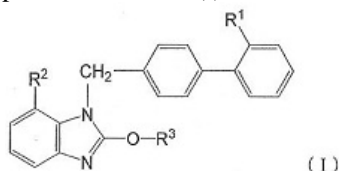
The decision can be appealed at the Chamber of Appeal of Sakpatenti within 3 months from the publication or at the Mtskheta District Court Administrative Cases Board (Address: №17, Samkhedro str., Mtskheta), within 1 month following the publication.

PART A

A 61

(10) AP 2013 12480 A (51) Int. Cl. (2006)
A 61 K 9/00
A 61 K 9/20
A 61 K 31/21
A 61 K 31/4184
A 61 K 31/4422

(21) AP 2010 012480 (22) 2010 04 28
(31) 2009-111381; 2010-068625
(32) 2009 04 30; 2010 03 24
(33) JP; JP
(71) TAKEDA PHARMACEUTICAL COMPANY LIMITED (JP)
1-1, Doshomachi 4-chome, Chuo-ku, Osaka-shi, Osaka 5410045 (JP)
(72) HOSHINA, Wataru (JP);
FUKUTA, Makoto (JP);
MARUNAKA, Shigeyuki (JP)
(74) Shalva Gvaramadze
(85) 2011 11 30
(86) PCT/JP2010/057923, 2010 04 28
(54) **SOLID PREPARATIONS**
(57) There is represented solid preparation containing compound of formula (I)



or salt thereof, sugar alcohol, and calcium antagonist. Preparation is characterized with calcium antagonist good solubility and stability in gastro-intestinal tract.

Claims: 3 independent
9 dependent

(10) AP 2013 12831 A (51) Int. Cl. (2006)
A 61 K 31/131
A 61 K 31/14
A 61 K 31/16
A 61 K 45/06

(21) AP 2011 012831 (22) 2011 02 15
(31) PCT/EP2010/ 001056
(32) 2010 02 19
(33) EP

(71) MEGAINPHARM GMBH (AT)
Wörthersee-Südferstr. 163 c. 5,
9082 Maria Wörth (AT)
(72) RUDKO, Adolina (UA)
(74) Nugzar Ksovreli
(85) 2012 08 15
(86) PCT/EP2011/000691, 2011 02 15
(54) **PHARMACEUTICAL COMPRISING MYRAMISTIN**

(57) There is represented pharmaceutical containing benzyl-dimethyl-(3-[myristoylamino]propyl)ammonium chloride together with dimethyl-(3-[myristoylamino]propyl)ammonium oxide and/or dimethyl-[3-(myristoylamino)propyl]amine in pharmaceutically appropriate solvent.
Claims: 7 independent
9 dependent

(10) AP 2013 12423 A (51) Int. Cl. (2006)
A 61 K 31/495
A 61 K 9/08
A 61 P 25/00
A 61 P 25/22
A 61 P 25/24
A 61 P 25/28

(21) AP 2010 012423 (22) 2010 04 16
(31) PA 200900531; 61/214,540
(32) 2009 04 24; 2009 04 24
(33) DK; US
(71) H. LUNDBECK A/S (DK)
Ottiliavej 9, DK-2500 Valby (DK)
(72) TREPPENDAHL, Svend (DK);
LOPEZ DE DIEGO, Heidi (DK)
(74) Shalva Gvaramadze
(85) 2011 10 21
(86) PCT/DK2010/050084, 2010 04 16
(54) **LIQUID PHARMACEUTICAL FORMULATIONS OF 1-[2-(2,4-DIMETHYLPHENYL SULFANYL)PHENYL]PIPERAZINE**
(57) There is represented liquid pharmaceutical formulation containing 1-[2-(2,4-dimethylphenylsulfanyl)-phenyl]piperazine salt selected from DL-lactic acid additive salt, L-lactic acid additive salt and D-lactic acid additive salt. Said formulation is applied at the treatment of emotional state disorder, serious depressive disorder, overall anxiety, panic, posttraumatic stress, and depression related with cognitive disorder, Alzheimer's disease or anxiety, and depression with maintenance of residual symptoms, chronic pain, malnutrition, and meal abuse.

Claims: 7 independent
12 dependent
Fig.: 7

(10) AP 2013 10793 A (51) Int. Cl. (2006)
A 61 K 39/00
A 61 K 39/15

(21) AP 2006 010793 (22) 2006 12 01
(31) 60/741,833; 60/802,864
(32) 2005 12 02; 2006 05 02
(33) US; US
(71) THE MOUNT SINAI SCHOOL OF
MEDICINE OF NEW YORK
UNIVERSITY (US)
One Gustave L. Levy Place, New York,
NY 10029-6574 (US)

(72) PALESE, Peter (US);
GARCIA-SASTRE, Adolfo (US)

(74) Tamaz Shilakadze

(85) 2008 07 01

(86) PCT/US2006/045859, 2006 12 01

(54) **CHIMERIC VIRUSES PRESENTING
NON-NATIVE SURFACE PROTEINS
AND USAGE THEREOF**

(57) The present invention relates to chimeric negative-strand RNA viruses allowing a subject, e.g., an avian, to be immunized against two infectious agents by using single chimeric virus accordingly invention. In particular, the present invention relates to chimeric influenza viruses engineered so, that into their virions they express and incorporate fusion protein comprising protein ectodomain of infectious agent and transmembrane and cytoplasmic domain of influenza virus protein. Such chimeric viruses induce immune response against influenza virus and infectious agent. The present invention also relates to chimeric Newcastle Disease viruses (NDV) engineered so, that they express and incorporate fusion protein into their virions. Fusion protein comprises protein ectodomain of infectious agent and transmembrane and cytoplasmic domain of NDV protein. Such chimeric viruses induce immune response against NDV and infectious agent.

Claims: 26 independent
21 dependent

Fig.: 10

PART B

B 01

(10) AP 2013 12401 A (51) Int. Cl. (2006)
B 01 F 7/30

(21) AP 2011 012401 (22) 2011 10 04

(71) Revaz Varsimashvili (GE)

Vazha-Pshavelas V kvart., korp. 4, b. 82,

0186, Tbilisi (GE);
Merab Kakhiani (GE)
Sulkhan Tsintsadze q. 56, b. 1, 0177,
Tbilisi (GE);
Zurab Varsimashvili (GE)
Mtskhetsi q. 20, 0179, Tbilisi (GE);
Revaz Kakhiani (GE)
Sulkhan Tsintsadze q. 56, b. 1, 0160,
Tbilisi (GE);
Akaki Kakhiani (GE)
Sulkhan Tsintsadze q. 56, b. 1, 0160,
Tbilisi (GE)

(72) Revaz Varsimashvili (GE);

Merab Kakhiani (GE);

Zurab Varsimashvili (GE);

Revaz Kakhiani (GE);

Akaki Kakhiani (GE)

(54) **PLANETARY DRIVE OF MIXING AND
KNEADING DEVICE**

(57) There is represented a drive comprising engine 1 and reducer 2 with input and output shafts. Reducer output shaft is connected to rigid spider 16. The spiders 4 of variable length are fixed on rigid spider ends 17 and 18, and the satellite rack wheels 19 and 20 are connected thereto. The blades 14 are connected to rotation axis of satellite rack wheels; at that, at least one satellite rack wheel is engaged with a central tooth gear 12 of internal or external toothing. Furthermore, the blades besides their planetary motion are movable linear with variable speed.

Claims: 1 independent
8 dependent

Fig.: 8

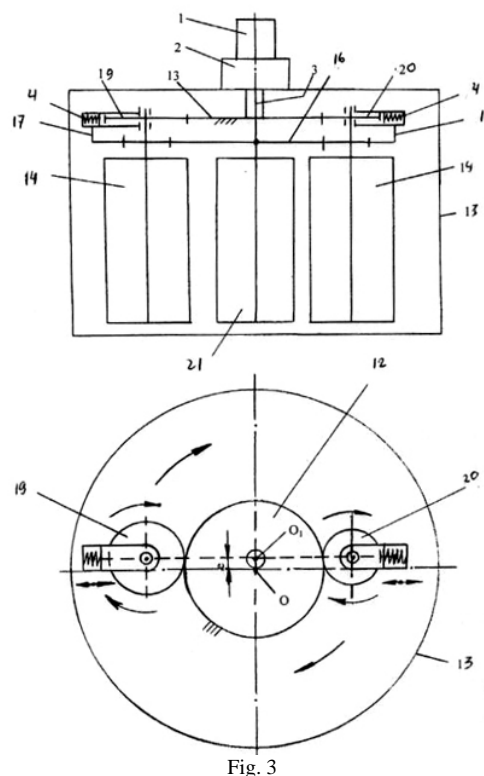


Fig. 3

B 23

**(10) AP 2013 12400 A (51) Int. Cl. (2006)
B 23 F 5/12**

- (21) AP 2011 012400 (22) 2011 10 04
 (71) Revaz Varsimashvili (GE)
 Vazha-Pshavelas V kvart., korp. 4, b. 82,
 0186, Tbilisi (GE);
 Merab Kakhiani (GE)
 Sulkhan Tsintsadzis q. 56, b. 1, 0177, Tbilisi (GE);
 Zurab Varsimashvili (GE)
 Mtskhetis q. 20, 0179 Tbilisi (GE);
 Revaz Kakhiani (GE)
 Sulkhan Tsintsadzis q. 56, b. 1, 0160, Tbilisi (GE);
 Akaki Kakhiani (GE)
 Sulkhan Tsintsadzis q. 56, b. 1, 0160, Tbilisi (GE)
 (72) Revaz Varsimashvili (GE);
 Merab Kakhiani (GE);
 Zurab Varsimashvili (GE);
 Revaz Kakhiani (GE);
 Akaki Kakhiani (GE)

**(54) PRODUCTION METHOD OF
NONROUND OR ROUND TOOTH GEARS
OF INTERNAL OR EXTERNAL
TOOTHING**

(57) A method provides: shaping cutter disposition relative to workpiece, and its linear traversing relative to workpiece plane, workpiece radial motion, shaping cutter linear idling to return therein home position, workpiece return in home position and rotation therefor cycle repetition; at that, between shaping cutter linear traversing and idling, rotation thereof is executed on angle, appropriate to one part of its circular pitch, preliminarily divided on several parts. Furthermore, there are executed: workpiece rotation on preliminarily specified discrete angle, appropriate to circular pitch part, and movement thereon shaping cutter centroid, on preliminarily specified discrete distance.

Claims: 1 independent
5 dependent

Fig.: 4

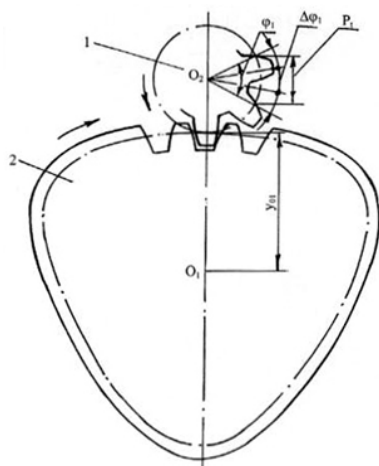


Fig. 1

B 60

**(10) AP 2013 12403 A (51) Int. Cl. (2006)
B 60 K 7/16**

- (21) AP 2011 012403 (22) 2011 10 04
 (71) Revaz Varsimashvili (GE)
 Vazha-Pshavelas V kvart., korp. 4, b. 82,
 0186, Tbilisi (GE);
 Merab Kakhiani (GE)
 Sulkhan Tsintsadzis q. 56, b. 1, 0177, Tbilisi (GE);
 Zurab Varsimashvili (GE)
 Mtskhetis q. 20, 0179, Tbilisi (GE);
 Akaki Kakhiani (GE)
 Sulkhan Tsintsadzis q. 56, b. 1, 0160,
 Tbilisi (GE);
 Revaz Kakhiani (GE)
 Sulkhan Tsintsadzis q. 56, b. 1, 0160,
 Tbilisi (GE)
 (72) Revaz Varsimashvili (GE);
 Merab Kakhiani (GE);
 Zurab Varsimashvili (GE);
 Akaki Kakhiani (GE);
 Revaz Kakhiani (GE)

**(54) VEHICLE INTERMITTENT
DIFFERENTIAL**

(57) There is represented differential comprising case 10, final drive pinions 11 and 12, and semi axes 1 and 2 and satellite tooth gears 7 located in the case and engaged with each other; at that, spherical or ellipse semi axes tooth gears are equipped with straight teeth of equal height and complete length, and appropriately are engaged with straight teeth of incomplete length of semispherical or ellipse toroidal satellite tooth gears allocated along spatial curved lines, located on toroidal tooth gears pitch surface.

Claims: 1 independent

Fig.: 2

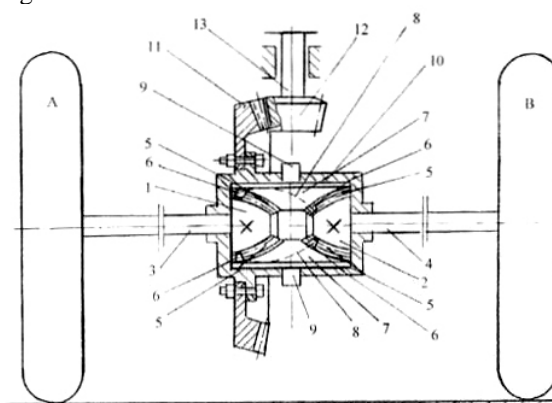


Fig. 2

**(10) AP 2013 12668 A (51) Int. Cl. (2006)
B 60 Q 1/00**

- (21) AP 2012 012668 (22) 2012 04 11
 (71) Teimuraz Dvalishvili (GE)
 Nikeas q. 72/51, 4616, Kutaisi (GE);
 Mikheil Dvalishvili (GE)

- Nikeas q. 72/51, 4616, Kutaisi (GE)
 (72) Teimuraz Dvalishvili (GE)
 Mikheil Dvalishvili (GE)
 (54) **METHOD OF FAR-REACHING
 HEADLIGHT AUTOMATIC
 CHANGEOVER OF ONCOMING AND
 FOLLOWING VEHICLES**

(57) There is represented a method providing determination of far-reaching headlight parameters of oncoming and following vehicles from a vehicle and periodical changeover of far-reaching headlight on dipped beam, and inversely; at that, changeover control signals are passed to oncoming and following vehicles.

Claims: 1 independent

Fig.: 3

B 61

- (10) AP 2013 12308 A (51) Int. Cl. (2006)
 B 61 F 5/22

- (21) AP 2009 012308 (22) 2009 12 15
 (31) P200803553
 (32) 2008 12 15
 (33) ES
 (71) PATENTES TALGO, S.L. (ES)
 Paseo del Tren Talgo, 2 Las Matas,
 E-28290 Madrid (ES)
 (72) LÓPEZ GÓMEZ, José Luis (ES)
 (74) Shalva Gvaramadze
 (85) 2011 07 15
 (86) PCT/ES2009/070591, 2009 12 15

- (54) **DEVICES FOR MOVING COACHES
 BUFFERS OF RAILWAY VEHICLES
 WITH BOGIES IN CURVES AND
 RAILWAY VEHICLE COACH WITH
 BOGIES**

(57) There is represented a device comprising frame, hollow inside, which side edges have independent buffers (9, 10), and wherein coach lower projected part (4) is situated; at that, on the front edge of bogie frame (1) hollow inside the pair of joints (11) are installed, wherefrom the bars (5, 6) extend backwards, and ends thereof are connected to sliders (7); furthermore, the sliders are executed movable on guides, allocated on respective side surfaces of coach lower projected part (4), and the sliders (7) have wedge-shape and a guide allocated on their surface forming an inclined plane. By their respective internal faces the coach buffers (8) are attached to the guides situated on the respective sliders (7), and are connected together by transversal joining means (15).

Claims: 5 independent

6 dependent

Fig.: 9

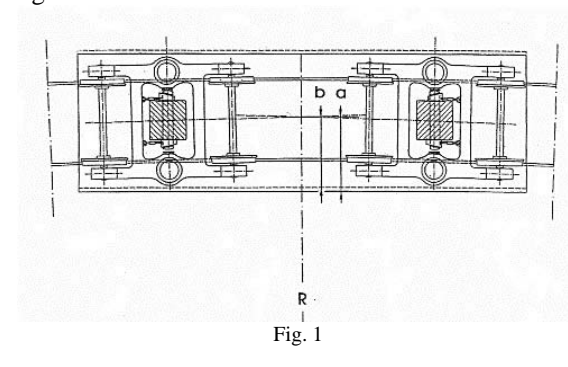


Fig. 1

PART C

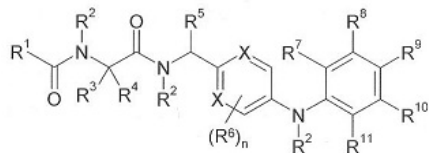
C 07

- (10) AP 2013 12394 A (51) Int. Cl. (2006)
 C 07 D 211/62
 C 07 D 213/81
 C 07 D 233/90
 C 07 D 239/28
 C 07 D 261/18
 C 07 D 271/10
 C 07 D 239/557
 C 07 D 207/277
 C 07 D 237/24
 A 61 K 31/165
 A 61 K 31/44
 A 61 K 31/505
 A 61 K 31/506
 C 07 D 401/12
 C 07 D 405/12

- (21) AP 2010 012394 (22) 2010 02 23
 (31) 09153778.7
 (32) 2009 02 26
 (33) EP
 (71) BOEHRINGER INGELHEIM
 INTERNATIONAL GMBH (DE)
 Binger Straße 173, 55216 Ingelheim am
 Rhein (DE)
 (72) HAUDEL, Norbert (DE);
 CECI, Angelo (IT);
 DOODS, Henri (NL);
 KONETZKI, Ingo (DE);
 MACK, Juergen (DE);
 PRIEPKE, Henning (DE);
 SCHULER-METZ, Annette (DE);
 WALTER, Rainer (DE);
 WIEDENMAYER, Dieter (DE)

- (74) Tamara Kochlamazashvili
 (85) 2011 09 26
 (86) PCT/EP2010/052232, 2010 02 23
 (54) **COMPOUNDS AS BRADYKININ
 B1 ANTAGONISTS**
 (57) There are represented compounds of common

formula (I),



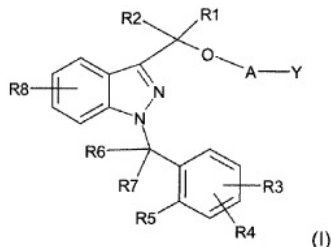
salts thereof, and preparation method thereof, which are bradykinin B1 antagonists and are applied at the treatment of such diseases, which are although partly stipulated by bradykinin B1 receptor stimulation.

Claims: 11 independent
23 dependent

(10) AP 2013 11964 A (51) Int. Cl. (2006)
C 07 D 231/54
C 07 D 401/12
A 61 K 31/416
A 61 K 31/435
A 61 P 3/10
A 61 P 9/00
A 61 P 13/00

(21) AP 2009 011964 (22) 2009 03 05
(31) 08425140.4; PCT/EP2009/052588
(32) 2008 03 07; 2009 03 05
(33) EP; WO
(71) AZIENDE CHIMICHE RIUNITE ANGELINI
FRANCESCO A.C.R.A.F. S.P.A. (IT)
Viale Amelia, 70 I-00181 Roma (IT)
(72) GUGLIELMOTTI, Angelo (IT);
FURLOTTI, Guido (IT);
MANGANO, Giordina (IT);
CAZZOLLA, Nicola (IT)
(74) Liliana Darakhvelidze
(85) 2010 10 06
(86) PCT/EP2009/052588, 2009 03 05
(54) **1-BENZYL-3-HYDROXYMETHYLINDAZOLE DERIVATIVES AND USAGE THEREAT TREATMENT OF DISEASES BASED ON MCP-1, CX3CR1 AND P40 EXPRESSION**

(57) There are represented: compound of formula (I),



pharmaceutical composition on basis thereof, and application thereat the treatment of diseases based on MCP-1, CX3CR1 and p40 expression.

Claims: 3 independent
17 dependent

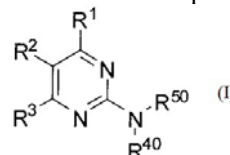
Table: 4

(10) AP 2013 11506 A (51) Int. Cl. (2006)
C 07 D 239/42
C 07 D 401/04
C 07 D 403/12

(21) AP 2008 011506 (22) 2008 03 13
(31) 60/918,160; 60/962,617
(32) 2007 03 14; 2007 07 30
(33) US; US
(71) EXELIXIS PATENT COMPANY LLC (US)
210 East Grand Avenue, South San-Francisco, California 94080 (US)
(72) BAHCECI, Suleyman (TR);
BAJJALIEH, William (US);
CHEN, Jeff (US);
EPSHTEYN, Sergey (US);
FORSYTH, Timothy Patrick (US);
HUYNH, Tai Phat (US);
KIM, Byung Gyu (KR);
LEAHY, James W. (US);
LEE, Matthew Sangyup (US);
LEWIS, Gary L. (US);
MAC, Morrison B. (US);
MANN, Grace (US);
MARLOWE, Charles K. (US);
RIDGWAY, Brian Hugh (US);
SANGALANG, Joan C. (US);
SHI, Xian (CN);
TAKEUCHI, Craig Stacy (KA);
WANG, Yong (CN);
TESFAI, Zerom (US)

(74) Tamaz Shilakadze
(85) 2009 10 12
(86) PCT/US2008/056883, 2008 03 13
(54) **INHIBITORS OF HEDGEHOG PATHWAY**

(57) An invention relates to: compound of formula (I),



or single isomer thereof, wherein compound not necessarily exists as pharmaceutically acceptable salt, hydrate, solvate or combination thereof; it also relates to preparation method of compound of formula (I), and application thereat cancer treatment.

Claims: 5 independent
46 dependent

(10) AP 2013 11709 A (51) Int. Cl. (2006)
C 07 D 249/18
A 61 K 31/4196
A 61 P 25/22
A 61 P 25/24

(21) AP 2008 011709 (22) 2008 07 23
(31) MI2007 A 001603; 60/976,535
(32) 2007 08 03; 2007 10 01
(33) IT; US
(71) AZIENDE CHIMICHE RIUNITE ANGELINI

FRANCESCO A.C.R.A.F. S.P.A. (IT)
Viale Amelia, 70 I-00181 Roma (IT)
(72) MARCHETTI, Marcello (IT);
IACOANGELI, Tommaso (IT);
CIOTTOLI, Giovanni Battista (IT);
BIONDI, Giuseppe (IT)

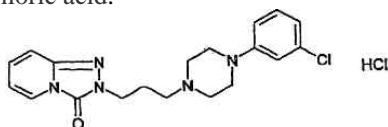
(74) Liliana Darakhvelidze

(85) 2010 03 02

(86) PCT/EP2008/059640, 2008 07 23

(54) **TRAZODONE AND TRAZODONE
HYDROCHLORIDE IN PURIFIED
FORM**

(57) There is represented production process of trazodone or trazodone hydrochloridet, comprising following steps: (a) preparing organic phase, comprising trazodone diluted in at least one organic solvent; (b) preparing aqueous phase, comprising at least one basic compound; (c) mixing said aqueous phase with said organic phase; (d) heating at the temperature at least of 40°C, within at least 30 minutes; (e) recovering said trazodone; and, optionally, (f) treating said trazodone with hydrochloric acid.



Claims: 1 independent
15 dependent

(10) AP 2013 12279 A (51) Int. Cl. (2006)
C 07 K 16/28
C 07 K 16/00
C 07 K 16/46
A 61 K 39/395
A 61 P 35/00

(21) AP 2009 012279 (22) 2009 12 02

(31) PCT/IB2008/055663; 61/184,502

(32) 2008 12 02; 2009 06 05

(33) IB; US

(71) PIERRE FABRE MEDICAMENT (FR)

45, Place Abel Gance,

92100 Boulogne-Billancourt (FR)

(72) GOETSCH, Liliane (FR);

WURCH, Thierry (FR);

BES, Cédric (FR)

(74) George Meipariani

(85) 2011 07 01

(86) PCT/EP2009/066201, 2009 12 02

(54) **ANTI-cMET ANTIBODY**

(57) There are represented monoclonal antibodies, capable to bind cMet receptor and characterized accordingly specific CDR and modified hinge region amino acid sequences, attaching said antibodies improved antagonistic activity. They are applied at tumor treatment.

Claims: 11 independent

19 dependent

Fig.: 35

(10) AP 2013 12280 A (51) Int. Cl. (2006)
C 07 K 16/00
C 07 K 16/28
C 07 K 16/46
A 61 K 39/395
A 61 P 35/00

(21) AP 2009 012280 (22) 2009 12 02

(31) IB2008/055664; 61/184,406

(32) 2008 12 02; 2009 06 05

(33) IB; US

(71) PIERRE FABRE MEDICAMENT (FR)

45, Place Abel Gance,

92100 Boulogne-Billancourt (FR)

(72) GOETSCH, Liliane (FR);

WURCH, Thierry (FR)

(74) George Meipariani

(85) 2011 07 01

(86) PCT/EP2009/066205, 2009 12 02

(54) **PROCESS FOR MODULATION OF
MONOCLONAL ANTIBODY
ANTAGONISTIC ACTIVITY**

(57) There is represented IgG1 monoclonal antibody antagonistic activity improvement process, providing antibody hinge region reconfiguration stage, executed by modification of hinge region amino acid sequence.

Claims: 3 independent

6 dependent

Fig.: 17

C 08

(10) AP 2013 12242 A (51) Int. Cl. (2006)
C 08 L 95/00
C 07 F 7/12

(21) AP 2009 012242 (22) 2009 12 09

(31) 2657/MUM/2008

(32) 2008 12 22

(33) IN

(71) RANKA, Seema Ajay (IN)

9/10 Akashvani Complex, Sevasi, Vadodara

391101, Gujarat (IN)

(72) RANKA, Ajay (IN);

MEHTA, Prakash (IN)

(74) Alexander Gegechkori

(85) 2011 05 31

(86) PCT/IN2009/000712, 2009 12 09

(54) **COMPOSITIONS CONTAINING
ASPHALT**

(57) There are represented asphalt compositions and asphalt-mineral compositions, including at least one cationic organosilicon compound, which content in preference consists of 0.001-5 mass% from asphalt mass.

Claims: 6 independent

10 dependent

Tab.: 15

Fig.: 3

PART F

F 16

(10) AP 2013 12402 A (51) Int. Cl. (2006)
F 16 H 3/56

(21) AP 2011 012402 (22) 2011 10 04

(71) Revaz Varsimashvili (GE)
Vazha-Pshavelas V kvart., korp. 4, b. 82,
0186, Tbilisi (GE);
Merab Kakhiani (GE)
Sulkhan Tsintsadzis q. 56, b. 1, 0177,
Tbilisi (GE);
Zurab Varsimashvili (GE)
Mtskhetis q. 20, 0179, Tbilisi (GE);
Revaz Kakhiani (GE)
Sulkhan Tsintsadzis q. 56, b. 1, 0160,
Tbilisi (GE);
Akaki Kakhiani (GE)
Sulkhan Tsintsadzis q. 56, b. 1, 0160,
Tbilisi (GE)

(72) Revaz Varsimashvili (GE);
Merab Kakhiani (GE);
Zurab Varsimashvili (GE);
Revaz Kakhiani (GE);
Akaki Kakhiani (GE)

(54) **PLANETARY DRIVE OF VARIABLE SPEED**

(57) There is represented a planetary drive comprising: input and output shafts 1 and 13, central cylindrical tooth gear 10 of internal toothing and central tooth gear 9 of external toothing, the spiders H_1 and H_2 , and the satellite rack wheels. At that, at least one of spiders is executed as a spider H_2 of variable length; one of central tooth gears is connected to input shaft, another is fixed motionless, and output shaft is passed through it rotatable; furthermore, the spiders are connected to output shaft, and each of satellite rack wheels is engaged with individual tooth gear.

Claims: 1 independent
5 dependent

Fig.: 21

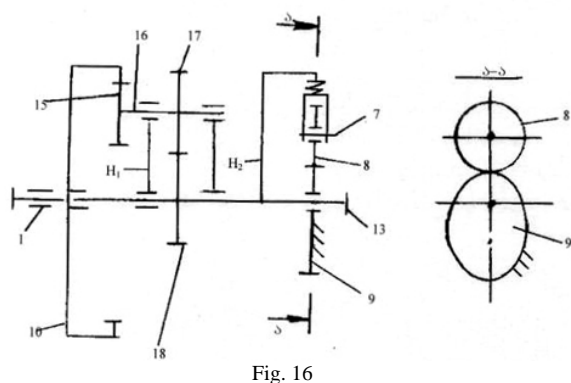


Fig. 16

PART G

G 06

(10) AP 2013 12431 A (51) Int. Cl. (2006)
G 06 K 7/10
G 02 B 6/00

(21) AP 2009 012431 (22) 2009 03 31

(71) SICPA HOLDING SA (CH)
Avenue de Florissant 41 CH-1008 Prilly (CH)

(72) VASIC, Milan (RS);

DUCA, Nicola (IT)

(74) Alexander Gegechkori

(85) 2011 10 28

(86) PCT/IB2009/005137, 2009 03 31

(54) **ANNULAR LIGHT GUIDE ILLUMINATOR AND OPTICAL SCANNER**

(57) There is represented annular light guide illuminator 10, operable to guide light from its entry surface 12 to its exit surface 16 for illuminating a zone 17 at its distal end 19. The device comprises truncated-cone-shaped inner cavity 18, which bigger base is located on said distal end 19, and which opposite smaller base is directed to inner hollow portion 21, for back transmitting light reflected/emitted from said zone. An optical scanner implementing said illuminator is also disclosed.

Claims: 2 independent
15 dependent

Fig.: 18

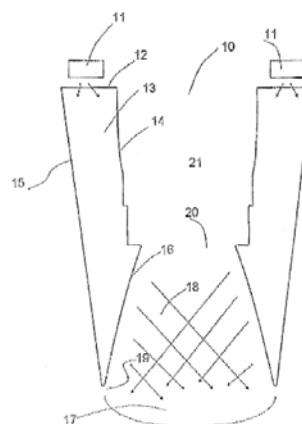


Fig. 1A

(10) AP 2013 12220 A (51) Int. Cl. (2006)
G 06 K 9/46
G 06 K 9/64

(21) AP 2009 012220 (22) 2009 10 13

(31) PCT/IB2008/002718

(32) 2008 10 14

(33) IB

(71) SICPA HOLDING SA (CH)

Avenue de Florissant 41 CH-1008 Prilly (CH)

(72) SANNIER, Gael (CH)

(74) Alexander Gegechkori

(85) 2011 05 11

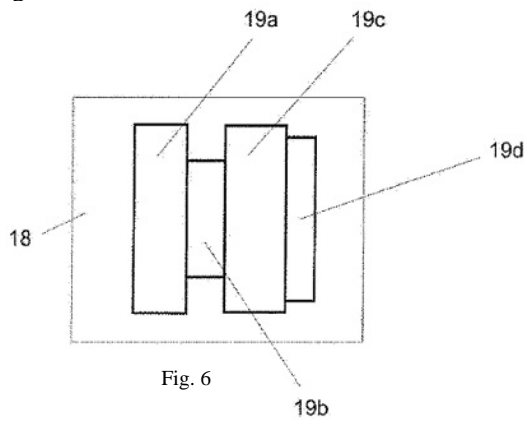
(86) PCT/EP2009/063350, 2009 10 13

(54) **METHOD AND SYSTEM FOR ITEM IDENTIFICATION**

(57) There are represented method and corresponding system identifying an item on production line, which accordingly invention relies color histograms established accordingly item digital image. For item identification with reference item each segment of formed histograms is compared with minimum and maximum number of pixels for each segment.

Claims: 3 independent
19 dependent

Fig.: 6



PATENTED INVENTIONS

PART A

A 23

(11) P 2013 5865 B **(51) Int. Cl. (2006)**
A 23 L 1/22

- (10) AP 2013 12608 A (44) 5(369)/2013
(21) AP 2012 012608
(22) 2012 03 01
(24) 2012 03 01
(73) Giorgi Topadze (GE)
Mtskhets q. 43, b. 6, 0179, Tbilisi (GE);
Irakli Topadze (GE)
Mtskhets q. 43, b. 7, 0179, Tbilisi (GE);
Zurab Kostava (GE)
Shanidzis q. 20, 0179, Tbilisi (GE);
Giorgi Topadze (GE)
Mtskhets q. 43, b. 6, 0179, Tbilisi (GE);
Giorgi Tedoradze (GE)
Vazha-Pshavelas Gamz. 46, b. 52, 0177,
Tbilisi (GE)
(72) Giorgi Topadze (GE);
Irakli Topadze (GE);
Zurab Kostava (GE);
Giorgi Topadze (GE);
Giorgi Tedoradze (GE)
(54) **METHOD OF NATURAL
AROMATIZER PREPARATION**

A 61

(11) P 2013 5859 B **(51) Int. Cl. (2006)**
A 61 K 9/20
A 61 K 31/138
A 61 K 31/4422

- (10) AP 2013 12210 A (44) 5(369)/2013
(21) AP 2009 012210
(22) 2009 09 30
(24) 2009 09 30
(31) P0800591
(32) 2008 09 30
(33) HU
(86) PCT/HU2009/000085, 2009 09 30
(73) EGIS GYÓGYSZERGYÁR
NYILVÁNOSAN MŰKÖDŐ
RÉSZVÉNYTÁRSASÁG (HU)
30-38, Keresztúri út. H-1106
Budapest (HU)
(72) WAGNER, László (HU);
ZSIGMOND, Zsolt (HU);
UJFALUSSY, György (HU);
LEVENTISZNÉ HUSZÁR, Magdolna (HU);
TONKA-NAGY, Péter (HU);
BÁRCZAY, Erzsébet (HU);

GÓRA, Lászlóné (HU);
SZELECZKI, Edit (HU);
FÜLÖP, Ágnes (HU)

- (74) Liliana Darakhvelidze
(54) **STABLE COMBINED
PHARMACEUTICAL COMPOSITION**

(11) P 2013 5857 B **(51) Int. Cl. (2006)**
A 61 K 31/01

- A 61 K 31/047**
A 61 P 17/02
A 61 P 17/06
(10) AP 2013 12035 A (44) 5(369)/2013
(21) AP 2009 012035
(22) 2009 05 18
(24) 2009 05 18
(31) 0853185
(32) 2008 05 16
(33) FR
(86) PCT/EP2009/056007, 2009 05 18
(73) PIERRE FABRE DERMO-COSMETIQUE (FR)
45, Place Abel Gance, F-92100
Boulogne-Billancourt (FR)
(72) COUSTOU, Didier (FR);
DUPLAN, Hélène (FR)
(74) Giorgi Meipariani
(54) **EMOLLIENT COMPOSITION FOR
ATOPIC DERMATITIS PREVENTIVE
TREATMENT**

(11) P 2013 5855 B **(51) Int. Cl. (2006)**
A 61 K 31/4184

- A 61 K 31/4745**
A 61 K 39/395
A 61 K 45/06
A 61 K 35/00
A 61 P 35/02
(10) AP 2013 11877 A (44) 5(369)/2013
(21) AP 2008 011877
(22) 2008 12 10
(24) 2008 12 10
(31) 61/012,762
(32) 2007 12 10
(33) US
(86) PCT/US2008/086256, 2008 12 10
(73) BIOCRYST PHARMACEUTICALS,
INC. (US)
2190 Parkway Lake Drive, Birmingham,
AL 35244 (US)
(72) BANTIA, Shanta (US);
BREITFELD, Philip (US);
BABU, Yarlagadda, S. (IN)
(74) Shalva Gvaramadze

(54) **APPLICATION OF PURINE NUCLEOSIDE PHOSPHORYLASE (PNP) INHIBITORS SUCH AS FORODESIN WITH ALKYLATING AGENTS OR ANTI-CD20 AGENTS COMPOSITION AT HEMATOLOGIC CANCERS TREATMENT**

Zutphenseweg 51051, NL-7418 AH,
Deventer (NL)
(72) JOUILLAT, Jean-François (FR)
(74) Tamaz Shilakadze
(54) **CONTAINER AND MEMBRANE THEREOF**

(11) P 2013 5853 B (51) Int. Cl. (2006)
A 61 K 38/17
A 61 K 48/00
A 61 P 25/00
C 12 N 5/06

(10) AP 2013 11447 A (44) 5(369)/2013
(21) AP 2008 011447
(22) 2008 02 04
(24) 2008 02 04
(31) 60/898,992
(32) 2007 02 02
(33) US
(86) PCT/US2008/001444, 2008 02 04
(73) BIOGEN IDEC MA INC. (US);
14 Cambridge Center, Cambridge,
MA 02142 (US);
CENTRE NATIONAL DE RECHERCHE
SCIENTIFIQUE (FR);
3 Rue Michel-Ange, F-75794 Paris
Cedex 16 (FR);
UNIVERSITY PIERRE AND MARIE
CURIE (FR);
4, Place Jussieu, F-75252 Paris
Cedex 05 (FR)
(72) CHEDOTAL, Alain (FR);
MI, Sha (US);
BERNARD, Frederic (FR)
(74) Shalva Gvaramadze
(54) **METHOD OF MYELINATION AND OLIGODENDROCYTE DIFFERENTIATION PROMOTION**

PART B

B 65

(11) P 2013 5854 B (51) Int. Cl. (2006)
B 65 D 17/50
(10) AP 2013 11854 A (44) 5(369)/2013
(21) AP 2008 011854
(22) 2008 11 21
(24) 2008 11 21
(31) 07022610.5
(32) 2007 11 21
(33) EP
(86) PCT/EP2008/009979, 2008 11 21
(73) IMPRESS GROUP B.V. (NL)

PART C

C 07

(11) P 2013 5862 B (51) Int. Cl. (2006)
C 07 D 285/36
A 61 K 31/554
A 61 P 25/00

(10) AP 2013 12414 A (44) 5(369)/2013
(21) AP 2010 012414
(22) 2010 03 18
(24) 2010 03 18
(31) 09/01300
(32) 2009 03 20
(33) FR
(86) PCT/FR2010/000227, 2010 03 18
(73) LES LABORATOIRES SERVIER (FR)
35, Rue de Verdun, F-92284
Suresnes Cedex (FR)
(72) CORDI, Alexis (FR);
DESOS, Patrice (FR);
LESTAGE, Pierre (FR);
DANOBER, Laurence (FR)
(74) Tamaz Shilakadze
(54) **NOVEL BENZOTHIADIAZEPINE COMPOUNDS, METHOD OF THEIR PREPARATION, AND PHARMACEUTICAL COMPOSITIONS CONTAINING THEREOF**

(11) P 2013 5863 B (51) Int. Cl. (2006)
C 07 D 401/04
C 07 D 401/14
C 07 D 413/04
C 07 D 413/14
C 07 D 417/14
A 61 K 31/4523
A 61 K 31/454
A 61 P 31/00
A 61 P 35/00
A 61 P 37/00

(10) AP 2013 12448 A (44) 5(369)/2013
(21) AP 2010 012448
(22) 2010 04 01
(24) 2010 04 01
(31) 09157653.8; 09174917.6
(32) 2009 04 08; 2009 11 03
(33) EP; EP

- (86) PCT/EP2010/054396, 2010 04 01
 (73) BOEHRINGER INGELHEIM
 INTERNATIONAL GMBH (DE)
 Binger Straße 173,
 55216 Ingelheim am Rhein (DE)
 (72) GRUNDL, Marc (DE);
 DOLLINGER, Horst (DE);
 GIOVANNINI, Riccardo (IT);
 HOENKE, Christoph (DE);
 HOFFMANN, Matthias (DE);
 KRIEGL, Jan (DE);
 MARTYRES, Domic (GB);
 RAST, Georg (DE);
 SEITHER, Peter (DE)
 (74) Tamara Kochlamazashvili
 (54) **SUBSTITUTED PIPERIDINES AS CCR3
 ANTAGONISTS**

- (11) P 2013 5858 B (51) Int. Cl. (2006)
 C 07 D 471/04
 A 61 K 31/4745
 A 61 P 1/00
 A 61 P 9/00
 A 61 P 13/02
 A 61 P 25/00
 A 61 P 35/00
 (10) AP 2013 12123 A (44) 5(369)/2013
 (21) AP 2009 012123
 (22) 2009 07 17
 (24) 2009 07 17
 (31) 08425516.5
 (32) 2008 07 29
 (33) EP
 (86) PCT/EP2009/059216, 2009 07 17
 (73) AZIENDE CHIMICHE RIUNITE
 ANGELINI FRANCESCO
 A.C.R.A.F. S.p.A. (IT)
 Viale Amelia, 70 I-00181 Roma (IT)
 (72) ALISI, Maria Alessandra (IT);
 CAZZOLLA, Nicola (IT);
 COSTI, Roberta (IT);
 FURLOTTI, Guido (IT);
 DI SANTO, Roberto (IT);
 GUGLIELMOTTI, Angelo (IT);
 POLENZANI, Lorenzo (IT)
 (74) Liliana Darakhvelidze
 (54) **COMPOUND WITH SEROTONI-
 NERGIC ACTIVITY, METHOD OF ITS
 PREPARATION, AND PHARMACEUTI-
 CAL COMPOSITION CONTAINING
 THEREOF**

PART F**F 03**

- (11) P 2013 5864 B (51) Int. Cl. (2006)
 F 03 D 3/06
 F 03 D 7/06
 (10) AP 2013 12560 A (44) 5(369)/2013
 (21) AP 2012 012560
 (22) 2012 02 07
 (24) 2012 02 07
 (73) Vladimer Chkhaidze (GE)
 Akhmetelis q. 5, b. 41, 6010, Batumi (GE)
 (72) Vladimer Chkhaidze (GE)
 (54) **WIND AGGREGATE**

PART G**G 06**

- (11) P 2013 5856 B (51) Int. Cl. (2006)
 G 06 F 9/46
 (10) AP 2013 12006 A (44) 5(369)/2013
 (21) AP 2009 012006
 (22) 2009 04 22
 (24) 2009 04 22
 (31) 61/046,820; 12/427,012
 (32) 2008 04 22; 2009 04 21
 (33) US; US
 (86) PCT/US2009/002497, 2009 04 22
 (73) SUNRISE R&D HOLDINGS, LLC (US)
 1014 Vine St., Cincinnati, Ohio, 45202 (US)
 (72) BONNER, Brett, Bracewell (US);
 HJELM, Christopher, Todd (US);
 JONES, Titus, Arthur (US);
 JORDAN, Michael, Aaron (US);
 PERKINS, Dion, Brent (US)
 (74) Alexander Gegechkori
 (54) **SYSTEMS FOR STORE ASSOCIATE
 MANAGEMENT THEREIN**

- (11) P 2013 5860 B (51) Int. Cl. (2006)
 G 06 Q 30/00
 (10) AP 2013 12240 A (44) 5(369)/2013
 (21) AP 2009 012240
 (22) 2009 11 02
 (24) 2009 11 02
 (31) 12/609,246; 12/609,224; 61/110,202;
 12/408,581; 12/353,817; 12/353,760
 (32) 2009 10 30; 2009 10 30; 2008 10 31;
 2009 03 20; 2009 01 14; 2009 01 14
 (33) US; US; US; US; US; US
 (86) PCT/US2009/005930, 2009 11 02
 (73) SUNRISE R&D HOLDINGS, LLC (US)
 1014 Vine St., Cincinnati, Ohio, 45202 (US)

-
- (72) BONNER, Brett, Bracewell (US);
HJELM, Christopher, Todd (US);
JONES, Titus, Arthur (US);
OSBORN II, John, Edward (US);
PERKINS, Dion, Brent (US);
MENZ, Gregory, Michael (US)
- (74) Alexander Gegechkori
- (54) **SYSTEMS OF INFLUENCE ON
SHOPPERS AT FIRST MOMENT OF
DECISION AT RETAIL
ESTABLISHMENT**
-

- (11) P 2013 5861 B** **(51) Int. Cl. (2006)
G 06 Q 30/00**
- (10) AP 2013 12241 A (44) 5(369)/2013
- (21) AP 2009 012241
- (22) 2009 11 02
- (24) 2009 11 02
- (31) 12/609,246; 12/609,224; 61/110,202;
12/408,581; 12/353,817; 12/353,760
- (32) 2009 10 30; 2009 10 30; 2008 10 31;
2009 03 20; 2009 01 14; 2009 01 14
- (33) US; US; US; US; US; US
- (86) PCT/US2009/005925, 2009 11 02
- (73) SUNRISE R&D HOLDINGS, LLC (US)
1014 Vine St., Cincinnati, Ohio, 45202 (US)
- (72) BONNER, Brett, Bracewell (US);
HJELM, Christopher, Todd (US);
JONES, Titus, Arthur (US);
OSBORN II, John, Edward (US);
PERKINS, Dion, Brent (US);
MENZ, Gregory, Michael (US)
- (74) Alexander Gegechkori
- (54) **METHODS OF INFLUENCE ON
SHOPPERS AT FIRST MOMENT OF
DECISION AT RETAIL
ESTABLISHMENT**
-

UTILITY MODELS

PATENTED UTILITY MODEL

PART E

E 05

(11) U 2013 1770 Y (51) Int. Cl. (2006)
E 05 B 41/00

(10) AU 2013 12803 U (44) 5(369)/2013

(21) AU 2012 012803

(22) 2012 07 19

(24) 2012 07 19

(73) Gocha Muzashvili (GE)

Akhtalis q. Gas. 4, 0104, Tbilisi (GE)

(72) Gocha Muzashvili (GE)

(74) Nugzar Ksovreli

(54) CLOSURE SYSTEM

DESIGNS

APPLICATIONS APPROVED FOR REGISTRATION

The decision can be appealed at the Chamber of Appeal of Sakpatenti within 3 months from the publication or at the Mtskheta District Court Administrative Cases Board (Address: №17, Samkhedro str., Mtskheta), within 1 month following the publication.

- (10) **AD 2013 734 S** (51) **09-01**
(21) AD 2013 000734
(22) 2013 01 30
(28) 1
(71) LTD FIRMA "DISNA" (UA)
 Lavrskaja 16, 01015 Kiev (UA)
(72) Andrej Aleksandrovich Kaplan (UA)
(74) David Zurabishvili
(54) **BOTTLE**
(55)



(10) AD 2013 744 S (51) 23-02

(21) AD 2013 000744

(22) 2013 04 03

(28) 1

(71) Levan Berishvili (GE)

Gldanis Mas., III mkr., korp. 15, b. 25, 0167, Tbilisi (GE)

(72) Levan Berishvili (GE)

(54) SINK

(55)



1.1



1.2



1.3

REGISTERED DESIGN

- (11) **D 2013 547 S** (51) **32-00**
(10) AD 2013 716 S (44) 5(369)/2013
(21) AD 2012 000716
(22) 2012 08 07
(24) 2012 08 07
(18) 2017 08 07
(73) Gocha Tsulaia (GE)
 Sop. Gumbra, 5406, Tskaltubo (GE)
(72) Gocha Tsulaia (GE)
(54) **1.-3. LOGO**
-

TRADEMARKS

APPLICATIONS FILED UNDER THE NATIONAL PROCEDURE APPROVED FOR REGISTRATION

The decision can be appealed at the Chamber of Appeal of Sakpatenti within 3 months from the publication or at the Mtskheta District Court Administrative Cases Board (Address: №17, Samkhedro str., Mtskheta), within 1 month following the publication.

(260) AM 2013 68007 A
(210) AM 068007
(220) 2012 07 10
(731) LTD "Labei Developmenti"
Khmelnitskis q. N44 a, 4 korp., bina 50,
0113, Tbilisi, Georgia
(740) Giorgi Taktakishvili
(540)

ვაკე პიაცა
Vake Piazza

(591) Black-white
(526) **DISCLAIMER** – The trademark is protected as a whole, word combinations „ვაკე“ and "VAKE" shall not be subject to independent legal protection.
(511) 35, 36, 37, 39, 41, 42, 43, 44

(260) AM 2013 68138 A
(210) AM 068138
(220) 2012 07 19
(731) THE STATE MEDICAL UNIVERSITY
Vazha-Pshavela Avenue 33, 380077, Tbilisi,
Georgia
(740) Nina Mariamidze
(540)



(591) Light blue, blue, silver, black, white
(531) 05.13.06-25.01.05-26.01.15-26.01.21-
29.01.04-
(526) **DISCLAIMER** – The trademark is protected as a whole, word combinations „თბილისის სახელმწიფო სამედიცინო უნივერსიტეტი“ and "TBILISI STATE MEDICAL UNIVERSITY" shall not be subject to independent legal protection.
(511) 41

(260) AM 2013 68712 A
(210) AM 068712
(220) 2012 09 04
(731) AQUA NRG INVESTMENTS LIMITED
Lampousas 1, P.S. 1095, Nicosia, Cyprus
(740) Tamaz Shilakadze
(540)



(591) Black-white
(531) 03.01.08-27.05.15-
(511) 32

(260) AM 2013 68746 A
(210) AM 068746
(220) 2012 09 05
(731) BRIMAG DIGITAL AGE LTD.
19 Hashikma Street Azur 58001, Israel
(740) Tamar Kochlamazashvili
(540)

MAYER

(591) Black-white
(511) 9, 11

(260) AM 2013 68747 A
(210) AM 068747
(220) 2012 09 05
(731) BRIMAG DIGITAL AGE LTD.
19 Hashikma Street Azur 58001, Israel
(740) Tamar Kochlamazashvili
(540)

GRAETZ

(591) Black-white
(511) 7, 9, 11

(260) AM 2013 68768 A
(210) AM 068768
(220) 2012 09 06
(731) KRAFT FOODS DANMARK
INTELLECTUAL PROPERTY APS.

Roskildevej 161, 2620 Albertslund, Denmark
 (740) Tamar Kochlamazashvili
 (540)

DIROL X-FRESH

(591) Black-white
 (511) 30

(260) AM 2013 68792 A
 (210) AM 068792
 (220) 2012 09 11
 (731) SAN FAUSTO S.A.
 ARAUCANA 1277, MONTEVIDEO,
 Uruguay
 (740) Giorgi Taktakishvili
 (540)

GINPLUS

(591) Black-white
 (511) 5

(260) AM 2013 68793 A
 (210) AM 068793
 (220) 2012 09 11
 (731) SAN FAUSTO S.A.
 ARAUCANA 1277, MONTEVIDEO,
 Uruguay
 (740) Giorgi Taktakishvili
 (540)

GINKAN

(591) Black-white
 (511) 5

(260) AM 2013 68794 A
 (210) AM 068794
 (220) 2012 09 11
 (731) SAN FAUSTO S.A.
 ARAUCANA 1277, MONTEVIDEO,
 Uruguay
 (740) Giorgi Taktakishvili
 (540)

REAGIN

(591) Black-white
 (511) 5

(260) AM 2013 68795 A
 (210) AM 068795
 (220) 2012 09 11
 (731) SAN FAUSTO S.A.
 ARAUCANA 1277, MONTEVIDEO,
 Uruguay
 (740) Giorgi Taktakishvili
 (540)

BALIARDA

(591) Black-white
 (511) 5

(260) AM 2013 68797 A
 (210) AM 068797
 (220) 2012 09 11
 (731) KRAFT FOODS DANMARK
 INTELLECTUAL PROPERTY APS.
 Roskildevej 161, 2620 Albertslund, Denmark
 (740) Tamar Kochlamazashvili
 (540)



(591) White, black, yellow, red, green, blue, grey
 (531) 01.03.15-01.15.09-24.17.04-25.12.01-
 26.11.12-27.05.24-29.01.15-
 (526) **DISCLAIMER** – The trademark is protected
 as a whole, word combinations "MEGA MYSTERY
 7", „ПЛАСТИНОК БЕЗ САХАРА“ shall not be
 subject to independent legal protection.
 (511) 30

(260) AM 2013 68807 A
 (210) AM 068807
 (220) 2012 09 12
 (731) Joint-Stock Company
 "TBILISIS TAMBAQO"
 G. Nadareishvilis 5a, 0137, tbilisi, Georgia
 (740) Tea Gogsadze
 (540)



(591) White, black, golden, yellow, brown
 (531) 19.03.24-27.05.24-29.01.13-
 (526) **DISCLAIMER** – Maximum permissible norms of tobacco goods composition used in the trademark and health warnings shall not be subject to independent legal protection.
 (511) 34

(260) AM 2013 68808 A
 (210) AM 068808
 (220) 2012 09 12
 (731) Joint-Stock Company
 "TBILISIS TAMBAQO"
 G. Nadareishvilis 5a, 0137, tbilisi, Georgia
 (740) Tea Gogsadze
 (540)



(591) White, grey, silver, black, green
 (531) 19.03.24-27.05.24-29.01.13-
 (526) **DISCLAIMER** – Maximum permissible norms of tobacco goods composition used in the trademark and health warnings shall not be subject to independent legal protection.
 (511) 34

(260) AM 2013 68810 A
 (210) AM 068810
 (220) 2012 09 12
 (731) Joint-Stock Company
 "TBILISIS TAMBAQO"
 g. Nadareishvilis 5a, 0137, tbilisi, Georgia
 (740) Tea Gogsadze

(540)



(591) White, grey, silver, black
 (531) 19.03.24-27.05.24-29.01.13-
 (526) **DISCLAIMER** – Maximum permissible norms of tobacco goods composition used in the trademark and health warnings shall not be subject to independent legal protection.
 (511) 34

(260) AM 2013 68846 A
 (210) AM 068846
 (220) 2012 09 14
 (731) KOULD STOUN KRIMERI, INK.
 9311 e via de ventura, skotsdeili, AZ
 852581, USA
 (740) Tamar Kochlamazashvili
 (540)

Cold Stone Creamery

(591) Black-white
 (511) 30, 32, 43

(260) AM 2013 68849 A
 (210) AM 068849
 (220) 2012 09 14
 (731) BRITISH AMERICAN TOBACCO
 (BRANDS) INC. (a Delaware corporation)
 2711 Centerville Road, Suite 300,
 Wilmington, Delaware 19808, USA
 (740) Tamar Kochlamazashvili
 (540)

პელ მელი

(591) Black-white
(531) 28.19.00-
(511) 34

(260) AM 2013 68850 A
(210) AM 068850
(220) 2012 09 14
(731) BRITISH AMERICAN TOBACCO
(BRANDS) INC. (a Delaware corporation)
2711 Centerville Road, Suite 300,
Wilmington, Delaware 19808, USA
(740) Tamar Kochlamazashvili
(540)

კენტი ნანობევი

(591) Black-white
(531) 28.19.00-
(511) 34

(260) AM 2013 68876 A
(210) AM 068876
(220) 2012 09 18
(731) LTD „NISHI”
D. Agmasheneblis gamz. N142, 0112, Tbilisi,
Georgia
(540)

მარმენიო
MARMENIO

(591) Black-white
(511) 31, 39, 43

(260) AM 2013 68910 A
(210) AM 068910
(220) 2012 09 20
(731) GIORGI IASHVILI
Ritsis N3, Tbilisi, Georgia
(540)

TSINO
ЦИНО
ცინო

(591) Black-white
(511) 29

(260) AM 2013 68928 A
(210) AM 068928
(220) 2012 09 21
(731) Wm. WRIGLEY Jr. Company
1132 West Blackhawk Street, Chicago,
Illinois 60642, USA
(740) Tamaz Shilakadze

(540)



(591) White, black, red, orange, yellow, green, blue,
lilac, black
(531) 08.01.24-26.01.18-26.11.12-27.05.02-
29.01.14-
(511) 30

(260) AM 2013 68992 A
(210) AM 068992
(220) 2012 09 25
(731) MAHARISHI VEDIC UNIVERSITY
LIMITED
54 Marsamxett Road, Valeta, VLT 1853,
Malta

(740) Giorgi Gvinjilia
(540)

მაჰარიში

(591) Black-white
(511) 41, 42, 44

(260) AM 2013 69031 A
(210) AM 069031
(220) 2012 09 26
(731) Joint-Stock Company "TBILGVINO"
Sarajishvilis gamz. 2, 0153, Tbilisi, Georgia
(740) Giorgi Taktakishvili
(540)

ადათი

Adati

Адати

(591) Black-white
(511) 33

(260) AM 2013 69077 A
(210) AM 069077
(220) 2012 09 28
(731) KAREN AKOPIAN
R. Tabukashvilis q. N2, 0800, Akhaltsikhe,
Georgia
(540)

ლაგუნა
LAGUNA
Лагуна

(591) Black-white
(511) 29, 30

(260) AM 2013 69100 A
 (210) AM 069100
 (220) 2012 10 03
 (310) 85/163,494
 (320) 2012 05 01
 (330) US
 (731) NATIONAL OILWELL VARCO, L.P.
 7909 Parkwood Circle Drive, Houston,
 Texas 77036, USA
 (740) Shalva Gvaramadze
 (540)

NOVOSTORE

(591) Black-white
 (511) 35, 38, 42

(260) AM 2013 69101 A
 (210) AM 069101
 (220) 2012 10 03
 (310) 85/787,679
 (320) 2012 04 03
 (330) US
 (731) NATIONAL OILWELL VARCO, L.P.
 7909 Parkwood Circle Drive, Houston,
 Texas 77036, USA
 (740) Shalva Gvaramadze
 (540)

NOVAPPS

(591) Black-white
 (511) 35, 38, 42

(260) AM 2013 69102 A
 (210) AM 069102
 (220) 2012 10 03
 (310) 85/592,095
 (320) 2012 04 09
 (330) US
 (731) NATIONAL OILWELL VARCO, L.P.
 7909 Parkwood Circle Drive, Houston,
 Texas 77036, USA
 (740) Shalva Gvaramadze
 (540)

NOVOS

(591) Black-white
 (511) 9, 37, 42

(260) AM 2013 69244 A
 (210) AM 069244
 (220) 2012 10 15
 (731) ELEGANCE CERAMICS LLC
 P.O. 4569, Al-Jazeera Al-Hamra Main Road
 Ras-Al-khaimah, United Arab Emirates
 (740) Tamaz Shilakadze

(540)



(591) Orange, dark grey, white
 (531) 05.05.20-29.01.13-
 (511) 19

(260) AM 2013 69245 A
 (210) AM 069245
 (220) 2012 10 15
 (731) OTIS ELEVATOR COMPANY
 10 Farm Springs, Farmington, Connecticut
 06032, USA
 (740) Tamaz Shilakadze
 (540)

SIGMA

(591) Black-white
 (511) 7, 37

(260) AM 2013 69246 A
 (210) AM 069246
 (220) 2012 10 15
 (731) OTIS ELEVATOR COMPANY
 10 Farm Springs, Farmington, Connecticut
 06032, USA
 (740) Tamaz Shilakadze
 (540)



(591) Black-white
 (531) 26.01.12-
 (511) 7, 37

(260) AM 2013 69247 A
 (210) AM 069247
 (220) 2012 10 15
 (731) LTD "PSP Pharma"
 Iakob Tsurtavelis q., 54, 1700, Dmanisi,
 Georgia
 (740) Nugzar Ksovreli
 (540)

ლევიკარ
ЛЕВИКАР
LEVIKAR

(591) Black-white
(511) 5

(260) AM 2013 69277 A
(210) AM 069277
(220) 2012 10 16
(731) LTD "Goris bavshvta kvebis sakonservo
qarkhana"
Shindisis gzatketsili 17, 1400, Gori, Georgia
(740) Gocha Archvadze
(540)



(591) Green, red, black
(531) 03.13.09-27.05.10-27.05.17-27.05.22-
29.01.13-
(511) 29, 32

(260) AM 2013 69421 A
(210) AM 069421
(220) 2012 10 26
(731) DP EVERAGES LIMITED
PO box 309GT, Uglan House, Souch
Church Street, George Town, Grand Cayman,
Cayman Islands
(740) Alexander Gegechkori
(540)



(591) Black-white
(531) 05.05.04-
(511) 30, 32

REGISTERED TRADEMARKS

(111) M 2013 023717 R
 (151) 2013 06 07
 (181) 2023 06 07
 (260) AM 2012 63785 A
 (220) 2011 08 18
 (732) THE GILLETTE COMPANY
 One Gillete Park, Boston, Massachusetts
 02127, USA

(111) M 2013 023722 R
 (151) 2013 06 07
 (181) 2023 06 07
 (260) AM 2012 65469 A
 (220) 2011 12 20
 (732) LTD "BARAMBO"
 Sof. Natakhvari, 3308, Mtskheta, Georgia

(111) M 2013 023718 R
 (151) 2013 06 07
 (181) 2023 06 07
 (260) AM 2012 64241 A
 (220) 2011 09 27
 (732) Payless ShoeSource Worldwide Inc.
 Jayhawk Towers, 700 Southwest Jackson
 Street, Suite 202, Topeka, Kansas 66603,
 USA

(111) M 2013 023723 R
 (151) 2013 06 07
 (181) 2023 06 07
 (260) AM 2012 65530 A
 (220) 2011 12 23
 (732) HARRINGTON DEVELOPMENT INC.
 Arango-Orillac Bldg., East 54th street,
 Panama

(111) M 2013 023719 R
 (151) 2013 06 07
 (181) 2023 06 07
 (260) AM 2013 64342 A
 (220) 2012 04 03
 (732) LTD BALDOSI
 Aeroportis dasakhleba, korpusi 130,
 bina 12, 0182, Tbilisi, Georgia

(111) M 2013 023724 R
 (151) 2013 06 07
 (181) 2023 06 07
 (260) AM 2012 65623 A
 (220) 2011 12 28
 (732) LTD "LIKA-JORJIA"
 Gagarinis II shes., N4, 0160, Tbilisi, Georgia

(111) M 2013 023720 R
 (151) 2013 06 07
 (181) 2023 06 07
 (260) AM 2012 65291 A
 (220) 2011 12 12
 (732) GENERAL MOTORS LLC
 300 Renaissance Center, City of Detroit, State
 of Michigan 48265-3000, USA

(111) M 2013 023725 R
 (151) 2013 06 07
 (181) 2023 06 07
 (260) AM 2012 65764 A
 (220) 2012 01 09
 (732) Joint-Stock Company "Sastumroebisa Da
 Restornebis Menejment Jgufi -Em/Grup"
 Marshal Gelovanis gamz. 2, me-5 sartuli,
 0159, Tbilisi, Georgia

(111) M 2013 023721 R
 (151) 2013 06 07
 (181) 2023 06 07
 (260) AM 2012 65292 A
 (220) 2011 12 12
 (732) JOHNSON CONTROLS TECHNOLOGY
 COMPANY
 915 East 32nd Street, City of Holland, State of
 Michigan 49423, USA

(111) M 2013 023726 R
 (151) 2013 06 07
 (181) 2023 06 07
 (260) AM 2012 65882 A
 (220) 2012 01 17
 (732) LTD "NOVATOR PHARMA"
 Sof. irganchai, 1707, Dmanisis raioni, Georgia

(111) M 2013 023727 R
 (151) 2013 06 07
 (181) 2023 06 07

(260) AM 2012 65883 A
(220) 2012 01 17
(732) LTD "NOVATOR PHARMA"
Sof. Irganchai, 1707, Dmanisis raioni,
Georgia

(111) M 2013 023728 R
(151) 2013 06 07
(181) 2023 06 07
(260) AM 2012 65884 A
(220) 2012 01 17
(732) LTD "NOVATOR PHARMA"
Sof. Irganchai, 1707, Dmanisis raioni,
Georgia

(111) M 2013 023729 R
(151) 2013 06 07
(181) 2023 06 07
(260) AM 2012 65885 A
(220) 2012 01 17
(732) LTD "NOVATOR PHARMA"
Sof. Irganchai, 1707, Dmanisis raioni,
Georgia

(111) M 2013 023730 R
(151) 2013 06 07
(181) 2023 06 07
(260) AM 2012 65886 A
(220) 2012 01 17
(732) LTD "NOVATOR PHARMA"
Sof. Irganchai, 1707, Dmanisis raioni,
Georgia

(111) M 2013 023731 R
(151) 2013 06 07
(181) 2023 06 07
(260) AM 2012 65887 A
(220) 2012 01 17
(732) LTD "NOVATOR PHARMA"
Sof. Irganchai, 1707, Dmanisis raioni,
Georgia

(111) M 2013 023732 R
(151) 2013 06 07
(181) 2023 06 07
(260) AM 2012 65898 A
(220) 2012 01 17
(732) COMPAGNIE GERVAIS DANONE
(a Franch Corporation)
17, Boulevard Haussmann, 75009 Paris,
France

(111) M 2013 023733 R
(151) 2013 06 07
(181) 2023 06 07
(260) AM 2012 65945 A
(220) 2012 01 23
(732) MESYL LIMITED
Bridge House, Bridge Street, Castletown, Isle
of Men, IM9 1AX, Isle of Man (British)

(111) M 2013 023734 R
(151) 2013 06 07
(181) 2023 06 07
(260) AM 2012 65957 A
(220) 2012 01 25
(732) Joint-Stock Company "KARTULI LUDIS
KOMPANIA"
Sof. Saguramo, 3311, Mtskhmetis raioni,
Georgia

(111) M 2013 023735 R
(151) 2013 06 07
(181) 2023 06 07
(260) AM 2012 65958 A
(220) 2012 01 25
(732) Joint-Stock Company "KARTULI LUDIS
KOMPANIA"
Sof. Saguramo, 3311, Mtskhmetis raioni,
Georgia

(111) M 2013 023736 R
(151) 2013 06 07
(181) 2023 06 07
(260) AM 2012 65959 A
(220) 2012 01 25
(732) Joint-Stock Company "KARTULI LUDIS
KOMPANIA"
Sof. Saguramo, 3311, Mtskhmetis raioni,
Georgia

(111) M 2013 023737 R
(151) 2013 06 07
(181) 2023 06 07
(260) AM 2012 65997 A
(220) 2012 01 27
(732) RANBAXY LABORATORIES LIMITED
Plot No.90, Sector-32, Gurgaon-122001,
Haryana, India

(111) M 2013 023738 R
(151) 2013 06 07
(181) 2023 06 07

(260) AM 2012 66079 A
(220) 2012 02 06
(732) LTD "SILKNETI"
Tsinamdzgvrishvilis q. 95, 0112, Tbilisi,
Georgia

(111) M 2013 023739 R
(151) 2013 06 07
(181) 2023 06 07
(260) AM 2012 66080 A
(220) 2012 02 06
(732) LTD "SILKNETI"
Tsinamdzgvrishvilis q. 95, 0112, Tbilisi,
Georgia

(111) M 2013 023740 R
(151) 2013 06 07
(181) 2023 06 07
(260) AM 2012 66081 A
(220) 2012 02 06
(732) LTD "SILKNETI"
Tsinamdzgvrishvilis q. 95, 0112, Tbilisi,
Georgia

(111) M 2013 023741 R
(151) 2013 06 07
(181) 2023 06 07
(260) AM 2012 66082 A
(220) 2012 02 06
(732) LTD "SILKNETI"
Tsinamdzgvrishvilis q. 95, 0112, Tbilisi,
Georgia

(111) M 2013 023742 R
(151) 2013 06 07
(181) 2023 06 07
(260) AM 2012 66083 A
(220) 2012 02 06
(732) LTD "SILKNETI"
Tsinamdzgvrishvilis q.95, 0112, Tbilisi,
Georgia

(111) M 2013 023743 R
(151) 2013 06 07
(181) 2023 06 07
(260) AM 2012 66084 A
(220) 2012 02 06
(732) LTD "SILKNETI"
Tsinamdzgvrishvilis q.95, 0112, Tbilisi,
Georgia

(111) M 2013 023744 R
(151) 2013 06 07
(181) 2023 06 07
(260) AM 2012 66176 A
(220) 2012 02 10
(732) HERCULES INCORPORATED
Hercules Plaza, 1313 North Market Street,
Wilmington, Delaware 19894-0001, USA

(111) M 2013 023745 R
(151) 2013 06 07
(181) 2023 06 07
(260) AM 2012 66221 A
(220) 2012 02 16
(732) LTD "NOVATOR PHARMA"
Sof. Irganchai, 1707, Dmanisis raioni,
Georgia

(111) M 2013 023746 R
(151) 2013 06 07
(181) 2023 06 07
(260) AM 2012 66222 A
(220) 2012 02 16
(732) LTD "NOVATOR PHARMA"
Sof. Irganchai, 1707, Dmanisis raioni,
Georgia

(111) M 2013 023747 R
(151) 2013 06 07
(181) 2023 06 07
(260) AM 2012 66223 A
(220) 2012 02 16
(732) LTD "NOVATOR PHARMA"
Sof. Irganchai, 1707, Dmanisis raioni,
Georgia

(111) M 2013 023748 R
(151) 2013 06 07
(181) 2023 06 07
(260) AM 2012 66224 A
(220) 2012 02 16
(732) LTD "NOVATOR PHARMA"
Sof. Irganchai, 1707, Dmanisis raioni,
Georgia

(111) M 2013 023749 R
(151) 2013 06 07
(181) 2023 06 07
(260) AM 2012 66225 A
(220) 2012 02 16
(732) LTD "NOVATOR PHARMA"

Sof. Irganchai, 1707, Dmanisis raioni,
Georgia

(220) 2012 03 14
(732) Delta Air Lines, Inc. (a Delaware corporation)
1030 Delta Boulevard, Atlanta, Georgia, USA

(111) M 2013 023750 R
(151) 2013 06 07
(181) 2023 06 07
(260) AM 2012 66226 A
(220) 2012 02 16
(732) LTD "NOVATOR PHARMA"
Sof. Irganchai, 1707, Dmanisis raioni,
Georgia

(111) M 2013 023756 R
(151) 2013 06 07
(181) 2023 06 07
(260) AM 2013 66616 A
(220) 2012 03 21
(732) Banana Republic (ITM) Inc.
2 Folsom Street, San Francisco, California
94105, USA

(111) M 2013 023751 R
(151) 2013 06 07
(181) 2023 06 07
(260) AM 2012 66369 A
(220) 2012 02 28
(732) Vasconcelos & Gonçalves, S.A.
Rua da Cintura do Porto, Prédio B, 1º A/B,
Marvila, 1950-326 Lisboa, Portugal

(111) M 2013 023757 R
(151) 2013 06 07
(181) 2023 06 07
(260) AM 2013 66617 A
(220) 2012 03 21
(732) Gap (ITM) Inc.
2 Folsom Street, San Francisco, CA 94105,
USA

(111) M 2013 023752 R
(151) 2013 06 07
(181) 2023 06 07
(260) AM 2012 66476 A
(220) 2012 03 12
(732) MONCLER S.r.l.
Via Stendhal 47, 20144 Milano, Italy

(111) M 2013 023758 R
(151) 2013 06 07
(181) 2023 06 07
(260) AM 2013 66651 A
(220) 2012 03 23
(732) Joint-Stock Company "sastumroebisa da
restornebis menejment jgufi - m/group;
Marshal gelovanis gamz. 2, me-5 sartuli,
0159, Tbilisi, Georgia

(111) M 2013 023753 R
(151) 2013 06 07
(181) 2023 06 07
(260) AM 2012 66490 A
(220) 2012 03 12
(732) TAHE PRODUCTOS COSMETICOS, S.L.
Pol. Ind. Oeste, c/Paraguay, Parc 8/3, 30169
San-Ginés (Murcia), Spain

(111) M 2013 023759 R
(151) 2013 06 07
(181) 2023 06 07
(260) AM 2013 66709 A
(220) 2012 03 27
(732) FORD MOTOR COMPANY
One American Road, Dearborn, Michigan
48126, USA

(111) M 2013 023754 R
(151) 2013 06 07
(181) 2023 06 07
(260) AM 2013 66492 A
(220) 2012 03 12
(732) MERCK SHARP & DOHME CORP.
One Merck Drive, Whitehouse Station,
New Jersey 08889, USA

(111) M 2013 023760 R
(151) 2013 06 07
(181) 2023 06 07
(260) AM 2012 66716 A
(220) 2012 03 28
(732) ACCOR
110 Avenue de France, 75013 PARIS, France

(111) M 2013 023755 R
(151) 2013 06 07
(181) 2023 06 07
(260) AM 2013 66528 A

(111) M 2013 023761 R
(151) 2013 06 07
(181) 2023 06 07

(260) AM 2012 66717 A
 (220) 2012 03 28
 (732) ACCOR
 110 Avenue de France, 75013 PARIS, France

(111) M 2013 023762 R
 (151) 2013 06 07
 (181) 2023 06 07
 (260) AM 2013 66775 A
 (220) 2012 03 30
 (732) BROWN-FORMAN CORPORATION
 (a Delaware, U.S.A. corporation)
 850 Dixie Highway, 40210 Louisville, KY,
 USA

(111) M 2013 023763 R
 (151) 2013 06 07
 (181) 2023 06 07
 (260) AM 2013 66840 A
 (220) 2012 04 04
 (732) VARIMEX WAREN-IMPORT EXPORT
 HANDELS-GMBH
 Chiara Ambra Platz 1, 77743 Neuried,
 Germany

(111) M 2013 023764 R
 (151) 2013 06 07
 (181) 2023 06 07
 (260) AM 2012 66901 A
 (220) 2012 04 11
 (732) RAYCHEM HTS LIMITED
 Victoria Road, Leeds, West Yorkshire LS11
 5UG, United Kingdom

(111) M 2013 023765 R
 (151) 2013 06 07
 (181) 2023 06 07
 (260) AM 2013 67013 A
 (220) 2012 04 20
 (732) HOME BOX OFFICE, INC.,
 a Delaware corporation
 1100 Avenue of the Americas, New York,
 New York 10036, USA

(111) M 2013 023766 R
 (151) 2013 06 07
 (181) 2023 06 07
 (260) AM 2013 67014 A
 (220) 2012 04 20
 (732) HOME BOX OFFICE, INC.,
 a Delaware corporation
 1100 Avenue of the Americas, New York,
 New York 10036, USA

(111) M 2013 023767 R
 (151) 2013 06 07
 (181) 2023 06 07
 (260) AM 2013 67015 A
 (220) 2012 04 20
 (732) HOME BOX OFFICE, INC.,
 a Delaware corporation
 1100 Avenue of the Americas, New York,
 New York 10036, USA

(111) M 2013 023768 R
 (151) 2013 06 07
 (181) 2023 06 07
 (260) AM 2013 67016 A
 (220) 2012 04 20
 (732) HOME BOX OFFICE, INC.,
 a Delaware corporation
 1100 Avenue of the Americas, New York,
 New York 10036, USA

(111) M 2013 023769 R
 (151) 2013 06 07
 (181) 2023 06 07
 (260) AM 2013 67361 A
 (220) 2012 05 17
 (732) EVERGREEN MARINE CORPORATION
 (TAIWAN) LTD.
 1-4F, N166, Sec. 2, Minsheng E. Rd., Taipei
 104, Taiwan, R.O.C., Taiwan, Province of
 China

(111) M 2013 023770 R
 (151) 2013 06 07
 (181) 2023 06 07
 (260) AM 2013 67392 A
 (220) 2012 05 21
 (732) PepsiCo, Inc., a North Carolina Corporation
 700 Anderson Hill Road, Purchase,
 New York 10577, USA

TRADEMARKS REGISTERED ACCORDING TO THE ACCELERATED PROCEDURE

The decision can be appealed at the Chamber of Appeal of Sakpatenti within 3 months from the publication.

(111) M 2013 23716 R
(151) 2013 06 06
(181) 2023 06 06
(210) AM 072357
(220) 2013 05 24
(732) LTD GEO ALKO COMPANY
Sh. Nutsubidzis ferd., me-2 mkr., 2 kv. korp.1,
bina 10, 0183, Georgia
(540)

WHISKEY "SUNSET"

(591) Black-white
(526) **DISCLAIMER** – The trademark is protected
as a whole, word except "WHISKEY" shall not be
subject to independent legal protection.
(511) 33

(111) M 2013 23771 R
(151) 2013 06 11
(181) 2023 06 11
(210) AM 072414
(220) 2013 05 29
(732) CARREFOUR
33avenue Emile Zola, 92100 Boulogne
Billancourt, France
(740) Giorgi Meipariani
(540)



(591) Black-white
(531) 26.04.18-26.13.25-27.05.21-
(511) 35

(111) M 2013 23772 R
(151) 2013 06 11
(181) 2023 06 11
(210) AM 072415
(220) 2013 05 29
(732) CARREFOUR
33avenue Emile Zola, 92100 Boulogne
Billancourt, France
(740) Giorgi Meipariani
(540)

CARREFOUR

(591) Black-white
(511) 35

(111) M 2013 23773 R
(151) 2013 06 11
(181) 2023 06 11
(210) AM 072434
(220) 2013 05 30
(732) LTD "KAKHURI TRADITSIULI MEGVINEOBA"
Ksnis q. 12, 0141, 0141, Tbilisi, Georgia
(540)



(591) Black-white
(531) 25.01.19-25.01.25-27.05.05-
(526) **DISCLAIMER** – "IVERIA" in the trademark
shall not be subject to independent legal protection.
(511) 33

(111) M 2013 23774 R
(151) 2013 06 17
(181) 2023 06 17
(210) AM 072520
(220) 2013 06 05
(732) INGA KHUTSISHVILI
Tavisuplebis moedani N6, 0600, Akhlagori,
Georgia
(540)

Louis Bonnet

Луи Бонет

ლუი ბონეტი

(591) Black-white
(531) 27.05.05-28.05.00-28.19.00-
(511) 30

(111) M 2013 23775 R
(151) 2013 06 17
(181) 2023 06 17
(210) AM 072141
(220) 2013 05 07
(732) GALLAHER LIMITED

Members Hill, Brooklands Road, Weybridge,
KT13 0QU Surrey, United Kingdom
(740) Shalva Gvaramadze
(540)



(591) Black, red, different tone golden, light grey
(531) 03.01.02-25.01.01-26.04.24-26.11.07-
27.05.10-27.05.24-29.01.13-
(526) **DISCLAIMER** – The trademark is protected
as a whole, word element "LONDON" shall not be
subject to independent legal protection.
(511) 34

(111) M 2013 23776 R
(151) 2013 06 17
(181) 2023 06 17
(210) AM 072142
(220) 2013 05 07
(732) GALLAHER LIMITED
Members Hill, Brooklands Road, Weybridge,
KT13 0QU Surrey, United Kingdom
(740) Shalva Gvaramadze
(540)

**SOBRANIE THE TASTE OF
LUXURY SINCE 1879**

(591) შავ-თეთრი
(511) 34

(111) M 2013 23777 R
(151) 2013 06 17
(181) 2023 06 17
(210) AM 072143
(220) 2013 05 07
(732) GALLAHER LIMITED
Members Hill, Brooklands Road, Weybridge,
KT13 0QU Surrey, United Kingdom
(740) Shalva Gvaramadze

(540)



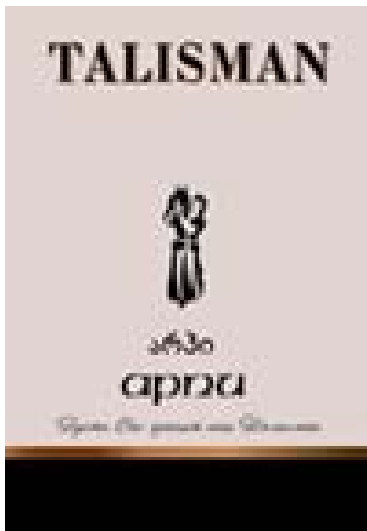
(591) Red, white, different tone brown, different
tone grey, bronze
(531) 03.01.02-25.01.01-26.11.07-27.05.10-
29.01.13-
(526) **DISCLAIMER** – The trademark is protected
as a whole, word element "LONDON" shall not be
subject to independent legal protection.
(511) 34

(111) M 2013 23778 R
(151) 2013 06 18
(181) 2023 06 18
(210) AM 072397
(220) 2013 05 28
(732) LTD "MOMAVLIS SKOLA"
Nino Ramishvilis qucha N37a, 0179, Tbilisi,
Georgia
(740) Giorgi Taktakishvili
(540)



(591) White, bordeaux, black
(531) 03.07.05-04.05.03-28.19.00-29.01.01-
(511) 41

(111) M 2013 23779 R
(151) 2013 06 18
(181) 2023 06 18
(210) AM 072489
(220) 2013 06 03
(732) Obshchestvo s Ogranichennoi
Otvetstvennostiu "INTEL"
Varshavskoe shose, d. 75, korp. 1, Moskovi,
117556, Russian Federation
(740) Shalva Gvaramadze
(540)



(591) Black, different tone brown, grey
(531) 02.03.15-25.01.19-27.05.17-28.05.00-
28.19.00-29.01.13-
(511) 33

INTERNATIONAL TRADEMARKS FOR WHICH A DECISION ON GRANTING PROTECTIONS IS TAKEN

The decision can be appealed at the Chamber of Appeal of Sakpatenti within 3 months from the publication or at the Mtskheta District Court Administrative Cases Board (Address: №17, Samkhedro str., Mtskheta), within 1 month following the publication.

(260) AM 2013 67431 A

(800) 1114549

(731) "KENDI" DROUJESTVO S
OGRANITCHENA OTGOVORNOST
101, oulitsa "Sofia", BG-1320 Bankya,
Bulgaria

(540)

Osteoactive

(591) Dark blue and yellow

(511)


5 – Pharmaceutical, veterinary and sanitary preparations; dietetic substances adapted for medical use, food for babies; disinfectants; vitamin preparations.

(260) AM 2013 67645 A

(800) 1116224

(731) "ODNOKLASSNIKI" COMPANY LIMITED
str. 2, d. 47, Leningradsky pr-kt, RU-125167
Moscow, Russian Federation

(540)

 **odnoklassniki**

(591) Black, white

(511)

35 – Arranging subscriptions to telecommunication services for others; computerized file management; transcription; opinion polling; business information; commercial information and advice for consumers [consumer advice shop]; business investigations; marketing research; business management and organization consultancy; layout services for advertising purposes; business management of performing artists; news clipping services; word processing; typing; organization of exhibitions for commercial or advertising purposes; organization of trade fairs for commercial or advertising purposes; shop window dressing; data search in computer files for others; business management assistance; presentation of goods on communication media, for retail purposes; economic forecasting; auctioneering; sales promotion for others; office machines and equipment rental; rental of advertising time on communication media; publicity material rental; rental of vending machines; rental of photocopying machines; publication of publicity texts; secretarial services; dissemination of advertising matter; writing of publicity

texts; advertising; on-line advertising on a computer network; compilation of statistics; compilation of information into computer databases; procurement services for others [purchasing goods and services for other businesses].

38 – News agencies; television broadcasting; cable television broadcasting; electronic bulletin board services [telecommunications services]; information about telecommunication; telecommunication routing and junction services; providing internet chatrooms; providing user access to global computer networks; providing access to databases; providing telecommunication connections to a global computer network; providing telecommunication channels for teleshopping services; message sending; computer aided transmission of messages and images; transmission of telegrams; electronic mail; rental of message sending apparatus; rental of access time to global computer networks; rental of modems; rental of telecommunication equipment; rental of telephones; rental of facsimile apparatus; radio broadcasting; communications by fiber [fibre] optic networks; cellular telephone communication; communications by computer terminals; satellite transmission; communications by telegrams; communications by telephone; facsimile transmission; paging services [radio, telephone or other means of electronic communication]; teleconferencing services; telex services; voice mail services; telegraph services; telephone services.

42 – Architecture; authenticating works of art; recovery of computer data; computer virus protection services; engineering; installation of computer software; computer software consultancy; updating of computer software; maintenance of computer software; conversion of data or documents from physical to electronic media; providing search engines for the internet; data conversion of computer programs and data [not physical conversion]; computer system design; rental of web servers; computer rental; rental of computer software; hosting computer sites [web sites]; duplication of computer programs; construction drafting; computer software design; creating and maintaining web sites for others; computer programming; styling [industrial design].

45 – Licensing of computer software [legal services]; missing person investigations; legal research; mediation; baby sitting; personal background investigations; registration of domain names [legal ser-

vices]; dating services; house sitting; funerals; personal body guarding.

(260) AM 2013 67646 A
(800) 1116272
(731) Aktiebolaget Ardent (reg.nr 556063-4866)
Generatorgatan 8, SE-195 60 Arlandastad,
Sweden
(540)

Diazir

(591) Black, white
(511)
5 – Impression materials for dental purposes, dental abrasives, adhesives for affixing dental prosthesis, alloys of precious metals for dental purposes, dental amalgams, rubber for dental purposes, dental cements, moulding wax for dentists, materials for tooth fillings, dental impression materials, dental lacquer, dental mastics, porcelain for dental prostheses, preparations to facilitate teething, gold amalgam for dental purposes, chemical preparations for dental purposes.

(260) AM 2013 67647 A
(800) 1116280
(731) NACI GÜLTEPE
Nisanca Mah. Çoban Çavus Medrese Sk.,
Isik Han No: 15/3, Laleli, ISTANBUL,
Turkey
(540)



(591) Black, white
(511)
25 – Clothing, footwear, headgear.

(260) AM 2013 67648 A
(800) 1116281
(731) DURSUN ÇORAP SANAYİ VE DIŞ
TİCARET LİMİTED ŞİRKETİ
100. Yıl Mah., Barbaros Cad. 61. Sk.
No:24, Bodrum Kat, BAĞCILAR
İSTANBUL, Turkey
(540)



(591) Red, black
(511)
25 – Socks.

(260) AM 2013 67649 A
(800) 1116323
(731) ZAKŁADY FARMACEUTYCZNE
"POLPHARMA" SPÓŁKA AKCYJNA
ul. Pelplińska 19, PL-83-200 STAROGARD
GDAŃSKI, Poland
(540)

Espiro Эспиро

(591) Black, white
(511)
5 – Pharmaceutical products.

(260) AM 2013 67650 A
(800) 1116324
(731) ZAKŁADY FARMACEUTYCZNE
"POLPHARMA" SPÓŁKA AKCYJNA
ul. Pelplińska 19, PL-83-200 STAROGARD
GDAŃSKI, Poland
(540)

POLCLARIT ПОЛЬКЛАРИТ

(591) Black, white
(511)
5 – Pharmaceutical products.

(260) AM 2013 67652 A
(800) 1116378
(731) Zakrytoe aktsionernoe obshestvo "Atlant"
61, Pobeditelei Av., 220035 Minsk, Belarus
(540)



(591) White, blue and light blue
(511)
7 – Compressors for refrigerators and freezers; dishwashing machines; washing machines (laundry); vacuum cleaners; injection plastic moulding machines and auxiliary equipment therefor including drying devices, mixers, devices for material delivery, devices for finished products transporting; devices and conveyor lines for plastic crushing; conveyor lines for moulding porcelain and faience

products; conveyor lines for working edges of porcelain or faience products; drying equipment and vacuum crushers used in the production of porcelain or faience; transporting systems, chain conveyors, roller conveyors, elevators for continuous operation; automated machines for warehousing; cutting tools (parts of machines).

11 – Boilers, other than parts of machines; refrigerators and freezers with compressors; thermoelectric refrigeration units; showcase refrigerators; cookers; cooker hob panels; electric kettles.

37 – Household and kitchen appliances repair; repair and modernization of metal-cutting, press-forging, transport, lifting and woodworking equipment; plastering, interior and exterior painting, wallpapering; heating equipment installation and repair; masonry, roofing services; electric appliance installation and repair; rebuilding machines that have been worn or partially destroyed.

(260) AM 2013 67653 A
 (800) 468033
 (731) Duktus S.A.
 Niederlassung Österreich Innsbrucker Straße
 51 A-6060 Hall in Tirol (AT), Austria
 (540)



(591) Black, white
 (511)
 6 – Pressure pipes of cast iron, shaped parts for pressure pipes of cast iron, drain pipes of cast iron, shaped parts for drain pipes of cast iron; furnace cast iron, open cast iron, industrial cast iron, machine cast iron; distance heating pipes.
 7 – Inner cylinder bodies for construction of engines, finned cylinders for construction of engines.

(260) AM 2013 67655 A
 (800) 554755
 (731) DR. KOLASSA GMBH
 Gastgebgegasse 5-13, A-1230 Wien, Austria
 (540)

HÄDENSA

(591) Black, white
 (511)
 5 – Pharmaceutical products.

(260) AM 2013 67656 A
 (800) 568783
 (731) WERTFORM GMBH
 Cafeasträße 1, 21107 Hamburg, Germany
 (540)



(591) Black, white
 (511)
 30 – Coffee, artificial coffee, as well as mixtures of these goods; all goods also in the form of extracts.

(260) AM 2013 67657 A
 (800) 616757
 (731) SEW-EURODRIVE GmbH & Co. KG
 Ernst-Blickle-Strasse 42, 76646 Bruchsal,
 Germany
 (540)



(591) Black, white
 (511)
 7 – Electric motors, brake motors, motor reducers, spur-gear motor reducers, worm-gear motor reducers, spur-gear and worm-gear motor reducers, reducers, particularly spur-gear reducers, speed-change drive units, friction gears, worm-gear reducers, spur-gear and worm-gear reducers, couplings, brakes, particularly magnetic brakes, variable pulleys, V-belts, large multi-groove V-belt pulleys, machine parts, namely motor slides (all the goods not for land vehicles); lifting devices, particularly chain hoists; parts of the aforementioned goods.
 9 – Electric and electronic apparatus and instruments for heavy current engineering, namely for conveyance, transformation, storage, adjustment and control as well as testing apparatus for the aforementioned goods, particularly for electronic control and adjustment devices for electric motors and for motor reducers; parts of the aforementioned goods.

(260) AM 2013 67658 A
 (800) 655862
 (731) AUDI AG
 85045 Ingolstadt, Germany
 (540)

A3

(591) Black, white
(511)
12 – Motor vehicles and parts for their construction
(included in this class).

(260) AM 2013 67659 A
(800) 655864
(731) AUDI AG
85045 Ingolstadt, Germany
(540)

A6

(591) Black, white
(511)
12 – Motor vehicles and parts for their construction
(included in this class).

(260) AM 2013 67660 A
(800) 672299
(731) KUK HANDELSGESELLSCHAFT M.B.H.
Auleiten 4, A-4910 Ried im Innkreis, Austria
(540)

KUK

(591) Black, white
(511)
1 – Pectin, gelatin and thickeners for industrial use,
stabilizers, emulsifiers, starch for industrial use,
carbomethyl cellulose, phosphates for foodstuffs.

2 – Natural dyestuffs.

5 – Pectin, gelatin and thickeners for pharmaceutical
use.

29 – Pectin, gelatin, albumen for food, fruit, vege-
tables and herbs in dried form, cocoa butter and
substitutes therefor, vegetable fats, dried mus-
hrooms, soy nuts, fruit and vegetable fibers as roug-
hage for food.

30 – Food flavorings, starches for food, icings, fatty
glazings, chocolate for sprinkling, vanilla, cocoa
powder and cocoa mass, soybean groats, soybean
grits, soybean flour; products made with oats and
wheat, cereal fibers as roughage for food, apple glu-
cose, rice and products made with rice; guar gum for
food, carob seed flour for food; thickeners for food.

31 – Carob seed flour used in animal food, guar gum
used in animal food.

(260) AM 2013 67661 A
(800) 740093
(731) Rijk Zwaan Zaadteelt en Zaadhandel B.V.
40, Burgemeester Crezeelaan, NL-2678 KX
De Lier, Netherlands
(540)

RIJK ZWAAN

(591) Black, white
(511)
16 – Stationery, leaflets, brochures, magazines and
other printed matter in the field of seed and grain
trade and seed growing and cultivation.

31 – Grains and seeds.

(260) AM 2013 67662 A
(800) 748662
(731) Rijk Zwaan Zaadteelt en Zaadhandel B.V.
40, Burgemeester Crezeelaan, NL-2678 KX
De Lier, Netherlands
(540)



(591) Black, white
(511)
16 – Stationery, leaflets, brochures, magazines and
other printed matter in the field of seed and grain
trade.

31 – Agricultural, horticultural and forestry products
and grains not included in other classes; fresh fruit
and vegetables, seeds and natural plants.

(260) AM 2013 67663 A
(800) 761492
(731) Rijk Zwaan Zaadteelt en Zaadhandel B.V.
40, Burgemeester Crezeelaan, NL-2678 KX
De Lier, Netherlands
(540)

SALANOVA

(591) Black, white
(511)
31 – Agricultural and horticultural products and
grains not included in other classes; fresh fruits and
vegetables; seeds, natural plants and flowers.

(260) AM 2013 67686 A
(800) 1107788
(731) SALVATORE FERRAGAMO S.P.A.
Via dei Tornabuoni, 2, I-50123 Firenze, Italy
(540)

ACQUA ESSENZIALE SALVATORE FERRAGAMO

(591) Black, white
(511)
3 – Bleaching preparations and other substances for
laundry use; cleaning, polishing, scouring and ab-

rasive preparations; soaps; perfumery, essential oils, cosmetics, hair lotions; dentifrices; perfumes, eau de parfum, eau de cologne, toilet water, after shave creams, after shave lotions, shaving lotions, shaving creams and foams, shampoos, hair conditioners, beauty masks, cold creams, hand creams, body and facial creams, deodorants for personal use, antiperspirants for personal use, skin cleansers, soaps for personal use, toilet soaps, bath soaps, bath and shower foams, bath and shower gel, body oils, body lotions, skin lotions.

(260) AM 2013 67742 A
 (800) 1117114
 (731) Janssen Pharmaceutica NV
 Turnhoutseweg 30, B-2340 BEERSE,
 Belgium

(540)

UPURA

(591) Black, white
 (511)
 5 – Human pharmaceutical preparations.

(260) AM 2013 67744 A
 (800) 1117116
 (731) Janssen Pharmaceutica NV
 Turnhoutseweg 30, B-2340 BEERSE,
 Belgium

(540)

IPURA

(591) Black, white
 (511)
 5 – Human pharmaceutical preparations.

(260) AM 2013 67745 A
 (800) 1117117
 (731) Janssen Pharmaceutica NV
 Turnhoutseweg 30, B-2340 BEERSE,
 Belgium

(540)

PELLURE

(591) Black, white
 (511)
 5 – Human pharmaceutical preparations.

(260) AM 2013 67755 A
 (800) 1117145
 (731) Stratpharma AG
 Centralbahnplatz 8, CH-4051 Basel,
 Switzerland

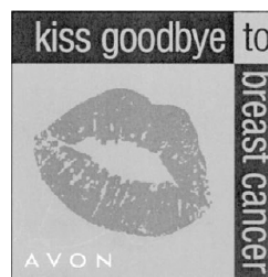
(540)

StrataXRT

(591) Black, white
 (511)
 5 – Pharmaceutical preparations; sanitary preparations for medical purposes; plasters, materials for dressings; disinfectants; pharmaceutical preparations for skin care.

(260) AM 2013 67756 A
 (800) 1117159
 (731) Avon Products, Inc.
 World Headquarters, 777 Third Avenue,
 New York, NY 10017, USA

(540)



(591) Black, white
 (511)
 35 – Advertising; direct mail advertising; business information, advertising, promotional and marketing services; publicity; sales promotion; provision of commercial information; advertising services in the fields of cosmetics, perfumery, toiletries, all kinds of clothing, jewellery, gift items, toys, videos, tapes, CD's; the bringing together, for the benefit of others, of a variety of goods, enabling customers to conveniently view and purchase those goods from a general merchandise catalogue by mail order or by means of telecommunications in the fields of cosmetics, perfumery, toiletries, all kinds of clothing, jewellery, gift items, toys, videos, tapes and CD's; the bringing together, for the benefit of others, of a variety of goods, enabling customers to conveniently view and purchase those goods from a general merchandise Internet web site in the fields of cosmetics, perfumery, toiletries, all kinds of clothing, jewellery, gift items, toys, videos, tapes and CD's.

(260) AM 2013 67758 A
 (800) 1117222
 (731) MASERATI S.P.A.
 Via Ciro Menotti, 322, I-41100 MODENA,
 Italy

(540)

Levante

(591) Black, white
 (511)
 12 – Automobiles, parts, accessories and components therefor, such as steering wheels, speed change

gears, transmission gears, suspension gears, rubber belts, heaters, bumpers, pumps, clutches, handles, rear view mirrors, anti-glare devices, direction indicators, horns, air pumps, chassis, wind screens, running board, torsion bars, safety belts, rims for wheels, gear boxes, all for automobiles.

28 – Games and playthings; gymnastic and sporting articles not included in other classes; decorations for Christmas trees.

(260) AM 2013 67759 A
(800) 1117251
(731) DOTCHIRNE PIDPRIEMSTVO
"KONDITERSKA KORPORATZIA
"ROSHEN"
vul. Elektrykiv, 26/9, Kyiv 04176, Ukraine

(540)



(591) Green, yellow, white and brown
(511)
30 – Sweetmeats (candy).

(260) AM 2013 67760 A
(800) 1117252
(731) DOTCHIRNE PIDPRIEMSTVO
"KONDITERSKA KORPORATZIA
"ROSHEN"
vul. Elektrykiv, 26/9, Kyiv 04176, Ukraine

(540)



(591) Red, yellow, white and green
(511)
30 – Sweetmeats (candy).

(260) AM 2013 67761 A
(800) 1117277
(731) SOREMARTEC S.A.
Rue Joseph Netzer 5, B-6700 ARLON,
Belgium

(540)



(591) Black, red-orange, blue, white, yellow
(511)
30 – Pastry and confectionery, cocoa-based confectionery, chocolate and chocolate products, edible ices.

(260) AM 2013 67763 A
(800) 1117326
(731) IVOCLAR VIVADENT AG
Bendererstrasse 2, FL-9494 Schaan,
Liechtenstein

(540)

VIVADENT

(591) Black, white
(511)
5 – Dental materials for use in dentistry, in particular materials and accessories for the manufacture of impressions, models, crowns and bridges, inlays, prostheses, artificial teeth, materials for relining and characterization of teeth, materials for polishing teeth, dental wax, abrasive and spray materials, dental alloys, dental filling materials, luting materials, dental amalgams, materials for pulp protection and root treatment, materials for the cavity treatment, dentin wound and pulp treatment materials used in acid etching and for preventing caries; materials for repairing damaged teeth; adhesive agents, protective varnishes for teeth, drying and degreasing materials, materials for the cosmetic restoration of damaged teeth; preparations for the hygiene of teeth and oral cavity; dental materials for treating caries and periodontitis; colour stains for use in dentistry; precious metal alloys and non-precious metal alloys for the dental technology; investment materials for use in dentistry; precious metals and non-precious metals for the dental technology; root filling materials: core build-up materials; opaque materials for dental use; metal resin bonding agents; prefabricated parts for crowns, bridges and pontics; fibers reinforced materials for the manufacture of crowns, bridges and pontics; fissure sealants; mixing capsules for dental materials; materials for the diagnosis of plaque.

10 – Apparatus, tools and instruments used in dentistry, in particular impression devices, dental register equipment, articulators, mixers, dental ovens, dosing and dispensing instrument to measure portions of

dental materials; polishing, grinding and drilling instruments; artificial teeth dental plates; syringes; shade guides; matrix bands, strips, devices and instruments for the caries prophylaxis and for the treatment of periodontitis; ceramic mixing plates; tooth pins; ingots made of resin, metal or ceramic for use in dentistry; crowns and bridges, instruments for applying dental products.

(260) AM 2013 67764 A

(800) 1117329

(731) FASHIONTV.COM GMBH

Brienner Strasse 21, 80333 München,
Germany

(540)



(591) Black, white

(511)

21 – Household or kitchen utensils and containers; combs and sponges; brushes (except paint brushes); brush-making materials; articles for cleaning purposes; steelwool; unworked or semi-worked glass (except glass used in building); glassware, porcelain and earthenware not included in other classes.

25 – Clothing, footwear, headgear; belts.

30 – Coffee, tea, cocoa, sugar, rice, tapioca, sago, artificial coffee; flour and preparations made from cereals, bread, pastry and confectionery, chocolate and chocolate articles; ices; honey, treacle; yeast, baking-powder; salt, mustard; vinegar, sauces (condiments); spices; ice.

43 – Services for providing food and drink; temporary accommodation; services of a café.

(260) AM 2013 67766 A

(800) 1117357

(731) GUANGDONG GALANZ ENTERPRISES

CO., LTD.

25 Ronggui Nan Road, Shunde, Foshan,
Guangdong, China

(540)

Almison

(591) Black, white

(511)

7 – Washing machines; wringing machines for laundry; drying machines; dishwashers; household bean juice makers; whisks, electric, for household purposes; fruit presses, electric, for household purposes; blenders, electric, for household purposes; coffee grinders, other than hand-operated; rotary steam presses, portable, for fabrics; dust exhausting installations for cleaning purposes.

11 – Microwave ovens; electric bakers' ovens; electric rice cookers; induction cookers; halogen cookers; hot pots, electrically heated; kettles, electric; thermo pots; electrical water heaters; coffee machines, electric; sandwich makers; toasters; air conditioning installations; electric fans.

(260) AM 2013 67767 A

(800) 1117378

(731) BESINS HEALTHCARE LUXEMBOURG

S.A.R.L.

société à responsabilité limitée; 67 Boulevard
Grande-Duchesse Charlotte, L-1331

Luxembourg, Luxembourg

(540)

ЛАКТОЖИНАЛЬ

(591) Black, white

(511)

5 – Pharmaceutical and veterinary preparations; sanitary preparations for medical purposes; dietetic substances adapted for medical use, food for babies; plasters, materials for dressings; material for dental fillings and dental impressions; disinfectants.

(260) AM 2013 67768 A

(800) 1117390

(731) HNA GROUP CO., LTD

Hai Hang Bldg., No.29 Haixiu Road, Haikou
City, 570206 Hainan Province, China

(540)

海航

(591) Black, white

(511)

29 – Meat; fruits, tinned (canned (am.)); vegetables, preserved; eggs; milk; fruit salads; fruit jellies; dried edible fungus.

30 – Coffee; tea; sugar; chocolate; honey; cakes; pasty; starch for food; noodles; crispy rice; ice cream; leaven; aromatic preparations for food; meat tenderizers, for household purposes; milk tea.

32 – Fruit juices; seltzer water; fruit nectars, non-alcoholic; fruit nectars, non-alcoholic; cola; lactic acid beverage (fruit products, non-milk); preparations for making beverages.

39 – Transport; hauling; air transport; car parking; storage of goods; water supplying; operating canal locks; courier services (messages or merchandise); tourist travel services (except for hotel reservation); transport by pipeline; launching of satellites for others; packaging of goods; horse rental; rental of diving suits.

43 – Accommodation bureaux (hotels, boarding houses); hotels; restaurants; bar services; rental of meeting rooms; retirement homes; day-nurseries (crèches); boarding for animals; rental of chairs, tables, table linen, glassware; providing campground facilities.

(260) AM 2013 67769 A

(800) 1117404

(731) Barilla G. e R. Fratelli – Società per Azioni
Via Mantova, 166, I-43100 PARMA, Italy

(540)

ПИККОЛИНИ

(591) Black, white

(511)

30 – Rice, flour and preparations made from cereals, bread, pasta, biscuits, yeast, baking powder; salt, mustard; vinegar, sauces (condiments); spices; ready-to-serve frozen meals based on pasta and rice containing vegetables.

32 – Beers; mineral and aerated waters and other non-alcoholic beverages; fruit beverages and fruit juices; syrups and other preparations for making beverages.

(260) AM 2013 67770 A

(800) 1117408

(731) GOOGLE INC.
1600 Amphitheatre Parkway, Mountain
View, CA 94043, USA

(540)



(591) Blue, red, yellow, and green

(511)

9 – Electrical apparatus and instruments, namely, mobile telephones, smart card readers, and proximity payment processing devices all using near field communication technology for facilitating commercial transactions through electronic means via wireless network, global computer network and mobile telecommunication device; near field communication (NFC) technology-enabled devices; near field communication (NFC) technology-enabled readers; computer software; computer software for facilitating commercial transactions through electronic means via wireless network, global computer network and mobile telecommunication device; computer software, namely, electronic financial platform that accommodates multiple types of payment and

debt transactions in an integrated mobile phone, PDA, and web based environment; magnetically encoded credit cards; magnetically encoded debit cards.

35 – Promoting the goods and services of others by means of coupons, discounts, administration of incentive awards programs, rebates, and vouchers, via wireless network, mobile telecommunication devices, global computer network; dissemination of advertising for others via wireless network, mobile telecommunication devices, global computer network.

36 – Financial affairs; financial transaction services; provision of electronic contactless payment services; financial transaction services, namely, providing secure commercial transactions and payment options using a mobile device at a point of sale; electronic credit card transaction processing, debit card services, pre-paid purchase card services, namely, processing electronic payments made through prepaid cards and processing electronic payment through pre-paid cards, processing electronic payments made through loyalty cards; electronic payment, namely, electronic processing and transmission of credit card transactions, wireless wallets, mobile wallets, electronic wallets, wireless credit, debit and prepaid card transactions, credit card and transaction processing terminal services using near field communication (NFC) technology; credit card and debit card services; issuing prepaid debit cards; issuing prepaid credit cards.

42 – Scientific and technological services and research and design relating thereto; design and development of computer hardware and software; computer services (term considered too vague by the International Bureau – rule 13.2.b) of the Common Regulations); troubleshooting.

(260) AM 2013 67774 A

(800) 1117482

(731) KRKA, tovarna zdravil, d.d., Novo mesto
Šmarješka cesta 6, SI-8501 Novo mesto,
Slovenia

(540)

ДЭЗРАДИН

(591) Black, white

(511)

5 – Pharmaceutical preparations.

(260) AM 2013 67791 A

(800) 804416

(731) SWICO INCORPORATED LIMITED
Dimostheni Severi, 6 PRESIDIUUM, office 21,
CY-1080 Nicosia, Cyprus

(540)

СКАТЕРТЬ-САМОБРАНКА

(591) Black, white

(511)

29 – Meat, preserved meat, preserves of meat, fish, fish products, poultry and game; meat extracts; preserved, dried and cooked fruit and vegetables; jellies, jams, compotes; eggs, milk and dairy products; edible oils and fats, preserved mushrooms.

(260) AM 2013 67792 A

(800) 951394

(731) FLASHLUBE PTY LTD

485 South Road, Bentleigh VIC 3204,
Australia

(540)

FLASHLUBE

(591) Black, white

(511)

4 – Industrial oils and greases, lubricants including an upper cylinder lubricant for gas-fuelled, automotive, internal combustion engines.

(260) AM 2013 67793 A

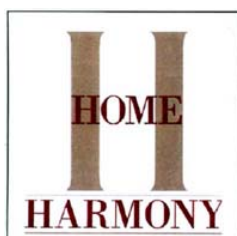
(800) 984618

(731) AĞAOĞLU TEKSTİL SANAYİ VE

TİCARET ANONİM ŞİRKETİ

İsmet Paşa Caddesi No: 62, UŞAK, Turkey

(540)



(591) Black, white, brown

(511)

24 – Woven or non woven fabrics; fibre glass fabrics for textile use; fabrics impervious to gases; linings (textile); filtering materials of textile; fabrics of imitation animal skin; curtains of textile or plastic; table cloths (not of paper); bed covers; sheets (textile); loose covers for furniture; table napkins of textile; bed covers of paper; duvets; bed blankets; washing mitts; face towels of textile; towels of textile; wall hangings of textile; handkerchiefs of textile; flags (not of paper); labels.

(260) AM 2013 67794 A

(800) 1007003

(731) SCOTCH & SODA B.V.

Jacobus Spijkerdreef 20-24, NL-2132
PZ Hoofddorp, Netherlands

(540)

MAISON SCOTCH

(591) Black, white

(511)

14 – Precious metals and their alloys and goods in precious metals or coated therewith, not included in other classes; jewellery, precious stones; horological and chronometric instruments.

18 – Leather and imitations of leather, and goods made of these materials and not included in other classes; animal skins, hides; trunks and travelling bags; umbrellas, parasols and walking sticks; whips, harness and saddlery.

25 – Clothing, footwear, headgear.

(260) AM 2013 67795 A

(800) 1009854

(731) Scotch & Soda B.V.

Jacobus Spijkerdreef 20-24, NL-2132
PZ Hoofddorp, Netherlands

(540)



(591) Black, white

(511)

14 – Precious metals and their alloys and goods in precious metals or coated therewith, not included in other classes; jewellery, precious stones; horological and chronometric instruments.

18 – Leather and imitations of leather, and goods made of these materials and not included in other classes; animal skins, hides; trunks and travelling bags; umbrellas, parasols and walking sticks; whips, harness and saddlery.

25 – Clothing, footwear, headgear.

(260) AM 2013 67797 A

(800) 1042062

(731) Abercrombie & Fitch Europe SA

Via Moree, CH-6850 Mendrisio, Switzerland

(540)

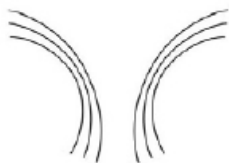


(591) Black, white

(511)

25 – Clothing.

(260) AM 2013 67798 A
 (800) 1042067
 (731) ABERCROMBIE & FITCH EUROPE SA
 Via Moree, CH-6850 Mendrisio, Switzerland
 (540)



(591) Black, white
 (511)
 25 – Clothing, footwear, headgear.

(260) AM 2013 67799 A
 (800) 1050764
 (731) Abercrombie & Fitch Europe SA
 Via Moree, CH-6850 Mendrisio, Switzerland
 (540)

HOLLISTER

(591) Black, white
 (511)
 3 – Bleaching preparations and other substances for laundry use; cleaning, polishing, scouring and abrasive preparations; soaps; perfumery, essential oils, cosmetics, hair lotions; dentifrices.

14 – Precious metals and their alloys and goods in precious metals or coated therewith not included in other classes; jewelry, precious stones; horological and chronometric instruments.

18 – Leather and imitation leather, goods made of these materials not included in other classes; animal skins, pelts and hides; trunks and suitcases; umbrellas, parasols and walking sticks; whips, harness and saddlery.

35 – Advertising; business management; business administration; office functions; retail store services for the retail sale of clothing, footwear, headgear, soaps, perfumes, essential oils, cosmetics, hair lotions, jewelry and bags; on-line retail store services for the retail sale of clothing, footwear, headgear, soaps, perfumes, essential oils, cosmetics, hair lotions, jewelry and bags.

(260) AM 2013 67837 A
 (800) 1116697
 (731) NORTHLAND GmbH
 Grabenstrasse 90c, A-8010 Graz, Austria
 (540)



(591) Black, white
 (511)
 9 – Scientific, nautical, surveying, photographic, cinematographic, optical, weighing, measuring, signalling, checking (supervision), life-saving and teaching apparatus and instruments; spectacles.

18 – Bags, not included in other classes, travelling bags and valises; rucksacks; umbrellas, parasols, walking sticks.

20 – Goods, not included in other classes, of wood, cork, reed, cane, wicker, horn, bone, ivory, whale bone, shell, amber, mother-of-pearl, meerschaum and substitutes for all these materials, or of plastics, sleeping bags for camping.

22 – Ropes, string, nets, tents, awnings, tarpaulins, sails, sacks and bags (not included in other classes).

24 – Textiles and textile goods, not included in other classes; bed and table covers, sleeping bags (sheeting).

25 – Clothing; footwear; headgear.

(260) AM 2013 67841 A
 (800) 1116705
 (731) UNILIN BVBA
 Ooigemstraat 3, B-8710 WIELSBEKE,
 Belgium
 (540)

QUICK-STEP

(591) Black, white
 (511)
 27 – Carpets, rugs, mats and matting, linoleum and other materials for covering existing floors; wall hangings (non-textile); tapestry (wall hangings), not of textile; gymnastic mats; vinyl floor coverings; carpet underlay; rugs.

(260) AM 2013 67847 A
 (800) 1116748
 (731) Carlo Pazolini TM Global Service Limited
 70 Sir John Rogerson's Quay Dublin 2,
 Ireland
 (540)

CARLO PAZOLINI

(591) Black, white
 (511)
 3 – Bleaching preparations and other substances for laundry use; cleaning, polishing, scouring and abrasive preparations; soaps; perfumery, essential oils, cosmetics, hair lotions; dentifrices.

(260) AM 2013 67848 A
 (800) 1116771
 (731) RICHTER GEDEON NYRT.
 Gyömrői út 19-21, H-1103 Budapest,
 Hungary
 (540)

ДЖАДИЗА

(591) Black, white
 (511)
 5 – Pharmaceutical preparations.

(260) AM 2013 67849 A
 (800) 1116774
 (731) RICHTER GEDEON NYRT.
 Gyömrői út 19-21, H-1103 Budapest,
 Hungary
 (540)

ГИДОРИТ

(591) Black, white
 (511)
 5 – Pharmaceutical preparations.

(260) AM 2013 67850 A
 (800) 1116775
 (731) RICHTER GEDEON NYRT.
 Gyömrői út 19-21, H-1103 Budapest,
 Hungary
 (540)

FORMYRA

(591) Black, white
 (511)
 5 – Pharmaceutical preparations.

(260) AM 2013 67851 A
 (800) 1116801
 (731) BEAUTE PRESTIGE INTERNATIONAL
 28-32, avenue Victor Hugo, F-75116 PARIS,
 France
 (540)



(591) Black, white
 (511)
 3 – Perfumes, eaux de toilette; deodorants for personal use (perfumery); essential oils for personal use;

oils for cosmetic use; liquid soaps for personal use; cleansing milks; cosmetic creams, lotions and products for face care; cosmetic creams, lotions and products for body care; make-up removing lotions; cosmetic products and preparations for skin care, weight-loss, for the bath, or for suntanning; beauty masks; bath and shower gels; bath foams; hair lotions and preparations for hair care; shampoos.

(260) AM 2013 67852 A
 (800) 1116817
 (731) BERNDORF AKTIENGESELLSCHAFT
 Leobersdorfer Strasse 26, A-2560 Berndorf,
 Austria
 (540)



(591) Black, white
 (511)
 6 – Common metals and their alloys; transportable buildings of metal; metal building materials; goods of common metal not included in other classes; bindings of metal; sheets and plates of metal; non-electric cables and wires of common metal; steel strip and steel sheets, particularly of stainless steel; round blank sheets of common metals, particularly of stainless steel; cast iron, unwrought or semi-wrought; steel, particularly stainless steel, unwrought or semi-wrought; swimming pools.

7 – Machines and machine tools; belts for conveyors.

8 – Table cutlery (knives, forks and spoons), razors, hair clippers for personal use, shearers (hand instruments) and nail clippers.

14 – Precious metals and their alloys and goods in precious metals or coated therewith, not included in other classes.

40 – Treatment of materials, engraving, soldering, flame cutting, sawing (saw mill), silver-plating, gilding, tin-plating, chromium plating.

42 – Construction drafting; research and development for others; material testing, quality control; research in the field of environmental protection; material testing; mechanical research.

(260) AM 2013 67855 A
 (800) 1116841
 (731) HNA GROUP CO., LTD
 Hai Hang Bldg., No.29 Haixiu Road,
 Haikou City, 570206 Hainan Province,
 China

(540)



(591) Black, white

(511)

12 – Automobiles; propulsion mechanisms for land vehicles; cycle cars; bicycles; cable transport apparatus and installations; baby carriages; sleighs (vehicles); aeroplane tires (tyres); aeroplanes; boats; vehicles for locomotion by land, air, water or rail.

29 – Meat; food products made from fish; fruits, tinned (canned (am.)); crystallized fruits; vegetables, preserved; eggs; milk; edible oils; fruit salads; fruit jellies; nuts, prepared; dried edible fungus; tofu; soy milk (milk substitute); lactic acid beverage.

30 – Coffee; tea; sugar; chocolate; helix alga; cakes; pasty; oat flakes; noodles; crispy rice; farinaceous foods; ice cream; cooking salt; vinegar; seasonings; leaven; aromatic preparations for food; meat tenderizers, for household purposes; milk tea.

32 – Beer; fruit juices; seltzer water; fruit nectars (non-alcoholic); colas; preparations for making beverages.

35 – Advertising; business management of hotels; organization of exhibitions for commercial or advertising purposes; sales promotion (for others); procurement services for others (purchasing goods and services for other businesses); personnel management consultancy; relocation services for businesses; computerized file management; accounting; rental of vending machines.

36 – Insurance underwriting; capital investments; jewellery appraisal; real estate management; accommodation bureaux (apartments); brokerage; guarantees; charitable fund raising; fiduciary; pawnbrokerage.

37 – Building construction supervision; construction; mining extraction; upholstery; heating equipment installation and repair; electric appliance installation and repair; motor vehicle maintenance and repair; airplane maintenance and repair; shipbuilding; photographic apparatus repair; clock and watch repair; strong-room maintenance and repair; spraying and smearing services; retreading of tires (tyres); cabinet making (repair); dry cleaning; disinfecting; elevator installation and repair.

39 – Transport; hauling; air transport; car parking; storage of goods; water supplying; operating canal locks; courier services (messages or merchandise); tourist travel services (except for hotel reservation);

transport by pipeline; launching of satellites for others; packaging of goods; horse rental; rental of diving suits.

43 – Accommodation bureaux (hotels, boarding houses); hotels; restaurants; bar services; rental of meeting rooms; retirement homes; day-nurseries (crèches); boarding for animals; rental of chairs, tables, table linen, glassware; providing campground facilities.

(260) AM 2013 67856 A

(800) 1116852

(731) ISKRATEL, d.o.o., Kranj

Ljubljanska C. 24A, SI-4000 Kranj, Slovenia

(540)



(591) Blue and black

(511)

9 – Scientific, nautical, surveying, photographic, cinematographic, optical, weighing, measuring, signaling, checking (supervision), life-saving and teaching apparatus and instruments, apparatus and instruments for conducting, switching, transforming, accumulating, regulating or controlling electricity, apparatus for recording, transmitting and reproducing sound and images, magnetic data carriers, recording discs, automatic vending machines and mechanisms for coin operated apparatus, telephone sets, telephone equipment, amusement apparatus and games adapted for use with television receivers, transmitters of electronic signals in telephony and telecommunications; cash registers, calculating machines, data processing equipment and computers, fire extinguishers; digital telecommunications apparatus; chips (integrated circuits, components), integrated circuits, integrated circuit cards (smart cards), magnetic disks, magnetic storage media, modems, computer monitors, data storage media, apparatus for transmitting and reproducing sound or images; transmitters (telephony); transmitters (telecommunication), transmitters of electronic signals, optical apparatus and instruments, optical disks, optical storage media, optical concentrator, electronic publications, downloadable via a computer network (Internet), recorded computer software, downloadable via a computer network; registered computer programs, registered computer software.

37 – Construction, repair, assembly services relating to the installation of telephones and telecommunication devices; repair of telephones and telecommunication devices.

38 – Telecommunications, electronic mail, facsimile transmission, information on telecommunications, rental of message sending apparatus, cable television

broadcasting, communication via mobile phones and computer terminals, communication via fibre optical networks, radio and television transmissions; rental of modems, fax machines, telephones and telecommunications equipment; rental of telecommunication devices and equipment enabling connection to networks, providing access to a global computer network, enabling telecommunications links with the global computer network.

41 – Education, entertainment, sports and cultural activities, organizing and conducting seminars, organizing and conducting conferences and symposia and workshops (training).

42 – Scientific and technological services and related research and design services; industrial analysis and research, design and development of computer hardware and software, engineering services, quality control, engineering design services, research and development for others; engineering services.

(260) AM 2013 67857 A

(800) 1116867

(731) INDUSTRIA DE DISEÑO TEXTIL, S.A.
(INDITEX, S.A.)

Avda. de la Diputación, Edificio Inditex,
E-15142 ARTEIXO (A CORUÑA), Spain

(540)

BSK

(591) Black, white

(511)

3 – Bleaching preparations and other substances for laundry use; cleaning, polishing, scouring and abrasive preparations; soaps; perfumery, essential oils, cosmetics, hair lotions; dentifrices; shoe polish, creams and wax; tailor's wax; shoemaker's wax; waxes for leather; depilatory wax; laundry wax; parquet floor wax; shampoo; cosmetic kits; depilatory preparations; make-up removing preparations; deodorants for personal use (perfumery); lipsticks; pencils for cosmetic uses; hair spray and nail polish; polish remover preparations; tissues impregnated with cosmetic lotions; cleaning cloths impregnated with a detergent; after-shave lotions; lotions for cosmetic purposes; make-up preparations; pomades for cosmetic purposes; stain removers; preparations for perfuming linen; nail care preparations; bleaching preparations (decolorants) for cosmetic purposes; flower extracts (perfumes); incense; scented wood; decorative transfers for cosmetic purposes; false eyelashes and nails; pumice stones; potpourris; cosmetic preparations for slimming purposes; cosmetic preparations for the bath; hair waving preparations; laundry detergent; toiletries; mouthwash not for medical purposes; bath salts not for medical purposes; oils for toiletry purposes; sunscreen preparations; cologne; deodorant soaps; talcum powder for toiletry use; adhesives for cosmetic purposes; gre-

ases for cosmetic purposes; abrasives; shaving preparations; colour brightening chemicals for household purposes (laundry); cotton buds for cosmetic purposes; beauty masks; moustache wax; bleaching preparations; hair dyes; cosmetics for eyebrows; cleaning chalk; shampoos for pets; cosmetics for animals; cosmetic creams; disinfectant soap; cakes of soap; soap for foot perspiration; detergents other than for use in manufacturing operations and for medical purposes; laundry starch; cleansing milk for toiletry purposes; javelle water; dry-cleaning preparations; scented water; perfumes; cosmetic preparations for eyelashes; cosmetic preparations for skin care; make-up powder; adhesives for affixing false hair; fabric softeners for laundry use; cosmetic dyes; dyeremoving preparations; eaux de toilette.

14 – Precious metals and their alloys and goods in precious metals or coated therewith, not included in other classes; jewelry, precious stones; horological and chronometric instruments; ornamental pins; tie pins; works of art of precious metal; key holders; medals; coins; badges of precious metal; shoe and hat ornaments of precious metal; cufflinks; watch chains; clock cases; threads of precious metal (jewelry); jewelry cases; ornaments (jewelry); jewelry of yellow amber; pins and amulets (jewelry); rings (jewelry); ornaments of jet; bracelets (jewelry); brooches (jewelry); chains (jewelry); boxes of precious metal; necklaces (jewelry); tie clips; watch crystals, watch glasses; chronographs (wristwatches); alarm clocks; diamonds; charms (jewelry); paste jewelry; cases for watches; ivory ornaments (jewelry); medallions (jewelry); earrings; pearls (jewelry); watch straps; clocks.

18 – Leather and imitation leather, and goods made of these materials not included in other classes; animal skins, hides; trunks and suitcases; umbrellas, parasols and walking sticks; whips, harness and saddlery; bags for climbers and campers and beach bags; handbag frames; frames for umbrellas or parasols; mountaineering poles; sports bags; net bags for shopping; travel bags; leather bags for packaging; bags; travel cases and key cases (leather goods); attaché cases; purses not made of precious metal; leather hatboxes; leather slingbags for carrying infants; wheeled shopping bags; containers and boxes of leather or leatherboard; boxes of vulcanized fiber; cardholders (wallets); pocket wallets; satchels (handbags); school satchels; vanity cases; animal collars; dog leashes; leather cord; umbrella sheaths; covers for horse-saddles; knapsacks; backpacks; halters; leather thread; suitcase handles; handles for walking sticks and umbrellas; whips; horse blankets; furniture coverings of leather; clothing for animals; riding cushions (horseback riding); umbrella rings; blinders (harness); animal harnesses; leashes; harness fittings; walking-stick seats; leather shoulder belts (straps); empty tool bags of leather;

muzzles; bridles (harnesses); head-stalls; leather-board; leather lanyards; travel trunks; shopping bags; leather equipment; lanyards for harnesses; leather straps (saddlery); straps for skates; leather trimmings for furniture; leather cords; butts (parts of hides); curried skins; riding whips; leather covers; stirrups; rubber parts for stirrups; bits for animals (harness); reins; carrying cases; moleskin (imitation leather); fur (animal skins and hides); chamois leather, other than for cleaning purposes; nose bags (feed bags); leather casings for springs; kneepads for horses; riding saddles; fastenings for saddles (straps); traces (harness); leather valves.

25 – Clothing, footwear, headgear; motorists' and cyclists' clothing; bibs, not of paper; headbands (clothing); dressing gowns; bathing suits (swimsuits); bathing caps and sandals; boas (necklets); baby diapers (of textile); scarves; sports and beach footwear; hoods (clothing); shawls; belts (clothing); money belts (clothing); wetsuits for water-skiing; neckties; corsets (underclothing); sashes for wear; fur stoles; scarves; caps (headgear); hats (headgear); gloves (clothing); raincoats; girdles (underclothing); lingerie; mantillas; stockings; socks; bandanas (neckerchiefs); diapers of textile; furs (clothing); pajamas; soles (for footwear); heels; veils (clothing); suspenders; layettes (clothing); collars (clothing); singlets; mittens; earmuffs (clothing); inner soles; cuffs, wristbands (clothing); dress shields; beach clothes; gowns; pockets for clothing; socks suspenders; stocking suspenders; petticoats; tights; aprons (clothing); masquerade costumes; uniforms; visors (headgear); clogs; galoshes; coats; esparto shoes or sandals; non-slipping devices for boots and shoes; bathrobes; bath slippers; caps; smocks; teddies (undergarments); berets; footmuffs, not electrically heated; lace boots; boots; boot uppers; studs for football boots; half-boots; fittings of metal for footwear; tips for footwear; welts for footwear; underpants; shirts; shirt yokes; shirt fronts; chemisettes (shirt fronts); tee-shirts; camisoles; vests, waistcoats; jackets; fishing vests; stuff jackets (clothing); combinaisons (undergarments); ready-made clothing; detachable collars; leather clothing; imitation leather clothing; shower caps; pumps; skirts; pants; ready-made linings (parts of clothing); overcoats (topcoats) (clothing); gabardines (clothing); gymnastic shoes; jerseys (clothing); pullovers; sweaters; liveries; muffs (clothing); footwear uppers; pocket squares (clothing); parkas; pelerines; pelisses; leggings; gaiters; knitwear (clothing); clothing for gymnastics; outerclothing; underwear; sandals; saris; underpants; hats; wimples; togas; gaiter straps, trouser straps; suits; turbans; items of clothing; slippers; shoes; sports shoes.

(260) AM 2013 67858 A

(800) 336687

(731) AZIENDE CHIMICHE RIUNITE ANGELINI
FRANCESCO A.C.R.A.F. S.P.A.

via Amelia 70, I-00181 ROMA, Italy

(540)

ANGELINI

(591) Black, white

(511)

1 – Chemicals used in industry, science and photography, as well as in agriculture, horticulture and forestry; unprocessed artificial resins, unprocessed plastics; manures; fire extinguishing compositions; tempering and soldering preparations; chemical substances for preserving foodstuffs; tanning substances; adhesives used in industry.

2 – Paints, varnishes, lacquers; preservatives against rust and against deterioration of wood; colorants; mordants; resins; metals in foil and powder form for painters and decorators.

3 – Bleaching preparations and other substances for laundry use; cleaning, polishing, scouring and abrasive preparations; soaps; perfumery, essential oils, cosmetics, hair lotions; dentifrices.

4 – Industrial oils and greases (excluding edible fats and essential oils); lubricants; dust-binding compositions; fuel compounds (including petrol) and illuminants; tapers, candles, night lights and wicks.

6 – Common metals, unwrought or semi-wrought, and their alloys; anchors, anvils, bells, rolled and cast building materials; metal rails and other metal materials for railway tracks; chains (excluding drive chains for vehicles); non-electric cables and wires of common metal; locksmithing; pipes and tubes of metal; safes and strongboxes; steel balls; horseshoes; nails and screws; other goods of metal (non-precious) not included in other classes; ores.

7 – Machines and machine tools; motors and engines (excluding those for vehicles); transmission couplings and belts (excluding for vehicles); large agricultural instruments; incubators.

8 – Hand tools and instruments; cutlery; side arms.

9 – Photographic, cinematographic, optical, weighing apparatus and instruments.

10 – Surgical, medical, dental, and veterinary instruments and apparatus (including artificial limbs, eyes and teeth).

11 – Lighting, heating, steam generating, cooking, refrigerating, drying, ventilating, water supply and sanitary installations.

12 – Vehicles; apparatus for locomotion by land, air or water.

14 – Precious metals and their alloys and products made from these materials or coated therewith (excluding cutlery); jewellery, precious stones; time-pieces and other chronometric instruments.

16 – Paper and paper goods, cardboard and goods made of cardboard; printed matter, newspapers and periodicals, books; bookbinding material; photographs; stationery, adhesive materials (for stationery); materials for artists; paintbrushes; typewriters and office requisites (except furniture); instructional and teaching material (except apparatus); playing cards; printers' type; printing blocks.

17 – Gutta-percha, elastic gum, balata and substitutes, objects made thereof and not included in other classes; packing, stopping and insulating material; asbestos, mica and their products, flexible pipes, not of metal.

18 – Leather and imitations of leather, articles made thereof, not included in other classes; hides; trunks and travelling bags; umbrellas, parasols and walking sticks; whips, harness and saddlery.

19 – Building materials, natural and artificial stones, cement, lime, mortar, plaster and gravel; sandstone or cement tubes; products for road building; asphalt, pitch and bitumen; mobile homes; stone monuments; chimneys.

20 – Furniture, mirrors, frames; goods (not included in other classes) made of wood, cork, reed, cane, wicker, horn, bone, ivory, whalebone, shell, amber, mother-of-pearl, meerschaum, celluloid and substitutes for all these materials.

21 – Small portable household and kitchen utensils and containers (neither of precious metals, nor coated therewith); combs and sponges; brushes (except paintbrushes); brush-making materials; cleaning instruments and equipment; steel wool; glassware, porcelain and earthenware not included in other classes.

22 – Ropes, string, nets, tents, awnings, tarpaulins, sails, sacks and bags; padding and stuffing materials (animal hair, kapok, feathers, seaweed etc); raw fibrous textile materials.

23 – Yarns.

24 – Fabrics; bed and table covers; textile goods not included in other classes.

25 – Clothing, including boots, shoes and slippers.

26 – Lace and embroidery, ribbons and braid; buttons, snap fasteners, hook and eye, pins and needles; artificial flowers.

27 – Carpets, rugs, mats and matting, linoleum and other materials for covering existing floors; wall hangings (non-textile).

28 – Games and playthings; gymnastic and sporting articles, excluding clothing; decorations for Christmas trees.

29 – Meat, fish, poultry and game; meat extracts; preserved, frozen, dried and cooked fruits and vegetables; jellies, jams, compotes; eggs, milk and milk products; edible oils and fats; preserves and pickles.

30 – Coffee, tea, cocoa, sugar, rice, tapioca, sago, artificial coffee; flours and cereal preparations, bread, biscuits, cakes, pastry and confectionery, edible ices; honey, treacle; yeast, baking-powder; salt, mustard; pepper, vinegar, sauces; spices; ice.

31 – Agricultural, horticultural and forestry products and grains, not included in other classes; live animals; fresh fruits and vegetables; seeds, living plants and natural flowers; foodstuffs for animals, malt.

32 – Beer, ale and porter's ales; mineral and aerated waters and other non-alcoholic drinks; syrups and other preparations for making beverages.

33 – Wines, spirits and liqueurs.

34 – Raw or manufactured tobacco; smokers' articles; matches.

(260) AM 2013 67859 A

(800) 762361

(731) Liu.Jo S.p.A.

Viale John Ambrose Fleming 17, I-41012
Carpi, Modena, Italy

(540)

LIU·JO

(591) Black, white

(511)

18 – Handbags, Boston bags, tote bags, shoulder bags, briefcases, passport cases, business card cases, credit card cases, satchels, backpacks, clutch bags, travelling trunks, travelling bags, suitcases, wallets, purses not of precious metal, keycases (leather), portable vanity cases sold empty, duffel bags, money belts, garment bags, umbrellas, parasols.

25 – Pullovers, cardigans, sweaters, jumpers, jackets, parkas, swimwear, one-piece swimsuits, bikinis, kaftans, pareos, blouses, sweat pants, sweat shirts, shirts, polo shirts, trousers, jeans, waistcoats, skirts, beach shorts, boxer shorts, cycling shorts, gym shorts, swimming shorts, tennis shorts, Bermuda shorts, shorts, T-shirts, evening gowns, house dresses, short boleros, shrugs, dresses, women's dresses, men's suits, women's suits, coats, half coats, raincoats, anoraks for exercise; anoraks not for exercise; down jackets, overcoats, clothing of leather, tracksuits, underwear, bathrobes, brassières, underpants, tangas, G-strings, knickers, camisoles, vests, tops, bustiers, corsets, night gowns, pajamas, hosiery and panty-hoses, tights, stockings, gupieres, slippers,

socks, legwarmers, foulards, capes, sashes (for clothing), shawls, scarves, neckties, gloves for protection against cold, belts (for clothing), braces, leather shoes, rubber shoes, rain shoes, trainers, ankle boots, patent leather shoes, boots, sandals, slippers, clogs, hats and caps.

(260) AM 2013 67860 A

(800) 902240

(731) "Amalgame Luxe" Community with limited responsibility
Gromodyanska, 119, of. 109 Mykolayiv
54017, Ukraine

(540)

СУЛЬСЕНА

(591) Black, white

(511)

3 – Balms, gels, creams, lotions, oils, soap, hair strengthening creams, hair care preparations, and wax treatments for the hair, included in this class.

16 – Paper, cardboard and goods made from these materials, not included in other classes; printed matter; materials for book frames; photos; writing instruments, included in this class; glue for stationery or household purposes; artists' materials; brushes; typewriters and writing equipment (except for furniture); teaching materials (except for the equipment); plastic materials for packing, not included in other classes.

35 – Advertising; business management; business administration; marketing research.

42 – Hygienic and cosmetic care research; legal services; scientific and industrial research; computer programming.

(260) AM 2013 67861 A

(800) 906196

(731) IDM Pharma SAS
11-15 quai de Dion Bouton, F-92816
Puteaux Cedex, France

(540)

МЕРАСТ

(591) Black, white

(511)

5 – Chemicals for preparations for medical or veterinary use, namely muramyl peptides and muramyl tripeptides, muramyl tripeptide phosphatidyl ethanolamine (MTP-PE), Nacetylmuramyl-L-alanyl-D-isoglutaminyl-L-alanine-2-(1,2-dipalmitoyl-sn-glycero-3-hydroxyphosphoryloxy)-ethylamide, hexopyranose and formulations of muramyl peptides, namely liposomal formulations, pharmaceutically acceptable forms of muramyl peptides, pharmaceutically acceptable salts of muramyl pep-

tides, all of these products being more specifically meant to be used for anti-cancer therapy, antiviral therapy, neoplasia and pathologies induced by chemotherapy, namely mucositis, myelosuppression, peripheral neuropathy; pharmaceutical preparations, namely for anti-cancer and antiviral therapies, neoplasia, and pathologies induced by chemotherapy, namely mucositis, myelosuppression, peripheral neuropathy.

(260) AM 2013 67863 A

(800) 947528

(731) KOLENOV IGOR VIKTOROVYCH
vul. Gusovskogo 11/11, kv. 18, m. Kyiv 11,
01011, Ukraine

(540)



PARK LANE

(591) Black, white

(511)

35 – Advertising; business management; business administration; office functions.

36 – Insurance; financial affairs; monetary affairs; real estate affairs.

42 – Scientific and technological services and research and design relating thereto; industrial analysis and research services; design and development of computer hardware and software.

45 – Legal services; personal and social services rendered by others to meet the needs of individuals; security services for the protection of property and individuals.

(260) AM 2013 67868 A

(800) 1030978

(731) Otkrytoe Aktsionernoe Obshchestvo
"Khimiko-farmatsevtichesky kombinat
"AKRIKHIN"
ulitsa Kirova, 29, Noginsky raion, gor.
Staraya Kupavna, RU-142450 Moskovskaya
oblastj, Russian Federation

(540)

ПАНТОДЕРМ

(591) Black, white

(511)

5 – Pharmaceutical preparations.

(260) AM 2013 67869 A

(800) 1037744

(731) ARCADIA GROUP BRANDS LIMITED
Colegrave House, 70 Berners Street, London
W1T 3NL, United Kingdom

(540)

TOPMAN

(591) Black, white

(511)

3 – Bleaching preparations and other substances for laundry use; cleaning, polishing, scouring and abrasive preparations; non-medicated preparations for the application to, conditioning and care of hair, scalp, skin and nails; soaps; perfumes; perfumery; eau de cologne; toilet waters; essential and herbal oils; cosmetics; make-up preparations; lipsticks; nail varnishes; nail varnish removers; non-medicated toilet preparations; hair lotions; hair sprays and hair gels; preparations for use in the bath or shower; bath and shower oils, gels, creams and foams; face and body masks; face and body scrubs; facial washes; skin cleansers and hydrators; skin toners; skin moisturizers; blemish creams and blemish gels; deodorants; antiperspirants; preparations for use before shaving and after shaving; shaving soaps; shaving creams; shaving gels; after-shave preparations; pre-shave preparations; talcum powders; toiletries; dentifrices; toothpastes.

14 – Precious metals and their alloys and goods in precious metals or coated therewith, not included in other classes; jewellery, precious stones; horological and chronometric instruments; imitation jewellery; semi-precious stones; necklaces; rings; earrings; bracelets; anklets; bangles; pendants; brooches; tiaras; parts and fittings for all the aforesaid goods.

18 – Leather and imitations of leather and goods made of these materials and not included in other classes; trunks and travelling bags; travel cases; luggage; suitcases; holdalls; portmanteaux; valises; bags; handbags; shoulder bags; toiletry bags; carrier bags; rucksacks; backpacks; bumbags; sports bags; casual bags; briefcases; attaché cases; music cases; satchels; beauty cases; garment bags and carriers; tie cases; notecases; notebook holders; document cases and holders; credit card cases and holders; wallets; purses; umbrellas; parasols; walking sticks; shooting sticks; leather shoulder belts; parts and fittings for all the aforesaid goods.

25 – Articles of clothing; footwear; boots; shoes; slippers, sandals; trainers; socks; ties; cravats; hosiery; legwarmers; headgear; hats; caps; berets; scarves; shawls; wraps; ear muffs; gloves; mittens; belts (being articles of clothing); aprons.

35 – Retail services connected with the sale of cosmetics, food and drink, chocolates, sweets, candies, soft drinks, non-alcoholic beverages, alcoholic beverages, clothing, footwear, hosiery, hair accessories,

fashion accessories, bags, millinery, jewellery, imitation jewellery, writing instruments, stationery, books, watches and eyewear; the bringing together in a retail outlet, for the benefit of others, of cosmetics, food and drink, chocolates, sweets, candies, soft drinks, non-alcoholic beverages, alcoholic beverages, clothing, footwear, hosiery, hair accessories, fashion accessories, bags, millinery, jewellery, imitation jewellery, writing instruments, stationery, books, watches and eyewear, thereby to enable customers conveniently to view and to purchase those goods; the bringing together, for the benefit of others, of a variety of descriptions of, or of images of, cosmetics, food and drink, chocolates, sweets, candies, soft drinks, non-alcoholic beverages, alcoholic beverages, clothing, footwear, hosiery, hair accessories, fashion accessories, bags, millinery, jewellery, imitation jewellery, writing instruments, stationery, books, watches and eyewear in a catalogue, thereby to enable customers conveniently to view and to purchase those goods by mail order; the bringing together, for the benefit of others, of a variety of descriptions of, or of images of, cosmetics, food and drink, chocolates, sweets, candies, soft drinks, non-alcoholic beverages, alcoholic beverages, clothing, footwear, hosiery, hair accessories, fashion accessories, bags, millinery, jewellery, imitation jewellery, writing instruments, stationery, books, watches and eyewear on an Internet Website, thereby to enable customers conveniently to view and to purchase those goods by means of telecommunications; provision of information, advice and assistance to customers relating to the aforementioned services; window dressing; arranging window displays; business administration.

(260) AM 2013 67871 A

(800) 1098388

(731) Talpa Content B.V.
Zevenend 45, NL-1251 RL Laren,
Netherlands

(540)



(591) Black, white

(511)

9 – Audiovisual apparatus; apparatus for recording, transmission or reproduction of text, sound and/or images; magnetic data carriers, image and/or sound recording disks; cassettes, compact discs, video tapes, video compact discs (image discs), interactive CDs (CD-Is), read-only-memory discs (CD-ROMs),

mini discs, DVDs and other digital data carriers; electronic and digital publications, on data carriers or otherwise; data-processing apparatus; computers, peripheral devices for computers; television apparatus; telephone equipment; software; computer games; glasses; sunglasses.

25 – Clothing, footwear, headgear.

41 – Education and entertainment; compiling, producing, directing and performing of radio, television, audiovisual, musical, entertainment and theatre programmes; production of films and videotapes; education, providing of training and courses; organising and conducting of congresses, seminars, lectures and other educational activities; organising sporting, cultural, musical and educational events; organisation of trade fairs and exhibitions for cultural and educational purposes; providing of information in the fields of showbusiness, entertainment, radio and television programmes, motion picture films, culture, education, entertainment and sport (content); devising concepts for (game) shows on radio and television, including formats; film and video film rental; rental of show scenery; rental of radio and television receiving sets; publishing, lending and dissemination of books, newspapers, magazines, guides, programme listings and other publications; publishing services; lottery services; the aforesaid services including via radio, television, teletext, the Internet or other networks, electronic or otherwise; providing information on culinary activities and cooking (entertainment); editorial services (non-publicity); making photographic, film and video reports; photography.

(260) AM 2013 67872 A

(800) 1111299

(731) C & C IP SÀRL

18 avenue Marie-Thérèse, L-2132
Luxembourg, Luxembourg

(540)



(591) Red, white, black and gold

(511)

32 – Beers; lagers; stouts; mineral and aerated waters and other non-alcoholic drinks; fruit drinks and fruit juices; syrups and other preparations for making beverages.

(260) AM 2013 67902 A

(800) 1117881

(731) VTB Bank (open joint-stock company)
29, ul. Bolshaya Morskaya, RU-190000
St.-Petersburg, Russian Federation

(540)

World without barriers.VTB Group

(591) Black, white

(511)

9 – Identity cards, magnetic; smart cards [integrated circuit cards]; computer software [recorded]; computer programs [downloadable software].

16 – Credit card imprinters, non-electric.

35 – Business management; business administration; office functions; import-export agencies; commercial information agencies; cost price analysis; auditing; employment agencies; computerized file management; accounting; efficiency experts; demonstration of goods; opinion polling; marketing studies; business information; statistical information (terms too vague in the opinion of the International Bureau – Rule 13(2)(b) of the Common Regulations); business research; marketing research; personnel recruitment; business management and organization consultancy; personnel management consultancy; business organization consultancy; business management consultancy; professional business consultancy; business management of performing artists; news clipping services; organization of exhibitions for commercial or advertising purposes; organization of trade fairs for commercial or advertising purposes; business appraisals; payroll preparation; business management assistance; commercial or industrial management assistance; economic forecasting; auctioneering; sales promotion [for others]; compilation of information into computer databases; business inquiries; systemization of information into computer databases; tax preparation; drawing up of statements of accounts; public relations.

36 – Insurance; financial affairs; monetary affairs; real estate affairs; credit bureaux; debt collection agencies; real estate agencies; customs brokerage; financial analysis; leasing of farms; lease-purchase financing; savings banks; accommodation bureaux [apartments]; rent collection; issuing of travellers' checks; issuance of credit cards; issue of tokens of value; capital investments; Insurance information; financial information; clearing [financial]; insurance consultancy; financial consultancy; stock exchange quotations; business liquidation services [financial]; brokerage; financial management; exchanging money; debit card services; credit card services; home banking; factoring; organization of collections; antique appraisal; jewellery appraisal; stamp appraisal; real estate appraisal; numismatic appraisal; art appraisal; financial evaluation [insurance, banking, real estate]; electronic funds transfer; guarantees; stocks

and bonds brokerage; real estate brokers; insurance brokerage; loans [financing]; lending against security; check [cheque] verification; charitable fund raising; leasing of real estate; rental of offices [real estate]; renting of apartments; financial sponsorship; mortgage banking; instalment loans; apartment house management; real estate management; actuarial services; banking; retirement payment services; trusteeship; mutual funds; financing services; safe deposit services; deposits of valuables; fiscal assessments.

(260) AM 2013 67903 A

(800) 1117882

(731) VTB Bank (open joint-stock company)
29, ul. Bolshaya Morskaya, RU-190000
St.-Petersburg, Russian Federation

(540)



(591) Black, white

(511)

9 – Identity cards, magnetic; smart cards [integrated circuit cards]; computer software [recorded]; computer programs [downloadable software].

16 – Credit card imprinters, non-electric.

35 – Business management; business administration; office functions; import-export agencies; commercial information agencies; cost price analysis; auditing; employment agencies; computerized file management; accounting; efficiency experts; demonstration of goods; opinion polling; marketing studies; business information; statistical information (terms too vague in the opinion of the International Bureau – Rule 13(2)(b) of the Common Regulations); business research; marketing research; personnel recruitment; business management and organization consultancy; personnel management consultancy; business organization consultancy; business management consultancy; professional business consultancy; business management of performing artists; news clipping services; organization of exhibitions for commercial or advertising purposes; organization of trade fairs for commercial or advertising purposes; business appraisals; payroll preparation; business management assistance; commercial or industrial management assistance; economic forecasting; auctioneering; sales promotion for others; compilation of information into computer databases; business inquiries; systemization of information into computer databases; tax preparation; drawing up of statements of accounts; public relations.

36 – Insurance; financial affairs; monetary affairs; real estate affairs; credit bureaux; debt collection

agencies; real estate agencies; customs brokerage; financial analysis; leasing of farms; lease-purchase financing; savings banks; accommodation bureaux [apartments]; rent collection; issuing of travellers' checks; issuance of credit cards; issue of tokens of value; capital investments; Insurance information; financial information; clearing [financial]; insurance consultancy; financial consultancy; stock exchange quotations; business liquidation services [financial]; brokerage; financial management; exchanging money; debit card services; credit card services; home banking; factoring; organization of collections; antique appraisal; jewellery appraisal; stamp appraisal; Real estate appraisal; numismatic appraisal; art appraisal; financial evaluation [insurance, banking, real estate]; electronic funds transfer; guarantees; stocks and bonds brokerage; real estate brokers; insurance brokerage; loans [financing]; lending against security; check [cheque] verification; charitable fund raising; leasing of real estate; rental of offices [real estate]; renting of apartments; financial sponsorship; mortgage banking; instalment loans; apartment house management; real estate management; actuarial services; banking; retirement payment services; trusteeship; mutual funds; financing services; safe deposit services; deposits of valuables; fiscal assessments.

(260) AM 2013 67904 A

(800) 1117895

(731) ARCH WOOD PROTECTION, INC.
5660 New Northside Drive, Suite 1100,
Atlanta GA 30328, USA

(540)

DRICON

(591) Black, white

(511)

1 – Fire retardant chemicals.

2 – Preservative against degradation of wood and other cellulosic materials.

19 – Wood treated with fire retardant chemical.

(260) AM 2013 67908 A

(800) 1117909

(731) BERTSCH HOLDING GMBH
Herrengasse 23, A-6700 Bludenz,
Austria

(540)

BERTSCH-LASKA

(591) Black, white

(511)

7 – Operational equipment for abattoirs and the meat industry, namely machinery and equipment for meat processing, especially cutters, mincers, frozen meat cutters; blenders, mixing machines, grinding machi-

nes; kitchen machines; mechanical equipment and tools for butchers' requirements.

8 – Manually operated apparatus and instruments for slaughtering and skinning butchers' animals; cutlery; butchers' knives, forks and spoons, side arms; instruments for the slaughtering of livestock.

11 – Operational equipment for abattoirs and the meat industry, namely apparatus for cooking, refrigerating and drying, refrigerators; refrigerating machines, refrigerated display cabinets for butchers' requirements; apparatus for cooking, refrigerating and drying, refrigerators; refrigerating machines, refrigerated display cabinets for butchery.

18 – Skins of butchery animals; gut for making sausage casings.

(260) AM 2013 67909 A

(800) 1117928

(731) LIABILITY LIMITED COMPANY "ELFA LABORATORY"

vul. Simi Sosninykh, 9, m. Kyiv 03148, Ukraine

(540)

ZELENA APTEKA

(591) Black, white

(511)

3 – Bleaching preparations and other substances for laundry; cleaning, polishing preparations, degreasers other than for use in manufacturing processes, abrasives; soap; perfumes, ethereal oils, cosmetics, hair lotions; dentifrices.

(260) AM 2013 67911 A

(800) 1117966

(731) Ministerul Agriculturii și Industriei

Alimentare al Republicii Moldova

Bd. Ștefan cel mare nr. 162, MD-2004

Chișinău, Republic of Moldova

(540)

PASTORAL

(591) Black, white

(511)

33 – Rosé and red dessert wines.

(260) AM 2013 67912 A

(800) 1117971

(731) Centrum Nauki Kopernik

Wybrzeże Kościuszkowskie 20, PL-00-390

Warszawa, Poland

(540)



(591) Blue, dark blue and navy blue

(511)

9 – Scientific apparatus and instruments, teaching apparatus and instruments and parts therefor, optical, weighing, measuring, photographic, surveying and signalling apparatus and instruments, apparatus for recording, transmission or reproduction of sound or images, magnetic data carriers, recording discs and parts therefor, teaching articles, computer-controlled articles, computers, animated cartoons, decorative magnets, recorded computer software, computer game programs, computer programs, recorded, computer programs (downloadable software), transparencies, electronic publications (downloadable).

16 – Paper, cardboard and goods made from these materials, not included in other classes, printed matter, photographs, stationery, printed publications, books, photographs, leaflets, posters, albums, booklets, periodicals, calendars, catalogues, comics, printed matter, book jackets, drawing materials, stationery, books containing games, teaching and training materials.

35 – Advertising, office functions, sale of museum, scientific, popular science, educational, and souvenir publications, souvenirs, educational toys and sets, marketing in the fields of science, entertainment and culture, dissemination of advertising matter, professional business consultancy relating to science, education and entertainment, sponsorship search, organisation of trade fairs.

41 – Education, providing of training, entertainment, cultural activities, teaching, education information, publishing, practical training, arranging of colloquiums, arranging of knowledge contests, publication of texts, publication of books, organisation of competitions (for educational, scientific or entertainment purposes), arranging and conducting of symposiums, arranging and conducting of seminars, amusement parks, organisation of exhibitions for cultural or educational purposes, arranging and conducting of congresses, arranging and conducting of conferences, education, online publication, providing museum facilities, practical training, amusement parks, production of shows; Photographer services.

42 – Conducting of scientific and educational opinions, analysis, research and studies.

43 – Rental of meeting rooms, food and drink catering.

(260) AM 2013 67914 A

(800) 1117984

(731) Ministerul Agriculturii și Industriei

Alimentare al Republicii Moldova

Bd. Ștefan cel mare nr. 162, MD-2004

Chișinău, Republic of Moldova

(540)

NOROC

(591) Black, white
(511)
33 – Wine.

(260) AM 2013 67917 A

(800) 1118000

(731) Omega SA (Omega AG) (Omega Ltd.)
Jakob-Stämpfli-Strasse 96, CH-2502
Biel/Bienne, Switzerland

(540)

SPEEDMASTER Z-33

(591) Black, white
(511)
14 – Precious metals and their alloys and goods in these materials included in this class; jewelry, precious stones; horological and chronometric instruments.

(260) AM 2013 67918 A

(800) 1118016

(731) Movado Watch Company S.A.
Bettlachstrasse, CH-2540 Grenchen,
Switzerland

(540)

**MOVADO MODERN AHEAD
OF ITS TIME**

(591) Black, white
(511)
14 – Wristwatches, watch straps, watch cases, watch dials, watch clasps, watch movements, watch winder crowns, watch hands, clocks.

(260) AM 2013 67919 A

(800) 1118036

(731) EGIS GYOGYSZERGYÁR Nyilvánosan
Működő Részvénytársaság
Keresztúri út 30-38, H-1106 Budapest,
Hungary

(540)

NOFREDON

(591) Black, white
(511)
5 – Pharmaceutical preparations for human use.

(260) AM 2013 67920 A

(800) 1118037

(731) EGIS GYOGYSZERGYÁR Nyilvánosan
Működő Részvénytársaság
Keresztúri út 30-38, H-1106 Budapest,
Hungary

(540)

EGILUR

(591) Black, white
(511)
5 – Pharmaceutical preparations for human use.

(260) AM 2013 67922 A

(800) 1118038

(731) EGIS GYÓGYSZERGYÁR Nyilvánosan
Működő Részvénytársaság
Keresztúri út 30-38, H-1106 Budapest,
Hungary

(540)

EGIANTI

(591) Black, white
(511)
5 – Pharmaceutical preparations for human use.

(260) AM 2013 67923 A

(800) 1118039

(731) EGIS GYÓGYSZERGYÁR Nyilvánosan
Működő Részvénytársaság
Keresztúri út 30-38, H-1106 Budapest,
Hungary

(540)

LAURIX

(591) Black, white
(511) .
5 – Pharmaceutical preparations for human use for the prevention and/or treatment of diseases of the central nervous system; of psychiatric and neurological diseases and disorders, antidepressant pharmaceutical preparations; pharmaceutical preparations for the treatment of cancer and respiratory diseases, with the exclusion of vaccines.

(260) AM 2013 67925 A

(800) 1118101

(731) EGIS GYÓGYSZERGYÁR Nyilvánosan
Működő Részvénytársaság
Keresztúri út 30-38, H-1106 Budapest,
Hungary

(540)

LEFEMA

(591) Black, white
(511)
5 – Pharmaceutical preparations for human use.

(260) AM 2013 67926 A

(800) 1118118

(731) International Business Company IPO group
AG

103 Sham Peng Tong Plaza, Victoria, Mahe,
Seychelles, Seychelles

(540)

6 P.M.

(591) Black, white

(511)

18 – Leather and imitations of leather, and goods made of these materials and not included in other classes; trunks and travelling bags; pocket wallets; card cases [notecases]; briefcases; coverings of skins [furs]; travelling sets [leatherware]; garment bags for travel; handbags; wheeled shopping bags; beach bags; bags for sports; key cases; suitcases; attaché cases.

25 – Clothing, footwear, headgear; body linen [garments]; underwear; overalls; smocks; teddies [undergarments]; half-boots; breeches for wear; trousers; neckties; vests; singlets; sports jerseys; hosiery; collar protectors; suits; bathing suits; beach clothes; jackets [clothing]; tee-shirts; furs [clothing]; fur stoles; socks; beach shoes; sports shoes; outerclothing; ready-made clothing; gabardines [clothing]; jerseys [clothing]; clothing of leather; knitwear [clothing]; overcoats; parkas; gloves [clothing]; scarves; dresses; waterproof clothing; lace boots; belts [clothing]; jumpers [pullovers]; shirts; wooden shoes; sandals; boots; sweaters; underpants; shoes; sashes for wear; pelisses; skirts.

(260) AM 2013 67950 A

(800) 1118333

(731) U-HAUL INTERNATIONAL, INC.

2727 North Central Avenue, Phoenix AZ
85004, USA

(540)

U-BOX

(591) Black, white

(511)

39 – Moving and storage services, namely, rental, moving, storage, delivery and pick up of portable storage units.

(260) AM 2013 67951 A

(800) 1118386

(731) LIMITED LIABILITY COMPANY "ARDA-TRADING"

Mira street, 29/28, Sinelnikovo,
Dnipropetrovsk region, Ukraine

(540)

Charis

(591) Black, white

(511)

33 – Alcoholic beverages (except beers).

(260) AM 2013 67952 A

(800) 1118392

(731) APPLE INC.

1 Infinite Loop, Cupertino, CA 95014, USA

(540)



(591) Cream, gold, black, white

(511)

9 – Computer software for creating and sending greeting cards and other personalized cards.

(260) AM 2013 67953 A

(800) 1118402

(731) RICHTER GEDEON NYRT.

Gyömrői út 19-21, H-1103 Budapest,
Hungary

(540)

ФОРМИРА

(591) Black, white

(511)

5 – Pharmaceutical preparations.

(260) AM 2013 67954 A

(800) 1118403

(731) JANSSEN PHARMACEUTICA NV

Turnhoutseweg 30, B-2340 BEERSE,
Belgium

(540)

PURSIST

(591) Black, white

(511)

5 – Human pharmaceuticals for the treatment of anti-viral diseases, auto-immune and inflammatory diseases, cardiovascular diseases, central nervous system diseases, pain, dermatologic disorders, gastro-intestinal diseases, infectious related diseases, metabolic diseases, oncologic diseases, and respiratory diseases, muscle dystonias, wrinkles and smooth muscle disorders, excluding ophthalmic pharmaceutical preparations for the treatment of allergic conjunctivitis.

(260) AM 2013 67955 A
(800) 1118404
(731) RICHTER GEDEON NYRT.
Gyömrői út 19-21, H-1103 Budapest,
Hungary

(540)

XIRLAN

(591) Black, white
(511)
5 – Pharmaceutical preparations.

(260) AM 2013 67956 A
(800) 1118405
(731) RICHTER GEDEON NYRT.
Gyömrői út 19-21, H-1103 Budapest,
Hungary

(540)

XYDESYL

(591) Black, white
(511)
5 – Pharmaceutical preparations.

(260) AM 2013 67957 A
(800) 1118407
(731) RICHTER GEDEON NYRT.
Gyömrői út 19-21, H-1103 Budapest,
Hungary

(540)

КОГАВАНТ

(591) Black, white
(511)
5 – Pharmaceutical preparations.

(260) AM 2013 67958 A
(800) 1118408
(731) RICHTER GEDEON NYRT.
Gyömrői út 19-21, H-1103 Budapest,
Hungary

(540)

КСЕРИЕНЗ

(591) Black, white
(511)
5 – Pharmaceutical preparations.

(260) AM 2013 67959 A
(800) 1118409
(731) RICHTER GEDEON NYRT.
Gyömrői út 19-21, H-1103 Budapest,
Hungary

(540)

МИРЗАЛА

(591) Black, white
(511)
5 – Pharmaceutical preparations.

(260) AM 2013 67960 A
(800) 1118410
(731) RICHTER GEDEON NYRT.
Gyömrői út 19-21, H-1103 Budapest,
Hungary

(540)

КСИДЕСИЛ

(591) Black, white
(511)
5 – Pharmaceutical preparations.

(260) AM 2013 67962 A
(800) 1118411
(731) RICHTER GEDEON NYRT.
Gyömrői út 19-21, H-1103 Budapest,
Hungary

(540)

KOGANCE

(591) Black, white
(511)
5 – Pharmaceutical preparations.

(260) AM 2013 67963 A
(800) 1118412
(731) RICHTER GEDEON NYRT.
Gyömrői út 19-21, H-1103 Budapest,
Hungary

(540)

MIRZALA

(591) Black, white
(511)
5 – Pharmaceutical preparations.

(260) AM 2013 67964 A
(800) 1118413
(731) RICHTER GEDEON NYRT.
Gyömrői út 19-21, H-1103 Budapest,
Hungary

(540)

VIDACLAR

(591) Black, white
(511)
5 – Pharmaceutical preparations.

(260) AM 2013 68015 A
 (800) 1118763
 (731) EXPRESS, LLC
 1 Express Drive, Columbus, OH 43230,
 USA
 (540)



(591) Black, white
 (511)
 3 – Personal care products, namely, aftershave preparations in the form of gels and lotions, antiperspirants, cosmetic astringent for the face, cosmetic astringent for the skin, bath beads, bath cream, bath crystals, bath fizzies, bath foam, bath gels, bath herbs, bath lotion, bath milks, bath oil, bath salts, blush, non-medicated skin care preparations, namely, body balm, body cream, body glitter, body mist, body oil, body polish, body powder, soaps for body care, body scrub, bubble bath, deodorants for personal use, essential oils for personal use, exfoliants for the skin, eye cream, eye gels, eyeliner, eyeliner pencils, gel eye masks, eye shadow, face cream, face paint, facial beauty masks, face powder, face soap, facial scrub, non-medicated foot soaks, skin toners, foot powder, foot scrubs, foundation, body splash, hair conditioner, hair pomade, hair rinses, hair removing creams, hair shampoo, hair spray, hair straightening preparations, hair styling gel, hair styling mousse, hand cream, hand soap, lotion for the body, lotion for the face, non-medicated lotion for the feet, lotion for the hands, lip balm, lip gloss, lip liner, lip make-up pencils, lipstick, make-up for the body, make-up for the face, make-up remover, mascara, massage cream, massage oil, body lotion, namely, massage lotion, nail polish, nail polish remover, non-medicated cosmetic makeup pencils for blemishes, non-medicated cleanser for the face, non-medicated foot cream, non-medicated lip balm, cosmetic facial blotting papers, perfume, non-medicated bath salt for the skin, shaving cream, shaving gels, shea butter for cosmetic purposes, shower cream, shower gel, skin bronzing cream, non-medicated skin care preparations, namely, non-medicated body polish and body balm, sun block for the body, sun block for the face, suntan lotion for the body, suntan lotion for the face, indoor tanning lotion for the body, self-tanning suntan creams for the face; pre-sunning suntan lotion for the face, post-sunning suntan lotion for the body, post-suntan lotion for the face, talcum powder; cologne, hair and body wash and body spray.

(260) AM 2013 68016 A
 (800) 1118786
 (731) PHILIP MORRIS BRANDS SÀRL
 Quai Jeanrenaud 3, CH-2000 Neuchâtel,
 Switzerland
 (540)

PARLIAMENT YOUR WORLD, YOUR RULES

(591) Black, white
 (511)
 34 – Tobacco, raw or manufactured; tobacco products, including cigars, cigarettes, cigarillos, tobacco for roll-your-own cigarettes, pipe tobacco, chewing tobacco, snuff tobacco, kretek; snus; tobacco substitutes (not for medical purposes); smokers' articles, including cigarette paper and tubes, cigarette filters, tobacco tins, cigarette cases and ashtrays, pipes, pocket apparatus for rolling cigarettes, lighters; matches.

(260) AM 2013 68017 A
 (800) 1118815
 (731) SOCIÉTÉ DES PRODUITS NESTLÉ S.A.
 CH-1800 Vevey, Switzerland
 (540)



(591) Black, white
 (511)
 11 – Apparatus for heating milk and for foaming milk; electric apparatus for making beverages; electric coffee machines, coffee makers and percolators; parts and components for all of the aforementioned goods.

(260) AM 2013 68018 A
 (800) 1118820
 (731) BLASER FINANZHOLDING GMBH
 Ziegelstadel 1, 88316 Isny, Germany
 (540)

M12

(591) Black, white
 (511)
 13 – Firearms; ammunition and projectiles; explosives; accessories for the aforesaid goods (included in this class), in particular gun bags, gun cases, cartridge belts, gun slings, cartridge cases.
 25 – Clothing; footwear; headgear, all aforementioned goods limited to hunting clothes.

28 – Model and replica guns; bullets and ammunition for model and replica weapons; model and replica guns for virtual shooting; model and replica guns for use with electronic targets and/or electronic displays; games apparatus, adapted for use with replica guns for virtual shooting; parts for the aforesaid goods (included in this class).

(260) AM 2013 68019 A

(800) 1118830

(731) RICHTER GEDEON NYRT.

Gyömrői út 19-21, H-1103 Budapest,
Hungary

(540)

REKOGNIS

(591) Black, white

(511)

5 – Pharmaceutical preparations used in psychiatric diseases, including schizophrenia, mania, bipolar depression, major depression.

(260) AM 2013 68020 A

(800) 1118842

(731) DEVIREX AG

Sagenstrasse 4c, CH-6318 Walchwil,
Switzerland

(540)

ЛИПИВИР

(591) Black, white

(511)

3 – Cosmetics.

5 – Dermatological preparations for external use.

44 – Hygienic and beauty care for human beings or animals.

(260) AM 2013 68023 A

(800) 1118876

(731) PROINTEL, S.L.

C/ Apolonio Morales, 13, E E-28036 Madrid,
Spain

(540)

ONE, TWO, THREE (1, 2, 3)

(591) Black, white

(511)

28 – Games and toys; gymnastic and sporting articles not included in other classes; Christmas tree decorations.

(260) AM 2013 68025 A

(800) 1118945

(731) Limited liability company Mail.Ru

str. 2, d. 47, Leningradsky pr-kt, RU-125167
Moscow, Russian Federation

(540)

mailru

(591) Black, white

(511)

35 – Advertising; business management; sales promotion for others.

38 – News agencies; rental of message sending apparatus; information about telecommunication; computer aided transmission of messages and images; electronic mail.

41 – Education; providing of training; entertainment; sporting and cultural activities; organization of meetings, including through the Internet.

42 – Research and development for others.

(260) AM 2013 68026 A

(800) 1118976

(731) BEIERSDORF AG

Unnastrasse 48, 20253 Hamburg,
Germany

(540)

HYDRO CARE

(591) Black, white

(511)

3 – Cosmetic preparations for body and beauty care, cosmetic hair care preparations.

(260) AM 2013 68029 A

(800) 1119026

(731) GUCCIO GUCCI S.P.A.

Via Tornabuoni, 73/R, I-50123 FIRENZE,
Italy

(540)

ICONS OF HERITAGE

(591) Black, white

(511)

18 – Leather and imitations of leather, and goods made of these materials and not included in other classes; animal skins, hides; trunks and travelling bags; umbrellas and parasols; walking sticks; whips, harness and saddlery.

25 – Clothing, footwear, headgear.

(260) AM 2013 68030 A

(800) 1118795

(731) SOCIÉTÉ DES PRODUITS NESTLÉ S.A.

CH-1800 Vevey, Switzerland

(540)



(591) Red and yellow

(511)

29 – Vegetables and potatoes (preserved, dried or cooked), fruits (preserved, dried or cooked), mushrooms (preserved, dried or cooked), mushrooms (preserved, dried or cooked); meat, poultry, game, fish and seafood, all these goods in the form of extracts, soups, jellies, spreads, preserves, cooked, deep-frozen or dehydrated dishes; jams; eggs; preserved soya beans for human consumption; edible oils and fats; protein preparations for human consumption; sausages; charcuterie, peanut butter; soups, concentrated soups, preparations for making soups, thick soups, bouillon, also in the form of cubes, bars or powders, bouillon concentrate, preparations for making bouillon, consommés.

30 – Flour, cereal preparations, bread, yeast, pastries; biscuits, cakes, cookies, wafers, caramels, puddings; rice, pasta, noodles; rice, flour or cereal-based foodstuffs, also in the form of cooked dishes; pizzas, sandwiches; pasta and ready-to-bake cake dough preparations; powder mixtures for cakes; sauces, soy sauces; ketchup; preparations for flavoring or seasoning foodstuffs; edible spices, condiments, salad dressings, mayonnaise; mustard; vinegar.

35 – Advertising; business management; business administration; office functions.

(260) AM 2013 68036 A

(800) 1118968

(731) Europäische Handball Föderation (EHF)
Hoffingergasse 18, A-1120 Wien, Austria

(540)



EUROPEAN HANDBALL
FEDERATION

(591) White and dark blue

(511)

16 – Printed matter, in particular posters, placards, books, magazines and newspapers related to handball, newsletters related to handball, pictorial print, calendars, printed notepads, stickers, albums made of paper, scrapbooks, paper pennants and greeting cards; printed tickets for sports games and events; ring binders made of paper; paper gift bags; picture postcards; stationery; note paper; envelopes; sou-

venir articles made of paper with themes of sports events in the field of handball (insofar as contained in this class); guide books and reference books for handball, brochures in the field of handball, photographs.

35 – Advertising, business management; office functions; all the aforementioned services to be related to or associated with the sport, game, match, competition or championships of handball.

41 – Entertainment in the nature of professional and nonprofessional handball games, matches, competitions and championships; sporting and cultural activities, in particular, the organisation of professional and non-professional handball games, matches, competitions and championships and of handball related conferences, exhibitions, educational programs and galas.

(260) AM 2013 68101 A

(800) 1119674

(731) CARPE DIEM GMBH & Co KG
Trademark Department, Am Brunnen 1,
A-5330 Fuschl am See, Austria

(540)



(591) Black, gold, brown, yellow and violet

(511)

32 – Non-alcoholic beverages, fruit drinks, fruit juices, lemonades, refreshing drinks including beverages containing tea, sugar, sucrose, glucose, fructose, yeast and lactic acid; energy drinks, isotonic, hypertonic and hypotonic drinks (for use and/or as required by athletes); whey beverages; mineral and aerated waters; syrups, essences and other preparations for making beverages as well as effervescent tablets and effervescent powders for drinks and non-alcoholic cocktails; beer, nutrient beer, malt beer, wheat beer, porter, ale, stout and lager; non-alcoholic malt beverages; kvass (rye-based fermented drink).

(260) AM 2013 68102 A

(800) 1119685

(731) PIRELLI & C. S.P.A.
Viale Piero E Alberto Pirelli, 25, I-20126
Milano, Italy

(540)

PIRELLI

(591) Black, white

(511)

9 – Scientific, nautical, surveying, photographic, cinematographic, optical, weighing, measuring, signalling, checking (supervision), life-saving and teaching apparatus and instruments; apparatus and instruments for conducting, switching, distributing, transferring, transforming, accumulating, regulating or controlling electricity; apparatus for recording, transmission or reproduction of sound or images; magnetic data carriers, recording discs; compact discs, DVDs and other digital recording media; mechanisms for coin-operated apparatus; cash registers, calculating machines, data processing equipment, computers; computer software; fire-extinguishing apparatus.

14 – Precious metals and their alloys and goods in precious metals or coated therewith, not included in other classes; jewellery, costume jewellery, precious stones; horological and chronometric instruments.

16 – Paper, cardboard and goods made from these materials, not included in other classes; printed matter; bookbinding material; photographs; stationery; adhesives for stationery or household purposes; artists' materials; paint brushes; typewriters and office requisites (except furniture); instructional and teaching material (except apparatus); plastic materials for packaging (not included in other classes); printers' type; printing blocks.

18 – Leather and imitations of leather, and goods made of these materials and not included in other classes; animal skins, hides; trunks and travelling bags; umbrellas and parasols; walking sticks; whips, harness and saddlery.

25 – Clothing, footwear, headgear.

(260) AM 2013 68103 A

(800) 1119704

(731) SANOFI

54 rue de la Boétie, F-75008 Paris, France

(540)



(591) Black, white

(511)

5 – Pharmaceuticals, vitamins, dietary and nutritional supplements for medical purposes.

(260) AM 2013 68104 A

(800) 1119738

(731) FIDIA FARMACEUTICI S.p.A.

Via Ponte della Fabbrica, 3/A, I-35031

ABANO TERME (PD), Italy

(540)

IAL-SYSTEM DUO

(591) Black, white

(511)

3 – Cosmetics; hair lotions; dentifrices; dermocosmetic preparations; cosmetics for the preservation and treatment of the skin and against wrinkles; anti-aging preparations.

5 – Pharmaceutical and veterinary preparations; sanitary preparations for medical purposes; dietetic substances adapted for medical use, food for babies; plasters, materials for dressings; material for stopping teeth, dental wax; disinfectants; preparations for destroying vermin; fungicides, herbicides; pharmaceutical preparations for dermatological use, pharmaceutical preparations for regenerative and restorative treatments of the skin and for aesthetic medicine; pharmaceutical preparations for use in tissue engineering and cosmetic or plastic surgery, parpharmaceutical preparations; medical products for dermatological use and for aesthetic treatments included in class 5.

10 – Medical apparatus and instruments; medical devices and included in class 10.

(260) AM 2013 68107 A

(800) 1119746

(731) Chanel SARL

Burgstrasse 26, CH-8750 Glarus, Switzerland

(540)

1932

(591) Black, white

(511)

3 – Preparations for skin, scalp, hair or nail care; preparations to be applied to the skin, scalp, hair or nails; soap, perfumery, essential oils, cosmetics; toiletry products not for medical use.

(260) AM 2013 68108 A

(800) 1119779

(731) BURDA BEBEK ANNE ITRİYAT VE

PLASTİK URUNLERİ SANAYİ

VE TİCARET ANONİM ŞİRKETİ

Beylikduzu Org. San. Bol. Mermenciler,

San. Sit. 9. Cad. No:12 Bodrum 1, 2, 3,

Yakuplu-Beylikduzu istanbul, Turkey

(540)



(591) Black, white

(511)

5 – Pharmaceutical and veterinary preparations, chemical preparations and elements for medical purposes, dietetic substances for medical purposes, slimming products namely, food for babies namely, herbs and herbal beverages for medical purposes, products for dentistry (except apparatus/equipment), products providing hygiene (including pads, tampons, plasters for medical purposes, medical dressing materials), preparations for destroying noxious plants, animals and fungi, deodorizers for places, scent products (excluding the ones for personal use), disinfectants, antiseptics, detergents for medical purposes.

8 – Forks, spoons, knives and non-electrical cutting, slicing, peeling tools of kitchen including those made up of precious metals, tools and equipment used for personal use for shaving, epilation, manicure, pedicure, beauty-care included in this class (including scissors), hand operated tools used in machine, tool and vehicle repair, buildings, agriculture, horticulture and forestry.

10 – Surgical, medical, dental and veterinary apparatus, instruments and furniture, artificial organs and prostheses, medical orthopedic materials, clothing for operating rooms and sterile clothes, instruments and apparatus for sexual use, condoms, babies' bottles, babies' pacifiers (teats), teething rings.

(260) AM 2013 68109 A

(800) 1119794

(731) CLOSED JOINT-STOCK COMPANY
"FABRIKA "RUSSKIY SHOKOLAD"
ul. Vereiskaya, d. 29, str. 143, RU-121357
Moscow, Russian Federation

(540)



(591) White, yellow, light yellow, purple, light purple, dark purple, green, grey, brown, dark brown, light brown, red, light red

(511)

30 – Chocolate.

(260) AM 2013 68110 A

(800) 1119795

(731) CLOSED JOINT-STOCK COMPANY

"FABRIKA "RUSSKIY SHOKOLAD"

ul. Vereiskaya, d. 29, str. 143, RU-121357

Moscow, Russian Federation

(540)



(591) White, yellow, light yellow, dark yellow, blue, light blue, dark blue, brown, dark brown, light brown, red, green

(511)

30 – Chocolate.

(260) AM 2013 68111 A

(800) 1119796

(731) BECTON, DICKINSON AND COMPANY
1 Becton Drive, MC 090 Franklin Lakes,
NJ 07417, USA

(540)

(591) Black, white

(511)

9 – Automated flow cytometer sample introduction accessory used to introduce samples from single tubes and multi-well plates for scientific use.

(260) AM 2013 68112 A

(800) 1119800

(731) CLOSED JOINT-STOCK COMPANY
"FABRIKA "RUSSKIY SHOKOLAD"
ul. Vereiskaya, d. 29, str. 143, RU-121357
Moscow, Russian Federation

(540)



(591) White, yellow, light yellow, brown, dark brown, light brown, red, green, grey.

(511)

30 – Chocolate.

(260) AM 2013 68113 A
 (800) 1119833
 (731) AMTEL HOLDINGS SINGAPORE PTE LTD
 7500A Beach Road, #16-324 The Plaza, SINGAPORE 199591, Singapore
 (540)



(591) Black, white, red

(511)

35 – Advice relating to business management; advice relating to commercial management; advice relating to marketing management; advice relating to personnel management; advisory services for business management; advisory services relating to business management; advisory services relating to business risk management; business accounts management; business management; business management advice; business management advisory services; business management and administration services supporting utilisation of a global computer network; business management and organization consultancy; business management assistance; business management consultancy; business management of outsourcing; business management organisation consultancy; business project management; commercial business management; commercial management advisory services; commercial management assistance; commercial management consultancy; commercial or industrial management assistance; company management (for others); computerised database management; computerised file management; computerised stock management; consultancy relating to business management; consultancy relating to personnel management; consultancy relating to the management of personnel; corporate management consultancy; compilation of information into computer databases; advisory services relating to the compilation of information into computer databases; consultancy services relating to the compilation of information into computer databases; database management; human resource management; inventory management services; logistics services (business management and organization of facilities and resources); business management advice; management advisory services for businesses; management assistance in business affairs; business management consultancy in the field of information analysis; management consultations relating to business; management of a retail enterprise for others; management of business (for others); management of business offices for others; management of business projects (for others); marketing management advice; office management services (for others); personnel management; personnel management advice; personnel management assistance; personnel management consultancy; per-

sonnel resources management; project business management and administration; providing information, including online, about advertising, business management and administration & office functions; provision of business management assistance; provision of business management information; provision of information in relation to business management; risk management consultancy (business).

41 – Medical education services; medical tuition services.

44 – Healthcare; advisory services relating to medical problems; advisory services relating to medical services; aged care services (medical and nursing services); alternative medical services; analysis of tissues for medical treatment; arranging of medical treatment; behavioural analysis for medical purposes; breath testing for medical purposes; charitable services, namely providing medical services; complementary medical services; conducting of medical examinations; consultancy and advisory services in relation to medical services; dietetic counselling services (medical); genetic testing for medical purposes; health care consultancy services (medical); health farm services (medical); health resort services (medical); heat therapy (medical); life saving and life guarding services (medical aid and resuscitation); lifestyle counselling (medical); location of medical facilities for emergency medical treatment; medical advisory services; medical analysis services; medical assistance; medical care services; medical clinics; medical counselling; medical diagnostic services (testing and analysis); medical examination of individuals; medical health assessment services; medical nursing; medical screening; medical services; medical services for treatment of the skin; medical spa services; medical treatment services; nursing (medical); personal care services (medical nursing, health, hygiene and beauty care); preparation of psychological profiles for medical purposes; preparation of reports relating to medical matters; providing information including online, about medical services, and veterinary services; provision of medical assistance; provision of medical facilities; provision of medical information; provision of medical information relating to poisons; provision of medical services; provision of medical treatment; psychological testing for medical purposes; rental of equipment for medical purposes; rental of medical apparatus; rental of medical equipment and instruments; rescue operations (medical aid and resuscitation); respite care (medical and nursing services); services for the preparation of medical reports.

(260) AM 2013 68114 A
 (800) 1119908
 (731) ROMAGNOLI RONDINELLA S.R.L.
 Via Bore Chienti snc, I-62015 MONTE SAN GIUSTO (MC), Italy

(540)



(591) Black, white

(511)

25 – Shoes; boots; half boots; leather shoes; galoshes; rain boots; sport footwear; sandals, slippers, shoe soles, shoe heels, footwear uppers; clothing items namely sweaters, cardigans, waistcoats, suits, trousers, shorts, jumpers, raincoats, clothing made of leather; stockings and socks, stocking suspenders, sock suspenders, wind resistant jackets, ski trousers, fur coats, overcoats, skirts, dresses, jackets, undershirts, T-shirts, sport clothing; blouses, shirt collars, shirts, foulards, beachwear, swimsuits, bikini, tracksuits; wedding dresses; underwear, bras, brassiere, corsets, underpants, briefs, vests, nightgowns, negligees, pyjamas, gloves, shawls, scarves, neckties, bow ties, belts for clothing, suspenders, hats, caps.

(260) AM 2013 68115 A

(800) 1119929

(731) Obshchestvo s ogranichennoj otvetstvennost'ju Gruppy Kompanij "GOROD"
18-ya liniya, 5, RU-199034 Saint-Petersburg,
Russian Federation

(540)



(591) White, red and green

(511)

35 – Arranging subscriptions to telecommunication services for others; import-export agencies; commercial information agencies; advertising agencies; cost price analysis; rental of advertising space; auditing; employment agencies; computerized file management; accounting; invoicing; demonstration of goods; transcription; opinion polling; marketing studies; business information; commercial information and advice for consumers [consumer advice shop]; business investigations; marketing research; personnel recruitment; business management and organization consultancy; personnel management consultancy; business organization consultancy; business management consultancy; professional business consultancy; layout services for advertising purposes; business management of performing artists; news clipping services; updating of advertising material; word processing; secretarial services; shorthand; organization of exhibitions for commercial or advertising purposes; arranging newspaper subscriptions for others; organization of trade fairs for commercial or advertising purposes; shop window dressing; business appraisals; evaluation of standing timber; eval-

uation of wool; payroll preparation; data search in computer files for others; sponsorship search; business management assistance; commercial or industrial management assistance; presentation of goods on communication media, for retail purposes; economic forecasting; auctioneering; sales promotion for others; office machines and equipment rental; rental of advertising time on communication media; publicity material rental; rental of vending machines; rental of photocopying machines; publication of publicity texts; typing; radio advertising; outdoor advertising; distribution of samples; dissemination of advertising matter; writing of publicity texts; advertising; on-line advertising on a computer network; advertising by mail order; television advertising; document reproduction; compilation of statistics; compilation of information into computer databases; business inquiries; systemization of information into computer databases; tax preparation; drawing up of statements of accounts; publicity columns preparation; psychological testing for the selection of personnel; business management of hotels; commercial administration of the licensing of the goods and services of others; administrative processing of purchase orders; public relations; modelling for advertising or sales promotion; relocation services for businesses; price comparison services; procurement services for others [purchasing goods and services for other businesses]; outsourcing services [business assistance]; telephone answering for unavailable subscribers; photocopying; efficiency experts.

36 – Credit bureaux; debt collection agencies; real estate agencies; customs brokerage; financial analysis; leasing of farms; hire-purchase financing; savings banks; accommodation bureaux [apartments]; rent collection; issuing of travellers' checks [cheques]; issuance of credit cards; issue of tokens of value; capital investments; insurance information; financial information; clearing, financial; insurance consultancy; financial consultancy; stock exchange quotations; business liquidation services, financial; brokerage; financial management; exchanging money; debit card services; credit card services; home banking; factoring; organization of collections; antique appraisal; jewellery appraisal; stamp appraisal; real estate appraisal; numismatic appraisal; art appraisal; financial evaluation [insurance, banking, real estate]; repair costs evaluation [financial appraisal]; electronic funds transfer; bail-bonding; securities brokerage; real estate brokers; insurance brokerage; loans [financing]; lending against security; check [cheque] verification; charitable fund raising; leasing of real estate; rental of offices [real estate]; renting of apartments; financial sponsorship; mortgage banking; instalment loans; accident insurance underwriting; apartment house management; real estate management; actuarial services; banking; retirement payment services; fiduciary; mutual funds; financing

services; safe deposit services; deposits of valuables; fiscal assessments.

37 – Asphaltting; drilling of wells; rebuilding engines that have been worn or partially destroyed; rebuilding machines that have been worn or partially destroyed; retreading of tires [tyres]; vulcanization of tires [repair]; building sealing; linen ironing; pressing of clothing; disinfecting; rat exterminating; mining extraction; refilling of toner cartridges; knife sharpening; building insulating; repair information; construction information; bricklaying; riveting; varnishing; re-tinning; scaffolding; road paving; car wash; window cleaning; vehicle wash; upholstery; building construction supervision; renovation of clothing; rustproofing; anti-rust treatment for vehicles; strong-room maintenance and repair; vehicle maintenance; wallpapering; painting or repair of signs; cleaning of buildings [exterior surface]; vehicle polishing; rental of road sweeping machines; rental of cleaning machines; rental of construction equipment; rental of bulldozers; plumbing; masonry; roofing services; painting, interior and exterior; underwater repair; cabinet making [repair]; plastering; quarrying services; repair of security locks; umbrella repair; parasol repair; motor vehicle maintenance and repair; burner maintenance and repair; film projector repair and maintenance; airplane maintenance and repair; safe maintenance and repair; clock and watch repair; upholstery repair; pump repair; shoe repair; clothing repair; vehicle repair; photographic apparatus repair; furniture restoration; restoration of musical instruments; restoration of works of art; vehicle lubrication [greasing]; demolition of buildings; warehouse construction and repair; vehicle service stations [refuelling and maintenance]; washing; laundering; pipeline construction and maintenance; pier breakwater building; underwater construction; harbour construction; factory construction; building of fair stalls and shops; construction; shipbuilding; cleaning of buildings [interior]; street cleaning; vermin exterminating, other than for agriculture; artificial snow-making services; installation of doors and windows; irrigation devices installation and repair; elevator installation and repair; heating equipment installation and repair; burglar alarm installation and repair; furnace installation and repair; telephone installation and repair; air conditioning apparatus installation and repair; fire alarm installation and repair; freezing equipment installation and repair; electric appliance installation and repair; kitchen equipment installation; installation, maintenance and repair of computer hardware; office machines and equipment installation, maintenance and repair; machinery installation, maintenance and repair; interference suppression in electrical apparatus; swimming-pool maintenance; furniture maintenance; chimney sweeping; boiler cleaning and repair; cleaning of clothing; sanding; dry cleaning; vehicle cleaning; diaper cleaning; leather

care, cleaning and repair; fur care, cleaning and repair.

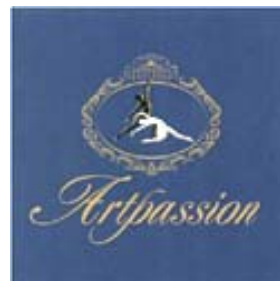
42 – Architecture; authenticating works of art; graphic arts designing; technical project studies; engineering; geological research; material testing; research in the field of environmental protection; research and development for others; technical research; architectural consultation; quality control; land surveying; geological surveys; design of interior decor; urban planning; geological prospecting; construction drafting; consultancy in the field of energy-saving; industrial design; surveying.

(260) AM 2013 68116 A

(800) 1119930

(731) Open-Type Joint Stock Company
"Confectionary Concern Babaevsky"
ul. Malaya Krasnoselskaya, d. 7, RU-107140
Moscow, Russian Federation

(540)



(591) Dark blue, gold, white and black

(511)

30 – Cocoa; sugar; flour and preparations made from cereals, namely cereal based snack foods, high protein cereal bars; pastry; confectionery made of sugar, namely candy, sweets, praline, chocolate, pastilles, halvah, wafers; honey.

(260) AM 2013 68117 A

(800) 1119934

(731) NIVAROX-FAR S.A.
avenue du Collège 10, CH-2400 LE LOCLE,
Switzerland

(540)

PARELINVAR

(591) Black, white

(511)

6 – Common metals and their alloys.

14 – Horological components in particular hair-springs.

(260) AM 2013 68118 A

(800) 1119942

(731) Société Jas Hennessy & Co.
rue de la Richonne, F-16100 Cognac, France

(540)



(591) Black, white

(511)

21 – Bottles of glass, porcelain and earthenware; boxes, bowls, dishes, jars, saucers, cups of glass, porcelain and earthenware; drinking glasses; boxes of glass, porcelain and earthenware; decanters; cocktail stirrers; glass stoppers; coolers; menu card holders; bottle openers; pitchers; trays for domestic purposes, not of precious metal; tableware, not of precious metal; plates and dishes of glass, porcelain and earthenware; perfume burners; perfume vaporizers; statues or figurines (statuettes) made of porcelain, terracotta or glass; glass, unworked or semi-worked, except building glass; decorative articles and decorations of glass, porcelain and earthenware, namely candy boxes, candle holders, bowls, flowerpot covers, knife rests for the table, table napkin rings, flasks and vases.

(260) AM 2013 68119 A

(800) 1119945

(731) ALCATEL LUCENT

3 avenue Octave Gréard, F-75007 PARIS,
France

(540)

CloudBand

(591) Black, white

(511)

9 – Telecommunications and data processing apparatus, equipment and software; computers, their electric and electronic units and components and their peripheral devices; apparatus for recording, transmission or reproduction of sound or images; magnetic and optical data carriers; apparatus and equipment for data, information, signal or message generation, calculation, checking, input, storage, conversion, processing, gathering, transmission, switching and reception.

38 – Telecommunications; transmission of information and data; communications via computer terminals; electronic mail services; rental of telecommunications apparatus and equipment; information on telecommunications; rental of access time to global computer networks; rental of access time to database server centers.

42 – Engineering project studies and engineering services in connection with telecommunications and

data processing; design, updating, maintenance, installation and rental of computer software; rental of data processing apparatus and equipment; design and hosting of Internet sites.

(260) AM 2013 68120 A

(800) 1000660

(731) UAB "VALENTIS"

Molėtų pl. 11, LT-08409 Vilnius, Lithuania

(540)

FLEXUS

(591) Black, white

(511)

5 – Medical preparations for care and treatment of joints.

(260) AM 2013 68200 A

(800) 1119979

(731) YARA INTERNATIONAL ASA

P.O. Box 2464 Solli, N-0202 Oslo, Norway

(540)



(591) Black, white

(511)

1 – Chemical products for use in industry, agriculture, horticulture and forestry; fertilizers; industrial chemicals, namely nitrogen based chemicals, including ammonia, ammonium bicarbonate, ammonium nitrate, dinitrogen tetroxide, nitric acid, hydrochloric acid, phosphoric acid, urea, calcium carbonate, calcium nitrate, potassium nitrate and sodium nitrate; formic acid and salts thereof; flocculants; industrial gases, speciality gases and welding gases, including acetylene, methyl acetylene, oxygen, nitrogen, argon, carbon dioxide, carbon monoxide, helium, hydrogen, neon, krypton, xenon, methane, deuterium and mixtures of said gases, all in gaseous, liquid or solid state; catalysts; cryogenic preparations.

13 – Ammonium nitrate for the production of emulsion explosives, including ammonium nitrate fuel oil explosives (ANFO), all for civil purposes. 44 Rental of farming equipment; professional consultancy and advisory services in the field of agriculture, horticulture and forestry.

(260) AM 2013 68218 A

(800) 1120336

(731) YARA INTERNATIONAL ASA

P.O. Box 2464 Solli, N-0202 Oslo,
Norway

(540)

YARA

(591) Black, white

(511)

1 – Chemical products for use in industry, agriculture, horticulture and forestry; fertilizers; industrial chemicals, namely nitrogen based chemicals, including ammonia, ammonium bicarbonate, ammonium nitrate, dinitrogen tetroxide, nitric acid, hydrochloric acid, phosphoric acid and salts thereof; flocculants; industrial gases, speciality gases and welding gases, including acetylene, methyl acetylene, oxygen, nitrogen, argon, carbon dioxide, carbon monoxide, helium, hydrogen, neon, krypton, xenon, methane, deuterium and mixtures of said gases, all in gaseous, liquid or solid state; catalysts; cryogenic preparations.

13 – Ammonium nitrate for the production of emulsion explosives, including ammonium nitrate fuel oil explosives (ANFO), all for civil purposes.

44 – Rental of farming equipment; professional consultancy and advisory services in the field of agriculture, horticulture and forestry.

(260) AM 2013 68223 A

(800) 1120399

(731) PHILIP MORRIS BRANDS SÀRL

Quai Jeanrenaud 3, CH-2000 Neuchâtel,
Switzerland

(540)

AQUA BURST

(591) Black, white

(511)

34 – Tobacco, raw or manufactured; tobacco products, including cigars, cigarettes, cigarillos, tobacco for roll-your-own cigarettes, pipe tobacco, chewing tobacco, snuff tobacco, kretek; snus; tobacco substitutes (not for medical purposes); smokers' articles, including cigarette paper and tubes, cigarette filters, tobacco tins, cigarette cases and ashtrays, pipes, pocket apparatus for rolling cigarettes, lighters; matches.

(260) AM 2013 68224 A

(800) 1120409

(731) EXAMONE ENTERPRISES LTD

Arch. Makariou III, 155 PROTEAS HOUSE,
5th. floor P.C. CY-3021 Limassol,
Cyprus

(540)



(591) Black, white

(511)

3 – Aromatics [essential oils]; lip gloss; balms, not for medical purposes; scented water; toilet water; massage gels, not for medical purposes; make-up; deodorants for human use or for animals; perfumes; perfumery; eyebrow pencils; cosmetic pencils; cosmetic creams; skin whitening creams; nail polish; after-shave lotions; hair lotions; cosmetic lotions; beauty masks; oils for cosmetic purposes; cleansing milk for toilet purposes; soap; essential oils; oils for cleaning purposes; cosmetic kits; toothpastes; dentifrices; lipsticks; shaving preparations; toiletries; intimate hygiene preparations, deodorants; leather bleaching preparations; mouth washes, not for medical purposes; sunscreen preparations; preparations with aloe vera for cosmetic purposes; cosmetic preparations for baths; pomades for cosmetic purposes; cosmetic preparations for slimming purposes; make-up removing preparations; nail care preparations; make-up powder; tissues impregnated with cosmetic lotions; bath salts, not for medical purposes; fumigation preparations [perfumes]; potpourris [fragrances]; depilatories; eyebrow cosmetics; make-up preparations; hair colorants; sun-tanning preparations [cosmetics]; cosmetic preparations for eyelashes; cosmetic preparations for skin care; cosmetics; mascara; antiperspirants [toiletries]; shampoos; dry shampoos; extracts of flowers [perfumes]; ethereal essences.

(260) AM 2013 68225 A

(800) 1120422

(731) PHILIP MORRIS BRANDS SÀRL

Quai Jeanrenaud 3, CH-2000 Neuchâtel,
Switzerland

(540)

BURST

(591) Black, white

(511)

34 – Tobacco, raw or manufactured; tobacco products, including cigars, cigarettes, cigarillos, tobacco for roll-your-own cigarettes, pipe tobacco, chewing tobacco, snuff tobacco, kretek; snus; tobacco substitutes (not for medical purposes); smokers' articles, including cigarette paper and tubes, cigarette filters, tobacco tins, cigarette cases and ashtrays, pipes, pocket apparatus for rolling cigarettes, lighters; matches.

(260) AM 2013 68226 A

(800) 1120433

(731) ZAKRYTOE AKTSIONERNOE

OBSHCHESTVO "LIVIZ"

56-58, Sinopskaya naberezhnaya
RU-191124 SANKT-PETERBURG,
Russian Federation

(540)

MENDELEEV

(591) Black, white

(511)

33 – Aperitifs, arak [arrack], brandy, wine, piquette, whisky, vodka, gin, digesters [liqueurs and spirits], cocktails, liqueurs, alcoholic beverages, alcoholic beverages containing fruit, spirits [beverages], distilled beverages, hydromel [mead], peppermint liqueurs, bitters, rum, sake, cider, rice alcohol, alcoholic extracts, fruit extracts alcoholic, alcoholic essences.

(260) AM 2013 68227 A

(800) 1120506

(731) INOVA Lisec Technologiezentrum GmbH
Peter-Lisec-Straße 1 A-3353 Seitenstetten,
Austria

(540)

ARTT

(591) Black, white

(511)

19 – Technical flat glass, building glass, flat glass with modified properties of reflectance and transmission, in particular for photovoltaic-elements.

(260) AM 2013 68228 A

(800) 1120528

(731) JOINT-STOCK COMPANY "KRASNYJ
OCTYABR"
ul. Malaya Krasnoselskaya, d. 7, str. 24,
RU-107140 Moscow, Russian Federation

(540)

YELLICA

(591) Black, white

(511)

30 – Confectionery; Turkish delight, pastilla, marshmallow, caramel, candy, sweets, chocolate, praline, waffles; cocoa products; pastries; waffle cake; marzipan; chocolate beverages; coffee-based beverages; coffee; tea; ice cream; bread.

(260) AM 2013 68229 A

(800) 1120529

(731) OPEN JOINT-STOCK COMPANY
"IMPERIAL PORCELAIN
MANUFACTORY"
151, pr. Obuhovskoy oborony, RU-192171
Saint-Petersburg, Russian Federation

(540)



(591) Black, white

(511)

21 – Porcelain; earthenware; porcelain ware; crockery; works of art, of porcelain, earthenware or glass.

(260) AM 2013 68230 A

(800) 1120544

(731) COLGATE-PALMOLIVE EUROPE SÀRL
Cours de Rive 13-15, CH-1204 Genève,
Switzerland

(540)



(591) Black, white

(511)

3 – Bleaching preparations and other substances for laundry use; cleaning, polishing, degreasing and abrasive preparations; soap; perfumery, essential oils, cosmetics, hair lotions; dentifrices.

5 – Pharmaceutical and veterinary preparations; sanitary preparations for medical purposes; dietetic substances adapted for medical use, food for babies; plasters, materials for dressings; material for dental fillings and dental impressions; disinfectants; pesticides; fungicides, herbicides.

(260) AM 2013 68231 A

(800) 1120545

(731) COLGATE-PALMOLIVE EUROPE SÀRL
Cours de Rive 13-15, CH-1204 Genève,
Switzerland

(540)



(591) Black, white

(511)

3 – Bleaching preparations and other substances for laundry use; cleaning, polishing, degreasing and abrasive preparations; soap; perfumery, essential oils, cosmetics, hair lotions; dentifrices.

5 – Pharmaceutical and veterinary preparations; sanitary preparations for medical purposes; dietetic substances adapted for medical use, food for babies;

plasters, materials for dressings; material for dental fillings and dental impressions; disinfectants; pesticides; fungicides, herbicides.

(260) AM 2013 68232 A

(800) 1120574

(731) HOME BOX OFFICE, INC.

1100 Avenue of the Americas New York
NY 10036, USA

(540)

SEX AND THE CITY

(591) Black, white

(511)

28 – Slot machines.

(260) AM 2013 68233 A

(800) 1120673

(731) KT&G CORPORATION (Korea Tobacco and
Ginseng Corporation)

100, Pyungchon-dong, Taedeog-ku Taejon
306-712, Republic of Korea

(540)

FACADE

(591) Black, white

(511)

34 – Tobacco; cigarettes; cigars; snuff; cigarette papers; tobacco pipes, not of precious metal; cigarette filters; cigarette cases, not of precious metal; tobacco pouches; cigarette lighters, not of precious metal; matches; tobacco pipe cleaners; ashtrays for smokers, not of precious metal; cigar cutters.

(260) AM 2013 68234 A

(800) 1120711

(731) Nemirotff Intellectual Property Establishment
Städtle 31, FL-9490 Vaduz, Liechtenstein

(540)

NEMIROFF – ЯРКИЙ ВКУС ЖИЗНИ

(591) Black, white

(511)

33 – Alcoholic beverages (except beers).

(260) AM 2013 68235 A

(800) 1120740

(731) UAB "TUTUTIS"

Raudondvario pl. 101, LT-47184 Kaunas,
Lithuania

(540)



(591) Black, white

(511)

12 – Casters for vehicles; safety seats for children for vehicles; covers for baby carriages; prams; push-chairs; pushchair hoods.

(260) AM 2013 68236 A

(800) 1120749

(731) Coty Geneva SA Versoix

chemin de la Papeterie 1 CH-1290 Versoix,
Switzerland

(540)

APOCALIPS

(591) Black, white

(511)

3 – Soap, perfumery, essential oils, cosmetics, hair lotions.

(260) AM 2013 68237 A

(800) 1120779

(731) The Swatch Group Management Services AG

(The Swatch Group Management Services
SA) (The Swatch Group Management
Services LTD) Seevorstadt 6, CH-2501
Biel/Bienne, Switzerland

(540)

HOMMAGE NICOLAS G. HAYEK

(591) Black, white

(511)

14 – Precious metals and their alloys and goods in precious metals or coated therewith included in this class, jewelry, precious stones; horological and chronometric instruments.

(260) AM 2013 68238 A

(800) 1120780

(731) MONTRES BREGUET SA

CH-1344 L'Abbaye, Switzerland

(540)

LA MUSICALE

(591) Black, white

(511)

14 – Precious metals and their alloys and goods in precious metals or coated therewith included in this class, jewelry, precious stones; horological and chronometric instruments.

(260) AM 2013 68239 A

(800) 1120839

(731) Efes Breweries International N.V.

Strawinskylaan 1227, NL-1077 XX
AMSTERDAM, Netherlands

(540)



(591) Black, white

(511)

32 – Beers; preparations used in brewery; mineral water, spring water, drinking water, sodas, tonics; fruit and vegetable juices, their concentrates and extracts, soft drinks.

33 – Alcoholic drinks (except beer).

(260) AM 2013 68240 A

(800) 1120874

(731) EGIS GYOGYSZERGYÁR Nyilvánosan

Működő Részvénytársaság

Kereszturi ut 30-38, H-1106 Budapest,

Hungary

(540)

ESTREL

(591) Black, white

(511)

5 – Pharmaceutical preparations for human use.

(260) AM 2013 68241 A

(800) 1120895

(731) ODINTSOVO CONFECTIONERY PLANT,

LTD.

20, Maliye Vyazemy, Odintsovo District,

RU-143040 Moscow Region, Russian

Federation

(540)

(591) Black, white

(511)

29 – Meat, fish, poultry and game; meat extracts; preserved, frozen, dried and cooked fruits and vegetables; eggs; milk products; jellies, jams, compotes; milk and milk-based beverages; bouillons, soups.

30 – Coffee, artificial coffee; tea, cocoa, chocolate-based beverages; sugar, rice, tapioca, sago; flour, flour milling products and preparations made from cereals; bars of cereal preparation; pasta; bread, cookies, biscuits, pies, pastries; cakes, chocolate, chocolate products; confectionery; sugar confectionery,

sweetmeats [candy], candy for food; ice; ice-cream, frozen confectionery; honey, treacle; salt, mustard; vinegar, sauces; pesto; condiments; seasonings; spices; garden herbs, preserved [seasonings].

(260) AM 2013 68243 A

(800) 1120071

(731) ASTELLAS PHARMA INC.

5-1, Nihonbashi-Honcho 2-chome, Chuo-ku,

Tokyo 103-8411, Japan

(540)



(591) Light blue, blue and dark blue.

(511)

5 – Pharmaceutical preparations and substances for the treatment of urinary disease for human use.

(260) AM 2013 68245 A

(800) 1120134

(731) "ODNOKLASSNIKI" COMPANY LIMITED

str. 2, d. 47, Leningradsky pr-kt, RU-125167

Moscow, Russian Federation

(540)



(591) Orange

(511)

35 – Arranging subscriptions to telecommunication services for others; computerized file management; transcription; opinion polling; business information; commercial information and advice for consumers [consumer advice shop]; business investigations; marketing research; business management and organization consultancy; layout services for advertising purposes; business management of performing artists; news clipping services; word processing; typing; organization of exhibitions for commercial or advertising purposes; organization of trade fairs for commercial or advertising purposes; shop window dressing; data search in computer files for others; business management assistance; presentation of goods on communication media, for retail purposes; economic forecasting; auctioneering; sales promo-

tion for others; office machines and equipment rental; rental of advertising time on communication media; publicity material rental; rental of vending machines; rental of photocopying machines; publication of publicity texts; secretarial services; dissemination of advertising matter; writing of publicity texts; advertising; on-line advertising on a computer network; compilation of statistics; compilation of information into computer databases; procurement services for others [purchasing goods and services for other businesses].

38 – News agencies; television broadcasting; cable television broadcasting; electronic bulletin board services [telecommunications services]; information about telecommunication; telecommunications routing and junction services; providing internet chat-rooms; providing user access to global computer networks; providing access to databases; providing telecommunications connections to a global computer network; providing telecommunication channels for teleshopping services; message sending; computer aided transmission of messages and images; transmission of telegrams; electronic mail; rental of message sending apparatus; rental of access time to global computer networks; rental of modems; rental of telecommunication equipment; rental of telephones; rental of facsimile apparatus; radio broadcasting; communications by fiber [fibre] optic networks; cellular telephone communication; communications by computer terminals; satellite transmission; communications by telegrams; communications by telephone; facsimile transmission; paging services [radio, telephone or other means of electronic communication]; teleconferencing services; telex services; voice mail services; telegraph services; telephone services.

42 – Architecture; authenticating works of art; recovery of computer data; computer virus protection services; engineering; installation of computer software; computer software consultancy; updating of computer software; maintenance of computer software; conversion of data or documents from physical to electronic media; providing search engines for the internet; data conversion of computer programs and data [not physical conversion]; computer system design; rental of web servers; computer rental; rental of computer software; hosting computer sites [web sites]; duplication of computer programs; construction drafting; computer software design; creating and maintaining web sites for others; computer programming; styling [industrial design].

45 – Licensing of computer software [legal services]; missing person investigations; legal research; mediation; baby sitting; personal background investigations; registration of domain names [legal services]; dating services; house sitting; funerals; personal body guarding; legal services.

(260) AM 2013 68265 A

(800) 1120205

(731) OTKRYTOE AKTSIONERNOE
OBSHCHESTVO "ZAVOD
KERAMITCHESKIKH IZDELII"
1, Okrujnava oul. RU-620103 g. Ekaterinburg,
Russian Federation

(540)



(591) Dark blue, light blue, red, blue

(511)

11 – Sanitary apparatus and installations; bath fittings; bidets; toilet bowls; sinks.

19 – Clay; bricks; gypsum; potters' clay [raw material]; Non-metallic building materials; mosaics for building; artificial stone; fire burrs; wall claddings, not of metal, for building; wall linings, not of metal, for building; cladding, not of metal, for building.

35 – Import-export agencies; professional business consultancy; demonstration of goods; distribution of samples; sales promotion for others; sale of goods by means of a broker.

42 – Quality control; industrial design; technical project studies; financing of building projects; scientific research studies.

44 – Rental of sanitation facilities.

(260) AM 2013 68266 A

(800) 1120614

(731) Obshchestvo s ogranichennoj otvetstvennost'ju
Gruppa Kompanij "GOROD"
18-ya liniya, 5, RU-199034 Saint-Petersburg,
Russian Federation

(540)



(591) White, red and green

(511)

35 – Arranging subscriptions to telecommunication services for others; import-export agencies; commercial information agencies; advertising agencies; cost price analysis; rental of advertising space; auditing; employment agencies; computerized file management; accounting; invoicing; demonstration of goods; transcription; opinion polling; marketing studies; business information; commercial information and advice for consumers [consumer advice shop]; business investigations; marketing research; personnel recruitment; business management and organization consultancy; personnel management consultancy; business organization consultancy; business

management consultancy; professional business consultancy; layout services for advertising purposes; business management of performing artists; news clipping services; updating of advertising material; word processing; secretarial services; shorthand; organization of exhibitions for commercial or advertising purposes; arranging newspaper subscriptions for others; organization of trade fairs for commercial or advertising purposes; shop window dressing; business appraisals; payroll preparation; data search in computer files for others; sponsorship search; business management assistance; commercial or industrial management assistance; presentation of goods on communication media, for retail purposes; economic forecasting; auctioneering; sales promotion for others; office machines and equipment rental; rental of advertising time on communication media; publicity material rental; rental of vending machines; rental of photocopying machines; publication of publicity texts; typing; radio advertising; outdoor advertising; distribution of samples; dissemination of advertising matter; writing of publicity texts; advertising; on-line advertising on a computer network; advertising by mail order; television advertising; document reproduction; compilation of statistics; compilation of information into computer databases; business inquiries; systemization of information into computer databases; tax preparation; drawing up of statements of accounts; publicity columns preparation; psychological testing for the selection of personnel; business management of hotels; commercial administration of the licensing of the goods and services of others; administrative processing of purchase orders; public relations; modelling for advertising or sales promotion; relocation services for businesses; price comparison services; procurement services for others [purchasing goods and services for other businesses]; outsourcing services [business assistance]; telephone answering for unavailable subscribers; photocopying; efficiency experts.

36 – Credit bureaux; debt collection agencies; real estate agencies; customs brokerage; financial analysis; leasing of farms; hire-purchase financing; savings banks; accommodation bureaux [apartments]; rent collection; issuing of travellers' checks [cheques]; issuance of credit cards; issue of tokens of value; capital investments; insurance information; financial information; clearing, financial; insurance consultancy; financial consultancy; stock exchange quotations; business liquidation services, financial; brokerage; financial management; exchanging money; debit card services; credit card services; home banking; factoring; organization of collections; antique appraisal; jewellery appraisal; stamp appraisal; real estate appraisal; numismatic appraisal; art appraisal; financial evaluation [insurance, banking, real estate]; repair costs evaluation [financial appraisal]; electronic funds transfer; bail bonding; secu-

rities brokerage; real estate brokers; insurance brokerage; loans [financing]; pawnbrokerage; check [cheque] verification; charitable fund raising; leasing of real estate; rental of offices [real estate]; renting of apartments; financial sponsorship; mortgage banking; instalment loans; accident insurance underwriting; apartment house management; real estate management; actuarial services; banking; retirement payment services; fiduciary; mutual funds; financing services; safe deposit services; deposits of valuables; fiscal assessments; financial evaluation of standing timber; financial evaluation of wool.

37 – Asphaltting; drilling of wells; rebuilding engines that have been worn or partially destroyed; rebuilding machines that have been worn or partially destroyed; retreading of tires [tyres]; vulcanization of tires [repair]; building sealing; linen ironing; pressing of clothing; disinfecting; rat exterminating; mining extraction; refilling of toner cartridges; knife sharpening; building insulating; repair information; construction information; bricklaying; riveting; varnishing; re-tinning; scaffolding; road paving; car wash; window cleaning; vehicle wash; upholstery; building construction supervision; renovation of clothing; rustproofing; anti-rust treatment for vehicles; strong-room maintenance and repair; vehicle maintenance; wallpapering; painting or repair of signs; cleaning of buildings [exterior surface]; vehicle polishing; rental of road sweeping machines; rental of cleaning machines; rental of construction equipment; rental of bulldozers; plumbing; masonry; roofing services; painting, interior and exterior; underwater repair; cabinet making [repair]; plastering; quarrying services; repair of security locks; umbrella repair; parasol repair; motor vehicle maintenance and repair; burner maintenance and repair; film projector repair and maintenance; airplane maintenance and repair; safe maintenance and repair; clock and watch repair; upholstery repair; pump repair; shoe repair; vehicle breakdown assistance [repair]; vehicle repair; photographic apparatus repair; furniture restoration; restoration of musical instruments; restoration of works of art; vehicle lubrication [greasing]; demolition of buildings; warehouse construction and repair; vehicle service stations [refuelling and maintenance]; washing; laundering; pipeline construction and maintenance; pier breakwater building; underwater construction; harbour construction; factory construction; building of fair stalls and shops; construction; shipbuilding; cleaning of buildings [interior]; street cleaning; vermin exterminating, other than for agriculture; artificial snow-making services; installation of doors and windows; irrigation devices installation and repair; elevator installation and repair; heating equipment installation and repair; burglar alarm installation and repair; furnace installation and repair; telephone installation and repair; air conditioning apparatus installation and repair; fire alarm

installation and repair; freezing equipment installation and repair; electric appliance installation and repair; kitchen equipment installation; installation, maintenance and repair of computer hardware; office machines and equipment installation, maintenance and repair; machinery installation, maintenance and repair; interference suppression in electrical apparatus; swimming-pool maintenance; furniture maintenance; chimney sweeping; boiler cleaning and repair; cleaning of clothing; pumicing; dry cleaning; vehicle cleaning; diaper cleaning; leather care, cleaning and repair; fur care, cleaning and repair.

42 – Architecture; authenticating works of art; graphic arts designing; technical project studies; engineering; geological research; material testing; research in the field of environmental protection; research and development for others; technical research; architectural consultation; quality control; land surveying; geological surveys; design of interior decor; urban planning; geological prospecting; construction drafting; consultancy in the field of energy-saving; industrial design; surveying; quality evaluation of standing timber; quality evaluation of wool.

(260) AM 2013 68267 A

(800) 1120648

(731) JOINT STOCK COMPANY "AUGUST" INC
27/18, ul. Troitzk, RU-142191 Novostroyka,
Russian Federation

(540)

avgust 

(591) White, dark grey, sandy, blue and green

(511)

1 – Surface-active chemical agents; flower preservatives; seed preserving substances; defoliants; additives, chemical, to insecticides; additives, chemical, to fungicides; additives, chemical, to herbicides; tree cavity fillers [forestry]; preparations for the regulating of plant growth; preparations of trace elements for plants; chemical preparations to prevent mildew; vine disease preventing chemicals; chemical preparations for protection against wheat blight [smut]; chemical preparations for scientific purposes, other than for medical or veterinary use; anti-sprouting preparations for vegetables; fertilizing preparations; manure for agriculture; industrial chemicals; chemicals for forestry, except fungicides, herbicides, insecticides and parasiticides; horticulture chemicals, except fungicides, herbicides, insecticides and parasiticides; agricultural chemicals, except fungicides, weedkillers, herbicides, insecticides and parasiticides; soil conditioning preparations; emulsifiers; desiccants and defoliants.

5 – Adjuvants for medical purposes; acaricides; algicides; germicides; biocides; mothproofing paper;

herbicides; insecticides, including nematocides; pesticides; preparations for destroying noxious animals, including molluscicides; preparations for destroying noxious plants, preparations for destroying dry rot fungus; larvae exterminating preparations; fly destroying preparations; preparations for destroying mice, including rodenticides; slug exterminating preparations; vermin destroying preparations; chemical preparations to treat wheat blight [smut]; vine disease treating chemicals; chemical preparations to treat mildew; chemical preparations for treating phylloxera; insect repellents; parasiticides; fungicides.

20 – Packaging containers of plastic, including canisters; containers, not of metal [storage, transport].

42 – Chemical analysis; project studies (terms too vague in the opinion of the International Bureau – RK); material testing; chemical research; research and development for others; technical research; quality control; chemistry services.

44 – Pharmacy advice; horticulture; farming equipment rental; aerial and surface spreading of fertilizers and other agricultural chemicals; gardening; vermin exterminating for agriculture, horticulture and forestry; weed killing; lawn care.

(260) AM 2013 68268 A

(800) 1120716

(731) Solifinance OÜ

Narva mnt. 13a, EE-10151 Tallinn, Estonia

(540)

Solicover

(591) Blue

(511)

6 – Floor tiles (of metal); floors (of metal); floor tiles (of metal).

19 – Tiles (not of metal); floor boards; parquet floor boards; parquet flooring; floor tiles (not of metal); floors (not of metal).

27 – Carpets and rugs; mats and matting; linoleum and other materials for covering existing floors; floor coverings; insulating floor coverings; vinyl floor coverings; carpet underlay.

(260) AM 2013 68269 A

(800) 1120798

(731) OBSHESTVO S OGRANICHENNOY
OTVETSTVENNOSTYU "FOOD UNION"
Shosse, d. 39, str.6, RU-125212 Moscow
Leningradskoe, Russian Federation

(540)

FOOD
UNION 

(591) Grey, blue and green

(511)

5 – Food for babies; dietetic foods adapted for medical purposes.

29 – Anchovy; peanuts, processed; albumen for culinary purposes; white of eggs; beans, preserved; soya beans, preserved, for food; bouillon; ginger jam; ham; fatty substances for the manufacture of edible fats; edible birds' nests; peas, preserved; mushrooms, preserved; game, not live; gelatine; meat jellies; jellies for food; fruit jellies; yolk of eggs; coconut fat; bone oil, edible; lard for food; suet for food; edible fats; fruit-based snack food; charcuterie; raisins; caviar; yoghurt; sauerkraut; kefir [milk beverage]; black pudding; meat, tinned [canned (am.)]; vegetables, tinned [canned (am.)]; fish, tinned [canned (am.)]; fruits, tinned [canned (am.)]; bouillon concentrates; gherkins; shrimps, not live; buttercream; croquettes; silkworm chrysalis, for human consumption; spiny lobsters, not live; salmon; onions, preserved; margarine; piccalilli; marmalade; edible oils; peanut butter; cocoa butter; colza oil for food; coconut butter; sesame oil; olive oil for food; palm oil for food; sunflower oil for food; coconut oil; butter; shellfish, not live; almonds, ground; mussels, not live; milk; fish meal for human consumption; fruit pulp; meat; meat, preserved; vegetables, preserved; vegetables, dried; vegetables, cooked; potato fritters; olives, preserved; lobsters, not live; coconut, desiccated; nuts, prepared; tomato purée; liver pâté; pectin for culinary purposes; liver; pickles; jams; powdered eggs; milk products; fermented vegetable foods [kimchi]; foods prepared from fish; curd; poultry, not live; pollen prepared as foodstuff; cranberry sauce [compote]; apple purée; crustaceans, not live; fish, preserved; fish, not live; vegetable salads; fruit salads; bacon; sardines; pork; herrings; cream [dairy products]; whipped cream; fat-containing mixtures for bread slices; tomato juice for cooking; vegetable juices for cooking; salted meats; sausages; preparations for making bouillon; preparations for making soup; tripe; soups; vegetable soup preparations; whey; cheese; tahini [sesame seed paste]; tofu; sea-cucumbers, not live; truffles, preserved; tuna fish; oysters, not live; rennet; fish fillets; dates; crystallized fruits; frozen fruits; fruit, preserved; fruit preserved in alcohol; fruit, stewed; potato flakes; hummus [chickpea paste]; fruit peel; lentils, preserved; potato chips; fruit chips; weed extracts for food; meat extracts; snail eggs for consumption; eggs.

30 – Aromatic preparations for food; flavorings, other than essential oils, for cakes; coffee flavorings [flavourings]; star aniseed; cookies; pancakes; buns; bread rolls; vanillin [vanilla substitute]; vanilla [flavoring] [flavouring]; waffles; vermicelli [noodles]; natural sweeteners; sausage binding materials; binding agents for ice cream [edible ices]; sea water for

cooking; glucose for culinary purposes; mustard; yeast; thickening agents for cooking foodstuffs; rice-based snack food; cereal-based snack food; artificial coffee; dressings for salad; fruit jellies [confectionery]; confectionery for decorating Christmas trees; cakes; pastries; peanut confectionery; almond confectionery; farinaceous food pastes; pasties; frozen yoghurt [confectionery ices]; cocoa; cocoa products; capers; caramels [candy]; gruel, with a milk base, for food; ketchup [sauce]; quiches; gluten prepared as foodstuff; sweetmeats [candy]; liquorice [confectionery]; peppermint sweets; coffee; unroasted coffee; starch for food; crackers; custard; groats for human food; corn, milled; corn, roasted; meat pies; turmeric for food; couscous [semolina]; farinaceous foods; noodles; ice for refreshment; ice, natural or artificial; edible ices; candy; rice cakes; mayonnaise; macaroni; maltose; hominy; marzipan; honey; royal jelly; ice cream; meal; muesli; mint for confectionery; cocoa beverages with milk; coffee beverages with milk; coffee-based beverages; tea-based beverages; chocolate beverages with milk; chocolate-based beverages; cocoa-based beverages; infusions, not medicinal; crushed oats; husked oats; nutmegs; lozenges [confectionery]; molasses for food; pepper; biscuits; pies; pizzas; fondants [confectionery]; popcorn; powders for ice cream; pralines; condiments; meat tenderizers, for household purposes; cereal preparations; flour-milling products; oat-based food; bee glue; gingerbread; spices; petits fours [cakes]; puddings; cake powder; ravioli; chewing gum; rice; spring rolls; sugar; aniseed; cake paste; confectionery; baking soda [bicarbonate of soda for cooking purposes]; malt for human consumption; salt for preserving foodstuffs; cooking salt; celery salt; sorbets [ices]; tomato sauce; spaghetti; seasonings; preparations for stiffening whipped cream; rusks; breadcrumbs; sushi; sandwiches; tabbouleh; tacos; tapioca; tarts; almond paste; tortillas; garden herbs, preserved [seasonings]; vinegar; ferments for pastes; halvah; bread; unleavened bread; chips [cereal products]; chicory [coffee substitute]; tea; iced tea; chocolate; malt extract for food; essences for foodstuffs, except etheric essences and essential oils.

35 – Demonstration of goods; commercial information and advice for consumers [consumer advice shop]; organization of exhibitions for commercial or advertising purposes; organization of trade fairs for commercial or advertising purposes; presentation of goods on communication media, for retail purposes; sales promotion for others; distribution of samples; advertising; on-line advertising on a computer network; administrative processing of purchase orders; procurement services for others [purchasing goods and services for other businesses].

(260) AM 2013 68291 A
 (800) 1121002
 (731) LEDER & SCHUH INTERNATIONAL AG
 Lastenstr. 11, A-8020 Graz, Austria
 (540)

Humanic

(591) Black, white
 (511)
 35 – Bringing together of various goods (except the transport thereof) for others, to facilitate the display and purchase of the aforesaid goods for customers; retailing services; bringing together (except transport) of the following goods, for others, to facilitate the display and purchase of the goods by consumers, chemicals, in particular impregnating preparations, leather stretch spray, cleaning preparations and care preparations, sunglasses, real and costume jewellery, clocks and watches, alarm clocks, office requisites (except furniture), bags, pouches, shoulder bags, purses, wallets, trunks and travelling bags, all the aforesaid goods in particular of leather or imitations of leather, shoe carriers and shoe bags, belt bags, shoe trees, neckerchieves, shoes, boots, slippers, sandals, calf boots, hiking shoes, espadrilles, plimsolls, rubber boots, socks, stockings, tights, leg warmers, inner soles, clothing, underwear, headgear, scarves, gloves, bikinis, sweat bands, headbands, belts, shoelaces, hair slides, games, playthings, gymnastic and sporting articles, decorations for Christmas trees; retail services with regard to the following goods, chemicals, in particular impregnating preparations, leather stretch spray, cleaning preparations and care preparations, sunglasses, real and costume jewellery, clocks and watches, alarm clocks, office requisites (except furniture), bags, pouches, shoulder bags, purses, wallets, trunks and travelling bags, all the aforesaid goods in particular of leather or imitations of leather, shoe carriers and shoe bags, belt bags, shoe trees, neckerchieves, shoes, boots, slippers, sandals, calf boots, hiking shoes, espadrilles, plimsolls, rubber boots, socks, stockings, tights, leg warmers, inner soles, clothing, underwear, headgear, scarves, gloves, bikinis, sweat bands, headbands, belts, shoelaces, hair slides, games, playthings, gymnastic and sporting articles, decorations for Christmas trees; retail shoe shop services.

(260) AM 2013 68293 A
 (800) 1121069
 (731) XIAMEN RAX ELECTRONIC COMMERCE CO., LTD.
 Unit 601, 6th Fl., No. 1 Building, Haifu Center, No. 597 Sishui Road, Huli District, Xiamen City, Fujian Province, China
 (540)



(591) Black, white
 (511)
 25 – Clothing; layettes (clothing); swimsuits; waterproof clothing; theatrical costume; football shoes; shoes; hats; hosiery; gloves (clothing); scarves; leather belts (clothing); wedding dress.

(260) AM 2013 68295 A
 (800) 1121165
 (731) DEUTSCHE AMPHIBOLIN-WERKE VON ROBERT MURJAHN STIFTUNG & Co KG
 Roßdörfer Str. 50, 64372 Ober-Ramstadt, Germany
 (540)

CapaTrend

(591) Black, white
 (511)
 1 – Chemicals used in industry; preservatives and waterproofing chemicals for masonry, roofing tiles, cement and concrete, except paints and oils; unprocessed artificial resins, unprocessed synthetic resins and plastics (in the form of powders, granules, liquids and pastes); solvents for paints, varnishes, lacquers and coating materials; adhesives for industrial purposes; adhesives for wallpaper; adhesives used for building purposes; fillers for the treatment of the surface before coating (as far as not included in other classes).
 2 – Paints; varnishes; lacquers; glazes, namely paints, varnishes and lacquers; glazings (as far as included in this class); preservatives against rust; primers; dyes, dye stuffs, dye paste; stains; thickeners for paint; fixatives; siccatives (drying agents) for paints; natural resins (as far as included in this class); thinners and binding agents for paints, lacquers and coatings; preservatives against deterioration of wood, wood mordants, wood stains and wood oils; coatings, including those that are structurable; bactericidal/fungicidal coatings; anti-corrosive preparations; protective preparations for metals; metals in powder form and metal foil for painters, decorators, printers and artists.
 17 – Sealing, heat insulation and insulating materials (as far as included in this class); insulating coatings, insulating varnishes; insulating textiles and insulating plasters; substances for insulating buildings against moisture, artificial and synthetic resins; textiles of fiber glass for insulating purposes; insulating tape; heat insulating materials; insulating panels; expansion joint profiles made of fiber glass and/or plastics (all for thermal insulation composite systems); plastic foils except those for packing purposes; adhesive tapes and stripes for building purposes; coatings for waterproofing roofs, walls and floors for insulation purposes.

19 – Building materials (not of metal); profile rails (not of metal) and corner rails (not of metal) for building purposes, especially edging profiles; adjusting and leveling parts, not of metal, for building; spacer (not of metal) for building purposes; window sills (not of metal); natural and artificial stones; mortar and quartz (building material); plaster (as far as included in this class), especially synthetic resin plaster; materials for plastering; wall and ceiling panels (not of metal for building purposes); fabric embedding compounds for building purposes; fillers as building materials; grating mats made of fiber glass and plastic.

(260) AM 2013 68296 A
(800) 1121181
(731) COLUMBIA SPORTSWEAR COMPANY
14375 NW Science Park Drive, Portland,
OR 97229, USA
(540)

OMNI-FREEZE

(591) Black, white
(511)
25 – Pants, shorts, shirts, socks, scarves, skirts, sweatshirts, turtlenecks, gloves, headwear, balaclavas, clothing, namely, base layers, dresses, knit face masks, skirts, sports bras.

(260) AM 2013 68297 A
(800) 1121209
(731) Otkrytoe aktsionernoe obshchestvo "Aston
Produkty Pitania i Pishchevye Ingredienty"
3b, ul. 1-ya Lugovaya, RU-344002 Rostov-na-
Donu, Russian Federation
(540)

ACTOH

(591) Black, white
(511)
29 – Edible oils and fats, including sunflower oil for food.

(260) AM 2013 68301 A
(800) 1121244
(731) Efes Breweries International N.V.
Strawinskyaan 1227, NL-1077 XX
AMSTERDAM, Netherlands
(540)

ZWEI MEISTER

(591) Black, white
(511)
32 – Beers; preparations used in brewery; mineral water, spring water, drinking water, sodas, tonics; fruit and vegetable juices, their concentrates and extracts, soft drinks.
33 – Alcoholic drinks (except beer).

(260) AM 2013 68302 A
(800) 1121260
(731) BAUSCH & LOMB INCORPORATED
One Bausch & Lomb Place, Rochester,
New York 14604, USA
(540)

INCISE

(591) Black, white
(511)
10 – Intraocular lenses; intraocular lens inserters; intraocular lens implants; intraocular implants; holders for intraocular lenses; lenses (intraocular prostheses) for surgical implantation.

(260) AM 2013 68303 A
(800) 1121263
(731) CELGENE CORPORATION
86 Morris Avenue, Summit, NJ 07901, USA
(540)

IMLINIR

(591) Black, white
(511)
5 – Pharmaceutical preparations, namely, cytokine inhibitory drugs; pharmaceutical preparations that modulate the immune system; pharmaceutical preparations for the treatment of certain cancers and blood diseases and printed dosage instructional manuals sold together as a unit.

(260) AM 2013 68304 A
(800) 1121316
(731) BROOKS BROTHERS GROUP, INC.
100 Phoenix Avenue, Enfield, CT 06082,
USA
(540)

BROOKS BROTHERS FLATIRON SHOP

(591) Black, white
(511)
35 – Retail store services featuring clothing, footwear, eyewear, fragrances, leather goods, bags, and personal accessories.

(260) AM 2013 68306 A
(800) 1121324
(731) KRKA, tovarna zdravil, d.d., Novo mesto;
Šmarješka cesta 6, SI-8501 Novo mesto,
Slovenia
(540)

TOLUCOMBI

(591) Black, white
(511)
5 – Pharmaceutical preparations.

(260) AM 2013 68312 A
 (800) 1121334
 (731) VERSALIS S.p.A.
 Piazza Boldrini, 1, I-20097 SAN DONATO
 MILANESE (MI), Italy

(540)

versalis

(591) Black, white

(511)

1 – Chemicals used in industry, science and photography, as well as in agriculture, horticulture and forestry; unprocessed artificial resins, unprocessed plastics; manures; fire extinguishing compositions; tempering and soldering preparations; chemical substances for preserving foodstuffs; tanning substances; adhesives used in industry.

17 – Rubber, gutta-percha, gum, asbestos, mica and goods made from these materials and included in this class; plastics in extruded form for use in manufacture; packing, stopping and insulating materials; flexible pipes, not of metal.

(260) AM 2013 68313 A
 (800) 1121363
 (731) CALZATURIFICIO LORI S.R.L.
 Via dell'Economia, 9, I-63821 PORTO
 SANT'ELPIDIO (FM), Italy

(540)



(591) Black, white

(511)

18 – Leather and imitations of leather, and goods made of these materials and not included in other classes, animal skins, hides, trunks and travelling bags, umbrellas, parasols and walking sticks; whips, harness and saddlery.

25 – Clothing, footwear, headgear.

35 – Advertising; business management; business administration; office functions; presentation of goods on communication media for retail purposes.

(260) AM 2013 68314 A
 (800) 1121425
 (731) KARTAL TEKSTIL SANAYI VE TICARET
 LIMITED SIRKETI
 4. Organize Sanayi Bolgesi Baspınar6
 GAZIANTEP, Turkey

(540)

SANATHALI

(591) Black, white

(511)

27 – Carpets, rugs, hall rugs, prayer rugs; linoleum, artificial lawn, furnishing linoleum; mats for sporting purposes; non-textile wall linings, wallpapers.

(260) AM 2013 68349 A
 (800) 1121460
 (731) CELGENE CORPORATION
 86 Morris Avenue, Summit, NJ 07901,
 USA

(540)

**CELGENE AVIOMICS
 RESEARCH**

(591) Black, white

(511)

5 – Pharmaceutical preparations for the treatment of oncology, autoimmune disease and inflammatory disorders.

9 – Downloadable software for designing covalent drugs for use in the fields of pharmaceutical research and bioinformatics; downloadable computer graphics, photographs, animations, computer screen shots, and 3-D pictures; downloadable audio and video files and multimedia files featuring design of covalent drugs; downloadable data sets and databases featuring design of covalent drugs; electronic downloadable publications in the nature of magazines, articles for magazines, features for magazines and newspapers, text files, newsletters, newspapers, news supplements, reports, brochures, circulars, periodicals, pamphlets, leaflets, technical papers, and abstracts, the foregoing in the fields of pharmaceutical research and bioinformatics for use by professionals in the fields of science and medicine; downloadable electronic publications in the nature of magazines, articles for magazines, features for magazines and newspapers, text files, newsletters, newspapers, news supplements, reports, brochures, circulars, periodicals, pamphlets, leaflets, audio and video files, multimedia files, data sets, databases, computer screen shots, 3-D pictures, technical papers, and abstracts in the fields of pharmaceutical research and bioinformatics.

42 – Pharmaceutical research and development services; research in the fields of biotechnology, chemistry and pharmaceuticals; research and testing services in the fields of biotechnology, chemistry and pharmaceuticals; research and development of new products for others in the fields of biotechno-

logy, chemistry and pharmaceuticals; scientific research services.

(260) AM 2013 68350 A

(800) 1121465

(731) GUANGZHOU BAIYUN SHENGHUO
ELECTRONIC EQUIPMENT FACTORY
No. 19, Xiaoyuan Road, Luoyong, Baiyun
District, Guangzhou City, Guangdong
Province, China

(540)

Halvex

(591) Black, white

(511)

9 – Cabinets for loudspeakers; megaphones; microphones; electroacoustic components; learning and instructional machines; acoustic couplers; loudspeakers; sound pick-up; acoustic diaphragms.

(260) AM 2013 68351 A

(800) 1121472

(731) UAB "Jubana"
Gamyklos g. 45, LT-89110 Mažeikiai,
Lithuania

(540)



(591) Black, white

(511)

7 – Crank shafts; carbon brushes (electricity); axles for machines; lasts for shoes (parts of machines); bearing brackets for machines; cylinders for machines; cylinders for motors and engines; cylinder heads for engines; pistons for cylinders; exhausts for motors and engines; generators of electricity; alternators; dynamos; dynamo brushes; current generators; carburettors; crankcases for machines, motors and engines; housings (parts of machines); hangers (parts of machines); machine wheelwork; universal joints (cardan joints); machine fly-wheels; transmissions for machines; radiators (cooling) for motors and engines; pumps (parts of machines, engines or motors); pulleys; springs (parts of machines); starters for motors and engines; stators (parts of machines); pistons for cylinders; pistons (parts of machines or engines); piston segments; connecting rods for machines, motors and engines; turbocompressors; igniting devices for internal combustion engines; igniting magnetos; igniting magnetos for engines; exhaust manifold for engines; mufflers for motors and engines; pistons for engines; fans for motors and engines; bearings for transmission shafts; shaft couplings (machines); valves (parts of

machines); clack valves (parts of machines); grease rings (parts of machines); glow plugs for Diesel engines; sparking plugs for internal combustion engines.

12 – Shock absorbing springs for vehicles; suspension shock absorbers for vehicles; axles for vehicles; connecting rods for land vehicles, other than parts of motors and engines; torque converters for land vehicles; transmissions, for land vehicles; gearing for land vehicles; gear boxes for land vehicles; driving motors for land vehicles; transmission shafts for land vehicles; hubs for vehicle wheels; clutches for land vehicles; brake segments for vehicles; vehicle suspension springs.

(260) AM 2013 68352 A

(800) 1121477

(731) Otkrytoe Aktsionernoe Obshchestvo
"Khimiko-Farmatsevticheskoy kombinat
"Akrikhin"
ulitsa Kirova, 29, RU-142450 Noginsky raion,
pos. Staraya Kupavna, Russian Federation

(540)

ФТИЗОЭТАМ

(591) Black, white

(511)

5 – Pharmaceutical preparations.

(260) AM 2013 68353 A

(800) 1121478

(731) Otkrytoe Aktsionernoe Obshchestvo
"Khimiko-Farmatsevticheskoy kombinat
"Akrikhin"
ulitsa Kirova, 29, RU-142450 Noginsky raion,
pos. Staraya Kupavna, Russian Federation

(540)

ФТИЗОПИРАМ

(591) Black, white

(511)

5 – Pharmaceutical preparations.

(260) AM 2013 68354 A

(800) 1121505

(731) ŠKODA AUTO A.S.
Tř. Václava Klementa 869, CZ-29360 Mladá
Boleslav, Czech Republic

(540)

SIMPLY CLEVER

(591) Black, white

- (511)
12 – Automobiles and their parts, all included in this class.
- 35 – Marketing, advertisement and advertising activities and services.
- 37 – Service and repair services and activities.

- (260) AM 2013 68355 A
(800) 1121536
(731) APPLE INC.
1 Infinite Loop, Cupertino, CA 95014, USA
(540)



- (591) Black, white
(511)
9 – Computers; computer hardware; computer networking hardware; computer peripheral devices; handheld computers; tablet computers; handheld mobile digital electronic devices for recording, organizing, transmitting, manipulating, and reviewing text, data, images, audio and audiovisual files, for the sending and receiving of telephone calls, electronic mail, and other digital data, for use as a digital format audio player, handheld computer, personal digital assistant, electronic organizer, electronic notepad, camera, and global positioning systems (GPS) electronic navigation device, and software related thereto; telephones; cameras; remote controls; computer hardware and computer software for the reproduction, processing and streaming of audio, video and multimedia content; computer hardware and software for controlling the operation of audio and video devices and for viewing, searching and/or playing audio, video, images, and other multimedia content; computer software for authoring, recording, downloading, transmitting, receiving, editing, extracting, encoding, decoding, displaying, playing, storing, manipulating, reviewing, and organizing text, data, images, audio files, video files, electronic games, and digital media; computer software to enable users to program, distribute, transmit and receive audio, video, images, text and other multimedia content via communications networks; computer software for identifying, locating, grouping, distributing, and managing data and links between computers and electronic devices connected to electronic communications networks; audio recording, reproducing, and transmitting apparatus; home theater systems comprising audio stereo speakers, audio and video receivers, and audio and video media players; stereo amplifier and audio speaker base stations; headphones and earphones; microphones; audio speakers; audio, video and digital media receivers; audio and video

transmitters; audio, video, and digital audio and video mixers; amplifiers; MP3 and other digital format audio players; digital audio recorders and players; digital video recorders and players; radios; televisions; television monitors; video monitors; video viewers, namely, video monitors for mobile phones, handheld computers, and portable and handheld digital electronic devices; television set top boxes; automobile stereo adapters.

- (260) AM 2013 68356 A
(800) 1121557
(731) HUAWEI TECHNOLOGIES CO., LTD.
Administration Building Huawei
Technologies Co., Ltd. Bantian, Longgang
District, Shenzhen, China

(540)

GigaHome

- (591) Black, white
(511)
9 – Chips (integrated circuits); wafers (silicon slices).

- (260) AM 2013 68357 A
(800) 1121565
(731) PAUL HARTMANN AG
Paul-Hartmann-Str. 12, 89522 Heidenheim,
Germany

(540)

Dignity

- (591) Black, white
(511)
5 – Sanitary preparations for medical use; plasters, materials for dressings; disinfectants; napkins, napkin liners, napkin pants and absorbent pads, mainly consisting of paper, cellulose or other fibre materials being disposable articles, fix pants, woven and/or knitted of textile fibres or consisting of cellulose, for fixing absorbent pads, all the aforesaid goods for incontinency purposes.
- 10 – Orthopedic articles; suture materials; draw-sheets for sick beds and incontinence sheets (included in class 10).
- 41 – Education and providing of training related to incontinence care; conducting of courses for the providing of know-how in the fields of wound care, incontinence and compression therapy.
- 44 – Services for medical care, in particular medical nursing for the treatment of diseases related with incontinence.

- (260) AM 2013 68358 A
(800) 1121589
(731) LENOVO (BEIJING) LIMITED

No. 6 Chuangye Road, Shangdi Information
Industry Base, Haidian District, Beijing
100085, China

(540)

ideatab

(591) Black, white

(511)

9 – Computers; computer peripherals; notebook computers; computer hard disks; drives (for computers); computer software; batteries (for notebook computers); computer displays; flash disk.

(260) AM 2013 68359 A

(800) 1121603

(731) KHARKOV BEARING PLANT, PUBLIC
JOINT STOCK COMPANY
bud. 3, prosp. Frunze, Kharkiv 61089,
Ukraine

(540)

ХАРП

(591) Black, white

(511)

6 – Balls of steel; rings of metal; rollers of steel; stop collars of metal.

7 – Anti-friction bearings for machines; anti-friction pads for machines; ball rings for bearings; ball bearings; bearing brackets for machines; bearings; bearings for transmission shafts; journal boxes; roller bearings; roller rings for bearings; separators; bearings for transmission shafts.

35 – Advertising; demonstration of goods; dissemination of advertising matter; commercial information and advice for consumers (consumer advice shop); distribution of samples; import-export agencies; marketing research; publication of publicity texts; publicity; organization of exhibitions for commercial or advertising purposes; organization of trade fairs for commercial or advertising purposes; sales promotion for others; presentation of goods on communication media, for retail purposes; procurement services for purchasing goods and services for other businesses.

(260) AM 2013 68360 A

(800) 1121604

(731) KHARKOV BEARING PLANT, PUBLIC
JOINT STOCK COMPANY
bud. 3, prosp. Frunze, Kharkiv 61089,
Ukraine

(540)



(591) Black, white

(511)

6 – Balls of steel; rings of metal; rollers of steel; stop collars of metal.

7 – Anti-friction bearings for machines; anti-friction pads for machines; ball rings for bearings; ball bearings; bearing brackets for machines; bearings; bearings for transmission shafts; journal boxes; roller bearings; roller rings for bearings; separators; bearings for transmission shafts.

35 – Advertising; demonstration of goods; dissemination of advertising matter; commercial information and advice for consumers (consumer advice shop); distribution of samples; import-export agencies; marketing research; publication of publicity texts; publicity; organization of exhibitions for commercial or advertising purposes; organization of trade fairs for commercial or advertising purposes; sales promotion for others; presentation of goods on communication media, for retail purposes; procurement services for purchasing goods and services for other businesses.

(260) AM 2013 68361 A

(800) 1121605

(731) KHARKOV BEARING PLANT, PUBLIC
JOINT STOCK COMPANY
bud. 3, prosp. Frunze, Kharkiv 61089,
Ukraine

(540)

HARP

(591) Black, white

(511)

6 – Balls of steel; rings of metal; rollers of steel; stop collars of metal.

7 – Anti-friction bearings for machines; anti-friction pads for machines; ball rings for bearings; ball bearings; bearing brackets for machines; bearings; bearings for transmission shafts; journal boxes; roller bearings; roller rings for bearings; separators; bearings for transmission shafts.

35 – Advertising; demonstration of goods; dissemination of advertising matter; commercial information and advice for consumers (consumer advice shop); distribution of samples; import-export agencies; marketing research; publication of publicity texts; publicity; organization of exhibitions for commercial or advertising purposes; organization of trade fairs for commercial or advertising purposes; sales promotion for others; presentation of goods on communication media, for retail purposes; procurement services for purchasing goods and services for other businesses.

(260) AM 2013 68362 A
 (800) 1121612
 (731) SOFFASS S.P.A.
 Via Fossanuova, 59, I-55016 Porcari (LU),
 Italy

(540)

REGINA

(591) Black, white
 (511)
 16 – Crêpe papers, smooth paper; paper products and/or cellulose products for household purposes including tissue for household cleaning, tissue for personal hygiene and care, including kitchen towels and bath towels, handkerchiefs, face tissues, tablecloths, napkins, kitchen rolls and toilet paper, both in household packs and in community and industrial packs; paper bags for recycling purposes, duster of paper; stationery, newsletters, books, magazines, newspapers, periodicals, brochures, pamphlets, visual, publications and informational material on paper support.

(260) AM 2013 68363 A
 (800) 1121619
 (731) AVON PRODUCTS, INC.
 World Headquarters, 777 Third Avenue,
 New York, NY 10017, USA

(540)

CITY RUSH

(591) Black, white
 (511)
 3 – Non-medicated toilet preparations; toiletries; skin care preparations; skin moisturizers; body and beauty care preparations; powders, creams and lotions, all for the face, hands and body; cosmetic suntan preparations; soaps; shower and bath preparations; beauty masks; talcum powder; nail polish; nail polish remover; enamel for nails; false nails; adhesives for cosmetic purposes; cosmetics; eye makeup remover, eye shadow, eye liner, mascara, lipstick, lip liner, lipgloss; make-up foundation; blusher; tissues impregnated with cosmetic lotions; cotton sticks for cosmetic purposes; cotton wool for cosmetic purposes; preparations for cleaning, moisturising, colouring and styling the hair; preparations for cleaning the teeth; shaving and aftershave preparations; perfumes, fragrance, toilet waters, eau de Cologne; deodorants and anti-perspirants for personal use; essential oils (cosmetic); all the aforesaid being alone, in combination and/or in gift sets comprised of some or all of these items.

(260) AM 2013 68364 A
 (800) 1121633
 (731) Zentiva, k.s.
 U Kabelovny 130, CZ-102 37 Praha
 10 – Dolní Měcholupy, Czech Republic

(540)

CANDIMAX

(591) Black, white
 (511)
 5 – Medicines, pharmaceutical preparations for human use.

(260) AM 2013 68365 A
 (800) 1121645
 (731) VIVO PER LEI, INC.
 19849 Nordhoff Street Northridge CA 91324,
 USA

(540)

OROGOLD

(591) Black, white
 (511)
 44 – Provision of beauty information concerning personal care products, cosmetics, toiletries, perfumery, bath and body products, non-medicated skin care preparations, beauty treatments and personal appearance; online provision of beauty information via a global communication network regarding the selection and use of personal care products, cosmetics, toiletries, perfumery, bath and body products, non-medicated skin care preparations, beauty treatments and personal appearance.

(260) AM 2013 68367 A
 (800) 1121652
 (731) ALPOD LLC
 Corporation Service Company
 2711 Centerville Road, Suite 400,
 Wilmington, Delaware 19808, USA

(540)



(591) Black, white
 (511)
 14 – Watches and bracelets.
 16 – Printed matter.

(260) AM 2013 68369 A
 (800) 1121658
 (731) STENDERS
 SIA Mukusalas iela 63, LV-1004 Riga, Latvia

(540)

STENDERS

(591) Black, white
 (511)
 3 – Soaps; beauty care and body care preparations; essential oils; oils for cosmetic purposes, massage oils not for medical purposes; cosmetic preparations

for bath, bath salts not for medical purposes; shampoos.

16 – Printed matter including calendars, booklets, greeting cards; boxes for packaging included in this class.

35 – Retail and wholesale services in respect of soaps, beauty care and body care preparations, essential oils, oils for cosmetic purposes, massage oils, cosmetic preparations for baths, shampoos; retail and wholesale services in respect of printed matter, calendars, booklets, greeting cards, boxes for packaging; the bringing together, for the benefit of others, of a variety of goods (excluding the transport thereof); enabling customers to conveniently view and purchase those goods; sales promotion (for others); procurement services for others (purchasing goods and services for other businesses).

(260) AM 2013 68370 A

(800) 1121663

(731) PIERRE FABRE DERMO-COSMETIQUE
45, place Abel Gance, F-92100 BOULOGNE,
France

(540)

PEPTIDOXYL

(591) Black, white

(511)

1 – Active ingredients used in products to prevent hair loss.

3 – Products to prevent hair loss; cosmetic hair care and maintenance products.

5 – Active ingredients used in dermatological products.

(260) AM 2013 68371 A

(800) 1121037

(731) ZAKRYTOE AKTSIONERNOE
OBSHCHESTVO "I-TECO"
Street Bolshaya Nikitskaya, 24, bldg. 5, floor
2, RU-103009 Moscow, Russian Federation

(540)



(591) White, black and green

(511)

9 – Computers, computer memories for them; compact discs [read-only memory]; interfaces [for computers]; microprocessors; modems; monitors [computer hardware]; monitors [computer programs];

data processing apparatus; computer peripheral devices and printers for use with computers; magnetic data media; optical data media; disks [magnetic]; optical discs; disk drives [for computers]; magnetic tapes; computer software [recorded]; readers for computers; scanners; electronic pens [visual display units]; audiovisual teaching apparatus; video recorders; high-frequency apparatus; calculating machines; laptop computers.

38 – Leasing of access time to a computer database.

39 – Transportation services; freight forwarding; portage; wrapping of goods; packaging of goods; delivery of goods; parcel delivery; delivery of goods by mail order; storage of goods; storage; rental of storage facilities; garage rental; rental of car parking spaces; vehicle rental; rental of storage containers; transport reservation; transport brokerage services; transportation information; providing information relating to storage.

40 – Printing; offset printing.

41 – Publication of books; publication of training manuals; organization of exhibitions for cultural or educational purposes; arranging and conducting of conferences; arranging and conducting of seminars; arranging and conducting of symposiums; publication of texts [other than publicity texts].

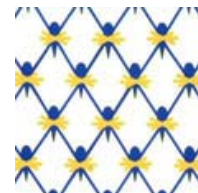
42 – Computer rental; rental of computer software; design of publicity material; technical project studies; surveying; design of artwork; technical advice relating to computers; design and development of information and communications technology.

(260) AM 2013 68372 A

(800) 1121087

(731) OPEN JOINT-STOCK COMPANY
"IMPERIAL PORCELAIN
MANUFACTORY"
151, pr. Obuhovskoy oborony, RU-192171
Saint-Petersburg, Russian Federation

(540)



(591) White, blue, light-blue and yellow

(511)

16 – Bags, pouches of paper or plastics, for packaging; boxes of paper for packaging; printed matter included in this class.

21 – Porcelain; earthenware; porcelain ware; crockery; works of art, of porcelain, earthenware or glass.

(260) AM 2013 68373 A

(800) 1121344

(731) FENERBAHÇE SPOR KULÜBÜ DERNEĞİ

Fenerbahçe Burnu, Kadıköy – İstanbul,

Turkey

(540)



(591) Dark blue, yellow, red, green, white and black
(511)

3 – Perfumes, colognes, cosmetic lotions, deodorants for personal use, after-shave lotions, antiperspirant deodorants, shampoos, hair waving preparations, acetones for cosmetic purposes, gels, after-shave creams, shower gel, soaps, tooth care preparations, toothpastes, scented room sprays.

9 – Data processing apparatus, namely, computer software and hardware, printers, scanners, keyboards, mice, cassettes, CDs, DVDs, VCDs, exposed cinematographic films, serial films, documentary films, telephones, mobile phones, radiotelephones, MP3 players, electronic cards, telephone cards, encoded magnetic cards for banking purposes, electronic tickets, glasses, sunglasses; goggles.

14 – Jewelry materials (including artificial ones), golds, bracelets, rings, chains, jewelry, diamonds, precious stones, cuff links, tie pins, collar pins, brooches, statues of precious metal, watches; badges of precious metal.

16 – Printed documents namely, printed publications, newspapers, magazines, calendars, books, posters, pictures, placards, photographs, stickers, notebooks, blank books, pencils, pens, ballpoint pens, painting pens, erasers, pencil sharpeners, pencil cases, bookmarkers, paintings.

18 – Bags, purses, key cases made of leather, rucksacks, school bags, sport bags; card cases.

21 – Glass, statues made of porcelain and ceramic, drinking glasses, cups, toothbrushes.

24 – Bedclothes, sheets, duvet covers, flags made of fabric and textile.

25 – All kinds of clothings other than protective purposes (including underclothing and outer clothing) namely, sweat suits, formal wear, overcoats, Bermuda shorts, stockings, coats, sweat shirts, raincoats, shoes, slippers, undershirts, baby shoes, berets, blouses, body suits, socks, shirts, pants, hats, T-shirts, overalls, belts, leggings, waistcoats, dresses, nightwear, sweaters, scarfs, stoles, pullovers,

swimsuits, pyjamas, wind resistant clothing, gloves, underwear, ties, wristbands, bonnets.

28 – Toys, backgammon, gymnastic and sporting instruments and materials, basketball hoops, knee guards for use whilst playing sports, goalkeeper gloves specifically adapted for sports, shin guards, balls.

35 – The bringing together for the benefit of others, of a variety of goods (excluding the transport of), enabling customers to conveniently view and purchase those goods, (including shopping and online shopping) namely perfumes, colognes, lotions, deodorants, after-shave lotions, antiperspirant deodorants, shampoos, hair waving preparations, acetones for cosmetic purposes, gels, after-shave creams, shower gel, soaps, tooth care preparations, toothpastes, room sprays, data processing apparatus namely, computer software and hardware, printers, scanners, keyboards, mice, cassettes, CDs, DVDs, VCDs, exposed cinematographic films, serial films, documentary films, telephones, mobile phones, radiotelephones, MP3 players, electronic cards, telephone cards, encoded magnetic cards for banking purposes, electronic tickets, glasses, sunglasses, jewelry materials (including artificial ones), golds, bracelets, rings, chains, jewelry, diamond, precious stones, cuff links, wristbands, necklaces, tie pins, collar pins, brooches, rosettes, statues, watches, printed documents, namely, printed publications, newspapers, magazines, calendars, books, posters, pictures, placards, photographs, paintings, stickers, notebooks, blank books, pencils, pens, ballpoint pens, painting pens, erasers, pencil sharpeners, pencil cases, card cases, touchstones, bags, purses, key rings made of leather, rucksacks, school bags, sport bags, glass, stratum made of porcelain and ceramic, glasses, cups, toothbrushes, bedclothes, duvet covers, sheets, flags made of fabric and textiles, all kinds of clothings other than protective purposes (including underclothing and outer clothing) namely sweat suits, formal wear, overcoats, Bermuda shorts, stockings, coats, sweat shirts, raincoats, shoes, slippers, undershirts, baby shoes, berets, blouses, body, socks, shirts, pants, hats, T-shirts, overalls, belts, leggings, waistcoats, dressings, nightwear, sweaters, scarfs, stoles, pullovers, swimsuits, pyjamas, windbreakers, shawls, gloves, underwear, ties, toys, backgammon games, gymnastic and sporting instruments and materials, baskets, bonnets, knee braces, goalkeeper gloves, shin guards, balls, goggles; the bringing together, for the benefit of others, of a variety of goods (excluding the transport thereof), enabling customers to conveniently view and purchase those goods (including shopping and electronic shopping).

38 – Radio and television broadcasting services.

41 – Education and teaching services, arranging and conducting sporting events, entertainment services.

43 – Services of providing food and drink namely, restaurant services, cafeterias, café services, pub services, temporary accommodation reservation services namely for hotels.

(260) AM 2013 68374 A

(800) 1121345

(731) FENERBAHÇE FUTBOL ANONİM
SİRKETİ

Fenerbahçe Sükrü Saraçoğlu Stadyumu,
Maraton Girişi Kızıltoprak, Kadıköy –
Istanbul, Turkey

(540)



(591) Dark blue and white

(511)

3 – Perfumes, colognes, cosmetic lotions, deodorants for personal use, after-shave lotions, antiperspirant deodorants, shampoos, hair waving preparations, acetones for cosmetic purposes, gels, after-shave creams, shower gel, soaps, tooth care preparations, toothpastes, scented room sprays.

9 – Data processing apparatus, namely, computer software and hardware, printers, scanners, keyboards, mice, cassettes, CDs, DVDs, VCDs, exposed cinematographic films, serial films, documentary films, telephones, mobile phones, radiotelephones, MP3 players, electronic cards, telephone cards, encoded magnetic cards for banking purposes, electronic tickets, glasses, sunglasses; goggles.

14 – Jewelry materials (including artificial ones), golds, bracelets, rings, chains, jewelry, diamonds, precious stones, cuff links, tie pins, collar pins, brooches, statues of precious metal, watches; badges of precious metal.

16 – Printed documents namely, printed publications, newspapers, magazines, calendars, books, posters, pictures, placards, photographs, stickers, notebooks, blank books, pencils, pens, ballpoint pens, painting pens, erasers, pencil sharpeners, pencil cases, bookmarkers, paintings.

18 – Bags, purses, key cases made of leather, rucksacks, school bags, sport bags; card cases.

21 – Glass, statues made of porcelain and ceramic, drinking glasses, cups, toothbrushes.

24 – Bedclothes, sheets, duvet covers, flags made of fabric and textile.

25 – All kinds of clothing other than protective purposes (including underclothing and outer clothing) namely, sweat suits, formal wear, overcoats, Bermuda shorts, stockings, coats, sweat shirts, raincoats, shoes, slippers, undershirts, baby shoes,

berets, blouses, body suits, socks, shirts, pants, hats, T-shirts, overalls, belts, leggings, waistcoats, dresses, nightwear, sweaters, scarfs, stoles, pullovers, swimsuits, pyjamas, wind resistant clothing, gloves, underwear, ties, wristbands, bonnets.

28 – Toys, backgammon, gymnastic and sporting instruments and materials, basketball hoops, knee guards for use whilst playing sports, goalkeeper gloves specifically adapted for sports, shin guards, balls.

35 – The bringing together for the benefit of others, of a variety of goods (excluding the transport of), enabling customers to conveniently view and purchase those goods, (including shopping and online shopping) namely perfumes, colognes, lotions, deodorants, after-shave lotions, antiperspirant deodorants, shampoos, hair waving preparations, acetones for cosmetic purposes, gels, after-shave creams, shower gel, soaps, tooth care preparations, toothpastes, room sprays, data processing apparatus namely, computer software and hardware, printers, scanners, keyboards, mice, cassettes, CDs, DVDs, VCDs, exposed cinematographic films, serial films, documentary films, telephones, mobile phones, radiotelephones, MP3 players, electronic cards, telephone cards, encoded magnetic cards for banking purposes, electronic tickets, glasses, sunglasses, jewelry materials (including artificial ones), golds, bracelets, rings, chains, jewelry, diamond, precious stones, cuff links, wristbands, necklaces, tie pins, collar pins, brooches, rosettes, statues, watches, printed documents, namely, printed publications, newspapers, magazines, calendars, books, posters, pictures, placards, photographs, paintings, stickers, notebooks, blank books, pencils, pens, ballpoint pens, painting pens, erasers, pencil sharpeners, pencil cases, card cases, touchstones, bags, purses, key rings made of leather, rucksacks, school bags, sport bags, glass, stratum made of porcelain and ceramic, glasses, cups, toothbrushes, bedclothes, duvet covers, sheets, flags made of fabric and textiles, all kinds of clothing other than protective purposes (including underclothing and outer clothing) namely sweat suits, formal wear, overcoats, Bermuda shorts, stockings, coats, sweat shirts, raincoats, shoes, slippers, undershirts, baby shoes, berets, blouses, body, socks, shirts, pants, hats, T-shirts, overalls, belts, leggings, waistcoats, dressings, nightwear, sweaters, scarfs, stoles, pullovers, swimsuits, pyjamas, windbreakers, shawls, gloves, underwear, ties, toys, backgammon games, gymnastic and sporting instruments and materials, baskets, bonnets, knee braces, goalkeeper gloves, shin guards, balls, goggles; the bringing together, for the benefit of others, of a variety of goods (excluding the transport thereof), enabling customers to conveniently view and purchase those goods (including shopping and electronic shopping).

38 – Radio and television broadcasting services.

41 – Education and teaching services, arranging and conducting sporting events, entertainment services.

43 – Services of providing food and drink namely, restaurant services, cafeterias, café services, pub services, temporary accommodation reservation services namely for hotels.

(260) AM 2013 68376 A

(800) 1121422

(731) DISA OTOMOTIV ÜRÜNLERİ SANAYİ VE
TİCARET LIMITED SİRKETİ

Ulas beldesi Kaynak Mevkii Ulas, Çorlu 059
TR, Turkey

(540)



(591) Red and white

(511)

12 – Vehicles; apparatus for locomotion by land, air or water.

(260) AM 2013 68377 A

(800) 1121461

(731) APPLE INC.

1 Infinite Loop, Cupertino, CA 95014, USA

(540)



(591) Black, silver, purple, white

(511)

42 – Computer programming; design and development of computer hardware and software; design, development and maintenance of proprietary computer software in the field of natural language, speech, speaker, language, voice recognition, and voice-print recognition; rental of computer hardware and software apparatus and equipment; computer hardware and software consulting services; support and consultation services for developing computer systems, databases and applications; providing computer hardware or software information online; website creation, design and maintenance services; website hosting services; application service provider (ASP) services featuring hosting computer software applications of others; application service provider (ASP) services featuring software for crea-

ting, authoring, distributing, downloading, transmitting, receiving, playing, editing, extracting, encoding, decoding, displaying, storing and organizing text, graphics, images, audio, video, and multimedia content, and electronic publications; application service provider (ASP) services featuring software for use in connection with voice recognition software and voice-enabled software applications; providing online non-downloadable software; providing search engines for obtaining data via the internet and other electronic communications networks; electronic data storage services; information, advisory and consultancy services relating to all the aforesaid.

(260) AM 2013 68378 A

(800) 1121506

(731) VIENNA INSURANCE GROUP AG Wiener
Versicherung Gruppe
Schottenring 30, A-1010 Vienna, Austria

(540)



(591) Red and black

(511)

36 – Insurance; financial affairs; monetary affairs; real estate affairs.

(260) AM 2013 68379 A

(800) 1121507

(731) VIENNA INSURANCE GROUP AG Wiener
Versicherung Gruppe
Schottenring 30, A-1010 Vienna, Austria

(540)



(591) Red and black

(511)

36 – Insurance; financial affairs; monetary affairs; real estate affairs.

(260) AM 2013 68381 A

(800) 1121567

(731) Henkel AG & Co. KGaA
Henkelstraße 67, 40589 Düsseldorf, Germany

(540)



(591) Red, yellow, brown and white

(511)

1 – Chemicals used in industry; adhesives used in industry; unprocessed artificial resins.

9 – Electrical dosage and application apparatus, particularly for adhesives and for removing of old lacquers and paints; accumulators and batteries; chargers for electric batteries; light emitting diode.

11 – Lamps, illuminators; light bulbs.

16 – Adhesives and adhesives tapes for stationery or household purposes.

17 – Packing, stopping and insulating materials; sealing tapes; foils and boards made of plastics for insulating purposes.

(260) AM 2013 68382 A

(800) 1121572

(731) WOLF OIL CORPORATION N.V.

Georges Gilliotstraat 52, B-2620, Hemiksem, Belgium

(540)



(591) Black, blue, white and grey

(511)

4 – Industrial oils and greases; lubricants; dust absorbing, wetting and binding compositions fuels, including motor spirit, and illuminants.

(260) AM 2013 68399 A

(800) 1121674

(731) MERCUSYS TECHNOLOGIES CO., LTD.

3rd Floor, Building R1-B, No. 23, Gaoxin 4th Road, South Hi-Tech Park, Nanshan, Shenzhen, China

(540)

MERCUSYS

(591) Black, white

(511)

9 – Modems; routers; adapters; switches; switch modules; network interface cards; receiver servers; media converters; telephones; antennas; transmitters of electrical signal; optical communication devices; intercommunication apparatus; wireless adapters; wireless access point.

(260) AM 2013 68402 A

(800) 1121702

(731) TECFI S.p.A.

Via Andrea d'Isernia, 38, I-80122 NAPOLI, Italy

(540)



(591) Black, white

(511)

1 – Chemicals used in industry and science, in particular in construction; unprocessed artificial resins, in particular in fastening and anchoring; unprocessed plastics; chemical filling and sealing compounds, namely self-hardening synthetic in particular for anchoring fastening elements; fire extinguishing compositions; tempering and soldering preparations; adhesives used in industry; solidified gases for industrial purposes.

6 – Common metals and their alloys; metal building materials; fastening elements of metal in particular pegs, studs, anchors, anchor bolts, threaded rods, nuts, hooks, profiles, pipe clips, clamps, screws, nails, rivets, caps, clips, collars, springs, cable clamps (cable clips), washers, clasps, injection anchor sleeves, tube caps, centring sleeves, pins, terminals, spacers, expansion bolts, hinges, eyebolts for scaffolding fixing, drills, fixing clamps, fittings and accessories for the aforesaid goods, included in this class; metal containers for storing the aforesaid goods; transportable buildings of metal; non-electric cables and wires of common metal; ironmongery, small items of metal hardware; pipes and tubes of metal; safes; metal conduits.

20 – Fasteners of plastic, namely pegs, anchors, anchor bolts, hooks, nuts, rivets, threaded rods, washers, screws, nails, hinges; cable and pipe clips of plastic, cable clamps, cable ties, clips, collars; sealing and covering caps; containers of plastic for storing the aforesaid parts; injection anchor sleeves, centering sleeves; locking caps, eyebolts for scaffolding fixing, clamps; fastening devices for furniture fittings, and for lightweight building materials; coverings and plastic caps for screws, pegs, studs and anchors; pipe spacers, cable and pipe grips and clamps of plastic; parts and fittings included in this class for the aforesaid goods.

35 – Franchising services, especially assistance to resellers consisting of help in operating or managing a commercial enterprise; retail services, wholesale services in connection to fastening and anchoring systems in construction, ironmongery, tools, construction materials, carpentry in metal, plastic and wood, articles of work clothing; these services may

be provided through retail outlets, wholesale stores, through mail order catalogues or by means of electronic media, through websites or television shopping programs.

- (260) AM 2013 68403 A
 (800) 1121703
 (731) KBB Underground Technologies GmbH
 Baumschulenallee 16, 30625 Hannover,
 Germany
 (540)



- (591) Blue
 (511)
 37 – Mining extraction, installation, supervision and maintenance of installations for the production of brine and salt; construction, maintenance and monitoring of underground cavities, in particular caverns and pore storage facilities for the storage of gases or liquids for energy supplying purposes; carrying out drilling and underground work; brine extraction from rock salt for storage and dumping systems and salt extraction; construction supervision.
 39 – Operating storage facilities in underground cavities, in particular caverns and pore storage facilities for the storage of gases or liquids for energy supplying purposes; storage of gases or liquids for energy supplying purposes.
 42 – Technical planning and monitoring of underground cavities, in particular caverns and pore storage facilities for the storage of gases or liquids for energy supplying purposes; engineering, engineering and appraisal consultancy, in particular project planning, technical testing and quality control services of installations for the storage of gases and liquids; drawing up of expert technical opinions in connection with the testing of safety in mines and technical safety; providing of geological and geotechnical expert opinions; research and development in the field of underground storage in salt and rock caverns, pore storage facilities; devising geoscientific principles for determining storage parameters; technical preparation, conducting and documentation of geological engineering also in connection with safety in mines and environmental protection; preparation, conducting and documentation of geological engineering work; planning and design of underground storage reservoirs in abandoned mines; hydrodynamic and gas dynamic tests in pore storage facilities; technical development and monitoring of brine stations, brine immersing equipment and filling installations/flooding installations; measuring and testing technology services in the field of un-

derground storage and technology; planning and carrying out exploratory drilling for geothermal applications; technical supervision of operating facilities for the production of brine and salt.

- (260) AM 2013 68404 A
 (800) 1121711
 (731) H&M Hennes & Mauritz AB
 SE-106 38 Stockholm, Sweden
 (540)

MONKI

- (591) Black and white
 (511)
 25 – Clothing, footwear, headgear.
 35 – Advertising and business advertising; business management; business administration; office functions; online consumer information; retailer services regarding: soaps; perfumery, essential oils, cosmetics, hair lotions, dentifrices, eyewear cases, spectacles, sunglasses, eyeglass frames, glasses cases, spectacle chains, precious metals and their alloys, and goods in precious metals or coated therewith, jewellery, precious stones, horological and chronometric instruments, paper, cardboard and goods made from these materials, printed matter, bookbinding material, photographs, stationery, adhesives for stationery or household purposes, artists' materials, paint brushes, typewriters and office requisites (except furniture), instructional and teaching material (except apparatus), plastic materials for packaging, printers' type, printing blocks, printed publications, loaders and books, leather and imitations of leather, and all goods made of these materials, skins, hides, trunks and travelling bags; umbrellas, parasols and walking sticks, whips, harness and saddlery, clothing articles, footwear, headwear.

- (260) AM 2013 68405 A
 (800) 1121731
 (731) EXAMONE ENTERPRISES LTD.
 Arch. Makariou III, 155 PROTEAS HOUSE,
 5th. floor P.C. CY-3021 Limassol, Cyprus
 (540)



- (591) Black, white
 (511)
 3 – Aromatics [essential oils]; lip gloss; balms, not for medical purposes; scented water; toilet water; massage gels, not for medical purposes; make-up;

deodorants for human use or for animals; perfumes; perfumery; eyebrow pencils; cosmetic pencils; cosmetic creams; skin whitening creams; nail polish; after-shave lotions; hair lotions; cosmetic lotions; beauty masks; oils for cosmetic purposes; cleansing milk for toilet purposes; soap; essential oils; oils for cleaning purposes; cosmetic kits; toothpastes; dentifrices; lipsticks; shaving preparations; toiletries; intimate hygiene preparations, deodorants; leather bleaching preparations; mouth washes, not for medical purposes; sunscreen preparations; preparations with aloe vera for cosmetic purposes; cosmetic preparations for baths; pomades for cosmetic purposes; cosmetic preparations for slimming purposes; make-up removing preparations; nail care preparations; make-up powder; tissues impregnated with cosmetic lotions; bath salts, not for medical purposes; fumigation preparations [perfumes]; potpourris [fragrances]; depilatories; eyebrow cosmetics; make-up preparations; hair colorants; sun-tanning preparations [cosmetics]; cosmetic preparations for eyelashes; cosmetic preparations for skin care; cosmetics; mascara; antiperspirants [toiletries]; shampoos; dry shampoos; extracts of flowers [perfumes]; ethereal essences.

(260) AM 2013 68406 A
(800) 1121735
(731) PUBLICHNE AKTSIONERNE
TOVARYSTVO "KHARKIVSKA
BISKVITNA FABRYKA"
vul. Lozivska, 8, Kharkiv 61017, Ukraine

(540)

ПАДИШАХ

(591) Black, white
(511)
30 – Sponge cakes; cookies; buns; waffles; confectionery; pastries; confectionery for decorating Christmas trees; fruit jellies (confectionery); cakes; peanut confectionery, almond confectionery, pies; cocoa, cocoa products; caramels; sweetmeats (candy); liquorice (confectionery); peppermint sweets; crackers; candy for food; marzipan; custard; pastilles (confectionery); lozenges (confectionery); petits fours (cakes); biscuits; fondants (confectionery); popcorn; pralines; gingerbread; puddings; cake powder; sugar; sweet paste for cakes, pies, cookies, buns, gingerbread, puddings; sweets (confectionery); rusks; sandwiches; tarts; candy decorations for cakes; chocolate decorations for cakes; halvah; chips from cereal products.

(260) AM 2013 68407 A
(800) 1121752
(731) Boehringer Ingelheim International GmbH
55218 Ingelheim, Germany

(540)

ТВИНСТА

(591) Black, white
(511)
5 – Pharmaceutical preparations.

(260) AM 2013 68408 A
(800) 1121756
(731) KRKA, tovarna zdravil, d.d., Novo mesto
Šmarješka cesta 6, SI-8501 Novo mesto,
Slovenia

(540)

РИКСИЛА

(591) Black, white
(511)
5 – Pharmaceutical preparations.

(260) AM 2013 68409 A
(800) 1121757
(731) KRKA, tovarna zdravil, d.d., Novo mesto
Šmarješka cesta 6, SI-8501 Novo mesto,
Slovenia

(540)

ФЛИМАБЕНД

(591) Black, white
(511)
5 – Veterinary preparations.

(260) AM 2013 68410 A
(800) 1121770
(731) Herth+Buss Fahrzeugteile GmbH & Co KG
Dieselstraße 2-4, 63150 Heusenstamm,
Germany

(540)

HERTH+BUSS

(591) Black, white
(511)
6 – Non-electric cables and wires of common metal; ironmongery and small items of metal hardware; goods of common metal included in this class; tool chests of metal (empty); springs (metal hardware).

7 – Catalytic converters; starters for motors and engines; exhaust manifold for engines; exhausts for motors and engines; joints (parts of engines); speed governors for machines, engines and motors; filters (parts of machines or engines), especially oil filters, filters for cleaning cooling air, gasoline filters; crankcases for motors and engines; glow plugs for motors and engines; hand-held tools, other than hand-operated; hydraulic engines and motors; hydraulic controls for machines, motors and engines; universal joints (cardan joints); glue guns, electric; pistons (parts of machines or engines); pistons for engines;

piston segments; superchargers; springs (parts of machines); fuel economisers for motors and engines; ball-bearings; ball rings for bearings; radiators (cooling) for motors and engines; radiator caps (cooling) for motors and engines; air condensers; regulators (parts of machines); fans for motors and engines; valves (parts of machines); carburettors; jacks (machines); sparking plugs for internal combustion engines; igniting magnetos for engines, igniting devices for internal combustion engines and their parts; cylinders for machines, cylinders for motors and engines; pistons for cylinders, cylinder heads for engines; ignition cables; generators; water pumps; fuel pumps; condensers; cardan shaft; all before mentioned goods and their parts included in this class.

9 – Scientific, electrical and electronical, optical, weighing, measuring, signalling, checking (supervision), life-saving, control and teaching apparatus and instruments; apparatus and instruments for conducting, switching, transforming, accumulating, regulating or controlling electricity; regulators, thermostats, fuses (electric); cables (electric), especially electric cables for vehicles; plugs; connector shells (electricity), sockets; electric cable sets; accumulators (electric), especially for vehicles; alarms; ammeters; starter cables for motors; junction boxes (electricity); connections (electric) especially for electric lines; aerials; indicators (electricity); distance recording apparatus; steering apparatus, automatic, for vehicles; batteries (electric); battery jumper cable and battery supply terminal, starter cables; battery charging device; battery tools; limiters (electricity); gasoline gauges; flashing lights (luminous signals); self-regulating fuel pumps; theft prevention installations and apparatus (electric); revolution counters; automatic indicators of low pressure in vehicle tires (tyres); distance measuring apparatus; milage recorders for vehicles; speed indicators; speed checking apparatus for vehicles; glow plugs testing apparatus; terminals (electricity); contacts (electric); regulating apparatus (electric); gasoline gauges; conductors (electric); electric shocking devices for vehicles; materials for electricity mains (wires, cables); measuring devices (electric); testing apparatus (electric); relays (electric); switches, especially for vehicles, included in this class; electric switchgear for vehicles; voltage regulators for vehicles; electric fuses; sensors (electric); tachometers; temperature indicators; thermostats for vehicles; pressure indicator plugs for valves; junction sleeves for electric cables; connectors (electricity); vehicle breakdown warning triangles; warning boards; batteries for lighting; ignition cable; cigarette lighters; all before mentioned goods and their parts included in this class.

11 – Apparatus for lighting, heating, steam generating, cooking, refrigerating, drying, ventilating, water supply and sanitary purposes; lighters;

lighting apparatus for vehicles; anti-glare devices for vehicles (lamp fittings), especially for vehicles; fuel economisers; defrosters for vehicles; vehicle headlights; light bulbs (electric); heating apparatus (electric); heaters for vehicles and their parts included in this class; air conditioning installations especially for vehicles; cooling installations for liquids; light bulbs for directional signals for vehicles; lamps (electric); lights especially for vehicles; filters for air conditioning; ventilation (air-conditioning) installations for vehicles; headlights, lights and reflectors for vehicles; all before mentioned goods and their parts included in this class.

12 – Vehicles and their parts included in this class; apparatus for locomotion by land, air or water and their parts included in this class; axle packings for vehicles; axle journals; air bags (safety devices for automobiles); trailers (vehicles); trailer hitches for vehicles; transmission chains for vehicles; transmission shafts for vehicles; balance weights for vehicle wheels; brake installations for land vehicles, especially brake segments, brake linings, brake shoes, servo brake, caliper, brake disks, brake hoses, brake cylinder, brake drum (for vehicles); anti-theft devices and anti-theft alarms for vehicles; torque converters for land vehicles; engines (land vehicles); direction signals for vehicles; spoiler for vehicles; gear boxes for vehicles; horns as well as fanfares for vehicles; hydraulic circuits for vehicles; chains for vehicles; head-rests for vehicle seats; mudguards; couplings and their parts for land vehicles; steering (gear) arms; engines and their parts for vehicles included in this class; gearing for land vehicles; wheel bearing for vehicles; hub caps; reversing alarms for vehicles; mirrors for vehicles, especially rearview mirrors; gear shift handle for vehicles; clutches for land vehicles; windshield wipers; seat covers for vehicles; safety belts for vehicle seats; steering tie rod; suspension shock absorbers, especially for vehicles; shock absorbing springs for vehicles; vehicle suspension springs; bumpers for automobiles; caps for vehicle petrol (gas) tanks; wiper blades for windshield wipers; steering (gear) arms; all before mentioned goods and their parts included in this class.

17 – Plastics in extruded form for use in manufacture; packing and insulating materials; flexible pipes, not of metal; brake lining materials, partly processed; insulators; clutch linings; cylinder jointings; all before mentioned goods and their parts included in this class.

35 – Wholesaling and retailing of tools and ironmongery, electric and electronic goods, vehicles and vehicle accessories as well as vehicle parts; on-line mail order or mail order by catalogue services in the field of tools and ironmongery, electric and electronic goods, vehicles and vehicle accessories as well as vehicle parts; procurement services for ot-

hers (purchasing goods and services for other businesses); publication of publicity texts; presentation of goods and services; compilation of goods for others for presentation and sales purposes; commercial information agencies; efficiency experts; marketing research; public relations; organisation and presentation of trade fair and exhibitions, especially of in house exhibitions for commercial or advertising purposes.

41 – Arranging and conducting of trainings and seminars; education; training and promotion; personnel development by training and promotion.

(260) AM 2013 68411 A

(800) 1121799

(731) MEKRA Lang GmbH & Co. KG
Alfred-Nobel-Str. 55-57, 90765 Fürth,
Germany

(540)

MEKRA Lang – passion for excellence

(591) Black, white

(511)

7 – Actuating motors.

9 – Scientific, surveying, electric, photographic, cinematographic, optical, electric weighing, measuring, signalling, checking (supervision), rescue and teaching apparatus and instruments, where contained in this class, in particular adjusting switches, line detection control (lane detection), distance meters, devices for distance warning, apparatus for object recognition, apparatus for temperature detection, apparatus for receiving radio, GPS and wireless signals, camera systems, image display devices, warning signal display devices, electro-mechanical fold-in devices for mirrors being an integral part of outside attached rear-view mirrors; devices for recording, transmission and reproduction of sound and image; magnetic data carriers, data processing devices and computers; electric, electronic, mechanical and optical display, monitoring, warning and roundabout view devices for land vehicles; electronic measuring and warning apparatus, namely parking sensors; electronic anti-theft devices; electronic locking systems for vehicles; distance sensors for land vehicles; optical mirrors, electronic camera systems including image display devices; device for optical detection of obstacles to the front, laterally, and to the rear of the vehicle as well as devices consisting of electronic measuring, warning and image detection apparatus for the detection of obstacles to the front, laterally, and to the rear of the vehicle; optical monitoring means for vehicles, in particular theft and passenger cabin monitoring means; electronic immobilizer system for vehicles; electric and electronic locking systems for vehicles.

12 – Rearview mirrors and systems consisting thereof for vehicles (also utility vehicles); mechanical anti-theft devices for vehicles.

20 – Mirrors; mounts for mirrors.

37 – Assembly works.

40 – Glass processing, processing of parts of mirrors, in particular cutting to size, grinding, bending, coating, sealing, engraving, etching, laser engraving; plastics processing, in particular spray coating of housing, mount parts and accessories; foaming and processing of housing parts, mirror plating and coating as well as sealing of plastics parts; metal processing, in particular cutting to size, laser processing, drilling, crimping, bending of mirror holding arms as well as milling, eroding molds for plastics and glass processing.

(260) AM 2013 68412 A

(800) 1121801

(731) SUNECHO LIMITED
Julia House, 3 Themistoklis Dervis Street,
CY-1066 Nicosia, Cyprus

(540)



(591) White, blue, dark blue, black, yellow, light yellow, dark yellow, light brown, brown, red, pink, light pink and grey

(511)

29 – Meat, fish, poultry and game; meat extracts; preserved, frozen, dried and cooked fruits and vegetables; jellies, jams, compotes; eggs, milk and milk products; edible oils and fats; anchovy; peanuts, processed; bouillon, including instant bouillon; raisins; meat, tinned [canned (Am.)]; fish, tinned [canned (am.)]; bouillon concentrates (powder and blocks); shrimps, not live; croquettes; spiny lobsters, not live; colza oil for food, peanut butter, maize oil for food, cocoanut butter, coconut butter, com oil for food terms too vague in the opinion of the International Bureau – Rule 13(2)(b) of the Common Regulations), sesame oil for food, linseed oil for food, olive oil for food, palm oil for food, sunflower oil for food, rape oil for food, soya oil for food; butter, chocolate butter; shellfish, not live; almonds, ground; mussels, not live; potato fritters; lobsters, not live; nuts, prepared, including dried, including, almond nuts, prepared, brazil nuts, prepared, walnuts, prepared, cedar nuts, prepared, cashew nuts, prepared, coconuts, prepared, pistachio nuts, prepared, hazelnuts, prepared; tomato purée; powdered eggs; food products made from fish;

crayfish, not live; vegetable salads; fruit salads; tomato juice for cooking; preparations for making bouillon, including instant bouillon; preparations for making soup, including instant soup; preparations for making potato purée; soup, including instant soup; vegetable soup, including instant vegetable soup; oysters, not live; frozen fruits; dried fruit; potato flakes; potato purée; potato chips; fruit chips.

30 – Coffee, tea, cocoa, sugar, rice, tapioca, sago, artificial coffee; flour and preparations made from cereals, bread, pastry and confectionery, ices; honey, treacle; yeast, baking-powder; salt, mustard; vinegar, sauces (condiments); spices; ice, flavorings, other than essential oils; cookies; pancakes; bread rolls; waffles; vermicelli; thickening agents for cooking foodstuffs; vegetal preparations for use as coffee substitutes; cakes; peanut confectionery; pasta including instant pasta; cocoa products; capers; caramels [candy]; curry; gruel, with a milk base, for food, including instant gruel; rice porridge, including instant rice porridge; ketchup; quiches; sweetmeats [candy]; cinnamon, ground (spices); starch for food; crackers; groats for human food; corn, milled; corn, roasted; turmeric for food; noodles, including instant noodles; rice cakes; mayonnaise; muesli; cocoa beverages with milk; coffee beverages with milk; coffee-based beverages; tea-based beverages; chocolate beverages with milk; chocolate-based beverages; cocoa-based beverages; crushed oats; husked oats; oat flakes; nutmegs; pepper (spices), including white pepper, red pepper, black pepper; biscuits; pizzas; popcorn; oat-based food; rice including instant preparation rice; confectionery; meat sauce; soya sauce; tomato sauce; spaghetti; seasonings; rusks; tarts; flakes, including oat flakes, corn flakes; chips, namely, grain chips, corn chips, wheat chips, chocolate chips.

32 – Lemonades; peanut milk [soft drink]; milk of almonds [beverage]; fruit nectars, non-alcoholic; orgeat; beer; powders for effervescing beverages; syrups for lemonade; syrups for beverages; tomato juice [beverage]; cider, non-alcoholic; vegetable juices [beverages]; fruit juices; preparations for making aerated water; preparations for making liqueurs; preparations for making mineral water; preparations for making beverages; must; grape must, unfermented; beer wort; malt wort; pastilles for effervescing beverages; sherbets [beverages]; non-alcoholic fruit extracts; extracts of hops for making beer.

35 – Business management; business administration; office functions; auctioneering; procurement services for others [purchasing goods and services for other businesses].

(260) AM 2013 68414 A
(800) 1121809
(731) ZENTIVA GROUP, A.S.
U kabelovny 130 CZ-102 37 Praha 10 – dolní
Měcholupy, Czech Republic

(540)

CAR-AMLO

(591) Black, white
(511)
5 – Medicines, pharmaceutical preparations for human use.

(260) AM 2013 68415 A
(800) 1121810
(731) Zentiva Group, a.s.
U kabelovny 130 CZ-102 37 Praha 10 – dolní
Měcholupy, Czech Republic

(540)

CARAMLO

(591) Black, white
(511)
5 – Medicines, pharmaceutical preparations for human use.

(260) AM 2013 68416 A
(800) 1121811
(731) Zentiva Group, a.s.
U kabelovny 130 CZ-102 37 Praha 10 – dolní
Měcholupy, Czech Republic

(540)

ELEVEON

(591) Black, white
(511)
5 – Medicines, pharmaceutical preparations for human use.

(260) AM 2013 68418 A
(800) 1121813
(731) Zentiva Group, a.s.
U kabelovny 130 CZ-102 37 Praha 10 – dolní
Měcholupy, Czech Republic

(540)

ALMOZEN

(591) Black, white
(511)
5 – Medicines, pharmaceutical preparations for human use.

(260) AM 2013 68419 A
(800) 1121833
(731) WUZHOU XUPING JEWELRY CO., LTD
No. 60, Industrial Avenue, Longxu Town,
Cangwu County, Wuzhou City, Zhuang
Autonomous Region, Guangxi, China
(540)



(591) Black, white

(511)

14 – Alloys of precious metal; jewellery cases (caskets); bracelets (jewellery, jewelry (Am.)); charms (jewellery, jewelry (Am.)); chains (jewellery, jewelry (Am.)); jewellery; paste jewellery (costume jewelry (Am.)); rings (jewellery, jewelry (Am.)); earrings; watches.

(260) AM 2013 68423 A

(800) 1121837

(731) OSRAM GMBH

Hellabrunner Strasse 1, 81543 München,
Germany

(540)

NEOLUX

(591) Black, white

(511)

9 – Apparatus and instruments for conducting, switching, transforming, accumulating, regulating or controlling electricity; lasers, not for medical purposes; light control systems; light-emitting diodes, including organic light-emitting diodes, laser diodes, especially power laser diodes, semiconductor power laser diodes for material processing, semi-conductor components, fibre optical light conductors inclusive LED operated fibre optical light conductors, optocouplers, optical sensors, light barriers, light-emitting diode modules (modules with light functions, constructed from light-emitting diodes, including organic light-emitting diodes with light functions), especially for signalling applications, displays, including organic light-emitting diode technology displays; parts for all the aforesaid goods, included in this class.

11 – Apparatus for lighting, especially electric lamps and luminaires; lighting apparatus and systems consisting of lighting apparatus, especially lighting apparatus and systems based on light emitting diodes (LEDs), including organic light-emitting diodes, LED lamps and LED luminaires and their parts (included in this class), lighting lamps and lighting apparatus and facilities consisting of lighting lamps and lighting apparatus as well as their parts (included in this class) on basis of light emitting diodes (LED); lighting apparatus made from LED modules, including organic LED lighting systems.

(260) AM 2013 68425 A

(800) 1121842

(731) AKBEL MAKINA DIS TICARET LTD. STI.

Yesilbayir Mah. Simsir Sok. No:5, TR-34555
Hadimkoy/Arnavutkoy Istanbul, Turkey

(540)

DEMSUN

(591) Red, blue

(511)

1 – Chemicals used at industry, science, photography, agriculture, gardening and forestry, (including fertilizer and clay); uncultivated artificial resin and uncultivated plastics; fire extinguisher materials; stickers without purpose of home and stationery use.

2 – Dyes, lacquers, rust preventive, protectors for wooden works, thinning and coupling materials for dyes, pigments for dyes, materials protecting metals, shoe polish, printing house dyes and inks, toners (including cartridges filled up), food stuffs, stuff compatible with colouring pharmaceutical materials and drinks; uncultivated artificial resin; metal plates and powders for dyers, decorators, typographer, and art workers.

17 – Rubber, gutta percha, elastic, mineral wool, mica or powdered made of the materials as such, plate, stick and semi-finished synthetic materials by foils; isolation, filling, and pliable pipes made of rubber (including jointing fillings, gaskets, ringers); pliable pipes and hoses made of rubber, plastic, elastic, (including used for vehicles); pipes, their covers and connectors, textile hoses, non-metallic pipe covers and connectors, hose connectors, radiator hoses for vehicles (excluding fire hoses).

(260) AM 2013 68426 A

(800) 1121860

(731) SPACE STYLE S.r.l.

Blocco 33 Centergross, I-40050 Funo di
Argelato (BO), Italy

(540)



(591) Black, white

(511)

18 – Leather and imitation of leather and goods made of these materials, namely suits, handbags, bags, clutch bags, wallets, and animal skins namely shawls.

25 – Clothing, namely tunics, shirts, blouses, cardigans, trousers, pants, skirts, shorts, tracksuits, waistcoats, jackets, anoraks, jumpsuits, slacks, tops, bla-

zers, T-shirts, bermudas; trench in the nature of trench coats, quilted jackets, feather dusters, dusters; dresses; scarves, foulards, keffias, sashes; coats, coat dresses; gloves; knitwear in the nature of knitted underwear, knit tops, knit bottoms, ponchos, knit dresses; leather and imitation leather suits, jackets and belts; footwear, namely, tennis shoes, sandals, décollete court shoes, snickers, flat shoes, boots, casual shoes; headgear, namely, hats, berets, caps and bonnets.

(260) AM 2013 68427 A

(800) 1121861

(731) NEODEV, LDA.

RUA ENGENHEIRO FERREIRA DIAS,
Nº 924 – 2º ANDAR – Sala 29, P-4100-246
Porto, Portugal

(540)

NEOBUX

(591) Black, white

(511)

35 – Advertising; advertising agencies; dissemination of advertising matter; on-line advertising on a computer network; rental of advertising space.

(260) AM 2013 68429 A

(800) 1121869

(731) HENKEL AG & CO. KGAA

Henkelstraße 67, 40589 Düsseldorf, Germany

(540)



(591) Red, yellow and white

(511)

1 – Chemicals used in industry; adhesives used in industry; unprocessed artificial resins.

9 – Electrical dosage and application apparatus, particularly for adhesives and for removing of old lacquers and paints; accumulators and batteries; chargers for electric batteries; light emitting diode.

11 – Lamps, illuminators; light bulbs.

16 – Adhesives and adhesives tapes for stationery or household purposes.

17 – Packing, stopping and insulating materials; sealing tapes; foils and boards made of plastics for insulating purposes.

(260) AM 2013 68501 A

(800) 1122362

(731) Clariant AG

Rothausstrasse 61, CH-4132 Muttenz,
Switzerland

(540)



(591) Black, white

(511)

1 – Chemicals used in industry, science and photography, as well as in agriculture, horticulture and forestry; unprocessed artificial resins, unprocessed plastics; fertilizers; fire extinguishing compositions; tempering and soldering preparations; chemical substances for preserving foodstuffs; tanning substances; adhesives for industrial purposes.

2 – Paints, varnishes, lacquers; preservatives against rust and against deterioration of wood; colorants; mordants; raw natural resins; metals in foil and powder form for painters, decorators, printers and artists.

3 – Bleaching preparations and other substances for laundry use; cleaning, polishing, degreasing and abrasive preparations; soap; perfumery, essential oils, cosmetics, hair lotions; dentifrices.

4 – Industrial oils and greases; lubricants; dust absorbing, wetting and binding compositions; fuels (including motor spirit) and illuminants; candles and wicks for lighting.

5 – Pharmaceutical and veterinary preparations; sanitary preparations for medical purposes; dietetic substances and foodstuffs for medical or veterinary use, food for babies; food supplements for humans and animals; plasters, materials for dressings; material for dental fillings and dental impressions; disinfectants; pesticides; fungicides, herbicides.

7 – Machines and machine tools; motors and engines (other than for land vehicles); machine coupling and transmission components (other than for land vehicles); agricultural implements other than hand-operated; incubators for eggs; automatic distribution machines.

9 – Scientific, nautical, surveying, photographic, cinematographic, optical, weighing, measuring, signaling, checking (supervision), life-saving and teaching apparatus and instruments; apparatus and instruments for conducting, switching, transforming, accumulating, regulating or controlling electricity; apparatus for recording, transmission or reproduction of sound or images; magnetic data carriers, recording discs; compact discs, DVDs and other digital recording media; mechanisms for coin-operated apparatus; cash registers, calculating machines, data processing equipment and computers; software; fire-extinguishing apparatus.

16 – Paper, cardboard and goods made from these materials, not included in other classes; printed

matter; bookbinding material; photographs; stationery; adhesives (glues) for stationery or household purposes; artists' materials; paintbrushes; typewriters and office requisites (except furniture); instructional or teaching material (except apparatus); plastic materials for packaging (not included in other classes); printing type; printing blocks.

17 – Rubber, gutta-percha, gum, asbestos, mica and goods made from these materials and not included in other classes; plastics in extruded form for use in manufacture; packing, stopping and insulating materials; flexible pipes, not of metal.

18 – Leather and imitations of leather, and goods made of these materials and not included in other classes; animal skins; trunks and travelling bags; umbrellas, parasols and walking sticks; whips, harness and saddlery.

19 – Non-metallic building materials; rigid pipes, not of metal, for building; asphalt, pitch and bitumen; transportable buildings, not of metal; monuments, not of metal.

31 – Agricultural, horticultural and forestry products and grains, not included in other classes; live animals; fresh fruits and vegetables; seeds, natural plants and flowers; foodstuffs for animals, malt.

35 – Advertising; business management; business administration; office functions.

36 – Insurance underwriting; financial affairs; monetary affairs; real estate affairs.

37 – Construction; repair; installation services.

38 – Telecommunications.

39 – Transport; packaging and storage of goods; arranging of tours.

40 – Treatment of materials.

41 – Educational services; providing of training; entertainment; sporting and cultural activities.

42 – Scientific and technological services and research and design relating thereto; industrial analysis and research services; design and development of computers and software.

45 – Legal services; security services for the protection of property and individuals; detective agencies; baby sitting; escorting in society (chaperoning), mediation; marriage agencies, dating services; horoscope casting; undertaking, cremation, organization of religious meetings; clothing rental.

(260) AM 2013 68506 A
(800) 1122363
(731) SANOFI PASTEUR
2, avenue Pont Pasteur, F-69007 LYON,
France

(540)

DENGQUADRA

(591) Black, white

(511)

5 – Pharmaceutical preparations, vaccines.

(260) AM 2013 68507 A

(800) 1122386

(731) SANOFI PASTEUR

2, avenue Pont Pasteur, F-69007 LYON,
France

(540)

DENGUEXIM

(591) Black, white

(511)

5 – Pharmaceutical preparations, vaccines.

(260) AM 2013 68508 A

(800) 1122387

(731) SANOFI PASTEUR

2, avenue Pont Pasteur, F-69007 LYON,
France

(540)

DENGVAXIA

(591) Black, white

(511)

5 – Pharmaceutical preparations, vaccines.

(260) AM 2013 68510 A

(800) 1122416

(731) ZAKRYTOE AKTSIONERNOE

OBSHESTVO "GRUPPA
INTERKAPITAL"

Derbenevskaya St., 20, bld. 8, RU-115114
Moscow, Russian Federation

(540)

ИНФАПРИМ

(591) Black, white

(511)

5 – Food for babies.

(260) AM 2013 68511 A

(800) 1122417

(731) ZAKRYTOE AKTSIONERNOE

OBSHESTVO "GRUPPA
INTERKAPITAL"

Derbenevskaya St., 20, bld. 8, RU-115114
Moscow, Russian Federation

(540)

Infaprim

(591) Blue and dark-blue
(511)
5 – Food for babies.

(260) AM 2013 68512 A
(800) 1122419
(731) SOREMARTEC SA
Rue Joseph Netzer 5, B-6700 ARLON,
Belgium
(540)



(591) Red, white and gray
(511)
30 – Pastry and confectionery, chocolate products.

(260) AM 2013 68513 A
(800) 1122422
(731) KT&G CORPORATION (Korea Tobacco and
Ginseng Corporation)
100, Pyungchon-dong, Taedeog-ku Taejon
306-712, Republic of Korea
(540)

FAÇADE

(591) Black, white
(511)
34 – Tobacco; cigarettes; cigars; snuff; cigarette papers; tobacco pipes, not of precious metal; cigarette filters; cigarette cases, not of precious metal; tobacco pouches; cigarette lighters, not of precious metal; matches; tobacco pipe cleaners; ashtrays for smokers, not of precious metal; cigar cutters.

(260) AM 2013 68514 A
(800) 1122423
(731) PUBLICHNE AKTSIONERNE
TOVARYSTVO "KHARKIVSKA
BISKVITNA FABRYKA"
vul. Lozivska, 8, Kharkiv 61017, Ukraine
(540)

Весенний букет
Весняний букет

(591) Black, white
(511)
30 – Coffee; tea; cocoa; sugar; rice; tapioca; sago; artificial coffee; flour and preparations made from cereals; bread; confectionery (sweets); ice cream; honey; golden syrup; yeast; yeast powder; salt; mu-

stard; vinegar; condiments; spices; edible ices; sponge cakes; small loaves; vanillin (vanilla substitute); vanilla (flavouring); waffles; vegetal preparations for use as coffee substitutes; cocoa products; caramels; sweetmeats (candy); crackers; groats for human food; candy for food; marzipan; custard; pastilles (confectionery); cookies; pies; fondants (confectionery); pralines; gingerbread; sweet paste for confectionery; rusks; sandwiches; tarts; halvah; chocolate; aniseed; peanut confectionery; bee glue (propolis) for human consumption; bicarbonate of soda for cooking purposes (baking soda); bean meal; tapioca flour for food; farinaceous foods; pastries; bread rolls; buns; vermicelli (noodles); oatmeal; oat flakes; oat-based food; sea water (for cooking); weeds (condiment); binding agents for ice cream (edible ices); biscuits; cloves (spice); mustard meal; glucose for food; relish (condiment); yeast in pill form, not for medical use; essences for foodstuffs (except etheric essences and essential oils); fruit jellies (confectionery); chewing gum, not for medical purposes; leaven; rice-based snack food; cereal-based snack food; frozen yoghurt (confectionery ices); flavourings, other than essential oils, for beverages; flavourings, other than essential oils, for cakes; aromatic preparations for food; flavourings, other than essential oils; preparations for stiffening whipped cream; thickening agents for cooking foodstuffs; ginger (spice); unroasted coffee; coffee flavourings; coffee-based beverages; coffee beverages with milk; cocoa beverages with milk; cocoa-based beverages; capers; lozenges (confectionery); curry (spice); potato flour for food; ketchup (sauce); gluten for food; sausage binding materials; tortillas; cinnamon (spice); starch for food; hominy grits; corn, milled; corn, roasted; corn flour; popcorn; turmeric for food; couscous (semolina); cooking salt; confectionery for decorating christmas trees; ice for refreshment; ice, natural or artificial; liquorice (confectionery); noodles; mayonnaise; macaroni; farinaceous food pastes; maltose; hominy; semolina; chow-chow (condiment); royal jelly for human consumption, not for medical purposes; molasses for food; macaroons (pastry); almond paste; almond confectionery; flour-milling products; pancakes; spring rolls; gruel, with a milk base, for food; nutmegs; muesli; meat gravies; meat tenderizers, for household purposes; mint for confectionery; peppermint sweets; tea-based beverages; chocolate-based beverages; star aniseed; infusions, not medicinal; husked oats; crushed oats; stick liquorice (confectionery); soya bean paste (condiment); ravioli; pepper; peppers (seasonings); allspice; beer vinegar; pies (confectionery); meat pies; quiches; natural sweeteners; pizzas; chips (cereal products); corn flakes; powders for ice cream; edible decorations for cakes; dressings for salad; seasonings; unleavened bread; puddings; cake powder; wheat flour; rice cakes; baking powder; ferments for pastes; garden

herbs, preserved (seasonings); celery salt; salt for preserving foodstuffs; soya flour; soya sauce; malt for human consumption; malt biscuits; malt extract for food; sauces (condiments); spaghetti; breadcrumbs; petit-beurre biscuits; sushi; tabbouleh; tacos; cakes; petits fours (cakes); cake paste; tomato sauce; sherbets (ices); chicory (coffee substitute); sugar confectionery; iced tea; frosted tea; chutneys with milk; barley meal; husked barley; crushed barley.

(260) AM 2013 68516 A

(800) 1122459

(731) Closed Joint Stock Company "GENERIUM"

korp. 17, p. Volginskiy Petushinskiy r-n,
RU-601125 Vladimir Region, Russian
Federation

(540)

ОКТОФАКТОР

(591) Black, white

(511)

5 – Pharmaceutical preparations; mineral food supplements.

(260) AM 2013 68518 A

(800) 1122481

(731) VIRAG S.r.l.

Via della Moscova, 46/9, I-20121 MILANO,
Italy

(540)



(591) Black, white

(511)

17 – Material for heat and acoustic insulation of roofs, walls and floors; expanded polystyrene and other materials for insulating buildings' walls, ceilings and floors; elastomer-based mastics for fitting tiles or for use with tiles or for blocking or filling joints and holes; caulking materials and joint packings for fitting tiles or for assembling and fixing materials on walls, floors and other surfaces; materials for insulating purposes in the form of tiles; guttapercha; elastic rubber, balata and substitutes; objects made of guttapercha and rubber; sheets; plastic plates and rods; mica and goods made thereof; materials for blocking hermetically, stuffing and insulating; flexible tubes not of metal; electric, thermal and acoustic insulators; insulating fabrics.

19 – Floors and tiling not of metal, tiling for construction not of metal, vinyl floors; floors not of metal; panel-based facings, coated or not, of wood, wood materials, substitutes of non-metallic recycling materials, designed for use as floors, parquet, lami-

nated floors, laminated and molded boards for covering floors, building materials; natural and artificial stone; bricks; flagstones, tiles; cement; lime; mortar; gypsum and gravel; sandstone and cement pipes; road building materials; asphalt; pitch and bitumen; portable buildings; monuments of stone; chimneys; semi-finished wood; construction timber; beams; shafts; boards; compound wood; glass for buildings; glass sheets for building; glass tiles.

27 – Carpets, door mats, mats, linoleum; floor covering materials; wall hangings (non-textile); wallpaper; goods for covering walls and floors.

(260) AM 2013 68528 A

(800) 1122527

(731) ZENTIVA SAGLIK URUNLERI SANAYI
VE TICARET ANONIM SIRKETI

Buyukdere Cad. Ali Kaya, Sk. No: 7, Levent
Istanbul, Turkey

(540)

AFILTA

(591) Black, white

(511)

5 – Pharmaceutical and veterinary preparations; medicines for human purposes; chemical preparations for medical purposes; chemical preparations for pharmaceutical purposes; chemical preparations for veterinary purposes.

(260) AM 2013 68529 A

(800) 1122562

(731) LTD "VALENTA-INTELLEKT"

str. 2, d. 18, ul. Generala Dorokhova,
RU-119530 Moscow, Russian Federation

(540)

КЛЮЗАКТЕН

(591) Black, white

(511)

5 – Pharmaceutical preparations intended for treatment of central nervous system diseases.

(260) AM 2013 68531 A

(800) 1122582

(731) BLUFIN S.p.A.

Via G. Ferraris, 13-15-15/A, I-41012 CARPI
(MO), Italy

(540)

Blumarine

INNAMORATA

(591) Black, white

(511)
3 – Cosmetics in general, including perfumes, perfumes in solid form; deodorant for personal use; soap, liquid soap; cakes of toilet soap; bath foam; dentifrices; shampoos; essential oils; hair lotions; preparations for permanent hair waves and for setting hair; gels; hair dyes; face creams for cosmetic use; mascara; eyeliner; eyeshadow; make-up pencils; face powder; lipstick; foundation; cosmetic body creams; nail polish; nail hardener; sun tanning oils and sun tanning creams; cleansers; laundry preparations; fabric conditioners; soap; bleaching preparations and other substances for laundry use; cleaning, polishing, degreasing, scouring and abrasive preparations.

(260) AM 2013 68532 A
(800) 1122604
(731) ETAM
57-59, rue Henri Barbusse, F-92110 Clichy,
France
(540)

PURE FIT by Etam

(591) Black, white
(511)
25 – Clothing, dresses, coats, ladies' suits, trousers, skirts, shirts, blouses, T-shirts, waistcoats, pullovers, jackets, shorts, gloves, stockings, socks, belts, scarves; pareus; night wear, pajamas, dressing gowns, nightgowns; lingerie articles, underclothing, bodysuits, briefs, brassieres, panties; dressing gowns; bathing suits, beach clothes, beach shoes; footwear (except orthopaedic footwear), boots, ankle boots, slippers, ballet shoes, headgear.

(260) AM 2013 68534 A
(800) 1122619
(731) Dole Packaged Foods Europe
36, rue de Chateaudun, F-75009 Paris,
France
(540)

MRS. MAY'S

(591) Black, white
(511)
29 – Meat, fish, poultry and game; meat extracts; preserved, frozen, dried and cooked fruits and vegetables; compotes; eggs; edible oils and fats; snacks consisting primarily of nuts, seeds and dried fruits; nuts; dried fruits; processed fruits and vegetables; jellies, jams, milk and milk products.
32 – Beers; mineral and aerated waters and other non-alcoholic drinks; fruit drinks and fruit juices; syrups, frozen concentrates and other preparations for making beverages.

(260) AM 2013 68535 A
(800) 1122640
(731) HUVEPHARMA AD
5th floor, 3A, Nikolay Haytov Str., BG-1113
Sofia, Bulgaria
(540)

COXIRIL

(591) Black, white
(511)
5 – Veterinary preparations; medicines for veterinary purposes, animal feed supplements for veterinary purposes.
31 – Non-medicated additives for animal feed.

(260) AM 2013 68536 A
(800) 1122641
(731) HUVEPHARMA AD
5th floor, 3A, Nikolay Haytov Str., BG-1113
Sofia, Bulgaria
(540)

MONIMAX

(591) Black, white
(511)
5 – Veterinary preparations; medicines for veterinary purposes, animal feed supplements for veterinary purposes.
31 – Non-medicated additives for animal feed.

(260) AM 2013 68537 A
(800) 1122649
(731) Otkrytoe aktsionernoe obshchestvo
"Federalnaya gidrogeneriruyushchaya
kompaniya-RusGidro"
dom No51, ul.Respubliki, g. Krasnojarsk,
RU-660075 Krasnoyarskiy kray, Russian
Federation
(540)

РусГидро

(591) Black, white
(511)
9 – Apparatus and instruments for conducting, switching, transforming, accumulating, regulating or controlling electricity.
35 – Import-export agencies; commercial information agencies; cost price analysis; auditing; employment agencies; computerized file management; demonstration of goods; transcription; opinion polling; marketing studies; business information; commercial information and advice for consumers [consumer advice shop]; business research; marketing research; personnel recruitment; business management and organization consultancy; business organization consultancy; business management consultancy; profes-

ssional business consultancy; business management of performing artists; news clipping services; organization of exhibitions for commercial or advertising purposes; organization of trade fairs for commercial or advertising purposes; business appraisals; business management assistance; commercial or industrial management assistance; presentation of goods on communication media, for retail purposes; sales promotion for others; advertising; procurement services for others [purchasing goods and services for other businesses]; efficiency experts.

37 – Construction, including construction of hydroelectric power plants; pier breakwater building; underwater construction; interference suppression in electrical apparatus.

39 – Electricity distribution; distribution of energy; transport.

40 – Production of energy.

42 – Technical project studies; engineering; research in the field of environmental protection; underwater exploration; technical research; quality control; construction drafting; consultancy in the field of energy-saving; surveying.

(260) AM 2013 68538 A

(800) 1122662

(731) ООО Корпоратива "Медитсинские электронные данные"
4, Sretenskij tupik, RU-107045 Moscow,
Russian Federation

(540)

Medabout me

(591) White, black and blue

(511)

5 – Pharmaceutical and veterinary preparations; sanitary preparations for medical purposes; dietetic substances adapted for medical use, food for babies; plasters, materials for dressings; material for stopping teeth, dental wax; disinfectants; preparations for destroying vermin; fungicides, herbicides.

10 – Surgical, medical, dental and veterinary apparatus and instruments, artificial limbs, eyes and teeth; orthopedic articles; suture materials.

16 – Paper, cardboard and goods made from these materials, not included in other classes; printed matter; bookbinding material; photographs; stationery; adhesives for stationery or household purposes; artists' materials; paint brushes; typewriters and office requisites (except furniture); instructional and teaching material (except apparatus); plastic materials for packaging (not included in other classes); printers' type; printing blocks.

35 – Advertising; business management; business administration; office functions; computerized file

management; demonstration of goods; transcription; business information; news clipping services; on-line advertising on a computer network.

38 – Telecommunications; electronic bulletin board services [telecommunications services]; providing internet chatrooms; providing access to databases; message sending; computer aided transmission of messages and images; sending of telegrams; electronic mail; teleconferencing services.

42 – Scientific and technological services and research and design relating thereto; industrial analysis and research services; design and development of computer hardware and software.

44 – Medical services; veterinary services; hygienic and beauty care for human beings or animals; agriculture, horticulture and forestry services; nursing homes; pharmacy advice; hospitals; manicuring; massage; hairdressing salons; medical assistance; beauty salons; sanatoriums; health spa services; physical therapy; chiropractics; plastic surgery.

(260) AM 2013 68539 A

(800) 1122684

(731) EXAMONE ENTERPRISES LTD.

Arch. Makariou III, 155 PROTEAS HOUSE,
5th. floor P.C. CY-3021 Limassol, Cyprus

(540)

dizao

(591) Black, white

(511)

3 – Aromatics [essential oils]; lip gloss; balms, not for medical purposes; scented water; toilet water; massage gels, not for medical purposes; make-up; deodorants for human use or for animals; perfumes; perfumery; eyebrow pencils; cosmetic pencils; cosmetic creams; skin whitening creams; nail polish; after-shave lotions; hair lotions; cosmetic lotions; beauty masks; oils for cosmetic purposes; cleansing milk for toilet purposes; soap; essential oils; oils for cleaning purposes; cosmetic kits; toothpastes; dentifrices; lipsticks; shaving preparations; toiletries; intimate hygiene preparations, deodorants; leather bleaching preparations; mouth washes, not for medical purposes; sunscreen preparations; preparations with aloe vera for cosmetic purposes; cosmetic preparations for baths; pomades for cosmetic purposes; cosmetic preparations for slimming purposes; make-up removing preparations; nail care preparations; make-up powder; tissues impregnated with cosmetic lotions; bath salts, not for medical purposes; fumigation preparations [perfumes]; potpourris [fragrances]; depilatories; eyebrow cosmetics; make-up preparations; hair colorants; sun-tanning preparations [cosmetics]; cosmetic preparations for eyelashes; cosmetic preparations for skin care; cosmetics; mascara;

antiperspirants [toiletries]; shampoos; dry shampoos; extracts of flowers [perfumes]; ethereal essences.

(260) AM 2013 68540 A

(800) 1122685

(731) LIMITED LIABILITY COMPANY

MAIL.RU

str. 2, d. 47, Leningradsky pr-kt, RU-125167

Moscow, Russian Federation

(540)



(591) Blue, white, yellow

(511)

9 – Computer programmes [programs], recorded; computer game programs; computer programs [downloadable software].

38 – Electronic bulletin board services [telecommunications services]; providing internet chatrooms; providing access to databases; message sending; computer aided transmission of messages and images; electronic mail; communications by computer terminals; voice mail services; telephone services.

41 – Game services provided on-line from a computer network; practical training [demonstration]; arranging and conducting of colloquiums; arranging and conducting of congresses; arranging and conducting of conferences; arranging and conducting of workshops [training]; arranging and conducting of seminars; organization of competitions [education or entertainment]; operating lotteries; news reporters services; educational services.

42 – Design and development of computer hardware and software, including computer system analysis; computer virus protection services; consultancy in the design and development of computer hardware; computer software consultancy; maintenance of computer software; conversion of data or documents from physical to electronic media; providing search engines for the internet; data conversion of computer programs and data [not physical conversion]; computer system design; rental of web servers; rental of computer software; computer software design; creating and maintaining web sites for others; computer programming.

(260) AM 2013 68622 A

(800) 1123677

(731) LIMITED LIABILITY COMPANY

MAIL.RU

str. 2, d. 47, Leningradsky pr-kt, RU-125167

Moscow, Russian Federation

(540)



(591) Blue, white, orange

(511)

9 – Computer programmes [programs], recorded; computer game programs; computer programs [downloadable software].

35 – Commercial information agencies; advertising agencies; rental of advertising space; computerized file management; demonstration of goods; updating of advertising material; dissemination of advertising matter; advertising; on-line advertising on a computer network; systemization of information into computer databases.

38 – Telecommunications, namely, electronic bulletin board services [telecommunications services], providing user access to global computer networks, message sending; communications by computer terminals, communications by telephone, paging services [radio, telephone or other means of electronic communication], teleconferencing services.

41 – Game services provided on-line from a computer network; providing on-line electronic publications, not downloadable; practical training [demonstration]; arranging and conducting of colloquiums; arranging and conducting of conferences; arranging and conducting of workshops [training]; arranging and conducting of seminars; news reporters services; educational services.

42 – Design and development of computer hardware and software; computer system analysis; installation of computer software; updating of computer software; maintenance of computer software; computer system design; computer software design; computer programming.

INTERNATIONAL TRADEMARKS PROTECTED IN GEORGIA

(260) AM 2012 65033 A
(800) 1095707
(151) 2011 08 17
(181) 2021 08 17
(511) 05

(260) AM 2013 66365 A
(800) 1106035
(151) 2011 12 14
(181) 2021 12 14
(511) 05

(260) AM 2013 64076 A
(800) 1088401
(151) 2010 12 01
(181) 2020 12 01
(511) 03, 05, 35

(260) AM 2013 66455 A
(800) 1106710
(151) 2011 10 14
(181) 2021 10 14
(511) 35, 38, 41

(260) AM 2013 64463 A
(800) 1091273
(151) 2011 05 05
(181) 2021 05 05
(511) 05, 10, 35, 36, 39, 44

(260) AM 2013 66700 A
(800) 835396
(151) 2004 08 16
(181) 2014 08 16
(511) 03, 05, 16, 29, 32

(260) AM 2013 65369 A
(800) 1098064
(151) 2011 10 13
(181) 2021 10 13
(511) 32, 33

(260) AM 2013 66704 A
(800) 980696
(151) 2008 05 26
(181) 2018 05 26
(511) 35, 36, 45

(260) AM 2013 66126 A
(800) 1103989
(151) 2011 09 27
(181) 2021 09 27
(511) 25

(260) AM 2013 66706 A
(800) 1032671
(151) 2010 02 23
(181) 2020 02 23
(511) 05

(260) AM 2013 66130 A
(800) 1103994
(151) 2011 07 06
(181) 2021 07 06
(511) 03, 06, 14, 16, 18, 20, 24, 25, 26, 28, 32, 35,
37, 41, 43

(260) AM 2013 66711 A
(800) 1089158
(151) 2011 03 01
(181) 2021 03 01
(511) 38, 41

(260) AM 2013 66131 A
(800) 1104026
(151) 2011 11 11
(181) 2021 11 11
(511) 05, 30

(260) AM 2013 66778 A
(800) 1109121
(151) 2011 07 13
(181) 2021 07 13
(511) 09, 35, 37, 39, 40, 42

(260) AM 2013 66169 A
(800) 644548
(151) 2005 09 11
(181) 2015 09 11
(511) 34

(260) AM 2013 66785 A
(800) 1109169
(151) 2011 12 30
(181) 2021 12 30
(511) 29, 30, 32

(260) AM 2013 66868 A
(800) 1109493
(151) 2012 01 10
(181) 2022 01 10
(511) 05

(260) AM 2013 66875 A
(800) 1109542
(151) 2011 08 05
(181) 2021 08 05
(511) 09, 13, 18

(260) AM 2013 66941 A
(800) 1088845
(151) 2010 11 04
(181) 2020 11 04
(511) 18, 25

(260) AM 2013 67043 A
(800) 891809
(151) 2005 07 25
(181) 2015 07 25
(511) 07, 09, 11, 16, 21, 28

(260) AM 2013 67101 A
(800) 876764
(151) 2005 12 12
(181) 2015 12 12
(511) 04

(260) AM 2013 67102 A
(800) 892196
(151) 2006 01 31
(181) 2016 01 31
(511) 35

(260) AM 2013 67104 A
(800) 915884
(151) 2006 08 16
(181) 2016 08 16
(511) 09, 16, 25, 28, 41

(260) AM 2013 67106 A
(800) 992959
(151) 2008 03 07
(181) 2018 03 07
(511) 14, 18, 25

(260) AM 2013 67107 A
(800) 1032869
(151) 2010 01 26

(181) 2020 01 26
(511) 09, 18, 25

(260) AM 2013 67108 A
(800) 1040537
(151) 2010 04 23
(181) 2020 04 23
(511) 33

(260) AM 2013 67109 A
(800) 1047239
(151) 2010 04 01
(181) 2020 04 01
(511) 03, 05, 09, 25, 35, 36, 38, 41

(260) AM 2013 67110 A
(800) 1047333
(151) 2010 04 01
(181) 2020 04 01
(511) 03, 05, 09, 25, 35, 38, 41

(260) AM 2013 67111 A
(800) 1065863
(151) 2010 12 27
(181) 2020 12 27
(511) 05

(260) AM 2013 67154 A
(800) 907934
(151) 2006 10 18
(181) 2016 10 18
(511) 05, 31, 35

(260) AM 2013 67155 A
(800) 1006701
(151) 2009 04 10
(181) 2019 04 10
(511) 09, 41

(260) AM 2013 67157 A
(800) 1065865
(151) 2010 12 27
(181) 2020 12 27
(511) 05

(260) AM 2013 67158 A
(800) 1068612
(151) 2011 02 09
(181) 2021 02 09
(511) 05

APPELLATIONS OF ORIGIN AND GEOGRAPHICAL INDICATIONS OF GOODS

THE RIGHT TO USE OF REGISTERED APPELLATIONS OF ORIGIN OF GOODS

Registered Appellations of Origin of Goods: **KHVANCHKARA**
The Right tu Use: LTD "Alkoholuri Sasmelebis Kompania ALAVERDI"
Sop. Chumlaki, 1519, Gurjaanis raioni, GEORGIA
Number of Registration: 1/2-13
Valid: 2014 05 28

Registered Appellations of Origin of Goods: **MUKUZANI**
The Right tu Use: LTD "Alkoholuri Sasmelebis Kompania ALAVERDI"
Sop. Chumlaki, 1519, Gurjaanis raioni, GEORGIA
Number of Registration: 2/3-13
Valid: 2014 05 28

Registered Appellations of Origin of Goods: **TSINANDALI**
The Right tu Use: LTD "Alkoholuri Sasmelebis Kompania ALAVERDI"
Sop. Chumlaki, 1519, Gurjaanis raioni, GEORGIA
Number of Registration: 3/3-13
Valid: 2014 05 28

Registered Appellations of Origin of Goods: **AKHASHENI**
The Right tu Use: LTD "Alkoholuri Sasmelebis Kompania ALAVERDI"
Sop. Chumlaki, 1519, Gurjaanis raioni, GEORGIA
Number of Registration: 4/3-13
Valid: 2014 05 28

Registered Appellations of Origin of Goods: **GURJAANI**
The Right tu Use: LTD "Alkoholuri Sasmelebis Kompania ALAVERDI"
Sop. Chumlaki, 1519, Gurjaanis raioni, GEORGIA
Number of Registration: 5/2-13
Valid: 2014 05 28

Registered Appellations of Origin of Goods: **KINDZMARaulI**
The Right tu Use: LTD "Alkoholuri Sasmelebis Kompania ALAVERDI"
Sop. Chumlaki, 1519, Gurjaanis raioni, GEORGIA
Number of Registration: 787/3-13
Valid: 2014 05 28

OFFICIAL NOTIFICATIONS
TRADEMARKS
RENEWAL OF REGISTRATIONS

(111) M 2002 14772 R1
(156) 2012 10 29
(186) 2022 10 29
(732) IP Holdings Unltd LLC
1450 Broadway, New York, New York
10018, USA

(111) M 2002 14776 R1
(156) 2012 10 29
(186) 2022 10 29
(732) IP Holdings Unltd LLC
1450 Broadway, New York, New York
10018, USA

(111) M 2002 14850 R1
(156) 2013 01 22
(186) 2022 12 12
(732) BENIHANA OF TOKYO, INC.
645 Fifth Avenue, Suite 905, New York,
New York 10022, USA

(111) M 2002 14851 R1
(156) 2013 01 22
(186) 2022 12 12
(732) BENIHANA OF TOKYO, INC.
645 Fifth Avenue, Suite 905, New York,
New York 10022, USA

(111) M 2003 14951 R1
(156) 2013 04 23
(186) 2023 01 30
(732) LTD "JEOSLI"
Mtkvris marjvena sanapiro, Gotuas q. 3, 0160,
Tbilisi, Georgia

(111) M 2003 14995 R1
(156) 2013 05 21
(186) 2023 03 04
(732) Joint-Stock Company Korporatsia
"Qindzmarauli"
Ilia Chavchavadzis q., n 55, 4800, Kvareli,
Georgia

(111) M 2003 15117 R1
(156) 2013 04 30
(186) 2023 04 30
(732) INTERNATIONAL FOODSTUFFS CO.
Al-Wahda Street, Industrial Area N1,
P.O. BOX 4115, Sharjah, United Arab
Emirates

(111) M 2003 15185 R1
(156) 2013 06 27
(186) 2023 06 27
(732) BENIHANA OF TOKYO, INC.
645 Fifth Avenue, Suite 905, New York,
New York 10022, USA

(111) M 2003 15194 R1
(156) 2013 06 27
(186) 2023 06 27
(732) SSANGYONG MOTOR COMPANY
150-3, Chilkoi-dong, Pyungtaek-si, Kyungki-
do, Republic of Korea

(111) M 2003 15195 R1
(156) 2013 06 27
(186) 2023 06 27
(732) EKO INDUSTRIAL AND COMMERCIAL
PETROLEUM COMPANY A.E.
8A Chimarras, 15125 Marousi, Athens,
Greece

(111) M 2003 15199 R1
(156) 2013 06 27
(186) 2023 06 27
(732) EKO INDUSTRIAL AND COMMERCIAL
PETROLEUM COMPANY A.E.
8A Chimarras, 15125 Marousi, Athens,
Greece

(111) M 2003 15200 R1
(156) 2013 06 27
(186) 2023 06 27
(732) EKO INDUSTRIAL AND COMMERCIAL
PETROLEUM COMPANY A.E.
8A Chimarras, 15125 Marousi, Athens,
Greece

(111) M 2003 15218 R1
(156) 2013 07 17
(186) 2023 07 17
(732) THE PROCTER & GAMBLE COMPANY
One Procter & Gamble Plaza, Cincinnati,
Ohio, USA

(111) M 2003 15239 R1
(156) 2013 09 08
(186) 2023 09 08
(732) HADO-Holding Limited Liability Company.
4, 23 Serpnia Lane, Kharkiv 61103, Ukraine

(111) M 2003 15297 R1
(156) 2013 10 15
(186) 2023 10 15
(732) N.V. SUMATRA TOBACCO TRADING
COMPANY
Jln. Pattimura 3, Pematang Siantar, Sumatera
Utara, Indonesia

(111) M 2004 15515 R1
(156) 2014 04 16
(186) 2024 04 16
(732) Cargill, Incorporated (a Delaware corporation)
15407 McGinty Road West, Wayzata,
Minnesota 55391, USA

COMPLETE TRANSFER OF RIGHTS

-
- (111) M 1998 010836 R1
(732) TBL Licensing LLC
200 Domain Drive, Stratham, New
Hampshire 03885, USA
(770) TIMBERLAND LLC
200 Domain Drive, Stratham,
New Hampshire, USA
(580) 2013 06 06
-
- (111) M 1998 010837 R1
(732) TBL Licensing LLC,
200 Domain Drive, Stratham, New
Hampshire 03885, USA
(770) TIMBERLAND LLC
200 Domain Drive, Stratham, New
Hampshire, USA
(580) 2013 06 06
-
- (111) M 1998 010954 R1
(732) GIORGIO ARMANI S.p.A.
Milan, Swiss Branch Mendrisio,
Via Penate 4, 6850 Mendrisio, Switzerland
(770) GA MODEFINE S.A.
Via Penate 4, 6850 Mendrisio, Switzerland
(580) 2013 06 06
-
- (111) M 1998 011256 R1
(732) THE CLOROX COMPANY
a Delaware corporation,
1221 Broadway, Oakland, California 94612,
USA
(770) THE GLAD PRODUCTS COMPANY
a Delaware Corporation
1221 Broadway, Oakland, California 94612,
USA
(580) 2013 06 05
-
- (111) M 1998 011256 R1
(732) The Armor All/STP Products Company,
a Delaware Corporation
44 Old Ridgebury Road, Danbury,
Connecticut 06810, USA
(770) THE CLOROX COMPANY
a Delaware corporation,
1221 Broadway, Oakland, California 94612,
USA
(580) 2013 06 05
-
- (111) M 1999 012500 R1
(732) PROCTER AND GAMBLE
INTERNATIONAL OPERATIONS
47, Route de Saint-Georges, 1213 Petit-
Lancy, Switzerland
(770) Procter & Gamble Manufacturing Cologne
GmbH,
Wilhelm-Mauser-Straße 40, 50827 Köln,
Germany
(580) 2013 06 07
-
- (111) M 1999 012904 R1
(732) L' OREAL
14 Rue Royale, 75008 Paris, France
(770) LABORATOIRE GARNIER & CIE,
281, rue Saint-Ho re, 75008 Paris, France
(580) 2013 06 03
-
- (111) M 2000 013210 R1
(732) GIORGIO ARMANI S.p.A.
Milan, Swiss Branch Mendrisio,
Via Penate 4, 6850 Mendrisio, Switzerland
(770) GA MODEFINE S.A.
Via Penate 4, 6850 Mendrisio, Switzerland
(580) 2013 06 06
-
- (111) M 1996 001376 R1
(732) GIORGIO ARMANI S.p.A.
Milan, Swiss Branch Mendrisio,
Via Penate 4, 6850 Mendrisio, Switzerland
(770) GA MODEFINE S. A.
Via Penate 4, 6850 Mendrisio, Switzerland,
Switzerland
(580) 2013 06 06
-
- (111) M 2002 014602 R1
(732) AH USA 42 LLC
235 East 42nd Street, New York, New York
10017-5755 , USA
(770) PFIZER INC., a Delaware corporation
235 East 42 th Street, New York, New York
10017, USA
(580) 2013 06 05
-
- (111) M 2002 014772 R1
(732) IP Holdings Unltd LLC
1450 Broadway, New York, New York
10018, USA
(770) YAKIRA, L.L.C.
40 West 23rd Street, New York, New York,
USA
(580) 2013 06 11
-

(111) M 2002 014776 R1
(732) IP Holdings Unltd LLC
1450 Broadway, New York, New York
10018, USA
(770) YAKIRA, L.L.C.
40 West 23rd Street, New York, New York,
USA
(580) 2013 06 11

(111) M 2005 016317 R
(732) SIXTY INTERNATIONAL S.A.,
29, avenue Monterey, L-2163 Luxembourg,
Luxembourg
(770) Fronsac TM S.A.
29, avenue Monterey, L-2163 Luxembourg,
Luxembourg
(580) 2013 06 03

(111) M 2008 018684 R
(732) L' OREAL
14 Rue Royale, 75008 Paris, France
(770) Laboratoire Garnier & CIE
281, rue Saint-Ho re, 75008 Paris, France
(580) 2013 06 03

(111) M 2008 018901 R
(732) L' OREAL
14 Rue Royale, 75008 Paris, France
(770) LABORATOIRE GARNIER & Cie., Societe
en m collectif,
281 rue Saint-Ho re, 75008 Paris, France
(580) 2013 06 03

(111) M 2009 019870 R
(732) LTD ENERJI GRUPI
digmis masivi, me-3 kv. korp.36, b. 20, 0159,
Tbilisi, Georgia
(770) LTD edvans grupi
Didubis raioni, digmis masivi, me-3 kv.
korp.36, b. 20, 0159, Tbilisi, Georgia
(580) 2013 06 05

(111) M 2012 022649 R
(732) Pao "Zaporozhski Abrazivni Kombinat"
Ul. dimitrova 44, saporozhie, 69014, Ukraine
(770) LTD qartuli abraziuli kompania
G. Brtskinvales q.25/ l.Asatianis q.69-71,
Georgia
(580) 2013 06 06

(111) M 2013 023408 R
(732) VLADIMIR GORDILOVI
Qetevan tsamebulis 25/3, b. 19, 0103, tbilisi,
Georgia

(770) LTD "MaxHome Trade Company"
Gldani, me-7 m/r, korp.22, bina N83, 0107,
Georgia
(580) 2013 06 06

(111) M 1996 002482 R1
(732) GIORGIO ARMANI S.p.A.
Milan, Swiss Branch Mendrisio,
Via Penate 4, 6850 Mendrisio, Switzerland
(770) GA MODEFINE S. A.
Via Penate 4, 6850 Mendrisio, Switzerland,
Switzerland
(580) 2013 06 06

(111) M 1996 002498 R1
(732) GIORGIO ARMANI S.p.A.
Milan, Swiss Branch Mendrisio,
Via Penate 4, 6850 Mendrisio, Switzerland
(770) GA MODEFINE S. A.
Via Penate 4, 6850 Mendrisio, Switzerland,
Switzerland
(580) 2013 06 06

(111) M 1996 002502 R1
(732) GIORGIO ARMANI S.p.A.
Milan, Swiss Branch Mendrisio,
Via Penate 4, 6850 Mendrisio, Switzerland
(770) GA MODEFINE S. A.
Via Penate 4, 6850 Mendrisio, Switzerland,
Switzerland
(580) 2013 06 06

(111) M 1996 002503 R1
(732) GIORGIO ARMANI S.p.A.
Milan, Swiss Branch Mendrisio,
Via Penate 4, 6850 Mendrisio, Switzerland
(770) GA MODEFINE S. A.
Via Penate 4, 6850 Mendrisio, Switzerland,
Switzerland
(580) 2013 06 06

(111) M 1996 002504 R1
(732) GIORGIO ARMANI S.p.A.
Milan, Swiss Branch Mendrisio,
Via Penate 4, 6850 Mendrisio, Switzerland
(770) GA MODEFINE S. A.
Via Penate 4, 6850 Mendrisio, Switzerland,
Switzerland
(580) 2013 06 06

(111) M 1996 002505 R1
(732) GIORGIO ARMANI S.p.A.
Milan, Swiss Branch Mendrisio,

Via Penate 4, 6850 Mendrisio, Switzerland
 (770) GA MODEFINE S. A.
 Via Penate 4, 6850 Mendrisio, Switzerland,
 Switzerland
 (580) 2013 06 06

(111) M 1996 002563 R1
 (732) GIORGIO ARMANI S.p.A.
 Milan, Swiss Branch Mendrisio,
 Via Penate 4, 6850 Mendrisio, Switzerland
 (770) GA MODEFINE S. A.
 Via Penate 4, 6850 Mendrisio, Switzerland,
 Switzerland
 (580) 2013 06 06

(111) M 1996 003301 R1
 (732) L' OREAL
 14 Rue Royale, 75008 Paris, France
 (770) LABORATOIRE GARNIER & Cie
 281, rue Saint-Ho re, F-75008 Paris, France
 (580) 2013 06 03

(111) M 1996 003302 R1
 (732) L' OREAL
 14 Rue Royale, 75008 Paris, France
 (770) LABORATOIRE GARNIER & Cie
 281, rue Saint-Ho re, F-75008 Paris, France
 (580) 2013 06 03

(111) M 1997 006273 R1
 (732) PROCTER AND GAMBLE
 INTERNATIONAL OPERATIONS
 47, Route de Saint-Georges, 1213 Petit-
 Lancy, Switzerland
 (770) Procter & Gamble Manufacturing Cologne
 GmbH
 Wilhelm-Mauser-StraÙe 40, 50827 Köln,
 Germany
 (580) 2013 06 07

(111) M 1997 007079 R1
 (732) L' OREAL
 14 Rue Royale, 75008 Paris, France
 (770) LABORATOIRE GARNIER & CIE
 281 rue Saint-Ho re, F-75008, Paris, France
 (580) 2013 06 03

(111) M 1997 007629 R1
 (732) PAH WHC 2LLC
 235 East 42nd Street, New York, New York
 10017-5755 , USA
 (770) WYETH HOLDINGS CORPORATION

Five Giralda Farms, Madison, New Jersey
 07940-0874, USA
 (580) 2013 06 05

(111) M 1998 008180 R1
 (732) TBL Licensing LLC
 200 Domain Drive, Stratham, New
 Hampshire 03885, USA
 (770) TIMBERLAND LLC
 200 Domain Drive, Stratham, New
 Hampshire, USA
 (580) 2013 06 06

(111) M 1998 008181 R1
 (732) TBL Licensing LLC
 200 Domain Drive, Stratham, New
 Hampshire 03885, USA
 (770) TIMBERLAND LLC
 200 Domain Drive, Stratham, New
 Hampshire, USA
 (580) 2013 06 06

(111) M 1998 008229 R1
 (732) GIORGIO ARMANI S.p.A.
 Milan, Swiss Branch Mendrisio,
 Via Penate 4, 6850 Mendrisio, Switzerland
 (770) GA MODEFINE S.A.
 Via Penate 4, 6850 Mendrisio, Switzerland
 (580) 2013 06 06

(111) M 1998 008959 R1
 (732) PAH WHC 2LLC
 235 East 42nd Street, New York, New York
 10017-5755 , USA
 (770) WYETH HOLDINGS CORPORATION,
 Five Giralda Farms, Madison, New Jersey
 07940-0874, USA
 (580) 2013 06 05

(111) M 1998 009529 R1
 (732) AH USA 42 LLC
 235 East 42nd Street, New York, New York
 10017-5755, USA
 (770) PFIZER INC.
 235, East 42nd Street, New York 10017, USA
 (580) 2013 06 05

(111) M 1998 009532 R1
 (732) AH USA 42 LLC
 235 East 42nd Street, New York, New York
 10017-5755, USA
 (770) PFIZER INC.

235, East 42nd Street, New York 10017, USA
(580) 2013 06 05

(111) M 1998 009536 R1
(732) AH USA 42 LLC
235 East 42nd Street, New York, New York
10017-5755, USA
(770) PFIZER INC.
235, East 42nd Street, New York 10017, USA
(580) 2013 06 05

CHANGES IN NAMES AND/OR ADDRESSES OF OWNERS

(111) M 1998 010836 R1
(732) TIMBERLAND LLC
200 Domain Drive, Stratham, New
Hampshire,
USA
(770) THE TIMBERLAND COMPANY
200 Domain Drive, Stratham, New
Hampshire, USA
(580) 2013 06 06

(111) M 1998 010837 R1
(732) TIMBERLAND LLC
200 Domain Drive, Stratham, New
Hampshire, USA
(770) THE TIMBERLAND COMPANY
200 Domain Drive, Stratham, New
Hampshire, USA
(580) 2013 06 06

(111) M 1999 011392 R1
(732) BOUCHARA RECORDATI
Immeuble "Le Wilson", 70, avenue du
Général de Gaulle, 92800 Puteaux, France
(770) BOUCHARA RECORDATI
68, rue Marjolin, 92300 Levallois-Perret,
France
(580) 2013 06 07

(111) M 2002 014602 R1
(732) Zoetis LLC
100 Campus Drive, Florham Park, NJ 07932,
USA
(770) AH USA 42 LLC
235 East 42nd Street, New York, New York
10017-5755, USA
(580) 2013 06 05

(111) M 2002 014772 R1
(732) YAKIRA, L.L.C.
40 West 23rd Street, New York, New York,
USA
(770) YAKIRA, L.L.C.
1 Martin Avenue, South River, New Jersey
08882, USA
(580) 2013 06 11

(111) M 2003 015239 R1
(732) HADO-Holding Limited Liability Company
4, 23 Serpnia Lane, Kharkiv 61103, Ukraine

(770) "HADO-Holding" joint-stock company Ltd
4, 23rd August side-street, Kharkov, 61018,
Ukraine
(580) 2013 06 07

(111) M 1996 003899 R1
(732) BOUCHARA RECORDATI
Immeuble "Le Wilson", 70, avenue du
Général de Gaulle, 92800 Puteaux, France
(770) BOUCHARA RECORDATI
68, rue Marjolin, 92300 Levallois-Perret,
France
(580) 2013 06 07

(111) M 1996 003901 R1
(732) BOUCHARA RECORDATI
Immeuble "Le Wilson", 70, avenue du
Général de Gaulle, 92800 Puteaux, France
(770) BOUCHARA-RECORDATI
68, rue Marjolin, 92300 Levallois-Perret,
France
(580) 2013 06 07

(111) M 1997 006273 R1
(732) Procter & Gamble Manufacturing Cologne
GmbH
Wilhelm-Mauser-Straße 40, 50827 Köln,
Germany
(770) MULHENS GmbH & Co., KG
Venloer Strasse 241-245, D-50823 Koln,
Germany
(580) 2013 06 06

(111) M 1997 006274 R1
(732) Procter & Gamble Manufacturing Cologne
GmbH
Wilhelm-Mauser-Straße 40, 50827 Köln,
Germany
(770) MULHENS GmbH & Co., KG
Venloer Strasse 241-245, D-50823 Koln,
Germany
(580) 2013 06 07

(111) M 1997 006275 R1
(732) Procter & Gamble Manufacturing Cologne
GmbH
Wilhelm-Mauser-Straße 40, 50827 Köln,
Germany
(770) MULHENS GmbH & Co., KG

Venloer Strasse 241-245, D-50823 Koln,
Germany
(580) 2013 06 07

(111) M 1997 007511 R1
(732) Vanguard Trademark Holdings USA LLC
600 Corporate Park Drive, St. Louis, Missouri
63105, USA
(770) Vanguard Trademark Holdings USA LLC,
a Delaware limited liability company
6929 1st Lakewood Avenue, Suite 100,
Tulsa, OK 74117-1808, USA
(580) 2013 06 07

(111) M 1997 007629 R1
(732) Zoetis WHC 2 LLC
100 Campus Drive, Florham Park, NJ 07932,
USA
(770) PAH WHC 2LLC
235 East 42nd Street, New York, New York
10017-5755, USA
(580) 2013 06 05

(111) M 1997 007668 R1
(732) SMITHKLINE BEECHAM PHARMA GmbH
& Co KG
Prinzregentenplatz 9, 81675 Munich,
Germany
(770) SMITHKLINE BEECHAM PHARMA GmbH
& Co KG
Theresienhoehe 11, 80339 Munich, Germany
(580) 2013 06 07

(111) M 1998 008180 R1
(732) TIMBERLAND LLC
200 Domain Drive, Stratham, New
Hampshire, USA
(770) THE TIMBERLAND COMPANY
200 Domain Drive, Stratham, New
Hampshire, USA
(580) 2013 06 06

(111) M 1998 008181 R1
(732) TIMBERLAND LLC
200 Domain Drive, Stratham, New
Hampshire, USA
(770) THE TIMBERLAND COMPANY
200 Domain Drive, Stratham, New
Hampshire, USA
(580) 2013 06 06

(111) M 1998 008959 R1
(732) Zoetis WHC 2 LLC
100 Campus Drive, Florham Park, NJ 07932,
USA
(770) PAH WHC 2LLC
235 East 42nd Street, New York, New York
10017-5755, USA
(580) 2013 06 05

(111) M 1998 009529 R1
(732) Zoetis LLC
100 Campus Drive, Florham Park, NJ 07932,
USA
(770) AH USA 42 LLC
235 East 42nd Street, New York, New York
10017-5755, USA
(580) 2013 06 05

(111) M 1998 009532 R1
(732) Zoetis LLC
100 Campus Drive, Florham Park, NJ 07932,
USA
(770) AH USA 42 LLC
235 East 42nd Street, New York, New York
10017-5755, USA
(580) 2013 06 05

(111) M 1998 009536 R1
(732) Zoetis LLC
100 Campus Drive, Florham Park, NJ 07932,
USA
(770) AH USA 42 LLC
235 East 42nd Street, New York, New York
10017-5755, USA
(580) 2013 06 05

CLASSIFICATION INDEXES

INVENTIONS

CONCORDANCE TABLE OF INTERNATIONAL CLASSIFICATION INDEX AND PUBLICATION NUMBERS

INTERNATIONAL CLASSIFICATION INDEXES (51)	NUMBER OF PUBLISHED APPLICATION (10)
A 61 K 9/00; A 61 K 9/20; A 61 K 31/21; A 61 K 31/4184; A 61 K 31/4422	AP 2013 12480 A
A 61 K 31/131; A 61 K 31/14; A 61 K 31/16; A 61 K 45/06	AP 2013 12831 A
A 61 K 31/495; A 61 K 9/08; A 61 P 25/00; A 61 P 25/22; A 61 P 25/24; A 61 P 25/28	AP 2013 12423 A
A 61 K 39/00; A 61 K 39/15	AP 2013 10793 A
B 01 F 7/30	AP 2013 12401 A
B 23 F 5/12	AP 2013 12400 A
B 60 K 7/16	AP 2013 12403 A
B 60 Q 1/00	AP 2013 12668 A
B 61 F 5/22	AP 2013 12308 A
C 07 D 211/62; C 07 D 213/81; C 07 D 233/90; C 07 D 239/28; C 07 D 261/18; C 07 D 271/10; C 07 D 239/557; C 07 D 207/277; C 07 D 237/24; A 61 K 31/165; A 61 K 31/44; A 61 K 31/505; A 61 K 31/506; C 07 D 401/12; C 07 D 405/12	AP 2013 12394 A
C 07 D 231/54; C 07 D 401/12; A 61 K 31/416; A 61 K 31/435; A 61 P 3/10; A 61 P 9/00; A 61 P 13/00	AP 2013 11964 A
C 07 D 239/42; C 07 D 401/04; C 07 D 403/12	AP 2013 11506 A
C 07 D 249/18; A 61 K 31/4196; A 61 P 25/22; A 61 P 25/24	AP 2013 11709 A
C 07 K 16/00; C 07 K 16/28; C 07 K 16/46; A 61 K 39/395; A 61 P 35/00	AP 2013 12280 A
C 07 K 16/28; C 07 K 16/00; C 07 K 16/46; A 61 K 39/395; A 61 P 35/00	AP 2013 12279 A
C 08 L 95/00; C 07 F 7/12	AP 2013 12242 A
F 16 H 3/56	AP 2013 12402 A
G 06 K 7/10; G 02 B 6/00	AP 2013 12431 A
G 06 K 9/46; G 06 K 9/64	AP 2013 12220 A

CONCORDANCE TABLE OF PUBLICATION NUMBERS AND INTERNATIONAL CLASSIFICATION INDEX

NUMBER OF PUBLISHED APPLICATION (10)	INTERNATIONAL CLASSIFICATION INDEXES (51)
1	2
AP 2013 10793 A	A 61 K 39/00; A 61 K 39/15
AP 2013 11506 A	C 07 D 239/42; C 07 D 401/04; C 07 D 403/12
AP 2013 11709 A	C 07 D 249/18; A 61 K 31/4196; A 61 P 25/22; A 61 P 25/24
AP 2013 11964 A	C 07 D 231/54; C 07 D 401/12; A 61 K 31/416; A 61 K 31/435; A 61 P 3/10; A 61 P 9/00; A 61 P 13/00
AP 2013 12220 A	G 06 K 9/46; G 06 K 9/64
AP 2013 12242 A	C 08 L 95/00; C 07 F 7/12
AP 2013 12279 A	C 07 K 16/28; C 07 K 16/00; C 07 K 16/46; A 61 K 39/395; A 61 P 35/00

1	2
AP 2013 12280 A	C 07 K 16/00; C 07 K 16/28; C 07 K 16/46; A 61 K 39/395; A 61 P 35/00
AP 2013 12308 A	B 61 F 5/22
AP 2013 12394 A	C 07 D 211/62; C 07 D 213/81; C 07 D 233/90; C 07 D 239/28; C 07 D 261/18; C 07 D 271/10; C 07 D 239/557; C 07 D 207/277; C 07 D 237/24; A 61 K 31/165; A 61 K 31/44; A 61 K 31/505; A 61 K 31/506; C 07 D 401/12; C 07 D 405/12
AP 2013 12400 A	B 23 F 5/12
AP 2013 12401 A	B 01 F 7/30
AP 2013 12402 A	F 16 H 3/56
AP 2013 12403 A	B 60 K 7/16
AP 2013 12423 A	A 61 K 31/495; A 61 K 9/08; A 61 P 25/00; A 61 P 25/22; A 61 P 25/24; A 61 P 25/28
AP 2013 12431 A	G 06 K 7/10; G 02 B 6/00
AP 2013 12480 A	A 61 K 9/00; A 61 K 9/20; A 61 K 31/21; A 61 K 31/4184; A 61 K 31/4422
AP 2013 12668 A	B 60 Q 1/00
AP 2013 12831 A	A 61 K 31/131; A 61 K 31/14; A 61 K 31/16; A 61 K 45/06

**CONCORDANCE TABLE OF INTERNATIONAL CLASSIFICATION INDEX,
PATENT NUMBERS AND PUBLICATION NUMBERS**

INTERNATIONAL CLASSIFICATION INDEX (51)	NUMBER OF PATENT (11)	NUMBER OF PUBLISHED APPLICATION (10)
A 23 L 1/22	P 2013 5865 B	AP 2013 12608 A
A 61 K 9/20; A 61 K 31/138; A 61 K 31/4422	P 2013 5859 B	AP 2013 12210 A
A 61 K 31/01; A 61 K 31/047; A 61 P 17/02; A 61 P 17/06	P 2013 5857 B	AP 2013 12035 A
A 61 K 31/4184; A 61 K 31/4745; A 61 K 39/395; A 61 K 45/06; A 61 K 35/00; A 61 P 35/02	P 2013 5855 B	AP 2013 11877 A
A 61 K 38/17; A 61 K 48/00; A 61 P 25/00; C 12 N 5/06	P 2013 5853 B	AP 2013 11447 A
B 65 D 17/50	P 2013 5854 B	AP 2013 11854 A
C 07 D 285/36; A 61 K 31/554; A 61 P 25/00	P 2013 5862 B	AP 2013 12414 A
C 07 D 401/04; C 07 D 401/14; C 07 D 413/04; C 07 D 413/14; C 07 D 417/14; A 61 K 31/4523; A 61 K 31/454; A 61 P 31/00; A 61 P 35/00; A 61 P 37/00	P 2013 5863 B	AP 2013 12448 A
C 07 D 471/04; A 61 K 31/4745; A 61 P 1/00; A 61 P 9/00; A 61 P 13/02; A 61 P 25/00; A 61 P 35/00	P 2013 5858 B	AP 2013 12123 A
F 03 D 3/06; F 03 D 7/06	P 2013 5864 B	AP 2013 12560 A
G 06 F 9/46	P 2013 5856 B	AP 2013 12006 A
G 06 Q 30/00	P 2013 5860 B	AP 2013 12240 A
G 06 Q 30/00	P 2013 5861 B	AP 2013 12241 A

**CONCORDANCE TABLE OF PATENT NUMBERS,
PUBLICATION NUMBERS AND INTERNATIONAL CLASSIFICATION INDEX**

NUMBER OF PATENT (11)	NUMBER OF PUBLISHED APPLICATION (10)	INTERNATIONAL CLASSIFICATION INDEX (51)
P 2013 5853 B	AP 2013 11447 A	A 61 K 38/17; A 61 K 48/00; A 61 P 25/00; C 12 N 5/06
P 2013 5854 B	AP 2013 11854 A	B 65 D 17/50
P 2013 5855 B	AP 2013 11877 A	A 61 K 31/4184; A 61 K 31/4745; A 61 K 39/395; A 61 K 45/06; A 61 K 35/00; A 61 P 35/02
P 2013 5856 B	AP 2013 12006 A	G 06 F 9/46
P 2013 5857 B	AP 2013 12035 A	A 61 K 31/01; A 61 K 31/047; A 61 P 17/02; A 61 P 17/06
P 2013 5858 B	AP 2013 12123 A	C 07 D 471/04; A 61 K 31/4745; A 61 P 1/00; A 61 P 9/00; A 61 P 13/02; A 61 P 25/00; A 61 P 35/00
P 2013 5859 B	AP 2013 12210 A	A 61 K 9/20; A 61 K 31/138; A 61 K 31/4422
P 2013 5860 B	AP 2013 12240 A	G 06 Q 30/00
P 2013 5861 B	AP 2013 12241 A	G 06 Q 30/00
P 2013 5862 B	AP 2013 12414 A	C 07 D 285/36; A 61 K 31/554; A 61 P 25/00
P 2013 5863 B	AP 2013 12448 A	C 07 D 401/04; C 07 D 401/14; C 07 D 413/04; C 07 D 413/14; C 07 D 417/14; A 61 K 31/4523; A 61 K 31/454; A 61 P 31/00; A 61 P 35/00; A 61 P 37/00
P 2013 5864 B	AP 2013 12560 A	F 03 D 3/06; F 03 D 7/06
P 2013 5865 B	AP 2013 12608 A	A 23 L 1/22

**CONCORDANCE TABLE OF APPLICATION NUMBERS, PUBLICATION NUMBERS
AND PATENTS**

NUMBER OF APPLICATION (21)	NUMBER OF PUBLISHED APPLICATION (10)	NUMBER OF PATENT (11)
AP 2008 011447	AP 2013 11447 A	P 2013 5853 B
AP 2008 011854	AP 2013 11854 A	P 2013 5854 B
AP 2008 011877	AP 2013 11877 A	P 2013 5855 B
AP 2009 012006	AP 2013 12006 A	P 2013 5856 B
AP 2009 012035	AP 2013 12035 A	P 2013 5857 B
AP 2009 012123	AP 2013 12123 A	P 2013 5858 B
AP 2009 012210	AP 2013 12210 A	P 2013 5859 B
AP 2009 012240	AP 2013 12240 A	P 2013 5860 B
AP 2009 012241	AP 2013 12241 A	P 2013 5861 B
AP 2010 012414	AP 2013 12414 A	P 2013 5862 B
AP 2010 012448	AP 2013 12448 A	P 2013 5863 B
AP 2012 012560	AP 2013 12560 A	P 2013 5864 B
AP 2012 012608	AP 2013 12608 A	P 2013 5865 B

UTILITY MODELS

CONCORDANCE TABLE OF INTERNATIONAL CLASSIFICATION INDEX, PATENT NUMBERS AND PUBLICATION NUMBERS

INTERNATIONAL CLASSIFICATION INDEX (51)	NUMBER OF PATENT (11)	NUMBER OF PUBLISHED APPLICATION (10)
E 05 B 41/00	U 2013 1770 Y	AU 2013 12803 U

CONCORDANCE TABLE OF PATENT NUMBERS, PUBLICATION NUMBERS AND INTERNATIONAL CLASSIFICATION INDEX

NUMBER OF PATENT (11)	NUMBER OF PUBLISHED APPLICATION (10)	INTERNATIONAL CLASSIFICATION INDEX (51)
U 2013 1770 Y	AU 2013 12803 U	E 05 B 41/00

CONCORDANCE TABLE OF APPLICATION NUMBERS, PUBLICATION NUMBERS AND PATENTS

NUMBER OF APPLICATION (21)	NUMBER OF PUBLISHED APPLICATION (10)	NUMBER OF PATENT (11)
AU 2012 012803	AU 2013 12803 U	U 2013 1770 Y

DESIGNS

CONCORDANCE TABLE OF INTERNATIONAL CLASSIFICATION INDEX AND PUBLICATION NUMBERS

INTERNATIONAL CLASSIFICATION INDEXES (51)	NUMBER OF PUBLISHED APPLICATION (10)
09-01	AD 2013 734 S
23-02	AD 2013 744 S

CONCORDANCE TABLE OF PUBLICATION NUMBERS AND INTERNATIONAL CLASSIFICATION INDEX

NUMBER OF PUBLISHED APPLICATION (10)	INTERNATIONAL CLASSIFICATION INDEXES (51)
AD 2013 734 S	09-01
AD 2013 744 S	23-02

CONCORDANCE TABLE OF INTERNATIONAL CLASSIFICATION INDEX,
PATENT NUMBERS AND PUBLICATION NUMBERS

INTERNATIONAL CLASSIFICATION INDEX (51)	NUMBER OF PATENT (11)	NUMBER OF PUBLISHED APPLICATION (10)
32-00	D 2013 547 S	AD 2013 716 S

CONCORDANCE TABLE OF PATENT NUMBERS,
PUBLICATION NUMBERS AND INTERNATIONAL CLASSIFICATION INDEX

NUMBER OF PATENT (11)	NUMBER OF PUBLISHED APPLICATION (10)	INTERNATIONAL CLASSIFICATION INDEX (51)
D 2013 547 S	AD 2013 716 S	32-00

CONCORDANCE TABLE OF APPLICATION NUMBERS, PUBLICATION NUMBERS
AND PATENTS

NUMBER OF APPLICATION (21)	NUMBER OF PUBLISHED APPLICATION (10)	NUMBER OF PATENT (11)
AD 2012 000716	AD 2013 716 S	D 2013 547 S

TRADEMARKS

CONCORDANCE TABLE OF REGISTRATION NUMBERS, APPLICATION NUMBERS, PUBLICATION NUMBERS AND BULLETIN NUMBERS

NUMBER OF REGISTRATION (111)	NUMBER OF APPLICATION (210)	NUMBER OF PUBLISHED APPLICATION (260)	NUMBER OF BULLETIN
1	2	3	4
M 2013 23716 R	AM 2013 72357	-	12(367) 2013
M 2013 23717 R	AM 2011 63785	AM 2012 63785 A	23(363) 2012
M 2013 23718 R	AM 2011 64241	AM 2012 64241 A	23(363) 2012
M 2013 23719 R	AM 2012 64342	AM 2013 64342 A	3(367) 2013
M 2013 23720 R	AM 2011 65291	AM 2012 65291 A	22(362) 2012
M 2013 23721 R	AM 2011 65292	AM 2012 65292 A	22(362) 2012
M 2013 23722 R	AM 2011 65469	AM 2012 65469 A	22(362) 2012
M 2013 23723 R	AM 2011 65530	AM 2012 65530 A	21(361) 2012
M 2013 23724 R	AM 2011 65623	AM 2012 65623 A	22(362) 2012
M 2013 23725 R	AM 2012 65764	AM 2012 65764 A	21(361) 2012
M 2013 23726 R	AM 2012 65882	AM 2012 65882 A	24(364) 2012
M 2013 23727 R	AM 2012 65883	AM 2012 65883 A	24(364) 2012
M 2013 23728 R	AM 2012 65884	AM 2012 65884 A	24(364) 2012
M 2013 23729 R	AM 2012 65885	AM 2012 65885 A	24(364) 2012
M 2013 23730 R	AM 2012 65886	AM 2012 65886 A	24(364) 2012
M 2013 23731 R	AM 2012 65887	AM 2012 65887 A	24(364) 2012
M 2013 23732 R	AM 2012 65898	AM 2012 65898 A	24(364) 2012
M 2013 23733 R	AM 2012 65945	AM 2012 65945 A	24(364) 2012
M 2013 23734 R	AM 2012 65957	AM 2012 65957 A	21(361) 2012
M 2013 23735 R	AM 2012 65958	AM 2012 65958 A	21(361) 2012
M 2013 23736 R	AM 2012 65959	AM 2012 65959 A	21(361) 2012
M 2013 23737 R	AM 2012 65997	AM 2012 65997 A	22(362) 2012
M 2013 23738 R	AM 2012 66079	AM 2012 66079 A	22(362) 2012
M 2013 23739 R	AM 2012 66080	AM 2012 66080 A	22(362) 2012
M 2013 23740 R	AM 2012 66081	AM 2012 66081 A	22(362) 2012
M 2013 23741 R	AM 2012 66082	AM 2012 66082 A	22(362) 2012
M 2013 23742 R	AM 2012 66083	AM 2012 66083 A	22(362) 2012
M 2013 23743 R	AM 2012 66084	AM 2012 66084 A	22(362) 2012
M 2013 23744 R	AM 2012 66176	AM 2012 66176 A	24(364) 2012
M 2013 23745 R	AM 2012 66221	AM 2012 66221 A	24(364) 2012
M 2013 23746 R	AM 2012 66222	AM 2012 66222 A	24(364) 2012
M 2013 23747 R	AM 2012 66223	AM 2012 66223 A	24(364) 2012
M 2013 23748 R	AM 2012 66224	AM 2012 66224 A	24(364) 2012
M 2013 23749 R	AM 2012 66225	AM 2012 66225 A	24(364) 2012
M 2013 23750 R	AM 2012 66226	AM 2012 66226 A	24(364) 2012
M 2013 23751 R	AM 2012 66369	AM 2012 66369 A	23(363) 2012
M 2013 23752 R	AM 2012 66476	AM 2012 66476 A	23(363) 2012
M 2013 23753 R	AM 2012 66490	AM 2012 66490 A	24(364) 2012
M 2013 23754 R	AM 2012 66492	AM 2013 66492 A	2(366) 2013
M 2013 23755 R	AM 2012 66528	AM 2013 66528 A	3(367) 2013
M 2013 23756 R	AM 2012 66616	AM 2013 66616 A	3(367) 2013
M 2013 23757 R	AM 2012 66617	AM 2013 66617 A	3(367) 2013

1	2	3	4
M 2013 23758 R	AM 2012 66651	AM 2013 66651 A	2(366) 2013
M 2013 23759 R	AM 2012 66709	AM 2013 66709 A	2(366) 2013
M 2013 23760 R	AM 2012 66716	AM 2012 66716 A	24(364) 2012
M 2013 23761 R	AM 2012 66717	AM 2012 66717 A	24(364) 2012
M 2013 23762 R	AM 2012 66775	AM 2013 66775 A	2(366) 2013
M 2013 23763 R	AM 2012 66840	AM 2013 66840 A	2(366) 2013
M 2013 23764 R	AM 2012 66901	AM 2012 66901 A	24(364) 2012
M 2013 23765 R	AM 2012 67013	AM 2013 67013 A	3(367) 2013
M 2013 23766 R	AM 2012 67014	AM 2013 67014 A	2(366) 2013
M 2013 23767 R	AM 2012 67015	AM 2013 67015 A	2(366) 2013
M 2013 23768 R	AM 2012 67016	AM 2013 67016 A	2(366) 2013
M 2013 23769 R	AM 2012 67361	AM 2013 67361 A	3(367) 2013
M 2013 23770 R	AM 2012 67392	AM 2013 67392 A	3(367) 2013
M 2013 23771 R	AM 2013 72414	-	12(367) 2013
M 2013 23772 R	AM 2013 72415	-	12(367) 2013
M 2013 23773 R	AM 2013 72434	-	12(367) 2013
M 2013 23774 R	AM 2013 72520	-	12(367) 2013
M 2013 23775 R	AM 2013 72141	-	12(367) 2013
M 2013 23776 R	AM 2013 72142	-	12(367) 2013
M 2013 23777 R	AM 2013 72143	-	12(367) 2013
M 2013 23778 R	AM 2013 72397	-	12(367) 2013
M 2013 23779 R	AM 2013 72489	-	12(367) 2013

**CONCORDANCE TABLE OF PUBLICATION NUMBERS
AND APPLICATION NUMBERS**

NUMBER OF PUBLISHED APPLICATION (260)	NUMBER OF APPLICATION (210)	1	2
1	2		
AM 2013 68007 A	AM 2012 68007	AM 2013 68849 A	AM 2012 68849
AM 2013 68138 A	AM 2012 68138	AM 2013 68850 A	AM 2012 68850
AM 2013 68712 A	AM 2012 68712	AM 2013 68876 A	AM 2012 68876
AM 2013 68746 A	AM 2012 68746	AM 2013 68910 A	AM 2012 68910
AM 2013 68747 A	AM 2012 68747	AM 2013 68928 A	AM 2012 68928
AM 2013 68768 A	AM 2012 68768	AM 2013 68992 A	AM 2012 68992
AM 2013 68792 A	AM 2012 68792	AM 2013 69031 A	AM 2012 69031
AM 2013 68793 A	AM 2012 68793	AM 2013 69077 A	AM 2012 69077
AM 2013 68794 A	AM 2012 68794	AM 2013 69100 A	AM 2012 69100
AM 2013 68795 A	AM 2012 68795	AM 2013 69101 A	AM 2012 69101
AM 2013 68797 A	AM 2012 68797	AM 2013 69102 A	AM 2012 69102
AM 2013 68807 A	AM 2012 68807	AM 2013 69244 A	AM 2012 69244
AM 2013 68808 A	AM 2012 68808	AM 2013 69245 A	AM 2012 69245
AM 2013 68810 A	AM 2012 68810	AM 2013 69246 A	AM 2012 69246
AM 2013 68846 A	AM 2012 68846	AM 2013 69247 A	AM 2012 69247
		AM 2013 69277 A	AM 2012 69277
		AM 2013 69421 A	AM 2012 69421

**CONCORDANCE TABLE OF INDEX OF GOODS AND/OR SERVICES
AND APPLICATION NUMBERS**

INDEX OF GOODS AND/OR SERVICES (511)	NUMBER OF PUBLISHED APPLICATION (260)	1	2
1	2		
5	AM 2013 68792 A	33	AM 2013 69031 A
5	AM 2013 68793 A	34	AM 2013 68807 A
5	AM 2013 68794 A	34	AM 2013 68808 A
5	AM 2013 68795 A	34	AM 2013 68810 A
5	AM 2013 69247 A	34	AM 2013 68849 A
7	AM 2013 68747 A	34	AM 2013 68850 A
7	AM 2013 69245 A	35	AM 2013 68007 A
7	AM 2013 69246 A	35	AM 2013 69100 A
9	AM 2013 68746 A	35	AM 2013 69101 A
9	AM 2013 68747 A	36	AM 2013 68007 A
9	AM 2013 69102 A	37	AM 2013 68007 A
11	AM 2013 68746 A	37	AM 2013 69102 A
11	AM 2013 68747 A	37	AM 2013 69245 A
19	AM 2013 69244 A	37	AM 2013 69246 A
29	AM 2013 68910 A	38	AM 2013 69100 A
29	AM 2013 69077 A	38	AM 2013 69101 A
29	AM 2013 69277 A	39	AM 2013 68007 A
30	AM 2013 68768 A	39	AM 2013 68876 A
30	AM 2013 68797 A	41	AM 2013 68007 A
30	AM 2013 68846 A	41	AM 2013 68138 A
30	AM 2013 68928 A	41	AM 2013 68992 A
30	AM 2013 69077 A	42	AM 2013 68007 A
30	AM 2013 69421 A	42	AM 2013 68992 A
31	AM 2013 68876 A	42	AM 2013 69100 A
32	AM 2013 68712 A	42	AM 2013 69101 A
32	AM 2013 68846 A	42	AM 2013 69102 A
32	AM 2013 69277 A	43	AM 2013 68007 A
32	AM 2013 69421 A	43	AM 2013 68846 A
		43	AM 2013 68876 A
		44	AM 2013 68007 A
		44	AM 2013 68992 A

**CONCORDANCE TABLE OF INDEX OF GOODS AND/OR SERVICES
AND NUMBERS OF TRADEMARKS REGISTERED ACCORDING
TO THE ACCELERATED PROCEDURE**

INDEX OF GOODS AND/OR SERVICES (511)	NUMBER OF REGISTERED ACCORDING TO THE ACCELERATED PROCEDURE (111)
30	M 2013 23774 R
33	M 2013 23716 R
33	M 2013 23773 R
33	M 2013 23779 R
34	M 2013 23775 R
34	M 2013 23776 R
34	M 2013 23777 R
35	M 2013 23771 R
35	M 2013 23772 R
41	M 2013 23778 R

OFFICIAL BULLETIN OF THE INDUSTRIAL PROPERTY

12(376)

EDITOR-IN-CHIEF: N. Bebrishvili

EDITORS-TRANSLATORS: E. Gabunia
G. Nadareishvili

PROOFREADER: L. Chanturia

COMPUTER LAYOUT: M. Ordenidze
K. Svanidze

www.sakpatenti.org.ge

E-mail: info@sakpatenti.org.ge