



**NATIONAL INTELLECTUAL PROPERTY CENTER OF GEORGIA
SAKPATENTI**

**OFFICIAL BULLETIN
OF THE INDUSTRIAL PROPERTY**

13(353)

**2012
TBILISI**

INID CODES FOR IDENTIFICATION OF BIBLIOGRAPHIC DATA

INVENTIONS, UTILITY MODELS

- (10) Number of publication for application, which has been examined
- (11) Number of patent and kind of document
- (21) Serial number of application
- (22) Date of filing of the application
- (23) Date of exhibition or the date of the earlier filing and the number of application, if any
- (24) Date from which patent may have effect
- (31) Number of priority application
- (32) Date of filing of priority application
- (33) Code of the country or regional organization allotting priority application number
- (44) Date of publication of application not granted, but examined and number of bulletin
- (45) Date of publication of registered document
- (51) International Patent Classification Index
- (54) Title of the invention
- (57) Abstract
- (60) Number of examined patent document granted by foreign patent office, date from which patent has effect and country code
- (62) Number of the earlier application and in case of divided application, date of filing an application
- (71) Name, surname and address of applicant (country code)
- (72) Name, surname of inventor (country code)
- (73) Name, surname and address of patent owner (country code)
- (74) Name, surname of representative or patent attorney
- (85) Date of commencement of the national phase of International Application
- (86) Number and date of filing of international application
- (87) Number and date of publication of international application

DESIGNS

- (10) Number of publication for application
- (11) Number of patent and kind of document or number of registration
- (15) Date of registration/Date of patent renewal
- (18) Expected expiration date of patent or registration
- (21) Serial number of application
- (22) Date of filing of the application
- (23) Date of exhibition or the date of the earlier filing and the number of application, if any
- (24) Date from which patent may have effect
- (28) Number of designs included in the application
- (30) Data relating to priority (number of application, date of filing of application, two-letter code identifying the authority with whom the priority application was made)
- (31) Number of priority application
- (32) Date of filing of priority application
- (33) Code of the country or regional organization allotting priority application number
- (34) Two-letter code according to WIPO St.3 identifying the authority with which the priority application was made
- (44) Date of publication of design and number of bulletin (the first publication)
- (45) Date of publication of design registered by WIPO and number of bulletin
- (51) International Classification for designs (class and subclass of the Locarno Classification)
- (54) Title of the invention
- (55) Reproduction of the design
- (57) Description of characteristic features of the design including indication of colors
- (58) Date of recording of any kind of amendment in the Register
- (62) Number of the earlier application, registration and document number and if available the date of filing an application in case of divided application
- (71) Name, surname and address of applicant (country code)
- (72) Name, surname of creator (country code)
- (73) Name, surname and address of patent owner (country code)
- (74) Name, surname of representative or patent attorney
- (81) Contracting states concerned
 - II designated contracting states according to the 1960 Act
 - III designated contracting states according to the 1999 Act
- (85) Owner's permanent address
- (86) Owner's nationality
- (87) Owner's residence
- (88) State in which the owner has a real and effective industrial or commercial establishment

TRADEMARKS

- (111) - Number of registration
- (151) - Date of registration
- (156) - Date of the renewal
- (181) - Expected expiration date of registration
- (186) - Renewal expiration date of registration
- (141) - Date of cancel of duration of the mark
- (210) - Serial number of application
- (220) - Date of filing of the application
- (230) - Date concerning exhibition
- (260) - Number of application, for which favorable decision of examination about registration has been taken (publication number)
- (310) - Number of the first application
- (320) - Date of filing of the first application
- (330) - Code, identifying national or regional Office where the first application was made
- (511) - International Classification of Goods and Services for the purposes of registration of trade marks and/or list of goods and/or services classified according thereto
- (531) - Description of figurative elements of Trade Marks according to the International Classification of the Figurative Elements of Marks
- (540) - Reproduction of Trade Mark
- (550) - Nature and kind of Trade Mark
- (580) - Date of recording of any kind changes in respect of applications or registrations
- (591) - Information concerning colors claimed
- (731) - Name and address of the applicant
- (732) - Name and address of the holder of the registration
- (740) - Name and address of the representative
- (750) - Address for correspondence
- (770) - Name and address of the previous applicant or holder in case of change in ownership
- (771) - Previous name and address of the applicant or holder in case of change in ownership
- (791) - Name and address of the licensee
- (793) - Indication of conditions and/or restrictions under the license (Type of license, number of license agreement, data of license, data of validity of license)
- (800) - Certain data relating to the international registration of Trade Marks under the Protocol Relating to Madrid Agreement (International registration number)

CODES FOR PUBLICATION IN BULLETIN

- (21) AP 0000 000000 - serial number of application for invention
- (10) AP 0000 0000 A - number of published application for invention (first publication)
- (11) P 0000 0000 B - number of patent for invention (second publication)
- (21) API 0000 000000 - number of application for imported patent
- (11) PI 0000 0000 A - number of imported patent (first publication)
- (21) AU 0000 000000 - serial number of application for utility model
- (10) AU 0000 000 U - number of published application for utility model (first publication)
- (11) U 0000 000 Y - number of patent for utility model (second publication)
- (21) AD 0000 000000 - serial number of application for design
- (10) AD 0000 000 S - number of published application for design (first publication)
- (11) D 0000 000 S - number of patent for design (second publication)

INTERNATIONAL PATENT CLASSIFICATION FOR INVENTIONS AND UTILITY MODELS

- SECTION A - HUMAN NECESSITIES
- SECTION B - PERFORMING OPERATIONS; TRANSPORTING
- SECTION C - CHEMISTRY; METALLURGY
- SECTION D - TEXTILES; PAPER
- SECTION E - FIXED CONSTRUCTIONS
- SECTION F - MECHANICAL ENGINEERING; LIGHTING; HEATING; WEAPONS; BLASTING
- SECTION G - PHYSICS
- SECTION H - ELECTRICITY

-
- M - Trade Mark
 - (210) AM 0000 000000 - Serial number of application;
 - (260) AAM 0000 00000 A - Publication number of application;
 - (111) M 0000 00000 R - Number of registration;
 - (111) MMM0000 00000 Rn - Number of renewals, in which n=1,2,3;
 - (111) M 0000 00000 R(P) - Number of registration under partial assignment of rights
-

**NATIONAL INTELLECTUAL PROPERTY CENTER OF GEORGIA
SAKPATENTI**

**OFFICIAL BULLETIN
OF THE INDUSTRIAL PROPERTY**

13(353)

**INVENTIONS
UTILITY MODELS
DESIGNS
TRADEMARKS**

**DATE OF PUBLICATION
2012 07 10**

CONTENTS

PUBLISHED TITLES OF PROTECTION	2
INVENTIONS	
▪ Applications for inventions	3
▪ Patents for inventions	7
UTILITY MODELS	
▪ Application for utility model	10
DESIGNS	
▪ Applications for designs	11
▪ Registered designs	16
▪ Design registered according to the accelerated procedure	17
▪ Designs, which have been registered with the international bureau claiming priority on the territory of Georgia	19
TRADEMARKS	
▪ National trademarks	75
▪ Registered trademarks	82
▪ Trademarks registered according to the accelerated procedure	88
▪ International trademarks laid open for the purpose of taking protection granting decisions	89
▪ International trademarks protected in Georgia	123
OFFICIAL NOTIFICATIONS	
INVENTIONS	
▪ Transfer of rights (II quarter of 2012 years)	132
▪ Changes in names and/or addresses of owners (II quarter of 2012 years)	133
▪ Renewal of patent	133
UTILITY MODEL	
▪ Renewal of patent	133
TRADEMARKS	
▪ Renewal of registrations	134
▪ Complete transfer of rights	135
▪ Changes in names and/or addresses of owners	137
CLASSIFICATION INDEXES	
INVENTIONS	140
UTILITY MODELS	142
DESIGNS	143
TRADEMARKS	145

PUBLISHED TITLES OF PROTECTION

INVENTIONS

- **APPLICATIONS:**
11518; 11641; 12110; 12108; 11694; 11832; 11990, 11991; 12054; 11510; 12097; 10721
- **PATENTS:**
5565-5574

UTILITY MODELS

- **APPLICATION:**
12342

DESIGNS

- **APPLICATIONS:**
683-686; 682
- **REGISTERED DESIGNS:**
499-500
- **DESIGN REGISTERED ACCORDING TO THE ACCELERATED PROCEDURE:**
501
- **DESIGNS, WHICH HAVE BEEN REGISTERED WITH THE INTERNATIONAL BUREAU:**
78027; 78038; 78067; 77733; 78089; 77016; 78111; 78125, 78126; 75923

TRADEMARKS

- **NATIONAL TRADEMARKS:**
62751; 63773; 63786, 63787; 63793; 63830; 63861; 63871; 63873; 63958; 63979; 64027; 64105, 64106; 64215; 64219; 64221-64223; 64226, 64227; 64229; 64487, 64488; 64497, 64498; 65408, 64509; 64652, 64653; 64715; 64745; 64793; 64795; 64812; 64814, 64815; 64818, 64819; 64844; 62061*; 62187*; 62325*
- **REGISTERED TRADEMARKS:**
22684-22744
- **TRADEMARKS REGISTERED ACCORDING TO THE ACCELERATED PROCEDURE:**
22682; 22683; 22745-22747
- **INTERNATIONAL TRADEMARKS LAID OPEN FOR THE PURPOSE OF TAKING PROTECTION GRANTING DECISIONS:**
62580; 62672; 62677, 62678; 62915-62919; 62999-63001; 63004, 63005; 63007; 63013; 63022, 63023; 63026-63028; 63171; 63173, 63174; 63176-63180; 63363; 63849; 63854, 63855; 63885, 63886; 63914--63918; 63920-63923; 63925-63935; 63937, 63938; 63940; 63943; 64160-64168; 64170-64174; 64272--64282; 64286-64289; 64355-64362; 64364, 64365; 64368; 64373, 64374; 64376-64378; 64437-64439; 64442-64450; 64542; 58917*; 61106*; 61490*; 61714*; 61904
- **INTERNATIONAL TRADEMARKS PROTECTED IN GEORGIA:**
62077; 62082-62084; 62119; 62172-62175; 62184; 62195; 62306; 62477; 62530; 62593; 62639; 62680-62682; 62729-62733; 62735-62740; 62742; 62841-62843; 62845-62848; 62850-62852; 62855-62858; 62860, 62861; 62864-62877; 62881-62883; 62885-62889; 62923-62929; 62931; 62944-62947; 62950; 62952-62961; 62980, 62981; 62983-62988; 62992, 62993; 63045-63053; 63056; 63058-63060; 63062, 63063; 63065-63072; 63127-63129; 63131-63139

INVENTIONS

APPLICATIONS LAID OPEN FOR THE PURPOSE OF TAKING PATENT GRANTING DECISIONS

To appeal a decision is possible at Chamber of Appeal of Sakpatenti within 3 months from the publication or at The Board of Administrative Actions of Tbilisi City Court within 1 month period. (Address: 12 km., №6, David Aghmashenebeli Kheivani, Tbilisi).

PART A

A 23

- (10) AP 2012 11518 A (51) Int. Cl. (2006)
A 23 L 1/06
A 23 L 1/212**
- (21) AP 2009 011518 (22) 2009 10 20
(71) Soso Guruli (GE)
Metsnierebis q. 12, b. 57, Anaseuli, 3503,
Ozurgeti (GE);
Temur Revishvili (GE)
Metsnierebis q. 9, b. 13 Anaseuli, 3503,
Ozurgeti (GE);
Zurab Andguladze (GE)
sop. Dzimiti, 3526, Ozurgeti (GE);
Bakhva Dolidze (GE)
I.Shemokmedelis q. 32, 3500, Ozurgeti (GE)
- (72) Soso Guruli (GE);
Temur Revishvili (GE);
Zurab Andguladze (GE);
Bakhva Dolidze (GE)
- (54) METHOD OF SUBTROPICAL EBONY
PREPARATION**
- (57) A method provides: peeling ebony, cutting the-
reon segments, rolling therein nut powder and
drying thereof; or peeling ebony, making thereon a
conic cutout with core removal therefrom, chipping
removed core and mixing therewith powdered nut
kernel, and received mass placement into the conic
cutout, then rolling ebony in nut kernel powder and
drying thereof. The method also provides: peeling
ebony, drying thereof, chipping received dry fruits
of ebony, mixing therewith nut kernel powder, and
rolling out received mass till obtaining layer of 3-5
mm thickness; after that, covering therewith grape
juice and dusting therewith nut kernel powder. The
process is repeated till receiving preferred amount
of layers; or chipping dry fruits of ebony received
by drying thereof, mixing therewith nut kernel
powder and rolling out received mass till obtaining
layer of 3-5 mm thickness, then, calibration thereon
round layers of diameter 60-100 mm, rounding
thereof and wetting therein grape juice, after that,
rolling therein nut kernel powder.
Claims: 4 independent

**(10) AP 2012 11641 A (51) Int. Cl. (2006)
A 23 L 1/22**

- (21) AP 2010 011641 (22) 2010 01 12
(71) Zaira Shapatava (GE)
Dolidzis q., korp. 15, b. 20, 0171, Tbilisi (GE);
Tamaz Kobaidze (GE)
Kekelidzis q. 19, b. 11, 0179, Tbilisi (GE);
Merab Zhghenti (GE)
Mukhianis das., I mkr., korp. 9, b. 19, 0172,
Tbilisi (GE);
Marine Melikishvili (GE)
Shevardenidzis q. 7, b. 7, 0177, Tbilisi (GE)
- (72) Zaira Shapatava (GE);
Tamaz Kobaidze (GE);
Merab Zhghenti (GE);
Marine Melikishvili (GE)
- (54) METHOD OF SAUCE PREPARATION**
- (57) A method provides: washing, pulping and
blanching fruits, mixing pulped mass therewith
spicery – red pepper and salt, and received mass
brew up therefrom; at that, as fruits are used the
plums. The juice 30-40% extracted by pulping
thereof is removed from received mass. Then,
bilberry juice together with spicery – garlic, corian-
der, fennel or dill, and blue melilot are added the-
rein with following ratio of ingredients in mass%:
- | | |
|------------------|---------|
| plum pulped mass | 60-70 |
| bilberry juice | 20-30 |
| garlic | 1.5-2.0 |
| coriander | 2.0-2.5 |
| fennel or dill | 1.5-2.0 |
| blue melilot | 0.5-1.0 |
| salt | 1,0-1,5 |
| red pepper | 0.5-1.0 |
- Claims: 1 independent

A 61

**(10) AP 2012 12110 A (51) Int. Cl. (2006)
A 61 K 9/06
A 61 K 35/78**

- (21) AP 2011 012110 (22) 2011 02 18
(71) Mariam Ionanidze (GE)
Chavchavadzis gamz. 45/54, 4600, Kutaisi (GE);
Bagrat Basiladze (GE)
Chavchavadzis gamz. 45/54, 4600, Kutaisi (GE)

(72) Mariam Ionanidze (GE);
Bagrat Basiladze (GE)

(54) **DRUG FOR BURN TREATMENT**

(57) There is represented the drug containing beggar-ticks (*Bidens teripartita*) and St. John's wort (*Hypericum*) powders, olive oil, beeswax and spermaceti.

Claims: 1 independent

(10) **AP 2012 12108 A** (51) **Int. Cl. (2006)**
A 61 K 9/08

(21) AP 2011 012108 (22) 2011 02 17
(71) Irine Mamageishvili (GE)
Kaukhchishvilis q. 12, 4600, Kutaisi (GE);
Inga Mamageishvili (GE)
Kaukhchishvilis q. 12, 4600, Kutaisi (GE);
Davit Mamageishvili (GE)
Kaukhchishvilis q. 12, 4600, Kutaisi (GE)
(72) Irine Mamageishvili (GE);
Inga Mamageishvili (GE);
Davit Mamageishvili (GE)

(54) **ANTHELMINTIC THERAPEUTIC AGENT**

(57) There is represented anthelmintic therapeutic agent containing common wormwood (*Artemisia absinthum*) and milfoil (*Achillea millefolium*) decoction.

Claims: 1 independent

(10) **AP 2012 11694 A** (51) **Int. Cl. (2006)**
A 61 K 9/24
A 61 K 9/26
A 61 K 31/513
A 61 K 31/155
A 61 K 45/06

(21) AP 2008 011694 (22) 2008 07 16
(31) 2007-188574
(32) 2007 07 19
(33) JP
(71) TAKEDA PHARMACEUTICAL COMPANY LIMITED (JP)
1-1, Doshomachi 4-chome, Chuo-ku, Osaka-shi, Osaka, 5410045 (JP)
(72) YAMAMOTO, Kazumichi (JP);
KOYAMA, Hiroyoshi (JP)
(74) Shalva Gvaramadze
(85) 2010 02 19
(86) PCT/JP2008/063228, 2008 07 16

(54) **SOLID COMPOSITION CONTAINING ALOGLIPTIN AND METFORMIN HYDROCHLORIDE**

(57) The present invention concerns solid composition consisting of two parts, wherein the first contains compound (I)-2-[[6-[(R)-3-amino-1-piperidinyl]-3,4-dihydro-3-methyl-2,4-dioxo-1(2H)-pyrimidinyl]methyl]benzotrile (alogliptin) or salt thereof and practically no contains metformin

hydrochloride, but another part contains metformin hydrochloride, and practically no contains compound (I).

Claims: 8 independent
17 dependent

Fig.: 2

(10) **AP 2012 11832 A** (51) **Int. Cl. (2006)**
A 61 K 31/205
A 61 P 9/00
A 61 P 9/10

(21) AP 2008 011832 (22) 2008 12 03
(31) 07122272.3; 07121173.1
(32) 2007 12 04; 2007 12 04
(33) EP; EP
(71) "GRINDEKS" A JOINT STOCK COMPANY (LV)
53, Krustpils St., 1057 Riga (LV)
(72) STONANS, Ilmars (LV);
TARARAK, Eduard (RU);
ANDREEVA, Elena (RU)
(74) Khatuna Imnadze
(85) 2010 06 07
(86) PCT/EP2008/066711, 2008 12 03
(54) **3-(2,2,2-TRIMETHYLHYDRAZINIUM) PROPIONATE HYDROGEN FUMARATE AND DIHYDROGEN PHOSPHATE MEDICAL USAGE**

(57) An invention concerns 3-(2,2,2-trimethylhydrazinium)propionate salts usage in manufacture of medicament applied at atherosclerosis prevention and therapy.

Claims: 1 independent
2 dependent

PART C

C 07

(10) **AP 2012 11990 A** (51) **Int. Cl. (2006)**
C 07 C 241/02
C 07 C 243/40

(21) AP 2009 011990 (22) 2009 05 26
(31) 08156903.0; 08164564.0
(32) 2008 05 26; 2008 09 18
(33) EP; EP
(71) "GRINDEKS" A JOINT STOCK COMPANY (LV)
53, Krustpils St., 1057 Riga (LV)
(72) ZICANE, Daina (LV);
TURKS, Maris (LV)
(54) **NEW METHOD OF 3-(2,2,2-TRIMETHYLHYDRAZINIUM) PROPIONATE DIHYDRATE PREPARATION**
(74) Khatuna Imnadze
(85) 2010 11 04
(86) PCT/EP2009/056379, 2009 05 26

(57) There is represented improved obtaining method of 3-(2,2,2-trimethylhydrazinium)propionate providing 3-(2,2,2-trimethylhydrazinium)propionate methylsulphate hydrolyze at calcium hydroxide presence.

Claims: 1 independent

(10) AP 2012 11991 A (51) Int. Cl. (2006)
C 07 C 241/02
C 07 C 243/14

(21) AP 2009 011991 (22) 2009 05 26

(31) 08156903.0; 08164565.7

(32) 2008 05 26; 2008 09 18

(33) EP; EP

(71) "GRINDEKS" A JOINT STOCK COMPANY (LV)
53, Krustpils St., 1057 Riga (LV)

(72) ZICANE, Daina (LV);
TURKS, Maris (LV)

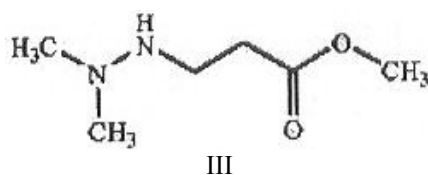
(74) Khatuna Imnadze

(85) 2010 11 04

(86) PCT/EP2009/056370, 2009 05 26

(54) **METHOD OF 3-(2,2-DIMETHYLHYDRAZINO) METHYLPROPIONATE PREPARATION**

(57) An invention concerns improved efficient obtaining method of compound (III), 3-(2,2-dimethylhydrazino)methylpropionate.



Claims: 1 independent

(10) AP 2012 12054 A (51) Int. Cl. (2006)
C 07 D 249/08
C 07 D 401/12
C 07 D 401/04
C 07 D 401/06
C 07 D 401/14
A 61 K 31/4196
A 61 K 31/4709
A 61 K 31/454
A 61 P 11/00
A 61 P 29/00

(21) AP 2009 012054 (22) 2009 07 09

(31) 61/079,837

(32) 2008 07 11

(33) US

(71) PFIZER LIMITED (GB)
Ramsgate Road, Sandwich, Kent,
CT13 9NJ (GB)

(72) JONES, Lyn Howard (GB);
ROBERTS, Dannielle Frances (GB);
STRANG, Ross Sinclair (GB)

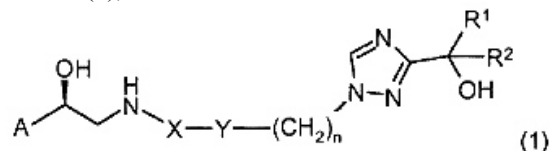
(74) Shalva Gvaramadze

(85) 2011 01 11

(86) PCT/IB2009/052986, 2009 07 09

(54) **TRIAZOLE DERIVATIVES USAGE AT DISEASES TREATMENT**

(57) An invention relates to: Triazole compounds of formula (1),



preparation processes thereof, compositions containing thereof, application thereof inflammatory, allergic and respiratory diseases treatment.

Claims: 6 independent
9 dependent

Fig.: 1

PART F

F 03

(10) AP 2012 11510 A (51) Int. Cl. (2006)
F 03 D 5/04
F 03 D 1/04

(21) AP 2008 011510 (22) 2008 02 13

(31) TO2007A000233

(32) 2007 03 30

(33) IT

(71) KITE GEN RESEARCH S.R.L. (IT)
Via B. Telesio 2, I-20145 Milano (IT)

(72) TADDEI, Franco (IT);
IPPOLITO, Massimo (IT)

(74) David Zurabishvili

(85) 2009 10 16

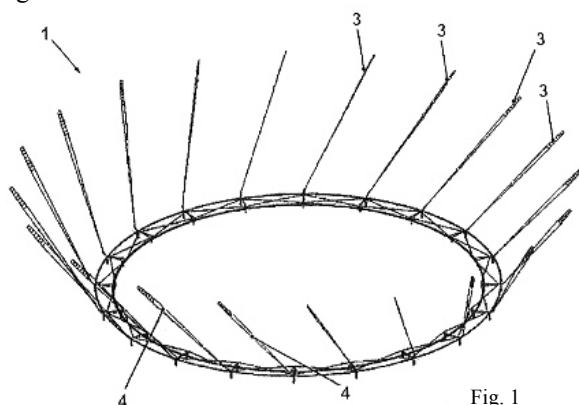
(86) PCT/IT2008/000089, 2008 02 13

(54) **WIND SYSTEM CONVERTING ENERGY BY KITES CONVEYANCE ON RAIL BY DRAGGING MODULES AND, METHOD OF ELECTRIC ENERGY GENERATION BY SUCH SYSTEM**

(57) A wind system (1) comprises at least one kite (2) driven in a wind current, and at least one module (5) connected to said kite by a rope and appropriated to convey on a rail (6,7) placed next to the ground. At that, the kite is able: to convey by dragging module on the rail (6,7), and so, to converse wind energy into electric energy by at least one electric energy generation system performed on the module (5) and the rail (6,7). Additionally, the rope (4) is appropriated to transmit mechanical energy from and to the kite and to control flight trajectory thereof.

Claims: 2 independent
48 dependent

Fig.: 23



PART G

G 06

(10) AP 2012 12097 A (51) Int. Cl. (2006)
G 06 Q 50/00
G 06 Q 20/00
G 01 F 15/06
G 01 D 4/00

(21) AP 2008 012097 (22) 2008 08 28

(31) MX/a/2008/009100

(32) 2008 07 14

(33) MX

(71) SISTEMAS INTEGRALES DE MEDICIÓN Y CONTROL STELLUM S.A. DE C.V (MX)
 Paseo de la Reforma 2608-PH, Colonia Lomas Altas, CP 11950, Distrito Federal, Mexico (MX)

(72) NERI-BADILLO, Edurardo Agustín (MX)

(74) Alexander Kvernadze

(85) 2011 02 08

(86) PCT/MX2008/000114, 2008 08 28

(54) **PREPAYMENT SYSTEM FOR WATER OR GAS SUPPLEMENT BY MEANS OF WIRELESS INTELLIGENT CARD AND METER FOR SAID SYSTEM**

(57) There is described prepayment system for water or gas supplement by means of wireless intelligent card. The present invention also relates to specially designed bidirectional meter for water or gas consumption electronic record.

Claims: 3 independent

13 dependent

Fig.: 5

PART H

H 04

(10) AP 2012 10721 A (51) Int. Cl. (2006)
H 04 B 7/26
H 04 L 12/24
H 04 W 52/00

(21) AP 2004 010721 (22) 2004 07 15

(62) 60/487,653 2003 07 16 (US)

(31) 60/487,653

(32) 2003 07 16

(33) US

(71) INTERDIGITAL TECHNOLOGY CORPORATION (US)

300 Delaware Avenue, Suite 527,
 Wilmington, DE 19801 (US)

(72) RUDOLF, Marian (DE);

DICK, Stephen, G. (US);

HUNKELER, Teresa, Joanne (CA);

RAHMAN, Shamim, Akbar (CA)

(74) Tamara Kochlamazashvili

(85) 2008 05 29

(86) PCT/US2004/022711, 2004 07 15

(54) **METHOD AND SYSTEM FOR SAVING MOBILE STATION PHYSICAL MEASUREMENTS AND MAC PERFORM STATISTIC AT ACCESS POINT CONTROL INFORMATIONAL BASE**

(57) There are represented: a method and wireless communication system requesting and obtaining transmit power control (TPC) information. The system includes at least one access point (AP), and at least one wireless transmit/receive unit (WTRU). When the AP decides to adapt WTRU transmit power level the AP transmits a TPC request frame to the WTRU. The WTRU performs one or more physical measurements and sends the TPC informational report frame back to the AP in response of received TPC request frame.

Claims: 2 independent

22 dependent

Fig.: 6

PATENTS FOR INVENTIONS

PART A

A 47

(11) P 2012 5573 B (51) **Int. Cl. (2006)**
A 47 J 37/04

- (10) AP 2012 11905 A (44) 3(343)/2012
(21) AP 2010 011905
(22) 2010 08 03
(24) 2010 08 03
(73) Avtandil Balanchivadze (GE)
Sop. Banoja, 3900, Tsqaltubos r-ni (GE)
(72) Avtandil Balanchivadze (GE)
(54) **DRIVE OF FRYING APPARATUS**
-

A 61

(11) P 2012 5565 B (51) **Int. Cl. (2006)**
A 61 K 31/52
A 61 K 31/496
A 61 K 31/4747
C 07 D 473/02
C 07 D 487/04

- (10) AP 2012 10125 A (44) 6(346)/2012
(21) AP 2005 010125
(22) 2005 11 09
(24) 2005 11 09
(31) 60/626,617; 60/715,020
(32) 2004 11 10; 2005 09 08
(33) US; US
(73) INCYTE CORPORATION (US)
Experimental Station, Building 336,
Route 141 & Henry Clay Road,
Wilmington, DE 19880 (US)
(72) YAO, Wenqing (US);
HE, Chunhong (CN);
ZHUO, Jincong (CN);
XU, Meizhong (CN);
ZHANG, Colin (CN);
QIAN, Ding-Quan (US);
BURNS, David (US);
METCALF, Brian, W. (US)
(74) Tamara Kochlamazashvili
(85) 2007 06 08
(86) PCT/US2005/040550, 2005 11 09
(54) **LACTAM COMPOUNDS AND
THEIR PHARMACEUTICAL USE**
-

(11) P 2012 5570 B (51) **Int. Cl. (2006)**
A 61 K 31/416
A 61 P 3/04

A 61 P 3/06
A 61 P 3/10
A 61 P 9/00
A 61 P 35/00
(10) AP 2012 11327 A (44) 6(346)/2012
(21) AP 2007 011327

- (22) 2007 11 13
(24) 2007 11 13
(31) MI2006A002254
(32) 2006 11 24
(33) IT
(73) AZIENDE CHIMICHE RIUNITE
ANGELINI FRANCESCO
A.C.R.A.F.S.P.A. (IT)
Viale Amelia, 70, I-00181 Roma (IT)
(72) GUGLIELMOTTI, Angelo (IT);
BIONDI, Giuseppe (IT)
(74) Liliana Darakhvelidze
(85) 2009 06 23
(86) PCT/EP2007/009908, 2007 11 13
(54) **USE OF INDAZOLEMETHO-XYALKA-
NOIC ACID FOR DECREASING LEVELS
OF TRIGLYCERIDES, CHOLESTEROL
AND GLUCOSE**
-

(11) P 2012 5566 B (51) **Int. Cl. (2006)**
A 61 P 25/00
A 61 K 31/55
C 07 D 223/16

- (10) AP 2012 10473 A (44) 6(346)/2012
(21) AP 2006 010473
(22) 2006 07 17
(24) 2006 07 17
(31) 60/700,057
(32) 2005 07 15
(33) US
(73) AMR TECHNOLOGY, INC. (US);
5429 Main Street, P.O. Box 2587,
Manchester Center, VT 05255-2587 (US);
BRISTOL-MYERS SQUIBB
COMPANY (US)
Lawrenceville-Princeton Road,
Princeton, TV 08543-4000 (US)
(72) MOLINO, Bruce, F. (US);
LIU, Shuang (US);
SAMBANDAM, Aruna (US);
GUZZO, Peter, R. (US);
HU, Min (US);
ZHA, Congxlang (US);
NACRO, Kassoum (US);
MANNING, David, D. (US);
ISHERWOOD, Matthew, L. (US);
FLEMING, Kristen, N. (US);
CUI, Wenge (US);

OLSON, Richard, E. (US)
 (74) Alexander Kvernadze
 (85) 2008 01 14
 (86) PCT/US2006/027574, 2006 07 17
 (54) **ARYL-AND HETEROARYL-
 SUBSTITUED TETRAHYDRO-
 BENZAZEPINES AND USE THEREOF
 TO BLOCK REUPTAKE OF
 NOREPINEPHRINE, DOPAMINE
 AND SEROTONIN**

(72) ZAMBACH, Werner (CH);
 HUETER, Ottmar, Franz (DE);
 WENGER, Jean (CH);
 GOEGHOVA, Marcela (SK);
 PITTERNA, Thomas (AT);
 MAIENFISCH, Peter (CH);
 MUEHLEBACH, Michel (CH)
 (74) Tamara Kochlamazashvili
 (85) 2010 05 14
 (86) PCT/EP2008/008657, 2008 10 13
 (54) **SPIROHETEROCYCLIC
 PYRROLIDINE DIONE
 DERIVATIVES USEFUL
 AS PESTICIDES**

PART C

C 07

(11) P 2012 5571 B (51) **Int. Cl. (2006)
 C 07 D 207/273
 C 07 D 209/54
 A 61 K 31/4015
 A 61 P 5/00
 A 61 P 15/12
 A 61 P 19/10**
 (10) AP 2012 11715 A (44) 6(346)/2012
 (21) AP 2008 011715
 (22) 2008 08 06
 (24) 2008 08 06
 (31) 2007-205966; 2007-299658
 (32) 2007 08 07; 2007 11 19
 (33) JP; JP
 (73) TAKEDA PHARMACEUTICAL
 COMPANY LIMITED (JP)
 1-1, Doshomachi 4-chome, Chuo-ku,
 Osaka-shi, Osaka, 5410045 (JP)
 (72) HASUOKA, Atsushi (JP)
 (74) Shalva Gvaramadze
 (85) 2010 03 05
 (86) PCT/JP2008/064500, 2008 08 06
 (54) **PYRROLIDIN-2-ONE DERIVATIVES
 AS ANDROGEN RECEPTOR
 MODULATOR**

(11) P 2012 5574 B (51) **Int. Cl. (2006)
 C 07 D 471/04**
 (10) AP 2012 11911 A (44) 6(346)/2012
 (21) AP 2009 011911
 (22) 2009 01 07
 (24) 2009 01 07
 (31) 82/MUM/2008; 61/028,770; 548/MUM/2008;
 798/MUM/2008; 61/048,276
 (32) 2008 01 11; 2008 02 14; 2008 03 18;
 2008 04 04; 2008 04 28
 (33) IN; US; IN; IN; US
 (73) GLENMARK PHARMACEUTICALS,
 S.A. (CH)
 Chemin de la Combeta 5,
 CH-2300 La Chaux-de-Fonds (CH)
 (72) LINGAM V S, Prasadarao (IN);
 THOMAS, Abraham (IN);
 MORE, Dattaguru Anandrao (IN);
 KHATIK, Javed Yusuf (IN);
 KHAIRATKAR, JOSHI Neelima (IN);
 KATTIGE, Vidya Ganapati (IN)
 (74) Alexander Kvernadze
 (85) 2010 08 09
 (86) PCT/IN2009/000025, 2009 01 07
 (54) **FUSED PYRIMIDINE
 DERIVATIVES AS
 TRPV3 MODULATORS**

(11) P 2012 5572 B (51) **Int. Cl. (2006)
 C 07 D 211/94
 C 07 D 471/10
 A 01 N 43/90**
 (10) AP 2012 11795 A (44) 6(346)/2012
 (21) AP 2008 011795
 (22) 2008 10 13
 (24) 2008 10 13
 (31) 0720126.2
 (32) 2007 10 15
 (33) GB
 (73) SYNGENTA PARTICIPATIONS AG (CH)
 Schwarzwaldallee 215, CH-4058 Basel (CH)

(11) P 2012 5568 B (51) **Int. Cl. (2006)
 C 07 K 14/47
 A 61 K 38/16**
 (10) AP 2012 11265 A (44) 6(346)/2012
 (21) AP 2007 011265
 (22) 2007 10 24
 (24) 2007 10 24
 (31) 2006-290536; 2007-021387; 2007-221911
 (32) 2006 10 25; 2007 01 31; 2007 08 28
 (33) JP; JP; JP
 (73) TAKEDA PHARMACEUTICAL
 COMPANY LIMITED (JP)
 1-1, Doshomachi 4-chome, Chuo-ku,
 Osaka-shi, Osaka, 5410045 (JP)

- (72) ASAMI, Taiji (JP);
NISHIZAWA, Naoki (JP)
(74) Shalva Gvaramadze
(85) 2009 05 22
(86) PCT/JP2007/071169, 2007 10 24
(54) **METASTIN DERIVATIVES AND
USE THEREOF**
-

PART F

F 02

- (11) **P 2012 5567 B** (51) **Int. Cl. (2006)**
F 02 B 55/02
F 02 B 47/00
(10) AP 2012 10582 A (44) 3(343)/2012
(21) AP 2008 010582
(22) 2008 03 25
(24) 2008 03 25
(73) Ramzan Goitemirov (GE)
Tsinamdzghvrishvilis k. 50, 0102,
Tbilisi (GE)
(72) Ramzan Goitemirov (GE)
(54) **CYLINDRIC-PISTON JOINT OF
INTERNAL COMBUSTION ENGINE**
-

PART H

H 01

- (11) **P 2012 5569 B** (51) **Int. Cl. (2006)**
H 01 M 8/00
H 01 M 8/04
H 01 M 8/08
H 01 M 8/22
H 01 M 4/20
H 01 M 4/29
H 01 M 4/30
(10) AP 2012 11282 A (44) 1(341)/2012
(21) AP 2009 011282
(22) 2009 06 01
(24) 2009 06 01
(73) George Agladze (GE)
D. Agmashenebeli av. 86/90, b.1, 0102,
Tbilisi (GE)
(72) George Agladze (GE);
Paata Nikoleishvili (GE)
(54) **FUEL ELEMENT OF SPIRIT DIRECT
OXIDATION AND METHOD OF
GENERATION OF ELECTRIC POWER
AND HYDROGEN PEROXIDE OR
ALKALINE METALS PEROXIDE**
-

UTILITY MODELS

APPLICATION LAID OPEN FOR THE PURPOSE OF TAKING PATENT GRANTING DECISIONS

To appeal a decision is possible at Chamber of Appeal of Sakpatenti within 3 months from the publication or at The Board of Administrative Actions of Tbilisi City Court within 1month period. (Address: 12 km., №6, David Aghmashenebeli Kheivani, Tbilisi).

PART A

A 24

(10) AU 2012 12342 U (51) Int. Cl. (2006)
A 24 D 1/04

(21) AU 2011 012342 (22) 2011 08 18

(71) "TBILISIS TAMBAKO" A JOINT-STOCK
COMPANY (GE)

G. Nadareishvilis q. 5, 0137, Tbilisi (GE)

(72) Alexi Andriadze (GE)

(74) Levan Nikoladze

(54) **CIGARETTE WITHOUT FILTER**

(57) A cigarette without filter comprises a tobacco bar 2 located into a cigarette paper 1 to which by rim 2 located into a cigarette paper 1 to which by rim paper 3 made with carton, wood, plastic or metal a cylindrical cigarette holder 4 is connected. At that, cigarette holder and tobacco bar lengths ratio is 0.4-0.7, circumference of tobacco bar is 23-25 mm, and of cigarette holder is 25-40 mm.

Claims: 1 independent

1 dependent

Fig.: 1

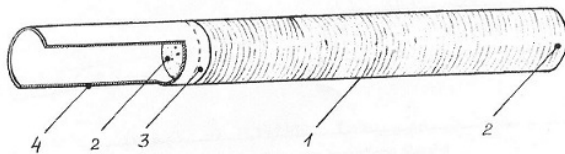


Fig. 1

DESIGNS

APPLICATIONS LAID OPEN FOR THE PURPOSE OF TAKING PATENT GRANTING DECISIONS

To appeal a decision is possible at Chamber of Appeal of Sakpatenti within 3 months from the publication or at The Board of Administrative Actions of Tbilisi City Court within 1 month period. (Address: 12 km., №6, David Aghmashenebeli Kheivani, Tbilisi).

(10) AD 2012 683 S (51) 19-06

(21) AD 2012 000683

(22) 2012 02 23

(28) 2

(71) ERICH KRAUSE FINLAND OY (FI)

Henry Fordin katu 5 N, 00150 Helsinki (FI)

(72) Dmitry Beloglazov (RU)

(74) Alexander Gegechkori

(54) **WRITING ACCESSORY**

(55)



(10) AD 2012 684 S (51) 19-06

(21) AD 2012 000684

(22) 2012 02 23

(28) 5

(71) ERICH KRAUSE FINLAND OY (FI)

Henry Fordin katu 5 N, 00150 Helsinki (FI)

(72) Dmitry Beloglazov (RU)

(74) Alexander Gegechkori

(54) **WRITING ACCESSORY**

(55)



(10) AD 2012 685 S (51) 19-06

(21) AD 2012 000685

(22) 2012 02 23

(28) 2

(71) ERICH KRAUSE FINLAND OY (FI)

Henry Fordin katu 5 N, 00150 Helsinki (FI)

(72) Dmitry Beloglazov (RU)

(74) Alexander Gegechkori

(54) **WRITING ACCESSORY**

(55)



(10) AD 2012 686 S (51) 19-06

(21) AD 2012 000686

(22) 2012 02 23

(28) 7

(71) ERICH KRAUSE FINLAND OY (FI)

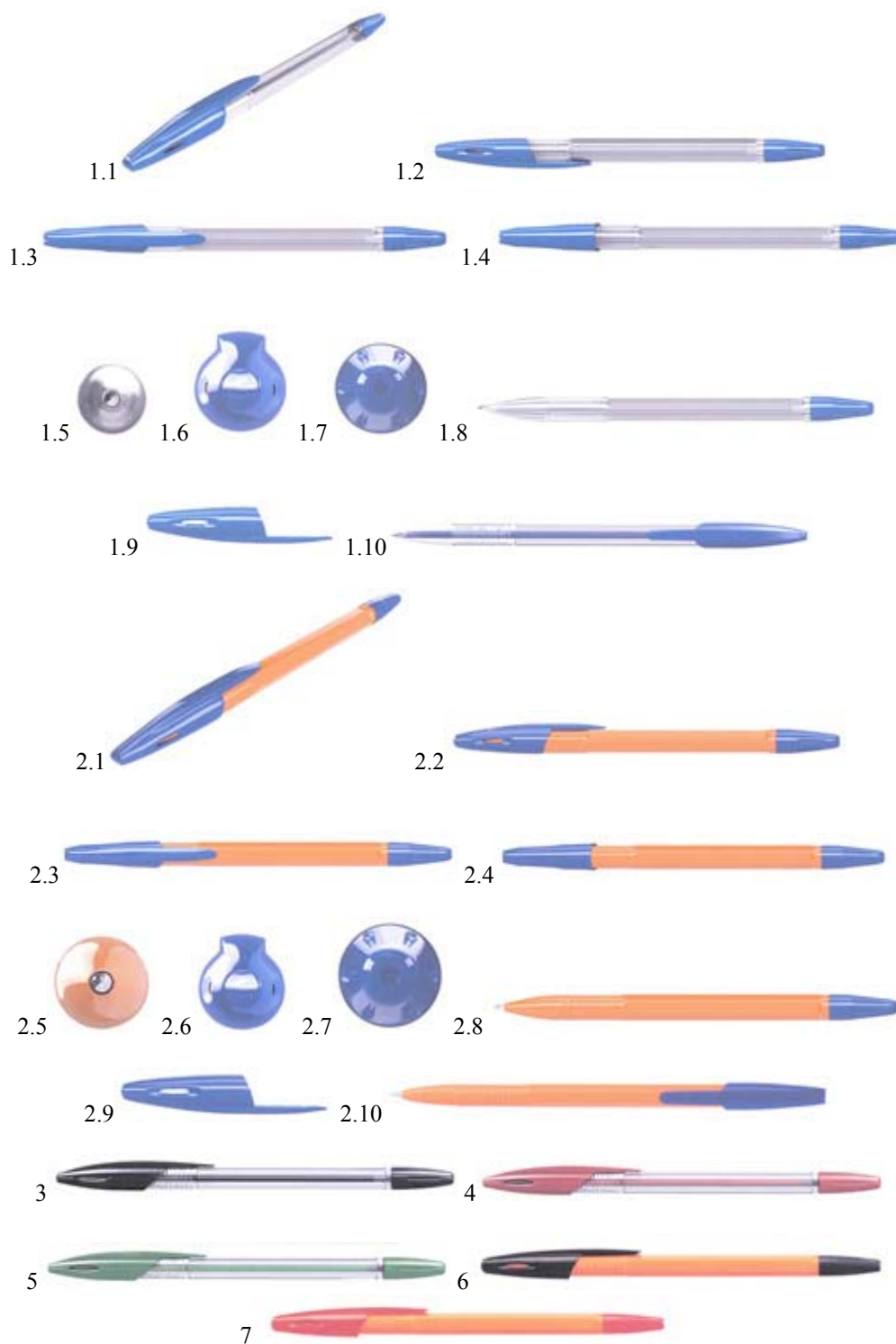
Henry Fordin katu 5 N, 00150 Helsinki (FI)

(72) Dmitry Beloglazov (RU)

(74) Alexander Gegechkori

(54) WRITING ACCESSORY

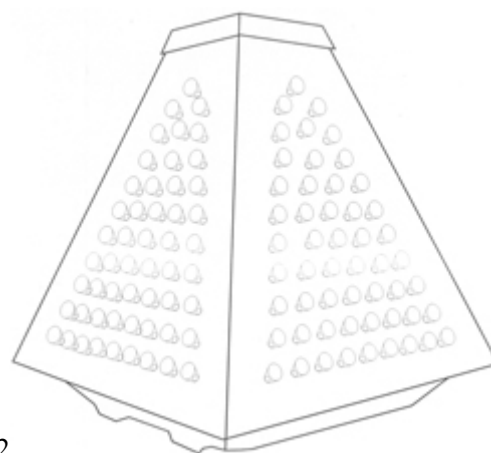
(55)



(10) AD 2012 682 S (51) 22-06
(21) AD 2012 000682
(22) 2012 02 16
(28) 1
(71) LTD "AGRO INVESTI" (GE)
Davit Aghmasheneblis gamz. 20, 0102, Tbilisi (GE)
(72) George Shalibashvili (GE)
(54) **INSECT-TRAP**
(55)



1.1



1.2

REGISTERED DESIGNS

(11) D 2012 499 S **(51) 01-01**
(10) AD 2011 655 S (44) 23(339)/2011
(21) AD 2011 000655
(22) 2011 07 21
(24) 2011 07 21
(18) 2016 07 21
(73) Merab Peradze (GE)
 Vil. Apeni, 2701, Lagodekhi (GE)
(74) Babulia Grdzlishvili
(54) **CONFECTIONARY BASKETS**

(11) D 2012 500 S **(51) 11-01**
(10) AD 2012 668 S (44) 4(344)/2012
(21) AD 2011 000668
(22) 2011 12 08
(24) 2011 12 08
(18) 2016 12 08
(73) Ia Kvaratskhelia (GE)
 Chavchavadzis gamz. 22, 0179, Tbilisi (GE)
(72) Ia Kvaratskhelia (GE)
(54) **1. PENDENT; 2. RING; 3. EARRINGS**

DESIGN REGISTERED ACCORDING TO THE ACCELERATED PROCEDURE

To file an appeal on request of the registration cancelling is possible at Chamber of Appeal of Sakpatenti within 3 months from the publication.

- (11) D 2012 501 S (51) 7-99
(21) AD 2012 000703 (22) 2012 05 16
(24) 2012 05 16
(28) 1
(18) 2017 05 16
(73) Zaur Neparidze (GE)
Ninoshvilis q. 1b, 1200, Borjomi (GE)
(72) Zaur Neparidze (GE)
(54) **SPINNING TOOL MADE WITH PLASTIC**
(55)



1.1



1.2



1.3



1.4



1.5



1.6



1.7



1.8



1.9

**DESIGNS, WHICH HAVE BEEN REGISTERED WITH THE
INTERNATIONAL BUREAU CLAIMING PRIORITY ON THE
TERRITORY OF GEORGIA**

(IN ACCORDANCE WITH THE ACT OF HAGUE AGREEMENT OF 1960 AND/OR ACT
OF GENEVA AGREEMENT OF 1999)

To appeal a decision is possible at Chamber of Appeal of Sakpatenti within 3 months from the publication or at The Board of Administrative Actions of Tbilisi City Court within 1 month period. (Address: 12 km., №6, David Aghmashenebeli Kheivani, Tbilisi).

(11) DM/078027

(51) 22-05

(15) 2011 09 14

(45) 2012/14 (2012 04 13)

(22) 2011 09 14

(28) 1

(73) ANATEC 13

Chemin du Levant, F-01210 FERNEY VOLTAIRE (FR)

(85) FR

(86) FR

(87) FR

(88) FR

(89) FR

(81) II. ME. III. AL, CH, EM, GE, HR, LI, MD, MK, NO, RS, TR, UA

(54) 1. Baiting boat for fishing

(55)



1.1



1.2



1.3



1.4

(11) DM/078038

(51) 25-03

(15) 2011 07 06

(45) 2012/14 (2012 04 13)

(22) 2011 07 06

(28) 1

(73) EUROTRADE S.A.

47-49 Persefonis Str., GR-118 54 ATHENS (GR)

(85) EM

(86) GR, EM

(87) GR, EM

(88) GR, EM

(89) EM

(81) II. BZ, KP, MA, ME, SR. III. AL, AM, AZ, BA, EG, EM, GE, HR, IS, KG, LI, MD, MK, MN, NO, RS, SG, SY, TR, UA

(72) Stamantina Stavrou

47-49 Persefonis Str., GR-118 54 Athens

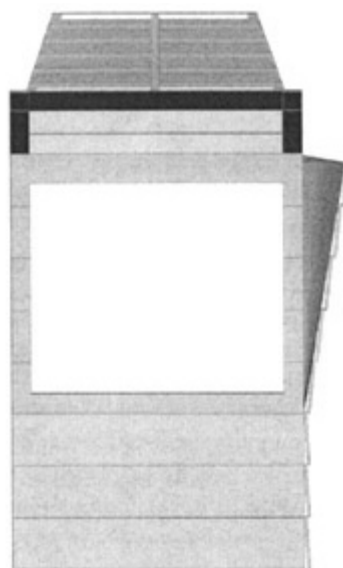
(54) 1. Bullet-proof sentry box

(55)

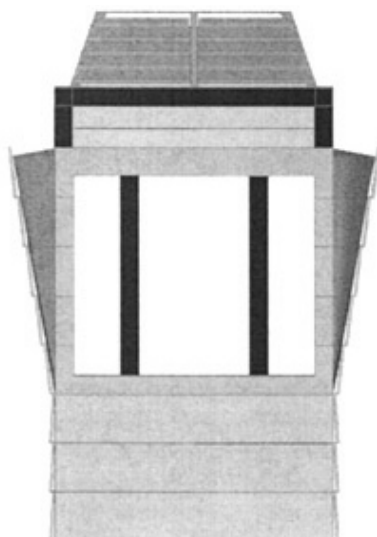




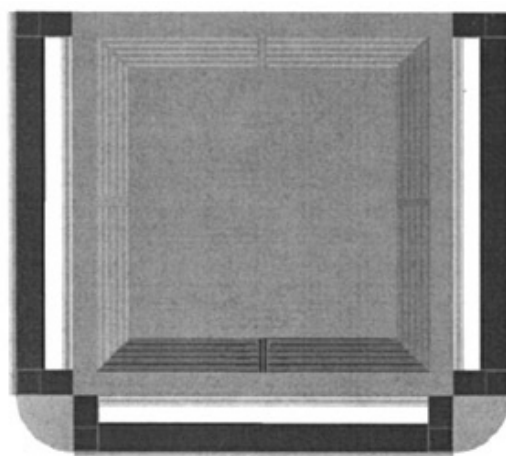
1.5



1.6



1.7



1.8



1.9

- (11)DM/078067 (51) 07-02
(15) 2012 01 09 (45)2012/14 (2012 04 13)
(22) 2012 01 09
(28) 1
(73) KUMTEL DAYANIKLI TÜKETİM MALLARI VE PLASTİK SANAYİ VE TİCARET ANONİM ŞİRKETİ
Organize Sanayi Bölgesi, 14, Cadde No: 22, KAYSERİ (TR)
(85) TR
(86) TR
(87) TR
(88) n/a
(89) TR
(81) III. AL, AM, BA, EG, EM, GE, GH, HR, KG, MD, MK, MN, OA, OM, SY, TR, UA
(72) Osman Köseoglu
Org. San. Böl. 14, Cad. No:22 Melikgazi Kayseri
(54) 1. Cooker
(55)



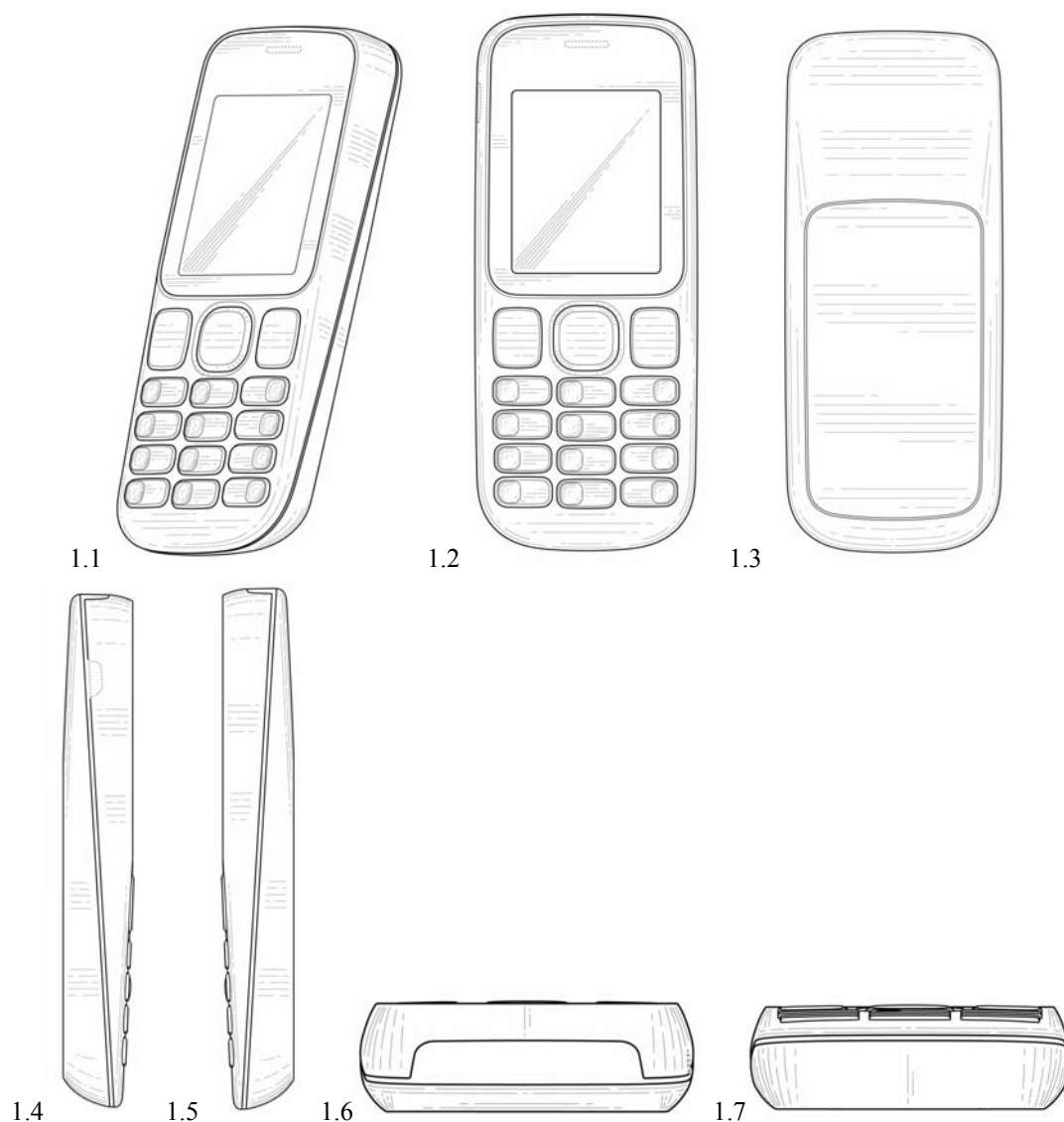
1.1

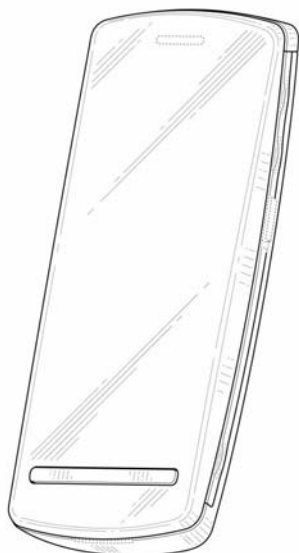


1.2

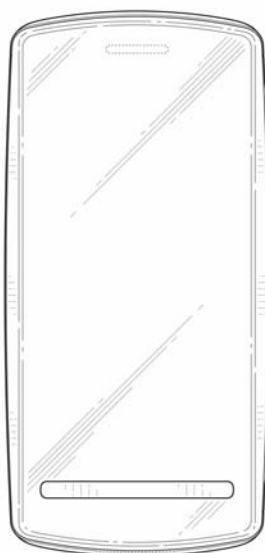
- (11) DM/077733 (51)14-01, 03
(15) 2011 10 14 (45) 2012/15 (2012 04 20)
(22) 2011 10 14
(28) 26
(30) For designs № 1:27.04.2011; 29/390,629; US; For designs № 2: 27.04.2011; 29/390,633; US;
For designs № 3, 4:06.05.2011; 29/391,327; US; For designs № 5, 6: 20.05.2011; 29/392,424; US;
For designs № 7:26.05.2011; 29/392,772; US; For designs № 8:26.05.2011; 29/392,792; US;
For designs № 9:31.05.2011; 29/393,146; US; For designs №10:13.06.2011; 29/394,057; US;
For designs №14:20.06.2011; 29/394,679; US; For designs №13:20.06.2011; 29/394,680; US;
For designs № 15:21.06.2011; 29/394,747; US; For designs №12:21.06.2011; 29/394,756; US;
For designs № 16:21.06.2011; 29/394,802; US; For designs №17:23.06.2011; 29/396,013; US;
For designs № 18:23.06.2011; 29/396,015; US; Fdesigns №23:28.06.2011; 29/396,290; US;
For designs № 22:28.06.2011; 29/396,291; US; For designs №19, 20, 21: 28.06.2011; 29/396,292; US;
For designs № 25:28.06.2011; 29/396,294; US; For designs №24:28.06.2011; 29/396,297; US;
For designs № 11:29.06.2011; 29/396,392; US; For designs №26:15.07.2011; 29/397,432; US
(73) NOKIA CORPORATION
Keilalahdentie 4, FI-02150 Espoo (FI)
(85) EM
(86) EM
(87) EM
(88) EM
(89) EM
(81) III. AL, AM, BW, CH, EG, EM, GE, HR, IS, LI, MK, NA, SG, TR, UA
(72) DESIGN 1: Jing-Jackie Wang, Room 917 Building 22 Shanghai Salon, 4N West Tianbao Rd, Economic and Technological Development Area, Beijing 100176, CN; DESIGN 2: Giuseppe Russo, 15 Thorney Crescent, London SW11 3TT, GB; DESIGNS 3-4 and 8-9: Chee Yee Wong, 61A Farleigh Road, London

- N16 7TD, GB; DESIGNS 5-6: (a) Travis Tom, 1077 Rotella Street, Newbury Park, CA 91320, USA; (b) Jim Holtorf, 5059 Via Fresco, Camarillo, CA 93012, USA; (c) Ed Mitchell, 3257 Rickey Court, Thousand Oaks, CA 91362, USA; (d) Jan Stillerman, 3118 Big Sky Drive, Thousand Oaks, CA 91360, USA; DESIGNS 7 and 15: Tomas Ivaskevicius, Mannerheimintie 42 A 7, FI-00260 Helsinki; DESIGN 10: Sean Cai, Room 2302, Building 9, Liangpa Yuan, Beiyuan Jiayuan, Chaoyang District, Beijing, CN; DESIGN 11: (a) Sun Li, Building 2-804, №29, East Road, Majiapu, Fengtai District, Beijing, CN; (b) Li Yong, 124-1407 Nanhu Xiyuan, Chaoyang District, Beijing, CN; (c) Serena Yang, №6 Building 403, LuoZhuang West Section, Zhichu Road, Haidian District, Beijing, CN; DESIGN 12: (a) Yan Qifeng, Galaxy Garden C1-22B, Fuhua Road, Shenzhen, CN; (b) Lei Ming, Galaxy Garden B2-0818, Caitian Road, Shenzhen, CN; DESIGN 13: (a) Yu Charl, №18 TongJi Zhonglu, Beijing Economic & Technological Development Area, Beijing, CN; (b) Serena Yang, №6 Building 403, LuoZhuang West Section, Zhichu Road, Haidian District, Beijing, CN; (c) Yuming Geng, 21-3-402, Tianyuan Fengguang Yayuan, Huilongguan, Changping District, Beijing, CN; DESIGNS 14 and 16: Tuomas Nylén, Sireenikatu 2 B7, FI-00270 Helsinki; DESIGNS 17-18: Nicolas Lylyk, Korkeavuorenkatu 7B, FI-00140 Helsinki; DESIGNS 19-25: (a) Frank Nuovo, 1612 Stradella Road, Los Angeles, CA 90077, USA; (b) Eduardo Salazar, 19355 Sherman Way N 42, Reseda, CA 91335, USA; DESIGN 26: Jose Alberto De Los Rios, 18 Paxton Road, London SE23 2QG, GB
- (54) 1.-6. Handsets; 7. Antenna; 8.-10. Handsets; 11.-13. Speakers; 14. Remote control unit; 15. Modem; 16. Speaker; 17.-26. Handsets
- (55)

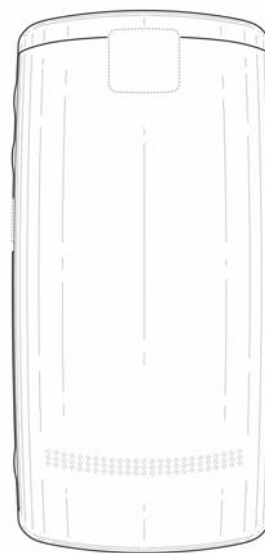




2.1



2.2



2.3



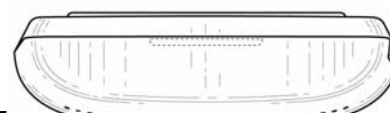
2.4



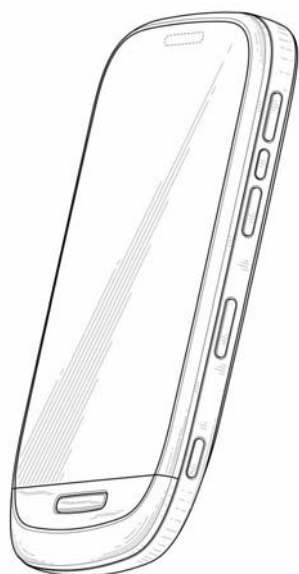
2.5



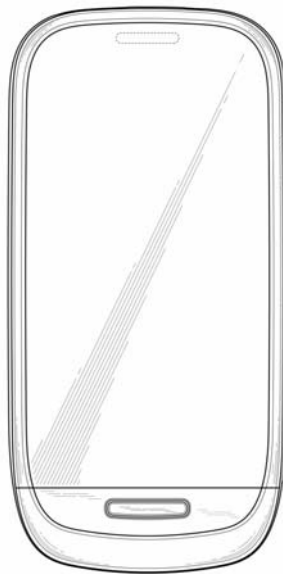
2.6



2.7



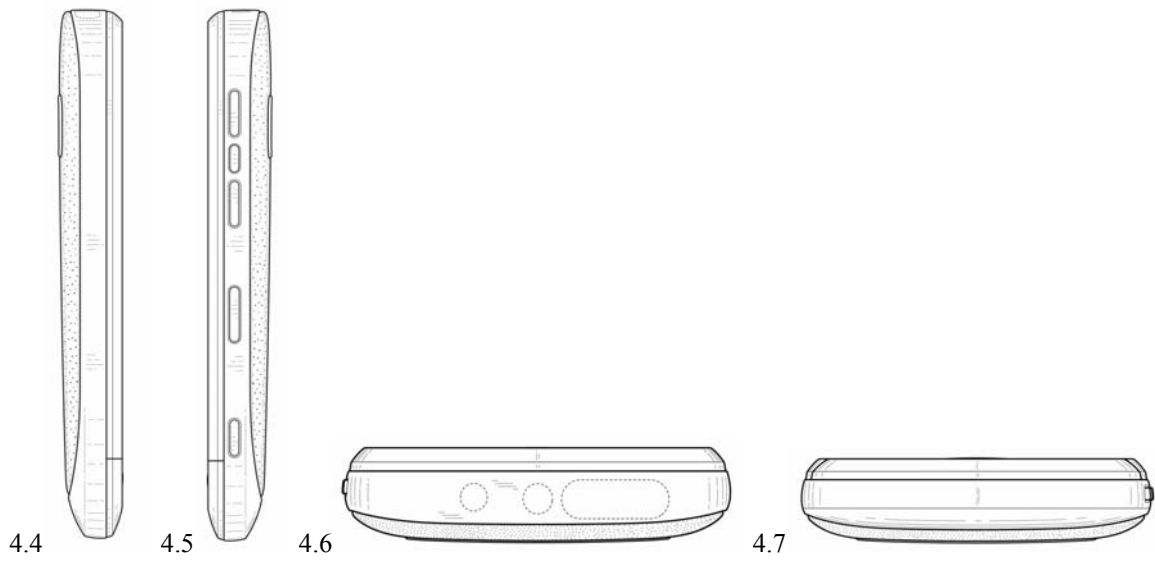
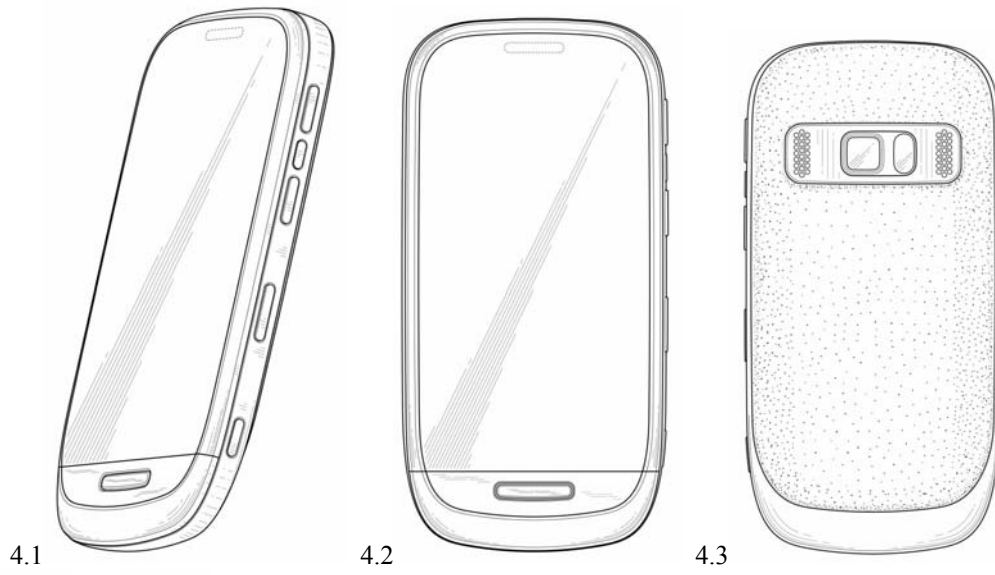
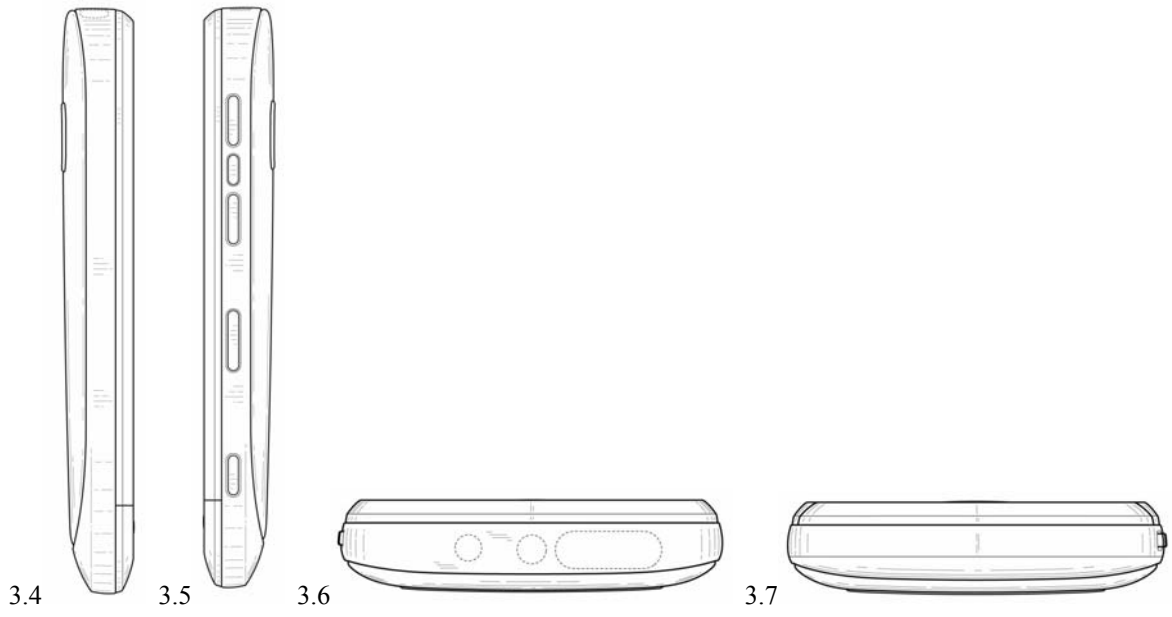
3.1

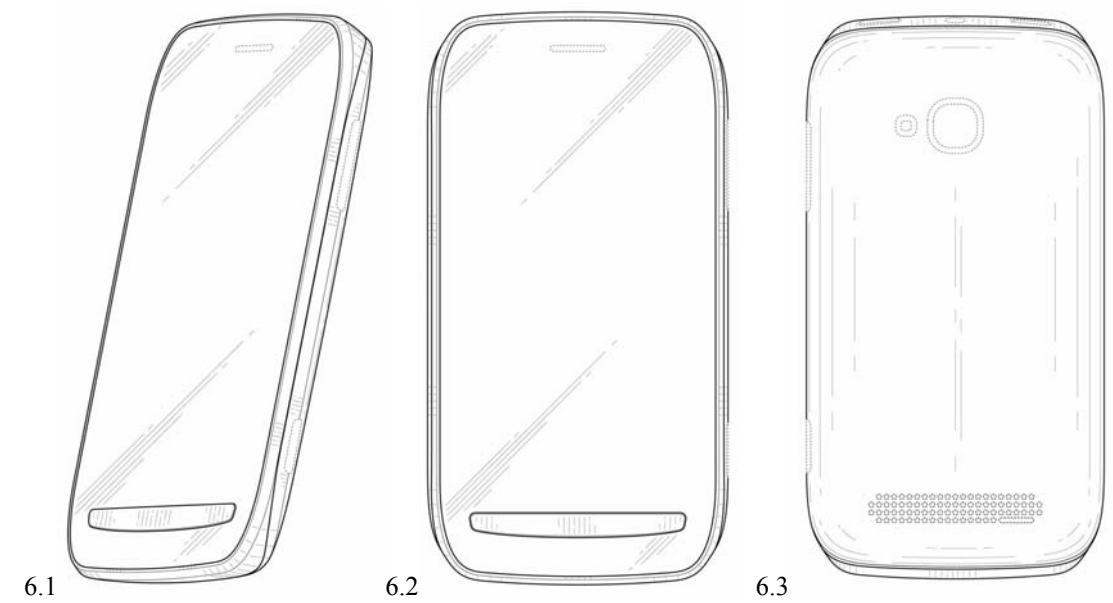
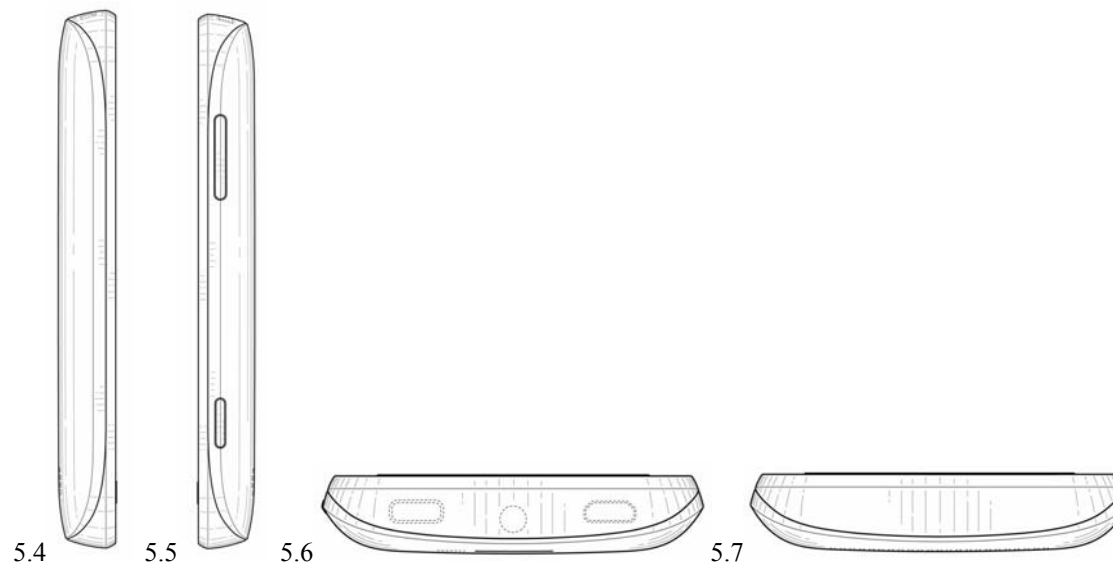
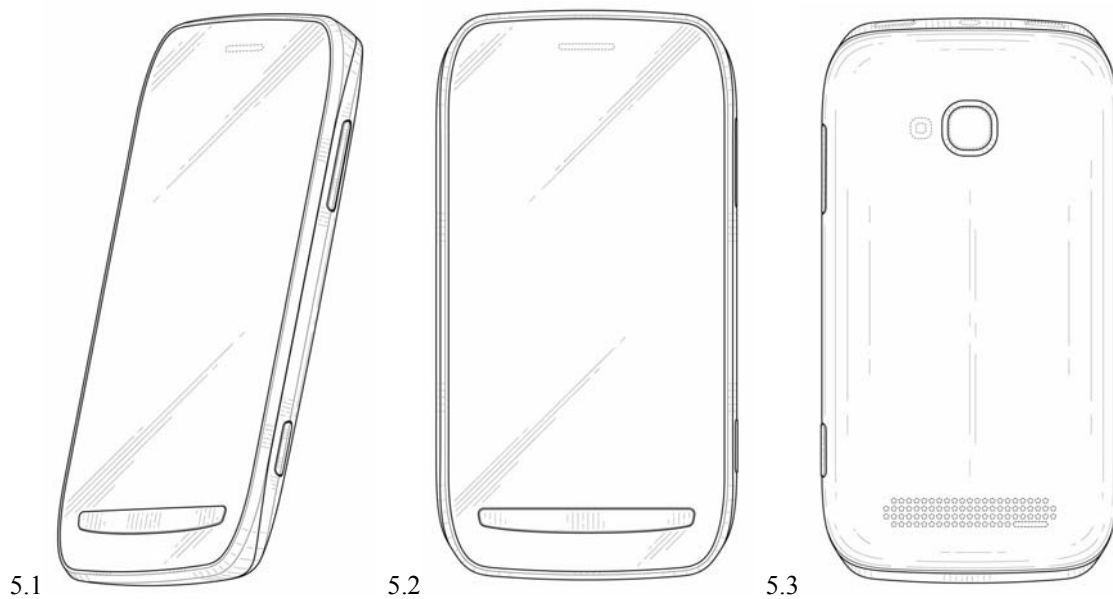


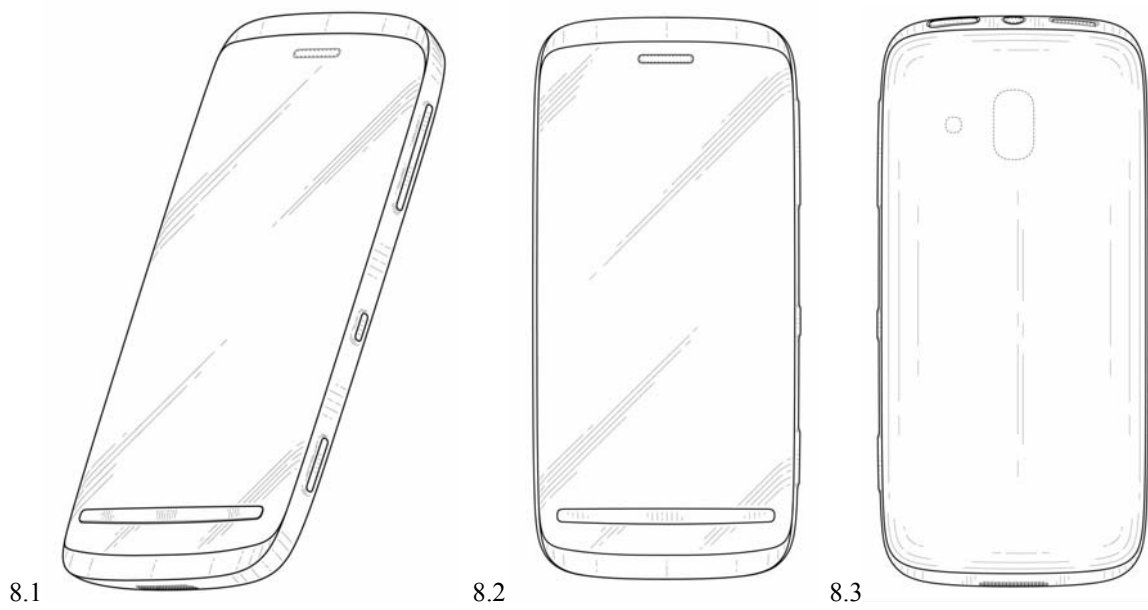
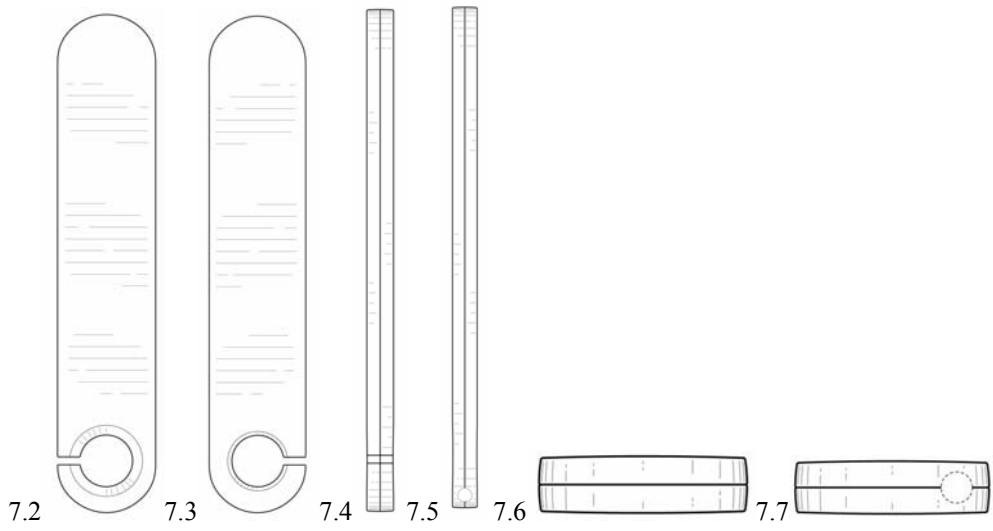
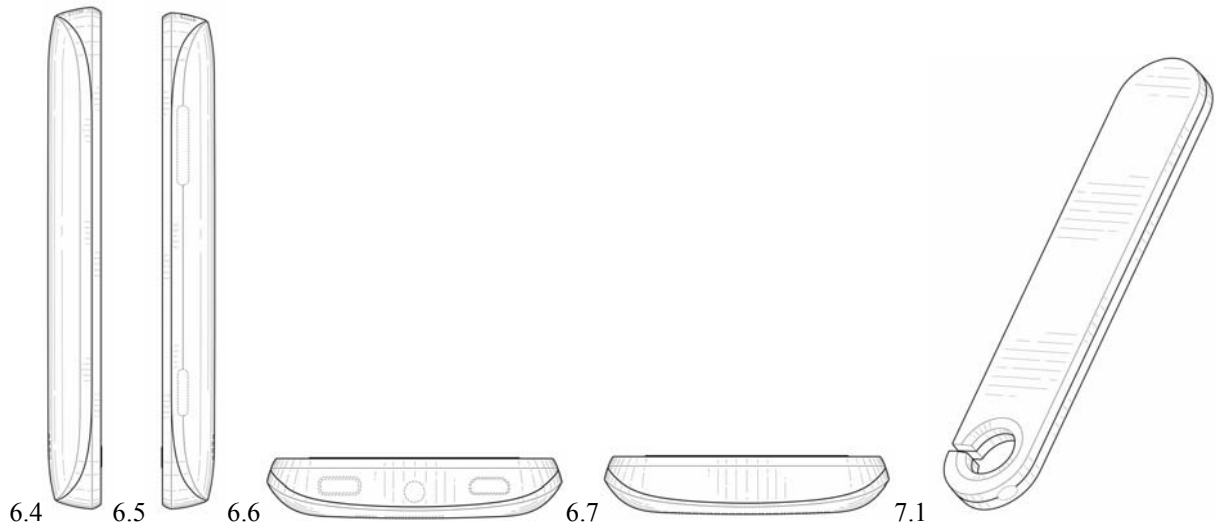
3.2

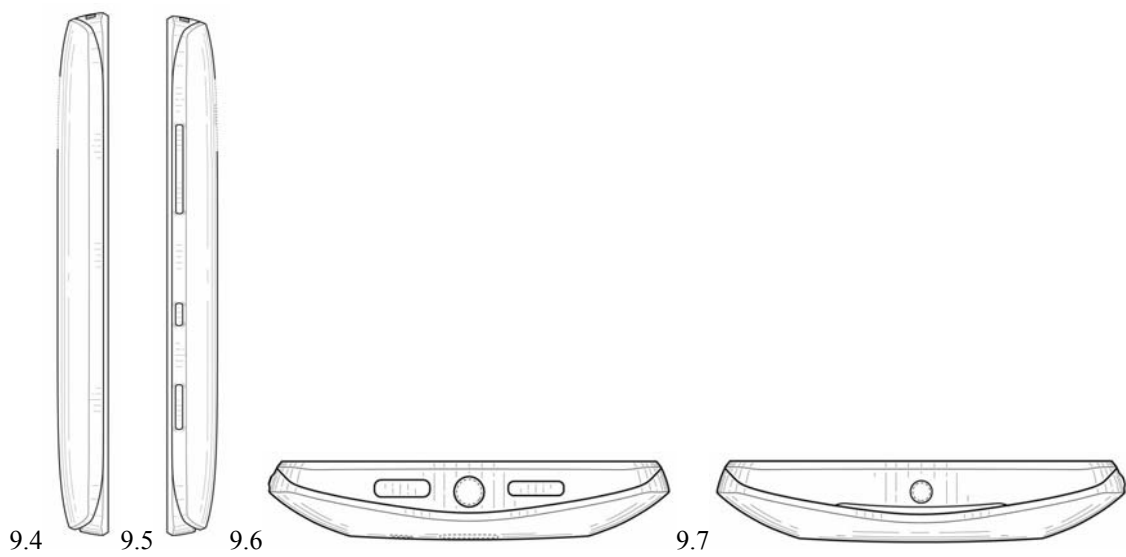
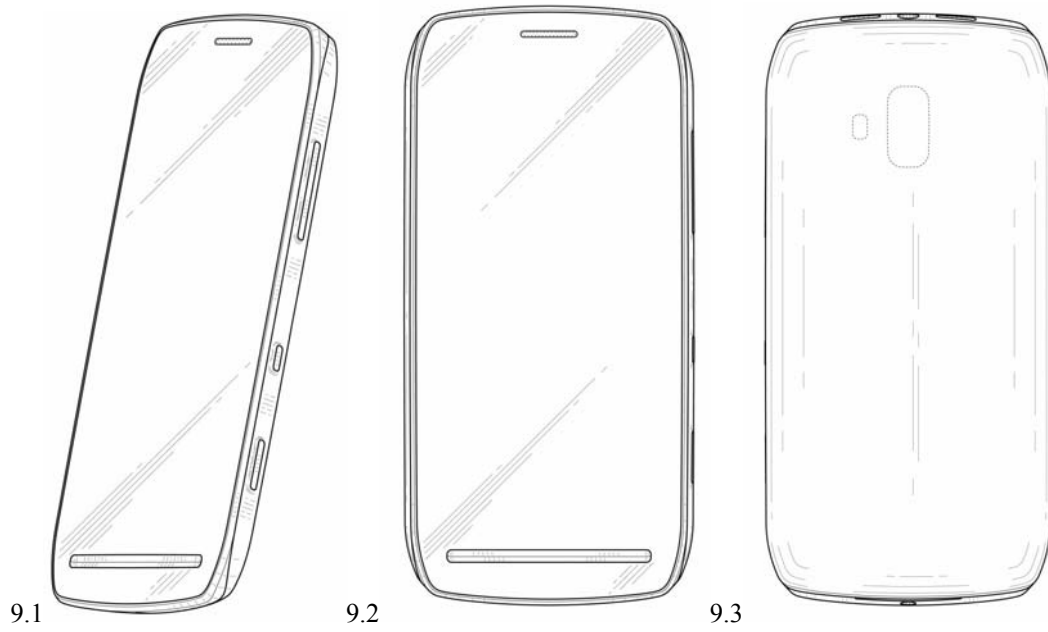
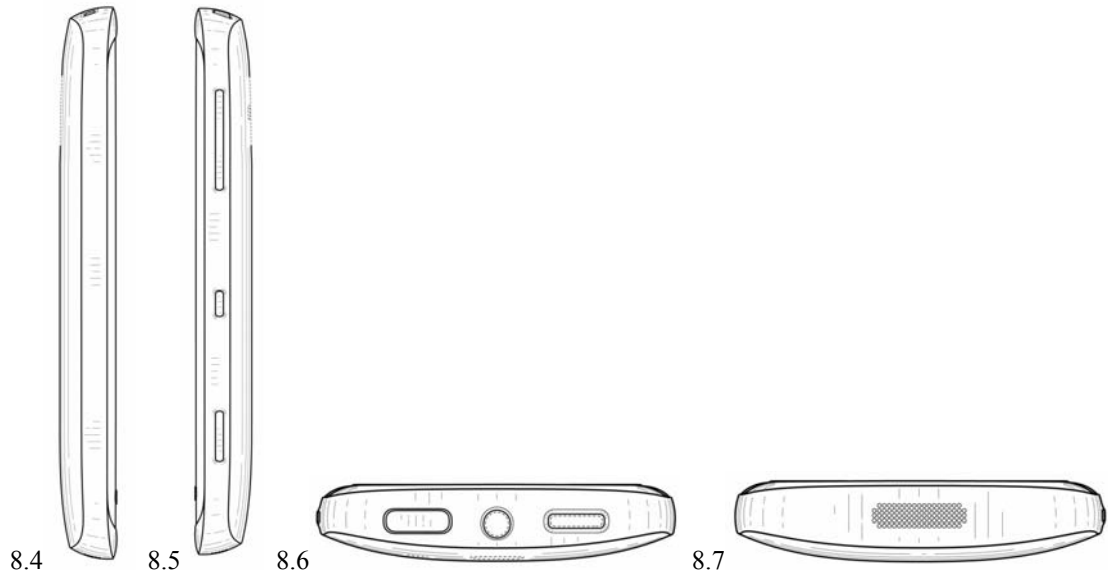


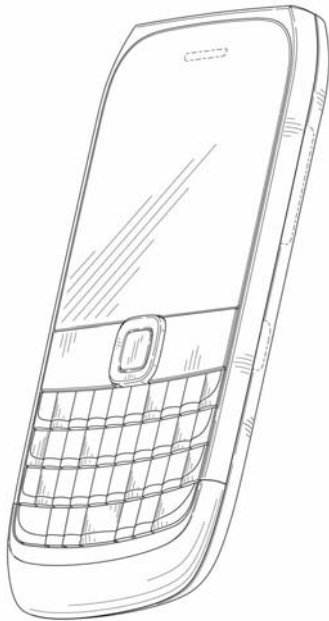
3.3



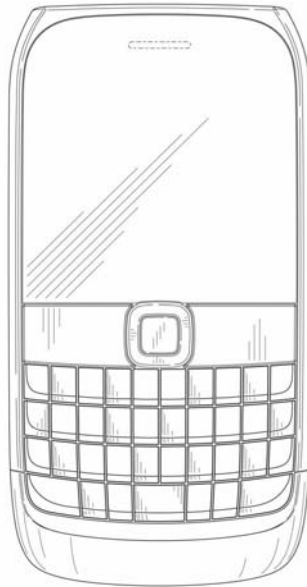




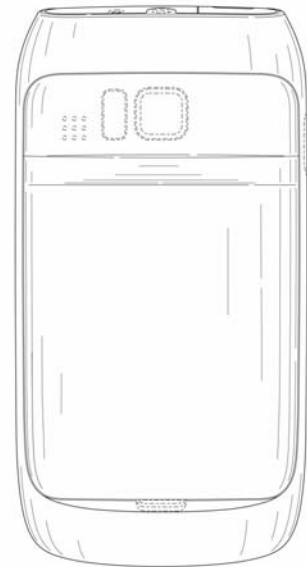




10.1



10.2



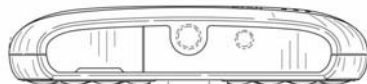
10.3



10.4



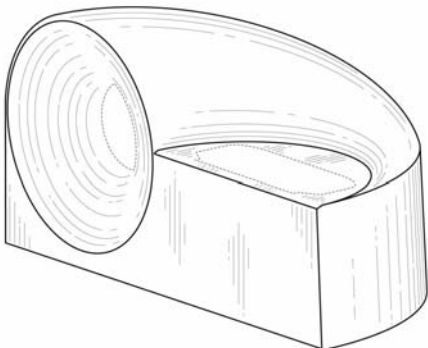
10.5



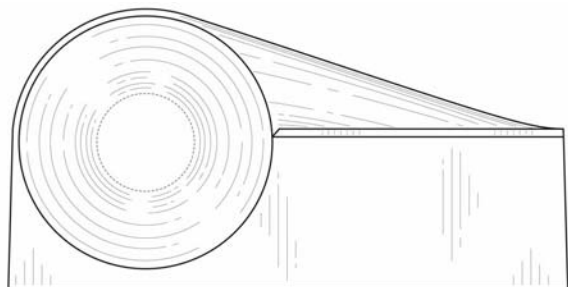
10.6



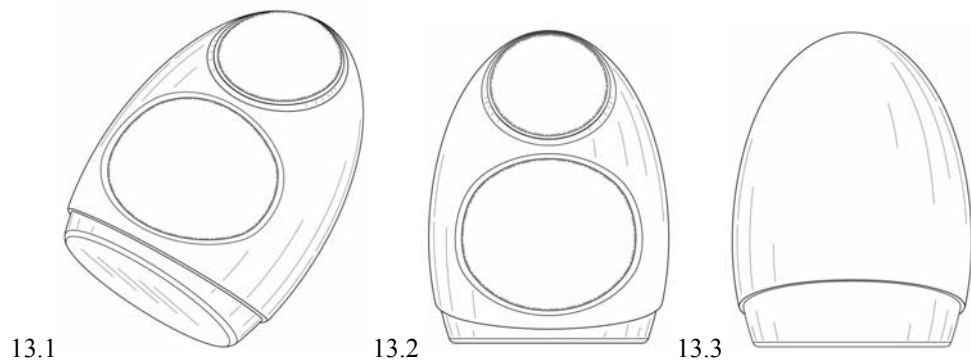
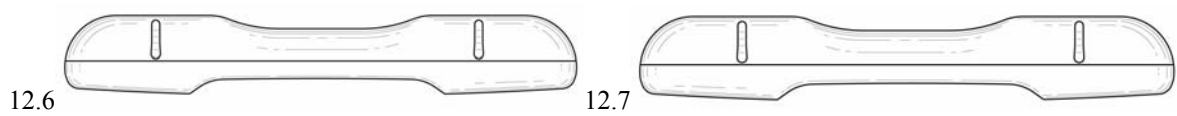
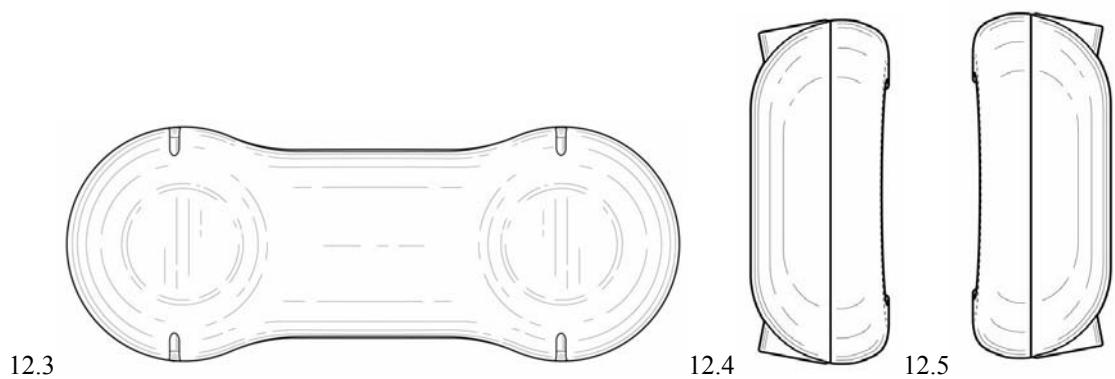
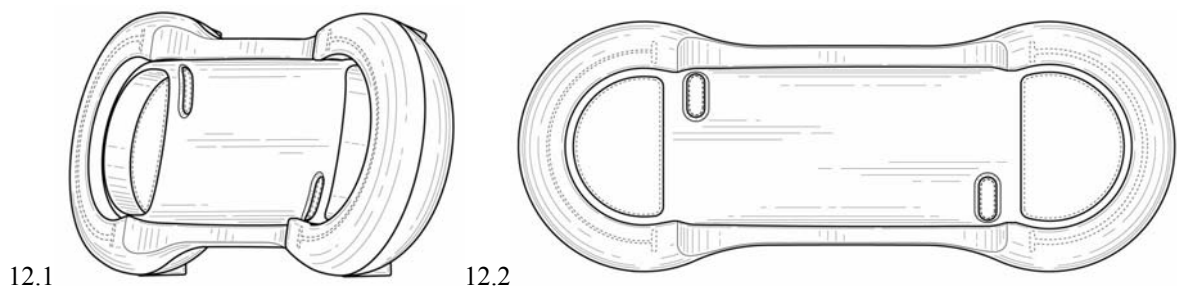
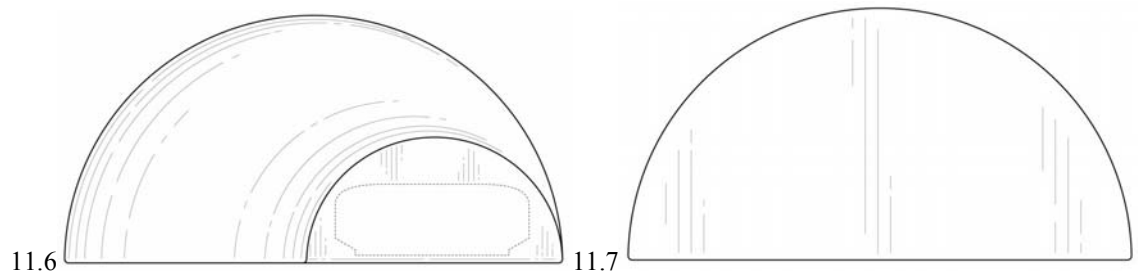
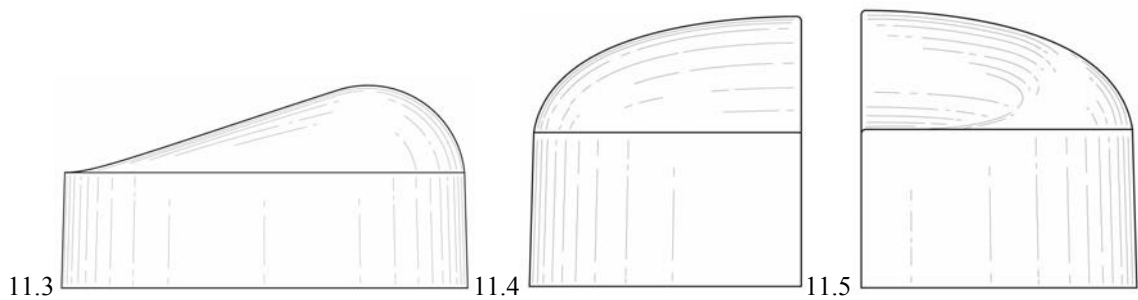
10.7

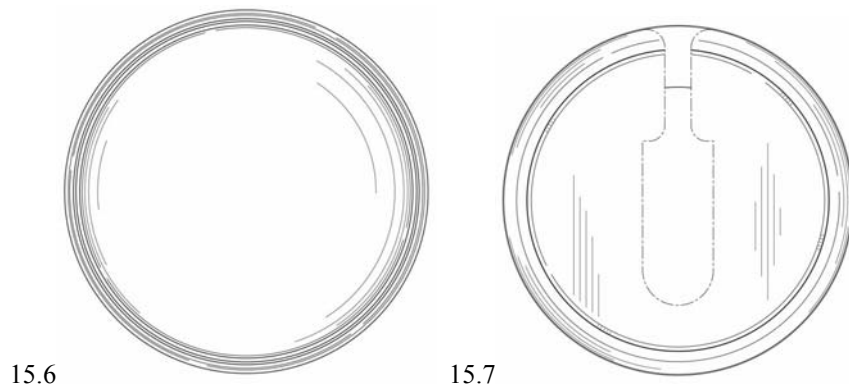
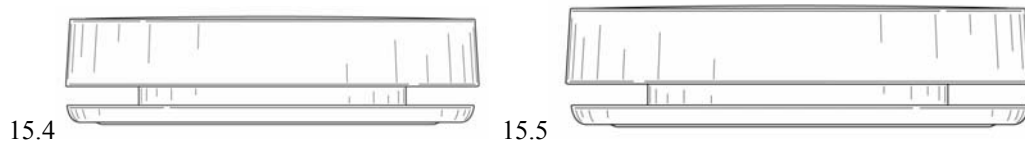
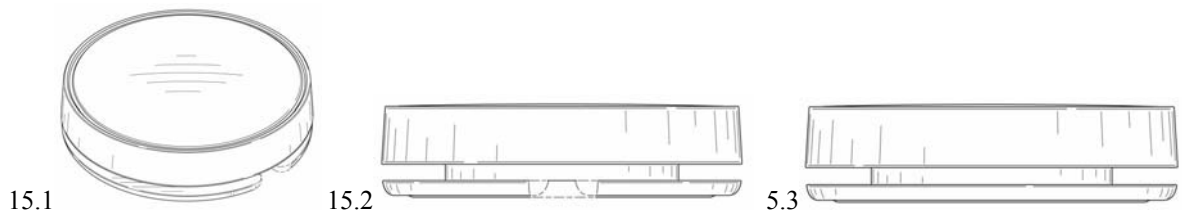
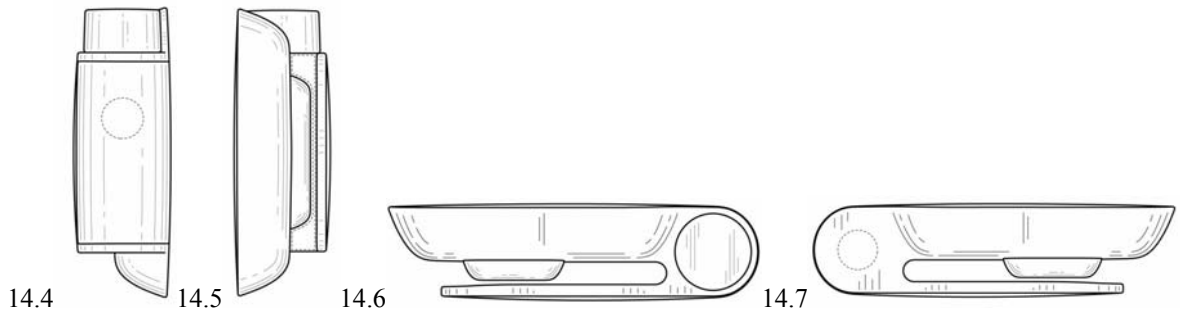
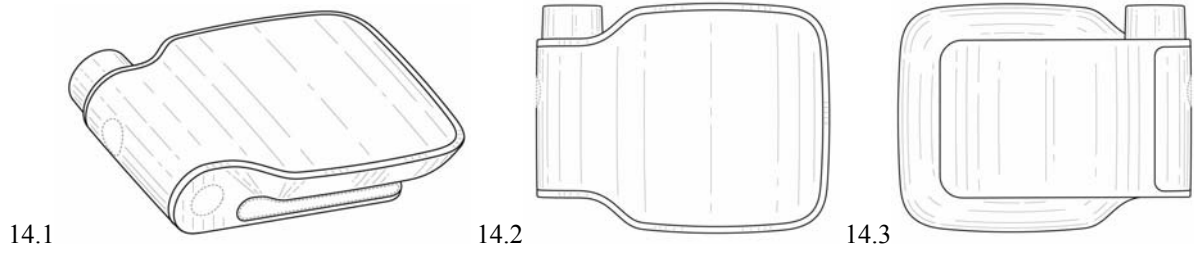
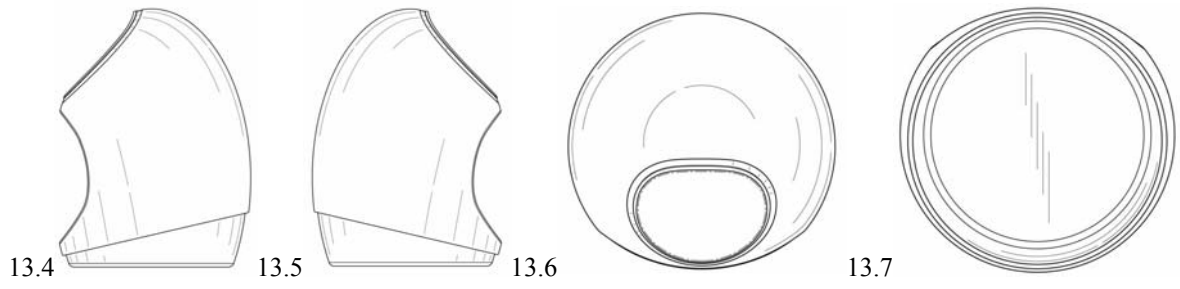


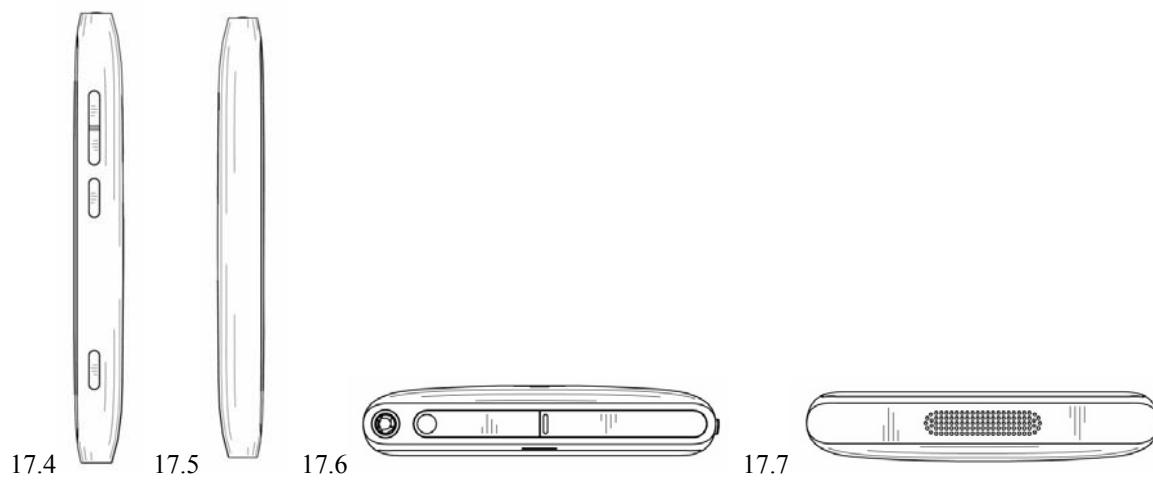
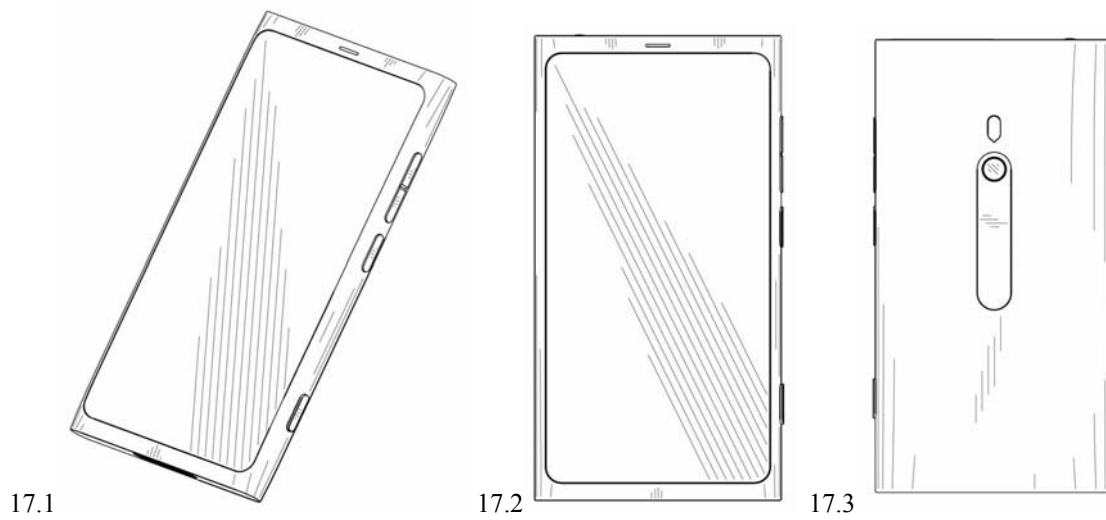
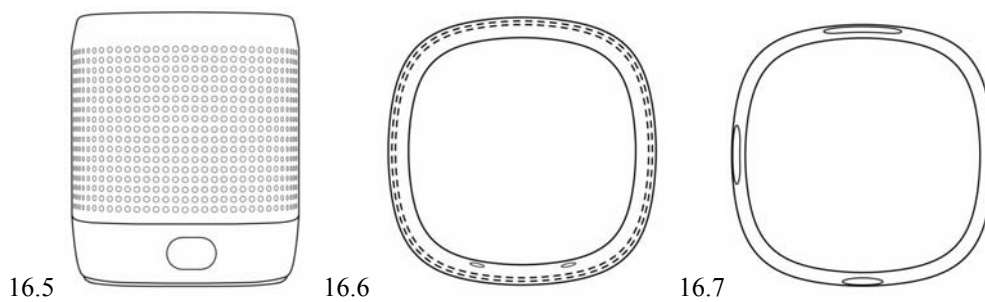
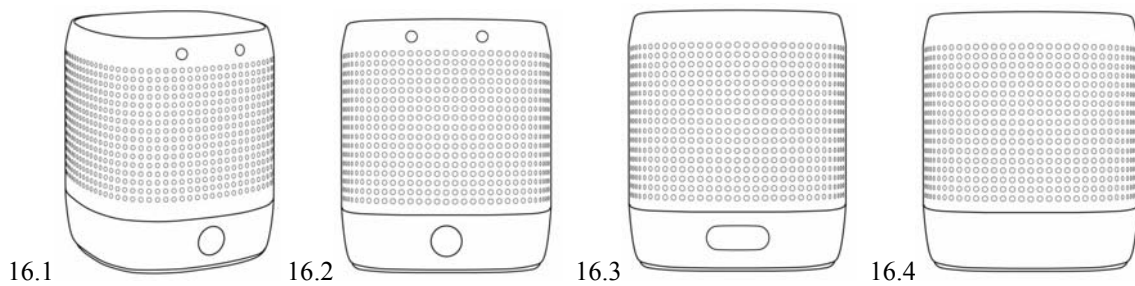
11.1

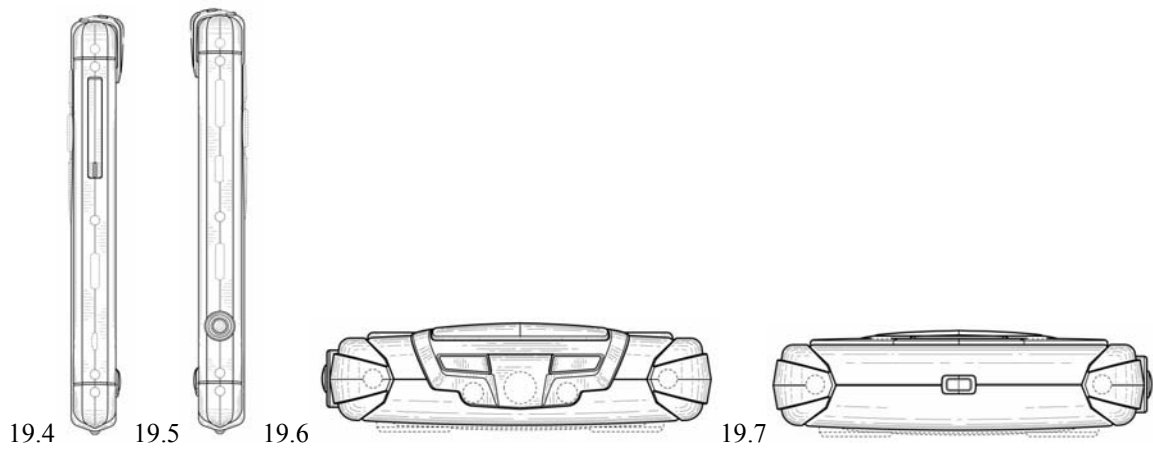
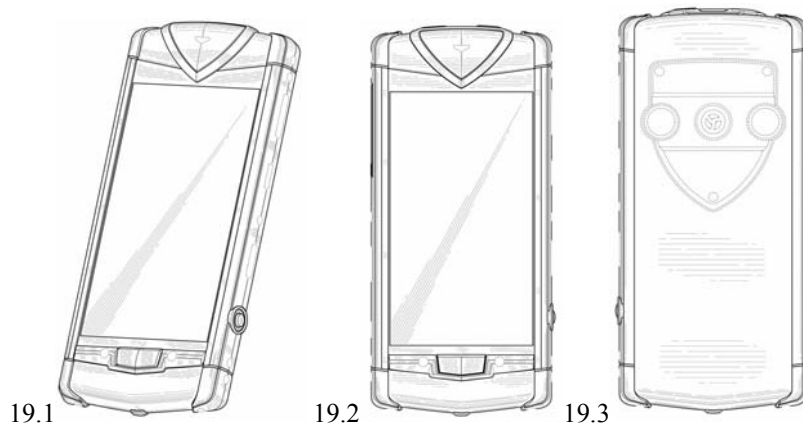
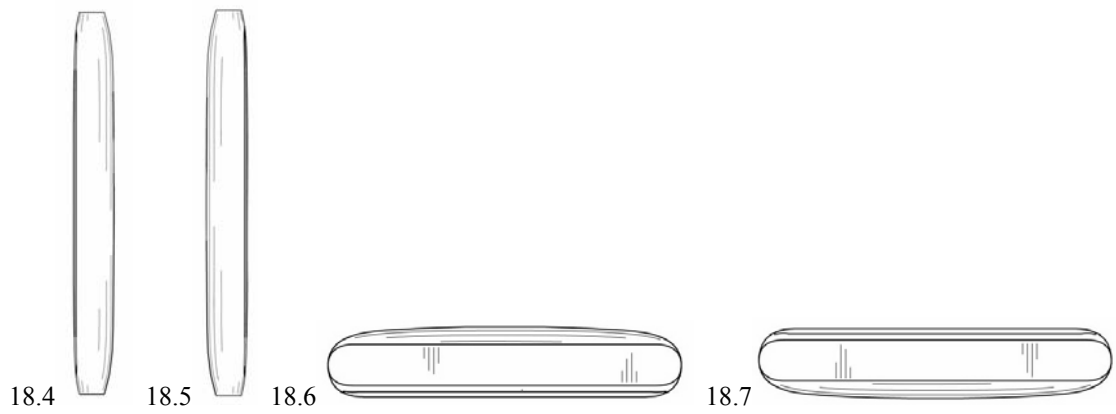
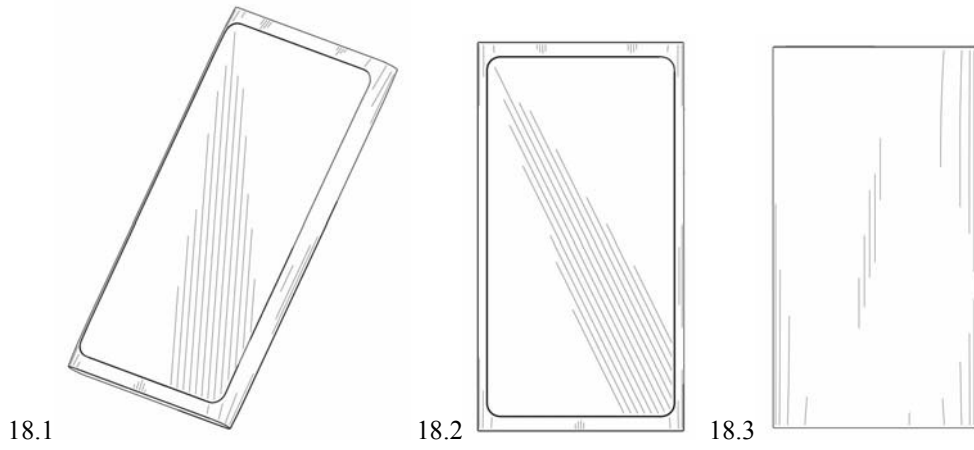


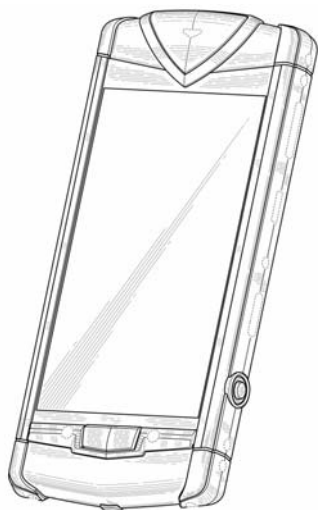
11.2



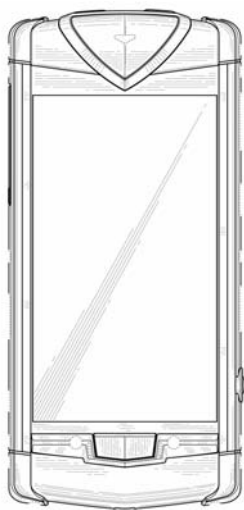








20.1



20.2



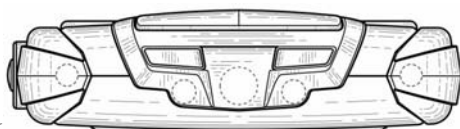
20.3



20.4



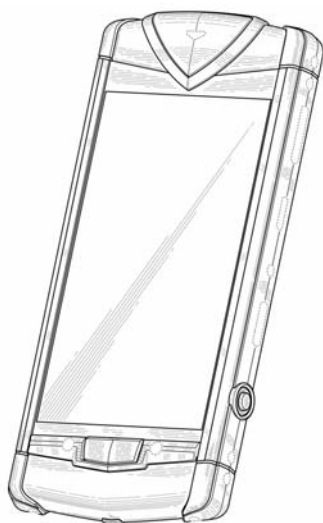
20.5



20.6



20.7



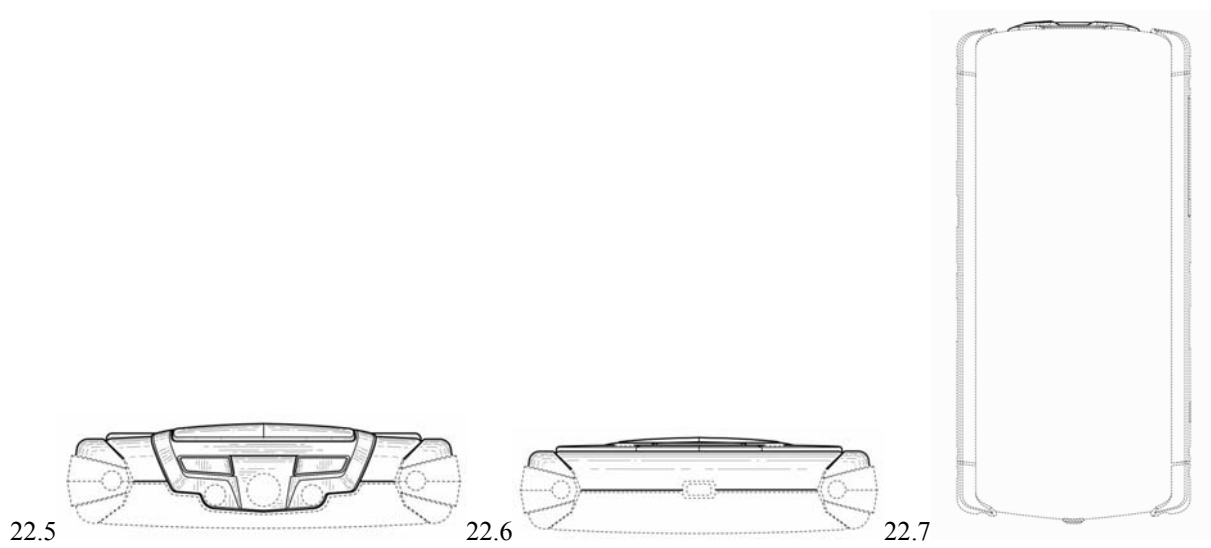
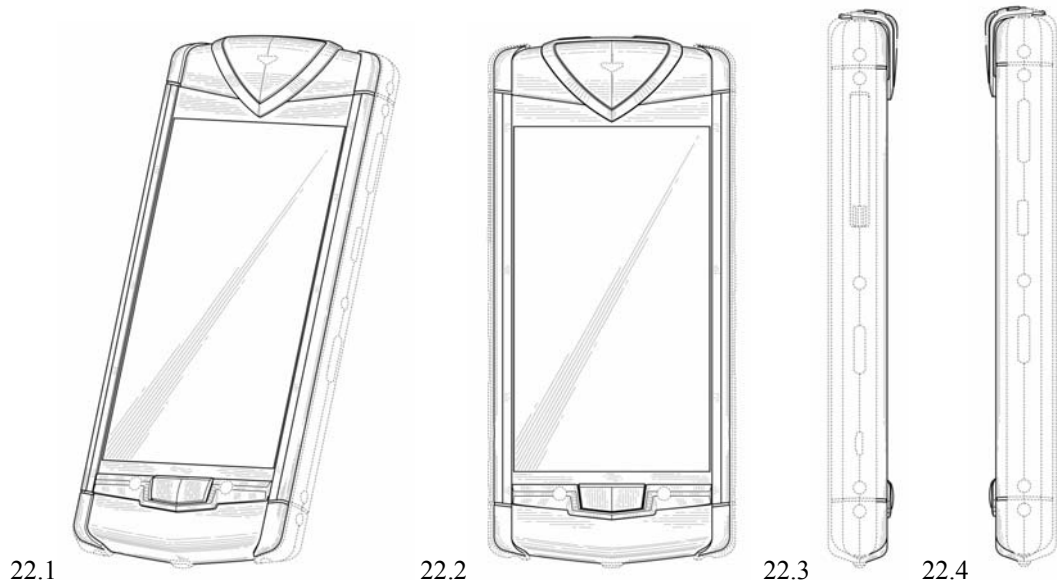
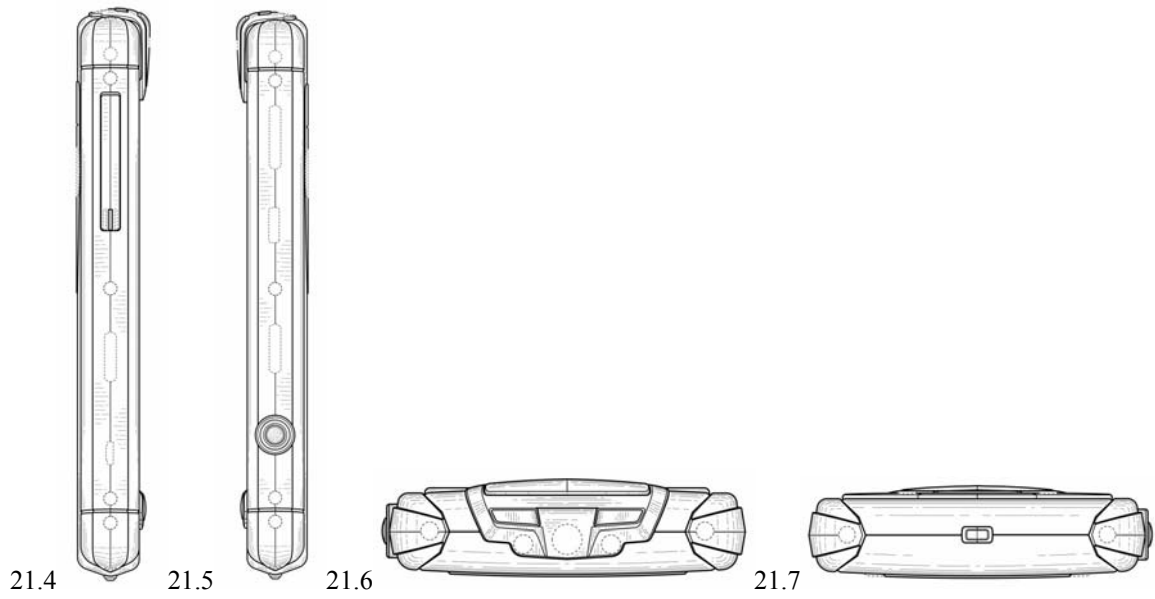
21.1

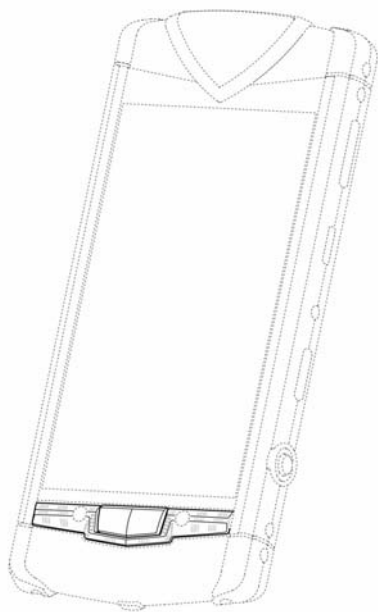


21.2

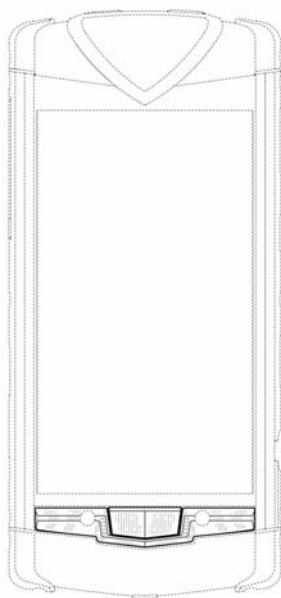


21.3





23.1



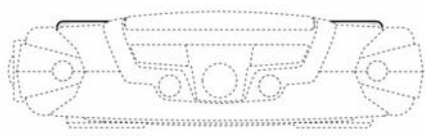
23.2



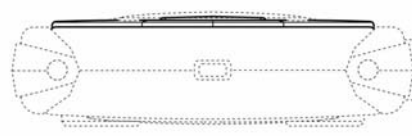
23.3



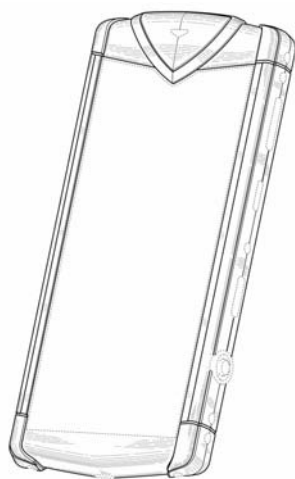
23.4



23.5



23.6



24.1



24.2



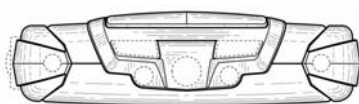
24.3



24.4



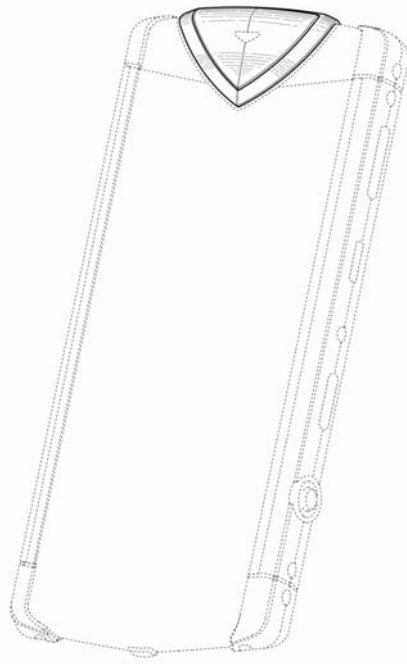
24.5



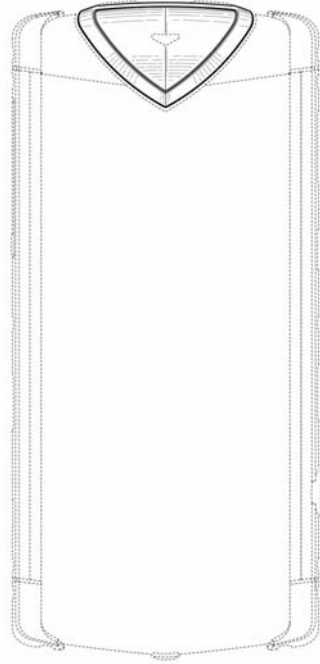
24.6



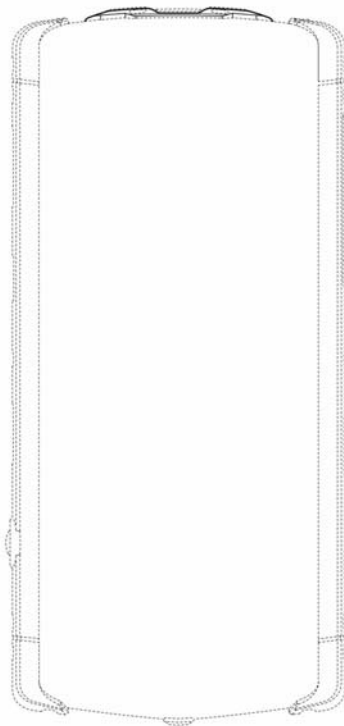
24.7



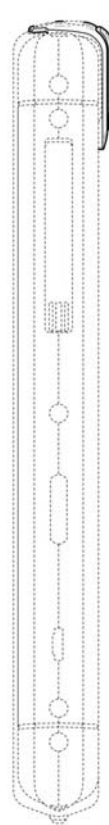
25.1



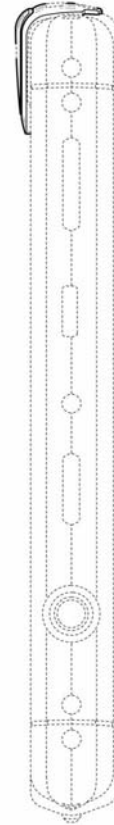
25.2



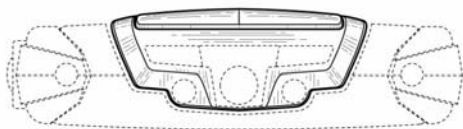
25.3



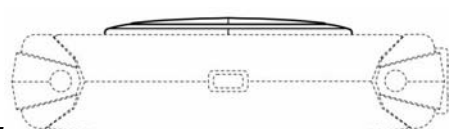
25.4



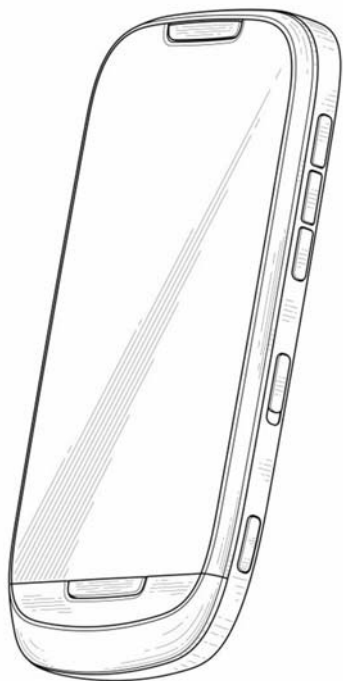
25.5



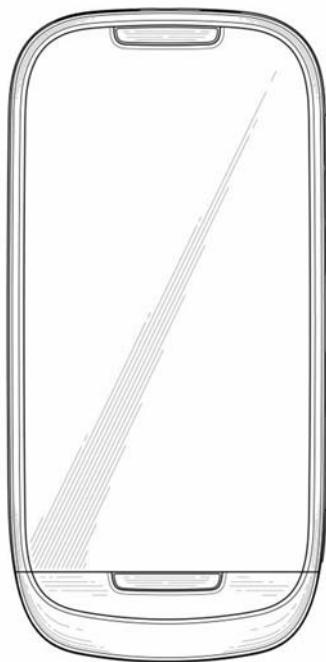
25.6



25.7



26.1



26.2



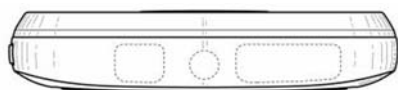
26.3



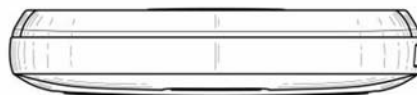
26.4



26.5

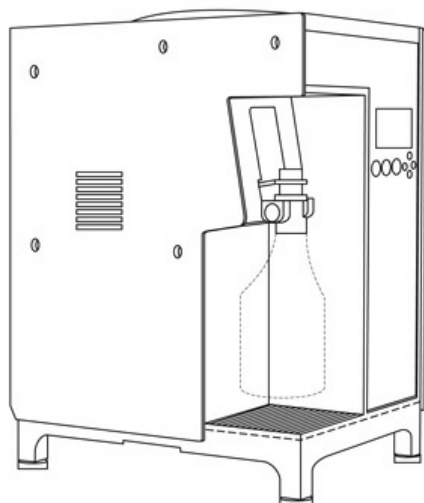


26.6

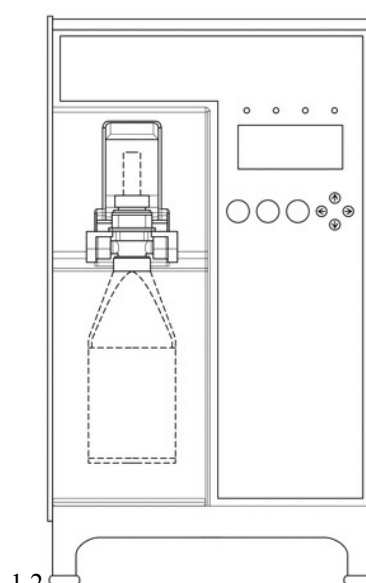


26.7

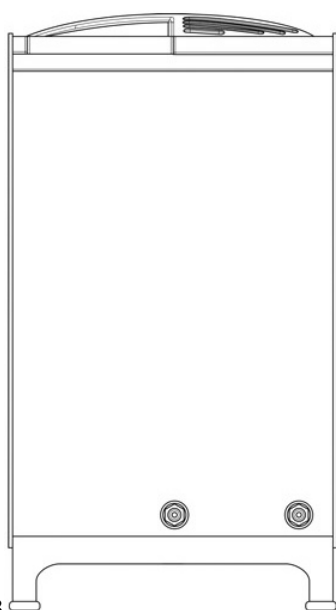
- (11) DM/078089 (51) 24-01
 (15) 2012 03 30 (45) 2012/15 (2012 04 20)
 (22) 2012 03 30
 (28) 1
 (30) 14.10.2011; MI2011O000142; IT
 (73) INDUSTRIE DE NORA S.P.A.
 Via Bistolfi, 35, I-20134 Milano (IT)
 (86) IT, EM
 (87) IT, EM
 (88) IT, EM
 (89) EM
 (81) II. BJ, BZ, CI, GA, MA, ML, NE, SN, SR. III. AL, AM, AZ, BA, BW, CH, EG, GE, GH, HR, IS, KG, LI, MC, MD, ME, MK, MN, NA, NO, OM, RS, RW, SG, ST, SY, TR, UA
 (72) 1) BENEDETTO Mariachiara, c/o Industrie De Nora S.p.A, Via Bistolfi 35, I-20134 Milano (MI);
 2) CARMINATI Elena, c/o Industrie De Nora S.p.A, Via Bistolfi 35, I-20134 Milano (MI)
 (54) 1. Disinfection apparatus
 (55)



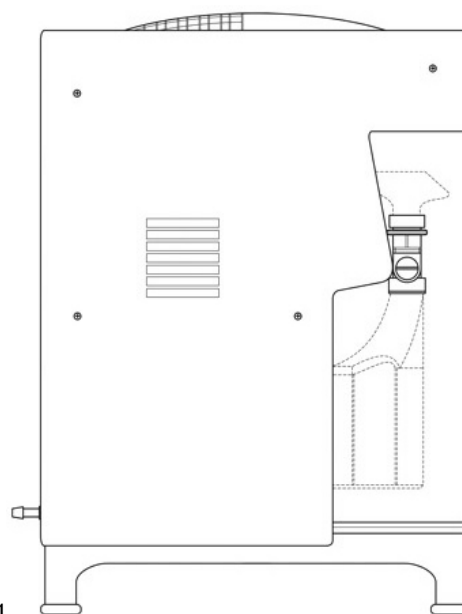
1.1



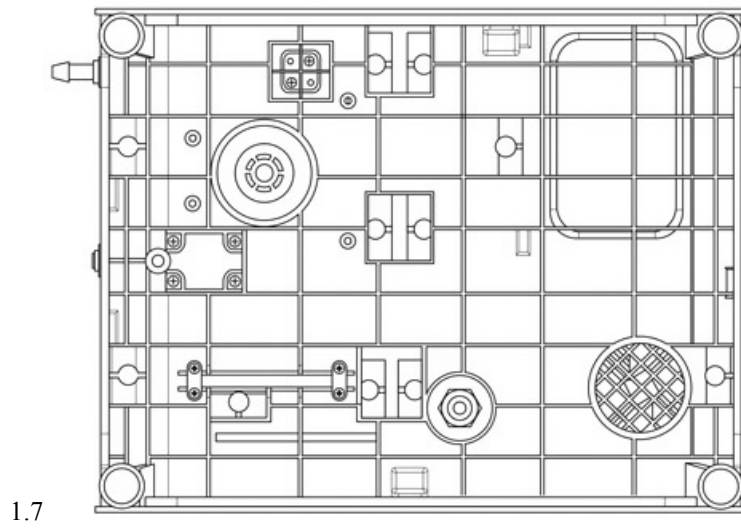
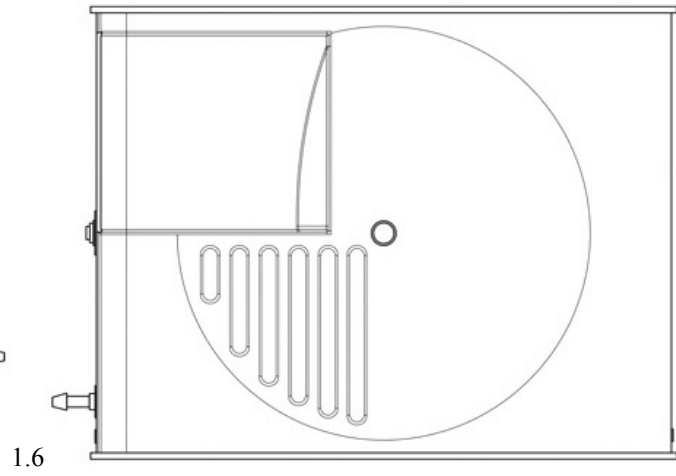
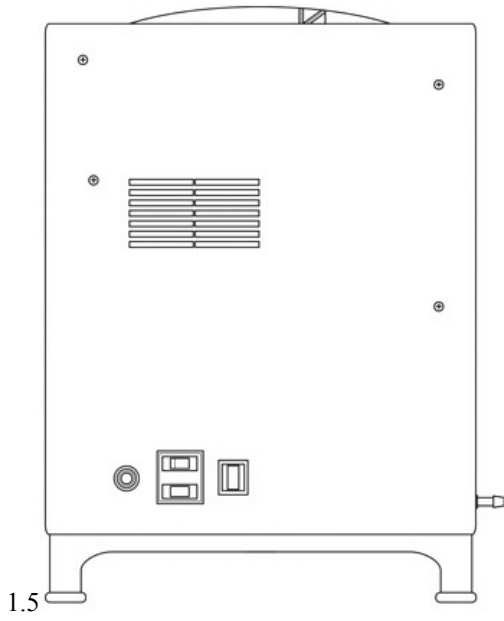
1.2



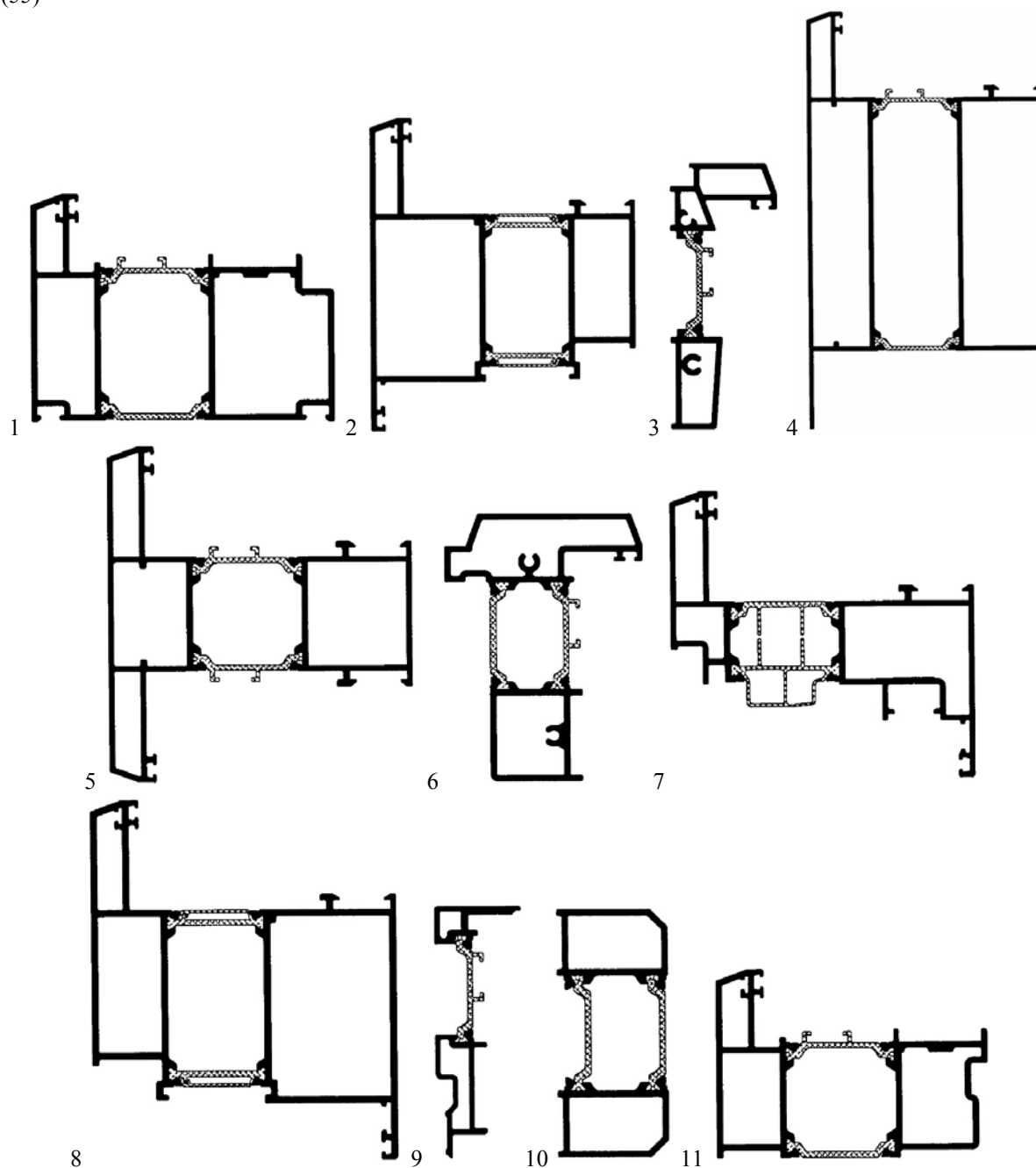
1.3

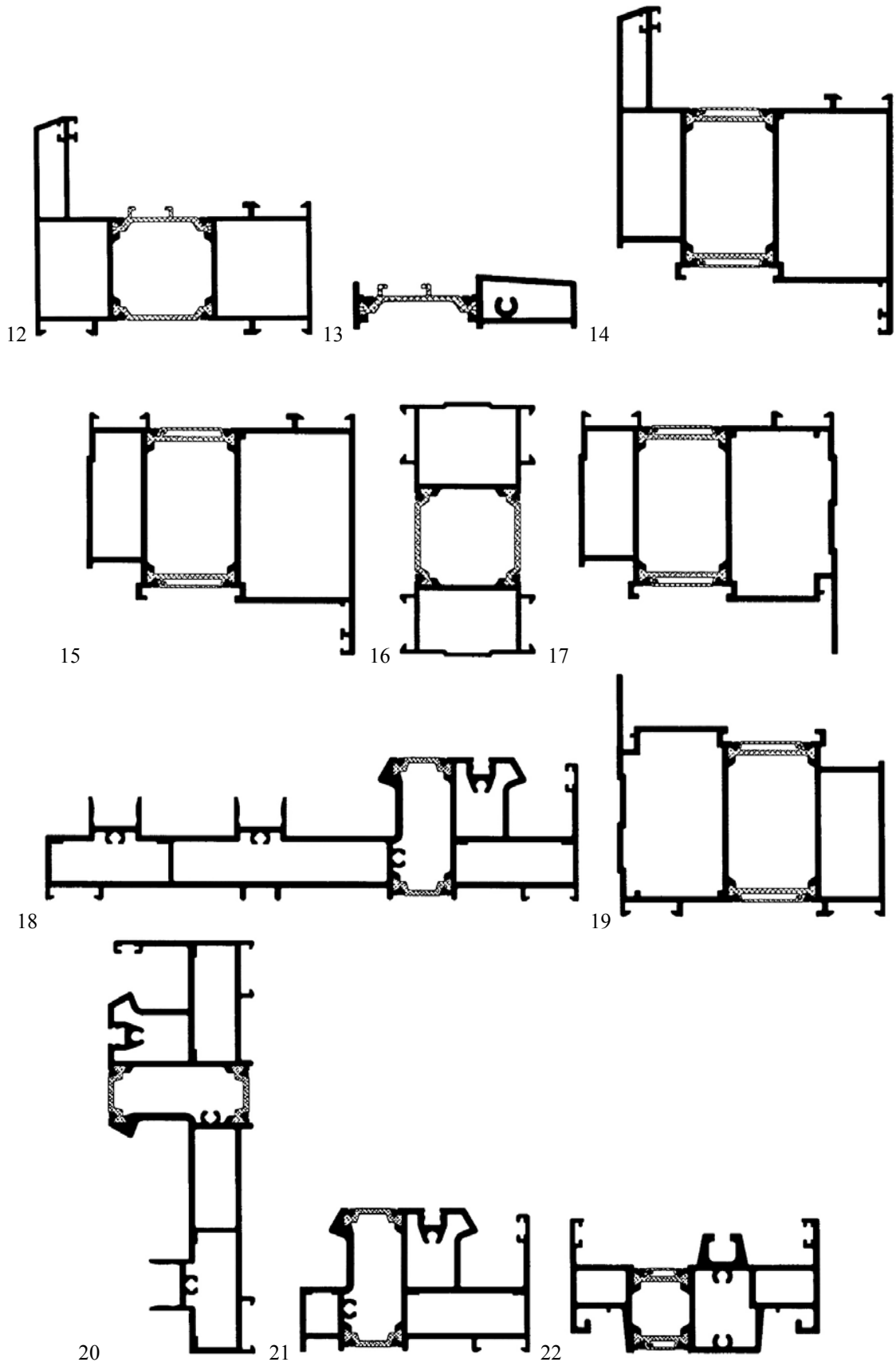


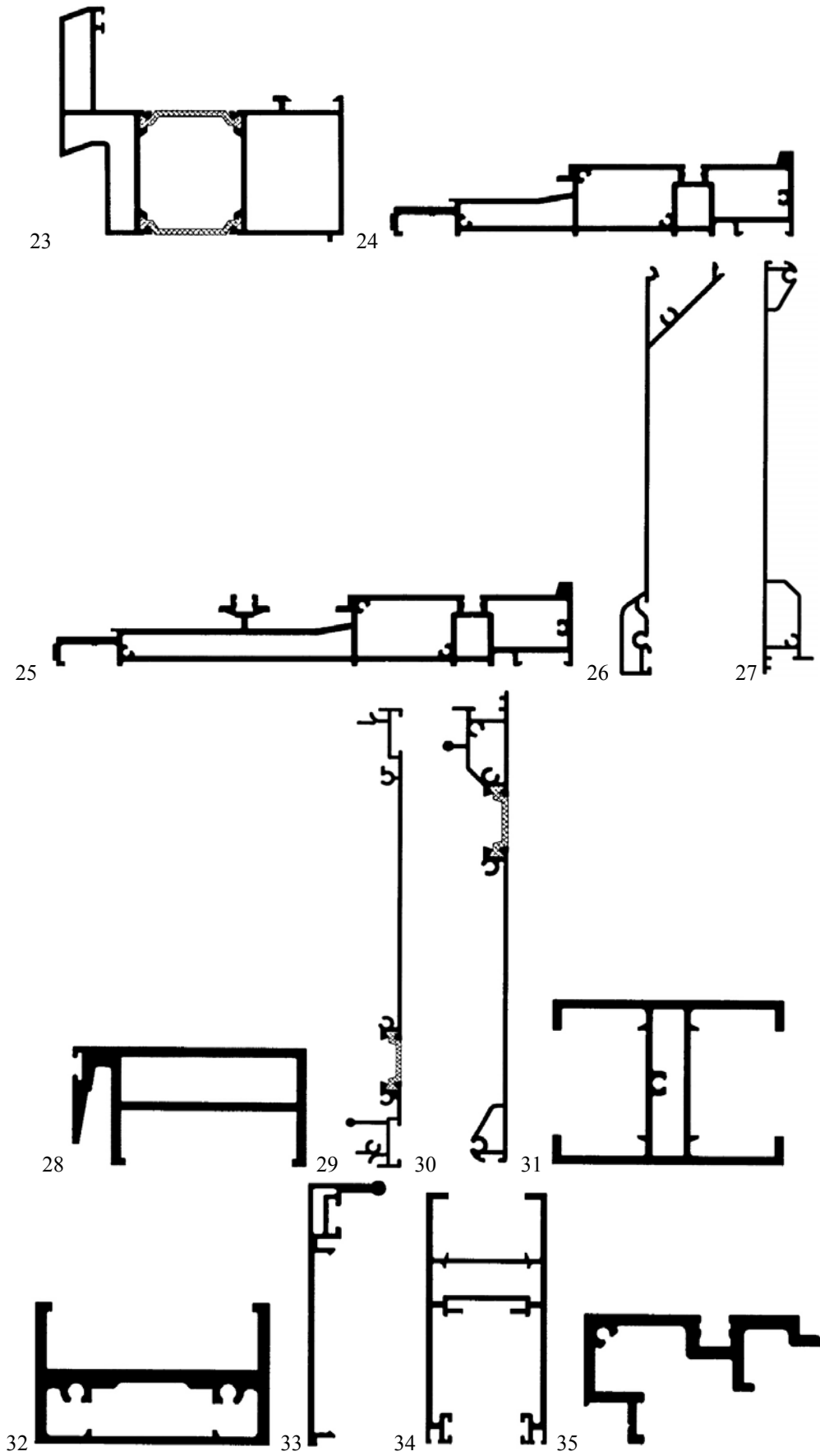
1.4

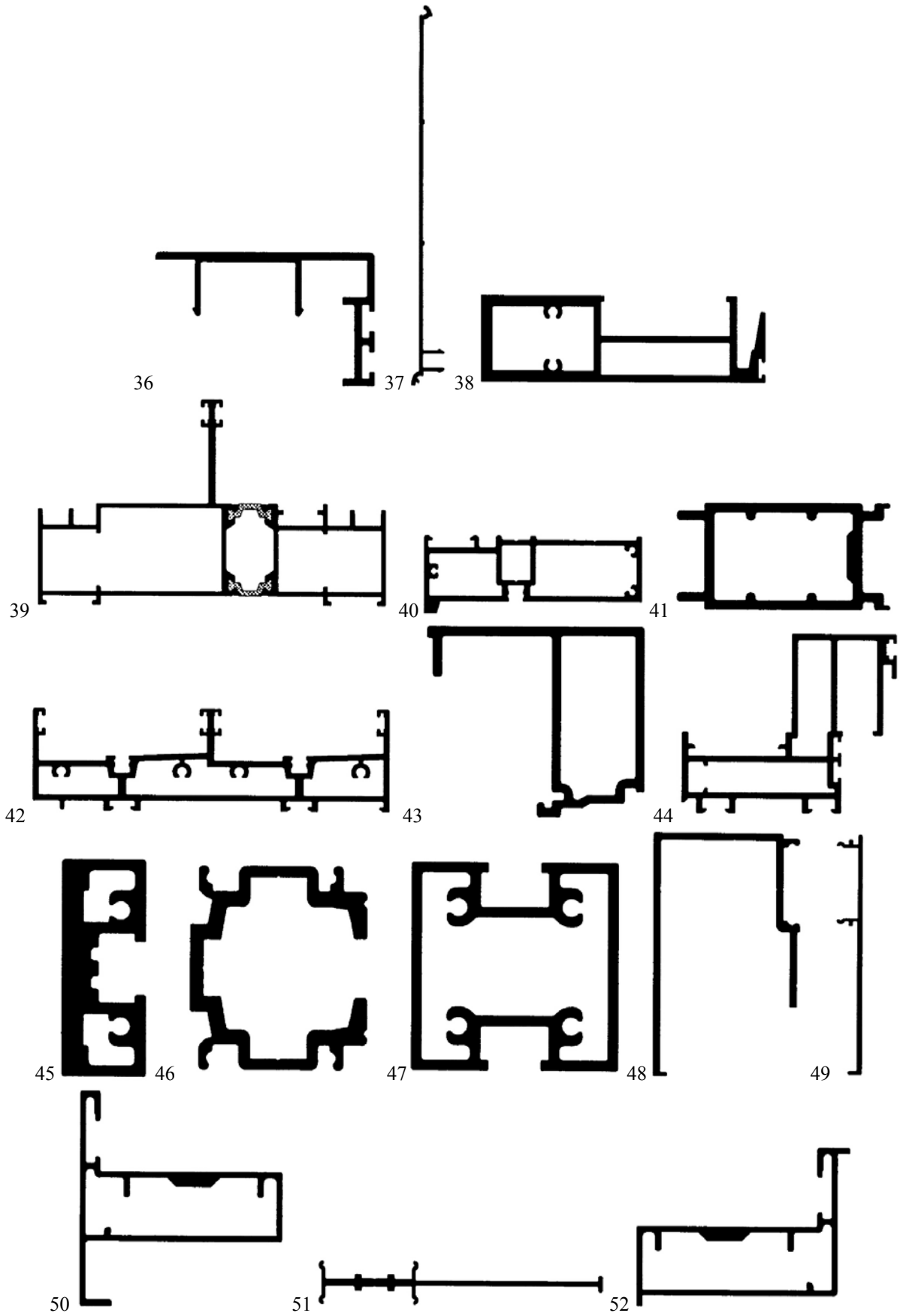


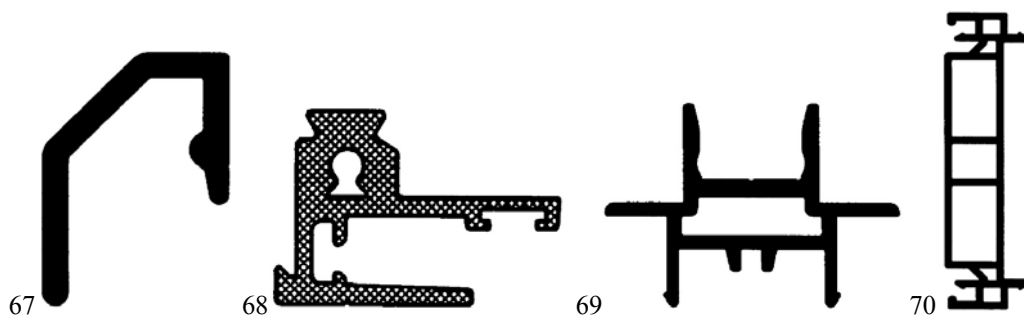
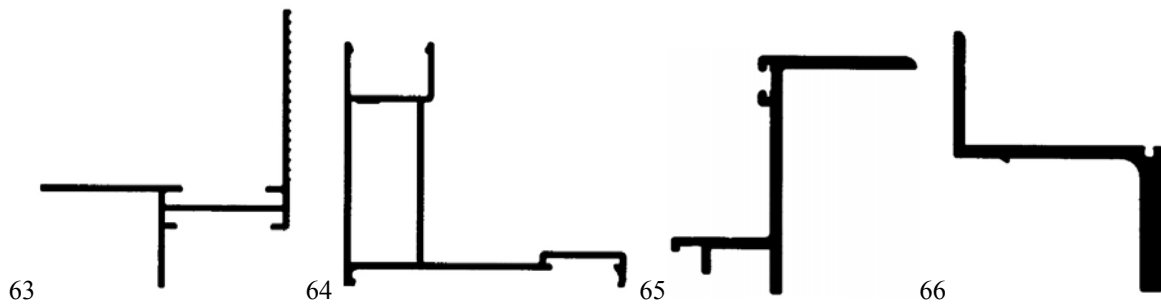
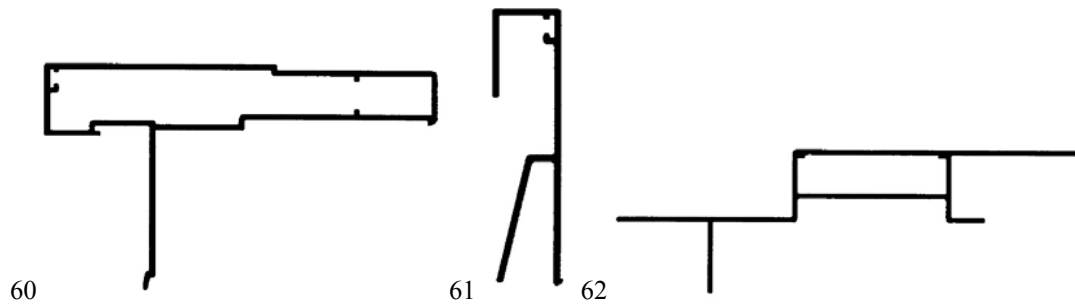
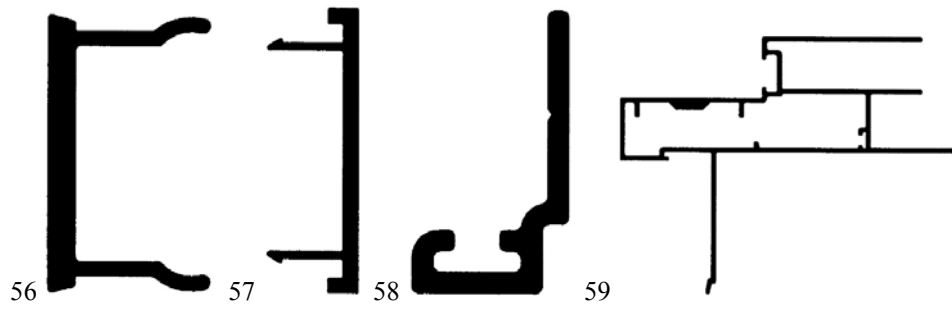
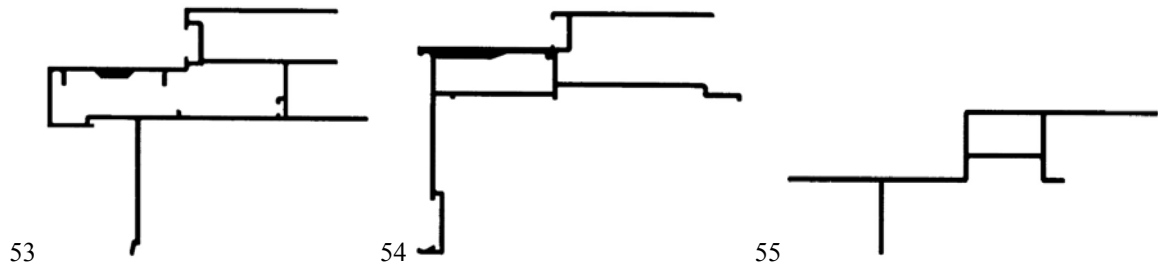
- (11) DM/077016 (51) 25-01
 (15) 2011 10 25 (45) 2012/16 (2012 04 27)
 (22) 2011 10 25
 (28) 83
 (73) MILONAS A GEORGIOS
 Kilkis Industrial Area GR-611 00 Kilkis (GR)
 (85) EM
 (86) GR, EM
 (87) GR, EM
 (88) n/a
 (89) EM
 (81) IL, MA, ME, III, AL, AM, BA, CH, EG, EM, GE, HR, LT, MD, MK, OA, RS, TR, UA
 (72) MILONAS A GEORGIOS
 Kilkis Industrial Area, GR-61100 Kilkis
 (54) 1.-83. Extruded profiles for doors and windows
 (55)

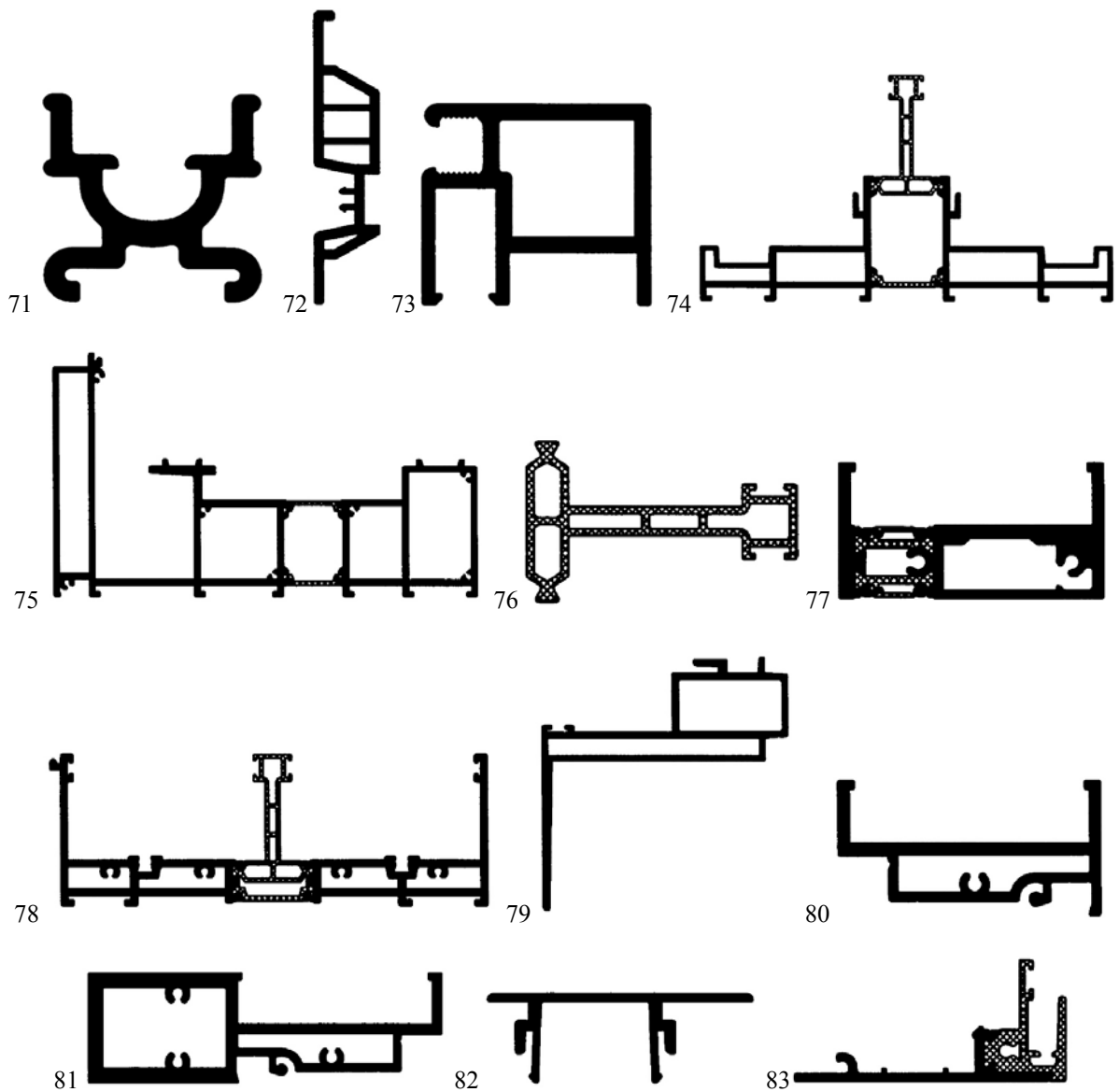




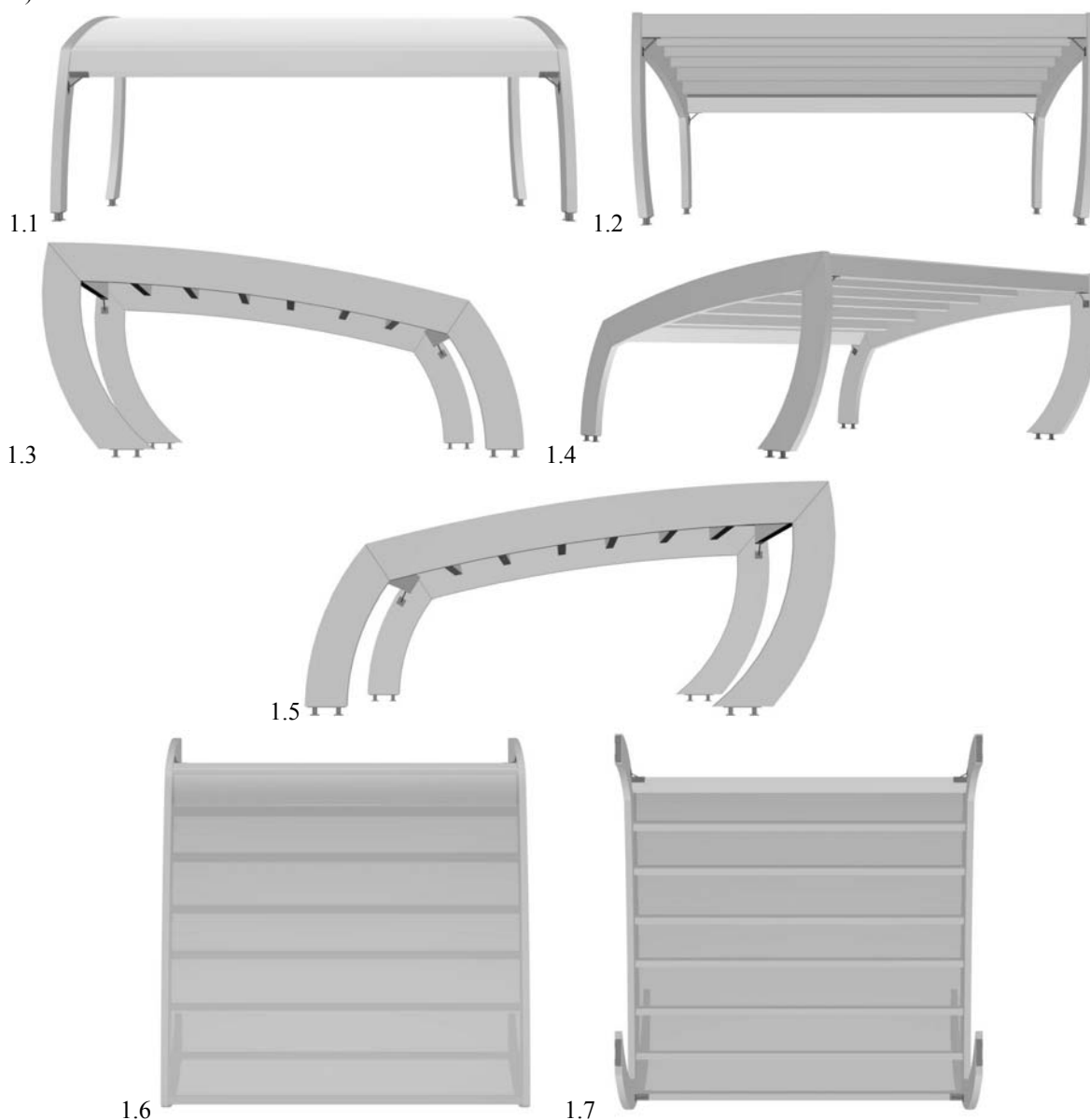


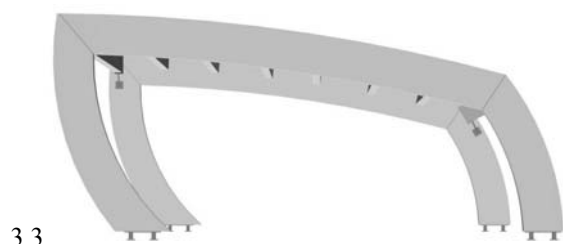
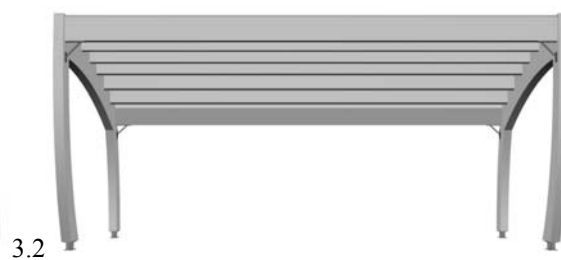
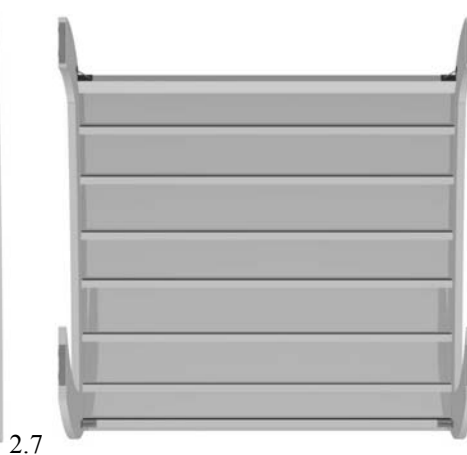
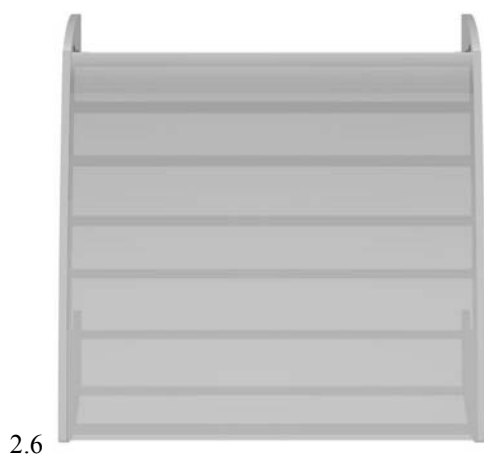
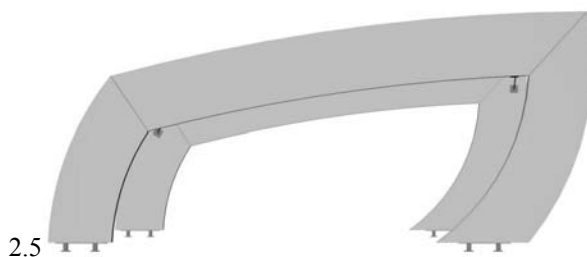
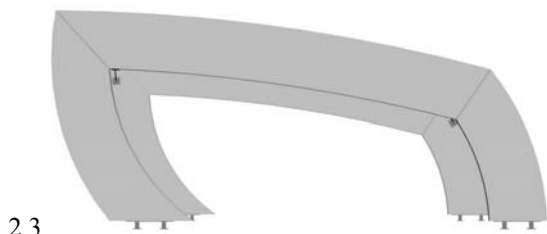
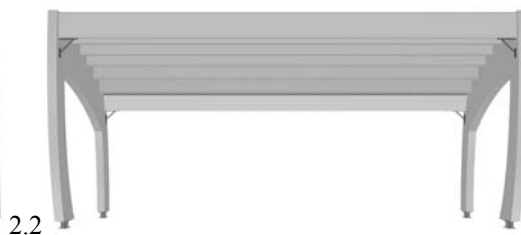


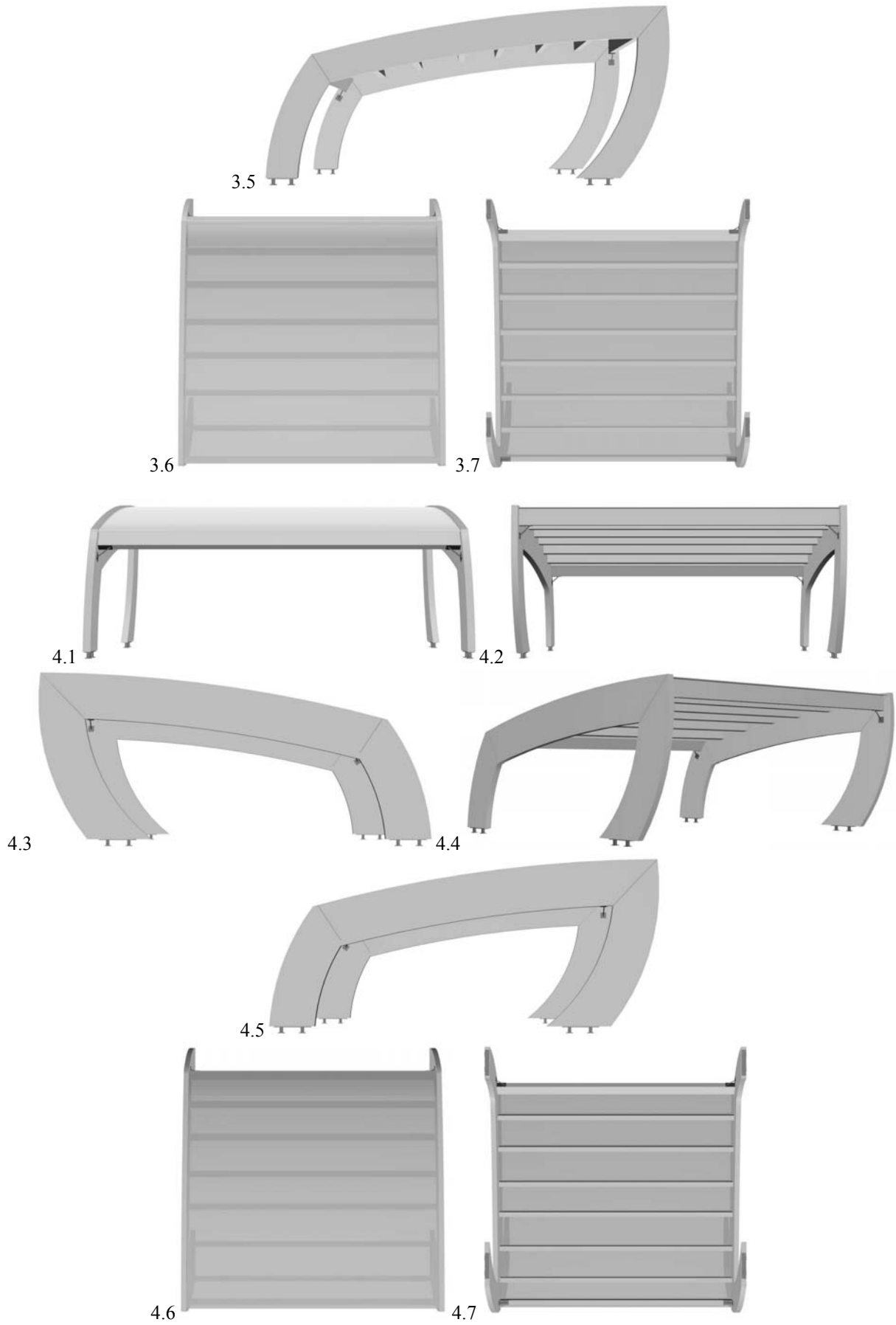


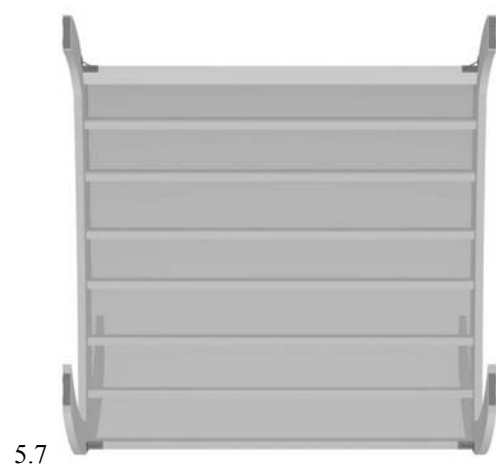
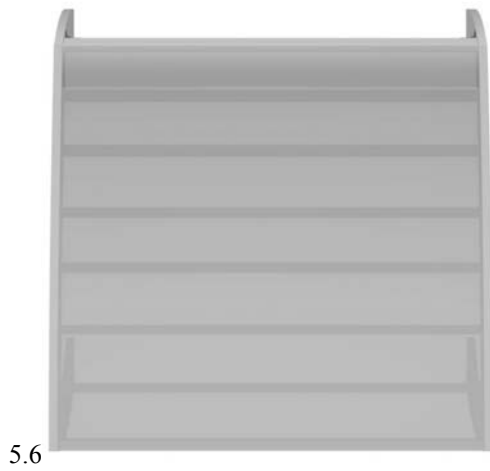
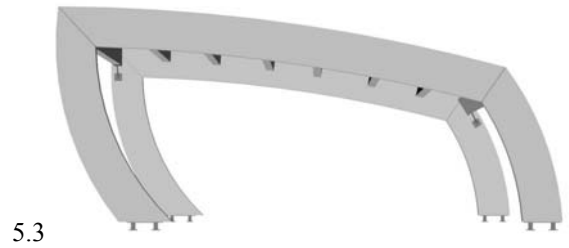
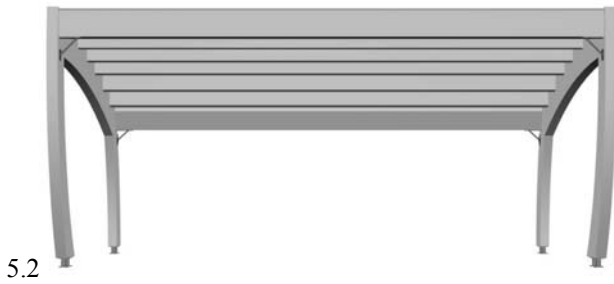


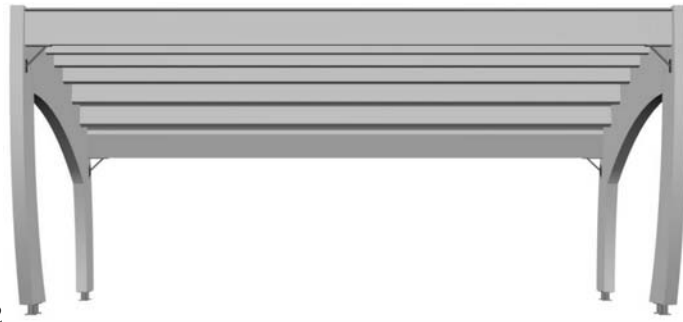
- (11) DM/078111 (51) 25-03
(15) 2012 04 06 (45) 2012/16 (2012 04 27)
(22) 2012 04 06
(28) 30
(73) HOJA D.D.
Žagarska ulica 5, SI-1291 Škofjica (SI)
(86) n/a
(87) n/a
(88) SI, EM
(89) SI
(81) IL, MA, III, AL, AM, AZ, BA, CH, EM, GE, HR, IS, KG, LI, MC, MD, ME, MK, NO, OM, RS, SG,
TJ, TR, UA
(72) Vasja Ambrozic
Jakhlova cesta 9, SI-1290 Grosuplje; Joze Sircelj Vodnikova cesta 3, SI-1290 Grosuplje
(54) 1.-30. Carports
(55)



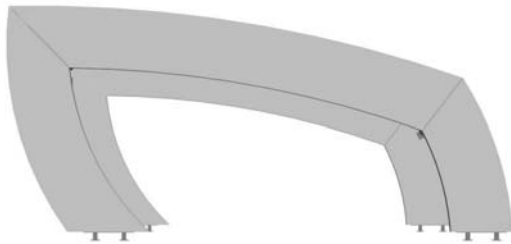




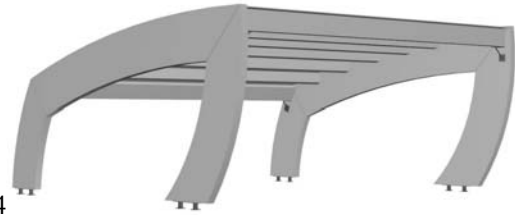




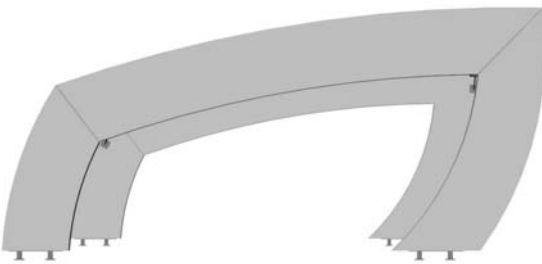
6.2



6.3



6.4



6.5



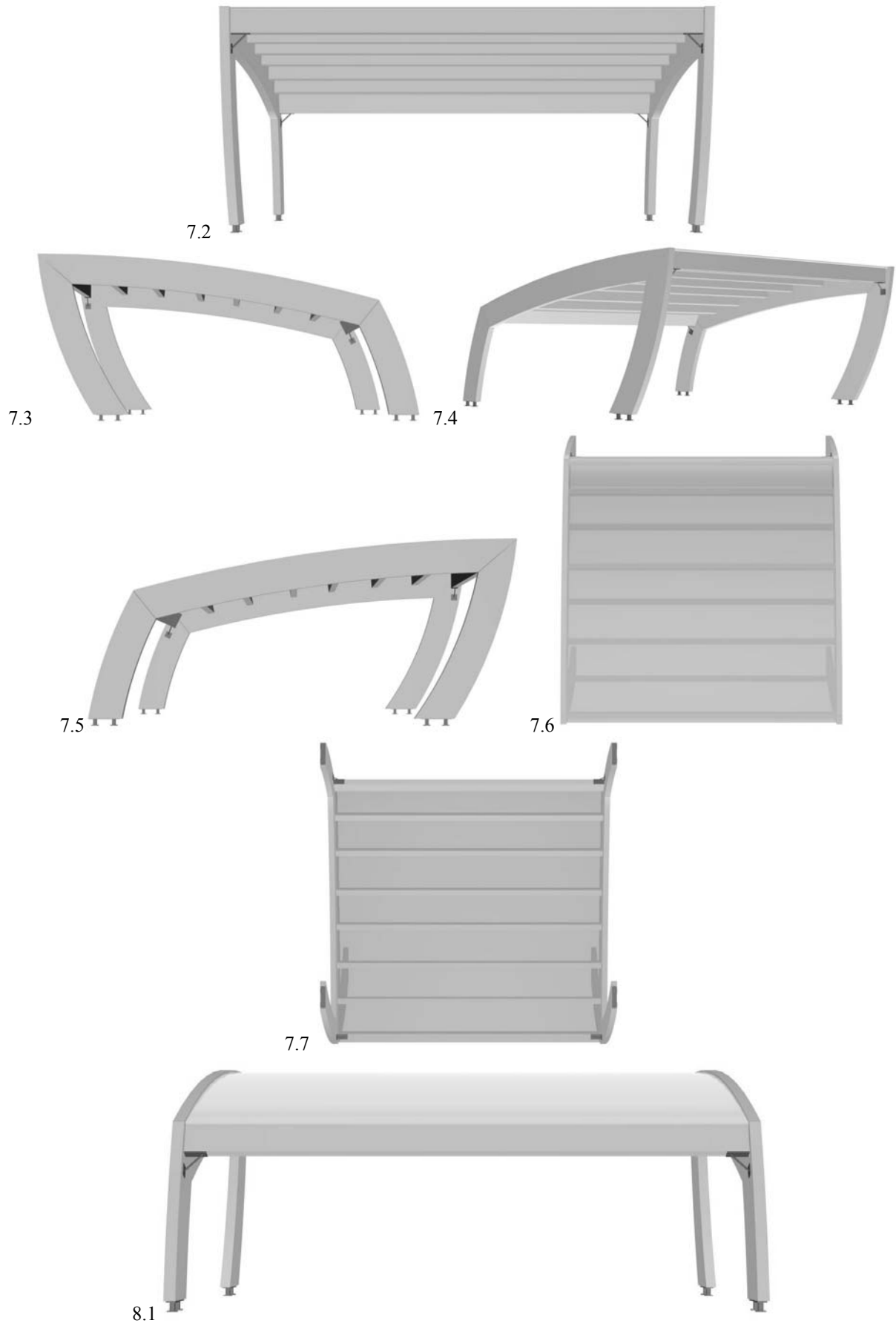
6.6

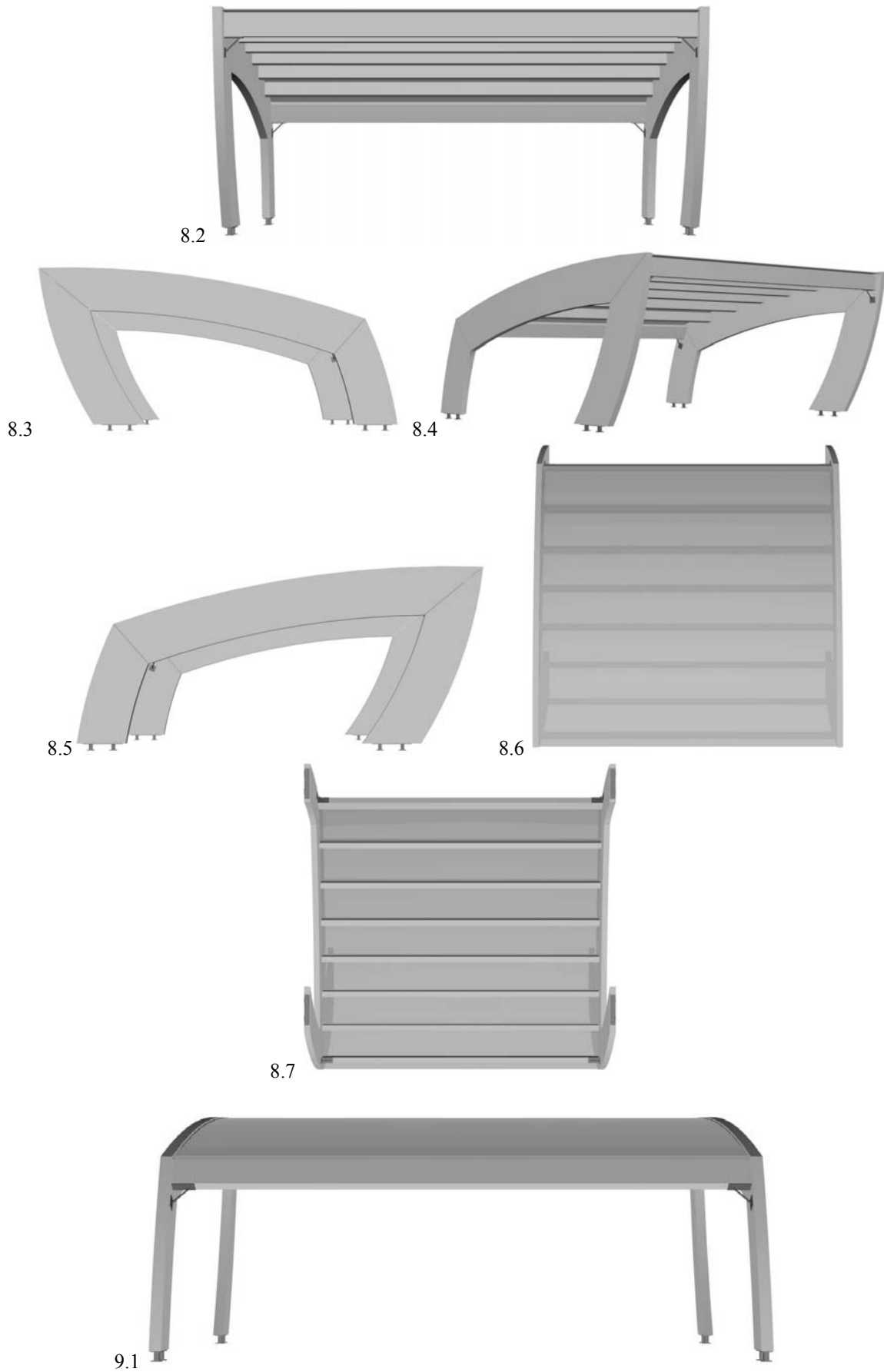


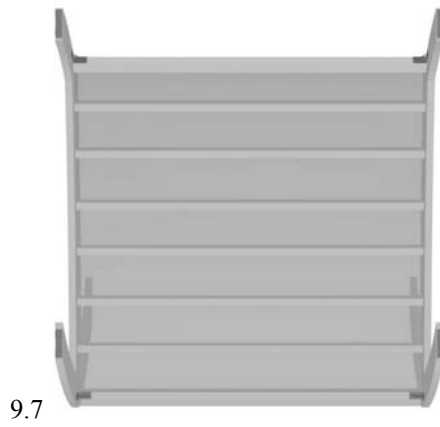
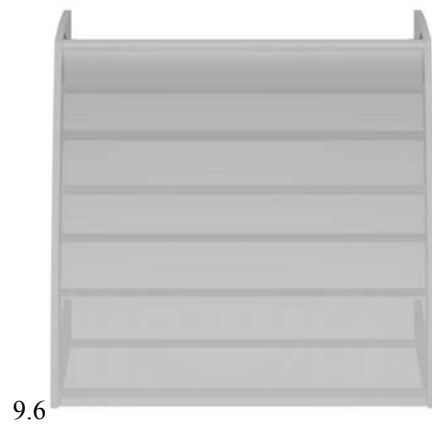
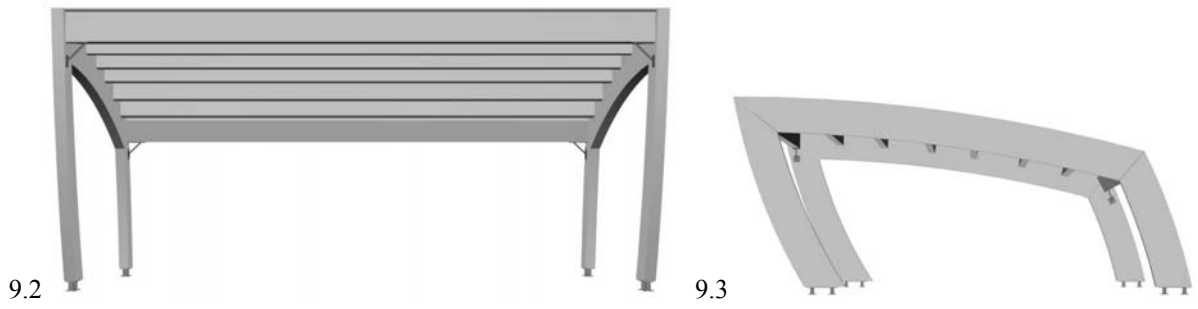
6.7

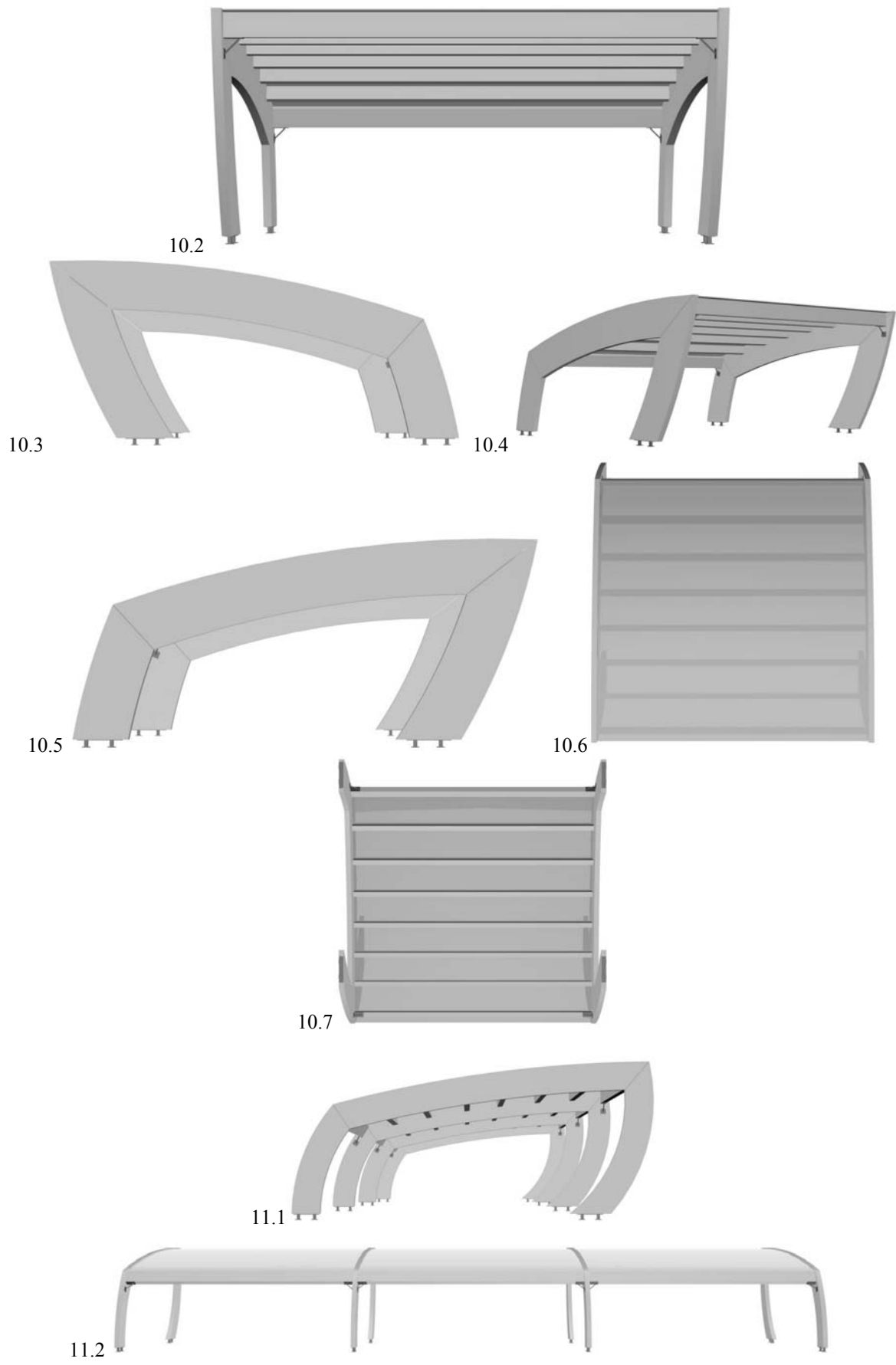


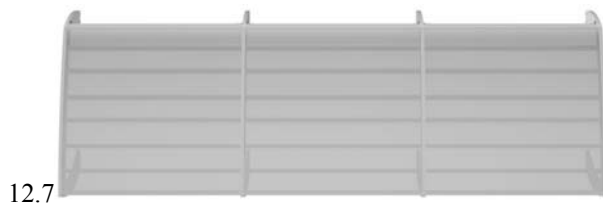
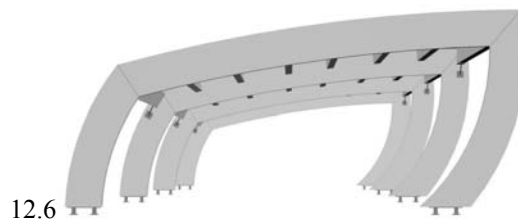
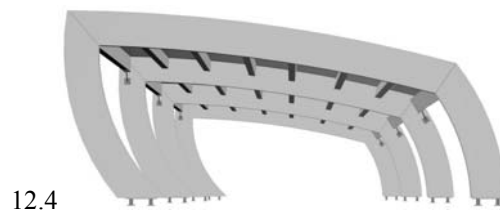
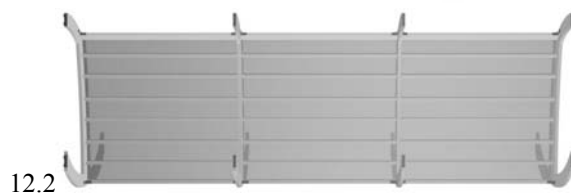
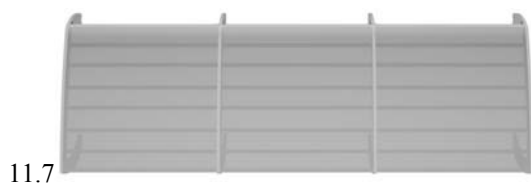
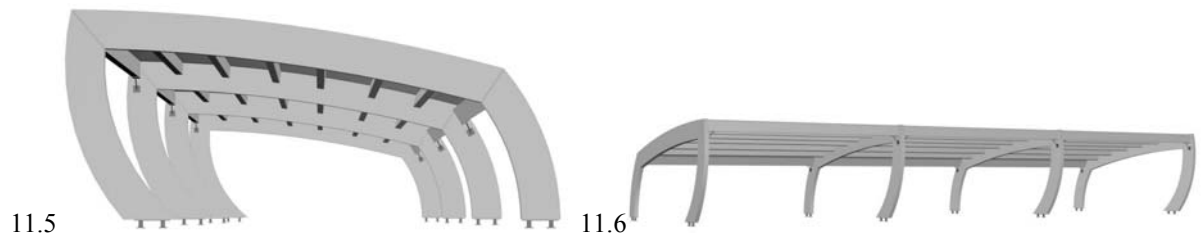
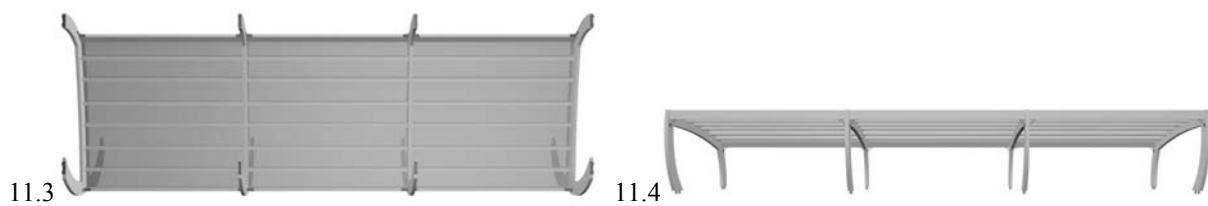
7.1

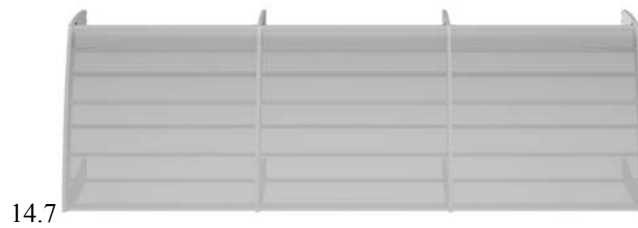
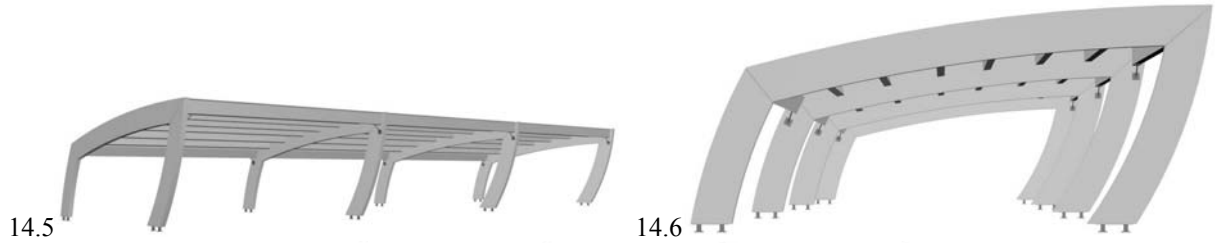
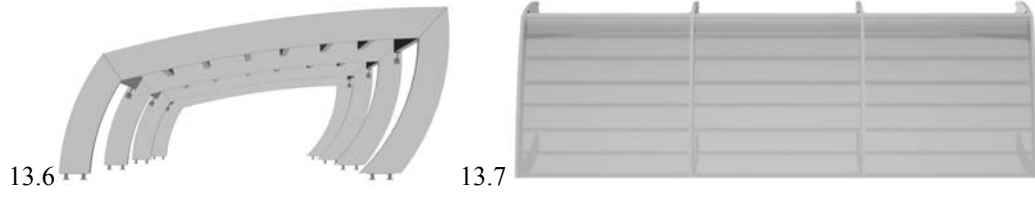
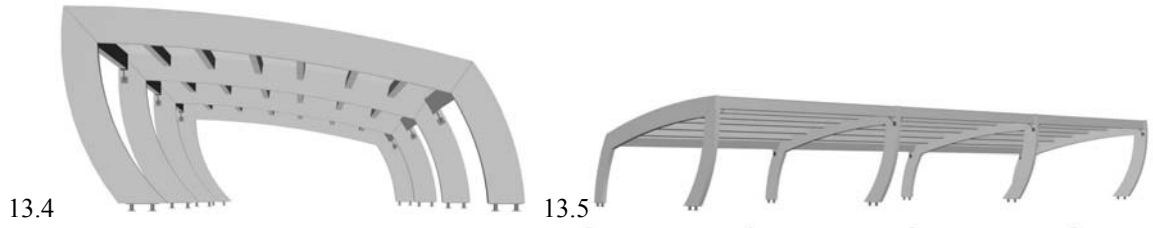








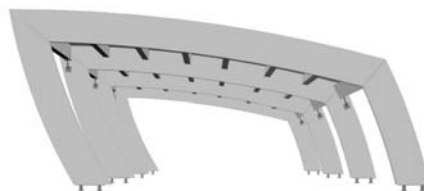




15.3



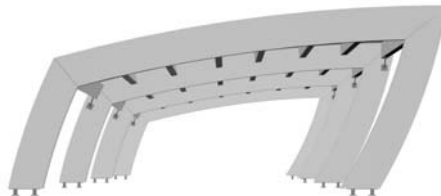
15.4



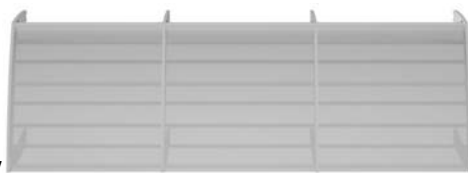
15.5



15.6



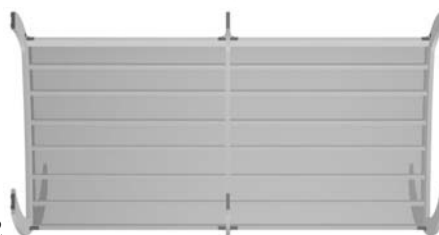
15.7



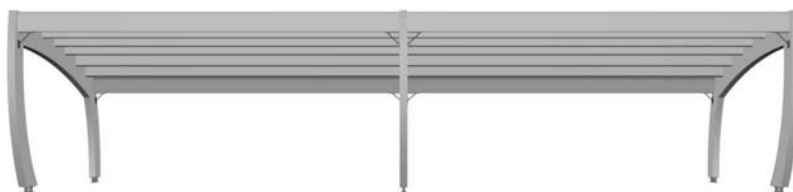
16.1



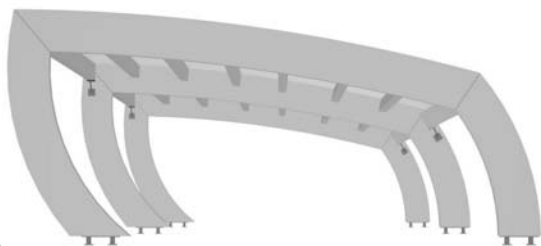
16.2



16.3



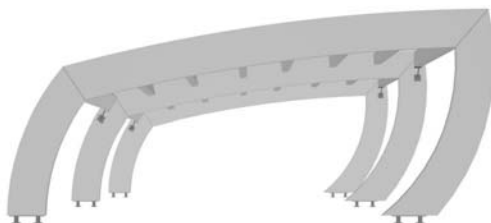
16.4



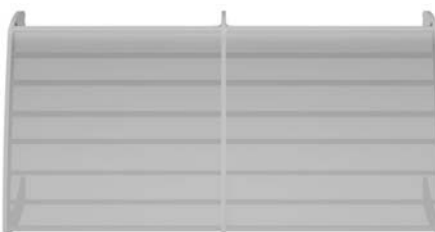
16.5

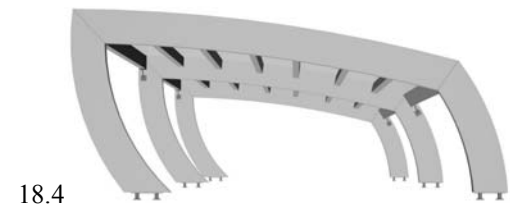
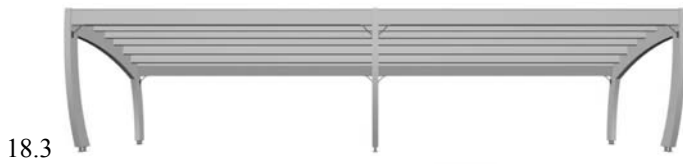
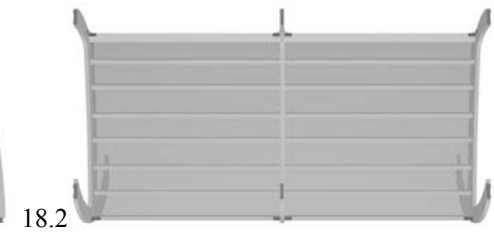
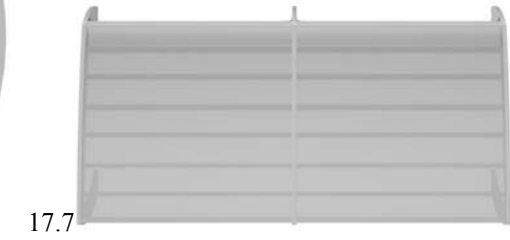
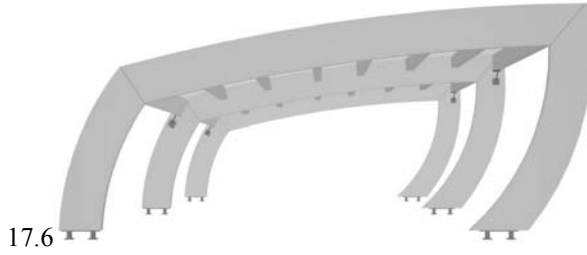
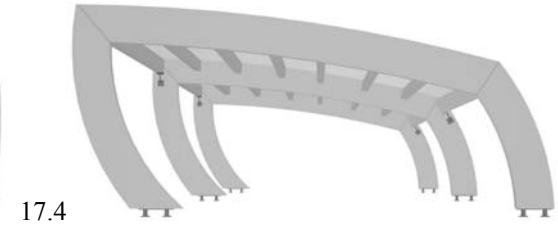
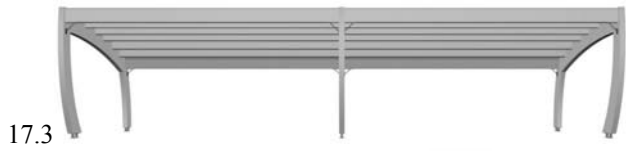
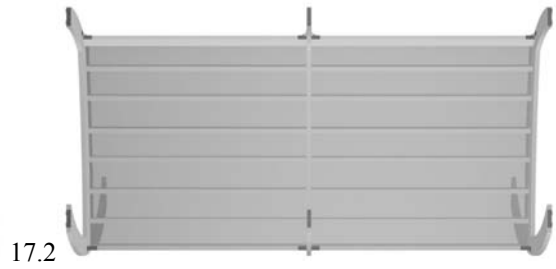


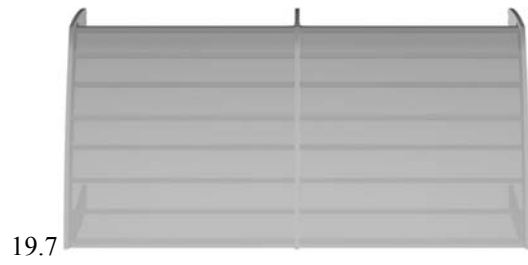
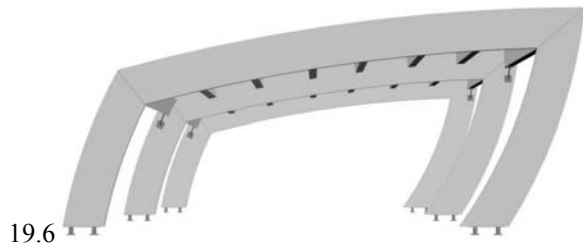
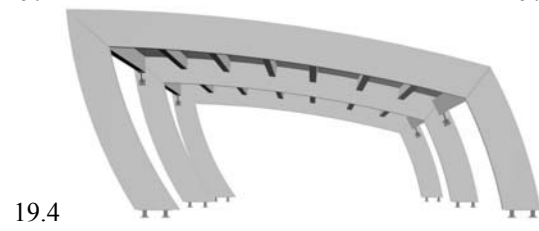
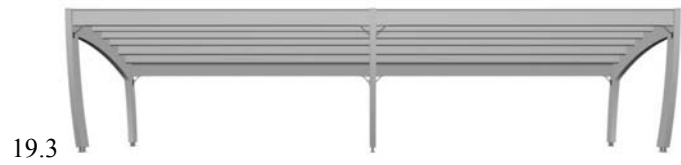
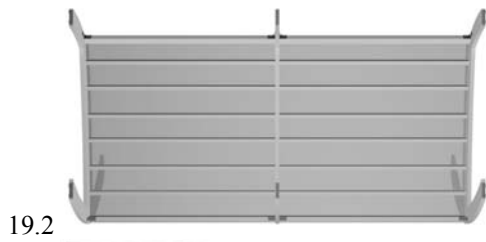
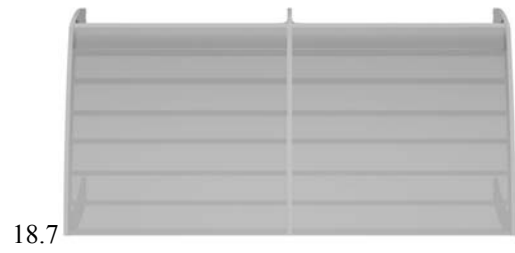
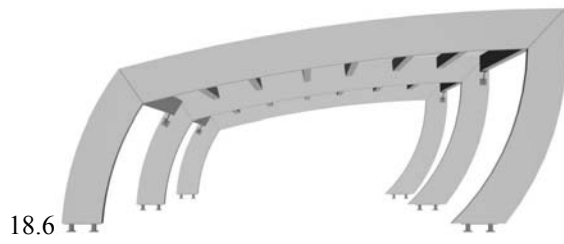
16.6

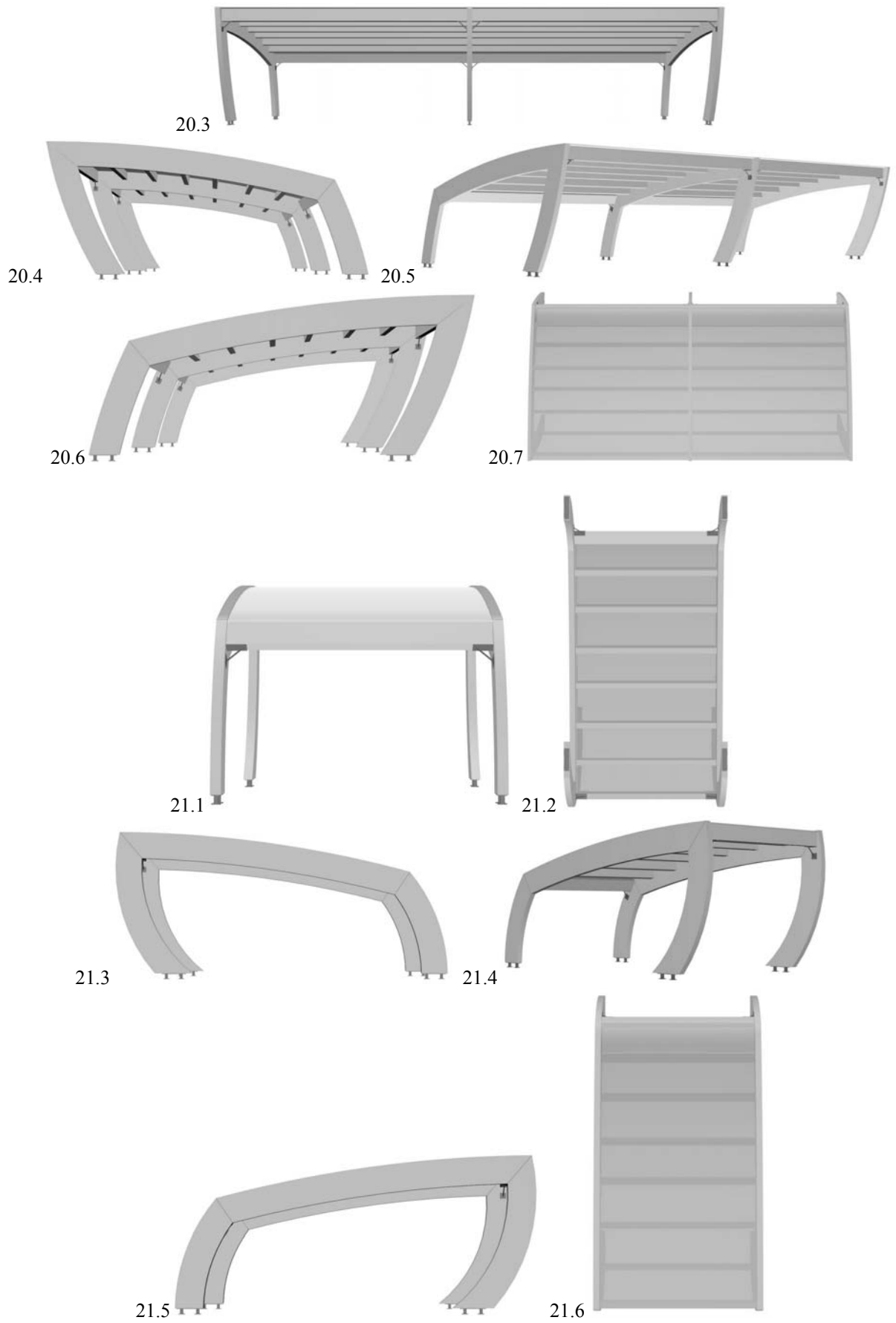


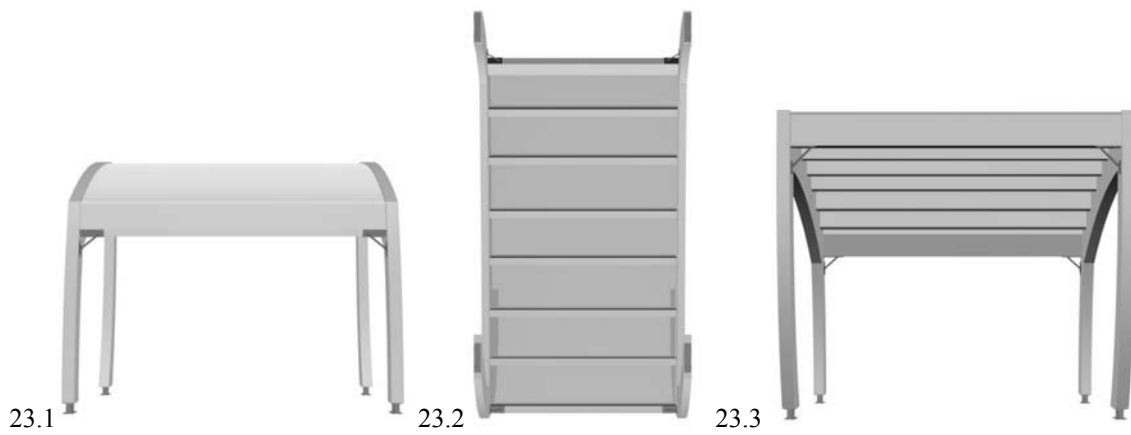
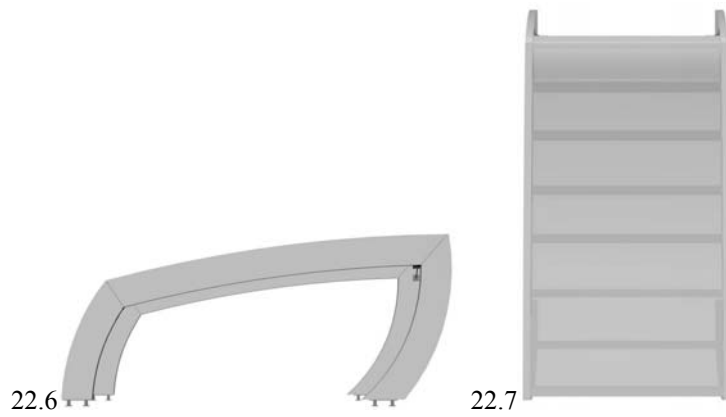
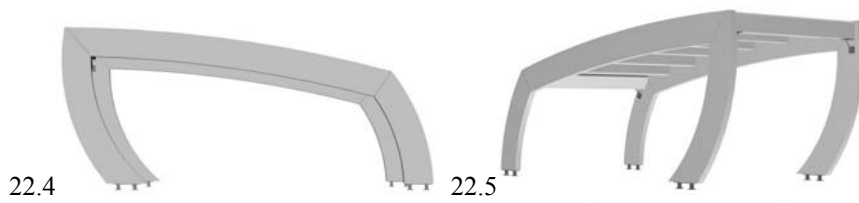
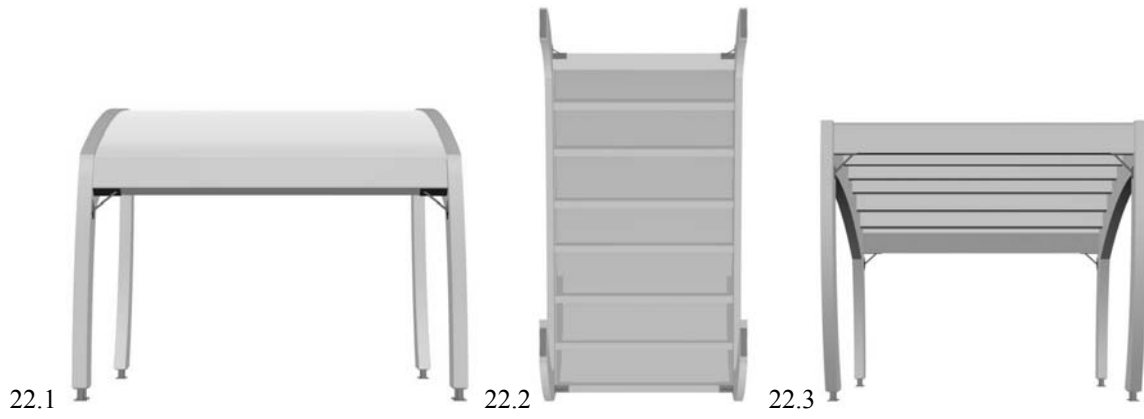
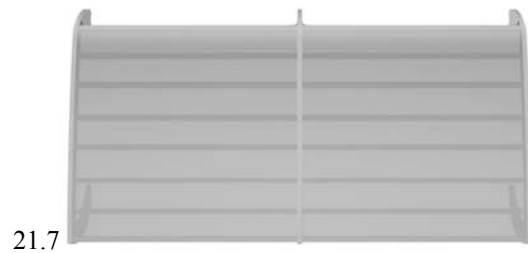
16.7

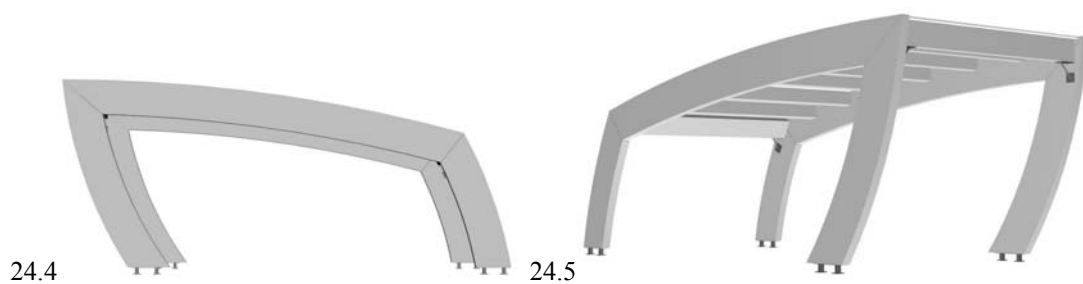
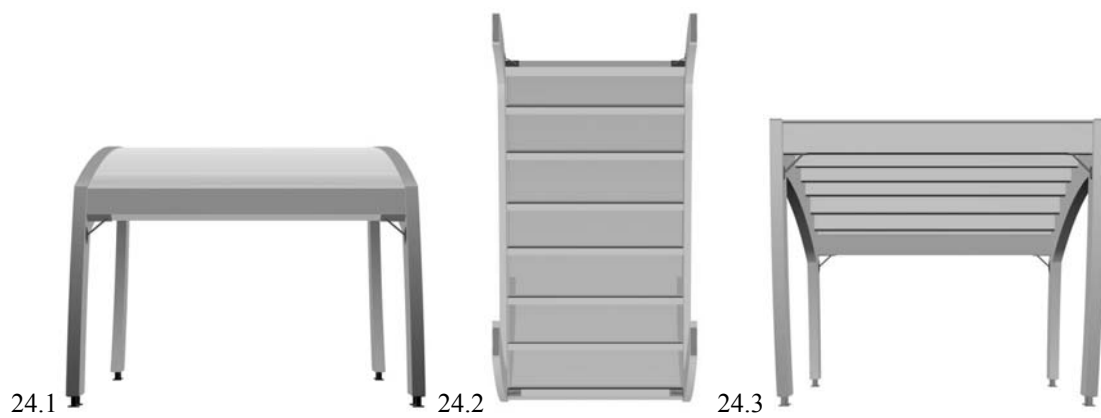
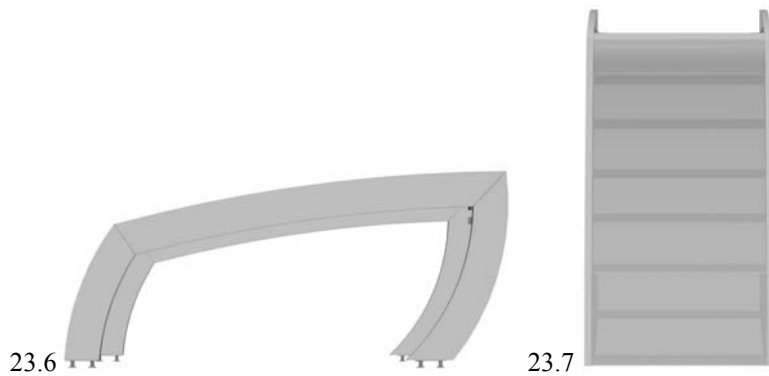
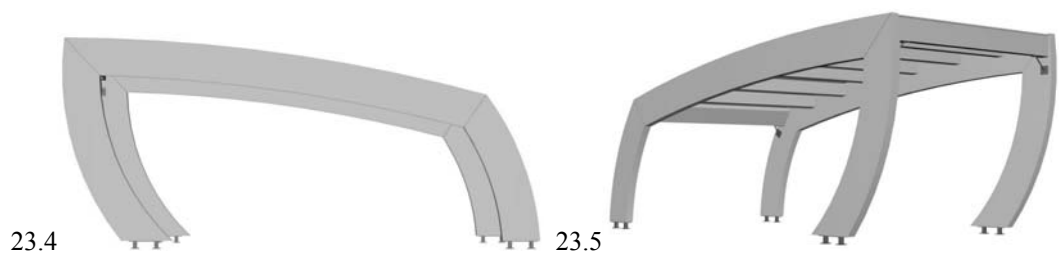


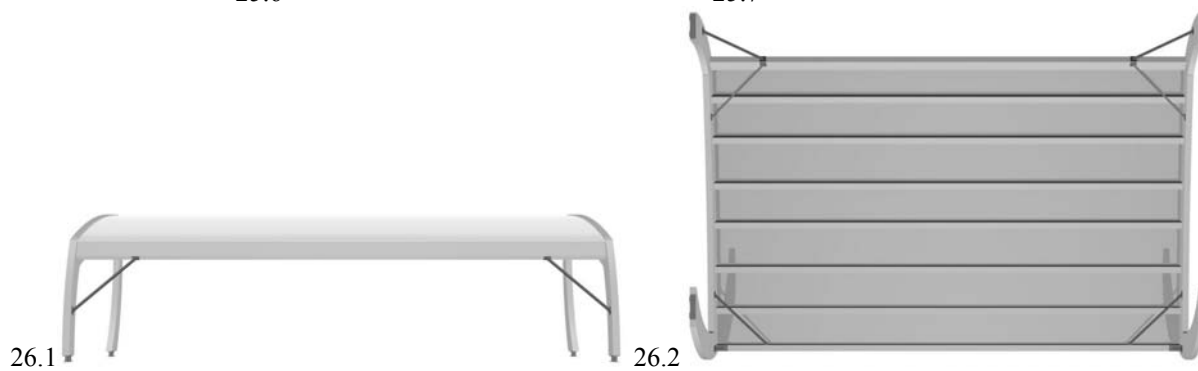
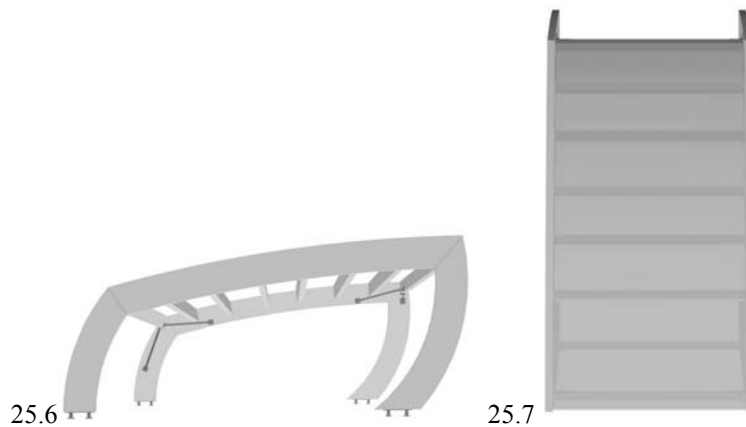
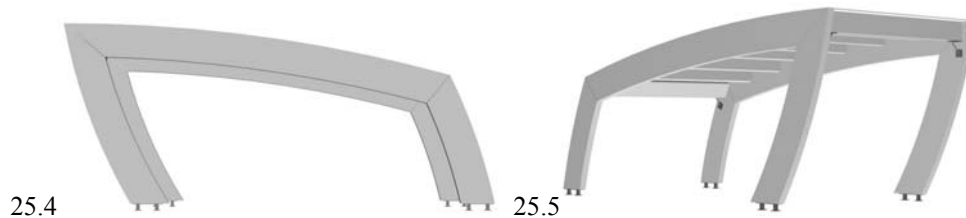
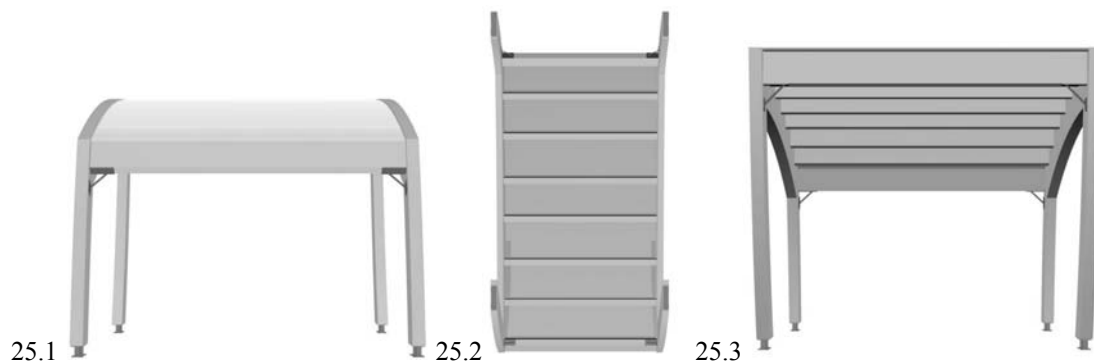
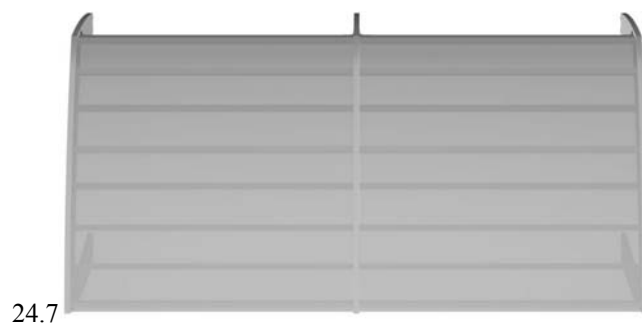


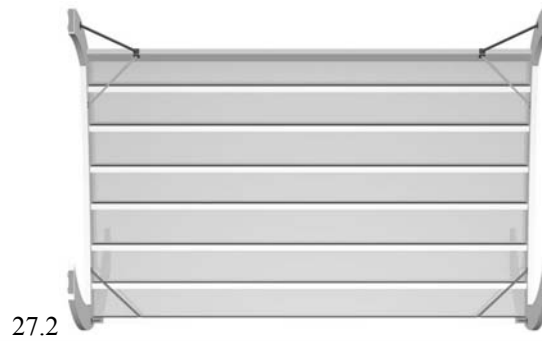
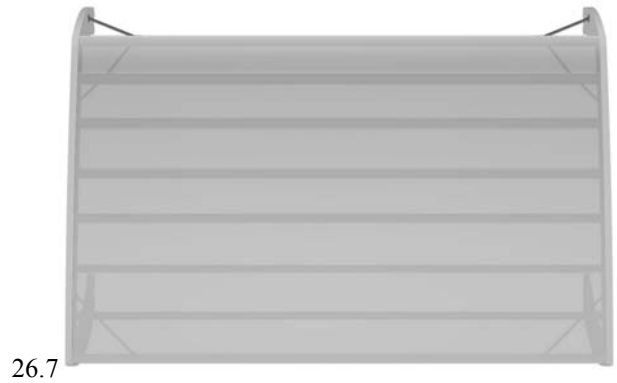
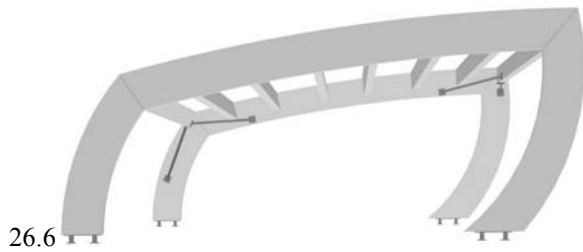
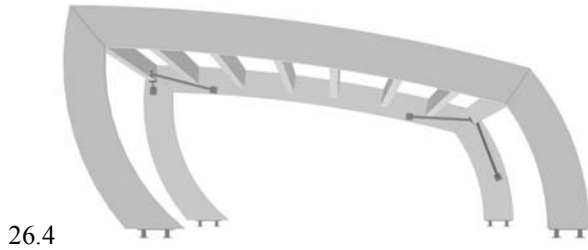


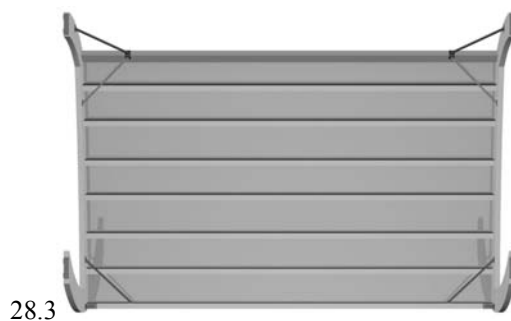
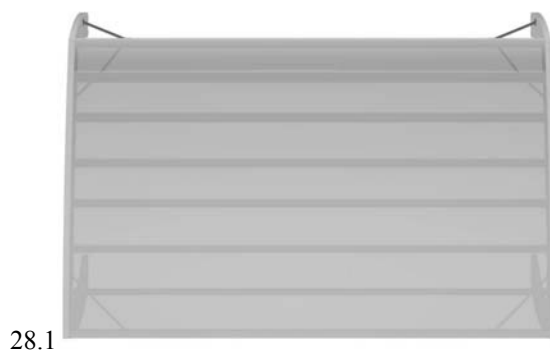
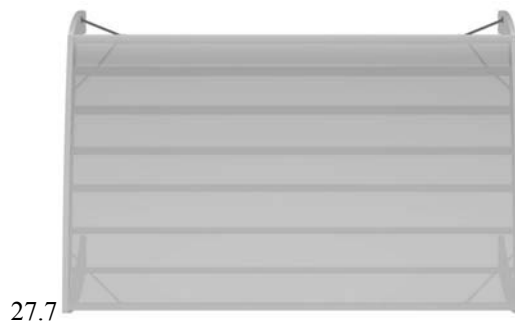
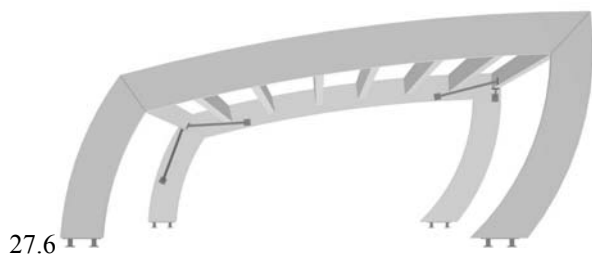
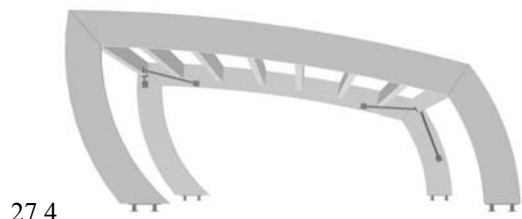


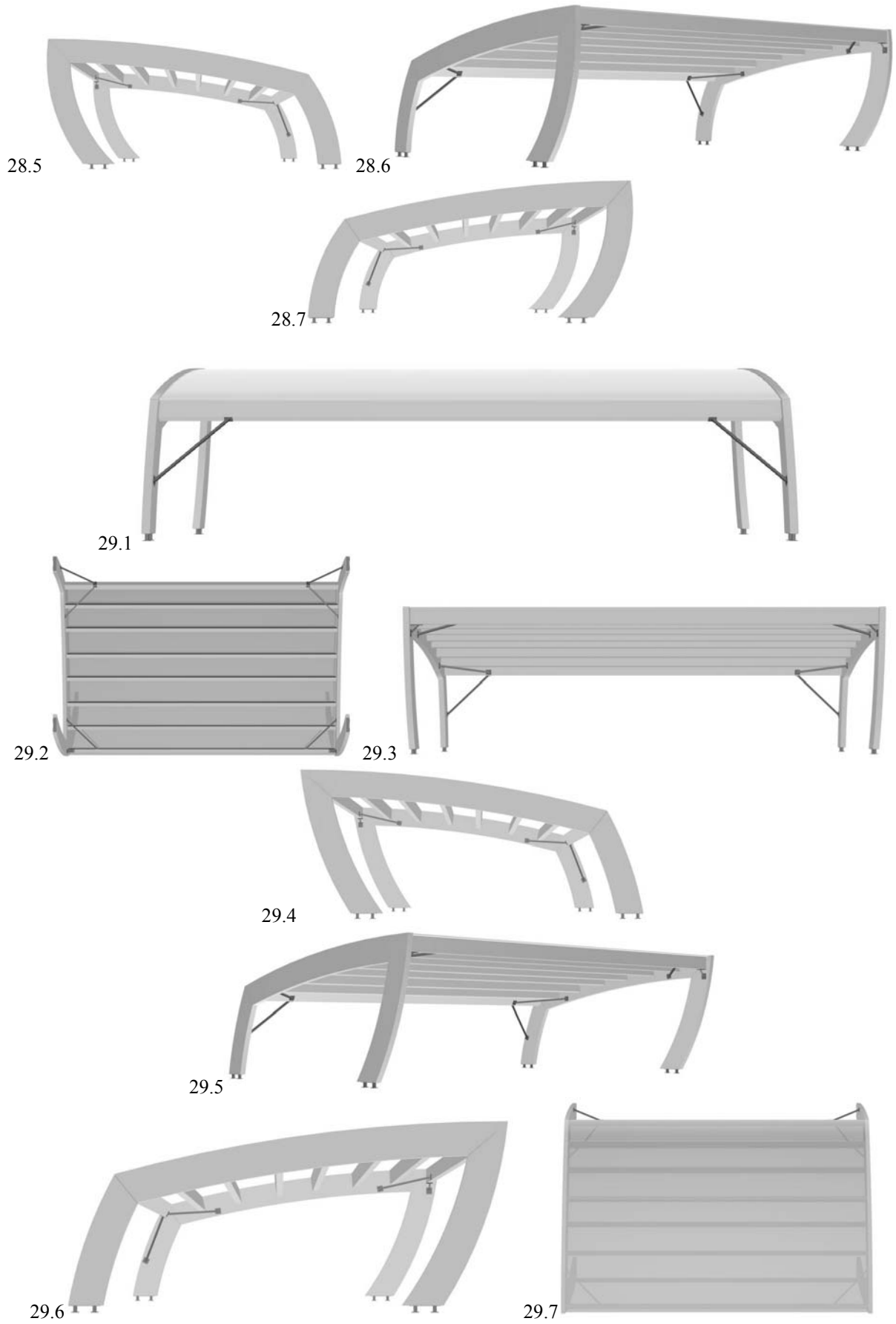


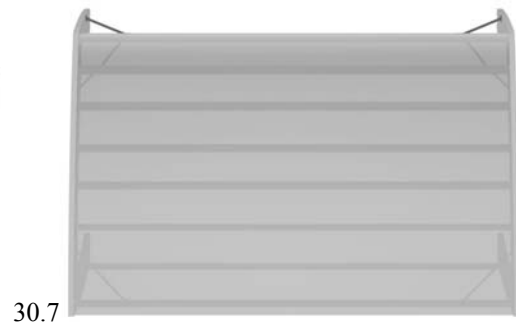
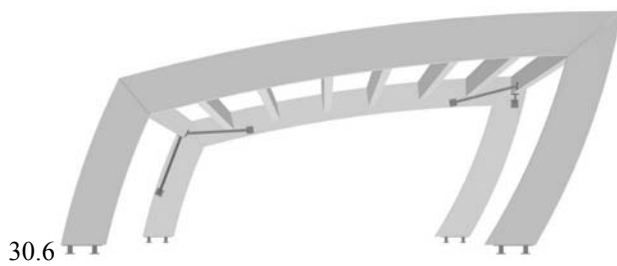
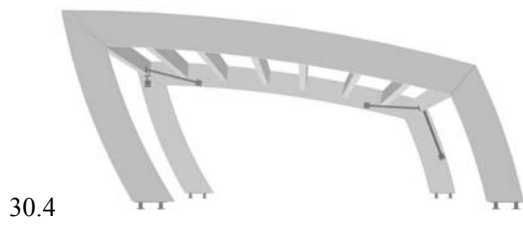
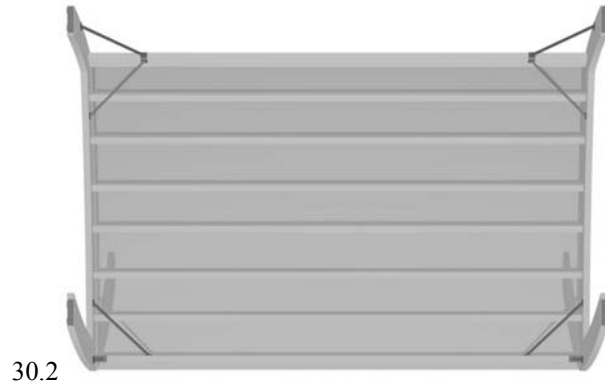












- (11) DM/078125 (51)10-02
(15) 2012 04 11 (45) 2012/16 (2012 04 27)
(22)2012 04 11
(28) 1
(73) SWATCH AG (SWATCH SA) (SWATCH LTD.)
Jakob-Stämpfli-Strasse 94, CH-2502 BIEL/BIENNE (CH)
(85) CH
(86) CH
(87) CH
(88) CH
(89) CH
(81) II. BZ, MA. III. AL, AM, AZ, BA, CH, EM, GE, HR, KG, LI, MC, MD, ME, MK, MN, NO, OM, SG,
TR, UA
(72) Andrea ARRIGONI
c/o Swatchlab, Via Archimede 6, I-20129 Milano
(54) 1. Wristwatch
(55)



1

(11) DM/078126

(51) 09-01

(15) 2012 04 11

(45) 2012/16 (2012 04 27)

(22) 2012 04 11

(28) 1

(73) COMPTOIR NOUVEAU DE LA PARFUMERIE

23 rue Boissy d'Anglas, F-75008 PARIS (FR)

(85) FR, EM

(86) FR, EM

(87) FR, EM

(88) FR, EM

(89) FR

(81) IL, BZ, MA, SR, III. AL, AM, AZ, BA, BW, CH, EG, EM, GE, GH, HR, IS, KG, LI, MC, MD, ME, MK, MN, NA, NO, OA, OM, RS, RW, SG, ST, SY, TJ, TR, UA

(72) Pierre HARDY

20, rue de Saintonge, F-75003 PARIS

(54) 1. Small bottle

(55)



1.1



1.2



1.3



1.4



1.5



1.6



1.7

(11) DM/075923

(51)23-01

(15) 2011 05 03

(45)2012/17 (2012 05 04)

(22) 2011 05 03

(28) 4

(73) ALFRED KÄRCHER GMBH & CO. KG

Alfred-Kärcher-Straße 28-40, 71364 Winnenden (DE)

(85) EM

(86) DE, EM

(87) DE, EM

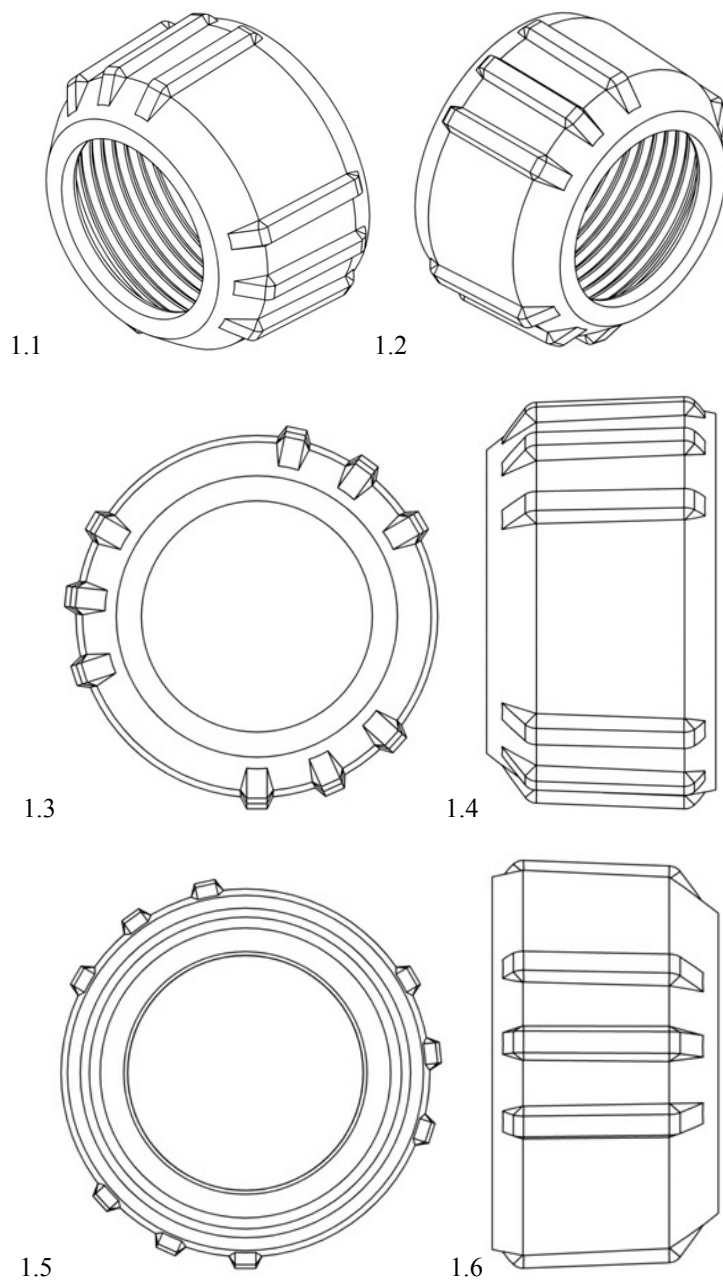
(88) DE, EM

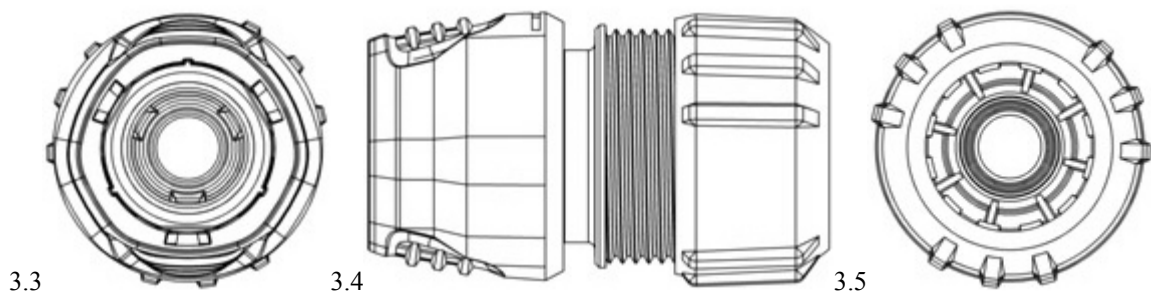
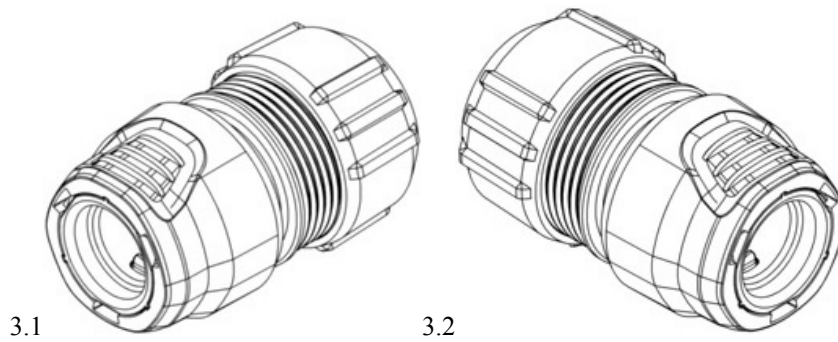
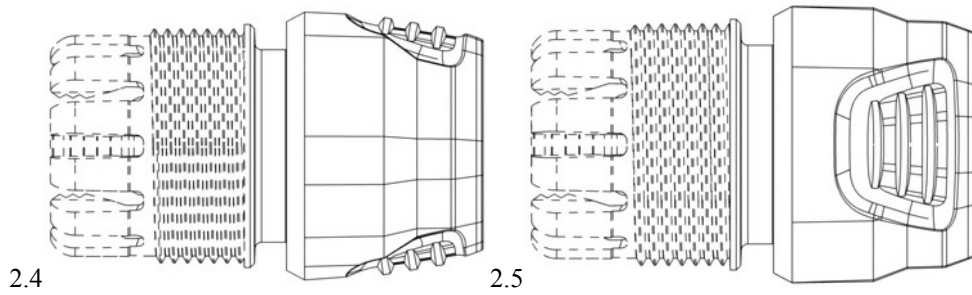
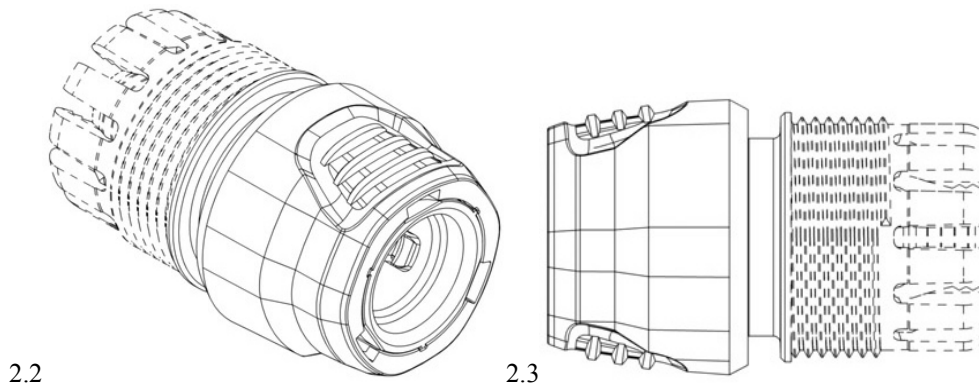
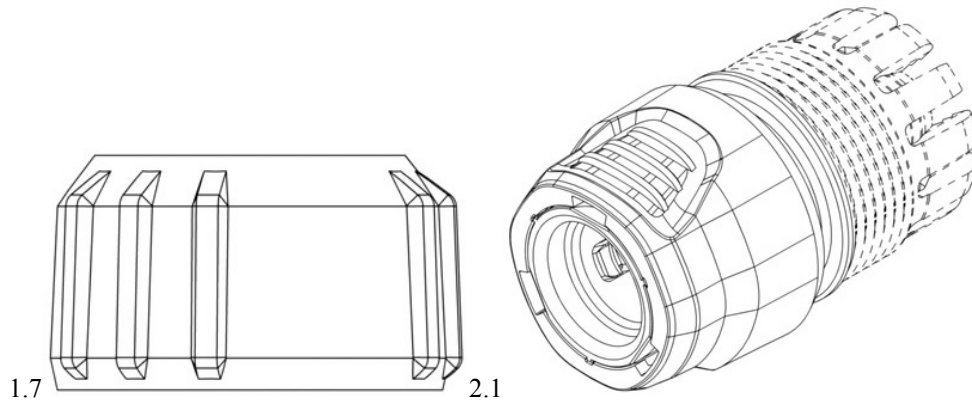
(89) EM

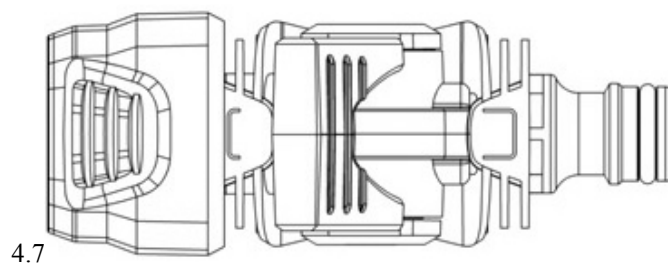
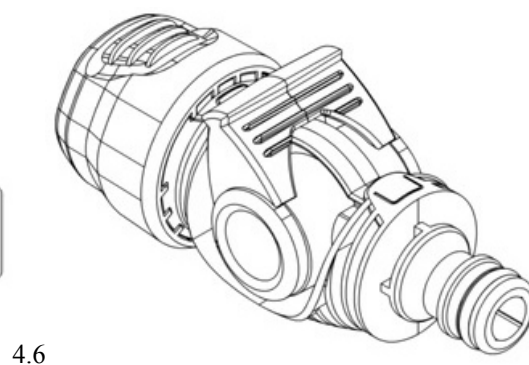
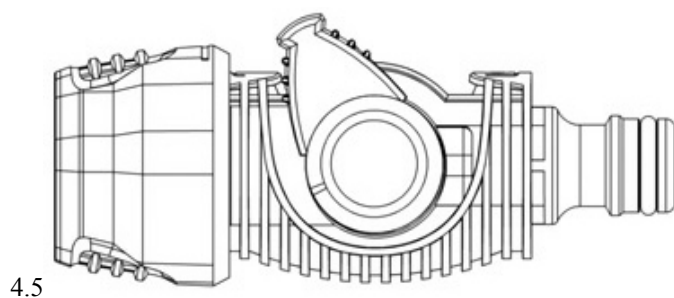
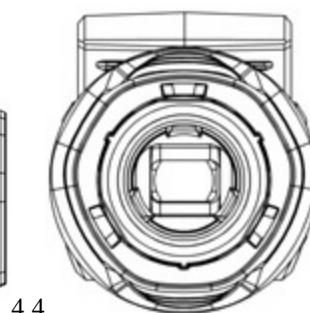
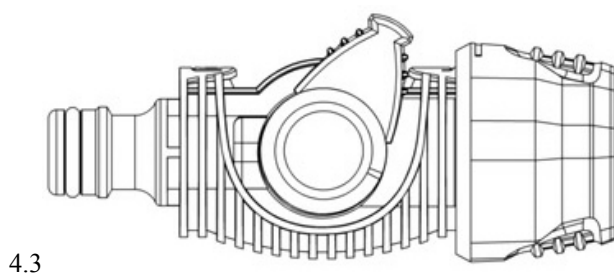
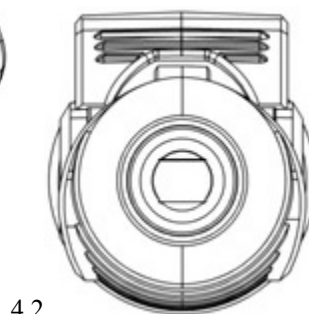
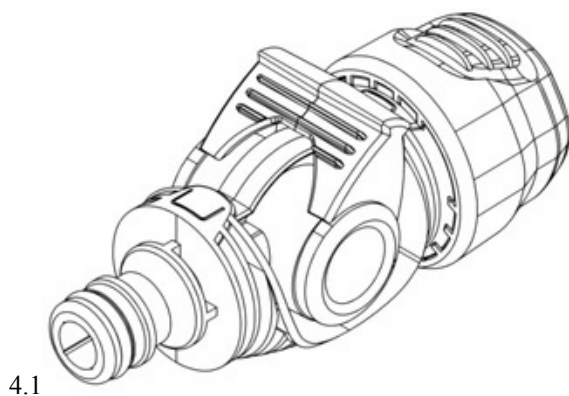
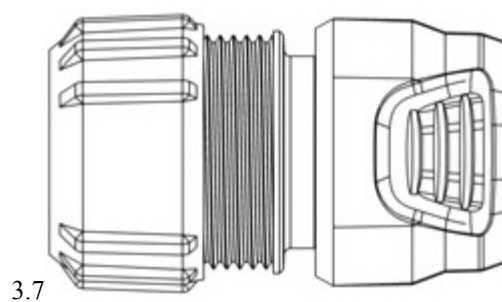
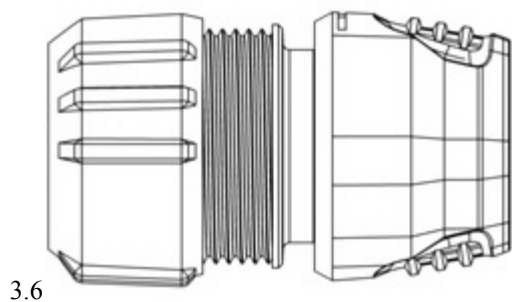
(81) II. KP, MA, MC, ME. III. BA, CH, EG, EM, GE, HR, LI, MD, MK, MN, OM, TR

(54) 1.-4. Fluid distribution equipment

(55)







TRADEMARKS

APPLICATIONS FILED UNDER THE NATIONAL PROCEDURE LAID OPEN FOR THE PURPOSE OF TAKING PATENT GRANTING DECISIONS

To appeal a decision is possible at Chamber of Appeal of Sakpatenti within 3 months from the publication or at The Board of Administrative Actions of Tbilisi City Court within 1 month period. (Address: 12 km., №6, David Aghmashenebeli Kheivani, Tbilisi).

(260) AM 2012 62751 A

(210) AM 062751

(220) 2011 06 07

(731) TEA PERADZE

Ilia Chavchavadzis gamz. 37d., bina 20, 0179,
Tbilisi, Georgia

(540)



(591) Light blue, black, white, blue

(531) 01.17.14-26.01.12-26.04.09-26.11.09-
27.05.05-29.01.13-

(526) **Disclaimer** – The trademark is protected as a whole, word combination "lounge" shall not be subject to independent protection.

(511) 43

(260) AM 2012 63773 A

(210) AM 063773

(220) 2011 08 18

(731) LTD "SIMONI"

Bakteriopagis momdebaed, 0160, Tbilisi,
Georgia

(540)



(591) Black, red, brown, cream

(531) 02.03.01-26.01.14-26.01.21-29.01.15-

(526) **Disclaimer** – Marking "2011" in the trademark, shall not be subject to independent protection.

(511) 30

(260) AM 2012 63786 A

(210) AM 063786

(220) 2011 08 18

(731) BOST HOLDINGS

N301, 3rd Fl., 773-8 Yeoksam-2 dong,
Gangnam-Gu, Seoul, Republic of Korea

(740) Shalva Gvaramadze

(540)

MEDALIST

(591) Black, white

(531) 27.05.05-

(511) 9

(260) AM 2012 63787 A

(210) AM 063787

(220) 2011 08 19

(731) LTD "JI-I-TI"

Saqnavtis dasakhleba, 0151, Tbilisi, Georgia

(540)

CHOCO ZIBA

Soft

(591) Black, white

(531) 27.05.05-27.05.15-

(511) 30

(260) AM 2012 63793 A

(210) AM 063793

(220) 2011 08 19

(731) SSIP Tbilisis Sakhelmtsipo Sameditsino
Universiteti

Vazha-Pshavelas gamz. 33, 0177, Tbilisi,
Georgia

(540)

ცარუბოლი
Tsarubol

(591) Black, white

(531) 27.05.05-28.19.00-

(511) 5

(260) AM 2012 63830 A

(210) AM 063830

(220) 2011 08 23

(731) GALLAHER LIMITED

Members Hill, Brooklands Road, Weybridge,
Surrey KT13 0QU, United Kingdom

(740) Shalva Gvaramadze

(540)



(591) Black, white

(531) 05.05.20-10.01.10-25.01.01-27.05.05-

(511) 34

(260) AM 2012 63861 A

(210) AM 063861

(220) 2011 08 26

(731) LTD QAHVEJI PARKETI

Vanis q.4 (nakveti N4/51, bina 266), Georgia

(740) George Taktakishvili

(540)



(591) White, blue, light blue

(531) 26.04.07-27.05.24-29.01.12-

(511) 19

(260) AM 2012 63871 A

(210) AM 063871

(220) 2011 08 31

(731) Forbes LLC

60 Fifth Avenue, New York, New York
10011, USA

(740) Tamaz Shilakadze

(540)

FORBES

(591) Black, white

(531) 27.05.05-

(511) 9, 16, 41

(260) AM 2012 63873 A

(210) AM 063873

(220) 2011 09 01

(731) THE HERCULES TIRE & RUBBER
COMPANY

a Connecticut corporation, 16380 U.S. Route
224 East, suite 200, Findly, OH 4580, USA

(740) Tamaz Shilakadze

(540)

IRONMAN

(591) Black, white

(531) 27.05.17-

(511) 12

(260) AM 2012 63958 A

(210) AM 063958

(220) 2011 09 06

(731) AQTSIONERNO DRUZHESTVO
"BULGARTABAK-HOLDING"

R. bulgareti, 1000, q. sofia, "Graf Ignatiev"-is
q. 62, Bulgaria

(740) Zurab Lomsadze

(540)



(591) Black, white

(531) 25.03.07-27.05.24-

(511) 34

(260) AM 2012 63979 A

(210) AM 063979

(220) 2011 09 09

(731) KABUSHIKI KAISHA SONY COMPUTER
ENTERTAINMENT, also trading as SONY

COMPUTER ENTERTAINMENT INC.
I-I, AKASAKA 7-CHOME, MINATO-KU,
TOKYO, Japan

(740) Tamaz Shilakadze
(540)



(591) Black, white
(531) 27.05.22-
(511) 9

(260) AM 2012 64027 A
(210) AM 064027
(220) 2011 09 13
(731) Chastnoe Akcionerное obshestvo
"KREATIV"
Prospekt Promishlenniy 19, g. Kirovograd,
Ukraine
(740) Shalva Gvaramadze
(540)



(591) White, blue, green, carrot, yellow, different
tone blue and brown
(531) 08.03.01-11.03.18-25.01.01-28.05.00-
29.01.15-
(511) 29, 30

(260) AM 2012 64105 A
(210) AM 064105
(220) 2011 09 15
(731) GLAXOSMITHKLINE TRADING
SERVICES LIMITED
6900 Cork Airport Business Park, Kinsale
Road, Cork, Ireland
(740) Shalva Gvaramadze
(540)

ONTELOKARE

(591) Black, white
(531) 27.05.05-
(511) 5

(260) AM 2012 64106 A
(210) AM 064106
(220) 2011 09 15
(731) GLAXOSMITHKLINE TRADING

SERVICES LIMITED
6900 Cork Airport Business Park, Kinsale
Road, Cork, Ireland

(740) Shalva Gvaramadze
(540)

LUKAKLINE

(591) Black, white
(531) 27.05.05-
(511) 5

(260) AM 2012 64215 A
(210) AM 064215
(220) 2011 09 23
(731) LTD "GEOPLANTI"
Sopeli Rukhi, 2100, Zugdidis raioni, Georgia
(540)

თაიგული

(591) Black, white
(511) 30

(260) AM 2012 64219 A
(210) AM 064219
(220) 2011 09 26
(731) KHVICHA TVALABEISHVILI
Gamsakhurdias gamz. 2, b. 51, 0160, Tbilisi,
Georgia
(540)



(591) Red, white, blue, grey, brown, yellow
(531) 02.07.09-19.03.24-25.01.01-28.19.00-
29.01.15-
(526) **Disclaimer** – The trademark is protected as a
whole, without word combinations „მაცკო“,
"matsako“. All the words and all markings
drawn on the image, shall not be subject to
independent protection.
(511) 5

(260) AM 2012 64221 A
(210) AM 064221
(220) 2011 09 27
(731) KAREN VARDANIANI
Baironis q.3, bina 36, Erevani, Armenia

(740) Davit Zurabishvili
(540)

Снежок

(591) Black, white
(511) 30

(260) AM 2012 64222 A
(210) AM 064222
(220) 2011 09 27

(731) KAREN VARDANIANI
Baironis q.3, bina 36, Erevani, Armenia

(740) Davit Zurabishvili
(540)

Grand Candy Fiesta

(591) Black, white
(511) 30

(260) AM 2012 64223 A
(210) AM 064223
(220) 2011 09 27

(731) KAREN VARDANIANI
Baironis q.3, bina 36, Erevani, Armenia

(740) Davit Zurabishvili
(540)

Grand Candy Jumbo

(591) Black, white
(511) 30

(260) AM 2012 64226 A
(210) AM 064226
(220) 2011 09 27

(731) KAREN VARDANIANI
Baironis q.3, bina 36, Erevani, Armenia

(740) Davit Zurabishvili
(540)

Zebra

(591) Black, white
(511) 30

(260) AM 2012 64227 A
(210) AM 064227
(220) 2011 09 27

(731) KAREN VARDANIANI
Baironis q.3, bina 36, Erevani, Armenia

(740) Davit Zurabishvili
(540)

Holiday

(591) Black, white
(511) 30

(260) AM 2012 64229 A
(210) AM 064229
(220) 2011 09 27

(731) KAREN VARDANIANI
Baironis q.3, bina 36, Erevani, Armenia

(740) Davit Zurabishvili
(540)

ГНОМИК

(591) Black, white
(511) 30

(260) AM 2012 64487 A
(210) AM 064487
(220) 2011 10 18

(731) ABRO Industries, Inc.
3580 Blackthorn Court, South Bend, Indiana
46628, USA

(740) George Taktakishvili
(540)



(591) Red, black, grey
(531) 15.01.11-26.04.12-26.11.08-29.01.13-
(511) 17

(260) AM 2012 64488 A
(210) AM 064488
(220) 2011 10 18

(731) ABRO Industries, Inc.
3580 Blackthorn Court, South Bend, Indiana
46628, USA

(740) George Taktakishvili
(540)

999

(591) Black, white
(511) 17

(260) AM 2012 64497 A
(210) AM 064497
(220) 2011 10 19

(731) LTD "ROSELLE"
Krtsanisis q. 3, korp."b", bina 11, 0114,
Tbilisi, Georgia

(540)



(591) Yellow, brown, red, black

(531) 26.03.04-29.01.14-

(511) 3

(260) AM 2012 64498 A

(210) AM 064498

(220) 2011 10 19

(731) LTD "ROSELLE"

Krtsanisis q. 3, korp."b", bina 11, 0114,
Tbilisi, Georgia

(540)



(591) Black, silver

(531) 26.04.24-27.05.03-27.05.24-

(511) 3

(260) AM 2012 64508 A

(210) AM 064508

(220) 2011 10 20

(731) MARS, INCORPORATED

6885 ELM Street, McLean, Virginia
22101-3883, USA

(740) Tamar Kochlamazashvili

(540)

GALAXY

(591) Black, white

(511) 29, 30

(260) AM 2012 64509 A

(210) AM 064509

(220) 2011 10 20

(731) THE PROCTER & GAMBLE COMPANY

One Procter & Gamble Plaza, Cincinnati,
Ohio 45202, USA

(740) Shalva Gvaramadze

(540)



(591) Black, white

(531) 01.01.12-01.15.07-17.01.02-26.11.12-
27.05.05-27.07.01-

(511) 3

(260) AM 2012 64652 A

(210) AM 064652

(220) 2011 10 31

(731) NANYANG BROTHERS TOBACCO
COMPANY LIMITED9 Tsing Yeung Circuit, Tuen Mun, New
Territories, Hong Kong, China

(740) Pavle Meipariani

(540)



(591) Black, white

(531) 05.13.08-26.13.25-28.03.00-

(511) 34

(260) AM 2012 64653 A

(210) AM 064653

(220) 2011 10 31

(731) NANYANG BROTHERS TOBACCO
COMPANY LIMITED9 Tsing Yeung Circuit, Tuen Mun, New
Territories, Hong Kong, China

(740) Pavle Meipariani

(540)

DOUBLE HAPPINESS

(591) Black, white

(511) 34

(260) AM 2012 64715 A

(210) AM 064715

(220) 2011 11 02

(731) NANYANG BROTHERS TOBACCO
COMPANY LIMITED9 Tsing Yeung Circuit, Tuen Mun, New
Territories, Hong Kong, China

(740) Pavle Meipariani

(540)



(591) Black, white
(531) 28.03.00-
(511) 34

(260) AM 2012 64745 A
(210) AM 064745
(220) 2011 11 03
(731) SHOTA GVENETADZE
Saburtalos q. 37/4, bina 20, 0160, Tbilisi,
Georgia
(540)



(591) Red, yellow
(531) 26.04.03-26.04.18-28.19.00-29.01.12-
(511) 35

(260) AM 2012 64793 A
(210) AM 064793
(220) 2011 11 07
(731) GENERAL MOTORS LLC
300 Renaissance Center, City of Detroit,
State of Michigan 48265-3000, USA
(740) George Taktakishvili
(540)

CHEVROLET MYLINK

(591) Black, white
(511) 9

(260) AM 2012 64795 A
(210) AM 064795
(220) 2011 11 07
(731) LTD "LIKA-JORJIA"
Gagarinis II shes., N4, 0160, Tbilisi, Georgia
(740) George Taktakishvili
(540)

OK.

(591) Black, white
(511) 7, 24, 25, 26

(260) AM 2012 64812 A
(210) AM 064812
(220) 2011 11 08
(731) LTD "AVERSI-FARMA"
Davit Agmasheneblis gamz., 148/2, 0112,
Tbilisi, Georgia
(540)

სედოპრიმი
Седоприм
Sedoprim

(591) Black, white
(511) 5

(260) AM 2012 64814 A
(210) AM 064814
(220) 2011 11 08
(731) LTD "AVERSI-FARMA"
Davit Agmasheneblis gamz., 148/2, 0112,
Tbilisi, Georgia
(540)

ვალმოქსი
Валмокс
Valmox

(591) Black, white
(511) 5

(260) AM 2012 64815 A
(210) AM 064815
(220) 2011 11 08
(731) LTD "AVERSI-FARMA"
Davit Agmasheneblis gamz., 148/2, 0112,
Tbilisi, Georgia
(540)

ლუდოქსი
Лудокс
Ludox

(591) Black, white
(511) 5

(260) AM 2012 64818 A
(210) AM 064818
(220) 2011 11 08
(731) LTD "AVERSI-FARMA"
Davit Agmasheneblis gamz., 148/2, 0112,
Tbilisi, Georgia
(540)

დილოქსი
Дилокс
Dilox

(591) Black, white
(511) 5

(260) AM 2012 64819 A
(210) AM 064819
(220) 2011 11 08
(731) LTD "AVERSI-FARMA"
Davit Agmasheneblis gamz., 148/2, 0112,
Tbilisi, Georgia
(540)

კოლსენ
Колсен
Kolsen

(591) Black, white
(511) 5

(260) AM 2012 64844 A
(210) AM 064844
(220) 2011 11 09
(731) ORION CORPORATION
Orionintie 1, 02200 Espoo, Finland
(740) George Meipariani
(540)

EASYHALER COMBIPACK
ИЗИХЕЙЛЕР КОМБИПАК

(591) Black, white
(511) 5, 10

(260) AM 2012 62061 A*
(210) AM 062061
(220) 2011 04 13
(731) LTD "EM KONSULTATSIEBI DA
PROGRAMULI UZRUNVELKOFA,
EMCOS"
Besikis moed. 3, 0108, Tbilisi, Georgia
(740) Sopia Mujiri; Nikoloz Gogilidze;
George Taktakishvili
(540)

STime

(591) Black, white
(511) 9

(260) AM 2012 62187 A*
(210) AM 062187
(220) 2011 04 26
(220) 2011 04 26
(731) GENERAL MOTORS LLC
300 Renaissance Center, City of Detroit,
State of Michigan 48265-3000, USA

(740) George Taktakishvili
(540)

SONIC

(591) Black, white
(511) 12

(260) AM 2012 62325 A*
(210) AM 062325
(220) 2011 05 04
(731) ASSAN GIDA SANAYİ VE TİCARET
ANONİM ŞİRKETİ
Tersane Caddesi İşic İş Merkezi, N92 Kat: 6
34420 Karaköy-Istanbul, Turkey
(740) George Taktakishvili
(540)



(591) Green, white, red, black
(531) 05.03.14-26.11.13-27.05.07-29.01.14-
(511) 29, 30, 32

REGISTERED TRADEMARKS

(111) M 2012 022684 R
(151) 2012 07 02
(181) 2022 07 02
(260) AM 2112 59493 A
(220) 2010 09 21
(732) LTD"ABIFARMI"
Gudiashvilis q., 9, 0105, Tbilisi , Georgia

(111) M 2012 022685 R
(151) 2012 07 02
(181) 2022 07 02
(260) AM 2011 59711 A
(220) 2010 09 30
(732) OBSHHESTVO S OGRANICHENNOI
OTVETSTVENNOSTIU "BRIJTAUN
INVEST"
ul. Altufevskoe shose, 2a, 127273, Moskva,
Russian Federation

(111) M 2012 022686 R
(151) 2012 07 02
(181) 2022 07 02
(260) AM 2011 59799 A
(220) 2010 10 11
(732) VISA INTERNATIONAL SERVICE
ASSOCIATION
900 Metro Center Boulevard, Foster City,
California 94404, USA

(111) M 2012 022687 R
(151) 2012 07 02
(181) 2022 07 02
(260) AM 2011 60989 A
(220) 2011 01 27
(732) LTD "TRIBUNA DA TRIBUNALI"
Vazha-Fshavelas gamz.47, I kvartali, korp.20,
bina 33, 0177, Tbilisi, Georgia

(111) M 2012 022688 R
(151) 2012 07 02
(181) 2022 07 02
(260) AM 2011 60990 A
(220) 2011 01 27
(732) LTD "TRIBUNA DA TRIBUNALI"
Vazha-Fshavelas gamz.47, I kvartali, korp.20,
bina 33, 0177, Tbilisi, Georgia

(111) M 2012 022689 R
(151) 2012 07 02
(181) 2022 07 02
(260) AM 2011 61021 A
(220) 2011 01 28
(732) HARRINGTON DEVELOPMENT INC.
Arango-Orillac Bldg. East 54 th street,
Panama

(111) M 2012 022690 R
(151) 2012 07 02
(181) 2022 07 02
(260) AM 2011 61022 A
(220) 2011 01 28
(732) HARRINGTON DEVELOPMENT INC.
Arango-Orillac Bldg. East 54 th street,
Panama

(111) M 2012 022691 R
(151) 2012 07 02
(181) 2022 07 02
(260) AM 2011 61376 A
(220) 2011 02 16
(732) COMPANHIA NITRO QUÍMICA
BRASILEIRA
Av. Dr. Jozé Artur Nova, 951, São Miguel
Paulista, São Paulo, SP, Brazil

(111) M 2012 022692 R
(151) 2012 07 02
(181) 2022 07 02
(260) AM 2011 61377 A
(220) 2011 02 16
(732) COMPANHIA NITRO QUÍMICA
BRASILEIRA
Av. Dr. Jozé Artur Nova, 951, São Miguel
Paulista, São Paulo, SP, Brazil

(111) M 2012 022693 R
(151) 2012 07 02
(181) 2022 07 02
(260) AM 2011 61378 A
(220) 2011 02 16
(732) S.S. "JI PI SI"
Marjanishvilis q.26, 0102, Tbilisi, Georgia

(111) M 2012 022694 R
(151) 2012 07 02
(181) 2022 07 02
(260) AM 2012 61634 A
(220) 2011 03 14
(732) BUBUTEISHVILI ELGUJA
Faliashvilis q. 62, 0179, Tbilisi, Georgia

(111) M 2012 022695 R
(151) 2012 07 02
(181) 2022 07 02
(260) AM 2012 61684 A
(220) 2011 03 16
(732) LTD "LIBERTI KAPITALI"
Ilia Chavchavadzis gamz. 74, bina 34, 0162,
Tbilisi, Georgia

(111) M 2012 022696 R
(151) 2012 07 02
(181) 2022 07 02
(260) AM 2011 61809 A
(220) 2011 03 24
(732) S.S. "JI PI SI"
Marjanishvilis q.26, 0102, Tbilisi, Georgia

(111) M 2012 022697 R
(151) 2012 07 02
(181) 2022 07 02
(260) AM 2011 61811 A
(220) 2011 03 24
(732) LTD "PRIMA-VITA"
Saq. samkhedro gzisa da Akhmetelis quchis
gadakveta, 0159, Tbilisi, Georgia

(111) M 2012 022698 R
(151) 2012 07 02
(181) 2022 07 02
(260) AM 2011 61853 A
(220) 2011 03 25
(732) LTD "PRIMA-VITA"
Saq. samkhedro gzisa da Akhmetelis quchis
gadakveta, 0159, Tbilisi, Georgia

(111) M 2012 022699 R
(151) 2012 07 02
(181) 2022 07 02
(260) AM 2011 61863 A
(220) 2011 03 29
(732) LTD "PRIMA-VITA"
Saq. samkhedro gzisa da Akhmetelis quchis
gadakveta, 0159, Tbilisi, Georgia

(111) M 2012 022700 R
(151) 2012 07 02
(181) 2022 07 02
(260) AM 2011 61882 A
(220) 2011 03 30
(732) LTD "PRIMA-VITA"
Saq. samkhedro gzisa da Akhmetelis quchis
gadakveta, 0159, Tbilisi, Georgia

(111) M 2012 022701 R
(151) 2012 07 02
(181) 2022 07 02
(260) AM 2011 61883 A
(220) 2011 03 30
(732) LTD "PRIMA-VITA"
Saq. samkhedro gzisa da Akhmetelis quchis
gadakveta, 0159, Tbilisi, Georgia

(111) M 2012 022702 R
(151) 2012 07 02
(181) 2022 07 02
(260) AM 2011 61994 A
(220) 2011 04 07
(732) Pandora A/S
Hovedvejen 2, 2600 Glostrup, Denmark

(111) M 2012 022703 R
(151) 2012 07 02
(181) 2022 07 02
(260) AM 2011 62030 A
(220) 2011 04 11
(732) SS "MOBAIL FAINENS SERVIS-JORJIA"
Marjanishvilis q.5, 0102, Tbilisi, Georgia

(111) M 2012 022704 R
(151) 2012 07 02
(181) 2022 07 02
(260) AM 2112 62186 A
(220) 2011 04 26
(732) NIPPON KAYAKU KABUSHIKI KAISHA
of 11-2, Fujimi 1-chome, Chiyoda-ku, Tokyo,
Japan

(111) M 2012 022705 R
(151) 2012 07 02
(181) 2022 07 02
(260) AM 2011 62220 A
(220) 2011 04 28
(732) NINO KIFIANI
Guramishvilis pr. 36, bina 48, 0192, Tbilisi,
Georgia

TRADEMARKS

(111) M 2012 022706 R
(151) 2012 07 02
(181) 2022 07 02
(260) AM 2112 62323 A
(220) 2011 05 04

(732) ASSAN GIDA SANAYİ VE TİCARET
ANONİM ŞİRKETİ
Tersane Caddesi İşic İş Merkezi, No: 92 Kat:
6 34420 Karaköy-Istanbul, Turkey

SERVICES LIMITED
6900 Cork Airport Business Park, Kinsale
Road, Cork, Ireland

(111) M 2012 022707 R
(151) 2012 07 02
(181) 2022 07 02
(260) AM 2112 62324 A
(220) 2011 05 04

(732) ASSAN GIDA SANAYİ VE TİCARET
ANONİM ŞİRKETİ
Tersane Caddesi İşic İş Merkezi, No: 92 Kat:
6 34420 Karaköy-Istanbul, Turkey

(111) M 2012 022712 R
(151) 2012 07 02
(181) 2022 07 02
(260) AM 2012 62498 A
(220) 2011 05 19
(732) LTD MIAD GEORGIA miad jeorjia;
Agladzis q. 32, 0119, Tbilisi, Georgia

(111) M 2012 022708 R
(151) 2012 07 02
(181) 2022 07 02
(260) AM 2012 62334 A
(220) 2011 05 05

(732) Orly International, Inc.
7710 Haskell Avenue, Van Nuys, CA 91406,
USA

(111) M 2012 022713 R
(151) 2012 07 02
(181) 2022 07 02
(260) AM 2012 62499 A
(220) 2011 05 19
(732) LTD MIAD GEORGIA miad jeorjia;
Agladzis q. 32, 0119, Tbilisi, Georgia

(111) M 2012 022709 R
(151) 2012 07 02
(181) 2022 07 02
(260) AM 2012 62337 A
(220) 2011 05 05

(732) JEMAL BAGASHVILI
Kifshidzis q.10, bina 25, 0179, Tbilisi,
Georgia

(111) M 2012 022714 R
(151) 2012 07 02
(181) 2022 07 02
(260) AM 2012 62500 A
(220) 2011 05 19
(732) LTD MIAD GEORGIA miad jeorjia;
Agladzis q. 32, 0119, Tbilisi, Georgia

(111) M 2012 022710 R
(151) 2012 07 02
(181) 2022 07 02
(260) AM 2011 62395 A
(220) 2011 05 11

(732) LTD SIMETRA
Atenis q. 20, bina 28, 0179, Tbilisi, Georgia

(111) M 2012 022715 R
(151) 2012 07 02
(181) 2022 07 02
(260) AM 2012 62582 A
(220) 2011 05 25
(732) PLAYBOY ENTERPRISES
INTERNATIONAL,INC
680 North Lake Shore Drive Chicago, Illinois
60611, USA

(111) M 2012 022711 R
(151) 2012 07 02
(181) 2022 07 02
(260) AM 2012 62414 A
(220) 2011 05 13

(732) GLAXOSMITHKLINE TRADING

(111) M 2012 022716 R
(151) 2012 07 02
(181) 2022 07 02
(260) AM 2112 62609 A
(220) 2011 05 27
(732) MIKHEIL FUKHASHVILI
Zestafonis q. N19, bina N33, 0180, Tbilisi,
Georgia

(111) M 2012 022717 R
(151) 2012 07 02
(181) 2022 07 02

(260) AM 2112 62743 A
(220) 2011 06 07
(732) KAREN VARDANIANI
Baironis q.3, bina 36, Erevani, Armenia

ELENA VLADIMIROVNA VISOTSKAIA
Ulitsa dovnar-zapolskogo, 2/20, kv. 6, 04116,
Kiev, Ukraine

(111) M 2012 022718 R
(151) 2012 07 02
(181) 2022 07 02
(260) AM 2112 62770 A
(220) 2011 06 08
(732) HARRINGTON DEVELOPMENT INC.
Arango-Orillac Bldg. East 54 th street,
Panama, Panama

(111) M 2012 022723 R
(151) 2012 07 02
(181) 2022 07 02
(260) AM 2112 62797 A
(220) 2011 06 09
(732) ERKAN EMEN.
Mesihpaşa Mahallesi Malkoç Pasajı No. 41/1
Laleli Eminönü Istanbul, Turkey

(111) M 2012 022719 R
(151) 2012 07 02
(181) 2022 07 02
(260) AM 2112 62771 A
(220) 2011 06 08
(732) HARRINGTON DEVELOPMENT INC.
Arango-Orillac Bldg. East 54 th street,
Panama, Panama

(111) M 2012 022724 R
(151) 2012 07 02
(181) 2022 07 02
(260) AM 2112 62798 A
(220) 2011 06 09
(732) LTD "MTSVANE QVEKANA"
Qsnis q.36, 0141, Tbilisi, Georgia

(111) M 2012 022720 R
(151) 2012 07 02
(181) 2022 07 02
(260) AM 2112 62772 A
(220) 2011 06 08
(732) HARRINGTON DEVELOPMENT INC.
Arango-Orillac Bldg. East 54 th street,
Panama, Panama

(111) M 2012 022725 R
(151) 2012 07 02
(181) 2022 07 02
(260) AM 2012 62948 A
(220) 2011 06 22
(732) LTD "ZILLER GEORGIA"
Zhiuli Shartavas q. 35-37, bina 97, 0160,
Tbilisi, Georgia

(111) M 2012 022721 R
(151) 2012 07 02
(181) 2022 07 02
(260) AM 2112 62784 A
(220) 2011 06 08
(732) NATALIA VIQTOROVNA VASILENKO
Ulitsa Piterskaia, 3, kv. 10, 03087, Kievi,
Ukraine;
ELENA VLADIMIROVNA VISOTSKAIA
Ulitsa dovnar-zapolskogo, 2/20, kv. 6, 04116,
Kiev, Ukraine

(111) M 2012 022726 R
(151) 2012 07 02
(181) 2022 07 02
(260) AM 2012 62964 A
(220) 2011 06 23
(732) RANBAXY LABORATORIES LIMITED
Plot N 90, Sector-32, Gurgaon-122001,
Haryana, India

(111) M 2012 022722 R
(151) 2012 07 02
(181) 2022 07 02
(260) AM 2112 62785 A
(220) 2011 06 08
(732) NATALIA VIQTOROVNA VASILENKO
Ulitsa Piterskaia, 3, kv. 10, 03087, Kievi,
Ukraine;

(111) M 2012 022727 R
(151) 2012 07 02
(181) 2022 07 02
(260) AM 2012 62966 A
(220) 2011 06 23
(732) THE PROCTER & GAMBLE COMPANY
One Procter & Gamble Plaza, Cincinnati,
Ohio 45202, USA

(111) M 2012 022728 R
(151) 2012 07 02
(181) 2022 07 02

TRADEMARKS

(260) AM 2012 62967 A (220) 2011 06 24 (732) BRITISH AMERICAN TOBACCO (BRANDS) LIMITED Global House, 4 Temple Place, London WC2R 2 PG, United Kingdom	Commonwealth Trust Limited, Drake Chambers, Tortola, British Virgin Islands
(111) M 2012 022729 R (151) 2012 07 02 (181) 2022 07 02 (260) AM 2012 62968 A (220) 2011 06 24 (732) RANBAXY LABORATORIES LIMITED Plot No.90, Sector-32, Gurgaon-122001, Haryana, India	(111) M 2012 022734 R (151) 2012 07 02 (181) 2022 07 02 (260) AM 2012 63120 A (220) 2011 07 07 (732) ROTAPHARM LIMITED Commonwealth Trust Limited, Drake Chambers, Tortola, British Virgin Islands
(111) M 2012 022730 R (151) 2012 07 02 (181) 2022 07 02 (260) AM 2012 62971 A (220) 2011 06 27 (732) OBSHCHESTVO S OGRANICHENNOI OTVETSTVENOSTIU "LIRA SAPR" Kiianovskii pereulok, 7a, of. 209, q. Kiev, 04053, Ukraine	(111) M 2012 022735 R (151) 2012 07 02 (181) 2022 07 02 (260) AM 2012 63241 A (220) 2011 07 15 (732) LTD "BALLIS" Davit Agmasheneblis 115-d, 0700, Akhalqalaqi, Georgia
(111) M 2012 022731 R (151) 2012 07 02 (181) 2022 07 02 (260) AM 2012 62972 A (220) 2011 06 27 (732) OBSHCHESTVO S OGRANICHENNOI OTVETSTVENOSTIU "LIRA SAPR" Kiianovskii pereulok, 7a, of. 209, q. Kiev, 04053, Ukraine	(111) M 2012 022736 R (151) 2012 07 02 (181) 2022 07 02 (260) AM 2012 63253 A (220) 2011 07 18 (732) PHILIP MORRIS BRANDS SÀRL. Quai Jeanrenaud 3, 2000 Neuchâtel, Switzerland
(111) M 2012 022732 R (151) 2012 07 02 (181) 2022 07 02 (260) AM 2012 63019 A (220) 2011 07 01 (732) BASF Agro B.V., Arnhem (NL) Zweigniederlassung Wadenswil; Moosacherstrasse 2, Au, Switzerland	(111) M 2012 022737 R (151) 2012 07 02 (181) 2022 07 02 (260) AM 2012 63297 A (220) 2011 07 19 (732) Reckitt & Colman (Overseas) Limited Dansom Lane, Hull, HU8 7DS, United Kingdom
(111) M 2012 022733 R (151) 2012 07 02 (181) 2022 07 02 (260) AM 2012 63119 A (220) 2011 07 07 (732) WORLD MEDICINE LIMITED	(111) M 2012 022738 R (151) 2012 07 02 (181) 2022 07 02 (260) AM 2012 63298 A (220) 2011 07 19 (732) Reckitt & Colman (Overseas) Limited Dansom Lane, Hull, HU8 7DS, United Kingdom
	(111) M 2012 022739 R (151) 2012 07 02 (181) 2022 07 02

(260) AM 2012 63376 A
(220) 2011 07 25
(732) S/s "TBILISIS TAMBAQO"
G. Nadareishvilis q. N5, 0120, Tbilisi,
Georgia

(111) M 2012 022740 R
(151) 2012 07 02
(181) 2022 07 02
(260) AM 2012 63437 A
(220) 2011 07 27
(732) NOVARTIS AG
4002 Basel, Switzerland

(111) M 2012 022741 R
(151) 2012 07 02
(181) 2022 07 02
(260) AM 2012 63530 A
(220) 2011 08 03
(732) AIRONVUD FARMASIUTIKALZ, INK.
301 bini strit, kembriji, masachusetsi 02142,
USA

(111) M 2012 022742 R
(151) 2012 07 02
(181) 2022 07 02
(260) AM 2012 63592 A
(220) 2011 08 09
(732) LTD "AVERSI-FARMA"
Davit Agmasheneblis gamz., 148/2, 0112,
Tbilisi, Georgia

(111) M 2012 022743 R
(151) 2012 07 02
(181) 2022 07 02
(260) AM 2012 63593 A
(220) 2011 08 09
(732) LTD "AVERSI-FARMA"
Davit Agmasheneblis gamz., 148/2, 0112,
Tbilisi, Georgia

(111) M 2012 022744 R
(151) 2012 07 02
(181) 2022 07 02
(260) AM 2012 63602 A
(220) 2011 08 09
(732) PHILIP MORRIS PRODUCTS S. A.
Quai Jeanrenaud 3, CH-2000 Neuchatel,
Switzerland

TRADEMARKS REGISTERED ACCORDING TO THE ACCELERATED PROCEDURE

To file an appeal on request of the registration cancelling is possible at Chamber of Appeal of Sakpatenti within 3 months from the publication.

(111) M 2012 22682 R
(151) 2012 06 25
(181) 2022 06 25
(210) AM 067605
(220) 2012 06 08
(732) LTD "MEDJGUFU"
Kostavas 67a, 0171, Tbilisi, Georgia
(740) Koba Javakhishvili
(540)

BIOLI

(591) Black, white
(511) 44

(111) M 2012 22683 R
(151) 2012 06 28
(181) 2022 06 28
(210) AM 067358
(220) 2012 05 17
(732) DAVID BERIDZE
Griboedovis k. 30, 0105, Tbilisi, Georgia
(540)

იმედი
IMEDI

(591) Black, white
(511) 36

(111) M 2012 22745 R
(151) 2012 07 03
(181) 2022 0703
(210) AM 067561
(220) 2012 06 05
(310) 52425/2012
(320) 2012 02 29
(330) CH
(732) JAPAN TOBACCO INC.
2-2-1, Toranomom, Minato-ku, Tokyo, Japan
(740) Shalva Gvaramadze
(540)

FREEDOM SNOWFEST

(591) Black, white
(511) 39, 41

(111) M 2012 22746 R
(151) 2012 07 03
(181) 2022 0703
(210) AM 067562
(220) 2012 06 05
(310) 54591/2012
(320) 2012 04 17
(330) CH
(732) JAPAN TOBACCO INC.
2-2-1, Toranomom, Minato-ku, Tokyo, Japan
(740) Shalva Gvaramadze
(540)



(591) Blue, light blue, dark blue, silver, white, black
(531) 01.15.09-03.07.16-27.05.03-29.01.14-
(511) 39, 41

(111) M 2012 22747 R
(151) 2012 07 03
(181) 2022 0703
(210) AM 067688
(220) 2012 06 15
(732) LTD "HETLINE INTERNATIONAL"
Eristavis q.1, gldani nadzaladevis raioni,
0179, Tbilisi, Georgia
(540)



(591) Black, blue, green, yellow, red
(531) 26.11.09-27.05.05-29.01.15-
(511) 35

INTERNATIONAL TRADEMARKS LAID OPEN FOR THE PURPOSE OF TAKING PROTECTION GRANTING DECISIONS

To appeal a decision is possible at Chamber of Appeal of Sakpatenti within 3 months from the publication or at The Board of Administrative Actions of Tbilisi City Court within 1 month period. (Address: 12 km., №6, David Aghmashenebeli Kheivani, Tbilisi).

(260) AM 2012 62580 A

(800) 1074987

(731) SOCIETE EUROPEENNE DE

CARDIOLOGIE

2035 route des Colles, Les Templiers - BP

179, F-06903 SOPHIA ANTIPOLIS, France

(540)

EuroPrevent Congress

(591) Black, white

(511)

35 – Advertising; business administration; direct mail advertising; arranging newspaper subscriptions for others; computerized file management; organization of exhibitions for commercial or advertising purposes; on-line advertising on a computer network; publication of publicity texts; dissemination of advertising matter; public relations.

38 – Information about telecommunication; providing user access to a global computer network; providing telecommunications connections to a global computer network; news agencies; electronic messaging.

41 – Education; providing of training; information on entertainment or education; publication of books; organization of competitions (education or entertainment); arranging and conducting of colloquiums, conferences or congresses; organization of exhibitions for cultural or educational purposes; publication of electronic books and journals online.

42 – Evaluations, estimates and research in the scientific and technological fields provided by engineers; design and development of computers and software; development (design), installation, maintenance, updating or rental of software; data conversion of computer programs and data [not physical conversion]; conversion of documents from a physical to an electronic medium; scientific research for medical purposes.

(260) AM 2012 62672 A

(800) 1075926

(731) MERKAS TEKSTİL SANAYİ VE

TİCARET ANONİM ŞİRKETİ

İstiklal Mahallesi Barış Manço, Caddesi No:

1/D Kat: 3 Kiraç, Esenyurt/Istanbul, Turkey

(540)



(591) Black, white

(511)

24 – Textiles and textile goods, not included in other classes; bed and table covers.

(260) AM 2012 62677 A

(800) 918385

(731) CONTINENTAL REIFEN DEUTSCHLAND

GMBH

Vahrenwalder Str. 9, 30165 Hannover,

Germany

(540)

CONTITECH

(591) Black, white

(511)

6 – Metal building materials; metal materials for railway engineering; metal cables and wires (not for electrical purposes); ironmongery and small items of metal hardware; metal pipes and flexible tubes; metal hose and pipe connectors; metal hose and pipe couplings, mountings as included in this class; metal conduits for ventilation and air-conditioning systems; metal goods as included in this class.

7 – Machines and machine tools; engines (excluding engines for land vehicles); engine components for all types of engines; pneumatic drives for machines and engines; driving belts, straps, v-belts, multi-rib belts, toothed belts, synchronous belts, burl belts, double toothed belts, flat straps, stroke belts (machine parts), pumping belts, transportation straps, conveyor belts and conveyor straps; parts and accessories for driving belts, conveyors, transportation straps, conveyor belts, conveyors included in this class; transportation belts for moving people included in this class; pulleys (machine parts); machine parts, namely springs, pneumatic springs, shock absorber pistons, vibration dampers; pressure cylinders; bellows cylinders; shaped rubber and rubber-metal parts for oscillation dampers and power transmissions, included in this class; engine bearings, hydraulic bearings, rotational vibration attenuators; valves (machine parts); flexible couplings (connections) not for land vehicles; shaft cou-

plings not for land vehicles; shaft couplings (machines).

9 – Scientific, nautical, surveying, photographic, cinematographic, optical, weighing, measuring, signalling, checking (supervision), life-saving and teaching apparatus and instruments, included in this class; measuring devices and measuring instruments; apparatuses and instruments for conducting, switching, converting, storing, regulating and controlling electrical current; electrical fuses, electrical relays, transponders; sensors; magnetic, electronic and optical recording carriers (excluded unexposed films); magnetic cards; cards with integrated circuits (smartcards), phone cards; data processing devices and computers; stored computer programs and software; rescue equipment, namely rescue rafts, rescue canvases, rescue rings, life buoys, life jackets.

16 – Printed matter, printers' type, printing blocks, printing blankets not made of textiles; printing blankets made of rubber and plastic; parts and accessories for the aforementioned goods, included in this class; paper, cardboard (carton) and goods made from these materials, included in this class; atlases, calendars, geographic maps, publications (written), ball pens and pencils, pennants and flags (of paper), paper serviettes, bookbinding articles; photographs; stationery; adhesives for stationery or household purposes; artists' materials; typewriters and office requisites (except furniture); instructional and teaching material (except machinery), including textbooks, magazines, repair and/or user instructions; plastic packaging materials, included in this class.

17 – Natural rubber, gutta-percha, rubber, asbestos, mica and articles made from it, included in this class; plastic articles (semi-finished); sealing, packing and insulation material; hoses (not of metal); hose connections (not of metal); mountings for pipes (not of metal); rubber compensators; pipe sealants; sealing sleeves, sealing rings, membranes (included in this class); rubber pads (shock absorbers); valves made of rubber and rubber substitutes; rubber sheeting and rubber sleeves for protecting machine parts; mats made of rubber and rubber substitutes for vibration and shock absorption in track laying; oil absorption mats in rubber and rubber substitutes; rubber valves; profiles made of rubber and plastic for sunroof, door, window, engine compartment sealing, included in this class; upholstery material of rubber or plastic; plastic sheeting (except for packing purposes) including sheeting for sealing and insulation purposes, roof and pond sheeting; bellows, passageway bellows of rubber or plastic for airport passenger bridges; parts and accessories for all aforementioned goods included in this class.

(260) AM 2012 62678 A
(800) 933737
(731) MATEST Systemtechnik GmbH
Ulrichstr. 23, 72116 Mössingen, Germany
(540)

RAPID STAT

(591) Black, white
(511)
5 – Reagent test strips for the detection of drugs in saliva; chemical and medical drug test sets for medical purposes; pharmaceutical and veterinary medical products; sanitary products for medical purposes; dietetic products for medical purposes, baby food; plasters, material for dressings; material for filling teeth and casting compounds for dental purposes; disinfectants; preparations for destroying vermin; fungicides, herbicides.
9 – Scientific, nautical, surveying, photographic, cinematographic, optical, weighing, measuring, signalling, monitoring, life-saving and teaching apparatus and instruments; apparatus and instruments for conducting, switching, transforming, storing, regulating or controlling electricity; electrical apparatus and instruments if contained in this class, apparatus for recording, transmission and reproduction of sound or images; magnetic data carriers, recording discs; automatic vending machines and mechanisms for coin-operated apparatus; cash registers, calculating machines, data processing equipment and computers; software if contained in this class; fire-extinguishing apparatus.

(260) AM 2012 62915 A
(800) 1077634
(731) BELLICON AG
Schlossberg 5, CH-5454 Bellikon,
Switzerland
(540)

RELAXOLIN

(591) Black, white
(511)
20 – Cushions, seat cushions, pillows, bean bags (poufs).

(260) AM 2012 62916 A
(800) 1077662
(731) Apple Inc.
1 Infinite Loop, Cupertino, CA 95014, USA
(540)

EXPRESS LANE

(591) Black, white
(511)
37 – Installation, repair, maintenance and servicing of computers and of electronic, electromechanical,

optical, magnetic and electrical equipment for use with computers; repair and maintenance services via computer network or the Internet, or over a telecommunications network; repair and maintenance of multimedia apparatus; information relating to installation, maintenance, repair, servicing and upgrading of computer hardware, transmitted through mailshots, e-mail updates, e-mail support notices, and over telecommunications networks; installation, maintenance, repair and servicing of computer hardware, computer peripheral devices, photographic, apparatus and equipment, apparatus and equipment for recording and/or reproducing sound and/or images, and telecommunications apparatus and equipment; computer installation services; computer maintenance services; computer repair services; advisory, information and consultancy services relating to the aforesaid.

42 – Technical support services, namely troubleshooting of computer hardware and software problems; web-based test and diagnosis services by using resources and tools for computer software and computer hardware provided on-line and over telecommunications networks.

(260) AM 2012 62917 A

(800) 1077686

(731) ODINTSOVO CONFECTIONERY PLANT LTD

20, Maliye Vyazemy, Odintsovo District,
RU-143040 Moscow Region, Russian
Federation

(540)

Коркунов

(591) Black, white

(511)

30 - Aromatic preparations for food; flavorings for beverages, other than essential oils; star aniseed; cookies; pancakes; buns; bread rolls; vanillin (vanilla substitute); vanilla (flavoring); waffles; vermicelli (noodles); coffee flavorings; natural sweeteners; sausage binding materials; binding agents for ice cream (edible ices); sea water for cooking; glucose for food; mustard; yeast; thickening agents for cooking foodstuffs; rice-based snack food; cereal-based snack food; artificial coffee; vegetal preparations for use as coffee substitutes; confectionery; confectionery for decorating Christmas trees; jellies (confectionery); cakes; flour confectionery; peanut confectionery; almond confectionery; pasta; pasty; frozen yoghurt; cocoa; cocoa products; capers; caramels (candy); gruel, with a milk base, for food; quiches; gluten for food; candies; liquorice (confectionery); peppermint sweets; coffee; unroasted coffee; starch for food; crackers; crushed barley; hominy grits; milled corn;

roasted corn; meat pies; turmeric for food; couscous (semolina); farinaceous foods; noodles; ice for refreshment; ice, natural or artificial; edible ices; candy for food; rice cakes; maltose; hominy; marzipan; custard; honey; royal jelly for human consumption, not for medical purposes; ice cream; sherbets (ices); flour; muesli; mint for confectionery; cocoa beverages with milk; coffee beverages with milk; coffee-based beverages; tea-based beverages; chocolate beverages with milk; chocolate-based beverages; cocoa-based beverages; infusions, not medicinal; crushed oats; husked oats; nutmegs; lozenges (confectionery); golden syrup; pepper; petits fours (cakes); biscuits; pies; pizzas; fondants (confectionery); popcorn; powders for ice cream; pralines; condiments; meat tenderizers, for household purposes; cereal preparations; flour-milling products; oat-based food; propolis (bee glue) for human consumption; gingerbread; spices; puddings; cake powder; ravioli; chewing gum, not for medical purposes; rice; spring rolls; sugar; aniseed; cake paste; sweetmeats; malt for human consumption; baking soda (bicarbonate of soda for cooking purposes); salt for preserving foodstuffs; cooking salt; celery salt; spaghetti; seasonings; preparations for stiffening whipped cream; rusks; breadcrumbs; sushi; sandwiches; yeast in pill form, not for medical use; tacos; tapioca; soya bean paste (condiment); almond paste; tortillas; tarts; garden herbs, preserved (seasonings); edible decorations for cakes; vinegar; ferments for pastes; halvah; bread; unleavened bread; corn flakes; chicory (coffee substitute); tea; iced tea; chocolate; malt extract for food; essences for foodstuffs, except etheric essences and essential oils.

35 – Export-import agencies; commercial information agencies; advertising agencies; cost price analysis; renting of areas for advertising offerings; audit; employment agencies; management of automated databases; management of account books; issuing of bills; business examination; demonstration of goods; compiling of written messages; public opinion study; market study; business information; information and commercial advices provided for consumers; studies conducted in the business area; studies conducted in the marketing area; recruitment of personnel; consultations in the area of business organization and management; consultations in the area of personnel; consultations in the area of business organization; consultations in the area of business management; professional consultations in the area of business; layout services for advertising purposes; management in the sphere of creative business; news clipping services; updating of advertising material; text processing; secretary services; stenographic services; organization of exhibitions for commercial and advertising purposes; arranging subscription to newspapers (for third parties); organization of trade exhibitions for

commercial and advertising purposes; shop window design; commercial activity estimation; standing timber estimation; wool estimation; preparation of purchasing documents; information search in computer files (for third parties); sponsorship search; assistance in business management; assistance in the management of commercial or industrial enterprises; presentation of goods on all media services for retail trade; economical forecasting; auction trade; promotion of goods (for third parties); rental of office equipment and instrument; rental of advertising time in media; rental of advertising material; rental of commercial machines; rental of photocopying equipment; publication of advertising texts; typewriting services; radio advertising; bill-posting; distribution of samples; distribution of advertising materials; advertising texts editing; advertising; interactive advertising in the computer network; mail advertising; advertising on television; reproduction of documents; collection of information in computer databases; business operations data; systematization of information in computer databases; tax statement compiling; compiling of account reports; compiling of advertising headings in newspapers; psychological testing for the selection of personnel; hotel management; commercial licenses management of goods and services for third parties; management of the processing of orders for purchasing; services in the sphere of public relations; services of models for advertising or promotion of goods; services in the sphere of enterprises removals; services in the sphere of the prices comparison; services of supply for the third parties (purchase of goods and services for enterprises); subcontract services (commercial management); telephone answering for unavailable subscribers; photocopying.

(260) AM 2012 62918 A
 (800) 1077702
 (731) BOSUN TOOLS CO., LTD
 10, Haihe Dao, Gaoxin Jishu Kaifaqu,
 Shijiazhuang, 050035 Hebei, China

(540)

BOSUN

(591) Black, white
 (511)
 7 – Saw benches (parts of machines); grindstones (parts of machines); drilling bits (parts of machines); fret saw blades (parts of machines); electric hand drills; cutting machines; corner buffing machines; electric portable drills (excluding electric coal borer).

(260) AM 2012 62919 A
 (800) 1077724
 (731) Chanel SARL
 Burgstrasse 26, CH-8750 Glarus, Switzerland
 (540)

MISIA

(591) Black, white
 (511)
 3 – Products for care of the skin, scalp, hair or nails; products for applying on the skin, scalp, hair or nails; soap, perfumery, essential oils, cosmetics; toiletries (non medicated).

(260) AM 2012 62999 A
 (800) 1078448
 (731) PETROSSIAN SA
 8 Boulevard de la Tour Maubourg, F-75007
 PARIS, France

(540)

LOSANGE

(591) Black, white
 (511)
 29 – Meat, fish, caviar, tarama, preserved fish, salted fish, canned fish; fish spawn prepared and preserved; foods prepared from fish; poultry and game; canned meat; meat extracts; foie gras; preserved, frozen, dried and cooked fruits and vegetables; gherkins; vegetable juices for cooking; truffle juice, preserved truffles, truffle purée; prepared soups canned; jellies, jams, compotes; eggs, milk and milk products; edible oils and fats; prepared dishes, namely tzatziki, ktipiti (spicy cheese spread), jajik, hummus, tapenade.
 30 – Coffee, tea, cocoa, sugar, rice, tapioca, sago, artificial coffee; flour and preparations made from cereals, bread, pastry and confectionery, ices; blinis; chocolate; honey, treacle; yeast, baking-powder; salt, mustard; vinegar, sauces [condiments]; sauces made with truffles; spices; ice for refreshment.
 33 – Alcoholic beverages, except beer.

(260) AM 2012 63000 A
 (800) 1078453
 (731) JANSSEN PHARMACEUTICA NV
 Turnhoutseweg 30, B-2340 Beerse, Belgium
 (540)

MOTIVYST

(591) Black, white
 (511)
 5 – Human pharmaceuticals.

(260) AM 2012 63001 A
 (800) 1078454
 (731) JANSSEN PHARMACEUTICA NV
 Turnhoutseweg 30, B-2340 Beerse, Belgium
 (540)

PROMINAD

(591) Black, white
 (511)
 5 – Human pharmaceuticals.

(260) AM 2012 63004 A
 (800) 1078463
 (731) PUBLICHNE AKTSIONERNE
 TOVARYSTVO "KHARKIVSKA
 BISKVITNA FABRYKA"
 vul. Lozivska, 8, Kharkiv 61017, Ukraine
 (540)

Государев фундук

(591) Black, white
 (511)
 30 – Sponge cakes; cookies; buns; waffles; confectionery; pastries; confectionery for decorating Christmas trees; fruit jellies (confectionery); cakes; pies; cocoa products; caramels (candy); sweetmeats (candy); liquorice (confectionery); peppermint sweets; crackers; candy for food; marzipan; custard; pastilles (confectionery); lozenges (confectionery); petits fours (cakes); biscuits; fondants (confectionery); popcorn; pralines; gingerbread; puddings; sweet paste for cakes, pies, cookies, buns, gingerbread, puddings; sweets (confectionery); rusks; sandwiches; tarts; edible decorations for cakes; halvah; chips from cereal products; chocolate; all the mentioned goods with hazelnut additives, hazelnut flavour or taste.

(260) AM 2012 63005 A
 (800) 1078505
 (731) OBSHESTVO S OGRANICHENNOY
 OTVETSTVENNOSTYU
 "SPLAT-SOSMETISA"
 ul. Stromynka, dom 19, korp. 2, RU-107076
 Moscow, Russian Federation
 (540)

Your excellent smile

(591) Black, white
 (511)
 3 – after-shave lotions; antiperspirants (toiletries); aromatics (essential oils); astringents for cosmetic purposes; bath salts, not for medical purposes; beauty masks; breath freshening sprays; cosmetic creams; cosmetic preparations for baths; cosmetic preparations for skin care; cosmetics; cotton sticks

for cosmetic purposes; cotton wool for cosmetic purposes; creams for leather; degreasers other than for use in manufacturing processes; dentifrices; denture polishes; deodorant soap; deodorants for personal use; depilatories; detergents other than for use in manufacturing operations and for medical purposes; disinfectant soap; essential oils; furbishing preparations; greases for cosmetic purposes; hair colorants; hair lotions; hair spray; leather preservatives (polishes); lipsticks; lotions for cosmetic purposes; medicated soap; mouth washes, not for medical purposes; musk (perfumery); nail polish; oils for cleaning purposes; oils for cosmetic purposes; oils for toilet purposes; perfumery; perfumes; petroleum jelly for cosmetic purposes; polishing creams; preparations for cleaning dentures; scouring solutions; shampoos; skin whitening creams; soap; tissues impregnated with cosmetic lotions; toilet water; toiletries.

5 – adjuvants for medical purposes; air freshening preparations; air purifying preparations; antiseptic cotton; antiseptics; bath preparations, medicated; belts for sanitary napkins (towels); candy for medical purposes; candy, medicated; chemical contraceptives; chemical preparations for the diagnosis of pregnancy; chewing gum for medical purposes; dental lacquer; dental mastics; diabetic bread; dietetic beverages adapted for medical purposes; dietetic foods adapted for medical purposes; dietetic substances adapted for medical use; digestives for pharmaceutical purposes; disinfectants for hygiene purposes; food for babies; gauze for dressings; glucose for medical purposes; gum for medical purposes; haematogen; haemoglobin; liniments; medicinal hair growth preparations; medicinal oils; menstruation bandages; menstruation tampons; menthol; mineral food-supplements; mineral water for medical purposes; mint for pharmaceutical purposes; mouthwashes for medical purposes; nervines; nutritional additives for medical purposes; nutritive substances for microorganisms; panty liners (sanitary); pharmaceutical preparations for skin care; pharmaceutical preparations for treating dandruff; pomades for medical purposes; preparations to facilitate teething; remedies for perspiration; rubber for dental purposes; salts for mineral water baths; sanitary napkins; sanitary panties; starch for dietetic or pharmaceutical purposes; therapeutic preparations for the bath; thermal water; tissues impregnated with pharmaceutical lotions; tonics (medicines); vitamin preparations.

21 – abrasive sponges for scrubbing the skin; sponges for household purposes; deodorising apparatus for personal use; brush goods; shaving brushes; polishing materials for making shiny, except preparations, paper and stone; floss for dental purposes; cosmetic utensils; toilet utensils; appliances for removing make-up, non-electric; combs;

electric combs; aerosol dispensers, not for medical purposes; water apparatus for cleaning teeth and gums; scrubbing brushes; toothbrushes; toothbrushes, electric; electric brushes, except parts of machines; brushes; eyebrow brushes; nail brushes.

(260) AM 2012 63007 A
(800) 1078673
(731) MBG International Premium Brands GmbH
Oberes Feld 13, 33106 Paderborn, Germany
(540)

Салитос

(591) Black, white
(511)
32 – Non-alcoholic drinks; beers.
33 – Alcoholic beverages (except beers).
43 – Services for providing food and drink.

(260) AM 2012 63013 A
(800) 1078676
(731) JAPAN TOBACCO INC.
2-2-1, Toranomon, Minato-ku Tokyo
105-8422, Japan
(540)

MEVIUS

(591) Black, white
(511)
34 – Tobacco; smokers' articles; matches.

(260) AM 2012 63022 A
(800) 1078692
(731) ZAKRITOE AKTSIONERNOE
OBSHESTVO "KONDITERSKAYA
FABRIKA "SLAVYANKA"
ul. Oktiabrskaya, d.20, RU-309530 Stari
Oskol, Region de Belgorod, Russian
Federation
(540)

лель

(591) Black, white
(511)
30 – Sweetmeats; caramels [candy]; fondants [confectionery]; chocolate; pastries.

(260) AM 2012 63023 A
(800) 1078699
(731) JANSSEN PHARMACEUTICA NV
Turnhoutseweg 30, B-2340 BEERSE,
Belgium
(540)

NIVIQA

(591) Black, white
(511)
5 – Human pharmaceutical preparations, other than in the form of creams and ointments, for the treatment of metabolic diseases, diabetes, cardiovascular diseases, central nervous system diseases, pain, infectious diseases, cancer and viruses.

(260) AM 2012 63026 A
(800) 1078705
(731) BAYER AKTIENGESELLSCHAFT
Kaiser-Wilhelm-Allee, 51373 Leverkusen,
Germany
(540)

SAFYRAL

(591) Black, white
(511)
5 – Hormonal contraceptives.

(260) AM 2012 63027 A
(800) 1078706
(731) BAYER AKTIENGESELLSCHAFT
Kaiser-Wilhelm-Allee, 51373 Leverkusen,
Germany
(540)

BEYASMIN

(591) Black, white
(511)
5 – Pharmaceutical preparations; hormonal preparations.

(260) AM 2012 63028 A
(800) 1078707
(731) BAYER AKTIENGESELLSCHAFT
Kaiser-Wilhelm-Allee, 51373 Leverkusen,
Germany
(540)

BEYAZ

(591) Black, white
(511)
5 – Pharmaceutical preparations; hormonal preparations.

(260) AM 2012 63171 A
(800) 935517
(731) Boehringer Ingelheim International GmbH
55218 Ingelheim, Germany
(540)

TRAJENTA

(591) Black, white
(511)
5 – Pharmaceutical preparations.

(260) AM 2012 63173 A
 (800) 972771
 (731) TAIKO PHARMACEUTICAL CO., LTD.
 3-34-14, Uchihonmachi, Suita-shi Osaka
 564-0032, Japan
 (540)

Cleverin

(591) Black, white
 (511)
 5 – Veterinary and sanitary preparations; oiled paper for medical purposes; sanitary masks; gauze for dressings; eyepatches for medical purposes; ear bandages; menstruation bandages; menstruation tampons; sanitary napkins; sanitary panties; absorbent cotton; adhesive plasters; bandages for dressings; breast-nursing pads; dental materials; bracelets for medical purposes; incontinence diapers; fly catching paper; mothproofing paper; lactose (milk sugar); lacteal flour (for babies); semen for artificial insemination.

(260) AM 2012 63174 A
 (800) 1008813
 (731) ZOUND INDUSTRIES INTERNATIONAL
 AB
 Torsgatan 2, 1tr, SE-111 23 Stockholm,
 Sweden
 (540)

urbanears

(591) Black, white
 (511)
 9 – Headphones; bags and backpacks for portable computers.
 18 – Bags and backpacks.
 25 – Clothes.

(260) AM 2012 63176 A
 (800) 1010760
 (731) PZ CUSSONS POLSKA S.A.
 ul. Chocimska 17, PL-00-791 Warszawa,
 Poland
 (540)

Kokosal

(591) Black, white
 (511)
 3 – Cosmetics; cosmetic preparations; perfumery; perfumes; eau de toilette and eau de Cologne; shaving and after shave cosmetic preparations, shaving foams, creams and soaps, after shave balsams; cosmetic creams, foams for cosmetic purposes, talcum powder for toilet use, emulsions for cosmetic purposes, lotions for cosmetic purposes, tonic lotions, gels for cosmetic purposes, cleansing milks, oils for cosmetic purposes, skin

balsams; soaps; liquid soaps, disinfecting soaps, deodorising soaps, medicinal soaps, antiperspirant soaps, toilet soaps, soaps containing peeling and/or massage ingredients, antiperspirant soaps for feet; preparations for washing and bathing; shower lotions, gels, creams, foams and milks; bathing lotions, gels, creams, foams and milks; body care preparations; preparations for washing hair, hair care and protection, hair dyes and sprays, hair styling preparations, shampoos, hair conditioners, anti-dandruff preparations; skin cleansing preparations, skin cleansing antibacterial preparations; essential oils; deodorants and antiperspirants; preparations for intimate hygiene, not for medical purposes; breath fresheners; makeup and makeup removal preparations; preparations for care, makeup and protection of lips, eyelashes, eyebrows, nails; nail polish removal preparations, nail conditioners; sunbathing preparations and preparations protecting against UV; self tanning preparations; depilatory preparations; makeup powders, after bath powders, hygienic powders, for toilet use; cosmetic lotion soaked tissues; preparations for tooth and oral cavity care, not for medical purposes; toiletries; decorative transfers for cosmetic purposes, nail tips, false eyelashes, false nails; household chemicals; preparations for cleaning, polishing, scouring and abrasive preparations; preparations for cleaning, polishing, scouring and abrasive preparations for household purposes; milks, gels, fluids and powders for cleaning and polishing; detergents; abrasives; laundry preparations; powders, fluids and soaps for laundry; laundry concentrates; washing fluids; rinsing fluids for textiles, rinsing concentrates for textiles; anti-static preparations for household purposes; softening preparations for textiles; starch, starching preparations; soaking preparations for textiles; preparations for scouring; colour refreshing chemical preparations for household purposes, soaps for brightening textile colours; bleaching laundry preparations; colour removing preparations; degreasing preparations; stain removing preparations; scale removers for household purposes; preparations for washing, cleaning and conservation of leather; preparations for cleaning of glass, window panes and mirrors.

5 – Medical preparations having cosmetic properties; medical creams, foams, emulsions, lotions, gels, oils and balsams; pharmaceutical preparations for treating dandruff; bathing salts for medical use; medical baths; deodorants other than for personal use; disinfectants for hygiene purposes; air freshening agents, insect repellents; fungicides.

(260) AM 2012 63177 A
 (800) 1013303
 (731) Zound Industries International AB
 Torsgatan 2, 1tr, SE-111 23 Stockholm,
 Sweden

(540)

coloud

(591) Black, white
(511)
9 – Headphones.
18 – Sports bags.

(260) AM 2012 63178 A

(800) 1054994

(731) TONG CONG TY CO PHAN BIA-RUOU-
NUOC GIAI KHAT SAI GON (SAIGON
BEER-ALCOHOLBEVERAGE
CORPORATION)

So 6 Hai Ba Trung, phuong Ben Nghe,
quan 1, thanh pho Ho Chi Minh, Viet Nam

(540)



(591) Green, grey, red, golden, black and white
(511)
32 – Beer.

(260) AM 2012 63179 A

(800) 1059483

(731) F. Hoffmann-La Roche AG
Grenzacherstrasse 124, CH-4070 Basel,
Switzerland

(540)

BRAFYTE

(591) Black, white
(511)
5 – Pharmaceutical preparations.

(260) AM 2012 63180 A

(800) 1059635

(731) FARREL LIMITED
P.O. Box 27, Queensway, Castleton
Rochdale, Lancashire OL11 2PF,
United Kingdom

(540)

INTERMIX

(591) Black, white
(511)
7 – Mixing machines for use in the rubber and
plastics industries.

(260) AM 2012 63363 A

(800) 1082067

(731) THE ABSOLUT COMPANY AKTIEBOLAG
SE-117 97 Stockholm, Sweden

(540)



(591) White, black and grey
(511)
33 – Alcoholic beverages (except beers).

(260) AM 2012 63849 A

(800) 1086190

(731) BLUE STEEL S.r.l.
Via Quintino Sella, 23/A I-43126 PARMA,
Italy

(540)



(591) Black, white
(511)
19 – Blocks made from natural stones; natural stones (not precious); silice stones; stones; worked natural stones; rocks (natural); all the above products being not for building purposes, not included in other classes.

35 – Wholesaling and retailing of ferroalloy raw materials and refractory materials for use in the steel and glass industries.

40 – Stone crushing.

(260) AM 2012 63854 A

(800) 967996

(731) YİĞİT AKÜ MALZEMELERİ NAKLİYAT
TURİZM İNŞAAT SANAYİ VE TİCARET
ANONİM ŞİRKETİ
Organize Sanayi Bölgesi, Türkmenistan
Caddesi No. 27, Sincan - Ankara, Turkey

(540)



(591) black and red
(511)
9 – Accumulators.

(260) AM 2012 63855 A
 (800) 1018996
 (731) ASTRAZENECA AB
 Västra Mälarehamnen 9, SE-151 85
 Södertälje, Sweden
 (540)

AXANUM

(591) Black, white
 (511)
 5 – Pharmaceutical preparations for the treatment of gastrointestinal and cardiovascular ailments.

(260) AM 2012 63885 A
 (800) 1086378
 (731) RIEDEL COMMUNICATIONS
 INTERNATIONAL GMBH
 Uellendahler Str. 353, 42109 Wuppertal,
 Germany
 (540)



(591) Black, white
 (511)
 9 – Telecommunications apparatus, signalling and checking (supervision) apparatus and instruments, except integrated circuits; apparatus for recording, transmission or reproduction of sound or images; data-processing equipment and computers.

38 - Telecommunications, rental of telecommunications apparatus.

(260) AM 2012 63886 A
 (800) 1086380
 (731) GALENIKA A.D.
 Batajnički drum bb 11080 ZEMUN-
 BEOGRAD, Serbia
 (540)



(591) Black, white
 (511)
 1 – Chemical products for use in industry, science, photography, agriculture and forestry; unprocessed artificial resins, unprocessed plastics; fertilizers; fire extinguishing compositions; tempering and soldering preparations; chemical substances for preserving foodstuffs; tanning substances; adhesives for industrial purposes.

10 – Surgical, medical, dental and veterinary apparatus and instruments, artificial limbs, eyes and teeth; orthopedic articles; suture materials.

(260) AM 2012 63914 A
 (800) 1086713
 (731) Gionee Communication Equipment Co., Ltd.
 Shenzhen
 21/F Times Technology Building, No. 7028
 Avenue Shennan, Futian District 518040
 Shenzhen, China

(540)

GIONEE

(591) Black, white
 (511)
 9 – Portable telephones; telephone apparatus; fibre (fiber (Am.) optic cables; radiotelegraphy sets; navigation apparatus for vehicles (on-board computers); walkie-talkies; video telephones; galvanic cells; battery chargers; solar batteries.

(260) AM 2012 63915 A
 (800) 1086733
 (731) RECORDATI IRELAND LIMITED
 Raheens East Ringaskiddy, County Cork,
 Ireland
 (540)

ЛОМЕКСИН

(591) Black, white
 (511)
 5 – Pharmaceutical products and preparations having antimycotic activity.

(260) AM 2012 63916 A
 (800) 1086839
 (731) KRONOPLUS TECHNICAL AG
 Rütihofstrasse 1, CH-9052 Niederteufen,
 Switzerland
 (540)



**KASTAMONU
 OSB PREMIUM**

(591) Black, white
 (511)
 17 – Rubber, gutta-percha, gum, asbestos, mica and goods made from these materials and not included in other classes; plastics in extruded form for use in manufacture; packing, stopping and insulating materials; flexible tubes, not of metal.
 19 – Building materials, not of metal; rigid pipes, not of metal, for building; asphalt, pitch and bitumen; buildings, transportable, not of metal; monuments, not of metal.
 27 – Carpets, rugs, mats and matting, linoleum and other materials for covering existing floors; wall hangings, not of textile.

(260) AM 2012 63917 A
 (800) 1086867
 (731) GUANGDONG HENGDA NEW MATERIALS TECHNOLOGY CO., LTD.
 Dutian Industrial Zone, Longfeng, Huizhou
 Guangdong, China

(540)

Kafuter

(591) Black, white
 (511)
 1 – Adhesives for industrial purposes; cement for boots and shoes; mastic for leather; plastisols; tyre repairing compositions; polyurethane; polychloroprene; polyvinyl acetate emulsion; curing agent; silicones.

(260) AM 2012 63918 A
 (800) 1086912
 (731) GAULME
 325, rue Saint Martin, F-75003 PARIS,
 France

(540)



(591) Red
 (511)
 3 – Soap; perfumery, perfumes, eaux de toilette, eau de parfum, essential oils, cosmetics, cosmetic sun-tanning preparations, cosmetics for eyelashes, cosmetics for eyebrows, cosmetics for the eyes, cosmetics for the lips, cosmetic preparations for the skin, non-medical skin-care preparations; hair lotions, dentifrices, deodorants for personal use, cosmetic milk, talcum powder, cosmetic body oils, body cream not for medical use, make-up preparations, shaving preparations, shaving foam, shaving gels, after-shave lotions, shaving soaps, cosmetic sets, shampoos; bath oils and salts, bath lotions for non-medical use.

(260) AM 2012 63920 A
 (800) 1086922
 (731) UNITED NATIONAL INVESTMENTS COMPANY INC.
 Trident Chambers, P.O. Box 146, Road
 Town, Tortola, British Virgin Islands

(540)



(591) Red, white and black.
 (511)
 32 – Aperitifs, non-alcoholic; waters; kvass (non-alcoholic beverages); cocktails, non-alcoholic, including energy cocktails; lemonades; non-alcoholic beverages; non-alcoholic fruit juice beverages; milk of almonds (beverage); orgeat; beer; beer-based cocktails; sarsaparilla (soft drink); vegetable juices (beverages); fruit juices; sherbets (beverages).

33 – Aperitifs; arak; brandy; wine; whisky; vodka; gin; cocktails, including energy cocktails; liqueurs; alcoholic beverages, except beer; rum; sake; ciders.

(260) AM 2012 63921 A
 (800) 1086958
 (731) DUNSMUR HOLDINGS LIMITED
 El Greco House, 1st floor, Flat/Office 104,
 CY-1066 Nicosia, Cyprus

(540)



(591) Black, white
 (511)
 33 – Alcoholic beverages (except beers), including: vodka, vodka special.

(260) AM 2012 63922 A
 (800) 1086996
 (731) ZAKRITOE AKTSIONERNOE OBSHESTVO "KONDITERSKAYA FABRIKA "SLAVYANKA"
 ul. Oktiabrskaya, d.20, Stari Oskol,
 RU-309514 Region de Belgorod,
 Russian Federation

(540)

БУКЕТ ЛЮБВИ

(591) Black, white
 (511)
 30 – Pastry, including flour-based pastries; chocolate; candy, including dragees; caramels [candy]; pralines; fondants [confectionery]; waffles; biscuits and cookies.

(260) AM 2012 63923 A

(800) 1086997

(731) ZAKRITOE AKTSIONERNOE
OBSHESTVO "KONDITERSKAYA
FABRIKA "SLAVYANKA"
ul. Oktiabrskaya, d.20, Stari Oskol,
RU-309514 Region de Belgorod,
Russian Federation

(540)

**ДЕТСКИЙ
СУВЕНИР**

(591) Black, white

(511)

30 – Pastry, including flour-based pastries; chocolate; candy, including dragees; caramels [candy]; pralines; fondants [confectionery]; waffles; biscuits and cookies.

(260) AM 2012 63925 A

(800) 1087016

(731) OTKRYTOE AKTSIONERNOE
OBSHESTVO "SIBUR - Russkie shiny"
liter A, dom 5, ul. Galernaya, Sankt-
Peterburg, RU-190000, Russian Federation

(540)

Cordiant PROFESSIONAL LE

(591) Black, white

(511)

12 – Tyre casings for pneumatic tyres; valves for vehicle tyres; inner tubes for pneumatic tyres; vehicle wheels; repair kits for inner tubes comprised of adhesive rubber patches for repairing tubes or tyres; adhesive rubber patches for repairing inner tubes; non-skid devices for vehicle tyres, namely, anti-skid chains for vehicles; balance weights for vehicle wheels; tubeless tyres for bicycles; bicycle tyres; automobile tyres; tyres for land vehicle wheels; pneumatic tyres for vehicles; pneumatic tyres; spikes for tyres for anti-skid purposes.

35 – Demonstration of goods in connection with pneumatic tyres; organization of exhibitions for commercial or advertising purposes in connection with pneumatic tyres; shop-window dressing services; sales promotion services for others in connection with pneumatic tyres; distribution of samples in connection with pneumatic tyres; procurement services for third parties, namely, purchasing goods and services for other companies in connection with pneumatic tyres.

(260) AM 2012 63926 A

(800) 1087039

(731) FERRER INTERNACIONAL S.A.
Gran Via de Carlos III, 94, E-08028
BARCELONA, Spain

(540)

GAROXAN

(591) Black, white

(511)

5 – Antibiotic products.

(260) AM 2012 63927 A

(800) 391687

(731) AUGUST RÜGGERBERG GMBH & Co. KG
Hauptstraße 13, 51709 Marienheide,
Germany

(540)

Policap

(591) Black, white

(511)

7 – Polishing tools for use with polishing machines.

(260) AM 2012 63928 A

(800) 413396A

(731) REALITY, S.r.l.
Via Leonardo Da Vinci, 14, I-21047
SARONNO, Italy

(540)

BASILE

(591) Black, white

(511)

25 – Underclothing (excluding tee-shirts), pyjamas, nightshirts, peignoirs, stockings, tights, sashes for wear, scarves, neckties, belts, suspenders for clothing (braces), hats, footwear, including shoes, lace boots, boots and slippers; corselets, gloves.

(260) AM 2012 63929 A

(800) 435850

(731) AUGUST RÜGGERBERG GMBH & Co. KG
Hauptstraße 13, 51709 Marienheide,
Germany

(540)

POLIFAN

(591) Black, white

(511)

7 – Rotary mechanical tools for sharpening and polishing metals and other materials.

(260) AM 2012 63930 A

(800) 435851

(731) AUGUST RÜGGERBERG GMBH & Co. KG
Hauptstraße 13, 51709 Marienheide,
Germany

(540)

POLINOX

(591) Black, white

(511)

7 – Rotary mechanical machines for sharpening and polishing metals and other materials.

(260) AM 2012 63931 A

(800) 619980

(731) BASF SE

Carl-Bosch-Strasse 38, 67056 Ludwigshafen, Germany

(540)

REX

(591) Black, white

(511)

5 – Fungicides, herbicides, pesticides, preparations for destroying vermin.

(260) AM 2012 63932 A

(800) 646346

(731) BASF SE

Carl-Bosch-Strasse 38, 67056 Ludwigshafen, Germany

(540)

STELLAR

(591) Black, white

(511)

5 – Fungicides, herbicides, pesticides, soil decontamination products.

(260) AM 2012 63933 A

(800) 701703

(731) AUGUST RÜGGERBERG GMBH & Co. KG

Hauptstraße 13, 51709 Marienheide, Germany

(540)

POLICLEAN

(591) Black, white

(511)

7 – Tools (parts of machines).

8 – Tools (hand-operated).

(260) AM 2012 63934 A

(800) 743130

(731) DEUTSCHE AMPHIBOLIN-WERKE VON

ROBERT MURJAHN STIFTUNG & CO KG
Roßdörfer Strasse 50, 64372 Ober-Ramstadt, Germany

(540)

Thermosan

(591) Black, white

(511)

2 – Paints, varnishes, lacquers; preservatives against deterioration of wood; preservatives against rust; fillers; binding agents for paints; bacterial/fungicidal paints; primers (included in this class); thinning agents, lacquers for buildings.

(260) AM 2012 63935 A

(800) 745942

(731) ABC FARMACEUTICI SPA

Corso Vittorio Emanuele II, 72 I-10121 Torino, Italy

(540)



(591) Black, white

(511)

5 – Pharmaceutical, veterinary and sanitary products; dietetic substances adapted for medical use, food for babies; plasters, materials for dressings; material for dental fillings and dental impressions; disinfectants; pesticides; fungicides, herbicides.

(260) AM 2012 63937 A

(800) 800999

(731) BASF SE

Carl-Bosch-Strasse 38, 67056 Ludwigshafen, Germany

(540)

VIVANDO

(591) Black, white

(511)

5 – Insecticides, pesticides, fungicides, herbicides, preparations for destroying vermin, pheromones (included in this class).

(260) AM 2012 63938 A

(800) 831925

(731) ASTRAZENECA AB

SE-15185 Södertälje, Sweden

(540)

BRILINTA

(591) Black, white

(511)
5 – Pharmaceutical preparations and substances for the prevention and treatment of cardiovascular diseases and disorders.

(260) AM 2012 63940 A
(800) 897669
(731) AUGUST RÜGGERBERG GMBH & Co. KG;
Hauptstraße 13, 51709 Marienheide,
Germany

(540)

POLIFLAP

(591) Black, white
(511)
7 – Tools (parts of machines), especially mounted grinding brushes.

(260) AM 2012 63943 A
(800) 933225
(731) AUGUST RÜGGERBERG GMBH & Co. KG;
Hauptstraße 13, 51709 Marienheide,
Germany

(540)

DUODISC

(591) Black, white
(511)
7 – Machine-driven tools.

(260) AM 2012 64160 A
(800) 1088735
(731) ROBERT BOSCH GMBH
70469 Stuttgart, Germany

(540)

DRY SPEED

(591) Black, white
(511)
7 – Power tools; parts and accessories for power tools namely drills, hollow core cutters, chisels, tool holders and adapters.
8 – Manually operated tools namely drills.

(260) AM 2012 64161 A
(800) 1088745
(731) STEMCOR HOLDINGS LIMITED
Level 27, CityPoint, 1 Ropemaker Street,
London EC2Y 9ST, United Kingdom

(540)

EVERY STEP IN STEEL

(591) Black, white

(511)
6 – Common metals and their alloys; metal building materials; transportable buildings of metal; materials of metal for railway tracks; non-electric cables and wires of common metal; ironmongery, small items of metal hardware; pipes and tubes of metal; safes; goods of common metal not included in other classes; ores; steel; cast steel; unwrought common metals; semi-wrought common metals; wrought common metals; finished common metals; unwrought iron; semi-wrought iron; wrought iron; finished iron; steel alloys; steel sheets; steel strips; steel tubes; steel wire; unwrought steel; semi-wrought steel; wrought steel; finished steel; rolled steel; parts and fittings for the aforesaid goods.

(260) AM 2012 64162 A
(800) 1088753
(731) OLIVE LINE INTERNATIONAL, S.L.
C/ Orense, 85, E-28020 Madrid, Spain

(540)



(591) Green and black
(511)
29 – Olive oil for food.

(260) AM 2012 64163 A
(800) 1088764
(731) BIOFARMA
50 rue Carnot, F-92284 SURESNES CEDEX,
France

(540)

DIABIVAL

(591) Black, white
(511)
5 – Pharmaceutical products (excluding ophthalmological products) and dietetic substances adapted for medical use.

(260) AM 2012 64164 A
(800) 1088766
(731) BAYER AKTIENGESELLSCHAFT
Kaiser-Wilhelm-Allee, 51373 Leverkusen,
Germany

(540)

MINKLA

(591) Black, white

(511)

5 – Pharmaceutical preparations; hormonal preparations.

(260) AM 2012 64165 A

(800) 1088767

(731) BAYER AKTIENGESELLSCHAFT
Kaiser-Wilhelm-Allee, 51373 Leverkusen,
Germany

(540)

LISVY

(591) Black, white

(511)

5 – Pharmaceutical preparations; hormonal preparations.

(260) AM 2012 64166 A

(800) 1088768

(731) BAYER AKTIENGESELLSCHAFT
Kaiser-Willhelm-Allee, 51373 Leverkusen,
Germany

(540)

EFYPAT

(591) Black, white

(511)

5 – Pharmaceutical preparations; hormonal preparations.

(260) AM 2012 64167 A

(800) 1088769

(731) BAYER AKTIENGESELLSCHAFT
Kaiser-Willhelm-Allee, 51373 Leverkusen,
Germany

(540)

EPLYYS

(591) Black, white

(511)

5 – Pharmaceutical preparations; hormonal preparations.

(260) AM 2012 64168 A

(800) 1088770

(731) BAYER AKTIENGESELLSCHAFT
Kaiser-Willhelm-Allee, 51373 Leverkusen,
Germany

(540)

APLEEK

(591) Black, white

(511)

5 – Pharmaceutical preparations; hormonal preparations.

(260) AM 2012 64170 A

(800) 1088798

(731) OBCHTCHESTVO S OGRANITCHENNOI
OTVETSTVENNOSTYOU "TOSOL-
SINTEZ"
31A, rue Vatoutin, RU-606000 Dzerjinsk,
province de Nijny Novgorod, Russian
Federation

(540)



(591) Black, white

(511)

1 – Chemicals used in industry, science and photography, as well as in agriculture, horticulture and forestry; unprocessed artificial resins, unprocessed plastics; manures; fire extinguishing compositions; tempering and soldering preparations; chemical substances for preserving foodstuffs; tanning substances; adhesives used in industry; agar-agar; nitrogen; actinium; alkaloids; algarovilla (tanning material); alginates (gelling and inflating preparations) other than for alimentary purposes; crotonic aldehyde; ammonium aldehyde; aldehydes; americium; amyl acetate; ammonia (volatile alkali) for industrial purposes; anhydrous ammonia; ammonia; acetic anhydride; anhydrides; anti-knock substances for internal combustion engines; anti-incrustants; antistatic preparations, other than for household purposes; antifreeze; dressing and finishing preparations for textiles; starch size (chemical preparations); argon; lead arsenate; astatine; lime acetate; lead acetate; acetate of cellulose, unprocessed; acetates (chemicals); acetylene; acetone; chemicals used in fermenting wine; oenological bactericides (chemical preparations used in wine making); balm of gurjun (gurjon, gurjan) for making varnish; barium; barytes; albumen (animal or vegetable, raw material); animal albumen (raw material); iodised albumen; malt albumen; bentonite; berkelium; bicarbonate of soda for chemical purposes; potassium dioxalate; bichromate of potassium; bichromate of soda; bauxite; bromine for chemical purposes; albuminized paper; baryta paper; diazo paper; blueprint paper; reagent paper; test paper, chemical; litmus paper; nitrate paper; sensitized paper; photometric paper; borax; agglutinants for concrete; gas purifying preparations; preservatives for pharmaceutical preparations; polish removing substances; preparations for the separation of greases; substances for preventing runs in stockings; water-soft-

ning preparations; limestone hardening substances; tanning substances; birdlime; glue for industrial purposes; surface-active chemical agents; tensio-active agents; artificial sweeteners (chemical preparations); fissionable material for nuclear energy; foundry binding substances; concrete-aeration chemicals; leather-dressing chemicals; chemical preparations for the manufacture of paints; chemical preparations for the manufacture of pigments; chemical substances for preserving foodstuffs; starch-liquifying chemicals (ungluing agents); ungluing agents (chemical preparations for liquifying starch); flower preservatives; seed preserving substances; viscose; bismuth; bismuth nitrite for chemical purposes; witherite; distilled water; sea water (for industrial purposes); acidulated water for recharging accumulators; acidulated water for recharging batteries; heavy water; hydrogen; seaweeds (fertilizers); gadolinium; getters (chemically active substances); protective gases for welding; solidified gases for industrial purposes; gas propellents for aerosols; basic gallate of bismuth; gallium; gambier; helium; aluminium hydrate; hydrates; hyposulphites; ceramic glazings; glycol; China slip; kaolin; alumina; glycerides; glycerine for industrial purposes; glucose for industrial purposes; glucosides; holmium; hormones for hastening the ripening of fruit; peat pots for horticulture; graphite for industrial purposes; guano; humus; potting soil; detergents for use in manufacturing processes; defoliant; hydrazine; diastase for industrial purposes; kieselgur; manganese dioxide; titanium dioxide for industrial purposes; dry ice (carbon dioxide); zirconia; oil dispersants; petroleum dispersants; dispersions of plastics; dysprosium; bichloride of tin; detergent additives to petrol (gasoline); ceramic compositions for sintering (granules and powders); additives, chemical, to drilling muds; additives, chemical, to insecticides; additives, chemical, to motor fuel; additives, chemical, to fungicides; dolomite for industrial purposes; tan-wood; europium; gelatine for photographic purposes; gelatine for industrial purposes; auxiliary fluids for use with abrasives; fluids for hydraulic circuits; liquids for removing sulphates from accumulators; liquids for removing sulphates from batteries; brake fluid; magnetic fluid for industrial purposes; power steering fluid; transmission fluid; grafting wax for trees; tree cavity fillers (forestry); moderating materials for nuclear reactors; rare earths; metal earths; diatomaceous earth; fuller's earth for use in textile industry; lime chloride; isotopes for industrial purposes; ion exchangers (chemicals); ion exchangers (chemical preparations); ytterbium; yttrium; iodine for industrial purposes; iodine for chemical purposes; aluminium iodide; alkaline iodides for industrial purposes; casein for industrial purposes; kainite; potassium; sorrel salt; californium; gum arabic for industrial purposes; tartar other than for

pharmaceutical purposes; camphor, for industrial purposes: calcium carbide; carbide; lime carbonate; magnesium carbonate; carbonates; cement (metallurgy); cassiopium (lutetium); lutetium (cassiopium); catalysts; biochemical catalysts; catechu; caustics for industrial purposes; alum; ammonia alum; aluminium alum; chrome alum; quebracho for industrial purposes; ketones; cinematographic film, sensitized but not exposed; oxygen; nitric acid; antranilic acid; benzoic acid; boric acid for industrial purposes; tartaric acid; tungstic acid; gallic acid for the manufacture of ink; gallotannic acid; tannic acid; iodic acid; phenol for industrial purposes; citric acid for industrial purposes; lactic acid; formic acid; persulphuric acid; oleic acid; picric acid; pyrogallic acid; salicylic acid; sebacic acid; sulphuric acid; sulphurous acid; hydrochloric acid; stearic acid; carbonic acid; spirits of vinegar (dilute acetic acid); phosphoric acid; hydrofluoric acid; cholic acid; chromic acid; oxalic acid; acids; benzene-based acids; fatty acids; arsenious acid; mineral acids; adhesives for billposting; adhesives for billposting; leather glues; adhesives for wall tiles; adhesives for paperhanging; adhesives for wallpaper; cement for mending broken articles; gums (adhesives) other than for stationery or household purposes; adhesives for industrial purposes; isinglass other than for stationery, household or alimentary purposes; gluten (glue), other than for stationery or household purposes; flocculants; collodion; compost; beer preserving agents; mangrove bark for industrial purposes; tan; starch for industrial purposes; starch paste (adhesive), other than for stationery or household purposes; silicon; creosote for chemical purposes; krypton; xenon; curium; lanthanum; lecithin (raw material); lithium; magnesite; manganate; oils for tanning leather; oils for currying leather; oils for preparing leather in the course of manufacture; oils for the preservation of food; carbolineum for the protection of plants; paper pulp; wood pulp; grafting mastic for trees; mastic for leather; cement for pneumatic tires (tyres); mastic for tires (tyres); synthetic materials for absorbing oil; ceramic materials in particulate form, for use as filtering media; filtering materials (unprocessed plastics); filtering materials (mineral substances); filtering materials (vegetable substances); copper sulphate (vitriol); vitriol; metalloids; alkaline-earth metals; alkaline metals; methane; methyl benzene; methyl benzol; flour for industrial purposes; tapioca flour for industrial purposes; potato flour for industrial purposes; soap (metallic) for industrial purposes; arsenic; emollients for industrial purposes; bate for dressing skins; dressing, except oils, for skins; sodium; hypochlorite of soda; naphthalene; sal ammoniac; toxic gas neutralizers; neodymium; neon; neptunium; nitrate of uranium; nitrates; combusting preparations (chemical additives to motor fuel); nitric monoxide;

nitrous oxide; baryta; uranium oxide; oxalates; lithia (lithium oxide); lead oxide; antimony oxide; chromium oxide; cobalt oxide for industrial purposes; mercuric oxide; olivine (chemical preparations); gallnuts; clarification preparations; purification preparations; wine finings; must-finishing preparations; textile-brightening chemicals; beer-clarifying and preserving agents; reducing agents for use in photography; bases (chemical preparations); wax-bleaching chemicals; fat-bleaching chemicals; organic-bleaching chemicals; pectin (photography); perborate of soda; humus top dressing; percarbonates; dioxide of hydrogen; hydrogen peroxide; persulphates; perchlorates; foundry sand; plastisols; sensitized printing plates for offset; sensitized plates for offset printing; plasticizers; roentgen films, sensitized but not exposed; x-ray films, sensitized but not exposed; plutonium; substrates for soil-free growing (agriculture); polonium; potash water; earth for growing; praseodymium; rubber preservatives; brickwork preservatives, except paints and oils; masonry preservatives, except paints and oils; cement preservatives, except paints and oils; preservatives for tiles, except paints and oils; bacterial preparations other than for medical and veterinary use; bacteriological preparations other than for medical and veterinary use; bacteriological preparations for acetification; biological preparations (other than for medical or veterinary purposes); vulcanising preparations; diagnostic preparations, other than for medical or veterinary purposes; renovating preparations for phonograph records; currying preparations for leather; currying preparations for skins; metal hardening preparations; fixing baths (photography); fixing solutions (photography); opacifiers for enamel or glass; separating and unsticking (ungluing) preparations; ungluing preparations; unsticking and separating preparations; metal annealing preparations; metal tempering preparations; preparations for preventing the tarnishing of lenses; preparations for preventing the tarnishing of glass; cement-waterproofing preparations, except paints; plant growth regulating preparations; anti-boil preparations for engine coolants; fulling preparations for use in textile industry; scale removing preparations, other than for household purposes; flashlight preparations; galvanizing preparations; finishing preparations for use in the manufacture of steel; sizing preparations; animal carbon preparations; cultures of microorganisms other than for medical and veterinary use; preparations of microorganisms other than for medical and veterinary use; corrosive preparations; cryogenic preparations; dehydrating preparations for industrial purposes; degreasing preparations for use in manufacturing processes; grease-removing preparations for use in manufacturing processes; degumming preparations; gum solvents; oil-bleaching chemicals; bleaching preparations (decolo-

rants) for industrial purposes; decolorants for industrial purposes; meat tenderizers for industrial purposes; preparations of trace elements for plants; moistening (wetting) preparations for use in the textile industry; wetting preparations for use in the textile industry; moistening (wetting) preparations for use in dyeing; wetting preparations for use in dyeing; moistening (wetting) preparations for use in bleaching; wetting preparations for use in bleaching; enzyme preparations for industrial purposes; filtering preparations for the beverages industry; chemical preparations to prevent mildew; vine disease preventing chemicals; chemical preparations to prevent wheat smut; chemical condensation preparations; chemical preparations for smoking meat; chemical preparations for analyses in laboratories other than for medical or veterinary purposes; chemical substances for analyses in laboratories (other than for medical or veterinary purposes); chemical preparations for scientific purposes (other than for medical or veterinary use); chemical preparations for facilitating the alloying of metals; engine-decarbonising chemicals; fulling preparations; fuel-saving preparations; coal saving preparations; damp proofing preparations, except paints, for masonry; anti-sprouting preparations for vegetables; brazing preparations; preparations of the distillation of wood alcohol; by-products of the processing of cereals for industrial purposes; benzene derivatives; cellulose derivatives (chemicals); promethium; protactinium; protein (raw material); mordants for metals; radium for scientific purposes; radon; solvents for varnishes; anti-frothing solutions for accumulators; anti-frothing solutions for batteries; solutions for cyanotyping; baths for galvanizing; galvanizing baths; silver salt solutions for silvering; toning baths (photography); drilling muds; fissionable chemical elements; chemical reagents (other than for medical or veterinary purposes); rhenium; mercury; rubidium; carbon black for industrial purposes; soot for industrial or agricultural purposes; lamp black for industrial purposes; samarium; saccharin; selenium; salpêtre; saltpeter; sulphur; silver nitrate; carbon sulphide; silicates; aluminium silicate; silicones; scandium; foundry molding (moulding) preparations; acrylic resins, unprocessed; artificial resins, unprocessed; synthetic resins, unprocessed; epoxy resins, unprocessed; calcined soda; soda ash; caustic soda for industrial purposes; barium compounds; fluorspar compounds; salts for industrial purposes; salts (fertilisers); salts (chemical preparations); ammoniacal salts; ammonium salts; salts of precious metals for industrial purposes; salts for galvanic batteries; salts for galvanic cells; salt for preserving, other than for foodstuffs; salts for coloring (colouring) metal; iron salts; gold salts; iodised salts; calcium salts; sodium salts (chemical preparations); salt, raw; salts from rare earth metals;

mercury salts; toning salts (photography); chrome salts; chromic salts; salts of alkaline metals; rock salt; mold-release preparations; mould-release preparations; fire extinguishing compositions; coolants for vehicle engines, compositions for the manufacture of phonograph records; compositions for the manufacture of technical ceramics; compositions for repairing inner tubes of tires (tyres); compositions for repairing tires (tyres); acid proof chemical compositions; glutinous tree-banding preparations; glutinous tree-grafting preparations; adhesive preparations for surgical bandages; fireproofing preparations; compositions for threading; sauce for preparing tobacco; amyl alcohol; vinic alcohol; wood alcohol; sal ammoniac spirits; spirits of salt; ethyl alcohol; alcohol; cement for boots and shoes; concrete preservatives, except paints and oils; water glass (soluble glass); strontium; barium sulphate; sulphates; antimony sulphide; sulphides; benzoic sulphinide; sulphonic acids; sumac for use in tanning; superphosphates (fertilisers); antimony; thallium; talc (magnesium silicate); tannin; cream of tartar, other than for pharmaceutical purposes; tellurium; terbium; tetrachlorides; carbon tetrachloride; acetylene tetrachloride; technetium; thiocarbonyl; titanite; sensitized cloth for photography; blueprint cloth; toluene; toluol; fuel for atomic piles; thorium; peat (fertiliser); tragacanth gum for use in manufactures; thulium; carbonic hydrates; carbon; activated carbons; carbon for filters; animal carbon; animal charcoal; bone charcoal; blood charcoal; fertilizing preparations; nitrogenous fertilisers; calcium cyanamide (fertilizer); nitrogenous lime (manure); fertilizers; manure for agriculture; pyroligneous acid (wood vinegar); wood vinegar (pyroligneous acid); uranium; chemical intensifiers for paper; chemical intensifiers for rubber; vulcanisation accelerators; enzymes for industrial purposes; ferments for chemical purposes; milk ferments for chemical purposes; fermium; ferrocyanides; soldering fluxes; brazing fluxes; formic aldehyde for chemical purposes; phosphatides; phosphates (fertilisers); phosphorus; photographic paper; self-toning paper (photography); photosensitive plates; sensitized photographic plates; ferrotype plates (photography); sensitized films, unexposed; photographic developers; photographic sensitizers; chemical preparations for use in photography; photographic emulsions; francium; fluorine; industrial chemicals; chemicals for forestry, except fungicides, herbicides, insecticides and parasiticides; glass-frosting chemicals; leather-renovating chemicals; glass-staining chemicals; enamel and glass staining-chemicals; enamel-staining chemicals; oil-separating chemicals; water purifying chemicals; oil-purifying chemicals; oil purifying chemicals; radiator flushing chemicals; soldering chemicals; welding chemicals; condensation-preventing chemicals; stain-preventing chemicals for use on fabrics; anti-

tarnishing chemicals for windows; leather-waterproofing chemicals; textile-waterproofing chemicals; chemical preparations, except pigments, for the manufacture of enamel; leather-impregnating chemicals; textile-impregnating chemicals; horticulture chemicals, except fungicides, herbicides, insecticides and parasiticides; agricultural chemicals, except fungicides, weedkillers, herbicides, insecticides and parasiticides; soil-conditioning chemicals; chimney cleaners, chemical; color-brightening chemicals for industrial purposes; colour-brightening chemicals for industrial purposes; refrigerants; refrigerating preparations; chlorine; chlorates; hydrochlorates; aluminium chloride; magnesium chloride; chlorides; palladium chlorides; chromates; flowers of sulphur for chemical purposes; caesium; cellulose; cerium; cyanides (prussiates); prussiates; cymene; loam; slag (fertilisers); spinel (chemical preparations); alkalies; caustic alkali; radioactive elements for scientific purposes; emulsifiers; erbium; ethane; methyl ether; sulphuric ether; ethyl ether; glycol ether; ethers; esters; cellulose ethers for industrial purposes; cellulose esters for industrial purposes; electrophoresis gels, other than for medical or veterinary purposes; chemical additives for oils; glaziers' putty; plastics, unprocessed; wallpaper removing preparations.

3 – Bleaching preparations and other substances for laundry use; cleaning, polishing, scouring and abrasive preparations; soaps; perfumery, essential oils, cosmetics, hair lotions; dentifrices; abrasives; amber (perfume); scale removing preparations for household purposes; antistatic preparations for household purposes; breath freshening sprays; shaving stones (antiseptic); polishing stones; abrasive paper; emery paper; polishing paper; petroleum jelly for cosmetic purposes; cotton wool for cosmetic purposes; cotton sticks for cosmetic purposes; swabs (toilettries); aromatics (essential oils); cake flavourings (essential oils); flavorings for beverages (essential oils); sachets for perfuming linen; scented water; potassium hypochloride; javelle water; lavender water; toilet water; laundry wax; floor wax; parquet floor wax; moustache wax; mustache wax; tailors' wax; polish for furniture and flooring; cobblers' wax; shoe wax; shoemakers' wax; heliotropine; geraniol; make-up; deodorants for personal use; scented wood; perfumes; windscreen cleaning liquids; windshield cleaning liquids; greases for cosmetic purposes; volcanic ash for cleaning; perfumery; decorative transfers for cosmetic purposes; ionone (perfumery); smoothing stones; eyebrow pencils; cosmetic pencils; silicon carbide (abrasive); carbides of metal (abrasives); alum stones (antiseptic); tripoli stone for polishing; adhesives for affixing false eyelashes; adhesives for affixing false hair; quillaia bark for washing; corundum (abrasive); bluing for laundry; laundry blueing; beard dyes; colorants for toilet purposes; cosmetic dyes;

laundry starch; starch for laundry purposes; cosmetic creams; creams for leather; waxes for leather; jewellers' rouge; polishing rouge; incense; hair spray; nail polish; nail varnish; after-shave lotions; hair lotions; lotions for cosmetic purposes; beauty masks; oils for perfumes and scents; oils for cosmetic purposes; oils for toilet purposes; essential oils; ethereal oils; essential oils of cedarwood; essential oils of citron; essential oils of lemon; oils for cleaning purposes; bergamot oil; gaultheria oil; jasmine oil; lavender oil; almond oil; rose oil; oil of turpentine for degreasing; adhesives for cosmetic purposes; whitening; cleaning chalk; almond milk for cosmetic purposes; cleansing milk for toilet purposes; soap; disinfectant soap; deodorant soap; shaving soap; soap for brightening textile; cakes of toilet soap; cakes of soap; medicated soap; antiperspirant soap; soap for foot perspiration; almond soap; mint for perfumery; cosmetic kits; emery; false nails; eau de cologne; bases for flower perfumes; polishing creams; polishing wax; pastes for razor strops; dentifrices; pumice stone; hydrogen peroxide for cosmetic purposes; abrasive cloth; emery cloth; sandcloth; glass cloth; lipsticks; pomades for cosmetic purposes; shaving preparations; cosmetic preparations for baths; toiletries; hair waving preparations; waving preparations for the hair; laundry soaking preparations; grinding preparations; sharpening preparations; smoothing preparations (starching); leather bleaching preparations; denture polishes; refurbishing preparations; polishing preparations; shining preparations (polish); mouth washes, not for medical purposes; cosmetic preparations for slimming purposes; laundry glaze; starch glaze for laundry purposes; fabric softeners (for laundry use); bleaching preparations (laundry); laundry bleach; laundry preparations; washing preparations; dry-cleaning preparations; make-up removing preparations; color-removing preparations; colour-removing preparations; paint stripping preparations; lacquer-removing preparations; varnish-removing preparations; floor wax removers (scouring preparations); rust removing preparations; nail care preparations; cleaning preparations; preparations for cleaning dentures; wallpaper cleaning preparations; preparations for cleaning waste pipes; clearing blocked drains preparations; preparations for cleaning waste pipes; color-brightening chemicals for household purposes (laundry); make-up powder; diamantine (abrasive); scouring solutions; false eyelashes; tissues impregnated with cosmetic lotions; saffrol; turpentine, for degreasing; potpourris (fragrances); bleaching soda; washing soda, for cleaning; bath salts, not for medical purposes; bleaching salts; leather preservatives (polishes); preservatives for leather (polishes); fumigation preparations (perfumes); ammonia (volatile alkali) (detergent); volatile alkali (ammonia) (detergent); astringents for cosmetic purposes; eye-

brow cosmetics; stain removers; make-up preparations; sun-tanning preparations (cosmetics); sunscreen preparations; hair colorants; hair dyes; neutralizers for permanent waving; cosmetic preparations for eyelashes; depilatories; depilatory preparations; depilatory wax; cosmetic preparations for skin care; boot cream; boot polish; shoe cream; shoe polish; cosmetics; cosmetics for animals; mascara; detergents other than for use in manufacturing operations and for medical purposes; degreasers other than for use in manufacturing processes; bleaching preparations (decolorants) for cosmetic purposes; antiperspirants (toiletries); talcum powder, for toilet use; terpenes (essential oils); shampoos; shampoos for pets; glass paper; sandpaper; soda lye; extracts of flowers (perfumes); ethereal essences; badian essence; mint essence (essential oil); dental bleaching gels; non-slipping liquids for floors; preparations to make the leaves of plants shiny.

4 – Industrial oils and greases; lubricants; dust absorbing, wetting and binding compositions; fuels (including motor spirit) and illuminants; candles and wicks for lighting; anthracite; benzine; petrol; benzene; benzol; wood briquettes; combustible briquettes; petroleum jelly for industrial purposes; wax (raw material); ozocerite (ozokerite); illuminating wax; industrial wax; belting wax; carnauba wax; beeswax; gas for lighting; oil-gas; fuel gas; gasoline; producer gas; solidified gases (fuel); carburants; fuel; motor fuel; lubricating graphite; additives, non-chemical, to motor-fuel; firewood; cutting fluids; fish oil, not edible; lanolin; wool grease; illuminating grease; grease for leather; grease for boots; grease for shoes; preservatives for leather (oils and greases); oil for the preservation of leather; tallow; industrial grease; kerosene; coke; xylene; xylo; ligroin; mazut; combustible oil; fuel oil; oils for paints; oils for releasing form work (building); oil for the preservation of masonry; textile oil; lubricating oil; industrial oil; moistening oil; coal tar oil; coal naphtha; castor oil for technical purposes; bone oil for industrial purposes; motor oil; sunflower oil for industrial purposes; rape oil for industrial purposes; firelighters; paper spills for lighting; wood spills for lighting; lubricants; naphtha; petroleum (raw or refined); nightlights (candles); oleine; paraffin; dust removing preparations; soya bean oil preparations for non-stick treatment of cooking utensils; non-slipping preparations for belts; coal dust (fuel); christmas tree candles; candles; tapers; grease for arms (weapons); lubricating grease; grease for belts; vaporized fuel mixtures; dust binding compositions for sweeping; dust laying compositions; alcohol (fuel); methylated spirit; stearine; diesel oil; gas oil; lighting fuel; mineral fuel; fuel with an alcoholic base; peat (fuel); blocks of peat (fuel); peat briquettes (fuel); lignite; charcoal (fuel); coal; coal

briquettes; lamp wicks; wicks for candles; ceresine; petroleum ether; perfumed candles; electrical energy.

7 – Machines and machine tools; motors and engines (except for land vehicles); machine coupling and transmission components (except for land vehicles); agricultural implements other than hand-operated; incubators for eggs; welding machines, electric; aerated beverages making machines; soldering apparatus, gas-operated; welding apparatus, gas-operated; vulcanisation apparatus; acetylene cleaning apparatus; apparatus for drawing up beer under pressure; aerated water making apparatus; inking apparatus for printing machines; aerators; gasifiers; expansion tanks (parts of machines); drums (parts of machines); reels, mechanical, for flexible hoses; concrete mixers (machines); reels (parts of machines); bobbins for weaving looms; reels for weaving looms; flues for engine boilers; harrows; bulldozers; hoppers (mechanical discharging); mine borers; truck lifts; waggon lifts; printing rollers for machines; rolling mill cylinders; crank shafts; transmission shafts (other than for land vehicles); valves (parts of machines); fans for motors and engines; saw benches (parts of machines); winnowers; bearings (parts of machines); water heaters (parts of machines); winches; drilling rigs (floating or non-floating); lawnmowers (machines); card clothing (parts of carding machines); emergency power generators; alternators; dynamos; bicycle dynamos; current generators; generators of electricity; exhausts for motors and engines; mufflers for motors and engines; silencers for motors and engines; drilling heads (parts of machines); drilling bits (parts of machines); cylinder heads for engines; soldering blow pipes, gas-operated; raking machines; stalk separators (machines); sieves (machines or parts of machines); mud catchers and collectors (machines); tarring machines; motors, other than for land vehicles; hydraulic engines and motors; aeronautical engines; aeroplane engines; engines for air cushion vehicles; compressed air engines; jet engines other than for land vehicles; engines for boats; driving motors other than for land vehicles; de-aerators for feed-water; disintegrators; tympan (parts of printing presses); holding devices for machine tools; blade holders (parts of machines); turf removing ploughs; pressure reducers (parts of machines); pump diaphragms; chisels for machines; jacks (machines); rack and pinion jacks; moving pavement (sidewalks); sidewalks (moving pavement); electric hand drills; domestic crushers/grinders, electric; grinders/crushers, electric, for household purposes; reapers; reapers and binders; millstones; rakes for raking machines; shredders (machines) for industrial use; injectors for engines; incubators for eggs; tools (parts of machines); hand-held tools, other than hand-operated; air condensers; capstans; calen-

ders; mangles; rotary steam presses, portable, for fabrics; ditchers (ploughs); carburettors; carriages for knitting machines; sliders for knitting machines; slides for knitting machines; crankcases for machines, motors and engines; road rollers; steamrollers; pressure valves (parts of machines); clack valves (parts of machines); can openers, electric; tin openers, electric; cowlings (parts of machines); guards (parts of machines); hoods (parts of machines); machine wheels; freewheels other than for land vehicles; machine boiler scale collectors; lasts for shoes (parts of machines); shoe lasts (parts of machines); brake shoes other than for vehicles; ball rings for bearings; piston segments; grease rings (parts of machines); reapers and threshers; coalcutting machines; fittings for engine boilers; compressors (machines); air pumps (garage installations); compressors for refrigerators; conveyors (machines); belt conveyors; converters for steel works; aerocondensers; condensers (steam) (parts of machines); diggers (machines); rams (machines); thermic lances (machines); mechanized livestock feeders; root slicers (machines); turnip cutters (machines); boxes for matrices (printing); gear boxes other than for land vehicles; grease boxes (parts of machines); housings (parts of machines); harvesting machines; mowing and reaping machines; steam engine boilers; coffee grinders, other than hand-operated; taps (parts of machines, engines or motors); roller bridges; cranes (lifting and hoisting apparatus); drain cocks; water separators; spray guns for paint; cranks (parts of machines); potters' wheels; grindstones (parts of machines); sharpening wheels (parts of machines); cultivators (machines); motorized cultivators; ploughshares; plough shares; belts for conveyors; igniting magnetos; igniting magnetos for engines; handling machines, automatic (manipulators); lubricators (parts of machines); churns; matrices for use in printing; machine flywheels; hair clipping machines for animals; hair cutting machines for animals; shearing machines for animals; machines for the textile industry; paper machines; papermaking machines; vibrators (machines) for industrial use; bellows (machines); blowing engines; knitting machines; bending machines; ironing machines; mineworking machines; net hauling machines (fishing); bottle sealing machines; sealing machines for industrial purposes; embossing machines; engraving machines; finishing machines; garbage (waste) disposals; waste disposers (machines); blade sharpening (stropping) machines; stropping machines; earth moving machines; cord making machines; lace making machines; butter machines; cigarette machines for industrial purposes; sausage machines; stereotype machines; hosiery looms; crushing machines; grinding machines; rammers (machines); dyeing machines; bottle washing machines; dishwashers; bottle filling machines; racket stringing machines; leather-working

machines; dairy machines; glass working machines; tobacco processing machines; corn husking machines; grain husking machines; painting machines; oil refining machines; peeling machines; sifting machines; printing machines for use on sheet metal; brewing machines; colour-washing machines; whitewashing machines; leather paring machines; bitumen making machines; edible pastes making machines; sugar making machines; weeding machines; cinder sifters (machines); puddling machines; notchers (machine tools); bread cutting machines; blowing machines for the compression, exhaustion and transport of gases; road making machines; railroad constructing machines; rail-laying machines; bottle capping machines; bottle stoppering machines; trash compacting machines; waste compacting machines; blowing machines for the compression, sucking and carrying of grain; fans for the compression, sucking and carrying of grain; die-stamping machines; stamping machines; darning machines; drainage machines; wrapping machines; grain separators; bookbinding apparatus and machines for industrial purposes; machines and apparatus for cleaning (electric); machines and apparatus for carpet shampooing (electric); machines and apparatus for polishing (electric); sizing machines; punching machines; riveting machines; kitchen machines, electric; foundry machines; smoothing presses; fleshing machines; rinsing machines; flour mill machines; hemming machines; braiding machines; wringing machines for laundry; steam engines; printing machines; rotary printing presses; typographic machines; compressed air machines; type-setting machines (printing); apparatus for dressing; apparatus for machining; trimming machines; spinning frames; spinning machines; heel-making machines; filling machines; friezing machines; cutters (machines); cutting machines; road sweeping machines (self propelled); pressing machines (to make satin-like); satinizing machines; agricultural machines; sorting machines for industry; stitching machines; washing machines; washing machines (laundry); coin-operated washing machines; clippers (machines); drying machines; spin driers; looms (machines); kneading machines; beating machines; beaters, electric; packaging machines; packing machines; molding machines; moulding machines; type-setting machines (photocomposition); carding machines; sewing machines; typecasting machines; electromechanical machines for chemical industry; labellers (machines); ore treating machines; milking machines; mills (machines); mills for household purposes (other than hand-operated); pepper mills other than hand-operated; flour mills; centrifugal mills; hydraulic controls for machines, motors and engines; machine wheelwork; pneumatic controls for machines, motors and engines; feeders (parts of machines); forge bellows; mixers (machines); blenders, electric, for household purposes; agitators;

vacuum cleaner bags; threshing machines; pneumatic hammers; hammers (parts of machines); tilt hammers; power hammers; reeling apparatus, mechanical; motors for boats; clutches other than for land vehicles; meat choppers (machines); meat mincers (machines); superchargers; guides for machines; vacuum cleaner attachments for disseminating perfumes and disinfectants; pumps (machines); pumps (parts of machines, engines or motors); aerating pumps for aquaria; vacuum pumps (machines); compressed air pumps; pumps for heating installations; beer pumps; lubricating pumps; centrifugal pumps; blades (parts of machines); knives for mowing machines; chaff cutter blades; knives, electric; scissors, electric; shears, electric; bearing brackets for machines; atomisers (machines); pulverisers (machines); spraying machines; agricultural implements other than hand-operated; axles for machines; steam traps; chucks (parts of machines); drill chucks (parts of machines); exhaust manifold for engines; soldering irons, gas-operated; superheaters; gears, other than for land vehicles; reduction gears other than for land vehicles; propulsion mechanisms other than for land vehicles; drilling machines; saws (machines); chain saws; guns (tools using explosives); glue guns, electric; compressed air guns for the extrusion of mastics; carburetter feeders; feeding apparatus for engine boilers; loading ramps; ploughs; pneumatic transporters; hangers (parts of machines); anti-friction bearings for machines; anti-friction pads for machines; roller bearings; self-oiling bearings; bearings for transmission shafts; ball-bearings; journal boxes (parts of machines); elevators (lifts); lifts (other than ski-lifts); hoists; pulleys; saw blades (parts of machines); pistons (parts of machines or engines); dashpot plungers (parts of machines); plunger pistons; shock absorber plungers (parts of machines); pistons for engines; pistons for cylinders; catalytic converters; torque converters other than for land vehicles; fuel conversion apparatus for internal combustion engines; presses (machines for industrial purposes); presses; wine presses; fodder presses; printing presses; typographic presses; swaging machines; transmissions for machines; elevator belts; lift belts; pedal drives for sewing machines; high pressure washers; cleaning appliances utilizing steam; food processors (electric); springs (parts of machines); spinning wheels; punches for punching machines; kick starters for motorcycles; vacuum cleaners; tambours for embroidery machines; radiators (cooling) for motors and engines; sewage pulverizers; air brushes for applying colour; regulators (parts of machines); pressure regulators (parts of machines); feedwater regulators; speed governors for machines, engines and motors; knives (parts of machines); cutting blow pipes, gas-operated; loom shafts; gears for weaving looms; belts for machines; fan belts for motors and engines; dynamo belts;

belts for motors and engines; adhesive bands for pulleys; sifters; robots (machines); stuffing boxes (parts of machines); paper feeders (printing); whisks, electric, for household purposes; sparking plugs for internal combustion engines; glow plugs for diesel engines; tedding machines; separators; steam/oil separators; cream/milk separators; sowers (machines); mixing machines; snow ploughs; sheaf-binding machines; joints (parts of engines); shaft couplings (machines); fruit presses, electric, for household purposes; chaff cutters; straw (chaff) cutters; suction cups for milking machines; teat cups for milking machines; stands for machines; machine tools; woodworking machines; sharpening machines; die-cutting and tapping machines; nut-tapping machines; trueing machines; mortising machines; paring machines; stone working machines; metalworking machines; threading machines; planing machines; looms; weaving looms; lathes (machine tools); milling machines; metal drawing machines; rolling mills; starters for motors and engines; stators (parts of machines); glaziers' diamonds (parts of machines); tables for machines; derricks; slide rests parts of machines; couplings other than for land vehicles; heat exchangers (parts of machines); grating machines for vegetables; transmissions, other than for land vehicles; control cables for machines, engines or motors; boiler tubes (parts of machines); turbines other than for land vehicles; hydraulic turbines; turbocompressors; connecting rods for machines, motors and engines; central vacuum cleaning installations; suction machines for industrial purposes; vehicle washing installations; washing installations for vehicles; degreasers (machines); dust exhausting installations for cleaning purposes; mineral water making machines; sifting installations; pneumatic tube conveyors; tube conveyors, pneumatic; dust removing installations for cleaning purposes; condensing installations; air suction machines; blowing machines for exhaustion of dust, etc.; dividing machines; igniting devices for internal combustion engines; washing apparatus; binding apparatus for hay; trussing apparatus for hay; extractors for mines; haulage apparatus (mining); hydraulic door openers and closers (parts of machines); pneumatic door openers and closers (parts of machines); anti-pollution devices for motors and engines; curtain drawing devices, electrically operated; adhesive tape dispensers (machines); beverage preparation machines, electromechanical; food preparation machines, electromechanical; control mechanisms for machines, engines or motors; shoe polishers, electric; machines and apparatus for wax-polishing (electric); air cushion devices for moving loads; handling apparatus for loading and unloading; elevating apparatus; lifting apparatus; aprons (parts of machines); carriage aprons; filter presses; filters (parts of machines or engines); filtering machines;

filters for cleaning cooling air (for engines); molds (parts of machines); moulds (parts of machines); printing plates; brake segments other than for vehicles; journals (parts of machines); elevator chains (parts of machines); driving chains other than for land vehicles; transmission chains other than for land vehicles; cylinders for motors and engines; cylinders for machines; printing cylinders; shuttles (parts of machines); universal joints (cardan joints); pulleys (parts of machines); vacuum cleaner hoses; brushes (parts of machines); dynamo brushes; brushes, electrically operated; carbon brushes (electricity); ejectors; fuel economisers for motors and engines; excavators; shovels, mechanical; agricultural elevators; motors, electric, other than for land vehicles; electric hammers; parquet wax-polishers, electric; cartridges for filtering machines; escalators; moving staircases (escalators); automatic grapnels for marine purposes.

12 – Vehicles; apparatus for locomotion by land, air or water; motor buses; motor coaches; automobiles; cars; motor cars; sports cars; concrete mixing vehicles; refrigerated vehicles; casings for pneumatic tires (tyres); caravans; camping cars; motor homes; brake linings for vehicles; shock absorbers for automobiles; suspension shock absorbers for vehicles; space vehicles; aircraft; aeronautical apparatus, machines and appliances; snowmobiles; air balloons; luggage carriers for vehicles; ski carriers for cars; vehicle bumpers; bumpers for automobiles; barges; buffers for railway rolling stock; dining cars (carriages); dinner wagons (carriages); waggons; carriages (railways); sleeping cars; dining cars; refrigerated wagons (railroad vehicles); transmission shafts for land vehicles; bicycles; cycles; valves for vehicle tires (tyres); automobile hoods; hoods for baby carriages; pushchair hoods; hoods for vehicles; oars; sculls; stern oars; paddles for canoes; screws (propellers) for ships; hydroplanes; seaplanes; air cushion vehicles; flanges for railway wheel tires (tyres); lorries; trucks; horns for vehicles; treads for vehicles (roller belts); treads for vehicles (tractor type); doors for vehicles; driving motors for land vehicles; engines for land vehicles; motors for land vehicles; motors for cycles; jet engines for land vehicles; screw-propellers; screw-propellers for boats; airships; dirigible balloons (airships); cable cars; telfer railways (cable cars); dredgers (boats); hand cars; trolleys; bells for bicycles, cycles; bicycle bells; cycle bells; audible warning systems for cycles; rearview mirrors; portholes; rolling stock for funicular railways; cars for cable transport installations; inner tubes for bicycles, cycles; inner tubes for pneumatic tires (tyres); hoods for vehicle engines; crankcases for land vehicle components (other than for engines); boats; vehicle wheels; wheels for bicycles, cycles; mine cart wheels; casters for trolleys (vehicles) (carts (am.)); brake segments for vehicles; brake shoes for vehicles; hub caps; baby

carriages; prams (baby carriages); pushchairs; strollers; side cars; ships; baskets adapted for cycles; panniers adapted for cycles; gear boxes for land vehicles; ships' hulls; fenders for ships; bands for wheel hubs; ejector seats (for aircraft); wheelchairs; caps for vehicle petrol (gas) tanks; boat hooks; bodies for vehicles; automobile bodies; tipping bodies for lorries (trucks); traction engines; locomotives; sprinkling trucks; elevating tailgates (am.) (parts of land vehicles); power tailgates (am.) (parts of land vehicles); tailboard lifts (parts of land vehicles); propulsion mechanisms for land vehicles; mopeds; motorcycles; freewheels for land vehicles; clutches for land vehicles; repair outfits for inner tubes; adhesive rubber patches for repairing inner tubes; air pumps (vehicle accessories); bicycle pumps; cycle pumps; pumps for bicycles, cycles; upholstery for vehicles; rims for vehicle wheels; bicycle rims; cycle rims; rims for wheels of bicycles, cycles; windows for vehicles; omnibuses; axles for vehicles; parachutes; ferry boats; pedals for cycles; gearing for land vehicles; treads for retreading tires (tyres); carts; head-rests for vehicle seats; vehicle running boards; air bags (safety devices for automobiles); ski lifts; chairlifts; vehicle covers (shaped); sleeping berths for vehicles; pontoons; torque converters for land vehicles; anti-dazzle devices for vehicles; anti-glare devices for vehicles; anti-theft devices for vehicles; sun-blinds adapted for automobiles; non-skid devices for vehicle tires (tyres); balance weights for vehicle wheels; shock absorbing springs for vehicles; bicycle frames; cycle frames; frames for bicycles, cycles; spars for ships; reduction gears for land vehicles; safety belts for vehicle seats; security harness for vehicle seats; vehicle suspension springs; rudders; steering wheels for vehicles; bicycle handle bars; cycle handle bars; handle bars for bicycles, cycles; cranks for cycles; aeroplanes; amphibious airplanes; sleighs (vehicles); kick sledges; bicycle saddles; cycle saddles; saddles for bicycles, cycles or motorcycles; luggage nets for vehicles; dress guards for bicycles, cycles; anti-theft alarms for vehicles; reversing alarms for vehicles; vehicle seats; safety seats for children (for vehicles); hydraulic circuits for vehicles; rolling stock for railways; bicycle spokes; cycle spokes; spokes for bicycles, cycles; vehicle wheel spokes; inclined ways for boats; undercarriages for vehicles; water vehicles; military vehicles for transport; air vehicles; cycle cars; vehicles for locomotion by land, air, water or rail; electric vehicles; ambulances; remote control vehicles (other than toys); tricycles; carrier tricycles; delivery tricycles; windcreens; windshields; windscreen wipers; windshield wipers; cycle stands; hubs for vehicle wheels; cycle hubs; railway couplings; trailer hitches for vehicles; couplings for land vehicles; wheelbarrows; hose carts; luggage trucks; sackbarrows; two-wheeled trolleys; golf carts; shopping trolleys (carts (am.)); bogies for railway cars; casting carriages; casting cars; ladle carriages; ladle

cars; tilting-carts; goods handling carts; fork lift trucks; lifting cars (lift cars); cleaning trolleys; brakes for vehicles; bicycle brakes; brakes for bicycles, cycles; cycle brakes; torsion bars for vehicles; tractors; tramcars; transmissions, for land vehicles; aerial conveyors; trailers (vehicles); funnels for locomotives; funnels for ships; cleats (nautical); turbines for land vehicles; direction indicators for bicycles, cycles, etc.; direction signals for vehicles; turn signals for vehicles; rowlocks; bicycle stands; stands for bicycles, cycles (parts of bicycles, cycles); disengaging gear for boats; ships' steering gears; steering gears for ships; cable transport apparatus and installations; spoke clips for wheels; funiculars; vans (vehicles); caissons (vehicles); automobile chains; bicycle chains; chains for bicycles, cycles; cycle chains; driving chains for land vehicles; transmission chains for land vehicles; anti-skid chains; tipping apparatus, parts of trucks and waggons; covers for baby carriages; pushchair covers; stroller covers (pushchairs); saddle covers for bicycles or motorcycles; seat covers for vehicles; vehicle chassis; automobile chassis; connecting rods for land vehicles, other than parts of motors and engines; axle journals; gears for cycles; tubeless tires (tyres) for bicycles, cycles; bicycle tires (tyres); cycle tires (tyres); tires for bicycles, cycles; tires for bicycles, cycles; automobile tires (tyres); tires for vehicle wheels; tyres for vehicle wheels; vehicle wheel tires (tyres); pneumatic tires (tyres); tires, solid, for vehicle wheels; tyres, solid, for vehicle wheels; spikes for tires (tyres); studs for tires (tyres); davits for boats; launches; timbers (frames) for ships; mudguards; cycle mudguards; motors, electric, for land vehicles; yachts.

(260) AM 2012 64171 A
 (800) 1088802
 (731) GEORGIA-PACIFIC S.A.R.L.
 25, Route D'Esch, L-1470 Luxembourg,
 Luxembourg
 (540)

FLUSH & GO

(591) Black, white
 (511)
 16 – Paper for household, sanitary and cosmetic use.

(260) AM 2012 64172 A
 (800) 1088818
 (731) SOCIÉTÉ DES PRODUITS NESTLÉ S.A.
 CH-1800 Vevey, Switzerland
 (540)

MAMA И Я

(591) Black, white

(511)

5 – Dietetic substances and food for medical and clinical purposes; formulated milk, food, beverages and food substances for babies and children; food and food substances for medical purposes for babies, children and patients; food and food substances for pregnant women and nursing mothers for medical purposes; nutritional and dietetic supplements for medical purposes; vitamin preparations, preparations made with minerals; dietetic confectionery for medical purposes.

29 – Vegetables and potatoes (preserved, frozen, dried or cooked), fruits (preserved, frozen, dried or cooked), mushrooms (preserved, dried or cooked), meat, poultry, game, fish and seafood products, all these products in the form of extracts, soups, jellies, spreads, canned products, cooked, deep-frozen or dehydrated dishes; jams; eggs; milk, cream, butter, cheese and milk products; milk substitutes; beverages made with milk; beverages made with milk containing cereals, chocolate and/or coffee; desserts made with milk and desserts made with cream; yogurts; soya milk (milk substitute), preserved soya beans for human consumption; edible oils and fats; protein preparations for human consumption; whiteners for coffee and/or tea (cream substitutes); sausages; charcuterie, peanut butter; soups, concentrated soups, thick soups, bouillon cubes, stock, broths.

(260) AM 2012 64173 A

(800) 1088830

(731) GUTTA WERKE GmbH Bau- und
Heimwerkerprodukte
Bahnhofstr. 51-57, 77746 Schutterwald,
Germany

(540)



(591) Green and grey

(511)

6 – Metal building materials.

17 – Rubber, gutta-percha, gum, asbestos, mica and goods made from these materials and not included in other classes; goods made of plastics (semi-finished goods); stopping and insulating materials.

19 – Building materials (non-metallic).

(260) AM 2012 64174 A

(800) 1088839

(731) If Found Limited
Lovemead Lodge, 25A Roundstone Street,
Trowbridge, Wiltshire BA14 8DG, United
Kingdom

(540)

If Found

(591) Black, white

(511)

9 – Laptop computers, laptop carrying cases, mobile phones, mp3-players, portable CD players, portable DVD players, digital cameras, camera cases, video cameras, satellite navigational system, namely, a global positioning system (GPS), pedometers, flat television screens, video display screens, computer screens, computer game joysticks, computer game programs, portable radio apparatus.

16 – Paper, cardboard and goods made from these materials, not included in other classes; printed matter; printed publications; catalogues; office requisites (except furniture); photographs; stationery; adhesives for stationery or household purposes; paint brushes; printers' type; printing blocks; postage stamps; paperweights; stamps; rubber stamps; rubber document stamps; stamp pad inks; stamp pads; stamp apparatus; hand stamps; office stamps; pocket stamps; adhesive labels and adhesive patches to be printed with an individual wearer's personal information.

25 – Men's, women's and children's clothing, footwear and headgear, belts for clothing, leather jackets, trousers of leather, gloves including those made of skin, hide or fur, scarves, mufflers for clothing, ties for clothing, fur jackets, fur coats.

35 – The bringing together, for the benefit of others, of variety of goods, namely laptop computers, laptop carrying cases, mobile phones, mp3-players, portable CD players, portable DVD players, digital cameras, camera cases, video cameras, satellite navigational system, namely, a global positioning system (GPS), pedometers, flat television screens, video display screens, computer screens, computer game joysticks, computer game programs, portable radio apparatus, paper, cardboard and goods made from these materials, namely printed matter, photographs, stationery, adhesives for stationery or household purposes, paint brushes, printers' type, printing blocks, stamps, rubber stamps, rubber document stamps, stamp pad inks, stamp pads, stamp apparatus, hand stamps, office stamps, pocket stamps, including pre-inked stamps and self-inking stamps, in particular date stamps, numeral stamps, word stamps, adhesive labels and adhesive patches to be printed with an individual wearer's personal information, leather and imitations of leather, and goods made of these materials, namely, rucksacks, suitcases, shoulder bags, handbags, bags, sports bags, wallets, document carriers, carrier bags, clothes bags, duffel bags, briefcases, attaché cases, unfitted beauty boxes, toilet bags, hat boxes of leather, hunting bags, valises, shopping bags and bags of imitation

leather, key cases of leather, travelling sets in leather, garment bags for travel, travelling trunks, haversacks, shopping bags, card cases, credit card holders, trunks and travelling bags, purses, umbrellas, parasols and walking sticks, men's, women's and children's clothing, footwear and headgear, belts for clothing, leather jackets, trousers of leather, gloves including those made of skin, hide or fur, scarves, mufflers for clothing, ties for clothing, fur jackets, fur coats, enabling customers to conveniently view and purchase those goods at a retailer's or on-line on the Internet.

(260) AM 2012 64272 A

(800) 1089296

(731) ASOTSIATSIYA VYROBNIYKIV

PARKETU UKRAINY

prospect 40-richchia Zhovtnia, bud. 88,

m. Kyiv 03040, Ukraine

(540)



(591) Black, white

(511)

19 – Building materials, not of metal; cask wood; building timber; shingle; hips for roofing; doors, not of metal; door casings, not of metal; veneers; floor boards; worked timber; wood, semi-worked; wood pulp board, for building; floor boards; shingle; furrings of wood; cask wood; hips for roofing; wainscoting, not of metal; manufactured timber; sawn timber; building panels, not of metal; parquet flooring; parquet floor boards; floors, not of metal; planks (wood for building); coatings (building materials); lintels, not of metal; sills, not of metal; furrings of wood; ceilings, not of metal; formed wood; plywood; veneers; veneer wood; planks (wood for building); floor laminated boards; floor laminate; floor coverages, which are included in this class; duckboards, not of metal; doorpost, not of metal; moldings, not of metal, for building; scantlings (carpentry); slabs, not of metal; stringers (parts of staircases), not of metal; grout; grout liquid; building paper; building materials, not of metal; framework for building, not of metal; building timber; building panels, not of metal; rubble; building cardboard; floor tiles, not of metal.

35 – Administrative processing of purchase orders; auctioneering; organization of exhibitions for commercial or advertising purposes; organization of trade fairs for commercial or advertising purposes; demonstration of goods; presentation of goods on communication media, for retail purposes; distribution of samples; bringing together for the benefit of others of a variety of the goods mentioned in class 01, 03, 06, 07, 08, 16, 17, 19, excluding the

transport thereof, enabling customers to conveniently view and purchase those goods; television advertising; catalogue advertising; electronic means advertising; sales promotion for others; procurement services for others (purchasing goods and services for other businesses); import-export agencies; updating of advertising material; shop window dressing; dissemination of advertising matter; writing of publicity texts; publication of publicity texts; advertising; service mentioned in class 37 in the form of advertisement; on-line advertising on a computer network; direct mail advertising; marketing studies; business research; business information; business appraisals; business inquiries; marketing research; business investigations; economic forecasting; compilation of statistics; commercial information agencies; compilation of information into computer databases; systemization of information into computer databases; professional business consultancy; business organization consultancy; business management assistance; commercial or industrial management assistance.

37 – Repair building construction; installation of parquet and floor coverages.

(260) AM 2012 64273 A

(800) 1089387

(731) OBSHESTVO S OGRANICHENNOY OTVETSTVENNOSTYU "NAUCHNO-PROIZVODSTVENNAYA KOMPANIYA "PHARMASOFT"

ul. Avtozavodskaya. 22, RU-115280

Moscow, Russian Federation

(540)

MEXIDOLdent
МЕКСИДОЛдент

(591) Black, white

(511)

3 – Dentifrices.

5 – Chewing gum for medical purposes; dental mastics.

(260) AM 2012 64274 A

(800) 1089439

(731) OBSHESTVO S OGRANICHENNOY OTVETSTVENNOSTYU "TD "SOYUZ"

ul. Kurchatova, 9, RU-194223 Saint-

Petersburg, Russian Federation

(540)

CAFA

(591) Black, white

(511)

9 – Spectacles [optics]; sunglasses; sport glasses.

(260) AM 2012 64275 A
 (800) 1089463
 (731) FUJIAN PROVINCE WANHUA
 ELECTRONICS TECHNOLOGY CO., LTD.
 No. 926, Nanhuan Road,
 Licheng District, Quanzhou City, 362000
 Fujian Province, China

(540)

Wanhua

(591) Black, white

(511)

9 – Alarms; transducers; galvanic cells; navigation apparatus for vehicles (on-board computers); remote control apparatus; telephone apparatus; electric installations for the remote control of industrial operations; simulators for the steering and control of vehicles; signal lanterns; computers.

(260) AM 2012 64276 A
 (800) 1089475
 (731) SUMMIT ENTERTAINMENT, LLC
 1630 Stewart Street, Suite 120, Santa Monica
 CA 90404, USA

(540)

TWILIGHT BRIDAL

(591) Black, white

(511)

25 – Clothing, namely, dresses, gowns, wedding dresses, and formal wear; gloves; garters; footwear; headwear; and veils.

(260) AM 2012 64277 A
 (800) 1089492
 (731) Inostrannoe tchastnoe ounitarnoe
 proizvodstvenno-torgovoe predpriatie
 "KARAVAN" korporatsii "Kamberli
 Marketing Korp."
 komm. 2, d. 1, oul. Zavodskaja, Zaslavl,
 223034 Minskaia obl., Belarus

(540)

**Love
 coffee**

(591) Black, white

(511)

30 – Coffee, artificial coffee, vegetal preparations for use as coffee substitutes, coffee-based beverages, coffee beverages with milk, coffee flavorings, unroasted coffee.

(260) AM 2012 64278 A
 (800) 1089668
 (731) LODESTAR ANSTALT
 Lova-Center, P.O.Box 1150, FL-9490 Vaduz,
 Liechtenstein

(540)

THE WILD GEESE

(591) Black, white

(511)

4 – Industrial oils and greases; lubricants; dust absorbing, wetting and binding compositions; fuels and illuminants; candles and wicks for lighting; combustible fuels, electricity and scented candles.

9 – Optical apparatus and instruments; apparatus for recording, transmission or reproduction of sound or images; automatic vending machines and mechanisms for coin-operated-apparatus; recorded media, computer hardware and firmware; computer software; computer software downloadable from the Internet; downloadable electronic publications; compact discs; digital music; telecommunications apparatus; computer games equipment adapted for use with an external display screen or monitor; mouse mats; mobile phone accessories; contact lenses, spectacles and sunglasses; carrying cases adapted for sunglasses and spectacles; chains for sunglasses and spectacles; devices for supporting sunglasses and spectacles; frames and lenses for sunglasses and spectacles; straps for sunglasses and spectacles; field glasses; binoculars; cases for binoculars.

14 – Precious metals and their alloys; jewellery, costume jewellery, precious stones; horological and chronometric instruments, clocks and watches; cases for watches; bands for watches; bracelets for watches; parts and fittings for clocks and watches.

25 – Clothing, footwear, headgear.

34 – Tobacco; smokers' articles; cigarettes; cigars; matches; lighters for smokers; ashtrays for smokers.

(260) AM 2012 64279 A
 (800) 1089695
 (731) GUESS IP HOLDER L.P.
 1444 South Alameda Street, Los Angeles,
 CA 90021, USA

(540)



(591) Black, white

(511)
9 – Decorative and protective covers and cases for portable electronic devices, namely, personal electronic devices, cell phones, mobile phones, telephones, computers, laptop computers, tablet computers, notebook computers, mp3 players, portable music players, personal digital assistants, electronic reading devices, digital cameras, and cameras; eyewear.

(260) AM 2012 64280 A
(800) 1089696
(731) Guess? IP Holder L.P.
1444 S. Alameda Street, Los Angeles,
CA 90021, USA
(540)



(591) Black, white
(511)
9 – Decorative and protective covers and cases for portable electronic devices, namely, personal electronic devices, cell phones, mobile phones, telephones, computers, laptop computers, tablet computers, notebook computers, mp3 players, portable music players, personal digital assistants, electronic reading devices, digital cameras, and cameras; eyewear.

(260) AM 2012 64281 A
(800) 1089731
(731) GREE ELECTRIC APPLIANCES, INC. OF
ZHUHAI
Jinji West Road, Qianshan Zhuhai,
Guangdong, China
(540)

TQSDT

(591) Black, white
(511)
11 – Air conditioners; ventilation (air-conditioning) installations and apparatus; air reheaters; electric radiators; heat accumulators; electric fans (air conditioning); air dehumidifiers; air purifiers; cooking apparatus and installations; extractor hoods for kitchens; coal gas water heater; electric water heater; electromagnetic ovens for kitchen use; electric cooking utensils; electric drinking water dispensers; electric kettles; air humidifiers; electric pressure cookers, being autoclaves; air conditioners for vehicles; fans being parts of air conditioning installations; filters for air conditioning; heaters for vehicles; air dryers; air sterilizers; electric hair dryers; evaporators; sterilizers; sterilizing cupboard

for kitchen use; heat exchanger, not being parts of machines; exhaust fans; solar energy water heaters; electric iron pans; heaters for baths; gas burners; air refreshers; refrigerators; microwave ovens used as cooking apparatus; water purifiers; egg boilers; electric machines for making yogurt; bread toasters; electric coffee machines; electric foot washers; bakers' ovens; electric slow-cookers; electric laundry dryers for household use.

(260) AM 2012 64282 A
(800) 372793
(731) fischerwerke GmbH & Co. KG
Weinhalde 14-18, 72178 Waldachtal,
Germany
(540)

FISCHER

(591) Black, white
(511)
6 – Fasteners, namely pins made of metal and their accessories, namely special screws such as screw hooks, pegs, metal screws with double threads of different diameters.
8 – Striking tools with masonry hammers for making peg holes.
20 – Fasteners, namely pins made of synthetic materials or partly of synthetic materials and partly of metal and their accessories, namely conical nuts, sealing caps and tops, all of them made from synthetic materials; collars for cables and pipes of synthetic materials; lugs of synthetic materials for these goods.

(260) AM 2012 64286 A
(800) 664635
(731) fischerwerke GmbH & Co. KG
Weinhalde 14-18, 72178 Waldachtal,
Germany
(540)

fischer

(591) Black, white
(511)
1 – Chemical products for use in fastening, namely self-hardening synthetic resin adhesive masses for anchoring fastening elements and filled in cartridges and/or capsules.

(260) AM 2012 64287 A
(800) 667311
(731) BASF SE
Carl-Bosch-Strasse 38, 67056 Ludwigshafen,
Germany

(540)

CABRIO

(591) Black, white

(511)

5 – Fungicides, herbicides, insecticides, pesticides, all for use in agriculture.

(260) AM 2012 64288 A

(800) 747400

(731) Aktsionerno droujestvo "SOPHARMA"
Oulitsa "Iliensko chaussee" 16, BG-1220
SOFIA, Bulgaria

(540)

**Сопрал
Sopral**

(591) Black, white

(511)

5 – Pharmaceutical products.

(260) AM 2012 64289 A

(800) 879085

(731) APPLE INC.
1 Infinite Loop, Cupertino, CA 95014, USA

(540)



(591) Black, white

(511)

9 – Software for automatic discovery of computers, devices, and services on IP networks in the field of communication and telecommunication via local or global communications and computer networks; software for use to navigate a global computer information network; printers.

(260) AM 2012 64355 A

(800) 1090112

(731) UNIGUM GIDA MADDELERİ SANAYİ
TİCARET ANONİM ŞİRKETİ
Konaklar Mahallesi, Çınar Sokak, Emlak
Bankası Apt. Daire: 20 No: 1, 4, Levent,
İstanbul, Turkey

(540)

Lemontrick

(591) Black, white

(511)

30 – Coffee, cocoa, coffee or cocoa based beverages, chocolate based beverages, pasta, ravioli, home made macaroni, bakery and pastry products, sweets, honey, royal jelly for food, propolis, food flavo-

rings other than essential oils, yeasts, baking powder, natural substances for improving shape and color of baked products and retarding its period of getting stale, all kinds of flour, confectionery, chocolates, biscuits, crackers, wafer, chewing gums, ice creams, edible ice, salt, cereals, and cereal products included in this class.

(260) AM 2012 64356 A

(800) 1090180

(731) OSI Pharmaceuticals, LLC
1 Bioscience Park Drive, Farmingdale NY
11735, USA

(540)

DUSELIR

(591) Black, white

(511)

5 – Pharmaceutical preparations for human use for the treatment of cancer.

(260) AM 2012 64357 A

(800) 1090181

(731) OSI Pharmaceuticals, LLC
1 Bioscience Park Drive, Farmingdale NY
11735, USA

(540)

OLINIR

(591) Black, white

(511)

5 – Pharmaceutical preparations for human use for the treatment of cancer.

(260) AM 2012 64358 A

(800) 1090182

(731) OSI Pharmaceuticals, LLC
1 Bioscience Park Drive, Farmingdale NY
11735, USA

(540)

ZELINIR

(591) Black, white

(511)

5 – Pharmaceutical preparations for human use for the treatment of cancer.

(260) AM 2012 64359 A

(800) 1090185

(731) EVONIK CARBON BLACK GMBH
Rodenbacher Chaussee 4, 63457 Hanau,
Germany

(540)

AROSPERSE

(591) Black, white
(511)
1 – Chemicals used in industry, science and photography, as well as in agriculture, horticulture and forestry; chemical products for the print industry, rubber industry, plastics industry, lacquer and paint industry, soot for industrial or agricultural purposes, carbon black and lamp black for industrial purposes, chemicals for the manufacture of tyres, silica; unprocessed artificial resins, unprocessed plastics; manures; fire extinguishing compositions; tempering and soldering preparations; chemical substances for preserving foodstuffs; tanning substances; adhesives used in industry.

2 – Paints, varnishes, lacquers; soot, in particular for paints, varnishes, lacquers and coatings as well; soot (colorant), lamp black (pigment), pigments.

(260) AM 2012 64360 A
(800) 1090239
(731) Inostrannoe tchastnoe ounitarnoe proizvodstvenno-torgovoe predpriatie "KARAVAN" korporatsii "Kamberli Marketing Korp."
komm. 2, d. 1, oul. Zavodskaia, Zaslavl,
223034 Minskaia obl., Belarus

(540)

SUN LIGHT

(591) Black, white
(511)
30 – Coffee, tea.

(260) AM 2012 64361 A
(800) 1090240
(731) RICHTER GEDEON NYRT.
Gyömrői út 19-21, H-1103 BUDAPEST,
Hungary

(540)

CAETYH

(591) Black, white
(511) 5 – Pharmaceutical preparations.

(260) AM 2012 64362 A
(800) 1090241
(731) RICHTER GEDEON NYRT.
Gyömrői út 19-21, H-1103 BUDAPEST,
Hungary

(540)

XAENIL

(591) Black, white
(511) 5 – Pharmaceutical preparations.

(260) AM 2012 64364 A
(800) 1090243
(731) RICHTER GEDEON NYRT.
Gyömrői út 19-21, H-1103 BUDAPEST,
Hungary

(540)

КАРТАРИКС

(591) Black, white
(511)
5 – Pharmaceutical preparations.

(260) AM 2012 64365 A
(800) 1090244
(731) RICHTER GEDEON NYRT.
Gyömrői út 19-21, H-1103 BUDAPEST,
Hungary

(540)

КАНЕП

(591) Black, white
(511)
5 – Pharmaceutical preparations.

(260) AM 2012 64368 A
(800) 1090245
(731) RICHTER GEDEON NYRT.
Gyömrői út 19-21, H-1103 BUDAPEST,
Hungary

(540)

КАЈЕР

(591) Black, white
(511)
5 – Pharmaceutical preparations.

(260) AM 2012 64373 A
(800) 1090246
(731) RICHTER GEDEON NYRT.
Gyömrői út 19-21, H-1103 BUDAPEST,
Hungary

(540)

КАЕТУС

(591) Black, white
(511)
5 – Pharmaceutical preparations.

(260) AM 2012 64374 A
(800) 1090247
(731) RICHTER GEDEON NYRT.
Gyömrői út 19-21, H-1103 BUDAPEST,
Hungary

(540)

БЕВИМ

(591) Black, white

(511)

5 – Pharmaceutical preparations.

(260) AM 2012 64376 A

(800) 1090248

(731) RICHTER GEDEON NYRT.

Gyömrői út 19-21, H-1103 BUDAPEST,
Hungary

(540)

КСЕМАВ

(591) Black, white

(511)

5 – Pharmaceutical preparations.

(260) AM 2012 64377 A

(800) 1090249

(731) RICHTER GEDEON NYRT.

Gyömrői út 19-21, H-1103 BUDAPEST,
Hungary

(540)

КСАЕНИЛ

(591) Black, white

(511)

5 – Pharmaceutical preparations.

(260) AM 2012 64378 A

(800) 1090250

(731) RICHTER GEDEON NYRT.

Gyömrői út 19-21, H-1103 BUDAPEST,
Hungary

(540)

КСАЕМУР

(591) Black, white

(511)

5 – Pharmaceutical preparations.

(260) AM 2012 64437 A

(800) 1090866

(731) E.ON AG

E.ON-Platz 1, 40479 Düsseldorf, Germany

(540)

**E.ON CLEANER & BETTER
ENERGY**

(591) Black, white

(511)

4 – Fuels (including motor fuels) and illuminants;
natural gas; biogas; liquefied natural gas (LNG);
electrical energy.

35 – Business management; business administration; office work; procurement services for third parties (acquisition of goods and services for other companies) in the energy sector; negotiation of contracts for third parties; negotiation of trade transactions for third parties; negotiation of contracts on the delivery of energy, in particular electrical and thermal energy as well as gaseous fuels; negotiation of contracts for third parties on the delivery of line-based energies as well as transportation services using grids; consultancy for companies and organisations in the energy sector; systematic structuring of data in computer databases; public relations.

36 – Financing, insurance services, investment and monetary transactions in the energy sector; consultancy in respect of investments, subsidies and financing concerning plants and companies in the energy sector; contracting, specifically financial and leasing transactions connected with the operation of point-of-use energy production plants; stockbroking services, in particular in the sector of trade in commodity certificates and foreign exchange.

37 – Plant construction in the energy sector; electricity, gas and water installations; installation, fitting, maintenance and repair of power stations, gas generators, pipelines and plants for producing electrical and thermal energy from renewable energy sources; installation and/or maintenance and/or repair of measuring, signaling and monitoring apparatus.

38 – Telecommunications; transmission of measured data via global computer networks and public communication networks.

39 – Transportation; storage, transportation, transmission, distribution and delivery of energy, in particular electrical and thermal energy as well as gas and water; supply of consumers through the delivery of electrical and thermal energy as well as gaseous fuels; transportation of gases and liquids through pipelines.

40 – Materials' processing; production of energy, in particular electrical and thermal energy as well as steam; production of electrical and thermal energy as well as steam from renewable energy sources; production of gas from biomass and valuable materials; production of biomethane; recycling; combustion of waste and valuable materials.

42 – Scientific and technological services and research work and related design services; industrial analysis and research services; technical planning of plants for producing and transporting energy, in particular electrical and thermal energy; technical planning of power stations; consultancy in the sector of energy saving; technical project

management; determination of emissions and pollutant concentrations; preparation of technical reports; engineering services in the sector of consumption metering, registration, recording, processing, evaluation and transmission of data, in particular measured data.

(260) AM 2012 64438 A

(800) 1090869

(731) OSRAM AG

Hellabrunner Straße 1, 81543 München,
Germany

(540)



(591) Black, white

(511)

9 – Apparatus and instruments for conducting, switching, transforming, accumulating, regulating and controlling electricity; lasers, not for medical purposes; lighting control systems; light emitting diodes (LED), including organic light emitting diodes, laser diodes, in particular high-performance laser diodes, semiconductor high-performance laser diodes, also for material processing, semiconductor components, light conductors, optocouplers, optical sensors, light barriers, light emitting diode modules namely modules constructed from light emitting diodes, including organic light emitting diodes, for signalling purposes, light emitting diode technology displays, including organic LED technology displays; parts for all the aforesaid goods, included in this class.

11 – Apparatus for heating, steam generating, cooking, refrigerating, drying, ventilating, water supply and sanitary purposes; lighting apparatus and lighting facilities especially using light emitting diodes (LED); LED luminaries of all kind and LED lamps of all kind, also for traffic related applications, for power-driven vehicle related applications and for decoration purposes; the aforesaid apparatus for lighting inter alia especially with integrated electronic ballasts, transformers, regulating or control apparatus or electronic interfaces; LED modules, namely modules constructed of LEDs, also organic LEDs, with light functions for lighting purposes; fittings for lamps and LEDs, parts and accessories of all the aforesaid goods included in this class.

(260) AM 2012 64439 A

(800) 1090876

(731) FUJIAN XIANZHILU BIOLOGICAL

SCIENCE AND TECHNOLOGY CO., LTD

31 Building, Juyuanzhou Industrial Zone, No.
618 Jinshan Road, Fuzhou City, Fujian
Province, China

(540)



GANOHERB

(591) Black, white

(511)

5 – Medicines for human purposes; medicinal tea; medicinal herbs; Chinese patent medicines; medicinal liquor; medicinal oils; dietetic food preparations adapted for medical purposes; dietetic substances adapted for medical use; biological preparations for veterinary purposes; medical preparation bags.

30 – Coffee-based beverages; tea; tea substitutes; candy; nutritious substances in the form of liquid, paste, powder and capsule, not for medical purposes; cereal preparations; flour-milling products.

(260) AM 2012 64442 A

(800) 1090885

(731) MEFRO METALLWARENFABRIK

FISCHBACHER GMBH

Ludwig-Thoma-Str. 29, 83101 Rohrdorf,
Germany

(540)

Mefro

(591) Black, white

(511)

7 – Wheels and wheel rims of all kinds, in particular of steel, aluminium and plastic, for machines, in particular agricultural machines and construction machines; wheels and wheel rims of all kinds, in particular of steel, aluminium and plastic, in particular for floor conveyors.

12 – Wheels and wheel rims of all kinds, in particular of steel, aluminium and plastic, in particular for motor vehicles, stackers and transportation devices.

(260) AM 2012 64443 A

(800) 1090891

(731) ACT DIS TİCARET ANONİM ŞİRKETİ

Büyükdere Caddesi, Oya Sokak, Devran
Apartment No: 2/1, Gayrettepe, Şişli –
İSTANBUL, Turkey

(540)



(591) white, black, red and green

(511)

29 – Preserved vegetables, namely, preserved peas, preserved okras, marmalades and jams; tomato paste, pepper puree; fruit pulps.

30 – Tomato sauces, pepper sauces.

(260) AM 2012 64444 A

(800) 1090912

(731) European Aeronautic Defence and Space Company, EADS N.V.

Beechavenaue 130-132, NL-1119 PR

Schiphol-Rijk, Netherlands

(540)

EADS

(591) Black, white

(511)

6 – Missile projection systems for missiles made of metal, especially missile projection ramps.

7 – Aircraft engines; machines and machine tools especially for the manufacture and repair of vehicles and apparatus for locomotion by land, air and water and parts thereof and especially for the manufacture and repair of aeronautical engines; drives, motors and engines (except for land vehicles); machine coupling and transmission components (except for land vehicles); parts and connecting elements (fittings) for the aforesaid goods.

9 – Software; computer programs; computers; data processing apparatus; scientific (except for medical purposes), nautical, surveying, photographic, cinematographic, optical, weighing, measuring, signalling, checking (supervision), life-saving and teaching apparatus and instruments (included in this class); apparatus for recording, transmission and reproduction of sound and images; magnetic data carriers; information processing equipment and computers; pre-recorded and blank discs, pre-recorded and blank audio and video cassettes; pre-recorded and blank compact discs; transmitters, receivers, apparatus for transmitting electronic and radio signals; scientific satellites and satellites for receiving and transmitting radio signals; electric cables, fibre-optic cables; satellites for scientific and commercial purposes.

12 – Vehicles; apparatus for locomotion by land, air, water and rail; aircraft, spacecraft; launch vehicles for spacecraft; parts and connecting elements (fittings) for all the aforesaid goods.

13 – Firearms, ammunition and projectiles; missiles and projectiles and signalling rockets; explosives; fireworks.

37 – Construction; repair, especially in the field of vehicles and of apparatus and parts thereof for locomotion by land, air or water as well as driving motors; installation services; maintenance of computer hardware and computer software.

38 – Telecommunications; pager and mobile phone services and other electronic communication services; communication services provided by means of fibre-optic networks; telecommunication services via satellite; communication services via computer terminals; telephone communication services; transmission of news and information; rental of telecommunication apparatus; rental of apparatus for transmitting images; rental of modems; transmission of messages and images by means of computers; communication services by computer terminals, radio and TV broadcasting, mobile phone services; satellite transmission services; rental of access time to computer databases; rental of access time to computers for handling of data.

41 – Video-tape film production.

42 – Computer programming; industrial and scientific research; testing of installation of computer systems; computer programming for the creation and restoration of computerised data in databases; professional scientific, technical and technological consultancy, not business; material testing; meteorological information, especially weather forecasting; drafting and design of software, drafting and design of computer images; engineering services (technical assessment); maintenance of software; mechanical engineering research; aeronautical and space research; computer programming; technical projects studies; technical research.

45 – Exploitation of patents, especially through granting of licences and know-how licences, sale of patents and valuation of patents; consultancy on security matters.

(260) AM 2012 64445 A

(800) 1090937

(731) OSI Pharmaceuticals, LLC

1 Bioscience Park Drive, Farmingdale

NY 11735, USA

(540)

ZELNIB

(591) Black, white

(511)

5 – Pharmaceutical preparations for human use for the treatment of cancer.

(260) AM 2012 64446 A
(800) 1091004
(731) Clariant AG
Rothausstrasse 61, CH-4132 Muttenz,
Switzerland

(540)

PERLOGEN

(591) Black, white
(511)
1 – Chemical products for industrial and scientific purposes.

(260) AM 2012 64447 A
(800) 1091008
(731) TURKCELL İLETİŞİM HİZMETLERİ
ANONİM ŞİRKETİ
Turkcell Plaza Meşrutiyet Cad. No: 153,
İstanbul, Turkey

(540)

Life is More

(591) Black, white
(511)
9 – Communication machines and devices, namely, apparatus for recording, transmission or reproduction of sound and images; computers and peripheral hardware, namely, card readers; barcode readers; scanners; computers; disk drivers; data gathering terminals; word processors; printers; monitors; plotters; keyboards; computer mice; recorded computer programs and software; recorded programs providing access and usage global computer network; interactive multi-media disc players; DVD players; data storage medias; magnetic data medias, video and audio bands, CD-ROM, DVD, disks, optic disks, cassettes, bands, exposed films, compact discs; video bands; laser discs; visual-audio-visual bands; digital bands; magnetic cards; smart cards; telecommunication devices, namely, telephones, mobile phones, radio phones, cordless phones, telephone switchboards.

35 – Organization of trade fairs via information technology and computers; advertisement services; promotion services relating to sales increase; business organization, business research, ordering services, invoicing processes via global computer network; bringing together, for the benefit of others, of a variety of goods and services, enabling customers to conveniently view and purchase those goods through virtual media; advertising via online electronic communication network, public relations services.

38 – Communication services; information services for communication with electronic media and agencies, publication; electronic mail services; electronic bulletin board services (telecommunication

services); taking and forwarding messages and images by computer; electronic communication services; information services related to communication; communication with computer; news agencies; cable television broadcasting; radio broadcasting; television broadcasting; communication via computer terminals; providing telecommunications connections to a global computer network; rental of information transmission facilities; renting services of telecommunication instruments and apparatus; providing access to global computer network, including access services to online guides, including access services to online databases and indexes.

41 – Education and instruction services; symposia, conference, congress, seminar organization and administration services; sport, culture and entertainment services; production services of film, television and radio programs; news correspondent services, newspaper photographer services; photographer services; translation services.

(260) AM 2012 64448 A
(800) 1091016
(731) CHANSON COSMETICS INC.
5-10, Kuniyoshida 2-chome, Suruga-ku,
Shizuoka-shi, Shizuoka 422-8615, Japan

(540)

Chansonier

(591) Black, white
(511)
3 – Shampoos; soap; make-up removing preparations; lotions; milky lotions; cosmetic creams; cosmetic essence; beauty mask; make-up preparations; foundation; make-up powder; lipsticks; cheek colors; eye shadows, eyebrow cosmetics; mascara; perfumes; hair care preparations; nail polish; cosmetics.

(260) AM 2012 64449 A
(800) 1091017
(731) CHANSON COSMETICS INC.
5-10, Kuniyoshida 2-chome, Suruga-ku,
Shizuoka-shi, Shizuoka 422-8615, Japan

(540)

LIFTLOGY

(591) Black, white
(511)
3 – Shampoos; soap; make-up removing preparations; lotions; milky lotions; cosmetic creams; cosmetic essence; beauty mask; make-up preparations; foundation; make-up powder; lipsticks; cheek colors; eye shadows, eyebrow cosmetics; mascara; perfumes; hair care preparations; nail polish; cosmetics.

(260) AM 2012 64450 A
 (800) 1091018
 (731) CHANSON COSMETICS INC.
 5-10, Kuniyoshida 2-chome, Suruga-ku,
 Shizuoka-shi, Shizuoka 422-8615, Japan

(540)

CHANSON PROTECTION BASE

(591) Black, white

(511)

3 – Make-up removing preparations; lotions; milky lotions; cosmetic creams; cosmetic essence; beauty mask; make-up preparations; foundation; make-up powder; lipsticks; cheek colors; eye shadows, eye-brow cosmetics; mascara; perfumes; hair care preparations; nail polish; cosmetics.

(260) AM 2012 64542 A

(800) 1091713

(731) RICHTER GEDEON NYRT.
 Gyömrői út 19-21, H-1103 BUDAPEST,
 Hungary

(540)

XAEMUR

(591) Black, white

(511)

5 – Pharmaceutical preparations.

(260) AM 2012 58917 A*

(800) 1042995

(731) CLAUDEL ROUSTANG GALAC
 33 avenue du Maine - Tour Maine
 Montparnasse, F-75015 Paris, France

(540)

ЛАКТЕЛЬ

(591) Black, white

(511)

5 – Dietetic substances, beverages and foods for medical purposes; foods, beverages, milk and milk products for infants.

29 – Meat, fish, poultry and game; meat extracts; preserved, dried and cooked fruit and vegetables; jellies, jams, marmalade, compotes, milk and milk products; food preparations and cooked dishes made with milk and milk products; soya milk; edible oils and fats, milk beverages, milk predominating.

30 – Coffee, tea, cocoa, sugar, rice, tapioca, sago, flour and preparations made from cereals, bread, pastry and confectionery, ices; honey, treacle; yeast, baking-powder; salt; ice for refreshment.

32 – Mineral and aerated waters and other non-alcoholic drinks, particularly whey-based

beverages; fruit drinks and fruit juices; syrups and other preparations for making beverages; non-alcoholic beverages, whether made with milk or not.

(260) AM 2012 61106 A*

(800) 1061513

(731) CHOCOLATS ET CACAOS FAVARGER
 S.A.

Chemin de la Chocolaterie 2, CH-1290
 VERSOIX, Switzerland

(540)



(591) Black, white

(511)

30 – Coffee, tea, cocoa, sugar, rice, cereals, flours and preparations made with cereal, bread and other bakery products, especially pretzels, pastries, pies, cakes, brioche, croissants, Viennese pastries, petits fours, bread rolls, confectionery, sweetmeats (candy) not for pharmaceutical purposes; edible ices and ice cream; honey; golden syrup; chocolate; pralines; puddings; salt; mustard; vinegar; sauces (condiments); dressings for salad; spices; mayonnaise; pizzas, quiches; tarts; cake pastes; almond pastes; pasties; meat pies; sandwiches; sushi.

35 – Bringing together, for the benefit of others, the aforesaid goods (excluding the transport thereof), enabling customers to conveniently view and purchase those goods, including via mail order.

43 – Providing food and drink; food and drink catering.

(260) AM 2012 61490 A*

(800) 1065309

(731) UĞUR MOTORLU ARAÇLAR MAKİNA
 TURİZM TAŞIMACILIK SANAYİ VE
 TİCARET LİMİTED ŞİRKETİ
 Yeşil Mahalle 829 Sokak No: 14, Nazilli,
 Aydin, Turkey

(540)

mondial bike

(591) Black, white

(511)

12 – Automobiles, trucks, buses, tow trucks, tractors, refrigerated vehicles, namely, trailers, trucks, vehicles mixing and transporting concrete, military vehicles for transport purposes, namely, boats, automobiles; ambulances, watering trucks,

hose trucks, sports cars, motorized golf carts, garbage trucks, mobile funeral service vehicles, namely, hearses; mobile kitchens, namely, trailers containing kitchens, forklifts, namely, fork lift trucks, sewage trucks, automobile engines, automobile chassis, axles for land vehicles; automobile parts, namely, axletrees, connecting rods for land vehicles other than parts of motors and engines; transmissions gearboxes, parts for land vehicles, namely clutches; jet engines for use with land vehicles, transmission chains for land vehicles, gears for vehicles, land vehicle tires, wheel rims of land vehicles, connecting push rods for land vehicles, not being engine parts; automobile bodies, automobile bumpers, land vehicle doors, automobile hoods, automobile fenders, vehicle parts, namely shock absorbers; hydraulic, pneumatic, electric or mechanical suspension springs for motor cars, vehicle parts, namely, springs for shock absorbers for motor cars, brake cylinder repair sets and parts sold as a unit for vehicles; brakes for land vehicles, brake linings and shoes for land vehicles, fuel tanks for vehicles, namely, land vehicles, automobiles; mudguards of bicycles and motorbikes, bicycles, motorbikes, mopeds and motorized scooters, and their bodies, handlebars; land vehicle trunks, tipping bodies for lorries and for trailers; tractor trailers, refrigerated trunks for trailers; vehicle seats, head supports for motor car seats, safety seats for children in vehicles, shaped and fitted vehicle covers, sunshades for automobile windshields, trailer hitches for vehicles, profile bars made of metal or synthetic materials for vehicles for decoration purposes; direction signals, windshield wipers for vehicles, windshield wiper arms for land vehicles; tires, inner tubes and tubeless tires, all for vehicles; tire-fixing sets comprised of tire patches and tire valves; rubber patches for vehicle tires, adhesive rubber patches for repairing inner tubes; valves for vehicle tires; windows for vehicles, safety windows for vehicles, rearview mirrors and side mirrors for vehicles; land vehicle parts, namely tire chains, car door wedges; car door wedges, bicycle and ski carriers, saddles for vehicles, namely, bicycles; tire inflating pumps; anti-theft alarms for motor cars, horns for vehicles, namely automobiles; safety belts for automobiles, airbags for vehicles, vehicle seat covers; baby strollers, wheelchairs, baby carriages; railway hand cars, shopping carts, single or multi-cycle railway hand cars, carrier tricycles, and household goods handling carts, namely shopping carts; railway vehicles, namely locomotives, trains, tramways, street cars, wagon cars; water vehicles and parts, namely, rowboats, motorboats, ships, yachts, cutter boats, ferries, canoes, steering gears, rudders, spars, timbers, fenders, screw propellers, funnels (smokestacks), hulls for water vehicles; air vehicles and parts, namely dirigible air balloons,

airplanes, helicopters, space vehicles and parachutes.

(260) AM 2012 61714 A*
 (800) 1067834
 (731) ELS Educational Services, Inc.
 400 Alexander Park, Princeton, NJ 08540,
 USA
 (540)



(591) Black, white
 (511)
 41 – English language instruction.

(260) AM 2012 61904 A*
 (800) 1069206
 (731) LOHMANN ANIMAL HEALTH GmbH
 Heinz-Lohmann-Strasse 4, 27472 Cuxhaven,
 Germany
 (540)



(591) Black, white
 (511)
 5 – veterinary preparations; disinfectants; preparations for destroying vermin; fungicides, herbicides; algicides; amino acids for veterinary purposes; antibiotics; medicines for veterinary purposes; bacterial preparations for veterinary purposes; chemical preparations for veterinary purposes; enzymes for veterinary purposes; enzymes preparations for veterinary purposes; greases for veterinary purposes; fishmeal for pharmaceutical purposes; lotions for veterinary purposes; antiparasitic collars for animals; anti-parasitic preparations; anticryptogamic preparations; cattle washes; vitamin preparations; vaccines; supplementary components to foodstuffs for medical and veterinary purposes; additives to fodder for medical and veterinary purposes.

31 – Fishmeal for animal consumption; lime for animal forage; grains for animal consumption; meal for animals; animal foodstuffs; additives to fodder, not for medical purposes; poultry for breeding; live poultry; mash for fattening livestock; preparations for egg laying poultry; nutritional additives for animals, not for medical purposes; protein for animal consumption; supplementary components to animal foodstuffs, not for medical purposes.

INTERNATIONAL TRADEMARKS PROTECTED IN GEORGIA

(260) AM 2012 62077 A
(800) 1070386
(151) 2011 02 18
(181) 2021 02 18
(511) 09

(260) AM 2012 62174 A
(800) 1071283
(151) 2011 02 14
(181) 2021 02 14
(511) 05

(260) AM 2012 62082 A
(800) 1070391
(151) 2011 01 14
(181) 2021 01 14
(511) 23

(260) AM 2012 62175 A
(800) 1071305
(151) 2010 09 03
(181) 2020 09 03
(511) 25, 35

(260) AM 2012 62083 A
(800) 1070398
(151) 2011 02 24
(181) 2021 02 24
(511) 07

(260) AM 2012 62184 A
(800) 1071314
(151) 2010 12 21
(181) 2020 12 21
(511) 14

(260) AM 2012 62084 A
(800) 1070399
(151) 2011 01 28
(181) 2021 01 28
(511) 03, 14, 25, 28, 32, 33, 35, 41

(260) AM 2012 62195 A
(800) 1071375
(151) 2011 03 04
(181) 2021 03 04
(511) 03

(260) AM 2012 62119 A
(800) 1070754
(151) 2011 01 18
(181) 2021 01 18
(511) 03, 07, 08

(260) AM 2012 62306 A
(800) 1072134
(151) 2011 02 24
(181) 2021 02 24
(511) 09, 10

(260) AM 2012 62172 A
(800) 1071281
(151) 2011 02 14
(181) 2021 02 14
(511) 05

(260) AM 2012 62477 A
(800) 1073880
(151) 2010 12 06
(181) 2020 12 06
(511) 01, 02, 04, 16, 36

(260) AM 2012 62173 A
(800) 1071282
(151) 2011 02 14
(181) 2021 02 14
(511) 05

(260) AM 2012 62530 A
(800) 1074456
(151) 2011 03 18
(181) 2021 03 18
(511) 05

TRADEMARKS

(260) AM 2012 62593 A
(800) 1075222
(151) 2011 04 08
(181) 2021 04 08
(511) 10, 42, 44

(260) AM 2012 62732 A
(800) 1076034
(151) 2011 01 28
(181) 2021 01 28
(511) 39

(260) AM 2012 62639 A
(800) 1075358
(151) 2011 03 30
(181) 2021 03 30
(511) 11

(260) AM 2012 62733 A
(800) 1076055
(151) 2011 01 28
(181) 2021 01 28
(511) 07, 09, 12

(260) AM 2012 62680 A
(800) 1039249
(151) 2010 04 23
(181) 2020 04 23
(511) 17, 19, 27

(260) AM 2012 62735 A
(800) 1076065
(151) 2011 04 18
(181) 2021 04 18
(511) 09, 14, 18, 20, 21, 25, 26, 35

(260) AM 2012 62681 A
(800) 1040881
(151) 2010 01 12
(181) 2020 01 12
(511) 35, 39

(260) AM 2012 62736 A
(800) 1076067
(151) 2011 03 22
(181) 2021 03 22
(511) 29, 30, 35

(260) AM 2012 62682 A
(800) 1041684
(151) 2010 05 20
(181) 2020 05 20
(511) 43

(260) AM 2012 62737 A
(800) 1076110
(151) 2011 01 25
(181) 2021 01 25
(511) 37, 42

(260) AM 2012 62729 A
(800) 1076003
(151) 2011 02 07
(181) 2021 02 07
(511) 36

(260) AM 2012 62738 A
(800) 1076111
(151) 2011 01 25
(181) 2021 01 25
(511) 37, 43

(260) AM 2012 62730 A
(800) 1076004
(151) 2011 02 17
(181) 2021 02 17
(511) 36

(260) AM 2012 62739 A
(800) 1076137
(151) 2011 03 23
(181) 2021 03 23
(511) 01, 05, 29, 30

(260) AM 2012 62731 A
(800) 1076033
(151) 2011 02 09
(181) 2021 02 09
(511) 05

(260) AM 2012 62740 A
(800) 1076152
(151) 2011 03 24
(181) 2021 03 24
(511) 03

(260) AM 2012 62742 A
(800) 1076179
(151) 2011 02 14
(181) 2021 02 14
(511) 05

(260) AM 2012 62850 A
(800) 1077000
(151) 2010 08 11
(181) 2020 08 11
(511) 02

(260) AM 2012 62841 A
(800) 1076824
(151) 2011 04 25
(181) 2021 04 25
(511) 21

(260) AM 2012 62851 A
(800) 1077054
(151) 2011 04 27
(181) 2021 04 27
(511) 12

(260) AM 2012 62842 A
(800) 1076858
(151) 2011 02 01
(181) 2021 02 01
(511) 28

(260) AM 2012 62852 A
(800) 1077088
(151) 2011 02 15
(181) 2021 02 15
(511) 18, 25, 35

(260) AM 2012 62843 A
(800) 1076901
(151) 2010 11 29
(181) 2020 11 29
(511) 02

(260) AM 2012 62855 A
(800) 1077130
(151) 2011 03 16
(181) 2021 03 16
(511) 03, 05, 16

(260) AM 2012 62845 A
(800) 1076906
(151) 2011 01 05
(181) 2021 01 05
(511) 03, 05

(260) AM 2012 62856 A
(800) 1077138
(151) 2011 01 24
(181) 2021 01 24
(511) 05

(260) AM 2012 62846 A
(800) 1076917
(151) 2011 01 26
(181) 2021 01 26
(511) 06, 09, 11, 19, 20, 35, 37

(260) AM 2012 62857 A
(800) 1077141
(151) 2011 04 14
(181) 2021 04 14
(511) 30

(260) AM 2012 62847 A
(800) 1076927
(151) 2011 02 23
(181) 2021 02 23
(511) 25

(260) AM 2012 62858 A
(800) 1077145
(151) 2011 04 26
(181) 2021 04 26
(511) 12, 25, 28

(260) AM 2012 62848 A
(800) 1076952
(151) 2011 04 21
(181) 2021 04 21
(511) 19

(260) AM 2012 62860 A
(800) 1077157
(151) 2011 03 31
(181) 2021 03 31
(511) 14, 18, 25, 35

TRADEMARKS

(260) AM 2012 62861 A
(800) 1077174
(151) 2011 03 22
(181) 2021 03 22
(511) 33

(260) AM 2012 62871 A
(800) 1077316
(151) 2011 04 18
(181) 2021 04 18
(511) 30

(260) AM 2012 62864 A
(800) 1077219
(151) 2011 03 16
(181) 2021 03 16
(511) 03, 05, 08, 09, 16, 21, 29, 31, 35

(260) AM 2012 62872 A
(800) 1077346
(151) 2010 02 05
(181) 2020 02 05
(511) 18, 25, 35

(260) AM 2012 62865 A
(800) 1077244
(151) 2011 04 08
(181) 2021 04 08
(511) 27

(260) AM 2012 62873 A
(800) 1077349
(151) 2010 09 06
(181) 2020 09 06
(511) 07, 08

(260) AM 2012 62866 A
(800) 1077249
(151) 2011 04 08
(181) 2021 04 08
(511) 34

(260) AM 2012 62874 A
(800) 1077385
(151) 2011 03 25
(181) 2021 03 25
(511) 11, 20, 21

(260) AM 2012 62867 A
(800) 1077250
(151) 2011 04 21
(181) 2021 04 21
(511) 18

(260) AM 2012 62875 A
(800) 1077396
(151) 2011 04 21
(181) 2021 04 21
(511) 35

(260) AM 2012 62868 A
(800) 1077270
(151) 2010 11 10
(181) 2020 11 10
(511) 02

(260) AM 2012 62876 A
(800) 1077404
(151) 2011 04 21
(181) 2021 04 21
(511) 09, 14, 25

(260) AM 2012 62869 A
(800) 1077271
(151) 2011 03 14
(181) 2021 03 14
(511) 03, 05

(260) AM 2012 62877 A
(800) 1077405
(151) 2011 04 07
(181) 2021 04 07
(511) 29, 30, 31, 32, 33, 35, 41, 42, 43

(260) AM 2012 62870 A
(800) 1077272
(151) 2011 03 14
(181) 2021 03 14
(511) 03, 05

(260) AM 2012 62881 A
(800) 1077412
(151) 2011 03 24
(181) 2021 03 24
(511) 03

(260) AM 2012 62882 A
(800) 1077418
(151) 2011 04 13
(181) 2021 04 13
(511) 03, 08, 09, 10, 11, 12, 16, 18, 20, 21, 24, 25,
41

(260) AM 2012 62883 A
(800) 1077421
(151) 2011 04 12
(181) 2021 04 12
(511) 05

(260) AM 2012 62885 A
(800) 1077430
(151) 2011 04 07
(181) 2021 04 07
(511) 03

(260) AM 2012 62886 A
(800) 1077442
(151) 2011 03 24
(181) 2021 03 24
(511) 35, 36, 42

(260) AM 2012 62887 A
(800) 1077452
(151) 2011 03 04
(181) 2021 03 04
(511) 05, 44

(260) AM 2012 62888 A
(800) 1077559
(151) 2011 04 11
(181) 2021 04 11
(511) 33

(260) AM 2012 62889 A
(800) 1077566
(151) 2011 04 15
(181) 2021 04 15
(511) 21, 32, 33

(260) AM 2012 62923 A
(800) 1077750
(151) 2011 02 03
(181) 2021 02 03
(511) 05

(260) AM 2012 62924 A
(800) 1077755
(151) 2011 02 24
(181) 2021 02 24
(511) 05, 35

(260) AM 2012 62925 A
(800) 1077756
(151) 2011 02 24
(181) 2021 02 24
(511) 05, 35

(260) AM 2012 62926 A
(800) 1077783
(151) 2011 03 08
(181) 2021 03 08
(511) 06, 40, 42

(260) AM 2012 62927 A
(800) 1077790
(151) 2011 04 27
(181) 2021 04 27
(511) 18

(260) AM 2012 62928 A
(800) 1077792
(151) 2011 03 29
(181) 2021 03 29
(511) 05

(260) AM 2012 62929 A
(800) 1077793
(151) 2011 03 29
(181) 2021 03 29
(511) 05

(260) AM 2012 62931 A
(800) 1077833
(151) 2011 04 21
(181) 2021 04 21
(511) 03

(260) AM 2012 62944 A
(800) 1078033
(151) 2010 11 22
(181) 2020 11 22
(511) 03, 09, 10, 11, 13, 18, 21

TRADEMARKS

(260) AM 2012 62945 A
(800) 1078045
(151) 2010 12 06
(181) 2020 12 06
(511) 09, 35, 38, 41

(260) AM 2012 62956 A
(800) 586719
(151) 2002 05 22
(181) 2012 05 22
(511) 25

(260) AM 2012 62946 A
(800) 1078103
(151) 2011 04 18
(181) 2021 04 18
(511) 22, 37

(260) AM 2012 62957 A
(800) 612930
(151) 2003 12 14
(181) 2013 12 14
(511) 05

(260) AM 2012 62947 A
(800) 1078152
(151) 2010 11 30
(181) 2020 11 30
(511) 29, 30, 32, 35

(260) AM 2012 62958 A
(800) 859032
(151) 2005 07 29
(181) 2015 07 29
(511) 06

(260) AM 2012 62950 A
(800) 1078168
(151) 2010 12 21
(181) 2020 12 21
(511) 06, 07, 09, 17, 40

(260) AM 2012 62959 A
(800) 1017519
(151) 2009 09 18
(181) 2019 09 18
(511) 18, 25, 35

(260) AM 2012 62952 A
(800) 1078185
(151) 2011 02 28
(181) 2021 02 28
(511) 05

(260) AM 2012 62960 A
(800) 1030709
(151) 2010 01 29
(181) 2020 01 29
(511) 24, 25, 35

(260) AM 2012 62953 A
(800) 1078221
(151) 2011 04 27
(181) 2021 04 27
(511) 01, 02

(260) AM 2012 62961 A
(800) 1042760
(151) 2010 05 11
(181) 2020 05 11
(511) 18, 24, 25

(260) AM 2012 62954 A
(800) 1078226
(151) 2011 04 04
(181) 2021 04 04
(511) 30

(260) AM 2012 62980 A
(800) 1078292
(151) 2011 04 22
(181) 2021 04 22
(511) 30

(260) AM 2012 62955 A
(800) 1078235
(151) 2011 04 28
(181) 2021 04 28
(511) 03, 05, 16

(260) AM 2012 62981 A
(800) 1078293
(151) 2011 04 22
(181) 2021 04 22
(511) 30

(260) AM 2012 62983 A
(800) 1078314
(151) 2011 05 10
(181) 2021 05 10
(511) 16

(260) AM 2012 63045 A
(800) 1078906
(151) 2011 04 12
(181) 2021 04 12
(511) 21

(260) AM 2012 62984 A
(800) 1078331
(151) 2010 12 15
(181) 2020 12 15
(511) 09, 11, 35, 37, 42

(260) AM 2012 63046 A
(800) 1078910
(151) 2011 02 24
(181) 2021 02 24
(511) 20, 24, 27, 35

(260) AM 2012 62985 A
(800) 1078338
(151) 2011 01 09
(181) 2021 01 09
(511) 16, 35, 36, 37, 38, 39, 41, 42, 43, 45

(260) AM 2012 63047 A
(800) 1078926
(151) 2011 03 24
(181) 2021 03 24
(511) 03

(260) AM 2012 62986 A
(800) 1078366
(151) 2011 04 08
(181) 2021 04 08
(511) 09, 36, 45

(260) AM 2012 63048 A
(800) 1078933
(151) 2011 04 13
(181) 2021 04 13
(511) 41

(260) AM 2012 62987 A
(800) 1078390
(151) 2011 04 13
(181) 2021 04 13
(511) 14

(260) AM 2012 63049 A
(800) 1078965
(151) 2011 05 19
(181) 2021 05 19
(511) 05

(260) AM 2012 62988 A
(800) 1078412
(151) 2011 01 07
(181) 2021 01 07
(511) 03

(260) AM 2012 63050 A
(800) 1078974
(151) 2011 01 24
(181) 2021 01 24
(511) 09, 16, 35, 36, 37, 39, 40, 41, 42

(260) AM 2012 62992 A
(800) 1078420
(151) 2011 04 18
(181) 2021 04 18
(511) 05

(260) AM 2012 63051 A
(800) 1078990
(151) 2011 04 04
(181) 2021 04 04
(511) 30

(260) AM 2012 62993 A
(800) 1078439
(151) 2011 02 09
(181) 2021 02 09
(511) 11

(260) AM 2012 63052 A
(800) 1079056
(151) 2010 12 03
(181) 2020 12 03
(511) 03

TRADEMARKS

(260) AM 2012 63053 A
(800) 1079062
(151) 2011 04 04
(181) 2021 04 04
(511) 29, 31, 35

(260) AM 2012 63066 A
(800) 1079236
(151) 2011 04 06
(181) 2021 04 06
(511) 21

(260) AM 2012 63056 A
(800) 1079069
(151) 2010 09 08
(181) 2020 09 08
(511) 35, 42

(260) AM 2012 63067 A
(800) 1079264
(151) 2011 05 13
(181) 2021 05 13
(511) 05

(260) AM 2012 63058 A
(800) 1079104
(151) 2011 05 02
(181) 2021 05 02
(511) 33

(260) AM 2012 63068 A
(800) 513241
(151) 2007 05 13
(181) 2017 05 13
(511) 01, 05

(260) AM 2012 63059 A
(800) 1079113
(151) 2011 05 10
(181) 2021 05 10
(511) 09

(260) AM 2012 63069 A
(800) 608532
(151) 2003 09 06
(181) 2013 09 06
(511) 05

(260) AM 2012 63060 A
(800) 1079126
(151) 2011 04 06
(181) 2021 04 06
(511) 03

(260) AM 2012 63070 A
(800) 697661
(151) 2008 06 09
(181) 2018 06 09
(511) 01, 05, 31

(260) AM 2012 63062 A
(800) 1079187
(151) 2011 02 24
(181) 2021 02 24
(511) 20, 24, 27, 35

(260) AM 2012 63071 A
(800) 824224
(151) 2003 12 23
(181) 2013 12 23
(511) 30, 39, 43

(260) AM 2012 63063 A
(800) 1079190
(151) 2011 05 05
(181) 2021 05 05
(511) 11

(260) AM 2012 63072 A
(800) 873683
(151) 2005 10 25
(181) 2015 10 25
(511) 09, 25, 38, 41

(260) AM 2012 63065 A
(800) 1079234
(151) 2011 04 13
(181) 2021 04 13
(511) 07

(260) AM 2012 63127 A
(800) 1079668
(151) 2011 05 24
(181) 2021 05 24
(511) 01, 09, 44

(260) AM 2012 63128 A
(800) 1079707
(151) 2011 01 28
(181) 2021 01 28
(511) 11, 42

(260) AM 2012 63129 A
(800) 1079743
(151) 2011 03 17
(181) 2021 03 17
(511) 25

(260) AM 2012 63131 A
(800) 1079840
(151) 2011 01 17
(181) 2021 01 17
(511) 01, 03, 04, 05, 06, 07, 08, 09, 10, 11, 12, 14,
15, 16, 18, 20, 21, 24, 25, 26, 27, 28, 29, 30,
31, 32, 33, 34, 35, 36, 37, 38, 39, 40, 41, 42,
43, 44, 45

(260) AM 2012 63132 A
(800) 1079846
(151) 2011 03 09
(181) 2021 03 09
(511) 12

(260) AM 2012 63133 A
(800) 1079856
(151) 2011 01 10
(181) 2021 01 10
(511) 33

(260) AM 2012 63134 A
(800) 1079862
(151) 2011 01 12
(181) 2021 01 12
(511) 16, 25, 35

(260) AM 2012 63135 A
(800) 1079868
(151) 2011 01 14
(181) 2021 01 14
(511) 25

(260) AM 2012 63136 A
(800) 1079879
(151) 2011 03 28

(181) 2021 03 28
(511) 03

(260) AM 2012 63137 A
(800) 1079892
(151) 2011 04 06
(181) 2021 04 06
(511) 06

(260) AM 2012 63138 A
(800) 1079907
(151) 2011 04 05
(181) 2021 04 05
(511) 07

(260) AM 2012 63139 A
(800) 1079915
(151) 2011 05 06
(181) 2021 05 06
(511) 09

OFFICIAL NOTIFICATIONS

INVENTIONS

TRANSFER OF RIGHTS

(II quarter of 2012 years)

NUMBER OF PATENT	OLD PATENTOWNERS (TRANSFER OF RIGHTS)	NEW PATENTOWNERS (RECIPIENT OF RIGHTS)	DATE OF TRANSFER
5527/1	LTD "EKOMILK" Armazis 49, 3300, Mtskheta, GE	Davit Slabinski Ninoshvili q. 65, 0112, Tbilisi, GE	2012 04 25
458/4	Obshestvo s ogranichennoi otvetstvennostiu "OMSKVINPROM" Ruseti, RU, 644043, q. Omski, q. Krasni Put, s. 63, RU	Obshestvo s ogranichennoi otvetstvennostiu "PIAT AZIOR" Ruseti, 644043, q. Omski, q. 70 let oktiabria, s. 19, RU	2012 06 05
3469/1	Nugzar Tsereteli Varketilis mas. Zemo/Plato, II mkr., 21 korp., b. 61, 0163, Tbilisi, GE; Shukri Grigalashvili Iashvilis q. 16, b. 40, 5500, Chiatura, GE; Domna Nanobashvili V. Bagrationis q. 24, 0154, Tbilisi, GE Qetevan Tsereteli Varketilis mas. Zemo/Plato, II mkr., 21 korp., b. 62, 0182, Tbilisi, GE; Archil Grigalashvili Iashvilis q. 16, b. 40, 5500, Chiatura, GE	"GEORGIAN MANGANESE" LLC Saqarkhnos q. 9, 2000, Zestaponi, GE	2012 07 02
3370/1	Nugzar Tsereteli Varketilis mas. Zemo Plato, II mkr., 21 korp., b. 61, 380063, Tbilisi, GE; Shukri Grigalashvili Iashvilis q. 16, b. 40, 383950, Chiatura, GE; Davit Gvelesiani Jorjiashvilis q. 34, 383900, Zestaponi, GE; Hamlet Vasadze Dadianis q. 114, 383900, Zestaponi, GE; Domna Nanobashvili V. Bagrationis q. 24, 0154, Tbilisi, GE Qetevan Tsereteli Varketilis Zemo Plato, II mkr., 21 korp., b. 61, 380063, Tbilisi, GE; Archil Grigalashvili Iashvilis q. 16, b. 40, 5500, Chiatura, GE	"GEORGIAN MANGANESE" LLC Saqarkhnos q. 9, 2000, Zestaponi, GE	2012 07 02

CHANGES IN NAMES AND/OR ADDRESSES OF OWNERS

(II quarter of 2012 years)

NUMBER OF PATENT	OLD NAMES AND/OR ADDRESSES	NEW NAMES AND/OR ADDRESSES	DATE OF CHANGES
1560/2	LTD "GEORGIAN GLASS AND MINERAL WATER COMPANIES" TBILISIS FILIALI Marjanishvilis q..6, 0102, Tbilisi, GE	IDS BORJOMI SAKARTVELO, LTD "IDS BORJOMI BEVERAGES COMPANIES" SAKARTVELO FILIALI Toris q. 39, 1200, Borjomi, GE	2012 04 23

INVENTION

RENEWAL OF PATENT

(11) P 2011 5208 B

(73) Guram Topuria (GE)

Karelis k. 26, b. 61a, 0171, Tbilisi (GE);

Beka Topuria (GE)

Karelis k. 26, b. 61a, 0171, Tbilisi (GE);

George Topuria (GE)

Karelis k. 26, b. 61a, 0171, Tbilisi (GE)

(54) SEAT FOR LAVATORY BASIN

DATE OF RENEVAL: 2012 07 10

UTILITY MODEL

RENEWAL OF PATENT

(11) U 2011 1650 Y

(73) URBIS TELECOM CORPORATION (GB)

British Virginia Islands, Road Town, Tortola

1000, 90 Main Street (GB)

(72) AHMEDZADE, Bahram Kamal oglu (AZ)

(54) METHOD AND SYSTEM FOR PROCESSING CREDITS FOR USE BY SUBSCRIBERS OF COMMUNICATION NETWORKS

DATE OF RENEVAL: 2012 07 10

TRADEMARKS

RENEWAL OF REGISTRATIONS

(111) M 2002 14256 R1
(156) 2012 04 25
(186) 2022 01 18
(732) LTD. "IASONI"
Rustavelis gamz. 44, 0108, Tbilisi, Georgia

(111) M 2003 14943 R1
(156) 2013 01 30
(186) 2023 01 30
(732) AMGEN INC.
One Amgen Center Drive, Thousand Oaks,
California 91320-1799, USA

(111) M 2002 14507 R1
(156) 2012 06 13
(186) 2022 06 13
(732) RECORDATI IRELAND LIMITED
Reheens East, Ringaskiddy Co. Cork, Ireland

(111) M 2002 14516 R1
(156) 2012 06 13
(186) 2022 06 13
(732) CAROLINA HERRERA LTD.
501 Seventh Avenue, 17th Floor, 10018
New York, USA

(111) M 2002 14799 R1
(156) 2012 11 15
(186) 2022 11 15
(732) EGIS Gyógyszergyár Nyilvánosan Működő
Részvénytársaság
30-38, Keresztúri út. Budapest, H-1106,
Hungary

(111) M 2002 14800 R1
(156) 2012 11 15
(186) 2022 11 15
(732) EGIS Gyógyszergyár Nyilvánosan Működő
Részvénytársaság
30-38, Keresztúri út. Budapest, H-1106,
Hungary

(111) M 2003 14942 R1
(156) 2013 01 30
(186) 2023 01 30
(732) AMGEN INC.
One Amgen Center Drive, Thousand Oaks,
California 91320-1799, USA

COMPLETE TRANSFER OF RIGHTS

(111) M 1998 010229 R1
 (732) MSD Oss B.V.
 6, Kloosterstraat, NL-5349 AB OSS,
 Netherlands
 (770) N.V. ORGANON
 6, Kloosterstraat, NL-5349 AB OSS,
 Netherlands
 (580) 2012 06 21

(111) M 1998 010560 R1
 (732) MSD Oss B.V.
 6, Kloosterstraat, NL-5349 AB OSS,
 Netherlands
 (770) N.V. ORGANON
 6, Kloosterstraat, NL-5349 AB OSS,
 Netherlands
 (580) 2012 06 21

(111) M 1998 011341 R1
 (732) MSD Oss B.V.
 6, Kloosterstraat, NL-5349 AB OSS,
 Netherlands
 (770) N.V. ORGANON
 6, Kloosterstraat, NL-5349 AB OSS,
 Netherlands
 (580) 2012 06 21

(111) M 1999 011996 R1
 (732) Würth International AG
 Aspermonstrasse 1, 7000 Chur, Switzerland
 (770) ADOLF WURTH GMBH & Co., KG
 Reinhold-Wurth-Strasse 12-17, 74653
 Kunzelsau, Germany
 (580) 2012 06 21

(111) M 1999 012101 R1
 (732) MSD Oss B.V.
 6, Kloosterstraat, NL-5349 AB OSS,
 Netherlands
 (770) N.V. ORGANON
 Kloosterstraat 6, 5349 AB Oss,
 Netherlands
 (580) 2012 06 21

(111) M 1999 012183 R1
 (732) MSD Oss B.V.
 6, Kloosterstraat, NL-5349 AB OSS,
 Netherlands

(770) N.V. ORGANON
 Kloosterstraat 6, 5349 AB Oss,
 Netherlands
 (580) 2012 06 21

(111) M 1999 012254 R1
 (732) MSD Oss B.V.
 6, Kloosterstraat, NL-5349 AB OSS,
 Netherlands
 (770) N.V. ORGANON
 6, Kloosterstraat, NL-5349 AB OSS,
 Netherlands
 (580) 2012 06 21

(111) M 2005 016101 R
 (732) Valeant IPM Spółka z ograniczoną
 odpowiedzialnością
 ul. Przemysłowa 2, 35-959 Rzeszów, Poland
 (770) Przedsiębiorstwo Farmaceutyczne "JELFA"
 Spółka Akcyjna
 ul. Wincentego Pola 21, 58-500 Jelenia Góra,
 Poland
 (580) 2012 06 28

(111) M 2009 019195 R
 (732) NED
 41 Avenue GASTON Roussel 93230
 Romainville, France
 (770) LTD "KOPINE"
 Kazbegis gamz. 24, Tbilisi, Georgia
 (580) 2012 06 21

(111) M 2009 019284 R
 (732) LTD "PROEQTIS KEPITAL"
 Ul. smirnovskaia, d.10, str.3, 109052
 moskovi, Russian Federation
 (770) LTD "DOMUSI"
 Ul. Smirnovskaia, d.10, str.3, 109052
 Moskovi, Russian Federation
 (580) 2012 06 21

(111) M 2009 019979 R
 (732) LTD "PROEQTIS KEPITAL"
 Ul. smirnovskaia, d.10, str.3, 109052
 moskovi, Russian Federation
 (770) LTD "DOMUSI"
 Ul. Smirnovskaia, d.10, str.3, 109052
 Moskovi, Russian Federation

(580) 2012 06 21

(111) M 2010 020833 R
(732) LEO LABORATORIES LIMITED
285 Cashel Road, Crumlin, Dublin 12,
Ireland
(770) LEO Pharma A/S
Industriparken 55, DK-2750 Ballerup,
Denmark
(580) 2012 06 21

(111) M 2011 021268 R
(732) NED
41 Avenue GASTON Roussel 93230
Romainville, France
(770) LTD "KOPINE"
Kazbegis gamz. 24, 0177, Tbilisi, Georgia
(580) 2012 06 21

(111) M 1996 002239 R1
(732) Valeant IPM Spółka z ograniczoną
odpowiedzialnością
ul. Przemysłowa 2, 35-959 Rzeszów, Poland
(770) PRZEDIEBIORSTWO
FARMACEUTYCZNE "JELFA"
SPÓLKA ACYJNA
ul. Wincentego Pola 21, 58-500 Jelenia Gora,
Poland
(580) 2012 06 28

(111) M 1996 002240 R1
(732) Valeant IPM Spółka z ograniczoną
odpowiedzialnością
ul. Przemysłowa 2, 35-959 Rzeszów, Poland
(770) PRZEDIEBIORSTWO
FARMACEUTYCZNE "JELFA"
SPÓLKA ACYJNA
ul. Wincentego Pola 21, 58-500 Jelenia Gora,
Poland
(580) 2012 06 28

(111) M 1996 003257 R1
(732) Hoya Corporation,
7-5, Nakaochiai 2-chome, Shinjuku-ku,
Tokyo, Japan
(770) PENTAX CORPORATION,
2-36-9, Maeno-CHO, Itabashi-ku, Tokyo,
Japan
(580) 2012 06 27

(111) M 1996 003444 R1
(732) Valeant IPM Spółka z ograniczoną
odpowiedzialnością
ul. Przemysłowa 2, 35-959 Rzeszów, Poland
(770) PRZEDIEBIORSTWO
FARMACEUTYCZNE "JELFA" SPÓLKA
ACYJNA
ul. Wincentego Pola 21, 58-500 Jelenia Gora,
Poland
(580) 2012 06 28

(111) M 1996 003448 R1
(732) Valeant IPM Spółka z ograniczoną
odpowiedzialnością
ul. Przemysłowa 2, 35-959 Rzeszów, Poland
(770) Przedsiębiorstwo Farmaceutyczne "JELFA"
Spółka Akcyjna
W. Pola Street 21, Jelenia Gora, Poland
(580) 2012 06 28

(111) M 1997 005306 R1
(732) MSD Oss B.V.
6, Kloosterstraat, NL-5349 AB OSS,
Netherlands
(770) N.V. ORGANON
Kloosterstraat 6, 5349 AB Oss, Netherlands
(580) 2012 06 21

(111) M 1997 007902 R1
(732) TITAN INDUSTRIES LIMITED
Golden Enclave, Tower A, Airport Road,
Bangalore 560017, India
(770) TITAN INTERNATIONAL HOLDINGS
B.V.
Zwaansvliet 20, 1081 AP Amsterdam,
Netherlands
(580) 2012 06 28

CHANGES IN NAMES AND/OR ADDRESSES OF OWNERS

(111) M 1998 010537 R1
 (732) Aktiebolaget SCA Finans
 Box 200, SE-101 23 Stockholm, Sweden
 (770) AB SCA Finans
 Stureplan 3, SE-103 97 Stockholm, Sweden
 (580) 2012 06 20

(111) M 1998 010538 R1
 (732) Aktiebolaget SCA Finans
 Box 200, SE-101 23 Stockholm, Sweden
 (770) AB SCA Finans
 Stureplan 3, SE-103 97 Stockholm, Sweden
 (580) 2012 06 20

(111) M 1998 010539 R1
 (732) Aktiebolaget SCA Finans
 Box 200, SE-101 23 Stockholm, Sweden
 (770) AB SCA Finans
 Stureplan 3, SE-103 97 Stockholm, Sweden
 (580) 2012 06 27

(111) M 1994 000110 R1
 (732) Mitsubishi Tanabe Pharma Corporation
 2-6-18, Kitahama, Chuo-ku, Osaka, Japan
 (770) TANABE SEIYAKU CO, LTD
 2-10 Dosho-machi 3-chome, chuo-ku, Osaka,
 Japan
 (580) 2012 06 27

(111) M 1994 000111 R1
 (732) Mitsubishi Tanabe Pharma Corporation
 2-6-18, Kitahama, Chuo-ku, Osaka, Japan
 (770) TANABE SEIYAKU CO, LTD
 2-10 Dosho-machi 3-chome, chuo-ku, Osaka,
 Japan
 (580) 2012 06 27

(111) M 1999 011996 R1
 (732) ADOLF WURTH GMBH & Co., KG
 Reinhold-Wurth-Strasse 12-17, 74653
 Kunzelsau, Germany
 (770) ADOLF WURTH GMBH & Co., KG
 Reinhold-Wurth-Strasse 12-16, 74653
 Kunzelsau, Germany
 (580) 2012 06 21

(111) M 2001 014179 R1
 (732) NEW ZEALAND MILK BRANDS
 LIMITED
 9 Princes Street, Auckland, New Zealand
 (770) NEW ZEALAND MILK BRANDS
 LIMITED
 Building 103, Leonard Izit Drive, Oaklend
 Airport, Oaclend , New Zealand
 (580) 2012 06 27

(111) M 2001 014180 R1
 (732) NEW ZEALAND MILK BRANDS
 LIMITED
 9 Princes Street, Auckland, New Zealand
 (770) NEW ZEALAND MILK BRANDS
 LIMITED
 Building 103, Leonard Izit Drive, Oaklend
 Airport, Oaclend, New Zealand
 (580) 2012 06 27

(111) M 2002 014799 R1
 (732) EGIS Gyógyszergyár Nyilvánosan Működő
 Részvénytársaság
 30-38, Keresztúri út. Budapest, H-1106,
 Hungary
 (770) EGIS GYOGYSZERGYAR RT.
 Kereszturi ut. 30-38, Budapest H-1106,
 Hungary
 (580) 2012 06 27

(111) M 2002 014800 R1
 (732) EGIS Gyógyszergyár Nyilvánosan Működő
 Részvénytársaság
 30-38, Keresztúri út. Budapest, H-1106,
 Hungary
 (770) EGIS GYOGYSZERGYAR RT.
 Kereszturi ut. 30-38, Budapest H-1106,
 Hungary
 (580) 2012 06 27

(111) M 2003 014942 R1
 (732) AMGEN INC.
 One Amgen Center Drive, Thousand Oaks,
 California 91320-1799, USA
 (770) AMGEN INC.
 One Amgen Center Drive, Thousand Oaks,
 California 91320-1789, USA
 (580) 2012 06 19

(111) M 2003 014943 R1
 (732) AMGEN INC.
 One Amgen Center Drive, Thousand Oaks,
 California 91320-1799, USA
 (770) AMGEN INC.
 One Amgen Center Drive, Thousand Oaks,
 California 91320-1789, USA
 (580) 2012 06 19

(111) M 2006 016741 R
 (732) LTD "MEGVINEOBA KHAREBA"
 Davit Agmasheneblis kheivani me-6 km.,
 0131, Tbilisi, Georgia
 (770) LTD "MEGVINEOBA KHAREBA"
 Rustavelis gamz. 50/1, 1-li sad., me-4 sart.,
 b. 8, 0108, Tbilisi, Georgia
 (580) 2012 06 20

(111) M 2009 019195 R
 (732) LTD „KOPINE“
 Kazbegis gamz. 24, Tbilisi, Georgia
 (770) LTD "KOPINE"
 Gorgasalis shesakhvevi 3, 0114, Tbilisi,
 Georgia
 (580) 2012 06 21

(111) M 2010 020291 R
 (732) BRAKE PARTS INC LLC
 4400 prime Parkway, McHenry, Illinois
 60050, USA
 (770) BRAKE PARTS, INC.
 4400 prime Parkway, McHenry, Illinois
 60050, USA
 (580) 2012 06 21

(111) M 2010 020805 R
 (732) LTD „AQVA GEO“
 Sof. Misaqtsieli, 3308, Mtskheta raioni,
 Georgia
 (770) LTD "AQVA GEO"
 Dzmebi Kakabadzebis 16/2, 0108, Tbilisi,
 Georgia
 (580) 2012 06 25

(111) M 2010 020806 R
 (732) LTD „AQVA GEO“
 Sof. Misaqtsieli, 3308, Mtskheta raioni,
 Georgia
 (770) LTD "AQVA GEO"
 Dzmebi Kakabadzebis 16/2, 0108, Tbilisi,
 Georgia
 (580) 2012 06 25

(111) M 2011 021145 R
 (732) LTD "BARAMBO"
 Sof. Natakhitari, 3308, Mtskheta, Georgia
 (770) LTD "BARAMBO"
 Tashkents q. N23, 0160, Tbilisi, Georgia
 (580) 2012 06 29

(111) M 2011 021268 R
 (732) LTD "KOPINE"
 Kazbegis gamz. 24, 0177, Tbilisi, Georgia
 (770) LTD "KOPINE"
 Gorgasalis shesakhvevi 3, 0114, Tbilisi,
 Georgia
 (580) 2012 06 21

(111) M 2011 022080 R
 (732) LTD "BARAMBO"
 Sof. Natakhitari, 3308, Mtskheta, Georgia
 (770) LTD "BARAMBO"
 Tashkents q. N23, 0160, Tbilisi, Georgia
 (580) 2012 06 29

(111) M 2011 022081 R
 (732) LTD "BARAMBO"
 Sof. Natakhitari, 3308, Mtskheta, Georgia
 (770) LTD "BARAMBO"
 Tashkents q. N23, 0160, Tbilisi, Georgia
 (580) 2012 06 29

(111) M 2011 022082 R
 (732) LTD "BARAMBO"
 Sof. Natakhitari, 3308, Mtskheta, Georgia
 (770) LTD "BARAMBO"
 Tashkents q. N23, 0160, Tbilisi, Georgia
 (580) 2012 06 29

(111) M 2012 022223 R
 (732) LTD "BARAMBO"
 Sof. Natakhitari, 3308, Mtskheta, Georgia
 (770) LTD "BARAMBO"
 Tashkents q. N23, 0160, Tbilisi, Georgia
 (580) 2012 06 29

(111) M 2012 022508 R
 (732) LTD "BARAMBO"
 Sof. Natakhitari, 3308, Mtskheta, Georgia
 (770) LTD "BARAMBO"
 Tashkents q. N23, 0160, Tbilisi, Georgia
 (580) 2012 06 29

(111) M 2012 022509 R
 (732) LTD "BARAMBO"
 Sof. Natakhtari, 3308, Mtskheta, Georgia
 (770) LTD "BARAMBO"
 Tashkensis q. N23, 0160, Tbilisi, Georgia
 (580) 2012 06 29

(111) M 2012 022541 R
 (732) LTD "BARAMBO"
 Sof. Natakhtari, 3308, Mtskheta, Georgia
 (770) LTD "BARAMBO"
 Tashkensis q. N23, 0160, Tbilisi, Georgia
 (580) 2012 06 29

(111) M 2012 022510 R
 (732) LTD "BARAMBO"
 Sof. Natakhtari, 3308, Mtskheta, Georgia
 (770) LTD "BARAMBO"
 Tashkensis q. N23, 0160, Tbilisi, Georgia
 (580) 2012 06 29

(111) M 2012 022660 R
 (732) LTD "BARAMBO"
 Sof. Natakhtari, 3308, Mtskheta, Georgia
 (770) LTD "BARAMBO"
 Tashkensis q. N23, 0160, Tbilisi, Georgia
 (580) 2012 06 29

(111) M 2012 022511 R
 (732) LTD "BARAMBO"
 Sof. Natakhtari, 3308, Mtskheta, Georgia
 (770) LTD "BARAMBO"
 Tashkensis q. N23, 0160, Tbilisi, Georgia
 (580) 2012 06 29

(111) M 2012 022661 R
 (732) LTD "BARAMBO"
 Sof. Natakhtari, 3308, Mtskheta, Georgia
 (770) LTD "BARAMBO"
 Tashkensis q. N23, 0160, Tbilisi, Georgia
 (580) 2012 06 29

(111) M 2012 022512 R
 (732) LTD "BARAMBO"
 Sof. Natakhtari, 3308, Mtskheta, Georgia
 (770) LTD "BARAMBO"
 Tashkensis q. N23, 0160, Tbilisi, Georgia
 (580) 2012 06 29

(111) M 2012 022662 R
 (732) LTD "BARAMBO"
 Sof. Natakhtari, 3308, Mtskheta, Georgia
 (770) LTD "BARAMBO"
 Tashkensis q. N23, 0160, Tbilisi, Georgia
 (580) 2012 06 29

(111) M 2012 022513 R
 (732) LTD "BARAMBO"
 Sof. Natakhtari, 3308, Mtskheta, Georgia
 (770) LTD "BARAMBO"
 Tashkensis q. N23, 0160, Tbilisi, Georgia
 (580) 2012 06 29

(111) M 2012 022667 R
 (732) LTD "BARAMBO"
 Sof. Natakhtari, 3308, Mtskheta, Georgia
 (770) LTD "BARAMBO"
 Tashkensis q. N23, 0160, Tbilisi, Georgia
 (580) 2012 06 29

(111) M 2012 022514 R
 (732) LTD "BARAMBO"
 Sof. Natakhtari, 3308, Mtskheta, Georgia
 (770) LTD "BARAMBO"
 Tashkensis q. N23, 0160, Tbilisi, Georgia
 (580) 2012 06 29

(111) M 2012 022516 R
 (732) LTD "BARAMBO"
 Sof. Natakhtari, 3308, Mtskheta, Georgia
 (770) LTD "BARAMBO"
 Tashkensis q. N23, 0160, Tbilisi, Georgia
 (580) 2012 06 29

CLASSIFICATION INDEXES

INVENTIONS

CONCORDANCE TABLE OF INTERNATIONAL CLASSIFICATION INDEX WITH REFERENCE TO NUMBERS OF PUBLISHED APPLICATIONS

INTERNATIONAL CLASSIFICATION INDEXES (51)	NUMBER OF PUBLISHED APPLICATION (10)
A 23 L 1/06, 1/212	AP 2012 11518 A
A 23 L 1/22	AP 2012 11641 A
A 61 K 9/06, 35/78	AP 2012 12110 A
A 61 K 9/08;	AP 2012 12108 A
A 61 K 9/24; A 61 K 9/26; A 61 K 31/513; A 61 K 31/155; A 61 K 45/06	AP 2012 11694 A
A 61 K 31/205; A 61 P 9/00; A 61 P 9/10	AP 2012 11832 A
C 07 C 241/02; C 07 C 243/40	AP 2012 11990 A
C 07 C 241/02; C 07 C 243/14	AP 2012 11991 A
C 07 D 249/08; C 07 D 401/12; C 07 D 401/04; C 07 D 401/06; C 07 D 401/14; A 61 K 31/4196; A 61 K 31/4709; A 61 K 31/454; A 61 P 11/00; A 61 P 29/00	AP 2012 12054 A
F 03 D 5/04; F 03 D 1/04	AP 2012 11510 A
G 06 Q 50/00; G 06 Q 20/00; G 01 F 15/06; G 01 D 4/00	AP 2012 12097 A
H 04 B 7/26; H 04 L 12/24; H 04 W 52/00	AP 2012 10721 A

CONCORDANCE TABLE OF NUMBERS OF PUBLISHED APPLICATIONS WITH REFERENCE TO INTERNATIONAL CLASSIFICATION INDEX

NUMBER OF PUBLISHED APPLICATION (10)	INTERNATIONAL CLASSIFICATION INDEXES (51)
AP 2012 10721 A	H 04 B 7/26; H 04 L 12/24; H 04 W 52/00
AP 2012 11510 A	F 03 D 5/04; F 03 D 1/04
AP 2012 11518 A	A 23 L 1/06, 1/21211
AP 2012 11641 A	A 23 L 1/22
AP 2012 11694 A	A 61 K 9/24; A 61 K 9/26; A 61 K 31/513; A 61 K 31/155; A 61 K 45/06
AP 2012 11832 A	A 61 K 31/205; A 61 P 9/00; A 61 P 9/10
AP 2012 11990 A	C 07 C 241/02; C 07 C 243/40
AP 2012 11991 A	C 07 C 241/02; C 07 C 243/14
AP 2012 12054 A	C 07 D 249/08; C 07 D 401/12; C 07 D 401/04; C 07 D 401/06; C 07 D 401/14; A 61 K 31/4196; A 61 K 31/4709; A 61 K 31/454; A 61 P 11/00; A 61 P 29/00
AP 2012 12097 A	G 06 Q 50/00; G 06 Q 20/00; G 01 F 15/06; G 01 D 4/00
AP 2012 12108 A	A 61 K 9/08;
AP 2012 12110 A	A 61 K 9/06, 35/78

**CONCORDANCE TABLE OF INTERNATIONAL CLASSIFICATION INDEX
WITH REFERENCE TO NUMBERS OF PATENTS AND NUMBERS
OF PUBLISHED APPLICATIONS**

INTERNATIONAL CLASSIFICATION INDEX (51)	NUMBER OF PATENT (11)	NUMBER OF PUBLISHED APPLICATION (10)
A 47 J 37/04	P 2012 5573 B	AP 2012 11905 A
A 61 K 31/52; A 61 K 31/496; A 61 K 31/4747; C 07 D 473/02; C 07 D 487/04	P 2012 5565 B	AP 2012 10125 A
A 61 K 31/416; A 61 P 3/04; A 61 P 3/06; A 61 P 3/10; A 61 P 9/00; A 61 P 35/00	P 2012 5570 B	AP 2012 11327 A
A 61 P 25/00; A 61 K 31/55; C 07 D 223/16	P 2012 5566 B	AP 2012 10473 A
C 07 D 207/273; C 07 D 209/54; A 61 K 31/4015; A 61 P 5/00; A 61 P 15/12; A 61 P 19/10	P 2012 5571 B	AP 2012 11715 A
C 07 D 211/94; C 07 D 471/10; A 01 N 43/90	P 2012 5572 B	AP 2012 11795 A
C 07 D 471/04	P 2012 5574 B	AP 2012 11911 A
C 07 K 14/47; A 61 K 38/16	P 2012 5568 B	AP 2012 11265 A
F 02 B 55/02; F 02 B 47/00	P 2012 5567 B	AP 2012 10582 A
H 01 M 8/00; H 01 M 8/04; H 01 M 8/08; H 01 M 8/22; H 01 M 4/20; H 01 M 4/29; H 01 M 4/30	P 2012 5569 B	AP 2012 11282 A

**CONCORDANCE TABLES OF NUMBERS OF PATENTS AND NUMBERS
OF PUBLISHED APPLICATIONS WITH REFERENCE
TO CLASSIFICATION INDEX**

NUMBER OF PATENT (11)	NUMBER OF PUBLISHED APPLICATION (10)	INTERNATIONAL CLASSIFICATION INDEX (51)
P 2012 5565 B	AP 2012 10125 A	A 61 K 31/52; A 61 K 31/496; A 61 K 31/4747; C 07 D 473/02; C 07 D 487/04
P 2012 5566 B	AP 2012 10473 A	A 61 P 25/00; A 61 K 31/55; C 07 D 223/16
P 2012 5567 B	AP 2012 10582 A	F 02 B 55/02; F 02 B 47/00
P 2012 5568 B	AP 2012 11265 A	C 07 K 14/47; A 61 K 38/16
P 2012 5569 B	AP 2012 11282 A	H 01 M 8/00; H 01 M 8/04; H 01 M 8/08; H 01 M 8/22; H 01 M 4/20; H 01 M 4/29; H 01 M 4/30
P 2012 5570 B	AP 2012 11327 A	A 61 K 31/416; A 61 P 3/04; A 61 P 3/06; A 61 P 3/10; A 61 P 9/00; A 61 P 35/00
P 2012 5571 B	AP 2012 11715 A	C 07 D 207/273; C 07 D 209/54; A 61 K 31/4015; A 61 P 5/00; A 61 P 15/12; A 61 P 19/10
P 2012 5572 B	AP 2012 11795 A	C 07 D 211/94; C 07 D 471/10; A 01 N 43/90
P 2012 5573 B	AP 2012 11905 A	A 47 J 37/04
P 2012 5574 B	AP 2012 11911 A	C 07 D 471/04

CONCORDANCE TABLE OF NUMBERS OF APPLICATIONS, NUMBERS OF PUBLISHED APPLICATIONS AND NUMBERS OF PATENTS

NUMBER OF APPLICATION (21)	NUMBER OF PUBLISHED APPLICATION (10)	NUMBER OF PATENT (11)
AP 2005 010125	AP 2012 10125 A	P 2012 5565 B
AP 2006 010473	AP 2012 10473 A	P 2012 5566 B
AP 2008 010582	AP 2012 10582 A	P 2012 5567 B
AP 2007 011265	AP 2012 11265 A	P 2012 5568 B
AP 2009 011282	AP 2012 11282 A	P 2012 5569 B
AP 2007 011327	AP 2012 11327 A	P 2012 5570 B
AP 2008 011715	AP 2012 11715 A	P 2012 5571 B
AP 2008 011795	AP 2012 11795 A	P 2012 5572 B
AP 2010 011905	AP 2012 11905 A	P 2012 5573 B
AP 2009 011911	AP 2012 11911 A	P 2012 5574 B

UTILITY MODELS

CONCORDANCE TABLE OF INTERNATIONAL CLASSIFICATION INDEX WITH REFERENCE TO NUMBERS OF PUBLISHED APPLICATIONS

INTERNATIONAL CLASSIFICATION INDEXES (51)	NUMBER OF PUBLISHED APPLICATION (10)
A 24 D 1/04	AU 2012 12342 U

CONCORDANCE TABLE OF NUMBERS OF PUBLISHED APPLICATIONS WITH REFERENCE TO INTERNATIONAL CLASSIFICATION INDEX

NUMBER OF PUBLISHED APPLICATION (10)	INTERNATIONAL CLASSIFICATION INDEXES (51)
AU 2012 12342 U	A 24 D 1/04

DESIGNS

CONCORDANCE TABLE OF INTERNATIONAL CLASSIFICATION INDEX
WITH REFERENCE TO NUMBERS OF PUBLISHED APPLICATIONS

INTERNATIONAL CLASSIFICATION INDEXES (51)	NUMBER OF PUBLISHED APPLICATION (10)
19-06	AD 2012 683 S
19-06	AD 2012 684 S
19-06	AD 2012 685 S
19-06	AD 2012 686 S
22-06	AD 2012 682 S

CONCORDANCE TABLE OF NUMBERS OF PUBLISHED APPLICATIONS
WITH REFERENCE TO INTERNATIONAL CLASSIFICATION INDEX

NUMBER OF PUBLISHED APPLICATION (10)	INTERNATIONAL CLASSIFICATION INDEXES (51)
AD 2012 682 S	22-06
AD 2012 683 S	19-06
AD 2012 684 S	19-06
AD 2012 685 S	19-06
AD 2012 686 S	19-06

CONCORDANCE TABLE OF INTERNATIONAL CLASSIFICATION INDEX
WITH REFERENCE TO NUMBERS OF PATENTS AND NUMBERS
OF PUBLISHED APPLICATIONS

INTERNATIONAL CLASSIFICATION INDEX (51)	NUMBER OF PATENT (11)	NUMBER OF PUBLISHED APPLICATION (10)
01-01	D 2012 499 S	AD 2011 655 S
11-01	D 2012 500 S	AD 2012 668 S

CONCORDANCE TABLES OF NUMBERS OF PATENTS AND NUMBERS
OF PUBLISHED APPLICATIONS WITH REFERENCE
TO CLASSIFICATION INDEX

NUMBER OF PATENT (11)	NUMBER OF PUBLISHED APPLICATION (10)	INTERNATIONAL CLASSIFICATION INDEX (51)
D 2012 499 S	AD 2011 655 S	01-01
D 2012 500 S	AD 2012 668 S	11-01

CONCORDANCE TABLE OF NUMBERS OF APPLICATIONS, NUMBERS OF PUBLISHED APPLICATIONS AND NUMBERS OF PATENTS

NUMBER OF APPLICATION (21)	NUMBER OF PUBLISHED APPLICATION (10)	NUMBER OF PATENT (11)
AD 2011 000655	AD 2011 655 S	D 2012 499 S
AD 2011 000668	AD 2012 668 S	D 2012 500 S

DESIGN REGISTERED ACCORDING TO THE ACCELERATED PROCEDURE

CONCORDANCE TABLE OF INTERNATIONAL CLASSIFICATION INDEX WITH REFERENCE TO NUMBERS OF PATENTS

INTERNATIONAL CLASSIFICATION INDEX (51)	NUMBER OF PATENT (11)
07-99	D 2012 501 S

CONCORDANCE TABLES OF NUMBERS OF PATENTS AND INTERNATIONAL CLASSIFICATION INDEX

NUMBER OF PATENT (11)	INTERNATIONAL CLASSIFICATION INDEX (51)
D 2012 501 S	07-99

CONCORDANCE TABLE OF NUMBERS OF APPLICATIONS AND NUMBERS OF PATENTS

NUMBER OF APPLICATION (21)	NUMBER OF PATENT (11)
AD 2012 000703	D 2012 501 S

TRADEMARKS

CONCORDANCE TABLE OF NUMBERS OF REGISTRATIONS OF TRADEMARKS, NUMBERS OF APPLICATIONS, NUMBERS OF PUBLISHED APPLICATIONS WITH REFERENCE TO NUMBERS OF BULLETINS

NUMBER OF REGISTRATION (111)	NUMBER OF APPLICATION (210)	NUMBER OF PUBLISHED APPLICATION (260)	NUMBER OF BULLETIN
1	2	3	4
M 2012 22682 R	AM 2012 67605	-	13(353) 2012
M 2012 22683 R	AM 2012 67358	-	13(353) 2012
M 2012 22684 R	AM 2010 59493	AM 2112 59493 A	1(341) 2012
M 2012 22685 R	AM 2010 59711	AM 2011 59711 A	23(339) 2011
M 2012 22686 R	AM 2010 59799	AM 2011 59799 A	24(340) 2011
M 2012 22687 R	AM 2011 60989	AM 2011 60989 A	22(338) 2011
M 2012 22688 R	AM 2011 60990	AM 2011 60990 A	22(338) 2011
M 2012 22689 R	AM 2011 61021	AM 2011 61021 A	21(337) 2011
M 2012 22690 R	AM 2011 61022	AM 2011 61022 A	21(337) 2011
M 2012 22691 R	AM 2011 61376	AM 2011 61376 A	23(339) 2011
M 2012 22692 R	AM 2011 61377	AM 2011 61377 A	23(339) 2011
M 2012 22693 R	AM 2011 61378	AM 2011 61378 A	21(337) 2011
M 2012 22694 R	AM 2011 61634	AM 2012 61634 A	2(342) 2012
M 2012 22695 R	AM 2011 61684	AM 2012 61684 A	5(345) 2012
M 2012 22696 R	AM 2011 61809	AM 2011 61809 A	23(339) 2011
M 2012 22697 R	AM 2011 61811	AM 2011 61811 A	22(338) 2011
M 2012 22698 R	AM 2011 61853	AM 2011 61853 A	22(338) 2011
M 2012 22699 R	AM 2011 61863	AM 2011 61863 A	22(338) 2011
M 2012 22700 R	AM 2011 61882	AM 2011 61882 A	22(338) 2011
M 2012 22701 R	AM 2011 61883	AM 2011 61883 A	22(338) 2011
M 2012 22702 R	AM 2011 61994	AM 2011 61994 A	23(339) 2011
M 2012 22703 R	AM 2011 62030	AM 2011 62030 A	23(339) 2011
M 2012 22704 R	AM 2011 62186	AM 2112 62186 A	1(341) 2012
M 2012 22705 R	AM 2011 62220	AM 2011 62220 A	24(340) 2011
M 2012 22706 R	AM 2011 62323	AM 2112 62323 A	1(341) 2012
M 2012 22707 R	AM 2011 62324	AM 2112 62324 A	1(341) 2012
M 2012 22708 R	AM 2011 62334	AM 2012 62334 A	2(342) 2012
M 2012 22709 R	AM 2011 62337	AM 2012 62337 A	2(342) 2012
M 2012 22710 R	AM 2011 62395	AM 2011 62395 A	24(340) 2011
M 2012 22711 R	AM 2011 62414	AM 2012 62414 A	5(345) 2012
M 2012 22712 R	AM 2011 62498	AM 2012 62498 A	5(345) 2012
M 2012 22713 R	AM 2011 62499	AM 2012 62499 A	5(345) 2012
M 2012 22714 R	AM 2011 62500	AM 2012 62500 A	5(345) 2012
M 2012 22715 R	AM 2011 62582	AM 2012 62582 A	5(345) 2012
M 2012 22716 R	AM 2011 62609	AM 2112 62609 A	1(341) 2012
M 2012 22717 R	AM 2011 62743	AM 2112 62743 A	1(341) 2012
M 2012 22718 R	AM 2011 62770	AM 2112 62770 A	1(341) 2012
M 2012 22719 R	AM 2011 62771	AM 2112 62771 A	1(341) 2012
M 2012 22720 R	AM 2011 62772	AM 2112 62772 A	1(341) 2012
M 2012 22721 R	AM 2011 62784	AM 2112 62784 A	1(341) 2012
M 2012 22722 R	AM 2011 62785	AM 2112 62785 A	1(341) 2012
M 2012 22723 R	AM 2011 62797	AM 2112 62797 A	1(341) 2012

1	2	3	4
M 2012 22724 R	AM 2011 62798	AM 2112 62798 A	1(341) 2012
M 2012 22725 R	AM 2011 62948	AM 2012 62948 A	3(343) 2012
M 2012 22726 R	AM 2011 62964	AM 2012 62964 A	3(343) 2012
M 2012 22727 R	AM 2011 62966	AM 2012 62966 A	3(343) 2012
M 2012 22728 R	AM 2011 62967	AM 2012 62967 A	3(343) 2012
M 2012 22729 R	AM 2011 62968	AM 2012 62968 A	3(343) 2012
M 2012 22730 R	AM 2011 62971	AM 2012 62971 A	5(345) 2012
M 2012 22731 R	AM 2011 62972	AM 2012 62972 A	5(345) 2012
M 2012 22732 R	AM 2011 63019	AM 2012 63019 A	5(345) 2012
M 2012 22733 R	AM 2011 63119	AM 2012 63119 A	2(342) 2012
M 2012 22734 R	AM 2011 63120	AM 2012 63120 A	2(342) 2012
M 2012 22735 R	AM 2011 63241	AM 2012 63241 A	5(345) 2012
M 2012 22736 R	AM 2011 63253	AM 2012 63253 A	5(345) 2012
M 2012 22737 R	AM 2011 63297	AM 2012 63297 A	5(345) 2012
M 2012 22738 R	AM 2011 63298	AM 2012 63298 A	5(345) 2012
M 2012 22739 R	AM 2011 63376	AM 2012 63376 A	5(345) 2012
M 2012 22740 R	AM 2011 63437	AM 2012 63437 A	5(345) 2012
M 2012 22741 R	AM 2011 63530	AM 2012 63530 A	5(345) 2012
M 2012 22742 R	AM 2011 63592	AM 2012 63592 A	5(345) 2012
M 2012 22743 R	AM 2011 63593	AM 2012 63593 A	5(345) 2012
M 2012 22744 R	AM 2011 63602	AM 2012 63602 A	5(345) 2012
M 2012 22745 R	AM 2011 67561	-	3(353) 2012
M 2012 22746 R	AM 2011 67562	-	3(353) 2012
M 2012 22747 R	AM 2011 67688	-	3(353) 2012

CONCORDANCE TABLE OF NUMBERS OF PUBLISHED TRADEMARK APPLICATIONS WITH REFERENCE TO NUMBERS OF APPLICATIONS

NUMBER OF PUBLISHED APPLICATION (260)	NUMBER OF APPLICATION (210)	1	2
		1	2
AM 2012 62751 A	AM 2011 62751	AM 2012 64227 A	AM 2011 64227
AM 2012 63773 A	AM 2011 63773	AM 2012 64229 A	AM 2011 64229
AM 2012 63786 A	AM 2011 63786	AM 2012 64487 A	AM 2011 64487
AM 2012 63787 A	AM 2011 63787	AM 2012 64488 A	AM 2011 64488
AM 2012 63793 A	AM 2011 63793	AM 2012 64497 A	AM 2011 64497
AM 2012 63830 A	AM 2011 63830	AM 2012 64498 A	AM 2011 64498
AM 2012 63861 A	AM 2011 63861	AM 2012 64508 A	AM 2011 64508
AM 2012 63871 A	AM 2011 63871	AM 2012 64509 A	AM 2011 64509
AM 2012 63873 A	AM 2011 63873	AM 2012 64652 A	AM 2011 64652
AM 2012 63958 A	AM 2011 63958	AM 2012 64653 A	AM 2011 64653
AM 2012 63979 A	AM 2011 63979	AM 2012 64715 A	AM 2011 64715
AM 2012 64027 A	AM 2011 64027	AM 2012 64745 A	AM 2011 64745
AM 2012 64105 A	AM 2011 64105	AM 2012 64793 A	AM 2011 64793
AM 2012 64106 A	AM 2011 64106	AM 2012 64795 A	AM 2011 64795
AM 2012 64215 A	AM 2011 64215	AM 2012 64812 A	AM 2011 64812
AM 2012 64219 A	AM 2011 64219	AM 2012 64814 A	AM 2011 64814
AM 2012 64221 A	AM 2011 64221	AM 2012 64815 A	AM 2011 64815
AM 2012 64222 A	AM 2011 64222	AM 2012 64818 A	AM 2011 64818
AM 2012 64223 A	AM 2011 64223	AM 2012 64819 A	AM 2011 64819
AM 2012 64226 A	AM 2011 64226	AM 2012 64844 A	AM 2011 64844
		AM 2012 62061 A*	AM 2011 62061
		AM 2012 62187 A*	AM 2011 62187
		AM 2112 62325 A*	AM 2011 62325

**CONCORDANCE TABLE OF INDEX OF GOODS AND/OR SERVICES
WITH REFERENCE TO NUMBERS OF PUBLISHED APPLICATIONS**

INDEX OF GOODS AND/OR SERVICES (511)	NUMBER OF PUBLISHED APPLICATION (260)	1	2
1	2	19	AM 2012 63861 A
3	AM 2012 64497 A	24	AM 2012 64795 A
3	AM 2012 64498 A	25	AM 2012 64795 A
3	AM 2012 64509 A	26	AM 2012 64795 A
5	AM 2012 63793 A	29	AM 2012 64027 A
5	AM 2012 64105 A	29	AM 2012 64508 A
5	AM 2012 64106 A	29	AM 2112 62325 A*
5	AM 2012 64219 A	30	AM 2012 63773 A
5	AM 2012 64812 A	30	AM 2012 63787 A
5	AM 2012 64814 A	30	AM 2012 64027 A
5	AM 2012 64815 A	30	AM 2012 64215 A
5	AM 2012 64818 A	30	AM 2012 64221 A
5	AM 2012 64819 A	30	AM 2012 64222 A
5	AM 2012 64844 A	30	AM 2012 64223 A
7	AM 2012 64795 A	30	AM 2012 64226 A
9	AM 2012 63786 A	30	AM 2012 64227 A
9	AM 2012 63871 A	30	AM 2012 64229 A
9	AM 2012 63979 A	30	AM 2012 64508 A
9	AM 2012 64793 A	30	AM 2112 62325 A*
9	AM 2012 62061 A*	32	AM 2112 62325 A*
10	AM 2012 64844 A	34	AM 2012 63830 A
12	AM 2012 63873 A	34	AM 2012 63958 A
12	AM 2012 62187 A*	34	AM 2012 64652 A
16	AM 2012 63871 A	34	AM 2012 64653 A
17	AM 2012 64487 A	34	AM 2012 64715 A
17	AM 2012 64488 A	35	AM 2012 64745 A
		41	AM 2012 63871 A
		43	AM 2012 62751 A

**CONCORDANCE TABLE OF INDEX OF GOODS AND/OR SERVICES
WITH REFERENCE TO NUMBERS OF REGISTERED ACCORDING TO THE
ACCELERATED PROCEDURE**

INDEX OF GOODS AND/OR SERVICES (511)	NUMBER OF REGISTERED ACCORDING TO THE ACCELERATED PROCEDURE (111)
35	M 2012 22747 R
36	M 2012 22683 R
39	M 2012 22745 R
39	M 2012 22746 R
41	M 2012 22746 R
41	M 2012 22745 R
44	M 2012 22682 R

OFFICIAL BULLETIN OF THE INDUSTRIAL PROPERTY

13(353)

EDITOR-IN-CHIEF: N. Bebrishvili

EDITORS-TRANSLATORS: M. Sichinava
G. Nadareishvili

PROOFREADER: L. Chanturia

COMPUTER LAYOUT: M. Ordenidze
K. Svanidze

www.sakpatenti.org.ge

E-mail: info@sakpatenti.org.ge