



**NATIONAL INTELLECTUAL PROPERTY CENTER OF GEORGIA
SAKPATENTI**

**OFFICIAL BULLETIN
OF THE INDUSTRIAL PROPERTY**

14(402)

**2014
TBILISI**

INID CODES FOR IDENTIFICATION OF BIBLIOGRAPHIC DATA

INVENTIONS, UTILITY MODELS

- (10) Number of publication for application, which has been examined
- (11) Number of patent and kind of document
- (21) Serial number of application
- (22) Date of filing of the application
- (23) Date of exhibition or the date of the earlier filing and the number of application, if any
- (24) Date from which patent may have effect
- (31) Number of priority application
- (32) Date of filing of priority application
- (33) Code of the country or regional organization allotting priority application number
- (44) Date of publication of application not granted, but examined and number of bulletin
- (45) Date of publication of registered document
- (51) International Patent Classification Index
- (54) Title of the invention
- (57) Abstract
- (60) Number of examined patent document granted by foreign patent office, date from which patent has effect and country code
- (62) Number of the earlier application and in case of divided application, date of filing an application
- (71) Name, surname and address of applicant (country code)
- (72) Name, surname of inventor (country code)
- (73) Name, surname and address of patent owner (country code)
- (74) Name, surname of representative or patent attorney
- (85) Date of commencement of the national phase of International Application
- (86) Number and date of filing of international application
- (87) Number and date of publication of international application

DESIGNS

- (10) Number of publication for application
- (11) Number of patent and kind of document or number of registration
- (15) Date of registration/Date of patent renewal
- (18) Expected expiration date of patent or registration
- (21) Serial number of application
- (22) Date of filing of the application
- (23) Date of exhibition or the date of the earlier filing and the number of application, if any
- (24) Date from which patent may have effect
- (28) Number of designs included in the application
- (30) Data relating to priority (number of application, date of filing of application, two-letter code identifying the authority with whom the priority application was made)
- (31) Number of priority application
- (32) Date of filing of priority application
- (33) Code of the country or regional organization allotting priority application number
- (34) Two-letter code according to WIPO St.3 identifying the authority with which the priority application was made
- (44) Date of publication of design and number of bulletin (the first publication)
- (45) Date of publication of design registered by WIPO and number of bulletin
- (51) International Classification for designs (class and subclass of the Locarno Classification)
- (54) Title of the invention
- (55) Reproduction of the design
- (57) Description of characteristic features of the design including indication of colors
- (58) Date of recording of any kind of amendment in the Register
- (62) Number of the earlier application, registration and document number and if available the date of filing an application in case of divided application
- (71) Name, surname and address of applicant (country code)
- (72) Name, surname of creator (country code)
- (73) Name, surname and address of patent owner (country code)
- (74) Name, surname of representative or patent attorney
- (81) Contracting states concerned
 - II designated contracting states according to the 1960 Act
 - III designated contracting states according to the 1999 Act
- (85) Owner's permanent address
- (86) Owner's nationality
- (87) Owner's residence
- (88) State in which the owner has a real and effective industrial or commercial establishment

TRADEMARKS

- (111) – Number of registration
- (151) – Date of registration
- (156) – Date of the renewal
- (181) – Expected expiration date of registration
- (186) – Renewal expiration date of registration
- (141) – Date of cancel of duration of the mark
- (210) – Serial number of application
- (220) – Date of filing of the application
- (230) – Date concerning exhibition
- (260) – Number of application, for which favorable decision of examination about registration has been taken (publication number)
- (310) – Number of the first application
- (320) – Date of filing of the first application
- (330) – Code, identifying national or regional Office where the first application was made
- (511) – International Classification of Goods and Services for the purposes of registration of trade marks and/or list of goods and/or services classified according thereto
- (531) – Description of figurative elements of Trade Marks according to the International Classification of the Figurative Elements of Marks
- (540) – Reproduction of Trade Mark
- (550) – Nature and kind of Trade Mark
- (580) – Date of recording of any kind changes in respect of applications or registrations
- (591) – Information concerning colors claimed
- (731) – Name and address of the applicant
- (732) – Name and address of the holder of the registration
- (740) – Name and address of the representative
- (750) – Address for correspondence
- (770) – Name and address of the previous applicant or holder in case of change in ownership
- (771) – Previous name and address of the applicant or holder in case of change in ownership
- (791) – Name and address of the licensee
- (793) – Indication of conditions and/or restrictions under the license (Type of license, number of license agreement, data of license, data of validity of license)
- (800) – Certain data relating to the international registration of Trade Marks under the Protocol Relating to Madrid Agreement (International registration number)

CODES FOR PUBLICATION IN BULLETIN

- (21) AP 0000 000000 – serial number of application for invention
- (10) AP 0000 0000 A – number of published application for invention (first publication)
- (11) P 0000 0000 B – number of patent for invention (second publication)
- (21) API 0000 000000 – number of application for imported patent
- (11) PI 0000 0000 A – number of imported patent (first publication)
- (21) AU 0000 000000 – serial number of application for utility model
- (10) AU 0000 000 U – number of published application for utility model (first publication)
- (11) U 0000 000 Y – number of patent for utility model (second publication)
- (21) AD 0000 000000 – serial number of application for design
- (10) AD 0000 000 S – number of published application for design (first publication)
- (11) D 0000 000 S – number of patent for design (second publication)

INTERNATIONAL PATENT CLASSIFICATION FOR INVENTIONS AND UTILITY MODELS

- SECTION A – HUMAN NECESSITIES
- SECTION B – PERFORMING OPERATIONS; TRANSPORTING
- SECTION C – CHEMISTRY; METALLURGY
- SECTION D – TEXTILES; PAPER
- SECTION E – FIXED CONSTRUCTIONS
- SECTION F – MECHANICAL ENGINEERING; LIGHTING; HEATING; WEAPONS; BLASTING
- SECTION G – PHYSICS
- SECTION H – ELECTRICITY

-
- M – Trade Mark
 - (210) AM 0000 000000 – Serial number of application;
 - (260) AAM 0000 00000 A – Publication number of application;
 - (111) M 0000 00000 R – Number of registration;
 - (111) MMM0000 00000 Rn – Number of renewals, in which n=1,2,3;
 - (111) M 0000 00000 R(P) – Number of registration under partial assignment of rights
-

LIST OF CODES, IN ALPHABETIC SEQUENCE, AND THE CORRESPONDING (SHORT) NAMES OF STATES, OTHER ENTITIES AND INTERGOVERNMENTAL ORGANIZATIONS
(WIPO STANDARD ST.3)

AD	Andorra				
AE	United Arab Emirates				
AF	Afghanistan				
AG	Antigua and Barbuda				
AI	Anguilla				
AL	Albania				
AM	Armenia				
AN	Netherlands Antilles				
AO	Angola				
AP	African Regional Intellectual Property Organization (ARIPO)				
AR	Argentina				
AT	Austria				
AU	Australia				
AW	Aruba				
AZ	Azerbaijan				
BA	Bosnia and Herzegovina				
BB	Barbados				
BD	Bangladesh				
BE	Belgium				
BF	Burkina Faso				
BG	Bulgaria				
BH	Bahrain				
BI	Burundi				
BJ	Benin				
BM	Bermuda				
BN	Brunei Darussalam				
BO	Bolivia				
BR	Brazil				
BS	Bahamas				
BT	Bhutan				
BV	Bouvet Island				
BW	Botswana				
BX	Benelux Office for Intellectual Property (BOIP)				
BY	Belarus				
BZ	Belize				
CA	Canada				
CD	Democratic Republic of the Congo				
CF	Central African Republic				
CG	Congo				
CH	Switzerland				
CI	Cote d'Ivoire				
CK	Cook Islands				
CL	Chile				
CM	Cameroon				
CN	China				
CO	Colombia				
CR	Costa Rica				
CU	Cuba				
CV	Cape Verde				
CY	Cyprus				
CZ	Czech Republic				
DE	Germany				
DJ	Djibouti				
DM	Dominica				
DO	Dominican Republic				
DZ	Algeria				
EA	Eurasian Patent Organization (EAPO)				
EC	Ecuador				
EE	Estonia				
EG	Egypt				
EH	Western Sahara				
EM	Office for Harmonization in the Internal Market (Trademarks and Designs)(OHIM)				
EP	European Patent Office (EPO)				
ER	Eritrea				
ES	Spain				
ET	Ethiopia				
FI	Finland				
FJ	Fiji				
FK	Falkland Islands (Malvinas)				
FO	Faroe Islands				
FR	France				
GA	Gabon				
GB	United Kingdom				
GC	Patent Office of the Cooperation Council for the Arab States of the Gulf (GCC)				
GD	Grenada				
GG	Guernsey				
GH	Ghana				
GI	Gibraltar				
GT	Guatemala				
GW	Guinea- Bissau				
GY	Guyana				
HK	The Hong Kong Special Administrative Region of the People's Republic of China				
HN	Honduras				
HR	Croatia				
HT	Haiti				
HU	Hungary				
IB	International Bureau of the World Intellectual Property Organization (WIPO)				
ID	Indonesia				
IE	Ireland				
IL	Israel				
IM	Isle of Man				
IN	India				
IQ	Iraq				
ID	Indonesia				
IE	Ireland				
IL	Israel				
IM	Isle of Man				
IN	India				
IQ	Iraq				
IR	Iran (Islamic Republic of)				
IS	Iceland				
IT	Italy				
JE	Jersey				
JM	Jamaica				
JO	Jordan				
JP	Japan				
KE	Kenya				
KG	Kyrgyzstan				
KH	Cambodia				
KI	Kiribati				
KM	Saint Kitts and Nevis				
KP	Democratic People's Republic of Korea				
KR	Republic of Korea				
KW	Kuwait				
KY	Cayman Islands				
KZ	Kazakhstan				
LA	Lao People's Democratic Republic				
LB	Lebanon				
LC	Saint Lucia				
LI	Liechtenstein				
LK	Sri Lanka				
LR	Liberia				
LS	Lesotho				
LT	Lithuania				
LU	Luxembourg				
LV	Latvia				
LY	Libyan Arab Jamahiriya				
MA	Morocco				
MC	Monaco				
MD	Republic of Moldova				
ME	Montenegro				
MG	Madagascar				
MK	The former Yugoslav Republic of Macedonia				
ML	Mali				
MM	Myanmar				
MN	Mongolia				
MO	Macao				
MP	Northern Mariana Islands				
MR	Mauritania				
MS	Montserrat				
MT	Malta				
MU	Mauritius				
MV	Maldives				
MW	Malawi				
MX	Mexico				
MY	Malaysia				
MZ	Mozambique				
NA	Namibia				
NE	Niger				
NG	Nigeria				
NI	Nicaragua				
NL	Netherlands				
NO	Norway				
NP	Nepal				
NR	Nauru				
NZ	New Zealand				
OA	African Intellectual Property Organization (OAPI)				
OM	Oman				
PA	Panama				
PE	Peru				
PG	Papua New Guinea				
PH	Philippines				
PK	Pakistan				
PL	Poland				
PT	Portugal				
PW	Palau				
PY	Paraguay				
QA	Qatar				
QZ	Community Plant Variety Office (European Community) (CPVO)				
RO	Romania				
RS	Serbia				
RU	Russian Federation				
RW	Rwanda				
SA	Saudi Arabia				
SB	Solomon Islands				
SC	Seychelles				
SD	Sudan				
SG	Singapore				
SH	Saint Helena				
SI	Slovenia				
SK	Slovakia				
SL	Sierra Leone				
SM	San Marino				
SN	Senegal				
SO	Somalia				
SR	Suriname				
ST	Sao Tome and Principe				
SV	El Salvador				
SY	Syrian Arab Republic				
SZ	Swaziland				
TC	Turks and Caicos Islands				
TD	Chad				
TG	Togo				
TH	Thailand				
TJ	Tajikistan				
TL	Timor-Leste				
TM	Turkmenistan				
TN	Tunisia				
TO	Tonga				
TR	Turkey				
SE	Sweden				
TT	Trinidad and Tobago				
TV	Tuvalu				
TW	Taiwan, Province of China				
TZ	United Republic of Tanzania				
UA	Ukraine				
UG	Uganda				
US	United States of America				
UY	Uruguay				
UZ	Uzbekistan				
VA	Holy See				
VC	Saint Vincent and the Grenadines				
VE	Venezuela				
VG	Virgin Islands (British)				
VN	Viet Nam				
VU	Vanuatu				
WO	World Intellectual Property Organization (WIPO)				
WS	Samoa				
XN	Nordic Patent Institute (NPI)				
YE	Yemen				
ZA	South Africa				
ZM	Zambia				
ZW	Zimbabwe				

**NATIONAL INTELLECTUAL PROPERTY CENTER OF GEORGIA
SAKPATENTI**

**OFFICIAL BULLETIN
OF THE INDUSTRIAL PROPERTY**

14(402)

INVENTIONS

UTILITY MODELS

DESIGNS

TRADEMARKS

**APPELLATIONS OF ORIGIN AND GEOGRAPHICAL
INDICATIONS OF GOODS**

DATE OF PUBLICATION

2014 07 25

CONTENTS

PUBLISHED TITLES OF PROTECTION	2
INVENTIONS	
▪ APPLICATIONS APPROVED FOR GRANTING PATENTS	4
▪ PATENTED INVENTIONS	10
UTILITY MODELS	
▪ PATENTED UTILITY MODELS	13
DESIGNS	
▪ REGISTERED DESIGNS	14
▪ DESIGNS REGISTERED ACCORDING TO THE ACCELERATED PROCEDURE	15
TRADEMARKS	
▪ APPLICATIONS FILED UNDER THE NATIONAL PROCEDURE APPROVED FOR REGISTRATION	16
▪ REGISTERED TRADEMARKS	28
▪ TRADEMARKS REGISTERED ACCORDING TO THE ACCELERATED PROCEDURE	36
▪ INTERNATIONAL TRADEMARKS FOR WHICH A DECISION ON GANTING PROTECTION IS TAKEN	38
▪ INTERNATIONAL TRADEMARKS PROTECTED IN GEORGIA	110
APPELLATIONS OF ORIGIN AND GEOGRAPHICAL INDICATIONS OF GOODS	
APPELLATIONS OF ORIGIN	
▪ APLPLICATIONS	118
OFFICIAL NOTIFICATIONS	
TRADEMARKS	
▪ RENEWAL OF REGISTRATIONS	137
▪ COMPLETE TRANSFER OF RIGHTS	138
▪ CHANGES IN NAMES AND/OR ADDRESSES OF OWNERS	141
▪ INVALIDATION OF TRADEMARKS REGISTRATION	144
▪ LICENSE AGREEMENTS	145
CLASSIFICATION INDEXES	
INVENTIONS	153
UTILITY MODELS	155
DESIGNS	155
TRADEMARKS	157
CORRECTION OF PUBLISHED INFORMATION	162

PUBLISHED TITLES OF PROTECTION

INVENTIONS

- **APPLICATIONS APPROVED FOR GRANTING PATENTS:**
12651; 12432, 12433; 13032; 12963; 13031; 12510; 12705; 11609; 12446; 12962; 12853
- **PATENTED INVENTIONS:**
6119-6127

UTILITY MODELS

- **PATENTED UTILITY MODELS:**
1821, 1822

DESIGNS

- **REGISTERED DESIGNS:**
582, 583
- **DESIGN REGISTERED ACCORDING TO THE ACCELERATED PROCEDURE:**
584

TRADEMARKS

- **APPLICATIONS FILED UNDER THE NATIONAL PROCEDURE APPROVED FOR REGISTRATION:**
71221; 71623; 71971; 72077; 72152; 72968; 73088; 73119-73121; 73129; 73879; 73921; 73947-73950; 73952-73954; 74051, 74101; 74263; 74295; 74301; 74304-74306; 74324; 74325; 74378; 74395; 74398; 74401; 74528, 74529; 74547; 74560; 74593-74599; 74602; 74630; 74637; 74646; 74682; 74684; 74714; 74716-74718; 74744; 74763; 74768; 74827; 74851-74856; 74960; 74990; 75038; 75080-75083; 75120; 75145; 73106*
- **REGISTERED TRADEMARKS:**
24950-25033
- **TRADEMARKS REGISTERED ACCORDING TO THE ACCELERATED PROCEDURE:**
24947-24949; 25034-25038
- **INTERNATIONAL TRADEMARKS FOR WHICH A DECISION ON GRANTING PROTECTIONS IS TAKEN:**
71412; 71429; 71453; 71854; 71855; 71867; 71881; 71889; 71941; 72351; 72352; 72355; 72356; 72360-72362; 72365-72367; 72369-72375; 72377-72381; 72416; 72932-72934; 72936; 72938; 72939; 72944; 72946-72950; 73424; 73433-73438; 73443-73447; 73449; 73452-73462; 73465-73470; 73472-73482; 73564; 73586-73593; 73601; 73674; 73675; 73677; 73681-73685; 73716; 73769; 73958; 73979; 73981; 73983-73987; 73989; 73991; 73993; 73995; 73997; 74000; 74009; 74053; 74054; 74061; 74062; 74066-74068; 74088-74095; 74097; 74098; 74100; 74106-74112; 74114-71117; 74119-74123; 74203-74206; 74208-74211; 74213; 74214; 74217; 74262; 74270-74273; 74275-74277; 74282; 74288; 74298-74300; 74307; 74432; 74442; 74456; 74613; 74616; 74622; 74624; 75029
- **INTERNATIONAL TRADEMARKS PROTECTED IN GEORGIA:**
68022; 70883; 70885; 70886; 70890; 70981; 70982; 71056; 71061; 71073; 71082-71084; 71086-71089; 71104; 71106; 71136; 71137; 71139; 71156-71161; 71164; 71180; 71229; 71344; 71347; 71348; 71350-71353; 71355; 71378; 71383; 71388; 71465; 71466; 71470; 71517-71519; 71699-71712; 71714-71716; 71732-71739; 71748; 72015-72028; 72030; 72032-72034; 72036-72043; 72046-72048; 72251; 72253; 72254; 72275; 72278; 72463; 72464; 72466; 72468; 72469; 72471; 72272; 72477; 72478; 72491-72495; 72544-72546; 72556; 72558; 72559; 72884

APPELLATIONS OF ORIGIN AND GEOGRAPHICAL INDICATIONS OF GOODS

APPELLATIONS OF ORIGIN

- **APPLICATIONS:**
1176; 1177; 1178; 1179; 1180

INVENTIONS

APPLICATIONS APPROVED FOR GRANTING PATENTS

The decision can be appealed at the Chamber of Appeal of Sakpatenti within 3 months from the publication or at the Mtskheta District Court Administrative Cases Board (Address: №17, Samkhedro str., Mtskheta), within 1 month following the publication.

PART A

A 61

(10) AP 2014 12651 A (51) Int. Cl. (2006)

A 61 K 31/49

A 61 P 43/00

(21) AP 2010 012651 (22) 2010 07 12

(31) 102009 039546.6

(32) 2009 09 01

(33) DE

(71) MARIA CLEMENTINE MARTIN

KLOSTERFRAU

VERTRIEBSGESELLSCHAFT MBH (DE)

Gereonsmühlengasse 1 -11 50670 Köln (DE)

(72) GREVE, Harald (DE)

(74) Tamar Kochlamazashvili

(85) 2012 03 29

(86) PCT/EP2010/004214, 2010 07 12

(54) **NOVEL THERAPEUTIC CONCEPTS
FOR TREATING FIBROMYALGIA**

(57) There is represented combination for prophylactic and treating fibromyalgia containing quinine and remedy of analgesic and antidepressant groups, and combination thereof.

Claims: 2 independent

7 dependent

(10) AP 2014 12432 A (51) Int. Cl. (2006)

A 61 M 15/00

(21) AP 2010 012432 (22) 2010 03 30

(31) TR2009/022446; TR2009/03493

(32) 2009 03 30; 2009 05 05

(33) TR; TR

(71) ARVEN ILAC SANAYI VE

TICARET A.S. (TR)

Istinye Mah. Balabandere Cad. No. 14 34460

Sariyer, Istanbul (TR)

(72) TOKSOZ, Ahmet (TR);

TOKSOZ, Zafer (TR);

CIFTER, Musa Umit (TR)

(74) Shalva Gvaramadze

(85) 2011 10 28

(86) PCT/TR2010/000067, 2010 03 30

(54) **COUNTER FOR DRY POWDER
INHALER DEVICE**

chamber (2,3) to receive unused blister, actuating element (5) to move blister in mouthpiece. At that, inhaler is additionally equipped with allocated in lower part a cavity (2,2) to reflect counter. Furthermore, a cavity (5,1) reflecting counter is executed so, that it can be aligned with the cavity (2,2) reflecting data of counter of inner body and with a piece (2,1) with arched surface are executed in lower part of actuating element (5). The piece in lower part of inner body creates a channel through which the blister can be passed and supports blister in said channel in the required form. Digital data can be exactly reflected on said blister (4) on inhaler outer side at actuating element motion in outer housing or at fitting-in.

Claims: 1 independent

2 dependent

Fig.: 5

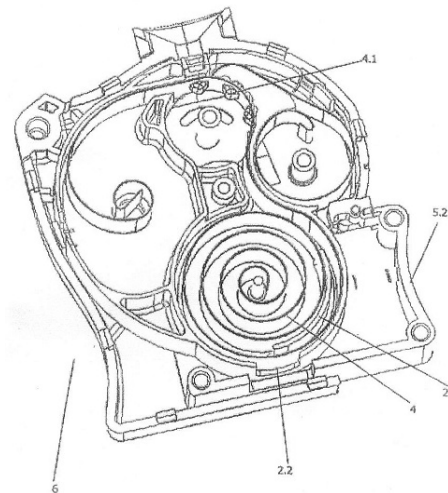


Fig. 3

(10) AP 2014 12433 A (51) Int. Cl. (2006)

A 61 M 15/00

(21) AP 2010 012433 (22) 2010 03 30

(31) TR2009/02446; TR2009/03493;

TR2010/00073

(32) 2009 03 30; 2009 05 05; 2010 01 07

(33) TR; TR; TR

(71) ARVEN ILAC SANAYI VE

TICARET A.S. (TR)

Istinye Mah. Balabandere Cad. №. 14 34460

Sariyer, Istanbul (TR)

(72) TOKSOZ, Ahmet (TR);

TOKSOZ, Zafer (TR);

CIFTER, Musa Umit (TR)

(74) Shalva Gvaramadze

(85) 2011 10 28

(86) PCT/TR2010/000066, 2010 03 30

(54) DRY POWDER INHALER DEVICE AND LOCK MECHANISM

(57) There is represented inhaler device comprising at least one lock mechanism capable to block said inhaler in both positions: one, when it is ready for inhalation, and another, when lid is in close position. Additionally, exist opportunity to setup said inhaler again automatically. Said lock mechanism comprises lock clamp and reference element (5) allocated in inner part thereof; at that, lock clamp (6) is disposed on outer case rotatable around contact pin.

Claims: 1 independent

9 dependent

Fig.: 12

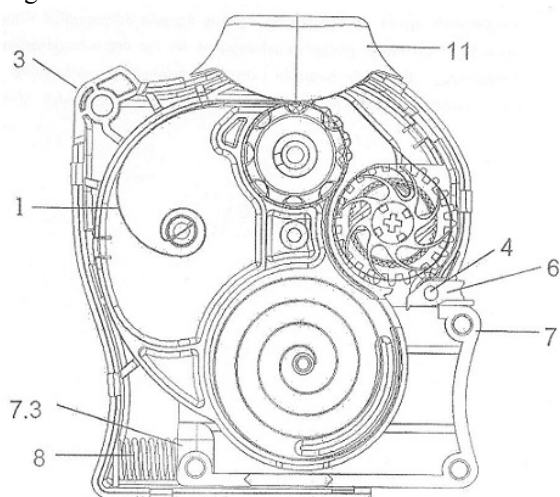


Fig. 5

PART C

C 07

(10) AP 2014 13032 A (51) Int. Cl. (2006)
C 07 D 235/30
A 61 K 31/4184
A 61 P 11/00
A 61 P 29/00

(21) AP 2011 013032 (22) 2011 08 19

(31) 10173501.7

(32) 2010 08 20

(33) EP

(71) BOEHRINGER INGELHEIM
INTERNATIONAL GMBH (DE)
Binger Straße 173, 55216 Ingelheim Am
Rhein (DE)

(72) PRIEPKE, Henning (DE);
DOODS, Henri (NL);
KUELZER, Raimund (DE);
PFAU, Roland (DE);
STENKAMP, Dirk (DE);
PELCMAN, Benjamin (SE);
ROENN, Robert (SE)

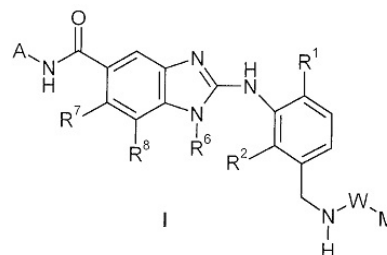
(74) Tamar Kochlamazashvili

(85) 2013 03 20

(86) PCT/EP2011/064258, 2011 08 19

(54) NEW COMPOUNDS

(57) Present invention relates to new compounds of benzimidazole carbonic acid amide of formula (I),



pharmaceutical compositions containing them and their application as microsomal prostaglandin-E₂-synthetase-1(mPGES-1) inhibitor. The invention relates to their application as drugs to treat and/or prevent inflammatory diseases and conditions related therewith, as well.

Claims: 5 independent

11 dependent

(10) AP 2014 12963 A (51) Int. Cl. (2006)
C 07 D 401/12
A 61 K 31/5377
A 61 P 9/00
A 61 P 9/12
A 61 P 13/12
A 61 P 43/00

(21) AP 2011 012963 (22) 2011 06 15

(31) 2010-137194

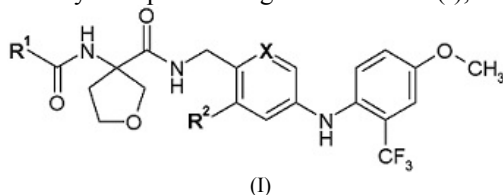
(32) 2010 06 16

(33) JP

- (71) TAKEDA PHARMACEUTICAL
COMPANY LIMITED (JP)
1-1, Doshomachi 4-chome, Chuo-ku, Osaka-
shi, Osaka 5410045 (JP)
- (72) KITAYAMA, Masato (JP)
- (74) Shalva Gvaramadze
- (85) 2013 01 11
- (86) PCT/JP2011/063735, 2011 06 15
- (54) **CRYSTAL OF AMIDE COMPOUND**
- (57) Present invention relates to 1-(4-methoxy-
butyl)-N-(2-methylpropyl)-N-[(3S,5R)-5-(morpho-
line-4-ylcarbonyl)piperidine-3-yl]-1H-be-nzoimida-
zole-2-carboxamide hydrochloride crystal characte-
rized with very high inhibitory activity relative to
renin, and applied as prophylactic or treating agent
at various organic disorders caused by blood high
pressure and hypertension.
- Claims: 9 independent
7 dependent
- Fig.: 2

- (10) **AP 2014 13031 A** (51) **Int. Cl. (2006)**
C 07 D 401/12
C 07 D 401/14
C 07 D 403/12
A 61 K 31/455
A 61 K 31/506
A 61 K 31/501
A 61 P 29/00
A 61 P 11/00
A 61 P 19/02
A 61 P 17/00

- (21) AP 2011 013031 (22) 2011 08 19
(31) 10173489.5
(32) 2010 08 20
(33) EP
- (71) BOEHRINGER INGELHEIM
INTERNATIONAL GMBH (DE)
Binger Straße 173, 55216 Ingelheim Am
Rhein (DE)
- (72) HAUDEL, Norbert (DE);
CECI, Angelo (IT);
DOODS, Henri (NL);
JUNG, Birgit (DE);
KUELZER, Raimund (DE)
- (74) Tamar Kochlamazashvili
- (85) 2013 03 20
- (86) PCT/EP2011/064260, 2011 08 19
- (54) **DISUBSTITUTED TETRAHYDOFURANYL
COMPOUNDS AS ANTAGONISTS OF
BRADYKININ B1 RECEPTOR**
- (57) The invention relates to disubstituted tetrahy-
drofuranyl compounds of general formula (I),



enantiomers, diastereomers, mixtures and salts thereof, preparation method, and their application as bradykinin B1 receptor antagonists to avoid and treat various kinds of pain and inflammatory processes.

Claims: 7 independent
3 dependent

- (10) **AP 2014 12510 A** (51) **Int. Cl. (2006)**
C 07 D 489/08

- (21) AP 2010 012510 (22) 2010 05 21
(31) PA200900650; 61/181022
(32) 2009 05 25; 2009 05 26
(33) DK; US
- (71) H. LUNDBECK A/S (DK)
Ottiliavej 9 DK-2500 Valby (DK)
- (72) DE FAVERI, Carla (IT);
CASARIN, Mauro (IT);
BRUSEGAN, Michele (IT)
- (74) Shalva Gvaramadze
- (85) 2011 12 23
- (86) PCT/DK2010/050110, 2010 05 21
- (54) **PREPARATION OF NALMEFENE
HYDROCHLORIDE FROM
NALTREXONE**
- (57) There is represented improved method of [17-(
cyclopropylmethyl)-4,5-alpha-epoxy-3,14-dihy-
droxi-morphynan-6-one] preparation from nalme-
fene chloride [17-(cyclopropylmethyl)-4,5-alpha-
epoxy-3,14- diol hydrochloride] by Wittig reaction.
- Claims: 1 independent
19 dependent

PART E

E 04

(10) AP 2014 12705 A (51) Int. Cl. (2006)

E 04 C 5/01

E 04 C 5/03

E 04 C 5/07

(21) AP 2010 012705 (22) 2010 07 07

(31) 102009048751.4

(32) 2009 10 08

(33) DE

(71) CENT & CENT GMBH & CO KG (DE)

Benzstrasse 14 89155 Erbach (DE)

(72) STAHL, Karl-Hermann (DE)

(74) Tamar Kochlamazashvili

(85) 2012 05 08

(86) PCT/DE2010/000787, 2010 07 07

(54) METAL FIBER HAVING A CHAMFER IN FIBER EDGE EXTENDING IN LONGITUDINAL DIRECTION OF FIBER

(57) There is represented metal fiber having fiber outer surfaces 1 oriented substantially at right angles to each other and can also be provided with bent ends in the shape of clip. Metal fiber is used to stabilize, strengthen or fasten materials such as concrete, wood, and the like. Fiber edges 2 formed by fiber outer surfaces of metal fiber and extending in the longitudinal direction of fiber are designed as edge surfaces 4 oriented at an angle to fiber outer surfaces in the manner of a chamfer. Said edge surfaces have projections, which form anchoring heads 3 that are anchored in the materials to be stabilized, strengthened, or fastened.

Claims: 1 independent

12 dependent

Fig.: 6

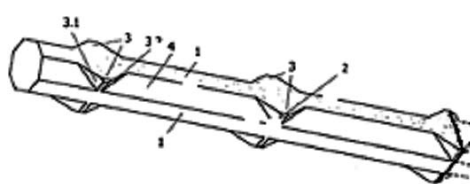


Fig. 6

E 21

(10) AP 2014 11609 A (51) Int. Cl. (2006)

E 21 B 7/08

B 21 B 7/10

(21) AP 2009 011609 (22) 2009 12 18

(31) 12/344.873

(32) 2008 12 29

(33) US

(71) PRECISION ENERGY SERVICES

INC. (US)

500 Winscott Rd., Fort Worth, TX 77126 (US)

(72) FARLEY, Steven Reid (US);
LARRONDE, Michael Louis (US);
BARTEL, Roger P. (US);
MAULDIN, Charles Lee (US);
AIELLO, Robert Anthony (US)

(74) Tamaz Shilakadze

(54) DIRECTIONAL DRILLING CONTROL USING PERIODIC PERTURBATION OF DRILL BIT

(57) There is represented drill unit comprising uninterruptedly rotating drill column 35 and drill bit 18 interacting therewith, curve adapter 16, and drill bit perturbation apparatus 14 operatively connected to drill column, drill bit and curve adapter. Perturbation apparatus comprises at least one unit capable change speed of drill bit penetration in a rock at penetration in hole wall on approximately determined azimuth arch, and capable change hole drilling direction towards approximately defined azimuth arch direction.

Claims: 3 independent

16 dependent

Fig.: 8

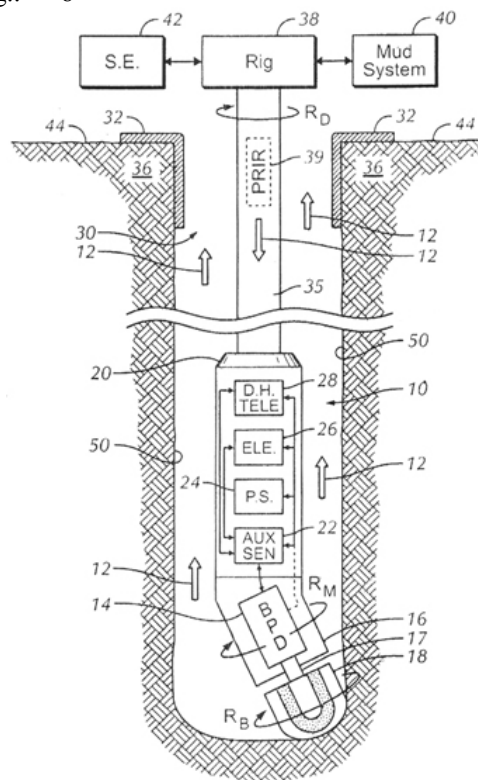


Fig. 1

PART F

F 01

(10) AP 2014 12446 A (51) Int. Cl. (2006)
F 01 K 27/00

(21) AP 2010 012446 (22) 2010 02 18

(31) 09157592.8

(32) 2009 04 08

(33) EP

(71) COHEN, Yoav (IL)

5, Chemin de la Tour-de-Pinchat, 1234
Vessy (CH)

(72) COHEN, Yoav (IL)

(74) Shalva Gvaramadze

(85) 2011 11 08

(86) PCT/EP2010/052027, 2010 02 18

(54) **INSTALLATION DESIGNED TO
CONVERT ENVIRONMENTAL
THERMAL ENERGY INTO USEFUL
ENERGY**

(57) There is represented an installation comprising cylinder-shaped outer casing (OS) equipped with two-thread valve (63), close cylindrical inner rotor (IR) separated from outer casing with vacuum; at that, inner rotor (IR) is executed with three hollow cylindrical pieces made of heat-conducting material installed one inside another around general rotational axis (18) and connected to each other. Furthermore, inner cylinder (3) is open on axle ends and equipped with couple of control thickenings (41, 42) making capable to open and close a cave (7) formed inside of inner cylinder (3), middle cylinder (2) is closed around inner cylinder (3) forming a cave (40). Inner cylinder (3) wall – one of end walls of middle cylinder (2), and opposite thereto end wall of outer cylinder (1), both are equipped with a layer (26, 25) of heat insulation. Periphery of middle cylinder (2) end is equipped with controllable group of valves making capable to separate hermetically a cave (4, 5, 6) on two parts, which is formed between walls of middle (2) and outer cylinders (1), and to open or close a pass existing between said pieces; at that, outer cylinder (1) is equipped with single-pass valve (32), and two-thread valve (33). In inner cylinder (3) the row of propellers (13) is installed and equipped with means making capable to convert propellers rotational energy into useful energy, and engine rotating inner rotor (IR) is placed inside of outer casing (OS).

Claims: 2 independent
6 dependent

Fig.: 11

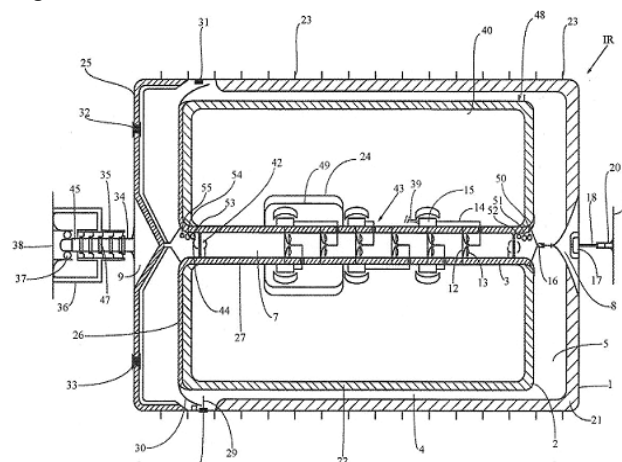


Fig. 1

F 27

(10) AP 2014 12962 A (51) Int. Cl. (2006)
F 27 D 3/15
B 22 D 43/00

(21) AP 2013 012962 (22) 2013 01 11

(71) Otar Barbakadze (GE)

Moskovis Gamz., V kvart., korp. 7, b. 26,
0145 Tbilisi (GE);

Vasil Kopaleishvili (GE)

I.Abashidzis q. 68, b. 47, 0162 Tbilisi (GE);

Robinson Lomidze (GE)

Rustavelis q. 19, b.18, 3700 Rustavi (GE);

Nugzar Mumladze (GE)

XVII mkr., korp. 1, b. 18, 3700 Rustavi (GE);

Zaza Tabatadze (GE)

VII mkr., korp. 22, b. 55, 3700 Rustavi (GE);

Sergo Katsitadze (GE)

Kashakashvili q. 5, b. 9, 3700 Rustavi (GE);

Salome Barbakadze (GE)

Moskovis Gamz., V kvart., korp. 7, b. 26,
0145 Tbilisi (GE)

(72) Otar Barbakadze (GE);

Vasil Kopaleishvili (GE);

Robinson Lomidze (GE);

Nugzar Mumladze (GE);

Zaza Tabatadze (GE);

Sergo Katsitadze (GE);

Salome Barbakadze (GE)

(54) **METHOD OF METAL ALLOY
MELTING**

(57) There is represented metal alloy melting method providing charging furnace with a charge, melting thereof, slag creation and removal thereof, heating alloy up to casting temperature. Before melting the alloy temperature is increased up to 5-10C°; then, smelter is switched off, a cap thereof is open partially and the alloy is hold 3-5 min.,

before rest slag hardening on melted metal alloy surface, which is cast after crust creation.

Claims: 1 independent

PART G

G 08

(10) AP 2014 12853 A (51) Int. Cl. (2006)

G 08 G 1/054

G 08 G 1/017

G 07 C 5/08

(21) AP 2010 012853 (22) 2010 02 08

(71) JSC "CORPORATION" STROJ INVEST
PROECT M" (RU)

Komsomolskaya Pl., d. 3/30, Str. 4, 107140
Moscow (RU)

(72) OSIPOV, Sergej Konstantinovich (RU);
MALINKIN, Aleksej Urevich (RU)

(74) Shalva Gvaramadze

(85) 2012 09 05

(86) PCT/RU2010/000048, 2010 02 08

(54) **METHOD AND DEVICE FOR
DETERMINING SPEED OF TRAVEL
AND COORDINATES OF VEHICLES
AND SUBSEQUENTLY IDENTIFYING
SAME AND AUTOMATICALLY
RECORDING ROAD TRAFFIC
OFFENCES**

(57) Present invention relates to traffic control systems and, more precisely, to methods and devices for monitoring the observance of road traffic regulations, including the observance of speed limits. The proposed automatic system makes it possible to reduce the probability of error when identifying the vehicle of an offender, increases the length of a speed limit monitoring zone to several hundreds/thousands of meters, and makes it possible to cut expenditure on the construction and maintenance of gantries for the installation of speed limit monitoring devices. For this purpose a novel method for the combined processing of signals from a radar and a panoramic video camera is proposed, in which data flows from the video camera and the radar are independently obtained, after which they are compared and data about the speed and coordinates are obtained with little probability of error in identifying the vehicle of an offender. The device for realizing the proposed method comprises radar with a signal processing module, which makes it possible to calculate the speed and distance of all vehicles on a chosen section of road, and a panoramic video camera.

Claims: 2 independent

3 dependent

Fig.: 6

PATENTED INVENTIONS

PART A

A 61

- (11) P 2014 6122 B** **(51) Int. Cl. (2006)**
A 61 K 9/14
A 61 K 9/16
- (10) AP 2014 12530 A (44) 7(395)/2014
 (21) AP 2009 012530
 (22) 2009 07 27
 (24) 2009 07 27
 (62) 2008-194219 2008 07 28 (JP)
 (31) 2008-194219
 (32) 2008 07 28
 (33) JP
 (86) PCT/JP2009/063708, 2009 07 27
 (73) TAKEDA PHARMACEUTICAL COMPANY LIMITED (JP)
 1-1, Doshomachi 4-chome, Chuo-ku, Osaka-shi, Osaka 5410045 (JP)
 (72) HIRAIISHI, Yasuhiro (JP);
 NONOMURA, Muneo (JP)
 (74) Shalva Gvaramadze
 (86) PCT/JP2009/063708, 2009 07 27
 (54) **PHARMACEUTICAL COMPOSITION**

- (11) P 2014 6120 B** **(51) Int. Cl. (2006)**
A 61 K 31/7034
A 61 P 31/10
A 61 P 3/04
A 61 P 3/06
- (10) AP 2014 12372 A (44) 7(395)/2014
 (21) AP 2010 012372
 (22) 2010 02 11
 (24) 2010 02 11
 (31) 61/152,318
 (32) 2009 02 13
 (33) US
 (86) PCT/EP2010/051734, 2010 02 11
 (73) BOEHRINGER INGELHEIM INTERNATIONAL GMBH (DE)
 Binger Strasse 173, 55216 Ingelheim Am Rhein (DE)
 (72) EICKELMANN, Peter (DE);
 MARK, Michael (DE);
 SEMAN, Leo John (US);
 THOMAS, Leo (DE);
 BROEDL, Uli (DE);
 GREMLER, Rolf (DE)
 (74) Tamar Kochlamazashvili
 (54) **SGLT-2 INHIBITOR FOR TREATING TYPE I DIABETES MELLITUS, TYPE II DIABETES MELLITUS, IMPAIRED GLUCOSE TOLERANCE OR HYPERGLYCEMIA**

- (11) P 2014 6119 B** **(51) Int. Cl. (2006)**
A 61 K 39/395
A 61 P 35/00
C 07 K 16/22
- (10) AP 2014 12290 A (44) 7(395)/2014
 (21) AP 2009 012290
 (22) 2009 12 11
 (24) 2009 12 11
 (31) 08171554.2
 (32) 2008 12 12
 (33) EP
 (86) PCT/EP2009/066894, 2009 12 11
 (73) BOEHRINGER INGELHEIM INTERNATIONAL GMBH (DE)
 Binger Strasse 173, 55216 Ingelheim Am Rhein (DE)
 (72) ADAM, Paul (DE);
 BORGES, Eric (DE)
 (74) Tamar Kochlamazashvili
 (54) **ANTI-IGF ANTIBODIES**

PART C

C 07

- (11) P 2014 6123 B** **(51) Int. Cl. (2006)**
C 07 C 229/12
A 61 K 31/14
A 61 P 9/10
- (10) AP 2014 12677 A (44) 7(395)/2014
 (21) AP 2010 012677
 (22) 2010 10 22
 (24) 2010 10 22
 (31) P-09-181
 (32) 2010 10 22
 (33) LV
 (86) PCT/EP2010/065924, 2010 10 22
 (73) "GRINDEKS" A JOINT STOCK COMPANY (LV)
 53, Krustpils Street LV-1057 Riga (LV)
 (72) KALVINS, Ivars (LV);
 DAMBROVA, Maija (LV);
 LIEPINS, Edgars (LV);
 PUGOVICS, Osvalds (LV);
 VILSKERSTS, Reinis (LV);
 KUKA, Janis (LV);
 GRINBERGA, Solveiga (LV);
 LOZA, Einars (LV)
 (74) Khatuna Imnadze
 (54) **USAGE OF 4-[ETHYL (DIMETHYL) AMMONIO] BUTANOATE IN TREATMENT OF CARDIOVASCULAR DISEASE**

- (11) P 2014 6124 B** **(51) Int. Cl. (2006)**
C 07 D 405/14
A 61 K 31/506
A 61 P 29/00
C 07 D 491/10
- (10) AP 2014 12789 A (44) 7(395)/2014
(21) AP 2010 012789
(22) 2010 12 13
(24) 2010 12 13
(31) 09179555.9; 10162621.6; PCT/EP2010/069549
(32) 2009 12 17; 2010 05 12; 2010 12 13
(33) EP; EP; WO
(86) PCT/EP2010/069549, 2010 12 13
(73) BOEHRINGER INGELHEIM
INTERNATIONAL GMBH (DE)
Binger Strasse 173, 55216 Ingelheim Am
Rhein (DE)
(72) EBEL, Heiner (DE);
FRATTINI, Sara (IT);
GERLACH, Kai (DE);
GIOVANNINI, Riccardo (IT);
HOENKE, Christoph (DE);
MAZZAFERRO, Rocco (IT);
SANTAGOSTINO, Marco (IT);
SCHEUERER, Stefan (DE);
TAUTERMANN, Christofer (AT);
TRIESELMANN, Thomas (DE)
(74) Tamar Kochlamazashvili
(54) **NOVEL CCR2 RECEPTOR**
ANTAGONISTS AND USAGE THEREOF

- DONOFRIO, Anthony (US);
ELLIS, John, Michael (US);
FISCHER, Christian (DE);
GUERIN, David, Joseph (US);
HAIDLE, Andrew, M. (US);
KATTAR, Solomon (US);
KNOWLES, Sandra, Lee (US);
LI, Chaomin (CN);
LIM, Jongwon (KR);
MACHACEK, Michelle, R. (US);
NORTHRUP, Alan, B. (US);
O'BOYLE, Brendan, M. (US);
OTTE, Ryan, D. (US);
PETROCCHI, Alessia (IT);
REUTERSHAN, Michael, H. (US);
ROMEO, Eric (US);
SIU, Tony (US);
TAOKA, Brandon, M. (US);
TROTTER, B., Wesley (US);
ZHOU, Hua (CN);
BURCH, Jason (CA);
COTE, Bernard (CA);
DUPONT-GAUDET, Kristina (CA);
FOURNIER, Jean-François (CA);
GAUTHIER, Jacques, Yves (CA);
GUAY, Daniel (CA);
ROBICHAUD, Joel, S. (CA)
(74) Tamaz Shilakadze
(54) **AMINOPYRIMIDINES AS SYK**
INHIBITORS

- (11) P 2014 6125 B** **(51) Int. Cl. (2006)**
C 07 D 417/12
C 07 D 417/14
A 61 K 31/497
A 61 P 11/00
A 61 P 11/06
A 61 P 29/00
A 61 P 35/00
- (10) AP 2014 12792 A (44) 7(395)/2014
(21) AP 2010 012792
(22) 2010 12 15
(24) 2010 12 15
(31) 61/287,267
(32) 2009 12 17
(33) US
(86) PCT/US2010/060463, 2010 12 15
(73) MERCK SHARP & DOHME CORP. (US)
126 East Lincoln Avenue Rahway,
NJ 07065-0907 (US)
MERCK CANADA INC. (CA)
16711 Trans-Canada Highway Kirkland,
Québec H9H 3L1 (CA)
(72) ALTMAN, Michael, D. (US);
ANDRESEN, Brian, M. (US);
ARRINGTON, Kenneth, L. (US);
CHILDERS, Kaleen, Konrad (US);
DI FRANCESCO, Maria, Emilia (IT);

C 08

- (11) P 2014 6127 B** **(51) Int. Cl. (2006)**
C 08 L 63/00
- (10) AP 2014 12932 A (44) 7(395)/2014
(21) AP 2012 012932
(22) 2012 12 20
(24) 2012 12 20
(73) Jimsher Aneli (GE)
Mukhianis Das., IV mkr., korp. 8, B. 142,
0172 Tbilisi (GE);12817
Lana Shamanauri (GE)
Skolis q. 20a, 0117 Tbilisi (GE);
Jemal Aneli (GE)
Samtrediis q. 51, b. 2, 0119 Tbilisi (GE)
(72) Jimsher Aneli (GE);
Lana Shamanauri (GE);
Jemal Aneli (GE)
(54) **POLYMER COMPOSITION**

PART F

F 23

- (11) P 2014 6121 B (51) Int. Cl. (2006)
F 23 H 17/12
F 23 H 7/08
- (10) AP 2014 12447 A (44) 7(395)/2014
(21) AP 2010 012447
(22) 2010 03 29
(24) 2010 03 29
(31) 10 2009 016 523.1
(32) 2009 04 08
(33) DE
(86) PCT/EP2010/001981, 2010 03 29
(73) BAUMGARTE BOILER SYSTEMS
GMBH (DE)
Senner Strasse 115 33647 Bielefeld (DE)
(72) SPLIETHOFF, Bernd (DE);
MIMOR, Michael (DE);
GRÜNER, Gerald (DE);
PLAGGE, Nils (DE)
(74) Tamar Kochlamazashvili
(54) **GRATE BAR FOR AN INCINERATOR
AND METHOD FOR PRODUCING SUCH
A GRATE BAR**
-

F 26

- (11) P 2014 6126 B (51) Int. Cl. (2006)
F 26 B 17/22
F 26 B 17/18
- (10) AP 2014 12817 A (44) 7(395)/2014
(21) AP 2012 012817
(22) 2012 08 03
(24) 2012 08 03
(73) Tinatin Lezhava (GE)
Nutsubidzis Perd. II mkr., III kvart.,
korp. 3, b. 35, 0183 Tbilisi (GE)
(72) Suren Nikogosyan (AM);
Tinatin Lezhava (GE);
Mark Luis Vesli (IT);
Marine Nanobashvili (GE)
(54) **DRYING EQUIPMENT**
-

UTILITY MODELS
PATENTED UTILITY MODELS

PART E

E 21

- (11) U 2014 1821 Y (51) Int. Cl. (2006)
E 21 C 45/00
- (10) AU 2014 12361 U (44) 7(395)/2014
(21) AU 2011 012361
(22) 2011 09 01
(24) 2011 09 01
(73) Vladimer Loladze (GE)
Paliashvilis q. 37/2, b. 23a, 0179, Tbilisi (GE);
Giorgi Loladze (GE)
Paliashvilis q. 37/2, b. 23a, 0179, Tbilisi (GE);
Nino Loladze (GE)
Paliashvilis q. 37/2, b. 23a, 0179, Tbilisi (GE);
Vakhtang Loladze (GE)
Paliashvilis q. 37/2, b. 23a, 0179, Tbilisi (GE);
Irakli Zubitashvili (GE)
Nino Ramishvilis q. 35a, b. 50, 0179, Tbilisi (GE)
(72) Vladimer Loladze (GE);
Giorgi Loladze (GE);
Nino Loladze (GE);
Vakhtang Loladze (GE)
- (54) **METHOD OF MINERALS
TRANSPORTATION OBTAINED FROM
WATER AREA BOTTOM**
-

PART F

F 24

- (11) U 2014 1822 Y (51) Int. Cl. (2006)
F 24 J 2/00
F 24 H 1/00
- (10) AU 2014 13156 U (44) 7(395)/2014
(21) AU 2013 013156
(22) 2013 07 10
(24) 2013 07 10
(73) Irakli Bregvadze (GE)
Khornabujis q. 69, 0192 Tbilisi (GE)
(72) Irakli Bregvadze (GE)
(54) **COMBINED WATER HEATER**
-

DESIGNS

REGISTERED DESIGNS

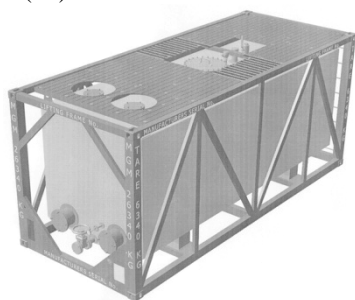
(11) D 2014 582 S **(51) 20-03**
(10) AD 2014 777 S (44) 7(395) 2014
(21) AD 2013 000777
(22) 2013 12 11
(24) 2013 12 11
(28) 2
(18) 2018 12 11
(73) Giorgi Gakharia (GE)
 Delisis q. 24, 0177 Tbilisi (GE)
(72) Giorgi Gakharia (GE)
(54) **CONSTRUCTION WITH MONITOR FOR
 ADVERTISING**

(11) D 2014 583 S **(51) 21-01**
(10) AD 2014 781 S (44) 7(395) 2014
(21) AD 2013 000781
(22) 2013 12 24
(24) 2013 12 24
(28) 9
(18) 2018 12 24
(73) JSC "SUPERBET" (GE)
 Baratashvilis q. 2, 0105, Tbilisi (GE)
(72) Sandro Tavkhelidze (GE)
(74) Zurab Chkhitunidze
(54) **COMPUTER GAME**

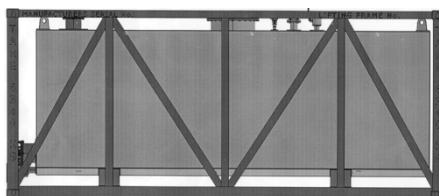
DESIGNS REGISTERED ACCORDING TO THE ACCELERATED PROCEDURE

The decision can be appealed at the Chamber of Appeal of Sakpatenti within 3 months from the publication.

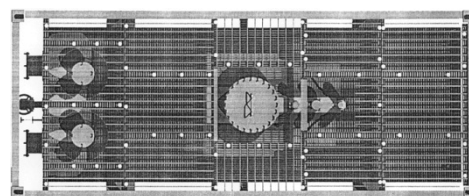
- (11) **D 2014 584 S** (51) **09-03**
 (21) AD 2014 000803 (22) 2014 07 02
 (24) 2014 07 02
 (28) 1
 (18) 2019 07 02
 (73) LTD "MAX COMPANY-GEORGIA" (GE)
 Kindzmaraulis Shes., korp. 17, b. 22, 0121 Tbilisi (GE)
 (72) Kamran Mamedov (AZ)
 (54) **CONTAINER-CISTERN FOR FUEL, BITUMEN AND BLACK OIL TRANSPORTATION**
 (55)



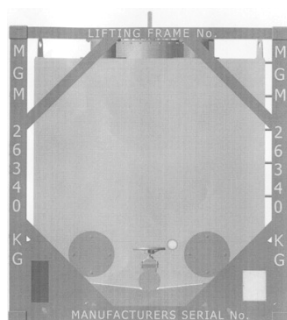
1.1



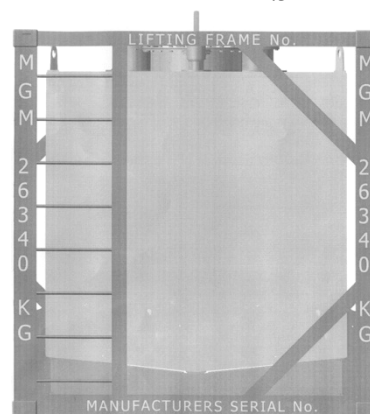
1.2



1.3



1.4



1.5

TRADEMARKS

APPLICATIONS FILED UNDER THE NATIONAL PROCEDURE APPROVED FOR REGISTRATION

The decision can be appealed at the Chamber of Appeal of Sakpatenti within 3 months from the publication or at the Mtskheta District Court Administrative Cases Board (Address: №17, Samkhedro str., Mtskheta), within 1 month following the publication.

(260) AM 2014 71221 A
(210) AM 071221
(220) 2013 10 29
(731) LTD "Machakhela-Samikitno"
Saqartvelos teqnikuri universitetis shakhta
laboratoriis mimdebare, 0175, Tbilisi,
Georgia
(740) Giorgi Khurcilava
(540)



(591) Yellow, red
(531) 28.19.00-29.01.12-
(511) 43

(260) AM 2014 71623 A
(210) AM 071623
(220) 2013 04 02
(731) GENERAL MOTORS LLC
300 Renaissance Center, City of Detroit,
State of Michigan 48265-3000, USA
(740) Giorgi Taktakishvili
(540)

V-SERIES

(591) Black-white
(511) 12

(260) AM 2014 71971 A
(210) AM 071971
(220) 2013 04 19
(731) LTD "VANRIKI"
Z. Gamsakhurdias 49/23, 6000, Batumi,
Georgia
(740) Levan Patsatsia
(540)



(591) Black, green
(531) 26.11.12-26.11.13-27.05.01-27.05.17-
29.01.12-
(511) 31, 35

(260) AM 2014 72077 A
(210) AM 072077
(220) 2013 04 30
(731) LTD "MASTER PARKE"
Sofeli Karajalari, 1329, Gardabnis raioni,
Georgia
(540)



(591) Red, green, white
(531) 05.01.16-26.04.03-26.04.22-27.05.11-
27.05.24-28.19.00-29.01.13-
(511) 19

(260) AM 2014 72152 A
(210) AM 072152
(220) 2013 05 08
(731) LTD "PRIMA-VITA"
Saq. Samkhedro gzisa da Akhmetelis quchis
gadakveta, 0159, Tbilisi, Georgia
(740) Aleksandre Amashukeli
(540)

PLATIFEN ПЛАТИФЕН პლატიფენი

(591) Black-white
(511) 5

(260) AM 2014 72968 A
(210) AM 072968
(220) 2013 07 05
(731) LTD "GPC"
Marjanishvilis q. 26, 0102, Tbilisi, Georgia
(740) Davit Zurabishvili
(540)

პაპაზიმი

(591) Black-white
(511) 5

(260) AM 2014 73088 A
 (210) AM 073088
 (220) 2013 07 12
 (731) LTD "TIFLISSKI VINNI POGREB"
 Iumashevis q.27, 0198, Tbilisi, Georgia
 (740) Shalva Gvaramadze
 (540)

თბილისური ტრადიციები

Тифлисские традиции

Tiflisskie tradicii

(591) Black-white
 (526) **DISCLAIMER** – The trademark is protected as a whole. Verbal records „თბილისური“, "Тифлисские" and "Tiflisskie" shall not be subject to independent protection.
 (511) 33

(260) AM 2014 73119 A
 (210) AM 073119
 (220) 2013 07 15
 (310) 85835756
 (320) 2013 01 29
 (330) US
 (731) Amgen Inc.
 One Amgen Center Drive, Thousand Oaks,
 California 91320-1799, USA
 (740) Shalva Gvaramadze
 (540)

BLINCYTO

(591) Black-white
 (511) 5

(260) AM 2014 73120 A
 (210) AM 073120
 (220) 2013 07 15
 (310) 85835762
 (320) 2013 01 29
 (330) US
 (731) Amgen Inc.
 One Amgen Center Drive, Thousand Oaks,
 California 91320-1799, USA
 (740) Shalva Gvaramadze
 (540)

GANVADO

(591) Black-white
 (511) 5

(260) AM 2014 73121 A
 (210) AM 073121
 (220) 2013 07 15
 (310) 85835774
 (320) 2013 01 29
 (330) US
 (731) Amgen Inc.

One Amgen Center Drive, Thousand Oaks,
 California 91320-1799, USA
 (740) Shalva Gvaramadze
 (540)

SOLYMBIC

(591) Black-white
 (511) 5

(260) AM 2014 73129 A
 (210) AM 073129
 (220) 2013 07 18
 (731) LTD "EI-BI-SI FARMATSIA"
 Sanapiros q.10, 0108, Tbilisi, Georgia
 (740) Salome Jeladze
 (540)

HEPATIX

ჰეპატიქსი

ГЕПАТИКС

(591) Black-white
 (511) 5

(260) AM 2014 73879 A
 (210) AM 073879
 (220) 2013 09 09
 (731) N(N)LE "STUDIA MONITORI"
 Kazbegis 35, bina 29, 0177, Tbilisi, Georgia
 (540)



(591) White, grey, black
 (531) 26.04.12-26.04.22-26.11.09-27.05.01-
 (511) 16, 35, 38

(260) AM 2014 73921 A
 (210) AM 073921
 (220) 2013 09 13
 (731) Gap (ITM) Inc.
 2 Folsom Street, San Francisco, CA 94105,
 USA
 (740) Tamar Kochlamazashvili
 (540)



(591) Black-white

(531) 26.11.13-27.05.21-
(511) 25

(260) AM 2014 73947 A
(210) AM 073947
(220) 2013 09 18
(731) LTD "WORLD MEDICINE"
Berbutis q. 10/ Almasianis q. №19/21
0171, Tbilisi, Georgia

(540)

ნაკდაკი
NACDAC
НАКДАК

(591) Black-white
(511) 5

(260) AM 2014 73948 A
(210) AM 073948
(220) 2013 09 18
(731) LTD "WORLD MEDICINE"
Berbutis q. 10/ Almasianis q. №19/21
0171, Tbilisi, Georgia

(540)

ტაუმედი
TAUMED
ТАУМЕД

(591) Black-white
(511) 5

(260) AM 2014 73949 A
(210) AM 073949
(220) 2013 09 18
(731) LTD "WORLD MEDICINE"
Berbutis q. 10/ Almasianis q. №19/21
0171, Tbilisi, Georgia

(540)

სტრობონი
STROBON
СТРОБОН

(591) Black-white
(511) 5

(260) AM 2014 73950 A
(210) AM 073950
(220) 2013 09 18
(731) LTD "WORLD MEDICINE"
Berbutis q. 10/ Almasianis q. №19/21
0171, Tbilisi, Georgia

(540)

ფეროსოპტ
FEROSOFT
ФЕРОСОПТ

(591) Black-white
(511) 5

(260) AM 2014 73952 A
(210) AM 073952
(220) 2013 09 18
(731) LTD "WORLD MEDICINE"
Berbutis q. 10/ Almasianis q. №19/21
0171, Tbilisi, Georgia

(540)

ტაცირიდი
TACIRID
ТАЦИРИД

(591) Black-white
(511) 5

(260) AM 2014 73953 A
(210) AM 073953
(220) 2013 09 18
(731) LTD "WORLD MEDICINE"
Berbutis q. 10/ Almasianis q. №19/21
0171, Tbilisi, Georgia

(540)

როტალგინი
ROTALGIN
РОТАЛГИН

(591) Black-white
(511) 5

(260) AM 2014 73954 A
(210) AM 073954
(220) 2013 09 18
(731) LTD "WORLD MEDICINE"
Berbutis q. 10/ Almasianis q. №19/21
0171, Tbilisi, Georgia

(540)

კეტომედი
KETOMED
КЕТОМЕД

(591) Black-white
(511) 5

(260) AM 2014 74051 A
(210) AM 074051
(220) 2013 09 25

(731) Nine West Development Corporation
1007 Orange Street, Suite 225, Wilmington,
Delaware 19801, USA

(740) Tamaz Shilakadze
(540)

VINTAGE AMERICA BLUES

(591) Black-white
(511) 14, 18, 25

(260) AM 2014 74101 A
(210) AM 074101
(220) 2013 09 30

(731) TERMİKEL MADENİ EŞYA SANAYİ
İHRACAT VE TİCARET ANONİM
ŞİRKETİ
Aso 1. rganize Sanayi Bölgesi, Kirim Hanlığı
Caddesi 17, Ayaş Karayolu 25. Km, Sincan-
Ankara, Turkey

(740) Ketevan Tsakadze
(540)

 TERMİKEL

(591) Black-white
(531) 26.03.01-26.11.08-27.05.01-
(511) 7, 11

(260) AM 2014 74263 A
(210) AM 074263
(220) 2013 10 09

(731) LTD "NOTRIKA GROUP"
R. Tabukashvilis q. 29/4, 0108, Tbilisi,
Georgia

(540)

 NOTRIKA GROUP
Ceramics & Tile

(591) Pink, black, white
(531) 27.05.01-27.05.10-27.05.11-28.01.00-
29.01.12-

(526) **DISCLAIMER** – The trademark is protected as a
whole. Word marks "Ceramics", "Tile" shall not be
subject to independent protection.

(511) 1, 11, 19

(260) AM 2014 74295 A
(210) AM 074295
(220) 2013 10 10

(731) Intercontinental Great Brands LLC.
100 Deforest Ave, East Hanover, NJ, 07936,
USA

(740) Giorgi Taktakishvili
(540)

БЕЛЪВИТА

(591) Black-white
(511) 30

(260) AM 2014 74301 A
(210) AM 074301
(220) 2013 10 10

(731) Loncin Holdings Co., Ltd.
Te5, Shipingqiaoheng Street, Jiulongpo
District, Chongqing, China

(740) Shalva Gvaramadze
(540)

 LONCIN

(591) Black-white
(531) 26.01.11-26.04.09-27.05.12-27.05.17-
(511) 35, 36

(260) AM 2014 74304 A
(210) AM 074304
(220) 2013 10 10

(731) Obshestvo s Ogranichennoi Otvetstvennostiu
"Koordiniroiushi Raspredelitelni Centr
"EFKO-Kaskad"
ul. Frunze, d.4, g. Alekseevka, 309850,
Belgorodskaia oblast, Russian Federation

(740) Tamaz Shilakadze
(540)



(591) White, red, cherry, green, yellow, blue, black
(531) 05.09.17-08.07.03-25.01.01-28.05.00-
29.01.01-
(511) 30, 35, 43

(260) AM 2014 74305 A
(210) AM 074305
(220) 2013 10 10

(731) Obshestvo s Ogranichennoi Otvetstvennostiu

"Koordiniroiushi Raspredelitelni Centr
"EFKO-Kaskad"
ul. Frunze, d.4, g. Alekseevka, 309850,
Belgorodskaya oblast, Russian Federation

(740) Tamaz Shilakadze
(540)



(591) White, red, green, yellow, orange
(531) 05.09.17-05.09.24-25.01.01-28.05.00-
29.01.02-

(526) **DISCLAIMER** – The trademark is protected as a whole. Word mark "МАЙОНЕЗ" shall not be subject to independent protection.
(511) 30, 35, 43

(260) AM 2014 74306 A
(210) AM 074306
(220) 2013 10 10
(731) Obshestvo s Ogranichennoi Otvetstvennostiu
"Koordiniroiushi Raspredelitelni Centr
"EFKO-Kaskad"
ul. Frunze, d.4, g. Alekseevka, 309850,
Belgorodskaya oblast, Russian Federation
(740) Tamaz Shilakadze
(540)



(591) White, red, dark and light green, blue, brown,
black
(531) 05.07.19-05.09.24-25.01.01-28.05.00-
29.01.03-

(526) **DISCLAIMER** – The trademark is protected as a whole. Word mark "ОЛИВКОВЫЙ МАЙОНЕЗ" shall not be subject to independent protection.
(511) 30, 35, 43

(260) AM 2014 74324 A
(210) AM 074324
(220) 2013 10 11
(731) SALWA MATAR GENERAL TRADING
CO (L.L.C.)
P.O. Box: 40806, Dubai, United Arab
Emirates
(740) Ketevan Tsakadze
(540)

HANS

(591) Black-white
(531) 26.11.13-27.05.11-
(511) 30

(260) AM 2014 74325 A
(210) AM 074325
(220) 2013 10 11
(731) EYAD ABDULAH MASHAT
P.O. Box 48188, Jeddah 21572, Fad Int.
Building, Mohammed Albakri Street,
Alandalus Dist. Jeddah, Saudi Arabia
(740) Ketevan Tsakadze
(540)

femi 9 rad

(591) Black-white
(531) 27.05.13-27.05.01-
(511) 25

(260) AM 2014 74378 A
(210) AM 074378
(220) 2013 10 18
(310) 011757374
(320) 2013 04 22
(330) EM
(731) Ploom, Inc.
2415 3rd Street №271, San-Francisco,
Kalifornia 94107, USA
(740) Shalva Gvaramadze
(540)

VAPODS

(591) Black-white
(511) 34

(260) AM 2014 74395 A
 (210) AM 074395
 (220) 2013 10 21
 (731) Gss "FARMSINTEZI"
 188663, Leningradis olqi, Vsevolozhskis
 raioni, Kuzmolovskis dasakhleba, sadguri
 Kapitolo, N 134, literi 1, Russian
 Federation

(740) Giorgi Taktakishvili

Авира
Avira
ავირა

(591) Black-white
 (511) 5

(260) AM 2014 74398 A
 (210) AM 074398
 (220) 2013 10 21
 (731) Societe Nationale d'Exploitation
 Industrielle des Tabacs et Allumettes, SASU,
 143 boulevard Romain Rolland, Paris 75014,
 France

(740) Giorgi Gvinjilia
 (540)



(591) Black-white
 (531) 01.15.11-02.03.23-26.11.13-27.05.01-
 (511) 34

(260) AM 2014 74401 A
 (210) AM 074401
 (220) 2013 10 21
 (731) LTD OMEGA-2"
 Sarajishvilis q. №13-15-17, 0159, Tbilisi,
 Georgia

(740) Givi Akopashvili
 (540)

ლოკალ+ LOCAL+

(591) Black-white
 (511) 35

(260) AM 2014 74528 A
 (210) AM 074528
 (220) 2013 10 29
 (731) Teavana Corporation
 a Georgia corporation, 3630 Peachtree Road
 NE, Suite 1480, Atlanta, Georgia
 30326, USA

(740) Tamar Kochlamazashvili
 (540)

TEAVANA

(591) Black-white
 (511) 30, 32, 35, 43

(260) AM 2014 74529 A
 (210) AM 074529
 (220) 2013 10 29
 (731) Teavana Corporation
 a Georgia corporation, 3630 Peachtree Road
 NE, Suite 1480, Atlanta, Georgia
 30326, USA

(740) Tamar Kochlamazashvili
 (540)



(591) Black-white
 (531) 01.15.15-02.01.23-02.03.23-
 (511) 30, 32, 35, 43

(260) AM 2014 74547 A
 (210) AM 074547
 (220) 2013 10 30
 (731) LTD "JINO PARKI"
 Gldani-nadzaladevis raioni, Tbilisis zgvis
 mimdebare teritoria, 0101, Tbilisi, Georgia
 (540)

GINO
ჯინო
PARADISE
შპს

(591) Bordeaux, carrot
 (531) 26.11.08-26.11.13-27.05.10-27.05.11-
 29.01.12-
 (511) 41, 43

(260) AM 2014 74560 A
 (210) AM 074560
 (220) 2013 10 31
 (731) LTD "ESPANIA"

Gamsakhurdias shesakhvevi №4, bina 16,
0160 , Tbilisi, Georgia

(540)

S'nonas
СНОНАС
სნონასი

(591) Black-white
(511) 3

(260) AM 2014 74593 A
(210) AM 074593
(220) 2013 11 04
(731) Prestige Brands International. Inc.
660 White Plains Road, Suite 250, Tarrytown,
New York 10591, USA

(740) Pavle Meipariani
(540)

CLEAR EYES

(591) Black-white
(511) 5

(260) AM 2014 74594 A
(210) AM 074594
(220) 2013 11 04
(731) Prestige Brands International. Inc.
660 White Plains Road, Suite 250, Tarrytown,
New York 10591, USA

(740) Pavle Meipariani
(540)

EFFERGRIP

(591) Black-white
(511) 5

(260) AM 2014 74595 A
(210) AM 074595
(220) 2013 11 04
(731) Prestige Brands International. Inc.
660 White Plains Road, Suite 250, Tarrytown,
New York 10591, USA

(740) Pavle Meipariani
(540)

LITTLE COLDS

(591) Black-white
(511) 5

(260) AM 2014 74596 A
(210) AM 074596
(220) 2013 11 04
(731) Prestige Brands International. Inc.
660 White Plains Road, Suite 250, Tarrytown,
New York 10591, USA

(740) Pavle Meipariani

(540)

LITTLE NOSES

(591) Black-white
(511) 5

(260) AM 2014 74597 A
(210) AM 074597
(220) 2013 11 04
(731) Prestige Brands International. Inc.
660 White Plains Road, Suite 250, Tarrytown,
New York 10591, USA

(740) Pavle Meipariani
(540)

LITTLE REMEDIES

(591) Black-white
(511) 5

(260) AM 2014 74598 A
(210) AM 074598
(220) 2013 11 04
(731) Prestige Brands International. Inc.
660 White Plains Road, Suite 250, Tarrytown,
New York 10591, USA

(740) Pavle Meipariani
(540)

CHLORASEPTIC

(591) Black-white
(511) 5

(260) AM 2014 74599 A
(210) AM 074599
(220) 2013 11 04
(731) Prestige Brands International. Inc.
660 White Plains Road, Suite 250, Tarrytown,
New York 10591, USA

(740) Pavle Meipariani
(540)

PEDIACARE

(591) Black-white
(511) 5

(260) AM 2014 74602 A
(210) AM 074602
(220) 2013 11 04
(731) LTD "LAVASHURI"
P. Meliqishvilis q. 10, bina 78, 4600, Kutaisi,
Georgia

(540)



(591) Green, white
 (531) 05.05.20-26.01.21-28.19.00-29.01.12-
 (526) **DISCLAIMER** – The trademark is protected
 as a whole. Word marks „სწრაფი კვება ქართუ-
 ლად“ shall not be subject to independent pro-
 tection.
 (511) 30, 43

(260) AM 2014 74630 A
 (210) AM 074630
 (220) 2013 11 05
 (731) Zurab Bubuteishvili
 Paliashvilis q. 62, 0179, Tbilisi, Georgia
 (540)

ივერიონი
ИВЕРИОНИ
IVERIONI

(591) Black-white
 (511) 32, 33, 35, 43

(260) AM 2014 74637 A
 (210) AM 074637
 (220) 2013 11 06
 (731) Kakhaber Sabanadze
 Mtskhedis q. 14, bina 9, 0179, Tbilisi,
 Georgia
 (540)



(591) Black-white
 (531) 05.05.20-26.01.18-27.05.01-
 (511) 43

(260) AM 2014 74646 A
 (210) AM 074646
 (220) 2013 11 06
 (731) Edelweiss GmbH & Co.KG
 Oberstdorfer Strasse 7, 87435 Kempten,
 Germany
 (740) Pavle Meipariani
 (540)

MONTAVER

(591) Black-white
 (511) 29

(260) AM 2014 74682 A
 (210) AM 074682
 (220) 2013 11 07
 (731) Spirits International B.V.
 3, rue du Fort Rheinsheim, L-2419,
 Luxembourg, Luxembourg
 (740) დავით ზურაბიშვილი
 (540)



(591) Black, white, yellow, green, golden
 (531) 02.01.20-24.05.07-25.01.19-27.05.05-
 29.01.13-
 (511) 32, 33, 43

(260) AM 2014 74684 A
 (210) AM 074684
 (220) 2013 11 08
 (731) LTD LONTIN-lontin
 Melaanis me-4 shesakhv., #31, Tbilisi,
 Georgia
 (540)

UMI

(591) Black-white
 (511) 9, 35

(260) AM 2014 74714 A
 (210) AM 074714
 (220) 2013 11 11
 (731) Kakhaber Tsiskaridze
 Gabashvilis 9, I sadarbazo, bina 7, 0177,
 Georgia
 (540)

კახაბერი და ხანუმები
Kahaberi and Khanums
Кахабери и Ханумы

(591) Black-white
 (511) 3, 5, 9, 14, 15, 16, 18, 21, 25, 26, 28, 29, 30,
 32, 33, 34, 35, 36, 39, 41, 43, 44

(260) AM 2014 74716 A
 (210) AM 074716
 (220) 2013 11 12

(731) BRISTOL-MYERS SQUIBB SARL
3, rue Joseph Monier, 92500 Rueil-
Melmaison, France
(740) Tamaz Shilakadze
(540)



(591) Black-white
(531) 05.05.20-24.13.01-26.04.24-27.05.24-
(511) 5

(260) AM 2014 74717 A
(210) AM 074717
(220) 2013 11 12
(731) BRISTOL-MYERS SQUIBB SARL
3, rue Joseph Monier, 92500 Rueil-
Melmaison, France
(740) Tamaz Shilakadze
(540)



(591) Black-white
(531) 05.05.20-24.13.01-26.04.24-27.05.24-
(511) 5

(260) AM 2014 74718 A
(210) AM 074718
(220) 2013 11 12
(731) BRISTOL-MYERS SQUIBB SARL
3, rue Joseph Monier, 92500 Rueil-
Melmaison, France
(740) Tamaz Shilakadze
(540)



(591) Black-white
(531) 05.05.20-24.13.01-
(511) 5

(260) AM 2014 74744 A
(210) AM 074744
(220) 2013 11 14
(731) Mattel, Inc.
333 Continental Boulevard, El Segundo,
California 90245-5012, USA
(740) Giorgi Meipariani
(540)



(591) Black-white
(531) 03.01.06-03.01.16-27.05.02-
(511) 18, 25, 28

(260) AM 2014 74763 A
(210) AM 074763
(220) 2013 11 15
(731) Exxon Mobil Corporation
A corporation organized and existing under
the laws of the State of New Jersey
5959 Las Colinas Boulevard, Irving,
Texas 75039-2298, USA
(740) Shalva Gvaramadze
(540)



(591) Black-white
(531) 26.11.09-27.05.22-
(511) 1, 4, 17

(260) AM 2014 74768 A
(210) AM 074768
(220) 2013 11 18
(731) LTD "OMEGA-2"
Sarajishvilis q. №13-15-17, 0159, Tbilisi,
Georgia
(740) Givi Akopashvili
(540)

ავტოპლუსი
AUTOPLUS

(591) Black-white
(511) 35

(260) AM 2014 74827 A
(210) AM 074827
(220) 2013 11 21
(731) GM KOREA COMPANY
199-1 Cheongcheon-2Dong, Bupyeong-Gu,
Incheon, Republic of Korea
(740) Giorgi Taktakishvili
(540)

LABO

(591) Black-white
(511) 12

(260) AM 2014 74851 A
(210) AM 074851
(220) 2013 11 22
(731) H. Lundbeck A/S
Ottiliavej 9, 2500 Valby, Denmark
(740) Shalva Gvaramadze

(540)

Труксал(591) Black-white
(511) 5

(260) AM 2014 74852 A

(210) AM 074852

(220) 2013 11 22

(731) H. Lundbeck A/S

Ottliavej 9, 2500 Valby, Denmark

(740) Shalva Gvaramadze

(540)

Ципрамил(591) Black-white
(511) 5

(260) AM 2014 74853 A

(210) AM 074853

(220) 2013 11 22

(731) H. Lundbeck A/S

Ottliavej 9, 2500 Valby, Denmark

(740) Shalva Gvaramadze

(540)

Флюанксол(591) Black-white
(511) 5

(260) AM 2014 74854 A

(210) AM 074854

(220) 2013 11 22

(731) H. Lundbeck A/S

Ottliavej 9, 2500 Valby, Denmark

(740) Shalva Gvaramadze

(540)

Флюанксол Дено(591) Black-white
(511) 5

(260) AM 2014 74855 A

(210) AM 074855

(220) 2013 11 22

(731) H. Lundbeck A/S

Ottliavej 9, 2500 Valby, Denmark

(740) Shalva Gvaramadze

(540)

Лундбек(591) Black-white
(511) 5, 10, 35, 42,

(260) AM 2014 74856 A

(210) AM 074856

(220) 2013 11 22

(731) H. Lundbeck A/S

Ottliavej 9, 2500 Valby, Denmark

(740) Shalva Gvaramadze

(540)

Саротен Ретард(591) Black-white
(511) 5

(260) AM 2014 74960 A

(210) AM 074960

(220) 2013 11 28

(731) LTD "AGRONETI"

Tseretlis gamz. 142a (samto qimiisa da sots. datsvis saministros shenobebs shoris), 0119, Tbilisi, Georgia

(540)



(591) Black-white

(531) 26.01.05-26.01.18-26.01.20-27.05.02-

(511) 1

(260) AM 2014 74990 A

(210) AM 074990

(220) 2013 12 02

(731) LTD "JI-EM-PI"

Ponichala 65, 0165, Tbilisi, Georgia

(740) Nugzar Ksovreli

(540)

ბლოკარტი В-12**БЛОКАРТ В-12****BLOKART В-12**(591) Black-white
(511) 5

(260) AM 2014 75038 A

(210) AM 075038

(220) 2013 12 04

(731) LTD "AVERSI-PHARMA"

Davit Agmasheneblis gamz., 148/2, 0112, Tbilisi, Georgia

(540)



(591) Red

(531) 02.09.01-27.05.05-28.19.00-29.01.01-

(511) 1, 2, 3, 4, 5, 6, 7, 8, 9, 10, 11, 12, 13, 14, 15, 16, 17, 18, 19, 20, 21, 22, 23, 24, 25, 26, 27, 28, 29, 30, 31, 32, 33, 34, 35, 36, 37, 38, 39, 40, 41, 42, 43, 44, 45

(260) AM 2014 75080 A
 (210) AM 075080
 (220) 2013 12 06
 (731) Merck Sharp & Dohme B.V
 Waarderweg 39, Haarlem 2013 BN,
 Netherlands
 (740) Tamaz Shilakadze
 (540)

PREGNYL

(591) Black-white
 (511) 5

(260) AM 2014 75081 A
 (210) AM 075081
 (220) 2013 12 06
 (731) JSC "TBILGVINO"
 Sarajishvilis gamz. 2, 0153, Tbilisi, Georgia
 (740) Giorgi Taktakishvili
 (540)



(591) Black-white, khaki
 (531) 19.07.01-
 (511) 33

(260) AM 2014 75082 A
 (210) AM 075082
 (220) 2013 12 06
 (731) JSC "TBILGVINO"
 Sarajishvilis gamz. 2, 0153, Tbilisi, Georgia
 (740) Giorgi Taktakishvili
 (540)



(591) Black, yellow
 (531) 03.07.16-25.01.17-25.01.19-26.04.24-
 27.05.24-29.01.12-
 (511) 33

(260) AM 2014 75083 A
 (210) AM 075083
 (220) 2013 12 06
 (731) JSC "TBILGVINO"
 Sarajishvilis gamz. 2, 0153, Tbilisi, Georgia
 (740) Giorgi Taktakishvili
 (540)



(591) Yellow, cream, khaki
 (531) 03.07.16-25.01.17-25.01.19-26.04.24-
 27.05.24-29.01.12-
 (511) 33

(260) AM 2014 75120 A
 (210) AM 075120
 (220) 2013 12 13
 (731) TOYOTA JIDOSHA KABUSHIKI
 KAISHA (also trading as TOYOTA MOTOR
 CORPORATION)
 1, Toyota-Cho, Toyota-Shi, Aichi-Ken, Japan
 (740) Tamar Kochlamazashvili
 (540)

ES200

(591) Black-white
 (511) 12

(260) AM 2014 75145 A
 (210) AM 075145
 (220) 2013 12 16
 (731) Gilead Sciences Limited
 IDA Business and Technology Park,
 Carrigtohill, Co. Cork, Ireland
 (740) Shalva Gvaramadze
 (540)

СОВАЉДИ

(591) Black-white
 (511) 5

(260) AM 73106 A*
(210) AM 073106
(220) 2013 07 15
(731) Pizza Hut International L.L.C.
(a Delaware limited liability company).), 7100
Corporate Drive, Plano, Texas, 75024, USA
(740) Tamar Kochlamazashvili
(540)



(591) Black-white
(531) 09.07.17-27.05.01-
(511) 29, 30, 43

REGISTERED TRADEMARKS

(111) M 2014 024950 R
(151) 2014 07 08
(181) 2024 07 08
(260) AM 2014 69814 A
(220) 2012 11 28
(732) ROTHMANS OF PALL MALL LIMITED
Zählerweg 4, Zug CH 6300, CH

(111) M 2014 024951 R
(151) 2014 07 08
(181) 2024 07 08
(260) AM 2014 69839 A
(220) 2012 11 29
(732) LTD "Qartuli Savachro Jgufi"
Gagarinis I shesakhv. №1, 0160, Tbilisi,
Georgia

(111) M 2014 024952 R
(151) 2014 07 08
(181) 2024 07 08
(260) AM 2013 70096 A
(220) 2012 12 19
(732) LTD "AVITA"
Tashkentis q. 31, 0160, Tbilisi, Georgia

(111) M 2014 024953 R
(151) 2014 07 08
(181) 2024 07 08
(260) AM 2013 70097 A
(220) 2012 12 19
(732) PLTD "AVITA"
Tashkentis q. 31, 0160, Tbilisi, Georgia

(111) M 2014 024954 R
(151) 2014 07 08
(181) 2024 07 08
(260) AM 2013 70098 A
(220) 2012 12 19
(732) LTD "AVITA"
Tashkentis q. 31, 0160, Tbilisi, Georgia

(111) M 2014 024955 R
(151) 2014 07 08
(181) 2024 07 08
(260) AM 2013 70099 A
(220) 2012 12 19
(732) LTD "AVITA"
Tashkentis q. 31, 0160, Tbilisi, Georgia

(111) M 2014 024956 R
(151) 2014 07 08
(181) 2024 07 08
(260) AM 2013 70100 A
(220) 2012 12 19
(732) LTD "AVITA"
Tashkentis q. 31, 0160, Tbilisi, Georgia

(111) M 2014 024957 R
(151) 2014 07 08
(181) 2024 07 08
(260) AM 2013 70102 A
(220) 2012 12 19
(732) LTD "AVITA"
Tashkentis q. 31, 0160, Tbilisi, Georgia

(111) M 2014 024958 R
(151) 2014 07 08
(181) 2024 07 08
(260) AM 2013 70103 A
(220) 2012 12 19
(732) LTD "AVITA"
Tashkentis q. 31, 0160, Tbilisi, Georgia

(111) M 2014 024959 R
(151) 2014 07 08
(181) 2024 07 08
(260) AM 2013 70104 A
(220) 2012 12 19
(732) LTD "AVITA"
Tashkentis q. 31, 0160, Tbilisi, Georgia

(111) M 2014 024960 R
(151) 2014 07 08
(181) 2024 07 08
(260) AM 2013 70260 A
(220) 2013 01 09
(732) Al-Zawra'a for Tobacco end
Cigaretets Trading
P.O. Box 941936, Amman 11194, JO

(111) M 2014 024961 R
(151) 2014 07 08
(181) 2024 07 08
(260) AM 2013 70276 A
(220) 2013 01 10
(732) Heather Sweet
16311 Ventura Boulevard, Suite 1180,
Encino, California 91436

(111) M 2014 024962 R
(151) 2014 07 08
(181) 2024 07 08
(260) AM 2013 70277 A
(220) 2013 01 10
(732) LTD "SHUKHMAN VAINS JORJIA"
Sop. Kisiskhevi, 2200, Telavis raioni,
Georgia

(111) M 2014 024963 R
(151) 2014 07 08
(181) 2024 07 08
(260) AM 2014 70278 A
(220) 2013 01 10
(732) LTD "SHUKHMAN VAINS JORJIA"
Sop. Kisiskhevi, 2200, Telavis raioni,
Georgia

(111) M 2014 024964 R
(151) 2014 07 08
(181) 2024 07 08
(260) AM 2013 70378 A
(220) 2013 01 18
(732) GENERAL MOTORS LLC
300 Renaissance Center, City of Detroit,
State of Michigan 48265-3000

(111) M 2014 024965 R
(151) 2014 07 08
(181) 2024 07 08
(260) AM 2013 70502 A
(220) 2013 01 23
(732) LTD "PI-EM-SI-JI POLITIKIS DA
MARTVIS KONSALTING JGUFU"
Orbelianis q. 35, 0105, Tbilisi, Georgia

(111) M 2014 024966 R
(151) 2014 07 08
(181) 2024 07 08
(260) AM 2013 70510 A
(220) 2013 01 23
(732) Depo Auto Parts Ind. Co., Ltd.
N 20-3, Nan Shih Lane, Lu Kong Chen,
Chang Hua Shien, Taiwan, R.O.C., TW

(111) M 2014 024967 R
(151) 2014 07 08
(181) 2024 07 08
(260) AM 2013 70511 A
(220) 2013 01 23
(732) Depo Auto Parts Ind. Co., Ltd.
N 20-3, Nan Shih Lane, Lu Kong Chen,
Chang Hua Shien, Taiwan, R.O.C., TW

(111) M 2014 024968 R
(151) 2014 07 08
(181) 2024 07 08
(260) AM 2013 70748 A
(220) 2013 02 05
(732) Telco Systems, Inc.
15 Berkshire Road, Mansfield,
MA 02048, USA

(111) M 2014 024969 R
(151) 2014 07 08
(181) 2024 07 08
(260) AM 2014 70796 A
(220) 2013 02 07
(732) Little Miss Mogul, LLC
A Delaware limited liability company
7 Times Square, New York, New York
10036-6569, USA

(111) M 2014 024970 R
(151) 2014 07 08
(181) 2024 07 08
(260) AM 2014 70917 A
(220) 2013 02 15
(732) Harrington Development Inc.
Elvira Mendez Street, Vallarino bldg.,
3rd Floor, Panama, Panama,

(111) M 2014 024971 R
(151) 2014 07 08
(181) 2024 07 08
(260) AM 2014 71198 A
(220) 2013 03 04
(732) ARCOR S.A.I.C.
Av. Fulvio Pagani 487, Arroyito, Province
of Cordoba, Argentina

(111) M 2014 024972 R
(151) 2014 07 08
(181) 2024 07 08
(260) AM 2013 71220 A
(220) 2013 03 05
(732) Guram Darsania
Mosashvilis q. 5, b. 42, 0162, Tbilisi,
Georgia

(111) M 2014 024973 R
(151) 2014 07 08
(181) 2024 07 08
(260) AM 2013 71225 A
(220) 2013 03 05
(732) Pharmaceutical Chemical Cosmetic industry
Alkaloid Ad-Skopje
Bul. Aleksandar Makedonski., 12, 1000
Skopje, MK

(111) M 2014 024974 R
(151) 2014 07 08
(181) 2024 07 08
(260) AM 2014 71238 A
(220) 2013 03 06
(732) JSC "IVERIA"
Gudautis q. 7, 0119, Tbilisi, Georgia

(111) M 2014 024975 R
(151) 2014 07 08
(181) 2024 07 08
(260) AM 2013 71254 A
(220) 2013 03 07
(732) LTD "JEO-TURQ KOMPANI"
Leonidzis q. N 27, 600, Batumi, Georgia

(111) M 2014 024976 R
(151) 2014 07 08
(181) 2024 07 08
(260) AM 2014 72973 A
(220) 2013 07 05
(732) LTD "TEQNO BUMI"
Vazha-Pshavelas gamz. 30a, 0160, Tbilisi,
Georgia

(111) M 2014 024977 R
(151) 2014 07 08
(181) 2024 07 08
(260) AM 2014 71271 A
(220) 2013 06 17
(732) Giorgi Zautashvili
Jorjashvilis q. 3, 4800, Kvareli, Georgia

(111) M 2014 024978 R
(151) 2014 07 08
(181) 2024 07 08
(260) AM 2014 71327 A
(220) 2013 03 13
(732) Societe Nationale d'Exploitation Industrielle
des Tabacs et Allumettes, SASU
143 boulevard Romain Rolland, Paris
75014, France

(111) M 2014 024979 R
(151) 2014 07 08
(181) 2024 07 08
(260) AM 2013 71357 A
(220) 2013 03 14
(732) STARBUCKS CORPORATION
d/b/a STARBUCKS COFFEE COMPANY
(a Washington corporation)
2401 Utah Avenue South, Seattle,
Washington 98134, USA

(111) M 2014 024980 R
(151) 2014 07 08
(181) 2024 07 08
(260) AM 2013 71358 A
(220) 2013 03 14
(732) STARBUCKS CORPORATION
d/b/a STARBUCKS COFFEE COMPANY
(a Washington corporation)
2401 Utah Avenue South, Seattle,
Washington 98134, USA

(111) M 2014 024981 R
(151) 2014 07 08
(181) 2024 07 08
(260) AM 2014 71361 A
(220) 2013 03 14
(732) LTD Sapatriarqo Televizia
"ERTSULOVNEBA"
Sandro Eulis q. 3, 0186, Tbilisi, Georgia

(111) M 2014 024982 R
(151) 2014 07 08
(181) 2024 07 08
(260) AM 2014 71370 A
(220) 2013 03 15
(732) Harrington Development Inc.
Elvira Mendez Street, Vallarino bldg., 3rd
Floor, Panama, Panama,

(111) M 2014 024983 R
(151) 2014 07 08
(181) 2024 07 08
(260) AM 2014 71440 A
(220) 2013 03 20
(732) STARBUCKS CORPORATION
d/b/a STARBUCKS COFFEE COMPANY
(a Washington corporation)
2401 Utah Avenue South, Seattle,
Washington 98134, USA

(111) M 2014 024984 R
(151) 2014 07 08
(181) 2024 07 08
(260) AM 2014 71441 A
(220) 2013 03 20
(732) STARBUCKS CORPORATION
d/b/a STARBUCKS COFFEE COMPANY
(a Washington corporation)
2401 Utah Avenue South, Seattle,
Washington 98134, USA

(111) M 2014 024985 R
(151) 2014 07 08
(181) 2024 07 08
(260) AM 2014 71443 A

(220) 2013 03 20
(732) STARBUCKS CORPORATION
d/b/a STARBUCKS COFFEE COMPANY
(a Washington corporation)
2401 Utah Avenue South, Seattle,
Washington 98134, USA

(111) M 2014 024986 R
(151) 2014 07 08
(181) 2024 07 08
(260) AM 2014 71459 A
(220) 2013 03 21
(732) STARBUCKS CORPORATION
d/b/a STARBUCKS COFFEE COMPANY
(a Washington corporation)
2401 Utah Avenue South, Seattle,
Washington 98134, USA

(111) M 2014 024987 R
(151) 2014 07 08
(181) 2024 07 08
(260) AM 2014 71460 A
(220) 2013 03 21
(732) STARBUCKS CORPORATION
d/b/a STARBUCKS COFFEE COMPANY
(a Washington corporation)
2401 Utah Avenue South, Seattle,
Washington 98134, USA

(111) M 2014 024988 R
(151) 2014 07 08
(181) 2024 07 08
(260) AM 2014 71461 A
(220) 2013 03 21
(732) STARBUCKS CORPORATION
d/b/a STARBUCKS COFFEE COMPANY
(a Washington corporation)
2401 Utah Avenue South, Seattle,
Washington 98134, USA

(111) M 2014 024989 R
(151) 2014 07 08
(181) 2024 07 08
(260) AM 2014 71462 A
(220) 2013 03 21
(732) STARBUCKS CORPORATION
d/b/a STARBUCKS COFFEE COMPANY
(a Washington corporation)
2401 Utah Avenue South, Seattle,
Washington 98134, USA

(111) M 2014 024990 R
(151) 2014 07 08
(181) 2024 07 08

(260) AM 2014 71463 A
(220) 2013 03 21
(732) STARBUCKS CORPORATION
d/b/a STARBUCKS COFFEE COMPANY
(a Washington corporation)
2401 Utah Avenue South, Seattle,
Washington 98134, USA

(111) M 2014 024991 R
(151) 2014 07 08
(181) 2024 07 08
(260) AM 2014 71487 A
(220) 2013 03 22
(732) STARBUCKS CORPORATION
d/b/a STARBUCKS COFFEE COMPANY
(a Washington corporation)
2401 Utah Avenue South, Seattle,
Washington 98134, USA

(111) M 2014 024992 R
(151) 2014 07 08
(181) 2024 07 08
(260) AM 2014 71491 A
(220) 2013 03 22
(732) STARBUCKS CORPORATION
d/b/a STARBUCKS COFFEE COMPANY
(a Washington corporation)
2401 Utah Avenue South, Seattle,
Washington 98134, USA

(111) M 2014 024993 R
(151) 2014 07 08
(181) 2024 07 08
(260) AM 2014 71494 A
(220) 2013 03 22
(732) LTD "SHUKHMAN VAINS JORJIA"
Sopeli Kisiskhevi, 2200, Telavis raioni,
Georgia

(111) M 2014 024994 R
(151) 2014 07 08
(181) 2024 07 08
(260) AM 2014 71495 A
(220) 2013 03 22
(732) LTD "SHUKHMAN VAINS JORJIA"
Sopeli Kisiskhevi, 2200, Telavis raioni,
Georgia

(111) M 2014 024995 R
(151) 2014 07 08
(181) 2024 07 08
(260) AM 2014 71522 A
(220) 2013 03 25
(732) STARBUCKS CORPORATION

d/b/a STARBUCKS COFFEE COMPANY
(a Washington corporation)
2401 Utah Avenue South, Seattle,
Washington 98134, USA

Tbilisi, Georgia
Giorgi Makharadze
S. Chiqovanis q. 6a, 0171, Tbilisi, Georgia

(111) M 2014 024996 R
(151) 2014 07 08
(181) 2024 07 08
(260) AM 2014 71523 A
(220) 2013 03 25
(732) STARBUCKS CORPORATION
d/b/a STARBUCKS COFFEE COMPANY
(a Washington corporation)
2401 Utah Avenue South, Seattle,
Washington 98134, USA

(111) M 2014 025001 R
(151) 2014 07 08
(181) 2024 07 08
(260) AM 2014 71718 A
(220) 2013 04 08
(732) Davit Buadze
L. Kavsadzis q. 7a, 0162, Tbilisi, Georgia
Giorgi Nijaradze
P. Iashvilis q. 7, 0105, Tbilisi, Georgia
Zurab Bokuchava
Marjanishvilis q. 2, b. 26, 0112, Tbilisi, Georgia
Giorgi Makharadze
S. Chiqovanis q. 6a, 0171, Tbilisi, Georgia

(111) M 2014 024997 R
(151) 2014 07 08
(181) 2024 07 08
(260) AM 2013 71618 A
(220) 2013 04 01
(732) LTD "IVIAR"
D. Gamrekelis shesakhv. №4a, b.2, 0160,
Tbilisi, Georgia

(111) M 2014 025002 R
(151) 2014 07 08
(181) 2024 07 08
(260) AM 2013 71770 A
(220) 2013 04 10
(732) Wizard Co., Inc.
6 Sylvan Way, Parsippany, New Jersey, USA

(111) M 2014 024998 R
(151) 2014 07 08
(181) 2024 07 08
(260) AM 2014 71656 A
(220) 2013 04 03
(732) JSC "Asal Dish Tijaretis Tsarmoma-
dgenloba Saqartveloshi" Metekhis q. 22,
0103, Tbilisi, Georgia

(111) M 2014 025003 R
(151) 2014 07 08
(181) 2024 07 08
(260) AM 2013 71771 A
(220) 2013 04 10
(732) Wizard Co., Inc.
6 Sylvan Way, Parsippany, New Jersey, USA

(111) M 2014 024999 R
(151) 2014 07 08
(181) 2024 07 08
(260) AM 2014 71657 A
(220) 2013 04 03
(732) JSC "Asal Dish Tijaretis Tsarmoma-
dgenloba Saqartveloshi" Metekhis q. 22,
0103, Tbilisi, Georgia

(111) M 2014 025004 R
(151) 2014 07 08
(181) 2024 07 08
(260) AM 2013 71772 A
(220) 2013 04 10
(732) Wizard Co., Inc.
6 Sylvan Way, Parsippany, New Jersey, USA

(111) M 2014 025000 R
(151) 2014 07 08
(181) 2024 07 08
(260) AM 2014 71717 A
(220) 2013 04 08
(732) Davit Buadze
L. Kavsadzis q. 7a, 0162, Tbilisi, Georgia
Giorgi Nijaradze
P. Iashvilis q. 7, 0105, Tbilisi, Georgia
Zurab Bokuchava
Marjanishvilis q. 2, b. 26, 0112,

(111) M 2014 025005 R
(151) 2014 07 08
(181) 2024 07 08
(260) AM 2014 71844 A
(220) 2013 04 12
(732) GM KOREA COMPANY
199-1 Cheongcheon-2Dong, Bupyung-Gu,
Incheon, KR

(111) M 2014 025006 R
(151) 2014 07 08
(181) 2024 07 08

(260) AM 2014 71935 A
(220) 2013 04 17
(732) LG HOUSEHOLD & HEALTH CARE LTD.
58, Saemunan-ro, Jongno-gu, Seoul, KR

(111) M 2014 025007 R
(151) 2014 07 08
(181) 2024 07 08
(260) AM 2014 71936 A
(220) 2013 04 17
(732) LG HOUSEHOLD & HEALTH CARE LTD.
58, Saemunan-ro, Jongno-gu, Seoul, KR

(111) M 2014 025008 R
(151) 2014 07 08
(181) 2024 07 08
(260) AM 2014 71964 A
(220) 2013 04 19
(732) LG HOUSEHOLD & HEALTH CARE LTD.
58, Saemunan-ro, Jongno-gu, Seoul, KR

(111) M 2014 025009 R
(151) 2014 07 08
(181) 2024 07 08
(260) AM 2014 71965 A
(220) 2013 04 19
(732) LG HOUSEHOLD & HEALTH CARE LTD.
58, Saemunan-ro, Jongno-gu, Seoul, KR

(111) M 2014 025010 R
(151) 2014 07 08
(181) 2024 07 08
(260) AM 2014 71966 A
(220) 2013 04 19
(732) LG HOUSEHOLD & HEALTH CARE LTD.
58, Saemunan-ro, Jongno-gu, Seoul, KR

(111) M 2014 025011 R
(151) 2014 07 08
(181) 2024 07 08
(260) AM 2014 71967 A
(220) 2013 04 19
(732) LG HOUSEHOLD & HEALTH CARE LTD.
58, Saemunan-ro, Jongno-gu, Seoul, KR

(111) M 2014 025012 R
(151) 2014 07 08
(181) 2024 07 08
(260) AM 2014 71968 A
(220) 2013 04 19
(732) LG HOUSEHOLD & HEALTH CARE LTD.
58, Saemunan-ro, Jongno-gu, Seoul, KR

(111) M 2014 025013 R
(151) 2014 07 08
(181) 2024 07 08
(260) AM 2013 71979 A
(220) 2013 04 22
(732) LTD UNIMED GRUP KORP
Vake-Saburtalos raioni, Ad. Mitskevichis
q. 29, b. 61, Tbilisi, Georgia

(111) M 2014 025014 R
(151) 2014 07 08
(181) 2024 07 08
(260) AM 2014 72137 A
(220) 2013 05 07
(732) GENERAL MOTORS LLC
300 Renaissance Center, City of Detroit,
State of Michigan 48265-3000, USA

(111) M 2014 025015 R
(151) 2014 07 08
(181) 2024 07 08
(260) AM 2014 72212 A
(220) 2013 05 14
(732) TOYOTA JIDOSHA KABUSHIKI KAISHA
(also trading as TOYOTA MOTOR
CORPORATION)
1, Toyota-Cho, Toyota-Shi, Aichi-Ken, JP

(111) M 2014 025016 R
(151) 2014 07 08
(181) 2024 07 08
(260) AM 2014 72328 A
(220) 2013 05 23
(732) LTD GVG
Sop. Velistsikhe, 1506, Gurjaanis raioni,
Georgia

(111) M 2014 025017 R
(151) 2014 07 08
(181) 2024 07 08
(260) AM 2014 72394 A
(220) 2013 05 28
(732) LTD "LUQSLAIT JORJIA"
Bakhtrionis q. 22, b. 57, 0194. Tbilisi, Georgia

(111) M 2014 025018 R
(151) 2014 07 08
(181) 2024 07 08
(260) AM 2014 72395 A
(220) 2013 05 28
(732) LTD "LUQSLAIT JORJIA"
Bakhtrionis q. 22, b. 57, 0194, Tbilisi,
Georgia

(111) M 2014 025019 R
(151) 2014 07 08
(181) 2024 07 08
(260) AM 2014 72511 A
(220) 2013 06 04
(732) KABUSHIKI KAISHA TOSHIBA
Also trading as Toshiba Corporation
1-1, Shibaura 1-chome, Minato-ku,
Tokyo, JP

(111) M 2014 025020 R
(151) 2014 07 08
(181) 2024 07 08
(260) AM 2014 72598 A
(220) 2013 06 11
(732) AbbVie Inc.
A corporation of the State of Delaware
1 N. Waukegan Road, North Chicago,
Illinois 60064, USA

(111) M 2014 025021 R
(151) 2014 07 08
(181) 2024 07 08
(260) AM 2014 72649 A
(220) 2013 06 12
(732) GALDERMA S.A.
Zugerstrasse 8, CH-6330 CHAM, CH

(111) M 2014 025022 R
(151) 2014 07 08
(181) 2024 07 08
(260) AM 2014 72743 A
(220) 2013 06 18
(732) EYGN Limited
One Montague Place East Bay Street,
Nassau, BS

(111) M 2014 025023 R
(151) 2014 07 08
(181) 2024 07 08
(260) AM 2014 72744 A
(220) 2013 06 18
(732) EYGN Limited
One Montague Place East Bay Street,
Nassau, BS

(111) M 2014 025024 R
(151) 2014 07 08
(181) 2024 07 08
(260) AM 2014 72791 A
(220) 2013 06 20
(732) LTD "ARTTAIMI"
Tsabadzis q. №9, 0179, Tbilisi,
Georgia

(111) M 2014 025025 R
(151) 2014 07 08
(181) 2024 07 08
(260) AM 2014 72800 A
(220) 2013 06 20
(732) HANJIN SHIPPING HOLDINGS CO., LTD
25-11, Yoido-Dong, Youngdeungpo-Ku,
Seoul, KR

(111) M 2014 025026 R
(151) 2014 07 08
(181) 2024 07 08
(260) AM 2014 72801 A
(220) 2013 06 20
(732) HANJIN SHIPPING HOLDINGS CO., LTD
25-11, Yoido-Dong, Youngdeungpo-Ku,
Seoul, KR

(111) M 2014 025027 R
(151) 2014 07 08
(181) 2024 07 08
(260) AM 2014 72854 A
(220) 2013 06 27
(732) LTD "Korporatsia Qartuli Gvino"
S. Chiqovanis q. №35, 0171, Tbilisi, Georgia

(111) M 2014 025028 R
(151) 2014 07 08
(181) 2024 07 08
(260) AM 2014 72856 A
(220) 2013 06 27
(732) LTD "Korporatsia Qartuli Gvino"
S. Chiqovanis q. №35, 0171, Tbilisi, Georgia

(111) M 2014 025029 R
(151) 2014 07 08
(181) 2024 07 08
(260) AM 2014 72857 A
(220) 2013 06 27
(732) LTD "Korporatsia Qartuli Gvino"
S. Chiqovanis q. №35, 0171, Tbilisi, Georgia

(111) M 2014 025030 R
(151) 2014 07 08
(181) 2024 07 08
(260) AM 2014 72930 A
(220) 2013 07 02
(732) LTD "AVERSI PHARMA"
Davit Agmasheneblis gamz., 148/2, 0112,
Tbilisi, Georgia

(111) M 2014 025031 R
(151) 2014 07 08
(181) 2024 07 08
(260) AM 2014 73107 A
(220) 2013 07 15
(732) Taco Bell Corp.
California korporation 1 Glen Bell Way,
Irvine, California 92618, USA

(111) M 2014 025032 R
(151) 2014 07 08
(181) 2024 07 08
(260) AM 2014 73184 A
(220) 2013 07 26
(732) Visa International Service Association
900 Metro Center Boulevard, Foster City,
California 94404, USA

(111) M 2014 025033 R
(151) 2014 07 08
(181) 2024 07 08
(260) AM 2014 73185 A
(220) 2013 07 26
(732) Visa International Service Association
900 Metro Center Boulevard, Foster City,
California 94404, USA

TRADEMARKS REGISTERED ACCORDING TO THE ACCELERATED PROCEDURE

The decision can be appealed at the Chamber of Appeal of Sakpatenti within 3 months from the publication.

(111) M 2014 24947 R
(151) 2014 07 07
(181) 2024 07 07
(210) AM 077682
(220) 2014 06 24
(732) "Sokar Jorjia Petroleumi"
300 Aragvelis q. №24, 0144, Tbilisi,
Georgia
(740) Archil Pirtskhalava
(540)



(591) Red, green, blue, grey
(531) 26.11.13-26.15.01-27.05.17-29.01.15-
(526) **DISCLAIMER** – The trademark is protected as a
whole. Word mark "nano" shall not be subject to
independent protection.
(511) 4, 35

(111) M 2014 24948 R
(151) 2014 07 07
(181) 2024 07 07
(210) AM 077684
(220) 2014 06 24
(732) "Sokar Jorjia Petroleumi"
300 Aragvelis q. №24, 0144, Tbilisi,
Georgia
(740) Archil Pirtskhalava
(540)



(591) Red, blue, green, grey
(531) 26.11.13-26.15.01-28.19.00-29.01.13-
(526) **DISCLAIMER** – The trademark is protected as a
whole. Word mark „ნანო“ shall not be subject to inde-
pendent protection.
(511) 4, 35

(111) M 2014 24949 R
(151) 2014 07 07
(181) 2024 07 07
(210) AM 077724
(220) 2014 06 27
(732) JSC "LIBERTI JORJIA";
I. Abashidzis q. 29, 0179, Tbilisi, Georgia

(740) Levan Gugushvili
(540)



(591) Black, grey, yellow
(531) 26.04.03-26.04.22-27.05.04-29.01.12-
(511) 39

(111) M 2014 25034 R
(151) 2014 07 10
(181) 2024 07 10
(210) AM 077578
(220) 2014 06 17
(732) DIPLOMAT GEORGIA
Kakhetis gzatketsili № 65, 0182, Tbilisi,
Georgia
(740) Giorgi Taktakishvili
(540)



(591) White, red, golden
(531) 07.03.11-26.02.08-27.05.08-29.01.13-
(511) 29

(111) M 2014 25035 R
(151) 2014 07 11
(181) 2024 07 11
(210) AM 077318
(220) 2014 05 29
(732) LTD "FRANKO"
Sop. Karajala, Telavis raioni, Georgia
(740) Giorgi Taktakishvili
(540)

FRANKO

(591) Black-white
(511) 7, 9

(111) M 2014 25036 R
(151) 2014 07 14
(181) 2024 07 14
(210) AM 077569
(220) 2014 06 16
(732) LTD "LIMONI 2009"
Dzveli Tbilisis raioni, Respublikis
moedani, Tbilisi, Georgia
(740) Mikheil Chigladze
(540)



(591) Blue, white
(531) 26.04.22-26.04.24-27.05.24-29.01.12-
(526) **DISCLAIMER** – The trademark is protected as a
whole. Word marks "iveria" shall not be subject to
independent protection.
(511) 41

(111) M 2014 25037 R
(151) 2014 07 14
(181) 2024 07 14
(210) AM 077570
(220) 2014 06 16
(732) LTD "LIMONI 2009"
Dzveli Tbilisis raioni, Respublikis
moedani, Tbilisi, Georgia
(740) Mikheil Chigladze
(540)



(591) White, blue
(531) 26.04.22-26.04.24-27.05.24-29.01.12-
(526) **DISCLAIMER** – The trademark is protected as a
whole. Word marks "iveria" shall not be subject to
independent protection.
(511) 41

(111) M 2014 25038 R
(151) 2014 07 14
(181) 2024 07 14
(210) AM 077571
(220) 2014 06 16
(732) LTD "LIMONI 2009"
Dzveli Tbilisis raioni, Respublikis
moedani, Tbilisi, Georgia
(740) Mikheil Chigladze

(540)



(591) Blue, white
(531) 26.04.22-26.04.24-28.19.00-29.01.12-
(526) **DISCLAIMER** – The trademark is protected as a
whole. Word marks „ივერიად“ shall not be subject to
independent protection.
(511) 41

INTERNATIONAL TRADEMARKS FOR WHICH A DECISION ON GRANTING PROTECTIONS IS TAKEN

The decision can be appealed at the Chamber of Appeal of Sakpatenti within 3 months from the publication or at the Mtskheta District Court Administrative Cases Board (Address: №17, Samkhedro str., Mtskheta), within 1 month following the publication.

(260) AM 2014 71412 A
(800) 1150713
(151) 2013 01 14
(731) Henkel AG & Co. KGaA
Henkelstraße 67, 40589 Düsseldorf, Germany
(540)

OIL MAGIC

(591) Black, white
(511)
3 – Soaps; perfumery; essential oils; cosmetics; hair lotions; preparations for caring, cleaning, tinting, coloring, bleaching, fixing and forming of hair; dentifrices.

(260) AM 2014 71429 A
(800) 1150837
(151) 2012 09 19
(731) SKY WALK SCAFFOLDING
160 rue Hélène Boucher, F-69140
RILLIEUX-LA-PAPE, France
(540)

SWS Sky Walk Scaffolding

(591) Black, white
(511)
6 – Scaffolding of metal; ladders of metal; reinforcing materials of metal for building.
19 – Scaffolding not of metal; reinforcing materials not of metal for building; ladders, not of metal.
37 – Mounting of scaffolding; repair and maintenance of scaffolding; installation of scaffolding for the building industry, of work and building platforms; rental of scaffolding for the building industry, of work or building platforms.

(260) AM 2014 71453 A
(800) 1151040
(151) 2012 11 08
(731) FRANCE KEBAB
123 rue Guillaume Fouace, F-50000 Saint
Lô, France
(540)

KEBAB PARTY

(591) Black, white

(511)
29 – Meat, fish, poultry and game; fruit and vegetable salads, all these goods in connection with kebab.

30 – Sandwiches, sauces, condiments, breads, pizzas, rice, pasta, all these goods in connection with kebab.

43 – Catering of meals, self-service catering, fast food catering, coffee shops, all these services relating to a chain of restaurants serving kebab.

(260) AM 2014 71854 A
(800) 1153175
(151) 2012 12 06
(731) MOVIMENTO S.R.L.
Via Nicola Piccinni, 3, I-20131 MILANO
(MI), Italy
(540)

SOFIA LOES

(591) Black, white
(511)
25 – Footwear in general, including slippers; footwear; footwear for sports; boots and sandals; clothing for men, women and children in general, including dresses made from skins; shirts; blouses; skirts; tailleurs; suit jackets; trousers; shorts; undershirts; hosiery; pajamas; socks; knitted underclothing; bodices; suspender belts; underpants (underwear); brassieres; slips; hats; scarves; neckties; raincoats; overcoats; coats; bathing suits; tracksuits for sports; anoraks; ski pants; belts; furs; sashes for wear; gloves; bathrobes.

(260) AM 2014 71855 A
(800) 1153201
(151) 2013 01 25
(731) Closed Joint Stock Company "EMPILS"
21, 1-y Mashinostroitelny per., RU-344016
Rostov-na-Dony, Russian Federation
(540)

ОРЕОЛ

(591) Red
(511)
2 – Paints, varnishes, lacquers; preservatives against rust and against deterioration of wood; colorants; mordants; raw natural resins; metals in foil and powder form for painters, decorators, printers and artists;

annatto [dyestuff]; auramine; canada balsam; whites [colorants or paints]; white lead; paper for dyeing easter eggs; dyes; binding preparations for paints; glazes [paints, lacquers]; litharge; primers; gamboge for painting; titanium dioxide [pigment]; repositionable paint patches; indigo [colorant]; gum resins; colophony; caramel [food colorant]; carbonyl [wood preservative]; cochineal carmine; copal; alizarine dyes; aniline dyes; ink for leather; colorants for liqueurs; colorants for beverages; shoe dyes; colorants for beer; colorants for butter; ink for skin-dressing; dyewood; malt colorants; food dyes; colorants; toners [ink] for photocopiers; aluminium paints; asbestos paints; bactericidal paints; wood stains; ceramic paints; marking ink for animals; distempers; fireproof paints; printing ink; engraving ink; enamels for painting; paints; creosote for wood preservation; turmeric [colorant]; black japan; bitumen varnish; bronzing lacquers; copal varnish; lacquers; anti-corrosive bands; anti-rust oils; oils for the preservation of wood; mastic [natural resin]; lime wash; cobalt oxide [colorant]; zinc oxide [pigment]; silver paste; printers' pastes [ink]; pigments; gildings; coatings [paints]; coatings for roofing felt [paints]; wood coatings [paints]; undercoating for vehicle chassis; anti-fouling paints; varnishes; aluminium powder for painting; bronze powder; silvering powders; metals in powder form for painters, decorators, printers and artists; anti-corrosive preparations; protective preparations for metals; wood mordants; mordants for leather; mordants; thinners for paints; thinners for lacquers; whitewash; soot [colorant]; carbon black [pigment]; lamp black [pigment]; sandarac; thickeners for paints; sienna earth; siccatives [drying agents] for paints; anti-rust greases; natural resins, raw; malt caramel [food colorant]; badigeon; anti-tarnishing preparations for metals; anti-rust preparations for preservation; wood preservatives; sumac for varnishes; minium; turpentine [thinner for paints]; toner cartridges, filled, for printers and photocopiers; fixatives [varnishes]; fixatives for watercolors [watercolours]; metal foil for painters, decorators, printers and artists; silver foil [leaf]; yellowwood [colorant]; blacks [colorants or paints]; saffron [colorant]; gum-lac; dyewood extracts; enamels [varnishes]; silver emulsions [pigments].

(260) AM 2014 71867 A

(800) 1153284

(151) 2012 12 07

(731) W.H. Smith Retail Holdings Limited
Greenbridge Road, Swindon, Wiltshire
SN3 3R, United Kingdom

(540)



The logo for 'gadgetshop' features the word 'gadget' in white lowercase letters and 'shop' in pink lowercase letters, both set against a solid black rectangular background.

(591) Black, white, pink

(511)

9 – Scientific, nautical, surveying, photographic, cinematographic, optical, weighing, measuring, signalling, checking (supervision), life-saving and teaching apparatus and instruments; apparatus and instruments for conducting, switching, transforming, accumulating, regulating or controlling electricity; apparatus for recording, transmission or reproduction of sound or images; magnetic data carriers, recording discs; mechanisms for coin-operated apparatus; cash registers, calculating machines, data processing equipment and computers; fire-extinguishing apparatus; computer apparatus; computer peripherals; computer software; mouse mats; computer mice; computer keyboards; wireless communication apparatus; devices for the display of digital images; radios; audio and video recording and playback instruments and apparatus; CDs; video tapes; laser disks; DVDs; cameras and photographic apparatus and instruments and carrying cases therefor; projectors, dictating machines; telephones, telephone answering machines; hands free kits for phones; electronic calculators and lexicons; pedometers, route finders; coin sorting machines; coin counting machines; cash dispensers; meteorological apparatus; laser pointers; electric apparatus for killing insects; safety apparatus for the prevention of accident or injury; protective clothing; tyre pressure gauges; metal detectors; spectacles; contact lenses; ultraviolet detection and monitoring apparatus; batteries; microscopes; planetariums; thermostats; printers; chemistry apparatus and instruments; tape measures.

28 – Games and playthings; gymnastic and sporting articles not included in other classes; decorations for Christmas trees; toys; plush toys; toys incorporating money boxes; robots for entertainment use; craft toys sold in kit form; model kits; puppets; chemistry sets; playing cards; playing card cases; bags adapted for carrying sporting articles; sporting apparatus; trampolines; electronic playthings; electronic games.

(260) AM 2014 71881 A

(800) 1153545

(151) 2012 12 28

(731) GHIBLI S.p.A.

Via Circonvallazione, 5, I-27020 DORNO
(PV), Italy

(540)



CLEANINGSYNERGY

(591) Black, white

(511)

7 – Industrial cleaning machines (vacuum cleaners, wet & dry vacuum cleaners, polishers, single discs, scrubber driers) industrial machines for floor clea-

ning, carpet cleaning, roads cleaning (self-propelled and manhandle) vacuum cleaners for domestic use, for industrial use, for car cleaning, handle vacuum cleaners (electric) automatic floor scrubbers, central vacuum machines; machines for steam cleaning, industrial machines for jet pressure cleaning machines and tools machines for industrial cleaning, for industrial and domestic cleaning purposes, in particular vacuum cleaners, single discs, polishers, scrubber driers.

(260) AM 2014 71889 A

(800) 1153646

(151) 2012 07 03

(731) OBSHESTVO S OGRANICHENNOY
OTVETSTVENNOSTYU "NEVA"
str. 8, d.5, Beregovoy proezd., RU-121087
Moskva, Russian Federation

(540)



(591) Gray, pink

(511)

5 – Sterilising preparations; balms for medical purposes; pomades for medical purposes; hygienic bandages; petroleum jelly for medical purposes; dietetic foods adapted for medical purposes; dietetic beverages adapted for medical purposes; vitamin preparations; plasters for medical purposes; sanitary pads; medical preparations for slimming purposes; absorbent cotton; antiseptic cotton; mineral food supplements; air purifying preparations; bath preparations, medicated; food for babies; lacteal flour for babies; nutritional supplements; breast-nursing pads; air deodorising preparations; babies' napkin-pants [diaper-pants]; diapers [babies' napkins].

9 – Acoustic [sound] alarms, namely baby monitors.

16 – Paper bows; table linen of paper; toilet paper; covers of paper for flower pots; bibs of paper; handkerchiefs of paper; plastic film for wrapping; face towels of paper; paper coffee filters; silver paper; tissues of paper for removing make-up; filtering materials [paper]; sheets of reclaimed cellulose for wrapping.

20 – Playpens for babies; pillows; furniture shelves; chests for toys; mats for infant playpens; mirrors [looking glasses]; bedding, except linen; dressing tables; chairs [seats]; indoor window blinds [shades] [furniture]; bead curtains for decoration; curtain holders, not of textile material; latches, not of metal; children's wooden furniture with elements of metal.

41 – Education information; recreation information; entertainment information; operating lotteries; vocational guidance [education or training advice]; party planning [entertainment]; health club services [health and fitness training]; club services [entertainment or education]; game services provided on-line from a computer network; providing recreation facilities; organization of competitions [education or entertainment]; theatre productions; entertainment; ticket agency services [entertainment]; conducting interactive games through a computer network.

(260) AM 2014 71941 A

(800) 1153981

(151) 2013 02 01

(731) BEIQI FOTON MOTOR CO., LTD.
Laoniawan Village North, Shayang Road,
Shahe Town, Changping District, 102206
Beijing, China

(540)



(591) Black, white

(511)

37 – Rebuilding engines that have been worn or partially destroyed; rebuilding machines that have been worn or partially destroyed; motor vehicle maintenance and repair; vehicle wash; vehicle lubricating services; vehicle polishing; anti-rust treatment for vehicles; vehicle service stations for refueling and maintenance; retreading tires; mending rubber tires.

(260) AM 2014 72351 A

(800) 1158099

(151) 2013 03 05

(731) JSC TATCHEMPHARMPREPARATY
ul. Belomorskaya 260, Kazan, RU-420091
Tatarstan, Russian Federation

(540)

BEFUNGIN

(591) Black, white

(511)

5 – Dietary supplements.

(260) AM 2014 72352 A

(800) 1158100

(151) 2013 03 05

(731) JSC TATCHEMPHARMPREPARATY
ul. Belomorskaya 260, Kazan, RU-420091
Tatarstan, Russian Federation

(540)

БЕФУНГИН

(591) Black, white
(511)
5 – Dietary supplements.

(260) AM 2014 72355 A
(800) 1158140
(151) 2013 03 28
(731) AMERICAN AIR FILTER COMPANY, INC.
9920 Corporate Campus Drive, Louisville KY
40223, USA

(540)
HYDROSHIELD

(591) Black, white
(511)
11 – Filters and filtering media for use in the purification of air and other industrial fluids, namely, air filters for industrial installations; filters and filtering media for removal of contaminant gases and particulates for industrial purposes, namely, air filters for industrial installations.


(260) AM 2014 72356 A
(800) 1158152
(151) 2013 03 26
(731) Apple Inc.
1 Infinite Loop, Cupertino, CA 95014, USA
(540)



(591) The mark consists of a purple circle containing an image of a white stylized person or antenna surrounded by concentric circles which are also white. The color(s) purple and white is/are claimed as a feature of the mark

(511)
9 – Computer software for use in reviewing, storing, organizing and playing pre-recorded audio and video content.

(260) AM 2014 72360 A
(800) 1158170
(151) 2012 12 21
(731) Paşabahçe Cam Şanayi ve Ticaret Anonim
Şirketi
İş Kuleleri Kule 3, 4, Levent 034, TR-34330
İstanbul, Turkey

(540)


(591) Black, white, red

(511)
21 – Household, table and kitchen utensils made of glass and porcelain, decoration articles and ornaments made of glass, porcelain, ceramic, and earthenware; stemware, tumbler glasses and goblets, wine glasses, tea glasses, cups, mugs; glass plates, pastry and service dishes, saucers, ice-cream cups, egg cups; glass bowls, snack bowls, ice buckets, covered and lidless sugar bowls, food containers, salt and pepper shakers, oil cruets, vinegar cruets, butter dishes, honey dishes, jam dishes, covered and lidless jars, decanters, jugs, carafes, bottles, cutting boards, cocktail shakers, spoon-fork rests, milk jugs, napkin holders, sauce bowls, heat-resistant cooking pots, saucepans, ovenware, trays, cake molds, covers/lids with glass handles, teapots, vases, candle holders.

(260) AM 2014 72361 A
(800) 1158189
(151) 2013 03 20
(731) IMPULSE (QINGDAO) HEALTH TECH LTD
Qingdao Garment Industrial Park, Jimo,
Qingdao, China

(540)



(591) Black, white
(511)
28 – Body-building apparatus; body-training apparatus; balls for games; machines for physical exercises; appliances for gymnastics; roller skates.

(260) AM 2014 72362 A
(800) 1158190
(151) 2013 03 20
(731) IMPULSE (QINGDAO) HEALTH TECH
LTD
Qingdao Garment Industrial Park, Jimo,
Qingdao, China

(540)

impulse

(591) Black, white
(511)
28 – Body-building apparatus; body-training apparatus; balls for games; machines for physical exercises; appliances for gymnastics; roller skates.

(260) AM 2014 72365 A
(800) 1158255
(151) 2013 03 18
(731) ALBAS d.o.o.

Ul. bratov Babnik 36, SI-1000 Ljubljana,
Slovenia

(540)



(591) Black, white

(511)

5 – Preparations for facilitating, stimulating or improving sexual intercourse, especially in the form of candies, capsules or chewing gums.

(260) AM 2014 72366 A

(800) 1158264

(151) 2013 03 12

(731) KAO KABUSHIKI KAISHA

(also trading as Kao Corporation)

14-10, Nihonbashi Kayabacho 1-Chome,
Chuo-Ku, Tokyo 103-8210, Japan

(540)

MERRIES

(591) Black, white

(511)

3 – Wet tissues impregnated with cosmetic lotion.

5 – Baby diapers; napkins for incontinents.

16 – Baby bottom wipes of paper.

(260) AM 2014 72367 A

(800) 1158267

(151) 2013 03 12

(731) SCORPIUS

55, Rue Jouffroy d'Abbans, F-75017 PARIS,
France

(540)

CHOLURSO

(591) Black, white

(511)

5 – Medicines for human medicine.

(260) AM 2014 72369 A

(800) 1158336

(151) 2013 03 26

(731) Apple Inc.

1 Infinite Loop, Cupertino, CA 95014, USA

(540)



(591) Orange and white

(511)

9 – Computer software for use in organizing, storing, and reading electronic publications.

(260) AM 2014 72370 A

(800) 1158337

(151) 2013 03 26

(731) TELA BIO, Inc.

1 Great Valley Parkway, Suite 24, Malvern
PA 19355, USA

(540)

TELA BIO

(591) Black, white

(511)

10 – Natural and biocompatible materials comprised of non-living tissue for implantation or application in a surgical site to restore, repair, or treat organ, tissue, and body structures.

(260) AM 2014 72371 A

(800) 1158354

(151) 2012 12 18

(731) Jinguan Foods Co., Ltd.

Fujian; Wuli Industrial Garden, Jinjiang
Fujian, China

(540)



GOLDEN CROWN GARDEN

(591) Black, white

(511)

30 – Tea; molasses for food; instant rice; flour-milling products; condiments; soy sauce; vinegar; leaven; essences for foodstuffs (except etheric essences and essential oils); meat tenderizers, for household purposes; flavoring sauce.

(260) AM 2014 72372 A
 (800) 1158383
 (151) 2013 01 25
 (731) BFF KOZMETİK TEMİZLİK PLASTİK
 ÜRÜNLERİ VE TURİZM SANAYİ
 TİCARET ANONİM ŞİRKETİ
 Tepeören Mahallesi Kimya Sanayicileri
 Organize Sanayi Bölgesi B-07 Parsel Tuzla
 İstanbul, Turkey
 (540)

PIELOR

(591) Black, white
 (511)
 3 – Preparations for bleaching and cleaning, perfumery, cosmetics, fragrances for personal use, soaps, cosmetic preparations for the care of mouth and teeth, abrasives, emery cloth, emery paper, pumice stone, abrasive pastes, polishing and preserving preparations for leather, metal, wood.

(260) AM 2014 72373 A
 (800) 1158411
 (151) 2013 04 02
 (731) Celgene Corporation
 86 Morris Avenue, Summit, NJ 07901, USA
 (540)

POMALISS

(591) Black, white
 (511)
 5 – Pharmaceutical preparations, specifically, pharmaceutical preparations, namely, cytokine inhibitory drugs, pharmaceutical preparation that modulate the immune system, pharmaceutical preparations for the treatment of certain cancers and blood diseases, specifically excluding for veterinary use.

(260) AM 2014 72374 A
 (800) 1158433
 (151) 2013 04 15
 (731) NOVARTIS AG
 CH-4002 Basel, Switzerland
 (540)

КОСЕНТИКС

(591) Black, white
 (511)
 5 – Pharmaceutical preparations.

(260) AM 2014 72375 A
 (800) 1158434
 (151) 2013 04 15
 (731) NOVARTIS AG
 CH-4002 Basel, Switzerland
 (540)

КОЗЕНТИКС

(591) Black, white
 (511)
 5 – Pharmaceutical preparations.

(260) AM 2014 72377 A
 (800) 1158462
 (151) 2012 06 11
 (731) İrfan Bayhan
 Keresteciler Sitesi, Yıldırım Sok. No.6 K.2,
 Merter/Güngören İstanbul, Turkey
 (540)



(591) Red and black
 (511)
 25 – Clothing, footwear, headgear.

(260) AM 2014 72378 A
 (800) 1158464
 (151) 2012 10 18
 (731) CLEANOLIFE ENDÜSTRİYEL MUTFAK
 VE HIJYEN ÜRÜNLERİ LIMITED
 SİRKETİ
 Karayollari Mahallesi, Kadir Akdogan
 Caddesi No.3 Küçükköy, Gaziosmanpaşa –
 İstanbul, Turkey
 (540)

begabung
 "Hygienelösungen"

(591) Green and blue
 (511)
 1 – Chemicals used in industry, science and photography, as well as in agriculture, horticulture and forestry; unprocessed artificial resins, unprocessed plastics; manures; fire extinguishing compositions; tempering and soldering preparations; chemical substances for preserving foodstuffs; tanning substances; adhesives used in industry.
 3 – Bleaching preparations and other substances for laundry use; cleaning, polishing, scouring and abrasive preparations; soaps; perfumery, essential oils, cosmetics, hair lotions; dentifrices.

16 – Paper, cardboard and goods made from these materials, not included in other classes; printed matter; bookbinding material; photographs; stationery; adhesives for stationery or household purposes; artists' materials; paint brushes; typewriters and office requisites (except furniture); instructional and teaching material (except apparatus); plastic materials

for packaging (not included in other classes); printers' type; printing blocks.

21 – Cleaning tools and equipments (non-electric); brushes (other than painting brushes), brushes for cleaning purposes, materials used in brush-making, namely, sponges, steel wools and wool wastes; dusting and cleaning clothes, gloves for washing dishes, non-electric polishing machines, carpet beaters, carpet sweepers, pads for cleaning, electric brushes, except parts of machines; toothbrushes, electric toothbrushes, dental floss, shaving brushes, hairbrushes, combs, make-up removing appliances; non-electrical tools and utensils for household and kitchen use; clothes pins; household or kitchen utensils and containers, vases; ironing boards, ironing board covers, laundry drying racks; cages for pets, litter boxes (trays) for pets, drinking and feeding troughs for animals, birdbaths, bird rings; indoor terrariums for animal and plant cultivation; ornaments made of glass, porcelain, ceramics or terra-cotta; sculptures, works of art of porcelain, terra-cotta or glass; mousetraps, insect traps, flycatchers, flyswatters, toilet utensils, electric devices for attracting and killing insects; perfume burners, perfume atomizers, perfume sprayers and vaporizers, sold empty, cosmetic utensils (non-electric), appliances for removing make-up (non-electric), powder puffs, toilet cases; nozzles for sprinkler hose, nozzles for watering cans, watering devices, roses for watering cans; glass, unworked or semi-worked (except building glass), mosaics of powdered glass for decoration, not for building; glass wool other than for insulation and textile; cups given at sport contests made of glass, porcelain, ceramics, ordinary metal, plastic and synthetic and other materials, included in this class.

(260) AM 2014 72379 A
 (800) 1158469
 (151) 2013 03 18
 (731) ICST Corporation
 S4Tower, 17-1, Kamiochiai 5-chome, Chuou-ku, Saitama-shi, Saitama 338-0001, Japan

(540)



(591) Black, white
 (511)

9 – Measures; weighbridges; weighing apparatus and instruments; weighing machines; laboratory apparatus and instruments; photographic machines and apparatus; cinematographic machines and apparatus; optical machines and apparatus; measuring or testing machines and instruments; electric or magnetic meters and testers; telecommunication machines and apparatus; electronic machines, apparatus and their parts; buzzers, electric.

10 – Massage apparatus for medical purposes; inhalers; sphygmomanometers; sphygmotensimeters; arterial blood pressure measuring apparatus; thermometers for medical purposes; medical apparatus and instruments; electric massage apparatus for household purposes.

(260) AM 2014 72380 A
 (800) 1158546
 (151) 2012 12 21
 (731) Obshestvo s ogranichennoy otvetstvennostyu "VYSOTA"
 Profsoyusnaya ul., 26/44, office II, room 1,
 RU-117292 Moscow, Russian Federation

(540)



(591) White, light-blue, blue, dark-blue, light-grey, grey and silver

(511)
 33 – Vodka.

(260) AM 2014 72381 A
 (800) 1158558
 (151) 2013 02 14
 (731) NEWSLUX
 37, rue d'Anvers 6 L-1130 Luxembourg,
 Luxembourg

(540)

i24news

(591) Black, white
 (511)

9 – Apparatus for the recording, reproduction, transmission of sound or images; software, computer peripherals, photographic, cinematographic and teaching apparatus and instruments, audiovisual and magnetic recording media; media for the transmission, reproduction and duplication of sound and/or images; data media, recorded or blank; pre-recorded or blank video cassettes and video disks, pre-recorded or blank laser cassettes and laser discs, magnetic tape cassettes and sound recording discs, sound and audiovisual recordings; compact discs, video discs,

optical discs, digital optical discs; video digital versatile discs; electronic cards, electronic game cards; magnetic and electronic pens, computer programs, television programs on videotape, software on all types of media; programs (software) and interactive television and/or audiovisual games (software), digital media for compilation and computerized editing, digitization of texts and/or fixed or animated images and/or sounds (musical or not) for interactive or non-interactive use, databases and especially voice databases, text and sound data banks, image banks; computers; data communication software, floppy discs, digital compact discs; games on digital optical disks; games on compact discs.

16 – Paper; cardboard; cardboard articles; printed matter; newspapers; books; manuals; promotional pamphlets; pamphlets; publications; magazines; periodical reviews, paintings (pictures) and engravings, wrapping paper; paper or plastic bags, sachets and sheets for packaging; shields (paper seals); paper or cardboard signs, non-textile labels, flags (of paper); posters; postcards, transfers [decalcomanias]; Graphic prints; engravings; pictures; bands of paper or cardboard for recording computer programs; teaching material in the form of games (books); printed matter (printing products); printing type; printing blocks; instructional and teaching material (except apparatus).

25 – Clothing, footwear, headgear.

28 – Games, toys; playing cards; gymnastic and sporting articles (excluding clothing, footwear, mats); automatic and electronic games other than coin-operated and those designed to be used only with a television set.

35 – Advertising and business information service; updating of advertising material; assistance and advice for business organization and management; business consultancy; billboard advertising, distribution of advertising material (leaflets, prospectuses, printed matter, samples), particularly for national or international mail-order sale; services of a franchiser, namely commercial or industrial management or operational assistance; commercial information and advice services; commercial promotion for others in all forms, and especially via the provision of privileged user cards; carrying out commercial activities and sales promotion for others of all kinds and on all media, especially for national or international mail order sale; data input, editing, compilation and processing services and, in general, services relating to the recording, transcription transmission and systematization of written communications and sound and/or visual recordings; subscription services for third parties to printed goods and all information media, texts, sounds and/or images, audiovisual goods or multimedia goods; computer editing of texts and/or still or animated images, and/or (musical or non-musical) sounds, for interactive or non-

interactive use, on the appropriate media (audio digital compact discs, digital video discs); document reproduction; rental of any advertising materials and commercial presentations; computerized file management, business advice and advertising related to data communication services; organization of exhibitions for commercial and advertising purposes; subscription to a telephone or computer (Internet) service for others; administration of exhibition sites; arranging newspaper subscriptions for others to digital, electronic or non-electronic publications; services for subscription to a data communication service for others; arranging of subscriptions to a television channel for others for others.

38 – Telecommunication services; data transmission via multiservice company telecommunication networks; secure electronic mail services; news information and news agency services; communication services via radio, telephone and telegraph equipment as well as via all teleprocessing means, via interactive video, and in particular computer terminals and peripherals or electronic and/or digital equipment, videophone and videoconferencing equipment; sending, transmitting dispatches and messages; data transmission services, in particular packet transmission services, electronic document dispatching, transmission, electronic mail services; telephone call transfer or telecommunication services; satellite transmission; broadcasting of television programs and more generally of multimedia programs (computer editing of texts and/or still or animated images, and/or musical or non-musical sounds), for interactive or non-interactive use; television and radio broadcasts and, more generally, audiovisual and multimedia programs (computer editing of texts and/or still or animated images, and/or musical or non-musical sounds) for interactive or other use; telex services, transmission of information by teleprinter; communication by computer terminals; transmission of information by telematic means with a view to obtaining information contained in data banks and image banks; Communication (transmission) via computer networks in general; rental services for computer, remote computing and data communications apparatus and instruments, namely telephones, telecommunications apparatus, facsimile machines, message sending apparatus, modems; rental of access time to a database server center.

41 – Services for teaching and training, education and entertainment; sporting and cultural activities; correspondence courses; editing and publication of texts (other than advertising texts), illustrations, books, journals, newspapers, periodicals, magazines, publications of all kinds and in all forms (other than for advertising purposes) including electronic and digital publications (other than for advertising) of audio and/or visual media, multimedia carriers, (in-

teractive disks, read-only memory digital-audio compact discs), multimedia programs (computer editing of texts and/or still or animated of images), games and in particular televised games, audiovisual games, games on compact discs and digital-audio compact discs, on magnetic media; editing of radio and television programs, audiovisual and multimedia programs (computer editing of texts and/or images, still or animated, and/or of musical or non-musical sounds), for interactive use or non-interactive use; organization of competitions relating to education or entertainment, of games (entertainment); creation and production of news programs, of radio and television entertainment, of audiovisual and multimedia programs (computer editing of texts and/or still or animated images, and/or musical or non-musical sounds), for interactive or other use; organization of shows; artistic production and rental of films and cassettes including video cassettes, and more generally all audio and/or video media and multimedia carriers (interactive discs, digital-audio CD-ROMs); leisure services, namely arranging leisure events (entertainment); editing of videotape, photographic reporting; scriptwriting services; translation services; videotaping.

42 – Hosting of sites (Internet); services provided by a franchiser, namely transfer (provision) of know-how, legal data bank and database set-up, design (development), and operation (programming); computer programming for electronic instruments and apparatus, computers, remote computing and computer communication systems, multimedia equipment, programming of multimedia equipment; rental of computer, remote computing and computer communication apparatus and instruments, namely computers, software, scanner, recorders, printers, printer peripherals; design (development) of sites on global computer networks.

(260) AM 2014 72416 A
 (800) 300646
 (151) 1965 07 26
 (891) 2013 03 08
 (731) Bayer Consumer Care AG
 Peter Merian Str. 84, CH-4052 Basel,
 Switzerland

(540) PRIORIN
 (591) Black, white
 (511)
 3 – Product for the treatment of capillary disorders, excluding soaps.

5 – Product for hair diseases of all types.

(260) AM 2014 72932 A
 (800) 1163241
 (151) 2013 02 07
 (731) Grundig Multimedia B.V.

Luna Arena, Herikerbergweg 238, NL-1101
 CM Amsterdam Zuidoost, Netherlands

(540)

FlexiCook

(591) Black, white

(511)

11 – Lighting apparatus and installations (lighting installations for vehicles, interior and exterior spaces); apparatus and installations for cooking, heating and vapor producing (including electric ovens, microwave ovens, gas ovens, electric heating apparatus or heating apparatus for solid, liquid or gaseous fuels); air conditioning devices; cooling apparatus, namely refrigerators, milk coolers, water coolers, ice-boxes, ice machines and devices, freezers; electric and gas operated apparatus, machines and devices used in cooling, drying and boiling (including electric and heating-operated laundry dryers, hair dryers and hand drying apparatus); industrial type cooking, drying and cooling installations; laundry dryers.

(260) AM 2014 72933 A

(800) 1163248

(151) 2012 12 28

(731) Obschestvo s ogranichennoi otvetstvennostyu
 "NAUCHNO-PROIZVODSTVENNAYA
 FIRMA "MATERIA MEDICA HOLDING"
 Trety Samotechny pereulok, 9, RU-127473
 Moscow, Russian Federation

(540)

РЕЛИЗАКТИВНОСТЬ

(591) Black, white

(511)

5 – Pharmaceutical and veterinary preparations; hygienic preparations for medical purposes; dietetic food and substances adapted for medical or veterinary use, food for babies; dietary supplements for animals and human purposes; plasters, dressings; teeth filling material and dental impression materials; disinfectants; preparations for destroying noxious animals; fungicides; acaricides; aconitine; alkaloids for medical purposes; alginates for pharmaceutical purposes; algicides; aldehydes for pharmaceutical purposes; dental amalgams of gold; dental amalgams; amino acids for veterinary purposes; amino acids for medical purposes; analgesics; anaesthetics; antibiotics; antiseptics; medicine cases, portable, filled; first-aid boxes, filled; aluminium acetate for pharmaceutical purposes; acetates for pharmaceutical purposes; germicides; balms for medical purposes; hygienic bandages; bandages for dressings; biocides; bracelets for medical purposes; anti-rheumatism bracelets; bromine for pharmaceutical purposes; paper for mustard plasters; fly catching paper; mothproofing paper; petroleum jelly for medical purposes; vaccines; oxygen baths; antiseptic

cotton; aseptic cotton; absorbent cotton; wadding for medical purposes; cotton for medical purposes; dietetic substances adapted for medical use; radiological contrast substances for medical purposes; nutritive substances for microorganisms; radioactive substances for medical purposes; bismuth subnitrate for pharmaceutical purposes; melissa water for pharmaceutical purposes; sea water for medicinal bathing; mineral waters for medical purposes; thermal water; dietary fiber; molding wax for dentists; guaiacol for pharmaceutical purposes; gases for medical purposes; hematogen; hemoglobin; hydrastine; hydrastinine; glycerine for medical purposes; glycerophosphates; glucose for medical purposes; gentian for pharmaceutical purposes; hormones for medical purposes; mustard for pharmaceutical purposes; mustard plasters; mud for baths; medicinal mud; gamboge for medical purposes; gurjun [gurjon, gurjan] balsam for medical purposes; air deodorising preparations; deodorants, other than for human beings or for animals; deodorants for clothing and textiles; diastase for medical purposes; digitalin; mineral food supplements; nutritional supplements; albumin dietary supplements; dietary supplements for animals; alginate dietary supplements; glucose dietary supplements; casein dietary supplements; lecithin dietary supplements; linseed oil dietary supplements; propolis dietary supplements; protein dietary supplements; protein supplements for animals; royal jelly dietary supplements; pollen dietary supplements; wheat germ dietary supplements; linseed dietary supplements; enzyme dietary supplements; yeast for pharmaceutical purposes; gelatine for medical purposes; cod liver oil; isotopes for medical purposes; insecticides; iodine for pharmaceutical purposes; iodides for pharmaceutical purposes; alkaline iodides for pharmaceutical purposes; iodoform; calomel; cream of tartar for pharmaceutical purposes; tartar for pharmaceutical purposes; camphor for medical purposes; capsules for medicines; cachets for pharmaceutical purposes; hemostatic pencils; wart pencils; headache pencils; carbolineum [parasiticide]; caustics for pharmaceutical purposes; cachou for pharmaceutical purposes; quassia for medical purposes; quebracho for medical purposes; oxygen for medical purposes; gallic acid for pharmaceutical purposes; acids for pharmaceutical purposes; adhesives for dentures; adhesive tapes for medical purposes; stem cells for veterinary purposes; stem cells for medical purposes; cocaine; collodion for pharmaceutical purposes; corn rings for the feet; anti-rheumatism rings; candy, medicated; angostura bark for medical purposes; barks for pharmaceutical purposes; cedar wood for use as an insect repellent; condurango bark for medical purposes; croton bark; mangrove bark for pharmaceutical purposes; myrobalan bark for pharmaceutical purposes; quinquina for medical purposes; medicinal roots; rhubarb roots for pharmaceutical purposes; lint for medical pur-

poses; starch for dietetic or pharmaceutical purposes; creosote for pharmaceutical purposes; blood for medical purposes; cultures of microorganisms for medical and veterinary use; curare; dental lacquer; liquorice for pharmaceutical purposes; lactose for pharmaceutical purposes; candy for medical purposes; adhesive plasters; medicines for alleviating constipation; lecithin for medical purposes; lotions for veterinary purposes; dog lotions; lotions for pharmaceutical purposes; personal sexual lubricants; lupulin for pharmaceutical purposes; magnesia for pharmaceutical purposes; liniments; ointments for pharmaceutical purposes; sunburn ointments; frostbite salve for pharmaceutical purposes; gauze for dressings; mercurial ointments; medicinal oils; mustard oil for medical purposes; camphor oil for medical purposes; castor oil for medical purposes; oil of turpentine for pharmaceutical purposes; dill oil for medical purposes; dental mastics; dental abrasives; dental impression materials; teeth filling material; dressings, medical; surgical dressings; drugs for medical purposes; medicines for veterinary purposes; serotherapeutic medicines; medicines for human purposes; medicines for dental purposes; menthol; medicinal drinks; moleskin for medical purposes; milk of almonds for pharmaceutical purposes; royal jelly for pharmaceutical purposes; milk ferments for pharmaceutical purposes; Irish moss for medical purposes; flour for pharmaceutical purposes; linseed meal for pharmaceutical purposes; fish meal for pharmaceutical purposes; fly glue; mint for pharmaceutical purposes; dietetic beverages adapted for medical purposes; malted milk beverages for medical purposes; narcotics; medicinal infusions; tincture of iodine; eucalyptol for pharmaceutical purposes; tinctures for medical purposes; opium; opodeldoc; decoctions for pharmaceutical purposes; antiparasitic collars for animals; stick liquorice for pharmaceutical purposes; sulphur sticks [disinfectants]; pastilles for pharmaceutical purposes; pectin for pharmaceutical purposes; pepsins for pharmaceutical purposes; peptones for pharmaceutical purposes; hydrogen peroxide for medical purposes; food for babies; leeches for medical purposes; blood plasma; eyepatches for medical purposes; poultices; compresses; scapulars for surgical purposes; diapers [babies' napkins]; bunion pads; breast-nursing pads; pomades for medical purposes; powder of cantharides; pyrethrum powder; belts for sanitary napkins [towels]; anti-uric preparations; bacterial preparations for medical and veterinary use; bacteriological preparations for medical and veterinary use; balsamic preparations for medical purposes; albuminous preparations for veterinary purposes; biological preparations for medical purposes; veterinary preparations; bismuth preparations for pharmaceutical purposes; vitamin preparations; diagnostic preparations for medical purposes; therapeutic preparations for the bath;

hemorrhoid preparations; preparations for callouses; preparations to facilitate teething; preparations for the treatment of burns; opotherapy preparations; organotherapy preparations; air purifying preparations; eye-washes; bronchodilating preparations; preparations for reducing sexual activity; sterilising preparations; soil-sterilising preparations; corn remedies; pharmaceutical preparations for treating dandruff; preparations for destroying noxious animals; herbicides; preparations for destroying dry rot fungus; larvae exterminating preparations; fly destroying preparations; preparations for destroying mice; slug exterminating preparations; vermin destroying preparations; pharmaceutical preparations for skin care; contact lens cleaning preparations; preparations of lime for pharmaceutical purposes; bath preparations, medicated; medicinal hair growth preparations; opiates; anticryptogamic preparations; aloe vera preparations for pharmaceutical purposes; preparations of trace elements for human and animal use; sulphoamides [medicines]; pharmaceutical preparations; sunburn preparations for pharmaceutical purposes; enzyme preparations for veterinary purposes; enzyme preparations for medical purposes; chemico-pharmaceutical preparations; chemical preparations for veterinary purposes; chemical preparations for the diagnosis of pregnancy; chemical preparations for medical purposes; chemical preparations to treat wheat blight [smut]; vine disease treating chemicals; chemical preparations to treat mildew; chemical preparations for treating phylloxera; chemical preparations for pharmaceutical purposes; chilblain preparations; mothproofing preparations; collyrium; lead water; chemical conductors for electrocardiograph electrodes; albuminous foodstuffs for medical purposes; dietetic foods adapted for medical purposes; by-products of the processing of cereals for dietetic or medical purposes; sanitary towels; napkins for incontinents; sanitary pads; panty liners [sanitary]; propolis for pharmaceutical purposes; pearl powder for medical purposes; radium for medical purposes; hydrated chloral for pharmaceutical purposes; solvents for removing adhesive plasters; vaginal washes; solutions for contact lenses; chemical reagents for medical or veterinary purposes; gum for medical purposes; rubber for dental purposes; chewing gum for medical purposes; insect repellents; insect repellent incense; repellents for dogs; tissues impregnated with pharmaceutical lotions; sarsaparilla for medical purposes; sugar for medical purposes; asthmatic tea; fumigating sticks; linseed for pharmaceutical purposes; tobacco-free cigarettes for medical purposes; siccatives [drying agents] for medical purposes; syrups for pharmaceutical purposes; turpentine for pharmaceutical purposes; milking grease; greases for veterinary purposes; greases for medical purposes; lacteal flour for babies; soporifics; bicarbonate of soda for pharmaceutical purposes; bath salts for medical purposes; salts for mineral water

baths; salts for medical purposes; potassium salts for medical purposes; sodium salts for medical purposes; smelling salts; mineral water salts; malt for pharmaceutical purposes; semen for artificial insemination; alcohol for pharmaceutical purposes; alloys of precious metals for dental purposes; ergot for pharmaceutical purposes; cooling sprays for medical purposes; adjuvants for medical purposes; styptic preparations; vermifuges; disinfectants for hygiene purposes; disinfectants for chemical toilets; douching preparations for medical purposes; appetite suppressants for medical purposes; medical preparations for slimming purposes; parasiticides; mouthwashes for medical purposes; febrifuges; depuratives; animal washes; detergents for medical purposes; cattle washes; dog washes; vesicants; articles for headache; purgatives; remedies for perspiration; remedies for foot perspiration; chemical contraceptives; antiparasitic preparations; sedatives; laxatives; tonics [medicines]; nervines; digestives for pharmaceutical purposes; media for bacteriological cultures; steroids; strychnine; suppositories; serums; tanning pills; appetite suppressant pills; slimming pills; yeast dietary supplements; antioxidant pills; sanitary tampons; vulnerary sponges; thymol for pharmaceutical purposes; biological tissue cultures for veterinary purposes; biological tissue cultures for medical purposes; surgical cloth [tissues]; smoking herbs for medical purposes; medicinal herbs; surgical implants [living tissues]; pants, absorbent, for incontinents; sanitary panties; babies' napkin-pants [diaper-pants]; charcoal for pharmaceutical purposes; fennel for medical purposes; porcelain for dental prostheses; phenol for pharmaceutical purposes; enzymes for veterinary purposes; enzymes for medical purposes; ferments for pharmaceutical purposes; formic aldehyde for pharmaceutical purposes; phosphates for pharmaceutical purposes; fungicides; quinine for medical purposes; chinoline for medical purposes; diabetic bread adapted for medical use; chloroform; flowers of sulphur for pharmaceutical purposes; cement for animal hooves; bone cement for surgical and orthopaedic purposes; dental cements; medicinal tea; herbal teas for medicinal purposes; eucalyptus for pharmaceutical purposes; tobacco extracts [insecticides]; extracts of hops for pharmaceutical purposes; elixirs [pharmaceutical preparations]; ethers for pharmaceutical purposes; esters for pharmaceutical purposes; cellulose esters for pharmaceutical purposes; cellulose ethers for pharmaceutical purposes; jujube, medicated; rat poison; poisons; bacterial poisons; jalap.

42 – Scientific services and technological services and related research and development, industrial analysis and research, development and improvement of the hardware and software of computers; water analysis; computer system analysis; handwriting analysis [graphology]; chemical analysis; architecture; recovery of computer data; industrial design;

graphic arts design; computer virus protection services; technical project studies; oil-field surveys; geological surveys; engineering; installation of computer software; meteorological information; material testing; textile testing; bacteriological research; biological research; geological research; research in the field of environmental protection; cosmetic research; mechanical research; chemical research; research and development of new products for others; analysis for oil-field exploitation; underwater exploration; technical research; calibration [measuring]; consultancy in the design and development of computer hardware; architectural consultation; computer software consultancy; oil-well testing; quality control; vehicle roadworthiness testing; land surveying; dress designing; updating of computer software; monitoring of computer systems by remote access; maintenance of computer software; authenticating works of art; design of interior decor; quality evaluation of standing timber; quality evaluation of wool; digitization of documents [scanning]; conversion of data or documents from physical to electronic media; urban planning; provision of scientific information, advice and consultancy in relation to carbon offsetting; providing search engines for the internet; data conversion of computer programs and data [not physical conversion]; computer system design; rental of web servers; computer rental; rental of computer software; geological prospecting; oil prospecting; hosting computer sites [web sites]; duplication of computer programs; construction drafting; computer software design; cloud seeding; consultancy in the field of energy-saving; creating and maintaining web sites for others; computer programming; chemistry services; packaging design; scientific laboratory services; styling [industrial design]; physics [research]; surveying.

44 – Medical services, veterinary services, services in the field of health and beauty care for human beings and animals, services in the field of agriculture, horticulture and forestry; public baths for hygiene purposes; Turkish baths; hospitals; landscape design; convalescent homes; nursing homes; wreath making; hair implantation; pharmacy advice; aromatherapy services; manicuring; chiropractics; massage; horticulture; artificial insemination services; hairdressing salons; midwife services; veterinary assistance; dentistry; medical assistance; tree planting for carbon offsetting purposes; medical equipment rental; rental of sanitation facilities; farming equipment rental; aerial and surface spreading of fertilizers and other agricultural chemicals; animal breeding; gardening; landscape gardening; beauty salons; sanatoriums; blood bank services; health care; flower arranging; tattooing; vermin exterminating for agriculture, horticulture and forestry; weed killing; health spa services; aquaculture services; visagists' services; medical clinic services; opticians' services; plant nurseries; in vitro fertilization servi-

ces; services of a psychologist; sauna services; solarium services; telemedicine services; therapy services; pharmacists' services to make up prescriptions; nursing, medical; lawn care; animal grooming; pet grooming; physical therapy; plastic surgery; tree surgery; hospices; health centers; rehabilitation for substance abuse patients.

(260) AM 2014 72934 A

(800) 1163267

(151) 2012 12 03

(731) VALLOUREC

27 avenue du Général Leclerc, F-92100
Boulogne-Billancourt, France

(540)

VALLOUREC

(591) Black, white

(511)

6 – Common metals and alloys thereof; steel alloys; titanium and titanium alloys; nickel and nickel alloys; metal tubes; metal pipes; metal tubes and pipes for the oil and gas industries, including but not limited to metal pipes and tubes for extracting hydrocarbons, metal pipes and tubes for pipelines, metal pipes and tubes for gas; tubular metal drill strings; metal well-casing tubes and pipes for wells; casings of metal for oilwells; metal assembly devices for metal tubes and pipes including but not limited to curves, bends and couplings of metal, metal joints, metal sleeves, clamps of metal, flanges of metal; hollow bars of metal; hollow sections of metal; ducts of metal for ventilating and air conditioning facilities; water pipes of metal; metal tubes and pipes for the building industry, building materials of metal, building elements made of metal, metallic piles for foundations; metal pipes for supporting wind generators (construction); metal pipes and tubes for the geothermal industry; metal tubes and pipes for the extraction of fluids, gas or petroleum; metal pipes and tubes for the chemical and petrochemical industries; metal pipes and tubes for the nuclear industry; metal tubes and pipes for the thermal energy industry; pipes and tubes of metal for the mechanical engineering industry; metal pipes and tubes for machining parts; pipes and tubes of metal for the manufacture of bearing races; blanks for the manufacture of metal tubes and pipes; metal or mainly metal protective end pieces for metal tubes and pipes and for metal tube and pipe assembly devices; steel masts; metal tubes and pipes for oil and gas drilling, or for operating oil and gas fields, or transporting gas or petroleum (pipelines) with measuring apparatus and instruments such as transponders, transmitters of electronic or electric signals, remote control apparatus, electric conductors.

7 – Tubes of metal for lifting devices (parts of machines); metal tubes and pipes (machine parts) boiler, metal tubes and pipes (machine parts) gas con-

denser, metal tubes and pipes (machine parts) of collectors, metal tubes and pipes (machine parts) of water heaters, metal tubes and pipes (machine parts) of steam engines, metal tubes and pipes (machine parts) of oil refining machines, metal tubes and pipes (machine parts) of superheaters, metal tubes and pipes (machine parts) of superchargers, metal tubes and pipes (machine parts) of heat exchangers, metal tubes and pipes (machine parts) of electricity generators, metal tubes and pipes (machine parts) of nuclear reactors, metal tubes and pipes (machine parts) of evaporators, metal tubes and pipes (machine parts) of coolers, metal tubes and pipes (machine parts) of air conditioners, metal tubes and pipes (machine parts) of apparatus for drying, metal tubes and pipes (machine parts) of ventilation apparatus; metal tubes and pipes (machine parts) for actuators; tools (parts of machines) including, inter alia, machining inserts; drilling tools (parts of machines); metal pipes and tubes for ball bearings; cylinders for machines; welding apparatus and machines.

9 – Apparatus and instruments for monitoring (inspection) of oil drilling; apparatus and instruments for inspection of oil pipelines, apparatus and instruments for checking (supervision) metal pipes and tubes; apparatus and instruments for measuring tubes, metal pipes; apparatus and instruments for measuring couplings (connections) for metal pipes and tubes; measuring apparatus and instruments including but not limited to calipers and gauges; measuring apparatus and instruments for metal tubes and pipes for oil and gas drilling, or for operating oil and gas fields, and transporting gas or petroleum (pipelines) such as transponders, transmitters of electrical and electronic signals, remote control apparatus, and electrical conductors; software (recorded programs); diagnostic apparatus not for medical use.

11 – Tubes and pipes of metal for use in energy generating facilities, including, but not limited to tubes and pipes of metal for heating facilities, metal tubes and pipes for thermal power plants, tubes and pipes made of metal for nuclear power plants, tubes and pipes of metal for use in power stations, tubes and pipes of metal for steam generating facilities, tubes and pipes of metal for facilities for generating electricity; metal pipes and tubes for chemical facilities; metal pipes and tubes for refining towers (for distillation); metal tubes and pipes for water distribution facilities.

20 – Protective end pieces entirely or mainly made of synthetic materials or of composite materials for metal pipes and tubes and for assembly devices for metal tubes and pipes.

37 – Information and advice on construction; advice and information relating to the drilling of oil or gas wells; advice and information on completion of wells; advice and information concerning the laying and maintenance of oil pipelines; rental of construc-

tion equipment; installation, maintenance and repair of machines, tubes and pipes; repair information; construction of pipelines and ducts, laying of pipelines and ducts, repair of pipelines and ducts; underwater repair services; information on installation and use of assembly devices for pipes and tubes of metal; information on metal tubes and pipes for drilling and operating of oil and gas wells; information on metal tubes and pipes for drilling and operating geothermal wells; information on installation and use of metal tubes and pipes for mechanical applications and construction; technical advice regarding the aforesaid services.

40 – Information regarding treatment of materials; mechanical processing and treatment of metal objects including but not limited to services for forging, machining tubes and pipes, tube and pipe threading, surface treatment of pipes and tubes, metal plating; welding services; welding of pipelines; rental of welding machines and equipment, rental of auxiliary welding machines; information on the use of welding equipment and the welding of metal pipes and tubes; information on metal tubes and pipes for use in thermal power stations; information on processing of metal tubes and pipes for mechanical applications and construction; technical assistance regarding the aforesaid services.

41 – Teaching; training; organization and conducting of colloquiums, conferences and seminars; training on the use of metal tubes and pipes for transporting liquid or gaseous fluids or petroleum; training concerning assembly devices for metal pipes and tubes; training concerning metal tubes and pipes for drilling and operating oil and gas wells; training concerning metal tubes and pipes for drilling and operating geothermal wells; training on the use of on welding equipment and welding of metal pipes and tubes; training concerning metal tubes and pipes for thermal power plants, mechanical applications and construction; technical assistance regarding the aforesaid services.

42 – Evaluations, assessments and research in the fields of science and technology provided by engineers; research and development of new products for others; technical project studies; quality control; scientific laboratory services; testing of materials; surveying (engineering work); engineering; oil and gas well testing; analysis and advice on oil-field exploitation; modeling and simulating work done by computers for others; mechanical research; advice and information on the design of oil or gas wells; research in the field of environmental protection; technical assistance regarding the aforesaid services.

(260) AM 2014 72936 A

(800) 1163302

(151) 2013 04 02

(731) ELTAŞ TRANSFORMATOR SANAYİ VE

TİCARET ANONİM ŞİRKETİ
AOSB 10046 Sokak 4, ÇIĞLI İZMİR, Turkey

(540)



(591) Blue, white

(511)

7 – Machines and machine tools; motors and engines (except for land vehicles); machine coupling and transmission components (except for land vehicles); agricultural implements other than hand-operated; incubators for eggs; automatic vending machines.

9 – Apparatus and instruments for conducting, switching, transforming, accumulating, regulating or controlling electricity.

(260) AM 2014 72938 A

(800) 1163330

(151) 2013 05 17

(731) SANOFI

54 rue La Boétie, F-75008 Paris, France

(540)

ZIBERMI

(591) Black, white

(511)

5 – Pharmaceutical products for the treatment of autoimmune diseases, inflammatory diseases, rheumatoid arthritis and ankylosing spondylarthritis.

(260) AM 2014 72939 A

(800) 1163388

(151) 2012 04 25

(731) Intercontinental Great Brands LLC

100 Deforest Avenue, East Hanover NJ
07936, USA

(540)

Mondelez

(591) Black, white

(511)

29 – Fish, fish and seafood products, all these products in the form of extracts, soups, jellies, spreads, canned products, cooked, deep-frozen or dehydrated dishes; preserved, frozen, preserved, dried and cooked fruits, mushrooms and vegetables; jellies; jams; compotes; eggs; milk and milk products; edible oils and fats; fruit pulp and salads; vegetable salads; tinned fish, vegetables and fruit; edible jellies; pollen prepared as foodstuff; algae essences for food purposes; preserved soya beans for food; protein for human consumption; soups; clear soups; thick soups; concentrated soups; vegetable juices for kitchen use; butter; cream; yoghurts; cheeses; processed cheese;

processed cheese foods; cottage cheese; sour cream; cream cheese; preparations for making bouillon; potato products, potato flakes, crisps and chips based on potato; ready-cooked meals made with the above products; milk substitutes; beverages made with milk; desserts made with milk and desserts made with cream; soya milk (milk substitutes); protein preparations for human consumption; whiteners for coffee and/or tea (cream substitutes); peanut butter; bouillon cubes; stock; broths; pickles; processed nuts; prepared meals containing cheese; processed cheese dips and spreads; vegetable-based spreads and dips; snack mix consisting primarily of processed fruits and nuts; protein-based snack bars; flavored and sweetened gelatins.

30 – Bakery products; dough preparations; snack products in the form of popcorn, cereal chips as well as snack products based on corn, barley, rye or pastry; coffee; tea; cocoa; sugar; rice; tapioca; sago; artificial coffee; flour and preparations made from cereals; bread; pastry and confectionery; ices; honey; treacle; yeast; baking-powder; salt; mustard; vinegar; sauces (condiments); spices; cookies; wafers; waffles; biscuits; chocolate; chocolate products; vegetal preparations for use as coffee substitutes; non-medicinal infusions; natural sweeteners; glucose for food; pasta; semolina; dried cereal flakes; cakes; brioches; pancakes; tarts; pies; sugar confectionery; chocolate confectionery; royal jelly for human consumption (not for medical use); aniseed; star aniseed; malt extract for food; flavourings other than essential oils; aromatic preparations for food; dressings for salads; ketchup; mayonnaise; seasonings; thickening agents for cooking foodstuffs; weeds (condiments); spices; preserved garden herbs; ice for refreshment; sandwiches; pizzas; snacks made of rice; spring rolls; sushi; tabbouleh; tortillas; tacos; ready-cooked meals made with the above products; coffee extracts; beverages made with coffee and preparations made with coffee; iced coffee; artificial coffee; artificial coffee extracts; preparations and beverages made with artificial coffee; tea; tea extracts and preparations made with tea; cocoa; preparations and beverages made with cocoa; chocolate; preparations and beverages made with chocolate; sugar; natural sweeteners; malt-based preparations for human consumption; chewing gum, not for medical purposes; caramels; desserts (included in this class); puddings; ices; water ices; sorbets; frozen confectionery; frozen cakes; ice cream; frozen desserts (confectionery); powders and binding agents (included in this class) for making ices and/or water ices and/or sorbets and/or frozen confectionery and/or frozen cakes and/or ice cream and/or frozen desserts; breakfast cereals; muesli; corn flakes; cereal bars; ready-to-eat cereals; pasta, noodles; foodstuffs containing rice, flour or cereals, also in the form of cooked dishes; pasta and ready-to-bake cake dough preparations; soya sauce; products for flavoring or

seasoning foodstuffs; horseradish; relishes; barbeque sauces; marshmallows; grain-based snack foods; crackers; stuffing mixes containing bread; packaged meals consisting primarily of pasta and sauces; cheese sauces.

35 – Advertising; business management; business administration; office functions; rental of vending machines; demonstration of goods; presentation of goods on any communication media for retail purposes, namely sales promotion; commercial information and advice to consumers; organization of exhibitions and trade fairs for commercial or advertising purposes; advertising, including via computer networks in the form of data, text, images, sounds or all combinations thereof for selling products and retailing services as well as provision of information about products for advertising and sales purposes; online advertising on a computer network; providing product catalogues via the Internet; running retail stores (business management); sales promotion for others; procurement for others (purchasing goods and services for other business) as well as export and import agency in respect of a variety of goods in the field of health, food, beverages, household fittings and equipment, articles and utensils for the kitchen and the household, stationery, electric household appliances, electrical apparatus and printed matter; bringing together for the benefit of others of a variety of goods (excluding the transport thereof) in the field of health, food, beverages, household fittings and equipment, articles and utensils for the kitchen and the household, stationery, electric household appliances, electrical apparatus and printed matter to allow customers to view and buy them conveniently from a wholesaler, also by means of global computer networks (the Internet); publishing of product catalogues and mail order catalogues; sales promotions relating to products in the field of health, food, beverages, household fittings and equipment, articles and utensils for the kitchen and the household, stationery, electric household appliances, electrical apparatus and printed matter; retail trade, and distribution services, also by means of global computer networks (the Internet) in connection with beverages and foodstuffs for medical purposes, nutritional and dietetic additives for medical purposes, medicinal herbs, herbal teas, mineral food supplements, chewing gum for medical purposes, antiseptics, dietetic confectionery for medical purposes, automatic vending machines, automatic dispensers for hot and cold foodstuffs and beverages, related refill components, cartridges and spare parts for these machines and apparatus, electric machines and apparatus for preparing all types of refrigerated, cold or hot drinks including coffee, tea, and chocolate and/or cocoa drinks, cappuccinos (except for electromechanical machines), electric coffee pots, percolators and machines, cartridges and refills for these apparatus and machines including capsules and

spare parts for these machines, electronic coffee filters, electric fryers, ice appliances, paper, cardboard and goods made from these materials, printed matter, bookbinding material, photographs, stationery, adhesives for stationery or household purposes, artists' materials, paint brushes, typewriters and office requisites (except furniture), instructional and teaching material (except apparatus), plastic materials for packaging, printers' type, printing blocks, paper coffee and tea filters, paper or plastic packaging bags, pouches and sheets, paper sheets (stationery), paint boxes (articles for use in school), school supplies, office staples, drawing pins, pencil sharpeners, correcting fluids, paper cutters, pencils, pencil, lead holders, rubber erasers, envelopes, files, scrapbooks, books, periodicals, almanacs, pamphlets, writing or drawing books, catalogues, calendars, lithographs, engravings, paintings, posters, geographic maps, newspapers, spools for inking ribbons, sealing machines, postage stamps, greeting cards, postcards, table napkins, household or kitchen utensils and containers, unworked or semi-worked glass (except glass used in building), glassware, porcelain and earthenware, non electric coffee percolators and filters, tea pots, tea and coffee cups, non-electric household or kitchen utensils and receptacles (neither of precious metal, nor plated therewith), cooking pot sets, plates, bowls, tumblers, sweetmeats boxes, not of precious metals, drinking vessels, saucepans, glass boxes, biscuit tins, fitted picnic baskets including dishes, thermally insulated containers for food, vacuum bottles, corkscrews, bottle-openers, isothermic bags, drinking flasks for travellers, non-electric portable coolers, non-electric heaters, for feeding bottles, bowls, baskets, for domestic use, not of precious metal, clothing, footwear, headgear, tee-shirts, shirts, skirts, pullovers, sweat-shirts, blouses, jeans, trousers, bermuda shorts, dresses, polo shirts, coats, jackets, denim jackets, anoraks, waistcoats, overalls, blazers, scarves, sashes for wear, shawls, combinations, salopettes, socks, ankle socks, stockings, tights, nightshirts, pyjamas, dressing gowns, babies' clothes, underclothes for babies, rompers, bonnets for babies, underwear, lingerie, corsets, hosiery, belts, muffler, gloves, ties, braces, headbands, bathing fashion for gentlemen and ladies, bathing trunks, bathing suits, bikinis, bathing caps, beach robes, leisure and city shoes for gentlemen and ladies, children's footwear, caps, hats, work clothing, work shoes, fish, fish and seafood products, all these products in the form of extracts, soups, jellies, spreads, canned products, cooked, deep-frozen or dehydrated dishes, presserved, frozen, dried and cooked fruits, mushrooms and vegetables, jellies, jams, compotes, eggs, milk and milk products, edible oils and fats, fruit pulp and salads, vegetable salads, tinned fish, vegetables and fruit, edible jellies, pollen prepared as foodstuff, algae essences for food purposes, preserved soya

beans for food, protein for human consumption, soups, clear soups, thick soups, concentrated soups, vegetable juices for kitchen use, butter, cream, yoghurts, cheeses, processed cheese, processed cheese foods, cottage cheese, sour cream, cream cheese, preparations for making bouillon, potato crisps, ready-cooked meals made with the above products, milk substitutes, beverages made with milk, desserts made with milk and desserts made with cream, soya milk (milk substitutes), protein preparations for human consumption, whiteners for coffee and/or tea (cream substitutes), peanut butter, bouillon cubes, stock, broths, pickles, processed nuts, prepared meals containing cheese, processed cheese dips and spreads, vegetable-based spreads and dips, snack mix consisting primarily of processed fruits and nuts, protein-based snack bars, coffee, tea, cocoa, sugar, rice, tapioca, sago, artificial coffee, flour and preparations made from cereals, bread, pastry and confectionery, ices, honey, treacle, yeast, baking-powder, salt, mustard, vinegar, sauces (condiments), spices, ice, cookies, wafers, waffles, biscuits, chocolate, chocolate products, vegetal preparations for use as coffee substitutes; non-medicinal infusions, natural sweeteners, glucose for food, pasta, semolina, dried cereal flakes, cakes, brioches, pancakes, tarts, pies, sugar confectionery, royal jelly for human consumption (not for medical use), aniseed, star aniseed, malt extract for food, flavourings other than essential oils, aromatic preparations for food, yeast, dressings for salads, ketchup, mayonnaise, seasonings, thickening agents for cooking foodstuffs, weeds (condiments), spices, preserved garden herbs, ice for refreshment, sandwiches, pizzas, snacks made of rice, spring rolls, sushi, tabbouleh, tortillas, tacos, ready-cooked meals made with the above products, coffee extracts, beverages made with coffee and preparations made with coffee, iced coffee, artificial coffee, artificial coffee extracts, preparations and beverages made with artificial coffee, tea, tea extracts and preparations made with tea, cocoa, preparations and beverages made with cocoa, chocolate, preparations and beverages made with chocolate, sugar, natural sweeteners, malt-based preparations for human consumption, chewing gum, not for medical purposes, wafers, caramels, desserts, puddings, ices, water ices, sorbets, frozen confectionery, frozen cakes, ice cream, frozen desserts, powders and binding agents for making ices and/or water ices and/or sorbets and/or frozen confectionery and/or frozen cakes, and/or ice cream and/or frozen desserts, breakfast cereals, muesli, corn flakes, cereal bars, ready-to-eat cereals, pasta, noodles, foodstuffs containing rice, flour or cereals, also in the form of cooked dishes, pasta and ready-to-bake cake dough preparations, soya sauce, products for flavoring or seasoning foodstuffs, horseradish, relishes, barbeque sauces, marshmallows, grain-based snack foods, crackers, flavored and sweetened

gelatins, stuffing mixes containing bread, packaged meals consisting primarily of pasta and sauces, cheese sauces, mineral and aerated waters and other non-alcoholic drinks, fruit drinks and fruit juices, syrups and other preparations for making beverages, isotonic beverages, lemonades, tomato juice, vegetable juices (beverages), pastilles and powders for aerated drinks, essences for making beverages, preparations for making liqueurs, beverages containing milk ferments, beverages containing soya and non-alcoholic beverages containing malt; retail trade and distribution services, also by means of global computer networks (the Internet) in connection with medical preparations for slimming purposes, medicinal infusions, vitamin preparations, preparations of trace elements for human and animal use, foodstuffs and lacteal flour for babies, medical or sanitary disinfectants (excluding soaps), anti-insect products, insecticides, insect repellents, antiparasitic preparations, antiparasitic collars for animals, animal washes, sunscreen products (sunburn ointments), antiseptic cotton, absorbent cotton, sanitary pads, napkins and panties, menstruation tampons, breast-nursing pads, sterilising preparations, adhesives for dentures, deodorants, other than for personal use, air purifying preparations, solutions for use with contact lenses, beers.

(260) AM 2014 72944 A

(800) 1163486

(151) 2013 03 27

(731) De Rigo S.p.A.

Zona Industriale Villanova, 12, I-32013

Longarone (BL), Italy

(540)

POLICE

(591) Black, white

(511)

28 – Games and playthings; gymnastic and sporting articles not included in other classes; decorations for Christmas trees; ski bindings; snowshoes; sole covers for skis; bags especially designed for skis and surfboards; skis; surf skis; water skis; wax for skis; skateboards; sleighs [sports articles]; snowboards; sail boards; surf boards.

(260) AM 2014 72946 A

(800) 1163504

(151) 2013 04 23

(731) Bayer Intellectual Property GmbH

Alfred-Nobel-Straße 10, 40789 Monheim am

Rhein, Germany

(540)

АДЕМПАС

(591) Black, white

(511)
5 – Pharmaceutical preparations for the treatment of pulmonary hypertension and cardiovascular diseases.

(260) AM 2014 72947 A

(800) 1163515

(151) 2013 05 08

(731) ERIELL HOLDING COMPANY LIMITED

1, Lampousas Street, CY-1095 Nicosia,
Cyprus

(540)

ERIELL

(591) Blue and white

(511)

16 – Calendars; catalogues; pencils; conical paper bags; printed matter; office requisites, except furniture.

37 – Drilling of wells; drilling of deep oil or gas-wells; drilling and pumping of oil; building construction supervision; pipeline construction and maintenance; factory construction; machinery repair and maintenance.

39 – Transportation logistics; transportation information; storage information; air transport; hauling.

40 – Processing of oil.

42 – Oil-field surveys; geological surveys; engineering; analysis for oil-field exploitation; geological research; oil-well testing; oil prospecting.

(260) AM 2014 72948 A

(800) 1163516

(151) 2013 04 19

(731) Obshchestvo s ogranichennoy
otvetstvennostyu Izdatelstvo "Puls tsen"
ul. Radishcheva, 23, RU-620014
Ekaterinburg, Russian Federation

(540)

Я ПОКУПАЮ

(591) Black, white

(511)

16 – Printed matter; forms, printed; booklets; newspapers; graphic representations; graphic prints; magazines [periodicals]; printed publications; newsletters; calendars; pictures; catalogues; books; note books; bags [envelopes, pouches] of paper or plastics, for packaging; conical paper bags; lithographs; galley racks [printing]; composing frames [printing]; greeting cards; posters; advertising prospectuses; printing sets, portable [office requisites]; handbooks [manuals]; photographs [printed]; photo-engravings; stencils; printing type; seals [stamps]; stamps [seals]; address stamps.

35 – Advertising; publication of publicity texts; commercial information agencies; opinion polling; marketing studies; business information; business investigations; business management of performing artists; news clipping services; word processing; sales promotion for others; rental of advertising time on communication media; dissemination of advertising matter.

41 – Publication of books; providing on-line electronic publications, not downloadable; electronic desktop publishing; publication of electronic books and journals online; publication of texts, other than publicity texts.

(260) AM 2014 72949 A

(800) 1163525

(151) 2013 04 09

(731) J.H. Tönnjes E.A.S.T. GmbH & Co. KG
Syker Straße 201, 27751 Delmenhorst,
Germany

(540)

IDePLATE

(591) Black, white

(511)

6 – Common metals and their alloys; goods of common metal, not included in other classes; signboards of metal, metal vehicle number plates.

9 – Scientific, measuring, signalling and checking apparatus and instruments; data media, electric signals transmitters, data-reading apparatus, electronic surveillance apparatus; data carriers for features, signs and stickers, in particular vehicle registration numbers; signalling panels; signs, luminous.

20 – Plaques made of plastic; numberplates, not of metal; film registration numbers for motor vehicles.

(260) AM 2014 72950 A

(800) 1163547

(151) 2013 04 19

(731) BASF SE

Carl-Bosch-Strasse 38, Ludwigshafen am
Rhein, Germany

(540)

CLESIMA

(591) Black, white

(511)

5 – Preparations for destroying and combating vermin, insecticides, fungicides, herbicides, pesticides.

(260) AM 2014 73424 A

(800) 1168820

(151) 2013 04 11

(731) Obshchestvo s ogranichennoi otvetstvennostyu

"NAUCHNO-PROIZVODSTVENNAYA
FIRMA "MATERIA MEDICA HOLDING"
Trety Samotekny pereulok, 9, RU-127473
Moscow, Russian Federation

(540)

RELEASEACTIVITY

(591) Black, white

(511)

5 – Pharmaceutical and veterinary preparations; hygienic preparations for medical purposes; dietetic food and substances adapted for medical or veterinary use, food for babies; dietary supplements for humans and animals; plasters, materials for dressings; teeth filling material and dental impression materials; disinfectants; preparations for destroying noxious animals; fungicides; acaricides; aconitine; alkaloids for medical purposes; alginates for pharmaceutical purposes; algicides; aldehydes for pharmaceutical purposes; dental amalgams of gold; dental amalgams; amino acids for veterinary purposes; amino acids for medical purposes; analgesics; anesthetics; antibiotics; antiseptics; medicine cases, portable, filled; first-aid boxes, filled; aluminium acetate for pharmaceutical purposes; acetates for pharmaceutical purposes; germicides; balms for medical purposes; hygienic bandages; bandages for dressings; biocides; bracelets for medical purposes; anti-rheumatism bracelets; bromine for pharmaceutical purposes; paper for mustard plasters; fly catching paper; mothproofing paper; petroleum jelly for medical purposes; vaccines; oxygen baths; antiseptic cotton; aseptic cotton; absorbent cotton; wadding for medical purposes; cotton for medical purposes; dietetic substances adapted for medical use; radiological contrast substances for medical purposes; nutritive substances for microorganisms; radioactive substances for medical purposes; bismuth subnitrate for pharmaceutical purposes; melissa water for pharmaceutical purposes; sea water for medicinal bathing; mineral waters for medical purposes; thermal water; dietary fiber; molding wax for dentists; guaiacol for pharmaceutical purposes; gases for medical purposes; hematogen; hemoglobin; hydrastine; hydrastinine; glycerine for medical purposes; glycerophosphates; glucose for medical purposes; gentian for pharmaceutical purposes; hormones for medical purposes; malted milk beverages for medical purposes; narcotics; medicinal infusions; tincture of iodine; eucalyptol for pharmaceutical purposes; tinctures for medical purposes; opium; opodeldoc; decoctions for pharmaceutical purposes; antiparasitic collars for animals; stick liquorice for pharmaceutical purposes; sulphur sticks [disinfectants]; pastilles for pharmaceutical purposes; pectin for pharmaceutical purposes; pepsins for pharmaceutical purposes; peptones for pharmaceutical purposes; hydrogen peroxide for medical purposes; leeches for medical purposes; blood plasma; eyepatches for medical purposes; poultices; compresses; scapulars for surgical purposes;

diapers [babies' napkins]; bunion pads; breast-nursing pads; pomades for medical purposes; powder of cantharides; pyrethrum powder; belts for sanitary napkins [towels]; anti-uric preparations; bacterial preparations for medical and veterinary use; bacteriological preparations for medical and veterinary use; balsamic preparations for medical purposes; albuminous preparations for medical purposes; biological preparations for veterinary purposes; biological preparations for medical purposes; bismuth preparations for pharmaceutical purposes; vitamin preparations; diagnostic preparations for medical purposes; therapeutic preparations for the bath; hemorrhoid preparations; preparations for callouses; preparations to facilitate teething; preparations for the treatment of burns; ophotherapy preparations; organotherapy preparations; air purifying preparations; eye-washes; bronchodilating preparations; preparations for reducing sexual activity; sterilising preparations; soil-sterilising preparations; corn remedies; pharmaceutical preparations for treating dandruff; herbicides; preparations for destroying dry rot fungus; larvae exterminating preparations; fly destroying preparations; preparations for destroying mice; slug exterminating preparations; vermin destroying preparations; pharmaceutical preparations for skin care; contact lens cleaning preparations; preparations of lime for pharmaceutical purposes; bath preparations, medicated; medicinal hair growth preparations; opiates; anticryptogamic preparations; aloe vera preparations for pharmaceutical purposes; preparations of trace elements for human and animal use; sulphonamides [medicines]; sunburn preparations for pharmaceutical purposes; enzyme preparations for veterinary purposes; enzyme preparations for medical purposes; chemico-pharmaceutical preparations; chemical preparations for veterinary purposes; chemical preparations for the diagnosis of pregnancy; chemical preparations for medical purposes; chemical preparations to treat wheat blight [smut]; vine disease treating chemicals; chemical preparations to treat mildew; chemical preparations for treating phylloxera; chemical preparations for pharmaceutical purposes; chilblain preparations; mothproofing preparations; collyrium; lead water; chemical conductors for electrocardiograph electrodes; albuminous foodstuffs for medical purposes; dietetic foods adapted for medical purposes; by-products of the processing of cereals for dietetic or medical purposes; sanitary towels; napkins for incontinents; sanitary pads; panty liners [sanitary]; propolis for pharmaceutical purposes; pearl powder for medical purposes; radium for medical purposes; hydrated chloral for pharmaceutical purposes; solvents for removing adhesive plasters; vaginal washes; solutions for contact lenses; chemical reagents for medical or veterinary purposes; gum for medical purposes; rubber for dental purposes; chewing gum for medical purposes; insect repellents; insect re-

pellent incense; repellents for dogs; tissues impregnated with pharmaceutical lotions.

42 – Scientific services and technological services and related research and development, industrial analysis and research, development and improvement of the hardware and software of computers; water analysis; computer system analysis; handwriting analysis [graphology]; chemical analysis; architecture; recovery of computer data; industrial design; graphic arts design; computer virus protection services; technical project studies; oil-field surveys; geological surveys; engineering; installation of computer software; meteorological information; material testing; textile testing; bacteriological research; biological research; geological research; research in the field of environmental protection; cosmetic research; mechanical research; chemical research; research and development of new products for others; analysis for oil-field exploitation; underwater exploration; technical research; calibration [measuring]; consultancy in the design and development of computer hardware; architectural consultation; computer software consultancy; oil-well testing; quality control; vehicle roadworthiness testing; land surveying; dress designing; updating of computer software; monitoring of computer systems by remote access; maintenance of computer software; authenticating works of art; design of interior decor; quality valuation of standing timber; quality evaluation of wool; digitization of documents [scanning]; conversion of data or documents from physical to electronic media; urban planning; provision of scientific information, advice and consultancy in relation to carbon offsetting; providing search engines for the internet; data conversion of computer programs and data [not physical conversion]; computer system design; rental of web servers; computer rental; rental of computer software; geological prospecting; oil prospecting; hosting computer sites [web sites]; duplication of computer programs; construction drafting; computer software design; cloud seeding; consultancy in the field of energy-saving; creating and maintaining web sites for others; computer programming; chemistry services; packaging design; scientific laboratory services; styling [industrial design]; physics [research]; surveying.

44 – Medical services, veterinary services, services in the field of health and beauty care for human beings and animals, services in the field of agriculture, horticulture and forestry; public baths for hygiene purposes; Turkish baths; hospitals; landscape design; convalescent homes; nursing homes; wreath making; hair implantation; pharmacy advice; aromatherapy services; manicuring; chiropractics; massage; horticulture; artificial insemination services; hairdressing salons; midwife services; veterinary assistance; dentistry; medical assistance; tree planting for carbon offsetting purposes; medical equipment rental; rental

of sanitation facilities; farming equipment rental; aerial and surface spreading of fertilizers and other agricultural chemicals; animal breeding; gardening; landscape gardening; beauty salons; sanatoriums; blood bank services; health care; flower arranging; tattooing; vermin exterminating for agriculture, horticulture and forestry; weed killing; health spa services; aquaculture services; visagists' services; medical clinic services; opticians' services; plant nurseries; in vitro fertilization services; services of a psychologist; sauna services; solarium services; telemedicine services; therapy services; pharmacists' services to make up prescriptions; nursing, medical; lawn care; animal grooming; pet grooming; physical therapy; plastic surgery; tree surgery; hospices; health centers; rehabilitation for substance abuse patients.

(260) AM 2014 73433 A

(800) 1169004

(151) 2013 02 08

(731) Actavis Group PTC ehf

Reykjavikurvegi 76-78, IS-220 Hafnarfjordur, Iceland

(540)

ACTAVIS

(591) Black, white

(511)

41 – Educational services; namely conduction conferences, seminars, webinars, video case studies, classes and workshops in the fields of healthcare, women's health, pharmaceuticals and medicine, pharmaceutical research and development.

(260) AM 2014 73434 A

(800) 1169009

(151) 2013 01 30

(731) Intercontinental Great Brands LLC

100 Deforest Avenue, East Hanover NJ
07936, USA

(540)



(591) Dark blue, brown

(511)

29 – Fish, fish and seafood products, all these products in the form of extracts, soups, jellies, spreads, canned products, cooked, deep-frozen or dehydrated dishes; preserved, frozen, preserved, dried and cooked fruits, mushrooms and vegetables; jellies; jams; compotes; eggs; milk and milk products; edible oils and fats; fruit pulp and salads; vegetable salads; tinned fish, vegetables and fruit; edible jellies;

pollen prepared as foodstuff; preserved soya beans for food; soups; clear soups; thick soups; concentrated soups; vegetable juices for cooking; butter; cream; yoghurts; cheeses; processed cheese; processed cheese foods; cottage cheese; sour cream; cream cheese; preparations for making bouillon; potato products, potato flakes, potato based crisps and chips; ready-cooked meals made with the above products; soy milk (milk substitutes); beverages made with milk; desserts made with milk and desserts made with cream; soya milk (milk substitutes); whiteners for coffee and/or tea consisting primarily of dairy products (cream substitutes); peanut butter; bouillon cubes; prepared stock; broths; pickles; processed nuts; prepared meals consisting principally of cheese; processed cheese dips and spreads; vegetable-based spreads and dips; snack mix consisting primarily of processed fruits and nuts; flavored and sweetened gelatins; beverages with a milk base.

30 – Bakery products; dough preparations; snack products in the form of popcorn, crisps and snack products made from corn, barley, rye or pastry; coffee; tea; cocoa; sugar; rice; tapioca; sago; artificial coffee; flour and preparations made from cereals; high protein-cereal bars; bread; pastry and confectionery; ices; honey; treacle; yeast; baking-powder; cooking salt; mustard; vinegar; sauces (condiments); spices; ice; cookies; wafers (food); waffles; biscuits; chocolate; chocolate products; vegetal preparations for use as coffee substitutes; non-medicinal infusions; natural sweeteners; glucose for food; pasta; semolina; dried cereal flakes; cakes; brioches; pancakes; tarts; pies; sugar confectionery; chocolate confectionery; royal jelly for human consumption (not for medical use); aniseed; star aniseed; malt extract for food; flavourings other than essential oils; aromatic preparations for food; dressings for salads; ketchup; mayonnaise; seasonings; thickening agents for cooking foodstuffs; weeds (condiments); spices; preserved garden herbs [seasonings]; ice for refreshment; sandwiches; pizzas; snacks made of rice; spring rolls; sushi; tabbouleh; tortillas; tacos; ready-cooked meals made with the above products; coffee extracts; beverages made with coffee and preparations made with coffee; iced coffee; artificial coffee; artificial coffee extracts; preparations and beverages made with artificial coffee; tea; tea extracts and preparations made with tea; cocoa; preparations and beverages made with cocoa; chocolate; preparations and beverages made with chocolate; sugar; natural sweeteners; malt-based preparations for human consumption; chewing gum, not for medical purposes; caramels; prepared desserts (confectionery); puddings; ices; water ices; sorbet (ice); frozen confectionery; frozen cakes; ice cream; frozen desserts (confectionery); powders and binding agents included in this class for making edible ices, water ices, sorbets [ices], frozen confectionery, frozen cakes, ice cream and frozen desserts [confectionery];

breakfast cereals; muesli; corn flakes; cereal bars; ready-to-eat cereals; pasta, noodles; foodstuffs consisting principally of rice, flour or cereals, including in the form of cooked dishes; pasta and ready-to-bake cake dough preparations; soya sauce; products for flavoring or seasoning foodstuffs (other than essential oils); horseradish; relishes (condiments); barbeque sauces; marshmallows; grain-based snack foods; crackers; stuffing mixes consisting principally of bread; packaged meals consisting primarily of pasta and sauces; cheese sauces [condiments].

35 – Advertising; business management; business administration; office functions; rental of vending machines; demonstration of goods; sales promotion services via the presentation of goods on communication media, for retail purposes; commercial information and advice to consumers; organization of exhibitions and trade fairs for commercial or advertising purposes; advertising, including advertising via computer networks, in the form of data, text, images, sounds or combinations thereof, for retail and sales promotion purposes; provision of product information for advertising and sales promotion purposes; online advertising on a computer network; online advertising services, namely, providing product catalogues via the Internet; business management in the field of running retail stores; sales promotion for others; procurement for others (purchasing goods and services for other business) as well as export and import agency in respect of a variety of goods in the field of health, food, beverages, household fittings and equipment, articles and utensils for the kitchen and the household, stationery, electric household appliances, electrical apparatus and printed matter; the bringing together, for the benefit of others, of a variety of goods, in the field of health, food, beverages, household fittings and equipment, articles and utensils for the kitchen and the household, stationery, electric household appliances, electrical apparatus and printed matter, excluding the transport thereof, enabling customers to conveniently view and purchase those goods from a wholesale outlet, from a general merchandise catalogue by mail order or by means of telecommunications, or from a general merchandise web site in the global communication network; publication of publicity materials, namely product catalogues and mail order catalogues; sales promotions relating to products in the field of health, food, beverages, household fittings and equipment, articles and utensils for the kitchen and the household, stationery, electric household appliances, electrical apparatus and printed matter; retail services and sample distribution services.

(260) AM 2014 73435 A
(800) 1169015
(151) 2012 11 07

(731) E! Entertainment Television, LLC
5750 Wilshire Boulevard, Los Angeles CA
90036, USA

(540)

Style.

(591) Black, white, grey

(511)

38 – Telecommunications services; broadcasting services; television, cable television, satellite television, internet, mobile media, radio, and interactive multimedia broadcasting services; broadcasting and transmission of programming, audio and visual content, and entertainment media content via television, cable television, satellite television, video-on-demand, digital media, the internet, wireless and mobile networks, and interactive multimedia networks; podcasting and webcasting services; providing online chat rooms and electronic bulletin boards for transmission of messages among users.

41 – Entertainment services; television programming services; radio programming services; entertainment in the nature of television programming, cable television programming, satellite television programming, radio programming, multimedia programming, internet programming, and programming via wireless and mobile networks; video and audio programs delivered by internet, wireless, mobile, and multimedia networks; programming of television shows; ongoing television programs; production of television, cable, video-on-demand, digital, satellite, radio, wireless, mobile, internet, and multimedia programs and entertainment media content; audio and video production services; providing online journals and blogs in the field of entertainment; provision of news and information via the internet, mobile, wireless, and multimedia networks (Terms too vague in the opinion of the International Bureau – Rule 13(2)(b) of the Common Regulations).

(260) AM 2014 73436 A

(800) 1169019

(151) 2012 12 20

(731) IMS Software Services Ltd.

200 Campus Drive, Collegeville PA 19426,
USA

(540)

IMS

(591) Black, white

(511)

9 – Downloadable reports, analyses, publications, data, webcasts, webinars and podcasts providing pharmaceutical, medical and healthcare information

via the Internet and on an electronic media, namely, recordable magnetic tapes, digital linear tapes, mobile applications, CD-ROMs, and/or in electronic format via FTP or VPN; computer software, CD-ROMs, mobile applications and instructional manuals for use in data management and data analysis of pharmaceutical, medical and healthcare information; electronic database recorded on computer media containing pharmaceutical, medical and healthcare information.

35 – Market research; business market consulting; marketing consulting; business consulting and information services; business process outsourcing services in the pharmaceutical, medical and healthcare fields.

38 – Providing customer access to a web based online portal featuring pharmaceutical, medical and healthcare information.

42 – Providing non-downloadable software, related to pharmaceutical, medical and healthcare information; consulting services related to pharmaceutical, medical and healthcare research, development and analysis; research and analysis related to pharmaceutical, medical and healthcare information; computer services, namely, developing and managing application software and databases related to pharmaceutical, medical and healthcare information; computer programming, applications development and other information technology services related to pharmaceutical, medical and healthcare information.

44 – Providing pharmaceutical, medical and healthcare information via non-downloadable webinars, webcasts, podcasts, reports, analyses and publications; consulting services related to pharmaceutical, medical and healthcare information.

(260) AM 2014 73437 A

(800) 1169073

(151) 2013 05 16

(731) DAVINES S.p.A.

Via Ravasini, 9/A, I-43100 PARMA, Italy

(540)

SUSTAINABLE BEAUTY

(591) Black, white

(511)

3 – Perfumes, soaps, shampoos, cosmetics, non-medicated toilet preparations; bleaching preparations (decolorants), dyes and cosmetic preparations, hair colorants; hair conditioners, hair lotions or hair styling products; deodorants; depilatory preparations; antiperspirants; non-medicated talcum powder for toilet purposes; sun-tanning preparations (cosmetics) sun care skin preparations, sun block preparations; non-medicated massage preparations; bath additives, bath oils or bath salts, not for medical purposes; shaving preparations; dentifrices; essential oils;

beauty masks, facial packs, nail care preparations, nail varnish; pumice stone, cotton sticks; cotton wool for non-medical purposes; tissues impregnated with cosmetic lotions; scented articles all for perfumery purposes, pot pourri, powder-impregnated paper for cosmetic use, abrasives for personal use; all the aforesaid goods included in this class.

41 – Education, providing of training, academies (education) in the field of hairdressing and cosmetics; arranging and conducting of cultural, entertainment and competitive shows and events in the field of hairdressing and cosmetics; arranging of exhibitions and shows for entertainment and educational purposes; arranging and conducting of congresses; organization of competitions; providing of recreation and entertainment services; services of a publishing house, excluding printing services and drafting of texts, other than advertising texts, which are intended to be published.

44 – Beauty salons and institutes, wellness centres, beauty centres, beauty treatment, hairdressing services, hairdressing salon services.

(260) AM 2014 73438 A

(800) 1169091

(151) 2013 05 23

(731) DAVINES S.p.A.

Via Ravasini, 9/A, I-43100 PARMA, Italy

(540)



(591) Black, white

(511)

3 – Perfumery, essential oils, cosmetics, hair lotions; shampoos; shampoos, conditioners; hair glossers; hair relaxing preparations; hair pomades; hair moisturisers; hair moisturising conditioners; hair styling preparations; lotions for hair care; hair wax; disciplining treatments for the hair; conditioning preparations for the hair; hair conditioning preparations; hair emollients; hair care gels; hair spray; gels for use on the hair; dyes (cosmetic -); hair colorants; coloring preparations for cosmetic purposes; hair dyes; bleaching preparations [decolorants] for cosmetic purposes; bleaching preparations for the hair; color-removing preparations; oils for toilet purposes; soaps; cakes of toilet soap; deodorants; deodorant soap; body moisturizers; skin care milks; nutritional creams (non-medicated); body moisturizers; body cream; body emulsions; cream masks for the body; body oil; body butter; body oil spray; talcum powder; body powders; facial cream; facial lotions; facial masks; beauty masks; facial packs for toilet purposes; facial moisturizers [cosmetic]; shaving gel; shave foam; shaving creams; after-shave lo-

tions; shaving preparations; cosmetic preparations; creams (cosmetic -); oils for cosmetic purposes; lotions for cosmetic purposes; pre-moistened cosmetic wipes; tissues impregnated with cosmetic lotions; skin conditioners; skin care (cosmetic preparations for -); massage oils, not medicated; massage creams, not medicated; make-up preparations; cosmetics suntanning preparations; sunscreen creams; non-medicated bath oils; bath powder; baths (cosmetic preparations for -); bath salts; depilatories; dentifrices; nail care preparations; perfumes; eau de toilette.

18 – Leather and imitations of leather, and goods made of these materials and not included in other classes; trunks and travelling bags; umbrellas and parasols; bags for sports clothing; cosmetic purses; souvenir bags; purses; purses; small bags; beach bags.

25 – Clothing, headgear.

(260) AM 2014 73443 A

(800) 1169094

(151) 2013 05 14

(731) Harburg-Freudenberger Maschinenbau GmbH
Asdorfer Str. 60, 57258 Freudenberg,
Germany

(540)

ASMACool

(591) Black, white

(511)

7 – Machinery for caoutchouc and rubber processing industry, particularly tire and automotive industry, machinery for mixing rubber, machinery for cutting rubber stripes and rubber plates, separators [machines], electromechanical machines for chemical industry, rolling mills [machines]; machine tools; engines (except motors for land vehicles); clutches and power transmission mechanisms (except such for land vehicles); machinery for processing of plastics except injection molding machines, machines for processing of elastomers, tire manufacturing machines, extruders (screw presses), machinery for extrusion of substances.

9 – Scientific, nautical, surveying, photographic, cinematographic, optical, weighing, measuring, signaling, controlling, rescuing and teaching apparatus and instruments, except position sensors and speed sensors; apparatus and instruments for conducting, switching, transforming, accumulating, regulating and controlling of electricity; electrical/electronic control systems for extrusion, electrical/electronic control systems for presses, electrical/electronic control systems for internal mixers, electric/electronic control systems for machinery for processing of elastomers; electric/electronic control systems for

rolling mills; data processing equipment and computers, compact discs, DV discs, CD-ROM, data storage medium with software; all the aforesaid goods not for use in injection molding machines.

(260) AM 2014 73444 A

(800) 1169122

(151) 2013 04 23

(731) Tovarystvo z obmezheniou vidpovidalnistiu "Naukovo-vyrobnyche pidpriemstvo "Ukrvermikulit"
Prorizna Str. 1, Vasylykiv Kyiv region 08606, Ukraine

(540)



(591) Black, white, red, wine red and grey

(511)

1 – Chemicals used in industry, science and photography, as well as in agriculture, horticulture and forestry; unprocessed artificial resins, unprocessed plastics; manures; fire extinguishing compositions; tempering and soldering preparations; chemical substances for preserving foodstuffs; tanning substances; adhesives used in industry.

17 – Rubber, gutta-percha, gum, asbestos, mica and goods made from these materials and not included in other classes; plastics in extruded form for use in manufacture; packing, stopping and insulating materials; flexible pipes, not of metal.

19 – Building materials (non-metallic); non-metallic rigid pipes for building; asphalt, pitch and bitumen; non-metallic transportable buildings; monuments, not of metal.

35 – Advertising; business management; business administration; office functions.

37 – Building construction; repair; installation services.

(260) AM 2014 73445 A

(800) 1169127

(151) 2013 04 30

(731) Obshchestvo s ogranichennoy otvetstvennostyu "Torgovyi dom "NIKA"
ul. Rechnikov, d. 17, korp.2, RU-115407 Moskva, Russian Federation

(540)



(591) Black, white

(511)

14 – Barrels [clock and watch making]; watch straps; alarm clocks; watch cases; clock cases; pendulums [clock and watch making]; movements for clocks and watches; clockworks; chronometrical instruments; watch springs; stopwatches; watch glasses; clock hands [clock and watch making]; cases for watches [presentation]; cases for clock- and watch-making; chronographs [watches]; watch chains; dials [clock and watch making]; atomic clocks; watches; sundials; clocks and watches, electric; control clocks [master clocks]; clocks; wristwatches.

35 – Import-export agencies; commercial information agencies; cost price analysis; computerized file management; demonstration of goods; marketing studies; business information; commercial information and advice for consumers [consumer advice shop]; marketing research; marketing; updating of advertising material; organization of exhibitions for commercial or advertising purposes; organization of trade fairs for commercial or advertising purposes; shop window dressing; payroll preparation; data search in computer files for others; sales promotion for others; compilation of information into computer databases; compilation of statistics; business inquiries; systemization of information into computer databases; commercial administration of the licensing of the goods and services of others; administrative processing of purchase orders; procurement services for others [purchasing goods and services for other businesses]; presentation of goods on communication media, for retail purposes.

(260) AM 2014 73446 A

(800) 1169133

(151) 2013 06 07

(731) Obshchestvo s ogranichennoy otvetstvennostyu "SOSTRA"
ul. Tsentralnaya, d. 21, der. Buzharovo, Istrinsky raion, RU-143514 Moskovskaya oblast, Russian Federation

(540)

SEN SOY

(591) Black, white

(511)

29 – Peanuts, processed; beans, preserved; soya beans, preserved, for food; ginger jam; peas, preserved; mushrooms, preserved; fruit jellies; fruit-based snack food; raisins; sauerkraut; vegetables, tinned

[canned (am.)]; fruits, tinned [canned (am.)]; gherkins; roasted laminaria; onions, preserved; piccalilli; vegetable oils; peanut butter; cocoa butter; coconut butter; almonds, ground; fruit pulp; vegetables, preserved; vegetables, dried; vegetables, cooked; potato fritters; olives, preserved; coconut, desiccated; nuts, prepared; tomato purée; jams; kimchi [fermented vegetable dish]; pollen prepared as foodstuff; cranberry sauce [compote]; apple purée; vegetable salads; fruit salads; tomato juice for cooking; vegetable juices for cooking; soups; vegetable soup preparations; tahini [sesame seed paste]; truffles, presserved; dates; crystallized fruits; frozen fruits; fruit, preserved; fruit preserved in alcohol; fruit, stewed; potato flakes; hummus [chickpea paste]; fruit peel; lentils, preserved; potato chips; fruit chips; seaweed extracts for food.

30 – Coffee, tea, cocoa and artificial coffee; rice; tapioca and sago; flour and preparations made from cereals; bread, pastry and confectionery; ices; sugar, honey, treacle; yeast, baking-powder; salt; mustard; vinegar, sauces (condiments); spices; ice; aromatic preparations for food; flavorings, other than essential oils; star aniseed; cookies; pancakes; buns; bread rolls; vanillin [vanilla substitute]; vanilla [flavoring] [flavouring]; waffles; vermicelli [noodles]; coffee flavorings [flavourings]; natural sweeteners; sausage binding materials; binding agents for ice cream [edible ices]; sea water for cooking; seaweed [condiment]; cloves [spice]; glucose for culinary purposes; thickening agents for cooking foodstuffs; artificial coffee; confectionery for decorating Christmas trees; fruit jellies [confectionery]; cakes; pastries; peanut confectionery; almond confectionery; pasta; pasties; frozen yoghurt [confectionery ices]; cocoa; capers; caramels [candy]; gruel, with a milk base, for food; quiches; gluten prepared as foodstuff; sweetmeats [candy]; liquorice [confectionery]; peppermint sweets; unroasted coffee; starch for food; crackers; groats for human food; corn, milled; corn, roasted; corn flour; meat pies; turmeric for food; couscous [semolina]; farinaceous foods; noodles; ice for refreshment; ice, natural or artificial; candy; rice cakes; maltose; marzipan; custard; royal jelly; muesli; mint for confectionery; cocoa beverages with milk; coffee beverages with milk; coffee-based beverages; tea-based beverages; chocolate beverages with milk; chocolate-based beverages; cocoa-based beverages; infusions, not medicinal; crushed oats; husked oats; nutmegs; lozenges [confectionery]; molasses for food; pepper; peppers [seasonings]; petits fours [cakes]; biscuits; pies; pizzas; meat gravies; fondants [confectionery]; popcorn; pralines; meat tenderizers, for household purposes; flour-milling products; oat-based food; propolis; gingerbread; puddings; cake powder; ravioli; chewing gum; spring rolls; aniseed; cake paste; confectionery; malt for human consump-

tion; salt for preserving foodstuffs; cooking salt; celery salt; sauces [condiments]; spaghetti; seasonings; preparations for stiffening whipped cream; rusks; breadcrumbs; sushi; sandwiches; yeast extracts for food; tabbouleh; tacos; almond paste; tortillas; fruit cakes; candy decorations for cakes; ferments for pastes; halvah; bread; unleavened bread; chips [cereal products]; chicory [coffee substitute]; iced tea; chocolate; malt extract for food; essences for foodstuffs, except etheric essences and essential oils.

31 – Oranges; peanuts, fresh; beans, fresh; grapes, fresh; algae for human or animal consumption; fruit residue [marc]; peas, fresh; mushrooms, fresh; cereal seeds, unprocessed; grains [cereals]; cocoa beans, raw; potatoes, fresh; chestnuts, fresh; copra; chicory roots; roots for food; maize; sesame; lemons, fresh; onions, fresh vegetables; leeks, fresh; olives, fresh; almonds [fruits]; oats; vegetables, fresh; cucumbers, fresh; nuts [fruits]; coconuts; cola nuts; bran; peppers [plants]; fruit, fresh; wheat; pollen [raw material]; rhubarb; rice, unprocessed; rye; lettuce, fresh; beet; grains [seeds]; coconut shell; garden herbs, fresh; sugarcane; truffles, fresh; marrows; hazelnuts; cattle food; hops; chicory [salad]; lentils, fresh; berries, fresh fruits; juniper berries; barley.

(260) AM 2014 73447 A
 (800) 1169151
 (151) 2013 06 03
 (731) ERIELL HOLDING COMPANY LIMITED
 1, Lampousas Street, CY-1095 Nicosia,
 Cyprus
 (540)



(591) Blue, yellow and white
 (511)

16 – Calendars; catalogues; pencils; conical paper bags; printed matter; office requisites, except furniture.

37 – Drilling of wells; drilling of deep oil or gaswells; drilling and oil pumping out; building construction supervision; pipeline construction and maintenance; factory construction; machinery repair and maintenance.

39 – Transportation logistics; transportation information; storage information; air transport; hauling.

40 – Processing of oil.

42 – Oil-field surveys; geological surveys; engineering; analysis for oil-field exploitation; geological research; oil-well testing; oil prospecting.

(260) AM 2014 73449 A

(800) 1169165

(151) 2013 06 25

(731) Passi AG

Neue Industriestrasse 10, CH-4852 Rothrist,
Switzerland

(540)



(591) Black, white

(511)

32 – Mineral and aerated waters and other non-alcoholic beverages; fruit beverages and fruit juices; syrups and other preparations for making beverages.

(260) AM 2014 73452 A

(800) 1169176

(151) 2013 07 03

(731) CooperVision International Holding
Company

LP; Suite #2, Edgill House, Wildey Business
Park, St. Michael, Barbados

(540)

MYDAY

(591) Black, white

(511)

9 – Contact lenses; ocular lenses; ophthalmic lenses; spectacles; frames; lenses and lens blanks; contact lens containers and carrying cases; parts and fittings for all the aforesaid goods.

(260) AM 2014 73453 A

(800) 1169177

(151) 2013 07 04

(731) Reemtsma Cigarettenfabriken GmbH

Max-Born-Strasse 4, 22761 Hamburg,
Germany

(540)

TIME OUT

(591) Black, white

(511)

34 – Tobacco, whether manufactured or unmanufactured; tobacco products; cigarettes; cigars; tobacco

substitutes, none being for medicinal or curative purposes; matches and smokers' articles.

(260) AM 2014 73454 A

(800) 1169181

(151) 2013 07 04

(731) Henkel AG & Co. KGaA

Henkelstr. 67, 40589 Düsseldorf, Germany

(540)

OLEO MIRACLE

(591) Black, white

(511)

3 – Hair lotions; preparations for conditioning, cleaning, tinting, dyeing, bleaching, fixing, shaping and waving hair.

(260) AM 2014 73455 A

(800) 1169185

(151) 2013 05 13

(731) Dr. THEISS Naturwaren GmbH

Michelinstr. 10, 66424 Homburg,
Germany

(540)



(591) Blue and grey

(511)

3 – Cosmetics; dentifrices; dental bleaching gels; preparations for cleaning dentures; mouth and teet-
hridge washes, not for medical purposes.

5 – Pharmaceutical preparations; mouth and teeth-
ridge washes for medical purposes; mouthwashes for
medical purposes; chewing gum for medical purpo-
ses.

21 – Toothbrushes, electric toothbrushes; interdental
brushes; floss for dental purposes, also in a holder;
toothpicks.

(260) AM 2014 73456 A

(800) 1169188

(151) 2013 03 07

(731) Zentiva Group, a.s.

U Kabelovny 130, CZ-102 37 Praha

10 – Dolní Měcholupy, Czech Republic

(540)

APAVO

(591) Black, white

(511)

5 – Medicines, pharmaceutical preparations for hu-
man use.

(260) AM 2014 73457 A
 (800) 1169189
 (151) 2013 03 17
 (731) Zentiva Group, a.s.
 U Kabelovny 130, CZ-102 37 Praha
 10 – Dolní Měcholupy, Czech Republic
 (540)

GABALIN

(591) Black, white
 (511)
 5 – Medicines, pharmaceutical preparations for human use.

(260) AM 2014 73458 A
 (800) 1169201
 (151) 2013 05 13
 (731) Vifor SA
 Route de Moncor 10, CH-1752 Villars-sur-Glâne, Switzerland
 (540)

Algifor-L

(591) Black, white
 (511)
 5 – Pharmaceutical products.

(260) AM 2014 73459 A
 (800) 1169228
 (151) 2013 02 04
 (731) Actavis Group PTC ehf
 Reykjavikurvegi 76-78, IS-220 Hafnarfjörður, Iceland
 (540)



(591) Green and blue
 (511)
 3 – Soaps; perfumery; essential oils; cosmetics; cosmetic preparations for skin care, cosmetic preparations for body care, cosmetic preparations for bath and shower, cosmetic creams, lotions, ointments, gels, skin fresheners, toners, cleaners and peels for skin care, cosmetic preparations for the hair and scalp; moisturizing preparations for the skin; non-medicated skin care preparations; skin care creams; lotions, ointments, gels, skin fresheners, toners, cleaners and peels, hair shampoos, hair lotions, and hair conditioners; dentifrices; non-medicated dental rinses, mouth rinses and mouth washes; dentifrices in the form of chewing gum, non-medicated dental lozenges and tablets, breath fresheners, dentifrices in the form of mouth sprays, cosmetic preparations for the care of mouth and teeth.

5 – Pharmaceutical and veterinary preparations, sanitary preparations for medical purposes; dietetic food and substances adapted for medical or veterinary use, food for babies; dietary supplements for humans and animals; plasters, materials for dressings; dental wax, medicated dental rinses, mouth rinses and mouth washes, medicated chewing gum, medicated dental lozenges and tablets; medicated preparations for the care of mouth and teeth; diagnostic test kits for home use; pregnancy test kits for home use; ovulation test kits for home use, in-vitro ovulation prediction test kits for home use; diagnostic test kits for home use for detecting urinary tract infections; diagnostic test kits for home use for detecting menopause; diagnostic test kits for detecting vagina pH balances and diagnostic test kits for detecting sexually transmitted diseases.

(260) AM 2014 73460 A
 (800) 1169319
 (151) 2013 03 07
 (731) Zentiva Group, a.s.
 U Kabelovny 130, CZ-102 37 Praha
 10 – Dolní Měcholupy, Czech Republic
 (540)

PAREXOL

(591) Black, white
 (511)
 5 – Medicines, pharmaceutical preparations for human use.

(260) AM 2014 73461 A
 (800) 1169244
 (151) 2013 06 14
 (731) August Storck KG
 Waldstrasse 27, D-13403 Berlin, Germany
 (540)



(591) Blue, white and grey
 (511)
 30 – Confectionery, chocolate, chocolate products, pastries, ice-cream, preparations for making the aforementioned products, included in this class.

(260) AM 2014 73462 A
 (800) 1169288
 (151) 2013 03 20
 (731) EAE ELEKTRİK ASANSÖR ENDÜSTRİSİ
 İNŞAAT SANAYİ VE TİCARET ANONİM

ŞİRKETİ

Akçaburgaz Mah. 119. Sk. No.10
ESENYURT-ISTANBUL, Turkey

(540)



(591) Blue, yellow, green

(511)

11 – Apparatus, for lighting, heating, steam generating, cooking, refrigerating, drying, ventilating, water supply and sanitary purposes; lighting installations, lighting apparatus for vehicles, interior and exterior lights; lamps, light bulbs, projector lamps, lanterns, chandeliers, lamp glasses, lamp mantles, lamps for directional signals and parking lights of vehicles (bulbs), headlights, stop lights, light bulbs for signals and park lights, vehicle reflectors, reflector lamps; devices for heating and vapor producing installations, stoves (heating apparatus), boilers for central heating and natural gas installations, gas boilers, burners, heaters, heaters for baths, radiators, heat pumps, electric water boilers, solar collectors and devices (heating), heating apparatus for solid, liquid or gaseous fuels, cookers; air-conditioning installations and apparatus, fans (air-conditioning), ventilators, air-conditioning apparatus including for vehicles; air sterilisers and purifying devices, installations and their parts and accessories for residences; refrigerators, deep freezers, ice boxes, ice machines and devices; electric and gas operated apparatus, machines and equipment used in cooking and boiling, namely, toasters, bread toasters, deep fryers, grills, ovens, stoves, electric popcorn poppers, autoclaves, coffee and tea machines, water boilers (kettles) and their parts; clothes drying machines (electric, for household purposes), electric hair dryers, hand drying apparatus for washrooms; bath tubs, bidets, bath installations, shower enclosures, urinals (sanitary fixtures) water closets, toilets, portable; lavatories, sinks, taps (faucets) for water and gas installations, hand-held shower heads, flexible pipes being parts of shower plumbing installations; thermostatic valves as parts of heating installations, level controlling valves in tanks, regulating accessories for water or gas apparatus, whirlpool-jet apparatus; automatic watering installations, water-pipes for sanitary installations, watering machines for agricultural purposes; water softening apparatus and installations, water purifying apparatus and machines, water purification installations, incinerators, water purifiers; bedwarmers and blankets, electric, not for medical purposes; electric heating pads and cushions, not for medical purposes; electric footwarmers; footmuffs, electrically heated; hot water bottles; aquarium filters, filtration apparatus incorporating a motor device; aquarium heaters and lights; industrial type furnaces; industrial type dryer installations; industrial type cooling installa-

tions, cooling towers, air cooling apparatus; pasteurisers and sterilizers.

(260) AM 2014 73465 A

(800) 1169297

(151) 2012 09 20

(731) RYF AVRUPA TEKSTİL ÖZEL EĞİTİM
ÖĞRETİM HİZMETLERİ SANAYİ
TİCARET VE PAZARLAMA LİMİTED
ŞİRKETİAhmet Nazıf Zorlu Sanayi Sitesi 7154, Sokak
No.7 Denizli, Turkey

(540)



(591) Red, black, white, grey and yellow

(511)

24 – Non-woven fabrics; woven fabrics; household linen; cloth pennants; handkerchiefs; fabric flags.

25 – Clothing, footwear, headgear.

35 – Advertising, marketing and publicity services; organization of exhibitions and trade fairs for commercial or advertising purposes; office functions; advisory services for business management; business accounts management; import-export agencies; efficiency experts; auction and reverse auction services; the bringing together, for the benefit of others, of a variety of goods (excluding the transport thereof), enabling customers to conveniently view and purchase "fabrics for textile use, knitted fabric, elastic fabrics for clothing, woven and non-woven textile fabrics for use in the manufacture of clothing, towels, table linen, bed linen, household linen; fiberglass fabrics for textile use; fabric impervious to gases for aeronautical balloons; waterproof fabrics, namely, waterproof fabric for manufacturing clothing, furniture and automobile upholstery, and luggage, gummed waterproof cloth; fabric of imitation animal skins, textile linings, namely, linen lining fabric for shoes, textile linings for garments, textile used as lining for clothing; buckram; filtering materials of textile, namely, chemical fiber fabrics, synthetic fiber fabrics, inorganic fiber mixed fabrics all for use in filtering liquids and powders; curtains of textile; shower curtains of textile; oilcloth for use as table cloths; bed covers, namely, bed blankets, bed sheets, bedspreads, bed linen, diapered linen, pillowcases, quilt covers; furniture coverings of textile, namely, unfitted fabric furniture covers; upholstery fabrics; table napkins of textile; bed covers of paper, bundles of textile, namely, quilts of textile, tapestries of textile; washing mitts; bath linen; flannel; hand towels; face towels of textile; bathing

towels, namely, bath towels; handkerchiefs of textile; banners of textile, namely, cloth banners; flags not of paper, namely, cloth flags, fabric flags; cloth labels; traveling rugs, namely, lap rugs, lace table mats, not made of paper; numerals or letters for marking linen, embroidered emblems, shoulder pads for clothing, buttons for clothing, clasps for clothing, eyelets (haberdashery), zip fasteners, belt buckles for clothing, shoe buckles, rivet buttons, heat adhesive patches for decoration of textile articles (haberdashery), heat adhesive patches for repairing textile articles, blouse fasteners, shoulder pads for clothing, pins and needles, sewing needles, sewing machine needles, crochet hooks, knitting needles, boxes for needles, needle cases, artificial flowers, artificial flower arrangements, artificial wreaths, artificial fruit, hair nets, hair bands, hair buckles, hair curlers, electric, other than hand implements, hair curl clips, false hair, wigs, hair extensions, false mustaches, false beards; lace and embroidery, fabric appliqués, frills (lacework), festoons (embroidery), narrow-woven fabrics, textile ribbons, cords for clothing; clothing, namely, trousers, jackets, overcoats, coats, skirts, suits, jerseys, waistcoats, shirts, T-shirts, sweatshirts, dresses, Bermuda shorts, shorts, pajamas, pullovers, jeans, tracksuits, rainwear, beachwear, bathing suits, swimming suits; clothing for sports (for exclusive use for sports), clothing for babies, namely, shirts, pants, coats, dresses; underclothing, namely, boxer shorts, brassieres, briefs, pants, socks; footwear, namely shoes excluding orthopedic shoes, sandals, waterproof boots, walking boots, bootees, sporting shoes, slippers; shoe parts namely heelpieces, insoles for footwear, footwear uppers; headgear, namely caps, skull caps, sports caps, hats, berets; gloves (clothing), stockings, belts (clothing), camisoles, sarongs, scarves, neck scarves, shawls, collars, neckties, ties, suspender belts" from wholesale outlets, retail outlets and from a general merchandise catalogue by mail order or by means of telecommunications.

(260) AM 2014 73466 A

(800) 1169359

(151) 2013 05 21

(731) Bayer Intellectual Property GmbH
Alfred-Nobel-Straße 10, 40789 Monheim am
Rhein, Germany

(540)



(591) Grey/silver and orange/red

(511)

5 – Pharmaceutical preparations for the treatment of pulmonary hypertension and cardiovascular diseases.

(260) AM 2014 73467 A

(800) 1169360

(151) 2013 04 30

(731) ARSAN KIMYA SANAYI VE TICARET
ANONIM SİRKETİ

Beylikdüzü Organize, Sanayi Bölgesi, Bakır
Prinç Sanayi Sitesi, Karanfil Caddesi No.3,
Beylikdüzü – İstanbul, Turkey

(540)



(591) Blue, light blue, purple

(511)

3 – Bleaching preparations and other substances for laundry use; cleaning, polishing, scouring and abrasive preparations; soaps; perfumery, essential oils, cosmetics, hair lotions; dentifrices.

5 – Pharmaceutical and veterinary preparations; sanitary preparations for medical purposes; dietetic food and substances adapted for medical or veterinary use, food for babies; dietary supplements for humans and animals; plasters, materials for dressings; material for stopping teeth, dental wax; disinfectants; preparations for destroying vermin; fungicides, herbicides.

21 – Household or kitchen utensils and containers; combs and sponges; brushes (except paint brushes); brush-making materials; articles for cleaning purposes; steelwool; unworked or semi-worked glass (except glass used in building); glassware, porcelain and earthenware not included in other classes.

(260) AM 2014 73468 A

(800) 1169392

(151) 2013 06 13

(731) DERNEK GRUP ELEKTRİK ELEKTRONİK
DIŞ TİCARET VE SANAYİ LİMİTED
ŞİRKETİ

Kartaltepe Mahallesi, Teyyareci Nurettin
Sokak, Funda Apartmanı, No.2 Daire:9,
Bakırkoy-İstanbul, Turkey

(540)

Dernek

(591) Black, white

(511)

1 – Chemicals used in industry, science and photography, as well as in agriculture, horticulture and forestry; unprocessed artificial resins, unprocessed plastics; manures; fire extinguishing compositions; tempering and soldering preparations; chemical substances for preserving foodstuffs; tanning substances; adhesives used in industry; Acetate of cellulose, unprocessed; acetates [chemicals]; acetic anhydride; acetone; acetylene; acetylene tetrachloride; acid proof chemical compositions; acids; acidulated water for recharging accumulators; acrylic resins, unprocessed; actinium; activated carbons; additives, chemical, to drilling muds; additives, chemical, to fungicides; additives, chemical, to insecticides; additives, chemical, to motor fuel; adhesive preparations for surgical bandages; adhesives for billposting; adhesives for wallpaper; adhesives for wall tiles; agar-agar; agglutinants for concrete; agricultural chemicals, except fungicides, weedkillers, herbicides, insecticides and parasiticides; albumin [animal or vegetable, raw material]; albuminized paper; alcohol; aldehydes; alginates for industrial purposes; alginates for the food industry; alkalies; alkaline-earth metals; alkaline iodides for industrial purposes; alkaline metals; alkaloids; alum; alumina; aluminium acetate; aluminium alum; aluminium chloride; aluminium hydrate; aluminium iodide; aluminium silicate; americium; ammonia; ammonia alum; ammoniacal salts; ammonia [volatile alkali] for industrial purposes; ammonium aldehyde; ammonium salts; amyl acetate; amyl alcohol; anhydrides; anhydrous ammonia; animal albumen [raw material]; animal carbon; animal carbon preparations; animal charcoal; anti-boil preparations for engine coolants; antifreeze; anti-frothing solutions for accumulators; anti-incrustants; anti-knock substances for internal combustion engines; antimony; antimony oxide; antimony sulphide; anti-sprouting preparations for vegetables; antistatic preparations, other than for household purposes; anti-tarnishing chemicals for windows; antranilic acid; argon; arsenic; arsenious acid; artificial sweeteners [chemical preparations]; astatine; auxiliary fluids for use with abrasives; bacterial preparations other than for medical and veterinary use; bacteriological preparations for acetification; bacteriological preparations other than for medical and veterinary use; balm of gurjun [gurjon, gurjan] for making varnish; barium; barium compounds; barium sulphate; baryta; baryta paper; barytes; bases [chemical preparations]; basic gallate of bismuth; bate for dressing skins; bauxite; beer-clarifying and preserving agents; beer preserving agents; bentonite; benzene-based acids; benzene derivatives; benzoic acid; benzoic sulphinide; berkelium; bicarbonate of soda for chemical purposes; bichloride of tin; bichromate of potassium; bichromate of soda; biochemical catalysts; biological preparations, other than for medical or veterinary purposes; biological tissue

cultures other than for medical or veterinary purposes; birdlime; bismuth; bismuth nitrite for chemical purposes; bleaching preparations [decolorants] for industrial purposes; blood charcoal; blueprint cloth; blueprint paper; bone charcoal; borax; boric acid for industrial purposes; brake fluid; brazing fluxes; brazing preparations; brickwork preservatives, except paints and oils; bromine for chemical purposes; by-products of the processing of cereals for industrial purposes; caesium; calcined soda; calcium carbide; calcium cyanamide [fertilizer]; calcium salts; californium; camphor, for industrial purposes; carbide; carbolineum for the protection of plants; carbon; carbonates; carbon black for industrial purposes; carbon for filters; carbonic acid; carbonic hydrates; carbon sulphide; carbon tetrachloride; casein for industrial purposes; casein for the food industry; catalysts; catechu; caustic alkali; caustics for industrial purposes; caustic soda for industrial purposes; cellulose; cellulose derivatives [chemicals]; cellulose esters for industrial purposes; cellulose ethers for industrial purposes; cement for footwear; cement for mending broken articles; cement for pneumatic tires [tyres]; cement [metallurgy]; cement preservatives, except paints and oils; cement-waterproofing preparations, except paints; ceramic compositions for sintering [granules and powders]; ceramic glazings; ceramic materials in particulate form, for use as filtering media; cerium; chemical additives for oils; chemical condensation preparations; chemical intensifiers for paper; chemical intensifiers for rubber; chemical preparations, except pigments, for the manufacture of enamel; chemical preparations for facilitating the alloying of metals; chemical preparations for protection against wheat blight [smut]; chemical preparations for scientific purposes, other than for medical or veterinary use; chemical preparations for smoking meat; chemical preparations for the manufacture of paints; chemical preparations for use in photography; chemical preparations to prevent mildew; chemical reagents, other than for medical or veterinary purposes; chemicals for forestry, except fungicides, herbicides, insecticides and parasiticides; chemical substances for analyses in laboratories, other than for medical or veterinary purposes; chimney cleaners, chemical; chlorates; chlorides; chlorine; cholic acid; chromates; chrome alum; chrome salts; chromic acid; chromic salts; chromium oxide; cinematographic films, sensitized but not exposed; citric acid for industrial purposes; cobalt oxide for industrial purposes; collodion; color- [colour-] brightening chemicals for industrial purposes; combusting preparations [chemical additives to motor fuel]; compositions for repairing inner tubes of tires [tyres]; compositions for repairing tires [tyres]; compositions for the manufacture of phonograph records; compositions for the manufacture of technical ceramics; compositions for threading; compost; concrete-aeration

chemicals; concrete preservatives, except paints and oils; condensation-preventing chemicals; coolants for vehicle engines; corrosive preparations; cream of tartar for chemical purposes; cream of tartar for industrial purposes; cream of tartar for the food industry; creosote for chemical purposes; crotonic aldehyde; cryogenic preparations; cultures of micro-organisms other than for medical and veterinary use; curium; currying preparations for leather; currying preparations for skins; cyanides [prussiates]; cy-mene; damp proofing preparations, except paints, for masonry; defoliant; degreasing preparations for use in manufacturing processes; degumming preparations; dehydrating preparations for industrial purposes; detergent additives to gasoline [petrol]; detergents for use in manufacturing processes; dextrin size; diagnostic preparations, other than for medical or veterinary purposes; diastase for industrial purposes; diatomaceous earth; diazo paper; disincrustants; dispersions of plastics; distilled water; dolomite for industrial purposes; drilling muds; dry ice [carbon dioxide]; dysprosium; earth for growing; electrophoresis gels, other than for medical or veterinary purposes; emollients for industrial purposes; emulsifiers; enamel and glass-staining-chemicals; enamel-staining chemicals; engine-decarbonising chemicals; enzyme preparations for industrial purposes; enzyme preparations for the food industry; enzymes for industrial purposes; enzymes for the food industry; epoxy resins, unprocessed; erbium; esters; ethane; ethers; ethyl alcohol; ethyl ether; europium; expanded clay for hydroponic plant growing [substrate]; fat-bleaching chemicals; fatty acids; ferments for chemical purposes; fermium; ferrocyanides; ferrotype plates [photography]; fertilizers; fertilizing preparations; fillers for automobile bodies; filtering materials [chemical preparations]; filtering materials [mineral substances]; filtering materials [unprocessed plastics]; filtering materials [vegetable substances]; filtering preparations for the beverages industry; finishing preparations for use in the manufacture of steel; fireproofing preparations; fish meal fertilizers; fissionable chemical elements; fissionable material for nuclear energy; fixing baths [photography]; fixing solutions [photography]; flashlight preparations; flocculants; flour for industrial purposes; flower preservatives; flowers of sulphur for chemical purposes; fluids for hydraulic circuits; fluorine; fluorspar compounds; formic acid; formic aldehyde for chemical purposes; foundry binding substances; foundry molding [moulding] preparations; foundry sand; francium; fuel-saving preparations; fuel for atomic piles; fuller's earth for use in textile industry; fulling preparations; fulling preparations for use in textile industry; gadolinium; gallic acid for the manufacture of ink; gallium; gallnuts; gallocinnic acid; galvanizing baths; galvanizing preparations; gambier; gas propellents for aerosols; gas purifying preparations; gelatine for industrial

purposes; gelatine for photographic purposes; genes of seeds for agricultural production; getters [chemically active substances]; glass-frosting chemicals; glass-staining chemicals; glaziers' putty; glucose for industrial purposes; glucose for the food industry; glucosides; glue for industrial purposes; gluten for industrial purposes; gluten for the food industry; gluten [glue], other than for stationery or household purposes; glutinous tree-grafting preparations; glycerides; glycerine for industrial purposes; glycol; glycol ether; gold salts; grafting mastic for trees; grafting wax for trees; graphite for industrial purposes; guano; gum arabic for industrial purposes; gums [adhesives], other than for stationery or household purposes; heavy water; helium; holmium; hormones for hastening the ripening of fruit; horticulture chemicals, except fungicides, herbicides, insecticides and parasiticides; humus; humus top dressing; hydrates; hydrazine; hydrochlorates; hydrochloric acid; hydrofluoric acid; hydrogen; hydrogen peroxide; hypochlorite of soda; hyposulphites; industrial chemicals; iodic acid; iodine for chemical purposes; iodine for industrial purposes; iodised albumen; iodised salts; ion exchangers [chemical preparations]; iron salts; isinglass other than for stationery, household or alimentary purposes; isotopes for industrial purposes; kainite; kaolin; ketones; kieselgur; krypton; lactic acid; lactose for industrial purposes; lactose for the food industry; lactose [raw material]; lamp black for industrial purposes; lanthanum; lead acetate; lead arsenate; lead oxide; leather-dressing chemicals; leather glues; leather-impregnating chemicals; leather-renovating chemicals; leather-waterproofing chemicals; lecithin for industrial purposes; lecithin for the food industry; lecithin [raw material]; lime acetate; lime carbonate; lime chloride; limestone hardening substances; liquids for removing sulphates from accumulators; lithia [lithium oxide]; lithium; litmus paper; loam; lutetium [cassiopium]; magnesite; magnesium carbonate; magnesium chloride; magnetic fluid for industrial purposes; malt albumen; manganate; manganese dioxide; mangrove bark for industrial purposes; masonry preservatives, except paints and oils; mastic for leather; meat tenderizers for industrial purposes; mercuric oxide; mercury; mercury salts; metal annealing preparations; metal earths; metal hardening preparations; metalloids; methane; methyl benzene; methyl benzol; methyl ether; milk ferments for chemical purposes; milk ferments for industrial purposes; milk ferments for the food industry; mineral acids; moderating materials for nuclear reactors; moistening [wetting] preparations for use in bleaching; moistening [wetting] preparations for use in dyeing; moistening [wetting] preparations for use in the textile industry; mold-release preparations; mordants for metals; must-fining preparations; naphthalene; neodymium; neon; neptunium; nitrate of uranium; nitrate paper; nitrates; nitric acid; ni-

trogen; nitrogenous fertilisers; nitrous oxide; oenological bactericides [chemical preparations used in wine making]; oil-bleaching chemicals; oil cement [putty]; oil dispersants; oil-purifying chemicals; oil-separating chemicals; oils for currying leather; oils for preparing leather in the course of manufacture; oils for tanning leather; oils for the preservation of food; oleic acid; olivine [chemical preparations]; opacifiers for enamel; opacifiers for enamel or glass; opacifiers for glass; organic-bleaching chemicals; oxalates; oxalic acid; oxygen; palladious chlorides; paper pulp; peat [fertiliser]; peat pots for horticulture; pectin for industrial purposes; pectin for the food industry; pectin [photography]; perborate of soda; percarbonates; perchlorates; persulphates; persulphuric acid; petroleum dispersants; phenol for industrial purposes; phosphates [fertilisers]; phosphatides; phosphoric acid; phosphorus; photographic developers; photographic emulsions; photographic paper; photographic sensitizers; photometric paper; photosensitive plates; picric acid; plant growth regulating preparations; plasticizers; plastisols; Plutonium; polish removing substances; polonium; potash; potash water; potassium; potassium dioxalate; potato flour for industrial purposes; power steering fluid; praseodymium; preparations for preventing the tarnishing of glass; preparations for preventing the tarnishing of lenses; preparations for stimulating cooking for industrial purposes; preparations for the separation of greases; preparations of the distillation of wood alcohol; preparations of trace elements for plants; preservatives for pharmaceutical preparations; preservatives for tiles, except paints and oils; promethium; protactinium; protective gases for welding; protein [raw material]; purification preparations; pyrogalllic acid; quebracho for industrial purposes; radiator flushing chemicals; radioactive elements for scientific purposes; radium for scientific purposes; refrigerants; radon; rare earths; reagent paper, other than for medical or veterinary purposes; reducing agents for use in photography; renovating preparations for phonograph records; rhenium; rock salt; rubber preservatives; rubidium; saccharin; sal ammoniac; sal ammoniac spirits; salicylic acid; salt for preserving, other than for food-stuffs; saltpeter; salt, raw; salts [chemical preparations]; salts [fertilisers]; salts for coloring [coloring] metal; salts for galvanic cells; salts for Industrial purposes; salts from rare earth metals; salts of alkaline metals; salts of precious metals for Industrial purposes; samarium; sauce for preparing tobacco; scale removing preparations, other than for household purposes; scandium; sea water for industrial purposes; seaweeds [fertilizers]; sebacic acid; seed preserving substances; selenium; self-toning paper [photography]; sensitized cloth for photography; sensitized films, unexposed; sensitized paper; sensitized photographic plates; sensitized plates for offset printing; separating and unsticking

[ungluing] preparations; silicates; silicon; silicones; silver nitrate; silver salt solutions for silvering; size for finishing and priming; sizing preparations; slag [fertilisers]; soap [metallic] for industrial purposes; soda ash; sodium; sodium salts [chemical preparations]; soil conditioning preparations; soldering fluxes; solidified gases for industrial purposes; solutions for cyanotyping; solvents for varnishes; soot for industrial or agricultural purposes; sorrel salt; spinel [chemical preparations]; spirits of vinegar [dilute acetic acid]; stain-preventing chemicals for use on fabrics; starch for industrial purposes; starch-liquifying chemicals [ungluing agents]; starch paste [adhesive], other than for stationery or household purposes; starch size [chemical preparations]; stearic acid; stem cells other than for medical or veterinary purposes; strontium; substances for preventing runs in stockings; substrates for soil-free growing [agriculture]; sulphates; sulphides; sulphonic acids; sulphur; sulphuric acid; sulphuric ether; sulphurous acid; sumac for use in tanning; superphosphates [fertilisers]; surface-active chemical agents; synthetic materials for absorbing oil; synthetic resins, unprocessed; talc [magnesium silicate]; tan; tannic acid; tannin; tan-wood; tapioca flour for industrial purposes; tartaric acid; tartar other than for pharmaceutical purposes; technetium; tellurium; terbium; test paper, chemical; tetrachlorides; textile-brightening chemicals; textile-impregnating chemicals; textile-waterproofing chemicals; thallium; thiocarbonyl; thorium; thulium; titanite; titanium dioxide for industrial purposes; toluene; toning baths [photography]; toning salts [photography]; toxic gas neutralizers; tragacanth gum for use in manufactures; transmission fluid; tree cavity fillers [forestry]; tungstic acid; uranium; uranium oxide; vine disease preventing chemicals; vinic alcohol; viscose; vitriol; vulcanisation accelerators; vulcanising preparations; wallpaper removing preparations; water glass [soluble glass]; water purifying chemicals; water-softening preparations; wax-bleaching chemicals; welding chemicals; wine finings; witherite; wood alcohol; wood pulp; wood vinegar [pyroigneous acid]; xenon; X-ray films, sensitized but not exposed; ytterbium; zirconia; yttrium.

2 – Paints, varnishes, lacquers; preservatives against rust and against deterioration of wood; colorants; mordants; raw natural resins; metals in foil and powder form for painters, decorators, printers and artists; alizarine dyes; aluminium paints; aluminium powder for painting; aniline dyes; annatto [dyestuff]; anti-corrosive bands; anti-corrosive preparations; anti-fouling paints; anti-rust greases; anti-rust oils; anti-rust preparations for preservation; anti-tarnishing preparations for metals; asbestos paints; auramine; bactericidal paints; badigeon; binding preparations for paints; bitumen varnish; black japan; bronze powder; bronzing lacquers; Canada balsam; caramel [food colorant]; carbon black [pigment];

carbonyl [wood preservative]; ceramic paints; coatings for roofing felt [paints]; coatings [paints]; cobalt oxide [colorant]; cochineal carmine; colophony; colorants for beer; colorants for beverages; colorants for liqueurs; colorants for butter; copal; copal varnish; creosote for wood preservation; distempers; dyes; dyewood; dyewood extracts; enamels for painting; enamels [varnishes]; engraving ink; fireproof paints; fixatives for watercolors [watercolours]; fixatives [varnishes]; food dyes; gamboge for painting; gildings; glazes [paints, lacquers]; gum-lac; gum resins; indigo [colorant]; ink for leather; ink for skin-dressing; lamp black [pigment]; lime wash; litharge; malt caramel [food colorant]; malt colorants; marking ink for animals; mastic [natural resin]; minium; mordants for leather; oils for the preservation of wood; paper for dyeing Easter eggs; pigments; primers; printers' pastes [ink]; printing ink; protective preparations for metals; saffron [colorant]; sandarac; shoe dyes; siccatives [drying agents] for paints; Sienna earth; silver emulsions [pigments]; silver foil [leaf]; silvering powders; silver paste; soot [colorant]; sumac for varnishes; thickeners for paints; thinners for lacquers; thinners for paints; titanium dioxide [pigment]; toner cartridges, filled, for printers and photocopiers; toners [ink] for photocopiers; turmeric [colorant]; turpentine [thinner for paints]; undercoating for vehicle chassis; white lead; whites [colorants or paints]; whitewash; wood coatings [paints]; wood mordants; wood preservatives; wood stains; yellowwood [colorant]; zinc oxide [pigment].

6 – Common metals and their alloys; metal building materials; transportable buildings of metal; materials of metal for railway tracks; non-electric cables and wires of common metal; ironmongery, small items of metal hardware; pipes and tubes of metal; safes; goods of common metal not included in other classes; ores; advertisement columns of metal; aluminium; aluminium foil; aluminium wire; anchor plates; anchors; angle irons; anti-friction metal; anvils; anvils [portable]; armour plate; armour plating; aviaries of metal [structures]; badges of metal for vehicles; balls of steel; barbed wire; barrel hoops of metal; barrels of metal; bars for metal railings; baskets of metal; beacons of metal, non-luminous; beak-irons [bick-irons]; bed casters of metal; bells; bells for animals; belt stretchers of metal; beryllium [glucinium]; bicycle parking installations of metal; binding screws of metal for cables; bindings of metal; binding thread of metal for agricultural purposes; bird baths [structures of metal]; blooms [metallurgy]; bolts, flat; bolts of metal; booths of metal for spraying paint; bottle caps of metal; bottle closures of metal; bottles [metal containers] for compressed gas or liquid air; boxes of common metal; box fasteners of metal; braces of metal for handling loads; brackets of metal for building; branching pipes of metal; brass, unwrought or semi-wrought;

brazing alloys; bronze; bronzes [works of art]; broom handles of metal; buckles of common metal [hardware]; building materials of metal; building or furniture fittings of nickel-silver; building panels of metal; buildings of metal; bungs of metal; busts of common metal; cabanas of metal; cable joints of metal, non-electric; cadmium; casement windows of metal; cashboxes of metal; casings of metal for oilwells; casks of metal; cask stands of metal; cast iron, unwrought or semi-wrought; cast steel; cattle chains; ceilings of metal; cermets; chains of metal; chests of metal; chests of metal for food; chicken-houses, of metal; chill-molds [foundry]; chimney cowls of metal; chimney pots of metal; chimney shafts of metal; chimneys of metal; chrome iron; chrome ores; chromium; clips of metal for cables and pipes; closures of metal for containers; clothes hooks of metal; cobalt, raw; collars of metal for fastening pipes; common metals, semi-wrought; containers of metal for compressed gas or liquid air; containers of metal for liquid fuel; containers of metal for storing acids; containers of metal [storage, transport]; copper rings; copper, unwrought or semi-wrought; copper wire, not insulated; cornices of metal; cotter pins of metal; couplings of metal for chains; crampons [climbing irons]; crampons of metal [cramps]; crash barriers of metal for roads; diving boards of metal; door bells of metal, non-electric; door bolts of metal; door closers, non-electric; door fittings, of metal; door frames of metal; door handles of metal; door knockers of metal; door openers, non-electric; door panels of metal; doors of metal; door stops of metal; drain pipes of metal; drain traps [valves] of metal; duckboards of metal; ducts of metal, for central heating installations; ducts of metal for ventilating and air conditioning installations; elbows of metal for pipes; enclosures of metal for tombs; eye bolts; fences of metal; ferrules of metal; ferrules of metal for handles; ferrules of metal for walking sticks; figurines [statuettes] of common metal; filings of metal; firedogs [andirons]; fish plates [rails]; fittings of metal for beds; fittings of metal for building; fittings of metal for coffins; fittings of metal for compressed air ducts; fittings of metal for furniture; fittings of metal for windows; flanges of metal [collars]; flashing of metal, for building; floating containers of metal; floating docks of metal, for mooring boats; floors of metal; floor tiles, of metal; foils of metal for wrapping and packaging; foot scrapers; foundry molds [moulds] of metal; frames of metal for building; framework of metal for building; furnace fireguards; furnace screens; furniture casters of metal; galena [ore]; gates of metal; germanium; German silver; girders of metal; gold solder; grave slabs of metal; grease nipples; greenhouse frames of metal; greenhouses of metal, transportable; grilles of metal; guard rails of metal; gutter pipes of metal; hafnium [celtium]; handcuffs; handling pallets of metal; hardware of metal,

small; hinges of metal; hooks for slate [metal hardware]; hooks [metal hardware]; hooks of metal for clothes rails; hoppers of metal, non-mechanical; horseshoe nails; house numbers of metal, non-luminous; ice moulds of metal; identification bracelets of metal, for hospitals; identity plates of metal; indium; ingots of common metal; insect screens of metal; iron ores; iron slabs; iron strip; iron, unwrought or semi-wrought; iron wire; ironwork for doors; ironwork for windows; jalousies of metal; jets of metal; joists of metal; junctions of metal for pipes; keys; knife handles of metal; knobs of metal; ladders of metal; latch bars of metal; latches of metal; laths of metal; latticework of metal; lead seals; lead, unwrought or semi-wrought; letter boxes of metal; letters and numerals of common metal, except type; limonite; linings of metal [building]; lintels of metal; loading gauge rods, of metal, for railway waggons; loading pallets, of metal; lock bolts; locks of metal for bags; locks of metal for vehicles; locks of metal, other than electric; machine belt fasteners of metal; magnesium; manganese; manhole covers of metal; manifolds of metal for pipelines; masts of metal; materials of metal for funicular railway permanent ways; memorial plaques, of metal; metal cages for wild animals; metals in powder form; mobile boarding stairs of metal for passengers; moldings of metal for cornices; molybdenum; molybdenum iron; monuments of bronze for tombs; monuments of metal; monuments of metal for tombs; mooring bollards of metal; mooring buoys of metal; nails; nickel; nickel-silver; niobium; nozzles of metal; nuts of metal; ores of metal; outdoor blinds of metal; packaging containers of metal; padlocks; palings of metal; partitions of metal; paving blocks of metal; pegs of metal; penstock pipes of metal; pillars of metal for buildings; pins [hardware]; pipe muffs of metal; pipes of metal; pipework of metal; pitons of metal [mountaineering equipment]; platforms, prefabricated, of metal; poles of metal; porches of metal [building]; posts of metal; posts of metal for electric lines; pot hooks of metal; props of metal; pulleys of metal, other than for machines; pyroporic metals; railroad ties of metal; rails of metal; railway material of metal; railway points; reels of metal, non-mechanical, for flexible hoses; refractory construction materials of metal; registration plates, of metal; reinforcing materials of metal for building; reinforcing materials, of metal, for concrete; reinforcing materials of metal for machine belts; reinforcing materials of metal for pipes; rings of common metal for keys; rings of metal; rivets of metal; rocket launching platforms of metal; rods of metal for brazing and welding; roller blinds of steel; roof coverings of metal; roof flashing of metal; roof gutters of metal; roofing of metal; ropes of metal; rope thimbles of metal; runners of metal for sliding doors; safes [strong boxes]; safety cashboxes; safety chains of metal; scaffolding of metal; screws of me-

tal; scythe handles of metal; sealing caps of metal; sheaf binders of metal; sheet piles of metal; sheets and plates of metal; shims; shuttering of metal for concrete; shutters of metal; signalling panels, non-luminous and non-mechanical, of metal; signboards of metal; signs, non-luminous and non-mechanical, of metal; signs, non-luminous and non-mechanical, of metal, for roads; silicon iron; sills of metal; silos of metal; silver plated tin alloy; silver solder; skating rinks [structures of metal]; sleeves [metal hardware]; slings of metal for handling loads; soldering wire of metal; spring locks; springs [metal hardware]; spurs; staircases of metal; stair treads [steps] of metal; statues of common metal; steel alloys; steel buildings; steel masts; steel pipes; steel sheets; steel strip; steel, unwrought or semi-wrought; steel wire; steps [ladders] of metal; stops of metal; strap-hinges of metal; straps of metal for handling loads; stretchers for iron bands [tension links]; stretchers for metal bands [tension links]; stringers [parts of staircases] of metal; swimming pools [metal structures]; tacks [nails]; tanks of metal; tantalum [metal]; taps for casks, of metal; telegraph posts of metal; telephone booths of metal; telpher cables; tension links; tent pegs of metal; thread of metal for tying-up purposes; tile floorings of metal; tiles of metal; tiles of metal for building; tin; tin cans; tinfoil; tinplate; tinplate packings; titanium; titanium iron; tombac; tombs of metal; tombstone plaques of metal; tombstone stelae of metal; tool boxes of metal, empty; tool chests of metal, empty; tool handles of metal; towel dispensers, fixed, of metal; transport pallets of metal; traps for wild animals; trays of metal; tree protectors of metal; troughs of metal for mixing mortar; tubing of metal; tungsten; tungsten iron; turnstiles of metal; turntables [railways]; valves of metal, other than parts of machines; vanadium; vats of metal; vaults of metal [burial]; vice benches of metal; vice claws of metal; wainscotting of metal; wall claddings of metal [building]; wall linings of metal [building]; wall plugs of metal; washers of metal; water-pipes of metal; water-pipe valves of metal; weather- or wind-vanes of metal; wheel clamps [boots]; white metal; wind-driven bird-repelling devices made of metal; winding spools of metal, non-mechanical, for flexible hoses; window casement bolts; window fasteners of metal; window frames of metal; window pulleys; windows of metal; window stops of metal; wire cloth; wire of common metal alloys, except fuse wire; wire rope; wire stretchers [tension links]; works of art of common metal; wrapping or binding bands of metal; zinc; zirconium.

9 – Scientific, nautical, surveying, photographic, cinematographic, optical, weighing, measuring, signalling, checking [supervision], life-saving and teaching apparatus and instruments; apparatus and instruments for conducting, switching, transforming, accumulating, regulating or controlling electricity;

apparatus for recording, transmission or reproduction of sound or images; magnetic data carriers, recording discs; compact discs, DVDs and other digital recording media; mechanisms for coin-operated apparatus; cash registers, calculating machines, data processing equipment, computers; computer software; fire-extinguishing apparatus; abacuses; accumulators, electric; accumulators, electric, for vehicles; acid hydrometers; acidimeters for batteries; acoustic conduits; acoustic couplers; acoustic [sound] alarms; actinometers; adding machines; aerometers; air analysis apparatus; alarm bells, electric; alarms; alcoholmeters; alidades; altimeters; ammeters; amplifiers; amplifying tubes; anemometers; animated cartoons; anode batteries; anodes; answering machines; antennas; anticathodes; anti-glare glasses; anti-glare visors; anti-interference devices [electricity]; anti-theft warning apparatus; apertometers [optics]; apparatus and installations for the production of X-rays, not for medical purposes; apparatus and instruments for astronomy; apparatus and instruments for physics; apparatus for changing record player needles; apparatus for fermentation [laboratory apparatus]; apparatus for measuring the thickness of skins; apparatus to check franking; appliances for measuring the thickness of leather; armatures [electricity]; asbestos clothing for protection against fire; asbestos gloves for protection against accidents; asbestos screens for firemen; audio- and video-receivers; audiovisual teaching apparatus; automated teller machines [ATM]; automatic indicators of low pressure in vehicle tires [tyres]; azimuth instruments; balances [steelyards]; balancing apparatus; bar code readers; barometers; batteries, electric; batteries for lighting; battery boxes; battery chargers; battery jars; beacons, luminous; bells [warning devices]; betatrons; binoculars; blueprint apparatus; boiler control instruments; branch boxes [electricity]; breathing apparatus, except for artificial respiration; breathing apparatus for underwater swimming; bullet-proof waistcoats; buzzers; cabinets for loudspeakers; cables, electric; calculating disks; calculating machines; calibrating rings; calipers; camcorders; cameras [photography]; capillary tubes; carpenters' rules; carriers for dark plates [photography]; cases especially made for photographic apparatus and instruments; cases fitted with dissecting instruments [microscopy]; cash registers; cassette players; cathodes; cathodic anti-corrosion apparatus; cell switches [electricity]; centering apparatus for photographic transparencies; chargers for electric batteries; chemistry apparatus and instruments; chips [integrated circuits]; choking coils [impedance]; chromatography apparatus for laboratory use; chronographs [time recording apparatus]; cinematographic cameras; cinematographic film, exposed; circuit breakers; circuit closers; cleaning apparatus for sound recording discs; clothing especially made for laboratories; clothing for protection against

accidents, irradiation and fire; clothing for protection against fire; coaxial cables; coils, electric; coin-operated mechanisms for television sets; coin-operated musical automata [juke boxes]; collectors, electric; commutators; compact disc players; compact discs [audio-video]; compact discs [read-only memory]; comparators; compasses [measuring instruments]; computer game software; computer keyboards; computer memory devices; computer operating programs, recorded; computer peripheral devices; computer programmes [programs], recorded; computer programs [downloadable software]; computers; computer software, recorded; condensers [capacitors]; conductors, electric; connections for electric lines; connectors [electricity]; contact lenses; contacts, electric; containers for contact lenses; containers for microscope slides; control panels [electricity]; converters, electric; copper wire, insulated; correcting lenses [optics]; cosmographic instruments; counterfeit [false] coin detectors; counters; couplers [data processing equipment]; couplings, electric; covers for electric outlets; crucibles [laboratory]; current rectifiers; cyclotrons; darkroom lamps [photography]; darkrooms [photography]; data processing apparatus; decompression chambers; decorative magnets; demagnetizing apparatus for magnetic tapes; densimeters; densitometers; detectors; diagnostic apparatus, not for medical purposes; diaphragms [acoustics]; diaphragms for scientific apparatus; diaphragms [photography]; dictating machines; diffraction apparatus [microscopy]; directional compasses; discharge tubes, electric, other than for lighting; disk drives for computers; disks, magnetic; distance measuring apparatus; distance recording apparatus; distillation apparatus for scientific purposes; distribution boards [electricity]; distribution boxes [electricity]; distribution consoles [electricity]; divers' masks; diving suits; DNA chips; dog whistles; dosage dispensers; drainers for use in photography; dressmakers' measures; drying apparatus for photographic prints; drying racks [photography]; ducts [electricity]; DVD players; dynamometers; ear plugs for divers; editing appliances for cinematographic films; egg-candlers; egg timers [sandglasses]; electric apparatus for commutation; electric door bells; electric installations for the remote control of industrial operations; electricity conduits; electric loss indicators; electrified fences; electrified rails for mounting spot lights; electrodynamic apparatus for the remote control of railway points; electro-dynamic apparatus for the remote control of signals; electrolyzers; electromagnetic coils; electronic agendas; electronic notice boards; electronic pens [visual display units]; electronic pocket translators; electronic publications, downloadable; electronic tags for goods; encoded identification bracelets, magnetic; encoded magnetic cards; enlarging apparatus [photography]; epidiascopes; ergometers; exposure meters [light meters]; eyeglass

chains; eyeglass cords; eyeglass frames; eyepieces; facsimile machines; fibre optic cables; film cutting apparatus; films, exposed; filters for respiratory masks; filters for ultraviolet rays, for photography; filters [photography]; fire alarms; fire beaters; fire blankets; fire boats; fire engines; fire escapes; fire extinguishers; fire hose nozzles; fire pumps; flash-bulbs [photography]; flashing lights [luminous signals]; flashlights [photography]; floppy disks; fluorescent screens; fog signals, non-explosive; food analysis apparatus; frames for photographic transparencies; frequency meters; furnaces for laboratory use; furniture especially made for laboratories; fuses; fuse wire; galena crystals [detectors]; galvanic batteries; galvanic cells; galvanometers; garments for protection against fire; gasoline gauges; gasometers [measuring instruments]; gas testing instruments; gauges; glass covered with an electrical conductor; glazing apparatus for photographic prints; gloves for divers; gloves for protection against accidents; gloves for protection against X-rays for industrial purposes; goggles for sports; grids for batteries; hands free kits for phones; head cleaning tapes [recording]; headphones; heat regulating apparatus; heliographic apparatus; hemline markers; high-frequency apparatus; holders for electric coils; holograms; horns for loudspeakers; hydrometers; hygrometers; identification sheaths for electric wires; identification threads for electric wires; identity cards, magnetic; igniting apparatus, electric, for igniting at a distance; incubators for bacteria culture; inductors [electricity]; instruments containing eyepieces; integrated circuit cards [smart cards]; integrated circuits; intercommunication apparatus; interfaces for computers; inverters [electricity]; invoicing machines; ionization apparatus not for the treatment of air or water; jigs [measuring instruments]; juke boxes for computers; junction boxes [electricity]; junction sleeves for electric cables; kilometer recorders for vehicles; knee-pads for workers; laboratory trays; lactodensimeters; lactometers; laptop computers; lasers, not for medical purposes; lenses for astrophotography; lens hoods; letter scales; levelling instruments; levelling staffs [surveying instruments]; levels [instruments for determining the horizontal]; life belts; life buoys; life jackets; life saving apparatus and equipment; life-saving rafts; light dimmers [regulators], electric; light-emitting electronic pointers; lighting ballasts; lightning conductors [rods]; limiters [electricity]; locks, electric; logs [measuring instruments]; loudspeakers; magic lanterns; magnetic data media; magnetic encoders; magnetic tapes; magnetic tape units for computers; magnetic wires; magnets; magnifying glasses [optics]; marine compasses; marine depth finders; marking buoys; marking gauges [joinery]; masts for wireless aerials; materials for electricity mains [wires, cables]; material testing instruments and machines; mathematical instruments; measures; measuring apparatus; mea-

suring devices, electric; measuring glassware; measuring instruments; measuring spoons; mechanical signs; mechanisms for counter-operated apparatus; megaphones; mercury levels; metal detectors for industrial or military purposes; meteorological balloons; meteorological instruments; metronomes; micrometers; micrometer screws for optical instruments; microphones; microprocessors; microscopes; microtomes; mirrors for inspecting work; mirrors [optics]; modems; money counting and sorting machines; monitoring apparatus, electric; monitors [computer hardware]; monitors [computer programs]; mouse [data processing equipment]; mouse pads; nautical apparatus and instruments; naval signalling apparatus; navigational instruments; navigation apparatus for vehicles [on-board computers]; needles for record players; neon signs; nets for protection against accidents; nose clips for divers and swimmers; notebook computers; objectives [lenses] [optics]; observation instruments; octants; ohmmeters; optical apparatus and instruments; optical character readers; optical condensers; optical data media; optical discs; optical fibers [fibres] [light conducting filaments]; optical glass; optical goods; optical lamps; optical lenses; oscillographs; oxygen trans-vasing apparatus; ozonisers [ozonators]; parking meters; particle accelerators; pedometers; peepholes [magnifying lenses] for doors; periscopes; personal stereos; photocopiers [photographic, electrostatic, thermic]; photometers; phototelegraphy apparatus; photovoltaic cells; pince-nez; pince-nez cases; pipettes; plane tables [surveying instruments]; planimeters; plates for batteries; plotters; plumb bobs; plumb lines; pocket calculators; polarimeters; portable media players; portable telephones; precision balances; precision measuring apparatus; pressure gauges; pressure indicator plugs for valves; pressure indicators; pressure measuring apparatus; printed circuits; printers for use with computers; prisms [optics]; probes for scientific purposes; processors [central processing units]; projection apparatus; projection screens; protection devices against X-rays, not for medical purposes; protection devices for personal use against accidents; protective helmets; protective helmets for sports; protective masks; protective suits for aviators; protractors [measuring instruments]; punched card machines for offices; push buttons for bells; pyrometers; quantity indicators; radar apparatus; radiological apparatus for industrial purposes; radiology screens for industrial purposes; radio pagers; radios; radiotelegraphy sets; radiotelephony sets; railway traffic safety appliances; range finders; readers [data processing equipment]; record players; reflecting discs for wear, for the prevention of traffic accidents; refractometers; refractors; regulating apparatus, electric; relays, electric; remote control apparatus; resistances, electric; respirators for filtering air; respiratory masks, other than for artificial respiration; resuscitation

mannequins [teaching apparatus]; retorts; retorts' stands; revolution counters; rheostats; riding helmets; road signs, luminous or mechanical; rods for water diviners; rulers [measuring instruments]; rules [measuring instruments]; saccharometers; safety nets; safety restraints, other than for vehicle seats and sports equipment; safety tarpaulins; salinometers; satellite navigational apparatus; satellites for scientific purposes; scales; scanners [data processing equipment]; screens for photoengraving; screens [photography]; screw-tapping gauges; semi-conductors; sextants; sheaths for electric cables; shoes for protection against accidents, irradiation and fire; shutter releases [photography]; shutters [photography]; sighting telescopes for firearms; signal bells; signal lanterns; signalling buoys; signalling panels, luminous or mechanical; signalling whistles; signals, luminous or mechanical; signs, luminous; simulators for the steering and control of vehicles; sirens; slide calipers; slide projectors; slide-rules; slope indicators; smoke detectors; sockets, plugs and other contacts [electric connections]; socks, electrically heated; solar batteries; solderers' helmets; solenoid valves [electromagnetic switches]; sonars; sounding apparatus and machines; sounding leads; sounding lines; sound locating instruments; sound recording apparatus; sound recording carriers; sound recording discs; sound recording strips; sound reproduction apparatus; sound transmitting apparatus; spark-guards; speaking tubes; spectacle cases; spectacle frames; spectacle lenses; spectacles [optics]; spectrograph apparatus; spectroscopes; speed checking apparatus for vehicles; speed indicators; speed measuring apparatus [photography]; speed regulators for record players; spherometers; spirit levels; spools [photography]; sprinkler systems for fire protection; stage lighting regulators; stands for photographic apparatus; starter cables for motors; steering apparatus, automatic, for vehicles; step-up transformers; stereoscopes; stills for laboratory experiments; sulphitometers; sunglasses; surveying apparatus and instruments; surveying chains; surveying instruments; surveyors' levels; switchboards; switches, electric; tachometers; tape recorders; taximeters; teaching apparatus; teeth protectors; telegraphs [apparatus]; telegraph wires; telephone apparatus; telephone receivers; telephone transmitters; stereoscopic apparatus; stroboscopes; switchboxes [electricity]; telephone wires; teleprinters; teleprompters; telerupters; telescopes; television apparatus; temperature indicators; terminals [electricity]; testing apparatus not for medical purposes; test tubes; theft prevention installations, electric; thermionic tubes; theodolites; thermometers, not for medical purposes; thermostats; thermostats for vehicles; thread counters; ticket dispensers; time clocks [time recording devices]; time recording apparatus; time switches, automatic; tone arms for record players; totalizers; traffic-light apparatus [signalling devices]; transformers

[electricity]; transistors [electronic]; transmitters of electronic signals; transmitters [telecommunication]; transmitting sets [telecommunication]; transparencies [photography]; transponders; tripods for cameras; urinometers; vacuum gauges; vacuum tubes [radio]; variometers; vehicle breakdown warning triangles; vehicle radios; verniers; video cassettes; video game cartridges; video recorders; video screens; videotapes; video telephones; viewfinders, photographic; viscosimeters; voltage regulators for vehicles; voltage surge protectors; voltmeters; voting machines; wafers for integrated circuits; walkie-talkies; washing trays [photography]; water level indicators; wavemeters; weighbridges; weighing apparatus and instruments; weighing machines; weights; whistle alarms; wind socks for indicating wind direction; wire connectors [electricity]; wires, electric; workmen's protective face-shields; wrist rests for use with computers; X-ray apparatus not for medical purposes; X-ray films, exposed; X-ray photographs, other than for medical purposes; X-ray tubes not for medical purposes.

11 – Apparatus for lighting, heating, steam generating, cooking, refrigerating, drying, ventilating, water supply and sanitary purposes; acetylene burners; acetylene flares; acetylene generators; air conditioners for vehicles; air conditioning apparatus; air conditioning installations; air cooling apparatus; air deodorising apparatus; air dryers; air filtering installations; air purifying apparatus and machines; air reheaters; air sterilisers; air valves for steam heating installations; alcohol burners; anti-dazzle devices for automobiles [lamp fittings]; anti-glare devices for vehicles [lamp fittings]; anti-splash tap nozzles; aquarium filtration apparatus; aquarium heaters; aquarium lights; arc lamps; ash conveyor installations, automatic; bakers' ovens; barbecues; bath fittings; bath installations; bath linings; bath tubs; bedwarmers; bath tubs for sitz baths; beverage cooling apparatus; bicycle lights; bidets; blankets, electric, not for medical purposes; boiler pipes [tubes] for heating installations; boilers, other than parts of machines; brackets for gas burners; bread baking machines; bread-making machines; bread toasters; burners; carbon for arc lamps; burners for lamps; ceiling lights; central heating radiators; chandeliers; chimney blowers; chimney flues; Chinese lanterns; chromatography apparatus for industrial purposes; clean chambers [sanitary installations]; coffee filters, electric; coffee machines, electric; coffee percolators, electric; coffee roasters; coils [parts of distilling, heating or cooling installations]; cookers; cooking apparatus and installations; cooking rings; cooking utensils, electric; coolers for furnaces; cooling appliances and installations; cooling installations and machines; cooling installations for liquids; cooling installations for tobacco; cooling installations for water; curling lamps; dampers [heating]; cycle lights; deep fryers, electric; defrosters for vehicles;

dental ovens; deodorising apparatus, not for personal use; desalination plants; desiccating apparatus; discharge tubes, electric, for lighting; disinfectant apparatus; disinfectant dispensers for toilets; disposable sterilization pouches; distillation apparatus; distillation columns; diving lights; drip irrigation emitters [irrigation fittings]; drying apparatus and installations; drying apparatus for fodder and forage; electrically heated carpets; electric appliances for making yogurt; electric fans for personal use; electric lamps; electric lights for Christmas trees; evaporators; expansion tanks for central heating installations; extractor hoods for kitchens; fans [air-conditioning]; fans [parts of air-conditioning installations]; feeding apparatus for heating boilers; filaments for electric lamps; filters for air conditioning; filters for drinking water; filters [parts of household or industrial installations]; fireplaces, domestic; fittings, shaped, for ovens; flares; flare stacks for use in the oil industry; flues for heating boilers; flushing tanks; footmuffs, electrically heated; footwarmers, electric or non-electric; forges, portable; fountains; freezers; friction lighters for igniting gas; fruit roasters; fuel economizers; fumigation apparatus, not for medical purposes; furnace ash boxes; furnace grates; furnaces, other than for laboratory use; gas boilers; gas burners; gas condensers, other than parts of machines; gas lamps; gas lighters; gas scrubbers [parts of gas installations]; gas scrubbing apparatus; germicidal burners; germicidal lamps for purifying air; glue-heating appliances; grills [cooking appliances]; hair dryers; hand drying apparatus for washrooms; headlights for automobiles; hearths; heat accumulators; heaters, electric, for feeding bottles; heaters for baths; heaters for heating irons; heaters for vehicles; heat exchangers, not parts of machines; heating apparatus; heating apparatus, electric; heating apparatus for defrosting windows of vehicles; heating apparatus for solid, liquid or gaseous fuels; heating boilers; heating cushions [pads], electric, not for medical purposes; heating elements; heating filaments, electric; heating installations; heating plates; heat pumps; heat regenerators; hot air apparatus; hot air bath fittings; hot air ovens; hot plates; hot water bottles; hot water heating installations; humidifiers for central heating radiators; hydrants; ice boxes; ice machines and apparatus; immersion heaters; incandescent burners; incinerators; installations for processing nuclear fuel and nuclear moderating material; ionization apparatus for the treatment of air or water; kettles, electric; kiln furniture [supports]; kilns; kitchen ranges [ovens]; laboratory burners; laboratory lamps; lamp chimneys; lamp glasses; lamp globes; lamp mantles; lamp reflectors; lamps; lamps for directional signals of automobiles; lampshade holders; lamp shades; lanterns for lighting; laundry dryers, electric; laundry room boilers; lava rocks for use in barbecue grills; level controlling valves in tanks; light bulbs; light

bulbs, electric; light bulbs for directional signals for vehicles; light diffusers; lighters; lighting apparatus and installations; lighting apparatus for vehicles; lighting installations for air vehicles; lights for automobiles; lights for vehicles; loading apparatus for furnaces; luminous house numbers; luminous tubes for lighting; magnesium filaments for lighting; malt roasters; microwave ovens [cooking apparatus]; microwave ovens for industrial purposes; milk cooling installations; miners' lamps; mixer taps for water pipes; nuclear reactors; oil burners; oil lamps; oil-scrubbing apparatus; ornamental fountains; oven fittings made of fireclay; oxhydrogen burners; pasteurisers; petrol burners; pipes [parts of sanitary installations]; plate warmers; pocket torches, electric; pocket warmers; polymerisation installations; pressure cookers [autoclaves], electric; pressure cooking saucepans, electric; pressure water tanks; projector lamps; purification installations for sewage; radiator caps; radiators, electric; radiators [heating]; refining towers for distillation; refrigerating machines; refrigerating appliances and installations; refrigerating cabinets; refrigerating chambers; refrigerating containers; refrigerating display cabinets [display cases]; refrigerators; regulating accessories for water or gas apparatus and pipes; regulating and safety accessories for gas apparatus; regulating and safety accessories for gas pipes; regulating and safety accessories for water apparatus; roasters; roasting jacks; roasting spits; rotisseries; safety accessories for water or gas apparatus and pipes; safety lamps; sanitary apparatus and installations; sauna bath installations; shower cubicles [enclosures (Am.)]; showers; sinks; sockets for electric lights; solar furnaces; solar thermal collectors [heating]; spa baths [vessels]; steam accumulators; steam boilers, other than parts of machines; steam facial apparatus [saunas]; steam generating installations; sterilizers; stills; stoves; stoves [heating apparatus]; street lamps; structural plates for ovens; swimming pool chlorinating apparatus; tanning apparatus [sun beds]; taps [cocks, spigots] [faucets (Am.)] for pipes; taps [faucets]; thermostatic valves [parts of heating installations]; tobacco roasters; toilet bowls; toilet seats; toilets, portable; toilets [water-closets]; torches for lighting; Turkish bath cabinets, portable; ultraviolet ray lamps, not for medical purposes; urinals [sanitary fixtures]; vehicle headlights; vehicle reflectors; ventilation [air-conditioning] installations and apparatus; ventilation [air-conditioning] installations for vehicles; ventilation hoods; ventilation hoods for laboratories; waffle irons, electric; warming pans; washers for water taps; wash-hand basins [parts of sanitary installations]; water conduits installations; water distribution installations; water filtering apparatus; water flushing installations; water heaters; water heaters [apparatus]; watering installations, automatic; watering machines for agricultural purposes; water intake

apparatus; water purification installations; water purifying apparatus and machines; water softening apparatus and installations; water sterilizers; water supply installations; whirlpool-jet apparatus.

19 – Building materials, not of metal; non-metallic rigid pipes for building; asphalt, pitch and bitumen; non-metallic transportable buildings; monuments, not of metal; advertisement columns, not of metal; agglomerated bagasses of cane [building material]; alabaster; alabaster glass; angle irons, not of metal; aquaria [structures]; aquarium gravel; aquarium sand; arbours [structures not of metal]; artificial stone; asbestos cement; asbestos mortar; asphalt paving; aviaries, not of metal [structures]; balustrading; beacons, not of metal, non-luminous; beams, not of metal; bicycle parking installations, not of metal; binding agents for making briquettes; binding material for road repair; bird baths [structures, not of metal]; bituminous coatings for roofing; bituminous products for building; blinds [outdoor], not of metal and not of textile; blanching pipes, not of metal; bricks; building cardboard [asphalted]; building glass; building panels, not of metal; building paper; buildings, not of metal; building stone; building timber; busts of stone, concrete or marble; cabanas not of metal; caissons for construction work under water; calcareous marl; casement windows, not of metal; cask wood; ceilings, not of metal; cement; cement for blast furnaces; cement for furnaces; cement posts; cement slabs; chimney cowls, not of metal; chicken-houses, not of metal; chimney pots, not of metal; chimney shafts, not of metal; chimneys, not of metal; cladding, not of metal, for building; clay; clinker ballast; clinker stone; coal tar; coatings [building materials]; concrete; concrete building elements; cork [compressed]; cornices, not of metal; crash barriers, not of metal, for roads; diving boards, not of metal; door frames, not of metal; door panels, not of metal; doors, not of metal; drain pipes, not of metal; drain traps [valves], not of metal or plastic; duckboards, not of metal; ducts, not of metal, for ventilating and air-conditioning installations; earth for bricks; fair huts; felt for building; fences, not of metal; figurines [statuettes] of stone, concrete or marble; fire burrs; fireproof cement coatings; flashing, not of metal, for building; floating docks, not of metal, for mooring boats; floors, not of metal; folding doors, not of metal; foundry molds [moulds], not of metal; framework, not of metal, for building; furrings of wood; gates, not of metal; geotextiles; glass granules for road marking; granite; gravel; grave slabs, not of metal; gravestones; greenhouse frames, not of metal; greenhouses, transportable, not of metal; grog [fired refractory material]; gutter pipes, not of metal; gypsum; hips for roofing; huts; insect screens not of metal; insulating glass [building]; jealousies, not of metal; joists, not of metal; laths, not of metal; lengthening pieces, not of metal, for chimneys; letter boxes of

masonry; lime; limestone; lintels, not of metal; luminous paving; macadam; magnesia cement; man-hole covers, not of metal; mantlepieces; manufactured timber; marble; masts [poles], not of metal; materials for making and coating roads; memorial plaques, not of metal; moldable wood; moldings, not of metal, for building; moldings, not of metal, for cornices; mooring bollards, not of metal; mortar for building; mosaics for building; non-luminous and non-mechanical signs, not of metal; olivine for building; paint spraying booths, not of metal; palisading, not of metal; paperboard for building; parquet floor boards; parquet flooring; partitions, not of metal; paving blocks, not of metal; paving slabs, not of metal; penstock pipes, not of metal; perches; pigsties, not of metal; planks [wood for building]; plaster; plate glass [windows], for building; platforms, prefabricated, not of metal; plywood; poles, not of metal, for electric power lines; porches, not of metal, for building; porphyry [stone]; posts, not of metal; potters' clay; potters' clay [raw material]; props, not of metal; railway sleepers, not of metal; raw chalk; reeds, for building; refractory construction materials, not of metal; reinforcing materials, not of metal, for building; road coating materials; road marking sheets and strips of synthetic material; rock crystal; rocket launching platforms, not of metal; roof coverings, not of metal; roof flashing, not of metal; roof gutters, not of metal; roofing, not of metal; roofing, not of metal, incorporating solar cells; roofing shingles; roofing slates; rubble; safety glass; sand, except foundry sand; sandstone for building; sandstone tubes; sawn timber; scaffolding, not of metal; scantlings [carpentry]; schists; sheet piles, not of metal; shuttering, not of metal, for concrete; shutters, not of metal; signalling panels, non-luminous and non-mechanical, not of metal; signs, non-luminous and non-mechanical, not of metal, for roads; silica [quartz]; sills, not of metal; silos, not of metal; silver sand; skating rinks [structures, not of metal]; slag [building material]; slate; slate powder; stables, not of metal; stained-glass windows; staircases, not of metal; stair-treads [steps], not of metal; statues of stone, concrete or marble; stone; stringers [parts of staircases], not of metal; swimming pools [structures, not of metal]; tanks of masonry; tar; tarred strips, for building; telegraph posts, not of metal; telephone booths, not of metal; terra cotta; tile floorings, not of metal; tiles, not of metal; tiles, not of metal, for building; tomb or grave enclosures, not of metal; tombs [monuments], not of metal; tombs, not of metal; tombstone plaques, not of metal; tombstone stelae, not of metal; trellises, not of metal; tufa; vaults, not of metal [burial]; veneer wood; vinyl siding; wainscoting, not of metal; wall claddings, not of metal, for building; wall linings, not of metal, for building; water-pipes, not of metal; water-pipe valves, not of metal or plastic; window frames, not of metal; window glass, except glass for vehicle

windows; window glass, for building; windows, not of metal; wood for making household utensils; wood panelling; wood paving; wood pulp board, for building; wood, semi-worked; wood veneers; works of art of stone, concrete or marble; works of stonemasonry; xylolith.

24 – Textiles and textile goods, not included in other classes; bed covers; table covers; adhesive fabric for application by heat; banners; bath linen, except clothing; bed blankets; bed clothes; bed covers of paper; bed linen; billiard cloth; bolting cloth; brocades; buckram; bunting; calico; canvas for tapestry or embroidery; cheese cloth; chenille fabric; chevots [cloth]; cloth; coasters [table linen]; cotton fabrics; covers for cushions; covers [loose] for furniture; crepe [fabric]; crepon; curtain holders of textile material; curtains of textile or plastic; damask; diapered linen; door curtains; drugget; eiderdowns [down coverlets]; elastic woven material; esparto fabric; fabric; fabric for footwear; fabric, impervious to gases, for aeronautical balloons; fabric of imitation animal skins; fabrics for textile use; face towels of textile; felt; fiberglass fabrics, for textile use; filtering materials of textile; fitted toilet lid covers of fabric; flags, not of paper; flannel [fabric]; frieze [cloth]; furniture coverings of plastic; furniture coverings of textile; fustian; gauze [cloth]; glass cloths [towels]; gummed cloth, other than for stationery; haircloth [sackcloth]; handkerchiefs of textile; hat linings, of textile, in the piece; hemp cloth; hemp fabric; household linen; jersey [fabric]; jute fabric; knitted fabric; labels of cloth; linen cloth; lingerie fabric; lining fabric for shoes; linings [textile]; marabouts [cloth]; mattress covers; moleskin [fabric]; mosquito nets; napkins, of cloth, for removing make-up; net curtains; non-woven textile fabrics; oilcloth for use as tablecloths; pillowcases; pillow shams; place mats, not of paper; plastic material [substitute for fabrics]; printed calico cloth; printers' blankets of textile; ramie fabric; rayon fabric; sanitary flannel; sheets [textile]; shower curtains of textile or plastic; shrouds; silk [cloth]; silk fabrics for printing patterns; sleeping bags [sheeting]; tablecloths, not of paper; table linen, not of paper; tablemats, not of paper; table napkins of textile; table runners; taffeta [cloth]; textile material; tick [linen]; ticks [mattress covers]; towels of textile; traced cloth for embroidery; travelling rugs [lap robes]; trellis [cloth]; tulle; upholstery fabrics; velvet; wall hangings of textile; washing mitts; woollen cloth; zephyr [cloth].

25 – Clothing, footwear, headgear; aprons [clothing]; Ascots; bandanas [neckerchiefs]; bathing caps; bathing suits; bathing trunks; bath robes; bath sandals; bath slippers; beach clothes; beach shoes; belts [clothing]; berets; bibs, not of paper; boas [necklets]; bodices [lingerie]; boots; boots for sports; boot uppers; braces for clothing [suspenders]; bras-

sieres; breeches for wear; camisoles; cap peaks; caps [headwear]; chasubles; clothing for gymnastics; clothing of imitations of leather; clothing of leather; coats; collar protectors; collars [clothing]; combinations [clothing]; corselets; corsets [underclothing]; cuffs; cyclists' clothing; detachable collars; dresses; dressing gowns; dress shields; ear muffs [clothing]; esparto shoes or sandals; fishing vests; fittings of metal for footwear; football shoes; footmuffs, not electrically heated; footwear uppers; furs [clothing]; fur stoles; gabardines [clothing]; galoshes; garters; girdles; gloves [clothing]; gymnastic shoes; half-boots; hat frames [skeletons]; hats; headbands [clothing]; headgear for wear; heelpieces for footwear; heelpieces for stockings; heels; hoods [clothing]; hosiery; inner soles; jackets [clothing]; jerseys [clothing]; jumper dresses; jumpers [pullovers]; knitwear [clothing]; lace boots; layettes [clothing]; leggings [leg warmers]; leggings [trousers]; liveries; maniples; mantillas; masquerade costumes; miters [hats]; mittens; money belts [clothing]; motorists' clothing; muffs [clothing]; neckties; non-slipping devices for footwear; outerclothing; overalls; overcoats; pajamas (Am.); pants; paper clothing; paper hats [clothing]; parkas; pelerines; pelisses; petticoats; pockets for clothing; pocket squares; ponchos; ready-made clothing; ready-made linings [parts of clothing]; sandals; saris; sarongs; sashes for wear; scarfs; shawls; shirt fronts; shirts; shirt yokes; shoes; short-sleeve shirts; shower caps; singlets; ski boots; ski gloves; skirts; skorts; skull caps; sleep masks; slippers; slips [undergarments]; socks; sock suspenders; soles for footwear; spats; sports shoes; stockings; stocking suspenders; studs for football boots; stuff jackets [clothing]; suits; sweat-absorbent stockings; sweat-absorbent underclothing [underwear]; sweaters; teddies [undergarments]; tee-shirts; tights; tips for footwear; togas; top hats; trousers; trouser straps; turbans; underpants; underwear; uniforms; veils [clothing]; vests; visors [headwear]; waterproof clothing; welts for footwear; wet suits for water-skiing; wimples; wooden shoes.

27 – Carpets, rugs, mats and matting, linoleum and other materials for covering existing floors; wall hangings, not of textile; artificial turf; bath mats; carpets for automobiles; carpet underlay; door mats; floor coverings; gymnasium mats; mats of woven rope for ski slopes; non-slip mats; reed mats; textile wallpaper; vinyl floor coverings; wallpaper.

(260) AM 2014 73469 A

(800) 1169399

(151) 2013 06 24

(731) Dongguan HHS Heavy Duty Packaging Co., Ltd.
No.12-A Pusha South Road, Tangxia Town,
Dongguan City, Guangdong Province,
China

(540)



(591) Blue

(511)

16 – Wood pulp paper; advertisement boards of paper or cardboard; cardboard articles; white paperboard; paperboard; brown paperboard; waterproof paperboard; fluting paper; paper for packaging; paper boxes.

(260) AM 2014 73470 A

(800) 1169452

(151) 2013 04 30

(891) 2013 04 03

(731) ORIFLAME COSMETICS S.A.
24, avenue Emile Reuter, L-2420
LUXEMBOURG, Luxembourg

(540)

AVEBURY

(591) Black, white

(511)

3 – Soaps, perfumery, essential oils, cosmetics, hair lotions; dentifrices.

(260) AM 2014 73472 A

(800) 676449

(151) 1997 05 09

(891) 2013 03 14

(731) Zürich Versicherungs-Gesellschaft AG
(Zurich Compagnie d'Assurances SA) (Zurigo
Compagnia di Assicurazioni SA) (Zurich
Insurance Company Ltd) (Zurich Compañia
de Seguros SA) Mythenquai 2, CH-8002
Zürich, Switzerland

(540)



ZURICH

(591) Black, white

(511)

16 – Paper and goods made of paper included in this class, from Switzerland.

35 – Advertizing and commercial business management.

36 – Insurance underwriting, financial affairs.

(260) AM 2014 73473 A

(800) 794160

(151) 2002 12 27

(891) 2013 03 26

(731) ŞEKEROĞULLARI KONFEKSİYON
SANAYİ VE TİCARET LİMİTED ŞİRKETİ
Semaver Sokak Emir Han No. 9/31,
EMİNÖNÜ – İSTANBUL, Turkey

(540)

PANTAMO JEANS



(591) Black, white

(511)

25 – Clothing.

(260) AM 2014 73474 A

(800) 831394

(151) 2004 06 10

(891) 2013 06 26

(731) Helsinn Birex Pharmaceuticals Ltd
Damastown, Mulhuddart, Dublin 15, Ireland

(540)

KLEAN-PREP

(591) Black, white

(511)

5 – Pharmaceutical preparations and substances for internal cleansing purposes.

(260) AM 2014 73475 A

(800) 839563

(151) 2004 07 30

(891) 2013 04 04

(731) Nilfisk-Advance A/S
Sognevej 25, DK-2605 Brøndby, Denmark

(540)

NILFISK ALTO

(591) Black, white

(511)

7 – Washing and cleaning machines and apparatus, washing and cleaning plants and installations, washing and cleaning equipment, hot and cold water washers and hot and cold water washing plants and installations, high pressure cleaners, vacuum cleaners, vacuum cleaner bags, vacuum cleaner hoses; vacuum cleaner attachments for disseminating perfumes and disinfectants, central vacuum cleaner installations, dust exhausting installations for cleaning purposes, wet and dry vacuum cleaners, cleaning apparatus utilizing steam; machines for drying, sweeping, sanding, polishing, burnishing, scrubbing, washing; parts and accessories for the mentioned

goods (not included in other classes), including filters for cleaning machines (not included in other classes).

(260) AM 2014 73476 A
 (800) 887105
 (151) 2006 04 04
 (891) 2013 06 27
 (731) BBK Dairy Export AG
 c/o Reichlin&Hess, Hofstrasse 1A, CH-6300
 Zug, Switzerland
 (540)

БИБИКОЛЬ

BIBICALL

(591) Black, white
 (511)
 5 – Food for babies.
 29 – Milk; dairy products.

(260) AM 2014 73477 A
 (800) 887107
 (151) 2006 04 04
 (891) 2013 06 27
 (731) BBK Dairy Export AG
 c/o Reichlin&Hess, Hofstrasse 1A, CH-6300
 Zug, Switzerland
 (540)

ΑΜΑΛΤΕΑ

AMALTHEA

(591) Black, white
 (511)
 29 – Milk; dairy products.

(260) AM 2014 73478 A
 (800) 941414
 (151) 2007 09 12
 (891) 2013 04 17
 (731) INOST HOLDING GESMBH
 169 Engerthstrasse, A-1020 Vienna, Austria
 (540)

INOST

(591) Black, white
 (511)
 18 – Leather and imitations of leather, goods made of these materials not included in other classes, animal skins, pelts and hides, trunks and suitcases, umbrellas, parasols and walking sticks, whips, harness and saddlery.

(260) AM 2014 73479 A
 (800) 977076
 (151) 2008 02 04
 (891) 2013 04 19
 (731) MAPA GmbH
 Industriestraße 21-25, 27404 Zeven, Germany
 (540)

BILLY BOY

(591) Black, white
 (511)
 5 – Pharmaceutical and sanitary preparations, in particular lubricants; veterinary preparations; sanitary preparations for medical purposes; dietetic substances adapted for medical use, food for babies; plasters, materials for dressings; material for stopping teeth, dental wax; disinfectants; preparations for destroying vermin; fungicides, herbicides.
 10 – Hygienic rubber articles, in particular condoms; surgical, medical, dental and veterinary apparatus and instruments, artificial limbs, eyes and teeth; orthopedic articles; suture materials.

(260) AM 2014 73480 A
 (800) 1028600
 (151) 2009 10 28
 (891) 2013 06 24
 (731) Wuhu Snnda Medical Treatment Appliance
 Technology Co., Ltd
 No.401-410, Overseas Student Pioneer Park,
 Science Innovation Centre, Wuhu
 Development Zone, Wuhu City, 241001
 Anhui Province, China
 (540)



ShangRing

(591) Black, white
 (511)
 10 – Knives for surgical purposes; scalpels; anaesthetic apparatus; scissors for surgery; insufflators; urological apparatus and instruments; receptacles for applying medicines; electric heating cushion for medical purposes; physiotherapy apparatus.

(260) AM 2014 73481 A
 (800) 1059137
 (151) 2010 11 11
 (891) 2013 06 26
 (731) medac Gesellschaft für klinische
 Spezialpräparate mbH
 Theaterstrasse 6, 22880 Wedel, Germany

(540)

Методжект

(591) Black, white

(511)

5 – Pharmaceutical preparations.

(260) AM 2014 73482 A

(800) 1084951

(151) 2011 06 02

(891) 2012 10 17

(731) BARE TEKSTİL TRIKO SANAYİ VE
TİCARET LİMİTED SİRKETİ
Mimar Kemalettin Mah. Hayriye Tuccari Cad.
No.39, Giris Kat Laleli Fatih, İSTANBUL,
Turkey

(540)



(591) Black, white

(511)

25 – Clothing, footwear, headgear.

35 – Advertising, marketing and public relations including organization of trade fairs for commercial or advertising purposes; office functions, advisory services for business management and business administration including accountancy services; import-export agencies; appraisal services for commercial and industrial goods; organization of public auction services; the bringing together, for the benefit of others, of a variety of goods (excluding the transport thereof), enabling customers to conveniently view and purchase those goods from wholesale outlets, retail outlets and from a general merchandise catalogue by mail order or by means of telecommunications.

(260) AM 2014 73564 A

(800) 1170253

(151) 2013 06 14

(731) ULAŞ ÇORAP SANAYİ TEKSTİL VE DIŞ
TİCARET LİMİTED ŞİRKETİ
Mahmutbey Mah. Atatürk Cad. No.1 D. 2,
Bağcılar İSTANBUL, Turkey

(540)

FELICIANO

(591) Black, white

(511)

25 – Clothing, footwear, headgear.

35 – Advertising, marketing and publicity services; organization of exhibitions and trade fairs for commercial or advertising purposes; office functions;

secretarial services, advertising in periodicals, brochures and newspapers, compilation of statistics, office machines and equipment rental, collating of data in computer databases, telephone answering for unavailable subscribers, consultancy and advisory services relating to personnel placement, recruitment and management, advisory services for business management; business accounts management; import-export agencies; efficiency experts; auction and reverse auction services; the bringing together, for the benefit of others, of a variety of "clothing, footwear, headgear" (excluding the transport thereof), enabling customers to conveniently view and purchase those goods from wholesale outlets, retail outlets and from a general merchandise catalogue by mail order or by means of telecommunications.

(260) AM 2014 73586 A

(800) 958149

(151) 2007 12 06

(891) 2013 05 29

(731) Zakrytoe aktsionernoe obshchestvo
"TM Eliseevskie"
Kryelatskaya street 5, RU-121552
Moscow, Russian Federation

(540)

ЕЛИСЕЕВСКОЕ

(591) Black, white

(511)

29 – Alginates for culinary purposes; anchovy; peanuts, processed; albumen for culinary purposes; white of eggs; beans canned; soya beans, preserved, for food; broth; ginger jam; fatty substances for the manufacture of edible fats; edible birds' nests; canned peas; preserved mushrooms; game, not live; gelatin for use in food; meat jellies; jellies for food; fruit; yolk of eggs; coconut fat; bone oil, edible; lard for food; suet for food; edible fats; charcuterie; raisins; caviar; casein for food; sauerkraut; isinglass for food; black pudding (blood sausage); meat, tinned; vegetables, tinned; fish, tinned; fruit, tinned; bouillon concentrates; gherkins; meat chops; prawns, not live; buttercream; croquettes; silkworm chrysalis, for human consumption; spiny lobsters, not live; salmon; onions (vegetables), tinned; margarine; picalilli; marmalade; coconut oil; peanut butter; cocoa butter; coconut butter; butter; mussels, not live; almonds, ground; animal marrow for food; shellfish, not live; milk; fish meal for human consumption; fruit pulp; meat, meat, tinned; vegetables, preserved; vegetables, dried; vegetables, cooked; potato fritters; olives, preserved; lobsters, not live; coconut, desiccated; nuts, prepared; tomato purée; pectin for culinary purposes; pelmenis (ravioli-type filled dumplings); liver; pickles; jams; powdered eggs; ham; milk beverages, milk predominating; foods prepared from fish; protein for human consumption; poultry, not live; pollen prepared as foodstuff; cranberry

sauce; apple purée; crustaceans, not live; fish, not live; fish, preserved; vegetable salads; fruit salads; bacon; sardines; pork; herrings; whipped cream; fat-containing mixtures for bread slices; tomato juice for cooking; vegetable juices for cooking; salted meats; sausages in batter; preparations for making bouillon; preparations for making soup; tripe; soups; vegetable soup preparations; cheese; tahini (sesame seed paste); tofu; sea-cucumbers, not live; truffles, tinned; tuna fish; oysters, not live; rennet fillets of poisons; dates; candied fruit; frozen fruit; fruit, preserved; fruit preserved in alcohol; fruit, stewed; potato flakes; hummus (chickpea paste); fruit peel; lentils, preserved; potato chips; fruit chips; weed extracts for food; meat extracts; snail eggs for consumption; eggs.

30 – Flavouring and aromatic preparations; use in food; flavorings, other than essential oils; star aniseed; pancakes; pancakes with stuffing; vanillin (vanilla substitute); vanilla [flavoring] (flavouring); varenikis; vermicelli; coffee flavorings; natural sweeteners; sausage binding materials; binding agents for ice cream; sea water for cooking; glucose for food; mustard; thickening agents for cooking foodstuffs; artificial coffee; frozen yogurt (confectionery ices); cocoa; capers; gruel, with a milk base, for food; quiches; gluten for food; coffee; unroasted coffee; starch for food; semolina; corn, milled; corn, roasted; meat pies; turmeric for food; couscous (semolina); ice for refreshment; ice, natural or artificial; edible ices; candy for food; rice cakes; maltose; manti; royal jelly for human consumption, not for medical purposes; ice cream; sorbets (ices); tapioca flour for food; muesli; mint for confectionery; cocoa beverages with milk; coffee beverages with milk; coffee-based beverages; tea-based beverages; chocolate-based beverages; cocoa-based beverages; infusions, not medicinal; crushed oats; husked oats; nutmegs; golden syrup; pelmenis (ravioli-type filled dumplings); sauces; powders for ice cream; meat gravies; meat tenderizers, for household purposes; cereal preparations; propolis [bee glue] for human consumption; ravioli; rice; spring rolls; sugar; aniseed; confectionery; malt for human consumption; salt for preserving foodstuffs; cooking salt; celery salt; spaghetti; saffron (seasoning); preparations for stiffening whipped cream; breadcrumbs; sushi; sandwiches; yeast in pill form, not for medical use; tabbouleh; tacos; tapioca; tortillas; vinegar; ferments for pastes; bread; unleavened bread; corn flakes; chicory (coffee substitute); tea; iced tea; malt extracts for food; essences for foodstuffs (except etheric essences and; essential oils); garden herbs, preserved.

33 – Aperitifs; arrack; brandies; wine; piquette; whisky; kirsch; gin; digesters (liqueurs and spirits); cocktails; curacao; alcoholic beverages, except beer; alcoholic beverages containing fruit; spirits; distilled beverages, mead; peppermint liqueurs; bitters; rum;

sake; perry; rice alcohol; alcoholic extracts; fruit extracts, alcoholic; alcoholic essences.

(260) AM 2014 73587 A

(800) 990689

(151) 2008 06 09

(891) 2013 05 24

(731) VOSSLOH COGIFER

21 avenue de Colmar, F-92500 RUEIL

MALMAISON, France

(540)

EASYDRIVE

(591) Black, white

(511)

6 – Metal devices for operating railway track switches, materials of metal for railway tracks, railway switches, railway points, loading gauge rods of metal for railroads, railroad ties of metal, fish plates, rails.

7 – Non-metallic devices for operating railway track switches, couplings and driving chains other than for land vehicles, gears other than for land vehicles, railwaying machines, transmission shafts other than for land vehicles, railroad constructing machines, car lifters.

9 – Devices for operating and controlling railway track switches, electric couplings, electrodynamic apparatus for remote control of railroad switches, electric wires, apparatus for railway traffic safety.

(260) AM 2014 73588 A

(800) 1071242

(151) 2011 02 01

(891) 2013 06 25

(731) Obschestvo s ogranichennoy otvetstvennostyu

"Dymovskoe kolbasnoe proizvodstvo"

d. 37, ul. Krylatskaya, RU-121614 Moskva,

Russian Federation

(540)



(591) Black, white

(511)

29 – Meat, fish, poultry and game; meat extracts; preserved, frozen, dried and cooked fruits and vegetables; jellies, jams, compotes; eggs, milk and milk products; edible oils and fats.

(260) AM 2014 73589 A
 (800) 1071249
 (151) 2011 02 01
 (891) 2013 06 25
 (731) Obschestvo s ogranichennoy otvetstvennostyu
 "Dymovskoe kolbasnoe proizvodstvo"
 d. 37, ul. Krylatskaya, RU-121614 Moskva,
 Russian Federation

(540)



(591) Black, white

(511)

29 – Meat, fish, poultry and game; meat extracts; preserved, frozen, dried and cooked fruits and vegetables; jellies, jams, compotes; eggs, milk and milk products; edible oils and fats.

(260) AM 2014 73590 A

(800) 1021585

(151) 2009 06 03

(891) 2013 06 16

(731) ŞEM LASTİK SANAYİİ VE TİCARET
 ANONİM ŞİRKETİ
 Yeni Yalova Yolu 13. Km. Ovaakça – Bursa,
 Turkey

(540)



(591) Blue and white

(511)

12 – Automobiles, trucks, buses, tractors and parts thereof, bicycles, motorbikes, mopeds and similar vehicles, and their bodies, handlebars, fenders, mudguards, vehicle trunks, dump body trunks, tractor trailers, frigorific trunks, dump bodies, vehicle seats, head supports for seats, safety seats for children in vehicles, seat covers for vehicles, vehicle covers (fitted, shaped), sun-blinds adapted for automobiles, direction signals, windshield wipers for vehicles, wiper arms, tires, inner tubes and tubeless tires for vehicles, patches for vehicle tires, adhesive rubber patches for repairing inner tubes, valves for vehicle tires, windows for vehicles, safe windows for vehicles, rearview mirrors and side mirrors for vehicles, tire chains, wedges, bicycle and ski carriers, saddles for vehicles, tire inflating pumps, anti-theft alarms, horns for vehicles, safety belts, airbags for vehicles, strollers, wheelchairs, baby carriages, hand cars,

shopping carts, single or multi-cycle hand cars, carrier tricycles and household goods handling carts, railway vehicles, namely, locomotives, trains, tramways, wagon cars; aerial conveyor vehicles, telfer railways (cable cars), ski lifts, water vehicles and parts (other than their engines and motors), air vehicles and parts (other than their engines and motors).

17 – Rubber, gutta-percha, gum, asbestos, mica and goods made from these materials, insulating materials; non-conducting materials for retaining heat; insulators for electric mains; insulating fabrics; foils of metal for insulating; insulating paints; insulating paper; asbestos paper; asbestos cloth; asbestos fabrics; adhesive bands other than stationery and not for medical or household purposes; insulating tape and band; asbestos coverings; asbestos sheets; asbestos felt; rubber stoppers; expansion joint fillers; chemical compositions for repairing leaks; flexible plumbing pipes of plastic, rubber or natural rubber, canvas hose pipes for use in industry, fire hoses, flexible compressed air pipe fittings, not of metal, pipe fittings, vehicle radiator connecting hoses, synthetic plastic as semi-finished products in form of foils, plates, rods, profiles, hoses, tubes, blocks, foam rubber, natural rubber, synthetic elastomer resin blended with additives and colorants sold in a pellet form, rubber, cellulose acetate film, plastic films not use for packing padding, semi-processed brake lining material, clutch linings, rubber thread, plastic fibers, natural rubber threads not for textile use, natural rubber and rubber bags for merchandise packaging, goods made of rubber, natural rubber, plastic and similar materials namely rubber and natural rubber pads (shock absorber), expansion bellows, rubber stoppers, sealing plugs made primarily from rubber, billets from rubber, sleeves and brackets of rubber, foam rubber for protecting parts of machinery, rings of rubber for use as pipe connection seals, metal engine gaskets for vehicles, gasket sealer for use in plumbing, gasket rings.

(260) AM 2014 73591 A

(800) 1066991

(151) 2010 06 16

(891) 2013 05 21

(731) ООО "Set magazinov goryashchikh
 putyovok"
 str. 2, d. 9, ul. Chertanovskaya, RU-117280
 Moscow, Russian Federation

(540)



(591) Red, yellow

(511)

35 – Advertising; business management; business administration; office functions; import-export agencies; commercial information agencies; cost price analysis; rental of advertising space; auditing; employment agencies; computerized file management; accounting; efficiency experts; demonstration of goods; transcription; on-line advertising on a computer network; business information; statistical information; business investigations; marketing studies; business management of performing artists; organization of exhibitions and fairs for commercial or advertising purposes; shop window dressing; sales promotion (for others) within the wholesale and retail trade; publicity material rental; public relations; modelling for advertising or sales promotion; personnel recruitment; business management and organization consultancy; personnel management consultancy; professional business consultancy; news clipping services; updating of advertising material; word processing; arranging newspaper subscriptions for others; business appraisals; evaluation of standing timber; evaluation of wool; payroll preparation; data search in computer files for others; business management assistance; commercial or industrial management assistance; economic forecasting; auctioneering; office machines and equipment rental; rental of advertising time on communication media; publicity material rental; rental of photocopying machines; publication of publicity texts; typing; radio advertising; bill-posting; distribution of samples; direct mail advertising; advertising by mail order; television advertising; advertising agencies; document reproduction; compilation of information into computer databases; business inquiries; secretarial services; systemization of information into computer databases; tax preparation; drawing up of statements of accounts; publicity columns preparation; location of freight cars by computer (tracking); shorthand; psychological testing for the selection of personnel; business management of hotels; public relations; relocation services for businesses; telephone answering for unavailable subscribers; photocopying.

36 – Insurance; financial affairs; monetary affairs; real estate affairs; credit bureaux; debt collection agencies; real estate agencies; customs brokerage; financial analysis; savings banks; accommodation bureaux (apartments); rent collection; issuing of travellers' checks (cheques); issuance of credit cards; issue of tokens of value; capital investments; insurance information; financial information; clearing, financial; insurance consultancy; financial consultancy; stock exchange quotations; business liquidation services, financial; brokerage; financial management; exchanging money; debit card services; credit card services; home banking; factoring; organization of collections; antique appraisal; jewellery appraisal; stamp appraisal; real estate appraisal;

numismatic appraisal; art appraisal; financial evaluation; electronic fund transfer; guarantees; securities brokerage; real estate brokers; lending against security; leasing of real estate; check (cheque) verification; charitable fund raising; renting of apartments; rental of offices (real estate); financial sponsorship; mortgage banking; instalment loans; apartment house management; real estate management; actuarial services; banking; retirement payment services; fiduciary; mutual funds; financing services; safe deposit services; deposits of valuables; fiscal assessments.

39 – Transport; packaging and storage of goods; travel arrangement; air transport; boat rental; booking of seats for travel; travel reservation; transport reservation; towing; vehicle towing; water distribution; message delivery; parcel delivery; delivery of goods; delivery of goods by mail order; launching of satellites for others; transportation information; storage information; arranging of cruises; arranging of tours; hauling; carting; transport and storage of trash; transporting furniture; removal services; barge transport; ferry-boat transport; transport of travellers; freight (shipping of goods); armored-car transport; bus transport; car transport; boat transport; railway transport; marine transport; passenger transport; river transport; portering; refloating of ships; ship-brokerage; transport brokerage; freight brokerage; operating canal locks; car rental; truck rental; rental of diving bells; rental of diving suits; rental of motor racing cars; rental of wheelchairs; rental of storage containers; horse rental; coach rental; refrigerator rental; vehicle rental; stevedoring; unloading cargo; distribution of energy; electricity distribution; delivery of newspapers; packaging of foods; ambulance transport; garage rental; rental of vehicle roof racks; rental of warehouses; ice-breaking; piloting; water supplying; escorting of travellers; underwater salvage; salvage of ships; taxi transport; tram transport; transport by pipeline; rescue operations (transport); wrapping of goods; car parking; chauffeur services; pleasure boat transport; courier services (messages or merchandise); salvaging; transport; tourist offices (except for hotel reservation); freighting; physical storage of electronically-stored data or documents; boat storage; storage of goods; storage; sightseeing (tourism); freight forwarding.

41 – Education; providing of training; entertainment; sporting and cultural activities; modelling for artists; rental of tennis courts; lending libraries; booking of seats for shows; videotaping; nursery schools; physical education; discotheque services; animal training; dubbing; gaming; publication of books; education information; recreation information; entertainment information; movie studios; health club services; club services (entertainment or education); night clubs; correspondence courses; microfilming; videotape editing; production of radio and television programmes; music-halls; providing on-line electro-

nic publications, not downloadable; religious education; gymnastic instruction; practical training (demonstration); organization of balls; organization of exhibitions for cultural or educational purposes; providing recreation facilities; arranging and conducting of colloquiums; arranging and conducting of congresses; arranging and conducting of conferences; arranging and conducting of workshops (training); arranging and conducting of seminars; arranging and conducting of symposiums; arranging of beauty contests; organization of competitions (education or entertainment); operating lotteries; holiday camp services (entertainment); organization of shows (impresario services); organization of sports competitions; vocational guidance (education or training advice); amusement parks; sign language interpretation; television entertainment; bookmobile services; providing karaoke services; providing golf facilities; providing sports facilities; providing amusement arcade services; cinema presentations; presentation of live performances; theatre productions; educational examination; timing of sports events; videotape film production; film production; rental of sound recordings; rental of audio equipment; rental of camcorders; rental of video cassette recorders; rental of videotapes; rental of show scenery; rental of motion pictures; rental of stadium facilities; rental of lighting apparatus for theatrical sets or television studios; rental of radio and television sets; rental of skin diving equipment; rental of sports equipment, except vehicles; rental of stage scenery; electronic desktop publishing; publication of electronic books and journals on-line; publication of texts, other than publicity texts; radio entertainment; entertainer services; zoological gardens; news reporters services; party planning (entertainment); music composition services; sport camp services; subtitling; providing casino facilities (gambling); providing museum facilities (presentation, exhibitions); educational services; orchestra services; translation; scriptwriting services; recording studio services; digital imaging services; circuses; production of shows.

42 – Scientific and technological services and research and design relating thereto; industrial analysis and research services; design and development of computer hardware and software; computer systems analysis; chemical analysis; architecture; authenticating works of art; recovery of computer data; graphic arts designing; technical project studies; engineering; installation of computer software; meteorological information; material testing; textile testing; bacteriological research; biological research; geological research; cosmetic research; mechanical research; physics (research); chemical research; research and development for others; analysis for oil-field exploitation; underwater exploration; technical research; calibration (measuring); consultancy in the field of computer hardware; computer software consultancy; architectural consultation; oil-well testing;

quality control; vehicle roadworthiness testing; land surveying; dress designing; updating of computer software; geological surveys; oil-field surveys; maintenance of computer software; design of interior decor; conversion of data or documents from physical to electronic media; urban planning; data conversion of computer programs and data (not physical conversion); computer system design; computer rental; rental of computer software; geological prospecting; oil prospecting; hosting computer sites (Web sites); duplication of computer programs; construction drafting; computer software design; cloud seeding; creating and maintaining web sites for others; computer programming; industrial design; chemistry services; packaging design; surveying; consultation in environment protection.

43 – Services for providing food and drink; temporary accommodation; rental of temporary accommodation; rental of transportable buildings; rental of meeting rooms; tourist homes; hotel reservations; boarding house bookings; temporary accommodation reservations; hotels; snack-bars; cafes; cafeterias; motels; boarding houses; boarding for animals; rental of chairs, tables, table linen, glassware; rental of tents; restaurants; self-service restaurants; canteens; holiday camp services (lodging); bar services; providing campground facilities; food and drink catering; day-nurseries (crèches); boarding houses.

45 – Litigation services; arbitration services; legal research; intellectual property consultancy; intellectual property watching services; licencing of intellectual property; copyright management.

(260) AM 2014 73592 A

(800) 1126114

(151) 2012 03 26

(891) 2013 06 17

(731) Limited Liability Company

"Technoengineering"

d. 36, ul. Vokzalnaya, s. Russkaya Borkovka,
RU-445043 Stavropolskii r-on, Samarskaya
obl., Russian Federation

(540)



(591) Black, white

(511)

7 – Machine wheels.

12 – Vehicle wheels; hub caps; bands for wheel hubs; rims for vehicle wheels; axles for vehicles; vehicle wheel spokes; hubs for vehicle wheels.

(260) AM 2014 73593 A

(800) 1126275

(151) 2012 07 19

(891) 2013 04 05

(731) BIOFARMA

50 rue Carnot, F-92284 SURESNES CEDEX,
France

(540)

OBTANCE

(591) Black, white

(511)

5 – Pharmaceutical and veterinary preparations; sanitary preparations for medical purposes; dietetic food and substances adapted for medical or veterinary use, food for babies; dietary supplements for humans and animals; plasters, materials for dressings; material for dental fillings and dental impressions.

(260) AM 2014 73601 A

(800) 1170452

(151) 2013 04 09

(731) ULAŞ ÇORAP SANAYİ TEKSTİL VE DIŞ
TİCARET LİMİTED ŞİRKETİMahmutbey Mah. Atatürk Cad. No.1 D. 2,
Bağcılar İSTANBUL, Turkey

(540)

FELICIO

(591) Black, white

(511)

25 – Clothing, footwear, headgear.

35 – Advertising, marketing and publicity services; organization of exhibitions and trade fairs for commercial or advertising purposes; office functions; secretarial services, advertising in periodicals, brochures and newspapers, compilation of statistics, office machines and equipment rental, collating of data in computer databases, telephone answering for unavailable subscribers, consultancy and advisory services relating to personnel placement, recruitment and management, advisory services for business management; business accounts management; import-export agencies; efficiency experts; auction and reverse auction services; the bringing together, for the benefit of others, clothing, footwear, headgear (excluding the transport thereof), enabling customers to conveniently view and purchase those goods from wholesale outlets, retail outlets and from a general merchandise catalogue by mail order or by means of telecommunications.

(260) AM 2014 73674 A

(800) 1171177

(151) 2013 01 22

(731) J. Barbour & Sons Limited

Simonside, South Shields, Tyne and Wear

NE34 9PD, United Kingdom

(540)

**BARBOUR
INTERNATIONAL**

(591) Black, white

(511)

1 – Waterproofing preparations and compounds.

3 – Soaps; perfumery, essential oils, cosmetics, hair lotions; dentifrices; wax compositions for leather and fabric.

9 – Spectacles; sunglasses; binoculars; parts and fittings for all the aforesaid goods.

12 – Vehicles; apparatus for locomotion by land or water; parts and fittings for all the aforesaid goods.

14 – Jewellery, costume jewellery, cuff links, tie pins, horological and chronometric instruments; parts and fittings for all the aforesaid goods.

16 – Books; printed matter; stationery; photographs advertising material, brochures and printed publications, leather covers for passports.

18 – Dog coats, dog coats treated with wax, quilted dog coats wallets (made of leather), purses (made of leather), belts (made of leather), suit carriers, bags, cartridge bags, back packs, luggage, luggage bags, wash bags, handbags, wallets, purses, shoulder bags, briefcases, bags, cartridge bags, back packs, luggage, luggage bags, wash bags, handbags, wallets, purses, shoulder bags, briefcases, (all coated with wax) bags, cartridge bags, back packs, luggage, luggage bags, wash bags, handbags, wallets, purses, shoulder bags, briefcases, (all made of quilted material) bags, cartridge bags, back packs, luggage, luggage bags, wash bags, handbags, wallets, purses, shoulder bags, briefcases, (all made of leather) bags, cartridge bags, backpacks, luggage, luggage bags, wash bags, handbags, wallets, purses, shoulder bags, briefcases, (all made of suede), umbrellas.

21 – Mugs, cups, teacups, saucers, teapots, crockery, articles made of ceramics, glass, porcelain or earthenware which are not included in other classes.

24 – Handkerchiefs, textiles and textile goods; travel rugs; textiles for making articles of clothing.

25 – Articles of clothing, articles of outer clothing, articles of clothing coated with wax, articles of clothing made from quilted material, articles of waterproof clothing, coats, coats coated with wax, coats made from quilted material, jackets, jackets coated with wax, jackets made from quilted material, fleeces, duffle coats, tweed coats, tweed jackets, capes, blousons, vests, liners, mackintoshes, blazers, waistcoats, waistcoats coated with wax, waistcoats made from quilted material, body warmers, body warmers coated with wax, body warmers made from quilted material, gilets, gilets coated with wax, gilets made

from quilted material sweaters, pullovers, jumpers, cardigans, shorts, jodhpurs, riding breeches, trousers, denim trousers, corduroy trousers, trousers coated with wax, leggings, leggings coated with wax, breeks, breeks coated with wax, over trousers, over trousers coated with wax, jeans, shirts, shirts (long sleeved), shirts (short sleeved), t-shirts, t-shirts (long sleeved), t-shirts (short sleeved) polo shirts, polo shirts (short sleeved), polo shirts (long sleeved), polo-necks, rugby shirts, hats, hats made of leather, hats made of wool, tweed hats, hats coated with wax, caps, caps coated with wax, hoods, hoods for jackets, hoods for coats, hoods coated with wax, scarves, rain chokers, cravats, bow ties, socks, gun stockings, gun sock garters, flashes, gloves, inner gloves, gloves made of leather, mittens, fingerless gloves, belts (made of fabric), belts (made of leather) ties, ties made of silk footwear, shoes, boots, riding boots, walking boots, waterproof boots, waterproof shoes, wellington boots, gaiters, gaiters (coated with wax), gaiter straps, bags for footwear, leather gloves, leather hats, leather jackets, leather coats.

26 – Badges, badges for wear, badges made of metal, buttons, buttons for wear, buttons being fastenings, buttons for attachment to clothing, buttons for sewing.

28 – Games; toys; sporting articles, articles of clothing for sporting activity, sporting gloves.

35 – Retail services connected with the sale of clothing, footwear and headgear.

37 – Cleaning, repair and renovation of clothing.

39 – Transport, packaging of goods, storage of goods.

40 – Alteration and custom manufacture of clothing; waterproofing of clothing and of fabrics; re-waterproofing of clothing and of fabrics.

41 – Organising of sporting activities, organising of cultural activities.

(260) AM 2014 73675 A

(800) 1171192

(151) 2013 06 21

(731) SWATCH AG (SWATCH SA) (SWATCH LTD)

Jakob-Stämpfli-Strasse 94, CH-2502
Biel/Bienne, Switzerland

(540)

ITOUCH

(591) Black, white

(511)

14 – Precious metals and their alloys and goods made of these materials or coated therewith included in this class, namely figurines, trophies; jewelry, name-

ly rings, earrings, cuff links, bracelets, charms, brooches, chains, necklaces, tie pins, tie clips, jewelry caskets (cases), cases; precious stones, semi-precious stones; timepieces and chronometric instruments, namely chronometers, chronographs, clocks, watches, wristwatches, wall clocks, alarm clocks, as well as parts and accessories for the aforesaid goods, namely hands, anchors, pendulums, barrels, watch cases, watch straps, watch dials, clockworks, watch chains, movements for timepieces, watch springs, watch glasses, presentation cases for timepieces, cases for timepieces.

(260) AM 2014 73677 A

(800) 1171285

(151) 2013 06 06

(731) FELDA IFFCO GIDA SANAYİ VE
TİCARET ANONİM ŞİRKETİ

Ataturk Organize Sanayi Bölgesi, Sokak
NO.3, TR-10003 Çiğli İZMİR, Turkey

(540)



(591) Yellow, blue, white, red, light blue

(511)

29 – Meat, fish, poultry and game; meat extracts; preserved, frozen, dried and cooked fruits and vegetables; jellies, jams, compotes; eggs; milk and milk products; edible oils and fats.

(260) AM 2014 73681 A

(800) 1171355

(151) 2013 02 26

(731) NARİN TRİKO TEKSTİL SANAYİ VE
TİCARET LİMİTED ŞİRKETİ

Yenidoğan Mh. Ferhatpaşa Cad. No.8,
Bayrampaşa/İstanbul, Turkey

(540)



(591) Black, white

(511)

24 – Household textile products (flags, banners, handkerchiefs etc).

(260) AM 2014 73682 A

(800) 1171358

(151) 2013 05 07

(731) WENZHOUS ZHONGMIN GLASSES CO., LTD.

No.17 Jingyu Road, Louqiao Industrial Park, Ouhai, Wenzhou, Zhejiang, China

(540)



T-CHARGE

(591) Black, white

(511)

9 – Computers; electronic scoreboards; photocopiers (photographic, electrostatic, thermic); scales; measures; signal lanterns; navigation apparatus for vehicles (on-board computers); sound recording discs; cameras (photography); water meters; optical apparatus and instruments; materials for electricity mains (wires, cables); coils, electric; automated power distribution systems; electrolyzers; extinguishers; radiological apparatus for industrial purposes; protection devices for personal use against accidents; theft prevention installations, electric; eyeglasses; accumulators, electric; cinematographic film, exposed; electrically heated clothes.

(260) AM 2014 73683 A

(800) 1171359

(151) 2013 06 11

(731) Carlsberg Breweries A/S

Ny Carlsberg Vej 100, DK-1799 Copenhagen V, Denmark

(540)

TUBORG

(591) Black, white

(511)

32 – Beers; mineral and aerated waters and other non-alcoholic beverages; fruit beverages and fruit juices; syrups and other preparations for making beverages.

(260) AM 2014 73684 A

(800) 1171374

(151) 2013 04 10

(731) CERAMICAS GALA, S. A.

Ctra. de Madrid-Irún, Km. 244, Apdo. 293, E-09080 Burgos, Spain

(540)

GALA

(591) Black, white

(511)

19 – Non-metallic building materials, including tiles, tiles for building not made of metal, bricks, terra-

cotta, sandstone for building, marble, mosaics [tiles] for building, stone, slate, space separators [structures], not made of metal.

(260) AM 2014 73685 A

(800) 1171477

(151) 2013 07 08

(731) Enterprise Holdings, Inc.

600 Corporate Park Drive, St. Louis MO 63105, USA

(540)

DRIVE ALLIANCE

(591) Black, white

(511)

39 – Vehicle rental and leasing services, and reservation services for the rental and leasing of vehicles.

(260) AM 2014 73716 A

(800) 1171740

(151) 2013 07 23

(731) ZHEJIANG WTM COPPER CO., LTD.

Xudou Industrial Zone, Qinggang Town, Yuhuan County, 318000 Zhejiang Province, China

(540)

WTm

(591) Black, white

(511)

6 – Pipework of metal; building or furniture fittings of nickel-silver; reinforcing materials of metal for machine belts.

(260) AM 2014 73769 A

(800) 953645

(151) 2008 01 08

(891) 2013 07 24

(731) XANTHIA SRL

Via Ravigliano, 1, I-64013 CORROPOLI (TE), Italy

(540)



GILDA TONELLI

(591) Black, white

(511)

18 – Leather and imitations of leather and goods made of these materials and not included in other classes; animal skins, hides; trunks and travelling bags, umbrellas, parasol and walking sticks; whips, harness and saddlery.

(260) AM 2014 73958 A
 (800) 1173295
 (151) 2013 06 22
 (731) GUANGZHOU ZENGCHENG GUANGYIN
 GARMENT CO., LTD
 Shapu Road, Xintang, Zengcheng, 511338
 Guangzhou, China

(540)

Denim Island Identity

(591) Black, white

(511)

18 – Imitation leather; traveling cases; traveling bags; backpacks; wallets; handbags; boxes of imitation leather; leather straps; cases, of leather or leatherboard; traveling sets [leatherware].

25 – Clothing; shoes; hats; gloves [clothing]; neckties; straps [clothing]; layettes [clothing]; swimsuits; raincoats; hosiery; scarfs; bathing trunks; underwear; underpants; topcoats; outerclothing; clothing of leather; dust coats; jackets [clothing]; trekking shoes.

(260) AM 2014 73979 A

(800) 1173344

(151) 2013 06 17

(731) Knauf Insulation Holding GmbH
 Am Bahnhof 7, 97346 Iphofen, Germany

(540)

PROFITEP

(591) Black, white

(511)

17 – Packing, stopping and insulating materials, glass wool, mineral wool, expanded polystyrene, extruded polystyrene and products made of these materials for insulating purpose (included in this class).

19 – Non-metallic building materials, especially plates, boards and tables; non-metallic supporting constructions, non-metallic building panels.

(260) AM 2014 73981 A

(800) 1173411

(151) 2013 02 18

(731) "IT Solomiya" Limited Liability Company
 Donetska Str., 16/2, Kyiv 03151, Ukraine

(540)



(591) Black, white

(511)

41 – Education; providing of training; entertainment; sporting and cultural activities; educational examination; educational and instructional services; organi-

zation of exhibitions, including photo exhibitions, for cultural or educational purposes, including organization thereof via Internet; publishing services; publication of text books, manuals and guides, books, newspapers, magazines and journals; arranging and conducting of congresses, conferences, forums, disputes, debates, discussions, colloquiums, lectures, trainings, work-shops, and symposiums, including organization thereof in the Internet; arranging and conducting of briefings, "round tables", press-conferences, quizzes, tournament, fests, educational contests; arranging and conducting of educational institutions presentations; organization of tests; organization of competitions (educational or leisure); organization of educational process; organization and conducting of training at practical work-shops; organization of various events for the purpose of cooperation in the field of education, training, history, culture and science; production of radio and television programs; electronic desktop publishing; dubbing; recording studio services; distance learning; production of educational films; information on education, learning, educational programs, leisure, upbringing, history, culture, art, sport, music, social life, everyday life events; master-classes; layout services, other than for advertising purposes; educational, instructional services; teaching; tuition; collective education; vocational training; practical training; educational centers; providing on-line electronic publications, not downloadable; rental of sound and video recordings; rental of educational apparatus and equipment; rental of equipment for simultaneous translation; writing of texts, other than publicity texts; providing recreation facilities; vocational guidance (education or training advice); vocational retraining; party planning (entertainment); services of lecturers, teachers, tutors; services of interpreters and translators; services of educationalists, trainers, coaches, instructors; services of simultaneous translation; placing of information materials, except for advertising materials; club services; social club services; personnel training; publication of texts, other than publicity texts; publication of electronic books, journals, texts, magazines on-line; radio education and training; publication and editing services; news reporters services; development of educational video presentations; production of films, not for advertising purposes; film production, not for advertising purposes; TV, radio, and online event commenting; informational and educational television; education and practical training; photography; photo reporting.

(260) AM 2014 73983 A

(800) 1173442

(151) 2013 04 10

(731) DI. & VE. IMMOBILIARE S.r.l.

Via Roma, n. 157 I-80029 Sant'Antimo, Italy

(540)



(591) Black, white

(511)

3 – Soaps for personal use, perfumery, essential oils for personal use, cosmetics, namely, shampoos and hair conditioners; hair color and dyes, color removal and lightening preparations and hair bleaches; hair styling and finishing products, namely, hair sprays, spray gels, gels, mousses, creams, lotions, pomades, thickener and hair waxes; hair and scalp treatments, namely, restructurizers and scalp conditioners, hair lotions, hair detangler; adhesives for affixing false hair; false eyelashes; eyelashes made of real hair; cosmetic preparations for eyelashes.

8 – Electric flat irons.

11 – Electric hair dryers; hot air apparatus, heaters for heating irons, hair dryers, drying apparatus, curling lamps, hand drying apparatus for wash-rooms.

21 – Combs, brushes (except paintbrushes); cosmetic brushes, in particular for hair care and hair treatment; electric make-up removing appliances.

22 – Animal hair.

26 – Lace, ribbons, braid, wigs; plaited hair; false hair; false hair pieces; hair pieces; synthetic and natural hair extensions; toupees; hair ornaments namely, hair bands, hair clips, hair pins, hair grips, hair ribbons, artificial flowers, hair nets, hair coloring and frosting caps, non-electric hair curlers; electrically heated hair-curlers, human hair for use in making wigs and hair pieces.

(260) AM 2014 73984 A

(800) 1173485

(151) 2013 06 10

(731) Baltika Breweries

3, 6-th Verkhny pereulok, RU-194292
Saint-Petersburg, Russian Federation

(540)

FLASH UP

(591) Black, white

(511)

33 – Aperitifs; brandy; wine; whisky; vodka; gin; digesters [liqueurs and spirits]; cocktails; liqueurs; alcoholic beverages, except beer; spirits [beverages]; distilled beverages; mead [hydromel]; rum; cider; alcoholic extracts; alcoholic essences.

(260) AM 2014 73985 A

(800) 1173499

(151) 2013 05 22

(731) KORAB INTERNATIONAL AB

Södra Hamngatan 53, SE-411 06 Göteborg,
Sweden

(540)



(591) Blue and grey

(511)

1 – Chemicals used in industry, science and photography, as well as in agriculture, horticulture and forestry; unprocessed artificial resins, unprocessed plastics; manures; fire extinguishing compositions, tempering and soldering preparations; chemical substances for preserving foodstuffs; tanning substances; adhesives used in industry.

7 – Machines and machine tools; motors and engines (except for land vehicles); machine coupling and transmission components (except for land vehicles); agricultural implements other than hand-operated; incubators for eggs, automatic vending machines.

16 – Paper, cardboard and goods made from these materials, not included in other classes; printed matter; bookbinding material; photographs; stationery; adhesives for stationery or household purposes; artists' materials; paint brushes; typewriters and office requisites (except furniture), instructional and teaching material (except apparatus); plastic materials for packaging (not included in other classes); printers' type; printing blocks.

19 – Building materials (non-metallic); non-metallic rigid pipes for building; asphalt, pitch and bitumen; non-metallic transportable buildings; monuments, not of metal.

34 – Tobacco; smokers' articles; matches.

35 – Advertising; business management; business administration; office functions; bringing together, for the benefit of others, of a variety of goods (excluding the transport thereof), enabling customers to conveniently view and purchase those goods from wholesale outlet, retail outlet and from a general merchandise catalogue by mail order or by means of telecommunications.

39 – Transport; packaging and storage of goods; travel arrangement.

(260) AM 2014 73986 A

(800) 1173500

(151) 2013 06 14

(731) GSH Trademarks Limited

Afroditis, 25 2nd floor, office 204, Nicosia,
Cyprus

(540)

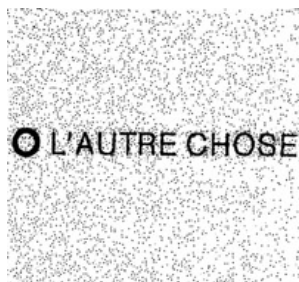
PERVAK

(591) Black, white

(511)
33 – Alcoholic beverages (except beers).

(260) AM 2014 73987 A
(800) 1173503
(151) 2013 06 14
(731) BOCCACCINI S.P.A.
Via Mar Egeo, 9/13, I-63018 PORTO
SANTELPIDIO (FM), Italy

(540)



(591) Black, white
(511)
25 – Clothing, footwear, headgear.

(260) AM 2014 73989 A
(800) 1173520
(151) 2013 06 05
(731) Hagleitner Hygiene International GmbH
Lunastraße 5, A-5700 Zell am See, Austria

(540)



(591) Black, white
(511)
9 – Dosage dispensers, in particular for cleaning preparations and other substances for laundry use.

11 – Air deodorising apparatus; disinfectant dispensers for toilets; water purifying apparatus and installations; sanitary apparatus and installations, in particular fittings.

21 – Dispensers for soaps, shower gels, room fragrances, cleaning preparations, towels of paper, toilet paper, hygienic bags and cleansing wipes.

(260) AM 2014 73991 A
(800) 1173541
(151) 2013 07 01
(731) Henkel AG & Co. KGaA
Henkelstrasse 67, 40589 Düsseldorf, Germany

(540)

OLEO SUPREME

(591) Black, white

(511)
3 – Soaps, perfumery, essential oils; preparations for body and beauty care; preparations for hair care and hair treatment; hair colorants, hair lotions; cosmetic preparations for skin care and skin treatment; dentifrices.

(260) AM 2014 73993 A
(800) 1173602
(151) 2013 06 14
(731) GSH Trademarks Limited
Afroditis, 25 2nd floor, office 204 Nicosia,
Cyprus

(540)

ΠΕΡΒΑΚ

(591) Black, white
(511)
33 – Alcoholic beverages (except beers).

(260) AM 2014 73995 A
(800) 1173626
(151) 2013 06 17
(731) Knauf Insulation Holding GmbH
Am Bahnhof 7 97346 Iphofen, Germany

(540)

ПРОФІТЕП

(591) Black, white
(511)
17 – Packing, stopping and insulating materials, glass wool, mineral wool, expanded polystyrene, extruded polystyrene and products made of these materials for insulating purpose (included in this class).

19 – Non-metallic building materials, especially plates, boards and tables; non-metallic supporting constructions, non-metallic building panels.

(260) AM 2014 73997 A
(800) 1173646
(151) 2013 02 26
(731) Avon Products, Inc.
World Headquarters, 777 Third Avenue,
New York, NY 10017, USA

(540)

LOVE COLLIDES

(591) Black, white
(511)
3 – Non-medicated toilet preparations; toiletries; skin care preparations; skin moisturizers; body and beauty care preparations; powders, creams and lotions, all for the face, hands and body; cosmetic sun-tan preparations; soaps; shower and bath preparations; beauty masks; talcum powder; nail polish; nail

polish remover; enamel for nails; false nails; adhesives for cosmetic purposes; cosmetics; eye makeup remover, eye shadow, eye liner, mascara, lipstick, lip liner, lip gloss; make-up foundation; blusher; tissues impregnated with cosmetic lotions; cotton sticks for cosmetic purposes; cotton wool for cosmetic purposes; preparations for cleaning, moisturising, colouring and styling the hair; preparations for cleaning the teeth; shaving and aftershave preparations; perfumes, fragrances, toilet waters, cologne; deodorants and anti-perspirants for personal use; essential oils (cosmetic).

(260) AM 2014 74000 A

(800) 1173700

(151) 2013 07 08

(731) MAHOU, S.A.

Titán, 15 – planta 13, E-28045 Madrid, Spain

(540)



(591) Red and black.

(511)

32 – Beer; mineral and aerated waters and other non-alcoholic beverages; fruit beverages and fruit juices; syrups and other preparations for making beverages.

35 – Promotion and advertising services; business management; business administration; office functions; wholesale and retail sale services in stores, as well as via global computer networks, for all kinds of beverages; import and export services.

(260) AM 2014 74009 A

(800) 1173762

(151) 2013 06 11

(731) Tamara Barnoff KFT.

Nagymező utca 14. 1/20, H-1065 Budapest, Hungary

(540)



(591) Yellow and black

(511)

14 – Jewellery; precious stones; horological and chronometric instruments; charms [jewellery, jewelry (Am.)]; ornaments [jewellery, jewelry (Am.)]; semi-precious stones; pearls [jewellery, jewelry (Am.)].

18 – Animal skins; hides; trunks and travelling bags; umbrellas and parasols; walking sticks; whips; harness and saddlery; valises; purses; rucksacks; attaché

cases; school bags; pocket wallets; card cases [notecases]; vanity cases, not fitted; bags for sports; beach bags; bags [envelopes, pouches] of leather, for packaging; bags.

25 – Clothing; footwear; headgear.

(260) AM 2014 74053 A

(800) 1174218

(151) 2013 05 24

(731) Avon Products, Inc.

World Headquarters, 777 Third Avenue, New York, NY 10017, USA

(540)

AVON REBEL ROSE

(591) Black, white

(511)

3 – Non-medicated toilet preparations; toiletries; skin care preparations; skin moisturizers; body and beauty care preparations; powders, creams and lotions, all for the face, hands and body; cosmetic sun-tan preparations; soaps; shower and bath preparations; beauty masks; talcum powder; nail polish; nail polish remover; enamel for nails; false nails; adhesives for cosmetic purposes; cosmetics; eye makeup remover, eye shadow, eye liner, mascara, lipstick, lip liner, lip gloss; make-up foundation; blusher; tissues impregnated with cosmetic lotions; cotton sticks for cosmetic purposes; cotton wool for cosmetic purposes; preparations for cleaning the teeth; shaving and aftershave preparations; perfumes, fragrances, toilet waters, colognes; deodorants and anti-perspirants for personal use; essential oils (cosmetic); none of the aforesaid goods relating to hair care or hair styling.

(260) AM 2014 74054 A

(800) 1174219

(151) 2013 03 25

(731) Avon Products, Inc.

World Headquarters, 777 Third Avenue, New York, NY 10017, USA

(540)

SMARTREPAIR

(591) Black, white

(511)

3 – Non-medicated toilet preparations; toiletries; skin care preparations; skin moisturizers; body and beauty care preparations; powders, creams and lotions, all for the face, hands and body; cosmetic sun-tan preparations; soaps; shower and bath preparations; beauty masks; talcum powder; nail polish; nail polish remover; enamel for nails; false nails; adhesives for cosmetic purposes; cosmetics; eye makeup remover, eye shadow, eye liner, mascara, lipstick, lip liner, lip gloss; make-up foundation; blusher; tissues impregnated with cosmetic lotions; cot-

ton sticks for cosmetic purposes; cotton wool for cosmetic purposes; preparations for cleaning, moisturising, colouring and styling the hair; preparations for cleaning the teeth; shaving and aftershave preparations; perfumes, fragrances, toilet waters, eau de cologne; deodorants and anti-perspirants for personal use; essential oils (cosmetic).

(260) AM 2014 74061 A

(800) 1174286

(151) 2013 06 24

(731) ODE YALITIM SANAYİ VE TİCARET

ANONİM ŞİRKET

Piyalepaşa Ortadoğu İş Merkezi K.12, Şişli

İstanbul, Turkey

(540)



(591) Black, white, Orange

(511)

17 – Rubber, gutta-percha, gum, asbestos, mica and goods made from these materials and not included in other classes; plastics in extruded form for use in manufacture; packing, stopping and insulating materials; flexible pipes, not of metal.

(260) AM 2014 74062 A

(800) 1174307

(151) 2013 06 22

(731) XIANGXING (FUJIAN) BAG & LUGGAGE

GROUP CO., LTD.

No.336 Longjiang Road, Fuqing city, 350300

Fujian province, China

(540)

WELLS WALES

(591) Black, white

(511)

18 – Backpacks; valises; briefcases; handbags; canes; leather trimmings for furniture; leather straps; leather, unworked or semi-worked; umbrellas; bags for sports.

(260) AM 2014 74066 A

(800) 1174337

(151) 2013 07 29

(731) Colibri Law Firm LIMITED LIABILITY

COMPANY

Razzakova Str. 19, 1302, 720040 Bishkek

city, Kyrgyzstan

(540)

COLIBRILAW

(591) Wine red, grey on a white background

(511)

45 – Legal services, provided to individuals, groups of individuals, organizations or enterprises.

(260) AM 2014 74067 A

(800) 1174343

(151) 2013 07 24

(731) Publichne aktsionerne tovarystvo

"Kharkivska biskvitna fabryka"

vul. Lozivska, 8, Kharkiv 61017, Ukraine

(540)

ГОПАЧОК

(591) Black, white

(511)

30 – Sponge cakes; cookies; buns; waffles; confectionery (sweets); pastries; confectionery for decorating Christmas trees; fruit jellies (confectionery); cakes; peanut confectionery; almond confectionery; pies; cocoa; cocoa products; caramels (candy); sweetmeats (candy); liquorice (confectionery); peppermint sweets; crackers; candy; marzipan; custard; pastilles (confectionery); lozenges (confectionery); petits fours (cakes); biscuits; fondants (confectionery); popcorn; pralines; gingerbread; puddings; cake powder; sugar; sweet paste for cakes, pies, cookies, gingerbread, puddings; rusks; sandwiches; tarts; candy decorations for cakes; chocolate decorations for cakes; halvah; chips from cereal products; chocolate.

(260) AM 2014 74068 A

(800) 1174353

(151) 2013 07 12

(731) TM INVESTMENT SP. Z O.O.

ul. Dębicka 44, PL-39-207 Brzeźnica, Poland

(540)



(591) Black, white

(511)

2 – Anti-corrosive preparations; lacquers and enamels; wood preservatives; bactericidal paints; fireproof paints; anti-fouling paints; enamel paints; ceramic paints; distemper; protective preparations for

metals; thinners for paints and varnishes; fixatives; thickeners for paints.

17 – Insulating paints and oils; insulating varnishes.

(260) AM 2014 74088 A

(800) 1174646

(151) 2013 05 17

(731) Estefanía Marco Alvarez

Avenida de Dolores, 47, P06 C, E-03203

Elche (Alicante), Spain

(540)

ESTEFANIA MARCO

(591) Black, white

(511)

18 – Leather and imitation leather, and goods made of these materials and not included in other classes; animal skins; trunks and suitcases; umbrellas and parasols; walking sticks; whips, harness and saddlery.

25 – Clothing, footwear; headgear.

(260) AM 2014 74089 A

(800) 1174653

(151) 2013 06 13

(731) KERABEN GRUPO, S.A.

Ctra. Valencia -, Barcelona, Km. 44,3,

E-12520 NULES (Castellón), Spain

(540)

KERGRES

(591) Black, white

(511)

19 – Non-metallic building materials; parquet flooring and parquet boards; tiles not of metal; paving blocks, not of metal; blocks made of natural stone; decorative tiles; ceramic tiles; glass tiles; stoneware tiles; ceramic tiles for covering floors; paving made of non-metallic materials; building glass; decorative moldings and borders, not of metal, for building; ceramic coatings.

(260) AM 2014 74090 A

(800) 1174698

(151) 2013 07 12

(731) Merck KGaA

Frankfurter Str. 250, 64293 Darmstadt,

Germany

(540)

PENCYLCAP

(591) Black, white

(511)

5 – Pharmaceutical preparations; sanitary preparations for medical purposes; dietetic food and substances adapted for medical use, food for babies; dietary supplements for humans; plasters, materials

for dressings; material for stopping teeth, dental wax.

10 – Surgical, medical and dental apparatus and instruments, artificial limbs, eyes and teeth; orthopedic articles; suture materials.

(260) AM 2014 74091 A

(800) 1174699

(151) 2013 08 01

(731) Leap Motion, Inc.

333 Bryant Street, Suite LL150, San Francisco

CA 94107, USA

(540)

LEAP MOTION

(591) Black, white

(511)

9 – Computer hardware, namely, electronic sensor devices, cameras, projectors and microphones for optically sensing and tracking motion, and for capturing gesture, facial, and voice recognition; computer hardware and software systems for optically sensing and tracking motion and responsively operating computational and entertainment devices; computer software for controlling, viewing, accessing, browsing and utilizing global computer, communication and entertainment networks; computer game software; computer software for playing video games and operating sensor devices, computer hardware, and computer peripherals; computer software for controlling personal computing and entertainment devices.

(260) AM 2014 74092 A

(800) 1174715

(151) 2013 07 12

(731) TM INVESTMENT SP. Z O.O.

ul. Dębicka 44, PL-39-207 Brzeźnica, Poland

(540)



(591) Shades of blue, shades of green, white, shades of grey and silver, shades of red.

(511)
2 – Anti-corrosive preparations; lacquers and enamels; wood preservatives; bactericidal paints; fireproof paints; anti-fouling paints; enamel paints; ceramic paints; distemper; protective preparations for metals; thinners for paints and varnishes; fixatives; thickeners for paints; shoe dyes; anti-rust oils and greases; badigeon; metal foil for painters.

17 – Insulating paints and oils; insulating varnishes; insulating tape and band; insulating plaster; lute; caulking materials.

(260) AM 2014 74093 A

(800) 1174732

(151) 2013 08 09

(731) Millennium Pharmaceuticals, Inc.
40 Landsdowne Street, Cambridge, MA
02139, USA

(540)

EMIVIP

(591) Black, white

(511)

5 – Pharmaceutical preparations for human use, namely, for the treatment of hematological malignancies, cancer, auto-immune diseases and disorders and inflammatory diseases and disorders; pharmaceutical preparations for the treatment of cancer.

(260) AM 2014 74094 A

(800) 1174733

(151) 2013 08 09

(731) Millennium Pharmaceuticals, Inc.
40 Landsdowne Street, Cambridge,
MA 02139, USA

(540)

EMZERCO

(591) Black, white

(511)

5 – Pharmaceutical preparations for human use, namely, for the treatment of hematological malignancies, cancer, auto-immune diseases and disorders and inflammatory diseases and disorders; pharmaceutical preparations for the treatment of cancer.

(260) AM 2014 74095 A

(800) 1174735

(151) 2013 06 25

(731) Open Joint Stock Company "BELAZ" –
Management Company of Holding
"BELAZ-HOLDING"
40 let Oktyabrya str. 4, 222160 Zhodino,
Belarus

(540)

GENA3

(591) Black, white

(511)

4 – Fuel; additives, non-chemical, to motor-fuel; cutting fluids; industrial grease; mazut; combustible oil; lubricating oil; industrial oil; motor oil; lubricants; non-slipping preparations for belts: lubricating grease; grease for belts; diesel oil; fuel with an alcoholic base.

(260) AM 2014 74097 A

(800) 1174811

(151) 2013 07 08

(731) Nordischer Maschinenbau Rud. Baader GmbH
+ Co. KG
Geniner Strasse 249, 23560 Lübeck, Germany

(540)

ClassifEYE

(591) Black, white

(511)

7 – Machines for the food processing industry; fish, poultry and meat processing machines and parts thereof, as far as contained in this class; machines for treating and processing of fish, meat and poultry as well as fruit and vegetables and products made therefrom; transport belts; conveyor belts; mechanical conveyor belts for loading machines with goods and articles for further processing; sorting machines for industry; separators (machines); control mechanisms for machines.

9 – Photographic, cinematographic, optical, weighing, measuring and checking (supervision) apparatus and instruments; apparatus for recording, transmission or reproduction of sound or images; cameras; data processing apparatus and computers; electrical and electronic controls, control installations, control units, control systems and control apparatus; programmable controls and control apparatus; controls and control apparatus for the fish, meat and poultry processing industry; dosage dispensers; computer peripheral devices; computer software (stored); electric sensors; optical sensors; infrared sensors; microwave sensors (measuring devices); optical apparatus and instruments and checking devices consisting thereof; detectors; lasers, not for medical purposes; quantity indicators; measuring devices; weighing apparatus and instruments; weighing machines; electric switching devices; electric control panels and control cabinets; Roentgen apparatus, not for medical purposes; temperature indicators; thermometers (not for medical purposes); camcorders; digital cameras; cameras (photography); counters; counting mechanisms; apparatus for dosing solid or deformable food.

(260) AM 2014 74098 A
 (800) 1174817
 (151) 2013 08 05
 (731) Zakrytoe aktsionernoye obshchestvo
 "Evalar"
 23/6, Sotsialisticheskaya st., RU-659332
 Biysk, Altai territory, Russian Federation

(540)

ЮПА

(591) Black, white

(511)

3 – Breath freshening sprays; aromatics (essential oils); greases for cosmetic purposes; cosmetic creams; hair lotions; lotions for cosmetic purposes; beauty masks; oils for cosmetic purposes; essential oils; cosmetic kits; pomades for cosmetic purposes; cosmetic preparations for baths; cosmetic preparations for slimming purposes; cosmetic preparations for skin care; cosmetics; shampoos; extracts of flowers (perfumes); ethereal essences.

5 – Dietetic substances adapted for medical use; mineral food supplements; dietary supplements; medicinal roots; dietetic beverages adapted for medical purposes; dietetic foods adapted for medical purposes; medicinal herbs; herbal teas for medicinal purposes; extracts of plants for pharmaceutical purposes.

(260) AM 2014 74100 A
 (800) 1174818
 (151) 2013 06 21
 (731) Open-Type Joint Stock Company
 "Confectionary Concern Babaevsky"
 ul. Malaya Krasnoselskaya, d. 7, RU-107140
 Moscow, Russian Federation

(540)



(591) Black, yellow, green, red, red-brown, dark red, brown, light brown, dark brown and white

(511)

30 – Confectionery made of sugar, namely, chocolate.

(260) AM 2014 74106 A
 (800) 1174826
 (151) 2013 07 30
 (731) Comité International Olympique
 Château de Vidy, CH-1007 Lausanne,
 Switzerland

(540)



**BUENOS AIRES
 2018**

(591) Black, white

(511)

35 – Advertising; dissemination of advertising matter via all media, in particular in the form of thematic messages centered on human values; advertising by sponsoring; business management; business administration; office functions; promoting the goods and services of others, by means of contractual agreements, in particular sponsoring and licensing agreements, enabling them to gain additional notoriety and/or enhanced image and/or a surge of sympathy derived from the notoriety and/or enhanced image resulting from cultural and sporting events, in particular international events, and/or a surge of sympathy generated by the above; promoting the goods and services of others by means of what is referred to as the initial interest factor leading the public to consider, among a multitude of competitors, goods or services presented to the public bearing signs, emblems or messages able to capture its attention; promoting the goods and services of others by means of the so-called image transfer; rental of advertising space of all type and on all media, whether digital or not; business administration of the participation of national teams to an international athletic competition, and promoting the support to said teams with the public and the concerned circles; inventory management services; consultation relating to stock monitoring services; advertising by means of direct marketing for others consisting in marketing of databases; consultation for advertising by means of direct marketing for others consisting in marketing of databases; advisory services in connection with business reorganization; truck and automobile fleet management services, namely billing and consulting in connection with the administrative management of truck and automobile fleets; business administration consultancy; administrative management of power plants of others; business consultation in connection with the management of power plants, commercial services, namely administration of contracts for repair and servicing, supply chain management services and consulting services relating to the purchase and supply of chemical services and products, supply management and product inventory, limitation of costs; consulting, marketing, analysis of prices and costs concerning devices for electrochemical purification of liquids for industrial use; administrative, commercial

and technical management of computer files; data input and processing services; retail sale of electric and electronic machines and apparatus (the bringing together, for the benefit of others, of a range of goods so as to enable customers to view and purchase said goods at their convenience in a retail store carrying electrical goods), information concerning the sale of raw materials, commercial information, commercial information agencies, rental of photocopiers; promoting the sale of goods and services of others including by means of advertisements, promotional competitions, awarding of prizes and bonuses in the form of promotional lotteries, discounts, reduction tokens and value-added offers in connection with the use of payment cards; promotion of sporting events and competitions for use by others; promoting concerts and cultural events for others, organization of exhibitions for commercial or advertising purposes; provision of documentation, namely direct mail advertising, distribution of advertising material, distribution of samples, reproduction of documents; advertising concerning the promotion of commercial sales of goods and services for retail sale purposes; provision of information in connection with e-commerce and electronic retail sale; provision of information concerning the purchase of goods and services on line via the Internet and other computer networks; tourist documentation services, namely advertising concerning transport, travel, hotels, accommodation, food and meals, sports, entertainment and sightseeing tours, tourist agency services; maintenance of computerized databases.

41 – Education; training; entertainment; sporting and cultural activities, televised sporting and cultural entertainment; organization of exhibitions for cultural and educational purposes; organization of lotteries and competitions; betting and gambling services in connection with or relating to sports; entertainment services provided during sporting events or concerning sporting events; organization of sporting and cultural events and activities; organization of real or virtual sporting competitions; operation of sports facilities; rental of audio and video equipment; production of films, other than advertising films; production of sound and video recordings; presentation and distribution of films and of sound and video recordings; rental of sound and video recordings; rental and/or provision via a computer network of interactive education and entertainment products, namely interactive compact discs, CD-ROMs, computer games; entertainment, namely presentation of interactive education and entertainment products, namely interactive compact discs, CD-ROMs, computer games; radio and television coverage of sporting events; production of television and radio programs and of videotapes; production of cartoons; production of animated programs for television; reservation of tickets for sporting events and shows; timing of sports events; organization of

beauty contests; interactive entertainment; on-line betting services; provision of games on the Internet; provision of raffle services; information concerning entertainment or education, provided on line from a data bank or the Internet; electronic game services provided by means of the Internet; provision of electronic publications on line; publication of books, magazines, texts (other than publicity texts) and periodicals; on line publication of electronic books, magazines, texts (other than publicity texts) and periodicals; provision of digital music from the Internet; provision of digital music from MP3 web sites; provision of sporting results; information services concerning sports and sporting events; rental of recorded sounds and images; audio production services; information services concerning sporting events provided on line from a computer database or the Internet; editing and publishing services; provision of digital music (non-downloadable); offering digital music by means of telecommunications; publication of statistics regarding sporting results and audience ratings for sporting competitions; training in the use and operation of systems for signaling and notification of crossings for the railway and transit industries; education services in the field of medical imaging and diagnosis, namely conducting of seminars, conferences, symposiums or workshops concerning the pharmaceutical industry, intended for medical practitioners and employees of pharmaceutical companies; education services, namely conducting of seminars, conferences, symposiums or workshops in the field of life sciences and biotechnology for scientists and researchers; conducting of seminars on problems in connection with industrial water treatment; training services in all the aforesaid fields; training services in the field of management and medicine by means of the use of instructions and demonstrations provided on line, via the Internet, intranets and extranets; education services, namely conducting of practical training workshops, courses and seminars including demonstrations in the field of medicine and management; design, conducting and hosting of courses, seminars and all training activities in the field of information technology; organization and performance of concerts; booking of seats for shows; movie presentations; entertainment information; production of films; show production; theater production services; operation of golf facilities; health club services (fitness training); sports camp services; presentation of live performances; film projection; organization of shows (impresario services); holiday camp services [entertainment]; movie studios; news reporter services; provision of on-line electronic publications, not downloadable; music hall services; education services, namely conducting of courses, seminars, presentations, video presentations; provision of educational material, namely dissemination of material in the field of financial knowledge; education services in

the field of tourism; information services in the field of tourism, namely information services regarding reservation of tickets for recreational events; information services in the field of tourism, namely information services regarding entertainment; information services in the field of tourism, namely information services regarding planned sporting, cultural and recreational activities; services in connection with entertainment for tourist assistance; tourist reservation services, namely activity and entertainment reservation services; assistance services for tourists concerning reservation of tickets for recreational events; assistance services for tourists concerning planned sporting, cultural and recreational activities.

(260) AM 2014 74107 A
 (800) 1174848
 (151) 2013 08 07
 (731) KYORIN PHARMACEUTICAL CO., LTD.
 6, Kanda Surugadai 4-chome, Chiyoda-ku,
 Tokyo 101-8311, Japan

(540)

URITOS

(591) Black, white
 (511)
 5 – Pharmaceutical preparations.

(260) AM 2014 74108 A
 (800) 1174867
 (151) 2013 04 23
 (731) Heidi Chocolat SA
 Bd. Biruintei 87, 077145 Pantelimon, JUD.
 ILFOV, Romania

(540)



(591) Gold, brown and red cherry.
 (511)

30 – Chocolate products; chocolate and chocolates; chocolate bars; chocolate bonbons, praline made of chocolate, cream filled chocolate praline, candies in the nature of hard candies, fruit chews, gummy candy, starch-based candies, jelly beans.

35 – Advertising; business management; business administration; office functions.

(260) AM 2014 74109 A
 (800) 1174879
 (151) 2013 05 16
 (731) Union des Associations Européennes de
 Football (UEFA)
 Route de Genève 46, CH-1260 Nyon,
 Switzerland

(540)

UEFA YOUTH LEAGUE

(591) Black, white
 (511)
 3 – Cosmetic products; soaps; cosmetic preparations for baths; perfumes, eaux de Cologne; shaving and after-shave lotions; shaving creams; shampoos, conditioners; dentifrices, dental rinses (mouthwashes); deodorants and antiperspirants for personal use; care creams, cosmetic creams; make-up removing creams for the face; make-up removing preparations; sun care lotions; hair lotions, hair sprays; toiletry creams; make-up products, eye shadows, face powders, cosmetic pencils; decorative transfers for cosmetic use; cleaning, polishing, degreasing and abrasive preparations for household use; laundry powders; synthetic cleaning products; shoe waxes and creams; leather care products.

4 – Lubricants; engine oils and fuels, including gasoline, diesel oil, gases and bio-fuels; candles; waxes; greases; natural gas; liquid gases; industrial oils and greases; lubricating oils and greases; motor fuels; liquid petroleum gas; non-chemical additives for fuel, lubricants and greases; products for absorbing, wetting and binding dust; lighting fuel; lubricants, oils and greases and lubricating preparations for industrial use; cutting oils for industrial purposes; milling oils.

9 – Exposed films, slides, video game disks; software (recorded programs), including game software; computer databases and programs; accessories for video games, sounds, images or data recorded or downloaded; videotapes, magnetic tapes, magnetic disks, DVDs, minidisks, floppy disks, optical disks, compact disks, CD-ROMs, video disks, memory cards, USB flash drives, whether blank or pre-recorded with music, sound or images (which may be cartoons); holograms; electronic publications provided by means of CD-ROMs, databases and the Internet; spectacles, sunglasses, diving and swimming goggles; cases, cords and chains for sunglasses and spectacles; binoculars; magnets and decorative magnets; directional compasses; sound and image recording, transmission and reproduction apparatus; satellite dishes; decoders, namely, computer software and hardware which can convert, supply and transmit audio and video data; televisions; flat

screens, liquid crystal display screens, high-definition screens and plasma screens; radios; home cinema systems; video recorders; CD players; DVD players; MP3 players; cassette players; mini disk players; digital music players; loudspeakers; headphones, earphones; computers, including laptop computers and electronic tablets; karaoke systems; systems for editing and mixing sounds; systems for editing and mixing video images; computer data processing apparatus; computer keyboards; computer screens; modems; accessories for computers included in this class; computer mice, mouse pads; navigation systems; personal digital assistants (PDAs); electronic pocket translators; dictating machines; electronic agendas; scanners; printers; photocopiers; facsimile machines; telephones; answering machines; video telephones; cellular telephones; accessories for cellphones, included in this class, namely cases for cellphones, hands-free kits for cellphones, earphones and headsets for cellphones, keypads for cellphones, lanyards for cellphones, special cases for carrying cellphones, photographic cameras and video cameras integrated in cellphones; remote controls for television sets and video systems; teleconferencing systems; calculating machines; credit card readers; currency converters; automated teller machines; video cameras, camcorders; photographic equipment, photographic apparatus, cameras (cinematographic apparatus), projectors, flash lamps, special cases and cords for photographic apparatus and instruments, electric cells and batteries; computer screen saver programs; magnetic, digital or analog recording media, recorded or not, for sounds or images; magnetic cards (encoded); memory cards; integrated circuit cards (smart cards); magnetic or chip-based credit cards, magnetic or chip-based telephone cards, magnetic or chip-based cards for cash dispensers, magnetic or chip-based cards for automated teller machines and currency converters, prepaid magnetic or chip-based cards for cellular telephones, magnetic or chip-based cards for travel and shows, magnetic or chip-based check guarantee cards and magnetic or chip-based debit cards; alarms; wind socks for indicating wind direction; distance measuring equipment; speed measuring and displaying equipment; gloves for protection; audio receivers, audio amplifiers; television tubes; cathode ray tubes; decoders, namely computer software and hardware capable of converting, supplying and transmitting audio and video data; disk drives for computers; electronic game machines with liquid crystal displays; protected semi-conductors; integrated circuits containing programs for processing audio, visual or computer data; rechargeable batteries; audio and video data processors and converters; cables for data transmission; payment apparatus for electronic commerce; protective helmets for sports; magnetic identification bracelets; electronic instrument assemblies; fuel/air coefficient

analyzers; remote control devices for locking cars; photovoltaic cells; video game cassettes.

12 – Bicycles, motorcycles, motor cars, trucks, vans, utility vehicles, buses, camper vans, refrigerated vehicles; airplanes and boats; air balloons, dirigible balloons [airships]; vehicle accessories, namely sun visors, pneumatic tires, tire covers, luggage racks, ski racks, rims and hub caps for wheels; seat linings, vehicle covers, baby carriages, strollers, safety seats for infants and children (for vehicles); engines and motors for land vehicles; safari bars; headlamp covers; steering wheels for vehicles; trailers (vehicles).

16 – Coloring and drawing books; activity books; magazines; newspapers; books and journals, including those concerning sportsmen, sportswomen or sports events; bookmarks; printed teaching material; score sheets; event programs; albums for events; photograph albums; autograph books; printed timetables; pamphlets; collectible photographs of players; bumper stickers, stickers, albums, sticker albums; posters; photographs; tablecloths of paper; paper napkins; bags of paper; invitation cards; greeting cards; gift wrapping paper; coasters and place mats of paper; garbage bags of paper or of plastics; food wrapping paper; small bags for preserving foodstuffs; coffee filters of paper; labels (not of textile); hand towels of paper; wet wipes of paper; toilet paper; napkins for removing make-up; boxes for handkerchiefs of paper and cardboard; handkerchiefs of paper; stationery and instructional and teaching material (except apparatus); typewriter paper; copying paper; envelopes; notepads; folders for papers; tissue paper; writing books; paper sheets for note-taking; writing paper; binder paper; files; covering paper; luminous paper; adhesive paper for notes; paperweights; crêpe paper; tissue paper; badges or insignia of paper; flags of paper; pennants (flags) of paper; writing instruments; fountain pens; pencils; ball-point pens; ball-point pen and pencil sets; felt-tip pens (marking pens); fiber-tip pens and felt-tip pens; marking pens; ink, inking pads, rubber stamps; typewriters (electric or non-electric); lithograph prints, lithographic works of art; framed or unframed paintings (pictures); paint boxes, paints and colored pencils; chalks; pencil ornaments [stationery]; printing blocks; address books; diaries; personal organizers of paper; road maps; tickets, entry tickets, checks; comic books; calendars; postcards; advertising boards, banners and materials included in this class; transfers [decalcomanias]; sticking labels; office requisites (except furniture); correction fluids; rubber erasers; pencil sharpeners; stands and containers for office articles; paper clips; thumbtacks; rulers; adhesive tapes for stationery purposes, adhesive tape dispensers; staples; stencils; document holders; paper clips; holders for notepads; bookends; stamps (seals); postage stamps; credit

cards, telephone cards, cash cards, cards for traveling and for shows, check guarantee cards and debit cards, which are non-magnetic and made of paper or cardboard; baggage tags of paper; passport cases; travelers' checks; holders for checkbooks; money clips of metal; letter trays; identity card holders.

18 – Leather and imitations of leather; thongs [straps] of leather; umbrellas, parasols; sports bags (other than those adapted for products they are designed to contain); leisure bags; travel bags, backpacks; school bags; bags for hanging on belts; handbags, leather bags; beach bags; garment bags; suitcases; document holders; belts for suitcases; briefcases; unfitted vanity cases; toiletry sets; key cases (leather goods); wallets; purses (coin purses); whips; collars for animals; luggage tags of leather; business card cases.

25 – Clothing; shoes and footwear; headgear; shirts; knitwear (clothing); pullovers; slipovers; Tee shirts; vests; singlets; sleeveless jerseys, dresses; skirts; underwear; swimsuits; bath robes; shorts; trousers; sweaters; caps; caps (headwear); hats; sashes for wear; scarves, shawls; caps with visors; tracksuits; sweatshirts; jackets, sports jackets, stadium jackets (chasubles); blazers; waterproof clothing; coats; uniforms; neckties; wrist bands; headbands; gloves; aprons; bibs (not of paper); pajamas; play suits for infants and children; socks and stockings; garters; belts (clothing); suspenders.

28 – Games and toys; sports balls; play balloons; board games; tables for indoor football; dolls and plush toys; vehicles (toys); jigsaw puzzles; balloons; inflatable toys; play disks (pogs); playing cards; confetti; articles for gymnastics and sports; football equipment, namely balls for football, gloves, knee guards, elbow guards, shoulder guards, shin guards; football goals; sports bags and containers adapted for carrying sports articles; party hats (toys); small electronic games designed for use with a television set; video games; game consoles; video game apparatus; electronic games other than those designed to be used only with a television set; joysticks, voice-activated or manually operated joysticks, steering wheels for video games and dancing mats for video games; hands made of rubber or foam (toys); entertainment robots; appliances for gymnastics; kites; roller skates; scooters; skateboards; coin-operated video games for game halls (arcade games); lottery tickets; scratch cards.

32 – Non-alcoholic beverages; syrups and powders for making non-alcoholic beverages; mineral and aerated waters; isotonic beverages; fruit and vegetable beverages; fruit and vegetable juices; frozen fruit beverages; beers; strong dark beers; lagers and ales; non-alcoholic or low-alcohol beers.

36 – Issuance and management of credit cards and travelers' checks; financial services; banking servi-

ces, credit and investment services; insurance underwriting; hire-purchase financing; hire-purchase services; financial sponsorship of sports events; information services related to finance and insurance, provided online from a computer database or the Internet or on wireless electronic communication networks; home banking services; banking services over the Internet or over wireless electronic communication networks; payment services, including services provided on-line from a computer database or via the Internet or via mobile telephones; safe deposit services; issue of vouchers, namely issue of loyalty cards to fans, which contain personal data on the identity of the cardholder and are used for access control at sports stadiums; Financial promotion of football events; financial payment services for electronic commerce, namely transfer of funds, all via electronic communication networks; financial payment services for electronic commerce in connection with the purchase of goods and services provided by others, all via electronic communication networks, and clearing and settlement of financial transactions via electronic communication networks.

37 – Installation and maintenance of wireless electronic communication networks (hardware); computer connection installation services related to sports; installation and repair of sports grounds with natural or artificial turf; vehicle cleaning and washing; vehicle lubrication; vehicle maintenance; vehicle repair; overhaul, lubrication, maintenance and repair of vehicles, engines and machinery; preventive anti-rust treatment for vehicles; tire trim fitting and tire puncture repair; construction and maintenance of pipelines; operation of oil and gas fields; construction of structures for the production of crude petroleum; installation of apparatus for the production of oil; Installation of solar power systems; installation of wind power systems; installation of hydraulic power systems; mining extraction services.

38 – Telecommunication services; communication by mobile telephones; communication by telex; communication via electronic computer terminals linked to telecommunication networks, data banks and the Internet or via wireless electronic communication devices; communication by telegraphs; communication by telephones; communications by facsimile; paging services; telephone or video conferencing services; broadcasting of television programs; broadcasting of cable television programs; radio program broadcasting; radio and television broadcasting of sports and sporting events; news agency services; other message transmission services; rental of telephones, facsimile machines and other telecommunication apparatus; transmission of commercial Internet pages online or via wireless electronic communication devices; services for transmitting and broadcasting television and radio programs provided via the Internet or via any wireless electronic co-

communication network; electronic transmission of messages; simultaneous broadcasting of film recordings and sound and video recordings; provision of access to telematic servers and real-time chat forums; computer-aided transmission of messages and images; telecommunication via fiber-optic networks; provision of access to a global computer network or interactive communication technologies for access to private and commercial purchasing and ordering services; transmission of information and other data via websites and computers; transmission of information (including sites by telematic means) via telecommunication, of computer programs and other data; transmission of information, computer programs and other data by telematic means; electronic mail services; provision of access via the Internet or on any wireless electronic communication network (telecommunication services); providing connections for telecommunications with a global computer network (the Internet) or data banks; provision of access to websites offering digital music on the Internet by means of a global computer network or via wireless electronic communication devices; rental of access time to MP3 websites over the Internet, via a global computer network or via wireless electronic communication devices; rental of access time to a database server center (telecommunication services); rental of access time to a computer database (telecommunication services); transmission of digital music by telecommunications; online transmission of electronic publications; digital music transmission via the Internet or on any wireless electronic communication network; digital music transmission via MP3 Internet sites; simultaneous dissemination and/or networking of film recordings and sound and video recordings (telecommunications); simultaneous dissemination and/or networking of interactive educational and entertainment products, interactive compact disks, CD-ROMs, computer programs and computer games (telecommunications); provision of access to electronic bulletin boards (information and notice boards) and to chat rooms in real time by means of a global computer network; rental and provision of access time to electronic bulletin boards (information and notice boards) and to chat rooms in real time by means of a global computer network (communication services); telecommunication services dedicated to retail sale by means of interactive communications with customers; multimedia telecommunication; videotext and teletext transmission services; information transmission via communication satellite, microwave or by electronic, digital or analog means; transmission of digital information by cable, wire or fiber; transmission of information by mobile telephones, telephones, facsimile or telex; telecommunication services for receiving and exchanging information, messages, images and data; telecommunication services for setting up discussion groups on the Internet and on any wireless electronic

communication network; provision of access to search engines for obtaining data and information on global networks.

40 – Processing of cinematographic films; letterpress printing; enlargement of photographs, printing of photographs, photographic film development; rental of machines and equipment for developing, printing, enlarging and finishing photographs; waste disposal services; services provided by a fashion designer; treatment of substances and materials; petroleum and gas treatment; transformation and refining of organic substances; production of energy; petroleum refining; refining services.

41 – Education; training; entertainment; organization of lotteries, raffles and competitions; betting and gaming services in connection with sports; hospitality services (sports, entertainment), namely providing entry tickets and information brochures on sports for VIPs, as well as guiding and gathering VIPs during sports or entertainment events; hospitality services, namely customer reception services (entertainment services), including providing entry tickets to sports or entertainment events; entertainment services relating to sporting events; entertainment services in the form of public gatherings during the retransmission of sports events; sporting and cultural activities; organization of sporting and cultural events and activities; organization of sports competitions; organization of events in the field of football; sports camp services; operation of sports facilities; rental of video and audiovisual installations; production, presentation, distribution and/or rental of film recordings and sound and video recordings; presentation, distribution and/or rental of interactive educational and entertainment products, interactive compact disks, CD-ROMs, and computer games; radio and television coverage of sporting events; production services for radio and television programs and video films; ticket reservation services and information services for sports or entertainment events; sports events timing services; organization of beauty contests; interactive entertainment; on-line betting and gaming services on the Internet or on any wireless electronic communication network; entertainment information (including in the field of sports), provided on-line from a computer database or via the Internet or via any wireless electronic communication network; electronic game services transmitted via the Internet or on mobile telephones; book publishing; publication of books and electronic journals on-line; audio and video recording services; production of animated cartoons for movies, production of animated cartoons for television; rental of sound and image recordings for entertainment purposes; education information provided on-line from a computer database or via the Internet or any wireless electronic communication network; translation services; photographic services; provision of

entertainment infrastructures; ticket agency services in connection with sports events.

43 – Providing food and drink, snack-bars; hospitality services, namely providing of food and drink; food and drink catering; hotel services; providing accommodation and food and drink, booking hotels and temporary accommodation; hospitality services, namely providing food and drink at sports and entertainment events.

(260) AM 2014 74110 A

(800) 1174899

(151) 2013 07 02

(731) AQUATIQUE SHOW INTERNATIONAL

(Société par Actions Simplifiée)

1 rue Jean-Jacques Rousseau, F-67000

STRASBOURG, France

(540)

H₂OOOOH !

(591) Black, white

(511)

41 – Production and performance of aquatic and audiovisual shows and more generally production and performance of shows; organization of aquatic shows and of sound and light shows; organization of shows (impresario services); amusement parks and gardens; leisure services; entertainment; cultural activities; providing recreation facilities; rental of show scenery; rental of lights for show scenery.

(260) AM 2014 74111 A

(800) 1174900

(151) 2013 07 02

(731) AQUATIQUE SHOW INTERNATIONAL

(Société par Actions Simplifiée)

1 rue Jean-Jacques Rousseau, F-67000

STRASBOURG, France

(540)

AQUASHOW PRO LED

(591) Black, white

(511)

11 – Lighting apparatus and installations with light emitting diodes (LEDs) whether underwater or not and more generally lighting apparatus and installations; lamps; electric lamps; lamp reflectors; reflectors by means of light deflection; projector lamps; rail-mounted lights; screens for controlling light; screens for directing light; luminous tubes for lighting.

(260) AM 2014 74112 A

(800) 1174907

(151) 2013 07 08

(731) Compagnie des Montres Longines, Francillon

S.A. (Longines Watch Co., Francillon Ltd.)

CH-2610 Saint-Imier, Switzerland

(540)



(591) Black, white

(511)

14 – Precious metals and their alloys and goods made of these materials or coated therewith included in this class, namely figurines, trophies; jewelry, namely rings, earrings, cuff links, bracelets, charms, brooches, chains, necklaces, tie pins, tie clips, jewelry caskets (cases), cases; precious stones, semi-precious stones; timepieces and chronometric instruments namely chronometers, chronographs, clocks, watches, wristwatches, wall clocks, alarm clocks as well as parts and accessories for the aforesaid goods namely hands, anchors, pendulums, barrels, watch cases, watch straps, watch dials, clockworks, watch chains, movements for timepieces, watch springs, watch glasses, presentation cases for timepieces, cases for timepieces.

(260) AM 2014 74114 A

(800) 1174933

(151) 2013 07 09

(731) Public Joint Stock Company

"Pharmstandard-Leksredstva"

Agregatnaya str., 1a/18, RU-305022 g. Kursk,

Russian Federation

(540)

ЛАКТАЗАР

(591) Black, white

(511)

5 – Pharmaceutical preparations, chemico-pharmaceutical preparations, dietetic substances for medical purposes, mineral food supplements, nutritional supplements, medicines for human purposes, biological preparations for medical purposes.

(260) AM 2014 74115 A

(800) 1174956

(151) 2013 07 02

(731) Shofu Inc.

11 Kamitakamatsu-cho Fukuine,

Higashiyama-ku, Kyoto 605-0983, Japan

(540)



(591) Blue and white

(511)

3 – Cosmetics, dentifrices, tooth care preparations, mouth wash; mouth care preparations; polishing preparations; bleaching and teeth whitening preparations for cosmetic purposes.

5 – Pharmaceutical and veterinary preparations; sanitary preparations for medical purposes; preparations for medical purposes; plasters, materials for dressings; material for stopping teeth, dental wax; disinfectants; chemical preparations for dental-medical and dental-technical purposes (included in this class); dental restorative material (included in this class); material for the manufacture of artificial teeth and dentures; dental ceramics; dental materials; dental plastics and dental cements; dental materials for the manufacture of composites, dental crowns, bridges, inlays, onlays, veneers; dental adhesives and bonding agents; dental mastics, dental lacquers; porcelain and ceramics as well as plastic and ceramic facing materials for teeth and dentures; tooth colours and paint colours for dental ceramics and dental purposes; medical preparations for whitening/brightening teeth; bleaching and prophylaxis products for aesthetic dentistry; plastics and template disks for dental purposes; rubber for dental purposes for the manufacture of artificial dentures and dental veneers.

10 – Surgical, medical, dental-medical and dental-technical apparatus and instruments, artificial limbs, eyes, teeth and dentures; orthopedic articles; surgical suture material; acrylic teeth; dental crowns and bridges; colour system consisting of ceramic colour samples for the determination of tooth colours, artificial teeth and dentures; colour determination devices for dental purposes; computerized dental colour analyzers; light curing units; ceramic abrasives, polishers, diamonds, cutters and finishers for dental purposes.

(260) AM 2014 74116 A

(800) 1174978

(151) 2013 06 16

(731) GUANGDONG ALPHA ANIMATION AND CULTURE CO., LTD.

Auldey Industrial Area, Wenguan Rd.,
Chenghai, Shantou, Guangdong Province,
China

(540)



(591) Black, white

(511)

28 – Amusement game machines; ring games; toys; building blocks, namely, toys; dolls; chess; swimming pools, namely, play articles; plush toys; jigsaw

puzzles; ornaments for Christmas trees, except decorative lighting and confectionery.

(260) AM 2014 74117 A

(800) 1175011

(151) 2013 06 27

(731) ÇELİK MOTOR TİCARET ANONİM ŞİRKETİ

İçerenköy Yolu Umut Sokak No.12, Atasehir
Istanbul, Turkey

(540)

PROFLEET

(591) Black, white

(511)

39 – Transportation of passengers and goods by road, rail, sea and air; providing water, land and air vehicles for use in transport and arranging the rental thereof; organisation of travel tours; booking of travel; courier services [messages or merchandise].

(260) AM 2014 74119 A

(800) 1175025

(151) 2013 08 20

(731) Twin Disc, Incorporated

1328 Racine Street, Racine WI 53403, USA

(540)



(591) Black, white

(511)

9 – Computer controlled system to automatically maintain a vessel's position and heading by using its own propellers and thrusters.

(260) AM 2014 74120 A

(800) 1175030

(151) 2013 08 22

(731) Apple Inc.

1 Infinite Loop, Cupertino, CA 95014, USA

(540)



(591) Light gray, gray, and dark gray

(511)

9 – Computer software for managing user system settings and preferences sold as a feature of computers and hand-held mobile digital devices comprised of mobile phones, digital audio and video

players, hand-held computers, tablet computers, and personal digital assistants.

(260) AM 2014 74121 A
 (800) 525280
 (151) 1988 06 10
 (891) 2013 07 19
 (731) SERGE BENSIMON
 7 rue Béranger, F-75003 PARIS, France

(540)

BENSIMON

(591) Black, white

(511)

18 – Leather and imitation leather, goods made of these materials not included in other classes, animal skins and hides; leatherware, traveling bags, backpacks, handbags; trunks and suitcases, umbrellas, parasols and walking sticks, whips and saddlery goods.

25 – Clothing and underwear for men, women and children, footwear, headgear.

(260) AM 2014 74122 A
 (800) 563995
 (151) 1990 12 06
 (891) 2013 07 19
 (731) SERGE BENSIMON
 7 rue Béranger, F-75003 PARIS, France

(540)

BENSIMON

(591) Black, white

(511)

3 – Bleaching, laundering, cleaning, polishing, degreasing and abrasive preparations; soaps; perfumery, essential oils, cosmetics, hair lotions; dentifrices.

(260) AM 2014 74123 A
 (800) 567150
 (151) 1991 02 04
 (891) 2013 07 19
 (731) Varioraw Percutive S.à r.l.
 4, place Bel-Air, chez Fiduciaire Heller S.A.
 CH-1260 Nyon, Switzerland

(540)

FLUTTER

(591) Black, white

(511)

10 – Medical apparatus and instruments.

(260) AM 2014 74203 A
 (800) 1175708
 (151) 2013 06 21
 (731) Open-Type Joint Stock Company

"Confectionary Concern Babaevsky"
 ul. Malaya Krasnoselskaya, d. 7, RU-107140
 Moscow, Russian Federation

(540)



(591) Black, yellow, red-purple, red, dark red, red-brown, brown, light brown, dark brown, white, purple, dark purple and orange

(511)

30 – Confectionery made of sugar, namely, chocolate.

(260) AM 2014 74204 A
 (800) 1175720
 (151) 2013 06 28
 (731) JOSPER, S.A.
 Montpalau, 1-3., E-08397 Pineda de Mar
 (Barcelona), Spain

(540)

JOSPER

(591) Black, white

(511)

11 – Cooking apparatus, especially cookers, ovens, barbecue ovens, grills, grills with heat recovery, direct-combustion charcoal cookers and ovens.

43 – Hotel services; rental and reservation of hotels; hotel services and provision of food and drink; temporary accommodation; agencies for booking accommodation (hotels); rental and reservation of temporary accommodation; rental of conference rooms; restaurant services; bar services; coffee shoppes; cafeterias; snack bars.

(260) AM 2014 74205 A
 (800) 1175737
 (151) 2013 07 03
 (731) FALCON RADIO & ACCESSORIES
 SUPPLY, S.L.
 Vallespir, 13 Polg. Ind. La Font Santa -,
 E-08970 SANT JOAN DESPI (Barcelona),
 Spain

(540)



(591) black, red and white

(511)

9 – Scientific, nautical, surveying, photographic, cinematographic, optical, weighing, measuring, signaling, checking (supervision), life-saving and teaching apparatus and instruments; apparatus and instruments for conducting, switching, transforming, accumulating, regulating or controlling electricity; apparatus for recording, transmission or reproduction of sound or images; magnetic data carriers, recording discs; compact discs, DVDs and other digital recording media; mechanisms for coin-operated apparatus; cash registers, calculating machines, data processing equipment, computers; software; extinguishers; antennas.

(260) AM 2014 74206 A

(800) 1175754

(151) 2013 05 27

(731) KTM-Sportmotorcycle AG

Stallhofner Str. 3, A-5230 Mattighofen,
Austria

(540)



(591) Orange, black, white

(511)

12 – Bicycles, motorcycles, small motorcycles, motor scooters, mopeds, and all parts and accessories therefor, namely motors for land vehicles, saddles for bicycles and motorcycles, tyres, wheels, rims, brake linings, brake discs, door trims, luggage carriers, luggage boxes, panniers, tank rucksacks, stands, mudguards, spoilers, rear sections, mirrors, petrol caps, tanks, chains, bench seats; Motorised vehicles, namely dual-axle or multi-axle vehicles, including off-road vehicles (all-terrain vehicles, quad bikes); Vehicles and parts therefor; Small motor bicycles, motorcycles, light motorcycles, pedelecs, electric two-wheeled vehicles and bicycles (eGnition), training and children's bicycles, seat covers for motor vehicles; Saddle covers for bicycles and motorcycles.

35 – Advertising; business management; business administration; office functions.

41 – Education; providing of training; entertainment; sporting and cultural activities.

(260) AM 2014 74208 A

(800) 1175805

(151) 2013 07 05

(731) DAW SE

Roßdörfer Str. 50, 64372 Ober-Ramstadt,
Germany

(540)

CAPATINT

(591) Black, white

(511)

1 – Industrial chemicals; preservative and damp-proofing preparations for masonry, roofing tiles, cement and concrete, except paints and oils; unprocessed artificial resins, unprocessed synthetic resins and unprocessed plastics (in the form of powders, granules, liquids or pastes); solvents for varnishes; adhesives used in industry; adhesives for wallpaper; adhesives used in building; filler for treating subsurfaces for paints (not included in other classes).

2 – Paints, varnishes, lacquers, glazes (included in this class), anti-corrosion preparations; primers; colorants, dyestuffs, dye pastes, mordants; thickeners for paints; fixatives, siccatives for paints; raw natural resins (included in this class); thinning and binding preparations for paints and lacquers; wood preservatives, wood mordants and wood preserving oils; paints (included in this class), including structuring paints; bactericidal and/or fungicidal paints; anti-corrosive preparations; protective preparations for metals; metals in foil and powder form for painters, decorators, printers and artists.

19 – Building materials (non-metallic); profile rails and corner irons, in particular locking profiles (not of metal, for building); adjusting and levelling parts, not of metal, for building; spacers, not of metal, for building; sills (not of metal); natural and artificial stone; mortar and quartz (building materials); plaster (included in this class); coatings (building materials); wall and ceiling panels (non-metallic, for building); fabric embedding compounds for building; filler being building materials.

(260) AM 2014 74209 A

(800) 1175806

(151) 2013 07 04

(731) PRIVATE JOINT STOCK COMPANY

"INDUSTRIAL ASSOCIATION "KONTI"

Bul. Shevchenko, 6-b, Donetsk 83015,

Ukraine

(540)

Dark & White

(591) Black, white

(511)

30 – Coffee; tea; cocoa; sugar; rice; tapioca; sago; artificial coffee; meal and cereal preparations; bread;

confectionery; ice cream; honey; golden syrup; yeast; baking-powder; salt; mustard; vinegar; condiments; spices; edible ices; peanut confectionery; biscuits; farinaceous foods; bakery confectionery products; bread rolls; buns; waffles; waffle cakes; products of puff pastry stuffed; pastry; candied roasted nuts; desserts (confectionery); dragees (confectionery); yeast and non-yeast baking; fruit jellies; berry jellies; jellied confectionery; jelly candies; chewing gums not medical; frozen kefir and yogurt (frozen confectionery); frozen bakery semi-finished products; marshmallow; marshmallow covered with chocolate; cocoa and coffee beverages; coffee beverages with milk; cocoa with milk; cocoa products; caramels (candies); lozenges (confectionery); buns; brittle; sugar confectionery; crackers; starch foods; croissants; confectionery for decorating Christmas trees; liquorice (confectionery); candy for food; marzipan; marzipan candies; almond confectionery; sweet mousse (confectionery); chocolate beverages; candy bars; paskha (Easter cheese cake); pastilles; cookies; cookies and biscuits covered with chocolate; pies; pate; quiches; fondants (confectionery); praline; gingerbread; gingerbread covered with chocolate; puddings; Turkish delight; rice cakes, pastries; crescent rolls; rolls with various fillings; dessert sauces; souffle (confectionery); chocolate souffle; souffle and jelly candies; tarts; petits fours (cakes); chocolate pastries; cakes; halvah; candy cake decorations; bakery products; sweetmeats; candies; filled sweets; sugar confectionery; waffle candies; toffee candies; chocolate; chocolate desserts; chocolate cream; chocolate dragees with raisins or nuts; chocolate paste; chocolate candies; figurines.

(260) AM 2014 74210 A
(800) 1175826
(151) 2013 06 28
(731) SHENZHEN RAPOO TECHNOLOGY CO. LTD.
No.22, Jinxiu East Road, Kengzi Jiedao,
Pingshan New District, Shenzhen City,
Guangdong Province, China

(540)



(591) Black, white
(511)
9 – Television apparatus; electro-dynamic apparatus for the remote control of signals; network communication equipment; computer keyboards; portable media players; remote control apparatus; set-top boxes; readers [data processing equipment]; mouse [data processing equipment]; television cameras.

(260) AM 2014 74211 A
(800) 1175842
(151) 2013 08 07
(731) KYORIN PHARMACEUTICAL CO., LTD.
6, Kanda Surugadai 4-chome, Chiyoda-ku,
Tokyo 101-8311, Japan

(540)



(591) Black, white
(511)
5 – Pharmaceutical preparations.

(260) AM 2014 74213 A
(800) 570787
(151) 1990 10 02
(891) 2013 08 09
(731) Swarco AG
Blattenwaldweg 8, A-6112 Wattens, Austria

(540)



(591) Black, white
(511)
1 – Glues for technical purposes.

2 – Anti-corrosion products; road-marking paints; fillers for paints for road marking in the form of glass granules; printing inks for reflective coating systems.

3 – Sandblasting materials for the mechanical treatment of surfaces, namely beads and glass microbeads, granular corundum, glass granules and synthetic material; natural sandblasting materials.

6 – Sheets and nails for marking roads (of metal).

9 – Reflectors; reflecting films for use in road signs and license plates; reflective coatings for security systems mainly consisting of reflective coatings and printing inks.

17 – Glass beads for use as insulating materials, beads and other materials made of foamed plastic for technical uses; reflective beads for technical uses; foamed glass for use as blanks or semi-finished products in the form of blocks, plates, bars, foils, strings, bands, beads, pellets, granules or other articles manufactured by forming used as insulating and soundproofing products; synthetic materials as raw and semi-processed products in the form of blocks, plates, bars, sheets, strings or strips loaded with glass beads; granules of synthetic material loaded with beads used as base materials for injection molded parts.

19 – Coatings in the form of beads; sheets and nails for road marking (of synthetic materials); reflective coating systems for decorative purposes consisting primarily of reflective coatings and printing inks; reflective coatings; synthetic compounds for road marking; granules of synthetic material loaded with beads for use as sandblasting products.

21 – Glass beads used in particular as fillers and filling materials; glass granules for technical uses; micro-beads of glass used as fillers for synthetic materials and as reflective materials; foamed glass for use as blanks or semi-finished products in the form of blocks, plates, bars, foils, strings, bands, beads, pellets, granules or other articles manufactured by forming.

(260) AM 2014 74214 A

(800) 946771

(151) 2007 11 22

(891) 2013 08 20

(731) DUELLE Industria Srl

Via Don Milani, 5, I-24050 ZANICA (BG),
Italy

(540)

CAPOBIANCO

(591) Black, white

(511)

25 – Articles of clothing, T-shirts, polo shirts, golf wear, jackets, trousers, sweaters, headgear, stockings, footwear.

(260) AM 2014 74217 A

(800) 1155417

(151) 2013 02 11

(891) 2013 05 21

(731) Loxone Electronics GmbH

Falkensteinstrasse 6, A-4154 Kollerschlag,
Austria

(540)

Loxone

(591) Black, white

(511)

9 – Scientific, nautical, surveying, photographic, cinematographic, optical, weighing, measuring, signalling, checking (supervision), life-saving and teaching apparatus and instruments; apparatus and instruments for conducting, switching, transforming, accumulating, regulating or controlling electricity; apparatus for recording, transmission or reproduction of sound or images; magnetic data carriers, recording discs; mechanisms for coin-operated apparatus; cash registers, calculating machines, data processing equipment and computers; fire-extinguishing apparatus; apparatus for industrial, household, hea-

ting, light, blind and electric control (testing and monitoring); house automation devices.

(260) AM 2014 74262 A

(800) 1176244

(151) 2013 02 11

(731) ROTAPHARM İLAÇLARI LİMİTED
ŞİRKETİ

Evren Mah. Camiyolu, Cad. No.50 K.2,
GÜNEŞLİ BAĞCILAR İSTANBUL,
Turkey

(540)

ELFUNAT

(591) Black, white

(511)

5 – Medicines for human purposes, medicines for veterinary purposes, chemical preparations for medical purposes, dietetic substances adapted for medical use; dietetic foods adapted for medical purposes; amino acids for medical purposes, nutritional supplements, pollen dietary supplements, mineral food supplements, protein dietary supplements, baby foods, medicinal herbs, herbal beverages adapted for medical purposes; medicines for dental purposes, hygienic products for medical purposes including pads, wadding for medical purposes, plasters for medical purposes, dressings for medical purposes, preparations for destroying noxious plants, preparations for destroying noxious animals, fungicides, disinfectants for hygiene purposes, antiseptics, detergents for medical purposes.

(260) AM 2014 74270 A

(800) 1176260

(151) 2013 07 09

(731) EGIS GYÓGYSZERGYÁR
NYILVÁNOSAN MŰKÖDŐ
RÉSZVÉNYTÁRSASÁG

Keresztúri út 30-38, H-1106 Budapest,
Hungary

(540)

EGILIX

(591) Black, white

(511)

5 – Pharmaceutical preparations for human use.

(260) AM 2014 74271 A

(800) 1176261

(151) 2013 07 09

(731) EGIS GYÓGYSZERGYÁR
NYILVÁNOSAN MŰKÖDŐ
RÉSZVÉNYTÁRSASÁG

Keresztúri út 30-38, H-1106 Budapest,
Hungary

(540)

SCLEMUDOL

(591) Black, white

(511)

5 – Pharmaceutical preparations for human use.

(260) AM 2014 74272 A

(800) 1176262

(151) 2013 07 09

(731) EGIS GYÓGYSZERGYÁR
NYILVÁNOSAN MŰKÖDŐ
RÉSZVÉNYTÁRSASÁGKeresztúri út 30-38, H-1106 Budapest,
Hungary

(540)

FINELIA

(591) Black, white

(511)

5 – Pharmaceutical preparations for human use.

(260) AM 2014 74273 A

(800) 1176263

(151) 2013 07 09

(731) EGIS GYÓGYSZERGYÁR
NYILVÁNOSAN MŰKÖDŐ
RÉSZVÉNYTÁRSASÁGKeresztúri út 30-38, H-1106 Budapest,
Hungary

(540)

GOLEGIS

(591) Black, white

(511)

5 – Pharmaceutical preparations for human use.

(260) AM 2014 74275 A

(800) 1176265

(151) 2013 07 09

(731) EGIS GYÓGYSZERGYÁR
NYILVÁNOSAN MŰKÖDŐ
RÉSZVÉNYTÁRSASÁGKeresztúri út 30-38, H-1106 Budapest,
Hungary

(540)

EGISELIN

(591) Black, white

(511)

5 – Pharmaceutical preparations for human use.

(260) AM 2014 74276 A

(800) 1176266

(151) 2013 07 09

(731) EGIS GYÓGYSZERGYÁR
NYILVÁNOSAN MŰKÖDŐ
RÉSZVÉNYTÁRSASÁGKeresztúri út 30-38, H-1106 Budapest,
Hungary

(540)

НОКЛАУД

(591) Black, white

(511)

5 – Pharmaceutical preparations for human use.

(260) AM 2014 74277 A

(800) 1176267

(151) 2013 07 09

(731) EGIS GYÓGYSZERGYÁR
NYILVÁNOSAN MŰKÖDŐ
RÉSZVÉNYTÁRSASÁGKeresztúri út 30-38, H-1106 Budapest,
Hungary

(540)

EGIGRAST

(591) Black, white

(511)

5 – Pharmaceutical preparations for human use.

(260) AM 2014 74282 A

(800) 1176409

(151) 2013 06 21

(731) China Kweichow Moutai Distillery (Group)
Co., Ltd.
No.4, Dongshan Lane, Waihuan East Road,
Guiyang, Guizhou, China

(540)



(591) Black, white

(511)

33 – Fruit extracts, alcoholic; bitters; aperitifs; wine;
digesters (liqueurs and spirits); spirits (beverages);
alcoholic extracts; alcoholic beverages, except beer;
cooking wine; edible alcohol.35 – Outdoor advertising; advertising; presentation
of goods on communication media, for retail pur-
poses; business management assistance; commercial
administration of the licensing of the goods and ser-
vices of others; organization of exhibitions for
commercial or advertising purposes; import-export
agencies; administrative processing of purchase or-
ders; personnel management consultancy; rental of
vending machines.

(260) AM 2014 74288 A

(800) 1176513

(151) 2013 05 28

(731) Henkel AG & Co. KGaA

Henkelstrasse 67, 40589 Düsseldorf, Germany

(540)



(591) Dark blue and light blue

(511)

3 – Bleaching preparations and other substances for laundry use, rinsing agents for laundry and tableware, stain removing preparations; cleaning, polishing, scouring and abrasive preparations, spot remover; soaps not for personal use, perfumery, essential oils; chemical agents for cleaning metal, enameled sheet metal, wood, cork, porcelain, ceramic, glass, plastic, leather and textiles.

5 – Disinfectants and deodorants other than for humans and animals.

21 – Sponges, brushes, cleaning cloths, cleaning purposes, hand-operated cleaning appliances, devices for dispensing sanitary cleaning and fragrance products, partially with the addition of disinfectant, included in this class.

(260) AM 2014 74298 A

(800) 1176594

(151) 2013 04 03

(731) DR. SERTUS İLAÇ SANAYİ VE TİCARET LİMİTED ŞİRKETİ

Evren Mah. Camiyolu Cad. No.50 K.2,
Güneşli, Bağcılar, İstanbul, Turkey

(540)

BAGEDA
БАГЕДА

(591) Black, white

(511)

5 – Medicines for human purposes; medicines for veterinary purposes; chemical preparations for medical purposes; dietetic substances adapted for medical use; dietetic foods adapted for medical purposes; amino acids for medical purposes; nutritional supplements; pollen dietary substances; mineral food supplements; protein dietary supplements; baby foods; medicinal herbs; herbal beverages adapted for medical purposes; medicines for dental purposes; hygienic products for medical purposes including pads, waddings for medical purposes, plasters for medical purposes, dressings for medical purposes; preparations for destroying noxious plants; preparations for destroying noxious animals, fungicides; deodorants other than for human beings or for animals; disinfectants for hygiene purposes; antiseptics; detergents for medical purposes.

(260) AM 2014 74299 A

(800) 1176595

(151) 2013 04 03

(731) ROTAPHARM İLAÇLARI LİMİTED ŞİRKETİ

Evren Mah. Camiyolu, Cad. No. 50 K.2,
GÜNEŞLİ BAĞCILAR İSTANBUL, Turkey

(540)

Tugevia
Тугевиа

(591) Black, white

(511)

5 – Medicines for human purposes; medicines for veterinary purposes; chemical preparations for medical purposes; dietetic substances adapted for medical use; dietetic foods adapted for medical purposes; amino acids for medical purposes; nutritional supplements; pollen dietary substances; mineral food supplements; protein dietary supplements; baby foods; medicinal herbs; herbal beverages adapted for medical purposes; medicines for dental purposes; hygienic products for medical purposes including pads, waddings for medical purposes, plasters for medical purposes, dressings for medical purposes; preparations for destroying noxious plants; preparations for destroying noxious animals, fungicides; deodorants other than for human beings or for animals; disinfectants for hygiene purposes; antiseptics; detergents for medical purposes.

(260) AM 2014 74300 A

(800) 1176603

(151) 2013 07 30

(731) SOFAR SPA

Via Firenze, 40, I-20060 TREZZANO ROSA
(MI), Italy

(540)

IDRALACTIS

(591) Black, white

(511)

5 – Food supplements.

(260) AM 2014 74307 A

(800) 1176632

(151) 2013 08 27

(731) Dr. THEISS Naturwaren GmbH

Michelinstr. 10, 66424 Homburg, Germany

(540)

Coupeliac

(591) Black, white

(511)

3 – Bleaching preparations and other substances for laundry use; cleaning, polishing, scouring and abrasive preparations; soaps; perfumery, ethereal oils, cosmetics, including non-medicated preparations for

cleaning and caring for the skin, and hair care preparations; hair lotions; dentifrices.

(260) AM 2014 74432 A

(800) 1084471

(151) 2011 05 28

(891) 2013 08 16

(731) K+S Kali GmbH

ertha-von-Suttner-Strasse 7, 34131 Kassel,
Germany

(540)

KaliSel

(591) Black, white

(511)

5 – Dietetic products; mineral dietary supplements; dietary supplements (as far as included in class 5).

30 – Salt; spices; preservation salt for foodstuffs.

(260) AM 2014 74442 A

(800) 1177743

(151) 2013 08 30

(731) Aptalis Pharma Canada Inc.

597 Laurier Boulevard, Mont-Saint-Hilaire,
Quebec–J3H 6C4, Canada

(540)

PYLERA

(591) Black, white

(511)

5 – Pharmaceutical preparations for the eradication of helicobacter pylori.

(260) AM 2014 74456 A

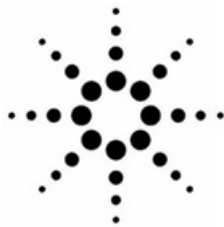
(800) 1178002

(151) 2013 01 30

(731) Agilent Technologies, Inc.

5301 Stevens Creek Blvd. Santa Clara, CA
95051, USA

(540)



(591) Black, white

(511)

5 – Clinical medical reagents, namely, collection fluids for preserving and preparing samples for clinical presentation and evaluation; diagnostic reagent kits comprising nucleic acids, nucleotides, enzymes, labels, and buffers, and microscopic carrier beads with attached biomolecules for medical diagnostic purposes; enzymes, oligonucleotides,

nucleic acids, natural and modified nucleotides, buffers, labels, and substrates for medical diagnostic purposes; medical and forensic diagnostic test kits used for clinical and medical uses consisting of reagents, extraction cartridges, test cards, pipettes and swabs for the analysis of drugs and alcohol in human fluids; medical diagnostic reagents and assays for testing of body fluids, genetics research, and nucleic acid analysis and sizing for medical and therapeutic use; chemical reagents and diagnostic preparations for clinical or medical laboratory and veterinary use; biological cell and tissue cultures for medical research use; fabricated polymer films and tapes for use in medical testing.

9 – Laboratory equipment, namely microarrays; DNA chips for use in medical testing.

10 – Filters for medical purposes, namely, plastic, glass or metal tubes, columns, cartridges and well plates packed with filtration media for use in medical testing; fabricated polymer films and tapes for use in medical testing; fabricated films and slides for performing PCR reactions for medical testing; fabricated films and slides for medical sample processing devices; apparatus for use in radiology for medical research, namely, magnetic resonance imagers and consoles sold as a unit; medical test kits comprised of spectra analysis equipment, calibration equipment, reagents for clinical and diagnostic use, serum media devices, cell and tissue cultures for medical research, medical diagnostic purposes and for laboratory uses; diagnostic apparatus and instruments for medical use, namely, apparatus for staining of tissue or cell based samples for diagnostic or medical use, apparatus for detection of tissue or cell based samples and apparatus for high-speed cell and bead sorting and analysis, all for medical purposes.

(260) AM 2014 74613 A

(800) 570670

(151) 1991 05 06

(891) 2013 07 30

(731) Novartis AG

CH-4002 Basel, Switzerland

(540)

LESCOL

(591) Black, white

(511)

5 – Pharmaceutical preparations.

(260) AM 2014 74616 A

(800) 935860

(151) 2007 09 04

(891) 2013 07 30

(731) Novartis AG

CH-4002 Basel, Switzerland

(540)

MIACALCIC

(591) Black, white

(511)

5 – Pharmaceutical preparations.

(260) AM 2014 74622 A

(800) 1087503

(151) 2011 04 11

(891) 2013 07 18

(731) ZHEJIANG TASAN FLOW TECH CO.,LTD
Qinggang Industrial Zone, Yuhuan, Zhejiang,
China

(540)



(591) Black, white

(511)

6 – Junctions of metal for pipes; valves of metal (other than parts of machines); pipework of metal; fittings of metal for building; aluminium composite panel; clips of metal for cables and pipes; ironmongery; tanks of metal; works of art of common metal; ores of metal.

11 – Water heaters; heating installations; pipes (parts of sanitary installations), taps (faucets); water purifying apparatus and machines.

(260) AM 2014 74624 A

(800) 1117776

(151) 2012 04 23

(891) 2013 08 28

(731) Galderma S.A.

Zugerstrasse 8, CH-6330 Cham, Switzerland

(540)

MIRVASO

(591) Black, white

(511)

5 – Pharmaceutical products and preparations for dermatological use. Ceasing of effects (see below).

(260) AM 2014 75029 A

(800) 1183248

(151) 2013 10 30

(731) Avon Products, Inc.

World Headquarters, 777 Third Avenue,
New York, NY 10017, USA

(540)

AVON TRULY UNIQUE

(591) Black, white

(511)

3 – Non-medicated toilet preparations; toiletries; skin care preparations; skin moisturizers; body and beauty care preparations; powders, creams and lotions, all for the face, hands and body; cosmetic suntan preparations; soaps; shower and bath preparations; beauty masks; talcum powder; nail polish; nail polish remover; enamel for nails; false nails; adhesives for cosmetic purposes; cosmetics; eye makeup remover, eye shadow, eye liner, mascara, lipstick, lip liner, lip gloss; make-up foundation; blusher; tissues impregnated with cosmetic lotions; cotton sticks for cosmetic purposes; cotton wool for cosmetic purposes; preparations for cleaning, moisturising, colouring and styling the hair; preparations for cleaning the teeth; shaving and aftershave preparations; perfumes, fragrances, toilet waters, cologne; deodorants for human beings; antiperspirants for personal use (toiletries); essential oils (cosmetic).

INTERNATIONAL TRADEMARKS PROTECTED IN GEORGIA

(260) AM 2014 68022 A
(800) 1118871
(151) 2012 05 29
(181) 2022 05 29
(511) 34

(260) AM 2014 70883 A
(800) 1146419
(151) 2012 09 17
(181) 2022 09 17
(511) 06, 09, 35, 39

(260) AM 2014 70885 A
(800) 1146425
(151) 2012 09 20
(181) 2022 09 20
(511) 05, 29, 31

(260) AM 2014 70886 A
(800) 1146444
(151) 2012 11 28
(181) 2022 11 28
(511) 30

(260) AM 2014 70890 A
(800) 1146502
(151) 2012 08 14
(181) 2022 08 14
(511) 33

(260) AM 2014 70981 A
(800) 1147098
(151) 2012 08 15
(181) 2022 08 15
(511) 14, 24, 28, 30

(260) AM 2014 70982 A
(800) 1147099
(151) 2012 08 15
(181) 2022 08 15
(511) 14, 24, 28, 30

(260) AM 2014 71056 A
(800) 638202
(151) 1995 06 09
(891) 2012 12 21
(181) 2015 06 09
(511) 21

(260) AM 2014 71061 A
(800) 1043548
(151) 2010 05 24
(891) 2012 05 15
(181) 2020 05 24
(511) 07, 12, 17

(260) AM 2014 71073 A
(800) 1147798
(151) 2013 01 08
(181) 2023 01 08
(511) 05

(260) AM 2014 71082 A
(800) 1147841
(151) 2012 09 06
(181) 2022 09 06
(511) 09, 18, 42

(260) AM 2014 71083 A
(800) 1147852
(151) 2013 01 15
(181) 2023 01 15
(511) 32

(260) AM 2014 71084 A
(800) 1147856
(151) 2011 10 20
(181) 2021 10 20
(511) 09, 16, 35, 38, 41, 45

(260) AM 2014 71086 A
(800) 1147879
(151) 2012 10 05
(181) 2022 10 05
(511) 09, 12, 16, 18, 25, 35, 37, 38, 39, 40, 41, 42, 45

(260) AM 2014 71087 A
(800) 1147880
(151) 2012 10 05
(181) 2022 10 05
(511) 09, 12, 16, 18, 25, 35, 37, 38, 39, 40, 41, 42, 45

(260) AM 2014 71088 A
(800) 1147881
(151) 2012 10 05
(181) 2022 10 05
(511) 09, 12, 16, 18, 25, 35, 37, 38, 39, 40, 41, 42, 45

(260) AM 2014 71089 A
(800) 1147882
(151) 2012 10 05
(181) 2022 10 05
(511) 09, 12, 16, 18, 25, 37, 38, 39, 40, 41, 42, 43,45

(260) AM 2014 71104 A
(800) 1147988
(151) 2012 09 24
(181) 2022 09 24
(511) 18

(260) AM 2014 71106 A
(800) 1148020
(151) 2012 12 18
(181) 2022 12 18
(511) 08

(260) AM 2014 71136 A
(800) 1148307
(151) 2012 09 04
(181) 2022 09 04
(511) 11

(260) AM 2014 71137 A
(800) 1148310
(151) 2012 09 06
(181) 2022 09 06
(511) 09, 18, 42

(260) AM 2014 71139 A
(800) 1148318
(151) 2012 10 26
(181) 2022 10 26
(511) 09, 11, 35

(260) AM 2014 71156 A
(800) 1148357
(151) 2012 11 19
(181) 2022 11 19
(511) 03, 05

(260) AM 2014 71157 A
(800) 1148358
(151) 2012 11 19
(181) 2022 11 19
(511) 03, 05

(260) AM 2014 71158 A
(800) 1148359
(151) 2012 11 19

(181) 2022 11 19
(511) 03, 05

(260) AM 2014 71159 A
(800) 1148360
(151) 2012 11 19
(181) 2022 11 19
(511) 03, 05

(260) AM 2014 71160 A
(800) 1148361
(151) 2012 11 19
(181) 2022 11 19
(511) 03, 05

(260) AM 2014 71161 A
(800) 1148362
(151) 2012 11 19
(181) 2022 11 19
(511) 03, 05

(260) AM 2014 71164 A
(800) 1148363
(151) 2012 11 19
(181) 2022 11 19
(511) 03, 05

(260) AM 2014 71180 A
(800) 1148689
(151) 2013 01 08
(181) 2023 01 08
(511) 05

(260) AM 2014 71229 A
(800) 1149179
(151) 2012 09 04
(181) 2022 09 04
(511) 37, 40

(260) AM 2014 71344 A
(800) 1150233
(151) 2012 10 23
(181) 2022 10 23
(511) 18, 25, 35

(260) AM 2014 71347 A
(800) 1150306
(151) 2013 01 04
(181) 2023 01 04
(511) 07

(260) AM 2014 71348 A
(800) 1150311
(151) 2012 12 14
(181) 2022 12 14
(511) 16, 32, 34, 35

(260) AM 2014 71350 A
(800) 1150318
(151) 2012 12 11
(181) 2022 12 11
(511) 16, 34, 35

(260) AM 2014 71351 A
(800) 1150361
(151) 2012 12 31
(181) 2022 12 31
(511) 05

(260) AM 2014 71352 A
(800) 1150368
(151) 2012 12 21
(181) 2022 12 21
(511) 30

(260) AM 2014 71353 A
(800) 1150376
(151) 2013 01 18
(181) 2023 01 18
(511) 01

(260) AM 2014 71355 A
(800) 1150406
(151) 2012 11 05
(181) 2022 11 05
(511) 01, 04, 16, 17, 19, 42

(260) AM 2014 71378 A
(800) 1150425
(151) 2012 12 06
(181) 2022 12 06
(511) 10, 40, 45

(260) AM 2014 71383 A
(800) 1150497
(151) 2012 12 29
(181) 2022 12 29
(511) 30

(260) AM 2014 71388 A
(800) 1150573
(151) 2012 10 05

(181) 2022 10 05
(511) 05

(260) AM 2014 71465 A
(800) 1151147
(151) 2013 01 08
(181) 2023 01 08
(511) 05

(260) AM 2014 71466 A
(800) 1151150
(151) 2013 01 22
(181) 2023 01 22
(511) 05

(260) AM 2014 71470 A
(800) 1151155
(151) 2012 11 13
(181) 2022 11 13
(511) 05

(260) AM 2014 71517 A
(800) 1097353
(151) 2011 10 31
(891) 2013 01 25
(181) 2021 10 31
(511) 05

(260) AM 2014 71518 A
(800) 1097354
(151) 2011 10 31
(891) 2013 01 25
(181) 2021 10 31
(511) 05

(260) AM 2014 71519 A
(800) 1118156
(151) 2012 02 17
(891) 2013 01 23
(181) 2022 02 17
(511) 03

(260) AM 2014 71699 A
(800) 1152473
(151) 2013 01 04
(181) 2023 01 04
(511) 33

(260) AM 2014 71700 A
(800) 1152516
(151) 2012 12 04

(181) 2022 12 04
(511) 12, 35

(260) AM 2014 71701 A
(800) 1152518
(151) 2013 01 25
(181) 2023 01 25
(511) 01, 04

(260) AM 2014 71702 A
(800) 1152521
(151) 2012 07 13
(181) 2022 07 13
(511) 29, 30, 31, 32

(260) AM 2014 71703 A
(800) 1152529
(151) 2012 10 11
(181) 2022 10 11
(511) 06, 09, 11, 35, 38, 41, 42

(260) AM 2014 71704 A
(800) 1152531
(151) 2012 10 29
(181) 2022 10 29
(511) 05

(260) AM 2014 71705 A
(800) 1152541
(151) 2012 11 29
(181) 2022 11 29
(511) 21

(260) AM 2014 71706 A
(800) 1152605
(151) 2013 01 11
(181) 2023 01 11
(511) 29, 30, 32

(260) AM 2014 71707 A
(800) 1152606
(151) 2013 01 10
(181) 2023 01 10
(511) 03, 05

(260) AM 2014 71708 A
(800) 1152609
(151) 2013 02 14
(181) 2023 02 14
(511) 05

(260) AM 2014 71709 A
(800) 1152619
(151) 2013 01 12
(181) 2023 01 12
(511) 34

(260) AM 2014 71710 A
(800) 1152632
(151) 2013 02 07
(181) 2023 02 07
(511) 33

(260) AM 2014 71711 A
(800) 1152634
(151) 2013 02 07
(181) 2023 02 07
(511) 30

(260) AM 2014 71712 A
(800) 1152643
(151) 2013 02 06
(181) 2023 02 06
(511) 25

(260) AM 2014 71714 A
(800) 1152655
(151) 2012 10 15
(181) 2022 10 15
(511) 09, 28

(260) AM 2014 71715 A
(800) 1152668
(151) 2012 08 14
(181) 2022 08 14
(511) 05

(260) AM 2014 71716 A
(800) 1152697
(151) 2012 11 05
(181) 2022 11 05
(511) 05

(260) AM 2014 71732 A
(800) 1152709
(151) 2012 04 10
(181) 2022 04 10
(511) 29, 30

(260) AM 2014 71733 A
(800) 1152710
(151) 2012 04 10

(181) 2022 04 10
(511) 29, 30

(260) AM 2014 71734 A
(800) 1152711
(151) 2012 04 10
(181) 2022 04 10
(511) 29, 30

(260) AM 2014 71735 A
(800) 1152712
(151) 2012 04 10
(181) 2022 04 10
(511) 29, 30

(260) AM 2014 71736 A
(800) 1152713
(151) 2012 04 10
(181) 2022 04 10
(511) 29, 30

(260) AM 2014 71737 A
(800) 1152718
(151) 2012 09 07
(181) 2022 09 07
(511) 09, 16, 25, 28, 41

(260) AM 2014 71738 A
(800) 1152725
(151) 2012 10 17
(181) 2022 10 17
(511) 05

(260) AM 2014 71739 A
(800) 1152738
(151) 2012 11 05
(181) 2022 11 05
(511) 05

(260) AM 2014 71748 A
(800) 1152889
(151) 2012 06 20
(181) 2022 06 20
(511) 03, 05, 29, 30, 32

(260) AM 2014 72015 A
(800) 1154674
(151) 2012 12 26
(181) 2022 12 26
(511) 25

(260) AM 2014 72016 A
(800) 1154684
(151) 2012 10 17
(181) 2022 10 17
(511) 05

(260) AM 2014 72017 A
(800) 1154685
(151) 2012 10 17
(181) 2022 10 17
(511) 05

(260) AM 2014 72018 A
(800) 1154686
(151) 2012 10 17
(181) 2022 10 17
(511) 05

(260) AM 2014 72019 A
(800) 1154687
(151) 2012 10 17
(181) 2022 10 17
(511) 05

(260) AM 2014 72020 A
(800) 1154698
(151) 2012 11 30
(181) 2022 11 30
(511) 18, 25, 35

(260) AM 2014 72021 A
(800) 1154700
(151) 2012 12 07
(181) 2022 12 07
(511) 03, 05

(260) AM 2014 72022 A
(800) 1154751
(151) 2013 01 21
(181) 2023 01 21
(511) 03

(260) AM 2014 72023 A
(800) 1154755
(151) 2013 02 14
(181) 2023 02 14
(511) 09, 35, 42

(260) AM 2014 72024 A
(800) 1154777
(151) 2013 02 21

(181) 2023 02 21
(511) 05

(260) AM 2014 72025 A
(800) 1154810
(151) 2013 02 21
(181) 2023 02 21
(511) 33

(260) AM 2014 72026 A
(800) 1154837
(151) 2013 03 04
(181) 2023 03 04
(511) 05

(260) AM 2014 72027 A
(800) 1154838
(151) 2013 03 04
(181) 2023 03 04
(511) 05

(260) AM 2014 72028 A
(800) 1154855
(151) 2013 03 01
(181) 2023 03 01
(511) 34

(260) AM 2014 72030 A
(800) 1154872
(151) 2012 10 12
(181) 2022 10 12
(511) 19

(260) AM 2014 72032 A
(800) 1154903
(151) 2012 12 18
(181) 2022 12 18
(511) 25

(260) AM 2014 72033 A
(800) 1154931
(151) 2013 02 07
(181) 2023 02 07
(511) 16

(260) AM 2014 72034 A
(800) 1154932
(151) 2012 12 13
(181) 2022 12 13
(511) 18, 25

(260) AM 2014 72036 A
(800) 1154951
(151) 2012 11 01
(181) 2022 11 01
(511) 03, 09, 14, 16, 18, 25

(260) AM 2014 72037 A
(800) 1154952
(151) 2012 11 01
(181) 2022 11 01
(511) 03, 09, 14, 16, 18, 25

(260) AM 2014 72038 A
(800) 1154963
(151) 2012 11 13
(181) 2022 11 13
(511) 44

(260) AM 2014 72039 A
(800) 1154965
(151) 2012 11 16
(181) 2022 11 16
(511) 06, 35

(260) AM 2014 72040 A
(800) 1154979
(151) 2012 11 23
(181) 2022 11 23
(511) 12, 25

(260) AM 2014 72041 A
(800) 1154997
(151) 2012 11 30
(181) 2022 11 30
(511) 41, 42, 44

(260) AM 2014 72042 A
(800) 1155004
(151) 2012 12 04
(181) 2022 12 04
(511) 06, 07, 09

(260) AM 2014 72043 A
(800) 1155042
(151) 2013 02 22
(181) 2023 02 22
(511) 12

(260) AM 2014 72046 A
(800) 1155201
(151) 2013 02 04

(181) 2023 02 04
(511) 05, 29, 30

(260) AM 2014 72047 A
(800) 1155131
(151) 2012 11 16
(181) 2022 11 16
(511) 18, 25, 35, 41, 42

(260) AM 2014 72048 A
(800) 1155148
(151) 2012 10 15
(181) 2022 10 15
(511) 01

(260) AM 2014 72251 A
(800) 1156945
(151) 2012 10 31
(181) 2022 10 31
(511) 09, 10, 11, 35, 37, 42

(260) AM 2014 72253 A
(800) 1156947
(151) 2012 10 31
(181) 2022 10 31
(511) 09, 10, 11, 35, 37, 42

(260) AM 2014 72254 A
(800) 1156953
(151) 2012 10 18
(181) 2022 10 18
(511) 07, 11

(260) AM 2014 72275 A
(800) 1157252
(151) 2012 10 31
(181) 2022 10 31
(511) 09, 10, 11, 35, 37, 42

(260) AM 2014 72278 A
(800) 1157283
(151) 2013 01 04
(181) 2023 01 04
(511) 29, 30, 43

(260) AM 2014 72463 A
(800) 1159390
(151) 2012 12 13
(181) 2022 12 13
(511) 05, 35

(260) AM 2014 72464 A
(800) 1159391
(151) 2012 12 13
(181) 2022 12 13
(511) 05, 35

(260) AM 2014 72466 A
(800) 1159398
(151) 2012 11 21
(181) 2022 11 21
(511) 01, 03, 05, 41, 42

(260) AM 2014 72468 A
(800) 1159404
(151) 2013 01 25
(181) 2023 01 25
(511) 38

(260) AM 2014 72469 A
(800) 1159415
(151) 2013 01 11
(181) 2023 01 11
(511) 06, 07, 12

(260) AM 2014 72471 A
(800) 1159430
(151) 2013 03 14
(181) 2023 03 14
(511) 03, 09

(260) AM 2014 72472 A
(800) 1159432
(151) 2013 03 18
(181) 2023 03 18
(511) 11, 14, 20, 24, 25, 27, 42

(260) AM 2014 72477 A
(800) 1159496
(151) 2013 04 21
(181) 2023 04 21
(511) 34

(260) AM 2014 72478 A
(800) 1159507
(151) 2013 04 02
(181) 2023 04 02
(511) 07

(260) AM 2014 72491 A
(800) 468807
(151) 1982 04 22

(891) 2013 01 25
(181) 2022 04 22
(511) 05

(260) AM 2014 72492 A
(800) 607192
(151) 1993 08 24
(891) 2013 04 15
(181) 2013 08 24
(511) 05

(260) AM 2014 72493 A
(800) 607194
(151) 1993 08 24
(891) 2013 04 15
(181) 2013 08 24
(511) 05

(260) AM 2014 72494 A
(800) 668905
(151) 1997 02 13
(891) 2013 04 17
(181) 2017 02 13
(511) 25

(260) AM 2014 72495 A
(800) 801533
(151) 2003 04 23
(891) 2013 04 24
(181) 2023 04 23
(511) 05

(260) AM 2014 72544 A
(800) 1159953
(151) 2012 12 19
(181) 2022 12 19
(511) 29, 30, 32

(260) AM 2014 72545 A
(800) 1159956
(151) 2012 12 19
(181) 2022 12 19
(511) 29, 30, 32

(260) AM 2014 72546 A
(800) 1159958
(151) 2012 11 21
(181) 2022 11 21
(511) 01, 03, 05, 41, 42

(260) AM 2014 72556 A
(800) 1160132
(151) 2012 10 10
(181) 2022 10 10
(511) 09, 35, 38, 41

(260) AM 2014 72558 A
(800) 1160172
(151) 2013 01 25
(181) 2023 01 25
(511) 39

(260) AM 2014 72559 A
(800) 1160174
(151) 2013 01 29
(891) 2013 01 19
(181) 2023 01 29
(511) 03, 25, 35

(260) AM 2014 72884 A
(800) 1162642
(151) 2013 03 06
(181) 2023 03 06
(511) 33

PROTECTED DESIGNATIONS OF ORIGIN AND PROTECTED GEOGRAPHICAL INDICATIONS OF GOODS

In accordance with paragraph 4 of Article 8 of the Law of Georgia of 22.06.1999 "On Protected Designations of Origin and Protected Geographical Indications of Goods", LEPL Intellectual Property Center of Georgia SAKPATENTI publishes materials on applications submitted by the Ministry of Agriculture of Georgia.

Within 3 months from the publication if additional information is received in SAKPATENTI, the information shall be sent and studied to the Ministry of Agriculture of Georgia.

The decision taken by SAKPATENTI concerning the registration of the submitted applications can be appealed at the Chamber of Appeals of SAKPATENTI within three months according to the established rule or at the Mtskheta District Court (Address: 17, Samkhedro St. Mtskheta) within a month.

PROTECTED DESIGNATIONS OF ORIGIN APPLICATION

APPLICATION No. 1176/06

DATE OF APPLICATION: 2014 05 29

PROTECTED DESIGNATION OF ORIGIN: MITARBI

**NAME OF GOOD FOR WHICH PROTECTED DESIGNATION OF ORIGIN IS
REQUIRED:** Class 32 – Natural Mineral Water

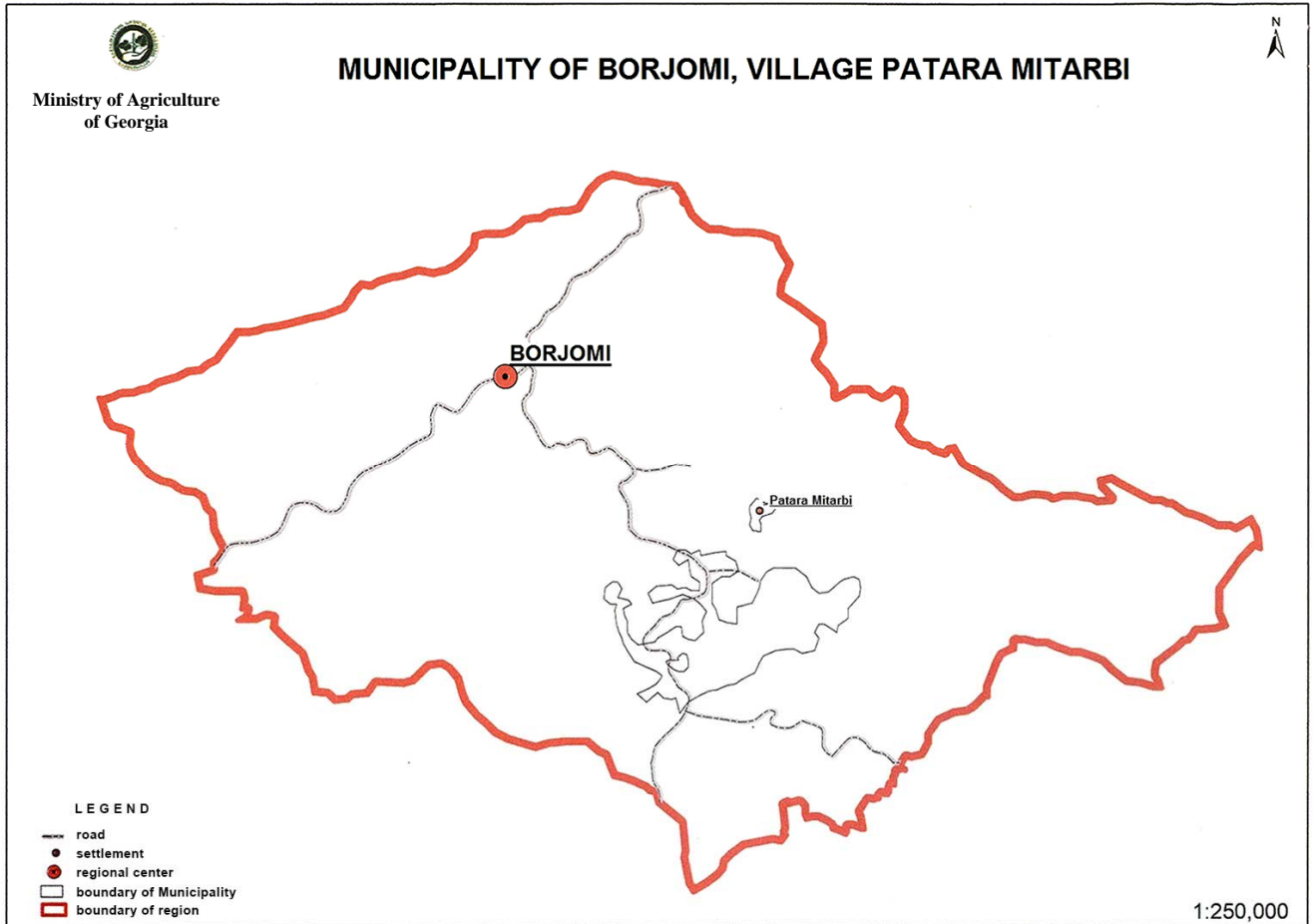
NAME OF APPLICANT AND ADDRESS: Ministry of Agriculture of Georgia,
6, Marshal Gelovani Ave., 0159, Tbilisi (GE)

1.	GEOGRAPHICAL LOCATION									
1.1	A name of (spring, well) – Carbonic mineral water deposit of Mitarbi									
1.2	The deposit (spring, well) location									
1.3	A region – Samtskhe-Javakheti									
1.4	A municipality – Borjomi									
1.5	The nearest settlement – Village Patara Mitarbi (1.4 km)									
1.6	The distance from a significant point – Borjomi - 25 km; Tbilisi - 200 km; railway junction of Khashuri - 50 km; Poti Port - 250 km									
1.7	The distance from the nearest highway axis - to the South of the soil road is 25-35 m (the shortest distance)									
1.8	The distance from the state border and shoreline – to the North-East of the state border is 59-60 km (the shortest distance)									
1.9	The distance from the nearest bridge –									
1.10	River basin or mountain system – the River Mitarbi Gorge (left tributary of River Gujareti)									
1.11	The deposit (spring, well) nomenclature K-38-76-B-a and line coordinates – <table border="1" data-bbox="603 1809 1088 1908"><thead><tr><th>No</th><th>X</th><th>Y</th></tr></thead><tbody><tr><td>18</td><td>38115</td><td>4624913</td></tr><tr><td>8</td><td>381086</td><td>4624936</td></tr></tbody></table>	No	X	Y	18	38115	4624913	8	381086	4624936
No	X	Y								
18	38115	4624913								
8	381086	4624936								
1.12	The deposit (spring, well) absolute height from the sea level – 1322.2 m									

2	CLIMATE CONDITIONS Mountain climate, moderate humidity, air medium annual temperature is 7.3°C, absolute minimum of the temperature is -31°C and maximum is +31°C, air medium annual relative humidity is 77%, atmosphere precipitation reaches 740 mm.
3	FOREST RESOURCES
3.1	Regional forest administration – Samtskhe-Javakheti Regional Forest Administration
3.2	Resort zone forest – licensing object is present on resort of forest fund territory
3.3	Green zone of forest – not found
3.4	State protected forest trail – not found
3.5	Flood plain forest – not found
3.6	Forest area spread on 300 m nearby Subalpine zone – not found
3.7	Forest area about 100 ha disposed between treeless areas – not found
3.8	In the category of state forest fund of protected areas – not found
3.9	Forest trail of 200 m width along snow slides and mud flow beds – not found
3.10	The forest district with wooden plants protected in "Red List", also in forest districts with special agricultural purposes (forest seeding, honey making plants, etc.) – not found
3.11	Forest area existed around resorts, guest houses and hospitals, also mineral springs within 1 km radius (limited with watershed) – not found
3.12	Coast protecting forest area of 300 m width existed along rivers, lakes, reservoirs and water channels (beds) – not found
3.13	Forest trail of 100 m width around precipices, landslide places, screes, caves and rock ledges – not found
3.14	Forest trail of 100 m width along railways and highways – not found
3.15	Territory, where the forest is foreseen for recreational purposes – not found
3.16	Downhill slopes of more than 20° – not found
3.17	State forest fund territory where wood resource reserve on 1 ha exceeds 30 m ³ – not found
3.18	State forest fund territory where natural forest restoration processes take place – not found
3.19	State forest fund territory where more than 30% of the area is covered with shrubs – not found
3.20	On the particular territory of state forest fund where a special license is granted for wood procurement and hunting, as well as general license is granted for forest use
3.21	Forest district (former forest) ranger No. – Forestry of Bakuriani, Forest district of Tsaghveri
3.22	Quarter(s) No. – Q No. 46
3.23	Travelling warrant(s) No. – Area No. 5
3.24	Travelling warrant(s) general area(s) –
3.25	Covered with forest (ha) –
3.26	Is not covered with forest (ha) –
3.27	Dominant species – licensed area is not covered with wooden trees (plants)
3.28	Standing timber size and varieties on sample area –
3.29	Additional data on forest recourses –
4	ORE (MINERAL WATER DEPOSIT) GEOLOGICAL POSITION
4.1	Hydrogeological position of the deposit (spring, well) according to the hydrogeological regions of Georgia – Mitarbi deposit is situated within water pressure region of Achara-Trialeti folded mountain zone and also within Trialeti gap and karst areas and water pressure system, allocated on the central and highest part of Achara-Trialeti folded mountain zone.
4.2	Geological structure – the deposit is situated in the central part of Achara-Trialeti folded mountain zone at axis trail of Vardevani-Mitarbi anticline structure.
4.3	The aquifer horizon – following aquifer horizons exist within the deposit: 1) Aquifer horizon (IV) including modern quarter Alluvial, Delluvial and lake sediments; 2) Aquifer horizon (A No. 321) including upper Paleogene – lower quarter sediments; 3) Aquifer complex (R 22) including Middle Eocene volcano-sediment rocks;

	<p>These sediments are spread in the region of deposit and are represented with sequences of Likani and Kvabiskhevi. Their common power is 4 000 m.</p> <p>Gap-layer and gap-vessel type waters of these sediments belong to deep circulation mineral and thermal waters.</p> <p>Mitarbi No. 18 and well No. 18-E mineral waters are related to upper mentioned sediments.</p>
4.4	<p>Technical data (depth, capitation) of each object (spring, well) – structural hydrogeological well No. 18 of 540 m depth was drilled in 1958 by Geologic Administration Party of Georgia near right bank of gryphons. In 1989-1991, well No. 18-E was derived in depth of 388 m.</p>
4.5	<p>Additional data – According to hydrogeological conditions, Mitarbi mineral water deposit belongs to II group of deposits, which are characterized with complex hydrogeological conditions.</p>
5	CHARACTERISTICS OF NATURAL MINERAL WATER MITARBI
5.1	<p>Chemical content – according to chemical analysis, mineral water of well No. 18-E is characterized as carbon dioxide, flint, iron, hydro carbonate, sodium-potassium water. Common mineralization varies within 2.0-2.5 g/l.</p> <p>Toxic and harmful substances are not presented or/are expressed in the permissible scopes. Cobalt, arsenic, lead, selenium, mercury, chrome, fluorine, nitrates and phenols are not presented as well.</p> <p>From microelements the water contains small amount of strontium (0-0.5 mg/l), lithium (0-0.24 mg/l), copper (0-0.009mg/l), manganese (0.02-0.3 mg/l), and zinc (0-0.026 mg/l).</p> <p>From specific biologically active components water contains iron – 10-14.1 mg/l and silicon acid – more than 50 mg/l.</p> <p>Spontaneous gas content (in volume %) is: CO₂ – 86.6; N₂ – 10.39.</p> <p>At the comparison of temperature, common mineralization and separate chemical ingredient data, toward water debit variability sharp difference is not observed.</p>
5.2	<p>Temperature – temperature at borehole edge is 21,2°C, at deconstruction is 21,7°C.</p>
5.3	<p>Sanitary condition – Mitarbi mineral water is bacteriologically pure. It is transparent, colorless, odorless, has no mechanical or other admixture.</p>
6	NATURAL MINERAL WATER MITARBI DEPOSIT CHARACTERISTICS (DEPOSIT DETECTION QUALITY)– MITARBI mineral water deposit is examined on detailed detecting stage.
6.1	<p>Deposit exploring quality – taking into account recommendations of MTK, from the well No. 18 which existed during 1989-1991 years in the distance of 50 m new No.18-E well was drilled and became operational. However the well No. 18 was preserved as an observatory.</p> <p>Since January 1st of 2006 the order No. 36 of MSK on 25 year exploitation of MITARBI water reservoir was approved in the following figures and categories:</p> <p style="text-align: center;">"A" category – 105,3 m³ "B" category – 32,3 m³ Wholly – 137,3 m³</p>
7	UTILIZATION OF NATURAL MINERAL WATER MITARBI
	<p>Underground utilization of waters (actual and possible) – Mineral water MITARBI is very similar to SAIRME, and it represents one of the varieties of NARZANI. All mentioned mineral waters are treated as table water.</p> <p>By experimental observation MITARBI treating characteristics were established for the following diseases: digestive organs, urinary tracts, metabolic disorder. The treatment with MITARBI is recommended for all counted diseases.</p>
8	EVALUATION OF DEPOSIT ENGINEERING-GEOECOLOGICAL CONDITIONS
8.1	<p>Evaluation and Morphological disposition of deposit – according to morphological view the license unit is situated on very segregated North slope of Trialeti Gorge. Mineral water deposit is represented by two wells in 20 m distance from each other and located on the right bank Mitarbula Gorge and itself is Rv. Gujarula left branch.</p>

8.2 General Engineering-geological characteristics of rocks and nearby – the territory is made of main rocks and represents the unsustainable relative to erosion-gravitation processes so called BORJOMI rocks substrate (rhythm sequences of pleomorphic and sand limestone, carbonate and arkose sandstones, etc.).



APPLICATION No. 1177/06

DATE OF APPLICATION: 2014 05 29

PROTECTED DESIGNATION OF ORIGIN: SKURI

NAME OF GOOD FOR WHICH PROTECTED DESIGNATION OF ORIGIN IS

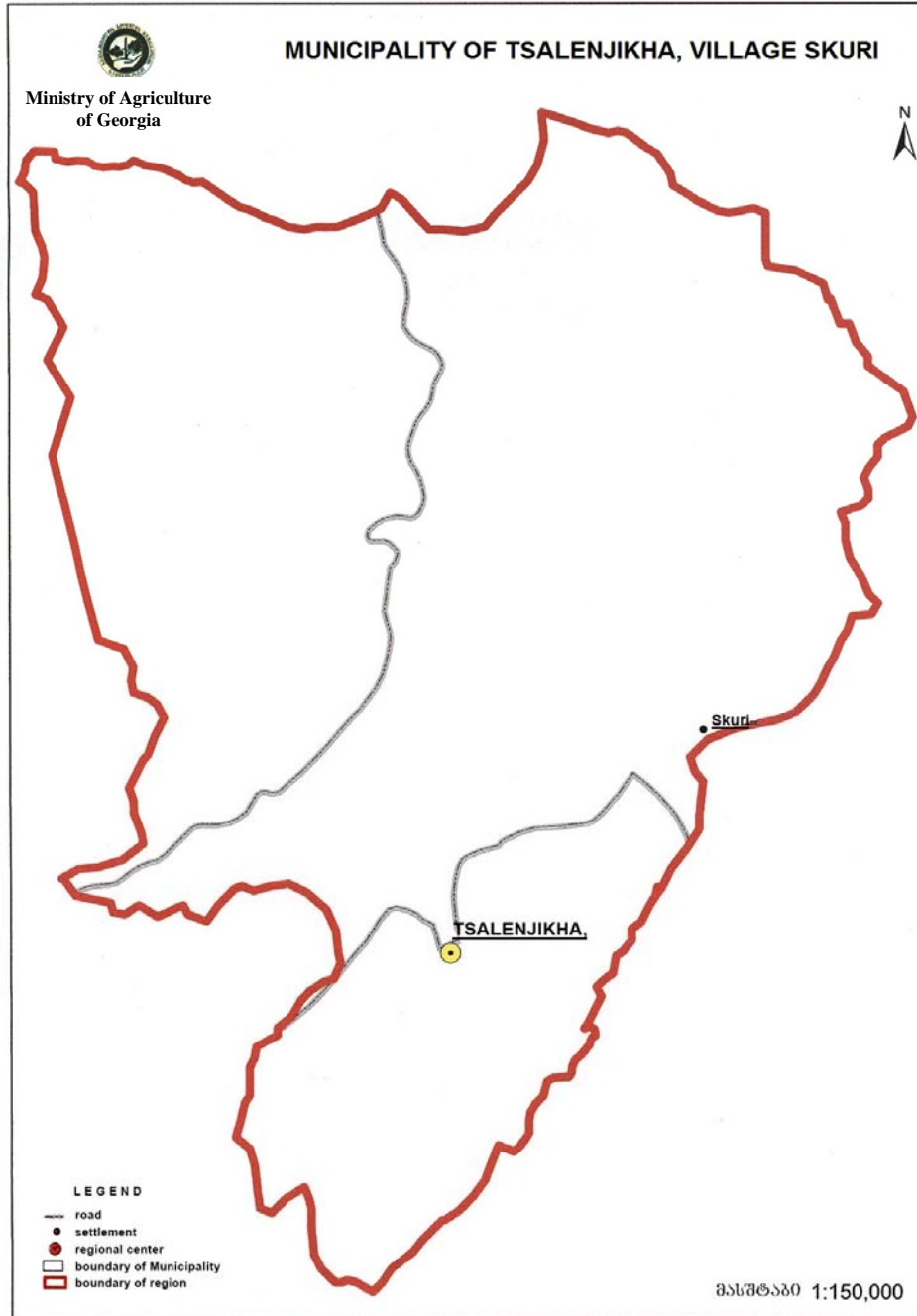
REQUIRED: Class 32 – Natural Mineral Water

NAME OF APPLICANT AND ADDRESS: Ministry of Agriculture of Georgia,
6, Marshal Gelovani Ave., 0159, Tbilisi (GE)

GEOGRAPHICAL LOCATION													
1	A name of deposit (spring, well) – Carbonic mineral water deposit of Skuri												
2	A region – Samegrelo												
3	A municipality – Tsalenjikha												
4	The nearest settlement – Village Skuri												
5	The distance from a significant point – 19 km from Tsalenjikha, from Zugdidi – 45 km												
6	The distance from the nearest highway axis – to the East is 210-215 m												
7	The distance from the state border and shoreline - from the shoreline is 54-55 km												
8	The distance from the nearest bridge –												
9	River basin or mountain system – the River Chanistskali Gorg												
10	The deposit (spring, well) nomenclature and line coordinates – <table border="1" style="margin-left: auto; margin-right: auto;"> <thead> <tr> <th>No</th> <th>X</th> <th>Y</th> </tr> </thead> <tbody> <tr> <td>1</td> <td>4732723</td> <td>8267495</td> </tr> <tr> <td colspan="3" style="text-align: center;">S = 0.07 ha</td> </tr> <tr> <td colspan="3" style="text-align: center;">PULKOVO 1984</td> </tr> </tbody> </table>	No	X	Y	1	4732723	8267495	S = 0.07 ha			PULKOVO 1984		
No	X	Y											
1	4732723	8267495											
S = 0.07 ha													
PULKOVO 1984													
11	The deposit (spring, well) absolute height from the sea level – 470-480 m												
12	CLIMATE CONDITIONS The climate of Skuri and nearby territory is inhomogeneous. In high mountains of the North the climate is strong, winter is snowy and summer is rainy. In the South the climate is unsteadily humid; in extreme South the climate is subtropical.												
FOREST RESOURCES													
13	Categories of protected territories of State forest fund–												
14	Resort zone forest and green zone forest –												
15	State protected forest trail –												
16	Flood plain forest –												
17	Forest area spread on 300 m nearby Subalpine zone –												
18	Forest area about 100 ha disposed between treeless areas –												
19	In the category of state forest fund of protected areas –												
20	Forest trail of 200 m width along snow slides and mud flow beds –												
21	The forest district where wooden plants are present and protected in "Red List", also the forest districts with special agricultural purposes (forest seeding, honey making plants, etc.) –												
22	Forest area existed around resorts, guest houses and hospitals, also mineral springs within 1 km radius (limited with watershed) –												

23	Coast protecting forest area of 300m width existed along rivers, lakes, reservoirs and water channels (beds) –
24	Forest trail of 100 m width around precipices, landslide places, screes, caves and rock ledges –
25	Forest trail of 100 m width along railways and highways –
26	Territory, where the forest is foreseen for recreational purposes –
27	Downhill slopes of more than 20° –
28	Territory of State forest fund where more than 50 m ³ wood resource exists on 1 ha –
29	State forest fund territory where natural forest restoration processes take place –
30	State forest fund territory where more than 50% of the area is covered with shrubs –
31	On the particular territory of state forest fund where a special license is granted for both wood procurement and hunting, as well as general license is granted for forest use –
32	Regional forest administration – Samegrelo-Zemo Svaneti
33	Forest district (former forest) ranger No. – Tsalenjikha, Tsalenjikha Forestry
34	Quarter(s) No. – 32
35	Travel warrant(s) No. – Area No. 9
36	Travel warrant(s) common area(s) – 12
37	covered by forest (ha) – 0
38	not covered by forest (ha) – 12
39	Dominant species –
40	Standing timber size and varieties on sample area –
41	Additional data on forest recourses –
ORE DEPOSIT (MINERAL WATER DEPOSIT) GEOLOGICAL POSITION	
42	Hydrogeological position of the deposit (spring, well) according to the hydrogeological regions of Georgia - mineral water deposit of Skuri is a component of Samegrelo artesian basin.
43	Geological structure – Gagra-Javi zone, south slope of Great Caucasus folded system.
44	The aquifer horizon – Skuri mineral water belongs to tufa rocks of "Baiois" porphyry series. Resort territory is mostly represented with tufa-breccia, which is "Baiois" porphyry sequence.
45	Technical data (depth, capitation) of each object (spring, well) – Skuri well No. 1 of 40 m depth was drilled in 1937, it is capping.
46	Additional data – Skuri well No. 1 water with its physical-chemical characteristics is valid for balneological treatment and drinking (bottling).
CHARACTERISTICS OF NATURAL MINERAL WATER SKURI	
47	Chemical content – according to chemical content mineral water SKURI belongs to sulphate-chloride sodium-potassium type. Common mineralization is 1.4 g/l. Since 1937 common mineralization was reduced from 1.7 g/l to 1.4 g/l.
48	Sanitary condition – according to bacteriological analysis mineralization, Skuri mineral water is not contaminated and its sanitary condition meets its treating and drinking requirements.

49	Temperature – water temperature varies between 17°C-19°C.
50	Deposit detection quality (stage) – deposit of mineral water SKURI is detected on detailed detection stage.



APPLICATION No. 1178/06

DATE OF APPLICATION: 2014 05 29

PROTECTED DESIGNATION OF ORIGIN: UTSERA

NAME OF GOOD FOR WHICH PROTECTED DESIGNATION OF ORIGIN IS REQUIRED: Class 32 – Natural Mineral Water

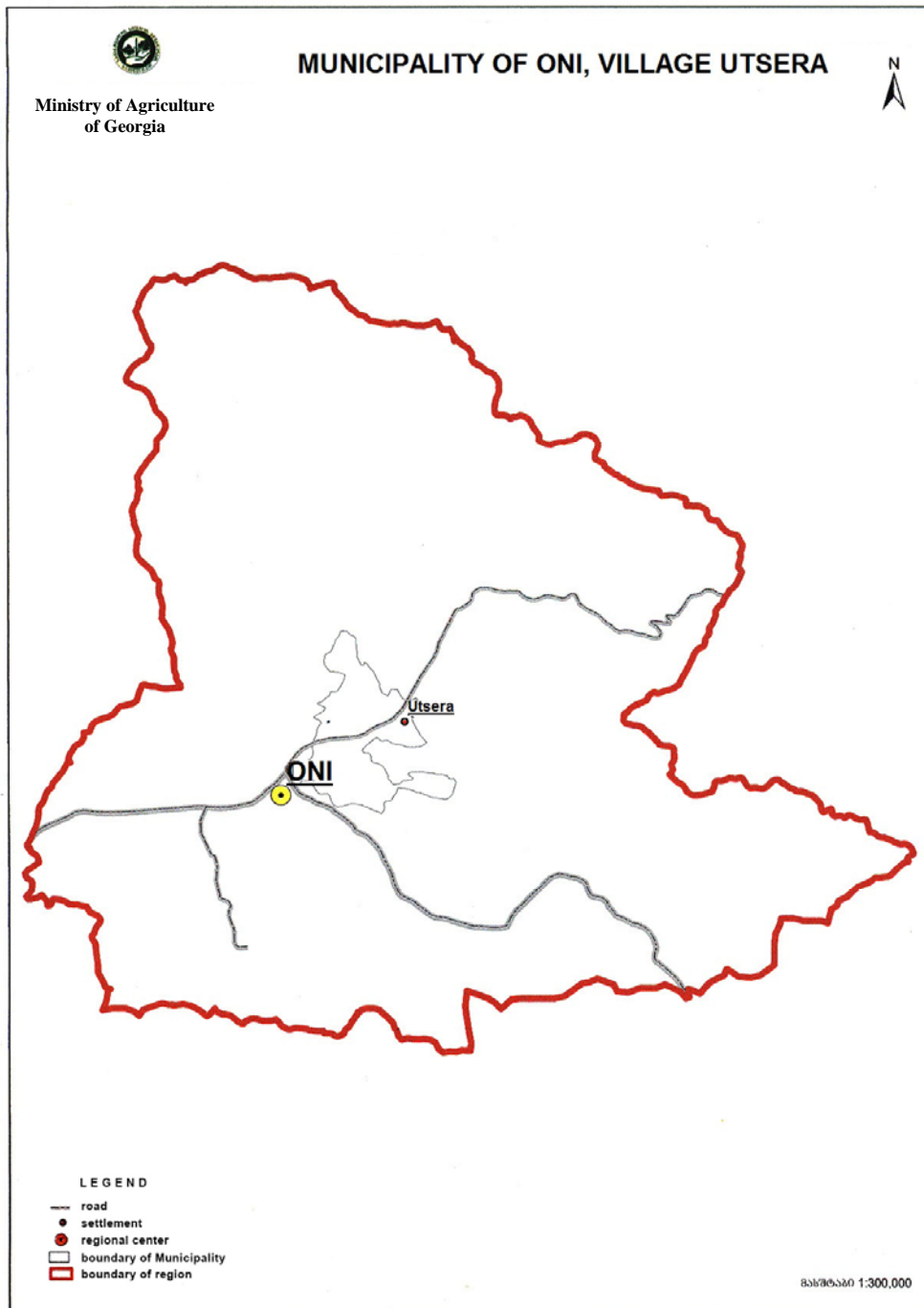
NAME OF APPLICANT AND ADDRESS: Ministry of Agriculture of Georgia,
6, Marshal Gelovani Ave., 0159, Tbilisi (GE)

1.	GEOGRAPHICAL LOCATION
1.1	The name of deposit– mineral water deposit of Utsera
1.2	The deposit (spring, well) location
1.3	A region – Racha-Lechkhumi
1.4	A municipality – Oni
1.5	The nearest settlement – Village Utsera
1.6	The distance from a significant point – from Oni is 12 km; from Kutaisi is 120 km.
1.7	The distance from the nearest highway axis to the South from the soil road is 15-20 m – the well No. 16K; 15-25m the well No.1K; 10-20 m – the well No. 28; 35-40 m – the well No. 24; 65-75 m – the well No. 19; 40-50 m – the well No. 14K; 240-250m – the spring Gverita (the shortest distance)
1.8	The distance from the state border and shoreline in the West from the state border is 13-14 km (the shortest distance)
1.9	The distance from the nearest bridge –
1.10	River basin or mountain system – the River Rioni basin
1.11	The deposit (spring, well) nomenclature K-38-76-B-a and line coordinates –
1.12	The deposit (spring, well) absolute height from the sea level – the spring No. 80 (Gverita) – 1036.14m; the well No. 1 – 979.99 m; the well No. 12K – 979.90 m; the well No. 14K – 970.10 m; the well No. 16K – 1000.05 m; the well No. 19 – 971.42 m; the well No. 24 – 973.19 m; the well No. 28 – 979.64 m.
2	CLIMATE CONDITIONS Zemo Racha falls under adequate process influence zone, which causes weather normal course disorder, coldness and great amount of sediments, which depends on acting centers activity: Siberia anticyclone, the Arctic-Azores anticyclone, and Mediterranean anticyclone, Black Sea has positive influence on the municipality. Said natural factors forms regional climate, which is characterized with vertical zone. Annual medium amount of sediments in Zemo Racha is 1000-25000 mm, and for resort Utsera is 1385 mm. According to seasons the sediment assignment in percentage is following: winter 22%, spring 26%, summer 25%, and autumn 27%. Snow cover duration for Zemo racha lower places (800-1000 m) is from third decade of November to the end of March, for middle zone (1400-2600 m) from first decade of December to third decade of May. Medium annual temperature for Oni is 10.0°C, absolute minimum is -27°C, maximum +38°C.
3	FOREST RESOURCES
3.1	Regional forest administration – not found

3.2	Resort zone forest – not found
3.3	Green zone of forest – not found
3.4	State protected forest trail – not found
3.5	Floodplain forest – not found
3.6	Forest area spread on 300 m nearby Subalpine zone – not found
3.7	Forest area about 100 ha disposed between treeless areas – not found
3.8	In the category of state forest fund protected areas – not found
3.9	Forest trail of 200 m width along snow slides and mud flow beds – not found
3.10	The forest district where wooden plants are presented and protected in "Red List", also the forest districts with special agricultural purposes (forest seeding, honey making plants, etc.) – not found
3.11	Forest area existed around resorts, guest houses and hospitals, also mineral springs within 1 km radius (limited with watershed) – not found
3.12	Coast protecting forest area of 300 m width existed along rivers, lakes, reservoirs and water channels (beds) – not found
3.13	Forest trail of 100 m width around precipices, landslide places, screes, caves, and rock ledges – not found
3.14	Forest trail of 100 m width along railways and highways – not found
3.15	Territory where usage with forest is provided to execute recreation goals – not found
3.16	Downhill slopes more than 20° – not found
3.17	State forest fund territory where wood resource more than 50 m ³ existed on 1 ha – not found
3.18	State forest fund territory where natural forest restoration processes take place – not found
3.19	State forest fund territory where more than 30% of area is covered with shrubs – not found
3.20	In this territory of state forest fund where especial license to treat wood or hunting or wood usage general license is granted – not found
3.21	Forest district (former forest) ranger No. – not found
3.22	Quarter(s) No. – not found
3.23	Travelling warrant(s) No. – not found
3.24	Travelling warrant(s) common area(s) – not found
3.25	covered by forest (ha) – not found
3.26	not covered by forest (ha) – not found
3.27	Dominant species – not found
3.28	Standing timber capacity and varieties on sample area – not found
3.29	Additional data on forest recourses –
4	ORE (MINERAL WATER DEPOSIT) GEOLOGICAL POSITION
4.1	The deposit (spring, well) hydrogeological position according to hydrogeological regions of Georgia – deposit of Utsera is disposed within Great Caucasus South slope water pressure system hydrogeological region two hydrogeological unit: Svaneti gapped water pressure system and Mestia-Tianeti gapped and gap-karst water pressure systems tangency trail.
4.2	Geologic structure – deposit of Utsera is disposed in three comparably big tectonic unit: Mestia-Tianeti flysch zone Shovi-pasanauri sub-zone, Chkhalta-Lailashi zone Chkhalta sub-zone and Great Caucasus folded system Gagra-Javi zone North sub-zone tangency trail.

4.3	<p>The aquifer horizon – Shovi-Pasanauri aquifer zone South-West periphery, Chkhalt'a aquifer zone South-East edge and North aquifer zone North-East part are spread on Utsera deposit territory. Said zones in their turn are divided into following hydrogeological componentry – Shovi-Pasanauri zone is represented with hydro power terrigen flysch Saglolo sub-sequences and Neokome carbonate flysch Chiori and Porkhishuli sediments.</p> <p>North aquifer zone – with Bati mud sub-sequence sporadically watered sediments and Baios porphyritic layer Lakhamvi, Laburtsikhe and Tabori sub-sequence volcano-sediment aquifer complex.</p> <p>Chkhalt'a aquifer zone – with Sori and Lajanuri sequence sediment aquifer horizon.</p> <p>Porshishikhula sequence sediments occupy more than half of the deposit and lower part thereof is represented lithologically with clay shales, sandstones and sand limestones.</p> <p>Bati upper mud sequence is represented with clay-sand shales, sandstones, and rarely with limestones and breccia-conglomerates.</p> <p>Baios porphyritic sequence aquifer complex is lithologically represented with tufa-breccias, augite-plagioclase porphirits, tufa, clay shales, middlelayers, and small power diabase-porphirit spreads.</p> <p>Sori and Lajanuri sequence on the deposit territory is represented with only Sori sequence sadiments, which are lithologically represented with clay shales and sandstone middlelayers (in lower part).</p>
4.4	<p>Technical data (depth, capitation) of each object (spring, well) – the spring No. 80 (Gverita) is capping, the well No. 1K in depth – 65 m; the well No. 12K has depth – 69.4 m; the well No. 14K has depth – 50 m; the well No. 16 has depth – 280 m; the well No. 19 has depth – 140 m; the well No. 24 has depth – 150 m; and the well No. 28 has depth – 150 m.</p>
4.5	<p>Additional data – According to hydrogeological conditions, Utsera mineral water deposit belongs to very complex III group of deposits.</p>
5	CHARACTERISTICS OF NATURAL MINERAL WATER UTSERA
5.1	<p>Chemical content – deposit of Utsera cold carbonic acid is represented with three: Utsera, Tersini and Darasuni type of waters.</p> <p>UTSERA TYPE – spring No. 80 (Gverita), capping wells No-s 12K, 16K and observed wells No-s 19, 24 and 28 waters belong to this type.</p> <p>The waters have medium concentration of carbonic acid (1.8-2.7 g/l), medium and high mineralization (6.5-11 g/l), pH – 6.4-6.8, it contains: HCO₃ – 4.2-7.9 g/l; Na⁺ – 1.2-2.4 g/l from main components; waters are cold (6-14°C).</p> <p>Rrom specific components, the existence of carbonic and meta-boron acids should be noted.</p> <p>TERSINI TYPE – capping well No. 14K water belongs to this type; it has medium concentration of carbonic acid (2.4-2.6 g/l), medium mineralization (4.6-5.7 g/l), contains hydro carbonate sodium-potassium, boron (0.3 g/l), pH – 6.3-7.4. From main components it contains: HCO₃ – 3.2-3.9 g/l; Na⁺ – 0.6-0.9 g/l; Ca²⁺ – 0.45-0.5 g/l; water is cold (10.3-11.4°C).</p> <p>DARASUNI TYPE – capping well No. 1K mineral water belongs to this type; it has medium concentration of carbonic acid (2.3-2.5 g/l), low mineralization (1.5-1.6 g/l), and is hydro carbonate potassium type, pH – 5.8-6.0. From main components it contains: HCO₃ – 1.0-1.2 g/l; Ca²⁺ – 0.26-0.29 g/l water is cold (8.3-8.6°C).</p> <p>Increased content of bivalent iron (more than 10 mg/l) in water should be mentioned. The deposit contains lithium and strontium with content characterized mineral waters. Potassium content varies between 4.9 mg/l (the well No. 1K) to 7.9 mg/l (the well No. 24).</p> <p>Nitrogen group components (ammonia, nitrite, and nitrate) are not found in waters. Fluorine content</p>

	<p>is low (0.2-0.4 g/l). These microelements content, such as: copper, manganese, lead, vanadium, mercury, chrome, selenium, iodine, and boron is negligible and don't reach permissible norm. Consistence of gas in deposit of Utsera mineral water is inhomogeneous and the main element is carbonic acid gas. The consistence is 95-98% in both solute and spontaneous phase. But in some cases it reaches 100%. Nitrogen (in both solute and spontaneous phase) occurs in the waters as well.</p>
5.2	<p>Sanitary condition – harmful organic and inorganic dashes don't exceed established norms in Utsera mineral waters, sum of organic substances is about 7 mg/l. Through bacteriological researches spring and well mineral waters are counted as drinkable waters.</p>



APPLICATION No. 1179/06

DATE OF APPLICATION: 2014 05 29

PROTECTED DESIGNATION OF ORIGIN: BOLNISI

NAME OF GOOD FOR WHICH PROTECTED DESIGNATION OF ORIGIN IS REQUIRED: Class 32 – Natural Mineral Water

NAME OF APPLICANT AND ADDRESS: Ministry of Agriculture of Georgia,
6, Marshal Gelovani Ave., 0159, Tbilisi (GE)

1. GEOGRAPHICAL LOCATION

Deposit of Bolnisi (Rachisubani) disposed in Bolnisi region, in 6-7 km distance in the East from Bolnisi.

2. GEOLOGIC DESCRIPTION

Geological description of the deposit is based on hydrogeological planning materials of Marneuli-Gardabani artesian basin. Aquifer horizon is separated from the artesian basin.

From Paleolithic to quarter aged rocks are formed in the deposit. The rocks create Marneuli-Gardabani artesian basin – Sinklinorium situated between belts of Georgia and Artvin-Bolnisi (Armenia).

- The South-West and the South wing of artesian basin is built with Lokjandara crystal massive, Jurassic sand-slate and tufa-porfirit sequences, and Cretaceous (Senon) aged carbonate and volcano-sediment creations disposed in the East therefrom;
- Upper Cretaceous (Turon-Cognac and Senoman) aged volcano-sediment and tufa sediments are formed in the North-West from the basin;
- The North wing of basin is formed with volcano-sediment (lower and middle Eocene-Paleocene) and gypsum clays and sandstones (upper Eocene – middle Miocene);
- Axial part of basin (Depression) is formed with Neocene continental sediments (upper Miocene-Pliocene) – conglomerates, clay soil-cement and clay soil;
- Dolerite-basalt sheets of upper Miocene age are developed in the West part of Depression in the Rivers Algeti – Khrami – Mashavera basins and the River Debeda and Khachin-Chai terraces;
- Alluvial sand-gravel sediments (having power of 5-15 m, in average 10 m) including gravel-clay soil fragments and clay soil lens are broadly spread within the Depression.

Aquifer of main rocks of Paleocene and Cretaceous ages is local in water turn active zone and is represented with gap and gap-karsts waters, which practical importance is very limited. Pressure artesian waters are observed in slow water turn zones developed in the same rocks, which are characterized with gravity flow when deposit is open. Few aquifer gap sweet waters are observed in third aged sediments.

Sweet waters 14 aquifer horizon mostly with weak pressure is discharged in Marneuli-Gardabani artesian Miocene-Pliocene rocks.

Deep-well water aquifer 3 horizons with gap sweet waters are discharged in dolerite-basalt sequence. Several (24) aquifer horizons mostly with pressure less sweet water are discharged in Alluvial-Prolluvial floodplain and terrace sediments. Couple of horizons of pressure less increased mineralized water are observed in same sediments.

3. CHARACTERISTICS OF NATURAL MINERAL WATER BOLNISI

From mineral waters spread area the quarter aged Delluvial, Delluvial-Prolluvial and Fluvioglacial sediments are important, there 66 springs are located with different chemical content – 0.3-0.7 gr/l mineralization. Mineral waters with hydro carbonate-calcium 0.3-11 gr/l and sulphate-calcium 0.7-7.0 gr/l mineralization are dominated.

Mineral waters are studied as in natural outcomes, as in the wells. These are mostly carbonic acid waters with hydro carbonate-sodium and hydro carbonate-magnesium 6.4 g/l mineralization.

Rachis Ubani deposit is studied with several wells in the depth. Water outlets in the surface of Cretaceous aged quartz-porphyry upper tufas. Slipping drives developed in the tufas are observed nearby. In accordance with S. Chikhelidze (1949) data $t = 16^\circ$; debit is 23500 l/sk. Water chemical content (analyst O. Razmadze) is:

$$\begin{array}{l} \text{M}_2 \text{ E } 56.4 \text{ SO}_{4\text{II}} 25.1 \text{ HCO}_3 19.3 \text{ Cl } 5.6 \\ \text{Na (+K) } 20.6 \text{ Ca } 18.5 \text{ Mg } 10.9 \end{array}$$

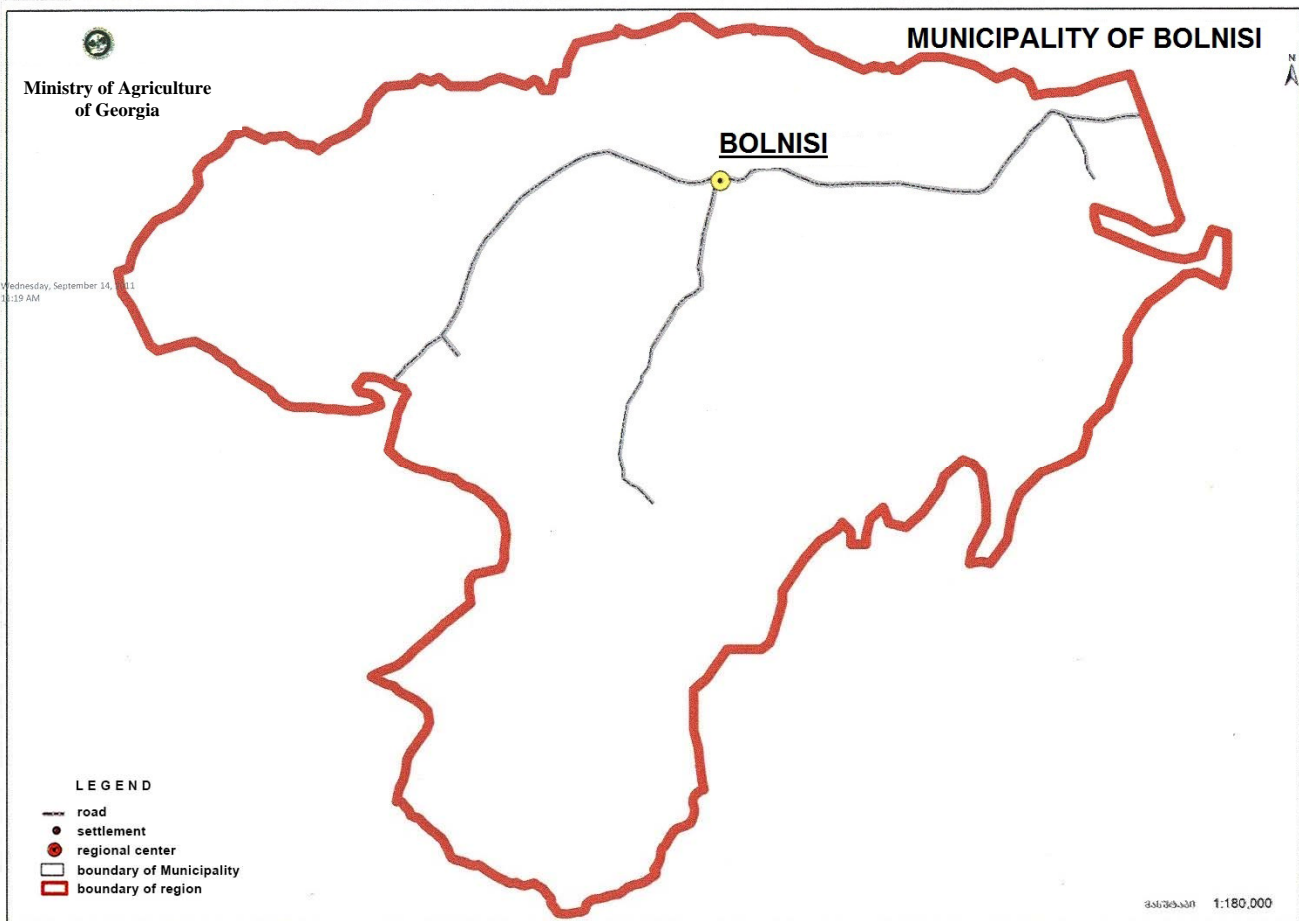
Bolnisi (Village Rachisubani) mineral water is of sulfate-hydrocarbon-sodium-magnesium content, which maximum mineralization is 6.4 gr/l. After well observation water debit is 200 m³ daily.

Mineral water reservoirs are:

$$\begin{array}{l} \text{B} - 356 \text{ m}^3 \text{ daily;} \\ \text{C}_1 - 2004 \text{ m}^3 \text{ daily;} \\ \text{C}_2 - 15597 \text{ m}^3 \text{ daily;} \\ \text{B+C}_1 + \text{C}_2 - 35996 \text{ m}^3 \text{ daily.} \end{array}$$

4. NATURAL MINERAL WATER BOLNISI USAGE FIELD

Mineral water Rachis Ubani (Bolnisi) is very popular among population as drinking water. In Soviet period 10% capacity of water was bottled, same as 25 m³ – daily; annually – 0.5 l capacity, and 3.465 million bottles annually. At the same time (01.01.90) annual loss was 7392.5 m³ at the bottling, recourse usage rate was 19%.



APPLICATION No. 1180/06

DATE OF APPLICATION: 2014-05-29

PROTECTED DESIGNATION OF ORIGIN: ZVARE

NAME OF GOOD FOR WHICH PROTECTED DESIGNATION OF ORIGIN IS REQUIRED: Class 32 – Natural Mineral Water

NAME OF APPLICANT AND ADDRESS: Ministry of Agriculture of Georgia,
6, Marshal Gelovani Ave., 0159, Tbilisi (GE)

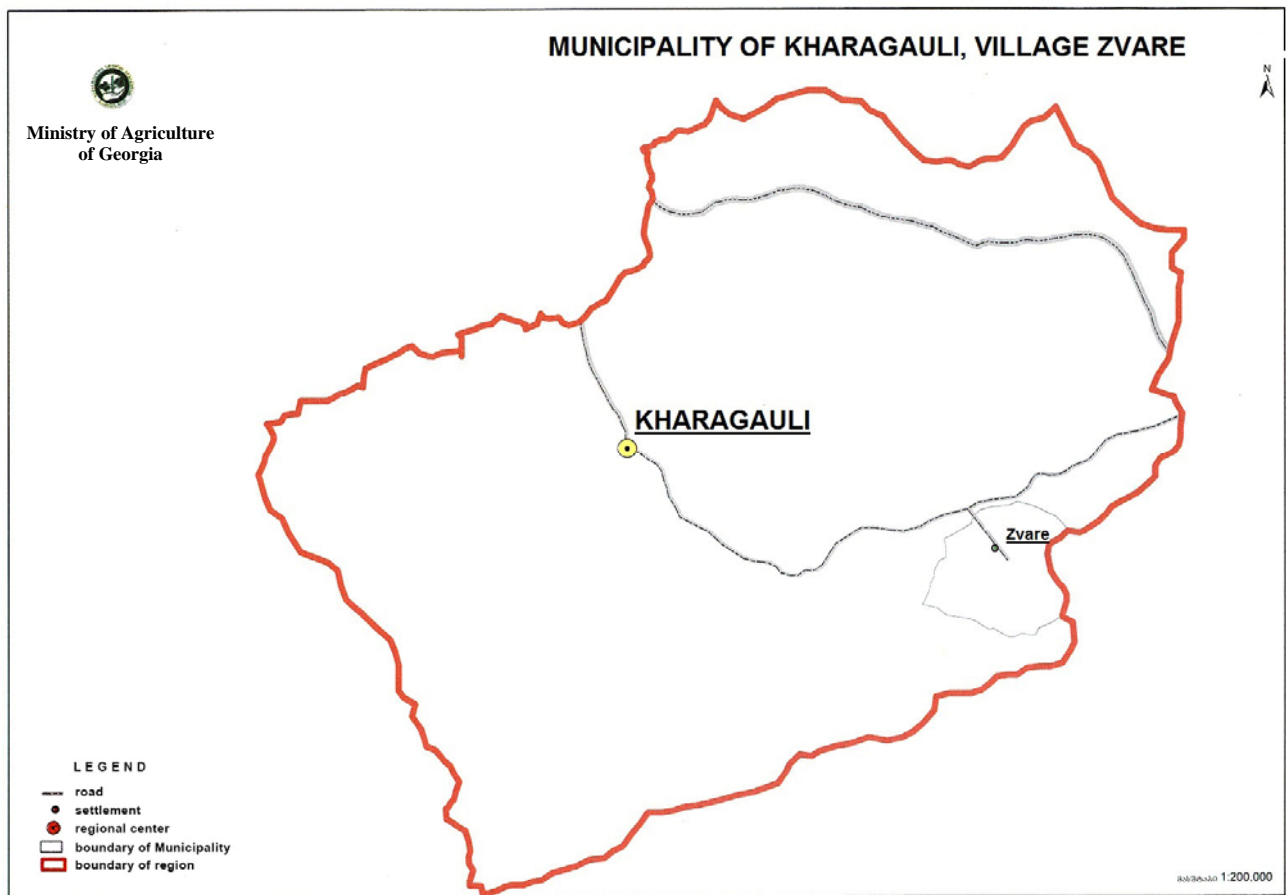
1.	GEOGRAPHICAL LOCATION			
1.2	A name of deposit (spring, well) – Carbonic mineral deposit water of Zvare			
1.3	The deposit (spring, well) location			
1.4	A region – Imereti			
1.5	A municipality – Kharagauli			
1.6	The nearest settlement – Resort Zvare, 4 km from railway station Moliti			
1.7	The distance from a significant point – 170 km from Tbilisi			
1.8	The distance from the nearest highway axis the North-West from the road is 50-130 m (the shortest distance)			
1.9	The distance from the state border and shoreline is 63-64 m from the North-East from the border (the shortest distance)			
1.10	The distance from the nearest bridge –			
1.11	River basin and mountain system – includes Rivers Zvarula and Vakhanura basins			
1.12	The deposit (spring, well) nomenclature K-38-75-B-b and line coordinates –			
	No	X	Y	S
	1	367573	4647270	0.07 ha
	2	367585	4647261	0.07 ha
	16	367601	4647258	0.07 ha
	24	367582	4647257	0.07 ha
	26	367612	4647247	0.07 ha
	28	367569	4647270	0.07 ha
	29	367842	4646965	0.07 ha
	30	367758	4647113	0.07 ha
	31	367566	4647273	0.07 ha
	– 2	367822	4646881	0.07 ha
	unknown – 1	367566	4647279	0.07 ha
	3 – pp	367740	4647150	0.07 ha
1.13	The deposit (spring, well) absolute height from the sea level – 563-578 m			

2	CLIMATE CONDITIONS Based on the climate conditions territory of deposit belongs to the West Georgia Subtropics region and is divided in following zones: a) humid zone with changeable cold winter and long warm summer, which includes the North low mountain territory and b) humid zone with cold winter and long cool summer, which includes the South low mountain part. Average annual temperature is approximately 11°C, temperature in January for first climate zone is 0-(-2)°C, for another zone (-2)-(-4) °C, in April is 9-10°C and 8-9°C, in July is 20-22°C and 18-20°C, in October is 12-14°C and 10-12°C.
3	FOREST RESOURCES
3.1	Resort zone forest – not found
3.2	Green zone of forest – not found
3.3	State protected forest trail – not found
3.4	Flood plain forest – not found
3.5	Forest area spread on 300 m nearby Subalpine zone – not found
3.6	Forest area spread on 100 m nearby Subalpine zone – not found
3.7	State forest fund territory – not found
3.8	Forest trail of 200 m width along snow slides and mud flow beds – not present
3.9	The forest district where wooden plants are presented and protected in "Red List", also the forest districts with special agricultural purposes (forest seeding, honey making plants, etc.) – not found
3.10	Forest area existed around resorts, guest houses and hospitals, also mineral springs within 1 km radius (limited with watershed) – not present
3.11	Coast protecting forest area of 300 m width existed along rivers, lakes, reservoirs and water channels (beds) – not found
3.12	Forest trail of 100 m width around precipices, landslide places, screes, caves, and rock ledges – not found
3.13	Forest trail of 100 m width along railways and highways – not found
3.14	Territory, where the forest is foreseen for recreational purposes – not found
3.15	Downhill slopes of more than 20° – not found
3.16	State forest fund territory where wood resource reserve on 1 ha exceeds 30 m ³ – not found
3.17	State forest fund territory where forest natural renovation irreversible process takes place – not found
3.18	State forest fund territory covered with shrubs on 1 ha exceeds 30 m ³ – not found
3.19	On the particular territory of state forest fund where a special license is granted for wood procurement and hunting, as well as general license is granted for forest use – not found
3.20	Regional forest administration – not found
3.21	Forest district (former forest) ranger No. – not found
3.22	Quarter(s) No. – not found
3.23	Travelling warrant(s) No. – not found
3.24	Travelling warrant(s) common area(s) – not found

3.25	covered by forest (ha) – not found
3.26	Not covered by forest (ha) – not found
3.27	Dominant species – not found
3.28	Standing timber size and varieties on sample area – not found
3.29	Additional data on forest resources – not found
4	ORE (MINERAL WATER DEPOSIT) GEOLOGICAL POSITION
4.1	Hydrogeological position of the deposit (spring, well) according to the hydrogeological regions of Georgia – The deposit enters in Georgia belt artesian basins region Argveti porous, gap and gap-karst waters spread area and Achara-Trialeti folded system water pressure system.
4.2	Geologic structure – the deposit is situated in two big geotectonic unit – Georgia belt and Achara-Trialeti folded mountain system contiguity zone and is built with facial-lithologic complexes from Paleolith to Mesozoic.
4.3	Aquifer horizon – several aquifer complexes are spread on the deposit territory, which are different from each other with nutrition conditions, underground waters disposition and dump conditions: <ol style="list-style-type: none"> 1. Georgia belt Miocene sediments few aquifer complex – N^2 2. Middle Eocene volcanogenic sediment aquifer complex – Pg_2^2 2^I. Middle Eocene upper series aquifer complex – Pg_2^{2b} 2^{II}. Middle Eocene lower series aquifer complex – Pg_2^{2a} 3. Palaeocene-lower Eocene Borjomi flysch few aquifer complex – $Pg_1 - Pg_2$ 4. Achara-Trialeti folded system upper Cretaceous carbonate sediment aquifer complex – $Cr_2 (A)$ 5. Georgia belt upper Cretaceous sediment few aquifer complex – $Cr_2 (g)$ 6. Georgia belt volcanogenic sediment and volcanogenic sediment aquifer complex – Cr_1 7. Georgia belt Jurassic sediment aquifer complex – J 8. Before Cambrian-lower Palaeozoic sediment sporoid are spread underground waters – Pz.
4.4	Technical data (depth, captation) of each object (spring, well) – the well No.24 was drilled in 1965. Projection depth is 200m, actual is 208 m; the well No.25 projection depth 150m, actual 149.5m, 1967; the well No. 29 projection depth 1000m, actual 380 m, 1968; the well No. 29 ^a projection depth 1000m, actual 1011m, 1969; the well No.30 projection depth 400m, actual 149m, 1968; the well No.31 projection depth 100m, actual 105m, 1970; the well No.1-II projection depth 200m, actual 201m, 1969; the well No.2-II projection depth 400m, actual 395m, 1970.
4.5	Additional data – after drilling of well No.13 1936 ZVARE bottling was started by Kharagauli local industry, and afterwards continued from No. 15 well, which was called as well No.1.
5	CHARACTERISTICS OF NATURAL MINERAL WATER ZVARE
5.1	Chemical content – 3 main type mineral waters were open on deposit of ZVARE by means of detected, detected-structural and observed-exploited wells: <ol style="list-style-type: none"> 1) With hydro carbonate-chlorine-sodium carbonic acid gas and methane. 2) With hydro carbonate-sodium carbonate content 20 mg equivalent % mostly with hydrogen sulphide gas. 3) Hydro carbonate-sodium waters with methane and nitrogen gas, with free carbonic acid content in several mg/l.

5.2	<p>First type waters were open with the wells No-s 28, 29, 30, 1-II and 5-II. Water common mineralization at its gravity flow is 5.0-5.4 g/l, for deep samples 6.2-6.3 g/l salts content is:</p> $\frac{\text{HCO}_3 \text{ 55-58 CL 41-44}}{\text{Na 81-87}}$ <p>Second type waters were open with the wells No-s 29, 29 A in 18-78 m depth, salts content formula is: H₂S 4,0 mg</p> $\frac{0,7 \text{ HCO}_3 \text{ 65-74}}{\text{Na 76-83}}$ <p>Third type waters were open with the wells No-s 27 and 3-II in 60-70 m depth. The waters are low mineralized 1.8-1.9 $\frac{\text{HCO}_3 \text{ 93-94}}{\text{Na 95-97}}$</p>
5.3	<p>Sanitary condition – unaccomplished capping of some wells in central region, absence of sanitary protected zone, reservoir conduits corrosion causes some periodical bacteriological contamination of well.</p>
5.4	<p>Temperature – central area wells temperature regime strongly varies and wholly depends on underground water regime, the South and the North areas well waters are characterized with relatively sustainable temperature regime. Aquifer complexes temperature varies within 6-15°C.</p>
5.5	<p>Deposit detection rate (stage) – the deposit is studied on detection-observation working level.</p>
5.6	<p>Deposit study rate – sum debit of central area wells is 13.4 m³/daily. These reservations belong to B category by the authors. The wells No-s 1-II, 5-II and 29 minimum sum debit is 4.2 13.4 m³/daily and belong to C₁ category.</p> <p>To the category C₁ belongs the well No 30 water as well, with daily amount 21.6 m³/daily. Deposit sum debit is 39.2 m³/daily.</p> <p>Zvare deposit exploitation reservations are not approved by MSK and it is represented as P (prognoses) reservations.</p>
5.7	<p>Underground waters usage field (factual and possible) – Zvare carbonic acid mineral water bottling started in 1936. In future it will be used for the same purposes.</p>
5.8	<p>License conditions for deposit (water) usage –</p>
6	EVALUATION OF DEPOSIT ENGINEERING-GEOECOLOGICAL CONDITIONS
6.1	<p>Evaluation and Morphological disposition of deposit – from the morphological standpoint of view village Zvare and the territory where the deposit is located (12 well) belong to the River Zvarula deep gorge floodplain terrace. 8 wells are disposed on the River Zvarula left bank, and 4 – on the right bank.</p>
6.2	<p>Engineering-geologic characteristics of deposit and neighboring building rocks area – Deposit and nearby territory are built with Cretaceous aged rock limestones, basalts and semi-rock marl limestones, glauconitic sandstones and marls, which are very gapped on the surface.</p>

6.3	Condition of deposit and neighboring geodynamic area – all 12 wells disposed on the territory of deposit and situated on the River Zvarula floodplain terrace areas, are not threatened with Geological processes.
6.4	Expected geocological complications of the deposit while exploitation process – all 12 wells are capping, arranged and provided with sanitary conditions. During the exploitation process of the deposit geological complications are not expected.
6.5	Planning of recovery in case of geodynamical complications – As geo ecological complications are not expected during the exploitation process of the deposit, recovering activities consequently are not needed.



OFFICIAL NOTIFICATIONS
TRADEMARKS
RENEWAL OF REGISTRATIONS

(111) M 2004 15504 R1
(156) 2014 06 19
(186) 2024 04 16
(732) Watkins Manufacturing Corporation
A California corporation;
1280 Park Center Drive, Vista, California
92081, USA

(111) M 2004 15558 R1
(156) 2014 06 15
(186) 2024 06 15
(732) SADIA S.A.
Rua Senador Attilio Fontana 86, Concordia-
Santa Catarina, Brazil

(111) M 2004 15571 R1
(156) 2014 06 15
(186) 2024 06 15
(732) Guardian Industries Corp.
A Delaware corporation;
2300 Harmon Road, Auburn Hills, Michigan
48326, USA

(111) M 2004 15572 R1
(156) 2014 06 15
(186) 2024 06 15
(732) Guardian Industries Corp.
A Delaware corporation;
2300 Harmon Road, Auburn Hills, Michigan
48326, USA

(111) M 2004 15668 R1
(156) 2014 10 05
(186) 2024 10 05
(732) DIAGEO BRANDS B.V.
10-12 Molenwerf, 1014 BG Amsterdam,
Netherlands

(111) M 2004 15680 R1
(156) 2014 10 18
(186) 2024 10 18
(732) DIAGEO NORTH AMERICA, INC.
801 Main Avenue, Norwalk
CT 06851-1127, USA

(111) M 2004 15681 R1
(156) 2014 10 18
(186) 2024 10 18
(732) DIAGEO NORTH AMERICA, INC.
801 Main Avenue, Norwalk
CT 06851-1127, USA

(111) M 2004 15682 R1
(156) 2014 10 18
(186) 2024 10 18
(732) DIAGEO NORTH AMERICA, INC.
801 Main Avenue, Norwalk
CT 06851-1127, USA

(111) M 2004 15701 R1
(156) 2014 11 05
(186) 2024 11 05
(732) RED BULL GMBH
Am Brunnen 1, 5330 Fuschl am See, Austria

(111) M 2004 15808 R1
(156) 2014 12 15
(186) 2024 12 15
(732) SADIA S.A.
Rua Senador Attilio Fontana 86, Concordia-
Santa Catarina, Brazil

COMPLETE TRANSFER OF RIGHTS

(111) M 1998 011309 R1
(732) SOREMARTEC S.A.
Findel Business Center, Complexe B,
Rue de Treves, L-2632 Findel, Luxembourg
(770) SOREMARTEC S.A.
Rue Joseph Netzer, 5, B-6700 Arlon,
Belgium
(580) 2014 07 03

(111) M 1999 011708 R1
(732) SOREMARTEC S.A.
Findel Business Center, Complexe B,
Rue de Treves, L-2632 Findel, Luxembourg
(770) SOREMARTEC S.A.
Rue Joseph Netzer, 5, B-6700 Arlon,
Belgium
(580) 2014 07 03

(111) M 1999 011710 R1
(732) SOREMARTEC S.A.
Findel Business Center, Complexe B,
Rue de Treves, L-2632 Findel, Luxembourg
(770) SOREMARTEC S.A.
Rue Joseph Netzer, 5, B-6700 Arlon,
Belgium
(580) 2014 07 03

(111) M 1999 011711 R1
(732) SOREMARTEC S.A.
Findel Business Center, Complexe B,
Rue de Treves, L-2632 Findel, Luxembourg
(770) SOREMARTEC S.A.
Rue Joseph Netzer, 5, B-6700 Arlon,
Belgium
(580) 2014 07 03

(111) M 1999 011712 R1
(732) SOREMARTEC S.A.
Findel Business Center, Complexe B,
Rue de Treves, L-2632 Findel, Luxembourg
(770) SOREMARTEC S.A.
Rue Joseph Netzer, 5, B-6700 Arlon,
Belgium
(580) 2014 07 03

(111) M 2006 016969 R
(732) Brown-Forman Finland Ltd.,
Porkkalankatu 24, 00180 helsinki, Finland
(770) Finlandia Vodka Worldwide Ltd,
Porkkalankatu 24, 00180 Helsinki, Finland
(580) 2014 07 14

(111) M 2007 017894 R
(732) RB PHARMACEUTICALS LIMITED
103-105 Bath Road, Slough, SL 1 3UH,
United Kingdom
(770) Reckitt Benckiser Healthcare (UK) Limited
Dansom Lane, Hull HU8 7DS, United
Kingdom
(580) 2014 06 26

(111) M 2007 017896 R
(732) RB PHARMACEUTICALS LIMITED
103-105 Bath Road, Slough, SL 1 3UH,
United Kingdom
(770) Reckitt Benckiser Healthcare (UK) Limited
Dansom Lane, Hull HU8 7DS, United
Kingdom
(580) 2014 06 26

(111) M 2007 017897 R
(732) RB PHARMACEUTICALS LIMITED
103-105 Bath Road, Slough, SL 1 3UH,
United Kingdom
(770) Reckitt Benckiser Healthcare (UK) Limited
Dansom Lane, Hull HU8 7DS, United
Kingdom
(580) 2014 06 26

(111) M 1996 001966 R1
(732) Brown-Forman Finland Ltd.
Porkkalankatu 24, 00180 helsinki, Finland
(770) Finlandia Vodka Worldwide Ltd
Porkkalankatu 24, 00180 Helsinki, Finland
(580) 2014 07 14

(111) M 2009 020038 R
(732) Kos Pharmaceuticals, Inc.
100 Abbott Park Road, Abbott Park, Illinois
60064, USA
(770) ABBOT RESPIRATORY LLC
100 Abbott Park Road, Abbott Park , Illinois
60064, USA
(580) 2014 05 29

(111) M 2009 020038 R
(732) Abbott Laboratories
100 Abbott Park Road, Abbott Park, Illinois
60064, USA
(770) Kos Pharmaceuticals, Inc.
100 Abbott Park Road, Abbott Park, Illinois
60064, USA
(580) 2014 05 29

(111) M 2010 020721 R
(732) MERCK KGaA
Frankfurter Strasse 250, 64293
DARMSTADT, Germany
(770) Biomarin Pharmaceutical Inc.
105 Digital Drive, Novato, CA 94949, USA
(580) 2014 06 26

(111) M 2011 021500 R
(732) RB PHARMACEUTICALS LIMITED
103-105 Bath Road, Slough, SL 1 3UH,
United Kingdom
(770) Reckitt Benckiser Healthcare (UK) Limited
Dansom Lane, Hull HU8 7DS, United
Kingdom
(580) 2014 06 26

(111) M 2011 021577 R
(732) Brown-Forman Finland Ltd.
Porkkalankatu 24, 00180 helsinki, Finland
(770) Finlandia Vodka Worldwide Ltd
Porkkalankatu 24, 00180 Helsinki, Finland
(580) 2014 07 14

(111) M 2011 021964 R
(732) Brown-Forman Finland Ltd.
Porkkalankatu 24, 00180 helsinki, Finland
(770) Finlandia Vodka Worldwide Ltd
Porkkalankatu 24, 00180 Helsinki, Finland
(580) 2014 07 14

(111) M 2012 022319 R
(732) Brown-Forman Finland Ltd.
Porkkalankatu 24, 00180 helsinki, Finland
(770) Finlandia Vodka Worldwide Ltd,
Porkkalankatu 24, 00180 Helsinki, Finland
(580) 2014 07 14

(111) M 2012 022436 R
(732) Brown-Forman Finland Ltd.,
Porkkalankatu 24, 00180 helsinki, Finland
(770) Finlandia Vodka Worldwide Ltd,
Porkkalankatu 24, 00180 Helsinki, Finland
(580) 2014 07 14

(111) M 2013 024054 R
(732) LTD "AISI"
Evdoshvilis q. 37, 1500, Gurjaani, Georgia
(770) LTD "GVG JGUFU GVG GROUP"
Gldani, VI m/r, kor. 1, b. 45, 0107, Tbilisi,
Georgia
(580) 2014 06 26

(111) M 2013 024055 R
(732) LTD "AISI"
Evdoshvilis q. 37, 1500, Gurjaani, Georgia
(770) LTD "GVG JGUFU GVG GROUP"
Gldani, VI m/r, kor. 1, b. 45, 0107, Tbilisi,
Georgia
(580) 2014 06 26

(111) M 1997 007741 R1
(732) EMI RECORDS LIMITED
28 Kensington Church Street, London,
England W8 4EP, United Kingdom
(770) EMI (IP) LIMITED
364-366 Kensington High Street, London,
England W14 8NS, United Kingdom
(580) 2014 07 02

(111) M 1998 009430 R1
(732) ICON HEALTH & FITNESS, INC.
1500 South 1000 West, Logan,
Utah 84321, USA
(770) ICON IP, INC.
1500 South 1000 West, Logan,
Utah 84321, USA
(580) 2014 06 26

(111) M 1998 009780 R1
(732) ICON HEALTH & FITNESS, INC.
1500 South 1000 West, Logan,
Utah 84321, USA
(770) ICON IP, INC.
1500 South 1000 West, Logan,
Utah 84321, USA
(580) 2014 06 26

(111) M 1998 009781 R1
(732) ICON HEALTH & FITNESS, INC.
1500 South 1000 West, Logan,
Utah 84321, USA
(770) ICON IP, INC.
A Delaware corporation
1500 South 1000 West, Logan, Utah 84321,
USA
(580) 2014 06 26

(111) M 1998 009782 R1
(732) ICON HEALTH & FITNESS, INC.
1500 South 1000 West, Logan,
Utah 84321, USA
(770) ICON IP, INC., a Delaware corporation,
1500 South 1000 West, Logan,
Utah 84321, USA
(580) 2014 06 26

(111) M 1998 009783 R1
(732) ICON HEALTH & FITNESS, INC.
1500 South 1000 West, Logan,
Utah 84321, USA
(770) ICON IP, INC., a Delaware corporation,
1500 South 1000 West, Logan,
Utah 84321, USA
(580) 2014 06 26

(111) M 1998 009784 R1
(732) ICON HEALTH & FITNESS, INC.
1500 South 1000 West, Logan,
Utah 84321, USA
(770) ICON IP, INC., a Delaware corporation,
1500 South 1000 West, Logan,
Utah 84321, USA
(580) 2014 06 26

(111) M 1998 009785 R1
(732) ICON HEALTH & FITNESS, INC.
1500 South 1000 West, Logan,
Utah 84321, USA
(770) ICON IP, INC., a Delaware corporation,
1500 South 1000 West, Logan,
Utah 84321, USA
(580) 2014 06 26

CHANGES IN NAMES AND/OR ADDRESSES OF OWNERS

- (111) M 1999 012493 R1
 (732) Bridgestone Corporation
 1-1, Kyobashi 3-Chome, Chuo-ku, Tokyo,
 Japan
 (770) Bridgestone Corporation
 10-1, Kyobashi 1-Chome, Chuo-ku, Tokyo,
 Japan
 (580) 2014 06 25
-
- (111) M 2000 013385 R1
 (732) OOO "Pivovarennaya Kompaniya "Baltika"
 194292 Sankt-Peterburg, 6-Verkhniy per. 3,
 Russian Federation
 (770) OAO "Pivovarennaya Kompaniya "Baltika"
 194292 Sankt-Peterburg, 6-Verkhniy per. 3,
 Russian Federation
 (580) 2014 07 03
-
- (111) M 2002 014512 R1
 (732) OOO "Pivovarennaya Kompaniya "Baltika"
 194292 Sankt-Peterburg, 6-Verkhniy per. 3,
 Russian Federation
 (770) OAO "Pivovarennaya Kompaniya "Baltika"
 194292 Sankt-Peterburg, 6-Verkhniy per. 3,
 Russian Federation
 (580) 2014 07 03
-
- (111) M 2004 015462 R1
 (732) BASF Agro B.V., Arnhem (NL)
 Zweigniederlassung Wadenswil,
 Moosacherstrasse 2, 8804 Au, Switzerland
 (770) BASF Agro B.V., Arnhem (NL)
 Zweigniederlassung Wadenswil,
 Appital, 8804 Au, Switzerland
 (580) 2014 07 08
-
- (111) M 2004 015463 R1
 (732) BASF Agro B.V., Arnhem (NL)
 Zweigniederlassung Wadenswil,
 Moosacherstrasse 2, 8804 Au, Switzerland
 (770) BASF Agro B.V., Arnhem (NL)
 Zweigniederlassung Wadenswil,
 Appital, 8804 Au, Switzerland
 (580) 2014 07 08
-
- (111) M 2004 015473 R1
 (732) Wyeth LLC
 235 East 42 nd Street, New York,
 NY 10017, USA
 (770) Wyeth LLC
 Five Giralda Farms, Madison, New Jersey,
 07940, USA
 (580) 2014 06 25
-
- (111) M 2004 015474 R1
 (732) Wyeth LLC
 235 East 42 nd Street, New York,
 NY 10017, USA
 (770) Wyeth LLC
 Five Giralda Farms, Madison, New Jersey,
 07940, USA
 (580) 2014 06 25
-
- (111) M 2004 015494 R1
 (732) Wyeth LLC
 235 East 42 nd Street, New York,
 NY 10017, USA
 (770) Wyeth LLC
 Five Giralda Farms, Madison, New Jersey,
 07940, USA
 (580) 2014 06 25
-
- (111) M 2004 015570 R1
 (732) Wyeth LLC
 235 East 42 nd Street, New York,
 NY 10017, USA
 (770) Wyeth LLC
 Five Giralda Farms, Madison, New Jersey,
 07940, USA
 (580) 2014 06 25
-
- (111) M 2005 015949 R
 (732) OOO "Pivovarennaya Kompaniya "Baltika"
 194292 Sankt-Peterburg, 6-Verkhniy per. 3,
 Russian Federation
 (770) OAO "Pivovarennaya Kompaniya "Baltika"
 194292 Sankt-Peterburg, 6-Verkhniy per. 3,
 Russian Federation
 (580) 2014 07 03
-
- (111) M 2005 015992 R
 (732) OOO "Pivovarennaya Kompaniya "Baltika"
 194292 Sankt-Peterburg, 6-Verkhniy per. 3,
 Russian Federation
 (770) OAO "Pivovarennaya Kompaniya "Baltika"
 194292 Sankt-Peterburg, 6-Verkhniy per. 3,
 Russian Federation
 (580) 2014 07 03
-
- (111) M 2004 015473 R1
 (732) Wyeth LLC
 235 East 42 nd Street, New York,
 NY 10017, USA
 (770) Wyeth LLC

(111) M 2007 017653 R
(732) Bridgestone Corporation
1-1, Kyobashi 3-Chome, Chuo-ku, Tokyo,
Japan
(770) Bridgestone Corporation,
10-1, Kyobashi 1-Chome, Chuo-ku, Tokyo,
Japan
(580) 2014 06 25

(111) M 2007 017710 R
(732) Bridgestone Corporation
1-1, Kyobashi 3-Chome, Chuo-ku, Tokyo,
Japan
(770) Bridgestone Corporation
10-1, Kyobashi 1-Chome, Chuo-ku, Tokyo,
Japan
(580) 2014 06 25

(111) M 2007 017771 R
(732) Bridgestone Corporation
1-1, Kyobashi 3-Chome, Chuo-ku, Tokyo,
Japan
(770) Bridgestone Corporation
10-1, Kyobashi 1-Chome, Chuo-ku, Tokyo,
Japan
(580) 2014 06 25

(111) M 2007 017894 R
(111) M 2007 017894 R
(732) Reckitt Benckiser Healthcare (UK) Limited
Dansom Lane, Hull HU8 7DS,
United Kingdom
(770) Reckitt Benckiser Healthcare (UK) Limited,
Dansom Lane, Hull HU7 8DS, United
Kingdom
(580) 2014 06 26

(111) M 2007 017896 R
(732) Reckitt Benckiser Healthcare (UK) Limited
Dansom Lane, Hull HU8 7DS,
United Kingdom
(770) Reckitt Benckiser Healthcare (UK) Limited
Dansom Lane, Hull HU7 8DS,
United Kingdom
(580) 2014 06 26

(111) M 2007 017897 R
(732) Reckitt Benckiser Healthcare (UK) Limited
Dansom Lane, Hull HU8 7DS,
United Kingdom
(770) Reckitt Benckiser Healthcare (UK) Limited
Dansom Lane, Hull HU7 8DS, United
Kingdom
(580) 2014 06 26

(111) M 2010 020139 R
(732) QIWI PLC
12 Kennedy Ave., Kenedy Business Centre,
2nd Floor, 1087 Nicosia, Cyprus
(770) QIWI LIMITED
Kennedy 12, Business Centre Kenedy, 2nd
Floor, P.O. 1087, Nicosia, Cyprus
(580) 2014 07 03

(111) M 2010 021031 R
(732) Bridgestone Corporation
1-1, Kyobashi 3-Chome, Chuo-ku, Tokyo,
Japan
(770) Bridgestone Corporation
10-1, Kyobashi 1-Chome, Chuo-ku, Tokyo,
Japan
(580) 2014 06 25

(111) M 2013 023452 R
(732) Bridgestone Corporation
1-1, Kyobashi 3-Chome, Chuo-ku, Tokyo,
Japan
(770) Bridgestone Corporation
10-1, Kyobashi 1-Chome, Chuo-ku, Tokyo,
Japan
(580) 2014 06 25

(111) M 2013 023517 R
(732) Bridgestone Corporation,
1-1, Kyobashi 3-Chome, Chuo-ku, Tokyo,
Japan
(770) Bridgestone Corporation,
10-1, Kyobashi 1-Chome, Chuo-ku, Tokyo,
Japan
(580) 2014 06 25

(111) M 2013 024054 R
(732) LTD "GVG JGUFU GVG GROUP"
Gldani, VI m/r, kor. 1, b. 45, 0107, Tbilisi,
Georgia
(770) LTD "GURJAANIS NAKINI 2012"
Gldanis mas., IV mkr., korp. 1, b. 45, 0167,
Tbilisi, Georgia
(580) 2014 06 26

(111) M 2013 024055 R
(732) LTD "GVG JGUFU GVG GROUP"
Gldani, VI m/r, kor. 1, b. 45, 0107, Tbilisi,
Georgia
(770) LTD "GURJAANIS NAKINI 2012"
Gldanis mas., IV mkr., korp. 1, b. 45, 0167,
Tbilisi, Georgia
(580) 2014 06 26

(111) M 2014 024412 R
(732) Bridgestone Corporation
1-1, Kyobashi 3-Chome, Chuo-ku,
Tokyo, Japan
(770) Bridgestone Corporation
10-1, Kyobashi 1-Chome, Chuo-ku, Tokyo,
Japan
(580) 2014 06 25

(111) M 1998 008200 R1
(732) Bridgestone Corporation
1-1, Kyobashi 3-Chome, Chuo-ku, Tokyo,
Japan
(770) BRIDGESTONE CORPORATION
110-1, Kyobashi 1-Chome, Chuo-ku, Tokyo,
Japan
(580) 2014 06 25

(111) M 2014 024481 R
(732) OOO "Pivovarennaya Kompaniya "Baltika"
194292 Sankt-Peterburg, 6-Verkhniy per. 3,
Russian Federation
(770) Baltika breweries,
3. 6th Verkhny pereulok, RU-194292
Saint Petersburg, Russian Federation
(580) 2014 07 03

(111) M 1996 002701 R1
(732) Bridgestone Corporation,
1-1, Kyobashi 3-Chome, Chuo-ku, Tokyo,
Japan
(770) Bridgestone Corporation,
10-1, Kyobashi 1-Chome, Chuo-ku, Tokyo,
Japan
(580) 2014 06 25

(111) M 1994 000333 R2
(732) Bristol-Myers Squibb GmbH & Co. KgaA
Arnulfstrasse 29, 80636 Munchen, Germany
(770) BRISTOL-MYERS SQUIBB GMBH
Sapporobogen 6-8 D-80809 Munchen,
Germany
(580) 2014 06 23

(111) M 1997 007741 R1
(732) EMI (IP) LIMITED
364-366 Kensington High Street, London,
England W14 8NS, United Kingdom
(770) EMI (IP) LIMITED
27 Wrights Lane, W8 5SW London, United
Kingdom
(580) 2014 07 02

(111) M 1997 007741 R1
(732) PARLOPHONE RECORDS LIMITED
28 Kensigston Church Street, London,
England W8 4EP, United Kingdom
(770) EMI RECORDS LIMITED,
28 Kensigston Church Street, London,
England W8 4EP, United Kingdom
(580) 2014 07 02

INVALIDATION OF TRADEMARK REGISTRATION

(111) M 2003 15244 R
(141) 2014 03 17, Not payment for
prolongation of registration on the
following of 10 years
(732) INTERSUN HOLDING FZCO
P.O. box: 61051 Jebel Ali Free Zone, Dubai

(111) M 2003 15247 R
(141) 2014 04 01, Not payment for
prolongation of registration on the
following of 10 years
(732) LTD GAZETI "KVIRIS PALITRIS"
damateba jurnali "GZA"
Akuris q. 8, 0171, Tbilisi, Georgia

(111) M 2003 15248 R
(141) 2014 04 01 Not payment for
prolongation of registration on the
following of 10 years
(732) PHILIP MORRIS PRODUCTS S.A.
Quai Jeanrenaud 3, 2000 NEUCHATEL, CH

(111) M 2003 15253 R
(141) 2014 04 01, Not payment for
prolongation of registration on the
following of 10 years
(732) PHILIP MORRIS PRODUCTS S.A.
Quai Jeanrenaud 3, 2000 NEUCHATEL, CH

(111) M 2003 15256 R
(141) 2014 04 01, Not payment for
prolongation of registration on the
following of 10 years
(732) GlaxoSmithKline Beecham Biologicals S.A.
Rue de l'Institut 89, B-1330 Rixensart,
Belgium

(111) M 2003 15292 R
(141) 2014 04 15, Not payment for
prolongation of registration on the
following of 10 years
(732) UNILEVER N.V.
Weena 455, NL-3013 AL Rotterdam, NL

(111) M 1997 6186 R1
(141) 2014 05 16, Court decision
(732) Orion Electric Co., Ltd.
41-1, Iehisa-Cho, Echizen-City, Fukui, JP

LICENSE AGREEMENTS

(111) 12578
(732) The Coca-Cola Company
One Coca-Cola Plaza, Atlanta, Georgia,
3013, USA
(791) Coca-Cola Bottlers Georgia Limited
A. Tsereteli Ave. 114, 0119, Tbilisi, Georgia
(580) 2013 12 26
(793) Type of License: Simple
(793) 1074
(793) 2013 07 01
(793) 2013 12 31
(511) 32

(111) 12893
(732) The Coca-Cola Company
One Coca-Cola Plaza, Atlanta, Georgia,
30313 USA
(791) Coca-Cola Bottlers Georgia Limited
A. Tsereteli Ave. 114, 0119, Tbilisi, Georgia
(580) 2013 12 26
(793) Type of License: Simple
(793) 1075
(793) 2013 07 01
(793) 2013 12 31
(511) 32

(111) 13385
(732) OOO Pivovarennaya kompaniya "Baltika"
194292 Sankt-Peterburg, 6-Verkhniy per.
dom. 3, RU
(791) LTD "KARLSBERG GEORGIA"
Lermontovis q. 18, 0105, Tbilisi, Georgia
(580) 2014 02 19
(793) Type of License: Simple
(793) 1113
(793) 2013 03 01
(793) 2014 12 31
(511) 32

(111) 13684
(732) The Coca-Cola Company
One Coca-Cola Plaza, Atlanta, Georgia,
30313, USA
(791) Coca-Cola Bottlers Georgia Limited
A. Tsereteli Ave. 114, 0119, Tbilisi, Georgia
(580) 2013 12 26
(793) Type of License: Simple
(793) 1076
(793) 2013 07 01
(793) 2013 12 31
(511) 32

(111) 13685
(732) The Coca-Cola Company
One Coca-Cola Plaza, Atlanta, Georgia,
30313, USA
(791) Coca-Cola Bottlers Georgia Limited
A. Tsereteli Ave. 114, 0119, Tbilisi, Georgia
(580) 2013 12 26
(793) Type of License: Simple
(793) 1077
(793) 2013 07 01
(793) 2013 12 31
(511) 32

(111) 1391
(732) The Coca-Cola Company
One Coca-Cola Plaza, Atlanta, Georgia,
30313, USA
(791) Coca-Cola Bottlers Georgia Limited
A. Tsereteli Ave. 114, 0119, Tbilisi, Georgia
(580) 2013 12 26
(793) Type of License: Simple
(793) 1058
(793) 2013 07 01
(793) 2013 12 31
(511) 32

(111) 14900
(732) The Coca-Cola Company
One Coca-Cola Plaza, Atlanta, Georgia,
30313, USA
(791) Coca-Cola Bottlers Georgia Limited
A. Tsereteli Ave. 114, 0119, Tbilisi, Georgia
(580) 2013 12 26
(793) Type of License: Simple
(793) 1078
(793) 2013 07 01
(793) 2013 12 31
(511) 32

(111) 15226
(732) The Coca-Cola Company
One Coca-Cola Plaza, Atlanta, Georgia,
30313, USA
(791) Coca-Cola Bottlers Georgia Limited
A. Tsereteli Ave. 114, 0119, Tbilisi, Georgia
(580) 2013 12 26
(793) Type of License: Simple
(793) 1079
(793) 2013 07 01
(793) 2013 12 31
(511) 32

(111) 15227
(732) The Coca-Cola Company
One Coca-Cola Plaza, Atlanta, Georgia,
30313, USA
(791) Coca-Cola Bottlers Georgia Limited
A. Tsereteli Ave. 114, 0119, Tbilisi,
Georgia
(580) 2013 12 26
(793) Type of License: Simple
(793) 1080
(793) 2013 07 01
(793) 2013 12 31
(511) 32

(111) 15245
(732) The Coca-Cola Company
A Corporate of the State of Delaware
One Coca-Cola Plaza, Atlanta, Georgia,
30313, USA
(791) Coca-Cola Bottlers Georgia Limited
A. Tsereteli Ave. 114, 0119, Tbilisi,
Georgia
(580) 2013 12 26
(793) Type of License: Simple
(793) 1081
(793) 2013 07 01
(793) 2013 12 31
(511) 32

(111) 15246
(732) The Coca-Cola Company
A Corporate of the State of Delaware
One Coca-Cola Plaza, Atlanta, Georgia,
30313, USA
(791) Coca-Cola Bottlers Georgia Limited
A. Tsereteli Ave. 114, 0119, Tbilisi,
Georgia
(580) 2013 12 26
(793) Type of License: Simple
(793) 1082
(793) 2013 07 01
(793) 2013 12 31
(511) 32

(111) 15697
(732) The Coca-Cola Company
A Corporate of the State of Delaware
One Coca-Cola Plaza, Atlanta, Georgia,
30313, USA
(791) Coca-Cola Bottlers Georgia Limited
A. Tsereteli Ave. 114, 0119, Tbilisi,
Georgia
(580) 2013 12 26
(793) Type of License: Simple
(793) 1083
(793) 2013 07 01

(793) 2013 12 31
(511) 32

(111) 15949
(732) OOO "Pivovarennaya Kompaniya "Baltika"
194292 Sankt-Peterburg, 6-Verkhniy per.
dom. 3, RU
(791) LTD "KARLSBERG GEORGIA"
Lermontovis q. 18, 0105, Tbilisi,
Georgia
(580) 2014 02 19
(793) Type of License: Simple
(793) 1115
(793) 2013 03 01
(793) 2014 12 31
(511) 32

(111) 15992
(732) OOO "Pivovarennaya Kompaniya "Baltika"
194292 Sankt-Peterburg, 6-Verkhniy per.
dom. 3, RU
(791) LTD "KARLSBERG GEORGIA"
Lermontovis q. 18, 0105, Tbilisi,
Georgia
(580) 2014 02 19
(793) Type of License: Simple
(793) 1114
(793) 2013 03 01
(793) 2014 12 31
(511) 32, 33

(111) 16313
(732) Obshchestvo s Ogranichennoi Otvestvennostyu
"MON'DELEZ RUS" (MON'DELEZ
RUS LLC)
Ul. Frantsa Shtolverka 10, Vladimirskaia
Oblast, Petushinskiy Rayon, 601123,
Pokrov, RU
(791) LTD "KRAFT FOODS GEORGIA"
D. Gamrekelis q. 19, Biznes centri
„PALATI“, Mansarda ofisi 46-47, 0160,
Tbilisi, Georgia
(580) 2014 04 07
(793) Type of License: Simple
(793) 1132
(793) 2014 04 07
(793) 2111 11 11
(511) 30

(111) 16773
(732) The Coca-Cola Company
A Corporate of the State of Delaware
One Coca-Cola Plaza, Atlanta, Georgia,
30313, USA
(791) Coca-Cola Bottlers Georgia Limited
A. Tsereteli Ave. 114, 0119, Tbilisi, Georgia

(580) 2013 12 26 (793) Type of License: Simple (793) 1084 (793) 2013 07 01 (793) 2013 12 31 (511) 32	A. Tsereteli Ave. 114, 0119 Tbilisi, Georgia (580) 2013 12 26 (793) Type of License: Simple (793) 1086 (793) 2013 07 01 (793) 2013 12 31 (511) 32
(111) 16814 (732) Zakrytoe Aktsionernoe Obschestvo "TM "Eliseevskie" Ul. Krylatskaya, d. 5, 121552, Moscow, RU (791) LTD "GEOIMPORTI" Tsulukidzis q.18, b. 21, 0190, Tbilisi, Georgia (580) 2013 07 31 (793) Type of License: special (793) 1050 (793) 2013 07 31 (793) 2018 07 31 (511) 29, 30, 35	(111) 16932 (732) JSC "LOMISI" Sofeli Nataktari, 3308, Mtskhethis raioni, Georgia (791) I. M. Otar Kharshiladze Karaletis q. 4, 0119, Tbilisi, Georgia (580) 2014 02 20 (793) Type of License: Simple (793) 1121 (793) 2014 01 22 (793) 2015 01 22 (511) 32, 33, 43
(111) 16815 (732) Zakrytoe Aktsionernoe Obschestvo "TM "Eliseevskie" Ul. Krylatskaya, d. 5, 121552, Moscow, RU (791) LTD "GEOIMPORTI" Tsulukidzis q.18, b. 21, 0190, Tbilisi, Georgia (580) 2013 07 31 (793) Type of License: special (793) 1051 (793) 2013 07 31 (793) 2018 07 31 (511) 29, 30, 35	(111) 16933 (732) JSC "LOMISI" Sofeli Nataktari, 3308, Mtskhethis raioni, Georgia (791) I. M. Otar Kharshiladze Karaletis q. 4, 0119, Tbilisi, Georgia (580) 2014 02 20 (793) Type of License: Simple (793) 1122 (793) 2014 01 22 (793) 2015 01 22 (511) 32, 43
(111) 16885 (732) The Coca-Cola Company A Corporate of the State of Delaware One Coca-Cola Plaza, Atlanta, Georgia, 30313, USA (791) Coca-Cola Bottlers Georgia Limited A. Tsereteli Ave. 114, 0119 Tbilisi, Georgia (580) 2013 12 26 (793) Type of License: Simple (793) 1085 (793) 2013 07 01 (793) 2013 12 31 (511) 32	(111) 17478 (732) JSC "NIKORA " M. Qavtaradzis q. 11, 0180, Tbilisi, Georgia (791) LTD "NIKORA-7" Meshvide kilometris dasakhleba, Poti, Georgia (580) 2014 03 11 (793) Type of License: Simple (793) 1125 (793) 2014 01 01 (793) 2111 11 11 (511) 29, 30, 32
(111) 16886 (732) The Coca-Cola Company A Corporate of the State of Delaware One Coca-Cola Plaza, Atlanta, Georgia, 30313, USA (791) Coca-Cola Bottlers Georgia Limited	(111) 17493 (732) The Coca-Cola Company A Corporate of the State of Delaware One Coca-Cola Plaza, Atlanta, Georgia, 30313, USA (791) Coca-Cola Bottlers Georgia Limited A. Tsereteli Ave. 114, 0119, Tbilisi, Georgia (580) 2013 12 26

(793) Type of License: Simple
 (793) 1087
 (793) 2013 07 01
 (793) 2013 12 31
 (511) 32

(111) 17505
 (732) The Coca-Cola Company
 A Corporate of the State of Delaware
 One Coca-Cola Plaza, Atlanta, Georgia,
 30313, USA
 (791) Coca-Cola Bottlers Georgia Limited
 A. Tsereteli Ave. 114, 0119, Tbilisi, Georgia
 (580) 2013 12 26
 (793) Type of License: Simple
 (793) 1088
 (793) 2013 07 01
 (793) 2013 12 31
 (511) 28, 30, 32, 41

(111) 17506
 (732) The Coca-Cola Company
 A Corporate of the State of Delaware
 One Coca-Cola Plaza, Atlanta, Georgia,
 30313, USA
 (791) Coca-Cola Bottlers Georgia Limited
 A. Tsereteli Ave. 114, 0119, Tbilisi, Georgia
 (580) 2013 12 26
 (793) Type of License: Simple
 (793) 1089
 (793) 2013 07 01
 (793) 2013 12 31
 (511) 32

(111) 17681
 (732) The Coca-Cola Company
 A Corporate of the State of Delaware
 One Coca-Cola Plaza, Atlanta, Georgia,
 30313, USA
 (791) Coca-Cola Bottlers Georgia Limited
 A. Tsereteli Ave. 114, 0119, Tbilisi, Georgia
 (580) 2013 12 26
 (793) Type of License: Simple
 (793) 1090
 (793) 2013 07 01
 (793) 2013 12 31
 (511) 32

(111) 17848
 (732) The Coca-Cola Company
 A Corporate of the State of Delaware
 One Coca-Cola Plaza, Atlanta, Georgia,
 30313, USA
 (791) Coca-Cola Bottlers Georgia Limited
 A. Tsereteli Ave. 114, 0119, Tbilisi, Georgia

(580) 2013 12 26
 (793) Type of License: Simple
 (793) 1091
 (793) 2013 07 01
 (793) 201312 31
 (511) 30, 32

(111) 18171
 (732) The Coca-Cola Company
 A Corporate of the State of Delaware
 One Coca-Cola Plaza, Atlanta, Georgia,
 30313, USA
 (791) Coca-Cola Bottlers Georgia Limited
 A. Tsereteli Ave. 114, 0119, Tbilisi, Georgia
 (580) 2013 12 26
 (793) Type of License: Simple
 (793) 1092
 (793) 2013 07 01
 (793) 2013 12 31
 (511) 32

(111) 18305
 (732) The Coca-Cola Company
 One Coca-Cola Plaza, Atlanta, Georgia,
 30313, USA
 (791) Coca-Cola Bottlers Georgia Limited
 A. Tsereteli Ave. 114, 0119, Tbilisi, Georgia
 (580) 2013 12 26
 (793) Type of License: Simple
 (793) 1093
 (793) 2013 07 01
 (793) 2013 12 31
 (511) 30, 32

(111) 18391
 (732) The Coca-Cola Company
 One Coca-Cola Plaza, Atlanta, Georgia,
 30313, USA
 (791) Coca-Cola Bottlers Georgia Limited
 A. Tsereteli Ave. 114, 0119, Tbilisi, Georgia
 (580) 2013 12 26
 (793) Type of License: Simple
 (793) 1094
 (793) 2013 07 01
 (793) 2013 12 31
 (511) 30, 32

(111) 18392
 (732) The Coca-Cola Company
 One Coca-Cola Plaza, Atlanta, Georgia,
 30313, USA
 (791) Coca-Cola Bottlers Georgia Limited
 A. Tsereteli Ave. 114, 0119, Tbilisi, Georgia
 (580) 2013 12 26
 (793) Type of License: Simple

(793) 1095
 (793) 2013 07 01
 (793) 2013 12 31
 (511) 30, 32

(111) 19182
 (732) GEORGE V ENTERTAINMENT
 (société anonyme)
 23 rue D'anjou75008, Paris, FR
 (791) LTD "ENTERTA"
 Kekelidzis q. 18, b. 6, Tbilisi, Georgia
 (580) 2013 11 15
 (793) Type of License: special
 (793) 1052
 (793) 2013 11 15
 (793) 2019 03 30
 (511) 43

(111) 19687
 (732) The Coca-Cola Company
 A Corporate of the State of Delaware
 One Coca-Cola Plaza, Atlanta, Georgia,
 30313, USA
 (791) Coca-Cola Bottlers Georgia Limited
 A. Tsereteli Ave. 114, 0119, Tbilisi, Georgia
 (580) 2013 12 26
 (793) Type of License: Simple
 (793) 1096
 (793) 2013 07 01
 (793) 2013 12 31
 (511) 32

(111) 19688
 (732) The Coca-Cola Company
 A Corporate of the State of Delaware
 One Coca-Cola Plaza, Atlanta, Georgia,
 30313, USA
 (791) Coca-Cola Bottlers Georgia Limited
 A. Tsereteli Ave. 114, 0119, Tbilisi, Georgia
 (580) 2013 12 26
 (793) Type of License: Simple
 (793) 1097
 (793) 2013 07 01
 (793) 2013 12 31
 (511) 32

(111) 19953
 (732) The Coca-Cola Company
 A Corporate of the State of Delaware
 One Coca-Cola Plaza, Atlanta, Georgia,
 30313, USA
 (791) Coca-Cola Bottlers Georgia Limited
 A. Tsereteli Ave. 114, 0119, Tbilisi, Georgia
 (580) 2013 12 26
 (793) Type of License: Simple
 (793) 1098

(793) 2013 07 01
 (793) 2013 12 31
 (511) 32

(111) 20000
 (732) Schweppes Holdings Limited
 Mellview House, M1 Retail Park, Drogheda,
 County Louth, Ireland
 (791) Coca-Cola Bottlers Georgia Limited
 A. Tsereteli Ave. 114, 0119, Tbilisi, Georgia
 (580) 2014 03 20
 (793) Type of License: Simple
 (793) 1130
 (793) 2013 07 01
 (793) 2013 12 31
 (511) 32

(111) 20001
 (732) Schweppes Holdings Limited
 Mellview House, M1 Retail Park, Drogheda,
 County Louth, Ireland
 (791) Coca-Cola Bottlers Georgia Limited
 A. Tsereteli Ave. 114, 0119, Tbilisi, Georgia
 (580) 2014 03 20
 (793) Type of License: Simple
 (793) 1131
 (793) 2013 07 01
 (793) 2013 12 31
 (511) 32

(111) 20346
 (732) The Coca-Cola Company
 One Coca-Cola Plaza, Atlanta, Georgia,
 30313, USA
 (791) Coca-Cola Bottlers Georgia Limited
 A. Tsereteli Ave. 114, 0119, Tbilisi,
 Georgia
 (580) 2013 12 26
 (793) Type of License: Simple
 (793) 1099
 (793) 2013 07 01
 (793) 2013 12 31
 (511) 29, 30, 32

(111) 20426
 (732) The Coca-Cola Company
 One Coca-Cola Plaza, Atlanta, Georgia,
 30313, USA
 (791) Coca-Cola Bottlers Georgia Limited
 A. Tsereteli Ave. 114, 0119, Tbilisi, Georgia
 (580) 2013 12 26
 (793) Type of License: Simple
 (793) 1100
 (793) 2013 07 01
 (793) 2013 12 31

(511) 32	(793) 1140
	(793) 2014 04 10
	(793) 2111 11 11
	(511) 30
(111) 20970	(111) 22286
(732) JSC "NIKORA"	(732) The Coca-Cola Company
M. Qavtaradzis q. 11, 0180, Tbilisi, Georgia	One Coca-Cola Plaza, Atlanta, Georgia,
(791) LTD "NIKORA-7"	30313, USA
Meshvide kilometris dasakhleba, Poti,	(791) Coca-Cola Bottlers Georgia Limited
Georgia	A. Tsereteli Ave. 114, 0119 Tbilisi, Georgia
(580) 2014 03 11	(580) 2013 12 26
(793) Type of License: Simple	(793) Type of License: Simple
(793) 1126	(793) 1103
(793) 2014 01 01	(793) 2013 07 01
(793) 2111 11 11	(793) 2013 12 31
(511) 29	(511) 32
(111) 22044	(111) 22288
(732) The Coca-Cola Company	(732) The Coca-Cola Company
A Corporate of the State of Delaware	One Coca-Cola Plaza, Atlanta, Georgia,
One Coca-Cola Plaza, Atlanta, Georgia,	30313, USA
30313, USA	(791) Coca-Cola Bottlers Georgia Limited
(791) Coca-Cola Bottlers Georgia Limited	A. Tsereteli Ave. 114, 0119, Tbilisi, Georgia
A. Tsereteli Ave. 114, 0119, Tbilisi, Georgia	(580) 2013 12 26
(580) 2013 12 26	(793) Type of License: Simple
(793) Type of License: Simple	(793) 1101
(793) 1101	(793) 2013 07 01
(793) 2013 07 01	(793) 2013 12 31
(793) 2013 12 31	(511) 21
(511) 21	(111) 22045
(111) 22045	(732) The Coca-Cola Company
(732) The Coca-Cola Company	One Coca-Cola Plaza, Atlanta, Georgia,
One Coca-Cola Plaza, Atlanta, Georgia,	30313, USA
30313, USA	(791) Coca-Cola Bottlers Georgia Limited
(791) Coca-Cola Bottlers Georgia Limited	A. Tsereteli Ave. 114, 0119, Tbilisi, Georgia
A. Tsereteli Ave. 114, 0119, Tbilisi, Georgia	(580) 2013 12 26
(580) 2013 12 26	(793) Type of License: Simple
(793) Type of License: Simple	(793) 1102
(793) 1102	(793) 2013 07 01
(793) 2013 07 01	(793) 2013 12 31
(793) 2013 12 31	(511) 32
(511) 32	(111) 23117
(111) 23117	(732) LTD "ALFA"
(732) LTD "ALFA"	Tevdore Mgvdlis q.53, 0154, Tbilisi, Georgia
Tevdore Mgvdlis q.53, 0154, Tbilisi, Georgia	(791) LTD "IVERIA"
(791) LTD "IVERIA"	Chiqovanis q. 31, 0171, Tbilisi, Georgia
Chiqovanis q. 31, 0171, Tbilisi, Georgia	(580) 2014 03 11
(580) 2014 03 11	(793) Type of License: Simple
(793) Type of License: Simple	(793) 1124
(793) 1124	(793) 2014 02 06
(793) 2014 02 06	(793) 2019 02 06
(793) 2019 02 06	(511) 29
(511) 29	(111) 24481
(111) 24481	(732) Baltika breweries
(732) Baltika breweries	3. 6th Verkhny pereulok, RU-194292, Saint
3. 6th Verkhny pereulok, RU-194292, Saint	Petersburg, RU
Petersburg, RU	(791) LTD KARLSBERG GEORGIA
(791) LTD KARLSBERG GEORGIA	Lermontovis q. 18, 0105, Tbilisi, Georgia
Lermontovis q. 18, 0105, Tbilisi, Georgia	(580) 2014 02 19
(580) 2014 02 19	(793) Type of License: Simple
(793) Type of License: Simple	(793) 1120
(793) 1120	(793) 2013 03 01
(793) 2013 03 01	(793) 2014 12 31
(793) 2014 12 31	(511) 32
(511) 32	(111) 22209
(111) 22209	(732) Obshchestvo s Ogranichennoi Otvestvennostyu
(732) Obshchestvo s Ogranichennoi Otvestvennostyu	"MON'DELEZ RUS" (MON'DELEZ
"MON'DELEZ RUS" (MON'DELEZ	RUS LLC)
RUS LLC)	Ul. Frantsa Shtolverka 10, Vladimirskaya
Ul. Frantsa Shtolverka 10, Vladimirskaya	Oblast, Petushinskiy Rayon, 601123,
Oblast, Petushinskiy Rayon, 601123,	Pokrov, RU
Pokrov, RU	(791) LTD "KRAFT FOODS GEORGIA"
(791) LTD "KRAFT FOODS GEORGIA"	D. Gamrekelis q. 19, Biznes centri
D. Gamrekelis q. 19, Biznes centri	"PALATI", Mansarda ofisi 46-47, 0160,
"PALATI", Mansarda ofisi 46-47, 0160,	Tbilisi, Georgia
Tbilisi, Georgia	(580) 2014 04 10
(580) 2014 04 10	(793) Type of License: Simple
(793) Type of License: Simple	

(111) 2667
 (732) The Coca-Cola Company
 One Coca-Cola Plaza, Atlanta, Georgia,
 30313, USA
 (791) Coca-Cola Bottlers Georgia Limited
 A. Tsereteli Ave. 114, 0119, Tbilisi, Georgia
 (580) 2013 12 26
 (793) Type of License: Simple
 (793) 1067
 (793) 2013 07 01
 (793) 2013 12 31
 (511) 32

(111) 2669
 (732) The Coca-Cola Company
 One Coca-Cola Plaza, Atlanta, Georgia,
 30313, USA
 (791) Coca-Cola Bottlers Georgia Limited
 A. Tsereteli Ave. 114, 0119, Tbilisi, Georgia
 (580) 2013 12 26
 (793) Type of License: Simple
 (793) 1068
 (793) 2013 07 01
 (793) 2013 12 31
 (511) 32

(111) 274
 (732) The Coca-Cola Company
 One Coca-Cola Plaza, Atlanta, Georgia,
 30313, USA
 (791) Coca-Cola Bottlers Georgia Limited
 A. Tsereteli Ave. 114, 0119, Tbilisi, Georgia
 (580) 2013 12 26
 (793) Type of License: Simple
 (793) 1059
 (793) 2013 07 01
 (793) 2013 12 31
 (511) 32

(111) 275
 (732) The Coca-Cola Company
 One Coca-Cola Plaza, Atlanta, Georgia,
 30313, USA
 (791) Coca-Cola Bottlers Georgia Limited
 A. Tsereteli Ave. 114, 0119, Tbilisi, Georgia
 (580) 2013 12 26
 (793) Type of License: Simple
 (793) 1062
 (793) 2013 07 01
 (793) 2013 12 31
 (511) 32

(111) 277
 (732) The Coca-Cola Company
 One Coca-Cola Plaza, Atlanta, Georgia,
 30313, USA

(791) Coca-Cola Bottlers Georgia Limited
 A. Tsereteli Ave. 114, 0119, Tbilisi, Georgia
 (580) 2013 12 26
 (793) Type of License: Simple
 (793) 1063
 (793) 2013 07 01
 (793) 2013 12 31
 (511) 32

(111) 279
 (732) The Coca-Cola Company
 One Coca-Cola Plaza, Atlanta, Georgia,
 30313, USA
 (791) Coca-Cola Bottlers Georgia Limited
 A. Tsereteli Ave. 114, 0119 Tbilisi, Georgia
 (580) 2013 12 26
 (793) Type of License: Simple
 (793) 1064
 (793) 2013 07 01
 (793) 2013 12 31
 (511) 32

(111) 315
 (732) The Coca-Cola Company
 One Coca-Cola Plaza, Atlanta, Georgia,
 30313, USA
 (791) Coca-Cola Bottlers Georgia Limited
 A. Tsereteli Ave. 114, 0119, Tbilisi, Georgia
 (580) 2013 12 26
 (793) Type of License: Simple
 (793) 1061
 (793) 2013 07 01
 (793) 2013 12 31
 (511) 32

(111) 316
 (732) The Coca-Cola Company
 One Coca-Cola Plaza, Atlanta, Georgia,
 30313, USA
 (791) Coca-Cola Bottlers Georgia Limited
 A. Tsereteli Ave. 114, 0119, Tbilisi, Georgia
 (580) 2013 12 26
 (793) Type of License: Simple
 (793) 1061
 (793) 2013 07 01
 (793) 2013 12 31
 (511) 32

(111) 3309
 (732) The Coca-Cola Company
 One Coca-Cola Plaza, Atlanta, Georgia,
 30313, USA
 (791) Coca-Cola Bottlers Georgia Limited
 A. Tsereteli Ave. 114, 0119, Tbilisi, Georgia
 (580) 2013 12 26
 (793) Type of License: Simple

(793) 1069
 (793) 2013 07 01
 (793) 2013 12 31
 (511) 32

(111) 3312
 (732) The Coca-Cola Company
 One Coca-Cola Plaza, Atlanta, Georgia,
 30313, USA
 (791) Coca-Cola Bottlers Georgia Limited
 A. Tsereteli Ave. 114, 0119, Tbilisi, Georgia
 (580) 2013 12 26
 (793) Type of License: Simple
 (793) 1070
 (793) 2013 07 01
 (793) 2013 12 31
 (511) 32

(111) 385
 (732) The Coca-Cola Company
 One Coca-Cola Plaza, Atlanta, Georgia,
 30313, USA
 (791) Coca-Cola Bottlers Georgia Limited
 A. Tsereteli Ave. 114, 0119, Tbilisi, Georgia
 (580) 2013 12 26
 (793) Type of License: Simple
 (793) 1066
 (793) 2013 07 01
 (793) 2013 12 31
 (511) 32

(111) 389
 (732) The Coca-Cola Company
 One Coca-Cola Plaza, Atlanta, Georgia,
 30313, USA
 (791) Coca-Cola Bottlers Georgia Limited
 A. Tsereteli Ave. 114, 0119, Tbilisi, Georgia
 (580) 2013 12 26
 (793) Type of License: Simple
 (793) 1065
 (793) 2013 07 01
 (793) 2013 12 31
 (511) 32

(111) 3948
 (732) Schweppes Holdings Limited
 Mellview House, M1 Retail Park, Drogheda,
 County Louth, Ireland
 (791) Coca-Cola Bottlers Georgia Limited
 A. Tsereteli Ave. 114, 0119, Tbilisi, Georgia
 (580) 2014 03 20
 (793) Type of License: Simple
 (793) 1129
 (793) 2013 07 01

(793) 2013 12 31
 (511) 32

(111) 6735
 (732) The Coca-Cola Company
 One Coca-Cola Plaza, Atlanta, Georgia,
 30313, USA
 (791) Coca-Cola Bottlers Georgia Limited
 A. Tsereteli Ave. 114, 0119, Tbilisi, Georgia
 (580) 2013 12 26
 (793) Type of License: Simple
 (793) 1071
 (793) 2013 07 01
 (793) 2013 12 31
 (511) 32

(111) 7476
 (732) The Coca-Cola Company
 One Coca-Cola Plaza, Atlanta, Georgia,
 30313, USA
 (791) Coca-Cola Bottlers Georgia Limited
 A. Tsereteli Ave. 114, 0119, Tbilisi, Georgia
 (580) 2013 12 26
 (793) Type of License: Simple
 (793) 1072
 (793) 2013 07 01
 (793) 2013 12 31
 (511) 32

(111) 7477
 (732) The Coca-Cola Company
 One Coca-Cola Plaza, Atlanta, Georgia,
 30313, USA
 (791) Coca-Cola Bottlers Georgia Limited
 A. Tsereteli Ave. 114, 0119, Tbilisi, Georgia
 (580) 2013 12 26
 (793) Type of License: Simple
 (793) 1073
 (793) 2013 07 01
 (793) 2013 12 31
 (511) 32

CLASSIFICATION INDEXES

INVENTIONS

CONCORDANCE TABLE OF INTERNATIONAL CLASSIFICATION INDEX AND PUBLICATION NUMBERS

INTERNATIONAL CLASSIFICATION INDEXES (51)	NUMBER OF PUBLISHED APPLICATION (10)
A 61 K 31/49; A 61 P 43/00	AP 2014 12651 A
A 61 M 15/00	AP 2014 12432 A
A 61 M 15/00	AP 2014 12433 A
C 07 D 235/30; A 61 K 31/4184; A 61 P 11/00; A 61 P 29/00	AP 2014 13032 A
C 07 D 401/12; A 61 K 31/5377; A 61 P 9/00; A 61 P 9/12; A 61 P 13/12; A 61 P 43/00	AP 2014 12963 A
C 07 D 401/12; C 07 D 401/14; C 07 D 403/12; A 61 K 31/455; A 61 K 31/506; A 61 K 31/501; A 61 P 29/00; A 61 P 11/00; A 61 P 19/02; A 61 P 17/00	AP 2014 13031 A
C 07 D 489/08	AP 2014 12510 A
E 04 C 5/01; E 04 C 5/03; E 04 C 5/07	AP 2014 12705 A
E 21 B 7/08; B 21 B 7/10	AP 2014 11609 A
F 01 K 27/00	AP 2014 12446 A
F 27 D 3/15; B 22 D 43/00	AP 2014 12962 A
G 08 G 1/054; G 08 G 1/017; G 07 C 5/08	AP 2014 12853 A

CONCORDANCE TABLE OF PUBLICATION NUMBERS AND INTERNATIONAL CLASSIFICATION INDEX

NUMBER OF PUBLISHED APPLICATION (10)	INTERNATIONAL CLASSIFICATION INDEXES (51)
AP 2014 12651 A	A 61 K 31/49; A 61 P 43/00
AP 2014 12432 A	A 61 M 15/00
AP 2014 12433 A	A 61 M 15/00
AP 2014 13032 A	C 07 D 235/30; A 61 K 31/4184; A 61 P 11/00; A 61 P 29/00
AP 2014 12963 A	C 07 D 401/12; A 61 K 31/5377; A 61 P 9/00; A 61 P 9/12; A 61 P 13/12; A 61 P 43/00
AP 2014 13031 A	C 07 D 401/12; C 07 D 401/14; C 07 D 403/12; A 61 K 31/455; A 61 K 31/506; A 61 K 31/501; A 61 P 29/00; A 61 P 11/00; A 61 P 19/02; A 61 P 17/00
AP 2014 12510 A	C 07 D 489/08
AP 2014 12705 A	E 04 C 5/01; E 04 C 5/03; E 04 C 5/07
AP 2014 11609 A	E 21 B 7/08; B 21 B 7/10
AP 2014 12446 A	F 01 K 27/00
AP 2014 12962 A	F 27 D 3/15; B 22 D 43/00
AP 2014 12853 A	G 08 G 1/054; G 08 G 1/017; G 07 C 5/08

**CONCORDANCE TABLE OF INTERNATIONAL CLASSIFICATION INDEX,
PATENT NUMBERS AND PUBLICATION NUMBERS**

INTERNATIONAL CLASSIFICATION INDEX (51)	NUMBER OF PATENT (11)	NUMBER OF PUBLISHED APPLICATION (10)
A 61 K 9/14; A 61 K 9/16	P 2014 6122 B	AP 2014 12530 A
A 61 K 31/7034; A 61 P 31/10; A 61 P 3/04; A 61 P 3/06	P 2014 6120 B	AP 2014 12372 A
A 61 K 39/395; A 61 P 35/00; C 07 K 16/22	P 2014 6119 B	AP 2014 12290 A
C 07 C 229/12; A 61 K 31/14; A 61 P 9/10	P 2014 6123 B	AP 2014 12677 A
C 07 D 405/14; A 61 K 31/506; A 61 P 29/00; C 07 D 491/10	P 2014 6124 B	AP 2014 12789 A
C 07 D 417/12; C 07 D 417/14; A 61 K 31/497; A 61 P 11/00; A 61 P 11/06; A 61 P 29/00; A 61 P 35/00	P 2014 6125 B	AP 2014 12792 A
C 08 L 63/00	P 2014 6127 B	AP 2014 12932 A
F 23 H 17/12; F 23 H 7/08	P 2014 6121 B	AP 2014 12447 A
F 26 B 17/22, 17/18	P 2014 6126 B	AP 2014 12817 A

**CONCORDANCE TABLE OF PATENT NUMBERS,
PUBLICATION NUMBERS AND INTERNATIONAL CLASSIFICATION INDEX**

NUMBER OF PATENT (11)	NUMBER OF PUBLISHED APPLICATION (10)	INTERNATIONAL CLASSIFICATION INDEX (51)
P 2014 6119 B	AP 2014 12290 A	A 61 K 39/395; A 61 P 35/00; C 07 K 16/22
P 2014 6120 B	AP 2014 12372 A	A 61 K 31/7034; A 61 P 31/10; A 61 P 3/04; A 61 P 3/06
P 2014 6121 B	AP 2014 12447 A	F 23 H 17/12; F 23 H 7/08
P 2014 6122 B	AP 2014 12530 A	A 61 K 9/14; A 61 K 9/16
P 2014 6123 B	AP 2014 12677 A	C 07 C 229/12; A 61 K 31/14; A 61 P 9/10
P 2014 6124 B	AP 2014 12789 A	C 07 D 405/14; A 61 K 31/506; A 61 P 29/00; C 07 D 491/10
P 2014 6125 B	AP 2014 12792 A	C 07 D 417/12; C 07 D 417/14; A 61 K 31/497; A 61 P 11/00; A 61 P 11/06; A 61 P 29/00; A 61 P 35/00
P 2014 6126 B	AP 2014 12817 A	F 26 B 17/22, 17/18
P 2014 6127 B	AP 2014 12932 A	C 08 L 63/00

**CONCORDANCE TABLE OF APPLICATION NUMBERS, PUBLICATION NUMBERS
AND PATENTS**

NUMBER OF APPLICATION (21)	NUMBER OF PUBLISHED APPLICATION (10)	NUMBER OF PATENT (11)
AP 2009 012290	AP 2014 12290 A	P 2014 6119 B
AP 2009 012530	AP 2014 12530 A	P 2014 6122 B
AP 2010 012372	AP 2014 12372 A	P 2014 6120 B
AP 2010 012447	AP 2014 12447 A	P 2014 6121 B
AP 2010 012677	AP 2014 12677 A	P 2014 6123 B
AP 2010 012789	AP 2014 12789 A	P 2014 6124 B
AP 2010 012792	AP 2014 12792 A	P 2014 6125 B
AP 2012 012817	AP 2014 12817 A	P 2014 6126 B
AP 2012 012932	AP 2014 12932 A	P 2014 6127 B

UTILITY MODELS

CONCORDANCE TABLE OF INTERNATIONAL CLASSIFICATION INDEX, PATENT NUMBERS AND PUBLICATION NUMBERS

INTERNATIONAL CLASSIFICATION INDEX (51)	NUMBER OF PATENT (11)	NUMBER OF PUBLISHED APPLICATION (10)
E 21 C 45/00	U 2014 1821 Y	AU 2014 12361 U
F 24 J 2/00; F 24 H 1/00	U 2014 1822 Y	AU 2014 13156 U

CONCORDANCE TABLE OF PATENT NUMBERS, PUBLICATION NUMBERS AND INTERNATIONAL CLASSIFICATION INDEX

NUMBER OF PATENT (11)	NUMBER OF PUBLISHED APPLICATION (10)	INTERNATIONAL CLASSIFICATION INDEX (51)
U 2014 1821 Y	AU 2014 12361 U	E 21 C 45/00
U 2014 1822 Y	AU 2014 13156 U	F 24 J 2/00; F 24 H 1/00

CONCORDANCE TABLE OF APPLICATION NUMBERS, PUBLICATION NUMBERS AND PATENTS

NUMBER OF APPLICATION (21)	NUMBER OF PUBLISHED APPLICATION (10)	NUMBER OF PATENT (11)
AU 2011 012361	AU 2014 12361 U	U 2014 1821 Y
AU 2013 013156	AU 2014 13156 U	U 2014 1822 Y

DESIGNS

CONCORDANCE TABLE OF INTERNATIONAL CLASSIFICATION INDEX, PATENT NUMBERS AND PUBLICATION NUMBERS

INTERNATIONAL CLASSIFICATION INDEX (51)	NUMBER OF PATENT (11)	NUMBER OF PUBLISHED APPLICATION (10)
20-03	D 2014 582 S	AD 2014 777 S
21-01	D 2014 583 S	AD 2014 781 S

CONCORDANCE TABLE OF PATENT NUMBERS, PUBLICATION NUMBERS AND INTERNATIONAL CLASSIFICATION INDEX

NUMBER OF PATENT (11)	NUMBER OF PUBLISHED APPLICATION (10)	INTERNATIONAL CLASSIFICATION INDEX (51)
D 2014 582 S	AD 2014 777 S	20-03
D 2014 583 S	AD 2014 781 S	21-01

**CONCORDANCE TABLE OF APPLICATION NUMBERS, PUBLICATION NUMBERS
AND PATENTS**

NUMBER OF APPLICATION (21)	NUMBER OF PUBLISHED APPLICATION (10)	NUMBER OF PATENT (11)
AD 2013 000777 S	AD 2014 777 S	D 2014 582 S
AD 2013 000781 S	AD 2014 781 S	D 2014 583 S

**DESIGN REGISTERED ACCORDING TO THE
ACCELERATED PROCEDURE**

**CONCORDANCE TABLE OF INTERNATIONAL CLASSIFICATION INDEX
AND PATENTS NUMBERS**

INTERNATIONAL CLASSIFICATION INDEX (51)	NUMBER OF PATENT (11)
09-03	D 2014 584 S

**CONCORDANCE TABLE OF PATENT NUMBERS AND INTERNATIONAL
CLASSIFICATION INDEX**

NUMBER OF PATENT (11)	INTERNATIONAL CLASSIFICATION INDEX (51)
D 2014 584 S	09-03

**CONCORDANCE TABLE OF APPLICATION NUMBERS
AND PATENT NUMBERS**

NUMBER OF APPLICATION (21)	NUMBER OF PATENT (11)
AD 2014 000803	D 2014 584 S

TRADEMARKS

CONCORDANCE TABLE OF REGISTRATION NUMBERS, APPLICATION NUMBERS, PUBLICATION NUMBERS AND BULLETIN NUMBERS

NUMBER OF REGISTRATION (111)	NUMBER OF APPLICATION (210)	NUMBER OF PUBLISHED APPLICATION (260)	NUMBER OF BULLETIN
1	2	3	4
M 2014 24947 R	AM 2014 77682	-	14(402) 2014
M 2014 24948 R	AM 2014 77684	-	14(402) 2014
M 2014 24949 R	AM 2014 77724	-	14(402) 2014
M 2014 24950 R	AM 2012 69814	AM 2014 69814 A	3(391) 2014
M 2014 24951 R	AM 2012 69839	AM 2014 69839 A	4(392) 2014
M 2014 24952 R	AM 2012 70096	AM 2013 70096 A	22(386) 2013
M 2014 24953 R	AM 2012 70097	AM 2013 70097 A	22(386) 2013
M 2014 24954 R	AM 2012 70098	AM 2013 70098 A	22(386) 2013
M 2014 24955 R	AM 2012 70099	AM 2013 70099 A	24(388) 2013
M 2014 24956 R	AM 2012 70100	AM 2013 70100 A	24(388) 2013
M 2014 24957 R	AM 2012 70102	AM 2013 70102 A	22(386) 2013
M 2014 24958 R	AM 2012 70103	AM 2013 70103 A	22(386) 2013
M 2014 24959 R	AM 2012 70104	AM 2013 70104 A	22(386) 2013
M 2014 24960 R	AM 2013 70260	AM 2013 70260 A	24(388) 2013
M 2014 24961 R	AM 2013 70276	AM 2013 70276 A	24(388) 2013
M 2014 24962 R	AM 2013 70277	AM 2013 70277 A	24(388) 2013
M 2014 24963 R	AM 2013 70278	AM 2014 70278 A	2(390) 2014
M 2014 24964 R	AM 2013 70378	AM 2013 70378 A	23(387) 2013
M 2014 24965 R	AM 2013 70502	AM 2013 70502 A	23(387) 2013
M 2014 24966 R	AM 2013 70510	AM 2013 70510 A	24(388) 2013
M 2014 24967 R	AM 2013 70511	AM 2013 70511 A	22(386) 2013
M 2014 24968 R	AM 2013 70748	AM 2013 70748 A	24(388) 2013
M 2014 24969 R	AM 2013 70796	AM 2014 70796 A	3(391) 2014
M 2014 24970 R	AM 2013 70917	AM 2014 70917 A	3(391) 2014
M 2014 24971 R	AM 2013 71198	AM 2014 71198 A	3(391) 2014
M 2014 24972 R	AM 2013 71220	AM 2013 71220 A	24(388) 2013
M 2014 24973 R	AM 2013 71225	AM 2013 71225 A	22(386) 2013
M 2014 24974 R	AM 2013 71238	AM 2014 71238 A	4(392) 2014
M 2014 24975 R	AM 2013 71254	AM 2013 71254 A	23(387) 2013
M 2014 24976 R	AM 2013 72973	AM 2014 72973 A	5(393) 2014
M 2014 24977 R	AM 2013 71271	AM 2014 71271 A	4(392) 2014
M 2014 24978 R	AM 2013 71327	AM 2014 71327 A	4(392) 2014
M 2014 24979 R	AM 2013 71357	AM 2013 71357 A	24(388) 2013
M 2014 24980 R	AM 2013 71358	AM 2013 71358 A	24(388) 2013
M 2014 24981 R	AM 2013 71361	AM 2014 71361 A	4(392) 2014
M 2014 24982 R	AM 2013 71370	AM 2014 71370 A	3(391) 2014
M 2014 24983 R	AM 2013 71440	AM 2014 71440 A	3(391) 2014
M 2014 24984 R	AM 2013 71441	AM 2014 71441 A	3(391) 2014
M 2014 24985 R	AM 2013 71443	AM 2014 71443 A	3(391) 2014
M 2014 24986 R	AM 2013 71459	AM 2014 71459 A	3(391) 2014
M 2014 24987 R	AM 2013 71460	AM 2014 71460 A	3(391) 2014
M 2014 24988 R	AM 2013 71461	AM 2014 71461 A	3(391) 2014
M 2014 24989 R	AM 2013 71462	AM 2014 71462 A	3(391) 2014
M 2014 24990 R	AM 2013 71463	AM 2014 71463 A	3(391) 2014
M 2014 24991 R	AM 2013 71487	AM 2014 71487 A	3(391) 2014

1	2	3	4
M 2014 24992 R	AM 2013 71491	AM 2014 71491 A	3(391) 2014
M 2014 24993 R	AM 2013 71494	AM 2014 71494 A	4(392) 2014
M 2014 24994 R	AM 2013 71495	AM 2014 71495 A	4(392) 2014
M 2014 24995 R	AM 2013 71522	AM 2014 71522 A	3(391) 2014
M 2014 24996 R	AM 2013 71523	AM 2014 71523 A	3(391) 2014
M 2014 24997 R	AM 2013 71618	AM 2013 71618 A	24(388) 2013
M 2014 24998 R	AM 2013 71656	AM 2014 71656 A	5(393) 2014
M 2014 24999 R	AM 2013 71657	AM 2014 71657 A	5(393) 2014
M 2014 25000 R	AM 2013 71717	AM 2014 71717 A	1(389) 2014
M 2014 25001 R	AM 2013 71718	AM 2014 71718 A	1(389) 2014
M 2014 25002 R	AM 2013 71770	AM 2013 71770 A	24(388) 2013
M 2014 25003 R	AM 2013 71771	AM 2013 71771 A	24(388) 2013
M 2014 25004 R	AM 2013 71772	AM 2013 71772 A	24(388) 2013
M 2014 25005 R	AM 2013 71844	AM 2014 71844 A	1(389) 2014
M 2014 25006 R	AM 2013 71935	AM 2014 71935 A	1(389) 2014
M 2014 25007 R	AM 2013 71936	AM 2014 71936 A	1(389) 2014
M 2014 25008 R	AM 2013 71964	AM 2014 71964 A	1(389) 2014
M 2014 25009 R	AM 2013 71965	AM 2014 71965 A	1(389) 2014
M 2014 25010 R	AM 2013 71966	AM 2014 71966 A	1(389) 2014
M 2014 25011 R	AM 2013 71967	AM 2014 71967 A	1(389) 2014
M 2014 25012 R	AM 2013 71968	AM 2014 71968 A	1(389) 2014
M 2014 25013 R	AM 2013 71979	AM 2013 71979 A	23(387) 2013
M 2014 25014 R	AM 2013 72137	AM 2014 72137 A	1(389) 2014
M 2014 25015 R	AM 2013 72212	AM 2014 72212 A	4(392) 2014
M 2014 25016 R	AM 2013 72328	AM 2014 72328 A	5(393) 2014
M 2014 25017 R	AM 2013 72394	AM 2014 72394 A	4(392) 2014
M 2014 25018 R	AM 2013 72395	AM 2014 72395 A	4(392) 2014
M 2014 25019 R	AM 2013 72511	AM 2014 72511 A	4(392) 2014
M 2014 25020 R	AM 2013 72598	AM 2014 72598 A	4(392) 2014
M 2014 25021 R	AM 2013 72649	AM 2014 72649 A	4(392) 2014
M 2014 25022 R	AM 2013 72743	AM 2014 72743 A	5(393) 2014
M 2014 25023 R	AM 2013 72744	AM 2014 72744 A	5(393) 2014
M 2014 25024 R	AM 2013 72791	AM 2014 72791 A	5(393) 2014
M 2014 25025 R	AM 2013 72800	AM 2014 72800 A	5(393) 2014
M 2014 25026 R	AM 2013 72801	AM 2014 72801 A	5(393) 2014
M 2014 25027 R	AM 2013 72854	AM 2014 72854 A	5(393) 2014
M 2014 25028 R	AM 2013 72856	AM 2014 72856 A	5(393) 2014
M 2014 25029 R	AM 2013 72857	AM 2014 72857 A	5(393) 2014
M 2014 25030 R	AM 2013 72930	AM 2014 72930 A	5(393) 2014
M 2014 25031 R	AM 2013 73107	AM 2014 73107 A	4(392) 2014
M 2014 25032 R	AM 2013 73184	AM 2014 73184 A	5(393) 2014
M 2014 25033 R	AM 2013 73185	AM 2014 73185 A	5(393) 2014
M 2014 25034 R	AM 2014 77578	-	14(402) 2014
M 2014 25035 R	AM 2014 77318	-	14(402) 2014
M 2014 25036 R	AM 2014 77569	-	14(402) 2014
M 2014 25037 R	AM 2014 77570	-	14(402) 2014
M 2014 25038 R	AM 2014 77571	-	14(402) 2014

CONCORDANCE TABLE OF PUBLICATION NUMBERS
AND APPLICATION NUMBERS

NUMBER OF PUBLISHED APPLICATION (260)	NUMBER OF APPLICATION (210)	1	2
1	2		
AM 2014 71221 A	AM 2013 71221	AM 2014 74547 A	AM 2013 74547
AM 2014 71623 A	AM 2013 71623	AM 2014 74560 A	AM 2013 74560
AM 2014 71971 A	AM 2013 71971	AM 2014 74593 A	AM 2013 74593
AM 2014 72077 A	AM 2013 72077	AM 2014 74594 A	AM 2013 74594
AM 2014 72152 A	AM 2013 72152	AM 2014 74595 A	AM 2013 74595
AM 2014 72968 A	AM 2013 72968	AM 2014 74596 A	AM 2013 74596
AM 2014 73088 A	AM 2013 73088	AM 2014 74597 A	AM 2013 74597
AM 2014 73119 A	AM 2013 73119	AM 2014 74598 A	AM 2013 74598
AM 2014 73120 A	AM 2013 73120	AM 2014 74599 A	AM 2013 74599
AM 2014 73121 A	AM 2013 73121	AM 2014 74602 A	AM 2013 74602
AM 2014 73129 A	AM 2013 73129	AM 2014 74630 A	AM 2013 74630
AM 2014 73879 A	AM 2013 73879	AM 2014 74637 A	AM 2013 74637
AM 2014 73921 A	AM 2013 73921	AM 2014 74646 A	AM 2013 74646
AM 2014 73947 A	AM 2013 73947	AM 2014 74682 A	AM 2013 74682
AM 2014 73948 A	AM 2013 73948	AM 2014 74684 A	AM 2013 74684
AM 2014 73949 A	AM 2013 73949	AM 2014 74714 A	AM 2013 74714
AM 2014 73950 A	AM 2013 73950	AM 2014 74716 A	AM 2013 74716
AM 2014 73952 A	AM 2013 73952	AM 2014 74717 A	AM 2013 74717
AM 2014 73953 A	AM 2013 73953	AM 2014 74718 A	AM 2013 74718
AM 2014 73954 A	AM 2013 73954	AM 2014 74744 A	AM 2013 74744
AM 2014 74051 A	AM 2013 74051	AM 2014 74763 A	AM 2013 74763
AM 2014 74101 A	AM 2013 74101	AM 2014 74768 A	AM 2013 74768
AM 2014 74263 A	AM 2013 74263	AM 2014 74827 A	AM 2013 74827
AM 2014 74295 A	AM 2013 74295	AM 2014 74851 A	AM 2013 74851
AM 2014 74301 A	AM 2013 74301	AM 2014 74852 A	AM 2013 74852
AM 2014 74304 A	AM 2013 74304	AM 2014 74853 A	AM 2013 74853
AM 2014 74305 A	AM 2013 74305	AM 2014 74854 A	AM 2013 74854
AM 2014 74306 A	AM 2013 74306	AM 2014 74855 A	AM 2013 74855
AM 2014 74324 A	AM 2013 74324	AM 2014 74856 A	AM 2013 74856
AM 2014 74325 A	AM 2013 74325	AM 2014 74960 A	AM 2013 74960
AM 2014 74378 A	AM 2013 74378	AM 2014 74990 A	AM 2013 74990
AM 2014 74395 A	AM 2013 74395	AM 2014 75038 A	AM 2013 75038
AM 2014 74398 A	AM 2013 74398	AM 2014 75080 A	AM 2013 75080
AM 2014 74401 A	AM 2013 74401	AM 2014 75081 A	AM 2013 75081
AM 2014 74528 A	AM 2013 74528	AM 2014 75082 A	AM 2013 75082
AM 2014 74529 A	AM 2013 74529	AM 2014 75083 A	AM 2013 75083
		AM 2014 75120 A	AM 2013 75120
		AM 2014 75145 A	AM 2013 75145
		AM 2014 73106 A*	AM 2013 73106

CONCORDANCE TABLE OF INDEX OF GOODS AND/OR SERVICES
AND APPLICATION NUMBERS

INDEX OF GOODS AND/OR SERVICES (511)	NUMBER OF PUBLISHED APPLICATION (260)	1	2
1	2	7	AM 2014 74101 A
1	AM 2014 74263 A	7	AM 2014 75038 A
1	AM 2014 74763 A	8	AM 2014 75038 A
1	AM 2014 74960 A	9	AM 2014 74684 A
1	AM 2014 75038 A	9	AM 2014 74714 A
2	AM 2014 75038 A	9	AM 2014 75038 A
3	AM 2014 74560 A	10	AM 2014 74855 A
3	AM 2014 74714 A	10	AM 2014 75038 A
3	AM 2014 75038 A	11	AM 2014 74101 A
4	AM 2014 74763 A	11	AM 2014 74263 A
4	AM 2014 75038 A	11	AM 2014 75038 A
5	AM 2014 72152 A	12	AM 2014 71623 A
5	AM 2014 72968 A	12	AM 2014 74827 A
5	AM 2014 73119 A	12	AM 2014 75038 A
5	AM 2014 73120 A	12	AM 2014 75120 A
5	AM 2014 73121 A	13	AM 2014 75038 A
5	AM 2014 73129 A	14	AM 2014 74051 A
5	AM 2014 73947 A	14	AM 2014 74714 A
5	AM 2014 73948 A	14	AM 2014 75038 A
5	AM 2014 73949 A	15	AM 2014 74714 A
5	AM 2014 73950 A	15	AM 2014 75038 A
5	AM 2014 73952 A	16	AM 2014 73879 A
5	AM 2014 73953 A	16	AM 2014 74714 A
5	AM 2014 73954 A	16	AM 2014 75038 A
5	AM 2014 74395 A	17	AM 2014 74763 A
5	AM 2014 74593 A	17	AM 2014 75038 A
5	AM 2014 74594 A	18	AM 2014 74051 A
5	AM 2014 74595 A	18	AM 2014 74714 A
5	AM 2014 74596 A	18	AM 2014 74744 A
5	AM 2014 74597 A	18	AM 2014 75038 A
5	AM 2014 74598 A	19	AM 2014 72077 A
5	AM 2014 74599 A	19	AM 2014 74263 A
5	AM 2014 74714 A	19	AM 2014 75038 A
5	AM 2014 74716 A	20	AM 2014 75038 A
5	AM 2014 74717 A	21	AM 2014 74714 A
5	AM 2014 74718 A	21	AM 2014 75038 A
5	AM 2014 74851 A	22	AM 2014 75038 A
5	AM 2014 74852 A	23	AM 2014 75038 A
5	AM 2014 74853 A	24	AM 2014 75038 A
5	AM 2014 74854 A	25	AM 2014 73921 A
5	AM 2014 74855 A	25	AM 2014 74051 A
5	AM 2014 74856 A	25	AM 2014 74325 A
5	AM 2014 74990 A	25	AM 2014 74714 A
5	AM 2014 75038 A	25	AM 2014 74744 A
5	AM 2014 75080 A	25	AM 2014 75038 A
5	AM 2014 75145 A	26	AM 2014 74714 A
6	AM 2014 75038 A	26	AM 2014 75038 A
		27	AM 2014 75038 A
		28	AM 2014 74714 A
		28	AM 2014 74744 A

1	2
28	AM 2014 75038 A
29	AM 2014 73106 A*
29	AM 2014 74646 A
29	AM 2014 74714 A
29	AM 2014 75038 A
30	AM 2014 73106 A*
30	AM 2014 74295 A
30	AM 2014 74304 A
30	AM 2014 74305 A
30	AM 2014 74306 A
30	AM 2014 74324 A
30	AM 2014 74528 A
30	AM 2014 74529 A
30	AM 2014 74602 A
30	AM 2014 74714 A
30	AM 2014 75038 A
31	AM 2014 71971 A
31	AM 2014 75038 A
32	AM 2014 74528 A
32	AM 2014 74529 A
32	AM 2014 74630 A
32	AM 2014 74682 A
32	AM 2014 74714 A
32	AM 2014 75038 A
33	AM 2014 73088 A
33	AM 2014 74630 A
33	AM 2014 74682 A
33	AM 2014 74714 A
33	AM 2014 75038 A
33	AM 2014 75081 A
33	AM 2014 75082 A
33	AM 2014 75083 A
34	AM 2014 74378 A
34	AM 2014 74398 A
34	AM 2014 74714 A
34	AM 2014 75038 A
35	AM 2014 71971 A
35	AM 2014 73879 A
35	AM 2014 74301 A
35	AM 2014 74304 A
35	AM 2014 74305 A

1	3
35	AM 2014 74306 A
35	AM 2014 74401 A
35	AM 2014 74528 A
35	AM 2014 74529 A
35	AM 2014 74630 A
35	AM 2014 74684 A
35	AM 2014 74714 A
35	AM 2014 74768 A
35	AM 2014 74855 A
35	AM 2014 75038 A
36	AM 2014 74301 A
36	AM 2014 74714 A
36	AM 2014 75038 A
37	AM 2014 75038 A
38	AM 2014 73879 A
38	AM 2014 75038 A
39	AM 2014 74714 A
39	AM 2014 75038 A
40	AM 2014 75038 A
41	AM 2014 74547 A
41	AM 2014 74714 A
41	AM 2014 75038 A
42	AM 2014 74855 A
42	AM 2014 75038 A
43	AM 2014 71221 A
43	AM 2014 73106 A*
43	AM 2014 74304 A
43	AM 2014 74305 A
43	AM 2014 74306 A
43	AM 2014 74528 A
43	AM 2014 74529 A
43	AM 2014 74547 A
43	AM 2014 74602 A
43	AM 2014 74630 A
43	AM 2014 74637 A
43	AM 2014 74682 A
43	AM 2014 74714 A
43	AM 2014 75038 A
44	AM 2014 74714 A
44	AM 2014 75038 A
45	AM 2014 75038 A

**ONCORDANCE TABLE OF INDEX OF GOODS AND/OR SERVICES
AND NUMBERS OF TRADEMARKS REGISTERED ACCORDING
TO THE ACCELERATED PROCEDURE**

INDEX OF GOODS AND/OR SERVICES (511)	NUMBER OF REGISTERED ACCORDING TO THE ACCELERATED PROCEDURE (11)
4	M 2014 24947 R
4	M 2014 24948 R
7	M 2014 25035 R
29	M 2014 25034 R
35	M 2014 24947 R
35	M 2014 24948 R
39	M 2014 24949 R
41	M 2014 25036 R
41	M 2014 25037 R
41	M 2014 25038 R

CORRECTION OF PUBLISHED INFORMATION

Bulletin Number	Pg.	Column	Number Of Registration (11)	Intern. Index	PUBLISHED	MUST BE
№12(340) 2014	42	II	M 2014 024918 R	(732)	LTD "Korporacia Qartuli Gvino" Simon Ciqovanis q. №5, 0171, Tbilisi, Georgia	LTD "Korporacia Qartuli Gvino" Simon Ciqovanis q. №35, 0171, Tbilisi, Georgia

OFFICIAL BULLETIN OF THE INDUSTRIAL PROPERTY

14(402)

EDITOR-IN-CHIEF: N. Bebrishvili

EDITORS-TRANSLATORS: E. Gabunia
G. Nadareishvili

PROOFREADER: L. Chanturia

COMPUTER LAYOUT: M. Ordenidze

www.sakpatenti.org.ge

E-mail: info@sakpatenti.org.ge