



**NATIONAL INTELLECTUAL PROPERTY CENTER OF GEORGIA
SAKPATENTI**

**OFFICIAL BULLETIN
OF THE INDUSTRIAL PROPERTY**

14(378)

**2013
TBILISI**

INID CODES FOR IDENTIFICATION OF BIBLIOGRAPHIC DATA

INVENTIONS, UTILITY MODELS

- (10) Number of publication for application, which has been examined
- (11) Number of patent and kind of document
- (21) Serial number of application
- (22) Date of filing of the application
- (23) Date of exhibition or the date of the earlier filing and the number of application, if any
- (24) Date from which patent may have effect
- (31) Number of priority application
- (32) Date of filing of priority application
- (33) Code of the country or regional organization allotting priority application number
- (44) Date of publication of application not granted, but examined and number of bulletin
- (45) Date of publication of registered document
- (51) International Patent Classification Index
- (54) Title of the invention
- (57) Abstract
- (60) Number of examined patent document granted by foreign patent office, date from which patent has effect and country code
- (62) Number of the earlier application and in case of divided application, date of filing an application
- (71) Name, surname and address of applicant (country code)
- (72) Name, surname of inventor (country code)
- (73) Name, surname and address of patent owner (country code)
- (74) Name, surname of representative or patent attorney
- (85) Date of commencement of the national phase of International Application
- (86) Number and date of filing of international application
- (87) Number and date of publication of international application

DESIGNS

- (10) Number of publication for application
- (11) Number of patent and kind of document or number of registration
- (15) Date of registration/Date of patent renewal
- (18) Expected expiration date of patent or registration
- (21) Serial number of application
- (22) Date of filing of the application
- (23) Date of exhibition or the date of the earlier filing and the number of application, if any
- (24) Date from which patent may have effect
- (28) Number of designs included in the application
- (30) Data relating to priority (number of application, date of filing of application, two-letter code identifying the authority with whom the priority application was made)
- (31) Number of priority application
- (32) Date of filing of priority application
- (33) Code of the country or regional organization allotting priority application number
- (34) Two-letter code according to WIPO St.3 identifying the authority with which the priority application was made
- (44) Date of publication of design and number of bulletin (the first publication)
- (45) Date of publication of design registered by WIPO and number of bulletin
- (51) International Classification for designs (class and subclass of the Locarno Classification)
- (54) Title of the invention
- (55) Reproduction of the design
- (57) Description of characteristic features of the design including indication of colors
- (58) Date of recording of any kind of amendment in the Register
- (62) Number of the earlier application, registration and document number and if available the date of filing an application in case of divided application
- (71) Name, surname and address of applicant (country code)
- (72) Name, surname of creator (country code)
- (73) Name, surname and address of patent owner (country code)
- (74) Name, surname of representative or patent attorney
- (81) Contracting states concerned
 - II designated contracting states according to the 1960 Act
 - III designated contracting states according to the 1999 Act
- (85) Owner's permanent address
- (86) Owner's nationality
- (87) Owner's residence
- (88) State in which the owner has a real and effective industrial or commercial establishment

TRADEMARKS

- (111) - Number of registration
- (151) - Date of registration
- (156) - Date of the renewal
- (181) - Expected expiration date of registration
- (186) - Renewal expiration date of registration
- (141) - Date of cancel of duration of the mark
- (210) - Serial number of application
- (220) - Date of filing of the application
- (230) - Date concerning exhibition
- (260) - Number of application, for which favorable decision of examination about registration has been taken (publication number)
- (310) - Number of the first application
- (320) - Date of filing of the first application
- (330) - Code, identifying national or regional Office where the first application was made
- (511) - International Classification of Goods and Services for the purposes of registration of trade marks and/or list of goods and/or services classified according thereto
- (531) - Description of figurative elements of Trade Marks according to the International Classification of the Figurative Elements of Marks
- (540) - Reproduction of Trade Mark
- (550) - Nature and kind of Trade Mark
- (580) - Date of recording of any kind changes in respect of applications or registrations
- (591) - Information concerning colors claimed
- (731) - Name and address of the applicant
- (732) - Name and address of the holder of the registration
- (740) - Name and address of the representative
- (750) - Address for correspondence
- (770) - Name and address of the previous applicant or holder in case of change in ownership
- (771) - Previous name and address of the applicant or holder in case of change in ownership
- (791) - Name and address of the licensee
- (793) - Indication of conditions and/or restrictions under the license (Type of license, number of license agreement, data of license, data of validity of license)
- (800) - Certain data relating to the international registration of Trade Marks under the Protocol Relating to Madrid Agreement (International registration number)

CODES FOR PUBLICATION IN BULLETIN

- (21) AP 0000 000000 - serial number of application for invention
- (10) AP 0000 0000 A - number of published application for invention (first publication)
- (11) P 0000 0000 B - number of patent for invention (second publication)
- (21) API 0000 000000 - number of application for imported patent
- (11) PI 0000 0000 A - number of imported patent (first publication)
- (21) AU 0000 000000 - serial number of application for utility model
- (10) AU 0000 000 U - number of published application for utility model (first publication)
- (11) U 0000 000 Y - number of patent for utility model (second publication)
- (21) AD 0000 000000 - serial number of application for design
- (10) AD 0000 000 S - number of published application for design (first publication)
- (11) D 0000 000 S - number of patent for design (second publication)

INTERNATIONAL PATENT CLASSIFICATION FOR INVENTIONS AND UTILITY MODELS

- SECTION A - HUMAN NECESSITIES
- SECTION B - PERFORMING OPERATIONS; TRANSPORTING
- SECTION C - CHEMISTRY; METALLURGY
- SECTION D - TEXTILES; PAPER
- SECTION E - FIXED CONSTRUCTIONS
- SECTION F - MECHANICAL ENGINEERING; LIGHTING; HEATING; WEAPONS; BLASTING
- SECTION G - PHYSICS
- SECTION H - ELECTRICITY

-
- M - Trade Mark
 - (210) AM 0000 000000 - Serial number of application;
 - (260) AAM 0000 00000 A - Publication number of application;
 - (111) M 0000 00000 R - Number of registration;
 - (111) MMM0000 00000 Rn - Number of renewals, in which n=1,2,3;
 - (111) M 0000 00000 R(P) - Number of registration under partial assignment of rights
-

LIST OF CODES, IN ALPHABETIC SEQUENCE, AND THE CORRESPONDING (SHORT) NAMES OF STATES, OTHER ENTITIES AND INTERGOVERNMENTAL ORGANIZATIONS
(WIPO STANDARD ST.3)

AD	Andorra				
AE	United Arab Emirates				
AF	Afghanistan				
AG	Antigua and Barbuda				
AI	Anguilla				
AL	Albania				
AM	Armenia				
AN	Netherlands Antilles				
AO	Angola				
AP	African Regional Intellectual Property Organization (ARIPO)				
AR	Argentina				
AT	Austria				
AU	Australia				
AW	Aruba				
AZ	Azerbaijan				
BA	Bosnia and Herzegovina				
BB	Barbados				
BD	Bangladesh				
BE	Belgium				
BF	Burkina Faso				
BG	Bulgaria				
BH	Bahrain				
BI	Burundi				
BJ	Benin				
BM	Bermuda				
BN	Brunei Darussalam				
BO	Bolivia				
BR	Brazil				
BS	Bahamas				
BT	Bhutan				
BV	Bouvet Island				
BW	Botswana				
BX	Benelux Office for Intellectual Property (BOIP)				
BY	Belarus				
BZ	Belize				
CA	Canada				
CD	Democratic Republic of the Congo				
CF	Central African Republic				
CG	Congo				
CH	Switzerland				
CI	Cote d'Ivoire				
CK	Cook Islands				
CL	Chile				
CM	Cameroon				
CN	China				
CO	Colombia				
CR	Costa Rica				
CU	Cuba				
CV	Cape Verde				
CY	Cyprus				
CZ	Czech Republic				
DE	Germany				
DJ	Djibouti				
DM	Dominica				
DO	Dominican Republic				
DZ	Algeria				
EA	Eurasian Patent Organization (EAPO)				
EC	Ecuador				
EE	Estonia				
EG	Egypt				
EH	Western Sahara				
EM	Office for Harmonization in the Internal Market (Trademarks and Designs)(OHIM)				
EP	European Patent Office (EPO)				
ER	Eritrea				
ES	Spain				
ET	Ethiopia				
FI	Finland				
FJ	Fiji				
FK	Falkland Islands (Malvinas)				
FO	Faroe Islands				
FR	France				
GA	Gabon				
GB	United Kingdom				
GC	Patent Office of the Cooperation Council for the Arab States of the Gulf (GCC)				
GD	Grenada				
GG	Guernsey				
GH	Ghana				
GI	Gibraltar				
GT	Guatemala				
GW	Guinea- Bissau				
GY	Guyana				
HK	The Hong Kong Special Administrative Region of the People's Republic of China				
HN	Honduras				
HR	Croatia				
HT	Haiti				
HU	Hungary				
IB	International Bureau of the World Intellectual Property Organization (WIPO)				
ID	Indonesia				
IE	Ireland				
IL	Israel				
IM	Isle of Man				
IN	India				
IQ	Iraq				
ID	Indonesia				
IE	Ireland				
IL	Israel				
IM	Isle of Man				
IN	India				
IQ	Iraq				
IR	Iran (Islamic Republic of)				
IS	Iceland				
IT	Italy				
JE	Jersey				
JM	Jamaica				
JO	Jordan				
JP	Japan				
KE	Kenya				
KG	Kyrgyzstan				
KH	Cambodia				
KI	Kiribati				
KM	Saint Kitts and Nevis				
KP	Democratic People's Republic of Korea				
KR	Republic of Korea				
KW	Kuwait				
KY	Cayman Islands				
KZ	Kazakhstan				
LA	Lao People's Democratic Republic				
LB	Lebanon				
LC	Saint Lucia				
LI	Liechtenstein				
LK	Sri Lanka				
LR	Liberia				
LS	Lesotho				
LT	Lithuania				
LU	Luxembourg				
LV	Latvia				
LY	Libyan Arab Jamahiriya				
MA	Morocco				
MC	Monaco				
MD	Republic of Moldova				
ME	Montenegro				
MG	Madagascar				
MK	The former Yugoslav Republic of Macedonia				
ML	Mali				
MM	Myanmar				
MN	Mongolia				
MO	Macao				
MP	Northern Mariana Islands				
MR	Mauritania				
MS	Montserrat				
MT	Malta				
MU	Mauritius				
MV	Maldives				
MW	Malawi				
MX	Mexico				
MY	Malaysia				
MZ	Mozambique				
NA	Namibia				
NE	Niger				
NG	Nigeria				
NI	Nicaragua				
NL	Netherlands				
NO	Norway				
NP	Nepal				
NR	Nauru				
NZ	New Zealand				
OA	African Intellectual Property Organization (OAPI)				
OM	Oman				
PA	Panama				
PE	Peru				
PG	Papua New Guinea				
PH	Philippines				
PK	Pakistan				
PL	Poland				
PT	Portugal				
PW	Palau				
PY	Paraguay				
QA	Qatar				
QZ	Community Plant Variety Office (European Community) (CPVO)				
RO	Romania				
RS	Serbia				
RU	Russian Federation				
RW	Rwanda				
SA	Saudi Arabia				
SB	Solomon Islands				
SC	Seychelles				
SD	Sudan				
SG	Singapore				
SH	Saint Helena				
SI	Slovenia				
SK	Slovakia				
SL	Sierra Leone				
SM	San Marino				
SN	Senegal				
SO	Somalia				
SR	Suriname				
ST	Sao Tome and Principe				
SV	El Salvador				
SY	Syrian Arab Republic				
SZ	Swaziland				
TC	Turks and Caicos Islands				
TD	Chad				
TG	Togo				
TH	Thailand				
TJ	Tajikistan				
TL	Timor-Leste				
TM	Turkmenistan				
TN	Tunisia				
TO	Tonga				
TR	Turkey				
SE	Sweden				
TT	Trinidad and Tobago				
TV	Tuvalu				
TW	Taiwan, Province of China				
TZ	United Republic of Tanzania				
UA	Ukraine				
UG	Uganda				
US	United States of America				
UY	Uruguay				
UZ	Uzbekistan				
VA	Holy See				
VC	Saint Vincent and the Grenadines				
VE	Venezuela				
VG	Virgin Islands (British)				
VN	Viet Nam				
VU	Vanuatu				
WO	World Intellectual Property Organization (WIPO)				
WS	Samoa				
XN	Nordic Patent Institute (NPI)				
YE	Yemen				
ZA	South Africa				
ZM	Zambia				
ZW	Zimbabwe				

**NATIONAL INTELLECTUAL PROPERTY CENTER OF GEORGIA
SAKPATENTI**

**OFFICIAL BULLETIN
OF THE INDUSTRIAL PROPERTY**

**ОФИЦИАЛЬНЫЙ БЮЛЛЕТЕНЬ
ПРОМЫШЛЕННОЙ СОБСТВЕННОСТИ**

14(378)

**INVENTIONS
UTILITY MODELS
DESIGNS
TRADEMARKS**

**DATE OF PUBLICATION
2013 07 25**

CONTENTS

PUBLISHED TITLES OF PROTECTION	2
INVENTIONS	
▪ APPLICATIONS APPROVED FOR GRANTING PATENTS	4
▪ PATENTED INVENTIONS	12
UTILITY MODELS	
▪ APPLICATIONS APPROVED FOR GRANTING PATENTS	16
▪ PATENTED UTILITY MODEL	18
DESIGNS	
▪ REGISTERED DESIGNS	19
TRADEMARKS	
▪ APPLICATIONS FILED UNDER THE NATIONAL PROCEDURE APPROVED FOR REGISTRATION	20
▪ REGISTERED TRADEMARKS	26
▪ TRADEMARKS REGISTERED ACCORDING TO THE ACCELERATED PROCEDURE	29
▪ INTERNATIONAL TRADEMARKS FOR WHICH A DECISION ON GANTING PROTECTION IS TAKEN	31
▪ INTERNATIONAL TRADEMARKS PROTECTED IN GEORGIA	92
OFFICIAL NOTIFICATIONS	
TRADEMARKS	
▪ RENEWAL OF REGISTRATIONS	95
▪ COMPLETE TRANSFER OF RIGHTS	97
▪ CHANGES IN NAMES AND/OR ADDRESSES OF OWNERS	99
CLASSIFICATION INDEXES	
INVENTIONS	100
UTILITY MODELS	103
DESIGNS	104
TRADEMARKS	106

PUBLISHED TITLES OF PROTECTION

INVENTIONS

- **APPLICATIONS APPROVED FOR GRANTING PATENTS:**
12603; 12500; 11889; 12453; 12369, 12370; 11894; 12458; 12356; 12569; 12066; 11957; 12410; 12264; 12358; 11624; 12386; 12245; 12341; 12561; 12800
- **PATENTED INVENTIONS:**
5881-5895

UTILITY MODELS

- **APPLICATION APPROVED FOR GRANTING PATENT:**
12891; 12605; 12657; 12902
- **PATENTED UTILITY MODELS:**
1174

DESIGNS

- **REGISTERED DESIGN:**
551

TRADEMARKS

- **APPLICATIONS FILED UNDER THE NATIONAL PROCEDURE APPROVED FOR REGISTRATION:**
68767; 68879-68881; 69241-69243; 69306, 69307; 69312; 69314; 69330; 69335; 69451, 69452; 69494; 69656, 69657; 69693; 69721, 69722; 69724; 69751; 69753; 69799-69801; 69809; 69812; 69817; 69823-69825; 69857-69859; 67188*
- **REGISTERED TRADEMARKS:**
23781; 23842-23864
- **TRADEMARKS REGISTERED ACCORDING TO THE ACCELERATED PROCEDURE:**
23836- 23841; 23865
- **INTERNATIONAL TRADEMARKS FOR WHICH A DECISION ON GRANTING PROTECTIONS IS TAKEN:**
68294; 68473; 68475; 68541-68550; 68555-68557; 68559-68563; 68567-68575; 68583; 68638-68648; 68686; 68871, 68872; 68943, 68944; 68946-68949; 68951-68956; 68958-68964; 68966; 68974-68991; 68993-68997; 68999; 69035-69043; 69045-69048; 69050; 69084-69087; 69114; 69117; 69268; 69429; 69432-69435; 69747; 66696*; 67122*; 67132*
- **INTERNATIONAL TRADEMARKS PROTECTED IN GEORGIA:**
66565; 66596; 66615; 66622; 66664, 66665; 66667; 66675; 66678; 66685; 66707; 66710; 66712; 66795; 66809, 66810; 66812-66814; 66823; 66938; 67005; 67049; 67117; 67271; 67316-67321; 67323-67335

INVENTIONS

APPLICATIONS APPROVED FOR GRANTING PATENTS

The decision can be appealed at the Chamber of Appeal of Sakpatenti within 3 months from the publication or at the Mtskheta District Court Administrative Cases Board (Address: №17, Samkhedro str., Mtskheta), within 1 month following the publication.

PART A

A 01

(10) AP 2013 12603 A (51) Int. Cl. (2006)

A 01 C 1/00

(21) AP 2012 012603 (22) 2012 02 29

(71) Eter Kemertelidze (GE)
Pekinis Gamz. 33a, b. 40, 0160 Tbilisi (GE);
Mariam Benidze (GE)
Nutsbidzis q. 211, korp. 2, b. 12, 0186
Tbilisi (GE);
Aleksandre Skhirtladze (GE)
Zahesis q. 3, b. 37, 0117 Tbilisi (GE);
Petre Naskidashvili (GE)
Vazha-Pshavelas Gamz. VI kv., korp. 20,
b. 3, 0131 Tbilisi (GE);
Ivane Zedgenidze (GE)
I.Chavchavadzis Gamz. 75, korp. 5, b. 25-26,
0179 Tbilisi (GE)

(72) Eter Kemertelidze (GE);
Mariam Benidze (GE);
Aleksandre Skhirtladze (GE);
Petre Naskidashvili (GE);
Ivane Zedgenidze (GE)

**(54) METHOD OF OBTAINING PLANT
GROW STIMULATOR "ALEXIN"**

(57) The method provides: crumbling up flowers of Spanish dagger (*Yucca gloriosa* L.), fourfold extraction with 70% ethyl or methyl spirit; at that, first, second and third extractions executing at the room temperature, and fourth extraction executing at 50°C, spirit distillation from received extract, then, rested liquid pressing-out with butanol, ten times saturated with water, organic solvent distillation from butanol extract, steroid glycosides sedimentation from acetone, sediment filtration, drying and powdering thereof.

Claims: 1 independent

(10) AP 2013 12500 A (51) Int. Cl. (2006)

A 01 N 25/04

A 01 N 49/00

A 01 N 55/00

A 01 N 55/10

A 01 N 65/00

A 61 K 31/695

(21) AP 2010 012500 (22) 2010 05 12

(31) 0908226.4; 0912209.4

(32) 2009 05 14; 2009 07 14

(33) GB; GB

(71) THORNTON & ROSS LIMITED (GB)
Linthwaite Huddersfield HD7 5QH (GB)

(72) COOPER, Nigel (GB)

(74) Tamara Kochlamazashvili

(85) 2011 12 14

(86) PCT/GB2010/000933, 2010 05 12

**(54) COMPOSITION FOR ECTOPARASITES
CONTROL AND USAGE THEREOF**

(57) There is represented composition comprising mixture of carrier and active ingredient with emulsifying agent, wherein non-volatile high viscosity siloxane is applied as active ingredient, non-volatile low viscosity siloxane is applied as carrier, and silicone co-polymer is applied as emulsifying agent.

Claims: 3 independent

21 dependent

Fig.: 2

A 23

(10) AP 2013 11889 A (51) Int. Cl. (2006)

A 23 F 3/14

(21) AP 2010 011889 (22) 2010 07 16

(71) Nato Labartkava (GE)
Pekinis q. 15, b. 10, 0171 Tbilisi (GE);
Ana Labartkava (GE)
Pekinis q. 15, b. 10, 0171 Tbilisi (GE)

(72) Nato Labartkava (GE);
Ana Labartkava (GE)

**(54) COMPOSITION FOR TEA BEVERAGE
PREPARATION**

(57) There is represented composition containing in mass fraction: 0.5-2 black or green tea granules, 0.5-2 mint or quince foliage, and 2-8 "kvatsarakhi" (sauce of sour plum – tkemali).

Claims: 1 independent

1 dependent

(10) AP 2013 12453 A (51) Int. Cl. (2006)

A 61 K 8/67

A 61 K 8/34

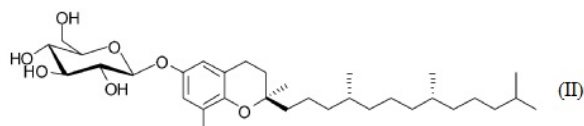
A 61 K 8/36

A 61 K 8/49

A 61 K 8/92

A 61 Q 19/02

- (21) AP 2010 012453 (22) 2010 05 12
 (31) 0953180
 (32) 2009 05 14
 (33) FR
 (71) PIERRE FABRE DERMO-COSMETIQUE
 (FR)
 45, place Abel Gance, 92100 Boulogne-
 Billancourt (FR)
 (72) POIGNY, Stéphane (FR);
 BELAUBRE, Françoise (FR);
 SAURAT, Jean-Hilaire (CH);
 SORG, Olivier (CH)
 KASRAEE, Behrooz (CH)
 (74) Shalva Gvaramadze
 (85) 2011 11 14
 (86) PCT/EP2010/056533, 2010 05 12
 (54) **USAGE OF DELTA-TOCOPHERYL-
 CARBOHYDRATE AS DEPIGMENTING
 AGENT**
 (57) There is represented delta-tocopheryl-
 carbohydrate of formula (II)



applicable as cosmetic depigmenting agent.
 Claims: 2 independent
 9 dependent

A 61

- (10) AP 2013 12369 A (51) Int. Cl. (2006)
 A 61 K 31/00
 A 61 K 31/155
 A 61 K 31/198
 A 61 K 31/341
 A 61 K 31/351
 A 61 K 31/39
 A 61 K 31/403
 A 61 K 31/4439
 A 61 K 31/70
 A 61 K 31/7004
 A 61 K 31/7008
 A 61 K 31/06
 A 61 P 3/06
 A 61 P 3/08
 A 61 P 3/10
 (21) AP 2010 012369 (22) 2010 02 11
 (31) 61/152,302
 (32) 2009 02 13
 (33) US
 (71) BOEHRINGER INGELHEIM
 INTERNATIONAL GMBH (DE)
 Binger Strasse 173, 55216 Ingelheim
 Am Rhein (DE)
 (72) EICKELMANN, Peter (DE);
 MARK, Michael (DE);

- SEMAN, Leo John (US);
 THOMAS, Leo (DE);
 BROEDL, Uli (DE);
 GREMLER, Rolf (DE)
 (74) Tamara Kochlamazashvili
 (85) 2011 09 12
 (86) PCT/EP2010/051736, 2010 02 11
 (54) **PHARMACEUTICAL COMPOSITION
 COMPRISING SGLT2 INHIBITOR,
 DPP-IV INHIBITOR, AND OPTIONALLY
 FURTHER ANTIDIABETIC AGENT; AND
 USAGE THEREOF**
 (57) There is represented pharmaceutical composition
 comprising SGLT2 and DPP-IV inhibitors, and
 antidiabetic agent selected from group G3; compo-
 sition is applied at the treatment of glucose tolerance,
 hyperglycemia and diabetes.
 Claims: 2 independent
 8 dependent

- (10) AP 2013 12370 A (51) Int. Cl. (2006)
 A 61 K 31/00
 A 61 K 31/70
 A 61 K 31/7004
 A 61 K 31/7008
 A 61 K 45/06
 A 61 P 3/06
 A 61 P 3/08
 A 61 P 3/10
 A 61 K 31/522

- (21) AP 2010 012370 (22) 2010 02 11
 (31) 61/152,306
 (32) 2009 02 13
 (33) US
 (71) EISENREICH, Wolfram (DE)
 BOEHRINGER INGELHEIM
 INTERNATIONAL GMBH (DE)
 (72) EISENREICH, Wolfram (DE)
 (74) Tamara Kochlamazashvili
 (85) 2011 09 12
 (86) PCT/EP2010/051735, 2010 02 11
 (54) **PHARMACEUTICAL COMPOSITION
 COMPRISING LINAGLIPTIN AND SGLT2
 INHIBITOR; AND USAGE THEREOF**
 (57) There are represented pharmaceutical com-
 position containing linagliptin, dosage form thereof,
 preparation method and their application as a
 medicine.
 Claims: 4 independent
 12 dependent
 Table: 1
 Fig.: 3

PART C**C 02****(10) AP 2013 11894 A (51) Int. Cl. (2006)
C 02 F 1/32**

- (21) AP 2010 011894 (22) 2010 07 21
 (71) LTD "EKO LINE" (GE)
 Lomouris q. 1/3, b. 12, 0103 Tbilisi (GE)
 (72) Malkhaz Katamadze (GE);
 Sarkis Markaryan (GE);
 Tengiz Kalandadze (GE);
 Saribeg Shakhnadirov (GE);
 Gevork Markaryan (GE)

**(54) COMPLEX MODULE MAKING
WATER HARMLESS**

(57) There is represented a module comprising: cylindrical closed case with input and output conduits 1 and 2, ultrasound converter 5, sprayer 6, and catalyzer 7 for ozone-air mix. Quartz casing with bactericidal lamps 10 and turbulator 8 is fixed in the case center, and silver electrodes 12 are inserted in output conduit. The case has top and bottom truncated ends and light-reflecting internal mirrored surface. Copper electrodes 3 are placed in lower input conduit 1. The turbulator is polished spring of unstainable metal directed up; it is tightly inserted between quartz casing and case internal surface to extend water outlet time and distance.

Claims: 1 independent

Fig.: 1

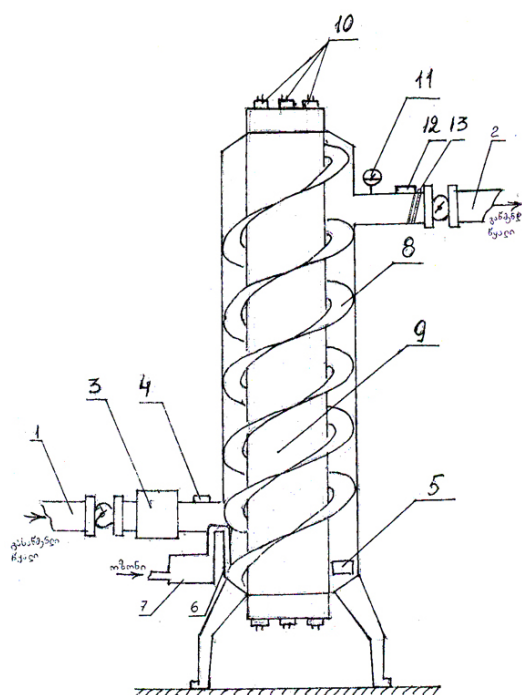


Fig. 1

C 04**(10) AP 2013 12458 A (51) Int. Cl. (2006)
C 04 B 35/01
H 01 L 39/12**

- (21) AP 2011 012458 (22) 2011 11 17
 (71) Nikoloz Margiani (GE)
 Vazha-Pshavelas Gamz. IV kvart., korp. 4,
 b. 27, 0186 Tbilisi (GE);
 Tamaz Medoidze (GE)
 Didi Dighomi, G. Brtskinvales q. 4, ო. 39,
 0131 Tbilisi (GE);
 Natela Papunashvili (GE)
 Dolidzis q., korp. 15, ო. 19, 0171 Tbilisi (GE);
 Meliton Chubabria (GE)
 Kostavas q. 74, b. 19, 0115 Tbilisi (GE);
 Guranda Shurghaia (GE)
 Gldanis I mkr., korp. 6, b. 111,
 0167 Tbilisi (GE);
 Dali Dzanashvili (GE)
 Nutsbidzis Perd. III mkr., II kvart.,
 korp. 5, b. 7, 0183 Tbilisi (GE)
 (72) Nikoloz Margiani (GE);
 Tamaz Medoidze (GE);
 Natela Papunashvili (GE);
 Meliton Chubabria (GE);
 Guranda Shurghaia (GE);
 Dali Dzanashvili (GE)

**(54) HIGH-TEMPERATURE SUPER-
CONDUCTIVE CERAMICS**

(57) There is represented high-temperature superconductive ceramics containing following oxides: Bi_2O_3 , PbO , SrO , CaO and BN , with following correlation of components (mass%):

 Bi_2O_3 - 38.69 - 38.71 PbO - 6.52 - 6.54 SrO - 20.24 - 20.26 CaO - 10.95 - 10.96 CuO - 23.30 - 23.33 BN - 0.20 - 0.30

Claims: 1 independent

C 07**(10) AP 2013 12356 A (51) Int. Cl. (2006)
C 07 D 223/16
A 61 K 31/55
A 61 P 9/10
A 61 P 9/06
A 61 P 9/04**

- (21) AP 2010 012356 (22) 2010 02 03
 (31) 09/00457
 (32) 2009 02 04
 (33) FR
 (71) LES LABORATOIRES SERVIER (FR)
 35, Rue de Verdun, F-92284 Suresnes
 Cedex (FR)

(72) PEGLION, Jean-Louis (FR);
DESSINGES, Aimée (FR);
SERKIZ, Bernard (FR);
LERESTIF, Jean-Michel (FR);
LECOUVE, Jean-Pierre (FR)

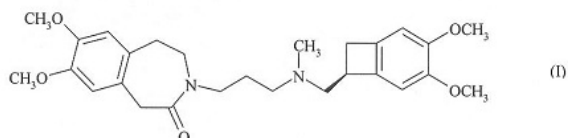
(74) Tamaz Shilakadze

(85) 2011 08 29

(86) PCT/FR2010/000080, 2010 02 03

(54) **NEW METHOD OF SYNTHESIS OF
IVABRADINE AND
PHARMACEUTICALLY ACCEPTABLE
ACID-ADDITIVE SALTS THEREOF**

(57) The method provides synthesis of ivabradine of formula I,



and additive salts therewith pharmaceutically acceptable acid.

Claims: 2 independent

9 dependent

(10) **AP 2013 12569 A** (51) **Int. Cl. (2006)
C 07 D 223/16
A 61 K 31/55**

(21) AP 2012 012569 (22) 2012 02 10

(31) 11.00446

(32) 2011 02 14

(33) FR

(71) LE LABORATOIRES SERVIER (FR)
35, Rue de Verdun, 92284 Surans,
Cedex (FR)

(72) PEGLION, Jean-Louis (FR);
DESSINGES, Aimée (FR)

(74) Tamaz Shilakadze

(54) **NEW METHOD OF SYNTHESIS
OF IVABRADINE AND
PHARMACEUTICALLY
ACCEPTABLE ACID-ADDITIVE SALTS
THEREOF**

(57) An invention provides new method of ivabradine synthesis, i.e. 3-{3-[[[(7S)-3,4-dimethoxy bicyclo [4.2.0] octa-1,3,5-trien-7-yl]methyl}(methyl)amino]-propyl]-7,8-dimethoxy-1,3,4,5-tetrahydro-2H-3-benzazepin-2-one.

Claims: 3 independent

14 dependent

(10) **AP 2013 12066 A** (51) **Int. Cl. (2006)
C 07 D 233/90
C 07 D 401/12
C 07 D 401/14
C 07 D 407/12
C 07 D 409/06**

C 07 D 409/14

C 07 D 413/06

C 07 D 413/14

C 07 D 417/06

C 07 D 417/12

C 07 D 471/04

C 07 D 487/04

C 07 D 487/08

C 07 D 495/04

(21) AP 2009 012066 (22) 2009 06 17

(31) 2008-161049; 2009-004882

(32) 2008 06 19; 2009 01 13

(33) JP; JP

(71) TAKEDA PHARMACEUTICAL COMPANY
LIMITED (JP)

1-1, Doshomachi 4-chome, Chuo-ku, Osaka-shi,
Osaka 541-0045 (JP)

(72) KUROITA, Takanobu (JP);

IMAEDA, Yasuhiro (JP);

IWANAGA, Kouichi (JP);

TAYA, Naohiro (JP);

TOKUHARA, Hidekazu (JP);

FUKASE, Yoshiyuki (JP)

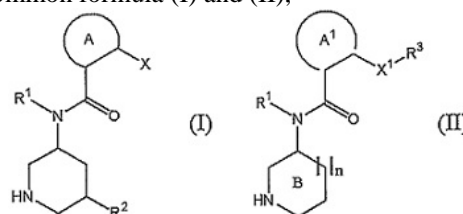
(74) Shalva Gvaramadze

(85) 2011 01 18

(86) PCT/JP2009/061438, 2009 06 17

(54) **HETEROCYCLIC COMPOUND AND
USAGE THEREOF**

(57) There are represented heterocyclic compounds of common formula (I) and (II),



and salts thereof, which are inhibitors of renin, and are applied at hypertension treatment.

Claims: 10 independent

2 dependent

(10) **AP 2013 11957 A** (51) **Int. Cl. (2006)
C 07 D 239/52
C 07 C 59/64**

(21) AP 2006 011957 (22) 2006 04 13

(62) 0508422.3 2005 04 26 (GB)

(31) 0508422.3

(32) 2005 04 26

(33) GB

(71) SYNGENTA LIMITED (GB)

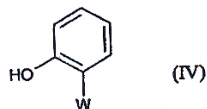
European Regional Centre, Priestley Road,
Surrey Research Park, Guildford,
Surrey GU2 7YH (GB)

(72) WHITTON, Alan, John (GB);

BOYD, Ewan, Campbell (GB);

VASS, Jack (GB)

(74) Tamara Kochlamazashvili
 (85) 2010 09 29
 (86) PCT/GB2006/001361, 2006 04 13
 (54) **CHEMICAL PROCESS**
 (57) There are provided obtaining methods of:
 compound of formula (IV),



which substituent W is methyl(E)-2-(3-methoxy)acrylate group; compound of formula (IV), which substituent W is methyl-2-(3,3 dimethoxy) propanoate group, by interaction with reagent, which is defense of hydroxyl group; methanol is removed from obtained compound, and hydroxyl protecting group is withdrawn with target compound creation.

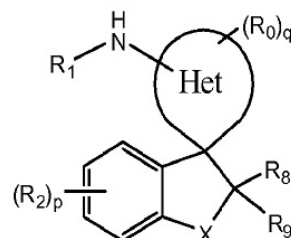
Claims: 1 independent
 Table: 7

(10) AP 2013 12410 A **(51) Int. Cl. (2006)**
 C 07 D 277/60
 C 07 D 271/12
 C 07 D 235/02
 C 07 D 239/70
 C 07 D 491/10
 C 07 D 487/10
 C 07 D 403/06
 C 07 D 405/12
 C 07 D 498/10
 A 61 K 31/4245
 A 61 K 31/4184
 A 61 K 31/4188
 A 61 K 31/517
 A 61 K 31/519
 A 61 K 31/428

(21) AP 2010 012410 (22) 2010 03 12
 (31) 61/210146; 61/307542
 (32) 2009 03 13; 2010 02 24
 (33) US; US
 (71) VITAE PHARMACEUTICALS, INC. (US)
 502 West Office Center Drive, Fort
 Washington, Pennsylvania 19034 (US)
 BOEHRINGER INGELHEIM
 INTERNATIONAL GMBH (DE)
 Binger Strasse 173, 55216 Ingelheim am
 Rhein (DE)
 (72) CACATIAN, Salvacion (US);
 CLAREMON, David, A. (US);
 DILLARD, Lawrence, W. (US);
 FUCHS, Klaus (DE);
 HEINE, Niklas (DE);
 JIA, Lanqi (CN);
 LEFTHERIS, Katerina (US);
 MCKEEVER, Brian (US);
 MORALES-RAMOS, Angel (US);
 SINGH, Suresh (US);

VENKATRAMAN, Shankar (US);
 WU, Guosheng (CN);
 WU, Zhongren (US);
 XU, Zhenrong (CN);
 ZHENG, Yajun (CN);
 YUAN, Jing (US)

(74) Tamaz Shilakadze
 (85) 2011 10 10
 (86) PCT/US2010/027173, 2010 03 12
 (54) **INHIBITORS OF BETA-SECRETASE**
 (57) There are represented compounds of common
 formula (I),

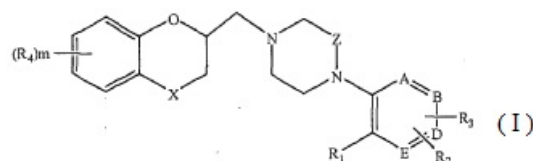


and pharmaceutical compositions containing thereof,
 which are BACE inhibitors, applicable at the
 treatment of neurodegenerative diseases.

Claims: 4 independent
 20 dependent

(10) AP 2013 12264 A **(51) Int. Cl. (2006)**
 C 07 D 311/74
 C 07 D 319/20
 C 07 D 327/06
 C 07 D 405/12
 C 07 D 411/12
 A 61 P 25/00
 A 61 K 31/4433
 A 61 K 31/353

(21) AP 2009 012264 (22) 2009 11 20
 (31) 61/193,355
 (32) 2008 11 20
 (33) US
 (71) ORION CORPORATION (FI)
 Orionintie 1, FI-02200 Espoo (FI)
 (72) DIN BELLE, David (FI);
 HOLM, Patrik (FI);
 TOLVANEN, Arto (FI);
 WOHLFAHRT, Gerd (FI)
 (74) Tamaz Shilakadze
 (85) 2011 06 17
 (86) PCT/FI2009/000097, 2009 11 20
 (54) **ARYL PIPERAZINE AND THEIR USAGE
 AS ALPHA2C ANTAGONISTS**
 (57) There are represented: compound of formula (I),

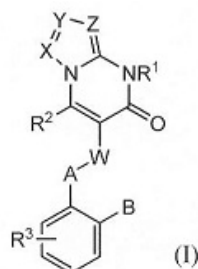


pharmaceutical composition on basis thereof, and application thereat the treatment of those diseases, for which alpha₂C-adrenoreceptors are required.

Claims: 7 independent
18 dependent

Table: 1

- (10) AP 2013 12358 A (51) Int. Cl. (2006)
C 07 D 487/04
A 61 K 31/519
A 61 P 9/00
- (21) AP 2010 012358 (22) 2010 01 29
(31) 2009 - 020720
(32) 2009 01 30
(33) JP
- (71) TAKEDA PHARMACEUTICAL COMPANY LIMITED (JP)
1-1, Doshomachi 4-chome, Chuo-ku, Osaka-shi, Osaka 5410045 (JP)
- (72) MAEKAWA, Tsuyoshi (JP);
IGAWA, Hideyuki (JP)
- (74) Shalva Gvaramadze
(85) 2011 08 30
(86) PCT/JP2010/051651, 2010 01 29
- (54) **FUSED RING COMPOUNDS AND USAGE THEREOF**
- (57) There are represented heterocyclic compounds of formula (I),



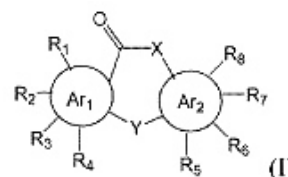
of antagonistic activity relative to receptors angiotensin II and Y activated by peroxisome proliferator, applied at the treatment of blood circulatory diseases.

Claims: 10 independent
15 dependent

- (10) AP 2013 11624 A (51) Int. Cl. (2006)
C 07 D 523/14
C 07 D 498/14
C 07 D 497/14
C 07 D 495/14
C 07 D 493/14
C 07 D 487/14
C 07 D 487/04
C 07 D 243/38
C 07 D 321/10
A 61 K 31/55
A 61 K 31/5513
A 61 K 31/553

A 61 K 31/554
A 61 P 3/00
A 61 P 3/04
A 61 P 3/06
A 61 P 3/10
A 61 P 9/10
A 61 P 9/12
A 61 P 43/00

- (21) AP 2007 011624 (22) 2007 05 29
(31) PCT/CN2007/070059
(32) 2007 05 29
(33) IB
- (71) SHANGHAI INSTITUTE OF MATERIA MEDICA, CHINESE ACADEMY OF SCIENCES (CN)
555 Zu Chong Zhi Road Shanghai, 201203 (CN)
- (72) SHEN, Jianhua (CN);
LENG, Ying (CN);
JIANG, Hualiang (CN);
CHEN, Junhua (CN)
- (74) Liliana Darakhvelidze
(85) 2009 12 28
(86) PCT/CN2007/070059, 2007 05 29
- (54) **COMPOUNDS WITH 7-MEMBER CYCLE AND PHARMACEUTICAL USAGE THEREFOR PREVENTION AND TREATMENT OF DIABETES AND METABOLISM SYNDROME**
- (57) There are represented: tricyclic compound with 7-member cycle of formula (I),



wherein X substituent is O, and Y is chosen from O, N, S, and SO₂; at that, values of substituents R₁, R₂, R₃, R₄, R₅, R₆, R₇, R₈, Ar₁ and Ar₂ are provided in the claims, pharmaceutical composition on basis thereof and application therefor prevention or treatment of diabetes and metabolism syndrome.

Claims: 5 independent
5 dependent

Fig.: 6
Table: 9

- (10) AP 2013 12486 A (51) Int. Cl. (2006)
C 07 K 14/785
A 61 K 38/00
- (21) AP 2010 012486 (22) 2010 05 31
(31) 09162052.6
(32) 2009 06 05
(33) EP
- (71) CHIESI FARMACEUTICI S.P.A. (IT)
Via Palermo, 26/A, I-43100 Parma (IT)
- (72) PIVETTI, Fausto (IT);
BOCCHI, Monica (IT);

SOLIANI RASCHINI, Annamaria (IT)

(74) Shalva Gvaramadze

(85) 2011 12 02

(86) PCT/EP2010/003293, 2010 05 31

(54) **IMPROVED RECONSTITUTED SURFACTANT COMPOSITION CONTAINING SURFACTANT PROTEIN B (SP-B), AND SURFACTANT PROTEIN C (SP-C) ANALOGS**

(57) There are represented reconstituted surfactant composition comprising lipid carrier, and polypeptide analogs of native surfactant proteins (SP-C) and (SP-B). The composition is applied at the treatment of respiratory distress syndrome (RDS).

Claims: 5 independent

10 dependent

PART E

E 01

(10) **AP 2013 12245 A** (51) **Int. Cl. (2006) E 01 D 18/00**

(21) AP 2011 012245 (22) 2011 06 01

(71) Bichiko Surguladze (GE)
Gldanis Mas., I mkr., korp. 19, b. 34, 0167 Tbilisi (GE);
Giorgi Beradze (GE)
Gamsakhurdias Gamz. 18, b. 25, 0194 Tbilisi (GE)

(72) Bichiko Surguladze (GE);
Giorgi Beradze (GE)

(54) **PRELIMINARILY TENSE COMBINED CONSTRUCTION OF LARGE-FLOAT CROSSING PIPELINES**

(57) There is represented pipeline construction with movable supports fixed thereto, which are executed as octagonal prisms 1; arched frames with upper belt of parabolic construction or linear beams 2 are radially fixed to four edges thereof. Studding with their one ends are radially fixed on rested four edges; the cables 4 are allocated on studding, and cable ends are hinged to nodes 6 of pipeline resting on piers; studding 3 other free ends have internal thread 7, and the bars 8 having external thread on their ends and whole cross-section are screwed therein; the bars are equipped with lock-nut 9 and quadrangular part, wherein cruciform holes 10 passing device for cable tension are executed. The bars having whole cross-section are hinged into bush 11 executed with open profile, and the jacks 13 are rigid thereto connect cable with studding. The jacks include a terminal 12 hinged therein, which has two parts wherein the cable is passed.

Claims: 1 independent

Fig.: 8

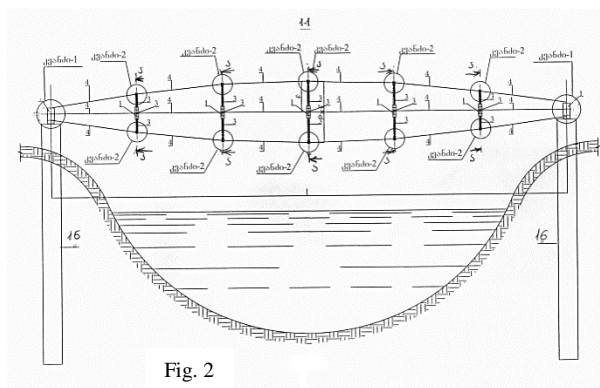


Fig. 2

E 04

(10) **AP 2013 12341 A** (51) **Int. Cl. (2006) E 04 B 2/28**
E 04 B 1/76

(21) AP 2011 012341 (22) 2011 08 18

(71) Vladimer Loladze (GE)
Paliashvilis q. 37/2, 0179 Tbilisi (GE);
Shakhi Bakanidze (GE)
Gldanis Mas. VIII mkr., korp. 13, b. 50, 0107 Tbilisi (GE);
Giorgi Loladze (GE)
Paliashvilis q. 37/2, 0179 Tbilisi (GE);
Nino Mskhiladze (GE)
Panaskertelis q. 19, b. 54, 0194 Tbilisi (GE);
Vakhtang Pirmisashvili (GE)
Gvetadzis q. 8, b. 17, 0154 Tbilisi (GE);
Vakhtang Loladze (GE)
Paliashvilis q. 37/2, 0179 Tbilisi (GE)

(72) Vladimer Loladze (GE);
Shakhi Bakanidze (GE);
Giorgi Loladze (GE);
Nino Mskhiladze (GE);
Vakhtang Pirmisashvili (GE);
Vakhtang Loladze (GE)

(54) **POLYLAYER, MULTIFUNCTION ENVELOPE**

(57) There is represented an envelope usable as bearing and/or insulating componentry, comprising internal bearing layer 1 and external hydro- and/or heat-insulating layer 4 covered with facing componentry 2 from outside. Bearing layer has zig-zag, broken or nosing configuration at cross-section, and is executed as a cast between fixed falsework shields of concrete, collecting channeled concrete componentry or masonry; hydro- and/or heat-insulating layer is allocated wholly or partly in a space between bearing layer and facing componentry, wherein unfilled spaces are appropriated for usage as ventilating or leak channels.

Claims: 1 independent

Fig.: 19

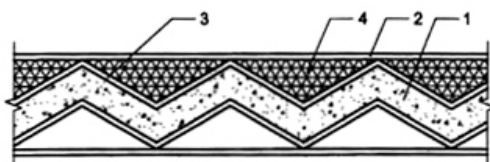


Fig. 1

PART F

F 03

(10) AP 2013 12561 A (51) Int. Cl. (2006)
F 03 D 3/00

(21) AP 2012 012561 (22) 2012 02 07
(71) Vladimer Chkhaidze (GE)
Akhmetelis q. 5, b. 41, 6010 Batumi (GE)

(72) Vladimer Chkhaidze (GE)

(54) **WIND AGGREGATE**

(57) There is represented wind aggregate comprising support 1 and rotor vertically hung thereon and switched to generator 5 by means of multiplier. At that, the rotor is executed as cylindrical multiblade 6 sections 2 sequentially and hingedly 3 connected to each other.

Claims: 1 independent

Fig.: 3

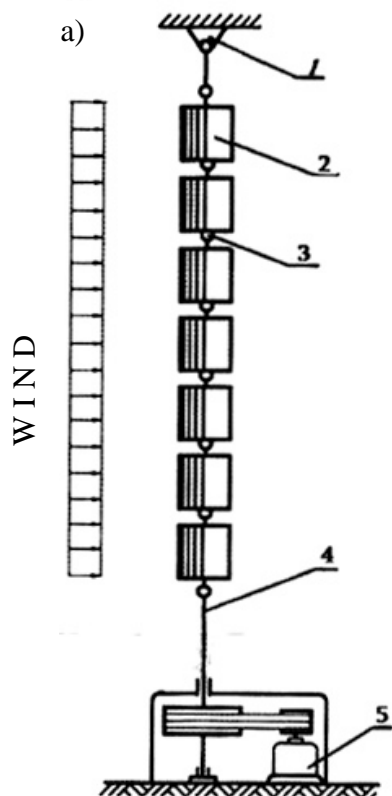


Fig. 1

PART G

G 10

(10) AP 2013 12800 A (51) Int. Cl. (2006)
G 10 D 7/10

(21) AP 2012 012800 (22) 2012 07 17

(71) Jemal Gogisvanidze (GE)
Vazisubnis Dasakhleba korp. 2a, b. 43,
0152 Tbilisi (GE)

(72) Jemal Gogisvanidze (GE)

(54) **TRUMPET "JEMALI"**

(57) There is represented wind instrument comprising: twice curved pipe-like barrel 1, bell 2 connected thereto, vent 3 with three pistons, mouthpiece 4, second bell 5 connected to twice curved pipe like barrel 1 and bypass vent 6 for bells supplement independently or simultaneously with air flow.

Claims: 1 independent

Fig.: 1

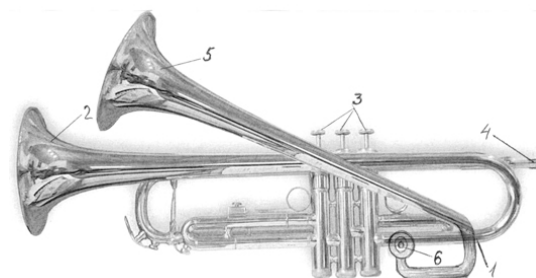


Fig. 1

PATENTED INVENTIONS

PART A

A 24

- (11) **P 2013 5893 B** (51) **Int. Cl. (2006)**
A 24 D 3/14
A 24 D 3/16
- (10) AP 2013 12474 A (44) 7(371)/2013
 (21) AP 2009 012474
 (22) 2009 04 30
 (24) 2009 04 30
 (31) PCT/HU2009/000041
 (32) 2009 04 30
 (33) HU
 (86) PCT/HU2009/000041, 2009 04 30
 (73) SZÖLLÖSI, Péter (HU)
 Törökbálinti út 36, H-1112 Budapest (HU);
 CSÁNYI, Jenő (HU)
 H-1124 Leite et 15, Hungary (HU)
 (72) SZARVAS, Tibor (HU)
 (74) Tamaz Shilakadze
 (54) **CIGARETTE FILTER**

A 47

- (11) **P 2013 5881 B** (51) **Int. Cl. (2006)**
A 47 C 27/06
- (10) AP 2013 11823 A (44) 7(371)/2013
 (21) AP 2008 011823
 (22) 2008 10 28
 (24) 2008 10 28
 (31) 11/978,869
 (32) 2007 10 29
 (33) US
 (86) PCT/US2008/012198, 2008 10 28
 (73) DREAMWELL, LTD. (US)
 2215-B Renaissance Drive, Suite 12,
 Las Vegas, NV 89119 (US)
 (72) DEFRANKS, Michael, S. (US);
 LYNN, Jeremy (US)
 (74) Alexander Gegechkori
 (54) **COMBINED CYLINDRIC AND
 CONIC SPRINGS**

A 61

- (11) **P 2013 5892 B** (51) **Int. Cl. (2006)**
A 61 K 31/422
A 61 K 9/00
A 61 K 9/06
A 61 K 9/20
A 61 P 13/02
A 61 P 15/00
A 61 P 15/02
A 61 P 31/04
- (10) AP 2013 12459 A (44) 7(371)/2013
 (21) AP 2010 012459
 (22) 2010 04 19
 (24) 2010 04 19
 (31) 09158221.3
 (32) 2009 04 20
 (33) EP
 (86) PCT/EP2010/055090, 2010 04 19
 (73) POLICHEM S.A. (LU)
 50, Val Fleuri, L-1526, Luxembourg (LU)
 (72) MAILLAND, Federico (IT)
 (74) George Taktakishvili
 (54) **NIFURATEL APPLICATION AT
 INFECTION TREATMENT
 CAUSED BY ATOPOBIUM**

- (11) **P 2013 5891 B** (51) **Int. Cl. (2006)**
A 61 M 5/24
B 05 C 17/01
A 61 M 5/00
B 05 C 17/00
- (10) AP 2013 12336 A (44) 7(371)/2013
 (21) AP 2010 012336
 (22) 2010 01 14
 (24) 2010 01 14
 (31) 0900199
 (32) 2009 01 16
 (33) FR
 (86) PCT/EP2010/050411, 2010 01 14
 (73) PRIMEQUAL SA (CH)
 17, Rue des Pierres-du-Niton, CH-1207
 Genève (CH)
 (72) WEILL, David (CH);
 CHASSOT, Pierre-Yves (CH).
 (74) Shalva Gvaramadze
 (54) **EJECTION DEVICE**

PART B**B 01**

- (11) P 2013 5886 B (51) Int. Cl. (2006)
B 01 J 20/18
C 02 F 1/28
C 02 F 1/64
- (10) AP 2013 12156 A (44) 6(370)/2013
(21) AP 2011 012156
(22) 2011 03 29
(24) 2011 03 29
(73) Tamaz Agladze (GE)
Ioselianis q. 2, b. 62, 0171, Tbilisi (GE);
Jemal Shengelia (GE)
Nutsbidzis q. 2, b. 9, 0177, Tbilisi (GE)
- (72) Tamaz Agladze (GE);
Jemal Shengelia (GE)
- (54) **METHOD OF OBTAINING FILTER
MEDIUM FOR PURIFICATION WATER
CONTAINING MANGANESE DIOXIDE**
-

B 22

- (11) P 2013 5885 B (51) Int. Cl. (2006)
B 22 F 3/14
- (10) AP 2013 12080 A (44) 7(371)/2013
(21) AP 2011 012080
(22) 2011 02 03
(24) 2011 02 03
(73) LEPL "FERDINAND TAVADZE
INSTITUTE OF METALLURGY AND
MATERIALS SCIENCE" (GE)
Al. Kazbegis Gamz. 15, 0160, Tbilisi (GE)
- (72) Davit Sakhvadze (GE);
Giorgi Tavadze (GE);
Alexander Steinberg (US);
Jumber Khantadze (GE);
Gigo Jandieri (GE);
Otar Okrostsvardze (GE)
- (54) **PRESS MOLD FOR SELF-
PROPAGATING HIGH-
TEMPERATURE SYNTHESIS AND
COMPACTION**
-

PART C**C 02**

- (11) P 2013 5887 B (51) Int. Cl. (2006)
C 02 F 1/00
- (10) AP 2013 12171 A (44) 6(370)/2013
(21) AP 2011 012171
(22) 2011 04 06
(24) 2011 04 06
(73) Tsitsino Kurtskhalia (GE)
Iv. Javakhishvilis q. 73, 0164, Tbilisi (GE);
Nikoloz Enukidze (GE)
Uznadzis q. 35, 0190, Tbilisi (GE);
Zaira Simonia (GE)
Saakadzis q. 84, 0180, Tbilisi (GE);
Nodar Chkheidze (GE)
Rustavelis q. 2/27, b. 60, 6000, Batumi (GE);
Eter Nadirashvili (GE)
Vazisubani, IV mkr., I kvart., korp. 8,
b. 132, 0177, Tbilisi (GE);
Gulnara Pavliashvili (GE)
Vazha-Pshavelas Gamz., VI kvart.,
korp. 15, b. 41, 0186, Tbilisi (GE);
Giorgi Burjanadze (GE)
Dighmis Mas., VI kvart., korp. 5, b. 25,
0159, Tbilisi (GE)
- (72) Nikoloz Enukidze (GE);
Zaira Simonia (GE);
Nodar Chkheidze (GE);
Eter Nadirashvili (GE);
Gulnara Pavliashvili (GE);
Giorgi Burjanadze (GE)
- (54) **METHOD OF COPPER-BEARING ORE
PIT-RUN WATERS PURIFICATION**
-

C 07

- (11) P 2013 5895 B (51) Int. Cl. (2006)
C 07 C 173/06
C 07 C 167/40
- (10) AP 2013 12581 A (44) 7(371)/2013
(21) AP 2012 012581
(22) 2012 02 20
(24) 2012 02 20
(73) Eter Kemertelidze (GE)
Pekinis Gamz. 33a, b. 40, 0160, Tbilisi (GE);
Alexandre Skhirtladze (GE)
Zahesis 3, b. 37, 0117, Tbilisi (GE);
Tsisana Sulakvelidze (GE)
Nutsbidzis q. 40, b. 40, 0177, Tbilisi (GE)
- (72) Eter Kemertelidze (GE);
Alexandre Skhirtladze (GE);
Tsisana Sulakvelidze (GE)
- (54) **METHOD OF OBTAINING DIGITONIN**
-

- (11) P 2013 5883 B** **(51) Int. Cl. (2006)**
C 07 D 213/82
A 61 K 31/44
A 61 P 13/02
- (10) AP 2013 12013 A (44) 7(371)/2013
(21) AP 2009 012013
(22) 2009 04 22
(24) 2009 04 22
(31) 2008-113135
(32) 2008 04 23
(33) JP
(86) PCT/JP2009/058434, 2009 04 22
(73) TAKEDA PHARMACEUTICAL
COMPANY LIMITED (JP)
1-1, Doshomachi 4-chome, Chuo-ku,
Osaka-shi, Osaka, 541-0045 (JP)
(72) YOSHIDA, Masato (JP);
SAKAUCHI, Nobuki (JP);
SATO, Ayumu (JP)
(74) Shalva Gvaramadze
(54) **IMINOPYRIDINE DERIVATIVES AND
USAGE THEREOF**

- (11) P 2013 5882 B** **(51) Int. Cl. (2006)**
C 07 D 401/04
A 61 K 31/506
A 61 P 35/02
- (10) AP 2013 11960 A (44) 7(371)/2013
(21) AP 2009 011960
(22) 2009 03 02
(24) 2009 03 02
(31) 12/042,235; 12/042,247
(32) 2008 03 04; 2008 03 04
(33) US; US
(86) PCT/IB2009/005421, 2009 03 02
(73) NATCO PHARMA LIMITED (IN)
Natco House, Road No 2, Banjara Hills,
Hyderabad, Andhra Pradesh 50003-3 (IN)
(72) KOMPELLA, Amala, Kishan (IN);
RACHAKONDA, Sreenivas (IN);
ADIBHATLA KALISATYA,
Bhujanga, Rao (IN);
VENKALIAH CHOWDARY, Nannapaneni (IN)
(74) Tamara Kochlamazashvili
(54) **CRYSTAL FORM OF PHENYLAMINO
PYRIMIDINE DERIVATIVES**

PART E**E 04**

- (11) P 2013 5884 B** **(51) Int. Cl. (2006)**
E 04 B 1/19
- (10) AP 2013 12079 A (44) 7(371)/2013
(21) AP 2011 012079
(22) 2011 02 02
(24) 2011 02 02
(73) Nugzar Shaishmelashvili (GE)
Vazha-Pshavelas Gamz., V kvart., korp. 2,
b. 43 , 0186, Tbilisi (GE);
Davit Azaryan (GE)
Gldanula, korp. 3a, b. 18, 0153, Tbilisi (GE)
(72) Nugzar Shaishmelashvili (GE);
Davit Azaryan (GE)
(54) **PARALLEL CHORD STRUCTURAL
FARM**

PART F**F 03**

- (11) P 2013 5890 B** **(51) Int. Cl. (2006)**
F 03 G 3/00
- (10) AP 2013 12305 A (44) 7(371)/2013
(21) AP 2011 012305
(22) 2011 07 15
(24) 2011 07 15
(31) 099123470
(32) 2010 07 16
(33) TW
(73) Yeh, Hung-Hsien (TW)
№314, Sec. 3, Zhongshan Rd., Wuri Dist.,
Taichung City, Taiwan (TW)
(72) Yeh, Hung-Hsien (TW)
(74) Tamaz Shilakadze
(54) **GRAVITY POWER GENERATING
APPARATUS**

F 16

- (11) P 2013 5888 B** **(51) Int. Cl. (2006)**
F 16 H 1/00
- (10) AP 2013 12173 A (44) 6(370)/2013
(21) AP 2011 012173
(22) 2011 04 07
(24) 2011 04 07
(73) Revaz Varsimashvili (GE)
Vazha-Pshavelas Gamz., V kvart., korp. 4,
b. 82, 0186, Tbilisi (GE);

Merab Kakhiani (GE)
Tamarashvilis q. 13 (Saburtalos q.-is
mkhridan), b. 1, 0186, Tbilisi (GE);
Zurab Varsimashvili (GE)
Mtskhetis q. 20, b. 34, 0179, Tbilisi (GE);
Akaki Kakhiani (GE)
Sulkhan Tsintsadzis q. 56, b.1, 0177,
Tbilisi (GE);
Revaz Kakhiani (GE)
Sulkhan Tsintsadzis q. 56, b.1, 0177,
Tbilisi (GE)

- (72) Revaz Varsimashvili (GE);
Merab Kakhiani (GE);
Zurab Varsimashvili (GE);
Akaki Kakhiani (GE);
Revaz Kakhiani (GE)

(54) **SPEED VARIATOR**

(11) P 2013 5894 B **(51) Int. Cl. (2006)**
F 16 H 3/36
B 60 K 17/06

- (10) AP 2013 12499 A (44) 7(371)/2013
(21) AP 2011 012499
(22) 2011 12 13
(24) 2011 12 13
(73) Merab Bibiluri (GE)
Bogdan Khmel'nitskis q. 155, b. 17, 0113,
Tbilisi (GE);
Gela Kipiani (GE)
Dzmebi Zubalashvilebis II chikhi 13, 0108,
Tbilisi (GE);
Malkhaz Nikoladze (GE)
Vazha-Pshavelas Gamz. 6, b. 34, 0160,
Tbilisi (GE)

- (72) Merab Bibiluri (GE);
Gela Kipiani (GE);
Malkhaz Nikoladze (GE)

(54) **GEARBOX**

(11) P 2013 5889 B **(51) Int. Cl. (2006)**
F 16 L 55/12

- (10) AP 2013 12224 A (44) 7(371)/2013
(21) AP 2009 012224
(22) 2009 03 25
(24) 2009 03 25
(31) 12/256,150
(32) 2008 10 22
(33) US
(86) PCT/US2009/038272, 2009 03 25
(73) TDW DELAWARE, INC. (US)
1100 Market Street, Suite 780,
Wilmington, DE 19801 (US)
(72) YEAZEL, Kenneth, L. (US);
PUCKETT, Gregory, L. (US);
GOSWICK, Richard, L. (US)
(74) Alexander Gegechkori
(54) **DOUBLE BLOCK AND BLEED PLUG**
-

UTILITY MODELS

APPLICATION APPROVED FOR GRANTING PATENT

The decision can be appealed at the Chamber of Appeal of Sakpatenti within 3 months from the publication or at the Mtskheta District Court Administrative Cases Board (Address: №17, Samkhedro str., Mtskheta), within 1 month following the publication.

PART A

A 21

(10) AU 2013 12891 U (51) Int. Cl. (2006)
A 21 C 9/06

(21) AU 2012 012891 (22) 2012 11 13

(71) Omar Marsagishvili (GE)

Krtsanisis q. 3, korp. "b", b. 2, 0114 Tbilisi
(GE)

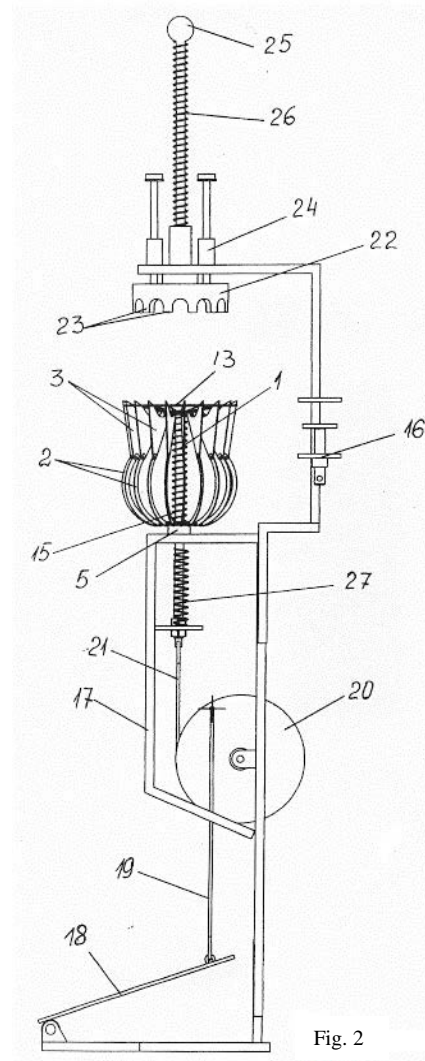
(72) Omar Marsagishvili (GE)

(54) **DEVICE FORMING KHINKALI**

(57) There is represented device comprising: vertical axis 1, circular plate 13 to place pastry and filling, upper 4 and lower 5 horizontal discs hingedly connected together by means of holders 2, and forming blades 3. Upper disc is fixed on vertical axis, whereon spring 15 is forced between upper and lower discs. The device is additionally equipped with cylindrical head 22 for pastry forming, which is reciprocally movable in vertical plane and is allocated above circular plate to place pastry and filling; it has lugs 23 for pastry preliminarily folding, which are equally spaced on whole perimeter and are directed down. The device is installed on a bed 17 having blacket 16, and vertical axis is reciprocally movable by means of drive. The drive is executed as treadle foot 18, the pulley 20 is tied thereby traction 19, and the traction 21 engaged with vertical axis is connected to pulley.

Claims: 1 independent

Fig.: 12



A 61**(10) AU 2013 12605 U (51) Int. Cl. (2006)****A 61 K 36/00**

(21) AU 2012 012605 (22) 2012 02 29

(71) Eter Kemertelidze (GE)

Pekinis Gamz. 33a, b. 40, 0160 Tbilisi (GE);

Mariam Benidze (GE)

Nutsubidzis q. 211, korp. 2, b. 12, 0186

Tbilisi (GE);

Aleksandre Skhirtladze (GE)

Zahesis q. 3, b. 37, 0117 Tbilisi (GE)

(72) Eter Kemertelidze (GE);

Mariam Benidze (GE);

Aleksandre Skhirtladze (GE)

(54) METHOD OF HERBAL DRUG**PREPARATION FOR****ATHEROSCLEROSIS TREATMENT**

(57) There is provided preparation method of herbal drug for atherosclerosis treatment. The drug is obtained from plant ground burnut – *Tribulus terrestris*. The method provides: plant above ground part double extraction with spirit at the room temperature, spirit distillation, aqueous extraction purification with chloroform, concentration thereof the vacuum, and mixing therewith fine-dispersed plant powder; at that, furostanol quantity reaches 42%, and furostanol glycoside quantity increases to 18% in extract.

Claims: 1 independent

PART B**B 29****(10) AU 2013 12657 U (51) Int. Cl. (2006)****B 29 B 17/00**

(21) AU 2012 012657 (22) 2012 04 05

(71) Artur Sulamanidze (GE)

Dighmis Mas., V kvart., 20 korp., b. 6,

0159 Tbilisi (GE);

Guram Gordadze (RU)

117342 Moskva, Ul. Profsoznaja d. 75, k. 3,

kv. 4 (RU);

Roland Labadze (GE)

Nutsubidzis Perd., IV mkr., STU-s Saerto

Sakhovrebili, korp. 2., b. 212a,

0183 Tbilisi (GE)

(72) Artur Sulamanidze (GE);

Guram Gordadze (RU);

Roland Labadze (GE)

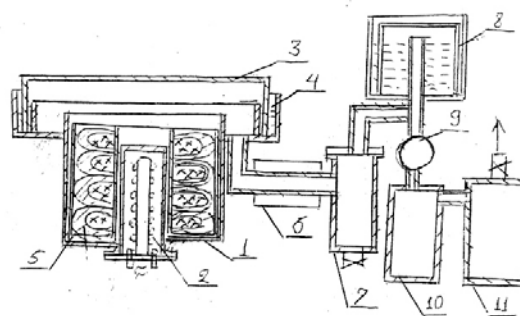
(54) DEVICE FOR PROCESSING WORN-**OUT TYRE CASING**

(57) There is represented device for processing worn-out tyre casing, which comprises metallic case 1, closed electrical heaters 2, cap 3, liquid lock 4, tyre casing container 5, refrigerator 6, liquid

storage 7, first and second gas storages 8 and 10, compressor 9, filter 10, and high pressure compressor 11.

Claims: 1 independent

Fig.: 1

**PART E****E 03****(10) AU 2013 12902 U (51) Int. Cl. (2006)****E 03 C 1/04****E 03 B 7/00**

(21) AU 2012 012902 (22) 2012 11 21

(71) Mamuka Macharashvili (GE)

L. Lagulashvilis q. 5/13, 0179 Tbilisi (GE)

(72) Mamuka Macharashvili (GE)

(54) CONNECTING T-JOINT

(57) There is represented connecting T-joint comprising case 1 with three branches, wherefrom two 2 and 3 are allocated lengthwise each other, and the third 4 is allocated vertically thereof. A partition 5 is executed between branches allocated lengthwise and is extended in vertical branch 4 so, that separates T-joint cavity in two parts 6 and 7. One part 6 has elongated zone 8 as an arm, and output hole 9 axis thereof matches vertical branch hole 10 axis. Vertical branch has an external thread 11.

Claims: 1 independent

Fig.: 2

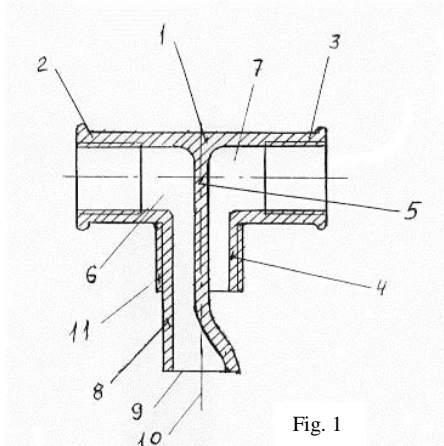


Fig. 1

PATENTED UTILITY MODEL

PART A

A 61

(11) U 2013 1774 Y (51) Int. Cl. (2006)
A 61 K 36/00

(10) AU 2013 12070 U (44) 6(370)/2013

(21) AU 2011 012070

(22) 2011 01 24

(24) 2011 01 24

(73) Raul Gotsiridze (GE)

Luka Asatianis q. 2/27, b. 53, 6000,

Batumi (GE);

Aliosha Bakuridze (GE)

Janashias q. 30/55, 0179, Tbilisi (GE)

(72) Raul Gotsiridze (GE);

Aliosha Bakuridze (GE)

(54) **HERBAL MEDICINE WITH
HEPATOPROTECTIVE EFFECT**

REGISTERED DESIGN

- (11) **D 2013 551 S** (51) **09-01**
(10) AD 2013 729 S (44) 7(371)/2013
(21) AD 2012 000729
(22) 2012 11 16
(24) 2012 11 16
(18) 2017 11 16
(73) Gela Gamtkitsulashvili (GE)
Tbilisis Gamz. 3, b. 8, 2200, Telavi (GE);
Gia Gamtkitsulashvili (GE)
Vazha-Pshavelas Gamz. 71, b. 7, 0186,
Tbilisi (GE)
(72) Gela Gamtkitsulashvili (GE);
Gia Gamtkitsulashvili (GE)
(54) **VESSEL**
-

TRADEMARKS

APPLICATIONS FILED UNDER THE NATIONAL PROCEDURE APPROVED FOR REGISTRATION

The decision can be appealed at the Chamber of Appeal of Sakpatenti within 3 months from the publication or at the Mtskheta District Court Administrative Cases Board (Address: №17, Samkhedro str., Mtskheta), within 1 month following the publication.

(260) AM 2013 68767 A
(210) AM 068767
(220) 2012 09 06
(731) Grant Vardanyani
N. Dumbadzis 1, bina 76, Erevan, Armenia
(740) Davit Zurabishvili
(540)



(591) Silver, white, grey
(531) 10.01.16-24.09.07-25.07.25-27.05.05-
27.05.24-29.01.12-
(511) 34

(260) AM 2013 68879 A
(210) AM 068879
(220) 2012 09 18
(731) ODEON TURİZM İŞLETMECİLİĞİ A.Ş.
Cumhuriyet Cad. No: 181 Harbiye Şişli,
İstanbul, Turkey
(740) Khatuna Imnadze
(540)



(591) Blue, white, red, sky, light and dark
green, light and dark yellow
(531) 26.01.12-27.05.05-27.05.17-
(511) 39, 43

(260) AM 2013 68880 A
(210) AM 068880
(220) 2012 09 18
(731) American International Group, Inc.
American Maidan Lane., New York,
NY 10038, USA
(740) Shalva Gvaramadze
(540)



(591) Black-white
(531) 26.04.24-27.05.24-
(511) 36

(260) AM 2013 68881 A
(210) AM 068881
(220) 2012 09 18
(220) 2012 09 18
(731) American International Group, Inc.
American Maidan Lane., New York,
NY 10038, USA
(740) Shalva Gvaramadze
(540)



(591) Black-white
(531) 26.04.22-27.05.23-
(511) 36

(260) AM 2013 69241 A
(210) AM 069241
(220) 2012 10 15
(731) RAK CERAMICS P.S.K.
P.O. 4714, Al-Jazeera Al-Hamra Main Road
Ras-Al-khaimah, United Arab Emirates
(740) Tamaz Shilakadze
(540)



(591) Red, cream
 (531) 24.09.07-24.09.25-29.01.13-
 (511) 8, 21, 24

(260) AM 2013 69242 A
 (210) AM 069242
 (220) 2012 10 15
 (731) KLUDI-RAK LLC
 P.O. 6679, Al-Jazeera Al-Hamra Main Road
 Ras-Al-khaimah, United Arab Emirates
 (740) Tamaz Shilakadze
 (540)



(591) Light green, white
 (531) 26.04.24-26.11.08-27.05.11-27.05.24-
 29.01.12-
 (511) 6, 11

(260) AM 2013 69243 A
 (210) AM 069243
 (220) 2012 10 15
 (731) ELEGANCE CERAMICS LLC
 P.O. 4569, Al-Jazeera Al-Hamra Main Road
 Ras-Al-khaimah, United Arab Emirates
 (740) Tamaz Shilakadze
 (540)



(591) Orange, grey
 (531) 27.05.01-29.01.12-
 (511) 19

(260) AM 2013 69306 A
 (210) AM 069306
 (220) 2012 10 18
 (731) ACCOR
 110 Avenue de France, 75013 PARIS, France
 (740) Liliana Darakhvelidze
 (540)

PULLMAN

(591) Black-white
 (511) 35, 43

(260) AM 2013 69307 A
 (210) AM 069307
 (220) 2012 10 18

(731) ACCOR
 110 Avenue de France, 75013 PARIS, France
 (740) Liliana Darakhvelidze
 (540)



(591) Dark grey color (Panton 432C), white
 (531) 26.04.24-27.05.24-
 (526) **DISCLAIMER** – The trademark is protected
 as a whole, single word elements "HOTELS AND
 RESORTS" in the trademark, shall not be subject to
 independent legal protection.
 (511) 35, 43

(260) AM 2013 69312 A
 (210) AM 069312
 (220) 2012 10 18
 (731) Hassad Food Company Q.S.K.
 Hassad Food Buildingi P.O. Box 25566,
 Doha, Qatar
 (740) Giorgi Taktakishvili
 (540)



(591) Black-white
 (531) 05.03.14-05.05.20-26.01.06-28.01.00-
 (511) 29, 30, 31, 44

(260) AM 2013 69314 A
 (210) AM 069314
 (220) 2012 10 18
 (731) DecoArt, Inc.
 A Kentucky corporation, P.O. Box 297,
 Stanford, Kentucky 40484, USA
 (740) Shalva Gvaramadze
 (540)



(591) Black-white
 (531) 26.01.02-26.01.20-26.11.13-27.05.24-
 (511) 2

(260) AM 2013 69330 A
 (210) AM 069330
 (220) 2012 10 22
 (731) LTD "Aversi-Pharma"
 David Agmasheneblis gamz. 148/2, 0112,
 Tbilisi, Georgia

(540)

მობიკამი

Мобикам

Мобусам

(591) Black-white

(511) 5

(260) AM 2013 69335 A

(210) AM 069335

(220) 2012 10 23

(731) CHRYSLER GROUP LLC

1000 Chrysler Drive, City of Auburn Hills,
State of Michigan 48326, USA

(740) Giorgi Taktakishvili

(540)

CHEROKEE

(591) Black-white

(511) 12

(260) AM 2013 69451 A

(210) AM 069451

(220) 2012 10 30

(310) 85/612,515

(320) 2012 04 30

(330) US

(731) The Ronald Reagan Presidential

Foundation
40 Presidential Drive, Simi-Valley, California
93065, USA

(740) Giorgi Meipariani

(540)

REAGAN FREEDOM CENTER

(591) Black-white

(511) 35, 36, 41

(260) AM 2013 69452 A

(210) AM 069452

(220) 2012 10 30

(731) GENERAL MOTORS LLC

300 Renaissance Center, City of Detroit, State
of Michigan 48265-3000, USA

(740) Giorgi Taktakishvili

(540)

DOCKSPOT

(591) Black-white

(531) 27.05.17-

(511) 9

(260) AM 2013 69494 A

(210) AM 069494

(220) 2012 10 31

(731) Ares Trading S.A.

Zone Industrielle de l'Ouriettaz, CH-1170

Aubonne, Switzerland

(740) Shalva Gvaramadze

(540)

SAIZEN

(591) Black-white

(511) 5

(260) AM 2013 69656 A

(210) AM 069656

(220) 2012 11 12

(731) PHILIP MORRIS PRODUCTS S.A.

Quai Jeanrenaud 3, 2000 NEUCHATEL,
Switzerland

(740) Shalva Gvaramadze

(540)



(591) Different tone sky, blue, white, red

(531) 03.01.02-24.01.15-24.17.09-25.01.01-
27.05.10-29.01.14-

(511) 34

(260) AM 2013 69657 A

(210) AM 069657

(220) 2012 11 12

(731) PHILIP MORRIS PRODUCTS S.A.

Quai Jeanrenaud 3, 2000 NEUCHATEL,
Switzerland

(740) Shalva Gvaramadze

(540)



(591) Grey, different tone blue, white, red

(531) 03.01.02-24.01.15-24.17.09-25.01.01-
27.05.10-29.01.14-

(511) 34

(260) AM 2013 69693 A
 (210) AM 069693
 (220) 2012 11 15
 (731) S.C. Johnson & Son, Inc.
 A Wisconsin corporation, 1525 Howe Street,
 Racine, Wisconsin 53403-2236, USA
 (740) Shalva Gvaramadze
 (540)

FOOTSILK

(591) Black-white
 (511) 3

(260) AM 2013 69721 A
 (210) AM 069721
 (220) 2012 11 16
 (731) Transatlantic Holdings, Inc.
 80 Pine Street, New-York, NY 10005, USA
 (740) Shalva Gvaramadze
 (540)

TRANSRE

(591) Black-white
 (511) 36

(260) AM 2013 69722 A
 (210) AM 069722
 (220) 2012 11 16
 (731) Transatlantic Holdings, Inc.
 80 Pine Street, New-York, NY 10005, USA
 (740) Shalva Gvaramadze
 (540)



(591) Black, white
 (531) 26.01.12-27.05.17-
 (511) 36

(260) AM 2013 69724 A
 (210) AM 069724
 (220) 2012 11 19
 (310) 85/727676
 (320) 2012 09 12
 (330) US
 (731) IBay Inc.
 2145 Hamilton Avenue, San-Jose, CA 95125,
 USA
 (740) Tamaz Shilakadze
 (540)



(591) Red, blue, yellow, green
 (531) 27.05.17-29.01.14-
 (511) 35

(260) AM 2013 69751 A
 (210) AM 069751
 (220) 2012 11 21
 (731) LTD "MARTIXI"
 Takaishvilis q. 80, 6000, Batumi, Georgia
 (740) Givi Akopashvili
 (540)

MASSIMO

(591) Black-white
 (531) 27.05.01-
 (511) 34

(260) AM 2013 69753 A
 (210) AM 069753
 (220) 2012 11 21
 (731) China FAW Corporation Limited
 No 2259, Dongfeng Street, National
 Changchun Xixin Economic-Technological
 Development Area, Jilin Province, China
 (740) Giorgi Taktakishvili
 (540)

BESTURN

(591) Black-white
 (531) 27.05.17-
 (511) 12, 37

(260) AM 2013 69799 A
 (210) AM 069799
 (220) 2012 11 26
 (731) ESPRIT INTERNATIONAL
 (a California Limited Partnership)
 1370 Broadway, New York, New York
 10018, USA
 (740) Tamar Kochlamazashvili
 (540)

EDC

(591) Black-white
 (511) 18, 25

(260) AM 2013 69800 A
 (210) AM 069800
 (220) 2012 11 26
 (731) ESPRIT INTERNATIONAL
 (a California Limited Partnership)
 1370 Broadway, New York, New York
 10018, USA
 (740) Tamar Kochlamazashvili
 (540)

ESPRIT

(591) Black-white
 (511) 18, 25

(260) AM 2013 69801 A
 (210) AM 069801
 (220) 2012 11 26
 (731) ESPRIT INTERNATIONAL
 (a California Limited Partnership)
 1370 Broadway, New York, New York
 10018, USA
 (740) Tamar Kochlamazashvili
 (540)

ESPRIT

(591) Black-white
 (531) 27.05.01-
 (511) 18

(260) AM 2013 69809 A
 (210) AM 069809
 (220) 2012 11 27
 (731) Cilag GmbH International
 Landis+Gyr-Strasse 1, CH-6300 Zug,
 Switzerland
 (740) Giorgi Taktakishvili
 (540)



(591) White, grey, pink, blue, sky
 (531) 02.09.10-24.15.13-29.01.14-
 (511) 5

(260) AM 2013 69812 A
 (210) AM 069812
 (220) 2012 11 28
 (731) LTD "GEO-ALCO"
 Lilos 51, 0103, Tbilisi, Georgia
 (740)
 (540)



(591) Black-white
 (531) 05.07.10-11.03.02-24.01.03-24.01.10-
 24.01.15-25.01.05-27.05.05-28.19.00-
 (511) 33

(260) AM 2013 69817 A
 (210) AM 069817
 (220) 2012 11 29
 (731) Joint-Stock Company "Vere XXI"-s
 Saojakho Medicinis Sascavlo Klinikuri Centri
 Kiachelis q. 18, 0119, Tbilisi, Georgia
 (740)
 (540)



(591) Grey and green
 (531) 26.03.24-27.05.19-28.19.00-29.01.12-
 (511) 44

(260) AM 2013 69823 A
 (210) AM 069823
 (220) 2012 11 29
 (731) MITSUBISHI JIDOSHA KOGYO
 KABUSHIKI KAISHA
 33-8, Shiba 5-chome, Minato-ku, Tokyo,
 Japan
 (740) Tamar Kochlamazashvili
 (540)

FORTIS

(591) Black-white
 (511) 12

(260) AM 2013 69824 A
 (210) AM 069824
 (220) 2012 11 29
 (731) MITSUBISHI JIDOSHA KOGYO
 KABUSHIKI KAISHA
 33-8, Shiba 5-chome, Minato-ku, Tokyo,
 Japan
 (740) Tamar Kochlamazashvili
 (540)

LANCER

(591) Black-white
 (511) 12

(260) AM 2013 69825 A
 (210) AM 069825
 (220) 2012 11 29
 (731) MITSUBISHI JIDOSHA KOGYO
 KABUSHIKI KAISHA
 33-8, Shiba 5-chome, Minato-ku, Tokyo,
 Japan
 (740) Tamar Kochlamazashvili
 (540)

PAJERO

(591) Black-white
 (511) 12

(260) AM 2013 69857 A
 (210) AM 069857
 (220) 2012 11 30
 (731) Eldar Zhoras dze Iukuridze
 Zhukovskis q. 19, b. 9, q. Odesa, Ukraine
 (740) Shalva Gvaramadze
 (540)

SHABO

(591) Black-white
 (531) 26.13.25-27.05.17-
 (511) 33

(740) Giorgi Taktakishvili
 (540)

Peros

(591) Red
 (531) 27.05.03-29.01.01-
 (511) 3, 5, 16

(260) AM 2013 69858 A
 (210) AM 069858
 (220) 2012 11 30
 (731) Shevron Intellectual Property
 A Company organized and existing under the
 laws of the State of Delaware
 6001 Bollinger Canyon Road, San Ramon,
 CA 94583, USA
 (740) Shalva Gvaramadze
 (540)

**TECHRON
 WORKS**

(591) Black-white
 (531) 26.11.12-27.05.08-
 (511) 1, 4

(260) AM 2013 69859 A
 (210) AM 069859
 (220) 2012 11 30
 (731) SUMITOMO CHEMICAL CO.
 LTD, 27-1, Shinkawa 2-chome, Chuo-ku,
 Tokyo 104-8260, Japan
 (740) Shalva Gvaramadze
 (540)

ZOOM

(591) Black-white
 (511) 1, 5

(260) AM 67188 A*
 (210) AM 067188
 (220) 2012 04 30
 (731) BEYAZ KAĞIT VE HİJYENİK
 ÜRÜNLER TEMİZLİK İNŞAAT SANAYİ
 TİCARET LİMİTED ŞİRKETİ
 Hacı Sabancı Organise Sanayi Bölgesi 28.
 Cadde №5 Yüreğir-Adana - ADANA,
 Turkey

REGISTERED TRADEMARKS

(111) M 2013 023781 R
(151) 2013 06 19
(181) 2023 06 19
(260) AM 2012 66475 A
(220) 2012 03 12

(732) LTD "Suliko"
Jincharadzis q.14, bina 2, 6000, Batumi,
Georgia

(111) M 2013 023842 R
(151) 2013 07 19
(181) 2023 07 19
(260) AM 2011 60071 A
(220) 2010 11 02

(732) Berlin-Chemie AG
Glienicke Weg 125, 12489 Berlin, Germany

(111) M 2013 023843 R
(151) 2013 07 19
(181) 2023 07 19
(260) AM 2011 60072 A
(220) 2010 11 02

(732) Berlin-Chemie AG
Glienicke Weg 125, 12489 Berlin, Germany

(111) M 2013 023844 R
(151) 2013 07 19
(181) 2023 07 19
(260) AM 2012 63006 A
(220) 2011 06 30

(732) Joint-Stock Company "Liberti banki"
Ilia Chavchavadzis gamz. 74, 0162, Tbilisi,
Georgia

(111) M 2013 023845 R
(151) 2013 07 19
(181) 2023 07 19
(260) AM 2012 63395 A
(220) 2011 07 26

(732) Joint-Stock Company "Liberti banki"
Ilia Chavchavadzis gamz. 74, 0162, Tbilisi,
Georgia

(111) M 2013 023846 R
(151) 2013 07 19
(181) 2023 07 19
(260) AM 2012 65946 A
(220) 2012 01 24

(732) Joint-Stock Company "Qartuli Ludis Kompania"
Sopeli Saguramo, 3311, Mtskhetis raioni,
Georgia

(111) M 2013 023847 R
(151) 2013 07 19
(181) 2023 07 19
(260) AM 2012 65947 A
(220) 2012 01 24

(732) Joint-Stock Company "Qartuli Ludis Kompania"
Sopeli Saguramo, 3311, Mtskhetis raioni,
Georgia

(111) M 2013 023848 R
(151) 2013 07 19
(181) 2023 07 19
(260) AM 2012 66039 A
(220) 2012 02 01

(732) Joint-Stock Company "Qartuli Ludis Kompania"
Sopeli Saguramo, 3311, Mtskhetis raioni,
Georgia

(111) M 2013 023849 R
(151) 2013 07 19
(181) 2023 07 19
(260) AM 2012 66040 A
(220) 2012 02 01

(732) Joint-Stock Company "Qartuli Ludis Kompania"
Sopeli Saguramo, 3311, Mtskhetis raioni,
Georgia

(111) M 2013 023850 R
(151) 2013 07 19
(181) 2023 07 19
(260) AM 2012 66041 A
(220) 2012 02 01

(732) Joint-Stock Company "Qartuli Ludis Kompania"
Sopeli Saguramo, 3311, Mtskhetis raioni,
Georgia

(111) M 2013 023851 R
(151) 2013 07 19
(181) 2023 07 19
(260) AM 2012 66048 A
(220) 2012 02 01

(732) Joint-Stock Company "Qartuli Ludis Kompania"
Sopeli Saguramo, 3311, Mtskhetis raioni,
Georgia

(111) M 2013 023852 R
(151) 2013 07 19
(181) 2023 07 19
(260) AM 2013 66408 A
(220) 2012 03 05
(732) Fischer Pharmaceuticals Ltd.
9 Bar Yochai Street, Bnei Brak, Israel

(111) M 2013 023853 R
(151) 2013 07 19
(181) 2023 07 19
(260) AM 2013 66534 A
(220) 2012 03 15
(732) Fischer Pharmaceuticals Ltd.
9 Bar Yochai Street, Bnei Brak, Israel

(111) M 2013 023854 R
(151) 2013 07 19
(181) 2023 07 19
(260) AM 2013 66614 A
(220) 2012 03 21
(732) Sviatoslav Nechytailo
Zankovetska st.4, flat 27, Kievi, Ukraine

(111) M 2013 023855 R
(151) 2013 07 19
(181) 2023 07 19
(260) AM 2013 66829 A
(220) 2012 04 03
(732) LTD "MARTIXI"
E. Takaishvilis q. 80, 6000, Batumi, Georgia

(111) M 2013 023856 R
(151) 2013 07 19
(181) 2023 07 19
(260) AM 2013 66850 A
(220) 2012 04 05
(732) Gia Tikaradze
Ilia Chavchavadzis q. 15, 4200, Signagi,
Georgia

(111) M 2013 023857 R
(151) 2013 07 19
(181) 2023 07 19
(260) AM 2013 67133 A
(220) 2012 04 26
(732) TOYOTA JIDOSHA KABUSHIKI
KAISHA (also trading as TOYOTA
MOTOR CORPORATION)
1, Toyota-Cho, Toyota-Shi, Aichi-Ken, Japan

(111) M 2013 023858 R
(151) 2013 07 19
(181) 2023 07 19
(260) AM 2013 67344 A
(220) 2012 05 16
(732) EGIS Gyógyszergyár Nyilvánosan
Működő Részvénytársaság
30-38, Keresztúri út. Budapest, H-1106,
Hungary

(111) M 2013 023859 R
(151) 2013 07 19
(181) 2023 07 19
(260) AM 2013 67394 A
(220) 2012 05 21
(732) LTD "IMERETI"
Ilia Chavchavadzis gamz. 53a, 4600, Kutaisi,
Georgia,

(111) M 2013 023860 R
(151) 2013 07 19
(181) 2023 07 19
(260) AM 2013 67412 A
(220) 2012 05 23
(732) Ilia Ukhurgunashvili;
Saburtalos q. 30a, bina 49, 0160, Tbilisi,
Georgia

(111) M 2013 023861 R
(151) 2013 07 19
(181) 2023 07 19
(260) AM 2013 67413 A
(220) 2012 05 23
(732) Abraxic Bioscience, LLC
11755 Wilshire Blvd., 20 Floor, Los Angeles,
CA 90025, USA

(111) M 2013 023862 R
(151) 2013 07 19
(181) 2023 07 19
(260) AM 2013 67417 A
(220) 2012 05 23
(732) MARS, INCORPORATED
6885 Elm Street Mclean, Virginia
22101-3883, USA

(111) M 2013 023863 R
(151) 2013 07 19
(181) 2023 07 19
(260) AM 2013 67460 A
(220) 2012 05 28

(732) LTD "FERMOFENSI"

Didi Digomi, Farnavazis gamz. avtosadgomis
(puris satskhobis) mimdebared, 0131, Tbilisi,
Georgia

(111) M 2013 023864 R

(151) 2013 07 19

(181) 2023 07 19

(260) AM 2013 67697 A

(220) 2012 06 19

(732) Magda Kevlishvili

Jansug Kakhidzis (kopili Krilovis) q.12, 0102,
Tbilisi, Georgia

TRADEMARKS REGISTERED ACCORDING TO THE ACCELERATED PROCEDURE

The decision can be appealed at the Chamber of Appeal of Sakpatenti within 3 months from the publication.

(111) M 2013 23836 R
(151) 2013 07 08
(181) 2023 07 08
(210) AM 072194
(220) 2013 05 13
(732) Tinatin Apkhaidze
A. Tseretlis gamz. 87, 0119, Tbilisi, Georgia
(740) Davit Gugava
(540)



(591) Bordeaux and white
(531) 26.01.20-26.07.05-28.19.00-29.01.01-
(526) **DISCLAIMER** – The trademark is protected as a whole, word except „საბჭოთა“ shall not be subject to independent legal protection.
(511) 29, 30, 31, 43

(111) M 2013 23837 R
(151) 2013 07 08
(181) 2023 07 08
(210) AM 072790
(220) 2013 06 20
(732) LTD "Global Education LLC"
Kostavas q. 27, 0179, Tbilisi,
Georgia
(540)



(591) Green, white
(531) 26.04.24-26.11.13-27.05.24-29.01.12-
(511) 16, 41

(111) M 2013 23838 R
(151) 2013 07 08
(181) 2023 07 08
(210) AM 072792
(220) 2013 06 20
(732) Obshestvo s Ogranichennoi Otvetstvennostiu
"DEMIKS"

Ul. Shelkovichnaya, 42-44, Kiev, 01601
Ukraine
(740) Giorgi Taktakishvili
(540)



(591) Black-white
(531) 26.04.24-27.05.24-28.05.00-
(526) **DISCLAIMER** – The trademark is protected as a whole, word except „электронинструмент“ shall not be subject to independent legal protection.
(511) 7

(111) M 2013 23839 R
(151) 2013 07 16
(181) 2023 07 16
(210) AM 072875
(220) 2013 06 28
(732) Tengiz Abesadze
M. Dvalishvilis q. 15, 4600, Kutaisi, Georgia
(740) Archil Geguchadze
(540)



(591) Black-white
(531) 27.05.21-
(511) 41, 43, 44

(111) M 2013 23840 R
(151) 2013 07 16
(181) 2023 07 16
(210) AM 072883
(220) 2013 06 28
(732) Nissan Jidosha Kabushiki Kaisha
(also trading as Nissan Motor Co., Ltd.)
№2 Takaracho, Kanagawa-ku, Yokohama-shi,
Kanagawa-ken, Japan
(740) Shalva Gvaramadze
(540)

I N F I N I T I

(591) Black-white
(531) 27.05.17-
(511) 30

(111) M 2013 23841 R
(151) 2013 07 18
(181) 2023 07 18
(210) AM 072868
(220) 2013 06 27
(732) Medac Gesellschaft Für Klinische
Spezialpräparate mbH
Theaterstrasse 6, 22880 Wedel, Germany
(740) Giorgi Taktakishvili
(540)

Методжект

(591) Black-white
(511) 5

(111) M 2013 23865 R
(151) 2013 07 19
(181) 2023 07 19
(210) AM 073035
(220) 2013 07 09
(732) LTD "STROMOSI"
Tbilisi-Tsiteli khidis gzatkecilis
21-e km-s mimdebare teritoria, 3700,
Rustavi, Georgia
(740) Natia Jejelava
(540)



(591) Red, white
(531) 26.01.12-26.01.18-27.05.21-
(511) 12, 39, 41

INTERNATIONAL TRADEMARKS FOR WHICH A DECISION ON GRANTING PROTECTIONS IS TAKEN

The decision can be appealed at the Chamber of Appeal of Sakpatenti within 3 months from the publication or at the Mtskheta District Court Administrative Cases Board (Address: №17, Samkhedro str., Mtskheta), within 1 month following the publication.

(260) AM 2013 68294 A

(800) 1121070

(731) CALENDAR KOKOKU CO., LTD.

21-20, Higashinodacho 1-chome,
Miyakojima-ku, Osaka-shi, Osaka 534-0024,
Japan

(540)



(591) Black, white

(511)

16 – Bags of paper for packaging; binders; boxes of cardboard or paper; calendars; paper; pen cases; printed matter; stationery.

(260) AM 2013 68473 A

(800) 1122327

(731) Grupo Massimo Dutti, S.A.

Avenida de la Diputación, edificio Inditex,
E-15142 ARTEIXO (A Coruña), Spain

(540)



(591) Black, white

(511)

3 – Soaps; perfumery, essential oils, cosmetics, hair lotions; dentifrices; shampoos; cosmetic kits; hair removers; make-up removing preparations; deodorants for personal use (perfumery); lipstick; cosmetic pencils; hair and nail lacquers; lacquer-removing agents; tissues impregnated with cosmetic lotions; towelettes, wet wipes or cloths impregnated with cosmetic lotions or detergents, after-shave lotions; lotions for cosmetic use; make-up products; ointments for cosmetic use; products for imparting a fragrance to clothes; nail care products; bleaches for cosmetic use; flower extracts (perfumery); decora-

tive patterns for cosmetic use; false eyelashes and nails; pumice stone; cosmetic preparations for slimming; cosmetic preparations for baths; hair-waving preparations; washing agents; toiletries; oral care products for non-medical use; bath salts, not for medical use; sanitary products which are personal hygiene products; oils for toiletry purposes; sunscreen products (cosmetic skin-tanning preparations); eau de cologne; deodorant soaps; talcum powder for toiletry purposes; adhesives for cosmetic use; greases for cosmetic use; abrasives; shaving products; cotton sticks for cosmetic use; beauty masks; mustache wax; bleaching products; hair dyes; eyebrow cosmetics; hair removal wax; shampoos for pets; cosmetics for animals; cosmetic creams; disinfectant soaps; bars of soap; soap for preventing foot perspiration; cleansing milks; scented water; perfumes; cosmetics for eyelashes; skin care cosmetics; make-up powder; adhesives for affixing hairpieces; softeners; cosmetic dyes; dye-removing agents; toilet water.

(260) AM 2013 68475 A

(800) 1122351

(731) Proizvodstvennoe Respublikanskoe

Unitarnoe Predpriyatie "Minskintercaps"

ul. Inzhenernaya 26, 220075 Minsk, Belarus

(540)

Урсокапс

(591) Black, white

(511)

5 – Pharmaceutical and veterinary preparations.

(260) AM 2013 68541 A

(800) 1122729

(731) I.M.M. HYDRAULICS S.P.A.

Via Italia, 49-51, EX Contrada Saletti, Zona Industriale, ATESSA (Chieti), Italy

(540)



(591) Black, white

(511)

6 – Metal pipes and tubes; metal pipes and metal fittings therefor; metal junctions for pipes; elbows of metal for pipes; metal pipe collars; metal pipe fittings for compressed air pipes; metal hose fittings.

17 – Flexible pipes, not of metal; rubber tubes and pipes; rings of rubber for use as pipe connection seals; pipe gaskets; hydraulic hoses made of rubber.

37 – Installation, repair and maintenance of pipes and tubes and metal and rubber fittings therefor.

(260) AM 2013 68542 A

(800) 1122856

(731) Zentiva Group, a.s.

U kabelovny 130 CZ-102 37 Praha 10 – dolní Měcholupy, Czech Republic

(540)

SIDATRIA

(591) Black, white

(511)

5 – Medicines, pharmaceutical preparations for human use.

(260) AM 2013 68543 A

(800) 1122857

(731) Zentiva Group, a.s.

U kabelovny 130 CZ-102 37 Praha 10 – dolní Měcholupy, Czech Republic

(540)

TERIPAOS

(591) Black, white

(511)

5 – Medicines, pharmaceutical preparations for human use.

(260) AM 2013 68544 A

(800) 1122858

(731) Zentiva Group, a.s.

U kabelovny 130 CZ-102 37 Praha 10 – dolní Měcholupy, Czech Republic

(540)

TERIPOS

(591) Black, white

(511)

5 – Medicines, pharmaceutical preparations for human use.

(260) AM 2013 68545 A

(800) 1122862

(731) PATCH MEDIA CORPORATION;

584 BROADWAY, SUITE 1206,
NEW YORK NY 10012, USA

(540)

PATCH

(591) Black, white

(511)

35 – Advertising services, namely, providing space in an online newspaper and dissemination of advertisements and classified advertising for others online and on wireless and mobile devices; providing news, information and listings on a variety of topics of general and local interest, namely, politics and business.

38 – Providing streaming video and audio material on the Internet and on wireless and mobile devices.

41 – Providing online non-downloadable newspapers featuring news, information and listings on a variety of topics of general and local interest; providing news, information and listings on a variety of topics of general and local interest, namely, news in the nature of current events reporting, sports, entertainment, the arts, and leisure activities.

(260) AM 2013 68546 A

(800) 1122890

(731) charmante srl; Via Bassa di Casalmoro, 3, I-46042 Asola (MN), Italy

(540)



(591) Black, white

(511)

25 – Clothing for children, namely ready made clothing, jackets, briefs, pants, coats, hosiery, shirts, underwear, clothing accessories, swimsuits, Bermuda, shirts.

(260) AM 2013 68547 A

(800) 1122902

(731) JIANGSU SUN & MOON LIGHTING CO., LTD.

Jianhu Economic Development Zone Jiangsu Province, China

(540)



(591) Black, white

(511)
11 – Lamps; light bulbs; electric lamps; lighters; lamp casings; discharge tubes, electric, for lighting; lighting apparatus and installations; germicidal lamps for purifying air; street lamps; ultraviolet ray lamps, not for medical purposes.

(260) AM 2013 68548 A

(800) 1122923

(731) Heineken Brouwerijen B.V.
Tweede Weteringplantsoen 21, NL-1017
ZD Amsterdam, Netherlands

(540)



(591) Various shades of green, white, black, grey and red

(511)

32 – Beers.

(260) AM 2013 68549 A

(800) 1122935

(731) Zentiva, k.s.
U Kabelovny 130, CZ-102 37 Praha
10 – Dolní Měcholupy, Czech Republic

(540)

HEPAROID

(591) Black, white

(511)

5 – Medicines, human pharmaceutical preparations.

(260) AM 2013 68550 A

(800) 1122936

(731) Kabushiki Kaisha Miyake Design
Jimsho (also trading as Miyake Design
Studio)
1-23 Ohyamacho, Shibuya-ku, Tokyo
151-0065, Japan

(540)

**PLEATS
PLEASE**

ISSEY MIYAKE

(591) Black, white

(511)

3 – Soaps and detergents; dentifrices; make-up powders, toilet water; cosmetic creams; cheek colors; cosmetic rouges; hair care cosmetic preparations; liquid perfumes; perfumes; cleansing cosmetic creams; cosmetic lotions; skin cosmetic preparations; bath cosmetics; hair lotions; eye cosmetics; eyebrow cosmetics; talcum powders for toilet use; depilatories; body deodorant cosmetics; perfumery, fragrances and incenses; abrasive papers; abrasive cloth; abrasive sand; artificial pumice stones; polishing papers; false nails; false eyelashes.

21 – Industrial packaging containers of glass; industrial packaging containers of ceramics; clothes brushes; face-powder cases; pocket mirrors; pocket mirrors bags; combs; comb cases; cosmetic cream cases; make-up sets; toilet sponges; toilet brushes; fitted vanity cases; perfume sprayers; powder compacts; soap holders and boxes; nail brushes; powder puffs; shaving brushes; shaving brush stands; hair brushes; lip brushes; eyebrow brushes; soap trays; toilet cases; cosmetic and toilet utensils; shoe brushes; shoe horns; shoe shine cloths; handy shoe shiners; shoe-trees; brushes; polishing cloth.

(260) AM 2013 68555 A

(800) 1122961

(731) Zakrytoe Aktsionernoe Obschestvo "T.B.M."
Volkovskoe Schosse, Vladenie 15, Building 1,
RU-141006 Mytischy, Moskovskaya Obl.,
Russian Federation

(540)

ALUMARK

(591) Black, white

(511)

6 – Common metals and their alloys; metal building materials; transportable buildings of metal; materials of metal for railway tracks; non-electric cables and wires of common metal; ironmongery, small items of metal hardware; pipes and tubes of metal; safes; goods of common metal [not included in other classes]; ores; anchors; fittings of metal for building; letters and numerals of common metal, except type; screws of metal; sleeves [metal hardware]; signboards of metal; nuts of metal; nails; brads; doors of metal; packaging containers of metal; bungs of metal; latch bars of metal; window fasteners of metal; crampons of metal [cramps]; rivets of metal; padlocks; locks of metal, other than electric; spring locks; box fasteners of metal; door bolts; bolts; door bells, non-electric; hardware of metal, small; framework of metal for building; cornices of metal; keys; bed casters of metal; furniture casters of metal; pillars of metal for buildings; rings of common metal for keys; copper rings; ferrules of metal; rings of metal; door fittings, of metal; fittings of metal for

windows; buildings, transportable, of metal; buildings of metal; door cases of metal; roofing of metal; brackets of metal for building; hooks [metal hardware]; hooks for slate [metal hardware]; hooks of metal for clothes rails; clothes hooks of metal; scaffolding of metal; staircases of metal; ladders of metal; reinforcing materials of metal for building; building materials of metal; door knockers; porches of metal [building]; wall claddings of metal [building]; wall linings of metal [building]; cladding of metal for construction and building; moldings of metal for cornices; laths of metal; fences of metal; latticework of metal; ironwork for doors; ironwork for windows; windows of metal; casement windows of metal; props of metal; wainscotting of metal; partitions of metal; lintels of metal; strap-hinges of metal; floor tiles, of metal; tiles of metal for building; anchor plates; tile floorings of metal; iron slabs; roof coverings of metal; floors of metal; sills of metal; ceilings of metal; door closers, non-electric; door openers, non-electric; iron wire; washers of metal; springs [metal hardware]; window frames of metal; frames of metal for building; gratings of metal; furnace fireguards; pulleys of metal, other than for machines; runners of metal for sliding doors; window pulleys; door handles of metal; bindings of metal; shutters of metal; outdoor blinds of metal; statues of common metal; statuettes of common metal; pegs of metal; bars for metal railings; posts of metal; steps [ladders] of metal; slings of metal for handling loads; stair treads [steps] of metal; identity plates of metal; angle irons; stops of metal; door stops of metal; window stops of metal; door panels of metal; fittings of metal for beds; fittings of metal for furniture; safety chains of metal; tiles of metal; balls of steel; hinges of metal; window casement bolts; lock bolts.

19 – Building materials (non-metallic); non-metallic rigid pipes for building; asphalt, pitch and bitumen; non-metallic transportable buildings; monuments, not of metal; door casings, not of metal; window frames, not of metal; beams, not of metal; balustrading; stained-glass windows; gates, not of metal; plaster; folding doors, not of metal; doors, not of metal; worked timber; veneer wood; moldable wood; жалусии, not of metal; framework, not of metal, for building; wood pulp board, for building; building cardboard; bricks; buildings, not of metal; buildings, transportable, not of metal; stringers [parts of staircases], not of metal; roofing, not of metal; paint spraying booths, not of metal; building timber; manufactured timber; sawn timber; wood, semi-worked; staircases, not of metal; stair-treads [steps], not of metal; reinforcing materials, not of metal, for building; bituminous products for building; tar; planks [wood for building]; building materials, not of metal; mosaics for building; porches, not of metal, for building; wall claddings, not of metal, for building; moldings, not of metal,

for building; moldings, not of metal, for cornices; coatings [building materials]; laths, not of metal; wood panelling; wall linings, not of metal, for building; fences, not of metal; latticework, not of metal; windows, not of metal; wainscotting, not of metal; parquet flooring; partitions, not of metal; floors, not of metal; ceilings, not of metal; lintels, not of metal; casement windows, not of metal; tiles, not of metal, for building; floor tiles, not of metal; asbestos mortar; insect screens not of metal; shutters, not of metal; building glass; safety glass; insulating glass [building]; window glass, except glass for vehicle windows; plate glass [windows], for building; angle irons, not of metal; plywood; door panels, not of metal; cement; pantiles; schists; roofing slates; slag [building material]; clinker stone; blinds [outdoor], not of metal and not of textile.

20 – Furniture, mirrors, picture frames; goods (not included in other classes) of wood, cork, reed, cane, wicker, horn, bone, ivory, whalebone, shell, amber, mother-of-pearl, meerschaum and substitutes for all these materials, or of plastics; settees; curtain rods; bed casters, not of metal; furniture casters, not of metal; curtain rings; chests of drawers; containers, not of metal [storage, transport]; armchairs; bedsteads of wood; beds; curtain hooks; ladders of wood or plastics; furniture of metal; office furniture; school furniture; curtain rails; furniture; furniture partitions of wood; mirror tiles; loading pallets, not of metal; transport pallets, not of metal; handling pallets, not of metal; head-rests [furniture]; trestles [furniture]; racks [furniture]; furniture shelves; wood ribbon; latches, not of metal; picture frames; curtain rollers; writing desks; seats of metal; benches [furniture]; sofas; filing cabinets; tables; steps [ladders], not of metal; chairs [seats]; placards of wood or plastics; footstools; crates; edgings of plastic for furniture; door fittings, not of metal; bed fittings, not of metal; moldings for picture frames; furniture fittings, not of metal; window fittings, not of metal; cupboards; bamboo curtains; slatted indoor blinds; indoor window blinds [shades] [furniture]; woven timber blinds [furniture].

35 – Advertising; business management; business administration; office functions; arranging subscriptions to telecommunication services for others; import-export agencies; advertising agencies; commercial information agencies; cost price analysis; rental of advertising space; auditing; employment agencies; computerized file management; accounting; invoicing; demonstration of goods; transcription; opinion polling; marketing studies; business information; commercial information and advice for consumers [consumer advice shop]; business research; marketing research; personnel recruitment; business management and organization consultancy; personnel management consultancy; business

organization consultancy; business management consultancy; professional business consultancy; layout services for advertising purposes; business management of performing artists; news clipping services; updating of advertising material; word processing; secretarial services; shorthand; organization of exhibitions for commercial or advertising purposes; arranging newspaper subscriptions for others; organization of trade fairs for commercial or advertising purposes; shop window dressing; business appraisals; evaluation of standing timber; evaluation of wool; payroll preparation; data search in computer files for others; sponsorship search; business management assistance; commercial or industrial management assistance; presentation of goods on communication media, for retail purposes; economic forecasting; auctioneering; sales promotion for others; office machines and equipment rental; rental of advertising time on communication media; publicity material rental; rental of vending machines; rental of photocopying machines; publication of publicity texts; typing; radio advertising; bill-posting; distribution of samples; dissemination of advertising matter; writing of publicity texts; on-line advertising on a computer network; advertising by mail order; television advertising; document reproduction; compilation of statistics; compilation of information into computer databases; business inquiries; systemization of information into computer databases; tax preparation; drawing up of statements of accounts; publicity columns preparation; psychological testing for the selection of personnel; business management of hotels; commercial administration of the licensing of the goods and services of others; administrative processing of purchase orders; public relations; modelling for advertising or sales promotion; relocation services for businesses; price comparison services; procurement services for others [purchasing goods and services for other businesses]; outsourcing services [business assistance]; telephone answering for unavailable subscribers; photocopying; efficiency experts.

37 – Building construction; repair; installation services; building sealing; repair information; construction information; building construction supervision; rental of construction equipment; rental of cranes [construction equipment]; rental of bulldozers; rental of excavators; warehouse construction and repair; installation and repair of doors and windows; furniture maintenance.

(260) AM 2013 68556 A
 (800) 1122967
 (731) DE MATTEIS AGROALIMENTARE S.p.A.
 Via Amoretta, Parco San Nicola, 6/E, I-83100
 AVELLINO, Italy

(540)



(591) Green, gold and white
 (511)
 30 – Dried pasta made from durum wheat semolina.

(260) AM 2013 68557 A
 (800) 1122982
 (731) Henkel AG & Co. KGaA
 Henkelstraße 67, 40589 Düsseldorf, Germany
 (540)

AQUENCE

(591) Black, white
 (511)
 1 – Chemicals used in industry; adhesives used in industry.
 3 – Bleaching preparations and other substances for laundry use; cleaning, polishing, scouring and abrasive preparations; soaps; all the above mentioned goods not for personal use.

(260) AM 2013 68559 A
 (800) 1123006
 (731) Church & Dwight Co., Inc.
 500 Charles Ewing Boulevard, Ewing NJ
 08628, USA
 (540)



(591) Orange, red and white
 (511)
 2 – Paint; odor controlling ingredient sold as an integral component of paint.

(260) AM 2013 68560 A
 (800) 1123020
 (731) BAGI – PROFESSIONAL CLEANING
 PRODUCST L.T.D., Identification
 No.: 514196625; 194 Derech Acco St', 27000
 Kiryat Bialik, Israel

(540)

BAMI

BAMI

באמי

(591) Black, white

(511)

3 – Bleaching preparations and other substances for laundry use; cleaning, polishing, scouring and abrasive preparations; soaps; perfumery, essential oils, cosmetics, hair lotions; dentifrices.

(260) AM 2013 68561 A

(800) 1123075

(731) Omega SA (Omega AG) (Omega Ltd.)
Jakob-Stämpfli-Strasse 96, CH-2502
Biel/Bienne, Switzerland

(540)

SEAMASTER BULLHEAD

(591) Black, white

(511)

14 – Precious metals and their alloys and goods in precious metals or coated therewith, included in this class; jewelry, precious stones; timepieces and chronometric instruments.

(260) AM 2013 68562 A

(800) 1123076

(731) Omega SA (Omega AG) (Omega Ltd.)
Jakob-Stämpfli-Strasse 96, CH-2502
Biel/Bienne, Switzerland

(540)

OMEGA DEWDROP

(591) Black, white

(511)

14 – Precious metals and their alloys and goods in precious metals or coated therewith, included in this class; jewelry, precious stones; timepieces and chronometric instruments.

(260) AM 2013 68563 A

(800) 1123078

(731) IVECO S.p.A.
Via Puglia, 35, I-10156 TORINO, Italy

(540)

STRALIS HI-WAY

(591) Black, white

(511)

12 – Vehicles and apparatus for locomotion by land.

25 – Clothing, footwear, headgear.

37 – Building construction; repair; installation services.

(260) AM 2013 68567 A

(800) 1123081

(731) VERSALIS S.p.A.; Piazza Boldrini, 1,
I-20097 SAN DONATO MILANESE (MI),
Italy

(540)

VERSALIS

(591) Black, white

(511)

1 – Chemicals used in industry, science and photography, as well as in agriculture, horticulture and forestry; unprocessed artificial resins, unprocessed plastics; manures; fire extinguishing compositions; tempering and soldering preparations; chemical substances for preserving foodstuffs; tanning substances; adhesives used in industry.

17 – Rubber, gutta-percha, gum, asbestos, mica and goods made from these materials and not included in other classes; plastics in extruded form for use in manufacture; packing, stopping and insulating materials; flexible pipes, not of metal.

(260) AM 2013 68568 A

(800) 1123108

(731) Limited Liability Company "Timole"
Yuzhnoportovaya, 7, str. 7, RU-105088
Moscow, Russian Federation

(540)



(591) White, black and red

(511)

25 – Clothing; footwear; headwear.

(260) AM 2013 68569 A

(800) 1123110

(731) Joint-Stock Company "Krasnyj Ocyabr"
ul. Malaya Krasnoselskaya, d. 7, str. 24,
RU-107140 Moscow, Russian Federation

(540)

**Sweet treasure
plenty of pleasure**

(591) Black, white

(511)

30 – Cocoa; sugar; flour and preparations made from cereals, namely cereal based snack foods, high protein cereal bars; pastry; confectionery made of sugar, namely candy, sweets, praline, chocolate, pastilles, halvah, wafers; honey.

(260) AM 2013 68570 A
 (800) 1123112
 (731) Toruńskie Zakłady Materiałów
 Opatrunkowych, Spółka Akcyjna
 Żółkiewskiego 20/26, PL-87-100 Toruń,
 Poland
 (540)

ambulex

(591) Black, white
 (511)
 10 – Gloves for medical purposes.

(260) AM 2013 68571 A
 (800) 1123113
 (731) Tovarystvo Z Obmezhenoju
 Vidpovidalnistyu Alfa-Grupa; vul. Kirova,
 6, Sumy 40030, Ukraine
 (540)

DekART

(591) Black, white
 (511)
 2 – Paints, varnishes, lacquers; preservatives against
 rust and against deterioration of wood; colorants;
 mordants; raw natural resins; metals in foil and
 powder form for painters, decorators, printers and
 artists; agglutinants for paints; enamels (varnishes);
 protective preparations for metals; badigeon;
 pigments; coatings (paints); anti-corrosive prepara-
 tions; thinners for lacquers, thinners for paints.

(260) AM 2013 68572 A
 (800) 1123115
 (731) Foreign Private Enterprise "Perfumes
 and Cosmetics Factory "Sontsa"
 Proektiruemaya street 1, 213760 Osipovichy,
 Mogilev region, Belarus
 (540)

ЧАЙКА

(591) Black, white
 (511)
 3 – Bleaching preparations and other substances for
 laundry use; cleaning, polishing, scouring and
 abrasive preparations; soaps; perfumery, essential
 oils, cosmetics, hair lotions; dentifrices.

(260) AM 2013 68573 A
 (800) 1123128
 (731) RICHTER GEDEON NYRT.
 Gyömrői út 19-21, H-1103 BUDAPEST,
 Hungary
 (540)

ДРИТРАК

(591) Black, white

(511) 5 – Pharmaceutical preparations.

(260) AM 2013 68574 A
 (800) 1123149
 (731) Joint stock company "RIMERA"
 d. 53, ul. Suschevsky val, RU-127521
 Moscow, Russian Federation
 (540)



(591) White, grey
 (511)
 6 – Aluminium; fittings of metal for compressed air
 ducts; fittings of metal for building; white metal;
 beacons of metal, non-luminous; vats of metal;
 girders of metal; joists of metal; bottles [metal
 containers] for compressed gas or liquid air;
 preserving boxes of metal; reels of metal, non-
 mechanical, for flexible hoses; swimming pools
 [metal structures]; beryllium [glucinium]; blooms
 [metallurgy]; ingots of common metal; bolts of
 metal; eye bolts; casks of metal; mooring buoys of
 metal; barrels of metal; identification bracelets of
 metal, for hospitals; bronze; bells; bells for animals;
 letters and numerals of common metal, except type;
 silos of metal; busts of common metal; vanadium;
 bird baths [structures of metal]; vice benches of
 metal; screws of metal; aviaries of metal [struc-
 tures]; tungsten; hoppers of metal, non-mechanical;
 gates of metal; sleeves [metal hardware]; signboards
 of metal; diving boards of metal; loading gauge rods,
 of metal, for railway wagons; nuts of metal; galena
 [ore]; celtium [hafnium]; nails; brads; horseshoe
 nails; germanium; vice claws of metal; doors of
 metal; chimney pots of metal; memorial plaques, of
 metal; paving blocks of metal; tombstone plaques of
 metal; chimney shafts of metal; packaging
 containers of metal; containers of metal for storing
 acids; tins of metal; jalousies of metal; iron,
 unwrought or semi-wrought; gutters of metal;
 tinplate; bolts, flat; window fasteners of metal;
 crampoms of metal [cramps]; binding screws of
 metal for cables; wheel clamps [boots]; rivets of
 metal; padlocks; locks of metal for vehicles; locks of
 metal, other than electric; locks of metal for bags;
 spring locks; box fasteners of metal; machine belt
 fasteners of metal; door bolts of metal; bottle caps of
 metal; closures of metal for containers; bolts; bungs
 of metal; latches of metal; tension links; stretchers
 for metal bands [tension links]; wire stretchers
 [tension links]; couplings of metal for chains; door
 bells, non-electric; signs, non-luminous and non-

mechanical, of metal, for roads; signs, non-luminous and non-mechanical, of metal; numberplates, of metal; bronzes [works of art]; works of art of common metal; hardware of metal, small; indium; cabanas of metal; telephone booths of metal; cadmium; paint spraying booths, of metal; ropes of metal; telpher cables; greenhouse frames of metal; framework of metal for building; cornices of metal; skating rinks [structures of metal]; cermets; drain traps [valves] of metal; keys; knobs of metal; cobalt, raw; chill-molds [foundry]; elbows of metal for pipes; bed casters of metal; furniture casters of metal; manifolds of metal for pipelines; pillars of metal for buildings; sealing caps of metal; tent pegs of metal; rings of common metal for keys; copper rings; ferrules of metal; ferrules of metal for handles; stop collars of metal; door fittings, of metal; fittings of metal for windows; buildings, transportable, of metal; steel buildings; guard rails of metal; baskets of metal; cashboxes of metal; door cases of metal; stringers [parts of staircases] of metal; taps for casks, of metal; tubing of metal; casings of metal for oilwells; roofing of metal; brackets of metal for building; turntables [railways]; manhole covers of metal; pitons of metal [mountaineering equipment]; hooks [metal hardware]; pot hooks of metal; hooks for slate [metal hardware]; hooks of metal for clothes rails; clothes hooks of metal; chicken-houses, of metal; brass, unwrought or semi-wrought; bands of metal for tying-up purposes; scaffolding of metal; staircases of metal; ladders of metal; limonite; steel sheets; cast steel; traps for wild animals; magnesium; manganese; reinforcing materials, of metal, for concrete; reinforcing materials of metal for machine belts; reinforcing materials of metal for pipes; reinforcing materials of metal for building; materials of metal for funicular railway permanent ways; railway material of metal; building materials of metal; masts of metal; steel masts; copper, unwrought or semi-wrought; sheets and plates of metal; common metals, unwrought or semi-wrought; pyrophoric metals; molybdenum; door knockers; monuments of metal; pipe muffs of metal; porches of metal [building]; tombs of metal; bronzes for tombstones; roof flashing of metal; fish plates [rails]; flashing of metal, for building; anvils; anvils [portable]; beak-irons [bick-irons]; ferrules of metal for walking sticks; rope thimbles of metal; handcuffs; duckboards of metal; nickel-silver; nickel; niobium; grease nipples; thread of metal for tying-up purposes; binding thread of metal for agricultural purposes; house numbers of metal, non-luminous; braces of metal for handling loads; wall claddings of metal [building]; moldings of metal for cornices; laths of metal; barrel hoops of metal; palings of metal; tree protectors of metal; crash barriers of metal for roads; latticework of metal; ironwork for doors; ironwork for windows; windows

of metal; casement windows of metal; tin; shuttering of metal for concrete; filings of metal; props of metal; cask stands of metal; poles of metal, for electric lines; wainscotting of metal; signalling panels, non-luminous and non-mechanical, of metal; branching pipes of metal; partitions of metal; lintels of metal; strap-hinges of metal; shims; rocket launching platforms of metal; platforms, prefabricated, of metal; transport pallets of metal; floor tiles, of metal; tiles of metal for building; anchor plates; armour plate; gravestone slabs of metal; tile floorings of metal; iron slabs; lead seals; loading pallets, of metal; handling pallets of metal; firedogs [andirons]; armour plating; roof coverings of metal; floors of metal; sills of metal; ceilings of metal; gold solder; silver solder; door closers, non-electric; valves of metal, other than parts of machines; door openers, non-electric; collars of metal for fastening pipes; water-pipe valves of metal; floating docks of metal for mooring boats; aluminium wire; iron wire; wire of common metal; wire of common metal alloys, except fuse wire; barbed wire; copper wire, not insulated; steel wire; washers of metal; springs [metal hardware]; rods of metal for welding; rods of metal for brazing and welding; enclosures of metal for tombs; window frames of metal; frames of metal for building; containers of metal for liquid fuel; containers of metal for compressed gas or liquid air; floating containers of metal; rails of metal; belts of metal for handling loads; gratings of metal; furnace fireguards; runners of metal for sliding doors; window pulleys; iron ores; ores of metal; chrome ores; tool handles of metal; door handles of metal; scythe handles of metal; broom handles of metal; knife handles of metal; pilings of metal; lead, unwrought or semi-wrought; safes [strong boxes]; vaults of metal [burial]; buckles of common metal [hardware]; door scrapers; cable joints of metal, non-electric; junctions of metal for pipes; nozzles of metal; anti-friction metal; silver plated tin alloy; alloys of common metal; bindings of metal; sheaf binders of metal; shutters of metal; outdoor blinds of metal; steel alloys; hoop iron; hoop steel; steel, unwrought or semi-wrought; tinfoil; statues of common metal; figurines [statuettes] of common metal; tombstone stelae of metal; pegs of metal; pins [hardware]; bars for metal railings; posts of metal; advertisement columns of metal; telegraph posts of metal; railway points; steps [ladders] of metal; slings of metal for handling loads; stair treads [steps] of metal; identity plates of metal; tantalum [metal]; troughs of metal for mixing mortar; greenhouses of metal, transportable; titanium; wire cloth; tombac; boarding stairs of metal, mobile, for passengers; cables of metal, non-electric; wire rope; pipework of metal; penstock pipes of metal; gutter pipes of metal; ducts of metal for ventilating and air conditioning installations; drain pipes of metal;

chimneys of metal; pipes of metal; steel pipes; mooring bollards of metal; turnstiles; angle irons; tinplate packings; door stops of metal; stops of metal; sash fasteners of metal for windows; bicycle parking installations of metal; towel dispensers, fixed, of metal; tungsten iron; iron ores; silicon iron; ferrotitanium; chrome iron; door panels of metal; flanges of metal [collars]; weather vanes of metal; aluminium foil; foils of metal for wrapping and packaging; ice moulds of metal; foundry molds [moulds] of metal; fittings of metal for coffins; fittings of metal for beds; fittings of metal for furniture; clips of metal for cables and pipes; chromium; cattle chains; safety chains of metal; chains of metal; zinc; zirconium; tiles of metal; cast iron, unwrought or semi-wrought; balls of steel; hinges of metal; poles of metal; crampons [climbing irons]; safety cashboxes; pulleys of metal, other than for machines; railway sleepers of metal; window casement bolts; cotter pins of metal; spurs; roller blinds of steel; building boards of metal; furnace fire screens; insect screens of metal; badges of metal for vehicles; lock bolts; bins of metal; tool chests of metal, empty; chests of metal for food; boxes of common metal; letter boxes of metal.

7 – Welding machines, electric; aerated beverage-making machines; soldering apparatus, gas-operated; vulcanisation apparatus; acetylene cleaning apparatus; apparatus for drawing up beer under pressure; aerated water making apparatus; inking apparatus for printing machines; aerators; expansion tanks [parts of machines]; drums [parts of machines]; reels, mechanical, for flexible hoses; concrete mixers [machines]; reels [parts of machines]; bobbins for weaving looms; flues for engine boilers; harrows; bulldozers; hoppers [mechanical discharging]; mine borers; truck lifts; waggon lifts; printing rollers for machines; rolling mill cylinders; crank shafts; transmission shafts, other than for land vehicles; valves [parts of machines]; fans for motors and engines; saw benches [parts of machines]; winnowers; bearings [parts of machines]; water heaters [parts of machines]; winches; drilling rigs, floating or non-floating; lawnmowers [machines]; card clothing [parts of carding machines]; emergency power generators; alternators; dynamos; bicycle dynamos; current generators; generators of electricity; exhausts for motors and engines; mufflers for motors and engines; silencers for motors and engines; drilling heads [parts of machines]; drilling bits [parts of machines]; cylinder heads for engines; soldering blow pipes, gas-operated; raking machines; stalk separators [machines]; sieves [machines or parts of machines]; mud catchers and collectors [machines]; tarring machines; engines, other than for land vehicles; motors, other than for land vehicles; hydraulic engines and motors; aeronautical engines; aeroplane engines; engines for air cushion vehicles;

compressed air engines; jet engines other than for land vehicles; engines for boats; driving motors other than for land vehicles; de-aerators for feedwater; disintegrators; tympan [parts of printing presses]; holding devices for machine tools; blade holders [parts of machines]; turf removing ploughs; pressure reducers [parts of machines]; pump diaphragms; chisels for machines; jacks [machines]; rack and pinion jacks; moving pavements [sidewalks]; electric hand drills; grinders/crushers, electric, for household purposes; reapers; reapers and binders; millstones; rakes for raking machines; shredders [machines] for industrial use; injectors for engines; incubators for eggs; tools [parts of machines]; hand-held tools, other than hand-operated; air condensers; capstans; calenders; mangles; rotary steam presses, portable, for fabrics; ditchers [ploughs]; carburettors; carriages for knitting machines; sliders for knitting machines; crankcases for machines, motors and engines; road rollers; steamrollers; pressure valves [parts of machines]; clack valves [parts of machines]; can openers, electric; cowlings [parts of machines]; guards [parts of machines]; hoods [parts of machines]; machine wheels; freewheels other than for land vehicles; machine boiler scale collectors; lasts for shoes [parts of machines]; brake shoes other than for vehicles; ball rings for bearings; piston segments; grease rings [parts of machines]; reapers and threshers; coalcutting machines; fittings for engine boilers; compressors [machines]; air pumps [garage installations]; compressors for refrigerators; conveyors [machines]; belt conveyors; converters for steel works; aerocondensers; condensers [steam] [parts of machines]; diggers [machines]; rams [machines]; thermic lances [machines]; mechanized livestock feeders; root slicers [machines]; boxes for matrices [printing]; gear boxes other than for land vehicles; grease boxes [parts of machines]; housings [parts of machines]; harvesting machines; steam engine boilers; coffee grinders, other than hand-operated; taps [parts of machines, engines or motors]; roller bridges; cranes [lifting and hoisting apparatus]; drain cocks; spray guns for paint; cranks [parts of machines]; grindstones [parts of machines]; potters' wheels; cultivators [machines]; motorized cultivators; ploughshares; belts for conveyors; igniting magnetos; igniting magnetos for engines; handling machines, automatic [manipulators]; lubricators [parts of machines]; churns; matrices for use in printing; machine fly-wheels; hair clipping machines for animals; machines for the textile industry; paper machines; vibrators [machines] for industrial use; bellows [machines]; knitting machines; bending machines; ironing machines; mineworking machines; net hauling machines [fishing]; bottle sealing machines; sealing machines for industrial purposes; embossing machines; engraving machines; finishing machines; garbage

disposals; stropping machines; earth moving machines; cord making machines; lace making machines; butter machines; cigarette machines for industrial purposes; sausage machines; stereotype machines; hosiery looms; crushing machines; grinding machines; rammers [machines]; dyeing machines; bottle washing machines; dishwashers; bottle filling machines; racket stringing machines; leather-working machines; dairy machines; glass working machines; tobacco processing machines; corn husking machines; grain husking machines; painting machines; oil refining machines; peeling machines; sifting machines; printing machines for use on sheet metal; brewing machines; colour-washing machines; whitewashing machines; leather paring machines; bitumen making machines; edible pastes making machines; sugar making machines; weeding machines; cinder sifters [machines]; puddling machines; notchers [machine tools]; bread cutting machines; blowing machines for the compression, exhaustion and transport of gases; road making machines; railroad constructing machines; rail-laying machines; bottle capping machines; bottle stoppering machines; trash compacting machines; blowing machines for the compression, sucking and carrying of grain; die-stamping machines; stamping machines; darning machines; drainage machines; wrapping machines; bookbinding apparatus and machines for industrial purposes; machines and apparatus for cleaning, electric; machines and apparatus for carpet shampooing, electric; machines and apparatus for polishing [electric]; sizing machines; punching machines; riveting machines; kitchen machines, electric; foundry machines; smoothing presses; fleshing machines; rinsing machines; flour mill machines; hemming machines; wringing machines for laundry; steam engines; printing machines; rotary printing presses; typographic machines; braiding machines; compressed air machines; type-setting machines [printing]; apparatus for dressing; apparatus for machining; trimming machines; spinning frames; spinning machines; heel-making machines; filling machines; friezing machines; cutting machines; road sweeping machines [self-propelled]; satinizing machines; agricultural machines; sorting machines for industry; stitching machines; washing machines; washing machines [laundry]; coin-operated washing machines; clippers [machines]; drying machines; looms [machines]; kneading machines; beating machines; beaters, electric; packaging machines; molding machines; moulding machines; type-setting machines [photocomposition]; carding machines; sewing machines; typecasting machines; electromechanical machines for chemical industry; labellers [machines]; ore treating machines; milking machines; mills [machines]; mills for household purposes, other than hand-operated; pepper mills other than hand-operated; flour mills; centrifugal

mills; hydraulic controls for machines, motors and engines; machine wheelwork; pneumatic controls for machines, motors and engines; feeders [parts of machines]; forge bellows; mixers [machines]; blenders, electric, for household purposes; agitators; vacuum cleaner bags; threshing machines; pneumatic hammers; hammers [parts of machines]; tilt hammers; power hammers; reeling apparatus, mechanical; motors for boats; clutches other than for land vehicles; meat choppers [machines]; meat mincers [machines]; superchargers; guides for machines; vacuum cleaner attachments for disseminating perfumes and disinfectants; pumps [machines]; pumps [parts of machines, engines or motors]; aerating pumps for aquaria; vacuum pumps [machines]; compressed air pumps; pumps for heating installations; beer pumps; lubricating pumps; centrifugal pumps; blades [parts of machines]; knives for mowing machines; chaff cutter blades; knives, electric; scissors, electric; shears, electric; bearing brackets for machines; atomisers [machines]; pulverisers [machines]; spraying machines; agricultural implements other than hand-operated; axles for machines; steam traps; chucks [parts of machines]; drill chucks [parts of machines]; exhaust manifold for engines; soldering irons, gas-operated; superheaters; gears, other than for land vehicles; reduction gears other than for land vehicles; propulsion mechanisms other than for land vehicles; drilling machines; saws [machines]; chain saws; guns [tools using explosives]; glue guns, electric; compressed air guns for the extrusion of mastics; carburetter feeders; feeding apparatus for engine boilers; loading ramps; ploughs; pneumatic transporters; hangers [parts of machines]; anti-friction bearings for machines; anti-friction pads for machines; roller bearings; self-oiling bearings; bearings for transmission shafts; ball-bearings; journal boxes [parts of machines]; elevators [lifts]; lifts, other than ski-lifts; hoists; pulleys; saw blades [parts of machines]; pistons [parts of machines or engines]; dashpot plungers [parts of machines]; plunger pistons; pistons for engines; pistons for cylinders; catalytic converters; torque converters other than for land vehicles; fuel conversion apparatus for internal combustion engines; presses [machines for industrial purposes]; presses; fodder presses; printing presses; typographic presses; swaging machines; transmissions for machines; elevator belts; lift belts; pedal drives for sewing machines; high pressure washers; cleaning appliances utilizing steam; food processors, electric; springs [parts of machines]; spinning wheels; punches for punching machines; kick starters for motorcycles; vacuum cleaners; tambours for embroidery machines; radiators [cooling] for motors and engines; sewage pulverizers; air brushes for applying colour; regulators [parts of machines]; pressure regulators [parts of machines]; feedwater

regulators; speed governors for machines, engines and motors; knives [parts of machines]; cutting blow pipes, gas-operated; loom shafts; gears for weaving looms; belts for machines; fan belts for motors and engines; dynamo belts; belts for motors and engines; adhesive bands for pulleys; sifters; robots [machines]; stuffing boxes [parts of machines]; paper feeders [printing]; whisks, electric, for household purposes; sparking plugs for internal combustion engines; glow plugs for diesel engines; tedding machines; separators; steam/oil separators; cream/milk separators; sowers [machines]; mixing machines; snow ploughs; sheaf-binding machines; joints [parts of engines]; shaft couplings [machines]; fruit presses, electric, for household purposes; chaff cutters; suction cups for milking machines; stands for machines; machine tools; woodworking machines; sharpening machines; die-cutting and tapping machines; trueing machines; mortising machines; stone working machines; metalworking machines; threading machines; planing machines; looms; lathes [machine tools]; milling machines; metal drawing machines; rolling mills; starters for motors and engines; stators [parts of machines]; glaziers' diamonds [parts of machines]; tables for machines; derricks; slide rests [parts of machines]; couplings other than for land vehicles; heat exchangers [parts of machines]; grating machines for vegetables; control cables for machines, engines or motors; boiler tubes [parts of machines]; turbines other than for land vehicles; hydraulic turbines; turbocompressors; connecting rods for machines, motors and engines; central vacuum cleaning installations; suction machines for industrial purposes; vehicle washing installations; degreasers [machines]; dust exhausting installations for cleaning purposes; mineral water making machines; sifting installations; pneumatic tube conveyors; dust removing installations for cleaning purposes; condensing installations; air suction machines; dividing machines; igniting devices for internal combustion engines; washing apparatus; binding apparatus for hay; extractors for mines; hydraulic door openers and closers [parts of machines]; pneumatic door openers and closers [parts of machines]; anti-pollution devices for motors and engines; curtain drawing devices, electrically operated; adhesive tape dispensers [machines]; beverage preparation machines, electromechanical; food preparation machines, electromechanical; control mechanisms for machines, engines or motors; shoe polishers, electric; machines and apparatus for wax-polishing, electric; air cushion devices for moving loads; handling apparatus for loading and unloading; elevating apparatus; aprons [parts of machines]; filter presses; filters [parts of machines or engines]; filtering machines; filters for cleaning cooling air, for engines; molds [parts of machines]; printing plates; brake segments other

than for vehicles; journals [parts of machines]; centrifugal machines; elevator chains [parts of machines]; driving chains other than for land vehicles; cylinders for motors and engines; cylinders for machines; printing cylinders; shuttles [parts of machines]; universal joints [cardan joints]; pulleys [parts of machines]; vacuum cleaner hoses; brushes [parts of machines]; dynamo brushes; brushes, electrically operated; carbon brushes [electricity]; ejectors; fuel economisers for motors and engines; excavators; shovels, mechanical; agricultural elevators; motors, electric, other than for land vehicles; electric hammers; parquet wax-polishers, electric; cartridges for filtering machines; escalators; automatic grapnels for marine purposes.

35 – Import-export agencies; commercial information agencies; advertising agencies; cost price analysis; rental of advertising space; auditing; employment agencies; computerized file management; accounting; efficiency experts; demonstration of goods; transcription; opinion polling; marketing studies; business information; business investigations; marketing research; personnel recruitment; business organization consultancy; business management consultancy; professional business consultancy; business management of performing artists; news clipping services; updating of advertising material; word processing; secretarial services; shorthand; organization of exhibitions for commercial or advertising purposes; arranging newspaper subscriptions for others; organization of trade fairs for commercial or advertising purposes; shop window dressing; business appraisals; payroll preparation; data search in computer files for others; business management assistance; commercial or industrial management assistance; economic forecasting; auctioneering; sales promotion for others; office machines and equipment rental; rental of advertising time on communication media; publicity material rental; rental of vending machines; rental of photocopying machines; publication of publicity texts; typing; radio advertising; bill-posting; distribution of samples; dissemination of advertising matter; advertising; on-line advertising on a computer network; advertising by mail order; television advertising; document reproduction; compilation of information into computer databases; business inquiries; systemization of information into computer databases; tax preparation; drawing up of statements of accounts; publicity columns preparation; psychological testing for the selection of personnel; business management of hotels; public relations; business management assistance, including managing company services; relocation services for businesses; procurement services for others [purchasing goods and services for other businesses]; telephone answering for unavailable subscribers; photocopying services.

(260) AM 2013 68575 A

(800) 1123151

(731) Obshchestvo S Ogranichennoy
Otvettstvennostyu "General Distribution
Company"
Chelaybinskaya Street, 19, Bld.4, Office 3,
RU-105568 Moscow, Russian Federation

(540)

SQUESITO

(591) Black, white

(511)

11 – Electric coffee machines, electric coffee
makers; electric coffee filters and electric coffee
percolators; roasters for roasting coffee.

30 – Coffee and coffee-based beverages.

(260) AM 2013 68583 A

(800) 1123265

(731) Foreign Private Enterprise "Perfumes
and Cosmetics Factory "Sontsa"
Proektiruemaya street 1, 213760 Osipovichi,
Mogilev region, Belarus

(540)

МАРА

(591) Black, white

(511)

3 – Bleaching preparations and other substances for
laundry use; cleaning, polishing, scouring and
abrasive preparations; soaps; perfumery, essential
oils, cosmetics, hair lotions; dentifrices.35 – Advertising; business management; business
administration; office functions.37 – Cleaning of clothing; diaper cleaning; dry
cleaning; laundering; washing.

(260) AM 2013 68638 A

(800) 1123766

(731) Kurchenko Oleg Volodimirovich
Vul. Artema, 58/2 kv. 5, Kyiv 04053, Ukraine

(540)

АЛЬБА

(591) Black, white

(511)

5 – Pharmaceutical preparations including medicines
for normalization of thyroid gland function; mineral
food supplements.

(260) AM 2013 68639 A

(800) 1123770

(731) Astellas Pharma Inc.
5-1, Nihonbashi-Honcho 2-chome, Chuo-ku,
Tokyo 103-8411, Japan

(540)

TRANSVAX

(591) Black, white

(511)

5 – Vaccines for human use.

(260) AM 2013 68640 A

(800) 1123778

(731) Philip Morris Brands Sàrl
Quai Jeanrenaud 3, CH-2000 Neuchâtel,
Switzerland

(540)

EASYLift

(591) Black, white

(511)

34 – Tobacco, raw or manufactured; tobacco
products, including cigars, cigarettes, cigarillos,
tobacco for roll-your-own cigarettes, pipe tobacco,
chewing tobacco, snuff tobacco, kretek; snus;
tobacco substitutes (not for medical purposes);
smokers' articles, including cigarette paper and
tubes, cigarette filters, tobacco tins, cigarette cases
and ashtrays, pipes, pocket apparatus for rolling
cigarettes, lighters; matches.

(260) AM 2013 68641 A

(800) 1123793

(731) Astellas Pharma Europe B.V.
Sylviusweg 62, NL-2333 BE Leiden,
Netherlands

(540)

ЛОКОБЕЙЗ РИПЕА

(591) Black, white

(511)

3 – Cosmetic creams and ointments; ointment bases
for use in cosmetics.5 – Medicines and pharmaceutical products;
medicated creams and ointments; dermatological
products; ointment bases for use in medical,
pharmaceutical and dermatological products.

(260) AM 2013 68642 A

(800) 1123803

(731) KOSAN KOZMETİK SANAYİ VE
TİCARET ANONİM ŞİRKETİ
Gebze Organize Sanayi Bölgesi, İhsan Dede
Cad. No.133, TR-41480 Gebze, Kocaeli,
Turkey

(540)

flormar

(591) Black, white

(511)

3 – Soaps for personal use, bath foam and salt, shampoos, hair tonics, hair conditioners, hair lotions, styling gel, brilliantine, preparations for hair cleaning, hair waving preparations, hair dyes, hair sprays, depilatory preparations, mouth washes not for medical purposes, tooth pastes, cosmetic creams and lotions, essential oils, make up powders, sun-tanning preparations, shaving foam and soap, cosmetic preparations for skin care, cleaning preparations for skin, skin tonics, moisturizers, cosmetic creams, beauty masks, make-up, make-up powder, make-up preparations, mascaras, cosmetic pencils, lipsticks, nail polish, nail varnish, nail polish remover, make-up removers, perfumes, colognes, aftershave lotions and creams, deodorants for personal use, baby lotions, baby oil, baby powder and skin tonics for cosmetic use, cosmetic creams, cleaning milk for babies.

(260) AM 2013 68643 A

(800) 1123833

(731) REPSOL, S.A.

C/ Méndez Álvaro 44, E-28045 Madrid, Spain

(540)



(591) Orange, red, dark blue and white

(511)

28 – Games, toys; gymnastic and sporting articles not included in other classes; decorations for Christmas trees.

(260) AM 2013 68644 A

(800) 1123849

(731) Closed Joint Stock Company

"Europa Plus"

bldg.5, d.21, Stanislavskogo str., RU-109004

Moscow, Russian Federation

(540)



(591) Grey and red

(511)

9 – Juke boxes [musical]; apparatus for recording, transmission or reproduction of sound or images; sound recording apparatus; sound transmitting apparatus; video cassettes; floppy disks; phonograph records; sound recording discs; disks [magnetic]; optical discs; electronic notice boards; mouse pads;

compact discs [read-only memory]; compact discs [audio-video]; MP3 discs; magnetic tapes; videotapes; decorative magnets; sound recording carriers; magnetic data media; optical data media; computer operating programs, recorded; computer programmes [programs], recorded; computer software [recorded]; monitors [computer programs]; computer game programs; computer programs [downloadable software]; radios; vehicle radios.

16 – Paper, cardboard and goods made from these materials; printed matter; fountain pens; albums; scrapbooks; posters; tickets; note books; pamphlets; booklets; newspapers; calendars; catalogues; cards; magazines [periodicals]; periodicals; prospectuses; photographs; labels, not of textile.

25 – Clothing, footwear, headgear.

35 – Rental of advertising space; transcription; opinion polling; marketing studies; business information; compilation of statistical information; marketing research; business management of performing artists; news clipping services; updating of advertising material; word processing; organization of exhibitions for commercial or advertising purposes; rental of advertising time on communication media; publicity material rental; publication of publicity texts; radio advertising; radio commercials; direct mail advertising; dissemination of advertising matter; advertising; publicity; on-line advertising on a computer network; advertising by mail order; commercial information and advice for consumers [consumer advice shop]; writing of publicity texts.

38 – News agencies; wire service; television broadcasting; cable television broadcasting; electronic bulletin board services [telecommunications services]; information about telecommunication; message sending; computer aided transmission of messages and images; sending of telegrams; radio broadcasting; cellular telephone communication; communications by computer terminals; satellite transmission; paging services [radio, telephone or other means of electronic communication]; teleconferencing services; telecommunications; communications by fiber [fibre] optic networks; broadcasting in a global computer network.

41 – Education; discotheque services; publication of books, magazines, newspapers, reference information editions; education information; recreation information; entertainment information; club services [entertainment or education]; night clubs; microfilming; videotape editing; production of radio and television programmes; music-halls; game services provided on-line [from a computer network]; providing on-line electronic publications [not downloadable]; organization of balls; providing of training; providing recreation facilities; organization of competitions [education or entertain-

ment]; operating lotteries; organization of shows [impresario services]; television entertainment; presentation of live performances; theatre productions; videotape film production; film production, other than advertising films; rental of sound recordings; electronic desktop publishing; publication of electronic books and journals on-line; publication of texts [other than publicity texts]; radio entertainment; entertainer services; amusements; videotaping; entertainment; news reporters services; party planning [entertainment]; recording studio services; photographic reporting; production of shows; layout services, other than for advertising purposes; organization of sports events; organization of events for cultural or educational purposes; writing of texts, other than publicity texts.

(260) AM 2013 68645 A
(800) 1123878
(731) Bayer Consumer Care AG
Peter Merian Str. 84, CH-4052 Basel,
Switzerland

(540)

BEPANSCAR

(591) Black, white

(511)

3 – Cosmetics.

5 – Pharmaceutical preparations.

(260) AM 2013 68646 A
(800) 660356
(731) Crystalex CZ, s.r.o.
Masarykovo nábřeží 236/30, CZ-110 00 Praha
1, Nové Mesto, Czech Republic

(540)

Crystalex

(591) Black, white

(511)

21 – Articles made of plain and decorated utility and art glass.

(260) AM 2013 68647 A
(800) 784208
(731) MEB
81 rue Jouffroy, F-75017 PARIS, France

(540)

ERIC BOMPARD

(591) Black, white

(511)

24 – Textile fabrics, woollen fabrics, cashmere fabrics; bed and table linen of textile, sheets, pillow cases, bedspreads, bath linen (except clothing); face

towels of textile; tissues, of textile, for removing make-up; household linen; fabric labels; lap-robos of cashmere; bed blanket of cashmere, plaid blankets of cashmere.

25 – Clothing, ready-made clothing of cashmere for men, women and children; knitwear and hoisery; lingerie, undergarments, pyjamas, dressing gowns, jumpers, skirts, dresses, undershorts, trousers, jackets, coats, shirts, stoles, belts (clothing), gloves, head coverings, headgear for wear, caps; socks, stockings, tights; footwear (except orthopaedic footwear), slippers, slippers, bathing drawers; sportswear, excluding diving suits; waterproof clothing.

(260) AM 2013 68648 A
(800) 785336
(731) Toruńskie Zakłady Materiałów
Opatrunkowych, Spółka Akcyjna
ul. Żółkiewskiego 20/26, , PL-87-100,
Toruń, Poland

(540)



(591) Blue, navy blue, white

(511)

5 – Sanitary towels, panty liners, gynaecological towels, cotton wool for hygienic purposes and articles made from cotton wool for hygienic purposes, tampons, tissues impregnated with pharmaceutical lotions.

(260) AM 2013 68686 A
(800) 1124092
(731) Toruńskie Zakłady Materiałów
Opatrunkowych, Spółka Akcyjna
Żółkiewskiego 20/26, PL-87-100
Toruń, Poland

(540)

plastovis

(591) Black, white

(511)

5 – Nonwoven adhesive tapes; adhesive tapes with absorbent pad.

(260) AM 2013 68871 A
(800) 1086920
(731) Bohemia Jihlava, a.s.
Koněvova 1271/101, CZ-130 00 Praha 3,
Czech Republic

(540)



(591) Black, white

(511)

21 – Works of art of porcelain, terracotta or glass, crystal glass.

(260) AM 2013 68872 A

(800) 1106875

(731) Kurchenko Alexander Vladimirovich

21, kvart. 4, pgt. Krasnoobsk, r-n

Novosibirskiy, RU-630501 Novosibirskaya

obl., Russian Federation

(540)

Sakura

(591) Black, white

(511)

4 – Christmas tree candles; candles; perfumed candles; wax candles; wicks for candles.

6 – Greenhouse frames of metal; baskets of metal; money boxes of metal; brackets of metal for building; hooks [metal hardware]; staircases of metal; ladders of metal; scythe handles of metal; knife handles of metal; safes [strong boxes]; statuettes of common metal; steps [ladders] of metal; greenhouses of metal, transportable ice moulds of metal; cashboxes of metal; safety cashboxes; bins of metal ; tool boxes of metal, empty; chests of metal for food; boxes of common metal; letter boxes of metal.

7 – Welding machines, electric; soldering apparatus, gas-operated; vulcanisation apparatus; reels, mechanical, for flexible hoses; concrete mixers [machines]; lawnmowers [machines]; emergency power generators; alternators; dynamos; current generators; generators of electricity; drilling bits [parts of machines]; raking machines; holding devices for machine tools; jacks [machines]; rack and pinion jacks; electric hand drills [including accumulator drills, hammer drills, power-operated wrenches, power screwdrivers]; grinders/crushers, electric, for household purposes; shredders [machines] for industrial use; incubators for eggs; hand-held tools, other than hand-operated [including electric fretsaws, accumulator screwdrivers, perforating machines, electric tile saws, electric planers, heat guns]; can openers, electric; compressors

[machines] including compressors for cars; air pumps [garage installations]; mowing and reaping machines; coffee grinders, other than hand-operated; spray guns for paint; sharpening wheels [parts of machines]; cultivators [machines]; churns; hair cutting machines for animals; ironing machines; engraving machines; blade sharpening [stropping] machines; butter machines; crushing machines, including slicers; dyeing machines; dishwashers; bread cutting machines; machines and apparatus for cleaning, electric; machines and apparatus for carpet shampooing, electric; machines and apparatus for polishing [electric]; kitchen machines, electric; rinsing machines; wringing machines for laundry; pneumatic hammers; vacuum cleaner attachments for disseminating perfumes and disinfectants; pumps [machines]; knives, electric; scissors, electric; agricultural implements other than hand-operated; drill chucks [parts of machines]; soldering irons, gas-operated; saws [machines]; chain saws; glue guns, electric; compressed air guns for the extrusion of mastics; food processors, electric; vacuum cleaners; air brushes for applying colour; cutting blow pipes, gas-operated; whisks, electric, for household purposes; separators; snow ploughs ; fruit presses, electric, for household purposes; machine tools; woodworking machines; lathes [machine tools]; milling machines; sharpening machines; planing machines; drill machines; table saws; grating machines for vegetables; beverage preparation machines, electromechanical; food preparation machines, electromechanical; shoe polishers, electric; machines and apparatus for wax-polishing, electric; vacuum cleaner hoses; parquet wax-polishers, electric.

8 – Glaziers' diamonds [parts of hand tools]; razors, electric or non-electric; scythe stones; sharpening steels; carpenters' augers; crow bars; hoes [hand tools]; table forks, including dessert forks; forks; lawn clippers [hand instruments]; nail drawers [hand tools]; rakes [hand tools]; cutter bars; whetstone holders; priming irons [hand tools]; lifting jacks, hand-operated; drills; bits [hand tools]; chisels; cutlery; garden tools, hand-operated; abrading instruments [hand instruments]; depilation appliances, electric and non-electric; sharpening instruments; nail clippers, electric or non-electric; oyster openers; glazing irons; tube cutting instruments; riveters [hand tools]; expanders [hand tools]; cutting tools [hand tools]; hand tools, hand-operated; picks [hand tools]; stone hammers; sharpening stones; centre punches [hand tools]; daggers; pickaxes; mallets [hand instruments]; punch pliers [hand tools]; blades [weapons]; annular screw plates; spanners [hand tools]; breast drills; holing axes; diggers [hand tools]; scythes; rams [hand tools]; emery grinding wheels; sledgehammers; thistle extirpators [hand tools]; pliers; ice picks; blades [hand tools]; razor blades; jig-saws;

spatulas [hand tools]; spades [hand tools]; trowels; hair clippers for personal use, electric and non-electric; beard clippers; hair clippers for animals [hand instruments]; taps [hand tools]; fireplace bellows [hand tools]; hammers [hand tools]; fullers [hand tools]; hammer sharpeners; masons' hammers; riveting hammers [hand tools]; mattocks; fleshing knives [hand tools]; manicure sets; manicure sets, electric; pedicure sets; needle files; files [tools]; hand pumps; shaving cases; cheese slicers, non-electric; egg slicers, non-electric; pizza cutters, non-electric; blades for planes; scaling knives; molding irons; can openers, non-electric; braiders [hand tools]; budding knives; hunting knives; penknives; grafting tools [hand tools]; pruning shears; knives; shears; border shears; scissors; vegetable knives; agricultural implements, hand-operated; side arms, other than firearms; screwdrivers, including cross screwdrivers, slot screwdrivers; reamer sockets; drill holders [hand tools]; perforating tools [hand tools]; nail files; nail files, electric; saws [hand tools]; tweezers; hair-removing tweezers; guns, hand-operated, for the extrusion of mastics; guns [hand tools]; dies [hand tools]; fruit pickers [hand tools]; saw blades [parts of hand tools]; table cutlery [knives, forks and spoons]; hand implements for hair curling non-electric; money scoops; fingernail polishers, electric or non-electric; pin punches; nail punches; punches [hand tools]; insecticide sprayers [hand tools]; reamers; weeding forks [hand tools]; frames for handsaws; saw holders; rasps [hand tools]; cutters; cleavers; graving tools [hand tools]; planes; augers [hand tools]; bits [parts of hand tools]; hollowing bits [parts of hand tools]; pruning scissors; silver plate [knives, forks and spoons]; pruning knives; sickles; drawing knives; scrapers [hand tools]; trowels [gardening]; mortise chisels; clamps for carpenters or coopers; hatchets; adzes [tools]; vices; hoop cutters [hand tools]; axes; fulling tools [hand tools]; ratchets [hand tools]; tube cutters [hand tools]; squares [hand tools]; flat irons, non-electric; irons [non-electric hand tools]; razor cases; embossers [hand tools]; scraping tools [hand tools]; awls; choppers [knives]; palette knives; bayonets; nippers; curling tongs; nutcrackers; sugar tongs; cuticle nippers; nail nippers; eyelash curlers.

9 – Dvd players; answering machines; accumulators, electric; accumulators, electric, for vehicles; ammeters; aerials; remote control apparatus; sound recording apparatus; sound transmitting apparatus; electrical apparatus for sealing plastics [packaging]; electric arc cutting apparatus; electric arc welding apparatus; electric welding apparatus; electric apparatus for commutation; intercommunication apparatus; projection apparatus; soldering apparatus, electric; blueprint apparatus; blinkers [signalling lights]; telephone apparatus; telephone transmitters; facsimile machines; igniting apparatus, electric, for igniting at a distance; anode batteries; galvanic

batteries; batteries for pocketlamps; batteries for lighting; solar batteries; batteries, electric; balances [steelyards]; binoculars; scales; precision balances; camcorders; video telephones; video screens; viewfinders, photographic; plugs, sockets and other contacts [electric connections]; voltmeters; switch-boxes [electricity]; current rectifiers; loudspeakers; range finders; dictating machines; locks, electric; inverters [electricity]; measuring instruments; coaxial cables; fibre [fiber (am)] optic cables; cables, electric; calculating machines; protective helmets; computer keyboards; mouse pads; commutators; compact discs [audio-video]; computers; notebook computers; branch boxes [electricity]; distribution boxes [electricity]; connectors [electricity]; junction boxes [electricity]; surveying chains; rulers [measuring instruments]; measuring spoons; magnifying glasses [optics]; magnets; decorative magnets; mouse [data processing equipment]; protective masks; rules [measuring instruments]; carpenters' rules; dressmakers' measures; microphones; modems; monitors [computer hardware]; headphones; socks, electrically heated; sound recording carriers; magnetic data media; optical data media; weighing machines; ohmmeters; oscillographs; sunglasses; transmitters [telecommunication]; transmitters of electronic signals; switches, electric; compact disc players; cassette players; hair-curlers, electrically heated; make-up removing appliances, electric; weighing apparatus and instruments; nautical apparatus and instruments; measuring apparatus; measuring devices, electric; navigation apparatus for vehicles [on-board computers]; precision measuring apparatus; audio receivers and video receivers; record players; distribution consoles [electricity]; control panels [electricity]; transmitting sets [telecommunication]; radios; vehicle radios; scanners [data processing equipment]; connections for electric lines; protection devices for personal use against accidents; radio receivers; personal stereos; hands free kits for phones; television apparatus; portable telephones; thermometers, not for medical purposes; transformers [electricity]; telephone receivers; levels [instruments for determining the horizontal]; amplifiers; video recorders; sound reproduction apparatus; data processing apparatus; chargers for electric batteries; acoustic couplers; anti-theft warning apparatus; alarms; readers [data processing equipment]; flat irons, electric; magic lanterns; optical lamps; signal lanterns; cameras [photography]; cases especially made for photographic apparatus and instruments; egg timers [sandglasses]; stands for photographic apparatus; projection screens; welding electrodes; soldering irons, electric; galvanic cells.

11 – Lamp shades; steam accumulators; heat accumulators; defrosters for vehicles; water heaters [apparatus]; distillation apparatus; desiccating apparatus; air deodorising apparatus; tanning

apparatus [sun beds]; ionisation apparatus for the treatment of air; coffee roasters; beverages cooling apparatus; hand drying apparatus for washrooms; water purifying apparatus and machines; refrigerating apparatus and machines; drying apparatus and installations; freezers; drying apparatus; fruit roasters; bidets; boilers, other than parts of machines; bath tubs; bath tubs for sitz baths; waffle irons, electric; fans [air-conditioning]; electric fans for personal use; roasting spits; water heaters; air reheaters ; extractor hoods for kitchens; hot water bottles; stills; refrigerating containers; gas lighters; shower cubicles [enclosures (am)]; turkish bath cabinets, portable; heating apparatus; refrigerating chambers; fireplaces, domestic; autoclaves [electric pressure cookers]; air conditioning apparatus; coffee machines, electric; lights, electric, for christmas trees; safety lamps; gas lamps; curling lamps; germicidal lamps for purifying air; light bulbs for directional signals for vehicles; soldering lamps; ultraviolet ray lamps, not for medical purposes; electric lamps; chandeliers; barbecues; bread baking machines; watering machines for agricultural purposes; disposable sterilization pouches; heaters for heating irons; immersion heaters; heating apparatus for defrosting windows of vehicles; refrigerating appliances and installations; blankets, electric, not for medical purposes; lamp reflectors; vehicle reflectors; steam boilers, other than parts of machines; pasteurisers; lamp casings; coffee percolators, electric; furnaces, other than for experimental purposes; bakers' ovens; microwave ovens [cooking apparatus]; cookers; kitchen ranges [ovens]; heating cushions [pads], electric, not for medical purposes; cooking utensils, electric; griddles [cooking appliances]; fumigation apparatus, not for medical purposes; water filtering apparatus; air purifying apparatus and machines; ice machines and apparatus; cooling appliances and installations; cooking apparatus and installations, including braziers, pancakes (electric), deep fat fryers, roasters; lighting apparatus and installations; cooking rings; lighting apparatus for vehicles; heating apparatus, electric; steam facial apparatus [saunas]; roasting jacks; anti-dazzle devices for automobiles [lamp fittings]; plate warmers; electric appliances for making yogurt; rotisseries; anti-glare devices for vehicles [lamp fittings]; radiators [heating]; central heating radiators; radiators, electric; sinks; flushing tanks; lamps; toilet seats; sterilizers; hair driers [dryers]; air driers [dryers]; laundry dryers, electric; toasters; humidifiers for central heating radiators; wash-hand basins [parts of sanitary installations]; toilet bowls; bath installations; air conditioning installations; air conditioners for vehicles; water purification installations; air filtering installations; steam generating installations; heating installations; heaters for vehicles; air cooling apparatus; furnaces; vehicle headlights; coffee filters, electric; filters for

drinking water; lanterns; pocket searchlights; lanterns for lighting; chinese lanterns; fountains; refrigerators; kettles, electric; heating elements.

12 – Vehicles; apparatus for locomotion by land, air or water; luggage carriers for vehicles; vehicle bumpers; bicycles; motors for cycles; bicycle bells; vehicle wheels; wheels for bicycles, cycles; side cars; baskets adapted for cycles ; panniers adapted for cycles; gear boxes for land vehicles ; mopeds; motorcycles; repair outfits for inner tubes; adhesive rubber patches for repairing inner tubes; bicycle pumps; pedals for cycles; carts; anti-dazzle devices for vehicles; bicycle frames; safety belts for vehicle seats; rudders; bicycle handle bars; cranks for cycles; kick sledges; bicycle saddles; luggage nets for vehicles; dress guards for bicycles, cycles; vehicle seats; scooters [vehicles]; bicycle spokes; vehicle wheel spokes; water vehicles; cycle cars; vehicles for locomotion by land, water; electric vehicles; remote control vehicles, other than toys; tricycles; carrier tricycles; cycle stands; hubs for vehicle wheels; cycle hubs; wheelbarrows; luggage trucks; tilting-carts; goods handling carts; cleaning trolleys; brakes for vehicles; bicycle brakes; transmissions, for land vehicles; bicycle stands; bicycle chains; driving chains for land vehicles; anti-skid chains ; covers for vehicle steering wheels; saddle covers for bicycles or motorcycles; seat covers for vehicles; automobile chassis; gears for cycles; tubeless tires [tyres] for bicycles, cycles; bicycle tires [tyres]; automobile tires [tyres]; tires for vehicle wheels; vehicle wheel tires [tyres]; pneumatic tires [tyres]; mudguards; cycle mudguards; motors, electric, for land vehicles.

14 – Anchors [clock and watch making]; barrels [clock and watch making]; alarm clocks; watch cases; pendulums [clock and watch making]; chronometrical instruments; watch springs; stopwatches; watch crystals; clock hands [clock and watch making]; cases for clock- and watchmaking; cases for watches [presentation]; chronographs [watches]; chronometers; chronoscopes; watch chains; dials [clock and watch making]; clocks; watches; atomic clocks; sundials; clocks and watches, electric; control clocks [master clocks]; wristwatches; jewellery cases [caskets].

17 – Watering hose.

20 – Barrels, not of metal; curtain holders, not of textile material; keyboards for hanging keys; curtain tie-backs; bamboo; rattan; works of art, of wood, wax, plaster or plastic; curtain rods; wind chimes [decoration]; bottle casings of wood; ladders of wood or plastics; stakes for plants or trees; flower-pot pedestals; mats, removable, for sinks; curtain rollers; tool handles, not of metal; knife handles, not of metal; scythe handles, not of metal; sealing caps, not of metal; statues of wax, plaster or plastic;

bamboo curtains; letter boxes, not of metal or masonry; bottle racks; towel dispensers, fixed, not of metal.

21 – China ornaments; dishes; saucers; goblets; boxes for sweetmeats; lunch boxes; bottles; carboys; busts of china, terra-cotta or glass; vases; epergnes; fruit cups; waffle irons non-electric; ice buckets; coal scuttles; buckets made of woven fabrics; cooking skewers, of metal; carpet beaters [hand instruments]; signboards of porcelain or glass; candle extinguishers; flower pots; cruets; decanters; toothpick holders; holders for flowers and plants [flower arranging]; ironing boards; cutting boards for the kitchen; bread boards; washing boards; strainers; smoke absorbers for household purposes; containers for household or kitchen use; kitchen containers; boxes of glass; glass jars [carboys]; heat-insulated containers; thermally insulated containers for food; glass flasks [containers]; frying pans; closures for pot lids; buckskin for cleaning; toothpicks; ceramics for household purposes; majolica; works of art, of porcelain, terra-cotta or glass; cleaning instruments, hand-operated; stew-pans; covers, not of paper, for flower pots; shaving brushes; cages for household pets; polishing leather; boot trees [stretchers]; piggy banks, not of metal; bread baskets, domestic; baskets for domestic use; cookie jars; tea caddies; earthenware saucepans; cauldrons; coffee percolators, non-electric; coffeepots, non-electric; coffee grinders, hand-operated; beer mugs; pot lids; butter-dish covers; covers for dishes; cheese-dish covers; buttonhooks; jugs; perfume burners; portable coldboxes, non-electric; watering cans; mixing spoons [kitchen utensils]; basting spoons, for kitchen use; scoops [tableware]; pie servers; spatulas [kitchen utensils]; butter dishes; polishing materials for making shiny, except preparations, paper and stone; noodle machines, hand-operated; polishing apparatus and machines, for household purposes, non-electric; pepper mills, hand-operated; isothermic bags; confectioners' decorating bags [pastry bags]; basins [bowls]; mosaics of glass, not for building; mouse traps; cooking pot sets; nozzles for watering cans; spouts; nozzles for sprinkler hose; fitted picnic baskets, including dishes; fiberglass thread, not for textile use; cookie [biscuit] cutters; pastry cutters; sprinklers; sprinklers for watering flowers and plants; cotton waste for cleaning; wool waste for cleaning; cleaning tow; chopsticks; cocktail stirrers; pepper pots; gloves for household purposes; polishing gloves; gardening gloves; plates to prevent milk boiling over; trays for domestic purposes; lazy susans; vegetable dishes; cabarets [trays]; heaters for feeding bottles, non-electric; candlesticks; trivets [table utensils]; coasters, not of paper and other than table linen; menu card holders; knife rests for the table; flat-iron stands; egg cups; gridiron supports; abrasive pads for kitchen purposes; pads for

cleaning; drinking troughs; powdered glass for decoration; pottery; cooking pots; autoclaves [pressure cookers], non-electric; painted glassware; tableware, other than knives, forks and spoons; porcelain ware; crockery; crystal [glassware]; cosmetic utensils; trouser presses; cruet stands for oil and vinegar; spice sets; food cooling devices, containing heat exchange fluids, for household purposes; apparatus for wax-polishing, non-electric; menu card holders; knife rests for the table; flat-iron stands; egg cups; gridiron supports; abrasive pads for kitchen purposes; pads for cleaning; drinking troughs; powdered glass for decoration; pottery; cooking pots; autoclaves [pressure cookers], non-electric; painted glassware; tableware, other than knives, forks and spoons; porcelain ware; crockery; crystal [glassware]; cosmetic utensils; trouser presses; cruet stands for oil and vinegar; spice sets; food cooling devices, containing heat exchange fluids, for household purposes; apparatus for wax-polishing, non-electric; bottle openers; glove stretchers; boot jacks; crumb trays; tie presses; clothes-pegs; glass caps; dusting apparatus, non-electric; soap dispensers; griddles [cooking utensils]; sieves [household utensils]; drinking horns; shoe horns; candle rings; knobs of porcelain; salad bowls; sugar bowls; beaters, non-electric; whisks, non-electric, for household purposes; services [dishes]; coffee services; liqueur sets; tea services, horns; cinder sifters [household utensils]; tea strainers; siphons for carbonated water; pipettes [wine-tasters]; rolling pins, domestic; hot pots, not electrically heated; blenders, non-electric, for household purposes; fruit presses, non-electric, for household purposes; salt cellars; drinking vessels; vessels of metal for making ices and iced drinks; refrigerating bottles; cups of paper or plastic; glass [receptacles]; drinking glasses; statues of porcelain, terra-cotta or glass; figurines [statuettes] of porcelain, terra-cotta or glass; glass for vehicle windows [semi-finished product]; plate glass [raw material]; opal glass; glass incorporating fine electrical conductors; enamelled glass; glass, unworked or semi-worked, except building glass; soup bowls; clothes racks, for drying; basins [receptacles]; table plates; disposable table plates; graters [household utensils]; insulating flasks; indoor terrariums [plant cultivation]; cloth for washing floors; cloths for cleaning; furniture dusters; litter boxes [trays] for pets; urns; domestic grinders, non-electric; wax-polishing appliances, non-electric, for shoes; sprinkling devices; utensils for household purposes; kitchen utensils; cooking utensils, non-electric; strainers for household purposes; coffee filters, non-electric; flasks; bottle gourds; molds [kitchen utensils]; ice cube molds [moulds]; cake molds [moulds]; deep fryers, non-electric; bread bins; fly catchers [traps or whisks]; teapots; kettles, non-electric; cups; garlic presses [kitchen utensils]; ironing board covers, shaped; tea

balls; glass bowls; mops; mixers, manual [cocktail shakers]; corkscrews; dustbins.

(260) AM 2013 68943 A

(800) 1126211

(731) Obshchestvo s Ogranichennoi

Otvetstvennostyu "LUDING"

Ryabinovaya Street, 55, Building 3,

RU-121471 Moscow, Russian Federation

(540)

MAC INGAL

(591) Black, white

(511)

32 – Beers; mineral and aerated waters and other non-alcoholic beverages; fruit beverages and fruit juices; syrups and other preparations for making beverages; aerated water; aloe vera drinks, non-alcoholic; aperitifs, non-alcoholic; beer; beer wort; cider, non-alcoholic; cocktails, non-alcoholic; essences for making beverages; extracts of hops for making beer; fruit juices; fruit nectars, non-alcoholic; ginger beer; grape must, unfermented; isotonic beverages; kvass [non-alcoholic beverage]; lemonades; lithia water; malt beer; malt wort; milk of almonds [beverage]; mineral water [beverages]; must; non-alcoholic beverages; non-alcoholic fruit extracts; non-alcoholic fruit juice beverages; non-alcoholic honey-based beverages; orgeat; pastilles for effervescing beverages; peanut milk [non-alcoholic beverage]; powders for effervescing beverages; preparations for making aerated water; preparations for making beverages; preparations for making liqueurs; preparations for making mineral water; sarsaparilla [non-alcoholic beverage]; seltzer water; sherbets [beverages]; smoothies; soda water; syrups for beverages; syrups for lemonade; table waters; tomato juice [beverage]; vegetable juices [beverages]; waters [beverages]; whey beverages.

33 – Alcoholic beverages (except beers); alcoholic beverages containing fruit; alcoholic beverages, except beer; alcoholic essences; alcoholic extracts; anise [liqueur]; anisette [liqueur]; aperitifs; arrack [arak]; bitters; brandy; cider; cocktails; curacao; digesters [liqueurs and spirits]; distilled beverages; fruit extracts, alcoholic; gin; kirsch; liqueurs; mead [hydromel]; peppermint liqueurs; perry; piquette; pre-mixed alcoholic beverages, other than beer-based; rice alcohol; rum; sake; spirits [beverages]; vodka; whisky; wine.

35 – Advertising; business management; business administration; office functions; administrative processing of purchase orders; advertising agencies; advertising by mail order; advisory services for business management; arranging newspaper subscriptions for others; arranging subscriptions to telecommunication services for others; auctioneering; auditing; bill-posting; bookkeeping; business

appraisals; business information; business inquiries; business investigations; business management and organization consultancy; business management assistance; business management consultancy; business management of hotels; business management of performing artists; business management of sports people; business organization consultancy; business research; commercial administration of the licensing of the goods and services of others; commercial information agencies; commercial information and advice for consumers [consumer advice shop]; commercial or industrial management assistance; compilation of information into computer databases; compilation of statistics; computerized file management; cost price analysis; data search in computer files for others; demonstration of goods; direct mail advertising; dissemination of advertising matter; distribution of samples; document reproduction; drawing up of statements of accounts; economic forecasting; efficiency experts; employment agencies; import-export agencies; invoicing; layout services for advertising purposes; marketing; marketing research; marketing studies; modelling for advertising or sales promotion; news clipping services; office machines and equipment rental; on-line advertising on a computer network; opinion polling; organization of exhibitions for commercial or advertising purposes; organization of fashion shows for promotional purposes; organization of trade fairs for commercial or advertising purposes; outsourcing services [business assistance]; payroll preparation; personnel management consultancy; personnel recruitment; photocopying services; presentation of goods on communication media, for retail purposes; price comparison services; procurement services for others [purchasing goods and services for other businesses]; production of advertising films; professional business consultancy; psychological testing for the selection of personnel; public relations; publication of publicity texts; publicity columns preparation; publicity material rental; radio advertising; relocation services for businesses; rental of advertising space; rental of advertising time on communication media; rental of photocopying machines; rental of vending machines; sales promotion for others; secretarial services; shop window dressing; shorthand; sponsorship search; systemization of information into computer databases; tax preparation; telemarketing services; telephone answering for unavailable subscribers; television advertising; transcription; typing; updating of advertising material; word processing; writing of publicity texts.

39 – Transport; packaging and storage of goods; travel arrangement; air transport; aircraft rental; ambulance transport; arranging of cruises; arranging of tours; barge transport; boat rental; boat storage; boat transport; booking of seats for travel; bottling services; bus transport; car parking; car rental; car

transport; carting; chauffeur services; courier services [messages or merchandise]; delivery of goods; delivery of goods by mail order; delivery of newspapers; distribution of energy; electricity distribution; escorting of travelers; ferry-boat transport; flower delivery; franking of mail; freight [shipping of goods]; freight brokerage [forwarding (Am.)]; freight forwarding; freighting; garage rental; guarded transport of valuables; hauling; horse rental; ice-breaking; launching of satellites for others; lighterage services; marine transport; message delivery; motor coach rental; operating canal locks; packaging of goods; parcel delivery; parking place rental; passenger transport; piloting; pleasure boat transport; portorage; railway coach rental; railway transport; railway truck rental; refloating of ships; refrigerator rental; removal services; rental of diving bells; rental of diving suits; rental of freezers; rental of motor racing cars; rental of storage containers; rental of vehicle roof racks; rental of warehouses; rental of wheelchairs; rescue operations [transport]; river transport; salvage of ships; salvaging; shipbrokerage; sightseeing [tourism]; stevedoring; storage; storage information; storage of goods; streetcar transport; taxi transport; towing; traffic information; transport and storage of trash; transport brokerage; transport by pipeline; transport of travelers; transport reservation; transportation information; travel reservation; underwater salvage; unloading cargo; vehicle breakdown assistance [towing]; vehicle rental; water distribution; water supplying; wrapping of goods.

43 – Services for providing food and drink; temporary accommodation; accommodation bureaux [hotels, boarding houses]; bar services; boarding for animals; boarding house bookings; boarding houses; cafeterias; cafes; canteens; day-nurseries [creches]; food and drink catering; holiday camp services [lodging]; hotel reservations; hotels; motels; providing campground facilities; rental of chairs, tables, table linen, glassware; rental of cooking apparatus; rental of drinking water dispensers; rental of meeting rooms; rental of temporary accommodation; rental of tents; rental of transportable buildings; restaurants; retirement homes; self-service restaurants; snack-bars; temporary accommodation reservations; tourist homes.

(260) AM 2013 68944 A

(800) 1126212

(731) Obshchestvo s Ogranichennoi
Otvetsvennostyu "LUDING"
Ryabinovaya Street, 55, Building 3,
RU-121471 Moscow, Russian Federation

(540)

SIR EAMON

(591) Black, white

(511)

32 – Beers; mineral and aerated waters and other non-alcoholic beverages; fruit beverages and fruit juices; syrups and other preparations for making beverages; aerated water; aloe vera drinks, non-alcoholic; aperitifs, non-alcoholic; beer; beer wort; cider, non-alcoholic; cocktails, non-alcoholic; essences for making beverages; extracts of hops for making beer; fruit juices; fruit nectars, non-alcoholic; ginger beer; grape must, unfermented; isotonic beverages; kvass [non-alcoholic beverage]; lemonades; lithia water; malt beer; malt wort; milk of almonds [beverage]; mineral water [beverages]; must; non-alcoholic beverages; non-alcoholic fruit extracts; non-alcoholic fruit juice beverages; non-alcoholic honey-based beverages; orgeat; pastilles for effervescing beverages; peanut milk [non-alcoholic beverage]; powders for effervescing beverages; preparations for making aerated water; preparations for making beverages; preparations for making liqueurs; preparations for making mineral water; sarsaparilla [non-alcoholic beverage]; seltzer water; sherbets [beverages]; smoothies; soda water; syrups for beverages; syrups for lemonade; table waters; tomato juice [beverage]; vegetable juices [beverages]; waters [beverages]; whey beverages.

33 – Alcoholic beverages (except beers); alcoholic beverages containing fruit; alcoholic beverages, except beer; alcoholic essences; alcoholic extracts; anise [liqueur]; anisette [liqueur]; aperitifs; arrack [arak]; bitters; brandy; cider; cocktails; curacao; digesters [liqueurs and spirits]; distilled beverages; fruit extracts, alcoholic; gin; kirsch; liqueurs; mead [hydromel]; peppermint liqueurs; perry; piquette; pre-mixed alcoholic beverages, other than beer-based; rice alcohol; rum; sake; spirits [beverages]; vodka; whisky; wine.

35 – Advertising; business management; business administration; office functions; administrative processing of purchase orders; advertising agencies; advertising by mail order; advisory services for business management; arranging newspaper subscriptions for others; arranging subscriptions to telecommunication services for others; auctioneering; auditing; bill-posting; bookkeeping; business appraisals; business information; business inquiries; business investigations; business management and organization consultancy; business management assistance; business management consultancy; business management of hotels; business management of performing artists; business management of sports people; business organization consultancy; business research; commercial administration of the licensing of the goods and services of others; commercial information agencies; commercial information and advice for consumers [consumer advice shop]; commercial or industrial management assistance; compilation of information into computer databases; compilation of statistics; computerized

file management; cost price analysis; data search in computer files for others; demonstration of goods; direct mail advertising; dissemination of advertising matter; distribution of samples; document reproduction; drawing up of statements of accounts; economic forecasting; efficiency experts; employment agencies; import-export agencies; invoicing; layout services for advertising purposes; marketing; marketing research; marketing studies; modelling for advertising or sales promotion; news clipping services; office machines and equipment rental; on-line advertising on a computer network; opinion polling; organization of exhibitions for commercial or advertising purposes; organization of fashion shows for promotional purposes; organization of trade fairs for commercial or advertising purposes; outsourcing services [business assistance]; payroll preparation; personnel management consultancy; personnel recruitment; photocopying services; presentation of goods on communication media, for retail purposes; price comparison services; procurement services for others [purchasing goods and services for other businesses]; production of advertising films; professional business consultancy; psychological testing for the selection of personnel; public relations; publication of publicity texts; publicity columns preparation; publicity material rental; radio advertising; relocation services for businesses; rental of advertising space; rental of advertising time on communication media; rental of photocopying machines; rental of vending machines; sales promotion for others; secretarial services; shop window dressing; shorthand; sponsorship search; systemization of information into computer databases; tax preparation; telemarketing services; telephone answering for unavailable subscribers; television advertising; transcription; typing; updating of advertising material; word processing; writing of publicity texts.

39 – Transport; packaging and storage of goods; travel arrangement; air transport; aircraft rental; ambulance transport; arranging of cruises; arranging of tours; barge transport; boat rental; boat storage; boat transport; booking of seats for travel; bottling services; bus transport; car parking; car rental; car transport; carting; chauffeur services; courier services [messages or merchandise]; delivery of goods; delivery of goods by mail order; delivery of newspapers; distribution of energy; electricity distribution; escorting of travelers; ferry-boat transport; flower delivery; franking of mail; freight [shipping of goods]; freight brokerage [forwarding (Am.)]; freight forwarding; freighting; garage rental; guarded transport of valuables; hauling; horse rental; ice-breaking; launching of satellites for others; lighterage services; marine transport; message delivery; motor coach rental; operating canal locks; packaging of goods; parcel delivery; parking place rental; passenger transport; piloting; pleasure boat transport; portering; railway coach rental; railway transport; railway truck rental; refloating of ships; refrigerator rental; removal services; rental of diving

bells; rental of diving suits; rental of freezers; rental of motor racing cars; rental of storage containers; rental of vehicle roof racks; rental of warehouses; rental of wheelchairs; rescue operations [transport]; river transport; salvage of ships; salvaging; shipbrokerage; sightseeing [tourism]; stevedoring; storage; storage information; storage of goods; streetcar transport; taxi transport; towing; traffic information; transport and storage of trash; transport brokerage; transport by pipeline; transport of travelers; transport reservation; transportation information; travel reservation; underwater salvage; unloading cargo; vehicle breakdown assistance [towing]; vehicle rental; water distribution; water supplying; wrapping of goods.

43 – Services for providing food and drink; temporary accommodation; accommodation bureaux [hotels, boarding houses]; bar services; boarding for animals; boarding house bookings; boarding houses; cafeterias; cafes; canteens; day-nurseries [creches]; food and drink catering; holiday camp services [lodging]; hotel reservations; hotels; motels; providing campground facilities; rental of chairs, tables, table linen, glassware; rental of cooking apparatus; rental of drinking water dispensers; rental of meeting rooms; rental of temporary accommodation; rental of tents; rental of transportable buildings; restaurants; retirement homes; self-service restaurants; snack-bars; temporary accommodation reservations; tourist homes.

(260) AM 2013 68946 A
(800) 1126246
(731) NOVARTIS AG
CH-4002 Basel, Switzerland
(540)

AIRFLUSOL

(591) Black, white
(511)
5 – Pharmaceutical preparations, namely broncho-dilating and anti-asthma preparations.

(260) AM 2013 68947 A
(800) 1126254
(731) Sodrugestvo Group S.A.
36-38 Grand Rue, L-1660 LUXEMBOURG,
Luxembourg
(540)

Г Р У П П А К О М П А Н И Й
СОДРУЖЕСТВО

(591) White, green, violet
(511)
29 – Meat, fish, poultry and game; meat extracts; preserved, frozen, dried and cooked fruits and

vegetables; jellies, jams, compotes; eggs, milk and milk products; edible oils and fats.

31 – Grains and agricultural, horticultural and forestry products not included in other classes; live animals; fresh fruits and vegetables; seeds; natural plants and flowers; foodstuffs for animals; malt.

39 – Transport; packaging and storage of goods; travel arrangement.

(260) AM 2013 68948 A

(800) 1126263

(731) LESAFFRE ET COMPAGNIE

41, rue Etienne Marcel, F-75001 Paris, France

(540)



(591) Black, white

(511)

30 – Flour and preparations made from cereals, bread, pastry and confectionery, edible ices; honey, treacle; yeast, yeast extracts, bread improvers; baking powder; salt; yeast, ferments, flavors and aromatic preparations for food; mixes for making bakery products; bakery mixes (ready-to-use bread-making mixes); yeast-based preparation for bread, Viennese pastries and pizza dough.

(260) AM 2013 68949 A

(800) 1126292

(731) Open Joint Stock Company "KAMAZ"

2 Building, Avtozavodsky Prospect, City of Naberezhnye Chelny, RU-423827 Republic of Tatarstan, Russian Federation

(540)

KAMAZ

(591) Black, white

(511)

28 – Toy vehicles; Jigsaw puzzles; Toys; Games; Building blocks [toys]; Scale model vehicles; Appliances for Gymnastics; Radio-controlled toy vehicles; Machines for Physical exercises; Building games.

(260) AM 2013 68951 A

(800) 1126293

(731) Open Joint Stock Company "KAMAZ"

2 Building, Avtozavodsky Prospect, City of Naberezhnye Chelny, RU-423827 Republic of Tatarstan, Russian Federation

(540)



(591) Black, white

(511)

28 – Toy vehicles; Jigsaw puzzles; Toys; Games; Building blocks [toys]; Scale model vehicles; Appliances for Gymnastics; Radio-controlled toy vehicles; Machines for Physical exercises; Building games.

(260) AM 2013 68952 A

(800) 1126312

(731) Modern Times Group MTG AB

Box 2094, SE-103 13 Stockholm, Sweden

(540)



(591) Black, white

(511)

35 – Advertising and sales promotion services; business management; business consultancy; business management consultancy; business administration; rental of advertising space; provision of television advertising commercials, provision of radio advertising commercials and provision of mobile television advertising commercials; provision of advertising space/time for sponsors; rental of advertising space on the internet and via mobile telephones; production of filmed/graphic advertising material for use in marketing or sponsorship; provision of information, advisory and consultancy services relating to advertising and promotional services; provision of information, advisory and consultancy services relating to organization, operation and supervision of sales and promotional incentive schemes; provision of information, advisory and consultancy services relating to rental of advertising space, television advertising commercials, radio advertising commercials, mobile television advertising commercials, preparation and presentation of audio visual display for advertising purposes, dissemination of advertising matter and the arranging and conducting of trade shows and exhibitions; compilation of business statistics and commercial information; marketing studies; business planning, inspection, surveys and appraisal services; provision of business information; compilation and provision of computerized business information data; compilation of business statistics and commercial information, all relating to television, radio

and satellite broadcasting; advisory and information services relating to the aforesaid.

38 – Transmission of audio, video and images by means of telecommunication devices including mobile telephones; cable, satellite and terrestrial television broadcasting; television, internet and radio broadcasting; computer aided transmission of messages and images; satellite transmission; telecommunication; provision of information about telecommunication; rental of telecommunications, communications and broadcasting apparatus; provision of user access to telecommunication networks; provision of information about broadcasting via the Internet; professional consultancy services relating to television and radio broadcasting, transmission and communication services; provision of information, advisory and consultancy services relating to broadcasting and transmission of radio or television programs or computer aided transmission of messages and images; provision of information, advisory and consultancy services relating to communications services by satellite, television, mobile telephones and radio; provision of information, advisory and consultancy services relating to news agency services; provision of information, advisory and consultancy services relating to hiring, rental and leasing of communications apparatus and the provision of telecommunications links to computer databases and websites on the Internet; provision of information, advisory and consultancy services relating to telecommunications services dedicated to retailing goods through interactive communications with customers; provision of information, advisory and consultancy services relating to broadcasting and transmission of interactive television services; provision of information, advisory and consultancy services relating to broadcasting and transmission of interactive television, interactive entertainment and interactive competitions; provision of information services relating to the aforesaid.

41 – Amusement, education and entertainment services including television and radio entertainment; production and performing of shows, theatre and other amusement performances; film, radio and video production; provision of film studios; recording studio and recording studio services; production of radio and television programmes; information regarding amusement, education and entertainment services; rental of movies, videotapes, DVDs and radio and television programmes; provision of information, advisory and consultancy services relating to education and entertainment services; provision of information, advisory and consultancy services relating to education and entertainment provided on-line and/or via the Internet; provision of information, advisory and consultancy services relating to television and

radio entertainment services; provision of information, advisory and consultancy services relating to entertainment and education services provided on-line and/or via an interactive television platform; provision of information, advisory and consultancy services relating to interactive games, interactive entertainment and interactive competitions; provision of information, advisory and consultancy services relating to betting, gaming and gambling services; organization of conferences, lectures and symposiums relating to television and radio; provision of information, advisory and consultancy services relating to television viewing guide services; information services related to the aforesaid.

(260) AM 2013 68953 A

(800) 1126313

(731) Modern Times Group MTG AB

Box 2094, SE-103 13 Stockholm, Sweden

(540)



(591) Black, white

(511)

35 – Advertising and sales promotion services; business management; business consultancy; business management consultancy; business administration; rental of advertising space; provision of television advertising commercials, provision of radio advertising commercials and provision of mobile television advertising commercials; provision of advertising space/time for sponsors; rental of advertising space on the internet and via mobile telephones; production of filmed/graphic advertising material for use in marketing or sponsorship; provision of information, advisory and consultancy services relating to advertising and promotional services; provision of information, advisory and consultancy services relating to organization, operation and supervision of sales and promotional incentive schemes; provision of information, advisory and consultancy services relating to rental of advertising space, television advertising commercials, radio advertising commercials, mobile television advertising commercials, preparation and presentation of audio visual display for advertising purposes, dissemination of advertising matter and the arranging and conducting of trade shows and exhibitions; compilation of business statistics and commercial information; marketing studies; business planning, inspection, surveys and appraisal services; provision of business information; compilation and provision of computerized business information data; compilation of business statistics and com-

mercial information, all relating to television, radio and satellite broadcasting; advisory and information services relating to the aforesaid.

38 – Transmission of audio, video and images by means of telecommunication devices including mobile telephones; cable, satellite and terrestrial television broadcasting; television, internet and radio broadcasting; computer aided transmission of messages and images; satellite transmission; telecommunication; provision of information about telecommunication; rental of telecommunications, communications and broadcasting apparatus; provision of user access to telecommunication networks; provision of information about broadcasting via the Internet; professional consultancy services relating to television and radio broadcasting, transmission and communication services; provision of information, advisory and consultancy services relating to broadcasting and transmission of radio or television programs or computer aided transmission of messages and images; provision of information, advisory and consultancy services relating to communications services by satellite, television, mobile telephones and radio; provision of information, advisory and consultancy services relating to news agency services; provision of information, advisory and consultancy services relating to hiring, rental and leasing of communications apparatus and the provision of telecommunications links to computer databases and websites on the Internet; provision of information, advisory and consultancy services relating to telecommunications services dedicated to retailing goods through interactive communications with customers; provision of information, advisory and consultancy services relating to broadcasting and transmission of interactive television services; provision of information, advisory and consultancy services relating to broadcasting and transmission of interactive television, interactive entertainment and interactive competitions; provision of information services relating to the aforesaid.

41 – Amusement, education and entertainment services including television and radio entertainment; production and performing of shows, theatre and other amusement performances; film, radio and video production; provision of film studios; recording studio and recording studio services; production of radio and television programmes; information regarding amusement, education and entertainment services; rental of movies, videotapes, DVDs and radio and television programmes; provision of information, advisory and consultancy services relating to education and entertainment services; provision of information, advisory and consultancy services relating to education and entertainment provided on-line and/or via the Internet; provision of information, advisory and

consultancy services relating to television and radio entertainment services; provision of information, advisory and consultancy services relating to entertainment and education services provided on-line and/or via an interactive television platform; provision of information, advisory and consultancy services relating to interactive games, interactive entertainment and interactive competitions; provision of information, advisory and consultancy services relating to betting, gaming and gambling services; organization of conferences, lectures and symposiums relating to television and radio; provision of information, advisory and consultancy services relating to television viewing guide services; information services related to the aforesaid.

(260) AM 2013 68954 A

(800) 1126316

(731) AS KATRE KONFEKSİYON

KUYUMCULUK SANAYİ VE DIŞ
TİCARET LİMİTED ŞİRKETİ

Hamidiye Mah. Söyler Cad. No:6, Kağıthane
İSTANBUL, Turkey

(540)



(591) Black, white

(511)

25 – Clothing, not being protective clothing, incorporating reflective or fluorescent elements or material and socks, footwear, headgear.

(260) AM 2013 68955 A

(800) 1126326

(731) KUVERA S.P.A.

Piazza dei Martiri, 30, I-80121 NAPOLI, Italy

(540)

CARPISA

(591) Black, white

(511)

14 – Precious metals, unwrought or semi-wrought; gold unwrought or beaten; alloys of precious metal; silver, unwrought or beaten; boxes of precious metal; jewellery cases; amulets; jewellery made of silver; bracelets; charms; trinkets; brooches; chains; necklaces; tie clips; ivory (jewellery), jewellery, medallions (jewellery); medals; ornaments (jewellery); ornamental pins; pearls (jewellery); semi-precious stones; precious stones; statues of precious metal; rings (jewellery); hat ornaments of precious metal; earrings; shoe ornaments of precious metal; pendants; ankle bracelets; cufflinks; pins; tie

pins; key rings; clocks; wristwatches; watch bands; watch straps; straps for wristwatches; dials; watch chains; chronographs (watches); chronometers; chronometrical instruments; clocks and watches, electric; cases for clock and watchmaking; clocks cases; watches; alarm clocks; watch cases; stopwatches; speaker clock; watch bag (sheath).

18 – Leather and imitation of leather and goods made of these materials namely, leatherboard, unworked or semi-worked leather, chamois leather other than for cleaning purposes, hat, boxes of leather; leather laces; straps for skates; leather straps; leather twist; leather trimmings for furniture; bands of leather; boxes of leather; leather shoulder straps; furniture coverings of leather; cushion padding made for saddlery; bags, handbags, handbag frames; shoulder bags; tool bags sold empty; purses, chain mesh purses; wallets, pocket wallets; luggage, pouches; rucksacks, backpacks; shopping bags; game bags; school bags; school satchels; sling bags for carrying infants; wheeled shopping bags; bags for climbers; bags for campers; beach bags; bags of leather for packaging; haversack; garment bags for travel; net bags for shopping; bags for sport; imitation leather cases; canvas cases; cheque wallets of leather; passport wallets; collars for animal and pets; muzzles; covers for animals; clothing for pets; dog collars; attaché cases; credit card cases of leather; card cases (notecases); cases of leather; document cases; key cases; music cases; empty cosmetic cases; empty toiletry cases, trunks; travelling bags, valises; travelling sets; travelling trunks; vanity cases sold empty; suitcase handles; suitcases; briefcases; animal skins; hides; pelts; cattle skins; covering of skins; kid; moleskin; fur-skins; fur; beach parasols; walking sticks; mountaineering sticks; alpenstocks; canes; walking stick seats; walking cane handles; walking stick handles; whips; harness and saddlery.

25 – Articles of clothing namely jackets, shirts, shirt front; tee-shirts; ties, trousers, coats, sweaters, skirts, pullover, socks, stockings, tights, gloves, belts, scarves, jeans, underwear, nightwear, pajamas; sashes for wear; bathrobes; braces; berets; sun visors; muffs; ear muffs; neckwear; neckties; bow tie; panty hose; garters; kerchiefs; bandanas; brassieres; underpants; camisoles; cuffs; fur stoles; knitwear (clothing); overcoats; parkas; shawls; smocks; suits; uniforms; waistcoats; lingerie; bodices (lingerie); clothing for gymnastics; tracksuits, swimsuits, beach clothes, swimwear; sportswear; mittens; smocks; overalls; dress shields; shoulder wraps; collars (clothing); collar protectors; pants; drawers; dressing gowns; jumpers; chemisettes; furs; (clothing) detachable collars; combinations clothing; underwear (anti-sweat); corselets; ready-made clothing; breeches for wear; outer-clothing; ready-made lining (parts of clothing); shirt yokes; gabardines (clothing); corsets; vests; waistcoats; jerseys (clothing); liveries; sports jerseys;

singlets; wristbands (clothing); aprons; pelisses (clothing); pockets for clothing; frocks; topcoats; togas; stuff jackets (clothing); paper clothing; petticoats; slips; teddies; clothing of leather; clothing of imitation of leather; fishing vests; wind resistant jacket for "wind vests/wind jackets; down garment; women's bellyband; children's clothing; babies' pant; layettes clothing; bibs not of paper; motorists' clothing; wet suits for water-skiing; cyclists' clothing; bathing caps; bathing drawers; bathing trunks; clothing for judo; clothing for wrestling; waterproof clothing; raincoat; poncho; rain cape; masquerade costumes; saris; theatrical costumes; clothing for dancing; shoes, sport shoes; sneakers; beach shoes, bath sandals, sandals; ski boots; boots, slippers; football shoes; football boots; gymnastic shoes; jumping shoes; running shoe (with metal nails); shoe for climbing mountains; footwear; bath slippers; half-boots; lace boots; galoshes; gaiters; gaiter strap; soles for footwear; boots for sports; rain boot; insole; caps (headwear); shower caps; skull caps; hoods; hats; hat frames; cap peaks; headgear for wear; ear muffs; headbands; hosiery; sock suspenders; garters; stocking suspenders; leggings; ankle socks; muffs; mittens; boas (necklets); shawls; pelerines; veils; mantillas; ascots; pocket squares; suspenders; girdles; trouser straps; money belts (clothing); leather belts (clothing); sashes for wear; wedding dresses.

(260) AM 2013 68956 A

(800) 1126332

(731) VALENTINO S.P.A.

Via Turati, 16/18, I-20121 MILANO, Italy

(540)



(591) Red and black

(511)

14 – Precious metals and their alloys and goods in precious metals or coated therewith, precious stones and their imitations, jewelry cases, boxes of precious metal, jewelry and imitation of jewelry, earrings, bracelets, trinkets, brooches, tie clips, pins, necklaces, rings, cuff links, key rings, shoe ornaments of precious metal, clocks and watches, chronometers, alarm clocks, wrist watches, table clocks, pocket watches, cases for watches, watch chains, watch bands and straps.

(260) AM 2013 68958 A

(800) 1126343

(731) Tonghua Dongbao Pharmaceutical Co. Ltd.

Dongbao Xincun, Tonghua County,
Jilin Province, China

(540)

Ganshulin

(591) Black, white

(511)

5 – Pharmaceutical preparations for human use.

(260) AM 2013 68959 A

(800) 1126344

(731) Tonghua Dongbao Pharmaceutical Co., Ltd.
Dongbao Xincun, Tonghua County,
Jilin Province, China

(540)

dongbao

(591) Black, white

(511)

5 – Pharmaceutical preparations for human use.

(260) AM 2013 68960 A

(800) 1126378

(731) SOREMARTEC SA
Rue Joseph Netzer 5, B-6700 ARLON,
Belgium

(540)



(591) Light green, dark green, yellow, white and black

(511)

5 – Confectionery; sweets and chewing gum; sugar-free sweets and chewing gum; all aforementioned goods for medical purposes.

30 – Confectionery; sweets and chewing gum; sugar-free sweets and chewing gum; all aforementioned goods not for medical purposes.

(260) AM 2013 68961 A

(800) 818851

(731) MIRATO S.P.A.
Strada Provinciale Est Sesia, I-28064
LANDIONA (NO), Italy

(540)



(591) Black, white

(511)

3 – Perfumery; essential oils; cosmetics; hair lotions and soaps, in particular liquid soaps, personal detergents, shower creams, bubble bath, bath salts; cosmetic creams; anti-cellulitis creams; anti-

cellulitis strips (cosmetic products); anti-cellulitis muds (cosmetic products); cosmetic products for giving tone to the bust, anti-striae and remodelling cosmetic products for the abdomen and hips.

(260) AM 2013 68962 A

(800) 852100

(731) HENDERSON S.R.L.
Via Padova, 214, I-30030 VIGONOVO
(VENEZIA), Italy

(540)

HENDERSON

(591) Black, white

(511) 25 – Footwear in general, not for sports.

(260) AM 2013 68963 A

(800) 933068

(731) HELL ENERGY Magyarország Kft
Károlyi krt. 1, 1/2, H-1075 Budapest, Hungary

(540)



(591) Red, yellow, brown

(511)

32 – Non-alcoholic beverages; energy drinks.

(260) AM 2013 68964 A

(800) 1043219

(731) Leder & Schuh International AG
Lastenstr. 11, A-8020 Graz, Austria

(540)

SHOEMANIC

(591) Black, white

(511)

18 – Bags, pouches, shoulder bags, purses, pocket wallets, trunks and travelling bags, all the aforesaid goods in particular of leather or imitation leather; shoe bags and shoe pouches.

25 – Clothing, shoes, boots, slippers, sandals, half-boots, hiking shoes, espadrilles, gymnastic shoes, rubber boots, socks, stockings, tights, leg warmers, insoles.

35 Retail services of a shoe shop, in particular assortment of various goods (except the transport thereof), for others, to enable customers to view and purchase these goods, with regard to the following goods: chemical preparations, in particular impregnating preparations, leather stretch spray, cleaning preparations and care preparations, sunglasses, real and imitation jewellery, clocks, alarm clocks, office requisites (except furniture), bags, pouches, shoulder bags, purses, wallets, trunks

and travelling bags, all the aforesaid goods in particular of leather or imitations of leather, shoe carriers and shoe bags, belt bags, shoe blocks, neckerchieves, shoes, boots, slippers, sandals, ankle boots, hiking shoes, espadrilles, plimsolls, rubber boots, socks, stockings, tights, leg warmers, inner soles, clothing, underwear, headgear, scarves, gloves, bikinis, sweat bands, headbands, belts, shoe laces, hair slides, games, toys, gymnastic and sporting articles, decorations for Christmas trees; retail services with regard to the following goods: chemicals, in particular impregnating preparations, leather stretch spray, cleaning preparations and care preparations, sunglasses, real and costume jewellery, clocks and watches, alarm clocks, office requisites (except furniture), bags, pouches, shoulder bags, purses, wallets, trunks and travelling bags, all the aforesaid goods in particular of leather or imitations of leather, shoe carriers and shoe bags, belt bags, shoe trees, neckerchieves, shoes, boots, slippers, sandals, calf boots, hiking shoes, espadrilles, plimsolls, rubber boots, socks, stockings, tights, leg warmers, inner soles, clothing, underwear, headgear, scarves, gloves, bikinis, sweat bands, headbands, belts, shoelaces, hair slides, games, playthings, gymnastic and sporting articles, decorations for Christmas trees.

(260) AM 2013 68966 A

(800) 1121319

(731) TOD'S S.p.A.

Via Filippo Della Valle, 1, I-63811
Sant'Elpidio a Mare (FM), Italy

(540)



(591) Black, white

(511)

3 – Perfumery and cosmetics, namely perfume, eau de Cologne, rose water, Cologne, after shave lotions, make-up, personal deodorants and antiperspirants, essential oils for personal use, soaps, shaving soaps, bath oils, bath foams, bath cream, bath salts for cosmetic purposes, cleansing soaps for personal hygiene, shower soaps, shaving lotions, shaving creams, beauty creams, vanishing creams, skin lotions, hand creams, lotions, body milk, cosmetic preparations for slimming purposes, sun oils, sun milks, sunscreen lotions, talcum powder, tissues impregnated with cosmetic lotions, cotton stick for cleaning ears, cotton wool for cosmetic purposes, eyebrow pencils, eye liners, mascaras; face powder, lipsticks, eye make-up removers, skin milks, cleansing lotions, hair care preparations, shampoos, hair oils, henna, hair lotions, hair creams, hair sprays, hair decolorants, nail polish, depilatories,

cosmetic kits, dentifrices; laundry preparations, namely cleaning, polishing, scouring and abrasive preparations, bleach and laundry detergents; shoe and boot creams and polishes.

9 – Spectacles, sunglasses, lenses and frames therefor, contact lenses, optical lenses, magnifying glasses, cases, chains and cords for glasses and spectacles, parts and fittings, for all the aforesaid goods; leather covers for portable multimedia players, for mobile phones, for DVDs, for CDs, for computer cables, for audio reproduction devices, for palmtops, for electronic agendas, for photographic cameras and for film cameras.

14 – Watches and clocks, pendulum clocks, chronographs and chronometers, rough gemstones, precious stones, diamond, coral jewellery, emerald, sapphire, ruby, opal, topaz, aquamarine, earrings, rings, necklaces, bracelets, ornamental pins made of precious metal, shoe ornaments of precious metal, pearl, boxes of precious metal, jewels cases of precious metal, brooches, pins, tie clips, cuff links, leather bracelets.

18 – Bags, handbags, traveling bags, briefcases, leather briefcases, leather credit card holders, wallets, leather document briefcases, leather key cases, purses, trunks, suit cases, cosmetic bags, sports bags included in this class, bags for athletic equipment, evening and shoulder bags for ladies, leather shopping bags, school bags, garment bags for travel, suit carriers for travel, shoe bags for travel, beach bags, rucksacks, diaper bags, backpacks, Boston bags, traveling trunks, duffel bags, overnight bags, carry-on bags, bags for mountain-climbing, satchels, opera bags, vanity cases (not fitted), hides, cases and boxes made of leather, bags made of leather for packaging, leather straps, umbrellas, leather leashes.

25 – Leather coats, leather jackets, leather trousers, leather skirts, leather tops, leather raincoats, leather long coats, leather overcoats, leather belts, leather braces for clothing, belts, suits, padded jackets, jackets, stuff jackets, jumpers, trousers, jeans, skirts, dresses, coats, overcoats, cloaks, raincoats, parkas, pullovers, shirts, T-shirts, blouses, sweaters, underwear, baby-dolls being nightwear, bathrobes, bathing costumes, negligée, swim suits, dressing gowns, nightgowns, one-piece dresses, two-piece dresses, evening dresses, shawls, scarves, ties, neckties, gentlemen suits, women's clothing, dress shirts, aloha shirts, sweat shirts, under shirts, polo shirts, body suits, blazers, shorts, sport shirts; shoes, athletic shoes, slippers, overshoes, low heel shoes, leather shoes, rubber shoes, galoshes, golf shoes, wooden clog, angler shoes, basketball shoes, dress shoes, heels, hiking shoes, rugby shoes, boxing shoes, base ball shoes, vinyl shoes, beach shoes, inner soles, soles for footwear, footwear upper,

heelpieces for shoes and boots, non-slipping pieces for shoes and boots, tips for footwear, rain shoes, track-racing shoes, work shoes, straw shoes, gymnastic shoes, boots, ski boots, half boots, arctic boots, football boots, laced boots, field hockey shoes, hand ball shoes, esparto shoes or sandals, sandals, bath sandals; gloves, gloves for protection against cold, leather gloves, mittens; hats and caps, visor (headgear), leather hats and caps.

(260) AM 2013 68974 A

(800) 1126392

(731) Sopro Bauchemie GmbH

Biebricher Strasse 74, 65203 Wiesbaden,
Germany

(540)

DF 10

(591) Black, white

(511)

1 – Chemical products for industrial purposes; impregnating preparations; adhesives used in industry, in particular made of synthetic resins; chemical products for industrial purposes being additives for building materials, chemical products for industrial purposes being additives for screed, concrete and mortar; liquid plastics, unprocessed included in this class; preservatives for building materials (except for organic substances); tempering agents for concrete, mortar and screed, included in this class, namely for preventing drying out of concrete and mortar, screed and pre-fabricated concrete components, for rendering concrete screed resistant against impacts, abrasion, freeze and chemical stress, for increasing imperviousness against liquid and gases as well as for controlling the working consistency; unprocessed artificial resin; surface-active agents (tensides); damp proofing preparations for brickwork, except paints; horticulture chemicals; antifreeze; chemical products as aid for removing and cleaning joint compounds; solvents for paints, varnishes and lacquers; silicones.

17 – Building materials with damping and insulating properties; rubber, gutta-percha, gum, asbestos, mica and goods made from these materials, included in this class; goods made of plastics as semi-finished products; artificial and synthetic resins (semi-finished products), resins for fabricating adhesives (semi-finished products); cast resins including silica sand (semi-finished products); sealing, packing and insulating materials, sealing tapes, sealing collars; rubber gloves for insulating purposes, not for household purposes; joint fillers (sealant compounds for joints); insulating coating agents paints and insulating lacquers; insulating paints; self-adhesive tapes, other than stationery and not for medical or household purposes; insulating coatings and insulating materials; filling material as insulating,

damping and sealing materials; bituminous coatings for roofing for sealing and insulating purposes.

19 – Building materials (non-metallic); building materials (non-metallic), namely hydraulic binding agents such as cement, lime, gypsum and as additives for binding and hardening concrete, mortar and stony building materials; building materials (non-metallic), namely mixtures of hydraulic binding agents with aggregates, puzzolan materials (concrete additives) and/or chemical substances (concrete additives); mortar (building material), plaster (coatings), screeds (building material); reinforcing fabrics (non-metallic) for building purposes; contact sludges (non-metallic) for building purposes; building materials, non-metallic, in the form of filling materials for building purposes for preparing surfaces made of concrete, mortar and other stony building materials; silica sand for building purposes; bitumen; bituminous products for building; pipes, not of metal for building purposes; concrete, concrete building elements; roof coverings, not of metal; bituminous coatings for roofing (except for sealing and insulating purposes); windows, not of metal; felts for building; gravel; sand for building purposes; prefabricated swimming pools (not of metal); prefabricated chimneys, not of metal; floor tiles, not of metal, tile floorings, not of metal; binding material for road repair, road coating materials.

(260) AM 2013 68975 A

(800) 1126398

(731) NOVOFLEET GmbH + Co. KG

Balcke-Dürr-Allee 3, 40882 Ratingen,
Germany

(540)

NOVOFLEET

(591) Black, white

(511)

4 – Industrial oils and greases; liquid and gaseous fuels; all the aforesaid goods being motor vehicle fuels.

7 – Motor car accessories as far as included in this class, namely engine parts for land craft vehicles.

12 – Motor car accessories as far as included in this class.

35 – Services of a filling station and its sales and service businesses, namely computer based preparation and balancing of invoices of fees for border clearance (office functions); computer based preparation of invoices of cargo and cargo procurement costs (office functions); input of data in data processing devices in the field of border clearance and ferry service, for access entitlement to toll roads and tunnels; issue and balance (office functions) of corresponding service cards without

payment function in the field of border clearance and ferry service for access entitlement to toll roads and tunnels; computer based preparation of invoices of tunnel fees (office functions); computer based preparation of invoices of repair services (office functions); computer based preparation and processing of invoices of fuels, ferry fees, motorway fees, tolls and/or value-added tax (office functions); foreign value-added tax return service (office functions); business management; business administration; office functions; advertising; recording of personal and vehicle related data (office functions); computer based compilation and processing by preparation of statistics and statistical analysis of motor vehicle master data, preparation of tank data invoices, preparation of invoices of motor vehicle costs and revenues; systematically computer based capture of data and systematic capture and planning both in terms of organisation and business planning of motor vehicles and orders, updating of order administration (data) in computer data banks; administration of addresses; services in the field of cashless roadside supply for national and international acting enterprises of commercial goods haulage traffic and of commercial passenger transportation, of commercially used vehicle fleets consisting of automobiles and/or heavy trucks and in the field of transportation, namely preparation of invoices based mainly on customer oriented developed software programs, computer based preparation and processing of invoices of fuels, ferry fees, motorway fees, tolls and/or value-added tax; preparation of vehicle related statistics; provision of contracts for mobile phone services; vehicle fleet management; provision for third parties of contracts for the supply of maintenance and repair services, especially of repair of wear of vehicles in line with exhaust emission test and inspections by the technical supervisory association; provision for third parties of contracts for the supply of tyres, replacement of tyres and services of refitting and repair of tyres.

36 – Issue of service cards with payment function to industrial freight and passenger transport businesses for the cashless in-transit supplying of automobiles including automobile fleets, heavy trucks, busses and their drivers; issue of service cards as magnetic and/or chip cards with payment function for third parties for the cashless in-transit supply; computer aided settlement of finance transactions/deals, monetary transactions with service cards with payment function; financial settlement of foreign value-added tax refunds, namely clearing (accounting transactions); freight-forwarding services, namely customs clearance for third parties; border clearance and ferry services, namely customs clearance for third parties; collection of use fees by the issue of vignettes; insurance; financial services; monetary transactions; factoring; credit financing-

leasing of new and second hand vehicles; credit financing-leasing consulting; consulting in the area of vehicle costs and vehicle investment; preparation of financial cost analysis; arrangement and settlement of payments like motor vehicle taxes, parking taxes, costs for rental cars or broadcast fees for third parties (electronically transfer of capital); border clearance and ferry service, for access entitlement to toll roads and tunnels by the issue of vignettes; financial services namely vehicles leasing operations also out of the place of contract including the safety equipment: breakdown triangle, first-aid box, towing rope, warning lights or high visibility jackets.

37 – Services of a motor vehicle repair workshop; service station services and sales and services relating thereto, namely washing and refuelling of motor vehicles, cleaning of motor vehicles, repair and maintenance of motor vehicles; breakdown assistance, namely repair and maintenance of motor vehicles on site and at motor vehicle repair workshops; repair and maintenance of tyres and motor vehicle cooling systems; installation work; installation and maintenance of toll logging and toll billing equipment.

38 – Provision of multilingual breakdown services, namely radio service; procurement of access to technical expert knowledge of motor vehicle specialists via telecommunication and via the Internet; telecommunications, including radio services for radio guidance of motor vehicles in industrial freight and commercial passenger transportation; telecommunication services for nationally and internationally operating industrial freight and passenger transport services, namely the transmission of information about the state of roads, the traffic situation, the location of service stations, the location of vehicles and the price of fuel at home and abroad via the Internet and radio services; transmission of information relating to the price of fuel at home and abroad.

39 – Breakdown assistance, namely the towing away and recovery of motor vehicles; rental services, namely rental of busses, motor vehicles for the freight-forwarding sector; transport of motor vehicles by rail; accident services, namely leasing of replacement motor vehicles and towing vehicles; packaging and storage of goods; travel arrangement; transshipment of transport goods; rental of leasing vehicles; rental of motor vehicles also out of the contract place including the safety equipment: breakdown triangle, first-aid box, towing rope, warning lights or high visibility jackets; location of broken-down vehicles through computer-aided map systems by means of electronic navigation and locating equipment; rental services, namely rental of motor vehicles for the building area as well as further special-purpose vehicles.

41 – Provision of multilingual breakdown services, namely, interpreting services.

42 – Installation and maintenance of software for toll registration and toll invoicing devices; compilation of computer software and programs for data processing; electronic data storage; technical development of magnetic and chip cards and other computer-aided insurance and financial verification (software); design, development and compilation of computer hardware and computer software and programs.

44 – Breakdown services, namely medical care.

(260) AM 2013 68976 A

(800) 1126399

(731) NOVOFLEET GmbH + Co. KG
Balcke-Dürr-Allee 3, 40882 Ratingen,
Germany

(540)



(591) Red (Pantone 186C)

(511)

4 – Industrial oils and greases; liquid and gaseous fuels; all the aforesaid goods being motor vehicle fuels.

7 – Motor car accessories as far as included in this class, namely engine parts for land craft vehicles.

12 – Motor car accessories as far as included in this class.

35 – Services of a filling station and its sales and service businesses, namely computer based preparation and balancing of invoices of fees for border clearance (office functions); computer based preparation of invoices of cargo and cargo procurement costs (office functions); input of data in data processing devices in the field of border clearance and ferry service, for access entitlement to toll roads and tunnels; issue and balance (office functions) of corresponding service cards without payment function in the field of border clearance and ferry service for access entitlement to toll roads and tunnels; computer based preparation of invoices of tunnel fees (office functions); computer based preparation of invoices of repair services (office functions); computer based preparation and processing of invoices of fuels, ferry fees, motorway fees, tolls and/or value-added tax (office functions); foreign value-added tax return service (office functions); business management; business administration; office functions; advertising; recording of personal and vehicle related data (office functions); computer based compilation and processing by preparation of statistics and statistical analysis of

motor vehicle master data, preparation of tank data invoices, preparation of invoices of motor vehicle costs and revenues; systematically computer based capture of data and systematic capture and planning both in terms of organisation and business planning of motor vehicles and orders, updating of order administration (data) in computer data banks; administration of addresses; services in the field of cashless roadside supply for national and international acting enterprises of commercial goods haulage traffic and of commercial passenger transportation, of commercially used vehicle fleets consisting of automobiles and/or heavy trucks and in the field of transportation, namely preparation of invoices based mainly on customer oriented developed software programs, computer based preparation and processing of invoices of fuels, ferry fees, motorway fees, tolls and/or value-added tax; preparation of vehicle related statistics; provision of contracts for mobile phone services; vehicle fleet management; provision for third parties of contracts for the supply of maintenance and repair services, especially of repair of wear of vehicles in line with exhaust emission test and inspections by the technical supervisory association; provision for third parties of contracts for the supply of tyres, replacement of tyres and services of refitting and repair of tyres.

36 – Issue of service cards with payment function to industrial freight and passenger transport businesses for the cashless in-transit supplying of automobiles including automobile fleets, heavy trucks, busses and their drivers; issue of service cards as magnetic and/or chip cards with payment function for third parties for the cashless in-transit supply; computer aided settlement of finance transactions/deals, monetary transactions with service cards with payment function; financial settlement of foreign value-added tax refunds, namely clearing (accounting transactions); freight-forwarding services, namely customs clearance for third parties; border clearance and ferry services, namely customs clearance for third parties; collection of use fees by the issue of vignettes; insurance; financial services; monetary transactions; factoring; credit financing-leasing of new and second hand vehicles; credit financing-leasing consulting; consulting in the area of vehicle costs and vehicle investment; preparation of financial cost analysis; arrangement and settlement of payments like motor vehicle taxes, parking taxes, costs for rental cars or broadcast fees for third parties (electronically transfer of capital); border clearance and ferry service, for access entitlement to toll roads and tunnels by the issue of vignettes; financial services namely vehicles leasing operations also out of the place of contract including the safety equipment: breakdown triangle, first-aid box, towing rope, warning lights or high visibility jackets.

37 – Services of a motor vehicle repair workshop; service station services and sales and services relating thereto, namely washing and refuelling of motor vehicles, cleaning of motor vehicles, repair and maintenance of motor vehicles; breakdown assistance, namely repair and maintenance of motor vehicles on site and at motor vehicle repair workshops; repair and maintenance of tyres and motor vehicle cooling systems; installation work; installation and maintenance of toll logging and toll billing equipment.

38 – Provision of multilingual breakdown services, namely radio service; procurement of access to technical expert knowledge of motor vehicle specialists via telecommunication and via the Internet; telecommunications, including radio services for radio guidance of motor vehicles in industrial freight and commercial passenger transportation; telecommunication services for nationally and internationally operating industrial freight and passenger transport services, namely the transmission of information about the state of roads, the traffic situation, the location of service stations, the location of vehicles and the price of fuel at home and abroad via the Internet and radio services; transmission of information relating to the price of fuel at home and abroad.

39 – Breakdown assistance, namely the towing away and recovery of motor vehicles; rental services, namely rental of busses, motor vehicles for the freight-forwarding sector; transport of motor vehicles by rail; accident services, namely leasing of replacement motor vehicles and towing vehicles; packaging and storage of goods; travel arrangement; transshipment of transport goods; rental of leasing vehicles; rental of motor vehicles also out of the contract place including the safety equipment: breakdown triangle, first-aid box, towing rope, warning lights or high visibility jackets; location of broken-down vehicles through computer-aided map systems by means of electronic navigation and locating equipment; rental services, namely rental of motor vehicles for the building area as well as further special-purpose vehicles.

41 Provision of multilingual breakdown services, namely, interpreting services.

42 – Installation and maintenance of software for toll registration and toll invoicing devices; compilation of computer software and programs for data processing; electronic data storage; technical development of magnetic and chip cards and other computer-aided insurance and financial verification (software); design, development and compilation of computer hardware and computer software and programs.

44 – Breakdown services, namely medical care.

(260) AM 2013 68977 A

(800) 1126423

(731) AG CHEMI GROUP s.r.o.
Rybničná 18/1, CZ-162 00 Praha 6,
Czech Republic

(540)



(591) Gray, white, dark green, light green
and yellow-green

(511)

1 – Chemicals used in industry, science and photography, as well as in agriculture, horticulture and forestry; unprocessed artificial resins; unprocessed plastics; fertilizers; fire extinguishing compositions; tempering and soldering preparations; chemical substances for preserving foodstuffs; tanning substances; adhesives for industrial purposes.

4 – Industrial oils and greases; lubricants; dust absorbing, wetting and binding compositions; fuels (including motor spirit) and illuminants; candles and wicks for lighting.

35 – Propaganda (publicity); advertising; business management; business administration; office functions; retail sale of the goods listed in classes 1 and 4.

(260) AM 2013 68978 A

(800) 1126430

(731) LISEC Holding GmbH
Bahnhofstraße 34, A-3363 Amstetten-
Hausmending, Austria

(540)

(591) Red

(511)

7 – Machines for glass working, production of insulating glass and laminated glass, mechanical devices for the automatic production of insulating glass, glass cutting tables, glass washing machines, machines for the production of spacer frames for insulating glass, apparatus for the applying of spacer frames and for the assembly of insulating glass, apparatus for the pressing and sealing of insulating glass; apparatus for the filling of insulating glass with gas, mechanical devices for the sorting of cut glass and insulating glass; apparatus for the manufacturing of solar cells and photovoltaic

devices; machines for the grinding and for the polishing of plate glass, apparatus for the handling of plate glass.

9 – Photovoltaic modules and photovoltaic cells.

11 – Photovoltaic devices.

19 – Insulating glass, laminated glass, toughened safety glass.

21 – Plate glass.

42 – Technical planning and structural planning of devices for the manufacturing of insulating glass, design of programs for the controlling of devices for the cutting of glass and the manufacturing of insulating glass; design of photovoltaic modules and photovoltaic cells.

(260) AM 2013 68979 A

(800) 1126461

(731) Zentiva, k.s.

U Kabelovny 130, CZ-102 37 Praha

10 – Dolní Měcholupy , Czech Republic

(540)

ZOLAZENTA

(591) Black, white

(511)

5 – Medicines, pharmaceutical preparations for human use.

(260) AM 2013 68980 A

(800) 1126495

(731) BIOFARMA

50 rue Carnot, F-92284 SURESNES CEDEX,

France

(540)

SEKOIA

(591) Black, white

(511)

42 – Scientific research for medical purposes namely medical studies and clinical studies.

(260) AM 2013 68981 A

(800) 1126529

(731) MANGAROCA S.A.

65 Boulevard Grande-Duchesse Charlotte,

L-1331 LUXEMBOURG, Luxembourg

(540)

HARI-MAU

(591) White, red and metallic golden-yellow

(511)

33 – Liqueurs, aperitifs with alcohol.

(260) AM 2013 68982 A

(800) 1126539

(731) TOYOTA MOTOR EUROPE,

en agrégé TME, société anonyme;

Avenue du Bourget 60, B-1140 Bruxelles,

Belgium

(540)

SKYVIEW

(591) Black, white

(511)

12 – Vehicles; roofs and other body items for vehicle tops.

(260) AM 2013 68983 A

(800) 1126550

(731) Barry Callebaut AG

Westpark, Pfingstweidstrasse 60, CH-8005

Zürich, Switzerland

(540)

CACAO BARRY

(591) Black, white

(511)

29 – Jams and fillings made from fruit, particularly jams and fillings made from fruit resistant to baking or boiling; prepared nuts; preparations for food containing prepared nuts; nut paste; nut-based fillings, particularly nut-base fillings resistant to baking or boiling.

(260) AM 2013 68984 A

(800) 1126551

(731) Barry Callebaut AG

Westpark, Pfingstweidstrasse 60, CH-8005

Zürich, Switzerland

(540)

CALLEBAUT

(591) Black, white

(511)

29 – Jams and fillings made from fruit, particularly jams and fillings made from fruit resistant to baking or boiling; prepared nuts; preparations for food containing prepared nuts; nut paste; nut-based fillings, particularly nut-base fillings resistant to baking or boiling.

(260) AM 2013 68985 A

(800) 1126593

(731) MODULAR PROFESSIONAL SRL

Via Palù, 34, I-31020

SAN VENDEMIANO (TV), Italy

(540)



MODULAR
PROFESSIONAL

(591) Black, white

(511)

7 – Dishwashing machines.

11 – Catering equipment, namely gas and electric kitchen machines for cooking, gas and electric ovens, gas electric deep fryers, gas and electric hobs, gas and electric pasta cookers; devices with cylindrical container (pan type) suitable for cooking food and running on gas or electricity, electric cookers, gas and electric grill surfaces; gas and electric devices with containers suitable for different types of cooking; gas and electric grills, gas and electric bain-marie cooking, gas and electric salamanders, cooking ceramic surfaces; gas stoves with vertical flame burners and grills for round pans suitable for cooking in chinese restaurants (or chinese type); gas and electric ovens, convection ovens, steam ovens, gas and electric pizza ovens, fridges, refrigerators, refrigerated display units, refrigerated counters, freezers, refrigerating rooms, blast chillers, basins (parts of sanitary installations), ventilation hoods; refrigerated display cabinets; heated display cabinets.

20 – Work or storage tables to be used in restaurant kitchens or in work and storage areas; work tables; trolleys.

35 – Advertising; business management; business administration, office functions; sales promotion for others including service of shops, on line, by e mail, telephone and by telemarketing especially for dishwashing machines, catering equipment, namely gas and electric kitchens, gas and electric ovens, gas electric deep fryers, gas and electric hobs, gas and electric pasta cookers, devices with cylindrical container (pan type) suitable for cooking food and running on gas or electricity, electric cookers.

(260) AM 2013 68986 A

(800) 1126640

(731) OTKRYTOE AKTSIONERNOE
OBSHESTVO "WIMM-BILL-DANN
PRODUKTY PITANIYA"
komn. 306, d.16/15, Yauzsky bulvar,
RU-109028 Moscow, Russian Federation

(540)



(591) Red, blue, white, sky blue

(511)

5 – Balms for medical purposes; candy, medicated; confectionery, medicated; medicinal drinks; lacteal

flour for babies; dietetic beverages adapted for medical purposes; vitamin preparations; pharmaceutical preparations; food for babies; dietetic foods adapted for medical purposes; digestives for pharmaceutical purposes; elixirs [pharmaceutical preparations].

29 – Bouillon, broth; jellies for food; fruit jellies; fruit-based snack food; charcuterie, sausages; yoghurt, yogurt; kefir [milk beverage], kephir [milk beverage]; meat, tinned [canned (am.)]; vegetables, tinned [canned (am.)]; fish, tinned [canned (am.)]; fruits, tinned [canned (am.)]; buttercream; croquettes; marmalade; coconut oil, colza oil for food, corn oil, edible oils, maize oil, olive oil for food, palm kernel oil for food, palm oil for food, rape oil for food, sesame oil, sunflower oil for food; butter; milk; soya milk [milk substitute]; fruit pulp; milk beverages, milk predominating; vegetables, dried; vegetables, cooked; jams; cream [dairy products], koumiss [koumiss] [milk beverage], kumys [kumys] [milk beverage], milk products, whey; foods prepared from fish, salted fish; curd; cranberry sauce [compote]; apple puree; vegetable salads; fruit salads; whipped cream; fat-containing mixtures for bread slices; soups; cheese; crystallized fruits, frosted fruits; frozen fruits; fruit, preserved; fruit, stewed; potato flakes; potato chips, potato crisps; fruit chips; eggs.

30 – Cookies; waffles; cereal-based snack food; pastries; farinaceous food pastes; macaroni; pasta; pasty, pate [pastries]; frozen yogurt [confectionery ices]; cocoa; cocoa products; caramels [candy]; gruel, with a milk base, for food; sweetmeats [candy]; crackers; crushed barley, groats for human food, husked barley, sago, semolina; farinaceous foods; candy for food; custard; honey; ice cream; sherbets [ices], sorbets [ices]; barley meal, bean meal, corn flour, corn meal, flour for food, maize flour, maize meal, meal, mustard meal, oatmeal, potato flour for food, soya flour, tapioca flour for food, wheat flour; muesli; cocoa beverages with milk; coffee beverages with milk; coffee-based beverages; tea-based beverages; chocolate beverages with milk; chocolate-based beverages; cocoa-based beverages; infusions, not medicinal; biscuits, macaroons [pastry], malt biscuits, petit-beurre biscuits; pies; popcorn; powders for ice cream; condiments; cereal preparations; flour-milling products; gingerbread; puddings; chewing gum, not for medical purposes; rice; sugar; confectionery; sugar confectionery; cooking salt; seasonings; rusks; halvah; bread; chips [cereal products], corn flakes, maize flakes, oat flakes; tea; iced tea; chocolate.

32 – Aperitifs, non-alcoholic; aerated water, lithia water, mineral water [beverages], seltzer water, soda water, table waters, waters [beverages]; kvass [non-alcoholic beverage]; cocktails, non-alcoholic;

lemonades; non-alcoholic beverages; whey beverages; non-alcoholic fruit juice beverages; fruit nectars, non-alcoholic; powders for effervescing beverages; syrups for beverages; tomato juice [beverage]; cider, non-alcoholic; vegetable juices [beverages]; fruit juices; preparations for making beverages.

(260) AM 2013 68987 A

(800) 1126645

(731) Open-Type Joint Stock Company

"Confectionary Concern Babayevsky"

d. 7, ul. Malaya Krasnoselskaya, RU-107140
Moscow, Russian Federation

(540)

Artify your life

(591) Black, white

(511)

30 – Cocoa; sugar; flour and preparations made from cereals, namely cereal based snack food, high-protein cereal bars; pastry; confectionery made of sugar, namely candy, sweets, praline, chocolate, pastilles, halvah, wafers; honey.

(260) AM 2013 68988 A

(800) 1126656

(731) HOYA MEDICAL SINGAPORE PTE. LTD.

455A, Jalan Ahmad Ibrahim, Singapore
639939, Singapore

(540)

VIVINEX

(591) Black, white

(511)

10 – Intraocular Lenses.

(260) AM 2013 68989 A

(800) 1126722

(731) Fédération Internationale de Football

Association (FIFA); FIFA-Strasse 20,
CH-8044 Zürich, Switzerland

(540)

ФИФА

(591) Black, white

(511)

3 – Cosmetics; soaps; cosmetic preparations for bath; body, face, cosmetic, bath powders; perfumes; pre-shave and after shave lotions; shaving creams; shampoos, conditioners; toothpaste, mouth washes; dental rinses, breath refreshers; dental bleaching creams; teeth whiteners (strips and pastes); non medicated denture cleanser tablets; deodorants and antiperspirants for personal use; hand cream, foot creams; nourishing creams, skin creams; facial cleansing cream; facial masks; anti-wrinkle

formulas; anti-aging lotions and moisturizers; skin care oils; skin care gels; skin cleanser preparations for face and body; make-up removal preparations; sunscreen lotions and sun care creams; body sprays for cosmetic purposes; baby shampoos; baby oil; baby lotions; baby body washes; baby powder; impregnated baby cloths; baby wipes; cotton swabs for cosmetic purposes; cotton balls for cosmetic purposes; face paint; hair lotions, hair lacquers; make-up preparations, make-up removing preparations; make up foundations, foundations preparations, eye shadow, mascaras; liners for the eye; eyelid shadows, blushers, face blushers, concealers (cosmetic); eye shadows, face powder, cosmetic pencils; decorative transfers for cosmetic purposes; lip care preparations; lip gloss; lip pomades; lipsticks; lip liners cleaning, polishing, scouring, abrasive preparations for household purposes; laundry powder detergents; synthetic household detergents; shoe polish and waxes; polishing agents for preservation of leather; leather waxes; cream for leather; pastes for polishing leather.

5 – Pharmaceutical products; creams, balms and sprays for the treatment of rheumatic pain, muscle sprains, bruises; dental wax; medical hygienic products; eye care medicines; medicinal tea; nutritional additives for medical purposes or nutritional additives for dietetic purposes; food for babies; vitamin products; beverages enriched with added vitamins [for medical purposes]; nutritional shakes for use as a meal substitute; products for purification and deodorization of the air; vehicle deodorisers; adhesive bandages, liquid bandages for shin wounds, wound dressings for home or personal use; first-aid creams, gels, liquids and sprays for the treatment of wounds, burns, blisters, itch and sunburn; antiseptic and germ treatments; filled first aids kits; diaper rash treatment ointment; skin care ointments; adhesives for dental use; pharmaceutical pain relievers, for sinus, allergy and anti itch treatments; sleep pills and tablets; cough treatment preparations; cold treatment preparations; anti-diarrhea medication; oral care products and treatments for yeast infections; pharmaceutical preparations for the treatment of stomach and digestive disease; motions sickness treatment preparations; non-medicated vapor treatment preparations; calcium supplements in chewable solid form; sanitary tampons, sanitary panties and pads; personal lubrication products; menopause treatment preparations; nursing pads; eye drops, contact lens fluids; medical blood testing strips; migraine treatment preparations; acne treatment medication; antibiotic preparations.

9 – Eyeglasses, sunglasses, diving and swimming goggles, cases and cords for diving and swimming goggles, cases and cords for sunglasses and glasses; binoculars; magnets and decorative magnets;

directional compasses; apparatus for recording, transmitting, editing, mixing and reproducing of sound and/or images; radios; televisions; flat screens; liquid crystal displays; high definition and plasma screens; home cinema systems; video recorders; CD players; portable CD players; DVD players; MP3 players; apparatus for reading digital music; cassette players; portable cassette players; mini-disc players; portable radios; loudspeakers; headphones; earphones; microphones; remote controls, voice-activated remote control; navigation apparatus; personal digital assistants (PDA); computers; data processors; computer keyboards; computer monitors; modems; computer carrying cases; computer mice; pads for computer mice; electronic pocket translators; dictating machines; electronic notebooks and agendas; scanners; printers; photocopy machines; facsimile transmission machines; telephones; telephone answering apparatus; video telephones; cellular telephones; cell phone covers; devices for handsfree use of mobile phones; earphones and headsets for mobile phones; keyboards for mobile phones; mobile phone straps; special bags for carrying mobile phones; mobile phones with integrated cameras and video cameras; calculating machines; credit card reading machines; cash exchanging machines; automated teller machines; video cameras, camcorders; photographic equipment, cameras (film cameras), projectors, exposed films, slides, flash bulbs, camera and camera accessory cases and straps, batteries; machines and programs for karaoke; hand-held electronic games adapted for use with television receivers only; video games; video game machines; gaming consoles; video game cassettes; video game discs; voice-activated or hand-operated game control pads and game controllers; pre-recorded computer software including software for games; computer programs; databases; screen saver programs for computers; magnetic, numerical or analogical carriers for recording sound or images; video discs, video tapes, magnetic tapes, magnetic discs, DVDs, floppy discs, optical discs, compact discs, mini-discs, CD ROMs, all the aforementioned being blank or pre recorded with music, sound or images (which may be animated); holograms; microchip or magnetic cards (encoded); memory adapters (computer equipment); memory cards; memory sticks; microchip cards; microchip or magnetic credit cards, microchip or magnetic phone cards, microchip or magnetic cards for automated teller and money exchange machines, microchip or magnetic prepaid cards for mobile phones, microchip or magnetic travel and entertainment cards, microchip or magnetic cheque guarantee and debit cards; credit cards of plastic; electric irons; security alarms; electronic vending machines; windsocks; solar cells and panels for electricity generation; distance measuring apparatus; speed

measuring and indication equipment; tire pressure sensor; tire pressure gauge; publications in electronic form supplied by CD-ROM, by databases and on the Internet; downloadable electronic maps; audio receivers, audio amplifiers; television tubes; cathode ray tubes; set top boxes, namely computer software and hardware which can convert, supply and transmit audio and video data; disc drives; hand-held game machines with liquid crystal displays; packaged semi-conductors; integrated circuits containing programming used for audio, video or computer data processing; rechargeable batteries; audio and video data processors and converters; data transmission cables; electronic commerce payment machine; protective helmets for sports; magnetic encoded identification bracelets; electronic tickets, encoded; tickets in the form of magnetic cards; contact lenses, receptacle for the cleaning and storing of contact lenses.

10 – Personal diagnostic appliances for medical purposes; medical measurement apparatus and instruments; massage apparatus for personal use; physical exercise apparatus for medical purpose; medical diagnostic imaging equipment; condoms; supportive bandages; ice and thermal bags for medical purposes; diabetes lancets; glucose monitoring systems and meters; solutions to check the accuracy of the diabetes meters; devices and equipment used in minimally invasive surgery; orthopaedic products (internal subcutaneous implants only) specifically excluding any form of footwear or insoles; wound closure products; sterilization devices for medical use and associated disinfectant for sterilization; blood typing and screening equipment; blood glucose monitoring systems; medical implants.

12 – Bicycles, motorbikes, motor scooters, automobiles, trucks, vans, caravans, buses, refrigerated vehicles, aeroplanes and boats; hot-air balloons, airships; tires, inner tubes for tires, rubber tread patterns for use in retreading of tires, material and kits for the repair of tires and inner tubes; adhesive rubber patches for the repair of tires and inner tubes, valves for tires, tire inflation apparatus, non-skid devices for vehicle tires, namely, spikes and snow chains; wheels, wheel rims, wheel rim bands, hubcaps; tire covers; alloys for wheels; automobile accessories, namely, sun screens, roof racks, sports racks, seat covers, car covers; prams, strollers; car seats for babies or children; engines for land vehicles.

14 – Jewellery, necklaces; precious stones; crystals and gemstones; watches; wristwatches, watch straps, clocks; stopwatches; pendulums; medallions, pendants, brooches; bracelets, leather bracelets; pins (jewellery); team and player trading pins (jewellery); tie clips and tie pins; cufflinks; medals, commemorative medals of precious metal, commemorative

plates, trophies, statues and sculptures, decorative pins for hats, all these products being of precious metal; decorative key chains; coins; medals and badges for clothing of precious metal; decorative key holders, decorative key-holders of plastic; medallions not of precious metal.

16 – 16 Money clips for holding bank notes, metal money clips; table cloths of paper; napkins of paper; bags of paper; invitation cards; greeting cards; gift wrap; paper coasters, placemats and table sets, garbage bags of paper or plastic; food storage wrappers; paper coffee filters; labels (not of textiles), towels of paper; wet paper towels, toilet paper; make-up removing towelettes made of paper; boxed tissues; paper handkerchiefs; babies' diapers of paper; stationery and school supplies (except equipment); typewriting machines; typewriter paper; copying paper (stationery articles), envelopes, themed pads of paper, blocks of paper, notebooks; note paper; writing paper, scribble pads; binders, archiving boxes; document sleeves, book covers; bookmarks; lithographies; paintings (framed or unframed); painting pads, colouring books, drawing and activity books; luminous paper; adhesive note paper; crepe paper; tissue paper, staples, flags of paper; pennants of paper; writing instruments; pens; pencils; ball-point pens; pen sets; pencil sets; porous-point pens, colouring pens; rolling ball pens; broad-tip markers; ink; ink pads, rubber stamps; paint boxes; paint and colouring pencils; chalk; decorations for pencils (stationery articles); printing blocks; magazines; newspapers; books and journals, particularly dealing with athletes or sport events; printed teaching materials; schedules (for recording results); event programs; event albums; photograph albums; autograph books; address books; diaries; personal organisers, roadmaps; entry tickets; tickets; scratch cards; cheques; printed timetables; pamphlet and brochures; comic strips; collectable trading cards, sports trading cards; bumper stickers; stickers; sticker albums; calendars; posters; photographs; postcards; postage stamps, commemorative stamp sheets; advertising signs and banners and materials of paper or cardboard; decals; heat transfers not of textile, office requisites (except furniture); correction fluids; rubber erasers; pencil sharpeners; stands for writing implements; paper clips; drawing pins; rulers, adhesive tape for stationery; dispensers for adhesive tape; staplers; stencils; document sleeves; clip boards; notepad holders; bookends; stamps; phone, ATM, travel and entertainment, cheque guarantee and debit cards made of paper or cardboard, credit cards (not encoded) of paper or cardboard; luggage tags; passport holders.

18 – Leather and imitation leather; leather straps; umbrellas, parasols; sport bags (other than those adapted for products they are designed to contain); leisure bags; travelling bags, backpacks; tote bags,

school bags; belt bags, hand bags, bags of leather; ball-shaped bags of leather; beach bags, suit carriers; suit cases; straps for suitcases; voyage bags; briefcases; vanity cases (empty); toilet bags; key cases; document holders; wallets; purses; cheque holders; pet clothing, collars for pets, animal leashes.

25 – Clothing; footwear; headgear; shirts; knit shirts; jerseys, pullovers, tank tops; T-shirts; singlets; sleeveless singlets, dresses; skirts; underwear; swimwear, bikinis; shorts; pants; sweaters; bonnets; caps; hats; scarves; headscarves, shawls; visors; warm-up suits; sweatshirts; jackets; sports jackets; stadium jackets; blazers; rainwear; coats; uniforms; ties; wristbands; headbands; gloves; aprons; bibs (not of paper); pyjamas; toddler and infant playwear; socks and hosiery; suspenders; belts; braces; sandals, thong sandals.

28 – Games and playthings; sport balls; board games; tables for table football; stuffed dolls and animals; toy vehicles; puzzles; jigsaw puzzles; balloons; inflatable toys; playing cards; confetti; articles for gymnastics and sport, appliances for gymnastics; soccer equipment, namely, soccer balls, gloves, knee pads, elbow pads, shoulder pads, shin guards, soccer goals, soccer goal walls; sporting bags and containers adapted for carrying sports articles; party hats (toys); hand-held electronic games other than those adapted for use with television receivers only; foam hands (toys); toy robots for entertainment use, arcade games; replica models of aircraft, toys for pet animals.

29 – Meat; fish; poultry; game; meat extracts preserved; cooked fruits and vegetables; canned fruits and vegetables; frozen fruits and vegetables; frozen meat, fish and poultry; edible oils and fats; potato chips; French fries; processed nuts; jams; jellies; fish and meat preserves; milk, milk drink products; yoghurt drinks; milk shakes; dairy products; cheese; soya milk (milk substitute).

30 – Coffee; tea; cocoa; sugar; honey; molasses, yeast; artificial coffee; flour; soya flour; preparations made from cereals; cereals; bread; pastries; cakes, cookies; crackers; candies; ice cream; confectionery; chocolate confectionery; chocolate; rice; dried cereal flakes; corn chips; mustard; vinegar, sauces (condiments); spices; salt; dietary supplements made from flour, plant extracts, cereals, rice, tapioca, sago, including those which contain vitamins, minerals, essential fatty acids and trace elements, other than for medical use; low calorie sweeteners.

32 – Soft drinks; concentrates, syrups and powder for making soft drinks; mineral and aerated waters; other non-alcoholic drinks; energy drinks; isotonic drinks; hypertonic drinks; hypotonic drinks; fruit and vegetable beverages; fruit and vegetable juices; frozen fruit drinks; non-carbonated, non-alcoholic frozen flavoured beverages; beverages enriched with

added vitamins not for medical purposes; beers; lagers and ales; non alcoholic beer.

35 – Employment agencies; personnel recruitment services; publication advertisement services; agencies for advertising of publicity materials; advertising agency services; Internet advertising services; dissemination of advertising; advertising space rental services; rental of advertising time in film credits; television and radio advertising services; advertising in the form of animation; promotion agency services, sport and public relations promotion agency services; market study services; marketing research services; public opinion polling services; organisation of exhibitions for commerce or publicity; organisation of publicity for commercial exhibitions; database management services; compilation of statistics; services in the field of data collection and of statistical and other information on sports performances; business management and organisation consultancy; business consultancy services; organising of promotional competitions; provision of business information; publicity of sports events in the domain of soccer; retail services in relation to goods of common metal, machines and machine tools, hand tools and implements, optical and audio-visual and magnetic and electrical/electronic apparatus/equipment, medical apparatus/equipment, lighting and heating and cooking and refrigerating and drying and ventilating apparatus/equipment, vehicles and their accessories, goods of precious metals, jewellery and chronometric instruments, badges and pins, musical instruments, paper and cardboard goods, printed matter and stationery, tickets for sporting events, leather and imitation leather goods, luggage and bags and holders, umbrellas, house ware, furniture, promotional and display articles, textile goods, clothing and headgear and footwear, embroidery and ribbons and braid and derivative goods, floor/ground coverings, games and playthings and sporting articles, food and food products, soft drinks and alcoholic drinks, solvents, paraffin, wax, bitumen and petroleum, fuels, oils and lubricants, transmission fluids, brake fluids, anti-freeze agents, coolants, hydraulic fluids, greases; convenience store services in this class including retailing of food and beverage products; retail sale and supply of beverages through vending machines; retailing services relating to filling stations and shops located on filling stations; the bringing together, for the benefit of others, of goods of common metal, machines and machine tools, hand tools and implements, optical and audio-visual and magnetic and electrical/electronic apparatus/equipment, medical apparatus/equipment, lighting and heating and cooking and refrigerating and drying and ventilating apparatus/equipment, vehicles and their accessories, goods of precious metals, jewellery and chronometric instruments, badges and pins, musical

instruments, paper and cardboard goods, printed matter and stationery, tickets for sporting events, leather and imitation leather goods, luggage and bags and holders, umbrellas, house ware, furniture, promotional and display articles, textile goods, clothing and headgear and footwear, embroidery and ribbons and braid and derivative goods, floor/ground coverings, games and playthings and sporting articles, food and food products, soft drinks and alcoholic drinks, solvents, paraffin, wax, bitumen and petroleum, fuels, oils and lubricants, transmission fluids, brake fluids, anti-freeze agents, coolants, hydraulic fluids, greases (excluding the transport thereof) enabling customers to conveniently view and purchase those goods via a retail store or via the Internet or via wireless electronic communication device; advertising and promotion services; advertising through sponsorship; information services in relation to advertising and promotion, business information services, all provided on-line from a computer database or the Internet or a wireless electronic communication device; compilation of advertisements for use as web pages on the Internet or on wireless electronic communication device; provision of space on web sites on the Internet for advertising goods and services; auctioneering provided on the Internet or on wireless electronic communication device; compilation of directories for publishing on the Internet or on wireless electronic communication device; business administration services for the processing of sales made on the Internet or on wireless electronic communication device; sales promotion, namely, providing advantage programs for customers; ticket sales promotion services; customer loyalty services and customer club services, for commercial, promotional and/or advertising purposes; distributing loyalty and encoded member cards which may hold personal user identity data for controlling access to sports stadiums; archiving of data in a central database, notably for still and moving images; promotion of sports events in the domain of soccer; promotion of goods and services of third parties, by means of contractual agreements, particularly sponsorship and licensing agreements, providing them with increased brand awareness and enhanced image derived from cultural and sporting events, particularly international events; business sponsorship research in relation to football competitions.

36 – Issuance and management of credit cards and traveller cheques; financing services; banking services, credit and investment services; insurance services; leasing services; financial support of sporting events; information services related to finance and insurance, provided on-line from a computer database or the Internet or on wireless electronic communication device; home banking; Internet or wireless electronic communication

banking services; services of payment via mobile phone; research of financial sponsorship in relation to football competitions; real estate consultancy; real estate management services.

38 – Telecommunication services, communications by mobile telephones; communications by electronic computer terminals, databases and Internet related telecommunications networks and wireless electronic communication devices; communication by telephone; communication by radio; communications by facsimile; paging by radio; communications by teleconferencing; television broadcasting; cable television broadcasting; radio broadcasting; press and information agency services; leasing of telephone sets, facsimile and other communication equipment; broadcasting of a commercial site on the Internet or on wireless electronic communication device; radio and television programming and broadcasting services provided via the Internet or on wireless electronic communication device; electronic messaging; providing access and leasing of access time to computer bulletin boards and real-time chat forums via a global computer network; providing online chat rooms and electronic bulletin boards for registered users for transmission of messages, photo management and photo sharing including uploading, editing, organising and sharing the photos with other users; providing online chat rooms and electronic bulletin boards for registered users for social networking; providing access to web sites containing maps, information about driving directions and the location of businesses; transmission of messages and images via computer; provision of access to home and office shopping and ordering services via computer, a global computer network and/or interactive communications technologies; electronic mail services; providing access time to the Internet or wireless electronic communication; providing telecommunications connections to the Internet or databases; providing access to digital music web sites on the Internet or on wireless electronic communication device; broadcasting of radio and television programs related to sports and sporting events; providing access to chat rooms for the transmission of information through computers; providing connections to computer installations (telecommunications services); providing access to a central database server (IT service); providing access to a centralized computer and computer databases (IT service); providing access to the Internet via a global computer network or via wireless electronic communication device (IT service); providing access to web sites containing digital music via a global computer network or wireless electronic communication device (IT service); providing access to MP3 web sites on the Internet via a global computer network or via wireless electronic communication device (IT service); streaming of video and audio material from

the Internet; digital music streaming by mobile phones; providing access to search engines for retrieving data and information via global networks.

39 – Travel agency services, namely, organising trips, reservations for trips; airline, railway, boat, bus and van transportation services; air transportation services featuring a frequent flyer bonus programme; tour boat services; tour operation services; vehicle rental services; parking lot services; taxi services; freight shipping services; transport of goods by motor vehicle, lorry, rail, ship and aeroplane; packaging of goods; transport and delivery of goods, in particular documents, packages, parcels and letters; postal, courier and messenger delivery services, in particular, distribution of newspapers, magazines and books; warehousing services; distribution of water, heat, gas, oil or electricity; distribution (transport) of films and recordings of sound and images; distribution (transport) of tickets; navigation services; distribution (transport), supply and storage of fuel, oil, petroleum, gas, lubricants, solvents, paraffin, wax and bitumen; transmission, distribution of electricity; transport of oil and gas by pipeline; transport and storage of waste; professional consultancy services relating to the distribution of power and electricity.

41 – Education; training; providing of training courses; entertainment, organisation of lotteries and competitions; fun park services; health and fitness club services; betting and gaming services relating to or in conjunction with sports; entertainment services provided at or relating to sports events; entertainment services in the form of public viewings of sports events; sporting and cultural activities; organisation of sporting and cultural events and activities; organisation of sporting competitions; organisation of sporting events in the field of soccer, providing sports facilities; rental services for audio and video equipment; production, presentation, publication and/or rental of films, sound and video recordings; publication and/or rental of interactive educational and entertainment products, namely films and books; publication of interactive educational and entertainment products, namely compact discs, DVDs, mini-discs, CD-Roms; publication of statistics; publication of statistics and other information on sports performances; radio and television coverage of sporting events; production and editing services for radio and television program and video tapes; production of animated movies, production of animated television programs; seat booking services for shows and sporting events; ticket reservation services for entertainment and sporting events; timing of sports events; recording of sports events; organisation of beauty contests; interactive entertainment; on-line gambling services; provision of games over the Internet or on wireless electronic

communication device; providing of raffle services; information relating to entertainment or education, provided on-line from a computer database or the Internet or on wireless electronic communication device; electronic games services provided by means of the Internet or on wireless electronic communication device (entertainment); providing on-line electronic publications; publication of books; publication of electronic books and journals on-line; entertainment services in the form of chat rooms on the Internet or on wireless electronic communication device; entertainment services in the form of cinema performances; providing digital music from the Internet or on wireless electronic communication device; providing digital music from MP3 Internet web sites or by wireless electronic communication device; photography, audio, and videotaping production services; information provided on-line from a computer database or from the Internet, related to sports or sporting events; interpreter services; Provision of sports information related to statistical information; logging of sports record; provision of entertainment infrastructures, namely, VIP lounges and sky boxes both on and off site sports facilities for entertainment purposes; organization of computer game competitions; computer game competitions organized on-line; translation services; sports tickets agency services; rental of interactive educational and entertainment products, namely interactive compact discs, DVDs, mini-discs, CD-ROMs and computer games.

42 – Leasing of computer programs; leasing of computers; computer consulting services; data processing (programming); computer software design services; designing of web sites or sites on wireless electronic communication device; creation, and maintenance of web sites; installation and maintenance of computer software; creation and maintenance of web sites and of wireless electronic communication networks; connection and leasing of computer software; compilation of web sites in computer networks (particularly the Internet) or on wireless electronic communication; introduction of websites on the internet or on wireless electronic communication; hosting of websites on the Internet or on wireless electronic communication device; provision of computer programs; providing search engines for the internet; downloadable software to enable users to create and share text, documents, images, photos, videos, maps and roadmaps; computer services, namely, creating virtual communities for registered users to organize groups and events, participate in discussions, and engage in social, business and community networking; analysis services for exploration in the oil and gas industry; exploration to locate oil and gas; analyses (services of) for exploiting oilfields; consulting services relating to technology in the oil industry; analysis, advisory, consultancy and design services related to technology in the oil, petroleum industries;

technical consulting, technical design and technical planning of photovoltaic installations; technical consulting, technical design and technical planning of wind installations; advisory and consultancy services in relation to electronic control units for monitoring solar electric and/or wind power systems; design of energy and power systems; analysis relating to energy and power needs of others; development of energy and power management systems; project studies and professional consultancy services all relating to power and energy needs of others; design services for power plants.

43 – Restaurant services, fast food restaurant services; hospitality services, in particular providing of food and drink; hospitality suites, namely, provision of accommodation, food or drink, both on and off site sports facilities; catering services; hotel services; lodging and boarding services, reservation of hotels and temporary lodgings.

(260) AM 2013 68990 A

(800) 1126723

(731) SHL Telemedicine International Ltd.

90 Yigal Alon St. 67891 Tel Aviv, Israel

(540)



(591) Black, white

(511)

9 – Devices and apparatus used for lifesaving; apparatus for the purpose of recording and transferring of sound and vision.

10 – Apparatus in the medical field.

38 – Services of transmission of medical information and data.

42 – Development and design services of computer hardware and software for medical monitoring and inspection services.

44 – Services in the medical field.

(260) AM 2013 68991 A

(800) 1126748

(731) Kira Plastinina Style, Ltd.

app. 311 A, Building 3, 108, Dmitrovskoe shosse, RU-127591 Moscow, Russian Federation

(540)

Kira Plastinina

(591) Dark-pink

(511)

3 – Abrasives; amber [perfume]; scale removing preparations for household purposes; antistatic preparations for household purposes; aromatics [essential oils]; air fragrancing preparations; flavourings for cakes [essential oils]; flavourings for beverages [essential oils]; breath freshening sprays; canned pressurized air for cleaning and dusting purposes; balms other than for medical purposes; lip glosses; polishing stones; abrasive paper; emery paper; polishing paper; petroleum jelly for cosmetic purposes; shoe wax; cobblers' wax; cotton wool for cosmetic purposes; sachets for perfuming linen; drying agents for dishwashing machines; adhesives for cosmetic purposes; scented water; potassium hypochloride; javelle water; lavender water; toilet water; laundry wax; floor wax; parquet floor wax; non-slipping wax for floors; depilatory wax; moustache wax; tailors' wax; polish for furniture and flooring; shoemakers' wax; polishing wax; massage gels other than for medical purposes; heliotropine; dental bleaching gels; geraniol; make-up; deodorants for pets; deodorants for human beings or for animals; scented wood; perfumes; non-slipping liquids for floors; windscreen cleaning liquids; windshield cleaning liquids; greases for cosmetic purposes; volcanic ash for cleaning; perfumery; decorative transfers for cosmetic purposes; ionone [perfumery]; shaving stones [astringents]; smoothing stones; eyebrow pencils; cosmetic pencils; silicon carbide [abrasive]; carbides of metal [abrasives]; alum stones [astringents]; tripoli stone for polishing; adhesives for affixing false eyelashes; adhesives for affixing false hair; quillaia bark for washing; corundum [abrasive]; laundry blueing; beard dyes; colorants for toilet purposes; cosmetic dyes; laundry starch; starch for laundry purposes; laundry glaze; creams for leather; waxes for leather; polishing creams; cosmetic creams; skin whitening creams; jewellers' rouge; polishing rouge; incense; hair spray; nail polish; nail varnish; hair lotions; lotions for cosmetic purposes; after-shave lotions; beauty masks; oils for perfumes and scents; oils for cosmetic purposes; oils for toilet purposes; essential oils; ethereal oils; essential oils of cedarwood; essential oils of lemon; oils for cleaning purposes; bergamot oil; gaultheria oil; jasmine oil; lavender oil; almond oil; rose oil; oil of turpentine for degreasing; whiting; cleaning chalk; almond milk for cosmetic purposes; cleansing milk for toilet purposes; musk [perfumery]; soap; disinfectant soap; deodorant soap; shaving soap; soap for brightening textile; cakes of toilet soap; medicated soap; antiperspirant soap; soap for foot perspiration; almond soap; mint for perfumery; cosmetic kits; emery; nail art stickers; false nails; eau de cologne; bases for flower perfumes; cotton sticks for cosmetic purposes; swabs [toiletries]; joss sticks; pastes for

razor strops; dentifrices; pumice stone; hydrogen peroxide for cosmetic purposes; breath freshening strips; abrasive cloth; sandcloth; glass cloth; lipsticks; pomades for cosmetic purposes; shaving preparations; cosmetic preparations for baths; toiletries; hair waving preparations; laundry soaking preparations; grinding preparations; sharpening preparations; douching preparations for personal sanitary or deodorant purposes [toiletries]; smoothing preparations [starching]; color-removing preparations; leather bleaching preparations; polishing preparations; denture polishes; mouth washes, not for medical purposes; cosmetic preparations for slimming purposes; starch glaze for laundry purposes; refurbishing preparations; fabric softeners for laundry use; laundry bleach; dry-cleaning preparations; paint stripping preparations; lacquer-removing preparations; make-up removing preparations; floor wax removers [scouring preparations]; varnish-removing preparations; rust removing preparations; nail care preparations; cleaning preparations; preparations for cleaning dentures; wallpaper cleaning preparations; preparations for unblocking drain pipes; bleaching preparations [laundry]; laundry preparations; washing preparations; aloe vera preparations for cosmetic purposes; sunscreen preparations; color-brightening chemicals for household purposes [laundry]; shining preparations [polish]; make-up powder; diamantine [abrasive]; stain removers; scouring solutions; false eyelashes; tissues impregnated with cosmetic lotions; safrol; blueing for laundry; turpentine, for degreasing; potpourris [fragrances]; bleaching soda; washing soda, for cleaning; bath salts, not for medical purposes; bleaching salts; fumigation preparations [perfumes]; leather preservatives [polishes]; ammonia [volatile alkali] [detergent]; astringents for cosmetic purposes; eyebrow cosmetics; make-up preparations; sun-tanning preparations [cosmetics]; hair colorants; hair dyes; neutralizers for permanent waving; preparations to make shiny the leaves of plants; cosmetic preparations for eyelashes; depilatories; depilatory preparations; cosmetic preparations for skin care; boot cream; boot polish; shoe cream; shoe polish; cosmetics; cosmetics for animals; mascara; detergents other than for use in manufacturing operations and for medical purposes; degreasers other than for use in manufacturing processes; bleaching preparations [decolorants] for cosmetic purposes; antiperspirants [toiletries]; talcum powder, for toilet use; terpenes [essential oils]; emery cloth; cloths impregnated with a detergent for cleaning; shampoos; shampoos for pets; dry shampoos; glass paper; sandpaper; soda lye; extracts of flowers [perfumes]; ethereal essences; badian essence; mint essence [essential oil].

9 – DVD players; ticket dispensers; coin-operated musical automata [juke boxes]; answering machines;

motor fire engines; accumulators, electric; accumulators, electric, for vehicles; batteries, electric, for vehicles; actinometers; alidades; altimeters; ammeters; anemometers; anodes; aerials; antennas; anticathodes; apertometers [optics]; high-frequency apparatus; testing apparatus not for medical purposes; remote control apparatus; electro-dynamic apparatus for the remote control of railway points; electro-dynamic apparatus for the remote control of signals; monitoring apparatus, electric; sound recording apparatus; global positioning system [GPS] apparatus; distillation apparatus for scientific purposes; diffraction apparatus [microscopy]; air analysis apparatus; apparatus to check franking; apparatus to check stamping mail; sound transmitting apparatus; apparatus for fermentation [laboratory apparatus]; breathing apparatus for underwater swimming; breathing apparatus, except for artificial respiration; x-rays producing apparatus and installations, not for medical purposes; cash registers; electric apparatus for commutation; intercommunication apparatus; stills for laboratory experiments; projection apparatus; radiological apparatus for industrial purposes; x-ray apparatus not for medical purposes; blueprint apparatus; blinkers [signalling lights]; stereoscopic apparatus; telephone apparatus; facsimile machines; phototelegraphy apparatus; igniting apparatus, electric, for igniting at a distance; acid hydrometers; salinometers; acidimeters for batteries; aerometers; beacons, luminous; accumulator jars; battery jars; barometers; anode batteries; high tension batteries; galvanic batteries; batteries for lighting; solar batteries; batteries, electric; balances [steelyards]; steelyards [lever scales]; betatrons; binoculars; electronic tags for goods; lens hoods; magnetic tape units for computers; computer memory devices; fire hose nozzles; encoded identification bracelets, magnetic; safety tarpaulins; signalling buoys; life buoys; marking buoys; directional compasses; vacuum gauges; electrolyzers; variometers; verniers; scales; letter scales; weighbridges; precision balances; levelling staffs [surveying instruments]; rods [surveying instruments]; camcorders; video cassettes; video telephones; video screens; viewfinders, photographic; plugs, sockets and other contacts [electric connections]; micrometer screws for optical instruments; viscosimeters; circuit closers; wavemeters; voltmeters; switchboxes [electricity]; current rectifiers; gas testing instruments; gasometers [measuring instruments]; galvanometers; hands free kits for phones; heliographic apparatus; hygrometers; hydrometers; weights; peepholes [magnifying lenses] for doors; holograms; plotters; loudspeakers; sounding leads; plumb bobs; range finders; telemeters; densimeters; densitometers; optical goods; detectors; smoke detectors; counterfeit [false] coin detectors; slides [photography]; transparencies [photography]; slide projectors; transparency projection apparatus; diaphragms [photography]; dictating machines; dynamometers; light-emitting diodes [LED]; floppy disks; phono-

graph records; sound recording discs; disks, magnetic; optical discs; calculating disks; disk drives for computers; juke boxes for computers; DNA chips; electronic notice boards; bullet-proof waistcoats [vests]; life jackets; identification threads for electric wires; nose clips for divers and swimmers; locks, electric; bells [warning devices]; alarm bells, electric; electric door bells; signal bells; acoustic conduits; mirrors for inspecting work; road signs, luminous or mechanical; mechanical signs; signs, luminous; marine depth finders; probes for scientific purposes; buzzers; needles for record players; styli for record players; measures; pressure measuring apparatus; simulators for the steering and control of vehicles; inverters [electricity]; pressure indicators; temperature indicators; incubators for bacteria culture; measuring instruments; cosmographic instruments; mathematical instruments; levelling instruments; instruments containing eyepieces; surveying instruments; azimuth instruments; interfaces for computers; ionization apparatus not for the treatment of air or water; spark-guards; coaxial cables; fibre optic cables; cables, electric; calipers; slide calipers; screw-tapping gauges; calculating machines; pocket calculators; decompression chambers; cinematographic cameras; electronic pens [visual display units]; holders for electric coils; identity cards, magnetic; video game cartridges; encoded magnetic cards; riding helmets; protective helmets; carriers for dark plates [photography]; automated teller machines [ATM]; cathodes; spools [photography]; choking coils [impedance]; coils, electric; electromagnetic coils; cinematographic film, exposed; computer keyboards; solenoid valves [electromagnetic switches]; wire connectors [electricity]; electronic agendas; push buttons for bells; mouse pads; magnetic encoders; anti-dazzle shades; anti-glare visors; collectors, electric; calibrating rings; protective suits for aviators; commutators; compact discs [audio-video]; compact discs [read-only memory]; comparators; marine compasses; computers; laptop computers; notebook computers; condensers [capacitors]; contacts, electric; wind socks for indicating wind direction; branch boxes [electricity]; distribution boxes [electricity]; junction boxes [electricity]; accumulator boxes; battery boxes; cabinets for loudspeakers; diving suits; garments for protection against fire; galena crystals [detectors]; reflecting discs for wear, for the prevention of traffic accidents; covers for electric outlets; logs [measuring instruments]; lasers, not for medical purposes; lactodensimeters; lactometers; vacuum tubes [radio]; darkroom lamps [photography]; thermionic tubes; thermionic valves; amplifying tubes; amplifying valves; flashlights [photography]; head cleaning tapes [recording]; magnetic tapes; videotapes; surveying chains; fire escapes; rulers [measuring instruments]; slide-rules; contact lenses; correcting lenses [optics]; optical lenses; optical condensers; sounding lines; electricity conduits; measuring spoons; magnifying glasses [optics]; thread counters; waling glasses; magnets;

decorative magnets; crash test dummies; resuscitation mannequins [teaching apparatus]; mouse [data processing equipment]; manometers; pressure gauges; divers' masks; solderers' helmets; protective masks; materials for electricity mains [wires, cables]; accounting machines; voting machines; money counting and sorting machines; material testing instruments and machines; furniture especially made for laboratories; megaphones; portable media players; diaphragms [acoustics]; diaphragms for scientific apparatus; metal detectors for industrial or military purposes; metronomes; rules [measuring instruments]; carpenters' rules; dressmakers' measures; mechanisms for coin-operated apparatus; mechanisms for counter-operated apparatus; coin-operated mechanisms for television sets; shutter releases [photography]; micrometer gauges; micrometers; microprocessors; microscopes; microtomes; microphones; modems; lightning arresters; lightning conductors [rods]; monitors [computer hardware]; monitors [computer programs]; terminals [electricity]; junction sleeves for electric cables; cases fitted with dissecting instruments [microscopy]; teeth protectors; kneepads for workers; headphones; surveyors' levels; sound recording carriers; magnetic data media; optical data media; socks, electrically heated; computer software, recorded; sheaths for electric cables; identification sheaths for electric wires; weighing machines; punched card machines for offices; life saving apparatus and equipment; shoes for protection against accidents, irradiation and fire; objectives [lenses] [optics]; lenses for astrophotography; egg-candlers; extinguishers; fire extinguishing apparatus; electrified fences; limiters [electricity]; clothing for protection against accidents, irradiation and fire; clothing for protection against fire; asbestos clothing for protection against fire; clothing especially made for laboratories; ozonisers [ozonators]; octants; eyepieces; ohmmeters; wrist rests for use with computers; spectacle frames; eyeglass frames; pince-nez mountings; oscillographs; plumb lines; mirrors [optics]; spectacles [optics]; sunglasses; goggles for sports; signalling panels, luminous or mechanical; radio pagers; eyeglasses; pince-nez; electronic pocket translators; transmitters [telecommunication]; transmitters of electronic signals; switches, electric; periscopes; gloves for divers; gloves for protection against accidents; gloves for protection against x-rays for industrial purposes; asbestos gloves for protection against accidents; furnaces for laboratory use; ovens for laboratory use; pipettes; pyrometers; planimeters; plane tables [surveying instruments]; plates for batteries; wafers [silicon slices]; printed circuit boards; compact disc players; cassette players; sound recording strips; x-ray films, exposed; films, exposed; life-saving rafts; laboratory trays; semiconductors; polarimeters; fire engines; graduated glassware; measuring glassware; life belts; fuses; circuit breakers; converters, electric; telerupters; food analysis apparatus; diagnostic apparatus, not

for medical purposes; distance recording apparatus; distance measuring apparatus; speed measuring apparatus [photography]; appliances for measuring the thickness of leather; apparatus for measuring the thickness of skins; speed checking apparatus for vehicles; teaching apparatus; time recording apparatus; hemline markers; apparatus and instruments for astronomy; surveying apparatus and instruments; weighing apparatus and instruments; nautical apparatus and instruments; navigational instruments; optical apparatus and instruments; apparatus and instruments for physics; chemistry apparatus and instruments; measuring apparatus; measuring devices, electric; boiler control instruments; meteorological instruments; naval signalling apparatus; observation instruments; navigation apparatus for vehicles [on-board computers]; satellite navigational apparatus; regulating apparatus, electric; precision measuring apparatus; audio and video receivers; prisms [optics]; printers for use with computers; retorts' stands; apparatus for changing record player needles; drainers for use in photography; photographic racks; cleaning apparatus for phonograph records; cleaning apparatus for sound recording discs; fire beaters; sighting telescopes for firearms; test tubes; pressure indicator plugs for valves; magnetic wires; telegraph wires; telephone wires; wires, electric; conductors, electric; copper wire, insulated; wires of metal alloys [fuse wire]; computer programmes [programs], recorded; computer game programs; computer programs [downloadable software]; computer operating programs, recorded; record players; central processing units [processors]; rods for water diviners; electronic publications, downloadable; distribution consoles [electricity]; control panels [electricity]; radar apparatus; masts for wireless aerials; transmitting sets [telecommunication]; radios; vehicle radios; sprinkler systems for fire protection; frames for photographic transparencies; screens for photoengraving; walkie-talkies; voltage surge protectors; voltage regulators for vehicles; stage lighting regulators; light dimmers [regulators], electric; speed regulators for record players; cell switches [electricity]; reducers [electricity]; washing trays [photography]; marking gauges [joinery]; time switches, automatic; relays, electric; safety restraints, other than for vehicle seats and sports equipment; x-ray photographs, other than for medical purposes; rheostats; respirators for filtering air; respiratory masks, other than for artificial respiration; retorts; refractometers; refractors; grids for batteries; speaking tubes; horns for loudspeakers; saccharometers; light conducting filaments [optical fibers]; traffic-light apparatus [signalling devices]; dog whistles; signalling whistles; sextants; inductors [electricity]; life nets; safety nets; nets for protection against accidents; fire alarms; signals, luminous or mechanical; sirens; scanners [data processing equipment]; smart cards [integrated circuit cards]; connections for electric lines; connections, electric; couplings, electric; connectors [electricity]; sonars;

sound locating instruments; lighting ballasts; resistances, electric; spectrograph apparatus; spectroscopes; speed indicators; alcoholmeters; satellites for scientific purposes; protection devices for personal use against accidents; audiovisual teaching apparatus; radiotelegraphy sets; radiotelephony sets; spectacle glasses; glass covered with an electrical conductor; anti-glare glasses; optical glass; personal stereos; stereoscopes; stands for photographic apparatus; fire boats; sulphitometers; drying racks [photography]; spherometers; integrated circuits; printed circuits; counters; meters; parking meters; kilometer recorders for vehicles; milage recorders for vehicles; revolution counters; abacuses; egg timers [sandglasses]; hourglasses; taximeters; ear plugs for divers; tachometers; word processors; television apparatus; telescopes; teleprompters; teleprinters; teletypewriters; portable telephones; theodolites; thermometers, not for medical purposes; thermostats; thermostats for vehicles; crucibles [laboratory]; cupels [laboratory]; tone arms for record players; totalizators; transistors [electronic]; transponders; protractors [measuring instruments]; transformers [electricity]; step-up transformers; vehicle breakdown warning triangles; triodes; starter cables for motors; discharge tubes, electric, other than for lighting; capillary tubes; neon signs; x-ray tubes not for medical purposes; telephone receivers; gauges; quantity indicators; automatic indicators of low pressure in vehicle tires [tyres]; gasoline gauges; petrol gauges; water level indicators; electric loss indicators; light-emitting electronic pointers; clinometers; gradient indicators; inclinometers; slope indicators; mercury levels; spirit levels; urinometers; amplifiers; particle accelerators; electric installations for the remote control of industrial operations; steering apparatus, automatic, for vehicles; balancing apparatus; video recorders; sound reproduction apparatus; invoicing machines; tape recorders; protection devices against x-rays, not for medical purposes; railway traffic safety appliances; data processing apparatus; oxygen transvasing apparatus; theft prevention installations, electric; film cutting apparatus; drying apparatus for photographic prints; optical character readers; centering apparatus for photographic transparencies; dosage dispensers; dosimeters; battery chargers; chargers for electric batteries; acoustic [sound] alarms; sounding apparatus and machines; apparatus for editing cinematographic film; cathodic anti-corrosion apparatus; couplers [data processing equipment]; anti-theft warning apparatus; computer peripheral devices; anti-interference devices [electricity]; demagnetizing apparatus for magnetic tapes; acoustic couplers; alarms; fog signals, non-explosive; whistle alarms; adding machines; readers [data processing equipment]; heat regulating apparatus; photocopiers [photographic, electrostatic, thermic]; bar code readers; downloadable ring tones for mobile phones; downloadable image files; downloadable music files; animated cartoons; filters [photography]; filters for respiratory masks; filters

for ultraviolet rays, for photography; usb flash drives; magic lanterns; optical lamps; optical lanterns; signal lanterns; cameras [photography]; glazing apparatus for photographic prints; shutters [photography]; darkrooms [photography]; photometers; flash-bulbs [photography]; enlarging apparatus [photography]; photovoltaic cells; containers for contact lenses; spectacle cases; eyeglass cases; pince-nez cases; containers for microscope slides; cases especially made for photographic apparatus and instruments; chromatography apparatus for laboratory use; chronographs [time recording apparatus]; laboratory centrifuges; eyeglass chains; pince-nez chains; cyclotrons; compasses [measuring instruments]; frequency meters; time clocks [time recording devices]; fire blankets; chips [integrated circuits]; jigs [measuring instruments]; pedometers; meteorological balloons; electrified rails for mounting spot lights; asbestos screens for firemen; fire hose; protective helmets for sports; cell phone straps; eyeglass cords; pince-nez cords; tripods for cameras; switchboards; distribution boards [electricity]; screens [photography]; workmen's protective face-shields; projection screens; radiology screens for industrial purposes; fluorescent screens; exposure meters [light meters]; ducts [electricity]; galvanic cells; epidiascopes; ergometers; armatures [electricity].

14 – Agates; diamonds; amulets [jewellery]; anchors [clock and watch making]; barrels [clock and watch making]; bracelets [jewellery]; straps for wristwatches; watch bands; watch straps; charms [jewellery]; trinkets [jewellery]; key rings [trinkets or fobs]; brooches [jewellery]; alarm clocks; pins [jewellery]; ornamental pins; tie pins; beads for making jewelry; pearls made of ambroid [pressed amber]; busts of precious metal; jet, unwrought or semi-wrought; pearls [jewellery]; copper tokens; tie clips; cuff links; badges of precious metal; gold, unwrought or beaten; cloisonné jewellery; ivory [jewellery]; works of art of precious metal; jewellery; jewellery of yellow amber; iridium; precious stones; semi-precious stones; spun silver [silver wire]; necklaces [jewellery]; rings [jewellery]; boxes of precious metal; watch cases; clock cases; pendulums [clock and watch making]; medals; medallions [jewellery]; precious metals, unwrought or semi-wrought; movements for clocks and watches; clockworks; coins; gold thread [jewellery]; threads of precious metal [jewellery]; wire of precious metal [jewellery]; silver thread; olivine [gems]; osmium; palladium; platinum [metal]; chronometrical instruments; watch springs; rhodium; ruthenium; stopwatches; silver, unwrought or beaten; earrings; ingots of precious metals; alloys of precious metal; statues of precious metal; figurines [statuettes] of precious metal; watch crystals; watch glasses; paste jewellery; clock hands [clock and watch making]; ornaments [jewellery];

shoe ornaments of precious metal; hat ornaments of precious metal; ornaments of jet; cases for watches [presentation]; cases for clock- and watchmaking; chronographs [watches]; chronometers; chronoscopes; chains [jewellery]; watch chains; dials [clock and watch making]; atomic clocks; watches; sundials; clocks and watches, electric; control clocks [master clocks]; clocks; wristwatches; jewellery cases [caskets]; spinel [precious stones].

18 – Alpenstocks; mountaineering sticks; pocket wallets; card cases [notecases]; reins; harness fittings; parts of rubber for stirrups; chamois leather, other than for cleaning purposes; skins of chamois, other than for cleaning purposes; umbrellas; parasols; saddlery; frames for umbrellas or parasols; handbag frames; cases, of leather or leatherboard; valves of leather; whips; imitation leather; leather, unworked or semi-worked; leatherboard; casings, of leather, for springs; umbrella rings; hat boxes of leather; boxes of leather or leather board; boxes of vulcanised fibre; chain mesh purses; purses; fastenings for saddles; butts [parts of hides]; saddle trees; bags [envelopes, pouches] of leather, for packaging; moleskin [imitation of leather]; travelling sets [leatherware]; knee-pads for horses; muzzles; halters; head-stalls; vanity cases, not fitted; leather thread; leather twist; furniture coverings of leather; gut for making sausages; clothing for pets; covers for animals; trimmings of leather for furniture; collars for animals; music cases; slings for carrying infants; gold beaters' skin; cat o' nine tails; leather leads; leather leashes; pads for horse saddles; horseshoes; bands of leather; coverings of skins [furs]; horse blankets; bandoliers; shoulder belts [straps] of leather; briefcases; traces [harness]; fur; fur-skins; haversacks; leather straps; leather thongs; straps for soldiers' equipment; harness straps; harness traces; straps for skates; straps of leather [saddlery]; chin straps, of leather; stirrup leathers; umbrella handles; walking cane handles; walking stick handles; suitcase handles; backpacks; rucksacks; travelling bags; riding saddles; net bags for shopping; umbrella or parasol ribs; stirrups; bags for climbers; sling bags for carrying infants; garment bags for travel; valises; handbags; tool bags of leather, empty; beach bags; bags for sports; bags for campers; shopping bags; wheeled shopping bags; school bags; school satchels; pouch baby carriers; travelling trunks; nose bags [feed bags]; bridoons; canes; walking sticks; umbrella sticks; walking stick seats; bits for animals [harness]; bridles [harness]; harness for animals; key cases; horse collars; trunks [luggage]; suitcases; attaché cases; covers for horse-saddles; saddle cloths for horses; umbrella covers; kid; curried skins; animal skins; pelts; cattle skins; leather laces; blinders [harness]; blinkers [harness]; game bags [hunting accessories].

21 – Autoclaves [pressure cookers], non-electric; indoor aquaria; buckets; pails; china ornaments; dishes; paper plates; vegetable dishes; saucers;

goblets; mugs; boxes for sweetmeats; bottles; carboys; busts of china, terra-cotta or glass; vases; epergnes; fruit cups; bird baths; baby baths, portable; plungers for clearing blocked drains; waffle irons, non-electric; coolers [ice pails]; buckets made of woven fabrics; whisks, non-electric, for household purposes; cooking skewers, of metal; rails and rings for towels; clothing stretchers; hair for brushes; birdcages; funnels; carpet beaters [hand instruments]; signboards of porcelain or glass; candle extinguishers; flower pots; chamber pots; glue-pots; cruets; decanters; large-toothed combs for the hair; combs for animals; tea cosies; abrasive sponges for scrubbing the skin; sponges for household purposes; toilet sponges; deodorising apparatus for personal use; sponge holders; toothpick holders; dishes for soap; soap holders; napkin holders; holders for flowers and plants [flower arranging]; shaving brush stands; toilet paper holders; soap dispensers; ironing boards; cutting boards for the kitchen; bread boards; washing boards; strainers; smoke absorbers for household purposes; containers for household or kitchen use; kitchen containers; glass jars [carboys]; heat-insulated containers; heat insulated containers for beverages; thermally insulated containers for food; glass flasks [containers]; frying pans; closures for pot lids; buckskin for cleaning; toothpicks; ceramics for household purposes; majolica; works of art, of porcelain, terra-cotta or glass; brush goods; domestic grinders, non-electric; cleaning instruments, hand-operated; cabarets [trays]; stew-pans; covers, not of paper, for flower pots; shaving brushes; cages for household pets; polishing leather; hot pots, not electrically heated; glass bulbs [receptacles]; boot trees [stretchers]; napkin rings; poultry rings; rings for birds; piggy banks; bread baskets, domestic; baskets for domestic use; waste paper baskets; feeding troughs; mangers for animals; lunch boxes; cookie jars; tea caddies; washtubs; earthenware saucepans; mess-tins; cauldrons; coffee percolators, non-electric; coffeepots, non-electric; coffee grinders, hand-operated; fused silica [semi-worked product], other than for building; beer mugs; tankards; rat traps; pot lids; aquarium hoods; butter-dish covers; covers for dishes; cheese-dish covers; buttonhooks; jugs; pitchers; perfume burners; non-electric portable coldboxes; watering cans; insect traps; mixing spoons [kitchen utensils]; basting spoons, for kitchen use; scoops [tableware]; pie servers; spatulas [kitchen utensils]; butter dishes; material for brush-making; polishing materials for making shiny, except preparations, paper and stone; noodle machines, hand-operated; polishing apparatus and machines, for household purposes, non-electric; pepper mills, hand-operated; mills for domestic purposes, hand-operated; feather-dusters; brooms; isothermic bags; confectioners' decorating bags [pastry bags]; mixers, manual [cocktail

shakers]; bowls [basins]; mosaics of glass, not for building; saucepan scourers of metal; soap boxes; mouse traps; cooking pot sets; nozzles for watering cans; spouts; nozzles for sprinkler hose; fitted picnic baskets, including dishes; toilet cases; floss for dental purposes; fiberglass thread, not for textile use; cookie [biscuit] cutters; pastry cutters; sprinklers; sprinklers for watering flowers and plants; cotton waste for cleaning; wool waste for cleaning; cleaning tow; chopsticks; cocktail stirrers; pepper pots; gloves for household purposes; polishing gloves; gardening gloves; plates to prevent milk boiling over; trays for domestic purposes; trays for domestic purposes, of paper; lazy susans; heaters for feeding bottles, non-electric; candelabra [candlesticks]; trivets [table utensils]; coasters, not of paper and other than table linen; menu card holders; knife rests for the table; flat-iron stands; egg cups; gridiron supports; abrasive pads for kitchen purposes; pads for cleaning; drinking troughs; powdered glass for decoration; pottery; pots; cooking pots; painted glassware; tableware, other than knives, forks and spoons; porcelain ware; crockery; crystal [glassware]; cosmetic utensils; toilet utensils; trouser presses; cruet stands for oil and vinegar; make-up removing appliances; spice sets; food cooling devices, containing heat exchange fluids, for household purposes; apparatus for wax-polishing, non-electric; bottle openers; glove stretchers; boot jacks; crumb trays; tie presses; clothes-pegs; glass caps; powder compacts; perfume sprayers; powder puffs; dusting apparatus, non-electric; toilet paper dispensers; combs; electric combs; griddles [cooking utensils]; sifters [household utensils]; drinking horns; shoe horns; candle rings; salad bowls; sugar bowls; beaters, non-electric; services [dishes]; coffee services [tableware]; liqueur sets; tea services [tableware]; sieves [household utensils]; cinder sifters [household utensils]; tea strainers; pipettes [wine-tasters]; siphons for carbonated water; rolling pins, domestic; steel wool for cleaning; currycombs; blenders, non-electric, for household purposes; fruit presses, non-electric, for household purposes; drinking straws; salt cellars; drinking vessels; vessels of metal for making ices and iced drinks; refrigerating bottles; cups of paper or plastic; glass [receptacles]; drinking glasses; statues of porcelain, earthenware, ceramic or glass; figurines [statuettes] of porcelain, ceramic, earthenware or glass; glass for vehicle windows [semi-finished product]; plate glass [raw material]; opal glass; opaline glass; glass incorporating fine electrical conductors; enamelled glass; glass, unworked or semi-worked, except building glass; glass wool other than for insulation; vitreous silica fibers [fibres], not for textile use; fiberglass other than for insulation or textile use; clothes racks, for drying; soup bowls; drying racks for washing; basins [receptacles]; table plates; disposable table plates;

graters [household utensils]; insulating flasks; indoor terrariums [plant cultivation]; indoor terrariums [vivariums]; cloth for washing floors; cloths for cleaning; dusting cloths [rags]; furniture dusters; litter boxes [trays] for pets; urns; aerosol dispensers, not for medical purposes; wax-polishing appliances, non-electric, for shoes; water apparatus for cleaning teeth and gums; electric devices for attracting and killing insects; sprinkling devices; utensils for household purposes; kitchen utensils; cooking utensils, non-electric; strainers for household purposes; coffee filters, non-electric; flasks; bottle gourds; drinking flasks for travelers; molds [kitchen utensils]; cake molds [moulds]; ice cube molds [moulds]; cookery molds [moulds]; deep fryers, non-electric; comb cases; bread bins; fly catchers [traps or whisks]; teapots; kettles, non-electric; cups; garlic presses [kitchen utensils]; ironing board covers, shaped; tea balls; glass bowls; mops; mop wringers; corkscrews; animal bristles [brushware]; pig bristles; dishwashing brushes; brushes for cleaning tanks and containers; lamp-glass brushes; horse brushes; scrubbing brushes; toothbrushes; toothbrushes, electric; carpet sweepers; brushes for footwear; shoe brushes; tar-brushes, long handled; toilet brushes; electric brushes, except parts of machines; brushes; eyebrow brushes; nail brushes; nest eggs, artificial; boxes of metal, for dispensing paper towels; dustbins; garbage cans; refuse bins; trash cans; window-boxes; boxes of glass.

25 – Wimples; bandanas [neckerchiefs]; body linen [garments]; underclothing; underwear; sweat-absorbent underclothing [underwear]; anti-sweat underclothing; anti-sweat underwear; berets; overalls; smocks; boas [necklets]; teddies [undergarments]; half-boots; ski boots; boots for sports; breeches for wear; trousers; football boots; football shoes; brassieres; detachable collars; collars [clothing]; shoulder wraps; shirt yokes; veils [clothing]; gabardines [clothing]; galoshes; neckties; ascots; leggings [leg warmers]; gaiters; spats; boot uppers; corselets; jerseys [clothing]; vests; waistcoats; singlets; sports jerseys; hosiery; heels; drawers [clothing]; pants; hoods [clothing]; hat frames [skeletons]; pockets for clothing; collar protectors; cap peaks; sun visors; visors [hat-making]; tights; slips [undergarments]; combinations [clothing]; wet suits for water-skiing; bodices [lingerie]; corsets [underclothing]; suits; bathing suits; swimsuits; masquerade costumes; beach clothes; jackets [clothing]; stuff jackets [clothing]; fishing vests; leggings [trousers]; liveries; camisoles; cuffs; wristbands [clothing]; short-sleeve shirts; mantillas; coats; sleep masks; furs [clothing]; mittens; miters [hats]; muffs [clothing]; footmuffs, not electrically heated; heelpieces for footwear; bibs, not of paper; fur stoles; ear muffs [clothing]; socks; beach shoes; sports shoes; footwear; paper clothing; outerclothing; ready-made clothing; motorists'

clothing; cyclists' clothing; clothing for gymnastics; clothing of imitations of leather; clothing of leather; uniforms; clothing; fittings of metal for footwear; maniples; overcoats; topcoats; parkas; pelerines; gloves [clothing]; ski gloves; pyjamas; bathing drawers; bathing trunks; shirt fronts; scarfs; scarves; pocket squares; dresses; waterproof clothing; headbands [clothing]; garters; sock suspenders; stocking suspenders; ready-made linings [parts of clothing]; dress shields; soles for footwear; braces for clothing [suspenders]; lace boots; girdles; belts [clothing]; money belts [clothing]; layettes [clothing]; non-slipping devices for footwear; jumpers [pullovers]; heelpieces for stockings; welts for footwear; chasubles; shirts; wooden shoes; sandals; bath sandals; boots; sarongs; jumper dresses; pinafore dresses; saris; sweaters; footwear uppers; inner soles; bath slippers; togas; knitwear [clothing]; underpants; gymnastic shoes; slippers; shoes; skull caps; turbans; headgear for wear; aprons [clothing]; tee-shirts; dressing gowns; bath robes; top hats; tips for footwear; stockings; sweat-absorbent stockings; shawls; caps [headwear]; paper hats [clothing]; shower caps; bathing caps; sashes for wear; studs for football boots; hats; babies' pants [clothing]; gaiter straps; trouser straps; pelisses; esparto shoes or sandals; skirts; petticoats; skorts.

(260) AM 2013 68993 A

(800) 1126841

(731) Europäische Handball Föderation (EHF)
Hoffingergasse 18, A-1120 Wien, Austria

(540)



(591) Black, white

(511)

16 – Printed matter, in particular posters, placards, books, magazines and newspapers related to handball, newsletters related to handball, pictorial print, calendars, printed notepads, stickers, albums made of paper, scrapbooks, paper pennants and greeting cards; printed tickets for sports games and events; ring binders made of paper; paper gift bags; picture postcards; stationery; note paper; envelopes; souvenir articles made of paper with themes of sports events in the field of handball (insofar as contained in this class); guide books and reference books for handball, brochures in the field of handball; photographs; all the aforementioned goods to be related to or associated with the game, match, competition, sport or championships of handball.

35 – Advertising, business management; office functions; all the aforementioned services to be related to or associated with the game, match, competition, sport or championships of handball.

41 – Entertainment in the nature of professional and non-professional handball games, matches, competitions and championships; sporting and cultural activities, in particular, the organisation of professional and non-professional handball games, matches, competitions and championships and of handball related conferences, exhibitions, educational programs and galas; all the aforementioned services to be related to or associated with the game, match, competition, sport or championships of handball.

(260) AM 2013 68994 A

(800) 1126862

(731) OKYANUS KİMYA HIRDAVAT
ELEKTRİKLİ EL ALETLERİ VE
ELEKTRONİK MALZEMELERİ İTHALAT
İHRACAT SANAYİ TİCARET LİMİTED
ŞİRKETİ

Hadımköy Mahallesi, Arpaslan Sokak No: 10,
Arnavutköy-İstanbul, Turkey

(540)

ARTOS

(591) Black, white

(511)

1 – Industrial chemicals; chemicals for use in textile and tanning (except paints), unprocessed synthetic materials; unprocessed plastic, unprocessed artificial resins for specific use and industry, oil-separating chemicals, distilled water, industrial gases, substances for maintaining fresh foodstuffs namely chemical products, food preservative compositions; chemical compositions for use in the refrigeration; salts for industrial purposes; chemical preparations for scientific purposes; chemical substances for analyses in laboratories, other than for medical or veterinary purposes; chemical test papers; radioactive elements for scientific purposes; chemical reagents; chemical preparations for use in photography, namely, photosensitive papers, foils, and films; unexposed cinematographic and photographic films, unexposed roentgen films, chemical preparations used in film processing; chemicals for agriculture, horticulture, and forestry, namely, fertilizers, seaweeds (fertilizers), humus, culture soil, soil-conditioning chemicals, plant growth regulating preparations, grafting mastic for trees and tree cavity fillers, fertilizing peat, chemical preparations to prevent mildew and fungus; fire extinguishing compositions, agglutinants for concrete and cement, waterproofing chemicals; adhesives for wall tiles, glues, other than for stationery or household purposes; chemical additives

to motor fuel, brake fluids, antifreeze, engine-decarbonising chemicals, coolants for vehicle engines and anti-boil preparations thereof; chemical filtering materials; preparations for lime and alga prevention, lime and alga removing preparations; chemical chimney cleaners; drilling muds for drilling machines; glaziers' putty.

17 – Insulating materials for sound, heat and electricity; fibers (glass) for insulation, semi-processed foams for insulation, non-conducting materials for retaining heat; insulators for electric mains; insulating fabrics; foils of metal for insulating; insulating paints; insulating paper; asbestos paper; asbestos cloth; asbestos fabrics; adhesive bands other than stationery and not for medical or household purposes; insulating tape and band; asbestos coverings; asbestos sheets; asbestos felt; rubber stoppers; expansion joint fillers; chemical compositions for repairing leaks; flexible plumbing pipes of plastic, rubber or natural rubber, canvas hose pipes, fire hoses, flexible compressed air pipe fittings, not of metal, pipe fittings, vehicle radiator connecting hoses, synthetic plastic as semi-finished products in form of foils, plates, rods, profiles, hoses, tubes, blocks, foam rubber, natural rubber, synthetic resins, rubber, cellulose acetate film, plastic film other than for wrapping, semi-processed brake lining material, clutch linings, rubber thread not for textile use, plastic fibers, natural rubber threads not for textile use, natural rubber and rubber bags for merchandise packaging, goods made of rubber, natural rubber, plastic and similar materials, namely, rubber and natural rubber pads (shock absorber), expansion bellows, rubber stoppers, sealing plugs made primarily from rubber, billets from rubber, sleeves and brackets of rubber, foam rubber for protecting parts of machinery, rings of rubber for use as pipe connection seals, gasket sealer for use in plumbing, gasket rings, padding materials of rubber or plastics.

(260) AM 2013 68995 A

(800) 1126863

(731) OKYANUS KİMYA HIRDAVAT
ELEKTRİKLİ EL ALETLERİ VE
ELEKTRONİK MALZEMELERİ İTHALAT
İHRACAT SANAYİ TİCARET LİMİTED
ŞİRKETİ
Hadımköy Mahallesi, Arpaslan Sokak No: 10,
Arnavutköy-İstanbul, Turkey

(540)

goldhill

(591) Black, white

(511)

1 – Industrial chemicals; chemicals for use in textile and tanning (except paints), unprocessed synthetic materials; unprocessed plastic, unprocessed artificial

resins for specific use and industry, oil-separating chemicals, distilled water, industrial gases, substances for maintaining fresh foodstuffs namely chemical products, food preservative compositions; chemical compositions for use in the refrigeration; salts for industrial purposes; chemical preparations for scientific purposes; chemical substances for analyses in laboratories, other than for medical or veterinary purposes; chemical test papers; radioactive elements for scientific purposes; chemical reagents; chemical preparations for use in photography, namely, photosensitive papers, foils, and films; unexposed cinematographic and photographic films, unexposed roentgen films, chemical preparations used in film processing; chemicals for agriculture, horticulture, and forestry, namely, fertilizers, seaweeds (fertilizers), humus, culture soil, soil-conditioning chemicals, plant growth regulating preparations, grafting mastic for trees and tree cavity fillers, fertilizing peat, chemical preparations to prevent mildew and fungus; fire extinguishing compositions, agglutinants for concrete and cement, waterproofing chemicals; adhesives for wall tiles, glues, other than for stationery or household purposes; chemical additives to motor fuel, brake fluids, antifreeze, engine-decarbonising chemicals, coolants for vehicle engines and anti-boil preparations thereof; chemical filtering materials; preparations for lime and alga prevention, lime and alga removing preparations; chemical chimney cleaners; drilling muds for drilling machines; glaziers' putty.

17 – Insulating materials for sound, heat and electricity; fibers (glass) for insulation, semi-processed foams for insulation, non-conducting materials for retaining heat; insulators for electric mains; insulating fabrics; foils of metal for insulating; insulating paints; insulating paper; asbestos paper; asbestos cloth; asbestos fabrics; adhesive bands other than stationery and not for medical or household purposes; insulating tape and band; asbestos coverings; asbestos sheets; asbestos felt; rubber stoppers; expansion joint fillers; chemical compositions for repairing leaks; flexible plumbing pipes of plastic, rubber or natural rubber, canvas hose pipes, fire hoses, flexible compressed air pipe fittings, not of metal, pipe fittings, vehicle radiator connecting hoses, synthetic plastic as semi-finished products in form of foils, plates, rods, profiles, hoses, tubes, blocks, foam rubber, natural rubber, synthetic resins, rubber, cellulose acetate film, plastic film other than for wrapping, semi-processed brake lining material, clutch linings, rubber thread not for textile use, plastic fibers, natural rubber threads not for textile use, natural rubber and rubber bags for merchandise packaging, goods made of rubber, natural rubber, plastic and similar materials, namely, rubber and natural rubber pads (shock absorber), expansion bellows, rubber

stoppers, sealing plugs made primarily from rubber, billets from rubber, sleeves and brackets of rubber, foam rubber for protecting parts of machinery, rings of rubber for use as pipe connection seals, gasket sealer for use in plumbing, gasket rings, padding materials of rubber or plastics.

(260) AM 2013 68996 A

(800) 1126912

(731) ZAHİT ALÜMİNYUM VE PLASTİK
SANAYİ TİCARET LİMİTED ŞİRKETİ
Hacı Sabancı Organize Sanayi Bölgesi,
Cumhuriyet Bulvarı No. 12, YAKAPINAR
ADANA, Turkey

(540)

zahit

(591) Dark green, yellow

(511)

6 – Non-precious metal ores, common metals and their alloys and semi-manufactured products of common metals and their alloys; metal building products for sheltering, preserving, conserving, covering, girdling, warehousing (including metal ladders), metal floors, metal staircases, metal gates and fences, metal railings for fences, metal roofing, metal palings; metal products manufactured for sifting, filtering and similar purposes, namely, metal window screens, drain traps (valves) of metal; metal doors and windows, metal rolling shutters, metal жалousies, metallic door handles, metallic window handles, metal panels of doors and windows; metal cables and wires not for electrical purposes; ironmongery (hardware) articles, small items of metal hardware, namely, screws, nails, bolts, nuts, metal chains, pulley; ducts of metal for ventilating and air conditioning and heating installations, metal roof vents for residential and commercial buildings, metal vent covers for HVAC ducts, drains and pitch pans, metal chimneys, chimney cowls of metal, metal manhole covers for drains, poles of metal for electric power lines, metal gratings; signs, non-luminous and non-mechanical, of metal; signaling panels, non-luminous and non-mechanical, of metal; identity plates of metal; metal pipes for liquid or gas transfer and their connection parts (including valves of metal, drilling pipes of metal); metal cash boxes; materials of metal for railway construction; metal bollards, metal mooring buoys, anchors for sea vehicles; metallic moulds for metal casting; works of art made of common metals and their alloys; metal bottle caps; poles of metal; metal pallets, metal ropes for lifting, loading and transportation, metal wires, cords, columns, strips, bands and tapes for use in lifting and carrying loads.

(260) AM 2013 68997 A

(800) 1126917

(731) Toruńskie Zakłady Materiałów
Opatrunkowych Spółka Akcyjna
ul. Żółkiewskiego 20/26, PL-87-100 Toruń,
Poland

(540)

matodrape

(591) Black, white

(511)

10 – Surgical drapes, including sheets, drapes, medical fixing tapes, limb covers, pouches, incise films; under pads for delivery and baby sets, underpads for incontinents; set of drapes, surgical sets; covers and tunnel covers for medical equipment cables and medical equipment made of synthetic materials; medical cable organizers made of synthetic materials.

16 – Disposable bibs made of paper and/or cellulose.

(260) AM 2013 68999 A

(800) 1126932

(731) MWS Auto Chemie GmbH
Gerichtsweg 28, 04103 Leipzig, Germany

(540)



(591) Black, white

(511)

1 – Antifreeze; gas purifying preparations; brake fluid; fluids for hydraulic circuits; engine-decarbonising chemicals; anti-knock substances for internal combustion engines; coolants for vehicle engines; anti-boil preparations for engine coolants; chemical additives for oils; detergent additives to petrol (gasoline); additives, chemical, to motor fuel; dehydrating preparations for industrial purposes; degreasing preparations for use in manufacturing processes; disincrustants; compositions for repairing inner tubes of tires (tyres); tire repairing compositions; mastic for tires (tyres); automobile body fillers; emollients for industrial purposes; combusting preparations (chemical additives to motor fuel); fuel-saving preparations; acidulated water for recharging batteries; tensio-active agents; industrial chemicals; anti-incrustants; radiator flushing chemicals; power steering fluid; transmission fluid; opacifiers for glass; anti-tarnishing chemicals for windows; glass-frosting chemicals; alcohol; mordants for metals; filtering materials (chemical preparations); oil-purifying chemicals; refrigerating preparations.

3 – Windscreen cleaning liquids.

4 – Lubricating graphite; additives, non-chemical, to motor-fuel; moistening oil; wool grease; ligroin; mazut; grease for belts; lubricating grease; lubricants; lubricating oil; cutting fluids; motor oil; oleine; textile oil; industrial grease; industrial oil; oils for paints.

(260) AM 2013 69035 A

(800) 1127128

(731) Cockburn & Ca., S.A.

Rua das Coradas, 13 – Apartado 20,
P-4431-951 Vila Nova de Gaia, Portugal

(540)

COCKBURN'S

(591) Black, white

(511)

33 – Alcoholic beverages (except beers).

(260) AM 2013 69036 A

(800) 1127143

(731) Dr. Theiss Naturwaren GmbH

Michelinstrasse 10, 66424 Homburg,
Germany

(540)



(591) Green and white

(511)

3 – Soaps; Perfumery, essential oils, cosmetics, hair lotions; Dentifrices.

5 – Pharmaceutical and veterinary preparations; Sanitary preparations for medical purposes; Dietetic substances adapted for medical use; Plasters, materials for dressings.

(260) AM 2013 69037 A

(800) 1127144

(731) OLEINA SA

Route de Florissant 13, CH-1206 Genève,
Switzerland

(540)



(591) Black, white

(511)

29 – Food oil.

(260) AM 2013 69038 A

(800) 1127167

(731) Martin und Gerda Essl Sozialpreis

gemeinnützige Privatstiftung
Aufeldstraße 17-23, A-3403 Klosterneuburg,
Austria

(540)



(591) Green

(511)

35 – Arranging and conducting advertising events; planning of advertising initiatives; presentation of companies on the Internet and in other media for advertising purposes; advertising including promotion of products and services of third parties through sponsoring arrangements and licence agreements relating to international events; advertising; publicity columns preparations; advertising on the Internet for others.

41 – Information on events (entertainment); conducting of live events; organisation and conducting of cultural and sporting events; arranging and conducting of congresses; arranging and conducting of symposiums.

42 – Conducting scientific studies; economic surveys; inquiries, research in databases and on the Internet for scientific and research purposes; scientific research; updating of websites; design and maintenance of websites for others.

(260) AM 2013 69039 A

(800) 1127172

(731) Sopro Bauchemie GmbH

Biebricher Strasse 74, 65203 Wiesbaden,
Germany

(540)

AEB

(591) Black, white

(511)

1 – Chemical products for industrial purposes; impregnating preparations; adhesives used in industry, in particular made of synthetic resins; chemical products for industrial purposes being additives for building materials, chemical products for industrial purposes being additives for screed, concrete and mortar; liquid plastics, unprocessed included in this class; preservatives for building materials (except for organic substances); tempering agents for concrete, mortar and screed, included in this class, namely for preventing drying out of concrete and mortar, screed and pre-fabricated concrete components, for rendering concrete screed resistant against impacts, abrasion, freeze and chemical stress, for increasing imperviousness

against liquid and gases as well as for controlling the working consistency; unprocessed artificial resin; surface-active agents (tensides); damp proofing preparations for brickwork, except paints; horticulture chemicals; antifreeze; chemical products as aid for removing and cleaning joint compounds; solvents for paints, varnishes and lacquers; silicones.

17 – Building materials with damping and insulating properties; rubber, gutta-percha, gum, asbestos, mica and goods made from these materials, included in this class; goods made of plastics as semi-finished products; artificial and synthetic resins (semi-finished products), resins for fabricating adhesives (semi-finished products); cast resins including silica sand (semi-finished products); sealing, packing and insulating materials, sealing tapes, sealing collars; rubber gloves for insulating purposes, not for household purposes; joint fillers (sealant compounds for joints); insulating coating agents paints and insulating lacquers; insulating paints; self-adhesive tapes, other than stationery and not for medical or household purposes; insulating coatings and insulating materials; filling material as insulating, damping and sealing materials; bituminous coatings for roofing for sealing and insulating purposes.

19 – Building materials (non-metallic); building materials (non-metallic), namely hydraulic binding agents such as cement, lime, gypsum and as additives for binding and hardening concrete, mortar and stony building materials; building materials (non-metallic), namely mixtures of hydraulic binding agents with aggregates, puzzolanic materials (concrete additives) and/or chemical substances (concrete additives); mortar (building material), plaster (coatings), screeds (building material); reinforcing fabrics (non-metallic) for building purposes; contact sludges (non-metallic) for building purposes; building materials, non-metallic, in the form of filling materials for building purposes for preparing surfaces made of concrete, mortar and other stony building materials; silica sand for building purposes; bitumen; bituminous products for building; pipes, not of metal for building purposes; concrete, concrete building elements; roof coverings, not of metal; bituminous coatings for roofing (except for sealing and insulating purposes); windows, not of metal; felts for building; gravel; sand for building purposes; prefabricated swimming pools (not of metal); prefabricated chimneys, not of metal; floor tiles, not of metal, tile floorings, not of metal; binding material for road repair, road coating materials.

(260) AM 2013 69040 A

(800) 1127185

(731) Zakrytoe Aktsionernoe Obschestvo "I-Teco"
Street Bolshaya Nikitskaya, 24, bldg. 5, floor

2, RU-103009 Moscow, Russian Federation
(540)

AVTEKO

(591) White, black, light green

(511)

9 – DVD players; ticket dispensers; juke boxes, musical; distribution machines, automatic; motor fire engines; answering machines; accumulators, electric; accumulators, electric, for vehicles; actinometers; alidades; altimeters; ammeters; anemometers; anodes; aerials; anticathodes; apertometers [optics]; divers' apparatus; high-frequency apparatus; testing apparatus not for medical purposes; remote control apparatus; electro-dynamic apparatus for the remote control of railway points; electro-dynamic apparatus for the remote control of signals; monitoring apparatus, electric; sound recording apparatus; distillation apparatus for scientific purposes; diffraction apparatus [microscopy]; air analysis apparatus; apparatus to check franking; sound transmitting apparatus; electrical apparatus for sealing plastics [packaging]; apparatus for fermentation [laboratory apparatus]; electric arc cutting apparatus; electric arc welding apparatus; electric welding apparatus; breathing apparatus, except for artificial respiration; breathing apparatus for underwater swimming; x-rays producing apparatus and installations, not for medical purposes; cash registers; electric apparatus for commutation; intercommunication apparatus; stills for laboratory experiments; projection apparatus; roentgen apparatus not for medical purposes; radiological apparatus for industrial purposes; soldering apparatus, electric; blueprint apparatus; blinkers [signalling lights]; stereoscopic apparatus; telegraphs [apparatus]; telephone apparatus; telephone transmitters; facsimile machines; phototelegraphy apparatus; igniting apparatus, electric, for igniting at a distance; acid hydrometers; salinometers; acidimeters for batteries; aerometers; beacons, luminous; barometers; anode batteries; galvanic batteries; batteries for pocketlamps; batteries for lighting; solar batteries; batteries, electric; balances [steelyards]; gasoline pumps for service stations; betatrons; binoculars; electronic tags for goods; magnetic tape units for computers; computer memories; fire hose nozzles; encoded identification bracelets, magnetic; safety tarpaulins; signalling buoys; life buoys; marking buoys; directional compasses; vacuum gauges; electrolyzers; variometers; scales; letter scales; weighbridges; precision balances; levelling staffs [surveying instruments]; camcorders; video cassettes; video telephones; video screens; viewfinders, photographic; plugs, sockets and other contacts [electric connections]; micrometer screws for optical instruments; viscosimeters; circuit closers; wavemeters; voltmeters; coin-operated gates for car parks or parking lots; mechanical signs; switchboxes [electricity]; current

rectifiers; jigs [measuring instruments]; gas testing instruments; gasometers; galvanometers; heliographic apparatus; hygrometers; hydrometers; weights; peepholes [magnifying lenses] for doors; holograms; plotters; loudspeakers; sounding leads; plumb bobs; range finders; densimeters; densitometers; optical goods; detectors; galena crystals [detectors]; smoke detectors; counterfeit [false] coin detectors; slides [photography]; slide projectors; diaphragms [photography]; dictating machines; dynamometers; floppy disks; phonograph records; disks, magnetic; optical discs; calculating disks; disk drives for computers; juke boxes for computers; dna chips; electronic notice boards; capacity measures; swimming jackets; bullet-proof waistcoats [vests (am.)]; life jackets; identification threads for electric wires; nose clips for divers and swimmers; locks, electric; bells [warning devices]; alarm bells, electric; electric door bells; signal bells; acoustic conduits; mirrors for inspecting work; road signs, luminous or mechanical; signs, luminous; marine depth finders; probes for scientific purposes; buzzers; buzzers, electric; needles for record players; gauges; pressure measuring apparatus; simulators for the steering and control of vehicles; inverters [electricity]; pressure indicators; indicators [electricity]; temperature indicators; incubators for bacteria culture; measuring instruments; mathematical instruments; levelling instruments; surveying instruments; azimuth instruments; interfaces for computers; ionisation apparatus, not for the treatment of air; spark-guards; coaxial cables; fibre [fiber (am.)] optic cables; cables, electric; calipers; slide calipers; screw-tapping gauges; calculating machines; pocket calculators; decompression chambers; cinematographic cameras; electronic pens [visual display units]; holders for electric coils; identity cards, magnetic; video game cartridges; encoded cards, magnetic; riding helmets; protective helmets; carriers for dark plates [photography]; automated teller machines [atm]; cathodes; choking coils [impedance]; coils, electric; electromagnetic coils; spools [photography]; cinematographic film, exposed; computer keyboards; solenoid valves [electromagnetic switches]; wire connectors [electricity]; electronic agendas; push buttons for bells; mouse pads; magnetic encoders; anti-dazzle shades; collectors, electric; calibrating rings; protective suits for aviators; commutators; compact discs [audio-video]; compact discs [read-only memory]; comparators; marine compasses; computers; notebook computers; capacitors; contacts, electric; contacts, electric, of precious metal; wind socks for indicating wind direction; branch boxes [electricity]; distribution boxes [electricity]; connectors [electricity]; junction boxes [electricity]; accumulator boxes; cabinets for loudspeakers; diving suits; reflecting discs for wear, for the prevention of traffic accidents; covers for electric outlets; logs

[measuring instruments]; lasers, not for medical purposes; lactodensimeters; lactometers; darkroom lamps [photography]; neon signs; thermionic lamps and tubes; thermionic valves [radio]; amplifying tubes; flashlights [photography]; head cleaning tapes [recording]; magnetic tapes; videotapes; surveying chains; fire escapes; rulers [measuring instruments]; slide-rules; contact lenses; correcting lenses [optics]; optical lenses; lens hoods; optical condensers; sounding lines; electricity conduits; measuring spoons; magnifying glasses [optics]; thread counters; magnets; decorative magnets; resuscitation mannequins [teaching apparatus]; mouse [data processing equipment]; manometers; divers' masks; solderers' helmets; protective masks; materials for electricity mains [wires, cables]; accounting machines; voting machines; money counting and sorting machines; material testing instruments and machines; hemline markers; megaphones; diaphragms [acoustics]; diaphragms for scientific apparatus; metal detectors for industrial or military purposes; metronomes; rules [measuring instruments]; carpenters' rules; dressmakers' measures; mechanisms for coin-operated apparatus; coin-operated mechanisms for television sets; shutter releases [photography]; micrometer gauges; microprocessors; microscopes; microtomes; microphones; modems; lightning conductors; monitors [computer hardware]; animated cartoons; terminals [electricity]; junction sleeves for electric cables; cases fitted with dissecting instruments [microscopy]; teeth protectors; knee-pads for workers; self-regulating fuel pumps; fuel dispensing pumps for service stations; headphones; surveyors' levels; verniers; sound recording carriers; magnetic data media; optical data media; socks, electrically heated; sheaths for electric cables; identification sheaths for electric wires; weighing machines; punched card machines for offices; furniture especially made for laboratories; shoes for protection against accidents, irradiation and fire; objectives [lenses] [optics]; lenses for astrophotography; egg-candlers; extinguishers; electrified fences; limiters [electricity]; clothing for protection against accidents, irradiation and fire; clothing for protection against fire; asbestos clothing for protection against fire; clothing especially made for laboratories; ozonisers [ozonators]; octants; eyepieces; ohmmeters; wrist rests for use with computers; spectacle frames; eyeglass frames; oscillographs; plumb lines; mirrors [optics]; spectacles [optics]; sunglasses; goggles for sports; signalling panels, luminous or mechanical; radio pagers; eyeglasses; electronic pocket translators; transmitters [telecommunication]; transmitters of electronic signals; switches, electric; periscopes; gloves for divers; asbestos gloves for protection against accidents; gloves for protection against accidents; gloves for protection against x-rays for industrial purposes; furnaces for laboratory experiments; pipettes;

pyrometers; planimeters; plane tables [surveying instruments]; plates for batteries; wafers [silicon slices]; compact disc players; cassette players; sound recording strips; roentgen films, exposed; films, exposed; life-saving rafts; laboratory trays; semi-conductors; polarimeters; fire engines; floats for bathing and swimming; graduated glassware; swimming belts; life belts; circuit breakers; fuses; converters, electric; telerupters; food analysis apparatus; diagnostic apparatus, not for medical purposes; hair-curlers, electrically heated; distance measuring apparatus; speed measuring apparatus [photography]; appliances for measuring the thickness of leather; apparatus for measuring the thickness of skins; speed checking apparatus for vehicles; teaching apparatus; time recording apparatus; make-up removing appliances, electric; distance recording apparatus; apparatus and instruments for astronomy; surveying apparatus and instruments; weighing apparatus and instruments; nautical apparatus and instruments; optical apparatus and instruments; apparatus and instruments for physics; chemistry apparatus and instruments; measuring apparatus; measuring devices, electric; boiler control instruments; cosmographic instruments; meteorological instruments; naval signalling apparatus; observation instruments; navigation apparatus for vehicles [on-board computers]; satellite navigational apparatus; regulating apparatus, electric; precision measuring apparatus; instruments containing eyepieces; audio-receivers and video-receivers; prisms [optics]; cigar lighters for automobiles; printers for use with computers; apparatus for changing record player needles; retorts' stands; drainers for use in photography; cleaning apparatus for phonograph records; fire beaters; sighting telescopes for firearms; test tubes; pressure indicator plugs for valves; magnetic wires; telegraph wires; telephone wires; wires, electric; conductors, electric; copper wire, insulated; fuse wire; computer operating programs, recorded; computer game programs; computer programs [downloadable software]; record players; central processing units [processors]; rods for water diviners; electronic publications, downloadable; distribution consoles [electricity]; control panels [electricity]; radar apparatus; vacuum tubes [radio]; masts for wireless aerials; transmitting sets [telecommunication]; radios; vehicle radios; frames for photographic transparencies; screens for photoengraving; walkie-talkies; voltage surge protectors; voltage regulators for vehicles; light dimmers [regulators], electric; stage lighting regulators; speed regulators for record players; cell switches [electricity]; washing trays [photography]; marking gauges [joinery]; time switches, automatic; relays, electric; safety restraints, other than for vehicle seats and sports equipment; x-ray photographs, other than for medical purposes; rheostats; respirators, other than

for artificial respiration; respirators for filtering air; retorts; refractometers; refractors; grids for batteries; horns for loudspeakers; saccharometers; light conducting filaments [optical fibers [fibres]]; traffic-light apparatus [signalling devices]; dog whistles; signalling whistles; sextants; inductors [electricity]; life nets; nets for protection against accidents; fire alarms; signals, luminous or mechanical; sirens; scanners [data processing equipment]; integrated circuit cards [smart cards]; connections for electric lines; connections, electric; sonars; sound locating instruments; lighting ballasts; resistances, electric; spectrograph apparatus; spectrometers; speed indicators; alcoholmeters; satellites for scientific purposes; protection devices for personal use against accidents; audiovisual teaching apparatus; radiotelegraphy sets; radiotelephony sets; spectacle glasses; optical glass; glass covered with an electrical conductor; anti-glare glasses; personal stereos; stereoscopes; fire boats; sulphitometers; hands free kits for phones; drying racks [photography]; spherometers; integrated circuits; printed circuits; counters; parking meters; postage stamp meters; kilometer recorders for vehicles; revolution counters; abacuses; taximeters; ear plugs; ear plugs for divers; tachometers; word processors; television apparatus; telescopes; teleprompters; teleprinters; portable telephones; theodolites; thermometers, not for medical purposes; thermostats; thermostats for vehicles; crucibles [laboratory]; tone arms for record players; totalizers; transistors [electronic]; protractors [measuring instruments]; battery chargers; transformers [electricity]; vehicle breakdown warning triangles; starter cables for motors; discharge tubes, electric, other than for lighting; capillary tubes; x-rays tubes not for medical purposes; telephone receivers; turnstiles, automatic; quantity indicators; automatic indicators of low pressure in vehicle tires [tyres]; gasoline gauges; water level indicators; electric loss indicators; light-emitting electronic pointers; clinometers; levels [instruments for determining the horizontal]; mercury levels; spirit levels; urinometers; amplifiers; particle accelerators; sprinkler systems for fire protection; electric installations for the remote control of industrial operations; steering apparatus, automatic, for vehicles; balancing apparatus; video recorders; sound reproduction apparatus; invoicing machines; electroplating apparatus; door closers, electric; tape recorders; protection devices against x-rays [roentgen rays], not for medical purposes; apparatus for games adapted for use with an external display screen or monitor; railway traffic safety appliances; data processing apparatus; door openers, electric; oxygen transvasing apparatus; theft prevention installations, electric; electric devices for attracting and killing insects; amusement apparatus adapted for use with an external display screen or monitor; time clocks

[time recording devices]; film cutting apparatus; drying apparatus for photographic prints; optical character readers; elevator operating apparatus; centering apparatus for photographic transparencies; dosage dispensers; chargers for electric batteries; acoustic [sound] alarms; sounding apparatus and machines; life saving apparatus and equipment; apparatus for editing cinematographic film; cathodic anti-corrosion apparatus; couplers [data processing equipment]; computer peripheral devices; anti-interference devices [electricity]; demagnetizing apparatus for magnetic tapes; acoustic couplers; anti-theft warning apparatus; alarms; fog signals, non-explosive; adding machines; readers [data processing equipment]; heat regulating apparatus; photocopiers [photographic, electrostatic, thermic]; bar code readers; flat irons, electric; filters for respiratory masks; filters for ultraviolet rays, for photography; filters [photography]; magic lanterns; optical lanterns; signal lanterns; cameras [photography]; glazing apparatus for photographic prints; shutters [photography]; darkrooms [photography]; photometers; flash-bulbs [photography]; enlarging apparatus [photography]; photovoltaic cells; containers for contact lenses; spectacle cases; eyeglass cases; containers for microscope slides; cases especially made for photographic apparatus and instruments; chromatography apparatus for laboratory use; chronographs [time recording apparatus]; eyeglass chains; cyclotrons; compasses [measuring instruments]; frequency meters; egg timers [sandglasses]; fire blankets; chips [integrated circuits]; pedometers; meteorological balloons; electrified rails for mounting spot lights; asbestos screens for firemen; protective helmets for sports; eyeglass cords; stands for photographic apparatus; eyeshades; switchboards; distribution boards [electricity]; workmen's protective face-shields; projection screens; radiology screens for industrial purposes; fluorescent screens; screens [photography]; exposure meters [light meters]; welding electrodes; soldering irons, electric; ducts [electricity]; galvanic cells; epidiascopes; ergometers; armatures [electricity].

39 – Air transport; boat rental; parking place rental; booking of seats for travel; travel reservation; transport reservation; towing; vehicle towing; water distribution; delivery of newspapers; message delivery; parcel delivery; delivery of goods; delivery of goods by mail order; flower delivery; launching of satellites for others; traffic information; transportation information; storage information; arranging of cruises; arranging of tours; hauling; carting; transport and storage of trash; transporting furniture; removal services; barge transport; ferry-boat transport; transport of travellers; freight [shipping of goods]; armored-car transport; bus transport; car transport; boat transport; railway transport; marine transport; passenger transport;

river transport; portage; refloating of ships; shipbrokerage; transport brokerage; freight brokerage [forwarding (am.)]; operating canal locks; car rental; truck rental; rental of diving bells; rental of diving suits; rental of motor racing cars; rental of wheelchairs; rental of storage containers; horse rental; coach rental; frozen-food locker rental; vehicle rental; stevedoring; unloading cargo; electricity distribution; distribution of energy; packaging of goods; ambulance transport; garage rental; rental of vehicle roof racks; rental of warehouses; ice-breaking; piloting; water supplying; escorting of travellers; underwater salvage; salvage of ships; taxi transport; streetcar transport; transport by pipeline; rescue operations [transport]; wrapping of goods; car parking; chauffeur services; pleasure boat transport; courier services [messages or merchandise]; salvaging; transport; franking of mail; freighting; physical storage of electronically-stored data or documents; boat storage; storage of goods; storage; sightseeing [tourism]; freight forwarding.

41 – Modelling for artists; academies [education]; rental of tennis courts; lending libraries; booking of seats for shows; videotaping; nursery schools; physical education; discotheque services; animal training; dubbing; gaming; publication of books; education information; recreation information; entertainment information; movie studios; health club services; club services [entertainment or education]; night clubs; layout services, other than for advertising purposes; microfilming; videotape editing; production of radio and television programmes; music-halls; game services provided on-line from a computer network; providing on-line electronic publications, not downloadable; religious education; gymnastic instruction; correspondence courses; practical training [demonstration]; organization of balls; organization of exhibitions for cultural or educational purposes; providing recreation facilities; arranging and conducting of colloquiums; arranging and conducting of congresses; arranging and conducting of conferences; arranging and conducting of concerts; arranging and conducting of workshops [training]; arranging and conducting of seminars; arranging and conducting of symposiums; arranging of beauty contests; organization of competitions [education or entertainment]; operating lotteries; holiday camp services [entertainment]; organization of shows [impresario services]; organization of sports competitions; vocational guidance [education or training advice]; amusement parks; sign language interpretation; television entertainment; bookmobile services; providing karaoke services; providing golf facilities; providing sports facilities; providing amusement arcade services; cinema presentations; presentation of live performances; theatre productions; educational examination; timing of sports events; videotape film production; film production; rental of sound

recordings; rental of audio equipment; rental of camcorders; rental of video cassette recorders; rental of videotapes; rental of show scenery; rental of movie projectors and accessories; rental of cine-films; rental of stadium facilities; rental of lighting apparatus for theatrical sets or television studios; rental of radio and television sets; rental of skin diving equipment; rental of sports equipment, except vehicles; rental of stage scenery; electronic desktop publishing; publication of electronic books and journals on-line; publication of texts, other than publicity texts; radio entertainment; entertainer services; amusements; writing of texts, other than publicity texts; zoological gardens; news reporters services; party planning [entertainment]; music composition services; sport camp services; subtitling; providing casino facilities [gambling]; calligraphy services; providing museum facilities [presentation, exhibitions]; educational services; orchestra services; translation; scriptwriting services; ticket agency services [entertainment]; recording studio services; digital imaging services; photography; photographic reporting; circuses; boarding schools; production of shows.

42 – Computer systems analysis; chemical analysis; architecture; authenticating works of art; recovery of computer data; graphic arts designing; computer virus protection services; technical project studies; engineering; installation of computer software; weather forecasting; material testing; textile testing; bacteriological research; biological research; geological research; research in the field of environmental protection; cosmetic research; mechanical research; physics [research]; chemical research; research and development for others; analysis for oil-field exploitation; underwater exploration; technical research; calibration [measuring]; consultancy in the field of computer hardware; computer software consultancy; architectural consultation; oil-well testing; quality control; vehicle roadworthiness testing; land surveying; dress designing; updating of computer software; geological surveys; oil-field surveys; maintenance of computer software; design of interior decor; conversion of data or documents from physical to electronic media; urban planning; providing search engines for the internet; data conversion of computer programs and data [not physical conversion]; computer system design; rental of web servers; computer rental; rental of computer software; geological prospecting; oil prospecting; hosting computer sites [web sites]; duplication of computer programs; construction drafting; computer software design; cloud seeding; consultancy in the field of energy-saving; creating and maintaining web sites for others; computer programming; industrial design; chemistry services; packaging design; surveying.

(260) AM 2013 69041 A

(800) 1127221

(731) JEGI Limited

6 Westbury Drive, Newcastle Road, Lucan
Co. Dublin, Ireland

(540)

JEDWARD

(591) Black, white

(511)

3 – Soaps; perfumery, essential oils, cosmetics, hair lotions; dentifrices; skin care products; body and foot care products; fragrances; bath salts; cosmetic preparations for baths; body and shower products; body, face, skin and foot lotions and creams; toiletries; colognes; eau de toilettes; body firming gels and lotions; deodorants; eau de parfum; toilet water; hair preparations; preparations for the care and conditioning of the body, skin, scalp; bubble bath, bath gel, bath oil and shower gel.

9 – Sound, video and audio-visual recordings; downloadable sound, video and audio-visual recordings; computer application software for mobile phones; vinyl covers specially adapted for mobile phones, MP3 players, laptops, and gaming devices; sound, video and audio-visual recording apparatus and accessories; downloadable music and videos; downloadable graphics; computer software and programs; downloadable computer software containing sound and/or video recordings or telephone ring tones; downloadable ringtones and graphics; downloadable wallpapers, widgets, icons, photographs and banners; downloadable electronic publications and downloadable posters and photographs; downloadable podcasts in the field of music; downloadable electronic publications in the nature of books, magazines, newsletters, pamphlets, booklets and brochures in the field of music and entertainment; motion picture films featuring music and entertainment; digital video discs; video games software; electronic game programs; storage cases for CDs and DVDs; mobile telephone and personal electronic device cases and covers; accessories for mobile telephones and personal electronic devices; computer mouse pads; headphones; earphones; eyewear and sunglasses; eyewear accessories, namely straps, neck cords and head straps for eyewear.

14 – Precious metals and their alloys and goods in precious metals or coated therewith, not included in other classes; jewellery, precious stones; horological and chronometric instruments; key rings (trinkets and fobs); leather key fobs.

16 – Paper, cardboard and goods made from these materials, not included in other classes; printed matter; photographs; stationery; posters and songbooks; booklets; concert programmes; books; catalogues; folders; posters; calendars; magazines;

periodicals; greeting cards; postcards; school supplies; paper party supplies; notebooks; paper doll books; pens and writing instruments; decals; stickers; printed music; music scores; music books; instruction guides and manuals; music in sheet form; magazines and brochures in the area of music.

18 – Leather and imitations of leather, and goods made of these materials and not included in other classes; animal skins, hides; trunks and travelling bags; umbrellas, parasols and walking sticks; luggage, backpacks, bags and wallets; tote bags; carrying cases for audio equipment.

21 – Household or kitchen utensils and containers; combs and sponges; brushes (except paint brushes); glassware, porcelain and earthenware not included in other classes; mugs; door hangers.

25 – Clothing, footwear, headgear.

28 – Games and playthings; gymnastic and sporting articles not included in other classes; Christmas tree decorations; costume masks.

35 – Advertising; business management; business administration; online retail store services in connection with cosmetics, toiletries and fragrance products, sound, video and audio visual recordings, mobile phone and electronic device accessories and music merchandise, audio and video equipment and accessories, jewellery, key rings and watches, posters, calendars and printed matter, luggage, bags and carrying cases, clothing, footwear and headgear, games, playthings and sporting articles.

41 – Entertainment services; education and training; providing entertainment information, performances, non-downloadable audio and audiovisual recordings featuring music and musical-based entertainment, news, appearances, photographs, biographies and other entertainment information via a website; providing online journals, namely, blogs featuring information on recording artists; fan club services in the nature of entertainment; providing webcasts featuring music and musical-based entertainment.

(260) AM 2013 69042 A

(800) 1127232

(731) Obschestvo s ogranichennoi
otvetstvennostyu "BioKontur"
office 901, 82, ul. Podgornaya, RU-183001
Murmansk, Russian Federation

(540)

БИО|КОНТУР

(591) White, light red

(511)

5 – Additives to fodder for medical purposes; mineral food-supplements; nutritional additives for

medical purposes; fishmeal for pharmaceutical purposes.

29 – Edible fats; food products made from fish.

35 – Advertising.

44 – Medical assistance.

(260) AM 2013 69043 A

(800) 1127253

(731) Europäische Handball Föderation (EHF)
Hoffingergasse 18, A-1120 Wien, Austria

(540)



(591) White, dark blue, water blue, red and gold
(511)

16 – Printed matter, in particular posters, placards, books, magazines and newspapers related to handball, newsletters related to handball, pictorial print, calendars, printed notepads, stickers, albums made of paper, scrapbooks, paper pennants and greeting cards; printed tickets for sports games and events; ring binders made of paper; paper gift bags; picture postcards; stationery; note paper; envelopes; souvenir articles made of paper with themes of sports events in the field of handball (included in this class); guide books and reference books for handball, brochures in the field of handball; photographs; all the aforementioned goods to be related to or associated with the game, match, competition, sport or championships of handball.

35 – Advertising, business management; office functions; all the aforementioned services to be related to or associated with the game, match, competition, sport or championships of handball.

41 – Entertainment in the nature of professional and non-professional handball games, matches, competitions and championships; sporting and cultural activities, in particular, the organisation of professional and non-professional handball games, matches, competitions and championships and of handball related conferences, exhibitions, educational programs and galas; all the aforementioned services to be related to or associated with the game, match, competition, sport or championships of handball.

(260) AM 2013 69045 A
 (800) 1127254
 (731) "Odnoklassniki" Company Limited
 str. 2, d. 47, Leningradsky pr-kt, RU-125167
 Moscow, Russian Federation

(540)
odnoklassniki

(591) Black, white
 (511)
 35 – Advertising; business management; business administration; office functions; arranging subscriptions to telecommunication services for others; computerized file management; marketing research; layout services for advertising purposes; updating of advertising material; organization of exhibitions for commercial or advertising purposes; data search in computer files for others; rental of advertising time on communication media; publication of publicity texts; dissemination of advertising matter; on-line advertising on a computer network; compilation of statistics; compilation of information into computer databases; public relations; systemization of information into computer databases.

38 – Telecommunications; news agencies; broadcasting; providing access to databases; computer aided transmission of messages and images; communications of all kinds; services to provide communications.

41 – Entertainment; sporting and cultural activities; health club services [health and fitness training]; club services [cultural, entertainment or education]; night clubs; providing recreation facilities; recreation information; entertainment information; game services provided on-line from a computer network; electronic desktop publishing; production of shows; production of radio and television programmes; videotape film production; film production, other than advertising films; rental of videotapes; rental of motion pictures; news reporters services; ticket agency services [entertainment].

42 – Scientific and technological services and research and design relating thereto; design and development of computer hardware and software; computer system analysis; recovery of computer data; installation of computer software; computer system design; computer programming; conversion of data or documents from physical to electronic media; providing search engines for the internet; creating and maintaining web sites for others.

45 – Personal and social services rendered by others to meet the needs of individuals.

(260) AM 2013 69046 A
 (800) 1127275
 (731) Apple Inc.
 1 Infinite Loop, Cupertino, CA 95014, USA
 (540)

MOUNTAIN LION

(591) Black, white
 (511)
 9 – Computer operating system software and application development tool software.

(260) AM 2013 69047 A
 (800) 1127322
 (731) KRKA, tovarna zdravil, d.d., Novo mesto
 Šmarješka cesta 6, SI-8501 Novo mesto,
 Slovenia

(540)
CANSYTA

(591) Black, white
 (511)
 5 – Pharmaceutical preparations.

(260) AM 2013 69048 A
 (800) 1127328
 (731) Société des Produits Nestlé S.A.
 CH-1800 Vevey, Switzerland
 (540)

COOKIE CRISP

(591) Black, white
 (511)
 30 – Ready-to-eat cereals; breakfast cereals, cereal bars.

(260) AM 2013 69050 A
 (800) 1127342
 (731) RHODIA CHIMIE
 40, rue de la Haie Coq, F-93300
 AUBERVILLIERS, France
 (540)



(591) Black, white

(511)

1 – Industrial chemicals; chemicals used in the industries producing perfumery, additives, cosmetics, foodstuffs and plastics; active principles and synthetic intermediates used in the industries producing perfumery, additives, cosmetics, foodstuffs and plastics; chemicals containing vanillin used in the industries producing perfumery, additives, cosmetics, foodstuffs and plastics; chemicals used in the pharmaceutical industry; active principles and synthetic intermediates used in the pharmaceutical industry; chemicals containing vanillin used in the pharmaceutical industry.

(260) AM 2013 69084 A

(800) 789346

(731) Meguin GmbH & Co. KG

Mineraloelwerke

Rodener Strasse 25, 66740 Saarlouis,
Germany

(540)



(591) Black, white

(511)

4 – Lubricants; industrial oils and greases, including oils for engines, gearing oils, compressor oils as well as hydraulic oils; contact oils and greases.

(260) AM 2013 69085 A

(800) 917712

(731) PLUS INTERNATIONAL S.A.S.

Roissy Pôle Aéroport Charles de Gaulle, 5 rue
de la Haye, F-93290 Tremblay-en-France,
France

(540)

IXINA

(591) Black, white

(511)

20 – Furniture, mirrors, picture frames; goods (not included in other classes) of wood, cork, reed, cane, wicker, horn, bone, ivory, whalebone, shell, amber, mother-of-pearl, meerschaum, substitutes for all these materials or of plastics.

(260) AM 2013 69086 A

(800) 953785

(731) FAST ČR, a.s.

Černokostelecká 2111, CZ-100 00 Praha 10,
Czech Republic

(540)

SENCOR

(591) Black, white

(511)

7 – Electric kitchen machines, namely, grinding machines, kneading machines, fruit presses, meat choppers, mixers, crushers, coffee grinders, pepper mills, dishwashers, washing machines, food processors, drying machines and vacuum cleaner attachments, cutters.

(260) AM 2013 69087 A

(800) 1025179

(731) FONEKS KOZMETİK SAĞLIK VE
EĞİTİM HİZMETLERİ SANAYİ VE
TİCARET LİMİTED ŞİRKETİKaradeniz Mahallesi Mehmet Akif Caddesi
1117/1 Sk. No.6, Gaziosmanpaşa, İstanbul,
Turkey

(540)

GUMMY

(591) Black, white

(511)

3 – Bleaching and cleaning preparations for laundry use, detergents for household use; perfumery, essential oils, cosmetics, hair lotions, soaps; scouring and abrasive products, namely, emery paper for nails, abrasive paste, pumice stones for personal use; polishing products, namely, leather polishes, polishes for metallic items, furniture polishes, floor polishes.

(260) AM 2013 69114 A

(800) 1128194

(731) ORIFLAME COSMETICS S.A.

24, avenue Emile Reuter, L-2420
LUXEMBURG, Luxembourg

(540)

ORIFLAME ESPIONAGE

(591) Black, white

(511)

3 – Soaps, perfumery, essential oils, cosmetics, hair lotions; dentifrices.

(260) AM 2013 69117 A

(800) 1128196

(731) ORIFLAME COSMETICS S.A.

24, avenue Emile Reuter, L-2420
LUXEMBURG, Luxembourg

(540)

**YOUR DREAMS, OUR
INSPIRATION – ORIFLAME**

(591) Black, white

(511)

3 – Soaps, perfumery, essential oils, cosmetics, hair lotions; dentifrices.

35 – Advertising; business management; business administration; office functions.

(260) AM 2013 69268 A

(800) 1129869

(731) KRKA, tovarna zdravil, d.d., Novo mesto
Šmarješka cesta 6, SI-8501 Novo mesto,
Slovenia

(540)

KAHCATA

(591) Black, white

(511)

5 – Pharmaceutical preparations.

(260) AM 2013 69429 A

(800) 953901

(731) ZHEJIANG LONGYOU XINXIDI
ELECTRONICS CO., LTD.

Chengnan Park, Longyou Industrial
Development Zone, Zhejiang Province, China

(540)



(591) Black, white

(511)

9 – Satellite navigational apparatus; antennas; tape recorders; camcorders; video recorders; stands for photographic apparatus; meteorological instruments; measuring instruments; counters; measuring devices, electric; optical apparatus and instruments; material for electricity mains (wires, cables); couplings, electric; contacts, electric; lighting ballasts; chargers for electric batteries; door closers, electric; door openers, electric; computers; computer peripheral devices; distribution machines, automatic; alarms; electric door bells.

(260) AM 2013 69432 A

(800) 1071317

(731) OMV PETROL OFISI ANONIM
SIRKETI

Eski Büyükdere Caddesi No: 33/37, Maslak-
Besiktas-Istanbul, Turkey

(540)



(591) Red and white

(511)

4 – Industrial oils, industrial greases, industrial lubricants, engine oil, motor oil, grease for machines, automotive greases, cutting fluids, dust absorbing, wetting and binding compositions; solid fuels, namely, coal, coal briquettes, coke, lignite, charcoal briquettes; gaseous and liquid fuels, non-chemical additives for gaseous and liquid fuels; fuel for motor vehicles, namely, gasoline, diesel, fuel, oil; kerosene, non-chemical additives for engine oils, gasoline and diesel fuel; candles for lighting, wicks for oil lamps, illuminating wax, paraffin wax.

(260) AM 2013 69433 A

(800) 1109738

(731) Astellas Pharma Inc.

5-1, Nihonbashi-Honcho 2-chome, Chuo-ku,
Tokyo 103-8411, Japan

(540)

BETMIGA

(591) Black, white

(511)

5 – Pharmaceutical preparations and substances.

(260) AM 2013 69434 A

(800) 1123240

(731) Honda Motor Co., Ltd.

1-1, Minami-Aoyama 2-chome, Minato-ku,
Tokyo 107-8556, Japan

(540)

i – VTEC

(591) Black, white

(511)

12 – Automobiles and their parts and fittings; vessels and their parts and fittings; aircraft and their parts and fittings; two-wheeled motor vehicles and their parts and fittings; bicycles and their parts and fittings; non-electric prime movers for land vehicles (not including "their parts"); axles for vehicles; couplings for land vehicles; transmissions for land vehicles; transmission chains for land vehicles; transmission shafts for land vehicles; shock absorbers for automobiles; shock absorbing springs for vehicles; brakes for vehicles.

(260) AM 2013 69435 A

(800) 1123708

(731) Honda Motor Co., Ltd.

1-1, Minami-Aoyama 2-chome, Minato-ku,
Tokyo 107-8556, Japan

(540)

JAZZ

(591) Black, white

(511)

12 – Non-electric prime movers for land vehicles (not including "their parts"); axles for vehicles; couplings for land vehicles; transmissions for land vehicles; transmission chains for land vehicles; transmission shafts for land vehicles; shock absorbers for automobiles; shock absorbing springs for vehicles; brakes for vehicles; aircraft and their parts and fittings; automobiles and their parts and fittings; two-wheeled motor vehicles and their parts and fittings.

(260) AM 2013 69747 A

(800) 1134508

(731) Europäische Handball Föderation (EHF)
Hoffingergasse 18, A-1120 Wien, Austria

(540)



(591) White, dark blue, water blue, red and gold

(511)

16 – Printed matter, in particular posters, placards, books, magazines and newspapers related to handball, newsletters related to handball, pictorial prints, calendars, printed notepads, stickers, albums made of paper, scrapbooks, paper pennants and greeting cards; printed tickets for sports games and events; ring binders made of paper; paper gift bags; picture postcards; stationery; note paper; envelopes; souvenir articles made of paper with themes of sports events in the field of handball (insofar as contained in this class); guide books and reference books for handball, brochures in the field of handball; photographs; all the aforementioned goods to be related to or associated with the game, match, competition, sport or championships of handball.

35 – Advertising, business management; office functions; all the aforementioned services to be related to or associated with the game, match, competition, sport or championships of handball.

41 – Entertainment in the nature of professional and non-professional handball games, matches, competitions and championships; sporting and cultural activities, in particular, the organisation of professional and non-professional handball games, matches, competitions and championships and of handball related conferences, exhibitions, educati-

onal programs and galas; all the aforementioned services to be related to or associated with the game, match, competition, sport or championships of handball.

(260) AM 66696 A*

(800) 701357

(731) BELVEDERE; 10, Avenue Charles Jaffelin, F-21200 BEAUNE, France

(540)

DANZKA

(591) Black, white

(511)

33 – Alcoholic beverages (except beers) produced in Denmark.

(260) AM 2013 67122 A*

(800) 1111794

(731) Airbus S.A.S.

1, Rond Point Maurice Bellonte, F-31707
Blagnac Cedex, France

(540)



(591) Black, white

(511)

7 – Aircraft engines; machines and machine tools especially for the manufacture and repair of vehicles and apparatus for locomotion by land, air and water and parts thereof and in particular for the manufacture and repair of aeronautical engines; motors and engines (except for land vehicles); machine coupling and transmission components (except for land vehicles); turbines other than for land vehicles; (auxiliary) power units other than for land vehicles; parts and connecting elements (fittings) for the aforesaid goods; tools (parts of machines); machine tools; aeronautical machines.

9 – Software; computer programs; computers; data processing apparatus; scientific (except for medical purposes), nautical, surveying, photographic, cinematographic, optical, weighing, measuring, signalling, checking (supervision), life-saving and teaching apparatus and instruments (included in this class); apparatus for recording, transmission or reproduction of sound or images; electronic publications, downloadable; magnetic data carriers, magnet recording carriers; information processing equipment and computers; pre-recorded and blank discs, pre-recorded and blank audio and video cassettes; pre-recorded and blank compact discs; transmitters, receivers, apparatus for transmitting electronic and radio signals; transponders; navigation apparatus for vehicles; navigational instruments; satellite navigational apparatus; avionic instruments,

equipment and systems related thereto; simulators for the steering and control of vehicles; flight simulation software; scientific satellites; satellites for receiving and transmitting radio signals; electric cables, fibre-optic cables; fuel dispensing pumps for service stations; sunglasses; satellites for scientific and commercial purposes; aeronautical appliances.

12 – Vehicles; apparatus for locomotion by land, air, water and rail; aircraft; spacecraft; launch vehicles for spacecraft; air balloons; aerostructures included in this class; aeronautical apparatus; screw-propellers; military vehicles for transport, in particular by air; seat covers for vehicles; parts and connecting elements (fittings) for all the aforesaid goods.

36 – Insurance; financial affairs; financing services; monetary affairs; hire-purchase financing, loans (financing); real estate affairs; financial sponsorship.

37 – Construction; repair, maintenance and dismantling, in particular in the field of vehicles and of apparatus for locomotion by land, air or water as well as driving motors; installation services; maintenance of computer hardware; vehicle service stations (refuelling and maintenance); refuelling of vehicles; air refuelling.

38 – Telecommunications; pager and mobile phone services and other electronic communication services; communication services provided by means of fibre-optic networks; telecommunication services via satellite; communication services via computer terminals; provision of telecommunication connections to a global computer network; telephone communication services; transmission of news and information; rental of telecommunication apparatus; rental of apparatus for transmitting images; rental of modems; transmission of messages and images by means of computers; communication services by computer terminals, radio and TV broadcasting; mobile phone services; satellite transmission services; rental of access time to computer databases; rental of access time to computers for handling of data.

39 – Transport; air transport; packaging and storage of goods; storage of aircrafts and parts of aircraft; travel arrangement; freighting; vehicle rental; air traffic management; traffic information; flight safety services, in particular the provision of information and advice regarding flight safety, technical and operational audits and risk management strategies; airport operation services, in particular airport management and organisation and guarantee and implementation of air about air travel.

41 – Education; training; training in the aeronautical field; arranging of air shows for information and entertainment purposes; entertainment; sporting and cultural activities; video-tape film production.

42 – Computer programming; industrial, scientific and technological services and research and design related thereto; industrial analyses; testing of installation of computer systems; computer pro-

gramming for the creation and restoration of computerized data in databases; professional scientific and technological consultancy, non-business; engineering services, providing valuations, calculations, research and opinions in the field of science and technology; engineering, physics and chemistry services; technical consultancy, assessment, research, testing and monitoring in the field of technology, in particular transport, environmental protection, energy technology; material testing; provision of meteorological information, in particular weather forecasting; drafting, design and development of computer hardware and software; drafting and design of computer images; engineering (technical assessment); maintenance of software; mechanical research; aeronautical research; computer programming; technological flight simulation services; technical project studies; technical research and consultancy; taking care of and research and consultancy in the field of environmental protection; management of jigs, tools and spares, in particular organisation, management and availability of jigs, tools and spares; industrial design; design of interior decor; graphic arts designing; maintenance of computer software; certification and re-certification of vehicles; technical flight tests.

(260) AM 67132 A*

(800) 1112012

(731) Airbus S.A.S.

1, Rond Point Maurice Bellonte, F-31707
Blagnac Cedex, France

(540)

AIRBUS

(591) Black, white

(511)

7 – Aircraft engines; machines and machine tools especially for the manufacture and repair of vehicles and apparatus for locomotion by land, air and water and parts thereof and in particular for the manufacture and repair of aeronautical engines; motors and engines (except for land vehicles); machine coupling and transmission components (except for land vehicles); turbines other than for land vehicles; (auxiliary) power units other than for land vehicles; parts and connecting elements (fittings) for the aforesaid goods; tools (parts of machines); machine tools; aeronautical machines.

9 – Software; computer programs; computers; data processing apparatus; scientific (except for medical purposes), nautical, surveying, photographic, cinematographic, optical, weighing, measuring, signalling, checking (supervision), life-saving and teaching apparatus and instruments (included in this class); apparatus for recording, transmission or reproduction of sound or images; publications (electronic), downloadable; magnetic data carriers, ma-

gnet recording carriers; information processing equipment and computers; pre-recorded and blank discs, pre-recorded and blank audio and video cassettes; pre-recorded and blank compact discs; transmitters, receivers, apparatus for transmitting electronic and radio signals; transponders; navigation apparatus for vehicles; navigational instruments; satellite navigational apparatus; avionic instruments, equipment and systems related thereto; simulators for the steering and control of vehicles; flight simulation software; scientific satellites; satellites for receiving and transmitting radio signals; electric cables, fibre-optic cables; fuel dispensing pumps for service stations; sunglasses; satellites for scientific and commercial purposes; aeronautical appliances.

12 – Vehicles; apparatus for locomotion by land, air, water and rail; aircraft; spacecraft; launch vehicles for spacecraft; air balloons; aerostructures included in this class; aeronautical apparatus; screw-propellers; military vehicles for transport, in particular by air; seat covers for vehicles; parts and connecting elements (fittings) for all aforesaid goods.

36 – Insurance; financial affairs; financing services; monetary affairs; hire-purchase financing, loans (financing); real estate affairs; financial sponsorship.

37 – Construction; repair, maintenance and dismantling, in particular in the field of vehicles and of apparatus for locomotion by land, air or water as well as driving motors; installation services; maintenance of computer hardware; vehicle service stations (refuelling and maintenance); refuelling of vehicles; air refuelling; maintenance of measuring instruments, jigs, tools and spares.

38 – Telecommunications; pager and mobile phone services and other electronic communication services; communication services provided by means of fibre-optic networks; telecommunication services via satellite; communication services via computer terminals; provision of telecommunication connections to a global computer network; telephone communication services; transmission of news and information; rental of telecommunication apparatus; rental of apparatus for transmitting images; rental of modems; transmission of messages and images by means of computers; communication services by computer terminals, radio and TV broadcasting; mobile phone services; satellite transmission services; rental of access time to computer databases; rental of access time to computers for handling of data.

39 – Transport; air transport; packaging and storage of goods; storage of aircrafts and parts of aircraft; travel arrangement; freighting; vehicle rental; air traffic management; traffic information; flight safety services, in particular the provision of information and advice regarding flight safety, technical and

operational audits and risk management strategies; airport operation services, in particular airport management and organisation and guarantee and implementation of air traffic; air travel consultancy, in particular information about air travel; recovery and parts of aircraft.

40 – Recycling of aircrafts.

41 – Education; training; training in the aeronautical field; arranging of airshows for educational and entertainment purposes; entertainment; sporting and cultural activities; video-tape film production.

42 – Computer programming; industrial, scientific and technological services and research and design related thereto; industrial analyses; testing of installation of computer systems; computer programming for the creation and restoration of computerized data in databases; professional scientific and technological consultancy, non-business; engineering services, providing technical and industrial valuations, calculations, research and opinions in the field of science and technology; engineering, physics and chemistry services; technical consultancy, assessment, research, testing and monitoring in the field of technology, in particular transport, environmental protection, energy technology; material testing; provision of meteorological information, in particular weather forecasting; drafting, design and development of computer hardware and software; drafting and design of computer images; engineering (technical assessment); maintenance of software; mechanical research; aeronautical research; computer programming; technological flight simulation services; technical projects studies; technical research and consultancy; research and consultancy in the field of environmental protection; industrial design; design of interior decor; graphic arts designing; maintenance of computer software; testing services for the certification of quality or standards of vehicles; technical flight tests.

INTERNATIONAL TRADEMARKS PROTECTED IN GEORGIA

(260) AM 2013 66565 A
(800) 1107466
(151) 2011 06 02
(181) 2021 06 02
(511) 16, 29, 30, 35

(260) AM 2013 66596 A
(800) 1107869
(151) 2011 07 04
(181) 2021 07 04
(511) 01, 35

(260) AM 2013 66615 A
(800) 1108005
(151) 2012 01 26
(181) 2022 01 26
(511) 25

(260) AM 2013 66622 A
(800) 1108051
(151) 2012 01 03
(181) 2022 01 03
(511) 09

(260) AM 2013 66664 A
(800) 1108367
(151) 2011 09 14
(181) 2021 09 14
(511) 06, 11, 20, 21

(260) AM 2013 66665 A
(800) 1108373
(151) 2011 11 18
(181) 2021 11 18
(511) 30

(260) AM 2013 66667 A
(800) 1108406
(151) 2012 02 16
(181) 2022 02 16
(511) 35, 38, 41

(260) AM 2013 66675 A
(800) 1108512
(151) 2012 01 20
(181) 2022 01 20
(511) 03, 05, 08

(260) AM 2013 66678 A
(800) 1108560
(151) 2011 12 27
(181) 2021 12 27
(511) 05

(260) AM 2013 66685 A
(800) 1108644
(151) 2011 12 14
(181) 2021 12 14
(511) 16, 39

(260) AM 2013 66707 A
(800) 1034371
(151) 2010 01 21
(181) 2020 01 21
(511) 05

(260) AM 2013 66710 A
(800) 1075192
(151) 2011 03 19
(181) 2021 03 19
(511) 34

(260) AM 2013 66712 A
(800) 1094072
(151) 2011 09 30
(181) 2021 09 30
(511) 05

(260) AM 2013 66795 A
(800) 1109297
(151) 2011 12 29
(181) 2021 12 29
(511) 04

(260) AM 2013 66809 A
(800) 1017452
(151) 2009 08 13
(181) 2019 08 13
(511) 09

(260) AM 2013 66810 A
(800) 1041153
(151) 2010 05 17
(181) 2020 05 17
(511) 09

(260) AM 2013 66812 A
(800) 579584
(151) 2011 11 27
(181) 2021 11 27
(511) 03, 05, 10, 11, 12, 16, 20, 24, 25, 28

(260) AM 2013 66813 A
(800) 638108
(151) 2005 02 06
(181) 2015 02 06
(511) 21

(260) AM 2013 66814 A
(800) 689899
(151) 2008 02 11
(181) 2018 02 11
(511) 05

(260) AM 2013 66823 A
(800) 776707
(151) 2012 02 01
(181) 2022 02 01
(511) 35, 36, 41, 42

(260) AM 2013 66938 A
(800) 1063850
(151) 2010 11 12
(181) 2020 11 12
(511) 21, 24, 35

(260) AM 2013 67005 A
(800) 1110779
(151) 2012 02 06
(181) 2022 02 06
(511) 05

(260) AM 2013 67049 A
(800) 1006548
(151) 2009 06 01
(181) 2019 06 01
(511) 14

(260) AM 2013 67117 A
(800) 1084965
(151) 2011 01 31
(181) 2021 01 31
(511) 33

(260) AM 2013 67271 A
(800) 1112841
(151) 2011 11 30

(181) 2021 11 30
(511) 06, 09, 12, 17, 20

(260) AM 2013 67316 A
(800) 1113454
(151) 2012 02 17
(181) 2022 02 17
(511) 32, 33

(260) AM 2013 67317 A
(800) 440541
(151) 2008 09 25
(181) 2018 09 25
(511) 07, 09

(260) AM 2013 67318 A
(800) 444060
(151) 2009 02 19
(181) 2019 02 19
(511) 03, 05, 10, 21

(260) AM 2013 67319 A
(800) 579829
(151) 2011 12 02
(181) 2021 12 02
(511) 06

(260) AM 2013 67320 A
(800) 643152
(151) 2005 08 07
(181) 2015 08 07
(511) 05

(260) AM 2013 67321 A
(800) 667076
(151) 2006 12 20
(181) 2016 12 20
(511) 03, 05

(260) AM 2013 67323 A
(800) 835148
(151) 2004 07 02
(181) 2014 07 02
(511) 18, 25

(260) AM 2013 67324 A
(800) 868871
(151) 2005 03 25
(181) 2015 03 25
(511) 25

(260) AM 2013 67325 A
(800) 897406
(151) 2006 07 31
(181) 2016 07 31
(511) 05

(260) AM 2013 67333 A
(800) 887069
(151) 2006 03 14
(181) 2016 03 14
(511) 35, 37

(260) AM 2013 67326 A
(800) 955751
(151) 2007 10 19
(181) 2017 10 19
(511) 09, 11, 42

(260) AM 2013 67334 A
(800) 1041644
(151) 2010 03 04
(181) 2020 03 04
(511) 18, 25, 32

(260) AM 2013 67327 A
(800) 1042610
(151) 2010 04 26
(181) 2020 04 26
(511) 05

(260) AM 2013 67335 A
(800) 1106759
(151) 2011 11 07
(181) 2021 11 07
(511) 18, 25, 35

(260) AM 2013 67328 A
(800) 1062963
(151) 2010 11 25
(181) 2020 11 25
(511) 03, 05, 44

(260) AM 2013 67329 A
(800) 1065246
(151) 2010 12 13
(181) 2020 12 13
(511) 03

(260) AM 2013 67330 A
(800) 1080021
(151) 2011 05 05
(181) 2021 05 05
(511) 03

(260) AM 2013 67331 A
(800) 1085301
(151) 2011 06 30
(181) 2021 06 30
(511) 25

(260) AM 2013 67332 A
(800) 1107387
(151) 2011 11 15
(181) 2021 11 15
(511) 36

OFFICIAL NOTIFICATIONS

TRADEMARKS

RENEWAL OF REGISTRATIONS

(111) M 2003 15046 R1
(156) 2013 05 21
(186) 2023 03 28
(732) Joint-Stock Company "SAKARTVELOS
BANKI"
Gagarinis q. 29a, 0160, Tbilisi, Georgia

(111) M 2003 15047 R1
(156) 2013 05 21
(186) 2023 03 28
(732) Joint-Stock Company "SAKARTVELOS
BANKI"
Gagarinis q. 29a, 0160, Tbilisi, Georgia

(111) M 2003 15100 R1
(156) 2013 07 01
(186) 2023 04 30
(732) LTD "PSP"
Zemo Vedzisis q. №103, 0160, Tbilisi,
Georgia

(111) M 2003 15101 R1
(156) 2013 07 01
(186) 2023 04 30
(732) LTD "PSP"
Zemo Vedzisis q. №103, 0160, Tbilisi,
Georgia

(111) M 2003 15102 R1
(156) 2013 07 01
(186) 2023 04 30
(732) LTD "PSP"
Zemo Vedzisis q. №103, 0160, Tbilisi,
Georgia

(111) M 2003 15103 R1
(156) 2013 07 01
(186) 2023 04 30
(732) LTD "PSP"
Zemo Vedzisis q. №103, 0160, Tbilisi,
Georgia

(111) M 2003 15104 R1
(156) 2013 07 01
(186) 2023 04 30

(732) LTD "PSP"
Zemo Vedzisis q. №103, 0160, Tbilisi, Georgia

(111) M 2003 15202 R1
(156) 2013 06 27
(186) 2023 06 27
(732) RATIOPHARM GmbH;
Graf-Arco-Strasse 3, D-89079 Ulm, Germany

(111) M 2003 15245 R1
(156) 2013 09 29
(186) 2023 09 29
(732) The Coca-Cola Company
a Corporate of the State of Delaware
One Coca-Cola Plaza, Atlanta, Georgia
30313, USA

(111) M 2003 15246 R1
(156) 2013 09 29
(186) 2023 09 29
(732) The Coca-Cola Company
a Corporate of the State of Delaware
One Coca-Cola Plaza, Atlanta, Georgia,
30313, USA

(111) M 2003 15249 R1
(156) 2013 09 29
(186) 2023 09 29
(732) PHILIP MORRIS PRODUCTS S.A.
Quai Jeanrenaud 3, 2000 NEUCHATEL,
Switzerland

(111) M 2003 15250 R1
(156) 2013 09 29
(186) 2023 09 29
(732) PHILIP MORRIS PRODUCTS S.A.
Quai Jeanrenaud 3, 2000 NEUCHATEL,
Switzerland

(111) M 2003 15251 R1
(156) 2013 09 29
(186) 2023 09 29
(732) PHILIP MORRIS PRODUCTS S.A.
Quai Jeanrenaud 3, 2000 NEUCHATEL,
Switzerland

(111) M 2003 15252 R1
(156) 2013 09 29
(186) 2023 09 29
(732) PHILIP MORRIS PRODUCTS S.A.
Quai Jeanrenaud 3, 2000 NEUCHATEL,
Switzerland

(111) M 2003 15254 R1
(156) 2013 09 29
(186) 2023 09 29
(732) MITSUBISHI JIDOSHA KOGYO
KABUSHIKI KAISHA
33-8, Shiba 5-chome, Minato-ku, Tokyo,
Japan

(111) M 2003 15282 R1
(156) 2013 10 15
(186) 2023 10 15
(732) MASTERCARD INTERNATIONAL
INCORPORATED, a Delaware Corporation
2000 Purchase Street, Purchase, New York
10577-2509, USA

(111) M 2004 15562 R1
(156) 2014 06 15
(186) 2024 06 15
(732) THE BRITISH BROADCASTING
CORPORATION
Broadcasting House, Portland Place, London
W1A 1AA, United Kingdom

COMPLETE TRANSFER OF RIGHTS

(111) M 1998 010229 R1
 (732) Organon Biosciences Nederland B.V.
 6, Kloosterstraat, NL-5349 AB OSS,
 Netherlands
 (770) MSD Oss B.V.
 6, Kloosterstraat, NL-5349 AB OSS,
 Netherlands
 (580) 2013 07 01

(111) M 1998 010229 R1
 (732) Merck Sharp & Dohme B.V.
 Waarderweg 39, 2013 BN Haarlem,
 Netherlands
 (770) Organon Biosciences Nederland B.V.
 6, Kloosterstraat, NL-5349 AB OSS,
 Netherlands
 (580) 2013 07 01

(111) M 1995 001034 R1
 (732) JAGUAR LAND ROVER LIMITED
 Abbey Road, Whitley, Coventry CV3 4LF,
 United Kingdom
 (770) LAND ROVER
 Banbury Road, Lighthorne, Warwick,
 Warwickshire CV35 0RG, United Kingdom
 (580) 2013 07 09

(111) M 1995 001035 R1
 (732) JAGUAR LAND ROVER LIMITED
 Abbey Road, Whitley, Coventry CV3 4LF,
 United Kingdom
 (770) LAND ROVER
 Banbury Road, Lighthorne, Warwick,
 Warwickshire CV35 0RG, United Kingdom
 (580) 2013 07 09

(111) M 1999 012101 R1
 (732) Organon Biosciences Nederland B.V.
 6, Kloosterstraat, NL-5349 AB OSS,
 Netherlands
 (770) MSD Oss B.V.
 6, Kloosterstraat, NL-5349 AB OSS,
 Netherlands
 (580) 2013 07 01

(111) M 1999 012101 R1
 (732) Merck Sharp & Dohme B.V.
 Waarderweg 39, 2013 BN Haarlem,
 Netherlands

(770) Organon BioSciences Nederland B.V.
 6, Kloosterstraat, NL-5349 AB OSS,
 Netherlands
 (580) 2013 07 01

(111) M 1999 012183 R1
 (732) Organon BioSciences Nederland B.V.
 6, Kloosterstraat, NL-5349 AB OSS,
 Netherlands
 (770) MSD Oss B.V.
 6, Kloosterstraat, NL-5349 AB OSS,
 Netherlands
 (580) 2013 07 01

(111) M 1999 012183 R1
 (732) Merck Sharp & Dohme B.V.
 Waarderweg 39, 2013 BN Haarlem,
 Netherlands
 (770) Organon BioSciences Nederland B.V.
 6, Kloosterstraat, NL-5349 AB OSS,
 Netherlands
 (580) 2013 07 01

(111) M 1999 012254 R1
 (732) Organon BioSciences Nederland B.V.
 6, Kloosterstraat, NL-5349 AB OSS,
 Netherlands
 (770) MSD Oss B.V.
 6, Kloosterstraat, NL-5349 AB OSS,
 Netherlands
 (580) 2013 07 01

(111) M 1999 012254 R1
 (732) Merck Sharp & Dohme B.V.
 Waarderweg 39, 2013 BN Haarlem,
 Netherlands
 (770) Organon BioSciences Nederland B.V.
 6, Kloosterstraat, NL-5349 AB OSS,
 Netherlands
 (580) 2013 07 01

(111) M 1999 012396 R1
 (732) JAGUAR LAND ROVER LIMITED
 Abbey Road, Whitley, Coventry CV3 4LF,
 United Kingdom
 (770) LAND ROVER
 Banbury Road, Lighthorne, Warwick,
 Warwickshire CV35 0RG, United Kingdom
 (580) 2013 07 02

(111) M 1999 012398 R1
(732) JAGUAR LAND ROVER LIMITED
Abbey Road, Whitley, Coventry CV3 4LF,
United Kingdom
(770) LAND ROVER
Banbury Road, Lighthorne, Warwick,
Warwickshire CV35 0RG, United Kingdom
(580) 2013-07-09

(111) M 2011 021751 R
(732) JAGUAR LAND ROVER LIMITED
Abbey Road, Whitley, Coventry CV3 4LF,
United Kingdom
(770) LAND ROVER
Banbury Road, Lighthorne, Warwick,
Warwickshire CV35 0RG, United Kingdom
(580) 2013 07 02

(111) M 1997 005306 R1
(732) Organon BioSciences Nederland B.V.
6, Kloosterstraat, NL-5349 AB OSS,
Netherlands
(770) MSD Oss B.V.
6, Kloosterstraat, NL-5349 AB OSS,
Netherlands
(580) 2013 07 01

(111) M 1997 005306 R1
(732) Merck Sharp & Dohme B.V.
Waarderweg 39, 2013 BN Haarlem,
Netherlands
(770) MSD Oss B.V.
6, Kloosterstraat, NL-5349 AB OSS,
Netherlands
(580) 2013 07 01

(111) M 1997 007366 R1
(732) JAGUAR LAND ROVER LIMITED
Abbey Road, Whitley, Coventry CV3 4LF,
United Kingdom
(770) LAND ROVER
Banbury Road, Lighthorne, Warwick,
Warwickshire CV35 0RG, United Kingdom
(580) 2013 07 02

(111) M 1995 000978 R1
(732) JAGUAR LAND ROVER LIMITED
Abbey Road, Whitley, Coventry CV3 4LF,
United Kingdom
(770) LAND ROVER
Banbury Road, Lighthorne, Warwick,
Warwickshire CV35 0RG, United Kingdom
(580) 2013 07 02

CHANGES IN NAMES AND/OR ADDRESSES OF OWNERS

(111) M 1999 011388 R1
 (732) JAGUAR LAND ROVER LIMITED
 Abbey Road, Whitley, Coventry CV3 4LF,
 United Kingdom
 (770) JAGUAR CARS LIMITED
 Browns Lane, Allesley, Coventry,
 Warwickshire CV5 9DR, England, United
 Kingdom
 (580) 2013 07 02

(111) M 2000 013179 R1
 (732) TDK KABUSHIKI KAISHA (TDK
 CORPORATION)
 3-9-1, Shibaura, Minato-ku, Tokyo, Japan
 (770) TDK KABUSHIKI KAISHA
 (TDK CORPORATION)
 13-1, 1-CHOME, NIHONBASHI,
 CHUO-KU, TOKYO, Japan
 (580) 2013 07 02

(111) M 2001 013689 R1
 (732) JAGUAR LAND ROVER LIMITED
 Abbey Road, Whitley, Coventry CV3 4LF,
 United Kingdom
 (770) JAGUAR CARS LIMITED
 Browns Lane, Allesley, Coventry,
 Warwickshire CV5 9DR, England, United
 Kingdom
 (580) 2013 07 02

(111) M 2001 013695 R1
 (732) JAGUAR LAND ROVER LIMITED
 Abbey Road, Whitley, Coventry CV3 4LF,
 United Kingdom
 (770) JAGUAR CARS LIMITED
 Browns Lane, Allesley, Coventry,
 Warwickshire CV5 9DR, England, United
 Kingdom
 (580) 2013 07 02

(111) M 2001 013714 R1
 (732) JAGUAR LAND ROVER LIMITED
 Abbey Road, Whitley, Coventry CV3 4LF,
 United Kingdom
 (770) JAGUAR CARS LIMITED
 Browns Lane, Allesley, Coventry,
 Warwickshire CV5 9DR, England, United
 Kingdom
 (580) 2013 07 02

(111) M 2001 013715 R1
 (732) JAGUAR LAND ROVER LIMITED
 Abbey Road, Whitley, Coventry CV3 4LF,
 United Kingdom
 (770) JAGUAR CARS LIMITED
 Browns Lane, Allesley, Coventry,
 Warwickshire CV5 9DR, England, United
 Kingdom
 (580) 2013 07 02

(111) M 2006 017112 R
 (732) LTD "RIELISTEIT KOMPANI"
 Al. Kazbegis gamz. 1, bina 8, 0160,
 Tbilisi, Georgia
 (770) LTD "RIELISTEIT KOMPANI"
 M. Kostavas q. 2, Khashuri, Georgia
 (580) 2013 07 02

(111) M 2010 020785 R
 (732) TDK KABUSHIKI KAISHA
 (TDK CORPORATION)
 3-9-1, Shibaura, Minato-ku, Tokyo, Japan,
 (770) TDK KABUSHIKI KAISHA
 (TDK CORPORATION)
 13-1, 1-CHOME, NIHONBASHI,
 CHUO-KU, TOKYO, Japan ☺,
 (580) 2013 07 02

(111) M 1998 008889 R1
 (732) JAGUAR LAND ROVER LIMITED
 Abbey Road, Whitley, Coventry CV3 4LF,
 United Kingdom
 (770) JAGUAR CARS LIMITED
 Browns Lane, Allesley, Coventry,
 Warwickshire CV5 9DR, England, United
 Kingdom
 (580) 2013 07 02

CLASSIFICATION INDEXES

INVENTIONS

CONCORDANCE TABLE OF INTERNATIONAL CLASSIFICATION INDEX AND PUBLICATION NUMBERS

INTERNATIONAL CLASSIFICATION INDEXES (51)	NUMBER OF PUBLISHED APPLICATION (10)
A 01 C 1/00	AP 2013 12603 A
A 01 N 25/04; A 01 N 49/00; A 01 N 55/00; A 01 N 55/10; A 01 N 65/00; A 61 K 31/695	AP 2013 12500 A
A 23 F 3/14	AP 2013 11889 A
A 61 K 8/67; A 61 K 8/34; A 61 K 8/36; A 61 K 8/49; A 61 K 8/92; A 61 Q 19/02	AP 2013 12453 A
A 61 K 31/00; A 61 K 31/155; A 61 K 31/198; A 61 K 31/341; A 61 K 31/351; A 61 K 31/39; A 61 K 31/403; A 61 K 31/4439; A 61 K 31/70; A 61 K 31/7004; A 61 K 31/7008; A 61 K 31/06; A 61 P 3/06; A 61 P 3/08; A 61 P 3/10	AP 2013 12369 A
A 61 K 31/00; A 61 K 31/70; A 61 K 31/7004; A 61 K 31/7008; A 61 K 45/06; A 61 P 3/06; A 61 P 3/08; A 61 P 3/10; A 61 K 31/522	AP 2013 12370 A
C 02 F 1/32	AP 2013 11894 A
C 04 B 35/01; H 01 L 39/12	AP 2013 12458 A
C 07 D 223/16; A 61 K 31/55; A 61 P 9/10; A 61 P 9/06; A 61 P 9/04	AP 2013 12356 A
C 07 D 223/16; A 61 K 31/55	AP 2013 12569 A
C 07 D 233/90; C 07 D 401/12; C 07 D 401/14; C 07 D 407/12; C 07 D 409/06; C 07 D 409/14; C 07 D 413/06; C 07 D 413/14; C 07 D 417/06; C 07 D 417/12; C 07 D 471/04; C 07 D 487/04; C 07 D 487/08; C 07 D 495/04	AP 2013 12066 A
C 07 D 239/52; C 07 C 59/64	AP 2013 11957 A
C 07 D 277/60; C 07 D 271/12; C 07 D 235/02; C 07 D 239/70; C 07 D 491/10; C 07 D 487/10; C 07 D 403/06; C 07 D 405/12; C 07 D 498/10; A 61 K 31/4245; A 61 K 31/4184; A 61 K 31/4188; A 61 K 31/517; A 61 K 31/519; A 61 K 31/428	AP 2013 12410 A
C 07 D 311/74; C 07 D 319/20; C 07 D 327/06; C 07 D 405/12; C 07 D 411/12; A 61 P 25/00; A 61 K 31/4433; A 61 K 31/353	AP 2013 12264 A
C 07 D 487/04; A 61 K 31/519; A 61 P 9/00	AP 2013 12358 A
C 07 D 523/14; C 07 D 498/14; C 07 D 497/14; C 07 D 495/14; C 07 D 493/14; C 07 D 487/14; C 07 D 487/04; C 07 D 243/38; C 07 D 321/10; A 61 K 31/55; A 61 K 31/5513; A 61 K 31/553; A 61 K 31/554; A 61 P 3/00; A 61 P 3/04; A 61 P 3/06; A 61 P 3/10; A 61 P 9/10; A 61 P 9/12; A 61 P 43/00	AP 2013 11624 A
C 07 K 14/785; A 61 K 38/00	AP 2013 12486 A
E 01 D 18/00	AP 2013 12245 A
E 04 B 2/28; E 04 B 1/76	AP 2013 12341 A
F 03 D 3/00	AP 2013 12561 A
G 10 D 7/10	AP 2013 12800 A

CONCORDANCE TABLE OF PUBLICATION NUMBERS
AND INTERNATIONAL CLASSIFICATION INDEX

NUMBER OF PUBLISHED APPLICATION (10)	INTERNATIONAL CLASSIFICATION INDEXES (51)
AP 2013 11624 A	C 07 D 523/14; C 07 D 498/14; C 07 D 497/14; C 07 D 495/14; C 07 D 493/14; C 07 D 487/14; C 07 D 487/04; C 07 D 243/38; C 07 D 321/10; A 61 K 31/55; A 61 K 31/5513; A 61 K 31/553; A 61 K 31/554; A 61 P 3/00; A 61 P 3/04; A 61 P 3/06; A 61 P 3/10; A 61 P 9/10; A 61 P 9/12; A 61 P 43/00
AP 2013 11889 A	A 23 F 3/14
AP 2013 11894 A	C 02 F 1/32
AP 2013 11957 A	C 07 D 239/52; C 07 C 59/64
AP 2013 12066 A	C 07 D 233/90; C 07 D 401/12; C 07 D 401/14; C 07 D 407/12; C 07 D 409/06; C 07 D 409/14; C 07 D 413/06; C 07 D 413/14; C 07 D 417/06; C 07 D 417/12; C 07 D 471/04; C 07 D 487/04; C 07 D 487/08; C 07 D 495/04
AP 2013 12245 A	E 01 D 18/00
AP 2013 12264 A	C 07 D 311/74; C 07 D 319/20; C 07 D 327/06; C 07 D 405/12; C 07 D 411/12; A 61 P 25/00; A 61 K 31/4433; A 61 K 31/353
AP 2013 12341 A	E 04 B 2/28; E 04 B 1/76
AP 2013 12356 A	C 07 D 223/16; A 61 K 31/55; A 61 P 9/10; A 61 P 9/06; A 61 P 9/04
AP 2013 12358 A	C 07 D 487/04; A 61 K 31/519; A 61 P 9/00
AP 2013 12369 A	A 61 K 31/00; A 61 K 31/155; A 61 K 31/198; A 61 K 31/341; A 61 K 31/351; A 61 K 31/39; A 61 K 31/403; A 61 K 31/4439; A 61 K 31/70; A 61 K 31/7004; A 61 K 31/7008; A 61 K 31/06; A 61 P 3/06; A 61 P 3/08; A 61 P 3/10
AP 2013 12370 A	A 61 K 31/00; A 61 K 31/70; A 61 K 31/7004; A 61 K 31/7008; A 61 K 45/06; A 61 P 3/06; A 61 P 3/08; A 61 P 3/10; A 61 K 31/522
AP 2013 12410 A	C 07 D 277/60; C 07 D 271/12; C 07 D 235/02; C 07 D 239/70; C 07 D 491/10; C 07 D 487/10; C 07 D 403/06; C 07 D 405/12; C 07 D 498/10; A 61 K 31/4245; A 61 K 31/4184; A 61 K 31/4188; A 61 K 31/517; A 61 K 31/519; A 61 K 31/428
AP 2013 12453 A	A 61 K 8/67; A 61 K 8/34; A 61 K 8/36; A 61 K 8/49; A 61 K 8/92; A 61 Q 19/02
AP 2013 12458 A	C 04 B 35/01; H 01 L 39/12
AP 2013 12486 A	C 07 K 14/785; A 61 K 38/00
AP 2013 12500 A	A 01 N 25/04; A 01 N 49/00; A 01 N 55/00; A 01 N 55/10; A 01 N 65/00; A 61 K 31/695
AP 2013 12561 A	F 03 D 3/00
AP 2013 12569 A	C 07 D 223/16; A 61 K 31/55
AP 2013 12603 A	A 01 C 1/00
AP 2013 12800 A	G 10 D 7/10

**CONCORDANCE TABLE OF INTERNATIONAL CLASSIFICATION INDEX,
PATENT NUMBERS AND PUBLICATION NUMBERS**

INTERNATIONAL CLASSIFICATION INDEX (51)	NUMBER OF PATENT (11)	NUMBER OF PUBLISHED APPLICATION (10)
A 24 D 3/14; A 24 D 3/16	P 2013 5893 B	AP 2013 12474 A
A 47 C 27/06	P 2013 5881 B	AP 2013 11823 A
A 61 K 31/422; A 61 K 9/00; A 61 K 9/06; A 61 K 9/20; A 61 P 13/02; A 61 P 15/00; A 61 P 15/02; A 61 P 31/04	P 2013 5892 B	AP 2013 12459 A
A 61 M 5/24; B 05 C 17/01; A 61 M 5/00; B 05 C 17/00	P 2013 5891 B	AP 2013 12336 A
B 01 J 20/18; C 02 F 1/28, 1/64	P 2013 5886 B	AP 2013 12156 A
B 22 F 3/14	P 2013 5885 B	AP 2013 12080 A
C 02 F 1/00	P 2013 5887 B	AP 2013 12171 A
C 07 C 173/06; C 07 C 167/40	P 2013 5895 B	AP 2013 12581 A
C 07 D 213/82; A 61 K 31/44; A 61 P 13/02	P 2013 5883 B	AP 2013 12013 A
C 07 D 401/04; A 61 K 31/506; A 61 P 35/02	P 2013 5882 B	AP 2013 11960 A
E 04 B 1/19	P 2013 5884 B	AP 2013 12079 A
F 03 G 3/00	P 2013 5890 B	AP 2013 12305 A
F 16 H 1/00	P 2013 5888 B	AP 2013 12173 A
F 16 H 3/36; B 60 K 17/06	P 2013 5894 B	AP 2013 12499 A
F 16 L 55/12	P 2013 5889 B	AP 2013 12224 A

**CONCORDANCE TABLE OF PATENT NUMBERS,
PUBLICATION NUMBERS AND INTERNATIONAL CLASSIFICATION INDEX**

NUMBER OF PATENT (11)	NUMBER OF PUBLISHED APPLICATION (10)	INTERNATIONAL CLASSIFICATION INDEX (51)
P 2013 5881 B	AP 2013 11823 A	A 47 C 27/06
P 2013 5882 B	AP 2013 11960 A	C 07 D 401/04; A 61 K 31/506; A 61 P 35/02
P 2013 5883 B	AP 2013 12013 A	C 07 D 213/82; A 61 K 31/44; A 61 P 13/02
P 2013 5884 B	AP 2013 12079 A	E 04 B 1/19
P 2013 5885 B	AP 2013 12080 A	B 22 F 3/14
P 2013 5886 B	AP 2013 12156 A	B 01 J 20/18; C 02 F 1/28, 1/64
P 2013 5887 B	AP 2013 12171 A	C 02 F 1/00
P 2013 5888 B	AP 2013 12173 A	F 16 H 1/00
P 2013 5889 B	AP 2013 12224 A	F 16 L 55/12
P 2013 5890 B	AP 2013 12305 A	F 03 G 3/00
P 2013 5891 B	AP 2013 12336 A	A 61 M 5/24; B 05 C 17/01; A 61 M 5/00; B 05 C 17/00
P 2013 5892 B	AP 2013 12459 A	A 61 K 31/422; A 61 K 9/00; A 61 K 9/06; A 61 K 9/20; A 61 P 13/02; A 61 P 15/00; A 61 P 15/02; A 61 P 31/04
P 2013 5893 B	AP 2013 12474 A	A 24 D 3/14; A 24 D 3/16
P 2013 5894 B	AP 2013 12499 A	F 16 H 3/36; B 60 K 17/06
P 2013 5895 B	AP 2013 12581 A	C 07 C 173/06; C 07 C 167/40

**CONCORDANCE TABLE OF APPLICATION NUMBERS, PUBLICATION NUMBERS
AND PATENTS**

NUMBER OF APPLICATION (21)	NUMBER OF PUBLISHED APPLICATION (10)	NUMBER OF PATENT (11)
AP 2008 011823	AP 2013 11823 A	P 2013 5881 B
AP 2009 011960	AP 2013 11960 A	P 2013 5882 B
AP 2009 012013	AP 2013 12013 A	P 2013 5883 B
AP 2011 012079	AP 2013 12079 A	P 2013 5884 B
AP 2011 012080	AP 2013 12080 A	P 2013 5885 B
AP 2011 012156	AP 2013 12156 A	P 2013 5886 B
AP 2011 012171	AP 2013 12171 A	P 2013 5887 B
AP 2011 012173	AP 2013 12173 A	P 2013 5888 B
AP 2009 012224	AP 2013 12224 A	P 2013 5889 B
AP 2011 012305	AP 2013 12305 A	P 2013 5890 B
AP 2010 012336	AP 2013 12336 A	P 2013 5891 B
AP 2010 012459	AP 2013 12459 A	P 2013 5892 B
AP 2009 012474	AP 2013 12474 A	P 2013 5893 B
AP 2011 012499	AP 2013 12499 A	P 2013 5894 B
AP 2012 012581	AP 2013 12581 A	P 2013 5895 B

UTILITY MODELS

**CONCORDANCE TABLE OF INTERNATIONAL CLASSIFICATION INDEX
AND PUBLICATION NUMBERS**

INTERNATIONAL CLASSIFICATION INDEXES (51)	NUMBER OF PUBLISHED APPLICATION (10)
A 21 C 9/06	AU 2013 12891 U
A 61 K 36/00	AU 2013 12605 U
B 29 B 17/00	AU 2013 12657 U
E 03 C 1/04; E 03 B 7/00	AU 2013 12902 U

**CONCORDANCE TABLE OF PUBLICATION NUMBERS
AND INTERNATIONAL CLASSIFICATION INDEX**

NUMBER OF PUBLISHED APPLICATION (10)	INTERNATIONAL CLASSIFICATION INDEXES (51)
AU 2013 12605 U	A 61 K 36/00
AU 2013 12657 U	B 29 B 17/00
AU 2013 12891 U	A 21 C 9/06
AU 2013 12902 U	E 03 C 1/04; E 03 B 7/00

**CONCORDANCE TABLE OF INTERNATIONAL CLASSIFICATION INDEX,
PATENT NUMBERS AND PUBLICATION NUMBERS**

INTERNATIONAL CLASSIFICATION INDEX (51)	NUMBER OF PATENT (11)	NUMBER OF PUBLISHED APPLICATION (10)
A 61 K 36/00	U 2013 1774 Y	AU 2013 12070 U

**CONCORDANCE TABLE OF PATENT NUMBERS,
PUBLICATION NUMBERS AND INTERNATIONAL CLASSIFICATION INDEX**

NUMBER OF PATENT (11)	NUMBER OF PUBLISHED APPLICATION (10)	INTERNATIONAL CLASSIFICATION INDEX (51)
U 2013 1774 Y	AU 2013 12070 U	A 61 K 36/00

**CONCORDANCE TABLE OF APPLICATION NUMBERS, PUBLICATION NUMBERS
AND PATENTS**

NUMBER OF APPLICATION (21)	NUMBER OF PUBLISHED APPLICATION (10)	NUMBER OF PATENT (11)
AU 2011 012070	AU 2013 12070 U	U 2013 1774 Y

DESIGNS

**CONCORDANCE TABLE OF INTERNATIONAL CLASSIFICATION INDEX,
PATENT NUMBERS AND PUBLICATION NUMBERS**

INTERNATIONAL CLASSIFICATION INDEX (51)	NUMBER OF PATENT (11)	NUMBER OF PUBLISHED APPLICATION (10)
09-01	D 2013 551 S	AD 2013 729 S

**CONCORDANCE TABLE OF PATENT NUMBERS,
PUBLICATION NUMBERS AND INTERNATIONAL CLASSIFICATION INDEX**

NUMBER OF PATENT (11)	NUMBER OF PUBLISHED APPLICATION (10)	INTERNATIONAL CLASSIFICATION INDEX (51)
D 2013 551 S	AD 2013 729 S	09-01

CONCORDANCE TABLE OF APPLICATION NUMBERS, PUBLICATION NUMBERS
AND PATENTS

NUMBER OF APPLICATION (21)	NUMBER OF PUBLISHED APPLICATION (10)	NUMBER OF PATENT (11)
AD 2012 000729	AD 2013 729 S	D 2013 551 S

TRADEMARKS

CONCORDANCE TABLE OF REGISTRATION NUMBERS, APPLICATION NUMBERS, PUBLICATION NUMBERS AND BULLETIN NUMBERS

NUMBER OF REGISTRATION (111)	NUMBER OF APPLICATION (210)	NUMBER OF PUBLISHED APPLICATION (260)	NUMBER OF BULLETIN
M 2013 23781 R	AM 2012 66475	AM 2012 66475 A	24(364) 2012
M 2013 23842 R	AM 2010 60071	AM 2011 60071 A	4(368) 2013
M 2013 23843 R	AM 2010 60072	AM 2011 60072 A	4(368) 2013
M 2013 23844 R	AM 2011 63006	AM 2012 63006 A	11(351) 2012
M 2013 23845 R	AM 2011 63395	AM 2012 63395 A	9(349) 2012
M 2013 23846 R	AM 2012 65946	AM 2012 65946 A	24(364) 2012
M 2013 23847 R	AM 2012 65947	AM 2012 65947 A	24(364) 2012
M 2013 23848 R	AM 2012 66039	AM 2012 66039 A	24(364) 2012
M 2013 23849 R	AM 2012 66040	AM 2012 66040 A	24(364) 2012
M 2013 23850 R	AM 2012 66041	AM 2012 66041 A	24(364) 2012
M 2013 23851 R	AM 2012 66048	AM 2012 66048 A	24(364) 2012
M 2013 23852 R	AM 2012 66408	AM 2013 66408 A	5(369) 2013
M 2013 23853 R	AM 2012 66534	AM 2013 66534 A	4(368) 2013
M 2013 23854 R	AM 2012 66614	AM 2013 66614 A	7(371) 2013
M 2013 23855 R	AM 2012 66829	AM 2013 66829 A	1(365) 2013
M 2013 23856 R	AM 2012 66850	AM 2013 66850 A	2(366) 2013
M 2013 23857 R	AM 2012 67133	AM 2013 67133 A	2(366) 2013
M 2013 23858 R	AM 2012 67344	AM 2013 67344 A	3(367) 2013
M 2013 23859 R	AM 2012 67394	AM 2013 67394 A	5(369) 2013
M 2013 23860 R	AM 2012 67412	AM 2013 67412 A	5(369) 2013
M 2013 23861 R	AM 2012 67413	AM 2013 67413 A	5(369) 2013
M 2013 23862 R	AM 2012 67417	AM 2013 67417 A	5(369) 2013
M 2013 23863 R	AM 2012 67460	AM 2013 67460 A	5(369) 2013
M 2013 23864 R	AM 2012 67697	AM 2013 67697 A	7(371) 2013
M 2013 23836 R	AM 2013 72194	-	14(378) 2013
M 2013 23837 R	AM 2013 72790	-	14(378) 2013
M 2013 23838 R	AM 2013 72792	-	14(378) 2013
M 2013 23839 R	AM 2013 72875	-	14(378) 2013
M 2013 23840 R	AM 2013 72883	-	14(378) 2013
M 2013 23841 R	AM 2013 72868	-	14(378) 2013
M 2013 23865 R	AM 2013 73035	-	14(378) 2013

**CONCORDANCE TABLE OF PUBLICATION NUMBERS
AND APPLICATION NUMBERS**

NUMBER OF PUBLISHED APPLICATION (260)	NUMBER OF APPLICATION (210)	1	2
1	2		
AM 2013 68767 A	AM 2012 68767	AM 2013 69657 A	AM 2012 69657
AM 2013 68879 A	AM 2012 68879	AM 2013 69693 A	AM 2012 69693
AM 2013 68880 A	AM 2012 68880	AM 2013 69721 A	AM 2012 69721
AM 2013 68881 A	AM 2012 68881	AM 2013 69722 A	AM 2012 69722
AM 2013 69241 A	AM 2012 69241	AM 2013 69724 A	AM 2012 69724
AM 2013 69242 A	AM 2012 69242	AM 2013 69751 A	AM 2012 69751
AM 2013 69243 A	AM 2012 69243	AM 2013 69753 A	AM 2012 69753
AM 2013 69306 A	AM 2012 69306	AM 2013 69799 A	AM 2012 69799
AM 2013 69307 A	AM 2012 69307	AM 2013 69800 A	AM 2012 69800
AM 2013 69312 A	AM 2012 69312	AM 2013 69801 A	AM 2012 69801
AM 2013 69314 A	AM 2012 69314	AM 2013 69801 A	AM 2012 69801
AM 2013 69314 A	AM 2012 69314	AM 2013 69809 A	AM 2012 69809
AM 2013 69330 A	AM 2012 69330	AM 2013 69812 A	AM 2012 69812
AM 2013 69335 A	AM 2012 69335	AM 2013 69817 A	AM 2012 69817
AM 2013 69451 A	AM 2012 69451	AM 2013 69817 A	AM 2012 69817
AM 2013 69452 A	AM 2012 69452	AM 2013 69823 A	AM 2012 69823
AM 2013 69494 A	AM 2012 69494	AM 2013 69824 A	AM 2012 69824
AM 2013 69656 A	AM 2012 69656	AM 2013 69825 A	AM 2012 69825
		AM 2013 69825 A	AM 2012 69825
		AM 2013 69857 A	AM 2012 69857
		AM 2013 69857 A	AM 2012 69857
		AM 2013 69858 A	AM 2012 69858
		AM 2013 69858 A	AM 2012 69858
		AM 2013 69859 A	AM 2012 69859
		AM 2013 69859 A	AM 2012 69859
		AM 2013 67188 A*	AM 2012 67188

**CONCORDANCE TABLE OF INDEX OF GOODS AND/OR SERVICES
AND APPLICATION NUMBERS**

INDEX OF GOODS AND/OR SERVICES (511)	NUMBER OF PUBLISHED APPLICATION (260)	1	2
1	2		
1	AM 2013 69858 A	18	AM 2013 69799 A
1	AM 2013 69859 A	18	AM 2013 69800 A
2	AM 2013 69314 A	18	AM 2013 69801 A
3	AM 2013 67188 A*	19	AM 2013 69243 A
3	AM 2013 69693 A	21	AM 2013 69241 A
4	AM 2013 69858 A	24	AM 2013 69241 A
5	AM 2013 67188 A*	25	AM 2013 69799 A
5	AM 2013 69330 A	25	AM 2013 69800 A
5	AM 2013 69494 A	29	AM 2013 69312 A
5	AM 2013 69809 A	30	AM 2013 69312 A
5	AM 2013 69859 A	31	AM 2013 69312 A
6	AM 2013 69242 A	33	AM 2013 69812 A
8	AM 2013 69241 A	33	AM 2013 69857 A
9	AM 2013 69452 A	34	AM 2013 68767 A
11	AM 2013 69242 A	34	AM 2013 69656 A
12	AM 2013 69335 A	34	AM 2013 69657 A
12	AM 2013 69753 A	34	AM 2013 69751 A
12	AM 2013 69823 A	35	AM 2013 69306 A
12	AM 2013 69824 A	35	AM 2013 69307 A
12	AM 2013 69825 A	35	AM 2013 69451 A
16	AM 2013 67188 A*	35	AM 2013 69724 A
		36	AM 2013 68880 A
		36	AM 2013 68881 A
		36	AM 2013 69451 A
		36	AM 2013 69721 A

1	2
36	AM 2013 69722 A
37	AM 2013 69753 A
39	AM 2013 68879 A
41	AM 2013 69451 A
43	AM 2013 68879 A

1	2
43	AM 2013 69306 A
43	AM 2013 69307 A
44	AM 2013 69312 A
44	AM 2013 69817 A

CONCORDANCE TABLE OF INDEX OF GOODS AND/OR SERVICES
AND NUMBERS OF TRADEMARKS REGISTERED ACCORDING
TO THE ACCELERATED PROCEDURE

INDEX OF GOODS AND/OR SERVICES (511)	NUMBER OF REGISTERED ACCORDING TO THE ACCELERATED PROCEDURE (111)
5	M 2013 23841 R
7	M 2013 23838 R
12	M 2013 23865 R
16	M 2013 23837 R
29	M 2013 23836 R
30	M 2013 23840 R
31	M 2013 23836 R
39	M 2013 23865 R
41	M 2013 23837 R
41	M 2013 23839 R
41	M 2013 23865 R
43	M 2013 23836 R
43	M 2013 23839 R
44	M 2013 23839 R

OFFICIAL BULLETIN OF THE INDUSTRIAL PROPERTY

14(378)

EDITOR-IN-CHIEF: N. Bebrishvili

EDITORS-TRANSLATORS: E. Gabunia
G. Nadareishvili

PROOFREADER: L. Chanturia

COMPUTER LAYOUT: M. Ordenidze
K. Svanidze

www.sakpatenti.org.ge

E-mail: info@sakpatenti.org.ge