



**NATIONAL INTELLECTUAL PROPERTY CENTER OF GEORGIA
SAKPATENTI**

**OFFICIAL BULLETIN
OF THE INDUSTRIAL PROPERTY**

17(357)

**2012
TBILISI**

INID CODES FOR IDENTIFICATION OF BIBLIOGRAPHIC DATA

INVENTIONS, UTILITY MODELS

- (10) Number of publication for application, which has been examined
- (11) Number of patent and kind of document
- (21) Serial number of application
- (22) Date of filing of the application
- (23) Date of exhibition or the date of the earlier filing and the number of application, if any
- (24) Date from which patent may have effect
- (31) Number of priority application
- (32) Date of filing of priority application
- (33) Code of the country or regional organization allotting priority application number
- (44) Date of publication of application not granted, but examined and number of bulletin
- (45) Date of publication of registered document
- (51) International Patent Classification Index
- (54) Title of the invention
- (57) Abstract
- (60) Number of examined patent document granted by foreign patent office, date from which patent has effect and country code
- (62) Number of the earlier application and in case of divided application, date of filing an application
- (71) Name, surname and address of applicant (country code)
- (72) Name, surname of inventor (country code)
- (73) Name, surname and address of patent owner (country code)
- (74) Name, surname of representative or patent attorney
- (85) Date of commencement of the national phase of International Application
- (86) Number and date of filing of international application
- (87) Number and date of publication of international application

DESIGNS

- (10) Number of publication for application
- (11) Number of patent and kind of document or number of registration
- (15) Date of registration/Date of patent renewal
- (18) Expected expiration date of patent or registration
- (21) Serial number of application
- (22) Date of filing of the application
- (23) Date of exhibition or the date of the earlier filing and the number of application, if any
- (24) Date from which patent may have effect
- (28) Number of designs included in the application
- (30) Data relating to priority (number of application, date of filing of application, two-letter code identifying the authority with whom the priority application was made)
- (31) Number of priority application
- (32) Date of filing of priority application
- (33) Code of the country or regional organization allotting priority application number
- (34) Two-letter code according to WIPO St.3 identifying the authority with which the priority application was made
- (44) Date of publication of design and number of bulletin (the first publication)
- (45) Date of publication of design registered by WIPO and number of bulletin
- (51) International Classification for designs (class and subclass of the Locarno Classification)
- (54) Title of the invention
- (55) Reproduction of the design
- (57) Description of characteristic features of the design including indication of colors
- (58) Date of recording of any kind of amendment in the Register
- (62) Number of the earlier application, registration and document number and if available the date of filing an application in case of divided application
- (71) Name, surname and address of applicant (country code)
- (72) Name, surname of creator (country code)
- (73) Name, surname and address of patent owner (country code)
- (74) Name, surname of representative or patent attorney
- (81) Contracting states concerned
 - II designated contracting states according to the 1960 Act
 - III designated contracting states according to the 1999 Act
- (85) Owner's permanent address
- (86) Owner's nationality
- (87) Owner's residence
- (88) State in which the owner has a real and effective industrial or commercial establishment

TRADEMARKS

- (111) – Number of registration
- (151) – Date of registration
- (156) – Date of the renewal
- (181) – Expected expiration date of registration
- (186) – Renewal expiration date of registration
- (141) – Date of cancel of duration of the mark
- (210) – Serial number of application
- (220) – Date of filing of the application
- (230) – Date concerning exhibition
- (260) – Number of application, for which favorable decision of examination about registration has been taken (publication number)
- (310) – Number of the first application
- (320) – Date of filing of the first application
- (330) – Code, identifying national or regional Office where the first application was made
- (511) – International Classification of Goods and Services for the purposes of registration of trade marks and/or list of goods and/or services classified according thereto
- (531) – Description of figurative elements of Trade Marks according to the International Classification of the Figurative Elements of Marks
- (540) – Reproduction of Trade Mark
- (550) – Nature and kind of Trade Mark
- (580) – Date of recording of any kind changes in respect of applications or registrations
- (591) – Information concerning colors claimed
- (731) – Name and address of the applicant
- (732) – Name and address of the holder of the registration
- (740) – Name and address of the representative
- (750) – Address for correspondence
- (770) – Name and address of the previous applicant or holder in case of change in ownership
- (771) – Previous name and address of the applicant or holder in case of change in ownership
- (791) – Name and address of the licensee
- (793) – Indication of conditions and/or restrictions under the license (Type of license, number of license agreement, data of license, data of validity of license)
- (800) – Certain data relating to the international registration of Trade Marks under the Protocol Relating to Madrid Agreement (International registration number)

CODES FOR PUBLICATION IN BULLETIN

- (21) AP 0000 000000 – serial number of application for invention
- (10) AP 0000 0000 A – number of published application for invention (first publication)
- (11) P 0000 0000 B – number of patent for invention (second publication)
- (21) API 0000 000000 – number of application for imported patent
- (11) PI 0000 0000 A – number of imported patent (first publication)
- (21) AU 0000 000000 – serial number of application for utility model
- (10) AU 0000 000 U – number of published application for utility model (first publication)
- (11) U 0000 000 Y – number of patent for utility model (second publication)
- (21) AD 0000 000000 – serial number of application for design
- (10) AD 0000 000 S – number of published application for design (first publication)
- (11) D 0000 000 S – number of patent for design (second publication)

INTERNATIONAL PATENT CLASSIFICATION FOR INVENTIONS AND UTILITY MODELS

- SECTION A – HUMAN NECESSITIES
- SECTION B – PERFORMING OPERATIONS; TRANSPORTING
- SECTION C – CHEMISTRY; METALLURGY
- SECTION D – TEXTILES; PAPER
- SECTION E – FIXED CONSTRUCTIONS
- SECTION F – MECHANICAL ENGINEERING; LIGHTING; HEATING; WEAPONS; BLASTING
- SECTION G – PHYSICS
- SECTION H – ELECTRICITY

-
- M – Trade Mark
 - (210) AM 0000 000000 – Serial number of application;
 - (260) AAM 0000 00000 A – Publication number of application;
 - (111) M 0000 00000 R – Number of registration;
 - (111) MMM0000 00000 Rn – Number of renewals, in which n=1,2,3;
 - (111) M 0000 00000 R(P) – Number of registration under partial assignment of rights
-

**LIST OF CODES, IN ALPHABETIC SEQUENCE, AND THE CORRESPONDING (SHORT) NAMES OF STATES, OTHER ENTITIES AND INTERGOVERNMENTAL ORGANIZATIONS
(WIPO STANDARD ST.3)**

AD	Andorra		for the Arab States of the Gulf (GCC)	NE	Niger
AE	United Arab Emirates	GD	Grenada	NG	Nigeria
AF	Afghanistan	GG	Guernsey	NI	Nicaragua
AG	Antigua and Barbuda	GH	Ghana	NL	Netherlands
AI	Anguilla	GI	Gibraltar	NO	Norway
AL	Albania	GT	Guatemala	NP	Nepal
AM	Armenia	GW	Guinea- Bissau	NR	Nauru
AN	Netherlands Antilles	GY	Guyana	NZ	New Zealand
AO	Angola	HK	The Hong Kong Special Administrative Region of the People's Republic of China	OA	African Intellectual Property Organization (OAPI)
AP	African Regional Intellectual Property Organization (ARIPO)	HN	Honduras	OM	Oman
AR	Argentina	HR	Croatia	PA	Panama
AT	Austria	HT	Haiti	PE	Peru
AU	Australia	HU	Hungary	PG	Papua New Guinea
AW	Aruba	IB	International Bureau of the World Intellectual Property Organization (WIPO)	PH	Philippines
AZ	Azerbaijan	ID	Indonesia	PK	Pakistan
BA	Bosnia and Herzegovina	IE	Ireland	PL	Poland
BB	Barbados	IL	Israel	PT	Portugal
BD	Bangladesh	IM	Isle of Man	PW	Palau
BE	Belgium	IN	India	PY	Paraguay
BF	Burkina Faso	IQ	Iraq	QA	Qatar
BG	Bulgaria	IR	Iran (Islamic Republic of)	QZ	Community Plant Variety Office (European Community) (CPVO)
BH	Bahrain	IS	Iceland	RO	Romania
BI	Burundi	IT	Italy	RS	Serbia
BJ	Benin	JE	Jersey	RU	Russian Federation
BM	Bermuda	JM	Jamaica	RW	Rwanda
BN	Brunei Darussalam	JO	Jordan	SA	Saudi Arabia
BO	Bolivia	JP	Japan	SB	Solomon Islands
BR	Brazil	KE	Kenya	SC	Seychelles
BS	Bahamas	KG	Kyrgyzstan	SD	Sudan
BT	Bhutan	KH	Cambodia	SG	Singapore
BV	Bouvet Island	KI	Kiribati	SH	Saint Helena
BW	Botswana	KM	Saint Kitts and Nevis	SI	Slovenia
BX	Benelux Office for Intellectual Property (BOIP)	KN	Democratic People's Republic of Korea	SK	Slovakia
BY	Belarus	KR	Republic of Korea	SL	Sierra Leone
BZ	Belize	KW	Kuwait	SM	San Marino
CA	Canada	KY	Cayman Islands	SN	Senegal
CD	Democratic Republic of the Congo	KZ	Kazakhstan	SO	Somalia
CF	Central African Republic	LA	Lao People's Democratic Republic	SR	Suriname
CG	Congo	LB	Lebanon	ST	Sao Tome and Principe
CH	Switzerland	LC	Saint Lucia	SV	El Salvador
CI	Cote d'Ivoire	LI	Liechtenstein	SY	Syrian Arab Republic
CK	Cook Islands	LK	Sri Lanka	SZ	Swaziland
CL	Chile	LR	Liberia	TC	Turks and Caicos Islands
CM	Cameroon	LS	Lesotho	TD	Chad
CN	China	LT	Lithuania	TG	Togo
CO	Colombia	LU	Luxembourg	TH	Thailand
CR	Costa Rica	LV	Latvia	TJ	Tajikistan
CU	Cuba	LY	Libyan Arab Jamahiriya	TL	Timor-Leste
CV	Cape Verde	MA	Morocco	TM	Turkmenistan
CY	Cyprus	MC	Monaco	TN	Tunisia
CZ	Czech Republic	MD	Republic of Moldova	TO	Tonga
DE	Germany	ME	Montenegro	TR	Turkey
DJ	Djibouti	MG	Madagascar	SE	Sweden
DM	Dominica	MK	The former Yugoslav Republic of Macedonia	TT	Trinidad and Tobago
DO	Dominican Republic	ML	Mali	TV	Tuvalu
DZ	Algeria	MM	Myanmar	TW	Taiwan, Province of China
EA	Eurasian Patent Organization (EAPO)	MN	Mongolia	TZ	United Republic of Tanzania
EC	Ecuador	MO	Macao	UA	Ukraine
EE	Estonia	MP	Northern Mariana Islands	UG	Uganda
EG	Egypt	MR	Mauritania	US	United States of America
EH	Western Sahara	MS	Montserrat	UY	Uruguay
EM	Office for Harmonization in the Internal Market (Trademarks and Designs)(OHIM)	MT	Malta	UZ	Uzbekistan
EP	European Patent Office (EPO)	MU	Mauritius	VA	Holy See
ER	Eritrea	MV	Maldives	VC	Saint Vincent and the Grenadines
ES	Spain	MW	Malawi	VE	Venezuela
ET	Ethiopia	MX	Mexico	VG	Virgin Islands (British)
FI	Finland	MY	Malaysia	VN	Viet Nam
FJ	Fiji	MZ	Mozambique	VU	Vanuatu
FK	Falkland Islands (Malvinas)	NA	Namibia	WO	World Intellectual Property Organization (WIPO)
FO	Faroe Islands			WS	Samoa
FR	France			XN	Nordic Patent Institute (NPI)
GA	Gabon			YE	Yemen
GB	United Kingdom			ZA	South Africa
GC	Patent Office of the Cooperation Council			ZM	Zambia
				ZW	Zimbabwe

**NATIONAL INTELLECTUAL PROPERTY CENTER OF GEORGIA
SAKPATENTI**

**OFFICIAL BULLETIN
OF THE INDUSTRIAL PROPERTY**

17(357)

INVENTIONS

UTILITY MODELS

DESIGNS

TRADEMARKS

**APPELLATIONS OF ORIGIN AND GEOGRAPHICAL
INDICATIONS OF GOODS**

DATE OF PUBLICATION

2012 09 10

CONTENTS

PUBLISHED TITLES OF PROTECTION	2
INVENTIONS	
▪ APPLICATIONS APPROVED FOR GRANTING PATENTS	3
▪ PATENTED INVENTIONS	6
UTILITY MODELS	
▪ PATENTED UTILITY MODEL	10
DESIGNS	
▪ REGISTERED DESIGNS	11
▪ DESIGNS, REGISTERED WITH THE INTERNATIONAL BUREAU CLAIMING PRIORITY ON THE TERRITORY OF GEORGIA	12
TRADEMARKS	
▪ APPLICATIONS FILED UNDER THE NATIONAL PROCEDURE APPROVED FOR REGISTRATION	49
▪ REGISTERED TRADEMARKS	51
▪ TRADEMARKS REGISTERED ACCORDING TO THE ACCELERATED PROCEDURE	57
▪ INTERNATIONAL TRADEMARKS FOR WHICH A DECISION ON GANTING PROTECTION IS TAKEN	59
▪ INTERNATIONAL TRADEMARKS PROTECTED IN GEORGIA	79
APPELLATIONS OF ORIGIN AND GEOGRAPHICAL INDICATIONS OF GOODS	
▪ REGISTERED APPELLATIONS OF ORIGIN OF GOODS	87
OFFICIAL NOTIFICATIONS	
INVENTIONS	
▪ RENEWAL OF A PATENT	88
TRADEMARKS	
▪ INVALIDATION OF TRADEMARKS REGISTRATIONS	89
▪ CORRECTION OF MISTAKES	90
CLASSIFICATION INDEXES	
INVENTIONS	91
UTILITY MODELS	93
DESIGNS	94
TRADEMARKS	95

PUBLISHED TITLES OF PROTECTION

INVENTIONS

- **APPLICATIONS APPROVED FOR GRANTING PATENTS:**
11682; 11959; 11937; 11822; 11377; 11671
- **PATENTED INVENTIONS:**
5625-5641

UTILITY MODELS

- **PATENTED UTILITY MODEL:**
1736

DESIGNS

- **REGISTERED DESIGNS:**
503-506
- **DESIGNS REGISTERED WITH THE INTERNATIONAL BUREAU CLAIMING PRIORITY ON THE TERRITORY OF GEORGIA:**
76150; 78367; 78371; 78376; 78386; 78389; 78399; 78401; 78413; 78415; 78439; 77394, 77395; 76464; 78520; 78564; 78569; 78574

TRADEMARKS

- **APPLICATIONS FILED UNDER THE NATIONAL PROCEDURE APPROVED FOR REGISTRATION:**
64239; 64246; 64298; 64366, 64367; 64424; 64528; 64579; 66020
- **REGISTERED TRADEMARKS:**
22863-22919
- **TRADEMARKS REGISTERED ACCORDING TO THE ACCELERATED PROCEDURE:**
22857-22862; 22920-22923
- **INTERNATIONAL TRADEMARKS FOR WHICH A DECISION ON GRANTING PROTECTIONS IS TAKEN:**
62600; 64796-64804; 64845-64851; 64853-64855; 64907-64909; 64911-64917; 64946-64948; 64950-64952; 64954-64964; 64966-64969; 62107*; 62662*; 62859*; 63126*
- **INTERNATIONAL TRADEMARKS PROTECTED IN GEORGIA:**
62285; 63288; 63349-63356; 63358-63360; 63427-63430; 63432-63434; 63436; 63438-63445; 63447, 63448; 63450-63455; 63513; 63552-63558; 63560; 63562, 63563; 63566-63568; 63594, 63595; 63598-63601; 63603-63615; 63655, 63656; 63679-63688; 63690, 63691; 63693, 63694; 63697-63701; 63703-63711; 63713; 63715-63717; 63720, 63721; 63747; 63750; 63758; 63762; 63936; 64067

APPELLATIONS OF ORIGIN AND GEOGRAPHICAL INDICATIONS OF GOODS

- **REGISTERED APPELLATIONS OF ORIGIN OF GOODS:**
825, 826

INVENTIONS

APPLICATIONS APPROVED FOR GRANTING PATENTS

The decision can be appealed at the Chamber of Appeal of Sakpatenti within 3 months from the publication or at the Administrative Chamber of the Tbilisi City Court (Address: №6, David Aghmashenebeli Kheivani 12 km., Tbilisi) within 1 month following the publication.

PART A

A 61

(10) AP 2012 11682 A (51) Int. Cl. (2006)

A 61 F 13/00

A 61 K 9/70

(21) AP 2008 011682 (22) 2008 07 10

(31) 60/948,757

(32) 2007 07 10

(33) US

(71) AGILE THERAPEUTICS, INC. (US)
366 Wall Street, Princeton, NJ 08540 (US)

(72) KYDONIEUS, Agis (US);
CONWAY, Robert, G. (US);
ROSSI, Thomas, M. (US)

(74) Tamara Kochlamazashvili

(85) 2010 02 09

(86) PCT/US2008/069618, 2008 07 10

(54) **DEVICE FOR MEDICINE DIRECT
DERMAL DELIVERY**

(57) A device comprises: a) active ingredient layer (AI) having surface contacting with skin and containing volatile component; b) antiadhesion layer impervious for volatile component and adjoining to layer (AI), which perimeter extends beyond layer (AI) perimeter in all directions; c) upper layer containing adhesion and sensitive to pressure material (PSA) bordering on skin surface, which perimeter also extends beyond layer (AI) perimeter in all directions. At that, antiadhesion and upper PSA layers are glued together throughout layer (AI) perimeter and are creating insulating layer decreasing or preventing volatile component loss.

Claims: 2 independent
32 dependent

Fig.: 1

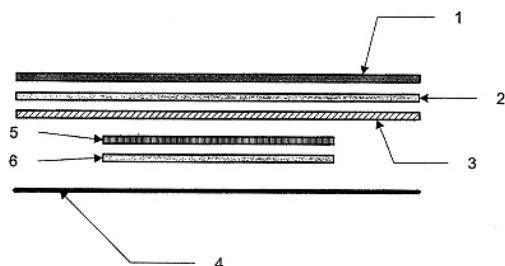


Fig. 1

(10) AP 2012 11959 A (51) Int. Cl. (2006)

A 61 K 9/06

A 61 K 31/513

A 61 K 31/135

A 61 K 31/495

A 61 K 47/32

A 61 K 47/34

A 61 K 47/10

A 61 P 29/00

A 61 P 37/08

(21) AP 2009 011959 (22) 2009 03 03

(31) 2008108006

(32) 2008 03 04

(33) RU

(71) RASNETSOV, Lev Davidovich (RU)

Ul. Gruzinskaja, d. 15, kv. 39,
Nizhny-Novgorod, 603000 (RU)

(72) RASNETSOV, Lev Davidovich (RU);
SHVARTSMAN, Iakov Yudelevich (RU);
YASHNOVA, Olga Konstantinovna (RU);
MELNIKOVA, Nina Borisovna (RU);
VOLKOV, Aleksandr Aleksandrovich (RU)

(74) Liliana Darakhvelidze

(85) 2010 10 04

(86) PCT/RU2009/000103, 2009 03 03

(54) **ANTIINFLAMMATORY AND
ANTIALLERGIC GEL**

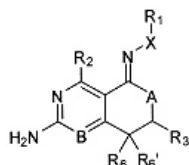
(57) There is represented gel having antiinflammatory and antiallergenic effect, which contains: xymedone; antihistaminic preparations – diphenhydramine, clemastin or cetirizine; and gel-type base containing carbopol, polyethylene oxide, glycerol, ethanol and distilled water.

Claims: 1 independent
4 dependent

PART C

C 07

- (10) AP 2012 11937 A (51) Int. Cl. (2006)
C 07 D 239/84
C 07 D 487/04
A 61 K 31/519
A 61 K 31/517
A 61 P 35/00
- (21) AP 2009 011937 (22) 2009 01 30
(31) 61/025,725; 61/101,595
(32) 2008 02 01; 2008 09 30
(33) US; US
- (71) TAKEDA PHARMACEUTICAL COMPANY LIMITED (JP)
1-1 Doshomachi 4-chome, Chuo-ku, Osaka-shi, Osaka 541-0045 (JP)
- (72) CHEN, Young, K. (US);
CO, Erick Wang (US);
GUNTUPALLI, Prasuna (IN);
LAWSON, John David (US);
NOTZ, Wolfgang Reinhard Ludwig (DE);
STAFFORD, Jeffrey A. (US);
TON-NU, Huong-Thu; (US)
- (74) Shalva Gvaramadze
(85) 2010 09 01
(86) PCT/US2009/032728, 2009 01 30
(54) **OXIM DERIVATIVES AS HSP90 INHIBITORS**
(57) There are represented dyhydro[4,3-d] pyrimidine derivatives of formula,

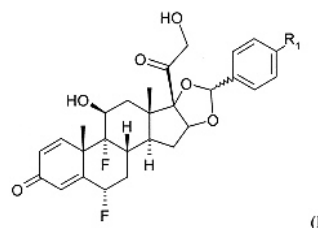


wherein X is O, B=N, and A=N-R₄, R₂ is hydrogen or methyl group, and values R₁, R₃, R₆, R_{6'} and R₄ are provided in the claims; or tautomers and stereoisomers thereof; or pharmaceutical compositions on a basis of said compounds, and application thereof against cancer, inflammation, intestine inflammatory diseases, psoriasis, arthritis, or transplant rejection.

Claims: 4 independent
21 dependent
Table: 5
Fig.: 3

- (10) AP 2012 11822 A (51) Int. Cl. (2006)
C 07 J 71/00
A 61 K 31/58
C 07 J 7/00
A 61 P 11/06
A 61 P 5/46

- (21) AP 2008 011822 (22) 2008 11 17
(31) 60/991,354; 61/057,241; 61/079,555
(32) 2007 11 30; 2008 05 30; 2008 07 10
(33) US; US; US
- (71) PFIZER LIMITED (GB)
Ramsgate Road, Sandwich Kent
CT13 9NJ (GB)
- (72) GLOSSOP, Paul Alan (GB);
MILLAN, David Simon (AU);
PRICE, David Anthony (GB)
- (74) Shalva Gvaramadze
(85) 2010 05 28
(86) PCT/IB2008/054801, 2008 11 17
(54) **NOVEL GLUCOCORTICOID RECEPTOR AGONISTS**
(57) There are represented compound of formula (I),



wherein values of substituent R₁ are provided in the claims, or pharmaceutically acceptable salts thereof, or pharmaceutically acceptable solvates thereof; pharmaceutical compositions on a basis thereof and combinations with other therapeutical agents; obtaining method of formula (I), and application thereof the treatment of diseases caused by glucocorticoid receptor, such as eczema, psoriasis, dermatitis, asthma, sinusitis, etc., and for medicine preparation.

Claims: 7 independent
5 dependent
Fig.: 6
Table: 6

PART F

F 16

- (10) AP 2012 11377 A (51) Int. Cl. (2006)
F 16 K 5/06
- (21) AP 2008 011377 (22) 2008 04 02
(31) 2007/02519
(32) 2007 04 13
(33) TR
- (71) KALDE KLIMA ORTA BASINC FITTINGS VE VALF SANAYI ANONIM SIRKETI (TR)
Beymersan Mermenciler San. Sitesi, 10.Cad.
No:12 Beylikduzu, Buyukcekmece,
34520 Istanbul (TR)
- (72) TOPALYAN, Aksel (TR)
(74) Tamaz Shilakadze

(85) 2009 07 21

(86) PCT/TR2008/000030, 2008 04 02

(54) **PLASTIC BASED RADIATOR VALVE
AND PRODUCTION METHOD
THEREOF**

(57) There are represented a valve 1 usable for heating and comprising spherical valve 2 interior set, a branch pipe 1.2 connecting thereto radiator, and an insert 1.1 connected to said branch pipe, plastic L-shaped body 1.5 jointed with a plastic adapter 3 as single component. Plastic valve production method inside one mold 4 with movable core 4.1 and stationary core 4.2 provides insert 1.1 installation onto stationary core and spherical valve interior set installation onto insert 1.1, movable core motion synchronously of closing mold in arrow B direction, spherical valve 2 interior set and/or insert 1.1 pushing by said mold movable core 4.1 in arrow A direction for fixing thereof, passing plastic by casting machine under pressure into mold 4 and shaping thereby: valve body 1.5, around insert 1.1 and spherical valve 2, and plastic adapter 3, as valve body 1.5 prolongation.

Claims: 2 independent

1 dependent

Fig.: 3

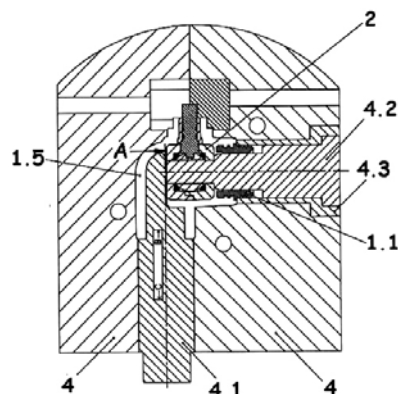


Fig. 3

(72) Nino Ghintibidze (GE);
Kristine Ghintibidze (GE);
David Gabunia (GE);
Sopio Silagadze (GE);
Gogi Gurjidze (GE)

(54) **METHOD OF OBTAINING BALLISTIC
COMPOSITION MATERIALS FROM
TEXTILE FIBER MIX**

(57) A method provides: processing caprone and viscose fibers, having various characteristics of textile fiber, at the temperature 80-100°C, when caprone fiber is melted, and viscose fiber is carbonized; and subsequent filling therein forms.

Claims: 1 independent

F 41

(10) AP 2012 11671 A (51) Int. Cl. (2006)

F 41 H 1/02

F 41 H 5/08

(21) AP 2010 011671 (22) 2010 01 29

(71) Nino Ghintibidze (GE)

9 Aprilis q. 8/36, 4600, Kutaisi (GE);

Kristine Ghintibidze (GE)

9 Aprilis q. 8/36, 4600, Kutaisi (GE);

David Gabunia (GE)

9 Aprilis q. 8/36, 4600, Kutaisi (GE);

Sopio Silagadze (GE)

9 Aprilis q. 8/36, 4600, Kutaisi (GE);

Gogi Gurjidze (GE)

9 Aprilis q. 8/36, 4600, Kutaisi (GE)

PATENTED INVENTIONS

PART A

A 21

(11) P 2012 5631 B (51) **Int. Cl. (2006)**
A 21 D 2/00

(10) AP 2012 11459 A (44) 10(350)/2012
(21) AP 2009 011459
(22) 2009 09 10
(24) 2009 09 10
(73) Maria Silagadze (GE)
26 Maisis q. 45, 4600, Kutaisi (GE);
Manana Karchava (GE)
Davit Aghmasheneblis gamz. 1, b. 15,
4600, Kutaisi (GE);
Nikoloz Pkhakadze (GE)
26 Maisis q. 45, 4600, Kutaisi (GE);
Shota Jinjolia (GE)
Davit Aghmasheneblis gamz. 1, b. 15,
4600, Kutaisi (GE)

(72) Maria Silagadze (GE);
Manana Karchava (GE);
Nikoloz Pkhakadze (GE);
Shota Jinjolia (GE)

**(54) DOUGH COMPOSITION FOR
IODIZED DIABETIC BREAD
PREPARATION**

A 61

(11) P 2012 5636 B (51) **Int. Cl. (2006)**
A 61 K 31/00
A 61 K 9/20
A 61 K 9/16

(10) AP 2012 11898 A (44) 10(350)/2012
(21) AP 2008 011898
(22) 2008 12 23
(24) 2008 12 23
(31) 07425828.6
(32) 2007 12 28
(33) EP
(86) PCT/EP2008/068256, 2008 12 23
(73) AZIENDE CHIMICHE RIUNITE
ANGELINI FRANCESCO
A.C.R.A.F.S.P.A. (IT)
Viale Amelia, 70, I-00181 Rome (IT)
(72) RUSSO, Vincenzo (IT);
LIBERATI, Elisa (IT);
CAZZOLLA, Nicola (IT);
MARCHITTO, Leonardo (IT);
RAGNI, Lorella (IT)
(74) Liliana Darakhvelidze

**(54) SLOW-RELEASE FORMULATION
BASED ON GLYCOGEN AND
ALGINATE ASSOCIATION**

(11) P 2012 5638 B (51) **Int. Cl. (2006)**
A 61 K 45/06
A 61 K 31/7076
A 61 K 38/44
A 61 P 25/28

(10) AP 2012 11930 A (44) 10(350)/2012
(21) AP 2009 011930
(22) 2009 02 25
(24) 2009 02 25
(31) 08425123.0
(32) 2008 02 29
(33) EP
(86) PCT/EP2009/001323, 2009 02 25
(73) GNOSIS S.P.A. (IT)
Piazza del Carmine, 4, Milano I-20121(IT)
(72) SCARPA, Sigfrido (IT);
FUSO, Andrea (IT);
DAMIANI, Rosellina (IT);
ROSSINI, Mauro (IT)

(74) Shalva Gvaramadze
**(54) S-ADENOSYLMETHIONINE (SAM) AND
SUPEROXIDE DISMUTASE (SOD)
USAGE FOR MEDICAMENTS
PREPARATION AT ALZHEIMER'S
DISEASE TREATMENT**

PART C

C 07

(11) P 2012 5640 B (51) **Int. Cl. (2006)**
C 07 D 213/75
A 61 K 31/44
A 61 P 29/00

(10) AP 2012 12074 A (44) 10(350)/2012
(21) AP 2009 012074
(22) 2009 07 14
(24) 2009 07 14
(31) 61/084,095
(32) 2008 07 28
(33) US
(86) PCT/IB2009/053044, 2009 07 14
(73) PFIZER INC. (US)
235 East 42-nd Street, New York, NY 10017 (US)
(72) RUCKER, Paul Vincent (US)
(74) Shalva Gvaramadze

**(54) PHENANTHRENONE COMPOUNDS,
COMPOSITIONS CONTAINING
THEREOF AND USAGE THEREOF**

- (11) P 2012 5626 B** (51) **Int. Cl. (2006)**
C 07 D 239/42
A 01 N 43/54
(10) AP 2012 9528 A (44) 10(350)/2012
(21) AP 2004 009528
(22) 2004 12 16
(24) 2004 12 16
(31) 60/531,300; 60/598,397
(32) 2003 12 19; 2004 08 03
(33) US; US
(86) PCT/US2004/042302, 2004 12 16
(71) E.I. DUPONT DE NEMOURS AND
COMPANY (US)
1007 Market Street, Wilmington,
DE 19898 (US)
(72) CLARK, David, Alan (US);
FINKELSTEIN, Bruce, Lawrence (US);
ARMEL, Gregory, Russell (US);
WITTENBACH, Vernon, Arie (US)
(74) Tamaz Shilakadze
(54) **HERBICIDAL PYRIMIDINES**

- (11) P 2012 5635 B** (51) **Int. Cl. (2006)**
C 07 D 487/04
C 07 D 487/02
C 07 D 403/08
C 07 D 403/12
(10) AP 2012 11842 A (44) 10(350)/2012
(21) AP 2008 011842
(22) 2008 11 12
(24) 2008 11 12
(31) 60/987,723
(32) 2007 11 13
(33) US
(86) PCT/US2008/083262, 2008 11 12
(73) ICOS CORPORATION (US)
22021 20th Avenue S.E., Bothell,
WA 98021 (US)
(72) WHITE, Stephen, L. (US);
RUAN, Fuqiang (US);
KESICKI, Edward, A. (US);
THORSETT, Eugene (US);
FAROUZ, Francine (US)
(74) Shalva Gvaramadze
(54) **HUMAN DELTA PHOSPHATIDYL-
-INOSITOL3-KINASE INHIBITORS**

- (11) P 2012 5637 B** (51) **Int. Cl. (2006)**
C 07 D 487/04
C 07 D 498/04
A 61 K 31/4188
A 61 P 25/24
A 61 P 25/22

- (10) AP 2012 11925 A (44) 10(350)/2012
(21) AP 2009 011925
(22) 2009 01 21
(24) 2009 01 21
(31) 61/006,554
(32) 2008 01 22
(33) US
(86) PCT/JP2009/051299, 2009 01 21
(73) TAKEDA PHARMACEUTICAL
COMPANY LIMITED (JP)
1-1, Doshomachi 4-chome, Chuo-ku,
Osaka-shi, Osaka 5410045 (JP)
(72) ASO, Kazuyoshi (JP);
KOBAYASHI, Katsumi (JP);
TAKAI, Takafumi (JP);
KOJIMA, Takuto (JP);
TOKUMARU, Kazuyuki (JP);
MOCHIZUKI, Michiyo (JP);
HOASHI, Yasutaka (JP)
(74) Shalva Gvaramadze
(54) **TRICYCLIC COMPOUNDS HAVING
CORTICOTROPIN-RELEASING
FACTOR ANTAGONISTIC ACTIVITY
AND PHARMACEUTICAL COMPOSI-
TIONS CONTAINING THEREOF**

- (11) P 2012 5629 B** (51) **Int. Cl. (2006)**
C 07 K 16/28
A 61 K 39/395
A 61 P 35/00
C 12 N 5/12
C 12 N 5/20
C 12 P 21/08
(10) AP 2012 11322 A (44) 10(350)/2012
(21) AP 2007 011322
(22) 2007 11 23
(24) 2007 11 23
(31) 0610329
(32) 2006 11 24
(33) FR
(86) PCT/EP2007/062760, 2007 11 23
(73) PIERRE FABRE MEDICAMENT (FR)
45, Place Abel Gance, F-92100
Boulogne-Billancourt (FR)
(72) GOETSCH, Liliane (FR);
CORVAIA, Nathalie (FR);
HAEUW, Jean-François (FR);
BES, Cédric (FR)
(74) George Meipariani
(54) **NOVEL ANTIPROLIFERATION
ANTIBODIES**

- (11) P 2012 5628 B** (51) **Int. Cl. (2006)**
C 07 K 16/28
(10) AP 2012 10985 A (44) 10(350)/2012
(21) AP 2007 010985
(22) 2007 04 17

- (24) 2007 04 17
 (31) 60/794,011
 (32) 2006 04 21
 (33) US
 (86) PCT/US2007/066757, 2007 04 17
 (73) NOVARTIS AG (CH)
 Lichtstrasse 35, CH-4056 Basel (CH);
 XOMA TECHNOLOGY LTD (US)
 c/o 2910, Seventh Street, Berkeley,
 CA 94701 (US)
 (72) LU, Xiaofeng (US);
 CHEN, Bao-Lu (US);
 ARAYA, Kidisti (US);
 OKHAMAFE, Augustus (US)
 (74) Tamara Kochlamazashvili
 (54) **PHARMACEUTICAL COMPOSITI-
 ONS CONTAINING ANTAGONIST
 ANTI-CD40 ANTIBODY**

C 08

- (11) P 2012 5632 B** **(51) Int. Cl. (2006)
 C 08 G 63/00
 C 08 G 73/00**
 (10) AP 2012 11558 A (44) 10(350)/2012
 (21) AP 2009 011558
 (22) 2009 11 12
 (24) 2009 11 12
 (73) Ramaz Katsarava (GE)
 Janashias q. 28, b. 26, 0179, Tbilisi (GE);
 David Tughushi (GE)
 Miloravas q. 6, b. 8, 0179, Tbilisi (GE);
 Tamara Memanishvili (GE)
 Balanchivadzis q. 40/48, 0179, Tbilisi (GE);
 Vladimir Torcilini (US)
 Charlestown, Shipway Place 12 (US);
 Marekh Gverdtsiteli (GE)
 I.Chavchavadzis gamz. 24, b. 13, 0179,
 Tbilisi (GE);
 Nino Kupatadze (GE)
 Al. Kazbegis gamz. 6, b. 33, 0160,
 Tbilisi (GE)
 (72) Ramaz Katsarava (GE);
 David Tughushi (GE);
 Tamara Memanishvili (GE);
 Vladimir Torcilini (US);
 Marekh Gverdtsiteli (GE);
 Nino Kupatadze (GE)
 (54) **BIODEGRADABLE CATIONIC POLY
 (ETHER ESTER AMIDES), POLY
 (ETHER ESTER URETHANES) AND
 POLY (ETHER ESTER UREA) ON BASIS
 OF L-ARGININE AND OBTAINING
 METHOD THEREOF**

C 12

- (11) P 2012 5630 B** **(51) Int. Cl. (2006)
 C 12 N 9/14**
 (10) AP 2012 11455 A (44) 10(350)/2012
 (21) AP 2009 011455
 (22) 2009 09 09
 (24) 2009 09 09
 (73) Dodo Pataraiia (GE)
 Gldanis III mkr., korp. 79a, b. 25, 0167,
 Tbilisi (GE);
 Manana Gurielidze (GE)
 Tsiklauris q. 31, 0101, Tbilisi (GE);
 Tamar Berishvili (GE)
 Rcheulishvilis q., korp. 8, b. 34, 0108,
 Tbilisi (GE);
 Tamar Urushadze (GE)
 Zugdidis q. 12, b. 7, 0154, Tbilisi (GE);
 Rusudan Khvedelidze (GE)
 Tsiteltskaros q. 15, 0103, Tbilisi (GE);
 Nino Cholokava (GE)
 I. Nikoladzis q. 2/4, b. 21, 0179, Tbilisi (GE)
 (72) Dodo Pataraiia (GE);
 Manana Gurielidze (GE);
 Tamar Berishvili (GE);
 Tamar Urushadze (GE);
 Rusudan Khvedelidze (GE);
 Nino Cholokava (GE)
 (54) **PRODUCER OF ALKALI PROTEASE –
 EXTREMOPHYLE RAY FUNGUS
 STRAIN – STREPTOMYCES
 GLOBISPORUS FLAVEOLUS 153A**

PART E

E 02

- (11) P 2012 5634 B** **(51) Int. Cl. (2006)
 E 02 F 3/64**
 (10) AP 2012 11669 A (44) 10(350)/2012
 (21) AP 2010 011669
 (22) 2010 01 29
 (24) 2010 01 29
 (73) Vazha Gogadze (GE)
 9 Aprilis Kheivani 15/60, 4400, Poti (GE);
 George Gogadze (GE)
 9 Aprilis Kheivani 15/60, 4400, Poti (GE)
 (72) Vazha Gogadze (GE);
 George Gogadze (GE)
 (54) **SCRAPER OPERATIONAL
 EQUIPMENT**

(11) P 2012 5633 B (51) Int. Cl. (2006)**E 02 F 3/76**

(10) AP 2012 11668 A (44) 10(350)/2012

(21) AP 2010 011668

(22) 2010 01 29

(24) 2010 01 29

(73) Vazha Gogadze (GE)

9 Aprilis Kheivani 15/60, 4400, Poti (GE);

George Gogadze (GE)

9 Aprilis Kheivani 15/60, 4400, Poti (GE)

(72) Vazha Gogadze (GE);

George Gogadze (GE)

**(54) BULLDOZER OPERATIONAL
EQUIPMENT****PART F****F 02****(11) P 2012 5639 B (51) Int. Cl. (2006)****F 02 B 71/00**

(10) AP 2012 12061 A (44) 10(350)/2012

(21) AP 2011 012061

(22) 2011 01 17

(24) 2011 01 17

(73) Shota Khutsishvili (GE)

Shkhepis q. 3, 0105, Tbilisi (GE)

(72) Shota Khutsishvili (GE)

(54) INTERNAL COMBUSTION ENGINE**F 16****(11) P 2012 5627 B (51) Int. Cl. (2006)****F 16 C 1/04**

(10) AP 2012 10583 A (44) 1(341)/2012

(21) AP 2008 010583

(22) 2008 03 25

(24) 2008 03 25

(73) Ramzan Goitemirov (GE)

Tsinamdzgvishvilis k.50, 0102, Tbilisi (GE)

(72) Ramzan Goitemirov (GE)

(54) ROLLING LINK SUPPORT**PART G****G 01****(11) P 2012 5641 B (51) Int. Cl. (2006)****G 01 N 3/56**

(10) AP 2011 11088 A (44) 15(331)/2011

(21) AP 2009 011088

(22) 2009 02 03

(24) 2009 02 03

(73) Tamaz Uriadashvili (GE)

Konstantine Gamsakhurdias k. 5, b. 32,

4616, Kutaisi (GE);

Tinatin Maglakelidze (GE)

Ninoshvilis k. 185, 4618, Kutaisi (GE)

(72) Tamaz Uriadashvili (GE);

Tinatin Maglakelidze (GE)

**(54) DEVICE FOR TESTING OPERATIONAL
CHARACTERISTICS OF FOOTWEAR
AND SHOE MATERIALS****PART H****H 04****(11) P 2012 5625 B (51) Int. Cl. (2006)****H 04 B 7/216****H 04 L 12/56****H 04 W 72/12**

(10) AP 2012 9453 A (44) 10(350)/2012

(21) AP 2004 009453

(22) 2004 11 10

(24) 2004 11 10

(31) 60/520,227; 10/945,361

(32) 2003 11 14; 2004 09 20

(33) US; US

(86) PCT/US2004/037723, 2004 11 10

(73) INTERDIGITAL TECHNOLOGY

CORPORATION (US)

300 Delaware Ave., Suite 527, Wilmington,

DE 19801 (US)

(72) ZHANG, Guodong (CN);

TERRY, Stephen, E (US);

DICK, Stephen, G (US)

(74) Shalva Gvaramadze

**(54) WIRELESS COMMUNICATION
METHOD AND APPARATUS FOR
TRANSFERRING BUFFERED
ENHANCED UPLINK DATA FROM
MOBILE STATION TO NODE-B**

PATENTED UTILITY MODEL

PART E

E 04

(11) U 2012 1736 Y **(51) Int. Cl. (2006)**
E 04 F 21/02

(10) AU 2012 12191 U (44) 1(341)/2012

(21) AU 2011 012191

(22) 2011 04 18

(24) 2011 04 18

(73) Geno Nijaradze (GE)

Vazha-Pshavela Ave 45, build. 25, ap. 42,
0177, Tbilisi (GE);

Aguli Sokhadze (GE)

I. Abashidze St. 48, 0179, Tbilisi (GE);

Levan Makhviladze (GE)

Al. Kazbegi Ave 47, ap. 9, 0183, Tbilisi (GE);

Irakli Jincharadze (GE)

Tskhneti St. 1a, ap. 91, 0162, Tbilisi (GE);

Giorgi Bobghiashvili (GE)

Ninoshvilis k. 15. 2200. Telavi (GE);

Koba Nadiradze (GE)

Sachkheris r-ni, sop. Orghuli, 4012 (GE)

(72) Geno Nijaradze (GE);

Aguli Sokhadze (GE);

Levan Makhviladze (GE);

Irakli Jincharadze (GE);

Giorgi Bobghiashvili (GE);

Koba Nadiradze (GE)

**(54) DEVICE FOR APPLYING MORTAR MIX
ON BUILDING WALLS**

REGISTERED DESIGNS

(11) D 2012 505 S **(51) 02-05**
(10) AD 2012 679 S (44) 8(348)/2012
(21) AD 2012 000679
(22) 2012 01 27
(24) 2012 01 27
(28) 4
(18) 2017 01 27
(73) Ekaterine Asatiani (GE)
 Kekelidzis k. 25, 0179, Tbilisi (GE)
(72) Ekaterine Asatiani (GE)
(54) **SCARF**

(11) D 2012 506 S **(51) 02-05**
(10) AD 2012 667 S (44) 8(348)/2012
(21) AD 2011 000667
(22) 2011 12 01
(24) 2011 12 01
(28) 3
(18) 2016 12 01
(73) Ekaterine Asatiani (GE)
 Kekelidzis k. 25, 0179, Tbilisi (GE)
(72) Ekaterine Asatiani (GE)
(54) **SCARF**

(11) D 2012 504 S **(51) 09-03**
(10) AD 2012 676 S (44) 8(348)/2012
(21) AD 2011 000676
(22) 2011 12 23
(24) 2011 12 23
(28) 1
(18) 2016 12 23
(73) George Khutsishvili (GE)
 Sanzona, korp. 18g, b.1, 0141, Tbilisi (GE)
(72) George Khutsishvili (GE)
(54) **“TWISTED” PACKAGE FOR
 CHURCHKHELA**

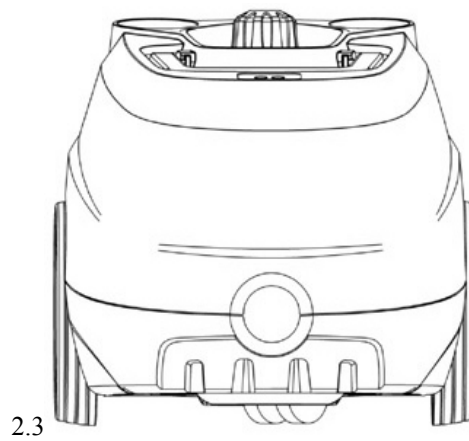
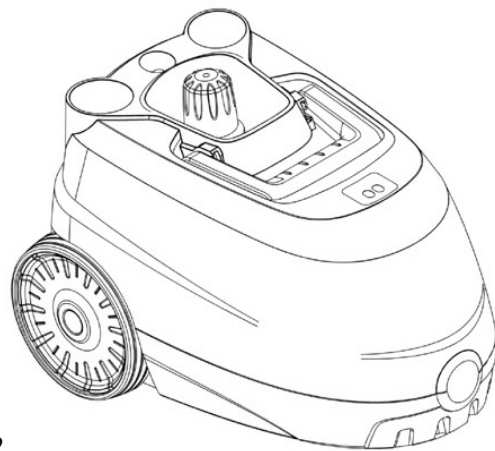
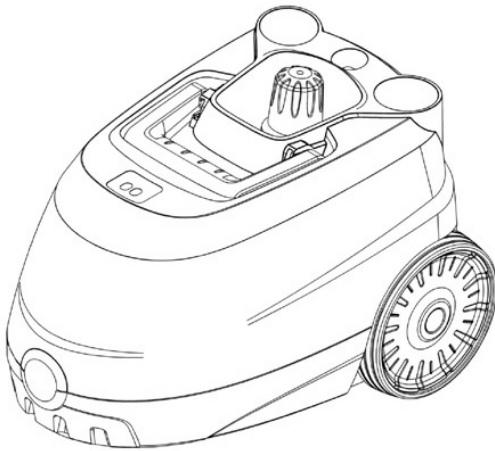
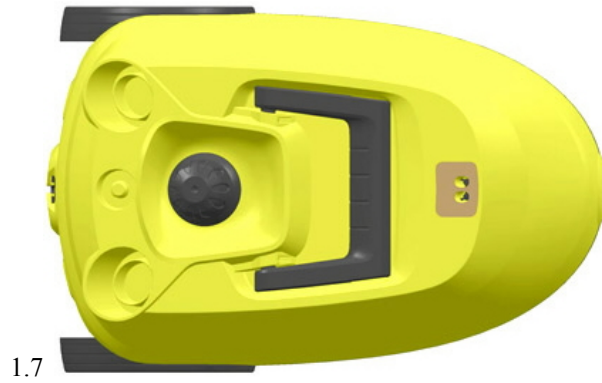
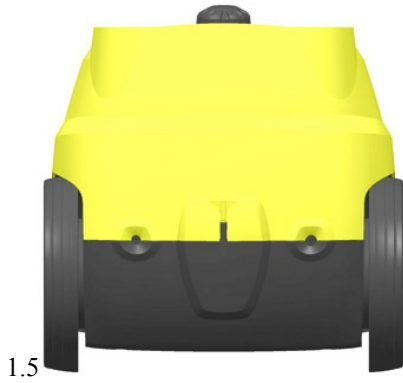
(11) D 2012 503 S **(51) 32-00**
(10) AD 2012 681 S (44) 9(349)/2012
(21) AD 2012 000681
(22) 2012 02 13
(24) 2012 02 13
(28) 2
(18) 2017 02 13
(73) LTD “AGROVITA” (GE)
 Atonelis q. 29, 0105, Tbilisi (GE)
(72) George Laperashvili (GE)
(74) David Dzamukashvili
(54) **GRAPHIC SYMBOL**

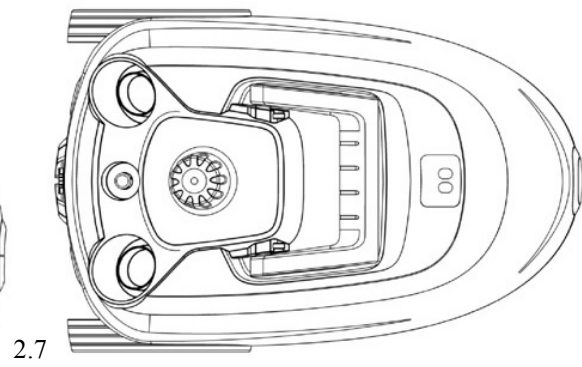
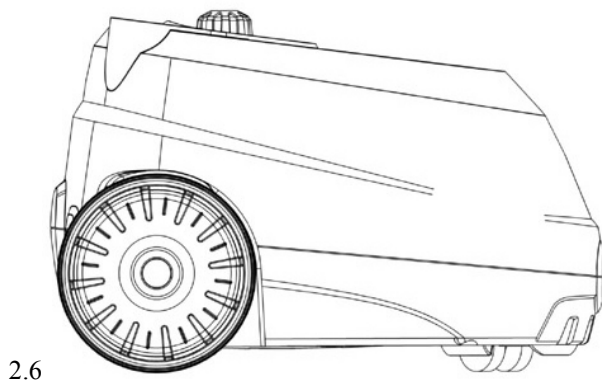
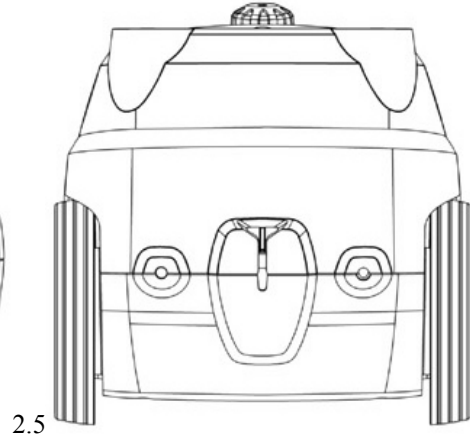
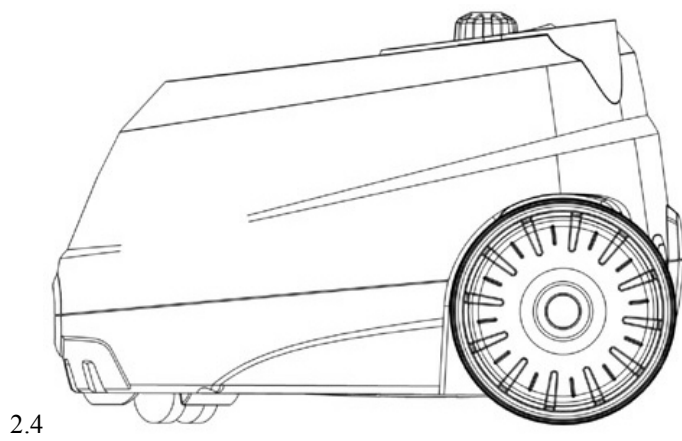
**DESIGNS, WHICH HAVE BEEN REGISTERED WITH THE INTERNATIONAL
BUREAU CLAIMING PRIORITY ON THE TERRITORY OF GEORGIA**
(IN ACCORDANCE WITH THE HAGUE ACT OF 1960 AND/OR GENEVA ACT OF THE HAGUE
AGREEMENT OF 1999)

The decision can be appealed at the Chamber of Appeal of Sakpatenti within 3 months from the publication or at the Administrative Chamber of the Tbilisi City Court (Address: №6, David Aghmashenebeli Kheivani 12 km., Tbilisi) within 1 month following the publication.

- (11) DM/076150** **(51) 15-05**
(15) 2011 06 01 (45) 2012/22 (2012 06 08)
(22) 2011 06 01 (28) 2
(73) ALFRED KÄRCHER GMBH & CO. KG
Alfred-Kärcher-Straße 28-40, 71364 Winnenden (DE)
(85) EM
(86) DE, EM
(87) DE, EM
(88) DE, EM
(89) EM
(81) 1.-2. Aparatos de limpieza al vapor (81) II. KP, MA, MC, ME. III. BA, CH, EG, EM, GE, HR, LI, MD,
MK, MN, OM, TR
(54) 1.-2. Steam cleaners
(55)







(11) DM/078367

(51) 10-02

(15) 2012 05 21

(45) 2012/22 (2012 06 08)

(22) 2012 05 21

(28) 10

(73) ETA SA MANUFACTURE HORLOGÈRE SUISSE

CH-2540 Grenchen (CH)

(85) CH

(86) CH

(87) CH

(88) CH

(89) CH

(81) IL, BZ, MA, III, AL, AM, AZ, BA, CH, EM, GE, HR, KG, LI, MC, MD, ME, MK, MN, NO, OM, SG, TJ, TR, UA

(72) №1, 2: Damien GOYET, 45, rue Principale, F-68480 Winkel; Véronique STOLL, Chemin de la Marnière 14A, CH-2504 Biel/Bienne; №3, 4, 5, 6, 7, 8: Véronique STOLL, Chemin de la Marnière 14A, CH-2504 Biel/Bienne; №9, 10: Michaela KOCH, Albrecht Achilles-Strasse 2, 10709 Berlin

(54) 1.-10. Wristwatches

(55)





- (11) DM/078371 (51) 10-02
(15) 2012 05 22 (45) 2012/22 (2012 06 08)
(22) 2012 05 22 (28) 1
(73) SWATCH AG (SWATCH SA) (SWATCH LTD.)
Jakob-Stämpfli-Strasse 94, CH-2502 BIEL/BIENNE (CH)
(85) CH
(86) CH
(87) CH
(88) CH
(89) CH
(81) IL, BZ, MA, III. AL, AM, AZ, BA, CH, EM, GE, HR, KG, LI, MC, MD, ME, MK, MN, NO, OM, SG,
TR, UA
(72) Uma WANG
c/o Shanghai UMA WANG Fashion Co. Ltd., House A-3, Long Xi Road №1, SHANGHAI 200336
(54) 1. Wristwatch
(55)



1.1

1.2

(11) DM/078376

(51) 10-02

(15) 2012 05 14

(45) 2012/22 (2012 06 08)

(22) 2012 05 14

(28) 3

(73) SWATCH AG (SWATCH SA)(SWATCH LTD.)

Jakob-Stämpfli-Strasse 94, CH-2502 Biel/Bienne (CH)

(85) CH

(86) CH

(87) CH

(88) CH

(89) CH

(81) IL, BZ, MA, III, AL, AM, AZ, BA, CH, EM, GE, HR, KG, LI, MC, MD, ME, MK, MN, NO, OM, SG, TJ, TR, UA

(72) Patrizio VITA

c/o Swatchlab, Via Archimede 6, IT-20129 Milano

(54) 1.-3. Wristwatches

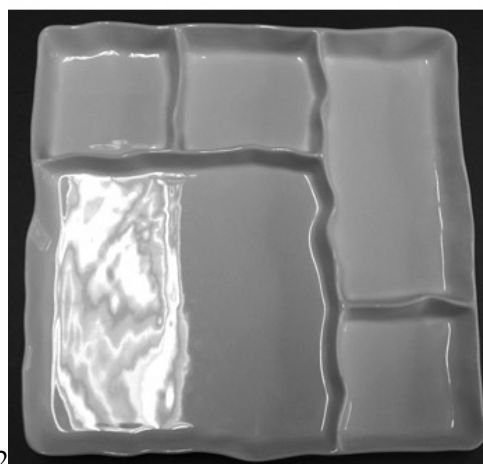
(55)



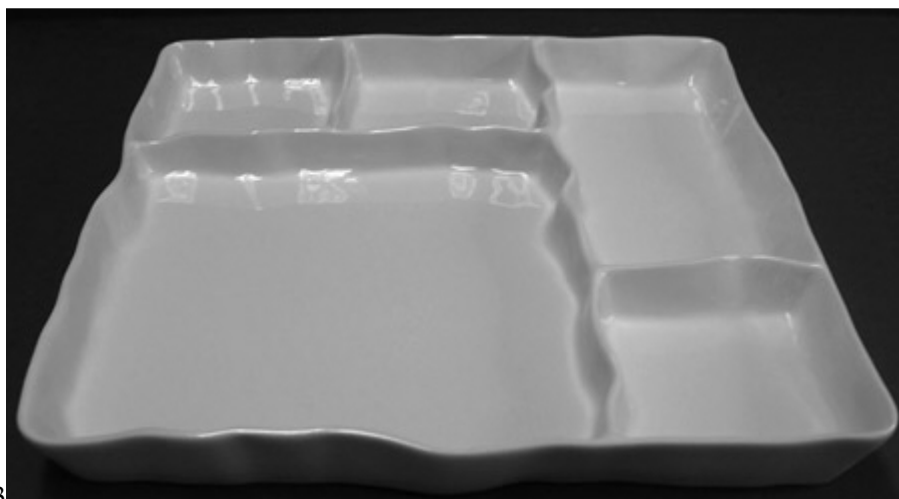
- (11) **DM/078386** (51) **07-01**
 (15) 2012 05 13 (45) 2012/22 (2012 06 08)
 (22) 2012 05 13 (28) 3
 (23) 09.03.2012, INTERNORGA, Hamburg
 (73) BHS TABLETOP AG
 Ludwigmuehle 1, 95100 Selb (DE)
 (86) DE, EM
 (87) DE, EM
 (88) n/a
 (89) EM
 (81) II. BZ, KP, MA, SR. III. AL, AM, AZ, BA, BW, CH, EG, EM, GE, GH, HR, IS, KG, LI, MC, MD, ME, MK, MN, NA, NO, OA, OM, RS, RW, SG, ST, SY, TJ, TR, UA
 (72) Brigitte Johannes
 Ludwigmühle, DE-95100 Selb
 (54) 1. Plate; 2.-3. Bowls
 (55)



1.1



1.2



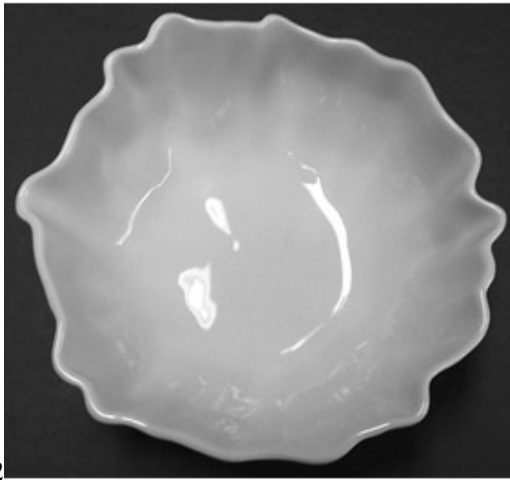
1.3



1.4



2.1



2.2



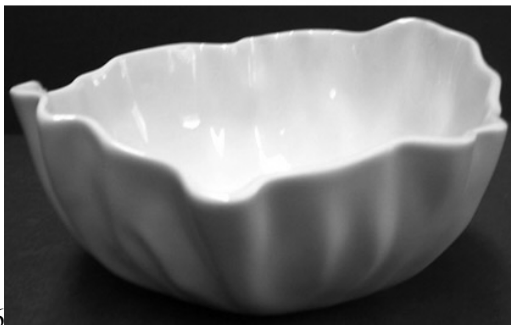
2.3



2.4



2.5



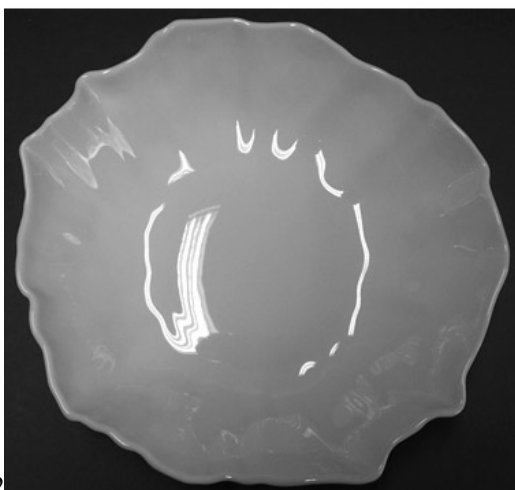
2.6



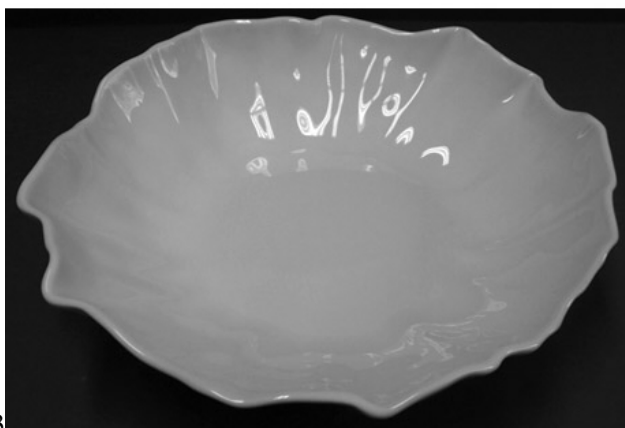
2.7



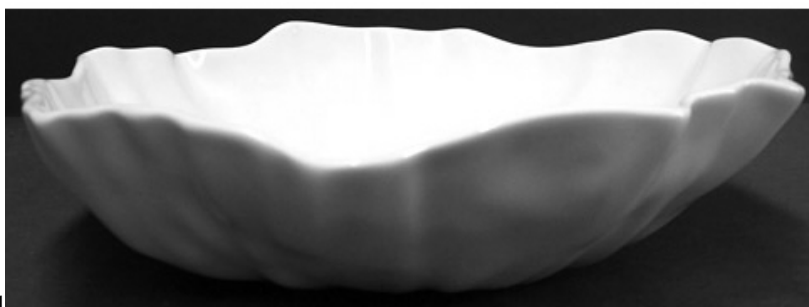
3.1



3.2



3.3



3.4

(11) DM/078389

(51) 32-00

(15) 2012 05 24

(45) 2012/22 (2012 06 08)

(22) 2012 02 24

(28) 1

(30) for designs No(s) 1: 26.08.2011; 402011004221.5; DE

(73) BUNDESREPUBLIK DEUTSCHLAND VERTRETEN DURCH DEN BUNDESMINISTER
DES AUSWÄRTIGEN

Werderscher Markt 1, 10117 Berlin (DE)

(85) DE, EM

(86) DE, EM

(87) DE, EM

(88) DE, EM

(89) DE

(81) II. BJ, BZ, CI, GA, KP, MA, ML, NE, SN, SR. III. AL, AM, AZ, BA, BW, CH, EG, EM, GE, GH, HR,
IS, KG, LI, MC, MD, ME, MK, MN, NA, NO, OA, OM, RS, RW, SG, ST, SY, TR, UA

(72) Xredrag Stakic

Oplenacka 59, SR-11000, Belgrade

(54) 1. Logo

(55)



1

- (11) DM/078399 (51) 32-00
 (15) 2012 05 03 (45) 2012/22 (2012 06 08)
 (22) 2012 05 03 (28) 4
 (30) II. BZ, KP, MA, NE, SR. III. AM, AZ, BA, BW, CH, EG, GE, GH, HR, IS, KG, LI, MC, MD, ME, MK, MN, NA, NO, OA, OM, RS, RW, SG, SI, ST, SY, TJ, TR, UA
 (73) TKS, SOCIÉTÉ ANONYME
 37 Avenue Mathieu, B-6600 Bastogne (BE)
 (86) BX, EM
 (87) BX, EM
 (88) BX, EM
 (89) EM
 (81) II. BZ, KP, MA, NE, SR. III. AM, AZ, BA, BW, CH, EG, GE, GH, HR, IS, KG, LI, MC, MD, ME, MK, MN, NA, NO, OA, OM, RS, RW, SG, SI, ST, SY, TJ, TR, UA
 (72) Jean-Pierre Lutgen
 Avenue Mathieu, 37 B-6600 Bastogne
 (54) 1.-4. Graphic designs [two-dimensional]
 (55)



(11) DM/078401

(15) 2012 05 03

(22) 2012 05 03

(30) for designs No(s) 1: 11.11.2011; 001946468-0001; EM

(73) CONCHIGLIA SOCIETA' PER AZIONI

Via Corelli, 5, I-42124 REGGIO EMILIA (IT)

(86) IT, EM

(87) IT, EM

(88) IT, EM

(89) EM

(81) IL. MA. III. AL, AM, AZ, BA, CH, EG, GE, HR, MD, ME, MK, RS, TR, UA

(72) Marzia Bandini

Via della Palanola 41, I-50100 Firenze; Massimo Sacconi, Via della Palanola 41, I-50100 Firenze

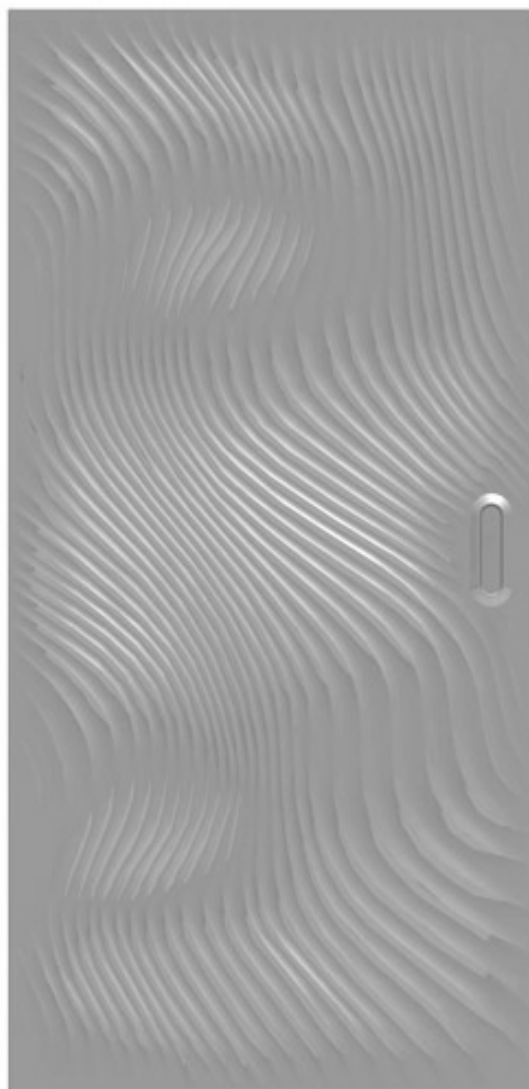
(54) 1. Door for cabinet for electrical components

(55)

(51) 13-03

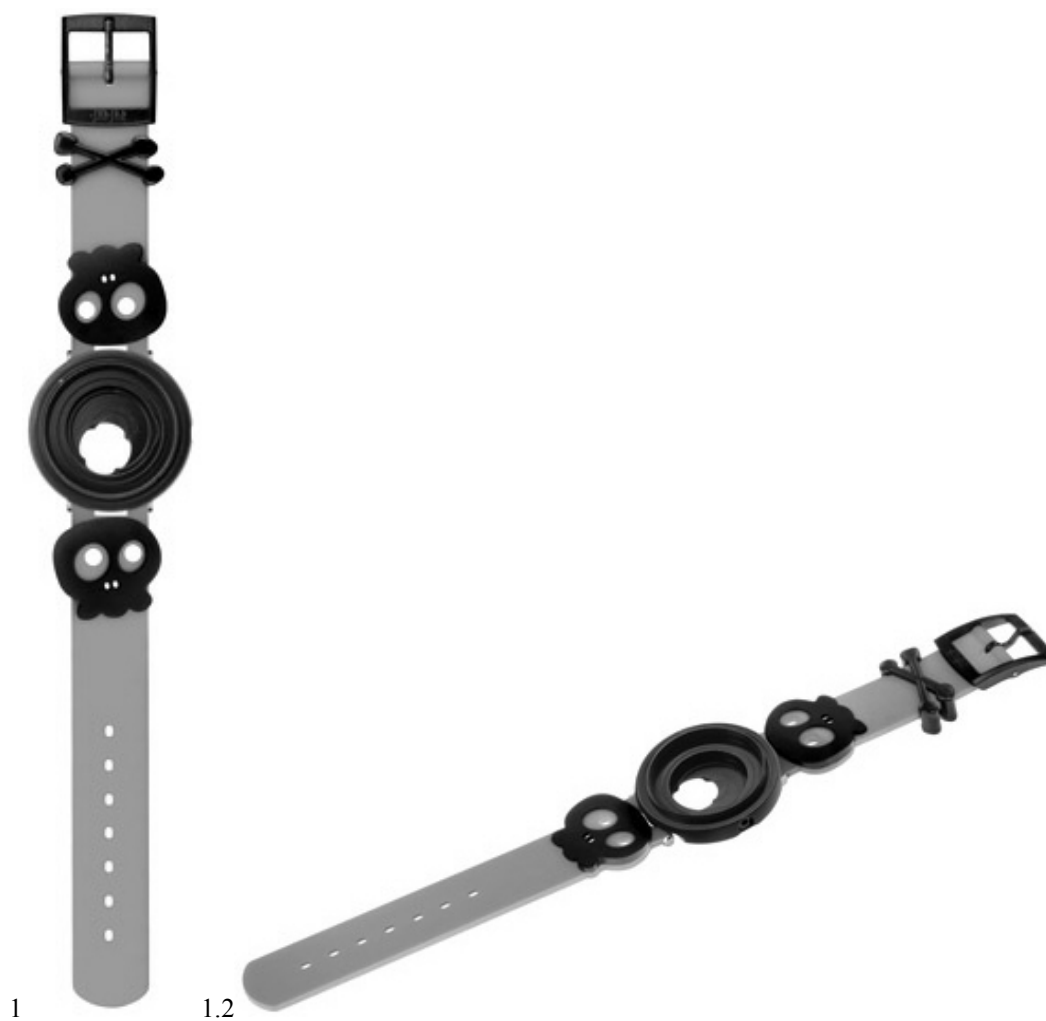
(45) 2012/22 (2012 06 08)

(28) 1



1

- (11) DM/078413 (51) 10-02, 07
(15) 2012 05 22 (45) 2012/23 (2012 06 15)
(22) 2012 05 22 (28) 3
(73) ETA SA MANUFACTURE HORLOGÈRE SUISSE
CH-2540 Grenchen (CH)
(85) CH
(86) CH
(87) CH
(88) CH
(89) CH
(81) IL, BZ, MA, III, AL, AM, AZ, BA, CH, EM, GE, HR, KG, LI, MC, MD, ME, MK, MN, NO, OM, SG, TJ,
TR, UA
(72) Damien GOYET
45, rue Principale, F-68480 Winkel
(54) 1. Watch case with strap; 2.-3. Wristwatches
(55)





(11) DM/078415

(51) 10-02

(15) 2012 05 24

(45) 2012/23 (2012 06 15)

(22) 2012 05 24

(28) 2

(73) SWATCH AG (SWATCH SA)(SWATCH LTD)

Jakob-Stämpfli-Strasse 94, CH-2502 BIEL/BIENNE (CH)

(85) CH

(86) CH

(87) CH

(88) CH

(89) CH

(81) II. BZ, MA. III. AL, AM, AZ, BA, CH, EM, GE, HR, KG, LI, MC, MD, ME, MK, MN, NO, OM, SG, TR, UA

(72) №1, 2: Emmanuelle Antille

Av. de Béthusy 38, CH-1005 Lausanne

(54) 1.-2. Wristwatches

(55)



(11) DM/078439

(51) 09-01

(15) 2012 04 19

(45) 2012/23 (2012 06 15)

(22) 2012 04 19

(28) 1

(30) 06.03.2012; 4023752; GB

(73) ANITA CAVENDISH

61 Link House, Nine Elms Lane, New Covent Garden Market SW8 5PA (GB)

(86) n/a

(87) EM

(88) n/a

(89) EM

(81) III. AL, AM, AZ, BA, BW, CH, EG, EM, GE, GH, HR, IS, KG, LI, MC, MD, ME, MK, MN, NA, NO, OA, OM, RS, RW, SG, ST, SY, TJ, TR, UA

(72) Anita Cavendish

61 Link House Nine Elms Lane, New Covent Garden Market SW8 5PA, GB

(54) 1. Nail polish bottle and cap

(55)



1.1



1.2



1.3

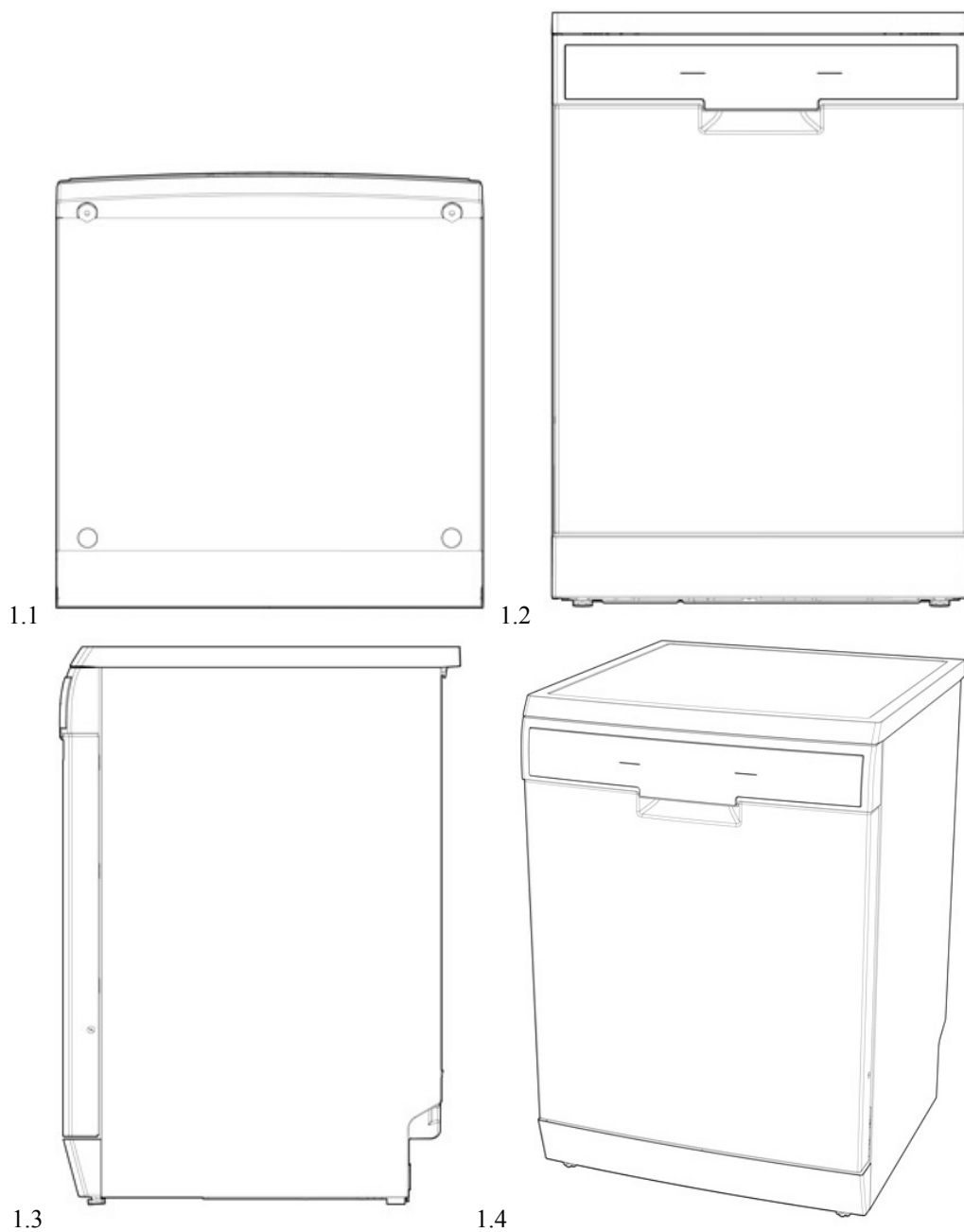


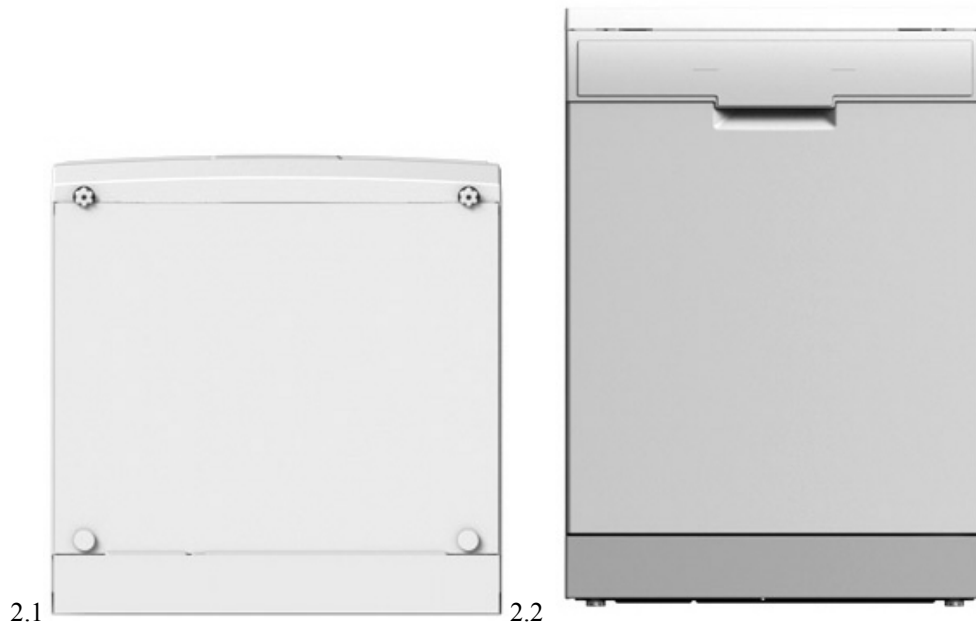
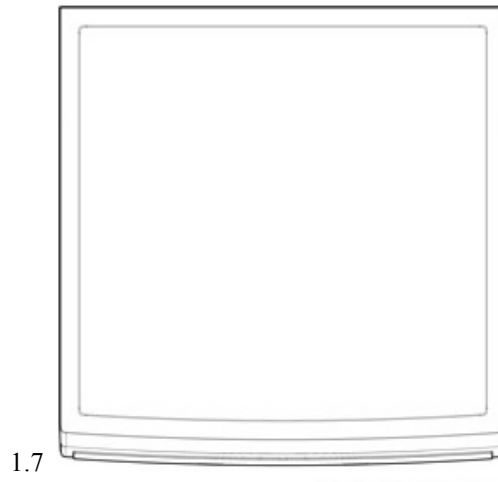
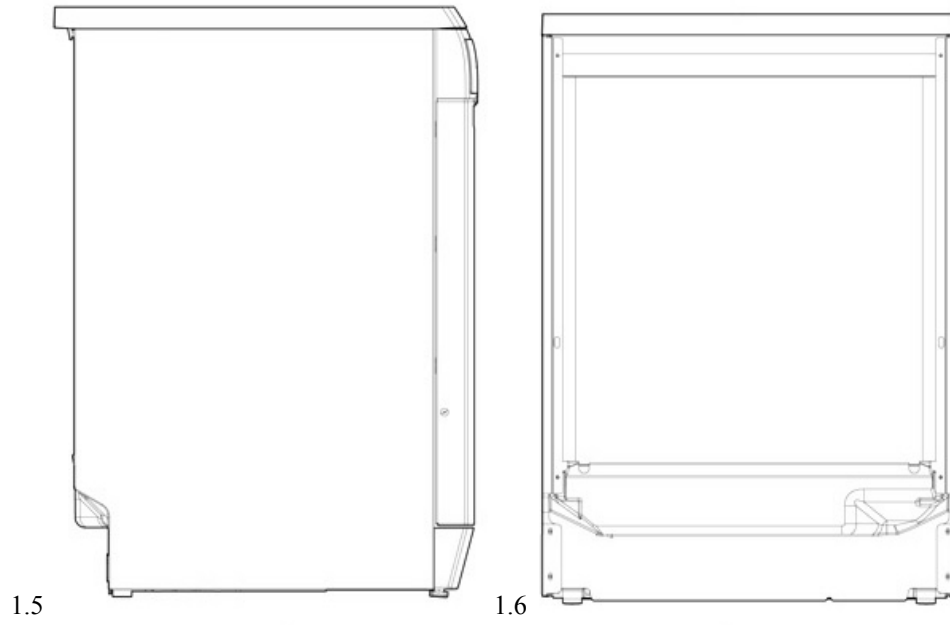
1.4



1.5

- (11) **DM/077394** (51) **15-05**
(15) 2011 12 22 (45) 2012/24 (2012 06 22)
(22) 2011 12 22 (28) 8
(30) 29.06.2011; 001884362; EM
(73) ELECTROLUX HOME PRODUCTS CORPORATION N.V.
B-1130 Raketstraat 40, 1130 Brussel (BE)
(86) BX, EM
(87) BX, EM
(88) BX, EM
(89) EM
(81) IL, MA, III, AM, CH, EG, GE, IS, MN, NO, OM, SG, TR
(72) Group of Designers 'Electrolux Industrial Design Center Europe'
c/o Electrolux Italia S.p.A. Corso Lino Zanussi, 30, 33080 Porcia (PN), Italy
(54) 1.-2. Dishwashers; 3.-8. Parts of dishwashers
(55)







2.3



2.4



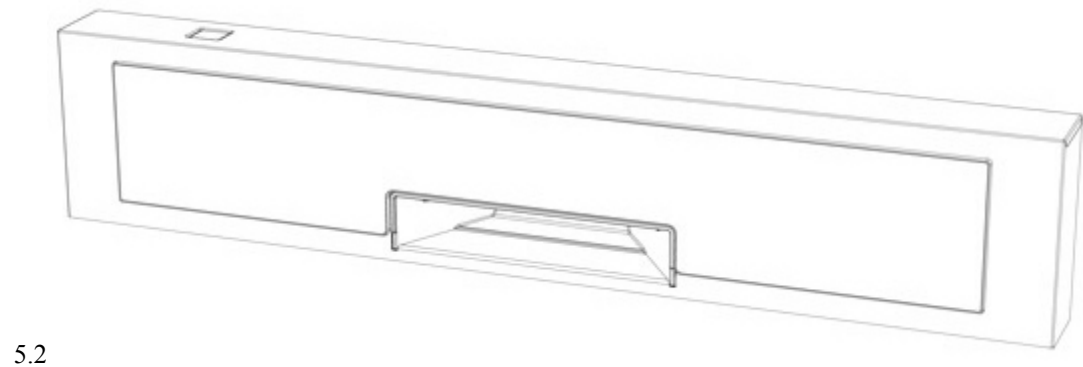
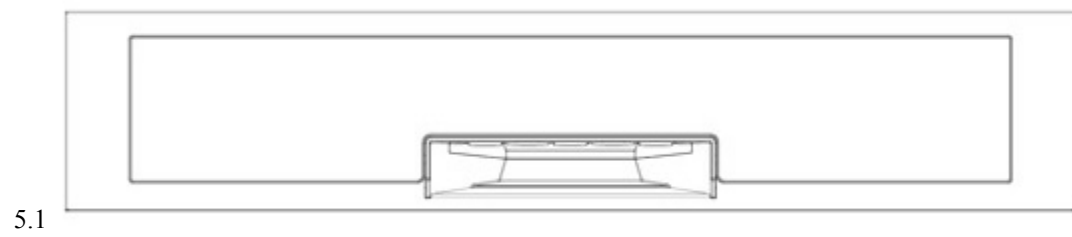
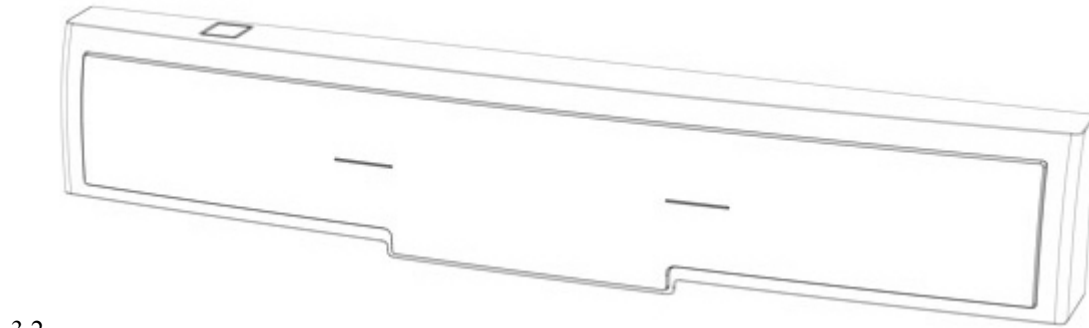
2.5



2.6



2.7

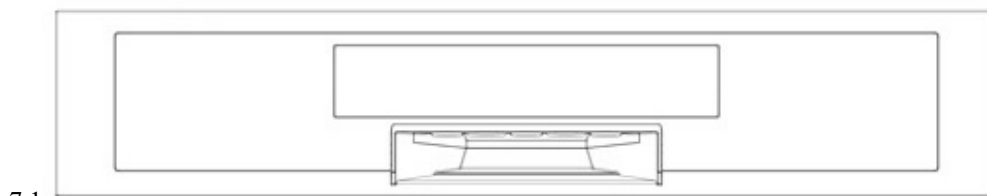




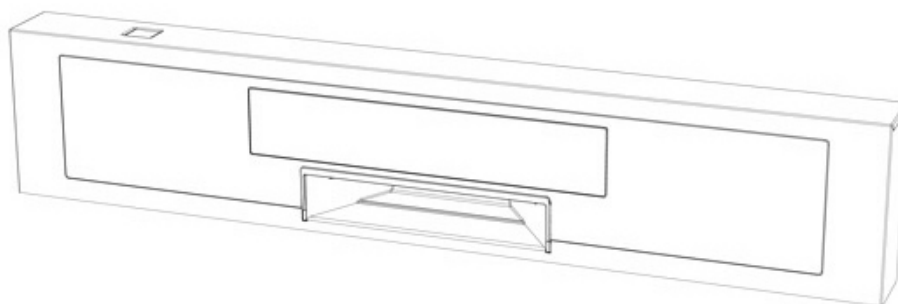
6.1



6.2



7.1



7.2



8.1



8.2

(11) DM/077395

(51) 07-02

(15) 2011 12 22

(45) 2012/24 (2012 06 22)

(22) 2011 12 22

(28) 14

(30) for designs No(s) 5, 6, 11, 12, 13, 14: 29.06.2011; 001884438; EM; for designs No(s) 1, 2, 3, 4, 7, 8, 9, 10: 01.07.2011; 001885427; EM

(73) ELECTROLUX HOME PRODUCTS CORPORATION N.V.
B-1130 Raketstraat 40, 1130 Brussel (BE)

(86) BX, EM

(87) BX, EM

(88) BX, EM

(89) EM

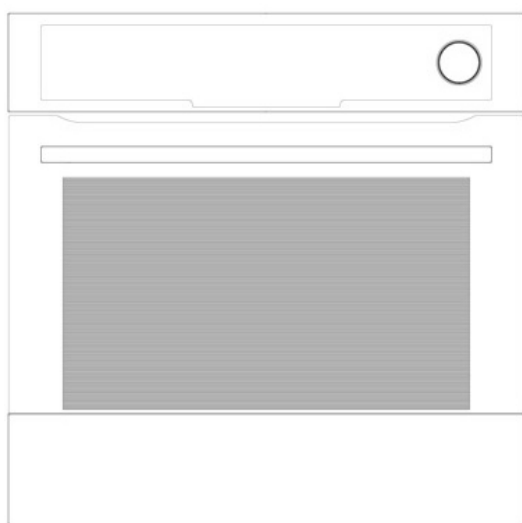
(81) IL, MA, III, AM, CH, EG, GE, IS, MN, NO, OM, SG, TR

(72) Mr. Per Börjesson

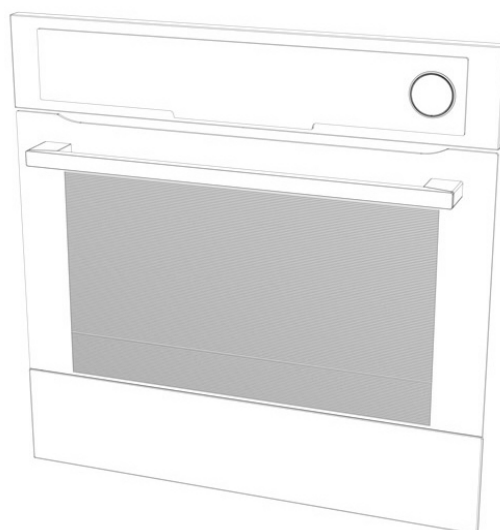
c/o Electrolux Italia S.p.A., Corso Lino Zanussi 30, 33080 Porcia (PN), Italy

(54) 1.-2. Ovens (cooking) ; 3.-6. Parts of ovens (cooking); 7.-8. Ovens (cooking); 9.-12. Parts of ovens (cooking); 13.-14. Ovens (cooking)

(55)



1.1



1.2



2.1

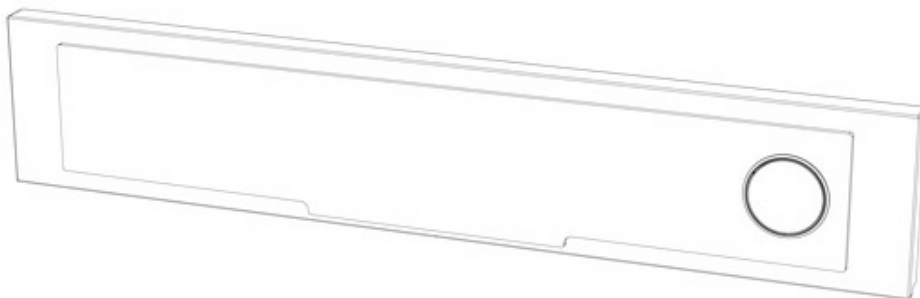


2.2

3.1



3.2



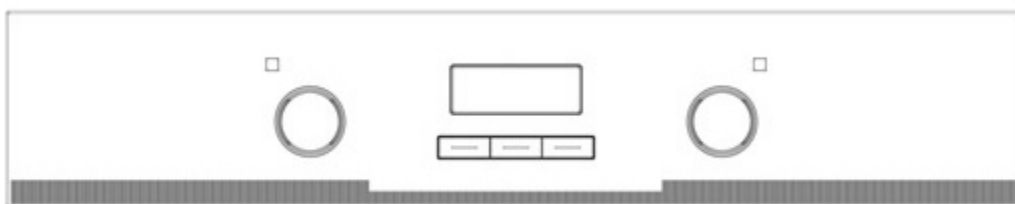
4.1



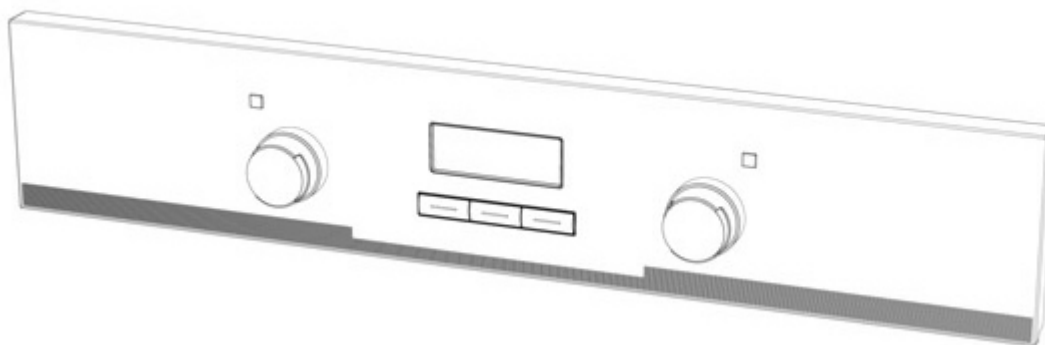
4.2



5.1



5.2

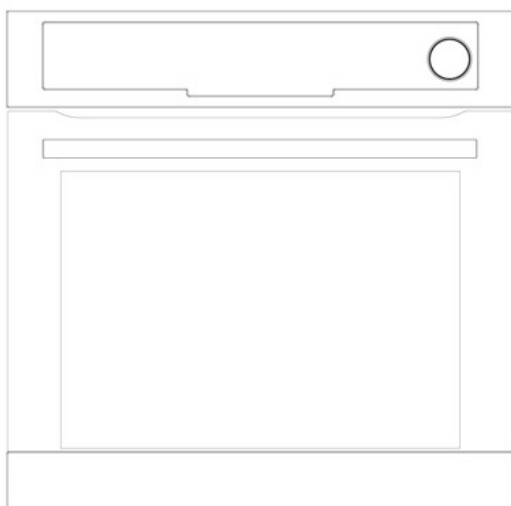




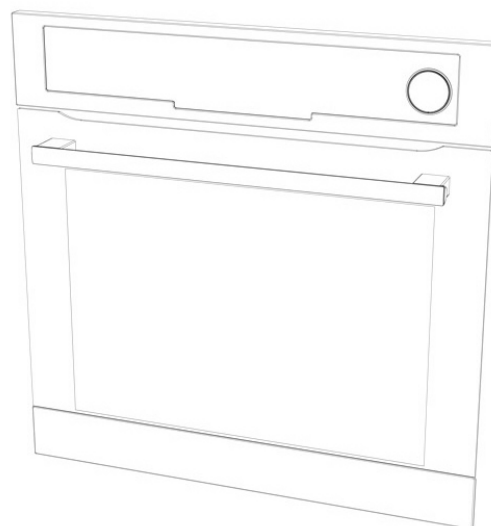
6.1



6.2



7.1



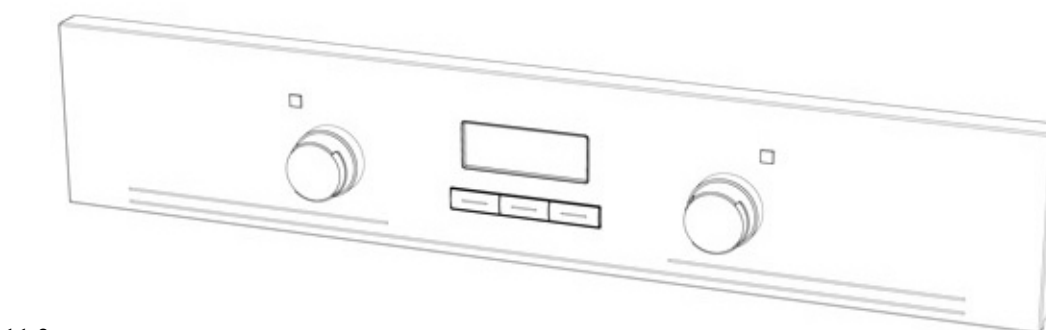
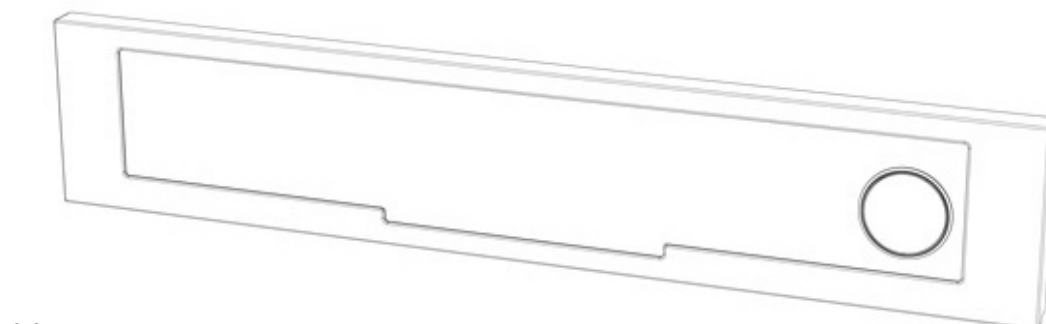
7.2



8.1



8.2

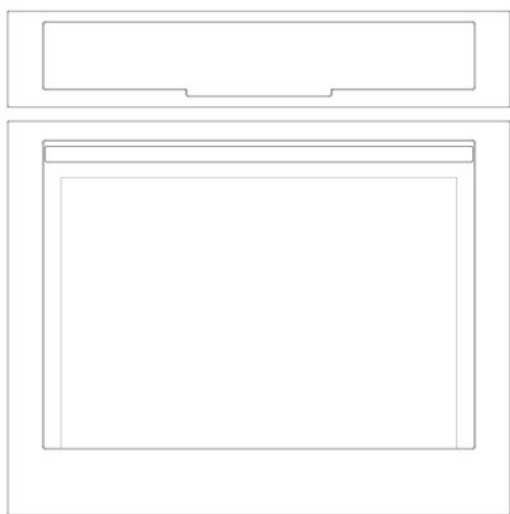




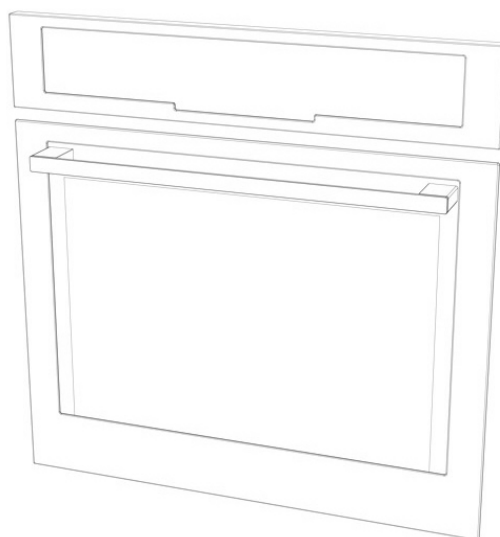
12.1



12.2



13.1



13.2



14.1



14.2

(11) DM/076464**(51) 15-05**

(15) 2011 06 27

(45) 2012/25 (2012 06 29)

(22) 2011 06 27

(28) 2

(73) ALFRED KÄRCHER GMBH & CO. KG

Alfred-Kärcher-Straße 28-40, 71364 Winnenden (DE)

(85) EM

(86) DE, EM

(87) DE, EM

(88) DE, EM

(89) EM

(81) II. KP, MA, ME. III. BA, CH, EG, EM, GE, HR, LI, MD, MK, MN, OM, TR

(54) 1.-2. Parts of high pressure cleaners

(55)



1.1



1.2



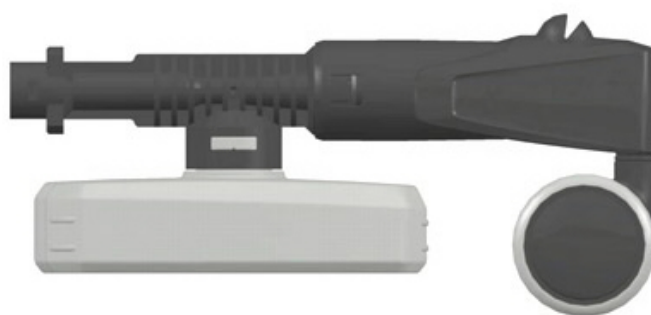
1.3



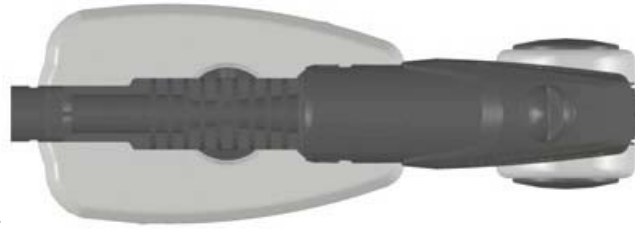
1.4



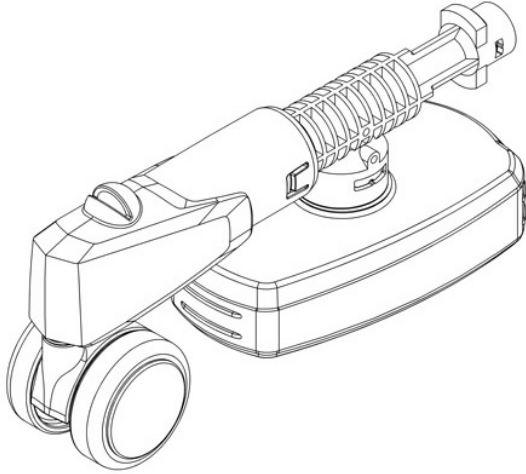
1.5



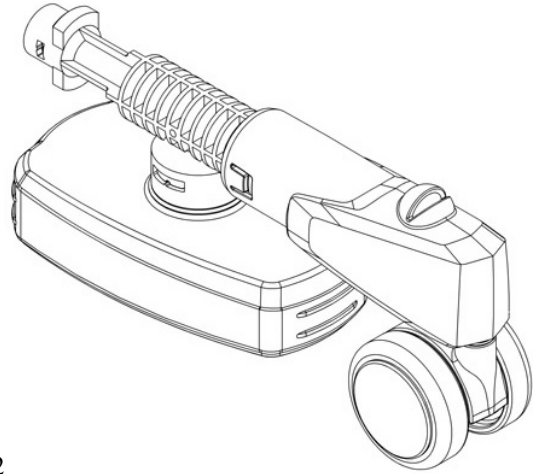
1.6



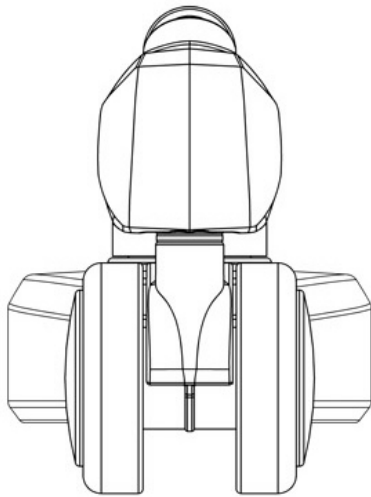
1.7



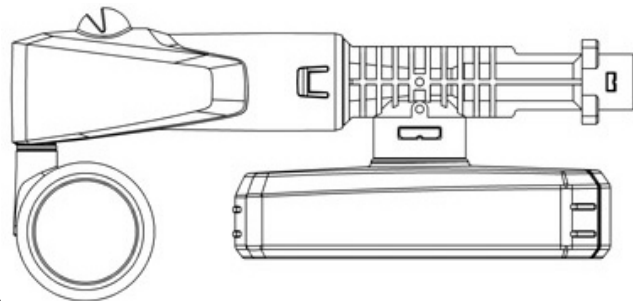
2.1



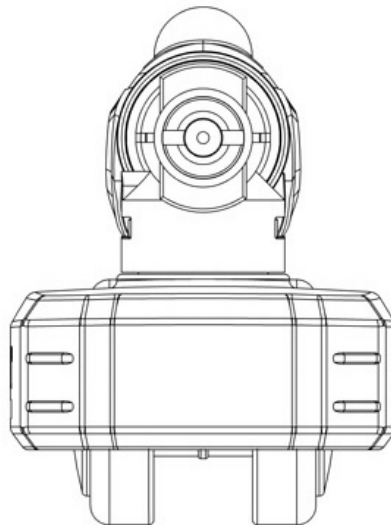
2.2



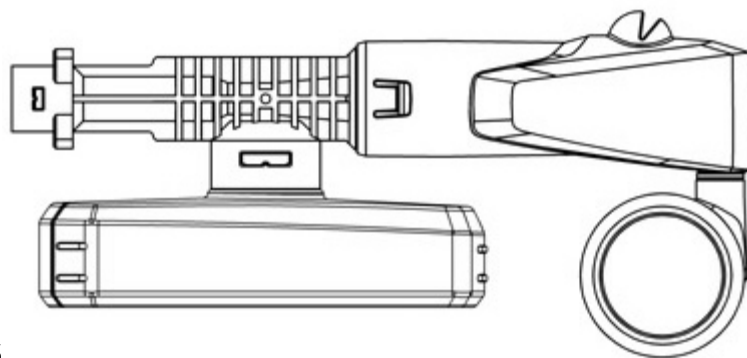
2.3



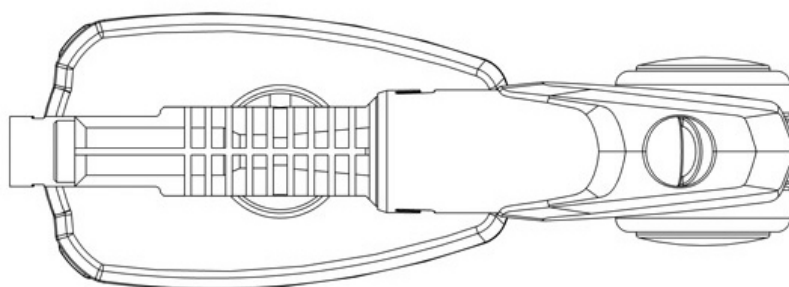
2.4



2.5

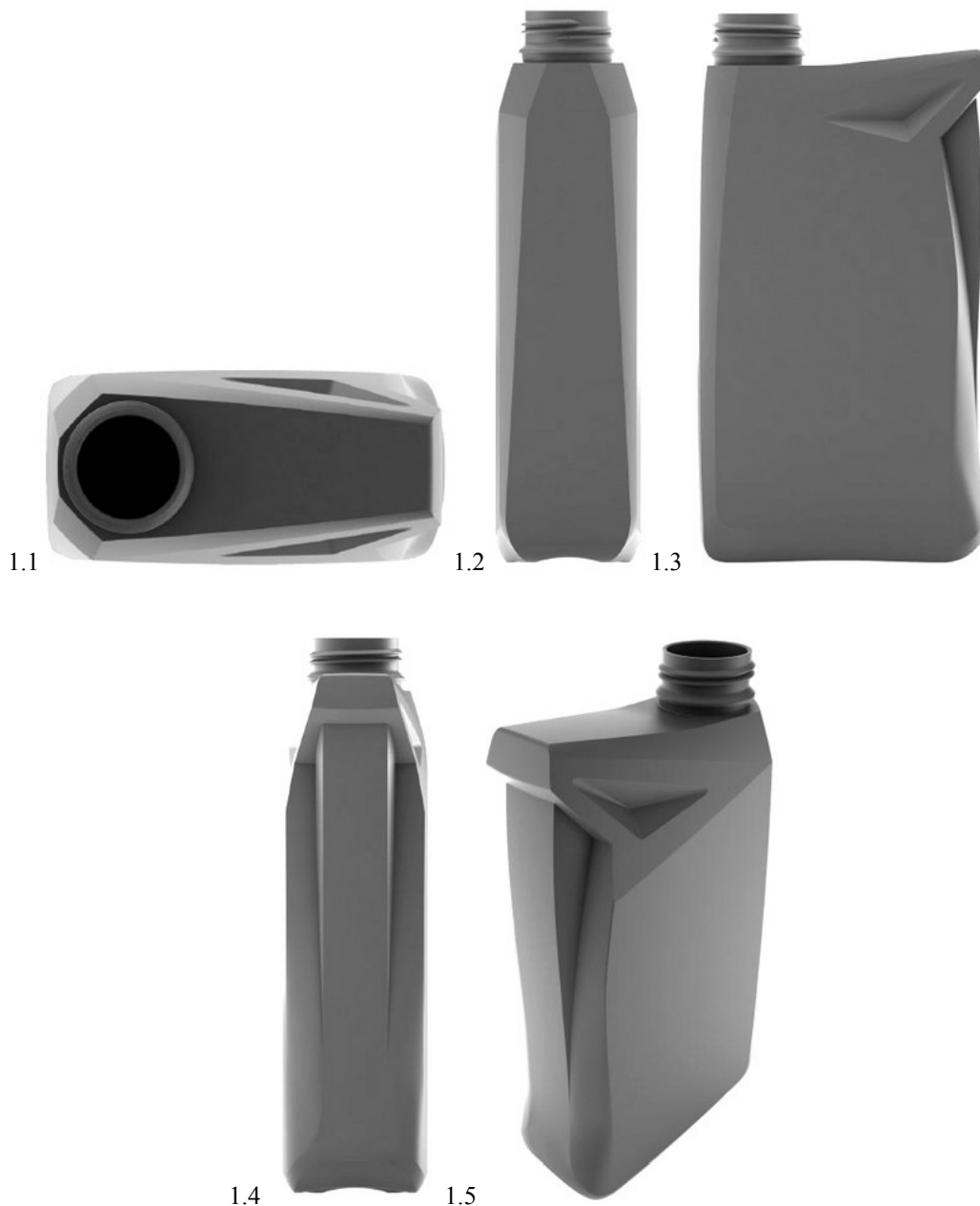


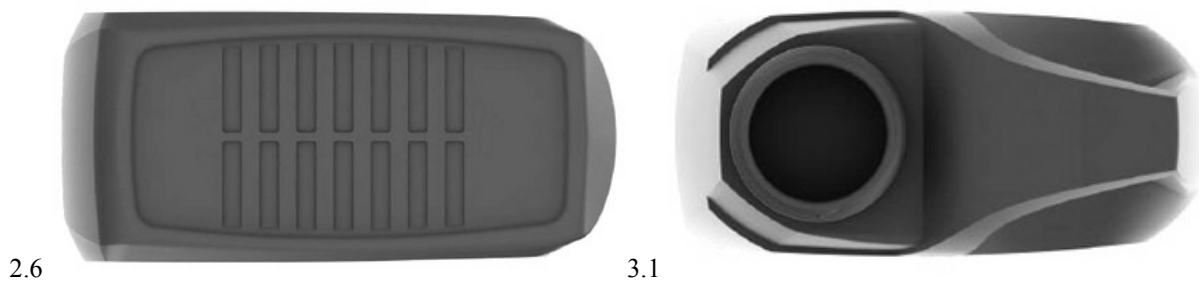
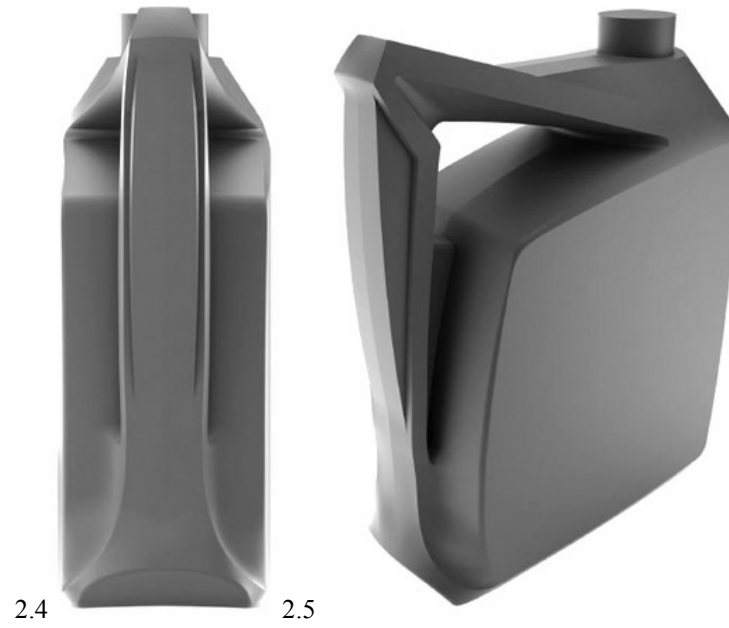
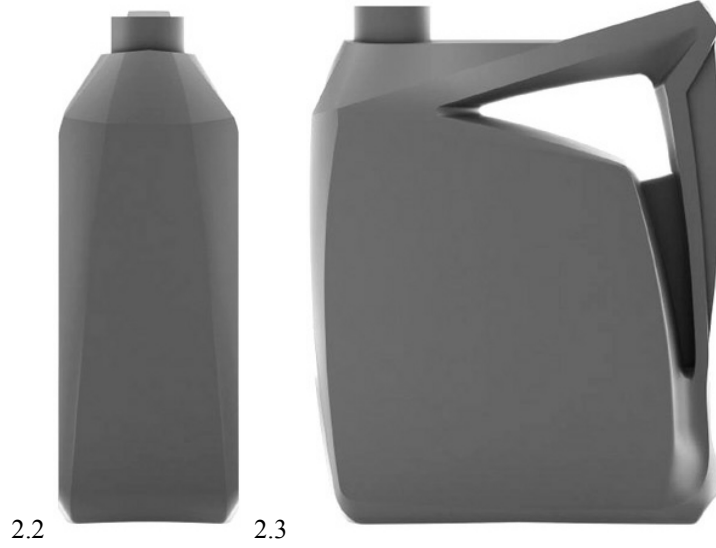
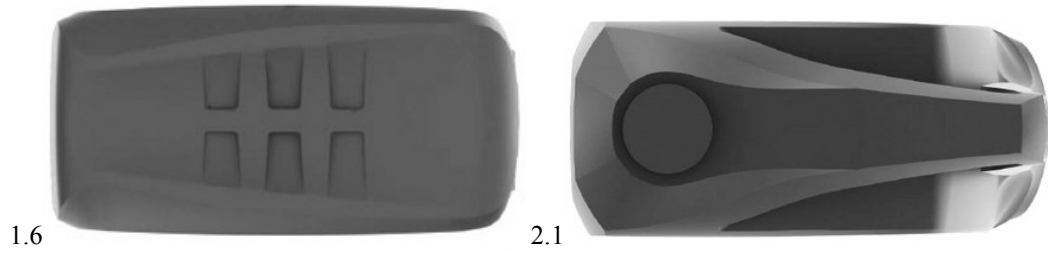
2.6

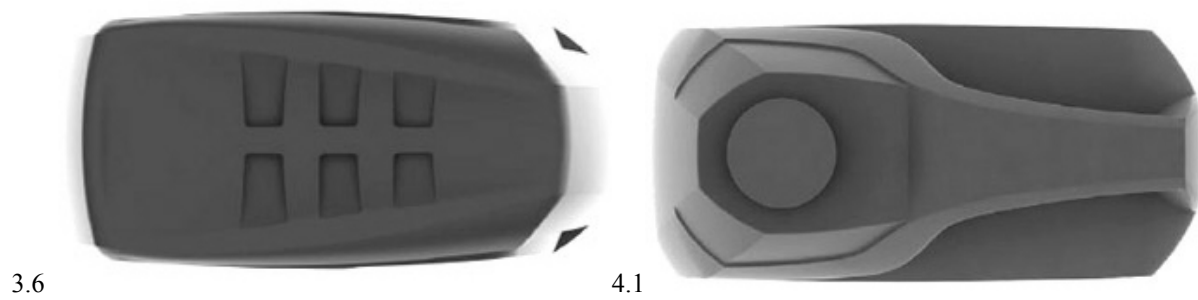


2.7

(11) DM/078520 (51) 09-02
(15) 2012 05 22 (45) 2012/25 (2012 06 29)
(22) 2012 05 22 (28) 4
(73) WOLF OIL CORPORATION N.V.
Georges Gilliotstraat 52, B-2620 Hemiksem (BE)
(85) EM
(86) BX, EM
(87) BX, EM
(88) BX, EM
(89) EM
(81) III. AM, AZ, EM, GE, KG, OA, TR, UA
(54) 1.-4. Canisters
(55)









4.2



4.3



4.4



4.5



4.6

(11) DM/078564

(51) 10-02

(15) 2012 06 19

(45) 2012/26 (2012 07 06)

(22) 2012 06 19

(28) 6

(73) SWATCH AG (SWATCH SA)(SWATCH LTD)

Jakob-Stämpfli-Strasse 94, CH-2502 BIEL/BIENNE (CH)

(85) CH

(86) CH

(87) CH

(88) CH

(89) CH

(81) IL, BZ, MA, III, AL, AM, AZ, BA, CH, EM, GE, HR, KG, LI, MC, MD, ME, MK, MN, NO, OM, SG, TJ, TN, TR, UA

(72) Mod. №1 à 2: Danilo SALA, Swatchlab, Via Archimede 6, IT-20129 Milano;

Mod. №3 à 6: Antonio FAZIO, Avenue de Cour 40, CH-1007 Lausanne

(54) 1.-2. Wristwatches; 3.-6. Watches

(55)



(11) DM/078569

(51) 10-02

(15) 2012 06 21

(45) 2012/26 (2012 07 06)

(22) 2012 06 21

(28) 1

(73) SWATCH AG (SWATCH SA)(SWATCH LTD)

Jakob-Stämpfli-Strasse 94, CH-2502 BIEL/BIENNE (CH)

(85) CH

(86) CH

(87) CH

(88) CH

(89) CH

(81) II. BZ, MA. III. AL, AM, AZ, BA, CH, EM, GE, HR, KG, LI, MC, MD, ME, MK, MN, NO, OM, SG, TN, TR, UA

(72) JI Weiyu et SONG Tao

"dit BIRDHEAD", Lingshan Rd, 2011-41-604, 200135 SHANGHAI, P.R. China

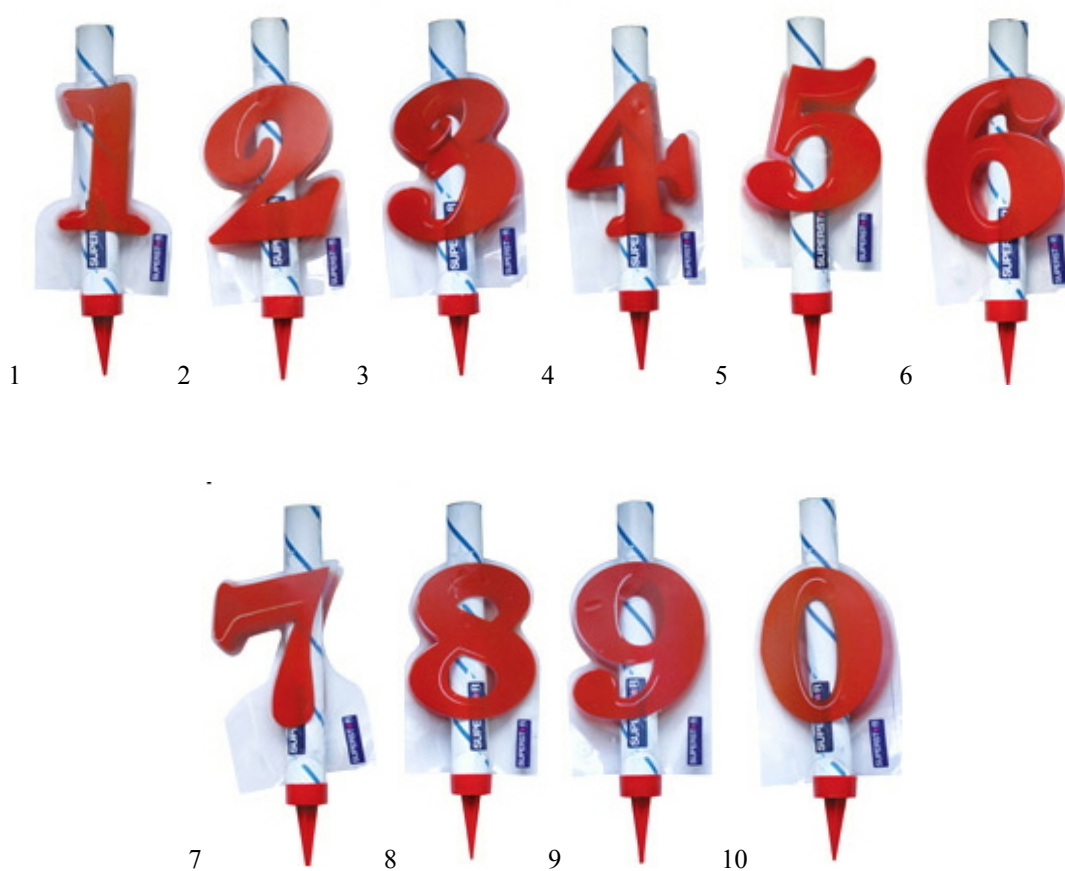
(54) 1. Wristwatch

(55)



1

- (11) DM/078574 (51) 26-01
(15) 2011 10 26 (45) 2012/26 (2012 07 06)
(22) 2011 10 26 (28) 10
(73) ENIGMA LTD. 23
"Saedinenie" Blvd., BG-6300 Haskovo (BG)
(85) EM
(86) BG, EM
(87) n/a
(88) n/a
(89) EM
(81) III. AM, EM, GE, MK, RS
(72) Stanislav Nikolov
Tsarigradsko shose bl.2, entr.2 ap.22, Sofia BG-1113
(54) 1.-10. Candles
(55)



TRADEMARKS

APPLICATIONS FILED UNDER THE NATIONAL PROCEDURE APPROVED FOR REGISTRATION

The decision can be appealed at the Chamber of Appeal of Sakpatenti within 3 months from the publication or at the Administrative Chamber of the Tbilisi City Court (Address: №6, David Aghmashenebeli Kheivani 12 km., Tbilisi) within 1 month following the publication.

(260) AM 2012 64239 A
(210) AM 064239
(220) 2011 09 27
(731) PAYLESS SHOESOURCE WORLDWIDE
INC.
Jayhawk Towers, 700 Southwest Jackson
Street, Suite 202, Topeka, Kansas
66603, USA
(740) Shalva Gvaramadze
(540)



(591) Black, white
(531) 26.01.22-27.05.24-
(511) 35

(260) AM 2012 64246 A
(210) AM 064246
(220) 2011 09 28
(731) BOSNALIJEK, PHARMACEUTICAL AND
CHEMICAL INDUSTRY, JOINT STOCK
COMPANY
71000 Sarajevo, Jukićeva 53, Bosnia and
Herzegovina
(740) David Zurabishvili
(540)



PILFUD

(591) Black, white
(531) 26.01.05-26.13.25-27.05.05-
(511) 3, 5

(260) AM 2012 64298 A
(210) AM 064298
(220) 2011 09 30
(731) HARRINGTON DEVELOPMENT INC.
Arango-Orillac Bldg. East 54 th street,
Panama
(740) Givi Akopashvili
(540)

**PRIME
MAX**

(591) Black, white
(531) 27.05.17-
(511) 34

(260) AM 2012 64366 A
(210) AM 064366
(220) 2011 10 10
(731) CARGILL, INCORPORATED
15407 McGinty Road West, Wayzata,
Minnesota 55391-5624, USA
(740) Shalva Gvaramadze
(540)

TRUVIA

(591) Black, white
(511) 1, 30

(260) AM 2012 64367 A
(210) AM 064367
(220) 2011 10 10
(731) CARGILL, INCORPORATED
15407 McGinty Road West, Wayzata,
Minnesota 55391-5624, USA
(740) Shalva Gvaramadze
(540)



(591) Black, white
(531) 10.03.04-26.03.06-
(511) 1, 5, 30

(260) AM 2012 64424 A
(210) AM 064424
(220) 2011 10 13
(731) LASHA NADAREISHVILI
Ikaltos q. 8, bina 54, 0171, Tbilisi, Georgia
(540)



(591) Black, white
(531) 26.04.22-27.05.24-28.19.00-
(511) 16, 35, 38

(260) AM 2012 64528 A
(210) AM 064528
(220) 2011 10 21
(310) 2011/33743
(320) 2011 04 22
(330) TR
(731) BRITISH AMERICAN TOBACCO
(BRANDS) LIMITED
Global House, 4 Temple Place, London
WC2R 2 PG, United Kingdom
(740) Tamar Kochlamazashvili
(540)

iSHIFT

(591) Black, white
(511) 34

(260) AM 2012 64579 A
(210) AM 064579
(220) 2011 10 25
(731) HIWIN TECH LOGIES CORP.
N46, 37th RD., TAICHUNG INDUSTRIAL
PARK, TAICHUNG 40707, TAIWAN,
R.O.C., China
(740) David Zurabishvili
(540)

HIWIN

(591) Black, white
(531) 27.05.17-
(511) 7

(260) AM 2012 66020 A
(210) AM 066020
(220) 2012 01 31
(731) George Janashvili
Terenti Granelis shesakhvevi N6, 0102,
Tbilisi, Georgia
(540)



(591) Color of marsh, golden, tobacco, green
(531) 05.07.10-17.05.22-29.01.12-
(511) 3, 29, 30, 33, 35

REGISTERED TRADEMARKS

(111) M 2012 022863 R
(151) 2012 08 30
(181) 2022 08 30
(260) AM 2011 59620 A
(220) 2010 09 28
(732) GUTHY-RENKER LLC
41-550 Eclectic Street, Suite 200, Palm
Desert, California 92260, USA

(111) M 2012 022868 R
(151) 2012 08 30
(181) 2022 08 30
(260) AM 2011 61588 A
(220) 2011 03 07
(732) GARAGE IMINTERNATIONAL LUX SARL
1 Allée Scheffer, Suite 2.05.1, L-2520
Luxembourg, Luxembourg

(111) M 2012 022864 R
(151) 2012 08 30
(181) 2022 08 30
(260) AM 2012 59975 A
(220) 2011 06 16
(732) SS "BEL ILAC SANAYII VE TICARET A
NIM SIRKETI"-IS TSARM.
SAQARTVELOSHI
Tavisuflebis moedani N4, 0105, Tbilisi,
Georgia

(111) M 2012 022869 R
(151) 2012 08 30
(181) 2022 08 30
(260) AM 2011 61589 A
(220) 2011 03 07
(732) GARAGE IMINTERNATIONAL LUX SARL
1 Allée Scheffer, Suite 2.05.1, L-2520
Luxembourg, Luxembourg

(111) M 2012 022865 R
(151) 2012 08 30
(181) 2022 08 30
(260) AM 2012 60732 A
(220) 2010 12 27
(732) ASHTARAK KAT CJSC
Village Agarak, Aragatsotn province,
Armenia

(111) M 2012 022870 R
(151) 2012 08 30
(181) 2022 08 30
(260) AM 2011 61735 A
(220) 2011 03 18
(732) LTD "KONIAKISA DA GVINIS
QARKHANA VAZIANI"
Tamar Mepis gamz. 6, 0112, Tbilisi, Georgia

(111) M 2012 022866 R
(151) 2012 08 30
(181) 2022 08 30
(260) AM 2012 61332 A
(220) 2011 02 15
(732) LTD "SOFT-INFO"
Vazha-Pshavelas gamz.41, me-4 sartuli,
0177, Tbilisi, Georgia

(111) M 2012 022871 R
(151) 2012 08 30
(181) 2022 08 30
(260) AM 2112 62117 A
(220) 2011 04 18
(732) OMER BABUR
Ilia Chavchavadzis gamz. 37, 0179, Tbilisi,
Georgia

(111) M 2012 022867 R
(151) 2012 08 30
(181) 2022 08 30
(260) AM 2011 61587 A
(220) 2011 03 07
(732) GARAGE IMINTERNATIONAL LUX SARL
1 Allée Scheffer, Suite 2.05.1, L-2520
Luxembourg, Luxembourg

(111) M 2012 022872 R
(151) 2012 08 30
(181) 2022 08 30
(260) AM 2012 62429 A
(220) 2011 05 16
(732) LTD "IMANI"
David Agmasheneblis gamz. 63a, bina 2,
0102, Tbilisi, Georgia

(111) M 2012 022873 R
(151) 2012 08 30
(181) 2022 08 30
(260) AM 2012 62632 A
(220) 2011 05 31
(732) CHONGQING YUAN IN VATION TECH
LOGY CO., LTD
Fenghuang, Shapingba District, Chongqing,
China

(111) M 2012 022874 R
(151) 2012 08 30
(181) 2022 08 30
(260) AM 2012 62633 A
(220) 2011 05 31
(732) ABDI İBRAHİM İLAÇ SANAYİ VE
TİCARET A NİM ŞİRKETİ
Reşitpaşa Mahallesi Eski Büyükdere
Caddesi N4, 34467 Maslak-Sarıyer-İstanbul,
Turkey

(111) M 2012 022875 R
(151) 2012 08 30
(181) 2022 08 30
(260) AM 2012 62634 A
(220) 2011 05 31
(732) ABDI İBRAHİM İLAÇ SANAYİ VE
TİCARET A NİM ŞİRKETİ
Reşitpaşa Mahallesi Eski Büyükdere
Caddesi N4, 34467 Maslak-Sarıyer-İstanbul,
Turkey

(111) M 2012 022876 R
(151) 2012 08 30
(181) 2022 08 30
(260) AM 2012 62836 A
(220) 2011 06 14
(732) PLAYBOY ENTERPRISES
INTERNATIONAL, INC.
680 rth Lake Shore Drive Chicago, Illi is
60611, USA

(111) M 2012 022877 R
(151) 2012 08 30
(181) 2022 08 30
(260) AM 2012 62837 A
(220) 2011 06 14
(732) PLAYBOY ENTERPRISES
INTERNATIONAL, INC.
680 rth Lake Shore Drive Chicago, Illi is
60611, USA

(111) M 2012 022878 R
(151) 2012 08 30
(181) 2022 08 30
(260) AM 2012 62901 A
(220) 2011 06 20
(732) WILLIAMS-SO MA, INC.
3250 Van Ness Avenue, San-Francisco,
California 94109, USA

(111) M 2012 022879 R
(151) 2012 08 30
(181) 2022 08 30
(260) AM 2012 62902 A
(220) 2011 06 20
(732) WILLIAMS-SO MA, INC.
3250 Van Ness Avenue, San-Francisco,
California 94109, USA

(111) M 2012 022880 R
(151) 2012 08 30
(181) 2022 08 30
(260) AM 2012 62903 A
(220) 2011 06 20
(732) WILLIAMS-SO MA, INC.
3250 Van Ness Avenue, San-Francisco,
California 94109, USA

(111) M 2012 022881 R
(151) 2012 08 30
(181) 2022 08 30
(260) AM 2012 62904 A
(220) 2011 06 20
(732) WILLIAMS-SO MA, INC.
3250 Van Ness Avenue, San-Francisco,
California 94109, USA

(111) M 2012 022882 R
(151) 2012 08 30
(181) 2022 08 30
(260) AM 2012 62905 A
(220) 2011 06 20
(732) WILLIAMS-SO MA, INC.
3250 Van Ness Avenue, San-Francisco,
California 94109, USA

(111) M 2012 022883 R
(151) 2012 08 30
(181) 2022 08 30
(260) AM 2012 62932 A
(220) 2011 06 22

(732) Discovery Communications, LLC
One Discovery Place, Silver Spring,
Maryland 20910, USA

(111) M 2012 022884 R
(151) 2012 08 30
(181) 2022 08 30
(260) AM 2012 62974 A
(220) 2011 06 28

(732) SHAQRO BAKURADZE
Gabashvilis q. N3, b. 43, Tbilisi, Georgia;
SHEKSPIR YUSUPOV
Nutsbidze Plateau, III m/d, II quartal,
build. 8, ap. 22, 0183, Tbilisi, Georgia

(111) M 2012 022885 R
(151) 2012 08 30
(181) 2022 08 30
(260) AM 2012 62994 A
(220) 2011 06 29

(732) British American Tobacco (Brands) Inc.
(a Delaware corporation)
2711 Centerville Road, Suite 300,
Wilmington, Delaware 19808, USA

(111) M 2012 022886 R
(151) 2012 08 30
(181) 2022 08 30
(260) AM 2012 63015 A
(220) 2011 07 01

(732) Obshestvo s ogranichen i otvetstven stiu
"Fast Fud Systems"
Altufevskoe shosse, d.2 a, 127273
q. Moskovi, Russian Federation

(111) M 2012 022887 R
(151) 2012 08 30
(181) 2022 08 30
(260) AM 2012 63118 A
(220) 2011 07 07

(732) LTD "SANTE JI-EM-TI PRODUQTEBI"
Kakhetis gzatketsili, me-10 km., 0182,
Tbilisi, Georgia

(111) M 2012 022888 R
(151) 2012 08 30
(181) 2022 08 30
(260) AM 2012 63182 A
(220) 2011 07 12

(732) SS "TELIANI VELI"
Tbilisis gzatketsili N 3, 2200, Telavi, Georgia

(111) M 2012 022889 R
(151) 2012 08 30
(181) 2022 08 30
(260) AM 2012 63223 A
(220) 2011 07 14

(732) AMERICAN EXPRESS MARKETING &
DEVELOPMENT CORP. LIMITED
200 Vesey Street., New York, New York
10285, USA

(111) M 2012 022890 R
(151) 2012 08 30
(181) 2022 08 30
(260) AM 2012 63224 A
(220) 2011 07 14

(732) AMERICAN EXPRESS MARKETING &
DEVELOPMENT CORP. LIMITED
200 Vesey Street., New York, New York
10285, USA

(111) M 2012 022891 R
(151) 2012 08 30
(181) 2022 08 30
(260) AM 2012 63225 A
(220) 2011 07 14

(732) AMERICAN EXPRESS MARKETING &
DEVELOPMENT CORP. LIMITED
200 Vesey Street., New York, New York
10285, USA

(111) M 2012 022892 R
(151) 2012 08 30
(181) 2022 08 30
(260) AM 2012 63226 A
(220) 2011 07 15

(732) BRITISH AMERICAN TOBACCO
(BRANDS) INC. (A DELAWARE CORPO-
RATION)
2711 Centerville Road, Suite 300,
Wilmington, Delaware 19808, USA

(111) M 2012 022893 R
(151) 2012 08 30
(181) 2022 08 30
(260) AM 2012 63299 A
(220) 2011 07 20

(732) LTD "FUDSERVISI"
Marshal Gelovanis gamz. 2, 0159, Tbilisi,
Georgia

TRADEMARKS

(111) M 2012 022894 R
(151) 2012 08 30
(181) 2022 08 30
(260) AM 2012 63300 A
(220) 2011 07 20
(732) LTD "FUDSERVISI"
Marshal Gelovanis gamz. 2, 0159, Tbilisi,
Georgia

(111) M 2012 022895 R
(151) 2012 08 30
(181) 2022 08 30
(260) AM 2012 63301 A
(220) 2011 07 20
(732) COLGATE-PALMOLIVE COMPANY,
a Delavare corporation
300 Park Avenue, New York, New York
10022, USA

(111) M 2012 022896 R
(151) 2012 08 30
(181) 2022 08 30
(260) AM 2012 63302 A
(220) 2011 07 20
(732) COLGATE-PALMOLIVE COMPANY,
a Delavare corporation
300 Park Avenue, New York, New York
10022, USA

(111) M 2012 022897 R
(151) 2012 08 30
(181) 2022 08 30
(260) AM 2012 63303 A
(220) 2011 07 20
(732) ASCHLAND LICENSING AND
INTELLECTUAL PROPERTY LLC
5200 Blazer Parkway, Dublin, Ohio 43017,
USA

(111) M 2012 022898 R
(151) 2012 08 30
(181) 2022 08 30
(260) AM 2012 63462 A
(220) 2011 07 28
(732) PHILIP MORRIS BRANDS SÀRL.
Quai Jeanrenaud 3, 2000 Neuchâtel,
Switzerland

(111) M 2012 022899 R
(151) 2012 08 30
(181) 2022 08 30
(260) AM 2012 63480 A

(220) 2011 07 29
(732) TONG MO CHING
6/F., -Yan Hing Centre, 9-13 Wong Chuk
Yeung Street, Fo Tan, New Territories, The
Hong Kong Special Administrative Region
of the people's republic of China

(111) M 2012 022900 R
(151) 2012 08 30
(181) 2022 08 30
(260) AM 2012 63529 A
(220) 2011 08 03
(732) VISA INTERNATIONAL SERVICE
ASSOCIATION
900 Metro Center Boulevard, Foster City,
California 94404, USA

(111) M 2012 022901 R
(151) 2012 08 30
(181) 2022 08 30
(260) AM 2012 63591 A
(220) 2011 08 09
(732) FISCHER PHARMACEUTICALS LTD
P.O.B. 39071, Tel-Aviv 61390, Israel

(111) M 2012 022902 R
(151) 2012 08 30
(181) 2022 08 30
(260) AM 2012 63637 A
(220) 2011 08 10
(732) GAP (ITM) INC.
2 Folsom Street, San Francisco, CA 94105,
USA

(111) M 2012 022903 R
(151) 2012 08 30
(181) 2022 08 30
(260) AM 2012 63638 A
(220) 2011 08 10
(732) GAP (ITM) INC.
2 Folsom Street, San Francisco, CA 94105,
USA

(111) M 2012 022904 R
(151) 2012 08 30
(181) 2022 08 30
(260) AM 2012 63639 A
(220) 2011 08 10
(732) GAP (ITM) INC.
2 Folsom Street, San Francisco, CA 94105,
USA

(111) M 2012 022905 R
(151) 2012 08 30
(181) 2022 08 30
(260) AM 2012 63640 A
(220) 2011 08 10
(732) GAP (ITM) INC.
2 Folsom Street, San Francisco, CA 94105,
USA

(111) M 2012 022906 R
(151) 2012 08 30
(181) 2022 08 30
(260) AM 2012 63641 A
(220) 2011 08 10
(732) GAP (ITM) INC.
2 Folsom Street, San Francisco, CA 94105,
USA

(111) M 2012 022907 R
(151) 2012 08 30
(181) 2022 08 30
(260) AM 2012 63642 A
(220) 2011 08 10
(732) GAP (ITM) INC.
2 Folsom Street, San Francisco, CA 94105,
USA

(111) M 2012 022908 R
(151) 2012 08 30
(181) 2022 08 30
(260) AM 2012 63643 A
(220) 2011 08 10
(732) GAP (ITM) INC.
2 Folsom Street, San Francisco, CA 94105,
USA

(111) M 2012 022909 R
(151) 2012 08 30
(181) 2022 08 30
(260) AM 2012 63644 A
(220) 2011 08 10
(732) GAP (ITM) INC.
2 Folsom Street, San Francisco, CA 94105,
USA

(111) M 2012 022910 R
(151) 2012 08 30
(181) 2022 08 30
(260) AM 2012 63645 A
(220) 2011 08 10
(732) GAP (ITM) INC.
2 Folsom Street, San Francisco, CA 94105,
USA

(111) M 2012 022911 R
(151) 2012 08 30
(181) 2022 08 30
(260) AM 2012 63646 A
(220) 2011 08 10
(732) GAP (ITM) INC.
2 Folsom Street, San Francisco, CA 94105,
USA

(111) M 2012 022912 R
(151) 2012 08 30
(181) 2022 08 30
(260) AM 2012 63647 A
(220) 2011 08 10
(732) GAP (ITM) INC.
2 Folsom Street, San Francisco, CA 94105,
USA

(111) M 2012 022913 R
(151) 2012 08 30
(181) 2022 08 30
(260) AM 2012 63648 A
(220) 2011 08 10
(732) GAP (ITM) INC.
2 Folsom Street, San Francisco, CA 94105,
USA

(111) M 2012 022914 R
(151) 2012 08 30
(181) 2022 08 30
(260) AM 2012 63649 A
(220) 2011 08 10
(732) GAP (ITM) INC.
2 Folsom Street, San Francisco, CA 94105,
USA

(111) M 2012 022915 R
(151) 2012 08 30
(181) 2022 08 30
(260) AM 2012 63650 A
(220) 2011 08 10
(732) GAP (ITM) INC.
2 Folsom Street, San Francisco, CA 94105,
USA

(111) M 2012 022916 R
(151) 2012 08 30
(181) 2022 08 30
(260) AM 2012 63651 A
(220) 2011 08 10
(732) GAP (ITM) INC.
2 Folsom Street, San Francisco, CA 94105,
USA

TRADEMARKS

(111) M 2012 022917 R
(151) 2012 08 30
(181) 2022 08 30
(260) AM 2012 63735 A
(220) 2011 08 12
(732) AFC Enterprises, Inc.
5555 Glenridge Connector, NE, Suite 300,
Atlanta, GA 30342-4741, USA

(111) M 2012 022918 R
(151) 2012 08 30
(181) 2022 08 30
(260) AM 2012 63736 A
(220) 2011 08 12
(732) AFC Enterprises, Inc.
5555 Glenridge Connector, NE, Suite 300,
Atlanta, GA 30342-4741, USA

(111) M 2012 022919 R
(151) 2012 08 30
(181) 2022 08 30
(260) AM 2012 64030 A
(220) 2011 09 14
(732) McDonald's International Property Company,
Ltd. a corporation organized and existing
under the laws of the State of Delaware
2711 Centerville Road, Suite 400,
Wilmington, DE 19808 Delaware, USA

TRADEMARKS REGISTERED ACCORDING TO THE ACCELERATED PROCEDURE

The decision can be appealed at the Chamber of Appeal of Sakpatenti within 3 months from the publication.

(111) AM 2012 22857 R
(151) 2012 08 23
(181) 2022 08 23
(210) AM 068213
(220) 2012 08 07
(732) LTD "METSXHRE ARKHI INFO"
300 Aragveli q. 1, 0144, Tbilisi, Georgia
(540)



(591) Blue, yellow
(531) 26.04.04-26.04.17-27.05.17-27.07.17-
29.01.12-
(511) 38

(111) AM 2012 22858 R
(151) 2012 08 23
(181) 2022 08 23
(210) AM 068151
(220) 2012 07 24
(732) MZIA MAGLAKELIDZE
Ts. Dadianis q. 315, b. 15, 0192, Tbilisi,
Georgia
(740) George Taktakishvili
(540)

წობკვოგო

MILL

МЕЛЬНИЦА

(591) Black-white
(531) 27.05.05-28.05.00-28.19.00-
(511) 43

(111) AM 2012 22859 R
(151) 2012 08 23
(181) 2022 08 23
(210) AM 068366
(220) 2012 08 15
(732) LTD "TLC Property Management"
Shushis q. 38, 0189, Tbilisi, Georgia
(540)



(591) Green
(531) 26.01.02-26.01.20-26.11.13-29.01.03-
(511) 6

(111) AM 2012 22860 R
(151) 2012 08 23
(181) 2022 08 23
(210) AM 068390
(220) 2012 08 16
(732) I/M "GIORGI ALTUNASHVILI"
Varketilis masivi, me-4 m/r, II rigi, korp.6,
bina 144, 0177, Tbilisi, Georgia
(540)



(591) Yellow, sky
(531) 26.04.17-27.05.01-29.01.12-
(511) 38

(111) AM 2012 22861 R
(151) 2012 08 23
(181) 2022 08 23
(210) AM 068311
(220) 2012 08 14
(732) LTD "GRAND ELEQTRONIQSI"
Tevdore Mgvdlis q. 44, didube-chuguretis
raoni, 0154, Tbilisi, Georgia
(540)

GRAND

(591) Black-white
(531) 27.05.04-
(511) 11

(111) AM 2012 22862 R
(151) 2012 08 29
(181) 2022 08 29
(210) AM 067921
(220) 2012 07 06
(732) LTD "JORJIAN BEIQERS"
Beliashvilis 2, 0159, Tbilisi, Georgia
(540)

**"GEORGIAN BAKERS"
L.T.D.**

(591) Black-white
 (526) **Disclaimer** – Word "GEORGIAN" in the trademark shall not be subject to independent protection.
 (511) 30

(111) M 2012 22920 R
 (151) 2012 08 30
 (181) 2022 08 30
 (210) AM 068137
 (220) 2012 07 19
 (732) GRIGOL DIDIA
 Tbetis q.9, bina 22, 6000, Batumi, Georgia
 (740) George Taktakishvili
 (540)



(591) Silver, red, blue, black
 (531) 15.07.02-26.01.01-29.01.15-
 (511) 8

(111) M 2012 22921 R
 (151) 2012 08 31
 (181) 2022 08 31
 (210) AM 068169
 (220) 2012 07 27
 (732) GOCHA CHKHAIDZE
 Shpaliernaia q. 34, b. 13, Sanqt-peterburgi, Russian Federation
 (740) Irakli Beqauri
 (540)

გოჩა
GOCHA
 Гоча

(591) Black-white
 (511) 33

(111) M 2012 22922 R
 (151) 2012 08 31
 (181) 2022 08 31
 (210) AM 068274
 (220) 2012 08 13
 (732) LTD "QIMERIONI"
 Sopeli Chumlaki, 1519, Gurjaanis raioni, Georgia

(540)



(591) Golden, red, white
 (531) 24.01.03-24.01.15-24.01.25-27.05.03-
 28.19.00-29.01.13-
 (511) 33, 35

(111) M 2012 22923 R
 (151) 2012 09 03
 (181) 2022 09 03
 (210) AM 068196
 (220) 2012 08 03
 (732) SK "DIZON LIMITEDI"-is TSARMO-MADGENLOBA SAQARTVELOSHI
 Atenis q. 6/8, b. 75, 0179, Tbilisi, Georgia
 (740) Nana Sepashvili
 (540)



(591) Green, black, white
 (531) 05.01.02-27.05.05-27.05.24-27.05.24-
 29.01.13-
 (526) **Disclaimer** – The trademark is protected as a whole, without word combinations "PARK HOTEL BORJOMI", shall not be subject to independent protection.
 (511) 43

INTERNATIONAL TRADEMARKS FOR WHICH A DECISION ON GRANTING PROTECTIONS IS TAKEN

The decision can be appealed at the Chamber of Appeal of Sakpatenti within 3 months from the publication or at the Administrative Chamber of the Tbilisi City Court (Address: №6, David Aghmashenebeli Kheivani 12 km., Tbilisi) within 1 month following the publication.

(260) AM 2012 62600 A

(800) 972618

(731) VINEXPO

12 Place de la Bourse, F-33000

BORDEAUX, France

(540)



(591) Black, white, yellow

(511)

16 – Printed matter in particular books, printed publications, magazines, newspapers, pamphlets, periodicals, posters, pictures; office requisites, except furniture; writing instruments in particular pens, propelling pencils, fountain pens; pencil sharpeners; time planners, calendars; paper cutters; writing pads; instructional and teaching materials (excluding apparatus).

35 – Professional consulting relating to business management and organisation; dissemination of advertising matter, dissemination of advertising material (leaflets, prospectuses, printed matter, samples); demonstration of goods; auction sales; business appraisals; marketing studies; rental of advertising spaces and materials; organisation of exhibitions for commercial and advertising purposes.

41 – Organisation of shows, exhibitions, competitions, seminars and sampling and wine-tasting events particularly relating to wines, spirits and foodstuffs; organisation of radio or television shows; teaching and training services relating to the management, commercialisation, marketing, export, production and storage of beverages.

(260) AM 2012 64796 A

(800) 1093885

(731) Fédération Internationale de Football

Association (FIFA)

FIFA-Strasse 20, CH-8044 Zürich,

Switzerland

(540)

WORLD CUP 2018

(591) Black, white

(511)

1 – Sensitized films (unexposed); chemicals for industrial purposes; tanning substances; artificial sweeteners; hydraulic energy transmission oils and fluids; liquids for hydraulic circuits; hydraulic oils; transmission fluids; brake fluids; antifreeze solution; cooling liquids for vehicle motors and engines.

3 – Cosmetics; soaps; cosmetic bath preparations; perfumes; pre-shave and after-shave lotions; shaving creams; shampoos, hair conditioners; dentifrices, mouthwashes; deodorants and anti-perspirants for personal use; skincare creams, beauty creams; facial cleansing creams; make-up removing preparations; suncare lotions; makeup for the face; hair lotions, hair sprays; make-up preparations, eye shadows, face powders, cosmetic pencils; decorative transfers for cosmetic purposes; cleaning, polishing, scouring and abrasive preparations for household use; laundry powders; synthetic cleaning products for household use; shoe waxes and polishing creams; polish for maintaining leather; wax for leather; cream for leather; paste for waxing leather.

4 – Industrial oils and greases; lubricants; lubricating oils and greases; motor and engine oils and fuels; non-chemical additives for motor fuel, lubricants and grease for candles; waxes.

6 – Metal rings and chains for keys, figurines, ornaments, statues, statuettes, sculptures and trophies; badges of metal for vehicles; fixed towel dispensers; all the above goods made of common metals or their alloys.

9 – Glasses, sunglasses, diving and swimming goggles, cords for diving and swimming goggles, cases and cords for glasses and sunglasses; binoculars; magnets and decorative magnets; directional compasses; apparatus for recording, transmitting, editing, mixing and reproducing sound and images; radio sets; television sets; flat screens; liquid crystal display screens; high-definition screens and plasma screens; home cinema system apparatus; video tape recorders; compact disk players; personal CD players; DVD players; MP3 players; playing devices containing music in digital form; cassette

players; personal cassette players; minidisk players; portable radio sets; loudspeakers; headsets; earphones; microphones; remote control devices, voice-activated remote control devices; navigation apparatus; personal digital assistants (PDAs); computers; data processing apparatus; computer keyboards; computer screens; modems; computer carrying cases; computer mice; computer mouse pads; electronic pocket translators; dictating apparatus; electronic notebooks and agendas; scanners; printers; photocopiers; facsimile machines; telephone apparatus; telephone answering equipment; video telephones; cellular telephones; cases for cellular telephones; apparatus for hands-free telephone use; earphones and headsets for cellular telephones; keyboards for cellular telephones; straps for cellular telephones; special cases for carrying cellular telephones; photographic cameras and video cameras embedded in cellular telephones; calculating machines; credit card readers; machines for changing money; automatic teller machines; video cameras, portable video cameras incorporating a tape recorder; photographic equipment, photographic cameras, cameras (cinematographic apparatus), projectors, flash-bulbs (photographs), special cases and cords for photographic apparatus and instruments, electric cells and batteries; apparatus and programs for karaoke; apparatus for video games; game consoles; voice-activated or manually operated joysticks; memory adapters (computer equipment); microprocessor cards; magnetic or chip-based credit cards; flat irons; alarms; electronic vending machines; wind socks (wind indicators); photovoltaic cells and solar electric panels; equipment for measuring distance; speed measuring and displaying equipment; tire pressure sensors; gauges for tire pressure; audio receivers, sound amplifiers; television picture tubes; television cathode-ray tubes; decoders, namely, computer software and hardware capable of converting, providing and transmitting audio and video data; computer disk drives; protected semiconductors; integrated circuits containing programs for processing audio, visual or computer data; rechargeable batteries; central processing units and converters for audio and video data; cables for data transmission; electronic commerce payment apparatus; protective helmets for sports.

10 – Personal diagnostic apparatus for medical purposes; medical measuring apparatus and instruments; massage apparatus for personal use; gymnastics apparatus for medical use; indicatory apparatus for medical diagnosis; condoms; support bandages; ice bags and heat bags for medical use.

12 – Bicycles, motorcycles, scooters, automobiles, trucks, pick-up trucks, camping cars, motor coa-

ches, refrigerated vehicles, airplanes and boats; air balloons, dirigible air balloons; tires, air tubes for pneumatic tires, rubber reinforcements for retreading tires, equipment and kits for repairing tires and inner tubes; adhesive patches for repairing tires and inner tubes, valves for tires, apparatus for inflating tires, skid-resistant devices for vehicle tires such as spikes and chains; wheels, rims, wheel rim spacers, hubcaps; tire covers; vehicle accessories, namely sun visors, luggage racks, ski racks, hubcaps for wheels, seat covers, vehicle covers; baby carriages, strollers; safety seats for infants and children (for vehicles); motors and engines for land vehicles.

14 – Jewelry, necklaces; jewelry; crystals and precious stones; watches; wristwatches, clocks; chronometers; pendulum clocks; medallions, pendants, brooches; bracelets, leather wristbands; pins (jewelry); team and player pins (jewelry); tie clips and tie pins; cufflinks; medals, commemorative medals of precious metal, commemorative plates, victors' trophies, statues and sculptures, decorative hat pins, all these goods being of precious metal; fantasy key rings; coins; medallions and badges for clothing of precious metal; ornamental key holders, ornamental key holders of plastic; medallions, not of precious metal.

18 – Leather and imitation leather; leather straps; umbrellas, parasols; sports bags (other than those adapted for the goods they contain); leisure bags; travel bags, backpacks; carrying bags, school satchels; belt bags, handbags, leather bags; ball-shaped leather bags; beach bags, garment bags; suitcases; straps for suitcases; travel bags; briefcases (leather goods); toiletry cases (vanity cases) (empty); toiletry sets; key cases (leather goods); attaché cases; wallets; purses; check holders; clothing, collars and leashes for pets.

20 – Mirrors (looking glasses); statues, figurines, ornaments, souvenir trophies of wood, wax, plaster or plastic; identification plates (uncoded), particularly identity tags, keycards (uncoded), all the aforementioned goods of plastic; cushions; cushions as car accessories; sleeping bags for camping, furniture; seats for indoor and outdoor use; shelves (furniture); stalls for goods; fixed towel dispensers (non-metallic); coat hangers, fans for personal use; inflatable and rigid promotional objects of plastic; advertising banners and materials of plastic; library shelves; bookstands; straps of plastic; identification wristbands of plastic; photograph frames.

21 – Household or kitchen utensils and containers (non-electric); picnic sets (crockery); glass bottles (containers); spoons for mixing (kitchen utensils); non-electric juicers for household use; cutting boards for the kitchen; trays for household use; ice

pails; manual mixers (shakers); sugar shakers; beer mugs, beer pitchers, tumblers, drinking cups and glasses, carafes; trays and plates, coasters for glasses or bottles, saucers, glasses; teapots, kitchen gloves; household gloves; bottle openers; corkscrews; cap removers; bottles; insulating bottles; non-electric containers for food and beverages; metal boxes for dispensing towels; hair brushes and combs; toothbrushes; dental floss; statues, sculptures, figurines, ornaments and trophies of porcelain, terra-cotta or glass in connection with football; small decorative bottles for cosmetic use, clothes dryers; waste paper baskets; feeding bowls and cages for pets.

24 – Sleeping bags (padded); sheets; eiderdowns; bed covers; pillowcases; curtains, shower curtains; curtain fabrics; towels; bath linen, tea towels, blankets; handkerchiefs of textile, wall hangings, small flags; flags; flags for motor cars, rearview mirror covers; banners; pennants; table linen not of paper; textile labels.

25 – Clothing; footwear; headgear; shirts; knitwear (clothing); pullovers, sleeveless pullovers; T-shirts; jerseys; sleeveless jerseys, dresses; skirts; underclothing; bathing suits, two-piece swimming suits (bikinis); shorts; slacks; sweaters; knitted caps; caps; hats; sashes for wear; scarves, shawls; caps with visors; tracksuits; sweatshirts; jackets; sports jackets; stadium vests; blazers; waterproof clothing; coats; uniforms; neckties; wrist bands; headbands; gloves; aprons; bibs (not of paper); pajamas; play suits for infants and children; socks stockings; garters; belts; suspenders; sandals, flip-flop sandals.

26 – Braid; tassels (haberdashery); ribbons; ribbons for clothing; buttons; needles; sewing boxes; brooches (clothing accessories); decorative pins and needles, not of precious metal; ornamental pins, not of precious metal, for hats; hair bands; hair pins; hair ribbons; non-precious metal pins; competitors' numbers used in competitions for advertising purposes; shoe ornaments not of precious metal.

28 – Toys; play balloons; tables for table football; dolls and stuffed toys; vehicles (toys); balls; inflatable toys confetti; gymnastic and sporting articles; gymnastic apparatus; football equipment, namely footballs, gloves, knee guards, elbow guards, shoulder guards, shin guards, football goals, kick-at-goal walls; sports bags and containers (adapted to objects) for carrying sports items; novelty hats (toys); foam-rubber hands (toys); robots (toys) for entertainment, toy model airplanes, toys for pets.

30 – Coffee; tea; cocoa; sugar; honey; molasses for food, yeast; artificial coffee; flours; flours made with soya; cereal preparations; cereals; bread; pas-

tries; cakes, cookies and biscuits; crackers; sweets; edible ices; confectionery; chocolate confectionery; chocolate; rice; dried cereal flakes; corn chips; mustard; vinegar, sauces (condiments); spices; salt; nutritional, dietetic and/or food supplements made with flours, plant extracts, cereals, rice, tapioca, sago, including those containing vitamins, minerals, essential fatty acids and trace elements, other than for medical use.

32 – Non-alcoholic beverages; concentrates, syrups and powders for making non-alcoholic beverages; mineral and aerated waters; other non-alcoholic beverages; energy beverages; isotonic beverages; hypertonic beverages; hypotonic beverages; fruit and vegetable drinks; fruit and vegetable juices; iced fruit beverages; frozen, flavored, non-carbonated and non-alcoholic beverages; vitamin-enriched beverages (for non-medical purposes); beers; light beers and ales; non-alcoholic beers.

33 – Alcoholic beverages (except beers).

34 – Matches; lighters for smokers; cigarette cases, ashtrays, smokers' articles; cigarettes; tobacco.

35 – Employment agencies; personnel recruitment; services of an advertising text publishing agency; dissemination of advertising matter; rental of advertising time in film credits; advertising in the form of animated cartoons; market study services; market research services; public opinion polling services; organization of exhibitions for commercial or advertising purposes; advertising organization for trade shows; services for managing data banks; business organization and management consulting; business consulting for companies; providing commercial information; retail sale services in connection with articles of common metal, machines and machine tools, implements and tools, optical, audiovisual, magnetic, electrical and electronic apparatus/equipment, medical apparatus/equipment, lighting, heating, cooking, refrigerating, drying and ventilating apparatus/equipment, vehicles and the accessories thereof, items of precious metal, jewelry and horological/chronometric instruments, badges and pins, musical instruments, paper and cardboard articles, printed items and stationery articles, tickets for sports events, articles of leather and imitation leather, luggage and bags, umbrellas, household goods, furniture, promotional and exhibition articles, textile articles, clothing, footwear and headgear, embroidery, ribbons, cords and related goods, floor coverings, games and toys and sports articles, foodstuffs and foods, alcoholic and non-alcoholic beverages, solvents, paraffin, wax, bitumen and oil, essences, oils and lubricants, transmission fluids, brake fluids, antifreeze solution, cooling liquids, hydraulic fluids, greases; retail

sale in supermarkets including the sale of foods and beverages; retail sale of beverages in dispensers; sales services in connection with service stations and stores located in service stations; bringing together for the benefit of others of items of common metal, machines and machine tools, implements and tools, optical, audiovisual, magnetic, electrical and electronic apparatus/equipment, medical apparatus/equipment, lighting, heating, cooking, refrigerating, drying and ventilating apparatus/equipment, vehicles and the accessories thereof, items of precious metal, jewelry and horological/chronometric instruments, badges and pins, musical instruments, paper and cardboard articles, printed items and stationery, tickets for sports events, goods of leather and imitation leather, luggage and bags, umbrellas, household goods, furniture, promotional and exhibition articles, textile articles, clothing, footwear and headgear, embroidery, ribbon, cords and related goods, floor coverings, games and toys and sports items, foodstuffs and foods, alcoholic and non-alcoholic beverages, solvents, paraffin, wax, bitumen and oil, essences, oils and lubricants, transmission fluids, brake fluids, antifreeze solution, cooling liquids, hydraulic fluids, greases (except the transport thereof), allowing customers to view and purchase these articles in retail stores or via the Internet or via wireless electronic communication; information services concerning advertising and promotion, commercial information agencies, all the above services offered online via a computer data bank or via a global computer network (the Internet) or via wireless electronic communications devices; design of advertisements for use as web sites in a global computer network (the Internet) or via wireless electronic communications devices; providing of space on web sites, for advertising of goods and services; auctioneering via a global computer network (the Internet) or via wireless electronic communications devices; collection of directories for publication via the Internet and via a wireless electronic communications network; commercial administration for the processing of commercial services via a global computer network (Internet) or via wireless electronic communications devices; sales promotion, namely the implementation of preferential programs for customers; customer loyalty services and customer club services for commercial, promotional and/or advertising purposes; compilation of data in a central file and particularly of still or animated images.

36 – Issuing and management of credit cards and travelers' checks; financial services; banking, credit and fund investment services; insurance underwriting; lease-purchasing; financial sponsorship of sports meetings; information services concerning

finance and insurance, provided via a computer database or via the Internet or via any wireless electronic communications network; home banking services; banking services via the Internet or via any wireless electronic communications network; payment services via mobile telephone; financial sponsorship search for football competitions; real estate consulting; real estate management services.

37 – Service station services, namely cleaning, greasing, maintenance and repair of vehicles; anti-rust treatments for vehicles; cleaning, polishing, greasing, lubrication, maintenance and repair of aircraft, land vehicles and trailers; motor vehicle cleaning; assembly and repair of tires for vehicle wheels; service station services, particularly gas fueling services; installation and maintenance of wireless electronic communications networks (hardware); computing installation services in connection with sports (hardware); real estate construction services; construction, installation and repair of sports field of natural turf or artificial turf; construction of power stations; construction and maintenance of pipelines; operating of oil and gas fields; installation of structures for the extraction of crude oil; installation of facilities for the extraction of crude oil; installation of solar panels; installation of wind power systems; installation of water power systems; mining services.

38 – Telecommunications, communications via mobile telephones; communications via electronic computer terminals linked to telecommunications, data bank and Internet networks or via wireless electronic communications devices; telephone communications; radio communications; fax communications; paging services; teleconferencing services; television program broadcasting; cable television program broadcasting; radio program broadcasting; services of a press and information agency; rental of telephone apparatus, facsimile machines and other telecommunications apparatus; transmission of commercial Internet pages online or via wireless electronic communications devices; services for transmitting and broadcasting television and radio programs provided via the Internet or via any wireless communications network; electronic message transmission; rental and provision of access time to blackboards (information and advertisement notice boards) and to discussion forums (chatrooms) in real time by means of a global computer network (communications services); providing discussion areas online and electronic display boards for registered users enabling the transmission of messages, management and sharing of photographs including the online posting, publishing, organization thereof; providing discussion areas online and electronic display boards for registered

users for contact networks; providing access to Internet sites containing road maps, information on routes and location coordinates; computer-assisted transmission of messages and images; rental of access to private and commercial sales and ordering services via computer, a global computer network and/or interactive communications technologies; electronic postal services; providing of access time to a global computer network (the Internet) or via wireless electronic communications devices; providing connections for telecommunications with a global computer network (the Internet) or data banks; providing of access to web sites offering digital music on the Internet via a global computer network or via wireless electronic communications devices; radio and television broadcasting of sports and sporting events; providing of discussion forums (chatrooms) for the transmission of messages between computer users; supply of connections to computer installations (telecommunications services); rental of access to a computer holding centralized data banks; rental of access to a centralized computer and to data banks; leasing of access to the Internet via a global computer network or via wireless electronic communications devices; leasing of access to web sites offering digital music via a global computer network or via wireless electronic communications devices; rental of access to MP3 web sites via the Internet, via a global computer network or via wireless electronic communications devices; transmission in real time (streaming) of video and audio equipment via the Internet; transmission in real time (streaming) of digital music via mobile telephones; providing access time to search engines for obtaining data and information via global networks.

43 – Food and drink services, fast-food restaurant services; reception and hospitality services, namely provision of food and drink at sports or entertainment events.

(260) AM 2012 64797 A
 (800) 1093895
 (731) ROSENBERGER Hochfrequenztechnik
 GmbH & Co. KG
 Hauptstr. 1, 83413 Fridolfing, Germany
 (540)

HVR

(591) Black, white
 (511)
 9 – Electric and electronic apparatus and instruments (included in this class), including the afore-said goods in the field of high-frequency engineering; electronic components, electric and electronic switches and circuits, and connecting ele-

ments, including pin and socket connections (included in this class); electric cables; all afore-mentioned goods also in the field of automobile electronic.

(260) AM 2012 64798 A
 (800) 1093918
 (731) MERCK SHARP & DOHME CORP.
 One Merck Drive, Whitehouse Station,
 New Jersey 08889-100, USA
 (540)

KELVEON

(591) Black, white
 (511)
 5 – Pharmaceutical preparations.

(260) AM 2012 64799 A
 (800) 1093970
 (731) METSÄ TISSUE OYJ
 Revontulentie 8C, FI-02100 Espoo, Finland
 (540)



(591) Black, white
 (511)
 3 – Cleaning preparations; soaps; perfumery, essential oils, cosmetics, in particular wet wipes for hygienic and cosmetic purposes; hair lotions.

16 – Paper, cardboard and goods made from these materials, not included in other classes, in particular soft paper products, paper for drying and cleaning for use in service installations and in industry, napkins, table cloths, wrapping and packaging material, face towels, wipes, handkerchiefs, babies' diapers of paper and cellulose; printed matter; plastic materials for packaging (not included in other classes).

21 – Household or kitchen utensils and containers, in particular disposable tableware (other than knives, forks and spoons), holders, containers and dispensers for kitchen rolls, toilet paper, napkins and hand towels; articles for cleaning purposes, in particular soap dishes, soap boxes, soap dispensers, towels and cloths for cleaning.

28 – Games and playthings; decorations, in particular paper party hats.

(260) AM 2012 64800 A
(800) 1093983
(731) GDS HOLDING S.R.L.
Via Tezze di Cereda, 20/A, CORNEDO
VICENTINO (VI), Italy
(540)



(591) Black, white
(511)
9 – Monitor, TV monitors, LCD monitors, computer monitors, printers, photovoltaic panels, sunlight readable displays, inverters.

11 – Solar collectors for heating, LED lamps, solar-powered all-weather lights, refrigerators.

(260) AM 2012 64801 A
(800) 1093994
(731) CELLTRION, INC.
13-6, Songdo-dong, Yeonsu-gu, Inchen
406-840, Republic of Korea
(540)

FLIXCELI

(591) Black, white
(511)
5 – Pharmaceutical preparations for the treatment of autoimmune diseases and autoimmune disorders.

(260) AM 2012 64802 A
(800) 1094006
(731) CELLTRION, INC.
13-6, Songdo-dong, Yeonsu-gu, Inchen
406-840, Republic of Korea
(540)

EMISIMA

(591) Black, white
(511)
5 – Pharmaceutical preparations for the treatment of autoimmune diseases and autoimmune disorders.

(260) AM 2012 64803 A
(800) 1094012
(731) NANYANG RG PETRO-MACHINERY
(GROUP) CO. LTD
No. 869 of Zhongzhou West Road, Nanyang
City, Henan Province, China
(540)



(591) Black, white
(511)
7 – Drilling rigs, floating or non-floating; machines and equipment for oil exploitation and refining; petrochemical plants; oil drilling machines; sludge pumps specially used for petroleum; well cleanup machines; drifting machines (auxiliary devices for oil exploitation, mainly used for clearing the blocked oil wells); oil pumps specially used for petroleum.

(260) AM 2012 64804 A
(800) 1094027
(731) Henkel AG & Co. KGaA
Henkelstr. 67, 40589 Düsseldorf, Germany
(540)

SPORT DOUBLE POWER

(591) Black, white
(511)
3 – Soaps for personal use, body and beauty care preparations, namely foam bath preparations, bath additives and shower gels, body lotions, deodorants for personal use.

(260) AM 2012 64845 A
(800) 1094029
(731) PIRELLI TYRE S.P.A.
Viale Sarca, 222, I-20126 MILANO (MI),
Italy
(540)

P 3000

(591) Black, white
(511)
12 – Tyres; pneumatic, semi-pneumatic and solid tyres for vehicle wheels; wheels for vehicles, wheel rims.

(260) AM 2012 64846 A
(800) 1094031
(731) PIRELLI TYRE S.P.A.
Viale Sarca, 222, I-20126 MILANO (MI),
Italy
(540)

P 6000

(591) Black, white
(511)
12 – Tyres; pneumatic, semi-pneumatic and solid tyres for vehicle wheels; wheels for vehicles, wheel rims.

(260) AM 2012 64847 A
 (800) 1094045
 (731) ARLA FOODS AMBA
 Sønderhøj 14, DK-8260 Viby J, Denmark
 (540)



(591) Blue, green, orange and white
 (511)
 29 – Milk and milk products, including cheese and yoghurt; milk and cream in powder form, milk based dessert mousses, souffles and mousses, powders for making milk based souffles and mousses; milk based beverages; edible oils and fats.

(260) AM 2012 64848 A
 (800) 1094053
 (731) NEFT Brand Management S.A.
 6, Montée du Grund, L-1645 Luxembourg,
 Luxembourg
 (540)



(591) Black, white
 (511)
 8 – Cutlery, forks and spoons; daggers; gimlets; table forks; hammer sharpeners; hammers; hunting knives; jig-saws; knives; machetes; manicure sets; money scoops; tongs; nutcrackers; oyster openers; pedicure sets; penknives; pizza knives; scissors; razor blades; razor cases; sabres; saw holders; saws; sharpening instruments; spoons; swords; vices.
 25 – Bandanas; bath robes; bath sandals; bath slippers; bathing suits; bathing trunks; beach clothes; beach shoes; boots; caps; clothing.
 33 – Vodka; aperitifs; wine; brandy; whisky; gin; cocktails; liqueurs; distilled beverages; hydromel; peppermint liqueurs; bitters; alcohol extracts; alcoholic fruit extracts; alcoholic essences.

(260) AM 2012 64849 A
 (800) 1094054
 (731) NEFT Brand Management S.A.
 6, Montée du Grund, L-1645 Luxembourg,
 Luxembourg
 (540)



(591) Black, white
 (511)
 8 – Cutlery, forks and spoons; daggers; gimlets; table forks; hammer sharpeners; hammers; hunting knives; jig-saws; knives; machetes; manicure sets; money scoops; tongs; nutcrackers; oyster openers; pedicure sets; penknives; pizza knives; scissors; razor blades; razor cases; sabres; saw holders; saws; sharpening instruments; spoons; swords; vices.

25 – Bandanas; bath robes; bath sandals; bath slippers; bathing suits; bathing trunks; beach clothes; beach shoes; boots; caps; clothing.

33 – Vodka; aperitifs; wine; brandy; whisky; gin; cocktails; liqueurs; distilled beverages; hydromel; peppermint liqueurs; bitters; alcohol extracts; alcoholic fruit extracts; alcoholic essences.

(260) AM 2012 64850 A
 (800) 1094055
 (731) NEFT Brand Management S.A.
 6, Montée du Grund, L-1645 Luxembourg,
 Luxembourg
 (540)



(591) Black, white
 (511)
 8 – Cutlery, forks and spoons; daggers; gimlets; table forks; hammer sharpeners; hammers; hunting knives; jig-saws; knives; machetes; manicure sets; money scoops; tongs; nutcrackers; oyster openers; pedicure sets; penknives; pizza knives; scissors; razor blades; razor cases; sabres; saw holders; saws; sharpening instruments; spoons; swords; vices.
 25 – Bandanas; bath robes; bath sandals; bath slippers; bathing suits; bathing trunks; beach clothes; beach shoes; boots; caps; clothing.
 33 – Vodka; aperitifs; wine; brandy; whisky; gin; cocktails; liqueurs; distilled beverages; hydromel; peppermint liqueurs; bitters; alcohol extracts; alcoholic fruit extracts; alcoholic essences.

(260) AM 2012 64851 A
 (800) 1094056
 (731) NEFT Brand Management S.A.
 6, Montée du Grund, L-1645 Luxembourg,
 Luxembourg
 (540)



(591) Black, white
(511) 8 – Cutlery, forks and spoons; daggers; gimlets; table forks; hammer sharpeners; hammers; hunting knives; jig-saws; knives; machetes; manicure sets; money scoops; tongs; nutcrackers; oyster openers; pedicure sets; penknives; pizza knives; scissors; razor blades; razor cases; sabres; saw holders; saws; sharpening instruments; spoons; swords; vices.

25 – Bandanas; bath robes; bath sandals; bath slippers; bathing suits; bathing trunks; beach clothes; beach shoes; boots; caps; clothing.

33 – Vodka; aperitifs; wine; brandy; whisky; gin; cocktails; liqueurs; distilled beverages; hydromel; peppermint liqueurs; bitters; alcohol extracts; alcoholic fruit extracts; alcoholic essences.

(260) AM 2012 64853 A
(800) 1094066
(731) MHD KIMYA SANAYI VE TICARET LIMITED SIRKETI
Anadolu Mahallesi, Homurlu Sokak No:49,
Mersin, Turkey
(540)

FLAVIA

(591) Black, white
(511) 3 – Detergents for household use and laundry preparations, bleaching preparations for household use; essential oils for aromatherapy use, perfumes and Colognes, cosmetics and cosmetic preparations, deodorants for personal use, soaps for personal use, dentifrices; scouring and abrasive preparations, emery paper, abrasive paste, pumice stones for personal use; polishing preparations for household use, leather polishes, polishes for metallic items, furniture polishes, floor polishes.

(260) AM 2012 64854 A
(800) 1094075
(731) JAPAN TOBACCO INC.
2-2-1 Toranomom, Minato-ku, Tokyo, Japan
(540)

OPTION

(591) Black, white
(511) 34 – Raw or manufactured tobacco; smoking tobacco, pipe tobacco, roll-your-own tobacco, chewing tobacco; snus, cigarettes, cigars, cigarillos; substances for smoking sold separately or mixed with tobacco for non-medical and non-therapeutic pur-

poses; snuff; smokers' articles included in this class; cigarette paper, cigarette tubes and matches.

(260) AM 2012 64855 A
(800) 1094080
(731) SUMITOMO RUBBER INDUSTRIES, LTD.
6-9, Wakinohamacho 3-chome, Chuo-ku,
Kobe-shi Hyogo 651-0072, Japan
(540)

EUROWINTER

(591) Black, white
(511) 12 – Automobiles and their parts and fittings.

(260) AM 2012 64907 A
(800) 1094673
(731) OZEL BUYUK KOLEJ EGITIM YAYIN BASIM TICARET VE SANAYI ANONIM SIRKETI
Hulya Sk. No: 7, Gaziosmanpasa-Ankara,
Turkey
(540)



(591) Blue, light blue, yellow, red, white
(511) 39 – Land, air and marine transportation and rental of land vehicles, airplanes and vessels, (including arranging of tours, booking for travels, courier services), car parking lots, garage rental services, boat storage services, transportation services by pipeline, electricity distribution services, water transportation services, rescue services for vehicles and goods, storage, packaging of goods, storage and transportation of litter, collecting and transportation of garbage.

41 – Educational services, arranging and conducting of symposiums, conferences, congresses, and seminars, organization of sports events, culture and entertainment services, publication of magazines, books, newspapers, etc, production of films, television and radio programmes, news correspondence services, photo-correspondence services, photography services, translation services.

43 – Services for providing food and drink, temporary accommodation services including day-nurseries (creches).

44 – Medical services, beauty care services, veterinary and livestock services, agriculture, horticulture and forestry services, rest homes; animal nursing homes.

(260) AM 2012 64908 A

(800) 1094675

(731) CARDIUM THERAPEUTICS, INC.

12255 El Camino Real, Suite 250, San Diego
CA 92130, USA

(540)

Cardionovo

(591) Black, white

(511)

5 – Pharmaceuticals, biologics and formulations comprising nucleic acid or protein for use in the treatment of heart disease.

(260) AM 2012 64909 A

(800) 1094695

(731) AHMET EMİR TURAN

Kizilcikli Mahmut, Pehlivan Caddesi, Eti
Plaza No:11, ESKİŞEHİR, Turkey

(540)

giggem

(591) Black, white

(511)

38 – Telecommunications services, namely electronic transmission of data, messages and information between and among computers, mobile and handheld devices and wired and wireless communication devices, enabling users to transmit messages, comments, multimedia content, videos, movies, films, and photos, audio content, animation, pictures, images, text, information, and other user-generated content via a global computer network and other computer and communications networks; providing online communications links which transfer users to other websites; providing online forums, chat rooms and electronic bulletin boards for users to post, search, watch, share, critique, rate, and comment on subjects of interest; providing access to computer databases in relation to a social network, social integration and meet ups; providing telecommunication facilities that enable the sharing of blogs, photos, videos, podcasts, and other audiovisual materials; providing telecommunication facilities that enable the creation and updating of personal electronic web pages featuring user-provided content; providing user access to a global computer network; rental of access time to global computer networks; radio broadcasting; television broadca-

sting; facilitating access to third party web sites via a universal login, audio, text, video and multimedia broadcasting services over computer and electronic communications networks, namely uploading, posting, displaying, tagging and electronically transmitting data, audio, and video; providing access to computer databases in the fields of entertainment and education; electronic messaging services; providing telecommunication channels for teleshopping services; operation of an online network service namely providing access to databases enabling users to transfer data in connection with their personal identity and for sharing said personal data with and via various web sites; operating a web site containing a technology enabling online users to create personal profiles containing social network information the transfer and sharing of this information via various web sites, namely providing access to online infrastructure enabling online users to create personal profiles containing social network information and the transfer and sharing of this information via various web sites.

(260) AM 2012 64911 A

(800) 1094721

(731) MERCK SHARP & DOHME CORP.

One Merck Drive, Whitehouse Station,
New Jersey 08889-100, USA

(540)

RISTASIM

(591) Black, white

(511)

5 – Pharmaceutical preparations.

(260) AM 2012 64912 A

(800) 1094748

(731) EGRIMA HOLDING GmbH + Co. KG

Balcke-Dürr-Allee 3, 40882 Rattlingen,
Germany

(540)



(591) Black, white

(511)

4 – Industrial oils and greases; liquid and gaseous fuels; all the aforesaid goods being motor vehicle fuels.

16 – Paper, cardboard (paperboard) and goods made from these materials, not included in other classes; printed matter; book-binding materials; photographs; stationery; instructional and teaching materials (except apparatus); plastic packaging

material not included in other classes; printers' type; printing blocks.

35 – Advertising, including advertising with brochures for advertising purposes; development of advertising and marketing concepts for services and products to be offered; business management; business administration; business consultancy; office functions; managing the operations of insurance agencies and brokers on an outsourcing basis; customer data processing (office functions); Billing services; business management consultancy and performance in the field of software-aided services in the area of billing services, namely, billing (office functions) based mainly on customer-orientedly developed software programs; preparation of cost-price analyses; systematisation and compilation of data in computer data bases; provision of services to other companies in connection with billing for commercial and service transactions, namely, billing (office functions) to third parties and the submission of refund applications via electronic portals of individual credit financing authorities (office functions); monitoring and booking of refund amounts (office functions); preparation of mineral tax refunds in different countries (office functions); computer-aided billing for fuels, ferry tolls, motorway tolls, tolls and/or value-added tax (office functions); service station services and sales and services relating thereto, namely, computer-aided billing for border clearance fees (office functions); computer-aided billing for freight and freight brokerage costs (office functions); input of data in processing equipment as data typist services; computer-aided billing (office functions) for tunnel fees; computer aided billing (office functions) for repair services; recording of personal and vehicle-related data (office functions); systematisation of motor vehicle master data, tank data, motor vehicle costs and revenues in computer data bases for statistical purposes; organisational and business planning for computer-aided order planning and for coordination of motor vehicle operations; updating of data in computer data bases for order planning; provision for third parties of contracts for mobile phone services; vehicle fleet management, namely, organisational vehicle fleet administration; administration, processing and dispatch of payment reminders (office functions).

36 – Insurance; finance; monetary transactions; factoring; collection services, particularly the collection of debts outstanding (collection transactions) and the administration of accounts receivable (asset administration), particularly searches, enquiries into financial circumstances for the classification of accounts receivable and risks to accounts receivable and the monitoring of payment targets; broking of

credit insurance contracts; asset administration; real property; issue of magnetic and/or chip cards with payment function; settlement of monetary transactions with magnetic and/or chip cards; financial consultancy in the area of insurance, health, real property and finance; sponsoring (financial support) of scientific functions and other financial furtherance of technical innovations; rental, lease and broking of flats, houses, residential home places and similar premises (real property) included in this class; issue to industrial freight and passenger transport businesses of service cards with payment functions for third parties for the cashless in-transit supplying of lorries and buses and their drivers; computer-aided settlement of financial transactions/business and monetary transactions with service cards with payment function; electronic financial settlement of foreign value-added tax refunds; freight-forwarding services, namely, the payment for third parties of duty on goods; border clearance and ferry services, namely, provision of access authorisation for toll lanes and tunnels (customs clearance for third parties); collection of use fees by the issue of vignettes; damage description by the preparation of expert financial damage reports; cashless billing, namely, settlement of invoices in the field of the cashless in-transit supplying of national and internationally operating industrial goods and passenger transport companies and of national and internationally industrially operated motor car and/or lorry fleets, in the area of transport and in the area of the afore-mentioned activities; arrangement and settlement of credit financing through banks and other credit institutions (financial services); broking of financial participating interests in industrial, trading and service companies and the management and administration of other assets, in so far as it is permissible without express permission (asset administration).

37 – Services of a motor vehicle repair workshop, namely, the maintenance and repair of motor vehicles, including those in industrial freight transport; service station services and sales and services relating thereto, namely, cleaning of motor vehicles, repair of motor vehicles; breakdown assistance, namely, repair of motor vehicles on site and at motor vehicle repair workshops; rental services, namely, rental of construction vehicles; maintenance of motor vehicles, repair and maintenance of tyres and motor vehicle cooling systems; installation work; installation and maintenance of toll logging and toll billing equipment.

38 – Telecommunications, including radio services, namely, radio guidance of motor vehicles in industrial freight transport; telecommunication services for nationally and internationally operating indus-

trial freight and passenger transport services, namely, the transmission of information about the state of roads, the traffic situation, the location of service stations, the location of vehicles, and technical vehicle matters and transmission via the Internet and radio services of information relating to the price of fuel at home and abroad; multi-language emergency breakdown services, namely, the transmission by telecommunication lines of motor vehicle experts' specialist technical knowledge (telephone services through call centres).

39 – Freight forwarding services, except payment of duty on goods; breakdown assistance, namely, the towing away and recovery of motor vehicles; rental services, namely, rental of buses and motor vehicles for the freight-forwarding sector; transport of motor vehicles by rail; accident services, namely, broking of replacement motor vehicles and towing vehicles and the towing away of motor vehicles; packaging and storage of goods; travel arrangement; transshipment of transport goods; location of broken-down vehicles through computer-aided map systems; route guidance by radio, namely, motor vehicle fleet management by means of electronic navigation and locating equipment and by means of radio.

41 – Conduct of lecture programmes for cultural purposes and work-shops (training); education; training; entertainment; development of training and further-training concepts, including training and further-training events; organisation of leisure-time activities; organisation and conduct of conferences; organisation and conduct of congresses; organisation and conduct of symposia; organisation and conduct of colloquia; organisation and conduct of further-training events in connection with franchising concepts; training and further-training in the field of franchising; publication and editing of books, brochures (except for advertising purposes) and training materials; provision of multi-lingual breakdown services, namely, interpreting services, if included in this class; publication of printed matter (except that for advertising purposes) relating to the state of roads, the traffic situation, the location of service stations and the location of vehicles, relating to technical vehicle matters and relating to the price of fuel at home and abroad.

42 – Compilation of computer software and programs for data processing, particularly in the area of finance, insurance and real property; enquiries and searches in data bases for science and research; technical development of magnetic and chip cards and other computer-aided insurance and financial verification; electronic data storage; scientific and technological services and research work and designer services relating thereto; industrial analysis

and research services; design and development of computer hardware and computer software, particularly compilation of computer software and programs; installation and maintenance of software for toll logging and toll billing equipment. updating and maintenance of data in computer data bases; provision of forms and updating, namely, development and design of forms for third parties.

45 – Legal services; security services for the protection of assets or persons; personal and social services provided by third parties with regard to individual needs; issue of licences for franchise concepts; issue of licences for industrial property rights and copyrights; administration of copyrights and industrial property rights, particularly patents, utility models and registered designs, including trademark rights; lawyer's services, namely, legal action as part of accounts receivable management; consultancy with regard to intellectual property and industrial property rights; licensing of intellectual and industrial property rights, including those in the field of copyright; trading in intellectual and industrial property rights; legal representation in tax matters.

(260) AM 2012 64913 A

(800) 1094752

(731) SOREMARTEC SA

Rue Joseph Netzer 5, B-6700 ARLON,
Belgium

(540)



(591) Black, orangey red, blue, brown

(511)

30 – Coffee, tea, cocoa, sugar, rice, tapioca, sago, artificial coffee; flour and preparations made from cereals, bread, pastry and confectionery, ices; honey, treacle; yeast, baking-powder; salt, mustard; vinegar, sauces (condiments); spices; ice for refreshment.

(260) AM 2012 64914 A

(800) 1094753

(731) SOREMARTEC SA

Rue Joseph Netzer 5, B-6700 ARLON,
Belgium

(540)



(591) Black, white
(511)
30 – Pastry and confectionery; chocolate products; pralines; edible ices.

(260) AM 2012 64915 A
(800) 1094769
(731) Przedsiębiorstwo Produkcyjno-Handlowe "EVELINE COSMETICS" Piotr Hubert Kasprzycki
Żytnia 19, PL-05-506 Lesznowola, Poland
(540)

EVELINE
COSMETICS

(591) Navy
(511)
3 – Cosmetic preparations for revitalizing skin and against aging of skin, cosmetic preparations used while and after purgatory and slimming diets, cosmetics for maintenance and beautifying skin and body for: children, women and men, creams, soaps, shower gels and liquids and bath liquids, creams and cosmetic gels, sun-tanning preparations, make-up preparations, cosmetic bases, face make-up preparations, in particular: make-up powders, face powders, make-up removers, eye shadows, eye-liners, mascaras, lip glosses, cuticle creams, nail enamels, nail care preparations, nail polish removers, body powders, potpourri, perfumes and aromatic oils, hair care and cleaning preparations, shampoos, dentifrices; cosmetic slimming preparations; hair balms; skin care preparations namely body balms; cosmetics in the form of moisturizing milks; cosmetic facial moisturizers or facial cleaners; self-tanning preparations (cosmetic); sun protection preparations; nutritious cosmetics; rose oil for cosmetic purpose; lip liners; lip pomades; lip care preparations; lipsticks; nail polish base coat; nail glitter; nail care preparations namely nail softeners; cuticle removing preparations for cosmetic use; nail conditioners or nail polish or nail repair preparations for cosmetic use; tissues impregnated with cosmetic lotions; cotton sticks for cosmetic purposes; hair colouring and hair decolorant preparations.

(260) AM 2012 64916 A
(800) 1094776
(731) LPP S.A.
ul. Łąkowa 39/44, PL-80-769 Gdańsk, Poland
(540)

promostars

(591) Red, navy blue and white
(511)
25 – Clothing, footwear, headgear.
35 – Advertising, sale of clothing, footwear and headgear.

(260) AM 2012 64917 A
(800) 1094848
(731) UTERQÜE, S.A.
Avenida de la Diputación, Edificio Inditex,
E-15142 ARTEIXO (A Coruña), Spain
(540)

UTERQÜE

(591) Black, white
(511)
4 – Industrial grease and oil; lubricants, dust absorbing, wetting and binding compositions; fuels (including motor spirit) and illuminants; candles and wicks for lighting; grease for shoes, grease for leather; candles.
5 – Pharmaceutical and veterinary preparations; sanitary preparations for medical purposes; dietetic substances adapted for medical use; food for babies; plasters, materials for dressings; material for dental fillings and dental impressions; disinfectants; pesticides; fungicides, herbicides, mineral water for medical purposes; cotton for medical purposes; sanitary panties; compresses; deodorants, other than for personal use; deodorants for clothing and textiles; medicine cases, portable filled; solutions for contact lenses; incontinence napkins; sanitary napkins (panty liners); chemical preparations for the diagnosis of pregnancy; sun protection products (sunburn ointments) for pharmaceutical use; mouthwashes for medical purposes; bath salts for medical purposes; salts for mineral water baths; menstruation tampons; surgical cloth.
16 – Paper, cardboard and goods made from these materials, not included in other classes; printed matter; printed publications; bookbinding material; photographs; stationery; adhesives (glues) for stationery or household purposes; artists' materials; paintbrushes; typewriters and office requisites (except furniture); instructional and teaching material (except apparatus); plastic materials for packaging (not included in other classes); printing type; printing blocks, albums; almanacs; hand labelling appliances; document files (office requisites); writing articles and instruments; boxes of cardboard or paper; hat boxes of cardboard; decalcomanias; calendars; document files; posters; passport holders; catalogues; pictures; daily newspapers; cases for drawings; stencil cases; labels, not of textile; sealing wax; books; lithographs; table linen of

paper; writing cases (sets); engravings; babies' diapers of paper and cellulose (disposable); babies' napkin-pants (diaper-pants) of paper or cellulose (disposable); handkerchiefs of paper; pen cases; holders for checkbooks; wrapping paper; toilet paper; paperweights; patterns for dressmaking and for clothes; newspapers; mats for beer glasses; bookmarks; magazines (periodicals); bags (envelopes, pouches) of paper or plastics for packaging; napkins of paper for removing make-up; table napkins of paper; face towels of paper; bookends; tracing cloth; bookbinding cloth; inking sheets for document reproducing machines; canvas for painting; ink; inkwells; tailors' chalk; hand towels of paper.

21 – Household and kitchen utensils and containers (not of precious metal, nor plated); combs and sponges; brushes (except paint brushes); brush-making materials; articles for cleaning purposes; scouring pads; glass, unworked or semi-worked, except building glass; glassware, porcelain and earthenware not included in other classes, bottle openers; cruet stands for oil and vinegar; cocktail stirrers; candle extinguishers; non-electric appliances for removing make-up; sugar bowls; trays; baby baths (portable); cloths; glass bowls; tea balls; candy boxes; bottles; shaving brushes; pottery; coffeepots, non-electric; boxes; heaters for feeding bottles, non-electric; shoe horns; candelabra; pipettes; fly swatters; epergnes; shoe brushes; basketry; strainers; trouser stretchers; ice pails; tie presses; door handles (knobs) of porcelain; comb cases; ironing board covers; gardening gloves; gloves for domestic use; polishing gloves; shoe trees; piggy banks, not of metal; soap boxes; decanters; birdcages; butter dishes; toilet cases; works of art of porcelain, terracotta or glass; toothpick holders; carpet beaters; bread bins; cloths and rags for dusting; pepper pots; clothes pegs and washing lines; table plates; feather-dusters; powder compacts; shaving brush holders; sponge holders; toilet paper holders; trouser presses; perfume sprayers and vaporizers; graters; crumb trays; boot jacks; salt cellars; clothes racks; tea and coffee services; napkin holders; washing boards; ironing boards; boards for cutting bread; cups; shirt stretchers; shoe-trees; teapots; flower pots; toilet utensils; tableware; glasses; cruets; rings for serviettes (napkin rings).

24 – Textiles and textile goods, not included in other classes; bed and table linen, curtain holders of textile material; banners; flags, not of paper; table runners; bed covers; curtains of textile or plastic; bed coverings and quilts; eiderdowns (down coverlets); labels of cloth; linings (textile); mattress covers; loose covers for furniture; pillow and cushion covers; washing mitts; oilcloth for use as

tablecloths; bed and travel blankets; tablecloths, not of paper; mosquito nets; cloths for cleaning glassware; handkerchiefs of textile; textile blinds; bath linen (excluding clothing); sheets; sheets sewn in the shape of sleeping bags; tablemats, not of paper; table napkins of textile; billiard cloth; bottle mats, glass mats and place mats (table linen); wall hangings of textile; traced cloths for embroidery; cloth; upholstery fabrics; towels of textile; face towels of textile; textile napkins for removing makeup; net curtains.

(260) AM 2012 64946 A

(800) 1095034

(731) DR. THEISS NATURWAREN GMBH

Michelinstrasse 10, 66424 Homburg,
Germany

(540)



(591) Black, white

(511)

3 – Bleaching preparations and other substances for laundry use; cleaning, polishing, scouring and abrasive preparations; soaps; perfumery; essential oils, cosmetics, hair lotions, dentifrices.

5 – Pharmaceutical and veterinary preparations and substances; hygienic preparations for medical purposes; dietary supplements and vitamin preparations for medical purposes; food for babies; adhesive plaster; dressings medical; teeth filling material and dental impression materials; disinfectants.

(260) AM 2012 64947 A

(800) 1095040

(731) THE LINUX FOUNDATION

1796 18th Street, Suite C, San Francisco
CA 94107, USA

(540)



(591) Black, white

(511)

9 – Operating system software; software for use in developing, executing, and running other software on mobile devices, computers, smart phones, tablet computers, personal digital assistant devices, portable media players, smart televisions, computers in vehicles, computer networks, and global communication networks; computer software development tools; computer utility software and other computer

software used to maintain and operate a computer system; computer software for use in transmitting and receiving data over computer networks and global communication networks; computer software for managing communications and data exchange among and between mobile devices and desktop computers; computer middleware, namely, software that mediates between the operating system of a mobile device and the application software of a mobile device; computer application software for mobile phones; computer hardware; computers; tablet, netbook, notebook and laptop computers; portable computers; handheld computers; wireless devices used for internet connectivity featuring data and image transmission; electronic handheld devices, mobile phones, smart phones, personal digital assistants (PDAs) for the wireless transmission of data and/or voice signals and/or incorporating e-mail, pager, fax, radio, personal organizer, cellular connectivity, wireless connectivity, mp3 player, satellite navigational system, global positioning system (GPS) receiver, global positioning system data logger for recording and classification of trips, digital camera, digital video camera and/or computer operating system; electronic handheld units for recording, organizing, transmitting, playing and reviewing text, data, video and audio files; information and entertainment systems for use in vehicles; navigation devices for use in vehicles.

42 – Providing information in the fields of software design and development and installation and maintenance of software; design and development of software; scientific and technological services and research and design relating thereto: industrial analysis and research services; design and development of computer hardware and software.

(260) AM 2012 64948 A
 (800) 1095050
 (731) Obchtchestvo s ogranitshennoi
 otvetstvennostiou "Laboratoria
 sovremennogo zdorovia"
 ul. Khimzavodskaiia, 11/20, RU-633004
 Berdsk, Novosibirskaiia obl., Russian
 Federation

(540)

ТЕТРАДИОЛ

(591) Black, white

(511)

5 – Albuminous foodstuffs for medical purposes; dietetic foods adapted for medical purposes; food for babies; antiseptics; balms for medical purposes; biocides; dietetic beverages adapted for medical purposes; nutritional supplements for medical

purposes [particularly dietetic supplements]; digestives for pharmaceutical purposes; sea water for medicinal bathing; lacteal flour for babies; ferments for pharmaceutical purposes; germicides; medicinal herbs; medicinal oils; medicinal infusions; liniments; lotions for pharmaceutical purposes; nervines; diabetic bread; albuminous preparations for medical purposes; bacterial preparations for medical and veterinary purposes; biological preparations for medical purposes [particularly dietetic supplements]; vitamin preparations; trace element preparations for human consumption [particularly dietetic supplements]; therapeutic preparations for the bath; antiparasitic preparations; opotherapy preparations; medicinal roots; tonics [medicines]; serums; dietetic substances adapted for medical use; styptic preparations; mineral food supplements [particularly dietetic supplements]; medicinal tea.

(260) AM 2012 64950 A
 (800) 1095072
 (731) "ROSA IMPEX" OOD
 Tsar Kaloyan Str. 8, BG-4000 PLOVDIV,
 Bulgaria

(540)

BLOND TIME

(591) Black, white

(511)

3 – Bleaching preparations and other substances for laundry use; cleaning, polishing, scouring and abrasive preparations; soaps; perfumery, essential oils, cosmetics, hair lotions; dentifrices.

5 – Balms for medical purposes; balsamic preparations for medical purposes; biological preparations for medical purposes; vitamin preparations; lotions for pharmaceutical purposes; liniments; ointments for pharmaceutical purposes; pomades for medical purposes; bath preparations, medicated; bath salts for medical purposes; pharmaceutical preparations.

(260) AM 2012 64951 A
 (800) 1095075
 (731) MERCK SHARP & DOHME CORP.
 One Merck Drive, Whitehouse Station,
 New Jersey 08889-100, USA

(540)

RISTOCOR

(591) Black, white

(511)

5 – Pharmaceutical preparations.

(260) AM 2012 64952 A
 (800) 1095076
 (731) MERCK SHARP & DOHME CORP.
 One Merck Drive, Whitehouse Station,
 New Jersey 08889-100, USA
 (540)

TESASIM

(591) Black, white
 (511)
 5 – Pharmaceutical preparations.

(260) AM 2012 64954 A
 (800) 1095089
 (731) EGIS GYÓGYSZERGYÁR Nyilvánosan
 Működő Részvénytársaság
 Keresztúri út 30-38 H-1106 Budapest,
 Hungary
 (540)

EGINOBIN

(591) Black, white
 (511)
 5 – Pharmaceutical preparations for human purposes.

(260) AM 2012 64955 A
 (800) 1095090
 (731) EGIS GYÓGYSZERGYÁR Nyilvánosan
 Működő Részvénytársaság
 Keresztúri út 30-38 H-1106 Budapest,
 Hungary
 (540)

VOPREGIN

(591) Black, white
 (511)
 5 – Pharmaceutical preparations for human purposes.

(260) AM 2012 64956 A
 (800) 1095091
 (731) EGIS GYÓGYSZERGYÁR Nyilvánosan
 Működő Részvénytársaság
 Keresztúri út 30-38 H-1106 Budapest,
 Hungary
 (540)

RETAGIL

(591) Black, white
 (511)
 5 – Pharmaceutical preparations for human purposes.

(260) AM 2012 64957 A
 (800) 1095092
 (731) EGIS GYÓGYSZERGYÁR Nyilvánosan
 Működő Részvénytársaság
 Keresztúri út 30-38 H-1106 Budapest,
 Hungary
 (540)

SEAGISAL

(591) Black, white
 (511)
 5 – Pharmaceutical preparations for human purposes.

(260) AM 2012 64958 A
 (800) 1095097
 (731) MERCK SHARP & DOHME CORP.
 One Merck Drive, Whitehouse Station,
 New Jersey 08889-100, USA
 (540)

VIMBRAY

(591) Black, white
 (511)
 5 – Pharmaceutical preparations.

(260) AM 2012 64959 A
 (800) 1095098
 (731) MERCK SHARP & DOHME CORP.
 One Merck Drive, Whitehouse Station,
 New Jersey 08889-100, USA
 (540)

SENCLUVE

(591) Black, white
 (511)
 5 – Pharmaceutical preparations.

(260) AM 2012 64960 A
 (800) 1095132
 (731) JOINT-STOCK COMPANY "KRASNYJ
 OCTYABR"
 ul. Malaya Krasnoselskaya, d. 7, str. 24,
 RU-107140 Moscow, Russian Federation
 (540)

КРАСНЫЙ МАК

(591) Black, white
 (511)
 30 – Pastries; caramels; sweetmeats; chocolate; praline; wafers; marzipans.

- (260) AM 2012 64961 A
 (800) 1095152
 (731) X-Trade Brokers Dom Maklerski S.A.
 ul. Ogrodowa 58, PL-00-876 Warszawa,
 Poland
 (540)



xMobile

- (591) Blue, white and black
 (511)
 36 – Brokerage.

- (260) AM 2012 64962 A
 (800) 1095157
 (731) UAB "PLUNGĖS KOOPERATINĖ
 PREKYBA"
 Birutės g. 50, LT-90112 Plungė, Lithuania
 (540)



- (591) Orange, golden, yellow, brown, blue, red and white
 (511)
 29 – Meat, fish, poultry and game; meat extracts; preserved, dried and cooked fruits and vegetables; jellies, jams, compotes; eggs, milk and milk products; edible oils and fats.

- (260) AM 2012 64963 A
 (800) 1095159
 (731) ATOS LOMBARDINI E C. SAS
 Viale della Libertà, 83/89, I-47039
 SAVIGNANO SUL RUBICONE (FC), Italy
 (540)

Violet

- (591) Black, white
 (511)
 14 – Precious metals and their alloys and goods in precious metals or coated therewith, not included in other classes; jewellery, precious stones; horological and chronometric instruments.

- 18 – Leather and imitations of leather, and goods made of these materials and not included in other classes; animal skins, hides; trunks and travelling bags; umbrellas, parasols and walking sticks; whips, harness and saddlery.
 25 – Clothing, footwear, headgear.

- (260) AM 2012 64964 A
 (800) 1095161
 (731) ORION CORPORATION
 Orionintie 1, FI-02200 Espoo, Finland
 (540)

**Guarem
 Gyapem**

- (591) Black, white
 (511)
 5 – Pharmaceutical preparations, dietetic substances and food supplements for medical use.

- (260) AM 2012 64966 A
 (800) 1095191
 (731) KALISTO BUSINESS CORP.
 P.O. Box 3321, Road Town, Tortola,
 British Virgin Islands
 (540)



- (591) White, red and dark-red
 (511)
 3 – Antistatic preparations for household purposes; cotton wool for cosmetic purposes; sachets for perfuming linen; flavorings for perfuming linen; scented water; toilet water; polishing wax; shoe wax; deodorants for personal use; perfumes; perfumery; eyebrow pencils; cosmetic pencils; waxes for leather; creams for leather; hair spray; nail polish; after-shave lotions; shaving preparations; hair lotions; lotions for cosmetic purposes; beauty masks; soap; cosmetic kits; false nails; eau de Cologne; joss sticks; lipsticks; pomades for cosmetic purposes; cosmetic preparations for slimming purposes; toiletries; tissues impregnated with cosmetic lotions; preservatives for leather (polishes); sun-tanning preparations (cosmetics); hair dyes; shoe polish; antiperspirants (toiletries); shampoos.
 9 – Calculating machines; magnifying glasses (optics); decorative magnets; spectacles (optics);

sunglasses; goggles for sports; eyeglasses; spectacle cases; eyeglass chains; eyeglass cords.

14 – Bracelets (jewellery); straps for wristwatches; charms (jewellery); key rings (trinkets or fobs); brooches (jewellery); ornamental pins; pins (jewellery); tie pins; pearls made of ambroid (pressed amber); busts of precious metal; tie clips; cuff links; works of art of precious metal; jewellery of yellow amber; necklaces (jewellery); rings (jewellery); boxes of precious metal; medals; medallions (jewellery); coins; earrings; figurines (statuettes) of precious metal; ornaments (jewellery); cases for clock- and watchmaking; chronographs (watches); chains (jewellery); watch chains; watches; wristwatches; jewellery cases (caskets).

16 – Fountain pens; paper bows; writing pads; terrestrial globes; pencil holders; office perforators; punches (office requisites); bookmarkers; calendars; pencils; pictures; geographical maps; paint-brushes; painters' brushes; writing brushes; drawing pins; envelopes (stationery); adhesive tapes for stationery or household purposes; postage stamps; writing cases (stationery); writing cases (sets); covers (stationery); passport holders; musical greeting cards; greeting cards; postcards; conical paper bags; document files (stationery); papier mâché; boxes for pens; pens (office requisites); nibs; nibs of gold; coasters of paper; mats for beer glasses; photograph stands; paperweights; writing materials; school supplies (stationery); paper-clips; figurines (statuettes) of papier mâché; flags of paper; photo-engravings.

18 – Purses; card cases (notecases); chamois leather, other than for cleaning purposes; umbrellas; parasols; briefcases; imitation leather; leather, unworked or semi-worked; cases, of leather or leatherboard; pocket wallets; chain mesh purses; bags (envelopes, pouches) of leather, for packaging; vanity cases, not fitted; music cases; bandoliers; backpacks; leather straps; travelling bags; travelling sets (leatherware); sling bags for carrying infants; garment bags for travel; handbags; wheeled shopping bags; beach bags; bags for sports; bags for campers; shopping bags; net bags for shopping; school bags; travelling trunks; walking sticks; umbrella sticks; walking stick seats; key cases (leatherware); valises; suitcases; attaché cases; umbrella covers.

21 – China ornaments; busts of china, terra-cotta or glass; vases; trouser stretchers; clothing stretchers; shirt stretchers; combs; abrasive sponges for scrubbing the skin; works of art, of porcelain, terra-cotta or glass; polishing leather; pads for stretching shoes; chopsticks; gloves for household purposes; candelabra (candlesticks); glove stretchers; boot

jacks; clothes-pegs; combs for the hair; shoe horns; figurines (statuettes) of porcelain, terra-cotta or glass; wax-polishing appliances, non-electric, for shoes; brushes for footwear.

25 – Bandanas (neckerchiefs); underwear; overalls; boas (necklets); breeches for wear; half-boots; trousers; brassieres; galoshes; neckties; boot uppers; waistcoats; knitwear (clothing); heels; pants; tights; combinations (clothing); bodices (lingerie); suits; swimsuits; jackets (clothing); tee-shirts; sports jerseys; cuffs; sleep masks; heelpieces for boots and shoes; ear muffs (clothing); socks; bath slippers; beach shoes; boots for sports; footwear; outer-clothing; ready-made clothing; clothing of imitations of leather; clothing of leather; jerseys (clothing); clothing; fittings of metal for shoes and boots; overcoats; gloves (clothing); pyjamas; bathing trunks; scarfs; frocks; coats; waterproof clothing; headbands (clothing); garters; soles for footwear; braces for clothing (suspenders); lace boots; belts (clothing); money belts (clothing; non-slipping devices for boots and shoes; pullovers; welts for boots and shoes; wooden shoes; shirts; sandals; boots; sweaters; footwear uppers; inner soles; underpants; gymnastic shoes; slippers; shoes; headgear for wear; dressing gowns; tips for footwear; footwear uppers; shower caps; stockings; shawls; caps (headwear); sashes for wear; esparto shoes or sandals; skirts.

26 – Brooches (clothing accessories); pins, other than jewellery; toupees; artificial garlands; hair grips (slides); hair ornaments; plaited hair; false hair; hook and pile fastening tapes; slide fasteners (zippers); snap fasteners; orsedew (trimmings for clothing); bows for the hair; wigs; hair bands; buttons; hair nets; trimmings for clothing; hat ornaments, not of precious metal; hair pins.

28 – Novelties for parties, dances (party favors, favours); building blocks (toys); starting blocks for sports; spinning tops (toys); jigsaw puzzles; dominoes; Christmas trees of synthetic material; kites; toys; plush toys; mobiles (toys); board games; kaleidoscopes; playing cards; confetti; dolls; marionettes; toy masks; theatrical masks; candle holders for Christmas trees; ornaments for Christmas trees, except illumination articles and confectionery; chess games; checkers (games).

(260) AM 2012 64967 A

(800) 1095215

(731) ORBA BİOKİMYA SANAYİ ve TİCARET ANONİM ŞİRKETİ
Okul Yolu, Orhanlı Beldesi, Merkez
M No:26, TUZLA-İSTANBUL, Turkey

(540)



(591) Blue, white, green

(511)

1 – Chemicals used in industry, science and photography, as well as in agriculture, horticulture and forestry; unprocessed artificial resins, unprocessed plastics; manures; fire extinguishing compositions; tempering and soldering preparations; chemical substances for preserving foodstuffs; tanning substances; adhesives used in industry.

5 – Pharmaceutical and veterinary preparations; sanitary preparations for medical purposes; dietetic substances adapted for medical use, food for babies; plasters, materials for dressings; material for stopping teeth, dental wax; disinfectants; preparations for destroying vermin; fungicides, herbicides.

31 – Agricultural, horticultural and forestry products and grains not included in other classes; live animals; fresh fruits and vegetables; seeds, natural plants and flowers; foodstuffs for animals, malt.

(260) AM 2012 64968 A

(800) 1095222

(731) CHANSON COSMETICS INC.

5-10, Kuniyoshida 2-chome, Suruga-ku,
Shizuoka-shi, Shizuoka 422-8615, Japan

(540)

**CHANSON
SUNAWNING**

(591) Black, white

(511)

3 – Make-up removing preparations; lotions for cosmetic purposes; milky lotions for cosmetic purposes; cosmetic creams; cosmetic essence; beauty mask; make-up preparations; foundation; make-up powder; lipsticks; cheek colors; eye shadows, eyebrow cosmetics; mascara; perfumes; hair care preparations; nail polish; cosmetics.

(260) AM 2012 64969 A

(800) 1095223

(731) DEUTSCHE AMPHIBOLIN-WERKE VON
ROBERT MURJAHN STIFTUNG & CO KG
Roßdörfer Straße 50, 64372 Ober-Ramstadt,
Germany

(540)

CAPAROL CENTER

(591) Black, white

(511)

35 – Wholesale and retail services in relation to construction and DIY articles, and other consumer goods for the professional and DIY sectors, for chemicals used in industry, preparations for preserving and waterproofing cement and concrete, unprocessed artificial resins in the form of powders, granules or liquids, being additives for building materials, adhesive substances for use in industry, adhesives for wallpaper, adhesives used in building, waterproofing chemicals for masonry, except paints, masonry preservatives, except paints, solvents for varnishes and lacquers, paints, varnishes, lacquers, glazes, frosting, preservatives against deterioration of wood, primers, preservatives against rust, spackling compounds, binding preparations for paint, bactericidal/fungicidal paints, lacquers for buildings, colorants, dyestuffs, dye pastes, bleaching preparations and other substances for laundry use, cleaning, polishing, stripping, scouring and abrasive preparations, mordents, soaps, common metals and their alloys, metal building materials, materials of metal for railway tracks, non-electric cables and wires of common metal, ironmongery, small items of metal hardware, pipes and tubes of metal, safes, goods of common metal, ores, hand tools (hand-operated) for painting, paint rollers, broad brushes, paint brushes, spatulas, scalling hammers, graters, polishers, guns and spray guns, storage boxes of metal, hand-operated cleaning apparatus, scientific, surveying, signalling, weighing, life-saving, checking (supervision) and teaching apparatus and instruments, color analysers (not for medical purposes), measuring apparatus, measuring apparatus (electric), fire extinguishers, magnets, magnetic discs, paper, cardboard (cardboard) and goods made of these materials, printed matter, stationery, adhesives for stationery or household purposes, artists' materials, paint brushes, office requisites, instructional and teaching material, paint charts (cards), paint charts (fans), plastic materials for packaging, packing, heat protection and insulating materials, insulating plasters, coating materials, namely for coating heat protection and insulating materials for protection against moisture or against chemical or mechanical actions, sealing compounds, substances for insulating building against moisture, fiberglass fabrics and plastics for insulation, insulating paints, insulating varnishes, insulating fabrics, sound-proofing materials, adhesive tapes and strips, other than for medical purpose, for stationery or household purposes, paints for water-proofing roofs, walls and floors, tubes, rubber, gutta-percha, gums, asbestos, mica and goods made of these materials, building materials (non-metallic), mortar,

natural and artificial stone for building, plasters (except insulating plasters), protective agents for buildings, building materials, namely fabrics of fiberglass and plastics, being linings for paint and plaster layers, fabric embedding compounds for composite thermal lining systems, the aforesaid goods for building, pipes for building, asphalt, pitch and bitumen, transportable buildings (not of metal), furniture, mirrors, picture frames, goods of wood, cork, reed, cane, wicker, horn, bone, ivory, whalebone, shell, amber, mother-of-pearl, meerschaum and substitutes for these materials, or of plastics, household or kitchen utensils and containers, combs and sponges, brushes (except paint brushes), articles for cleaning purposes, steelwool, unworked or semi-worked glass (except glass used in building), glassware, porcelain and earthenware, not included in other classes, textiles and textile goods, included in class 24, bed and table covers, wall hangings of textile, jute wall hangings, hessian and canvas (fabrics for textile purposes), fiberglass fabrics for textile structuring, textile goods, namely wall coverings, carpets, rugs, mats and matting, linoleum and other materials for covering existing floors, wall hangings, fibre-glass wall hanging (non-textile), lining wallpaper, wall coverings, non-textile, floor coverings of gum-type materials, cork or cork-type material, of plastics and textile materials, advertising.

37 – Painting interior and exterior; construction; building insulating; scaffolding; paper hanging; consultancy with regard to the use of paints, plasters and other coating materials in the construction industry.

42 – Architecture, consultancy relating to the conservation of energy, building consultancy (architectural consultancy), consultancy with regard to the interior and exterior color designing of buildings.

(260) AM 62107 A*
(800) 1070702I
(731) PwC Business Trust
300 Madison Avenue New York NY 10017,
USA
(540)



(591) Black, white
(511)
35 – Accounting services; business auditing services; tax consulting and advisory services; merger

acquisition and divestiture consulting and advisory services; business management and business consulting and advisory services; corporate governance advisory services; market research services; human resource consulting services; provision of information on-line pertaining to all of the above.

36 – Investment banking consulting and advisory services; financial consulting and advisory services; actuarial consulting services; consulting services in the field of employee benefit plans concerning insurance and finance; financial valuation services in the areas of business enterprises, inventories, assets, equipment, licensing, real estate and intellectual property; real estate appraisal services; financial risk management services; consulting services in the field of employee benefits programs concerning insurance and finance; provision of information on-line pertaining to all of the above.

(260) AM 62662 A*
(800) 1075756
(731) Giorgio ARMANI S.P.A.
Milan, Swiss Branch Mendrisio; Via Penate
4, CH-6850 Mendrisio, Switzerland
(540)

ARMANI

Hotels & Resorts

(591) Black, white
(511)
43 – Hotels; providing of food and drink; bars and reception halls; temporary accommodation.
44 – Beauty salons and hairdressing services; medical services; veterinary services; hygienic and beauty care for human beings or animals.

(260) AM 62859 A*
(800) 1077156
(731) Janssen Pharmaceutica NV
Turnhoutseweg 30, B-2340 BEERSE,
Belgium
(540)

Clean & Clear
and confident

(591) Black, white
(511)
3 – Skin cleanser; non-medicated astringents; body wash; facial wash; body scrub; facial scrub; skin moisturizers; skin creams and cosmetic, facial and body cleansing wipes; sun care; body moisturizers

and cosmetic, non-medicated cosmetics; lip balms, lip glosses and powders.

5 – Medicated skin cleanser; medicated facial and body wash and medicated facial and body scrub; medicated nose strips for the treatment for blackheads, medicated acne patches, acne treatment preparations, medicated astringents, medicated skin moisturizers and skin cleansers.

16 – Disposable wipes not impregnated with chemicals or compounds for use as cosmetic blotting sheets for absorbing facial oil.

21 – Exfoliating and cleansing devices, namely battery-operated hand-held skin exfoliating and cleansing units used to clean and exfoliate the skin; facial exfoliating pads.

(260) AM 63126 A*

(800) 1079650

(731) Janssen Pharmaceutica NV
Turnhoutseweg 30, B-2340 BEERSE,
Belgium

(540)



Clean & Clear under control

(591) Black, white

(511)

3 – Skin cleanser; non-medicated astringents; body wash; facial wash; body scrub; facial scrub; skin moisturizers; skin creams and cosmetic, facial and body cleansing wipes; sun care; body moisturizers and cosmetic, non-medicated cosmetics; lip balms, lip glosses and powders.

5 – Medicated skin cleanser; medicated facial and body wash and medicated facial and body scrub; medicated nose strips for the treatment of blackheads, medicated acne patches, acne treatment preparations, medicated astringents, medicated skin moisturizers and skin cleansers.

16 – Disposable wipes not impregnated with chemicals or compounds for use as cosmetic blotting sheets for absorbing facial oil.

21 – Exfoliating and cleansing devices, namely battery-operated hand-held skin exfoliating and cleansing units used to clean and exfoliate the skin; facial exfoliating pads.

INTERNATIONAL TRADEMARKS PROTECTED IN GEORGIA

(260) AM 2012 62285 A
(800) 967993
(151) 2008 01 21
(181) 2018 01 21
(511) 07, 12

(260) AM 2012 63354 A
(800) 1081959
(151) 2011 05 10
(181) 2021 05 10
(511) 03

(260) AM 2012 63288 A
(800) 1081108
(151) 2011 01 31
(181) 2021 01 31
(511) 32

(260) AM 2012 63355 A
(800) 1081978
(151) 2011 06 08
(181) 2021 06 08
(511) 34

(260) AM 2012 63349 A
(800) 1081920
(151) 2011 05 06
(181) 2021 05 06
(511) 01, 16, 17, 19

(260) AM 2012 63356 A
(800) 1082021
(151) 2010 12 30
(181) 2020 12 30
(511) 01, 05, 29, 30

(260) AM 2012 63350 A
(800) 1081922
(151) 2011 03 02
(181) 2021 03 02
(511) 14, 18, 25

(260) AM 2012 63358 A
(800) 1082035
(151) 2011 03 04
(181) 2021 03 04
(511) 06, 07, 11, 37, 41, 42

(260) AM 2012 63351 A
(800) 1081923
(151) 2011 05 04
(181) 2021 05 04
(511) 14

(260) AM 2012 63359 A
(800) 1082041
(151) 2011 03 14
(181) 2021 03 14
(511) 03, 05, 35

(260) AM 2012 63352 A
(800) 1081945
(151) 2011 06 02
(181) 2021 06 02
(511) 02

(260) AM 2012 63360 A
(800) 1082058
(151) 2011 05 04
(181) 2021 05 04
(511) 10

(260) AM 2012 63353 A
(800) 1081955
(151) 2010 05 17
(181) 2020 05 17
(511) 09, 12

(260) AM 2012 63427 A
(800) 1082466
(151) 2011 04 04
(181) 2021 04 04
(511) 05

TRADEMARKS

(260) AM 2012 63428 A
(800) 1082474
(151) 2011 06 10
(181) 2021 06 10
(511) 18

(260) AM 2012 63439 A
(800) 1082656
(151) 2011 06 14
(181) 2021 06 14
(511) 33

(260) AM 2012 63429 A
(800) 1082480
(151) 2010 10 25
(181) 2020 10 25
(511) 05, 29, 30

(260) AM 2012 63440 A
(800) 1082673
(151) 2011 05 30
(181) 2021 05 30
(511) 32, 33, 43

(260) AM 2012 63430 A
(800) 1082491
(151) 2011 03 21
(181) 2021 03 21
(511) 35, 38, 41, 42

(260) AM 2012 63441 A
(800) 1082706
(151) 2010 12 02
(181) 2020 12 02
(511) 03, 09, 14, 18, 24, 25

(260) AM 2012 63432 A
(800) 1082518
(151) 2010 12 20
(181) 2020 12 20
(511) 35

(260) AM 2012 63442 A
(800) 1082712
(151) 2011 04 21
(181) 2021 04 21
(511) 17

(260) AM 2012 63433 A
(800) 1082599
(151) 2011 05 17
(181) 2021 05 17
(511) 09

(260) AM 2012 63443 A
(800) 1082804
(151) 2011 01 26
(181) 2021 01 26
(511) 30

(260) AM 2012 63434 A
(800) 1082610
(151) 2011 05 23
(181) 2021 05 23
(511) 12

(260) AM 2012 63444 A
(800) 1082812
(151) 2011 01 07
(181) 2021 01 07
(511) 12, 14, 16, 18, 20, 21, 24, 26, 28

(260) AM 2012 63436 A
(800) 1082638
(151) 2011 05 25
(181) 2021 05 25
(511) 03, 35

(260) AM 2012 63445 A
(800) 1082814
(151) 2011 01 07
(181) 2021 01 07
(511) 09, 12, 14, 16, 18, 20, 21, 24, 26, 28, 36

(260) AM 2012 63438 A
(800) 1082641
(151) 2011 05 24
(181) 2021 05 24
(511) 05, 29

(260) AM 2012 63447 A
(800) 1082830
(151) 2011 02 17
(181) 2021 02 17
(511) 36

(260) AM 2012 63448 A
(800) 1082831
(151) 2011 02 15
(181) 2021 02 15
(511) 05, 10

(260) AM 2012 63552 A
(800) 1083820
(151) 2011 06 15
(181) 2021 06 15
(511) 05

(260) AM 2012 63450 A
(800) 1082850
(151) 2011 03 23
(181) 2021 03 23
(511) 05

(260) AM 2012 63553 A
(800) 1083821
(151) 2011 06 15
(181) 2021 06 15
(511) 05

(260) AM 2012 63451 A
(800) 1082904
(151) 2011 05 13
(181) 2021 05 13
(511) 09, 11, 12, 35, 36, 37, 39, 42, 45

(260) AM 2012 63554 A
(800) 1083822
(151) 2011 06 15
(181) 2021 06 15
(511) 05

(260) AM 2012 63452 A
(800) 1082911
(151) 2011 06 10
(181) 2021 06 10
(511) 29

(260) AM 2012 63555 A
(800) 1083829
(151) 2011 06 29
(181) 2021 06 29
(511) 32, 33

(260) AM 2012 63453 A
(800) 1082913
(151) 2011 06 17
(181) 2021 06 17
(511) 14, 18, 26

(260) AM 2012 63556 A
(800) 1083843
(151) 2011 06 09
(181) 2021 06 09
(511) 34

(260) AM 2012 63454 A
(800) 1082916
(151) 2011 06 14
(181) 2021 06 14
(511) 32

(260) AM 2012 63557 A
(800) 1083866
(151) 2011 06 21
(181) 2021 06 21
(511) 31

(260) AM 2012 63455 A
(800) 1082942
(151) 2011 04 26
(181) 2021 04 26
(511) 11

(260) AM 2012 63558 A
(800) 1083874
(151) 2011 06 29
(181) 2021 06 29
(511) 25

(260) AM 2012 63513 A
(800) 1083593
(151) 2011 04 13
(181) 2021 04 13
(511) 07

(260) AM 2012 63560 A
(800) 1083929
(151) 2011 06 28
(181) 2021 06 28
(511) 18

TRADEMARKS

(260) AM 2012 63562 A
(800) 1083946
(151) 2011 06 20
(181) 2021 06 20
(511) 35, 36

(260) AM 2012 63599 A
(800) 1084097
(151) 2011 06 10
(181) 2021 06 10
(511) 06, 19, 37

(260) AM 2012 63563 A
(800) 1083947
(151) 2010 12 06
(181) 2020 12 06
(511) 09, 35, 38, 41

(260) AM 2012 63600 A
(800) 1084100
(151) 2011 05 26
(181) 2021 05 26
(511) 05

(260) AM 2012 63566 A
(800) 1083948
(151) 2010 12 06
(181) 2020 12 06
(511) 09, 35, 38, 41

(260) AM 2012 63601 A
(800) 1084124
(151) 2011 06 14
(181) 2021 06 14
(511) 05

(260) AM 2012 63567 A
(800) 934428
(151) 2007 08 01
(181) 2017 08 01
(511) 05

(260) AM 2012 63603 A
(800) 1084137
(151) 2010 10 25
(181) 2020 10 25
(511) 03, 09, 14, 18, 25, 35

(260) AM 2012 63568 A
(800) 965027
(151) 2008 05 14
(181) 2018 05 14
(511) 01, 02, 17, 19

(260) AM 2012 63604 A
(800) 1084141
(151) 2011 01 27
(181) 2021 01 27
(511) 05, 29, 30

(260) AM 2012 63594 A
(800) 1083994
(151) 2011 06 06
(181) 2021 06 06
(511) 07, 42

(260) AM 2012 63605 A
(800) 1084222
(151) 2011 05 24
(181) 2021 05 24
(511) 05

(260) AM 2012 63595 A
(800) 1084006
(151) 2011 04 07
(181) 2021 04 07
(511) 16, 35, 41, 43

(260) AM 2012 63606 A
(800) 1084227
(151) 2011 05 02
(181) 2021 05 02
(511) 32

(260) AM 2012 63598 A
(800) 1084084
(151) 2011 06 21
(181) 2021 06 21
(511) 11

(260) AM 2012 63607 A
(800) 1084236
(151) 2011 06 01
(181) 2021 06 01
(511) 44

(260) AM 2012 63608 A
(800) 1084240
(151) 2011 06 09
(181) 2021 06 09
(511) 33

(260) AM 2012 63655 A
(800) 1084320
(151) 2011 05 30
(181) 2021 05 30
(511) 05

(260) AM 2012 63609 A
(800) 1084262
(151) 2011 06 28
(181) 2021 06 28
(511) 11

(260) AM 2012 63656 A
(800) 1084321
(151) 2011 05 30
(181) 2021 05 30
(511) 05

(260) AM 2012 63610 A
(800) 1084269
(151) 2011 06 15
(181) 2021 06 15
(511) 03

(260) AM 2012 63679 A
(800) 1084546
(151) 2010 12 01
(181) 2020 12 01
(511) 30

(260) AM 2012 63611 A
(800) 1084273
(151) 2011 06 21
(181) 2021 06 21
(511) 14

(260) AM 2012 63680 A
(800) 1084547
(151) 2010 12 01
(181) 2020 12 01
(511) 30

(260) AM 2012 63612 A
(800) 1084277
(151) 2011 05 30
(181) 2021 05 30
(511) 09, 37, 42

(260) AM 2012 63681 A
(800) 1084548
(151) 2010 12 01
(181) 2020 12 01
(511) 30

(260) AM 2012 63613 A
(800) 1084298
(151) 2011 06 01
(181) 2021 06 01
(511) 25, 35, 43

(260) AM 2012 63682 A
(800) 1084549
(151) 2010 12 01
(181) 2020 12 01
(511) 30

(260) AM 2012 63614 A
(800) 1084318
(151) 2011 05 30
(181) 2021 05 30
(511) 05

(260) AM 2012 63683 A
(800) 1084550
(151) 2010 12 01
(181) 2020 12 01
(511) 30

(260) AM 2012 63615 A
(800) 1084319
(151) 2011 05 30
(181) 2021 05 30
(511) 05

(260) AM 2012 63684 A
(800) 1084557
(151) 2011 01 27
(181) 2021 01 27
(511) 19

TRADEMARKS

(260) AM 2012 63685 A
(800) 1084569
(151) 2011 03 11
(181) 2021 03 11
(511) 18, 25

(260) AM 2012 63697 A
(800) 1084674
(151) 2011 06 10
(181) 2021 06 10
(511) 05

(260) AM 2012 63686 A
(800) 1084591
(151) 2011 06 21
(181) 2021 06 21
(511) 35, 41, 45

(260) AM 2012 63698 A
(800) 1084704
(151) 2010 12 01
(181) 2020 12 01
(511) 30

(260) AM 2012 63687 A
(800) 1084603
(151) 2011 06 17
(181) 2021 06 17
(511) 03, 05

(260) AM 2012 63699 A
(800) 1084709
(151) 2011 04 01
(181) 2021 04 01
(511) 03

(260) AM 2012 63688 A
(800) 1084604
(151) 2011 06 15
(181) 2021 06 15
(511) 03

(260) AM 2012 63700 A
(800) 1084712
(151) 2011 04 13
(181) 2021 04 13
(511) 08, 10

(260) AM 2012 63690 A
(800) 1084638
(151) 2011 06 09
(181) 2021 06 09
(511) 34

(260) AM 2012 63701 A
(800) 1084727
(151) 2011 05 27
(181) 2021 05 27
(511) 09, 16, 35, 42

(260) AM 2012 63691 A
(800) 1084641
(151) 2011 05 26
(181) 2021 05 26
(511) 05

(260) AM 2012 63703 A
(800) 1084736
(151) 2011 05 13
(181) 2021 05 13
(511) 12

(260) AM 2012 63693 A
(800) 1084671
(151) 2011 06 10
(181) 2021 06 10
(511) 16

(260) AM 2012 63704 A
(800) 1084738
(151) 2011 06 14
(181) 2021 06 14
(511) 33

(260) AM 2012 63694 A
(800) 1084672
(151) 2011 06 10
(181) 2021 06 10
(511) 05

(260) AM 2012 63705 A
(800) 1084772
(151) 2011 07 07
(181) 2021 07 07
(511) 05

(260) AM 2012 63706 A
(800) 1084773
(151) 2011 07 07
(181) 2021 07 07
(511) 05

(260) AM 2012 63716 A
(800) 1084892
(151) 2011 06 29
(181) 2021 06 29
(511) 05

(260) AM 2012 63707 A
(800) 1084782
(151) 2011 06 17
(181) 2021 06 17
(511) 03, 21

(260) AM 2012 63717 A
(800) 1084894
(151) 2011 06 29
(181) 2021 06 29
(511) 03

(260) AM 2012 63708 A
(800) 1084809
(151) 2011 06 22
(181) 2021 06 22
(511) 30

(260) AM 2012 63720 A
(800) 562466
(151) 2010 12 11
(181) 2020 12 11
(511) 07

(260) AM 2012 63709 A
(800) 1084823
(151) 2010 07 08
(181) 2020 07 08
(511) 03, 05, 29

(260) AM 2012 63721 A
(800) 603809
(151) 2003 06 15
(181) 2013 06 15
(511) 05

(260) AM 2012 63710 A
(800) 1084827
(151) 2011 02 07
(181) 2021 02 07
(511) 14, 16, 20, 21, 24, 25, 30, 33

(260) AM 2012 63747 A
(800) 1084917
(151) 2011 06 29
(181) 2021 06 29
(511) 12

(260) AM 2012 63711 A
(800) 1084828
(151) 2011 01 17
(181) 2021 01 17
(511) 03, 05, 16, 18, 22, 28, 31

(260) AM 2012 63750 A
(800) 1084935
(151) 2011 06 09
(181) 2021 06 09
(511) 25

(260) AM 2012 63713 A
(800) 1084839
(151) 2011 04 20
(181) 2021 04 20
(511) 07

(260) AM 2012 63758 A
(800) 1085128
(151) 2011 02 07
(181) 2021 02 07
(511) 11

(260) AM 2012 63715 A
(800) 1084887
(151) 2011 06 21
(181) 2021 06 21
(511) 01

(260) AM 2012 63762 A
(800) 1085181
(151) 2011 07 04
(181) 2021 07 04
(511) 36

TRADEMARKS

(260) AM 2012 63936 A
(800) 787776
(151) 2002 08 15
(181) 2012 08 15
(511) 07, 08

(260) AM 2012 64067 A
(800) 1088296
(151) 2011 08 08
(181) 2021 08 08
(511) 11

APPELLATIONS OF ORIGIN AND GEOGRAPHICAL INDICATIONS OF GOODS

REGISTERED APPELLATIONS OF ORIGIN OF GOODS

Number of national registration: 825
Date of national registration: 2012 08 29
Number of international registration: 899
Date of international registration: 2011 06 21
Appellations of origin: **БЕРМЕТ-BERMET**
Country code: RS, Serbia
Goods: 30 – Aromatised wine.

Number of national registration: 826
Date of national registration: 2012 08 29
Number of international registration: 900
Date of international registration: 2011 08 01
Appellations of origin: **BANANO DE COSTA RICA**
Country code: CR, Costa Rica
Goods: 31 – Banan.

OFFICIAL NOTIFICATIONS

INVENTION

RENEWAL OF A PATENT

(11) P 2005 3701 B

(73) Vasil Nowicky (AT)

(54) **PROCESS FOR CONVERSION OF
ALKALOIDS AND PREPARATION OF
MEDICAMENTS FROM CONVERSION
PRODUCTS**

DATE OF RENEWAL: 2012 09 10

TRADEMARKS

INVALIDATION OF TRADEMARK REGISTRATION

(111) M 2004 15789 R

(732) LTD "SUPERMOTORI"

Parnavaz Mepis q. 57, 6010, Batumi, Georgia

(540)





(141) 2012 24 08

Grounds: Sakpatenti Chairman Order №1077 of August 24, 2012

(court decision case №2-74/12)

CORRECTION OF MISTAKES

BULLETIN №	Pg.	NUMBER OF APPLICATION (260)	INTERN. INDEX	PUBLISHED	MUST BE
14(354)	16	AM 2012 64137 A	(511)	(260) AM 2012 64137 A (210) AM 064137 (220) 2011 09 19 (731) LTD "FINA" M. Kostavas II shes. №2, Tbilisi, Georgia (540)  (591) Sky (531) 27.05.17-29.01.04- (511) 9, 41	(260) AM 2012 64137 A (210) AM 064137 (220) 2011 09 19 (731) LTD "FINA" M. Kostavas II shes. №2, Tbilisi, Georgia (540)  (591) Sky (531) 27.05.17-29.01.04- (511) 9

CLASSIFICATION INDEXES

INVENTIONS

CONCORDANCE TABLE OF INTERNATIONAL CLASSIFICATION INDEX AND PUBLICATION NUMBERS

INTERNATIONAL CLASSIFICATION INDEXES (51)	NUMBER OF PUBLISHED APPLICATION (10)
A 61 F 13/00; A 61 K 9/70	AP 2012 11682 A
A 61 K 9/06; A 61 K 31/513; A 61 K 31/135; A 61 K 31/495; A 61 K 47/32; A 61 K 47/34; A 61 K 47/10; A 61 P 29/00; A 61 P 37/08	AP 2012 11959 A
C 07 D 239/84; C 07 D 487/04; A 61 K 31/519; A 61 K 31/517; A 61 P 35/00	AP 2012 11937 A
C 07 J 71/00; A 61 K 31/58; C 07 J 7/00; A 61 P 11/06; A 61 P 5/46	AP 2012 11822 A
F 16 K 5/06	AP 2012 11377 A
F 41 H 1/02; F 41 H 5/08	AP 2012 11671 A

CONCORDANCE TABLE OF PUBLICATION NUMBERS AND INTERNATIONAL CLASSIFICATION INDEX

NUMBER OF PUBLISHED APPLICATION (10)	INTERNATIONAL CLASSIFICATION INDEXES (51)
AP 2012 11377 A	F 16 K 5/06
AP 2012 11671 A	F 41 H 1/02; F 41 H 5/08
AP 2012 11682 A	A 61 F 13/00; A 61 K 9/70
AP 2012 11822 A	C 07 J 71/00; A 61 K 31/58; C 07 J 7/00; A 61 P 11/06; A 61 P 5/46
AP 2012 11937 A	C 07 D 239/84; C 07 D 487/04; A 61 K 31/519; A 61 K 31/517; A 61 P 35/00
AP 2012 11959 A	A 61 K 9/06; A 61 K 31/513; A 61 K 31/135; A 61 K 31/495; A 61 K 47/32; A 61 K 47/34; A 61 K 47/10; A 61 P 29/00; A 61 P 37/08

CONCORDANCE TABLE OF INTERNATIONAL CLASSIFICATION INDEX,
PATENT NUMBERS AND PUBLICATION NUMBERS

INTERNATIONAL CLASSIFICATION INDEX (51)	NUMBER OF PATENT (11)	NUMBER OF PUBLISHED APPLICATION (10)
A 21 D 2/00	P 2012 5631 B	AP 2012 11459 A
A 61 K 31/00; A 61 K 9/20; A 61 K 9/16	P 2012 5636 B	AP 2012 11898 A
A 61 K 45/06; A 61 K 31/7076; A 61 K 38/44; A 61 P 25/28	P 2012 5638 B	AP 2012 11930 A
C 07 D 213/75; A 61 K 31/44; A 61 P 29/00	P 2012 5640 B	AP 2012 12074 A
C 07 D 239/42; A 01 N 43/54	P 2012 5626 B	AP 2012 9528 A
C 07 D 487/04; C 07 D 487/02; C 07 D 403/08; C 07 D 403/12	P 2012 5635 B	AP 2012 11842 A
C 07 D 487/04; C 07 D 498/04; A 61 K 31/4188; A 61 P 25/24; A 61 P 25/22	P 2012 5637 B	AP 2012 11925 A
C 07 K 16/28; A 61 K 39/395; A 61 P 35/00; C 12 N 5/12; C 12 N 5/20; C 12 P 21/08	P 2012 5629 B	AP 2012 11322 A
C 07 K 16/28	P 2012 5628 B	AP 2012 10985 A
C 08 G 63/00; C 08 G 73/00	P 2012 5632 B	AP 2012 11558 A
C 12 N 9/14	P 2012 5630 B	AP 2012 11455 A
E 02 F 3/64	P 2012 5634 B	AP 2012 11669 A
E 02 F 3/76	P 2012 5633 B	AP 2012 11668 A
F 02 B 71/00	P 2012 5639 B	AP 2012 12061 A
F 16 C 1/04	P 2012 5627 B	AP 2012 10583 A
G 01 N 3/56	P 2012 5641 B	AP 2011 11088 A
H 04 B 7/216; H 04 L 12/56; H 04 W 72/12	P 2012 5625 B	AP 2012 9453 A

CONCORDANCE TABLE OF PATENT NUMBERS,
PUBLICATION NUMBERS AND INTERNATIONAL CLASSIFICATION INDEX

NUMBER OF PATENT (11)	NUMBER OF PUBLISHED APPLICATION (10)	INTERNATIONAL CLASSIFICATION INDEX (51)
1	2	3
P 2012 5625 B	AP 2012 9453 A	H 04 B 7/216; H 04 L 12/56; H 04 W 72/12
P 2012 5626 B	AP 2012 9528 A	C 07 D 239/42; A 01 N 43/54
P 2012 5627 B	AP 2012 10583 A	F 16 C 1/04
P 2012 5628 B	AP 2012 10985 A	C 07 K 16/28
P 2012 5629 B	AP 2012 11322 A	C 07 K 16/28; A 61 K 39/395; A 61 P 35/00; C 12 N 5/12; C 12 N 5/20; C 12 P 21/08
P 2012 5630 B	AP 2012 11455 A	C 12 N 9/14
P 2012 5631 B	AP 2012 11459 A	A 21 D 2/00
P 2012 5632 B	AP 2012 11558 A	C 08 G 63/00; C 08 G 73/00
P 2012 5633 B	AP 2012 11668 A	E 02 F 3/76
P 2012 5634 B	AP 2012 11669 A	E 02 F 3/64
P 2012 5635 B	AP 2012 11842 A	C 07 D 487/04; C 07 D 487/02; C 07 D 403/08; C 07 D 403/12
P 2012 5636 B	AP 2012 11898 A	A 61 K 31/00; A 61 K 9/20; A 61 K 9/16
P 2012 5637 B	AP 2012 11925 A	C 07 D 487/04; C 07 D 498/04; A 61 K 31/4188; A 61 P 25/24; A 61 P 25/22

1	2	3
P 2012 5638 B	AP 2012 11930 A	A 61 K 45/06; A 61 K 31/7076; A 61 K 38/44; A 61 P 25/28
P 2012 5639 B	AP 2012 12061 A	F 02 B 71/00
P 2012 5640 B	AP 2012 12074 A	C 07 D 213/75; A 61 K 31/44; A 61 P 29/00
P 2011 5641 B	AP 2012 11088 A	G 01 N 3/56

CONCORDANCE TABLE OF APPLICATION NUMBERS, PUBLICATION NUMBERS AND PATENTS

NUMBER OF APPLICATION (21)	NUMBER OF PUBLISHED APPLICATION (10)	NUMBER OF PATENT (11)
AP 2004 009453	AP 2012 9453 A	P 2012 5625 B
AP 2004 009528	AP 2012 9528 A	P 2012 5626 B
AP 2008 010583	AP 2012 10583 A	P 2012 5627 B
AP 2007 010985	AP 2012 10985 A	P 2012 5628 B
AP 2009 011088	AP 2011 11088 A	P 2012 5641 B
AP 2007 011322	AP 2012 11322 A	P 2012 5629 B
AP 2009 011455	AP 2012 11455 A	P 2012 5630 B
AP 2009 011459	AP 2012 11459 A	P 2012 5631 B
AP 2009 011558	AP 2012 11558 A	P 2012 5632 B
AP 2010 011668	AP 2012 11668 A	P 2012 5633 B
AP 2010 011669	AP 2012 11669 A	P 2012 5634 B
AP 2008 011842	AP 2012 11842 A	P 2012 5635 B
AP 2008 011898	AP 2012 11898 A	P 2012 5636 B
AP 2009 011925	AP 2012 11925 A	P 2012 5637 B
AP 2009 011930	AP 2012 11930 A	P 2012 5638 B
AP 2011 012061	AP 2012 12061 A	P 2012 5639 B
AP 2009 012074	AP 2012 12074 A	P 2012 5640 B

UTILITY MODELS

CONCORDANCE TABLE OF INTERNATIONAL CLASSIFICATION INDEX, PATENT NUMBERS AND PUBLICATION NUMBERS

INTERNATIONAL CLASSIFICATION INDEX (51)	NUMBER OF PATENT (11)	NUMBER OF PUBLISHED APPLICATION (10)
E 04 F 21/02	U 2012 1736 Y	AU 2012 12191 U

CONCORDANCE TABLE OF PATENT NUMBERS, PUBLICATION NUMBERS AND INTERNATIONAL CLASSIFICATION INDEX

NUMBER OF PATENT (11)	NUMBER OF PUBLISHED APPLICATION (10)	INTERNATIONAL CLASSIFICATION INDEX (51)
U 2012 1736 Y	AU 2012 12191 U	E 04 F 21/02

CONCORDANCE TABLE OF APPLICATION NUMBERS, PUBLICATION NUMBERS AND PATENTS

NUMBER OF APPLICATION (21)	NUMBER OF PUBLISHED APPLICATION (10)	NUMBER OF PATENT (11)
AU 2011 012191	AU 2012 12191 U	U 2012 1736 Y

DESIGNS

CONCORDANCE TABLE OF INTERNATIONAL CLASSIFICATION INDEX, PATENT NUMBERS AND PUBLICATION NUMBERS

INTERNATIONAL CLASSIFICATION INDEX (51)	NUMBER OF PATENT (11)	NUMBER OF PUBLISHED APPLICATION (10)
02-05	D 2012 505 S	AD 2012 679 S
02-05	D 2012 506 S	AD 2012 667 S
09-03	D 2012 504 S	AD 2012 676 S
32-00	D 2012 503 S	AD 2012 681 S

CONCORDANCE TABLE OF PATENT NUMBERS, PUBLICATION NUMBERS AND INTERNATIONAL CLASSIFICATION INDEX

NUMBER OF PATENT (11)	NUMBER OF PUBLISHED APPLICATION (10)	INTERNATIONAL CLASSIFICATION INDEX (51)
D 2012 503 S	AD 2012 681 S	32-00
D 2012 504 S	AD 2012 676 S	09-03
D 2012 505 S	AD 2012 679 S	02-05
D 2012 506 S	AD 2012 667 S	02-05

CONCORDANCE TABLE OF APPLICATION NUMBERS, PUBLICATION NUMBERS AND PATENTS

NUMBER OF APPLICATION (21)	NUMBER OF PUBLISHED APPLICATION (10)	NUMBER OF PATENT (11)
AD 2011 000667	AD 2012 667 S	D 2012 506 S
AD 2011 000676	AD 2012 676 S	D 2012 504 S
AD 2012 000679	AD 2012 679 S	D 2012 505 S
AD 2012 000681	AD 2012 681 S	D 2012 503 S

TRADEMARKS

CONCORDANCE TABLE OF REGISTRATION NUMBERS, APPLICATION NUMBERS, PUBLICATION NUMBERS AND BULLETIN NUMBERS

NUMBER OF REGISTRATION (111)	NUMBER OF APPLICATION (210)	NUMBER OF PUBLISHED APPLICATION (260)	NUMBER OF BULLETIN
1	2	3	4
M 2012 22857 R	AM 2012 68213	-	17(357) 2012
M 2012 22858 R	AM 2012 68151	-	17(357) 2012
M 2012 22859 R	AM 2012 68366	-	17(357) 2012
M 2012 22860 R	AM 2012 68390	-	17(357) 2012
M 2012 22861 R	AM 2012 68311	-	17(357) 2012
M 2012 22862 R	AM 2012 67921	-	17(357) 2012
M 2012 22863 R	AM 2010 59620	AM 2011 59620 A	7(347) 2012
M 2012 22864 R	AM 2010 59975	AM 2012 59975 A	3(343) 2012
M 2012 22865 R	AM 2010 60732	AM 2012 60732 A	6(346) 2012
M 2012 22866 R	AM 2011 61332	AM 2012 61332 A	2(342) 2012
M 2012 22867 R	AM 2011 61587	AM 2011 61587 A	7(347) 2012
M 2012 22868 R	AM 2011 61588	AM 2011 61588 A	7(347) 2012
M 2012 22869 R	AM 2011 61589	AM 2011 61589 A	7(347) 2012
M 2012 22870 R	AM 2011 61735	AM 2011 61735 A	22(338) 2011
M 2012 22871 R	AM 2011 62117	AM 2112 62117 A	1(341) 2012
M 2012 22872 R	AM 2011 62429	AM 2012 62429 A	6(346) 2012
M 2012 22873 R	AM 2011 62632	AM 2012 62632 A	6(346) 2012
M 2012 22874 R	AM 2011 62633	AM 2012 62633 A	6(346) 2012
M 2012 22875 R	AM 2011 62634	AM 2012 62634 A	6(346) 2012
M 2012 22876 R	AM 2011 62836	AM 2012 62836 A	6(346) 2012
M 2012 22877 R	AM 2011 62837	AM 2012 62837 A	6(346) 2012
M 2012 22878 R	AM 2011 62901	AM 2012 62901 A	6(346) 2012
M 2012 22879 R	AM 2011 62902	AM 2012 62902 A	6(346) 2012
M 2012 22880 R	AM 2011 62903	AM 2012 62903 A	6(346) 2012
M 2012 22881 R	AM 2011 62904	AM 2012 62904 A	6(346) 2012
M 2012 22882 R	AM 2011 62905	AM 2012 62905 A	6(346) 2012
M 2012 22883 R	AM 2011 62932	AM 2012 62932 A	3(343) 2012
M 2012 22884 R	AM 2011 62974	AM 2012 62974 A	6(346) 2012
M 2012 22885 R	AM 2011 62994	AM 2012 62994 A	9(349) 2012
M 2012 22886 R	AM 2011 63015	AM 2012 63015 A	5(345) 2012
M 2012 22887 R	AM 2011 63118	AM 2012 63118 A	2(342) 2012
M 2012 22888 R	AM 2011 63182	AM 2012 63182 A	8(348) 2012
M 2012 22889 R	AM 2011 63223	AM 2012 63223 A	8(348) 2012
M 2012 22890 R	AM 2011 63224	AM 2012 63224 A	8(348) 2012
M 2012 22891 R	AM 2011 63225	AM 2012 63225 A	8(348) 2012
M 2012 22892 R	AM 2011 63226	AM 2012 63226 A	9(349) 2012
M 2012 22893 R	AM 2011 63299	AM 2012 63299 A	8(348) 2012
M 2012 22894 R	AM 2011 63300	AM 2012 63300 A	8(348) 2012
M 2012 22895 R	AM 2011 63301	AM 2012 63301 A	8(348) 2012
M 2012 22896 R	AM 2011 63302	AM 2012 63302 A	8(348) 2012
M 2012 22897 R	AM 2011 63303	AM 2012 63303 A	8(348) 2012
M 2012 22898 R	AM 2011 63462	AM 2012 63462 A	8(348) 2012
M 2012 22899 R	AM 2011 63480	AM 2012 63480 A	6(346) 2012
M 2012 22900 R	AM 2011 63529	AM 2012 63529 A	9(349) 2012

1	2	3	4
M 2012 22901 R	AM 2011 63591	AM 2012 63591 A	6(346) 2012
M 2012 22902 R	AM 2011 63637	AM 2012 63637 A	6(346) 2012
M 2012 22903 R	AM 2011 63638	AM 2012 63638 A	6(346) 2012
M 2012 22904 R	AM 2011 63639	AM 2012 63639 A	6(346) 2012
M 2012 22905 R	AM 2011 63640	AM 2012 63640 A	6(346) 2012
M 2012 22906 R	AM 2011 63641	AM 2012 63641 A	6(346) 2012
M 2012 22907 R	AM 2011 63642	AM 2012 63642 A	6(346) 2012
M 2012 22908 R	AM 2011 63643	AM 2012 63643 A	6(346) 2012
M 2012 22909 R	AM 2011 63644	AM 2012 63644 A	6(346) 2012
M 2012 22910 R	AM 2011 63645	AM 2012 63645 A	6(346) 2012
M 2012 22911 R	AM 2011 63646	AM 2012 63646 A	6(346) 2012
M 2012 22912 R	AM 2011 63647	AM 2012 63647 A	6(346) 2012
M 2012 22913 R	AM 2011 63648	AM 2012 63648 A	6(346) 2012
M 2012 22914 R	AM 2011 63649	AM 2012 63649 A	6(346) 2012
M 2012 22915 R	AM 2011 63650	AM 2012 63650 A	6(346) 2012
M 2012 22916 R	AM 2011 63651	AM 2012 63651 A	6(346) 2012
M 2012 22917 R	AM 2011 63735	AM 2012 63735 A	7(347) 2012
M 2012 22918 R	AM 2011 63736	AM 2012 63736 A	7(347) 2012
M 2012 22919 R	AM 2011 64030	AM 2012 64030 A	8(348) 2012
M 2012 22920 R	AM 2012 68137	-	17(357) 2012
M 2012 22921 R	AM 2012 86169	-	17(357) 2012
M 2012 22922 R	AM 2012 68274	-	17(357) 2012
M 2012 22923 R	AM 2012 68196	-	17(357) 2012

CONCORDANCE TABLE OF PUBLICATION NUMBERS AND APPLICATION NUMBERS

NUMBER OF PUBLISHED APPLICATION (260)	NUMBER OF APPLICATION (210)	1	2
1	2		
AM 2012 64239 A	AM 2011 64239	AM 2012 64366 A	AM 2011 64366
AM 2012 64246 A	AM 2011 64246	AM 2012 64367 A	AM 2011 64367
AM 2012 64298 A	AM 2011 64298	AM 2012 64424 A	AM 2011 64424
		AM 2012 64528 A	AM 2011 64528
		AM 2012 64579 A	AM 2011 64579
		AM 2012 66020 A	AM 2012 66020

CONCORDANCE TABLE OF INDEX OF GOODS AND/OR SERVICES
AND APPLICATION NUMBERS

INDEX OF GOODS AND/OR SERVICES (511)	NUMBER OF PUBLISHED APPLICATION (260)	1	2
1	2	29	AM 2012 66020 A
1	AM 2012 64366 A	30	AM 2012 64366 A
1	AM 2012 64367 A	30	AM 2012 64367 A
3	AM 2012 64246 A	30	AM 2012 66020 A
3	AM 2012 66020 A	33	AM 2012 66020 A
5	AM 2012 64246 A	34	AM 2012 64298 A
5	AM 2012 64367 A	34	AM 2012 64528 A
7	AM 2012 64579 A	35	AM 2012 64239 A
16	AM 2012 64424 A	35	AM 2012 64424 A
		35	AM 2012 66020 A
		38	AM 2012 64424 A

CONCORDANCE TABLE OF INDEX OF GOODS AND/OR SERVICES
AND NUMBERS OF TRADEMARKS REGISTERED ACCORDING
TO THE ACCELERATED PROCEDURE

INDEX OF GOODS AND/OR SERVICES (511)	NUMBER OF REGISTERED ACCORDING TO THE ACCELERATED PROCEDURE (111)
6	M 2012 22859 R
8	M 2012 22920 R
11	M 2012 22861 R
30	M 2012 22862 R
33	M 2012 22921 R
33	M 2012 22922 R
35	M 2012 22922 R
38	M 2012 22857 R
38	M 2012 22860 R
43	M 2012 22858 R
43	M 2012 22923 R

OFFICIAL BULLETIN OF THE INDUSTRIAL PROPERTY

17(357)

EDITOR-IN-CHIEF: N. Bebrishvili

EDITORS-TRANSLATORS: E. Gabunia

PROOFREADER: L. Chanturia

COMPUTER LAYOUT: M. Ordenidze
K. Svanidze

POLYGRAPHIC GROUP: L. Dolidze

www.sakpatenti.org.ge

E-mail: info@sakpatenti.org.ge