



**NATIONAL INTELLECTUAL PROPERTY CENTER OF GEORGIA
SAKPATENTI**

**OFFICIAL BULLETIN
OF THE INDUSTRIAL PROPERTY**

19(407)

**2014
TBILISI**

INID CODES FOR IDENTIFICATION OF BIBLIOGRAPHIC DATA

INVENTIONS, UTILITY MODELS

- (10) Number of publication for application, which has been examined
- (11) Number of patent and kind of document
- (21) Serial number of application
- (22) Date of filing of the application
- (23) Date of exhibition or the date of the earlier filing and the number of application, if any
- (24) Date from which patent may have effect
- (31) Number of priority application
- (32) Date of filing of priority application
- (33) Code of the country or regional organization allotting priority application number
- (44) Date of publication of application not granted, but examined and number of bulletin
- (45) Date of publication of registered document
- (51) International Patent Classification Index
- (54) Title of the invention
- (57) Abstract
- (60) Number of examined patent document granted by foreign patent office, date from which patent has effect and country code
- (62) Number of the earlier application and in case of divided application, date of filing an application
- (71) Name, surname and address of applicant (country code)
- (72) Name, surname of inventor (country code)
- (73) Name, surname and address of patent owner (country code)
- (74) Name, surname of representative or patent attorney
- (85) Date of commencement of the national phase of International Application
- (86) Number and date of filing of international application
- (87) Number and date of publication of international application

DESIGNS

- (10) Number of publication for application
- (11) Number of patent and kind of document or number of registration
- (15) Date of registration/Date of patent renewal
- (18) Expected expiration date of patent or registration
- (21) Serial number of application
- (22) Date of filing of the application
- (23) Date of exhibition or the date of the earlier filing and the number of application, if any
- (24) Date from which patent may have effect
- (28) Number of designs included in the application
- (30) Data relating to priority (number of application, date of filing of application, two-letter code identifying the authority with whom the priority application was made)
- (31) Number of priority application
- (32) Date of filing of priority application
- (33) Code of the country or regional organization allotting priority application number
- (34) Two-letter code according to WIPO St.3 identifying the authority with which the priority application was made
- (44) Date of publication of design and number of bulletin (the first publication)
- (45) Date of publication of design registered by WIPO and number of bulletin
- (51) International Classification for designs (class and subclass of the Locarno Classification)
- (54) Title of the invention
- (55) Reproduction of the design
- (57) Description of characteristic features of the design including indication of colors
- (58) Date of recording of any kind of amendment in the Register
- (62) Number of the earlier application, registration and document number and if available the date of filing an application in case of divided application
- (71) Name, surname and address of applicant (country code)
- (72) Name, surname of creator (country code)
- (73) Name, surname and address of patent owner (country code)
- (74) Name, surname of representative or patent attorney
- (81) Contracting states concerned
 - II designated contracting states according to the 1960 Act
 - III designated contracting states according to the 1999 Act
- (85) Owner's permanent address
- (86) Owner's nationality
- (87) Owner's residence
- (88) State in which the owner has a real and effective industrial or commercial establishment

TRADEMARKS

- (111) – Number of registration
- (151) – Date of registration
- (156) – Date of the renewal
- (181) – Expected expiration date of registration
- (186) – Renewal expiration date of registration
- (141) – Date of cancel of duration of the mark
- (210) – Serial number of application
- (220) – Date of filing of the application
- (230) – Date concerning exhibition
- (260) – Number of application, for which favorable decision of examination about registration has been taken (publication number)
- (310) – Number of the first application
- (320) – Date of filing of the first application
- (330) – Code, identifying national or regional Office where the first application was made
- (511) – International Classification of Goods and Services for the purposes of registration of trade marks and/or list of goods and/or services classified according thereto
- (531) – Description of figurative elements of Trade Marks according to the International Classification of the Figurative Elements of Marks
- (540) – Reproduction of Trade Mark
- (550) – Nature and kind of Trade Mark
- (580) – Date of recording of any kind changes in respect of applications or registrations
- (591) – Information concerning colors claimed
- (731) – Name and address of the applicant
- (732) – Name and address of the holder of the registration
- (740) – Name and address of the representative
- (750) – Address for correspondence
- (770) – Name and address of the previous applicant or holder in case of change in ownership
- (771) – Previous name and address of the applicant or holder in case of change in ownership
- (791) – Name and address of the licensee
- (793) – Indication of conditions and/or restrictions under the license (Type of license, number of license agreement, data of license, data of validity of license)
- (800) – Certain data relating to the international registration of Trade Marks under the Protocol Relating to Madrid Agreement (International registration number)

CODES FOR PUBLICATION IN BULLETIN

- (21) AP 0000 000000 – serial number of application for invention
- (10) AP 0000 0000 A – number of published application for invention (first publication)
- (11) P 0000 0000 B – number of patent for invention (second publication)
- (21) API 0000 000000 – number of application for imported patent
- (11) PI 0000 0000 A – number of imported patent (first publication)
- (21) AU 0000 000000 – serial number of application for utility model
- (10) AU 0000 000 U – number of published application for utility model (first publication)
- (11) U 0000 000 Y – number of patent for utility model (second publication)
- (21) AD 0000 000000 – serial number of application for design
- (10) AD 0000 000 S – number of published application for design (first publication)
- (11) D 0000 000 S – number of patent for design (second publication)

INTERNATIONAL PATENT CLASSIFICATION FOR INVENTIONS AND UTILITY MODELS

- SECTION A – HUMAN NECESSITIES
- SECTION B – PERFORMING OPERATIONS; TRANSPORTING
- SECTION C – CHEMISTRY; METALLURGY
- SECTION D – TEXTILES; PAPER
- SECTION E – FIXED CONSTRUCTIONS
- SECTION F – MECHANICAL ENGINEERING; LIGHTING; HEATING; WEAPONS; BLASTING
- SECTION G – PHYSICS
- SECTION H – ELECTRICITY

-
- M – Trade Mark
 - (210) AM 0000 000000 – Serial number of application;
 - (260) AAM 0000 00000 A – Publication number of application;
 - (111) M 0000 00000 R – Number of registration;
 - (111) MMM0000 00000 Rn – Number of renewals, in which n=1,2,3;
 - (111) M 0000 00000 R(P) – Number of registration under partial assignment of rights
-

LIST OF CODES, IN ALPHABETIC SEQUENCE, AND THE CORRESPONDING (SHORT) NAMES OF STATES, OTHER ENTITIES AND INTERGOVERNMENTAL ORGANIZATIONS
(WIPO STANDARD ST.3)

AD	Andorra		for the Arab States of the Gulf (GCC)	NE	Niger
AE	United Arab Emirates	GD	Grenada	NG	Nigeria
AF	Afghanistan	GG	Guernsey	NI	Nicaragua
AG	Antigua and Barbuda	GH	Ghana	NL	Netherlands
AI	Anguilla	GI	Gibraltar	NO	Norway
AL	Albania	GT	Guatemala	NP	Nepal
AM	Armenia	GW	Guinea- Bissau	NR	Nauru
AN	Netherlands Antilles	GY	Guyana	NZ	New Zealand
AO	Angola	HK	The Hong Kong Special Administrative Region of the People's Republic of China	OA	African Intellectual Property Organization (OAPI)
AP	African Regional Intellectual Property Organization (ARIPO)	HN	Honduras	OM	Oman
AR	Argentina	HR	Croatia	PA	Panama
AT	Austria	HT	Haiti	PE	Peru
AU	Australia	HU	Hungary	PG	Papua New Guinea
AW	Aruba	IB	International Bureau of the World Intellectual Property Organization (WIPO)	PH	Philippines
AZ	Azerbaijan	ID	Indonesia	PK	Pakistan
BA	Bosnia and Herzegovina	IE	Ireland	PL	Poland
BB	Barbados	IL	Israel	PT	Portugal
BD	Bangladesh	IM	Isle of Man	PW	Palau
BE	Belgium	IN	India	PY	Paraguay
BF	Burkina Faso	IQ	Iraq	QA	Qatar
BG	Bulgaria	IR	Iran (Islamic Republic of)	QZ	Community Plant Variety Office (European Community) (CPVO)
BH	Bahrain	IS	Iceland	RO	Romania
BI	Burundi	IT	Italy	RS	Serbia
BJ	Benin	JE	Jersey	RU	Russian Federation
BM	Bermuda	JM	Jamaica	RW	Rwanda
BN	Brunei Darussalam	JO	Jordan	SA	Saudi Arabia
BO	Bolivia	JP	Japan	SB	Solomon Islands
BR	Brazil	KE	Kenya	SC	Seychelles
BS	Bahamas	KG	Kyrgyzstan	SD	Sudan
BT	Bhutan	KH	Cambodia	SG	Singapore
BV	Bouvet Island	KI	Kiribati	SH	Saint Helena
BW	Botswana	KM	Saint Kitts and Nevis	SI	Slovenia
BX	Benelux Office for Intellectual Property (BOIP)	KN	Democratic People's Republic of Korea	SK	Slovakia
BY	Belarus	KR	Republic of Korea	SL	Sierra Leone
BZ	Belize	KW	Kuwait	SM	San Marino
CA	Canada	KY	Cayman Islands	SN	Senegal
CD	Democratic Republic of the Congo	KZ	Kazakhstan	SO	Somalia
CF	Central African Republic	LA	Lao People's Democratic Republic	SR	Suriname
CG	Congo	LB	Lebanon	ST	Sao Tome and Principe
CH	Switzerland	LC	Saint Lucia	SV	El Salvador
CI	Cote d'Ivoire	LI	Liechtenstein	SY	Syrian Arab Republic
CK	Cook Islands	LK	Sri Lanka	SZ	Swaziland
CL	Chile	LR	Liberia	TC	Turks and Caicos Islands
CM	Cameroon	LS	Lesotho	TD	Chad
CN	China	LT	Lithuania	TG	Togo
CO	Colombia	LU	Luxembourg	TH	Thailand
CR	Costa Rica	LV	Latvia	TJ	Tajikistan
CU	Cuba	LY	Libyan Arab Jamahiriya	TL	Timor-Leste
CV	Cape Verde	MA	Morocco	TM	Turkmenistan
CY	Cyprus	MC	Monaco	TN	Tunisia
CZ	Czech Republic	MD	Republic of Moldova	TO	Tonga
DE	Germany	ME	Montenegro	TR	Turkey
DJ	Djibouti	MG	Madagascar	SE	Sweden
DM	Dominica	MK	The former Yugoslav Republic of Macedonia	TT	Trinidad and Tobago
DO	Dominican Republic	ML	Mali	TV	Tuvalu
DZ	Algeria	MM	Myanmar	TW	Taiwan, Province of China
EA	Eurasian Patent Organization (EAPO)	MN	Mongolia	TZ	United Republic of Tanzania
EC	Ecuador	MO	Macao	UA	Ukraine
EE	Estonia	MP	Northern Mariana Islands	UG	Uganda
EG	Egypt	MR	Mauritania	US	United States of America
EH	Western Sahara	MS	Montserrat	UY	Uruguay
EM	Office for Harmonization in the Internal Market (Trademarks and Designs)(OHIM)	MT	Malta	UZ	Uzbekistan
EP	European Patent Office (EPO)	MU	Mauritius	VA	Holy See
ER	Eritrea	MV	Maldives	VC	Saint Vincent and the Grenadines
ES	Spain	MW	Malawi	VE	Venezuela
ET	Ethiopia	MX	Mexico	VG	Virgin Islands (British)
FI	Finland	MY	Malaysia	VN	Viet Nam
FJ	Fiji	MZ	Mozambique	VU	Vanuatu
FK	Falkland Islands (Malvinas)	NA	Namibia	WO	World Intellectual Property Organization (WIPO)
FO	Faroe Islands			WS	Samoa
FR	France			XN	Nordic Patent Institute (NPI)
GA	Gabon			YE	Yemen
GB	United Kingdom			ZA	South Africa
GC	Patent Office of the Cooperation Council			ZM	Zambia
				ZW	Zimbabwe

**NATIONAL INTELLECTUAL PROPERTY CENTER OF GEORGIA
SAKPATENTI**

**OFFICIAL BULLETIN
OF THE INDUSTRIAL PROPERTY**

19(407)

INVENTIONS

UTILITY MODELS

DESIGNS

TRADEMARKS

**APPELLATIONS OF ORIGIN AND GEOGRAPHICAL
INDICATIONS OF GOODS**

DATE OF PUBLICATION

2014 10 10

CONTENTS

PUBLISHED TITLES OF PROTECTION	2
INVENTIONS	
▪ APPLICATIONS APPROVED FOR GRANTING PATENTS	4
▪ PATENTED INVENTIONS	11
UTILITY MODELS	
▪ APPLICATION APPROVED FOR GRANTING PATENT	13
▪ PATENTED UTILITY MODEL	14
DESIGNS	
▪ APPLICATIONS APPROVED FOR GRANTING PATENTS	15
▪ REGISTERED DESIGNS	21
▪ DESIGN REGISTERED ACCORDING TO THE ACCELERATED PROCEDURE	22
▪ DESIGNS, REGISTERED WITH THE INTERNATIONAL BUREAU CLAIMING PRIORITY ON THE TERRITORY OF GEORGIA	23
TRADEMARKS	
▪ APPLICATIONS FILED UNDER THE NATIONAL PROCEDURE APPROVED FOR REGISTRATION	57
▪ REGISTERED TRADEMARKS	61
▪ TRADEMARKS REGISTERED ACCORDING TO THE ACCELERATED PROCEDURE	65
▪ INTERNATIONAL TRADEMARKS FOR WHICH A DECISION ON GANTING PROTECTION IS TAKEN	67
▪ INTERNATIONAL TRADEMARKS PROTECTED IN GEORGIA	104
APPELLATIONS OF ORIGIN AND GEOGRAPHICAL INDICATIONS OF GOODS	
▪ REGISTERED APPELLATIONS OF ORIGIN OF GOODS	117
OFFICIAL NOTIFICATIONS	
INVENTIONS	
▪ TRANSFER OF RIGHTS	118
▪ CHANGES IN NAMES AND/OR ADDRESSES OF PATENTOWNERS	119
TRADEMARKS	
▪ COMPLETE TRANSFER OF RIGHTS	120
▪ CHANGES IN NAMES AND/OR ADDRESSES OF OWNERS	122
▪ INVALIDATION OF TRADEMARK REGISTRATION	123
CLASSIFICATION INDEXES	
INVENTIONS	124
UTILITY MODELS	126
DESIGNS	127
TRADEMARKS	130

PUBLISHED TITLES OF PROTECTION

INVENTIONS

- **APPLICATIONS APPROVED FOR GRANTING PATENTS:**
12995; 12607; 12045; 12913; 12752; 13090; 12388; 12941; 12869, 12870; 12774; 12848; 12426; 12512; 13280; 12647, 12648; 12859; 12791; 12992; 13089
- **PATENTED INVENTIONS:**
6175-6178

UTILITY MODELS

- **APPLICATION APPROVED FOR GRANTING PATENT:**
13321
- **PATENTED UTILITY MODEL:**
1836

DESIGNS

- **APPLICATIONS APPROVED FOR GRANTING PATENTS:**
806, 807; 788, 789; 805; 804
- **REGISTERED DESIGNS:**
591-595
- **DESIGN REGISTERED ACCORDING TO THE ACCELERATED PROCEDURE:**
596
- **DESIGNS, REGISTERED WITH THE INTERNATIONAL BUREAU CLAIMING PRIORITY ON THE TERRITORY OF GEORGIA**
83808; 83816; 83826; 82566-82568; 82602; 83862; 82613; 82638, 82639; 82675; 83901; 83952; 83957; 83961, 83962; 83983; 82743; 82768; 84007

TRADEMARKS

- **APPLICATIONS FILED UNDER THE NATIONAL PROCEDURE APPROVED FOR REGISTRATION:**
72815*; 73173; 73962; 74250; 75036, 75037; 75202; 75225, 75226; 75230, 75231; 75245, 75246; 75302; 75320, 75321; 75331; 75416-75419; 75485; 75571; 75705; 75798
- **REGISTERED TRADEMARKS:**
25210-25248
- **TRADEMARKS REGISTERED ACCORDING TO THE ACCELERATED PROCEDURE:**
25209; 25249-25256
- **INTERNATIONAL TRADEMARKS FOR WHICH A DECISION ON GRANTING PROTECTIONS IS TAKEN:**
70541*; 71515*; 72204*; 72209*; 72224*; 72289*; 72336*; 72659*; 73068, 73069; 73072; 731160-73163; 73165; 73167, 73168; 73186-73188; 73192; 73197; 73202-73212; 73273-73275; 73279-73281; 73283; 73292, 73293; 73299; 73302-73304; 73309-73312; 73352*; 73360-73369; 73378, 73379; 73510; 73518; 73520; 73522; 73524-73527; 73530-73532; 73538-73541; 73543; 73545; 73816; 74227; 74445; 74461; 74799; 74804; 74808, 74809; 74816; 74823-74825; 74828; 74831; 74833
- **INTERNATIONAL TRADEMARKS PROTECTED IN GEORGIA:**
70182; 70512; 70579; 71100; 71409; 71410; 71413, 71414; 71421, 71422; 71424; 71426; 71428; 71430; 71432; 71437, 71438; 71449-71451; 71454-71456; 71597; 71607-71609; 71612; 71628, 71629; 71846; 71848-71852; 71857, 71858; 71865, 71866; 71868; 71871, 71872; 71874; 71878, 71879; 71908, 71909; 71912; 72176; 72180, 72181; 72186; 72383; 72387; 72393; 72396; 72398; 72401-72403; 72406, 72407; 72409, 72410; 72502; 72504, 72505; 72819; 72826; 72848-72853; 72859-72866; 72920; 72952; 72956-72959; 72963-72967; 72969-72971; 72975-72998; 73142; 73146; 73159; 73314, 73315; 73336; 73392-73394; 73396; 73398-73401; 73403-73409; 73413, 73414; 73416-73421; 73423; 73425-73427; 73429-73432; 73553, 73554; 73557, 73558; 73560-73563; 73568; 73600; 73602; 73610, 73611; 73613-73616; 73624, 73525; 73627; 73629; 73701; 73703; 73705; 73709; 73742; 73748; 73750-73756; 73760; 73777; 73779; 73843-73846; 73848-73853; 73857-73859; 73861-73864; 75022

APPELLATIONS OF ORIGIN AND GEOGRAPHICAL INDICATIONS OF GOODS

- **REGISTERED APPELLATIONS OF ORIGIN:**
834, 835

INVENTIONS

APPLICATIONS APPROVED FOR GRANTING PATENTS

The decision can be appealed at the Chamber of Appeal of Sakpatenti within 3 months from the publication or at the Mtskheta District Court Administrative Cases Board (Address: №17, Samkhedro str., Mtskheta), within 1 month following the publication.

PART A

A 01

(10) AP 2014 12995 A (51) Int. Cl. (2006)

A 01 N 59/12

A 01 N 25/02

A 61 K 8/20

A 61 K 8/89

A 61 K 33/18

A 61 K 47/24

A 01 P 1/00

A 61 P 31/02

(21) AP 2011 012995 (22) 2011 07 12

(31) P1000362

(32) 2010 07 12

(33) HU

(71) EGIS GYÓGYSZERGYÁR NYILVÁNOSAN
MŰKÖDŐ RÉSZVÉNYTÁRSASÁG (HU)

Keresztúri út. 30-38, H-1106 Budapest (HU)

(72) MIKULÁSIK, Endre (HU);

SPAITS, Tamás (HU)

(74) Liliana Darakhvelidze

(85) 2013 02 11

(86) PCT/HU2011/000065, 2011 07 12

(54) **DISINFECTANT AND ANTISEPTIC
FORMULATION HAVING REDUCED
IODINE CONTENT**

(57) There is represented medicine containing
elemental iodine and volatile siloxane as solvent.

Claims: 4 independent

10 dependent

A 61

(10) AP 2014 12607 A (51) Int. Cl. (2006)

A 61 B 6/00

G 01 N 21/35

(21) AP 2012 012607 (22) 2012 03 01

(71) Besarion Partsvania (GE)

Vazha-Pshavela V kvart., korp. 4, b. 196,

0186 Tbilisi (GE);

Gia Petriashvili (GE)

Varketili 3, II mkr., korp. 21, b. 16, 0163

Tbilisi (GE)

(72) Besarion Partsvania (GE);

Gia Petriashvili (GE)

(54) **DEVICE FOR BIOLOGICAL TISSUE
HETEROGENEITY DETERMINATION**

(57) There is represented a device applicable for
biological tissue heterogeneity determination, inclu-
ding carcinogenic formations. The device compri-
ses near IR radiation source, system of converging
lenses and detector switched to image recording
device.

Claims: 2 independent

Fig.: 5

(10) AP 2014 12045 A (51) Int. Cl. (2006)

A 61 K 9/08

A 61 K 47/10

A 61 K 47/26

A 61 K 47/18

A 61 K 31/5575

(21) AP 2009 012045 (22) 2009 05 28

(31) 08397513.6

(32) 2008 05 30

(33) EP

(71) SANTEN PHARMACEUTICAL CO.,
LTD. (JP)

9-19, Shimoshinjo 3-chome,

Higashiyodogawa-ku, Osaka-shi, Osaka

5338651 (JP);

ASAHI GLASS CO., LTD. (JP)

1-12-1, Yurakucho, Chiyoda-ku, Tokyo

1008405 (JP)

(72) REUNAMAKI, Timo (FI);

PELLINEN, Pertti (FI);

OKSALA, Olli (FI);

LEHMUSSAARI, Kari (FI)

(74) Shalva Gvaramadze

(85) 2010 12 27

(86) PCT/JP2009/060211, 2009 05 28

(54) **COMPOSITION TREATING OCULAR
HYPERTENSION AND GLAUCOMA,
AND USAGE THEREOF**

(57) There is represented pharmaceutical product
containing polyethylene container wherein ophthal-
mological water solution is poured. Said solution
contains FGF2 α analog, nonionic surfactant and
stabilizing agent.

Claims: 6 independent

12 dependent

Fig.: 2

(10) **AP 2014 12913 A** (51) **Int. Cl. (2006)**
A 61 K 31/13
A 61 K 31/403
A 61 P 25/28

(21) AP 2012 012913 (22) 2012 12 07

(31) 11.03777; 61/568,831

(32) 2011 12 09; 2011 12 09

(33) FR; US

(71) LES LABORATOIRES SERVIER (FR)

35, rue de Verdun F-92284 Suresnes

Cedex (FR)

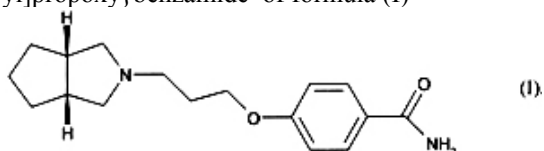
(72) SORS, Aurore (FR);

TROCME-THIBIERGE, Caryn (FR)

(74) Tamaz Shilakadze

(54) **NEW COMBINATION BETWEEN
 4-{3-[CIS-HEXAHYDROCYCLOPENTA
 [C]PYROL-2(1H)-YL]PROPOXY}
 BENZAMIDE AND NMDA RECEPTOR
 ANTAGONIST AND PHARMACEUTI-
 CAL COMPOSITIONS CONTAINING
 THEREOF**

(57) There are represented combination containing 4-{3-[cis-hexahydrocyclopenta[C]pyrol-2(1H)-yl]propoxy}benzamide of formula (I)



and antagonist of receptor NMDA. Said combination is applied at the treatment of cognitive disorders associated with cerebral aging and neurodegenerative diseases.

Claims: 9 independent

4 dependent

Fig.: 2

(10) **AP 2014 12752 A** (51) **Int. Cl. (2006)**
A 61 K 31/4178
A 61 K 31/473
A 61 K 31/496
A 61 K 31/573
A 61 K 45/06
A 61 P 1/08

(21) AP 2010 012752 (22) 2010 11 18

(31) 61/262,470; 61/382,709

(32) 2009 11 18; 2010 09 14

(33) US; US

(71) HELSINN HEALTHCARE SA (CH)

Via Pian Scairolo 9 6912

Lugano-Pazzallo (CH)

(72) TRENTO, Fabio (IT);

CANTOREGGI, Sergio (CH);

ROSSI, Giorgia (IT);

CANNELLA, Roberta (IT);

BONADEO, Daniele (IT);

BRAGLIA, Riccardo (CH)

(74) Tamaz Shilakadze

(85) 2012 06 15

(86) PCT/IB2010/003106, 2010 11 18

(54) **COMPOSITIONS FOR TREATING
 CENTRALLY MEDIATED NAUSEA AND
 VOMITING**

(57) There are represented combinations of netupitant and palonesteron applicable at nausea and vomiting treatment.

Claims: 2 independent

7 dependent

Fig.: 5

(10) **AP 2014 13090 A** (51) **Int. Cl. (2006)**
A 61 K 39/00
A 61 M 5/178

(21) AP 2011 013090 (22) 2011 10 17

(31) 1058464; 61/454,248

(32) 2010 10 18; 2011 03 18

(33) FR; US

(71) SANOFI PASTEUR (FR)

2 avenue Pont Pasteur, F-69367 Lion,

Cedex 07 (FR)

(72) CHACORNAC, Isabelle (FR);

IKHELEF-GRIBI, Nabila (FR);

RONZON, Frédéric (FR);

TIREFORT, Julien (FR);

SANTSCH GRAF, Sandrine (FR)

(74) Shalva Gvaramadze

(85) 2013 05 16

(86) PCT/EP2011/068090, 2011 10 17

(54) **METHOD OF STORING VACCINE
 CONTAINING ALUMINUM ADJUVANT**

(57) There is represented lidded container keeping vaccine composition containing Hepatitis B antigen adsorbed on aluminum adjuvant. Inner surface thereof is covered with polymerized silicone; at that, lid surface being in tangency with composition is covered with fluoropolymer.

Claims: 2 independent

7 dependent

PART C**C 07**

(10) **AP 2014 12388 A** (51) **Int. Cl. (2006)**
C 07 C 231/12
C 07 C 233/18

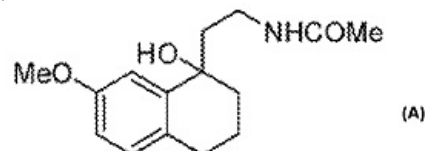
(21) AP 2010 012388 (22) 2010 02 26
 (31) 200910046782.1
 (32) 2009 02 27
 (33) CN
 (71) LES LABORATOIRES SERVIER (FR)
 35, rue de Verdun F-92284 Suresnes
 Cedex (FR)
 (72) ZHANG, Peng (CN);
 SHAN, Hanbin (CN);
 YUAN, Zhedong (CN);
 JIANG, Xudong (CN);
 HUANG, Yu (CN);
 WANG, Hubo (CN);
 CAO, Xufeng (CN);
 CHENG, Xingdong (CN);
 PAN, Hongjuan (CN);
 YU, Xiong (CN)

(74) Tamaz Shilakadze
 (85) 2011 09 19
 (86) PCT/CN2010/070780, 2010 02 26
 (54) **AGOMELATINE HYDROHALIDE
 COMPLEX AND PREPARATION
 METHOD THEREOF**
 (57) There are represented agomelatine hydrohaline
 complex and preparation method thereof.
 Claims: 2 independent
 4 dependent
 Table: 2

(10) **AP 2014 12941 A** (51) **Int. Cl. (2006)**
C 07 C 233/18
C 07 C 231/06
C 07 C 231/12
A 61 K 31/165
A 61 P 25/20
A 61 P 25/22
A 61 P 25/24
A 61 P 25/06

(21) AP 2011 012941 (22) 2011 06 08
 (31) 201010197370.0
 (32) 2010 06 08
 (33) CN
 (71) LES LABORATOIRES SERVIER (FR)
 35, rue de Verdun F-92284 Suresnes
 Cedex (FR)
 (72) ZHANG, Peng (CN);
 HUANG, Yu (CN);
 YUAN, Zhedong (CN);
 SHAN, Hanbin (CN);
 YU, Xiong (CN)

(74) Tamaz Shilakadze
 (85) 2012 12 25
 (86) PCT/CN2011/075438, 2011 06 08
 (54) **AGOMELATINE INTERMEDIATES AND
 PREPARATION METHOD THEREOF**
 (57) There are represented compound of formula A
 and B,

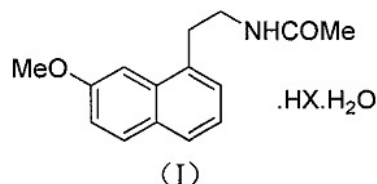


preparation methods thereof and application
 thereof for agomelatine preparation.
 Claims: 7 independent
 9 dependent

(10) **AP 2014 12869 A** (51) **Int. Cl. (2006)**
C 07 C 233/18
C 07 C 231/12
A 61 K 31/165
A 61 P 25/24

(21) AP 2011 012869 (22) 2011 03 17
 (31) 201010126254.X
 (32) 2010 03 17
 (33) CN
 (71) LES LABORATOIRES SERVIER (FR)
 35, rue de Verdun F-92284 Suresnes
 Cedex (FR)
 (72) SHAN, Hanbin (CN);
 YUAN, Zhedong (CN);
 ZHU, Xueyan (CN);
 ZHANG, Peng (CN);
 PAN, Hongjuan (CN);
 YU, Xiong (CN)

(74) Tamaz Shilakadze
 (85) 2012 10 11
 (86) PCT/CN2011/071910, 2011 03 17
 (54) **AGOMELATINE HYDROCHLORIDE
 HYDRATE AND PREPARATION
 THEREOF**
 (57) Present invention relates to agomelatine
 hydrochloride hydrate of formula (I),



preparation method thereof, pharmaceutical
 composition containing thereof, and application
 thereof for various diseases treatment.
 Claims: 5 independent
 8 dependent
 Fig.: 2

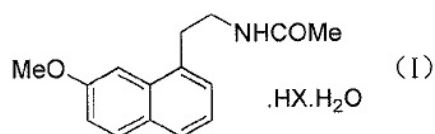
(10) AP 2014 12870 A (51) Int. Cl. (2006)
C 07 C 233/18
C 07 C 231/12
A 61 K 31/165
A 61 P 5/00
A 61 P 25/00
A 61 P 25/22
A 61 P 25/24

(21) AP 2011 012870 (22) 2011 03 17
(31) 201010126263
(32) 2010 03 17
(33) CN
(71) LES LABORATOIRES SERVIER (FR)
35, rue de Verdun F-92284 Suresnes
Cedex (FR)

(72) SHAN, Hanbin (CN);
YUAN, Zhedong (CN);
ZHU, Xueyan (CN);
ZHANG, Peng (CN);
PAN, Hongjuan (CN);
YU, Xiong (CN)

(74) Tamaz Shilakadze
(85) 2012 10 11
(86) PCT/CN2011/071912, 2011 03 17
(54) **AGOMELATINE HYDROCHLORIDE
HYDRATE AND PREPARATION
THEREOF**

(57) Present invention relates to agomelatine hydrochloride hydrate of formula (I),



preparation method thereof, pharmaceutical composition containing thereof, and application thereof various diseases treatment.

Claims: 4 independent
9 dependent

Fig.: 3

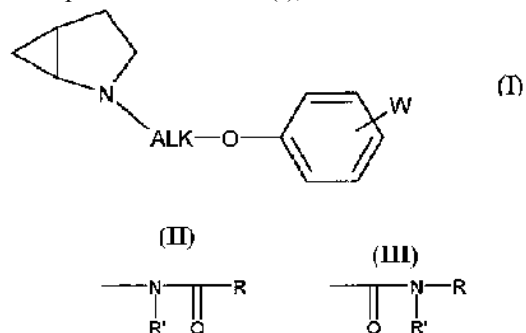
(10) AP 2014 12774 A (51) Int. Cl. (2006)
C 07 D 209/52
A 61 K 31/403
A 61 P 25/00

(21) AP 2010 012774 (22) 2010 12 08
(31) 09.05953
(32) 2009 12 09
(33) FR
(71) LABORATOIRES SERVIER (FR)
35, rue de Verdun F-92284 Suresnes
Cedex (FR)

(72) CASARA, Patrick (FR);
CHOLLET, Anne-Marie (FR);
DHAINAUT, Alain (FR);
HENLIN, Jean-Michel (FR);
LESTAGE, Pierre (FR);
PANAYI, Fany (FR)

(74) Tamaz Shilakadze
(85) 2012 07 03
(86) PCT/FR2010/000823, 2010 12 08
(54) **AZABICYCLO[3.1.0]HEX-2-YL
DERIVATIVES, METHOD FOR
PREPARING SAME, AND
PHARMACEUTICAL COMPOSITIONS
CONTAINING SAME**

(57) There are represented azabicyclo[3.1.0]hex-2-yl compounds of formula (I),



Preparation method thereof and pharmaceutical compositions containing them applicable at the treatment of cognitive disorders associated with Alzheimer's and Parkinson's diseases.

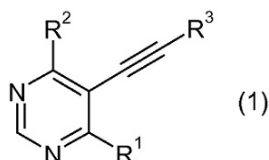
Claims: 12 independent
12 dependent

(10) AP 2014 12848 A (51) Int. Cl. (2006)
C 07 D 239/26
C 07 D 401/06
C 07 D 401/14
C 07 D 405/14
C 07 D 409/14
C 07 D 413/14
C 07 D 471/04
C 07 D 487/08
A 61 K 31/505
A 61 K 31/506
A 61 P 35/00

(21) AP 2011 012848 (22) 2011 01 26
(31) 10151723.3
(32) 2010 01 26
(33) EP
(71) BOEHRINGER INGELHEIM
INTERNATIONAL GMBH (DE)
Binger Strasse 173, 55216 Ingelheim
Am Rhein (DE)

(72) SCHNEIDER, Siegfried (DE);
KESSLER, Dirk (DE);
VAN DER VEEN, Lars (NL);
WUNBERG, Tobias (DE)

(74) Tamar Kochlamazashvili
(85) 2012 08 24
(86) PCT/EP2011/051061, 2011 01 26
(54) **5-ALKYNYL-PYRIMIDINES**
(57) There are represented derivatives of 5-alkynyl-pyrimidines of common formula (I),



which are P13K inhibitors and are applied at cancer and inflammatory diseases treatment.

Claims: 7 independent
14 dependent

(10) AP 2014 12426 A (51) Int. Cl. (2006)
C 07 D 401/04
A 61 K 31/4439
A 61 P 1/04

(21) AP 2010 012426 (22) 2010 03 25
(31) 2009-077078
(32) 2009 03 26
(33) JP
(71) TAKEDA PHARMACEUTICAL COMPANY
LIMITED (JP)
1-1, Doshomachi 4-chome, Chuo-ku,
Osaka-shi Osaka 5410045 (JP)

(72) NISHIDA, Haruyuki (JP);
FUJIMORI, Ikuo (JP)

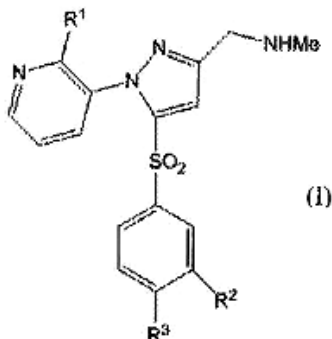
(74) Shalva Gvaramadze

(85) 2011 10 26

(86) PCT/JP2010/055257, 2010 03 25

(54) **PYRAZOLE COMPOUND**

(57) There are represented compound of formula (I),



wherein R^1 is fluorine atom, R^2 is methyl or cyanogen group, and R^3 is hydrogen atom or salt thereof; remedy containing compound of formula I or on basis salt thereof and application therefor prophylactic or treatment of such diseases as peptic ulcer, Zollinger-Ellison syndrome, gastritis, etc.

Claims: 4 independent
5 dependent

(10) AP 2014 12512 A (51) Int. Cl. (2006)
C 07 D 401/10
C 07 D 213/64
A 61 K 31/4412
A 61 P 9/00

(21) AP 2010 012512 (22) 2010 06 02
(31) 61/183,588

(32) 2009 06 03

(33) US

(71) INTERMUNE, INC. (US)
3280 Bayshore Boulevard Brisbane,
CA 94005-1021 (US)

(72) RADHAKRISHNAN, Ramachadran (US);
CYR, Mike (US);
BOUTET, Sabine, Marie-Francoise,
Brigitte (FR)

(74) Tamaz Shilakadze

(85) 2011 12 23

(86) PCT/US2010/037090, 2010 06 02

(54) **IMPROVED METHOD FOR
SYNTHESIZING PIRFENIDONE**

(57) There is represented pirfenidone synthesis method providing mixing of bromobenzene, 5-methyl-2-pyridone, copper oxide (I), and organic solvent, wherein dibromobenzene content in bromobenzene in molar correlation less than approximately 0.15%.

Claims: 2 independent
23 dependent

(10) AP 2014 13280 A (51) Int. Cl. (2006)
C 07 D 405/14
A 61 K 31/497
A 61 K 31/506
A 61 P 3/04
A 61 P 31/10

(21) AP 2010 013280 (22) 2010 03 04

(31) 61/159,099; AP2013013172

(32) 2009 03 11; 2013 07 22

(33) US; GE

(71) PFIZER INC. (US)
235 East 42nd St., New York, NY 10017 (US)

(72) LING, Anthony Lai (US);
PFEFFERKORN, Jeffrey Allen (US)

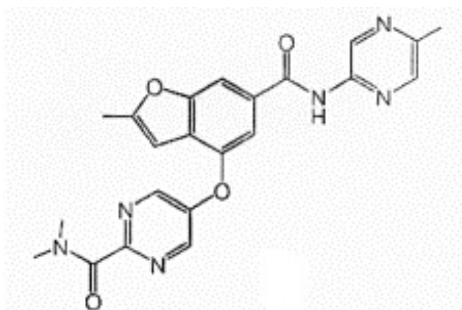
(74) Shalva Gvaramadze

(85) 2013 11 01

(86) PCT/IB2010/050943, 2010 03 04

(54) **BENZOFURANYL DERIVATIVES USED
AS GLUCOKINASE INHIBITORS**

(57) Present invention provides compound –



N,N-dimethyl-5-(2-methyl-6-((5-methylpyrazine-2-yl)carbamoyl)benzofuran-4-iloxy)pyrimidine-2-carboxamide and pharmaceutically acceptable salts thereof, compositions containing them and

application thereat the treatment of diseases, disorders or conditions caused by glucokinase.

Claims: 5 independent
4 dependent

(10) AP 2014 12647 A (51) Int. Cl. (2006)
C 07 D 417/14
A 61 K 31/426
A 61 K 31/4439
A 61 K 31/506
A 61 K 31/5377
A 61 P 25/24
C 07 D 491/048
C 07 D 491/052
C 07 D 495/04

(21) AP 2010 012647 (22) 2010 09 02

(31) 2009-202893; PCT/JP2010/064988

(32) 2009 09 02; 2010 09 02

(33) JP; WO

(71) KYOWA HAKKO KIRIN CO., LTD. (JP)
1-6-1, Ohtemachi, Chiyoda-ku Tokyo
1008185 (JP)

(72) YAMADA, Koji (JP);
KANDA, Tomoyuki (JP)

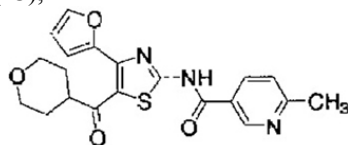
(74) Shalva Gvaramadze

(85) 2012 03 28

(86) PCT/JP2010/064988, 2010 09 02

(54) **THERAPEUTIC AGENT FOR MOOD DISORDERS**

(57) There are represented thiazole derivatives of formula (IC),



(IC)

and agent for treatment and/or prophylactic of emotional mood.

Claims: 1 independent
3 dependent

Table: 4

(10) AP 2014 12648 A (51) Int. Cl. (2006)
C 07 D 417/14
A 61 K 31/426
A 61 K 31/4439
A 61 K 31/506
A 61 K 31/5377
A 61 P 25/22
C 07 D 491/048
C 07 D 491/052
C 07 D 495/04

(21) AP 2010 012648 (22) 2010 09 02

(31) 2009-202894

(32) 2009 09 02

(33) JP

(71) Kyowa Hakko Kirin Co., Ltd. (JP)
1-6-1, Ohtemachi, Chiyoda-ku Tokyo
1008185 (JP)

(72) KASE, Junya (JP);
KANDA, Tomoyuki (JP)

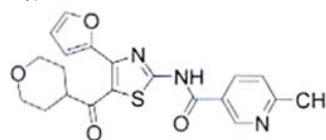
(74) Shalva Gvaramadze

(85) 2012 03 28

(86) PCT/JP2010/064989, 2010 09 02

(54) **THERAPEUTIC AGENT FOR ANXIETY DISORDERS**

(57) There are represented thiazole derivatives of formula (IC),



(IC)

and therapeutic and/or prophylactic drug against anxiety disorder.

Claims: 2 independent
2 dependent

Table: 2

(10) AP 2014 12859 A (51) Int. Cl. (2006)
C 07 D 498/00

(21) AP 2011 012859 (22) 2011 02 16

(31) 12/708,836

(32) 2010 02 19

(33) US

(71) SALIX PHARMACEUTICALS, LTD. (US)
8510 Colonnade Center Dr. Raleigh, NC
27615 (US)

(72) GUSHURST, Karen, S. (US);
YANG, Donglai (US);
VLAHOVA, Petinka (US);
STULTS, Jeffrey, S. (US)

(74) Tamaz Shilakadze

(85) 2012 09 18

(86) PCT/US2011/024981, 2011 02 16

(54) **FORMS OF RIFAXIMIN AND USAGE THEREOF**

(57) There are represented polymeric form of 'i-dry, i-dry' and pharmaceutical compositions on the basis thereof.

Claims: 3 independent
4 dependent

Table: 3

Fig.: 18

(10) AP 2014 12791 A (51) Int. Cl. (2006)
C 07 K 19/00
C 07 K 14/245
C 12 N 15/62
C 12 N 15/63
C 12 N 15/31
A 61 K 38/16

A 61 K 39/395**A 61 P 35/00**

- (21) AP 2010 012791 (22) 2010 02 26
 (31) 200910242838.0
 (32) 2009 12 17
 (33) CN
 (71) PROTEIN DESIGN LAB, LTD. (CN)
 Qianshajian Sujiatuo, Haidian District,
 Beijing 100095 (CN)
 (72) QIU, Xiaoqing (CN)
 (74) Tamaz Shilakadze
 (85) 2012 07 16
 (86) PCT/CN2010/070762, 2010 02 26
 (54) **FUSION POLYPEPTIDE AGAINST EB
 VIRUS-INDUCED TUMOR AND
 COLICIN IA MUTANT**

(57) Present invention provides fusion polypeptide against EB virus-induced tumor comprising ion channel forming colicin mutant polypeptide, antibody polypeptide against EB virus or EB virus antibody mimetic polypeptide; at that, ion channel forming colicin is received by G11A, H22G, A26G, V31L and H40D amino-acid remains mutation in wild type colicin Ia-chain. Present invention relates to preparation method and use of said polypeptide, gene coding thereof and recombined plasmid including this gene.

Claims: 8 independent
 3 dependent

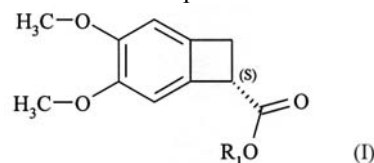
C 12

- (10) AP 2014 12992 A (51) Int. Cl. (2006)

C 12 P 7/40
C 12 P 7/62
C 12 P 41/00
C 07 C 62/34
C 07 C 69/753
C 07 C 213/08
C 07 C 217/58
C 07 D 223/16

- (21) AP 2013 012992 (22) 2013 02 07
 (31) 12.51195
 (32) 2012 02 09
 (33) FR
 (71) LES LABORATOIRES SERVIER (FR)
 35, rue de Verdun F-92284 Suresnes Cedex
 (FR)
 (72) PEDRAGOSA MOREAU, Sandrine (FR);
 LEFOULON, François (FR)
 (74) Tamaz Shilakadze
 (54) **PROCESS FOR ENZYMATICAL
 SYNTHESIS OF (7S)-3,4-DIMETHOXY-
 BICYCLO-[4.2.0]OCTA-1,3,5-TRIENE-7-
 CARBOXYLIC ACID OR ESTERS
 THEREOF, AND APPLICATION IN
 SYNTHESIS OF IVABRADINE AND
 SALTS THEREOF**

(57) There are represented 3-{3-[[{(7S)-3,4-dimethoxybicyclo-[4.2.0]octa-1,3,5-triene-7-yl] methyl} (methyl)amino]propyl}-7,8-dimethoxy-1,3,4,5-tetrahydro-2H-3-benzazepine-2-one of formula (I),



process for pharmaceutical synthesis applicable at ivabradine hydrochloride synthesis.

Claims: 4 independent
 20 dependent

PART H**H 02**

- (10) AP 2014 13089 A (51) Int. Cl. (2006)
H 02 N 3/00

- (21) AP 2013 013089 (22) 2013 05 16
 (71) ILIA STATE UNIVERSITY (GE)
 K. Cholokashvili Gamz. 3-5, 0162 Tbilisi (GE)
 (72) Avtandil Tavkheldze (GE)
 (54) **METHOD OF PREPARING CONFORMED
 SURFACES OF THERMOIONIC AND
 THERMOTUNNEL TRANSFORMERS
 ELECTRODES**

(57) A method provides binding of thick and thin monocrystalline paddings having nonconforming surfaces, high-temperature burning, transformation created at binding at burning of elastic deformation into plastic deformation and paddings separation after cooling.

Claims: 1 independent
 Fig.: 1

PATENTED INVENTIONS

PART C

C 04

- (11) P 2014 6175 B (51) Int. Cl. (2006)
 C 04 B 35/64
 C 04 B 35/626
 C 04 B 35/45
 H 01 L 39/24
- (10) AP 2014 12551 A (44) 12(400)/2014
 (21) AP 2012 012551
 (22) 2012 01 27
 (24) 2012 01 27
 (73) I. JAVAKHISHVILI TBILISI STATE
 UNIVERSITY (GE)
 I. Chavchavadzis Gamz. 1, 0179, Tbilisi (GE)
- (72) Aleksandre Shengelaia (GE);
 Zurab Jibuti (GE);
 Dimitri Daraselia (GE);
 Davit Japaridze (GE)
- (54) **METHOD OF SOLID-STATE
 SYNTHESIS OF OXIDE CERAMIC
 MATERIAL**

- (11) P 2014 6177 B (51) Int. Cl. (2006)
 C 07 D 231/12
 A 61 K 31/415
 A 61 P 29/00
 A 61 P 37/00
- (10) AP 2014 12849 A (44) 12(400)/2014
 (21) AP 2011 012849
 (22) 2011 01 24
 (24) 2011 01 24
 (31) 10151785.2
 (32) 2010 01 27
 (33) EP
 (86) PCT/EP2011/050910, 2011 01 24
 (73) BOEHRINGER INGELHEIM
 INTERNATIONAL GMBH (DE)
 Binger Str. 173, 55216 Ingelheim
 am Rhein (DE)
- (72) OOST, Thorsten (DE);
 ANDERSKEWITZ, Ralf (DE);
 HAMPRECHT, Dieter, Wolfgang (DE);
 HOENKE, Christoph (DE);
 MARTYRES, Domnic (DE);
 RIST, Wolfgang (DE);
 SEITHER, Peter (DE)
- (74) Tamar Kochalamazashvili
- (54) **PYRAZOLE COMPOUNDS AS CRTH2
 ANTAGONISTS**

- (11) P 2014 6178 B (51) Int. Cl. (2006)
 C 07 D 231/54
 C 07 D 263/56
 C 07 D 263/58
 C 07 D 307/81
 C 07 D 413/04
 C 07 D 417/04
 C 09 D 487/08
 C 07 D 498/04
 A 61 K 31/416
 A 61 K 31/496
 A 61 K 31/4355
 A 61 K 31/4365
 A 61 P 3/00
 A 61 P 9/00

- (10) AP 2014 12904 A (44) 12(400)/2014
 (21) AP 2011 012904
 (22) 2011 04 26
 (24) 2011 04 26
 (31) 2010-102718
 (32) 2010 04 27
 (33) JP
 (86) PCT/JP2011/060616, 2011 04 26
 (73) TAKEDA PHARMACEUTICAL COMPANY
 LIMITED (JP)
 1-1, Doshomachi 4-chome, Chuo-ku, Osaka-shi,
 Osaka 541-0045 (JP)
- (72) YAMASHITA, Tohru (JP);
 KAMATA, Makoto (JP);
 HIROSE, Hideki (JP);
 MURAKAMI, Masataka (JP);
 FUJIMOTO, Takuya (JP);
 IKEDA, Zenichi (JP);
 YASUMA, Tsuneo (JP);
 FUJIMORI, Ikuo (JP);
 MIZOJIRI, Ryo (JP);
 YUKAWA, Tomoya (JP)
- (74) Shalva Gvaramadze
- (54) **BICYCLIC COMPOUND DERIVATIVES
 AND THEIR USAGE AS ACC
 INHIBITORS**

- (11) P 2014 6176 B (51) Int. Cl. (2006)
 C 07 K 16/28
 A 61 K 39/395
- (10) AP 2014 12824 A (44) 12(400)/2014
 (21) AP 2011 012824
 (22) 2011 02 10
 (24) 2011 02 10
 (31) 61/303,173; 61/308,599
 (32) 2010 02 10; 2010 02 26
 (33) US; US
 (86) PCT/EP2011/051958, 2011 02 10

- (73) NOVARTIS AG (CH)
Lichtstrasse 35 CH-4056 Basel (CH);
BLYNX NV (BE)
Technologiepark 4 B-9052 Zwijnaarde (BE)
- (72) CROMIE, Karen (GB);
DOMBRECHT, Bruno (BE);
ETTENBERG, Seth (US);
KOLKMAN, Joost (NL);
LI, Jing (US);
MEERSCHAERT, Kris (BE);
STOVER, David Raymond (US);
ZHANG, Jingxin (CH)
- (74) Alexander Kartvelishvili
- (54) **AGONIST DR5 BINDING
POLYPEPTIDES**
-

UTILITY MODELS

APPLICATION APPROVED FOR GRANTING PATENT

The decision can be appealed at the Chamber of Appeal of Sakpatenti within 3 months from the publication or at the Mtskheta District Court Administrative Cases Board (Address: №17, Samkhedro str., Mtskheta), within 1 month following the publication.

PART B

B 42

(10) AU 2014 13321 U (51) Int. Cl. (2006)

B 42 D 15/10

B 44 F 1/12

G 06 K 1/02

(21) AU 2012 013321 (22) 2012 11 23

(31) 13321/2-GE

(32) 2012 11 23

(33) GE

(71) EDAPS-LASER, LLC (UA)

Ul. Lenina 64, Kyiv 02088 (UA)

BEYLIN, Georgiy Volodymyrovych (UA)

Ul. Draizera 20-A, kv. 80, Kyiv 02222 (UA);

VOZNYYY, Volodymyr Leonydovych (UA)

Pr. Petra Grigorenko 28, kv. 69, Kyiv

02095 (UA);

SIDORENKO, Yuri Grygorovych (UA)

Ul. Saksaganskogo 112-A, kv. 8, Kyiv

01033 (UA);

TYMOSHENKO, Andrii Mykolaiovych (UA)

Ul. Pavlovskaia 26/41, kv. 80, Kyiv

01135 (UA)

(72) BEYLIN, Georgiy Volodymyrovych (UA);

VOZNYYY, Volodymyr Leonydovych (UA);

SIDORENKO, Yuri Grygorovych (UA);

TYMOSHENKO, Andrii Mykolaiovych (UA)

(74) Shalva Gvaramadze

(85) 2013 12 11

(86) PCT/UA2012/000104, 2012 11 23

(54) SECURITY ELEMENT FOR VALUE

DOCUMENTS AND METHOD FOR

MANUFACTURING SAME

(57) There is represented a security element in the form of a sheet with a first image of an object formed on a defined section of the sheet as an array of apertures, said image appearing in grey tones in transmitted light. The security element is additionally provided with a second image which has an identical linear size to the first image and an identical pixel structure and is formed as an array of dots, each of which is situated between the apertures of the first image, the arrayed dots have different reflection coefficient values. The composite image obtained by combining the first image and the second image is arranged on the

sheet so that it is visible in grey tones in reflected and transmitted light.

Claims: 1 independent

2 dependent

Fig.: 4

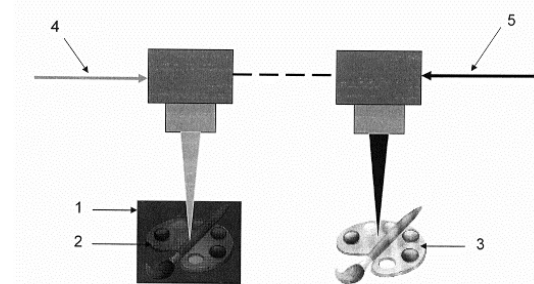


Fig. 1

PATENTED UTILITY MODEL

PART E

E 04

(11) U 2014 1836 Y (51) Int. Cl. (2006)
E 04 B 5/17

(10) AU 2014 13356 U (44) 12(400)/2014

(21) AU 2014 013356

(22) 2014 01 21

(24) 2014 01 21

(73) Revaz Sikharulidze (GE)

Tkibulis q. 16, 0178, Tbilisi (GE)

(72) Revaz Sikharulidze (GE)

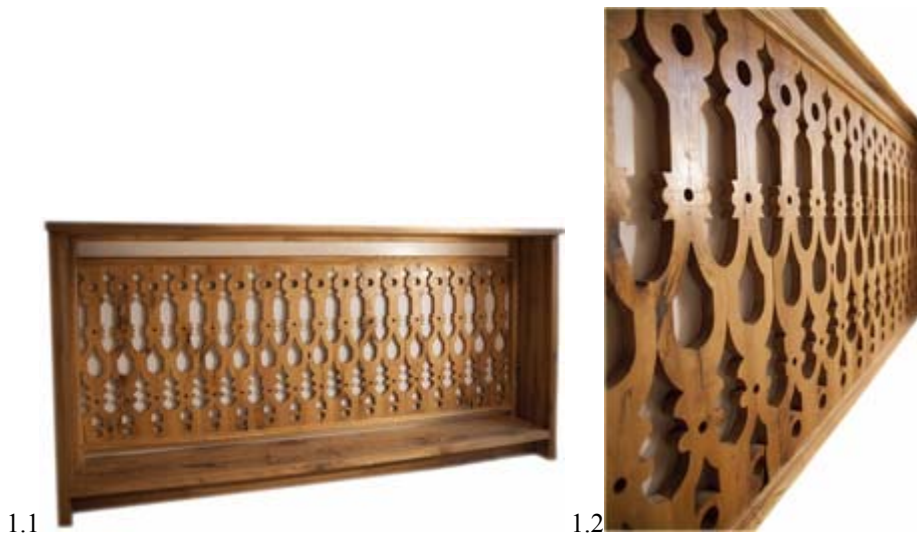
(54) **COMPOSITE OVERLAP**

DESIGNS

APPLICATIONS APPROVED FOR REGISTRATION

The decision can be appealed at the Chamber of Appeal of Sakpatenti within 3 months from the publication or at the Mtskheta District Court Administrative Cases Board (Address: №17, Samkhedro str., Mtskheta), within 1 month following the publication.

- (10) AD 2014 806 S (51) 06-01, 06-03, 06-04
(21) AD 2014 000806
(22) 2014 07 02
(28) 4
(71) Nino Abramishvili (GE)
 Arakishvili Str. 16/4, 0179 Tbilisi (GE)
(72) Nino Abramishvili (GE)
(54) 1-BAR, 2-CHAIR, 3-TABLE, 4-CHAIR-SPINNER
(55)





3.1



3.2



4.1



4.2



4.3

(10) AD 2014 807 S (51) 09-01

(21) AD 2014 000807

(22) 2014 07 09

(28) 1

(71) CAUCASION ALCO, LTD (GE)

Tamarashvili Str. 11, b. 179, 0162 Tbilisi (GE)

(72) Natalia Kudina (UA)

(74) Giorgi Kavzharadze

(54) **BOTTLE**

(55)



1.1



1.2



1.3



1.4

(10) AD 2014 788 S (51) 09-03

(21) AD 2014 000788

(22) 2014 03 27

(28) 1

(71) ORION CORPORATION (KR)

13, Baekbeom-ro 90da-gil, Yongsan-gu, Seoul (KR)

(72) LEE, Hwa-Kyoung (KR)

(74) Shalva Gvaramadze

(54) **PACKAGE FOR CHOCO-PIE**

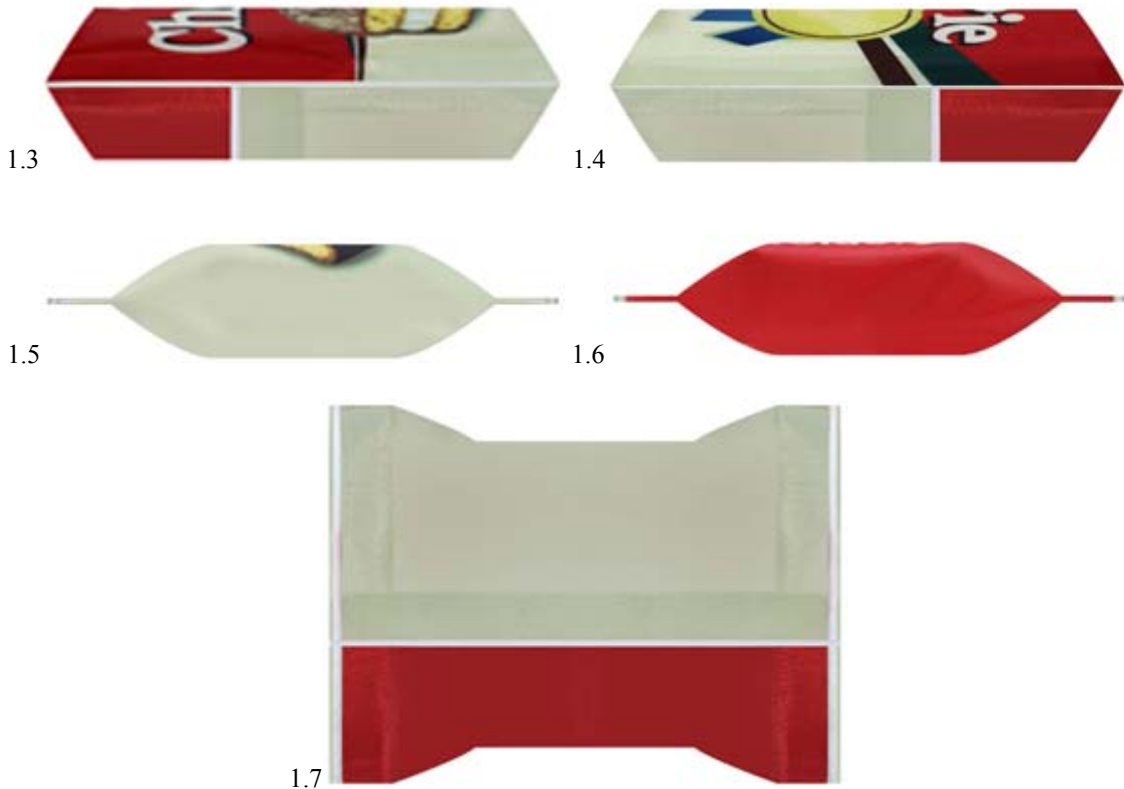
(55)



1.1



1.2



(10) AD 2014 789 S (51) 09-03
(21) AD 2014 000789
(22) 2014 03 27
(28) 1
(71) ORION CORPORATION (KR)
13, Baekbeom-ro 90da-gil, Yongsan-gu, Seoul (KR)
(72) LEE, Hwa-Kyoung (KR)
(74) Shalva Gvaramadze
(54) **BOX FOR CHOCO-PIE PACKAGE**
(55)





1.5



1.6



1.7

-
- (10) AD 2014 805 S (51) 09-01
 - (21) AD 2014 000805
 - (22) 2014 07 02
 - (28) 1
 - (71) Nino Abramishvili (GE)
Arakishvili Str. 16/4, 0179 Tbilisi (GE)
 - (72) Nino Abramishvili (GE)
 - (54) **BOTTLE**
 - (55)



1

(10) AD 2014 804 S (51) 26-05
(21) AD 2014 000804
(22) 2014 07 02
(28) 1
(71) Nino Abramishvili (GE)
Arakishvili Str. 16/4, 0179 Tbilisi (GE)
(72) Nino Abramishvili (GE)
(54) LAMP
(55)



1.1



1.2

REGISTERED DESIGNS

(11) D 2014 591 S **(51) 09-01**
(10) AD 2014 766 S (44) 12(400)/2014
(21) AD 2013 000766
(22) 2013 10 23
(24) 2013 10 23
(28) 6
(18) 2018 10 23
(73) Shalva Kurdadze (GE)
 Leselidzis I Shes. 3, 5700, Khashuri (GE)
(72) Shalva Kurdadze (GE)
(54) **BOTTLE**

(11) D 2014 594 S **(51) 18-03**
(10) AD 2014 791 S (44) 12(400)/2014
(21) AD 2014 000791
(22) 2014 04 01
(24) 2014 04 01
(28) 1
(18) 2019 04 01
(73) Akaki Razmadze (GE)
 Kondolis q. 19, 0101, Tbilisi (GE)
(72) Akaki Razmadze (GE)
(54) **FONT "MELANI"**

(11) D 2014 595 S **(51) 18-03**
(10) AD 2014 792 S (44) 12(400)/2014
(21) AD 2014 000792
(22) 2014 04 01
(24) 2014 04 01
(28) 1
(18) 2019 04 01
(73) Akaki Razmadze (GE)
 Kondolis q. 19, 0101, Tbilisi (GE)
(72) Akaki Razmadze (GE)
(54) **GEORGAIN VARIATION OF FONT**
 "OPEN SANS"

(11) D 2014 593 S **(51) 19-08**
(10) AD 2014 787 S (44) 12(400)/2014
(21) AD 2014 000787
(22) 2014 03 27
(24) 2014 03 27
(28) 4
(18) 2019 03 27
(73) LTD "MARNIS KARI" (GE)
 Askuravas q. 17B, 0101, Tbilisi (GE)
(72) Davit Lortkipanidze (GE)
(54) **LABEL**

(11) D 2014 592 S **(51) 25-01**
(10) AD 2014 786 S (44) 12(400)/2014
(21) AD 2014 000786
(22) 2014 03 24
(24) 2014 03 24
(28) 2
(18) 2019 03 24
(73) Romeo Tsinadze (GE)
 Tbilisis q. 12/5, 3700, Rustavi (GE);
 Lasha Tetradze (GE)
 Leonidzis q. 14/112, 3700, Rustavi (GE)
(72) Romeo Tsinadze (GE);
 Lasha Tetradze (GE)
(54) **FACING BRICK**

DESIGN REGISTERED ACCORDING TO THE ACCELERATED PROCEDURE

The decision can be appealed at the Chamber of Appeal of Sakpatenti within 3 months from the publication.

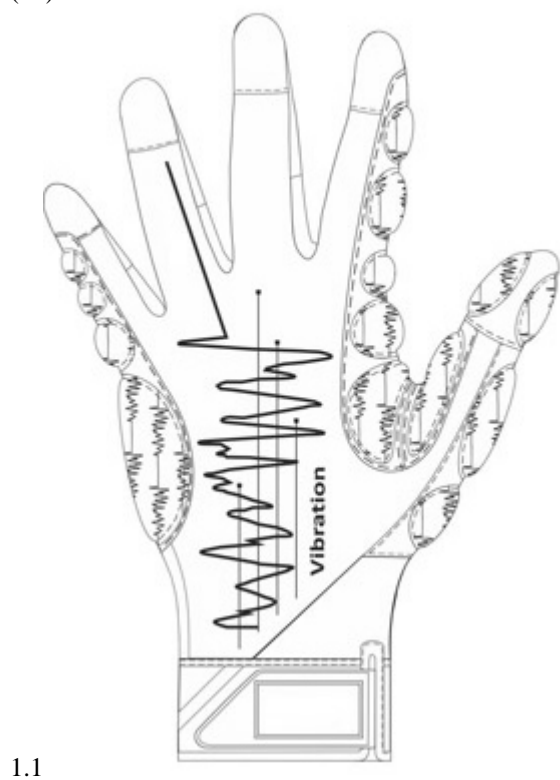
- (11) **D 2014 596 S** (51) **23-03**
(21) AD 2014 000818 (22) 2014 09 10
(24) 2014 09 10
(28) 1
(18) 2019 09 10
(73) Farsihan Aslanov (GE)
 Marneuli R-n, Sop. Kizilajlo 3000 (GE)
(72) Farsihan Aslanov (GE)
(54) **GAS HEATER**
(55)



DESIGNS, WHICH HAVE BEEN REGISTERED WITH THE INTERNATIONAL BUREAU CLAIMING PRIORITY ON THE TERRITORY OF GEORGIA

The decision can be appealed at the Chamber of Appeal of Sakpatenti within 3 months from the publication or at the Mtskheta District Court Administrative Cases Board (Address: №17, Samkhedro Str., Mtskheta), within 1 month following the publication.

- (11) **DM/083808** (51) **02-06**
(15) 2014 03 06 (45) 2014/26 (2014 07 04)
(22) 2014 03 06
(28) 1
(73) GRANBERG AS Innbjoa, N-5584 Bjoa (NO)
(85) NO
(86) NO
(87) NO
(88) NO
(89) NO
(81) III. AZ, CH, EM, GE, GH, IS, LI, MC, NO, SG, TR
(72) Virginius Urbelis
Vetrunges, Kaunas, Lithuania
(54) 1. Protective glove
(55)



(11) DM/083816

(51) 08-06

(15) 2014 06 20

(45) 2014/26 (2014 07 04)

(22) 2014 06 20

(28) 2

(73) FIMET MANIGLIE S.R.L Località Merlaro

21, I-25078 Nozza di Vestone BS (IT)

(85) --

(86) IT, EM

(87) IT, EM

(88) IT, EM

(89) EM

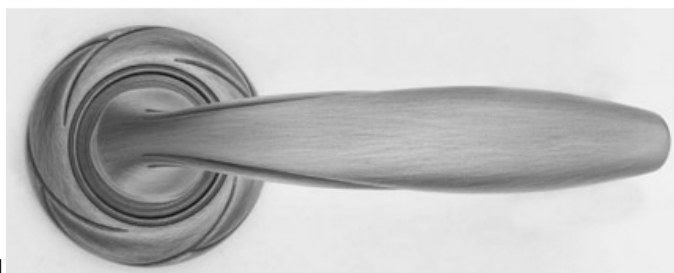
(81) III. AM, AZ, EE, GE, KG, LT, LV, MD, TJ, UA

(72) 1-2: BIANCHI VITTORE

c/o FIMET MANIGLIE S.r.l., Località Merlaro, 21, 25078 Nozza di Vestone BS, Italy

(54) 1.-2. Handles

(55)



1.1



1.2



1.3



1.4



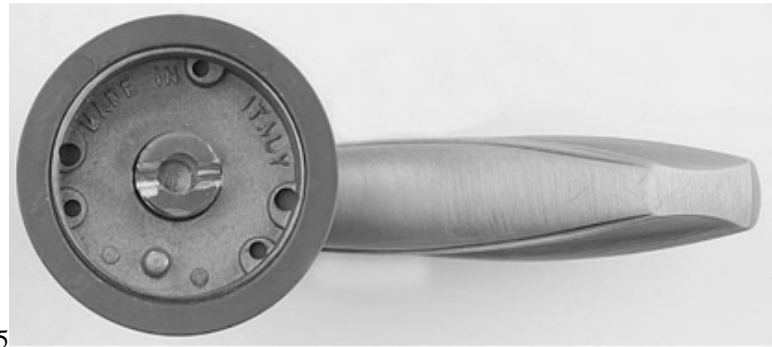
1.5



1.6



2.1



(11) DM/083826

(51) 02-04

(15) 2014 06 12

(45) 2014/26 (2014 07 04)

(22) 2014 06 12

(28) 5

(73) NOVESTA, A.S.

Nitrianska 503/60, SK-958 01 Partizánske (SK)

(85) --

(86) EM

(87) EM

(88) EM

(89) EM

(81) III. AM, AZ, BA, EM, GE, KG, MD, ME, MK, MN, RS, TJ, UA

(72) KOLUMBER Stefan

Pod Kriby 5630, 760 05 Zlín, Czech Republic

(54) 1.-5. Sports shoes

(55)



1.1



1.2



1.3



1.4



1.5



1.6



2.1



2.2



2.3



2.4



2.5



2.6



3.1



3.2



3.3



3.4



3.5



3.6



4.1



4.2



4.3



4.4



4.5



4.6



5.1



5.2



5.3



5.4



5.5



5.6

(11) DM/082566

(51) 02-07

(15) 2014 01 06

(45) 2014/27 (2014 07 11)

(22) 2014 01 06

(28) 2

(73) HARRY WINSTON SA

Chemin du Tourbillon 8, CH-1228 Plan-les-Ouates (CH)

(85) CH

(86) CH

(87) CH

(88) CH

(89) CH

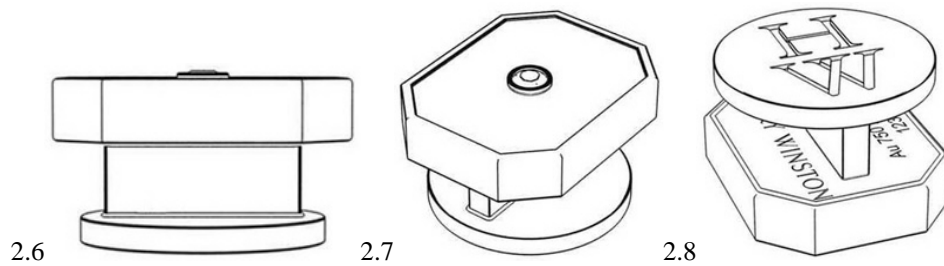
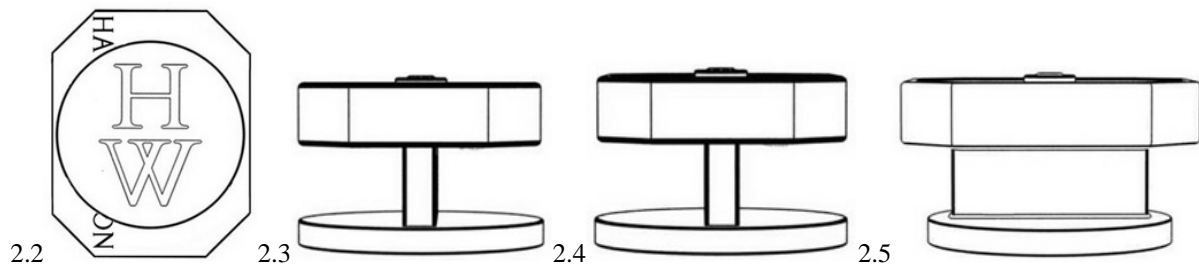
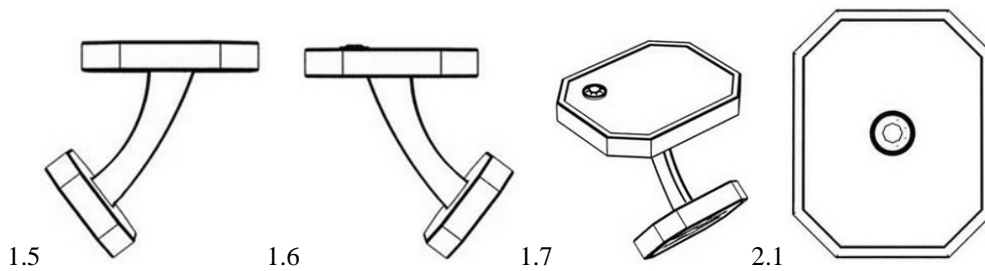
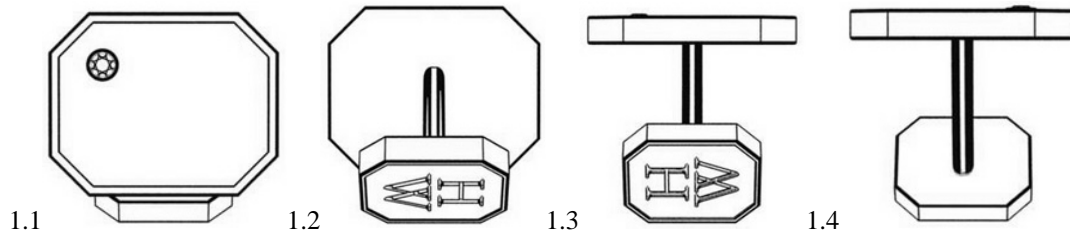
(81) IL, BZ, MA, III, AL, AM, AZ, BA, CH, EM, GE, KG, LI, MC, MD, ME, MK, MN, NO, OM, SG, TJ, TN, TR, UA

(72) 1-2: Rivière Dominique

360 E. 72nd Street, Apt. N b 1003, New York, NY 10021

(54) 1. Cuff link; 2. Shirt button

(55)



(11) DM/082567**(51) 18-03**

(15) 2014 01 07

(45) 2014/27 (2014 07 11)

(22) 2014 01 07

(28) 1

(73) OMEGA SA (OMEGA AG) (OMEGA LTD.)

Jakob-Stämpfli-Strasse 96, CH-2502 Biel/Bienne (CH)

(85) CH

(86) CH

(87) CH

(88) CH

(89) CH

(81) II. BZ, MA. III. AL, AM, AZ, BA, CH, EM, GE, KG, LI, MC, MD, ME, MK, MN, NO, OM, SG, TJ, TN, TR, UA

(72) Jean-Claude Monachon

Rue Alice-de-Chambrier 1, 2022 Bevaix, Suisse

(54) 1. Set of characters and typographic symbols for printing and digital display

(55)

1 2 3 4 5 6 7 8 9 0
 A B C D E F G H I J
 K L M N O P Q R S T
 U V W X Y Z ☒

(11) DM/082568**(51) 10-07**

(15) 2014 01 07

(45) 2014/27 (2014 07 11)

(22) 2014 01 07

(28) 1

(73) OMEGA SA (OMEGA AG) (OMEGA LTD.)

Jakob-Stämpfli-Strasse 96, CH-2502 Biel/Bienne (CH)

(85) CH

(86) CH

(87) CH

(88) CH

(89) CH

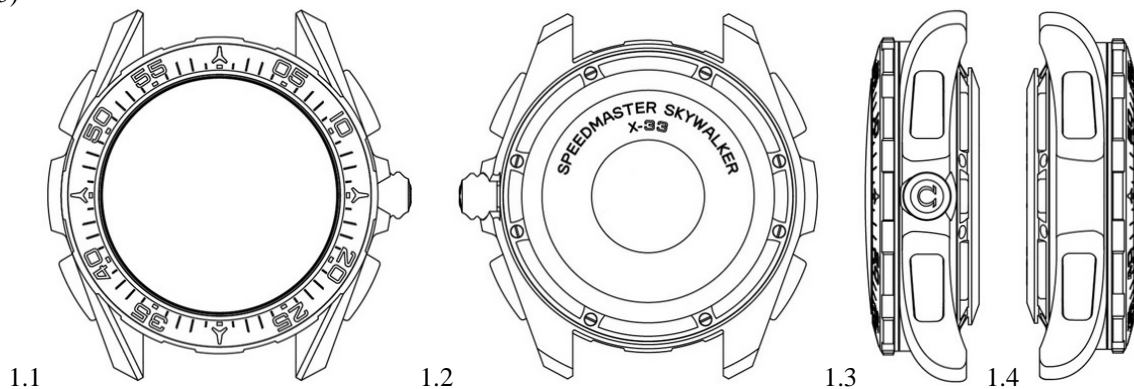
(81) II. BZ, MA. III. AL, AM, AZ, BA, CH, EM, GE, KG, LI, MC, MD, ME, MK, MN, NO, OM, SG, TJ, TN, TR, UA

(72) Jean-Claude Monachon

Rue Alice-de-Chambrier 1, 2022 Bevaix, Suisse

(54) 1. Watch case

(55)

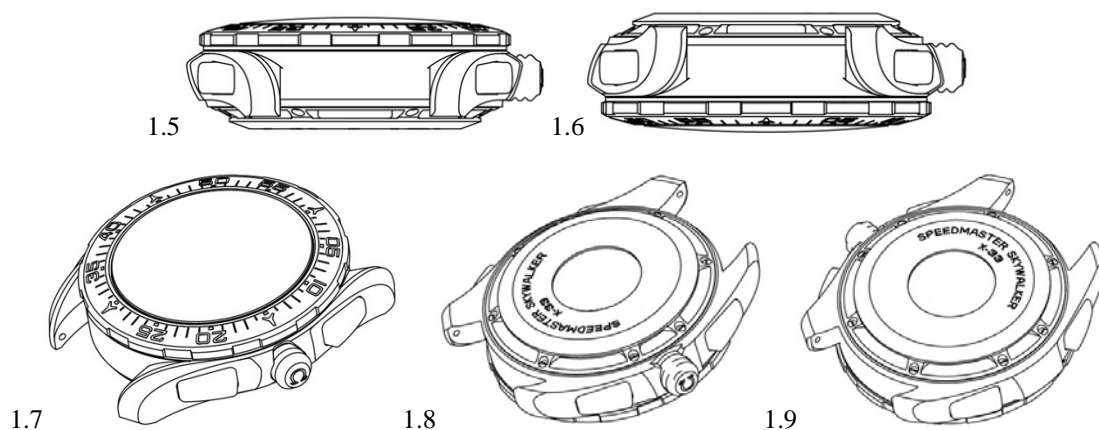


1.1

1.2

1.3

1.4



(11) DM/082602

(51) 10-02, 07

(15) 2014 01 09

(45) 2014/27 (2014 07 11)

(22) 2014 01 09

(28) 23

(73) HAMILTON INTERNATIONAL AG (HAMILTON INTERNATIONAL SA)
(HAMILTON INTERNATIONAL LTD
Mattenstrasse 149, CH-2503 Biel/Bienne (CH)

(85) CH

(86) CH

(87) CH

(88) CH

(89) CH

(81) II. BZ, MA. III. AL, AM, AZ, BA, CH, EM, GE, KG, LI, MC, MD, ME, MK, MN, NO, OM, SG, TJ, TN,
TR, UA

(72) 1,2,6,11,12,13,14,15,16,17: Fabrice DUPORT

Avenue de la Gare 4, 2000 Neuchâtel, Switzerland;

3,4,5: Christian GLAUSER

Route de Coffrane 24, 2206 Les-Genèveys-sur-Coffrane, Switzerland;

7,8,23: Sébastien PERRET

Rue du Temple 27A, 2014 Bôle, Switzerland;

9,10,18,19,20,21,22: Fernando SOARES

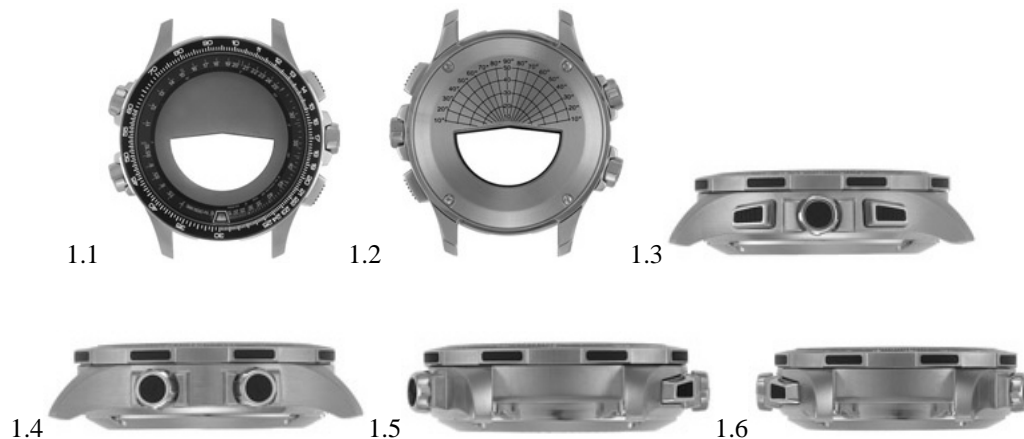
Rue Fleury 5, 2000 Neuchâtel, Switzerland

(54) 1. Watch case; 2. Dial; 3. Watch case; 4. Dial; 5. Wristwatch; 6. Watch; 7. Watch case; 8. Dial;

9. Watch; 10. Dial; 11. Watch; 12. Watch bracelet; 13. Watch case; 14. Dial; 15. Watch case; 16. Dial;

17. Watch; 18. Watch case; 19. Watch; 20. Watch case; 21. Dial; 22. Watch; 23. Oscillating weight

(55)





1.7



1.8



2.1



2.2



3.1



3.2



3.3



3.4



3.5



3.6



3.7



3.8



3.9



4



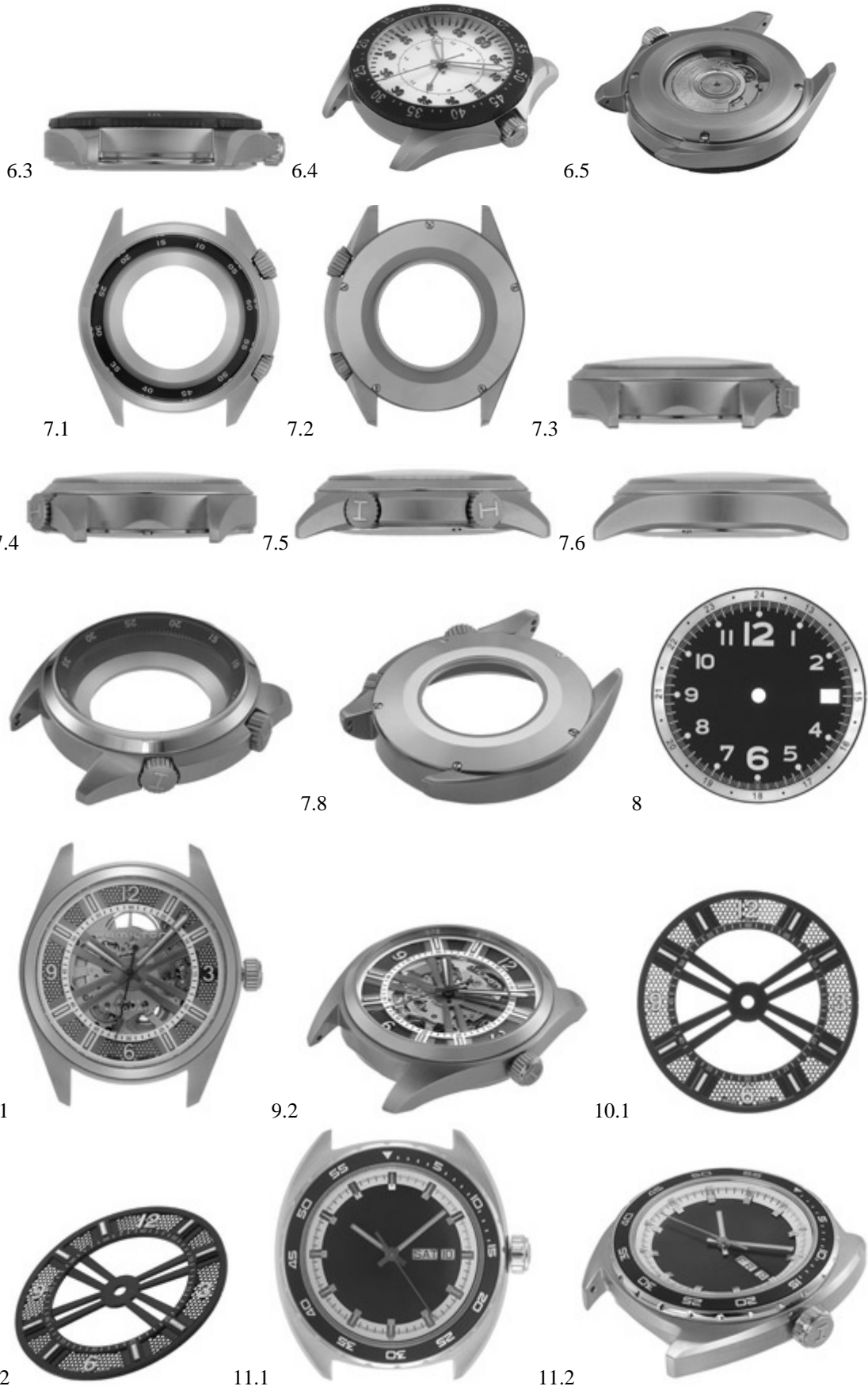
5

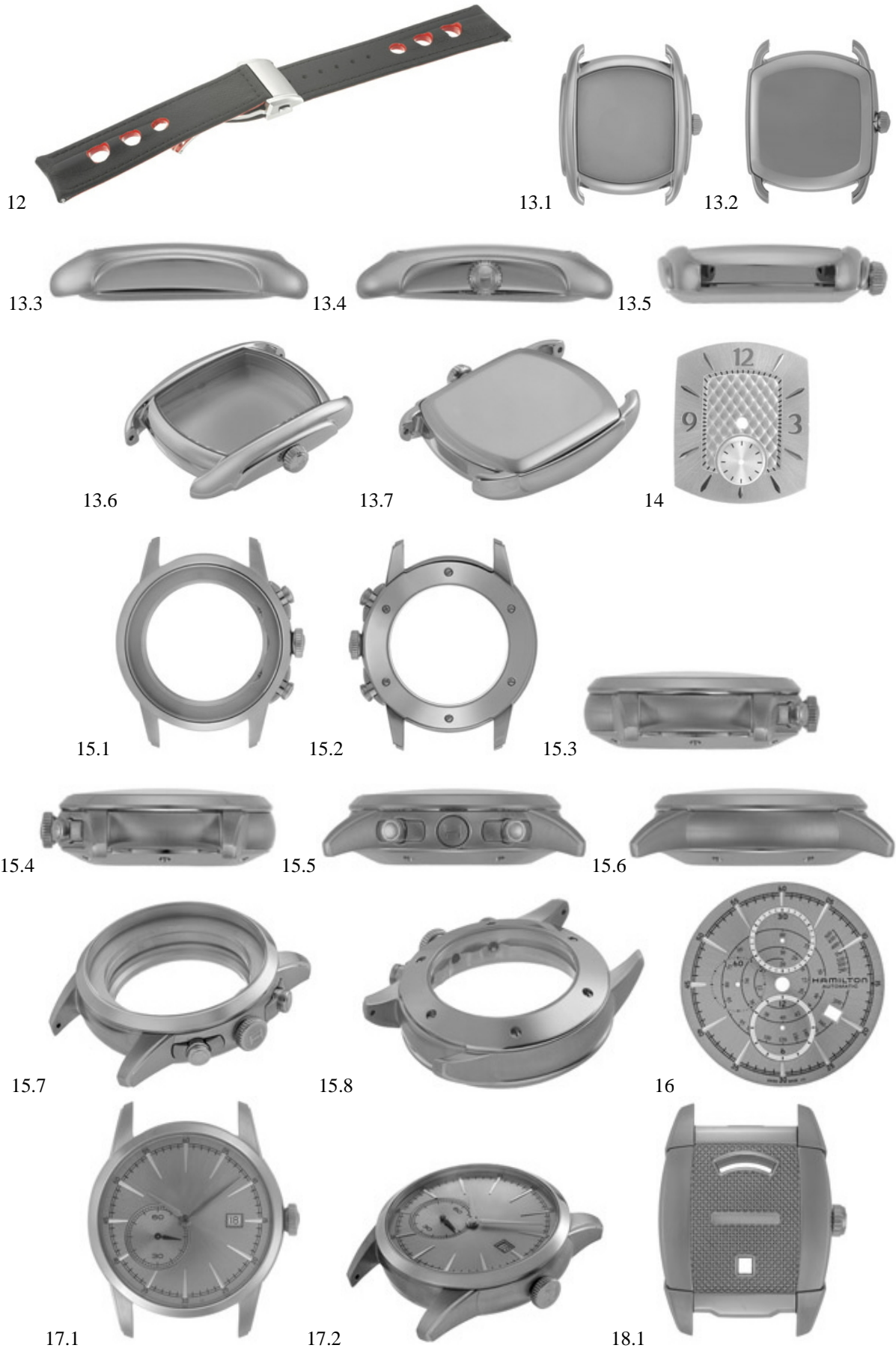


6.1



6.2







18.2



18.3



18.4



18.5



18.6



18.7



18.8



18.9



19.1



19.2



19.3



20.1



20.2



20.3



20.4



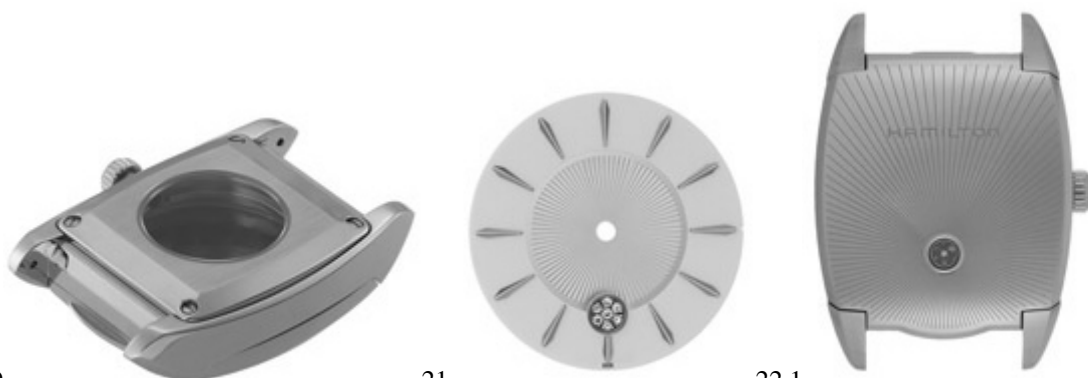
20.5

20.6



20.7

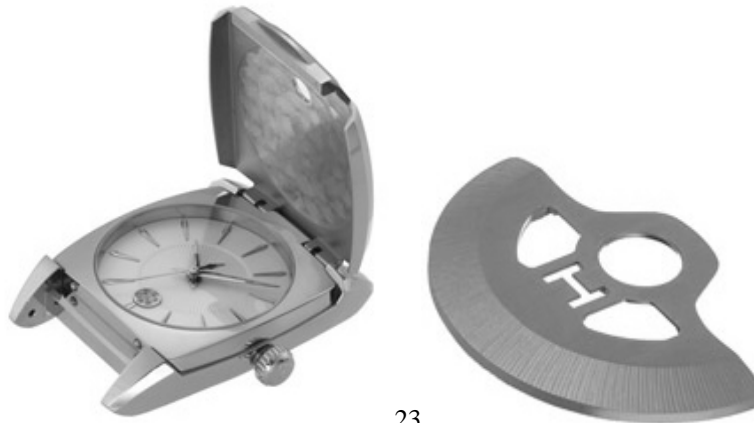
20.8



20.9

21

22.1



22.3

23

(11) DM/083862

(51) 09-01

(15) 2014 03 26

(45) 2014/27 (2014 07 11)

(22) 2014 03 26

(28) 2

(30) No 1: 02.10.2013; 02319194-0001; EM; No 2: 02.10.2013; 02319194-0002; EM

(73) EQUIVALENZA MANUFACTORY

S.L. Calle Salvador Espriu, 13-15, E-08908 L'HOSPITALET DE LLOBREGAT (Barcelona) (ES)

(85) ES, EM

(86) ES, EM

(87) ES, EM

(88) ES, EM

(89) ES

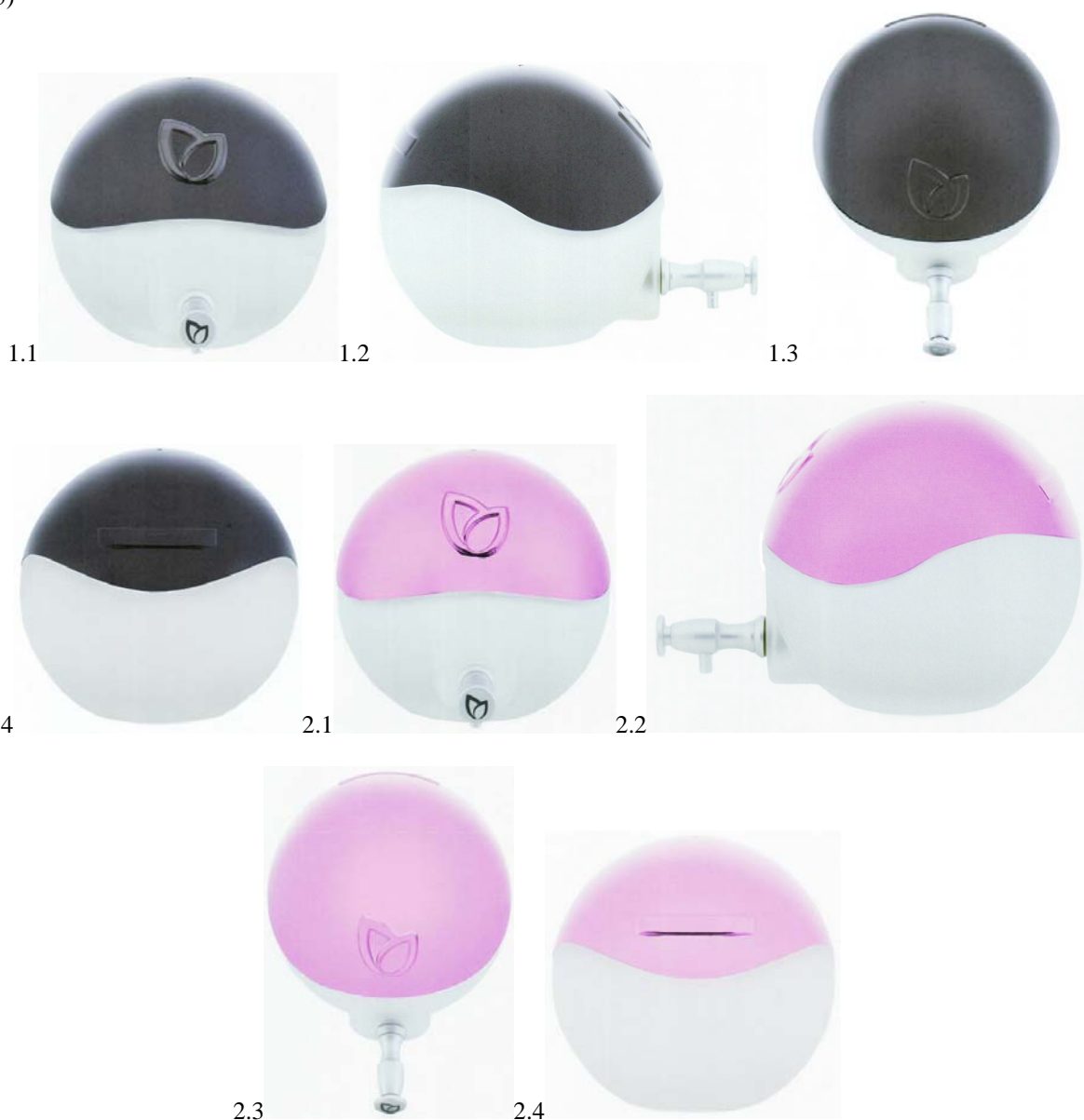
(81) III. AL, AM, AZ, BA, BN, BW, CH, EG, GE, GH, HR, IS, KG, LI, MC, MD, ME, MK, MN, NA, NO, OA, OM, RS, RW, SG, ST, SY, TJ, TN, TR, UA

(72) FRANCISCO MORAN PRIETO

Calle Salvador Espriu, 13-15, 08908 L'HOSPITALET DE LLOBREGAT (Barcelona), España

(54) 1.-2. Containers for perfumery liquids

(55)



(11) DM/082613**(51) 10-07**

(15) 2014 01 13

(45) 2014/28 (2014 07 18)

(22) 2014 01 13

(28) 2

(73) TISSOT SA (TISSOT AG) (TISSOT LTD)

Chemin des Tourelles 17, CH-2400 Le Locle (CH)

(85) CH

(86) CH

(87) CH

(88) CH

(89) CH

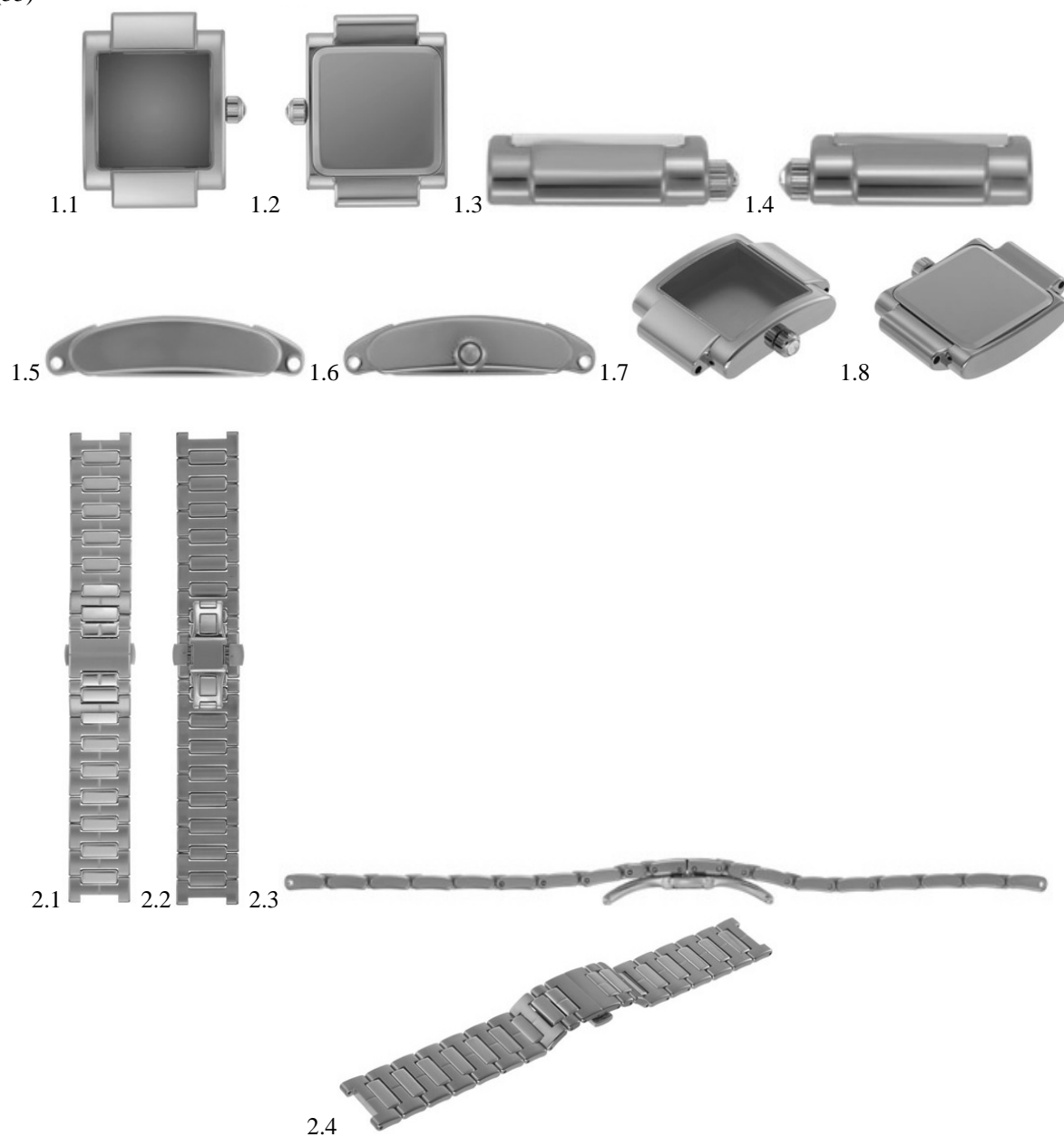
(81) II. BZ, MA. III. AL, AM, AZ, BA, CH, EM, GE, KG, LI, MC, MD, ME, MK, MN, NO, OM, SG, TJ, TN, TR, UA

(72) David QUINCHE

Rue Jaquet-Droz 5, 2300 La Chaux-de-Fonds, Switzerland

(54) 1. Watch case; 2. Watch bracelet

(55)



(11) DM/082638

(51) 10-02

(15) 2014 01 17

(45) 2014/28 (2014 07 18)

(22) 2014 01 17

(28) 1

(73) RADO UHREN AG (RADO WATCH CO. LTD.) (MONTRES RADO SA)

Bielstrasse 43, CH-2543 LENGNAU (CH)

(85) CH

(86) CH

(87) CH

(88) CH

(89) CH

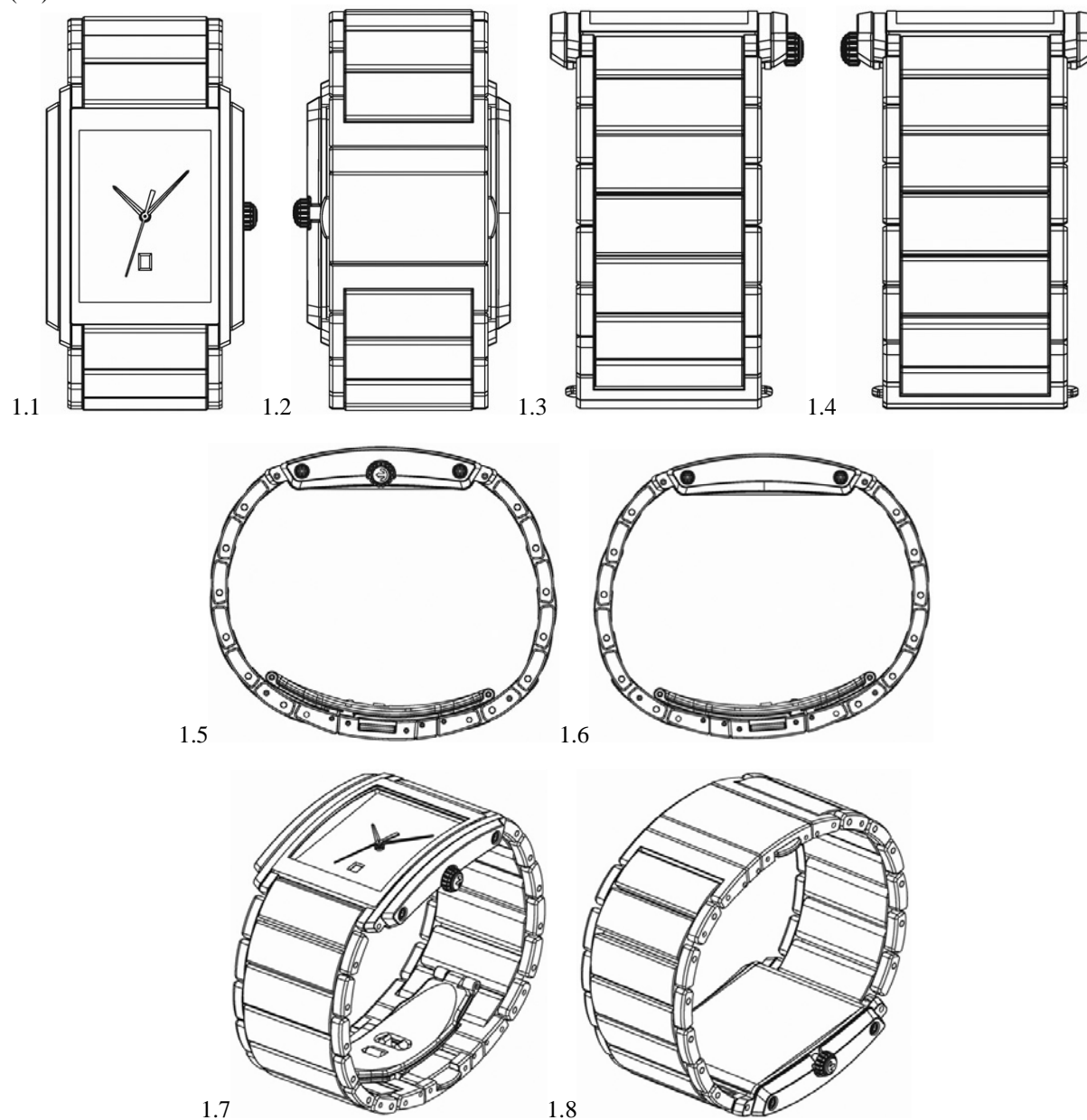
(81) II. BZ, MA. III. AL, AM, AZ, BA, CH, EM, GE, KG, LI, MC, MD, ME, MK, MN, NO, OM, SG, TJ, TN, TR, UA

(72) Fernando Antonio Soares

Rue Fleury 5, 2000 Neuchâtel, Suisse

(54) 1. Wristwatch

(55)



(11) DM/082639

(51) 10-07

(15) 2014 01 17

(45) 2014/28 (2014 07 18)

(22) 2014 01 17

(28) 2

(73) OMEGA SA (OMEGA AG) (OMEGA LTD.)

Jakob-Stämpfli-Strasse 96, CH-2502 Biel/Bienne (CH)

(85) CH

(86) CH

(87) CH

(88) CH

(89) CH

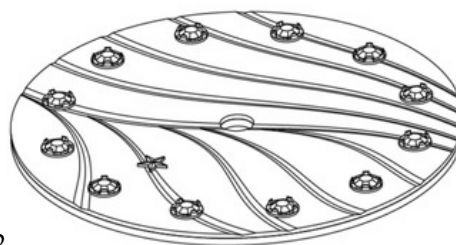
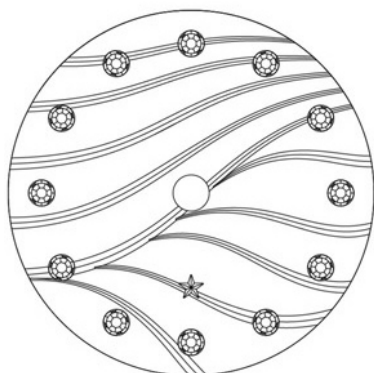
(81) IL, BZ, MA, III, AL, AM, AZ, BA, CH, EM, GE, KG, LI, MC, MD, ME, MK, MN, NO, OM, SG, TJ, TN, TR, UA

(72) Jean-Claude Monachon

Rue Alice-de-Chambrier 1, 2022 Bevaix, Suisse

(54) 1.-2. Dials

(55)



(11) DM/082675

(51) 10-07

(15) 2014 01 13

(45) 2014/28 (2014 07 18)

(22) 2014 01 13

(28) 5

(73) TISSOT SA (TISSOT AG) (TISSOT LTD)

Chemin des Tourelles 17, CH-2400 Le Locle (CH)

(85) CH

(86) CH

(87) CH

(88) CH

(89) CH

(81) IL, BZ, MA, III, AL, AM, AZ, BA, CH, EM, GE, KG, LI, MC, MD, ME, MK, MN, NO, OM, SG, TJ, TN, TR, UA

(72) Benoît VIANIN

Rue de la Banque 13, 2400 Le Locle, Switzerland;

Damien GOYET

Route Principale 45, 68480 Winkel, France;

Laurie SAUNDERS

Scheuerackerweg 5, 3210 Kerzers, Switzerland;

Nicolas CLERC

Chemin de la Butte 4, 2400 Le Locle, Switzerland;

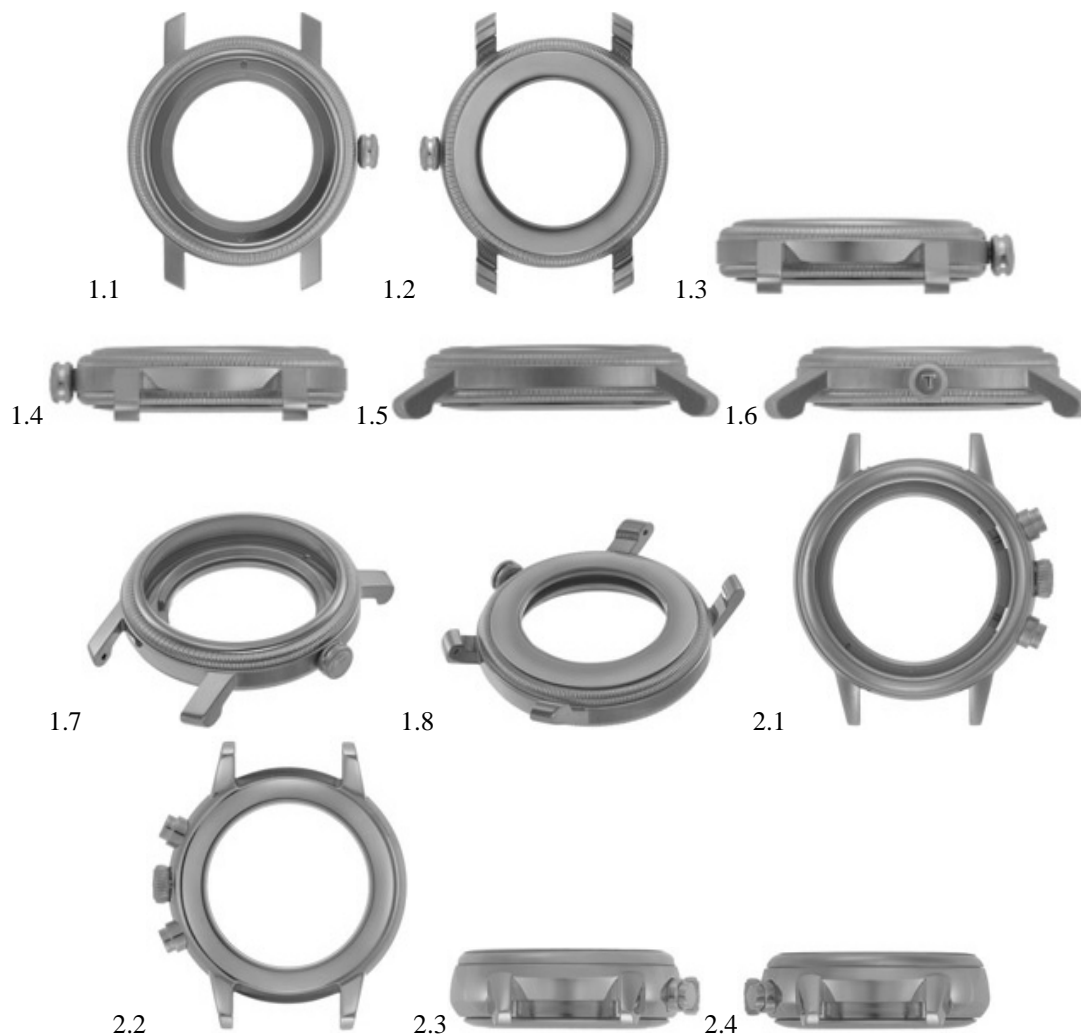
Albiona LOKAJ

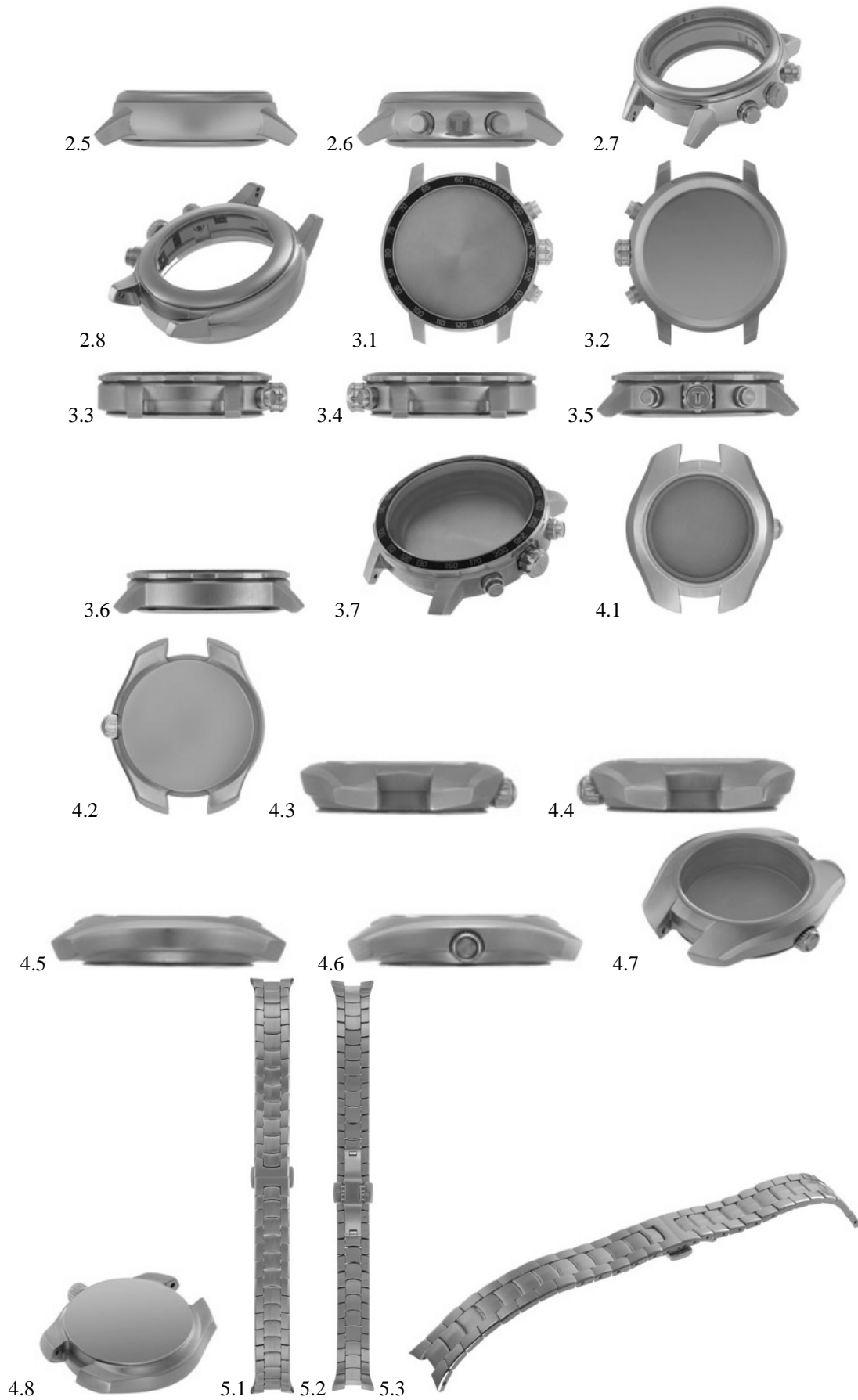
Rue Jean d'Aarberg 12, 2400 Le Locle, Switzerland;

Jérémie SENNGEN, Le Château 3, 2028 Vaumarcus, Switzerland

(54) 1.-4. Watch cases; 5. Watch bracelet

(55)





(11) DM/083901

(51) 12-05

(15) 2014 06 13

(45) 2014/28 (2014 07 18)

(22) 2014 06 13

(28) 4

(73) COLUMBUS MCKINNON INDUSTRIAL PRODUCTS GMBH

Yale-Allee 30, 42329 Wuppertal (DE)

(85) DE, EM

(86) DE, EM

(87) DE, EM

(88) DE, EM

(89) DE

(81) IL, MA, III, CH, EG, EM, GE, NO, RS, TR, UA

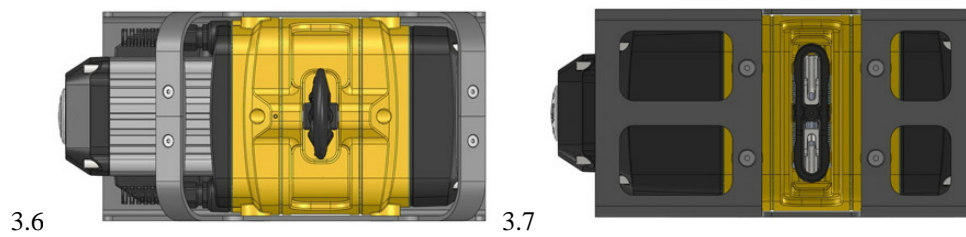
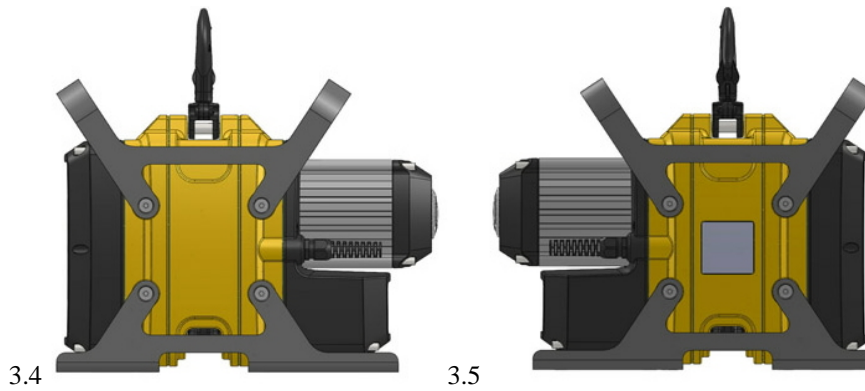
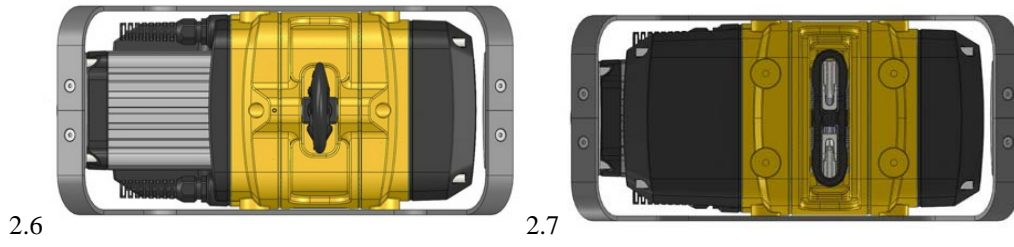
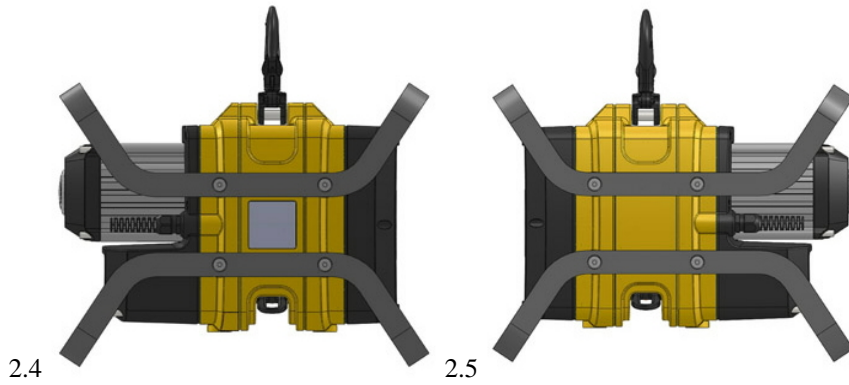
(72) 1-4: Dipl.-Des. Hannes Mayer

Dorotheenstr. 12, 42105 Wuppertal, Germany

(54) 1.-4. Endless rope winches

(55)







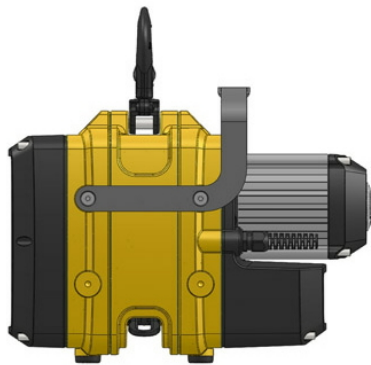
4.1



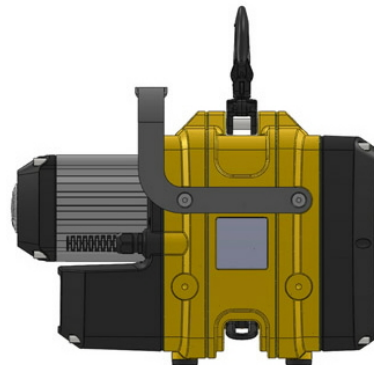
4.2



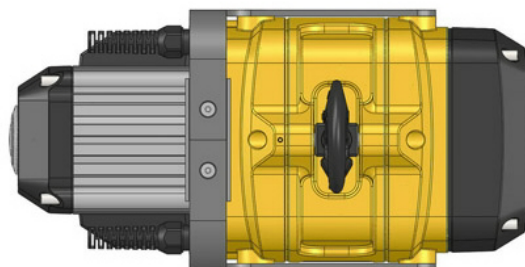
4.3



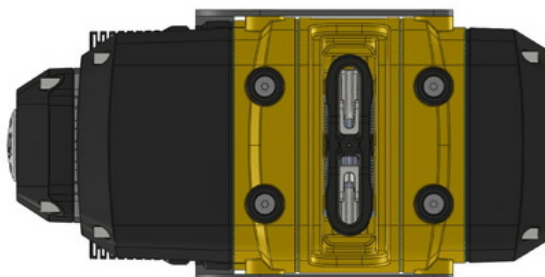
4.4



4.5



4.6



4.7

(11) DM/083952

(15) 2014 07 10

(22) 2014 07 10

(28) 2

(73) "FREY WILLE" GMBH & CO. KG.

Gumpendorferstrasse 81, A-1060 Wien (AT)

(85) EM

(86) EM

(87) EM

(88) EM

(89) EM

(81) III. CH, EG, EM, GE, MD, MK, MN, SG, TR, UA

(54) 1.-2. Rings (jewellery)

(55)

(51) 11-01

(45) 2014/29 (2014 07 25)



1.1



1.2



2.1



2.2

(11) DM/083957

(15) 2014 07 08

(22) 2014 07 08

(28) 1

(30) 15.01.2014; MI2014O000008; IT

(73) VALENTINO S.P.A.

Via Turati, 16/18, I-20121 Milano (IT)

(85) --

(86) EM, IT

(87) EM, IT

(88) n/a

(89) EM

(81) III. AZ, EM, GE, KG, ME, RS, TJ, TR, UA

(72) I: SASSI Stefano

c/o Valentino S.p.A., Via Turati 16/18, I-20121 Milano, Italy

(54) 1. Shoe

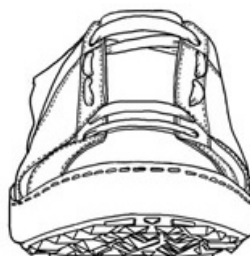
(55)

(51) 02-04

(45) 2014/29 (2014 07 25)



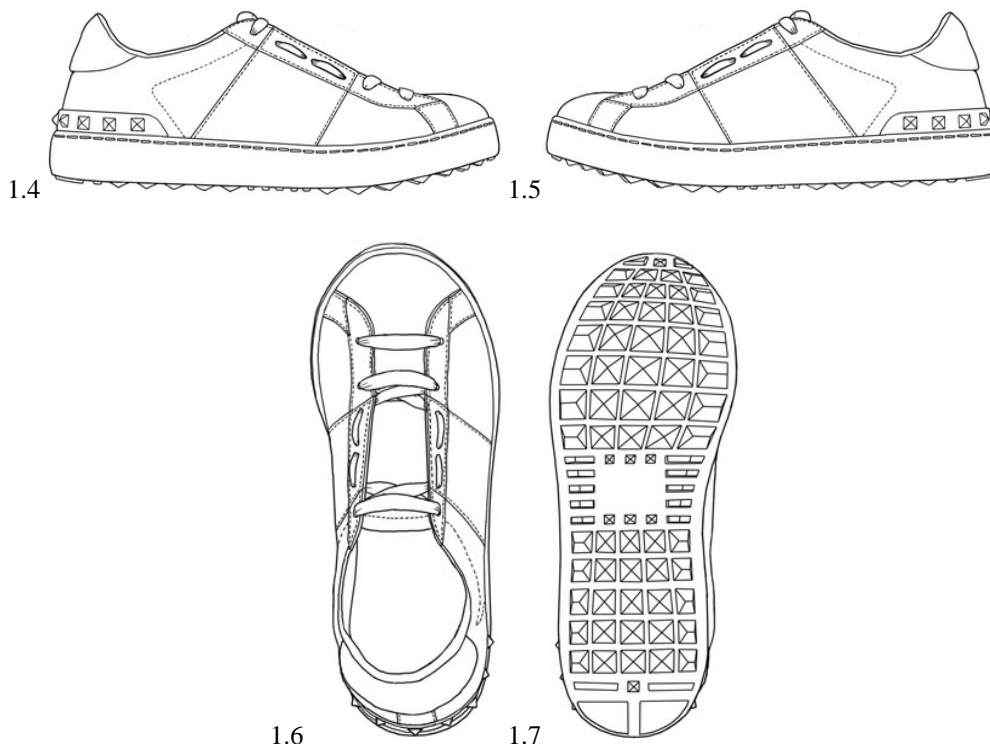
1.1



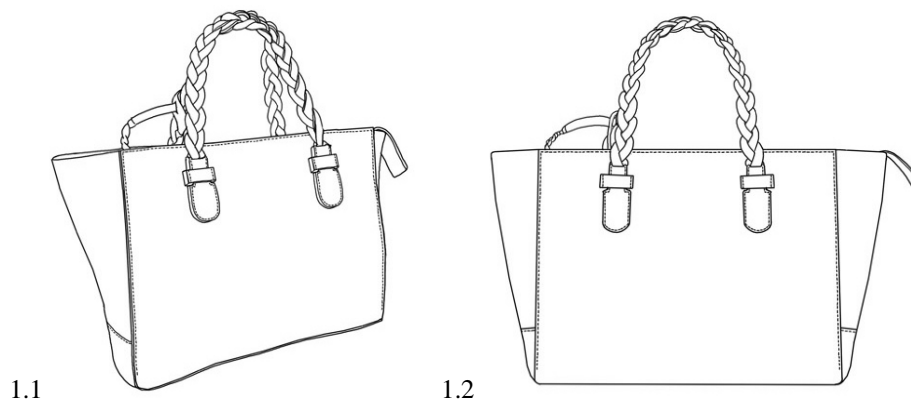
1.2

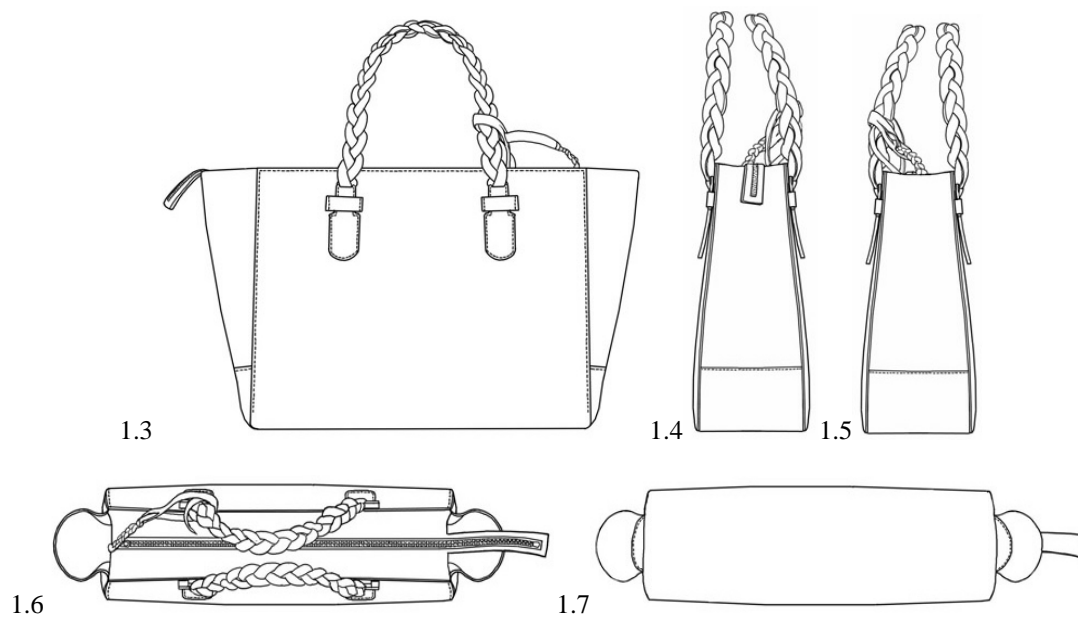


1.3



(11) **DM/083961** (51) **03-01**
 (15) 2014 07 09 (45) 2014/29 (2014 07 25)
 (22) 2014 07 09
 (28) 1
 (30) 13.01.2014; MI2014O000004; IT
 (73) VALENTINO S.P.A.
 Via Turati, 16/18, I-20121 Milano (IT)
 (85) --
 (86) EM, IT
 (87) EM, IT
 (88) n/a
 (89) EM
 (81) III. AZ, EM, GE, KG, ME, RS, TJ, TR, UA
 (72) SASSI Stefano
 c/o Valentino S.p.A. Via Turati 16/18, I-20121 Milano, Italy
 (54) I. Bag
 (55)



**(11) DM/083962**

(15) 2014 07 10

(22) 2014 07 10

(28) 1

(73) SAVERGLASS

3 rue de la Gare, F-60960 FEUQUIERES (FR)

(85) FR, EM

(86) FR, EM

(87) FR, EM

(88) FR, EM

(89) FR

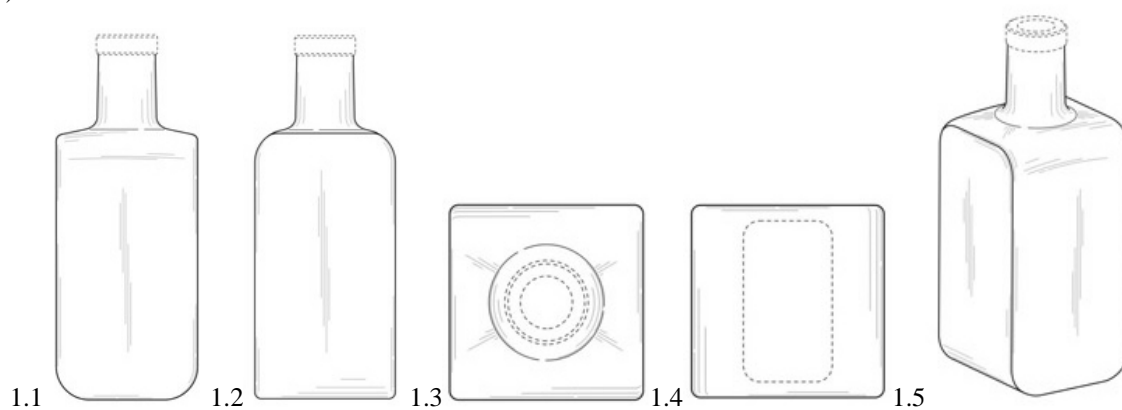
(81) III. AM, AZ, BA, CH, EG, GE, MC, MD, ME, MK, NO, RS, SG, TR, UA

(54) 1. Bottle

(55)

(51) 09-01

(45) 2014/29 (2014 07 25)



(11) DM/083983

(51) 32-00

(15) 2014 07 09

(45) 2014/29 (2014 07 25)

(22) 2014 07 09

(28) 1

(30) 13.01.2014; 002383802; EM

(73) VALENTINO S.P.A.

Via Turati, 16/18, I-20121 Milano (IT)

(85) --

(86) EM, IT

(87) EM, IT

(88) n/a

(89) EM

(81) III. AZ, GE, KG, ME, RS, TJ, TR, UA

(72) 1: Marlies PLANK

Heinzelmannngasse 22/21,A-1200 Vienna, Austria

(54) 1. Decorative element

(55)



1

(11) DM/082743

(51) 10-02

(15) 2014 01 28

(45) 2014/30 (2014 08 01)

(22) 2014 01 28

(28) 1

(73) SWATCH AG (SWATCH SA) (SWATCH LTD.)

94, rue Jakob Stämpfli, CH-2502 Biel/Bienne (CH)

(85) CH

(86) CH

(87) CH

(88) CH

(89) CH

(81) II. BZ, MA. III. AL, AM, AZ, BA, CH, EM, GE, KG, LI, MC, MD, ME, MK, MN, NO, OM, SG, TJ, TN, TR, UA

(72) Andrea ARRIGONI

Swatchlab, Via Archimede 6, , 20129 Milano, Italie

(54) 1. Wristwatch

(55)



1

(11) DM/082768

(51) 10-02, 07

(15) 2014 01 30

(45) 2014/30 (2014 08 01)

(22) 2014 01 30

(28) 7

(73) GLASHÜTTER UHRENBETRIEB GMBH

Altenberger Straße 1, 01768 Glashütte (DE)

(85) DE, EM

(86) DE, EM

(87) DE, EM

(88) DE, EM

(89) DE

(81) II. BZ, MA. III. AL, AM, AZ, BA, CH, EM, GE, KG, LI, MC, MD, ME, MK, MN, NO, OM, SG, TJ, TN, TR, UA

(72) 1,2,4,5,6,7: Katharina STEGMANN

Am Mühlefeld 84, 01744 Paulsdorf, Germany;

1,2: Christoph KÖHLER

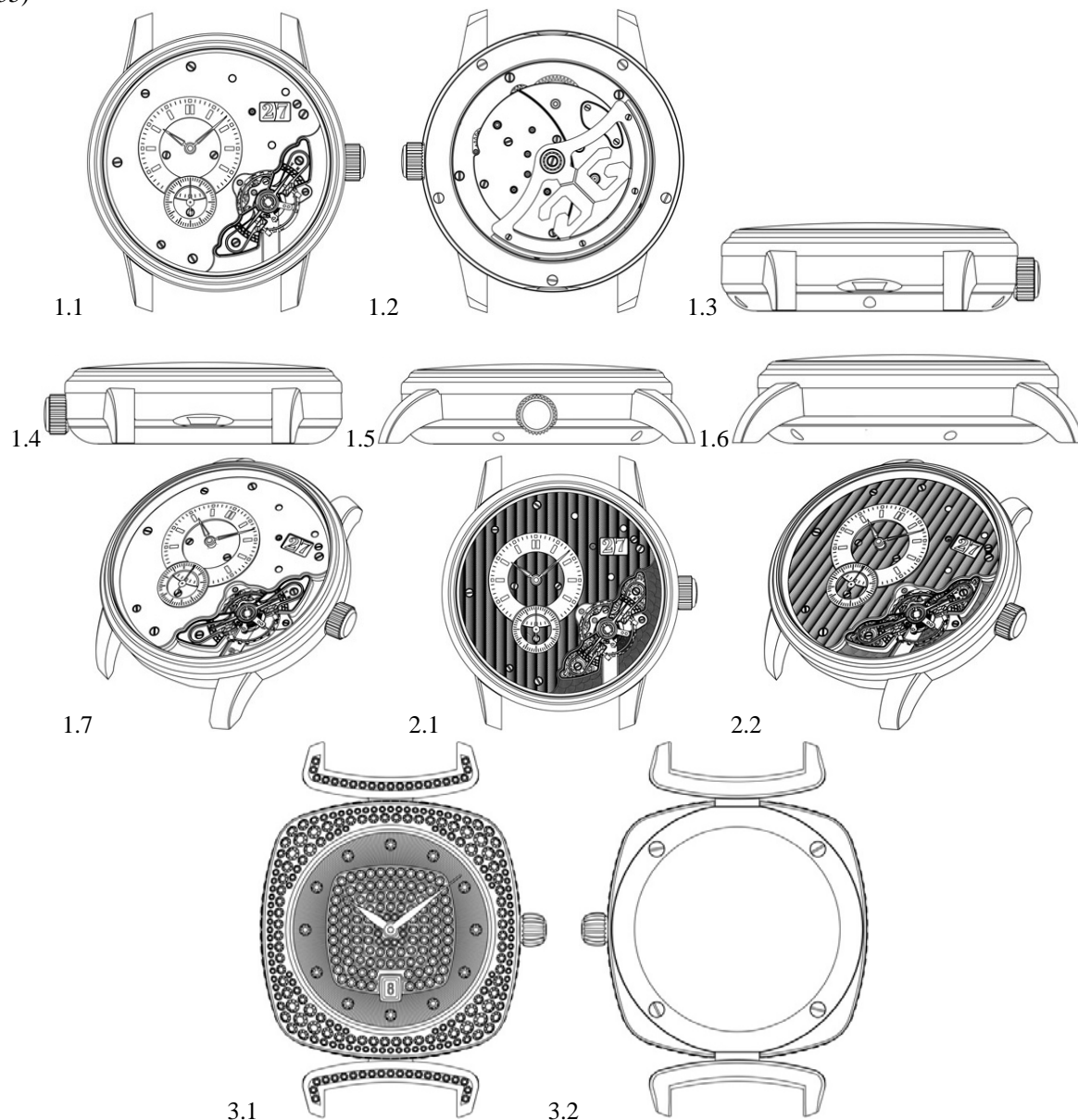
An der Lockwitz 43, 01768 Glashütte, Germany;

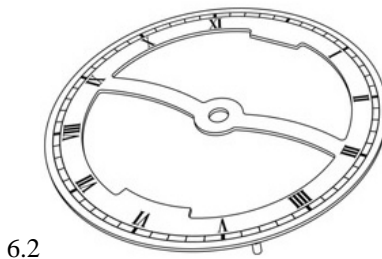
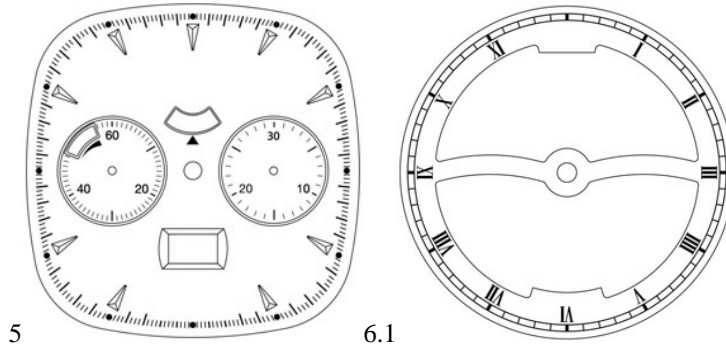
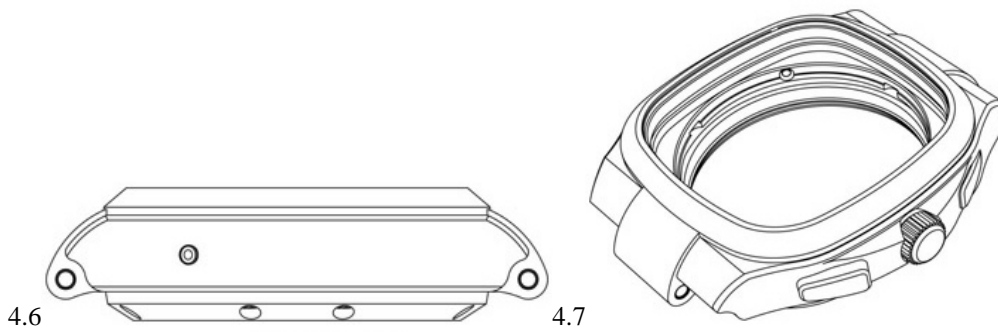
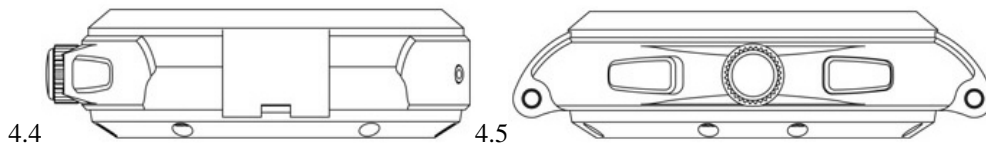
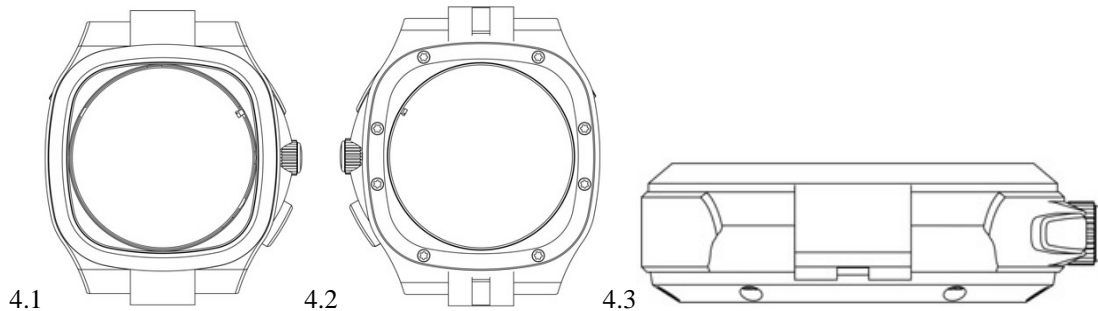
3: Anika ENGELBRECHT

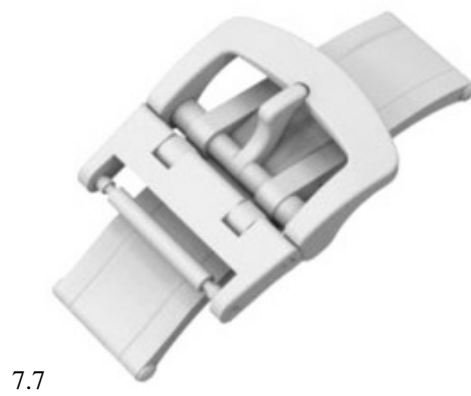
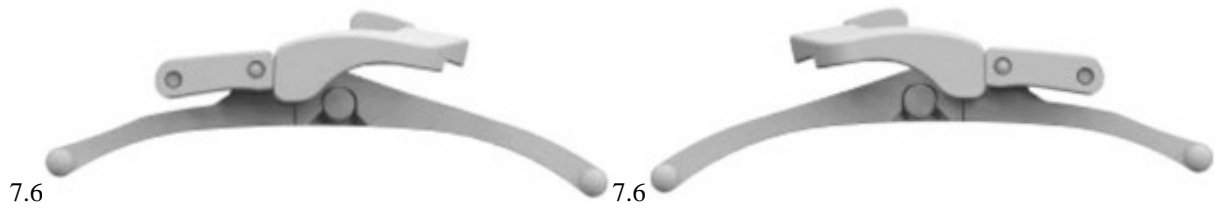
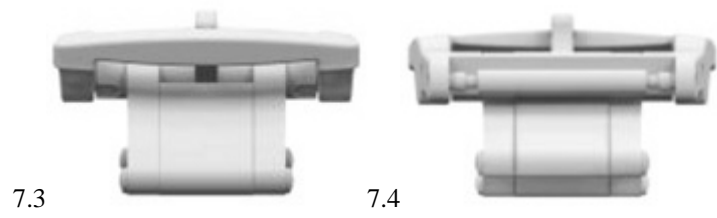
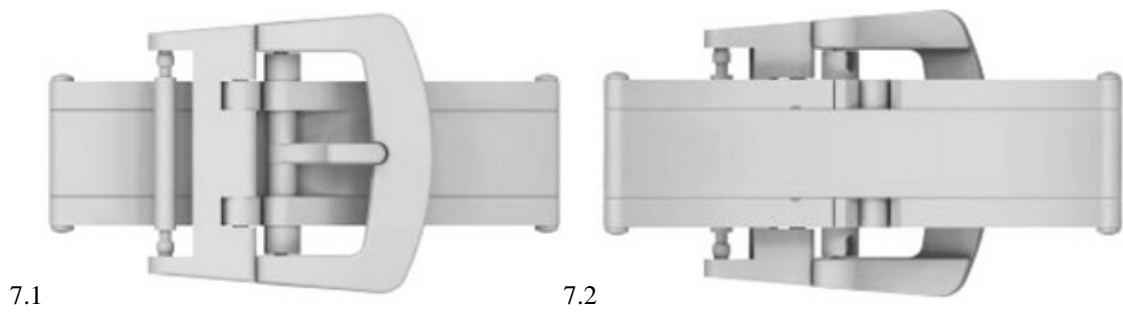
Scheunenhofstrasse 2, 01097 Dresden, Germany

(54) 1.-3. Watches; 4. Watch case; 5.-6. Dials; 7. Clasp for watch bracelet

(55)







(11) DM/084007**(51) 03-01**

(15) 2014 05 30

(45) 2014/30 (2014 08 01)

(22) 2014 05 30

(28) 1

(30) 04.12.2013; IT

(73) DARIO IACONO

Via Tommaso Cannizzaro, 249, I-98123 MESSINA (IT)

(85) --

(86) IT, EM

(87) n/a

(88) n/a

(89) EM

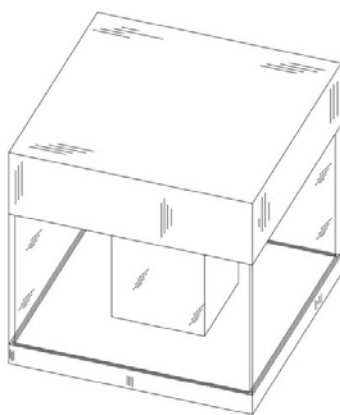
(81) II. BX, BZ, CI, KP, MA, SR. III. AL, AM, AZ, BA, BN, BW, CH, EG, EM, GE, GH, HR, IS, KG, LI, MC, MD, ME, MK, MN, NA, NO, OA, OM, RS, RW, SG, ST, TJ, TN, TR, UA

(72) Dario Iacono

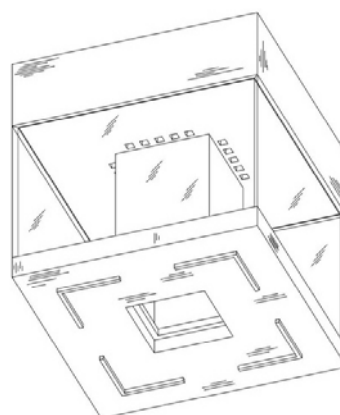
Via Tommaso Cannizzaro 249, 98123 Messina, Italy

(54) 1. Item box

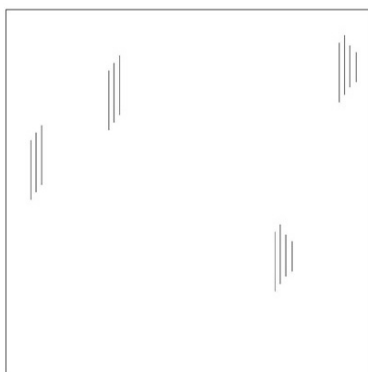
(55)



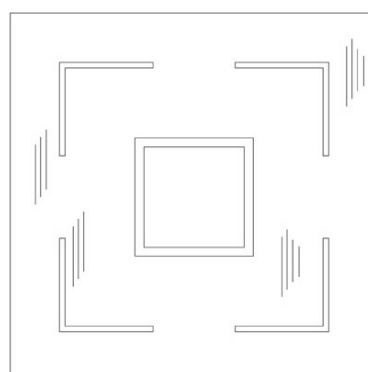
1.1



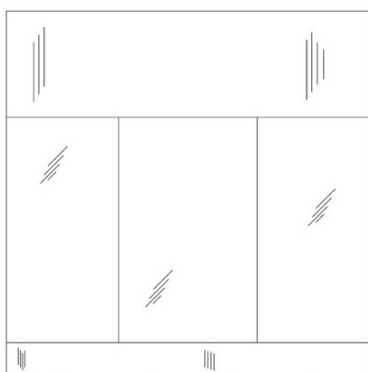
1.2



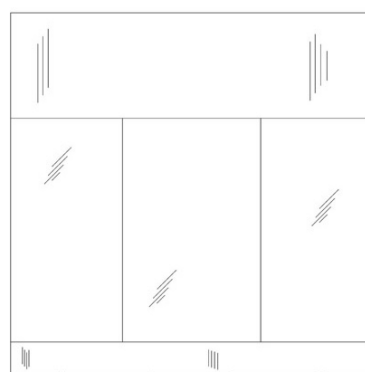
1.3



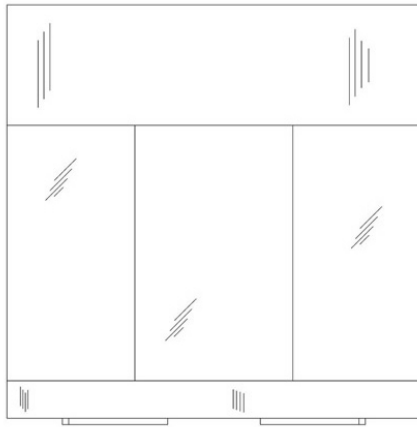
1.4



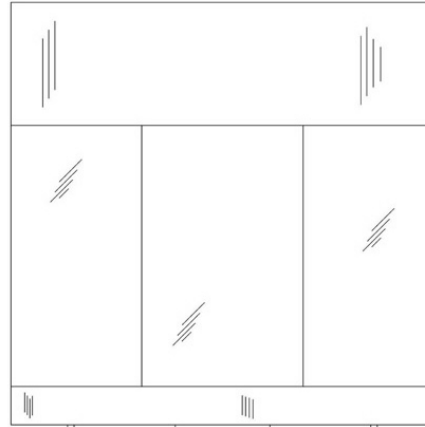
1.5



1.6



1.7



1.8

TRADEMARKS

APPLICATIONS FILED UNDER THE NATIONAL PROCEDURE APPROVED FOR REGISTRATION

The decision can be appealed at the Chamber of Appeal of Sakpatenti within 3 months from the publication or at the Mtskheta District Court Administrative Cases Board (Address: №17, Samkhedro str., Mtskheta), within 1 month following the publication.

(260) AM 2014 72815 A*
(210) AM 072815
(220) 2013 06 24
(731) ZHENGZHOU YUTONG BUS CO., LTD.
Yutong Road, Guancheng District,
Zhengzhou, China
(740) Shalva Gvaramadze
(540)

YUTON

(591) Black, white
(531) 27.05.17-
(511) 12, 37

(260) AM 2014 73173 A
(210) AM 073173
(220) 2013 07 24
(731) LTD "JEOSTILI"
Davit Garejis 36, 3700, Rustavi, Georgia
(540)

Building Georgia Together

ერთად ვაშენებთ საქართველო

(591) Red
(531) 27.05.11-28.19.00-29.01.01-
(511) 6

(260) AM 2014 73960 A
(210) AM 073960
(220) 2013 09 20
(731) LTD "TEQNO BUMI"
Vazha-fshavelas gamz. 30a, 0160, Tbilisi,
Georgia
(740) LTD "TEQNO BUMI"
(540)

აირექსი

Irex

(591) Black, white
(531) 27.05.17-28.19.00-
(511) 35

(260) AM 2014 73962 A
(210) AM 073962
(220) 2013 09 20
(731) LTD "TEQNO BUMI"
Vazha-fshavelas gamz. 30a, 0160, Tbilisi,
Georgia
(740) LTD "TEQNO BUMI"
(540)

მიულერი

Muller

(591) Black, white
(531) 27.05.17-28.19.00-
(511) 35

(260) AM 2014 74250 A
(210) AM 074250
(220) 2013 10 08
(731) GIORGI BENDELIANI
Sverdlovis 3, 7100, Q.ochamchire, Georgia
(540)



(591) Red, orange, yellow, green, sky-blue, dark
blue, lilac
(531) 03.11.07-26.01.05-26.04.09-29.01.15-
(511) 41

(260) AM 2014 75036 A
(210) AM 075036
(220) 2013 12 04
(731) LTD "ARDICHLI DISH TIJARET TEQSTIL
INSHAAT GIDA SANAI"
M. Abashidzis q. №16, 6000, Batumi, Georgia
(540)

ALEXANDER GARDI
ალექსანდერ გარდი

(591) Black, white
(511) 25, 35

(260) AM 2014 75037 A
(210) AM 075037
(220) 2013 12 04
(731) TWENTIETH CENTURY FOX FILM CORPORATION
10201 West Pico Boulevard, Los Angeles, California 90035, USA
(740) Tamaz Shilakadze
(540)



(591) Black, white
(531) 24.17.13-
(511) 9, 41

(260) AM 2014 75202 A
(210) AM 75202
(220) 2013 12 19
(731) FRANKE TECHNOLOGY AND TRADEMARK LTD.
Sonnenbergstrasse 9, CH-6052 Hergiswill, Switzerland
(740) Shalva Gvaramadze
(540)



(591) Red, white
(531) 26.04.18, 26.04.09, 29.01.12
(511) 6, 11, 20, 21, 37

(260) AM 2014 75225 A
(210) AM 75225
(220) 2013 12 23
(731) SUPER GENERAL COMPANY
P.O. Box 51027, Dubai, The United Arab Emirates

(740) Liliana Darakhvelidze
(540)



(591) Black, white
(531) 26.11.11, 27.05.01, 28.01. 25.03.03
(511) 7, 9, 11

(260) AM 2014 75226 A
(210) AM 75226
(220) 2013 12 23
(731) BASMAT AL HAYAT HOUSEHOLD APPLIANES LLC.
P.B. N5154, Dubai, The United Arab Emirates
(740) Giorgi Meipariani
(540)



(591) Black, white
(531) 02.03.23, 27.05.01, 27.05.17, 02.01.23
(511) 7, 8, 11, 21

(260) AM 2014 75230 A
(210) AM 75230
(220) 2013 12 23
(731) MERIAL LIMITED
Sandringham House, Sandringham Avenue, Harlow Business Park, Harlow CM19 5QA, United Kingdom
(740) Shalva Gvaramadze
(540)

PREVEXXION

(591) Black, white
(511) 5

(260) AM 2014 75231 A
(210) AM 75231
(220) 2013 12 23
(731) MERIAL LIMITED
Sandringham House, Sandringham Avenue, Harlow Business Park, Harlow CM19 5QA, United Kingdom
(740) Shalva Gvaramadze
(540)

NEWXXITEK

(591) Black, white
(511) 5

(260) AM 2014 75245 A
 (210) AM 75245
 (220) 2013 12 24
 (731) SOREMARTEC S.A.
 Findel Business Center, Complexe "B",
 Rue de Trèves, L-2632 Findel, Luxembourg
 (740) George Sarajishvili
 (540)

რაფაელო

(591) Black, white
 (511) 30

(260) AM 2014 75246 A
 (210) AM 75246
 (220) 2013 12 24
 (731) SOREMARTEC S.A.
 Findel Business Center, Complexe "B",
 Rue de Trèves, L-2632 Findel, Luxembourg
 (740) George Sarajishvili
 (540)

ქინდერ შოკო-ბონსი

(591) Black, white
 (511) 30

(260) AM 2014 75302 A
 (210) AM 75302
 (220) 2013 12 27
 (731) ANHUI FORKLIFT TRUCK GROUP CO.,
 LTD.
 15 WANGJIANG WEST ROAD, HEFEI,
 ANHUI, CHINA
 (740) Tamaz Shilakadze
 (540)

CHL

(591) Black, white
 (511) 12

(260) AM 2014 75320 A
 (210) AM 75320
 (220) 2013 12 30
 (731) Открытое акционерное общество
 "РОССПИРТПРОМ"
 Кутузовский пр-т, д. 34, стр. 21, г. Москва,
 121170, Russian Federation
 (740) Giorgi Meipariani
 (540)



(591) Dark blue, sky-blue, grey, white
 (531) 26.01.13, 01.15.19, 26.11.11, 25.01.19, 28.05
 (511) 6, 32, 33

(260) AM 2014 75321 A
 (210) AM 75321
 (220) 2013 12 30
 (731) Открытое акционерное общество
 "РОССПИРТПРОМ"
 Кутузовский пр-т, д. 34, стр. 21, г. Москва,
 121170, Russian Federation
 (740) Giorgi Meipariani
 (540)



(591) Dark blue, sky-blue, grey, white
 (531) 26.01.13, 25.01.19, 27.05.01, 01.15.19
 (511) 6, 32, 33

(260) AM 2014 75331 A
 (210) AM 75331
 (220) 2013 12 31
 (731) LIANA RURUA
 Dolidzis q. korp. 21, b. 38, 0171, Tbilisi,
 Georgia
 (540)



(591) Green, dark green, red, sky-blue, lilac, violet,
 yellow, brown, orange, black, white and their
 halftone
 (531) 01.15.15, 01.15.01, 02.09.14, 04.01.02,
 25.01.01, 27.05.24, 28.05. 28.19, 29.01.15
 (511) 5, 35, 44

(260) AM 2014 75416 A
 (210) AM 75416
 (220) 2014 01 13
 (731) GILEAD SCIENCES LIMITED
 IDA Business and Technology Park,
 Carrigtohill, Co. Cork, Ireland
 (740) Shalva Gvaramadze

(540)

СТРАЙБИЛД(591) Black, white
(511) 5(260) AM 2014 75417
(210) AM 75417
(220) 2014 01 13
(731) GILEAD SCIENCES LIMITED
IDA Business and Technology Park,
Carrigtohill, Co. Cork, Ireland
(740) Shalva Gvaramadze
(540)**ТИБОСТ**(591) Black, white
(511) 5(260) AM 2014 75418 A
(210) AM 75418
(220) 2014 01 13
(731) GILEAD SCIENCES LIMITED
IDA Business and Technology Park,
Carrigtohill, Co. Cork, Ireland
(740) Shalva Gvaramadze
(540)**ВИТЕКТА**(591) Black, white
(511) 5(260) AM 2014 75419 A
(210) AM 75419
(220) 2014 01 13
(731) THRIFTY RENT-A-CAR SYSTEM, INC
5330 East 31st Street, Tulsa, Oklahoma
74135, USA
(740) Pavle Meipariani
(540)(591) White, blue
(531) 27.05.17, 29.01.04, 27.05.11
(511) 39(260) AM 2014 75485 A
(210) AM 75485
(220) 2014 01 17
(731) BIOGEN IDEC MA INC.
a Massachusetts Corporation.
14 Cambridge Center, Cambridge,
Massachusetts 02142, USA
(740) Tamaz Shilakadze
(540)**ZINBRYTA**(591) Black, white
(511) 5(260) AM 2014 75571 A
(210) AM 75571
(220) 2014 01 21
(731) ILYA PYASKORSKIY
Krasnoarmeiskaya 26/2, fl. 26, Russian
Federation
(740) Anjela Tonoyan
(540)**MELISSO**(591) Black, white
(511) 32, 33, 35(260) AM 2014 75705 A
(210) AM 75705
(220) 2014 01 28
(731) ABBVIE INC.
(a Delaware corporation)
1 N. Waukegan Road, North Chicago, Illinois
60064, USA
(740) Tamar Kochlamazashvili
(540)(591) Black, white
(531) 03.13.01, 26.01.06
(511) 5(260) AM 2014 75798 A
(210) AM 75798
(220) 2014 02 06
(731) THE GILLETTE COMPANY
One Gillete Park, Boston, Massachusetts
02127, USA
(740) Shalva Gvaramadze
(540)**BLUE 3 SENSECARE**(591) Black, white
(511) 8

REGISTERED TRADEMARKS

- | | |
|--|--|
| <p>(111) M 2014 025210 R
 (151) 2014 09 19
 (181) 2024 09 19
 (260) AM 2014 69843 A
 (220) 2013 06 03
 (732) LEE KUM KEE COMPANY LIMITED
 2-4 Dai Fat Street, Tai Po Industrial Estate,
 Tai Po, New Territories, The Hong Kong
 Special Administrative Region of the
 people's republic of China</p> <hr/> <p>(111) M 2014 025211 R
 (151) 2014 09 19
 (181) 2024 09 19
 (260) AM 2014 71730 A
 (220) 2013 04 08
 (732) INTERNATIONAL FOODSTUFFS CO.
 LLC
 Al-Wahda Street, Industrial Area No 1, P.O.
 Box 4115 Sharjah, United Arab Emirates</p> <hr/> <p>(111) M 2014 025212 R
 (151) 2014 09 19
 (181) 2024 09 19
 (260) AM 2014 71981 A
 (220) 2013 04 22
 (732) LTD UNIMED GRUP KORP.
 Vake-saburtalos raioni, Ad. Mitskevichis
 q. 29, b. 61, Tbilisi, Georgia</p> <hr/> <p>(111) M 2014 025213 R
 (151) 2014 09 19
 (181) 2024 09 19
 (260) AM 2014 71983 A
 (220) 2013 04 22
 (732) LTD UNIMED GRUP KORP.
 Vake-saburtalos raioni, Ad. Mitskevichis
 q. 29, b. 61, Tbilisi, Georgia</p> <hr/> <p>(111) M 2014 025214 R
 (151) 2014 09 19
 (181) 2024 09 19
 (260) AM 2014 71987 A
 (220) 2013 04 22
 (732) LTD UNIMED GRUP KORP.
 Vake-saburtalos raioni, Ad. Mitskevichis
 q. 29, b. 61, Tbilisi, Georgia</p> <hr/> <p>(111) M 2014 025215 R
 (151) 2014 09 19
 (181) 2024 09 19
 (260) AM 2014 72074 A</p> | <p>(220) 2013 04 29
 (732) THE PROCTER & GAMBLE COMPANY
 One Procter & Gamble Plaza, Cincinnati Ohio
 45202, USA</p> <hr/> <p>(111) M 2014 025216 R
 (151) 2014 09 19
 (181) 2024 09 19
 (260) AM 2014 72482 A
 (220) 2013 06 03
 (732) INTERNATIONAL COMMERCIAL
 TELEVISION INC
 487 Devon Park Drive, Suite 212, Wayne,
 Pennsylvania 19087, USA</p> <hr/> <p>(111) M 2014 025217 R
 (151) 2014 09 19
 (181) 2024 09 19
 (260) AM 2014 72484 A
 (220) 2013 06 03
 (732) RUBELLA BEAUTY AD
 3, Osvojojdenie Str., 4960, Rudozem,
 Bulgaria</p> <hr/> <p>(111) M 2014 025218 R
 (151) 2014 09 19
 (181) 2024 09 19
 (260) AM 2014 72485 A
 (220) 2013 06 03
 (732) RUBELLA BEAUTY AD
 3, Osvojojdenie Str., 4960, Rudozem,
 Bulgaria</p> <hr/> <p>(111) M 2014 025219 R
 (151) 2014 09 19
 (181) 2024 09 19
 (260) AM 2014 72517 A
 (220) 2013 06 04
 (732) FAES FARMA S.A.
 Maximo Aguirre 14, 48940 Leioa (Bizkaia),
 Spain</p> <hr/> <p>(111) M 2014 025220 R
 (151) 2014 09 19
 (181) 2024 09 19
 (260) AM 2014 72518 A
 (220) 2013 06 04
 (732) FAES FARMA S.A.
 Maximo Aguirre 14, 48940 Leioa (Bizkaia),
 Spain</p> <hr/> |
|--|--|

(111) M 2014 025221 R
(151) 2014 09 19
(181) 2024 09 19
(260) AM 2014 72519 A
(220) 2013 06 04
(732) FAES FARMA S.A.
Maximo Aguirre 14, 48940 Leioa (Bizkaia),
Spain

(111) M 2014 025222 R
(151) 2014 09 19
(181) 2024 09 19
(260) AM 2014 72525 A
(220) 2013 06 06
(732) LTD "MARNISKARI"
Askuravas 17a, 0101, Tbilisi, Georgia

(111) M 2014 025223 R
(151) 2014 09 19
(181) 2024 09 19
(260) AM 2014 72806 A
(220) 2013 06 21
(732) LTD "IMERULI EZO"
Didube chuguretis raioni, samkhedro gza
chiaurelis uchis mimdebared, 0159, Tbilisi,
Georgia

(111) M 2014 025224 R
(151) 2014 09 19
(181) 2024 09 19
(260) AM 2014 72807 A
(220) 2013 06 21
(732) JSC "QARTULI LUDIS KOMPANIA"
Sof. saguramo, 3311, Mtskheta,
Georgia

(111) M 2014 025225 R
(151) 2014 09 19
(181) 2024 09 19
(260) AM 2014 72877 A
(220) 2013 06 28
(732) DOUBLE A (1991) PUBLIC COMPANY
LIMITED
1 Moo 2, Thatoom, Srimahaphote,
Prachinburi, Thailand

(111) M 2014 025226 R
(151) 2014 09 19
(181) 2024 09 19
(260) AM 2014 72878 A
(220) 2013 06 28
(732) DOUBLE A (1991) PUBLIC COMPANY
LIMITED
1 Moo 2, Thatoom, Srimahaphote,
Prachinburi, Thailand

(111) M 2014 025227 R
(151) 2014 09 19
(181) 2024 09 19
(260) AM 2014 72893 A
(220) 2013 07 01
(732) Aldo Group Internartional AG
Schochenmuhlerstrasse 6, 6340 Baar,
Switzerland

(111) M 2014 025228 R
(151) 2014 09 19
(181) 2024 09 19
(260) AM 2014 72929 A
(220) 2013 07 02
(732) STARBUCKS CORPORATION D/B/A
STARBUCKS COFFEE COMPANY
(a Washington Corporation)
2401 Utah Avenue South, Seattle, Washington
98134, USA

(111) M 2014 025229 R
(151) 2014 09 19
(181) 2024 09 19
(260) AM 2014 72953 A
(220) 2013 07 03
(732) BRITISH AMERICAN TOBACCO
(BRANDS) INC. (a Delaware corporation)
2711 Centerville Road, Suite 300,
Wilmington, Delaware 19808, USA

(111) M 2014 025230 R
(151) 2014 09 19
(181) 2024 09 19
(260) AM 2014 72955 A
(220) 2013 07 03
(732) HARRINGTON DEVELOPMENT INC.
Elvira Mendez Street, Vallarino bldg., 3rd
Floor, Panama, Panama

(111) M 2014 025231 R
(151) 2014 09 19
(181) 2024 09 19
(260) AM 2014 73089 A
(220) 2013 07 12
(732) STOKKE AS
Parkgata 6, N6003 Ålesund, Norway

(111) M 2014 025232 R
(151) 2014 09 19
(181) 2024 09 19
(260) AM 2014 73093 A
(220) 2013 07 12
(732) ET MAI HART INK.
S/o gelfend, renert end feldmen, l.l.p.1880,
sencheri park ist, svit 1600, 90067 los-anjelesi,
shtati kalifornia, USA

(111) M 2014 025233 R
(151) 2014 09 19
(181) 2024 09 19
(260) AM 2014 73109 A
(220) 2013 07 15
(732) LTD "JI-EM-PI"
Qvemo Ponichala 65, 0165, Tbilisi, Georgia

(111) M 2014 025234 R
(151) 2014 09 19
(181) 2024 09 19
(260) AM 2014 73110 A
(220) 2013 07 15
(732) LTD "JI-EM-PI"
Qvemo Ponichala 65, 0165, Tbilisi,
Georgia

(111) M 2014 025235 R
(151) 2014 09 19
(181) 2024 09 19
(260) AM 2014 73118 A
(220) 2013 07 15
(732) M7 TOBACCO TRADING FZCO
Plot N.S51302, Jebel Ali, Dubai, United Arab
Emirates

(111) M 2014 025236 R
(151) 2014 09 19
(181) 2024 09 19
(260) AM 2014 73147 A
(220) 2013 07 22
(732) BRITISH AMERICAN TOBACCO
(BRANDS) INC. (a Delaware corporation)
2711 Centerville Road, Suite 300,
Wilmington, Delaware 19808, USA

(111) M 2014 025237 R
(151) 2014 09 19
(181) 2024 09 19
(260) AM 2014 73177 A
(220) 2013 07 25
(732) LG LIFE SCIENCES, LTD.
58, Saemunan-ro, Jongno-gu, Seoul, Republic
of Korea

(111) M 2014 025238 R
(151) 2014 09 19
(181) 2024 09 19
(260) AM 2014 73178 A
(220) 2013 07 25
(732) LG LIFE SCIENCES, LTD.
58, Saemunan-ro, Jongno-gu, Seoul, Republic
of Korea

(111) M 2014 025239 R
(151) 2014 09 19
(181) 2024 09 19
(260) AM 2014 73179 A
(220) 2013 07 25
(732) LG LIFE SCIENCES, LTD.
58, Saemunan-ro, Jongno-gu, Seoul, Republic
of Korea

(111) M 2014 025240 R
(151) 2014 09 19
(181) 2024 09 19
(260) AM 2014 73180 A
(220) 2013 07 25
(732) LG LIFE SCIENCES, LTD.
58, Saemunan-ro, Jongno-gu, Seoul, Republic
of Korea

(111) M 2014 025241 R
(151) 2014 09 19
(181) 2024 09 19
(260) AM 2014 73297 A
(220) 2013 07 31
(732) BYD COMPANY LIMITED
Yan'an Road, Kuichong Town, Longgang
District, Shenzhen, China

(111) M 2014 025242 R
(151) 2014 09 19
(181) 2024 09 19
(260) AM 2014 73338 A
(220) 2013 08 01
(732) AGCO Corporation
4205 River Green Parkway, Duluth, Georgia
30096, USA

(111) M 2014 025243 R
(151) 2014 09 19
(181) 2024 09 19
(260) AM 2014 73389 A
(220) 2013 08 06
(732) DISCOVERY COMMUNICATIONS, LLC
One Discovery Place, Silver Spring, Maryland
20910, USA

(111) M 2014 025244 R
(151) 2014 09 19
(181) 2024 09 19
(260) AM 2014 73390 A
(220) 2013 08 06
(732) DISCOVERY COMMUNICATIONS, LLC
One Discovery Place, Silver Spring, Maryland
20910, USA

(111) M 2014 025245 R
(151) 2014 09 19
(181) 2024 09 19
(260) AM 2014 73535 A
(220) 2013 08 14
(732) LTD "LOIDLI"
Tseretlis gamz. 87, 0119, Tbilisi, Georgia

(111) M 2014 025246 R
(151) 2014 09 19
(181) 2024 09 19
(260) AM 2014 73536 A
(220) 2013 08 14
(732) MONSTER ENERGY COMPANY
a Delaware corporation
1 Monster Way, Corona, California 92879,
USA

(111) M 2014 025247 R
(151) 2014 09 19
(181) 2024 09 19
(260) AM 2014 73645 A
(220) 2013 08 22
(732) GLAXO GRROUP LIMITED
980 Great West Road, Brentford, TW8 9GS
Middlesex, United Kingdom

(111) M 2014 025248 R
(151) 2014 09 19
(181) 2024 09 19
(260) AM 2014 73847 A
(220) 2013 09 04
(732) UNION TOBACCO & CIGARETTE
INDUSTRIES CO.
P.O. Box 851015, Amman 11185, Jordan

TRADEMARKS REGISTERED ACCORDING TO THE ACCELERATED PROCEDURE

The decision can be appealed at the Chamber of Appeal of Sakpatenti within 3 months from the publication.

(111) M 2014 25209 R

(151) 2014 09 16

(181) 2024 09 16

(210) AM 078245

(220) 2014 08 08

(732) LTD "SHTOLTSFARMA"

sulkhan tsintsadzis 12, sartuli 4, 0160, Tbilisi,
Georgia

(740) Giorgi Taktakishvili

(540)

YNNOVAS

(591) Dark green, lettuce

(511) 5

(111) M 2014 25249 R

(151) 2014 09 24

(181) 2024 09 24

(210) AM 078495

(220) 2014 09 04

(732) MARUSSIA BEVERAGES B.V.

Siriusdreef 22, 2132WT Hoofddorp,
Netherlands

(740) Elene Totibadze

(540)

კონკა

Konka

Конка

(591) Black, white

(531) 27.05.05-28.05.00-28.19.00-

(511) 33

(111) M 2014 25250 R

(151) 2014 09 24

(181) 2024 09 24

(210) AM 078412

(220) 2014 08 29

(732) LTD "MEGAIQSI MEGAX

Ts.dadianis q. № 34, korp. 12; b. 46, 0180,
Tbilisi, Georgia

(540)

B

ბელჰაუსი

BELHOUSE

(591) Black, white

(531) 25.07.22-27.05.05-27.05.22-28.19.00-

(511) 35

(111) M 2014 25251 R

(151) 2014 09 25

(181) 2024 09 25

(210) AM 078565

(220) 2014 09 08

(732) JSC "GALT END TAGARTI"

Chavchavadzis gamz. 74a, 0162, Tbilisi,
Georgia

(740) Giorgi Taktakishvili

(540)

გქმნით შესაძლებლობებს

Creating opportunities

(591) Black, white

(511) 36

(111) M 2014 25252 R

(151) 2014 09 25

(181) 2024 09 25

(210) AM 078566

(220) 2014 09 08

(732) JSC "GALT END TAGARTI"

Chavchavadzis gamz. 74a, 0162, Tbilisi,
Georgia

(740) Giorgi Taktakishvili

(540)

გალტ & თაგარტი

Galt & Taggart

(591) Black, white

(531) 24.17.09-27.05.05-28.19.00-

(511) 36

(111) M 2014 25253 R

(151) 2014 09 30

(181) 2024 09 30

(210) AM 078774

(220) 2014 09 23

(732) LTD "G&A GROUP"

Saburtalos q. 32, 0102, Tbilisi, Georgia

(740) George Jincharadze

(540)

G&A ნობათი

(591) Black, white
(531) 24.17.09-27.05.23-28.19.00-
(511) 29

(111) M 2014 25254 R
(151) 2014 10 02
(181) 2024 10 02
(210) AM 078722
(220) 2014 09 18
(732) LTD EUROPHARMA GEORGIA
EUROFARMA JORJIA
Machablis q.N5, 0105, Tbilisi, Georgia
(740) Nia Masiukovich
(540)

Insomnis baby
Инсомнис бэйби
ობსომბის ბებობა

(591) Black, white
(511) 35

(111) M 2014 25255 R
(151) 2014 10 06
(181) 2024 10 06
(210) AM 078561
(220) 2014 09 08
(732) TECHNO TRONICS GULF
Jebel Ali Free Zone, Dubai, United Arab
Emirates
(740) Khatuna Imnadze
(540)

ORVICA

(591) Black, white
(531) 26.03.24-27.05.07-
(511) 8, 11

(111) M 2014 25256 R
(151) 2014 10 07
(181) 2024 10 07
(210) AM 076841
(220) 2014 04 28
(732) SCHÄRF COFFEESHOP GMBH.
Dr. Alexander Schärf Platz 1, 7100 Neusiedl
am See, Austria
(740) Giorgi Taktakishvili
(540)



(591) White, red, green, black
(531) 01.15.05-01.15.11-05.07.01-26.01.21-
27.05.24-29.01.14-
(526) The trademark is protected as a whole. The
words "COFFEESHOP" and "COMPANY" in the
trademark, shall not be subject to independent legal
protection.
(511) 30, 43

INTERNATIONAL TRADEMARKS FOR WHICH A DECISION ON GRANTING PROTECTIONS IS TAKEN

The decision can be appealed at the Chamber of Appeal of Sakpatenti within 3 months from the publication or at the Mtskheta District Court Administrative Cases Board (Address: №17, Samkhedro str., Mtskheta), within 1 month following the publication.

(260) AM 70541 A*
(800) 778861
(731) SCOR SE (société européenne)
5 avenue Kléber, F-75016 PARIS, France
(540)



(591) Black, white
(511)
35 – Commercial advice relating to corporate risk analysis, management and/or prevention; computerized file management; advice on the organization and management of industrial and commercial companies; business management assistance; accounting consultancy and expert appraisal; advice and expert opinions regarding accounting evaluation of tangible or intangible corporate assets; organization of seminars and colloquiums for commercial purposes relating to corporate and/or social risk analysis, management and/or prevention; commercial management for third parties of telecommunication networks and telecommunication sites for electronic commerce (including by computer means).

36 – Insurance and reinsurance.

(260) AM 71515 A*
(800) 989107
(731) DÖHLER GmbH
Riedstrasse 7-9, 64295 Darmstadt, Germany
(540)



(591) Green, light blue, dark blue
(511)
32 – Mineral and aerated waters and other non-alcoholic drinks; fruit drinks and fruit juices; bases, syrups and other preparations for preparing drinks; beers and beer mixers.

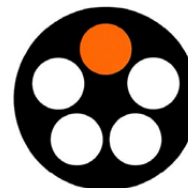
(260) AM 72204 A*
(800) 1156418
(731) CILAG GMBH INTERNATIONAL
Gubelstrasse 34, CH-6300 Zug, Switzerland

(540)



(591) Black, white
(511)
5 – Pharmaceutical preparations, namely remedies against cough and the common cold.

(260) AM 72209 A*
(800) 1156470
(731) LAPP ENGINEERING & CO.
Hinterbergstrasse 15, CH-6330 Cham,
Switzerland
(540)



(591) Black, white and orange
(511)
9 – Electrical ducting and cabling; fiber-optic cables; cables and conduits for the data transmission; network cables and lines; ducts and cables for electrical and optical transmission, including other media; finished or semifinished cables and ducts (included in this class); connector elements (electricity) for cables and ducts and parts thereof, particularly plugs and plug connectors and parts thereof; accessories for connector elements for cables and ducts (included in this class); apparatus and instruments for conducting, switching, transforming, accumulating, regulating or controlling electricity, connectors for electric and optical lines; bus bars (electric); cable sheaths for electric and optical ducts; screw threads for cables and ducts (included in this class); accessories for screw threads for cables and ducts (included in this class); recording apparatus for optical signals; optoelectronic apparatus; measuring apparatus; data processing apparatus; data transmission apparatus; data storage devices; computer printers, computer peripherals for the production of labels; apparatus for using communication networks, particularly

measures, analyzers, terminals for networks, network counters, terminal servers, computers for network management, distributors, y-branches, multiplexers, modems, transceivers, repeaters, gateways; routers (for computer networks); switches (for computer networks); platforms (for computer networks), computer software for firewalls; computer cabinets, computer racks (with the exception of computer furniture) for the installation of computer hardware, including assembly frames, assembly racks for network elements; accessories for the aforesaid items and network elements, included in this class; computer programs; management software for industrial networks (OPC); personalized package software; software for marking labels; data media with programs; drive chains and power chains of plastic.

(260) AM 72224 A*
 (800) 1156597
 (731) CILAG GMBH INTERNATIONAL
 Gubelstrasse 34, CH-6300 Zug, Switzerland
 (540)



(591) Black, white
 (511)
 5 – Pharmaceutical preparations, namely remedies against cough and the common cold.

(260) AM 72289 A*
 (800) 1142339
 (731) SYMRISE AG
 Mühlenfeldstrasse 1, 37603 Holzminden,
 Germany
 (540)

SYMSITIVE

(591) Black, white
 (511)
 1 – Chemicals and chemical products from plant materials for use in the cosmetic industry except photoprotection complex for use in cosmetics industry .
 3 – Perfumery, essential oils, cosmetics except photoprotection complex used in sun care products for cosmetic use.

(260) AM 72336 A*
 (800) 1157976
 (731) GRUPO BIMBO, S.A.B. DE C.V.
 Prol. Paseo de la Reforma N1000, 01210 Col.
 Peña Blanca Santa Fe, Mexico

(540)

TAKIS

(591) Black, white
 (511)
 29 – potato chips;
 30 – fried corn snacks and fried wheat snacks, extruded corn snacks, corn chips, taco chips, tortilla chips.

(260) AM 72659 A*
 (800) 1160672
 (731) ENTERPRISE HOLDINGS, INC.
 600 CORPORATE PARK DRIVE ST. LOUIS
 MO 63105, USA
 (540)

ENTERPRISE

(591) Black, white
 (511)
 35 – Automotive fleet business management services.
 37 – Automotive repair services.
 39 – Short-term rental and leasing of automobiles and trucks.
 42 – Automotive dealership services.

(260) AM 2014 73068 A
 (800) 587756
 (151) 1992 05 23
 (891) 2013 04 26
 (731) DELTA PRONATURA DR. KRAUSS & DR.
 BECKMANN KG
 Kurt-Schumacher-Ring 15-17, 63329
 Egelsbach, Germany
 (540)



(591) Black, white
 (511)
 2 – Staining agents.
 3 – Cleaning preparations, including for household use in liquid, paste or powder form; stain removing preparations in liquid, paste or powder form and for automatic dishwashers and laundry machines; cleaning preparations for textiles, wood, plastics and metals (included in this class), washing, destaining, bleaching and starching products.

(260) AM 2014 73069 A
 (800) 600810
 (151) 1993 04 15
 (891) 2013 05 16
 (731) PHARMAZEUTISCHE FABRIK

MONTAVIT GESELLSCHAFT M.B.H.
A-6060 ABSAM B. HALL, Austria

(540)



(591) Black, white
(511)

5 – Pharmaceutical, veterinary and sanitary products; dietetic substances for children and the sick; plasters, materials for dressings; material for dental fillings and dental impressions; disinfectants.

(260) AM 2014 73072 A
(800) 925410

(151) 2006 12 20

(891) 2013 05 06

(731) DENARD LTD. OFFICES OF ALEMAN,
CORDERO, GALINDO & LEE TRUST
(BVI) LIMITED
P.O. Box 3175 Road Town, Tortola, British
Virgin Islands

(540)

(591) Black, white
(511)

25 – Clothing, footwear, headgear.

28 – Games and playthings; gymnastic and sporting articles not included in other classes; decorations for Christmas trees.

(260) AM 2014 73160 A
(800) 1165572

(151) 2013 05 27

(731) ROTEM COMPUTERIZED
CONTROLLERS (1994) LTD. Ramat-Gan, Israel

(540)

ROTEM

(591) Black, white
(511)

9 – Weighing apparatus and instruments for animals and animal food; apparatus for controlling, measuring and monitoring temperature, humidity, feeding, irrigation & watering, drinking, lighting, cooling, heating, ventilating & air pressure systems for animals and plants; control and data management apparatus for agricultural machines; all included in this class.

(260) AM 2014 73161 A

(800) 1165586

(151) 2013 06 12

(731) ARENA PHARMACEUTICALS GMBH
Untere Brühlstrasse 4, CH-4800 Zofingen,
Switzerland

(540)

(591) Blue and green

(511)

5 – Pharmaceutical products for human use; pharmaceutical products for the treatment or prevention of obesity; pharmaceutical products for controlling weight, weight loss and maintaining weight loss.

(260) AM 2014 73162 A

(800) 1165605

(151) 2013 03 28

(731) BRITISH AMERICAN TOBACCO
(BRANDS) LIMITED
Globe House, 4 Temple Place, London WC2R
2PG, United Kingdom

(540)

FLEXIDIAL

(591) Black, white

(511)

34 – Cigarettes; tobacco; tobacco products; lighters; matches; smokers' articles.

(260) AM 2014 73163 A

(800) 1165652

(151) 2013 05 17

(731) EGIS GYÓGYSZERGYÁR Nyilvánosan
Működő Részvénytársaság
Keresztúri út 30-38, H-1106 Budapest,
Hungary

(540)

ЛЮБАВА

(591) Black, white

(511)

5 – Pharmaceutical preparations for human use.

(260) AM 2014 73165 A

(800) 1165707

(151) 2013 06 12

(731) ARENA PHARMACEUTICALS GMBH
Untere Brühlstrasse 4, CH-4800 Zofingen,
Switzerland

(540)

(591) Blue and orange.

(511)

5 – Pharmaceutical products for human use; pharmaceutical products for the treatment or prevention of obesity; pharmaceutical products for controlling weight, weight loss and maintaining weight loss.

(260) AM 2014 73167 A

(800) 1165728

(151) 2013 01 18

(731) JAMES PURDEY & SONS LIMITED

57/58 South Audley Street, London W1K
2ED, United Kingdom

(540)

JAMES WOODWARD

(591) Black, white

(511)

13 – Guns, rifles, ammunition, barrels, breeches, hammers, sights, snap caps, cartridges and cartridge cases, cases, pouches and bags, all for guns and ammunition; gun stocks; shoulder straps, bandoliers, cleaning equipment, all for use with guns, rifles and ammunition; parts and fittings for all the aforesaid goods.

(260) AM 2014 73168 A

(800) 1165744

(151) 2013 05 07

(731) AUCMA COMPANY LIMITED

No:315 Qianwangang Rd., Qingdao Economic
and Technical, Development Zone, Shandong
Province, China

(540)

AUCMA

(591) Black, white

(511)

7 – Distribution machines, automatic; dust exhausting installations for cleaning purposes; dust removing installations for cleaning purposes; blenders, electric, for household purposes; fruit presses, electric, for household purposes; food processors, electric; washing machines; wringing machines for laundry; aerated beverage-making machines; brewing machines; beverage preparation machines, electromechanical; wrapping machines; dishwashers; bicycle dynamos; compressors (machines); valves (parts of machines); compressors for refrigerators; sewage pulverizers; garbage disposals; drums (parts of machines).

11 – Refrigerators; freezers; beverage cooling apparatus; refrigerating apparatus and machines; ice machines and apparatus; cooking utensils, electric; pressure cooking saucepans, electric; pressure cookers (autoclaves), electric; kettles, electric; hot plates; toasters; microwave ovens (cooking apparatus); roas-

ting apparatus; gas burners; fans (air-conditioning); air conditioning installations; air purifying apparatus and machines; extractor hoods for kitchens; fireplaces, domestic; bath fittings; solar thermal collectors (heating); hand drying apparatus for washrooms; disinfectant apparatus; water purification installations; filters for drinking water; purification installations for sewage; radiators, electric; lamps.

(260) AM 2014 73186 A

(800) 1165750

(151) 2013 05 09

(731) LDCW Limited

Corner Evagorou and Menadrou str. 1, Frosia
House, 4th Floor, CY-1066 Nicosia, Cyprus

(540)



(591) Black, white

(511)

38 – Broadcasting; communications and telecommunications; transmission, broadcast, reception and other dissemination of audio, video, still and moving images, text and data whether in real or delayed time; electronic mail services; interactive broadcasting services; news information and news agency services; rental of radio and television broadcasting facilities; providing access to and leasing of access time to a computer database; provision of information, and advisory services relating to any of the aforesaid services.

(260) AM 2014 73187 A

(800) 1165753

(151) 2013 03 22

(731) Obschestvo s ogranichennoy otvetstvennostyu
"Montanita ERA"

Nepokorennykh Prospect, 63, lit. K37, pom.
3N, RU-195220 Saint- Petersburg, Russian
Federation

(540)



(591) Dark blue, blue, light blue, yellow, orange, white and black.

(511)

29 – Banana compotes; preserved bananas; banana pulp, jellies, salads, tinned bananas; crystallized bananas; stewed bananas; bananas preserved in alcohol; banana chips; dried bananas.

31 – Bananas.

35 – Import-export agencies; opinion polling; marketing studies; business information; business investigations; marketing research; organization of trade fairs for commercial or advertising purposes; presentation of goods on communication media for retail purposes; auctioneering; distribution of samples; advertising; administrative processing of purchase orders; procurement services for others (purchasing goods and services for other businesses).

39 – Air transport; boat rental; transport reservation; delivery of goods; transportation information; storage information; hauling; barge transport; ferry-boat transport; freight (shipping of goods); car transport; boat transport; railway transport; marine transport; river transport; portorage; shipbrokerage; transport brokerage; freight brokerage; stevedoring; packaging of goods; wrapping of goods; freighting; storage of goods; storage; freight forwarding.

40 – Fruit crushing; freezing of foods; food and drink preservation.

(260) AM 2014 73188 A

(800) 1165853

(151) 2012 11 01

(731) Guess?, Inc.

1444 South Alameda Street, Los Angeles CA
90021, USA

(540)



(591) Black, white

(511)

9 – Eyewear including sunglasses, eyeglass frames and cases for eyewear; decorative and protective covers and cases for portable electronic devices, namely, personal electronic devices, cell phones, mobile phones, telephones, computers, laptop computers, tablet computers, notebook computers, mp3 players, portable music players, personal digital assistants, electronic reading devices, digital cameras, and cameras.

14 – Jewelry and watches, including bracelets, earrings, rings, necklaces, tie clips, lapel pins, cuff

links, key rings, watch bands, clocks, watches; chronometric instruments.

16 – Paper, cardboard and goods made from these materials, including printed matter, photographs, stationery, office requisites, packaging materials, shopping bags of paper and shopping bags of plastic; passport cases.

18 – Leather and imitation leather goods; wallets, handbags, men's bags, luggage, key cases, business card cases, purses, organizers, backpacks, attaché cases and briefcases.

25 – Men's, women's, boys', girls', children's and infant's apparel and footwear, belts.

35 – Retail store services and advertising in the field of apparel and personal accessories.

(260) AM 2014 73192 A

(800) 1165872

(151) 2013 05 13

(731) Seco Tools AB

SE-737 82, SE-737 82 Fargersta, Sweden

(540)



(591) Black, white

(511)

6 – Hard metal in pieces of sintered carbides.

7 – Machine tools especially for cutting processing and including drawing dies, sandblasting nozzles and dies with hard metal pieces.

8 – Hand tools for metal working and dies with hard metal pieces.

(260) AM 2014 73197 A

(800) 1165951

(151) 2012 05 14

(731) BARKOM GRUP SONDAJ MAKINE VE

EKIPMANLARI SANAYI TICARET

LIMITED SIRKETI

31. Sok. No:45, Ostim Organize Sanayi

Bolgesi, ANKARA, Turkey

(540)



BARKOM

(591) Blue and red.

(511)

6 – Unprecious mineral ores; common metals, their alloys and semi-finished products of common metals and their alloys; materials made of metal to be used, particularly, in constructions; building materials of metal; buildings, transportable, of metal; metal shelter structures; general purpose metal storage containers; roof coverings of metal; wrapping or binding

bands of metal; staircases of metal; doors and windows of metal, rolling shutters, outdoor blinds of metal; awnings of metal (building structures); their casements and parts; non-electric cables and wires of metal; hardware of metal; ducts of metal, vent-holes, covers of vent-holes, pipes, chimney cowls, manhole covers, grills of metal; ducts of metal for ventilating and air conditioning installations; drain pipes of metal; signs, non-luminous and non-mechanical, of metal; identity plates of metal, signboards of metal; pipes of metal for transportation of liquid and gas and their connection parts (including drilling pipes), casing tubes; metal safes; materials of metal for railway tracks; scaffolding poles of metal, floating docks of metal, floating docks of metal, for mooring boats; pontoons of metal, anchors for sea vehicles; foundry moulds of metal (excluding the ones which are parts of machines; artworks of common metal and their alloys; caps of metal, metal bottle caps; metal posts; metal pallets for lifting, loading and transporting, metal ropes, metal hangers, ties, columns, belts, bands and ribbons for load lifting and transporting; drill pipes.

7 – Machines, looms and industrial robots for working and shaping wood, metal, glass and plastic materials and minerals; construction machines, robotic mechanisms having the same function; mineral exploration equipments; core drilling equipments, diamond drilling equipments, drilling auxiliary equipments, soil investigation and improvement equipments; lifting, conveying and transmitting machines, robotic mechanisms having the same function (including lifts, escalators, cranes); machines and robotic mechanisms in the sectors of farming, agriculture and livestock and in processing cereals/fruits/vegetables/food; engines, electrical engines, their parts and equipments other than for land vehicles; bearings, ball-bearings and bobbin for weaving looms; tyre fixing and unfixing machines; alternators, generators, generators of electricity, generators worked with solar energy; dyeing machines, automatic spray guns for paint, electric punching machines and punches for punching machines, electric adhesive guns, spray guns for paint, electric hand drills, diamond drills, rock drills; motor hand saws, boring machines, spiral binding machines for industrial use; compressed air pumps, compressors; vehiclewashing installations and robots having the same function as the machines and tools listed above; welding machines and robots having the same function as them; printing machines; packaging machines, filling-plugging and finishing machines, labellers, separators and robots and robotic mechanisms having the same function as the machines and tools listed above; textile machines, sewing machines and industrial robots having the same function as them; pumps other than parts of machines or engines; electric cutting, grinding, crushing, hemming and crumbling machines for household purposes; washing machines (inc-

luding washing machines cleaners and their parts for purposes of cleaning floors, carpets and upholstery; spin driers (not heated); filters (parts of machines or engines).

(260) AM 2014 73202 A
 (800) 1166038
 (151) 2013 04 16
 (731) CAY ISLETMELERI GENEL
 MUDURLUGU
 Mutfu Mahallesi, Rize, Turkey
 (540)

Didi Soğuk Çay

(591) Black, white
 (511)
 30 – Teas, ice-teas.

(260) AM 2014 73203 A
 (800) 1166118
 (151) 2013 05 29
 (731) CINQUE Moda GmbH
 Dohrweg 48, 41066 Mönchengladbach,
 Germany
 (540)



(591) Black and red.
 (511)
 18 – Goods of leather and imitations of leather, namely bags (included in this class) and small leather goods, namely wallets, purses and key cases; trunks and travelling bags; umbrellas and parasols.
 25 – Clothing, belts (clothing), footwear, headgear.

(260) AM 2014 73204 A
 (800) 1166129
 (151) 2013 02 22
 (731) ALSTOM
 3 avenue André Malraux, F-92300 Levallois-Perret, France
 (540)



(591) Blue, Red and Gray
 (511)
 1 – Chemical products for use in industry, science, photography, as well as agriculture, horticulture and forestry and in particular special pastes, plastic pastes; artificial and synthetic resins, unprocessed, plas-

tics, unprocessed; sintered materials; vinyl pastes; manure for agriculture; fire extinguishing compositions; tempering and soldering preparations; chemical substances for preserving foodstuffs; tanning substances; adhesives for use in industry; fissile material for nuclear apparatus; fuel elements for reactors; oil and water purifying products.

2 – Paints; paints and varnishes (excluding for insulation), lacquers (paints); preservatives against rust and against deterioration of wood; dyestuffs; mordants (neither for metals nor for seeds); raw natural resins; metals in foil and powder form for painters, decorators, printers and artists.

4 – Industrial oils and greases; lubricants; products for absorbing, wetting and binding dust; motor fuels, fuels (including motor spirit) and illuminants; candles and wicks for lighting.

6 – Foil of tin, lead, aluminum and their alloys; welding products; common metals and alloys thereof; laminates, shaped, finished or semi-finished products made with steel, iron and other common metals, of tin, lead, aluminum and alloys thereof; boiler-making and heating products; all semi-wrought materials made of copper and aluminum and alloys thereof; spun, laminated products; nickel silver and nickel alloys; bronze; metal building materials; transportable buildings of metal; rails and other materials of metal for railway tracks; chains of metal; non-electric cables and wires of metal; non-electric locks of metal; small hardware of metal; metal pipes; safes; nails and screws; ores; metallic storage tanks, metal containers; metal valves; panels of metal for railway, road and street signs; prefabricated ducts of metal; metal wire for stationery purposes; metal sheets for stationery purposes; fittings of metal; girders of metal; sintered materials; metal moulds; risers of metal; profiled and laminated pipes of metal for buildings; posts of metal; alloy and aluminum products for buildings; booths of metal for paint-gun spraying; fire doors, door closers, non-electric; metal seals.

7 – Static and rotating electric machines; pneumatic, hydraulic, thermal and nuclear machines; turbines other than for land vehicles; compressors; turbocompressors; electricity and current generators; wind turbines, underwater generators, turbines activated by currents and tides and spare parts thereof; digitally-controlled machines; handling machines, especially for airport luggage, nuclear fuels and radioactive materials; machines for processing plastic; machines for the paper industry; machines and apparatus for civil engineering, buildings, drilling, soil and exploration of the earth and sea-beds, especially concrete mixers, asphalt machines, grinding machines, centrifuges, crushing machines, hoppers; drainage machines, crushing rollers, extracting machines, filtering, drilling, tarring, mixing machines; sieves (machines

or parts of machines); machine tools; welding, heating, brazing, sawing, leveling, shearing, spinning, laminating, cabling, forming, assembling machines; spare parts for the aforementioned machines; lathes; lifting and handling equipment; dynamos, alternators, pulleys; roller bridges; winches; cranes; jacks especially pneumatic and hydraulic jacks; pneumatic shock absorbers; lubricators; air pressure reducing valves; pistons; power generators, drive belts and related gearings; pumps (machines); pump (machine, engine or motor parts); vacuum machines and apparatus; agricultural instruments (other than hand-operated); motors and their parts, spare parts (excluding those for land vehicles); machine coupling (non-electric) and transmission components (other than for land vehicles); washing apparatus and cleaning machines; kitchen apparatus and machines (not hand-operated or electric) for mincing, grinding, pressing and cutting; presses (machines for industrial purposes); steam generating apparatus (parts of machines); boiler headers; faucets and valves; regulators (machine parts); machine, engine and speed governors; feedwater regulators; pressure regulators; voltage regulators; magnetogasdynamic generators, electrochemical generators; air filters; pumping equipment; filters (machine or engine parts), filter presses; one-way valves; machines and tools for clock and watch making; looms for stationery purposes; rollers for stationery; watermark materials; seals made of various plastics (parts of machines); fittings for engine boilers; pump diaphragms; molds (parts of machines); electric tin openers, electric whisks for household purposes; propulsion mechanisms other than for land vehicles (especially naval applications); spray guns for paint; lifts, other than ski-lifts; elevators [lifts]; electronic speed controllers for electric motors; electric motors, combinations thereof in variable speed drives; painting machines; automatic distribution machines.

9 – Scientific, electrotechnical, nautical, surveying, acoustic, photographic, cinematographic, optical, weighing, measuring, signalling, regulating, controlling, protecting, monitoring, cutting, checking (supervision), rescue (life-saving), meteorological, oceanological apparatus and instruments; products and apparatus enabling the control of motors and engines and electric, electronic and computing equipment; apparatus and instruments for conducting, switching, transforming, accumulating, regulating or controlling electricity; teaching apparatus and instruments; apparatus for sound or image capture, recording, transmission or reproduction; magnetic data carriers, recording discs; mechanisms for coin-operated apparatus; cash registers; calculating machines; data processing equipment; software; fire-extinguishing apparatus; electric batteries and accumulators; fuel cells; cryostats; chargers; electric coils; electronic components; semiconductors; printed circuits; electron tubes; electric conductors; communication and

power transportation wires and cables; sheaths and junction sleeves for electric cables, identification wires and identification sheaths for electric wires; welding equipment; ducts [electricity]; sub-stations, panels, command and control panels and decentralized power generating stations; high-voltage equipment, namely circuit breakers, isolating switches, lightning conductors, current transformers for any voltage and of any kind (including optoelectronic) for internal, external stations or stations within metallic cases (metal-clad boxes); medium and low-voltage equipment, namely panels and transformer stations, switches, isolating switches, contacts, lightning conductors, circuit breakers, fuses, resetting devices and related apparatus; transformers, sockets; commutators (switches); branch boxes; transformers; circuit breakers; line insulators; distribution stations; apparatus and installations for data capture, storage, calculation, conversion and transmission; computers and peripherals; equipment and installations for communication and telecommunication via wire, cable and radio; radio and television apparatus; audio tape recorders; record players; compact disc players; telephones; optical and electro-optical equipment; lasers; masers; thermal detectors; pyrometers; calorimeters; thermocouples, metering apparatus, pedometers, taximeters; regulators for speed, voltage and lighting for vehicles; speed checking apparatus for vehicles; alarm devices, command transmitters, warning systems; luminous or mechanical signage; acoustic and optical signalers; sirens; communication and telecommunication equipment; modulators, transmitters, receivers, aerials, wave guides, equipment for television and radio broadcasting, the general public and professionals; telephone call centers; printed circuits; intercoms; any apparatus and instruments concerning infrasound measuring and analysis; rectifiers; amplifiers; radio guidance apparatus; loudspeakers; voltage intensity, power, control and frequency regulators; electric signs for streets, roads and railways; lighting bollards; static and rotary converters; energy converters; electric resistances; rheostats; capacitors, magnets; prefabricated electrical ducts; electricity conductors of all metals; electric household appliances; scales; thermostats; membranes; relays, namely remote control relays, electric relays, protective relays and auxiliary relays, indicators and transducers and surveillance, analysis, communication and control systems, for electrical networks and energy production stations and for electrical apparatus; metal-clad or conventional electrical stations; metal-clad substations for electrical transport and distribution networks; control monitoring systems for electricity networks; converter stations; compensators, particularly reactive energy compensators, electrical control panels; electric test equipment and stations; programmable controllers; equipment and apparatus for monitoring, operating and supervising automated industrial processes and

for power production, transmission and distribution; monitoring, control and supervision equipment and apparatus for industrial site, building and infrastructure access; industrial communication material and equipment; programmable controllers and peripheral equipment thereof; automation calculators; equipment and apparatus for electrical energy conversion; telecommunication equipment and apparatus for energy transmission lines; printed electronic circuit cards; electronic microcircuits; execution and operation software for microcircuits or electronic cards; supervision and operating software for automated processes; software for programming, execution and operation of equipment groups, equipment and the aforementioned software; illumination regulators; apparatus for airport runway marking.

11 – Installations, apparatus for lighting, air conditioning, heating, steam generating, cooking, refrigerating, drying, ventilating and water supply; draft regulators (heating); sanitary installations and in particular air filters, water filters; kitchen ranges, refrigerators; nuclear reactors; installations for processing nuclear fuel and nuclear moderating material; heating machines; boiler headers; faucets; electric lamp tubes; sockets for electric lamps; industrial water heaters; burners; shaped fittings for ovens and furnaces; sterilizers, pasteurizers; faucets; lighting apparatus for airport runways; filters (parts of household or industrial installations); dehumidifiers; apparatus and machines for purifying air, water .

12 – Vehicles; apparatus for locomotion by land, air or water or rail; electric vehicles; motors and parts thereof, spare parts for land vehicles; pneumatic shock absorbers; drive belts and related gearings; air pumps (vehicle accessories); transmission shafts for land vehicles; engines and any propulsion mechanism for land vehicles.

16 – Paper and cardboard (raw, semi-finished or for stationery); printed matter; drawing pins; bookbinding material; photographs; stationery; printed matter; newspapers; periodicals; books; adhesives (for stationery and household use); paintbrushes; typewriters and office requisites (except furniture); instructional or teaching material (except apparatus); printing type; printing blocks; wrapping paper.

17 – Rubber, gutta-percha, gum, balata and substitutes; asbestos, mica; gaskets; sheets, plates and rods of plastic (semi-finished goods); plastics in extruded form for use in manufacture; sealing, packing and insulating material; flexible tubes, not of metal; sealing or insulating fittings.

19 – Building materials, not of metal; nonmetallic seal coverings, prefabricated elements, products for road building; non-metallic rigid pipes for building; asphalt, pitch and bitumen; non-metallic transportable buildings; monuments, not of metal; storage tanks; non-luminous and non-mechanical signs (not

of metal); signalers, non-metallic, for streets, roads and railways; prefabricated piping; refractory materials for protecting furnaces; bituminous materials; prefabricated construction materials; building materials; natural and artificial stones, cement, lime, mortar, plaster and gravel; risers; profiled and laminated pipes for buildings; concrete posts; profiled and laminated pipes for buildings.

24 – Fabrics for textile use; bed and table covers; cloths, fabrics and felts for technical uses.

35 – Advertising; business management, business administration; office functions; distribution of prospectuses, of samples; arranging newspaper subscriptions for others; business consultancy, information or inquiries; accounting; document reproduction; employment agencies; computer file management; organization of exhibitions for commercial or advertising purposes; recording, transcription, composition, compilation or systemization of written communications and recordings; exploitation or compilation of mathematical or statistical data; business organization consultancy; administrative management of road, rail, port and air networks; rental of vending apparatus; administrative management of exhibition sites.

36 – Insurance underwriting; financial affairs; monetary affairs; real estate affairs; provident funds; issuing of traveler's checks and letters of credit; real estate appraisal services; apartment building management; foreign exchange bureaux or settlement services; lending institutions; stock and asset brokerage; real estate rental, valuation or lessor services; financing services.

37 – Construction; maintenance and repair of any apparatus, any equipment, any machines pertaining to the fields of electrical engineering, electronics, mechanical engineering, electrical power transmission, nuclear applications and locomotion especially railways, electrochemistry, civil engineering, building, drilling, earth and sea bed prospection; installation, operation and maintenance of any apparatus, any equipment, any machines pertaining to the fields of electrical engineering, electronics, mechanical engineering, electrical power transmission, nuclear applications and locomotion especially railways, electrochemistry, civil engineering, building, drilling, earth and sea bed prospection; rental of any apparatus, any equipment, any machines pertaining to the fields of mechanical engineering, electrical power transmission, nuclear applications, civil engineering, building, drilling, earth and sea bed prospection; turnkey plant construction; public and private building works; engineering construction; construction work inspection; civil engineering works; rural work; drilling of wells; rental of builders' tools and equipment, bulldozers, tree extractors; maintenance or cleaning of buildings, premises,

floors (renovating facades, disinfecting, rat exterminating); upkeep or cleaning of various articles (laundry services); repair and modification of clothing; retreading or vulcanization of tires; shoe repair; construction of buildings, roads, bridges, dams or transmission lines; painting, plumbing, heating or covering installation work; shipbuilding; rental of construction tools or equipment; execution of power transmission and distribution infrastructure projects; painting, interior and exterior; operating and managing (maintenance and repair) any apparatus, any equipment, any machines pertaining to the fields of electrical engineering, electronics, mechanical engineering, electrical power transmission, nuclear applications, locomotion, electrochemistry, civil engineering, building, drilling, earth and sea bed prospection; bodywork painting.

38 – Telecommunications; news and information agencies; communications by computer terminals; broadcasting of radio or television programs; rental of access time to a database server center.

39 – Transport; packing, handling, storage and delivery of goods; transport and distribution of energy; travel arrangement; delivery of newspapers; water and electricity transmission and distribution; ferry operations; loading and unloading of luggage and goods; marine towing, refloating of ships; garage rental; booking of seats for travel; rental of transport vehicles; rescue of vessels in distress and the cargo thereof; travel or goods shipping information; vehicle or goods inspection prior to shipping; rescue operations; operating road, rail, port and air networks; rental of any apparatus, any equipment, any machines for locomotion, particularly by railways.

40 – Treatment of materials; galvanization; sintering of materials; processing plastic; electric welding; processing of agricultural goods of others (winemaking, distillation, threshing, fruit pressing, milling); metal sawing, planing, cutting, forming, polishing, coating; dyeing of cloth or clothing; fabric waterproofing; binding of documents; tin plating; air purification and regeneration; vulcanization (treatment of materials); photographic printing; decontamination; printing.

41 – Education; training; entertainment; sporting and cultural activities; publication of books, magazines; lending of books; show and film production; entertainer services; rental of films, phonographic recordings, cinema projection apparatus and stage scenery accessories; organization of competitions relating to education or entertainment; organization and conducting of colloquiums, conferences, congresses; organization of exhibitions for cultural or educational purposes; lotteries; booking of seats for shows; videotape editing; news reporter services; videotaping.

42 – Scientific and technological services and research and design relating thereto, namely evalua-

tions, assessments and research in the fields of science and technology provided by engineers; computer programming, computer software design; technical project studies in connection with any apparatus, any equipment, any machines pertaining to the fields of electrical engineering, electronics, mechanical engineering, electrical power transmission, nuclear applications, locomotion, electrochemistry, civil engineering, building, drilling, earth and sea bed prospecting; hydrodynamic studies and tests; experts' reports (engineers' services), material and product testing; laboratory work; project studies for turnkey factories; geological prospecting; engineers' appraisals, estimates, research and reports; engineering, design, creation and follow-up of projects for turnkey power transmission and distribution infrastructure; oil-well testing; quality control.

45 – Legal services; security services for the protection of property and individuals; clothing rental; security consultancy.

(260) AM 2014 73205 A

(800) 1166199

(151) 2013 06 12

(731) ZHANBIN CAO

No:19, Group 3, Xiaojiantan Camp, Zhonghe Village, Camel Hill Town, Taibus Banner, Xilin Gol League, Inner Mongolia, China

(540)

LARSSNY

(591) Black, white

(511)

25 – Clothing; layettes [clothing]; swimsuits; shoes; hats; hosiery; gloves [clothing]; neckties; girdles; wedding dresses.

(260) AM 2014 73206 A

(800) 1166200

(151) 2013 03 20

(731) BAYER INTELLECTUAL PROPERTY GMBH

Alfred-Nobel-Straße 10, 40789 Monheim am Rhein, Germany

(540)

myBETACONNECT

(591) Black, white

(511)

5 – Pharmaceutical preparations.

10 – Medical instruments, namely, injection systems for the application of medicines containing beta-interferon.

(260) AM 2014 73207 A

(800) 1166207

(151) 2012 10 22

(731) VEFA PREFABRİKE YAPILAR SANAYİ
TİCARET ANONİM ŞİRKETİ
Altkaynarca Mah., Yanyol Cad. No:180,
PENDİK-İstanbul, Turkey

(540)



(591) Yellow and black

(511)

6 – Common metals and their alloys; metal building materials; transportable buildings of metal; materials of metal for sheltering, preserving, protecting, covering, wrapping, surrounding, storing or placing purposes, including metal ladders; materials of metal for sifting, filtering and similar purposes; metal doors, windows, shutters, jalousies and their frames and handles, excluding locks and handles; non-electric cables and wires of metal; ventilation channels, inlets, inlet taps, diffusers, pipes, chimney cowls, chimney caps and grids for ventilation, heating, canalization, telephone, underground electricity and air condition installations; materials of metal for notation, guidance, designation, introduction, including signboards, clipboards, plates; materials of metal for railroads; bollards and buoys of metal, pontoons of metal, anchors for sea vehicles; moulds of metal for casting excluding the machine parts; works of art of common metal and their alloys; covers, bottle taps of metal; columns of metal; pallets of metal for lifting, loading and transferring, ropes of metal, hangers, bindings, columns, belts, bands, and ribbons of metal for lifting and carriage of cargo.

19 – Formless structure, building, road construction materials used for building, road construction, repair, coating; formed structure, building, road construction materials, semi-parts, structures, masts, barriers made from concrete, plaster, earth, clay, sand, natural stone, artificial stone, wood, plastic or synthetic materials; signs, non-luminous and non-mechanical, not of metal, for roads; monuments, sculptures made from concrete, stone or marbles; floor tiles not of metal, parquet floor boards; heat adhesive synthetic coatings; pitched cardboard for roofs; pitched coatings; glass products for aquarium sands; non-metallic prefabricated swimming pools; aquarium sand.

(260) AM 2014 73208 A

(800) 1166236

(151) 2012 12 24

(731) ZAKRYTOE AKTSIONERNOYE

OBSHCHESTVO "EVALAR"

23/6, Sotsialisticheskaya st. RU-659332

Biysk, Altai territory, Russian Federation

(540)

ТАЙМ ЭКСПЕРТ

(591) Black, white

(511)

3 – Bleaching preparations and other substances for laundry; preparations for cleaning, polishing, degreasing and abrasive processing; soap; perfumes, essential oils, cosmetics, hair lotions, dentifrices.

5 – Balms for medical purposes; dietetic substances adapted for medical use; dietary fiber; mineral food supplements; dietary supplements for medical purposes; capsules for medicines; cachets for pharmaceutical purposes; candy, medicated; medicinal roots; lotions for pharmaceutical purposes; liniments; ointments for pharmaceutical purposes; medicinal oils; drugs for medical purposes; medicines for human purposes; medicinal drinks; flour for pharmaceutical purposes; dietetic beverages adapted for medical purposes; medicinal infusions; tinctures for medical purposes; decoctions for pharmaceutical purposes; pectin for pharmaceutical purposes; pepsins for pharmaceutical purposes; peptones for pharmaceutical purposes; pills for pharmaceutical purposes; albuminous preparations for medical purposes; biological preparations for medical purposes; vitamin preparations; pharmaceutical preparations for skin care; preparations for trace elements for human; pharmaceutical preparations; chemico-pharmaceutical preparations; chemical preparations for pharmaceutical purposes; chewing gum for medical purposes; syrups for pharmaceutical purposes; bath salts for medical purposes; analgesics; medical preparations for slimming purposes; tonics; medicinal herbs; tablets for pharmaceutical purposes; herbal teas for medicinal purposes; slimming tea for medical purposes; elixirs; extracts of plant for pharmaceutical purposes.

(260) AM 2014 73209 A

(800) 1166269

(151) 2013 03 20

(731) BAYER INTELLECTUAL PROPERTY GMBH
Alfred-Nobel-Straße 10, 40789 Monheim
am Rhein, Germany

(540)

myBETAPRO

(591) Black, white

(511)

5 – Pharmaceutical preparations.

10 – Medical instruments, namely, injection systems for the application of medicines containing beta-interferon.

(260) AM 2014 73210 A

(800) 1166270

(151) 2013 03 20

(731) BAYER INTELLECTUAL PROPERTY GMBH

Alfred-Nobel-Straße 10, 40789 Monheim
am Rhein, Germany

(540)

BETACONNECT

(591) Black, white

(511)

5 – Pharmaceutical preparations.

10 – Medical instruments, namely, injection systems for the application of medicines containing beta-interferon.

(260) AM 2014 73211 A

(800) 1166271

(151) 2013 03 20

(731) BAYER INTELLECTUAL PROPERTY GMBH
Alfred-Nobel-Straße 10, 40789 Monheim
am Rhein, Germany

(540)

BETAPRO

(591) Black, white

(511)

5 – Pharmaceutical preparations.

10 – Medical instruments, namely, injection systems for the application of medicines containing beta-interferon.

(260) AM 2014 73212 A

(800) 1166310

(151) 2013 05 10

(731) TORUŃSKIE ZAKŁADY MATERIAŁÓW
OPATRUNKOWYCH, SPÓŁKA AKCYJNA
Zółkiewskiego 20/26, PL-87-100 Toruń,
Poland

(540)

bella herbs

(591) Black, white

(511)

5 – Sanitary towels, panty liners.

(260) AM 2014 73273 A

(800) 1167304

(151) 2013 03 15

(731) ZENTIVA GROUP, A.S.
U kabelovny 130, CZ-102 37 Praha 10 - dolní
Měcholupy, Czech Republic

(540)

VARAMLO

(591) Black, white

(511)

5 – Medicines, pharmaceutical preparations for human use.

(260) AM 2014 73274 A

(800) 1167306

(151) 2013 02 28

(731) SAUR

1 avenue Eugène Freyssinet, F-78280
Guyancourt, France

(540)

SAUR

(591) Black, white

(511)

11 – Apparatus, devices and installations for the treatment of liquids, and for water demineralization; water decantation installations; apparatus and installations for water supply and for water purification; apparatus and installations for lighting, heating, steam generating, air conditioning, cooking, refrigerating, drying, ventilating and sanitary installations.

35 – Sale of any installation in the field of water, refuse treatment, water supply and recycling; operating (business) public or private services relating to the treatment of water, waste, the collection of waste and water, cleaning of streets, water supply; sale of organic soil conditioners.

36 – Financial services, acquisition of shareholdings in companies or enterprises, and in any industrial operation; commercial, financial, securities and real estate, as well as in all public services.

37 – Construction services; civil engineering services for the construction of facilities relating to the treatment of water, waste, water supply and recycling; production of any installations in the field of treatment of water, waste and water supply and recycling; maintenance services for apparatus, devices and installations for the treatment of liquids, water demineralization, decanting liquids, water distribution and water purification; sweeping and cleaning streets and buildings; infrastructure construction provided to public authorities relating to treatment of water, waste, water supply and recycling; installation, commissioning, repair and maintenance of irrigation systems, hydraulic systems, pipelines, plumbing, stations for pumping, treatment and purification of liquids, namely waste water, rainwater, drinking water, systems for decanting these liquids, water supply systems; engineering services for the construction of facilities relating to treatment of water, waste, water supply and recycling; drilling of wells.

39 – Drinking water supply, transport by pipelines and oil pipelines and transport of liquids by any system.

40 – Sanitation of water and air, waste water purification (sanitation), waste disposal, collection and processing waste and household garbage; services for treating liquids and especially water demineralization, spring water prospecting; Incineration of trash.

42 – Technical studies for the construction and operation of any equipment and apparatus in the field of hydraulics, namely irrigation systems, hydraulic systems, pipelines, plumbing, stations for pumping, treatment and purification of liquids, namely waste water, rainwater, drinking water, systems for decanting these liquids, water supply systems; services relating to engineering work, professional consultancy and drawing up of plans unrelated to business dealings; testing of materials; scientific laboratory services; scientific and technological services, namely research and design services in the field of urban planning and development; studies, design, development and execution any installation in the field of the treatment of water, waste and water supply and recycling; management services via computer programs for the operation of installations for treatment of water, waste, water supply, recycling and the remote monitoring thereof, namely, monitoring of these installations.

(260) AM 2014 73275 A

(800) 1167309

(151) 2013 03 21

(731) "REAL PRODUCT" EOOD

35, Komatevsko shoes Str. BG-4000 Plovdiv,
Bulgaria

(540)

NEKTI

(591) Black, white

(511)

29 – Meat, fish, poultry and game products; meat extracts; preserved, frozen, dried and cooked fruits and vegetables; jellies, jams, compotes; eggs, milk and milk products; edible fats and oils.

30 – Coffee beverages with milk; chocolate, tea and cocoa-based beverages; sauces (spices); tomato ketchup.

32 – Non-alcoholic drinks; drinks and fruit juices; syrups and other preparations for making beverages.

(260) AM 2014 73279 A

(800) 1167373

(151) 2013 06 03

(731) BONCAP Sàrl

Chemin du Pré des Planches, 15, CH-1807
Blonay, Switzerland

(540)



(591) Black, white

(511)

29 – Preserved fruits and vegetables, jams, compotes, jellies, dairy products.

30 – Mustard, confectionery products, bakery products, spices.

35 – Advertising, business management, management of administrative activities in the field of business, office functions.

(260) AM 2014 73280 A
 (800) 1167394
 (151) 2013 06 10
 (731) Bayer Consumer Care AG
 Peter Merian Str. 84, CH-4052 Basel,
 Switzerland
 (540)

Приорин

(591) Black, white
 (511)
 3 – Cosmetic products for skin and nail care.
 5 – Medicinal products for skin and nail care.

(260) AM 2014 73281 A
 (800) 1167441
 (151) 2013 04 19
 (731) BBK Dairy Export AG
 c/o Reichlin&Hess, Hofstrasse 1A, CH-6300
 Zug, Switzerland
 (540)

БИБИКОЛЬ

BIBICALL

(591) Black, white
 (511)
 35 – Business management; retail or wholesale services, all connected with the sale of food for babies, milk and dairy products.
 39 – Packaging and storage of goods.

(260) AM 2014 73283 A
 (800) 1166537
 (151) 2012 12 11
 (731) BAHADIR TIBBİ ALETLER SAN. VE TİC.
 LTD. ŞTİ.
 Sanayi Sitesi 9. Cad. No:3, Kutlukent-Samsun,
 USA
 (540)

 **BAHADIR**

(591) Green
 (511)
 10 – Surgical, medical, dental and veterinary apparatus and instruments, artificial limbs, eyes and teeth; orthopedic articles; suture materials, sterile sheets; surgical instruments for use in orthopedic and spinal surgery; adult sexual stimulation aids; condoms; fee-

ding bottle teats, feeding bottle valves, feeding bottles.

(260) AM 2014 73292 A
 (800) 1166730
 (151) 2012 10 05
 (731) Intercontinental Great Brands LLC
 100 Deforest Avenue, East Hanover NJ
 07936, USA
 (540)

 **Mondelēz**
 International

(591) Pink, Purple
 (511)
 29 – Preserved, dried and cooked fruits, mushrooms and vegetables; vegetable extracts; fruit pulp and salads; vegetable salads; tinned vegetables and fruit; potato products, potato flakes, crisps and chips bases on potato; pickles; jams; eggs; edible oils; spreads, vegetable-based spreads and dips; canned products; pollen prepared as foodstuff; algae essences for food purposes; preserved soya beans for food; soups; clear soups; thick soups; concentrated soups; vegetable juices for kitchen use; preparations for making bouillon; bouillon cubes; stock; broths; ready-cooked meals made with the above products; cooked, deep-frozen or dehydrated dishes; protein preparations for human consumption; peanut butter; processed nuts; snack mix consisting primarily of processed fruits and nuts; protein-based snack bars; the afore mentioned products exclude desserts and products predominantly containing dairy or dairy replacements.

30 – Coffee; coffee extracts; preparations for making coffee beverages; iced coffee; artificial coffee; artificial coffee extracts; tea; non-medicinal infusions; tea extracts and preparations for making tea beverages; cocoa; chocolate; chocolate bars and tablets, chocolate spread, chocolate pralines; preparations for making chocolate beverages; sugar; natural sweeteners; rice; tapioca; sago; artificial coffee; vegetal preparations for use as coffee substitutes; flour and preparations made from cereals; breakfast cereals; corn flakes; pancakes; dried cereal flakes; cereal bars; ready-to-eat cereals; grain-based snack foods; crackers; bakery products, bread; brioche; bagels; pastry and confectionery; cookies; wafers; waffles; biscuits; pasta; noodles; semolina; cakes; ready-to-bake cake dough preparations; tarts; pies; sugar confectionery; chocolate confectionery; candies; chewing gum, not for medical purposes; caramels; fudge; toffees, wine gums, pastilles, mints, licorice; marshmallows; ices; sorbets; frozen confectionery; powders and binding agents (included in this class) for making water ices and/or sorbets; honey; treacle; yeast; yeast extracts; yeast extract spreads; baking-powder; salt; mustard;

vinegar; sauces (condiments); soya sauce; relishes; barbeque sauces; dressings for salads; ketchup; tomato sauce; mayonnaise; seasonings; weeds (condiments); preserved garden herbs; horseradish; spices; aniseed; star aniseed; products for flavoring or seasoning foodstuffs; glucose for food; royal jelly for human consumption (not for medical use); malt-based preparations for human consumption; malt extract for food; flavorings other than essential oils; aromatic preparations for food; thickening agents for cooking foodstuffs; foodstuffs containing rice, flour or cereals, also in the form of cooked dishes; ready-cooked meals made with the above products; sandwiches; pizzas; snacks made of rice; spring rolls; sushi; tortillas; tacos; packaged meals consisting primarily of pasta and sauces; crisps based on corn, barley, rye or pastry; the afore mentioned products exclude desserts and products predominantly containing dairy replacements.

32 – Mineral and aerated waters and other non-alcoholic drinks; fruit drinks and fruit juices; syrups and other preparations for making beverages; isotonic beverages; lemonades; tomato juice; vegetable juices (beverages); pastilles and powders for aerated drinks; essences for making beverages; preparations for making liqueurs; beverages containing soya; non-alcoholic beverages containing malt; the afore mentioned products exclude products predominantly containing whey or dairy replacements.

(260) AM 2014 73293 A

(800) 1166870

(151) 2013 03 14

(731) FRİTERM TERMİK CİHAZLAR SANAYİ VE TİCARET ANONİM ŞİRKETİ
Aydinliköy Organize Deri Sanayi Bölgesi
10/11, TUZLA – İSTANBUL, Turkey

(540)



(591) Blue

(511)

11 – Lighting installations, lighting apparatus for vehicles, interior and exterior lights; lamps; devices for heating and vapor producing installations, stoves (heating apparatus), heating apparatus for solid, liquid or gaseous fuels, cookers; heat exchangers not being parts of machines; coils as parts of heating or cooling installations; air-conditioning installations and apparatus, fans (air-conditioning), ventilators, air-conditioning apparatus including for vehicles; air sterilisers and purifying devices, installations and their parts and accessories for residences; refrigerators, deep freezers; evaporative air coolers; electric and gas operated apparatus, machines and equipment used in cooking and boiling, namely, toasters, bread toasters, deep fryers, grills, ovens, stoves, water boilers (kettles) and their parts; clothes drying machines

(electric, for household purposes), electric hair-dryers, hand drying apparatus for washrooms; bath tubs, bidets, bath installations, shower enclosures, urinals (sanitary fixtures) water closets, toilets, portable; lavatories, sinks, taps [faucets] for water and gas installations, hand-held shower heads, flexible pipes being parts of shower plumbing installations; automatic watering installations, water-pipes for sanitary installations, watering machines for agricultural purposes; water softening apparatus and installations, water purifying apparatus and machines, water purification installations, incinerators, water purifiers; bed warmers and blankets, electric, not for medical purposes; electric heating pads and cushions, not for medical purposes; electric foot warmers; foot muffs, electrically heated; hot water bottles; aquarium filters, filtration apparatus incorporating a motor device; aquarium heaters and lights; industrial type furnaces; industrial type dryer installations; industrial type cooling installations, cooling towers, air cooling apparatus; pasteurisers and sterilizers.

(260) AM 2014 73299 A

(800) 1166881

(151) 2012 08 17

(731) DURMAZLAR MAKİNA, SANAYİ VE TİCARET ANONİM ŞİRKETİ

Organize Sanayi Bölgesi 75, Yıl Bulv. Bursa, Turkey

(540)

DURMA

(591) Red

(511)

7 – Machines for the processing of wood, metal, glass and plastics, machine tools: lathes, milling cutters, planing machines, saws, electric sanders, industrial grinding machines, cutters [machines], injection plastic molding machines, threading machines, construction machines; bulldozers, diggers, excavators, machines for use in the construction of roads, drilling machines, rock drilling machines, loaders, road sweeping machines, rolling mill cylinders, dropping machines, molding machines, rolling cylinders, lifting and transferring machines: elevators for humans and for loads, mobile platforms, loading platforms, lifts, cranes, strength testing machines; walking stairs, walking bands (conveyors), elevators, milking machines, buttering machines, milk processing machines, incubators and mother machines, agricultural instruments and machines; machine or motor operated agricultural instruments, agricultural machines, combine harvester-threshers, harvester-binders, ploughs, one-ways, baling machines, motor grass mowers, fertilization/sterilization machines (pulverizers), motors and machines other than those for land vehicles (working machines and motors and machines for water and air crafts, jet motors), leak proof materials (segments), joints, gears, transmis-

sion chains and shafts, transmission shaft bearings, carter mills, pressure reducers as parts of machine and motor, pressure regulators, pressure valves; hydraulic and pneumatic controls, rollers, coils, motor pistons and jackets, speed reducing mechanisms, drive mechanisms, torque converters, coaster brakes, clutches, cardan balls (universal ball gudgeons), turbines, brake equipment and parts, brakes, brake linings and shoes, brake repair tools, starters, dynamos, bicycle dynamos, sparking plugs, igniters, injectors; exhausts, exhaust installations, exhaust silencers for engines, belts for engines, belts for motors, v belts, dynamo belts, belt conveyors, bearings, ball and cop bearings, carburetors, feeders for carburetors, fuel economisers for motors and engines, fuel conversion apparatus for internal combustion engines (LPG conversion equipment), radiators for vehicles (motor coolers), fans; oil, fuel and air filters for engines and motors, hydraulic and pneumatic cylinders for motors and engines, cylinder heads for engines and motors, electric motors, other than for land vehicles), wheel removing and mounting machines, alternators, generators, electricity generators, solar power generators, painting machines, paint injection guns, electric staple machines and guns, electric adhesive guns, pressured air or liquid atomizers (guns) for machines, manual electric drills, manual motor saws, decoupage machines, spiral machines; robots used in manufacture, animal hair clippers, pressured air producers, compressors, welding machines: electric welding machines, center welding machines, printing machines and parts thereof, metal disintegration machines, metal breaking machines, packaging machines, filling-plugging and closing machines, labeling machines, classification machines, machines for the production of leather and fabric goods: sewing machines, embroidering machines, over locking machines, buttonhole opening and sewing machines, cutting machines, textile machines: unbalancing machines, threshing-beating machines, carding machines, yarn twisting machines (ring machines), weaving workbenches, pumps other than machine or motor parts: hydrophores, water pumps (electro pumps, motor pumps), diving pumps, pumps for heating installations, pumps as machine or motor parts (liquid and gas pumps), electric apparatus used in the kitchen for chopping, grinding, crushing, mixing and crumbling: mixers, blenders, kitchen robots, electric knives, meat-grinding machines, dishwashers, washing machines and dryers, electrical or motor-operated floor polishing machines, garbage disposal machines, electric vacuum cleaners and electric carpet washing machines and their bags, pipes and parts thereof, casting machines and parts thereof, pots for casting works (converters), refining pots, vehicle washing machines, automatic dough kneading machines, dough-forming machines, interval-resting machines, dough cutting machines, forced annealing machines (moisturizing), foreign

matter separating machines, sieving machines, electro magnetizing machines (separating-sorting), aspirator/air canal (separating), vibro-silo machines (for material discharging), milling machines, grain processing machines, grain breaking machines, bran brush machines, unpeeling and separating machines, electric motors and parts thereof, other than for land vehicles.

(260) AM 2014 73302 A

(800) 1166963

(151) 2012 06 29

(731) ENTER Limited Liability Company

Ul. Ordzhonikidze, 11, Str. 10, RU-115419

Moscow, Russian Federation

(540)



(591) Black, orange

(511)

16 – Address plates for addressing machines; address stamps; addressing machines; adhesive bands for stationery or household purposes; adhesive tape dispensers [office requisites]; adhesives for stationery or household purposes; advertisement boards of paper or cardboard; almanacs; announcement cards [stationery]; apparatus for mounting photographs; aquarelles; architects' models; arithmetical tables; artists' watercolor saucers; atlases; bags [envelopes, pouches] of paper or plastics, for packaging; bags for microwave cooking; balls for ballpoint pens; bibs of paper; binding strips [bookbinding]; biological samples for use in microscopy [teaching materials]; blackboards; blotters; blueprints; bookbinding apparatus and machines [office equipment]; bookbinding cords; bookbinding material; bookbindings; bookends; booklets; bookmarkers; books; bottle envelopes of cardboard or paper; bottle wrappers of cardboard or paper; boxes for pens; boxes of cardboard or paper; cabinets for stationery [office requisites]; calendars; canvas for painting; carbon paper; cardboard; cardboard articles; cardboard tubes; cards; cases for stamps [seals]; catalogues; chalk for lithography; chalk holders; chaplets; charcoal pencils; chart pointers, non-electronic; chromolithographs [chromos]; cigar bands; clipboards; clips for offices; coasters of paper; comic books; composing frames [printing]; composing sticks; conical paper bags; correcting fluids [office requisites]; correcting ink [heliography]; covers [stationery]; covers of paper for flower pots; cream containers of paper; credit card imprinters, non-electric; decalcomanias; diagrams; document files [stationery]; document laminators for office use; drawer liners of paper,

perfumed or not; drawing boards; drawing materials; drawing pads; drawing pens; drawing pins; duplicators; elastic bands for offices; electrocardiograph paper; electrotypes; embroidery designs [patterns]; engraving plates; engravings; envelope sealing machines, for offices; envelopes [stationery]; erasing products; erasing shields; etching needles; etchings; face towels of paper; figurines [statuettes] of papier mâché; files [office requisites]; filter paper; finger-stalls [office requisites]; flags of paper; folders [stationery]; folders for papers; forms, printed; fountain pens; franking machines for office use; french curves; galley racks [printing]; garbage bags of paper or of plastics; geographical maps; glue for stationery or household purposes; graining combs; graphic prints; graphic representations; graphic reproductions; greeting cards; gummed cloth for stationery purposes; gummed tape [stationery]; gums [adhesives] for stationery or household purposes; hand labelling appliances; handbooks [manuals]; handkerchiefs of paper; hand-rests for painters; handwriting specimens for copying; hat boxes of cardboard; hectographs; histological sections for teaching purposes; holders for checkbooks [cheque books]; holders for stamps [seals]; house painters' rollers; hygienic paper; index cards [stationery]; indexes; indian inks; ink; ink sticks; ink stones [ink reservoirs]; inking pads; inking ribbons; inking ribbons for computer printers; inking sheets for document reproducing machines; inking sheets for duplicators; isinglass for stationery or household purposes; labels, not of textile; ledgers [books]; letter trays; letters [type]; lithographic stones; lithographic works of art; loose-leaf binders; luminous paper; magazines [periodicals]; manifolds [stationery]; marking chalk; mats for beer glasses; modelling materials; modelling wax, not for dental purposes; moisteners [office requisites]; moisteners for gummed surfaces [office requisites]; molds for modelling clays [artists' materials]; money clips; musical greeting cards; napkins of paper for removing make-up; newsletters; newspapers; nibs; nibs of gold; note books; numbering apparatus; numbers [type]; office perforators; office requisites, except furniture; oleographs; packaging material made of starches; packing paper; pads [stationery]; paint boxes [articles for use in school]; paintbrushes; painters' brushes; painters' easels; paintings [pictures], framed or unframed; palettes for painters; pamphlets; paper; paper bows; paper clasps; paper coffee filters; paper cutters [office requisites]; paper for radiograms; paper for recording machines; paper ribbons; paper sheets [stationery]; paper shredders for office use; paper tapes and cards for the recordal of computer programmes; paperweights; papier mâché; parchment paper; passport holders; pastels [crayons]; patterns for dressmaking; pen clips; pen wipers; pencil holders; pencil lead holders; pencil leads; pencil sharpeners, electric or non-electric; pencils; penholders; pens [office requisites]; perfora-

ted cards for jacquard looms; photo-engravings; photograph stands; photographs; pictures; placards of paper or cardboard; plastic bubble packs for wrapping or packaging; plastic cling film extensible, for palletization; plastic film for wrapping; portraits; postage stamps; postcards; posters; printed matter; printed publications; printed timetables; printers' blankets, not of textile; printers' reglets; printing blocks; printing sets, portable [office requisites]; printing type; prints [engravings]; prospectuses; punches [office requisites]; rollers for typewriters; school supplies [stationery]; scrapers [erasers] for offices; sealing compounds for stationery purposes; sealing machines for offices; sealing stamps; sealing wafers; sealing wax; seals [stamps]; sheets of reclaimed cellulose for wrapping; shields [paper seals]; signboards of paper or cardboard; silver paper; slate pencils; song books; spools for inking ribbons; square rulers; stamp stands; stamps [seals]; stands for pens and pencils; stapling presses [office requisites]; starch paste [adhesive] for stationery or household purposes; stationery; steatite [tailor's chalk]; steel letters; steel pens; stencil cases; stencil plates; stickers [stationery]; tablemats of paper; tags for index cards; teaching materials [except apparatus]; tear-off calendars; terrestrial globes; tickets; towels of paper; tracing cloth; tracing needles for drawing purposes; tracing paper; tracing patterns; transparencies [stationery]; trays for sorting and counting money; typewriter keys; typewriter ribbons; typewriters, electric or non-electric; vignetting apparatus; viscose sheets for wrapping; waxed paper; wood pulp board [stationery]; wood pulp paper; wristbands for the retention of writing instruments; writing board erasers; writing brushes; writing cases [sets]; writing cases [stationery]; writing chalk; writing instruments; writing materials; writing or drawing books; writing paper; writing slates; xuan paper for Chinese painting and calligraphy.

35 – Accounting; administrative processing of purchase orders; advertising; advertising agencies; advertising by mail order; arranging newspaper subscriptions for others; arranging subscriptions to telecommunication services for others; auctioneering; auditing; bill-posting; business appraisals; business information; business inquiries; business investigations; business management and organization consultancy; business management assistance; business management consultancy; business management of hotels; business management of performing artists; business organization consultancy; commercial administration of the licensing of the goods and services of others; commercial information agencies; commercial information and advice for consumers [consumer advice shop]; commercial or industrial management assistance; compilation of information into computer databases; compilation of statistics; computerized file management; cost price analysis; data search in computer files for others; demonstra-

tion of goods; dissemination of advertising matter; distribution of samples; document reproduction; drawing up of statements of accounts; economic forecasting; efficiency experts; employment agencies; import-export agencies; invoicing; layout services for advertising purposes; marketing research; marketing studies; modelling for advertising or sales promotion; news clipping services; office machines and equipment rental; on-line advertising on a computer network; opinion polling; organization of exhibitions for commercial or advertising purposes; organization of trade fairs for commercial or advertising purposes; outsourcing services [business assistance]; payroll preparation; personnel management consultancy; personnel recruitment; photocopying; presentation of goods on communication media, for retail purposes; price comparison services; procurement services for others [purchasing goods and services for other businesses]; professional business consultancy; psychological testing for the selection of personnel; public relations; publication of publicity texts; publicity columns preparation; publicity material rental; radio advertising; relocation services for businesses; rental of advertising space; rental of advertising time on communication media; rental of photocopying machines; rental of vending machines; sales promotion for others; secretarial services; shop window dressing; shorthand; sponsorship search; systemization of information into computer databases; tax preparation; telephone answering for unavailable subscribers; television advertising; transcription; typing; updating of advertising material; word processing; writing of publicity texts.

(260) AM 2014 73303 A

(800) 1167043

(151) 2013 04 12

(731) TOVARYSTVO Z OBMEZHENOIU
VIDPOVIDALNISTIU "TEKHMOLPROM"
vul. Budka, 47, Hadiach, Hadiatskyi r-n,
Poltavska obl. 37300, Ukraine

(540)



(591) Pink, light-pink, yellow-green, grey, blue,
white, black and grey-pink

(511)

29 – Ajvar [preserved peppers]; albumen for culinary purposes; albumin milk; alginates for culinary purposes; almonds, ground; aloe vera prepared for human consumption; anchovy; animal marrow for food; apple puree; bacon; beans, preserved; black

pudding; bone oil, edible; bouillon; bouillon concentrates; broth; broth concentrates; butter; butter cream; caviar; charcuterie; cheese; chocolate nut butter; clams [not live]; cocoa butter; coconut butter; coconut fat; coconut oil; coconut, desiccated; colza oil for food; condensed milk; corn oil; cranberry sauce [compote]; crayfish, not live; cream [dairy products]; croquettes; crustaceans, not live; crystallized fruits; curd; dates; edible birds' nests; edible fats; edible oils; non-alcoholic egg nog; eggs; fat-containing mixtures for bread slices; fatty substances for the manufacture of edible fats; fermented vegetable foods [kimchi]; fish fillets; fish meal for human consumption; fish mousses; fish, not live; fish, preserved; flaxseed oil for culinary purposes; food products made from fish; foods prepared from fish; frosted fruits; frozen fruits; fruit chips; fruit jellies; fruit peel; fruit preserved in alcohol; fruit pulp; fruit salads; fruit, preserved; fruit, stewed; fruit-based snack food; fruits, tinned; game, not live; gherkins; ginger jam; ham; herrings; isinglass for food; jams; jellies for food; kefir [milk beverage]; koumiss [koumiss] [milk beverage]; lard for food; lecithin for culinary purposes; lentils, preserved; linseed oil for culinary purposes; liver; lobsters, not live; low-fat potato chips; maize oil; margarine; marmalade; meat; meat extracts; meat jellies, meat preserved; meat, tinned; milk; milk beverages, milk predominating; milk ferments for culinary purposes; milk products; milk shakes; mushrooms, preserved; mussels, not live; nuts, prepared; olive oil for food; olives, preserved; onions, preserved; oysters, not live; palm oil for food; peanut butter; peanuts, processed; peas, preserved; pectin for culinary purposes; piccalilli; pickles; pollen prepared as foodstuff; pork; potato chips; potato crisps; potato flakes; potato fritters; poultry, not live; powdered eggs; prawns, not live; preserved garlic; processed seeds; processed sunflower seeds; protein milk; raisins; rape oil for food; rennet; salmon; salted fish; salted meat; sardines; sauerkraut; sausages; sausages in batter; sea-cucumbers, not live; sesame oil; shellfish, not live; shrimps, not live; silkworm chrysalis, for human consumption; snail eggs for consumption; soups; soya beans, preserved, for food; soya milk [milk substitute]; spiny lobsters, not live; suet for food; sunflower oil for food; tahini [sesame seed paste]; toasted laver; tofu; tomato juice for cooking; tripe; truffles, preserved; tuna fish; vegetable juices for cooking; vegetable mousses; vegetable salads; vegetable soup preparations; vegetables, cooked; vegetables, dried; vegetables, preserved; vegetables, tinned; whey; whipped cream; white of eggs; yoghurt; yolk of eggs.

(260) AM 2014 73304 A

(800) 1167055

(151) 2013 05 29

(731) CINQUE Moda GmbH

Dohrweg 48, 41066 Mönchengladbach,
Germany

(540)



(591) Black and red

(511)

18 – Goods of leather and imitations of leather, namely bags (included in this class) and small leather goods, namely wallets, purses and key cases; trunks and travelling bags; umbrellas and parasols.

25 – Clothing, belts (clothing), footwear, headgear.

(260) AM 2014 73309 A

(800) 1167286

(151) 2013 01 10

(731) MASHA AND THE BEAR LTD.

9 Godovikova street, building 3, RU-129085
Moscow, Russian Federation

(540)



(591) Red, crimson, pink, violet, orange, light red, light brown, brown, white, black, green and blue

(511)

3 – Ambergris [perfume]; amber [perfume]; scale removing preparations for household purposes; deodorants for human beings; antistatic preparations for household purposes; antistatic sprays for clothing; air fragrancing preparations; flavourings for cakes [essential oils]; flavorings [flavourings] for beverages [essential oils]; aromatics [essential oils]; breath freshening sprays; hair balms; lip balms [non-medicated]; non-medicated lip balms; balms other than for medical purposes; lip glosses; glitter for cosmetic purposes; face glitter; face and body glitter; nail glitter; body glitter; pre-moistened cosmetic tissues; cotton wool for cosmetic purposes; cotton wool and cotton sticks for cosmetic purposes; food flavorings prepared from essential oils; scented water; perfumes and toilet water; perfumery; nail polish; bath and shower gels, not for medical purposes; hair gel; shower gel; sun-tanning gels; gels for cosmetic use; massage gels other than for medical purposes; non-medicated lip protectors; body deodorants [perfumery]; perfumes; lotions for cosmetic purposes; soap; liquid soap; cosmetic kits; mint for perfumery; eau de Cologne; dentifrices; hair pomades [for cosmetic use]; hair waving preparations; nail care preparations; shampoos; cosmetic preparations for eyelashes;

hes; cosmetic preparations for skin care; cosmetics; cosmetic creams.

5 – Pharmaceutical preparations; sanitary preparations for medical purposes; dietetic food and substances adapted for medical use, food for babies; dietary supplements for humans; plasters, materials for dressings; disinfectants; balms for medical purposes; antiseptic cotton; aseptic cotton; absorbent cotton; wadding for medical purposes; melissa water for pharmaceutical purposes; sea water for medicinal bathing; mineral waters for medical purposes; thermal water; dietary fiber; mineral food supplements; nutritional supplements; albumin dietary supplements; menthol; haematogen; candy for medical purposes; candy, medicated; pomades for medical purposes; sanitary napkins.

9 – Scientific, nautical, surveying, photographic, cinematographic, optical, weighing, measuring, signalling, checking, supervision, life-saving and teaching apparatus and instruments; apparatus and instruments for conducting, switching, transforming, accumulating, regulating or controlling electricity; apparatus for recording, transmission or reproduction of sound or images; magnetic data carriers, recording discs; compact discs, DVDs and other digital recording media; mechanisms for coin-operated apparatus; cash registers, calculating machines, data processing equipment, computers; computer software; fire-extinguishing apparatus; computer keyboards; computers; laptop computers; notebook computers; rulers [measuring instruments]; decorative magnets; mouse [data processing equipment]; portable media players; headphones; sound recording carriers; spectacles [optics]; sunglasses; teaching apparatus; computer programmes [programs], recorded; computer game programs; computer programs [downloadable software]; record players; animated cartoons; USB flash drives; cameras [photography].

12 – Vehicles; apparatus for locomotion by land, air or water; bicycles; pushchairs; sleighs [vehicles]; safety seats for children, for vehicles; vehicle seats; stroller covers [pushchairs]; saddle covers for bicycles or motorcycles; seat covers for vehicles; dress guards for bicycles, cycles; snowmobiles; luggage nets for vehicles; head-rests for vehicle seats.

14 – Precious metals and their alloys and goods in precious metals or coated therewith, not included in other classes; jewellery, precious stones; horological and chronometric instruments.

15 – Musical instruments; musical boxes.

16 – Paper, cardboard and goods made from these materials, not included in other classes; printed matter; bookbinding material; photographs; stationery; adhesives for stationery or household purposes; artists' materials; paint brushes; typewriters and office requisites, except furniture; instructional and teaching

hing material, except apparatus; plastic materials for packaging, not included in other classes; printers' type; printing blocks; fountain pens; aquarelles; albums; table napkins of paper; note books; drawing pads; paper sheets [stationery]; packing paper; pencil leads; bookmarkers; printed publications; graphic representations; calendars; pencils; paintbrushes; glue for stationery or household purposes; books; writing instruments; writing cases [stationery]; stickers [stationery]; musical greeting cards; greeting cards; pastels [crayons]; boxes for pens; handkerchiefs of paper; stands for pens and pencils; inkstands; compasses for drawing; writing materials; school supplies [stationery]; paper clasps; pencil sharpeners, electric or non-electric; printed timetables; scrapers [erasers] for offices; photo-engravings.

18 – Leather and imitations of leather, and goods made of these materials and not included in other classes; animal skins, hides; trunks and travelling bags; umbrellas and parasols; walking sticks; whips; harness and saddlery; pocket wallets; card cases [notecases]; purses; school satchels; school bags.

20 – Furniture, mirrors, picture frames; goods, not included in other classes, of wood, cork, reed, cane, wicker, horn, bone, ivory, whalebone, shell, amber, mother-of-pearl, meerschaum and substitutes for all these materials, or of plastics; busts of wood, wax, plaster or plastic; fans for personal use, non-electric; coat hangers; coatstands; divans; mats for infant playpens; beds; ladders of wood or plastics; playpens for babies; pillows; cushions; air cushions, not for medical purposes; school furniture; moldings for picture frames; head-rests [furniture]; racks [furniture]; library shelves; statues of wood, wax, plaster or plastic; figurines [statuettes] of wood, wax, plaster or plastic; chests for toys; photograph frames.

21 – Household or kitchen utensils and containers; combs and sponges; brushes, except paint brushes; brush-making materials; articles for cleaning purposes; steelwool; unworked or semi-worked glass, except glass used in building; glassware, porcelain and earthenware not included in other classes.

24 – Textiles and textile goods, not included in other classes; bed covers; table covers.

25 – Clothing, footwear, headgear.

28 – Games and playthings; gymnastic and sporting articles not included in other classes; decorations for Christmas trees.

29 – Meat, fish, poultry and game; meat extracts; preserved, frozen, dried and cooked fruits and vegetables; jellies, jams, compotes; eggs; milk and milk products; edible oils and fats; ajvar [preserved peppers]; aloe vera prepared for human consumption; alginates for culinary purposes; anchovy; peanuts, processed; albumen for culinary purposes; white of eggs; fruit-based snack food; charcuterie; raisins; caviar; processed fish spawn; yoghurt; sauerkraut; ke-

fir [milk beverage]; milk shakes; meat, tinned [canned (Am.)]; vegetables, tinned [canned (Am.)]; fish, tinned [canned (Am.)]; fruits, tinned [canned (Am.)]; bouillon concentrates; gherkins; buttercream; croquettes; salmon; margarine; marmalade; edible oils; peanut butter; chocolate nut butter; corn oil; olive oil for food; butter; almonds, ground; milk; albumin milk; soya milk [milk substitute]; vegetable mousses; fruit pulp; meat, preserved; milk beverages, milk predominating; vegetables, preserved; vegetables, dried; vegetables, cooked; potato fritters; olives, preserved; coconut, desiccated; nuts, prepared; liver pâté; fermented vegetable foods [kimchi]; food products made from fish; curd; cranberry sauce [compote]; apple purée; fish, preserved; vegetable salads; fruit salads; sardines; herrings; processed seeds; processed sunflower seeds; cream [dairy products]; whipped cream; fat-containing mixtures for bread slices; tomato juice for cooking; vegetable juices for cooking; sausages; sausages in batter; preparations for making bouillon; preparations for making soup; soups; vegetable soup preparations; whey; cheese; tahini [sesame seed paste]; tofu; dates; crystallized fruits; frozen fruits; fruit, preserved; fruit, stewed; potato flakes; fruit peel; potato chips; low-fat potato chips; fruit chips; non-alcoholic egg nog; eggs.

30 – Coffee, tea, cocoa and artificial coffee; rice; tapioca and sago; flour and preparations made from cereals; bread, pastry and confectionery; ices; sugar, honey, treacle; yeast, baking-powder; salt; mustard; vinegar, condiments, sauces; spices; ice; aromatic preparations for food; flavorings [flavourings], other than essential oils, for cakes; flavorings [flavourings], other than essential oils, for beverages; coffee flavorings [flavourings]; flavorings, other than essential oils; star aniseed; high-protein cereal bars; cookies; pancakes; noodle-based prepared meals; buns; bread rolls; vanillin [vanilla substitute]; vanilla [flavoring] [flavouring]; waffles; vermicelli [noodles]; natural sweeteners; sausage binding materials; binding agents for ice cream [edible ices]; sea water for cooking; weeds [condiment]; malt biscuits; cloves [spice]; cake frosting [icing]; glucose for culinary purposes; gluten additives for culinary purposes; yeast; thickening agents for cooking foodstuffs; leaven; rice-based snack food; cereal-based snack food; artificial coffee; vegetal preparations for use as coffee substitutes; dressings for salad; fruit jellies [confectionery]; confectionery for decorating Christmas trees; cakes; pastries; peanut confectionery; almond confectionery; farinaceous food pastes; pasties; ginger [spice]; frozen yoghurt [confectionery ices]; cocoa; cocoa products; capers; caramels [candy]; curry [spice]; gruel, with a milk base, for food; ketchup [sauce]; quiches; gluten prepared as foodstuff; sweetmeats [candy]; liquorice [confectionery]; peppermint sweets; cinnamon [spice]; coffee; unroasted coffee; starch for food; crackers; custard; hominy grits; semolina; oatmeal; crushed barley; gro-

ats for human food; corn, milled; corn, roasted; meat pies; turmeric for food; couscous [semolina]; farinaceous foods; noodles; ice for refreshment; ice, natural or artificial; edible ices; candy; rice cakes; mayonnaise; macaroons [pastry]; macaroni; maltose; hominy; marinades; marzipan; honey; royal jelly; ice cream; potato flour for food; corn flour; flour; wheat flour; soya flour; dessert mousses [confectionery]; chocolate mousses; muesli; mint for confectionery; cocoa beverages with milk; coffee beverages with milk; coffee-based beverages; tea-based beverages; chocolate beverages with milk; chocolate-based beverages; infusions, not medicinal; crushed oats; nutmegs; stick liquorice [confectionery]; soya bean paste [condiment]; lozenges [confectionery]; molasses for food; allspice; peppers [seasonings]; pesto [sauce]; biscuits; petit-beurre biscuits; pies; pizzas; meat gravies; fondants [confectionery]; popcorn; powders for ice cream; baking powder; mustard meal; pralines; meat tenderizers, for household purposes; cereal preparations; flour-milling products; oat-based food; propolis; gingerbread; petits fours [cakes]; puddings; cake powder; fruit coulis [sauces]; ravioli; chewing gum; wheat germ for human consumption; spring rolls; sago; sugar; aniseed; flaxseed for human consumption; golden syrup; cake paste; confectionery; bicarbonate of soda for cooking purposes [baking soda]; malt for human consumption; cooking salt; celery salt; sherbets [ices]; ham glaze; soya sauce; tomato sauce; sauces [condiments]; spaghetti; seasonings; preparations for stiffening whipped cream; rusks; breadcrumbs; sushi; sandwiches; tortillas; halvah; bread; unleavened bread; chips [cereal products]; corn flakes; oat flakes; chicory [coffee substitute]; tea; iced tea; cheeseburgers [sandwiches]; chocolate.

32 – Waters; mineral and aerated waters and other non-alcoholic beverages; fruit beverages and fruit juices; syrups and other preparations for making beverages; still water; aperitifs, non-alcoholic; lithia water; seltzer water; soda water; waters [beverages]; aerated water; mineral water [beverages]; table waters; kvass [non-alcoholic beverage]; cocktails, non-alcoholic; lemonades; peanut milk [non-alcoholic beverage]; milk of almonds [beverage]; non-alcoholic beverages; isotonic beverages; non-alcoholic honey-based beverages; aloe vera drinks, non-alcoholic; whey beverages; non-alcoholic fruit juice beverages; fruit nectars, non-alcoholic; orgeat; powders for effervescing beverages; sarsaparilla [non-alcoholic beverage]; syrups for lemonade; syrups for beverages; smoothies; tomato juice [beverage]; cider, non-alcoholic; vegetable juices [beverages]; fruit juices; preparations for making aerated water; preparations for making mineral water; preparations for making beverages; pastilles for effervescing beverages; sherbets [beverages]; non-alcoholic fruit extracts; essences for making beverages.

35 – Advertising; business management; business administration; office functions; arranging subscrip-

tions to telecommunication services for others; import-export agencies; commercial information agencies; advertising agencies; cost price analysis; rental of advertising space; auditing; employment agencies; computerized file management; accounting; invoicing; efficiency experts; demonstration of goods; transcription; opinion polling; marketing studies; business information; commercial information and advice for consumers [consumer advice shop]; business investigations; business research; marketing research; personnel recruitment; business management and organization consultancy; business organization consultancy; business management consultancy; personnel management consultancy; professional business consultancy; layout services for advertising purposes; marketing; business management of performing artists; business management of sports people; news clipping services; updating of advertising material; word processing; organization of exhibitions for commercial or advertising purposes; arranging newspaper subscriptions for others; organization of fashion shows for promotional purposes; organization of trade fairs for commercial or advertising purposes; shop window dressing; business appraisals; payroll preparation; data search in computer files for others; sponsorship search; business management assistance; commercial or Industrial management assistance; presentation of goods on communication media, for retail purposes; economic forecasting; auctioneering; sales promotion for others; production of advertising films; office machines and equipment rental; rental of advertising time on communication media; publicity material rental; rental of vending machines; rental of photocopying machines; publication of publicity texts; radio advertising; bill-posting; distribution of samples; dissemination of advertising matter; direct mail advertising; writing of publicity texts; on-line advertising on a computer network; advertising by mail order; television advertising; document reproduction; compilation of statistics; compilation of information into computer databases; business inquiries; systemization of information into computer databases; advisory services for business management; tax preparation; drawing up of statements of accounts; publicity columns preparation; telemarketing services; psychological testing for the selection of personnel; commercial administration of the licensing of the goods and services of others; administrative processing of purchase orders; public relations; modelling for advertising or sales promotion; typing.

41 – Education; providing of training; entertainment; sporting and cultural activities; modelling for artists; rental of sports grounds; rental of tennis courts; lending libraries; booking of seats for shows; videotaping; physical education; discotheque services; animal training; dubbing; gambling; publication of books; education information; recreation informa-

tion; entertainment information; movie studios; health club services [health and fitness training]; night clubs; layout services, other than for advertising purposes; microfilming; videotape editing; production of radio and television programmes; music-halls; production of music; game services provided on-line from a computer network; providing on-line electronic publications, not downloadable; religious education; gymnastic instruction; correspondence courses; practical training [demonstration]; organization of balls; organization of exhibitions for cultural or educational purposes; providing recreation facilities; arranging and conducting of colloquiums; arranging and conducting of congresses; arranging and conducting of conferences; arranging and conducting of concerts; arranging and conducting of workshops [training]; arranging and conducting of seminars; arranging and conducting of symposiums; organization of competitions [education or entertainment]; arranging of beauty contests; operating lotteries; organisation of fashion shows for entertainment purposes; organization of shows [impresario services]; organization of sports competitions; vocational guidance [education or training advice]; amusement parks; television entertainment; providing karaoke services; providing amusement arcade services; cinema presentations; presentation of live performances; theatre productions; conducting fitness classes; educational examination; timing of sports events; videotape film production; film production, other than advertising films; rental of audio equipment; rental of camcorders; rental of videotapes; rental of show scenery; rental of sound recordings; toy rental; rental of movie projectors and accessories; rental of cine-films; games equipment rental; rental of sports equipment, except vehicles; rental of stage scenery; electronic desktop publishing; publication of electronic books and journals online; publication of texts, other than publicity texts; radio entertainment; entertainer services; amusements; writing of texts, other than publicity texts; party planning [entertainment]; music composition services; subtitling; holiday camp services [entertainment]; disc jockey services; providing museum facilities [presentation, exhibitions]; educational services; nursery schools; circuses; boarding schools; production of shows.

(260) AM 2014 73310 A

(800) 1167349

(151) 2013 04 16

(731) BBK Dairy Export AG
c/o Reichlin&Hess, Hofstrasse 1A, CH-6300
Zug, Switzerland

(540)



(591) White, gray, light, gray, blue, black

(511)

5 – Food for babies.

29 – Milk; milk products.

35 – Import-export agencies; sales promotion for others of goods of classes 5 and 29.

39 – Packaging and storage of goods of classes 5 and 29.

(260) AM 2014 73311 A

(800) 891498

(151) 2006 05 05

(891) 2013 04 30

(731) CALZATURIFICIO CARMENS S.p.A.
V.le delle Terme, 15, I-35030 Galzignano
Terme (PADOVA), Italy

(540)



(591) Black, white

(511)

25 – Footwear in general and parts of footwear; clothing, footwear, headgear.

(260) AM 2014 73312 A

(800) 944598

(151) 2007 10 29

(891) 2013 04 30

(731) CALZATURIFICIO CARMENS S.P.A.
Viale delle Terme, 15, I-35030
GALZIGNANO TERME (Padova), Italy

(540)



(591) Black, white

(511)

25 – Footwear in general and parts of footwear; clothing, headgear.

(260) AM 73352 A*

(800) 1168104

(731) ARTSANA S.P.A.
Via Saldarini Catelli, 1, I-22070 GRANDATE
(CO), Italy

(540)



(591) Black, white

(511)

35 – Advertising services;

(260) AM 2014 73360 A

(800) 1168338

(151) 2013 06 24

(731) GUANGDONG ALPHA ANIMATION AND
CULTURE CO.,LTD.
Auldey Industrial Area, Wenguan Rd.,
Chenghai, Shantou, Guangdong, China

(540)



(591) Black, white

(511)

28 – Apparatus for games; mobiles [toys]; playing cards; plastic racetracks; toys; toy vehicles; board games; spinning tops [toys]; jigsaw puzzles; games other than those adapted for use with an external display screen or monitor.

(260) AM 2014 73361 A

(800) 1168345

(151) 2013 06 25

(731) Denim Island, Inc.

Suite 301, 264 West 40th Street,
New York NY 10018, USA

(540)

D-ID

(591) Black, white

(511)

25 – Athletic apparel, namely, shirts, pants, jackets, footwear, hats and caps, athletic uniforms; bathing suits; bathrobes; beachwear; belts; blazers; blouses; boots; bottoms; boxer briefs; briefs; button down shirts; caps; children's and infants' apparel, namely, jumpers, overall sleepwear, pajamas, rompers and one-piece garments; coats for men and women; coats of denim; denim jackets; denims; drawers; dress shirts; dresses; dungarees; footwear for men and women; gloves; halter tops; hats; headwear; hooded sweatshirts; jackets; jeans; jerseys; jumpsuits; lounge-wear; men's and women's jackets, coats, trousers, vests; men's socks; men's suits, women's suits; men's underwear; miniskirts; neckwear; night gowns; night shirts; nightwear; overalls; overcoats; pajamas; panties, shorts and briefs; rainwear; robes; shirts; shorts; skirts and dresses; slacks; sleepwear; sneakers; socks and stockings; sport coats; sport shirts; suits; surf wear; sweat shirts; sweaters; sweatpants; sweatshirts; swimwear; t-shirts; tank-tops; tee shirts; tennis wear; ties; tights; top coats; trousers; undergarments; underwear; vests; visors; waterproof footwear; women's athletic tops with built-in bras; women's hats and hoods; women's shoes; women's underwear; work shoes and boots; wraps; wristbands; yoga pants; yoga shirts.

(260) AM 2014 73362 A

(800) 653120

(151) 1996 03 28

(891) 2013 06 27

(731) FERRARI F.LLI LUNELLI S.P.A.

Via del Ponte di Ravina, 15, I-38040

TRENTO (TN), Italy

(540)

FERRARI

(591) Black, white

(511)

33 – Wines, spirits, liqueurs, sparkling wines, brandies, alcoholic syrups, sweet wines.

(260) AM 2014 73363 A

(800) 727234

(151) 1999 12 21

(891) 2013 05 13

(731) VIFOR SA

Moncor, CH-1752 Villars-sur-Glâne,
Switzerland

(540)

ALGIFOR

(591) Black, white

(511)

5 – Pharmaceutical products.

(260) AM 2014 73364 A

(800) 746926

(151) 2013 05 30

(731) Chocoladefabriken Lindt & Sprüngli AG
Seestrasse 204, CH-8802 Kilchberg ZH,
Switzerland

(540)

GOLD BUNNY

(591) Black, white

(511)

30 – Chocolate.

(260) AM 2014 73365 A

(800) 806904

(151) 2003 06 27

(891) 2013 02 12

(731) NEWCO (Société par actions simplifiée)

Immeuble le Saint Louis, 9 rue Marcel
Sembat, F-44100 NANTES, France

(540)

MILTON

(591) Black, white

(511)

3 – Bleaching, laundering, cleaning, polishing, degreasing and abrasive preparations; soaps; perfumery; essential oils, cosmetics, hair lotions; dentifrices.

5 – Antiseptics, disinfectants, germicides and preparations for sterilizing, pharmaceutical preparations and substances excluding pharmaceutical preparations for treating blood pressure, convulsions or for relaxing muscles.

(260) AM 2014 73366 A
 (800) 917269
 (151) 2013 05 24
 (731) VOSSLOH COGIFER
 21 avenue de Colmar, F-92500 RUEIL
 MALMAISON, France

(540)

EASYSWITCH-R

(591) Black, white
 (511)
 6 – Metal devices for operating railway track switches, materials of metal for railway tracks, railway switches, non-electrical cables of metal, railway points, loading gauge rods of metal for railroads, railroad ties of metal, fish plates, rails.

7 – Non-metallic devices for operating railway track switches, couplings and driving chains other than for land vehicles, gears other than for land vehicles, rail-laying machines, transmission shafts other than for land vehicles, railroad constructing machines, car lifters.

9 – Devices for operating and controlling railway track switches, electric couplings, electrodynamic apparatus for remote control of railroad switches, electric wires, apparatus for railway traffic safety.

(260) AM 2014 73367 A
 (800) 925976
 (151) 2006 12 20
 (891) 2013 05 24
 (731) Denard Ltd. Offices of Aleman, Cordero,
 Galindo & Lee Trust (BVI) Limited
 P.O. Box 3175 Road Town, Tortola, British
 Virgin Islands

(540)



(591) Black, white
 (511)
 25 – Clothing, footwear, headgear.

(260) AM 2014 73368 A
 (800) 1044408
 (151) 2010 06 23
 (891) 2013 06 11
 (731) PRIVITY PTY LTD
 Corner Manton & Adam Streets, Hindmarsh
 SA 5007, Australia

(540)

EVO

(591) Black, white
 (511)
 3 – Soaps, perfumery, essential oils, cosmetics, hair lotions.

(260) AM 2014 73369 A
 (800) 1061158
 (151) 2010 11 05
 (891) 2013 06 06
 (731) Kern Pharma, S.L.
 Pol. Ind. Colon II, c/ Venus, 72, E-08228
 TERRASSA (Barcelona), Spain

(540)

INZITAN

(591) Black, white
 (511)
 5 – Chemical and pharmaceutical products for veterinary and disinfecting purposes.

(260) AM 2014 73378 A
 (800) 1159946
 (151) 2012 11 20
 (891) 2013 06 20
 (731) LEO PHARMA A/S
 Industriparken 55, DK-2750 Ballerup,
 Denmark

(540)

KLERESCA

(591) Black, white
 (511)
 3 – Non-medicated skin and hair care preparations; cosmetic preparations, including preparations for the reconditioning of hair and skin after medicinal treatments; medicated soaps; medicated shampoos; artificial fingernails; talcum powders and foundation for the treatment of dermatological disorders, cancer and skin infections; artificial fingernails, for medical use.

5 – Pharmaceutical preparations for the treatment of cancer and dermatological, hematological, renal and endocrine disorders; medicated powders, creams, lotions, gels and lip balm for the treatment of dermatological disorders, cancer and skin infections; glues for medical use; medical and wound dressings; dressings for the treatment of dermatological disorders, cancer and skin infections.

10 – Medical apparatus and instruments, including medical devices for applying pharmaceutical preparations and for introducing pharmaceutical preparations into the human body; medical and non-medical devices for the treatment of cancer and dermatological, hematological, renal and endocrine disorders; medical apparatus and units for dosage, measuring and monitoring, including drug introducing devices and systems; medical devices, including devices for

measuring body surface area affected by disease; medical devices for the treatment of cancer, dermatological, hematological, renal and endocrine disorders, including biofeedback sensors; microneedles for medical use; containers specially for medical waste and for storage of drugs.

(260) AM 2014 73379 A

(800) 1159949

(151) 2012 11 20

(891) 2013 06 20

(731) LEO PHARMA A/S

Industriparken 55, DK-2750 Ballerup,
Denmark

(540)

BELSTYN

(591) Black, white

(511)

3 – Non-medicated skin and hair care preparations; cosmetic preparations, including preparations for the reconditioning of hair and skin after medicinal treatments; medicated soaps; medicated shampoos; artificial fingernails; talcum powders and foundation for the treatment of dermatological disorders, cancer and skin infections; artificial fingernails, for medical use.

5 – Pharmaceutical preparations for the treatment of cancer and dermatological, hematological, renal and endocrine disorders; medicated powders, creams, lotions, gels and lip balm for the treatment of dermatological disorders, cancer and skin infections; glues for medical use; medical and wound dressings; dressings for the treatment of dermatological disorders, cancer and skin infections.

10 – Medical apparatus and instruments, including medical devices for applying pharmaceutical preparations and for introducing pharmaceutical preparations into the human body; medical and non-medical devices for the treatment of cancer and dermatological, hematological, renal and endocrine disorders; medical apparatus and units for dosage, measuring and monitoring, including drug introducing devices and systems; medical devices, including devices for measuring body surface area affected by disease; medical devices for the treatment of cancer, dermatological, hematological, renal and endocrine disorders, including biofeedback sensors; microneedles for medical use; containers specially for medical waste and for storage of drugs.

(260) AM 2014 73510 A

(800) 1169798

(151) 2013 07 09

(731) GUK-Falzmaschinen Griesser & Kunzmann
GmbH & Co. KG

Bahnhofstraße 4, 78669 Wellendingen,
Germany

(540)

GUK

(591) Black, white

(511)

7 – Folding machines, paper cutting machines, packaging machines and parts therefor, included in this class.

(260) AM 2014 73518 A

(800) 1169816

(151) 2013 05 14

(731) EDATA ELEKTRONİK SANAYİ VE

TİCARET ANONİM ŞİRKETİ

Tantavi Mah. Menteşoğlu Cad., Terra Plaza

No:25, Ümraniye/Istanbul, Turkey

(540)



(591) Blue, gray and orange

(511)

9 – Measurement apparatus, equipment and indicators including those for scientific and laboratory use, laboratory equipment and apparatus; apparatus for recording, transmission or reproduction of sound or images; data processing apparatus, telecommunication apparatus, sound or image reproducing apparatus, computer peripheral devices; magnetic and optic data carriers and computer software and programmes recorded thereto, downloadable and recordable electronic publications, encoded magnetic and optic cards; antennas, satellite antennas, amplifiers for antennas, parts of the aforementioned goods; ticket dispensers, automatic teller machines (ATM); electronic components used in the electronic parts of machines and apparatus; counters and quantity indicators for measuring the quantity of consumption, automatic time switches; clothing for protection against accidents, irradiation and fire, safety vests and life-saving apparatus and equipment; eyeglasses, sunglasses, optical lenses and cases, containers, parts and components thereof; apparatus and instruments for conducting, transforming, accumulating or controlling electricity; electric cables and electrical power supplies, batteries, electric accumulators; electric bells; signalling apparatus and instruments, luminous or mechanical signs for traffic use; radar apparatus, sonars, night vision apparatus and instruments; decorative magnets.

(260) AM 2014 73520 A

(800) 1169832

(151) 2013 05 27

(731) MİSBİS GIDA SANAYİ VE TİCARET

ANONİM ŞİRKETİ
Selimpaşa Sanayi Bölgesi, Araptepe Mevkii,
5007 Sokak No: 10, SILIVRI-İSTANBUL,
Turkey

(540)

FLAME

(591) Black, white

(511)

29 – Meat, fish, meat of poultry and game, meat products, soujouk, sausage, salami, pastrami, fried meat, ham, meat extracts, broth, bouillon, mollusks and shellfishes, sea products, canned meat, fish; ready-made soup, ready-made foods based on meat products and vegetables and fruits and pastry, olives, olive paste, pickles, milk, powdered milk, cheese, yoghurt, airan (kind of a drink made of yoghurt and water), cream of milk, cream, kephir, jams, marmalades, egg, jellies, dried fruits, potato crisps, potato chips, crushed sesame seeds, legumes, red and green lentil, bean, chick-pea, peas, soybean, tahini; fruit pulp.

30 – Coffee, cocoa, artificial coffee, spaghetti, macaroni, meat pies, biscuits, wafers, crackers, grissini, desserts made of flour, cakes, tarts, petit fours, waffles, crepes, dough, pancakes, pastries, muffins, cookies, rusks, breads, pizza, pita, Turkish pizza, sandwiches, puddings, honey, royal jelly, pollen prepared as foodstuff, molasses, halva, candy floss, flavorings for foods, ketchup, mayonnaise, mustard, sauces, salad sauces, tomato sauces, vinegars, aromatic preparations for foods and beverages, spices, wheat flour, corn flour, rice flour, oat flour, semolina, starch, yeast, baking powder, bread additives, additives for foods, tea, ice-tea, sugar, candy, chocolate, chocolate hazelnut cream, chewing-gum, ice-cream, salt, rice, bulgur, boiled and pounded wheat, appetizers made of cereal and flour, cereals, corn flakes, oat meal, powder and cube sugar, powdered sugar.

(260) AM 2014 73522 A

(800) 1169839

(151) 2013 06 14

(731) SC BALKAN PHARMACEUTICALS S.R.L.
întreprindere cu capital strain; Str. N.
Gradescu nr. 4, MD-2002, MD-2002 Chisinau,
Republic of Moldova

(540)



(591) Black, white

(511)

5 – Pharmaceutical and veterinary products;
excluding over-the-counter medicines; sanitary

products for medical purposes, excluding antiseptics and detergents; dietetic substances for medical use, food for babies; material for dental fillings and dental impressions; fungicides, herbicides.

(260) AM 2014 73524 A

(800) 1169841

(151) 2013 07 02

(731) SOCIÉTÉ DES PRODUITS NESTLÉ SA
CH-1800 Vevey, Switzerland

(540)



(591) Brown, green, red, black, white, yellow, beige
and dark brown

(511)

30 – Ice cream, water ices, sherbets, frozen confectionery, frozen cakes, frozen yogurts; powders and binding agents (included in this class) for making ice cream, water ices, sherbets, frozen confectionery, frozen cakes, frozen yogurts.

(260) AM 2014 73525 A

(800) 1169884

(151) 2012 07 27

(731) YETIGEL INTERNATIONAL S.A
220 rue des 4 Gendarmes d'Ouvéa, Z.I.
Courtine, F-84000 AVIGNON, France

(540)

YETIGEL

(591) Black, white

(511)

29 – Fish; preserved, frozen, dried and cooked fruit and vegetables; jellies, jams, compotes; eggs, milk and dairy products; edible oils and fats; fats for food; butter; charcuterie; salted meats; crustaceans (not live); canned meat or fish; cheese; milk beverages, milk predominating; jellies, frozen fruit purées, jams, compotes which can be packed in standard packaging or individual flexible pouches standard or in the form of ready-to-eat lollipops.

30 – Coffee, tea, cocoa, sugar, rice, tapioca, sago, artificial coffee; flour and preparations made from cereals, bread, pastry and confectionery, edible ices; honey, treacle; yeast, baking-powder; salt, mustard; vinegar, sauces (condiments); spices; ice for refresh-

ment; sandwiches, pizzas; pancakes; cookies; cakes; rusks; sugar confectionery; chocolate; beverages based on cocoa, coffee, chocolate or tea; confectionery with water and syrup, or milk, or fruit, or with other ingredients in flexible packaging, marketed as a freezable liquid, or in solid or gelled form; edible ices, stick ice made with water and syrup, or milk, or fruit, or with other ingredients, these goods being deep-frozen; water-based ices, fruit ices, sorbets, milk ices, ice cream, frozen yoghurt, frozen confectioneries, frozen desserts, ice cubes and blocks of ice; preparations for the aforesaid goods, aromatic preparations for food, starch for food, natural sweeteners, unprocessed, natural or artificial ice.

32 – Beers; mineral and aerated waters; beverages based on fruit and fruit juices; syrups and other preparations for making beverages; lemonades; fruit nectars; soda water; non-alcoholic aperitifs; beverages with water and syrup, or fruit, or with other ingredients, packaged in flexible bags having the form of a liquid marketed lollipop that the consumer freezes prior to consumption.

(260) AM 2014 73526 A

(800) 1169886

(151) 2012 11 26

(731) MEDIA IT PROFY LIMITED

Pinewood Chineham Business Park,

Crockford Lane, Chineham, Basingstoke,

Hampshire RG 24 8AL, United Kingdom

(540)



(591) Black, white

(511)

9 – Apparatus for recording, transmission or reproduction of sound or images; apparatus for use in production, broadcasting, transmission, receiving, processing, reproducing, encoding and decoding of radio and television programmes and data; data recordings including audio, video, still and moving images and text; computer software, including software for use in production, downloading, storing, reproducing and organising audio, video, still and moving images and data; educational software; downloadable electronic publications; computer games software; mouse mats; electronic instructional and teaching apparatus and instruments; magnetic data carriers, recording disks; videos, CDs, CD-ROMs, DVDs, mini-disks; audio, video and audio-visual recordings; cinematographic films; computer software; computer software for use on computer networks, including the Internet; computer games software; electronic publications provided on-line from databases or the Internet; downloadable electronic publications in the nature of books, newspapers,

newsletters, magazines, brochures, booklets, pamphlets and manuals; computer software and telecommunications apparatus to enable connection to databases and the Internet; digital music provided from the Internet; digital music provided from MP3 Internet websites; software to enable production, uploading, posting, showing, displaying, tagging, blogging, sharing or otherwise providing electronic media or information over the Internet and other communications networks; and parts for all of the aforesaid goods.

35 – Advertising; business management; business administration; office functions; advertising, marketing, publicity and promotion services and information services relating thereto, including promoting the goods, services, brand identity and commercial information of third parties through written work and audio, video, digital and online media, including social networks; promotional services in the form of online entertainment, education, contests and participation in social networks; promotional services in the form of sharing of multimedia content via the Internet and other communications networks; developing and providing marketing programs for advertisers, marketers, partners and content providers.

38 – Telecommunications services; broadcasting services; telecommunication of information, computer programs and any other data; computer aided transmission of messages and/or images; electronic communication services; television, cable television, satellite television and subscription television broadcasting services; videotext and teletext services; news agency services; audio, video and multimedia broadcasting via the Internet and other communications networks; webcasting services; transmission of messages, data and content via the Internet and other communications networks; providing forums and chat rooms for the transmission of messages, comments and multimedia content among users via the Internet and other communications networks; transmission of electronic media, multimedia content, videos, movies, pictures, images, text, photos, user-generated content, audio content, and information via the Internet and other communications networks; providing user access to video sharing portal for entertainment and education purposes; providing online forums; provision of information and advisory services relating to any of the aforesaid.

41 – Education; providing of training; entertainment; sporting and cultural activities; organisation, production, presentation, distribution, syndication and rental of television programmes, films, animated films, sound and video recordings, still and moving images and data; production and distribution of radio, television, news, live action and sports programmes; provision of entertainment, education, rec-

reaction, instruction, tuition and training; providing non-downloadable electronic publications; publication of on-line journals [blogs]; organisation, production and presentation of programmes, shows, films, newscasts, competitions, games, concerts, exhibitions and events; language teaching; entertainment and educational services featuring electronic media, multimedia content, videos, movies, pictures, images, text, photos, user-generated content, audio content, and related information via the Internet and other communications networks; provision of information via social networks, on-line communities, and blogs namely, information in the field of electronic media, multimedia content, videos, movies, pictures, images, text, photos, user-generated content, audio content, and related information; digital video, audio and multimedia entertainment publishing services; publishing services (including electronic publishing services); online digital publishing services; entertainment services in the nature of on-line forums; providing information on-line from a computer database or electronic network, including the Internet, relating to entertainment, news and sporting events; information, advisory and consultation services in relation to any of the aforesaid services.

42 – Scientific and technological services and research and design relating thereto; design and development of computer hardware and software; computer programming services; computer services, namely, creating, hosting and maintaining a website and technology platform featuring online, non-downloadable software that enables users to upload, and manipulate audio, video, digital, online, and multimedia content; providing temporary use of non-downloadable software to enable uploading, capturing, posting, showing, editing, playing, streaming, viewing, previewing, displaying, tagging, blogging, sharing, manipulating, distributing, publishing, reproducing, production or otherwise providing electronic media, multimedia content, videos, movies, pictures, images, text, photos, user-generated content, audio content, and information via the Internet and other communications networks; providing temporary use of non-downloadable software to enable sharing of multimedia content and comments among users; providing temporary use of non-downloadable software to enable content providers to produce and track multimedia content; hosting multimedia content for others; hosting multimedia entertainment and educational content; information, advisory and consultation services in relation to the aforesaid service.

(260) AM 2014 73527 A
 (800) 1169899
 (151) 2013 01 31
 (731) POLIFARMA S.P.A.

Viale dell'Arte, 69, I-00144 ROMA, Italy
 (540)

FOSFORILASI

(591) Black, white
 (511)
 5 – Medicines for human purposes.

(260) AM 2014 73530 A
 (800) 1169946
 (151) 2013 06 11
 (731) KRAFT FOODS FRANCE INTELLECTUAL
 PROPERTY SAS
 13 avenue Morane Saulnier, F-78140
 Velizy Villacoublay, France

(540)
**CARTE NOIRE FIRE & ICE
 ROASTING**

(591) Black, white
 (511)
 33 – Coffee, coffee extracts, coffee substitutes, coffee-based beverages and preparations for such beverages.

(260) AM 2014 73531 A
 (800) 1169962
 (151) 2013 05 22
 (731) VINCENZO ZUCCHI S.P.A.
 Via Legnano, 24, I-20027 Rescaldina (MI),
 Italy

(540)

bassetti
 Home Innovation

(591) Black, white
 (511)
 20 – Furniture, mirrors, picture frames; goods (not included in other classes) of wood, cork, reed, cane, wicker, horn, bone, ivory, whalebone, shell, amber, mother-of-pearl, meerschaum and substitutes for all these materials, or of plastics.
 21 – Household or kitchen utensils and containers; combs and sponges; brushes (except paint brushes); brush-making materials; articles for cleaning purposes; steelwool; unworked or semi-worked glass (except glass used in building); glassware, porcelain and earthenware not included in other classes.
 24 – Textiles and textile goods, not included in other classes; bed covers; table covers.
 25 – Clothing, footwear, headgear.
 27 – Carpets, rugs, mats and matting, linoleum and other materials for covering existing floors; wall hangings (non-textile).
 35 – Advertising; business management; business administration; office functions.

(260) AM 2014 73532 A
 (800) 1169977
 (151) 2013 07 01
 (731) RUBCHUK VASYL OLEKSANDROVYCH
 vul. Moskovs'ka, 54, kv. 39, m. Luts'k,
 Volyns'ka obl 43020, Ukraine

(540)



(591) Black, white
 (511)
 29 – Margarine; edible oils and fats; corn oil; sunflower oil for food; butter; fat-containing mixtures for bread slices; olive oil for food.

(260) AM 2014 73538 A
 (800) 1169985
 (151) 2013 06 28
 (731) Certina AG (Certina SA) (Certina Ltd)
 Chemin des Tourelles 17, CH-2400 Le Locle,
 Switzerland

(540)



(591) Black, white
 (511)
 14 – Precious metals and their alloys and goods in precious metals or coated therewith, included in this class; jewelry, jewelry boxes, cases, precious stones; timepieces and chronometric instruments, watch chains, presentation cases for timepieces, cases for timepieces.

(260) AM 2014 73539 A
 (800) 1170014
 (151) 2013 05 21
 (731) Limited Liability Company
 "TRADING AND INDUSTRIAL COMPANY
 "STENOVA"

13th line, 6-8, liter A, office 30-N, RU-199034
 Saint-Petersburg, Russian Federation

(540)



(591) Orange, yellow, dark yellow, grey, blue, dark blue, turquoise, green, red, dark red and white
 (511)
 27 – Linoleum and other materials for covering existing floors; non-textile wall hangings; tapestry

[wall hangings], not of textile; wallpaper; vinyl floor coverings.

(260) AM 2014 73540 A
 (800) 1170064
 (151) 2013 04 23
 (731) Limited Liability Company "RusModa"
 Rochdelskaya street, 15, bld. 43, RU-123022
 Moscow, Russian Federation

(540)

ALEXANDER TEREKHOV ATELIER MOSCOW

(591) Black, white
 (511)
 9 – Spectacles [optics]; sunglasses; spectacle cases.

18 – Umbrellas; parasols; purses; travelling sets [leatherware]; handbags; beach bags.

25 – Underclothing; berets; overalls; boas [necklets]; teddies [undergarments]; half-boots; breeches for wear; trousers; brassieres; detachable collars; collars [clothing]; veils [clothing]; gabardines [clothing]; galoshes; neckties; ascots; jerseys [clothing]; vests; hosiery; tights; slips [undergarments]; combinations [clothing]; bodices [lingerie]; corsets [underclothing]; suits; beach clothes; jackets [clothing]; stuff jackets [clothing]; furs [clothing]; mittens; fur stoles; socks; footwear; outerclothing; ready-made clothing; clothing of imitations of leather; clothing of leather; uniforms; clothing; topcoats; parkas; pelerines; gloves [clothing]; scarves; dresses; waterproof clothing; lace boots; ponchos; girdles; jumpers [pullovers]; shirts; wooden shoes; sandals; boots; jumper dresses; sweaters; knitwear [clothing]; underpants; headgear for wear; aprons [clothing]; tee-shirts; shawls; caps [headwear]; sashes for wear; hats; pelisses; skirts; petticoats; skirt shorts.

(260) AM 2014 73541 A
 (800) 1170075
 (151) 2013 03 19
 (731) MITSUBISHI PLASTICS, INC.
 1-1-1, Marunouchi, Chiyoda-ku, Tokyo
 100-8252, Japan

(540)

ALPOLIC

(591) Black, white
 (511)
 6 – Metal composite materials laminated with plastics for building or construction; metal materials for building or construction; prefabricated building assembly kits of metal.

19 – Plastic composite material laminated with metals for building or construction; plastic building

materials; composite building materials (not of metal); prefabricated building kits not of metal.

(260) AM 2014 73543 A

(800) 1170100

(151) 2013 06 11

(731) Capstone Atlantic Markenrechte Ruiner Und Karolina Alzinger Gbr, Vertreten Durch Rainer Alzinger Und Dr.Karolina Alzinger pleikershoferstrasse 101, 90556, cadolzburg, Germany

(540)

SUNVIRO

(591) Black, white

(511)

5 – Pharmaceutical and veterinary preparations; food supplements and dietary supplemental drinks for medical and non-medical use; vitamin preparations; vitamin drinks for medical use.

(260) AM 2014 73745 A

(800) 1172130

(151) 2013 06 20

(731) SAMSUNG ELECTRONICS CO., LTD.
129, Samsung-ro, Yeongtong-gu, Suwon-si,
Gyeonggi-do, Republic of Korea

(540)

S Band

(591) Black, white

(511)

9 – Computer software used for devices measuring physical activity and uploading and downloading the data; computer software for evaluating and utilizing sports and fitness; computer application programs; smart phones; tablet computers; electric monitoring apparatus; spectacles; range finders; digital cameras; automatic control apparatus and instruments; precision measuring apparatus; pedometers; thermometers, not for medical purposes; diagnostic apparatus, not for medical purposes; timers; electronic monitoring apparatus incorporating microprocessors, digital displays and accelerometers for detecting, storing, reporting, monitoring, uploading and downloading sports, fitness training, and activity data regarding time, pace, speed, steps taken, athletic skills, calories burned, distance and jump heights to the Internet, other computers, electronic communication networks, PDAs and smart phones; portable measuring apparatus for momentum; portable measuring apparatus for active mass.

10 – Medical apparatus and instruments other than for dental purposes; pulse measuring devices; telemetry devices for medical applications; diagnostic apparatus for medical purposes, for monitoring metabolism; arterial blood pressure measuring apparatus; metabolism measuring apparatus; body-fat

monitors; mobile monitoring scanners for medical purposes; diagnostic apparatus for medical purposes.

14 – Clocks; parts and fittings for watches; wrist-watches; accessories of precious metals; bracelets of jewelry; bracelets of jewelry incorporating the functions of watches, speed sensors, pace counters, measurements of calorie consumption, distances and momentum; bracelets of jewelry with built-in pedometers; watches enabled for wireless communications with electronic terminals such as smart phones, tablet computers, PDAs and computers; bracelets of jewelry incorporating functions of speed sensors, pace counters, measurements of calorie consumption, distances and momentum; bracelets of jewelry with built-in heartbeat measuring monitors.

(260) AM 2014 73816 A

(800) 1172616

(151) 2012 11 29

(731) "EVA N.G." LTD

Nab. Obvodnogo kanala, 118a, liter N,
RU-198005 Saint-Petersburg, Russian
Federation

(540)

EVA MOSAIC EBA MO3AIIK

(591) Black, white

(511)

3 – Amber [perfume]; breath freshening sprays; petroleum jelly for cosmetic purposes; cotton wool for cosmetic purposes; cotton sticks for cosmetic purposes; aromatics [essential oils]; scented water; toilet water; make-up; shaving gel; deodorants for human beings; scented wood; perfumes; greases for cosmetic purposes; perfumery; decorative transfers for cosmetic purposes; eyebrow pencils; cosmetic pencils; adhesives for affixing false eyelashes; adhesives for affixing false hair; cosmetic dyes; cosmetic creams; skin whitening creams; creams for leather; hair spray; nail polish; after-shave lotions; hair lotions; lotions for cosmetic purposes; beauty masks; oils for perfumes and scents; oils for cosmetic purposes; oils for toilet purposes; essential oils; oils for cleaning purposes; bergamot oil; jasmine oil; lavender oil; almond oil; rose oil; oil of turpentine for degreasing; adhesives for cosmetic purposes; almond milk for cosmetic purposes; cleansing milk for toilet purposes; musk [perfumery]; soap; disinfectant soap; deodorant soap; shaving soap; liquid toilet soap; cakes of toilet soap; medicated soap; antiperspirant soap; soap for foot perspiration; almond soap; mint for perfumery; cosmetic kits; emery; false nails; eau de cologne; bases for perfumes; joss sticks; dentifrices; pumice stone; hydrogen peroxide for cosmetic purposes; shaving foam; foaming wash; lipsticks; lipsticks for cosmetic purposes; shaving preparations; cosmetic preparations for baths; toiletries; hair waving preparations; leather bleaching preparations;

mouth washes, not for medical purposes; cosmetic preparations for slimming purposes; make-up removing preparations; paint stripping preparations; nail care preparations; make-up powder; scouring solutions; false eyelashes; blush; tissues impregnated with cosmetic lotions; potpourris [fragrances]; bath salts, not for medical purposes; bleaching salts; fumigation preparations [perfumes]; astringents for cosmetic purposes; eyebrow cosmetics; make-up preparations; sun-tanning preparations [cosmetics]; hair colorants; neutralizers for permanent waving; cosmetic preparations for eyelashes; lacquer-removing preparations; depilatories; cosmetic preparations for skin care; cosmetics; mascara; detergents other than for use in manufacturing operations and for medical purposes; degreasers other than for use in manufacturing processes; bleaching preparations [decolorants] for cosmetic purposes; antiperspirants [toiletries]; talcum powder, for toilet use; eye shadows; shampoos; extracts of flowers [perfumes]; ethereal essences.

5 – Antiseptic cotton; absorbent cotton; wadding for medical purposes; dietetic substances adapted for medical use; sea water for medicinal bathing; mineral waters for medical purposes; thermal water; mud for baths; medicinal mud; mineral food-supplements for medical purposes; yeast for pharmaceutical purposes; gelatine for medical purposes; cod liver oil; medical preparations with cosmetic properties; dental lacquer; adhesive plasters; lotions for pharmaceutical purposes; liniments; ointments for pharmaceutical purposes; sunburn ointments; milk of almonds for pharmaceutical purposes; royal jelly for pharmaceutical purposes; bunion pads; breast-nursing pads; pomades for medical purposes; belts for sanitary napkins [towels]; vitamin preparations; therapeutic preparations for the bath; pharmaceutical preparations for treating dandruff; pharmaceutical preparations for skin care; bath preparations, medicated; medicinal hair growth preparations; pharmaceutical preparations; sunburn preparations for pharmaceutical purposes; chemico-pharmaceutical preparations; collyrium; food for babies; dietetic foods adapted for medical purposes; menstruation bandages; insect repellents; sanitary napkins; tissues impregnated with pharmaceutical lotions; salts for mineral water baths; bath salts for medical purposes; salts for medical purposes; smelling salts; antiseptics; disinfectants for hygiene purposes; appetite suppressants for medical purposes; mouthwashes for medical purposes; detergents for medical purposes; remedies for perspiration; tonics [medicines]; menstruation tampons.

8 – Razors, electric or non-electric; nail clippers, electric or non-electric; cutting tools [hand tools]; razor blades; beard clippers; hair clippers for personal use, electric and non-electric; manicure sets; manicure sets, electric; pedicure sets; scissors; nail files; nail files, electric; tweezers; hair-removing tweezers;

finger nail polishers, electric or non-electric; cutters; curling tongs; cuticle nippers; nail nippers; eyelash curlers.

14 – Bracelets [jewellery]; straps for wristwatches; charms [jewellery]; key rings [trinkets or fobs]; brooches [jewellery]; pins [jewellery]; ornamental pins; tie pins; tie clips; cuff links; works of art of precious metal; jewellery; precious stones; semi-precious stones; necklaces [jewellery]; rings [jewellery]; boxes of precious metal; medallions [jewellery]; precious metals, unwrought or semi-wrought; coins; wire of precious metal [jewellery]; earrings; ornaments [jewellery]; shoe ornaments of precious metal; hat ornaments of precious metal; jewellery made from silver; ivory [jewellery]; cases for clock- and watchmaking; cases for watches [presentation]; chronographs [watches]; chains [jewellery, jewelry (am.)]; watch chains; clocks; watches; clocks and watches, electric; jewelry cases [caskets].

16 – Table linen of paper; note books; pamphlets; booklets; hygienic paper; packing paper; paper; newsletters; newspapers; printed publications; bags [envelopes, pouches] of paper or plastics, for packaging; calendars; envelopes [stationery]; viscose sheets for wrapping; plastic bubble packs for wrapping or packaging; sheets of reclaimed cellulose for wrapping; graphic prints; garbage bags of paper or of plastics; bags for microwave cooking; folders for papers; papier mâché; plastic film for wrapping; coasters of paper; bookends; stamp stands; mats for beer glasses; stands for pens and pencils; photograph stands; towels of paper; paperweights; writing cases [sets]; printed matter; napkins of paper for removing make-up; face towels of paper; stationery; paper coffee filters; silver paper; chaplets; advertisement boards of paper or cardboard; labels, not of textile.

35 – Import-export agencies; commercial information agencies; rental of advertising space; computerized file management; demonstration of goods; transcription; opinion polling; marketing studies; business information; commercial information and advice for consumers [consumer advice shop]; marketing research; professional business consultancy; organization of exhibitions for commercial or advertising purposes; organization of trade fairs for commercial or advertising purposes; shop window dressing; data search in computer files for others; presentation of goods on communication media, for retail purposes; auctioneering; sales promotion and retail sale services for others; promotion relating to the sale of pharmaceuticals and pharmacy services for others; distribution of samples; dissemination of advertising matter; advertising; on-line advertising on a computer network including domain name; compilation of information into computer databases; commercial administration of the licensing of the goods and services of others; administrative processing of purchase orders; public relations; modelling for advertising or

sales promotion; price comparison services; procurement services for others [purchasing goods and services for other businesses; outsourcing services [business assistance].

44 – Public baths for hygiene purposes; Turkish baths; hair implantation; pharmacy advice; hospitals; aromatherapy services; manicuring; massage; beauty salons; health spa services; visagists' services; services of a psychologist; sauna services; solarium services; nursing homes.

(260) AM 2014 74227 A

(800) 1175936

(151) 2012 12 20

(731) BARICALL MANAGEMENT LTD

Arch. Makariou III, 155 Proteas House,

5th Floor, CY-3026 LIMASSOL,

Cyprus

(540)



(591) Red and white

(511)

8 – Glaziers' diamonds (parts of hand tools); razors, electric or non-electric; sharpening steels; crow bars; levers; hoes (hand tools); table forks; forks; lawn clippers (hand instruments); harpoons; harpoons for fishing; nail extractors; rakes (hand tools); cutter bars; lifting jacks, hand-operated; drills; chisels; cutlery; garden tools, hand-operated; abrading instruments (hand instruments); depilation appliances, electric and non-electric; blade sharpening instruments; nail clippers, electric or non-electric; polishing irons (glazing tools); cutting tools (hand tools); hand tools, hand-operated; daggers; blades (weapons); tap wrenches; thistle extirpators (hand tools); pliers; ice picks; blades (hand tools); razor blades; jig-saws; spades (hand tools); trowels; beard clippers; hair clippers for personal use, electric and non-electric; hair clippers for animals (hand instruments); taps (hand tools); swords; hammers (hand tools); mincing knives (hand tools); manicure sets; manicure sets, electric; pedicure sets; needle files; files (tools); hand pumps; shaving cases; cheese slicers, non-electric; egg slicers, non-electric; pizza cutters, non-electric; blades for planes; scaling knives; can openers, non-electric; braiders (hand tools); hunting knives; penknives; knives; shears; shearers (hand instruments); border shears; scissors; vegetable shredders; screwdrivers; perforating tools (hand tools); nail files; nail files, electric; saws (hand tools); tweezers; hair-removing tweezers; guns, hand-operated, for the extrusion of mastics; guns

(hand tools); saw blades (parts of hand tools); tool belts (holders); table cutlery (knives, forks and spoons); hand implements for hair curling non-electric; fingernail polishers, electric or non-electric; weeding forks (hand tools); frames for handsaws; saw holders; cutters; cleavers; razor strops; leather strops; planes; augers (hand tools); bits (parts of hand tools); secateurs; silver plate (knives, forks and spoons); scrapers (hand tools); trowels (gardening); mortise chisels; gouges (hand tools); vices; hoop cutters (hand tools); axes; destructing apparatus for plant parasites; flat irons, non-electric; flat irons, electric; irons (non-electric hand tools); razor cases; vegetable choppers; nippers; wick trimmers (scissors); curling tongs; nutcrackers; sugar tongs; cuticle nippers; nail nippers; eyelash curlers.

12 – Casings for pneumatic tires (tyres); brake linings for vehicles; luggage carriers for vehicles; ski carriers for cars; bicycles; valves for vehicle tires (tyres); motors for cycles; bells for bicycles, cycles; rearview mirrors; inner tubes for bicycles, cycles; inner tubes for pneumatic tires (tyres); vehicle wheels; wheels for bicycles, cycles; brake segments for vehicles; hub caps; prams (baby carriages); baskets adapted for cycles; mopeds; repair outfits for inner tubes; adhesive rubber patches for repairing inner tubes; air pumps (vehicle accessories); bicycle pumps; rims for vehicle wheels; bicycle rims; pedals for cycles; anti-glare devices for vehicles; anti-theft devices for vehicles; sun-blinds adapted for automobiles; non-skid devices for vehicle tires (tyres); bicycle frames; rudders; bicycle handle bars; cranks for cycles; sleighs (vehicles); kick sledges; bicycle saddles; luggage nets for vehicles; dress guards for bicycles, cycles; anti-theft alarms for vehicles; reversing alarms for vehicles; vehicle seats; safety seats for children, for vehicles; scooters (vehicles); bicycle spokes; vehicle wheel spokes; undercarriages for vehicles; windscreen wipers; cycle stands; hubs for vehicle wheels; cycle hubs; bicycle brakes; direction signals for vehicles; bicycle stands; spoke clips for wheels; bicycle chains; covers for baby carriages; covers for vehicle steering wheels; saddle covers for bicycles or motorcycles; seat covers for vehicles; gears for cycles; tubeless tires (tyres) for bicycles, cycles; bicycle tires (tyres); automobile tires (tyres); tires for vehicle wheels; vehicle wheel tires (tyres); pneumatic tires (tyres); spikes for tires (tyres); mudguards; cycle mudguards; cigar lighters for automobiles.

21 – Indoor aquaria; buckets; china ornaments; dishes; paper plates; saucers; goblets; boxes for sweetmeats; lunch boxes; bottles; carboys; busts of china, terra-cotta or glass; vases; epergnes; fruit cups; bird baths; baby baths, portable; plungers for clearing blocked drains; waffle irons, non-electric; coolers (ice pails); coal scuttles; buckets made of woven fabrics; cooking skewers, of metal; napkin holders;

trouser stretchers; clothing stretchers; shirt stretchers; hair for brushes; birdcages; funnels; carpet beaters (hand instruments); signboards of porcelain or glass; candle extinguishers; flower pots; chamber pots; glue-pots; cruets; decanters; large-toothed combs for the hair; combs for animals; abrasive sponges for scrubbing the skin; sponges for household purposes; toilet sponges; deodorising apparatus for personal use; sponge holders; toothpick holders; soap holders; holders for flowers and plants (flower arranging); shaving brush stands; toilet paper holders; ironing boards; cutting boards for the kitchen; bread boards; washing boards; strainers; smoke absorbers for household purposes; containers for household or kitchen use; kitchen containers; boxes of glass; glass jars (carboys); heat-insulated containers; thermally insulated containers for food; glass flasks (containers); frying pans; closures for pot lids; buckskin for cleaning; toothpicks; ceramics for household purposes; majolica; works of art, of porcelain, terra-cotta or glass; brush goods; cleaning instruments, hand-operated; stew-pans; flower-pot covers, not of paper; shaving brushes; cages for household pets; polishing leather; shoe trees (stretchers); napkin rings; rails and rings for towels; rings for birds; piggy banks, not of metal; bread baskets, domestic; baskets for domestic use; feeding troughs for animals; cookie jars; tea caddies; washtubs; earthenware saucepans; mess-tins; cauldrons; coffee percolators, non-electric; coffeepots, non-electric; coffee grinders, hand-operated; fused silica (semi-worked product), other than for building; beer mugs; tankards; rat traps; pot lids; aquarium hoods; butter dish covers; covers for dishes; cheese-dish covers; buttonhooks; jugs; perfume burners; portable cold-boxes, non-electric; watering cans; insect traps; mixing spoons (kitchen utensils); basting spoons, for kitchen use; scoops tableware; pie servers; spatulas (kitchen utensils); butter dishes; material for brush-making; polishing materials for making shiny, except preparations, paper and stone; noodle machines, hand-operated; polishing apparatus and machines, for household purposes, non-electric; pepper mills, hand-operated; feather-dusters; brooms; isothermic bags; confectioners' decorating bags (pastry bags); make-up removing appliances, electric; basins (bowls); mosaics of glass, not for building; saucepan scourers of metal; soap boxes; mouse traps; cooking pot sets; nozzles for watering cans; spouts; nozzles for sprinkler hose; fitted picnic baskets, including dishes; toilet cases; floss for dental purposes; fiberglass thread, not for textile use; cookie (biscuit) cutters; pastry cutters; sprinklers; sprinklers for watering flowers and plants; cotton waste for cleaning; wool waste for cleaning; cleaning tow; chopsticks; cocktail stirrers; pepper pots; gloves for household purposes; polishing gloves; gardening gloves; plates to prevent milk boiling over; trays for domestic purposes; trays for domestic purposes, of paper; lazy

trays; vegetable dishes; cabarets (trays); heaters for feeding bottles, non-electric; candlesticks; trivets (table utensils); coasters, not of paper and other than table linen; menu card holders; knife rests for the table; flat-iron stands; egg cups; grill supports; abrasive pads for kitchen purposes; pads for cleaning; drinking troughs; powdered glass for decoration; pottery; cooking pots; pressure cookers (autoclaves), non-electric; painted glassware; tableware, other than knives, forks and spoons; porcelain ware; crockery; crystal (glassware); cosmetic utensils; toilet utensils; trouser presses; cruet stands for oil and vinegar; spice sets; appliances for removing make-up, non-electric; food cooling devices, containing heat exchange fluids, for household purposes; toilet paper dispensers; apparatus for wax-polishing, non-electric; bottle openers; glove stretchers; boot-jacks; crumb trays; tie presses; clothes-pegs; glass stoppers; powder compacts; perfume sprayers; powder puffs; dusting apparatus, non-electric; soap dispensers; combs; electric combs; grills (cooking utensils); sifters (household utensils); drinking horns; shoe horns; candle rings; salad bowls; sugar bowls; beaters, non-electric; whisks, non-electric, for household purposes; services (dishes); coffee services; liqueur sets; tea services; cinder sifters (household utensils); tea strainers; siphons for carbonated water; pipettes (wine-tasters); rolling pins, domestic; hot pots, not electrically heated; steel wool for cleaning; currycombs; blenders, non-electric, for household purposes; fruit presses, non-electric, for household purposes; salt shakers; drinking vessels; vessels of metal for making ices and iced drinks; refrigerating bottles; cups of paper or plastic; glass (receptacles); drinking glasses; statues of porcelain, terra-cotta or glass; figurines (statuettes) of porcelain, terra-cotta or glass; glass for vehicle windows (semi-finished product); plate glass (raw material); opal glass; glass incorporating fine electrical conductors; enamelled glass; glass, unworked or semi-worked, except building glass; glass wool other than for insulation; fibreglass other than for insulation or textile use; vitreous silica fibers (fibres), not for textile use; soup bowls; drying racks for washing; basins (receptacles); table plates; disposable table plates; graters (household utensils); vacuum bottles; indoor terrariums (plant cultivation); indoor terrariums (vivariums); cloth for washing floors; cloths for cleaning; dusting cloths (rags); furniture dusters; litter boxes (trays) for pets; urns; aerosol dispensers, not for medical purposes; water apparatus for cleaning teeth and gums; kitchen mixers, non-electric; wax-polishing appliances, non-electric, for shoes; sprinkling devices; utensils for household purposes; kitchen utensils; cooking utensils, non-electric; strainers for household purposes; coffee filters, non-electric; flasks; drinking flasks for travellers; moulds (kitchen utensils); ice cube molds (moulds); cookery molds (moulds); deep fryers, non-electric; comb cases;

bread bins; fly catchers (traps or whisks); teapots; kettles, non-electric; cups; garlic presses (kitchen utensils); ironing board covers, shaped; tea balls; glass bowls; mops; mixers, manual (cocktail shakers); corkscrews; pig bristles; dishwashing brushes; brushes for cleaning tanks and containers; lamp-glass brushes; horse brushes; scrubbing brushes; toothbrushes; toothbrushes, electric; animal bristles (brushware); carpet sweepers; brushes for footwear; toilet brushes; electric brushes, except parts of machines; brushes; eyebrow brushes; nail brushes; nest eggs, artificial; mangers for livestock; boxes of metal, for dispensing paper towels; dustbins.

(260) AM 2014 74445 A

(800) 1177792

(151) 2012 11 14

(731) KENDAL ELEKTRİK AYDINLATMA
ELEKTRONİK İNŞAAT SANAYİ VE DİŞ
TİCARET LİMİTED ŞİRKETİ
Kuledibi, Büyükhendek Caddesi, No:28,
Beyoğlu-İstanbul, Turkey

(540)



(591) Black and yellow

(511)

9 – Apparatus and instruments used for measurement for scientific purposes and used in laboratory, apparatus for recording, transmission or reproduction of sound and images including data processing apparatus, communication devices, computer software and hardware; computer software to enable uploading, downloading, accessing, posting, displaying, tagging, blogging, streaming, linking, sharing or otherwise providing electronic media or information via computer and communication networks; magnetic and optical data media and exposed camera films; antennas, satellite antennas, amplifiers and parts thereof; ticket dispensers, cash dispensers; electronic devices used in machines and devices, electronic semi-conductors, electronic integrated circuits, electronic chips; electric meters, water meters, gas meters, counters and timers used for measuring the consumption in a unit of time; protective clothing, life saving and protecting equipments; eyeglasses, sun glasses, lenses and their boxes, cases, parts and accessories; apparatus and instruments for transmitting, converting and storing electrical energy including cables and power supplies used in electric and electronic; electric door bells, alarms other than vehicle alarms; traffic signalization equipments; fire-extinguishing apparatus; radars, submarine radars (sonars), night vision providing and increasing devices and apparatus, namely, night vision goggles; anodes, cathodes; magnets, decorative magnets.

11 – Lighting installations, lighting apparatus for vehicles, interior and exterior lights; lamps, light bulbs, projector lamps, lanterns, chandeliers, lamp glasses, lamp mantles, lamps for directional signals and parking lights of vehicles (bulbs), headlights, stop lights, light bulbs for signals and park lights, vehicle reflectors, reflector lamps; devices for heating and vapor producing installations, stoves (heating apparatus), boilers for central heating and natural gas installations, gas boilers, burners, heaters, heaters for baths, radiators, heat pumps, electric water boilers, solar collectors and devices (heating); heating apparatus for solid, liquid or gaseous fuels, cookers; air-conditioning installations and apparatus, air blowing fans, ventilators, air-conditioning apparatus including for vehicles; air sterilizers and purifying devices, installations and their parts and accessories for residences; refrigerators, deep freezers, ice boxes, ice machines and devices; electric and gas operated apparatus, machines and equipment used in cooking and boiling, namely, toasters, bread toasters, deep fryers, grills, ovens, stoves, electric popcorn poppers, autoclaves, coffee and tea machines, water boilers (kettles) and their parts; clothes drying machines (electric, for household purposes), electric hair-dryers, hand drying apparatus for washrooms; bath tubs, bidets, bath installations, shower enclosures, urinals (sanitary fixtures) water closets, toilets, portable; lavatories, sinks; thermostatic valves as parts of heating installations, level controlling valves in tanks, regulating accessories for water or gas apparatus, whirlpool-jet apparatus; automatic watering installations, water-pipes for sanitary installations, watering machines for agricultural purposes; water softening apparatus and installations, water purifying apparatus and machines, water purification installations, incinerators, water purifiers; bedwarmers and blankets, electric, not for medical purposes; electric heating pads and cushions, not for medical purposes; electric footwarmers; footmuffs, electrically heated; hot water bottles; aquarium filters, filtration apparatus incorporating a motor device; aquarium heaters and lights; industrial type furnaces; industrial type dryer installations; Industrial type cooling installations, cooling towers, air cooling apparatus; pasteurizers and sterilizers.

(260) AM 2014 74461 A

(800) 1178068

(151) 2013 07 29

(731) INSTITUTE HYALUAL GMBH
Birkenstrasse 47, CH-6343 Rotkreuz,
Switzerland

(540)

XELA

(591) Black, white

(511)

3 – Cosmetics and cosmetic preparations; anti-aging preparations for skin care, including gels, creams, milks, masks, lotions; moisturizing creams, lotions,

milks, masks and gels; body and face cleansing preparations; skin cleansing and exfoliating preparations; cosmetic anti-wrinkle products.

5 – Injectable dermal filler.

(260) AM 2014 74799 A
(800) 1180973
(151) 2013 08 06
(731) REED MESSE WIEN GMBH
Messeplatz 1, A-1020 Wien, Austria
(540)



(591) Black, white
(511)

16 – Printed matter; printed publications; brochures, catalogues, guides, leaflets, advertising and promotional materials; instructional and teaching materials; printed information relating to trade shows, exhibitions, expositions, fairs, conferences, seminars and business and educational events.

35 – Organisation, arranging and conducting of exhibitions, trade shows and expositions for business purposes; provision and dissemination of information relating to all the aforesaid services including materials relating to exhibitions, trade shows and expositions for business purposes; provision and dissemination of commercial information, assistance and advice for exhibition attendants, visitors and exhibitors; including all such information provided electronically, including on a website; organisation, arranging and conducting of business to business and consumer fairs, forums and events within the context of exhibitions, trade shows and expositions for business purposes; job fairs; recruitment services; job boards and provision of job listings, including on a website; promotional, advertising and marketing services; provision of incentive schemes and information relating to incentive schemes; business introductory and meetings services and business networking schemes; information relating to business introductory services; information relating to business networking and meetings.

41 – Organisation, arranging and conducting of exhibitions, conferences, conventions, seminars, workshops, expositions and events; provision and dissemination of information relating to all the aforesaid services including materials relating to exhibitions, conferences, conventions, seminars, workshops, expositions and events; provision and dissemination of information, assistance and advice for exhibition and conference attendants, visitors and exhibitors all relating to exhibitions, conferences, expositions and events; including all such information and advice provided electronically, including on a website; education and training services; publication of materials

all relating to exhibitions, conferences, conventions, seminars, workshops, expositions and events

(260) AM 2014 74804 A
(800) 1180977
(151) 2013 04 10
(731) POSTA VE TELGRAF TEŞKİLATI
ANONİM ŞİRKETİ
Şehit Teğmen Kalmaz Caddesi, No:2, Kat:8,
Ulus-Ankara, Turkey
(540)



(591) Dark blue and red
(511)

39 – Land, air and sea transport of passengers; tourist information services relating to travel and tour guide services provided by tour agencies, making reservations and bookings for transportation and travel and tour tickets, tour organization services, message and goods delivery by courier, distribution of goods by mail services, namely, cargo handling, shipping and delivery services, namely, pickup, transportation, and delivery of packages and letters by various modes of transportation, distribution services, namely, delivery of newspapers, package delivery services via airline transportation; rental of land, air and sea vehicles; parking lot services, garage space rental services; boat sheltering services in the nature of boat storage; pipeline transport services, namely, transmission of oil and gas through pipelines; electricity distribution services; water supply services; vehicle and goods rescue services; storage, packaging and crating of baggage; garbage storage and transport services, waste collection and transport services.

(260) AM 2014 74808 A
(800) 1181053
(151) 2013 09 09
(731) Sturm, Ruger & Company, Inc.
1 Lacey Place, Southport CT 06890, USA
(540)



(591) Black, white
(511)
13 – Firearms.

(260) AM 2014 74809 A
(800) 1181055
(151) 2013 08 05
(731) Tovarystvo z obmezhenoiu vidpovidalnistiu

"KONDYTERSKA FABRYKA "YARYCH"
vul. Zavodska, bud. 1, s. Staryi Yarychiv,
Kamianka-Buzkyi rayon, Lvivska obl. 80463,
Ukraine

(540)



(591) White, green and red
(511)

30 – Aniseed; peanut confectionery; baking soda [bicarbonate of soda for cooking purposes]; soya bean paste [condiment]; bean meal; star aniseed; tapioca flour for food; flour; farinaceous foods; pastries; bread rolls; buns; sandwiches; vanillin [vanilla substitute]; waffles; vermicelli [noodles]; pasties; farinaceous foods; oatmeal; oat flakes; oat-based food; sea water for cooking; weeds [condiment]; binding agents for ice cream [edible ices]; biscuits; cloves [spice]; mustard; mustard meal; glucose for culinary purposes; relish [condiment]; yeast; essences for foodstuffs, except etheric essences and essential oils; fruit jellies [confectionery]; chewing gum; custard; leaven; rice-based snack food; cereal-based snack food; artificial coffee; frozen yoghurt [confectionery ices]; flavourings, other than essential oils, for beverages; flavourings, other than essential oils, for cakes; aromatic preparations for food; flavourings, other than essential oils; thickening agents for cooking foodstuffs; cereal preparations; cereal-based snack food; ginger [spice]; coffee; unroasted coffee; artificial coffee; coffee flavorings [flavourings]; coffee-based beverages; coffee beverages with milk; vegetal preparations for use as coffee substitutes; coffee flavorings [flavourings]; cocoa; cocoa beverages with milk; cocoa-based beverages; cocoa products; sandwiches; capers; caramels [candy]; lozenges [confectionery]; curry [spice]; potato flour for food; ketchup [sauce]; gluten prepared as foodstuff; confectionery; pasties; sugar confectionery; tortillas; cinnamon [spice]; starch for food; hominy grits; groats for human food; corn, milled; corn, roasted; corn meal; popcorn; corn flakes; turmeric for food; couscous [semolina]; cooking salt; confectionery for decorating christmas trees; ice for refreshment; ice, natural or artificial; edible ices; liquorice [confectionery]; noodles; candy; mayonnaise; macaroni; pasta; maltose; hominy; semolina; chow-chow [condiment]; marzipan; royal jelly; honey; molasses for food; macaroons [pastry]; almond paste; almond confectionery; flour-milling products; pancakes; spring rolls; gruel, with a milk base, for food; ice cream; nutmegs; muesli; meat gravies; mint for confectionery; peppermint sweets; chocolate-based beverages; star aniseed; infusions, not medicinal; husked oats; crushed oats; vinegar; husked barley; stick liquorice [confectionery]; soya bean paste [condiment]; ravioli; pepper; peppers [seasonings]; allspice; cookies; beer vinegar; meat pies; quiches; meat

gravies; natural sweeteners; pizzas; chips [cereal products]; pies; fondants [confectionery]; powders for ice cream; pralines; condiments; dressings for salad; seasonings; unleavened bread; bee glue; gingerbread; spices; puddings; cake powder; rice; rice cakes; baking powder; ferments for pastes; sago; garden herbs, preserved [seasonings]; celery salt; golden syrup; salt for preserving foodstuffs; soya flour; soya sauce; malt for human consumption; malt biscuits; malt extract for food; tomato sauce; sauces [condiments]; spaghetti; rusks; breadcrumbs; petit-beurre biscuits; sushi; tabbouleh; tacos; tapioca; cakes; petits fours [cakes]; almond paste; crackers; cakes; tarts; sherbets [ices]; fruit jellies [confectionery]; halvah; baking soda [bicarbonate of soda for cooking purposes]; edible ices; bread; chicory [coffee substitute]; sweetmeats [candy]; peppermint sweets; sugar; tea; iced tea; chutneys [condiments]; saffron [seasoning]; chocolate; chocolate-based beverages; chocolate beverages with milk; barley meal; husked barley; crushed barley.

(260) AM 2014 74816 A

(800) 1181113

(151) 2013 09 26

(731) BARILLA G.E.R. FRATELLI – SOCIETÀ
PER AZIONI

Via Mantova, 166, I-43100 Parma, Italy

(540)



(591) Blue, yellow and white

(511)

30 – Coffee, tea, cocoa, sugar, rice, tapioca, sago, artificial coffee; flour and preparations made from cereals, bread, bread substitutes and other bread products; snacks made from cereals; biscuits, pastry and confectionery; chocolate and chocolate-based products or products containing chocolate; bakery products; snacks and sweet snacks; preparations for making cakes; pizzas and preparations for pizzas; ice cream; honey, treacle; yeast, baking powder; salt, mustard; vinegar, sauces (condiments); spices; ice.

(260) AM 2014 74823 A

(800) 1181172

(151) 2013 04 16

(731) PF Concept International B.V.

De Lasso 14, NL-2371 GV Roelofarendsveen,
Netherlands

(540)



(591) Dark blue and light blue
(511)

35 – Advertising; publicity; business management; business administration; office functions, including administrative processing of electronically booked orders; auctioneering; retail sale in the aforementioned field; providing computerized search and on-line ordering services with regard to gifts and promotional items, for third parties; compiling searchable online advertising guides about gifts and promotional items via a worldwide computer network; sales promotion for the goods and services of third parties; direct marketing; business intermediary services regarding the import and export of products; business intermediary services regarding the purchase and sale of products, including promotional products and gifts; advisory services regarding business management; help in the organization or management of a commercial undertaking; help in the management of business affairs or commercial functions of an industrial or commercial enterprise; dissemination of advertising materials and articles; advertising design; advisory services regarding advertising design; services provided by a design agency, namely designing, development of names and logo's for publicity purposes; restyling of logo's and company logo's for publicity purposes; services provided by a design agency for publicity purposes, in particular for letters, logos, brochures and printed matters.

39 – Transport; packaging and storage of goods; travel arrangement; distribution [transport] of goods.

42 – Services provided by a design agency, namely design and development of names and logo's, not for publicity purposes; restyling of logos and company logos, not for publicity purposes; product development; services provided by a graphic design agency, in particular for letters, logos, brochures and printed matters, not for publicity purposes; web design; advisory services regarding the aforesaid services.

(260) AM 2014 74824 A

(800) 1181180

(151) 2013 05 27

(731) ITT ITALIA S.r.l.

Corso Europa, 41/43, I-20020 LAINATE
(MI), Italy

(540)



(591) Red (Pantone 1797 c) and blue
(Pantone 655 c)

(511)

7 – Mechanical devices for the manufacture of vehicle parts; electrically driven tools for assembling

and disassembling of vehicle parts; brakes, other than for vehicles, and parts thereof.

9 – Mechanical devices for measuring vehicle parts.

12 – Vehicle parts, including brake blocks, brake shoes, chocks, and parts thereof, such as back plates, brake pads; brakes for vehicles and parts thereof.

16 – Instruction manuals, books for describing said vehicle parts.

(260) AM 2014 74825 A

(800) 1181237

(151) 2013 09 23

(731) ADRIATIC SLOVENICA d.d.

Ljubljanska cesta 3A6 SI-6500 KOPER,
Slovenia

(540)



(591) Cyan blue and white

(511)

36 – Insurance; financial affairs; real estate affairs; pension fund services; pension insurance, retirement insurance, private pension insurances; income insurance, annuity insurance underwriting; life insurance; health insurance; accident insurance; insurance of possessions and persons; fire insurance; earthquake insurance; insurance underwriting; vehicle, air vehicle and water vehicle insurance; home insurance; real estate insurance; insurance for shows and events; liability insurance; insurance of animals; goods in transit insurance; insurance information; insurance consultancy; insurance brokerage; financial evaluation (insurance); credit protection insurance and surety insurance; financial loss insurance; life insurance with risk investments; insurance representation services and insurance intermediary services; all the aforesaid services also supplied online via a computer network and/or the Internet.

(260) AM 2014 74828 A

(800) 813353

(151) 2003 09 04

(891) 2013 09 09

(731) SMITH & NEPHEW PLC

15 Adam Street London, WC2N 6LA,
United Kingdom

(540)



(591) Black, white

(511)

3 – Bleaching preparations and other substances for laundry use; cleaning, polishing, scouring and abra-

sive preparations; soaps; perfumery, essential oils, cosmetics, hair lotions; dentifrices.

5 – Pharmaceutical and veterinary preparations; sanitary preparations for medical purposes; dietetic substances adapted for medical use, food for babies; plasters, materials for dressings; material for stopping teeth, dental wax; disinfectants; preparations for destroying vermin; fungicides, herbicides.

9 – Scientific, nautical, surveying, photographic, cinematographic, optical, weighing, measuring, signalling, checking (supervision), life-saving and teaching apparatus and instruments; apparatus and instruments for conducting, switching, transforming, accumulating, regulating or controlling electricity; apparatus for recording, transmission or reproduction of sound or images; magnetic data carriers, recording discs; automatic vending machines and mechanisms for coin-operated apparatus; cash registers, calculating machines, data processing equipment and computers; fire-extinguishing apparatus; computer software for medical use.

10 – Surgical, medical, dental and veterinary apparatus and instruments, artificial limbs, eyes and teeth; orthopedic articles; suture materials.

44 – Medical services; veterinary services; hygienic and beauty care for human beings or animals; agriculture, horticulture and forestry services.

(260) AM 2014 74831 A

(800) 833190

(151) 2004 04 30

(891) 2013 10 10

(731) CHANTECLER S.p.A.

Via Francesco Caracciolo, 11, I-80122 Napoli,
Italy

(540)



Chantecler

(591) Black, white

(511)

14 – Precious metals and their alloys and goods in precious metals or coated therewith, not included in other classes; jewellery, precious stones; horological and chronometric instruments.

(260) AM 2014 74833 A

(800) 949987

(151) 2007 11 27

(891) 2013 08 28

(731) BUSHIDO Group Ltd

P.O. Box 3321, Drake Chambers, Road Town,
Tortola, British Virgin Islands

(540)

BUSHIDO

(591) Black, white

(511)

30 – Coffee, tea, cocoa, sugar, rice, tapioca, sago, artificial coffee; flour and preparations made from cereals, bread, pastry and confectionery, ices; honey, treacle; yeast, baking-powder; salt, mustard; vinegar, sauces (condiments); spices; ice.

INTERNATIONAL TRADEMARKS PROTECTED IN GEORGIA

(260) AM 2014 70182 A
(800) 1139027
(151) 2012 09 27
(181) 2022 09 27
(511) 16

(260) AM 2014 70512 A
(800) 1143390
(151) 2012 08 01
(181) 2022 08 01
(511) 05

(260) AM 2014 70579 A
(800) 1144363
(151) 2012 12 07
(181) 2022 12 07
(511) 34

(260) AM 2014 71100 A
(800) 1147891
(151) 2012 10 16
(181) 2022 10 16
(511) 34

(260) AM 2014 71409 A
(800) 1150695
(151) 2012 11 05
(181) 2022 11 05
(511) 05

(260) AM 2014 71410 A
(800) 1150701
(151) 2013 01 18
(181) 2023 01 18
(511) 16, 32, 34, 35

(260) AM 2014 71413 A
(800) 1150746
(151) 2012 12 21
(181) 2022 12 21
(511) 25

(260) AM 2014 71414 A
(800) 1150772
(151) 2012 12 18
(181) 2022 12 18
(511) 03

(260) AM 2014 71421 A
(800) 1150774
(151) 2013 01 07
(181) 2023 01 07
(511) 05

(260) AM 2014 71422 A
(800) 1150775
(151) 2013 01 07
(181) 2023 01 07
(511) 05

(260) AM 2014 71424 A
(800) 1150782
(151) 2012 12 11
(181) 2022 12 11
(511) 33

(260) AM 2014 71426 A
(800) 1150820
(151) 2012 05 22
(181) 2022 05 22
(511) 01, 02, 16, 35, 37, 40, 42

(260) AM 2014 71428 A
(800) 1150832
(151) 2012 09 05
(181) 2022 09 05
(511) 02, 19

(260) AM 2014 71430 A
(800) 1150862
(151) 2012 10 11
(181) 2022 10 11
(511) 32

(260) AM 2014 71432 A
(800) 1150899
(151) 2012 12 20
(181) 2022 12 20
(511) 25

(260) AM 2014 71437 A
(800) 1150939
(151) 2012 12 12
(181) 2022 12 12
(511) 05

(260) AM 2014 71438 A
(800) 1150950
(151) 2013 01 25
(181) 2023 01 25
(511) 29

(260) AM 2014 71608 A
(800) 1152093
(151) 2012 10 26
(181) 2022 10 26
(511) 05

(260) AM 2014 71449 A
(800) 1150987
(151) 2013 02 01
(181) 2023 02 01
(511) 12

(260) AM 2014 71609 A
(800) 1152094
(151) 2012 10 26
(181) 2022 10 26
(511) 05

(260) AM 2014 71450 A
(800) 1150989
(151) 2013 01 09
(181) 2023 01 09
(511) 09

(260) AM 2014 71612 A
(800) 1152124
(151) 2012 12 06
(181) 2022 12 06
(511) 05

(260) AM 2014 71451 A
(800) 1151019
(151) 2013 02 08
(181) 2023 02 08
(511) 30

(260) AM 2014 71628 A
(800) 1152235
(151) 2012 11 05
(181) 2022 11 05
(511) 05

(260) AM 2014 71454 A
(800) 1151043
(151) 2012 12 28
(181) 2022 12 28
(511) 07, 12

(260) AM 2014 71629 A
(800) 1152236
(151) 2012 11 05
(181) 2022 11 05
(511) 05

(260) AM 2014 71455 A
(800) 1151076
(151) 2012 08 08
(181) 2022 08 08
(511) 11

(260) AM 2014 71846 A
(800) 1122687
(151) 2012 03 22
(181) 2022 03 22
(511) 03, 08, 11, 21, 35, 44

(260) AM 2014 71456 A
(800) 1151105
(151) 2012 12 04
(181) 2022 12 04
(511) 05

(260) AM 2014 71848 A
(800) 1153092
(151) 2012 12 10
(181) 2022 12 10
(511) 34

(260) AM 204 71597 A
(800) 1152018
(151) 2012 12 28
(181) 2022 12 28
(511) 32, 33

(260) AM 2014 71849 A
(800) 1153096
(151) 2013 02 27
(181) 2023 02 27
(511) 43

(260) AM 2014 71607 A
(800) 1152092
(151) 2012 10 26
(181) 2022 10 26
(511) 05

(260) AM 2014 71850 A
(800) 1153141
(151) 2012 10 17
(181) 2022 10 17
(511) 05

(260) AM 2014 71851 A
(800) 1153142
(151) 2012 10 17
(181) 2022 10 17
(511) 05

(260) AM 2014 71852 A
(800) 1153158
(151) 2012 12 10
(181) 2022 12 10
(511) 07, 09, 12, 42

(260) AM 2014 71857 A
(800) 1153205
(151) 2012 12 26
(181) 2022 12 26
(511) 30

(260) AM 2014 71858 A
(800) 1153211
(151) 2013 02 11
(181) 2023 02 11
(511) 05

(260) AM 2014 71865 A
(800) 1153271
(151) 2013 02 11
(181) 2023 02 11
(511) 05

(260) AM 2014 71866 A
(800) 1153282
(151) 2013 01 04
(181) 2023 01 04
(511) 05

(260) AM 2014 71868 A
(800) 1153295
(151) 2012 12 21
(181) 2022 12 21
(511) 03

(260) AM 2014 71871 A
(800) 1153357
(151) 2012 12 24
(181) 2022 12 24
(511) 09, 38

(260) AM 2014 71872 A
(800) 1153389
(151) 2012 12 21
(181) 2022 12 21
(511) 27

(260) AM 2014 71874 A
(800) 1153391
(151) 2013 02 07
(181) 2023 02 07
(511) 07

(260) AM 2014 71878 A
(800) 1153484
(151) 2012 12 20
(181) 2022 12 20
(511) 03, 44

(260) AM 2014 71879 A
(800) 1153501
(151) 2012 09 26
(181) 2022 09 26
(511) 11

(260) AM 2014 71908 A
(800) 1153809
(151) 2012 12 26
(181) 2022 12 26
(511) 03, 35, 37

(260) AM 2014 71909 A
(800) 1153810
(151) 2012 12 26
(181) 2022 12 26
(511) 03, 35, 37

(260) AM 2014 71912 A
(800) 697731
(151) 1998 07 16
(891) 2013 01 04
(181) 2018 07 16
(511) 18

(260) AM 2014 72176 A
(800) 942194
(151) 2007 10 23
(891) 2013 02 27
(181) 2017 10 23
(511) 05

(260) AM 2014 72180 A
(800) 1058702
(151) 2010 07 27
(891) 2013 03 19
(181) 2020 07 27
(511) 18, 25

(260) AM 2014 72181 A
(800) 1067222
(151) 2011 01 24

(891) 2013 03 06
(181) 2021 01 24
(511) 03

(260) AM 2014 72186 A
(800) 1120325
(151) 2012 05 14
(891) 2013 03 18
(181) 2022 05 14
(511) 30

(260) AM 2014 72383 A
(800) 1158580
(151) 2013 03 05
(181) 2023 03 05
(511) 05

(260) AM 2014 72387 A
(800) 1158588
(151) 2013 03 14
(181) 2023 03 14
(511) 03

(260) AM 2014 72393 A
(800) 1158670
(151) 2012 09 04
(181) 2022 09 04
(511) 03, 14, 18, 20, 21, 24, 25, 26, 28, 35

(260) AM 2014 72396 A
(800) 1158697
(151) 2012 12 21
(181) 2022 12 21
(511) 06, 17, 19

(260) AM 2014 72398 A
(800) 1158714
(151) 2013 03 13
(181) 2023 03 13
(511) 05

(260) AM 2014 72401 A
(800) 1158725
(151) 2013 03 14
(181) 2023 03 14
(511) 05

(260) AM 2014 72402 A
(800) 1158810
(151) 2013 02 12
(181) 2023 02 12
(511) 09, 17

(260) AM 2014 72403 A
(800) 1158823
(151) 2013 03 20
(181) 2023 03 20
(511) 05

(260) AM 2014 72406 A
(800) 1158840
(151) 2012 11 12
(181) 2022 11 12
(511) 05

(260) AM 2014 72407 A
(800) 1158868
(151) 2013 02 25
(181) 2023 02 25
(511) 09, 16, 18, 28

(260) AM 2014 72409 A
(800) 1158869
(151) 2013 02 25
(181) 2023 02 25
(511) 09, 16, 18, 28

(260) AM 2014 72410 A
(800) 1158910
(151) 2013 03 25
(181) 2023 03 25
(511) 14

(260) AM 2014 72502 A
(800) 1127799
(151) 2012 06 29
(891) 2013 02 22
(181) 2022 06 29
(511) 18, 25

(260) AM 2014 72504 A
(800) 1141640
(151) 2012 10 04
(891) 2013 04 16
(181) 2022 10 04
(511) 18, 25

(260) AM 2014 72505 A
(800) 1146343
(151) 2012 11 15
(891) 2013 04 19
(181) 2022 11 15
(511) 41

(260) AM 2014 72819 A
(800) 1162109
(151) 2013 01 25

(181) 2023 01 25
(511) 05

(260) AM 2014 72826 A
(800) 1162136
(151) 2013 03 19
(181) 2023 03 19
(511) 01

(260) AM 2014 72848 A
(800) 1162406
(151) 2013 05 07
(181) 2023 05 07
(511) 30

(260) AM 2014 72849 A
(800) 1162417
(151) 2012 09 28
(181) 2022 09 28
(511) 01, 05, 09, 10

(260) AM 2014 72850 A
(800) 1162424
(151) 2013 01 28
(181) 2023 01 28
(511) 19

(260) AM 2014 72851 A
(800) 1162425
(151) 2013 01 28
(181) 2023 01 28
(511) 19

(260) AM 2014 72852 A
(800) 1162460
(151) 2013 04 04
(181) 2023 04 04
(511) 05

(260) AM 2014 72853 A
(800) 1162474
(151) 2013 04 18
(181) 2023 04 18
(511) 18, 25

(260) AM 2014 72859 A
(800) 1162481
(151) 2013 03 22
(181) 2023 03 22
(511) 03, 18, 25, 35

(260) AM 2014 72860 A
(800) 1162490
(151) 2013 04 08
(181) 2023 04 08
(511) 33

(260) AM 2014 72861 A
(800) 1162493
(151) 2013 03 27
(181) 2023 03 27
(511) 12, 16, 17

(260) AM 2014 72862 A
(800) 1162496
(151) 2013 05 13
(181) 2023 05 13
(511) 03, 05, 21

(260) AM 2014 72863 A
(800) 1162503
(151) 2013 04 05
(181) 2023 04 05
(511) 05

(260) AM 2014 72864 A
(800) 1162573
(151) 2013 04 18
(181) 2023 04 18
(511) 29

(260) AM 2014 72865 A
(800) 1162624
(151) 2013 02 11
(181) 2023 02 11
(511) 06, 07, 40

(260) AM 2014 72866 A
(800) 1162626
(151) 2013 02 26
(181) 2023 02 26
(511) 03

(260) AM 2014 72920 A
(800) 513872
(151) 1987 06 20
(891) 2013 05 21
(181) 2017 06 20
(511) 18, 25

(260) AM 2014 72952 A
(800) 1163586
(151) 2013 05 02

(181) 2023 05 02
(511) 05

(260) AM 2014 72956 A
(800) 1163616
(151) 2012 12 27
(181) 2022 12 27
(511) 01

(260) AM 2014 72957 A
(800) 1163629
(151) 2013 02 11
(181) 2023 02 11
(511) 09, 14, 25, 35, 38, 41

(260) AM 2014 72958 A
(800) 1163631
(151) 2013 02 12
(181) 2023 02 12
(511) 19

(260) AM 2014 72959 A
(800) 1163642
(151) 2013 02 27
(181) 2023 02 27
(511) 12

(260) AM 2014 72963 A
(800) 1163648
(151) 2013 01 31
(181) 2023 01 31
(511) 09

(260) AM 2014 72964 A
(800) 1163651
(151) 2013 03 08
(181) 2023 03 08
(511) 04

(260) AM 2014 72965 A
(800) 1163721
(151) 2013 05 14
(181) 2023 05 14
(511) 09

(260) AM 2014 72966 A
(800) 1163774
(151) 2013 05 14
(181) 2023 05 14
(511) 29

(260) AM 2014 72967 A
(800) 1163781
(151) 2013 04 23
(181) 2023 04 23
(511) 29

(260) AM 2014 72969 A
(800) 1163782
(151) 2013 04 19
(181) 2023 04 19
(511) 30

(260) AM 2014 72970 A
(800) 1163784
(151) 2013 05 10
(181) 2023 05 10
(511) 31

(260) AM 2014 72971 A
(800) 1163798
(151) 2013 04 24
(181) 2023 04 24
(511) 30

(260) AM 2014 72975 A
(800) 1163822
(151) 2013 05 10
(181) 2023 05 10
(511) 05

(260) AM 2014 72976 A
(800) 1163829
(151) 2012 12 05
(181) 2022 12 05
(511) 06, 07, 17, 19

(260) AM 2014 72977 A
(800) 1163852
(151) 2013 03 20
(181) 2023 03 20
(511) 05

(260) AM 2014 72978 A
(800) 1163853
(151) 2013 03 22
(181) 2023 03 22
(511) 05, 29, 30

(260) AM 2014 72979 A
(800) 1163854
(151) 2013 03 20
(181) 2023 03 20
(511) 05

(260) AM 2014 72980 A
(800) 1163855
(151) 2013 03 20
(181) 2023 03 20
(511) 29

(260) AM 2014 72989 A
(800) 1163952
(151) 2013 02 19
(181) 2023 02 19
(511) 25, 35

(260) AM 2014 72981 A
(800) 1163862
(151) 2013 04 03
(181) 2023 04 03
(511) 06, 19, 37, 42

(260) AM 2014 72990 A
(800) 1163969
(151) 2013 03 13
(181) 2023 03 13
(511) 16, 32, 34, 35

(260) AM 2014 72982 A
(800) 1163886
(151) 2013 03 26
(181) 2023 03 26
(511) 09, 16, 25, 28, 35, 38, 41, 42, 45

(260) AM 2014 72991 A
(800) 1163970
(151) 2013 03 13
(181) 2023 03 13
(511) 16, 32, 34, 35

(260) AM 2014 72983 A
(800) 1163896
(151) 2013 02 07
(181) 2023 02 07
(511) 11

(260) AM 2014 72992 A
(800) 1163971
(151) 2013 03 15
(181) 2023 03 15
(511) 16, 32, 34, 35

(260) AM 2014 72984 A
(800) 1163898
(151) 2013 02 07
(181) 2023 02 07
(511) 11

(260) AM 2014 72993 A
(800) 1163972
(151) 2013 03 14
(181) 2023 03 14
(511) 16, 32, 34, 35

(260) AM 2014 72985 A
(800) 1163899
(151) 2013 02 07
(181) 2023 02 07
(511) 11

(260) AM 2014 72994 A
(800) 1163973
(151) 2013 03 15
(181) 2023 03 15
(511) 16, 32, 34, 35

(260) AM 2014 72986 A
(800) 1163928
(151) 2013 01 09
(181) 2023 01 09
(511) 01, 02, 03

(260) AM 2014 72995 A
(800) 1163974
(151) 2013 03 14
(181) 2023 03 14
(511) 32, 34

(260) AM 2014 72987 A
(800) 1163929
(151) 2013 01 09
(181) 2023 01 09
(511) 07, 08, 09

(260) AM 2014 72996 A
(800) 1163989
(151) 2013 03 19
(181) 2023 03 19
(511) 05, 30, 35

(260) AM 2014 72988 A
(800) 1163930
(151) 2013 01 09
(181) 2023 01 09
(511) 06, 07, 08

(260) AM 2014 72997 A
(800) 1163990
(151) 2013 03 05
(181) 2023 03 05
(511) 03, 35

(260) AM 2014 72998 A
(800) 1164046
(151) 2013 05 07
(181) 2023 05 07
(511) 12

(260) AM 2014 73142 A
(800) 1165370
(151) 2013 02 14
(181) 2023 02 14
(511) 39, 41

(260) AM 2014 73146 A
(800) 1165468
(151) 2013 04 18
(181) 2023 04 18
(511) 07, 35, 37, 41, 42

(260) AM 2014 73159 A
(800) 1165529
(151) 2012 12 20
(181) 2022 12 20
(511) 06, 07, 08, 40, 42

(260) AM 2014 73314 A
(800) 1013425
(151) 2009 05 06
(891) 2013 05 15
(181) 2019 05 06
(511) 06, 07, 11

(260) AM 2014 73315 A
(800) 1058156
(151) 2010 08 02
(891) 2013 05 15
(181) 2020 08 02
(511) 17

(260) AM 2014 73336 A
(800) 1167785
(151) 2013 06 04
(181) 2023 06 04
(511) 33

(260) AM 2014 73392 A
(800) 1168377
(151) 2013 05 13
(181) 2023 05 13
(511) 07

(260) AM 2014 73393 A
(800) 1168425
(151) 2013 02 21

(181) 2023 02 21
(511) 38, 42

(260) AM 2014 73394 A
(800) 1168437
(151) 2013 02 22
(181) 2023 02 22
(511) 19

(260) AM 2014 73396 A
(800) 1168454
(151) 2013 04 30
(181) 2023 04 30
(511) 12, 25, 28

(260) AM 2014 73398 A
(800) 1168514
(151) 2013 06 27
(181) 2023 06 27
(511) 03

(260) AM 2014 73399 A
(800) 1168516
(151) 2013 06 12
(181) 2023 06 12
(511) 05

(260) AM 2014 73400 A
(800) 1168526
(151) 2012 12 21
(181) 2022 12 21
(511) 03, 09, 14, 18

(260) AM 2014 73401 A
(800) 1168527
(151) 2013 06 12
(181) 2023 06 12
(511) 16, 41, 44

(260) AM 2014 73403 A
(800) 1168534
(151) 2013 02 17
(181) 2023 02 17
(511) 41, 42, 45

(260) AM 2014 73404 A
(800) 1168584
(151) 2013 03 27
(181) 2023 03 27
(511) 35, 38, 41

(260) AM 2014 73405 A
(800) 1168604
(151) 2013 04 02
(181) 2023 04 02
(511) 06, 11, 17

(260) AM 2014 73406 A
(800) 1168619
(151) 2013 05 24
(181) 2023 05 24
(511) 03

(260) AM 2014 73407 A
(800) 1168633
(151) 2013 06 03
(181) 2023 06 03
(511) 05

(260) AM 2014 73408 A
(800) 1168648
(151) 2013 06 14
(181) 2023 06 14
(511) 05

(260) AM 2014 73409 A
(800) 1168674
(151) 2013 03 07
(181) 2023 03 07
(511) 05

(260) AM 2014 73413 A
(800) 1168678
(151) 2013 03 07
(181) 2023 03 07
(511) 05

(260) AM 2014 73414 A
(800) 1168692
(151) 2013 05 06
(181) 2023 05 06
(511) 35, 39

(260) AM 2014 73416 A
(800) 1168695
(151) 2013 05 25
(181) 2023 05 25
(511) 09, 11, 35, 42

(260) AM 2014 73417 A
(800) 1168739
(151) 2012 12 21

(181) 2022 12 21
(511) 36

(260) AM 2014 73418 A
(800) 1168743
(151) 2013 01 10
(181) 2023 01 10
(511) 06

(260) AM 2014 73419 A
(800) 1168766
(151) 2013 03 01
(181) 2023 03 01
(511) 03

(260) AM 2014 73420 A
(800) 1168776
(151) 2013 04 08
(181) 2023 04 08
(511) 35, 41

(260) AM 2014 73421 A
(800) 1168782
(151) 2013 04 30
(181) 2023 04 30
(511) 11

(260) AM 2014 73423 A
(800) 1168815
(151) 2013 06 05
(181) 2023 06 05
(511) 03

(260) AM 2014 73425 A
(800) 1168848
(151) 2013 04 23
(181) 2023 04 23
(511) 05

(260) AM 2014 73426 A
(800) 1168858
(151) 2013 06 10
(181) 2023 06 10
(511) 05

(260) AM 2014 73427 A
(800) 1168897
(151) 2013 06 26
(181) 2023 06 26
(511) 25

(260) AM 2014 73429 A
(800) 1168926
(151) 2013 05 30
(181) 2023 05 30
(511) 16, 25, 26

(260) AM 2014 73430 A
(800) 1168930
(151) 2013 03 20
(181) 2023 03 20
(511) 32, 33, 43

(260) AM 2014 73431 A
(800) 1168932
(151) 2013 05 14
(181) 2023 05 14
(511) 41

(260) AM 2014 73432 A
(800) 1168944
(151) 2013 02 28
(181) 2023 02 28
(511) 03, 05, 10, 16, 21, 22, 24, 35, 41, 44

(260) AM 2014 73553 A
(800) 1170185
(151) 2013 07 08
(181) 2023 07 08
(511) 10

(260) AM 2014 73554 A
(800) 1170191
(151) 2013 04 09
(181) 2023 04 09
(511) 03

(260) AM 2014 73557 A
(800) 1170215
(151) 2012 06 22
(891) 2013 08 08
(181) 2022 06 22
(511) 02, 03, 04, 05, 06, 08, 10, 12, 13, 14, 15, 17,
18, 19, 20, 22, 23, 24, 25, 26, 27, 28, 29, 30,
31, 32, 33, 34, 44

(260) AM 2014 73558 A
(800) 1170224
(151) 2013 04 09
(181) 2023 04 09
(511) 25, 35

(260) AM 2014 73560 A
(800) 1170234
(151) 2013 01 11

(181) 2023 01 11
(511) 01, 05, 42

(260) AM 2014 73561 A
(800) 1170244
(151) 2013 06 14
(181) 2023 06 14
(511) 25, 35

(260) AM 2014 73562 A
(800) 1170246
(151) 2013 07 05
(181) 2023 07 05
(511) 03

(260) AM 2014 73563 A
(800) 1170251
(151) 2013 07 17
(181) 2023 07 17
(511) 12

(260) AM 2014 73568 A
(800) 1170283
(151) 2013 03 05
(181) 2023 03 05
(511) 06, 09, 11

(260) AM 2014 73600 A
(800) 1170435
(151) 2013 07 08
(181) 2023 07 08
(511) 16, 18, 28

(260) AM 2014 73602 A
(800) 1170496
(151) 2013 07 19
(181) 2023 07 19
(511) 28

(260) AM 2014 73610 A
(800) 1170630
(151) 2013 07 01
(181) 2023 07 01
(511) 12

(260) AM 2014 73611 A
(800) 1170655
(151) 2013 06 12
(181) 2023 06 12
(511) 05

(260) AM 2014 73613 A
(800) 1170657
(151) 2013 06 12
(181) 2023 06 12
(511) 05

(260) AM 2014 73614 A
(800) 1170658
(151) 2013 06 12
(181) 2023 06 12
(511) 05

(260) AM 2014 73615 A
(800) 1170659
(151) 2013 06 12
(181) 2023 06 12
(511) 05

(260) AM 2014 73616 A
(800) 1170660
(151) 2013 06 12
(181) 2023 06 12
(511) 05

(260) AM 2014 73624 A
(800) 1170661
(151) 2013 06 12
(181) 2023 06 12
(511) 05

(260) AM 2014 73625 A
(800) 1170662
(151) 2013 06 12
(181) 2023 06 12
(511) 05

(260) AM 2014 73627 A
(800) 1170664
(151) 2013 06 12
(181) 2023 06 12
(511) 05

(260) AM 2014 73629 A
(800) 1170706
(151) 2013 05 20
(181) 2023 05 20
(511) 25, 35

(260) AM 2014 73701 A
(800) 1171567
(151) 2013 05 07
(181) 2023 05 07
(511) 09

(260) AM 2014 73703 A
(800) 1171603
(151) 2012 12 19
(181) 2022 12 19
(511) 30

(260) AM 2014 73705 A
(800) 1171614
(151) 2013 02 28
(181) 2023 02 28
(511) 01, 02, 03, 05, 09, 12, 17, 19, 22, 23, 30, 31,
37, 39, 40, 42

(260) AM 2014 73709 A
(800) 1171696
(151) 2013 07 31
(181) 2023 07 31
(511) 03

(260) AM 2014 73742 A
(800) 1172112
(151) 2012 09 12
(181) 2022 09 12
(511) 03, 05, 29, 30, 32

(260) AM 2014 73748 A
(800) 1172184
(151) 2013 06 28
(181) 2023 06 28
(511) 05

(260) AM 2014 73750 A
(800) 1172206
(151) 2013 07 09
(181) 2023 07 09
(511) 05

(260) AM 2014 73751 A
(800) 1172207
(151) 2013 07 09
(181) 2023 07 09
(511) 05

(260) AM 2014 73752 A
(800) 1172208
(151) 2013 07 09
(181) 2023 07 09
(511) 05

(260) AM 2014 73753 A
(800) 1172209
(151) 2013 07 11
(181) 2023 07 11

(511) 05

(260) AM 2014 73754 A
(800) 1172210
(151) 2013 07 09
(181) 2023 07 09
(511) 05

(260) AM 2014 73755 A
(800) 1172211
(151) 2013 07 09
(181) 2023 07 09
(511) 05

(260) AM 2014 73756 A
(800) 1172212
(151) 2013 07 11
(181) 2023 07 11
(511) 05

(260) AM 2014 73760 A
(800) 806506
(151) 2003 06 24
(891) 2013 06 27
(181) 2023 06 24
(511) 05

(260) AM 2014 73777 A
(800) 1138907
(151) 2012 08 01
(891) 2013 06 13
(181) 2022 08 01
(511) 05

(260) AM 2014 73779 A
(800) 1168212
(151) 2013 02 07
(181) 2023 02 07
(511) 05, 42, 44

(260) AM 2014 73843 A
(800) 1172704
(151) 2013 06 11
(181) 2023 06 11
(511) 05

(260) AM 2014 73844 A
(800) 1172705
(151) 2013 06 11
(181) 2023 06 11
(511) 05

(260) AM 2014 73845 A
(800) 1172706
(151) 2013 06 11
(181) 2023 06 11
(511) 05

(260) AM 2014 73846 A
(800) 1172707
(151) 2013 06 11
(181) 2023 06 11
(511) 05

(260) AM 2014 73848 A
(800) 1172708
(151) 2013 06 11
(181) 2023 06 11
(511) 05

(260) AM 2014 73849 A
(800) 1172709
(151) 2013 06 11
(181) 2023 06 11
(511) 05

(260) AM 2014 73850 A
(800) 1172710
(151) 2013 06 11
(181) 2023 06 11
(511) 05

(260) AM 2014 73851 A
(800) 1172711
(151) 2013 06 11
(181) 2023 06 11
(511) 05

(260) AM 2014 73852 A
(800) 1172712
(151) 2013 06 11
(181) 2023 06 11
(511) 05

(260) AM 2014 73853 A
(800) 1172713
(151) 2013 07 09
(181) 2023 07 09
(511) 05

(260) AM 2014 73857 A
(800) 1172774
(151) 2013 06 24

(181) 2023 06 24
(511) 03

(260) AM 2014 73858 A
(800) 684006
(151) 1997 10 20
(891) 2013 07 09
(181) 2017 10 20
(511) 09

(260) AM 2014 73859 A
(800) 818194
(151) 2003 07 25
(891) 2013 07 26
(181) 2023 07 25
(511) 01, 02, 19

(260) AM 2014 73861 A
(800) 1031369
(151) 2009 12 30
(891) 2013 07 11
(181) 2019 12 30
(511) 03, 05

(260) AM 2014 73862 A
(800) 1082176
(151) 2011 03 25
(891) 2013 07 11
(181) 2021 03 25
(511) 03, 05

(260) AM 2014 73863 A
(800) 1139514
(151) 2012 06 27
(891) 2013 07 26
(181) 2022 06 27
(511) 18, 25

(260) AM 2014 73864 A
(800) 1159201
(151) 2013 03 26
(181) 2023 03 26
(511) 39

(260) AM 2014 75022 A
(800) 1183167
(151) 2013 07 29
(181) 2023 07 29
(511) 03

APPELLATIONS OF ORIGIN AND GEOGRAPHICAL INDICATIONS OF GOODS

REGISTERED APPELLATIONS OF ORIGIN OF GOODS

Number of national registration: 834

Date of national registration: 2013 09 17

Number of international registration: 907

Date of international registration: 2012 10 30

Appellations of origin: **MONOÏ DE TAHITI**

Country code: FR, France

Goods: 3 – Cosmetic product obtained by macerating Tiare flowers in refined copra oil, extracted From coconuts.

Number of national registration: 835

Date of national registration: 2013 09 17

Number of international registration: 908

Date of international registration: 2012 11 12

Appellations of origin: **ACETO BALSAMICO DI MODENA**

Country code: IT, Italy

Goods: 3 – Vinegar.

OFFICIAL NOTIFICATIONS

INVENTIONS

TRANSFER OF RIGHTS

(20.05. 2014 and 25.09.2014)

NUMBER OF PATENT	OLD PATENTOWNERS (Transfer of Rights)	NEW PATENTOWNERS (Recipient of Rights)	DATE OF TRANSFER
1	2	3	4
5083/1	Abbott Laboratories, Dept. 377, Building, AP6A-1A, 100 Abbott Park Road, Abbott Park, Illinois 60064-6050377, US	AbbVie Inc., a Delaware Corporation 1 North Waukegan Road, North Chicago, Illinois, 60064, US	6/2/2014
4784/1	CV THERAPEUTICS, INC. 3172 Porter Drive, Palo Alto, CA 94304, US	Gilead Palo Alto, Inc. 333 Lakeside Drive, Foster City, California 94404, US	6/13/2014
4784/1	Gilead Palo Alto, Inc. 333 Lakeside Drive, Foster City, California 94404, US	Gilead Sciences, Inc. 333 Lakeside Drive, Foster City, California 94404, US	6/13/2014
4403/1	Bristol-Myers Squibb Company 345 Park Avenue, New York, New York 10154, US	AstraZeneca AB SE-151 85, Sodertalge, Sweden, SE	6/13/2014
4639/1	Bristol-Myers Squibb Company 345 Park Avenue, New York, New York 10154, US	AstraZeneca AB SE-151 85, Sodertalge, Sweden, SE	6/13/2014
4808/1	PHILLIPS COMPANY po/box 4428, Houston, TX 77079, US	Lubrizol Specialty Products, Inc. 2000 West Houston Parkway South, 3rd Floor, Houston, Texas 77042-3615, US	7/31/2014
3602/1	Bristol-Myers Squibb Company 33 Deina Drive, Monro Township, New Jersey, 09931, US	OTSUKA PHARMACEUTICAL CO., LTD. 2-9, Kanda Tsukasa-machi, Chiyoda-ku, Tokyo 101-8535, JP	8/1/2014
4029/1	Bristol-Myers Squibb Company P.O. Box 4000, Lawrenceville-Princeton Road, Princeton, NJ 08543-4000, US	OTSUKA PHARMACEUTICAL CO., LTD. 2-9, Kanda Tsukasa-machi, Chiyoda-ku, Tokyo 101-8535, JP	8/1/2014
3996/1	Bristol-Myers Squibb Company P.O. Box 4000, Route 206 and Provinceline Road, Princeton, NJ 08543-4000, US	OTSUKA PHARMACEUTICAL CO., LTD. 2-9, Kanda Tsukasa-machi, Chiyoda-ku, Tokyo 101-8535, JP	8/1/2014
5086/1	Istituto Di Ricerche Di Biologia Molecolare P. Angeletti S.P.A. Via Pontina Km, 30,600, I-00040 Pomezia, Rome, IT	MDS Italia, S.r.l. a Limited Liability Company Via Vitorchiano 151, 00189, Rome, IT	8/1/2014
3848/1	Istituto Di Ricerche Di Biologia Molecolare P. Angeletti S.P.A. Via Pontina Km, 30,600, I-00040 Pomezia, Rome, IT	MDS Italia, S.r.l. a Limited Liability Company Via Vitorchiano 151, 00189, Rome, IT	8/4/2014
5337/1	Istituto Di Ricerche Di Biologia Molecolare P. Angeletti S.P.A. Via Pontina Km, 30,600, I-00040 Pomezia, Rome, IT	MDS Italia, S.r.l. a Limited Liability Company Via Vitorchiano 151, 00189, Rome, IT	8/4/2014

1	2	3	4
1446/2	Murman Takaishvili Gabashvili str. 14, 2600, Kaspi GE; Nugzar Jinchveladze Telavis r-ni, sop. Shalauri, 2216, GE; Nino Meskheli M. Kostavas str. 184/34, 0800, Akhaltsikhe GE	Ekaterine Jgarkava Vazisubani, 3 m/r, kvart. 2, korp. 10, b. 217, Tbilisi GE Tamaz Nikabadze M. Tamarashvilis str., korp. 4, b.9, 0179, Tbilisi GE; Koba Devidze Sakhalkhos str. 5, 0113, Tbilisi GE; Nino Meskheli Vazha Pshavela Av. 51, korp. 7, ap. 13, 0177, Tbilisi GE	8/7/2014
492/4	Finlandia Vodka Worldwide Ltd Porkalankatu 24, FI- 00180 Helsinki, FI	Brown-Forman Finland Ltd. Porkkalankatu 24, 00180 Helsinki, FI	8/21/2014
5753/1	Zukami, S. L. Poligono Industrial Morea Norte, 19, E-31191, Beriaini, Navarra, ES	ZUCAMI POULTRY EQUIPMENT, S.L.U. Polig. Ind. Morea Norte, c/c N 2, 31191, Beriain, Navarra, ES	9/25/2014

CHANGES IN NAMES AND/OR ADDRESSES OF PATENTOWNERS

(20.05. 2014 and 25.09.2014)

NUMBER OF PATENT	OLD NAMES AND/OR ADDRESSES	NEW NAMES AND/OR ADDRESSES	DATE OF CHANGES
4454/1	EURO-CELTIQUE S.A. 122, Boulevard de la Pétrusse, L-2330 Luxembourg, LU	Euro-Celtique S.A. 2, Avenue Charl de Goll, L-1653 Luxembourg, LU	5/22/2014
4639/1	Bristol-Myers Squibb Company Route 206 and Provinceline Road, Princeton, NJ 08543- 4000, US	Bristol-Myers Squibb Company 345 Park Avenue, New York, New York 10154, US	6/13/2014
4403/1	Bristol-Myers Squibb Company P.O. Box 4000, Route 206 and Provinceline Road, Princeton, NJ 08543-4000, US	Bristol-Myers Squibb Company 345 Park Avenue, New York, New York 10154, US	6/13/2014

TRADEMARKS

COMPLETE TRANSFER OF RIGHTS

(111) M 1999 011751 R1
(732) ASPEN GLOBAL INCORPORATED
GBS Plaza, Cnr. La Salette & Royal Roads,
Grand Bay, Mauritius
(770) GLAXO GROUP LIMITED
980 Great West Road, Brentford, Middlesex
TW8 9GS, United Kingdom
(580) 2014 09 30

(111) M 2003 015108 R1
(732) NR Class 3, LLC
30 Irving Place, 9th Floor, New York,
New York 10003, USA
(770) NARCISO RODRIGUES CORPORATION
30 Irving Place, 9th Floor, New York,
New York 10003, USA
(580) 2014 09 30

(111) M 2011 021746 R
(732) LTD UNIMED GRUP KORP
Ad. Mitskevichis q. 29, b.61, 0194, Georgia
(770) LTD "PRIMA-VITA"
Saq. Samkhedro gzisa da Akhmetelis quchis
gadakveta, 0159, Tbilisi, Georgia
(580) 2014 09 19

(111) M 2012 022656 R
(732) LTD UNIMED GRUP KORP
Ad. Mitskevichis q. 29, b. 61, 0194, Georgia
(770) LTD "PRIMA-VITA"
Saq. Samkhedro gzisa da Akhmetelis quchis
gadakveta, 0159, Tbilisi, Georgia
(580) 2014 09 19

(111) M 2012 022697 R
(732) LTD UNIMED GRUP KORP
Ad. Mitskevichis q. 29, b. 61, 0194, Georgia
(770) LTD "PRIMA-VITA"
Saq. Samkhedro gzisa da Akhmetelis quchis
gadakveta, 0159, Tbilisi, Georgia
(580) 2014 09 19

(111) M 2012 022808 R
(732) LTD UNIMED GRUP KORP
Ad. Mitskevichis q. 29, b. 61, 0194, Georgia
(770) LTD "PRIMA-VITA"
Saq. Samkhedro gzisa da Akhmetelis quchis
gadakveta, 0159, Tbilisi, Georgia
(580) 2014 09 19

(111) M 2012 022812 R
(732) LTD UNIMED GRUP KORP
Ad. Mitskevichis q. 29, b.61, 0194, Georgia
(770) LTD "PRIMA-VITA"
Saq. Samkhedro gzisa da Akhmetelis quchis
gadakveta, 0159, Tbilisi, Georgia
(580) 2014 09 19

(111) M 2013 023482 R
(732) LTD UNIMED GRUP KORP
Ad. Mitskevichis q. 29, b. 61, 0194, Georgia
(770) LTD "PRIMA-VITA"
Saq. Samkhedro gzisa da Akhmetelis quchis
gadakveta, 0159, Tbilisi, Georgia
(580) 2014 09 19

(111) M 2013 023573 R
(732) LTD UNIMED GRUP KORP
Ad. Mitskevichis q. 29, b. 61, 0194, Georgia
(770) LTD "PRIMA-VITA"
Saq. Samkhedro gzisa da Akhmetelis quchis
gadakveta, 0159, Tbilisi, Georgia
(580) 2014 09 19

(111) M 2013 023581 R
(732) LTD UNIMED GRUP KORP
Ad. Mitskevichis q. 29, b. 61, 0194, Georgia
(770) LTD "PRIMA-VITA"
Saq. Samkhedro gzisa da Akhmetelis quchis
gadakveta, 0159, Tbilisi, Georgia
(580) 2014 09 19

(111) M 2013 023980 R
(732) LTD UNIMED GRUP KORP
Ad. Mitskevichis q. 29, b. 61, 0194, Georgia
(770) LTD "PRIMA-VITA"
Saq. Samkhedro gzisa da Akhmetelis quchis
gadakveta, 0159, Tbilisi, Georgia
(580) 2014 09 19

(111) M 2014 025076 R
(732) WORLD BRANDING MARK SA
Rue du parc 3 bis, C/O UNIFID Conseils SA,
1207 GENEVE, Switzerland
(770) FRETIER SYLVIE
5 rue Danielle Casanova, 75001 PARIS,
France
(580) 2014 09 30

(111) M 1997 006779 R1

(732) ASPEN GLOBAL INCORPORATED

GBS Plaza, Cnr. La Salette & Royal Roads,
Grand Bay, Mauritius

(770) GLAXO GROUP LIMITED

980 Great West Road, Brentford, Middlesex
TW8 9GS, United Kingdom

(580) 2014 09 30

CHANGES IN NAMES AND/OR ADDRESSES OF OWNERS

(111) M 1999 012098 R1
(732) FIFTH & PACIFIC COMPANIES, INC.
1441 Broadway, New York, NY 10018, USA
(770) LIZ CLAIBORNE, INC.
1441 Broadway, New York, NY 10018, USA
(580) 2014 09 30

(111) M 1999 012098 R1
(732) KATE SPADE & COMPANY
1441 Broadway, New York, NY 10018, USA
(770) FIFTH & PACIFIC COMPANIES, INC.
1441 Broadway, New York, NY 10018, USA
(580) 2014 09 30

(111) M 1999 012098 R1
(732) KATE SPADE & COMPANY
5901 West Side Avenue, North Bergen,
NJ 07047, USA
(770) KATE SPADE & COMPANY
1441 Broadway, New York, NY 10018, USA
(580) 2014 09 30

(111) M 1999 012328 R1
(732) ALCHAWAF GROUP FOR INDUSTRY &
TRADE LIMITED LIABILITY CO.
(Al Afrah Detergents).
Hama, Aljajieh, estate 224, Syrian Arab
Republic
(770) AL-AFRAH DETERGENTS
Hama, P.O. Box 334, Syrian Arab Republic
(580) 2014 09 19

(111) M 2014 025078 R
(732) BRF S.A.
Rua Jorge Tzachel, 475, City of Itajaí, State
of Santa Catarina, Brazil
(770) BRF-Brazil Foods S/A
R Jorge Tzachel, 475, City of Itajaí, State
of Santa Catarina, Brazil
(580) 2014 09 19

CANCELLING OF TRADEMARK REGISTRATION

(111) M 2004 15482 R

(141) 2014 07 03, On demand of the owner

(732) DAVIT AKHVLEDIANI

Ilia Chavchavadzis gamz., 27/29, b. 23,
0179, Tbilisi, Georgia

CLASSIFICATION INDEXES

INVENTIONS

CONCORDANCE TABLE OF INTERNATIONAL CLASSIFICATION INDEX AND PUBLICATION NUMBERS

INTERNATIONAL CLASSIFICATION INDEXES (51)	NUMBER OF PUBLISHED APPLICATION (10)
A 01 N 59/12; A 01 N 25/02; A 61 K 8/20; A 61 K 8/89; A 61 K 33/18; A 61 K 47/24; A 01 P 1/00; A 61 P 31/02	AP 2014 12995 A
A 61 B 6/00; G 01 N 21/35	AP 2014 12607 A
A 61 K 9/08; A 61 K 47/10; A 61 K 47/26; A 61 K 47/18; A 61 K 31/5575	AP 2014 12045 A
A 61 K 31/13, 31/403; A 61 P 25/28	AP 2014 12913 A
A 61 K 31/4178; A 61 K 31/473; A 61 K 31/496; A 61 K 31/573; A 61 K 45/06; A 61 P 1/08	AP 2014 12752 A
A 61 K 39/00; A 61 M 5/178	AP 2014 13090 A
C 07 C 231/12; C 07 C 233/18	AP 2014 12388 A
C 07 C 233/18; C 07 C 231/06; C 07 C 231/12; A 61 K 31/165; A 61 P 25/20; A 61 P 25/22; A 61 P 25/24; A 61 P 25/06	AP 2014 12941 A
C 07 C 233/18; C 07 C 231/12; A 61 K 31/165; A 61 P 25/24	AP 2014 12869 A
C 07 C 233/18; C 07 C 231/12; A 61 K 31/165; A 61 P 5/00; A 61 P 25/00; A 61 P 25/22; A 61 P 25/24	AP 2014 12870 A
C 07 D 209/52; A 61 K 31/403; A 61 P 25/00	AP 2014 12774 A
C 07 D 239/26; C 07 D 401/06; C 07 D 401/14; C 07 D 405/14; C 07 D 409/14; C 07 D 413/14; C 07 D 471/04; C 07 D 487/08; A 61 K 31/505; A 61 K 31/506; A 61 P 35/00	AP 2014 12848 A
C 07 D 401/04; A 61 K 31/4439; A 61 P 1/04	AP 2014 12426 A
C 07 D 401/10; C 07 D 213/64; A 61 K 31/4412; A 61 P 9/00	AP 2014 12512 A
C 07 D 405/14; A 61 K 31/497; A 61 K 31/506; A 61 P 3/04; A 61 P 31/10	AP 2014 13280 A
C 07 D 417/14; A 61 K 31/426; A 61 K 31/4439; A 61 K 31/506; A 61 K 31/5377; A 61 P 25/24; C 07 D 491/048; C 07 D 491/052; C 07 D 495/04	AP 2014 12647 A
C 07 D 417/14; A 61 K 31/426; A 61 K 31/4439; A 61 K 31/506; A 61 K 31/5377; A 61 P 25/22; C 07 D 491/048; C 07 D 491/052; C 07 D 495/04	AP 2014 12648 A
C 07 D 498/00	AP 2014 12859 A
C 07 K 19/00; C 07 K 14/245; C 12 N 15/62; C 12 N 15/63; C 12 N 15/31; A 61 K 38/16; A 61 K 39/395; A 61 P 35/00	AP 2014 12791 A
C 12 P 7/40; C 12 P 7/62; C 12 P 41/00; C 07 C 62/34; C 07 C 69/753; C 07 C 213/08; C 07 C 217/58; C 07 D 223/16	AP 2014 12992 A
H 02 N 3/00	AP 2014 13089 A

**CONCORDANCE TABLE OF PUBLICATION NUMBERS
AND INTERNATIONAL CLASSIFICATION INDEX**

NUMBER OF PUBLISHED APPLICATION (10)	INTERNATIONAL CLASSIFICATION INDEXES (51)
AP 2014 12045 A	A 61 K 9/08; A 61 K 47/10; A 61 K 47/26; A 61 K 47/18; A 61 K 31/5575
AP 2014 12388 A	C 07 C 231/12; C 07 C 233/18
AP 2014 12426 A	C 07 D 401/04; A 61 K 31/4439; A 61 P 1/04
AP 2014 12512 A	C 07 D 401/10; C 07 D 213/64; A 61 K 31/4412; A 61 P 9/00
AP 2014 12607 A	A 61 B 6/00; G 01 N 21/35
AP 2014 12647 A	C 07 D 417/14; A 61 K 31/426; A 61 K 31/4439; A 61 K 31/506; A 61 K 31/5377; A 61 P 25/24; C 07 D 491/048; C 07 D 491/052; C 07 D 495/04
AP 2014 12648 A	C 07 D 417/14; A 61 K 31/426; A 61 K 31/4439; A 61 K 31/506; A 61 K 31/5377; A 61 P 25/22; C 07 D 491/048; C 07 D 491/052; C 07 D 495/04
AP 2014 12752 A	A 61 K 31/4178; A 61 K 31/473; A 61 K 31/496; A 61 K 31/573; A 61 K 45/06; A 61 P 1/08
AP 2014 12774 A	C 07 D 209/52; A 61 K 31/403; A 61 P 25/00
AP 2014 12791 A	C 07 K 19/00; C 07 K 14/245; C 12 N 15/62; C 12 N 15/63; C 12 N 15/31; A 61 K 38/16; A 61 K 39/395; A 61 P 35/00
AP 2014 12848 A	C 07 D 239/26; C 07 D 401/06; C 07 D 401/14; C 07 D 405/14; C 07 D 409/14; C 07 D 413/14; C 07 D 471/04; C 07 D 487/08; A 61 K 31/505; A 61 K 31/506; A 61 P 35/00
AP 2014 12859 A	C 07 D 498/00
AP 2014 12869 A	C 07 C 233/18; C 07 C 231/12; A 61 K 31/165; A 61 P 25/24
AP 2014 12870 A	C 07 C 233/18; C 07 C 231/12; A 61 K 31/165; A 61 P 5/00; A 61 P 25/00; A 61 P 25/22; A 61 P 25/24
AP 2014 12913 A	A 61 K 31/13, 31/403; A 61 P 25/28
AP 2014 12941 A	C 07 C 233/18; C 07 C 231/06; C 07 C 231/12; A 61 K 31/165; A 61 P 25/20; A 61 P 25/22; A 61 P 25/24; A 61 P 25/06
AP 2014 12992 A	C 12 P 7/40; C 12 P 7/62; C 12 P 41/00; C 07 C 62/34; C 07 C 69/753; C 07 C 213/08; C 07 C 217/58; C 07 D 223/16
AP 2014 12995 A	A 01 N 59/12; A 01 N 25/02; A 61 K 8/20; A 61 K 8/89; A 61 K 33/18; A 61 K 47/24; A 01 P 1/00; A 61 P 31/02
AP 2014 13089 A	H 02 N 3/00
AP 2014 13090 A	A 61 K 39/00; A 61 M 5/178
AP 2014 13280 A	C 07 D 405/14; A 61 K 31/497; A 61 K 31/506; A 61 P 3/04; A 61 P 31/10

**CONCORDANCE TABLE OF INTERNATIONAL CLASSIFICATION INDEX,
PATENT NUMBERS AND PUBLICATION NUMBERS**

INTERNATIONAL CLASSIFICATION INDEX (51)	NUMBER OF PATENT (11)	NUMBER OF PUBLISHED APPLICATION (10)
C 04 B 35/64, 35/626, 35/45; H 01 L 39/24	P 2014 6175 B	AP 2014 12551 A
C 07 D 231/12; A 61 K 31/415; A 61 P 29/00; A 61 P 37/00	P 2014 6177 B	AP 2014 12849 A
C 07 D 231/54; C 07 D 263/56; C 07 D 263/58; C 07 D 307/81; C 07 D 413/04; C 07 D 417/04; C 09 D 487/08; C 07 D 498/04; A 61 K 31/416; A 61 K 31/496; A 61 K 31/4355; A 61 K 31/4365; A 61 P 3/00; A 61 P 9/00	P 2014 6178 B	AP 2014 12904 A
C 07 K 16/28; A 61 K 39/395	P 2014 6176 B	AP 2014 12824 A

**CONCORDANCE TABLE OF PATENT NUMBERS,
PUBLICATION NUMBERS AND INTERNATIONAL CLASSIFICATION INDEX**

NUMBER OF PATENT (11)	NUMBER OF PUBLISHED APPLICATION (10)	INTERNATIONAL CLASSIFICATION INDEX (51)
P 2014 6175 B	AP 2014 12551 A	C 04 B 35/64, 35/626, 35/45; H 01 L 39/24
P 2014 6176 B	AP 2014 12824 A	C 07 K 16/28; A 61 K 39/395
P 2014 6177 B	AP 2014 12849 A	C 07 D 231/12; A 61 K 31/415; A 61 P 29/00; A 61 P 37/00
P 2014 6178 B	AP 2014 12904 A	C 07 D 231/54; C 07 D 263/56; C 07 D 263/58; C 07 D 307/81; C 07 D 413/04; C 07 D 417/04; C 09 D 487/08; C 07 D 498/04; A 61 K 31/416; A 61 K 31/496; A 61 K 31/4355; A 61 K 31/4365; A 61 P 3/00; A 61 P 9/00

**CONCORDANCE TABLE OF APPLICATION NUMBERS, PUBLICATION NUMBERS
AND PATENTS**

NUMBER OF APPLICATION (21)	NUMBER OF PUBLISHED APPLICATION (10)	NUMBER OF PATENT (11)
AP 2012 012551	AP 2014 12551 A	P 2014 6175 B
AP 2011 012824	AP 2014 12824 A	P 2014 6176 B
AP 2011 012849	AP 2014 12849 A	P 2014 6177 B
AP 2011 012904	AP 2014 12904 A	P 2014 6178 B

UTILITY MODELS

**CONCORDANCE TABLE OF INTERNATIONAL CLASSIFICATION INDEX
AND PUBLICATION NUMBERS**

INTERNATIONAL CLASSIFICATION INDEXES (51)	NUMBER OF PUBLISHED APPLICATION (10)
B 42 D 15/10; B 44 F 1/12; G 06 K 1/02	AU 2014 13321 U

**CONCORDANCE TABLE OF PUBLICATION NUMBERS
AND INTERNATIONAL CLASSIFICATION INDEX**

NUMBER OF PUBLISHED APPLICATION (10)	INTERNATIONAL CLASSIFICATION INDEXES (51)
AU 2014 13321 U	B 42 D 15/10; B 44 F 1/12; G 06 K 1/02

**CONCORDANCE TABLE OF INTERNATIONAL CLASSIFICATION INDEX,
PATENT NUMBERS AND PUBLICATION NUMBERS**

INTERNATIONAL CLASSIFICATION INDEX (51)	NUMBER OF PATENT (11)	NUMBER OF PUBLISHED APPLICATION (10)
E 04 B 5/17	U 2014 1836 Y	AU 2014 13356 U

**CONCORDANCE TABLE OF PATENT NUMBERS,
PUBLICATION NUMBERS AND INTERNATIONAL CLASSIFICATION INDEX**

NUMBER OF PATENT (11)	NUMBER OF PUBLISHED APPLICATION (10)	INTERNATIONAL CLASSIFICATION INDEX (51)
U 2014 1836 Y	AU 2014 13356 U	E 04 B 5/17

**CONCORDANCE TABLE OF APPLICATION NUMBERS, PUBLICATION NUMBERS
AND PATENTS**

NUMBER OF APPLICATION (21)	NUMBER OF PUBLISHED APPLICATION (10)	NUMBER OF PATENT (11)
AU 2014 013356	AU 2014 13356 U	U 2014 1836 Y

DESIGNS

**CONCORDANCE TABLE OF INTERNATIONAL CLASSIFICATION INDEX
AND PUBLICATION NUMBERS**

INTERNATIONAL CLASSIFICATION INDEXES (51)	NUMBER OF PUBLISHED APPLICATION (10)
06-01,06-03,06-04	AD 2014 806 S
09-01	AD 2014 807 S
09-03	AD 2014 788 S
09-03	AD 2014 789 S
09-03	AD 2014 805 S
26-05	AD 2014 804 S

**CONCORDANCE TABLE OF PUBLICATION NUMBERS
AND INTERNATIONAL CLASSIFICATION INDEX**

NUMBER OF PUBLISHED APPLICATION (10)	INTERNATIONAL CLASSIFICATION INDEXES (51)
AD 2014 788 S	09-03
AD 2014 789 S	09-03
AD 2014 804 S	26-05
AD 2014 805 S	09-03
AD 2014 806 S	06-01,06-03,06-04
AD 2014 807 S	09-01

**CONCORDANCE TABLE OF INTERNATIONAL CLASSIFICATION INDEX,
PATENT NUMBERS AND PUBLICATION NUMBERS**

INTERNATIONAL CLASSIFICATION INDEX (51)	NUMBER OF PATENT (11)	NUMBER OF PUBLISHED APPLICATION (10)
09-01	D 2014 591 S	AD 2014 766 S
19-08	D 2014 593 S	AD 2014 787 S
18-03	D 2014 594 S	AD 2014 791 S
18-03	D 2014 595 S	AD 2014 792 S
25-01	D 2014 592 S	AD 2014 786 S

**CONCORDANCE TABLE OF PATENT NUMBERS,
PUBLICATION NUMBERS AND INTERNATIONAL CLASSIFICATION INDEX**

NUMBER OF PATENT (11)	NUMBER OF PUBLISHED APPLICATION (10)	INTERNATIONAL CLASSIFICATION INDEX (51)
D 2014 591 S	AD 2014 766 S	09-01
D 2014 592 S	AD 2014 786 S	25-01
D 2014 593 S	AD 2014 787 S	19-08
D 2014 594 S	AD 2014 791 S	18-03
D 2014 595 S	AD 2014 792 S	18-03

**CONCORDANCE TABLE OF APPLICATION NUMBERS, PUBLICATION NUMBERS
AND PATENTS**

NUMBER OF APPLICATION (21)	NUMBER OF PUBLISHED APPLICATION (10)	NUMBER OF PATENT (11)
AD 2013 000766	AD 2014 766 S	D 2014 591 S
AD 2014 000786	AD 2014 786 S	D 2014 592 S
AD 2014 000787	AD 2014 787 S	D 2014 593 S
AD 2014 000791	AD 2014 791 S	D 2014 594 S
AD 2014 000792	AD 2014 792 S	D 2014 595 S

**DESIGN REGISTERED ACCORDING TO THE
ACCELERATED PROCEDURE**

**CONCORDANCE TABLE OF INTERNATIONAL CLASSIFICATION INDEX
AND PATENTS NUMBERS**

INTERNATIONAL CLASSIFICATION INDEX (51)	NUMBER OF PATENT (11)
23-03	D 2014 596 S

CONCORDANCE TABLE OF PATENT NUMBERS AND INTERNATIONAL
CLASSIFICATION INDEX

NUMBER OF PATENT (11)	INTERNATIONAL CLASSIFICATION INDEX (51)
D 2014 596 S	23-03

CONCORDANCE TABLE OF APPLICATION NUMBERS
AND PATENT NUMBERS

NUMBER OF APPLICATION (21)	NUMBER OF PATENT (11)
AD 2014 000818	D 2014 596 S

TRADEMARKS

CONCORDANCE TABLE OF REGISTRATION NUMBERS, APPLICATION NUMBERS, PUBLICATION NUMBERS AND BULLETIN NUMBERS

NUMBER OF REGISTRATION (111)	NUMBER OF APPLICATION (210)	NUMBER OF PUBLISHED APPLICATION (260)	NUMBER OF BULLETIN
1	2	3	4
M 2014 25209 R	AM 2014 78245	-	19(407) 2014
M 2014 25210 R	AM 2012 69843	AM 2014 69843 A	6(394) 2014
M 2014 25211 R	AM 2013 71730	AM 2014 71730 A	8(396) 2014
M 2014 25212 R	AM 2013 71981	AM 2014 71981 A	3(391) 2014
M 2014 25213 R	AM 2013 71983	AM 2014 71983 A	3(391) 2014
M 2014 25214 R	AM 2013 71987	AM 2014 71987 A	3(391) 2014
M 2014 25215 R	AM 2013 72074	AM 2014 72074 A	10(398) 2014
M 2014 25216 R	AM 2013 72482	AM 2014 72482 A	4(392) 2014
M 2014 25217 R	AM 2013 72484	AM 2014 72484 A	4(392) 2014
M 2014 25218 R	AM 2013 72485	AM 2014 72485 A	4(392) 2014
M 2014 25219 R	AM 2013 72517	AM 2014 72517 A	7(395) 2014
M 2014 25220 R	AM 2013 72518	AM 2014 72518 A	7(395) 2014
M 2014 25221 R	AM 2013 72519	AM 2014 72519 A	7(395) 2014
M 2014 25222 R	AM 2013 72525	AM 2014 72525 A	9(397) 2014
M 2014 25223 R	AM 2013 72806	AM 2014 72806 A	8(396) 2014
M 2014 25224 R	AM 2013 72807	AM 2014 72807 A	9(397) 2014
M 2014 25225 R	AM 2013 72877	AM 2014 72877 A	9(397) 2014
M 2014 25226 R	AM 2013 72878	AM 2014 72878 A	8(396) 2014
M 2014 25227 R	AM 2013 72893	AM 2014 72893 A	8(396) 2014
M 2014 25228 R	AM 2013 72929	AM 2014 72929 A	9(397) 2014
M 2014 25229 R	AM 2013 72953	AM 2014 72953 A	9(397) 2014
M 2014 25230 R	AM 2013 72955	AM 2014 72955 A	9(397) 2014
M 2014 25231 R	AM 2013 73089	AM 2014 73089 A	9(397) 2014
M 2014 25232 R	AM 2013 73093	AM 2014 73093 A	9(397) 2014
M 2014 25233 R	AM 2013 73109	AM 2014 73109 A	10(398) 2014
M 2014 25234 R	AM 2013 73110	AM 2014 73110 A	10(398) 2014
M 2014 25235 R	AM 2013 73118	AM 2014 73118 A	10(398) 2014
M 2014 25236 R	AM 2013 73147	AM 2014 73147 A	9(397) 2014
M 2014 25237 R	AM 2013 73177	AM 2014 73177 A	7(395) 2014
M 2014 25238 R	AM 2013 73178	AM 2014 73178 A	7(395) 2014
M 2014 25239 R	AM 2013 73179	AM 2014 73179 A	7(395) 2014
M 2014 25240 R	AM 2013 73180	AM 2014 73180 A	7(395) 2014
M 2014 25241 R	AM 2013 73297	AM 2014 73297 A	9(397) 2014
M 2014 25242 R	AM 2013 73338	AM 2014 73338 A	8(396) 2014
M 2014 25243 R	AM 2013 73389	AM 2014 73389 A	8(396) 2014
M 2014 25244 R	AM 2013 73390	AM 2014 73390 A	8(396) 2014
M 2014 25245 R	AM 2013 73535	AM 2014 73535 A	9(397) 2014
M 2014 25246 R	AM 2013 73536	AM 2014 73536 A	10(398) 2014
M 2014 25247 R	AM 2013 73645	AM 2014 73645 A	10(398) 2014
M 2014 25248 R	AM 2013 73847	AM 2014 73847 A	8(396) 2014
M 2014 25249 R	AM 2014 78495	-	19(407) 2014
M 2014 25250 R	AM 2014 78412	-	19(407) 2014
M 2014 25251 R	AM 2014 78565	-	19(407) 2014
M 2014 25252 R	AM 2014 78566	-	19(407) 2014

1	2	3	4
M 2014 25253 R	AM 2014 78774	-	19(407) 2014
M 2014 25254 R	AM 2014 78722	-	19(407) 2014
M 2014 25255 R	AM 2014 78561	-	19(407) 2014
M 2014 25256 R	AM 2014 78841	-	19(407) 2014

**CONCORDANCE TABLE OF PUBLICATION NUMBERS
AND APPLICATION NUMBERS**

NUMBER OF PUBLISHED APPLICATION (260)	NUMBER OF APPLICATION (210)	1	2
		1	2
AM 2014 72815 A*	AM 2013 72815	AM 2014 75231 A	AM 2013 75231
AM 2014 73173 A	AM 2013 73173	AM 2014 75245 A	AM 2013 75245
AM 2014 73960 A	AM 2013 73960	AM 2014 75246 A	AM 2013 75246
AM 2014 73962 A	AM 2013 73962	AM 2014 75302 A	AM 2013 75302
AM 2014 74250 A	AM 2013 74250	AM 2014 75320 A	AM 2013 75320
AM 2014 75036 A	AM 2013 75036	AM 2014 75321 A	AM 2013 75321
AM 2014 75037 A	AM 2013 75037	AM 2014 75331 A	AM 2013 75331
AM 2014 75202 A	AM 2013 75202	AM 2014 75416 A	AM 2013 75416
AM 2014 75225 A	AM 2013 75225	AM 2014 75417 A	AM 2013 75417
AM 2014 75226 A	AM 2013 75226	AM 2014 75418 A	AM 2013 75418
AM 2014 75230 A	AM 2013 75230	AM 2014 75419 A	AM 2013 75419
		AM 2014 75485 A	AM 2013 75485
		AM 2014 75571 A	AM 2013 75571
		AM 2014 75705 A	AM 2013 75705
		AM 2014 75798 A	AM 2013 75798

**CONCORDANCE TABLE OF INDEX OF GOODS AND/OR SERVICES
AND APPLICATION NUMBERS**

INDEX OF GOODS AND/OR SERVICES (511)	NUMBER OF PUBLISHED APPLICATION (260)	1	2
		1	2
5	AM 2014 75230 A	9	AM 2014 75225 A
5	AM 2014 75231 A	11	AM 2014 75202 A
5	AM 2014 75331 A	11	AM 2014 75225 A
5	AM 2014 75416 A	11	AM 2014 75226 A
5	AM 2014 75417 A	12	AM 2014 72815 A*
5	AM 2014 75418 A	12	AM 2014 75302 A
5	AM 2014 75485 A	20	AM 2014 75202 A
5	AM 2014 75705 A	21	AM 2014 75202 A
6	AM 2014 73173 A	21	AM 2014 75226 A
6	AM 2014 75202 A	25	AM 2014 75036 A
6	AM 2014 75320 A	30	AM 2014 75245 A
6	AM 2014 75321 A	30	AM 2014 75246 A
7	AM 2014 75225 A	32	AM 2014 75320 A
7	AM 2014 75226 A	32	AM 2014 75321 A
8	AM 2014 75226 A	32	AM 2014 75571 A
8	AM 2014 75798 A	33	AM 2014 75320 A
9	AM 2014 75037 A	33	AM 2014 75321 A
		33	AM 2014 75571 A
		35	AM 2014 75960 A
		35	AM 2014 75962 A
		35	AM 2014 75036 A
		35	AM 2014 75331 A

1	2
35	AM 2014 75571 A
37	AM 2014 72815 A*
37	AM 2014 75202 A
39	AM 2014 75419 A

1	2
41	AM 2014 75250 A
41	AM 2014 75037 A
44	AM 2014 75331 A

CONCORDANCE TABLE OF INDEX OF GOODS AND/OR SERVICES
AND NUMBERS OF TRADEMARKS REGISTERED ACCORDING
TO THE ACCELERATED PROCEDURE

INDEX OF GOODS AND/OR SERVICES (511)	NUMBER OF REGISTERED ACCORDING TO THE ACCELERATED PROCEDURE (111)
5	M 2014 25209 R
8	M 2014 25255 R
11	M 2014 25255 R
29	M 2014 25253 R
30	M 2014 25256 R
33	M 2014 25249 R
35	M 2014 25250 R
35	M 2014 25254 R
36	M 2014 25251 R
36	M 2014 25252 R
43	M 2014 25256 R

OFFICIAL BULLETIN OF THE INDUSTRIAL PROPERTY

19(407)

EDITOR-IN-CHIEF: N. Bebrishvili

EDITORS-TRANSLATORS: E. Gabunia
G. Nadareishvili

PROOFREADER: L. Chanturia

COMPUTER LAYOUT: M. Ordenidze
K. Svanidze

www.sakpatenti.org.ge

E-mail: info@sakpatenti.org.ge