



**NATIONAL INTELLECTUAL PROPERTY CENTER OF GEORGIA
SAKPATENTI**

**OFFICIAL BULLETIN
OF THE INDUSTRIAL PROPERTY**

20(384)

**2013
TBILISI**

**NATIONAL INTELLECTUAL PROPERTY CENTER OF GEORGIA
SAKPATENTI**

**OFFICIAL BULLETIN
OF THE INDUSTRIAL PROPERTY**

**ОФИЦИАЛЬНЫЙ БЮЛЛЕТЕНЬ
ПРОМЫШЛЕННОЙ СОБСТВЕННОСТИ**

20(384)

**INVENTIONS
UTILITY MODELS
DESIGNS
TRADEMARKS**

**DATE OF PUBLICATION
2013 10 25**

INID CODES FOR IDENTIFICATION OF BIBLIOGRAPHIC DATA

INVENTIONS, UTILITY MODELS

- (10) Number of publication for application, which has been examined
- (11) Number of patent and kind of document
- (21) Serial number of application
- (22) Date of filing of the application
- (23) Date of exhibition or the date of the earlier filing and the number of application, if any
- (24) Date from which patent may have effect
- (31) Number of priority application
- (32) Date of filing of priority application
- (33) Code of the country or regional organization allotting priority application number
- (44) Date of publication of application not granted, but examined and number of bulletin
- (45) Date of publication of registered document
- (51) International Patent Classification Index
- (54) Title of the invention
- (57) Abstract
- (60) Number of examined patent document granted by foreign patent office, date from which patent has effect and country code
- (62) Number of the earlier application and in case of divided application, date of filing an application
- (71) Name, surname and address of applicant (country code)
- (72) Name, surname of inventor (country code)
- (73) Name, surname and address of patent owner (country code)
- (74) Name, surname of representative or patent attorney
- (85) Date of commencement of the national phase of International Application
- (86) Number and date of filing of international application
- (87) Number and date of publication of international application

DESIGNS

- (10) Number of publication for application
- (11) Number of patent and kind of document or number of registration
- (15) Date of registration/Date of patent renewal
- (18) Expected expiration date of patent or registration
- (21) Serial number of application
- (22) Date of filing of the application
- (23) Date of exhibition or the date of the earlier filing and the number of application, if any
- (24) Date from which patent may have effect
- (28) Number of designs included in the application
- (30) Data relating to priority (number of application, date of filing of application, two-letter code identifying the authority with whom the priority application was made)
- (31) Number of priority application
- (32) Date of filing of priority application
- (33) Code of the country or regional organization allotting priority application number
- (34) Two-letter code according to WIPO St.3 identifying the authority with which the priority application was made
- (44) Date of publication of design and number of bulletin (the first publication)
- (45) Date of publication of design registered by WIPO and number of bulletin
- (51) International Classification for designs (class and subclass of the Locarno Classification)
- (54) Title of the invention
- (55) Reproduction of the design
- (57) Description of characteristic features of the design including indication of colors
- (62) Number of the earlier application, registration and document number and if available the date of filing an application in case of divided application
- (71) Name, surname and address of applicant (country code)
- (72) Name, surname of creator (country code)
- (73) Name, surname and address of patent owner (country code)
- (74) Name, surname of representative or patent attorney
- (81) Contracting states concerned
 - II designated contracting states according to the 1960 Act
 - III designated contracting states according to the 1999 Act
- (85) Owner's permanent address
- (86) Owner's nationality
- (87) Owner's residence
- (88) State in which the owner has a real and effective industrial or commercial establishment

TRADEMARKS

- (111) - Number of registration
- (151) - Date of registration
- (156) - Date of the renewal
- (181) - Expected expiration date of registration
- (186) - Renewal expiration date of registration
- (141) - Date of cancel of duration of the mark
- (210) - Serial number of application
- (220) - Date of filing of the application
- (230) - Data concerning exhibition
- (260) - Number of application, for which favorable decision of examination about registration has been taken (publication number)
- (310) - Number of the first application
- (320) - Date of filing of the first application
- (330) - Code, identifying national or regional Office where the first application was made
- (511) - International Classification of Goods and Services for the purposes of registration of trade marks and/or list of goods and/or services classified according thereto
- (526) - Disclaimer
- (531) - Description of figurative elements of Trade Marks according to the International Classification of the Figurative Elements of Marks
- (540) - Reproduction of Trade Mark
- (550) - Nature and kind of Trade Mark
- (580) - Date of recording of any kind changes in respect of applications or registrations
- (591) - Information concerning colors claimed
- (731) - Name and address of the applicant
- (732) - Name and address of the holder of the registration
- (740) - Name and address of the representative
- (750) - Address for correspondence
- (770) - Name and address of the previous applicant or holder in case of change in ownership
- (771) - Previous name and address of the applicant or holder in case of change in ownership
- (791) - Name and address of the licensee
- (793) - Indication of conditions and/or restrictions under the license (Type of license, number of license agreement, data of license, data of validity of license)
- (800) - Certain data relating to the international registration of Trade Marks under the Protocol Relating to Madrid Agreement (International registration number
- (891) - Date of subsequent designation

CODES FOR PUBLICATION IN BULLETIN

- (21) AP 0000 000000 - serial number of application for invention
- (10) AP 0000 0000 A - number of published application for invention (first publication)
- (11) P 0000 0000 B - number of patent for invention (second publication)
- (21) API 0000 000000 - number of application for imported patent
- (11) PI 0000 0000 A - number of imported patent (first publication)
- (21) AU 0000 000000 - serial number of application for utility model
- (10) AU 0000 000 U - number of published application for utility model (first publication)
- (11) U 0000 000 Y - number of patent for utility model (second publication)
- (21) AD 0000 000000 - serial number of application for design
- (10) AD 0000 000 S - number of published application for design (first publication)
- (11) D 0000 000 S - number of patent for design (second publication)

INTERNATIONAL PATENT CLASSIFICATION FOR INVENTIONS AND UTILITY MODELS

- SECTION A - HUMAN NECESSITIES
- SECTION B - PERFORMING OPERATIONS; TRANSPORTING
- SECTION C - CHEMISTRY; METALLURGY
- SECTION D - TEXTILES; PAPER
- SECTION E - FIXED CONSTRUCTIONS
- SECTION F - MECHANICAL ENGINEERING; LIGHTING; HEATING; WEAPONS; BLASTING
- SECTION G - PHYSICS
- SECTION H - ELECTRICITY

-
- M - Trade Mark
 - (210) AM 0000 000000 - Serial number of application;
 - (260) AAM 0000 00000 A - Publication number of application;
 - (111) M 0000 00000 R - Number of registration;
 - (111) MMM0000 00000 Rn - Number of renewals, in which n=1,2,3;
 - (111) M 0000 00000 R(P) - Number of registration under partial assignment of rights
-

CONTENTS

PUBLISHED TITLES OF PROTECTION	2
INVENTIONS	
▪ APPLICATIONS APPROVED FOR GRANTING PATENTS	4
▪ PATENTED INVENTIONS	13
UTILITY MODELS	
▪ PATENTED UTILITY MODEL	16
DESIGNS	
▪ REGISTERED DESIGNS	17
▪ DESIGNS REGISTERED ACCORDING TO THE ACCELERATED PROCEDURE	18
TRADEMARKS	
▪ APPLICATIONS FILED UNDER THE NATIONAL PROCEDURE APPROVED FOR REGISTRATION	19
▪ REGISTERED TRADEMARKS.....	29
▪ TRADEMARKS REGISTERED ACCORDING TO THE ACCELERATED PROCEDURE	35
▪ INTERNATIONAL TRADEMARKS FOR WHICH A DECISION ON GANTING PROTECTION IS TAKEN	37
▪ INTERNATIONAL TRADEMARKS PROTECTED IN GEORGIA	67
CLASSIFICATION INDEXES	
INVENTIONS	78
UTILITY MODELS	80
DESIGNS	81
TRADEMARKS	83

PUBLISHED TITLES OF PROTECTION

INVENTIONS

- **APPLICATIONS APPROVED FOR GRANTING PATENTS:**
12252; 12685; 12116; 12588; 12746; 12586; 12397; 12405; 11996; 12254; 12684; 12247; 12289; 12315; 12048; 12491; 12749; 12719
- **PATENTED INVENTIONS:**
5944-5954

UTILITY MODELS

- **PATENTED UTILITY MODEL:**
1781

DESIGNS

- **REGISTERED DESIGN:**
558, 559
- **DESIGNS REGISTERED ACCORDING TO THE ACCELERATED PROCEDURE:**
560

TRADEMARKS

- **APPLICATIONS FILED UNDER THE NATIONAL PROCEDURE APPROVED FOR REGISTRATION:**
69195; 69248-69251; 69259, 69260; 69436; 69522, 69523; 69531-69533; 69535-69540; 69544-69550; 69571; 69586; 69616-69619; 69622; 69673, 69674; 69681-69688; 69726-69732; 69737, 69738; 69803; 69826-69828; 69838; 69846; 69866; 70855; 70866; 70907; 70919-70921; 62824*
- **REGISTERED TRADEMARKS:**
24131-24192
- **TRADEMARKS REGISTERED ACCORDING TO THE ACCELERATED PROCEDURE:**
24125-24130
- **INTERNATIONAL TRADEMARKS FOR WHICH A DECISION ON GRANTING PROTECTIONS IS TAKEN:**
68500; 68696; 68701; 69414; 69422; 69453; 69479; 69515, 69516; 69525; 69557-69559; 69566; 69569; 69577-69579; 69628-69632; 69634-69639; 69642-69645; 69650; 69653, 69654; 69660, 69661; 69664; 69668; 69733-69736; 69739, 69740; 69742; 69744; 69746; 69748; 69750; 69752; 69754-69756; 69793-69795; 69798; 69907; 69910-69917; 69920-69925; 69928, 69929; 69931, 69932; 69934-69941; 69977-69981; 70001; 70004; 70009; 70013, 70014; 70017; 70161; 70218
- **INTERNATIONAL TRADEMARKS PROTECTED IN GEORGIA:**
66227; 66540; 66645; 67643; 67651; 67743; 67757; 67762; 67765; 67773; 67845; 67901; 67905; 67907; 67910; 67915, 67916; 67924; 68021; 68024; 68078; 68094; 68242; 68292; 68298; 68375; 68380; 68417; 68430-68439; 68441; 68444; 68446-68457; 68459-68461; 68470-68472; 68474; 68476; 68509; 68515; 68533; 68576-68582; 68584; 68586; 68603, 68604; 68606; 68608-68614; 68616; 68618-68621; 68623-68626; 68628; 68636, 68637; 68649-68652; 68655, 68656; 68669, 68670; 68676-68682; 68684, 68685; 68687; 68731-68744; 68748-68754; 68771-68777; 68799-68805; 68816; 68821-68824; 68830-68832; 68834, 68835; 68998

INVENTIONS

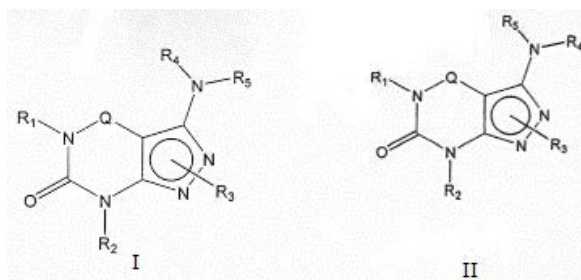
APPLICATIONS APPROVED FOR GRANTING PATENTS

The decision can be appealed at the Chamber of Appeal of Sakpatenti within 3 months from the publication or at the Mtskheta District Court Administrative Cases Board (Address: №17, Samkhedro str., Mtskheta), within 1 month following the publication.

PART A

A 01

- (10) AP 2013 12252 A (51) Int. Cl. (2006)
A 01 N 43/90
- (21) AP 2009 012252 (22) 2009 12 07
(31) 61/120,438
(32) 2008 12 06
(33) US
(71) INTRACELLULAR THERAPIES, INC. (US)
3960 Broadway, New-York, NY 10032 (US)
(72) LI, Peng (US).
WENNOGLE, Lawrence, P. (US);
ZHAO, Chun (CN);
ZENG, Hailin (CN)
(74) Shalva Gvaramadze
(85) 2011 06 03
(86) PCT/US2009/006444, 2009 12 07
(54) **ORGANIC COMPOUNDS**
(57) There are represented 3-amino-(optionally 4-imino or 4-thioxo)-4,5-dihydro-(1H or 2H) pyrazolo [3,4d]pyrimidine-6-ones in free form or as salt, of formula (I) and (II),



wherein value of Q, R₁, R₂, R₃, R₄ and R₅ substituents are provided in the claims, pharmaceutical compositions on basis thereof and application thereat the treatment of cognitive disorders, schizophrenia, parkinsonism, etc.

Claims: 10 independent
18 dependent

A 23

- (10) AP 2013 12685 A (51) Int. Cl. (2006)
A 23 L 1/0524
- (21) AP 2012 012685 (22) 2012 04 30
(71) Irina Bezhanidze (GE)
Akhmetelis q. 7, b. 15, 6010 Batumi (GE);
Zurab Kontselidze (GE)
D. Aghmasheneblis q. 13, b. 2,
6010 Makhinjauri (GE);
Tina Kharebava (GE)
L. Asatianis q. 2/27, 6010 Batumi (GE)
(72) Irina Bezhanidze (GE);
Zurab Kontselidze (GE);
Tina Kharebava (GE)
(54) **METHOD OF PECTIN RELEASE FROM PLANT RAW MATERIAL**
(57) A method provides: pressed plant raw material breakage; treatment therewith received by electrodiagnosis and heated up to 70°C temperature the acid/water solution with ratio 1:10; pectin isolate holding during 24 h-s; their filtering and passing throughout washing and concentrating ultrafiltration device; rest filtered material retreatment with acid/water solution heated up to 60-65°C temperature, wherein the process is repeated 2 times; received concentrates mixing together, and pectin sedimentation by addition therein 96% ethanol solution with ratio 1:1; pectin sediment washing with 96% ethanol solution; and drying therein drying box at 70-80°C temperature.
Claims: 1 independent
3 dependent

PART B

B 23

(10) AP 2013 12116 A (51) Int. Cl. (2006)

B 23 P 17/06

B 23 D 31/00

E 04 C 5/01

- (21) AP 2009 012116 (22) 2009 05 23
 (31) 10 2008 034 250.5
 (32) 2008 07 23
 (33) DE
 (71) CENT & CENT GMBH & CO. KG (DE)
 Benzstrasse 14, 89155 Erbach (DE)
 (72) STAHL, Karl-Hermann (DE)
 (74) Shalva Gvaramadze
 (85) 2011 02 23
 (86) PCT/DE2009/000736, 2009 05 23
 (54) **METHOD FOR PRODUCING STEEL FIBERS**

(57) There is provided steel fibers producing method preferably usable as concrete additive, and for addition thereof during steel fiber concrete production, characterized in that, in order to produce the steel fibers (2) first a metal strip (1) is notched either on one or both sides so, as to form steel fiber veins (4), which initially are still connected to each other by webs (5), and that furthermore the steel fiber strip is subjected to tumbling process in order to subsequently reshape the webs (5) into thin, easy-to-separate separating webs, which form separating surfaces, that are smooth and low in burrs during severing, wherein each web (5) is subjected to multiple bending deformation steps about the longitudinal axis such, that incipient cracks are formed in the region of webs due to fatigue fracture, thereby producing separating web.

Claims: 3 independent

27 dependent

Fig.: 11

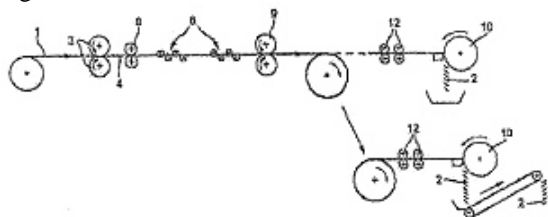


Fig. 1

B 62

(10) AP 2013 12588 A (51) Int. Cl. (2006)

B 62 D 3/02

- (21) AP 2012 012588 (22) 2012 02 20
 (71) Revaz Varsimashvili (GE)
 Vazha-Pshavelas Gamz., V kvart., korp. 4,
 b. 82, 0186 Tbilisi (GE);
 Merab Kakhiani (GE)
 Sulkhan Tsintsadzis q. 56, b. 1, 0160
 Tbilisi (GE);
 Zurab Varsimashvili (GE)
 Mtskhets q. 20, b. 34, 0179 Tbilisi (GE);
 Revaz Kakhiani (GE)
 Sulkhan Tsintsadzis q. 56, b. 1, 0160
 Tbilisi (GE);
 Akaki Kakhiani (GE)
 Sulkhan Tsintsadzis q. 56, b. 1, 0160
 Tbilisi (GE)
 (72) Revaz Varsimashvili (GE);
 Merab Kakhiani (GE);
 Zurab Varsimashvili (GE);
 Revaz Kakhiani (GE);
 Akaki Kakhiani (GE)
 (54) **VEHICLE STEERING WHEEL CONTROL RACK-AND-PINION MECHANISM**

(57) There is represented a mechanism comprising steering wheel shaft 1, steering wheel is connected on one end thereof, and cylindrical denticle 2 is connected on another end; at that, cylindrical denticle is executed as round, eccentrically set cylindrical denticle or as nonround cylindrical denticle equipped with straight gear having fixed or variable lead, and accordingly rack bar, it is engaged with gear having fixed or variable lead. Transmission number presents lead and/or cylindrical gear radiuses variation function.

Claims: 1 independent

Fig.: 3

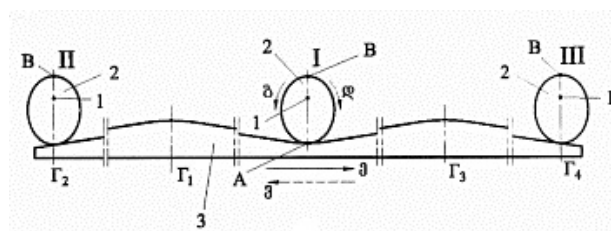


Fig. 3

B 65

(10) AP 2013 12746 A (51) Int. Cl. (2006)
B 65 D 17/40

(21) AP 2010 012746 (22) 2010 11 12
(31) 09075503.4
(32) 2009 11 12
(33) EP

(71) IMPRESS GROUP B.V. (NL)
Zutphenseweg 510516 NL-7418 AH
Deventer (NL)

(72) LEBOUCHER, Fabrice (FR)

(74) Tamar Kochlamazashvili

(85) 2012 06 11

(86) PCT/EP2010/067381, 2010 11 12

(54) PANEL FOR CONTAINER, CONTAINER PROVIDED WITH SUCH PANEL AND METHOD MAKING THEREOF

(57) An invention relates to panel 1 for container having outer edge connected to container 2 and tab 3 connected to panel. The tab has rear part 8 to grip tab by user and front tab 7 part to engage with panel 1 and to form opening in the panel 1. The panel is provided with deformation means 15, which is structurally deforms upon transition of panel 1 into convex shape and which locked in the deformed state urge the panel 1 to substantially flat or concave shape. The invention is also relates to: container provided with such panel 1 and method making the panel 1 and container.

Claims: 3 independent
9 dependent

Fig.: 7

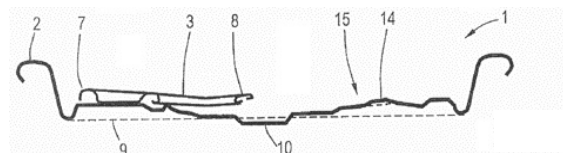


Fig. 1C

B 69

(10) AP 2013 12586 A (51) Int. Cl. (2006)
B 69 K 17/00

(21) AP 2012 012586 (22) 2012 02 20
(71) Revaz Varsimashvili (GE)

Vazha-Pshavelas Gamz., V kvart., korp. 4,
b. 82, 0186 Tbilisi (GE);

Merab Kakhiani (GE)

Sulkhan Tsintsadzis q. 56, b. 1, 0160

Tbilisi (GE);

Zurab Varsimashvili (GE)

Mtskhets q. 20, b. 34, 0179 Tbilisi (GE);

Revaz Kakhiani (GE)

Sulkhan Tsintsadzis q. 56, b. 1, 0160

Tbilisi (GE);

Akaki Kakhiani (GE)

Sulkhan Tsintsadzis q. 56, b. 1, 0160

Tbilisi (GE)

(72) Revaz Varsimashvili (GE);

Merab Kakhiani (GE);

Zurab Varsimashvili (GE);

Revaz Kakhiani (GE);

Akaki Kakhiani (GE)

(54) PULSATING DIFFERENTIAL

(57) There is represented differential comprising case 6, main transmission gears 8 and 9, located in the case and engaged together the hemiaxes 1 and 2 and satellite 3 and 4 gears. Hemiaxes and satellite gears have round conic shape and are equipped with engaged together fixed or variable lead gears. At that, said round conic gears are fixed eccentrically to rotation axis, and average transmission number presents lead variation and/or varying conic angle function.

Claims: 1 independent

Fig.: 6

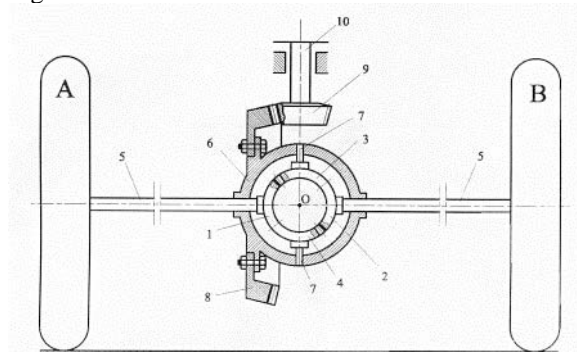
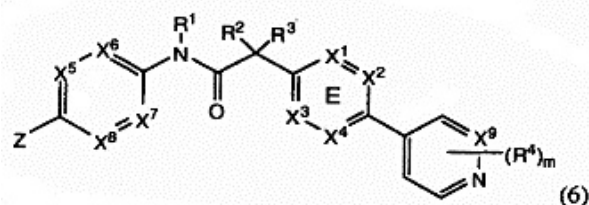


Fig. 1

PART C

C 07

- (10) AP 2013 12397 A (51) Int. Cl. (2006)
 C 07 D 213/75
 C 07 D 401/12
 C 07 D 401/14
 C 07 D 403/12
 C 07 D 413/14
 C 07 D 417/12
 C 07 D 417/14
 A 61 P 35/00
- (21) AP 2010 012397 (22) 2010 03 01
 (31) 61/156599; 61/245187
 (32) 2009 03 02; 2009 09 23
 (33) US; US
 (71) IRM LLC (US)
 131 Front Street, Box HM 2899,
 Hamilton, HM LX (US)
- (72) CHENG, Dai (US);
 ZHANG, Guobao (US);
 HAN, Dong (CN);
 GAO, Wenqi (CN);
 PAN, Shifeng (US)
- (74) Alexander Kartvelishvili
 (85) 2011 09 30
 (86) PCT/US2010/025813, 2010 03 01
 (54) N-(HETERO)ARYL, 2-(HETERO)ARYL-
 SUBSTITUTED ACETAMIDES USAGE
 AS WNT SIGNALING MODULATORS
 (57) There are represented compound of formula (6),



pharmaceutical composition on basis thereof, and application thereat the treatment of disorders caused by Wnt.

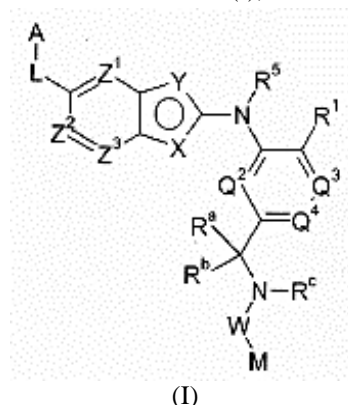
Claims: 7 independent

10 dependent

Table: 1

- (10) AP 2013 12405 A (51) Int. Cl. (2006)
 C 07 D 471/04
 A 61 K 31/4188
 A 61 P 11/00
 A 61 P 29/00

- (21) AP 2010 012405 (22) 2010 03 05
 (31) 09154414.8; 09179618.5
 (32) 2009 03 05; 2009 12 17
 (33) EP; EP
 (71) BOEHRINGER INGELHEIM
 INTERNATIONAL GMBH (DE)
 Binger Straße 173, 55216 Ingelheim
 Am Rhein (DE)
- (72) PFAU, Roland (DE);
 ARNDT, Kirsten (DE);
 DOODS, Henri (NL);
 KLINDER, Klaus (DE);
 KUELZER, Raimund (DE);
 LUBRIKS, Dimitrijs (UA);
 MACK, Juergen (DE);
 PELCMAN, Benjamin (SE);
 PRIEPKE, Henning (DE);
 ROENN, Robert (SE);
 STENKAMP, Dirk (DE);
 SUNA, Edgars (LV)
- (74) Tamar Kochlamazashvili
 (85) 2011 10 05
 (86) PCT/EP2010/052799, 2010 03 05
 (54) 3H-IMIDAZO [4,5-C] PYRIDINE-6-
 CARBOXAMIDES AS ANTI-INFLAM-
 MATORY AGENTS
 (57) There are represented 3H-imidazo[4,5-C]pyri-
 din-6-carboxamides of formula(I),



wherein values of Z¹, Z², Z³, Y, X, A, L, W, M, Q², Q³, Q⁴, R¹, R⁵, R^a, R^b, R^c substitutes are provided in the claims; pharmaceutical compositions on basis thereof and their application as analgetic.

Claims: 4 independent

15 dependent

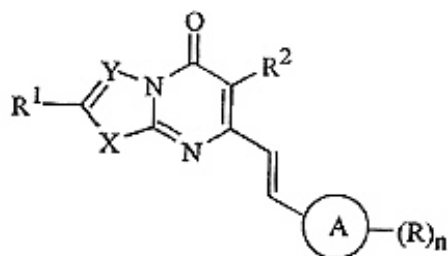
Table: 13

(10) AP 2013 11996 A (51) Int. Cl. (2006)
C 07 D 487/04
C 07 D 498/04
C 07 D 513/04
A 61 K 31/519
A 61 P 29/00

(21) AP 2009 011996 (22) 2009 04 15
(31) 902/MUM/2008; 61/057,971;
1201/MUM/2008; 61/074,112;
1687/MUM/2008; 61/092,324;
2174/MUM/2008; 61/113,344
(32) 2008 04 23; 2008 06 02; 2008 06 05;
2008 06 19; 2008 08 08; 2008 08 27;
2008 10 10; 2008 11 11
(33) IN; US; IN; US; IN; US; IN; US
(71) GLENMARK PHARMACEUTICALS
S.A. (CH)
Chemin de la Combeta 5, 2300 La Chaux-de-
Fonds (CH)
(72) V.S. PRASADARAO, Lingam (IN);
SACHIN, Sundaral, Chaudhari (IN);
ABRAHAM, Thomas (IN);
NEELIMA, Khairatkar-Joshi (IN);
VIDYA G., Kattige (IN)

(74) Alexander Kvernadze
(85) 2010 11 08
(86) PCT/IB2009/005290, 2009 04 15
(54) **FUSED PYRIMIDINEONE COMPOUNDS
AS TRPV3 MODULATORS**

(57) There are represented pyrimidine derivatives of formula (1),



(I)

wherein X is O, S, NR^b, Y is CR³ or N, A ring is aryl, heterocyclyl or heteroaryl, and values R, R¹, R², R³, R^b and n are provided in the claims; pharmacological composition on basis thereof and application thereat prevention and treatment of diseases caused by vanilloid receptor activity.

Claims: 5 independent

38 dependent

Table: 7

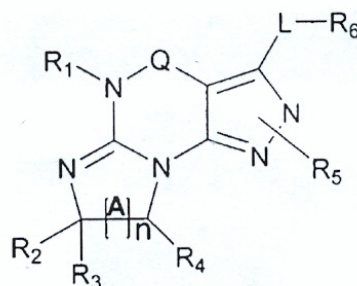
(10) AP 2013 12254 A (51) Int. Cl. (2006)
C 07 D 491/00

(21) AP 2009 012254 (22) 2009 12 07
(31) 61/120,441
(32) 2008 12 06
(33) US
(71) INTRA-CELLULAR THERAPIES,
INC. (US)
3690 Broadway, New York, NY 10032 (US)
(72) LI, Peng (CN);
WENNOGLE, Lawrence P. (US);
ZHAO, Chun (CN);
ZENG, Hailin (CN)

(74) Shalva Gvaramadze
(85) 2011 06 06
(86) PCT/US2009/006442, 2009 12 07

(54) **ORGANIC COMPOUNDS**

(57) There are represented optionally substituted 4,5,7,8-tetrahydro-(optionally 4-thioxo or 4-imino)-(1H or 2H)-imidazo[1,2-a]pyrazolo[4,3-e]pyrimidine or 4,5,7,8,9-pentahydro-(1H or 2H)-pyrimido[1,2-a]pyrazolo[4,3-e]pyrimidine in free form or as salt, of formula (I) and (II),



wherein values of R₁, R₂, R₃, R₄, R₅, R₆, L, Q, A and n substitutes are provided in the claims; pharmaceutical compositions on basis thereof and application thereat the treatment of such diseases as Alzheimer, schizophrenia, sexual dysfunction among women, etc.

Claims: 7 independent

20 dependent

C 11

(10) AP 2013 12684 A (51) Int. Cl. (2006)

C 11 B 9/02

(21) AP 2012 012684 (22) 2012 04 30

(71) Zurab Kontselidze (GE)

D. Aghmasheneblis q. 13, b. 2, 6010

Makhinjauri (GE);

Irina Bezhanidze (GE)

Akhmetelis q. 7, b. 15, 6010 Batumi (GE);

Tina Kharebava (GE)

L. Asatianis q. 2/27, 6010 Batumi (GE)

(72) Zurab Kontselidze (GE);

Irina Bezhanidze (GE);

Tina Kharebava (GE)

(54) **ESSENTIAL OILS EXTRACTION FROM FRUIT PEEL**

(57) The method provides: fruit placement between rotating perforated barrels; fruit movement by means of rotating screws allocated on "Archimedean spiral" curve, wherein direction of perforated barrel rotation matches screw passing direction; fruit injury with perforated surface; essential oils extraction; injured fruit treatment with acidized water stream (PH=1,9-3,8, pressure P=0,2-0,5 MPa); and decantation. At that, screw diameter is 30mm, and lead length is 35mm.

Claims: 1 independent

Fig.: 2

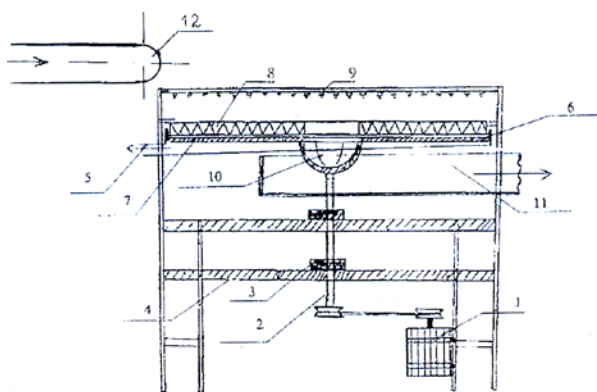


Fig. 1

PART E

E 04

(10) AP 2013 12247 A (51) Int. Cl. (2006)

E 04 B 1/32

(21) AP 2011 012247 (22) 2011 06 02

(71) Giorgi Tabagari (GE)

Aghmasheneblis q. 31, 3300 Mtskheta (GE)

(72) Bichiko Surguladze (GE);

Giorgi Tabagari (GE)

(54) **CEILING APPROXIMATELY TENSE ARCHED CONSTRUCTION**

(57) There is represented construction comprising sections 1 hingedly connected to each other in tandem. The sections are constructed from stem componentry isosceles triangles, which bases are made of open profile 3 equipped with perforated diaphragms 2. Sections tops are connected to each other with connecting componentry 11 having open profile and mounted on sprigs passed through side connecting componentry 7 hooks 8. Equipped with perforated diaphragms and executed with open profile the semi-barrel 13 is fixed on end sections allocated near ceiling supports. Tensioning wire 14 is passed on semi-barrel located on ceiling one side; in diaphragms perforations allocated on componentry connecting section bases and tops, on hubs allocated on connecting section bases hinges shafts, on semi-barrel placed on ceiling another side the wire ends are fixed onto fixed on another semi-barrel the movable blackets 15 connected to each other with tensioning componentry 16.

Claims: 1 independent

Fig.: 19

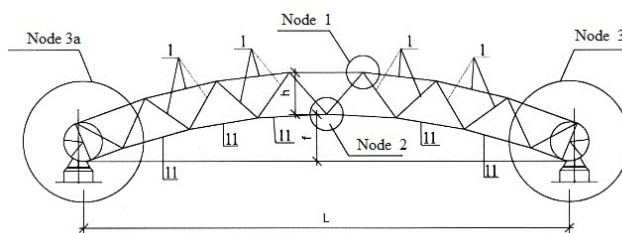


Fig. 1

(10) AP 2013 12289 A (51) Int. Cl. (2006)

E 04 C 2/54
B 28 B 23/00
E 04 B 2/02

(21) AP 2009 012289 (22) 2009 12 10

(31) MI2008A002190

(32) 2008 12 11

(33) IT

(71) ITALCEMENTI S.P.A. (IT)

Via G. Camozzi, 124, I-24121, Bergamo (IT)

(72) CANGIANO, Stefano (IT);

CARMINATI, Aronne (IT)

(74) Shalva Gvaramadze

(85) 2011 07 11

(86) PCT/EP2009/066813, 2009 12 10

(54) **COMPOSITE PANEL MADE FROM CEMENTITIOUS MORTAR WITH PROPERTIES OF TRANSPARENCY**

(57) Present invention relates to composite panel made from cementitious mortar characterized with plurality of openings pass through complete width thereof, each wherefrom is filled with material transparent to light. The invention also relates to these panels producing method.

Claims: 2 independent

9 dependent

Fig.: 5

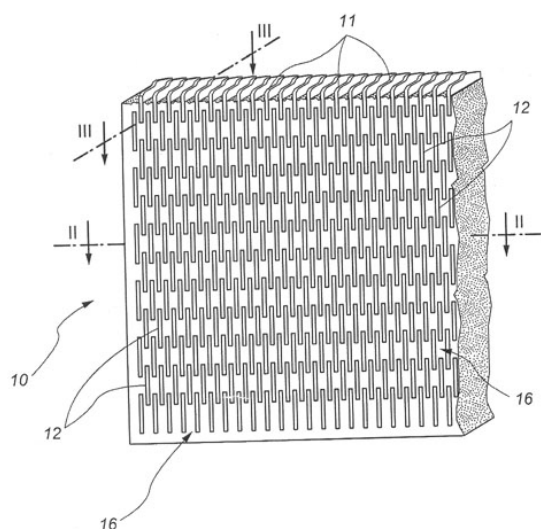


Fig. 1

(10) AP 2013 12315 A (51) Int. Cl. (2006)

E 04 H 9/02
E 04 B 1/344

(21) AP 2011 012315 (22) 2011 07 22

(71) Irakli Gobejishvili (GE)

K. Cholokashvili q. I kv., I korp., b. 8,
0113 Tbilisi (GE)

(72) Irakli Gobejishvili (GE);

Bichiko Surguladze (GE)

(54) **APPROXIMATELY TENSE ASEISMIC STABLE HANGING BUILDING**

(57) There is represented allocated on rigidity central core 6 upper marking the space frame 1, on which ends approximately tense vertical racks 2 are hang. The racks are passed through having quadrangular crosscut the rigid componentry 3 equipped with horizontal supporting tables 4. Approximately tense inclined continuous racks 5 are passed on rigidity central core 6 all four sides and diagonals, are installed on floors areas crosswise and are passed upon ceiling bobbins 7 on the rollers 8 installed on space consul frame 1 and basis levels. On each second floor level, inclined crosswise racks are equipped with tensing devices 10.

Claims: 1 independent

Fig.: 17

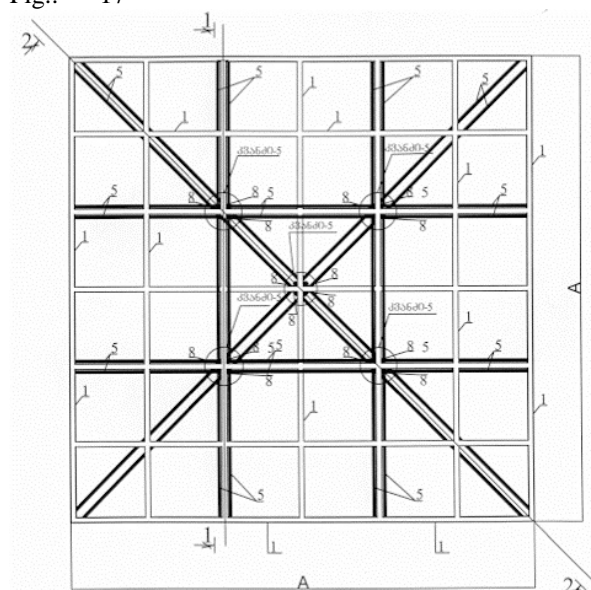


Fig. 1

PART F

F 03

(10) AP 2013 12048 A (51) Int. Cl. (2006)

F 03 B 3/00

F 03 B 3/02

F 03 B 3/12

(21) AP 2010 012048 (22) 2010 12 30

(71) Vitali Abramyan (GE)

Vazisubnis Das., II mkr., korp. 1, b. 42,
0152 Tbilisi (GE);

Ronald Abramyan (GE)

Vazisubnis Das., II mkr., korp. 1, b. 42,
0152 Tbilisi (GE)

(72) Vitali Abramyan (GE);

Ronald Abramyan (GE)

(54) **METHOD OF ROTATING TURBINE
RUNNER AND ABRAMYAN REACTIVE
HYDRO-TURBINE RUNNER**

(57) The method provides, that inlet stream 19 to runner 1 is directed from periphery to the center, passed through the runner by its passing through wings 5 lattice creating side surface thereof. Wings convex side 15 is directed to stream, and its concave side 14 is directed to runner rotation side. By means of wings convex side the inlet stream radial direction varies on more acute angle 10 than 45° , therefore the stream is twisted between wings and by creation of inlet working medium stream reaction it rotates to create twisting moment inside of runner. Working medium is passed out from runner after jointing pressures in passing twisted stream 20. Hydro-turbine runner comprises curved wings 5 allocated between upper 3 and lower 4 rims and inclined in lower part 6 thereof. At that, wings on runner are located so, that angle between, connecting line on wing inlet 8 and outlet 9 ends (crosswise between rims) from stream side the points and runner radius is more than 45° , but less than $180^\circ (n-2)/2n$. Wings until inclined part thereof, between rims are executed convexly, and opposite side thereof is executed concavely; or wings on some distance from stream side inlet end are convex and then, it becomes concave until outlet end, and from its back side – inversely.

Claims: 3 independent

Fig.: 16

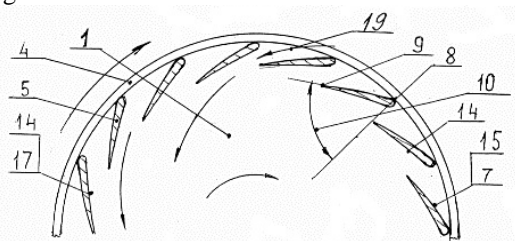


Fig. 15

F 16

(10) AP 2013 12491 A (51) Int. Cl. (2006)

F 16 H 3/56

(21) AP 2011 012491 (22) 2011 12 06

(71) Revaz Varsimashvili (GE)

Vazha-Pshavelas Gamz., V kvart., korp. 4,
b. 82, 0186 Tbilisi (GE);

Merab Kakhiani (GE)

Sulkhan Tsintsadzis q. 56, b. 1, 0160

Tbilisi (GE);

Zurab Varsimashvili (GE)

Mtskhedis q. 20, b. 34, 0179 Tbilisi (GE);

Revaz Kakhiani (GE)

Sulkhan Tsintsadzis q. 56, b. 1, 0160

Tbilisi (GE);

Akaki Kakhiani (GE)

Sulkhan Tsintsadzis q. 56, b. 1, 0160

Tbilisi (GE)

(72) Revaz Varsimashvili (GE);

Merab Kakhiani (GE);

Zurab Varsimashvili (GE);

Revaz Kakhiani (GE);

Akaki Kakhiani (GE)

(54) **GEAR TRANSMISSION**

(57) There is represented transmission comprising rack 1 forced onto driving and driven shafts 8 and 9, and tooth gear 2, wherein driving rack is round and by internal engagement is connected to satellite tooth gear 4 forced onto shaft 7 fixed on carrier H; onto shaft another end, another satellite tooth gear 5 is forced, which is engaged with tooth gear 2 connected immobile to support; at that, onto driven shaft, non-round tooth gear 3 is forced, which is engaged with cylindrical tooth gear 6 eccentrically fixed between said satellite tooth gears on the shaft placed in the carrier.

Claims: 1 independent

Fig.: 27

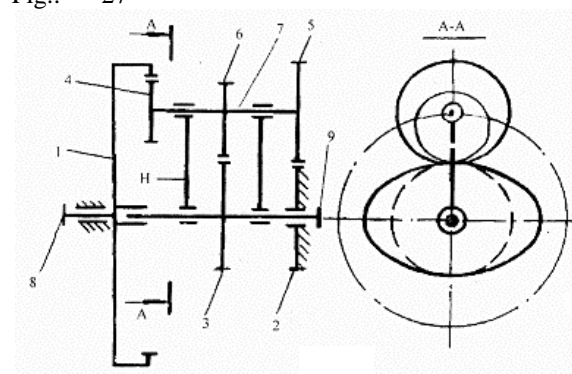


Fig. 20

PART G**G 01**

(10) AP 2013 12749 A (51) Int. Cl. (2006)
G 01 N 33/12

(21) AP 2012 012749 (22) 2012 06 14

(71) Valter Gelashvili (GE)

Ketevan Tsamebulis Gamz. 76b, b. 33,
0144 Tbilisi (GE)

(72) Valter Gelashvili (GE)

(54) **OPTICAL DEVICE**

(57) There is represented an optical device comprising microscope, console, and compressorium. The compressorium comprises two round transparent discs having sectors for test specimen replacement therein, and fixating and pressing means as well. It is executed with ability of rotation and upper disc removal.

Claims: 1 independent

Fig.: 1

(10) AP 2013 12719 A (51) Int. Cl. (2006)
G 01 N 33/38

(21) AP 2012 012719 (22) 2012 05 22

(71) Akaki Iromashvili (GE)

Varketilis IV mkr., II rigi., korp. 1, b. 52,
0163 Tbilisi (GE);

Pridon Iromashvili (GE)

Varketilis IV mkr., II rigi., korp. 1, b. 52,
0163 Tbilisi (GE);

Irma Iromashvili (GE)

Chavchavadzis q. 67, 1500 Gurjaani (GE);

Giorgi Iromashvili (GE)

Varketilis IV mkr., II rigi., korp. 1, b. 52,
0163 Tbilisi (GE);

Vano Natidze (GB)

7 Trent Road, Luton, Bedfordshire County,
LU 3 1 SZ (GB)

(72) Akaki Iromashvili (GE);

Natela Iromashvili (GE);

Pridon Iromashvili (GE);

Irma Iromashvili (GE);

Giorgi Iromashvili (GE)

(54) **CONDUCTOMETRIC METHOD TO SPECIFY CEMENT ACTIVITY, CEMENT AND WATER QUANTITY IN CONCRETE MIX AND CONCRETE DURABILITY**

(57) There is represented conductometric method to specify cement activity, cement and water quantity in concrete mix and concrete durability with taking into account mineral additives and make mass portion, temperature and specific electro conductivity of solution subject of testing by means of apparatus especially executed to carry out the method, wherein appropriate program of said method is loaded.

Claims: 1 independent

PATENTED INVENTIONS

PART A

A 01

- (11) P 2013 5945 B** **(51) Int. Cl. (2006)**
A 01 H 5/00
A 01 H 5/10
C 12 N 15/82
C 12 N 9/88
- (10) AP 2013 11543 A (44) 13(377)/2013
(21) AP 2008 011543
(22) 2008 04 03
(24) 2008 04 03
(31) 60/910,028
(32) 2007 04 04
(33) US
(86) PCT/US 2008/059257, 2008 04 03
(73) BASF PLANT SCIENCE GMBH (DE)
Carl-Bosch-Strasse 38, 67056
Ludwigshafen (DE)
(72) MCELVER, John, A. (US);
SINGH, Bijay (US)
(74) Alexander Kartvelishvili
(54) **AHAS MUTANTS**

- (11) P 2013 5948 B** **(51) Int. Cl. (2006)**
A 01 N 43/80
A 01 N 43/90
C 07 D 413/04
- (10) AP 2013 12303 A (44) 13(377)/2013
(21) AP 2009 012303
(22) 2009 12 11
(24) 2009 12 11
(31) 0823002.1
(32) 2008 12 17
(33) GB
(86) PCT/EP 2009/066965, 2009 12 11
(73) SYNGENTA PARTICIPATIONS AG (CH)
Schwarzwaldallee 215, CH-4058, Basel (CH)
(72) CORSI, Camilla (IT);
WENDEBORN, Sebastian Volker (DE);
BOBBIO, Carla (IT);
KESSABI, Jilali (IE);
SCHNEITER, Peter (CH);
GRASSO, Valeria (IT);
LEE, Shy-Fuh (US);
GLIEDT, Micah (US);
HAAS, Ulrich Johannes (DE)
(74) Tamara Kochlamazashvili
(54) **ISOXAZOLE DERIVATIVES FOR USE AS
PLANT GROWTH REGULATORS**

A 23

- (11) P 2013 5953 B** **(51) Int. Cl. (2006)**
A 23 L 2/00
- (10) AP 2013 12793 A (44) 13(377)/2013
(21) AP 2012 012793
(22) 2012 07 16
(24) 2012 07 16
(73) Avtandil Makharoblidze (GE)
I.Chavchavadzis Gamz. 11, b. 17, 0179
Tbilisi (GE);
Ketevan Maghlakelidze (GE)
I.Chavchavadzis Gamz. 11, b. 17, 0179,
Tbilisi (GE);
Koba Gurielidze (GE)
A. Natishvilis q. 4, 0102, Tbilisi (GE)
(72) Avtandil Makharoblidze (GE);
Ketevan Maghlakelidze (GE);
Koba Gurielidze (GE)
(54) **TONIC-PROPHYLACTIC
NONALCOHOLIC BEVERAGE AND
SYRUP FOR PREPARATION THEREOF**

A 61

- (11) P 2013 5950 B** **(51) Int. Cl. (2006)**
A 61 K 9/20
A 61 K 31/495
- (10) AP 2013 12633 A (44) 13(377)/2013
(21) AP 2010 012633
(22) 2010 08 23
(24) 2010 08 23
(31) PA200900950; 61/236223
(32) 2009 08 24; 2009 08 24
(33) DK; US
(86) PCT/DK 2010/050216, 2010 08 23
(73) H. LUNDBECK A/S (DK)
Ottiliavej 9, DK-2500 Valby (DK)
(72) HØJER, Astrid-Maria (DK);
DREWES, Pernille, Gundorf (DK);
KATEB, Jens (SE)
(74) Shalva Gvaramadze
(54) **NEW COMPOSITIONS CONTAINING
1-[2-(2,4-DIMETHYL-PHENYLSULFA-
NYL)-PHENYL]PIPERAZINE**

PART C**C 02**

- (11) P 2013 5952 B** (51) **Int. Cl. (2006)**
C 02 F 1/64
C 02 F 1/28
- (10) AP 2013 12759 A (44) 13(377)/2013
(21) AP 2012 012759
(22) 2012 06 20
(24) 2012 06 20
(73) Tamaz Agladze (GE);
Ioselianis q. 2, b. 62, 0171, Tbilisi (GE);
Jemal Shengelia (GE)
Nutsbidzis q. 2, b. 9, 0177, Tbilisi (GE);
Maia Gabrichidze (GE)
M. Javakhishvili q. 21, b. 7, 0108,
Tbilisi (GE);
Marine Donadze (GE)
Mukhianis IV b mkr., korp. 31, b. 18,
0172, Tbilisi (GE)
(72) Tamaz Agladze (GE);
Jemal Shengelia (GE);
Maia Gabrichidze (GE);
Marine Donadze (GE)
(54) **METHOD OF OBTAINING ZEOLITE
MODIFIED BY MEANS OF MANGANESE
DIOXIDE**

C 07

- (11) P 2013 5951 B** (51) **Int. Cl. (2006)**
C 07 D 405/04
A 01 N 43/56
- (10) AP 2013 12723 A (44) 13(377)/2013
(21) AP 2010 012723
(22) 2010 10 12
(24) 2010 10 12
(31) 61/255996
(32) 2009 10 29
(33) US
(86) PCT/US 2010/052228, 2010 10 12
(73) E. I. DU PONT DE NEMOURS AND
COMPANY (US)
1007 Market Street, Wilmington,
DE 19898 (US)
(72) ANDREAS II, John Lawrence (US);
TAGGI, Andrew, Edmund (US)
(74) Tamaz Shilakadze
(54) **HETEROBICYCLE-SUBSTITUTED
AZOLYL-BENZENE FUNGICIDE**

- (11) P 2013 5944 B** (51) **Int. Cl. (2006)**
C 07 K 14/605
A 61 K 38/26
- (10) AP 2013 11468 A (44) 13(377)/2013
(21) AP 2008 011468
(22) 2008 02 13
(24) 2008 02 13
(31) 60/890,087; 60/938,565
(32) 2007 02 15; 2007 05 17
(33) US; US
(86) PCT/US 2008/053857, 2008 02 13
(73) INDIANA UNIVERSITY RESEARCH AND
TECHNOLOGY CORPORATION (US)
351 West 10th Street, Indianapolis,
IN 46202 (US)
(72) DAY, Jonathan (US);
PATTERSON, James (US);
CHABENNE, Joseph (US);
DIMARCHI, Maria (US);
SMILEY, David (US);
DIMARCHI, Richard, D. (US)
(74) Tamaz Shilakadze
(54) **GLUCAGON/GLP-1 RECEPTOR
CO-AGONISTS**

C 10

- (11) P 2013 5946 B** (51) **Int. Cl. (2006)**
C 10 M 103/02
B 61 K 3/00
- (10) AP 2013 12100 A (44) 3(367)/2013
(21) AP 2011 012100
(22) 2011 02 09
(24) 2011 02 09
(73) Giorgi Iosebis dze Tumanishvili (GE)
Didi Dighomi, III mkr., korp. 4, b. 65,
0131, Tbilisi (GE);
Jemal Bolashvili (GE)
Guramishvilis Gamz. 31, b. 12, 0141,
Tbilisi (GE);
Giorgi Giorgis dze Tumanishvili (GE)
Didi Dighomi, III mkr., korp. 4, b. 65,
0131, Tbilisi (GE);
Alexi Khachidze (GE)
Tevdore Mghvdilis q. 48, b. 34, 0141,
Tbilisi (GE)
(72) Giorgi Iosebis dze Tumanishvili (GE);
Jemal Bolashvili (GE);
Giorgi Giorgis dze Tumanishvili (GE);
Alexi Khachidze (GE)
(54) **ANTIFRICTION AND FRICTION
MODIFIERS AND RAIL AND WHEEL
SURFACES FRICTION
MODIFICATION SYSTEM**

PART E**E 01**

- (11) **P 2013 5949 B** (51) **Int. Cl. (2006)**
E 01 B 9/30
E 01 B 9/48
- (10) AP 2013 12319 A (44) 13(377)/2013
(21) AP 2009 012319
(22) 2009 09 02
(24) 2009 09 02
(31) 08 172 979.0
(32) 2008 12 29
(33) EP
(86) PCT/EP 2009/061331, 2009 09 02
(73) OSSLOH WERKE GMBH (DE)
Vosslohstrasse 4, 58791 Werdohl (DE)
(72) BÖSTERLING, Winfried (DE);
ESFANDIYARI, Farhad (DE);
STEIDL, Michael (DE)
(74) Tamara Kochlamazashvili
(54) **ELASTIC TENSIONING CLAMP AND
RAIL FIXATION**
-

E 02

- (11) **P 2013 5954 B** (51) **Int. Cl. (2006)**
E 02 B 3/04
E 02 B 3/06
- (10) AP 2013 12166 A (44) 9(373)/2013
(21) AP 2011 012166
(22) 2011 04 01
(24) 2011 04 01
(73) Zaur Tsikhelashvili (GE)
Dighmis Mas., V kvart., korp. 20, b. 42,
0159 Tbilisi (GE);
Temur Gvelesiani (GE)
Borjomis q. 14, 0112 Tbilisi (GE);
Kote Khazalia (GE)
Panaskertelis q. 1, b. 40, 0194 Tbilisi (GE);
Giorgi Berdzenishvili (GE)
Gldani, II mkr., korp. 34, b. 54, 6701
Tbilisi (GE)
(72) Zaur Tsikhelashvili (GE);
Temur Gvelesiani (GE);
Kote Khazalia (GE);
Giorgi Berdzenishvili (GE)
(54) **BANK-PROTECTION CONSTRUCTION**
-

PART H**H 02**

- (11) **P 2013 5947 B** (51) **Int. Cl. (2006)**
H 02 N 11/00
- (10) AP 2013 12207 A (44) 9(373)/2013
(21) AP 2011 012207
(22) 2011 04 27
(24) 2011 04 27
(73) Avtandil Sanadze (GE)
Sh. Nutsbidzis q. 14a, 0177 Tbilisi (GE);
Rostom Kurtanidze (GE)
A. Apakidzis q. korp. 9, b. 6, 0171
Tbilisi (GE);
Alexandre Didebulidze (GE)
Kostavas q. 44, b. 18, 0179, Tbilisi (GE);
Giorgi Tsertsvadze (GE)
Gldani, VI mkr., korp. 30, b. 65, 0107
Tbilisi (GE);
Roman Tsertsvadze (GE)
Gldani, VI mkr., korp. 30, b. 65, 0107
Tbilisi (GE);
Maka Tsertsvadze (GE)
Arbos q. korp. "B", b. 59, 0141 Tbilisi (GE)
(72) Avtandil Sanadze (GE);
Rostom Kurtanidze (GE);
Alexandre Didebulidze (GE);
Giorgi Tsertsvadze (GE);
Roman Tsertsvadze (GE);
Maka Tsertsvadze (GE)
(54) **COMBINED MAGNETIC ENGINE**
-

PATENTED UTILITY MODEL

PART E

E 03

(11) U 2013 1781 Y (51) Int. Cl. (2006)
 E 03 B 7/07
(10) AU 2013 12894 U (44) 13(377)/2013
(21) AU 2012 012894
(22) 2012 11 14
(24) 2012 11 14
(73) Mamuka Macharashvili (GE)
 L. Lagulashvilis q. 5/13, 0179, Tbilisi (GE)
(72) Mamuka Macharashvili (GE)
(54) **WATER-GAUGE NODE**

REGISTERED DESIGN

(11) D 2013 558 S **(51) 32-00**
(10) AD 2013 745 S (44) 13 (377) 2013
(21) AD 2013 000745
(22) 2013 04 05
(24) 2013 04 05
(28) 2
(18) 2018 04 05
(73) LTD "AISI" (GE)
 Evdoshvilis q. 37, 1500 Gurjaani (GE)
(72) Guram Berikashvili (GE)
(74) Eter Mdivani
(54) **1. GRAPHICAL COMBINATION;**
 2. GRAPHICAL SYMBOL

(11) D 2013 559 S **(51) 09-03**
 09-05
(10) AD 2013 748 S (44) 13 (377) 2013
(21) AD 2013 000748
(22) 2013 04 18
(24) 2013 04 18
(28) 4
(18) 2018 04 18
(73) Davit Shamiridze (GE)
 Martkopis Shes. 12, 0103 Tbilisi (GE)
(72) Davit Shamiridze (GE)
(54) **PACKAGE**

DESIGNS REGISTERED ACCORDING TO THE ACCELERATED PROCEDURE

The decision can be appealed at the Chamber of Appeal of Sakpatenti within 3 months from the publication.

- (11) **D 2013 560 S** (51) **32-00**
(21) AD 2013 000760
(22) 2013 08 22
(24) 2013 08 22
(28) 1
(18) 2018 08 22
(73) Zurab Bakradze (GE)
 Zh. Shartavas q. 38, b. 25, 0160 Tbilisi (GE)
(72) Zurab Bakradze (GE)
(54) **GRAPHIC SYMBOL**
(55)



TRADEMARKS

APPLICATIONS FILED UNDER THE NATIONAL PROCEDURE APPROVED FOR REGISTRATION

The decision can be appealed at the Chamber of Appeal of Sakpatenti within 3 months from the publication or at the Mtskheta District Court Administrative Cases Board (Address: №17, Samkhedro str., Mtskheta), within 1 month following the publication.

(260) AM 2013 69195 A
(210) AM 069195
(220) 2012 10 10
(731) LTD "MEDICLINE"
Temka XI mkr., II kvart., korp 25, b. 30,
Tbilisi, Georgia
(540)



(591) Fuchsine color, white
(531) 07.01.09-26.03.23-27.05.24-29.01.12-
(511) 35

(260) AM 2013 69248 A
(210) AM 069248
(220) 2012 10 15
(731) LTD "HB GEORGIA"
R. Laghidzis q. 2, 0108 Tbilisi, Georgia
(740) Turan Osmabov
(540)

SENTRAM

(591) Black, white
(511) 5

(260) AM 2013 69249 A
(210) AM 069249
(220) 2012 10 15
(731) LTD "HB GEORGIA"
R. Laghidzis q. 2, 0108 Tbilisi, Georgia
(740) Turan Osmabov
(540)

NITRESS

(591) Black, white
(511) 5

(260) AM 2013 69250 A
(210) AM 069250
(220) 2012 10 15
(731) LTD "HB GEORGIA"
R. Laghidzis q. 2, 0108 Tbilisi, Georgia
(740) Turan Osmabov
(540)

COGNICID

(591) Black, white
(511) 5

(260) AM 2013 69251 A
(210) AM 069251
(220) 2012 10 15
(731) LTD "HB GEORGIA"
R. Laghidzis q. 2, 0108 Tbilisi, Georgia
(740) Turan Osmabov
(540)

AMIBAC

(591) Black, white
(511) 5

(260) AM 2013 69259 A
(210) AM 069259
(220) 2012 10 16
(731) TOYOTA JIDOSHA KABUSHIKI KAISHA
(Trader as TOYOTA MOTOR
CORPORATION),
1, Toyota-cho, Toyota-shi, Aichi-Ken,
Japan
(740) Tamar Kochlamazashvili
(540)

NX200t

(591) Black, white
(511) 12

(260) AM 2013 69260 A
 (210) AM 069260
 (220) 2012 10 16
 (731) TOYOTA JIDOSHA KABUSHIKI KAISHA
 (Trader as TOYOTA MOTOR CORPORATION),
 1, Toyota-cho, Toyota-shi, Aichi-Ken,
 Japan
 (740) Tamar Kochlamazashvili
 (540)

NX300h

(591) Black, white
 (511) 12

(260) AM 2013 69436 A
 (210) AM 069436
 (220) 2012 10 29
 (731) Liana Isakadze
 Botanikuris q. 14, 0105 Tbilisi, Georgia
 (740) Mariam Davitashvili
 (540)



(591)) Dark blue, grey
 (531) 01.01.10-04.01.02-26.01.14-26.01.21-
 27.05.24-28.19.00-29.01.04-
 (511) 41

(260) AM 2013 69522 A
 (210) AM 069522
 (220) 2012 11 01
 (731) HI-TEC SPORTS INTERNATIONAL HOLDINGS B.V.
 Pasheveleg 22a, 1105 BJ, Amsterdam
 Zuidoost, Netherlands
 (740) Giorgi Taktakishvili
 (540)

MAGNUM

(591) Black, white
 (511) 9, 25

(260) AM 2013 69523 A
 (210) AM 069523
 (220) 2012 11 01
 (731) LTD TV3
 Gorgaslis q., Shes. Da Krtsanisis q. shoris,
 (Nakveti 18, 19), 0105 Tbilisi, Georgia
 (740) Giorgi Taktakishvili
 (540)



(591) White, light grey, red, light red
 (531) 26.01.06-26.01.17-29.01.01-
 (511) 38, 41

(260) AM 2013 69531 A
 (210) AM 069531
 (220) 2012 11 01
 (731) PHILIP MORRIS PRODUCTS S.A.
 Quai Jeanrenaud 3, 2000 Neuchâtel,
 Switzerland
 (740) Shalva Gvaramadze
 (540)



(591) Grey, opalesce blue and sky blue, lilac,
 raspberry pink, turquoise blue, white
 (531) 24.01.15-24.17.09-25.01.01-25.07.20-
 29.01.14-
 (511) 34

(260) AM 2013 69532 A
 (210) AM 069532
 (220) 2012 11 01
 (731) PHILIP MORRIS PRODUCTS S.A.
 Quai Jeanrenaud 3, 2000 Neuchâtel,
 Switzerland
 (740) Shalva Gvaramadze
 (540)



(591) Grey, opalesce red, orange, raspberry pink,
 sky blue, white
 (531) 24.01.15-24.17.09-25.01.01-25.07.20-
 29.01.14-
 (511) 34

(260) AM 2013 69533 A
 (210) AM 069533
 (220) 2012 11 01
 (731) ABSTRAGAN HOLDING LIMITED
 INTERSHORE SUITES VERNON HOUSE,
 Sicilian Ave., London, WC1A 2QS, UK
 (740) Shalva Gvaramadze
 (540)

BELINDA
БЕЛИНДА

(591) Black, white
 (531) 27.05.05-28.05.00-
 (511) 5

(260) AM 2013 69535 A
 (210) AM 069535
 (220) 2012 11 01
 (310) 031321
 (320) 2012 06 22
 (330) MD
 (731) PHILIP MORRIS PRODUCTS S.A.
 Quai Jeanrenaud 3, 2000 Neuchâtel,
 Switzerland
 (740) Shalva Gvaramadze
 (540)

CORAL WHITE

(591) Black, white
 (511) 34

(260) AM 2013 69536 A
 (210) AM 069536
 (220) 2012 11 02
 (731) LTD "BTM TEXTILE"
 Melikishvilis q. 25, b. 3, 6000 Batumi,
 Georgia
 (740) Davit Chavleishvili
 (540)

DON COM

(591) Black, white
 (511) 25, 35

(260) AM 2013 69537 A
 (210) AM 069537
 (220) 2012 11 02
 (731) LTD "BTM TEXTILE"
 Melikishvilis q. 25, b. 3, 6000 Batumi,
 Georgia
 (740) Davit Chavleishvili
 (540)

COTTON LIFE

(591) Black, white
 (511) 24, 35

(260) AM 2013 69538 A
 (210) AM 069538
 (220) 2012 11 02
 (731) LTD "BTM TEXTILE"
 Melikishvilis q. 25, b. 3, 6000 Batumi,
 Georgia
 (740) Davit Chavleishvili
 (540)

BIGART

(591) Red, white
 (531) 07.01.20-27.03.15-27.05.08-29.01.01-
 (511) 24, 35

(260) AM 2013 69539 A
 (210) AM 069539
 (220) 2012 11 02
 (731) BRITISH AMERICAN TOBACCO
 (BRANDS) INC. (Delaware Corporation)
 2711 Centerville Road, Suite 300,
 Wilmington, DE 19808, USA
 (740) Tamar Kochlamazashvili
 (540)

MADE WITH PRIDE

(591) Black, white
 (511) 34

(260) AM 2013 69540 A
 (210) AM 069540
 (220) 2012 11 02
 (731) TOYOTA JIDOSHA KABUSHIKI KAISHA
 (Trader as TOYOTA MOTOR
 CORPORATION),
 1, Toyota-cho, Toyota-shi, Aichi-Ken, Japan
 (740) Tamar Kochlamazashvili
 (540)

RC350

(591) Black, white
 (511) 12

(260) AM 2013 69544 A
 (210) AM 069544
 (220) 2012 11 05
 (731) STIEFEL LABORATORIES, INC.
 CORPORATION SERVICE COMPANY
 2711 Centerville Road, Suite 400,
 Wilmington, DE 19808, USA
 (740) Shalva Gvaramadze
 (540)

SPECTRABAN

(591) Black, white
 (511) 3, 5

(260) AM 2013 69545 A
 (210) AM 069545
 (220) 2012 11 05
 (731) LTD "GMP"
 Ponichala 65, 0165 Tbilisi, Georgia
 (740) Nugzar Ksovreli
 (540)

**ზეტორი
 ЗЕТОР
 ZETOR**

(591) Black, white
 (511) 5

(260) AM 2013 69546 A
 (210) AM 069546
 (220) 2012 11 05
 (731) LTD "GMP"
 Ponichala 65, 0165 Tbilisi, Georgia
 (740) Nugzar Ksovreli
 (540)

**სოლუდონი
 СОЛУДОН
 SOLUDON**

(591) Black, white
 (511) 5

(260) AM 2013 69547 A
 (210) AM 069547
 (220) 2012 11 06
 (731) XYPEX CHEMICAL CORPORATION
 13731 Mayfield Place, Richmond,
 BC, Canada V6V 2G9, Canada
 (740) Giorgi Taktakishvili
 (540)

XYPEX

(591) Black, white
 (511) 1

(260) AM 2013 69548 A
 (210) AM 069548
 (220) 2012 11 06
 (731) LTD "INFONIKO"
 Kostavas q. 6 (Nakveti 11/008), 0179 Tbilisi,
 Georgia
 (540)



(591) Dark grey
 (531) 03.07.05-26.01.15-26.01.21-29.01.06-
 (511) 42

(260) AM 2013 69549 A
 (210) AM 069549
 (220) 2012 11 06
 (731) LTD "SUPTA TSKALI"
 Paliashvilis q. 118, 0162 Tbilisi, Georgia
 (740) Zakaria Samadashvili
 (540)

ჩემთან ჩემი წყალია

(591) Black, white
 (511) 32

(260) AM 2013 69550 A
 (210) AM 069550
 (220) 2012 11 06
 (731) LTD "SUPTA TSKALI"
 Paliashvilis q. 118, 0162 Tbilisi, Georgia
 (740) Zakaria Samadashvili
 (540)



(591)) Blue, sky blue, red
 (531) 26.11.12-27.07.07-28.19.00-29.01.12-
 (511) 32

(260) AM 2013 69571 A
 (210) AM 069571
 (220) 2012 11 07
 (731) MARS, INCORPORATED
 6885 Elm St., McLean, Virginia 22101-3883,
 USA
 (740) Tamar Kochlamazashvili
 (540)

SNACK SIZE

(591) Black, white
 (511) 30

(260) AM 2013 69586 A
 (210) AM 069586
 (220) 2012 11 08
 (731) GULBAHAR TOBACCO
 INTERNATIONAL FZE
 Box 61401, Jebel Ali Freezone, Dubai, United
 Arab Emirates
 (740) Giorgi Meipariani
 (540)

CAVALLO

(591) Black, white
 (511) 34

(260) AM 2013 69616 A
 (210) AM 069616
 (220) 2012 11 08
 (731) GALDERMA S.A.
 Zugerstrasse 8, CH-6330 Cham, Switzerland
 (740) Shalva Gvaramadze
 (540)

EPIDUO

(591) Black, white
 (511) 5

(260) AM 2013 69617 A
 (210) AM 069617
 (220) 2012 11 08
 (731) GALDERMA S.A.
 Zugerstrasse 8, CH-6330 Cham, Switzerland
 (740) Shalva Gvaramadze
 (540)

ЭПИДУО

(591) Black, white
 (511) 5

(260) AM 2013 69618 A
 (210) AM 069618
 (220) 2012 11 08
 (731) GALDERMA S.A.
 Zugerstrasse 8, CH-6330 Cham, Switzerland
 (740) Shalva Gvaramadze

(540)

LOCERYL

(591) Black, white
 (511) 5

(260) AM 2013 69619 A
 (210) AM 069619
 (220) 2012 11 08
 (731) KINTOY DIE-CASTING
 MANUFACTURER LIMITED
 Room 1716-17, North-Tower, Concordia
 Plaza, 1 Science Museum Road, Tsimshatsui
 East, Cologne, Hong Kong, Sar, China
 (740) Shalva Gvaramadze
 (540)



(591) Grey, red, black
 (531) 25.07.17-27.05.07-27.05.17-29.01.13-
 (511) 28

(260) AM 2013 69622 A
 (210) AM 069622
 (220) 2012 11 09
 (310) MGU20120976
 (320) 2012 05 18
 (330) UZ
 (731) BRITISH AMERICAN TOBACCO
 (BRANDS) LTD
 Globe House, 4 Temple Place, London WC2R
 2PG, UK
 (740) Tamar Kochlamazashvili
 (540)

iTASTE

(591) Black, white
 (511) 34

(260) AM 2013 69673 A
 (210) AM 069673
 (220) 2012 11 14
 (731) JSC BANK "RESPUBLIKA"
 Grigol Abashidzis q. 2, 0179 Tbilisi, Georgia
 (740) Giorgi Taktakishvili
 (540)

privée

(591) Black, white
 (531) 27.05.17-
 (511) 9, 16, 25, 35, 36

(260) AM 2013 69674 A
 (210) AM 069674
 (220) 2012 11 14
 (731) JSC BANK "RESPUBLIKA"
 Grigol Abashidzis q. 2, 0179 Tbilisi, Georgia
 (740) Giorgi Taktakishvili
 (540)

privé

(591) Black, white
 (531) 27.05.17-
 (511) 9, 16, 25, 35, 36

(260) AM 2013 69681 A
 (210) AM 069681
 (220) 2012 11 14
 (731) "ROYAL ARMENIA" JV LTD
 38 APP/26 Davitashen 2, Yerevan, Armenia
 (740) Davit Zurabishvili
 (540)



(591) White, black, red
 (531) 19.03.21-25.01.01-26.01.18-29.01.14-
 (511) 30

(260) AM 2013 69682 A
 (210) AM 069682
 (220) 2012 11 14
 (731) "ROYAL ARMENIA" JV LTD
 38 APP/26 Davitashen 2, Yerevan, Armenia
 (740) Davit Zurabishvili
 (540)



(591) White, black, red, blue
 (531) 19.03.21-25.01.01-26.01.18-29.01.14-
 (511) 30

(260) AM 2013 69683 A
 (210) AM 069683
 (220) 2012 11 14
 (731) "ROYAL ARMENIA" JV LTD
 38 APP/26 Davitashen 2, Yerevan, Armenia
 (740) Davit Zurabishvili
 (540)



(591) White, black, red, brown
 (531) 19.03.21-25.01.01-26.01.18-29.01.14-
 (511) 30

(260) AM 2013 69684 A
 (210) AM 069684
 (220) 2012 11 14
 (731) "ROYAL ARMENIA" JV LTD
 38 APP/26 Davitashen 2, Yerevan, Armenia
 (740) Davit Zurabishvili
 (540)



(591) White, red, black, green
 (531) 19.03.21-25.01.01-26.01.18-29.01.14-
 (511) 30

(260) AM 2013 69685 A
 (210) AM 069685
 (220) 2012 11 14
 (731) "ROYAL ARMENIA" JV LTD
 38 APP/26 Davitashen 2, Yerevan, Armenia
 (740) Davit Zurabishvili
 (540)



(591) White, black, red
 (531) 19.03.21-25.01.01-26.01.18-29.01.14-
 (511) 30

(260) AM 2013 69687 A
 (210) AM 069687
 (220) 2012 11 14
 (731) "ROYAL ARMENIA" JV LTD
 38 APP/26 Davitashen 2, Yerevan, Armenia
 (740) Davit Zurabishvili
 (540)



(591) White, black, red, yellow, beige
 (531) 05.09.19-19.03.21-25.01.01-26.01.18-
 29.01.14-
 (511) 30

(260) AM 2013 69686 A
 (210) AM 069686
 (220) 2012 11 14
 (731) "ROYAL ARMENIA" JV LTD
 38 APP/26 Davitashen 2, Yerevan, Armenia
 (740) Davit Zurabishvili
 (540)



(591) Red, black, white, yellow, green
 (531) 05.09.15-19.03.21-25.01.01-26.01.18-
 29.01.14-
 (511) 30

(260) AM 2013 69688 A
 (210) AM 069688
 (220) 2012 11 14
 (731) "ROYAL ARMENIA" JV LTD
 38 APP/26 Davitashen 2, Yerevan, Armenia
 (740) Davit Zurabishvili
 (540)



(591) White, black, red, yellow, wine red
 (531) 05.09.15-19.03.21-25.01.01-26.01.18-
 29.01.14-
 (511) 30

(260) AM 2013 69726 A
 (210) AM 069726
 (220) 2012 11 19
 (731) LTD "PSP PHARMACY"
 Davit Aghmasheneblis Gamz. 148/III, 0112
 Tbilisi, Georgia
 (740) Nugzar Ksovreli
 (540)

CELL-TECH

(591) Black, white
 (511) 5, 44

(260) AM 2013 69727 A
 (210) AM 069727
 (220) 2012 11 19
 (731) LTD "PSP PHARMACY"
 Davit Aghmasheneblis Gamz. 148/III, 0112
 Tbilisi, Georgia
 (740) Nugzar Ksovreli
 (540)

HYDROXYCUT

(591) Black, white
 (511) 5, 44

(260) AM 2013 69728 A
 (210) AM 069728
 (220) 2012 11 19
 (731) LTD "PSP PHARMACY"
 Davit Aghmasheneblis Gamz. 148/III, 0112
 Tbilisi, Georgia
 (740) Nugzar Ksovreli
 (540)

MUSCLETECH

(591) Black, white
 (511) 5, 44

(260) AM 2013 69729 A
 (210) AM 069729
 (220) 2012 11 19
 (731) LTD "PSP PHARMACY"
 Davit Aghmasheneblis Gamz. 148/III, 0112
 Tbilisi, Georgia
 (740) Nugzar Ksovreli
 (540)

NITRO-TECH

(591) Black, white
 (511) 5, 44

(260) AM 2013 69730 A
 (210) AM 069730
 (220) 2012 11 19
 (731) LTD "PSP PHARMACY"
 Davit Aghmasheneblis Gamz. 148/III, 0112
 Tbilisi, Georgia

(740) Nugzar Ksovreli
 (540)

SIX STAR PRO NUTRITION

(591) Black, white
 (511) 5, 44

(260) AM 2013 69731 A
 (210) AM 069731
 (220) 2012 11 19
 (731) LTD "PSP PHARMACY"
 Davit Aghmasheneblis Gamz. 148/III, 0112
 Tbilisi, Georgia
 (740) Nugzar Ksovreli
 (540)

XENADRINE

(591) Black, white
 (511) 5, 44

(260) AM 2013 69732 A
 (210) AM 069732
 (220) 2012 11 19
 (310) 011296399
 (320) 2012 10 26
 (330) EM
 (731) THE PROCTER & GAMBLE CO.
 One Procter & Gamble Plaza, Cincinnati,
 Ohio 45202, USA
 (740) Shalva Gvaramadze

(540)
MOUNTAIN SPRING

(591) Black, white
 (531) 27.05.05-
 (511) 3

(260) AM 2013 69737 A
 (210) AM 069737
 (220) 2012 11 21
 (731) Tural Akhundov
 Mir Mustafa Khan 49, Lankaran, Azerbaijan
 (740) Demur Kapanadze
 (540)

POWERFUL

(591) Black, white
 (511) 1, 2, 3, 4, 5, 6, 7, 8, 9, 10, 11, 12, 13, 14, 15,
 16, 17, 18, 19, 20, 21, 22, 23, 24, 25, 26, 27,
 28, 29, 30, 31, 32, 33, 34, 35, 36, 37, 38, 39,
 40, 41, 42, 43, 44, 45

(260) AM 2013 69738 A
 (210) AM 069738
 (220) 2012 11 21
 (731) BERGLAND INVEST S.A.
 IBS 1053585, Box 3321, Drake Chambers,
 Road-Town, Tortola, Virgin Islands, GB
 (740) Davit Zurabishvili
 (540)



(591)) White, green, yellow
 (531) 25.03.07-26.04.06-26.04.24-27.05.03-
 27.05.24-29.01.13-
 (511) 29

(260) AM 2013 69803 A
 (210) AM 069803
 (220) 2012 11 26
 (731) JSC "LIBERTY BANK"
 Iliia Chavchavadzis Gamz. 74, 0162 Tbilisi,
 Georgia
 (540)



(591) Red, green, orange, sky blue, brown, violet,
 grey, cornel-color, blue
 (531) 26.11.09-27.05.17-29.01.15-
 (511) 36

(260) AM 2013 69826 A
 (210) AM 069826
 (220) 2012 11 29
 (731) MITSUBISHI JIDOSHA KOGYO
 KABUSHIKI KAISHA
 33-8, Shiba 5-Chome, Minato-ku, Tokyo,
 Japan
 (740) Tamar Kochlamazashvili
 (540)

MIEV

(591) Black, white
 (511) 12

(260) AM 2013 69827 A
 (210) AM 069827
 (220) 2012 11 29
 (731) MITSUBISHI JIDOSHA KOGYO
 KABUSHIKI KAISHA
 33-8, Shiba 5-Chome, Minato-ku, Tokyo,
 Japan
 (740) Tamar Kochlamazashvili
 (540)

L300

(591) Black, white
 (511) 12

(260) AM 2013 69828 A
 (210) AM 069828
 (220) 2012 11 29
 (731) MITSUBISHI JIDOSHA KOGYO
 KABUSHIKI KAISHA
 33-8, Shiba 5-Chome, Minato-ku, Tokyo,
 Japan
 (740) Tamar Kochlamazashvili
 (540)

L200

(591) Black, white
 (511) 12

(260) AM 2013 69838 A
 (210) AM 069838
 (220) 2012 11 29
 (731) CANON KABUSHIKI KAISHA
 30-2, 3-Chome, Shimomaruko, Ohta-ku,
 Tokyo, Japan
 (740) Shalva Gvaramadze
 (540)

Canon

(591) Black, white
 (531) 27.05.04-
 (511) 35, 36, 37, 38, 39, 40, 41, 42, 43, 44, 45

(260) AM 2013 69846 A
 (210) AM 069846
 (220) 2012 11 30
 (731) CIPLA LTD
 Mumbai Central, Mumbai 400 008, India
 (740) Pavle Meipariani
 (540)

CIPLA

(591) Black, white
 (511) 3, 5, 9, 10, 35, 44

(260) AM 2013 69866 A
 (210) AM 069866
 (220) 2012 12 03
 (731) WM. WRIGLEY JR. CO.
 1132 West Black Hoke St., Chicago, Illinois
 60642, USA
 (740) Tamaz Shilakadze
 (540)

WHITE CRYSTAL

(591) Black, white
 (511) 30

(260) AM 2013 70855 A
 (210) AM 070855
 (220) 2013 02 12
 (731) SALTON, INC.
 One Procter & Gamble Plaza, Cincinnati,
 Ohio 45202, USA
 (740) Shalva Gvaramadze
 (540)

NO FADE NO FAIL

(591) Black, white
 (511) 3

(260) AM 2013 70866 A
 (210) AM 070866
 (220) 2013 02 13
 (731) BIOGEN IDEC MA INC.
 MASSACHUSETTS CORPORATION
 14 Cambridge Center, Cambridge,
 MA 02142, USA
 (740) Tamaz Shilakadze
 (540)

TECFIDERA

(591) Black, white
 511) 5

(260) AM 2013 70907 A
 (210) AM 070907
 (220) 2013 02 14
 (731) HARRINGTON DEVELOPMENT INC.
 Elvira Mendez St., Valarino Bldg, III Floor,
 Panama, Panama
 (740) Givi Akopashvili
 (540)



Black, brown, golden, white
 (531) 25.01.01-26.04.18-26.04.16-29.01.13-
 (526) **DISCLAIMER** – The trademark is protected
 as a whole. Each verbal sign, except "EBONY" shall
 not be subject to independent legal protection.
 (511) 34

(260) AM 2013 70919 A
 (210) AM 070919
 (220) 2013 02 18
 (731) RANBAXY LABORATORIES LTD
 Plot 90, Sector-32, Gurgaon-122001,
 Haryana, India
 (740) Tamar Kochlamazhashvili

(540)
FARINGOGRIP
ФАРИНГОГРИП

(591) Black, white
 (511) 5

(260) AM 2013 70920 A
 (210) AM 070920
 (220) 2013 02 18
 (731) RANBAXY LABORATORIES LTD
 Plot 90, Sector-32, Gurgaon-122001,
 Haryana, India
 (740) Tamar Kochlamazhashvili
 (540)

KETANOV

(591) Black, white
 (511) 5

(260) AM 2013 70921 A
 (210) AM 070921
 (220) 2013 02 18
 (731) RANBAXY LABORATORIES LTD
 Plot 90, Sector-32, Gurgaon-122001,
 Haryana, India
 (740) Tamar Kochlamazhashvili
 (540)

КЕТАНОВ

(591) Black, white
 (511) 5

(260) AM 62824 A *
 (210) AM 062824
 (220) 2011 06 13
 (731) BERLIN-CHEMIE AG
 Glienicker Weg 125, 12489 Berlin, Germany
 (740) Giorgi Ghvinjilia
 (540)

КАЛМИТЕС

(591) Black, white
 (511) 5

REGISTERED TRADEMARKS

(111) M 2013 024131 R
 (151) 2013 10 17
 (181) 2023 10 17
 (260) AM 2013 63245 A
 (220) 2011 07 18
 (732) BERLIN-CHEMIE AG
 Glienicker Weg 125, 12489 Berlin,
 Germany

(111) M 2013 024136 R
 (151) 2013 10 17
 (181) 2023 10 17
 (260) AM 2013 67198 A
 (220) 2012 05 01
 (732) LTD "TOLIA"
 Gamsakhurdias Gamz. 25, 0194 Tbilisi,
 Georgia

(111) M 2013 024132 R
 (151) 2013 10 17
 (181) 2023 10 17
 (260) AM 2013 63246 A
 (220) 2011 07 18
 (732) BERLIN-CHEMIE AG
 Glienicker Weg 125, 12489 Berlin,
 Germany

(111) M 2013 024137 R
 (151) 2013 10 17
 (181) 2023 10 17
 (260) AM 2013 67239 A
 (220) 2012 05 03
 (732) LTD "IVERTA"
 Sanapiros 10, 0108 Tbilisi, Georgia

(111) M 2013 024133 R
 (151) 2013 10 17
 (181) 2023 10 17
 (260) AM 2013 65231 A
 (220) 2011 12 07
 (732) SYNGENTA LTD.
 Syngenta European Regional Center,
 Priestley Road, Surrey Research Park,
 Guildford, Surrey GU2 7YH, UK

(111) M 2013 024138 R
 (151) 2013 10 17
 (181) 2023 10 17
 (260) AM 2013 67340 A
 (220) 2012 05 16
 (732) LTD "UNIVERSAL CARD
 CORPORATION"
 Stanislavskis q. 5, Didube Plaza, 4 sart., 0119
 Tbilisi, Georgia

(111) M 2013 024134 R
 (151) 2013 10 17
 (181) 2023 10 17
 (260) AM 2013 66334 A
 (220) 2012 02 24
 (732) LTD "AKHALSHENI 2005"
 Akaki Tseretlis Gamz. 55, 0112 Tbilisi,
 Georgia

(111) M 2013 024139 R
 (151) 2013 10 17
 (181) 2023 10 17
 (260) AM 2013 67341 A
 (220) 2012 05 16
 (732) LTD "UNIVERSAL CARD
 CORPORATION"
 Stanislavskis q. 5, Didube Plaza, 4 sart., 0119
 Tbilisi, Georgia

(111) M 2013 024135 R
 (151) 2013 10 17
 (181) 2023 10 17
 (260) AM 2013 66345 A
 (220) 2012 02 27
 (732) Karen Vardanyan
 Byron 3, b. 36, Yerevan, Armenia

(111) M 2013 024140 R
 (151) 2013 10 17
 (181) 2023 10 17
 (260) AM 2013 67347 A
 (220) 2012 05 16
 (732) SORIA NATURA S.A.
 Poligono la Sosea 1, 42162 Garai, Spain

(111) M 2013 024141 R
(151) 2013 10 17
(181) 2023 10 17
(260) AM 2013 67436 A
(220) 2012 05 25
(732) AQUA ENERGY INVESTMENTS LTD.
Lampousas 1 P.S. 1095 Nicosia, Cyprus

(111) M 2013 024142 R
(151) 2013 10 17
(181) 2023 10 17
(260) AM 2013 67446 A
(220) 2012 05 25
(732) LTD "IVERTA"
Sanapiros 10, 0108 Tbilisi, Georgia

(111) M 2013 024143 R
(151) 2013 10 17
(181) 2023 10 17
(260) AM 2013 67483 A
(220) 2012 05 30
(732) DEMPA İHTİYAÇ GIDA VE TÜKETİM
MADDELERİ SANAYİ TİCARET LTD.
Şirketi 3, Organize Sanayi Bölgesi, Başpınar,
Gaziantep, Turkey

(111) M 2013 024144 R
(151) 2013 10 17
(181) 2023 10 17
(260) AM 2013 67619 A
(220) 2012 06 12
(732) GENERAL MOTORS LLC
300 Renaissance Center, City of Detroit,
48265-3000 Michigan, USA

(111) M 2013 024145 R
(151) 2013 10 17
(181) 2023 10 17
(260) AM 2013 67709 A
(220) 2012 06 22
(732) KIRBY BUILDING SYSTEMS KUWAIT
COMPANY SAK (C)
P.O. Box: 23933 Safat, 13100, Kuwait

(111) M 2013 024146 R
(151) 2013 10 17
(181) 2023 10 17
(260) AM 2013 67713 A
(220) 2012 06 25
(732) LTD "IVERIA PHARMA"
Davit Aghmasheblis Kheivani, 10 km, 0131
Tbilisi, Georgia

(111) M 2013 024147 R
(151) 2013 10 17
(181) 2023 10 17
(260) AM 2013 67843 A
(220) 2012 07 03
(732) LTD "M. PHARMA"
Dgebuadzis q. 1, 0102 Tbilisi, Georgia

(111) M 2013 024148 R
(151) 2013 10 17
(181) 2023 10 17
(260) AM 2013 67989 A
(220) 2012 07 10
(732) LTD "AVERSI PHARMA"
Davit Aghmasheblis Gamz., 148/2, 0112
Tbilisi, Georgia

(111) M 2013 024149 R
(151) 2013 10 17
(181) 2023 10 17
(260) AM 2013 68054 A
(220) 2012 07 13
(732) HARRINGTON DEVELOPMENT INC.
Arango Orillac Bldg, East St. 54, Panama

(111) M 2013 024150 R
(151) 2013 10 17
(181) 2023 10 17
(260) AM 2013 68138 A
(220) 2012 07 19
(732) TBILISI STATE MEDICAL UNIVERSITY
Vazha-Pshavelas Gamz. 33, 0177 Tbilisi,
Georgia

(111) M 2013 024151 R
(151) 2013 10 17
(181) 2023 10 17
(260) AM 2013 68175 A
(220) 2012 07 30
(732) PUBLIC CO. "OBOLON"
Ul. Bogatirskaja 3, Kiev, Ukraine

(111) M 2013 024152 R
(151) 2013 10 17
(181) 2023 10 17
(260) AM 2013 68330 A
(220) 2012 08 14
(732) NOVARTIS AG
4002 Basel, Switzerland

(111) M 2013 024153 R
(151) 2013 10 17
(181) 2023 10 17
(260) AM 2013 68331 A
(220) 2012 08 14
(732) NOVARTIS AG
4002 Basel, Switzerland

(111) M 2013 024154 R
(151) 2013 10 17
(181) 2023 10 17
(260) AM 2013 68332 A
(220) 2012 08 14
(732) NOVARTIS AG
4002 Basel, Switzerland

(111) M 2013 024155 R
(151) 2013 10 17
(181) 2023 10 17
(260) AM 2013 68333 A
(220) 2012 08 14
(732) NOVARTIS AG
4002 Basel, Switzerland

(111) M 2013 024156 R
(151) 2013 10 17
(181) 2023 10 17
(260) AM 2013 68334 A
(220) 2012 08 14
(732) NOVARTIS AG
4002 Basel, Switzerland

(111) M 2013 024157 R
(151) 2013 10 17
(181) 2023 10 17
(260) AM 2013 68335 A
(220) 2012 08 14
(732) NOVARTIS AG
4002 Basel, Switzerland

(111) M 2013 024158 R
(151) 2013 10 17
(181) 2023 10 17
(260) AM 2013 68336 A
(220) 2012 08 14
(732) NOVARTIS AG
4002 Basel, Switzerland

(111) M 2013 024159 R
(151) 2013 10 17
(181) 2023 10 17
(260) AM 2013 68337 A
(220) 2012 08 14
(732) NOVARTIS AG
4002 Basel, Switzerland

(111) M 2013 024160 R
(151) 2013 10 17
(181) 2023 10 17
(260) AM 2013 68428 A
(220) 2012 08 17
(732) ALLIED GLOBAL TOBACCO LTD.
Wey Court West, Union Road, Farnham,
Surrey GU9 7PT, UK

(111) M 2013 024161 R
(151) 2013 10 17
(181) 2023 10 17
(260) AM 2013 68442 A
(220) 2012 08 17
(732) RORAJ TRADE LLC NY JSC
S/O Holland & Night LLP 400, South Pope
St., 8th floor Los-Angeles, CA 90071-2801,
USA

(111) M 2013 024162 R
(151) 2013 10 17
(181) 2023 10 17
(260) AM 2013 68458 A
(220) 2012 08 20
(732) KINGSTON TECHNOLOGY CORP.
17600 Newhope St. Fountain Valley, CA
92708, USA

(111) M 2013 024163 R
(151) 2013 10 17
(181) 2023 10 17
(260) AM 2013 68479 A
(220) 2012 08 21
(732) LTD "GAMOMTSEMLOBA LELO"
Iosebisdzis q. 49, 0160 Tbilisi, Georgia

(111) M 2013 024164 R
(151) 2013 10 17
(181) 2023 10 17
(260) AM 2013 68481 A
(220) 2012 08 21
(732) LTD "AKHALI AMBEBI"
Iosebisdzis q. 49, 0160 Tbilisi, Georgia

(111) M 2013 024165 R
(151) 2013 10 17
(181) 2023 10 17
(260) AM 2013 68482 A
(220) 2012 08 21
(732) LTD "BIBLUSI"
Iosebisdzis q. 49, 0160 Tbilisi, Georgia

(111) M 2013 024166 R
(151) 2013 10 17
(181) 2023 10 17
(260) AM 2013 68483 A
(220) 2012 08 21
(732) LTD "RATIONAL SOLUTION"
Iosebldzis q. 49, 0160 Tbilisi, Georgia

(111) M 2013 024167 R
(151) 2013 10 17
(181) 2023 10 17
(260) AM 2013 68504 A
(220) 2012 08 22
(732) ORENI BOBRI
8306, Wilshire Boulevard 580, Beverly Hills,
CA 90211, Los-Angeles, USA

(111) M 2013 024168 R
(151) 2013 10 17
(181) 2023 10 17
(260) AM 2013 68505 A
(220) 2012 08 22
(732) ORENI BOBRI
8306, Wilshire Boulevard 580, Beverly Hills,
CA 90211, Los-Angeles, USA

(111) M 2013 024169 R
(151) 2013 10 17
(181) 2023 10 17
(260) AM 2013 68564 A
(220) 2012 08 27
(732) SOCIETE NATIONALE D'EXPLOITATION
INDUSTRIEL DE TABAC E ALUMET
SASU
143 Boulevard Romain Rolland, Paris 75014,
France

(111) M 2013 024170 R
(151) 2013 10 17
(181) 2023 10 17
(260) AM 2013 68615 A
(220) 2012 08 29
(732) LTS "LUX 2004"
Tevdore Mghvdlis q. 53, 0154 Tbilisi, Georgia

(111) M 2013 024171 R
(151) 2013 10 17
(181) 2023 10 17
(260) AM 2013 68635 A
(220) 2012 08 30
(732) BARBER LTD.
Horseferry House, Horseferry Road, London
SW1P 2AW, UK

(111) M 2013 024172 R
(151) 2013 10 17
(181) 2023 10 17
(260) AM 2013 68712 A
(220) 2012 09 04
(732) AQUA ENERGY INVESTMENTS LTD.
Lampousas 1, P.S. 1095 Nicosia, Cyprus

(111) M 2013 024173 R
(151) 2013 10 17
(181) 2023 10 17
(260) AM 2013 68746 A
(220) 2012 09 05
(732) BRIMAG DIGITAL AGE LTD.
19 Hashikma St. Azur 58001, Israel

(111) M 2013 024174 R
(151) 2013 10 17
(181) 2023 10 17
(260) AM 2013 68747 A
(220) 2012 09 05
(732) BRIMAG DIGITAL AGE LTD.
19 Hashikma St. Azur 58001, Israel

(111) M 2013 024175 R
(151) 2013 10 17
(181) 2023 10 17
(260) AM 2013 68768 A
(220) 2012 09 06
(732) KRAFT FOODS DENMARK
INTELLECTUAL PROPERTY APS.
Roskildevej 161, 2620 Albertslund,
Denmark

(111) M 2013 024176 R
(151) 2013 10 17
(181) 2023 10 17
(260) AM 2013 68797 A
(220) 2012 09 11
(732) KRAFT FOODS DENMARK
INTELLECTUAL PROPERTY APS.
Roskildevej 161, 2620 Albertslund,
Denmark

(111) M 2013 024177 R
(151) 2013 10 17
(181) 2023 10 17
(260) AM 2013 68807 A
(220) 2012 09 12
(732) JSC "TBILISI TOBACCO"
G. Nadareishvilis q. 5a, 0137 Tbilisi, Georgia

(111) M 2013 024178 R
(151) 2013 10 17
(181) 2023 10 17
(260) AM 2013 68808 A
(220) 2012 09 12
(732) JSC "TBILISI TOBACCO"
G. Nadareishvilis q. 5a, 0137 Tbilisi, Georgia

(111) M 2013 024179 R
(151) 2013 10 17
(181) 2023 10 17
(260) AM 2013 68810 A
(220) 2012 09 12
(732) JSC "TBILISI TOBACCO"
G. Nadareishvilis q. 5a, 0137 Tbilisi, Georgia

(111) M 2013 024180 R
(151) 2013 10 17
(181) 2023 10 17
(260) AM 2013 68846 A
(220) 2012 09 14
(732) COLD STONE CREAMERY INC.
9311 Via de Ventura, Scottsdale,
AZ 852581, USA

(111) M 2013 024181 R
(151) 2013 10 17
(181) 2023 10 17
(260) AM 2013 68849 A
(220) 2012 09 14
(732) BRITISH AMERICAN TOBACCO
(BRANDS) INC.
(DELAWARE CORP.)
2711 Centerville Road, Suite 300,
Wilmington, DE 19808, USA

(111) M 2013 024182 R
(151) 2013 10 17
(181) 2023 10 17
(260) AM 2013 68922 A
(220) 2012 09 20
(732) VAN HEES GMBH
Kurt-Van-Hees-Strasse 1, 65396 Walluf,
Germany

(111) M 2013 024183 R
(151) 2013 10 17
(181) 2023 10 17
(260) AM 2013 68928 A
(220) 2012 09 21
(732) VM. WRIGLEY JR. CO.
1132 West Blackhawk St. Chicago,
Illinois 60642, USA

(111) M 2013 024184 R
(151) 2013 10 17
(181) 2023 10 17
(260) AM 2013 68972 A
(220) 2012 09 24
(732) GLORIAS SAN LICENSE INT (L) LTD.
Lot 2 & 3 Level 3 Visma la Senda,
Jalan Kemaman, 87000 Wilayah Persekutuan
Labuan, East Malaysia, Malaysia

(111) M 2013 024185 R
(151) 2013 10 17
(181) 2023 10 17
(260) AM 2013 69018 A
(220) 2012 09 26
(732) WENDY'S INTERNATIONAL INC.
(OHIO CORP.)
4288 West Dublin Greenville Road,
Dublin, Ohio 43017, USA

(111) M 2013 024186 R
(151) 2013 10 17
(181) 2023 10 17
(260) AM 2013 69019 A
(220) 2012 09 26
(732) WENDY'S INTERNATIONAL INC.
(OHIO CORP.)
4288 West Dublin Greenville Road,
Dublin, Ohio 43017, USA

(111) M 2013 024187 R
(151) 2013 10 17
(181) 2023 10 17
(260) AM 2013 69031 A
(220) 2012 09 26
(732) JSC "TBILGHVINO" (Tbilisi Wine)
Sarajishvilis Gamz. 2, 0153 Tbilisi, Georgia

(111) M 2013 024188 R
(151) 2013 10 17
(181) 2023 10 17
(260) AM 2013 69100 A
(220) 2012 10 03
(732) NATIONAL OILWELL MARK L.P.
7909 Parkwood Circle Drive Houston,
Texas 77036, USA

(111) M 2013 024189 R
(151) 2013 10 17
(181) 2023 10 17
(260) AM 2013 69101 A
(220) 2012 10 03
(732) NATIONAL OILWELL MARK L.P.
7909 Parkwood Circle Drive Houston, Texas
77036, USA

(111) M 2013 024190 R
(151) 2013 10 17
(181) 2023 10 17
(260) AM 2013 69102 A
(220) 2012 10 03
(732) NATIONAL OILWELL MARK L.P.
7909 Parkwood Circle Drive Houston, Texas
77036, USA

(111) M 2013 024191 R
(151) 2013 10 17
(181) 2023 10 17
(260) AM 2013 69244 A
(220) 2012 10 15
(732) ELEGANCE CERAMICS LLC
P. Box 4569, Al-Jazeera Al-Hamra, Main
Road, Ras-Al-Khaimah, United Arab Emirates

(111) M2013 024192 R
(151) 2013 10 17
(181) 2023 10 17
(260) AM 2013 69421 A
(220) 2012 10 26
(732) DP BEVERAGES LTD
P. Box 309GT, Uglan House, South Church
St., George Town, Grand Cayman, Cayman
Islands

TRADEMARKS REGISTERED ACCORDING TO THE ACCELERATED PROCEDURE

The decision can be appealed at the Chamber of Appeal of Sakpatenti within 3 months from the publication.

(111) M 2013 24125 R
(151) 2013 10 04
(181) 2023 10 04
(210) AM 073880
(220) 2013 09 09
(732) CJSC "SVEN GROUP"
Khachatryan 23/22, 0112 Yerevan, Armenia
(740) Davit Kakabadze
(540)

CACTUS

(591) Black, white
(511) 43

(111) M 2013 24126 R
(151) 2013 10 04
(181) 2023 10 04
(210) AM 073956
(220) 2013 09 19
(732) LTD "TETRI KUDI" (White Hat)
Krtsanisi, Rustavis Gzatk., 17 km,
1300 Gardabnis R-ni, Georgia
(740) Zurab Elizbarashvili
(540)



თეთრი ქუდი

(591) White, light green, brawn, light brawn
(531) 05.11.05-28.19.00-29.01.14-
(511) 35

(111) M 2013 24127 R
(151) 2013 10 10
(181) 2023 10 10
(210) AM 074052
(220) 2013 09 26
(732) GALLAHER LTD.
Members Hill, Brooklands Road,
Weybridge, KT13 0QU Surrey, UK
(740) Shalva Gvaramadze
(540)

IT'S ALL ABOUT YOU

(591) Black, white
(511) 34

(111) M 2013 24128 R
(151) 2013 10 16
(181) 2023 10 16
(210) AM 074118
(220) 2013 10 01
(732) PEARSON P.L.C.
80 Strand, London WC2R 0RL, UK
(740) Giorgi Sarajishvili
(540)

PEARSON

(591) Black, white
(511) 16

(111) M 2013 24129 R
(151) 2013 10 17
(181) 2023 10 17
(210) AM 074081
(220) 2013 09 30
(732) LTD "WEST SERVICE"
Tashkentis q. 31, 0160 Tbilisi, Georgia
(540)



(591) White, sky blue, red, black
(531) 27.05.01-27.05.10-28.19.00-29.01.13-
(511) 5, 35

(111) M 2013 24130 R

(151) 2013 10 17

(181) 2023 10 17

(210) AM 074195

(220) 2013 10 03

(732) GALLAHER LTD.

Members Hill, Brooklands Road,
Weybridge, KT13 0QU Surrey, UK

(740) Shalva Gvaramadze

(540)

SOBRANIE 135 YEARS

(591) Black, white

(511) 34

INTERNATIONAL TRADEMARKS FOR WHICH A DECISION ON GRANTING PROTECTIONS IS TAKEN

The decision can be appealed at the Chamber of Appeal of Sakpatenti within 3 months from the publication or at the Mtskheta District Court Administrative Cases Board (Address: №17, Samkhedro str., Mtskheta), within 1 month following the publication.

(260) AM 2013 68500 A

(800) 975870

(151) 2008 02 12

(891) 2012 05 30

(731) Galenica AG

Untermattweg 8, CH-3001 Bern, Switzerland

(540)



The logo for Vifor Pharma consists of three horizontal bars of varying lengths on the left, followed by the text "Vifor Pharma" in a bold, sans-serif font.

(591) Black, white

(511)

3 – Soaps, perfumery, essential oils, cosmetics, hair lotions; dentifrices.

5 – Pharmaceutical and veterinary preparations; sanitary preparations for medical purposes, including parapharmaceutical products; dietetic substances adapted for medical use, food for babies; plasters, materials for dressings; material for stopping teeth, dental wax; disinfectants.

35 – Services of an import agency, especially relating to medicines and pharmaceutical preparations; retail business services with goods; services of an import-export agency, especially relating to medicines, pharmaceutical and sanitary preparations.

39 – Services in the field of transport and warehousing of goods, especially transport, storage and delivery as well as packaging of goods, especially of medicines, pharmaceutical and sanitary preparations.

41 – Providing of training, especially in the pharmacy and sanitary field.

42 – Research, development of medicines, pharmaceutical preparations and sanitary care products.

45 – Legal services and representation of third parties to the authorities and administration, especially for the admission of medicines.

(260) AM 2013 68696 A

(800) 1124249

(151) 2012 04 25

(731) Tovarystvo z obmezhenoiu vidpovidalnistiu

"Zotik"

Homelske shose, 10, s.Rivnopillia,

Chernihivskyi r-n Chernihivska obl. 15582,

Ukraine

(540)



The logo for KAMA/OIL features a stylized red and black graphic element on the left, followed by the text "KAMA/OIL" in a bold, sans-serif font. The text is enclosed in a thin rectangular border.

(591) White, black and claret

(511)

1 – Anti-knock substances for internal combustion engines; antistatic preparations other than for household purposes; antifreeze; acetone; distilled water; acidulated water for recharging batteries; brake fluid; glycol; glycerine for industrial purposes; detergents for use in manufacturing processes; oil dispersants; petroleum dispersants; detergent additives to gasoline; chemical additives to motor fuel; degreasing preparations for use in manufacturing processes; opacifiers for glass; purification preparations; dehydrating preparations for industrial purposes; scale removing preparations other than for household purposes; glue for industrial purposes; compositions for repairing tires; corrosive preparations; wood alcohol; mineral acids; combusting preparations (chemical additives to motor fuel); coolants for vehicle engines; fuel-saving preparations; industrial chemicals; anti-incrustants; anti-frothing solutions for accumulators; anti-boil preparations for engine coolants; liquids for removing sulphates from accumulators; transmission fluids; power steering fluid; fluids for hydraulic circuits; solvents for varnishes; ethyl alcohol; ceramic materials in particulate form for use as filtering media; filtering materials (unprocessed plastics); filtering materials (mineral substances); filtering materials (vegetable substances); filtering materials (chemical preparations); synthetic materials for absorbing oil; oil-purifying chemicals; engine-decarbonizing chemicals; chemical additives for oils; oil cement [putty]; fillers for automobile bodies.

3 – Abrasives; ammonia (volatile alkali) used as a detergent; shining preparations [polish]; cloths impregnated with a detergent for cleaning; disinfectant soap; laundry soaking preparations; color-removing

preparations; degreasing preparations other than those used in manufacturing processes; turpentine (degreasing preparation); scale removing preparations for household use; polishing wax; polish for furniture and flooring; polishing preparations; detergents other than for use in manufacturing operations and for medical purposes; stain removers; soap; oils for cleaning purposes; oil of turpentine (degreasing preparation); laundry bleach; canned pressurized air for cleaning and dusting purposes; laundry preparations; dry-cleaning preparations; paint stripping preparations; floor wax removers (scouring preparations); windshield cleaning liquids; tissues impregnated with cosmetic lotions; cleaning preparations; scouring solutions; shampoos.

4 – Petrol (fuel); industrial wax; petroleum jelly for industrial purposes; gasoline; lubricating graphite; kerosene; methylated spirit; charcoal (fuel); non-chemical additives to motor fuel; tallow; moistening oil; carnauba wax; castor oil for technical purposes; mazut; xylol; firelighters; grease for arms (weapons); grease for belts; grease for leather; lubricants; lubricating oil; cutting fluids; mineral fuel; carburetors; motor oil; naphtha; raw or refined petroleum; petroleum ether; oil-gas; oils for paints; fuel gas; vaporized fuel mixtures; fuel with an alcoholic base; sunflower oil for industrial purposes; rape oil for industrial purposes; alcohol used as fuel; industrial greases; industrial oils.

35 – Cost price analysis; commercial information agencies; auctioneering; marketing studies; opinion polling; organization of exhibitions for commercial or advertising purposes; organization of trade fairs for commercial or advertising purposes; demonstration of goods; business information; efficiency experts; business appraisals; business inquiries; business investigations; marketing research; business management assistance; commercial or industrial management assistance; business management consultancy; economic forecasting; compilation of statistics; commercial information and advice for consumers; writing of publicity texts; rental of advertising space; rental of advertising time on communication media; publicity material rental; updating of advertising material; shop window dressing; price comparison services; dissemination of advertisements; outsourcing services (business assistance); procurement services for others (purchasing goods and services for other businesses); sponsorship search; presentation of goods on communication media, for retail purposes; publication of publicity texts; radio advertising; advertising by mail; advertising; on-line advertising on a computer network; advertising agencies; bill-posting; dissemination (distribution) of samples; direct mail advertising; sales promotion for others; television advertising; professional business consultancy.

42 – Technical project studies; testing of materials; recovery of computer data; research in the field of environmental protection; chemical research; surveying (engineering work); consultancy in the field of energy-saving; computer programming; consultancy in the design and development of computer hardware; computer software consultancy; rental of Web servers; rental of computer software; computer rental; creating and maintaining web sites for others; maintenance of computer software; chemistry services; quality control; vehicle roadworthiness testing; research and development of new products for others; computer system design; industrial design; hosting of computer sites (websites); chemical analysis.

(260) AM 2013 68701 A
 (800) 1124274
 (151) 2012 06 04
 (731) TKS, société anonyme
 37 Avenue Mathieu, B-6600 Bastogne,
 Belgium
 (540)



(591) Black, white
 (511)
 12 – Vehicles; apparatus for locomotion by land, air or water.

(260) AM 2013 69414 A
 (800) 1131533
 (151) 2012 04 19
 (891) 2012 10 26
 (731) LINIFICIO E CANAPIFICIO NAZIONALE
 S.P.A.
 Via Filippo Turati, 16, I-20121 MILANO,
 Italy
 (540)



(591) Black, white
 (511)
 23 – Yarns and threads, for textile use.
 24 – Textiles and textile goods, not included in other classes; bed covers; table covers.

(260) AM 2013 69422 A
 (800) 1131628
 (151) 2012 07 24
 (731) Joint stock company "Abrau-Durso"
 Sevastopolskiy prospect, 43A, block 2,
 RU-117186 Moscow, Russian Federation
 (540)

ABRAU

(591) Black, white
 (511)
 33 – Wines, including sparkling wines.

35 – Advertising; business management; administrative activities in the field of business; office functions; import-export agencies; cost price analysis; demonstration of goods; opinion polling; marketing studies; commercial information and advice for consumers; marketing research; personnel recruitment; layout services for advertising purposes; organization of exhibitions for commercial or advertising purposes; organization of trade fairs for commercial or advertising purposes; presentation of wines, including sparkling wines on communication media, for retail purposes; auctioneering; sales promotion for others including trade services; distribution of samples; on-line advertising on a computer network; psychological testing for the selection of personnel; administrative processing of purchase orders; procurement services for others including purchasing goods and services for other businesses.

(260) AM 2013 69453 A
 (800) 1131755
 (151) 2012 09 03
 (731) Société des Produits Nestlé S.A.
 CH-1800 Vevey, Switzerland
 (540)

БОЯРКОЕ

(591) Black, white
 (511)
 30 – Coffee, coffee-based beverages and preparations; iced coffee; tea, tea-based beverages and preparations; iced tea; malt-based preparations for human consumption; cocoa and cocoa-based beverages and preparations; chocolate, chocolate products, chocolate-based beverages and preparations; confectionery, sugar confectionery, candy; sugar; chewing gum not for medical purposes; baked goods, bread, pastries; biscuits, cakes, cookies, wafers, caramels; ice cream, water ices, sherbets, frozen confectionery, frozen cakes, frozen yogurts; powders and binding agents (included in this class) for making ice cream, water ices, sherbets, frozen confectionery, frozen cakes, frozen yogurts; breakfast cereals, muesli, corn flakes, cereal bars, ready-to-eat cereals; cereal preparations; pizzas; sandwiches; cereal preparations; pizzas; sandwiches; iced coffee; tea, tea-based beverages and preparations; iced tea; malt-based prepara-

tions for human consumption; cocoa and cocoa-based beverages and preparations; chocolate, chocolate products, chocolate-based beverages and preparations; confectionery, sugar confectionery, candy; sugar; chewing gum not for medical purposes; baked goods, bread, pastries; biscuits, cakes, cookies, wafers, caramels; ice cream, water ices, sherbets, frozen confectionery, frozen cakes, frozen yogurts; powders and binding agents (included in this class) for making ice cream, water ices, sherbets, frozen confectionery, frozen cakes, frozen yogurts.

(260) AM 2013 69479 A
 (800) 1132113
 (151) 2012 05 18
 (731) Robert Bosch GmbH
 Robert-Bosch-Platz 1, 70839 Stuttgart,
 Gerlingen, Germany
 (540)



(591) Black, white
 (511)
 7 – Starter motors (other than for land vehicles), power generators, ignition systems for combustion engines, glow plugs, spark plugs, lambda probes, ignition distributors, ignition coils, magnetos, spark plug sockets, injection pumps, fuel pumps, speed governors, injectors and nozzle holders; fuel filters, oil filters, air filters; hydraulic pumps, hydraulic motors, hydraulic valves, hydraulic cylinders, hydraulic reservoirs, hydraulic filters; air brakes, pneumatic devices, namely pneumatic compressors, compressed air reservoirs, control valves, brake valves; turbocompressors; igniting devices for internal combustion engines.
 9 – Radio frequency generators.
 11 – Windscreen defrosting systems.
 40 – Treatment of materials.

(260) AM 2013 69515 A
 (800) 1132755
 (151) 2012 08 13
 (731) Association limited "Medical center
 "M.T.K."
 10, Mykola Amosov Str. 680, Kyiv 03680,
 Ukraine
 (540)

PASKONAT

(591) Black, white
 (511)
 5 – Pharmaceutical and veterinary preparations; sanitary preparations for medical use; dietetic subs-

tances adapted for medical use; food for babies; plasters, materials for dressings; disinfectants; preparations for destroying vermin; fungicides, herbicides; analgesics; anesthetics; antibiotics; antiseptics; germicides; biological preparations for medical purposes; vaccines; homeopathic preparations; hormones for medical purposes; diagnostic preparations for medical purposes; adjuvants for medical purposes; immunobiological preparations; immunomodulators for medical use; depuratives; styptic preparations; medicines for human purposes; plasma substitute intravenous solutions for medical purposes; antivirals; antiparasitic preparations; antitumor preparations; solutions for injections; sedatives; substances for preparation of pharmaceutical products; vasodilating agents; pills; pharmaceutical preparations for complex therapy; chemico-pharmaceutical preparations; chemical preparations for medical purposes; antituberculous preparations.

(260) AM 2013 69516 A

(800) 1132756

(151) 2012 08 13

(731) Association limited "Medical center
"M.T.K."
10, Mykola Amosov Str. 680, Kyiv 03680,
Ukraine

(540)

RIFONAT

(591) Black, white

(511)

5 – Pharmaceutical and veterinary preparations; sanitary preparations for medical use; dietetic substances adapted for medical use; food for babies; plasters, materials for dressings; disinfectants; preparations for destroying vermin; fungicides, herbicides; analgesics; anesthetics; antibiotics; antiseptics; germicides; biological preparations for medical purposes; vaccines; homeopathic preparations; hormones for medical purposes; diagnostic preparations for medical purposes; adjuvants for medical purposes; immunobiological preparations; immunomodulators for medical use; depuratives; styptic preparations; medicines for human purposes; plasma substitute intravenous solutions for medical purposes; antivirals; antiparasitic preparations; antitumor preparations; solutions for injections; sedatives; substances for preparation of pharmaceutical products; vasodilating agents; pills; pharmaceutical preparations for complex therapy; chemico-pharmaceutical preparations; chemical preparations for medical purposes; antituberculous preparations.

(260) AM 2013 69525 A

(800) 913320

(151) 2006 10 12

(891) 2012 06 19

(731) Otkrytoe aktsionernoe obshchestvo
"Pharmstandart"

Likhachevskiy proezd, d.5"b", Moskovskaya
oblast, RU-141700 Dolgoprudnyi, Russian
Federation

(540)

АЛЬТЕВИР

(591) Black, white

(511)

5 – Pharmaceutical and veterinary products; sanitary products for medical purposes; dietetic substances for medical use, food for babies; plasters, materials for dressings; material for stopping teeth, dental wax; disinfectants; products for destroying vermin; fungicides, herbicides; antibiotics; cultures of microorganisms for medical or veterinary use; drugs for medical purposes; medicines for human purposes; bacterial preparations for medical and veterinary purposes; bacteriological products for medical or veterinary purposes; albuminous products for medical purposes; biological products for veterinary purposes; biological products for medical purposes; pharmaceutical products; chemical pharmaceuticals; chemical products for medical purposes; chemical products for pharmaceutical purposes.

35 – Advertising; business management; business administration; office functions.

(260) AM 2013 69557 A

(800) 1132841

(151) 2012 09 21

(731) BRUNSWICK RAIL GROUP (CYPRUS)
LIMITED

Arch. Makariou III, 2-4 CAPITAL CENTER,
9th floor, CY-1065 Nicosia, Cyprus

(540)

BRUNSWICK RAIL

(591) Blue, red and white

(511)

36 – Financing services.

37 – Rebuilding engines that have been worn or partially destroyed; rebuilding machines that have been worn or partially destroyed; vehicle maintenance; plumbing.

39 – Traffic information; transportation information; railway transport; transport brokerage; freight brokerage [forwarding (am.)]; railway truck rental; rental of storage containers.

(260) AM 2013 69558 A
 (800) 1132858
 (151) 2012 08 24
 (731) SOREMARTEC SA
 Rue Joseph Netzer 5, B-6700 ARLON,
 Belgium
 (540)



(591) Black, orange-red and brown
 (511)
 30 – Pastry and confectionery, chocolate, chocolate and/or cocoa-based products, cereal-based snacks, filled wafers, chocolate-covered wafers, chocolate eggs.

(260) AM 2013 69559 A
 (800) 1132859
 (151) 2012 08 24
 (731) SOREMARTEC SA
 Rue Joseph Netzer 5, B-6700 ARLON,
 Belgium
 (540)



(591) Red, beige, light brown, dark brown, yellow, orange, black and white
 (511)
 30 – Coffee, tea, cocoa, sugar, rice, tapioca, sago, artificial coffee; flours and cereal preparations, bread (excluding preparations for making bread), pastries (excluding preparations for making cakes and excluding pudding powders) and confectionery, ices; honey, treacle; yeast, baking-powder; salt, mustard; vinegar, sauces (condiments); spices; ice for refreshment; chocolate and/or cocoa spread, with or without hazelnuts, bread rolls filled with chocolate and/or cocoa and/or hazelnut spread, snack foods made with chocolate, filled wafers.

(260) AM 2013 69566 A
 (800) 1133004
 (151) 2012 06 07
 (731) VIRGIN ENTERPRISES LTD.
 The School House, 50 Brook Green, London
 W6 7RR, United Kingdom
 (540)



(591) White on red with black
 (511)
 9 – Scientific, nautical, surveying, photographic, cinematographic, optical, weighing, measuring, signalling, checking (supervision), life-saving and teaching apparatus and instruments; apparatus and instruments for conducting, switching, transforming, accumulating, regulating or controlling electricity; apparatus for recording, transmission or reproduction of sound or images; magnetic data carriers, recording discs; and mechanisms for coin-operated apparatus; cash registers, calculating machines, data processing equipment and computers; fire-extinguishing apparatus; recorded media, computer hardware and firmware; computer software; software downloadable from the Internet; compact discs; digital music; radios; portable radios; digital radios; apparatus for radio; electronic radio apparatus; digital radio apparatus; aerials and antennas for radio; car radios; clock radios; earphones for radios; radio broadcasting sets; mobile radio broadcasting units; mobile radio apparatus; mounting fittings for radios; music centres incorporating radio and television receivers; radiotelephones; telecommunications apparatus for use in radio networks; sound and video recordings including musical recordings; apparatus, instruments and media for storing, transmitting and reproducing music, sounds, images and text; sound and video recordings; musical recordings; downloadable electronic publications; radio programs; radio programs, music, videos, sound, images, text and data downloadable from the Internet or other computer networks; communications and telecommunications apparatus; telephones; cordless, wireless and satellite telephones; wireless communication devices and apparatus; mobile telecommunications apparatus; mobile telecommunications handsets; mobile telecommunications apparatus and equipment; broadband data interconnecting computer installations; high capacity broadband telecommunications switching apparatus; mobile telecommunications apparatus and equipment including batteries, battery chargers, power supplies, charger adapters, phone clips, ear phones, headphones, receivers, microphones, car kits for the adaptation of portable communication apparatus and instruments for vehicular use, antennas, antenna adapters, cables, hands free microphones, phone hol-

ders, car chargers, data cables and electrical wires; GPS receivers; keyboards, digital pens, memory cards, data cards, modem cards, digital maps and digital map displays; mobile telephone covers; mobile telephone cases; telecommunications network apparatus; mobile digital devices; smart phones; accessories and replacement parts for mobile phones, mobile digital devices, smart phones and computers; headphones; headsets; speakers; cameras; MP3 players; mouse mats; computer e-commerce software to allow users to safely place orders and make payments in the field of electronic business transactions via a global computer network or telecommunications network; computer software and devices for navigation; downloadable mobile applications; systems and apparatus for electric money transactions including smart cards, smart card readers; calculators; encryption apparatus and devices; encryption and decryption software; software for use in the secure identification, storage, transmission and/or retrieval of data; software for facilitating secure payment transactions by electronic means; software relating to identity verification and fraud prevention; verification apparatus; encryption devices to enable secure storage, retrieval and transmission of confidential customer information used by individuals, banking and financial institutions; computer software for the provision of banking and financial services; computer software providing an online financial platform; computer software for the provision of financial trading services, securities exchange services, automated methods of crossing financial orders, electronic financial and crossing exchanges; automated banking machines; magnetic cards, encoded credit cards, debit cards, cash cards and cheque guarantee cards; smart cards; parts, fittings and accessories for all the aforesaid goods.

38 – Telecommunications; telecommunications and communication services; mobile telecommunications services; wireless communication services; wireless data transmission services; digital network telecommunications services; broadband services; Internet access services; content access services; remote Internet access services; radio telecommunications; providing of internet chat rooms; portal services; e-mail services; providing user access to the Internet; Internet services providers; broadcasting services; radio and television broadcasting services; broadcasting services relating to the Internet; digital radio broadcasting services; radio broadcasting over the Internet and other communication networks; streaming of radio programs and audio material on the Internet; news agency services; data transmission services over telecommunications networks; text and voice messaging services; delivery of digital music by telecommunications; consultancy, information and advisory services relating to the aforesaid.

(260) AM 2013 69569 A
(800) 1133035
(151) 2012 07 19
(731) EN CHIMIKA ANONYMI ETAIREIA a.t.s.
EN CHIMIKA
B Kteo Kalochori, GR-570 09
THESSALONIKI, Greece
(540)



Discovering Refinish

(591) Red, white and black
(511)
1 – Chemicals used in industry, science and photography, as well as in agriculture, horticulture and forestry; unprocessed artificial resins, unprocessed plastics; manures; fire extinguishing compositions; tempering and soldering preparations; chemical substances for preserving foodstuffs; tanning substances; adhesives used in industry.
2 – Paints, varnishes, lacquers; preservatives against rust and against deterioration of wood; colorants; mordants; raw natural resins; metals in foil and powder form for painters, decorators, printers and artists.
3 – Bleaching preparations and other substances for laundry use; cleaning, polishing, scouring and abrasive preparations; soaps; perfumery, essential oils, cosmetics, hair lotions; dentifrices.
17 – Rubber, gutta-percha, gum, asbestos, mica and goods made from these materials and not included in other classes; plastics in extruded form for use in manufacture; packing, stopping and insulating materials; flexible pipes, not of metal.

(260) AM 2013 69577 A
(800) 1133094
(151) 2012 08 29
(731) S.A.S. WILGAL DIFF. BIP BIP
103 boulevard Wilson, F-06160 JUAN LES
PINS ANTIBES, France
(540)



(591) Black, white
(511)
25 – Underwear; sweat-absorbent underwear; teddies [undergarments]; brassieres; tights; slips [undergarments]; combinations [clothing]; wet suits for water-skiing; bodices; corsets; corselets; jerseys [clothing]; vests; singlets; hosiery; bathing suits; beach clothes; underpants (underwear); beach shoes; footwear; outerclothing; ready-made clothing; clot-

hing; gloves [clothing]; pajamas; dresses; headbands [clothing]; garters; stocking suspenders; girdles [underwear]; bathing trunks; wooden shoes; sandals; jumper dresses; saris; knitwear [clothing]; underpants; headgear; tee-shirts; dressing gowns (bathrobes); bath robes; stockings; sweat-absorbent stockings; caps; shower caps; bathing caps; hats; skirts; petticoats; skorts.

35 – Import-export agencies; demonstration of goods; commercial information and advice for consumers; organization of fashion shows for promotional purposes; shop window dressing; presentation of goods on communication media, for retail purposes; sales promotion for others; distribution of samples; procurement services for others [purchasing goods and services for other businesses]; rental of advertising time on communication media; publication of advertising texts; rental of advertising space; dissemination of advertisements; public relations.

(260) AM 2013 69578 A

(800) 1133106

(151) 2012 09 10

(731) "Sevan" Hanqayin Jreri Gortsaran LLC
Sayat Nova 73, Gavar, Armenia

(540)



(591) Black, white

(511)

32 – Beers; mineral and aerated waters and other non-alcoholic beverages; fruit beverages and fruit juices; syrups and other preparations for making beverages.

(260) AM 2013 69579 A

(800) 1133114

(151) 2012 08 09

(731) Evonik Oil Additives GmbH
Kirschenalle, 64293 Darmstadt, Germany

(540)



(591) Black, white

(511)

1 – Chemicals used in industry, science and photography, as well as in agriculture, horticulture and forestry, chemical additives to petroleum products and to lubricants, defoamers, chemicals for use as additives or ingredients in mineral oils, fuels, including motor fuels, lubricants, technical oils and fats, chemicals for the manufacture of products for surface protection and wear protection, chemicals for the

production of hydraulic fluids, oils, lubricants and fats, chemical products for use in the manufacture of acrylates, methacrylates and polymers, viscometric products (chemicals), namely viscosity index improvers for hydraulic fluids, oils, lubricants and fats, pour point depressants, flow improvers, and de-waxing aids; dispersants; synthetic based fluids and esters for industrial use, chemical products for use in the manufacture of hydraulic fluids, unprocessed artificial resins, unprocessed plastics; manures; fire extinguishing compositions; tempering and soldering preparations; chemical substances for preserving foodstuffs; tanning substances; adhesives used in industry.

4 – Technical oils and greases; lubricants; industrial oils and fats, non-chemical preparations as additives for industrial oils and fats, lubricants and liquid fuels, non-chemical additives to motor-fuel; dust absorbing, wetting and binding compositions; fuels (including motor spirit) and illuminants; candles, wicks.

42 – Scientific and technological services and research and design relating thereto; industrial analysis and research services; research and development as well as technical consultancy in the field of lubricant technology and hydraulic liquid systems; material testing and quality control; services of chemists; services of physicists; engineering services; services of bacteriological, chemical or physicochemical laboratories, design and development of computer hardware and software, in particular in the field of lubricant technology and hydraulic liquid systems.

(260) AM 2013 69628 A

(800) 1107191

(151) 2012 01 31

(891) 2012 08 24

(731) Takko Holding GmbH
Alfred-Krupp-Strasse 21, 48291 Telgte,
Germany

(540)

CRASH ONE

(591) Black, white

(511)

14 – Precious metals and their alloys and goods in precious metals or coated therewith, not included in other classes; jewellery, precious stones; horological and chronometric instruments.

18 – Leather and imitations of leather, and goods made of these materials and included in this class, bags, trunks and travelling bags; umbrellas, sun umbrellas, parasols.

25 – Clothing, footwear, headgear.

35 – Retailing in relation to precious metals and their alloys and goods in precious metals or coated

therewith, jewellery, precious stones, horological and chronometric instruments, leather and imitations of leather, and goods made of these materials, bags, trunks and valises, umbrellas, parasols, clothing, footwear, headgear.

(260) AM 2013 69629 A

(800) 1107195

(151) 2012 01 25

(891) 2012 08 24

(731) Takko Holding GmbH

Alfred-Krupp-Strasse 21, 48291 Telgte,
Germany

(540)

CHAPTER

(591) Black, white

(511)

14 – Precious metals and their alloys and goods in precious metals or coated therewith, not included in other classes; jewellery, precious stones; horological and chronometric instruments.

18 – Leather and imitations of leather, and goods made of these materials and included in this class, bags, trunks and travelling bags; umbrellas, sun umbrellas, parasols.

25 – Clothing, footwear, headgear.

35 – Retail services in relation to precious metals and their alloys and goods in precious metals or coated therewith, jewellery, precious stones, horological and chronometric instruments, leather and imitations of leather, and goods made of these materials, bags, trunks and travelling bags, umbrellas, parasols, clothing, footwear, headgear.

(260) AM 2013 69630 A

(800) 1107197

(151) 2012 02 03

(891) 2012 08 24

(731) Takko Holding GmbH

Alfred-Krupp-Strasse 21, 48291 Telgte,
Germany

(540)

Crazy World

(591) Black, white

(511)

14 – Precious metals and their alloys and goods in precious metals or coated therewith, not included in other classes; jewellery, precious stones; horological and chronometric instruments.

18 – Leather and imitations of leather, and goods made of these materials and included in this class, bags, trunks and travelling bags; umbrellas, sun umbrellas, parasols.

25 – Clothing, footwear, headgear.

35 – Retail services in relation to precious metals and their alloys and goods in precious metals or coated therewith, jewellery, precious stones, horological and chronometric instruments, leather and imitations of leather, and goods made of these materials, bags, trunks and travelling bags, umbrellas, parasols, clothing, footwear, headgear.

(260) AM 2013 69631 A

(800) 1107198

(151) 2012 02 03

(891) 2012 08 24

(731) Takko Holding GmbH

Alfred-Krupp-Strasse 21, 48291 Telgte,
Germany

(540)

Page One

(591) Black, white

(511)

14 – Precious metals and their alloys and goods in precious metals or coated therewith, not included in other classes; jewellery, precious stones; horological and chronometric instruments.

18 – Leather and imitations of leather, and goods made of these materials and included in this class, bags, trunks and travelling bags; umbrellas, sun umbrellas, parasols.

25 – Clothing, footwear, headgear.

35 – Retail services in relation to precious metals and their alloys and goods in precious metals or coated therewith, jewellery, precious stones, horological and chronometric instruments, leather and imitations of leather, and goods made of these materials, bags, trunks and travelling bags, umbrellas, parasols, clothing, footwear, headgear.

(260) AM 2013 69632 A

(800) 1107199

(151) 2012 02 03

(891) 2012 08 17

(731) Takko Holding GmbH

Alfred-Krupp-Strasse 21, 48291 Telgte,
Germany

(540)

Takko

(591) Black, white

(511)

14 – Precious metals and their alloys and goods in precious metals or coated therewith, not included in other classes; jewellery, precious stones; horological and chronometric instruments.

18 – Leather and imitations of leather, and goods made of these materials and included in this class, bags, trunks and travelling bags; umbrellas, sun umbrellas, parasols.

25 – Clothing, footwear, headgear.

35 – Retail services in relation to precious metals and their alloys and goods in precious metals or coated therewith, jewellery, precious stones, horological and chronometric instruments, leather and imitations of leather, and goods made of these materials, bags, trunks and travelling bags, umbrellas, parasols, clothing, footwear, headgear.

(260) AM 2013 69634 A

(800) 1107203

(151) 2012 02 02

(891) 2012 08 24

(731) Takko Holding GmbH

Alfred-Krupp-Strasse 21, 48291 Telgte,
Germany

(540)

SOUTHERN

(591) Black, white

(511)

14 – Precious metals and their alloys and goods in precious metals or coated therewith, not included in other classes; jewellery, precious stones; horological and chronometric instruments.

18 – Leather and imitations of leather, and goods made of these materials and included in this class, bags, trunks and travelling bags; umbrellas, sun umbrellas, parasols.

25 – Clothing, footwear, headgear.

35 – Retail services in relation to precious metals and their alloys and goods in precious metals or coated therewith, jewellery, precious stones, horological and chronometric instruments, leather and imitations of leather, and goods made of these materials, bags, trunks and travelling bags, umbrellas, parasols, clothing, footwear, headgear.

(260) AM 2013 69635 A

(800) 1107204

(151) 2012 02 03

(891) 2012 08 24

(731) Takko Holding GmbH

Alfred-Krupp-Strasse 21, 48291 Telgte,
Germany

(540)

MAXI BLUE

(591) Black, white

(511)

14 – Precious metals and their alloys and goods in precious metals or coated therewith, not included in other classes; jewellery, precious stones; horological and chronometric instruments.

18 – Leather and imitations of leather, and goods made of these materials and included in this class, bags, trunks and travelling bags; umbrellas, sun umbrellas, parasols.

25 – Clothing, footwear, headgear.

35 – Retail services in relation to precious metals and their alloys and goods in precious metals or coated therewith, jewellery, precious stones, horological and chronometric instruments, leather and imitations of leather, and goods made of these materials, bags, trunks and travelling bags, umbrellas, parasols, clothing, footwear, headgear.

(260) AM 2013 69636 A

(800) 1107205

(151) 2012 02 06

(891) 2012 08 24

(731) Takko Holding GmbH

Alfred-Krupp-Strasse 21, 48291 Telgte,
Germany

(540)

1982

(591) Black, white

(511)

14 – Precious metals and their alloys and goods in precious metals or coated therewith, not included in other classes; jewellery, precious stones; horological and chronometric instruments.

18 – Leather and imitations of leather, and goods made of these materials and included in this class, bags, trunks and travelling bags; umbrellas, sun umbrellas, parasols.

25 – Clothing, footwear, headgear.

35 – Retail services in relation to precious metals and their alloys and goods in precious metals or coated therewith, jewellery, precious stones, horological and chronometric instruments, leather and imitations of leather, and goods made of these materials, bags, trunks and travelling bags, umbrellas, parasols, clothing, footwear, headgear.

(260) AM 2013 69637 A

(800) 1107206

(151) 2012 02 01

(891) 2012 08 24

(731) Takko Holding GmbH

Alfred-Krupp-Strasse 21, 48291 Telgte,
Germany

(540)

DOPODOPO

(591) Black, white

(511)

14 – Precious metals and their alloys and goods in precious metals or coated therewith, not included in other classes; jewellery, precious stones; horological and chronometric instruments.

18 – Leather and imitations of leather, and goods made of these materials and included in this class, bags, trunks and travelling bags; umbrellas, sun umbrellas, parasols.

25 – Clothing, footwear, headgear.

35 – Retail services in relation to precious metals and their alloys and goods in precious metals or coated therewith, jewellery, precious stones, horological and chronometric instruments, leather and imitations of leather, and goods made of these materials, bags, trunks and travelling bags, umbrellas, parasols, clothing, footwear, headgear.

(260) AM 2013 69638 A

(800) 1108852

(151) 2012 02 02

(891) 2012 08 24

(731) Takko Holding GmbH

Alfred-Krupp-Strasse 21, 48291 Telgte, Germany

(540)

DOGNOSE

(591) Black, white

(511)

14 – Precious metals and their alloys and goods in precious metals or coated therewith, not included in other classes; Jewellery, precious stones; horological and chronometric instruments.

18 – Leather and imitations of leather, and goods made of these materials and included in class 18, bags, trunks and travelling bags; umbrellas, sun umbrellas, parasols.

25 – Clothing, footwear, headgear.

35 – Retail services in relation to precious metals and their alloys and goods in precious metals or coated therewith, Jewellery, precious stones, horological and chronometric instruments, Leather and imitations of leather, and goods made of these materials, Bags, Trunks and travelling bags, Umbrellas, Parasols, Clothing, Footwear, Headgear.

(260) AM 2013 69639 A

(800) 1116341

(151) 2012 03 14

(891) 2012 08 14

(731) BASSANINA S.r.l.

Via dell'Artigianato 1, I-36064 Mason
Vicentino (Vicenza), Italy

(540)

**bassanina**
baking art

(591) Black, white

(511)

7 – Kneading machines, machines for making pasta and pastries.

11 – Ovens for cooking bread and pastries; machines for making bread.

(260) AM 2013 69642 A

(800) 1133745

(151) 2012 03 07

(731) BAUSCH & LOMB INCORPORATED

One Bausch & Lomb place, Rochester,
NEW YORK, NY 14604, USA

(540)

VICTUS

(591) Black, white

(511)

10 – Lasers for ophthalmic medical and surgical procedures.

(260) AM 2013 69643 A

(800) 1133751

(151) 2012 08 31

(731) "Spetsosnastka M Service" Limited Liability
Company

Avtomotornaya str. 3a, bld. 1, RU-125438
Moscow, Russian Federation

(540)

ЭДАГУМ

(591) Black, white

(511)

1 – Seed preserving substances; humus; plant growth regulating preparations; animal carbon preparations; cultures of microorganisms other than for medical and veterinary use; preparations of trace elements for plants; chemical preparations to prevent mildew; vine disease preventing chemicals; chemical preparations to prevent wheat smut; chemical preparations for scientific purposes, other than for medical or veterinary use; anti-sprouting preparations for vegetables; cellulose derivatives [chemicals]; salts [fertilisers]; salts [chemical preparations]; peat [fertiliser]; fertilizing preparations; manure for agriculture; chemicals for forestry, except fungicides, herbicides, insecticides and parasiticides; horticulture chemi-

cals, except fungicides, herbicides, insecticides and parasiticides; agricultural chemicals, except fungicides, weedkillers, herbicides, insecticides and parasiticides; soil conditioning preparations.

5 – Antiseptics; balms for medical purposes; petroleum jelly for medical purposes; dietetic substances adapted for medical use; nutritive substances for microorganisms; mud for baths; medicinal mud; mineral food supplements; nutritional supplements; cachou for pharmaceutical purposes; ointments for pharmaceutical purposes; medicinal oils; drugs for medical purposes; medicines for veterinary purposes; medicines for human purposes; dietetic beverages adapted for medical purposes; medicinal infusions; tinctures for medical purposes; bacterial preparations for medical and veterinary use; bacteriological preparations for medical and veterinary use; balsamic preparations for medical purposes; biological preparations for veterinary purposes; biological preparations for medical purposes; veterinary preparations; therapeutic preparations for the bath; fumigation preparations for medical purposes; air purifying preparations; sterilising preparations; soil-sterilising preparations; pharmaceutical preparations for skin care; bath preparations, medicated; medicinal hair growth preparations; preparations of trace elements for human and animal use; pharmaceutical preparations; enzyme preparations for veterinary purposes; chemico-pharmaceutical preparations; chemical preparations for veterinary purposes; chemical preparations for medical purposes; chemical preparations to treat wheat smut; vine disease treating chemicals; chemical preparations to treat mildew; chemical preparations for treating phylloxera; chemical preparations for pharmaceutical purposes; dietetic foods adapted for medical purposes; greases for veterinary purposes; greases for medical purposes; bath salts for medical purposes; salts for medical purposes; adjuvants for medical purposes; disinfectants for hygiene purposes; animal washes; detergents for medical purposes; cattle washes; dog washes; digestives for pharmaceutical purposes; enzymes for veterinary purposes; enzymes for medical purposes; ferments for pharmaceutical purposes.

31 – Animal foodstuffs; pet food; stall food for animals; bird food; strengthening animal forage; animal fattening preparations; preparations for egg laying poultry.

(260) AM 2013 69644 A
(800) 1133782
(151) 2012 08 17
(731) Lodestar Anstalt (a Liechtenstein company)
Lova-Center, PO Box 1150, FL-9490 Vaduz,
Liechtenstein
(540)

THE WILD GEESE

(591) Black, white
(511)
33 – Alcoholic beverages (except beers).

(260) AM 2013 69645 A
(800) 1133792
(151) 2012 09 06
(731) LALE SİĞARA KAĞIDI SANAYİ VE
TİCARET LİMİTED ŞİRKETİ
Bankalar Cad. Japon Pasajı Kat. 3 No:30,
Batman, Turkey
(540)



(591) Green, gold
(511)
34 – Cigarette paper.

(260) AM 2013 69650 A
(800) 1133884
(151) 2012 08 28
(731) Zentiva Group, a.s.
U kabelovny 130, CZ-102 37 Praha 10 – dolní
Měcholupy, Czech Republic
(540)

CAPEZEN

(591) Black, white
(511)
5 – Medicines, pharmaceutical preparations for human use.

(260) AM 2013 69653 A
 (800) 1133948
 (151) 2012 08 06
 (731) MIRATO S.P.A.
 Strada Provinciale Est Sesia, I-28064
 LANDIONA (NO), Italy

(540) STRABILIA
 (591) Black, white
 (511)
 3 – Bleaching preparations and other substances for laundry use; cleaning, polishing, scouring and abrasive preparations; soaps; perfumery, essential oils, cosmetics, hair lotions; dentifrices.

5 – Pharmaceutical and veterinary preparations; sanitary preparations for medical purposes; dietetic food and substances adapted for medical or veterinary use, food for babies; dietary supplements for humans and animals; plasters, materials for dressings; material for stopping teeth, dental wax; disinfectants; preparations for destroying vermin; fungicides, herbicides, insecticides.

(260) AM 2013 69654 A
 (800) 1133949
 (151) 2012 09 25
 (731) EDNOLITCHNO DRUJESTVO S
 OGRANITCHENA OTGOVORNOST
 "FINANSKONSULT"
 Altzeko str. 16, BG-4000 PLOVDIV, Bulgaria
 (540)

BM

(591) Black, white
 (511)
 34 – Tobacco; smokers' articles; matches.

(260) AM 2013 69660 A
 (800) 1134018
 (151) 2012 09 25
 (731) MONTRES BREGUET SA
 CH-1344 L'ABBAYE, Switzerland
 (540)

TYPE XX

(591) Black, white
 (511)
 14 – Precious metals and their alloys and goods in precious metals or coated therewith included in this class, jewelry, precious stones; timepieces and chronometric instruments.

(260) AM 2013 69661 A
 (800) 1134027
 (151) 2012 07 12
 (731) Creative Nail Design, Inc.
 1125 Joshua Way, Vista CA 92083-7800,
 USA

(540)
VINYLUX

(591) Black, white
 (511)
 3 – Bodycare preparations; nail care preparations; nail varnish; nail polish; artificial nails; creams for the nails; nail hardeners; powder for forming sculpted finger nail tips; nail polish remover; and adhesives for fixing false nails.

(260) AM 2013 69664 A
 (800) 1134166
 (151) 2012 07 23
 (731) Wilh. Becker GmbH & Co KG
 Neuenkamper Str. 25b, 42855 Remscheid,
 Germany

(540)
Hahnreiter

(591) Black, white
 (511)
 7 – Wood and metal sawing machines, milling machines for wood and metal, drilling machines for wood and metal, thread cutting machines, thread cutting tools, thread cutting equipment, thread cutting heads, centering machines, grinding machines, sharpening machines, part of named machines.

(260) AM 2013 69668 A
 (800) 1134225
 (151) 2012 04 19
 (731) UAB "PLUNGĒS KOOPERATĪNĒ
 PREKYBA"
 Birutēs g. 50, LT-90112 Plungė, Latvia

(540)
ПРИОРИТИ

(591) Black, white
 (511)
 29 – Meat, fish, poultry and game; meat extracts; preserved, frozen, dried and cooked fruits and vegetables; jellies, jams, compotes; eggs, milk and milk products; edible oils and fats.

(260) AM 2013 69733 A

(800) 1134396

(151) 2012 08 28

(731) Deutsche Amphibolin-Werke von Robert
Murjahn Stiftung & Co KG
Rossdörfer Strasse 50, 64372 Ober-Ramstadt,
Germany

(540)

Caparol Clean Concept

(591) Black, white

(511)

1 – Chemicals for industrial use; preservative and damp-proofing preparations for masonry, roofing tiles, cement and concrete, except paints and oils; unprocessed artificial resins, unprocessed synthetic resins and unprocessed plastics (in the form of powders, granules, liquids or pastes); solvents for paints, varnishes and lacquers; adhesives used in industry; adhesives for wallpaper; adhesives used in building; filler for treating subsurfaces for paints (not included in other classes).

2 – Paints, varnishes, lacquers, glazes (included in this class), anti-corrosion preparations; primers; colorants, dyestuffs, dye pastes, mordants; paint thickeners; fixatives, siccatives for paints; natural resins (included in this class); thinning and binding preparations for paints and lacquers; wood preservatives, wood mordants and wood preserving oils; paints (included in this class), including structuring paints; bactericidal and/or fungicidal paints; anti-corrosive preparations; protective preparations for metals; metals in foil and powder form for painters, decorators, printers and artists.

19 – Building materials (non-metallic); profile rails and corner irons, in particular locking profiles (not of metal, for building); adjusting and levelling parts, not of metal, for building; spacers, not of metal, for building; sills (not of metal); natural and artificial stone; mortar and quartz (building materials); plaster (included in this class); coatings (building materials); wall and ceiling panels (non-metallic, for building); fabric embedding compounds for building; filler being building materials.

(260) AM 2013 69734 A

(800) 1134397

(151) 2012 08 13

(731) EGIS GYOGYSZERGYÁR Nyilvánosan
Működő Részvénytársaság
Kereszturi ut 30-38, H-1106 Budapest,
Hungary

(540)

TREMONORM

(591) Black, white

(511)

5 – Pharmaceutical preparations for human use.

(260) AM 2013 69735 A

(800) 1134398

(151) 2012 08 13

(731) EGIS GYOGYSZERGYÁR Nyilvánosan
Működő Részvénytársaság
Kereszturi ut 30-38, H-1106 Budapest,
Hungary

(540)

RIPSAIN

(591) Black, white

(511)

5 – Pharmaceutical preparations for human use.

(260) AM 2013 69736 A

(800) 1134399

(151) 2012 07 25

(731) EGIS GYOGYSZERGYÁR Nyilvánosan
Működő Részvénytársaság
Kereszturi ut 30-38, H-1106 Budapest,
Hungary

(540)

SKITEGIT

(591) Black, white

(511)

5 – Pharmaceutical preparations for human use.

(260) AM 2013 69739 A

(800) 1134400

(151) 2012 07 25

(731) EGIS GYOGYSZERGYÁR Nyilvánosan
Működő Részvénytársaság
Kereszturi ut 30-38, H-1106 Budapest,
Hungary

(540)

TEMSIGIT

(591) Black, white

(511)

5 – Pharmaceutical preparations for human use.

(260) AM 2013 69740 A

(800) 1134401

(151) 2012 08 13

(731) EGIS GYOGYSZERGYÁR Nyilvánosan
Működő Részvénytársaság
Kereszturi ut 30-38, H-1106 Budapest,
Hungary

(540)

MASTEGOL

(591) Black, white

(511)

5 – Pharmaceutical preparations for human use.

(260) AM 2013 69742 A
 (800) 1134419
 (151) 2012 09 05
 (731) BIOFARMA
 50 rue Carnot, F-92284 SURESNES CEDEX,
 France
 (540)

PRESTORVAL

(591) Black, white
 (511)
 5 – Pharmaceutical and veterinary products; sanitary products for medical purposes; dietetic food and substances for medical or veterinary use; food for babies; dietary supplements for humans and animals; plasters, materials for dressings; material for dental fillings and dental impressions; disinfectants; pesticides; fungicides, herbicides; medicated bath preparations; chemical preparations for medical or pharmaceutical use; medicinal herbs; herbal teas; parasiticides; alloys of precious metals for dental use.

(260) AM 2013 69744 A
 (800) 1134480
 (151) 2012 09 21
 (731) KMT Precision Grinding AB
 Box 910, SE-531 19 LIDKÖPING, Sweden
 (540)

UVA

(591) Black, white
 (511)
 7 – Grinding machines.

(260) AM 2013 69746 A
 (800) 1134506
 (151) 2012 08 21
 (891) 2012 11 21
 (731) EcoPharm Patent Management AG
 Haldenstrasse 5, CH-6342 Baar, Switzerland
 (540)

RUNIHOL

(591) Black, white
 (511)
 5 – Drugs for medical purposes; medicines for veterinary purposes; medicines for human purposes; pharmaceutical preparations.

(260) AM 2013 69748 A
 (800) 1134527
 (151) 2012 08 13
 (731) Stichting LANRIZ
 Ganzenstraat 1, NL-3815 JA Amersfoort,
 Netherlands
 (540)

lanriz

(591) Black, white
 (511)
 9 – Scientific, nautical, surveying, photographic, cinematographic, optical, weighing, measuring, signalling, checking (supervision), life-saving and teaching apparatus and instruments; apparatus and instruments for conducting, switching, transforming, accumulating, regulating or controlling electricity; apparatus for recording, transmission or reproduction of sound or images; magnetic data carriers, recording discs; compact discs, DVDs and other digital recording media; mechanisms for coin-operated apparatus; cash registers, calculating machines, data processing equipment, computers; computer software; fire-extinguishing apparatus.

18 – Leather and imitations of leather, and goods made of these materials and not included in other classes; animal skins, hides; trunks and travelling bags; umbrellas and parasols; walking sticks; whips, harness and saddlery.

25 – Clothing, footwear, headgear.

(260) AM 2013 69750 A
 (800) 1134539
 (151) 2012 03 02
 (731) B. Braun Melsungen AG
 Carl-Braun-Strasse 1, 34212 Melsungen,
 Germany
 (540)

SHARING EXPERTISE

(591) Black, white
 (511)
 2 – Paints, varnishes, lacquers; preservatives against rust and against deterioration of wood; colorants; mordants; raw natural resins; metals in foil and powder form for painters, decorators, printers and artists; spray coatings (paints) with anti-corrosive and lubricating properties for surgical instruments and other steel goods.

3 – Bleaching preparations and other substances for laundry use; liquid soaps, liquid soaps with disinfectant properties; articles for body and beauty-care; dentifrices; washing lotions for cosmetic purposes; antiperspirants (sweat inhibiting effect).

4 – Industrial oils and greases; lubricants; dust absorbing, wetting and binding compositions; fuels (including motor spirit) and illuminants; candles and wicks for lighting; sprays with lubricating effect for surgical instruments and other steel objects.

5 – Pharmaceutical, veterinary and sanitary preparations; sanitary preparations for medical purposes; pharmaceutical preparations for enteral and parenteral nutrition and for pain therapy; dietetic preparations adapted for medical use; dietetic foodstuffs for medical purposes; food for babies; products for

skin cleansing and care, and for skin protection, for medical purposes, in particular for the stoma and genital area; wound care preparations; plasters, materials for dressings; disinfecting preparations, disinfecting medicines and cleansing preparations with disinfectant properties (disinfectants); material for stopping teeth; hemostyptics (medicines for hemostasis); odour-inhibiting chemical preparations, namely products for neutralization of odour with bacterial origin.

10 – Surgical, medical, dental and veterinary instruments, apparatus, utensils and equipment; orthopedic articles; artificial limbs, eyes and teeth; suture materials, including needle and thread combinations; surgical and medical tissue adhesives, surgical implants (artificial material); bindings and bandages for orthopaedic purposes; vascular prostheses; orthopaedic apparatus; medical products for stoma care and incontinence, especially catheters, leg bags, urine bag, incontinence pessaries, bed urinals and absorbing pads; underlays for incontinent people; medical products for stoma care, especially stoma pouches, drainage bags and accessories (as far as included in this class) as well as medical products for stoma irrigation, conduction tubes, irrigation pumps and accessories (as far as included in this class).

44 – Medical services; veterinary services; hygienic and beauty care for human beings or animals; agriculture, horticulture or forestry services; outpatient and home nursing care for invalids.

(260) AM 2013 69752 A

(800) 1134542

(151) 2012 03 23

(731) DUNSMUR HOLDINGS LIMITED

Agiou Pavlou, 15 Ledra House Agios Andreas,
CY-1105 Nicosia, Cyprus

(540)



(591) Black, white

(511)

33 – Vodka.

(260) AM 2013 69754 A

(800) 1134566

(151) 2012 06 07

(731) VIRGIN ENTERPRISES LTD.

The School House, 50 Brook Green, London
W6 7RR, United Kingdom

(540)

VIRGIN CONNECT

(591) Black, white

(511)

9 – Scientific, nautical, surveying, photographic, cinematographic, optical, weighing, measuring, signalling, checking (supervision), life-saving and teaching apparatus and instruments; apparatus and instruments for conducting, switching, transforming, accumulating, regulating or controlling electricity; apparatus for recording, transmission or reproduction of sound or images; magnetic data carriers, recording discs; and mechanisms for coin-operated apparatus; cash registers, calculating machines, data processing equipment and computers; fire-extinguishing apparatus; recorded media, computer hardware and firmware; computer software; software downloadable from the internet; compact discs; digital music; radios; portable radios; digital radios; apparatus for radio; electronic radio apparatus; digital radio apparatus; aerials and antennas for radio; car radios; clock radios; earphones for radios; radio broadcasting sets; mobile radio broadcasting units; mobile radio apparatus; mounting fittings for radios; integrated audio and video apparatus incorporating radio and television receivers; radiotelephones; telecommunications apparatus for use in radio networks; sound and video recordings including musical recordings; apparatus, instruments and media for storing, transmitting and reproducing music, sounds, images and text; sound and video recordings; musical recordings; downloadable electronic publications; audio recordings of radio programs; radio programs, music, videos, sound, images, text and data downloadable from the internet or other computer networks; communications and telecommunications apparatus; telephones; cordless, wireless and satellite telephones; wireless communication devices and apparatus; mobile telecommunications apparatus; mobile telecommunications handsets; mobile telecommunications apparatus and equipment; broadband data interconnecting computer installations; high capacity broadband telecommunications switching apparatus; mobile telecommunications apparatus and equipment including batteries, battery chargers, power supplies, charger adapters, phone clips, ear phones, headphones, receivers, microphones, car kits for the adaptation of portable communication apparatus and instruments for vehicular use, antennas, antenna

adapters, cables, hands free microphones, phone holders, car chargers, data cables and electrical wires; GPS receivers; keyboards, digital pens, memory cards, data cards, modem cards, digital maps and digital map displays; mobile telephone covers; mobile telephone cases; telecommunications network apparatus; mobile digital devices; smart phones; accessories and replacement parts for mobile phones, mobile digital devices, smart phones and computers; headphones; headsets; speakers; cameras; MP3 players; mouse mats; computer e-commerce software to allow users to safely place orders and make payments in the field of electronic business transactions via a global computer network or telecommunications network; computer software and devices for navigation; downloadable mobile applications; systems and apparatus for electric money transactions including smart cards, smart card readers; calculators; encryption apparatus and devices; encryption and decryption software; software for use in the secure identification, storage, transmission and/or retrieval of data; software for facilitating secure payment transactions by electronic means; software relating to identity verification and fraud prevention; verification apparatus; encryption devices to enable secure storage, retrieval and transmission of confidential customer information used by individuals, banking and financial institutions; computer software for the provision of banking and financial services; computer software providing an online financial platform; computer software for the provision of financial trading services, securities exchange services, automated methods of crossing financial orders, electronic financial and crossing exchanges; automated banking machines; magnetic cards, encoded credit cards, debit cards, cash cards and cheque guarantee cards; smart cards; parts, fittings and accessories for all the aforesaid goods.

38 – Telecommunications; telecommunications and communication services; mobile telecommunications services; wireless communication services; wireless data transmission services; digital network telecommunications services; broadband services; Internet access services; content access services; remote Internet access services; radio telecommunications; providing Internet chat rooms; providing user access to the Internet (service providers); e-mail services; providing user access to the Internet; broadcasting services; radio and television broadcasting services; broadcasting services relating to the Internet; digital radio broadcasting services; radio broadcasting over the Internet and other communication networks; streaming of radio programs and audio material on the Internet; news agency services; data transmission services over telecommunications networks; text and voice messaging services; delivery of digital music by telecommunications; consultancy, information and advisory services relating to the aforesaid.

(260) AM 2013 69755 A
(800) 1134584
(151) 2012 08 10
(731) Gumeniuk Mykola
23/25 Klinichna Str., apt. 173, Kyiv 03110,
Ukraine
(540)

BITUB

(591) Black, white
(511)
5 – Pharmaceutical and veterinary preparations; sanitary preparations for medical purposes; dietetic substances adapted for medical use; food for babies; plasters, materials for dressings; disinfectants; preparations for destroying vermin; fungicides, herbicides.

(260) AM 2013 69756 A
(800) 1134601
(151) 2012 07 13
(731) VIENNA INSURANCE GROUP AG Wiener
Versicherung Gruppe
Schottenring 30, A-1010 Vienna, Austria
(540)



(591) Black, white, red
(511)
36 – Insurance, financial affairs.

(260) AM 2013 69793 A
(800) 1079927
(151) 2011 05 09
(891) 2012 09 17
(731) IN-SPIRIT GmbH
Allee 24 – 26, 33161 Hövelhof, Germany
(540)



(591) Black, white
(511)
33 – Alcoholic beverages (except beers), in particular sparkling wines, champagnes, and mixed drinks containing sparkling wine and/or champagnes.

(260) AM 2013 69794 A
 (800) 1110174
 (151) 2012 02 21
 (891) 2012 09 13
 (731) Nokia Corporation
 Keilalahdentie 4, FI-02150 Espoo, Finland
 (540)

LUMIA

(591) Black, white
 (511)
 9 – Mobile phones, smart phones; accessories and replacement parts for mobile phones.

(260) AM 2013 69795 A
 (800) 1119348
 (151) 2012 02 29
 (891) 2012 10 10
 (731) GILEAD SCIENCES LIMITED
 IDA Business and Technology Park,
 Carrigtohill, Co. Cork, Ireland
 (540)

VITEKTA

(591) Black, white
 (511)
 5 – Pharmaceuticals, namely antivirals; pharmaceuticals for the treatment of HIV/AIDS, excluding goods for diagnostic and theranostic use.

(260) AM 2013 69798 A
 (800) 1120864
 (151) 2012 04 19
 (891) 2012 09 07
 (731) CHEMO RESEARCH, S.L.
 C/ Quintanapalla, 2-4^a planta, E-28050
 Madrid, Spain
 (540)

SLINDA

(591) Black, white
 (511)
 5 – Pharmaceutical, veterinary and sanitary preparations, dietetic substances for medical use and vitamins.

(260) AM 2013 69907 A
 (800) 1136170
 (151) 2012 08 29
 (731) Bayer Aktiengesellschaft
 Kaiser-Willhelm-Allee, 51373 Leverkusen,
 Germany
 (540)

NISSAGE

(591) Black, white

(511)
 5 – Pharmaceutical preparations for the reduction of subcutaneous fat.

(260) AM 2013 69910 A
 (800) 1099520
 (151) 2011 07 26
 (891) 2012 09 17
 (731) Orient import ltd
 d. 56, str. 1, shosse Entuziastov, RU-111123
 Moskva, Russian Federation
 (540)

BETSY

(591) Black, white
 (511)
 25 – Headgear; clothing; footwear.

(260) AM 2013 69911 A
 (800) 1114826
 (151) 2012 03 27
 (891) 2012 09 28
 (731) Merck KGaA
 Frankfurter Strasse 250, 64293 Darmstadt,
 Germany
 (540)

IMABEQ

(591) Black, white
 (511)
 5 – Pharmaceutical preparations for human use in the field of oncology.

(260) AM 2013 69912 A
 (800) 1115077
 (151) 2012 03 07
 (891) 2012 09 04
 (731) THE COLOMER GROUP SPAIN, S.L.
 WTC-Almeda Park, Tirso de Molina n° 40,
 E-08940 Cornellá de Llobregat (Barcelona),
 Spain
 (540)

BEAUTYGE

(591) Black, white
 (511)
 3 – Hair lotions, hair care preparations, hair treatments, hair conditioners, hair masks, hair gels, hair spray, hair mousse, shampoos; perfumery; cosmetics; soap.
 44 – Hygienic and beauty care for human beings; beauty salons; hairdressing salons.

(260) AM 2013 69913 A
 (800) 1130426
 (151) 2012 05 21
 (891) 2012 10 05
 (731) Henkel AG & Co. KGaA
 Henkelstrasse 67, 40589 Düsseldorf, Germany
 (540)

OLEO INTENSE

(591) Black, white
 (511)
 3 – Soaps; perfumery; essential oils; cosmetics, in particular facial lotions, skin creams, cosmetic preparations for the care and treatment of hair, cosmetic preparations for the care and treatment of skin.

(260) AM 2013 69914 A
 (800) 1136273
 (151) 2012 04 17
 (731) Wings for Life – Spinal Cord Research
 Privatstiftung
 Am Brunnen 1, A-5330 Fuschl Am See,
 Austria
 (540)

WINGS FOR LIFE

(591) Black, white
 (511)
 25 – Clothing, footwear, headgear, including T-shirts, blouses, sweaters; anoraks, wind resistant jackets, aprons, caps, hats, headbands, braces, belts (clothing), money belts (clothing), sun visors; sportswear, footwear for sports, football boots and studs, ski boots; non-slipping devices for footwear; corsets (underclothing).

36 – Insurance; financial affairs; monetary affairs; bank transactions using online banking (home banking); real estate affairs; funding; financial promotion as well as raising donations for charitable purposes, fund raising for research.

42 – Scientific and technological services and research and design relating thereto; research in the field of cures for spinal cord injuries, industrial analysis and research services; conversion of data or documents from physical to electronic media; creating and maintaining websites for others, hosting of computer sites (web sites); industrial design; consultancy in the field of energy-saving; research in the field of environmental protection.

(260) AM 2013 69915 A
 (800) 1136282
 (151) 2012 05 28
 (731) Mewah Brands (S) Pte Ltd
 5 International Business Park #05-00,
 Singapore 609914, Singapore
 (540)

MOI

(591) Black, white
 (511)
 29 – Edible oils and fats and emulsions products made from vegetable oils and water; palm oil for food; palm olein; palm stearin; coconut oil; palm kernel oil for food; palm kernel olein; palm kernel stearin; soya bean oil for food; corn oil; cottonseed oil; sunflower oil; rapeseed oil; canola oil; hydrogenated oil for food; hydrogenated palm olein; hydrogenated palm kernel olein; hydrogenated palm kernel stearin; hydrogenated fats; hydrogenated palm stearin; margarine; spreads (jams); butter; confectionery fat; cocoa butter substitute; cocoa butter replacer; cocoa butter equivalent made from palm oil and non-dairy fats; shortening; interesterified fat; butter oil substitutes; blended fats; milk fat substitutes; vegetable oils and fats for food; blended oils and fats; cheese fat; yogurt fat; milk and milk products; peanut butter; coconut-eggs jam; condensed milk; and cocoa butter.

(260) AM 2013 69916 A
 (800) 1136305
 (151) 2012 08 01
 (731) Avon Products, Inc.
 World Headquarters, 777 Third Avenue,
 New York, NY 10017, USA
 (540)

KATE'S WORLD

(591) Black, white
 (511)
 3 – Non-medicated toilet preparations; toiletries; skin care preparations; skin moisturizers; body and beauty care preparations; powders, creams and lotions, all for the face, hands and body; cosmetic suntan preparations; soaps; shower and bath preparations; beauty masks; talcum powder; nail polish; nail polish remover; enamel for nails; false nails; adhesives for cosmetic purposes; cosmetics; eye make-up remover, eye shadow, eye liner, mascara, lipstick, lip liner, lip gloss; make-up foundation; blusher; tissues impregnated with cosmetic lotions; cotton sticks for cosmetic purposes; cotton wool for cosmetic purposes; preparations for cleaning, moisturising, colouring and styling the hair; preparations for cleaning the teeth; shaving and aftershave preparations; perfumes, fragrances, toilet waters, eau-de-Cologne; deodorants and anti-perspirants for personal use; essential oils (cosmetic); all the afo-

resaid being alone, in combination and/or in gift sets comprised of some or all of these items.

(260) AM 2013 69917 A

(800) 1136343

(151) 2012 09 19

(731) veco S.p.A.

Via Puglia, 35, I-10156 Torino, Italy

(540)

IVECO 682

(591) Black, white

(511)

12 – Apparatus for locomotion by land, commercial and industrial vehicles.

(260) AM 2013 69920 A

(800) 1136426

(151) 2012 08 23

(731) OPTIKA S.R.L.

Via Rigla, 30, I-24010 PONTERANICA (BG), Italy

(540)

OPTIKA
M I C R O S C O P E S
I T A L Y

(591) Black, dark grey, light grey and blue

(511)

9 – Microscopes, camcorders, refractometers, polarimeters, condensers (optical), objectives (lenses) (optics).

(260) AM 2013 69921 A

(800) 1136506

(151) 2012 07 03

(731) Open Joint Stock Company "KAMAZ"

2 Building, Avtozavodsky Prospect,
City of Naberezhnye Chelny, RU-423827
Republic of Tatarstan, Russian Federation

(540)



(591) Black, white

(511)

25 – Bandanas [neckerchiefs]; overalls; half-boots; trousers; football boots; collars [clothing]; detachable collars; neckties; ascots; vests; sports jerseys; hosiery; hoods [clothing]; hat frames [skeletons]; pocket squares; pockets for clothing; collar protectors;

cap peaks; combinations [clothing]; wet suits for water-skiing; suits; bathing suits; jackets [clothing]; fishing vests; t-shirts; cuffs; ear muffs [clothing]; socks; sports shoes; footwear; outer clothing; ready-made clothing; motorists' clothing; cyclists' clothing; clothing of imitations of leather; clothing of leather; uniforms; clothing; knitwear [clothing]; gabardines [clothing]; jerseys [clothing]; topcoats; parkas; gloves [clothing]; scarfs; dresses; waterproof clothing; headbands [clothing]; soles for footwear; braces for clothing [suspenders]; lace boots; belts [clothing]; money belts [clothing]; jumpers [pullovers]; shirts; wooden shoes; sandals; boots; sweaters; inner soles; slippers; shoes; turbans; headgear for wear; aprons [clothing]; dressing gowns; shawls; caps [headwear]; bathing caps; skull caps; sashes for wear; studs for football boots; skirts.

(260) AM 2013 69922 A

(800) 1136528

(151) 2012 02 01

(731) Apple Inc.

1 Infinite Loop, Cupertino, CA 95014, USA

(540)

MACROSCALAR

(591) Black, white

(511)

9 – Computers, computer peripheral devices, computer terminals; computer hardware; computer gaming machines, microprocessors, memory boards, monitors, displays, keyboards, cables, modems, printers, disk drives, adapters, adapter cards, connectors and drivers; apparatus for data storage; hard drives; miniature hard disk drive storage units; audio video discs, CD-ROMs, and digital versatile discs; blank computer storage media; magnetic data carriers; chips, discs and tapes bearing or for recording computer programs and software; random access memory, read only memory; solid state memory apparatus; mouse pads; telephones; facsimile machines, answering machines; cameras, video cameras; batteries; rechargeable batteries; chargers; chargers for electric batteries; MP3 and other digital format audio players; hand held computers, tablet computers, personal digital assistants, electronic organizers, electronic notepads; handheld digital electronic devices and software related thereto; handheld and mobile digital electronic devices for the sending and receiving of telephone calls, faxes, electronic mail, and other digital data; handheld digital electronic devices and software related thereto; electronic handheld units for the wireless receipt, storage and/or transmission of data and messages, and electronic devices that enable the user to keep track of or manage personal information; electronic communication equipment and instruments; telecommunications apparatus and instruments; telephone-based information retrieval software and hardware; mobile

digital electronic devices, global positioning system (GPS) devices; telephones, mobile telephones, video phones; parts and accessories for mobile telephones; voice recognition apparatus; digital voice recorders; wireless communication devices for voice, data or image transmission; earphones, headphones; audio speakers; sound recording and reproducing apparatus, amplifiers, electric phonographs, record players, high fidelity stereo apparatus, tape recorders and reproducing apparatus, microphones; digital audio and video recorders and players; audio cassette recorders and players, video cassette recorders and players, compact disc recorders and players, digital versatile disc recorders and players, digital audio tape recorders and players; radios; radio transmitters and receivers; audio, video, and digital mixers; car audio apparatus; computer software; computer software for creating, authoring, distributing, downloading, transmitting, receiving, playing, editing, extracting, encoding, decoding, displaying, storing and organizing text, graphics, images, audio, video, and multimedia content, and electronic publications; operating system software, data synchronization software, application development software; computer software for personal information management; database management software; database synchronization software; character recognition software; voice recognition software; speech to text conversion software; voice-enabled software applications; telephony management software; electronic mail and messaging software; mobile telephone software; computer software for accessing, browsing and searching online databases; computer software for the redirection of messages, Internet e-mail, and/or other data to one or more electronic handheld devices from a data store on or associated with a personal computer or a server; computer software for the synchronization of data between a remote station or device and a fixed or remote station or device; downloadable electronic publications; fonts, typefaces, type designs and symbols in the form of recorded data; user manuals in electronically readable, machine readable or computer readable form for use with, and sold as a unit with, all the aforementioned goods; computer equipment for use with all of the aforesaid goods; electronic apparatus with multimedia functions for use with all of the aforesaid goods; electronic apparatus with interactive functions for use with all of the aforesaid goods; accessories, parts, fittings, and testing apparatus for all of the aforesaid goods; covers, bags and cases adapted or shaped to contain all of the aforesaid goods.

(260) AM 2013 69923 A
 (800) 1136531
 (151) 2012 03 07
 (731) Car Connectivity Consortium LLC
 3855 SW 153rd Drive, Beaverton OR 97006,
 USA

(540)

MirrorLink

(591) Black, white
 (511)
 9 – Computers and computer hardware, television sets, computer game consoles for use with an external display screen or monitor, computer peripherals, and consumer electronics equipment, namely, cameras, camcorders, audio and video recorders and players, MP3 players, CD recorders and players, cellular phones, personal digital assistants, devices for wireless radio transmission, and global positioning systems consisting of computers, computer software, transmitters, receivers, and network interface devices; electronic measurement and test instruments, namely validation software and simulation machine, for designing and testing the performance, features, compatibility, interoperability, functionality, compliance and adherence to industry standards of the foregoing devices, components and systems; computer cables and electric cable connectors; computer software for wireless content delivery; computer software for use in the operation of all of the foregoing; computer software for testing the performance, features, compatibility, interoperability, functionality, compliance and adherence to industry standards of computers, electronics and telecommunications products.

(260) AM 2013 69924 A
 (800) 1136541
 (151) 2012 04 19
 (731) UAB "PLUNGĖS KOOPERATINĖ
 PREKYBA"
 Birutės g. 50, LT-90112 Plungė, Lithuania

(540)



(591) Red, white, blue, yellow and black
 (511)
 29 – Meat, fish, poultry and game; meat extracts; preserved, frozen, dried and cooked fruits and vegetables; jellies, jams, compotes; eggs, milk and milk products; edible oils and fats.

(260) AM 2013 69925 A

(800) 1136542

(151) 2012 05 22

731) OKYANUS KİMYA HIRDAVAT
ELEKTRİKLİ EL ALETLERİ VE
ELEKTRONİK MALZEMELERİ İTHALAT
İHRACAT SANAYİ TİCARET LİMİTED
ŞİRKETİ

Hadimköy Mahallesi, Arpaslan Sokagi No. 10,
Arnavutköy-İstanbul, Turkey

(540)

STERN

(591) Black, white

(511)

16 – Paper; cardboard; hand-towels of paper, face towels of paper, napkins of paper, toilet paper, paper handkerchiefs, paper tablecloths, paper table linen, paper kitchen cloths, coasters made of paper or of cardboard, articles made of paper lace-work for culinary art decoration, paper for pastry and sorbets; packaging materials of paper, cardboard or plastic, cardboard packaging, paper garbage bags, paper bags, small paper bags, paper envelopes, small paper bags for wrapping, carry bags of paper, namely, paper shopping bags, paper bags, grocery bags, paper lunch bags; plastic bubble packs for wrapping or packaging; carry bags of plastics, namely, plastic shopping bags, plastic trash bags, plastic lunch bags; bookbinding material, namely, bookbinding tape, bookbinding wire, bookbindings, cloth for bookbinding, printing type, printing blocks; adhesives for stationery or household purposes; adhesive tapes for stationery or household purposes; printed matter and periodical publications, namely, books, magazines, newspapers, journals, reviews, pamphlets, catalogues, leaflets, vouchers and coupons, tickets, and posters; writing paper, copy paper, parchment paper, carbon paper, paper rolls for calculating machines, notebook paper, note papers, envelopes, loose-leaf pads, book covers, notebook covers; writing instruments, namely, pencils, ballpoint pens, pen nibs, stylographs, coloring pencils, pen holders; materials for artists, namely, pastels for artists, brushes for artists, pencils for artists; paper knives (letter openers), paper clips, typewriter ribbons; writing chalk; typewriters and office requisites, namely, staplers, rubber bands, punches, paper embossers, envelope sealing machines, franking machines, finger-stalls, correcting fluid for type; seals for offices, stamp pads, stamp inks, writing ink, rubber erasers, pencil sharpeners, printed instructional, educational, and teaching materials in the field of electronic entertainment, music, cooking, celestial globes, three-dimensional models for educational purposes (other than apparatus), slate boards for writing, lap boards for reading and writing, drawing rulers, drawing shields, drawing squares, drawing tablets, trays for holding paint brushes, paint applicator rollers.

(260) AM 2013 69928 A

(800) 1136549

(151) 2012 05 28

(731) Open Joint Stock Company "SLAKON"
Ul. kozhzavodskaya, 4, RU-454084 City of
Chelyabinsk, Russian Federation

(540)

SLAKON

(591) Black, white

(511)

30 – Cookies, pancakes, buns, bread rolls, vanillin [vanilla substitute], vanilla [flavoring] [flavouring], waffles, vermicelli [noodles], coffee suaroma substances (terms considered too vague by the International Bureau – rule 13.2.b) of the Common Regulations); sweetening agents, thickening agents for cooking foodstuffs, artificial coffee, confectionery for decorating Christmas trees, cakes, pastries, peanut confectionery, almond confectionery, pasta, pâté [pastries]; frozen yogurt [confectionery ices]; cocoa; cocoa products; caramels [candy], gluten prepared as foodstuff; sweetmeats [candy]; liquorice [confectionery]; peppermint sweets; coffee; unroasted coffee; starch for food; crackers; corn, milled; corn, roasted; meat pies; turmeric for food; couscous [semolina]; farinaceous foods; noodles; candy; maltose; jellies (terms considered too vague by the International Bureau – rule 13.2.b) of the Common Regulations); marzipan; custard; honey; royal jelly; ice cream; flour; muesli; mint for confectionery; coffee-based beverages; cocoa-based beverages; tea-based beverages; crushed oats; husked oats; nutmegs; pastilles [confectionery]; molasses for food; biscuits; pies; pizzas; fondants [confectionery]; popcorn; pralines; cereal preparations; gingerbread; spices; puddings; cake powder; ravioli; sugar; aniseed; cake paste; confectionery; malt for human consumption; seasonings; preparations for stiffening whipped cream; rusks; breadcrumbs; sushi; sandwiches; tapioca; almond paste; tortillas, ferments for pastes; halvah; bread; unleavened bread; chips [cereal products]; chicory [coffee substitute]; tea; chocolate; malt extract for food; essences for foodstuffs, except etheric essences and essential oils, glucose for culinary purposes.

31 – Oranges; peanuts, fresh; beans, fresh; grapes, fresh; peas, fresh; mushroom spawn for propagation; mushrooms, fresh; cereal seeds, unprocessed; grains [cereals]; fish spawn; cocoa beans, raw; potatoes, fresh; chestnuts, fresh; maize; sesame; spiny lobsters, live; lemons, fresh; olives, fresh; almonds [fruits]; oats; fresh fruits and vegetables; cucumbers, fresh; lobsters, live; nuts [fruits]; coconuts; kola nuts; bran; peppers [plants]; wheat; rice, unprocessed; rye; lettuce, fresh; beet; squashes; hazelnuts; chicory [salad]; juniper berries; berries, fresh fruits; barley.

32 – Aperitifs, non-alcoholic; table waters; waters [beverages]; soda water; kvass [non-alcoholic beverage]; cocktails, non-alcoholic; lemonades; non-alcoholic beverages; non-alcoholic honey-based beverages; non-alcoholic fruit juice beverages; whey beverages; fruit nectars, non-alcoholic; orgeat; sarsaparilla [non-alcoholic beverage]; syrups for lemonade; syrups for beverages; tomato juice [beverage]; cider, non-alcoholic; vegetable juices [beverages]; fruit juices; preparations for making aerated water; preparations for making mineral water; preparations for making beverages; must; sherbets [beverages]; non-alcoholic fruit extracts; essences for making beverages.

43 – Accommodation bureaux [hotels, boarding houses]; rental of temporary accommodation; rental of meeting rooms; tourist homes; hotel reservations; boarding house bookings; temporary accommodation reservations; hotels; retirement homes; snack-bars; cafes; cafeterias; motels; boarding houses; boarding for animals; rental of chairs, tables, table linen, glassware; rental of tents; rental of transportable buildings; restaurants; self-service restaurants; canteens; holiday camp services [lodging]; bar services; providing campground facilities; food and drink catering.

(260) AM 2013 69929 A
 (800) 1136575
 (151) 2012 07 13
 (731) KIA MOTORS CORPORATION
 231, Yangjae-dong, Seocho-gu, Seoul,
 Republic of Korea
 (540)

QUORIS

(591) Black, white
 (511)
 12 – Motors for land vehicles; engines for land vehicles; automobiles; automobile door handles; air bags [safety devices for automobiles]; windshield wipers; hoods for automobile engines; air pumps [automobile accessories]; direction signals for automobiles; anti-dazzle devices for automobiles, except for parts of lighting apparatus; rearview mirrors for automobiles; bumpers for automobiles; automobile bodies; automobile windscreens; safety seats for children, for automobiles; steering wheels for automobiles; automobile running boards; wheels for automobiles; structural parts and fittings for automobiles; seat covers for automobiles.

(260) AM 2013 69931 A
 (800) 1136584
 (151) 2012 07 25
 (731) Distribution Center "TAIPIT"
 (Limited Liability Company)
 ul.Biryussinka, 6 korp. 1-5, RU-107497
 Moscow, Russian Federation
 (540)

LEDARD

(591) Black, white
 (511)
 7 – Emergency power generators; generators of electricity; alternators; dynamos.

(260) AM 2013 69932 A
 (800) 1136615
 (151) 2012 09 27
 (731) KRKA, tovarna zdravil, d.d., Novo mesto
 Šmarješka cesta 6, SI-8501 Novo mesto,
 Slovenia
 (540)

TEZULIX

(591) Black, white
 (511)
 5 – Pharmaceutical preparations.

(260) AM 2013 69934 A
 (800) 1136621
 (151) 2012 10 02
 (731) The Rompetrol Group N.V.
 Strawinskylaan 807, Tower A-8, NL-1077 XX
 Amsterdam, Netherlands
 (540)



(591) White, various shades of yellow, orange and red
 (511)
 35 – Advertising; business management; business administration; office functions; excluding services regarding to financial and payment services, including payment cards services.
 41 – Education; providing of training; entertainment; sporting and cultural activities; excluding services regarding to financial and payment services, including payment cards services.
 45 – Legal services.

(260) AM 2013 69935 A
 (800) 1136641
 (151) 2012 10 16
 (731) Procter & Gamble International Operations SA
 47, route de Saint-Georges, CH-1213
 Petit-Lancy, Switzerland
 (540)

MISS GABRIELA

(591) Black, white
 (511)
 3 – Soaps, perfumery, essential oils, cosmetics, hair
 lotions, dentifrices.

(260) AM 2013 69936 A
 (800) 1136685
 (151) 2012 09 04
 (731) "CIHRUS" Limited liability company
 11, korp. 1, ul. Aviamotornaya, RU-111020
 Moscow, Russian Federation
 (540)



(591) Black, white
 (511)
 36 – Electronic funds transfer; clearing, financial;
 banking; savings bank services; home banking; issu-
 ance of credit cards; debit card services, credit card
 services; lending against security; loans [financing];
 pawnbrokerage.

(260) AM 2013 69937 A
 (800) 1136686
 (151) 2012 08 29
 (731) Bayer Aktiengesellschaft
 Kaiser-Willhelm-Allee, 51373 Leverkusen,
 Germany
 (540)

ENSLIQUE

(591) Black, white
 (511)
 5 – Pharmaceutical preparations for the reduction of
 subcutaneous fat.

(260) AM 2013 69938 A
 (800) 1136688
 (151) 2012 09 14
 (731) "VINPROM YAMBOL" EAD
 kv. "Industrialna zona", BG-8600 YAMBOL,
 Bulgaria
 (540)



(591) Black, dark cherry, yellow, golden yellow,
 light brown and white
 (511)
 33 – Alcoholic beverages (except beer).

(260) AM 2013 69939 A
 (800) 1136694
 (151) 2012 10 10
 (731) Procter & Gamble International Operations SA
 47, route de Saint-Georges, CH-1213
 Petit-Lancy, Switzerland
 (540)

OCEAN ROYALE

(591) Black, white
 (511)
 3 – Soaps, perfumery, essential oils, cosmetics, hair
 lotions, shaving preparations, antiperspirants and de-
 odorants.

(260) AM 2013 69940 A
 (800) 1136700
 (151) 2012 09 24
 (731) SHENZHEN COLORFUL TECHNOLOGY
 AND DEVELOPMENT CO., LTD.
 Room 1206, 13/F the Central Tower,
 No.88 Fuhua Yi Road, Futian District,
 Shenzhen, China
 (540)



(591) Black, white

(511)

9 – Computers; computer peripheral devices; recorded computer software; mice; smart cards (integrated circuit cards); notebook computers; laptops; portable media players; stabilized voltage power supplies; integrated circuits.

(260) AM 2013 69941 A

(800) 1136702

(151) 2012 09 24

(731) WENZHOU RUNXIN MANUFACTURING MACHINE CO., LTD.

Jinger Road, Shatou Group, Linjiang, Lucheng District, Wenzhou, Zhejiang, China

(540)

RUNLUCKY

(591) Black, white

(511)

7 – Pumps [machines]; valves [parts of machines]; pressure valves [parts of machines]; hydraulic valves; pressure regulating valves; hydraulic components (not including vehicle hydraulic system); sifting installations; filtering machines.

11 – Hydrants; pipes [parts of sanitary installations]; desalination plants; water purification installations; filters [parts of household or industrial installations]; filters for drinking water; water purifying apparatus and machines; water softening apparatus; aquarium filtration apparatus; level controlling valves in tanks.

(260) AM 2013 69977 A

(800) 1137251

(151) 2012 05 18

(731) Fauna & Flora International

Jupiter House (4th Floor) Station Road, Cambridge, Cambridgeshire CB1 2JD, United Kingdom

(540)



(591) Black, white

(511)

16 – Printed matter and publications; periodicals; magazines; newsletters; photographs; calendars; cards; promotional materials; instructional and teaching materials; stationery.

36 – Charitable fundraising services.

41 – Education services relating to conservation and the environment; organisation of classes and lectures; publishing and issuing of books, journals, magazines and newsletters.

42 – Scientific research relating to conservation and the environment; studies, research, preparation and implementation of projects in the field of environmental conservation; consultancy and advisory services relating to studies, research, preparation and implementation of projects in the field of conservation and the environment; providing information relating to studies, research, preparation and implementation of projects in the field of conservation and the environment.

(260) AM 2013 69978 A

(800) 1137287

(151) 2012 07 24

(731) Aktsionernoe obshchestvo "Eurasian Foods Corporation"

oul. Baizakova, 69, 050026 g. Almaty, Kazakstan

(540)



(591) Black, white

(511)

29 – Meat, fish, poultry and game; meat extracts; preserved, dried and cooked fruit and vegetables (including tomato puree); jellies, jams, compotes; eggs, milk and dairy products; edible oils and fats, including edible sunflower oil, edible sunflower oil for frying, margarine, spreads, creams made with edible oils and fats and fatty mixtures for bread slices; sunflower seeds, prepared nuts, cones of fried goods, dumplings.

30 – Coffee, tea, cocoa, sugar, rice, tapioca, sago, artificial coffee; flour and preparations of cereals, groats for human food (semolina wheat buckwheat), bread, pastry and confectionery, ices; honey, treacle; yeast, baking-powder; salt, mustard; vinegar, sauces (condiments), including horseradish; Spices; mayonnaise, ketchup, edible ice; popcorn; semi-finished products, included in this class, including, ravioli, ravioli (Russian ravioli known as "manty"), varenyky (dumplings).

43 – Services for providing food and drink, including cafes, cafeterias, bars, restaurants (meals), canteens, fast food restaurants and snackbars; temporary accommodation, including holiday homes, hotel-services, motel services.

(260) AM 2013 69979 A
 (800) 1137288
 (151) 2012 07 24
 (731) Aktsionernoe obshchestvo "Eurasian Foods Corporation"
 oul. Baizakova, 69, 050026 g. Almaty,
 Kazakstan

(540)

ЕФК

(591) Black, white

(511)

29 – Meat, fish, poultry and game; meat extracts; preserved, dried and cooked fruit and vegetables (including tomato puree); jellies, jams, compotes; eggs, milk and dairy products; edible oils and fats, including edible sunflower oil, edible sunflower oil for frying, margarine, spreads, oils and fats used in creams and fat-containing mixtures for open-faced sandwiches; sunflower seeds, prepared nuts, cones of fried potatoes, meat balls.

30 – Coffee, tea, cocoa, sugar, rice, tapioca, sago, coffee substitutes; flour and preparations made from cereals, groats for human food (wheat semolina buckwheat), bread, pastry and confectionery, ices; honey, treacle; yeast, baking-powder; salt, mustard; vinegar, sauces (condiments), including horseradish; Spices; mayonnaise, ketchup, ice cream; popcorn; semi-finished products, included in this class, including ravioli, dumplings (Russian ravioli known as "manty"); varenyky.

43 – Catering services (food); temporary accommodation.

(260) AM 2013 69980 A
 (800) 1137296
 (151) 2012 07 02
 (731) Otkrytoe Akcionernoe Obschestvo
 "AROMAROS-M"
 dom No 5, Mihajlovskij proezd, RU-109316
 Moskva, Russian Federation

(540)



(591) Black, white

(511)

1 – Chemical substances for preserving foodstuffs; oils for the preservation of food; clarification preparations; fat-bleaching chemicals; organic-bleaching chemicals; meat tenderizers for industrial purposes; preparations for stimulating cooking for industrial purposes; chemical preparations for smoking meat; emulsifiers.

5 – Protein food products for medical purposes, baby food, dietary supplements; dietary fibre; dietary food supplements; dietary and nutritionally fortified food products adapted for medical purposes.

29 – Meat; poultry and game; meat extracts; meat preserved; jellies for food; sausages; charcuterie; piccalilli; protein for human consumption; alginates for culinary purposes; soups; bouillon concentrates; casein for culinary purposes; gelatine for culinary purposes; edible oils and fats.

30 – Aromatic preparations for food; condiments; vanillin [vanilla substitute]; natural sweeteners; thickening agents for cooking foodstuffs; spices: pepper [seasonings]; saffron [seasoning].

(260) AM 2013 69981 A
 (800) 1137313
 (151) 2012 08 14
 (731) Tovarystvo z obmegoju vidpovidalnistu
 "Promyslovo-torgovelnja Kompanija SHABO"
 Vul. Dzerzhynskogo, 10, S. Shabo,
 Bilgorod-Dnistovskij r-n, Odeska obl.
 67770, Ukraine

(540)



(591) Black, white

(511)

33 – Alcoholic beverages, except beer; aperitifs; arak (arrack); brandy; wine; sparkling wine; whisky; vermouth; anisette (liqueur); anise (liqueur); hydromel (mead); vodka; kirsch; grape vodka; perry; gin; cocktails; curacao; liqueurs; peppermint liqueurs; mixed alcoholic beverages, except beer-based beverages; distilled beverages; alcoholic beverages containing fruit; bitters; piquette; rice alcohol; rum; sake; cider; spirits (beverages); alcoholic extracts; alcoholic essences; digesters (liqueurs and spirits); fruit extracts (alcoholic).

(260) AM 2013 70001 A

(800) 1137395

(151) 2012 08 31

(731) JETION INTERNATIONAL LTD.

Room 501, No. 894 North Tianhe Road,
Tianhe District, Guangzhou, Guangdong,
China

(540)

Jetion

(591) Black, white

(511)

9 – Data processing apparatus; computer keyboards; computer peripheral devices; monitors (computer hardware); mouse (data processing equipment); optical discs; readers (data processing equipment); microphones; acoustic couplers.

28 – Amusement apparatus adapted for use with an external display screen or monitor.

(260) AM 2013 70004 A

(800) 1137539

(151) 2012 02 28

(731) Zakritoe akcionemoe obchtchestvo

"Twins Tec"

Ryabinovaya street 65, building 1, RU-121471
Moscow, Russian Federation

(540)

АТРОМИВИТ

(591) Black, white

(511)

3 – Abrasives; amber [perfume]; scale removing preparations for household purposes; antistatic preparations for household purposes; breath freshening sprays; antiseptic shaving stones; polishing stones; abrasive paper; emery paper; polishing paper; petroleum jelly for cosmetic purposes; cotton wool for cosmetic purposes; cotton sticks for cosmetic purposes; swabs [toiletries]; aromatics [essential oils]; cake flavourings [essential oils]; flavorings [flavourings] for beverages [essential oils]; sachets for perfuming linen; scented water; potassium hypochloride; Javelle water; lavender water; toilet water; laundry wax; floor wax; moustache wax; tailors' wax; polish for furniture and flooring; cobblers' wax; shoe wax; shoemakers' wax; heliotropine; geraniol; make-up; deodorants for personal use; scented wood; perfumes; windscreen cleaning liquids; greases for cosmetic purposes; volcanic ash for cleaning; perfumery; decorative transfers for cosmetic purposes; ionone [perfumery]; smoothing stones; eyebrow pencils; cosmetic pencils; silicon carbide [abrasive]; carbides of metal [abrasives]; alum stones [astringents]; tripoli stone for polishing; adhesives for affixing false eyelashes; adhesives for affixing false hair; quillacia bark for washing; corundum [abrasive]; laundry blueing; beard dyes; colorants for toilet

purposes; cosmetic dyes; laundry starch; cosmetic creams; skin whitening creams; creams for leather; waxes for leather; jewellers' rouge; polishing rouge; incense; hair spray; nail polish; nail varnish; after-shave lotions; hair lotions; lotions for cosmetic purposes; beauty masks; oils for perfumes and scents; oils for cosmetic purposes; oils for toilet purposes; essential oils; essential oils of cedarwood; essential oils of citron; oils for cleaning purposes; bergamot oil; gaultheria oil; jasmine oil; lavender oil; almond oil; rose oil; oil of turpentine for degreasing; adhesives for cosmetic purposes; whitening; cleaning chalk; almond milk for cosmetic purposes; cleansing milk for toilet purposes; musk [perfumery]; soap; disinfectant soap; deodorant soap; shaving soap; soap for brightening textile; cakes of toilet soap; medicated soap; antiperspirant soap; soap for foot perspiration; almond soap; mint for perfumery; cosmetic kits; emery; false nails; eau de cologne; bases for flower perfumes; polishing creams; pastes for razor strops; dentifrices; pumice stone; hydrogen peroxide for cosmetic purposes; abrasive cloth; glass cloth; lipsticks; pomades for cosmetic purposes; shaving preparations; cosmetic preparations for baths; toiletries; hair waving preparations; laundry soaking preparations; grinding preparations; smoothing preparations [starching]; leather bleaching preparations; denture polishes; refurbishing preparations; polishing preparations; mouth washes, not for medical purposes; cosmetic preparations for slimming purposes; laundry glaze; starch glaze for laundry purposes; fabric softeners for laundry use; bleaching preparations [laundry]; dry-cleaning preparations; make-up removing preparations; color-removing preparations; lacquer-removing preparations; floor wax removers [scouring preparations]; rust removing preparations; nail care preparations; cleaning preparations; preparations for cleaning dentures; wallpaper cleaning preparations; color-brightening chemicals for household purposes [laundry]; make-up powder; diamantine [abrasive]; scouring solutions; false eyelashes; tissues impregnated with cosmetic lotions; saffrol; turpentine, for degreasing; potpourris [fragrances]; bleaching soda; washing soda, for cleaning; bath salts, not for medical purposes; bleaching salts; leather preservatives [polishes]; fumigation preparations [perfumes]; volatile alkali [ammonia] [detergent]; astringents for cosmetic purposes; eyebrow cosmetics; stain removers; make-up preparations; sunscreen preparations; sun-tanning preparations [cosmetics]; hair colorants; neutralizers for permanent waving; cosmetic preparations for eyelashes; depilatories; cosmetic preparations for skin care; boot cream; shoe cream; cosmetics; cosmetics for animals; mascara; detergents other than for use in manufacturing operations and for medical purposes; degreasers other than for use in manufacturing processes; bleaching preparations [decolorants] for cosmetic pur-

poses; antiperspirants [toilettries]; talcum powder, for toilet use; terpenes [essential oils]; shampoos; shampoos for pets; glass paper; sandpaper; soda lye; extracts of flowers [perfumes]; ethereal essences; badian essence; mint essence [essential oil].

5 – Acaricides; aconitine; alkaloids for medical purposes; algicides; aldehydes for pharmaceutical purposes; dental amalgams of gold; dental amalgams; amino acids for veterinary purposes; amino acids for medical purposes; antibiotics; aluminium acetate for pharmaceutical purposes; acetates for pharmaceutical purposes; germicides; balms for medical purposes; hygienic bandages; bandages for dressings; biocides; bracelets for medical purposes; anti-rheumatism bracelets; bromine for pharmaceutical purposes; paper for mustard plasters; fly catching paper; mothproofing paper; petroleum jelly for medical purposes; vaccines; oxygen baths; antiseptic cotton; absorbent cotton; cotton for medical purposes; dietetic substances adapted for medical use; radiological contrast substances for medical purposes; nutritive substances for microorganisms; radioactive substances for medical purposes; bismuth subnitrate for pharmaceutical purposes; melissa water for pharmaceutical purposes; sea water for medicinal bathing; mineral water for medical purposes; thermal water; edible plant fibers, non-nutritive; molding wax for dentists; gases for medical purposes; guaiacol for pharmaceutical purposes; haematogen; haemoglobin; hydrastine; hydrastinine; glycerine for medical purposes; glycerophosphates; glucose for medical purposes; gentian for pharmaceutical purposes; hormones for medical purposes; mustard for pharmaceutical purposes; mustard plasters; mud for baths; medicinal mud; gamboge for medical purposes; gurjun [gurjon, gurjan] balsam for medical purposes; diastase for medical purposes; digitalin; mineral food-supplements; nutritional additives for medical purposes; yeast for pharmaceutical purposes; gelatin(e) for medical purposes; cod liver oil; isotopes for medical purposes; insecticides; iodine for pharmaceutical purposes; iodides for pharmaceutical purposes; alkaline iodides for pharmaceutical purposes; iodoform; calomel; cream of tartar for pharmaceutical purposes; tartar for pharmaceutical purposes; camphor for medical purposes; capsules for medicines; cachets for pharmaceutical purposes; candy for medical purposes; lozenges for pharmaceutical purposes; haemostatic pencils; wart pencils; caustic pencils; carbolineum [parasiticide]; caustics for pharmaceutical purposes; cachou for pharmaceutical purposes; quassia for medical purposes; quebracho for medical purposes; gallic acid for pharmaceutical purposes; acids for pharmaceutical purposes; adhesives for dentures; adhesive bands for medical purposes; cocaine; collodion for pharmaceutical purposes; corn rings for the feet; anti-rheumatism rings; candy, medicated; angostura bark for medical purposes; barks for pharmaceutical purposes; cedar wood for

use as an insect repellent; croton bark; mangrove bark for pharmaceutical purposes; myrobalan bark for pharmaceutical purposes; quinquina for medical purposes; medicinal roots; rhubarb roots for pharmaceutical purposes; lint for medical purposes; starch for dietetic or pharmaceutical purposes; creosote for pharmaceutical purposes; blood for medical purposes; cultures of microorganisms for medical and veterinary use; curare; dental lacquer; liquorice for pharmaceutical purposes; adhesive plaster; medicines for alleviating constipation; lecithin for medical purposes; lotions for veterinary purposes; dog lotions; lotions for pharmaceutical purposes; lupulin for pharmaceutical purposes; magnesia for pharmaceutical purposes; liniments; ointments for pharmaceutical purposes; sunburn ointments; mercurial ointments; frostbite salve for pharmaceutical purposes; gauze for dressings; anti-horse-fly oils; medicinal oils; mustard oil for medical purposes; camphor oil for medical purposes; castor oil for medical purposes; oil of turpentine for pharmaceutical purposes; dill oil for medical purposes; dental mastics; dental abrasives; dental impression materials; teeth filling material; dressings, medical; surgical dressings; medicines for veterinary purposes; serotherapeutic medicines; menthol; medicinal drinks; royal jelly [for medical purposes]; milk ferments for pharmaceutical purposes; irish moss for medical purposes; lacteal flour for babies; flour for pharmaceutical purposes; linseed meal for pharmaceutical purposes; fishmeal for pharmaceutical purposes; fly catching adhesives; mint for pharmaceutical purposes; first-aid boxes, filled; dietetic beverages adapted for medical purposes; malted milk beverages for medical purposes; narcotics; medicinal infusions; tincture of iodine; eucalyptol for pharmaceutical purposes; tinctures for medical purposes; opium; opodeldoc; decoctions for pharmaceutical purposes; antiparasitic collars for animals; stick liquorice for pharmaceutical purposes; sulphur sticks [disinfectants]; pants, absorbent, for incontinents; pectin for pharmaceutical purposes; napkins for incontinents; pepsins for pharmaceutical purposes; peptones for pharmaceutical purposes; hydrogen peroxide for medical purposes; pills for pharmaceutical purposes; leeches for medical purposes; blood plasma; plasters for medical purposes; eyepatches for medical purposes; poultices; compresses; scapulars for surgical purposes; bunion pads; breast-nursing pads; pomades for medical purposes; powder of cantharides; pyrethrum powder; belts for sanitary napkins [towels]; anti-uric preparations; bacterial preparations for medical and veterinary use; bacteriological preparations for medical and veterinary use; balsamic preparations for medical purposes; albuminous preparations for medical purposes; biological preparations for veterinary purposes; biological preparations for medical purposes; veterinary preparations; bismuth preparations for pharmaceutical purposes; vitamin preparations; dia-

gnostic preparations for medical purposes; therapeutic preparations for the bath; haemorrhoid preparations; preparations for callouses; preparations to facilitate teething; preparations for the treatment of burns; fumigation preparations for medical purposes; opotherapy preparations; air purifying preparations; bronchodilating preparations; sterilising preparations; soil-sterilising preparations; corn remedies; pharmaceutical preparations for treating dandruff; preparations for destroying noxious animals; pesticides; herbicides; preparations for destroying noxious plants; weedkillers; preparations for destroying dry rot fungus; larvae exterminating preparations; fly destroying preparations; preparations for destroying mice; slug exterminating preparations; vermin destroying preparations; pharmaceutical preparations for skin care; contact lens cleaning preparations; preparations of lime for pharmaceutical purposes; bath preparations, medicated; medicinal hair growth preparations; opiates; anticryptogamic preparations; preparations of trace elements for human and animal use; sulphonamides [medicines]; pharmaceutical preparations; sunburn preparations for pharmaceutical purposes; enzyme preparations for veterinary purposes; enzyme preparations for medical purposes; chemico-pharmaceutical preparations; chemical preparations for veterinary purposes; chemical preparations for the diagnosis of pregnancy; chemical preparations for medical purposes; chemical preparations to treat wheat blight [smut]; vine disease treating chemicals; chemical preparations to treat mildew; chemical preparations for treating phylloxera; chemical preparations for pharmaceutical purposes; chilblain preparations; mothproofing preparations; eye-wash; goulard water; lead water; chemical conductors for electrocardiograph electrodes; albuminous foodstuffs for medical purposes; food for babies; dietetic foods adapted for medical purposes; by-products of the processing of cereals for medical purposes; menstruation bandages; panty liners [sanitary]; radium for medical purposes; hydrated chloral for pharmaceutical purposes; solvents for removing adhesive plasters; vaginal washes; solutions for use with contact lenses; chemical reagents for medical or veterinary purposes; gum for medical purposes; rubber for dental purposes; chewing gum for medical purposes; insect repellent incense; insect repellents; repellents for dogs; sanitary napkins; tissues impregnated with pharmaceutical lotions; sarsaparilla [for medical purposes]; sugar for medical purposes; asthmatic tea; fumigating pastilles; suppositories; linseed for pharmaceutical purposes; tobacco-free cigarettes for medical purposes; siccatives [drying agents] for medical purposes; syrups for pharmaceutical purposes; turpentine for pharmaceutical purposes; milking grease; greases for veterinary purposes; greases for medical purposes; soporifics; bicarbonate of soda for pharmaceutical purposes; salts for mineral water baths; bath salts for

medical purposes; salts for medical purposes; potassium salts for medical purposes; sodium salts for medical purposes; smelling salts; mineral water salts; malt for pharmaceutical purposes; semen for artificial insemination; alcohol for pharmaceutical purposes; alloys of precious metals for dental purposes; ergot for pharmaceutical purposes; anaesthetics; antiseptics; analgesics; adjuvants for medical purposes; styptic preparations; anthelmintics; vermifuges; disinfectants for hygiene purposes; disinfectants for chemical toilets; appetite suppressants for medical purposes; medical preparations for slimming purposes; parasiticides; mouthwashes for medical purposes; febrifuges; depuratives; animal washes; detergents for medical purposes; cattle washes; dog washes; vesicants; articles for headache; remedies for perspiration; remedies for foot perspiration; chemical contraceptives; antiparasitic preparations; evacuants; laxatives; purgatives; tonics [medicines]; nervines; digestives for pharmaceutical purposes; bouillons for bacteriological cultures; steroids; strychnine; serums; sal ammoniac lozenges; menstruation pads; menstruation tampons; vulnerary sponges; thymol for pharmaceutical purposes; surgical cloth [tissues]; smoking herbs for medical purposes; medicinal herbs; sedatives; tranquillizers; surgical implants [living tissues]; menstruation knickers; charcoal for pharmaceutical purposes; fennel for medical purposes; porcelain for dental prostheses; phenol for pharmaceutical purposes; enzymes for veterinary purposes; enzymes for medical purposes; ferments for pharmaceutical purposes; formic aldehyde for pharmaceutical purposes; phosphates for pharmaceutical purposes; fungicides; quinine for medical purposes; chinoline for medical purposes; diabetic bread; chloroform; flowers of sulphur for pharmaceutical purposes; cement for animal hooves; bone cement for surgical and orthopaedic purposes; dental cements; herb teas for medicinal purposes; eucalyptus for pharmaceutical purposes; tobacco extracts [insecticides]; extracts of hops for pharmaceutical purposes; elixirs [pharmaceutical preparations]; ethers for pharmaceutical purposes; esters for pharmaceutical purposes; cellulose esters for bacterial poisons; jalap.

(260) AM 2013 70009 A
 (800) 1137652
 (151) 2012 08 06
 (731) MIRATO S.P.A.
 Strada Provinciale Est Sesia, I-28064
 LANDIONA (NO), Italy
 (540)

CLINIANS

(591) Black, white
 (511)
 3 – Soaps, perfumes, essential oils, cosmetics, facial creams and lotions, body creams and lotions, facial cleansing and detergent preparations for face, cleansers for intimate hygiene, anti-cellulite, slimming, remodeling and toning creams, creams for toning the breast and cleavage, tanning, self-tanning, sun and after-sun creams and lotions, deodorants, talcum powders, depilatory creams and waxes, perfumes.

(260) AM 2013 70013 A
 (800) 1137746
 (151) 2012 07 12
 (731) Raben Group Intellectual Properties B.V.
 Beatrixpark 22, NL-7101 BN Winterswijk,
 Netherlands
 (540)

Raben your partner in logistics

(591) Black, white
 (511)
 35 – Import-export agencies; business management and organisation consultancy; business management consultation; business management consultancy; business management of artistic activities; efficiency experts.
 36 – Customs agencies, customs brokerage; insurance consultancy; insurance information; insurance brokerage; insurance; marine insurance.
 39 – Air transport; railway transport; shipping; river transport services; transport of furniture; armoured-car transport; air-transportation; ferry transport services; car transport; barge transport; boat transport; transport and storage of waste; vehicle towing; delivery of goods; parcel delivery; message delivery; freight brokerage [forwarding]; freighting; storage information; transportation information; chauffeur services; rental of storage containers; rental of vehicles, in particular automobiles and lorries; car hire; warehousing; physical storage of electronically-stored data or documents; rental of warehouses; ship brokerage; transport brokerage; wrapping of goods; packaging of goods; piloting; portering; carting; hauling; haulage services; storage of goods; freight shipping services; courier services (messages or merchandise); freight forwarding; loading of ships.

(260) AM 2013 70014 A
 (800) 1137821
 (151) 2012 08 01
 (731) Avon Products, Inc.
 World Headquarters, 777 Third Avenue,
 New York, NY 10017, USA
 (540)

PRETTY ROCKIN'

(591) Black, white
 (511)
 3 – Non-medicated toilet preparations; toiletries; skin care preparations; skin moisturizers; body and beauty care preparations; powders, creams and lotions, all for the face, hands and body; cosmetic sun-tan preparations; soaps; shower and bath preparations; beauty masks; talcum powder; nail polish; nail polish remover; enamel for nails; false nails; adhesives for cosmetic purposes; cosmetics; eye make-up remover, eye shadow, eye liner, mascara, lipstick, lip liner, lip gloss; make-up foundation; blusher; tissues impregnated with cosmetic lotions; cotton sticks for cosmetic purposes; cotton wool for cosmetic purposes; preparations for cleaning, moistening, colouring and styling the hair; preparations for cleaning the teeth; shaving and aftershave preparations; perfumes, fragrances, toilet waters, eau-de-Cologne; deodorants and anti-perspirants for personal use; essential oils (cosmetic); all the aforesaid being alone, in combination and/or in gift sets comprised of some or all of these items.

(260) AM 2013 70017 A
 (800) 1137822
 (151) 2012 08 01
 (731) Avon Products, Inc.
 World Headquarters, 777 Third Avenue,
 New York, NY 10017, USA
 (540)

AVON PRETTY FABULOUS

(591) Black, white
 (511)
 3 – Non-medicated toilet preparations; toiletries; skin care preparations; skin moisturizers; body and beauty care preparations; powders, creams and lotions, all for the face, hands and body; cosmetic sun-tan preparations; soaps; shower and bath preparations; beauty masks; talcum powder; nail polish; nail polish remover; enamel for nails; false nails; adhesives for cosmetic purposes; cosmetics; eye make-up remover, eye shadow, eye liner, mascara, lipstick, lip liner, lip gloss; make-up foundation; blusher; tissues impregnated with cosmetic lotions; cotton sticks for cosmetic purposes; cotton wool for cosmetic purposes; preparations for cleaning, moistening, colouring and styling the hair; preparations for cleaning the teeth; shaving and aftershave prepara-

rations; perfumes, fragrances, toilet waters, eau-de-Cologne; deodorants and anti-perspirants for personal use; essential oils (cosmetic); all the aforesaid being alone, in combination and/or in gift sets comprised of some or all of these items.

(260) AM 2013 70161 A

(800) 1139078

(151) 2012 10 16

(731) KRKA, tovarna zdravil, d.d., Novo mesto
Šmarješka cesta 6, SI-8501 Novo mesto,
Slovenia

(540)

ТЕЗУЛИКС

(591) Black, white

(511)

5 – Pharmaceutical preparations.

(260) AM 2013 70218 A

(800) 1139549

(151) 2012 07 31

(731) Abstragan Holding Limited
Intershore Suites Vernon House, Sicilian
Avenue, London WC1A 2QS, United
Kingdom

(540)

BELINDA
БЕЛИНДА

(591) Black, white

(511)

5 – Pharmaceutical and veterinary preparations; sanitary preparations for medical purposes; dietetic substances adapted for medical use, food for babies; plasters, materials for dressings; material for stopping teeth, dental wax; disinfectants; preparations for destroying vermin; fungicides, herbicides; food and beverages which are adapted for medical purposes; air deodorising preparations.

INTERNATIONAL TRADEMARKS PROTECTED IN GEORGIA

(260) AM 2013 66227 A
(800) 1104905
(151) 2010 11 03
(181) 2020 11 03
(511) 09, 35, 42

(260) AM 2013 67762 A
(800) 1117281
(151) 2012 04 26
(181) 2022 04 26
(511) 05

(260) AM 2013 66540 A
(800) 1107363
(151) 2011 09 02
(181) 2021 09 02
(511) 07, 09

(260) AM 2013 67765 A
(800) 1117335
(151) 2012 04 23
(181) 2022 04 23
(511) 03

(260) AM 2013 66645 A
(800) 1108151
(151) 2012 01 19
(181) 2022 01 19
(511) 07, 09

(260) AM 2013 67773 A
(800) 1117469
(151) 2012 03 22
(181) 2022 03 22
(511) 01, 02

(260) AM 2013 67643 A
(800) 1116162
(151) 2012 05 02
(181) 2022 05 02
(511) 31

(260) AM 2013 67845 A
(800) 1116731
(151) 2012 01 25
(181) 2022 01 25
(511) 41, 43

(260) AM 2013 67651 A
(800) 1116329
(151) 2012 03 16
(181) 2022 03 16
(511) 32

(260) AM 2013 67901 A
(800) 1117858
(151) 2012 03 05
(181) 2022 03 05
(511) 03

(260) AM 2013 67743 A
(800) 1117115
(151) 2012 04 13
(181) 2022 04 13
(511) 05

(260) AM 2013 67905 A
(800) 1117900
(151) 2012 01 12
(181) 2022 01 12
(511) 06, 19, 21

(260) AM 2013 67757 A
(800) 1117176
(151) 2012 04 11
(181) 2022 04 11
(511) 18

(260) AM 2013 67907 A
(800) 1117902
(151) 2012 01 23
(181) 2022 01 23
(511) 38, 41

(260) AM 2013 67910 A
(800) 1117954
(151) 2012 04 10
(181) 2022 04 10
(511) 20, 21, 29

(260) AM 2013 68242 A
(800) 1120933
(151) 2011 12 09
(181) 2021 12 09
(511) 05, 29

(260) AM 2013 67915 A
(800) 1117991
(151) 2012 04 06
(181) 2022 04 06
(511) 12

(260) AM 2013 68292 A
(800) 1121053
(151) 2012 02 03
(181) 2022 02 03
(511) 12

(260) AM 2013 67916 A
(800) 1117997
(151) 2012 04 12
(181) 2022 04 12
(511) 32, 33, 35

(260) AM 2013 68298 A
(800) 1121217
(151) 2012 04 25
(181) 2022 04 25
(511) 17

(260) AM 2013 67924 A
(800) 1118043
(151) 2012 05 25
(181) 2022 05 25
(511) 03, 05

(260) AM 2013 68375 A
(800) 1121382
(151) 2012 05 25
(181) 2022 05 25
(511) 05

(260) AM 2013 68021 A
(800) 1118866
(151) 2012 04 24
(181) 2022 04 24
(511) 30

(260) AM 2013 68380 A
(800) 1121559
(151) 2012 04 26
(181) 2022 04 26
(511) 30

(260) AM 2013 68024 A
(800) 1118913
(151) 2012 05 02
(181) 2022 05 02
(511) 03

(260) AM 2013 68417 A
(800) 1121812
(151) 2012 02 28
(181) 2022 02 28
(511) 05

(260) AM 2013 68078 A
(800) 1119243
(151) 2012 02 27
(181) 2022 02 27
(511) 01

(260) AM 2013 68430 A
(800) 1121870
(151) 2012 04 24
(181) 2022 04 24
(511) 12

(260) AM 2013 68094 A
(800) 1119534
(151) 2012 01 12
(181) 2022 01 12
(511) 07, 09

(260) AM 2013 68431 A
(800) 1121900
(151) 2012 06 14
(181) 2022 06 14
(511) 34

(260) AM 2013 68432 A
(800) 1121901
(151) 2012 06 28
(181) 2022 06 28
(511) 05

(260) AM 2013 68441 A
(800) 1122005
(151) 2012 03 22
(181) 2022 03 22
(511) 05

(260) AM 2013 68433 A
(800) 1121902
(151) 2012 06 01
(181) 2022 06 01
(511) 05

(260) AM 2013 68444 A
(800) 1122071
(151) 2012 06 08
(181) 2022 06 08
(511) 10

(260) AM 2013 68434 A
(800) 1121903
(151) 2012 06 01
(181) 2022 06 01
(511) 05

(260) AM 2013 68446 A
(800) 1122085
(151) 2012 03 05
(181) 2022 03 05
(511) 09

(260) AM 2013 68435 A
(800) 1121904
(151) 2012 06 28
(181) 2022 06 28
(511) 05

(260) AM 2013 68447 A
(800) 1122101
(151) 2012 03 14
(181) 2022 03 14
(511) 30

(260) AM 2013 68436 A
(800) 1121905
(151) 2012 06 01
(181) 2022 06 01
(511) 05

(260) AM 2013 68448 A
(800) 1122102
(151) 2011 12 02
(181) 2021 12 02
(511) 30

(260) AM 2013 68437 A
(800) 1121919
(151) 2012 06 01
(181) 2022 06 01
(511) 05

(260) AM 2013 68449 A
(800) 1122113
(151) 2011 11 22
(181) 2021 11 22
(511) 30

(260) AM 2013 68438 A
(800) 1121926
(151) 2011 12 12
(181) 2021 12 12
(511) 01, 02, 03

(260) AM 2013 68450 A
(800) 1122121
(151) 2012 02 05
(181) 2022 02 05
(511) 03

(260) AM 2013 68439 A
(800) 1121934
(151) 2012 06 22
(181) 2022 06 22
(511) 05

(260) AM 2013 68451 A
(800) 1122169
(151) 2012 05 03
(181) 2022 05 03
(511) 12

(260) AM 2013 68452 A
(800) 1122197
(151) 2012 04 25
(181) 2022 04 25
(511) 17

(260) AM 2013 68453 A
(800) 1122207
(151) 2012 04 12
(181) 2022 04 12
(511) 05, 29, 30, 41

(260) AM 2013 68454 A
(800) 1122215
(151) 2012 04 26
(181) 2022 04 26
(511) 30

(260) AM 2013 68455 A
(800) 1122234
(151) 2012 03 05
(181) 2022 03 05
(511) 05, 10

(260) AM 2013 68456 A
(800) 1122235
(151) 2011 06 17
(181) 2021 06 17
(511) 03, 08, 09, 11, 14, 16, 18, 20, 21, 24, 25, 28,
35, 36, 39, 41, 42, 45

(260) AM 2013 68457 A
(800) 1122241
(151) 2011 12 12
(181) 2021 12 12
(511) 01, 05, 10

(260) AM 2013 68459 A
(800) 1122267
(151) 2012 03 26
(181) 2022 03 26
(511) 41

(260) AM 2013 68460 A
(800) 1122292
(151) 2012 04 23
(181) 2022 04 23
(511) 12

(260) AM 2013 68461 A
(800) 1122294
(151) 2012 03 21
(181) 2022 03 21
(511) 30

(260) AM 2013 68470 A
(800) 1122295
(151) 2012 03 21
(181) 2022 03 21
(511) 30

(260) AM 2013 68471 A
(800) 1122296
(151) 2012 03 21
(181) 2022 03 21
(511) 30

(260) AM 2013 68472 A
(800) 1122315
(151) 2012 04 11
(181) 2022 04 11
(511) 09

(260) AM 2013 68474 A
(800) 1122345
(151) 2012 05 24
(181) 2022 05 24
(511) 04

(260) AM 2013 68476 A
(800) 1122353
(151) 2012 06 01
(181) 2022 06 01
(511) 05

(260) AM 2013 68509 A
(800) 1122407
(151) 2012 05 14
(181) 2022 05 14
(511) 05

(260) AM 2013 68515 A
(800) 1122436
(151) 2012 03 22
(181) 2022 03 22
(511) 01

(260) AM 2013 68533 A
(800) 1122610
(151) 2012 06 19
(181) 2022 06 19
(511) 30

(260) AM 2013 68584 A
(800) 1123266
(151) 2012 06 11
(181) 2022 06 11
(511) 35, 37

(260) AM 2013 68576 A
(800) 1123173
(151) 2012 03 05
(181) 2022 03 05
(511) 32, 33

(260) AM 2013 68586 A
(800) 1123269
(151) 2012 06 19
(181) 2022 06 19
(511) 03, 05

(260) AM 2013 68577 A
(800) 1123195
(151) 2012 01 11
(181) 2022 01 11
(511) 12, 39

(260) AM 2013 68603 A
(800) 1123287
(151) 2012 05 21
(181) 2022 05 21
(511) 35, 36, 39, 41, 45

(260) AM 2013 68578 A
(800) 1123220
(151) 2012 03 22
(181) 2022 03 22
(511) 01

(260) AM 2013 68604 A
(800) 1123295
(151) 2012 05 10
(181) 2022 05 10
(511) 35, 36, 41

(260) AM 2013 68579 A
(800) 1123221
(151) 2012 03 22
(181) 2022 03 22
(511) 01

(260) AM 2013 68606 A
(800) 1123323
(151) 2012 03 27
(181) 2022 03 27
(511) 02

(260) AM 2013 68580 A
(800) 1123222
(151) 2012 03 22
(181) 2022 03 22
(511) 01

(260) AM 2013 68608 A
(800) 1123340
(151) 2012 05 15
(181) 2022 05 15
(511) 09

(260) AM 2013 68581 A
(800) 1123253
(151) 2012 05 07
(181) 2022 05 07
(511) 03

(260) AM 2013 68609 A
(800) 1123381
(151) 2012 05 29
(181) 2022 05 29
(511) 25

(260) AM 2013 68582 A
(800) 1123258
(151) 2012 05 21
(181) 2022 05 21
(511) 03, 05

(260) AM 2013 68610 A
(800) 1123401
(151) 2012 06 18
(181) 2022 06 18
(511) 03

(260) AM 2013 68611 A
(800) 1123409
(151) 2012 02 28
(181) 2022 02 28
(511) 05

(260) AM 2013 68621 A
(800) 1123655
(151) 2012 03 01
(181) 2022 03 01
(511) 05

(260) AM 2013 68612 A
(800) 1123410
(151) 2011 12 29
(181) 2021 12 29
(511) 03, 09, 14, 16, 18, 24, 25, 35, 41, 42

(260) AM 2013 68623 A
(800) 1123678
(151) 2012 03 27
(181) 2022 03 27
(511) 32, 33

(260) AM 2013 68613 A
(800) 1123459
(151) 2012 06 04
(181) 2022 06 04
(511) 30

(260) AM 2013 68624 A
(800) 1123695
(151) 2012 04 28
(181) 2022 04 28
(511) 05

(260) AM 2013 68614 A
(800) 1123486
(151) 2012 04 16
(181) 2022 04 16
(511) 09, 16, 25, 35, 38, 41

(260) AM 2013 68625 A
(800) 1123696
(151) 2012 04 28
(181) 2022 04 28
(511) 05

(260) AM 2013 68616 A
(800) 1123494
(151) 2011 10 11
(181) 2021 10 11
(511) 06, 09, 11, 12, 19, 20, 36, 37, 39, 40, 42

(260) AM 2013 68626 A
(800) 1123732
(151) 2012 05 18
(181) 2022 05 18
(511) 03

(260) AM 2013 68618 A
(800) 1123564
(151) 2012 05 23
(181) 2022 05 23
(511) 09

(260) AM 2013 68628 A
(800) 1123755
(151) 2012 06 12
(181) 2022 06 12
(511) 29

(260) AM 2013 68619 A
(800) 1123586
(151) 2012 01 25
(181) 2022 01 25
(511) 35, 38, 41

(260) AM 2013 68636 A
(800) 1123761
(151) 2012 06 13
(181) 2022 06 13
(511) 05, 29

(260) AM 2013 68620 A
(800) 1123592
(151) 2012 06 08
(181) 2022 06 08
(511) 03, 29

(260) AM 2013 68637 A
(800) 1123763
(151) 2012 06 01
(181) 2022 06 01
(511) 05

(260) AM 2013 68649 A
(800) 787116
(151) 2002 07 03
(891) 2012 07 04
(181) 2022 07 03
(511) 01, 02, 17, 19

(260) AM 2013 68650 A
(800) 790208
(151) 2002 06 06
(891) 2012 06 11
(181) 2022 06 06
(511) 06, 07, 09, 11, 17, 19, 20, 22, 37

(260) AM 2013 68651 A
(800) 836586
(151) 2004 09 27
(891) 2012 06 19
(181) 2014 09 27
(511) 24, 25, 26

(260) AM 2013 68652 A
(800) 896350
(151) 2006 07 14
(891) 2012 05 31
(181) 2016 07 14
(511) 33

(260) AM 2013 68655 A
(800) 932232
(151) 2007 07 20
(891) 2012 06 01
(181) 2017 07 20
(511) 16, 18, 25, 28

(260) AM 2013 68656 A
(800) 974240
(151) 2008 06 25
(891) 2012 06 18
(181) 2018 06 25
(511) 29, 30, 32

(260) AM 2013 68669 A
(800) 1123949
(151) 2012 05 16
(181) 2022 05 16
(511) 06

(260) AM 2013 68670 A
(800) 1123950
(151) 2012 05 31
(181) 2022 05 31
(511) 35, 39, 41, 42, 44

(260) AM 2013 68676 A
(800) 1123961
(151) 2012 07 20
(181) 2022 07 20
(511) 14

(260) AM 2013 68677 A
(800) 1123985
(151) 2011 10 21
(181) 2021 10 21
(511) 04, 07, 12, 35, 36, 37, 38, 39, 41, 42, 44

(260) AM 2013 68678 A
(800) 1123987
(151) 2012 01 31
(181) 2022 01 31
(511) 09, 11

(260) AM 2013 68679 A
(800) 1124003
(151) 2012 06 28
(181) 2022 06 28
(511) 36

(260) AM 2013 68680 A
(800) 1124016
(151) 2012 02 15
(181) 2022 02 15
(511) 09, 35, 37, 39, 40, 42

(260) AM 2013 68681 A
(800) 1124072
(151) 2012 06 01
(181) 2022 06 01
(511) 05

(260) AM 2013 68682 A
(800) 1124079
(151) 2012 06 20
(181) 2022 06 20
(511) 05

(260) AM 2013 68684 A
(800) 1124085
(151) 2012 06 07
(181) 2022 06 07
(511) 12, 37

(260) AM 2013 68736 A
(800) 1124669
(151) 2012 03 06
(181) 2022 03 06
(511) 11

(260) AM 2013 68685 A
(800) 1124089
(151) 2012 02 09
(181) 2022 02 09
(511) 41

(260) AM 2013 68737 A
(800) 1124670
(151) 2012 03 16
(181) 2022 03 16
(511) 03

(260) AM 2013 68687 A
(800) 1124093
(151) 2012 05 21
(181) 2022 05 21
(511) 05

(260) AM 2013 68738 A
(800) 1124671
(151) 2012 03 16
(181) 2022 03 16
(511) 03

(260) AM 2013 68731 A
(800) 1124593
(151) 2012 04 23
(181) 2022 04 23
(511) 09, 16, 28

(260) AM 2013 68739 A
(800) 1124678
(151) 2012 03 22
(181) 2022 03 22
(511) 35

(260) AM 2013 68732 A
(800) 1124608
(151) 2011 11 23
(181) 2021 11 23
(511) 05, 29, 30, 32

(260) AM 2013 68740 A
(800) 1124682
(151) 2012 05 03
(181) 2022 05 03
(511) 03, 05

(260) AM 2013 68733 A
(800) 1124626
(151) 2012 04 26
(891)
(181) 2022 04 26
(511) 06, 19, 20

(260) AM 2013 68741 A
(800) 1058100
(151) 2010 09 15
(891) 2012 05 21
(181) 2020 09 15
(511) 16, 18, 25

(260) AM 2013 68734 A
(800) 1124632
(151) 2012 03 08
(181) 2022 03 08
(511) 05, 10

(260) AM 2013 68742 A
(800) 1095596
(151) 2011 10 05
(891) 2012 05 30
(181) 2021 10 05
(511) 03

(260) AM 2013 68735 A
(800) 1124641
(151) 2012 03 21
(181) 2022 03 21
(511) 18, 25, 26, 35, 40, 42

(260) AM 2013 68743 A
(800) 1113249
(151) 2012 03 13
(181) 2022 03 13
(511) 05

(260) AM 2013 68744 A
(800) 1119867
(151) 2012 03 26
(891) 2012 07 09
(181) 2022 03 26
(511) 05

(260) AM 2013 68748 A
(800) 1120396
(151) 2012 03 26
(181) 2022 03 26
(511) 05

(260) AM 2013 68749 A
(800) 1124684
(151) 2012 03 23
(181) 2022 03 23
(511) 07, 11, 20, 35

(260) AM 2013 68750 A
(800) 1124698
(151) 2012 05 21
(181) 2022 05 21
(511) 30, 35

(260) AM 2013 68751 A
(800) 1124714
(151) 2012 05 25
(181) 2022 05 25
(511) 32

(260) AM 2013 68752 A
(800) 1124731
(151) 2012 05 03
(181) 2022 05 03
(511) 30

(260) AM 2013 68753 A
(800) 284969B
(151) 1964 06 13
(891) 2012 06 28
(181) 2014 06 13
(511) 05

(260) AM 2013 68754 A
(800) 403100
(151) 1973 10 30
(891) 2012 07 03
(181) 2013 10 31
(511) 05

(260) AM 2013 68771 A
(800) 1124754
(151) 2012 05 11
(181) 2022 05 11
(511) 33

(260) AM 2013 68772 A
(800) 1124772
(151) 2011 09 12
(181) 2021 09 12
(511) 06, 07, 12

(260) AM 2013 68773 A
(800) 1124829
(151) 2012 05 15
(181) 2022 05 15
(511) 07

(260) AM 2013 68774 A
(800) 1124867
(151) 2012 06 19
(181) 2022 06 19
(511) 11

(260) AM 2013 68775 A
(800) 1124869
(151) 2012 06 04
(181) 2022 06 04
(511) 34

(260) AM 2013 68776 A
(800) 1124988
(151) 2012 06 20
(181) 2022 06 20
(511) 12

(260) AM 2013 68777 A
(800) 1125007
(151) 2012 03 22
(181) 2022 03 22
(511) 09, 14, 16, 21, 28

(260) AM 2013 68799 A
(800) 1125018
(151) 2012 03 28
(181) 2022 03 28
(511) 09, 14, 18, 25, 35

(260) AM 2013 68800 A
(800) 1125041
(151) 2012 05 09
(181) 2022 05 09
(511) 09

(260) AM 2013 68801 A
(800) 1125048
(151) 2012 05 11
(181) 2022 05 11
(511) 01, 02, 03, 04, 05, 07, 09, 16, 17, 18, 19, 31,
35, 36, 37, 38, 39, 40, 41, 42, 45

(260) AM 2013 68802 A
(800) 1125079
(151) 2012 06 04
(181) 2022 06 04
(511) 05

(260) AM 2013 68803 A
(800) 1125080
(151) 2012 06 04
(181) 2022 06 04
(511) 05

(260) AM 2013 68804 A
(800) 1125081
(151) 2012 06 04
(181) 2022 06 04
(511) 05

(260) AM 2013 68805 A
(800) 1125117
(151) 2012 06 12
(181) 2022 06 12
(511) 01, 17, 40

(260) AM 2013 68816 A
(800) 1125112
(151) 2012 06 22
(181) 2022 06 22
(511) 04

(260) AM 2013 68821 A
(800) 1125163
(151) 2012 06 28
(181) 2022 06 28
(511) 05

(260) AM 2013 68822 A
(800) 1125169
(151) 2012 07 09
(181) 2022 07 09
(511) 05

(260) AM 2013 68823 A
(800) 1125251
(151) 2012 07 04
(181) 2022 07 04
(511) 09

(260) AM 2013 68824 A
(800) 1125305
(151) 2012 04 19
(891) 2012 09 19
(181) 2022 04 19
(511) 32, 33

(260) AM 2013 68830 A
(800) 1125315
(151) 2012 05 21
(181) 2022 05 21
(511) 09, 36, 41

(260) AM 2013 68831 A
(800) 1125350
(151) 2012 06 14
(181) 2022 06 14
(511) 03, 05

(260) AM 2013 68832 A
(800) 1125361
(151) 2012 07 06
(181) 2022 07 06
(511) 34

(260) AM 2013 68834 A
(800) 1125375
(151) 2012 06 28
(181) 2022 06 28
(511) 05

(260) AM 2013 68835 A
(800) 1125377
(151) 2012 06 29
(181) 2022 06 29
(511) 05

(260) AM 2013 68998 A
(800) 1126927
(151) 2012 06 04
(891) –
(181) 2022 06 04
(511) 24

CLASSIFICATION INDEXES

INVENTIONS

CONCORDANCE TABLE OF INTERNATIONAL CLASSIFICATION INDEX AND PUBLICATION NUMBERS

INTERNATIONAL CLASSIFICATION INDEXES (51)	NUMBER OF PUBLISHED APPLICATION (10)
A 01 N 43/90	AP 2013 12252 A
A 23 L 1/0524	AP 2013 12685 A
B 23 P 17/06; B 23 D 31/00; E 04 C 5/01	AP 2013 12116 A
B 62 D 3/02	AP 2013 12588 A
B 65 D 17/40	AP 2013 12746 A
B 69 K 17/00	AP 2013 12586 A
C 07 D 213/75; C 07 D 401/12; C 07 D 401/14; C 07 D 403/12; C 07 D 413/14; C 07 D 417/12; C 07 D 417/14; A 61 P 35/00	AP 2013 12397 A
C 07 D 471/04; A 61 K 31/4188; A 61 P 11/00; A 61 P 29/00	AP 2013 12405 A
C 07 D 487/04; C 07 D 498/04; C 07 D 513/04; A 61 K 31/519; A 61 P 29/00	AP 2013 11996 A
C 07 D 491/00	AP 2013 12254 A
C 11 B 9/02	AP 2013 12684 A
E 04 B 1/32	AP 2013 12247 A
E 04 C 2/54; B 28 B 23/00; E 04 B 2/02	AP 2013 12289 A
E 04 H 9/02; E 04 B 1/344	AP 2013 12315 A
F 03 B 3/00; F 03 B 3/02; F 03 B 3/12	AP 2013 12048 A
F 16 H 3/56	AP 2013 12491 A
G 01 N 33/12	AP 2013 12749 A
G 01 N 33/38	AP 2013 12719 A

CONCORDANCE TABLE OF PUBLICATION NUMBERS AND INTERNATIONAL CLASSIFICATION INDEX

NUMBER OF PUBLISHED APPLICATION (10)	INTERNATIONAL CLASSIFICATION INDEXES (51)
AP 2013 12252 A	A 01 N 43/90
AP 2013 12685 A	A 23 L 1/0524
AP 2013 12116 A	B 23 P 17/06; B 23 D 31/00; E 04 C 5/01
AP 2013 12588 A	B 62 D 3/02
AP 2013 12746 A	B 65 D 17/40
AP 2013 12586 A	B 69 K 17/00
AP 2013 12397 A	C 07 D 213/75; C 07 D 401/12; C 07 D 401/14; C 07 D 403/12; C 07 D 413/14; C 07 D 417/12; C 07 D 417/14; A 61 P 35/00
AP 2013 12405 A	C 07 D 471/04; A 61 K 31/4188; A 61 P 11/00; A 61 P 29/00
AP 2013 11996 A	C 07 D 487/04; C 07 D 498/04; C 07 D 513/04; A 61 K 31/519; A 61 P 29/00
AP 2013 12254 A	C 07 D 491/00
AP 2013 12684 A	C 11 B 9/02
AP 2013 12247 A	E 04 B 1/32

1	2
AP 2013 12289 A	E 04 C 2/54; B 28 B 23/00; E 04 B 2/02
AP 2013 12315 A	E 04 H 9/02; E 04 B 1/344
AP 2013 12048 A	F 03 B 3/00; F 03 B 3/02; F 03 B 3/12
AP 2013 12491 A	F 16 H 3/56
AP 2013 12749 A	G 01 N 33/12
AP 2013 12719 A	G 01 N 33/38

**CONCORDANCE TABLE OF INTERNATIONAL CLASSIFICATION INDEX,
PATENT NUMBERS AND PUBLICATION NUMBERS**

INTERNATIONAL CLASSIFICATION INDEX (51)	NUMBER OF PATENT (11)	NUMBER OF PUBLISHED APPLICATION (10)
A 01 H 5/00; A 01 H 5/10; C 12 N 15/82; C 12 N 9/88	P 2013 5945 B	AP 2013 11543 A
A 01 N 43/80; A 01 N 43/90; C 07 D 413/04	P 2013 5948 B	AP 2013 12303 A
A 23 L 2/00	P 2013 5953 B	AP 2013 12793 A
A 61 K 9/20; A 61 K 31/495	P 2013 5950 B	AP 2013 12633 A
C 02 F 1/64; C 02 F 1/28	P 2013 5952 B	AP 2013 12759 A
C 07 D 405/04; A 01 N 43/56	P 2013 5951 B	AP 2013 12723 A
C 07 K 14/605; A 61 K 38/26	P 2013 5944 B	AP 2013 11468 A
C 10 M 103/02; B 61 K 3/00	P 2013 5946 B	AP 2013 12100 A
E 01 B 9/30; E 01 B 9/48	P 2013 5949 B	AP 2013 12319 A
E 02 B 3/04; E 02 B 3/06	P 2013 5954 B	AP 2013 12166 A
H 02 N 11/00	P 2013 5947 B	AP 2013 12207 A

**CONCORDANCE TABLE OF PATENT NUMBERS,
PUBLICATION NUMBERS AND INTERNATIONAL CLASSIFICATION INDEX**

NUMBER OF PATENT (11)	NUMBER OF PUBLISHED APPLICATION (10)	INTERNATIONAL CLASSIFICATION INDEX (51)
P 2013 5944 B	AP 2013 11468 A	C 07 K 14/605; A 61 K 38/26
P 2013 5945 B	AP 2013 11543 A	A 01 H 5/00; A 01 H 5/10; C 12 N 15/82; C 12 N 9/88
P 2013 5946 B	AP 2013 12100 A	C 10 M 103/02; B 61 K 3/00
P 2013 5954 B	AP 2013 12166 A	E 02 B 3/04; E 02 B 3/06
P 2013 5947 B	AP 2013 12207 A	H 02 N 11/00
P 2013 5948 B	AP 2013 12303 A	A 01 N 43/80; A 01 N 43/90; C 07 D 413/04
P 2013 5949 B	AP 2013 12319 A	E 01 B 9/30; E 01 B 9/48
P 2013 5950 B	AP 2013 12633 A	A 61 K 9/20; A 61 K 31/495
P 2013 5951 B	AP 2013 12723 A	C 07 D 405/04; A 01 N 43/56
P 2013 5952 B	AP 2013 12759 A	C 02 F 1/64; C 02 F 1/28
P 2013 5953 B	AP 2013 12793 A	A 23 L 2/00

**CONCORDANCE TABLE OF APPLICATION NUMBERS, PUBLICATION NUMBERS
AND PATENTS**

NUMBER OF APPLICATION (21)	NUMBER OF PUBLISHED APPLICATION (10)	NUMBER OF PATENT (11)
1	2	3
AP 2008 011468	AP 2013 11468 A	P 2013 5944 B
AP 2008 011543	AP 2013 11543 A	P 2013 5945 B
AP 2009 012303	AP 2013 12303 A	P 2013 5948 B
AP 2009 012319	AP 2013 12319 A	P 2013 5949 B
AP 2010 012633	AP 2013 12633 A	P 2013 5950 B
AP 2010 012723	AP 2013 12723 A	P 2013 5951 B
AP 2011 012100	AP 2013 12100 A	P 2013 5946 B
AP 2011 012166	AP 2013 12166 A	P 2013 5954 B
AP 2011 012207	AP 2013 12207 A	P 2013 5947 B
AP 2012 012759	AP 2013 12759 A	P 2013 5952 B
AP 2012 012793	AP 2013 12793 A	P 2013 5953 B

UTILITY MODELS

**CONCORDANCE TABLE OF INTERNATIONAL CLASSIFICATION INDEX,
PATENT NUMBERS AND PUBLICATION NUMBERS**

INTERNATIONAL CLASSIFICATION INDEX (51)	NUMBER OF PATENT (11)	NUMBER OF PUBLISHED APPLICATION (10)
E 03 B 7/07	U 2013 1781 Y	AU 2013 12894 U

**CONCORDANCE TABLE OF PATENT NUMBERS,
PUBLICATION NUMBERS AND INTERNATIONAL CLASSIFICATION INDEX**

NUMBER OF PATENT (11)	NUMBER OF PUBLISHED APPLICATION (10)	INTERNATIONAL CLASSIFICATION INDEX (51)
U 2013 1781 Y	AU 2013 12894 U	E 03 B 7/07

**CONCORDANCE TABLE OF APPLICATION NUMBERS, PUBLICATION NUMBERS
AND PATENTS**

NUMBER OF APPLICATION (21)	NUMBER OF PUBLISHED APPLICATION (10)	NUMBER OF PATENT (11)
AU 2012 012894	AU 2013 12894 U	U 2013 1781 Y

DESIGNS

CONCORDANCE TABLE OF INTERNATIONAL CLASSIFICATION INDEX, PATENT NUMBERS AND PUBLICATION NUMBERS

INTERNATIONAL CLASSIFICATION INDEX (51)	NUMBER OF PATENT (11)	NUMBER OF PUBLISHED APPLICATION (10)
32-00	D 2013 558 S	AD 2013 745 S
09-03; 09-05	D 2013 559 S	AD 2013 748 S

CONCORDANCE TABLE OF PATENT NUMBERS, PUBLICATION NUMBERS AND INTERNATIONAL CLASSIFICATION INDEX

NUMBER OF PATENT (11)	NUMBER OF PUBLISHED APPLICATION (10)	INTERNATIONAL CLASSIFICATION INDEX (51)
D 2013 558 S	AD 2013 745 S	32-00
D 2013 559 S	AD 2013 748 S	09-03; 09-05

CONCORDANCE TABLE OF APPLICATION NUMBERS, PUBLICATION NUMBERS AND PATENTS

NUMBER OF APPLICATION (21)	NUMBER OF PUBLISHED APPLICATION (10)	NUMBER OF PATENT (11)
AD 2013 000745	AD 2013 745 S	D 2013 558 S
AD 2013 000748	AD 2013 748 S	D 2013 559 S

DESIGN REGISTERED ACCORDING TO THE
ACCELERATED PROCEDURE

CONCORDANCE TABLE OF INTERNATIONAL CLASSIFICATION INDEX
AND PATENTS NUMBERS

INTERNATIONAL CLASSIFICATION INDEX (51)	NUMBER OF PATENT (11)
32-00	D 2013 560 S

CONCORDANCE TABLE OF PATENT NUMBERS AND INTERNATIONAL
CLASSIFICATION INDEX

NUMBER OF PATENT (11)	INTERNATIONAL CLASSIFICATION INDEX (51)
D 2013 560 S	32-00

CONCORDANCE TABLE OF APPLICATION NUMBERS
AND PATENT NUMBERS

NUMBER OF APPLICATION (21)	NUMBER OF PATENT (11)
AD 2013 000760	D 2013 560 S

TRADEMARKS

CONCORDANCE TABLE OF REGISTRATION NUMBERS, APPLICATION NUMBERS, PUBLICATION NUMBERS AND BULLETIN NUMBERS

NUMBER OF REGISTRATION (111)	NUMBER OF APPLICATION (210)	NUMBER OF PUBLISHED APPLICATION (260)	NUMBER OF BULLETIN
M 2013 24125 R	AM 2013 73880	-	20(384) 2013
M 2013 24126 R	AM 2013 73956	-	20(384) 2013
M 2013 24127 R	AM 2013 74052	-	20(384) 2013
M 2013 24128 R	AM 2013 74118	-	20(384) 2013
M 2013 24129 R	AM 2013 74081	-	20(384) 2013
M 2013 24130 R	AM 2013 74195	-	20(384) 2013
M 2013 24131 R	AM 2011 63245	AM 2013 63245 A	10(374) 2013
M 2013 24132 R	AM 2011 63246	AM 2013 63246 A	10(374) 2013
M 2013 24133 R	AM 2011 65231	AM 2013 65231 A	10(374) 2013
M 2013 24134 R	AM 2012 66334	AM 2013 66334 A	11(375) 2013
M 2013 24135 R	AM 2012 66345	AM 2013 66345 A	6(370) 2013
M 2013 24136 R	AM 2012 67198	AM 2013 67198 A	6(370) 2013
M 2013 24137 R	AM 2012 67239	AM 2013 67239 A	5(369) 2013
M 2013 24138 R	AM 2012 67340	AM 2013 67340 A	7(371) 2013
M 2013 24139 R	AM 2012 67341	AM 2013 67341 A	7(371) 2013
M 2013 24140 R	AM 2012 67347	AM 2013 67347 A	7(371) 2013
M 2013 24141 R	AM 2012 67436	AM 2013 67436 A	7(371) 2013
M 2013 24142 R	AM 2012 67446	AM 2013 67446 A	5(369) 2013
M 2013 24143 R	AM 2012 67483	AM 2013 67483 A	7(371) 2013
M 2013 24144 R	AM 2012 67619	AM 2013 67619 A	7(371) 2013
M 2013 24145 R	AM 2012 67709	AM 2013 67709 A	8(372) 2013
M 2013 24146 R	AM 2012 67713	AM 2013 67713 A	11(375) 2013
M 2013 24147 R	AM 2012 67843	AM 2013 67843 A	7(371) 2013
M 2013 24148 R	AM 2012 67989	AM 2013 67989 A	8(372) 2013
M 2013 24149 R	AM 2012 68054	AM 2013 68054 A	8(372) 2013
M 2013 24150 R	AM 2012 68138	AM 2013 68138 A	12(376) 2013
M 2013 24151 R	AM 2012 68175	AM 2013 68175 A	11(375) 2013
M 2013 24152 R	AM 2012 68330	AM 2013 68330 A	11(375) 2013
M 2013 24153 R	AM 2012 68331	AM 2013 68331 A	11(375) 2013
M 2013 24154 R	AM 2012 68332	AM 2013 68332 A	11(375) 2013
M 2013 24155 R	AM 2012 68333	AM 2013 68333 A	11(375) 2013
M 2013 24156 R	AM 2012 68334	AM 2013 68334 A	11(375) 2013
M 2013 24157 R	AM 2012 68335	AM 2013 68335 A	11(375) 2013
M 2013 24158 R	AM 2012 68336	AM 2013 68336 A	11(375) 2013
M 2013 24159 R	AM 2012 68337	AM 2013 68337 A	11(375) 2013
M 2013 24160 R	AM 2012 68428	AM 2013 68428 A	7(371) 2013
M 2013 24161 R	AM 2012 68442	AM 2013 68442 A	11(375) 2013
M 2013 24162 R	AM 2012 68458	AM 2013 68458 A	11(375) 2013
M 2013 24163 R	AM 2012 68479	AM 2013 68479 A	10(374) 2013
M 2013 24164 R	AM 2012 68481	AM 2013 68481 A	10(374) 2013
M 2013 24165 R	AM 2012 68482	AM 2013 68482 A	10(374) 2013
M 2013 24166 R	AM 2012 68483	AM 2013 68483 A	10(374) 2013
M 2013 24167 R	AM 2012 68504	AM 2013 68504 A	6(370) 2013
M 2013 24168 R	AM 2012 68505	AM 2013 68505 A	6(370) 2013
M 2013 24169 R	AM 2012 68564	AM 2013 68564 A	10(374) 2013

1	2	3	4
M 2013 24170 R	AM 2012 68615	AM 2013 68615 A	10(374) 2013
M 2013 24171 R	AM 2012 68635	AM 2013 68635 A	10(374) 2013
M 2013 24172 R	AM 2012 68712	AM 2013 68712 A	12(376) 2013
M 2013 24173 R	AM 2012 68746	AM 2013 68746 A	12(376) 2013
M 2013 24174 R	AM 2012 68747	AM 2013 68747 A	12(376) 2013
M 2013 24175 R	AM 2012 68768	AM 2013 68768 A	12(376) 2013
M 2013 24176 R	AM 2012 68797	AM 2013 68797 A	12(376) 2013
M 2013 24177 R	AM 2012 68807	AM 2013 68807 A	12(376) 2013
M 2013 24178 R	AM 2012 68808	AM 2013 68808 A	12(376) 2013
M 2013 24179 R	AM 2012 68810	AM 2013 68810 A	12(376) 2013
M 2013 24180 R	AM 2012 68846	AM 2013 68846 A	12(376) 2013
M 2013 24181 R	AM 2012 68849	AM 2013 68849 A	12(376) 2013
M 2013 24182 R	AM 2012 68922	AM 2013 68922 A	11(375) 2013
M 2013 24183 R	AM 2012 68928	AM 2013 68928 A	12(376) 2013
M 2013 24184 R	AM 2012 68972	AM 2013 68972 A	8(372) 2013
M 2013 24185 R	AM 2012 69018	AM 2013 69018 A	11(375) 2013
M 2013 24186 R	AM 2012 69019	AM 2013 69019 A	11(375) 2013
M 2013 24187 R	AM 2012 69031	AM 2013 69031 A	12(376) 2013
M 2013 24188 R	AM 2012 69100	AM 2013 69100 A	12(376) 2013
M 2013 24189 R	AM 2012 69101	AM 2013 69101 A	12(376) 2013
M 2013 24190 R	AM 2012 69102	AM 2013 69102 A	12(376) 2013
M 2013 24191 R	AM 2012 69244	AM 2013 69244 A	12(376) 2013
M 2013 24192 R	AM 2012 69421	AM 2013 69421 A	12(376) 2013

CONCORDANCE TABLE OF PUBLICATION NUMBERS
AND APPLICATION NUMBERS

NUMBER OF PUBLISHED APPLICATION (260)	NUMBER OF APPLICATION (210)	1	2
1	2		
AM 2013 69195 A	AM 2012 69195	AM 2013 69546 A	AM 2012 69546
AM 2013 69248 A	AM 2012 69248	AM 2013 69547 A	AM 2012 69547
AM 2013 69249 A	AM 2012 69249	AM 2013 69548 A	AM 2012 69548
AM 2013 69250 A	AM 2012 69250	AM 2013 69549 A	AM 2012 69549
AM 2013 69251 A	AM 2012 69251	AM 2013 69550 A	AM 2012 69550
AM 2013 69259 A	AM 2012 69259	AM 2013 69571 A	AM 2012 69571
AM 2013 69260 A	AM 2012 69260	AM 2013 69586 A	AM 2012 69586
AM 2013 69436 A	AM 2012 69436	AM 2013 69616 A	AM 2012 69616
AM 2013 69522 A	AM 2012 69522	AM 2013 69617 A	AM 2012 69617
AM 2013 69523 A	AM 2012 69523	AM 2013 69618 A	AM 2012 69618
AM 2013 69531 A	AM 2012 69531	AM 2013 69619 A	AM 2012 69619
AM 2013 69532 A	AM 2012 69532	AM 2013 69622 A	AM 2012 69622
AM 2013 69533 A	AM 2012 69533	AM 2013 69673 A	AM 2012 69673
AM 2013 69535 A	AM 2012 69535	AM 2013 69674 A	AM 2012 69674
AM 2013 69536 A	AM 2012 69536	AM 2013 69681 A	AM 2012 69681
AM 2013 69537 A	AM 2012 69537	AM 2013 69682 A	AM 2012 69682
AM 2013 69538 A	AM 2012 69538	AM 2013 69683 A	AM 2012 69683
AM 2013 69539 A	AM 2012 69539	AM 2013 69684 A	AM 2012 69684
AM 2013 69540 A	AM 2012 69540	AM 2013 69685 A	AM 2012 69685
AM 2013 69544 A	AM 2012 69544	AM 2013 69686 A	AM 2012 69686
AM 2013 69545 A	AM 2012 69545	AM 2013 69687 A	AM 2012 69687
		AM 2013 69688 A	AM 2012 69688
		AM 2013 69726 A	AM 2012 69726
		AM 2013 69727 A	AM 2012 69727

1	2
AM 2013 69728 A	AM 2012 69728
AM 2013 69729 A	AM 2012 69729
AM 2013 69730 A	AM 2012 69730
AM 2013 69731 A	AM 2012 69731
AM 2013 69732 A	AM 2012 69732
AM 2013 69737 A	AM 2012 69737
AM 2013 69738 A	AM 2012 69738
AM 2013 69803 A	AM 2012 69803
AM 2013 69826 A	AM 2012 69826
AM 2013 69827 A	AM 2012 69827
AM 2013 69828 A	AM 2012 69828

1	2
AM 2013 69838 A	AM 2012 69838
AM 2013 69846 A	AM 2012 69846
AM 2013 69866 A	AM 2012 69866
AM 2013 70855 A	AM 2013 70855
AM 2013 70866 A	AM 2013 70866
AM 2013 70907 A	AM 2013 70907
AM 2013 70919 A	AM 2013 70919
AM 2013 70920 A	AM 2013 70920
AM 2013 70921 A	AM 2013 70921
AM 2013 62824 A*	AM 2011 62824

**CONCORDANCE TABLE OF INDEX OF GOODS AND/OR SERVICES
AND APPLICATION NUMBERS**

INDEX OF GOODS AND/OR SERVICES (511)	NUMBER OF PUBLISHED APPLICATION (260)
1	2
1	AM 2013 69547 A
1	AM 2013 69737 A
2	AM 2013 69737 A
3	AM 2013 69544 A
3	AM 2013 69732 A
3	AM 2013 69737 A
3	AM 2013 69846 A
3	AM 2013 70855 A
4	AM 2013 69737 A
5	AM 2013 69248 A
5	AM 2013 69249 A
5	AM 2013 69250 A
5	AM 2013 69251 A
5	AM 2013 69533 A
5	AM 2013 69544 A
5	AM 2013 69545 A
5	AM 2013 69546 A
5	AM 2013 69616 A
5	AM 2013 69617 A
5	AM 2013 69618 A
5	AM 2013 69726 A
5	AM 2013 69727 A
5	AM 2013 69728 A
5	AM 2013 69729 A
5	AM 2013 69730 A
5	AM 2013 69731 A
5	AM 2013 69737 A
5	AM 2013 69846 A
5	AM 2013 70866 A
5	AM 2013 70919 A
5	AM 2013 70920 A
5	AM 2013 70921 A

1	2
5	AM 2013 62824 A*
6	AM 2013 69737 A
7	AM 2013 69737 A
8	AM 2013 69737 A
9	AM 2013 69522 A
9	AM 2013 69673 A
9	AM 2013 69674 A
9	AM 2013 69737 A
9	AM 2013 69846 A
10	AM 2013 69737 A
10	AM 2013 69846 A
11	AM 2013 69737 A
12	AM 2013 69259 A
12	AM 2013 69260 A
12	AM 2013 69540 A
12	AM 2013 69737 A
12	AM 2013 69826 A
12	AM 2013 69827 A
12	AM 2013 69828 A
13	AM 2013 69737 A
14	AM 2013 69737 A
15	AM 2013 69737 A
16	AM 2013 69673 A
16	AM 2013 69674 A
16	AM 2013 69737 A
17	AM 2013 69737 A
18	AM 2013 69737 A
19	AM 2013 69737 A
20	AM 2013 69737 A
21	AM 2013 69737 A
22	AM 2013 69737 A
23	AM 2013 69737 A
24	AM 2013 69537 A
24	AM 2013 69538 A
24	AM 2013 69737 A

1	2	1	2
25	AM 2013 69522 A	35	AM 2013 69673 A
25	AM 2013 69536 A	35	AM 2013 69674 A
25	AM 2013 69673 A	35	AM 2013 69737 A
25	AM 2013 69674 A	35	AM 2013 69838 A
25	AM 2013 69737 A	35	AM 2013 69846 A
26	AM 2013 69737 A	36	AM 2013 69673 A
27	AM 2013 69737 A	36	AM 2013 69674 A
28	AM 2013 69619 A	36	AM 2013 69737 A
28	AM 2013 69737 A	36	AM 2013 69803 A
29	AM 2013 69737 A	36	AM 2013 69838 A
29	AM 2013 69738 A	37	AM 2013 69737 A
30	AM 2013 69571 A	37	AM 2013 69838 A
30	AM 2013 69681 A	38	AM 2013 69523 A
30	AM 2013 69682 A	38	AM 2013 69737 A
30	AM 2013 69683 A	38	AM 2013 69838 A
30	AM 2013 69684 A	39	AM 2013 69737 A
30	AM 2013 69685 A	39	AM 2013 69838 A
30	AM 2013 69686 A	40	AM 2013 69737 A
30	AM 2013 69687 A	40	AM 2013 69838 A
30	AM 2013 69688 A	41	AM 2013 69436 A
30	AM 2013 69737 A	41	AM 2013 69523 A
30	AM 2013 69866 A	41	AM 2013 69737 A
31	AM 2013 69737 A	41	AM 2013 69838 A
32	AM 2013 69549 A	42	AM 2013 69548 A
32	AM 2013 69550 A	42	AM 2013 69737 A
32	AM 2013 69737 A	42	AM 2013 69838 A
33	AM 2013 69737 A	43	AM 2013 69737 A
34	AM 2013 69531 A	43	AM 2013 69838 A
34	AM 2013 69532 A	44	AM 2013 69726 A
34	AM 2013 69535 A	44	AM 2013 69727 A
34	AM 2013 69539 A	44	AM 2013 69728 A
34	AM 2013 69586 A	44	AM 2013 69729 A
34	AM 2013 69622 A	44	AM 2013 69730 A
34	AM 2013 69737 A	44	AM 2013 69731 A
34	AM 2013 70907 A	44	AM 2013 69737 A
35	AM 2013 69195 A	44	AM 2013 69838 A
35	AM 2013 69536 A	44	AM 2013 69846 A
35	AM 2013 69537 A	45	AM 2013 69737 A
35	AM 2013 69538 A	45	AM 2013 69838 A

CONCORDANCE TABLE OF INDEX OF GOODS AND/OR SERVICES
AND NUMBERS OF TRADEMARKS REGISTERED ACCORDING
TO THE ACCELERATED PROCEDURE

INDEX OF GOODS AND/OR SERVICES (511)	NUMBER OF REGISTERED ACCORDING TO THE ACCELERATED PROCEDURE (111)
5	M 2013 24129 R
16	M 2013 24128 R
34	M 2013 24127 R
34	M 2013 24130 R
35	M 2013 24126 R
35	M 2013 24129 R
43	M 2013 24125 R

OFFICIAL BULLETIN OF THE INDUSTRIAL PROPERTY

20(384)

EDITOR-IN-CHIEF: N. Bebrishvili

EDITORS-TRANSLATORS: E. Gabunia
G. Nadareishvili

COMPUTER LAYOUT: K. Svanidze

www.sakpatenti.org.ge

E-mail: info@sakpatenti.org.ge