



**NATIONAL INTELLECTUAL PROPERTY CENTER OF GEORGIA
SAKPATENTI**

**OFFICIAL BULLETIN
OF THE INDUSTRIAL PROPERTY**

21(409)

**2014
TBILISI**

INID CODES FOR IDENTIFICATION OF BIBLIOGRAPHIC DATA

INVENTIONS, UTILITY MODELS

- (10) Number of publication for application, which has been examined
- (11) Number of patent and kind of document
- (21) Serial number of application
- (22) Date of filing of the application
- (23) Date of exhibition or the date of the earlier filing and the number of application, if any
- (24) Date from which patent may have effect
- (31) Number of priority application
- (32) Date of filing of priority application
- (33) Code of the country or regional organization allotting priority application number
- (44) Date of publication of application not granted, but examined and number of bulletin
- (45) Date of publication of registered document
- (51) International Patent Classification Index
- (54) Title of the invention
- (57) Abstract
- (60) Number of examined patent document granted by foreign patent office, date from which patent has effect and country code
- (62) Number of the earlier application and in case of divided application, date of filing an application
- (71) Name, surname and address of applicant (country code)
- (72) Name, surname of inventor (country code)
- (73) Name, surname and address of patent owner (country code)
- (74) Name, surname of representative or patent attorney
- (85) Date of commencement of the national phase of International Application
- (86) Number and date of filing of international application
- (87) Number and date of publication of international application

DESIGNS

- (10) Number of publication for application
- (11) Number of patent and kind of document or number of registration
- (15) Date of registration/Date of patent renewal
- (18) Expected expiration date of patent or registration
- (21) Serial number of application
- (22) Date of filing of the application
- (23) Date of exhibition or the date of the earlier filing and the number of application, if any
- (24) Date from which patent may have effect
- (28) Number of designs included in the application
- (30) Data relating to priority (number of application, date of filing of application, two-letter code identifying the authority with whom the priority application was made)
- (31) Number of priority application
- (32) Date of filing of priority application
- (33) Code of the country or regional organization allotting priority application number
- (34) Two-letter code according to WIPO St.3 identifying the authority with which the priority application was made
- (44) Date of publication of design and number of bulletin (the first publication)
- (45) Date of publication of design registered by WIPO and number of bulletin
- (51) International Classification for designs (class and subclass of the Locarno Classification)
- (54) Title of the invention
- (55) Reproduction of the design
- (57) Description of characteristic features of the design including indication of colors
- (58) Date of recording of any kind of amendment in the Register
- (62) Number of the earlier application, registration and document number and if available the date of filing an application in case of divided application
- (71) Name, surname and address of applicant (country code)
- (72) Name, surname of creator (country code)
- (73) Name, surname and address of patent owner (country code)
- (74) Name, surname of representative or patent attorney
- (81) Contracting states concerned
 - II designated contracting states according to the 1960 Act
 - III designated contracting states according to the 1999 Act
- (85) Owner's permanent address
- (86) Owner's nationality
- (87) Owner's residence
- (88) State in which the owner has a real and effective industrial or commercial establishment

TRADEMARKS

- (111) – Number of registration
- (151) – Date of registration
- (156) – Date of the renewal
- (181) – Expected expiration date of registration
- (186) – Renewal expiration date of registration
- (141) – Date of cancel of duration of the mark
- (210) – Serial number of application
- (220) – Date of filing of the application
- (230) – Date concerning exhibition
- (260) – Number of application, for which favorable decision of examination about registration has been taken (publication number)
- (310) – Number of the first application
- (320) – Date of filing of the first application
- (330) – Code, identifying national or regional Office where the first application was made
- (511) – International Classification of Goods and Services for the purposes of registration of trade marks and/or list of goods and/or services classified according thereto
- (531) – Description of figurative elements of Trade Marks according to the International Classification of the Figurative Elements of Marks
- (540) – Reproduction of Trade Mark
- (550) – Nature and kind of Trade Mark
- (580) – Date of recording of any kind changes in respect of applications or registrations
- (591) – Information concerning colors claimed
- (731) – Name and address of the applicant
- (732) – Name and address of the holder of the registration
- (740) – Name and address of the representative
- (750) – Address for correspondence
- (770) – Name and address of the previous applicant or holder in case of change in ownership
- (771) – Previous name and address of the applicant or holder in case of change in ownership
- (791) – Name and address of the licensee
- (793) – Indication of conditions and/or restrictions under the license (Type of license, number of license agreement, data of license, data of validity of license)
- (800) – Certain data relating to the international registration of Trade Marks under the Protocol Relating to Madrid Agreement (International registration number)

CODES FOR PUBLICATION IN BULLETIN

- (21) AP 0000 000000 – serial number of application for invention
- (10) AP 0000 0000 A – number of published application for invention (first publication)
- (11) P 0000 0000 B – number of patent for invention (second publication)
- (21) API 0000 000000 – number of application for imported patent
- (11) PI 0000 0000 A – number of imported patent (first publication)
- (21) AU 0000 000000 – serial number of application for utility model
- (10) AU 0000 000 U – number of published application for utility model (first publication)
- (11) U 0000 000 Y – number of patent for utility model (second publication)
- (21) AD 0000 000000 – serial number of application for design
- (10) AD 0000 000 S – number of published application for design (first publication)
- (11) D 0000 000 S – number of patent for design (second publication)

INTERNATIONAL PATENT CLASSIFICATION FOR INVENTIONS AND UTILITY MODELS

- SECTION A – HUMAN NECESSITIES
- SECTION B – PERFORMING OPERATIONS; TRANSPORTING
- SECTION C – CHEMISTRY; METALLURGY
- SECTION D – TEXTILES; PAPER
- SECTION E – FIXED CONSTRUCTIONS
- SECTION F – MECHANICAL ENGINEERING; LIGHTING; HEATING; WEAPONS; BLASTING
- SECTION G – PHYSICS
- SECTION H – ELECTRICITY

-
- M – Trade Mark
 - (210) AM 0000 000000 – Serial number of application;
 - (260) AAM 0000 00000 A – Publication number of application;
 - (111) M 0000 00000 R – Number of registration;
 - (111) MMM0000 00000 Rn – Number of renewals, in which n=1,2,3;
 - (111) M 0000 00000 R(P) – Number of registration under partial assignment of rights
-

LIST OF CODES, IN ALPHABETIC SEQUENCE, AND THE CORRESPONDING (SHORT) NAMES OF STATES, OTHER ENTITIES AND INTERGOVERNMENTAL ORGANIZATIONS
(WIPO STANDARD ST.3)

AD	Andorra				
AE	United Arab Emirates				
AF	Afghanistan				
AG	Antigua and Barbuda				
AI	Anguilla				
AL	Albania				
AM	Armenia				
AN	Netherlands Antilles				
AO	Angola				
AP	African Regional Intellectual Property Organization (ARIPO)				
AR	Argentina				
AT	Austria				
AU	Australia				
AW	Aruba				
AZ	Azerbaijan				
BA	Bosnia and Herzegovina				
BB	Barbados				
BD	Bangladesh				
BE	Belgium				
BF	Burkina Faso				
BG	Bulgaria				
BH	Bahrain				
BI	Burundi				
BJ	Benin				
BM	Bermuda				
BN	Brunei Darussalam				
BO	Bolivia				
BR	Brazil				
BS	Bahamas				
BT	Bhutan				
BV	Bouvet Island				
BW	Botswana				
BX	Benelux Office for Intellectual Property (BOIP)				
BY	Belarus				
BZ	Belize				
CA	Canada				
CD	Democratic Republic of the Congo				
CF	Central African Republic				
CG	Congo				
CH	Switzerland				
CI	Cote d'Ivoire				
CK	Cook Islands				
CL	Chile				
CM	Cameroon				
CN	China				
CO	Colombia				
CR	Costa Rica				
CU	Cuba				
CV	Cape Verde				
CY	Cyprus				
CZ	Czech Republic				
DE	Germany				
DJ	Djibouti				
DM	Dominica				
DO	Dominican Republic				
DZ	Algeria				
EA	Eurasian Patent Organization (EAPO)				
EC	Ecuador				
EE	Estonia				
EG	Egypt				
EH	Western Sahara				
EM	Office for Harmonization in the Internal Market (Trademarks and Designs)(OHIM)				
EP	European Patent Office (EPO)				
ER	Eritrea				
ES	Spain				
ET	Ethiopia				
FI	Finland				
FJ	Fiji				
FK	Falkland Islands (Malvinas)				
FO	Faroe Islands				
FR	France				
GA	Gabon				
GB	United Kingdom				
GC	Patent Office of the Cooperation Council for the Arab States of the Gulf (GCC)				
GD	Grenada				
GG	Guernsey				
GH	Ghana				
GI	Gibraltar				
GT	Guatemala				
GW	Guinea- Bissau				
GY	Guyana				
HK	The Hong Kong Special Administrative Region of the People's Republic of China				
HN	Honduras				
HR	Croatia				
HT	Haiti				
HU	Hungary				
IB	International Bureau of the World Intellectual Property Organization (WIPO)				
ID	Indonesia				
IE	Ireland				
IL	Israel				
IM	Isle of Man				
IN	India				
IQ	Iraq				
ID	Indonesia				
IE	Ireland				
IL	Israel				
IM	Isle of Man				
IN	India				
IQ	Iraq				
IR	Iran (Islamic Republic of)				
IS	Iceland				
IT	Italy				
JE	Jersey				
JM	Jamaica				
JO	Jordan				
JP	Japan				
KE	Kenya				
KG	Kyrgyzstan				
KH	Cambodia				
KI	Kiribati				
KM	Saint Kitts and Nevis				
KP	Democratic People's Republic of Korea				
KR	Republic of Korea				
KW	Kuwait				
KY	Cayman Islands				
KZ	Kazakhstan				
LA	Lao People's Democratic Republic				
LB	Lebanon				
LC	Saint Lucia				
LI	Liechtenstein				
LK	Sri Lanka				
LR	Liberia				
LS	Lesotho				
LT	Lithuania				
LU	Luxembourg				
LV	Latvia				
LY	Libyan Arab Jamahiriya				
MA	Morocco				
MC	Monaco				
MD	Republic of Moldova				
ME	Montenegro				
MG	Madagascar				
MK	The former Yugoslav Republic of Macedonia				
ML	Mali				
MM	Myanmar				
MN	Mongolia				
MO	Macao				
MP	Northern Mariana Islands				
MR	Mauritania				
MS	Montserrat				
MT	Malta				
MU	Mauritius				
MV	Maldives				
MW	Malawi				
MX	Mexico				
MY	Malaysia				
MZ	Mozambique				
NA	Namibia				
NE	Niger				
NG	Nigeria				
NI	Nicaragua				
NL	Netherlands				
NO	Norway				
NP	Nepal				
NR	Nauru				
NZ	New Zealand				
OA	African Intellectual Property Organization (OAPI)				
OM	Oman				
PA	Panama				
PE	Peru				
PG	Papua New Guinea				
PH	Philippines				
PK	Pakistan				
PL	Poland				
PT	Portugal				
PW	Palau				
PY	Paraguay				
QA	Qatar				
QZ	Community Plant Variety Office (European Community) (CPVO)				
RO	Romania				
RS	Serbia				
RU	Russian Federation				
RW	Rwanda				
SA	Saudi Arabia				
SB	Solomon Islands				
SC	Seychelles				
SD	Sudan				
SG	Singapore				
SH	Saint Helena				
SI	Slovenia				
SK	Slovakia				
SL	Sierra Leone				
SM	San Marino				
SN	Senegal				
SO	Somalia				
SR	Suriname				
ST	Sao Tome and Principe				
SV	El Salvador				
SY	Syrian Arab Republic				
SZ	Swaziland				
TC	Turks and Caicos Islands				
TD	Chad				
TG	Togo				
TH	Thailand				
TJ	Tajikistan				
TL	Timor-Leste				
TM	Turkmenistan				
TN	Tunisia				
TO	Tonga				
TR	Turkey				
SE	Sweden				
TT	Trinidad and Tobago				
TV	Tuvalu				
TW	Taiwan, Province of China				
TZ	United Republic of Tanzania				
UA	Ukraine				
UG	Uganda				
US	United States of America				
UY	Uruguay				
UZ	Uzbekistan				
VA	Holy See				
VC	Saint Vincent and the Grenadines				
VE	Venezuela				
VG	Virgin Islands (British)				
VN	Viet Nam				
VU	Vanuatu				
WO	World Intellectual Property Organization (WIPO)				
WS	Samoa				
XN	Nordic Patent Institute (NPI)				
YE	Yemen				
ZA	South Africa				
ZM	Zambia				
ZW	Zimbabwe				

**NATIONAL INTELLECTUAL PROPERTY CENTER OF GEORGIA
SAKPATENTI**

**OFFICIAL BULLETIN
OF THE INDUSTRIAL PROPERTY**

**ОФИЦИАЛЬНЫЙ БЮЛЛЕТЕНЬ
ПРОМЫШЛЕННОЙ СОБСТВЕННОСТИ**

21(409)

INVENTIONS

UTILITY MODELS

DESIGNS

TRADEMARKS

**APPELLATIONS OF ORIGIN AND GEOGRAPHICAL
INDICATIONS OF GOODS**

DATE OF PUBLICATION

2014 11 10

CONTENTS

PUBLISHED TITLES OF PROTECTION	2
INVENTIONS	
▪ APPLICATIONS APPROVED FOR GRANTING PATENTS	4
▪ PATENTED INVENTIONS	8
UTILITY MODELS	
▪ APPLICATIONS APPROVED FOR GRANTING PATENT	11
DESIGNS	
▪ DESIGNS, REGISTERED WITH THE INTERNATIONAL BUREAU CLAIMING PRIORITY ON THE TERRITORY OF GEORGIA	13
TRADEMARKS	
▪ APPLICATIONS FILED UNDER THE NATIONAL PROCEDURE APPROVED FOR REGISTRATION	50
▪ REGISTERED TRADEMARKS	56
▪ TRADEMARKS REGISTERED ACCORDING TO THE ACCELERATED PROCEDURE	61
▪ INTERNATIONAL TRADEMARKS FOR WHICH A DECISION ON GRANTING PROTECTION IS TAKEN	63
▪ INTERNATIONAL TRADEMARKS PROTECTED IN GEORGIA	97
APPELLATIONS OF ORIGIN AND GEOGRAPHICAL INDICATIONS OF GOODS	
▪ REGISTERED APPELLATIONS OF ORIGIN OF GOODS	109
OFFICIAL NOTIFICATIONS	
INVENTIONS	
▪ TRANSFER OF RIGHTS	110
▪ RENEWAL OF A PATENTS	110
UTILITY MODEL	
▪ RENEWAL OF A PATENTS	110
TRADEMARKS	
▪ RENEWAL OF REGISTRATIONS	111
▪ COMPLETE TRANSFER OF RIGHTS	113
▪ CHANGES IN NAMES AND/OR ADDRESSES OF OWNERS	119
▪ INVALIDATION OF TRADEMARK REGISTRATION	121
CLASSIFICATION INDEXES	
INVENTIONS	127
UTILITY MODELS	129
TRADEMARKS	130

PUBLISHED TITLES OF PROTECTION

INVENTIONS

- **APPLICATIONS APPROVED FOR GRANTING PATENTS:**
13342; 12550; 12896; 13214; 12347; 12945
- **PATENTED INVENTIONS:**
6186-6197

UTILITY MODELS

- **APPLICATION APPROVED FOR GRANTING PATENT:**
13358; 12582; 13386; 12912; 13234; 13103

DESIGNS

- **DESIGNS, REGISTERED WITH THE INTERNATIONAL BUREAU CLAIMING PRIORITY ON THE TERRITORY OF GEORGIA**
82779; 82800; 82878; 82890; 82894; 82879; 82909; 82911; 82913; 82976; 84142; 82988; 82995; 83021; 83060; 84217; 84248; 78356; 83055; 83056; 83067; 83089; 83091; 83096; 83112; 83128

TRADEMARKS

- **APPLICATIONS FILED UNDER THE NATIONAL PROCEDURE APPROVED FOR REGISTRATION:**
74495; 75220; 75228; 75248, 75249; 75283-75285; 75303; 75305; 75373-75377; 75380; 75644; 75669, 75670; 75751; 75776; 75806, 75807; 75852; 75909, 75910; 75920-75923; 76045; 76093; 76554
- **REGISTERED TRADEMARKS:**
25301-25354
- **TRADEMARKS REGISTERED ACCORDING TO THE ACCELERATED PROCEDURE:**
25294-25300; 25355-25359
- **INTERNATIONAL TRADEMARKS FOR WHICH A DECISION ON GRANTING PROTECTIONS IS TAKEN:**
71385*; 72440*; 72487*; 72898*; 73380; 73630; 73644; 73657; 73731; 74031; 74037; 74039; 74073; 74589; 74619; 74677; 74735; 74738-74741; 74746; 74748, 74749; 74752, 74753; 74764-74767; 74783; 74785-74790; 74792, 74793; 74998-75001; 75003; 75006-75008; 75011-75016; 75035, 75044; 75129; 75139; 75141-75144; 75152-75155; 75252; 75260-75262; 75270; 75272; 75275, 75276
- **INTERNATIONAL TRADEMARKS PROTECTED IN GEORGIA:**
70424; 71412; 71429; 71453; 71558; 71854, 71855; 71867; 71881; 71889; 72351, 72352; 72355, 72356; 72360-72362; 72365-72367; 72369-72375; 72377-72381; 72416; 72932-72934; 72936; 72938, 72939; 72944; 72946-72950; 73252, 73253; 73424; 73433-73438; 73443-73447; 73449; 73452-73462; 73465-73470; 73472-73482; 73564; 73572; 73586-73593; 73601; 73674, 73675; 73677; 73681-73685; 73716; 73769; 73958; 73979; 73981; 73983; 73985-73987; 73989; 73991; 73993; 73995; 73997; 74000; 74009; 74053, 74054; 74061, 74062; 74066-74068; 74088-74092; 74094, 74095; 74097, 74098; 74100; 74106-74112; 74114-74117; 74119-74123; 74203-74206; 74208-74211; 74213, 74214; 74262; 74270-74273; 74275-74277; 74282; 74288; 74298-74300; 74432; 74442; 74456; 74613; 74616; 74622; 74624; 75029

APPELLATIONS OF ORIGIN AND GEOGRAPHICAL INDICATIONS OF GOODS

- **REGISTERED APPELLATIONS OF ORIGIN:**
841-843

INVENTIONS

APPLICATIONS APPROVED FOR GRANTING PATENTS

The decision can be appealed at the Chamber of Appeal of Sakpatenti within 3 months from the publication or at the Mtskheta District Court Administrative Cases Board (Address: №17, Samkhedro str., Mtskheta), within 1 month following the publication.

PART A

A 01

(10) AP 2014 13342 A (51) Int. Cl. (2006)

A 01 B 3/46

(21) AP 2013 013342 (22) 2013 12 27

(71) Jemal Katsitadze (GE)

Ertso 4, b. 138, 0192 Tbilisi (GE);

Ivane Kapanadze (GE)

Gr. Peradze 5/1, b. 509, 0131 Tbilisi (GE);

Ilia Bidzinashvili (GE)

Tskneti korp.1, b. 106, 0162 Tbilisi (GE);

Severian Makhachashvili (GE)

Temkis Das., II mkr., kvart. 2, korp. 31,

b. 32, 0191 Tbilisi (GE)

(72) Jemal Katsitadze (GE);

Ivane Kapanadze (GE);

Ilia Bidzinashvili (GE);

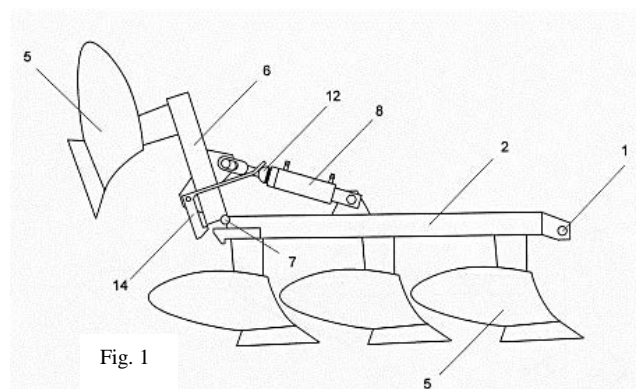
Severian Makhachashvili (GE)

(54) **PLOUGH WITH CAPTURE OF VARIABLE WIDTH**

(57) There is represented a plough comprising a frame connected to tractor with hinge system 1 and consisted of prime beam 2, front 3 and lateral 4 skids, plough share 5 fixed on frame prime beam, soil treatment depth control wheel set on the lateral skid, plough capture width control mechanism executed as hydrocylinder 8 installed on frame prime beam; furthermore, it is equipped with additional beam 6 with plough share hingedly connected to frame prime beam. hydrocylinder of plough capture width control mechanism is installed in rare part of frame prime beam and head of its rod 9 is connected movable together with additional beam. The plough has an interlocking system executed as located on the rod the spring 11 with catch of hemispherical ball 12 existed on chase 13 rod head installed on additional beam with folk 14 movable and fixed motionless on folk 15 frame prime beam.

Claims: 1 independent

Fig.: 3



PART C

C 07

(10) AP 2014 12550 A (51) Int. Cl. (2006)

C 07 D 403/04

C 07 D 403/14

C 07 D 407/14

C 07 D 409/14

C 07 D 417/14

A 61 K 31/4178

A 61 P 35/00

(21) AP 2010 012550 (22) 2010 06 24

(31) 1500/CHE/2009; 2181/DEL/2009

(32) 2009 06 26; 2009 10 21

(33) IN; IN

(71) NOVARTIS AG (CH)

Lichtstrasse 35 CH-4056 Basel (CH)

(72) BOCK, Mark G. (US);

GAUL, Christoph (DE);

GUMMADI, Venkateshwar Rao (IN);

SENGUPTA, Saumitra (IN)

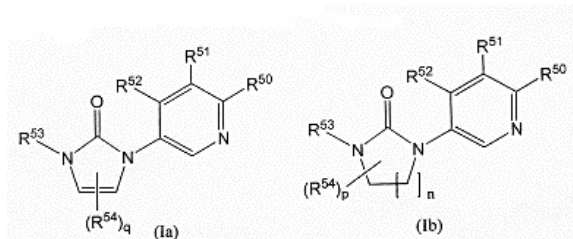
(74) Alexander Kartvelishvili

(85) 2012 01 26

(86) PCT/EP2010/059029, 2010 06 24

(54) **1,3-DISUBSTITUTED IMIDAZOLIDIN-2-ONE DERIVATIVES AS INHIBITORS OF CYP 17**

(57) There are represented compound of formula (Ia) and (Ib),



wherein n is 1, 2 or 3; p is 0, 1, 2 or 3; q is 0, 1 or 2; r is 0, 1 or 2; R⁵⁴ is (C₁-C₄) alkyl, halo-substituted (C₁-C₄) alkyl or -CH₂OH; and which R⁵³, R⁵⁰, R⁵¹ and R⁵² substitutions obtain values provided in the claims with condition, that when R⁵⁰, R⁵¹ and R⁵² are H, and R⁵³ is phenyl, R⁵³ is unsubstituted or substituted with halogen or CF₃; and pharmaceutically acceptable salt thereof; pharmaceutical composition indicated on basis of compound; indicated compounds, application of pharmaceutically acceptable salts thereof and pharmaceutical compositions on basis thereof for the treatment of diseases, disorders or syndromes caused with Cyp17 inhibition, and medicine preparation.

Claims: 6 independent
17 dependent

Table: 1

(10) AP 2014 12896 A (51) Int. Cl. (2006)

C 07 D 471/04

C 07 D 487/04

A 61 K 31/437

A 61 K 31/506

A 61 K 31/519

A 61 P 19/00

A 61 P 25/00

A 61 P 35/00

(21) AP 2011 012896 (22) 2011 04 20

(31) 61/326,626; PCT/US2011/033192

(32) 2010 04 21; 2011 04 10

(33) US; WO

(71) PLEXXIKON, INC. (US)

91 Bolivar Drive, Suite A, Berkeley,
CA 94710 (US)

(72) ZHANG, Jiazhong (CN);

IBRAHIM, Prabha, N. (US);

SPEVAK, Wayne (US);

TSAI, James (US);

EWING, Todd (US);

ZHANG, Ying (CN);

ZHANG, Chao (US)

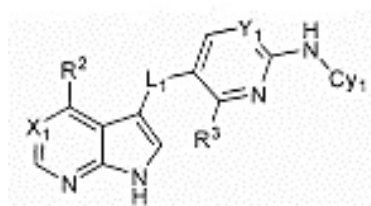
(74) Shalva Gvaramadze

(85) 2012 11 15

(86) PCT/US2011/033192, 2011 04 20

(54) **COMPOUNDS AND METHODS FOR KINASE MODULATION, AND INDICATIONS THEREFOR**

(57) Present invention relates to compounds of formula (I),



and salts thereof; as well as compositions containing them, and application thereof. Said compounds and compositions are active relative to one or more from Fms, Kit, Flt3, TrkA, TrkB and TrkC protein kinases. So, usage thereof takes place for the treatment of diseases relative to protein kinase activity.

Claims: 8 independent
22 dependent

PART E

E 01

(10) AP 2014 13214 A (51) Int. Cl. (2006)
E 01 F 8/00

(21) AP 2012 013214 (22) 2012 02 06

(31) PI2011A000011

(32) 2011 02 07

(33) IT

(71) URBANTECH S.p.A. (IT)

Via Lombardia, 34 Z.I. Gello, I-56025

Pontedera (Pisa) (IT)

(72) TIZZONI, Giampaolo (IT)

(74) Alexander Gegechkori

(85) 2013 09 02

(86) PCT/IB2012/050533, 2012 02 06

(54) **NOISE BARRIER STRUCTURE WITH SOUND-ABSORBING AND SOUND-REDIRECTING PROPERTIES AND HIGH PERFORMANCE SOUND ABSORBER FOR USE IN SUCH STRUCTURE**

(57) There is represented noise structure comprising a barrier 8 made of a generally sound redirecting material defining a surface of barrier. Plurality of sound absorbing boxes is connected to this surface. Each box comprises essentially rear wall 4 and extensively perforated 4a and 2a front wall 2. Said walls defining channel 5 longwise axes, and at least it is even partially filled with filling 6 made of a sound absorbing material. Front and rear walls are disposed from same side of barrier surface; rare flat wall is assembled parallel to said surface of barrier and remote therefrom.

Claims: 8 independent
25 dependent

Fig.: 8

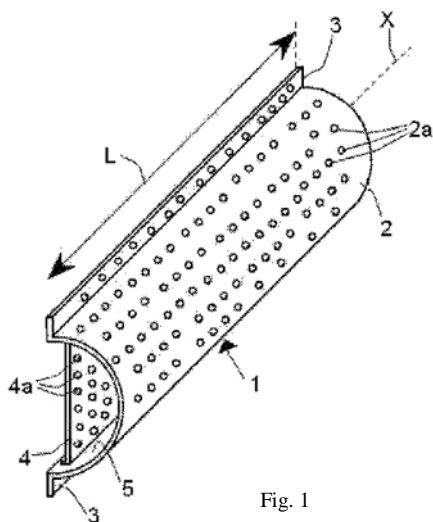


Fig. 1

E 21(10) AP 2014 12347 A (51) Int. Cl. (2006)
E 21 B 41/00

(21) AP 2010 012347 (22) 2010 01 22

(31) 10 2009 007 453. 8

(32) 2009 02 04

(33) DE

(71) LEIBNIZ-INSTITUT FÜR
MEERESWISSENSCHAFTEN (DE)
Wischhofstr. 1-3 24148 Kiel (DE)(72) WALLMANN, Klaus (DE);
HAECKEL, Matthias (DE)

(74) Alexander Gegechkori

(85) 2011 08 23

(86) PCT/DE2010/ 000059, 2010 01 22

**(54) METHOD FOR PRODUCING NATURAL
GAS FROM HYDROCARBON
HYDRATES WHILE SIMULTANEOUSLY
STORING CARBON DIOXIDE IN
GEOLOGICAL FORMATIONS**

(57) Present invention relates to methane extraction method from methane hydrates, which consists of several stages: carbonic dioxide gas existed in overcritical condition supplement in methane hydrate deposit; provides carbonic dioxide gas effect on methane hydrate at methane release; carbonic dioxide gas accumulation, and released methane removal.

Claims: 1 independent

Fig.: 3

PART F**F 03**(10) AP 2014 12945 A (51) Int. Cl. (2006)
F 03 B 3/02

F 03 B 11/04

(21) AP 2012 012945 (22) 2012 12 28

(71) Vitali Abramyan (GE)

Vazisubnis Das., II mkr., korp. 1, b. 42,
0152, Tbilisi (GE);

Konstantine Abramyan (GE)

Vazisubnis Das., II mkr., korp. 1, b. 42,
0152, Tbilisi (GE);

Vianor Abramyan (GE)

Vazisubnis Das., II mkr., korp. 1, b. 42,
0152, Tbilisi (GE);

Ronald Abramyan (GE)

Vazisubnis Das., II mkr., korp. 1, b. 42,
0152, Tbilisi (GE)

(72) Vitali Abramyan (GE);

Konstantine Abramyan (GE);

Vianor Abramyan (GE);

Ronald Abramyan (GE)

**(54) METHOD OF IMPELLER ROTATION
AND IMPELLER**

(57) A method provides stream guide vane 18 supplement with head conduit 16 from a reach 15 through turbine pit 17, which is allocated in front of it or around impeller. The stream guide vane is twisted towards water impeller rotation and impeller blades 5 lattice consisting of two parts. Blade convex side 9 is directed to inlet stream, and concave side 10 – to impeller rotation. Stream direction changes towards radial direction by means of blades convex sides, when the stream inlets between upper and lower rims on more than 45° sharp angle, stream twisting and its direction to concave sides of opposite blades, opposite of impeller rotation, the stream existed in the impeller rotates to create rotational moment. Water stream overflows into lower reach from impeller through suction tube 19. At that, stream direction is changed by additional blades 13 lattice in front of water outlet in the suction tube. The stream is directed around fairing 12, and by means thereof the rotational moment is changed. The impeller comprises blade lattice consisting of two parts, one wherefrom is created with the blades 5 having curvilinear surfaces disposed between upper and lower rims, and another part is executed on lattice outlet, and is created with blades lower parts 11 bent to lower rim and attached therewith concave sides to the stream; the fairing is attached to upper rim. At that, additional blades 13 lattice is executed on impeller outlet between blades lower parts. Lattice narrow end is connected to fairing, and wide end – to blades lower part; or the blades create bent

with lower parts thereto lower rim, and additional blades are executed as one piece from fairing up to blades lower part.

Claims: 2 independent

Fig.: 6

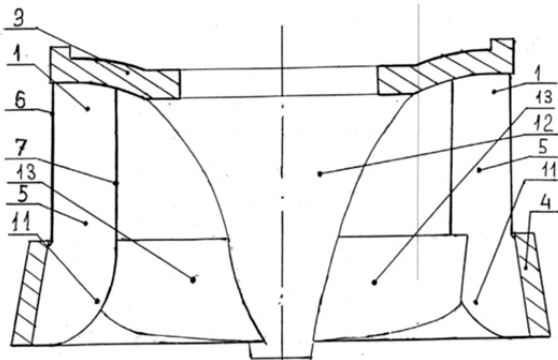


Fig. 4

PATENTED INVENTIONS

PART A

A 61

- (11) P 2014 6191 B** **(51) Int. Cl. (2006)**
A 61 K 31/49
A 61 P 43/00
- (10) AP 2014 12651 A (44) 14(402)/2014
 (21) AP 2010 012651
 (22) 2010 07 12
 (24) 2010 07 12
 (31) 102009 039546.6
 (32) 2009 09 01
 (33) DE
 (86) PCT/EP2010/004214, 2010 07 12
 (73) MARIA CLEMENTINE MARTIN
 KLOSTERFRAU
 VERTRIEBSGESELLSCHAFT MBH (DE)
 Gereonsmühlengasse 1 -11 50670 Köln (DE)
 (72) GREVE, Harald (DE)
 (74) Tamar Kochlamazashvili
 (54) **NOVEL THERAPEUTIC CONCEPTS
 FOR TREATING FIBROMYALGIA**

- (11) P 2014 6187 B** **(51) Int. Cl. (2006)**
A 61 M 15/00
- (10) AP 2014 12432 A (44) 14(402)/2014
 (21) AP 2010 012432
 (22) 2010 03 30
 (24) 2010 03 30
 (31) TR2009/022446; TR2009/03493
 (32) 2009 03 30; 2009 05 05
 (33) TR; TR
 (86) PCT/TR2010/000067, 2010 03 30
 (73) ARVEN ILAC SANAYI VE
 TICARET A.S. (TR)
 Istinye Mah. Balabandere Cad. No. 14 34460
 Sariyer, Istanbul (TR)
 (72) TOKSOZ, Ahmet (TR);
 TOKSOZ, Zafer (TR);
 CIFTER, Musa Umit (TR)
 (74) Shalva Gvaramadze
 (54) **COUNTER FOR DRY POWDER
 INHALER DEVICE**

- (11) P 2014 6188 B** **(51) Int. Cl. (2006)**
A 61 M 15/00
- (10) AP 2014 12433 A (44) 14(402)/2014
 (21) AP 2010 012433
 (22) 2010 03 30
 (24) 2010 03 30
 (31) TR2009/02446; TR2009/03493;
 TR2010/00073

- (32) 2009 03 30; 2009 05 05; 2010 01 07
 (33) TR; TR; TR
 (86) PCT/TR2010/000066, 2010 03 30
 (73) ARVEN ILAC SANAYI VE
 TICARET A.S. (TR)
 Istinye Mah. Balabandere Cad. №. 14 34460
 Sariyer, Istanbul (TR)
 (72) TOKSOZ, Ahmet (TR);
 TOKSOZ, Zafer (TR);
 CIFTER, Musa Umit (TR)
 (74) Shalva Gvaramadze
 (54) **DRY POWDER INHALER DEVICE AND
 LOCK MECHANISM**

PART C

C 07

- (11) P 2014 6197 B** **(51) Int. Cl. (2006)**
C 07 D 235/30
A 61 K 31/4184
A 61 P 11/00
A 61 P 29/00
- (10) AP 2014 13032 A (44) 14(402)/2014
 (21) AP 2011 013032
 (22) 2011 08 19
 (24) 2011 08 19
 (31) 10173501.7
 (32) 2010 08 20
 (33) EP
 (86) PCT/EP2011/064258, 2011 08 19
 (73) BOEHRINGER INGELHEIM
 INTERNATIONAL GMBH (DE)
 Binger Straße 173, 55216 Ingelheim Am
 Rhein (DE)
 (72) PRIEPKE, Henning (DE);
 DOODS, Henri (NL);
 KUELZER, Raimund (DE);
 PFAU, Roland (DE);
 STENKAMP, D+irk (DE);
 PELCMAN, Benjamin (SE);
 ROENN, Robert (SE)
 (74) Tamar Kochlamazashvili
 (54) **NEW COMPOUNDS**

- (11) P 2014 6195 B** **(51) Int. Cl. (2006)**
C 07 D 401/12
A 61 K 31/5377
A 61 P 9/00
A 61 P 9/12
A 61 P 13/12
A 61 P 43/00

- (10) AP 2014 12963 A (44) 14(402)/2014
 (21) AP 2011 012963
 (22) 2011 06 15
 (24) 2011 06 15
 (31) 2010-137194
 (32) 2010 06 16
 (33) JP
 (86) PCT/JP2011/063735, 2011 06 15
 (73) TAKEDA PHARMACEUTICAL
 COMPANY LIMITED (JP)
 1-1, Doshomachi 4-chome, Chuo-ku, Osaka-
 shi, Osaka 5410045 (JP)
 (72) KITAYAMA, Masato (JP)
 (74) Shalva Gvaramadze
 (54) **CRYSTAL OF AMIDE COMPOUND**

- (11) P 2014 6196 B (51) Int. Cl. (2006)
 C 07 D 401/12
 C 07 D 401/14
 C 07 D 403/12
 A 61 K 31/455
 A 61 K 31/506
 A 61 K 31/501
 A 61 P 29/00
 A 61 P 11/00
 A 61 P 19/02
 A 61 P 17/00

- (10) AP 2014 13031 A (44) 14(402)/2014
 (21) AP 2011 013031
 (22) 2011 08 19
 (24) 2011 08 19
 (31) 10173489.5
 (32) 2010 08 20
 (33) EP
 (86) PCT/EP2011/064260, 2011 08 19
 (73) BOEHRINGER INGELHEIM
 INTERNATIONAL GMBH (DE)
 Binger Straße 173, 55216 Ingelheim Am
 Rhein (DE)
 (72) HAUDEL, Norbert (DE);
 CECI, Angelo (IT);
 DOODS, Henri (NL);
 JUNG, Birgit (DE);
 KUELZER, Raimund (DE)
 (74) Tamar Kochlamazashvili
 (54) **DISUBSTITUTED TETRAHYDOFURANYL
 COMPOUNDS AS ANTAGONISTS OF
 BRADYKININ B1 RECEPTOR**

- (11) P 2014 6190 B (51) Int. Cl. (2006)
 C 07 D 489/08
 (10) AP 2014 12510 A (44) 14(402)/2014
 (21) AP 2010 012510
 (22) 2010 05 21
 (24) 2010 05 21
 (31) PA200900650; 61/181,022
 (32) 2009 05 25; 2009 05 26

- (33) DK; US
 (86) PCT/DK2010/050110, 2010 05 21
 (73) H. LUNDBECK A/S (DK)
 Ottiliavej 9 DK-2500 Valby (DK)
 (72) DE FAVERI, Carla (IT);
 CASARIN, Mauro (IT);
 BRUSEGAN, Michele (IT)
 (74) Shalva Gvaramadze
 (54) **PREPARATION OF NALMEFENE
 HYDROCHLORIDE FROM
 NALTREXONE**

PART E

E 04

- (11) P 2014 6192 B (51) Int. Cl. (2006)
 E 04 C 5/01
 E 04 C 5/03
 E 04 C 5/07

- (10) AP 2014 12705 A (44) 14(402)/2014
 (21) AP 2010 012705
 (22) 2010 07 07
 (24) 2010 07 07
 (31) 102009048751.4
 (32) 2009 10 08
 (33) DE
 (86) PCT/DE2010/000787, 2010 07 07
 (73) CENT&CENT GMBH & CO KG (DE)
 Benzstrasse 14 89155 Erbach (DE)
 (72) STAHL, Karl-Hermann (DE)
 (74) Tamar Kochlamazashvili
 (54) **METAL FIBER HAVING A CHAMFER
 IN FIBER EDGE EXTENDING IN
 LONGITUDINAL DIRECTION OF
 FIBER**

E 21

- (11) P 2014 6186 B (51) Int. Cl. (2006)
 E 21 B 7/08
 B 21 B 7/10
 (10) AP 2014 11609 A (44) 14(402)/2014
 (21) AP 2009 011609
 (22) 2009 12 18
 (24) 2009 12 18
 (31) 12/344.873
 (32) 2008 12 29
 (33) US
 (73) PRECISION ENERGY SERVICES
 INC. (US)
 500 Winscott Rd., Fort Worth, TX 77126 (US)
 (72) FARLEY, Steven Reid (US);
 LARRONDE, Michael Louis (US);
 BARTEL, Roger P. (US);

MAULDIN, Charles Lee (US);
 AIELLO, Robert Anthony (US)
 (74) Tamaz Shilakadze
 (54) **DIRECTIONAL DRILLING CONTROL
 USING PERIODIC PERTURBATION OF
 DRILL BIT**

PART F

F 01

(11) P 2014 6189 B (51) Int. Cl. (2006)
F 01 K 27/00
 (10) AP 2014 12446 A (44) 14(402)/2014
 (21) AP 2010 012446
 (22) 2010 02 18
 (24) 2010 02 18
 (31) 09157592.8
 (32) 2009 04 08
 (33) EP
 (86) PCT/EP2010/052027, 2010 02 18
 (73) COHEN, Yoav (IL)
 5, Chemin de la Tour-de-Pinchat, 1234
 Vessy (CH)
 (72) COHEN, Yoav (IL)
 (74) Shalva Gvaramadze
 (54) **INSTALLATION DESIGNED TO
 CONVERT ENVIRONMENTAL
 THERMAL ENERGY INTO USEFUL
 ENERGY**

F 27

(11) P 2014 6194 B (51) Int. Cl. (2006)
**F 27 D 3/15
 B 22 D 43/00**
 (10) AP 2014 12962 A (44) 14(402)/2014
 (21) AP 2013 012962
 (22) 2013 01 11
 (24) 2013 01 11
 (73) Otar Barbakadze (GE)
 Moskovis Gamz., V kvart., korp. 7, b. 26,
 0145 Tbilisi (GE);
 Vasil Kopaleishvili (GE)
 I.Abashidzis q. 68, b. 47, 0162 Tbilisi (GE);
 Robinzon Lomidze (GE)
 Rustavelis q. 19, b.18, 3700 Rustavi (GE);
 Nugzar Mumladze (GE)
 XVII mkr., korp. 1, b. 18, 3700 Rustavi (GE);
 Zaza Tabatadze (GE)
 VII mkr., korp. 22, b. 55, 3700 Rustavi (GE);
 Sergo Katsitadze (GE)
 Kashakashvilis q. 5, b. 9, 3700 Rustavi (GE);
 Salome Barbakadze (GE)
 Moskovis Gamz., V kvart., korp. 7, b. 26,

0145 Tbilisi (GE)
 (72) Otar Barbakadze (GE);
 Vasil Kopaleishvili (GE);
 Robinzon Lomidze (GE);
 Nugzar Mumladze (GE);
 Zaza Tabatadze (GE);
 Sergo Katsitadze (GE);
 Salome Barbakadze (GE)
 (54) **METHOD OF METAL ALLOY
 MELTING**

PART G

G 08

(11) P 2014 6193 B (51) Int. Cl. (2006)
**G 08 G 1/054
 G 08 G 1/017
 G 07 C 5/08**
 (10) AP 2014 12853 A (44) 14(402)/2014
 (21) AP 2010 012853
 (22) 2010 02 08
 (24) 2010 02 08
 (86) PCT/RU2010/000048, 2010 02 08
 (73) JSC "CORPORATION" STROJ INVEST
 PROECT M" (RU)
 Komsomolskaya Pl., d. 3/30, Str. 4, 107140
 Moscow (RU)
 (72) OSIPOV, Sergej Konstantinovich (RU);
 MALINKIN, Aleksej Urevich (RU)
 (74) Shalva Gvaramadze
 (54) **METHOD AND DEVICE FOR
 DETERMINING SPEED OF TRAVEL
 AND COORDINATES OF VEHICLES
 AND SUBSEQUENTLY IDENTIFYING
 SAME AND AUTOMATICALLY
 RECORDING ROAD TRAFFIC
 OFFENCES**

UTILITY MODELS

APPLICATION APPROVED FOR GRANTING PATENT

The decision can be appealed at the Chamber of Appeal of Sakpatenti within 3 months from the publication or at the Mtskheta District Court Administrative Cases Board (Address: №17, Samkhedro str., Mtskheta), within 1 month following the publication.

PART A

A 23

(10) AU 2014 13358 U (51) Int. Cl. (2006)
A 23 L 1/221

(21) AU 2014 013358 (22) 2014 01 24
(71) Nugzar Katsaridze (GE)
Sop. Kveda Sakara, 2002, Zestaponi (GE)
(72) Nugzar Katsaridze (GE)

(54) **METHOD OF OILY EXTRACT
PREPARATION FROM PLANT RAW
MATERIAL**

(57) A method provides green laurel foliage grinding, extraction therewith plant oil in ratio 1:(28-32) at the room temperature, extract release, adding therein table salt in the amount of 0,6-1,6%, and filtration.
Claims: 1 independent

A 61

(10) AU 2014 12582 U (51) Int. Cl. (2006)
A 61 K 31/00
A 61 J 31/04

(21) AU 2012 012582 (22) 2012 02 20
(71) Eter Kemertelidze (GE)
Pekinis Gamz. 33A, b. 40, 0160
Tbilisi (GE);
Durmishkhan Turabelidze (GE)
Gotua 22, b. 74, 0160 Tbilisi (GE)

(72) Eter Kemertelidze (GE);
Durmishkhan Turabelidze (GE)

(54) **METHOD OF OINTMENT OF
KERATOID ACTIVITY TREATING
PSORIASIS**

(57) Preparation method of ointment of keratoid activity treating psoriasis consists of: salicylic acid 3%, distilled monoglyceride, and perfume oil in ratio 1:3 is added in 0.5g or 1.5g ditranol (1,8-dihydroxi-9-antron).
Claims: 1 independent

(10) AU 2014 13386 U (51) Int. Cl. (2006)
A 61 K 35/10
A 61 K 35/12
A 61 K 36/00

(21) AU 2014 013386 (22) 2014 02 13

(71) Amalia Shakulashvili (GE)
Tseretlis q. 1, 0800 Akhaltsikhe (GE)

(72) Amalia Shakulashvili (GE)

(54) **OINTMENT TREATING SKIN
DISEASES, CONTINUOUS
NONHEALING WOUNDS AND BURNS**

(57) There is represented an ointment containing pine resin *Pinus sylvestris* L., yellow amber powder, goose fat, bay wax, and olive oil.
Claims: 1 independent

(10) AU 2014 12912 U (51) Int. Cl. (2006)
A 61 K 36/00

(21) AU 2012 012912 (22) 2012 12 06
(71) N(N)LE TBILISI STATE MEDICAL
UNIVERSITY (GE)
Asatiani 7, 0186 Tbilisi (GE)

(72) Genri Dekanosidze (GE);
Badri Tabidze (GE);
Vakhtang Mshvildadze (GE);
Malkhaz Getia (GE)

(74) Zurab Kemoklidze

(54) **METHOD OF TRITERPENIC SAPONINS
PRODUCTION HAVING
ANTIINFLAMMATORY ACTIVITY AT
INFLAMMATIONS OF NOSE
APPENDAGES AND AURICLE SINUS**

(57) A method provides 3-stage extraction of *Cyclamen* tubers with 96% ethyl alcohol on the water bath with reverse cooler during 1.5h, received extracts aggregation and holding thereof during 24h, filtration, distillation and drying.
Claims: 1 independent

PART C**C 05****(10) AU 2014 13234 U (51) Int. Cl. (2006)
C 05 F 11/02**

(21) AU 2013 013234 (22) 2013 09 18

(71) Kristo Kakhniashvili (GE)

Dolidze 18, b. 44, 0171 Tbilisi (GE);

Kakhaber Khutsishvili (GE)

Budapeshti 13A, b. 7, 0119 Tbilisi (GE)

(72) Kristo Kakhniashvili (GE);

Kakhaber Khutsishvili (GE)

(54) METHOD OF OBTAINING ORGANO-MINERAL FERTILIZER

(57) Obtaining method of organo-mineral fertilizer provides treatment of containing humates the raw materials: peat, sapropel or leonardite; alkali water solution in ratio 1:3 addition therein; mineral substances introduction into received suspension; and received mixture hydrolysis in cavitation apparatus with circulation during 1.0-1.5 h at the temperature 80-100°C and the pressure 3.5-4 atmospheric. Raw materials treatment is carried out during 15-20 min in the ball mill with wet milling, for which purposes water in ratio 1:1 is added therein. Received suspension oxidative fermentation is executed before hydrolysis during 40-60 min; at the same time nitrogen, phosphorus, potassium, magnesium, boron, copper, iron, manganese, molybdenum and zinc are introduced therein as mineral substances, and 5-6% sodium or potassium solution is applied as alkali water solution. Mineral substances are added in such amount, that pH would be 8.5 -9.5.

Claims: 1 independent

5 dependent

PART G**G 08****(10) AU 2014 13103 U (51) Int. Cl. (2006)
G 08 B 17/10**

(21) AU 2013 013103 (22) 2013 05 29

(71) Shota Kharati (GE)

I.Machabeli 18, 0105 Tbilisi (GE);

Maka Sirbiladze (GE)

Ir. Abashidze 64, b. 33, 0162 Tbilisi (GE);

Giorgi Sirbiladze (GE)

Ir. Abashidze 64, b. 33, 0162 Tbilisi (GE)

(72) Shota Kharati (GE);

Maka Sirbiladze (GE);

Giorgi Sirbiladze (GE)

(54) GAS ESCAPE DETECTING AND SIGNALLING EQUIPMENT IN CAR

(57) There is represented an equipment comprising gas sensor with audio and optical indicators, sequentially switched matching unit, control unit, memory block, amplifier and loudspeaker. At that, matching unit entry is switched to one of sensor exit.

Claims: 1 independent

Fig.: 1

DESIGNS, WHICH HAVE BEEN REGISTERED WITH THE INTERNATIONAL BUREAU CLAIMING PRIORITY ON THE TERRITORY OF GEORGIA

The decision can be appealed at the Chamber of Appeal of Sakpatenti within 3 months from the publication or at the Mtskheta District Court Administrative Cases Board (Address: №17, Samkhedro Str., Mtskheta), within 1 month following the publication.

(11) DM/082779

(51) 01-01

(15) 2014 02 03

(45) 2014/31 (2014 08 08)

(22) 2014 02 03

(28) 3

(30) 09.10.2013; 140140; CH

(73) SOCIÉTÉ DES PRODUITS NESTLÉ S.A.

CH-1800 Vevey (CH)

(85) CH

(86) CH

(87) CH

(88) CH

(89) CH

(81) III. AL, BA, EG, EM, GE, MD, ME, MK, NO, RS, SG, TR, UA

(72) 1,3: Leaw Kit Yee

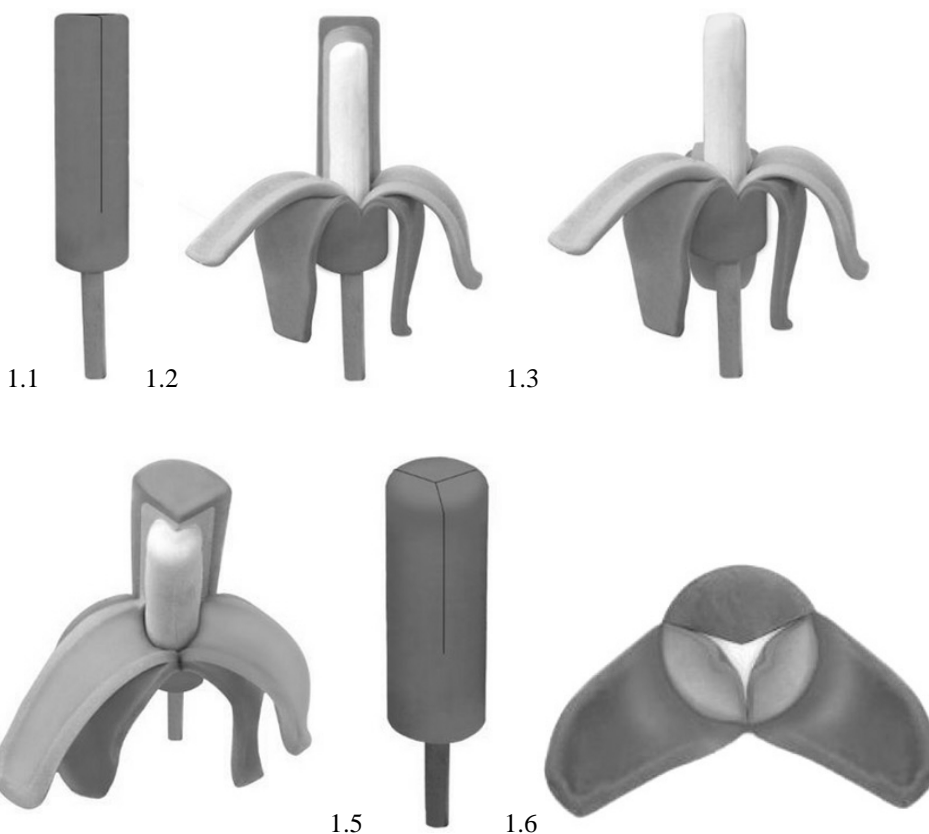
9, Jalan Menglembu Impiana 22, Taman Menglembu Impiana Adril Perak, 31450 Ipoh, Malaisie;

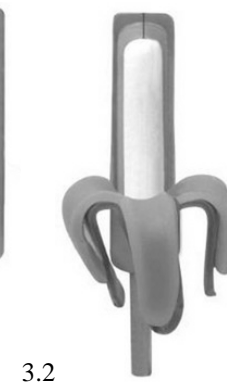
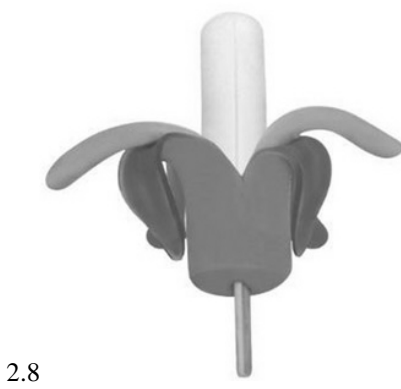
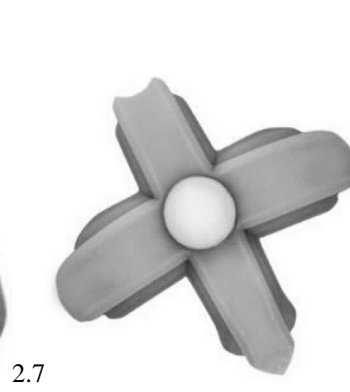
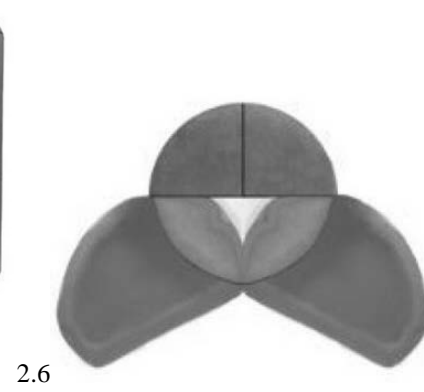
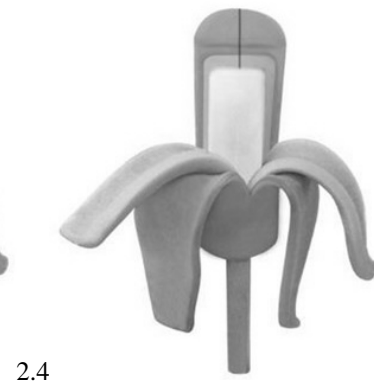
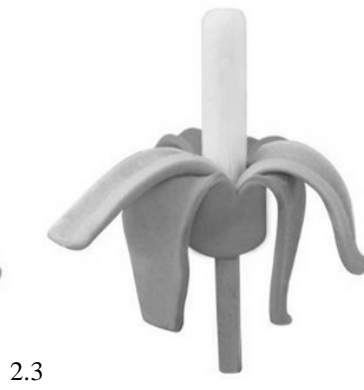
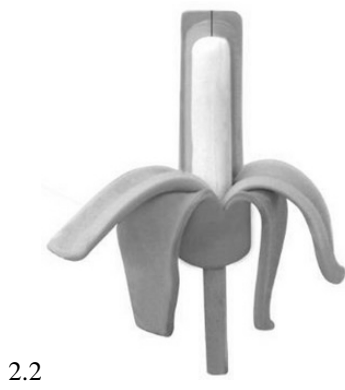
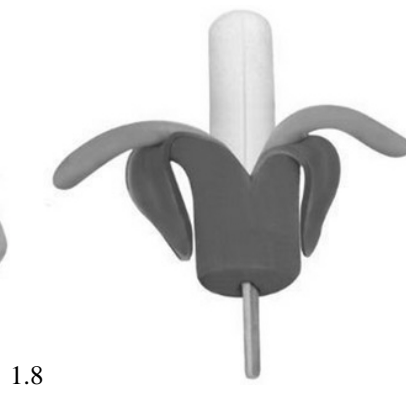
2: Thomas Amend

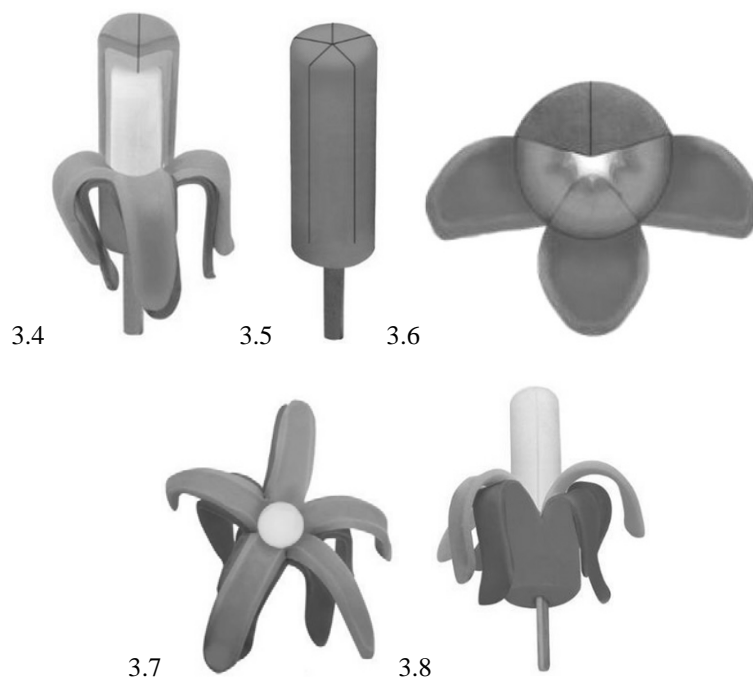
707 Continental Corcle N 1432, Mountain View, 94040 California, États-Unis d'Amérique

(54) 1.-3. Ice cream sticks

(55)





**(11) DM/082800**

(15) 2014 02 05

(22) 2014 02 05

(28) 7

(73) THE SWATCH GROUP MANAGEMENT SERVICES AG (THE SWATCH GROUP MANAGEMENT SERVICES SA) (THE SWATCH GROUP MANAGEMENT SERVICES LTD)

Seevorstadt 6, CH-2502 Biel/Bienne (CH)

(85) CH

(86) CH

(87) CH

(88) CH

(89) CH

(81) II. BZ, MA. III. AL, AM, AZ, BA, CH, EM, GE, KG, LI, MC, MD, ME, MK, MN, NO, OM, SG, TJ, TN, TR, UA

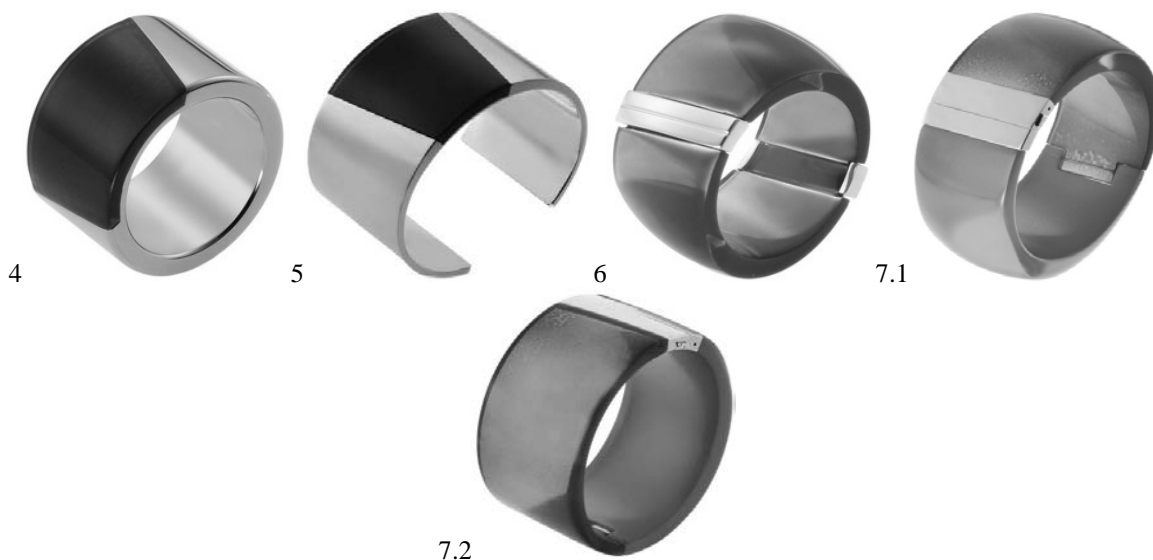
(72) 1-7: Claire McGill

Rue des Parcs 49, 2000 Neuchâtel, Switzerland

(54) 1.-7. Pieces of jewellery

(55)





(11) DM/082878

(51) 20-02

(15) 2014 02 14

(45) 2014/32 (2014 08 15)

(22) 2014 02 14

(28) 1

(73) SWATCH AG (SWATCH SA) (SWATCH LTD.)

Jakob-Stämpfli-Strasse 94, CH-2502 Biel/Bienne (CH)

(85) CH

(86) CH

(87) CH

(88) CH

(89) CH

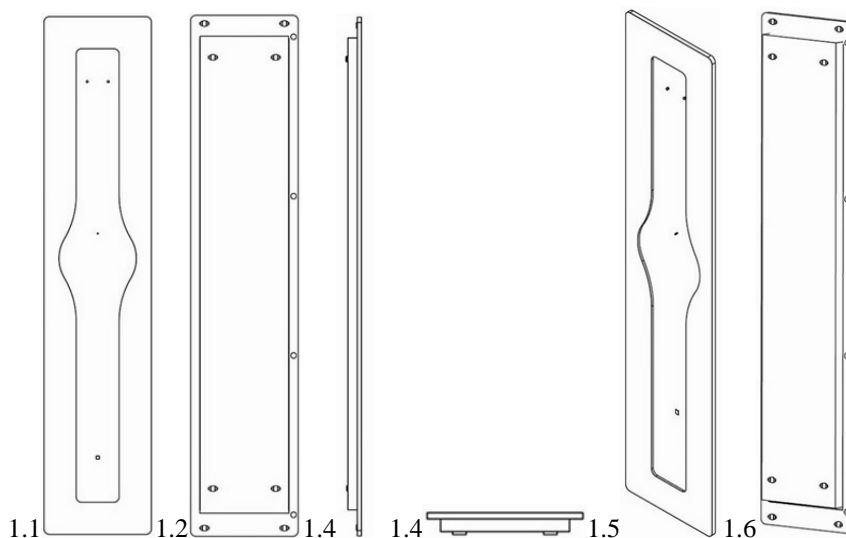
(81) II. BZ, MA, III. AL, AM, AZ, BA, CH, EM, GE, KG, LI, MC, MD, ME, MK, MN, NO, OM, SG, TJ, TN, TR, UA

(72) 1: Alexandre ZUNTINI

Route Aloys-Fauquez 85, CH-1018 Lausanne, Suisse

(54) 1. Display unit

(55)



(11) DM/082890**(51) 10-02, 07**

(15) 2014 02 14

(45) 2014/32 (2014 08 15)

(22) 2014 02 14

(28) 3

(73) BLANCPAIN SA

Le Rocher 12, CH-1348 LE BRASSUS (CH)

(85) CH

(86) CH

(87) CH

(88) CH

(89) CH

(81) II. BZ, MA. III. AL, AM, AZ, BA, CH, EM, GE, KG, LI, MC, MD, ME, MK, MN, NO, OM, SG, TJ, TN, TR, UA

(72) 1: Alan APPREDERISSE

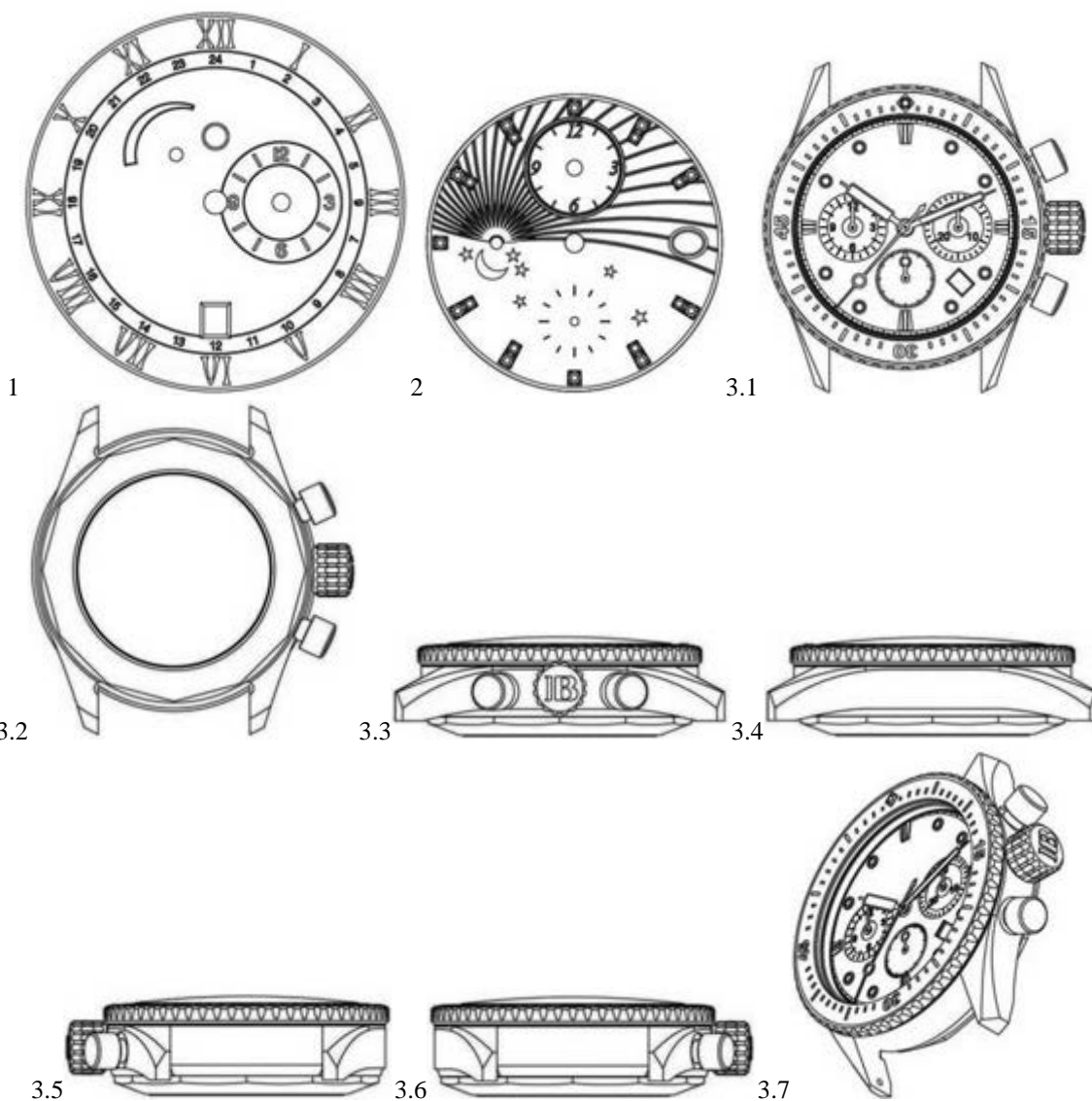
Avenue du Léman 48, CH-1005 Lausanne, Suisse;

2-3: Patrice NANGA

Avenue Dapples 26, CH-1006 Lausanne, Suisse

(54) 1.-2. Dials; 3. Watch

(55)



(11) DM/082894

(51) 10-07

(15) 2014 02 14

(45) 2014/32 (2014 08 15)

(22) 2014 02 14

(28) 5

(73) BLANCPAIN SA

Le Rocher 12, CH-1348 LE BRASSUS (CH)

(85) CH

(86) CH

(87) CH

(88) CH

(89) CH

(81) II. BZ, MA. III. AL, AM, AZ, BA, CH, EM, GE, KG, LI, MC, MD, ME, MK, MN, NO, OM, SG, TJ, TN, TR, UA

(72) 1, 4: Claude MAHON

Rue Collet 7, CH-1800 Vevey, Suisse;

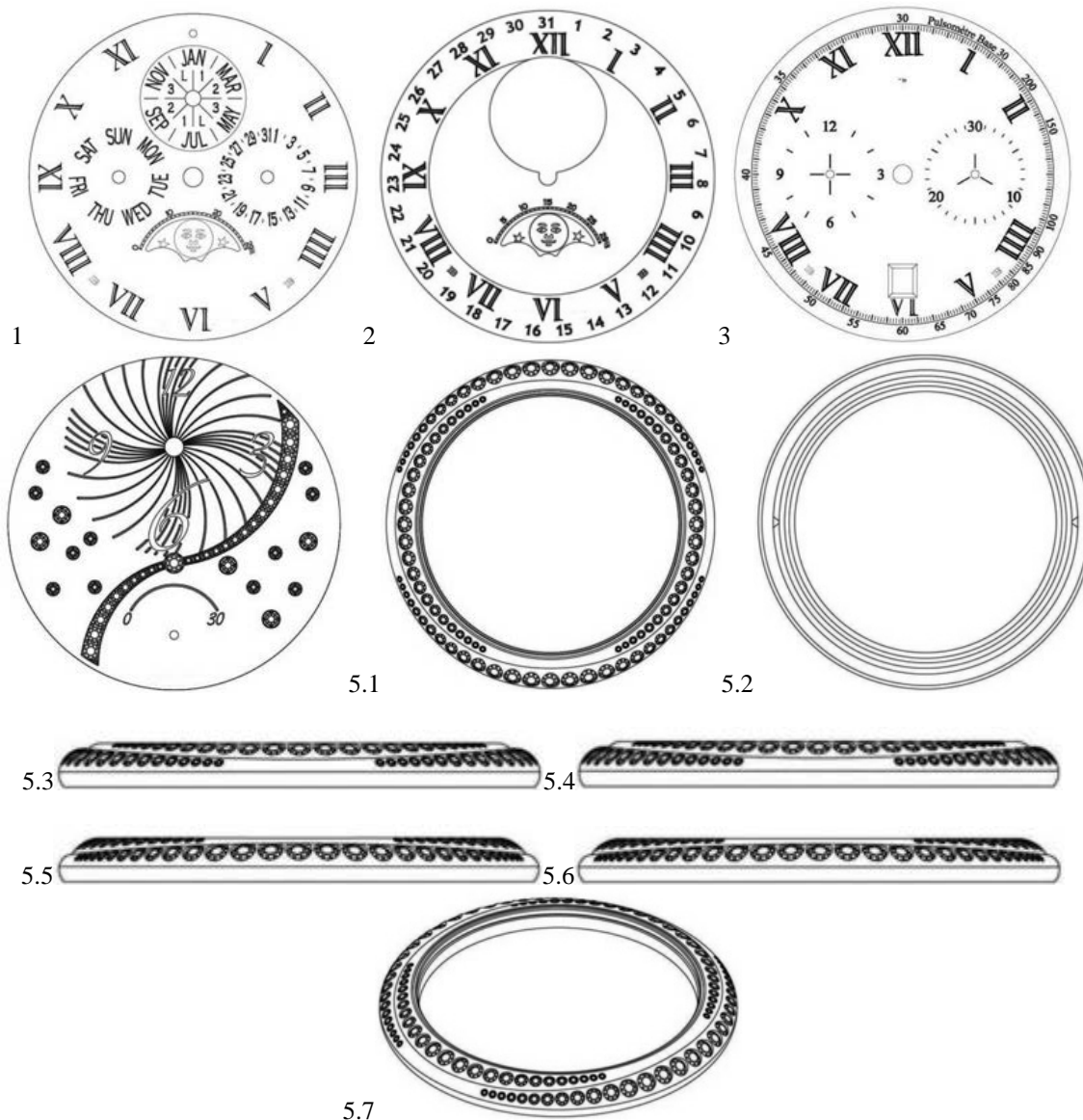
2-3: Alan APPREDERISSE

Av. du Léman 48, 1005 Lausanne, Suisse;

5: Patrice NANGA, Avenue Dapples 26, 1006 Lausanne, Suisse

(54) 1.-4. Dials; 5. Watch rim

(55)



(11) DM/082879**(51) 02-07**

(15) 2014 02 17

(45) 2014/33 (2014 08 22)

(22) 2014 02 17

(28) 1

(73) OMEGA SA (OMEGA AG) (OMEGA LTD.)

Jakob-Stämpfli-Strasse 96, CH-2502 Biel/Bienne (CH)

(85) CH

(86) CH

(87) CH

(88) CH

(89) CH

(81) II. BZ, MA. III. AL, AM, AZ, BA, CH, EM, GE, KG, LI, MC, MD, ME, MK, MN, NO, OM, SG, TJ, TN, TR, UA

(72) 1: Jean-Claude Monachon

Rue Alice-de-Chambrier 1, 2022 Bevaix, Suisse

(54) 1. Belt buckle

(55)



(11) DM/082909

(15) 2014 02 18

(22) 2014 02 18

(28) 2

(73) SWATCH AG (SWATCH SA)(SWATCH LTD.)

Jakob-Stämpfli-Strasse 94, CH-2502 Biel/Bienne (CH)

(85) CH

(86) CH

(87) CH

(88) CH

(89) CH

(81) II. BZ, MA. III. AL, AM, AZ, BA, CH, EM, GE, KG, LI, MC, MD, ME, MK, MN, NO, OM, SG, TJ, TN, TR, UA

(72) 1: Michelangelo Pellegrino, Swatchlab

Via Archimede 6, 20129 Milano, Italie;

2: Rossana Boffi, Swatchlab, Via Archimede 6, 20129 Milano, Italie

(54) 1.-2. Wristwatches

(55)

(51) 10-02

(45) 2014/33 (2014 08 22)



(11) DM/082911

(15) 2014 02 21

(22) 2014 02 21

(28) 2

(73) MONTRES BREGUET S.A.

Place de la Tour 23, CH-1344 L'ABBAYE (CH)

(85) CH

(86) CH

(87) CH

(88) CH

(89) CH

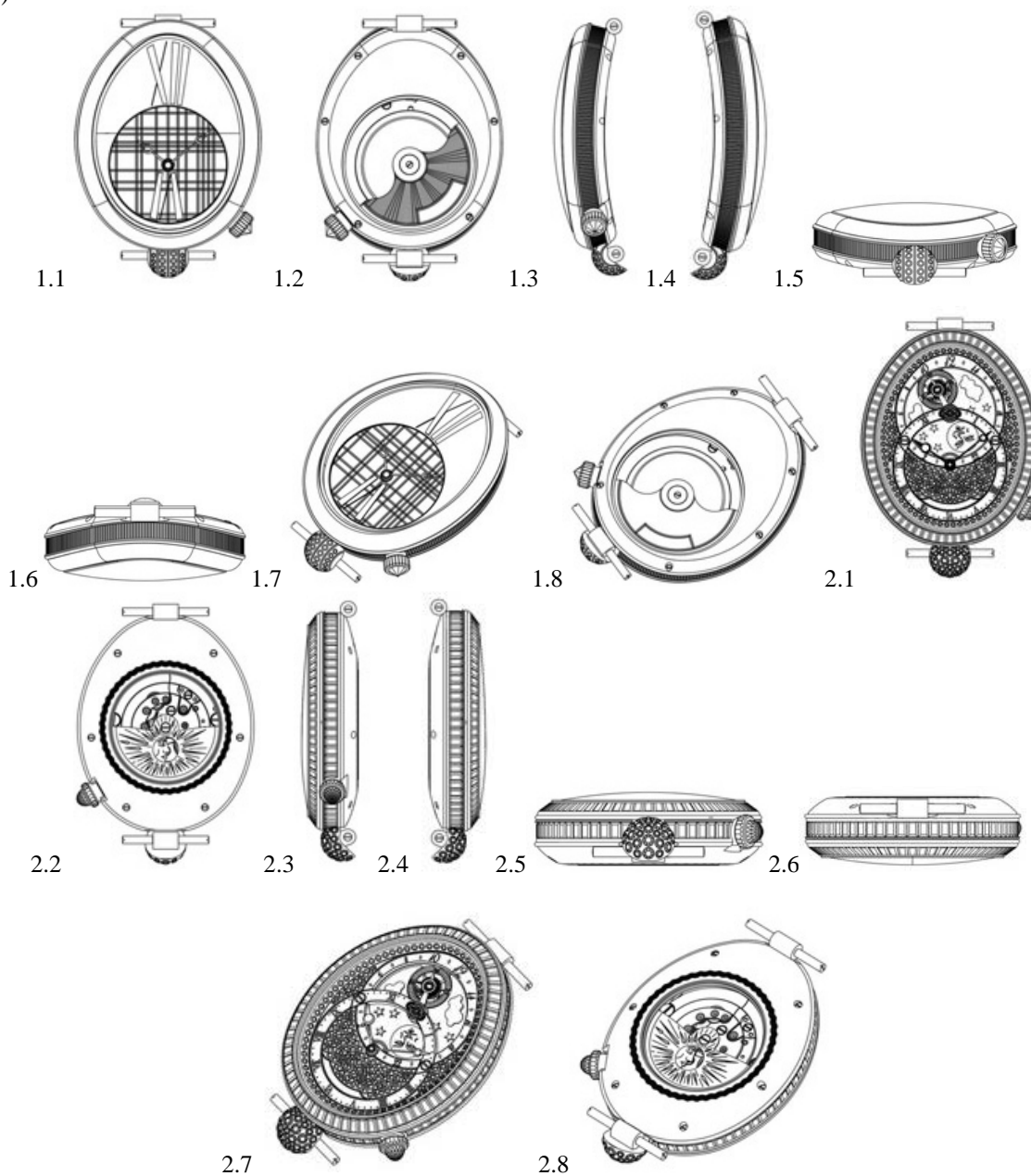
(81) II. BZ, MA. III. AL, AM, AZ, BA, CH, EM, GE, KG, LI, MC, MD, ME, MK, MN, NO, OM, SG, TJ, TN, TR, UA

(72) Vincent Laucella

Route de France 38, 1348 Le Brassus, Suisse

(54) 1.-2. Watches

(55)



(11) DM/082913

(51) 19-06

(15) 2014 02 19

(45) 2014/33 (2014 08 22)

(22) 2014 02 19

(28) 2

(73) MONTRES JAQUET DROZ SA (MONTRES JAQUET DROZ AG) (MONTRES JAQUET DROZ LTD.)
Allée du Tourbillon 2, CH-2300 La Chaux-de-Fonds (CH)

(85) CH

(86) CH

(87) CH

(88) CH

(89) CH

(81) II. BZ, MA. III. AL, AM, AZ, BA, CH, EM, GE, KG, LI, MC, MD, ME, MK, MN, NO, OM, SG, TJ, TN, TR, UA

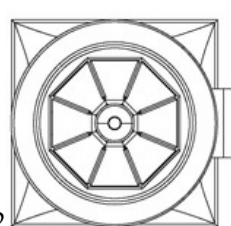
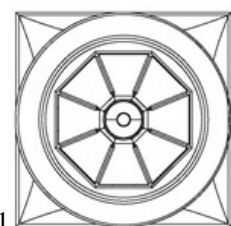
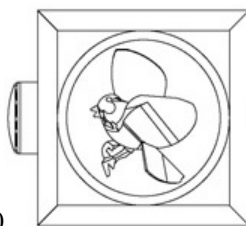
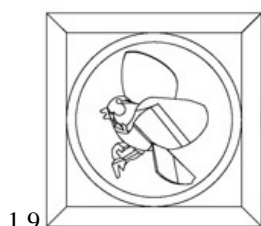
(72) 1-2: Yann LEIGGENER

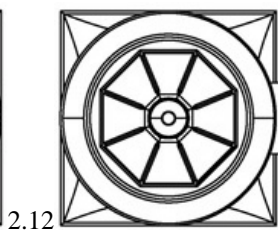
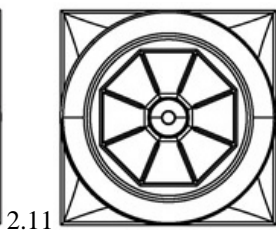
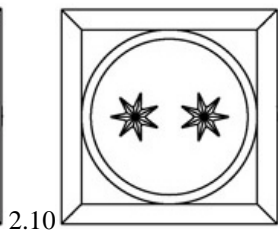
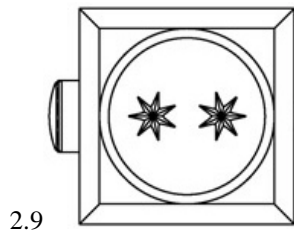
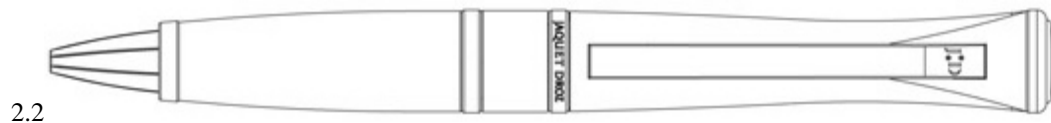
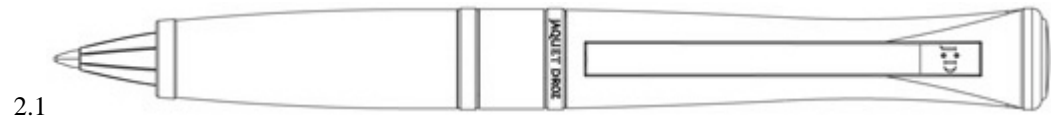
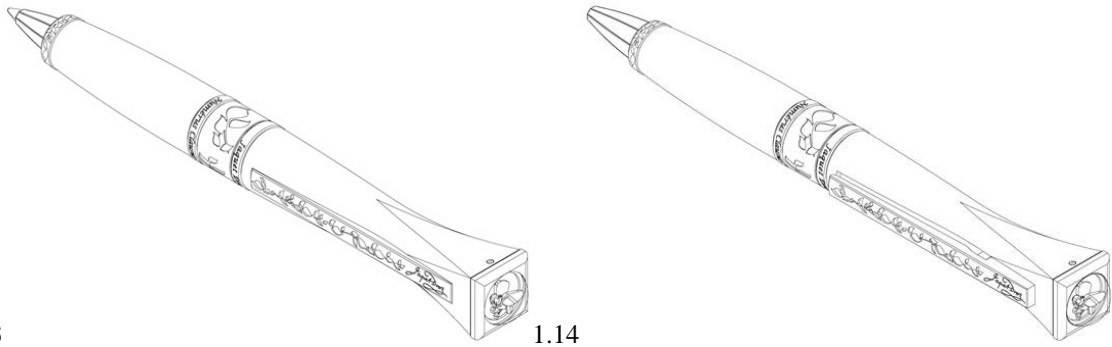
Rue de l'Ecluse 7, 2000 Neuchâtel, Suisse;

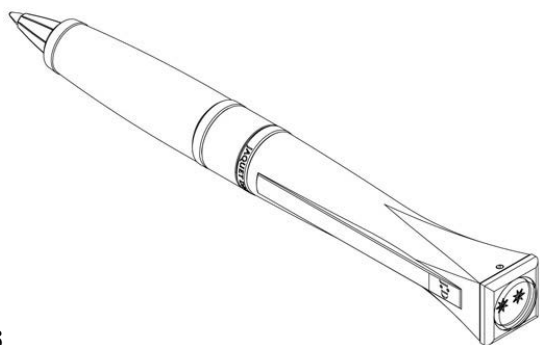
1-2: Maamar BOULARAS, Route des Buchilles 44A, 2017 Boudry, Suisse

(54) 1.-2. Writing implements

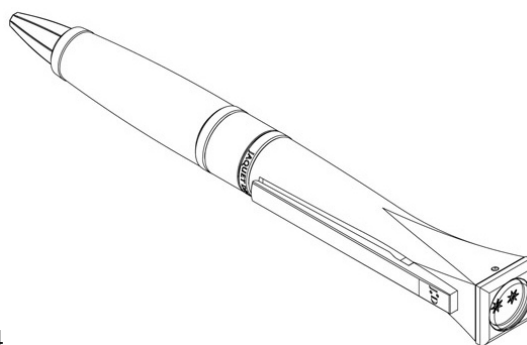
(55)







2.13



2.14

(11) DM/082976

(15) 2014 02 19

(22) 2014 02 19

(28) 9

(73) THE SWATCH GROUP MANAGEMENT SERVICES AG (THE SWATCH GROUP MANAGEMENT SERVICES SA) (THE SWATCH GROUP MANAGEMENT SERVICES LTD.)

Seevorstadt 6, CH-2502 BIEL/BIENNE (CH)

(85) CH

(86) CH

(87) CH

(88) CH

(89) CH

(81) II. BZ, MA. III. AL, AM, AZ, BA, CH, EM, GE, KG, LI, MC, MD, ME, MK, MN, NO, OM, SG, TJ, TN, TR, UA

(72) 1,2,6,9: Fabrice Duport

Av. de la Gare 4, 2000 Neuchâtel, Suisse;

3,4,5,7: Fernando Soares

Rue de Fleury 5, 2000 Neuchâtel, Suisse;

8: Michèle Berri

La Rouette 4, 2516 Lamboing, Suisse

(54) 1.-9. Wristwatches

(55)



1.1



1.2



1.3



1.4



2.1



2.2

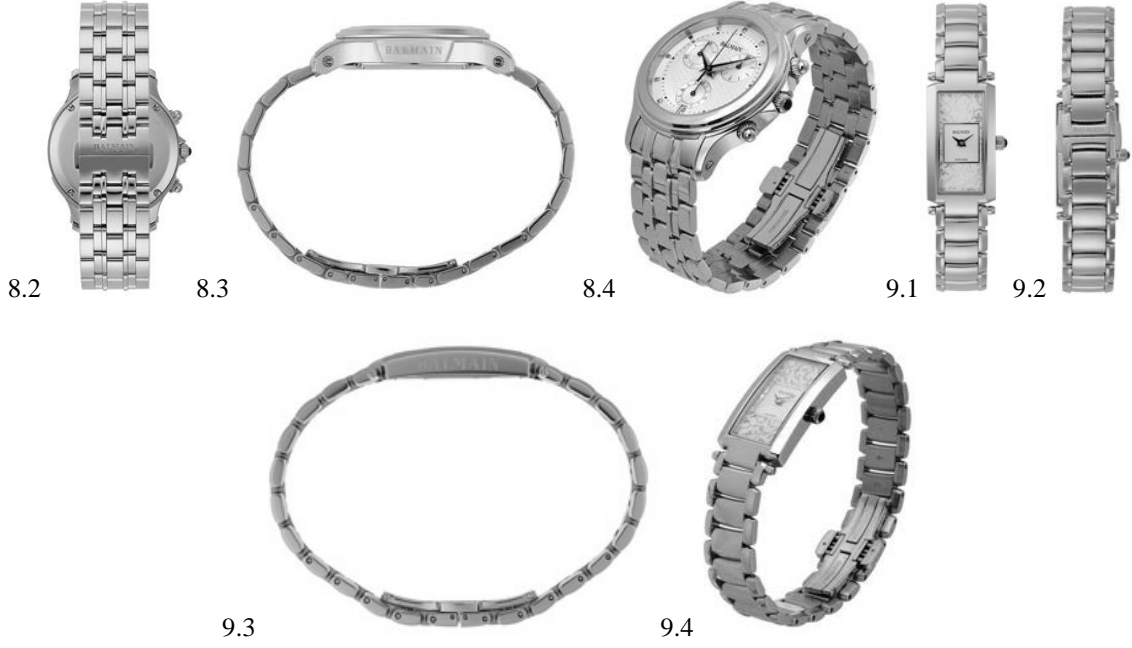


2.3



2.4





(11) DM/084142

(15) 2014 07 25

(22) 2014 07 25

(28) 5

(73) MURATBEY GIDA VE SÜT ÜRÜNLERİ PAZARLAMA SANAYİ VE TİCARET LIMITED ŞİRKETİ

Kocatepe Mah. Megacenter A Blok No:1243-1250, Bayrampaşa İSTANBUL (TR)

(85) TR

(86) TR

(87) TR

(88) TR

(89) TR

(81) III. AL, BA, CH, GE, MD, MK, RS, SY, TJ, TN, UA

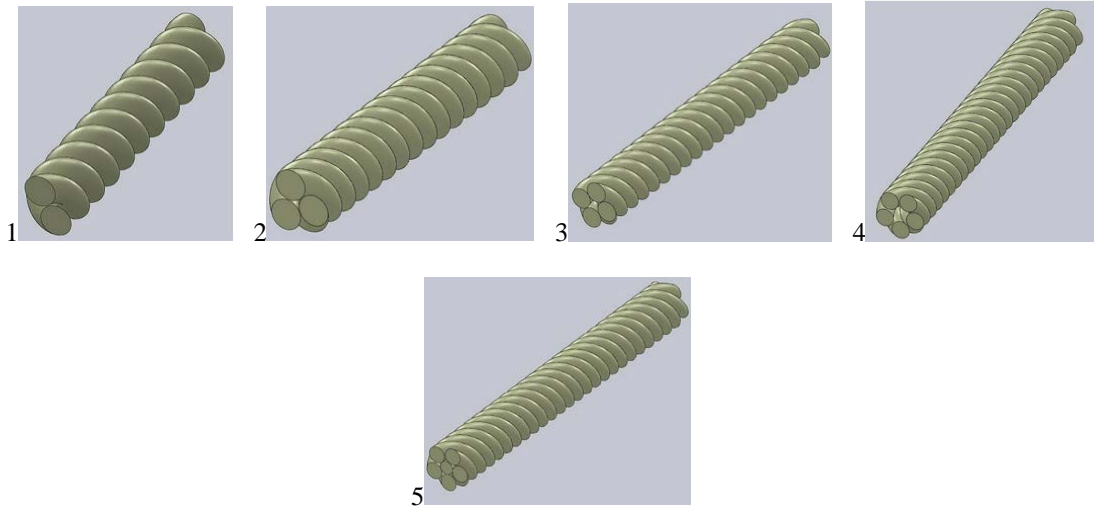
(72) 1-5: Necmi Erol

Kocatepe Mah. Megacenter A Blok No:1243-1250, Bayrampaşa - İstanbul Turkey, Istanbul, Turkey

(54) 1. Double helicoid cheese; 2. Triple helicoid cheese; 3. Fourfold helicoid cheese;

4. Fivefold helicoid cheese; 5. Sixfold helicoid cheese

(55)



(11) DM/082988

(15) 2014 02 25

(22) 2014 02 25

(28) 1

(73) TISSOT SA (TISSOT AG) (TISSOT LTD)

Chemin des Tourelles 17, CH-2400 Le Locle (CH)

(85) CH

(86) CH

(87) CH

(88) CH

(89) CH

(81) II. BZ, MA. III. AL, AM, AZ, BA, CH, EM, GE, KG, LI, MC, MD, ME, MK, MN, NO, OM, SG, TJ, TN, TR, UA

(72) 1: Antonio MERINO

Rue Mercier 7, 2740 Moutier, Switzerland;

1: Paulo Manuel MARINHO BRAVO

Chemin de la Forêt 3, 2068 Hauterive, Switzerland

(54) 1. Watch movement

(55)

(51) Cl. 10-07

(45) 2014/34 (2014 08 29)



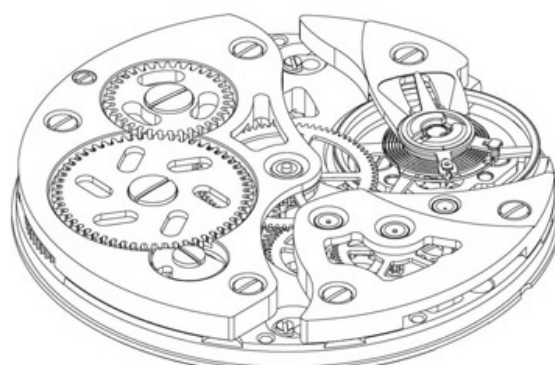
1.1



1.2



1.3



1.4

(11) DM/082995

(51) 10-07

(15) 2014 02 27

(45) 2014/34 (2014 08 29)

(22) 2014 02 27

(28) 2

(73) CERTINA AG (CERTINA SA) (CERTINA LTD.)

17, chemin des Tourelles, CH-2400 LE LOCLE (CH)

(85) CH

(86) CH

(87) CH

(88) CH

(89) CH

(81) II. BZ, MA. III. AL, AM, AZ, BA, CH, EM, GE, KG, LI, MC, MD, ME, MK, MN, NO, OM, SG, TJ, TN, TR, UA

(72) Marco Scarinzi, Scarinzi S.A.

Rue d'Aarberg 107 A, 2501 Biel/Bienne, Suisse;

Renato Scarinzi, Scarinzi S.A.

Rue d'Aarberg 107 A, 2501 Biel/Bienne, Suisse;

Claude Emmenegger, Claude Emmenegger Design Office

Rue du Parc 137, 2300 La Chaux-de-Fonds, Suisse

(54) 1.-2. Watch cases

(55)



1.1



1.2



1.3



1.4



1.5



1.6



1.7



1.8



2.1



2.2



2.3



2.4



(11) DM/083021

(15) 2014 03 05

(22) 2014 03 05

(28) 5

(73) HARRY WINSTON SA

Chemin du Tourbillon 8, CH-1228 Plan-les-Ouates (CH)

(85) CH

(86) CH

(87) CH

(88) CH

(89) CH

(81) II. BZ, MA. III. AL, AM, AZ, BA, CH, EM, GE, KG, LI, MC, MD, ME, MK, MN, NO, OM, SG, TJ, TN, TR, UA

(72) 1-5: Delphine ABDOURAHIM

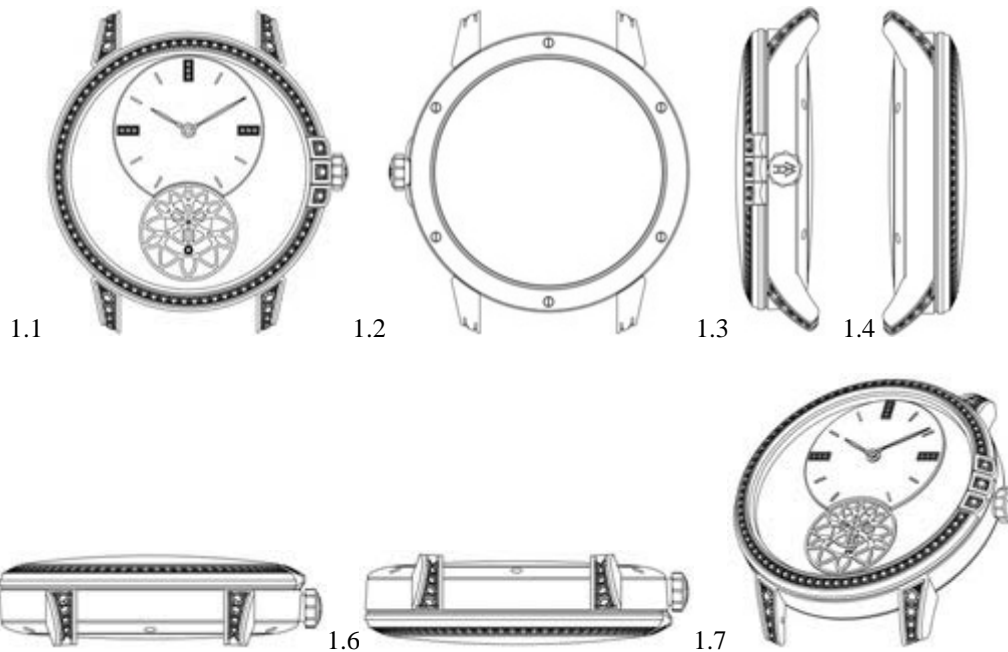
Rue de Carouge 63, 1205 Genève, Suisse

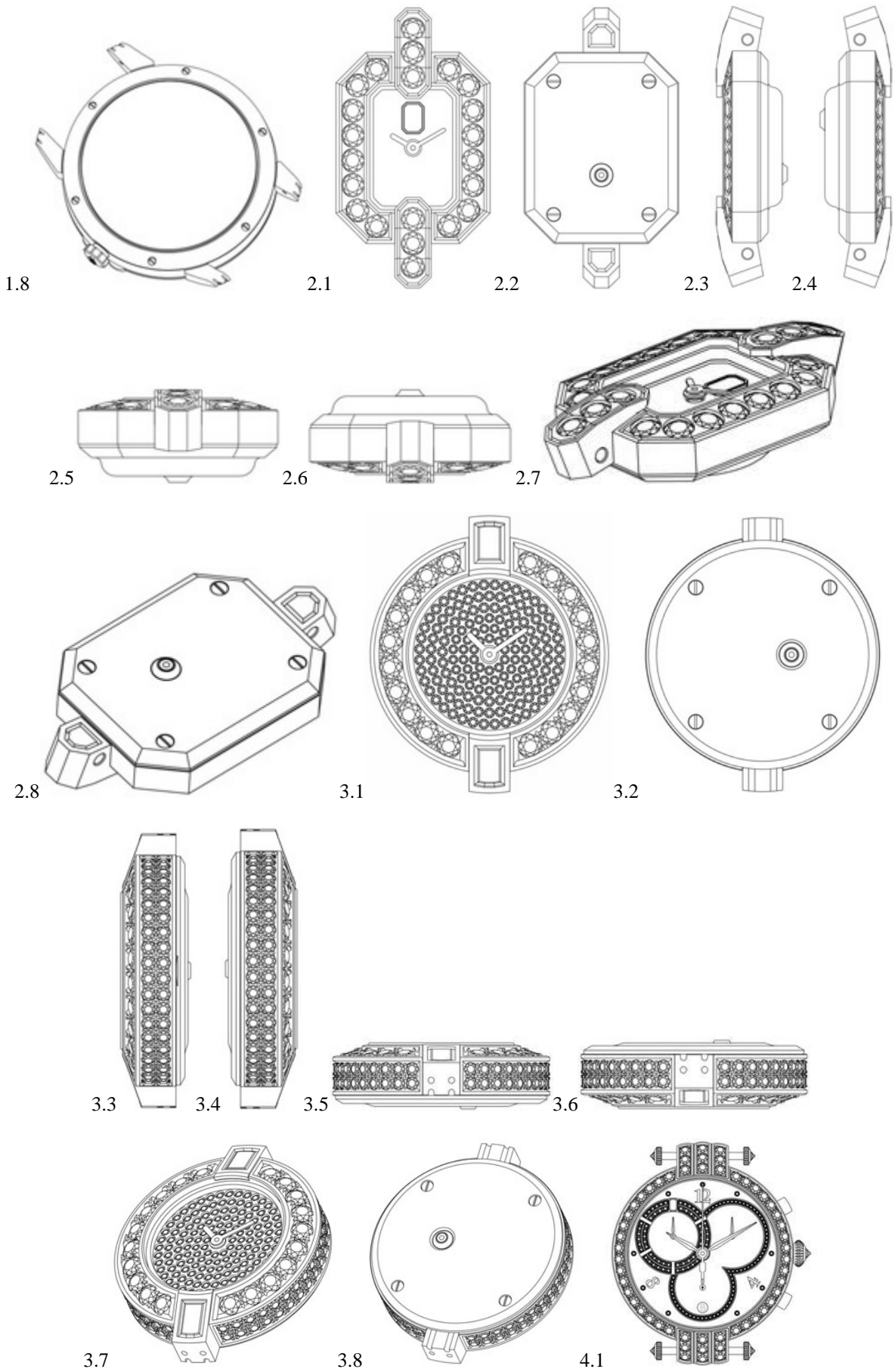
(54) 1.-5. Watches

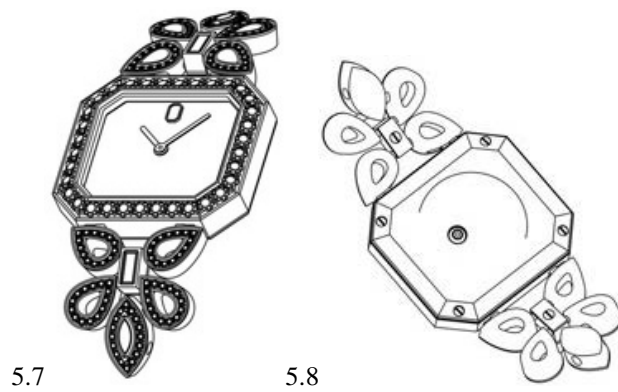
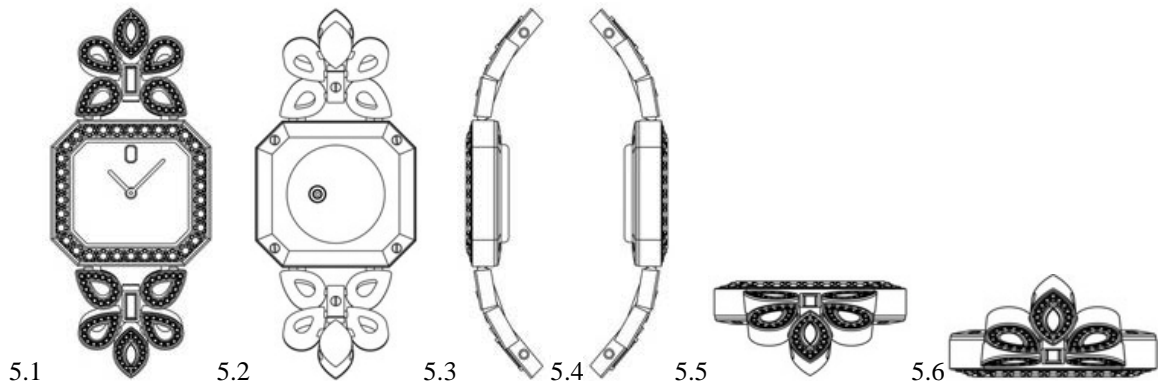
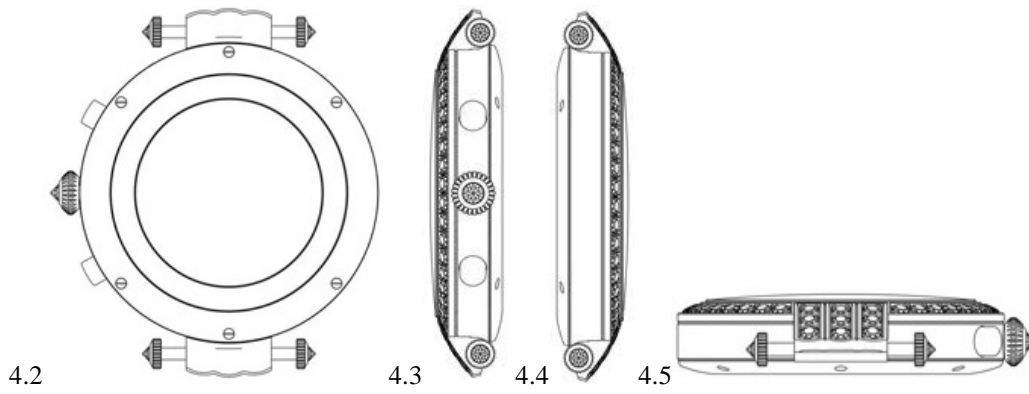
(55)

(51) 10-02

(45) 2014/35 (2014 09 05)







(11) DM/083060

(51) 11-01

(15) 2014 03 05

(45) 2014/35 (2014 09 05)

(22) 2014 03 05

(28) 5

(73) HARRY WINSTON SA

Chemin du Tourbillon 8 CH-1228 Plan-les-Ouates (CH)

(85) CH

(86) CH

(87) CH

(88) CH

(89) CH

(81) II. BZ, MA, III. AL, AM, AZ, BA, CH, EM, GE, KG, LI, MC, MD, ME, MK, MN, NO, OM, SG, TJ, TN, TR, UA

(72) 1,2,4,5: Chaeree KWON

635 W. 42nd Street, Apt. N17e, 10036 New York N.Y., États-Unis d'Amérique;

3: Rie YATSUGI-KANG

272 Highland Street, 07626 Cresskill N.J., États-Unis d'Amérique

(54) 1.-2. Earrings; 3. Pendant; 4.-5. Pendants (necklaces)

(55)



1.1



1.2



1.3



1.4



1.5



1.6



1.7



1.8



2.1



2.2



2.3



2.4

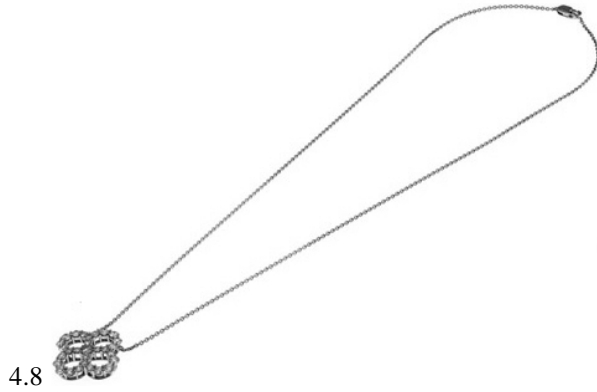




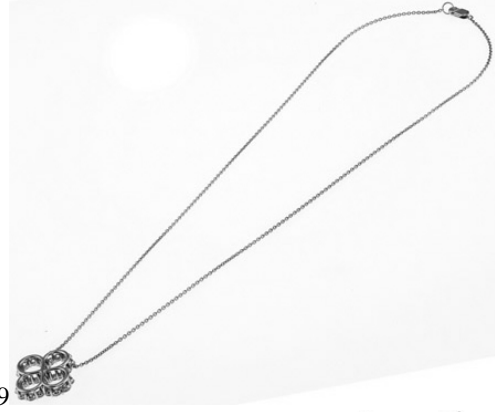
4.6



4.7



4.8



4.9



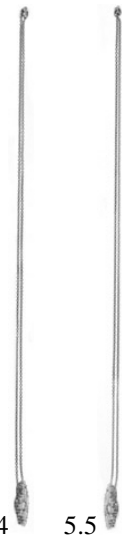
5.1



5.2



5.3



5.4

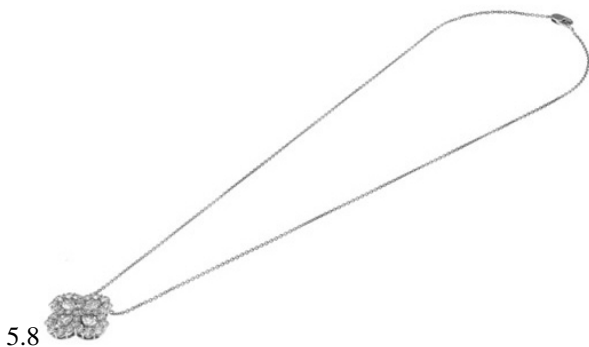
5.5



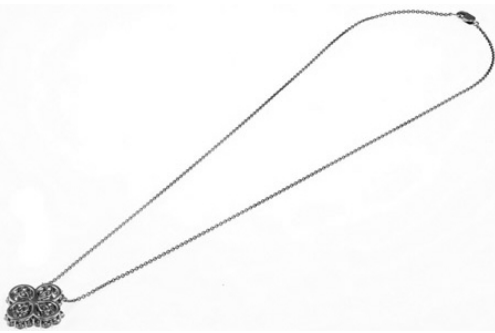
5.6



5.7

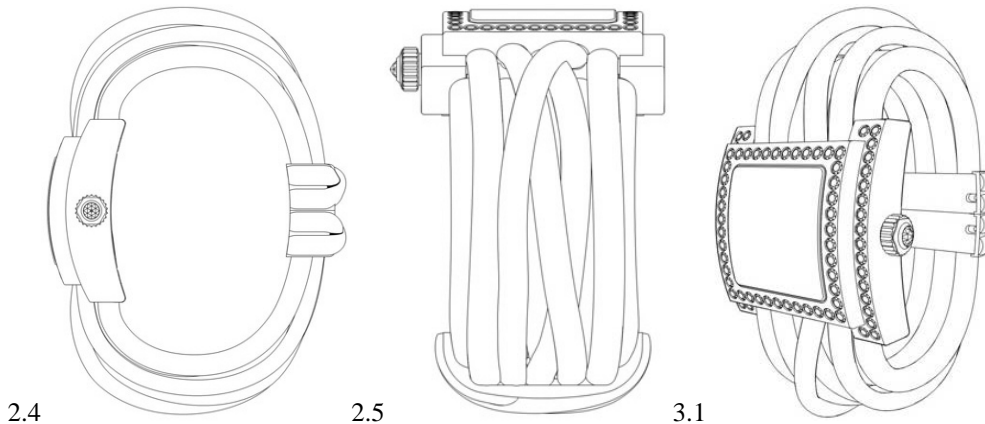
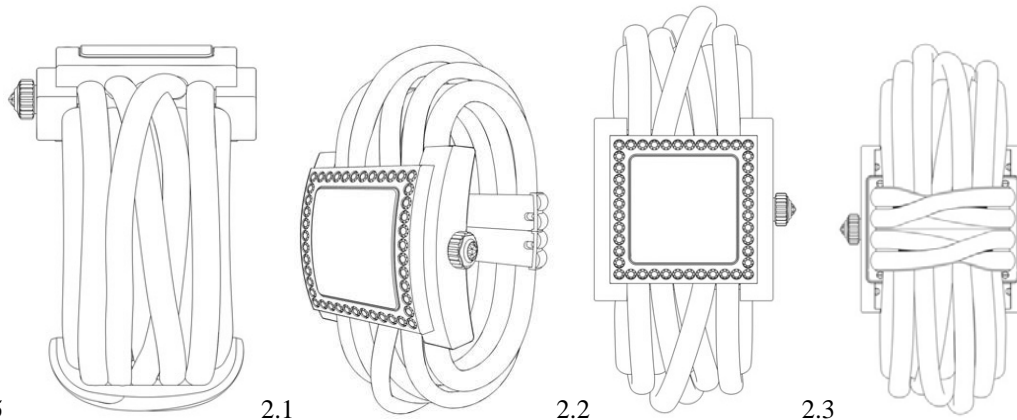
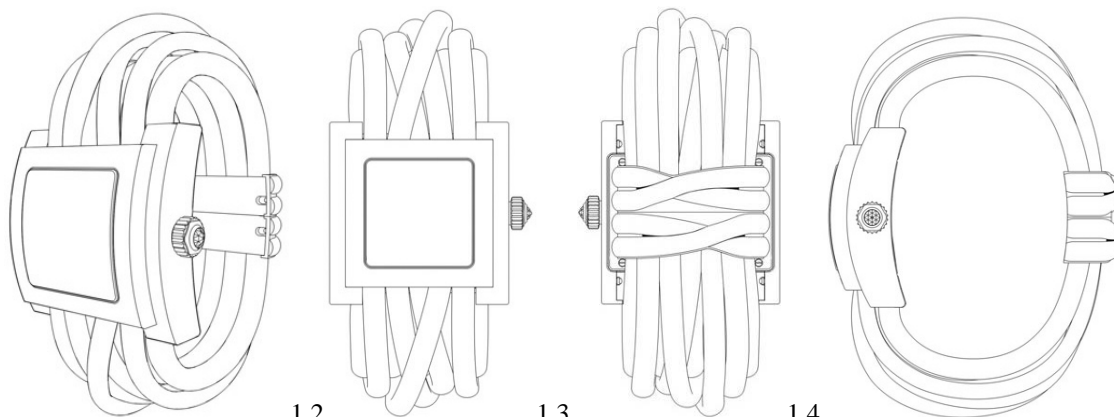


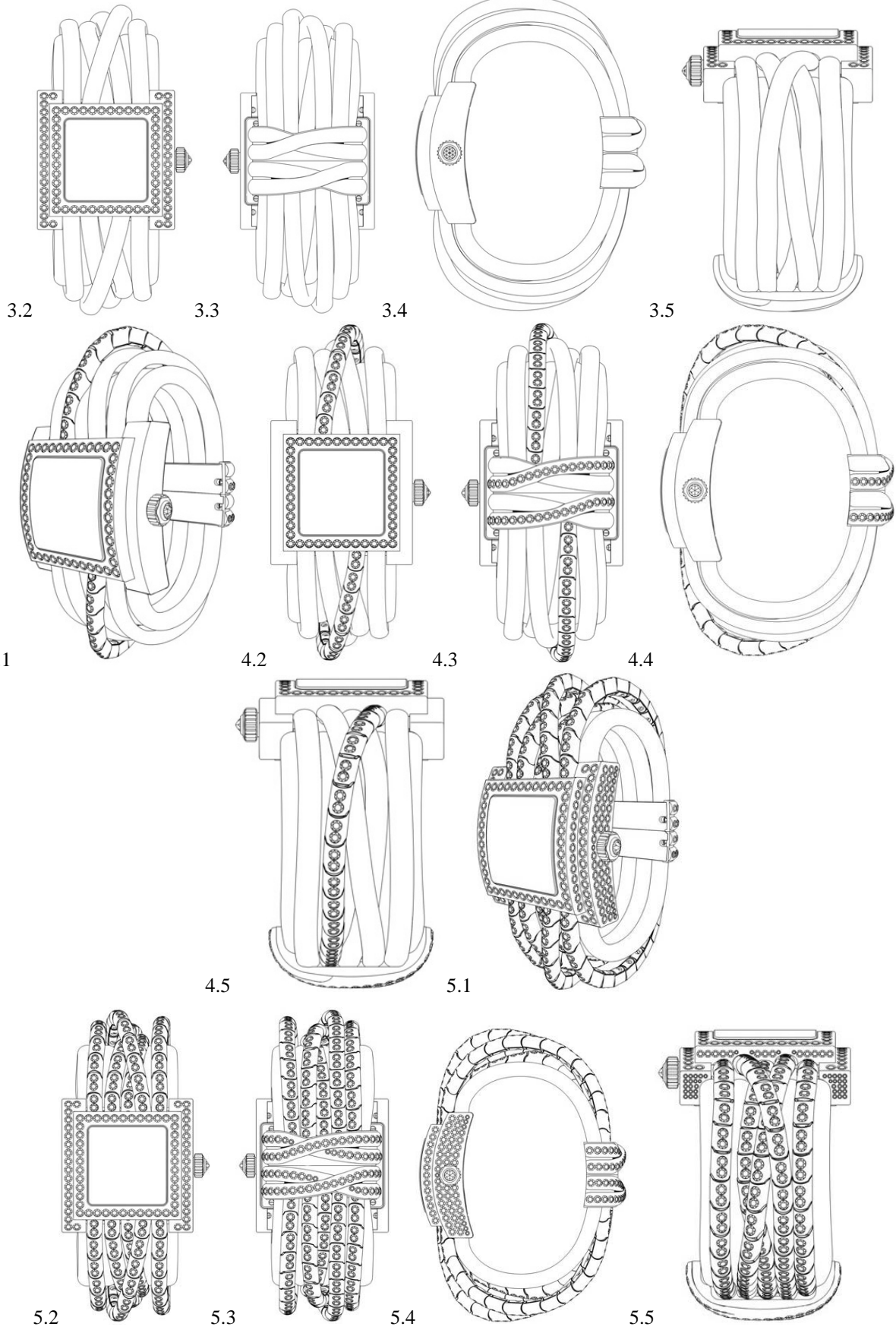
5.8



5.9

(11) DM/084217 (51) 10-02
 (15) 2014 07 28 (45) 2014/35 (2014 09 05)
 (22) 2014 07 28
 (28) 5
 (30) 06.02.2014; 140456; CH
 (73) DE GRISOGONO S.A.
 176bis, Route de Saint-Julien CH-1228 Plan-les-Ouates (CH)
 (85) CH
 (86) CH
 (87) CH
 (88) CH
 (89) CH
 (81) II. MA. III. EG, ES, GE, MC, OM, SG, TR, UA
 (72) 1-5: Fawaz Gruosi
 Chemin de Trembley, 30, 1197 Prangins, Switzerland
 (54) 1.-5. Wrist watches
 (55)





(11) DM/084248**(51) 26-03**

(15) 2014 08 22

(45) 2014/35 (2014 09 05)

(22) 2014 08 22

(28) 1

(30) 31.03.2014; 001407571-0001; EM

(73) SCHREDER, SOCIÉTÉ ANONYME

Rue de Lusambo 67, B-1190 Bruxelles (BE)

(85) --

(86) BX, EM

(87) BX, EM

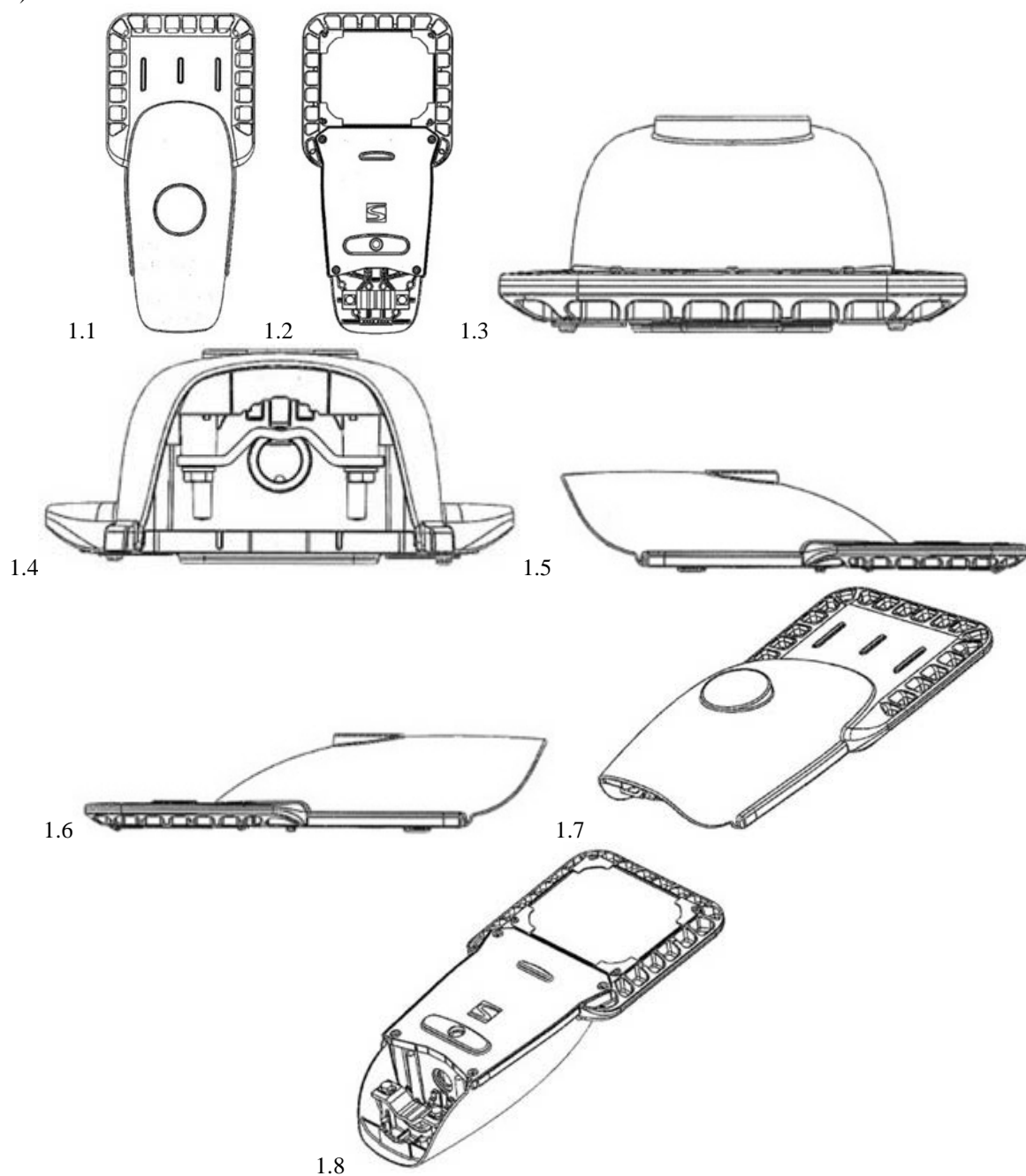
(88) BX, EM

(89) EM

(81) III. CH, GE, ME, MK, RS, UA

(54) 1. Outdoor lighting fixture

(55)



(11) DM/078356

(51) 24-04

(15) 2012 03 11

(45) 2014/36 (2014 09 12)

(22) 2012 03 11

(28) 2

(73) FIRMA INGEMARSSON

Vilvordevej 61, DK-2920 Charlottenlund (DK)

(85) DK, EM

(86) DK, EM

(87) DK, EM

(88) DK, EM

(89) DK

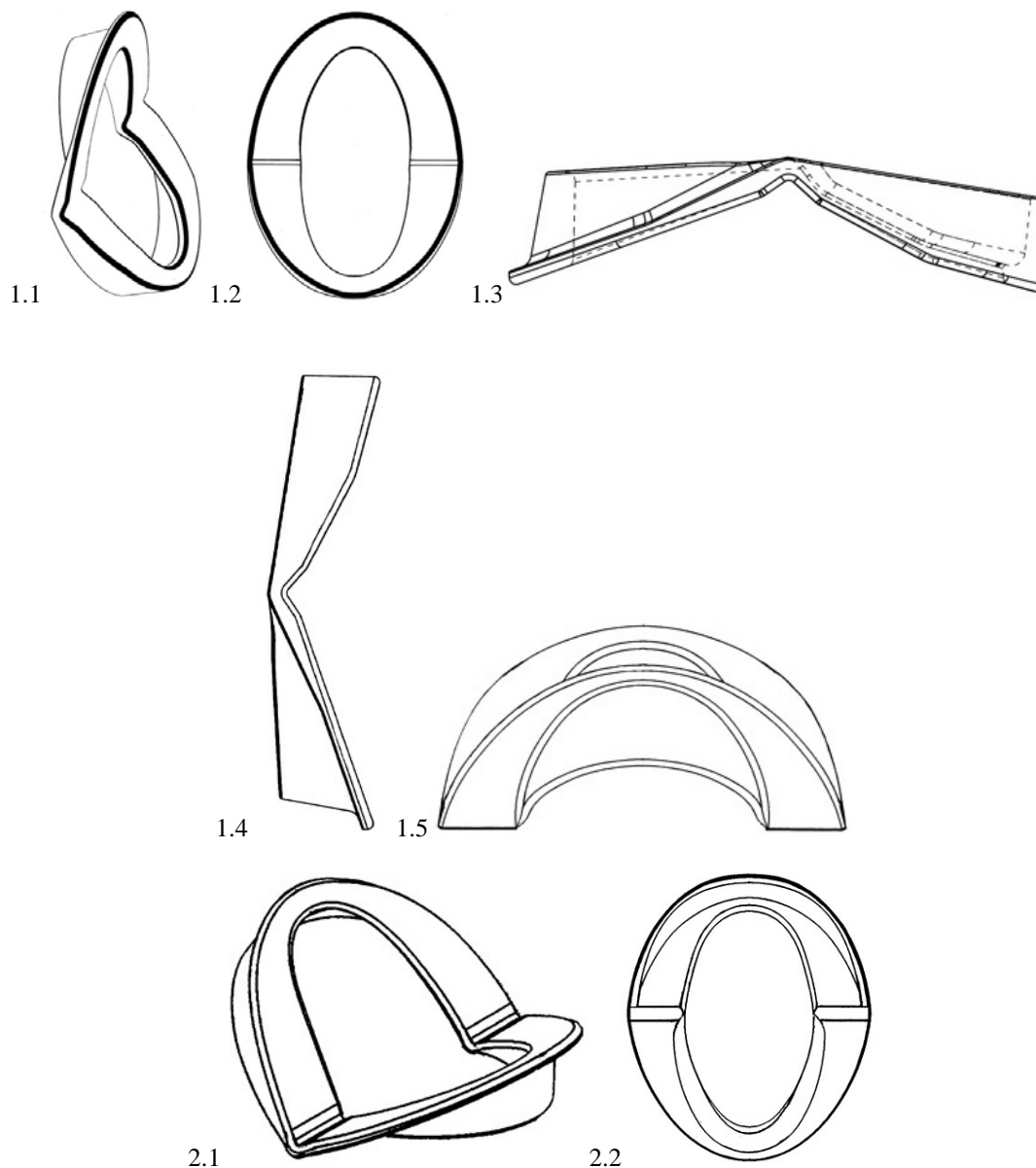
(81) III. AL, AM, AZ, BA, BW, CH, EG, EM, GE, GH, HR, KG, LI, MD, ME, MK, MN, NA, OA, OM, RS, RW, ST, SY, TR

(72) Natashia Ingemarsson-Matzen

Vilvordevej 61, DK-2920 Charlottenlund

(54) 1.-2. Snoring and sleep apnea prevention devices

(55)



(11) DM/083055

(15) 2014 03 07

(22) 2014 03 07

(28) 1

(73) OMEGA SA (OMEGA AG) (OMEGA LTD.)

Jakob-Stämpfli-Strasse 96, CH-2502 Biel/Bienne (CH)

(85) CH

(86) CH

(87) CH

(88) CH

(89) CH

(81) II. BZ, MA. III. AL, AM, AZ, BA, CH, EM, GE, KG, LI, MC, MD, ME, MK, MN, NO, OM, SG, TJ, TN, TR, UA

(72) Jean-Claude Monachon

Rue Alice-de-Chambrier 1, 2022 Bevaix, Suisse

(54) 1. Watch

(55)

(51) 10-02

(45) 2014/36 (2014 09 12)



1.1



1.2



1.3



1.4



1.5



1.6



1.7



1.8

(11) DM/083056

(51) 10-07

(15) 2014 03 07

(45) 2014/36 (2014 09 12)

(22) 2014 03 07

(28) 2

(73) ETA SA MANUFACTURE HORLOGÈRE SUISSE

Schild-Rust-Strasse 17, CH-2540 Grenchen (CH)

(85) CH

(86) CH

(87) CH

(88) CH

(89) CH

(81) II. BZ, MA, III. AL, AM, AZ, BA, CH, EM, GE, KG, LI, MC, MD, ME, MK, MN, NO, OM, SG, TJ, TN, TR, UA

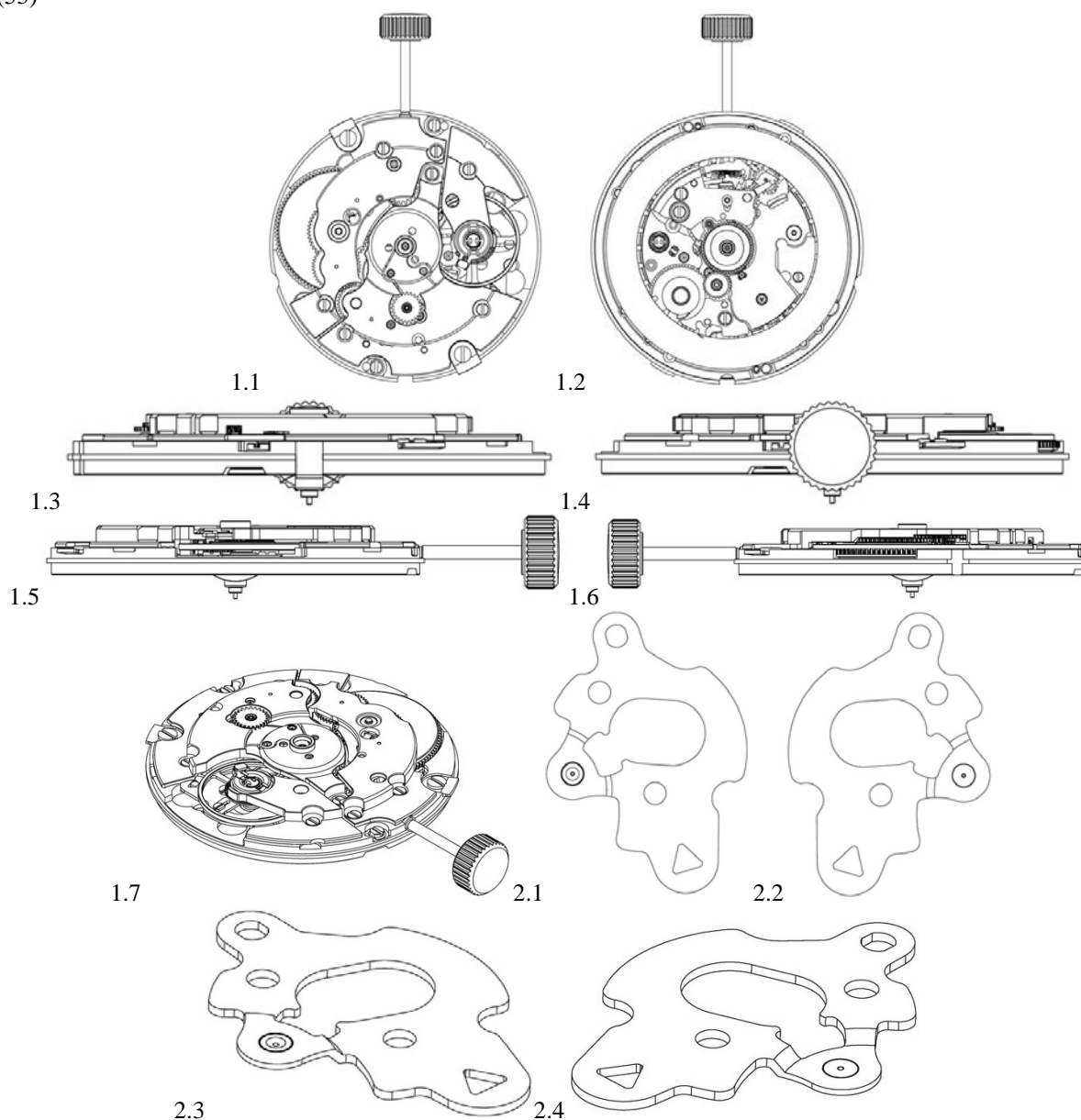
(72) Roman EGLI

Leuenallee 10, 4702 Oensingen, Suisse;

Paulo Manuel BRAVO, Chemin de la Forêt 3, 2068 Hauterive, Suisse

(54) 1. Timepiece movement; 2. Part of timepiece movement

(55)



(11) DM/083067

(15) 2014 03 10

(22) 2014 03 10

(28) 3

(73) MONTRES BREGUET S.A.

Place de la Tour 23, CH-1344 L'ABBAYE (CH)

(85) CH

(86) CH

(87) CH

(88) CH

(89) CH

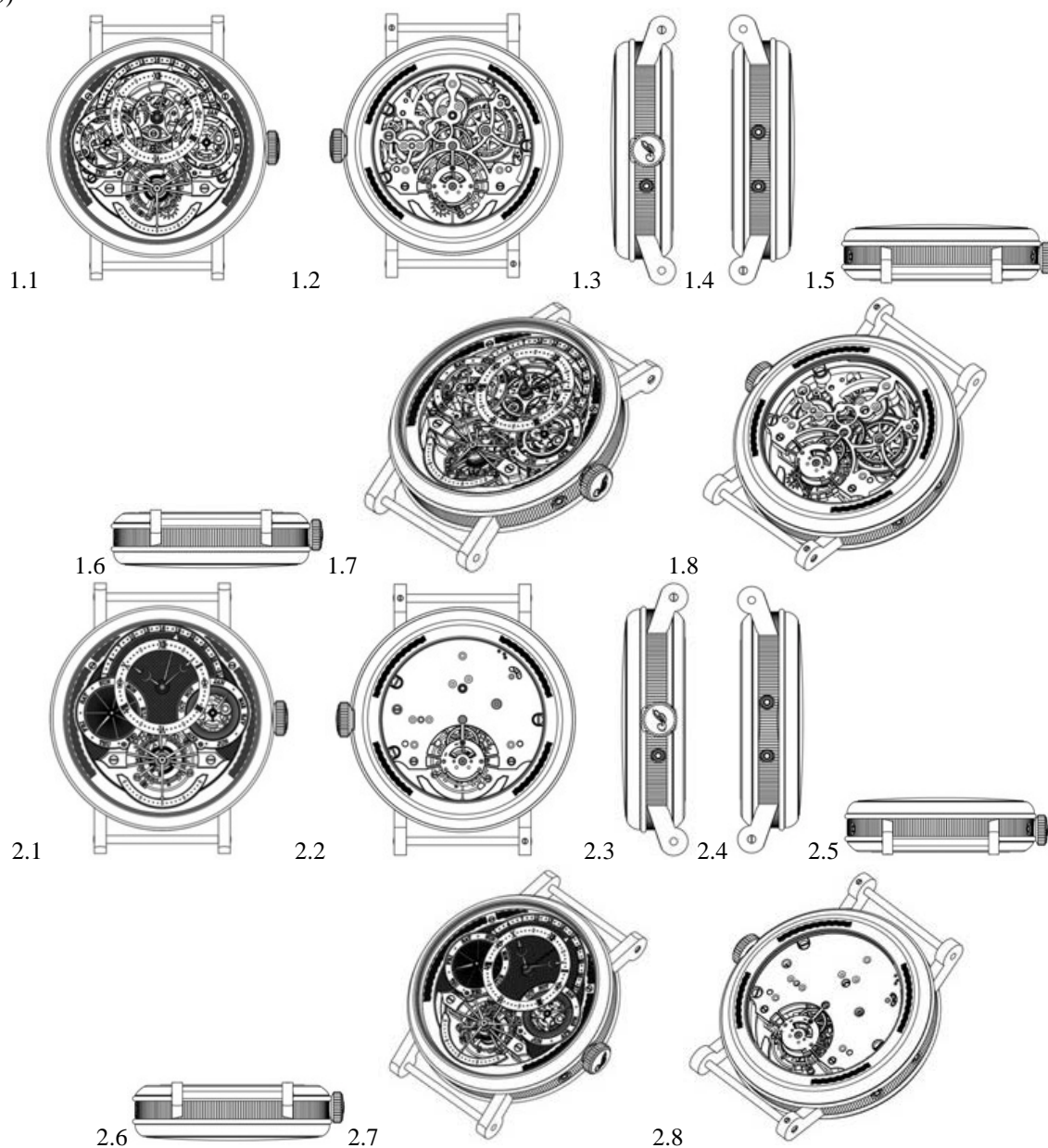
(81) II. BZ, MA. III. AL, AM, AZ, BA, CH, EM, GE, KG, LI, MC, MD, ME, MK, MN, NO, OM, SG, TJ, TN, TR, UA

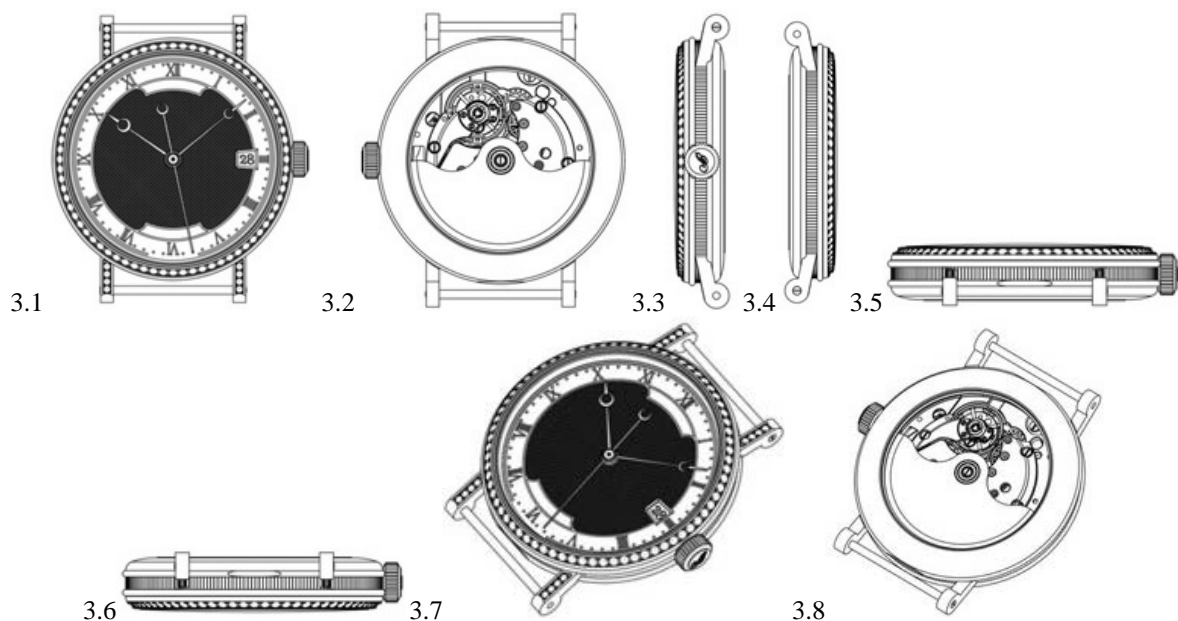
(72) Vincent Laucella

Route de France 38, 1348 Le Brassus, Suisse

(54) 1.-3. Watches

(55)





(11) DM/083089

(15) 2014 03 07

(22) 2014 03 07

(28) 1

(73) THE SWATCH GROUP MANAGEMENT SERVICES AG (THE SWATCH GROUP MANAGEMENT SERVICES SA) (THE SWATCH GROUP MANAGEMENT SERVICES LTD)

Seevorstadt 6, CH-2502 Biel/Bienne (CH)

(85) CH

(86) CH

(87) CH

(88) CH

(89) CH

(81) II. BZ, MA. III. AL, AM, AZ, BA, CH, EM, GE, KG, LI, MC, MD, ME, MK, MN, NO, OM, SG, TJ, TN, TR, UA

(72) 1: Fernando Soares

Rue de Fleury 5, 2000 Neuchâtel, Suisse

(54) 1. Wristwatch

(55)



(11) DM/083091

(15) 2014 03 10

(22) 2014 03 10

(28) 9

(73) HARRY WINSTON SA

Chemin du Tourbillon 8, CH-1228 Plan-les-Ouates (CH)

(85) CH

(86) CH

(87) CH

(88) CH

(89) CH

(81) II. BZ, MA. III. AL, AM, AZ, BA, CH, EM, GE, KG, LI, MC, MD, ME, MK, MN, NO, OM, SG, TJ, TN, TR, UA

(72) 1,5: Steve Kamilindi

Rue Prévost-Martin 21, 1205 Genève, Suisse;

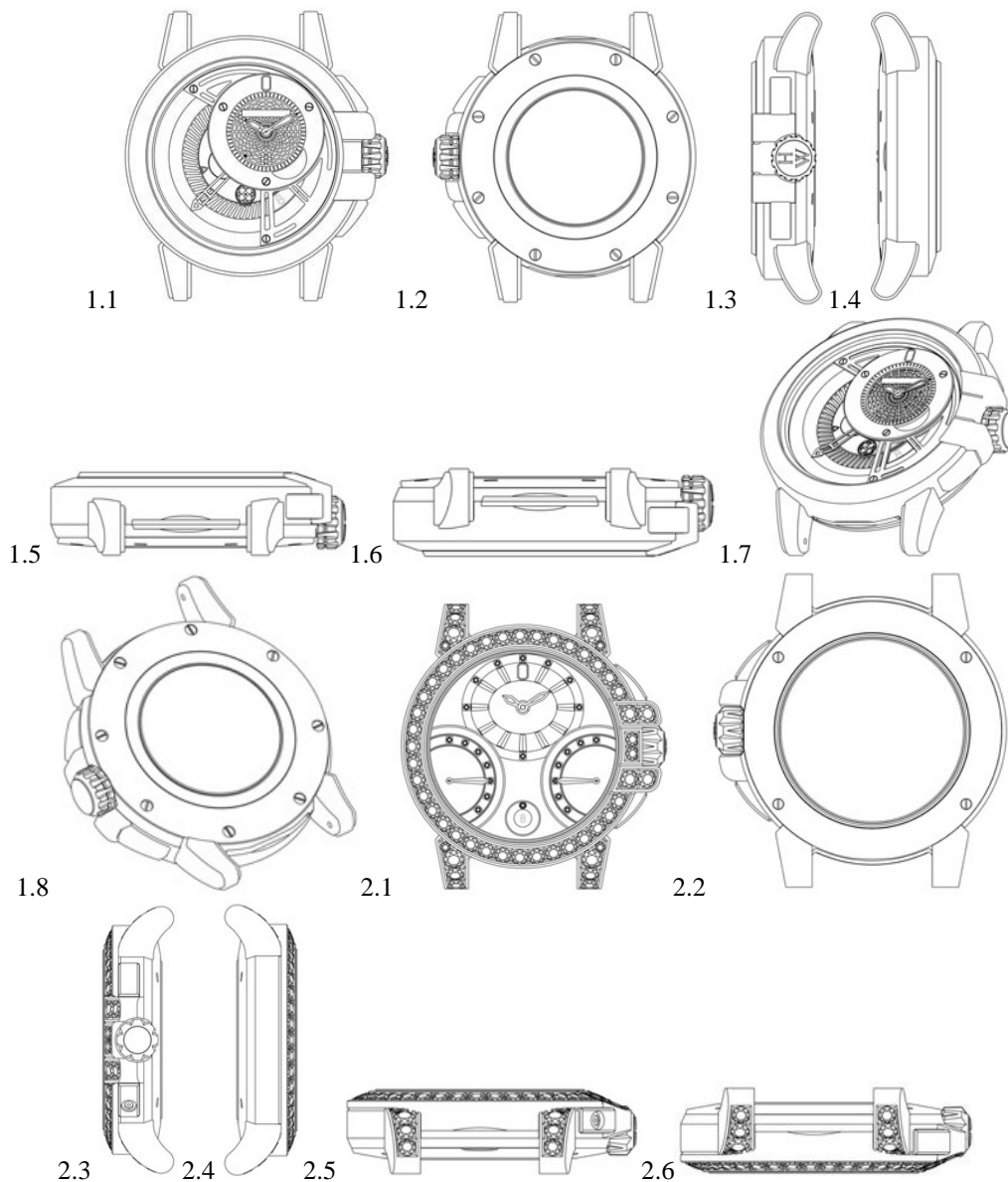
2,3,4,6,8: Delphine ABDOURAHIM

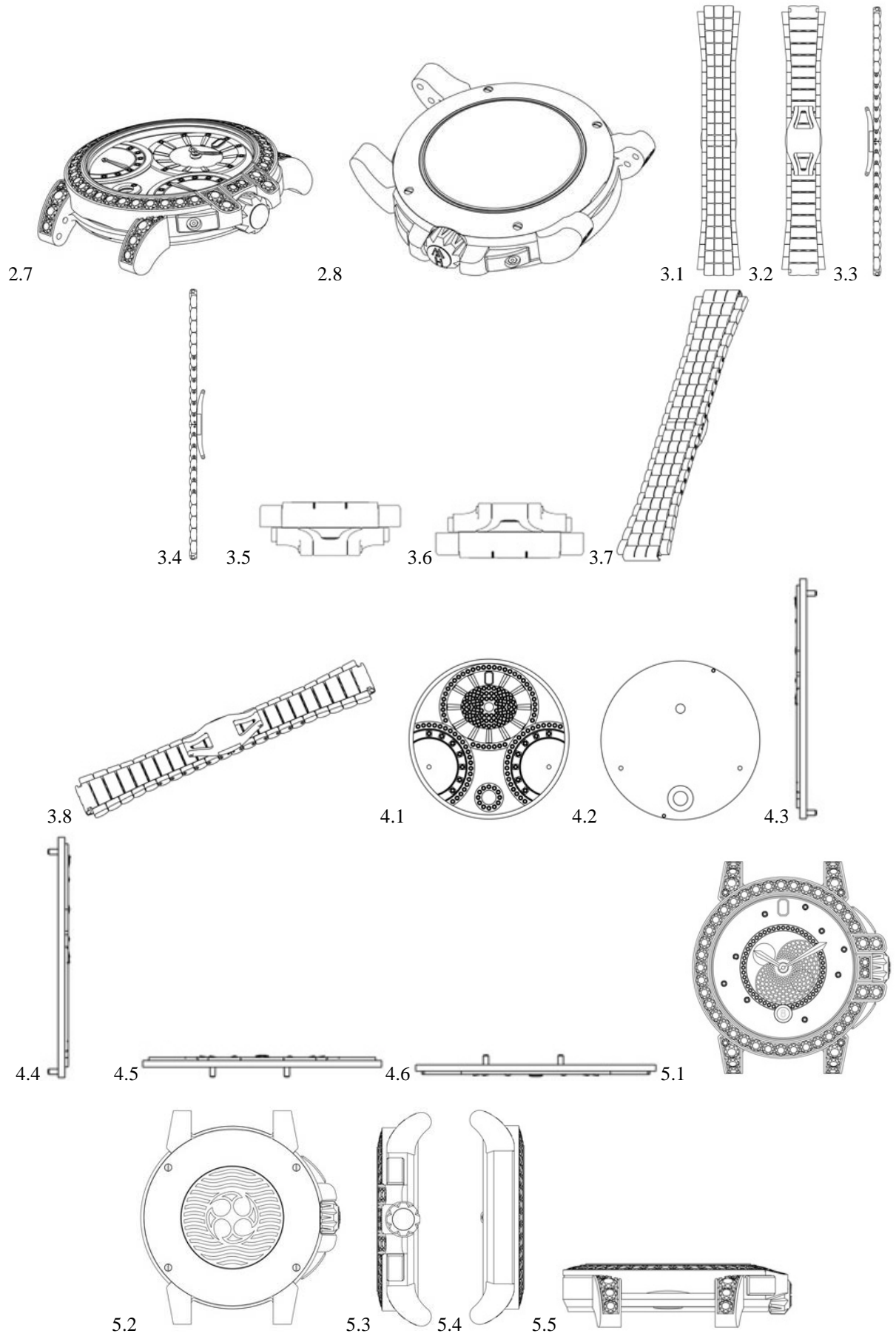
Rue de Carouge 63, 1205 Genève, Suisse;

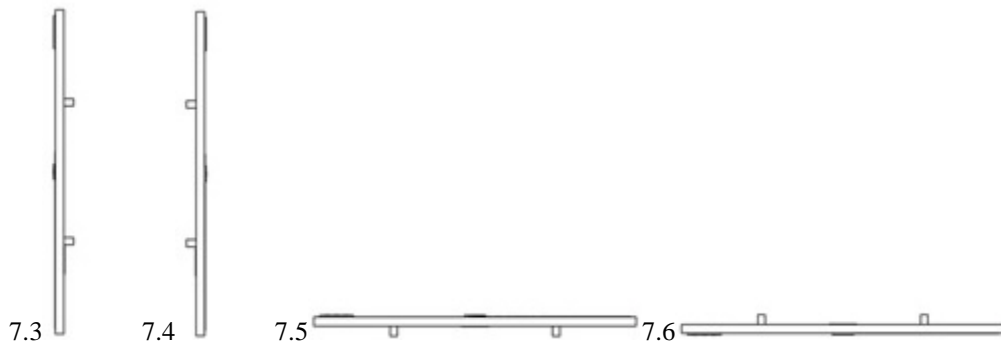
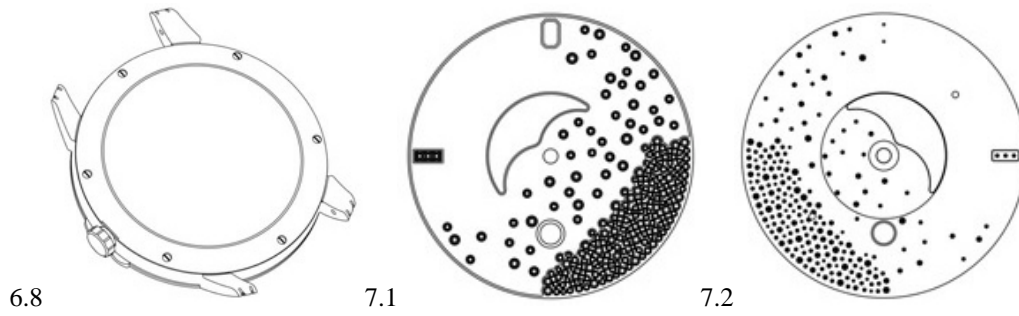
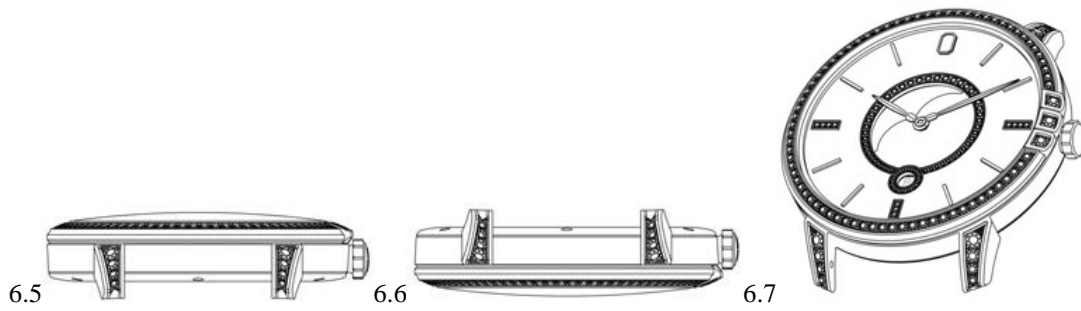
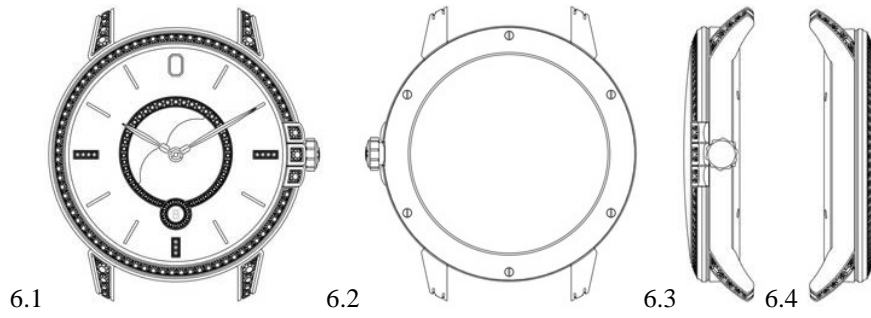
7,9: Christophe LASSERRE, Chemin de la Blance 8, 1253 Vandoeuvres, Suisse

(54) 1.-2. Watches; 3. Watch bracelet; 4. Dial; 5-6: Watches; 7.-8. Dials; 9. Watch

(55)

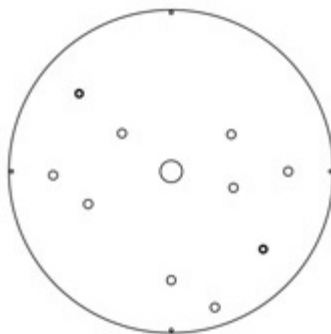




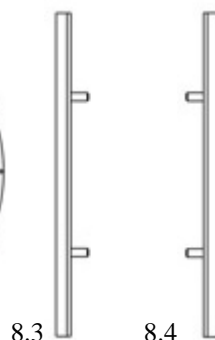




8.1



8.2



8.3

8.4



8.5



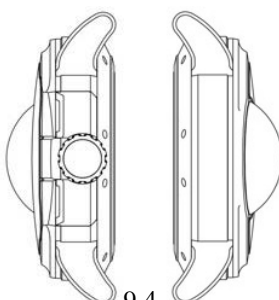
8.6



9.1

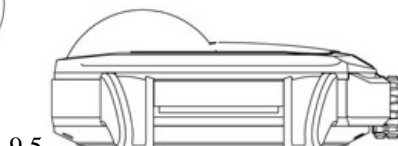


9.2

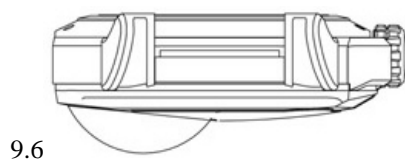


9.3

9.4



9.5



9.6



9.7



9.8

(11) DM/083096**(51) 11-01**

(15) 2014 03 06

(45) 2014/36 (2014 09 12)

(22) 2014 03 06

(28) 9

(73) OMEGA SA (OMEGA AG) (OMEGA LTD.)

Jakob-Stämpfli-Strasse 96, CH-2502 Biel/Bienne (CH)

(85) CH

(86) CH

(87) CH

(88) CH

(89) CH

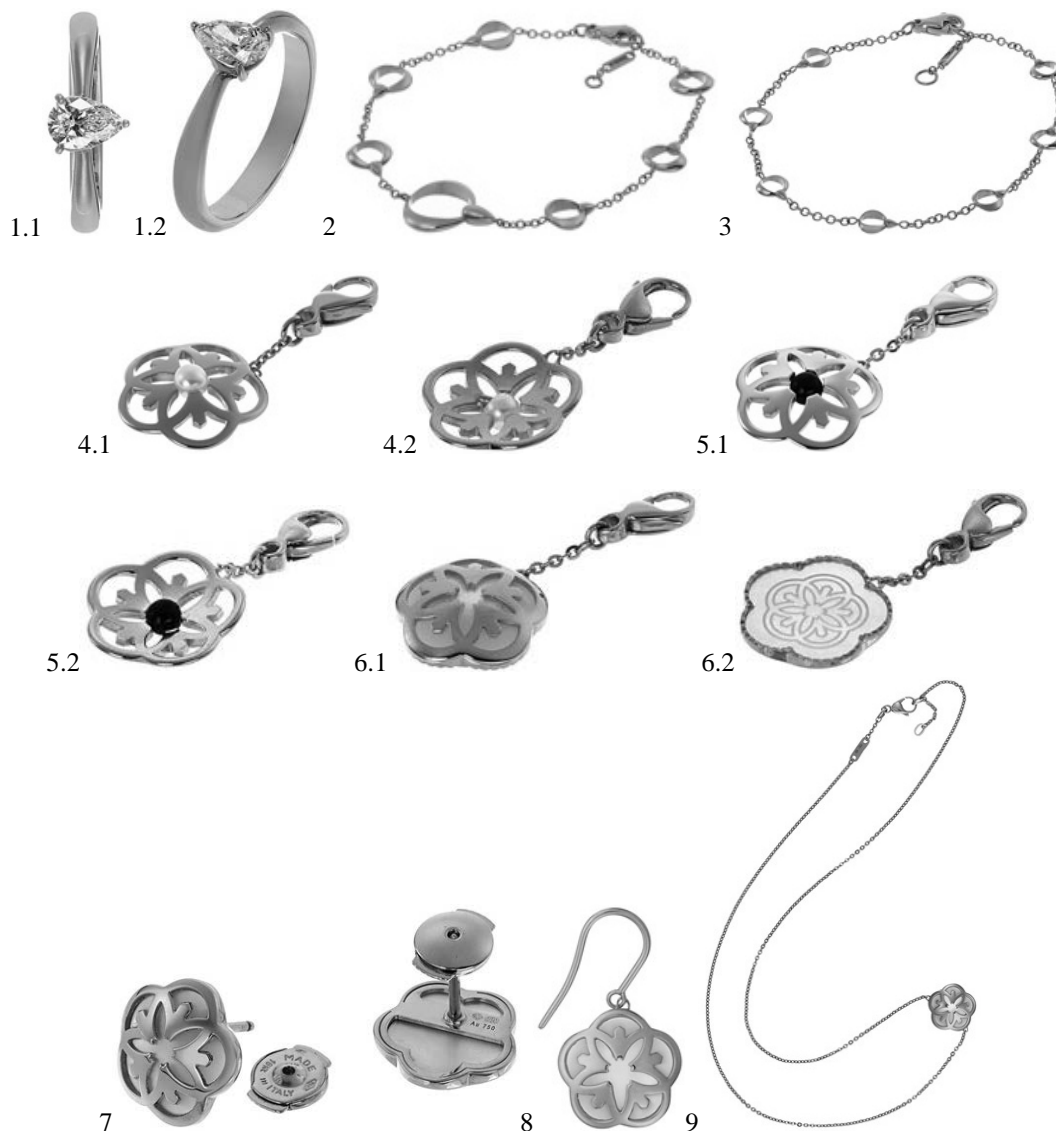
(81) II. BZ, MA. III. AL, AM, AZ, BA, CH, EM, GE, KG, LI, MC, MD, ME, MK, MN, NO, OM, SG, TJ, TN, TR, UA

(72) Jean-Claude Monachon

Rue Alice-de-Chambrier 1, 2022 Bevaix, Suisse

(54) 1. Finger ring; 2.-3. Bracelets; 4.-6. Charms; 7.-8. Earrings; 9. Pendant (necklace)

(55)



(11) DM/083112

(51) 10-07

(15) 2014 03 12

(45) 2014/36 (2014 09 12)

(22) 2014 03 12

(28) 2

(73) BLANCPAIN SA

Le Rocher 12, CH-1348 LE BRASSUS (CH)

(85) CH

(86) CH

(87) CH

(88) CH

(89) CH

(81) II. BZ, MA. III. AL, AM, AZ, BA, CH, EM, GE, KG, LI, MC, MD, ME, MK, MN, NO, OM, SG, TJ, TN, TR, UA

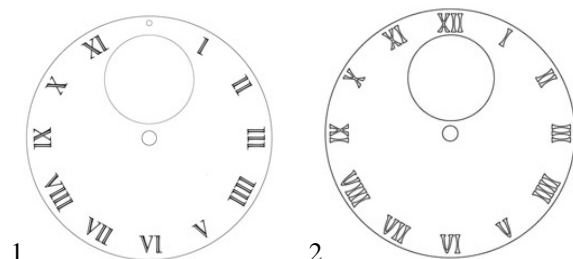
(72) 1: Patrice NANGA

Avenue Dapples 26, 1006 Lausanne, Suisse;

2: Alan APPREDERISSE, Avenue du Léman 48, 1005 Lausanne, Suisse

(54) 1.-2. Dials

(55)



(11) DM/083128

(51) 11-01

(15) 2014 03 12

(45) 2014/36 (2014 09 12)

(22) 2014 03 12

(28) 2

(73) HARRY WINSTON SA

Chemin du Tourbillon 8, CH-1228 Plan-les-Ouates (CH)

(85) CH

(86) CH

(87) CH

(88) CH

(89) CH

(81) II. BZ, MA. III. AL, AM, AZ, BA, CH, EM, GE, KG, LI, MC, MD, ME, MK, MN, NO, OM, SG, TJ, TN, TR, UA

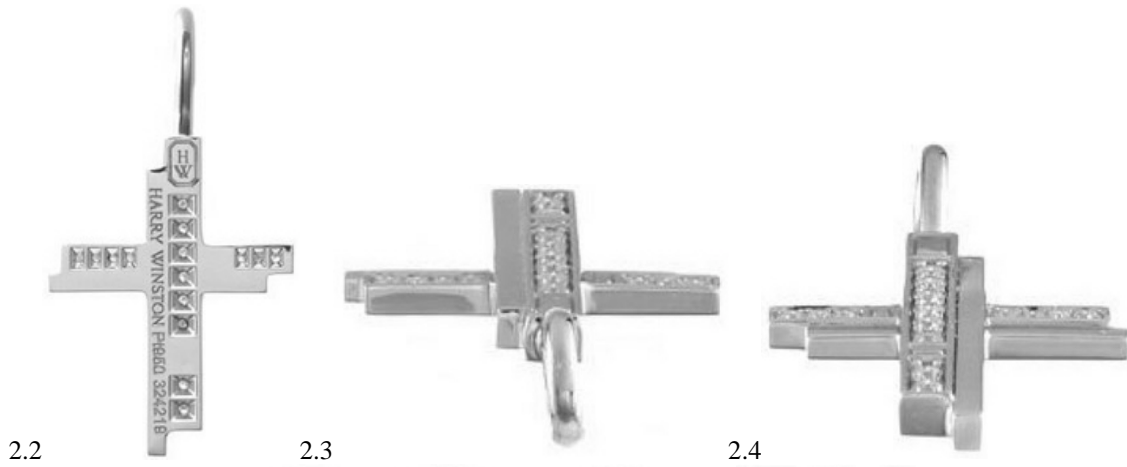
(72) 1-2: Rie YATSUGI-KANG

272 Highland Street , 07626 Cresskill, New Jersey, États-Unis d'Amérique

(54) 1.-2. Jewelry articles

(55)





TRADEMARKS

APPLICATIONS FILED UNDER THE NATIONAL PROCEDURE APPROVED FOR REGISTRATION

The decision can be appealed at the Chamber of Appeal of Sakpatenti within 3 months from the publication or at the Mtskheta District Court Administrative Cases Board (Address: №17, Samkhedro str., Mtskheta), within 1 month following the publication.

(260) AM 2014 74495 A
(210) AM 074495
(220) 2013 10 28
(731) KAPCI Coatings Al-Raswa
P.O. Box 118, Port Said, Egypt
(740) Ketevan Tsakadze
(540)



(591) Dark grey, white, blue, sky-blue, green,
light green, yellow, orange, red, black
(531) 03.07.03-27.05.05-28.01.00-29.01.15-
(511) 2

(260) AM 2014 75220 A
(210) AM 75220
(220) 2013 12 20
(731) ROYALTY BUGABOO GMBH
Schmidgasse 3, CH-6300 ZUG, Switzerland
(740) Tamaz Shilakadze
(540)

BUGABOO

(591) Black, white
(511) 12, 18, 24

(260) AM 2014 75228 A
(210) AM 75228
(220) 2013 12 23
(731) LTD "A-B-C PHARMACIA"
Sanapiros q. 10, 0108, Tbilisi, Georgia
(740) Salome Jeladze
(540)

ჯანმრთელობა იყიდება

(591) Black, white
(511) 35, 44

(260) AM 2014 75248 A
(210) AM 75248
(220) 2013 12 24
(731) HONEYWELL INTERNATIONAL INC.
101 Columbia Road, Morristown,
New Jersey 07962, USA
(740) Tamaz Shilakadze
(540)

HOWARD LEIGHT

(591) Black, white
(511) 10

(260) AM 2014 75249 A
(210) AM 75249
(220) 2013 12 24
(731) TRIFTY RENT-A-CAR SYSTEM, INC.
5330 East 31 st Street, Tulsa, Oklahoma
74135, USA
(740) Pavle Meipariani
(540)

THRIFTY

(591) Black, white
(511) 39

(260) AM 2014 75283 A
(210) AM 75283
(220) 2013 12 26
(731) H. LUNDBECK A/S.
Ottiliavej 9, 2500 Valby, Denmark
(740) Shalva Gvaramadze
(540)

Клопиксол

(591) Black, white
(511) 5

(260) AM 2014 75284 A
(210) AM 75284
(220) 2013 12 26
(731) H. LUNDBECK A/S.
Ottiliavej 9, 2500 Valby, Denmark
(740) Shalva Gvaramadze
(540)

Клопиксол-Акуфаз

(740) Davit Zurabishvili

(540)



(591) White, blue, yellow, beige, brown

(531) 25.05.25, 27.05.01, 28.05, 25.01.25, 05.13.07, 25.01.01

(511) 30

(260) AM 2014 75376 A

(210) AM 75376

(220) 2014 01 08

(731) KAREN VARDANYAN

Bairon Str. 3, Ap. 36, Yerevan, Armenia

(740) Davit Zurabishvili

(540)



(591) White, yellow, blue, black, violet, silver

(531) 25.01.01, 25.07.17, 05.07.06, 27.05.01, 28.19, 29.01.14

(511) 30

(260) AM 2014 75377 A

(210) AM 75377

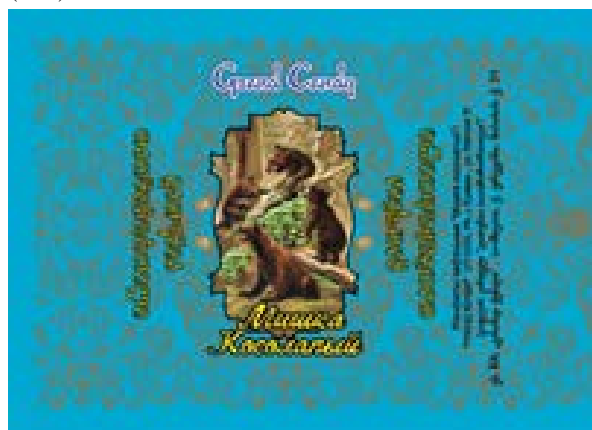
(220) 2014 01 08

(731) KAREN VARDANYAN

Bairon Str. 3, Ap. 36, Yerevan, Armenia

(740) Davit Zurabishvili

(540)



(591) White, yellow, blue, sky-blue, beige, brown, green

(531) 27.05.01, 28.05, 28.19, 29.01.15, 03.01.14, 22.05.01, 25.01.01, 05.13.25

(511) 30

(260) AM 2014 75380 A

(210) AM 75380

(220) 2014 01 09

(731) LTD "SAGA IMPEKSI"

Chachavas q. 2-4-6-8-10, 0159, Tbilisi, Georgia

(740) Koba Janikashvili

(540)

VIVA

ვოვა

(591) Black, white

(511) 11

(260) AM 2014 75644 A

(210) AM 75644

(220) 2014 01 23

(731) LTD "EMEDICA"

Ksnis q. 36, 0141, Tbilisi, Georgia

(740) LTD "EMEDICA"

(540)



(591) Dark blue

(531) 27.05.21, 29.01.04, 24.17.17

(511) 9, 35, 36, 38, 39, 42

(260) AM 2014 75669 A

(210) AM 75669

(220) 2014 01 24

(731) LTD "OMEGA-2"

Sarajishvilis q. №13-15-17, 0179, Tbilisi, Georgia

(740) Givi Akopashvili
(540)

One-O-One

(591) Black, white
(511) 43

(260) AM 2014 75670 A
(210) AM 75670
(220) 2014 01 24
(731) HARRINGTON DEVELOPMENT INC.
Elvira Mendez Street, Vallarino Bldg.,
3rd Floor, Panama

(740) Givi Akopashvili
(540)

FF

(591) Black, white
(511) 34

(260) AM 2014 75751 A
(210) AM 75751
(220) 2014 01 31
(731) JFI GLOBAL PURCHASING
LIMITED
2nd Floor, ITC Building, Warrens,
Saint Michael, Barbados

(740) Tamaz Shilakadze
(540)

JOE FRESH

(591) Black, white
(531) 27.05.05
(511) 3, 25, 35

(260) AM 2014 75776 A
(210) AM 75776
(220) 2014 02 05
(731) PPG INDUSTRIES OHIO, INC.
3800 West 143rd Street, Cleveland,
State of Ohio 44111, USA

(740) George Taktakishvili
(540)

VALUE-PRO

(591) Black, white
(511) 2

(260) AM 2014 75806 A
(210) AM 75806
(220) 2014 02 07
(731) LTD "LOMASI"
Samtrediis q., build. №6, ap. 24, 0119, Tbilisi,
Georgia
(740) Davit Lomaauri

(540)



(591) Red, yellow, blue, green, white
(531) 07.01.09, 21.01.14, 20.05.25, 25.07.01,
25.07.17, 27.05.13, 28.19, 29.01.15
(511) 16

(260) AM 2014 75807 A
(210) AM 75807
(220) 2014 02 07
(731) LTD "LOMASI"
Samtrediis q., build. №6, ap. 24, 0119, Tbilisi,
Georgia
(740) Davit Lomaauri
(540)



(591) Red, yellow, blue, green, white
(531) 07.01.09, 20.05.25, 21.01.14, 02.07.12,
25.07.01, 25.07.17, 27.05.01, 28.19, 29.01.15
(511) 16

(260) AM 2014 75852 A
(210) AM 75852
(220) 2014 02 11
(731) Shota Jvania
Vazha-Pshavelas me-2 kv. 32-e korp., b. 48,
0186, Tbilisi, Georgia
(740) Shota Jvania
(540)

CAREXPRESS

(591) Black, white
(531) 27.05.25
(511) 39

(260) AM 2014 75909 A
(210) AM 75909
(220) 2014 02 14
(731) LTD "QAHVEJI PARKETI"
Tseretlis gamz. №74, korp. 6, 0119,
Tbilisi, Georgia
(740) George Taktakishvili
(540)

KAHVECI

(591) Orange
(531) 27.05.17, 29.01.01
(511) 6, 17, 19, 20, 35

(260) AM 2014 75910 A
(210) AM 475910
(220) 2014 02 14
(731) LTD "QAHVEJI PARKETI"
Tseretlis gamz. №74, korp. 6, 0119,
Tbilisi, Georgia
(740) George Taktakishvili
(540)



(591) Yellow, black
(531) 26.04.16, 26.04.24, 27.05.24, 29.01.12,
24.01.13
(526) – The trademark is protected as a whole. The
word "PARQUET" included therein shall not be
subject to independent legal protection.
(511) 19

(260) AM 2014 75920 A
(210) AM 75920
(220) 2014 02 14
(731) HYATT INTERNATIONAL
CORPORATION
71 S. Wacker Drive, 14th Floor, Chicago,
IL 60606, USA
(740) Shalva Gvaramadze
(540)

HYATT HOTELS & RESORTS

(591) Black, white
(526) – The trademark is protected as a whole. The
words "HOTELS" and "RESORTS" included therein
shall not be subject to independent legal protection.
(511) 43

(260) AM 2014 75921 A
(210) AM 75921
(220) 2014 02 14
(731) HYATT INTERNATIONAL
CORPORATION
71 S. Wacker Drive, 14th Floor, Chicago,
IL 60606, USA
(740) Shalva Gvaramadze
(540)

REGENCY CLUB

(591) Black, white
(511) 43

(260) AM 2014 75922 A
(210) AM 75922
(220) 2014 02 14
(731) 3M DEUTSCHLAND GMBH
a German corporation,
Carl-Schurz-Strasse 1,
41453 Neuss, Germany
(740) Tamar Kochlamazashvili
(540)

UBISTESIN

(591) Black, white
(511) 5

(260) AM 2014 75923 A
(210) AM 75923
(220) 2014 02 14
(731) "DAW SE"
Rossoerfer Strasse 50, D-64372 Ober-
Ramstadt, Germany
(740) Tamar Kochlamazashvili
(540)



(591) White, orange, red
(531) 21.03.21, 26.01.05, 28.19, 29.01.12
(511) 1, 2, 17, 19, 35

(260) AM 2014 76045 A
(210) AM 76045
(220) 2014 02 24
(731) Wm. WRIGLEY Jr. Company
1132 West Blackhawk Street, Chicago, Illinois
60642, USA
(740) Tamaz Shilakadze
(540)



(591) Black, white
(531) 28.19, 05.07.13, 19.03.01
(511) 30

(260) AM 2014 76093 A
 (210) AM 76093
 (220) 2014 02 26
 (731) Davit Khetsuriani
 Khudadovis q. №12, 0101, Tbilisi,
 Georgia;
 Genadi Tsertsvadze
 Tsminda Giorgis j. №5, 5500, Chiatura,
 Georgia
 (740) Davit Khetsuriani
 (540)

ძველი დრო
DZVELI DRO

(591) Black, white
 (511) 30

(260) AM 2014 76554 A
 (210) AM 76554
 (220) 2014 04 03
 (731) LTD "GEORGIAN PAPER PRODUCTION"
 Mevelis chikhi 2, 0120 Tbilisi, Georgia
 (740) George Khachaturovi
 (540)



(591) White, dark blue, green, yellow, red
 (531) 01.01.05, 05.01.01, 05.11.15, 25.07.25,
 27.05.10, 28.19, 29.01.15
 (526) The trademark is protected as a whole. The
 words "eco paper" included therein shall not be
 subject to independent legal protection.
 (511) 16

REGISTERED TRADEMARKS

(111) M 2014 025301 R
 (151) 2014 10 29
 (181) 2024 10 29
 (260) AM 2014 70075 A
 (220) 2012 12 17
 (732) FONTERRA BRENDZ (SINGAPURI) PTE
 LIMITID
 1 Jorj strit, No:08-01 uan jorj strit, singapuri
 049145, Singapore

(111) M 2014 025306 R
 (151) 2014 10 29
 (181) 2024 10 29
 (260) AM 2014 71489 A
 (220) 2013 03 22
 (732) STARBUCKS CORPORATION D/B/A
 STARBUCKS COFFEE COMPANY
 (a Washington Corporation),
 2401 Utah Avenue South, Seattle, Washington
 98134, USA

(111) M 2014 025302 R
 (151) 2014 10 29
 (181) 2024 10 29
 (260) AM 2014 70076 A
 (220) 2012 12 17
 (732) FONTERRA BRENDZ (SINGAPURI) PTE
 LIMITID
 1 Jorj strit, No. 08-01 uan jorj strit, singapuri
 049145, Singapore

(111) M 2014 025307 R
 (151) 2014 10 29
 (181) 2024 10 29
 (260) AM 2014 71490 A
 (220) 2013 03 22
 (732) STARBUCKS CORPORATION D/B/A
 STARBUCKS COFFEE COMPANY
 (a Washington Corporation)
 2401 Utah Avenue South, Seattle, Washington
 98134, USA

(111) M 2014 025303 R
 (151) 2014 10 29
 (181) 2024 10 29
 (260) AM 2014 71221 A
 (220) 2013 10 29
 (732) LTD "MACHAKHELA"
 Saqartvelos Teqniki Universitetis shakhta
 laboratorii mimdebaed, 0175, Tbilisi,
 Georgia

(111) M 2014 025308 R
 (151) 2014 10 29
 (181) 2024 10 29
 (260) AM 2014 71722 A
 (220) 2013 04 08
 (732) DAVID ALLEN & CO
 (a California corporation)
 407-F Bryant Circle, Ojai, California 93023,
 USA

(111) M 2014 025304 R
 (151) 2014 10 29
 (181) 2024 10 29
 (260) AM 2014 71406 A
 (220) 2013 03 18
 (732) SHULTON, INC.
 One Procter & Gamble Plaza, Cincinnati Ohio
 45202, USA

(111) M 2014 025309 R
 (151) 2014 10 29
 (181) 2024 10 29
 (260) AM 2014 71723 A
 (220) 2013 04 08
 (732) DAVID ALLEN & CO
 (a California corporation)
 407-F Bryant Circle, Ojai, California 93023,
 USA

(111) M 2014 025305 R
 (151) 2014 10 29
 (181) 2024 10 29
 (260) AM 2014 71448 A
 (220) 2013 03 20
 (732) THE COCA-COLA COMPANY
 a Corporate of the State of Delaware
 One Coca-Cola Plaza, Atlanta, Georgia
 30313, USA

(111) M 2014 025310 R
 (151) 2014 10 29
 (181) 2024 10 29
 (260) AM 2014 71724 A
 (220) 2013 04 08
 (732) DAVID ALLEN & CO
 (a California corporation)
 407-F Bryant Circle, Ojai, California 93023,
 USA

(111) M 2014 025311 R
 (151) 2014 10 29
 (181) 2024 10 29
 (260) AM 2014 71725 A
 (220) 2013 04 08
 (732) THE CONDÉ NAST PUBLICATIONS LTD.
 Vogue House, Hanover Square, London W1S
 1JU, United Kingdom

(111) M 2014 025312 R
 (151) 2014 10 29
 (181) 2024 10 29
 (260) AM 2014 71729 A
 (220) 2013 04 08
 (732) CENTRO NACIONAL DE SANIDAD
 AGROPECUARIA (CENSA)
 Carretera de Tapaste y 8 Vías, San José,
 de las Lajas, Provincia Mayabeque, Cuba

(111) M 2014 025313 R
 (151) 2014 10 29
 (181) 2024 10 29
 (260) AM 2014 71856 A
 (220) 2013 04 15
 (732) OMRON Corporation
 801, Minamifudodo-cho, Horikawahigashiiru,
 Shiokoji-dori, Shimogyo-Ku, Kyoto-Shi,
 Kyoto 600-8530, Japan

(111) M 2014 025314 R
 (151) 2014 10 29
 (181) 2024 10 29
 (260) AM 2014 71859 A
 (220) 2013 04 15
 (732) LTD "WORLD MEDICINE"
 Berbutis q. №10/ Almasianis q. №19/21 (bloki
 II), b.№26 bloki II, 0171, Tbilisi, Georgia

(111) M 2014 025315 R
 (151) 2014 10 29
 (181) 2024 10 29
 (260) AM 2014 71860 A
 (220) 2013 04 15
 (732) LTD "WORLD MEDICINE"
 Berbutis q. №10/ Almasianis q. №19/21 (bloki
 II), b.№26 bloki II, 0171, Tbilisi, Georgia

(111) M 2014 025316 R
 (151) 2014 10 29
 (181) 2024 10 29
 (260) AM 2014 71863 A
 (220) 2013 04 15
 (732) PFIZER INC.
 235 East 42nd Street, New York, New York
 10017, (US), USA

(111) M 2014 025317 R
 (151) 2014 10 29
 (181) 2024 10 29
 (260) AM 2014 71887 A
 (220) 2013 04 16
 (732) LTD "ASKANELI DZMEBI"
 Kakhetis gzatketsili 110a, 0198, Tbilisi,
 Georgia

(111) M 2014 025318 R
 (151) 2014 10 29
 (181) 2024 10 29
 (260) AM 2014 72644 A
 (220) 2013 06 12
 (732) LTD "VAINMEN SHPS"
 Gudiashevili q. 11, 0105, Tbilisi, Georgia

(111) M 2014 025319 R
 (151) 2014 10 29
 (181) 2024 10 29
 (260) AM 2014 72646 A
 (220) 2013 06 12
 (732) LTD "VAINMEN SHPS"
 Gudiashevili q. 11, 0105, Tbilisi, Georgia

(111) M 2014 025320 R
 (151) 2014 10 29
 (181) 2024 10 29
 (260) AM 2014 72648 A
 (220) 2013 06 12
 (732) LTD "VAINMEN SHPS"
 Gudiashevili q. 11, 0105, Tbilisi, Georgia

(111) M 2014 025321 R
 (151) 2014 10 29
 (181) 2024 10 29
 (260) AM 2014 72751 A
 (220) 2013 06 18
 (732) GM KOREA COMPANY
 199-1 Cheongcheon-2Dong, Bupyeong-Gu,
 Incheon, Republic of Korea

(111) M 2014 025322 R
 (151) 2014 10 29
 (181) 2024 10 29
 (260) AM 2014 72835 A
 (220) 2013 06 26
 (732) INTERSUN HOLDING FZCO
 P.O. box: 61051, Jebel Ali Free Zone, Dubai,
 United Arab Emirates

(111) M 2014 025323 R
 (151) 2014 10 29
 (181) 2024 10 29

(260) AM 2014 72836 A
(220) 2013 06 26
(732) INTERSUN HOLDING FZCO
P.O. box: 61051, Jebel Ali Free Zone, Dubai,
United Arab Emirates

(111) M 2014 025324 R
(151) 2014 10 29
(181) 2024 10 29
(260) AM 2014 73099 A
(220) 2013 07 12
(732) Fashion TV LLC.
3250 Mary Street, Suite 100, 33133 Miami,
Florida, USA

(111) M 2014 025325 R
(151) 2014 10 29
(181) 2024 10 29
(260) AM 2014 73102 A
(220) 2013 07 15
(732) STOKKE AS
Parkgata 6, N6003 Ålesund, Norway

(111) M 2014 025326 R
(151) 2014 10 29
(181) 2024 10 29
(260) AM 2014 73124 A
(220) 2013 07 16
(732) THE ADF FAMILI TRUST
1401 McKinney Street, Suite 2200, Houston,
Texas 77010, USA;
THE CDF FAMILI TRUST
1401 McKinney Street, Suite 2200, Houston,
Texas 77010, USA

(111) M 2014 025327 R
(151) 2014 10 29
(181) 2024 10 29
(260) AM 2014 73131 A
(220) 2013 07 18
(732) BRITISH AMERICAN TOBACCO
(BRANDS) INC. (a Delaware corporation)
2711 Centerville Road, Suite 300, Wilmington,
Delaware 19808, USA

(111) M 2014 025328 R
(151) 2014 10 29
(181) 2024 10 29
(260) AM 2014 73151 A
(220) 2013 07 22
(732) Gilead Colorado, Ink.
333 Lakeside Drive, Foster City, California
94404, USA

(111) M 2014 025329 R
(151) 2014 10 29
(181) 2024 10 29
(260) AM 2014 73387 A
(220) 2013 08 05
(732) OTKRITOE AKTSIONERNOE
OBSHESTVO "ZHIROVOI KOMBINAT"
Sverdlovskaja oblast, 620085, Ekaterinburg,
ul. Titova 27, Russian Federation

(111) M 2014 025330 R
(151) 2014 10 29
(181) 2024 10 29
(260) AM 2014 73492 A
(220) 2013 08 12
(732) NISSAN JIDOSHA KABUSHIKI KAISHA
(also trading as Nissan Motor Co., Ltd.)
No:2 Takara-cho, Kanagawa-ku, Yokohama-
shi, Kanagawa-ken, Japan

(11) M 2014 025331 R
(151) 2014 10 29
(181) 2024 10 29
(260) AM 2014 73512 A
(220) 2013 08 13
(732) PIZZA HUT INTERNATIONAL L.L.C.
(a Delaware limited liability company)
7100 Corporate Drive, Plano, Texas, 75024,
USA

(111) M 2014 025332 R
(151) 2014 10 29
(181) 2024 10 29
(260) AM 2014 73513 A
(220) 2013 08 13
(732) KENTUCKY FRIED CHICKEN
INTERNATIONAL HOLDINGS, INC.
1441 Gardiner Lane, Louisville, Kentucky
40213, USA

(111) M 2014 025333 R
(151) 2014 10 29
(181) 2024 10 29
(260) AM 2014 73597 A
(220) 2013 08 20
(732) LTD "MEGVINEOBA GRANELI"
Meurneobis dasakhleba, 4800, Kvareli,
Georgia

(111) M 2014 025334 R
(151) 2014 10 29
(181) 2024 10 29
(260) AM 2014 73598 A
(220) 2013 08 20

(732) LTD "MEGVINEOBA GRANELI"
Meurneobis dasakhleba, 4800, Kvareli,
Georgia

(111) M 2014 025335 R
(151) 2014 10 29
(181) 2024 10 29
(260) AM 2014 73607 A
(220) 2013 08 20

(732) FEDDERS HONG KONG COMPANY
LIMITED
6th Floor, Alexandra House, 18 Chater Road
Central, The Hong Kong Special Administrati-
ve Region of the people's republic of China

(111) M 2014 025336 R
(151) 2014 10 29
(181) 2024 10 29
(260) AM 2014 73620 A
(220) 2013 08 21

(732) LTD "HOP ON HOP OF TBILISI"
Al. Kazbegis gamz. №33, b. №1, 0177,
Tbilisi, Georgia

(111) M 2014 025337 R
(151) 2014 10 29
(181) 2024 10 29
(260) AM 2014 73621 A
(220) 2013 08 21

(732) LTD "GEOSELI"
Gotuas q. №3, mtkvris marjvena sanapiro,
0160, Tbilisi, Georgia

(111) M 2014 025338 R
(151) 2014 10 29
(181) 2024 10 29
(260) AM 2014 73622 A
(220) 2013 08 21

(732) LTD "GEOSELI"
Gotuas q. №3, mtkvris marjvena sanapiro,
0160, Tbilisi, Georgia

(111) M 2014 025339 R
(151) 2014 10 29
(181) 2024 10 29
(260) AM 2014 73647 A
(220) 2013 08 22

(732) MCDONALD'S INTERNATIONAL
PROPERTY COMPANY LTD.
a corporation organized and existing under
the laws of the State of Delaware
2711 Centerville Road, Suite 400,
Wilmington, DE 19808 Delaware, USA

(111) M 2014 025340 R
(151) 2014 10 29
(181) 2024 10 29
(260) AM 2014 73680 A
(220) 2013 08 26

(732) NIKOLOZ BAKHIA
Dimitri Bakradzis q.16, 0119, Tbilisi, Georgia

(111) M 2014 025341 R
(151) 2014 10 29
(181) 2024 10 29
(260) AM 2014 73700 A
(220) 2013 08 27

(732) ISLAND WATCHES FZE
6WB 237, Dubai Airport Freezone, Dubai,
United Arab Emirates

(111) M 2014 025342 R
(151) 2014 10 29
(181) 2024 10 29
(260) AM 2014 73736 A
(220) 2013 08 29

(732) PHILIP MORRIS PRODUCTS S. A.
Quai Jeanrenaud 3, 2000 Neuchâtel, Switzerland

(111) M 2014 025343 R
(151) 2014 10 29
(181) 2024 10 29
(260) AM 2014 73737 A
(220) 2013 08 29

(732) PHILIP MORRIS PRODUCTS S. A.
Quai Jeanrenaud 3, 2000 Neuchâtel, Switzerland

(111) M 2014 025344 R
(151) 2014 10 29
(181) 2024 10 29
(260) AM 2014 73781 A
(220) 2013 09 02

(732) LTD "ZAHARNI IZDELIA-VARNA" LTD
Zapadna Promishlena Zona, BG-9000
VARNA, Bulgaria

(111) M 2014 025345 R
(151) 2014 10 29
(181) 2024 10 29
(260) AM 2014 73872 A
(220) 2013 09 06

(732) PHILIP MORRIS PRODUCTS S. A.
Quai Jeanrenaud 3, 2000 Neuchâtel, Switzerland

(111) M 2014 025346 R
(151) 2014 10 29
(181) 2024 10 29

(260) AM 2014 73873 A
 (220) 2013 09 06
 (732) PHILIP MORRIS PRODUCTS S. A.
 Quai Jeanrenaud 3, 2000 Neuchâtel, Switzerland

Weena 455, 3013 AL Rotterdam,
 Netherlands

(111) M 2014 025347 R
 (151) 2014 10 29
 (181) 2024 10 29
 (260) AM 2014 73915 A
 (220) 2013 09 12
 (732) GENERAL MOTORS LLC
 300 Renaissance Center, City of Detroit, State
 of Michigan 48265-3000, USA

(111) M 2014 025353 R
 (151) 2014 10 29
 (181) 2024 10 29
 (260) AM 2014 74197 A
 (220) 2013 10 04
 (732) SOCIETE NATIONALE D'EXPLOITATION
 INDUSTRIELLE DES TABACS ET
 ALLUMETTES, SASU
 143 boulevard Romain Rolland, Paris 75014,
 France

(111) M 2014 025348 R
 (151) 2014 10 29
 (181) 2024 10 29
 (260) AM 2014 74043 A
 (220) 2013 09 23
 (732) KIMBERLY-CLARK WORLDWIDE, INC
 Neenah, WI 54956, USA

(111) M 2014 025354 R
 (151) 2014 10 29
 (181) 2024 10 29
 (260) AM 2014 74438 A
 (220) 2013 10 23
 (732) CONAIR CORPORATION
 One Cummings Point Road, Stamford, CT
 06902, USA

(111) M 2014 025349 R
 (151) 2014 10 29
 (181) 2024 10 29
 (260) AM 2014 74044 A
 (220) 2013 09 23
 (732) LTD "BATUMI 2011"
 Tabidzis q. 17, b. 5, 6000, Batumi, Georgia

(111) M 2014 025350 R
 (151) 2014 10 29
 (181) 2024 10 29
 (260) AM 2014 74087 A
 (220) 2013 09 30
 (732) 3M COMPANY
 a corporation of the State of Delaware
 3M Center, 2501 Hudson Road, St. Paul,
 Minnesota 55144, USA

(111) M 2014 025351 R
 (151) 2014 10 29
 (181) 2024 10 29
 (260) AM 2014 74193 A
 (220) 2013 10 03
 (732) UNILEVER N.V.
 Weena 455, 3013 AL Rotterdam, Netherlands

(111) M 2014 025352 R
 (151) 2014 10 29
 (181) 2024 10 29
 (260) AM 2014 74194 A
 (220) 2013 10 03
 (732) UNILEVER N.V.

TRADEMARKS REGISTERED ACCORDING TO THE ACCELERATED PROCEDURE

The decision can be appealed at the Chamber of Appeal of Sakpatenti within 3 months from the publication.

(111) M 2014 25294 R
(151) 2014 10 22
(181) 2024 10 22
(210) AM 078949
(220) 2014 10 02
(732) Tovarystvo z obmezhenoiu vidpovidalnistiu
"NOVA POSHTA"
vul. Frunze 57, Poltava, 36039, Ukraine
(740) George Taktakishvili
(540)



(591) Black, white
(531) 26.04.03-26.04.18-
(511) 35, 38, 39, 42

(111) M 2014 25295 R
(151) 2014 10 22
(181) 2024 10 22
(210) AM 078927
(220) 2014 10 01
(732) BAYADERA MANAGEMENT LIMITED
Karpenisiou, 30, P.C. 1660 Nicosia, Cyprus
(740) Vakhtang Torotadze
(540)

COSSACK

(591) Black, white
(511) 33

(111) M 2014 25296 R
(151) 2014 10 22
(181) 2024 10 22
(210) AM 078928
(220) 2014 10 01
(732) BAYADERA MANAGEMENT LIMITED
Karpenisiou, 30, P.C. 1660 Nicosia, Cyprus
(740) Vakhtang Torotadze
(540)

KOZAK

(591) Black, white
(511) 33

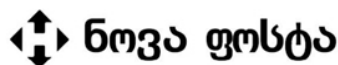
(111) M 2014 25297 R
(151) 2014 10 23
(181) 2024 10 23
(210) AM 078945

(220) 2014 10 02
(732) Tovarystvo z obmezhenoiu vidpovidalnistiu
"NOVA POSHTA"
vul. Frunze 57, Poltava, 36039, Ukraine
(740) George Taktakishvili
(540)

NOVA POSHTA

(591) Black, white
(511) 35, 38, 39, 42

(111) M 2014 25298 R
(151) 2014 10 23
(181) 2024 10 23
(210) AM 078947
(220) 2014 10 02
(732) Tovarystvo Z Obmezhenoiu Vidpovidalnistiu
"NOVA POSHTA"
vul. Frunze 57, Poltava, 36039, Ukraine
(740) George Taktakishvili
(540)



(591) Black, white
(531) 26.04.03-26.04.18-27.05.21-28.19.00-
(511) 35, 38, 39, 42

(111) M 2014 25299 R
(151) 2014 10 23
(181) 2024 10 23
(210) AM 079007
(220) 2014 10 07
(732) RAMAZ MOSESHVILI
B. Khmel'nitskis qucha 48, korp. 3v, b. 55,
0113, Tbilisi, Georgia
(740) Nugzar Ksovreli
(540)

აქსა მედიკალ

Акса Медикал

Axa Medical

(591) Black, white
(531) 27.05.05-28.05.00-28.19.00-
(511) 36, 44

(111) M 2014 25300 R
(151) 2014 10 28
(181) 2024 10 28

(210) AM 078985
 (220) 2014 10 06
 (732) LTD "GTEM GROUPI"
 Chavchavadzis q. 12, 6200, Qobuleti, Georgia
 (540)



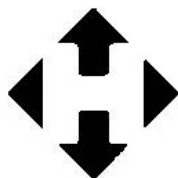
GTEM GROUP
 (591) Red, blue, golden, grey
 (531) 01.05.01-01.11.08-26.01.21-26.11.08-
 27.05.10-29.01.15-
 (511) 37, 43

(111) M 2014 25355 R
 (151) 2014 10 23
 (181) 2024 10 23
 (210) AM 078950
 (220) 2014 10 02
 (732) Tovarystvo Z Obmezhenoiu Vidpovidalnistiu
 "NOVA POSHTA"
 vul. Frunze 57, Poltava, 36039, Ukraine
 (740) George Taktakishvili
 (540)

მომავლის გზავნილი

(591) Black, white
 (531) 28.19.00-
 (511) 35, 38, 39, 42

(111) M 2014 25356 R
 (151) 2014 10 30
 (181) 2024 10 30
 (210) AM 078952
 (220) 2014 10 02
 (732) Tovarystvo Z Obmezhenoiu Vidpovidalnistiu
 "NOVA POSHTA"
 vul. Frunze 57, Poltava, 36039, Ukraine
 (740) George Taktakishvili
 (540)



(591) Black, white
 (531) 26.04.03-26.04.18-27.05.21-
 (511) 35, 38, 39, 42

(111) M 2014 25357 R
 (151) 2014 10 30
 (181) 2024 10 30
 (210) AM 079061

(220) 2014 10 13
 (732) KIAN BASPAR KARAN CO.
 No:229, North Baghestan St., 2nd Phase of
 Baharestan Industrial Town, 5th Km of Karaj-
 Ghazvin Road, 3197935551 Karaj, Iran
 (Islamic Republic of)
 (740) George Taktakishvili
 (540)



(591) Yellow, red, black
 (531) 27.05.02-29.01.13-
 (511) 16, 28, 30

(111) M 2014 25358 R
 (151) 2014 10 30
 (181) 2024 10 30
 (210) AM 078946
 (220) 2014 10 02
 (732) Tovarystvo Z Obmezhenoiu Vidpovidalnistiu
 "NOVA POSHTA"
 vul. Frunze 57, Poltava, 36039, Ukraine
 (740) George Taktakishvili
 (540)

DELIVERY OF THE FUTURE

(591) Black, white
 (511) 35, 38, 39, 42

(111) M 2014 25359 R
 (151) 2014 10 31
 (181) 2024 10 31
 (210) AM 079128
 (220) 2014 10 17
 (732) I/M "ZAKHIR ISKANDAROV"
 Nizamis qucha №18, 0105, Marneuli, Georgia
 (540)



(591) Red, white
 (531) 27.05.17-29.01.01-
 (511) 12, 35

INTERNATIONAL TRADEMARKS FOR WHICH A DECISION ON GRANTING PROTECTIONS IS TAKEN

The decision can be appealed at the Chamber of Appeal of Sakpatenti within 3 months from the publication or at the Mtskheta District Court Administrative Cases Board (Address: №17, Samkhedro str., Mtskheta), within 1 month following the publication.

(260) AM 71385 A*

(800) 1150564

(731) BRITISH AMERICAN TOBACCO
(BRANDS) LIMITED

Globe House, 4 Temple Place, London
WC2R 2PG, United Kingdom

(540)



(591) Black, white

(511)

34 – Cigarettes; tobacco; tobacco products; lighters for smokers; matches; smokers' articles.

preparations of trace elements for human and animal use; albuminous foodstuffs for medical purposes; dietetic foods adapted for medical purposes; suppositories.

35 – Sales promotion for others; advertising.

(260) AM 72898 A*

(800) 1162837

(731) HASSELBLAD Sàrl

22, rue Goethe, L-1637 Luxembourg,
Luxembourg

(540)



(591) Black, white

(511)

9 – Photographic, cinematographic, optical apparatus and instruments, namely, photographic cameras, digital cameras and lenses for cameras; apparatus for recording, transmitting, reproducing sound and images for digital cameras; software used in photography and image processing; apparatus and instruments for recording, transmitting, reproducing sound or images for portable cameras; cameras [photography]; photographic lenses, electronic photographic flashes, photographic lenses for cameras; photographic lenses, optical lenses; software, computer programs; image management and editing software; image processing software; software for mobile devices; video cameras; darkroom lamps (photography); darkrooms (photography); shutter releases (photography); optical data media; screens (photography); video screens; spools (photography); glazing apparatus for photographic prints; drying apparatus for photographic prints; cases especially made for photographic apparatus and instruments; filters [photography]; filters for ultraviolet rays for photography; flash bulbs (photography); optical lamps; electronic photographic apparatus; speed measuring apparatus (photography); shutters (photography); stands for photographic apparatus; photographic viewfinders; movie cameras; dimmers (devices for control and regulation of illumination); drying racks [photography]; tripods for cameras; films, exposed.

(260) AM 72440 A*

(800) 1159192

(731) Vifor SA

Route de Moncor, CH-1752 Villars-sur-Glâne,
Switzerland

(540)



(591) Dark blue (Pantone RefBlue C), light blue (Pantone 2995 C) and green (Pantone 60C/100Y)

(511)

5 – Proprietary medicines based on magnesium, food supplements based on magnesium.

(260) AM 72487 A*

(800) 1159581

(731) Otkrytoe aktsionernoe obshchestvo

"NIZHEGORODSKY KHIMIKO-FARMATSEVTISHESKY ZAVOD"

7 Salganskaya St., GSP-459, RU-603950
Nizhny Novgorod, Russian Federation

(540)



(591) Black, white

(511)

5 – Pharmaceutical preparations; dietetic substances adapted for medical use; mineral food-supplements; cachets for pharmaceutical purposes; liniments; ointments for pharmaceutical purposes; albuminous preparations for medical purposes; biological preparations for medical purposes; vitamin preparations;

(260) AM 2014 73380 A
 (800) 1167795
 (151) 2013 04 15
 (731) AKTSIONERNO DROUJESTVO
 "BULGARTABAC-HOLDING"
 "Graf Ignatiev"
 Str. 62, BG-1000 SOFIA, Bulgaria

(540)



(591) Black, white
 (511)
 32 – Beers; mineral and aerated waters and other non-alcoholic beverages; fruit beverages and fruit juices; syrups and other preparations for making beverages.

34 – Tobacco; smokers' articles; matches; cigarettes; cigars; cigarillos; lighters for smokers; tobacco-raw, manipulated or processed; tobacco products; cigarette filters; cigarette paper; ashtrays for smokers.

(260) AM 2014 73630 A
 (800) 1170716
 (151) 2013 03 22
 (731) PRO.MED.CS Praha a.s.
 Telčská 1, CZ-140 00 Praha 4, Czech Republic

(540)

ПРОМЕПРИЛ

(591) Black, white
 (511)
 5 – pharmaceutical products.

(260) AM 2014 73644 A
 (800) 1170830
 (151) 2013 03 22
 (731) PRO.MED.CS Praha a.s.
 Telčská 1, CZ-140 00 Praha 4, Czech Republic

(540)

PROMEPRIL

(591) Black, white
 (511)
 5 – Pharmaceutical products.

(260) AM 2014 73657 A
 (800) 1171023
 (151) 2013 07 16
 (731) JP Divver Holding Company Ltd

37 Dublin Road, Newry, Co Down BT358DA,
 Ireland

(540)

EQUIPMENT FOR LIFE

(591) Black, white
 (511)
 18 – Luggage, wheeled luggage and duffle bags, all of the foregoing not made of leather and not sold as fashion accessories.

25 – Non-fashion men's clothing, namely, caps, shirts, jackets, socks, shorts, pants and sweaters.

35 – Mail order and computerized online ordering service in the field of non-fashion clothing and luggage.

(260) AM 2014 73731 A
 (800) 1171920
 (151) 2013 05 23
 (731) JIANGSU DONGCHENG POWER TOOLS
 CO., LTD.
 Industrial Park, Tianfen Town, Qidong City,
 Jiangsu, China

(540)

Doozy

(591) Black, white
 (511)
 7 – Electric lawnmowers; blades, parts of machine; saws, machines; engraving machines; electric food processing machines; concrete vibrators, machines; polishing glass machines; electric hammers; drilling bits, parts of machines; resinous grinding wheels, parts of machines; hoods, parts of machines; cutting machines; knives, parts of machines; circular saws; mechanical hand tools; hand-held gasoline tools, namely, gasoline saws, gasoline chain saws, gasoline lawn mowers, gasoline fence croppers, and parts therefore; hand-held pneumatic tools, namely, pneumatic nail guns, pneumatic drills, pneumatic sanders, pneumatic screwdrivers, pneumatic grinders, pneumatic polishers, and parts therefore; hand-held electric power tools, namely, electric hand-held drills, electric impact drills, electric screwdrivers, electric mixers, electric wrenches, electric diamond core drills, electric rotary hammers, electric demolition hammers, electric power scrapers and excavators, electric reciprocating saws, electric table saws, electric band saws, electric chain saws, electric circular saws, electric jig saws, electric mitre saws, electric cut-off machines, electric marble cutters, electric angle grinders, electric disc grinders, electric straight grinders, electric bench grinders, electric grinders, electric sanders, electric belt sanders, electric disc polishers and sanders, electric die grinders, electric grinders with tungsten steel saws, electric shears, electric groove cutters, electric wood trimmers, elec-

tric plate jointers, electric wood routers, electric planers, industrial electric blowers for dust removing, electric lawn croppers, electric fence croppers, electric secateurs and pruners, electric hedge trimmers, electric grass shears, electric cordless power tools, and parts therefore; spray guns for paint; brushes, parts of machines; carbon brushes, parts of machines; electric driving motors other than for land vehicles; stators, parts of machines; rotors, parts of machines; air compressors; gears, other than for land vehicles; gears for machines; electric welding machines; vacuum cleaners.

(260) AM 2014 74031 A
 (800) 1174141
 (151) 2013 06 22
 (731) QUANZHOU WOUXUN ELECTRONICS CO.,LTD
 5th Floor, Jinxin Industrial Building,
 Jiangnan Science and, Technology Area,
 Li Cheng Distict of Quanzhou, Fujian
 Province, China

(540)

MEXUN

(591) Black, white

(511)

9 – Transmitters of electronic signals; radiotelephony sets; transmitters [telecommunication]; video telephones; walkie-talkies; electrical communication machines and instruments; ear plugs for divers; alarms; galvanic cells; battery chargers.

(260) AM 2014 74037 A
 (800) 1111893
 (151) 2012 02 21
 (891) 2013 07 19
 (731) Le Vet. B.V.
 Wilgenweg 7, NL-3421 TV Oudewater,
 Netherlands

(540)

LE VET

(591) Black, white

(511)

5 – Veterinary products.

(260) AM 2014 74039 A
 (800) 1119739
 (151) 2012 04 20
 (891) 2013 07 11
 (731) MEGADYNE S.p.A.
 Via Trieste, 16, I-10075 MATHI, Torino, Italy

(540)

MEGADYNE

(591) Black, white

(511)

7 – Drive belts, power drive belts, belts for engines, conveyor belts, fan belts for engines, belts for lifts/hoists, belts for machines, belts for dynamos, industrial belts, clad belts, synchronisation belts, conveyor belts, pulleys, gears, parts therefor, components and accessories for machines, such as chains, pulleys and stands.

(260) AM 2014 74073 A

(800) 1174478

(151) 2013 06 20

(731) FLEX SOFTWARE SYSTEMS, CLOSED
 JOINT STOCK COMPANY

Novolesnaya street, d. 2, RU-127055 Moscow,
 Russian Federation

(540)



(591) Dark blue, light blue, white, dark grey and light grey.

(511)

9 – Ticket dispensers; cash registers; electric apparatus for commutation; magnetic tape units for computers; computer memory devices; video screens; disks, magnetic; disk drives for computers; juke boxes for computers; interfaces for computers; calculating machines; electronic pens [visual display units]; encoded magnetic cards; automated teller machines [ATM]; magnetic encoders; computers; notebook computers; money counting and sorting machines; mechanisms for coin-operated apparatus; coin-operated mechanisms for television sets; microprocessors; modems; monitors [computer hardware]; monitors [computer programs]; magnetic data media; computer software, recorded; converters, electric; distance recording apparatus; teaching apparatus; audio and video receivers; printers for use with computers; computer programmes [programs], recorded; computer game programs; computer programs [downloadable software]; computer operating programs, recorded; central processing units [processors]; electronic publications, downloadable; distribution consoles [electricity]; control panels [electricity]; scanners [data processing equipment]; audiovisual teaching apparatus; electric installations for the remote control of industrial operations; video recorders; invoicing machines; tape recorders; data processing apparatus; couplers [data processing equipment]; computer peripheral devices; readers [data processing equipment]; bar code readers; chips [integrated circuits]; projection screens.

35 – Arranging subscriptions to telecommunication services for others; import-export agencies; commercial information agencies; cost price analysis; rental of advertising space; computerized file management;

accounting; invoicing; demonstration of goods; presentation of goods on communication media, for retail purposes; sales promotion for others; rental of vending machines; compilation of information into computer databases; business inquiries; systemization of information into computer databases; administrative processing of purchase orders; public relations.

38 – Providing access to databases; providing telecommunication channels for teleshopping services; computer aided transmission of messages and images; rental of message sending apparatus; rental of modems; rental of telecommunication equipment.

42 – Computer system analysis; recovery of computer data; computer virus protection services; installation of computer software; consultancy in the design and development of computer hardware; computer software consultancy; updating of computer software; maintenance of computer software; conversion of data or documents from physical to electronic media; data conversion of computer programs and data [not physical conversion]; computer system design; rental of web servers; computer rental; rental of computer software; duplication of computer programs; computer software design; computer programming.

(260) AM 2014 74589 A

(800) 1179287

(151) 2012 11 26

(731) WORLD MEDICINE İLAÇLARI LİMİTED ŞİRKETİ

Evren Mah., Camiyolu Cad. No:50 K.2,
Güneşli Bağcılar İstanbul, Turkey

(540)

My generous cream

(591) Black, white

(511)

3 – Detergents other than for use in manufacturing operations and for medical purposes, laundry bleach, laundry starch, blueing for laundry, soft soap, fabric softeners for laundry purposes, cleaning preparations for waste pipes, granular soap; windscreen cleaning liquids, preparations for bleaching and polishing purposes; perfumery, ethereal essences, eau de cologne, lotions, deodorants for human beings, rose oil, after-shave lotions, antiperspirant deodorants; cosmetic products, nail polish, lipsticks, mascara, cosmetic creams, hair dyes, shampoos, hair care preparations, eyebrow pencils, powders for cosmetic purposes, acetone based cosmetics, shaving preparations, shower gel, petroleum jelly for cosmetic purposes, depilatory preparations, cosmetic dyes, cosmetics preparations for slimming purposes, cosmetic kits, tissues impregnated with cosmetic lotions, cotton wool and cotton sticks for cosmetic purposes,

wet tissues; soaps for personal use, including medicated soaps and deodorant soap, disinfectant soap, antiperspirant soap; tooth care products, toothpastes, dentifrices, tooth cleaning materials for medical purposes, tooth cleaning powders, denture cleaning preparations in liquid form, mouth washes, not for medical purposes, anti-tartar toothpastes; abrasive products namely, emery clothes, emery papers, pumice stones, including pastes; polishing preparations; leather preservative polishes, polish for furniture and flooring; oils for cosmetic purposes.

35 – Services related to advertising, marketing and public relations including organization of exhibitions and fairs for commercial or advertising purposes, office services, business management and administration, consultancy for business management and administration including accountancy services, import export agency services, commercial and Industrial management expertise services, organization of auctioneering services and auctioneering, the bringing together of detergents other than for use in manufacturing operations and for medical purposes, laundry bleach, laundry starch blueing for laundry, soft soap, fabric softeners for laundry purposes, cleaning preparations for waste pipes, granular soap, windscreen cleaning liquids, preparations for bleaching and polishing purposes, perfumery, ethereal essences, eau de cologne, lotions, deodorants for human beings, rose oil, after-shave lotions, antiperspirant deodorants, cosmetic products, nail polish, lipsticks, mascara, cosmetic creams, hair dyes, shampoos, hair care preparations, eyebrow pencils, powders for cosmetic purposes, acetone (for cosmetic purposes), shaving preparations, shower gel, petroleum jelly for cosmetic purposes, depilatory preparations, cosmetic dyes, cosmetics preparations for slimming purposes, cosmetic kits, tissues impregnated with cosmetic lotions, cotton wool and cotton sticks for cosmetic purposes, wet tissues, soaps for personal use including medical purposes and deodorant soap, disinfectant soap, antiperspirant soap, tooth care products, toothpastes, dentifrices, medicated tooth cleaning preparations, tooth cleaning powders, tooth waters preparations for cleaning dentures, mouth washes, not for medical purposes, anti-tartar tooth pastes, abrasive products namely, emery clothes, emery papers, pumice stones, including pumice pastes, polishing preparations, leather preservative polishes, polish for furniture and flooring, oils for cosmetic purposes, enabling customers to conveniently view and purchase those goods, the mentioned services can be provided by wholesale outlets, retail stores, by means of electronic media or through mail order catalogues and other similar methods.

44 – Medical services; hygienic and beauty care for human beings; veterinary and animal breeding services, agriculture, horticulture and forestry services.

(260) AM 2014 74619 A

(800) 1031897

(151) 2010 02 02

(891) 2013 06 20

(731) RAY TOBACCO INC. LLC.

Suite 808, 1220 N. Market Street,
Wilmington, County of New Castle, Delaware
19801, USA

(540)



WALTON

(591) Black, white

(511)

34 – Ashtrays, not of precious metal, for smokers; cigarette paper; cigarettes; cigarillos; cigars; lighters for smokers; tobacco; all included in this class.

(260) AM 2014 74677 A

(800) 1180255

(151) 2013 01 18

(731) ECOLAB Deutschland GmbH

Ecolab-Allee 1, 40789 Monheim, Germany

(540)

ECOLAB

(591) Black, white

(511)

2 – Paints, varnishes, lacquers; preservatives against rust and against deterioration of wood; colorants; mordants; raw natural resins; metals in foil and powder form for painters, decorators, printers and artists; weatherproofing coatings and paint sealers; concrete sealers in the form of a coating; floor coatings; rust preventatives in the nature of a coating; stone sealer coatings.

6 – Common metals and their alloys; metal building materials; transportable buildings of metal; materials of metal for railway tracks; non-electric cables and wires of common metal; ironmongery, small items of metal hardware; pipes and tubes of metal; safes; goods of common metal not included in other classes; ores; metal hooks; metal hose reel; metal ladders; metal pre-rinse and washdown spray nozzles for commercial and industrial use; towel dispensers of metal; metal mop handles.

10 – Surgical, medical, dental and veterinary apparatus and instruments, artificial limbs, eyes and teeth; orthopedic articles; suture materials; disposable medical utility drapes for covering medical equipment to prevent contamination; disposable patient sheets for medical use in hospitals; disposable plastic medical devices, namely, bags for medical waste, mouth guards, supports for arms, orthopedic cushions, ice

bags, and internal administrative apparatus, namely, bags and pumps for fluids control in patients; electric blankets for medical purposes; medical devices, namely, inflatable surgical boots and sleeves; medical goods, namely, absorbent pads used as surgical sponges for fluid absorption during medical procedures, absorbent surgical instrument table pads used for fluid absorption during medical procedures, absorbent pads used for fluid absorption during preparation of patient for medical procedures; medical products, namely, containers especially made for medical waste, namely containment devices to be attached to suction canisters for treating and solidifying medical waste for point of generation encapsulation and antimicrobial treatment of medical waste; disposable headrest covers for medical and dental examination chairs; surgical arm rest covers; surgical shoe covers; human face protectors, namely, transparent face shields for use in the medical and dental fields; orthopedic cushions, radiology drapes, surgical drapes, surgical gowns and gloves, containers for medical waste; medical products, namely, infection control kits for surgical use comprised of disposable packs containing disposable mop heads, disposable non-sterile linens, and drapes for the surgical table; bags for containing biohazardous medical waste; medical goods, namely, non-woven wraps to sterilize medical instruments and supplies, medical goods, namely, pneumatic compression controller for cyclically inflatable surgical devices; medical radiation shields sold as an integral component of surgical patient drapes; resuscitation apparatus; surgical instruments for use in orthopedic surgery, namely, trays, orthopedic brushes, orthopedic suction wands, implantable cement restrictors, cement sculpts, sponges and rods for cement restrictors; surgical kits consisting primarily of laryngopharyngeal tube, tube clamp, securing strap and tongue depressor; surgical lamp handles and disposable sterile covers for surgical lamp handles; surgical microscope drapes and adapter rings for attachment to the drapes; vacuum splints for medical purposes; wound suction apparatus.

12 – Vehicles; apparatus for locomotion by land, air or water; carts; dollies; fitted vinyl covers for carts designed to carry dishwashers and laundry.

14 – Lanyards (keycords).

16 – Paper, cardboard and goods made from these materials, not included in other classes; printed matter; bookbinding material; photographs; stationery; adhesives for stationery or household purposes; artists' materials; paint brushes; typewriters and office requisites (except furniture); instructional and teaching material (except apparatus); plastic materials for packaging (not included in other classes); printers' type; printing blocks; label printers being addressing machines; adhesive and non-adhesive labels for use in the food service industry; adhesive labels;

blank or partially printed paper labels; educational publications, namely, training manuals and printed graphs in the field of proper hygiene and sanitation in a food safe environment, sanitation practices, cleaning product use and application and operation of laundry equipment and food safety; freezer bags; hand-held labeling devices; ink pens; pencils; instructional and educational printed cardboard and paper signs for displaying data featuring information regarding proper surgical scrub techniques, hand hygiene, medical instrument reprocessing, and cleaning standards and use of cleaning and sanitizing products; instructional and educational printed cardboard, paper, vinyl, and plastic wall charts for displaying data featuring information regarding proper surgical scrub techniques, hand hygiene, medical instrument reprocessing, and cleaning standards and use of cleaning and sanitizing products; magazines in the field of food safety; markers; newsletters in the field of pest control and elimination, hand care, food safety, cleaning and sanitation training; notebooks; notepads; plastic wrap; printed instructional, educational, and teaching materials for the restaurant and food services industry; printed materials, namely, advertising signs of paper or cardboard, brochures, handouts, decals, menu boards, pamphlets, posters, paper banners, vinyl static window cling sheets, and training materials, all in the field of automotive care; paper signs, vinyl static window cling sheets, and training materials, all in the field of automotive care; molded plastic document markers; trash can liners; stationery, non-thermally insulated plastic bags for holding defined portions of food for use in storing, freezing, and cooking foods in the food service industry; cardboard containers.

17 – Rubber, gutta-percha, gum, asbestos, mica and goods made from these materials and not included in other classes; plastics in extruded form for use in manufacture; packing, stopping and insulating materials; flexible pipes, not of metal; grout sealant; non-metal hoses for use in the food service industry; adhesive tape for industrial and commercial use.

18 – Leather and imitations of leather, and goods made of these materials and not included in other classes; animal skins, hides; trunks and travelling bags; umbrellas and parasols; walking sticks; whips, harness and saddlery; duffel bags; tote bags; briefcases; wallets; umbrellas.

20 – Furniture, mirrors, picture frames; goods (not included in other classes) of wood, cork, reed, cane, wicker, horn, bone, ivory, whalebone, shell, amber, mother-of-pearl, meerschaum and substitutes for all these materials, or of plastics; adjustable plastic clamps for attaching hand sanitizer dispenser to cylindrical surfaces, namely, hospital iv poles and bed rails; clear plastic holders for badges; display stands; fixed towel dispensers not of metal; hampers; non-metal fluid storage tanks; non-metal hooks;

nonmetal mirror hangers; picture frames; plastic boxes; plastic clips for sealing bags; plastic containers and covers for the food industry; container closures of plastic used for chemicals for commercial use; plastic hang tags; plastic holders for signboards; plastic inserts for use as container liners; plastic lids; plate racks; plastic storage racks and container closures of plastic for storing dishware, glassware, and silverware; plastic soak tanks, namely, plastic tubs for pre-soaking pots, pans, and kitchen utensils; plastic storage containers for commercial or industrial use; shelves; furniture, namely, stainless steel side tables and shelves; wall-mounted tool racks; non-metal mop handles; soak tank for use in soaking cookware, flatware, and dishware used in commercial and institutional kitchens.

22 – Ropes, string, nets, tents, awnings, tarpaulins, sails, sacks and bags (not included in other classes); padding and stuffing materials (except of rubber or plastics); raw fibrous textile materials; laundry bags.

24 – Textiles and textile goods, not included in other classes; bed covers; table covers; dish machine curtains, namely, splash curtains for dish washing and ware washing machines for commercial, institutional, and industrial use; hand towels; woven water soluble fabrics, namely, a water-soluble bi-laminate material having a layer of water-soluble nonwoven fabric formed of polyvinyl alcohol fibers bonded to a layer of water-soluble polyvinyl alcohol film, for use in further manufacturing of industrial or nuclear products, namely, equipment covers, machinery covers, and building structure covers; woven and non-woven fabrics, and woven fabric and film composites composed primarily of fabric for use in further manufacturing of industrial or nuclear products, namely, equipment covers, machinery covers, and building structure covers; woven and non-woven fabrics, films, and fabric and film composites composed primarily of fabric for use in covering and protecting sensitive equipment and packaging from contaminants; woven and non-woven hand towels; woven and non-woven fabrics, films, and fabric and film composites for use in the manufacture of clothing, namely, gloves and glove liners, woven and non-woven industrial gowns, coveralls, head covers, hard hat covers, hoods, lab coats, T-shirts, degradable plastic undergarments, pennants.

25 – Clothing, footwear, headgear; aprons; boots; caps; caps with visors; shirts; sweat shirts; coats; jackets; hats; cap visors.

26 – Lace and embroidery, ribbons and braid; buttons, hooks and eyes, pins and needles; artificial flowers; boxes for needles; cloth patches for clothing; embroidered patches for clothing; hair nets.

27 – Carpets, rugs, mats and matting, linoleum and other materials for covering existing floors; wall hangings (non-textile); floor mats.

28 – Games and playthings; gymnastic and sporting articles not included in other classes; decorations for Christmas trees; divot repair tools for golfers; golf tees; golf balls; plush toys; toy cars; stress relief toys for hand exercise.

30 – Coffee, tea, cocoa and artificial coffee; rice; tapioca and sago; flour and preparations made from cereals; bread, pastry and confectionery; ices; sugar, honey, treacle; yeast, baking-powder; salt; mustard; vinegar, sauces (condiments); spices; ice; candy; chewing gum.

35 – Advertising; business management; business administration; office functions; business administration and management of a hand hygiene compliance program for others; business consulting and information services; business data analysis; business information management; providing business information; business auditing; business consultation services in the field of energy usage management and energy efficiency; business consulting services in the field of water usage efficiency and water usage management; business consulting services in the field of selection of preparations for cleaning and sanitizing for commercial, industrial, and institutional use; consulting services in the field of sustainable business solutions; business consulting services in the field of the operation of water treatment systems for industrial, commercial, and institutional uses; business consulting services in the field of car washing systems; business consulting services in the field of the operation of water filtration and conditioning systems for industrial, commercial, and institutional uses; business and organization consultancy in the field of commercial kitchen equipment; online retail store services and mail order catalog services for the restaurant and food services industries featuring goods in the food preparation, food handling, food labeling, cleaning, personal safety, personal hygiene, emergency response, protective apparel, material handling, shelving, and office supplies fields; business consulting and business strategy development services that provide strategies to companies wishing to move toward sustainability and socially responsible business practices through the use of effective products and controlled dispensing and monitoring technology, provided mainly to the beverage industry, dairy industry, food industry, food processing industry, food retail industry, food services industry, restaurant industry, healthcare industry, medical industry, pharmaceutical industry, industrial laundry industry, institutional laundry industry, vehicle care industry, and water care industry.

38 – Providing access to database on the Internet where documents and images can be viewed, copied and printed for purposes of conducting corporate transactions; providing access to a website with non-downloadable video recordings featuring informa-

tion regarding training for use of cleaning and sanitation products.

40 – Treatment of materials; leasing of equipment for use in textile care; custom manufacture of equipment and custom manufacture of pharmaceuticals; printing; printing of advertising matter; energy generation services; water treatment services.

43 – Services for providing food and drink; temporary accommodation; leasing of kitchen appliances.

44 – Consultancy in the field of personal hygiene.

45 – Legal services; security services for the protection of property and individuals; personal and social services rendered by others to meet the needs of individuals; reviewing standards and practices to assure compliance with laws and regulations in the fields of food safety, food sanitation, food preparation, food handling, and food service management in the food service and food retail industries; reviewing standards and practices to assure compliance with laws and regulations in the vehicle care field, namely, vehicle care products, equipment, and facilities of others, and preparing reports for regulatory compliance for the vehicle care industry; reviewing standards and practices to assure compliance with laws and regulations in the water treatment field, namely, water treatment products, equipment, and facilities of others, and preparing reports for regulatory compliance for the industrial, commercial, and institutional industries.

(260) AM 2014 74735 A

(800) 1180660

(151) 2013 03 19

(731) ERCAN SAAT SANAYİ VE TİCARET
LİMİTED ŞİRKETİ
Tahtakale Cad. No:36, Eminönü Fatih,
İstanbul, Turkey

(540)



DANIEL KLEIN

(591) Black, white

(511)

9 – Apparatus and instruments for recording, transmission or reproduction of sound, data and images, computer programs for data processing, magnetic and optical data carriers; antennas, satellite antennas, component parts for antennas; coin-operated mechanisms for vending machines, ticket dispensers, automated banking machines, connectors for electronic circuits, counters and electronic timers, clothing for protection against accidents, lifesaving apparatus and equipment, eyeglasses, sunglasses, contact lenses, contact lens cases, containers for contact lenses; access control and alarm monitoring systems, alarm

bells, electric, traffic-light apparatus (signalling devices), fire extinguishers; fire hose nozzles; sprinkler systems for fire protection; fire alarms; radar apparatus, radars, sonars, night vision goggles, electrodynamic apparatus for the remote control of signals; electrolysers, galvanometers, anodes, cathodes; magnets, decorative magnets.

14 – Precious metals and their alloys, namely, gold, silver, platinum; precious stones, jewelry made of precious metal or coated therewith, namely, bracelets, rings, charms, necklaces, ear clips, cuff-links, earrings, ornamental pins, tie pins, pendants, rings being jewelry, medallions, brooches, personal ornaments jewellery, trinkets, namely, key rings, statues of precious metal, busts of precious metal; horological and chronometric instruments and parts and accessories thereof, namely, chronometers, wrist watches, pocket watches, jewelry watches, wall clocks, table clocks, watch bands, watch straps, watch bracelets, watch chains, cases for watches and clocks, and replacement parts for watches and clocks.

25 – Clothing, footwear, headgear.

(260) AM 2014 74738 A

(800) 1180686

(151) 2013 05 14

(731) DR. SERTUS İLAÇ SANAYİ VE TİCARET LİMİTED ŞİRKETİ

Evren Mah. Camiyolu Cad. No.50 K.2,
Güneşli, Bağcılar, İstanbul, Turkey

(540)

IBRA

ИБРА

(591) Black, white

(511)

5 – Medicines for human purposes; medicines for veterinary purposes; chemical preparations for medical purposes; dietetic substances adapted for medical use; dietetic foods adapted for medical purposes; aminoacids for medical purposes; nutritional supplements; pollen dietary substances; mineral food supplements; protein dietary supplements; baby foods; medicinal herbs; herbal beverages adapted for medical purposes; medicines for dental purposes; hygienic products for medical purposes including pads, waddings for medical purposes, plasters for medical purposes, dressings for medical purposes; preparations for destroying noxious plants; preparations for destroying noxious animals, fungicides; deodorants, other than for human beings or for animals; disinfectants for hygiene purposes; antiseptics; detergents for medical purposes.

(260) AM 2014 74739 A

(800) 1180690

(151) 2013 05 29

(731) ÇELİKOĞLU DEMİR ÇELİK SANAYİ VE TİCARET LİMİTED ŞİRKETİ

Kurtulus Mahallesi, Yeni Sanayi Bölgesi
No:44, Karabük, Turkey

(540)



(591) Black, red and white

(511)

6 – Guard rails of metal.

(260) AM 2014 74740 A

(800) 1180696

(151) 2013 07 12

(731) TORUŃSKIE ZAKŁADY MATERIAŁÓW OPATRUNKOWYCH, SPÓŁKA AKCYJNA
Żółkiewskiego 20/26, PL-87-100 Toruń,
Poland

(540)



(591) Dark navy blue, green and red

(511)

3 – Body milk, creams for skin care, liquids for cleaning skin, tissues impregnated with cosmetic lotions.

5 – Disposable diapers for incontinent persons, disposable diaper-pants for incontinent persons, disposable panties for incontinent persons, urological pads, urological pads for men.

10 – Bed underpads for incontinent persons.

(260) AM 2014 74741 A

(800) 1180701

(151) 2013 07 12

(731) SAFE IP S.A.

11, Avenue Emile Reuter, L-2420
Luxembourg, Luxembourg

(540)



(591) Gray, blue, white

(511)

6 – Common metals and alloys thereof; metal building materials; transportable buildings of metal; railway material of metal; non-electric cables and wires of metal; ironmongery and small items of metal hardware; metal pipes; safes; ores, foundry products, wrought or semi-wrought cast iron, foundry screens.

7 – Machines and machine tools; motors and engines (other than for land vehicles); machine couplings and transmission components (other than for land vehicles); agricultural implements other than hand-operated; incubators for eggs, brake segments other than for vehicles; piston segments; sealing rings; loading ramps; sealing bags; machines and machine tools for the assembly, badge affixing, welding, injection molding and extrusion of plastic components; molds (parts of machines); units for tooth coupling components on adapters for tools and containers used on construction machinery; parts of machines, namely, work tools, hammers, buckets, shears for construction, mining and quarrying machinery and all related consumable parts; mechanical, electromechanical, pneumatic, hydraulic components used in spare parts relating to construction, mining and quarrying machinery and tools therefor.

11 – Apparatus for lighting, heating, steam generating, cooking, refrigerating, drying, ventilating, water supply and sanitary purposes; incinerators particularly for household garbage, furnaces excluding furnaces for experiments, loading apparatus for furnaces, structural plates for furnaces, mats for furnaces, cooling trays, loading supports for furnaces, incineration bars, electrically heated mats.

12 – Vehicles; apparatus for locomotion by land, air or water; brake segments for vehicles, sealing segments for vehicles, sealing covers for vehicles; automobiles, caps for vehicle fuel tanks, safety belts for vehicle seats, housings for vehicle safety belts; airbags (safety devices for automobiles); housings, covers and shells for airbags (automobile safety devices) for vehicles; control buttons for vehicles, front panels for vehicle dashboards; safety seats for children for vehicles; hub caps, direction signals for vehicles, vehicle bumpers, rear-view mirrors and rear-view mirror housings, vehicle seats, headrests for vehicle seats, ski carriers for cars, vehicle convertible tops, luggage carriers for vehicles, steering wheels, components and subassemblies made of plastic for vehicle safety devices; control levers for vehicles; special panniers for cycles.

14 – Precious metals and their alloys.

17 – Semi-processed plastics, semi-processed plastics for making components for vehicles; clutch linings, gaskets for vehicles, connecting pipes for vehicle radiators, plastic pipes for airbags (safety de-

vices for automobiles); extruded plastic parts for automobile applications.

19 – Non-metal foundry molds, namely molds for plastics used for making vehicle components.

26 – Ornamental badges for affixing to plastic components.

40 – Treatment of materials, treatment and selection of waste, recovery of waste; metal shielding, metal treatment; water treatment; recycling of batteries; assembly of teeth on adapters for tools and containers used in construction machinery.

(260) AM 2014 74746 A

(800) 1180709

(151) 2013 07 02

(731) GI GROUP S.P.A.

Piazza IV Novembre, 5, I-20124 MILANO,
Italy

(540)



(591) Blue, gray and white

(511)

35 – Providing temporary workers; personnel recruitment; personnel recruitment and selection; employment agencies; consultancy and assistance in the field of temporary work; psychological testing for the selection of personnel; occupation psychology services; consultancy services relating to the assessment, development and application of human resources; assessment and verification of individuals' professional skills for personnel selection and vocational guidance; personnel management consultancy; human resource management; payroll preparation; book keeping services; database compilation and management; computerized file management; data services; business consultancy; commercial consultancy; business management and business organization consultancy; business management planning; business advisory and information services; business administration; marketing analysis; marketing consultancy and information; public relation services; publicity and marketing; dissemination of advertising matter; marketing research; marketing studies; research and studies in the field of economics; economic forecasting and analysis; promotion of goods and services (for others); promotion of computer software and of computer-related services; business management; office functions; services relating to franchising, namely services provided by a franchiser in assisting, developing and managing a commercial business; compilation, storage and retrieval of data and information; on-line services for the search, retrieval, indexing and organisation of data on electronic communication networks.

41 – Education; providing of training; entertainment; sporting and cultural activities; consultancy services relating to the education and training of management and of personnel; providing of training for personnel; training of personnel in the areas of recruitment, human resources and business management; organization of specialist and refresher courses; checks and assessment of the integration and potential of candidates; vocational guidance [education or training advice]; design and providing of training activities for vocational integration; organization and provision of conferences and seminars; organization of exhibitions; production of audio and video tapes, CDs and DVDs; education and training relating to the training and assessment of personnel employed in offices and industrial concerns; vocational consultancy relating to the vocational analysis and guidance of personnel, personality tests, psychological tests and career guidance.

42 – Computer-related services; technical support (advisory) services relating to computer hardware, computer software, computer networks and the Internet; design, development, installation, maintenance, repair, updating and upgrading of computer software; computer programming; providing access to communications networks, electronic databases and the Internet; design and integration of computer systems, computer networks, computer hardware and software; computer programming; design, creation and management of computer websites and portals; rental and leasing of computers; computer system analysis; research, development and project analysis, in particular in the field of information technology, communications technology and other computer-related technologies; housing and hosting services, all the aforesaid services provided with customer care services; data mining; database development services; industrial analysis and research.

(260) AM 2014 74748 A

(800) 1180738

(151) 2013 08 30

(731) UNI-CHARM CORPORATION

182 Shimobun, Kinsei-cho, Shikokuchuo-shi,
Ehime-ken 799-0111, Japan

(540)



(591) Red, blue, white

(511)

5 – Pharmaceutical, veterinary and sanitary preparations; sanitary napkins; panty liners (sanitary); menstruation tampons; sanitary shorts; incontinence diapers; incontinence diapers of paper or cellulose; incontinence diapers or nappies of paper or cellulose

in type of pants; urine pads; incontinence pads; incontinence liners; incontinence shorts; breast-nursing pads; incontinence trunks; bandages for dressings; adhesive plasters; absorbent cotton; gauze for dressings; oiled paper for medical purposes; pharmaceutical wafers; lacteal flour (for babies); eye patches for medicated purposes; ear bandages; incontinence diapers used in hospitals; incontinence diapers of paper or cellulose used in hospitals; incontinence diapers or nappies of paper or cellulose in type of pants used in hospitals; urine pads used in hospitals; incontinence pads used in hospitals; incontinence liners used in hospitals.

(260) AM 2014 74749 A

(800) 1180752

(151) 2013 09 16

(731) KNIGHTSBRIDGE SCHOOL LIMITED

67 Pont Street, London SW1X 0BD,
United Kingdom

(540)

THE KS CODE

(591) Black, white

(511)

16 – Educational materials for use in teaching; instructional materials; periodical publications; printed material; printed publications; school stationery supplies; books; calendars; stationery materials; pictures; photographs.

41 – Education; education services; day school services; boarding school services; arranging of courses of instruction; conducting of educational courses; educational examination services; provision of educational examination facilities; providing facilities for educational purposes; physical education instruction; sporting education services; provision of sports and recreational facilities; entertainment, sporting and cultural activities; publication of texts; arranging musical and theatrical events; provision of facilities for musical and theatrical events; arranging and conducting conferences, seminars and exhibitions; arranging for students to participate in recreational activities; organising events for cultural purposes.

(260) AM 2014 74752 A

(800) 1180764

(151) 2013 08 26

(731) ARMSAN SILAH SANAYI VE

TICARET A.Ş.

İnkilap Mah. Alemdağ Cad. Siteyolu
Sk. No:3, Ümraniye İstanbul, İstanbul,
Turkey

(540)

PHENOMA

(591) Black, white

(511)

13 – Firearms, air pistols weapons, spring-loaded firearms, adapted cases and shoulder straps therefor; heavy weapons, mortars and rockets; fireworks; sprays for personal defence purposes.

(260) AM 2014 74753 A

(800) 1180767

(151) 2013 09 26

(731) TELA BIO, Inc.

1 Great Valley Parkway, Suite 24, Malvern
PA 19355, USA

(540)

TELARX

(591) Black, white

(511)

10 – Sterilized natural and biocompatible materials comprised of non-living tissue, processed chemically, physically, and via sterilization to preserve and optimize the native beneficial properties of the tissue, for hernia, abdominal wall, and soft-tissue repair.

(260) AM 2014 74764 A

(800) 1180769

(151) 2013 09 19

(731) NOVARTIS AG

CH-4002 Basel, Switzerland

(540)

VERION

(591) Black, white

(511)

9 – Software for capture, calculation, transfer and storage of data relating to eye disease diagnosis and treatment.

10 – Surgical apparatus and instruments for ophthalmic surgery.

(260) AM 2014 74765 A

(800) 1180777

(151) 2013 09 30

(731) Subsidiary Enterprise "BOOK CLUB"

"FAMILY LEISURE CLUB"

prospekt Naharina 20-A, Kharkiv 61140,
Ukraine

(540)



(591) Black, white

(511)

16 – Albums; pamphlets; booklets; greeting cards; newspapers; printed matter; printed publications; magazines (periodicals); note books; calendars; catalogues; books; comic books; handbooks (manuals); posters; prospectuses.

25 – Berets; outerclothing; footwear; ready-made clothing; pelisses; hats; combinations (clothing); suits; jackets (clothing); singlets; body linen (garments); headgear for wear; overcoats; pyjamas; coats; pullovers; overalls; sweaters; shirts; cyclists' clothing; sports jerseys; dresses; aprons (clothing); tee-shirts; dressing gowns; caps (headwear); trousers.

35 – Marketing studies; business information; compilation of information into computer databases; commercial information agencies; advertising; sales promotion for others.

41 – Publication of books; production of shows; educational services; organization of balls; arranging and conducting of conferences; arranging and conducting of symposiums; amusements; providing amusement arcade services; organization of competitions (education or entertainment); recreation information; education information; entertainment information; health club services (health and fitness training); club services (entertainment or education); night clubs; providing recreation facilities; party planning (entertainment); booking of seats for shows; publication of electronic books and journals on-line.

(260) AM 2014 74766 A

(800) 1180800

(151) 2013 05 14

(731) WORLD MEDICINE ILAÇ SANAYİ VE

TICARET LIMITED SİRKETİ

Evren Mahallesi Cami Yolu, Caddesi No:50

Kat 1 B Zemin 4-5-6, Güneşli Bağcılar

İSTANBUL, Turkey

(540)

PEFSAL

(591) Black, white

(511)

5 – Medicines for human purposes; medicines for veterinary purposes; chemical preparations for medical purposes; dietetic substances adapted for medical use; dietetic foods adapted for medical purposes; aminoacids for medical purposes; nutritional supplements; pollen dietary substances; mineral food supplements; protein dietary supplements; baby foods; medicinal herbs; herbal beverages adapted for medical purposes; medicines for dental purposes; hygienic products for medical purposes including pads, waddings for medical purposes, plasters for medical purposes, dressings for medical purposes; preparations for destroying noxious plants; preparations for destroying noxious animals, fungicides; deodorants, other than for human beings or for animals; disinfectants for hygiene purposes; antiseptics; detergents for medical purposes.

(260) AM 2014 74767 A
 (800) 1180804
 (151) 2013 09 03
 (731) EGIS GYÓGYSZERGYÁR
 NYILVÁNOSAN MŰKÖDŐ
 RÉSZVÉNYTÁRSASÁG
 Keresztúri út 30-38, H-1106 Budapest, Hungary
 (540)

TELIDAM

(591) Black, white
 (511)
 5 – Pharmaceutical preparations for human use.

(260) AM 2014 74783 A
 (800) 1180805
 (151) 2013 08 26
 (731) EGIS GYÓGYSZERGYÁR
 NYILVÁNOSAN MŰKÖDŐ
 RÉSZVÉNYTÁRSASÁG
 Keresztúri út 30-38, H-1106 Budapest, Hungary
 (540)

DIAVISION

(591) Black, white
 (511)
 5 – Pharmaceutical preparations for human use.

(260) AM 2014 74785 A
 (800) 1180807
 (151) 2013 09 03
 (731) EGIS GYÓGYSZERGYÁR
 NYILVÁNOSAN MŰKÖDŐ
 RÉSZVÉNYTÁRSASÁG
 Keresztúri út 30-38, H-1106 Budapest,
 Hungary
 (540)

RANOSAP

(591) Black, white
 (511)
 5 – Pharmaceutical preparations for human use.

(260) AM 2014 74786 A
 (800) 1180808
 (151) 2013 08 26
 (731) EGIS GYÓGYSZERGYÁR
 NYILVÁNOSAN MŰKÖDŐ
 RÉSZVÉNYTÁRSASÁG
 Keresztúri út 30-38, H-1106 Budapest,
 Hungary
 (540)

BIZUMA

(591) Black, white
 (511)
 5 – Pharmaceutical preparations for human use.

(260) AM 2014 74787 A
 (800) 1180809
 (151) 2013 08 26
 (731) EGIS GYÓGYSZERGYÁR
 NYILVÁNOSAN MŰKÖDŐ
 RÉSZVÉNYTÁRSASÁG
 Keresztúri út 30-38, H-1106 Budapest,
 Hungary
 (540)

EGIVISION

(591) Black, white
 (511)
 5 – Pharmaceutical preparations for human use.

(260) AM 2014 74788 A
 (800) 1180810
 (151) 2013 09 25
 (731) RICHTER GEDEON NYRT.
 Gyömrői út 19-21, H-1103 Budapest, Hungary
 (540)

NOMYTOMYN

(591) Black, white
 (511)
 5 – Pharmaceutical preparations.

(260) AM 2014 74789 A
 (800) 1180811
 (151) 2013 09 25
 (731) RICHTER GEDEON NYRT.
 Gyömrői út 19-21, H-1103 Budapest, Hungary
 (540)

PERTAFOX

(591) Black, white
 (511)
 5 – Pharmaceutical preparations.

(260) AM 2014 74790 A
 (800) 1180815
 (151) 2013 08 23
 (731) EGIS GYÓGYSZERGYÁR
 NYILVÁNOSAN MŰKÖDŐ
 RÉSZVÉNYTÁRSASÁG
 Keresztúri út 30-38, H-1106 Budapest, Hungary
 (540)

PRIBELLIN

(591) Black, white
 (511)
 5 – Pharmaceutical preparations for human use.

(260) AM 2014 74792 A
 (800) 1180855
 (151) 2013 07 12
 (731) SAFE IP S.A.

11, Avenue Emile Reuter, L-2420
Luxembourg, Luxembourg
(540)



L'esprit industriel

(591) Gray, blue, white

(511)

6 – Common metals and alloys thereof; metal building materials; transportable buildings of metal; railway material of metal; non-electric cables and wires of metal; ironmongery and small items of metal hardware; metal pipes; safes; ores, foundry products, wrought cast iron, foundry screens.

7 – Machines and machine tools; motors and engines (other than for land vehicles); machine couplings and transmission components (other than for land vehicles); agricultural implements other than hand-operated; incubators for eggs, brake segments other than for vehicles; piston segments; sealing rings; loading ramps; sealing bags.

11 – Apparatus for lighting, heating, steam generating, cooking, refrigerating, drying, ventilating, water distribution and sanitary installations, incinerators particularly for household garbage, furnaces excluding furnaces for experiments, loading apparatus for furnaces, structural plates for furnaces, mats for furnaces, cooling trays, loading supports for furnaces, incineration bars, electrically heated mats.

12 – Vehicles; apparatus for locomotion by land, air or water; brake segments for vehicles, sealing segments for vehicles, sealing covers for vehicles.

14 – Precious metals and their alloys.

40 – Treatment of materials, treatment and selection of waste, recovery of waste; metal shielding, metal treatment; water treatment; recycling of batteries.

(260) AM 2014 74793 A

(800) 1180881

(151) 2013 09 12

(731) ROCKWOOL INTERNATIONAL A/S
Hovedgaden 584, DK-2640 Hedehusene,
Denmark

(540)

REDArt

(591) Black, white

(511)

17 – Insulating materials.

19 – Building materials (not of metal).

(260) AM 2014 74998 A

(800) 1182914

(151) 2013 09 30

(731) Subsidiary Enterprise "BOOK CLUB"
"FAMILY LEISURE CLUB"

prospekt Haharina 20-A, Kharkiv 61140,
Ukraine

(540)

КНИЖНЫЙ КЛУБ

(591) Black, white

(511)

16 – Albums; pamphlets; booklets; greeting cards; newspapers; printed matter; printed publications; magazines (periodicals); note books; calendars; catalogues; books; comic books; handbooks (manuals); posters; prospectuses.

25 – Berets; outer clothing; footwear; ready-made clothing; pelisses; hats; combinations (clothing); suits; jackets (clothing); singlets; body linen (garments); headgear for wear; overcoats; pyjamas; coats; pullovers; overalls; sweaters; shirts; cyclists' clothing; sports jerseys; dresses; aprons (clothing); tee-shirts; dressing gowns; caps (headwear); trousers.

(260) AM 2014 74999 A

(800) 1182921

(151) 2013 07 19

(731) DAVIDE CAMPARI – MILANO S.P.A.
Via Franco Sacchetti, 20, I-20099 SESTO
SAN GIOVANNI (MI), Italy

(540)



(591) Black, white, yellow, dark blue, silver, gold,
green, light green, red.

(511)

32 – Beers; mineral and aerated waters and other non-alcoholic beverages; fruit beverages and fruit juices; syrups and other preparations for making beverages; seltzer water; waters [beverages]; table waters; aerated water; lithia water; mineral water [beverages]; aperitifs, non-alcoholic; smoothies; whey beverages; aloe vera drinks, non-alcoholic; non-alcoholic fruit juice beverages; isotonic beverages; non-alcoholic beverages; non-alcoholic honey-based beverages; malt beer; ginger ale; beers; cocktails, non-alcoholic; essences for making beverages; non-alcoholic fruit extracts; extracts of hops for making beer;

kvass [non-alcoholic beverage]; peanut milk [non-alcoholic beverage]; milk of almonds [beverage]; lemonades; must; beer wort; malt wort; grape must, unfermented; fruit nectars, non-alcoholic; orgeat; pastilles for effervescing beverages; powders for effervescing beverages; preparations for making beverages; preparations for making liqueurs; preparations for making aerated water; preparations for making mineral water; sarsaparilla [non-alcoholic beverage]; syrups for beverages; syrups for lemonade; soda water; sorbets [beverages]; fruit juice; tomato juice [beverage]; vegetable juices [beverages]; cider, non-alcoholic.

33 – Alcoholic beverages (except beers); brandy; peppermint liqueurs; rice alcohol; spirits [beverages]; bitters; anise [liqueur]; anisette [liqueur]; aperitifs; arak [arrack]; alcoholic beverages, except beer; alcoholic beverages containing fruit; pre-mixed alcoholic beverages, other than beer-based; distilled beverages; cocktails; curacao; digesters [liqueurs and spirits]; alcoholic essences; alcoholic extracts; fruit extracts, alcoholic; gin; hydromel [mead]; kirsch; liqueurs; nira [sugarcane-based alcoholic beverage]; rum; sake; cider; perry; piquette; wine; vodka; whiskey.

43 – Services for providing food and drink; temporary accommodation; accommodation bureaux [hotels, boarding houses]; day-nurseries [crèches]; cafés; canteens; retirement homes; tourist homes; providing campground facilities; rental of temporary accommodation; rental of lighting apparatus other than for theatrical sets or television studios; rental of cooking apparatus; rental of transportable buildings; rental of drinking water dispensers; rental of meeting rooms; rental of chairs, tables, table linen, glassware; rental of tents; boarding for animals; boarding houses; hotel reservations; temporary accommodation reservations; boarding house bookings; restaurants; self-service restaurants; hotels; bar services; holiday camp services [lodging]; food and drink catering; motels; snack-bars.

(260) AM 2014 75000 A

(800) 1182922

(151) 2013 09 17

(731) ORION CORPORATION

Orionintie 1, FI-02200 Espoo, Finland

(540)

Metypred
Метипред

(591) Black, white

(511)

5 – Pharmaceutical preparations, dietetic substances and food supplements for medical use.

(260) AM 2014 75001 A

(800) 1182926

(151) 2013 08 09

(731) NG KÜTAHYA SERAMİK PORSELEN
TURİZM ANONİM ŞİRKETİ

Atatürk Bulvarı, Çalca Mahallesi, Merkez-
Kutahya, Turkey

(540)

TAU
SANITARIO

(591) Black, white

(511)

11 – Lighting installations, lighting apparatus for vehicles, interior and exterior lights; lamps, light bulbs, projector lamps, lanterns, chandeliers, lamp glasses, lamp mantles, lamps for directional signals and parking lights of vehicles (bulbs), headlights, stop lights, light bulbs for signals and park lights, vehicle reflectors, reflector lamps; devices for heating and vapor producing installations, stoves (heating apparatus), boilers for central heating and natural gas installations, gas boilers, burners, heaters, heaters for baths, radiators, heat pumps, electric water boilers, solar collectors and devices (heating); heating apparatus for solid, liquid or gaseous fuels, cookers; air-conditioning installations and apparatus, fans (air-conditioning), ventilators, air-conditioning apparatus including for vehicles; air sterilisers and purifying devices, installations and their parts and accessories for residences; refrigerators, deep freezers, ice boxes, ice machines and devices; electric and gas operated apparatus, machines and equipment used in cooking and boiling, namely, toasters, bread toasters, deep fryers, grills, ovens, stoves, electric popcorn poppers, autoclaves, coffee and tea machines, water boilers (kettles) and their parts; clothes drying machines (electric, for household purposes), electric hair-dryers, hand drying apparatus for washrooms; bath tubs, bidets, bath installations, shower enclosures, urinals (sanitary fixtures) water closets, toilets, portable; lavatories, sinks, taps (faucets) for water and gas installations, hand-held shower heads, flexible pipes being parts of shower plumbing installations; thermostatic valves as parts of heating installations, level controlling valves in tanks, regulating accessories for water or gas apparatus, whirlpool-jet apparatus; automatic watering installations, water-pipes for sanitary installations, watering machines for agricultural purposes; water softening apparatus and installations, water purifying apparatus and machines, water purification installations, incinerators, water purifiers; bedwarmers and blankets, electric, not for medical purposes; electric heating pads and cushions, not for medical purposes; electric footwarmers; footmuffs, electrically heated; hot water bottles; aquarium filters, filtration apparatus incorporating a motor device; aquarium heaters and lights; industrial type furnaces; industrial type dryer

installations; industrial type cooling installations, cooling towers, air cooling apparatus; pasteurisers and sterilizers.

(260) AM 2014 75003 A

(800) 1182940

(151) 2013 03 01

(731) SONY CORPORATION

1-7-1 Konan, Minato-ku, Tokyo 108-0075,

Japan

(540)

BE MOVED

(591) Black, white

(511)

9 – Television apparatus; portable audio players; smartphones; portable telephones; loudspeakers; amplifiers; home theater system; DVD players and recorders; optical disk players and recorders; digital audio players and recorders; digital video players and recorders; headphones; digital camera; video cameras (camcorders); navigation apparatus for vehicles (on-board computers); telecommunication machines and apparatus not included in other classes; optical data media; magnetic data media; digital book readers; head mounted display; tablet type computers; laptop computers; computers; computer software (recorded); computer programs (downloadable software); computer peripheral devices; electronic machines, apparatus and their parts not included in other classes; game programs for home video game machines; electronic circuits and CD-ROMs recorded with programs for hand-held games with liquid crystal displays; phonograph records; downloadable music files; downloadable image files; recorded video discs and video tapes; exposed cinematographic films; exposed slide films; slide film mounts; electronic publications; portable terminals for electronic publications; downloadable still or moving images.

28 – Apparatus for games; video game machines; amusement machines and apparatus for use in amusement parks; home video game machines; hand-held games with liquid crystal displays; toys not included in other classes; dolls; go games; Japanese chess (Shogi games); Japanese playing cards (Utagaruta); dice; Japanese dice games (Sugoroku); cups for dice; Chinese checkers; chess games; checkers (games); conjuring apparatus; dominoes; playing cards; Japanese playing cards (Hanafuda); Mah-jong; game machines and apparatus; billiard equipment; gymnastic and sporting articles not included in other classes; fishing tackle.

38 – Providing telecommunication connections to a global computer network; transmission of audio, music, pictures and video files through computer communication network; communication by mobile telephone; communication by computer terminals;

telecommunication (other than broadcasting); broadcasting (radio – TV); wire service; rental of telecommunication equipment including telephones and facsimile apparatus; rental of access time to computer data base; rental of access time to computer programs by application service provider.

41 – Educational and instruction services relating to arts, crafts, sports or general knowledge; providing on-line electronic publications, not downloadable; providing electronic publications; library services; book rental; showing of films, film production, film distribution; presentation of live show performances; direction or presentation of plays; presentation of musical performance; television and radio entertainment; production of radio or television programs; providing amusement facilities; providing pictures, movies, video or games via computer network, not downloadable; providing audio, music, images, motion pictures using telecommunication network, not downloadable; game services provided on-line from a computer network, and provision of information and advice thereof; providing information on photo editing.

42 – Design, creation, or maintenance of websites for others; providing search engines for the Internet; design, development and consulting services relating to computer, computer software, or computer system; consulting services relating to design, creation, maintenance and administration of communication network system; computer software design, computer programming or maintenance of computer software for electronic certification; data conversion using computer; computer consultancy relating to computer program semantics and recovery of computer system failures; computer programming; providing computer programs for electronic certification; hosting of websites and information in relation thereto; rental of server storage space for e-mail communication; rental of server storage space for sharing electronic information, images, and other digital contents on the Internet; rental of storage space for social networking services for users to communicate with others on the Internet; rental of server storage space; rental of computers and providing computer programs; providing meteorological information; designing (computer); providing computer programs by application service provider; digital certificate services in relation to authentication of business operator and users of computer communication network.

(260) AM 2014 75006 A

(800) 1182953

(151) 2013 04 08

(731) VOSTOK VENTURES LTD.

OMC Chambers, Wickhams Cay 1, Road
Town, Tortola, British Virgin Islands

(540)

Survarium

(591) Black, white

(511)

9 – Scientific, nautical, surveying, photographic, cinematographic, optical, weighing, measuring, signalling, checking (supervision), life-saving and teaching apparatus and instruments; apparatus and instruments for conducting, switching, transforming, accumulating, regulating or controlling electricity; apparatus for recording, transmission or reproduction of sound or images; magnetic data carriers, recording discs; compact discs, DVDs and other digital recording media; mechanisms for coin-operated apparatus; cash registers, calculating machines, data processing equipment, computers; computer software; fire-extinguishing apparatus; abacuses; accumulators, electric; accumulators, electric, for vehicles; acid hydrometers; acidimeters for batteries; acoustic conduits; acoustic couplers; acoustic [sound] alarms; actinometers; adding machines; aerometers; air analysis apparatus; alarm bells, electric; alarms*; alcoholmeters; alidades; altimeters; ammeters; amplifiers; amplifying tubes; anemometers; animated cartoons; anode batteries; anodes; answering machines; antennas; anticathodes; anti-glare glasses; anti-glare visors; anti-interference devices [electricity]; anti-theft warning apparatus; apertometers [optics]; apparatus and installations for the production of X-rays, not for medical purposes; apparatus and instruments for astronomy; apparatus and instruments for physics; apparatus for changing record player needles; apparatus for fermentation [laboratory apparatus]; apparatus for measuring the thickness of skins; apparatus to check franking; appliances for measuring the thickness of leather; armatures [electricity]; asbestos clothing for protection against fire; asbestos gloves for protection against accidents; asbestos screens for firemen; audio- and video-receivers; audiovisual teaching apparatus; automated teller machines [atm]; automatic indicators of low pressure in vehicle tires [tyres]; azimuth instruments; bags adapted for laptops; balances [steelyards]; balancing apparatus; bar code readers; barometers; batteries, electric; batteries for lighting; battery boxes; battery chargers; battery jars; beacons, luminous; bells [warning devices]; betatrons; binoculars; blueprint apparatus; boiler control instruments; branch boxes [electricity]; breathing apparatus, except for artificial respiration; breathing apparatus for underwater swimming; bullet-proof waistcoats [vests (am.)]; buzzers; cabinets for loudspeakers; cables, electric; calculating disks; calculating machines; calibrating rings; calipers; camcorders; cameras [photography]; capillary tubes; carpenters' rules; carriers for dark plates [photography]; cases especially made for photographic apparatus and instruments; cases fitted with dissecting instruments

[microscopy]; cash registers; cassette players; cathodes; cathodic anti-corrosion apparatus; cell phone straps; cell switches [electricity]; centering apparatus for photographic transparencies; chargers for electric batteries; chemistry apparatus and instruments; chips [integrated circuits]; choking coils [impedance]; chromatography apparatus for laboratory use; chronographs [time recording apparatus]; cinematographic cameras; cinematographic film, exposed; circuit breakers; circuit closers; cleaning apparatus for sound recording discs; clothing especially made for laboratories; clothing for protection against accidents, irradiation and fire; clothing for protection against fire; coaxial cables; coils, electric; coin-operated mechanisms for television sets; coin-operated musical automata [juke boxes]; collectors, electric; commutators; compact disc players; compact discs [audio-video]; compact discs [read-only memory]; comparators; compasses [measuring instruments]; computer game software; computer keyboards; computer memory devices; computer operating programs, recorded; computer peripheral devices; computer programmes [programs], recorded; computer programs [downloadable software]; computers; computer software, recorded; condensers [capacitors]; conductors, electric; connections for electric lines; connectors [electricity]; contact lenses; contacts, electric; containers for contact lenses; containers for microscope slides; control panels [electricity]; converters, electric; copper wire, insulated; correcting lenses [optics]; cosmographic instruments; counterfeit [false] coin detectors; counters; couplers [data processing equipment]; couplings, electric; covers for electric outlets; crash test dummies; crucibles [laboratory]; current rectifiers; cyclotrons; darkroom lamps [photography]; darkrooms [photography]; data processing apparatus; decompression chambers; decorative magnets; demagnetizing apparatus for magnetic tapes; densimeters; densitometers; detectors; diagnostic apparatus, not for medical purposes; diaphragms [acoustics]; diaphragms for scientific apparatus; diaphragms [photography]; dictating machines; diffraction apparatus [microscopy]; digital photo frames; directional compasses; discharge tubes, electric, other than for lighting; disk drives for computers; disks, magnetic; distance measuring apparatus; distance recording apparatus; distillation apparatus for scientific purposes; distribution boards [electricity]; distribution boxes [electricity]; distribution consoles [electricity]; divers' masks; diving suits; dna chips; dog whistles; dosage dispensers; downloadable image files; downloadable music files; downloadable ring tones for mobile phones; drainers for use in photography; dressmakers' measures; drying apparatus for photographic prints; drying racks [photography]; ducts [electricity]; DVD players; dynamometers; ear plugs for divers; editing appliances for cinematographic films; egg-candlers; egg timers [sandglasses]; electric apparatus for com-

mutation; electric door bells; electric installations for the remote control of industrial operations; electricity conduits; electric loss indicators; electrified fences; electrified rails for mounting spot lights; electro-dynamic apparatus for the remote control of railway points; electro-dynamic apparatus for the remote control of signals; electrolyzers; electromagnetic coils; electronic agendas; electronic notice boards; electronic pens [visual display units]; electronic pocket translators; electronic publications, downloadable; electronic tags for goods; encoded identification bracelets, magnetic; encoded magnetic cards; enlarging apparatus [photography]; epidiascopes; ergometers; exposure meters [light meters]; eyeglass chains; eyeglass cords; eyeglass frames; eyepieces; facsimile machines; fibre [fiber (am.)] optic cables; film cutting apparatus; films, exposed; filters for respiratory masks; filters for ultraviolet rays, for photography; filters [photography]; fire alarms; fire beaters; fire blankets; fire boats; fire engines; fire escapes; fire extinguishers; fire hose; fire hose nozzles; fire pumps; flash bulbs [photography]; flashing lights [luminous signals]; flashlights [photography]; floppy disks; fluorescent screens; fog signals, non-explosive; food analysis apparatus; frames for photographic transparencies; frequency meters; furnaces for laboratory use; furniture especially made for laboratories; fuses; fuse wire; galena crystals [detectors]; galvanic batteries; galvanic cells; galvanometers; garments for protection against fire; gasoline gauges; gasometers [measuring instruments]; gas testing instruments; gauges; glass covered with an electrical conductor; glazing apparatus for photographic prints; global positioning system [gps] apparatus; gloves for divers; gloves for protection against accidents; gloves for protection against X-rays for industrial purposes; goggles for sports; grids for batteries; hands free kits for phones; head cleaning tapes [recording]; headphones; heat regulating apparatus; heliographic apparatus; hemline markers; high-frequency apparatus; holders for electric coils; holograms; horns for loudspeakers; hydrometers; hygrometers; identification sheaths for electric wires; identification threads for electric wires; identity cards, magnetic; igniting apparatus, electric, for igniting at a distance; incubators for bacteria culture; inductors [electricity]; instruments containing eyepieces; integrated circuit cards [smart cards]; integrated circuits; intercommunication apparatus; interfaces for computers; inverters [electricity]; invoicing machines; ionization apparatus not for the treatment of air or water; jigs [measuring instruments]; juke boxes for computers; junction boxes [electricity]; junction sleeves for electric cables; kilometer recorders for vehicles; knee-pads for workers; laboratory centrifuges; laboratory trays; lactodensimeters; lactometers; laptop computers; lasers, not for medical purposes; lenses for astrophotography; lens hoods; letter scales; levelling instru-

ments; levelling staffs [surveying instruments]; levels [instruments for determining the horizontal]; life belts; life buoys; life jackets; life saving apparatus and equipment; life-saving rafts; light dimmers [regulators], electric; light-emitting diodes [led]; light-emitting electronic pointers; lighting ballasts; lightning conductors [rods]; limiters [electricity]; locks, electric; logs [measuring instruments]; loudspeakers; magic lanterns; magnetic data media; magnetic encoders; magnetic tapes; magnetic tape units for computers; magnetic wires; magnets; magnifying glasses [optics]; marine compasses; marine depth finders; marking buoys; marking gauges [joinery]; masts for wireless aerials; materials for electricity mains [wires, cables]; material testing instruments and machines; mathematical instruments; measures; measuring apparatus; measuring devices, electric; measuring glassware; measuring instruments; measuring spoons; mechanical signs; mechanisms for coin-operated apparatus; mechanisms for counter-operated apparatus; megaphones; mercury levels; metal detectors for industrial or military purposes; meteorological balloons; meteorological instruments; metronomes; micrometers; micrometer screws for optical instruments; microphones; microprocessors; microscopes; microtomes; mirrors for inspecting work; mirrors [optics]; modems; money counting and sorting machines; monitoring apparatus, electric; monitors [computer hardware]; monitors [computer programs]; mouse [data processing equipment]; mouse pads; nautical apparatus and instruments; naval signalling apparatus; navigational instruments; navigation apparatus for vehicles [on-board computers]; needles for record players; neon signs; nets for protection against accidents; nose clips for divers and swimmers; notebook computers; objectives [lenses] [optics]; observation instruments; octants; ohmmeters; optical apparatus and instruments; optical character readers; optical condensers; optical data media; optical discs; optical fibers [fibres] [light conducting filaments]; optical glass; optical goods; optical lamps; optical lenses; oscillographs; oxygen transvasing apparatus; ozonisers [ozonators]; parking meters; particle accelerators; pedometers; peepholes [magnifying lenses] for doors; periscopes; personal stereos; petri dishes; photocopiers [photographic, electrostatic, thermic]; photometers; photo telegraphy apparatus; photovoltaic cells; pince-nez; pince-nez cases; pipettes; pitot tubes; plane tables [surveying instruments]; planimeters; plates for batteries; plotters; plumb bobs; plumb lines; pocket calculators; polarimeters; portable media players; portable telephones; precision balances; precision measuring apparatus; pressure gauges; pressure indicator plugs for valves; pressure indicators; pressure measuring apparatus; printed circuit boards; printed circuits; printers for use with computers; prisms [optics]; probes for scientific purposes; processors [central processing units]; projection

apparatus; projection screens; protection devices against X-rays, not for medical purposes; protection devices for personal use against accidents; protective helmets; protective helmets for sports; protective masks*; protective suits for aviators; protractors [measuring instruments]; punched card machines for offices; push buttons for bells; pyrometers; quantity indicators; radar apparatus; radiological apparatus for industrial purposes; radio pagers; radios; radiotelegraphy sets; radiotelephony sets; railway traffic safety appliances; range finders; readers [data processing equipment]; record players; reflecting discs for wear, for the prevention of traffic accidents; refractometers; refractors; regulating apparatus, electric; relays, electric; remote control apparatus; resistances, electric; respirators for filtering air; respiratory masks, other than for artificial respiration; resuscitation mannequins [teaching apparatus]; retorts; retorts' stands; revolution counters; rheostats; riding helmets; road signs, luminous or mechanical; rods for water diviners; rulers [measuring instruments]; rules [measuring instruments]; saccharometers; safety nets; safety restraints, other than for vehicle seats and sports equipment; safety tarpaulins; salinometers; satellite navigational apparatus; satellites for scientific purposes; scales; scanners [data processing equipment]; screens for photoengraving; screens [photography]; screw-tapping gauges; semi-conductors; sextants; sheaths for electric cables; shoes for protection against accidents, irradiation and fire; shutter releases [photography]; shutters [photography]; sighting telescopes for firearms; signal bells; signal lanterns; signalling buoys; signalling panels, luminous or mechanical; signalling whistles; signals, luminous or mechanical; signs, luminous; simulators for the steering and control of vehicles; sirens; sleeves for laptops; slide calipers; slide projectors; slide-rules; slope indicators; smoke detectors; sockets, plugs and other contacts [electric connections]; socks, electrically heated; solar batteries; solderers' helmets; solenoid valves [electromagnetic switches]; sonars; sounding apparatus and machines; sounding leads; sounding lines; sound locating instruments; sound recording apparatus; sound recording carriers; sound recording discs; sound recording strips; sound reproduction apparatus; sound transmitting apparatus; spark-guards; speaking tubes; spectacle cases; spectacle frames; spectacle lenses; spectacles [optics]; spectrograph apparatus; spectrosopes; speed checking apparatus for vehicles; speed indicators; speed measuring apparatus [photography]; speed regulators for record players; spherometers; spirit levels; spools [photography]; sprinkler systems for fire protection; stage lighting regulators; stands for photographic apparatus; starter cables for motors; steering apparatus, automatic, for vehicles; step-up transformers; stereoscopes; stereoscopic apparatus; stills for laboratory experiments; stroboscopes; sul-

hitometers; sunglasses; surveying apparatus and instruments; surveying chains; surveying instruments; surveyors' levels; switchboards; switchboxes [electricity]; switches, electric; tachometers; tape recorders; taximeters; teaching apparatus; teeth protectors; telegraphs [apparatus]; telegraph wires; telephone apparatus; telephone receivers; telephone transmitters; telephone wires; teleprinters; teleprompters; telerupters; telescopes; television apparatus; temperature indicator labels, not for medical purposes; temperature indicators; terminals [electricity]; testing apparatus not for medical purposes; test tubes; theft prevention installations, electric; theodolites; thermionic tubes; thermometers, not for medical purposes; thermostats; thermostats for vehicles; thread counters; ticket dispensers; time clocks [time recording devices]; time recording apparatus; time switches, automatic; tone arms for record players; totalizers; traffic cones; traffic-light apparatus [signalling devices]; transformers [electricity]; transistors [electronic]; transmitters of electronic signals; transmitters [telecommunication]; transmitting sets [telecommunication]; transparencies [photography]; transponders; triodes; tripods for cameras; urinometers; usb flash drives; vacuum gauges; vacuum tubes [radio]; variometers; vehicle breakdown warning triangles; vehicle radios; verniers; video cassettes; video game cartridges; video recorders; video screens; videotapes; video telephones; viewfinders, photographic; viscosimeters; voltage regulators for vehicles; voltage surge protectors; voltmeters; voting machines; wafers for integrated circuits; walkie-talkies; washing trays [photography]; water level indicators; wavemeters; weighbridges; weighing apparatus and instruments; weighing machines; weights; whistle alarms; wind socks for indicating wind direction; wire connectors [electricity]; wires, electric; workmen's protective face-shields; wrist rests for use with computers; X-ray apparatus not for medical purposes; X-ray films, exposed; X-ray photographs, other than for medical purposes; X-ray tubes not for medical purposes.

16 – Paper, cardboard and goods made from these materials, not included in other classes; printed matter; bookbinding material; photographs; stationery; adhesives for stationery or household purposes; artists' materials; paint brushes; typewriters and office requisites (except furniture); instructional and teaching material (except apparatus); plastic materials for packaging (not included in other classes); printers' type; printing blocks; fountain pens; addressing machines; address plates for addressing machines; address stamps; aquarelles; albums; almanacs; architects' models; atlases; advertisement boards of paper or cardboard; money clips; paper bows; tickets; biological samples for use in microscopy [teaching materials]; forms, printed; drawing pads; writing pads; pamphlets; booklets; plastic bubble packs for wrapping or packaging; house

painters' rollers; rollers for typewriters; credit card imprinters, non-electric; composing sticks; cream containers of paper; signboards of paper or cardboard; printed publications; patterns for making clothes; patterns for dressmaking; paperweights; correcting fluids [office requisites]; erasing products; erasing shields; writing board erasers; embroidery designs [patterns]; vignetting apparatus; modelling wax, not for dental purposes; sealing wax; viscose sheets for wrapping; greeting cards; charcoal pencils; newspapers; electrotypes; hectographs; geographical maps; shields [paper seals]; hygienic paper; histological sections for teaching purposes; terrestrial globes; covers of paper for flower pots; drawing sets; engraving plates; engravings; graphic representations; graphic reproductions; graphic prints; elastic bands for offices; rubber erasers; bibs of paper; diagrams; document laminators for office use; printed matter; printing sets, portable [office requisites]; typewriter ribbons; prints [engravings]; labels, not of textile; hand labelling appliances; binding strips [bookbinding]; magazines [periodicals]; book-markers; sealing wafers; sealing machines for offices; sealing compounds for stationery purposes; sealing stamps; note books; pads [stationery]; wristbands for the retention of writing instruments; tags for index cards; pen clips; moisteners for gummed surfaces [office requisites]; moisteners [office requisites]; graining combs; drawing pads; writing or drawing books; handwriting specimens for copying; indexes; newsletters; paper coffee filters; calendars; almanacs; tracing paper; tracing cloth; lithographic stones; office requisites; office perforators; hat boxes of cardboard; charts; paintings [pictures], framed or unframed; pictures; cards; trading cards other than for games; wood pulp board [stationery]; cardboard tubes; files [office requisites]; catalogues; manifolds [stationery]; typewriter keys; adhesives [glues] for stationery or household purposes; gums [adhesives] for stationery or household purposes; self-adhesive tapes for stationery or household purposes; gluten [glue] for stationery or household purposes; starch paste [adhesive] for stationery or household purposes; glue for stationery or household purposes; books; bookbinding apparatus and machines [office equipment]; bookends; book bindings; drawing pins; comic books; envelope sealing machines, for offices; envelopes [stationery]; carbon paper; copying paper [stationery]; tracing needles for drawing purposes; boxes of cardboard or paper; cases for stamps [seals]; drawing squares; spools for inking ribbons; chalk holders; chalk for lithography; marking chalk; drawing materials; drawing boards; drawing instruments; French curves; drawing pens; drawing t-squares; packaging material made of starches; conical paper bags; document laminators for office use; adhesive bands for stationery or household purposes; adhesive tape dispensers [office requisites]; adhesive tapes for stationery or household purposes; absor-

bent sheets of paper or plastic for foodstuff packaging; humidity control sheets of paper or plastic for foodstuff packaging; sheets of reclaimed cellulose for wrapping; flyers; drawing rulers; square rulers; modelling clay; modelling materials; modelling paste; lithographs; lithographic works of art; paint trays; decalcomanias; franking machines for office use; bags [envelopes, pouches] of paper or plastics, for packaging; garbage bags of paper or of plastics; duplicators; mimeograph apparatus and machines; painters' easels; musical greeting cards; galley racks [printing]; composing frames [printing]; waxed paper; teaching materials [except apparatus]; stickers [stationery]; finger-stalls [office requisites]; paper knives [cutters] [office requisites]; folders [stationery]; handkerchiefs of paper; numbering apparatus; covers [stationery]; passport holders; index cards [stationery]; oleographs; pencils; pencil sharpeners, electric or non-electric; pencil sharpening machines, electric or non-electric; pencil leads; pencil holders; pencil lead holders; slate pencils; book-binding cords; etchings; etching needles; printers' blankets, not of textile; bags for microwave cooking; packing paper; palettes for painters; pantographs [drawing instruments]; paper ribbons; paper tapes and cards for the recordal of computer programmes; papier mâché; paper clasps; paper sheets [stationery]; electrocardiograph paper; paper for recording machines; wood pulp paper; document files [stationery]; folders for papers; pastels [crayons]; boxes for pens; pens [office requisites]; nibs; nibs of gold; parchment paper; periodicals; pen wipers; seals [stamps]; stamp pads; writing chalk; writing materials; writing cases [sets]; writing paper; writing slates; writing instruments; writing cases [stationery]; writing brushes; handbooks [manuals]; hand-rests for painters; stands for pens and pencils; photograph stands; coasters of paper; mats for beer glasses; stamp stands; place mats of paper; song books; posters; blueprints; plastic cling film, extensible, for palletization; plastics for modeling; plastic film for wrapping; bottle wrappers of cardboard or paper; bottle envelopes of cardboard or paper; announcement cards [stationery]; paper shredders for office use; canvas for painting; bookbinding cloth; portraits; ink stones [ink reservoirs]; postcards; postage stamps; flags of paper; apparatus for mounting photographs; punches [office requisites]; gummed cloth for stationery purposes; gummed tape [stationery]; drawer liners of paper, perfumed or not; blotters; prospectuses; arithmetical tables; printers' reglets; ledgers [books]; paper for radiograms; isinglass for stationery or household purposes; printed timetables; holders for stamps [seals]; marking pens [stationery]; penholders; towels of paper; luminous paper; plans; face towels of paper; napkins of paper for removing make-up; table napkins of paper; cigar bands; tracing patterns; tablecloths of paper; clips for offices; stapling presses [office requisites];

loose-leaf binders; scrapers [erasers] for offices; cabinets for stationery [office requisites]; paper-clips; perforated cards for jacquard looms; silver paper; steel letters; steel pens; steatite [tailor's chalk]; table linen of paper; tablemats of paper; balls for ball-point pens; correcting tapes [office requisites]; trays for sorting and counting money; letter trays; fabrics for bookbinding; transparencies [stationery]; stencils; stencils [stationery]; stencil plates; document holders [stationery]; holders for check-books [cheque books]; Indian inks; chart pointers, non-electronic; paint boxes [articles for use in school]; figurines [statuettes] of papier mâché; filter paper; filtering materials [paper]; molds for modelling clays [artists' materials]; photo-engravings; chromolithographs [chromos]; xuan paper for Chinese painting and calligraphy; painters' brushes; compasses for drawing; numbers [type]; artists' watercolor [watercolour] saucers; correcting ink [heliography]; ink; inking sheets for document reproducing machines; inkwells; inking pads; inking sheets for duplicators; inkstands; ink sticks; inking ribbons; inking ribbons for computer printers; chaplets; stencil cases; tailors' chalk; school supplies [stationery]; blackboards; type [numerals and letters]; stamps [seals]; paintbrushes; comics; newspaper comic strips [printed matter].

21 – Paper, cardboard and goods made from these materials, not included in other classes; printed matter; bookbinding material; photographs; stationery; adhesives for stationery or household purposes; artists' materials; paint brushes; typewriters and office requisites (except furniture); instructional and teaching material (except apparatus); plastic materials for packaging (not included in other classes); printers' type; printing blocks; fountain pens; addressing machines; address plates for addressing machines; address stamps; aquarelles; albums; almanacs; architects' models; atlases; advertisement boards of paper or cardboard; money clips; paper bows; tickets; biological samples for use in microscopy [teaching materials]; forms, printed; drawing pads; writing pads; pamphlets; booklets; plastic bubble packs for wrapping or packaging; house painters' rollers; rollers for typewriters; credit card imprinters, non-electric; composing sticks; cream containers of paper; signboards of paper or cardboard; printed publications; patterns for making clothes; patterns for dressmaking; paperweights; correcting fluids [office requisites]; erasing products; erasing shields; writing board erasers; embroidery designs [patterns]; vignetting apparatus; modelling wax, not for dental purposes; sealing wax; viscose sheets for wrapping; greeting cards; charcoal pencils; newspapers; electrotypes; hectographs; geographical maps; shields [paper seals]; hygienic paper; histological sections for teaching purposes; terrestrial globes; covers of paper for flower pots; drawing sets; engraving plates; engravings; graphic represen-

tations; graphic reproductions; graphic prints; elastic bands for offices; rubber erasers; bibs of paper; diagrams; document laminators for office use; printed matter; printing sets, portable [office requisites]; typewriter ribbons; prints [engravings]; labels, not of textile; hand labelling appliances; binding strips [bookbinding]; magazines [periodicals]; bookmarkers; sealing wafers; sealing machines for offices; sealing compounds for stationery purposes; sealing stamps; note books; pads [stationery]; wristbands for the retention of writing instruments; tags for index cards; pen clips; moisteners for gummed surfaces [office requisites]; moisteners [office requisites]; graining combs; drawing pads; writing or drawing books; handwriting specimens for copying; indexes; newsletters; paper coffee filters; calendars; almanacs; tracing paper; tracing cloth; lithographic stones; office requisites; office perforators; hat boxes of cardboard; charts; paintings [pictures], framed or unframed; pictures; cards; trading cards other than for games; wood pulp board [stationery]; cardboard tubes; files [office requisites]; catalogues; manifolds [stationery]; typewriter keys; adhesives [glues] for stationery or household purposes; gums [adhesives] for stationery or household purposes; self-adhesive tapes for stationery or household purposes; gluten [glue] for stationery or household purposes; starch paste [adhesive] for stationery or household purposes; glue for stationery or household purposes; books; bookbinding apparatus and machines [office equipment]; bookends; book bindings; drawing pins; comic books; envelope sealing machines, for offices; envelopes [stationery]; carbon paper; copying paper [stationery]; tracing needles for drawing purposes; boxes of cardboard or paper; cases for stamps [seals]; drawing squares; spools for inking ribbons; chalk holders; chalk for lithography; marking chalk; drawing materials; drawing boards; drawing instruments; French curves; drawing pens; drawing t-squares; packaging material made of starches; conical paper bags; document laminators for office use; adhesive bands for stationery or household purposes; adhesive tape dispensers [office requisites]; adhesive tapes for stationery or household purposes; absorbent sheets of paper or plastic for foodstuff packaging; humidity control sheets of paper or plastic for foodstuff packaging; sheets of reclaimed cellulose for wrapping; flyers; drawing rulers; square rulers; modelling clay; modelling materials; modelling paste; lithographs; lithographic works of art; paint trays; decalcomanias; franking machines for office use; bags [envelopes, pouches] of paper or plastics, for packaging; garbage bags of paper or of plastics; duplicators; mimeograph apparatus and machines; painters' easels; musical greeting cards; gallery racks [printing]; composing frames [printing]; waxed paper; teaching materials [except apparatus]; stickers [stationery]; finger-stalls [office requisites]; paper knives [cutters] [office requisites]; folders

[stationery]; handkerchiefs of paper; numbering apparatus; covers [stationery]; passport holders; index cards [stationery]; oleographs; pencils; pencil sharpeners, electric or non-electric; pencil sharpening machines, electric or non-electric; pencil leads; pencil holders; pencil lead holders; slate pencils; bookbinding cords; etchings; etching needles; printers' blankets, not of textile; bags for microwave cooking; packing paper; palettes for painters; pantographs [drawing instruments]; paper ribbons; paper tapes and cards for the recordal of computer programmes; papier mâché; paper clasps; paper sheets [stationery]; electrocardiograph paper; paper for recording machines; wood pulp paper; document files [stationery]; folders for papers; pastels [crayons]; boxes for pens; pens [office requisites]; nibs; nibs of gold; parchment paper; periodicals; pen wipers; seals [stamps]; stamp pads; writing chalk; writing materials; writing cases [sets]; writing paper; writing slates; writing instruments; writing cases [stationery]; writing brushes; handbooks [manuals]; hand-rests for painters; stands for pens and pencils; photograph stands; coasters of paper; mats for beer glasses; stamp stands; place mats of paper; song books; posters; blueprints; plastic cling film, extensible, for palletization; plastics for modeling; plastic film for wrapping; bottle wrappers of cardboard or paper; bottle envelopes of cardboard or paper; announcement cards [stationery]; paper shredders for office use; canvas for painting; bookbinding cloth; portraits; ink stones [ink reservoirs]; postcards; postage stamps; flags of paper; apparatus for mounting photographs; punches [office requisites]; gummed cloth for stationery purposes; gummed tape [stationery]; drawer liners of paper, perfumed or not; blotters; prospectuses; arithmetical tables; printers' galleys; ledgers [books]; paper for radiograms; isinglass for stationery or household purposes; printed timetables; holders for stamps [seals]; marking pens [stationery]; penholders; towels of paper; luminous paper; plans; face towels of paper; napkins of paper for removing make-up; table napkins of paper; cigar bands; tracing patterns; tablecloths of paper; clips for offices; stapling presses [office requisites]; loose-leaf binders; scrapers [erasers] for offices; cabinets for stationery [office requisites]; paper-clips; perforated cards for jacquard looms; silver paper; steel letters; steel pens; steatite [tailor's chalk]; table linen of paper; tablemats of paper; balls for ballpoint pens; correcting tapes [office requisites]; trays for sorting and counting money; letter trays; fabrics for bookbinding; transparencies [stationery]; stencils; stencils [stationery]; stencil plates; document holders [stationery]; holders for checkbooks [cheque books]; Indian inks; chart pointers, non-electronic; paint boxes [articles for use in school]; figurines [statuettes] of papier mâché; filter paper; filtering materials [paper]; molds for modelling clays [artists' materials]; photo-engravings; chromolithographs

[chromos]; xuan paper for Chinese painting and calligraphy; painters' brushes; compasses for drawing; numbers [type]; artists' watercolor [watercolour] saucers; correcting ink [heliography]; ink; inking sheets for document reproducing machines; inkwells; inking pads; inking sheets for duplicators; inkstands; ink sticks; inking ribbons; inking ribbons for computer printers; chaplets; stencil cases; tailors' chalk; school supplies [stationery]; blackboards; type [numerals and letters]; stamps [seals]; paintbrushes; comics; newspaper comic strips [printed matter].

25 – Clothing, footwear, headgear; wimples; bandanas [neckerchiefs]; berets; stuff jackets [clothing]; boas [necklets]; breeches for wear; football boots; cyclists' clothing; outer clothing; footwear uppers; heelpieces for footwear; tips for footwear; non-slipping devices for footwear; welts for footwear; fittings of metal for footwear; boots for sports; cuffs; hoods [clothing]; shirt yokes; veils [clothing]; gabardines [clothing]; neckties; money belts [clothing]; leg warmers; gaiters; gaiter straps; gymnastic shoes; ready-made clothing; ready-made linings [parts of clothing]; corselets; wooden shoes; jumpers [pullovers]; jerseys [clothing]; bibs, not of paper; babies' pants [clothing]; pelisses; shower caps; vests; detachable collars; galoshes; drawers [clothing]; hats; hat frames [skeletons]; paper hats [clothing]; slippers; collar protectors; caps [headwear]; pockets for clothing; pelisses; cap peaks; tights; slips [undergarments]; combinations [clothing]; collars [clothing]; bodices [lingerie]; corsets [underclothing]; suits; wet suits for water-skiing; bathing suits; masquerade costumes; leg warmers; bath slippers; bathing drawers; bath sandals; bath robes; bathing caps; jackets [clothing]; leggings [trousers]; ski boots; liveries; brassieres; camisoles; singlets; short-sleeve shirts; shirt fronts; mantillas; sleep masks; miters [hats]; mittens; muffs [clothing]; foot muffs, not electrically heated; ear muffs [clothing]; headbands [clothing]; pelerines; fur stoles; teddies [undergarments]; underclothing; layettes [clothing]; waterproof clothing; pocket squares; uniforms; fishing vests; motorists' clothing; clothing for gymnastics; clothing of leather; clothing of imitations of leather; maniples; overcoats; gloves [clothing]; hosiery; stocking suspenders; stockings; heelpieces for stockings; paper clothing; parkas; belts [clothing]; heels; sock suspenders; garters; soles for footwear; dress shields; braces for clothing [suspenders]; pyjamas; coats; beach shoes; beach clothes; esparto shoes or sandals; ponchos; sweat-absorbent stockings; girdles; cap peaks; chasubles; overalls; ski gloves; sandals; jumper dresses; saris; sarongs; sweaters; shirts; tee-shirts; skirts; petticoats; skorts; petticoats; sweat-absorbent underclothing [underwear]; anti-sweat underclothing; singlets; sports shoes; dresses; togas; knitwear [clothing]; underpants; shoes; skull caps; turbans; inner soles; aprons [clothing]; studs for

football boots; dressing gowns; boot uppers; scarfs; furs [clothing]; top hats; half-boots; lace boots; caps [headwear]; boots; shawls; caps [headwear]; sashes for wear; ascots; socks; trousers; pelisses; skull caps.

28 – Games and playthings; gymnastic and sporting articles not included in other classes; decorations for Christmas trees; arcade video game machines; video game machines; climbers' harness; swimming pools [play articles]; trampolines; baseball gloves; billiard cues; billiard cue tips; billiard balls; billiard markers; billiard tables; coin-operated billiard tables; bingo cards; building blocks [toys]; bob-sleighs; body boards; boxing gloves; rattles [playthings]; twirling batons; hunting game calls; teddy bears; stationary exercise bicycles; creels [fishing traps]; bite sensors [fishing tackle]; harness for sailboards; masts for sailboards; shuttlecocks; lines for fishing; rods for fishing; bar-bells; harpoon guns [sports articles]; fish hooks; golf clubs; dumb-bells; appliances for gymnastics; swings; jigsaw puzzles; golf bags, with or without wheels; hang gliders; divot repair tools [golf accessories]; bells for Christmas trees; spinning tops [toys]; discs for sports; dominoes; swimming kick boards; sailboards; spring boards [sports articles]; chessboards; checkerboards; darts; camouflage screens [sports articles]; electronic targets; chest expanders [exercisers]; practical jokes [novelties]; poles for pole vaulting; gut for fishing; ascenders [mountaineering equipment]; novelties for parties, dances [party favors, favours]; toy masks; ski bindings; scent lures for hunting or fishing; protective paddings [parts of sports suits]; fencing weapons; scale model vehicles; kites; toys for domestic pets; stuffed toys; toy vehicles; toy pistols; marbles for games; counters [discs] for games; balls for games; apparatus for games; bats for games; ring games; gaming machines for gambling; amusement machines, automatic and coin-operated; playing cards; cups for dice; playing balls; play balloons; kaleidoscopes; bladders of balls for games; rosin used by athletes; paper party hats; ninepins; skittles; mah-jong; quoits; dolls' rooms; ice skates; skating boots with skates attached; roller skates; in-line roller skates; rocking horses; building games; confetti; dice; chalk for billiard cues; cricket bags; bowling apparatus and machinery; swimming jackets; flippers for swimming; flying discs [toys]; skis; sole coverings for skis; water skis; surf skis; bags especially designed for skis and surfboards; wax for skis; edges of skis; scratch cards for playing lottery games; bows for archery; dolls; dolls' feeding bottles; dolls' clothes; dolls' beds; dolls' houses; fairground ride apparatus; marionettes; theatrical masks; fencing masks; butterfly nets; soap bubbles [toys]; targets; clay pigeon traps; clay pigeons [targets]; scale model kits [toys]; plush toys; reels for fishing; floats for bathing and swimming; billiard table cushions; knee guards [sports articles]; elbow guards [sports articles]; tables for table tennis; tables for indoor foot-

ball; board games; Christmas tree stands; ornaments for Christmas trees, except illumination articles and confectionery; gloves for games; golf gloves; fencing gauntlets; kite reels; paragliders; swimming belts; pachinkos; paintball guns [sports apparatus]; punching bags; horseshoe games; landing nets for anglers; pinatas; caps for pistols [toys]; detonating caps [toys]; air pistols [toys]; bite indicators [fishing tackle]; floats for bathing and swimming; floats for fishing; portable games with liquid crystal displays; weight lifting belts [sports articles]; fishing tackle; decoys for hunting or fishing; artificial fishing bait; radio-controlled toy vehicles; gut for rackets; strings for rackets; sling shots [sports articles]; rollers for stationary exercise bicycles; skateboards; roulette wheels; mobiles [toys]; scooters [toys]; sleighs [sports articles]; candle holders for Christmas trees; surf boards; surfboard leashes; nets for sports; scrapers for skis; slot machines [gaming machines]; artificial snow for Christmas trees; snow globes; snowshoes; snowboards; starting blocks for sports; archery implements; men's athletic supporters [sports articles]; tennis ball throwing apparatus; tennis nets; slides [playthings].

35 – Advertising; business management; business administration; office functions; administrative processing of purchase orders; cost price analysis; auctioneering; book-keeping; marketing studies; opinion polling; psychological testing for the selection of personnel; organization of exhibitions for commercial or advertising purposes; organization of trade fairs for commercial or advertising purposes; demonstration of goods; business research; business information; business appraisals; business investigations; business inquiries; business management assistance; marketing research; economic forecasting; efficiency experts; transcription; compilation of information into computer databases; compilation of statistics; drawing up of statements of accounts; public relations; import-export agencies; invoicing; on-line advertising on a computer network; commercial or industrial management assistance; file management; business organization consultancy; business management and organization consultancy; business management of performing artists; business management of hotels; business management of sports people; commercial information and advice for consumers [consumer advice shop]; commercial information agencies; commercial administration of the licensing of the goods and services of others; personnel recruitment; professional business consultancy; business organization consultancy; personnel management consultancy; layout services for advertising purposes; modelling for advertising or sales promotion; marketing; typing; document reproduction; writing of publicity texts; word processing; news clipping services; updating of advertising material; shop window dressing; auditing; arranging newspaper subscriptions for others; arranging subs-

criptions to telecommunication services for others; payroll preparation; tax preparation; organization of fashion shows for promotional purposes; price comparison services; procurement services for others [purchasing goods and services for other businesses]; outsourcing services [business assistance]; secretarial services; shorthand; relocation services for businesses; photocopying services; sponsorship search; employment agencies; presentation of goods on communication media, for retail purposes; publication of publicity texts; radio advertising; advertising by mail order; rental of advertising space; rental of advertising time on communication media; advertising agencies; publicity material rental; publicity columns preparation; production of advertising films; bill-posting; distribution of samples; dissemination of advertising matter; direct mail advertising; sales promotion for others; television advertising; telemarketing services; rental of vending machines; systemization of information into computer databases; rental of photocopying machines; data search in computer files for others; posting in the Internet on Web pages and Web sites the information regarding the range of different products and list of services provided that allows customers to browse, order and buy conveniently the goods and to order services on the Web pages and Web sites, and also receive necessary information about the provided goods and services, posting for the benefit of other persons the range of products at one location, that allows customers to browse and purchase these goods conveniently in supermarkets, hypermarkets, department stores, retail stores, shopping malls.

41 – Education; providing of training; entertainment; sporting and cultural activities; academies [education]; educational examination; amusement parks; rental of audio equipment; lending libraries; mobile library services; publication of books; rental of show scenery; educational services; nursery schools; rental of video cameras; rental of video cassette recorders; videotaping; rental of videotapes; organization of balls; organization of shows [impresario services]; organization of exhibitions for cultural or educational purposes; organization of competitions [education or entertainment]; arranging and conducting of congresses; arranging and conducting of colloquiums; arranging and conducting of conferences; arranging and conducting of concerts; arranging and conducting of workshops [training]; arranging and conducting of seminars; arranging and conducting of symposiums; arranging of beauty contests; operating lotteries; organization of sports competitions; gymnastic instruction; providing golf facilities; production of radio and television programmes; rental of stage scenery; disc jockey services; discotheque services; animal training; dubbing; electronic desktop publishing; providing amusement arcade services; providing sports facilities; correspondence courses; zoological garden services; rental of sound recor-

dings; toy rental; games equipment rental; game services provided on-line from a computer network; coaching [training]; education information; recreation information; entertainment information; providing casino facilities [gambling]; calligraphy services; providing karaoke services; cinema presentations; rental of movie projectors and accessories; movie studios; rental of motion pictures; club services [entertainment or education]; health club services [health and fitness training]; layout services, other than for advertising purposes; microfilming; modelling for artists; videotape editing; providing museum facilities [presentation, exhibitions]; music composition services; production of music; music-halls; practical training [demonstration]; religious education; educational services; providing on-line electronic publications, not downloadable; writing of texts, other than publicity texts; night clubs; rental of stadium facilities; providing recreation facilities; vocational guidance [education or training advice]; orchestra services; rental of lighting apparatus for theatrical sets or television studios; boarding schools; sign language interpretation; language interpreter services; translation; vocational retraining; rental of skin diving equipment; party planning [entertainment]; organization of fashion shows for entertainment purposes; booking of seats for shows; personal trainer services [fitness training]; presentation of live performances; rental of radio and television sets; conducting fitness classes; publication of electronic books and journals on-line; publication of texts, other than publicity texts; radio entertainment; entertainer services; news reporters services; rental of sports equipment, except vehicles; timing of sports events; rental of sports grounds; sport camp services; production of shows; videotape film production; recording studio services; subtitling; script-writing services; holiday camp services [entertainment]; theatre productions; ticket agency services [entertainment]; television entertainment; rental of tennis courts; physical education; film production, other than advertising films; photography; photographic reporting; circuses.

42 – Scientific and technological services and research and design relating thereto; industrial analysis and research services; design and development of computer hardware and software; analysis for oil-field exploitation; water analysis; computer system analysis; handwriting analysis [graphology]; architecture; architectural consultation; bacteriological research; construction drafting; technical project studies; material testing; textile testing; authenticating works of art; geological surveys; geological prospecting; design of interior decor; packaging design services; industrial design; graphic arts designing; biological research; geological research; research in the field of environmental protection; underwater exploration; duplication of computer programs; geological surveys; surveying; oil-field surveys; cloud

seeding; land surveying; engineering; installation of computer software; calibration [measuring]; rental of computer software; computer rental; maintenance of computer software; updating of computer software; computer software design; computer programming; recovery of computer data; data conversion of computer programs and data [not physical conversion]; conversion of data or documents from physical to electronic media; consultancy in the field of energy-saving; computer software consultancy; consultancy in the design and development of computer hardware; cosmetic research; weather forecasting; mechanical research; dress designing; monitoring of computer systems by remote access; provision of scientific information, advice and consultancy in relation to carbon offsetting; providing search engines for the Internet; rental of Web servers; oil prospecting; oil-well testing; creating and maintaining Web sites for others; digitization of documents [scanning]; quality evaluation of wool; quality evaluation of standing timber; urban planning; computer virus protection services; scientific laboratory services; research and development for others; computer system design; hosting computer sites [Web sites]; styling [industrial design]; technical research; vehicle roadworthiness testing; physics [research]; chemical analysis; chemical research; chemistry services; quality control.

(260) AM 2014 75007 A

(800) 1182958

(151) 2013 04 16

(731) FİBROBETON YAPI ELEMANLARI

SANAYİ İNŞAAT VE TİCARET

ANONİM ŞİRKETİ

Ertürk Sokak, Uzka İş Merkezi, No:11

Kavacık, İstanbul, Turkey

(540)

FİBROFOMBETON

(591) Black, white

(511)

17 – Rubber, liquid rubber, gutta-percha, gum, gum solutions (melts), asbestos, mica and products or semi-manufactured products made of these goods in the form of powder, sheet, rod and folio; materials and substances made of manufactured or semi-manufactured synthetic materials included in this class for energy isolation and absorption purposes namely: insulators, glass wool, foams, insulation plates; insulation plates made of mica, insulating knitwear, woven fabrics, coverings, asbestos paper, cardboard and base materials; insulating paints, polishes and oils, adhesive bands not for stationary, household or medical purposes; insulating tapes and bands, insulating tapes and bands for buildings and vehicle doors and windows, asbestos wall coverings, asbestos fibers and sheets, asbestos felts and fabrics, rubber or plastic filling and buffing materials, che-

mical compounds for repairing holes and fissures; flexible pipes, hoses made of gum, plastic or rubber (including those used for vehicles), hoses with textile pipe, cover and sleeves, non-metal pipe covers and sleeves, hose sleeves, radiator hoses for vehicles; semi-manufactured synthetic substances (in powder, sheet, stick and folio form); synthetic resins; gum, cellulose, plastic and viscose films and folios not for packaging or wrapping purposes; partially wrought linings; clutch linings, gum threads not for textile purposes, synthetic fibers, rubber threads, gum or rubber packaging bags; goods made of gum, rubber, plastic and similar products: gum and rubber buffers (shock absorbent), bellows, stoppers, blocks, arms, elbows made of gum, foam and similar material for protecting machine parts; pipe joints not of metal, joint packings, o'rings, joint washers, motor joints, cylinder joints, tap joints, rubber or gum reinforcement materials.

19 – Building/construction/road construction materials in unshaped form used for building, road construction, repairing and lining purposes, asphalt, pitch, bitumen, tar; dry mixtures (aggregates) prepared from concrete, gypsum, earth, clay, sand, gravel, mosaic, crushed stone, natural stone, artificial stone, and similar natural materials; building/construction/road construction materials, construction parts, buildings, poles, barriers in shaped form made from wood, plastic or synthetic materials; ready cement, ready mortar, ready plaster, ready color plaster; limes; cements; gypsums; natural stones, artificial stones; natural marbles, artificial marbles, indoor and outdoor facade coverings, indoor and floor coverings made of natural or artificial stones; tiles, faience, paving stones, curb-stones; monuments, statues made of concrete, stone and marble; natural or synthetic surface coverings in form of layers or bands synthetic coatings made adhered through heat; pitchy cardboard for roofs; pitchy coverings; non-metal prefabricated swimming pools; concrete panels, concrete pipes, concrete contrast and joint parts, boards, walls, beams and columns, roof components, prefabricated structures made of concrete, movable concrete structures; concrete posts, fence posts, concrete posts for electricity, communication, etc; lines, concrete barriers, head posts, gypsum panels, boards, walls, divisions, structure components, prefabricated structures made of gypsum; bricks, roof tiles, filling material, briquettes, hip tiles; asbestos pipes, contrast and joint parts; dismantlable wood structures and prefabricated structure components, wood chopping, wood doors, windows and door and window cases; shutters not of metal; non-metal rolling shutters, wainscoting, wooden divisions, cabins, huts made of wood; wooden parquets; counter plates; fiberboard; half-processed timber, wood posts, wood timbers, planks, beams; mountable structures made of plastic and synthetic material, prefabricated structure units, plastic woodworks,

divisions, cabins, plastic doors, windows and door and window cases; shutters not of metal, non-metal roll shutters; rigid pipes not of metal and their parts, discharge pipes, rain grooves, bent tubes, joints made of hard plastic for construction purposes; glass products for constructions: glass, double glass, glass plates for roofs, glass bricks, glass panels, glass tiles; non-metal grates (duckboards).

(260) AM 2014 75008 A

(800) 1182960

(151) 2013 05 13

(731) S.C. ION MOS S.R.L.

Str. Rovine nr. 3, Sector 2, Bucuresti, Romania

(540)



(591) Black, white

(511)

7 – Equipment and machinery for food industry, filling machines, clippers, smoking machines for food industry, tumblers, mixers, grinders, cutters, injection machines, hydraulic presses, machines for the preparation of brine.

(260) AM 2014 75011 A

(800) 1182978

(151) 2013 07 01

(731) WHAT'S UP DOG! LIMITED LIABILITY COMPANY

1322 23rd Ave, San Francisco CA 94122, USA

(540)



(591) Black, red, brown, beige, yellow and white

(511)

35 – Accounting; administrative processing of purchase orders; advertising; advertising agencies; advertising by mail order; cost price analysis; telephone answering for unavailable subscribers; arranging newspaper subscriptions for others; arranging subscriptions to telecommunication services for others; auctioneering; business auditing; bill-posting; book-keeping; business appraisals; business information; business inquiries; business investigations; business management and organization consultancy; business management assistance; business management consultancy; business management of hotels; business management of performing artists; business management of sports people; business organization consultancy; business research; commercial admini-

stration of the licensing of the goods and services of others; commercial information agencies; commercial information and advice for consumers [consumer advice shop]; commercial or industrial management assistance; compilation of information into computer databases; compilation of statistics; professional business consultancy; data search in computer files for others; demonstration of goods; direct mail advertising; dissemination of advertising matter; distribution of samples; document reproduction; economic forecasting; business efficiency expert services; employment agencies; organization of fashion shows for promotional purposes; import-export agencies; invoicing; layout services for advertising purposes; advisory services for business management; computerized file management; marketing; marketing research; marketing studies; modeling for advertising or sales promotion; news clipping services; office machines and equipment rental; on-line advertising on a computer network; opinion polling; organization of exhibitions for commercial or advertising purposes; organization of trade fairs for commercial or advertising purposes; outdoor advertising; outsourcing services [business assistance]; payroll preparation; personnel management consultancy; personnel recruitment; photocopying services; presentation of goods on communication media, for retail purposes; price comparison services; procurement services for others [purchasing goods and services for other businesses]; production of advertising films; psychological testing for the selection of personnel; public relations; publication of publicity texts; publicity; publicity agencies; publicity columns preparation; publicity material rental; radio advertising; radio commercials; relocation services for businesses; rental of advertising space; rental of advertising time on communication media; rental of photocopying machines; rental of vending machines; sales promotion for others; secretarial services; shop window dressing; shorthand; sponsorship search; drawing up of statements of accounts; systemization of information into computer databases; tax preparation; telemarketing services; television advertising; television commercials; transcription; typing; updating of advertising material; word processing; writing of publicity texts.

41 – Academies [education]; providing amusement arcade services; arranging of beauty contests; booking of seats for shows; publication of books; calligraphy services; holiday camp services [entertainment]; sport camp services; providing casino facilities [gambling]; rental of cine-films; cinema presentations; circuses; club services [entertainment or education]; coaching [training]; arranging and conducting of colloquiums; organization of competitions [education or entertainment]; organization of sports competitions; arranging and conducting of concerts; conducting fitness classes; arranging and conducting of conferences; arranging and conduc-

ting of congresses; correspondence courses; disc jockey services; discotheque services; rental of skin diving equipment; dubbing; videotape editing; religious education; educational examination; electronic desktop publishing; entertainer services; entertainment; organization of exhibitions for cultural or educational purposes; organization of fashion shows for entertainment purposes; film production, other than advertising films; gambling; game services provided on-line from a computer network; games equipment rental; providing golf facilities; vocational guidance [education or training advice]; gymnastic instruction; health club services [health and fitness training]; education information; entertainment information; recreation information; sign language interpretation; language interpreter services; layout services, other than for advertising purposes; lending libraries; mobile library services; presentation of live performances; operating lotteries; microfilming; modelling for artists; rental of movie projectors and accessories; providing museum facilities [presentation, exhibitions]; music composition services; music-halls; night clubs; orchestra services; organization of balls; organization of shows [impresario services]; amusement parks; personal trainer services [fitness training]; photographic reporting; photography; physical education; party planning [entertainment]; videotape film production; production of music; providing sports facilities; providing karaoke services; providing on-line electronic publications, not downloadable; publication of electronic books and journals on-line; radio entertainment; rental of radio and television sets; production of radio and television programmes; rental of video cassette recorders; recording studio services; providing recreation facilities; rental of audio equipment; rental of lighting apparatus for theatrical sets or television studios; rental of tennis courts; rental of video cameras; rental of sports grounds; news reporters services; nursery schools; boarding schools; scriptwriting services; arranging and conducting of seminars; rental of show scenery; production of shows; rental of sound recordings; rental of sports equipment, except vehicles; timing of sports events; rental of stadium facilities; rental of stage scenery; movie studios; subtitling; arranging and conducting of symposiums; teaching; television entertainment; publication of texts, other than publicity texts; writing of texts, other than publicity texts; theatre productions; ticket agency services [entertainment]; toy rental; animal training; practical training [demonstration]; translation; rental of videotapes; videotaping; vocational retraining; arranging and conducting of workshops [training]; zoological garden services.

43 – Accommodation bureaux [hotels, boarding houses]; rental of temporary accommodation; temporary accommodation reservations; boarding for animals; bar services; boarding house bookings; rental of transportable buildings; cafes; cafeterias; holiday

camp services [lodging]; providing campground facilities; canteens; food and drink catering; rental of cooking apparatus; day-nurseries [crèches]; retirement homes; tourist homes; hotel reservations; hotels; boarding houses; motels; rental of chairs, tables, table linen, glassware; rental of meeting rooms; rental of tents; rental of drinking water dispensers; rental of lighting apparatus other than for theatrical sets or television studios; restaurants; self-service restaurants; snack-bars.

(260) AM 2014 75012 A

(800) 1182991

(151) 2013 08 23

(731) ALSTOM

3 avenue André Malraux, F-92300 Levallois-Perret, France

(540)



(591) Blue, light blue

(511)

35 – Cost analysis in connection with equipment for air pollution and energy production monitoring.

37 – Installation and maintenance of equipment for air pollution and energy production monitoring.

42 – Engineering and design services in the field of air pollution and energy production monitoring; design of equipment for air pollution and energy production monitoring.

(260) AM 2014 75013 A

(800) 1183046

(151) 2013 08 16

(731) ROCHE DIAGNOSTICS GMBH

Sandhofer Strasse 116, 68305 Mannheim, Germany

(540)

SLIDECENTER

(591) Black, white

(511)

1 – Chemical, biochemical and biological products and reagents for use in research and science; chemical products for use in diagnostics, science and research; chemical reagents for use in science and research.

5 – Chemical, biochemical and biological products and reagents for pharmaceutical and medical purposes in the fields of histology and pathology.

9 – Clinical and pathological laboratory instruments; processing apparatus and instruments for analyzing

specimens in the fields of histology and pathology; automated slide staining apparatus for analyzing tissue slide specimens for research and scientific use in fields of histology and pathology; computer software for use in the fields of histology and pathology.

10 – Medical processing apparatus and instruments for analyzing specimens in the fields of histology and pathology; automated slide staining apparatus for analyzing tissue slide specimens for diagnostic use; medical instrument used for digitizing images of biological tissue for use in connection with pathology.

42 – Scientific and technological services and research and design relating thereto; industrial analysis and research services.

(260) AM 2014 75014 A
(800) 1183057
(151) 2013 09 19
(731) KRAFT FOODS FRANCE INTELLECTUAL PROPERTY SAS
13 avenue Morane Saulnier, F-78140 Velizy Villacoublay, France

(540)
**CARTE NOIRE ТЕХНОЛОГИЯ
ОБЖАРКИ ОГОНЬ И ЛЕД**

(591) Black, white
(511)
30 – Coffee, coffee extracts, coffee substitutes, coffee-based beverages and preparations for making these beverages.

(260) AM 2014 75015 A
(800) 1183062
(151) 2013 09 23
(731) EMEX DWC-LLC
Building No1 W/H No W-1-1,2 & 3 Office No 0-1-1,2 Office No 0-1-1,2 & 3, Dubai Aviation City-Logistics City Dubai, Dubai, United Arab Emirates

(540)
e M E X

(591) Black, white, orange, light-orange
(511)
12 – Motor vehicles, parts, components and accessories of motor vehicles included in this class.
35 – Presentation of goods on communication media, for retail purposes; sales promotion of goods cited in class 12 for others; procurement services for others [purchasing goods and services for other businesses] cited in class 12.

39 – Transportation, wrapping, storage of goods, arranging of tours including flight arrangement services.

(260) AM 2014 75016 A
(800) 1183091
(151) 2013 09 13
(731) Société à responsabilité limitée "TCHESSTNAYA VODOTCHNAYA KOMPANIYA"
oul. Professionalnaya, 177, k. 2, Moskovskaya oblast, RU-141800 Dmitrov, Russian Federation

(540)
RUSSIAN PARTY

(591) Black, white
(511)
33 – Alcoholic beverages except beers.

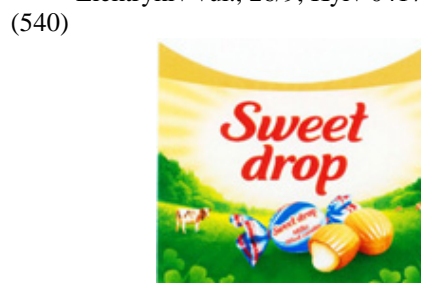
(260) AM 2014 75035 A
(800) 1183296
(151) 2013 05 15
(731) MUTLUSAN PLASTIK SAN. VE TIC. LTD. STI.
İkitelli Organize Sanayi Bölgesi, Başak Mah., Yiğitler Sokak No:7 BAŞAKŞEHİR İSTANBUL, Turkey

(540)


(591) Red, white, grey
(511)
9 – Ducts for electrical cables and accessories; cable trunking and accessories; fuse boxes; signals and buttons; thermoplastic junction boxes, telephone distribution boxes and accessories; crochets, plastic cases and screw sockets; signal and buttons and switch boxes; terminal blocks; switch plug and group plugs.

11 – Lighting fixtures.

(260) AM 2014 75044 A
(800) 1183331
(151) 2013 10 08
(731) DOCHIRNIE PIDPRYEMSTVO "KONDYTERSKA KORPORATSIIA "ROSHEN"
Elektrykiv vul., 26/9, Kyiv 04176, Ukraine



(591) Green, red, yellow, brown, blue and white
(511)
30 – Confectionery, caramels [candy].

(260) AM 2014 75129 A

(800) 1183792

(151) 2013 10 29

(731) ATMOS NATION, LLC

4800 SW 51st Street, Suite 105, Davie FL

33314, USA

(540)



(591) Black, white

(511)

34 – Smoker's articles, namely, handheld electronic vaporizers for personal inhalation of dry herbs and oils.

(260) AM 2014 75139 A

(800) 1184041

(151) 2013 07 09

(731) JARADI LIMITED

Al Attar Tower, Level 29, Office 2906,

P.O. Box 214745, Dubai, United Arab

Emirates

(540)



(591) White and red

(511)

18 – Leather and fur imitations, briefcases, umbrellas, wallets, backpacks, purses, suitcases, leather shoulder belts.

25 – lothing, footwear, headgear.

35 – arket research and studies, shop window dressing, business consultancy, organization of trade fairs for commercial or advertising purposes, selling clothing and footwear through a shop, advertising, specialized commercial consulting, selling clothes through an online store.

(260) AM 2014 75141 A

(800) 1184147

(151) 2013 04 16

(731) FİBROBETON YAPI ELEMANLARI

SANAYİ İNŞAAT VE TİCARET ANONİM

ŞİRKETİ

Ertürk Sokak, Uzka İş Merkezi, No:11

Kavacık, İstanbul, Turkey

(540)



(591) White, dark blue, light blue

(511)

17 – Rubber, liquid rubber, gutta-percha, gum, gum solutions (melts), asbestos, mica and products or semi-manufactured products made of these goods in the form of powder, sheet, rod and folio; materials and substances made of manufactured or semi manufactured synthetic materials included in this class for energy isolation and absorption purposes namely, insulators, glass wool, foams, insulation plates; insulation plates made of mica, insulating knitwear, woven fabrics, coverings, asbestos paper, cardboard and base materials; insulating paints, polishes and oils; adhesive bands not for stationary, household or medical purposes; insulating tapes and bands; insulating tapes and bands for buildings and vehicle doors and windows; asbestos wall coverings; asbestos fibers and sheets; asbestos felts and fabrics; rubber or plastic filling and buffing materials; chemical compounds for repairing holes and fissures; flexible pipes, hoses made of gum, plastic or rubber (including those used for vehicles); hoses with textile pipe, cover and sleeves; non-metal pipe covers and sleeves, hose sleeves, radiator hoses for vehicles; semimanufactured synthetic substances (in powder, sheet, stick and folio form); padding materials of rubber or plastics; padding materials of plastic for shipping containers; padding materials of rubber for shipping containers, rubber, synthetic resins; gum, cellulose, plastic and viscose films and folios not for packaging or wrapping purposes; partially wrought linings; clutch linings, gum threads not for textile purposes; synthetic fibers; rubber threads; gum or rubber packaging bags; goods made of gum, rubber, plastic and similar products: gum and rubber buffers (shock absorbent), bellows, stoppers, blocks, arms, elbows made of gum, foam and similar material for protecting machine parts; pipe joints not of metal, joint packings, o'rings, joint washers, motor joints, cylinder joints, tap joints, rubber or gum reinforcement materials.

19 – Building/construction/road construction materials in unshaped form used for building, road construction, repairing and lining purposes, asphalt, pitch, bitumen, tar; dry mixtures (aggregates) prepared from concrete, gypsum, earth, clay, sand, gravel, mosaic, crashed stone, natural stone, artificial stone, and similar natural materials; building/construction/road construction materials, construction parts, buildings, poles, barriers in shaped form made from wood, plastic or synthetic materials; non-luminous and non-mechanical traffic signs for roads, not of metal; ready cement, ready mortar, ready plaster, ready color plaster; limes; cements; gypsums; natural stones, artificial stones; natural marbles, artificial marbles, indoor and outdoor facade coverings, indoor and floor coverings made of natural or artificial stones; tiles, faience, paving stones, curb-stones; monuments, statues made of concrete, stone and

marble; natural or synthetic surface coverings in form of layers or bands; synthetic coatings made adhered through heat; pitchy cardboard for roofs; pitchy coverings; non-metal prefabricated swimming pools; concrete panels, concrete pipes, rigid pipes and their joint parts, boards, walls, beams and columns, roof components, prefabricated structures made of concrete, movable concrete structures; concrete posts, fence posts, concrete posts for electricity, communication, etc; lines, concrete barriers, head posts, gypsum panels, boards, walls, divisions, structure components, prefabricated structures made of gypsum; bricks, roof tiles, filling material, briquettes, hip tiles; asbestos pipes, cement pipes and their joint parts; dismantlable wood structures and prefabricated structure components, wood panneling for building purposes, wood doors, windows and door and window cases; shutters not of metal, blinds (outdoor), not of metal and not of textile, nonmetal roll shutters, wainscoting, wooden divisions, cabins, huts made of wood; wooden parquets; counter plates; fiberboard; half-processed timber, wood posts, wood timbers, planks, beams; mountable structures made of plastic and synthetic material, prefabricated structure units, plastic woodworks, divisions, cabins, plastic doors, windows and door and window cases; rigid pipes, not of metal and their parts, drain piped, not of metal and their parts, discharge pipes, rain grooves, bent tubes, joints made of hard plastic for construction purposes; glass products for constructions: glass, double glass, glass plates for roofs, glass bricks, glass panels, glass tiles; nonmetal grates (duckboards); pitch covered cardboard for roofs; pitch coverings.

37 – Construction services: home, bridge, factory etc.; construction services, well opening services, building renovation services, building demolition services, painting of the inner and outer facades of buildings, underwater maintenance services, road construction services, fair room and stand mounting services, construction inspection services, informative services concerning construction, rental of construction tools and appliances and work machines: installation, maintenance and repair services of heating, ventilating and water appliance, installation, maintenance and repair of industrial machines and devices, office machines and devices, communication devices, electric and electronic devices.

42 – Cientific and industrial examination, research services; engineering services: scientific research and development services (for third persons), engineering consultancy services, architectural services, technical project work services, mapping services, land examination and measurement services, city planning services, consultancy services concerning environmental protection, quality control services, testing of road performance of vehicles services, computer services (preparing, hosting, updating of

websites), all kinds of design services included in this class but not involved in the scope of engineering, architectural, computer services; graphic art design services.

(260) AM 2014 75142 A

(800) 1184158

(151) 2013 04 26

(731) SHYRKOV OLEKSANDR LEONIDOVYCH
vul. Yaroslaviv val, 14 G, kv. 55, Kyiv 01034,
Ukraine

(540)



(591) Red and black

(511)

9 – Scientific, nautical, surveying, photographic, cinematographic, optical, weighing, measuring, signalling, checking (supervision), life-saving and teaching apparatus and instruments; apparatus and instruments for conducting, switching, transforming, accumulating, regulating or controlling electricity; apparatus for recording, transmission or reproduction of sound or images; magnetic data carriers, recording discs; mechanisms for coin-operated apparatus; cash registers, calculating machines, data processing equipment, computers; computer software; accumulators, electric, for vehicles; accumulators, electric; acoustic couplers; aerials; apparatus for the remote control of signals; testing apparatus not for medical purposes; apertometers [optics]; acidimeters for batteries; apparatus and instruments for astronomy; audio and video receivers; integrated circuit cards [smart cards]; computer memory devices; comparators; notebook computers; terminals [electricity]; electronic publications, downloadable; switches, electric; switchboxes [electricity]; gauges; measuring apparatus; measuring devices, electric; measures; current rectifiers; high-frequency apparatus; video screens; camcorders; video telephones; answering machines; viewfinders, photographic; viscosimeters; fibre [fiber (Am.)] optic cables; voltmeters; battery chargers; central processing units [processors]; phonograph records; juke boxes for computers; dictating machines; dynamometers; floppy disks; disks, magnetic; optical discs; disk drives for computers; telerupters; diaphragms [photography]; adding machines; jigs [measuring instruments]; fuse wire; choking coils [impedance]; screens [photography]; exposure meters [light meters]; electrified rails for mounting floodlights; electric installations for the remote control of industrial operations; electricity conduits; coils, electric; electromagnetic coils; electronic tags for goods; electronic pocket translators; electronic pens [visual display units]; electronic notice boards; electronic agendas; voltage surge protectors; fuses; sound recording carriers;

sound recording strips; sound transmitting apparatus; acoustic conduits; wire connectors [electricity]; junction boxes [electricity]; couplers [data processing equipment]; connections for electric lines; connections, electric; connectors [electricity]; signs, luminous; optical character readers; bar code readers; inverters [electricity]; pressure indicators; clinometers; interfaces for computers; cables, electric; holders for electric coils; carriers for dark plates [photography]; cassette players; video game cartridges; pocket calculators; cinematographic cameras; cinematographic film, exposed; encoded magnetic cards; collectors, electric; compact discs [audio-video]; compact discs [read-only memory]; laptop computers; computer keyboards; computer peripheral devices; magnetic tape units for computers; computer programs [downloadable software]; computer programmes [programs], recorded; computer operating programs, recorded; electric apparatus for commutation; capacitors; optical condensers; contacts, electric; correcting lenses [optics]; electric contacts of precious metal; cabinets for loudspeakers; accumulator boxes; lens hoods; optical lenses; rulers [measuring instruments]; carpenters' rules; blinkers [signalling lights]; flashlights [photography]; magic lanterns; optical lanterns; kilometer recorders for vehicles; counters; accounting machines; magnifying glasses [optics]; magnetic wires; videotapes; magnetic tapes; mouse [data processing equipment]; micrometer screws for optical instruments; microprocessors; microscopes; microtomes; microphones; modems; monitors [computer programs]; apparatus for editing cinematographic film; navigation apparatus for vehicles [on-board computers]; teaching apparatus; headphones; semiconductors; identification threads for electric wires; optical data media; objectives [lenses] [optics]; limiters [electricity]; sheaths for electric cables; portable telephones; wrist rests for use with computers; plane tables [surveying instruments]; plates for batteries; fire escapes; fire engines; printers for use with computers; devices for information processing; conductors, electric; wires, electric; telephone wires; ducts [electricity]; record players; compact disc players; DVD players; computer game programs; computer software, recorded; projection screens; projection apparatus; control panels [electricity]; starter cables for motors; radar apparatus; vehicle radios; radio pagers; transmitting sets [telecommunication]; radios; radiotelegraphy sets; radiotelephony sets; demagnetizing apparatus for magnetic tapes; distribution boxes [electricity]; light conducting filaments [optical fibers [fibres]]; blueprint apparatus; light-emitting electronic pointers; filters [photography]; traffic light apparatus [signalling devices]; scanners [data processing equipment]; head cleaning tapes [recording]; printed circuits; chips [integrated circuits]; integrated circuits; time clocks [time recording devices]; word processors; television apparatus;

telegraphs [apparatus]; teleprinters; telegraph wires; range finders; telescopes; telephone apparatus; telephone transmitters; telephone receivers; temperature indicators; theodolites; heat regulating apparatus; discharge tubes, electric, other than for lighting; urinometers; facsimile machines; apparatus and instruments for physics; filters for ultraviolet rays, for photography; fluorescent screens; cameras [photography]; glazing apparatus for photographic prints; drainers for use in photography; photovoltaic cells; shutters [photography]; enlarging apparatus [photography]; photocopiers [photographic, electrostatic, thermic]; darkrooms [photography]; photometers; phototelegraphy apparatus; cases especially made for photographic apparatus and instruments; electronic books, downloadable; computer hardware; computer software [recorded] for reading electronic books; devices for reading e-books; e-books; software [recorded] for portable devices; systems for data transmission and storage media; computer terminals; flash memory cards; computer cards; monitors; displays; hard disk drives; adapters; tablet computers (tablets), personal digital assistants, electronic organizers, electronic notepads, mobile digital electronic devices, computer mouse mats, electric batteries, chargers, chargers for batteries, headphones (electroacoustic transducers), headphones, in-ear headphones, stereo speakers, speakers for computers.

35 – Advertising; business management; business administration; office functions; commercial information agencies; administrative processing of purchase orders; cost price analysis; auctioneering; accounting; marketing studies; opinion polling; psychological testing for the selection of personnel; organization of exhibitions for commercial or advertising purposes; organization of trade fairs for commercial or advertising purposes; organization of fashion shows for promotional purposes; payroll preparation; publicity columns preparation; demonstration of goods; business research; business information; business appraisals; business investigations; business inquiries; business management assistance; commercial or industrial management assistance; advisory services for business management; marketing research; economic forecasting; efficiency experts; transcription; compilation of information into compute databases; compilation of statistics; import-export agencies; invoicing; on-line advertising on a computer network; computerized file management; business management of performing artists; business management of hotels; business management of sports people; commercial information and advice for consumers [consumer advice shop]; commercial administration of the licensing of the goods and services of others; personnel recruitment; professional business consultancy; business organization consultancy; business management consultancy; layout services for advertising purposes; marketing; typing; document reproduction; rental of advertising

space; publicity material rental; office machines and equipment rental; rental of vending machines; rental of photocopying machines; rental of advertising time on communication media; writing of publicity texts; word processing; updating of advertising material; shop window dressing; auditing; arranging newspaper subscriptions for others; arranging subscriptions to telecommunication services for others; business management and organization consultancy; price comparison services; procurement services for others [purchasing goods and services for other businesses]; outsourcing services [business assistance]; secretarial services; shorthand; relocation services for businesses; photocopying services; public relations; news clipping services; telephone answering for unavailable subscribers; modelling for advertising or sales promotion; sponsorship search; presentation of goods on communication media, for retail purposes; publication of publicity texts; radio advertising; advertising by mail order; advertising agencies; bill-posting; distribution of samples; dissemination of advertising matter; direct mail advertising; drawing up of statements of accounts; tax preparation; employment agencies; sales promotion for others; production of advertising films; television advertising; telemarketing services; systemization of information into computer databases; data search in computer files for others.

(260) AM 2014 75143 A

(800) 1184189

(151) 2013 07 25

(731) MATROLUXE SOCIETY WITH LIMITED LIABILITY

vul. Shevchenka, 10, ofis 402, Dnipropetrovsk 49044, Ukraine

(540)



(591) Black, white

(511)

20 – Mattresses; water beds, not for medical purposes; spring mattresses; straw mattresses.

24 – Bed covers; mattress covers; coverlets [bedspreads]; sheets [textile].

(260) AM 2014 75144 A

(800) 1184197

(151) 2013 09 02

(731) MAGLITAL S.R.L.

S.S. Flaminia Km. 145 Parrano, I-06032 TREVİ (PG), Italy

(540)



(591) Black, white

(511)

14 – Bracelets made of macramé and/or embroidery, chains made of macramé and/or embroidery, necklaces made of macramé and/or embroidery, rings made of macramé and/or embroidery, earrings made of macramé and/or embroidery, pendants made of macramé and/or embroidery, brooches made of macramé and/or embroidery, anklets made of macramé and/or embroidery; jewelry accessories, namely, bracelets, chains, necklaces, rings, earrings, pendants, brooches, anklets, medals, cuff links, tie clips, watches, watch straps, watch bands, chains for watches, cases for watches, all the aforesaid goods in gold, silver or other precious metals.

18 – Leather and imitations of leather; trunks and travel bags; umbrellas, parasols and walking sticks; travelling bags for clothing; key cases; bags, namely, duffel bags, handbags; rucksacks, rucksacks for mountaineers; school backpacks; shoulder bags; suitcases, briefcases; purses; pocket wallets; drawstring pouches; boxes and cases of leather, beauty cases sold empty.

25 – Articles of clothing, clothing for sports; bathing suits; pareos; ponchos; underwear, namely, leotards, boxers, T-shirts, shorts, panties; leather wear; loungewear; bath robes; nightgowns, pajamas; trousers, jeans, shorts, jackets, coats, waistcoats, overcoats, raincoats, hosiery, knitwear, sweaters, cardigans, fleece pants and tops, jumpers, pullovers, twinsets, vests; tracksuits, bodysuits, shirts, plush shirts, polo shirts, T-shirts, gowns, skirts, dresses; socks; dressing gowns; bands; scarves, silk scarves; gloves headgear, namely, headdress, hats and bandanas; belts and ties; footwear, shoes, dress shoes, gymnastic shoes, boots, sandals, slippers.

26 – Lace; embroidery and embroidery for garments; ribbons; hair strings, bindings for hemming garments; buttons, brooches (clothing accessories); artificial flowers.

(260) AM 2014 75152 A

(800) 1184300

(151) 2013 09 20

(731) MAZLUM MANGTAY BORU

SONDAJCILIK İNŞAAT TARIM
ÜRÜNLERİ SANAYİ VE TİCARET
ANONİM ŞİRKETİ

Adana Hacı Sabancı OSB, İstikal Caddesi,
No:10, Sarıçam-Adana, Turkey

(540)



(591) Green and black

(511)
6 – Metal vent covers; metal pallets, metal ropes for lifting, loading and transportation, metal wires, cords, columns, strips, bands and tapes for use in lifting and carrying loads; metal drill pipes for use in well boring; drill pipe attachments, namely, metal drill collars, clips of metal for pipes; clips of metal for pipes; metal bollards, metal mooring buoys, metal structural supports therefor, used to support decking.

(260) AM 2014 75153 A

(800) 1184301

(151) 2013 09 02

(731) GUNSAN ELEKTRİK MALZEMELERİ
SANAYİ VE TİCARET LİMİTED SİRKETİ
Osmangazi Mah. Yıldırım Beyazıt Cad.
No:29, Sancaktepa/İSTANBUL, Turkey

(540)



(591) Black, white

(511)

9 – Apparatus and instruments for conducting, transforming, accumulating or controlling electricity; electric cables and electrical power supplies, batteries, electric accumulators.

(260) AM 2014 75154 A

(800) 1184344

(151) 2013 07 24

(891) 2013 04 24

(731) Zeldis Vladyslav Yevhenovych
vul. Chervona, 49, m. Dnipropetrovsk 49069,
Ukraine

(540)



ELEMENT

(591) Red, blue, green, yellow and dark grey

(511)

2 – Paints, varnishes, lacquers; preservatives against rust and against deterioration of wood; colorants; mordants; raw natural resins; metals in foil and powder form for painters, decorators, printers and artists.

(260) AM 2014 75155 A

(800) 1184346

(151) 2013 08 13

(731) SANTONI SOCIETÀ' PER AZIONI
Via Monte Napoleone, 9, I-20121 MILANO
(MI), Italy

(540)



(591) Black, white

(511)

3 – Perfumery; perfumes; deodorants for personal use; oils for cosmetic purposes; essential oils; cosmetics; cosmetic creams; soap; cakes of toilet soap; bath foam; hair shampoos and conditioners; hair creams; lotions for cosmetic purposes; hair lotions; dentifrices; polishes for footwear.

9 – Eyeglasses; sunglasses; spectacle cases; cords for spectacles; chains for spectacles; frames for spectacles; frames for sunglasses; spectacle glasses; field glasses; binoculars; telescopes; optical apparatus and instruments; leather cases for mobile phones; carrying cases for portable electronic devices; sleeves for laptops; sleeves for tablet computers; pouches for photographic apparatus; cases for compact discs and DVDs; cell phone straps.

14 – Jewelry and costume jewelry; bracelets (jewelry); earrings; necklaces (jewelry); chains (jewelry); rings (jewelry); brooches (jewelry); tie pins; charms; cuff links; fancy key rings of precious metal; horological and chronometric instruments; watches (wrist and pocket watches).

18 – Leather and imitations of leather; bags; handbags; change purses; notecases; wallets; rucksacks; all purpose sports bags; haversacks; beach bags; carrying cases for documents; shopping bags with wheels attached; textile shopping bags; handbags; school satchels; suitcases; sports bags; tote bags; shoulder bags; bum bags; cosmetic bags (empty); trunks and travelling bags; umbrellas; parasols; walking sticks; leads for animals.

25 – Shoes; boots; ankle boots; leather shoes; rubber shoes; rain boots; sports footwear; sandals; slippers; soles for footwear; heels; footwear uppers; clothing items; sweaters; cardigans; waistcoats; dresses; trousers; shorts; jerseys; raincoats; leather clothing; woolen clothing; stockings; stocking suspenders; sock suspenders; wind resistant jackets; ski pants; fur coats; evening coats; overcoats; skirts; suits; jackets; undershirts; T-shirts; clothing for gymnastics; ladies' shirts; collars; shirts; foulards; swimming costumes; tracksuits; wedding dresses; bath robes; underwear; brassieres; corsets; slips; underpants; briefs; nightshirts; housecoats; pyjamas; gloves; shawls; scarves; ties; bow ties; belts (clothing); braces; hats; caps.

35 – Business management; organization of exhibitions and trade fairs for commercial or advertising purposes; sales promotion for others; the bringing together, for the benefit of others, of a variety of goods (excluding the transport thereof), namely shoes, boots, ankle boots, sandals, slippers, belts for clothing, clothing items, jerseys, sweaters, T-shirts, dresses, trousers, raincoats, wind-resistant jackets, coats, skirts, jackets, clothing for gymnastics, tracksuits, foulards, swimming costumes, underwear, nig-

htshirts, housecoats, pyjamas, bath robes, gloves, shawls, scarves, ties, hats, caps, bags, tote bags, sports bags, holdalls, trunks and travelling bags, suitcases, carrying cases for documents, change purses, notecases, wallets, cases for mobile phones, carrying cases for portable electronic devices, umbrellas, rucksacks, bum bags, cosmetic bags, jewelry and costume jewelry, watches, eyeglasses, sunglasses, perfumery, cosmetics, enabling customers to conveniently view and purchase those goods; presentation of goods on mass media for retail purposes; on-line retail and wholesale store services featuring shoes, boots, ankle boots, sandals, slippers, belts for clothing, clothing items, jerseys, sweaters, t-shirts, dresses, trousers, raincoats, wind-resistant jackets, coats, skirts, jackets, clothing for gymnastics, tracksuits, foulards, swimming costumes, underwear, night-shirts, housecoats, pyjamas, bath robes, gloves, shawls, scarves, ties, hats, caps, bags, tote bags, sports bags, holdalls, trunks and travelling bags, suitcases, carrying cases for documents, change purses, notecases, wallets, cases for mobile phones, carrying cases for portable electronic devices, umbrellas, rucksacks, bum bags, cosmetic bags, jewelry and costume jewelry, watches, eyeglasses, sunglasses, perfumery, cosmetics; advertising; business administration; office functions.

(260) AM 2014 75252

(800) 1184915

(151) 2013 10 03

(891) 2013 10 03

(731) Nemiroff Intellectual Property
Establishment Städtle 31, FL-9490 Vaduz,
Liechtenstein

(540)

NEMIROFF SPICY STRAWBERRY

(591) Black, white

(511)

33 – Alcoholic beverages (except beers).

35 – Advertising; business management; business administration; office functions; importation and exportation of alcoholic beverages; retail and wholesale services with alcoholic beverages.

(260) AM 2014 75260

(800) 1185071

(151) 2013 09 20

(891) 2013 11 01

(731) EGIS GYÓGYSZERGYÁR
NYILVÁNOSAN MŰKÖDŐ
RÉSZVÉNYTÁRSASÁG
Keresztúri út 30-38, H-1106 Budapest, Hungary

(540)

ROZANETTA

(591) Black, white

(511)

5 – Pharmaceutical preparations for human use.

(260) AM 2014 75261

(800) 1185072

(151) 2013 09 20

(891) 2013 09 20

(731) EGIS GYÓGYSZERGYÁR
NYILVÁNOSAN MŰKÖDŐ
RÉSZVÉNYTÁRSASÁG
Keresztúri út 30-38, H-1106 Budapest, Hungary

(540)

TAMARILLA

(591) Black, white

(511)

5 – Pharmaceutical preparations for human use.

(260) AM 2014 75262

(800) 1185073

(151) 2013 09 20

(891) 2013 09 20

(731) EGIS GYÓGYSZERGYÁR
NYILVÁNOSAN MŰKÖDŐ
RÉSZVÉNYTÁRSASÁG
Keresztúri út 30-38, H-1106 Budapest, Hungary

(540)

ROZANNA

(591) Black, white

(511)

5 – Pharmaceutical preparations for human use.

(260) AM 2014 75270

(800) 1185207

(151) 2013 10 22

(891) 2013 10 22

(731) KRKA, tovarna zdravil, d.d., Novo mesto
Šmarješka cesta 6, SI-8501 Novo mesto,
Slovenia

(540)

TEBAJOM

(591) Black, white

(511)

5 – Pharmaceutical preparations.

(260) AM 2014 75272

(800) 1185221

(151) 2013 10 08

(891) 2013 10 08

(731) ORIFLAME COSMETICS S.A.
24, Avenue Emile Reuter, L-2420
Luxembourg, Luxembourg

(540)

ORIFLAME TENDERLY

(591) Black, white
(511)
3 – Soaps, perfumery, essential oils, cosmetics, hair lotions; dentifrices.

(260) AM 2014 75275
(800) 923264
(151) 2013 04 09
(891) 2013 10 16
(731) TODAY COFFEE ENTERPRISE LIMITED
Suite 351, 10 Great Russel Street, London
WC1B 3BQ, Switzerland
(540)

TODAY

(591) Black, white
(511)
30 – Coffee, tea, cocoa, sugar, rice, tapioca, sago, artificial coffee; flour and preparations made from cereals, bread, pastry and confectionery, ices; honey, treacle; yeast, baking-powder; salt, mustard; vinegar, sauces (condiments); spices; ice.

(260) AM 2014 75276
(800) 1160271
(151) 2013 05 02
(891) 2013 11 21
(731) ARES TRADING S.A.
Zone Industrielle de l'Ourietaz, CH-1170,
Aubonne, Switzerland
(540)

KEBONIX

(591) Black, white
(511)
5 – Pharmaceutical products for human use; dietetic substances for medical use.

INTERNATIONAL TRADEMARKS PROTECTED IN GEORGIA

(260) AM 2014 70424 A
(800) 1142204
(151) 2012 10 26
(181) 2022 10 26
(511) 09

(260) AM 2014 71881 A
(800) 1153545
(151) 2012 12 28
(181) 2022 12 28
(511) 07

(260) AM 2014 71412 A
(800) 1150713
(151) 2013 01 14
(181) 2023 01 14
(511) 03

(260) AM 2014 71889 A
(800) 1153646
(151) 2012 07 03
(181) 2022 07 03
(511) 05, 09, 16, 20, 41

(260) AM 2014 71429 A
(800) 1150837
(151) 2012 09 19
(181) 2022 09 19
(511) 06, 19, 37

(260) AM 2014 72351 A
(800) 1158099
(151) 2013 03 05
(181) 2023 03 05
(511) 05

(260) AM 2014 71453 A
(800) 1151040
(151) 2012 11 08
(181) 2022 11 08
(511) 29, 30, 43

(260) AM 2014 72352 A
(800) 1158100
(151) 2013 03 05
(181) 2023 03 05
(511) 05

(260) AM 2014 71558 A
(800) 1151839
(151) 2013 01 09
(181) 2023 01 09
(511) 29

(260) AM 2014 72355 A
(800) 1158140
(151) 2013 03 28
(181) 2023 03 28
(511) 11

(260) AM 2014 71854 A
(800) 1153175
(151) 2012 12 06
(181) 2022 12 06
(511) 25

(260) AM 2014 72356 A
(800) 1158152
(151) 2013 03 26
(181) 2023 03 26
(511) 09

(260) AM 2014 71855 A
(800) 1153201
(151) 2013 01 25
(181) 2023 01 25
(511) 02

(260) AM 2014 72360 A
(800) 1158170
(151) 2012 12 21
(181) 2022 12 21
(511) 21

(260) AM 2014 71867 A
(800) 1153284
(151) 2012 12 07
(181) 2022 12 07
(511) 09, 28

(260) AM 2014 72361 A
(800) 1158189
(151) 2013 03 20
(181) 2023 03 20
(511) 28

(260) AM 2014 72362 A
(800) 1158190
(151) 2013 03 20
(181) 2023 03 20
(511) 28

(260) AM 2014 72365 A
(800) 1158255
(151) 2013 03 18
(181) 2023 03 18
(511) 05

(260) AM 2014 72366 A
(800) 1158264
(151) 2013 03 12
(181) 2023 03 12
(511) 03, 05, 16

(260) AM 2014 72367 A
(800) 1158267
(151) 2013 03 12
(181) 2023 03 12
(511) 05

(260) AM 2014 72369 A
(800) 1158336
(151) 2013 03 26
(181) 2023 03 26
(511) 09

(260) AM 2014 72370 A
(800) 1158337
(151) 2013 03 26
(181) 2023 03 26
(511) 10

(260) AM 2014 72371 A
(800) 1158354
(151) 2012 12 18
(181) 2022 12 18
(511) 30

(260) AM 2014 72372 A
(800) 1158383
(151) 2013 01 25
(181) 2023 01 25
(511) 03

(260) AM 2014 72373 A
(800) 1158411
(151) 2013 04 02

(181) 2023 04 02
(511) 05

(260) AM 2014 72374 A
(800) 1158433
(151) 2013 04 15
(181) 2023 04 15
(511) 05

(260) AM 2014 72375 A
(800) 1158434
(151) 2013 04 15
(181) 2023 04 15
(511) 05

(260) AM 2014 72377 A
(800) 1158462
(151) 2012 06 11
(181) 2022 06 11
(511) 25

(260) AM 2014 72378 A
(800) 1158464
(151) 2012 10 18
(181) 2022 10 18
(511) 01, 03, 16, 21

(260) AM 2014 72379 A
(800) 1158469
(151) 2013 03 18
(181) 2023 03 18
(511) 09, 10

(260) AM 2014 72380 A
(800) 1158546
(151) 2012 12 21
(181) 2022 12 21
(511) 33

(260) AM 2014 72381 A
(800) 1158558
(151) 2013 02 14
(181) 2023 02 14
(511) 09, 16, 25, 28, 35, 38, 41, 42

(260) AM 2014 72416 A
(800) 300646
(151) 1965 07 26
(891) 2013 03 08
(181) 2015 07 26
(511) 03, 05

(260) AM 2014 72932 A
(800) 1163241
(151) 2013 02 07
(181) 2023 02 07
(511) 11

(260) AM 2014 72933 A
(800) 1163248
(151) 2012 12 28
(181) 2022 12 28
(511) 05, 42, 44

(260) AM 2014 72934 A
(800) 1163267
(151) 2012 12 03
(181) 2022 12 03
(511) 06, 07, 09, 11, 20, 37, 40, 41, 42

(260) AM 2014 72936 A
(800) 1163302
(151) 2013 04 02
(181) 2023 04 02
(511) 07, 09

(260) AM 2014 72938 A
(800) 1163330
(151) 2013 05 17
(181) 2023 05 17
(511) 05

(260) AM 2014 72939 A
(800) 1163388
(151) 2012 04 25
(181) 2022 04 25
(511) 29, 30, 35

(260) AM 2014 72944 A
(800) 1163486
(151) 2013 03 27
(181) 2023 03 27
(511) 28

(260) AM 2014 72946 A
(800) 1163504
(151) 2013 04 23
(181) 2023 04 23
(511) 05

(260) AM 2014 72947 A
(800) 1163515
(151) 2013 05 08

(181) 2023 05 08
(511) 16, 37, 39, 40, 42

(260) AM 2014 72948 A
(800) 1163516
(151) 2013 04 19
(181) 2023 04 19
(511) 16, 35, 41

(260) AM 2014 72949 A
(800) 1163525
(151) 2013 04 09
(181) 2023 04 09
(511) 06, 09, 20

(260) AM 2014 72950 A
(800) 1163547
(151) 2013 04 19
(181) 2023 04 19
(511) 05

(260) AM 2014 73252 A
(800) 1166961
(151) 2012 03 12
(181) 2022 03 12
(511) 07, 09

(260) AM 2014 73253 A
(800) 1166971
(151) 2012 10 09
(181) 2022 10 09
(511) 16, 35, 40

(260) AM 2014 73424 A
(800) 1168820
(151) 2013 04 11
(181) 2023 04 11
(511) 05, 42, 44

(260) AM 2014 73433 A
(800) 1169004
(151) 2013 02 08
(181) 2023 02 08
(511) 41

(260) AM 2014 73434 A
(800) 1169009
(151) 2013 01 30
(181) 2023 01 30
(511) 29, 30, 35

(260) AM 2014 73435 A
(800) 1169015
(151) 2012 11 07
(181) 2022 11 07
(511) 38, 41

(260) AM 2014 73436 A
(800) 1169019
(151) 2012 12 20
(181) 2022 12 20
(511) 09, 35, 38, 42, 44

(260) AM 2014 73437 A
(800) 1169073
(151) 2013 05 16
(181) 2023 05 16
(511) 03, 41, 44

(260) AM 2014 73438 A
(800) 1169091
(151) 2013 05 23
(181) 2023 05 23
(511) 03, 18, 25

(260) AM 2014 73443 A
(800) 1169094
(151) 2013 05 14
(181) 2023 05 14
(511) 07, 09

(260) AM 2014 73444 A
(800) 1169122
(151) 2013 04 23
(181) 2023 04 23
(511) 01, 17, 19, 35, 37

(260) AM 2014 73445 A
(800) 1169127
(151) 2013 04 30
(181) 2023 04 30
(511) 14, 35

(260) AM 2014 73446 A
(800) 1169133
(151) 2013 06 07
(181) 2023 06 07
(511) 29, 30, 31

(260) AM 2014 73447 A
(800) 1169151
(151) 2013 06 03

(181) 2023 06 03
(511) 16, 37, 39, 40, 42

(260) AM 2014 73449 A
(800) 1169165
(151) 2013 06 25
(181) 2023 06 25
(511) 32

(260) AM 2014 73452 A
(800) 1169176
(151) 2013 07 03
(181) 2023 07 03
(511) 09

(260) AM 2014 73453 A
(800) 1169177
(151) 2013 07 04
(181) 2023 07 04
(511) 34

(260) AM 2014 73454 A
(800) 1169181
(151) 2013 07 04
(181) 2023 07 04
(511) 03

(260) AM 2014 73455 A
(800) 1169185
(151) 2013 05 13
(181) 2023 05 13
(511) 03, 05, 21

(260) AM 2014 73456 A
(800) 1169188
(151) 2013 03 07
(181) 2023 03 07
(511) 05

(260) AM 2014 73457 A
(800) 1169189
(151) 2013 03 17
(181) 2023 03 17
(511) 05

(260) AM 2014 73458 A
(800) 1169201
(151) 2013 05 13
(181) 2023 05 13
(511) 05

(260) AM 2014 73459 A
(800) 1169228
(151) 2013 02 04
(181) 2023 02 04
(511) 03, 05

(260) AM 2014 73460 A
(800) 1169319
(151) 2013 03 07
(181) 2023 03 07
(511) 05

(260) AM 2014 73461 A
(800) 1169244
(151) 2013 06 14
(181) 2023 06 14
(511) 30

(260) AM 2014 73462 A
(800) 1169288
(151) 2013 03 20
(181) 2023 03 20
(511) 11

(260) AM 2014 73465 A
(800) 1169297
(151) 2012 09 20
(181) 2022 09 20
(511) 24, 25, 35

(260) AM 2014 73466 A
(800) 1169359
(151) 2013 05 21
(181) 2023 05 21
(511) 05

(260) AM 2014 73467 A
(800) 1169360
(151) 2013 04 30
(181) 2023 04 30
(511) 03, 05, 21

(260) AM 2014 73468 A
(800) 1169392
(151) 2013 06 13
(181) 2023 06 13
(511) 01, 02, 06, 09, 11, 19, 24, 25, 27

(260) AM 2014 73469 A
(800) 1169399
(151) 2013 06 24

(181) 2023 06 24
(511) 16

(260) AM 2014 73470 A
(800) 1169452
(151) 2013 04 30
(891) 2013 04 03
(181) 2023 04 30
(511) 03

(260) AM 2014 73472 A
(800) 676449
(151) 1997 05 09
(891) 2013 03 14
(181) 2017 05 09
(511) 16, 35, 36

(260) AM 2014 73473 A
(800) 794160
(151) 2002 12 27
(891) 2013 03 26
(181) 2022 12 27
(511) 25

(260) AM 2014 73474 A
(800) 831394
(151) 2004 06 10
(891) 2013 06 26
(181) 2014 06 10
(511) 05

(260) AM 2014 73475 A
(800) 839563
(151) 2004 07 30
(891) 2013 04 04
(181) 2014 07 30
(511) 07

(260) AM 2014 73476 A
(800) 887105
(151) 2006 04 04
(891) 2013 06 27
(181) 2016 04 04
(511) 05, 29

(260) AM 2014 73477 A
(800) 887107
(151) 2006 04 04
(891) 2013 06 27
(181) 2016 04 04
(511) 29

(260) AM 2014 73478 A
(800) 941414
(151) 2007 09 12
(891) 2013 04 17
(181) 2017 09 12
(511) 18

(260) AM 2014 73479 A
(800) 977076
(151) 2008 02 04
(891) 2013 04 19
(181) 2018 02 04
(511) 05, 10

(260) AM 2014 73480 A
(800) 1028600
(151) 2009 10 28
(891) 2013 06 24
(181) 2019 10 28
(511) 10

(260) AM 2014 73481 A
(800) 1059137
(151) 2010 11 11
(891) 2013 06 26
(181) 2020 11 11
(511) 05

(260) AM 2014 73482 A
(800) 1084951
(151) 2011 06 02
(891) 2012 10 17
(181) 2021 06 02
(511) 25, 35

(260) AM 2014 73564 A
(800) 1170253
(151) 2013 06 14
(181) 2023 06 14
(511) 25, 35

(260) AM 2014 73572 A
(800) 1170313
(151) 2013 04 09
(181) 2023 04 09
(511) 25

(260) AM 2014 73586 A
(800) 958149
(151) 2007 12 06
(891) 2013 05 29
(181) 2017 12 06
(511) 29, 30, 33

(260) AM 2014 73587 A
(800) 990689
(151) 2008 06 09
(891) 2013 05 24
(181) 2018 06 09
(511) 06, 07, 09

(260) AM 2014 73588 A
(800) 1071242
(151) 2011 02 01
(891) 2013 06 25
(181) 2021 02 01
(511) 29

(260) AM 2014 73589 A
(800) 1071249
(151) 2011 02 01
(891) 2013 06 25
(181) 2021 02 01
(511) 29

(260) AM 2014 73590 A
(800) 1021585
(151) 2009 06 03
(891) 2013 06 16
(181) 2019 06 03
(511) 12, 17

(260) AM 2014 73591 A
(800) 1066991
(151) 2010 06 16
(891) 2013 05 21
(181) 2020 06 16
(511) 35, 36, 39, 41, 42, 43, 45

(260) AM 2014 73592 A
(800) 1126114
(151) 2012 03 26
(891) 2013 06 17
(181) 2022 03 26
(511) 07, 12

(260) AM 2014 73593 A
(800) 1126275
(151) 2012 07 19
(891) 2013 04 05
(181) 2022 07 19
(511) 05

(260) AM 2014 73601 A
(800) 1170452
(151) 2013 04 09

(181) 2023 04 09
(511) 25, 35

(260) AM 2014 73674 A
(800) 1171177
(151) 2013 01 22
(181) 2023 01 22
(511) 01, 03, 09, 12, 14, 16, 18, 21, 24, 25, 26, 28,
35, 37, 39, 40, 41

(260) AM 2014 73675 A
(800) 1171192
(151) 2013 06 21
(181) 2023 06 21
(511) 14

(260) AM 2014 73677 A
(800) 1171285
(151) 2013 06 06
(181) 2023 06 06
(511) 29

(260) AM 2014 73681 A
(800) 1171355
(151) 2013 02 26
(181) 2023 02 26
(511) 24

(260) AM 2014 73682 A
(800) 1171358
(151) 2013 05 07
(181) 2023 05 07
(511) 09

(260) AM 2014 73683 A
(800) 1171359
(151) 2013 06 11
(181) 2023 06 11
(511) 32

(260) AM 2014 73684 A
(800) 1171374
(151) 2013 04 10
(181) 2023 04 10
(511) 19

(260) AM 2014 73685 A
(800) 1171477
(151) 2013 07 08
(181) 2023 07 08
(511) 39

(260) AM 2014 73716 A
(800) 1171740
(151) 2013 07 23
(181) 2023 07 23
(511) 06

(260) AM 2014 73769 A
(800) 953645
(151) 2008 01 08
(891) 2013 07 24
(181) 2018 01 08
(511) 18

(260) AM 2014 73958 A
(800) 1173295
(151) 2013 06 22
(181) 2023 06 22
(511) 18, 25

(260) AM 2014 73979 A
(800) 1173344
(151) 2013 06 17
(181) 2023 06 17
(511) 17, 19

(260) AM 2014 73981 A
(800) 1173411
(151) 2013 02 18
(181) 2023 02 18
(511) 41

(260) AM 2014 73983 A
(800) 1173442
(151) 2013 04 10
(181) 2023 04 10
(511) 03, 08, 11, 21, 22, 26

(260) AM 2014 73985 A
(800) 1173499
(151) 2013 05 22
(181) 2023 05 22
(511) 01, 07, 16, 19, 34, 35, 39

(260) AM 2014 73986 A
(800) 1173500
(151) 2013 06 14
(181) 2023 06 14
(511) 33

(260) AM 2014 73987 A
(800) 1173503
(151) 2013 06 14

(181) 2023 06 14
(511) 25

(260) AM 2014 73989 A
(800) 1173520
(151) 2013 06 05
(181) 2023 06 05
(511) 09, 11, 21

(260) AM 2014 73991 A
(800) 1173541
(151) 2013 07 01
(181) 2023 07 01
(511) 03

(260) AM 2014 73993 A
(800) 1173602
(151) 2013 06 14
(181) 2023 06 14
(511) 33

(260) AM 2014 73995 A
(800) 1173626
(151) 2013 06 17
(181) 2023 06 17
(511) 17, 19

(260) AM 2014 73997 A
(800) 1173646
(151) 2013 02 26
(181) 2023 02 26
(511) 03

(260) AM 2014 74000 A
(800) 1173700
(151) 2013 07 08
(181) 2023 07 08
(511) 32, 35

(260) AM 2014 74009 A
(800) 1173762
(151) 2013 06 11
(181) 2023 06 11
(511) 14, 18, 25

(260) AM 2014 74053 A
(800) 1174218
(151) 2013 05 24
(181) 2023 05 24
(511) 03

(260) AM 2014 74054 A
(800) 1174219
(151) 2013 03 25
(181) 2023 03 25
(511) 03

(260) AM 2014 74061 A
(800) 1174286
(151) 2013 06 24
(181) 2023 06 24
(511) 17

(260) AM 2014 74062 A
(800) 1174307
(151) 2013 06 22
(181) 2023 06 22
(511) 18

(260) AM 2014 74066 A
(800) 1174337
(151) 2013 07 29
(181) 2023 07 29
(511) 45

(260) AM 2014 74067 A
(800) 1174343
(151) 2013 07 24
(181) 2023 07 24
(511) 30

(260) AM 2014 74068 A
(800) 1174353
(151) 2013 07 12
(181) 2023 07 12
(511) 02, 17

(260) AM 2014 74088 A
(800) 1174646
(151) 2013 05 17
(181) 2023 05 17
(511) 18, 25

(260) AM 2014 74089 A
(800) 1174653
(151) 2013 06 13
(181) 2023 06 13
(511) 19

(260) AM 2014 74090 A
(800) 1174698
(151) 2013 07 12

(181) 2023 07 12
(511) 05, 10

(260) AM 2014 74091 A
(800) 1174699
(151) 2013 08 01
(181) 2023 08 01
(511) 09

(260) AM 2014 74092 A
(800) 1174715
(151) 2013 07 12
(181) 2023 07 12
(511) 02, 17

(260) AM 2014 74094 A
(800) 1174733
(151) 2013 08 09
(181) 2023 08 09
(511) 05

(260) AM 2014 74095 A
(800) 1174735
(151) 2013 06 25
(181) 2023 06 25
(511) 04

(260) AM 2014 74097 A
(800) 1174811
(151) 2013 07 08
(181) 2023 07 08
(511) 07, 09

(260) AM 2014 74098 A
(800) 1174817
(151) 2013 08 05
(181) 2023 08 05
(511) 03, 05

(260) AM 2014 74100 A
(800) 1174818
(151) 2013 06 21
(181) 2023 06 21
(511) 30

(260) AM 2014 74106 A
(800) 1174826
(151) 2013 07 30
(181) 2023 07 30
(511) 35, 41

(260) AM 2014 74107 A
(800) 1174848
(151) 2013 08 07
(181) 2023 08 07
(511) 05

(260) AM 2014 74108 A
(800) 1174867
(151) 2013 04 23
(181) 2023 04 23
(511) 30, 35

(260) AM 2014 74109 A
(800) 1174879
(151) 2013 05 16
(181) 2023 05 16
(511) 03, 04, 09, 12, 16, 18, 25, 28, 32, 36, 37, 38,
40, 41, 43

(260) AM 2014 74110 A
(800) 1174899
(151) 2013 07 02
(181) 2023 07 02
(511) 41

(260) AM 2014 74111 A
(800) 1174900
(151) 2013 07 02
(181) 2023 07 02
(511) 11

(260) AM 2014 74112 A
(800) 1174907
(151) 2013 07 08
(181) 2023 07 08
(511) 14

(260) AM 2014 74114 A
(800) 1174933
(151) 2013 07 09
(181) 2023 07 09
(511) 05

(260) AM 2014 74115 A
(800) 1174956
(151) 2013 07 02
(181) 2023 07 02
(511) 03, 05, 10

(260) AM 2014 74116 A
(800) 1174978
(151) 2013 06 16

(181) 2023 06 16
(511) 28

(260) AM 2014 74117 A
(800) 1175011
(151) 2013 06 27
(181) 2023 06 27
(511) 39

(260) AM 2014 74119 A
(800) 1175025
(151) 2013 08 20
(181) 2023 08 20
(511) 09

(260) AM 2014 74120 A
(800) 1175030
(151) 2013 08 22
(181) 2023 08 22
(511) 09

(260) AM 2014 74121 A
(800) 525280
(151) 1988 06 10
(891) 2013 07 19
(181) 2018 06 10
(511) 18, 25

(260) AM 2014 74122 A
(800) 563995
(151) 1990 12 06
(891) 2013 07 19
(181) 2020 12 06
(511) 03

(260) AM 2014 74123 A
(800) 567150
(151) 1991 02 04
(891) 2013 07 19
(181) 2021 02 04
(511) 10

(260) AM 2014 74203 A
(800) 1175708
(151) 2013 06 21
(181) 2023 06 21
(511) 30

(260) AM 2014 74204 A
(800) 1175720
(151) 2013 06 28

(181) 2023 06 28
(511) 11, 43

(260) AM 2014 74205 A
(800) 1175737
(151) 2013 07 03
(181) 2023 07 03
(511) 09

(260) AM 2014 74206 A
(800) 1175754
(151) 2013 05 27
(181) 2023 05 27
(511) 12, 35, 41

(260) AM 2014 74208 A
(800) 1175805
(151) 2013 07 05
(181) 2023 07 05
(511) 01, 02, 19

(260) AM 2014 74209 A
(800) 1175806
(151) 2013 07 04
(181) 2023 07 04
(511) 30

(260) AM 2014 74210 A
(800) 1175826
(151) 2013 06 28
(181) 2023 06 28
(511) 09

(260) AM 2014 74211 A
(800) 1175842
(151) 2013 08 07
(181) 2023 08 07
(511) 05

(260) AM 2014 74213 A
(800) 570787
(151) 1990 10 02
(891) 2013 08 09
(181) 2020 10 02
(511) 01, 02, 03, 06, 09, 17, 19, 21

(260) AM 2014 74214 A
(800) 946771
(151) 2007 11 22
(891) 2013 08 20
(181) 2017 11 22
(511) 25

(260) AM 2014 74262 A
(800) 1176244
(151) 2013 02 11
(181) 2023 02 11
(511) 05

(260) AM 2014 74270 A
(800) 1176260
(151) 2013 07 09
(181) 2023 07 09
(511) 05

(260) AM 2014 74271 A
(800) 1176261
(151) 2013 07 09
(181) 2023 07 09
(511) 05

(260) AM 2014 74272 A
(800) 1176262
(151) 2013 07 09
(181) 2023 07 09
(511) 05

(260) AM 2014 74273 A
(800) 1176263
(151) 2013 07 09
(181) 2023 07 09
(511) 05

(260) AM 2014 74275 A
(800) 1176265
(151) 2013 07 09
(181) 2023 07 09
(511) 05

(260) AM 2014 74276 A
(800) 1176266
(151) 2013 07 09
(181) 2023 07 09
(511) 05

(260) AM 2014 74277 A
(800) 1176267
(151) 2013 07 09
(181) 2023 07 09
(511) 05

(260) AM 2014 74282 A
(800) 1176409
(151) 2013 06 21

(181) 2023 06 21
(511) 33, 35

(260) AM 2014 74288 A
(800) 1176513
(151) 2013 05 28
(181) 2023 05 28
(511) 03, 05, 21

(260) AM 2014 74298 A
(800) 1176594
(151) 2013 04 03
(181) 2023 04 03
(511) 05

(260) AM 2014 74299 A
(800) 1176595
(151) 2013 04 03
(181) 2023 04 03
(511) 05

(260) AM 2014 74300 A
(800) 1176603
(151) 2013 07 30
(181) 2023 07 30
(511) 05

(260) AM 2014 74432 A
(800) 1084471
(151) 2011 05 28
(891) 2013 08 16
(181) 2021 05 28
(511) 05, 30

(260) AM 2014 74442 A
(800) 1177743
(151) 2013 08 30
(181) 2023 08 30
(511) 05

(260) AM 2014 74456 A
(800) 1178002
(151) 2013 01 30
(181) 2023 01 30
(511) 05, 09, 10

(260) AM 2014 74613 A
(800) 570670
(151) 1991 05 06
(891) 2013 07 30

(181) 2021 05 06
(511) 05

(260) AM 2014 74616 A
(800) 935860
(151) 2007 09 04
(891) 2013 07 30
(181) 2017 09 04
(511) 05

(260) AM 2014 74622 A
(800) 1087503
(151) 2011 04 11
(891) 2013 07 18
(181) 2021 04 11
(511) 06, 11

(260) AM 2014 74624 A
(800) 1117776
(151) 2012 04 23
(891) 2013 08 28
(181) 2022 04 23
(511) 05

(260) AM 2014 75029 A
(800) 1183248
(151) 2013 10 30
(181) 2023 10 30
(511) 03

APPELLATIONS OF ORIGIN AND GEOGRAPHICAL INDICATIONS OF GOODS

REGISTERED APPELLATIONS OF ORIGIN OF GOODS

Number of national registration: 841
Date of national registration: 2014 10 23
Number of international registration: 922
Date of international registration: 2014 01 20
Appellations of origin: **TALEGGIO**
Country code: (IT) Italy
Goods: 29 – Cheese.

Number of national registration: 842
Date of national registration: 2014 10 23
Number of international registration: 923
Date of international registration: 2014 01 20
Appellations of origin: **QUARTIROLO LOMBARDO**
Country code: (IT) Italy
Goods: 29 – Cheese.

Number of national registration: 843
Date of national registration: 2014 10 23
Number of international registration: 924
Date of international registration: 2014 03 11
Appellations of origin: **ASIAGO**
Country code: (IT) Italy
Goods: 29 – Cheese.

OFFICIAL NOTIFICATIONS

INVENTIONS

TRANSFER OF RIGHTS

(October 2014)

NUMBER OF PATENT	OLD PATENT OWNERS (Transfer of Rights)	NEW PATENT OWNERS (Recipient of Rights)	DATE OF TRANSFER
5618/1	A(A)IP Ivane Javakhishvilis Sakhelobis Tbilisis Sakhelmtsipo Universiteti (GE) Ilia Chavchavadze Av. 1, 0128, Tbilisi (GE)	Davit Tugushi (GE); I. Abashidze Str. 18a, ap. 8, 0179, Tbilisi (GE) Ramaz Katsarava (GE) Janashia Str. 28, ap. 26, 0179, Tbilisi (GE)	10/21/2014

RENEWAL OF A PATENTS

INVENTIONS

(11) P 2012 5657 B

(73) ERKE ERKE ARASTIRMALARI VE MUHENDISLIK A.S. (TR)

(54) **GYROSCOPIC APPARATUS**

DATE OF RENEWAL: 2014 11 10

(11) P 2011 5366 B

(73) Nana Ebelashvili (GE)

Levan Mudjiri (GE)

Tamaz Kobaidze (GE)

Marina Guliashvili (GE)

Tamar Asashvili (GE)

Nino Chkhartishvili (GE)

Nona Jorjikia (GE)

(54) **METHOD FOR MANUFACTURE OF TABLE DRY RED WINE CONCENTRATED BY POLYPHENOLS**

DATE OF RENEWAL: 2014 11 10

UTILITY MODEL

(11) U 2013 1783 Y

(72) Artur Sulamanidze (GE);

Guram Gordadze (RU);

Roland Labadze (GE)

(54) **DEVICE FOR PROCESSING WORN-OUT TYRE CASING**

DATE OF RENEWAL: 2014 11 10

TRADEMARKS

RENEWAL OF REGISTRATIONS

(111) M 1994 100 R2

(156) 2014 10 27

(186) 2024 10 27

(732) AMERICAN SPORTING GOODS

CORPORATION

1407 Broadway, 38th Floor, New York,

New York 10018, USA

(111) M 1994 129 R2

(156) 2014 10 28

(186) 2024 10 28

(732) HBI Branded Apparel Enterprises, LLC

1000 East Hanes Mill Road, City of Winston-

Salem, State of North Carolina 27105, USA

(111) M 2004 15576 R1

(156) 2014 10 10

(186) 2024 07 01

(732) LTD "MEDIKO-BIOLOGIURI

SAMETSNIERO KVLEVITI TSENTRI

"ALEKSIS"

Niko Nikoladzis q., №2, 0108, Tbilisi,

Georgia

(111) M 2004 15619 R1

(156) 2014 10 08

(186) 2024 08 11

(732) TEIMURAZ DOLIDZE

Faliashvilis q.10/0, 390039, Tbilisi, Georgia

(111) M 2004 15677 R1

(156) 2014 10 18

(186) 2024 10 18

(732) CHARAK PHARMA PVT. LTD.

Evergreen Industrial Estate, Shakti Mills

Lane, Dr. E. Moses Road, Mahalaxmi,

Mumbai 400011, India

(111) M 2004 15711 R1

(156) 2014 11 05

(186) 2024 11 05

(732) RENAULT s.a.s.

92100 BOULOGNE-BILLANCOURT,

France

(111) M 2004 15798 R1

(156) 2014 12 15

(186) 2024 12 15

(732) DIVAPHARMA CHUR AG

Wiesentalstrasse 126, 7000 Chur, Switzerland

(111) M 2004 15799 R1

(156) 2014 12 15

(186) 2024 12 15

(732) HISAMITSU PHARMACEUTICAL CO.,

INC.

408, Tashirodaikan-machi, Tosu-shi, Saga

841-0017, Japan

(111) M 2004 15800 R1

(156) 2014 12 15

(186) 2024 12 15

(732) HISAMITSU PHARMACEUTICAL CO.,

INC.

408, Tashirodaikan-machi, Tosu-shi, Saga

841-0017, Japan

(111) M 2005 15824 R1

(156) 2015 01 05

(186) 2025 01 05

(732) E-Y-G-N LIMITED

One Montague Place, East Bay Street,

Nassau, Bahamas

(11) M 2005 15825 R1

(156) 2015 01 05

(186) 2025 01 05

(732) LTD "G-M-P"

Zemo Vedzisi Str. 103, 0160, Tbilisi, Georgia

(111) M 2005 15841 R1

(156) 2015 01 26

(186) 2025 01 26

(732) LTD "G-M-P"

Zemo Vedzisi Str. 103, 0160, Tbilisi, Georgia

(111) M 1994 191 R2

(156) 2014 10 31

(186) 2024 10 31

(732) THE PROCTER & GAMBLE COMPANY

One Procter & Gamble Plaza, Cincinnati,

Ohio, USA

(111) M 1994 207 R2
(156) 2014 11 01
(186) 2024 11 01
(732) ELOPAK SYSTEMS AG
Cherstrasse 4, CH8152 Glattbrugg, Switzerland

(111) M 1994 94 R2
(156) 2014 10 27
(186) 2024 10 27
(732) JVC KENWOOD CORPORATION
3-12, Moriyacho, Kanagawa-Ku, Yokohama-
Shi, Kanagawa, Japan

(111) M 1994 224 R2
(156) 2014 11 01
(186) 2024 11 01
(732) ELOPAK SYSTEMS AG
Cherstrasse 4, CH8152 Glattbrugg, Switzerland

(111) M 1994 299 R2
(156) 2014 11 07
(186) 2024 11 07
(732) GROHE AG
Industriepark Edelburg, 58675 Hemer, Germany

(111) M 1994 325 R2
(156) 2014 11 07
(186) 2024 11 07
(732) THE PROCTER & GAMBLE COMPANY
One Procter & Gamble Plaza, Cincinnati,
Ohio, USA

(111) M 1994 434 R2
(156) 2014 11 11
(186) 2024 11 11
(732) CHEROKEE INC.
6835 Valjean Avenue, Van-Nuys, CA
91406, USA

(111) M 1994 44 R2
(156) 2014 10 25
(186) 2024 10 25
(732) MAGNIFIN MAGNESIAPRODUKTE
GMBH & CO. KG
Magnesitstrasse 40, 8614 St. Jakob-
Breitenau, Austria

(111) M 1995 538 R2
(156) 2015 02 10
(186) 2025 02 10
(732) THE PROCTER & GAMBLE COMPANY
One Procter & Gamble Plaza, Cincinnati,
Ohio, USA

COMPLETE TRANSFER OF RIGHTS

(111) M 1998 010143 R1
 (732) B.A.T. China Limited
 Globe House,1 Water Street, London
 WC2R SLA, United Kingdom
 (770) ARDATH TOBACCO COMPANY
 LIMITED
 Globe House, 4 Temple Place, London
 WC2R 2PG, United Kingdom
 (580) 2014 10 20

(111) M 1998 010143 R1
 (732) GTBAT International Co. Limited
 29 th Floor Oxford House, Taikoo Place,
 979 King's Road, Island East, The Hong
 Kong Special Administrative Region of the
 People's Republic of China
 (770) B.A.T. China Limited,
 Globe House,1 Water Street, London
 WC2R SLA, United Kingdom
 (580) 2014 10 20

(111) M 2000 013606 R1
 (732) B.A.T. China Limited
 Globe House,1 Water Street, London
 WC2R SLA, United Kingdom
 (770) ARDATH TOBACCO COMPANY
 LIMITED
 Globe House, 4 Temple Place, London
 WC2R 2PG, United Kingdom
 (580) 2014 10 20

(111) M 2000 013606 R1
 (732) GTBAT International Co. Limited
 29 th Floor Oxford House, Taikoo Place,
 979 King's Road, Island East, The Hong
 Kong Special Administrative Region of the
 People's Republic of China
 (770) B.A.T. China Limited,
 Globe House,1 Water Street, London
 WC2R SLA, United Kingdom
 (580) 2014 10 20

(111) M 2000 013607 R1
 (732) B.A.T. China Limited
 Globe House,1 Water Street, London
 WC2R SLA, United Kingdom
 (770) ARDATH TOBACCO COMPANY
 LIMITED
 Globe House, 4 Temple Place, London
 WC2R 2PG, United Kingdom
 (580) 2014 10 20

(111) M 2000 013607 R1
 (732) GTBAT International Co. Limited
 29 th Floor Oxford House, Taikoo Place,
 979 King's Road, Island East, The Hong
 Kong Special Administrative Region of the
 People's Republic of China
 (770) B.A.T. China Limited,
 Globe House,1 Water Street, London
 WC2R SLA, United Kingdom
 (580) 2014 10 20

(111) M 2000 013608 R1
 (732) B.A.T. China Limited
 Globe House,1 Water Street, London
 WC2R SLA, United Kingdom
 (770) ARDATH TOBACCO COMPANY
 LIMITED
 Globe House, 4 Temple Place, London
 WC2R 2PG, United Kingdom
 (580) 2014 10 20

(111) M 2000 013608 R1
 (732) GTBAT International Co. Limited
 29 th Floor Oxford House, Taikoo Place,
 979 King's Road, Island East, The Hong
 Kong Special Administrative Region of the
 People's Republic of China
 (770) B.A.T. China Limited
 Globe House,1 Water Street, London
 WC2R SLA, United Kingdom
 (580) 2014 10 20

(111) M 2000 013609 R1
 (732) B.A.T. China Limited
 Globe House,1 Water Street, London
 WC2R SLA, United Kingdom
 (770) ARDATH TOBACCO COMPANY
 LIMITED
 Globe House, 4 Temple Place, London
 WC2R 2PG, United Kingdom
 (580) 2014 10 20

(111) M 2000 013609 R1
 (732) GTBAT International Co. Limited
 29 th Floor Oxford House, Taikoo Place,
 979 King's Road, Island East, The Hong
 Kong Special Administrative Region of the
 People's Republic of China
 (770) B.A.T. China Limited
 Globe House,1 Water Street, London
 WC2R SLA, United Kingdom
 (580) 2014 10 20

-
- (111) M 2000 013610 R1
(732) B.A.T. China Limited
Globe House,1 Water Street, London
WC2R SLA, United Kingdom
(770) ARDATH TOBACCO COMPANY
LIMITED
Globe House, 4 Temple Place, London
WC2R 2PG, United Kingdom
(580) 2014 10 20
-
- (111) M 2000 013610 R1
(732) GTBAT International Co. Limited
29 th Floor Oxford House, Taikoo Place,
979 King's Road, Island East, The Hong
Kong Special Administrative Region of the
People's Republic of China
(770) B.A.T. China Limited
Globe House,1 Water Street, London
WC2R SLA, United Kingdom
(580) 2014 10 20
-
- (111) M 2001 013703 R1
(732) B.A.T. China Limited
Globe House,1 Water Street, London
WC2R SLA, United Kingdom
(770) ARDATH TOBACCO COMPANY
LIMITED
Globe House, 4 Temple Place, London
WC2R 2PG, United Kingdom
(580) 2014 10 20
-
- (111) M 2001 013703 R1
(732) GTBAT International Co. Limited
29 th Floor Oxford House, Taikoo Place,
979 King's Road, Island East, The Hong
Kong Special Administrative Region of the
People's Republic of China
(770) B.A.T. China Limited
Globe House,1 Water Street, London
WC2R SLA, United Kingdom
(580) 2014 10 20
-
- (111) M 2003 014860 R1
(732) B.A.T. China Limited
Globe House,1 Water Street, London
WC2R SLA, United Kingdom
(770) ARDATH TOBACCO COMPANY
LIMITED
Globe House, 4 Temple Place, London
WC2R 2PG, United Kingdom
(580) 2014 10 20
-
- (111) M 2003 014860 R1
(732) GTBAT International Co. Limited
29 th Floor Oxford House, Taikoo Place,
979 King's Road, Island East, The Hong
Kong Special Administrative Region of the
People's Republic of China
(770) B.A.T. China Limited
Globe House,1 Water Street, London
WC2R SLA, United Kingdom
(580) 2014 10 20
-
- (111) M 2003 014919 R1
(732) HILTON WORLDWIDE HOLDING LLP,
Maple Court Central Park, Reeds Crescent,
Watford, WD24 4QQ, USA
(770) HLT Conrad IP LLC
7930 Jones Branch Drive, Suite 1100,
McLean, Virginia 22102, USA
(580) 2014 10 30
-
- (111) M 2004 015433 R1
(732) LTD "TALISMAN"
Tskhvedadzis q.28, Vake-Saburtalos raioni,
0162, Tbilisi, Georgia
(770) GIA BAAZOVI
Chiqobavas q., 42/5, 0102 , Tbilisi, Georgia
(580) 2014 11 03
-
- (111) M 2007 017708 R
(732) ADVANCE ARGO PUBLIC COMPANY
LIMITED
1 Moo 2, Thatoom, Srimahaphote,
Prachinburi, Thailand
(770) DOUBLE A INTERNATIONAL BUSINESS
CO., LTD
187/3 Moo 1, Bangwua, Bangpakong
Chachoengsao 24180, Thailand
(580) 2014 10 21
-
- (111) M 1994 000200 R2
(732) B.A.T. China Limited
Globe House,1 Water Street, London
WC2R SLA, United Kingdom
(770) ARDATH TOBACCO COMPANY
LIMITED
Globe House, 4 Temple Place, London
WC2R 2PG, United Kingdom
(580) 2014 10 20
-
- (111) M 1994 000200 R2
(732) GTBAT International Co. Limited
29 th Floor Oxford House, Taikoo Place,
979 King's Road, Island East, The Hong
Kong Special Administrative Region of the
People's Republic of China
(770) B.A.T. China Limited
Globe House,1 Water Street, London
WC2R SLA, United Kingdom
-

(580) 2014 10 20

(111) M 2010 020201 R

(732) Hilton Worldwide Holding LLP
Maple Court Central Park, Reeds Crescent,
Watford, WD24 4QQ, USA

(770) HLT Conrad IP LLC
7930 Jones Branch Drive, Suite 1100,
McLean, Virginia 22102, USA

(580) 2014 10 30

(111) M 2011 021624 R

(732) LAGRION LIMITED
Digeni Akrita 8, 4th floor, office 403, P.C.
1045, Nicosia, Cyprus

(770) SOLDEX LIMITED
P.O. Box 3321, Drake Chambers, Road
Town, Tortola, British Virgin Islands

(580) 2014 10 27

(111) M 2011 021625 R

(732) LAGRION LIMITED
Digeni Akrita 8, 4th floor, office 403, P.C.
1045, Nicosia, Cyprus

(770) SOLDEX LIMITED
P.O. Box 3321, Drake Chambers, Road
Town, Tortola, British Virgin Islands

(580) 2014 10 27

(111) M 2011 022088 R

(732) VALEANT SP. Z O.O. SP. J.
ul. Przemysłowa 2, 35-959 Rzeszów, Poland

(770) PHARMASWISS SA
Gubelstrasse 12, 6300 Zug, Switzerland

(580) 2014 10 27

(111) M 2011 022089 R

(732) VALEANT SP. Z O.O. SP. J.
ul. Przemysłowa 2, 35-959 Rzeszów, Poland

(770) PHARMASWISS SA
Gubelstrasse 12, 6300 Zug, Switzerland

(580) 2014 10 27

(111) M 2011 022090 R

(732) VALEANT SP. Z O.O. SP. J.
ul. Przemysłowa 2, 35-959 Rzeszów, Poland

(770) PHARMASWISS SA
Gubelstrasse 12, 6300 Zug, Switzerland

(580) 2014 10 27

(111) M 2011 022148 R

(732) LAGRION LIMITED
Digeni Akrita 8, 4th floor, office 403,
P.C. 1045, Nicosia, Cyprus

(770) SOLDEX LIMITED

P.O. Box 3321, Drake Chambers,
Road Town, Tortola, British Virgin Islands

(580) 2014 10 27

(111) M 2013 023364 R

(732) LAGRION LIMITED
Digeni Akrita 8, 4th floor, office 403, P.C.
1045, Nicosia, Cyprus

(770) SOLDEX LIMITED
P.O. Box 3321, Drake Chambers, Road
Town, Tortola, British Virgin Islands

(580) 2014 10 27

(111) M 2013 024180 R

(732) KAHALA FRANCHISING, L.L.C.
9311 E. Via De Ventura, Scottsdale, Arizona
85258, USA

(770) COLD STONE CREAMERY, INC.
9311 E Via de Ventura, Skottsdale,
AZ 852581, USA

(580) 2014 10 21

(111) M 2013 024334 R

(732) LAGRION LIMITED
Digeni Akrita 8, 4th floor, office 403, P.C.
1045, Nicosia, Cyprus

(770) SOLDEX LIMITED
P.O. Box 3321, Drake Chambers, Road
Town, Tortola, British Virgin Islands

(580) 2014 10 27

(111) M 2013 024394 R

(732) KAHALA FRANCHISING, L.L.C.
9311 E. Via De Ventura, Scottsdale, Arizona
85258, USA

(770) COLD STONE CREAMERY, INC.
9311 E Via de Ventura, Skottsdale,
AZ 852581, USA

(580) 2014 10 21

(111) M 1994 000299 R2

(732) FRIEDRICH GROHE AG & CO. KG
Hauptstrasse 137, 58653 Hemer,
Germany

(770) FRIEDRICH GROHE AG
Hauptstrasse 137, 5870 Hemer, Germany

(580) 2014 10 21

(111) M 1994 000299 R2

(732) GROHE AG
Industriepark Edelburg, 58675 Hemer,
Germany

(770) GROHE WATER TECHNOLOGY

AG&CO. KG
Hauptstrasse 137, 58653 Hemer, Germany
(580) 2014 10 21

(111) M 1994 000322 R2
(732) B.A.T. China Limited
Globe House,1 Water Street, London
WC2R SLA, United Kingdom
(770) ARDATH TOBACCO COMPANY
LIMITED
Globe House, 4 Temple Place, London
WC2R 2PG, United Kingdom
(580) 2014 10 20

(111) M 1994 000322 R2
(732) GTBAT International Co. Limited
29 th Floor Oxford House, Taikoo Place,
979 King's Road, Island East, The Hong
Kong Special Administrative Region of the
People's Republic of China
(770) B.A.T. China Limited
Globe House,1 Water Street, London
WC2R SLA, United Kingdom
(580) 2014 10 20

(111) M 1997 004951 R1
(732) GLAXOSMITHKLINE TRADING
SERVICES LIMITED
6900 Cork Airport Business Park, Kinsale
Road, Cork, Ireland
(770) USB PHARMA GMBH
Alfred-Nobel-Strasse 10, 40789 Monheim,
Germany
(580) 2014 10 28

(111) M 1997 004952 R1
(732) GLAXOSMITHKLINE TRADING
SERVICES LIMITED
6900 Cork Airport Business Park, Kinsale
Road, Cork, Ireland
(770) USB PHARMA GMBH
Alfred-Nobel-Strasse 10, 40789 Monheim,
Germany
(580) 2014 10 28

(111) M 1997 005754 R1
(732) B.A.T. China Limited
Globe House,1 Water Street, London
WC2R SLA, United Kingdom
(770) ARDATH TOBACCO COMPANY
LIMITED
Globe House, 4 Temple Place, London
WC2R 2PG, United Kingdom
(580) 2014 10 20

(111) M 1997 005754 R1
(732) GTBAT International Co. Limited
29 th Floor Oxford House, Taikoo Place,
979 King's Road, Island East, The Hong
Kong Special Administrative Region of the
People's Republic of China
(770) B.A.T. China Limited
Globe House,1 Water Street, London
WC2R SLA, United Kingdom
(580) 2014 10 20

(111) M 1997 007537 R1
(732) B.A.T. China Limited
Globe House,1 Water Street, London
WC2R SLA, United Kingdom
(770) ARDATH TOBACCO COMPANY
LIMITED
Globe House, 4 Temple Place, London
WC2R 2PG, United Kingdom
(580) 2014 10 20

(111) M 1997 007537 R1
(732) GTBAT International Co. Limited
29 th Floor Oxford House, Taikoo Place,
979 King's Road, Island East, The Hong
Kong Special Administrative Region of the
People's Republic of China
(770) B.A.T. China Limited
Globe House,1 Water Street, London
WC2R SLA, United Kingdom
(580) 2014 10 20

(111) M 1997 007579 R1
(732) B.A.T. China Limited
Globe House,1 Water Street, London
WC2R SLA, United Kingdom
(770) ARDATH TOBACCO COMPANY
LIMITED
Globe House, 4 Temple Place, London
WC2R 2PG, United Kingdom
(580) 2014 10 20

(111) M 1997 007579 R1
(732) GTBAT International Co. Limited
29 th Floor Oxford House, Taikoo Place,
979 King's Road, Island East, The Hong
Kong Special Administrative Region of the
People's Republic of China
(770) B.A.T. China Limited
Globe House,1 Water Street, London
WC2R SLA, United Kingdom
(580) 2014 10 20

(111) M 1998 008323 R1
 (732) B.A.T. China Limited
 Globe House, 1 Water Street, London
 WC2R SLA, United Kingdom
 (770) ARDATH TOBACCO COMPANY LIMITED
 Globe House, 4 Temple Place, London
 WC2R 2PG, United Kingdom
 (580) 2014 10 20

(111) M 1998 008323 R1
 (732) GTBAT International Co. Limited
 29 th Floor Oxford House, Taikoo Place,
 979 King's Road, Island East, The Hong
 Kong Special Administrative Region of the
 People's Republic of China
 (770) B.A.T. China Limited
 Globe House, 1 Water Street, London
 WC2R SLA, United Kingdom
 (580) 2014 10 20

(111) M 1998 008324 R1
 (732) B.A.T. China Limited
 Globe House, 1 Water Street, London
 WC2R SLA, United Kingdom
 (770) ARDATH TOBACCO COMPANY
 LIMITED
 Globe House, 4 Temple Place, London
 WC2R 2PG, United Kingdom
 (580) 2014 10 20

(111) M 1998 008324 R1
 (732) GTBAT International Co. Limited
 29 th Floor Oxford House, Taikoo Place,
 979 King's Road, Island East, The Hong
 Kong Special Administrative Region of the
 People's Republic of China
 (770) B.A.T. China Limited
 Globe House, 1 Water Street, London
 WC2R SLA, United Kingdom
 (580) 2014 10 20

(111) M 1998 008992 R1
 (732) B.A.T. China Limited
 Globe House, 1 Water Street, London
 WC2R SLA, United Kingdom
 (770) ARDATH TOBACCO COMPANY
 LIMITED
 Globe House, 4 Temple Place, London
 WC2R 2PG, United Kingdom
 (580) 2014 10 20

(111) M 1998 008992 R1
 (732) GTBAT International Co. Limited
 29 th Floor Oxford House, Taikoo Place,
 979 King's Road, Island East, The Hong

Kong Special Administrative Region of the
 People's Republic of China
 (770) B.A.T. China Limited
 Globe House, 1 Water Street, London
 WC2R SLA, United Kingdom
 (580) 2014 10 20

(111) M 1998 009658 R1
 (732) B.A.T. China Limited
 Globe House, 1 Water Street, London
 WC2R SLA, United Kingdom
 (770) ARDATH TOBACCO COMPANY
 LIMITED
 Globe House, 4 Temple Place, London
 WC2R 2PG, United Kingdom
 (580) 2014 10 20

(111) M 1998 009658 R1
 (732) GTBAT International Co. Limited
 29 th Floor Oxford House, Taikoo Place,
 979 King's Road, Island East, The Hong
 Kong Special Administrative Region of the
 People's Republic of China
 (770) B.A.T. China Limited
 Globe House, 1 Water Street, London
 WC2R SLA, United Kingdom
 (580) 2014 10 20

(111) M 1998 009659 R1
 (732) B.A.T. China Limited
 Globe House, 1 Water Street, London
 WC2R SLA, United Kingdom
 (770) ARDATH TOBACCO COMPANY
 LIMITED
 Globe House, 4 Temple Place, London
 WC2R 2PG, United Kingdom
 (580) 2014 10 20

(111) M 1998 009659 R1
 (732) GTBAT International Co. Limited
 29 th Floor Oxford House, Taikoo Place,
 979 King's Road, Island East, The Hong
 Kong Special Administrative Region of the
 People's Rrepublic of China
 (770) B.A.T. China Limited
 Globe House, 1 Water Street, London
 WC2R SLA, United Kingdom
 (580) 2014 10 20

(111) M 1998 009700 R1
 (732) B.A.T. China Limited
 Globe House, 1 Water Street, London
 WC2R SLA, United Kingdom
 (770) ARDATH TOBACCO COMPANY
 LIMITED

Globe House, 4 Temple Place, London
WC2R 2PG, United Kingdom
(580) 2014 10 20

(111) M 1998 009700 R1
(732) GTBAT International Co. Limited
29 th Floor Oxford House, Taikoo Place,
979 King's Road, Island East, The Hong
Kong Special Administrative Region of the
People's Republic of China
(770) B.A.T. China Limited
Globe House, 1 Water Street, London
WC2R SLA, United Kingdom
(580) 2014 10 20

CHANGES IN NAMES AND/OR ADDRESSES OF OWNERS

(111) M 1994 000100 R2
 (732) AMERICAN SPORTING GOODS CORPORATION
 1407 Broadway, 38th Floor, New York,
 New York 10018, USA
 (770) AMERICAN SPORTING GOODS CORPORATION
 2323 Main Street, Irvine, California 92614,
 USA
 (580) 2014 10 27

(111) M 2004 015721 R
 (732) SPIRITS PRODUCT INTERNATIONAL INTELLECTUAL PROPERTY B.V.
 7, Rue Nicolas Bove, L-1253, Luxembourg
 (770) SPIRITS PRODUCT INTERNATIONAL INTELLECTUAL PROPERTY B.V.
 1A, Rue Thomas Edison, L-1445, Strassen,
 Luxembourg, Luxembourg
 (580) 2014 10 21

(111) M 2004 015721 R
 (732) SPIRITS PRODUCT INTERNATIONAL INTELLECTUAL PROPERTY B.V.
 3, riu du Fort Rheinsheim, L-2419
 Luxembourg, Luxembourg
 (770) SPIRITS PRODUCT INTERNATIONAL INTELLECTUAL PROPERTY B.V.
 7, Rue Nicolas Bove, L-1253, Luxembourg
 (580) 2014 10 21

(111) M 2004 015722 R
 (732) SPIRITS PRODUCT INTERNATIONAL INTELLECTUAL PROPERTY B.V.
 7, Rue Nicolas Bove, L-1253, Luxembourg
 (770) SPIRITS PRODUCT INTERNATIONAL INTELLECTUAL PROPERTY B.V.
 1A, Rue Thomas Edison, L-1445, Strassen,
 Luxembourg, Luxembourg
 (580) 2014 10 21

(111) M 2004 015722 R
 (732) SPIRITS PRODUCT INTERNATIONAL INTELLECTUAL PROPERTY B.V.
 3, riu du Fort Rheinsheim, L-2419
 Luxembourg, Luxembourg
 (770) SPIRITS PRODUCT INTERNATIONAL INTELLECTUAL PROPERTY B.V.
 7, Rue Nicolas Bove, L-1253, Luxembourg
 (580) 2014 10 21

(111) M 1994 000158 R1
 (732) FOURNIER INDUSTRIE ET SANTE
 28, boulevard Clémenceau 21000 Dijon,
 France
 (770) FOURNIER INDUSTRIE ET SANTE
 42 rue de Longvic, 21300 Chenove, France
 (580) 2014 10 27

(111) M 1994 000158 R1
 (732) FOURNIER INDUSTRIE ET SANTE
 42, rue Rouget de Lisle, 92150 Suresnes,
 France
 (770) FOURNIER INDUSTRIE ET SANTE
 28, boulevard Clémenceau 21000 Dijon,
 France
 (580) 2014 10 27

(111) M 1994 000194 R1
 (732) FIT GMBH
 Am Werk 9, 02788 Zuttaw, Urban district
 Hirschfelde, Germany
 (770) FIT GMBH
 Am Werk 9, D-02788 Hirschfelde, Germany
 (580) 2014 11 03

(111) M 2010 020201 R
 (732) HLT Conrad IP LLC,
 7930 Jones Branch Drive, Suite 1100,
 Mclean, Virginia 22102, USA
 (770) HLT Conrad IP LLC,
 9336 Civic Center Drive, Beverley Hills,
 California 90210, USA
 (580) 2014 10 30

(111) M 2011 022088 R
 (732) PHARMASWISS SA
 Gubelstrasse 12, 6300 Zug, Switzerland
 (770) PHARMASWISS SA
 94 Baarerstrasse, Zug, Switzerland
 (580) 2014 10 27

(111) M 2011 022089 R
 (732) PHARMASWISS SA
 Gubelstrasse 12, 6300 Zug, Switzerland
 (770) PHARMASWISS SA
 94 Baarerstrasse, Zug, Switzerland
 (580) 2014 10 27

(111) M 2011 022090 R
(732) PHARMASWISS SA
Gubelstrasse 12, 6300 Zug, Switzerland
(770) PHARMASWISS SA
94 Baarerstrasse, Zug, Switzerland
(580) 2014 10 27

(111) M 1994 000299 R2
(732) GROHE WATER TECHNOLOGY AG &
CO. KG
Hauptstrasse 137, 58653 Hemer, Germany
(770) FRIEDRICH GROHE AG & CO. KG
Hauptstrasse 137, 58653 Hemer, Germany
(580) 2014 10 21

(111) M 1994 000312 R1
(732) ALLIED VAN LINES, INC
One Parkview Plaza, 17W. 110 22nd Street,
Oakbrook Terrace, IL 60181, USA
(770) ALLIED VAN LINES, INC
700 Oakmont Lane, Westmont, Illinois
60559, USA
(580) 2014 11 03

(111) M 1997 004951 R1
(732) USB Pharma GmbH
Alfred-Nobel-Strasse 10, 40789 Monheim,
Germany
(770) SCHWARZ PHARMA AG
D-40789 Monheim, Germany
(580) 2014 10 28

(111) M 1997 004951 R1
(732) GLAXOSMITHKLINE TRADING
SERVICES LIMITED
Currabinny, Carrigaline, County Cork,
Ireland
(770) GLAXOSMITHKLINE TRADING
SERVICES LIMITED
6900 Cork Airport Business Park, Kinsale
Road, Cork, Ireland
(580) 2014 10 28

(111) M 1997 004952 R1
(732) USB Pharma GmbH
Alfred-Nobel-Strasse 10, 40789 Monheim,
Germany
(770) SCHWARZ PHARMA AG
D-40789 Monheim, Germany
(580) 2014 10 28

(111) M 1997 004952 R1
(732) GLAXOSMITHKLINE TRADING
SERVICES LIMITED

Currabinny, Carrigaline, County Cork,
Ireland
(770) GLAXOSMITHKLINE TRADING
SERVICES LIMITED
6900 Cork Airport Business Park, Kinsale
Road, Cork, Ireland
(580) 2014 10 28

(111) M 1998 008734 R1
(732) Norit International N.V.
Astronaut 34, 3824 MJ AMERSFOORT,
Netherlands
(770) NORIT N.V.
Nijverheidsweg-Noord 72, Amersfoort,
Netherlands
(580) 2014 10 21

CANCELATION OF TRADEMARK REGISTRATION

(111) M 1999 12516 R
 (141) 2011 05 23, On demand of the owner
 (732) BROSSARD FRANCE S.A.
 Parc Burospace N26, Route de la Plain de
 Gisy, F-91573 Bievres Cedex, France

(111) M 2000 13338 R
 (141) 2003 09 18, On demand of the owner
 (732) WYETH
 Five Giralda Farms, Madison, New Jersey
 07940, USA

(111) M 2001 13765 R1
 (141) 2012 11 16, On demand of the owner
 (732) COLGATE-PALMOLIVE COMPANY
 300 Park Avenue, New York, NY 10022, USA

(111) M 1996 1474 R1
 (141) 2013 03 15, On demand of the owner
 (732) PMPI LLC
 Hunton & Williams, 951 East Byrd Street,
 Richmond, VA 23219, USA

(111) M 2003 15217 R
 (141) 2014 07 17, Not payment for prolongation
 of registration on the following of 10 years
 (732) LTD "ML"
 Toris q., №41, Borjomi, Georgia

(111) M 2003 15257 R
 (141) 2014 04 01, Not payment for prolongation
 of registration on the following of 10 years
 (732) KRAFT FOODS AS
 Johan Throne Holsts plass 1, N-0566 Oslo,
 Norway

(111) M 2003 15268 R
 (141) 2014 04 15, Not payment for prolongation
 of registration on the following of 10 years
 (732) SMITHKLINE BEECHAM PLC
 980 Great West Road, Brentford, Middlesex
 TW8 9GS, United Kingdom

(111) M 2003 15271 R
 (141) 2014 04 15, Not payment for prolongation
 of registration on the following of 10 years
 (732) BRITISH AMERICAN TOBACCO
 (BRANDS) INC.

2711 Centerville Road, Suite 300,
 Wilmington, Delaware 19808, USA

(111) M 2003 15272 R
 (141) 2014 04 15, Not payment for prolongation
 of registration on the following of 10 years
 (732) BRITISH AMERICAN TOBACCO
 (BRANDS) INC.
 2711 Centerville Road, Suite 300,
 Wilmington, Delaware 19808, USA

(111) M 2003 15273 R
 (141) 2014 04 15, Not payment for prolongation
 of registration on the following of 10 years
 (732) BRITISH AMERICAN TOBACCO
 (BRANDS) INC.
 2711 Centerville Road, Suite 300,
 Wilmington, Delaware 19808, USA

(111) M 2003 15274 R
 (141) 2014 04 15, Not payment for prolongation
 of registration on the following of 10 years
 (732) BRITISH AMERICAN TOBACCO
 (BRANDS) INC.
 2711 Centerville Road, Suite 300,
 Wilmington, Delaware 19808, USA

(111) M 2003 15275 R
 (141) 2014 04 15, Not payment for prolongation
 of registration on the following of 10 years
 (732) HEMOFARM KONCERN A.D.
 Farmaceutsko-hemijska industrija
 Beogradski Put BB, 26300 VRSAC,

(111) M 2003 15279 R
 (141) 2014 04 15, Not payment for prolongation
 of registration on the following of 10 years
 (732) LTD Alkoholuri sasmelebis kompania
 "TRIUMFI"
 Akhvledianis q. 1a, Orkhevi, 380103, Tbilisi,
 Georgia

(111) M 2003 15280 R
 (141) 2014 04 15, Not payment for prolongation
 of registration on the following of 10 years
 (732) BIOPARTNERS GMBH
 Baareratte 6340 Barr, Switzerland

-
- (111) M 2003 15281 R
(141) 2014 04 15, Not payment for prolongation of registration on the following of 10 years
(732) LTD "TELEIMEDI"
Lublianas q. 5, 0159, Tbilisi, Georgia
-
- (111) M 2003 15284 R
(141) 2014 04 15, Not payment for prolongation of registration on the following of 10 years
(732) LTD "POULTRI-JORJIA"
Sadguri Lilos dasakhleba, mefrinveleta q. №1, 0198, Tbilisi, Georgia
-
- (111) M 2003 15285 R
(141) 2014 04 15, Not payment for prolongation of registration on the following of 10 years
(732) LTD "POULTRI-JORJIA"
Sadguri Lilos dasakhleba, mefrinveleta q. №1, 0198, Tbilisi, Georgia
-
- (111) M 2003 15290 R
(141) 2014 04 15, Not payment for prolongation of registration on the following of 10 years
(732) TENUIZ KEKELIDZE
Veriko Anjafaridzis q. 1, 380079, Tbilisi, Georgia
-
- (111) M 2003 15294 R
(141) 2014 04 15, Not payment for prolongation of registration on the following of 10 years
(732) NOVEON, INC., (a Delaware corporation)
9911 Brecksville Road, Cleveland, Ohio
44141-3247, USA
-
- (111) M 2003 15296 R
(141) 2014 04 15, Not payment for prolongation of registration on the following of 10 years
(732) WARSTEINER BRAUEREI HAUS
CRAMER KG
Domring, 59581 WARSTEIN, Germany
-
- (111) M 2003 15302 R
(141) 2014 04 29, Not payment for prolongation of registration on the following of 10 years
(732) MERCK SHARP & DOHME CORP.
One Merck Drive, Whitehouse Station,
New Jersey 08889, USA
-
- (111) M 2003 15306 R
(141) 2014 04 29, Not payment for prolongation of registration on the following of 10 years
(732) FABORGA S.A.
-
- 30, avenue Pictet-de-Rochemont, P.O. Box
6104, CH-1211 Geneva 6, Switzerland
-
- (111) M 2003 15307 R
(141) 2014 04 29, Not payment for prolongation of registration on the following of 10 years
(732) MERCK SHARP & DOHME CORP.
One Merck Drive, Whitehouse Station,
New Jersey 08889, USA
-
- (111) M 2003 15321 R
(141) 2014 05 14, Not payment for prolongation of registration on the following of 10 years
(732) MINOLTA KABUSHIKI KAISHA
(MINOLTA CO., LTD)
Osaka Kokusai Building, 3-13, 2-chome,
Azuchi-machi, chuo-ku, Osaka, Japan
-
- (111) M 2003 15322 R
(141) 2014 05 14, Not payment for prolongation of registration on the following of 10 years
(732) MINOLTA KABUSHIKI KAISHA
(MINOLTA CO., LTD)
Osaka Kokusai Building, 3-13, 2-chome,
Azuchi-machi, chuo-ku, Osaka, Japan
-
- (111) M 2003 15323 R
(141) 2014 05 14, Not payment for prolongation
(732) MINOLTA KABUSHIKI KAISHA
(MINOLTA CO., LTD)
Osaka Kokusai Building, 3-13, 2-chome,
Azuchi-machi, chuo-ku, Osaka, Japan
-
- (111) M 2003 15324 R
(141) 2014 05 14, Not payment for prolongation of registration on the following of 10 years
(732) MINOLTA KABUSHIKI KAISHA
(MINOLTA CO., LTD)
Osaka Kokusai Building, 3-13, 2-chome,
Azuchi-machi, chuo-ku, Osaka, Japan
-
- (111) M 2003 15326 R
(141) 2014 05 14, Not payment for prolongation of registration on the following of 10 years
(732) MINOLTA KABUSHIKI KAISHA
(MINOLTA CO., LTD)
Osaka Kokusai Building, 3-13, 2-chome,
Azuchi-machi, chuo-ku, Osaka, Japan
-
- (111) M 2003 15333 R
(141) 2014 05 14, Not payment for prolongation of registration on the following of 10 years
-

(732) NOVARTIS AG
4002 Basel, Switzerland

(111) M 2003 15336 R
(141) 2014 05 14, Not payment for prolongation
of registration on the following of 10 years
(732) EXXON MOBIL CORPORATION,
a New Jersey corporation
5959 Las Colinas Boulevard, Irving, Texas,
USA

(111) M 2003 15349 R
(141) 2011 10 20, On demand of the owner
(732) CAPITALIA S.p.A.
Via Marco Minghetti 17, 00187 Rome, Italy

(111) M 2003 15350 R
(141) 2014 06 17, Not payment for prolongation
of registration on the following of 10 years
(732) MOLINOS RIO DE LA PLATA S.A.
Paseo Colon 746, (1323) Buenos Aires,
Argentina

(111) M 2003 15351 R
(141) 2014 06 17, Not payment for prolongation
of registration on the following of 10 years
(732) ABBOTT LABORATORIES
Abbott Park, Illinois 60064, USA

(111) M 2003 15353 R
(141) 2014 06 17, Not payment for prolongation
of registration on the following of 10 years
(732) MILLENNIUM PHARMACEUTICALS,
INC., (a Delaware corporation)
40 Landsdowne Street, Cambridge,
Massachusetts, USA

(111) M 2003 15355 R
(141) 2014 06 17, Not payment for prolongation
of registration on the following of 10 years
(732) KONICA MINOLTA HOLDINGS, INC.,
(a corporation duly organized under the laws
of Japan)
6-1, Marunouchi 1- chome, Chiyoda-ku,
Tokyo, Japan

(111) M 2003 15359 R
(141) 2014 06 17, Not payment for prolongation
of registration on the following of 10 years
(732) SMITHKLINE BEECHAM LIMITED
980 Great West Road, Brentford, Middlesex
TW8 9GS, United Kingdom

(111) M 2003 15362 R
(141) 2014 06 17, Not payment for prolongation
of registration on the following of 10 years
(732) THE PROCTER & GAMBLE COMPANY
One Procter & Gamble Plaza, Cincinnati,
Ohio, USA

(111) M 2003 15363 R
(141) 2014 06 17, Not payment for prolongation
of registration on the following of 10 years
(732) THE PROCTER & GAMBLE COMPANY
One Procter & Gamble Plaza, Cincinnati,
Ohio, USA

(111) M 2003 15364 R
(141) 2014 06 17, Not payment for prolongation
of registration on the following of 10 years
(732) THE PROCTER & GAMBLE COMPANY
One Procter & Gamble Plaza, Cincinnati,
Ohio, USA

(111) M 2003 15377 R
(141) 2014 07 01, Not payment for prolongation
of registration on the following of 10 years
(732) Warszawskie Zakłady Farmaceutyczne
"POLFA" Spolka Akcyjna
ul. Karolkowa 22/24, 01-207 Warszawa, Poland

(111) M 2003 15378 R
(141) 2014 07 01, Not payment for prolongation
of registration on the following of 10 years
(732) MERCK SHARP & DOHME CORP.
One Merck Drive, Whitehouse Station,
New Jersey 08889, USA

(111) M 2003 15379 R
(141) 2014 07 01, Not payment for prolongation
of registration on the following of 10 years
(732) PHARMACIA & UPJOHN COMPANY
LLC
201 Tabor Road, Morris Plains, N.J. 07950,
USA

(111) M 2003 15383 R
(141) 2014 07 01, Not payment for prolongation
of registration on the following of 10 years
(732) INTEL CORPORATION
200 Mission College Boulevard, Santa Clara,
California 95052-8119, USA

(111) M 2003 15384 R
(141) 2014 07 01, Not payment for prolongation
of registration on the following of 10 years
(732) INTEL CORPORATION
200 Mission College Boulevard, Santa Clara,
California 95052-8119, USA

(111) M 2003 15386 R
(141) 2014 07 01, Not payment for prolongation
of registration on the following of 10 years
(732) MERCK SHARP & DOHME CORP.
One Merck Drive, Whitehouse Station,
New Jersey 08889, USA

(111) M 2004 15388 R
(141) 2014 07 15, Not payment for prolongation
of registration on the following of 10 years
(732) NAILI KHETERELI
Vazha-Pshavelas gamz., me-2 kvart., 31-e
korp., b. 40, 0186, Tbilisi, Georgia;
MIRANDA KHETERELI
Vazha-Pshavelas gamz., me-2 kvart., 31-e
korp., b. 40, 0186, Tbilisi, Georgia;
ALEXANDER KHETERELI
Vazha-Pshavelas gamz., me-2 kvart., 31-e
korp., b. 40, 0186, Tbilisi, Georgia

(111) M 2004 15394 R
(141) 2014 07 15, Not payment for prolongation
of registration on the following of 10 years
(732) JAKO AG
Amtstrasse 82, 74673 Mulfingen-Hollenbach,
Germany

(111) M 2004 15395 R
(141) 2014 07 15, Not payment for prolongation
of registration on the following of 10 years
(732) SALFORD CAPITAL PARTNERS INC.
Commonwealth Trust Limited,
Drake Chambers, P.O. Box 3221, Road Town,
Tortola, British Virgin Islands

(111) M 2004 15396 R
(141) 2014 07 15, Not payment for prolongation
of registration on the following of 10 years
(732) THE PROCTER & GAMBLE COMPANY
One Procter & Gamble Plaza, Cincinnati,
Ohio, USA

(111) M 2004 15402 R
(141) 2014 07 15, Not payment for prolongation
of registration on the following of 10 years
(732) CIS BIO INTERNATIONAL
Route Nationale 306, 91400 Saclay, France

(111) M 2004 15404 R
(141) 2014 07 15, Not payment for prolongation
of registration on the following of 10 years
(732) ANVIL KNITWEAR, INC.,
a Delaware corporation
228 East 45 th Street, New York, New York
10017, USA

(111) M 2004 15411 R
(141) 2014 08 04, Not payment for prolongation
of registration on the following of 10 years
(732) STUDENTS IN FREE ENTERPRISE,
a Texas Corporation
1959 East Kerr Street, Springfield, Missouri
65803-4775, USA

(111) M 2004 15412 R
(141) 2014 08 04, Not payment for prolongation
of registration on the following of 10 years
(732) STUDENTS IN FREE ENTERPRISE,
a Texas Corporation
1959 East Kerr Street, Springfield, Missouri
65803-4775, USA

(111) M 2004 15415 R
(141) 2014 08 04, Not payment for prolongation
of registration on the following of 10 years
(732) YAHOO! INC.
635 Vaqueros Avenue, Sunnyvale, California
94086, USA

(111) M 2004 15416 R
(141) 2014 08 11, Not payment for prolongation
of registration on the following of 10 years
(732) LOAKE BROTHERS LIMITED
Wood Street, Kettering NN16 9SN, United
Kingdom

(111) M 2004 15418 R
(141) 2014 08 13, Not payment for prolongation
of registration on the following of 10 years
(732) EAUX VIVES HARRICANA INC.
7470, rue St. Jacques Ouest, Montreal,
Quebec H4B1W4, Canada

(111) M 2004 15421 R
(141) 2014 08 13, Not payment for prolongation
of registration on the following of 10 years
(732) ООО "АРМЕН АМИК ЕГПАЙРНЕР"
РА, Котайкский марз, Гегашен, Armenia

(111) M 2004 15422 R
 (141) 2014 08 13, Not payment for prolongation
 of registration on the following of 10 years
 (732) ООО "АРМЕН АМИК ЕГПАЙРНЕР"
 РА, Котайкский марз, Гегашен, Armenia

(111) M 2004 15423 R
 (141) 2014 08 13, Not payment for prolongation
 of registration on the following of 10 years
 (732) TCL CORPORATION
 TCL Industrial Building, N6 Eling Road
 South, Huizhou Guangdong 516001, China

(111) M 2004 15424 R
 (141) 2014 08 13, Not payment for prolongation
 of registration on the following of 10 years
 (732) TCL CORPORATION
 TCL Industrial Building, N6 Eling Road
 South, Huizhou Guangdong 516001, China

(111) M 2004 15448 R
 (141) 2014 09 16, Not payment for prolongation
 of registration on the following of 10 years
 (732) INTEL CORPORATION
 2200 Mission College Boulevard, Santa
 Clara, California 95052-8119, USA

(111) M 2004 15449 R
 (141) 2014 09 16, Not payment for prolongation
 of registration on the following of 10 years
 (732) BRISTOL-MYERS SQUIBB COMPANY
 345 Park Avenue, New York, New York
 10154, USA

(111) M 2004 15453 R
 (141) 2014 09 16, Not payment for prolongation
 of registration on the following of 10 years
 (732) SMITHKLINE BEECHAM (CORK)
 LIMITED
 Currabinny, Carrigaline, County Cork,
 Ireland

(111) M 2004 15454 R
 (141) 2014 09 16, Not payment for prolongation
 of registration on the following of 10 years
 (732) SMITHKLINE BEECHAM (CORK)
 LIMITED
 Currabinny, Carrigaline, County Cork,
 Ireland

(111) M 2004 15455 R
 (141) 2014 09 16, Not payment for prolongation
 of registration on the following of 10 years
 (732) SMITHKLINE BEECHAM (CORK)
 LIMITED
 Currabinny, Carrigaline, County Cork,
 Ireland

(111) M 2004 15456 R
 (141) 2014 09 16, Not payment for prolongation
 of registration on the following of 10 years
 (732) SMITHKLINE BEECHAM (CORK)
 LIMITED
 Currabinny, Carrigaline, County Cork,
 Ireland

(111) M 2004 15457 R
 (141) 2014 09 16, Not payment for prolongation
 of registration on the following of 10 years
 (732) SMITHKLINE BEECHAM (CORK)
 LIMITED
 Currabinny, Carrigaline, County Cork,
 Ireland

(111) M 2004 15458 R
 (141) 2014 09 16, Not payment for prolongation
 of registration on the following of 10 years
 (732) SMITHKLINE BEECHAM (CORK)
 LIMITED
 Currabinny, Carrigaline, County Cork,
 Ireland

(111) M 2004 15467 R
 (141) 2014 09 16, Not payment for prolongation
 of registration on the following of 10 years
 (732) TOLYPERS Co.
 Central office, No.247, Jomhour Ave., Tolid
 Daru Bldg., Tehran, Iran (Islamic Republic of)

(111) M 2004 15468 R
 (141) 2014 09 16, Not payment for prolongation
 of registration on the following of 10 years
 (732) TOLYPERS Co.
 Central office, No.247, Jomhour Ave., Tolid
 Daru Bldg., Tehran, Iran (Islamic Republic of)

(111) M 2004 15469 R
 (141) 2014 09 16, Not payment for prolongation
 of registration on the following of 10 years
 (732) BEARINGPOINT IP HOLDING B.V.
 Strawinskyiaan 3105, 1077 ZX Amsterdam,
 Netherlands

(111) M 2004 15470 R
(141) 2014 09 16, Not payment for prolongation
of registration on the following of 10 years
(732) WM. WRIGLEY JR. COMPANY
410 North Michigan Avenue, Chicago,
Illinois 60611, USA

(111) M 2004 15471 R
(141) 2014 09 16, Not payment for prolongation
of registration on the following of 10 years
(732) ACTAVIS AD
Kniaginia Maria Louisa Blvd..2, Business
Centre TSUM, 1000 Sofia, Bulgaria

(111) M 2004 15472 R
(141) 2014 09 16, Not payment for prolongation
of registration on the following of 10 years
(732) ACTAVIS AD
Kniaginia Maria Louisa Blvd..2, Business
Centre TSUM, 1000 Sofia, Bulgaria

(111) M 2004 15475 R
(141) 2014 09 16, Not payment for prolongation
of registration on the following of 10 years
(732) Wyeth LLC
Five Giralda Farms, Madison, New Jersey,
07940, USA

(111) M 2004 15477 R
(141) 2014 09 16, Not payment for prolongation
of registration on the following of 10 years
(732) Wyeth LLC
Five Giralda Farms, Madison, New Jersey,
07940, USA

(111) M 2004 15478 R
(141) 2014 09 16, Not payment for prolongation
of registration on the following of 10 years
(732) Wyeth LLC
Five Giralda Farms, Madison, New Jersey,
07940, USA

(111) M 2004 15479 R
(141) 2014 09 16, Not payment for prolongation
of registration on the following of 10 years
(732) Wyeth LLC
Five Giralda Farms, Madison, New Jersey,
07940, USA

(111) M 2006 17106 R
(141) 2014 06 20, On demand of the owner
(732) JSC"LOMISI"

Sof. Natakhtari, 3308, Mtskhეთის რაიონი,
Georgia

(111) M 2011 22025 R
(141) 2012 11 16, On demand of the owner
(732) COLGATE-PALMOLIVE COMPANY
300 Park Avenue, New York, N.Y. 10022, USA

(111) M 2013 23779 R
(141) 2014 03 19, On demand of the owner
(732) OBSHCHESTVO S OGRANICHENNOI
OTVETSTVENNOSTIU "INTEL"
Varshavskoe shose, d. 75, korp. 1, moskovi,
117556, Russian Federation

(111) M 1996 3137 R
(141) 2011 05 23, On demand of the owner
(732) TRW INTELLECTUAL PROPERTY
CORP., a Michigan corporation
12025 Tech Center Drive, Livonia, Michigan
48150, USA

(111) M 1996 4056 R
(141) 2011 05 23, On demand of the owner
(732) EARLY TIMES DISTILLERS COMPANY
2921 Diqsi Highway, LOUISVILLE.
Kentucky 40216-1105, USA

(111) M 1997 4673 R
(141) 2011 05 23, On demand of the owner
(732) GERBER FOODS INTERNATIONAL
LIMITED
Northway House, 1379 High Road,
Whetston, London N20 9LP, United
Kingdom

(111) M 1995 997 R1
(141) 2012 04 03, On demand of the owner
(732) AWD.PHARMA GMBH & CO.KG
Leipziger Strase 7-13, 01097 Drezden,
Germany

CLASSIFICATION INDEXES

INVENTIONS

CONCORDANCE TABLE OF INTERNATIONAL CLASSIFICATION INDEX AND PUBLICATION NUMBERS

INTERNATIONAL CLASSIFICATION INDEXES (51)	NUMBER OF PUBLISHED APPLICATION (10)
A 01 B 3/46	AP 2014 13342 A
C 07 D 403/04; C 07 D 403/14; C 07 D 407/14; C 07 D 409/14; C 07 D 417/14; A 61 K 31/4178; A 61 P 35/00	AP 2014 12550 A
C 07 D 471/04; C 07 D 487/04; A 61 K 31/437; A 61 K 31/506; A 61 K 31/519; A 61 P 19/00; A 61 P 25/00; A 61 P 35/00	AP 2014 12896 A
E 01 F 8/00	AP 2014 13214 A
E 21 B 41/00	AP 2014 12347 A
F 03 B 3/02; F 03 B 11/04	AP 2014 12945 A

CONCORDANCE TABLE OF PUBLICATION NUMBERS AND INTERNATIONAL CLASSIFICATION INDEX

NUMBER OF PUBLISHED APPLICATION (10)	INTERNATIONAL CLASSIFICATION INDEXES (51)
AP 2014 12347 A	E 21 B 41/00
AP 2014 12550 A	C 07 D 403/04; C 07 D 403/14; C 07 D 407/14; C 07 D 409/14; C 07 D 417/14; A 61 K 31/4178; A 61 P 35/00
AP 2014 12896 A	C 07 D 471/04; C 07 D 487/04; A 61 K 31/437; A 61 K 31/506; A 61 K 31/519; A 61 P 19/00; A 61 P 25/00; A 61 P 35/00
AP 2014 12945 A	F 03 B 3/02; F 03 B 11/04
AP 2014 13214 A	E 01 F 8/00
AP 2014 13342 A	A 01 B 3/46

CONCORDANCE TABLE OF INTERNATIONAL CLASSIFICATION INDEX, PATENT NUMBERS AND PUBLICATION NUMBERS

INTERNATIONAL CLASSIFICATION INDEX (51)	NUMBER OF PATENT (11)	NUMBER OF PUBLISHED APPLICATION (10)
A 61 K 31/49; A 61 P 43/00	P 2014 6191 B	AP 2014 12651 A
A 61 M 15/00	P 2014 6187 B	AP 2014 12432 A
A 61 M 15/00	P 2014 6188 B	AP 2014 12433 A
C 07 D 235/30; A 61 K 31/4184; A 61 P 11/00; A 61 P 29/00	P 2014 6197 B	AP 2014 13032 A
C 07 D 401/12; A 61 K 31/5377; A 61 P 9/00; A 61 P 9/12; A 61 P 13/12; A 61 P 43/00	P 2014 6195 B	AP 2014 12963 A
C 07 D 401/12; C 07 D 401/14; C 07 D 403/12; A 61 K 31/455; A 61 K 31/506; A 61 K 31/501; A 61 P 29/00; A 61 P 11/00; A 61 P 19/02; A 61 P 17/00	P 2014 6196 B	AP 2014 13031 A
C 07 D 489/08	P 2014 6190 B	AP 2014 12510 A
E 04 C 5/01; E 04 C 5/03; E 04 C 5/07	P 2014 6192 B	AP 2014 12705 A
E 21 B 7/08; B 21 B 7/10	P 2014 6186 B	AP 2014 11609 A
F 01 K 27/00	P 2014 6189 B	AP 2014 12446 A
F 27 D 3/15; B 22 D 43/00	P 2014 6194 B	AP 2014 12962 A
G 08 G 1/054; G 08 G 1/017; G 07 C 5/08	P 2014 6193 B	AP 2014 12853 A

**CONCORDANCE TABLE OF PATENT NUMBERS,
PUBLICATION NUMBERS AND INTERNATIONAL CLASSIFICATION INDEX**

NUMBER OF PATENT (11)	NUMBER OF PUBLISHED APPLICATION (10)	INTERNATIONAL CLASSIFICATION INDEX (51)
P 2014 6186 B	AP 2014 11609 A	E 21 B 7/08; B 21 B 7/10
P 2014 6187 B	AP 2014 12432 A	A 61 M 15/00
P 2014 6188 B	AP 2014 12433 A	A 61 M 15/00
P 2014 6189 B	AP 2014 12446 A	F 01 K 27/00
P 2014 6190 B	AP 2014 12510 A	C 07 D 489/08
P 2014 6191 B	AP 2014 12651 A	A 61 K 31/49; A 61 P 43/00
P 2014 6192 B	AP 2014 12705 A	E 04 C 5/01; E 04 C 5/03; E 04 C 5/07
P 2014 6193 B	AP 2014 12853 A	G 08 G 1/054; G 08 G 1/017; G 07 C 5/08
P 2014 6194 B	AP 2014 12962 A	F 27 D 3/15; B 22 D 43/00
P 2014 6195 B	AP 2014 12963 A	C 07 D 401/12; A 61 K 31/5377; A 61 P 9/00; A 61 P 9/12; A 61 P 13/12; A 61 P 43/00
P 2014 6196 B	AP 2014 13031 A	C 07 D 401/12; C 07 D 401/14; C 07 D 403/12; A 61 K 31/455; A 61 K 31/506; A 61 K 31/501; A 61 P 29/00; A 61 P 11/00; A 61 P 19/02; A 61 P 17/00
P 2014 6197 B	AP 2014 13032 A	C 07 D 235/30; A 61 K 31/4184; A 61 P 11/00; A 61 P 29/00

**CONCORDANCE TABLE OF APPLICATION NUMBERS, PUBLICATION NUMBERS
AND PATENTS**

NUMBER OF APPLICATION (21)	NUMBER OF PUBLISHED APPLICATION (10)	NUMBER OF PATENT (11)
AP 2009 011609	AP 2014 11609 A	P 2014 6186 B
AP 2010 012432	AP 2014 12432 A	P 2014 6187 B
AP 2010 012433	AP 2014 12433 A	P 2014 6188 B
AP 2010 012446	AP 2014 12446 A	P 2014 6189 B
AP 2010 012510	AP 2014 12510 A	P 2014 6190 B
AP 2010 012651	AP 2014 12651 A	P 2014 6191 B
AP 2010 012705	AP 2014 12705 A	P 2014 6192 B
AP 2010 012853	AP 2014 12853 A	P 2014 6193 B
AP 2011 012963	AP 2014 12963 A	P 2014 6195 B
AP 2013 012962	AP 2014 12962 A	P 2014 6194 B
AP 2011 013031	AP 2014 13031 A	P 2014 6196 B
AP 2011 013032	AP 2014 13032 A	P 2014 6197 B

UTILITY MODELS

CONCORDANCE TABLE OF INTERNATIONAL CLASSIFICATION INDEX AND PUBLICATION NUMBERS

INTERNATIONAL CLASSIFICATION INDEXES (51)	NUMBER OF PUBLISHED APPLICATION (10)
A 23 L 1/221	AU 2014 13358 U
A 61 K 31/00; A 61 J 31/04	AU 2014 12582 U
A 61 K 35/10, 35/12, 36/00	AU 2014 13386 U
A 61 K 36/00	AU 2014 12912 U
C 05 F 11/02	AU 2014 13234 U
G 08 B 17/10	AU 2014 13103 U

CONCORDANCE TABLE OF PUBLICATION NUMBERS AND INTERNATIONAL CLASSIFICATION INDEX

NUMBER OF PUBLISHED APPLICATION (10)	INTERNATIONAL CLASSIFICATION INDEXES (51)
AU 2014 12582 U	A 61 K 31/00; A 61 J 31/04
AU 2014 12912 U	A 61 K 36/00
AU 2014 13103 U	G 08 B 17/10
AU 2014 13234 U	C 05 F 11/02
AU 2014 13358 U	A 23 L 1/221
AU 2014 13386 U	A 61 K 35/10, 35/12, 36/00

TRADEMARKS

CONCORDANCE TABLE OF REGISTRATION NUMBERS, APPLICATION NUMBERS, PUBLICATION NUMBERS AND BULLETIN NUMBERS

NUMBER OF REGISTRATION (111)	NUMBER OF APPLICATION (210)	NUMBER OF PUBLISHED APPLICATION (260)	NUMBER OF BULLETIN
1	2	3	4
M 2014 25294 R	AM 2014 78949	-	21(409) 2014
M 2014 25295 R	AM 2014 78927	-	21(409) 2014
M 2014 25296 R	AM 2014 78928	-	21(409) 2014
M 2014 25297 R	AM 2014 78945	-	21(409) 2014
M 2014 25298 R	AM 2014 78947	-	21(409) 2014
M 2014 25299 R	AM 2014 79007	-	21(409) 2014
M 2014 25300 R	AM 2014 78985	-	21(409) 2014
M 2014 25301 R	AM 2012 70075	AM 2014 70075 A	11(399) 2014
M 2014 25302 R	AM 2012 70076	AM 2014 70076 A	11(399) 2014
M 2014 25303 R	AM 2013 71221	AM 2014 71221 A	14(402) 2014
M 2014 25304 R	AM 2013 71406	AM 2014 71406 A	12(400) 2014
M 2014 25305 R	AM 2013 71448	AM 2014 71448 A	8(396) 2014
M 2014 25306 R	AM 2013 71489	AM 2014 71489 A	12(400) 2014
M 2014 25307 R	AM 2013 71490	AM 2014 71490 A	12(400) 2014
M 2014 25308 R	AM 2013 71722	AM 2014 71722 A	13(401) 2014
M 2014 25309 R	AM 2013 71723	AM 2014 71723 A	13(401) 2014
M 2014 25310 R	AM 2013 71724	AM 2014 71724 A	13(401) 2014
M 2014 25311 R	AM 2013 71725	AM 2014 71725 A	13(401) 2014
M 2014 25312 R	AM 2013 71729	AM 2014 71729 A	8(396) 2014
M 2014 25313 R	AM 2013 71856	AM 2014 71856 A	13(401) 2014
M 2014 25314 R	AM 2013 71859	AM 2014 71859 A	7(395) 2014
M 2014 25315 R	AM 2013 71860	AM 2014 71860 A	7(395) 2014
M 2014 25316 R	AM 2013 71863	AM 2014 71863 A	8(396) 2014
M 2014 25317 R	AM 2013 71887	AM 2014 71887 A	12(400) 2014
M 2014 25318 R	AM 2013 72644	AM 2014 72644 A	9(397) 2014
M 2014 25319 R	AM 2013 72646	AM 2014 72646 A	7(395) 2014
M 2014 25320 R	AM 2013 72648	AM 2014 72648 A	7(395) 2014
M 2014 25321 R	AM 2013 72751	AM 2014 72751 A	7(395) 2014
M 2014 25322 R	AM 2013 72835	AM 2014 72835 A	8(396) 2014
M 2014 25323 R	AM 2013 72836	AM 2014 72836 A	8(396) 2014
M 2014 25324 R	AM 2013 73099	AM 2014 73099 A	12(400) 2014
M 2014 25325 R	AM 2013 73102	AM 2014 73102 A	12(400) 2014
M 2014 25326 R	AM 2013 73124	AM 2014 73124 A	12(400) 2014
M 2014 25327 R	AM 2013 73131	AM 2014 73131 A	12(400) 2014
M 2014 25328 R	AM 2013 73151	AM 2014 73151 A	12(400) 2014
M 2014 25329 R	AM 2013 73387	AM 2014 73387 A	8(396) 2014
M 2014 25330 R	AM 2013 73492	AM 2014 73492 A	12(400) 2014
M 2014 25331 R	AM 2013 73512	AM 2014 73512 A	12(400) 2014
M 2014 25332 R	AM 2013 73513	AM 2014 73513 A	12(400) 2014
M 2014 25333 R	AM 2013 73597	AM 2014 73597 A	11(399) 2014
M 2014 25334 R	AM 2013 73598	AM 2014 73598 A	12(400) 2014
M 2014 25335 R	AM 2013 73607	AM 2014 73607 A	11(399) 2014
M 2014 25336 R	AM 2013 73620	AM 2014 73620 A	12(400) 2014
M 2014 25337 R	AM 2013 73621	AM 2014 73621 A	12(400) 2014

CONCORDANCE TABLE OF INDEX OF GOODS AND/OR SERVICES
AND APPLICATION NUMBERS

INDEX OF GOODS AND/OR SERVICES (511)	NUMBER OF PUBLISHED APPLICATION (260)	1	2
1	2	20	AM 2014 75909 A
1	AM 2014 75923 A	24	AM 2014 75220 A
2	AM 2014 74495 A	25	AM 2014 75305 A
2	AM 2014 75776 A	25	AM 2014 75751 A
2	AM 2014 75923 A	30	AM 2014 75303 A
3	AM 2014 75751 A	30	AM 2014 75373 A
5	AM 2014 75283 A	30	AM 2014 75374 A
5	AM 2014 75284 A	30	AM 2014 75375 A
5	AM 2014 75285 A	30	AM 2014 75376 A
5	AM 2014 75922 A	30	AM 2014 75377 A
6	AM 2014 75909 A	30	AM 2014 76045 A
9	AM 2014 75644 A	30	AM 2014 76093 A
10	AM 2014 75248 A	34	AM 2014 75670 A
11	AM 2014 75380 A	35	AM 2014 75228 A
12	AM 2014 75220 A	35	AM 2014 75644 A
16	AM 2014 75806 A	35	AM 2014 75751 A
16	AM 2014 75807 A	35	AM 2014 75923 A
16	AM 2014 76554 A	35	AM 2014 75909 A
17	AM 2014 75909 A	36	AM 2014 75644 A
17	AM 2014 75923 A	38	AM 2014 75644 A
18	AM 2014 75220 A	39	AM 2014 75249 A
19	AM 2014 75909 A	39	AM 2014 75644 A
19	AM 2014 752910 A	39	AM 2014 75852 A
19	AM 2014 75923 A	42	AM 2014 75644 A
		43	AM 2014 75669 A
		43	AM 2014 75920 A
		43	AM 2014 75921 A
		44	AM 2014 75228 A

CONCORDANCE TABLE OF INDEX OF GOODS AND/OR SERVICES
AND NUMBERS OF TRADEMARKS REGISTERED ACCORDING
TO THE ACCELERATED PROCEDURE

INDEX OF GOODS AND/OR SERVICES (511)	NUMBER OF REGISTERED ACCORDING TO THE ACCELERATED PROCEDURE (111)
12	M 2014 25359 R
16	M 2014 25357 R
28	M 2014 25357 R
30	M 2014 25357 R
33	M 2014 25295 R
33	M 2014 25296 R
35	M 2014 25294 R
35	M 2014 25297 R
35	M 2014 25298 R
35	M 2014 25355 R
35	M 2014 25356 R
35	M 2014 25358 R
35	M 2014 25359 R
36	M 2014 25299 R
37	M 2014 25300 R
38	M 2014 25294 R
38	M 2014 25297 R
38	M 2014 25298 R
38	M 2014 25355 R
38	M 2014 25356 R
38	M 2014 25358 R
39	M 2014 25294 R
39	M 2014 25297 R
39	M 2014 25298 R
39	M 2014 25355 R
39	M 2014 25356 R
39	M 2014 25358 R
42	M 2014 25294 R
42	M 2014 25297 R
42	M 2014 25298 R
42	M 2014 25355 R
42	M 2014 25356 R
42	M 2014 25358 R
43	M 2014 25300 R
44	M 2014 25299 R

OFFICIAL BULLETIN OF THE INDUSTRIAL PROPERTY

21(409)

EDITOR-IN-CHIEF: N. Bebrishvili

EDITORS-TRANSLATORS: E. Gabunia
G. Nadareishvili

PROOFREADER: L. Chanturia

COMPUTER LAYOUT: M. Ordenidze
K. Svanidze

www.sakpatenti.org.ge

E-mail: info@sakpatenti.org.ge