



**NATIONAL INTELLECTUAL PROPERTY CENTER OF GEORGIA  
SAKPATENTI**

**OFFICIAL BULLETIN  
OF THE INDUSTRIAL PROPERTY**

**2(342)**

**2012  
TBILISI**

# INID CODES FOR IDENTIFICATION OF BIBLIOGRAPHIC DATA

## INVENTIONS, UTILITY MODELS

- (10) Number of publication for application, which has been examined
- (11) Number of patent and kind of document
- (21) Serial number of application
- (22) Date of filing of the application
- (23) Date of exhibition or the date of the earlier filing and the number of application, if any
- (24) Date from which patent may have effect
- (31) Number of priority application
- (32) Date of filing of priority application
- (33) Code of the country or regional organization allotting priority application number
- (44) Date of publication of application not granted, but examined and number of bulletin
- (45) Date of publication of registered document
- (51) International Patent Classification Index
- (54) Title of the invention
- (57) Abstract
- (60) Number of examined patent document granted by foreign patent office, date from which patent has effect and country code
- (62) Number of the earlier application and in case of divided application, date of filing an application
- (71) Name, surname and address of applicant (country code)
- (72) Name, surname of inventor (country code)
- (73) Name, surname and address of patent owner (country code)
- (74) Name, surname of representative or patent attorney
- (85) Date of commencement of the national phase of International Application
- (86) Number and date of filing of international application
- (87) Number and date of publication of international application

## DESIGNS

- (10) Number of publication for application
- (11) Number of patent and kind of document or number of registration
- (15) Date of registration/Date of patent renewal
- (18) Expected expiration date of patent or registration
- (21) Serial number of application
- (22) Date of filing of the application
- (23) Date of exhibition or the date of the earlier filing and the number of application, if any
- (24) Date from which patent may have effect
- (28) Number of designs included in the application
- (30) Data relating to priority (number of application, date of filing of application, two-letter code identifying the authority with whom the priority application was made)
- (31) Number of priority application
- (32) Date of filing of priority application
- (33) Code of the country or regional organization allotting priority application number
- (34) Two-letter code according to WIPO St.3 identifying the authority with which the priority application was made
- (44) Date of publication of design and number of bulletin (the first publication)
- (45) Date of publication of design registered by WIPO and number of bulletin
- (51) International Classification for designs (class and subclass of the Locarno Classification)
- (54) Title of the invention
- (55) Reproduction of the design
- (57) Description of characteristic features of the design including indication of colors
- (58) Date of recording of any kind of amendment in the Register
- (62) Number of the earlier application, registration and document number and if available the date of filing an application in case of divided application
- (71) Name, surname and address of applicant (country code)
- (72) Name, surname of creator (country code)
- (73) Name, surname and address of patent owner (country code)
- (74) Name, surname of representative or patent attorney
- (81) Contracting states concerned
  - II designated contracting states according to the 1960 Act
  - III designated contracting states according to the 1999 Act
- (85) Owner's permanent address
- (86) Owner's nationality
- (87) Owner's residence
- (88) State in which the owner has a real and effective industrial or commercial establishment

## TRADEMARKS

- (111) – Number of registration
- (151) – Date of registration
- (156) – Date of the renewal
- (181) – Expected expiration date of registration
- (186) – Renewal expiration date of registration
- (141) – Date of cancel of duration of the mark
- (210) – Serial number of application
- (220) – Date of filing of the application
- (230) – Date concerning exhibition
- (260) – Number of application, for which favorable decision of examination about registration has been taken (publication number)
- (310) – Number of the first application
- (320) – Date of filing of the first application
- (330) – Code, identifying national or regional Office where the first application was made
- (511) – International Classification of Goods and Services for the purposes of registration of trade marks and/or list of goods and/or services classified according thereto
- (531) – Description of figurative elements of Trade Marks according to the International Classification of the Figurative Elements of Marks
- (540) – Reproduction of Trade Mark
- (550) – Nature and kind of Trade Mark
- (580) – Date of recording of any kind changes in respect of applications or registrations
- (591) – Information concerning colors claimed
- (731) – Name and address of the applicant
- (732) – Name and address of the holder of the registration
- (740) – Name and address of the representative
- (750) – Address for correspondence
- (770) – Name and address of the previous applicant or holder in case of change in ownership
- (771) – Previous name and address of the applicant or holder in case of change in ownership
- (791) – Name and address of the licensee
- (793) – Indication of conditions and/or restrictions under the license (Type of license, number of license agreement, data of license, data of validity of license)
- (800) – Certain data relating to the international registration of Trade Marks under the Protocol Relating to Madrid Agreement (International registration number)

## CODES FOR PUBLICATION IN BULLETIN

- (21) AP 0000 000000 – serial number of application for invention
- (10) AP 0000 0000 A – number of published application for invention (first publication)
- (11) P 0000 0000 B – number of patent for invention (second publication)
- (21) API 0000 000000 – number of application for imported patent
- (11) PI 0000 0000 A – number of imported patent (first publication)
- (21) AU 0000 000000 – serial number of application for utility model
- (10) AU 0000 000 U – number of published application for utility model (first publication)
- (11) U 0000 000 Y – number of patent for utility model (second publication)
- (21) AD 0000 000000 – serial number of application for design
- (10) AD 0000 000 S – number of published application for design (first publication)
- (11) D 0000 000 S – number of patent for design (second publication)

## INTERNATIONAL PATENT CLASSIFICATION FOR INVENTIONS AND UTILITY MODELS

- SECTION A – HUMAN NECESSITIES
- SECTION B – PERFORMING OPERATIONS; TRANSPORTING
- SECTION C – CHEMISTRY; METALLURGY
- SECTION D – TEXTILES; PAPER
- SECTION E – FIXED CONSTRUCTIONS
- SECTION F – MECHANICAL ENGINEERING; LIGHTING; HEATING; WEAPONS; BLASTING
- SECTION G – PHYSICS
- SECTION H – ELECTRICITY

- 
- M – Trade Mark
  - (210) AM 0000 000000 – Serial number of application;
  - (260) AAM 0000 00000 A – Publication number of application;
  - (111) M 0000 00000 R – Number of registration;
  - (111) MMM0000 00000 Rn – Number of renewals, in which n=1,2,3;
  - (111) M 0000 00000 R(P) – Number of registration under partial assignment of rights
-



**NATIONAL INTELLECTUAL PROPERTY CENTER OF GEORGIA  
SAKPATENTI**

**OFFICIAL BULLETIN  
OF THE INDUSTRIAL PROPERTY**

**2(342)**

**INVENTIONS  
UTILITY MODELS  
DESIGNS  
TRADEMARKS**

DATE OF PUBLICATION

2012 01 25

# CONTENTS

<b>PUBLISHED TITLES OF PROTECTION .....</b>	<b>3</b>
<b>INVENTIONS</b>	
▪ Patents for inventions .....	4
<b>UTILITY MODELS</b>	
▪ Patents for utility models .....	8
<b>DESIGNS</b>	
▪ Registered design .....	9
▪ Designs, which have been registered with the international bureau claiming priority on the territory of Georgia .....	10
<b>TRADEMARKS</b>	
▪ Applications filed under the national procedure, laid open for the purpose of taking patent granting decision .....	21
▪ Registered Trademarks .....	26
▪ Trademarks registered according to the accelerated procedure .....	32
▪ International trademarks laid open for the purpose of taking protection granting decisions .....	34
▪ International trademarks protected in Georgia .....	35
<b>OFFICIAL NOTIFICATIONS</b>	
<b>INVENTIONS</b>	
▪ Transfer of rights .....	37
▪ Changes in names and/or addresses of patentowners .....	38
▪ Patents, for which a decision has been taken about their termination .....	39
▪ Designs registered with the international bureau under the hague agreement, which have become invalid on the territory of Georgia .....	41
<b>TRADEMARKS</b>	
▪ Renewal of registrations .....	42
▪ Complete transfer of rights .....	43
▪ Changes in names and/or addresses of owners .....	44
▪ License agreements .....	51
<b>CLASSIFICATION INDEXES</b>	
INVENTIONS .....	53
UTILITY MODELS .....	54
DESIGNS .....	55
TRADEMARKS .....	56

## **PUBLISHED TITLES OF PROTECTION**

### **INVENTIONS**

- **PATENTS:**  
5380-5391

### **UTILITY MODELS**

- **PATENTS:**  
1694-1695

### **DESIGNS**

- **REGISTERED DESIGN:**  
487
- **DESIGNS, WHICH HAVE BEEN REGISTERED WITH THE INTERNATIONAL BUREAU:**  
74574; 75747; 75929; 75948; 76720; 76757; 76760; 76831; 76835; 76844

### **TRADEMARKS**

- **APPLICATIONS FILED UNDER THE NATIONAL PROCEDURE, LAID OPEN FOR THE PURPOSE OF TAKING PATENT GRANTING DECISION:**  
61332; 61634; 62062; 62064, 62065; 62068, 62069; 62139; 62188; 62193; 62218; 62230; 62253-62258; 62300, 62301; 62322; 62334; 62337; 62344; 63118-63120; 63122; 63141; 61622\*
- **REGISTERED TRADEMARKS:**  
22115; 22123-22186
- **TRADEMARKS REGISTERED ACCORDING TO THE ACCELERATED PROCEDURE:**  
22121; 22187-22192
- **INTERNATIONAL TRADEMARKS LAID OPEN FOR THE PURPOSE OF TAKING PROTECTION GRANTING DECISIONS:**  
60615; 61716, 61717; 62588; 59913\*; 60869\*
- **INTERNATIONAL TRADEMARKS PROTECTED IN GEORGIA:**  
58821; 59003; 59028; 59262; 59305; 60466; 60796; 61157-61162; 61165-61172; 61290-61292; 61295; 61302, 61303; 61308

---

# PATENTS FOR INVENTIONS

## PART A

### A 43

- (11) P 2012 5380 B**      **(51) Int. Cl. (2006)**  
**A 43 B 7/12**  
**A 43 B 7/06**  
(10) AP 2011 9830 A      (44) 15(331)/2011  
(21) AP 2005 009830  
(22) 2005 07 25  
(24) 2005 07 25  
(31) PD2004A000208  
(32) 2004 07 30  
(33) IT  
(73) GEOX S.P.A. (IT)  
Via Feltrina Centro, 16, I-31044  
Montebelluna, Località Biadene-  
(Treviso) (IT)  
(72) POLEGATO MORETTI, Mario (IT)  
(74) Alexander Mikadze  
(85) 2007 01 24  
(86) PCT/EP2005/008064, 2005 07 25  
(54) **WATERPROOF AND BREATHABLE  
SOLE FOR SHOES**
- 

### A 61

- (11) P 2012 5390 B**      **(51) Int. Cl. (2006)**  
**A 61 B 17/00**  
**A 61 M 37/00**  
**A 61 F 2/00**  
(10) AP 2010 11390 A      (44) 21(313)/2010  
(21) AP 2009 011390  
(22) 2009 07 29  
(24) 2009 07 29  
(73) Tamaz Tamazashvili (GE)  
Kekelidze St. 1, ap., 17, 0179, Tbilisi (GE);  
Alexi Makharashvili (GE)  
Qipshidzis k. 4, b.49, 0162, Tbilisi (GE);  
Revaz Giorganashvili (GE)  
Demetre Tavdadebulis k. 6, b.4, 0130,  
Tbilisi (GE);  
Irakli Bebiashvili (GE)  
Todrias k. 19, b. 70, 3700, Rustavi (GE)  
(72) Tamaz Tamazashvili (GE);  
Alexi Makharashvili (GE);  
Revaz Giorganashvili (GE);  
Irakli Bebiashvili (GE);  
Diana Papaskiri (GE);  
Maya Kardava (GE); Lela Getsadze (GE);  
Ketevan Chuchulashvili (GE)  
(54) **APPARATUS FOR FORMATION OF  
MICROAPERTURES AT  
TRANSPLANTATION OF HAIR**
- 

- (11) P 2012 5391 B**      **(51) Int. Cl. (2006)**  
**A 61 K 36/00**  
(10) AP 2011 11175 A      (44) 19(335)/2011  
(21) AP 2009 011175  
(22) 2009 03 19  
(24) 2009 03 19  
(73) Vakhtang Barbakadze (GE)  
Kekelidze St. 21, ap. 41, 0179, Tbilisi (GE)  
(72) Vakhtang Barbakadze (GE);  
Karen Mulikjanian (GE);  
Lali Gogilashvili (GE);  
Maya Merlan (GE);  
Lela Amiranashvili (GE);  
Zhana Novikova (GE);  
Marina Sulakvelidze (GE)  
(54) **SUM OF HIGH-MOLECULAR  
COMPOUNDS OF COMFREY ROOTS  
AND ITS USE FOR TREATMENT**
- 

## PART C

### C 07

- (11) P 2012 5382 B**      **(51) Int. Cl. (2006)**  
**C 07 D 207/08**  
**A 61 K 31/18**  
**A 61 P 29/00**  
**C 07 D 207/26**  
**C 07 D 211/16**  
**C 07 D 211/18**  
**C 07 D 211/22**  
**C 07 D 211/26**  
**C 07 D 211/34**  
**C 07 D 211/38**  
**C 07 D 211/44**  
**C 07 D 211/58**  
**C 07 D 211/62**  
**C 07 D 211/68**  
**C 07 D 211/76**  
**C 07 D 219/06**  
(10) AP 2011 11268 A      (44) 17(333)/2011  
(21) AP 2007 011268  
(22) 2007 10 27  
(24) 2007 10 27  
(31) P0600808  
(32) 2006 10 27  
(33) HU  
(73) RICHTER GEDEON NYRT. (HU)  
Gyömrői út 19-21, H-1103 Budapest (HU)  
(72) VÁGÓ, István (HU);  
BEKE, Gyula (HU);  
BOZÓ, Éva (HU);
-

FARKAS, Sándor (HU);  
 HORNOK, Katalin (HU);  
 KESERÜ, György (HU);  
 SCHMIDT, Éva (HU);  
 SZENTIRMAY, Éva (HU);  
 VASTAG, Mónika (HU)

- (74) Liliana Darakhvelidze  
 (85) 2009 05 25  
 (86) PCT/HU2007/000102, 2007 10 27  
 (54) **NEW BENZAMIDE DERIVATIVES AS  
 BRADYKININ ANTAGONISTS**

**(11) P 2012 5389 B**      **(51) Int. Cl. (2006)**  
**C 07 D 249/08**  
**C 07 D 401/12**  
**C 07 D 403/12**  
**C 07 D 413/12**  
**A 61 K 31/55**  
**A 61 P 35/00**

- (10) AP 2011 11253 A      (44) 19(335)/2011  
 (21) AP 2007 011253  
 (22) 2007 11 08  
 (24) 2007 11 08  
 (31) 60/858,964  
 (32) 2006 11 13  
 (33) US  
 (73) NOVARTIS AG (CH)  
 Lichstrasse, 35, CH-4056 Basel (CH)

- (72) XIA, Yi (US);  
 MENDENHALL, Kris G. (US);  
 BARSANTI, Paul A. (US);  
 WALTER, Annette O. (US);  
 DUHL, David (US);  
 RENHOWE, Paul A. (US)

- (74) Alexander Kartvelishvili  
 (85) 2009 05 13  
 (86) PCT/US2007/084154, 2007 11 08  
 (54) **SUBSTITUTED PYRAZOLE AND  
 TRIAZOLE COMPOUNDS AS KSP  
 INHIBITORS**

**(11) P 2012 5386 B**      **(51) Int. Cl. (2006)**  
**C 07 D 405/12**  
**C 07 D 309/08**  
**A 61 K 31/4155**  
**A 61 P 11/00**

- (10) AP 2011 11271 A      (44) 15(331)/2011  
 (21) AP 2007 011271  
 (22) 2007 11 14  
 (24) 2007 11 14  
 (31) 60/867,337  
 (32) 2006 11 27  
 (33) US  
 (73) PFIZER PRODUCTS INC. (US)  
 Eastern Point Road, Groton, CT 06340 (US)  
 (72) GRANETO, Matthew, J. (US);  
 MADDUX, Todd, Michael (US);

MASFERRER, Jaime, L. (US)

- (74) Shalva Gvaramadze  
 (85) 2009 05 25  
 (86) PCT/IB2007/003518, 2007 11 14  
 (54) **PYRAZOLE ANALOGS**

**(11) P 2012 5385 B**      **(51) Int. Cl. (2006)**  
**C 07 K 16/18**  
**A 61 P 25/00**

- (10) AP 2011 10343 A      (44) 15(331)/2011  
 (21) AP 2006 010343  
 (22) 2006 04 28  
 (24) 2006 04 28  
 (31) 60/676,093; 60/704,818  
 (32) 2005 04 25; 2005 08 01  
 (33) US; US  
 (73) RINAT NEUROSCIENCE CORP. (US)  
 230 E. Grand Ave, South San Francisco, CA  
 94080 (US)  
 (72) ROSENTHAL, Arnon (US);  
 PONS, Jaume (ES);  
 HO, Wei-Hsien (US)  
 (74) Shalva Gvaramadze  
 (85) 2007 10 29  
 (86) PCT/US2006/016071, 2006 04 28  
 (54) **ANTIBODIES DIRECTED AGAINST  
 AMYLOID-BETA PEPTIDE AND  
 METHODS USING SAME**

## C 12

**(11) P 2012 5384 B**      **(51) Int. Cl. (2006)**  
**C 12 Q 1/68**

- (10) AP 2011 9126 A      (44) 13(329)/2011  
 (21) AP 2004 009126  
 (22) 2004 05 21  
 (24) 2004 05 21  
 (31) 60/472,843; 60/472,845  
 (32) 2003 05 23; 2003 05 23  
 (33) US; US  
 (73) COLD SPRING HARBOR  
 LABORATORY (US)  
 (72) WIGLER, Michael H. (US);  
 HEALY, John (US);  
 LUCITO, Robert (US)  
 (74) Tamaz Shilakadze  
 (85) 2005 12 21  
 (86) PCT/US2004/016060, 2004 05 21  
 (54) **REPRESENTATIONS OF NUCLEOTIDE  
 SEQUENCES**



**PART D**

**D 01**

- (11) P 2012 5381 B (51) Int. Cl. (2006)  
D 01 B 7/00
- (10) AP 2011 11115 A (44) 13(329)/2011  
(21) AP 2009 011115  
(22) 2009 02 16  
(24) 2009 02 16  
(73) Nino Gintibidze (GE)  
9 April St. 9/36, 4600, Kutaisi (GE);  
Kristina Gintibidze (GE)  
9 April St. 9/36, 4600, Kutaisi (GE);  
Iza Sopromadze (GE)  
Nizharadzis k. 1 shes.3, 4600, Kutaisi (GE);  
Zaza Mandaleishvili (GE)  
Javakhishvilis k. 4/27, 4600, Kutaisi (GE);  
Marina Cheishvili (GE)  
Chavchavadze St. 2/6, 4600, Kutaisi (GE)  
(72) Nino Gintibidze (GE);  
Kristina Gintibidze (GE);  
Iza Sopromadze (GE);  
Zaza Mandaleishvili (GE);  
Marina Cheishvili (GE)  
(54) **METHOD FOR RECEPTION OF  
NATURAL SILK STRING "FIBROIN-3"  
FROM SILK MANUFACTURE WASTES**

**PART F**

**F 24**

- (11) P 2012 5383 B (51) Int. Cl. (2006)  
F 24 J 2/14  
F 24 J 2/24
- (10) AP 2011 11716 A (44) 19(335)/2011  
(21) AP 2010 011716  
(22) 2010 03 09  
(24) 2010 03 09  
(73) Tamaz Muchiashvili (GE)  
Galavnis k. 18, 0103, Tbilisi (GE)  
(72) Tamaz Muchiashvili (GE)  
(54) **SOLAR COLLECTOR**

**PART G**

**G 01**

- (11) P 2012 5388 B (51) Int. Cl. (2006)  
G 01 N 27/82  
G 01 N 27/83
- (10) AP 2011 11209 A (44) 15(331)/2011  
(21) AP 2009 011209  
(22) 2009 04 08  
(24) 2009 04 08  
(73) Shota Nadiradze (GE)  
Varketili 3, II m/d, build. 15, ap. 5, 0163,  
Tbilisi (GE);  
Yuri Nadiradze (GE)  
Varketili 3, II m/d, build. 15, ap. 74,  
0182, Tbilisi (GE);  
Alexander Kartvelishvili (GE)  
Vahza-Pshavela av. 59, ap.15, 0186,  
Tbilisi (GE);  
Irakli Nadiradze (GE)  
Varketili 3, II m/d, build. 15, ap. 5, 0182,  
Tbilisi (GE);  
George Kartvelishvili (GE)  
Vahza-Pshavela av. 59, ap.15, 0186,  
Tbilisi (GE);  
George Nadiradze (GE)  
Varketili 3, II m/d, build. 15, ap. 74, 0182,  
Tbilisi (GE)  
(72) Shota Nadiradze (GE);  
Yuri Nadiradze (GE);  
Alexander Kartvelishvili (GE);  
Irakli Nadiradze (GE);  
George Kartvelishvili (GE);  
George Nadiradze (GE)  
(54) **DEVICE OF REGULAR CONTROL OF  
SUSPENSION BRACKETS FASTENING  
PLACES ON RING CABLE ROAD WITH  
BLANK-FASTENED SUSPENSIONS**





---

## REGISTERED DESIGN

(11) **D 2012 487 S**            (51) **02-04**  
(10) AD 2011 650 S            (44) 19(335)/2011  
(21) AD 2011 000650        (22) 2011 05 25  
(24) 2011 05 25  
(28) 2  
(18) 2016 05 25  
(73) Salome Gomelauri (GE)  
      Rcheulishvilis k. 22, 0179, Tbilisi (GE)  
(72) Salome Gomelauri (GE)  
(54) **FOOTWEAR**

---

---

**DESIGNS, WHICH HAVE BEEN REGISTERED WITH THE  
INTERNATIONAL BUREAU CLAIMING PRIORITY ON THE  
TERRITORY OF GEORGIA**

(IN ACCORDANCE WITH THE ACT OF HAGUE AGREEMENT OF 1960 AND/OR ACT  
OF GENEVA AGREEMENT OF 1999)

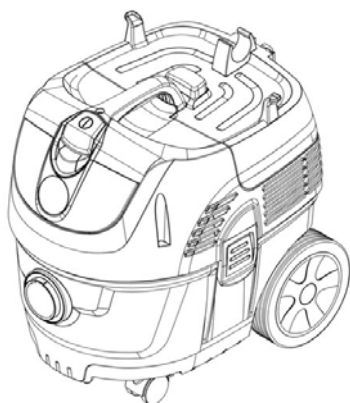
To appeal a decision is possible at Chamber of Appeal of Sakpatenti within 3 months from the publication or at The Board of Administrative Actions of Tbilisi City Court within a 1 month period. (Address: 12 km., №6, David Aghmashenebeli Kheivani, Tbilisi).

- (11) DM/074574 (51) 15-05  
(15) 2010 10 08  
(45) 2011/09 (2011 10 31)  
(22) 2010 10 08  
(28) 4  
(73) ALFRED KÄRCHER GMBH & CO. KG  
Alfred-Kärcher-Straße 28-40, 71364 Winnenden (DE)  
(85) EM  
(86) DE,EM  
(87) DE,EM  
(88) DE,EM  
(89) EM  
(81) II. KP, MA, MC, ME. III. BA, CH, EG, EM, GE, HR, LI, MD, MK, MN, OM, TR  
(54) 1.-4. Vacuum cleaners  
(55)

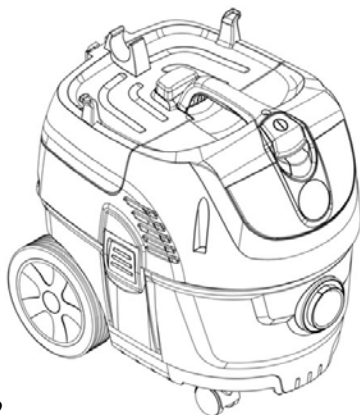




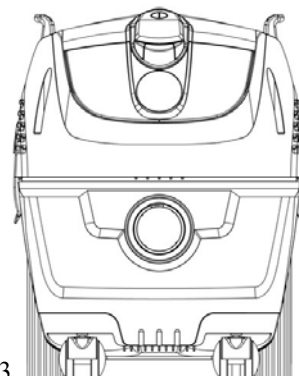
1.7



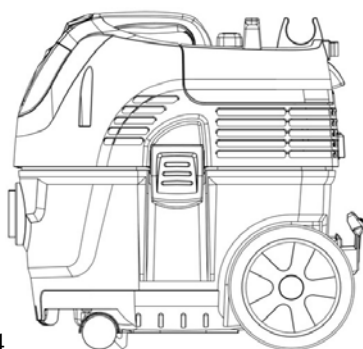
2.1



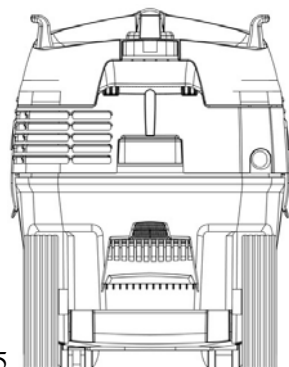
2.2



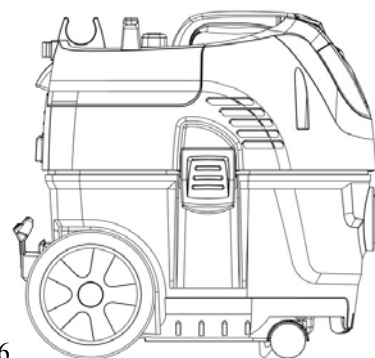
2.3



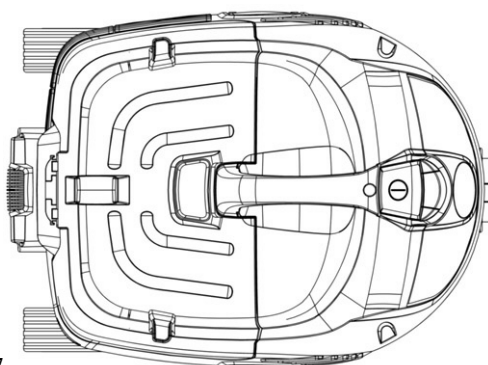
2.4



2.5



2.6



2.7



3.1



3.2



3.3



3.4



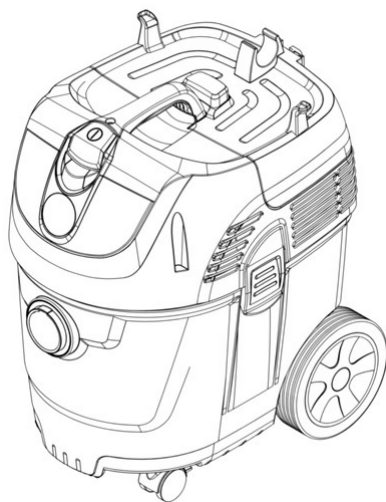
3.5



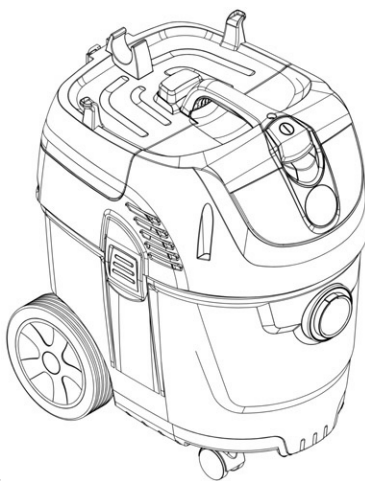
3.6



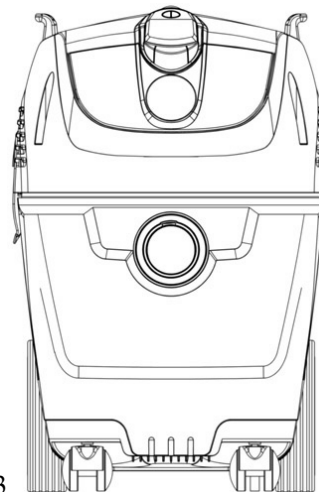
3.7



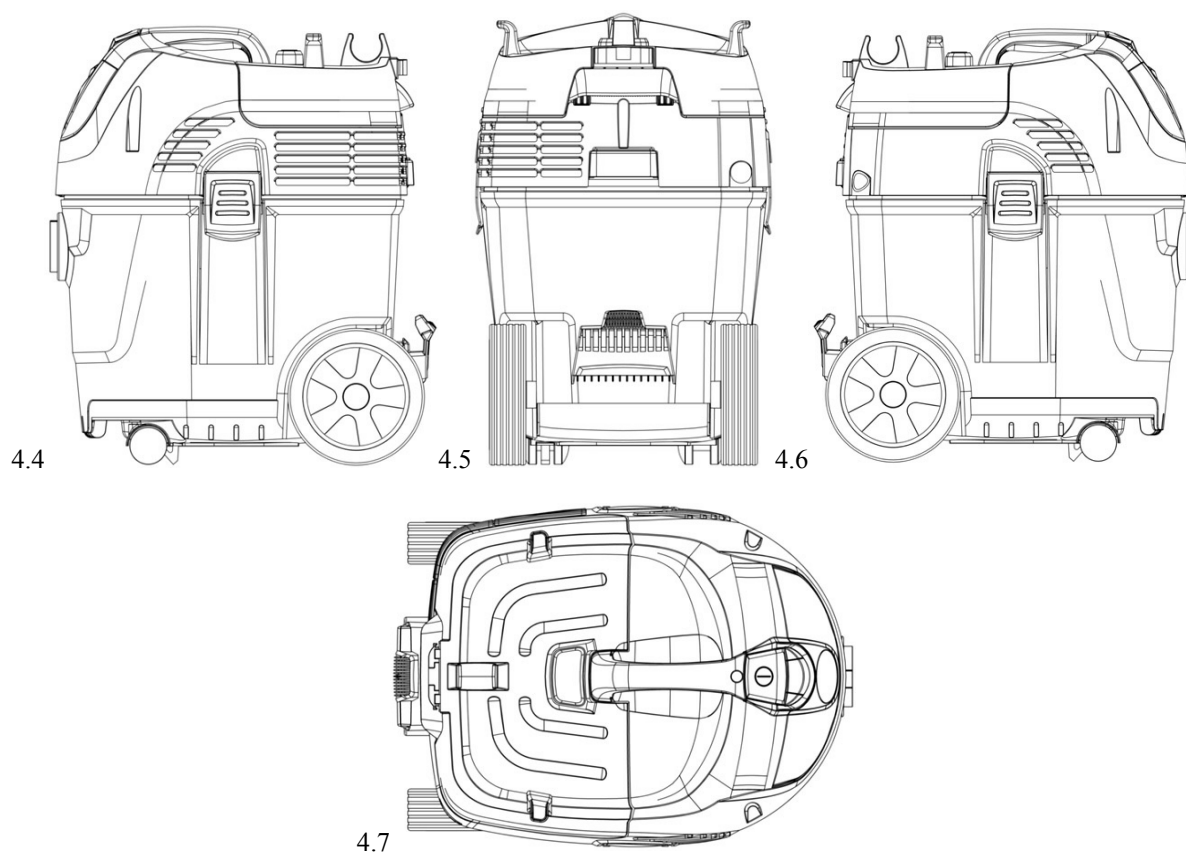
4.1



4.2



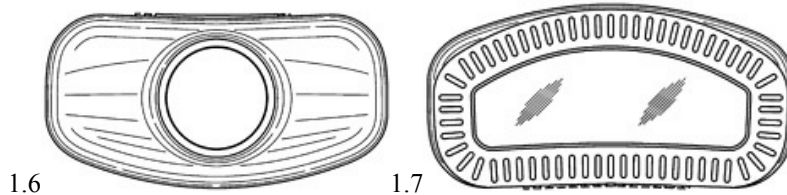
4.3



- (11) DM/075747 (51) 09-01  
 (15) 2011 04 05  
 (45) 2011/09 (2011 10 31)  
 (22) 2011 04 05  
 (28) 1  
 (73) NEMIROFF INTELLECTUAL PROPERTY ESTABLISHMENT Städtle 31, FL-9490 Vaduz (LI)  
 (86) LI  
 (87) LI  
 (89) LI  
 (81) III. AM, AZ, EM, GE, KG, MD, UA  
 (72) Stepan Karlovykh HLUS 12  
 Petrovskiy Street Nemyriv, Vinnytsa Region, 22800 Ukraine  
 (54) 1. Bottle  
 (55)







(11) DM/075929 (51) 11-01

(15) 2011 04 20

(45) 2011/09 (2011 10 31)

(22) 2011 04 20

(28) 1

(73) AKILLIS (SOCIÉTÉ À RESPONSABILITÉ LIMITÉE)  
100 rue d'Estreux, F-59264 ONNAING (FR)

(86) n/a

(87) n/a

(88) FR,EM

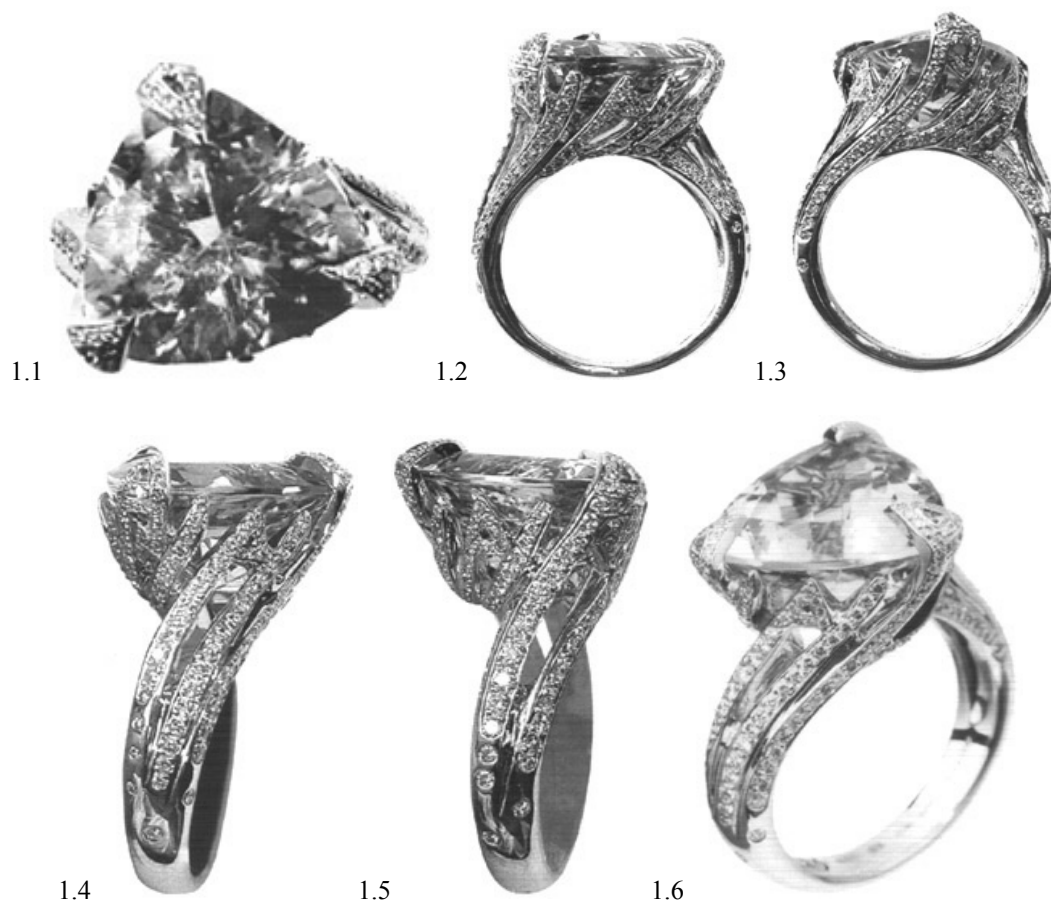
(89) FR

(81) II. MC. III. CH, EG, EM, GE, OM, SG, TR, UA

(72) Gaspard Caroline, 98 rue d'Estreux, F-59264 ONNAING

(54) 1. Ring

(55)





1.7



1.8

(11) DM/075948 (51) 14-03

(15) 2011 04 27

(45) 2011/09 (2011 10 31)

(22) 2011 04 27

(28) 1

(30) 25.01.2011; 29/383,986; US

(73) NOKIA CORPORATION

Keilalahdentie 4, FI-02150 Espoo (FI)

(85) EM

(86) EM

(87) EM

(88) EM

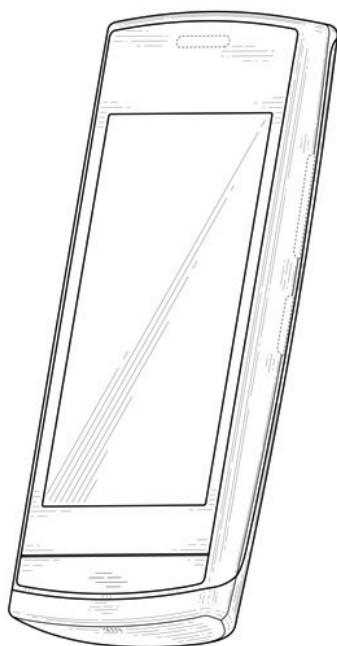
(89) EM

(81) III. AL, AM, BW, CH, EG, GE, HR, IS, LI, MK, NA, SG, TR, UA.

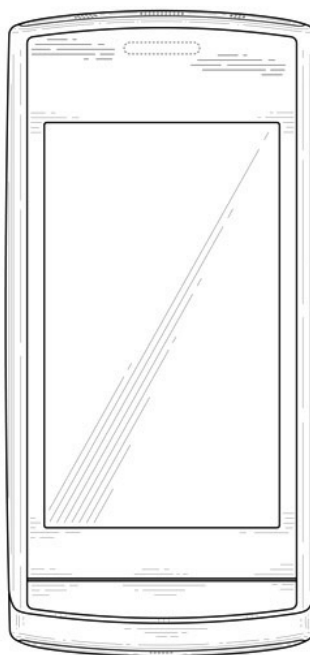
(72) Leon Marsh, 30 Abbots Road, Walnut Tree Close Guildford Surrey GU1 4RW

(54) 1. Handset

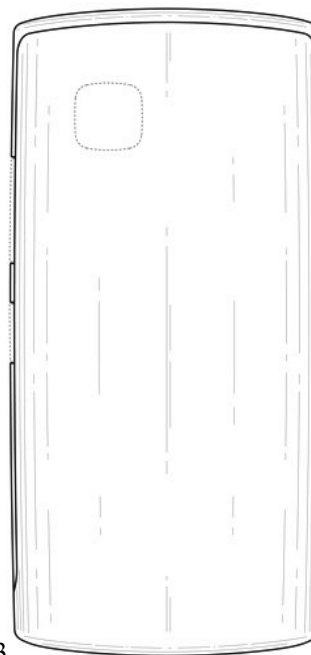
(55)



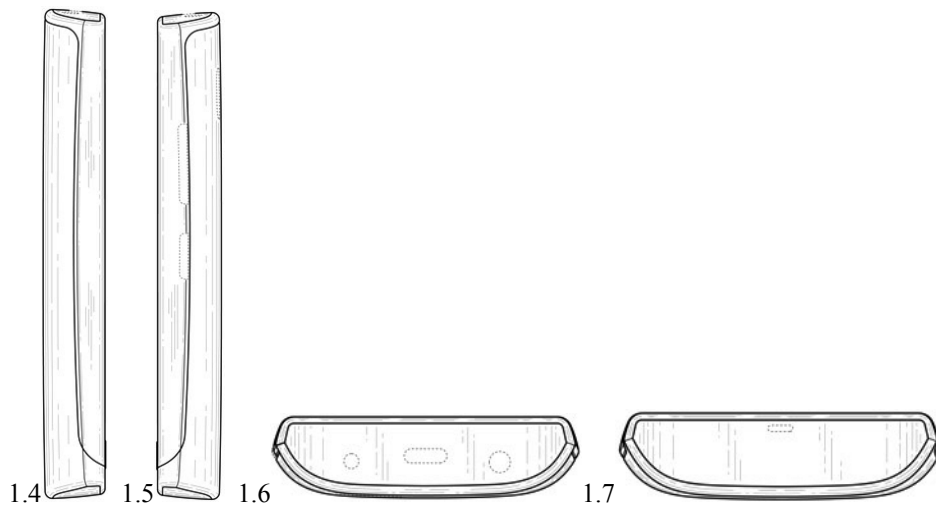
1.1



1.2



1.3



(11) DM/076720 (51) 10-02

(15) 2011 09 08

(45) 2011/09 (2011 10 31)

(22) 2011 09 08

(28) 5

(73) SWATCH AG (SWATCH SA)(SWATCH LTD)

Jakob-Stämpfli-Strasse 94, CH-2502 BIEL/BIENNE (CH)

(85) CH

(86) CH

(87) CH

(88) CH

(89) CH

(81) II. BZ, MA, ME. III. AL, AM, AZ, BA, CH, EM, GE, HR, KG, LI, MC, MD, MK, MN, NO, OM, SG, TR, UA

(72) Ylenia AGATE, Swatchlab, Via Archimede 6, IT-20129 Milano

(54) 1.-5. Wristwatches

(55)



(11) DM/076757 (51) 10-02

(15) 2011 09 15

(45) 2011/09 (2011 10 31)

(22) 2011 09 15

(28) 2

(73) SWATCH AG (SWATCH SA)(SWATCH LTD)

Jakob-Stämpfli-Strasse 94, CH-2502 Bienne (CH)

(85) CH

(86) CH

(87) CH

(88) CH

(89) CH

(81) II. BZ, MA, ME. III. AL, AM, AZ, BA, CH, EM, GE, HR, KG, LI, MC, MD, MK, MN, NO, SG, TR, UA

(72) Rossana Boffi, Swatchlab, Via Archimede 6, IT-20129 Milano

(54) 1.-2. Wristwatches

(55)



(11) DM/076760 (51) 11-01

(15) 2011 09 16

(45) 2011/09 (2011 10 31)

(22) 2011 09 16

(28) 3

(73) SWATCH AG (SWATCH SA)(SWATCH LTD) Jakob-Stämpfli-Strasse 94, CH-2502 Bienne (CH)

(85) CH

(86) CH

(87) CH

(88) CH

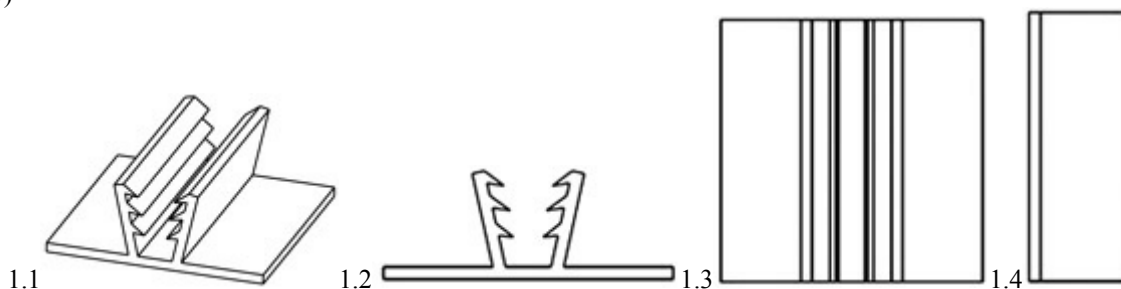
(89) CH

(81) II. BZ, MA, ME. III. AL, AM, AZ, BA, CH, EM, GE, HR, KG, LI, MC, MD, MK, MN, NO, OM, SG, TR, UA

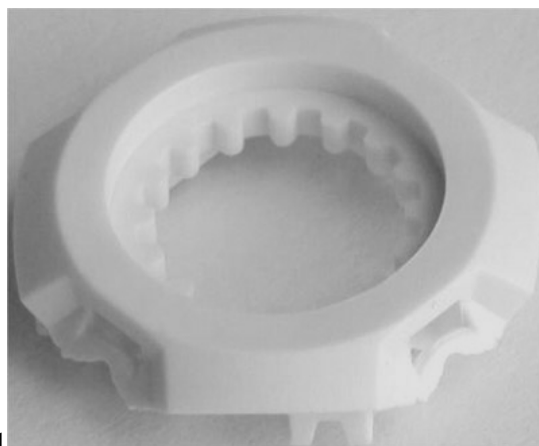
- (72) 1.-3.: Maude Luginbühl-Passanante, Dress Your Body AG (Dress Your Body SA) (Dress Your Body Ltd.),  
Av. Beauregard 12, CH-2036 Cormondrèche  
(54) 1. Ring; 2. Earrings; 3. Necklace with pendant  
(55)



- (11) DM/076831 (51) 24-01  
(15) 2011 09 16  
(45) 2011/09 (2011 10 31)  
(22) 2011 08 16  
(28) 1  
(30) 22.02.2011; 001824848-0002; EM  
(73) NINWISE AB Topeliusgatan 6D, SE-754 41 Uppsala (SE)  
(86) EM  
(87) EM  
(89) EM  
(81) III. AL, AM, AZ, BA, BW, CH, EG, GE, GH, HR, IS, KG, LI, LT, MC, MD, MK, MN, NA, NO, OA, OM,  
RS, SG, ST, SY, TR, UA.  
(72) Nina Damber, NINWISE AB, Topeliusgatan 6D, SE-754 41 Uppsala  
(54) 1. Surgical suction equipment holder  
(55)



- (11) DM/076835 (51) 21-01  
 (15) 2011 03 10  
 (45) 2011/09 (2011 10 31)  
 (22) 2011 03 10  
 (28) 6  
 (30) 16.09.2010; 137415; CH  
 (73) JEAN-MICHEL MEYS Route des Monts-de-Lavaux 131, CH-1090 La Croix-sur-Lutry (CH)  
 (86) n/a  
 (87) CH  
 (89) CH  
 (81) II. BZ, KP, MA, MC, ME, SR. III. AL, AM, AZ, BA, BW, EG, EM, GE, GH, HR, IS, KG, LI, MD, MK, MN, NA, NO, OA, OM, RS, SG, ST, SY, TR, UA  
 (72) Jean-Michel Meys, route des Monts-de-Lavaux 131, CH-1090 La Croix-sur-Lutry  
 (54) 1.-6. Game pieces  
 (55)



(11) DM/076844 (51) 08-08

(15) 2011 09 06

(45) 2011/09 (2011 10 31)

(22) 2011 09 06

(28) 1

(73) INTERMETAL ABEE

Apolloniou 6 PO BOX 40, GR-194 00 Koropi Attikis (GR)

(86) GR, EM

(87) GR, EM

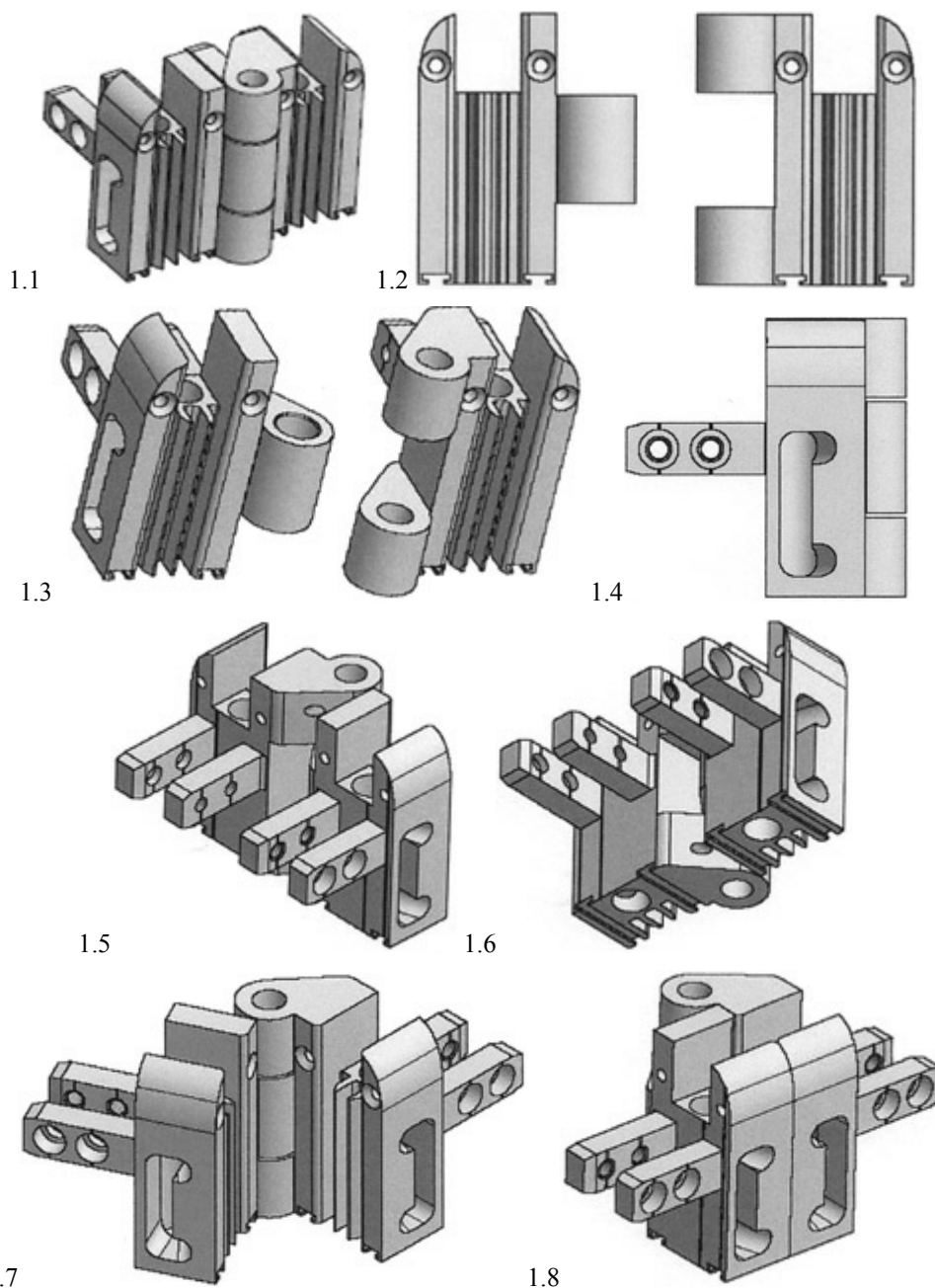
(89) EM

(81) III. AL, AM, AZ, BA, CH, EE, EG, EM, GE, GH, HR, LI, LT, LV, MD, MK, MN, NO, OA, OM, RS, SG, SI, SY, TR, UA

(72) Titos Stefanidis, Apolloniou 6, P.O. Box 40, GR-194 00 Koropi Attikis

(54) 1. Hinge-knob-cover combination

(55)



---

# TRADEMARKS

## APPLICATIONS FILED UNDER THE NATIONAL PROCEDURE LAID OPEN FOR THE PURPOSE OF TAKING PATENT GRANTING DECISIONS

To appeal a decision is possible at Chamber of Appeal of Sakpatenti within 3 months from the publication or at The Board of Administrative Actions of Tbilisi City Court within a 1 month period. (Address: 12 km., №6, David Aghmashenebeli Kheivani, Tbilisi).

(260) AM 2012 61332 A  
(210) AM 061332  
(220) 2011 02 15  
(731) SH.P.S "SOFT-INFO"  
Vazha-Pshavelas gamz. 41, 0177,  
Tbilisi, Georgia

(540)  
**ინფო კონსულტანტი**  
**Инфо Консультант**  
**Info Consultant**

(591) Black, white  
(511) 9, 35, 42

---

(260) AM 2012 61634 A  
(210) AM 061634  
(220) 2011 03 14  
(731) BUBUTEISHVILI ELGUJA  
Faliashvilis q. 62, 0179, Tbilisi, Georgia

(540)  
  
**SARAJISHVILI**  
ს ა რ ა ი შ ვ ი ლ ი ე ლ გ უ ჯ ა

(591) Black, white  
(531) 03.04.11-27.05.17-28.19.00-  
(511) 33

---

(260) AM 2012 62062 A  
(210) AM 062062  
(220) 2011 04 13  
(731) SH.P.S "EM konsultatsiebi da programuli  
uzrunvelkofa, EMCoS"  
Besikis moed. 3, 0108, Tbilisi, Georgia

(540)  
**MTEC Modeler**

(591) Black, white  
(511) 9

---

(260) AM 2012 62064 A  
(210) AM 062064  
(220) 2011 04 13  
(731) SH.P.S "EM konsultatsiebi da programuli  
uzrunvelkofa, EMCoS"  
Besikis moed. 3, 0108, Tbilisi, Georgia

(540)  
**Antenna VLab**

(591) Black, white  
(511) 9

---

(260) AM 2012 62065 A  
(210) AM 062065  
(220) 2011 04 13  
(731) SH.P.S "EM konsultatsiebi da programuli  
uzrunvelkofa, EMCoS"  
Besikis moed. 3, 0108, Tbilisi, Georgia

(540)  
**MTEC VLab**

(591) Black, white  
(511) 9

---

(260) AM 2012 62068 A  
(210) AM 062068  
(220) 2011 04 13  
(731) SH.P.S "EM konsultatsiebi da programuli  
uzrunvelkofa, EMCoS"  
Besikis moed. 3, 0108, Tbilisi, Georgia

(540)  
**EMC VLab**

(591) Black, white  
(511) 9

---



(260) AM 2012 62069 A  
 (210) AM 062069  
 (220) 2011 04 13  
 (731) SH.P.S "EM konsultatsiebi da programuli uzrunvelkofa, EMCoS"  
 Besikis moed. 3, 0108, Tbilisi, Georgia  
 (540)

**PCB VLab**

(591) Black, white  
 (511) 9

(260) AM 2012 62139 A  
 (210) AM 062139  
 (220) 2011 04 19  
 (731) GENERAL MOTORS LLC  
 300 Renaissance Center, City of Detroit,  
 State of Michigan 48265-3000, USA  
 (740) George Taktakishvili  
 (540)



(591) Black, white  
 (531) 26.04.07-26.04.12-26.04.24-26.11.13-27.05.24-  
 (511) 12

(260) AM 2012 62188 A  
 (210) AM 062188  
 (220) 2011 04 26  
 (731) GENERAL MOTORS LLC  
 300 Renaissance Center, City of Detroit,  
 State of Michigan 48265-3000, USA  
 (740) George Taktakishvili  
 (540)

**SPIN**

(591) Black, white  
 (511) 12

(260) AM 2012 62193 A  
 (210) AM 062193  
 (220) 2011 04 26  
 (731) J.B. CHEMICALS &  
 PHARMACEUTICALS LIMITED  
 Neelam Centre, "B" Wing, 4-th floor, Hind  
 Cycle Road, Worli, Mumbai 400030, India  
 (740) Shalva Gvaramadze  
 (540)

**МЕТРОГИЛ ДЕНТА**

(591) Black, white  
 (511) 5

(260) AM 2012 62218 A  
 (210) AM 062218  
 (220) 2011 04 28  
 (731) SH.P.S "AVERSI-FARMA"  
 Davit Agmasheneblis gamz., 148/2, 0112,  
 (540)

**ჰემოვიტი**  
**ГЕМОВИТ**  
**Hemovit**

(591) Black, white  
 (511) 1, 2, 3, 4, 5, 6, 7, 8, 9, 10, 11, 12, 13, 14, 15,  
 16, 17, 18, 19, 20, 21, 22, 23, 24, 25, 26, 27,  
 28, 29, 30, 31, 32, 33, 34, 35, 36, 37, 38, 39,  
 40, 41, 42, 43, 44, 45

(260) AM 2012 62230 A  
 (210) AM 062230  
 (220) 2011 04 28  
 (731) SH.P.S "LUQSI 2004"  
 Tevdore mgvdlis qucha N53, 0154, Tbilisi,  
 Georgia  
 (740) Nugzar Ksovreli  
 (540)

**ბარაქა**  
**БАРАКА**  
**BARAQA**

(591) Black, white  
 (511) 29, 31, 32, 34

(260) AM 2012 62253 A  
 (210) AM 062253  
 (220) 2011 04 29  
 (731) ALEQSANDRE QAVTARADZE  
 Varketili 3, II mkr., korp. 14, b. 96, 0163,  
 Tbilisi, Georgia  
 (740) George Taktakishvili  
 (540)



(591) Blue, yellow, orange  
 (531) 03.07.06-05.05.15-25.01.01-26.01.18-  
 26.01.20-29.01.15-  
 (526) **Disclaimer** – the trademark is protected as a  
 whole without word combination "SHOW",  
 all other words and digital designations shall  
 not be subject to independent protection.  
 (511) 16, 35

---

(260) AM 2012 62254 A  
 (210) AM 062254  
 (220) 2011 04 29  
 (731) SANOVEL ILAC SANAYI VE TICARET  
 ANONIM SIRKETI  
 Buyukdere Cad. Dereboyu Sk. Zagra Is  
 Merkezi C blok 34398 Maslak - Istanbul,  
 Turkey  
 (740) George Taktakishvili  
 (540)

### **CEMPES-SANOVEL**

(591) Black, white  
 (511) 5

---

(260) AM 2012 62255 A  
 (210) AM 062255  
 (220) 2011 04 29  
 (731) SANOVEL ILAC SANAYI VE TICARET  
 ANONIM SIRKETI  
 Buyukdere Cad. Dereboyu Sk. Zagra Is  
 Merkezi C blok 34398 Maslak - Istanbul,  
 Turkey  
 (740) George Taktakishvili  
 (540)

### **DROPIA-MET-SANOVEL**

(591) Black, white  
 (511) 5

---

(260) AM 2012 62256 A  
 (210) AM 062256  
 (220) 2011 04 29  
 (731) SANOVEL ILAC SANAYI VE TICARET  
 ANONIM SIRKETI  
 Buyukdere Cad. Dereboyu Sk. Zagra Is  
 Merkezi C blok 34398 Maslak - Istanbul,  
 Turkey  
 (740) George Taktakishvili  
 (540)

### **MATOFIN-SANOVEL**

(591) Black, white  
 (511) 5

---

(260) AM 2012 62257 A  
 (210) AM 062257  
 (220) 2011 04 29  
 (731) SANOVEL ILAC SANAYI VE TICARET  
 ANONIM SIRKETI  
 Buyukdere Cad. Dereboyu Sk. Zagra Is  
 Merkezi C blok 34398 Maslak - Istanbul,  
 Turkey  
 (740) George Taktakishvili  
 (540)

### **NERUDA-SANOVEL**

(591) Black, white  
 (511) 5

---

(260) AM 2012 62258 A  
 (210) AM 062258  
 (220) 2011 04 29  
 (731) SANOVEL ILAC SANAYI VE TICARET  
 ANONIM SIRKETI  
 Buyukdere Cad. Dereboyu Sk. Zagra Is  
 Merkezi C blok 34398 Maslak - Istanbul,  
 Turkey  
 (740) George Taktakishvili  
 (540)

### **SANOCEF-SANOVEL**

(591) Black, white  
 (511) 5

---

(260) AM 2012 62300 A  
 (210) AM 062300  
 (220) 2011 05 03  
 (731) BALEI SIETA PAUNDATION, INC.  
 890 Broadway, New-York, NY 10003, USA  
 (740) Tamaz Shilakadze  
 (540)

### **ABT**

(591) Black, white  
 (511) 18, 25

---

(260) AM 2012 62301 A  
 (210) AM 062301  
 (220) 2011 05 03  
 (731) BALEI SIETA PAUNDATION, INC.  
 890 Broadway, New-York, NY 10003, USA  
 (740) Tamaz Shilakadze  
 (540)

### **AMERICAN BALLET THEATRE**

(591) Black, white  
 (511) 18, 25

---

(260) AM 2012 62322 A  
(210) AM 062322  
(220) 2011 05 04  
(731) BESIKI BERIDZE  
Razmadzis 43, 0179, Tbilisi, Georgia  
(540)

**HOTEL CITADEL**  
**სასტუმრო ციტადელი**

(591) Black, white  
(526) **Disclaimer** – the trademark is protected as a whole, word combination "HOTEL" shall not be subject to independent protection.  
(511) 43

---

(260) AM 2012 62334 A  
(210) AM 062334  
(220) 2011 05 05  
(731) ORLY INTERNATIONAL, INC.  
7710 Haskell Avenue, Van Nuys, CA 91406, USA  
(740) Davit Zurabishvili  
(540)

**ORLY**

(591) Black, white  
(511) 3

---

(260) AM 2012 62337 A  
(210) AM 062337  
(220) 2011 05 05  
(731) JEMAL BAGASHVILI  
Kifshidzis q.10, bina 25, 0179, Tbilisi, Georgia  
(540)

**იუმორინა**

(591) Black, white  
(511) 9, 16, 35, 38

---

(260) AM 2012 62344 A  
(210) AM 062344  
(220) 2011 05 06  
(731) DIAGEO BRANDS B.V.  
Molenwerf 10-12, 1014 BG Amsterdam, Netherlands  
(740) Tamar Kochlamazashvili  
(540)

**GOLD LABEL RESERVE**

(591) Black, white  
(511) 33

---

(260) AM 2012 63118 A  
(210) AM 063118  
(220) 2011 07 07  
(731) SH.P.S "SANTE JI-EM-TI PRODUQTEBI"  
Kakhetis gzatketsili, me-10 km., 0182, Tbilisi, Georgia  
(740) George Getsadze  
(540)



(591) Blue, white  
(531) 27.05.01-28.19.00-29.01.04-  
(511) 29, 32

---

(260) AM 2012 63119 A  
(210) AM 063119  
(220) 2011 07 07  
(731) WORLD MEDICINE LIMITED  
Commonwealth Trust Limited, Drake Chambers, Tortola, British Virgin Islands  
(740) George Taktakishvili  
(540)

**MEDROFF**  
**МЕДРОФФ**  
**მედროფო**

(591) Black, white  
(511) 5

---

(260) AM 2012 63120 A  
(210) AM 063120  
(220) 2011 07 07  
(731) ROTAPHARM LIMITED  
Commonwealth Trust Limited, Drake Chambers, Tortola, British Virgin Islands  
(740) George Taktakishvili  
(540)

**BROTAP**  
**БРОТАП**  
**ბროტაპი**

(591) Black, white  
(511) 5

---

(260) AM 2012 63122 A  
(210) AM 063122  
(220) 2011 07 07  
(731) SH.P.S "RADIO IMEDI"  
Aleqsidzis q.3, 0193, Tbilisi, Georgia

(540)

**მლიგე დრო, გაიგე მთავარი**

(591) Black, white  
(511) 38

---

(260) AM 2012 63141 A  
(210) AM 063141  
(220) 2011 07 08  
(731) THE GILLETTE COMPANY  
One Gillete Park, Boston, Massachusetts  
02127, USA

(740) Shalva Gvaramadze  
(540)

**GILLETTE PRO**

(591) Black, white  
(511) 3

---

(260) AM 2012 61622 A\*  
(210) AM 061622  
(220) 2011 03 11  
(731) LTD "LIBERTY SECURITIES"  
Ilia Chavchavadze Ave., 74, 0162, Tbilisi,  
Georgia

(540)

**LIBERTY SECURITIES**

(591) Red  
(531) 27.05.01-27.05.04-29.01.01-  
(511) 36

---

---

## REGISTERED TRADEMARKS

(111) M 2012 022115 R  
(151) 2011 12 26  
(181) 2021 12 26  
(260) AM 2009 47683 A  
(220) 2008 03 28  
(732) CHASTNOE AKTSIONERNOE  
OBSHCHESTVO "KREATIV"  
Prospeqt Promishlennii 19, Kirovogradi,  
25014, Ukraine

---

(111) M 2012 022123 R  
(151) 2011 12 29  
(181) 2021 12 29  
(260) AM 2011 32683 A  
(220) 2004 11 08  
(732) SH.P.S "TELEKOMPANIA MZE"  
Merab Kostavas q. 75b, 0179, Tbilisi,  
Georgia

---

(111) M 2012 022124 R  
(151) 2011 12 29  
(181) 2021 12 29  
(260) AM 2011 32684 A  
(220) 2004 11 08  
(732) SH.P.S "TELEKOMPANIA MZE"  
Merab Kostavas q. 75b, 0179, Tbilisi,  
Georgia

---

(111) M 2012 022125 R  
(151) 2011 12 29  
(181) 2021 12 29  
(260) AM 2011 55242 A  
(220) 2009 10 21  
(732) ELECTROLUX ITALYA S.P.A.  
Corso Lino Zanussi, 30, 33080 Porcia (PN),  
Italy

---

(111) M 2012 022126 R  
(151) 2011 12 29  
(181) 2021 12 29  
(260) AM 2011 58384 A  
(220) 2010 06 11  
(732) SHARP KABUSHIKI KAISHA  
also trading as SHARP CORPORATION  
22-22, Nagaike-Cho, Abeno-ku, Osaka  
545-8522, Japan

---

(111) M 2012 022127 R  
(151) 2011 12 29  
(181) 2021 12 29  
(260) AM 2011 58410 A  
(220) 2010 06 21  
(732) SH.P.S "BTM TEXTILE"  
Melikishvilis q. 25, bina 3, 6000, Batumi,  
Georgia

---

(111) M 2012 022128 R  
(151) 2011 12 29  
(181) 2021 12 29  
(260) AM 2011 58470 A  
(220) 2010 06 25  
(732) SH.P.S "ELIF TEQSTILI"  
Lilos bazroba, savachro tsentri "gs", magazia  
N1, 0151, Tbilisi, Georgia

---

(111) M 2012 022129 R  
(151) 2011 12 29  
(181) 2021 12 29  
(260) AM 2011 58613 A  
(220) 2010 07 08  
(732) HIMALAYA GLOBAL HOLDINGS LTD  
Dubai International Financial Centre, The  
Gate, Level 12, Suite 27, PO Box 506807,  
Dubai, United Arab Emirates

---

(111) M 2012 022130 R  
(151) 2011 12 29  
(181) 2021 12 29  
(260) AM 2011 59066 A  
(220) 2010 08 11  
(732) Blu Israel Drinks Limited  
12 Ha'avodah Street, 17000 Upper Nazareth,  
Israel

---

(111) M 2012 022131 R  
(151) 2011 12 29  
(181) 2021 12 29  
(260) AM 2011 59144 A  
(220) 2010 08 16  
(732) SH.P.S "SHENI AFTIAQI"  
Tashkentis q. 23/1, 0160, Tbilisi, Georgia

---

(111) M 2012 022132 R  
(151) 2011 12 29  
(181) 2021 12 29  
(260) AM 2011 59154 A  
(220) 2010 08 18  
(732) EVERLAST WORLD'S BOXING  
HEADQUARTES CORPORATION  
183 Madison Avenue, New York, NY 10016,  
USA

---

(111) M 2012 022133 R  
(151) 2011 12 29  
(181) 2021 12 29  
(260) AM 2011 59193 A  
(220) 2010 08 25  
(732) BAGI PROFESSIONAL CLEANING  
PRODUCTS LTD  
194 Acco Road, Kiryat Bialik 27232, Israel

---

(111) M 2012 022134 R  
(151) 2011 12 29  
(181) 2021 12 29  
(260) AM 2011 59194 A  
(220) 2010 08 25  
(732) BAGI PROFESSIONAL CLEANING  
PRODUCTS LTD  
194 Acco Road, Kiryat Bialik 27232, Israel

---

(111) M 2012 022135 R  
(151) 2011 12 29  
(181) 2021 12 29  
(260) AM 2011 59195 A  
(220) 2010 08 25  
(732) BAGI PROFESSIONAL CLEANING  
PRODUCTS LTD  
194 Acco Road, Kiryat Bialik 27232, Israel

---

(111) M 2012 022136 R  
(151) 2011 12 29  
(181) 2021 12 29  
(260) AM 2011 59196 A  
(220) 2010 08 25  
(732) BAGI PROFESSIONAL CLEANING  
PRODUCTS LTD  
194 Acco Road, Kiryat Bialik 27232, Israel

---

(111) M 2012 022137 R  
(151) 2011 12 29  
(181) 2021 12 29  
(260) AM 2011 59197 A  
(220) 2010 08 25  
(732) BAGI PROFESSIONAL CLEANING

PRODUCTS LTD  
194 Acco Road, Kiryat Bialik 27232, Israel

---

(111) M 2012 022138 R  
(151) 2011 12 29  
(181) 2021 12 29  
(260) AM 2011 59201 A  
(220) 2010 08 25  
(732) BAGI PROFESSIONAL CLEANING  
PRODUCTS LTD  
194 Acco Road, Kiryat Bialik  
27232, Israel

---

(111) M 2012 022139 R  
(151) 2011 12 29  
(181) 2021 12 29  
(260) AM 2011 59202 A  
(220) 2010 08 25  
(732) BAGI PROFESSIONAL CLEANING  
PRODUCTS LTD  
194 Acco Road, Kiryat Bialik 27232, Israel

---

(111) M 2012 022140 R  
(151) 2011 12 29  
(181) 2021 12 29  
(260) AM 2011 59203 A  
(220) 2010 08 25  
(732) BAGI PROFESSIONAL CLEANING  
PRODUCTS LTD  
194 Acco Road, Kiryat Bialik  
27232, Israel

---

(111) M 2012 022141 R  
(151) 2011 12 29  
(181) 2021 12 29  
(260) AM 2011 59204 A  
(220) 2010 08 25  
(732) BAGI PROFESSIONAL CLEANING  
PRODUCTS LTD  
194 Acco Road, Kiryat Bialik  
27232, Israel

---

(111) M 2012 022142 R  
(151) 2011 12 29  
(181) 2021 12 29  
(260) AM 2011 59205 A  
(220) 2010 08 25  
(732) BAGI PROFESSIONAL CLEANING  
PRODUCTS LTD  
194 Acco Road, Kiryat Bialik  
27232, Israel

---

**TRADEMARKS**

---

(111) M 2012 022143 R  
(151) 2011 12 29  
(181) 2021 12 29  
(260) AM 2011 59206 A  
(220) 2010 08 25  
(732) BAGI PROFESSIONAL CLEANING  
PRODUCTS LTD  
194 Acco Road, Kiryat Bialik 27232, Israel

---

P.O. Box 3321, Drake Chambers, Road  
Town, Tortola, British Virgin Islands

---

(111) M 2012 022144 R  
(151) 2011 12 29  
(181) 2021 12 29  
(260) AM 2011 59209 A  
(220) 2010 08 26  
(732) SH.P.S "AVERSI-FARMA"  
Davit Agmasheneblis gamz., 148/2, 0112,  
Tbilisi, Georgia

---

(111) M 2012 022149 R  
(151) 2011 12 29  
(181) 2021 12 29  
(260) AM 2011 59393 A  
(220) 2010 09 16  
(732) BR IP HOLDER LLC  
130 Royall Street, Suite 300, P.O. Box 9141,  
Canton, Massachusetts 02021, USA

---

(111) M 2012 022145 R  
(151) 2011 12 29  
(181) 2021 12 29  
(260) AM 2011 59210 A  
(220) 2010 08 26  
(732) SH.P.S "AVERSI-FARMA"  
Davit Agmasheneblis gamz., 148/2, 0112,  
Tbilisi, Georgia

---

(111) M 2012 022150 R  
(151) 2011 12 29  
(181) 2021 12 29  
(260) AM 2011 59394 A  
(220) 2010 09 16  
(732) BR IP HOLDER LLC  
130 Royall Street, Suite 300, P.O. Box 9141,  
Canton, Massachusetts 02021, USA

---

(111) M 2012 022146 R  
(151) 2011 12 29  
(181) 2021 12 29  
(260) AM 2011 59251 A  
(220) 2010 09 06  
(732) HARRINGTON DEVELOPMENT INC.  
Arango-Orillac Bldg. East 54 th street,  
Panama

---

(111) M 2012 022151 R  
(151) 2011 12 29  
(181) 2021 12 29  
(260) AM 2011 59455 A  
(220) 2010 09 20  
(732) BR IP HOLDER LLC  
130 Royall Street, Suite 300, P.O. Box 9141,  
Canton, Massachusetts 02021, USA

---

(111) M 2012 022147 R  
(151) 2011 12 29  
(181) 2021 12 29  
(260) AM 2011 59308 A  
(220) 2010 09 09  
(732) GIGA-BYTE Technology Co., Ltd  
No. 6, Bau Chiang Road, Hsin-Tien,  
Taipei 231, Taiwan, China

---

(111) M 2012 022152 R  
(151) 2011 12 29  
(181) 2021 12 29  
(260) AM 2011 59456 A  
(220) 2010 09 20  
(732) BR IP HOLDER LLC  
130 Royall Street, Suite 300, P.O. Box 9141,  
Canton, Massachusetts 02021, USA

---

(111) M 2012 022148 R  
(151) 2011 12 29  
(181) 2021 12 29  
(260) AM 2011 59358 A  
(220) 2010 09 14  
(732) SOLDEX LIMITED

---

(111) M 2012 022153 R  
(151) 2011 12 29  
(181) 2021 12 29  
(260) AM 2011 59534 A  
(220) 2010 09 22  
(732) ANADOLU EFES TECHNICAL AND  
MANAGEMENT CONSULTANCY N.V.  
Landhuis Joonchi Kava Richard J. Beaujon  
Z/N P.O. Box 837, Curacao, Netherlands  
Antilles

---

(111) M 2012 022154 R  
(151) 2011 12 29  
(181) 2021 12 29  
(260) AM 2011 59567 A  
(220) 2010 09 24  
(732) WM. WRIGLEY JR. COMPANY  
410 North Michigan Avenue, Chicago,  
Illinois 60611, USA

---

(111) M 2012 022155 R  
(151) 2011 12 29  
(181) 2021 12 29  
(260) AM 2011 59918 A  
(220) 2010 10 19  
(732) P.L.U.S. Di GINCARLO GHIRARDI  
s.r.l. Uniper  
Via Praga, 198-46042 Castel Goffredo  
(MN), Italy

---

(111) M 2012 022156 R  
(151) 2011 12 29  
(181) 2021 12 29  
(260) AM 2011 60007 A  
(220) 2010 10 27  
(732) SH.P.S "ALGANI"  
Qutaisis q.18, 1054, Tbilisi, Georgia

---

(111) M 2012 022157 R  
(151) 2011 12 29  
(181) 2021 12 29  
(260) AM 2011 60243 A  
(220) 2010 11 12  
(732) ATASH ABDULAEVI  
Sof. Karataqlia, 1329, Gardabnis raioni,  
Georgia

---

(111) M 2012 022158 R  
(151) 2011 12 29  
(181) 2021 12 29  
(260) AM 2011 60245 A  
(220) 2010 11 12  
(732) SH.P.S "MIKADO JORJIA"  
Davit Agmasheneblis gamz. 150, 0112,  
Tbilisi, Georgia

---

(111) M 2012 022159 R  
(151) 2011 12 29  
(181) 2021 12 29  
(260) AM 2011 60333 A  
(220) 2010 11 22  
(732) SS "SAQARTVELOs BANKI"  
Pushkinis q. 3, 0105, Tbilisi, Georgia

---

(111) M 2012 022160 R  
(151) 2011 12 29  
(181) 2021 12 29  
(260) AM 2011 60353 A  
(220) 2010 11 25  
(732) Sh.P.S "Rakeen Developmenti"  
Baratashvilis q. 2, 0105, Tbilisi, Georgia

---

(111) M 2012 022161 R  
(151) 2011 12 29  
(181) 2021 12 29  
(260) AM 2011 60364 A  
(220) 2010 11 25  
(732) SH.P.S "AVERSI-FARMA"  
Davit Agmasheneblis gamz., 148/2, 0112,  
Tbilisi, Georgia

---

(111) M 2012 022162 R  
(151) 2011 12 29  
(181) 2021 12 29  
(260) AM 2011 60365 A  
(220) 2010 11 25  
(732) SH.P.S "AVERSI-FARMA"  
Davit Agmasheneblis gamz., 148/2, 0112,  
Tbilisi, Georgia

---

(111) M 2012 022163 R  
(151) 2011 12 29  
(181) 2021 12 29  
(260) AM 2011 60366 A  
(220) 2010 11 25  
(732) SH.P.S "AVERSI-FARMA"  
Davit Agmasheneblis gamz., 148/2, 0112,  
Tbilisi, Georgia

---

(111) M 2012 022164 R  
(151) 2011 12 29  
(181) 2021 12 29  
(260) AM 2011 60369 A  
(220) 2010 11 25  
(732) SH.P.S "AVERSI-FARMA"  
Davit Agmasheneblis gamz., 148/2, 0112,  
Tbilisi, Georgia

---

(111) M 2012 022165 R  
(151) 2011 12 29  
(181) 2021 12 29  
(260) AM 2011 60371 A  
(220) 2010 11 25  
(732) SH.P.S "AVERSI-FARMA"  
Davit Agmasheneblis gamz., 148/2, 0112,  
Tbilisi, Georgia

---



(111) M 2012 022166 R  
(151) 2011 12 29  
(181) 2021 12 29  
(260) AM 2011 60373 A  
(220) 2010 11 25  
(732) SH.P.S "AVERSI-FARMA"  
Davit Agmasheneblis gamz., 148/2, 0112,  
Tbilisi, Georgia

---

(111) M 2012 022167 R  
(151) 2011 12 29  
(181) 2021 12 29  
(260) AM 2011 60374 A  
(220) 2010 11 25  
(732) SH.P.S "AVERSI-FARMA"  
Davit Agmasheneblis gamz., 148/2, 0112,  
Tbilisi, Georgia

---

(111) M 2012 022168 R  
(151) 2011 12 29  
(181) 2021 12 29  
(260) AM 2011 60375 A  
(220) 2010 11 25  
(732) SH.P.S "AVERSI-FARMA"  
Davit Agmasheneblis gamz., 148/2, 0112,  
Tbilisi, Georgia

---

(111) M 2012 022169 R  
(151) 2011 12 29  
(181) 2021 12 29  
(260) AM 2011 60378 A  
(220) 2010 11 25  
(732) SH.P.S "AVERSI-FARMA"  
Davit Agmasheneblis gamz., 148/2, 0112,  
Tbilisi, Georgia

---

(111) M 2012 022170 R  
(151) 2011 12 29  
(181) 2021 12 29  
(260) AM 2011 60379 A  
(220) 2010 11 25  
(732) SH.P.S "AVERSI-FARMA"  
Davit Agmasheneblis gamz., 148/2, 0112,  
Tbilisi, Georgia

---

(111) M 2012 022171 R  
(151) 2011 12 29  
(181) 2021 12 29  
(260) AM 2011 60406 A  
(220) 2010 11 30  
(732) SAID NASSIBI  
Kauer Ring 63, 53560 Vettelschoss, Germany

---

(111) M 2012 022172 R  
(151) 2011 12 29  
(181) 2021 12 29  
(260) AM 2011 60417 A  
(220) 2010 11 30  
(732) SH.P.S "BERTA"  
Gorgasalis q. N115, 0114, Tbilisi, Georgia

---

(111) M 2012 022173 R  
(151) 2011 12 29  
(181) 2021 12 29  
(260) AM 2011 60418 A  
(220) 2010 11 30  
(732) SH.P.S "BERTA"  
Gorgasalis q. N115, 0114, Tbilisi, Georgia

---

(111) M 2012 022174 R  
(151) 2011 12 29  
(181) 2021 12 29  
(260) AM 2011 60419 A  
(220) 2010 11 30  
(732) SH.P.S "BERTA"  
Gorgasalis q. N115, 0114, Tbilisi, Georgia

---

(111) M 2012 022175 R  
(151) 2011 12 29  
(181) 2021 12 29  
(260) AM 2011 60420 A  
(220) 2010 11 30  
(732) SH.P.S "BERTA"  
Gorgasalis q. N115, 0114, Tbilisi, Georgia

---

(111) M 2012 022176 R  
(151) 2011 12 29  
(181) 2021 12 29  
(260) AM 2011 60422 A  
(220) 2010 11 30  
(732) Sh.P.S "KASTELI-SAQARTVELO"  
Kakhetis gzatketsili, Lilos ludis qarkhana,  
0151, Tbilisi, Georgia

---

(111) M 2012 022177 R  
(151) 2011 12 29  
(181) 2021 12 29  
(260) AM 2011 60443 A  
(220) 2010 12 01  
(732) E! ENTERTAINMENT TELEVISION, INC.  
5750 Wilshire Blvd., Los Angeles, CA 90036,  
USA

---

(111) M 2012 022178 R  
(151) 2011 12 29  
(181) 2021 12 29  
(260) AM 2011 60595 A  
(220) 2010 12 13  
(732) HIPPI & CO.  
Brünigstrasse 141, CH-6072 Sachseln,  
Switzerland

---

(111) M 2012 022184 R  
(151) 2011 12 29  
(181) 2021 12 29  
(260) AM 2011 60848 A  
(220) 2011 01 14  
(732) SH.P.S "STUDIA PULSI"  
Bakhtionis q. korpusi I, bina 57, 0194,  
Tbilisi, Georgia

---

(111) M 2012 022179 R  
(151) 2011 12 29  
(181) 2021 12 29  
(260) AM 2011 60597 A  
(220) 2010 12 14  
(732) SH.P.S "MAKNATUNA"  
Ninoshvilis Ishes., N6, 4600, Qutaisi,  
Georgia

---

(111) M 2012 022185 R  
(151) 2011 12 29  
(181) 2021 12 29  
(260) AM 2011 60853 A  
(220) 2011 01 17  
(732) AMGEN INC.  
One Amgen Center Drive, Thousand Oaks,  
California 91320-1799, USA

---

(111) M 2012 022180 R  
(151) 2011 12 29  
(181) 2021 12 29  
(260) AM 2011 60607 A  
(220) 2010 12 16  
(732) SH.P.S "KORPORATSIA QARTULI  
GVINO"  
S. Chiqovanis q. N35, 0171, Tbilisi, Georgia

---

(111) M 2012 022186 R  
(151) 2011 12 29  
(181) 2021 12 29  
(260) –  
(220) 2011 10 17  
(732) RAUTARUUKKI OYJ  
Suolakivenkatu 1, 00810 Helsinki, Finland

---

(111) M 2012 022181 R  
(151) 2011 12 29  
(181) 2021 12 29  
(260) AM 2011 60768 A  
(220) 2010 12 29  
(732) SH.P.S NUGESHI  
Akaki Tseretlis gamz. 117, Georgia

---

(111) M 2012 022182 R  
(151) 2011 12 29  
(181) 2021 12 29  
(260) AM 2011 60772 A  
(220) 2010 12 29  
(732) OOO "Kompaniya Prodimpeks"  
ul. Sadovnicheskaya d. 76/71, str.2, 113035  
Moscow, Russian Federation

---

(111) M 2012 022183 R  
(151) 2011 12 29  
(181) 2021 12 29  
(260) AM 2011 60801 A  
(220) 2010 12 30  
(732) HMY Group  
50 Route d'Auxerre, 89470 Monéteau, France

---

---

## TRADEMARKS REGISTERED ACCORDING TO THE ACCELERATED PROCEDURE

To file an appeal on request of the registration cancelling is possible at Chamber of Appeal of Sakpatenti within 3 months from the publication.

(111) M 2012 22121 R  
(151) 2011 12 27  
(181) 2021 12 27  
(220) 2011 12 13  
(732) THE COCA-COLA COMPANY  
One Coca-Cola Plaza, Atlanta, Georgia  
30313, USA  
(740) Alexander Gegechkori  
(540)



(591) Black, white  
(531) 11.03.01-11.03.04-11.03.20-26.01.16-  
26.04.10-26.04.16-  
(526) **Disclaimer** – Word combination "GEORGIA"  
in the trademark shall not be subject to  
independent protection.  
(511) 30

---

(111) M 2012 22187 R  
(151) 2011 12 29  
(181) 2021 12 29  
(220) 2011 12 05  
(732) OBSHCHESTVO S OGRANICHENNOI  
OTVETSTVENNOSTYU "SPIKA"  
Ul. bakinskaia 13, kv.13, RU-115516,  
Moscow, Russian Federation  
(740) Davit Zurabishvili  
(540)

### BALALAIKA

(591) Black, white  
(531) 27.05.05-  
(511) 33

---

(111) M 2012 22188 R  
(151) 2011 12 29  
(181) 2021 12 29  
(220) 2011 12 05  
(732) SH.P.S "STUDIA MAESTR"  
Didgoris q. 68, Sof. digomi, Georgia

(740) George Meipariani  
(540)

### მამისტრო MAESTRO

(591) Black, white  
(511) 35, 38

---

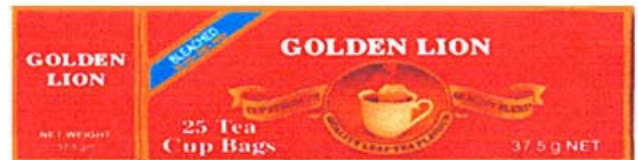
(111) M 2012 22189 R  
(151) 2012 01 04  
(181) 2022 01 04  
(220) 2011 12 14  
(732) SH.P.S "INTELKOM JGUFI"  
Belinskis 39, 0108, Tbilisi, Georgia  
(540)

### PayNet

(591) Cornelian cherry, dark grey  
(531) 27.05.17-29.01.12-  
(511) 36

---

(111) M 2012 22190 R  
(151) 2012 01 11  
(181) 2022 01 11  
(220) 2011 12 28  
(732) SH.P.S "OQROS LOMI XXI"  
Sofeli Angisa, 6000, Khelvachauris raioni,  
Georgia  
(540)



(591) Red, yellow, white, blue, brown  
(531) 11.03.04-25.01.01-25.01.05-27.05.24-  
29.01.14-  
(526) **Disclaimer** – The trademark is protected as a  
whole, without "GOLDEN LION" all other  
word combinations shall not be subject to  
independent protection.  
(511) 30

---

(111) AM 2012 22191 R  
(151) 2012 01 11  
(181) 2022 01 11  
(220) 2011 12 23  
(732) HARRINGTON DEVELOPMENT INC.  
Arango-Orillac Bldg., East 54th street,  
Panama  
(740) Givi Akopashvili  
(540)

**VERSU**

(591) Black, white  
(531) 27.05.17-  
(511) 34

---

(111) AM 2012 22192 R  
(151) 2012 01 11  
(181) 2022 01 11  
(220) 2011 12 15  
(732) PANDUIT CORP.  
18900 Panduit Drive, Tinley Park, Illinois  
60487, USA  
(740) Shalva Gvaramadze  
(540)

**PANDUIT**

(591) Black, white  
(511) 8, 9

---

---

## INTERNATIONAL TRADEMARKS LAID OPEN FOR THE PURPOSE OF TAKING PROTECTION GRANTING DECISIONS

To appeal a decision is possible at Chamber of Appeal of Sakpatenti within 3 months from the publication or at The Board of Administrative Actions of Tbilisi City Court within a 1 month period. (Address: 12 km., №6, David Aghmashenebeli Kheivani, Tbilisi).

(260) AM 2012 60615 A  
(800) 1057612  
(731) THE TRUSTEES OF THE PWC BUSINESS  
TRUST  
300 Madison Avenue New York,  
NY 10017, USA  
(540)



(591) Black, white  
(511) 41, 42, 45

---

(260) AM 2012 61716 A  
(800) 1067845  
(731) MAXIM Markenprodukte GmbH & Co. KG  
Donatusstrasse 112, 50259 Pulheim, Germany  
(540)

**MIRO**

(591) Black, white  
(511) 20

---

(260) AM 2012 61717 A  
(800) 1067859  
(731) BESINS HEALTHCARE LUXEMBOURG  
S.A.R.L.  
67 blvd Grande-Duchesse Charlotte, L-1331  
LUXEMBOURG, Luxembourg  
(540)

**BESINS**

(591) Black, white  
(511) 05

---

(260) AM 2011 62588 A  
(800) 1075095  
(731) DECATHLON  
4 boulevard de Mons, F-59650  
VILLENEUVE D'ASCQ, France

(540)



(591) Black, white  
(511) 09, 18, 28, 41

---

(260) AM 2012 59913 A\*  
(800) 890965  
(731) FICOSOTA SYNTEZ OOD  
Madara Blvd. 48, BG-9701 SHUMEN,  
Bulgaria  
(540)

**PUFIES**

(591) Black, white  
(511) 05, 16

---

(260) AM 2012 60869 A\*  
(800) 687652  
(731) EGIS Gyógyszergyár Nyilvánosan Működő  
Részvénytársaság  
Kereszturi ut. 30-38, H-1106 Budapest,  
Hungary  
(540)

**ANGEDIL**

(591) Black, white  
(511) 05

---

---

## INTERNATIONAL TRADEMARKS PROTECTED IN GEORGIA

(260) AM 2012 58821 A  
(800) 1042151  
(151) 2010 04 14  
(181) 2020 04 14  
(511) 32, 33

---

(260) AM 2012 59003 A  
(800) 1043658  
(151) 2010 05 21  
(181) 2020 05 21  
(511) 12, 37, 42

---

(260) AM 2012 59028 A  
(800) 1044020  
(151) 2010 05 21  
(181) 2020 05 21  
(511) 12, 37, 42

---

(260) AM 2012 59262 A  
(800) 1045063  
(151) 2010 06 29  
(181) 2020 06 29  
(511) 02, 09, 16

---

(260) AM 2012 59305 A  
(800) 1045435  
(151) 2010 02 26  
(181) 2020 02 26  
(511) 35, 36, 41

---

(260) AM 2012 60466 A  
(800) 1055662  
(151) 2010 08 11  
(181) 2020 08 11  
(511) 10, 12, 20, 21, 24, 25, 28, 35

---

(260) AM 2012 60796 A  
(800) 1059169  
(151) 2010 10 26  
(181) 2020 10 26  
(511) 10

---

(260) AM 2012 61157 A  
(800) 945156  
(151) 2007 10 19

(181) 2017 10 19  
(511) 30, 32, 33, 43

---

(260) AM 2012 61158 A  
(800) 980895  
(151) 2008 05 20  
(181) 2018 05 20  
(511) 06, 07, 09, 17, 20

---

(260) AM 2012 61159 A  
(800) 994324  
(151) 2009 01 20  
(181) 2019 01 20  
(511) 01, 05

---

(260) AM 2012 61160 A  
(800) 1018436  
(151) 2009 09 29  
(181) 2019 09 29  
(511) 05

---

(260) AM 2012 61161 A  
(800) 1018564  
(151) 2009 09 29  
(181) 2019 09 29  
(511) 05

---

(260) AM 2012 61162 A  
(800) 1040255  
(151) 2009 11 13  
(181) 2019 11 13  
(511) 07, 11, 17, 21

---

(260) AM 2012 61165 A  
(800) 1055054  
(151) 2010 06 23  
(181) 2020 06 23  
(511) 07, 08

---

(260) AM 2012 61166 A  
(800) 1062060  
(151) 2010 12 08  
(181) 2020 12 08  
(511) 05

---

## TRADEMARKS

---

(260) AM 2012 61167 A  
(800) 1062291  
(151) 2010 09 29  
(181) 2020 09 29  
(511) 03

---

(260) AM 2012 61168 A  
(800) 1062368  
(151) 2010 07 09  
(181) 2020 07 09  
(511) 05, 08, 10

---

(260) AM 2012 61169 A  
(800) 1062415  
(151) 2010 11 10  
(181) 2020 11 10  
(511) 32, 33, 41

---

(260) AM 2012 61170 A  
(800) 1062426  
(151) 2010 11 30  
(181) 2020 11 30  
(511) 36, 42

---

(260) AM 2012 61171 A  
(800) 1062427  
(151) 2010 11 30  
(181) 2020 11 30  
(511) 36, 42

---

(260) AM 2012 61172 A  
(800) 1062433  
(151) 2010 12 21  
(181) 2020 12 21  
(511) 34

---

(260) AM 2012 61290 A  
(800) 1063664  
(151) 2010 11 04  
(181) 2020 11 04  
(511) 33

---

(260) AM 2012 61291 A  
(800) 1063665  
(151) 2010 11 04  
(181) 2020 11 04  
(511) 33

---

(260) AM 2012 61292 A  
(800) 1063690  
(151) 2010 10 12  
(181) 2020 10 12  
(511) 04, 07, 09

---

(260) AM 2012 61295 A  
(800) 1063694  
(151) 2010 12 10  
(181) 2020 12 10  
(511) 29

---

(260) AM 2012 61302 A  
(800) 1063751  
(151) 2010 11 18  
(181) 2020 11 18  
(511) 18, 35

---

(260) AM 2012 61303 A  
(800) 1063791  
(151) 2010 05 12  
(181) 2020 05 12  
(511) 06, 11

---

(260) AM 2012 61308 A  
(800) 1063826  
(151) 2009 10 02  
(181) 2019 10 02  
(511) 09, 16, 35, 36, 37, 38, 39, 40, 41, 42, 43,  
44, 45

---

# OFFICIAL NOTIFICATIONS

## INVENTIONS

### TRANSFER OF RIGHTS

( IV quarter of 2011 years)

NUMBER OF PATENT	OLD PATENTOWNERS (TRANSFER OF RIGHTS)	NEW PATENTOWNERS (RECIPIENT OF RIGHTS)	DATE OF TRANSFER
1	2	3	4
5072/1	ОТКРИТОЕ АКТСИОНЕРНОЕ ОБСШЕСТВО "ЕФИРНОЕ" Russian Federation, 309850, Belgorodskaja oblast, Aleksievka, ul. Frunze, d.2 RU	ОБЩЕСТВО С ОГРАНИЧЕННОЙ ОТВЕТСТВЕННОСТЬЮ КООРДИНИРУЮЩИЙ РАСПРЕДЕЛИТЕЛЬНЫЙ ЦЕНТР "ЭФКО-КАСКАД" РОССИЯ, 309850, БЕЛГОРОДСКАЯ ОБЛАСТЬ Г. АЛЕКСИЕВКА УЛ. ФРУНЗЕ Д. 4 RU	15.09.2011
4004/1	Arthur, Benjamin O'CONNOR Cnr Brook and Barkley Streets, Sunbury, Victoria 3141, AU	Hush Wind Energy Limited Prospect Chambers, Prospect Hill, Douglas, Isle of Man, IM1 1ET, British Isles, GB	02.11.2011
4004/1	TRANSWORLD GROUP LIMITED Prospect Chambers, Prospect Hill, Douglas, Isle of Man, IM1 1ET, British Isles GB, GB	Hush Wind Energy Limited Prospect Chambers, Prospect Hill, Douglas, Isle of Man, IM1 1ET, British Isles, GB	16.11.2011
2015/1	Ethypharm (ES) Centro Colon, Marques de la Ensenada, 16, E-24004 Madrid (ES)	Ethypharm (FR) 194 Bureaux De La Colline, Batiment D 92213 Saint Cloud Cedex 21 rue saint methius 78500, Haudan, FR	28.11.2011
4273/1	I. KUTATELADZE INSTITUTE OF PHARMACOCHEMISTRY P.Sarajishvili str. 36, 0159, Tbilisi, GE	SSIP Tbilisi Sakhelmcipo Samedicino Universiteti Vazha-Pshavela ave. 33, 0177, Tbilisi, GE	20.12.2011
4287/1	I. KUTATELADZE INSTITUTE OF PHARMACOCHEMISTRY P.Sarajishvili str. 36, 0159, Tbilisi, GE	SSIP Tbilisi Sakhelmcipo Samedicino Universiteti Vazha-Pshavela ave. 33, 0177, Tbilisi, GE	22.12.2011
1395/2	I. KUTATELADZE INSTITUTE OF PHARMACOCHEMISTRY P.Sarajishvili str. 36, 0159, Tbilisi, GE	SSIP Tbilisi Sakhelmcipo Samedicino Universiteti Vazha-Pshavela ave. 33, 0177, Tbilisi, GE	22.12.2011
	I. KUTATELADZE INSTITUTE OF PHARMA- COHEMISTRY P.Sarajishvili str. 36, 0159, Tbilisi, GE Aliosha Bakuridze Janashia str. 30/55, 0179, Tbilisi, GE;	SSIP Tbilisi Sakhelmcipo Samedicino Universiteti Vazha-Pshavela ave. 33, 0177, Tbilisi, GE; Aliosha Bakuridze Janashia str. 30/55, 0179, Tbilisi, GE;	



1	2	3	4
1402/2	Lali Kintsurashvili Vazha-Pshavela av. 36, ap. 97, 0177, Tbilisi, GE; Valentina Vachnadze Digmis mas. IV kvart. 17 korp., ap. 51, 0159, Tbilisi, GE	Valentina Vachnadze Digmis mas. IV kvart. 17 korp., ap. 51, 0159, Tbilisi, GE; Lali Kintsurashvili Vazha-Pshavela av. 36, ap. 97, 0177, Tbilisi, GE	22.12.2011
1656/2	SSIFI Iovel Kutateladzis Farmakoqimiis Instituti P.Sarajishvili str. 36, 0159, Tbilisi, GE	SSIP Tbilisis Sakhelmcipo Samedicino Universiteti Vazha-Pshavela ave. 33, 0177, Tbilisi, GE	22.12.2011
1643/2	I. KUTATELADZE INSTITUTE OF PHARMA- COCHEMISTRY P.Sarajishvili str. 36, 0159, Tbilisi, GE	SSIP Tbilisis Sakhelmcipo Samedicino Universiteti Vazha-Pshavela ave. 33, 0177, Tbilisi, GE	22.12.2011
1655/2	I. KUTATELADZE INSTITUTE OF PHARMA- COCHEMISTRY P.Sarajishvili str. 36, 0159, Tbilisi, GE	SSIP Tbilisis Sakhelmcipo Samedicino Universiteti Vazha-Pshavela ave. 33, 0177, Tbilisi, GE	22.12.2011
1570/2	SSIFI Iovel Kutateladzis Farmakoqimiis Instituti P.Sarajishvili str. 36, 0159, Tbilisi, GE	SSIP Tbilisis Sakhelmcipo Samedicino Universiteti Vazha-Pshavela ave. 33, 0177, Tbilisi, GE	22.12.2011
1390/2	I. KUTATELADZE INSTITUTE OF PHARMA- COCHEMISTRY P.Sarajishvili str. 36, 0159, Tbilisi, GE	SSIP Tbilisis Sakhelmcipo Samedicino Universiteti Vazha-Pshavela ave. 33, 0177, Tbilisi, GE	29.12.2011

**CHANGES IN NAMES AND/OR ADDRESSES OF OWNERS**

( IV quarter of 2011 years)

NUMBER OF PATENT	OLD NAMES AND/OR ADDRESSES	NEW NAMES AND/OR ADDRESSES	DATE OF CHANGES
2015/1	ETHYPHARM 21 rew Sent Methius 78500, Haudan, FR	ETHYPHARM 194 Bureaux De La Colline, Batiment D 92213 Saint Cloud Cedex, FR	28.11.2011
5244/1	BIOGREEN A/S Jernbanegade 27, 6000 Kolding, DK	BIOGREEN A/S Essen 27/B, 6000 Kolding, DK	28.12.2011

**PATENTS, FOR WHICH A DECISION HAS BEEN TAKEN  
ABOUT THEIR TERMINATION**

(Condition to 1 januari 2012 years)

№	NUMBER OF PATENT	1	2
1	2	46	2694
1	1003(4831093)	47	2965
2	1007(4830528)	48	312(1373321)
3	1016(2039049)	49	313(1507211)
4	1025(4203570)	50	316(1272989)
5	1035(5010153)	51	330(4356324)
6	1042(4613604)	52	342(4355988)
7	1056(1190974)	53	343(1452470)
8	1057(1233807)	54	344(1449005)
9	1058(1131481)	55	346(1482536)
10	1168(4895495)	56	347(738491)
11	1255(1694063)	57	412(686596)
12	1256(1375113)	58	413(1111674)
13	1257(1225483)	59	426(1831300)
14	1259(1706381)	60	427(1558291)
15	1267	61	439(4894792)
16	1269	62	457(1757455)
17	1274	63	468(1468414)
18	1388	64	469(1694062)
19	1389	65	470(1055331)
20	1391	66	474(1616520)
21	1392	67	475(852175)
22	1482	68	476(799666)
23	1534	69	482(1063293)
24	1558	70	483(1344252)
25	1565	71	484(4355888)
26	1569(1340588)	72	493(841616)
27	1599	73	519(1414319)
28	1604	74	520(1192595)
29	1639	75	521(1595329)
30	1705	76	523(1575929)
31	1824	77	524(1389667)
32	1868	78	526(1074398)
33	193(1717065)	79	527(1658809)
34	194(1059713)	80	528(1724000)
35	2001	81	529(1039436)
36	2058	82	530(932986)
37	207(659082)	83	533(1407388)
38	2073	84	536(1554772)
39	2164	85	617(1241985)
40	2210	86	622(1135433)
41	2417	87	632(4202176)
42	242(651693)	88	638(4802400)
43	250(5001358)	89	641(1447284)
44	2681	90	642(1697591)
45	2693	91	650(1145909)
		92	651(1812954)

1	2
93	655(850003)
94	658(1809754)
95	660(1031060)
96	663(795458)
97	665(1764515)
98	666(932991)
99	667(876056)
100	765(5001036)
101	774(1327791)
102	775(1801118)
103	783(822754)
104	785(1205773)
105	789(1443797)
106	803(927119)
107	805(607546)
108	806(1723994)
109	807(803845)

1	2
110	808(1431660)
111	810(1780498)
112	813(1627088)
113	820(1524807)
114	823(1828400)
115	834(1324585)
116	889(5052358)
117	908(16341380)
118	921(1621809)
119	922(5001424)
120	925(5001693)
121	927(4895666)
122	928(4894717)
123	929(5052834)
124	937(1190990)
125	942(797540)
126	943(1153827)

**UTILITY MODELS**  
(Condition to 1 januari of 2012 years)

№	NUMBER OF PATENT
	2
1	1008
2	1019
3	1020
4	1021
5	1037
6	1040
7	185
8	187
9	221
10	222
11	237
12	247
13	259
14	260
15	27
16	300
17	319
18	320
19	340
20	353
21	364
22	365
23	372
24	388
25	409
26	414
27	444

1	2
28	500
29	501
30	503
31	504
32	512
33	519
34	521
35	535
36	579
37	587
38	595
39	600
40	601
41	602
42	637
43	653
44	655
45	662
46	664
47	670
48	671
49	674
50	682
51	683
52	684
53	685
54	686
55	687
56	688

1	2
57	700
58	738
59	739
60	757
61	759
62	787
63	792
64	799
65	802
66	810
67	812
68	835
69	855
70	862
71	863
72	865

1	2
73	868
74	882
75	901
76	936
77	962
78	963
79	972
80	974
81	978
82	979
83	981
84	993
85	994
86	996
87	997
88	999

## DESIGNS

(Condition to 1 januari of 2012 years)

№	NUMBER OF PATENT
1	19(22909)
2	20(21687)
3	22(37902)
4	23(19227)

### DESIGNS REGISTERED WITH THE INTERNATIONAL BUREAU UNDER THE HAGUE AGREEMENT, WHICH HAVE BECOME INVALID ON THE TERRITORY OF GEORGIA

1. DM/067584
2. DM/067662
3. DM/067674
4. DM/067689
5. DM/067700
6. DM/067704
7. DM/067886
8. DM/067762
9. DM/067891
10. DM/067948
11. DM/068124

## TRADEMARKS

### RENEWAL OF REGISTRATIONS

(111) M 2001 14019 R1  
(156) 2011 12 16  
(186) 2021 10 01  
(732) Sh.P.S. "ILIONI"  
Takaishvilis q. 80, 6000, Batumi, Georgia

---

(111) M 2001 14165 R1  
(156) 2011 12 04  
(186) 2021 12 04  
(732) CELADOR INTERNATIONAL LIMITED  
39 Long Acre, London WC2E 9LG,  
United Kingdom

---

(111) M 2001 14218 R1  
(156) 2011 12 17  
(186) 2021 12 17  
(732) THE GILLETTE COMPANY  
One Gillette Park, Boston, Massachusetts  
02127, USA

---

(111) M 2002 14243 R1  
(156) 2012 01 08  
(186) 2022 01 08  
(732) UNILEVER N.V.  
Weena 455, NL-3013 AL Rotterdam,  
Netherlands

---

(111) M 2002 14266 R1  
(156) 2012 01 18  
(186) 2022 01 18  
(732) KRAFT FOODS GLOBAL BRANDS LLC  
Three Lakes Drive, Northfield, Illinois 60093,  
USA

---

(111) M 2002 14426 R1  
(156) 2012 04 26  
(186) 2022 04 26  
(732) PEPSICO, INC. A NORTH CAROLINA  
CORPORATION  
700 Anderson Hill Road, Purchase, New  
York 10577, USA

---

(111) M 2002 14427 R1  
(156) 2012 04 26  
(186) 2022 04 26  
(732) PEPSICO, INC. A NORTH CAROLINA  
CORPORATION  
700 Anderson Hill Road, Purchase, New  
York 10577, USA

---

(111) M 2002 14509 R1  
(156) 2012 06 13  
(186) 2022 06 13  
(732) UNILEVER N.V.  
Weena 455, NL-3013 AL Rotterdam,  
Netherlands

---

(111) M 2002 14531 R1  
(156) 2012 06 13  
(186) 2022 06 13  
(732) SMITHKLINE BEECHAM (CORK)  
LIMITED  
Currabinny, Carrigaline, County Cork,  
Ireland

---

(111) M 2002 14533 R1  
(156) 2012 06 13  
(186) 2022 06 13  
(732) UNILEVER N.V.  
Weena 455, NL-3013 AL Rotterdam,  
Netherlands

---

(111) M 2002 14560 R1  
(156) 2012 07 29  
(186) 2022 07 29  
(732) UNILEVER N.V.  
Weena 455, NL-3013 AL Rotterdam,  
Netherlands

---

(111) M 2002 14628 R1  
(156) 2012 09 13  
(186) 2022 09 13  
(732) GLAXOSMITHKLINE

BIOLOGICALS S.A.  
Rue de l'Institut 89, B-1330 Rixensart,  
Belgium

---

(111) M 2002 14676 R1  
(156) 2012 09 13  
(186) 2022 09 13  
(732) UNILEVER N.V.  
Weena 455, NL-3013 AL Rotterdam,  
Netherlands

---

(111) M 2002 14847 R1  
(156) 2012 12 12  
(186) 2022 12 12  
(732) PEPSICO, INC. (A NORTH CAROLINA  
CORPORATION)  
700 Anderson Hill Road, Purchase, New  
York 10577, USA

---

(111) M 2002 14848 R1  
(156) 2012 12 12  
(186) 2022 12 12  
(732) PEPSICO, INC. (A NORTH CAROLINA  
CORPORATION)  
700 Anderson Hill Road, Purchase, New  
York 10577, USA

---

(111) M 2002 14849 R1  
(156) 2012 12 12  
(186) 2022 12 12  
(732) PEPSICO, INC. (A NORTH CAROLINA  
CORPORATION)  
700 Anderson Hill Road, Purchase, New  
York 10577, USA

---

COMPLETE TRANSFER OF RIGHTS

(111) M 2005 015853 R  
(732) SH.P.S "SUPER TV"  
Gldanis satskhovrebeli raioni kartfabrikis  
mimdebared, 0167, Tbilisi, Georgia  
(770) SH.P.S. "AIETI"  
Quchishvilis q., 6, 0179, Tbilisi, Georgia  
(580) 2012 01 03

---

(111) M 2010 020773 R  
(732) MEIJI HOLDINGS Co., LTD.  
4-16, Kyobashi 2-chome, Chuo-ku, Tokyo,  
Japan  
(770) MEIJI SEIKA PHARMA CO., LTD.  
4-16, Kyobashi 2-chome, Chuo-ku, Tokyo,  
Japan  
(580) 2012 01 03

---

(111) M 2011 021128 R  
(732) GEDEVAN BABUNASHVILI  
Mujirishvilis q.N7 (Babiskhevis 7), 0103,  
Tbilisi, Georgia  
(770) BABUNASHVILI GEDEVAN  
Mujirishvilis q.N7 (babiskhevis 7), 0103,  
Tbilisi, Georgia  
(580) 2011 10 05

---

(111) M 2011 021731 R  
(732) RCF S.p.A.  
Via Raffaello, 13, 42124, Rejio Emilia, Italy  
(770) LTD "SMART HOUSE & OFFICE"  
Nutsbidze str. 221, korp. 4, ap. 50, 0186,  
Tbilisi, Georgia  
(580) 2011 12 16

---

## CHANGES IN NAMES AND/OR ADDRESSES OF OWNERS

(111) M 1998 010206 R1  
(732) FRANKE TECHNOLOGY AND  
TRADEMARK LTD  
Sonnenbergstrasse 9, CH-6052 Hergiswil,  
Switzerland  
(770) NIRO-PLAN AG  
Dorfbachstrasse 2, CH-4663 Aarburg,  
Switzerland  
(580) 2012 01 03

---

(111) M 2003 015191 R  
(732) WYETH LLC  
Five Giralda Farms, Madison, New Jersey,  
07940, USA  
(770) WYETH (a Delaware Corporation)  
Five Giralda Farms, Madison, New Jersey  
07940, USA  
(580) 2011 12 16

---

(111) M 2003 015193 R  
(732) WYETH LLC  
Five Giralda Farms, Madison, New Jersey,  
07940, USA  
(770) WYETH (a Delaware Corporation)  
Five Giralda Farms, Madison, New Jersey  
07940, USA  
(580) 2011 12 16

---

(111) M 2004 015477 R  
(732) WYETH LLC  
Five Giralda Farms, Madison, New Jersey,  
07940, USA  
(770) WYETH (a Delaware Corporation)  
Five Giralda Farms, Madison, New Jersey  
07940, USA  
(580) 2011 12 16

---

(111) M 2004 015570 R  
(732) WYETH LLC  
Five Giralda Farms, Madison, New Jersey,  
07940, USA  
(770) WYETH (a Delaware Corporation)  
Five Giralda Farms, Madison, New Jersey  
07940, USA  
(580) 2011 12 16

---

(111) M 2004 015712 R  
(732) WYETH LLC  
Five Giralda Farms, Madison, New Jersey,  
07940, USA  
(770) WYETH  
Five Giralda Farms, Madison, New Jersey  
07940, USA  
(580) 2011 12 16

---

(111) M 2004 015713 R  
(732) WYETH LLC  
Five Giralda Farms, Madison, New Jersey,  
07940, USA  
(770) WYETH  
Five Giralda Farms, Madison, New Jersey  
07940, USA  
(580) 2011 12 16

---

(111) M 2005 015826 R  
(732) WYETH LLC  
Five Giralda Farms, Madison, New Jersey,  
07940, USA  
(770) WYETH  
Five Giralda Farms, Madison, New Jersey  
07940, USA  
(580) 2011 12 16

---

(111) M 2005 016199 R  
(732) WYETH LLC  
Five Giralda Farms, Madison, New Jersey,  
07940, USA  
(770) WYETH  
Five Giralda Farms, Madison, New Jersey  
07940, USA  
(580) 2011 12 16

---

(111) M 2005 016200 R  
(732) WYETH LLC  
Five Giralda Farms, Madison, New Jersey,  
07940, USA  
(770) WYETH  
Five Giralda Farms, Madison, New Jersey  
07940, USA  
(580) 2011 12 16

---



(111) M 2006 016599 R  
(732) WYETH LLC  
Five Giralda Farms, Madison, New Jersey,  
07940, USA  
(770) WYETH  
Five Giralda Farms, Madison, New Jersey  
07940, USA  
(580) 2011 12 16

---

(111) M 2006 016600 R  
(732) WYETH LLC  
Five Giralda Farms, Madison, New Jersey,  
07940, USA  
(770) WYETH  
Five Giralda Farms, Madison, New Jersey  
07940, USA  
(580) 2011 12 16

---

(111) M 2006 016601 R  
(732) WYETH LLC  
Five Giralda Farms, Madison, New Jersey,  
07940, USA  
(770) WYETH  
Five Giralda Farms, Madison, New Jersey  
07940, USA  
(580) 2011 12 16

---

(111) M 2006 016602 R  
(732) WYETH LLC  
Five Giralda Farms, Madison, New Jersey,  
07940, USA  
(770) WYETH  
Five Giralda Farms, Madison, New Jersey  
07940, USA  
(580) 2011 12 16

---

(111) M 2006 016603 R  
(732) WYETH LLC  
Five Giralda Farms, Madison, New Jersey,  
07940, USA  
(770) WYETH  
Five Giralda Farms, Madison, New Jersey  
07940, USA  
(580) 2011 12 16

---

(111) M 2006 016663 R  
(732) WYETH LLC  
Five Giralda Farms, Madison, New Jersey,  
07940, USA  
(770) WYETH  
Five Giralda Farms, Madison, New Jersey  
07940, USA  
(580) 2011 12 16

---

(111) M 2006 016668 R  
(732) WYETH LLC  
Five Giralda Farms, Madison, New Jersey,  
07940, USA  
(770) WYETH  
Five Giralda Farms, Madison, New Jersey  
07940, USA  
(580) 2011 12 16

---

(111) M 2006 016796 R  
(732) WYETH LLC  
Five Giralda Farms, Madison, New Jersey,  
07940, USA  
(770) WYETH  
Five Giralda Farms, Madison, New Jersey  
07940, USA  
(580) 2011 12 16

---

(111) M 2007 017224 R  
(732) WYETH LLC  
Five Giralda Farms, Madison, New Jersey,  
07940, USA  
(770) WYETH  
Five Giralda Farms, Madison, New Jersey  
07940, USA  
(580) 2011 12 16

---

(111) M 2007 017774 R  
(732) WYETH LLC  
Five Giralda Farms, Madison, New Jersey,  
07940, USA  
(770) WYETH  
Five Giralda Farms, Madison, New Jersey  
07940, USA  
(580) 2011 12 16

---

(111) M 2007 017775 R  
(732) WYETH LLC  
Five Giralda Farms, Madison, New Jersey,  
07940, USA  
(770) WYETH  
Five Giralda Farms, Madison, New Jersey  
07940, USA  
(580) 2011 12 16

---

(111) M 2007 017814 R  
(732) WYETH LLC  
Five Giralda Farms, Madison, New Jersey,  
07940, USA  
(770) WYETH  
Five Giralda Farms, Madison, New Jersey  
07940, USA  
(580) 2011 12 16

---

(111) M 2007 017815 R  
 (732) WYETH LLC  
 Five Giralda Farms, Madison, New Jersey,  
 07940, USA  
 (770) WYETH  
 Five Giralda Farms, Madison, New Jersey  
 07940, USA  
 (580) 2011 12 16

(111) M 2008 018423 R  
 (732) WYETH LLC  
 Five Giralda Farms, Madison, New Jersey,  
 07940, USA  
 (770) WYETH  
 Five Giralda Farms, Madison, New Jersey  
 07940, USA  
 (580) 2011 12 16

(111) M 2007 017816 R  
 (732) WYETH LLC  
 Five Giralda Farms, Madison, New Jersey,  
 07940, USA  
 (770) WYETH  
 Five Giralda Farms, Madison, New Jersey  
 07940, USA  
 (580) 2011 12 16

(111) M 2008 018424 R  
 (732) WYETH LLC  
 Five Giralda Farms, Madison, New Jersey,  
 07940, USA  
 (770) WYETH  
 Five Giralda Farms, Madison, New Jersey  
 07940, USA  
 (580) 2011 12 16

(111) M 2007 017817 R  
 (732) WYETH LLC  
 Five Giralda Farms, Madison, New Jersey,  
 07940, USA  
 (770) WYETH  
 Five Giralda Farms, Madison, New Jersey  
 07940, USA  
 (580) 2011 12 16

(111) M 2008 018425 R  
 (732) WYETH LLC  
 Five Giralda Farms, Madison, New Jersey,  
 07940, USA  
 (770) WYETH  
 Five Giralda Farms, Madison, New Jersey  
 07940, USA  
 (580) 2011 12 16

(111) M 2008 018372 R  
 (732) WYETH LLC  
 Five Giralda Farms, Madison, New Jersey,  
 07940, USA  
 (770) WYETH  
 Five Giralda Farms, Madison, New Jersey  
 07940, USA  
 (580) 2011 12 16

(111) M 2008 018887 R  
 (732) WYETH LLC  
 Five Giralda Farms, Madison, New Jersey,  
 07940, USA  
 (770) WYETH  
 Five Giralda Farms, Madison, New Jersey  
 07940, USA  
 (580) 2011 12 16

(111) M 2008 018421 R  
 (732) WYETH LLC  
 Five Giralda Farms, Madison, New Jersey,  
 07940, USA  
 (770) WYETH  
 Five Giralda Farms, Madison, New Jersey  
 07940, USA  
 (580) 2011 12 16

(111) M 2008 018944 R  
 (732) KAREN VARDANIANI  
 Baironis q.3, bina 36, Erevani, Armenia  
 (770) VARDANYAN KAREN  
 N. Dumani 1, App.76, Yerevan, Armenia  
 (580) 2011-12-30

(111) M 2008 018422 R  
 (732) WYETH LLC  
 Five Giralda Farms, Madison, New Jersey,  
 07940, USA  
 (770) WYETH  
 Five Giralda Farms, Madison, New Jersey  
 07940, USA  
 (580) 2011 12 16

(111) M 2008 018945 R  
 (732) KAREN VARDANIANI  
 Baironis q.3, bina 36, Erevani, Armenia  
 (770) VARDANYAN KAREN  
 N. Dumani 1, App.76, Yerevan, Armenia  
 (580) 2011-12-30

(111) M 2009 019095 R  
 (732) WYETH LLC  
 Five Giralda Farms, Madison, New Jersey,

(111) M 2009 019095 R  
 (732) WYETH LLC  
 Five Giralda Farms, Madison, New Jersey,

07940, USA  
(770) WYETH  
Five Giralda Farms, Madison, New Jersey  
07940, USA  
(580) 2011 12 16

---

(111) M 2009 019432 R  
(732) WYETH LLC  
Five Giralda Farms, Madison, New Jersey,  
07940, USA  
(770) WYETH  
Five Giralda Farms, Madison, New Jersey  
07940, USA  
(580) 2011 12 16

---

(111) M 2009 019769 R  
(732) WYETH LLC  
Five Giralda Farms, Madison, New Jersey,  
07940, USA  
(770) WYETH  
Five Giralda Farms, Madison, New Jersey  
07940, USA  
(580) 2011 12 16

---

(111) M 2009 019895 R  
(732) WYETH LLC  
Five Giralda Farms, Madison, New Jersey,  
07940, USA  
(770) WYETH  
Five Giralda Farms, Madison, New Jersey  
07940, USA  
(580) 2011 12 16

---

(111) M 2009 019896 R  
(732) WYETH LLC  
Five Giralda Farms, Madison, New Jersey,  
07940, USA  
(770) WYETH  
Five Giralda Farms, Madison, New Jersey  
07940, USA  
(580) 2011 12 16

---

(111) M 2009 019897 R  
(732) WYETH LLC  
Five Giralda Farms, Madison, New Jersey,  
07940, USA  
(770) WYETH  
Five Giralda Farms, Madison, New Jersey  
07940, USA  
(580) 2011 12 16

---

(111) M 2009 019898 R  
(732) WYETH LLC  
Five Giralda Farms, Madison, New Jersey,  
07940, USA  
(770) WYETH  
Five Giralda Farms, Madison, New Jersey  
07940, USA  
(580) 2011 12 16

---

(111) M 2010 020362 R  
(732) UNIVERSAL CITI STUDIOS LLC  
100 Universal City Plaza, Universal City,  
California 91608, USA  
(770) UNIVERSAL CITY STUDIOS LLLP  
100 Universal City Plaza, Universal City,  
California 91608, USA  
(580) 2011 12 20

---

(111) M 2010 020537 R  
(732) WYETH LLC  
Five Giralda Farms, Madison, New Jersey,  
07940, USA  
(770) WYETH  
Five Giralda Farms, Madison, New Jersey  
07940, USA  
(580) 2011 12 16

---

(111) M 2010 020564 R  
(732) WYETH LLC  
Five Giralda Farms, Madison, New Jersey,  
07940, USA  
(770) WYETH  
Five Giralda Farms, Madison, New Jersey  
07940, USA  
(580) 2011 12 16

---

(111) M 2010 020565 R  
(732) WYETH LLC  
Five Giralda Farms, Madison, New Jersey,  
07940, USA  
(770) WYETH  
Five Giralda Farms, Madison, New Jersey  
07940, USA  
(580) 2011 12 16

---

(111) M 2010 020701 R  
(732) WYETH LLC  
Five Giralda Farms, Madison, New Jersey,  
07940, USA  
(770) WYETH

Five Giralda Farms, Madison, New Jersey  
07940, USA  
(580) 2011 12 16

---

(111) M 2010 020702 R  
(732) WYETH LLC  
Five Giralda Farms, Madison, New Jersey,  
07940, USA  
(770) WYETH  
Five Giralda Farms, Madison, New Jersey  
07940, USA  
(580) 2011 12 16

---

(111) M 2010 020705 R  
(732) WYETH LLC  
Five Giralda Farms, Madison, New Jersey,  
07940, USA  
(770) WYETH  
Five Giralda Farms, Madison, New Jersey  
07940, USA  
(580) 2011 12 16

---

(111) M 2010 020707 R  
(732) WYETH LLC  
Five Giralda Farms, Madison, New Jersey,  
07940, USA  
(770) WYETH  
Five Giralda Farms, Madison, New Jersey  
07940, USA  
(580) 2011 12 16

---

(111) M 2010 020708 R  
(732) WYETH LLC  
Five Giralda Farms, Madison, New Jersey,  
07940, USA  
(770) WYETH  
Five Giralda Farms, Madison, New Jersey  
07940, USA  
(580) 2011 12 16

---

(111) M 2010 020709 R  
(732) WYETH LLC  
Five Giralda Farms, Madison, New Jersey,  
07940, USA  
(770) WYETH  
Five Giralda Farms, Madison, New Jersey  
07940, USA  
(580) 2011 12 16

---

(111) M 2010 020710 R  
(732) WYETH LLC  
Five Giralda Farms, Madison, New Jersey,  
07940, USA  
(770) WYETH  
Five Giralda Farms, Madison, New Jersey  
07940, USA  
(580) 2011 12 16

---

(111) M 2010 020773 R  
(732) MEIJI SEIKA PHARMA CO., LTD.  
4-16, Kyobashi 2-chome, Chuo-ku,  
Tokyo, Japan  
(770) MEIJI SEIKA KAISHA, LTD.  
4-16, Kyobashi 2-chome, Chuo-ku,  
Tokyo, Japan  
(580) 2012-01-03

---

(111) M 2010 020935 R  
(732) WYETH LLC  
Five Giralda Farms, Madison, New Jersey,  
07940, USA  
(770) WYETH  
Five Giralda Farms, Madison, New Jersey  
07940, USA  
(580) 2011 12 16

---

(111) M 2010 020936 R  
(732) WYETH LLC  
Five Giralda Farms, Madison, New Jersey,  
07940, USA  
(770) WYETH  
Five Giralda Farms, Madison, New Jersey  
07940, USA  
(580) 2011 12 16

---

(111) M 2010 020937 R  
(732) WYETH LLC  
Five Giralda Farms, Madison, New Jersey,  
07940, USA  
(770) WYETH  
Five Giralda Farms, Madison, New Jersey  
07940, USA  
(580) 2011 12 16

---

(111) M 2010 020938 R  
(732) WYETH LLC  
Five Giralda Farms, Madison, New Jersey,  
07940, USA

(770) WYETH  
Five Giralda Farms, Madison, New Jersey  
07940, USA  
(580) 2011 12 16

---

(770) ZAKRITOE AKTSIONERNOE  
OBSCHESTVO "KREATIV"  
Prospekt promishlennii 19, kirovogradi,  
25014, Ukraine  
(580) 2011 12 26

---

(111) M 2010 020939 R  
(732) WYETH LLC  
Five Giralda Farms, Madison, New Jersey,  
07940, USA  
(770) WYETH  
Five Giralda Farms, Madison, New Jersey  
07940, USA  
(580) 2011 12 16

---

(111) M 2010 020940 R  
(732) WYETH LLC  
Five Giralda Farms, Madison, New Jersey,  
07940, USA  
(770) WYETH  
Five Giralda Farms, Madison, New Jersey  
07940, USA  
(580) 2011 12 16

---

(111) M 2010 020984 R  
(732) APOLLO TYRES AG  
Mellingerstrasse 2a, CH-5400 Baden,  
Switzerland  
(770) APOLLO TYRES AG  
Landis + Gyr-Strasse 1, 6300 Zug,  
Switzerland  
(580) 2011-12-28

---

(111) M 2011 021829 R  
(732) CHASTNOE AKTSIONERNOE  
OBSCHESTVO "KREATIV"  
Prospekt Promishlennii 19, Kirovogradi,  
25014, Ukraine  
(770) ZAKRITOE AKTSIONERNOE  
OBSCHESTVO "KREATIV"  
Prospekt promishlennii 19, kirovogradi,  
25014, Ukraine  
(580) 2011 12 26

---

(111) M 2011 021830 R  
(732) CHASTNOE AKCIONERNOE  
OBSCHESTVO "KREATIV"  
19, Prospekt Promyshliovyi, Kirovograd,  
25014, Ukraine

## LICENSE AGREEMENTS

(111) 16671  
(732) Karen Vardanyan  
Bairon str. 3, ap. 36, Erevan, Armenia  
(791) LTD "GRAND KENDI"  
Peikrebis str. 12, 0141, Tbilisi, Georgia  
(580) 2011 12 30  
(793) A SIMPLE LICENSE  
Reg. N850, Date: 2011 11 16 (in force on the  
expiry date of expiry)  
(511) 30

---

(111) 16672  
(732) Karen Vardanyan  
Bairon str. 3, ap. 36, Erevan, Armenia  
(791) LTD "GRAND KENDI"  
Peikrebis str. 12, 0141, Tbilisi, Georgia  
(580) 2011 12 30  
(793) A SIMPLE LICENSE  
Reg. N855, Date: 2011 11 16 (in force on the  
expiry date of expiry)  
(511) 30

---

(111) 17823  
(732) Karen Vardanyan  
Bairon str. 3, ap. 36, Erevan, Armenia  
(791) LTD "GRAND KENDI"  
Peikrebis str. 12, 0141, Tbilisi, Georgia  
(580) 2011 12 30  
(793) A SIMPLE LICENSE  
Reg. N856, Date: 2011 11 16 (in force on the  
expiry date of expiry)  
(511) 3, 5, 16, 29, 32, 33, 44

---

(111) 18734  
(732) Karen Vardanyan  
Bairon str. 3, ap. 36, Erevan, Armenia  
(791) LTD "GRAND KENDI"  
Peikrebis str. 12, 0141, Tbilisi, Georgia  
(580) 2011 12 30  
(793) A SIMPLE LICENSE  
Reg. N854, Date: 2011 11 16 (in force on the  
expiry date of expiry)  
(511) 30

---

(111) 18735  
(732) Karen Vardanyan  
Bairon str. 3, ap. 36, Erevan, Armenia  
(791) LTD "GRAND KENDI"  
Peikrebis str. 12, 0141, Tbilisi, Georgia  
(580) 2011 12 30

(793) A SIMPLE LICENSE  
Reg. N851, Date: 2011 11 16 (in force on the  
expiry date of expiry)  
(511) 30

---

(111) 18736  
(732) Karen Vardanyan  
Bairon str. 3, ap. 36, Erevan, Armenia  
(791) LTD "GRAND KENDI"  
Peikrebis str. 12, 0141, Tbilisi, Georgia  
(580) 2011 12 30  
(793) A SIMPLE LICENSE  
Reg. N852, Date: 2011 11 16 (in force on the  
expiry date of expiry)  
(511) 30

---

(111) 18737  
(732) Karen Vardanyan  
Bairon str. 3, ap. 36, Erevan, Armenia  
(791) LTD "GRAND KENDI"  
Peikrebis str. 12, 0141, Tbilisi, Georgia  
(580) 2011 12 30  
(793) A SIMPLE LICENSE  
Reg. N853, Date: 2011 11 16 (in force on the  
expiry date of expiry)  
(511) 30

---

(111) 18944  
(732) Karen Vardanyan  
Bairon str. 3, ap. 36, Erevan, Armenia  
(791) LTD "GRAND KENDI"  
Peikrebis str. 12, 0141, Tbilisi, Georgia  
(580) 2011 12 30  
(793) A SIMPLE LICENSE  
Reg. N859, Date: 2011 11 16 (in force on the  
expiry date of expiry)  
(511) 16

---

(111) 18945  
(732) Karen Vardanyan  
Bairon str. 3, ap. 36, Erevan, Armenia  
(791) LTD "GRAND KENDI"  
Peikrebis str. 12, 0141, Tbilisi, Georgia  
(580) 2011 12 30  
(793) A SIMPLE LICENSE  
Reg. N860, Date: 2011 11 16 (in force on the  
expiry date of expiry)  
(511) 16

---

(111) 21059

(732) Karen Vardanyan

Bairon str. 3, ap. 36, Erevan, Armenia

(791) LTD "GRAND KENDI"

Peikrebis str. 12, 0141, Tbilisi, Georgia

(580) 2011 12 30

(793) A SIMPLE LICENSE

Reg. N858, Date: 2011 11 16 (in force on the  
expiry date of expiry)

(511) 30

---

# CLASSIFICATION INDEXES

## INVENTIONS

### CONCORDANCE TABLE OF INTERNATIONAL CLASSIFICATION INDEX WITH REFERENCE TO NUMBERS OF PATENTS AND NUMBERS OF PUBLISHED APPLICATIONS

INTERNATIONAL CLASSIFICATION INDEX (51)	NUMBER OF PATENT (11)	NUMBER OF PUBLISHED APPLICATION (10)
A 43 B 7/12, 7/06	P 2012 5380 B	AP 2011 9830 A
A 61 B 17/00; A 61 M 37/00; A 61 F 2/00	P 2012 5390 B	AP 2010 11390 A
A 61 K 36/00	P 2012 5391 B	AP 2009 11175 A
C 07 D 207/08; A 61 K 31/18; A 61 P 29/00; C 07 D 207/26; C 07 D 211/16; C 07 D 211/18; C 07 D 211/22; C 07 D 211/26; C 07 D 211/34; C 07 D 211/38; C 07 D 211/44; C 07 D 211/58; C 07 D 211/62; C 07 D 211/68; C 07 D 211/76; C 07 D 219/06	P 2012 5382 B	AP 2011 11268 A
C 07 D 249/08; C 07 D 401/12; C 07 D 403/12; C 07 D 413/12; A 61 K 31/55; A 61 P 35/00	P 2012 5389 B	AP 2011 11253 A
C 07 D 405/12; C 07 D 309/08; A 61 K 31/4155; A 61 P 11/00	P 2012 5386 B	AP 2011 11271 A
C 07 K 16/18; A 61 P 25/00	P 2012 5385 B	AP 2011 10343 A
C 12 Q 1/68	P 2012 5384 B	AP 2011 9126 A
D 01 B 7/00	P 2012 5381 B	AP 2011 11115 A
F 24 J 2/14; F 24 J 2/24	P 2012 5383 B	AP 2011 11716 A
G 01 N 27/82; G 01 N 27/83	P 2012 5388 B	AP 2011 11209 A
H 04 J 3/18	P 2012 5387 B	AP 2011 10400 A

### CONCORDANCE TABLES OF NUMBERS OF PATENTS AND NUMBERS OF PUBLISHED APPLICATIONS WITH REFERENCE TO CLASSIFICATION INDEX

NUMBER OF PATENT (11)	NUMBER OF PUBLISHED APPLICATION (10)	INTERNATIONAL CLASSIFICATION INDEX (51)
P 2012 5380 B	AP 2011 9830 A	A 43 B 7/12, 7/06
P 2012 5381 B	AP 2011 11115 A	D 01 B 7/00
P 2012 5382 B	AP 2011 11268 A	C 07 D 207/08; A 61 K 31/18; A 61 P 29/00; C 07 D 207/26; C 07 D 211/16; C 07 D 211/18; C 07 D 211/22; C 07 D 211/26; C 07 D 211/34; C 07 D 211/38; C 07 D 211/44; C 07 D 211/58; C 07 D 211/62; C 07 D 211/68; C 07 D 211/76; C 07 D 219/06
P 2012 5383 B	AP 2011 11716 A	F 24 J 2/14; F 24 J 2/24
P 2012 5384 B	AP 2011 9126 A	C 12 Q 1/68
P 2012 5385 B	AP 2011 10343 A	C 07 K 16/18; A 61 P 25/00
P 2012 5386 B	AP 2011 11271 A	C 07 D 405/12; C 07 D 309/08; A 61 K 31/4155; A 61 P 11/00
P 2012 5387 B	AP 2011 10400 A	H 04 J 3/18
P 2012 5388 B	AP 2011 11209 A	G 01 N 27/82; G 01 N 27/83
P 2012 5389 B	AP 2011 11253 A	C 07 D 249/08; C 07 D 401/12; C 07 D 403/12; C 07 D 413/12; A 61 K 31/55; A 61 P 35/00
P 2012 5390 B	AP 2010 11390 A	A 61 B 17/00; A 61 M 37/00; A 61 F 2/00
P 2012 5391 B	AP 2010 11175 A	A 61 K 36/00



**CONCORDANCE TABLE OF NUMBERS OF APPLICATIONS, NUMBERS OF PUBLISHED APPLICATIONS AND NUMBERS OF PATENTS**

<b>NUMBER OF APPLICATION (21)</b>	<b>NUMBER OF PUBLISHED APPLICATION (10)</b>	<b>NUMBER OF PATENT (11)</b>
AP 2004 009126	AP 2011 9126 A	P 2012 5384 B
AP 2005 009830	AP 2011 9830 A	P 2012 5380 B
AP 2006 010343	AP 2011 10343 A	P 2012 5385 B
AP 2006 010400	AP 2011 10400 A	P 2012 5387 B
AP 2009 011115	AP 2011 11115 A	P 2012 5381 B
AP 2009 011175	AP 2009 11175 A	P 2012 5391 B
AP 2009 011209	AP 2011 11209 A	P 2012 5388 B
AP 2007 011253	AP 2011 11253 A	P 2012 5389 B
AP 2007 011268	AP 2011 11268 A	P 2012 5382 B
AP 2007 011271	AP 2011 11271 A	P 2012 5386 B
AP 2009 011390	AP 2010 11390 A	P 2012 5390 B
AP 2010 011716	AP 2011 11716 A	P 2012 5383 B

**UTILITY MODELS**

**CONCORDANCE TABLE OF INTERNATIONAL CLASSIFICATION INDEX WITH REFERENCE TO NUMBERS OF PATENTS AND NUMBERS OF PUBLISHED APPLICATIONS**

<b>INTERNATIONAL CLASSIFICATION INDEX (51)</b>	<b>NUMBER OF PATENT (11)</b>	<b>NUMBER OF PUBLISHED APPLICATION (10)</b>
B 60 R 22/00	U 2012 1695 Y	AU 2011 12033 U
G 01 R 27/00	U 2012 1694 Y	AU 2011 12103 U

**CONCORDANCE TABLES OF NUMBERS OF PATENTS AND NUMBERS OF PUBLISHED APPLICATIONS WITH REFERENCE TO CLASSIFICATION INDEX**

<b>NUMBER OF PATENT (11)</b>	<b>NUMBER OF PUBLISHED APPLICATION (10)</b>	<b>INTERNATIONAL CLASSIFICATION INDEX (51)</b>
U 2012 1694 Y	AU 2011 12103 U	G 01 R 27/00
U 2012 1695 Y	AU 2011 12033 U	B 60 R 22/00

**CONCORDANCE TABLE OF NUMBERS OF APPLICATIONS, NUMBERS OF PUBLISHED APPLICATIONS AND NUMBERS OF PATENTS**

<b>NUMBER OF APPLICATION (21)</b>	<b>NUMBER OF PUBLISHED APPLICATION (10)</b>	<b>NUMBER OF PATENT (11)</b>
AU 2010 012033	AU 2011 12033 U	U 2012 1695 Y
AU 2011 012103	AU 2011 12103 U	U 2012 1694 Y

## DESIGNS

**CONCORDANCE TABLE OF INTERNATIONAL CLASSIFICATION INDEX  
WITH REFERENCE TO NUMBERS OF PATENTS AND NUMBERS  
OF PUBLISHED APPLICATIONS**

INTERNATIONAL CLASSIFICATION INDEX (51)	NUMBER OF PATENT (11)	NUMBER OF PUBLISHED APPLICATION (10)
02-04	D 2012 487 S	AD 2011 650 S

**CONCORDANCE TABLES OF NUMBERS OF PATENTS AND NUMBERS  
OF PUBLISHED APPLICATIONS WITH REFERENCE  
TO CLASSIFICATION INDEX**

NUMBER OF PATENT (11)	NUMBER OF PUBLISHED APPLICATION (10)	INTERNATIONAL CLASSIFICATION INDEX (51)
D 2012 487 S	AD 2011 650 S	02-04

**CONCORDANCE TABLE OF NUMBERS OF APPLICATIONS, NUMBERS  
OF PUBLISHED APPLICATIONS AND NUMBERS OF PATENTS**

NUMBER OF APPLICATION (21)	NUMBER OF PUBLISHED APPLICATION (10)	NUMBER OF PATENT (11)
AD 2011 000650	AD 2011 650 S	D 2012 487 S

## TRADEMARKS

### CONCORDANCE TABLE OF NUMBERS OF REGISTRATIONS OF TRADEMARKS, NUMBERS OF APPLICATIONS, NUMBERS OF PUBLISHED APPLICATIONS WITH REFERENCE TO NUMBERS OF BULLETINS

NUMBER OF REGISTRATION (111)	NUMBER OF APPLICATION (210)	NUMBER OF PUBLISHED APPLICATION (260)	NUMBER OF BULLETIN
1	2	3	4
M 2012 22115 R	AM 2008 47683	AM 2009 47683 A	Nº3(271) 2009
M 2012 22121 R	-	-	Nº2(342) 2012
M 2012 22123 R	AM 32683	AM 2012 32683 A	Nº11(327) 2011
M 2012 22124 R	AM 32684	AM 2012 32684 A	Nº11(327) 2011
M 2012 22125 R	AM 2009 55242	AM 2012 55242 A	Nº14(330) 2011
M 2012 22126 R	AM 2010 58384	AM 2012 58384 A	Nº16(332) 2011
M 2012 22127 R	AM 2010 58410	AM 2012 58410 A	Nº11(327) 2011
M 2012 22128 R	AM 2010 58470	AM 2012 58470 A	Nº5(321) 2011
M 2012 22129 R	AM 2010 58613	AM 2012 58613 A	Nº7(323) 2011
M 2012 22130 R	AM 2010 59066	AM 2012 59066 A	Nº12(328) 2011
M 2012 22131 R	AM 2010 59144	AM 2012 59144 A	Nº12(328) 2011
M 2012 22132 R	AM 2010 59154	AM 2012 59154 A	Nº11(327) 2011
M 2012 22133 R	AM 2010 59193	AM 2012 59193 A	Nº11(327) 2011
M 2012 22134 R	AM 2010 59194	AM 2012 59194 A	Nº11(327) 2011
M 2012 22135 R	AM 2010 59195	AM 2012 59195 A	Nº11(327) 2011
M 2012 22136 R	AM 2010 59196	AM 2012 59196 A	Nº11(327) 2011
M 2012 22137 R	AM 2010 59197	AM 2012 59197 A	Nº11(327) 2011
M 2012 22138 R	AM 2010 59201	AM 2012 59201 A	Nº11(327) 2011
M 2012 22139 R	AM 2010 59202	AM 2012 59202 A	Nº11(327) 2011
M 2012 22140 R	AM 2010 59203	AM 2012 59203 A	Nº11(327) 2011
M 2012 22141 R	AM 2010 59204	AM 2012 59204 A	Nº11(327) 2011
M 2012 22142 R	AM 2010 59205	AM 2012 59205 A	Nº11(327) 2011
M 2012 22143 R	AM 2010 59206	AM 2012 59206 A	Nº11(327) 2011
M 2012 22144 R	AM 2010 59209	AM 2012 59209 A	Nº11(327) 2011
M 2012 22145 R	AM 2010 59210	AM 2012 59210 A	Nº11(327) 2011
M 2012 22146 R	AM 2010 59251	AM 2012 59251 A	Nº12(328) 2011
M 2012 22147 R	AM 2010 59308	AM 2012 59308 A	Nº13(329) 2011
M 2012 22148 R	AM 2010 59358	AM 2012 59358 A	Nº13(329) 2011
M 2012 22149 R	AM 2010 59393	AM 2012 59393 A	Nº13(329) 2011
M 2012 22150 R	AM 2010 59394	AM 2012 59394 A	Nº13(329) 2011
M 2012 22151 R	AM 2010 59455	AM 2012 59455 A	Nº13(329) 2011
M 2012 22152 R	AM 2010 59456	AM 2012 59456 A	Nº13(329) 2011
M 2012 22153 R	AM 2010 59534	AM 2012 59534 A	Nº14(330) 2011
M 2012 22154 R	AM 2010 59567	AM 2012 59567 A	Nº13(329) 2011
M 2012 22155 R	AM 2010 59918	AM 2012 59918 A	Nº14(330) 2011
M 2012 22156 R	AM 2010 60007	AM 2012 60007 A	Nº16(332) 2011
M 2012 22157 R	AM 2010 60243	AM 2012 60243 A	Nº14(330) 2011
M 2012 22158 R	AM 2010 60245	AM 2012 60245 A	Nº14(330) 2011
M 2012 22159 R	AM 2010 60333	AM 2012 60333 A	Nº15(331) 2011
M 2012 22160 R	AM 2010 60353	AM 2012 60353 A	Nº16(332) 2011
M 2012 22161 R	AM 2010 60364	AM 2012 60364 A	Nº15(331) 2011

1	2	3	4
M 2012 22162 R	AM 2010 60365	AM 2012 60365 A	Nº15(331) 2011
M 2012 22163 R	AM 2010 60366	AM 2012 60366 A	Nº15(331) 2011
M 2012 22164 R	AM 2010 60369	AM 2012 60369 A	Nº15(331) 2011
M 2012 22165 R	AM 2010 60371	AM 2012 60371 A	Nº15(331) 2011
M 2012 22166 R	AM 2010 60373	AM 2012 60373 A	Nº15(331) 2011
M 2012 22167 R	AM 2010 60374	AM 2012 60374 A	Nº15(331) 2011
M 2012 22168 R	AM 2010 60375	AM 2012 60375 A	Nº15(331) 2011
M 2012 22169 R	AM 2010 60378	AM 2012 60378 A	Nº15(331) 2011
M 2012 22170 R	AM 2010 60379	AM 2012 60379 A	Nº15(331) 2011
M 2012 22171 R	AM 2010 60406	AM 2012 60406 A	Nº16(332) 2011
M 2012 22172 R	AM 2010 60417	AM 2012 60417 A	Nº15(331) 2011
M 2012 22173 R	AM 2010 60418	AM 2012 60418 A	Nº15(331) 2011
M 2012 22174 R	AM 2010 60419	AM 2012 60419 A	Nº15(331) 2011
M 2012 22175 R	AM 2010 60420	AM 2012 60420 A	Nº15(331) 2011
M 2012 22176 R	AM 2010 60422	AM 2012 60422 A	Nº15(331) 2011
M 2012 22177 R	AM 2010 60443	AM 2012 60443 A	Nº16(332) 2011
M 2012 22178 R	AM 2010 60595	AM 2012 60595 A	Nº16(332) 2011
M 2012 22179 R	AM 2010 60597	AM 2012 60597 A	Nº16(332) 2011
M 2012 22180 R	AM 2010 60607	AM 2012 60607 A	Nº15(331) 2011
M 2012 22181 R	AM 2010 60768	AM 2012 60768 A	Nº16(332) 2011
M 2012 22182 R	AM 2010 60772	AM 2012 60772 A	Nº16(332) 2011
M 2012 22183 R	AM 2010 60801	AM 2012 60801 A	Nº16(332) 2011
M 2012 22184 R	AM 2011 60848	AM 2012 60848 A	Nº16(332) 2011
M 2012 22185 R	AM 2011 60853	AM 2012 60853 A	Nº16(332) 2011
M 2012 22186 R	AM 2011 64427	-	Nº2(342) 2012
M 2012 22187 R	-	-	Nº2(342) 2012
M 2012 22188 R	-	-	Nº2(342) 2012
M 2012 22189 R	-	-	Nº2(342) 2012
M 2012 22190 R	-	-	Nº2(342) 2012
M 2012 22191 R	-	-	Nº2(342) 2012
M 2012 22192 R	-	-	Nº2(342) 2012

**CONCORDANCE TABLE OF NUMBERS OF PUBLISHED TRADEMARK APPLICATIONS WITH REFERENCE TO NUMBERS OF APPLICATIONS**

<b>NUMBER OF PUBLISHED APPLICATION (260)</b>	<b>NUMBER OF APPLICATION (210)</b>	<b>1</b>	<b>2</b>
1	2	AM 2012 62254 A	AM 2011 62254
AM 2012 61332 A	AM 2011 61332	AM 2012 62255 A	AM 2011 62255
AM 2012 61634 A	AM 2011 61634	AM 2012 62256 A	AM 2011 62256
AM 2012 62062 A	AM 2011 62062	AM 2012 62257 A	AM 2011 62257
AM 2012 62064 A	AM 2011 62064	AM 2012 62258 A	AM 2011 62258
AM 2012 62065 A	AM 2011 62065	AM 2012 62300 A	AM 2011 62300
AM 2012 62068 A	AM 2011 62068	AM 2012 62301 A	AM 2011 62301
AM 2012 62069 A	AM 2011 62069	AM 2012 62322 A	AM 2011 62322
AM 2012 62139 A	AM 2011 62139	AM 2012 62334 A	AM 2011 62334
AM 2012 62188 A	AM 2011 62188	AM 2012 62337 A	AM 2011 62337
AM 2012 62193 A	AM 2011 62193	AM 2012 62344 A	AM 2011 62344
AM 2012 62218 A	AM 2011 62218	AM 2012 63118 A	AM 2011 63118
AM 2012 62230 A	AM 2011 62230	AM 2012 63119 A	AM 2011 63119
AM 2012 62253 A	AM 2011 62253	AM 2012 63120 A	AM 2011 63120
		AM 2012 63122 A	AM 2011 63122
		AM 2012 63141 A	AM 2011 63141
		AM 2012 61622 A*	AM 2011 61622

**CONCORDANCE TABLE OF INDEX OF GOODS AND/OR SERVICES WITH REFERENCE TO NUMBERS OF PUBLISHED APPLICATIONS**

<b>INDEX OF GOODS AND/OR SERVICES (511)</b>	<b>NUMBER OF PUBLISHED APPLICATION (260)</b>	<b>1</b>	<b>2</b>
1	2	5	AM 2012 63120 A
1	AM 2012 62218 A	6	AM 2012 62218 A
2	AM 2012 62218 A	7	AM 2012 62218 A
3	AM 2012 62218 A	8	AM 2012 62218 A
3	AM 2012 62334 A	9	AM 2012 61332 A
3	AM 2012 63141 A	9	AM 2012 62062 A
4	AM 2012 62218 A	9	AM 2012 62064 A
5	AM 2012 62193 A	9	AM 2012 62065 A
5	AM 2012 62218 A	9	AM 2012 62068 A
5	AM 2012 62254 A	9	AM 2012 62069 A
5	AM 2012 62255 A	9	AM 2012 62218 A
5	AM 2012 62256 A	9	AM 2012 62337 A
5	AM 2012 62257 A	10	AM 2012 62218 A
5	AM 2012 62258 A	11	AM 2012 62218 A
5	AM 2012 63119 A	12	AM 2012 62139 A
		12	AM 2012 62188 A
		12	AM 2012 62218 A
		13	AM 2012 62218 A
		14	AM 2012 62218 A
		15	AM 2012 62218 A

1	2	1	2
16	AM 2012 62218 A	32	AM 2012 62230 A
16	AM 2012 62253 A	32	AM 2012 63118 A
16	AM 2012 62337 A	33	AM 2012 61634 A
17	AM 2012 62218 A	33	AM 2012 62218 A
18	AM 2012 62218 A	33	AM 2012 62344 A
18	AM 2012 62300 A	34	AM 2012 62218 A
18	AM 2012 62301 A	34	AM 2012 62230 A
19	AM 2012 62218 A	35	AM 2012 61332 A
20	AM 2012 62218 A	35	AM 2012 62218 A
21	AM 2012 62218 A	35	AM 2012 62253 A
22	AM 2012 62218 A	35	AM 2012 62337 A
23	AM 2012 62218 A	36	AM 2012 61622 A*
24	AM 2012 62218 A	36	AM 2012 62218 A
25	AM 2012 62218 A	37	AM 2012 62218 A
25	AM 2012 62300 A	38	AM 2012 62218 A
25	AM 2012 62301 A	38	AM 2012 62337 A
26	AM 2012 62218 A	38	AM 2012 63122 A
27	AM 2012 62218 A	39	AM 2012 62218 A
28	AM 2012 62218 A	40	AM 2012 62218 A
29	AM 2012 62218 A	41	AM 2012 62218 A
29	AM 2012 62230 A	42	AM 2012 61332 A
29	AM 2012 63118 A	42	AM 2012 62218 A
30	AM 2012 62218 A	43	AM 2012 62218 A
31	AM 2012 62218 A	43	AM 2012 62322 A
31	AM 2012 62230 A	44	AM 2012 62218 A
32	AM 2012 62218 A	45	AM 2012 62218 A

**CONCORDANCE TABLE OF INDEX OF GOODS AND/OR SERVICES  
WITH REFERENCE TO NUMBERS OF REGISTERED ACCORDING TO THE  
ACCELERATED PROCEDURE**

<b>INDEX OF GOODS AND/OR SERVICES (511)</b>	<b>NUMBER OF REGISTERED ACCORDING TO THE ACCELERATED PROCEDURE (111)</b>
8	M 2012 22192 R
9	M 2012 22192 R
30	M 2012 22121 R
30	M 2012 22190 R
33	M 2012 22187 R
34	M 2012 22191 R
35	M 2012 22188 R
36	M 2012 22189 R
38	M 2012 22188 R

# OFFICIAL BULLETIN OF THE INDUSTRIAL PROPERTY

## 2(342)

EDITOR-IN-CHIEF: N. Bebrishvili

EDITORS-TRANSLATORS: M. Sichinava  
G. Nadareishvili

PROOFREADER: L. Chanturia

COMPUTER LAYOUT: M. Ordenidze  
K. Svanidze

[www.sakpatenti.org.ge](http://www.sakpatenti.org.ge)  
E-mail: [info@sakpatenti.org.ge](mailto:info@sakpatenti.org.ge)