



**NATIONAL INTELLECTUAL PROPERTY CENTER OF GEORGIA
SAKPATENTI**

**OFFICIAL BULLETIN
OF THE INDUSTRIAL PROPERTY**

2(366)

**2013
TBILISI**

INID CODES FOR IDENTIFICATION OF BIBLIOGRAPHIC DATA

INVENTIONS, UTILITY MODELS

- (10) Number of publication for application, which has been examined
- (11) Number of patent and kind of document
- (21) Serial number of application
- (22) Date of filing of the application
- (23) Date of exhibition or the date of the earlier filing and the number of application, if any
- (24) Date from which patent may have effect
- (31) Number of priority application
- (32) Date of filing of priority application
- (33) Code of the country or regional organization allotting priority application number
- (44) Date of publication of application not granted, but examined and number of bulletin
- (45) Date of publication of registered document
- (51) International Patent Classification Index
- (54) Title of the invention
- (57) Abstract
- (60) Number of examined patent document granted by foreign patent office, date from which patent has effect and country code
- (62) Number of the earlier application and in case of divided application, date of filing an application
- (71) Name, surname and address of applicant (country code)
- (72) Name, surname of inventor (country code)
- (73) Name, surname and address of patent owner (country code)
- (74) Name, surname of representative or patent attorney
- (85) Date of commencement of the national phase of International Application
- (86) Number and date of filing of international application
- (87) Number and date of publication of international application

DESIGNS

- (10) Number of publication for application
- (11) Number of patent and kind of document or number of registration
- (15) Date of registration/Date of patent renewal
- (18) Expected expiration date of patent or registration
- (21) Serial number of application
- (22) Date of filing of the application
- (23) Date of exhibition or the date of the earlier filing and the number of application, if any
- (24) Date from which patent may have effect
- (28) Number of designs included in the application
- (30) Data relating to priority (number of application, date of filing of application, two-letter code identifying the authority with whom the priority application was made)
- (31) Number of priority application
- (32) Date of filing of priority application
- (33) Code of the country or regional organization allotting priority application number
- (34) Two-letter code according to WIPO St.3 identifying the authority with which the priority application was made
- (44) Date of publication of design and number of bulletin (the first publication)
- (45) Date of publication of design registered by WIPO and number of bulletin
- (51) International Classification for designs (class and subclass of the Locarno Classification)
- (54) Title of the invention
- (55) Reproduction of the design
- (57) Description of characteristic features of the design including indication of colors
- (58) Date of recording of any kind of amendment in the Register
- (62) Number of the earlier application, registration and document number and if available the date of filing an application in case of divided application
- (71) Name, surname and address of applicant (country code)
- (72) Name, surname of creator (country code)
- (73) Name, surname and address of patent owner (country code)
- (74) Name, surname of representative or patent attorney
- (81) Contracting states concerned
 - II designated contracting states according to the 1960 Act
 - III designated contracting states according to the 1999 Act
- (85) Owner's permanent address
- (86) Owner's nationality
- (87) Owner's residence
- (88) State in which the owner has a real and effective industrial or commercial establishment

TRADEMARKS

- (111) – Number of registration
- (151) – Date of registration
- (156) – Date of the renewal
- (181) – Expected expiration date of registration
- (186) – Renewal expiration date of registration
- (141) – Date of cancel of duration of the mark
- (210) – Serial number of application
- (220) – Date of filing of the application
- (230) – Date concerning exhibition
- (260) – Number of application, for which favorable decision of examination about registration has been taken (publication number)
- (310) – Number of the first application
- (320) – Date of filing of the first application
- (330) – Code, identifying national or regional Office where the first application was made
- (511) – International Classification of Goods and Services for the purposes of registration of trade marks and/or list of goods and/or services classified according thereto
- (531) – Description of figurative elements of Trade Marks according to the International Classification of the Figurative Elements of Marks
- (540) – Reproduction of Trade Mark
- (550) – Nature and kind of Trade Mark
- (580) – Date of recording of any kind changes in respect of applications or registrations
- (591) – Information concerning colors claimed
- (731) – Name and address of the applicant
- (732) – Name and address of the holder of the registration
- (740) – Name and address of the representative
- (750) – Address for correspondence
- (770) – Name and address of the previous applicant or holder in case of change in ownership
- (771) – Previous name and address of the applicant or holder in case of change in ownership
- (791) – Name and address of the licensee
- (793) – Indication of conditions and/or restrictions under the license (Type of license, number of license agreement, data of license, data of validity of license)
- (800) – Certain data relating to the international registration of Trade Marks under the Protocol Relating to Madrid Agreement (International registration number)

CODES FOR PUBLICATION IN BULLETIN

- (21) AP 0000 000000 – serial number of application for invention
- (10) AP 0000 0000 A – number of published application for invention (first publication)
- (11) P 0000 0000 B – number of patent for invention (second publication)
- (21) API 0000 000000 – number of application for imported patent
- (11) PI 0000 0000 A – number of imported patent (first publication)
- (21) AU 0000 000000 – serial number of application for utility model
- (10) AU 0000 000 U – number of published application for utility model (first publication)
- (11) U 0000 000 Y – number of patent for utility model (second publication)
- (21) AD 0000 000000 – serial number of application for design
- (10) AD 0000 000 S – number of published application for design (first publication)
- (11) D 0000 000 S – number of patent for design (second publication)

INTERNATIONAL PATENT CLASSIFICATION FOR INVENTIONS AND UTILITY MODELS

- SECTION A – HUMAN NECESSITIES
- SECTION B – PERFORMING OPERATIONS; TRANSPORTING
- SECTION C – CHEMISTRY; METALLURGY
- SECTION D – TEXTILES; PAPER
- SECTION E – FIXED CONSTRUCTIONS
- SECTION F – MECHANICAL ENGINEERING; LIGHTING; HEATING; WEAPONS; BLASTING
- SECTION G – PHYSICS
- SECTION H – ELECTRICITY

-
- M – Trade Mark
 - (210) AM 0000 000000 – Serial number of application;
 - (260) AAM 0000 00000 A – Publication number of application;
 - (111) M 0000 00000 R – Number of registration;
 - (111) MMM0000 00000 Rn – Number of renewals, in which n=1,2,3;
 - (111) M 0000 00000 R(P) – Number of registration under partial assignment of rights
-

LIST OF CODES, IN ALPHABETIC SEQUENCE, AND THE CORRESPONDING (SHORT) NAMES OF STATES, OTHER ENTITIES AND INTERGOVERNMENTAL ORGANIZATIONS
(WIPO STANDARD ST.3)

AD	Andorra				
AE	United Arab Emirates				
AF	Afghanistan				
AG	Antigua and Barbuda				
AI	Anguilla				
AL	Albania				
AM	Armenia				
AN	Netherlands Antilles				
AO	Angola				
AP	African Regional Intellectual Property Organization (ARIPO)				
AR	Argentina				
AT	Austria				
AU	Australia				
AW	Aruba				
AZ	Azerbaijan				
BA	Bosnia and Herzegovina				
BB	Barbados				
BD	Bangladesh				
BE	Belgium				
BF	Burkina Faso				
BG	Bulgaria				
BH	Bahrain				
BI	Burundi				
BJ	Benin				
BM	Bermuda				
BN	Brunei Darussalam				
BO	Bolivia				
BR	Brazil				
BS	Bahamas				
BT	Bhutan				
BV	Bouvet Island				
BW	Botswana				
BX	Benelux Office for Intellectual Property (BOIP)				
BY	Belarus				
BZ	Belize				
CA	Canada				
CD	Democratic Republic of the Congo				
CF	Central African Republic				
CG	Congo				
CH	Switzerland				
CI	Cote d'Ivoire				
CK	Cook Islands				
CL	Chile				
CM	Cameroon				
CN	China				
CO	Colombia				
CR	Costa Rica				
CU	Cuba				
CV	Cape Verde				
CY	Cyprus				
CZ	Czech Republic				
DE	Germany				
DJ	Djibouti				
DM	Dominica				
DO	Dominican Republic				
DZ	Algeria				
EA	Eurasian Patent Organization (EAPO)				
EC	Ecuador				
EE	Estonia				
EG	Egypt				
EH	Western Sahara				
EM	Office for Harmonization in the Internal Market (Trademarks and Designs)(OHIM)				
EP	European Patent Office (EPO)				
ER	Eritrea				
ES	Spain				
ET	Ethiopia				
FI	Finland				
FJ	Fiji				
FK	Falkland Islands (Malvinas)				
FO	Faroe Islands				
FR	France				
GA	Gabon				
GB	United Kingdom				
GC	Patent Office of the Cooperation Council for the Arab States of the Gulf (GCC)				
GD	Grenada				
GG	Guernsey				
GH	Ghana				
GI	Gibraltar				
GT	Guatemala				
GW	Guinea- Bissau				
GY	Guyana				
HK	The Hong Kong Special Administrative Region of the People's Republic of China				
HN	Honduras				
HR	Croatia				
HT	Haiti				
HU	Hungary				
IB	International Bureau of the World Intellectual Property Organization (WIPO)				
ID	Indonesia				
IE	Ireland				
IL	Israel				
IM	Isle of Man				
IN	India				
IQ	Iraq				
ID	Indonesia				
IE	Ireland				
IL	Israel				
IM	Isle of Man				
IN	India				
IQ	Iraq				
IR	Iran (Islamic Republic of)				
IS	Iceland				
IT	Italy				
JE	Jersey				
JM	Jamaica				
JO	Jordan				
JP	Japan				
KE	Kenya				
KG	Kyrgyzstan				
KH	Cambodia				
KI	Kiribati				
KM	Saint Kitts and Nevis				
KP	Democratic People's Republic of Korea				
KR	Republic of Korea				
KW	Kuwait				
KY	Cayman Islands				
KZ	Kazakhstan				
LA	Lao People's Democratic Republic				
LB	Lebanon				
LC	Saint Lucia				
LI	Liechtenstein				
LK	Sri Lanka				
LR	Liberia				
LS	Lesotho				
LT	Lithuania				
LU	Luxembourg				
LV	Latvia				
LY	Libyan Arab Jamahiriya				
MA	Morocco				
MC	Monaco				
MD	Republic of Moldova				
ME	Montenegro				
MG	Madagascar				
MK	The former Yugoslav Republic of Macedonia				
ML	Mali				
MM	Myanmar				
MN	Mongolia				
MO	Macao				
MP	Northern Mariana Islands				
MR	Mauritania				
MS	Montserrat				
MT	Malta				
MU	Mauritius				
MV	Maldives				
MW	Malawi				
MX	Mexico				
MY	Malaysia				
MZ	Mozambique				
NA	Namibia				
NE	Niger				
NG	Nigeria				
NI	Nicaragua				
NL	Netherlands				
NO	Norway				
NP	Nepal				
NR	Nauru				
NZ	New Zealand				
OA	African Intellectual Property Organization (OAPI)				
OM	Oman				
PA	Panama				
PE	Peru				
PG	Papua New Guinea				
PH	Philippines				
PK	Pakistan				
PL	Poland				
PT	Portugal				
PW	Palau				
PY	Paraguay				
QA	Qatar				
QZ	Community Plant Variety Office (European Community) (CPVO)				
RO	Romania				
RS	Serbia				
RU	Russian Federation				
RW	Rwanda				
SA	Saudi Arabia				
SB	Solomon Islands				
SC	Seychelles				
SD	Sudan				
SG	Singapore				
SH	Saint Helena				
SI	Slovenia				
SK	Slovakia				
SL	Sierra Leone				
SM	San Marino				
SN	Senegal				
SO	Somalia				
SR	Suriname				
ST	Sao Tome and Principe				
SV	El Salvador				
SY	Syrian Arab Republic				
SZ	Swaziland				
TC	Turks and Caicos Islands				
TD	Chad				
TG	Togo				
TH	Thailand				
TJ	Tajikistan				
TL	Timor-Leste				
TM	Turkmenistan				
TN	Tunisia				
TO	Tonga				
TR	Turkey				
SE	Sweden				
TT	Trinidad and Tobago				
TV	Tuvalu				
TW	Taiwan, Province of China				
TZ	United Republic of Tanzania				
UA	Ukraine				
UG	Uganda				
US	United States of America				
UY	Uruguay				
UZ	Uzbekistan				
VA	Holy See				
VC	Saint Vincent and the Grenadines				
VE	Venezuela				
VG	Virgin Islands (British)				
VN	Viet Nam				
VU	Vanuatu				
WO	World Intellectual Property Organization (WIPO)				
WS	Samoa				
XN	Nordic Patent Institute (NPI)				
YE	Yemen				
ZA	South Africa				
ZM	Zambia				
ZW	Zimbabwe				

**NATIONAL INTELLECTUAL PROPERTY CENTER OF GEORGIA
SAKPATENTI**

**OFFICIAL BULLETIN
OF THE INDUSTRIAL PROPERTY**

2(366)

INVENTIONS

UTILITY MODELS

DESIGNS

TRADEMARKS

**APPELLATIONS OF ORIGIN AND GEOGRAPHICAL
INDICATIONS OF GOODS**

DATE OF PUBLICATION

2013 01 25

CONTENTS

PUBLISHED TITLES OF PROTECTION	2
INVENTIONS	
▪ APPLICATIONS APPROVED FOR GRANTING PATENTS	4
▪ PATENTED INVENTIONS	7
UTILITY MODELS	
▪ APPLICATIONS APPROVED FOR GRANTING PATENTS	11
▪ PATENTED UTILITY MODEL	12
DESIGNS	
▪ APPLICATIONS APPROVED FOR GRANTING PATENTS	13
▪ REGISTERED DESIGNS	14
TRADEMARKS	
▪ APPLICATIONS FILED UNDER THE NATIONAL PROCEDURE APPROVED FOR REGISTRATION	15
▪ REGISTERED TRADEMARKS	18
▪ TRADEMARKS REGISTERED ACCORDING TO THE ACCELERATED PROCEDURE	21
▪ INTERNATIONAL TRADEMARKS FOR WHICH A DECISION ON GANTING PROTECTION IS TAKEN	23
▪ INTERNATIONAL TRADEMARKS PROTECTED IN GEORGIA	44
APPELLATIONS OF ORIGIN AND GEOGRAPHICAL INDICATIONS OF GOODS	
▪ REGISTERED APPELLATIONS OF ORIGIN OF GOODS	48
▪ THE RIGHT TO USE OF REGISTERED APPELLATIONS OF ORIGIN OF GOODS	49
OFFICIAL NOTIFICATIONS	
TRADEMARKS	
▪ RENEWAL OF REGISTRATIONS	54
▪ COMPLETE TRANSFER OF RIGHTS	55
▪ CHANGES IN NAMES AND/OR ADDRESSES OF OWNERS	56
CLASSIFICATION INDEXES	
INVENTIONS	57
UTILITY MODELS	59
DESIGNS	60
TRADEMARKS	61

PUBLISHED TITLES OF PROTECTION

INVENTIONS

- **APPLICATIONS APPROVED FOR GRANTING PATENTS:**
12215; 11938; 12522; 12313; 11895; 12118; 12352
- **PATENTED INVENTIONS:**
5726-5740

UTILITY MODELS

- **APPLICATIONS APPROVED FOR GRANTING PATENTS:**
12542
- **PATENTED UTILITY MODEL:**
1753

DESIGNS

- **APPLICATIONS APPROVED FOR GRANTING PATENTS:**
714
- **REGISTERED DESIGNS:**
525

TRADEMARKS

- **APPLICATIONS FILED UNDER THE NATIONAL PROCEDURE APPROVED FOR REGISTRATION:**
66492; 66516, 66517; 66557, 66558; 66566; 66651; 66709; 66714; 66775; 66840; 66850; 66928; 67014-67016; 67055; 67133; 67156; 67247
- **REGISTERED TRADEMARKS:**
23230-23252
- **TRADEMARKS REGISTERED ACCORDING TO THE ACCELERATED PROCEDURE:**
23229; 23253-23259
- **INTERNATIONAL TRADEMARKS FOR WHICH A DECISION ON GRANTING PROTECTIONS IS TAKEN:**
65702; 66142; 66271; 66283; 66288, 66289; 66292; 66301; 66305-66307; 66309; 66317; 66319; 66322-66324; 66326; 66331; 66412; 66420-66422; 66438; 66445-66447; 66449, 66450; 66454; 66456-66462; 66521-66526; 66530-66532; 66765; 67060; 67062; 67065; 67073; 67075, 67076; 67079; 67122; 67125, 67126; 67131, 67132; 67138; 63263*; 63398*
- **INTERNATIONAL TRADEMARKS PROTECTED IN GEORGIA:**
11526; 64191, 64192; 64408-64410; 64412-64415; 64713; 65034; 65038; 65040; 65042; 65044; 65056; 65060, 65061; 65113-65116; 65118, 65119; 65141-65143; 65368; 65370-65376; 65396-65401; 65403; 65405, 65406; 65408-65411; 65413-65417; 66134

APPELLATIONS OF ORIGIN AND GEOGRAPHICAL INDICATIONS OF GOODS

- **REGISTERED APPELLATIONS OF ORIGIN OF GOODS:**
830
- **THE RIGHT TO USE OF REGISTERED APPELLATIONS OF ORIGIN OF GOODS:**
787/13-12; 2/13-12; 3/12-12; 790/7-12; 4/10-12; 1/12-12; 794/10-12; 5/7-12; 791/12-12; 797/5-12; 787/14-12; 2/14-12; 3/13-12; 4/11-12; 1/13-12; 794/11-12; 791/13-12; 797/6-12; 795/1-12; 823/1-12; 822/1-12; 1/14-12; 2/15-12; 4/12-12; 787/15-12; 5/8-12; 3/14-12; 788/4-12; 791/14-12; 1/14-12; 2/15-12; 4/12-12; 787/15-12; 5/8-12; 3/14-12; 788/4-12; 791/14-12

INVENTIONS

APPLICATIONS APPROVED FOR GRANTING PATENTS

The decision can be appealed at the Chamber of Appeal of Sakpatenti within 3 months from the publication or at the Administrative Chamber of the Tbilisi City Court (Address: №6, David Aghmashenebeli Kheivani 12 km., Tbilisi) within 1 month following the publication.

PART A

A 61

(10) AP 2013 12215 A (51) Int. Cl. (2006)
A 61 K 9/06
A 61 K 47/34
A 61 K 31/205
A 61 P 17/00

(21) AP 2009 012215 (22) 2009 10 29
(31) 08167825.2
(32) 2008 10 29
(33) EP
(71) "GRINDEKS"
A JOINT STOCK COMPANY (LV)
53, Krustpils St., 1057 Riga (LV)

(72) GEORGI, Malimon (LV)

(74) Khatuna Imnadze

(85) 2011 05 02

(86) PCT/EP2009/064285, 2009 10 29

(54) **3-(2,2,2-TRIMETHYLHYDRAZINIUM)
PROPIONATE DIHYDRATE COMPOSI-
TION OF LOCAL ADMINISTRATION**

(57) There is represented pharmaceutical composition of local administration containing meldonium dihydrate and excipients such as carbopol (carbomer 980), propylene glycol, and preserving agents.

Claims: 1 independent

5 dependent

Table: 2

(10) AP 2013 11938 A (51) Int. Cl. (2006)
A 61 M 5/34
A 61 M 5/178
A 61 M 5/50

(21) AP 2009 011938 (22) 2009 02 06

(31) 12/030,637

(32) 2008 02 13

(33) US

(71) RETRACTABLE TECHNOLOGIES,
INC. (US)
511 Lobo Lane, Little Elm,
TX 75068-0009 (US)

(72) SHAW, Thomas, J. (US);

ZHU, Ni (US);

WOOD, Gary (US)

(74) Alexander Gegechkori

(85) 2010 09 06

(86) PCT/US2009/033304, 2009 02 06

(54) **SYRINGE WITH RECESSED NOSE AND
PROTECTIVE GUARD FOR USE WITH
FRONTAL ATTACHMENTS**

(57) There is represented a medical device – syringe for connection to a frontal attachment. The syringe has forwardly projecting fluid outlet member and a protective guard comprising radially oriented and deflected outside protective members projecting out of member to protect the fluid outlet member from pathogenic contamination by contact, prior of connection to the frontal attachment.

Claims: 2 independent

39 dependent

Fig.: 17

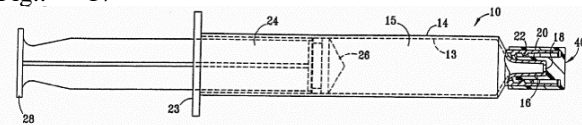


Fig.1

PART B

B 64

(10) AP 2013 12522 A (51) Int. Cl. (2006)
B 64 G 7/00

(21) AP 2011 012522 (22) 2011 12 29

(71) Mariam Tarasashvili (GE)

I.Chavchavadzis Gamz. 62, b. 31,

0179, Tbilisi (GE);

Simon Tsereteli (GE)

Vashlijvaris Dasakh., Zona 2a, korp. 2,

b. 39, 0159, Tbilisi (GE);

Omar Dalakishvili (GE)

Vazha-Pshavelas Gamz., III kvart., korp. 9,

b. 5, 0186, Tbilisi (GE);

Nugzar Alexidze (GE)

Abanos q. 23, 0105, Tbilisi (GE);

Shalva Sabashvili (GE)

Gotuas q. 22, b. 57, 0160, Tbilisi (GE)

(72) Mariam Tarasashvili (GE);

Simon Tsereteli (GE);

Omar Dalakishvili (GE);

Nugzar Alexidze (GE);
Shalva Sabashvili (GE)

(74) Nugzar Ksovreli

(54) **DEVICE FOR RADIATION-TEMPERATURE ENVIRONMENT AND ATMOSPHERE COMPOSITION IMITATION ON THE PLANET MARS**

(57) A device comprises an exterior sealed chamber wherein an interior sealed chamber is located. The interior sealed chamber is equipped with an area for microorganisms and/or under test objects allocation. The exterior chamber is equipped with a cooler and a pump-compressor for imitated atmosphere parameters and pressure creation is located therein. The device comprises pressure and other parameters measuring apparatuses in the interior chamber and allocated directly therein an assemblage of quicksilver-argon vapor lamps, as well.

Claims: 1 independent
2 dependent

Fig.: 7

PART C

C 07

(10) AP 2013 12313 A (51) Int. Cl. (2006)
C 07 C 69/587
A 61 K 8/37
A 61 Q 9/00
A 61 K 31/22
A 61 P 17/10
A 61 P 17/08

(21) AP 2009 012313 (22) 2009 12 21

(31) 0858967

(32) 2008 12 22

(33) FR

(71) PIERRE FABRE DERMO-COSMETIQUE (FR)
45, Place Abel Gance,
92100 Boulogne-Billancourt (FR)

(72) REDOULES, Daniel (FR);
DAUNES-MARION, Sylvie (FR);
ARIES, Marie-Françoise (FR)

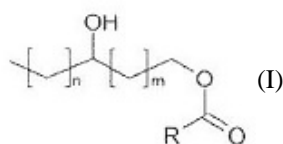
(74) George Meipariani

(85) 2011 07 21

(86) PCT/EP2009/067701, 2009 12 21

(54) **POLYUNSATURATED FATTY ACID AND DIOL ESTER AS ANTI-ACNE AGENT**

(57) There is represented compound of formula I



treating acne and seborrheic dermatitis, wherein n is an integer between 1 and 15, m is 0, 1, 2 or 3, and R is hydrocarbon chain of polyunsaturated fatty acid selected from omega-3 and omega-6.

Claims: 5 independent

10 dependent

Fig.: 4

(10) AP 2013 11895 A (51) Int. Cl. (2006)
C 07 D 413/12
A 01 N 43/80

(21) AP 2008 011895 (22) 2008 12 16

(31) 0813849.7; 0725219.0

(32) 2008 07 29; 2007 12 24

(33) GB; GB

(71) SYNGENTA PARTICIPATIONS AG (CH)
Schwarzwaldallee 215, CH-4058 Basel (CH)

(72) RENOLD, Peter (CH);
ZAMBACH, Werner (CH);
MAIENFISCH, Peter (CH);
MUEHLEBACH, Michel (CH)

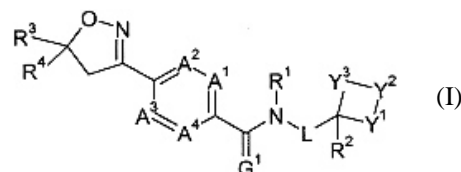
(74) Tamara Kochlamazashvili

(85) 2010 07 23

(86) PCT/EP2008/010701, 2008 12 16

(54) **INSECTICIDAL COMPOUNDS**

(57) There are represented: compound of formula (I),



wherein values R^1 , R^2 , R^3 , R^4 , A^1 , A^2 , A^3 , A^4 , G^1 , Y^1 , Y^2 , Y^3 and L are provided in the description; insecticidal, acaricidal, molluscicidal, and nematocidal pharmaceutical compositions containing thereof; and application thereto combat vermin.

Claims: 5 independent

10 dependent

(10) AP 2013 12118 A (51) Int. Cl. (2006)
C 07 D 491/04
A 61 K 31/473
A 61 K 31/4525

(21) AP 2009 012118 (22) 2009 07 28

(31) 0855161; PCT/EP2009/059715

(32) 2008 07 28; 2009 07 28

(33) FR; WO

(71) PIERRE FABRE MEDICAMENT (FR)
45, place Abel Gance,
92100 Boulogne-Billancourt (FR)

(72) MARION, Frédéric (FR);
ANNERAU, Jean-Philippe (FR);
FAHY, Jacques (FR)

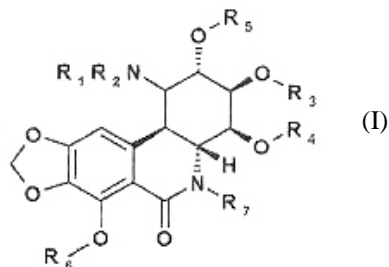
(74) George Meipariani

(85) 2011 02 25

(86) PCT/EP2009/059715, 2009 07 28

(54) **NITROGENATED DERIVATIVES OF PANCRATISTATIN**

(57) There are represented: narciclasine and pancratistatin nitrogenated derivatives of formula (I);



preparation method thereof; and pharmaceutical compositions applied at cancer treatment.

Claims: 7 independent

10 dependent

PART F

F 03

(10) AP 2013 12352 A (51) Int. Cl. (2006)
F 03 D 7/00

(21) AP 2011 012352 (22) 2011 08 26

(71) Vazha Buchukuri (GE)
Paliashvilis q. 62a, b. 22, 0179, Tbilisi (GE);
Ramaz Kikvidze (GE)
Dighmis Masivi, IV kvart., b. 22,
0159, Tbilisi (GE)

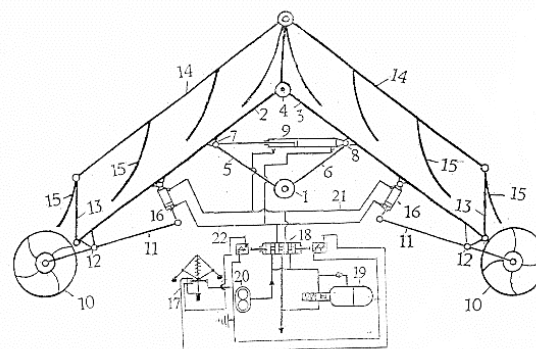
(72) Vazha Buchukuri (GE);
Ramaz Kikvidze (GE)

(54) **WIND POWER INSTALLATION**

(57) An installation comprises: wind flow guide executed as two vertical shields 2 and 3 tied together angularly with variable acute, actuating cylinder 9 regulating the angle, and the vertical rotors 10. At that, the levers 11 connecting rotors shields internal surfaces are double-armed and tied to actuating cylinders 16 hingedly connected to guiding shields internal surfaces. By forcing arteries 21 and 22 these actuating cylinders, in their turn, are connected to both: to actuating cylinder 9 regulating angle between vertical guiding shields, and to hydropneumatic accumulator 19 and pump 20 by pressure dispatcher 18 connected to a transmitter 17 of number of rotors revolutions.

Claims: 1 independent

Fig.: 1



PATENTED INVENTIONS

PART A

A 24

- (11) P 2013 5740 B** **(51) Int. Cl. (2006)**
A 24 D 1/04
 (10) AP 2012 12424 A (44) 19(359)/2012
 (21) AP 2011 012424
 (22) 2011 10 24
 (24) 2011 10 24
 (73) ALLIED GLOBAL TOBACCO LTD (GB)
 Wey Court West, Union Road, Farnham,
 Surrey GU9 7PT (GB)
 (72) Mariam Gurgenidze (GE)
 (74) Givi Akopashvili
 (54) **CIGARETTE WITHOUT FILTER**

A 61

- (11) P 2013 5735 B** **(51) Int. Cl. (2006)**
A 61 K 9/20
A 61 K 31/505
A 61 P 3/06
 (10) AP 2012 12071 A (44) 19(359)/2012
 (21) AP 2008 012071
 (22) 2008 06 27
 (24) 2008 06 27
 (31) PCT/IB2008/052595
 (33) IB
 (73) ABDI IBRAHIM ILAC SANAYI VE
 TICARET ANONIM SIRKETI (TR)
 Sanayi Mahallesi, Tunç Caddesi N3,
 Esenyurt-Istanbul (TR)
 (72) FARSHI, Farhad Sayyad (TR);
 AVCI, Recep (TR);
 APARI, Serdar (TR)
 (74) Liliana Darakhvelidze
 (85) 2011 01 25
 (86) PCT/IB2008/052595, 2008 06 27
 (54) **PHARMACEUTICAL COMPOSITIONS**
OF ROSUVASTATIN CALCIUM

- (11) P 2013 5729 B** **(51) Int. Cl. (2006)**
A 61 K 31/55
A 61 K 49/00
 (10) AP 2012 11545 A (44) 19(359)/2012
 (21) AP 2009 011545
 (22) 2009 11 05
 (24) 2009 11 05
 (31) 08.06225
 (32) 2008 11 07
 (33) FR

- (73) LES LABORATOIRES SERVIER (FR)
 35, Rue de Verdun, F-92284
 Suresnes Cedex (FR)
 (72) LEREBOURS-PIGEONNIERE Guy (FR);
 DUBOST-BRAMA, Ariane (FR);
 FLEURINCK, Carmen (BE)
 (74) Tamaz Shilakadze
 (54) **USAGE OF IVABRADINE AS**
DIAGNOSTIC AGENT IN
CORONARY ANGIOGRAPHY
METHOD BY MULTISLICE
COMPUTED TOMOGRAPHY

- (11) P 2013 5727 B** **(51) Int. Cl. (2006)**
A 61 K 31/57
A 61 K 45/06
A 61 P 15/06
 (10) AP 2012 11451 A (44) 19(359)/2012
 (21) AP 2008 011451
 (22) 2008 02 05
 (24) 2008 02 05
 (31) 60/888,480; 60/973,667
 (32) 2007 02 06; 2007 09 19
 (33) US; US
 (73) COLUMBIA LABORATORIES
 (BERMUDA) LIMITED (BM)
 Canon's Court, 22 Victoria Street, PO
 Box HM1179, Hamilton HM12 (BM)
 (72) CREASY, George (US)
 (74) Tamaz Shilakadze
 (86) PCT/GB2008/000397, 2008 02 05
 (54) **PROGESTERONE FOR PRETERM**
BIRTH PREVENTION

- (11) P 2013 5730 B** **(51) Int. Cl. (2006)**
A 61 K 31/495
A 61 K 31/551
A 61 P 25/18
 (10) AP 2012 11618 A (44) 19(359)/2012
 (21) AP 2008 011618
 (22) 2008 05 19
 (24) 2008 05 19
 (31) P0700369
 (32) 2007 05 24
 (33) HU
 (73) RICHTER GEDEON NYRT. (HU)
 Gyömrői út 19-21, H-1103
 Budapest (HU)
 (72) LASZLOVSZKY, István (HU);
 NÉMETH, György (HU);
 ANDOR, György (HU)
 (74) Liliana Darakhvelidze
 (86) PCT/HU2008/000051, 2008 05 19

(54) **TRANS-4-[2-[4-(2,3-DICHLOROPHE-NYL)-PIPERAZIN-1-YL]-ETHYL]-N,N-DIMETHYL-CARBAMOYL-CYCLOHEXYLAMINE FOR SCHIZOPHRENIA TREATMENT**

- (11) P 2013 5734 B (51) Int. Cl. (2006)
A 61 K 31/593
A 61 K 33/24
A 61 K 47/40
A 61 K 45/06
A 61 P 19/00
- (10) AP 2012 12014 A (44) 19(359)/2012
(21) AP 2010 012014
(22) 2010 11 25
(24) 2010 11 25
(31) 09.05706
(32) 2009 11 27
(33) FR
(73) LES LABORATOIRES SERVIER (FR)
35, Rue de Verdun, F-92284 Suresnes Cedex (FR)
(72) BRIAULT, Gilles (FR);
QUENAULT, Xavier (FR);
POIRIER, Cécile (FR);
PEAN, Jean-Manuel (FR)
(74) Tamaz Shilakadze
(54) **PHARMACEUTICAL COMPOSITION CONTAINING SALT OF STRONTIUM, VITAMIN D AND CYCLODEXTRIN**

- (11) P 2013 5731 B (51) Int. Cl. (2006)
A 61 P 25/18
A 61 K 31/4965
- (10) AP 2012 11619 A (44) 19(359)/2012
(21) AP 2008 011619
(22) 2008 05 19
(24) 2008 05 19
(31) P0700370
(32) 2007 05 24
(33) HU
(73) RICHTER GEDEON NYRT. (HU)
Gyömrői út 19-21, H-1103
Budapest (HU)
(72) LASZLOVSZKY, István (HU);
NÉMETH, György (HU);
ANDOR, György (HU)
(74) Liliana Darakhvelidze
(86) PCT/HU2008/000052, 2008 05 19
(54) **TRANS-4-[2-[4-(2,3-DICHLOROPHENYL)-PIPERAZIN-1-YL]-ETHYL]-N,N-DIMETHYL CARBAMOYL-CYCLOHEXYLAMINE FOR ACUTE MANIA TREATMENT**

PART C

C 07

- (11) P 2013 5733 B (51) Int. Cl. (2006)
C 07 D 209/08
A 61 K 31/404
- (10) AP 2012 11874 A (44) 19(359)/2012
(21) AP 2008 011874
(22) 2008 12 10
(24) 2008 12 10
(31) 07.08604
(32) 2007 12 11
(33) FR
(73) LES LABORATOIRES SERVIER (FR)
35, Rue de Verdun, F-92284
Suresnes Cedex (FR)
(72) CORDI Alexis (BE);
HABERKORN Laure (FR);
VERBEUREN Tony (BE);
COURCHAY Christine (FR);
SIMONET Serge (FR)
(74) Tamaz Shilakadze
(86) PCT/FR2008/001716, 2008 12 10
(54) **NOVEL DIAZENIUMDIOLATE DERIVATIVES, THEIR PREPARATION METHOD AND PHARMACEUTICAL COMPOSITIONS CONTAINING THEREOF**

- (11) P 2013 5728 B (51) Int. Cl. (2006)
C 07 D 213/61
C 07 D 471/04
A 61 K 31/437
- (10) AP 2012 11249 A (44) 19(359)/2012
(21) AP 2007 011249
(22) 2007 10 08
(24) 2007 10 08
(31) 11/539,857; PCT/US2006/039667;
60/912,629
(32) 2006 10 09; 2006 10 10; 2007 04 18
(33) US; US; US
(73) TAKEDA PHARMACEUTICAL
COMPANY LIMITED (JP)
1-1, Doshomachi 4-chome, Chuo-ku,
Osaka-shi, Osaka 541-0045 (JP)
(72) BROWN, Jason, W. (US);
DONG, Qing (US);
PARASELLI, Bheema, R. (US);
STAFFORD, Jeffrey, Alan (US);
WALLACE, Michael, B. (US);
WIJESEKERA, Hasanthi (AU)
(74) Tamara Kochlamazashvili
(86) PCT/US2007/080714, 2007 10 08
(54) **KINASE INHIBITORS**

- (11) **P 2013 5737 B** (51) **Int. Cl. (2006)**
C 07 D 223/16
 (10) AP 2012 12105 A (44) 19(359)/2012
 (21) AP 2011 012105
 (22) 2011 02 15
 (24) 2011 02 15
 (31) 10,00657
 (32) 2010 02 17
 (33) FR
 (73) LES LABORATOIRES SERVIER (FR)
 35, Rue de Verdun, F-92284
 Suresnes Cedex (FR)
 (72) PEGLION, Jean-Loui (FR);
 CAIGNARD, Pascal (FR)
 (74) Tamaz Shilakadze
 (54) **NEW METHOD FOR IVABRADINE**
AND THEIR ACID-ADDITIVE SALTS
SYNTHESIS

C 10

- (11) **P 2013 5738 B** (51) **Int. Cl. (2006)**
C 10 L 5/00
 (10) AP 2012 12107 A (44) 19(359)/2012
 (21) AP 2009 012107
 (22) 2009 07 14
 (24) 2009 07 14
 (31) 61/134,991
 (32) 2008 07 16
 (33) US
 (73) BRUSO, Bruce, L. (US)
 57 Park Lane, Hegins, Pennsylvania
 17938 (US)
 (72) BRUSO, Bruce, L. (US)
 (74) Tamara Kochlamazashvili
 (86) PCT/US2009/004102, 2009 07 14
 (54) **METHOD AND APPARATUS**
REFINING COAL

PART E

E 02

- (11) **P 2013 5736 B** (51) **Int. Cl. (2006)**
E 02 F 1/00
E 02 F 3/88
E 02 F 5/28
 (10) AP 2012 12083 A (44) 19(359)/2012
 (21) AP 2009 012083
 (22) 2009 07 02
 (24) 2009 07 02
 (31) 08159701.5
 (32) 2008 07 04
 (33) EP

- (73) DREDGING INTERNATIONAL ASIA
 PACIFIC PTE. LTD (SG)
 371 Beach Road, N24-08 KeyPoint,
 Singapore 199597 (SG)
 OLDENDORFF CARRIERS GMBH &
 CO. KG (DE)
 Willy-Brandt-Allee 6, 23554
 Luebeck (DE)
 (72) VAN WELLEN, Erik (BE);
 ROSENSTOCK, Mark (DE)
 (74) Tamara Kochlamazashvili
 (86) PCT/EP2009/058348, 2009 07 02
 (54) **METHOD FOR DELIVERING**
LARGE QUANTITIES OF UNDER
WATER SOIL TO RECLAMATION
AREA

PART F

F 41

- (11) **P 2013 5726 B** (51) **Int. Cl. (2006)**
F 41 H 1/02
 (10) AP 2012 11206 A (44) 19(359)/2012
 (21) AP 2009 011206
 (22) 2009 04 07
 (24) 2009 04 07
 (73) Teimuraz Kikvadze (GE)
 Tkabladzis q. 19, 4616, Kutaisi (GE)
 (72) Teimuraz Kikvadze (GE)
 (54) **LAYERED ARMATURE**

PART G

G 07

- (11) **P 2013 5732 B** (51) **Int. Cl. (2006)**
G 07 D 7/00
G 07 D 7/12
 (10) AP 2012 11773 A (44) 19(359)/2012
 (21) AP 2007 011773
 (22) 2007 10 09
 (24) 2007 10 09
 (73) SICPA HOLDING SA (CH)
 Avenue de Florissant 41, CH-1008
 Prilly (CH)
 (72) DECOUX, Eric (FR);
 CALLEGARI, Andrea (IT)
 (74) Alexander Gegechkori
 (86) PCT/IB2007/003002, 2007 10 09
 (54) **DEVICE FOR SECURITY MARKING**
AUTHENTICATION

UTILITY MODELS

APPLICATION APPROVED FOR GRANTING PATENT

The decision can be appealed at the Chamber of Appeal of Sakpatenti within 3 months from the publication or at the Administrative Chamber of the Tbilisi City Court (Address: №6, David Aghmashenebeli Kheivani 12 km., Tbilisi) within 1 month following the publication.

PART A

A 22

(10) AU 2013 12542 U (51) Int. Cl. (2006)

A 22 B 7/00

(21) AU 2012 012542 (22) 2012 01 20

(71) Tamaz Sarishvili (GE)

Deda Enis q. 14/12, 5400, Tskaltubo (GE);

Nanuli Minashvili (GE)

Deda Enis q. 14/12, 5400, Tskaltubo (GE);

Mirian Sarishvili (GE)

Deda Enis q. 14/12, 5400, Tskaltubo (GE);

Nora Sarishvili (GE)

Deda Enis q. 14/12, 5400, Tskaltubo (GE);

Megi Sarishvili (GE)

Namgaladzis q. 4, 4600, Kutaisi (GE)

(72) Tamaz Sarishvili (GE);

Nanuli Minashvili (GE);

Mirian Sarishvili (GE);

Nora Sarishvili (GE);

Megi Sarishvili (GE)

(54) **MOBILE TECHNOLOGICAL
COMPLEX FOR KILLING CATTLE
AND SLAUGHTERING**

(57) A complex is mounted onto car chassis 1 van body 2 and comprises a cooler 3, an unit 19 for killing cattle and slaughtering carcass, carcass and by-products disinfecting unit, a laboratory 4 conducting veterinary expertise, and fencing working place out of car the telescopic pipes 26 having bearing 27, and executed with polyethylene or another insulating material the accessories 28 to fix fencing means of working place. The unit for killing cattle and slaughtering carcass is П-shaped built-up structure. Above telescopic supports 21 thereof a suspension 20 is fixed, and a hand winch 18 and the cramps 23 hanging carcass are located thereon. Carcass and by-products disinfecting unit is executed as tanks 13 and 14 for water and disinfection located on van roof, and the mobile pumps 15 are connected thereby flexible pipes.

Claims: 1 independent

Fig.: 4

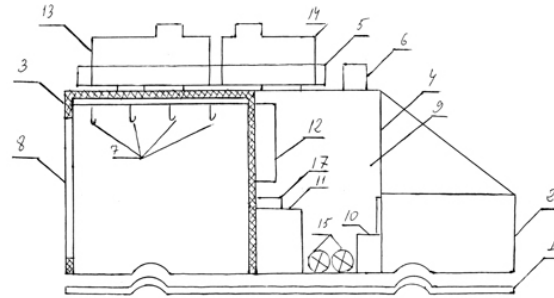


Fig. 1

DESIGNS

APPLICATION APPROVED FOR REGISTRATION

The decision can be appealed at the Chamber of Appeal of Sakpatenti within 3 months from the publication or at the Administrative Chamber of the Tbilisi City Court (Address: №6, David Aghmashenebeli Kheivani 12 km., Tbilisi) within 1 month following the publication.

(10) AD 2013 714 S (51) 13-03

(21) AD 2012 000714

(22) 2012 07 27

(28) 1

(23) 2012 01 27

(31) 201200558

(32) 2012 01 27

(33) TR

(71) VIKO ELEKTRİK VE ELEKTRONİK ENDÜSTRİSİ SANAYİ VE TİCARET ANONİM ŞİRKETİ (TR)
Abdurrahmangazi Mh. Ebubekir Cad. No 44, Sancaktepe-Istanbul (TR)

(72) İsmail Ali Dağbaşı (TR);

Fulya Turgut (TR);

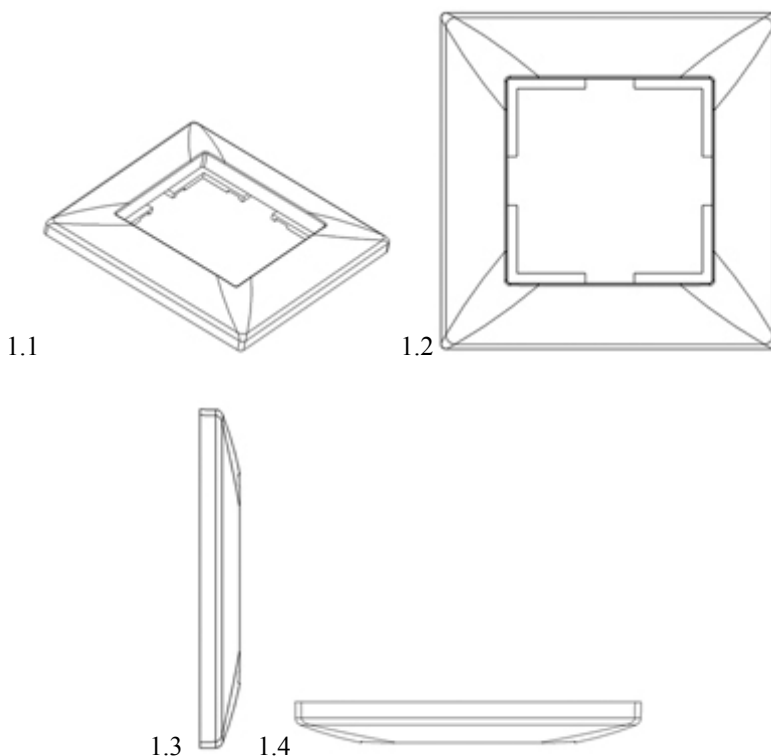
Mirzat Koc (TR);

Cahit Durmaz (TR)

(74) Khatuna İmnadze

(54) **FRAME OF SWITCH (VIKO) (MERIDIAN)**

(55)



REGISTERED DESIGN

(11) D 2013 525 S

(10) AD 2012 702 S

(21) AD 2012 000702

(22) 2012 05 14

(24) 2012 05 14

(28) 1

(18) 2017 05 14

(73) Rostom Zhordania (GE)

Nakashidzis q. 25, 0105, Tbilisi (GE)

(72) Rostom Zhordania (GE)

(54) **CHESSBOARD TABLE WITH BACKGAMMON BUILT-IN**

TRADEMARKS

APPLICATIONS FILED UNDER THE NATIONAL PROCEDURE APPROVED FOR REGISTRATION

The decision can be appealed at the Chamber of Appeal of Sakpatenti within 3 months from the publication or at the Administrative Chamber of the Tbilisi City Court (Address: №6, David Aghmashenebeli Kheivani 12 km., Tbilisi) within 1 month following the publication.

(260) AM 2013 66492 A
(210) AM 066492
(220) 2012 03 12
(731) MERCK SHARP & DOHME CORP.
One Merck Drive, Whitehouse Station,
New Jersey 08889, USA
(740) Tamaz Shilakadze
(540)

JACORIN

(591) Black, white
(511) 5

(260) AM 2013 66516 A
(210) AM 066516
(220) 2012 03 14
(731) BARNESANDNOBLE.COM LLC
76 Ninth Avenue, 9th Floor, New York,
NY 10011, USA
(740) George Meipariani
(540)

NOOK

(591) Black, white
(511) 9, 11, 35, 38, 41, 42, 45

(260) AM 2013 66517 A
(210) AM 066517
(220) 2012 03 14
(731) BARNESANDNOBLE.COM LLC
76 Ninth Avenue, 9th Floor, New York,
NY 10011, USA
(740) George Meipariani
(540)



(591) Black, white
(531) 27.05.21-
(511) 9, 11, 35, 38, 41, 42, 45

(260) AM 2013 66557 A
(210) AM 066557
(220) 2012 03 19
(731) WOLVERINE OUTDOORS, INC.
(a Michigan corporation),
9341 Courtland Drive NE, Rockford,
Michigan 49351, USA
(740) Vakhtang Torotadze
(540)

MERRELL

(591) Black, white
(511) 18, 20, 22

(260) AM 2013 66558 A
(210) AM 066558
(220) 2012 03 19
(731) SKECHERS U.S.A, INC
II a Delaware Corporation
228 Manhattan Beach Blvd., Manhattan
(740) Vakhtang Torotadze
(540)

SKECHERS

(591) Black, white
(511) 25

(260) AM 2013 66566 A
(210) AM 066566
(220) 2012 03 19
(731) LTD "SIESTA"
Sanzona N18v. b. 30, 0141, Tbilisi, Georgia
(740) Khatuna Imnadze
(540)



(591) Blue, sky, grey, red, raspberry, pink, white, yellow, green

(531) 05.05.04-25.01.01-26.04.22-27.05.01-29.01.15-

(526) **DISCLAIMER** – The trademark is protected as a whole. Indications: "Alcohol free", "DROPS", "Baby", "Pear taste" shall not be subject to independent protection.

(511) 5

(260) AM 2013 66651 A

(210) AM 066651

(220) 2012 03 23

(731) Joint-Stock Company "SASTUMROEBISA DA RESTORNEBIS MENEJMENT JGUFU – M/GROUP Marshal Gelovanis gamz. 2, me-5 sartuli, 0159, Tbilisi, Georgia

(540)

MANDARI
georgian
fusion

(591) Black, white

(526) **DISCLAIMER** – Word "georgian" shall not be subject to independent protection.

(511) 43

(260) AM 2013 66709 A

(210) AM 066709

(220) 2012 03 27

(310) 85/454,955; 85/454,957

(320) 2011 10 24

(330) US

(731) FORD MOTOR COMPANY
One American Road, Dearborn, Michigan
48126, USA

(740) Tamaz Shilakadze

(540)

Ford Go Further

(591) Black, white

(511) 12, 35

(260) AM 2013 66714 A

(210) AM 066714

(220) 2012 03 27

(731) FEDERAL-MOGUL PRODUCTS, INC.
26555 Northwestern Highway, Southfield,
Michigan 48034, USA

(740) Khatuna Imnadze

(540)

WAGNER

(591) Black, white

(531) 27.05.17-

(511) 12

(260) AM 2013 66775 A

(210) AM 066775

(220) 2012 03 30

(731) BROWN-FORMAN CORPORATION
(a Delaware, U.S.A. corporation)
850 Dixie Highway, 40210 Louisville, KY,
USA

(740) Shalva Gvaramadze

(540)

CHAMBORD

(591) Black, white

(511) 33

(260) AM 2013 66840 A

(210) AM 066840

(220) 2012 04 04

(731) VARIMEX WAREN-IMPORT EXPORT
HANDELS-GMBH
Chiara Ambra Platz 1, 77743 Neuried,
Germany

(740) Shalva Gvaramadze

(540)



(591) Golden, white, black

(531) 26.04.18-27.05.05-29.01.12-

(511) 3

(260) AM 2013 66850 A

(210) AM 066850

(220) 2012 04 05

(731) GIA TIKARADZE
Iia Chavchavadzis q. 15, 4200, Signagi,
Georgia

(540)

საზრისი
sazrisi

(591) Black, white

(511) 35, 38, 41

(260) AM 2013 66928 A

(210) AM 066928

(220) 2012 04 12

(731) AUNTIE ANNE'S INC.
a Pennsylvania corporation
Suite 200, 48-50 W. Chestnut Street,
Lancaster, PA 17603, USA

(740) Shalva Gvaramadze

(540)

AUNTIE ANNE'S(591) Black, white
(511) 43

(260) AM 2013 67014 A

(210) AM 067014

(220) 2012 04 20

(731) HOME BOX OFFICE, INC.

a Delaware corporation

1100 Avenue of the Americas, New York,

New York 10036, USA

(740) Tamaz Shilakadze

(540)

MAX GO(591) Black, white
(511) 9, 38, 41

(260) AM 2013 67015 A

(210) AM 067015

(220) 2012 04 20

(731) HOME BOX OFFICE, INC.

a Delaware corporation

1100 Avenue of the Americas, New York,

New York 10036, USA

(740) Tamaz Shilakadze

(540)

HBO(591) Black, white
(511) 9, 41

(260) AM 2013 67016 A

(210) AM 067016

(220) 2012 04 20

(731) HOME BOX OFFICE, INC.

a Delaware corporation

1100 Avenue of the Americas, New York,

New York 10036, USA

(740) Tamaz Shilakadze

(540)

HBO GO(591) Black, white
(531) 26.01.04-27.01.06-
(511) 9, 38, 41

(260) AM 2013 67055 A

(210) AM 067055

(220) 2012 04 23

(731) LTD "TEGETA MOTORSI"

David Agmasheneblis kheivani, me-12 km.

N5, 0131, Tbilisi, Georgia

(740) Vazha Bibichadze

(540)



(591) Black, white, yellow

(531) 26.04.24-27.05.11-27.05.24-29.01.13-

(511) 35

(260) AM 2013 67133 A

(210) AM 067133

(220) 2012 04 26

(731) TOYOTA JIDOSHA KABUSHIKI KAISHA

(also trading as TOYOTA MOTOR
CORPORATION)1, Toyota-Cho, Toyota-Shi, Aichi-Ken,
Japan

(740) Tamar Kochlamazashvili

(540)

PROACE

(591) Black, white

(511) 12

(260) AM 2013 67156 A

(210) AM 067156

(220) 2012 04 27

(731) SCHLUMBERGER LIMITED

5599 San Felipe, 16th Floor, Houston,
Texas 77056, USA

(740) Pavle Meipariani

(540)

SCHLUMBERGER

(591) Black, white

(511) 1, 7, 9, 12, 13, 17, 35, 37, 41, 42

(260) AM 2013 67247 A

(210) AM 067247

(220) 2012 05 07

(731) KAYABA INDUSTRY CO., LTD.

(Kayaba Kogyo Kabushiki Kaysha)
World Trade Center Bldg., 4-1, Hamamatsu-
Cho 2-Chome, Minato-Ku, Tokyo, Japan

(740) Tamaz Shilakadze

(540)

KYB

(591) Black, white

(531) 26.11.09-27.05.17-27.05.23-

(511) 12

REGISTERED TRADEMARKS

(111) M 2013 023230 R
(151) 2013 01 09
(181) 2023 01 09
(260) AM 2012 63577 A
(220) 2011 08 05
(732) PEPSICO, INC., A NORTH CAROLINA CORPORATION
700 Anderson Hill Road, Purchase,
New York 10577, USA

(111) M 2013 023231 R
(151) 2013 01 09
(181) 2023 01 09
(260) AM 2012 63578 A
(220) 2011 08 05
(732) PEPSICO, INC., A NORTH CAROLINA CORPORATION
700 Anderson Hill Road, Purchase,
New York 10577, USA

(111) M 2013 023232 R
(151) 2013 01 09
(181) 2023 01 09
(260) AM 2012 63579 A
(220) 2011 08 05
(732) PEPSICO, INC., A NORTH CAROLINA CORPORATION
700 Anderson Hill Road, Purchase,
New York 10577, USA

(111) M 2013 023233 R
(151) 2013 01 09
(181) 2023 01 09
(260) AM 2012 63580 A
(220) 2011 08 05
(732) PEPSICO, INC., A NORTH CAROLINA CORPORATION
700 Anderson Hill Road, Purchase,
New York 10577, USA

(111) M 2013 023234 R
(151) 2013 01 09
(181) 2023 01 09
(260) AM 2012 63581 A
(220) 2011 08 05
(732) PEPSICO, INC., A NORTH CAROLINA CORPORATION
700 Anderson Hill Road, Purchase,
New York 10577, USA

(111) M 2013 023235 R
(151) 2013 01 09
(181) 2023 01 09
(260) AM 2012 63582 A
(220) 2011 08 05
(732) PEPSICO, INC., A NORTH CAROLINA CORPORATION
700 Anderson Hill Road, Purchase,
New York 10577, USA

(111) M 2013 023236 R
(151) 2013 01 09
(181) 2023 01 09
(260) AM 2012 63583 A
(220) 2011 08 05
(732) PEPSICO, INC., A NORTH CAROLINA CORPORATION
700 Anderson Hill Road, Purchase,
New York 10577, USA

(111) M 2013 023237 R
(151) 2013 01 09
(181) 2023 01 09
(260) AM 2012 63584 A
(220) 2011 08 05
(732) THE CONCENTRATE
MANUFACTURING COMPANY OF
IRELAND
Corner House, 20 Parliament Street,
Hamilton, Bermuda

(111) M 2013 023238 R
(151) 2013 01 09
(181) 2023 01 09
(260) AM 2012 63586 A
(220) 2011 08 08
(732) TOYOTA JIDOSHA KABUSHIKI KAISHA
(also trading as TOYOTA MOTOR CORPORATION)
1, Toyota-Cho, Toyota-Shi, Aichi-Ken,
Japan

(111) M 2013 023239 R
(151) 2013 01 09
(181) 2023 01 09
(260) AM 2012 63737 A
(220) 2011 08 12
(732) LTD "MURAD TEQSTIL"
Krtsanisis q.78, 0114, Tbilisi, Georgia

(111) M 2013 023240 R (151) 2013 01 09 (181) 2023 01 09 (260) AM 2012 63857 A (220) 2011 08 26 (732) PEPSICO, INC. (A NORTH CAROLINA CORPORATION) 700 Anderson Hill Road, Purchase, New York 10577, USA	(BRANDS) LIMITED Global House, 4 Temple Place, London WC2R 2 PG, United Kingdom
(111) M 2013 023241 R (151) 2013 01 09 (181) 2023 01 09 (260) AM 2012 63858 A (220) 2011 08 26 (732) PEPSICO, INC. (A NORTH CAROLINA CORPORATION) 700 Anderson Hill Road, Purchase, New York 10577, USA	(111) M 2013 023246 R (151) 2013 01 09 (181) 2023 01 09 (260) AM 2012 64652 A (220) 2011 10 31 (732) NANYANG BROTHERS TOBACCO COMPANY LIMITED 9 Tsing Yeung Circuit, Tuen Mun, New Territories, Hong Kong, China
(111) M 2013 023242 R (151) 2013 01 09 (181) 2023 01 09 (260) AM 2012 64150 A (220) 2011 09 21 (732) OTIS ELEVATOR COMPANY 10 Farm Springs, Farmington, Connecticut 06032, USA	(111) M 2013 023247 R (151) 2013 01 09 (181) 2023 01 09 (260) AM 2012 64653 A (220) 2011 10 31 (732) NANYANG BROTHERS TOBACCO COMPANY LIMITED 9 Tsing Yeung Circuit, Tuen Mun, New Territories, Hong Kong, China
(111) M 2013 023243 R (151) 2013 01 09 (181) 2023 01 09 (260) AM 2012 64213 A (220) 2011 09 23 (732) TOTO LTD, A JAPANESE CORPORATION 1-1, Nakashima 2-chome, Kokurakita-ku, Kitakyushu-shi, Fukuoka-Ken, Japan	(111) M 2013 023248 R (151) 2013 01 09 (181) 2023 01 09 (260) AM 2012 64715 A (220) 2011 11 02 (732) NANYANG BROTHERS TOBACCO COMPANY LIMITED 9 Tsing Yeung Circuit, Tuen Mun, New Territories, Hong Kong, China
(111) M 2013 023244 R (151) 2013 01 09 (181) 2023 01 09 (260) AM 2012 64494 A (220) 2011 10 19 (732) LTD "AQVA GEO" Sop. Misaqtsieli, 3308, Mtskhetis raioni, Georgia	(111) M 2013 023249 R (151) 2013 01 09 (181) 2023 01 09 (260) AM 2012 64742 A (220) 2011 11 03 (732) SOLUTIA SINGAPORE PTE. LTD. 12 Jalan Kilang Barat #06-01, Singapore 159354, Singapore
(111) M 2013 023245 R (151) 2013 01 09 (181) 2023 01 09 (260) AM 2012 64528 A (220) 2011 10 21 (732) BRITISH AMERICAN TOBACCO	(111) M 2013 023250 R (151) 2013 01 09 (181) 2023 01 09 (260) AM 2012 65224 A (220) 2011 12 06 (732) LTD "EM-DI-SI- JGUFU" Al. Kazbegis gamz. 8, bina 1, 0160, Tbilisi, Georgia

(111) M 2013 023251 R
(151) 2013 01 09
(181) 2023 01 09
(260) AM 2012 65454 A
(220) 2011 12 20
(732) SAQARTVELOŠ EROVNULI OLIMPIURI
KOMITETI
Machablis 11, 0105, Tbilisi, Georgia

(111) M 2013 023252 R
(151) 2013 01 09
(181) 2023 01 09
(260) AM 2012 66020 A
(220) 2012 01 31
(732) GIORGI JANASHVILI
Terenti Granelis shesakhvevi N6, 0102,
Tbilisi, Georgia

TRADEMARKS REGISTERED ACCORDING TO THE ACCELERATED PROCEDURE

The decision can be appealed at the Chamber of Appeal of Sakpatenti within 3 months from the publication.

(111) M 2013 23229 R
(151) 2013 01 04
(181) 2023 01 04
(210) AM 070093
(220) 2012 12 19
(732) Ind. Production "Ia Kvaratekhelia"
Z. Gorgiladze Str. Build. 73, Ap. 12, 6000,
Batumi, Georgia

(540)



(591) Golden, pink and turquoise
(531) 01.13.15-17.02.01-17.02.02-17.02.13-
17.03.03-17.02.04-26.15.01-
(511) 14, 35

(111) M 2013 23253 R
(151) 2013 01 09
(181) 2023 01 09
(210) AM 070086
(220) 2012 12 18
(732) FLAMAGAS, S.A.
Metalurgia, 38-42. Barcelona, Spain
(740) Shalva Gvaramadze
(540)



(591) Yellow, dark blue
(531) 26.04.02-26.04.22-29.01.12-
(511) 34

(111) M 2013 23254 R
(151) 2013 01 15
(181) 2023 01 15
(210) AM 070165
(220) 2012 12 26

(732) Joint-Stock Company "SADAZGVEVO
KOMPANIA ALDAGI BISIAI"
Pushkinis q. 3, Tbilisi, Georgia
(740) Archil Kereselidze
(540)



სს "საერთაშორისო სადაზღვევეო კომპანია
იმედი ელ ინტერნეშენალი"

(591) Black, yellow, white
(531) 27.05.21-28.19.00-29.01.13-
(511) 44

(111) M 2013 23255 R
(151) 2013 01 15
(181) 2023 01 15
(210) AM 070166
(220) 2012 12 26
(732) Joint-Stock Company "SADAZGVEVO
KOMPANIA ALDAGI BISIAI"
Pushkinis q. 3, Tbilisi, Georgia
(740) Archil Kereselidze
(540)



JSC "International Insurance Company
IMEDI L International"

(591) Black, yellow, white
(531) 27.05.21-27.05.02-27.05.11-29.01.13-
(511) 44

(111) M 2013 23256 R
(151) 2013 01 15
(181) 2023 01 15
(210) AM 070163
(220) 2012 12 25
(732) LTD "DAIREQT DEBIT JORJIA"

Luqsemburgis q. N25/36, 0160, Tbilisi,
Georgia
(740) George Taktakishvili
(540)

iPay

(591) Black, white
(511) 9, 35, 36

(111) M 2013 23257 R
(151) 2013 01 15
(181) 2023 01 15
(210) AM 070164
(220) 2012 12 25
(732) LTD "DAIREQT DEBIT JORJIA"
Luqsemburgis q. N25/36, 0160, Tbilisi,
Georgia
(540)

ePay

(591) Black, white
(511) 9, 35, 36

(111) M 2013 23258 R
(151) 2013 01 17
(181) 2023 01 17
(210) AM 070087
(220) 2012 12 18
(732) FLAMAGAS, S.A.
Metalurgia, 38-42. Barcelona, Spain
(740) Shalva Gvaramadze
(540)



(591) Black, white
(531) 10.01.18-
(511) 34

(111) M 2013 23259 R
(151) 2013 01 18
(181) 2023 01 18
(210) AM 070195
(220) 2013 01 03
(732) TEIMURAZ JOKHADZE
Akademikos Kapitsas qucha, sakhli 20,
bina 107, Moskovi, Russian Federation
(540)

Джазовые Трансформации

(591) Black, white
(511) 41

INTERNATIONAL TRADEMARKS FOR WHICH A DECISION ON GRANTING PROTECTIONS IS TAKEN

The decision can be appealed at the Chamber of Appeal of Sakpatenti within 3 months from the publication or at the Administrative Chamber of the Tbilisi City Court (Address: №6, David Aghmashenebeli Kheivani 12 km., Tbilisi) within 1 month following the publication.

(260) AM 2013 65702 A

(800) 1100713

(731) PROJETCLUB

4, boulevard de Mons, F-59650
VILLENEUVE D'ASCQ, France

(540)

EMBISPHERE

(591) Black, white

(511)

9 – Data processing components, electronic peripheral devices, magnetic identification cards, integrated circuit cards (smart cards), optical disks, optical lamps, modems, computer memories, magnetic cards, computer peripheral devices, computer programs (computer software), embedded software, central processing units, electronic monitoring and security systems comprising magnetic sensors, magnetic labels and magnetic label deactivators; electronic tags for goods, computer programs for running of electronic access control systems.

16 – Labels and tags with machine-readable codes, including bar codes; labels of paper with integrated RFID chips, non-textile labels; labeling machines (term considered too vague by the International Bureau – rule 13(2)(b) of the common regulations under the Madrid Agreement and Protocol).

35 – Retail sale of data processing components.

42 – Design and development of computers, computer software, conversion of computer data and programs, computer programming.

45 – Security services for the protection of property and individuals (excluding their transport), advice on theft prevention devices, consulting in the area of theft prevention for the sale of goods at retail outlets.

(260) AM 2013 66142 A

(800) 1104197

(731) SOREMARTEC SA

Rue Joseph Netzer 5, B-6700 ARLON,
Belgium

(540)



(591) Brown, green, beige

(511)

30 – Coffee, tea, cocoa, sugar, rice, tapioca, sago, artificial coffee; flour and preparations made from cereals, bread, pastry and confectionery, ices; honey, treacle; yeast, baking-powder; salt, mustard; vinegar, sauces [condiments]; spices; ice for refreshment.

(260) AM 2013 66271 A

(800) 1030850

(731) Commerzbank AG

Kaiserstraße 16, 60311 Frankfurt
am Main, Germany

(540)

COMMERZBANK 

(591) Black, white

(511)

9 – Computer software (recorded); chip cards, USB sticks and other data storage media; card reading devices and other electronic machines and devices and parts thereof, included in this class.

36 – Financial services; banking and credit transactions; on-line banking; telephone banking; issuance of credit and debit cards, issuance of travelers' cheques; depositing of valuables, leasing of safe deposit boxes; financial consultancy services; monetary transactions; consultancy in the field of securities; administration and safe depositing of securities portfolios; securities business; foreign-exchange transactions; receipt of money deposits (inclusive of deposits of fixed-interest securities) and receipt of funds in time deposit accounts, credit funds, bills; domestic foreign-exchange transactions; acceptance of debenture bonds; pledging of securities, precious metals and other articles; money change; commodity forward transactions on a commission basis; trading in stocks and bonds, securities, monetary credits, mortgage deeds and land charge certificates as well as real servitudes and hereditary tenancy rights; issuing of securities; foreign exchange business; handling of letters of credit; transactions in relation to payment on deferred terms (financial sector); grant of sureties and guarantees; services of a securities broker; trading in index futures; trading in domestic and

foreign securities options; services of a broker or agent in relation to the purchase and sale of securities, index futures, domestic and foreign securities options; services of a broker or agent in relation to the issuance of domestic securities, securities futures and securities options; services of a broker or agent in relation to the issuance of foreign securities, securities futures and securities options; direct trading transactions with securities, securities options and futures; arrangement and procurement in relation to the redemption of securities, acceptance of securities, sale of securities; solicitation for bids for securities issuance and securities purchases; stock exchange information (financial sector); insurance business; arrangement and procurement of life insurance contracts; life insurance business; arrangement and procurement of property and indemnity insurance contracts; property and indemnity insurance business; computation of premium rates; real estate business; services of a broker or agent in relation to the leasing of buildings; leasing of buildings; services of a broker or agent in relation to building and real estate appraisal; real estate management; services of a broker or agent in relation to the leasing of real estate; leasing of real estate; providing information about buildings and real estate (included in this class); arrangement and procurement of contracts in relation to the purchase and sale of real estate; services of a broker or agent in relation to the arrangement and procurement regarding the purchase and sale of real estate; investigations into credit standing.

37 – Building construction.

(260) AM 2013 66283 A
(800) 1105233
(731) ASTELLAS PHARMA INC.
3-11, Nihonbashi-Honcho 2-chome,
Chuo-ku, Tokyo 103-8411, Japan

(540)

ASTELLAS

(591) Black, white
(511)

36 – Providing grants to patients and their families for improving their quality of life; providing grants to medical research organizations and business associations in support of scientific, medical and business meetings and workshops; providing grants to educational institutions and research organizations in support of educating the public about medical issues; providing grants for the supporting of programs and activities that work towards the advancement of healthier societies; providing grants for basic scientific research; providing grants for the examination of public health; providing grants for the examination of environmental policy issues; providing grants for the support of educational and

cultural exchange program; providing grants for other purposes.

(260) AM 2013 66288 A
(800) 1105363
(731) Publichne aktsionerne tovarystvo
"Kharkivska biskvitna fabryka"
vul. Lozivska, 8, Kharkiv 61017, Ukraine

(540)

ШОКОЛАДНЫЙ МОТИВ
ШОКОЛАДНИЙ МОТИВ

(591) Black, white

(511)

30 – Sponge cakes; cookies; buns; waffles; confectionery; confectionery for decorating Christmas trees; fruit jellies (confectionery); cakes; peanut confectionery; almond confectionery; pies; cocoa; cocoa products; caramels; sweetmeats (candy); liquorice (confectionery); peppermint sweets; crackers; candy for food; marzipan; custard; pastilles (confectionery); lozenges (confectionery); petits fours (cakes); biscuits; fondants (confectionery); popcorn; pralines; gingerbread; puddings; cake powder; sugar; sweet paste for cakes, pies, cookies, buns, gingerbread, puddings; sweets (confectionery); rusks; sandwiches; tarts; edible decorations for cakes; halvah; chips (cereal products); chocolate.

(260) AM 2013 66289 A
(800) 1105364
(731) NUVEX GMBH
Gute Änger 11, 85356 Freising,
Germany

(540)

Nuvex

(591) Black, white

(511)

1 – Chemicals used in industry, science and photography, as well as in agriculture, horticulture and forestry; unprocessed artificial resins, unprocessed plastics; carbonates.

17 – Rubber, gutta-percha, gum, asbestos, mica and goods made from these materials and not included in other classes; insulating materials; plastics in extruded form for use in manufacture, including fibre-reinforced plastics.

40 – Treatment of materials.

(260) AM 2013 66292 A
(800) 1105385
(731) AUDI AG
85045 Ingolstadt, Germany

(540)

CYLINDER ON DEMAND

(591) Black, white

(511)

7 – Machines and machine tools; motors and engines (except for land vehicles); machine coupling and transmission components (except for land vehicles); agricultural implements other than hand-operated; incubators for eggs.

9 – Scientific, nautical, surveying, photographic, cinematographic, optical, weighing, measuring, signalling, checking (supervision), life-saving and teaching apparatus and instruments; apparatus and instruments for conducting, switching, transforming, accumulating, regulating or controlling electricity; apparatus for recording, transmission or reproduction of sound or images; magnetic data carriers, recording discs; automatic vending machines and mechanisms for coin-operated apparatus; cash registers, calculating machines, data processing equipment and computers; fire-extinguishing apparatus.

12 – Vehicles and their constructive parts; apparatus for locomotion by land, air or water.

(260) AM 2013 66301 A

(800) 1105478

(731) EGIS GYOGYSZERGYÁR Nyilvánosan
Működő Részvénytársaság
Kereszturi ut 30-38, H-1106 Budapest,
Hungary

(540)

MITANGEN

(591) Black, white

(511)

5 – Pharmaceutical preparations for human purposes.

(260) AM 2013 66305 A

(800) 1105479

(731) EGIS GYOGYSZERGYÁR Nyilvánosan
Működő Részvénytársaság
Kereszturi ut 30-38, H-1106 Budapest,
Hungary

(540)

TAGLAGIN

(591) Black, white

(511)

5 – Pharmaceutical preparations for human purposes.

(260) AM 2013 66306 A

(800) 1105480

(731) HLT International IP LLC
7930 Jones Branch Drive, Suite 1100,
McLean, VA 22102, USA

(540)

**HILTON GRAND
VACATIONS**

(591) Black, white

(511)

36 – Vacation real estate time share services.

43 – Hotel services; restaurant, catering, bar and cocktail lounge services; resort lodging services; provision of general purpose facilities for meetings, conferences and exhibitions; provision of banqueting and social function facilities for special occasions; and reservation service for hotel accommodations for others.

(260) AM 2013 66307 A

(800) 1105491

(731) BRIDGESTONE CORPORATION
10-1, Kyobashi 1-chome, Chuo-ku,
Tokyo 104-8340, Japan

(540)



(591) Red and black

(511)

1 – Rubber cement for use in retreading preformed tires; solvents; self-vulcanizing binder compositions and vulcanizing accelerator compositions all used in the repair of tires.

6 – Metal junctions for pipes; metal flanges; water-pipe valves of metal; pipework of metal; antiseismic construction materials of metal; construction materials of metal; reinforcing materials of metal for building; metal hardware; reinforcing materials of metal for pipes; nuts of metal; industrial water storage tanks (of metal); water tanks of metal for household purposes; steel buildings; stainless-steel water tank; containers of metal; rubber covered metal chains for preventing bridge collapse; man-made garden ponds (metal structures).

7 – Construction machines and apparatus; loading-unloading machines and apparatus; rubber tracks for use with crawlers on agricultural machinery; rubber tracks for use with crawlers on mining machinery; rubber tracks for use with crawlers on construction, cargo handling machinery; rubber pads to be attached to shoe plates of metal crawlers; rubber tracks for use with crawlers on snow remover; parts and fittings for all the aforesaid goods; belts for conveyors; transmission belts not for land vehicles; belt conveyers; brakes for machines; hydraulic hoses, not of metal, for use in machines; non-metallic hoses for transferring hyd-

raulic power in machines; non-metallic hoses for use in hydraulic systems in machines; hydraulic quick release couplings for high pressure hoses used in machines; plastics pipes (fitted parts of machines); hydraulic connectors (pipes) being parts of machines; tire repairing machinery; pressure chambers as parts of tire repairing machinery; tire buffers as parts of tire repairing machinery; tire tread rollers and stitchers, as parts of tire repairing machinery; tire tread cutters and bonding agent applicators used in recapping tires as parts of tire repairing machinery; pneumatic shock absorbers (air springs, for machine elements not for land vehicles); rubber springs for non-vehicular suspension systems.

9 – Phase indicators; rubber covered electrical wires; electronic buzzers; solar batteries; facsimiles; electronic displays utilizing electronic paper technology; computers; rollers such as transfer roller, toner supply roller, development roller, etc. for printer, facsimile, copy machine; alarm devices for tire pressure; pressure gauges in vehicle tires; rubber testing machines; cameras; magnetic cores; gasoline gauges; gasoline pumps for service stations; cigar lighter for automobiles; protective masks; apparatus for consumer games adapted for use with an external display screen or monitor; electronic circuits and CD-ROMs recorded with programs for hand-held games with liquid crystal displays; weight belts for scuba diving; downloadable music files; downloadable image files; electronic publications; batteries, electric; batteries electric for vehicles; sunglasses.

12 – Automobiles and their parts and fittings; tires for passenger cars; tires for trucks; tires for buses; tires for racing cars; tires for automobiles; retreaded tires for passenger cars; retreaded tires for trucks; retreaded tires for buses; retreaded tires for racing cars; retreaded tires; retreaded tires for automobiles; inner tubes for passenger cars; inner tubes for trucks; inner tubes for buses; inner tubes for racing cars; inner tubes for automobiles; wheels and rims for passenger cars; wheels and rims for trucks; wheels and rims for buses; wheels and rims for racing cars; wheels and rims for automobiles; tread rubber for retreading tires for the above-mentioned vehicles; two-wheeled motor vehicles and their parts and fittings; tires for two-wheeled motor vehicles; inner tubes for two-wheeled motor vehicles; wheels and rims for two-wheeled motor vehicles; bicycles and their parts and fittings; tires for bicycles; inner tubes for bicycles; wheels and rims for bicycles; aircraft and their parts and fittings; tires and inner tubes for aircraft; adhesive rubber patches for repairing tubes or tires; tread rubber for retreading tires for two-wheeled motor vehicles or bicycles; tread rubber for retreading tires for aircraft; tread used to retread tires; preformed tire tread;

rubber patches for repairing vehicle tread; shock absorbers (for land vehicles); air springs for land vehicles; shaft couplings or connectors (for land vehicles); fenders for vessels (boat side protectors); seat cushions for vehicles; air springs for railway cars; vehicle bumpers; suspension shock absorbers for vehicles; suspension springs for vehicles; four-wheeled go-carts; tricycles for infants; tires for off-the-road vehicles; tires for scrapers; tires for motor graders; tires for shovel loaders; tires for tire rollers; tires for wheeled cranes; tires for cranes; tires for snow plows; tires for pavers; tires for mining machinery.

17 – Valves of rubber or vulcanized fiber; flexible tubes not of metal; junction for pipes, not of metal; sealants for use in building and construction and insulation for use in building and construction; floating anti-pollution barriers; packing containers of rubber; hydraulic hoses, not of metal; plastic substances, semi-processed; plastic sheets for use as interlayers for laminated glass; plastic films, not for wrapping; EVA (ethylene vinyl acetate) films for solar batteries; EVA (ethylene vinyl acetate) films for solar cells; urethane foam; thermoplastic elastomers used as materials for buffers of HDD; flexible pipes and tubes of plastic; flexible rubber tubes; laminated plastic films for use in electronic displays including plasma display panels and liquid crystal displays; adhesive-coated plastic sheets for solar cells; rubber; materials of rubber for seismic isolation; synthetic rubber; natural rubber; rubber compounds; rubber for retreading and repairing tires and repairing tubes; rubber material for recapping tires; gaskets; seals; waterproof membranes; gaskets of metal.

18 – Shopping bags; bags for sports; rucksacks; travelling bags; handbags; wheeled shopping bags; net bags for shopping; purses; school bags; bags (envelopes, pouches) of leather for packaging; umbrellas; parasols; card cases; key cases leatherware; vanity cases not fitted.

19 – Rigid pipes, not of metal (building); rubber building or construction materials; antiseismic construction materials, not of metal; rubber building materials for seismic isolation; non-metallic building materials; roofing and roofing waterproof membranes; non-metal bridge construction materials, covered with rubber; man-made garden ponds (structures, not of metal).

20 – Valves, not of metal, other than parts of machines; tanks, not of metal nor of masonry; liquid storage tanks not of metal nor of masonry; gas storage tanks not of metal nor masonry; chests, not of metal; desks; chairs; mirrors; bathroom vanities (furniture); bookcases; cushions; pillows; mattresses; cases of wood; bamboo and plastic containers for packaging; fans for personal use, non-electric;

water tanks for household purposes not of metal nor masonry; sleeping bags for camping; hairdresser's chairs; non-metal chains covered with rubber.

24 – Towels of textile; handkerchiefs; labels (cloth).

25 – Wind jackets; wristbands; golf shoes; golf spikes; cyclist's suits of jerseys for racing; cyclist's pants for racing; cyclist's overall; golf trousers; golf caps; golf shirts; golf pants; golf skirts; jackets; jogging pants; sweat pants; trousers; overcoats; raincoats; sweaters; sport shirts; camisoles; under-shirts; underpants; vests; open-necked shirts; polo shirts; collar protectors; socks; scarfs; gloves; gloves for bicycling; neckerchieves; thermal underwear; mufflers; ear muffs; hats; caps (clothing); visors; sports shoes; walking shoes; shoes; gloves for bicycle racing; gloves for cycling.

28 – Miniature cars; rubber balls; model vehicles; golf clubs; golf bags; golf balls; golf gloves; golf club heads; golf club head covers; golf irons; golf putters; golf equipment; sports bags shaped to contain specific sports apparatus; tennis rackets; tennis balls.

35 – Retail services or wholesale services for automobiles, tires and parts and fittings for automobiles; retail services or wholesale services for sports goods; retail services or wholesale services for bicycles and parts and fittings for bicycles.

37 – Repair and maintenance of automobiles and their parts; repair and maintenance of tires for automobiles; retreading of tires; repair and maintenance of two-wheeled motor vehicles and their parts; repair and maintenance of tires for two-wheeled motor vehicles; repair and maintenance of bicycles and their parts; repair and maintenance of tires for bicycles; repair and maintenance of tires for aircraft; tire repair and recapping services; roofing services; roof repair; roof installation, and maintenance.

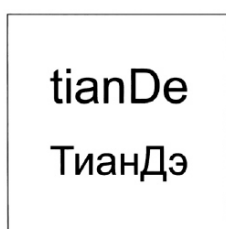
(260) AM 2013 66309 A

(800) 1105547

(731) TIANDE LIMITED LIABILITY COMPANY

112a, E. Alekseevov st., Altaiskiy Krai,
RU-656019 Barnaul, Russian Federation

(540)



(591) Black, white

(511)

3 – Bleaching preparations and other substances for laundry use; preparations for cleaning, polishing, scouring and abrasive preparations; soaps; perfumery; essential oils; cosmetics; hair lotions; dentifrices.

35 – Advertising; business management; business administration; office service; marketing studies; sales promotion for others; distribution of samples; import-export agencies; commercial information agencies; demonstration of goods; organization of trade fairs for commercial or advertising purposes; procurement services for others [purchasing goods and services for other businesses].

(260) AM 2013 66317 A

(800) 1105755

(731) ALIANÇA-VINHOS DE PORTUGAL, S.A.
APARTADO 6, SANGALHOS, P-3781-908
ANADIA ANADIA, Portugal

(540)



(591) Blue, white

(511)

33 – Alcoholic beverages (except beers).

(260) AM 2013 66319 A

(800) 1105803

(731) CHINA CNR CORPORATION LIMITED
15 Area One, Fangchengyuan, Fengtai
District, Beijing, China

(540)



(591) Black, white

(511)

7 – Internal-combustion engines, other than for automobiles, tractor, grain combine, motorcycles, chain saw, steam locomotive; diesel engines other than for land vehicles; compressors (machines); crank shafts; generators of electricity; dynamos; wind-powered electricity generators; springs (parts of machines); taps (parts of machines, engines or motors); valves (parts of machines); hoists; connecting rods for machines, motors and engines; shaft couplings (machines); control mechanisms for machines, engines or motors; hydraulic pressure coup-

lers; machine wheelwork; pressure regulators (parts of machines); heat exchangers (parts of machines).

9 – Electric apparatus for commutation; current rectifiers; regulating apparatus, electric; distribution boxes (electricity); steering apparatus, automatic, for vehicles; surveying apparatus and instruments; computers.

12 – Vehicles for locomotion by land, air, water or rail; rolling stock for railways; locomotives; high speed train; sack-barrows; running gear for locomotive vehicles namely, bogies; control device for locomotive vehicles; brakes for locomotive vehicles; propulsion mechanisms for land vehicles; transmissions for locomotive vehicles namely, gear boxes; shock absorbing springs for vehicles; wheels of locomotive vehicles; railway couplings; buffers for railway rolling stock; brake systems locomotive vehicles.

39 – Vehicle rental; transport; transport brokerage; railway transport; rental of storage containers; storage of goods; rental of warehouses.

42 – Technical research; engineering; research and development for others; research in the field of environmental protection.

(260) AM 2013 66322 A
(800) 1105822
(731) KRKA, tovarna zdravil, d.d., Novo mesto
Šmarješka cesta 6, SI-8501 Novo mesto,
Slovenia

(540)

BIXEBRA

(591) Black, white
(511)
5 – Pharmaceutical preparations.

(260) AM 2013 66323 A
(800) 1105823
(731) KRKA, tovarna zdravil, d.d., Novo mesto
Šmarješka cesta 6, SI-8501 Novo mesto,
Slovenia

(540)

ITOROXX

(591) Black, white
(511)
5 – Pharmaceutical preparations.

(260) AM 2013 66324 A
(800) 1105824
(731) KRKA, tovarna zdravil, d.d., Novo mesto
Šmarješka cesta 6, SI-8501 Novo mesto,
Slovenia

(540)

ACLEXA

(591) Black, white
(511)
5 – Pharmaceutical preparations.

(260) AM 2013 66326 A
(800) 1105826
(731) KRKA, tovarna zdravil, d.d., Novo mesto
Šmarješka cesta 6, SI-8501 Novo mesto,
Slovenia

(540)

ECLLEXA

(591) Black, white
(511)
5 – Pharmaceutical preparations.

(260) AM 2013 66331 A
(800) 1101629
(731) ABRAXIS BIOSCIENCE, LLC
11755 WILSHIRE BLVD. 20TH FLOOR,
LOS ANGELES CA 90025, USA

(540)

NAB

(591) Black, white
(511)
5 – Injectable pharmaceutical for the treatment of cancer.

(260) AM 2013 66412 A
(800) 1106362
(731) NEW CENTURY OPTRONICS CO., LTD
618-2#, GongRen West Road, Jiaojiang
Area, Taizhou City, Zhejiang Province,
China
(540)



(591) Black, white
(511)
9 – Computer; couplers; fax machines; weighing apparatus; measuring apparatus and instruments; television; bulletin board systems; antenna; sonars; telephone receivers; cell phone; transmitters of electronic signals; optical communication equipment; satellite navigational apparatus; network communication equipment; radio; microphone; games adapted for use with television receivers only; television camera; optical disk; electronic pagers with downloadable digital books; cameras; teaching projectors; measuring apparatus; milage

recorders for vehicles; thermostat; audiovisual teaching apparatus; kilowatt-hour meter; probes for scientific purposes; telescope; materials for electricity mains, namely electric wires, electric cables; integrated circuit; semiconductor; distribution boards; lightning rod; electrical plating apparatus; fire extinguishing apparatus; welding equipment; radiological equipment for industrial use; safety net; annunciator; electric anti-theft devices; eyeglass; battery; laser pointers; electric iron.

(260) AM 2013 66420 A

(800) 1106447

(731) RICHTER GEDEON NYRT.

Gyömrői út 19-21, H-1103 BUDAPEST,
Hungary

(540)

ЭРИНА

(591) Black, white

(511)

5 – Pharmaceutical preparations.

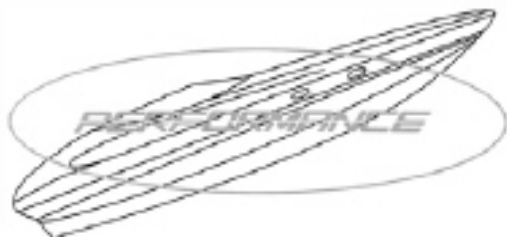
(260) AM 2013 66421 A

(800) 1106450

(731) PERFORMANCE MARINE GMBH

Hertzstr. 4, 85757 Karlsfeld, Germany

(540)



(591) Black, white

(511)

12 – Sport motorboats and their parts.

25 – Clothing, headgear.

(260) AM 2013 66422 A

(800) 1106455

(731) WILLIAM GRANT & SONS IRISH
BRANDS LIMITED

4th Floor, Block D, Iveagh Court,
Harcourt Road, Dublin 2, Ireland

(540)

TULLAMORE D.E.W.

(591) Black, white

(511)

33 – Alcoholic beverages.

(260) AM 2013 66438 A

(800) 933970

(731) Eurogiro A/S

Telegade 1, DK-2630 Taastrup, Denmark

(540)

**EUROGIRO CASH
INTERNATIONAL**

(591) Black, white

(511)

16 – Printed matter, namely printed forms, printed brochure materials and printed folders; printed information material; newspapers, books and periodicals; printed magazines; hand books; instructional and teaching material (except apparatus) relating to financial and monetary affairs, as well as to payment transactions.

36 – Financial affairs, monetary affairs, financial monetary affairs; banking services including electronic cross-border payment transactions; direct banking (home-banking); financial post office services; electronic giro transfers and other electronic money transfers; financial affairs in the form of arranging payments for others; arranging monetary transfers; financial clearing; financing; money order and payments of money; pawnbrokerage; brokerage services; insurance; financial credit card services, including issuance of credit cards; capital investment; financial analyses; financial consultancy; loans (financing); factoring; deposits of valuables; cheque verification; financial appraisals; exchanging money; financial affairs in the form of provision of security deposits; issuing of traveller's cheques.

(260) AM 2013 66445 A

(800) 1106599

(731) GİSİ TEKSTİL SANAYİ VE DIŞ TİCARET
LİMİTED ŞİRKETİ

Güven Mah. Lalezar Sokak No.36 K:5,
Güngören İstanbul, Turkey

(540)



(591) Black, white

(511)

25 – Clothing made of combed cotton, knitwear, jeans, leather and paper, sportswear, beach clothes, namely, bathing suits and beach cover-ups, underwear, gloves, socks; footwear, namely, shoes, boots, slippers, shoe parts namely heelpieces; heels; footwear uppers; headgears, namely, hats, berets, caps; clothing for babies, namely babies' diapers of textile, swaddling clothes for babies made from textile fabrics, bras, nylon pants, bibs (except paper

bibs); ties, bow ties, scarves, shawls, collars (for clothing), bandannas, muffs, headbands, belts, braces, suspenders.

(260) AM 2013 66446 A

(800) 1106624

(731) IL GRAPPOLO D'ORO-TENUTA ROLETTO- LE GUIE-SOCIETA' COOPERATIVA AGRICOLA abbreviated TENUTA ROLETTO-S.C.A., or IL GRAPPOLO D'ORO-S.C.A., or LE GUIE-S.C.A. Via Porta Pia, 69, CUCEGLIO (Torino), Italy

(540)



(591) Black, white

(511)

33 – Alcoholic beverages, wines, spirits, liqueurs.

(260) AM 2013 66447 A

(800) 1106643

(731) UAB "ECT EUROPE"

Statybininku g. 5, LT-21110 Trakai, Lithuania

(540)



(591) Green, black and greenish yellow

(511)

3 – Leather preservatives (polishes); shining preparations (polish); polishing wax; stain removers; creams for leather; polishing preparations; varnish-removing preparations; degreasing preparations other than for use in manufacturing processes; cleaning preparations.

(260) AM 2013 66449 A

(800) 1106652

(731) GAUDI' TRADE S.P.A.

Via Nuova Ponente, 29, I-41012 CARPI (MO), Italy

(540)



(591) Black, white

(511)

25 – Clothing, footwear, headgear; coats, mantles, raincoats, overcoats, waistcoats, parkas, anoraks, blousons, dresses, dresses for women, suits, skirts, jackets, sport jackets, blazers, wind-resistant jackets, trousers, sport trousers, jeans, pants, shorts, shirts, T-shirts, blouses, jerseys, sweaters, cardigans, pullovers; stockings, socks, underwear, corsets, nightgowns, pajamas; bathrobes, bathing suits, sun suits, sweat suits; ties, neckties, scarves, shawls, foulards; gloves, sashes and belts; breeches; vests; camisoles; casual and sporting shoes, boots, slippers and sandals; caps, hats.

(260) AM 2013 66450 A

(800) 1106684

(731) EUROPA Reinsurance Facility Ltd c/o

Reichlin & Hess

Hofstrasse 1A, CH-6300 Zug, Switzerland

(540)



(591) Blue and orange

(511)

36 – Insurance, including insurance, reinsurance, advice and information in connection with insurance, reinsurance and risk management; support services for insurance agents and reinsurance agents, namely underwriting, price structure, claims handling and risk management; banking; all the aforementioned services also via a global computer network (the Internet).

38 – Online information services, namely provision of access to Internet platforms and to databases in connection with insurance and reinsurance, particularly for assessing risk and insurance models.

(260) AM 2013 66454 A

(800) 1106704

(731) Otkrytoe Aktsionernoe Obschestvo

"Khimiko-farmatsevtichesky kombinat "AKRIKHIN""

ulitsa Kirova, 29, gor. Staraya Kupavna, Moskovskaya oblast, RU-142450

Moskovskaya oblastj, Russian Federation

(540)

Нормобакт

Normobact

(591) Black, white

(511)

5 – Pharmaceutical preparations; enzyme preparations for medical purposes; drugs for medical purposes; mineral food-supplements; nutritional additives for medical purposes; preparations of trace elements for humans; biological preparations for medical purposes; biological active additives.

(260) AM 2013 66456 A

(800) 1106713

(731) IPSEN BIOPHARM LIMITED

Ash Road, Wrexham Industrial Estate,
Wrexham, LL13 9UF, United Kingdom

(540)

REVEAL THE CONFIDENCE DYSPORT

(591) Black, white

(511)

3 – Non-medical cosmetic preparations for the treatment of frown lines and other wrinkles, in particular facial wrinkles; non-medical cosmetic preparations for the treatment of interciliary furrows, facial wrinkles, hyper functional facial lines, human skin wrinkles and of imbalances and defects therein; non medical cosmetic preparations for the treatment of baldness; non-medical injectable cosmetic preparations; non-medical cosmetic preparations containing or including botulinum toxin, botulinum toxin-haemagglutinin complex, botulinum toxin fragments and other botulinum toxin derivatives; soaps; perfumery, essential oils, cosmetics, hair lotions; dentifrices.

5 – Pharmaceutical preparations containing botulinum toxin, botulinum toxin-haemagglutinin complex, botulinum toxin fragments and other botulinum toxin derivatives for skin care and the treatment of neurological disorders; pharmaceutical preparations containing botulinum toxin with specified component(s) of the toxin haemagglutinin complex for skin care and the treatment of neurological disorders; pharmaceutical preparations for the treatment of glabellar lines, facial wrinkles, asymmetries and defects and conditions of the human skin; pharmaceutical preparations for the treatment and prevention of neuromuscular disorders; pharmaceutical preparations for the treatment and prevention of cervical dystonia, cerebral palsy and spasticity; pharmaceutical and veterinary preparations.

41 – Educational services, conducting seminars, classes, colloquiums, workshops, congresses in the field of medicine, cosmetics and healthcare; education; providing of training.

(260) AM 2013 66457 A

(800) 1106750

(731) "Maitre Rochet franchising" LLC

Elektrodnaya str., 2, stroenie 12-13-14,
RU-111524 Moscow, Russian Federation

(540)



(591) Combined

(511)

18 – Leather and imitation leather, and goods made of these materials and not included in other classes; handbag.

25 – Clothing, footwear, headwear.

36 – Real estate affairs.

39 – Transportation, wrapping and storage of goods; arranging of tours.

(260) AM 2013 66458 A

(800) 1106758

(731) Mederer GmbH

Oststrasse 94, 90763 Fürth, Germany

(540)



(591) Pink, white and black

(511)

30 – Confectionery, in particular jelly bonbons also with chocolate filling or chocolate glazing, gum bonbons including fruit gum bonbons and wine gum bonbons also with chocolate filling or chocolate glazing, foamed sugar confectionery, liquorice including fruit liquorice, chewing bonbons, hard bonbons (none of the aforesaid goods for medical purposes).

(260) AM 2013 66459 A

(800) 1106760

(731) Crupe Systems International (IP) GmbH c/o

S&K Financial Services AG

Samstagenstrasse 55, CH-8832 Wollerau,
Switzerland

(540)

Crupe Systems

(591) Black, white

(511)

1 – Chemicals used in industry, science and photography, as well as in agriculture, horticulture and forestry; unprocessed artificial resins, unprocessed plastics; fertilizers; fire extinguishing compositions; tempering and soldering preparations; chemical substances for preserving foodstuffs; tanning substances; adhesives for industrial purposes.

6 – Common metals and their alloys; building materials of metal; buildings, transportable, of metal; railway material of metal; non-electric cables and wires of common metal; ironmongery, small items of metal hardware; pipes of metal; safes; goods of common metal not included in other classes; ores of metal.

9 – Scientific, nautical, surveying, photographic, cinematographic, optical, weighing, measuring, signalling, checking [supervision], life-saving and teaching apparatus and instruments; apparatus and instruments for conducting, switching, transforming, accumulating, regulating or controlling electricity; apparatus for the recording, transmission and reproduction of sound and images; magnetic data carriers, recording discs; automatic vending machines and mechanisms for coin-operated apparatus; cash registers, calculating machines, data processing equipment and computers; extinguishers.

19 – Building materials, not of metal; rigid pipes, not of metal [building]; asphalt, pitch and bitumen; buildings, transportable, not of metal; monuments, not of metal.

(260) AM 2013 66460 A

(800) 1106761

(731) Crupe Systems International (IP) GmbH c/o
S&K Financial Services AG
Samstagerstrasse 55, CH-8832 Wollerau,
Switzerland

(540)

Insultherm

(591) Black, white

(511)

1 – Chemicals used in industry, science and photography, as well as in agriculture, horticulture and forestry; unprocessed artificial resins, unprocessed plastics; fertilizers; fire extinguishing compositions; tempering and soldering preparations; chemical substances for preserving foodstuffs; tanning substances; adhesives for industrial purposes.

6 – Common metals and their alloys; building materials of metal; buildings, transportable, of metal; railway material of metal; non-electric cables and wires of common metal; ironmongery, small items of metal hardware; pipes of metal; safes; goods of common metal not included in other classes; ores of metal.

9 – Scientific, nautical, surveying, photographic, cinematographic, optical, weighing, measuring, signalling, checking [supervision], life-saving and teaching apparatus and instruments; apparatus and instruments for conducting, switching, transforming, accumulating, regulating or controlling electricity; apparatus for the recording, transmission and reproduction of sound and images; magnetic data carriers, recording discs; automatic vending

machines and mechanisms for coin-operated apparatus; cash registers, calculating machines, data processing equipment and computers; extinguishers.

19 – Building materials, not of metal; rigid pipes, not of metal [building]; asphalt, pitch and bitumen; buildings, transportable, not of metal; monuments, not of metal.

(260) AM 2013 66461 A

(800) 1106762

(731) Crupe Systems International (IP) GmbH c/o
S&K Financial Services AG
Samstagerstrasse 55, CH-8832 Wollerau,
Switzerland

(540)

Insulterm

(591) Black, white

(511)

1 – Chemicals used in industry, science and photography, as well as in agriculture, horticulture and forestry; unprocessed artificial resins, unprocessed plastics; fertilizers; fire extinguishing compositions; tempering and soldering preparations; chemical substances for preserving foodstuffs; tanning substances; adhesives for industrial purposes.

6 – Common metals and their alloys; building materials of metal; buildings, transportable, of metal; railway material of metal; non-electric cables and wires of common metal; ironmongery, small items of metal hardware; pipes of metal; safes; goods of common metal not included in other classes; ores of metal.

9 – Scientific, nautical, surveying, photographic, cinematographic, optical, weighing, measuring, signalling, checking [supervision], life-saving and teaching apparatus and instruments; apparatus and instruments for conducting, switching, transforming, accumulating, regulating or controlling electricity; apparatus for the recording, transmission and reproduction of sound and images; magnetic data carriers, recording discs; automatic vending machines and mechanisms for coin-operated apparatus; cash registers, calculating machines, data processing equipment and computers; extinguishers.

19 – Building materials, not of metal; rigid pipes, not of metal [building]; asphalt, pitch and bitumen; buildings, transportable, not of metal; monuments, not of metal.

(260) AM 2013 66462 A

(800) 1106765

(731) Greisinger Fleisch-, Wurst- und
Selchwarenerzeugung GmbH
Klamerstraße 10, A-4323 Münzbach, Austria

(540)

TAURETTI

(591) Black, white

(511)

29 – Meat and sausage products.

(260) AM 2013 66521 A

(800) 1107109

(731) JD SPORTS FASHION PLC

Hollinsbrook Way, Pilsworth Bury,
Lancashire BL9 8RR, United Kingdom

(540)

SONNETI

(591) Black, white

(511)

25 – Clothing, footwear, headgear, belts.

(260) AM 2013 66522 A

(800) 1107116

(731) SOPHARMA AD

oulitsa "Iliensko chausse" 16, BG-1220
SOFIA, Bulgaria

(540)

BETAGAMMA**БЕТАГАММА**

(591) Black, white

(511)

5 – Pharmaceutical and veterinary preparations; sanitary preparations for medical purposes; dietetic substances adapted for medical use, food for babies; plasters, materials for dressings.

(260) AM 2013 66523 A

(800) 1107117

(731) SOPHARMA AD

oulitsa "Iliensko chausse" 16, BG-1220
SOFIA, Bulgaria

(540)

IVADRON**ИВАДРОН**

(591) Black, white

(511)

5 – Pharmaceutical and veterinary preparations; sanitary preparations for medical purposes; dietetic substances adapted for medical use, food for babies; plasters, materials for dressings.

(260) AM 2013 66524 A

(800) 1107118

(731) SOPHARMA AD

oulitsa "Iliensko chausse" 16, BG-1220
SOFIA, Bulgaria

(540)

TELMITAN
ТЕЛМИТАН

(591) Black, white

(511)

5 – Pharmaceutical and veterinary preparations; sanitary preparations for medical purposes; dietetic substances adapted for medical use, food for babies; plasters, materials for dressings.

(260) AM 2013 66525 A

(800) 1107125

(731) ORLY INTERNATIONAL, INC.

7710 Haskell Avenue, VAN NUYS
CA 91406, USA

(540)

SMARTGELS

(591) Black, white

(511)

3 – Nail care preparations, namely, nail colors.

(260) AM 2013 66526 A

(800) 1107146

(731) BANK FASHION LIMITED

Hollinsbrook Way, Pilsworth, Bury,
Lancashire BL9 8RR, United Kingdom

(540)

RIBBON

(591) Black, white

(511)

25 – Clothing, belts for wear, headgear, footwear, aprons.

(260) AM 2013 66530 A

(800) 1107296

(731) YIWU WENYUAN STATIONERY CO.,
LTD.Shenzhou Road, Houzhai Industrial District,
Yiwu City 322008 Zhejiang Province, China

(540)

The logo for SWORLD features the word "SWORLD" in a bold, sans-serif font. A curved line arches over the letters "W" and "O", resembling a stylized "S" or a swoosh.

(591) Dark grey.

(511)

16 – Jackets for papers; paper; school supplies (stationery); cabinets for stationery (office requisites); drawing instruments; note books; staples for offices; adhesives (glues) for stationery or household purposes; stationery; writing instruments.

(260) AM 2013 66531 A

(800) 1107299

(731) BEIQI FOTON MOTOR CO., LTD.

Laoniawan Village North, Shayang Road,
Shahe Town, Changping District, 102206
Beijing, China

(540)



(591) Green

(511)

9 – Electric accumulators for vehicles; battery jars; accumulator boxes; battery boxes; batteries for lighting; battery chargers; galvanic cells; electric accumulators; electric batteries; solar batteries.

(260) AM 2013 66532 A

(800) 1107318

(731) SANOFI

54 rue de la Boétie, F-75008 Paris, France

(540)

SUREMAT

(591) Black, white

(511)

5 – Syringes pre-filled with pharmaceutical preparations for treating autoimmune disorders for human use.

(260) AM 2013 66765 A

(800) 1108996

(731) Otkrytoye Akcionernoye Obshchestvo

mezhdunarodnoy i mezhdunarodnoy

elektricheskoy svyazi "Rostelekom"

15, Dostoevskogo str., RU-191002

St. Petersburg, Russian Federation

(540)

СОЗДАН БЫТЬ ПЕРВЫМ

(591) Black, white

(511)

9 – Dvd players; ticket dispensers; juke boxes, musical; vending machines; motor fire engines; answering machines; accumulators, electric; accumulators, electric, for vehicles; actinometers; alidades; altimeters; ammeters; anemometers; anodes; aerials; anticathodes; apertometers [optics]; high-frequency apparatus; remote control apparatus; electrodynamic apparatus for the remote control of signals; monitoring apparatus, electric; sound recording apparatus; diffraction apparatus [microscopy]; sound transmitting apparatus; electrical apparatus for sealing plastics [packaging]; electric apparatus for commutation; intercommunication apparatus;

projection apparatus; blueprint apparatus; blinkers [signalling lights]; stereoscopic apparatus; telegraphs [apparatus]; telephone apparatus; telephone transmitters; facsimile machines; phototelegraphy apparatus; acidimeters for batteries; aerometers; barometers; solar batteries; batteries, electric; magnetic tape units for computers; computer memories; encoded identification bracelets, magnetic; scales; camcorders; video cassettes; video telephones; video screens; viewfinders, photographic; plugs, sockets and other contacts [electric connections]; micrometer screws for optical instruments; switchboxes [electricity]; loudspeakers; detectors; slides [photography]; slide projectors; diaphragms [photography]; dictating machines; floppy disks; phonograph records; disks, magnetic; optical discs; disk drives for computers; juke boxes for computers; dna chips; electronic notice boards; identification threads for electric wires; locks, electric; bells [warning devices]; alarm bells, electric; electric door bells; signal bells; acoustic conduits; buzzers; measures; inverters [electricity]; indicators [electricity]; temperature indicators; measuring instruments; mathematical instruments; levelling instruments; surveying instruments; azimuth instruments; interfaces for computers; ionisation apparatus, not for the treatment of air; fibre [fiber (am.)] optic cables; cables, electric; calipers; calculating machines; cinematographic cameras; electronic pens [visual display units]; holders for electric coils; identity cards, magnetic; video game cartridges; encoded cards, magnetic; carriers for dark plates [photography]; automated teller machines [atm]; cinematographic film, exposed; computer keyboards; electronic agendas; mouse pads; magnetic encoders; collectors, electric; commutators; compact discs [audio-video]; compact discs [read-only memory]; comparators; computers; notebook computers; condensers [capacitors]; contacts, electric; contacts, electric, of precious metal; neon signs; amplifying tubes; flashlights [photography]; magnetic tapes; correcting lenses [optics]; magnets; mouse [data processing equipment]; protective masks; materials for electricity mains [wires, cables]; money counting and sorting machines; megaphones; diaphragms [acoustics]; diaphragms for scientific apparatus; metronomes; rules [measuring instruments]; shutter releases [photography]; microprocessors; microscopes; microtomes; microphones; modems; monitors [computer hardware]; animated cartoons; headphones; sound recording carriers; magnetic data media; optical data media; sheaths for electric cables; identification sheaths for electric wires; objectives [lenses] [optics]; limiters [electricity]; eyepieces; wrist rests for use with computers; spectacle frames; pince-nez mountings; spectacles [optics]; radio pagers; electronic pocket translators; transmitters [telecommunication]; transmitters of electronic signals; switches, electric; plates for batteries;

compact disc players; cassette players; sound recording strips; semi-conductors; circuit breakers; converters, electric; telerupters; diagnostic apparatus, not for medical purposes; distance measuring apparatus; speed checking apparatus for vehicles; teaching apparatus; time recording apparatus; distance recording apparatus; nautical apparatus and instruments; optical apparatus and instruments; apparatus and instruments for physics; chemistry apparatus and instruments; measuring apparatus; measuring devices, electric; observation instruments; navigation apparatus for vehicles [on-board computers]; satellite navigational apparatus; regulating apparatus, electric; precision measuring apparatus; instruments containing eyepieces; audio-receivers and video-receivers; prisms [optics]; printers for use with computers; magnetic wires; telegraph wires; telephone wires; wires, electric; conductors, electric; computer operating programs, recorded; computer game programs; computer programs [downloadable software]; record players; central processing units [processors]; electronic publications, downloadable; distribution consoles [electricity]; control panels [electricity]; radar apparatus; transmitting sets [telecommunication]; radios; vehicle radios; frames for photographic transparencies; walkie-talkies; voltage surge protectors; voltage regulators for vehicles; light dimmers [regulators], electric; cell switches [electricity]; relays, electric; x-ray photographs, other than for medical purposes; rheostats; scanners [data processing equipment]; integrated circuit cards [smart cards]; connections for electric lines; connections, electric; satellites for scientific purposes; audiovisual teaching apparatus; radiotelegraphy sets; radiotelephony sets; optical glass; glass covered with an electrical conductor; anti-glare glasses; personal stereos; stereoscopes; hands free kits for phones; counters; taximeters; word processors; television apparatus; telescopes; teleprompters; teleprinters; portable telephones; transistors [electronic]; telephone receivers; amplifiers; steering apparatus, automatic, for vehicles; video recorders; sound reproduction apparatus; tape recorders; apparatus for games adapted for use with an external display screen or monitor; data processing apparatus; amusement apparatus adapted for use with an external display screen or monitor; optical character readers; editing appliances for cinematographic films; couplers [data processing equipment]; computer peripheral devices; acoustic couplers; photocopiers [photographic, electrostatic, thermic]; bar code readers; cameras [photography].

35 – Arranging subscriptions to telecommunication services for others; import-export agencies; commercial information agencies; advertising agencies; cost price analysis; rental of advertising space; auditing; employment agencies; computerized file management; accounting; invoicing; demonstration

of goods; transcription; opinion polling; marketing studies; business information; commercial information and advice for consumers [consumer advice shop]; business investigations; marketing research; personnel recruitment; professional business consultancy; layout services for advertising purposes; business management of performing artists; news clipping services; updating of advertising material; word processing; secretarial services; shorthand; organization of exhibitions for commercial or advertising purposes; arranging newspaper subscriptions for others; organization of trade fairs for commercial or advertising purposes; shop window dressing; business appraisals; payroll preparation; data search in computer files for others; sponsorship search; business management assistance; commercial or industrial management assistance; presentation of goods on communication media, for retail purposes; economic forecasting; auctioneering; sales promotion for others; office machines and equipment rental; rental of advertising time on communication media; publicity material rental; rental of vending machines; rental of photocopying machines; publication of publicity texts; typing; radio advertising; outdoor advertising; distribution of samples; direct mail advertising; writing of publicity texts; advertising; on-line advertising on a computer network; advertising by mail order; television advertising; document reproduction; compilation of statistics; compilation of information into computer databases; business inquiries; systemization of information into computer databases; tax preparation; drawing up of statements of accounts; publicity columns preparation; psychological testing for the selection of personnel; business management of hotels; commercial administration of the licensing of the goods and services of others; administrative processing of purchase orders; public relations; modelling for advertising or sales promotion; relocation services for businesses; price comparison services; procurement services for others [purchasing goods and services for other businesses]; telephone answering for unavailable subscribers; photocopying; efficiency experts.

36 – Credit bureaux; debt collection agencies; real estate agencies; customs brokerage; financial analysis; leasing of farms; hire-purchase financing; savings banks; accommodation bureaux [apartments]; rent collection; issuing of travellers' checks [cheques]; issuance of credit cards; issue of tokens of value; capital investments; insurance information; financial information; clearing, financial; insurance consultancy; financial consultancy; stock exchange quotations; business liquidation services, financial; brokerage; financial management; exchanging money; debit card services; credit card services; home banking; factoring; organization of collections; antique appraisal; jewellery appraisal; stamp appraisal; real estate appraisal; numismatic appraisal; art

appraisal; financial evaluation [insurance, banking, real estate]; repair costs evaluation [financial appraisal]; electronic funds transfer; guarantees; securities brokerage; housing agents; insurance brokerage; loans [financing]; lending against security; check [cheque] verification; charitable fund raising; leasing of real estate; rental of offices [real estate]; renting of apartments; financial sponsorship; mortgage banking; instalment loans; accident insurance underwriting; apartment house management; real estate management; actuarial services; banking; retirement payment services; fiduciary; mutual funds; financing services; safe deposit services; deposits of valuables; fiscal assessments.

37 – Repair information; construction information; building construction supervision; rental of construction equipment; plumbing; masonry; roofing services; painting, interior and exterior; underwater repair; cabinet making [repair]; plastering; motor vehicle maintenance and repair; maintenance and repair of telecommunication equipment; furniture restoration; restoration of musical instruments; restoration of works of art; demolition of buildings; construction; telephone installation and repair; installation and repair of telecommunication equipment; electric appliance installation and repair; installation, maintenance and repair of computer hardware; interference suppression in electrical apparatus.

38 – News agencies; television broadcasting; cable television broadcasting; electronic bulletin board services [telecommunications services]; information about telecommunication; telecommunications routing and junction services; providing internet chatrooms; providing user access to a global computer network [service providers]; providing access to databases; providing telecommunications connections to a global computer network; providing telecommunication channels for teleshopping services; message sending; computer aided transmission of messages and images; sending of telegrams; transmission of telegrams; electronic mail; rental of message sending apparatus; rental of access time to global computer networks; rental of modems; rental of telecommunication equipment; rental of telephones; rental of facsimile apparatus; radio broadcasting; communications by fiber [fibre] optic networks; cellular telephone communication; communications by computer terminals; satellite transmission; communications by telegrams; communications by telephone; facsimile transmission; paging services [radio, telephone or other means of electronic communication]; teleconferencing services; telex services; voice mail services; telegraph services; telephone services.

41 – Modelling for artists; academies [education]; rental of tennis courts; lending libraries; booking of seats for shows; videotaping; nursery schools; phy-

sical education; discotheque services; animal training; dubbing; gaming; publication of books; education information; recreation information; entertainment information; movie studios; health club services; club services [entertainment or education]; night clubs; layout services, other than for advertising purposes; microfilming; videotape editing; production of radio and television programmes; music-halls; game services provided on-line from a computer network; providing on-line electronic publications, not downloadable; religious education; gymnastic instruction; correspondence courses; practical training [demonstration]; organization of balls; organization of exhibitions for cultural or educational purposes; providing recreation facilities; arranging and conducting of colloquiums; arranging and conducting of congresses; arranging and conducting of conferences; arranging and conducting of concerts; arranging and conducting of workshops [training]; arranging and conducting of seminars; arranging and conducting of symposiums; arranging of beauty contests; organization of competitions [education or entertainment]; operating lotteries; holiday camp services [entertainment]; organization of shows [impresario services]; organization of sports competitions; vocational guidance [education or training advice]; amusement parks; television entertainment; providing karaoke services; providing sports facilities; providing amusement arcade services; cinema presentations; presentation of live performances; theatre productions; educational examination; timing of sports events; videotape film production; film production; rental of sound recordings; rental of audio equipment; rental of camcorders; rental of video cassette recorders; rental of videotapes; rental of show scenery; rental of movie projectors and accessories; rental of motion pictures; rental of lighting apparatus for theatrical sets or television studios; rental of radio and television sets; rental of sports equipment, except vehicles; rental of stage scenery; electronic desktop publishing; publication of electronic books and journals on-line; publication of texts, other than publicity texts; radio entertainment; entertainer services; entertainment; writing of texts, other than publicity texts; news reporters services; party planning [entertainment]; music composition services; sport camp services; subtitling; providing casino facilities [gambling]; calligraphy services; providing museum facilities [presentation, exhibitions]; educational services; orchestra services; translation; scriptwriting services; ticket agency services [entertainment]; recording studio services; digital imaging services; photography; photographic reporting; circuses; boarding schools; production of shows.

42 – Computer systems analysis; architecture; authenticating works of art; recovery of computer data; graphic arts designing; computer virus protection

services; technical project studies; engineering; installation of computer software; material testing; textile testing; bacteriological research; biological research; geological research; research in the field of environmental protection; cosmetic research; mechanical research; physics [research]; chemical research; research and development for others; analysis for oil-field exploitation; underwater exploration; technical research; calibration [measuring]; consultancy in the field of computer hardware; computer software consultancy; architectural consultation; oil-well testing; quality control; vehicle roadworthiness testing; dress designing; updating of computer software; oil-field surveys; maintenance of computer software; design of interior decor; conversion of data or documents from physical to electronic media; urban planning; providing search engines for the internet; data conversion of computer programs and data [not physical conversion]; computer system design; rental of web servers; computer rental; rental of computer software; oil prospecting; hosting computer sites [web sites]; duplication of computer programs; construction drafting; computer software design; consultancy in the field of energy-saving; creating and maintaining web sites for others; computer programming; industrial design; packaging design; surveying.

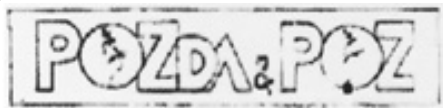
(260) AM 2013 67060 A

(800) 1111252

(731) POZEN TEKSTİL SANAYİ VE TİCARET LİMİTED ŞİRKETİ

Alaybey Sokak, 5 / A, Gürsel Mahallesi,
Kağıthane – İstanbul, Turkey

(540)



(591) Black, white

(511)

18 – Leather and imitation leather, animal skins; animal hides, artificial leathers, stout leathers, lining leather; goods made of leather, imitation leather or synthetic materials, namely, travel bags, valises, wallets, handbags, backpacks for carrying babies, leather and stout leather boxes for storing greeting cards, leather hat boxes for travel; make-up cases sold empty, toiletry bags sold empty, vanity cases sold empty, tool bags sold empty; book bags; carrying cases for documents, briefcases, backpacks, school bags, leather shopping bags, leather cases for banknotes; umbrellas, sun umbrellas, namely, parasols and canes; whips, harnesses and saddlery, stirrups, horse bridles.

25 – Clothing, namely, trousers, jackets, overcoats, coats, skirts, suits, jerseys, waistcoats, shirts, T-

shirts, sweatshirts, dresses, Bermuda shorts, shorts, pajamas, pullovers, jeans, tracksuits, rainwear, beachwear, bathing suits, swimming suits; clothing for sports (for exclusive use for sports), clothing for babies, namely, shirts, pants, coats, dresses; underclothing, namely, boxer shorts, brassieres, briefs, pants, socks; footwear, namely shoes excluding orthopedic shoes, sandals, waterproof boots, walking boots, bootees, sporting shoes, slippers; shoe parts namely heelpieces, insoles for footwear, footwear uppers; headgear, namely caps, skull caps, sports caps, hats, berets; gloves (clothing), stockings, belts (clothing), camisoles, sarongs, scarves, neck scarves, shawls, collars, neckties, ties, suspender belts.

35 – Advertising agencies services, marketing and publicity bureaus services including commercial or advertisement exhibition and trade fair organization services; providing office functions; business management; business administration; import and export agencies; business investigations, evaluations, expert business appraisals, information and research of industrial and commercial goods; auctioneering; the bringing together, for the benefit of others, of leather and imitation leather, goods made of leather, namely, travel bags, valises, wallets, handbags, make-up cases sold empty, book bags, carrying cases for documents, briefcases, school bags, leather cases for banknotes, umbrellas, clothing, footwear and headgear (excluding the transport thereof), enabling customers to conveniently view and purchase those goods; such services may be provided by retail stores, wholesale outlets, through mail order catalogues or by means of electronic media, for example, through web sites or television shopping programmes.

(260) AM 2013 67062 A

(800) 1111263

(731) "European chemical company" Limited Liability Company;

57,40-letiya VLKSM str. RU-400097
Volgograd, Russian Federation

(540)



(591) Blue and dark blue

(511)

1 – Water purifying chemicals; water conditioning chemicals; agents of water transparency elevation.

5 – Chlorine containing disinfectants for water.

- (260) AM 2013 67065 A
 (800) 1111282
 (731) E. REMY MARTIN & C°
 20, rue de la Société Vinicole, F-16100
 Cognac, France
 (540)



- (591) Black, silver gray, red and gold
 (511)
 33 – Alcoholic beverages, except beer.

- (260) AM 2013 67073 A
 (800) 1111383
 (731) AVRUPA TEKSTİL İÇ VE DIŞ TİCARET
 LİMİTED ŞİRKETİ
 Alt Kaynarca E-5, No:46-48 K:7,
 Pendik – İstanbul, Turkey
 (540)



- (591) Black and dark pink
 (511)
 25 – Clothing, namely, trousers, jackets, overcoats, coats, skirts, suits, jerseys, waistcoats, shirts, T-shirts, sweatshirts, dresses, bermuda shorts, shorts, pajamas, pullovers, jeans, tracksuits, rainwear, beachwear, bathing suits, swimming suits; clothing for sports (for exclusive use for sports), clothing for babies, namely, shirts, pants, coats, dresses; underclothing, namely, boxer shorts, brassieres, briefs, pants, socks; footwear, namely shoes excluding orthopedic shoes, sandals, waterproof boots, walking boots, bootees, sporting shoes, slippers; shoe parts namely heelpieces, insoles for footwear, footwear uppers; headgear, namely caps, skull caps, sports caps, hats, berets; gloves (clothing), stockings, belts (clothing), camisoles, sarongs, scarves, neck scarves, shawls, collars, neckties, ties, suspender belts.
 35 – Advertising agencies services, marketing and publicity bureaus services including commercial or advertisement exhibition and trade fair organization services; providing office functions; business management; business administration; import and export agencies; business investigations, evaluations,

expert appraisals, information and research of industrial and commercial goods; auctioneering; the bringing together, for the benefit of others, of clothing, footwear, headgear (excluding the transport thereof), enabling customers to conveniently view and purchase those goods; such services may be provided by retail stores, wholesale outlets, through mail order catalogues or by means of electronic media, for example, through web sites or television programmes.

- (260) AM 2013 67075 A
 (800) 1111451
 (731) "POLYMERTEPLO GROUP Ltd."
 str.1, d.14, Ul.Generala Dorokhova,
 RU-119530 Moskva, Russian Federation
 (540)



- (591) Dark blue
 (511)
 11 – Water heaters; heating boilers; taps [faucets]; mixer taps for water pipes; sauna bath installations; bath fittings; heat exchangers, not parts of machines; pipes [parts of sanitary installations]; water conduits installations; water distribution installations; water supply installations.
 17 – Reinforcing materials, not of metal for pipes; insulating materials; non-conducting materials for retaining heat; sealant compounds for joints; pipe jackets, not of metal; plastic substances, semi-processed; expansion joint fillers; junctions, not of metal, for pipes; flexible tubes, not of metal; stuffing rings; fire hose.
 19 – Reinforcing materials, not of metal, for building; building materials, not of metal; branching pipes, not of metal; penstock pipes, not of metal; water pipes, not of metal; gutter pipes, not of metal; ducts, not of metal, for ventilating and air-conditioning installations; rigid pipes, not of metal [building].
 37 – Building insulating; repair information; construction information; rental of bulldozers; rental of cranes [construction equipment]; rental of excavators; construction.
 41 – Practical training [demonstration]; arranging and conducting of conferences; arranging and conducting of workshops [training]; arranging and conducting of symposiums; arranging and conducting of seminars.
 42 – Technical project studies; engineering; material testing; mechanical research; technical research; surveying.

(260) AM 2013 67076 A

(800) 1111452

(731) "POLYMERTEPLO GROUP Ltd."

str.1, d.14, Ul.Generala Dorokhova,

RU-119530 Moskva, Russian Federation

(540)



(591) Dark blue

(511)

11 – Water heaters; heating boilers; taps [faucets]; mixer taps for water pipes; sauna bath installations; bath fittings; heat exchangers, not parts of machines; pipes [parts of sanitary installations]; water conduits installations; water distribution installations; water supply installations.

17 – Reinforcing materials, not of metal for pipes; insulating materials; non-conducting materials for retaining heat; sealant compounds for joints; pipe jackets, not of metal; plastic substances, semi-processed; expansion joint fillers; junctions, not of metal, for pipes; flexible tubes, not of metal; stuffing rings; fire hose.

19 – Reinforcing materials, not of metal, for building; building materials, not of metal; branching pipes, not of metal; penstock pipes, not of metal; water pipes, not of metal; gutter pipes, not of metal; ducts, not of metal, for ventilating and air-conditioning installations; rigid pipes, not of metal [building].

37 – Building insulating; repair information; construction information; rental of bulldozers; rental of cranes [construction equipment]; rental of excavators; construction.

41 – Practical training [demonstration]; arranging and conducting of conferences; arranging and conducting of workshops [training]; arranging and conducting of symposiums; arranging and conducting of seminars.

42 – Technical project studies; engineering; material testing; mechanical research; technical research; surveying.

(260) AM 2013 67079 A

(800) 1111530

(731) Akcjonerze towarzystwo "VGH STEEL TRADING"

vul. Mięrowicza, 6, PL-38-400 Krosno,

Poland

(540)



(591) Black, white

(511)

20 – Moldings for picture frames; bamboo; barrel hoops, not of metal; barrels, not of metal; library shelves; bead curtains for decoration; bolts, not of metal; beds for household pets; sideboards; dinner wagons (furniture); cabinet work; works of art, of wood, wax, plaster or plastic; high chairs for babies; trolleys (furniture); window fittings, not of metal; showcases (furniture); coat hangers; coats-stands; coathooks, not of metal; towel dispensers, fixed, not of metal; door handles, not of metal; door fittings, not of metal; doors for furniture; wood ribbon; mirrors (looking glasses); footstools; divans; bassinets; mats for infant playpens; keyboards for hanging keys; umbrella stands; ladders of wood or plastics; steps, not of metal; stair rods; dowels, not of metal; poles, not of metal; magazine racks; bamboo curtains; curtain hooks; curtain tie-backs; curtain rods; curtain rings; curtain rollers; curtain rails; rivets, not of metal; sealing caps, not of metal; locks, other than electric, not of metal; slatted indoor blinds; woven timber blinds (furniture); settees; hat stands; bedsteads of wood; rods for picture frames; picture frames; index cabinets (furniture); flower-pot pedestals; flower-stands (furniture); book rests (furniture); woven bassinets; furniture casters, not of metal; chests of drawers; desks (furniture); office furniture; boxes of wood or plastic; baskets, not of metal; hampers (baskets); chairs (seats); armchairs; benches (furniture); beds; hydrostatic beds, not for medical purposes; spring mattresses; mattresses; furniture partitions of wood; furniture shelves; furniture fittings, not of metal; furniture; furniture of metal; school furniture; plate racks; easy chairs; air mattresses, not for medical purposes; air pillows, not for medical purposes; air cushions, not for medical purposes; house numbers, not of metal, non-luminous; numberplates, not of metal; reeds (plaiting materials); writing desks; head-rests (furniture); trestles (furniture); stands for calculating machines; floating containers, not of metal; wickerwork; straw plaits; mirror tiles; busts of wood, wax, plaster or plastic; pillows; cushions; pet cushions; bolsters; shelves for storage; shelves for filing-cabinets (furniture); silvered glass (mirrors); bedding, except linen; letter boxes, not of metal or masonry; counters (tables); desks; rails for picture frames; stag antlers; animal horns; horn, unworked or semi-worked; identity plates, not of metal; meat chests, not of metal; bins, not of metal; mobiles (decoration); wind chimes (decoration); hand-held mirrors (toilet mirrors); towel closets (furniture); straw mattresses; sofas; plaited straw, except matting; statuettes of wood, wax, plaster or plastic; statues of wood, wax, plaster or plastic; racks (furniture); table tops; seats; seats of metal; stools; wall plugs, not of metal; shelves for typewriters; tables of metal; tables; tea carts; carts

for computers (furniture); trays, not of metal; curtain holders, not of textile material; dressing tables; washstands (furniture); coffin fittings, not of metal; bed fittings, not of metal; bottle casings of wood; cupboards; medicine cabinets; filing cabinets; covers for clothing (wardrobe); deck chairs; screens (furniture); pulleys of plastics for blinds; indoor window blinds; lockers; brush mountings.

(260) AM 2013 67122 A

(800) 1111794

(731) Airbus S.A.S.

1, Rond Point Maurice Bellonte, F-31707
Blagnac Cedex, France

(540)



(591) Black, white

(511)

7 – Aircraft engines; machines and machine tools especially for the manufacture and repair of vehicles and apparatus for locomotion by land, air and water and parts thereof and in particular for the manufacture and repair of aeronautical engines; motors and engines (except for land vehicles); machine coupling and transmission components (except for land vehicles); turbines other than for land vehicles; (auxiliary) power units other than for land vehicles; parts and connecting elements (fittings) for the aforesaid goods; tools (parts of machines); machine tools; aeronautical machines.

9 – Software; computer programs; computers; data processing apparatus; scientific (except for medical purposes), nautical, surveying, photographic, cinematographic, optical, weighing, measuring, signalling, checking (supervision), life-saving and teaching apparatus and instruments (included in this class); apparatus for recording, transmission or reproduction of sound or images; electronic publications, downloadable; magnetic data carriers, magnet recording carriers; information processing equipment and computers; pre-recorded and blank discs, pre-recorded and blank audio and video cassettes; pre-recorded and blank compact discs; transmitters, receivers, apparatus for transmitting electronic and radio signals; transponders; navigation apparatus for vehicles; navigational instruments; satellite navigational apparatus; avionic instruments, equipment and systems related thereto; simulators for the steering and control of vehicles; flight simulation software; scientific satellites; satellites for receiving and transmitting radio signals; electric cables, fibre-optic cables; fuel dispensing pumps for service stations; sunglasses; satellites for scientific and commercial purposes; aeronautical appliances.

36 – Insurance; financial affairs; financing services; monetary affairs; hire-purchase financing, loans (financing); real estate affairs; financial sponsorship.

37 – Construction; repair, maintenance and dismantling, in particular in the field of vehicles and of apparatus for locomotion by land, air or water as well as driving motors; installation services; maintenance of computer hardware; vehicle service stations (refuelling and maintenance); refuelling of vehicles; air refuelling.

38 – Telecommunications; pager and mobile phone services and other electronic communication services; communication services provided by means of fibre-optic networks; telecommunication services via satellite; communication services via computer terminals; provision of telecommunication connections to a global computer network; telephone communication services; transmission of news and information; rental of telecommunication apparatus; rental of apparatus for transmitting images; rental of modems; transmission of messages and images by means of computers; communication services by computer terminals, radio and TV broadcasting; mobile phone services; satellite transmission services; rental of access time to computer databases; rental of access time to computers for handling of data.

39 – Transport; air transport; packaging and storage of goods; storage of aircrafts and parts of aircraft; travel arrangement; freighting; vehicle rental; air traffic management; traffic information; flight safety services, in particular the provision of information and advice regarding flight safety, technical and operational audits and risk management strategies; airport operation services, in particular airport management and organisation and guarantee and implementation of air about air travel.

41 – Education; training; training in the aeronautical field; arranging of air shows for information and entertainment purposes; entertainment; sporting and cultural activities; video-tape film production.

42 – Computer programming; industrial, scientific and technological services and research and design related thereto; industrial analyses; testing of installation of computer systems; computer programming for the creation and restoration of computerized data in databases; professional scientific and technological consultancy, non-business; engineering services, providing valuations, calculations, research and opinions in the field of science and technology; engineering, physics and chemistry services; technical consultancy, assessment, research, testing and monitoring in the field of technology, in particular transport, environmental protection, energy technology; material testing; provision of meteorological information, in particular weather forecasting; drafting, design and development of

computer hardware and software; drafting and design of computer images; engineering (technical assessment); maintenance of software; mechanical research; aeronautical research; computer programming; technological flight simulation services; technical project studies; technical research and consultancy; taking care of and research and consultancy in the field of environmental protection; management of jigs, tools and spares, in particular organisation, management and availability of jigs, tools and spares; industrial design; design of interior decor; graphic arts designing; maintenance of computer software; certification and re-certification of vehicles; technical flight tests.

(260) AM 2013 67125 A
(800) 1111894
(731) Liability Limited Company "Elfa laboratory"
vul. Simi Sosninykh, 9, m. Kyiv 03148,
Ukraine
(540)



(591) Black, white
(511)
3 – Bleaching preparations and other substances for laundry use; cleaning, polishing preparations, degreasers, abrasives; dentifrices.

(260) AM 2013 67126 A
(800) 1111904
(731) Bundesrepublik Deutschland vertreten durch
den Bundesminister des Auswärtigen
Werderscher Markt 1, 10117 Berlin,
Germany
(540)



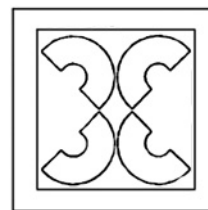
(591) Blue
(511)
16 – Paper, cardboard and goods made from these materials, not included in other classes; printed matter; bookbinding material; photographs; stationery; adhesives for stationery or household purposes; artists' materials; paint brushes; typewriters and office requisites (except furniture); instructional and teaching material (except apparatus); plastic materials for packaging (not included in other classes); printers' type; printing blocks.

25 – Clothing, footwear, headgear.

41 – Education; providing of training; entertainment; sporting and cultural activities.

45 – Legal services; security services for the protection of property and individuals; personal and social services rendered by others to meet the needs of individuals.

(260) AM 2013 67131 A
(800) 1111979
(731) COCCINELLE S.p.A.
Via Lega dei Carrettieri, 6, I-43038
SALA BAGANZA (PR), Italy
(540)



(591) Black, white
(511)
18 – Purses, small bags, trunks, suitcases, umbrellas, walking sticks, goods made of skins or hides, particularly card cases (wallets), leather and imitation leather, leather bands, articles made of these materials not included in other classes.

25 – Belts (clothing), shoes (clothing), headgear for wear, clothing made of imitation leather, clothing made of leather, suits, knitwear, shirts, socks, neckties, trousers, skirts, scarves, gloves (clothing), peignoirs, sashes for wear.

(260) AM 2013 67132 A
(800) 1112012
(731) AIRBUS S.A.S.
1, Rond Point Maurice Bellonte, F-31707
Blagnac Cedex, France
(540)

AIRBUS

(591) Black, white
(511)
7 – Aircraft engines; machines and machine tools especially for the manufacture and repair of vehicles and apparatus for locomotion by land, air and water and parts thereof and in particular for the manufacture and repair of aeronautical engines; motors and engines (except for land vehicles); machine coupling and transmission components (except for land vehicles); turbines other than for land vehicles; (auxiliary) power units other than for land vehicles; parts and connecting elements (fittings) for the aforesaid goods; tools (parts of machines); machine tools; aeronautical machines.

9 – Software; computer programs; computers; data processing apparatus; scientific (except for medical purposes), nautical, surveying, photographic, cinematographic, optical, weighing, measuring, signalling, checking (supervision), life-saving and teaching apparatus and instruments (included in this class); apparatus for recording, transmission or reproduction of sound or images; publications (electronic), downloadable; magnetic data carriers, magnet recording carriers; information processing equipment and computers; pre-recorded and blank discs, pre-recorded and blank audio and video cassettes; pre-recorded and blank compact discs; transmitters, receivers, apparatus for transmitting electronic and radio signals; transponders; navigation apparatus for vehicles; navigational instruments; satellite navigational apparatus; avionic instruments, equipment and systems related thereto; simulators for the steering and control of vehicles; flight simulation software; scientific satellites; satellites for receiving and transmitting radio signals; electric cables, fibre-optic cables; fuel dispensing pumps for service stations; sunglasses; satellites for scientific and commercial purposes; aeronautical appliances.

36 – Insurance; financial affairs; financing services; monetary affairs; hire-purchase financing, loans (financing); real estate affairs; financial sponsorship.

37 – Construction; repair, maintenance and dismantling, in particular in the field of vehicles and of apparatus for locomotion by land, air or water as well as driving motors; installation services; maintenance of computer hardware; vehicle service stations (refuelling and maintenance); refuelling of vehicles; air refuelling; maintenance of measuring instruments, jigs, tools and spares.

38 – Telecommunications; pager and mobile phone services and other electronic communication services; communication services provided by means of fibre-optic networks; telecommunication services via satellite; communication services via computer terminals; provision of telecommunication connections to a global computer network; telephone communication services; transmission of news and information; rental of telecommunication apparatus; rental of apparatus for transmitting images; rental of modems; transmission of messages and images by means of computers; communication services by computer terminals, radio and TV broadcasting; mobile phone services; satellite transmission services; rental of access time to computer databases; rental of access time to computers for handling of data.

39 – Transport; air transport; packaging and storage of goods; storage of aircrafts and parts of aircraft; travel arrangement; freighting; vehicle rental; air traffic management; traffic information; flight safe-

ty services, in particular the provision of information and advice regarding flight safety, technical and operational audits and risk management strategies; airport operation services, in particular airport management and organisation and guarantee and implementation of air traffic; air travel consultancy, in particular information about air travel; recovery and and parts of aircraft.

40 – Recycling of aircrafts.

41 – Education; training; training in the aeronautical field; arranging of airshows for educational and entertainment purposes; entertainment; sporting and cultural activities; video-tape film production.

42 – Computer programming; industrial, scientific and technological services and research and design related thereto; industrial analyses; testing of installation of computer systems; computer programming for the creation and restoration of computerized data in databases; professional scientific and technological consultancy, non-business; engineering services, providing technical and industrial valuations, calculations, research and opinions in the field of science and technology; engineering, physics and chemistry services; technical consultancy, assessment, research, testing and monitoring in the field of technology, in particular transport, environmental protection, energy technology; material testing; provision of meteorological information, in particular weather forecasting; drafting, design and development of computer hardware and software; drafting and design of computer images; engineering (technical assessment); maintenance of software; mechanical research; aeronautical research; computer programming; technological flight simulation services; technical projects studies; technical research and consultancy; research and consultancy in the field of environmental protection; industrial design; design of interior decor; graphic arts designing; maintenance of computer software; testing services for the certification of quality or standards of vehicles; technical flight tests.

(260) AM 2013 67138 A

(800) 1112084

(731) KAPCI COATINGS (Mohamed Mohamed Ahmed Elsayed & partners)
Port Said Governorate, Industrial Zone,
El Raswa – Port Said, Egypt

(540)

WADI TOSHKI
وادی توشکی

(591) Black, white

(511)

2 – Paints, lacquers, varnishes; preservatives against rust and against deterioration of wood; colorants; mordants; natural resins, raw; metals in foil and powder form for painters, decorators, printers and artists.

(260) AM 63263 A*

(800) 1080654

(731) SERVISAIR UK LIMITED

Servisair House, Hampton Court, Manor
Park Runcorn, Cheshire WA7 1TT,
United Kingdom

(540)



(591) Black, white

(511)

37 – Aircraft fuelling services.

39 – Cargo delivery services; freight and logistics; courier services; courier services for messages and merchandise; provision of arrangement of storage space and facilities; security storage services; transport services, namely loading and unloading of aircraft not related to catering services for aeroplanes and in airports; aircraft towing services; arranging, coordination and control of stopovers, transfer and transit of passengers, aircraft crew and their baggage; porter services; airline and airport check-in services; registering and checking of baggage; preferential passenger check-in services; priority airline check-in services; airport baggage handling; baggage handling; cargo handling services; import and export cargo handling services; provision and arrangement of handling services for general cargo, special cargo and specialised cargo products; handling services in relation to diplomatic cargo, diplomatic mail and company mail; shipping services; loading and unloading of goods; loading of air freight; loading of goods and baggage not related to catering services for aeroplanes and in airports; mail delivery services; courier services; mail collection services; high-quality packaging and cardboard; ramp services for airports, aircraft, aircraft cargo and baggage, and passengers not related to catering services for aeroplanes and in airports; storage, transport and delivery of fuels; storage of aviation fuel and oils; de-fuelling services; aircraft parking services; car parking; parking place rental; rental and provision of hangar space and facilities; crew transport services; arrangement and operation of transport facilities of passengers, baggage, cargo and/or mail between airport and town terminal, airport and other agreed points and separate terminals at the same airport;

transport of ramps for airport/aircraft; transport of ramps for loading not related to catering services for aeroplanes and in airports; rental of baggage cars; monitoring and guidance of the flight and position of aircraft; navigation of aircraft; management of the weight and balance of aircraft; aircraft load planning services; operation of aircraft hangars for others; provision of check-in facilities and automated check-in facilities; fastening and anchoring of aircraft (security); delivery of water to aircraft; de-icing/anti-icing services; snow/ice removal services; rental of refuel facilities and equipment; information and advisory services relating to all of the aforementioned services.

(260) AM 63398 A*

(800) 806911

(731) DIZAYN TEKNİK PLASTİK BORU VE
ELEMENLARI SANAYİ VE TİCARET
ANONİM ŞİRKETİ

Ataturk Mah. Inonu Cad. No:6 Kirac,
TR-34522 Esenyurt / Istanbul, Turkey

(540)



(591) Black, white

(511)

17 – Plastic pipes, flexible pipes not of metal.

INTERNATIONAL TRADEMARKS PROTECTED IN GEORGIA

(260) AM 2004 011526 A
(800) 804900
(151) 2003 05 06
(181) 2013 05 06
(511) 03

(260) AM 2012 64413 A
(800) 904493
(151) 2006 08 10
(181) 2016 08 10
(511) 11

(260) AM 2012 64191 A
(800) 1089040
(151) 2011 08 08
(181) 2021 08 08
(511) 05, 44

(260) AM 2012 64414 A
(800) 941784
(151) 2007 09 18
(181) 2017 09 18
(511) 03, 05

(260) AM 2012 64192 A
(800) 1089041
(151) 2011 08 08
(181) 2021 08 08
(511) 05, 44

(260) AM 2012 64415 A
(800) 963950
(151) 2008 04 11
(181) 2018 04 11
(511) 01, 03, 05, 42

(260) AM 2012 64408 A
(800) 1090753
(151) 2011 08 26
(181) 2021 08 26
(511) 41

(260) AM 2012 64713 A
(800) 761316
(151) 2011 06 14
(181) 2021 06 14
(511) 03

(260) AM 2012 64409 A
(800) 1090764
(151) 2011 08 03
(181) 2021 08 03
(511) 14

(260) AM 2012 65034 A
(800) 1095735
(151) 2011 10 11
(181) 2021 10 11
(511) 32

(260) AM 2012 64410 A
(800) 1063574
(151) 2010 11 09
(181) 2020 11 09
(511) 09, 35, 38, 42

(260) AM 2012 65038 A
(800) 1095781
(151) 2011 01 09
(181) 2021 01 09
(511) 16, 35, 36, 37, 38, 39, 41, 42, 43, 45

(260) AM 2012 64412 A
(800) 838766
(151) 2004 10 27
(181) 2014 10 27
(511) 29, 30

(260) AM 2012 65040 A
(800) 1095789
(151) 2011 08 09
(181) 2021 08 09
(511) 36

(260) AM 2012 65042 A
(800) 1095814
(151) 2011 09 05
(181) 2021 09 05
(511) 20

(260) AM 2012 65116 A
(800) 874246
(151) 2005 12 14
(181) 2015 12 14
(511) 05

(260) AM 2012 65044 A
(800) 1095854
(151) 2011 08 03
(181) 2021 08 03
(511) 37

(260) AM 2012 65118 A
(800) 961722
(151) 2008 03 03
(181) 2018 03 03
(511) 18, 25

(260) AM 2012 65056 A
(800) 1095855
(151) 2011 08 17
(181) 2021 08 17
(511) 05

(260) AM 2012 65119 A
(800) 902703
(151) 2006 09 07
(181) 2016 09 07
(511) 16

(260) AM 2012 65060 A
(800) 1095935
(151) 2011 03 25
(181) 2021 03 25
(511) 03, 16

(260) AM 2012 65141 A
(800) 1096428
(151) 2011 09 26
(181) 2021 09 26
(511) 03

(260) AM 2012 65061 A
(800) 1095943
(151) 2011 08 09
(181) 2021 08 09
(511) 33

(260) AM 2012 65142 A
(800) 1096429
(151) 2011 09 26
(181) 2021 09 26
(511) 03

(260) AM 2012 65113 A
(800) 840866
(151) 2004 10 19
(181) 2014 10 19
(511) 05

(260) AM 2012 65143 A
(800) 1096430
(151) 2011 09 26
(181) 2021 09 26
(511) 03

(260) AM 2012 65114 A
(800) 850341
(151) 2005 04 17
(181) 2015 04 17
(511) 25

(260) AM 2012 65368 A
(800) 1098017
(151) 2011 09 21
(181) 2021 09 21
(511) 14, 18, 25, 35

(260) AM 2012 65115 A
(800) 872585
(151) 2005 11 17
(181) 2015 11 17
(511) 05

(260) AM 2012 65370 A
(800) 1098080
(151) 2011 10 21
(181) 2021 10 21
(511) 05

(260) AM 2012 65371 A
(800) 1098081
(151) 2011 10 25
(181) 2021 10 25
(511) 03

(260) AM 2012 65398 A
(800) 1098123
(151) 2011 11 07
(181) 2021 11 07
(511) 03, 05

(260) AM 2012 65372 A
(800) 1098085
(151) 2011 10 31
(181) 2021 10 31
(511) 18

(260) AM 2012 65399 A
(800) 1098128
(151) 2011 11 07
(181) 2021 11 07
(511) 03, 05

(260) AM 2012 65373 A
(800) 1098086
(151) 2011 10 18
(181) 2021 10 18
(511) 03

(260) AM 2012 65400 A
(800) 1098146
(151) 2011 10 04
(181) 2021 10 04
(511) 03

(260) AM 2012 65374 A
(800) 1098092
(151) 2011 10 19
(181) 2021 10 19
(511) 05

(260) AM 2012 65401 A
(800) 1098155
(151) 2011 06 21
(181) 2021 06 21
(511) 29, 31, 40

(260) AM 2012 65375 A
(800) 1098093
(151) 2011 10 31
(181) 2021 10 31
(511) 34

(260) AM 2012 65403 A
(800) 1098162
(151) 2011 11 08
(181) 2021 11 08
(511) 07

(260) AM 2012 65376 A
(800) 1098108
(151) 2011 11 07
(181) 2021 11 07
(511) 34

(260) AM 2012 65405 A
(800) 1098170
(151) 2011 10 26
(181) 2021 10 26
(511) 34

(260) AM 2012 65396 A
(800) 1098111
(151) 2011 11 07
(181) 2021 11 07
(511) 34

(260) AM 2012 65406 A
(800) 1098182
(151) 2011 10 06
(181) 2021 10 06
(511) 05

(260) AM 2012 65397 A
(800) 1098112
(151) 2011 11 07
(181) 2021 11 07
(511) 34

(260) AM 2012 65408 A
(800) 1098184
(151) 2011 10 03
(181) 2021 10 03
(511) 05

(260) AM 2012 65409 A
(800) 1098185
(151) 2011 10 03
(181) 2021 10 03
(511) 05

(260) AM 2012 66134 A
(800) 1104101
(151) 2011 04 25
(181) 2021 04 25
(511) 21

(260) AM 2012 65410 A
(800) 1098191
(151) 2011 09 29
(181) 2021 09 29
(511) 08, 21, 24, 35

(260) AM 2012 65411 A
(800) 1098249
(151) 2011 07 24
(181) 2021 07 24
(511) 06, 09

(260) AM 2012 65413 A
(800) 1098277
(151) 2011 08 31
(181) 2021 08 31
(511) 05

(260) AM 2012 65414 A
(800) 1098282
(151) 2011 10 07
(181) 2021 10 07
(511) 30

(260) AM 2012 65415 A
(800) 1098308
(151) 2011 09 22
(181) 2021 09 22
(511) 09, 20, 28

(260) AM 2012 65416 A
(800) 1098395
(151) 2011 07 04
(181) 2021 07 04
(511) 06, 09, 13, 37

(260) AM 2012 65417 A
(800) 1098407
(151) 2011 08 05
(181) 2021 08 05
(511) 41

APPELLATIONS OF ORIGIN AND GEOGRAPHICAL INDICATIONS OF GOODS

REGISTERED APPELLATIONS OF ORIGIN OF GOODS

Number of national registration: 830

Date of national registration: 2013 01 18

Number of international registration: 898

Date of international registration: 2011 03 01

Appellations of origin: **CHILE HABANERO DE LA PENÍNSULA DE YUCATÁN**

Country code: MX Mexico

Goods: 31 – Protection applies in respect of the fruit and the products derived from Chile Habanero de la Península de Yucatán produced on the Yucatan Peninsula. Specifically, the protected finished products are the following; fresh, whether ripe or unripe; pickled; in the form of a paste; dried, whether whole or powdered; in the form of a sauce.

THE RIGHT TO USE OF REGISTERED APPELLATIONS
OF ORIGIN OF GOODS

Registered appellations of origin of goods: **KINDZMARAULI**

The right to use: LTD "TIFFLISSKI VINNI POGREB"

Iumashevis q. 27, 0198 Tbilisi, Georgia

Number of registration: 787/13-12

Valid: 2013 11 09

Registered appellations of origin of goods: **MUKUZANI**

The right to use: LTD "TIFFLISSKI VINNI POGREB"

Iumashevis q. 27, 0198 Tbilisi, Georgia

Number of registration: 2/13-12

Valid: 2013 11 09

Registered appellations of origin of goods: **TSINANDALI**

The right to use: LTD "TIFFLISSKI VINNI POGREB"

Iumashevis q. 27, 0198 Tbilisi, Georgia

Number of registration: 3/12-12

Valid: 2013 11 09

Registered appellations of origin of goods: **NAPAREULI**

The right to use: LTD "TIFFLISSKI VINNI POGREB"

Iumashevis q. 27, 0198 Tbilisi, Georgia

Number of registration: 790/7-12

Valid: 2013 11 09

Registered appellations of origin of goods: **AKHASHENI**

The right to use: LTD "TIFFLISSKI VINNI POGREB"

Iumashevis q. 27, 0198 Tbilisi, Georgia

Number of registration: 4/10-12

Valid: 2013 11 09

Registered appellations of origin of goods: **KHVANCHKARA**

The right to use: LTD "TIFFLISSKI VINNI POGREB"

Iumashevis q. 27, 0198 Tbilisi, Georgia

Number of registration: 1/12-12

Valid: 2013 11 09

Registered appellations of origin of goods: **VAZISUBANI**

The right to use: LTD "TIFFLISSKI VINNI POGREB"

Iumashevis q. 27, 0198 Tbilisi, Georgia

Number of registration: 794/10-12

Valid: 2013 11 09

Registered appellations of origin of goods: **GURJAANI**
The right to use: LTD "TIFFLISSKI VINNI POGREB"
Iumashevis q. 27, 0198 Tbilisi, Georgia
Number of registration: 5/7-12
Valid: 2013 11 09

Registered appellations of origin of goods: **TELIANI**
The right to use: LTD "TIFFLISSKI VINNI POGREB"
Iumashevis q. 27, 0198 Tbilisi, Georgia
Number of registration: 791/12-12
Valid: 2013 11 09

Registered appellations of origin of goods: **TVISHI**
The right to use: LTD "TIFFLISSKI VINNI POGREB"
Iumashevis q. 27, 0198 Tbilisi, Georgia
Number of registration: 797/5-12
Valid: 2013 11 09

Registered appellations of origin of goods: **KINDZMARALI**
The right to use: LTD "GEORGIAN WINES PRODUCING COMPANY"
Iumashevis q. 27, 0198 Tbilisi, Georgia
Number of registration: 787/14-12
Valid: 2013 11 09

Registered appellations of origin of goods: **MUKUZANI**
The right to use: LTD "GEORGIAN WINES PRODUCING COMPANY"
Iumashevis q. 27, 0198 Tbilisi, Georgia
Number of registration: 2/14-12
Valid: 2013 11 09

Registered appellations of origin of goods: **TSINANDALI**
The right to use: LTD "GEORGIAN WINES PRODUCING COMPANY"
Iumashevis q. 27, 0198 Tbilisi, Georgia
Number of registration: 3/13-12
Valid: 2013 11 09

Registered appellations of origin of goods: **AKHASHENI**
The right to use: LTD "GEORGIAN WINES PRODUCING COMPANY"
Iumashevis q. 27, 0198 Tbilisi, Georgia
Number of registration: 4/11-12
Valid: 2013 11 09

Registered appellations of origin of goods: **KHVANCHKARA**
The right to use: LTD "GEORGIAN WINES PRODUCING COMPANY"
Iumashevis q. 27, 0198 Tbilisi, Georgia
Number of registration: 1/13-12
Valid: 2013 11 09

Registered appellations of origin of goods: **VAZISUBANI**
The right to use: LTD "GEORGIAN WINES PRODUCING COMPANY"
Iumashevis q. 27, 0198 Tbilisi, Georgia
Number of registration: 794/11-12
Valid: 2013 11 09

Registered appellations of origin of goods: **TELIANI**
The right to use: LTD "GEORGIAN WINES PRODUCING COMPANY"
Iumashevis q. 27, 0198 Tbilisi, Georgia
Number of registration: 791/13-12
Valid: 2013 11 09

Registered appellations of origin of goods: **TVISHI**
The right to use: LTD "GEORGIAN WINES PRODUCING COMPANY"
Iumashevis q. 27, 0198 Tbilisi, Georgia
Number of registration: 797/6-12
Valid: 2013 11 09

Registered appellations of origin of goods: **KARDENAKHI**
The right to use: LTD "SALVINO"
Bakhtionis q. korp. 1, bina 10, 0160 Tbilisi, Georgia
Number of registration: 795/1-12
Valid: 2013 02 11

Registered appellations of origin of goods: **SAIRME**
The right to use: LTD "SAIRME MINERAL WATERS"
Bagdatis raioni, Kurorti "Sairme", 1000, Georgia
Number of registration: 823/1-12
Valid: 2013 12 27

Registered appellations of origin of goods: **NABEGLAVI**
The right to use: Joint Stock Company "TSKALI MARGEBELI"
Vil. Nabeglavi, 4915, Cholhatauris r-ni, Georgia
Number of registration: 822/1-12
Valid: 2013 11 09

Registered appellations of origin of goods: **KHVANCHKARA**
The right to use: LTD "KAKHURI GVINIS MARANI"
Nutsbidzis q. 171, 0186, Tbilisi, Georgia
Number of registration: 1/14-12
Valid: 2014 14 01

Registered appellations of origin of goods: **MUKUZANI**
The right to use: LTD "KAKHURI GVINIS MARANI"
Nutsbidzis q. 171, 0186, Tbilisi, Georgia
Number of registration: 2/15-12
Valid: 2014 14 01

Registered appellations of origin of goods: **AKHASHENI**
The right to use: LTD "KAKHURI GVINIS MARANI"
Nutsbidzis q. 171, 0186, Tbilisi, Georgia
Number of registration: 4/12-12
Valid: 2014 14 01

Registered appellations of origin of goods: **KINZMARAULI**
The right to use: LTD "KAKHURI GVINIS MARANI"
Nutsbidzis q. 171, 0186, Tbilisi, Georgia
Number of registration: 787/15-12
Valid: 2014 14 01

Registered appellations of origin of goods: **GURJAANI**
The right to use: LTD "KAKHURI GVINIS MARANI"
Nutsbidzis q. 171, 0186, Tbilisi, Georgia
Number of registration: 5/8-12
Valid: 2014 14 01

Registered appellations of origin of goods: **TSINANDALI**
The right to use: LTD "KAKHURI GVINIS MARANI"
Nutsbidzis q. 171, 0186, Tbilisi, Georgia
Number of registration: 3/14-12
Valid: 2014 14 01

Registered appellations of origin of goods: **MANAVI**
The right to use: LTD "KAKHURI GVINIS MARANI"
Nutsbidzis q. 171, 0186, Tbilisi, Georgia
Number of registration: 788/4-12
Valid: 2014 14 01

Registered appellations of origin of goods: **TELIANI**
The right to use: LTD "KAKHURI GVINIS MARANI"
Nutsbidzis q. 171, 0186, Tbilisi, Georgia
Number of registration: 791/4-12
Valid: 2014 14 01

Registered appellations of origin of goods: **KHVANCHKARA**
The right to use: LTD "KAKHURI GVINIS MARANI"
Nutsbidzis q. 171, 0186, Tbilisi, Georgia
Number of registration: 1/14-12
Valid: 2014 14 01

Registered appellations of origin of goods: **MUKUZANI**
The right to use: LTD "KAKHURI GVINIS MARANI"
Nutsbidzis q. 171, 0186, Tbilisi, Georgia
Number of registration: 2/15-12
Valid: 2014 14 01

Registered appellations of origin of goods: **AKHASHENI**
The right to use: LTD "KAKHURI GVINIS MARANI"
Nutsbidzis q. 171, 0186, Tbilisi, Georgia
Number of registration: 4/12-12
Valid: 2014 14 01

Registered appellations of origin of goods: **KINDZMARAULI**
The right to use: LTD "KAKHURI GVINIS MARANI"
Nutsbidzis q. 171, 0186, Tbilisi, Georgia
Number of registration: 787/15-12
Valid: 2014 14 01

Registered appellations of origin of goods: **GURJAANI**
The right to use: LTD "KAKHURI GVINIS MARANI"
Nutsbidzis q. 171, 0186, Tbilisi, Georgia
Number of registration: 5/8-12
Valid: 2014 14 01

Registered appellations of origin of goods: **TSINANDALI**
The right to use: LTD "KAKHURI GVINIS MARANI"
Nutsbidzis q. 171, 0186, Tbilisi, Georgia
Number of registration: 3/14-12
Valid: 2014 14 01

Registered appellations of origin of goods: **MANAVI**
The right to use: LTD "KAKHURI GVINIS MARANI"
Nutsbidzis q. 171, 0186, Tbilisi, Georgia
Number of registration: 788/4-12
Valid: 2014 14 01

Registered appellations of origin of goods: **TELIANI**
The right to use: LTD "KAKHURI GVINIS MARANI"
Nutsbidzis q. 171, 0186, Tbilisi, Georgia
Number of registration: 791/14-12
Valid: 2014 14 01

OFFICIAL NOTIFICATIONS

TRADEMARKS

RENEWAL OF REGISTRATIONS

(111) M 2003 14962 R1
(156) 2013 02 12
(186) 2023 02 12
(732) BALKANFARMA DUPNITSA AD
Samokovsko shosse; 3, Dupnitsa 2600,
Bulgaria

(111) M 2003 14967 R1
(156) 2013 02 12
(186) 2023 02 12
(732) "ACTAVIS" EAD
ul. Athanas Dukov 29, Sofia, Raion
Lozenets, Bulgaria

(111) M 2003 14972 R1
(156) 2013 02 12
(186) 2023 02 12
(732) BALKANFARMA DUPNITSA AD
Samokovsko shosse; 3, Dupnitsa 2600,
Bulgaria

(111) M 2003 14975 R1
(156) 2013 02 12
(186) 2023 02 12
(732) BALKANFARMA TROJAN AD
"Krajrechna" 1, Trojan 5600, Bulgaria

(111) M 2003 14979 R1
(156) 2013 02 12
(186) 2023 02 12
(732) ACTAVIS AD
Kniaginia Maria Louisa Blvd..2, Business
Centre TSUM, 1000 Sofia, Bulgaria;
BALKANFARMA DUPNITSA AD
Samokovsko shosse; 3, Dupnitsa 2600,
Bulgaria

(111) M 2003 14980 R1
(156) 2013 02 12
(186) 2023 02 12
(732) ACTAVIS AD
Kniaginia Maria Louisa Blvd..2, Business
Centre TSUM, 1000 Sofia, Bulgaria;
BALKANFARMA DUPNITSA AD
Samokovsko shosse; 3, Dupnitsa 2600,
Bulgaria

(111) M 2003 14981 R1
(156) 2013 02 12
(186) 2023 02 12
(732) BALKANFARMA DUPNITSA AD
Samokovsko shosse; 3, Dupnitsa 2600,
Bulgaria;
ACTAVIS AD
Kniaginia Maria Louisa Blvd..2, Business
Centre TSUM, 1000 Sofia, Bulgaria;

(111) M 2003 14988 R1
(156) 2013 02 12
(186) 2023 02 12
(732) "ACTAVIS" EAD
ul. Athanas Dukov 29, Sofia, Raion
Lozenets, Bulgaria

(111) M 2003 15002 R1
(156) 2013 03 04
(186) 2023 03 04
(732) PPG INDUSTRIES OHIO,
(A Delaware Corporation)
3800 West 143rd St., Cleveland, Ohio 44111,
3800, Ohio, USA

(111) M 2003 15062 R1
(156) 2013 03 28
(186) 2023 03 28
(732) OSRAM GESELLSCHAFT MIT
BESCHRANKTER HAFTUNG
Hellabrunerstrasse 1, Munchen, Germany

(111) M 2003 15314 R1
(156) 2013 11 14
(186) 2023 11 14
(732) OSRAM GESELLSCHAFT MIT
BESCHRANKTER HAFTUNG
Hellabrunerstrasse 1, Munchen, Germany

COMPLETE TRANSFER OF RIGHTS

(111) M 2009 019419 R
(732) CARRIGANELLE HOLDINGS LIMITED
Anexartiasias & Kyriakou Matsi, 3, ROUSOS
LIMASSOL TOWER, 10 th floor, 3040,
Limassol, Cyprus
(770) OOO "Galereya ALEKS"
Street B. Jakimanka, 52, 119049 Moskow,
Russian Federation
(580) 2012 12 14

(111) M 1997 007138 R1
(732) CADBURY UK LIMITED
P.O. Box 12, Bournville Lane, Bournville,
Birmingham B30 2LU, United Kingdom
(770) TREBOR BASSETT LIMITED
Cadbury House, Sanderson Road, Uxbridge,
Middlesex, United Kingdom UB8 1DH,
United Kingdom
(580) 2013 01 09

(111) M 1997 007139 R1
(732) CADBURY UK LIMITED
P.O. Box 12, Bournville Lane, Bournville,
Birmingham B30 2LU, United Kingdom
(770) TREBOR BASSETT LIMITED
Cadbury House, Sanderson Road, Uxbridge,
Middlesex, United Kingdom UB8 1DH,
United Kingdom
(580) 2013 01 09

CHANGES IN NAMES AND/OR ADDRESSES OF OWNERS

(111) M 2010 020441 R

(732) LTD "DAIREQT DEBIT JORJIA"

Luqsemburgis q. N25/36, Tbilisi,
Georgia

(770) LTD "DAIREQT DEBIT JORJIA"

Ilia Chavchavadzis gamz. 74a, 0179, Tbilisi,
Georgia

(580) 2013 01 15

(111) M 1997 007138 R1

(732) TREBOR BASSETT LIMITED

Cadbury House, Sanderson Road, Uxbridge,
Middlesex, United Kingdom UB8 1DH,
United Kingdom

(770) TREBOR BASSETT LIMITED

25 Berkley Square, London, W1X 6HT,
United Kingdom

(580) 2013 01 09

(111) M 1997 007139 R1

(732) TREBOR BASSETT LIMITED

Cadbury House, Sanderson Road, Uxbridge,
Middlesex, United Kingdom UB8 1DH,
United Kingdom

(770) TREBOR BASSETT LIMITED

25 Berkley Square, London, W1X 6HT,
United Kingdom

(580) 2013 01 09

CLASSIFICATION INDEXES

INVENTIONS

CONCORDANCE TABLE OF INTERNATIONAL CLASSIFICATION INDEX AND PUBLICATION NUMBERS

INTERNATIONAL CLASSIFICATION INDEXES (51)	NUMBER OF PUBLISHED APPLICATION (10)
A 61 K 9/06; A 61 K 47/34; A 61 K 31/205; A 61 P 17/00	AP 2013 12215 A
A 61 M 5/34; A 61 M 5/178; A 61 M 5/50	AP 2013 11938 A
B 64 G 7/00	AP 2013 12522 A
C 07 C 69/587; A 61 K 8/37; A 61 Q 9/00; A 61 K 31/22; A 61 P 17/10; A 61 P 17/08	AP 2013 12313 A
C 07 D 413/12; A 01 N 43/80	AP 2013 11895 A
C 07 D 491/04; A 61 K 31/473; A 61 K 31/4525	AP 2013 12118 A
F 03 D 7/00	AP 2013 12352 A

CONCORDANCE TABLE OF PUBLICATION NUMBERS AND INTERNATIONAL CLASSIFICATION INDEX

NUMBER OF PUBLISHED APPLICATION (10)	INTERNATIONAL CLASSIFICATION INDEXES (51)
AP 2013 11895 A	C 07 D 413/12; A 01 N 43/80
AP 2013 11938 A	A 61 M 5/34; A 61 M 5/178; A 61 M 5/50
AP 2013 12118 A	C 07 D 491/04; A 61 K 31/473; A 61 K 31/4525
AP 2013 12215 A	A 61 K 9/06; A 61 K 47/34; A 61 K 31/205; A 61 P 17/00
AP 2013 12313 A	C 07 C 69/587; A 61 K 8/37; A 61 Q 9/00; A 61 K 31/22; A 61 P 17/10; A 61 P 17/08
AP 2013 12352 A	F 03 D 7/00
AP 2013 12522 A	B 64 G 7/00

CONCORDANCE TABLE OF INTERNATIONAL CLASSIFICATION INDEX, PATENT NUMBERS AND PUBLICATION NUMBERS

INTERNATIONAL CLASSIFICATION INDEX (51)	NUMBER OF PATENT (11)	NUMBER OF PUBLISHED APPLICATION (10)
1	2	3
A 24 D 1/04	P 2013 5740 B	AP 2012 12424 A
A 61 K 9/20; A 61 K 31/505; A 61 P 3/06	P 2013 5735 B	AP 2012 12071 A
A 61 K 31/55; A 61 K 49/00	P 2013 5729 B	AP 2012 11545 A
A 61 K 31/57; A 61 K 45/06; A 61 P 15/06	P 2013 5727 B	AP 2012 11451 A
A 61 K 31/495; A 61 K 31/551; A 61 P 25/18	P 2013 5730 B	AP 2012 11618 A
A 61 K 31/593; A 61 K 33/24; A 61 K 47/40; A 61 K 45/06; A 61 P 19/00	P 2013 5734 B	AP 2012 12014 A

1	2	3
A 61 P 25/18; A 61 K 31/4965	P 2013 5731 B	AP 2012 11619 A
C 07 D 209/08; A 61 K 31/404	P 2013 5733 B	AP 2012 11874 A
C 07 D 213/61; C 07 D 471/04; A 61 K 31/437	P 2013 5728 B	AP 2012 11249 A
C 07 D 223/16	P 2013 5737 B	AP 2012 12105 A
C 10 L 5/00	P 2013 5738 B	AP 2012 12107 A
E 02 F 1/00; E 02 F 3/88; E 02 F 5/28	P 2013 5736 B	AP 2012 12083 A
F 41 H 1/02	P 2013 5726 B	AP 2012 11206 A
G 07 D 7/00; G 07 D 7/12	P 2013 5732 B	AP 2012 11773 A
H 01 L 21/00	P 2013 5739 B	AP 2012 12277 A

**CONCORDANCE TABLE OF PATENT NUMBERS,
PUBLICATION NUMBERS AND INTERNATIONAL CLASSIFICATION INDEX**

NUMBER OF PATENT (11)	NUMBER OF PUBLISHED APPLICATION (10)	INTERNATIONAL CLASSIFICATION INDEX (51)
P 2013 5726 B	AP 2012 11206 A	F 41 H 1/02
P 2013 5727 B	AP 2012 11451 A	A 61 K 31/57; A 61 K 45/06; A 61 P 15/06
P 2013 5728 B	AP 2012 11249 A	C 07 D 213/61; C 07 D 471/04; A 61 K 31/437
P 2013 5729 B	AP 2012 11545 A	A 61 K 31/55; A 61 K 49/00
P 2013 5730 B	AP 2012 11618 A	A 61 K 31/495; A 61 K 31/551; A 61 P 25/18
P 2013 5731 B	AP 2012 11619 A	A 61 P 25/18; A 61 K 31/4965
P 2013 5732 B	AP 2012 11773 A	G 07 D 7/00; G 07 D 7/12
P 2013 5733 B	AP 2012 11874 A	C 07 D 209/08; A 61 K 31/404
P 2013 5734 B	AP 2012 12014 A	A 61 K 31/593; A 61 K 33/24; A 61 K 47/40; A 61 K 45/06; A 61 P 19/00
P 2013 5735 B	AP 2012 12071 A	A 61 K 9/20; A 61 K 31/505; A 61 P 3/06
P 2013 5736 B	AP 2012 12083 A	E 02 F 1/00; E 02 F 3/88; E 02 F 5/28
P 2013 5737 B	AP 2012 12105 A	C 07 D 223/16
P 2013 5738 B	AP 2012 12107 A	C 10 L 5/00
P 2013 5739 B	AP 2012 12277 A	H 01 L 21/00
P 2013 5740 B	AP 2012 12424 A	A 24 D 1/04

**CONCORDANCE TABLE OF APPLICATION NUMBERS, PUBLICATION NUMBERS
AND PATENTS**

NUMBER OF APPLICATION (21)	NUMBER OF PUBLISHED APPLICATION (10)	NUMBER OF PATENT (11)
AP 2009 011206	AP 2012 11206 A	P 2013 5726 B
AP 2007 011249	AP 2012 11249 A	P 2013 5728 B
AP 2008 011451	AP 2012 11451 A	P 2013 5727 B
AP 2009 011545	AP 2012 11545 A	P 2013 5729 B
AP 2008 011618	AP 2012 11618 A	P 2013 5730 B
AP 2008 011619	AP 2012 11619 A	P 2013 5731 B
AP 2007 011773	AP 2012 11773 A	P 2013 5732 B
AP 2008 011874	AP 2012 11874 A	P 2013 5733 B
AP 2010 012014	AP 2012 12014 A	P 2013 5734 B
AP 2008 012071	AP 2012 12071 A	P 2013 5735 B
AP 2009 012083	AP 2012 12083 A	P 2013 5736 B
AP 2009 012107	AP 2012 12107 A	P 2013 5738 B
AP 2011 012105	AP 2012 12105 A	P 2013 5737 B
AP 2011 012277	AP 2012 12277 A	P 2013 5739 B
AP 2011 012424	AP 2012 12424 A	P 2013 5740 B

UTILITY MODELS

CONCORDANCE TABLE OF INTERNATIONAL CLASSIFICATION INDEX AND PUBLICATION NUMBERS

INTERNATIONAL CLASSIFICATION INDEXES (51)	NUMBER OF PUBLISHED APPLICATION (10)
A 22 B 7/00	AU 2013 12542 U

CONCORDANCE TABLE OF PUBLICATION NUMBERS AND INTERNATIONAL CLASSIFICATION INDEX

NUMBER OF PUBLISHED APPLICATION (10)	INTERNATIONAL CLASSIFICATION INDEXES (51)
AU 2013 12542 U	A 22 B 7/00

CONCORDANCE TABLE OF INTERNATIONAL CLASSIFICATION INDEX, PATENT NUMBERS AND PUBLICATION NUMBERS

INTERNATIONAL CLASSIFICATION INDEX (51)	NUMBER OF PATENT (11)	NUMBER OF PUBLISHED APPLICATION (10)
A 61 K 33/00, 33/34	U 2013 1753 Y	AU 2012 12318 U

CONCORDANCE TABLE OF PATENT NUMBERS, PUBLICATION NUMBERS AND INTERNATIONAL CLASSIFICATION INDEX

NUMBER OF PATENT (11)	NUMBER OF PUBLISHED APPLICATION (10)	INTERNATIONAL CLASSIFICATION INDEX (51)
U 2013 1753 Y	AU 2012 12318 U	A 61 K 33/00, 33/34

CONCORDANCE TABLE OF APPLICATION NUMBERS, PUBLICATION NUMBERS AND PATENTS

NUMBER OF APPLICATION (21)	NUMBER OF PUBLISHED APPLICATION (10)	NUMBER OF PATENT (11)
AU 2011 012318	AU 2012 12318 U	

DESIGNS

CONCORDANCE TABLE OF INTERNATIONAL CLASSIFICATION INDEX AND PUBLICATION NUMBERS

INTERNATIONAL CLASSIFICATION INDEXES (51)	NUMBER OF PUBLISHED APPLICATION (10)
13-03	AD 2013 714 S

CONCORDANCE TABLE OF PUBLICATION NUMBERS AND INTERNATIONAL CLASSIFICATION INDEX

NUMBER OF PUBLISHED APPLICATION (10)	INTERNATIONAL CLASSIFICATION INDEXES (51)
AD 2013 714 S	13-03

CONCORDANCE TABLE OF INTERNATIONAL CLASSIFICATION INDEX, PATENT NUMBERS AND PUBLICATION NUMBERS

INTERNATIONAL CLASSIFICATION INDEX (51)	NUMBER OF PATENT (11)	NUMBER OF PUBLISHED APPLICATION (10)
21-01	D 2013 525 S	AD 2012 702 S

CONCORDANCE TABLE OF PATENT NUMBERS, PUBLICATION NUMBERS AND INTERNATIONAL CLASSIFICATION INDEX

NUMBER OF PATENT (11)	NUMBER OF PUBLISHED APPLICATION (10)	INTERNATIONAL CLASSIFICATION INDEX (51)
D 2013 525 S	AD 2012 702 S	21-01

CONCORDANCE TABLE OF APPLICATION NUMBERS, PUBLICATION NUMBERS AND PATENTS

NUMBER OF APPLICATION (21)	NUMBER OF PUBLISHED APPLICATION (10)	NUMBER OF PATENT (11)
AD 2012 000702	AD 2012 702 S	

TRADEMARKS

CONCORDANCE TABLE OF REGISTRATION NUMBERS, APPLICATION NUMBERS, PUBLICATION NUMBERS AND BULLETIN NUMBERS

NUMBER OF REGISTRATION (111)	NUMBER OF APPLICATION (210)	NUMBER OF PUBLISHED APPLICATION (260)	NUMBER OF BULLETIN
M 2013 23229 R	AM 2012 70093	-	2(366) 2013
M 2013 23230 R	AM 2011 63577	AM 2012 63577 A	15(355) 2012
M 2013 23231 R	AM 2011 63578	AM 2012 63578 A	15(355) 2012
M 2013 23232 R	AM 2011 63579	AM 2012 63579 A	15(355) 2012
M 2013 23233 R	AM 2011 63580	AM 2012 63580 A	15(355) 2012
M 2013 23234 R	AM 2011 63581	AM 2012 63581 A	15(355) 2012
M 2013 23235 R	AM 2011 63582	AM 2012 63582 A	15(355) 2012
M 2013 23236 R	AM 2011 63583	AM 2012 63583 A	15(355) 2012
M 2013 23237 R	AM 2011 63584	AM 2012 63584 A	15(355) 2012
M 2013 23238 R	AM 2011 63586	AM 2012 63586 A	15(355) 2012
M 2013 23239 R	AM 2011 63737	AM 2012 63737 A	16(356) 2012
M 2013 23240 R	AM 2011 63857	AM 2012 63857 A	15(355) 2012
M 2013 23241 R	AM 2011 63858	AM 2012 63858 A	15(355) 2012
M 2013 23242 R	AM 2011 64150	AM 2012 64150 A	16(356) 2012
M 2013 23243 R	AM 2011 64213	AM 2012 64213 A	16(356) 2012
M 2013 23244 R	AM 2011 64494	AM 2012 64494 A	15(355) 2012
M 2013 23245 R	AM 2011 64528	AM 2012 64528 A	17(357) 2012
M 2013 23246 R	AM 2011 64652	AM 2012 64652 A	13(353) 2012
M 2013 23247 R	AM 2011 64653	AM 2012 64653 A	13(353) 2012
M 2013 23248 R	AM 2011 64715	AM 2012 64715 A	13(353) 2012
M 2013 23249 R	AM 2011 64742	AM 2012 64742 A	16(356) 2012
M 2013 23250 R	AM 2011 65224	AM 2012 65224 A	15(355) 2012
M 2013 23251 R	AM 2011 65454	AM 2012 65454 A	15(355) 2012
M 2013 23252 R	AM 2012 66020	AM 2012 66020 A	17(357) 2012
M 2013 23253 R	AM 2012 70086	-	2(366) 2013
M 2013 23254 R	AM 2012 70165	-	2(366) 2013
M 2013 23255 R	AM 2012 70166	-	2(366) 2013
M 2013 23256 R	AM 2012 70163	-	2(366) 2013
M 2013 23257 R	AM 2012 70164	-	2(366) 2013
M 2013 23258 R	AM 2012 70087	-	2(366) 2013
M 2013 23259 R	AM 2012 70195	-	2(366) 2013

**CONCORDANCE TABLE OF PUBLICATION NUMBERS
AND APPLICATION NUMBERS**

NUMBER OF PUBLISHED APPLICATION (260)	NUMBER OF APPLICATION (210)	1	2
1	2		
AM 2013 66492 A	AM 2012 66492	AM 2013 66775 A	AM 2012 66775
AM 2013 66516 A	AM 2012 66516	AM 2013 66840 A	AM 2012 66840
AM 2013 66517 A	AM 2012 66517	AM 2013 66850 A	AM 2012 66850
AM 2013 66557 A	AM 2012 66557	AM 2013 66928 A	AM 2012 66928
AM 2013 66558 A	AM 2012 66558	AM 2013 67014 A	AM 2012 67014
AM 2013 66566 A	AM 2012 66566	AM 2013 67015 A	AM 2012 67015
AM 2013 66651 A	AM 2012 66651	AM 2013 67016 A	AM 2012 67016
AM 2013 66709 A	AM 2012 66709	AM 2013 67055 A	AM 2012 67055
AM 2013 66714 A	AM 2012 66714	AM 2013 67016 A	AM 2012 67016
		AM 2013 67055 A	AM 2012 67055
		AM 2013 67133 A	AM 2012 67133
		AM 2013 67156 A	AM 2012 67156
		AM 2013 67247 A	AM 2012 67247

**CONCORDANCE TABLE OF INDEX OF GOODS AND/OR SERVICES
AND APPLICATION NUMBERS**

INDEX OF GOODS AND/OR SERVICES (511)	NUMBER OF PUBLISHED APPLICATION (260)	1	2
1	2		
1	AM 2013 67156 A	33	AM 2013 66775 A
3	AM 2013 66840 A	35	AM 2013 66516 A
5	AM 2013 66492 A	35	AM 2013 66517 A
5	AM 2013 66566 A	35	AM 2013 66709 A
7	AM 2013 67156 A	35	AM 2013 66850 A
9	AM 2013 66516 A	35	AM 2013 67055 A
9	AM 2013 66517 A	35	AM 2013 67156 A
9	AM 2013 67014 A	37	AM 2013 67156 A
9	AM 2013 67015 A	38	AM 2013 66516 A
9	AM 2013 67016 A	38	AM 2013 66517 A
9	AM 2013 67156 A	38	AM 2013 66850 A
11	AM 2013 66516 A	38	AM 2013 67014 A
11	AM 2013 66517 A	38	AM 2013 67016 A
12	AM 2013 66709 A	38	AM 2013 67016 A
12	AM 2013 66714 A	41	AM 2013 66516 A
12	AM 2013 67133 A	41	AM 2013 66517 A
12	AM 2013 67156 A	41	AM 2013 66850 A
12	AM 2013 67247 A	41	AM 2013 67014 A
13	AM 2013 67156 A	41	AM 2013 67015 A
17	AM 2013 67156 A	41	AM 2013 67016 A
18	AM 2013 66557 A	41	AM 2013 67156 A
20	AM 2013 66557 A	42	AM 2013 66516 A
22	AM 2013 66557 A	42	AM 2013 66517 A
25	AM 2013 66558 A	42	AM 2013 67156 A
		43	AM 2013 66651 A
		43	AM 2013 66928 A
		45	AM 2013 66516 A
		45	AM 2013 66517 A

CONCORDANCE TABLE OF INDEX OF GOODS AND/OR SERVICES
AND NUMBERS OF TRADEMARKS REGISTERED ACCORDING
TO THE ACCELERATED PROCEDURE

INDEX OF GOODS AND/OR SERVICES (511)	NUMBER OF REGISTERED ACCORDING TO THE ACCELERATED PROCEDURE (111)
9	M 2013 23256 R
9	M 2013 23257 R
14	M 2013 23229 R
34	M 2013 23253 R
34	M 2013 23258 R
35	M 2013 23229 R
35	M 2013 23256 R
35	M 2013 23257 R
36	M 2013 23256 R
36	M 2013 23257 R
41	M 2013 23259 R
44	M 2013 23254 R
44	M 2013 23255 R

OFFICIAL BULLETIN OF THE INDUSTRIAL PROPERTY

2(366)

EDITOR-IN-CHIEF: N. Bebrishvili

EDITORS-TRANSLATORS: E. Gabunia
G. Nadareishvili

PROOFREADER: L. Chanturia

COMPUTER LAYOUT: M. Ordenidze
K. Svanidze

www.sakpatenti.org.ge

E-mail: info@sakpatenti.org.ge