



**NATIONAL INTELLECTUAL PROPERTY CENTER OF GEORGIA
SAKPATENTI**

**OFFICIAL BULLETIN
OF THE INDUSTRIAL PROPERTY**

23(363)

**2012
TBILISI**

INID CODES FOR IDENTIFICATION OF BIBLIOGRAPHIC DATA

INVENTIONS, UTILITY MODELS

- (10) Number of publication for application, which has been examined
- (11) Number of patent and kind of document
- (21) Serial number of application
- (22) Date of filing of the application
- (23) Date of exhibition or the date of the earlier filing and the number of application, if any
- (24) Date from which patent may have effect
- (31) Number of priority application
- (32) Date of filing of priority application
- (33) Code of the country or regional organization allotting priority application number
- (44) Date of publication of application not granted, but examined and number of bulletin
- (45) Date of publication of registered document
- (51) International Patent Classification Index
- (54) Title of the invention
- (57) Abstract
- (60) Number of examined patent document granted by foreign patent office, date from which patent has effect and country code
- (62) Number of the earlier application and in case of divided application, date of filing an application
- (71) Name, surname and address of applicant (country code)
- (72) Name, surname of inventor (country code)
- (73) Name, surname and address of patent owner (country code)
- (74) Name, surname of representative or patent attorney
- (85) Date of commencement of the national phase of International Application
- (86) Number and date of filing of international application
- (87) Number and date of publication of international application

DESIGNS

- (10) Number of publication for application
- (11) Number of patent and kind of document or number of registration
- (15) Date of registration/Date of patent renewal
- (18) Expected expiration date of patent or registration
- (21) Serial number of application
- (22) Date of filing of the application
- (23) Date of exhibition or the date of the earlier filing and the number of application, if any
- (24) Date from which patent may have effect
- (28) Number of designs included in the application
- (30) Data relating to priority (number of application, date of filing of application, two-letter code identifying the authority with whom the priority application was made)
- (31) Number of priority application
- (32) Date of filing of priority application
- (33) Code of the country or regional organization allotting priority application number
- (34) Two-letter code according to WIPO St.3 identifying the authority with which the priority application was made
- (44) Date of publication of design and number of bulletin (the first publication)
- (45) Date of publication of design registered by WIPO and number of bulletin
- (51) International Classification for designs (class and subclass of the Locarno Classification)
- (54) Title of the invention
- (55) Reproduction of the design
- (57) Description of characteristic features of the design including indication of colors
- (58) Date of recording of any kind of amendment in the Register
- (62) Number of the earlier application, registration and document number and if available the date of filing an application in case of divided application
- (71) Name, surname and address of applicant (country code)
- (72) Name, surname of creator (country code)
- (73) Name, surname and address of patent owner (country code)
- (74) Name, surname of representative or patent attorney
- (81) Contracting states concerned
 - II designated contracting states according to the 1960 Act
 - III designated contracting states according to the 1999 Act
- (85) Owner's permanent address
- (86) Owner's nationality
- (87) Owner's residence
- (88) State in which the owner has a real and effective industrial or commercial establishment

TRADEMARKS

- (111) – Number of registration
- (151) – Date of registration
- (156) – Date of the renewal
- (181) – Expected expiration date of registration
- (186) – Renewal expiration date of registration
- (141) – Date of cancel of duration of the mark
- (210) – Serial number of application
- (220) – Date of filing of the application
- (230) – Date concerning exhibition
- (260) – Number of application, for which favorable decision of examination about registration has been taken (publication number)
- (310) – Number of the first application
- (320) – Date of filing of the first application
- (330) – Code, identifying national or regional Office where the first application was made
- (511) – International Classification of Goods and Services for the purposes of registration of trade marks and/or list of goods and/or services classified according thereto
- (531) – Description of figurative elements of Trade Marks according to the International Classification of the Figurative Elements of Marks
- (540) – Reproduction of Trade Mark
- (550) – Nature and kind of Trade Mark
- (580) – Date of recording of any kind changes in respect of applications or registrations
- (591) – Information concerning colors claimed
- (731) – Name and address of the applicant
- (732) – Name and address of the holder of the registration
- (740) – Name and address of the representative
- (750) – Address for correspondence
- (770) – Name and address of the previous applicant or holder in case of change in ownership
- (771) – Previous name and address of the applicant or holder in case of change in ownership
- (791) – Name and address of the licensee
- (793) – Indication of conditions and/or restrictions under the license (Type of license, number of license agreement, data of license, data of validity of license)
- (800) – Certain data relating to the international registration of Trade Marks under the Protocol Relating to Madrid Agreement (International registration number)

CODES FOR PUBLICATION IN BULLETIN

- (21) AP 0000 000000 – serial number of application for invention
- (10) AP 0000 0000 A – number of published application for invention (first publication)
- (11) P 0000 0000 B – number of patent for invention (second publication)
- (21) API 0000 000000 – number of application for imported patent
- (11) PI 0000 0000 A – number of imported patent (first publication)
- (21) AU 0000 000000 – serial number of application for utility model
- (10) AU 0000 000 U – number of published application for utility model (first publication)
- (11) U 0000 000 Y – number of patent for utility model (second publication)
- (21) AD 0000 000000 – serial number of application for design
- (10) AD 0000 000 S – number of published application for design (first publication)
- (11) D 0000 000 S – number of patent for design (second publication)

INTERNATIONAL PATENT CLASSIFICATION FOR INVENTIONS AND UTILITY MODELS

- SECTION A – HUMAN NECESSITIES
- SECTION B – PERFORMING OPERATIONS; TRANSPORTING
- SECTION C – CHEMISTRY; METALLURGY
- SECTION D – TEXTILES; PAPER
- SECTION E – FIXED CONSTRUCTIONS
- SECTION F – MECHANICAL ENGINEERING; LIGHTING; HEATING; WEAPONS; BLASTING
- SECTION G – PHYSICS
- SECTION H – ELECTRICITY

-
- M – Trade Mark
 - (210) AM 0000 000000 – Serial number of application;
 - (260) AAM 0000 00000 A – Publication number of application;
 - (111) M 0000 00000 R – Number of registration;
 - (111) MMM0000 00000 Rn – Number of renewals, in which n=1,2,3;
 - (111) M 0000 00000 R(P) – Number of registration under partial assignment of rights
-

LIST OF CODES, IN ALPHABETIC SEQUENCE, AND THE CORRESPONDING (SHORT) NAMES OF STATES, OTHER ENTITIES AND INTERGOVERNMENTAL ORGANIZATIONS
(WIPO STANDARD ST.3)

AD	Andorra				
AE	United Arab Emirates				
AF	Afghanistan				
AG	Antigua and Barbuda				
AI	Anguilla				
AL	Albania				
AM	Armenia				
AN	Netherlands Antilles				
AO	Angola				
AP	African Regional Intellectual Property Organization (ARIPO)				
AR	Argentina				
AT	Austria				
AU	Australia				
AW	Aruba				
AZ	Azerbaijan				
BA	Bosnia and Herzegovina				
BB	Barbados				
BD	Bangladesh				
BE	Belgium				
BF	Burkina Faso				
BG	Bulgaria				
BH	Bahrain				
BI	Burundi				
BJ	Benin				
BM	Bermuda				
BN	Brunei Darussalam				
BO	Bolivia				
BR	Brazil				
BS	Bahamas				
BT	Bhutan				
BV	Bouvet Island				
BW	Botswana				
BX	Benelux Office for Intellectual Property (BOIP)				
BY	Belarus				
BZ	Belize				
CA	Canada				
CD	Democratic Republic of the Congo				
CF	Central African Republic				
CG	Congo				
CH	Switzerland				
CI	Cote d'Ivoire				
CK	Cook Islands				
CL	Chile				
CM	Cameroon				
CN	China				
CO	Colombia				
CR	Costa Rica				
CU	Cuba				
CV	Cape Verde				
CY	Cyprus				
CZ	Czech Republic				
DE	Germany				
DJ	Djibouti				
DM	Dominica				
DO	Dominican Republic				
DZ	Algeria				
EA	Eurasian Patent Organization (EAPO)				
EC	Ecuador				
EE	Estonia				
EG	Egypt				
EH	Western Sahara				
EM	Office for Harmonization in the Internal Market (Trademarks and Designs)(OHIM)				
EP	European Patent Office (EPO)				
ER	Eritrea				
ES	Spain				
ET	Ethiopia				
FI	Finland				
FJ	Fiji				
FK	Falkland Islands (Malvinas)				
FO	Faroe Islands				
FR	France				
GA	Gabon				
GB	United Kingdom				
GC	Patent Office of the Cooperation Council for the Arab States of the Gulf (GCC)				
GD	Grenada				
GG	Guernsey				
GH	Ghana				
GI	Gibraltar				
GT	Guatemala				
GW	Guinea- Bissau				
GY	Guyana				
HK	The Hong Kong Special Administrative Region of the People's Republic of China				
HN	Honduras				
HR	Croatia				
HT	Haiti				
HU	Hungary				
IB	International Bureau of the World Intellectual Property Organization (WIPO)				
ID	Indonesia				
IE	Ireland				
IL	Israel				
IM	Isle of Man				
IN	India				
IQ	Iraq				
ID	Indonesia				
IE	Ireland				
IL	Israel				
IM	Isle of Man				
IN	India				
IQ	Iraq				
IR	Iran (Islamic Republic of)				
IS	Iceland				
IT	Italy				
JE	Jersey				
JM	Jamaica				
JO	Jordan				
JP	Japan				
KE	Kenya				
KG	Kyrgyzstan				
KH	Cambodia				
KI	Kiribati				
KM	Saint Kitts and Nevis				
KP	Democratic People's Republic of Korea				
KR	Republic of Korea				
KW	Kuwait				
KY	Cayman Islands				
KZ	Kazakhstan				
LA	Lao People's Democratic Republic				
LB	Lebanon				
LC	Saint Lucia				
LI	Liechtenstein				
LK	Sri Lanka				
LR	Liberia				
LS	Lesotho				
LT	Lithuania				
LU	Luxembourg				
LV	Latvia				
LY	Libyan Arab Jamahiriya				
MA	Morocco				
MC	Monaco				
MD	Republic of Moldova				
ME	Montenegro				
MG	Madagascar				
MK	The former Yugoslav Republic of Macedonia				
ML	Mali				
MM	Myanmar				
MN	Mongolia				
MO	Macao				
MP	Northern Mariana Islands				
MR	Mauritania				
MS	Montserrat				
MT	Malta				
MU	Mauritius				
MV	Maldives				
MW	Malawi				
MX	Mexico				
MY	Malaysia				
MZ	Mozambique				
NA	Namibia				
NE	Niger				
NG	Nigeria				
NI	Nicaragua				
NL	Netherlands				
NO	Norway				
NP	Nepal				
NR	Nauru				
NZ	New Zealand				
OA	African Intellectual Property Organization (OAPI)				
OM	Oman				
PA	Panama				
PE	Peru				
PG	Papua New Guinea				
PH	Philippines				
PK	Pakistan				
PL	Poland				
PT	Portugal				
PW	Palau				
PY	Paraguay				
QA	Qatar				
QZ	Community Plant Variety Office (European Community) (CPVO)				
RO	Romania				
RS	Serbia				
RU	Russian Federation				
RW	Rwanda				
SA	Saudi Arabia				
SB	Solomon Islands				
SC	Seychelles				
SD	Sudan				
SG	Singapore				
SH	Saint Helena				
SI	Slovenia				
SK	Slovakia				
SL	Sierra Leone				
SM	San Marino				
SN	Senegal				
SO	Somalia				
SR	Suriname				
ST	Sao Tome and Principe				
SV	El Salvador				
SY	Syrian Arab Republic				
SZ	Swaziland				
TC	Turks and Caicos Islands				
TD	Chad				
TG	Togo				
TH	Thailand				
TJ	Tajikistan				
TL	Timor-Leste				
TM	Turkmenistan				
TN	Tunisia				
TO	Tonga				
TR	Turkey				
SE	Sweden				
TT	Trinidad and Tobago				
TV	Tuvalu				
TW	Taiwan, Province of China				
TZ	United Republic of Tanzania				
UA	Ukraine				
UG	Uganda				
US	United States of America				
UY	Uruguay				
UZ	Uzbekistan				
VA	Holy See				
VC	Saint Vincent and the Grenadines				
VE	Venezuela				
VG	Virgin Islands (British)				
VN	Viet Nam				
VU	Vanuatu				
WO	World Intellectual Property Organization (WIPO)				
WS	Samoa				
XN	Nordic Patent Institute (NPI)				
YE	Yemen				
ZA	South Africa				
ZM	Zambia				
ZW	Zimbabwe				

**NATIONAL INTELLECTUAL PROPERTY CENTER OF GEORGIA
SAKPATENTI**

**OFFICIAL BULLETIN
OF THE INDUSTRIAL PROPERTY**

23(363)

**INVENTIONS
UTILITY MODELS
DESIGNS
TRADEMARKS**

**DATE OF PUBLICATION
2012 12 10**

CONTENTS

PUBLISHED TITLES OF PROTECTION	2
INVENTIONS	
▪ APPLICATIONS APPROVED FOR GRANTING PATENTS	4
▪ PATENTED INVENTIONS	7
UTILITY MODELS	
▪ APPLICATION APPROVED FOR GRANTING PATENT	11
▪ PATENTED UTILITY MODELS	12
DESIGNS	
▪ APPLICATION APPROVED FOR GRANTING PATENTS	13
▪ REGISTERED DESIGN	14
▪ DESIGNS, REGISTERED WITH THE INTERNATIONAL BUREAU CLAIMING PRIORITY ON THE TERRITORY OF GEORGIA	15
TRADEMARKS	
▪ APPLICATIONS FILED UNDER THE NATIONAL PROCEDURE APPROVED FOR REGISTRATION	54
▪ REGISTERED TRADEMARKS	62
▪ TRADEMARKS REGISTERED ACCORDING TO THE ACCELERATED PROCEDURE	67
▪ INTERNATIONAL TRADEMARKS FOR WHICH A DECISION ON GANTING PROTECTION IS TAKEN	70
▪ INTERNATIONAL TRADEMARKS PROTECTED IN GEORGIA	150
OFFICIAL NOTIFICATIONS	
TRADEMARKS	
▪ RENEWAL OF REGISTRATIONS	164
▪ CHANGES IN NAMES AND/OR ADDRESSES OF OWNERS	166
CLASSIFICATION INDEXES	
INVENTIONS	171
UTILITY MODELS	173
DESIGNS	175
TRADEMARKS	176

PUBLISHED TITLES OF PROTECTION

INVENTIONS

- **APPLICATIONS APPROVED FOR GRANTING PATENTS:**
12055; 10608; 12175; 12135; 12176
- **PATENTED INVENTIONS:**
5704; 5701; 5703; 5705; 5710; 5708; 5711, 5712; 5709; 5707; 5702; 5706; 5713

UTILITY MODELS

- **APPLICATION APPROVED FOR GRANTING PATENT:**
12317; 12492, 12493; 12650
- **PATENTED UTILITY MODELS:**
1749- 1751

DESIGNS

- **APPLICATION APPROVED FOR GRANTING PATENTS:**
709
- **REGISTERED DESIGN:**
520-522
- **DESIGNS REGISTERED WITH THE INTERNATIONAL BUREAU CLAIMING PRIORITY ON THE TERRITORY OF GEORGIA:**
77948; 78195; 78151; 79037; 79044; 79049; 78018; 79060; 79080; 79084; 78775; 79124; 79166; 78170; 78312

TRADEMARKS

- **APPLICATIONS FILED UNDER THE NATIONAL PROCEDURE APPROVED FOR REGISTRATION:**
62804; 64722; 65186; 65825-65828; 65847; 66049; 66085; 66095; 66104; 66109-66112; 66129; 66133; 66138; 66162-66164; 66332, 66333; 66335-66341; 66352; 66367; 66369; 66385; 66387; 66448; 66472; 66474; 66476; 66555; 66584; 66604; 66652; 66676; 66682; 66682; 63211*; 63785*; 64112*; 64113*; 64241*
- **REGISTERED TRADEMARKS:**
23094-23147
- **TRADEMARKS REGISTERED ACCORDING TO THE ACCELERATED PROCEDURE:**
23085-23093; 23148-23150
- **INTERNATIONAL TRADEMARKS FOR WHICH A DECISION ON GRANTING PROTECTIONS IS TAKEN:**
64676; 64879-64891; 64893-64895; 64971; 64975, 64976; 64979, 64980; 65005, 65006; 65011, 65012; 65105-65111; 65125-65129; 65132, 65133; 65135-65138; 5140; 65182, 65183; 6 5190, 65191, 65293-65296; 65303; 65340-65342; 65344, 65345; 65347-65349; 65352-65357; 65359-65362; 65364-65367; 65457, 65458; 65460, 65461; 65481-65483; 65485-65487; 65508; 65511, 65512; 65518; 65525, 65526; 65532; 65534-65539; 65591; 65596; 65651; 65654; 65674; 65680-65682; 65685; 65703; 65706; 65712-65715; 65720, 65721; 65723; 65725-65727; 65732, 65733; 65778; 65780; 65782-65784; 65786; 65788-65795; 65798, 65799; 65801, 65802; 65807; 65813; 65848, 65849; 65852; 65855-65858; 65912, 65913; 65916; 65918, 65919; 65921; 65923; 65948, 65949; 65951-65955; 65962; 65966; 65974-65976; 65978; 65985-65987; 66017; 66052; 66101-66103; 66105-66108; 66140; 66143-66148; 66153; 66155-66160; 63525*
- **INTERNATIONAL TRADEMARKS PROTECTED IN GEORGIA:**
63234-63238; 63251, 63252; 63256-63262; 63467-63471; 63473-63475; 63531; 63536, 63537; 63657-63672; 63676; 63722-63724; 63726-63734; 63819; 63821-63823; 63825-63829; 63831, 63832; 63899-638901; 63904-63906; 63908, 63909; 63911; 63913; 63941; 63965-63968; 63975; 63980-63990; 64045-64050; 64052-64057; 64126-64129; 64131-64133; 64151, 64152; 64156-64158; 64203; 64205-64211; 64259-64262; 64271; 64336-64338; 64344-64354; 64399; 64555; 64565; 64568; 64570-64577; 64616--64622; 64625; 64629; 64647; 64654; 64711, 64712; 64756-64761; 64763-64765; 64767; 64775-64785; 64856-64864; 64866, 64867; 64869-64871; 64873-64875; 65037

INVENTIONS

APPLICATIONS APPROVED FOR GRANTING PATENTS

The decision can be appealed at the Chamber of Appeal of Sakpatenti within 3 months from the publication or at the Administrative Chamber of the Tbilisi City Court (Address: №6, David Aghmashenebeli Kheivani 12 km., Tbilisi) within 1 month following the publication.

PART A

A 61

- (10) AP 2012 12055 A (51) Int. Cl. (2006)
A 61 K 31/437
A 61 K 31/4709
A 61 K 31/496
A 61 K 31/573
A 61 K 38/08
A 61 P 19/02
- (21) AP 2009 012055 (22) 2009 07 03
(31) MI 2008 A 001264
(32) 2008 07 11
(33) IT
(71) ISTITUTO LUSO FARMACO D'ITALIA
S.P.A. (IT)
Via Walter Tobagi, 8 I-20068 Peschiera
Borromeo (MI) (IT)
(72) GIULIANI, Sandro (IT);
MAGGI, Carlo, Alberto (IT)
(74) Shalva Gvaramadze
(85) 2011 01 11
(86) PCT/EP2009/004847, 2009 07 03
(54) **PHARMACEUTICAL COMPOSITIONS
BASED ON KININ B2 RECEPTOR
ANTAGONISTS AND
CORTICOSTEROIDS, AND USAGE
THEREOF**

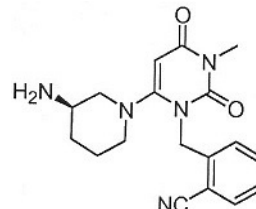
(57) There is represented pharmaceutical composition containing corticosteroid and kinin B2 receptor antagonist, pharmaceutically acceptable carriers and excipients.

Claims: 3 independent
8 dependent

-
- (10) AP 2012 10608 A (51) Int. Cl. (2006)
A 61 K 31/513
A 61 K 31/44
A 61 K 31/131
A 61 P 3/10
- (21) AP 2006 010608 (22) 2006 09 13
(31) 60/717,558; 60/747,273
(32) 2005 09 14; 2006 05 15
(33) US; US
(71) TAKEDA PHARMACEUTICAL COMPANY
LIMITED (JP)

- 1-1, Doshomachi 4-chome, Chuo-ku,
Osaka-shi, Osaka 541-0045 (JP)
(72) CHRISTOPHER, Ronald, J (US);
COVINGTON, Paul (US)
(74) Tamara Kochlamazashvili
(85) 2008 04 01
(86) PCT/US2006/035708, 2006 09 13
(54) **USAGE OF DIPEPTIDYL PEPTIDASE
INHIBITORS**

(57) There is represented pharmaceutical composition containing 5-250 mg compound of formula I



and lactose monohydrate.

Claims: 7 independent

37 dependent

Fig.: 4

PART B

B 65

- (10) AP 2012 12175 A (51) Int. Cl. (2006)
B 65 G 27/00
- (21) AP 2011 012175 (22) 2011 04 08
(71) Viktor Zviadauri (GE)
Vazha-Pshavelas V kvart., korp. 4, b. 79,
0186, Tbilisi (GE);
Tengiz Nadiradze (GE)
Bakhtrionis q. 7a, b. 33, 0194, Tbilisi (GE);
Merab Chelidze (GE)
G. Chitaias q. 38, 0164, Tbilisi (GE);
Giorgi Tumanishvili (GE)
Didi Dighomi, III mkr., korp. 4, b. 85,
0131, Tbilisi (GE);
Guram Gogia (GE)
Oniashvilis q. 13, 0175, Tbilisi (GE)

- (72) Viktor Zviadauri (GE);
Tengiz Nadiradze (GE);
Merab Chelidze (GE);
Giorgi Tumanishvili (GE);
Guram Gogia (GE)

(54) VIBRATION CONVEYOR

(57) There is represented a vibration conveyor comprising a case 1, a vibration exciter 2 and an additional mass 9 on a case bottom 3. At that, by twisting spring 5 the bottom is rotary hinged to the case; by bolts 7 a mass hanger 6 is connected to a guide 8 longitudinally repositionable, which is rigid on the case bottom; and by bolts 10 the additional mass is fixed on the mass hanger vertically repositionable.

Claims: 1 independent

Fig.: 2

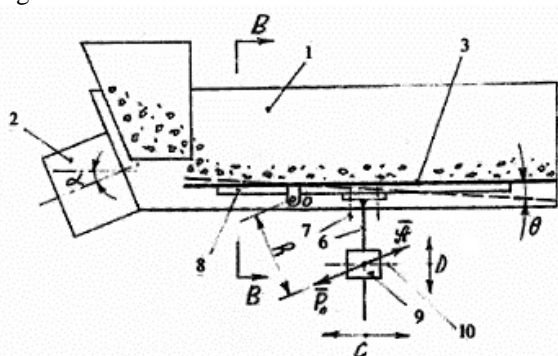


Fig. 1

PART C**C 07**

- (10) AP 2012 12135 A (51) Int. Cl. (2006)
C 07 D 231/40
C 07 D 401/12
C 07 D 403/12
C 07 D 513/04
A 61 K 31/4427
A 61 K 31/4155
A 61 K 31/4178
A 61 K 31/506
A 61 K 31/497
A 61 P 3/00

(21) AP 2009 012135 (22) 2009 08 28

(31) 61/096,056; 61/232,578

(32) 2008 09 11; 2009 08 10

(33) US; US

(71) PFIZER INC. (US)
235 East 42nd Street, New-York,
NY 10017 (US)

(72) BENBOW, John William (US);
LOU, Jihong (US);
PFEFFERKORN, Jeffrey Allen (US);

TU, Meihua Mike (US)

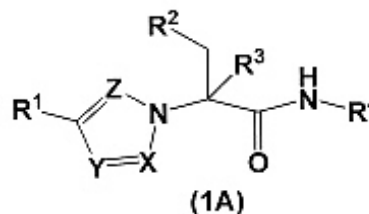
(74) Shalva Gvaramadze

(85) 2011 03 11

(86) PCT/IB2009/053773, 2009 08 28

(54) **HETEROARYLS AMIDE DERIVATIVES
AND USAGE THEREOF AS
GLUCOKINASE ACTIVATORS**

(57) An invention relates to: heteroaryls amide derivatives of formula (1A),



and pharmaceutical compositions thereof acting as glucokinase activators; application thereof the treatment of diseases (diabetes, obesity), disorders or conditions, as well.

Claims: 5 independent

12 dependent

PART F**F 03**

- (10) AP 2012 12176 A (51) Int. Cl. (2006)
F 03 B 13/14
F 03 B 13/22

(21) AP 2011 012176 (22) 2011 04 08

(71) Tengiz Nadiradze (GE)
Bakhtrionis q. 7a, b. 33, 0194, Tbilisi (GE);
Viktor Zviadauri (GE)
Vazha-Pshavelas V kvart., korp. 4, b. 79,
0186, Tbilisi (GE);
Merab Chelidze (GE)
G. Chitaias q. 38, 0164, Tbilisi (GE);
Giorgi Tumanishvili (GE)
Didi Dighomi, III mkr., korp. 4, b. 85,
0131, Tbilisi (GE);
Guram Gogia (GE)
Oniashvilis q. 13, 0175, Tbilisi (GE)

(72) Tengiz Nadiradze (GE);
Viktor Zviadauri (GE);
Merab Chelidze (GE);
Giorgi Tumanishvili (GE);
Guram Gogia (GE)

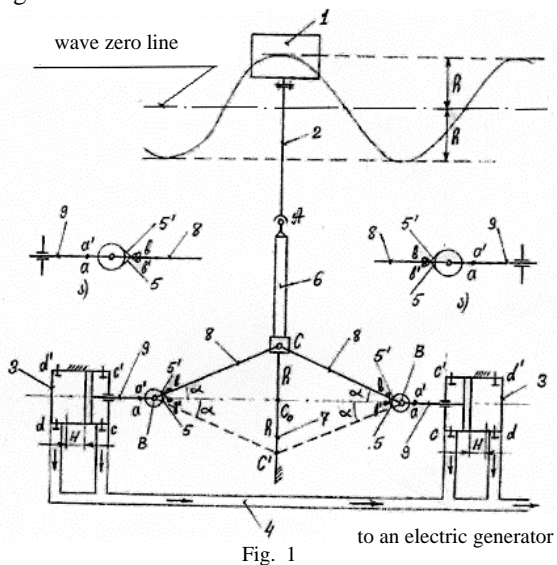
(54) WAVE ENERGY CONVERTER

(57) A wave energy converter comprises a float 1, a rod 2, the piston pumps 3 having high pressure pipe 4, and twisting springs 5 and 5'. At that, the rod is rigidly connected to the float by one end thereof, and by another end with help of spherical hinge A it is connected to a slider 6. With help of hinges B

and two twisting springs, by two levers 8 the slider is hingedly connected to pump piston rods 9 horizontally located opposite to each other therefrom. The springs are located on hinge front and back sides. Springs one ends are connected to pump piston rods, and another ends are able to fix levers in equilibrium position on horizontal plane shaped by pump longitudinal axes so, that one spring end limits slider heaving and accordingly, levers turning, and another spring end limits slider descending and accordingly, levers turning.

Claims: 1 independent

Fig.: 4



PATENTED INVENTIONS

PART A

A 61

- (11) **P 2012 5704 B** (51) **Int. Cl. (2006)**
A 61 K 31/4545
C 07 D 487/04
C 07 D 487/14
A 61 P 37/08
A 61 P 11/00
- (10) AP 2012 11771 A (44) 16(356)/2012
(21) AP 2008 011771
(22) 2008 09 24
(24) 2008 09 24
(31) 60/975,127; 61/037,303
(32) 2007 09 25; 2008 03 17
(33) US; US
(73) TAKEDA PHARMACEUTICAL COMPANY LIMITED (JP)
1-1, Doshomachi 4-chome, Chuo-ku, Osaka-shi, Osaka 541-0045 (JP)
- (72) CAO, Sheldon X. (US);
FEHER, Victoria (US);
ICHIKAWA, Takashi (JP);
JONES, Benjamin (US);
KALDOR, Stephen W. (US);
KIRYANOV, Andre A. (US);
LIU, Yan (US);
MCBRIDE, Christopher (US);
NATALA, Srinivasa Reddy (IN);
NIE, Zhe (CN);
STAFFORD, Jeffrey A. (US);
LAM, Betty (US)
- (74) Tamara Kochlamazashvili
(86) PCT/US2008/077558, 2008 09 24
(54) **PLK KINASE INHIBITORS**

- (11) **P 2012 5701 B** (51) **Int. Cl. (2006)**
A 61 K 31/513
A 61 P 3/10
A 61 P 35/00
A 61 P 31/18
A 61 P 5/50
- (10) AP 2012 11217 A (44) 16(356)/2012
(21) AP 2007 011217
(22) 2007 09 11
(24) 2007 09 11
(31) PCT/US2006/035958; 60/894,628
(32) 2006 09 13; 2007 03 13
(33) US; US
(73) TAKEDA PHARMACEUTICAL COMPANY LIMITED (JP)
1-1, Doshomachi 4-chome, Chuo-ku, Osaka-shi, Osaka 541-0045 (JP)

- (72) CHRISTOPHER, Ronald J. (US);
OGAWA, Atsushi (JP);
COVINGTON, Paul (US)
- (74) Shalva Gvaramadze
- (86) PCT/US2007/078177, 2007 09 11
- (54) **APPLICATION OF 2-[6-(3-AMINO-PIPERIDIN-1-YL)-3-METHYL-2,4-DIOXO-3,4-DIHYDRO-2H-PYRIMIDIN-1-YLMETHYL]-4-FLUORO-BENZONITRILE**

PART B

B 24

- (11) **P 2012 5703 B** (51) **Int. Cl. (2006)**
B 24 B 9/18
- (10) AP 2012 11759 A (44) 10(350)/2012
(21) AP 2010 011759
(22) 2010 04 16
(24) 2010 04 16
- (73) Zaur Balamtsarashvili (GE)
Saburtalos q. 37, b. 12, 0160, Tbilisi (GE);
Tamaz Mchedlishvili (GE)
T. Tabidzis q. 76, 0179, Tbilisi (GE);
Khatuna Amkoladze (GE)
S.Chikovanis q. 101, 0171, Tbilisi (GE);
Mikheil Dolidze (GE)
Kvishkhetis q. 14, b. 8, 0192, Tbilisi (GE);
Malkhaz Narimanishvili (GE)
Vardziis chikh. 9, 0800, Akhaltsikhe (GE);
David Mosulishvili (GE)
Megobrobis gamz. 41, 3700, Rustavi (GE)
- (72) Zaur Balamtsarashvili (GE);
Tamaz Mchedlishvili (GE);
Khatuna Amkoladze (GE);
Mikheil Dolidze (GE);
Malkhaz Narimanishvili (GE);
David Mosulishvili (GE)
- (54) **PROFILE GRINDING MACHINE FLUIDIC REPEATER FOR PROCESSING CURVILINEAR TIMBERWORK OF INTRICATE PROFILE**

B 61

- (11) **P 2012 5705 B** (51) **Int. Cl. (2006)**
B 61 L 23/00
B 61 L 3/00
- (10) AP 2012 11782 A (44) 16(356)/2012

- (21) AP 2010 011782
 (22) 2010 05 03
 (24) 2010 05 03
 (73) Alexander Dundua (GE)
 Gvetadzis q. 8, b. 21, 0154, Tbilisi (GE);
 Tengiz Iashvili (GE)
 Gorgaslis q. 103, korp. 5, b. 25, 0105,
 Tbilisi (GE)
 (72) Alexander Dundua (GE);
 Tengiz Iashvili (GE)
 (54) **DISCRETE CODING TRACK CIRCUIT
 WITH AUTOMATIC LOCOMOTIVE
 SIGNALIZATION SUPERIMPOSED
 CODED SIGNAL CURRENT**

PART C

C 07

- (11) P 2012 5710 B (51) Int. Cl. (2006)
 C 07 C 227/04
 C 07 C 227/16
 C 07 C 227/18
 C 07 C 229/46
 (10) AP 2012 12299 A (44) 16(356)/2012
 (21) AP 2009 012299
 (22) 2009 12 17
 (24) 2009 12 17
 (31) P08 00762
 (32) 2008 12 17
 (33) HU
 (73) RICHTER GEDEON NYRT. (HU)
 Gyömrői út 19-21, H-1103 Budapest (HU)
 (72) HEGEDŰS, László (HU);
 CZIBULA, László (HU);
 JUHÁSZ, Bálint (HU);
 NAGYNÉ BAGDY, Judit (HU);
 MÁRKOS, Dénes (HU);
 MÁTHÉ, Tibor, Bence (HU)
 (74) Liliana Darakhvelidze
 (86) PCT/HU2009/000107, 2009 12 17
 (54) **METHOG OF TRANS-4-AMINO-
 CYCLOHEXYL ACETIC ACID ETHYL
 ESTER HCL PREPARATION**

- (11) P 2012 5708 B (51) Int. Cl. (2006)
 C 07 D 207/08
 C 07 D 403/06
 C 07 D 405/06
 C 07 D 413/06
 C 07 D 471/04
 A 61 K 31/4025
 A 61 P 35/00
 C 07 D 401/06
 (10) AP 2012 11949 A (44) 16(356)/2012

- (21) AP 2009 011949
 (22) 2009 03 24
 (24) 2009 03 24
 (31) 61/039,674
 (32) 2008 03 26
 (33) EP
 (73) NOVARTIS AG (CH)
 Lichtstrasse 35, CH-4056 Basel (CH)
 (72) SHULTZ, Michael (US);
 CHEN, Christine, Hiu-Tung (US);
 CHO, Young Shin (KR);
 JIANG, Lei (CN);
 FAN, Jianmei (CN);
 LIU, Gang (CN);
 MAJUMDAR, Dyuti (IN);
 LI, Jianke (CN)
 (74) Alexander Kartvelishvili
 (86) PCT/EP2009/053421, 2009 03 24
 (54) **HYDROXAMATE-BASED INHIBITORS
 OF DEACETYLASES B**

- (11) P 2012 5711 B (51) Int. Cl. (2006)
 C 07 D 295/135
 (10) AP 2012 12300 A (44) 16(356)/2012
 (21) AP 2009 012300
 (22) 2009 12 17
 (24) 2009 12 17
 (31) P08 00763
 (32) 2008 12 17
 (33) HU
 (73) RICHTER GEDEON NYRT. (HU)
 Gyömrői út. 19-21, H-1103 Budapest (HU)
 (72) CZIBULA, László (HU);
 ÁGAINÉ CSONGOR, Éva (HU);
 NÓGRÁDI, Katalin (HU);
 JUHÁSZ, Bálint (HU);
 SEBŐK, Ferenc (HU);
 GALAMBOS, János (HU);
 VÁGÓ, István (HU)
 (74) Liliana Darakhvelidze
 (86) PCT/HU2009/000108, 2009 12 17
 (54) **PIPERAZINE SALT AND METHOD FOR
 THEIR PREPARATION**

- (11) P 2012 5712 B (51) Int. Cl. (2006)
 C 07 D 295/135
 (10) AP 2012 12301 A (44) 16(356)/2012
 (21) AP 2009 012301
 (22) 2009 12 18
 (24) 2009 12 18
 (31) P0800765
 (32) 2008 12 18
 (33) HU
 (73) RICHTER GEDEON NYRT. (HU)
 Gyömrői út. 19-21, H-1103 Budapest (HU)
 (72) CZIBULA, László (HU);

JUHÁSZ, Bálint (HU);
 ÁGAINÉ CSONGOR, Éva (HU);
 SEBŐK, Ferenc (HU);
 GALAMBOS, János (HU);
 NÓGRÁDI, Katalin (HU)
 (74) Liliana Darakhvelidze
 (86) PCT/HU/2009/000109, 2009 12 18
 (54) **METHOD FOR PREPARATION OF
 PIPERAZINE COMPOUNDS AND
 HYDROCHLORIDE SALTS THEREOF**

(11) P 2012 5709 B **(51) Int. Cl. (2006)**
C 07 D 311/04
 (10) AP 2012 11980 A (44) 16(356)/2012
 (21) AP 2009 011980
 (22) 2009 05 19
 (24) 2009 05 19
 (31) 1274 /MUM /2008; 61/078,603
 (32) 2008 06 17; 2008 07 07
 (33) IN; US
 (73) GLENMARK PHARMACEUTICALS S.A. (CH)
 Chemin De La Combeta 5, CH-2300 La Chaux-
 de-fonds (CH)
 (72) LINGAM, V.S. Prasada Rao (IN);
 THOMAS, Abraham (IN);
 KHATIK, Javed, Yusuf (IN);
 KHAIRATKAR-JOSHI, Neelima (IN);
 KATTIGE, Vidya Ganapati (IN)
 (74) Alexander Kvernadze
 (86) PCT/IB2009/005641, 2009 05 19
 (54) **CHROMANE DERIVATIVES AS TRPV3
 MODULATORS**

(11) P 2012 5707 B **(51) Int. Cl. (2006)**
C 07 D 311/68
C 07 D 311/96
C 07 D 405/12
C 07 D 407/12
A 61 K 31/353
A 61 P 29/02
 (10) AP 2012 11876 A (44) 16(356)/2012
 (21) AP 2008 011876
 (22) 2008 12 16
 (24) 2008 12 16
 (31) 2481/MUM/2007; 61/019,995;
 647/MUM/2008; 61/043,931
 (32) 2007 12 18; 2008 01 09; 2008 03 26;
 2008 04 10
 (33) IN; US; IN; US
 (73) GLENMARK PHARMACEUTICALS S.A. (CH)
 Chemin De La Combeta 5, CH-2300 La Chaux-
 de-fonds (CH)
 (72) LINGAM, V.S. Prasada Rao (IN);
 THOMAS, Abraham (IN);
 GHARAT, Laxmikant Atmaram (IN);
 UKIRDE, Deepak Vitthal (IN);
 MINDHE, Ajit Shankar (IN);

KHAIRATKAR-JOSHI, Neelima (IN);
 KATTIGE, Vidya Ganapati (IN);
 PHATANGARE, Shantaram Kashinath (IN).
 (74) Alexander Kvernadze
 (86) PCT/IN2008/000838, 2008 12 16
 (54) **CHROMANE DERIVATIVES AS TRPV3
 MODULATORS**

(11) P 2012 5702 B **(51) Int. Cl. (2006)**
C 07 D 401/04
C 07 D 401/12
C 07 D 401/14
C 07 D 403/04
C 07 D 403/14
C 07 D 405/14
C 07 D 409/14
C 07 D 413/14
C 07 D 471/04
A 61 K 31/4433
A 61 K 31/4439
A 61 K 31/517
A 61 P 35/00
 (10) AP 2012 11622 A (44) 16(356)/2012
 (21) AP 2008 011622
 (22) 2008 06 16
 (24) 2008 06 16
 (31) 60/947,287; 61/041,645
 (32) 2007 06 29; 2008 04 02
 (33) US; US
 (73) PFIZER INC. (US)
 235 East 42nd Street, New York,
 NY 10017 (US)
 (72) JONES, Christopher, Scott (US);
 LA GRECA, Susan (US);
 LI, Qifang (US);
 MUNCHHOF, Michael, John (US);
 REITER, Lawrence, Alan (US)
 (74) Shalva Gvaramadze
 (86) PCT/IB2008/001575, 2008 06 16
 (54) **BENZIMIDAZOLE DERIVATIVES**

PART F

F 03

- (11) P 2012 5706 B (51) Int. Cl. (2006)
F 03 D 3/06
F 03 D 11/00
- (10) AP 2012 11826 A (44) 16(356)/2012
(21) AP 2008 011826
(22) 2008 10 30
(24) 2008 10 30
(31) P0700705
(32) 2007 10 30
(33) HU
(73) GYÖRGYI, Viktor (HU)
Fo út 46, H-8086, Felcsút (HU)
(72) GYÖRGYI, Viktor (HU)
(74) Tamara Kochlamazashvili
(86) PCT/HU2008/000128, 2008 10 30
(54) **WIND POWER PLANT HAVING WIND
TURBINE WITH VERTICAL AXIS**
-

PART G

G 09

- (11) P 2012 5713 B (51) Int. Cl. (2006)
G 09 F 19/00
- (10) AP 2012 11550 A (44) 3(343)/2012
(21) AP 2009 011550
(22) 2009 11 09
(24) 2009 11 09
(73) Badri Gorgiladze (GE)
I.Abashidze St. 10, ap. 29, 0179, Tbilisi (GE);
Gocha Mikiashvili (GE)
I.Abashidze St. 10, ap. 29, 0179, Tbilisi (GE);
Rusudan Vardiashvili (GE)
Kostava St. 3, 0179, Tbilisi (GE);
Gia Natsvlishvili (GE)
Chubinashvilis k. 7, 0102, Tbilisi (GE)
(72) Badri Gorgiladze (GE);
Gocha Mikiashvili (GE);
Rusudan Vardiashvili (GE);
Gia Natsvlishvili (GE)
(54) **METHOD OF VIRTUAL MUSEUM
CREATION**
-

UTILITY MODELS

APPLICATION APPROVED FOR GRANTING PATENT

The decision can be appealed at the Chamber of Appeal of Sakpatenti within 3 months from the publication or at the Administrative Chamber of the Tbilisi City Court (Address: №6, David Aghmashenebeli Kheivani 12 km., Tbilisi) within 1 month following the publication.

PART A

A 61

(10) AU 2012 12317 U (51) Int. Cl. (2006)
A 61 K 8/97

(21) AU 2011 012317 (22) 2011 07 25

(71) Ketino Imedashvili (GE)
III Masivi, Kalaubnis q. korp. 6d, b. 2,
0152, Tbilisi (GE)

(72) Ketino Imedashvili (GE)

(54) **METHOD OF OBTAINING AVAILABLE
SOLUTION FROM GRAPEVINE
WASTE**

(57) Grapevine sprout is: filled with hot water,
stand within an hour, and than, strained.

Claims: 1 independent

(10) AU 2012 12492 U (51) Int. Cl. (2006)
A 61 K 9/02

(21) AU 2011 012492 (22) 2011 12 06

(71) LTD "AVERSI-RATSIONALI" (GE)
Chirnakhulis q. 14, 0198, Tbilisi (GE)

(72) Malkhaz Kurtanidze (GE)

(74) Shalva Gvaramadze

(54) **ADRENO- AND DOPAMINOMIMETIC
DRUG SHAPED AS STERILE
CONCENTRATE**

(57) There is represented sterile concentrate
containing noradrenaline hydrotartrate, edetate
disodium, sodium metabisulfite, sodium chloride,
disodium tartrate dihydrate and injection water.

Claims: 1 independent

(10) AU 2012 12493 U (51) Int. Cl. (2006)
A 61 K 9/02

(21) AU 2011 012493 (22) 2011 12 06

(71) LTD "AVERSI-RATSIONALI" (GE)
Chirnakhulis q. 14, 0198, Tbilisi (GE)

(72) Malkhaz Kurtanidze (GE)

(74) Shalva Gvaramadze

(54) **COMBINED HEPATOPROTECTIVE
VEGETABLE PREPARATION SHAPED
AS CAPSULE**

(57) There is represented combined preparation
shaped as capsule containing: Picrorhiza kurroa,
Eclipta alba, Phyllanthus niruri, Tinospora
cordifolia, Boerhaavia diffusa, Bacopa monnieri
and Piper longum vegetable extract, and
microcrystal cellulose, colloidal silicon dioxide,
dibasic calcium phosphate, sodium methylparaben,
sodium propylparaben, bronopol, sodium benzoate,
sodium amylum glycolate, refined talc and
magnesium stearate as additives.

Claims: 1 independent

(10) AU 2012 12650 U (51) Int. Cl. (2006)
A 61 N 5/06

(21) AU 2012 012650 (22) 2012 03 29

(71) Merab Jibladze (GE)
I.Chavchavadzis Gamz. 16, b. 23, 0179,
Tbilisi (GE);
Enriko Beridze (GE)
T. Tabidzis I shesakhv. 10, b. 3, 0179,
Tbilisi (GE);
Zurab Razmadze (GE)
Barnovis q. 26, 0108, Tbilisi (GE)

(72) Merab Jibladze (GE);

Enriko Beridze (GE);

Zurab Razmadze (GE)

(54) **PHOTOTHERAPEUTIC DEVICE
"AISI 2"**

(57) There is represented a device comprising the
LEDs and a current source switched thereto. In a
belt having a transparent side the LEDs are forming
the blocks placed movable and with ability to fix
therein.

Claims: 1 independent

Fig.: 1

PATENTED UTILITY MODELS

PART A

A 23

- (11) U 2012 1749 Y (51) **Int. Cl. (2006)**
A 23 L 1/09
A 23 L 2/00
- (10) AU 2012 12019 U (44) 16(356)/2012
 (21) AU 2010 012019
 (22) 2010 12 01
 (24) 2010 12 01
 (73) Givi Chitorelidze (GE)
 Saiatnovas q. 22, 0105, Tbilisi (GE)
 (72) Givi Chitorelidze (GE)
 (54) **CITROUS DIABETIC SYRUP**
-

PART C

C 22

- (11) U 2012 1750 Y (51) **Int. Cl. (2006)**
C 22 C 1/02
C 22 C 1/03
C 22 C 11/00
C 22 C 13/00
- (10) AU 2012 12042 U (44) 16(356)/2012
 (21) AU 2010 012042
 (22) 2010 12 21
 (24) 2010 12 21
 (73) Robinson Khetaguri (GE)
 Temkis Dasakhleba, IX kvart. korp. 15,
 b. 11, 0178, Tbilisi (GE)
 (72) Robinson Khetaguri (GE)
 (54) **METHOD FOR LEAD-FLOAT BABBITT
 PRODUCTION**
-

PART H

H 02

- (11) U 2012 1751 Y (51) **Int. Cl. (2006)**
H 02 N 11/00
F 03 G 7/00
- (10) AU 2012 12618 U (44) 16(356)/2012
 (21) AU 2012 012618
 (22) 2012 03 06
 (24) 2012 03 06
 (71) Felix Akopov (GE)
 Atsquris q. 3d, b. 12, 0144, Tbilisi (GE);
 Vladimir Akopov (RU)
 Donis Rostovi 344037, 28-e q. 59/4, b. 27 (RU);
 Valerij Barnov (GE)
 Arakishvilis I Chikhi 6, b. 5, 0179, Tbilisi (GE);
 Dimitrij Driaev (GE)
 Panaskertelis q. 16, b. 16, 0194, Tbilisi (GE);
 Archil Gachechiladze (GE)
 Sanapiros q. 2a, b. 4, 0105, Tbilisi (GE);
 Severian Tsakadze (GE)
 I.Petrtsis q. 8a, b. 11, 0131, Tbilisi (GE);
 Irakli Chkhartishvili (GE)
 Atenis q. 18a, b. 33, 0179, Tbilisi (GE)
 (72) Felix Akopov (GE);
 Vladimir Akopov (RU);
 Valerij Barnov (GE);
 Dimitrij Driaev (GE);
 Archil Gachechiladze (GE);
 Severian Tsakadze (GE);
 Irakli Chkhartishvili (GE)
 (54) **DEVICE CONVERTING HEAT ENERGY
 INTO MECHANICAL ENERGY**
-

DESIGNS

APPLICATIONS APPROVED FOR REGISTRATION

The decision can be appealed at the Chamber of Appeal of Sakpatenti within 3 months from the publication or at the Administrative Chamber of the Tbilisi City Court (Address: №6, David Aghmashenebeli Kheivani 12 km., Tbilisi) within 1 month following the publication.

- (10) **AD 2012 709 S** (51) **09-01**
(21) AD 2012 000709 (22) 2012 06 21
(28) 1
(71) LTD "CHARGLIS TSKAROEBI" (GE)
Iosebidge Str. 60, ap. 1, 0160, Tbilisi (GE)
(72) Vakhtang Duchidze (GE)
(74) George Kartvelishvili
(54) **BOTTLE**
(55)



REGISTERED DESIGNS

- (11) D 2012 520 S** **(51) 06-13**
(10) AD 2012 680 S (44) 12(352) 2012
(21) AD 2012 000680 (24) 2012 02 10
(22) 2012 02 10
(28) 1
(18) 2017 02 10
(73) George Gabashvili (GE)
 Didi Digomi, Ioane Petritsis q. 7, b. 27,
 Tbilisi (GE)
(72) George Gabashvili (GE)
(74) George Batlidze
(54) **COVER FOR PLACING ADVERTISEMENT MOUNTABLE ON PUBLIC TRANSPORT
 SEAT BACK**
-

- (11) D 2012 521 S** **(51) 22-06**
(10) AD 2012 682 S (44) 13(353) 2012
(21) AD 2012 000682 (24) 2012 02 16
(22) 2012 02 16
(28) 1
(18) 2017 02 16
(73) LTD "AGRO INVESTI" (GE)
 Davit Aghmasheneblis gamz. 20, 0102, Tbilisi (GE)
(72) George Shalibashvili (GE)
(54) **INSECT-TRAP**
-

- (11) D 2012 522 S** **(51) 32-00**
(10) AD 2012 694 S (44) 16(356) 2012
(21) AD 2012 000694 (24) 2012 04 04
(22) 2012 04 04
(28) 1
(18) 2017 04 04
(73) Jumber Uplisashvili (GE)
 Dighomi, Didgoris q. 201, 0113, Tbilisi (GE);
 Manana Kipshidze (GE)
 S. Chikovanis q. 20, b. 3, 0160, Tbilisi (GE);
 Lali Mdzevashvili (GE)
 Moskovis gamz., V kvart., korp. 10, b. 9, 0145, Tbilisi (GE)
(72) Jumber Uplisashvili (GE);
 Manana Kipshidze (GE);
 Lali Mdzevashvili (GE)
(54) **LOGO**
-

**DESIGNS, WHICH HAVE BEEN REGISTERED WITH THE INTERNATIONAL
BUREAU CLAIMING PRIORITY ON THE TERRITORY OF GEORGIA**

(IN ACCORDANCE WITH THE HAGUE ACT OF 1960 AND/OR GENEVA ACT OF THE HAGUE
AGREEMENT OF 1999)

The decision can be appealed at the Chamber of Appeal of Sakpatenti within 3 months from the publication or at the Administrative Chamber of the Tbilisi City Court (Address: №6, David Aghmashenebeli Kheivani 12 km., Tbilisi) within 1 month following the publication.

(11) DM/077948

(51) 03-01

(15) 2012 03 09

(45) 2012/36 (2012 09 14)

(22) 2012 03 09

(28) 1

(73) ETA SA MANUFACTURE HORLOGÈRE SUISSE CH-2540 Grenchen (CH)

(85) CH

(86) CH

(87) CH

(88) CH

(89) CH

(81) II. BZ, MA. III. AL, AM, AZ, BA, CH, EM, GE, HR, KG, LI, MC, MD, ME, MK, MN, NO, OM, SG, TR, UA

(72) Cristiano RIGHESCHI

Loc. Carda 19/B, IT-52016 Castel Focognano (AR)

(54) 1. Box for jewelry and watches

(55)



1.1



1.2

(11) DM/078195

(51) 12-08

(15) 2012 03 08

(45) 2012/36 (2012 09 14)

(22) 2012 03 08

(28) 2

(30) 10.09.2011; 1915430-0029 Y 0030; EM

(73) SEAT S.A.

Autovía A-2, Km. 585, E-08760 Martorell (Barcelona) (ES)

(85) ES, EM

(86) ES, EM

(87) ES, EM

(88) ES, EM

(89) ES

(81) III. AL, AM, AZ, BA, CH, EG, GE, HR, IS, KG, MD, ME, MK, MN, NO, OM, RS, SG, SY, TR, UA

(72) Juan José Adrados Herrero Autovia, A-2, Km. 585, 08760 Martorell, Barcelona, España

(54) 1.-2. Automobile vehicles

(55)



1.1



1.2



1.3



1.4



1.5



1.6



2.1



2.2



2.3



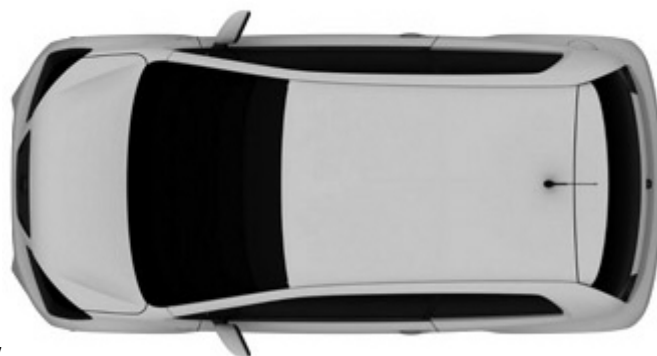
2.4



2.5



2.6



2.7

(11) DM/078151**(51) 09-03**

(15) 2012 03 16

(45) 2012/37 (2012 09 21)

(22) 2012 03 16

(28) 4

(30) 26.09.2011; 001295034; EM

(73) PHILIP MORRIS PRODUCTS S.A.

Quai Jeanrenaud 3, CH-2000 Neuchâtel (CH)

(86) n/a

(87) CH

(88) CH

(89) CH

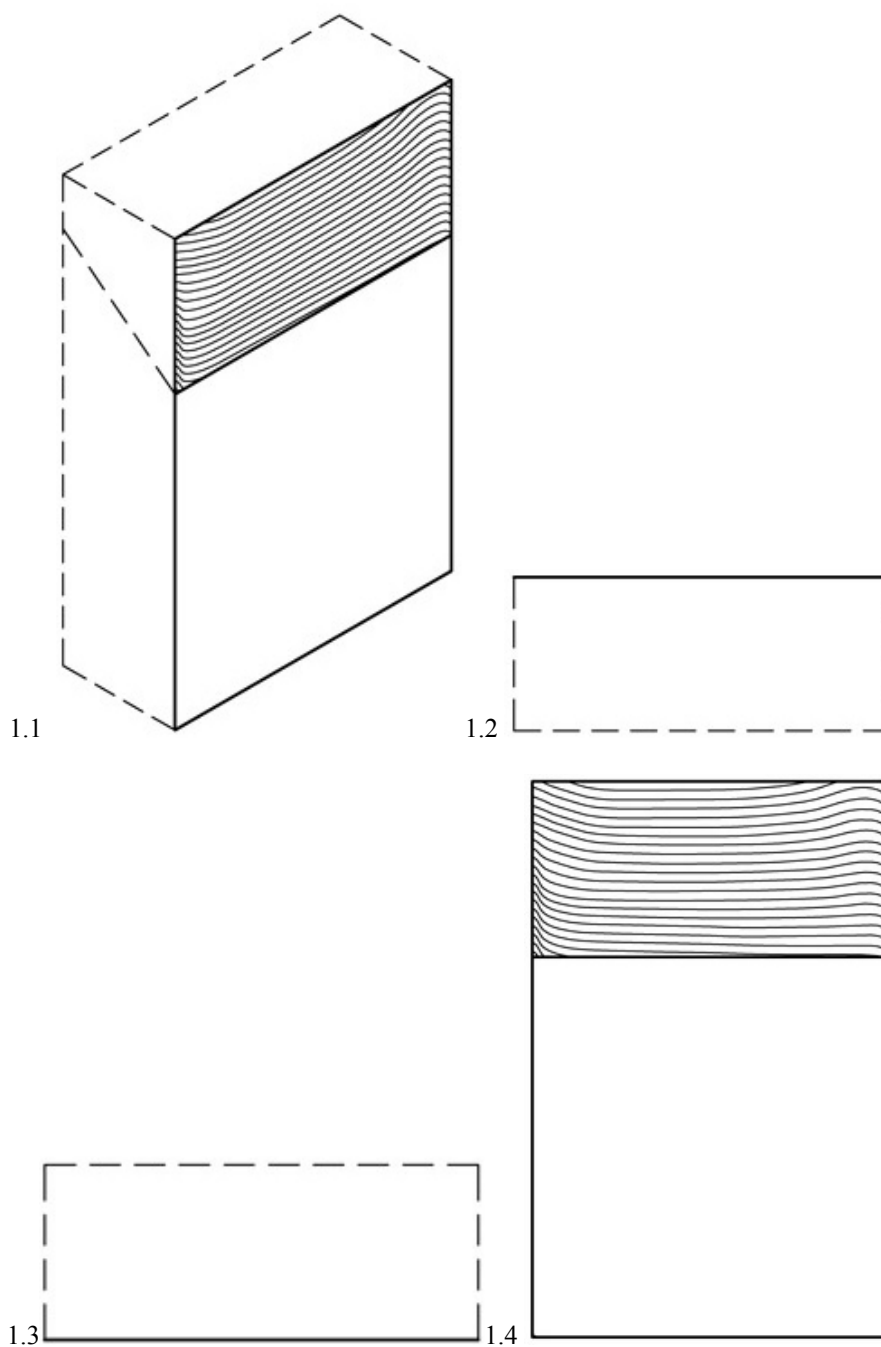
(81) III. AM, BG, BW, CH, GE, HR, NA, TR, UA

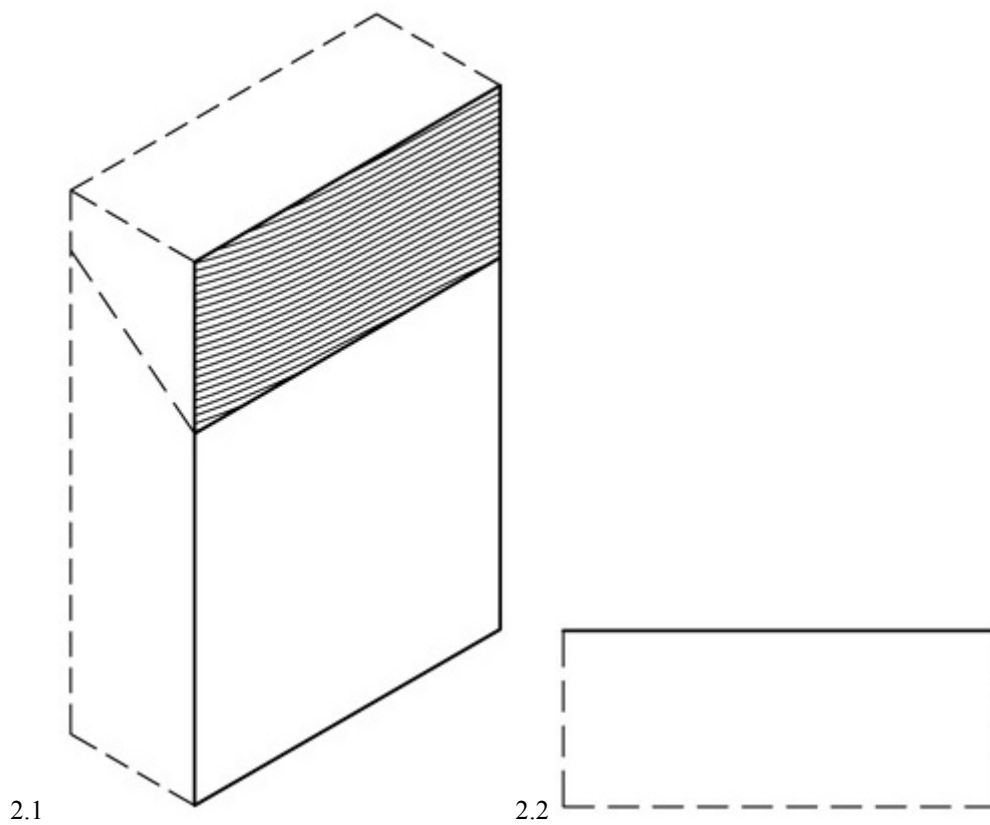
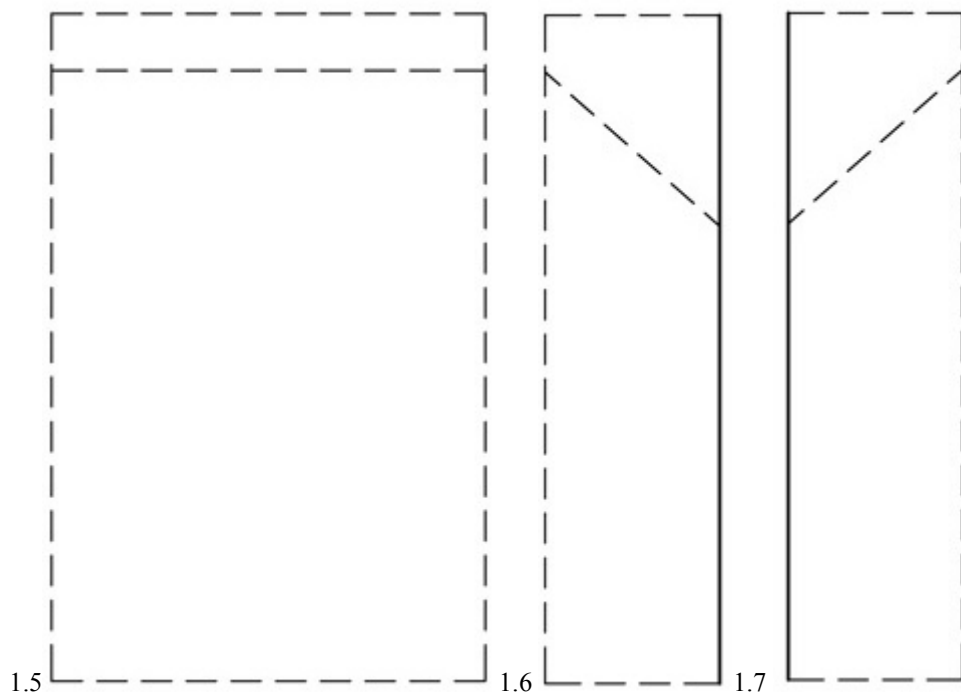
(72) 1) Dominika KLIMEK, Via Cesariano 14, IT-20154 Milano; 2) Guy SCHÖNBERGER,

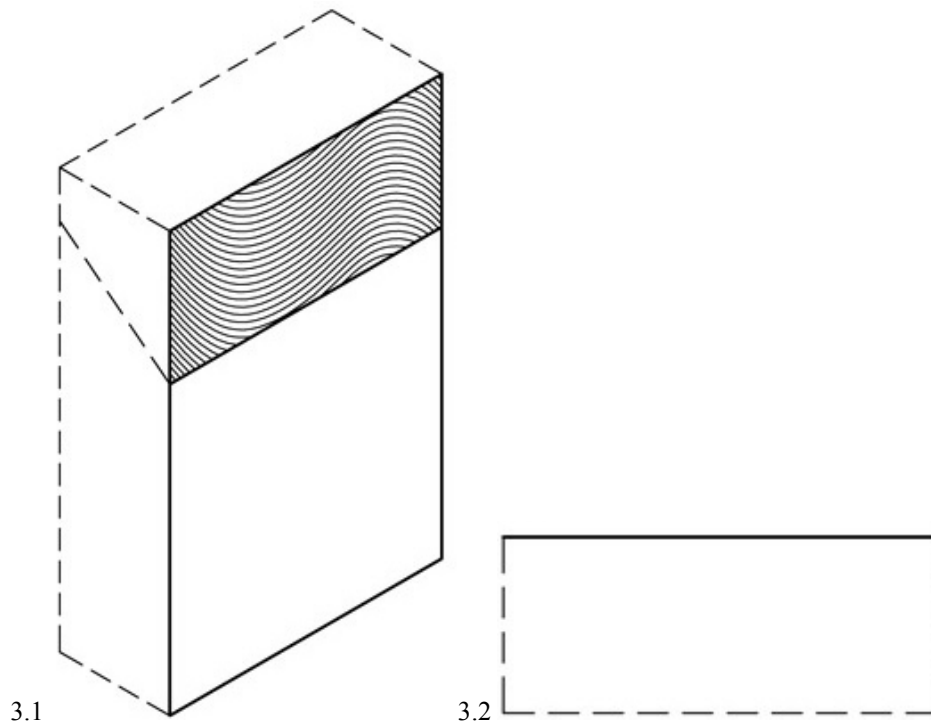
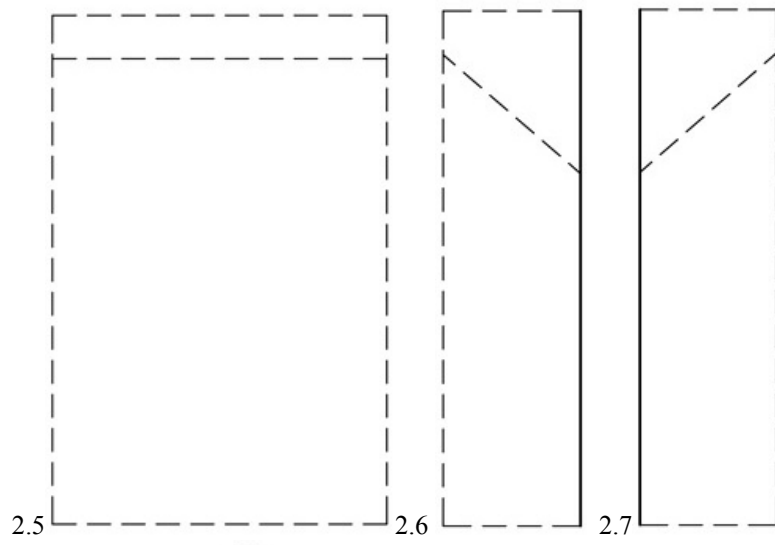
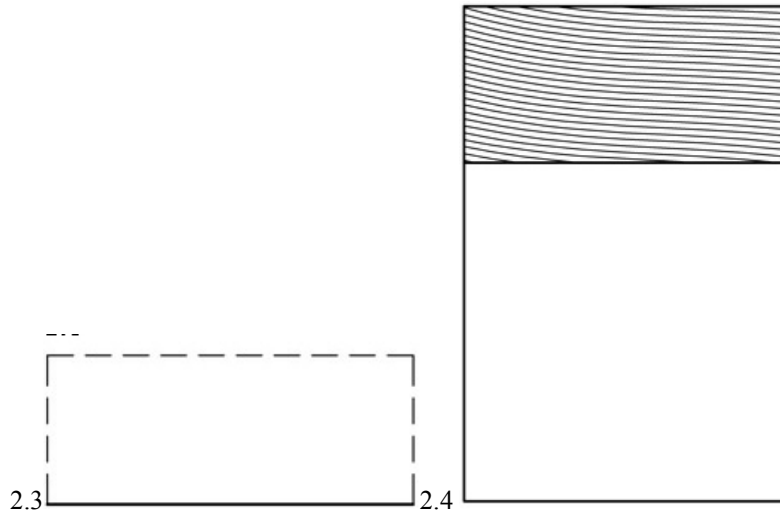
Route des Deux-Villages 75, CH-1806 St-Légier-La Chiésaz

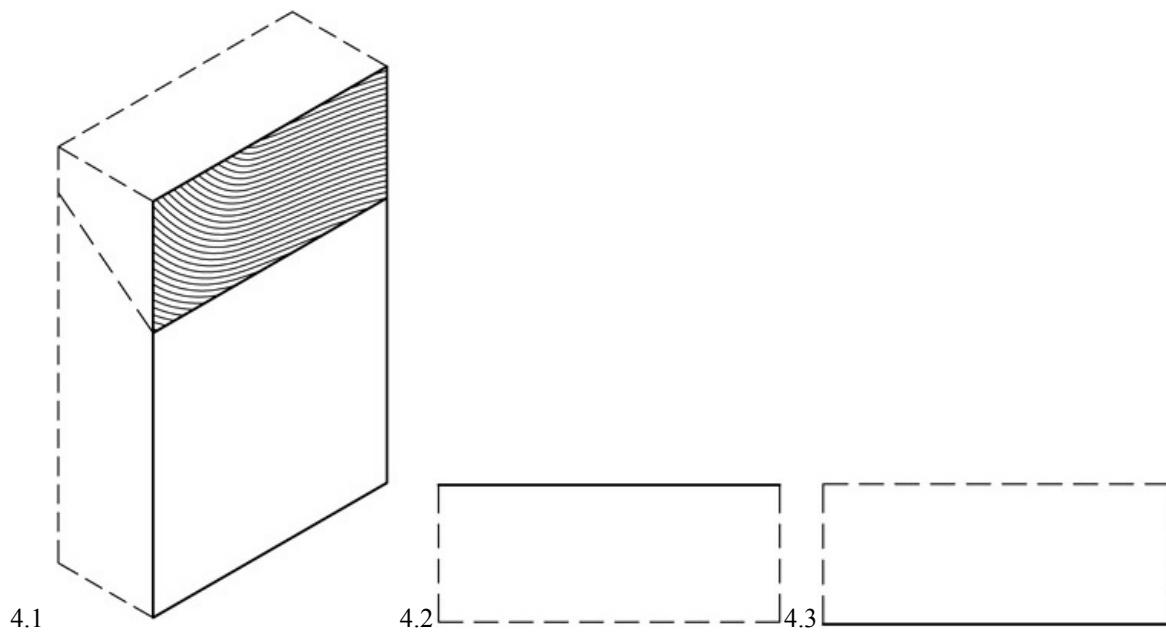
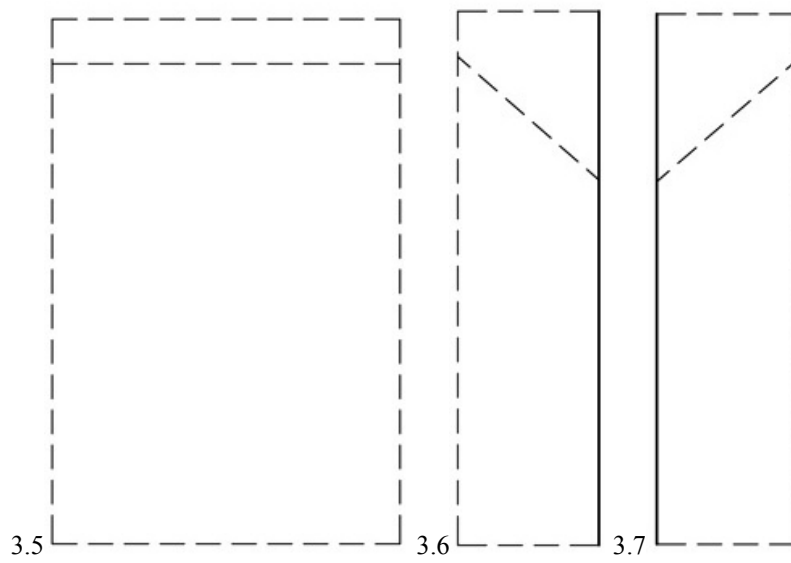
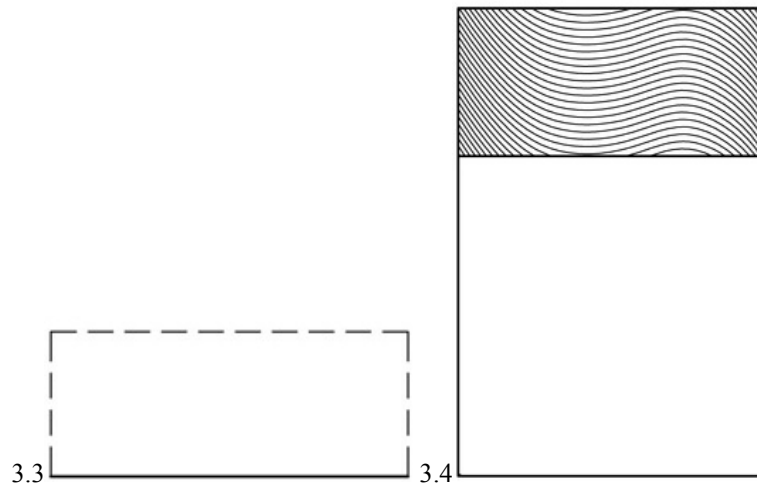
(54) 1.-4. Packagings for tobacco products

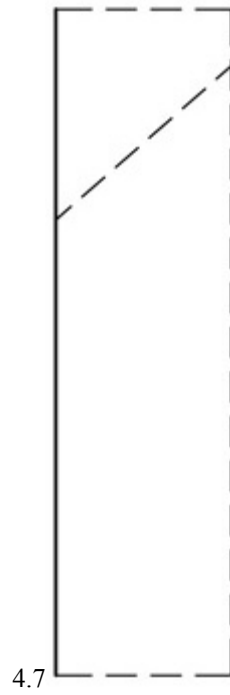
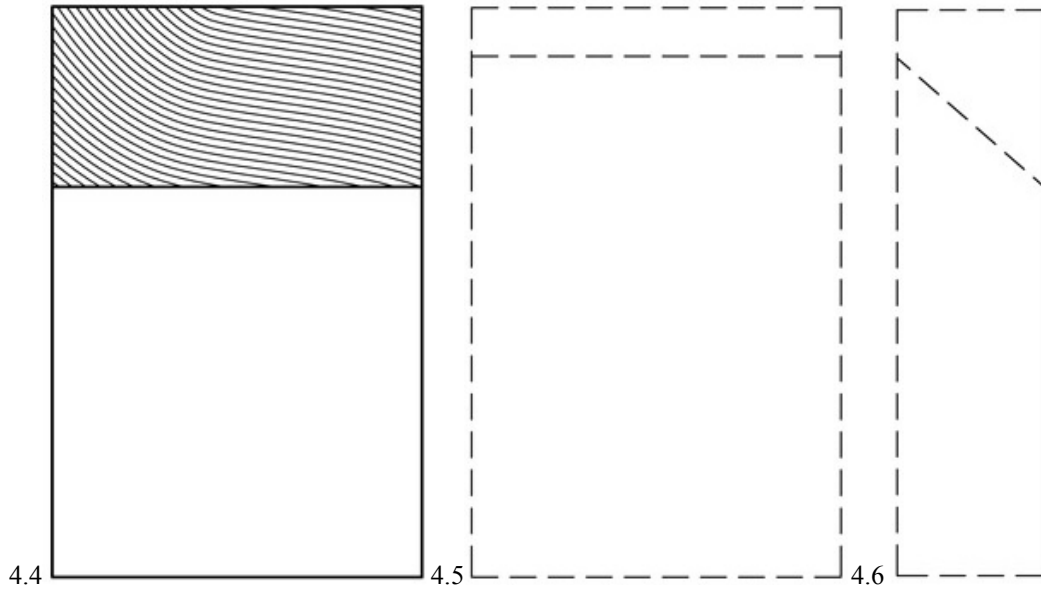
(55)











(11) DM/079037

(51) 10-01, 07

(15) 2012 08 30

(45) 2012/37 (2012 09 21)

(22) 2012 08 30

(28) 4

(73) ETA SA MANUFACTURE HORLOGÈRE SUISSE CH-2540 Grenchen (CH)

(85) CH

(86) CH

(87) CH

(88) CH

(89) CH

(81) II. BZ, MA, III. AL, AM, AZ, BA, CH, EM, GE, HR, KG, LI, MC, MD, ME, MK, MN, NO, OM, SG, TJ, TN, TR, UA

(72) Design No.1, 2 and 4: Damien GOYET, 45, rue Principale, F-68480 Winkel; Design No.3: Damien GOYET, 45, rue Principale, F-68480 Winkel and Michaela KOCH, Albrecht-Achilles-Strasse 2, 10709 Berlin (GERMANY)

(54) 1.-2. Alarm clocks; 3. Dial; 4. Watch hand

(55)



1.1



1.2



1.3



1.4



1.5

1.6



1.7



2.1



2.2



3



4

(11) DM/079044

(51) 10-02

(15) 2012 09 07

(45) 2012/37 (2012 09 21)

(22) 2012 09 07

(28) 6

(73) SWATCH AG (SWATCH SA)(SWATCH LTD.)

Jakob-Stämpfli-Strasse 94, CH-2502 Biel/Bienne (CH)

(85) CH

(86) CH

(87) CH

(88) CH

(89) CH

(81) II. BZ, MA, III. AL, AM, AZ, BA, CH, EM, GE, HR, KG, LI, MC, MD, ME, MK, MN, NO, OM, SG, TJ, TN, TR, UA

(72) Mod. No.1 à No.4: Andrea Arrigoni, Swatchlab, Via Archimede 6, IT-20129 Milano;

Mod. No.5 à No.6: Claudia Cannone, Swatchlab, Via Archimede 6, IT-20129 Milano

(54) 1.-6. Wristwatches

(55)



(11) DM/079049

(15) 2012 09 04

(22) 2012 09 04

(73) TISSOT SA (TISSOT AG) (TISSOT LTD)

Chemin des Tourelles 17, CH-2400 Le Locle (CH)

(85) CH

(86) CH

(87) CH

(88) CH

(89) CH

(81) II. BZ, MA, III. AL, AM, AZ, BA, CH, EM, GE, HR, KG, LI, MC, MD, ME, MK, MN, NO, OM, SG, TJ, TN, TR, UA

(72) Paulo Manuel BRAVO, Chemin de la Forêt 3, CH-2068 Hauterive

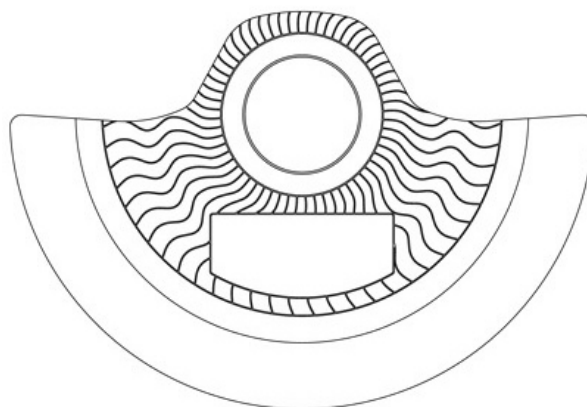
(54) 1. Oscillating weight; 2.-3. Parts of watch movement

(55)

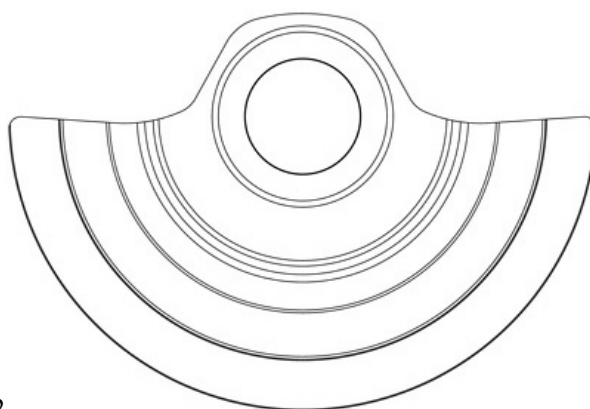
(51) 10-07

(45) 2012/37 (2012 09 21)

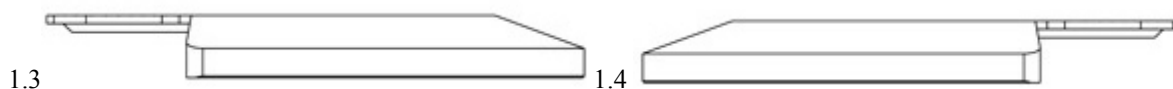
(28) 3



1.1



1.2

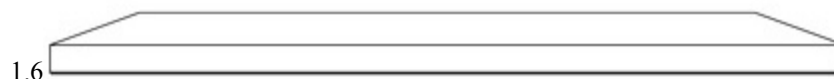


1.3

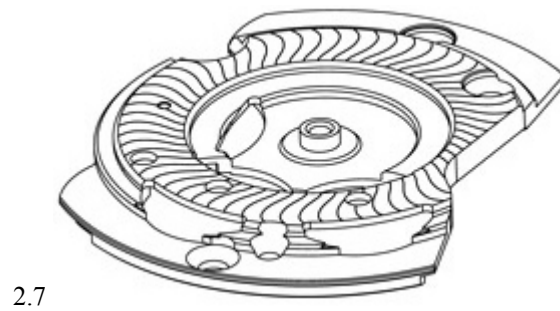
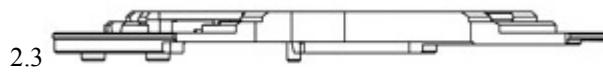
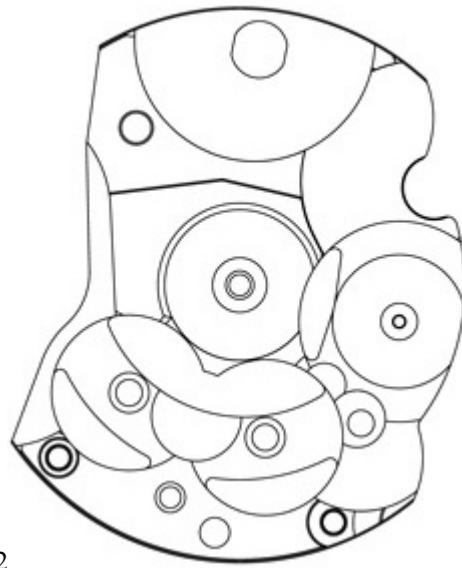
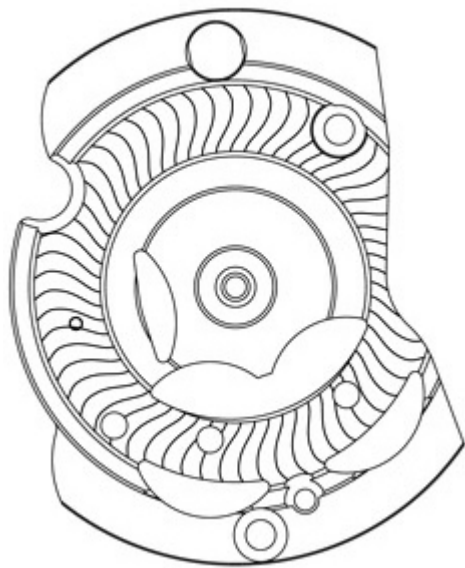
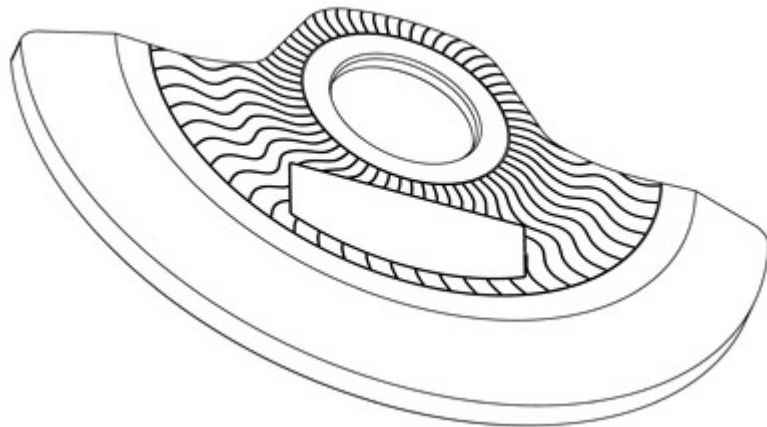
1.4

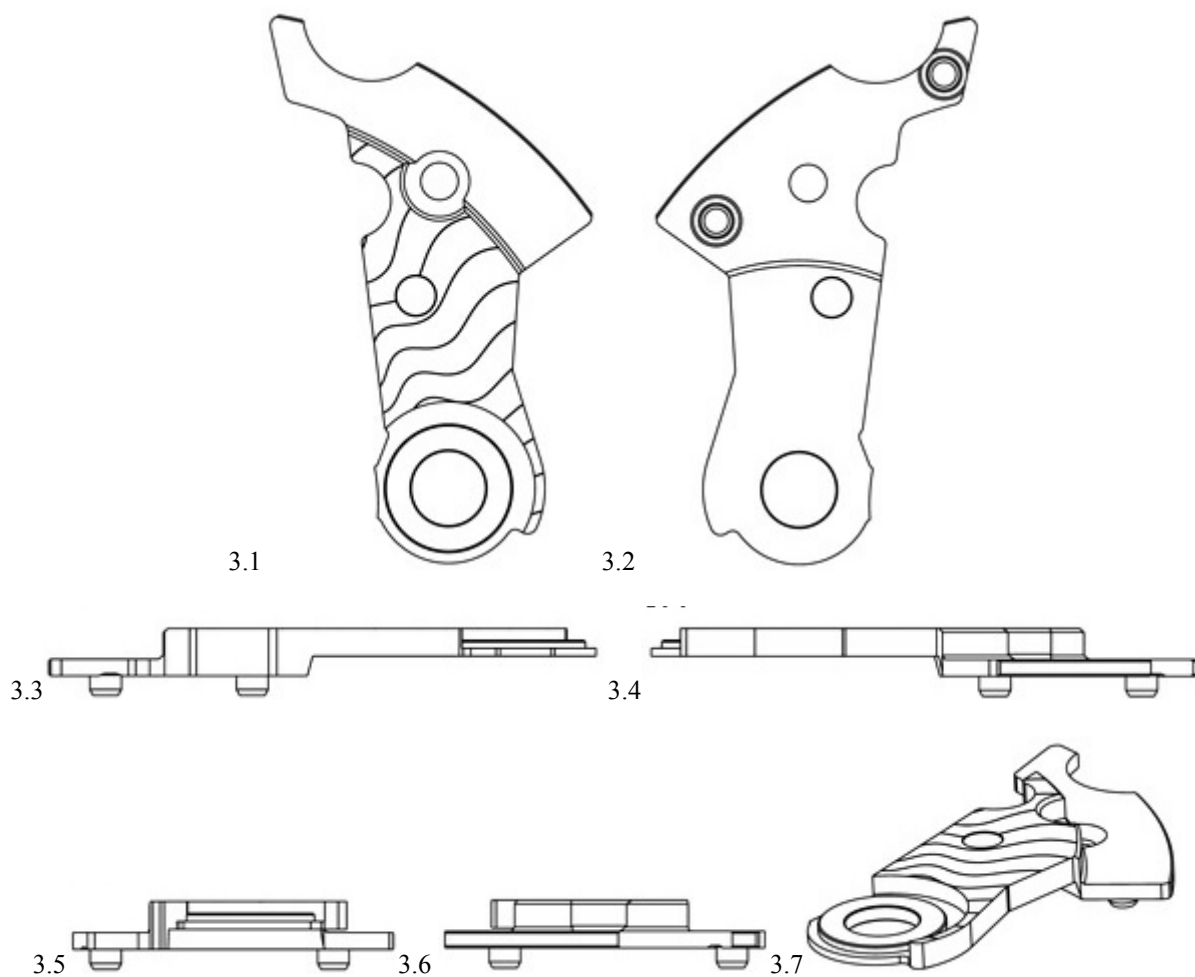


1.5



1.6





(11) DM/079066

(51) 32-00

(15) 2012 08 31

(45) 2012/37 (2012 09 21)

(22) 2012 08 31

(28) 1

(30) 28.08.2012; 2012/05653; TR

(73) SETAŞ KİMYA SANAYİ ANONİM ŞİRKETİ

Karanfil Sokak No:18, TR-34330 1.Levent İstanbul (TR)

(85) TR

(86) TR

(87) TR

(88) TR

(89) TR

(81) III. AL, AM, AZ, BA, CH, EG, EM, GE, GH, HR, IS, KG, MK, MN, NA, NO, OM, RS, SG, SY, TJ, TN, UA

(72) MEHMET EMRE SENER

Karanfil Sokak No:18, 34330, 1.Levent İstanbul/TR

(54) 1. Logo

(55)

Setas
COLORCENTER

1

(11) DM/078018**(51) 10-02, 07**

(15) 2012 03 22

(45) 2012/38 (2012 09 28)

(22) 2012 03 22

(28) 8

(73) THE SWATCH GROUP MANAGEMENT SERVICES AG (THE SWATCH GROUP MANAGEMENT SERVICES SA) (THE SWATCH GROUP MANAGEMENT SERVICES LTD)

Seevorstadt 6, CH-2502 Biel/Bienne (CH)

(85) CH

(86) CH

(87) CH

(88) CH

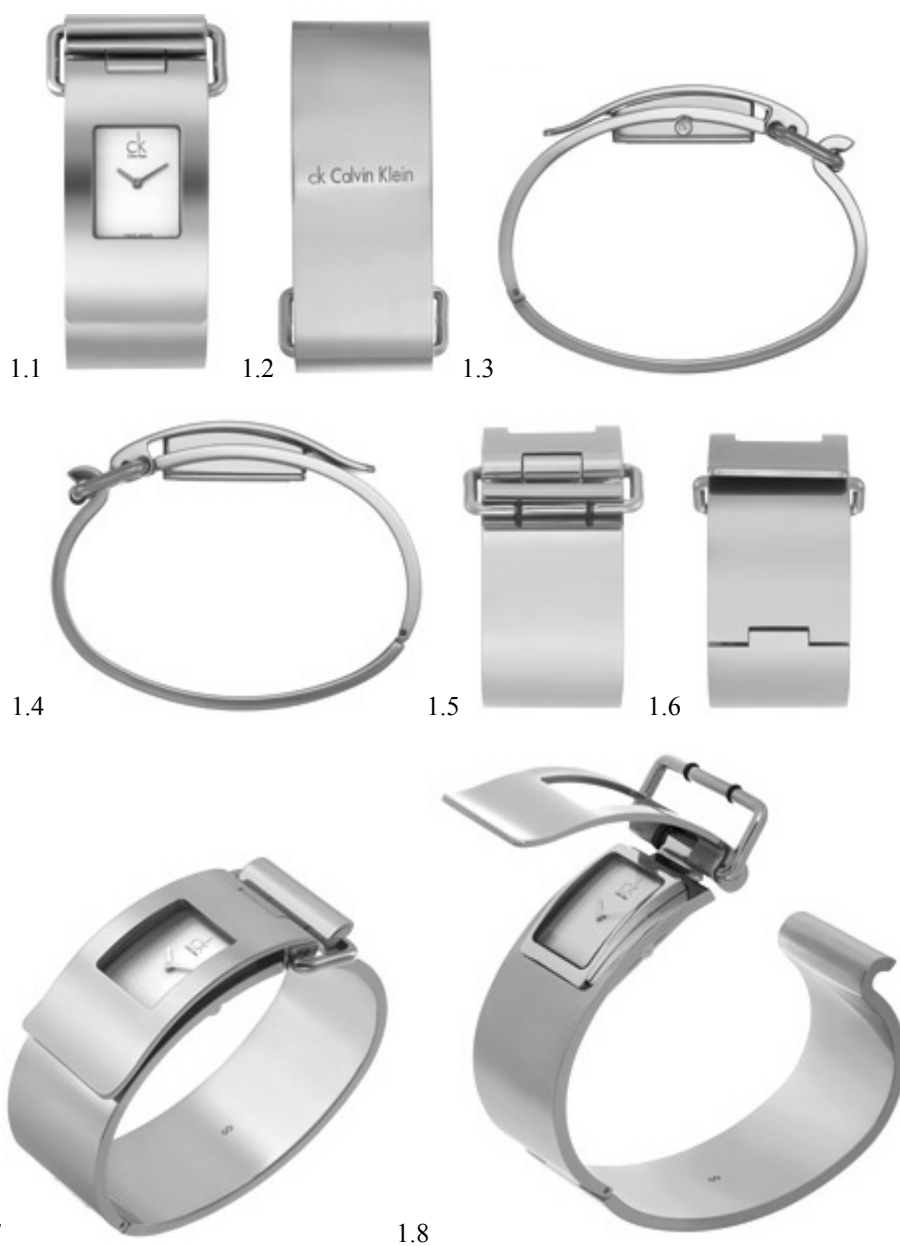
(89) CH

(81) II. BZ, MA. III. AL, AM, AZ, BA, CH, EM, GE, HR, KG, LI, MC, MD, ME, MK, MN, NO, OM, SG, TR, UA

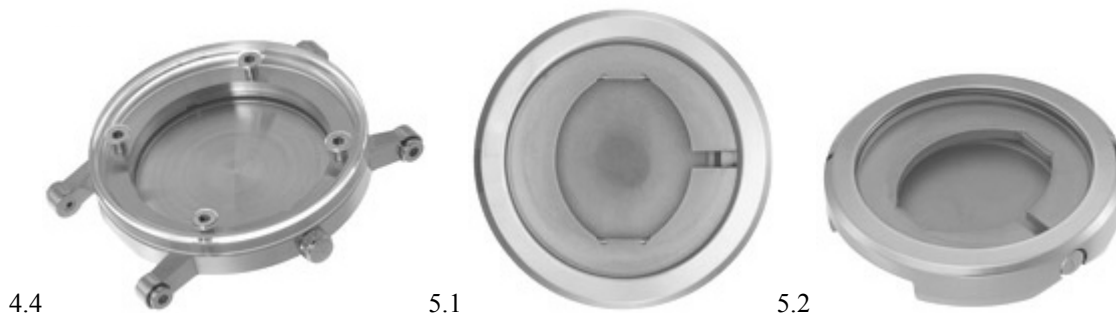
(72) Arlette Elsa EMCH, Etzelstrasse 83, CH-8808 Pfäffikon (SUISSE)

(54) 1. Wristwatch; 2. Watch case with bracelet; 3. Wristwatch; 4.-8. Watch cases

(55)







(11) DM/079080

(51) 10-02

(15) 2012 09 13

(45) 2012/38 (2012 09 28)

(22) 2012 09 13

(28) 1

(73) SWATCH AG (SWATCH SA)(SWATCH LTD.)

Jakob-Stämpfli-Strasse 94, CH-2502 Biel/Bienne (CH)

(85) CH

(86) CH

(87) CH

(88) CH

(89) CH

(81) II. BZ, MA, III. AL, AM, AZ, BA, CH, EM, GE, HR, KG, LI, MC, MD, ME, MK, MN, NO, OM, SG, TJ,
TN, TR, UA

(72) Claudia Carieri

Swatchlab, Via Archimede 6, IT-20129 Milano

(54) 1. Wristwatch

(55)



1

(11) DM/079084

(15) 2012 09 12

(22) 2012 09 12

(73) THE SWATCH GROUP MANAGEMENT SERVICES AG (THE SWATCH GROUP MANAGEMENT SERVICES SA) (THE SWATCH GROUP MANAGEMENT SERVICES LTD.)
 Faubourg du Lac 6, CH-2502 Biel/Bienne (CH)

(85) CH

(86) CH

(87) CH

(88) CH

(89) CH

(81) II. BZ, MA. III. AL, AM, AZ, BA, CH, EM, GE, HR, KG, LI, MC, MD, ME, MK, MN, NO, OM, SG, TJ, TN, TR, UA

(72) No.1 et 2: Fernando SOARES, Fleury 5, CH-2000 Neuchâtel; No.3et 4: Fabrice Duport, Av. de la Gare 4, CH-2000 Neuchâtel

(54) 1.-4. Wristwatches

(55)

(51) 10-02

(45) 2012/38 (2012 09 28)

(28) 4



1.1



1.2



1.3



1.4



2.1



2.2



2.3



2.4



3.1



3.2



3.3



3.4



4.1



4.2



4.3



4.4

(11) DM/078775

(15) 2012 03 30

(22) 2012 03 30

(73) SOREMARTEC S.A.

Rue Joseph Netzer 5, B-6700 ARLON (BE)

(86) BX, EM

(87) BX, EM

(88) BX, EM

(89) EM

(81) II. MA. III. AL, CH, EM, GE, HR, ME, MK, RS, TR, UA

(54) 1.-13. Displays

(55)

(51) 20-02

(45) 2012/39 (2012 10 05)

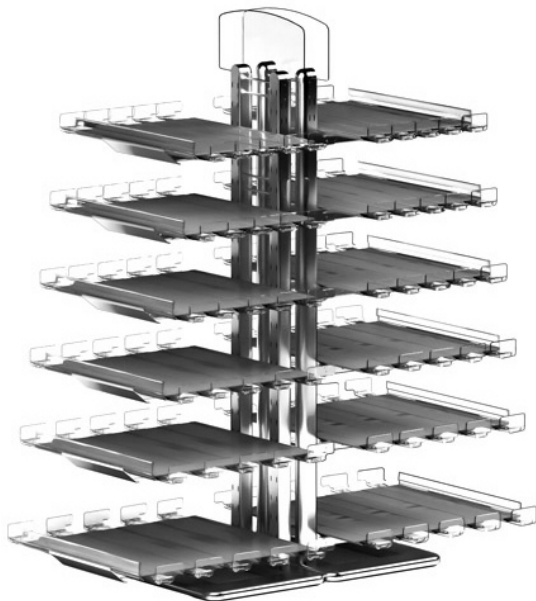
(28) 13



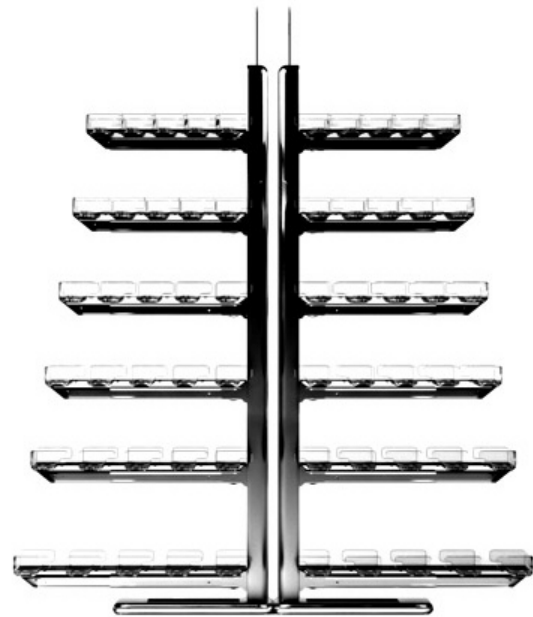
1.1



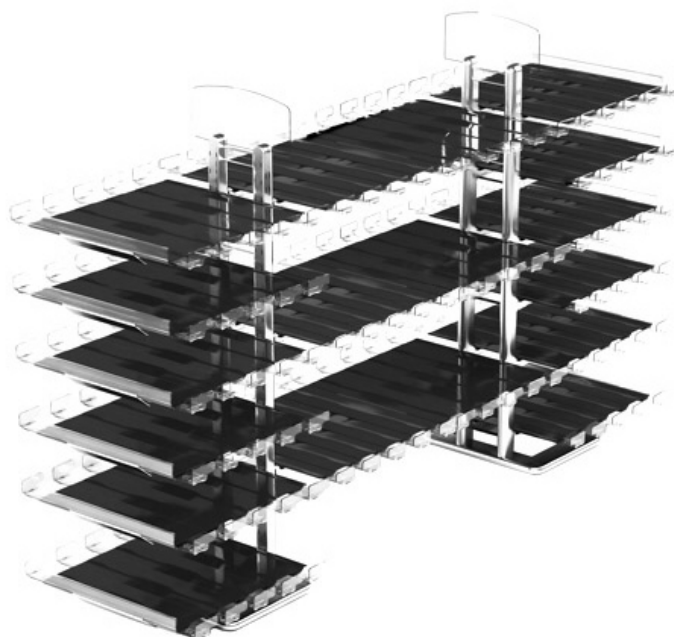
1.2



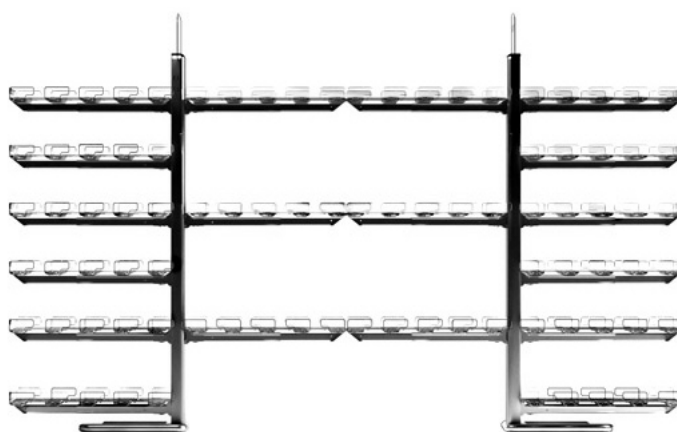
2.1



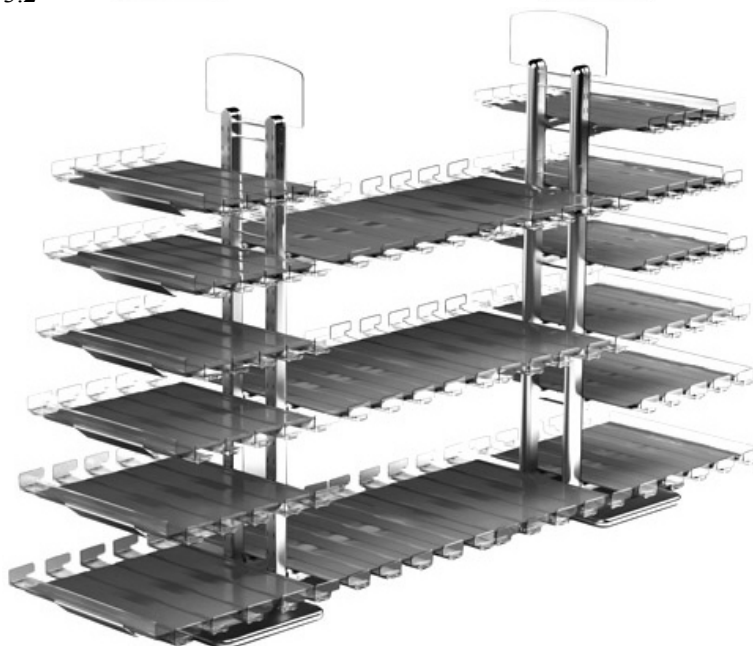
2.2



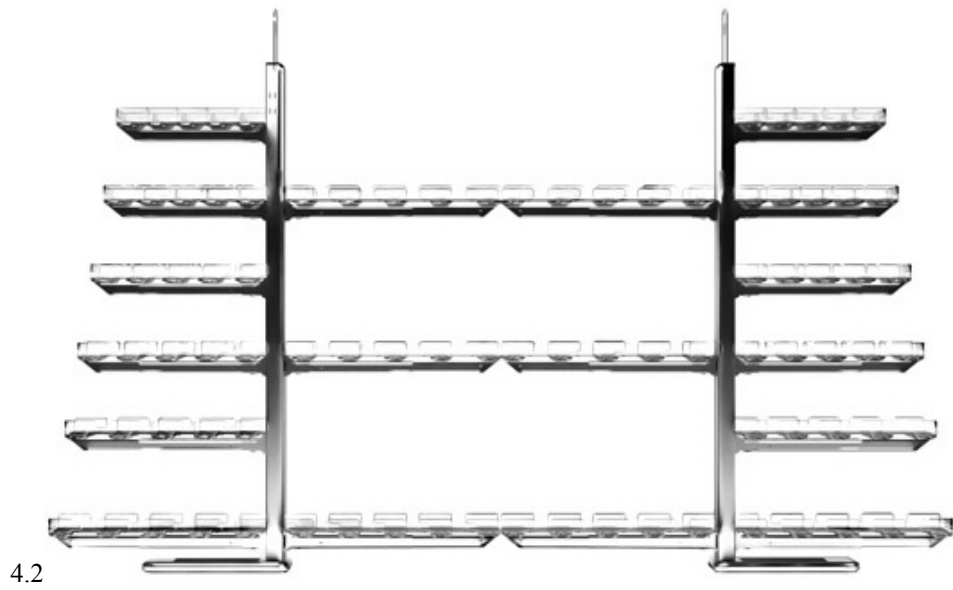
3.1



3.2



4.1



4.2



5.1



5.2



5.3



5.4



6.1



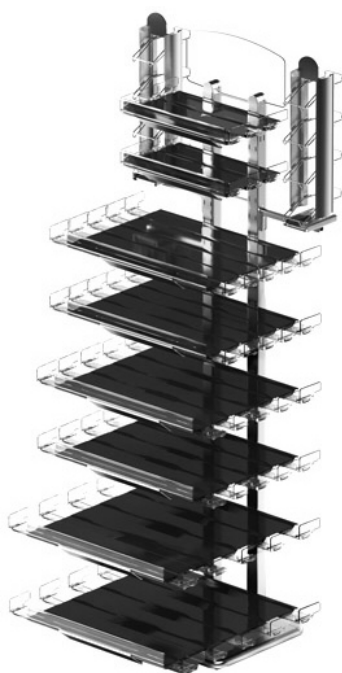
6.2



6.3



6.4



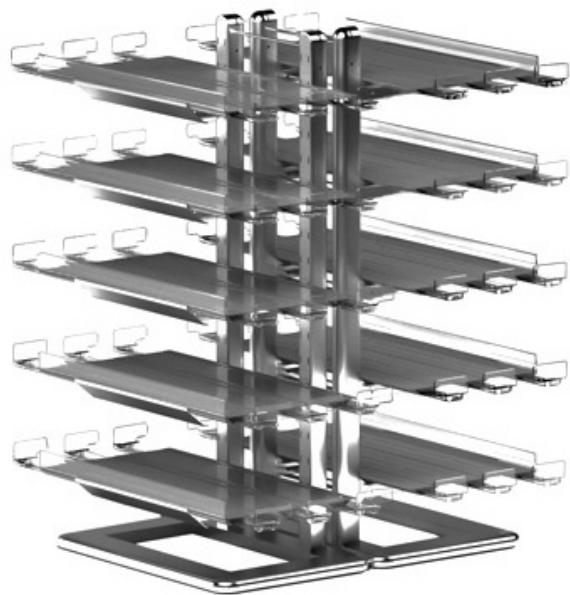
7



8.1



8.2



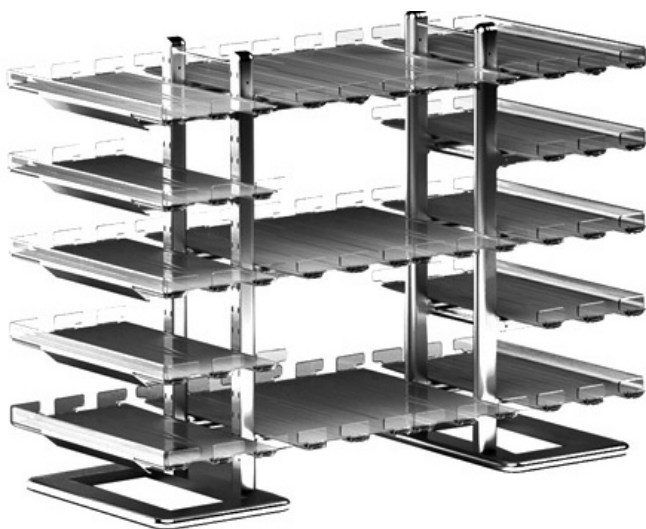
9.1



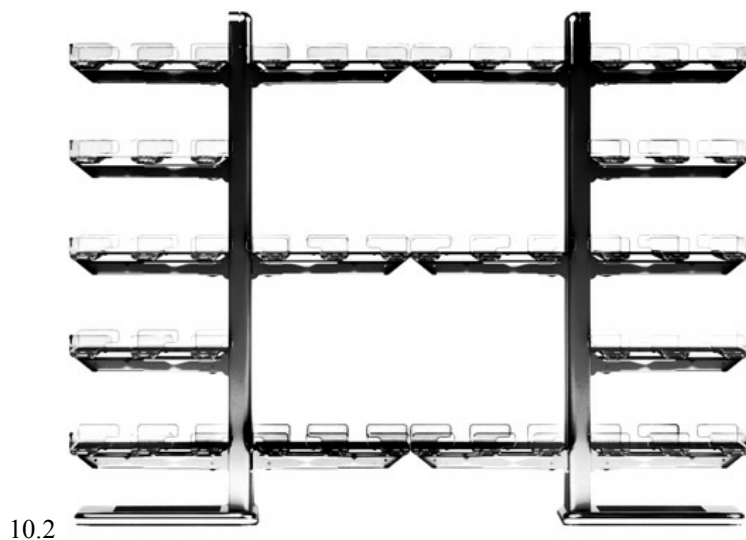
9.2



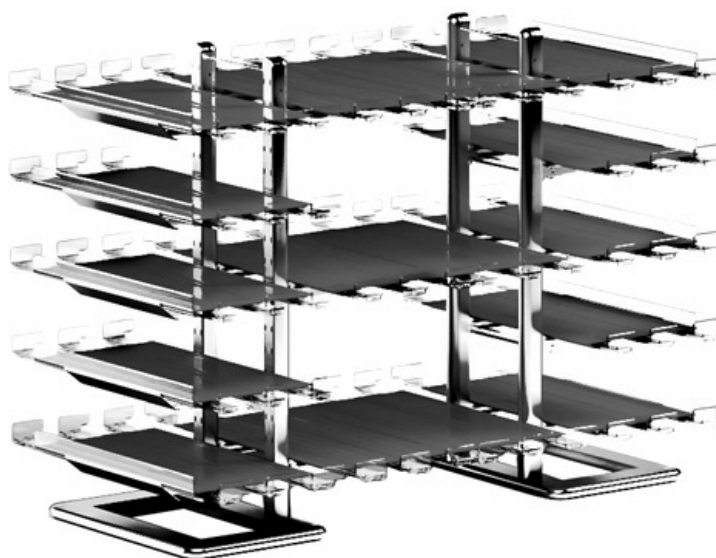
9.3



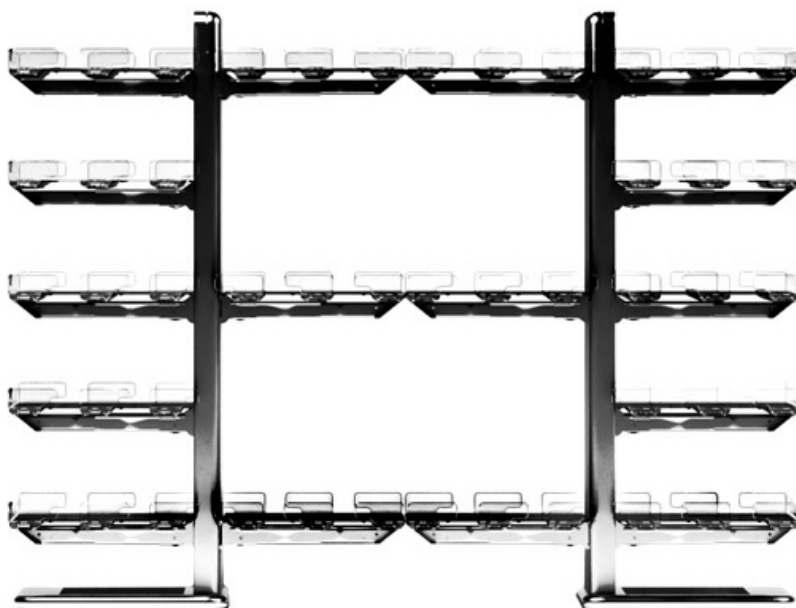
10.1



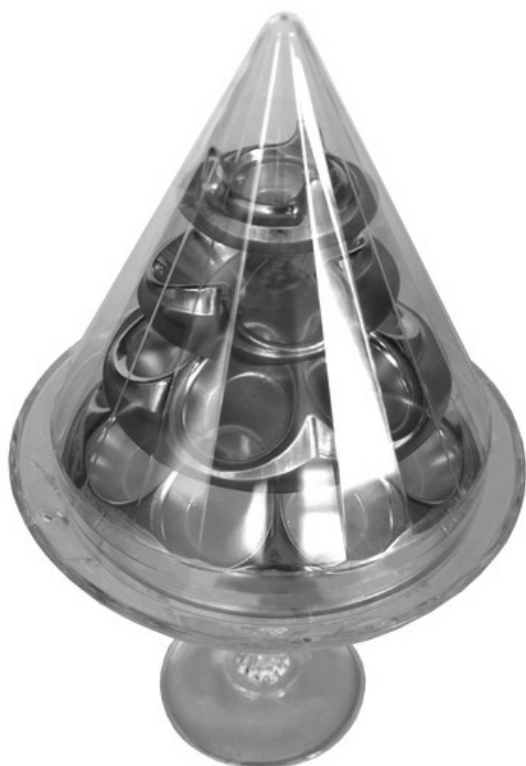
10.2



11.1



11.2



12.1



12.2



12.3



13

(11) DM/079124**(51) 23-02**

(15) 2012 07 31

(45) 2012/39 (2012 10 05)

(22) 2012 07 31

(28) 8

(30) for designs No(s) 1, 2: 17.02.2012; 1993577-0001; EM; for designs No(s) 3, 4: 17.02.2012; 1993577-0002; EM; for designs No(s) 5, 6: 17.02.2012; 1993577-0003; EM; for designs No(s) 7, 8: 07.05.2012; 2037903-0004; EM

(73) HANS GEORG HAGLEITNER Lindenallee 11, A-5700 Zell am See (AT)

(86) EM

(87) EM

(88) EM

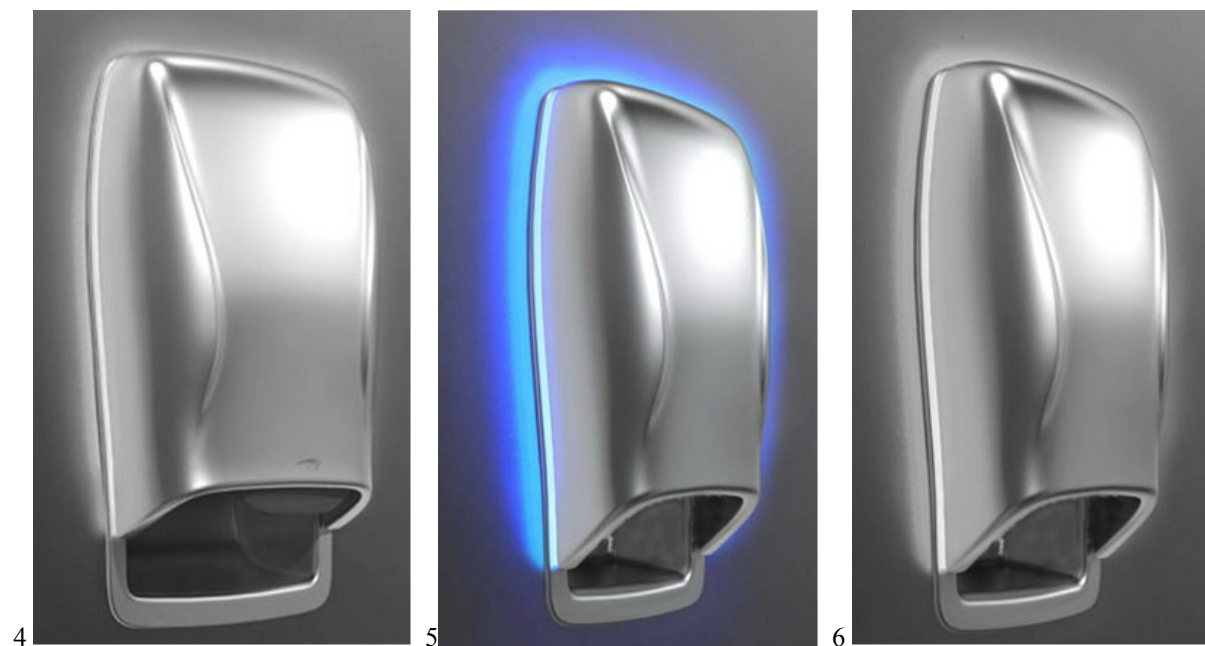
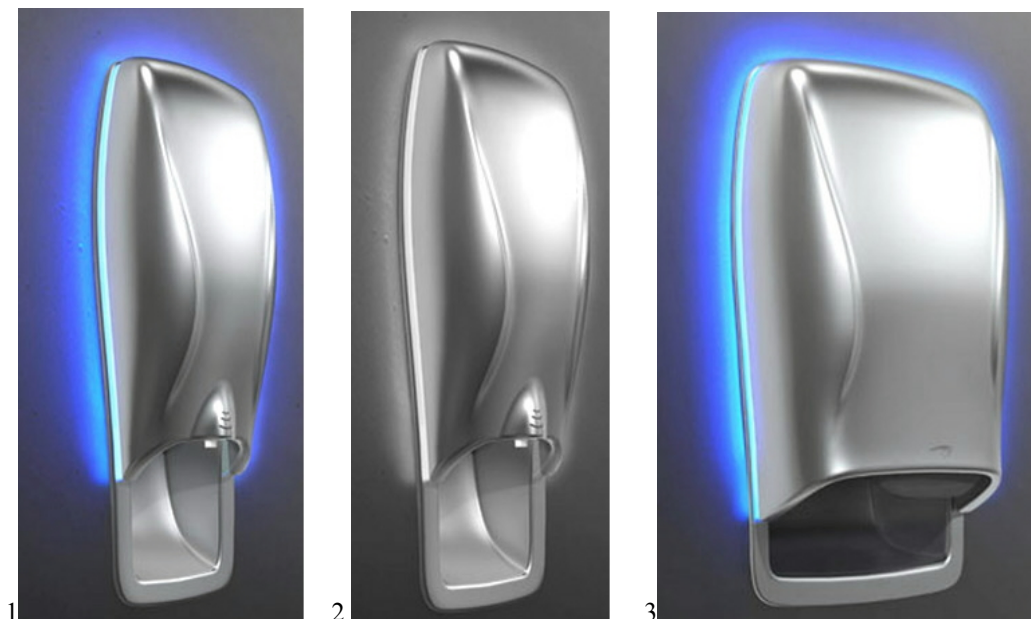
(89) EM

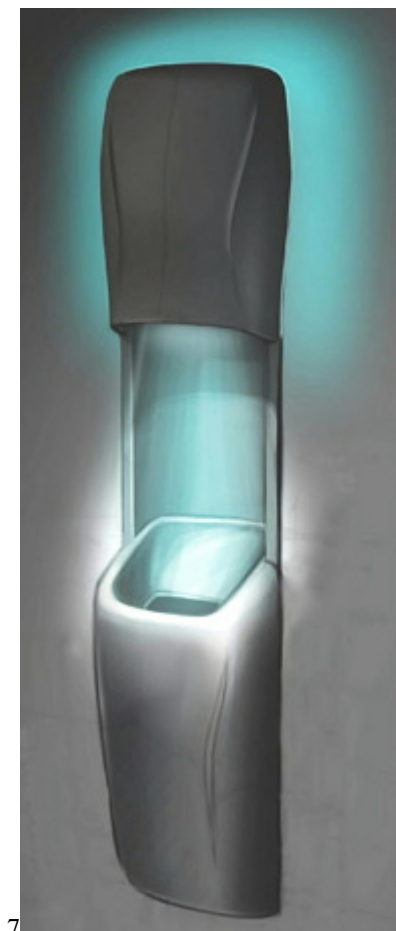
(81) III. AL, AM, AZ, BA, BW, CH, EG, EM, GE, GH, HR, IS, KG, LI, MC, MD, ME, MK, MN, NA, NO, OA, OM, RS, RW, SG, ST, SY, TJ, TN, TR, UA

(72) Hans Georg Hagleitner

Lindenallee 11, A-5700 Zell am See

(54) 1.-2. Soap dispensers, 3.-4. Towel dispensers; 5.-6. Toilet paper dispensers; 7.- 8. Towel dispensers with bin
(55)





(11) DM/079166

(51) 09-03

(15) 2012 08 20

(45) 2012/39 (2012 10 05)

(22) 2012 08 20

(28) 2

(73) GEDİK HOLDING ANONİM ŞİRKETİ

Ankara Caddesi No.306, Şeyhli, TR-34913 PENDİK/İSTANBUL (TR)

(86) TR

(87) TR

(88) TR

(89) TR

(81) III. AM, AZ, GE, TR

(72) Hulya GEDİK SADIKLAR

Ankara Caddesi No.306, Seyhli, 34913 PENDİK/İSTANBUL, Turkey

(54) 1.-2. Packages

(55)



1.1



1.2



1.3



2.1



2.3



2.2

(11) DM/078170

(51) 10-04

(15) 2012 04 11

(45) 2012/40 (2012 10 12)

(22) 2012 04 11

(28) 1

(30) 11.10.2011; 201130367089.2; CN

(73) KISTLER HOLDING AG

Eulachstrasse 22, CH-8408 Winterthur (CH)

(85) CH

(86) n/a

(87) CH

(88) CH

(89) CH

(81) III. AL, AZ, CH, EM, GE, GH, HR, OA, TR, UA

(72) David Cornu Via Tommaso Rodari 17 b 6500 Bellinzona Switzerland

(54) 1. Force sensor

(55)



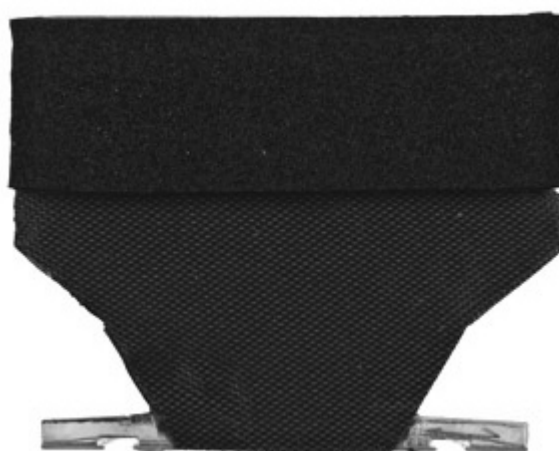
1.4



1.5



1.6



1.7



1.8

(11) DM/078312

(51) 09-01

(15) 2012 04 18

(45) 2012/41 (2012 10 19)

(22) 2012 04 18

(28) 3

(73) ALPLA WERKE ALWIN LEHNER GMBH & CO. KG Allmendstrasse, A-6971 Hard (AT)

(86) n/a

(87) EM

(88) EM

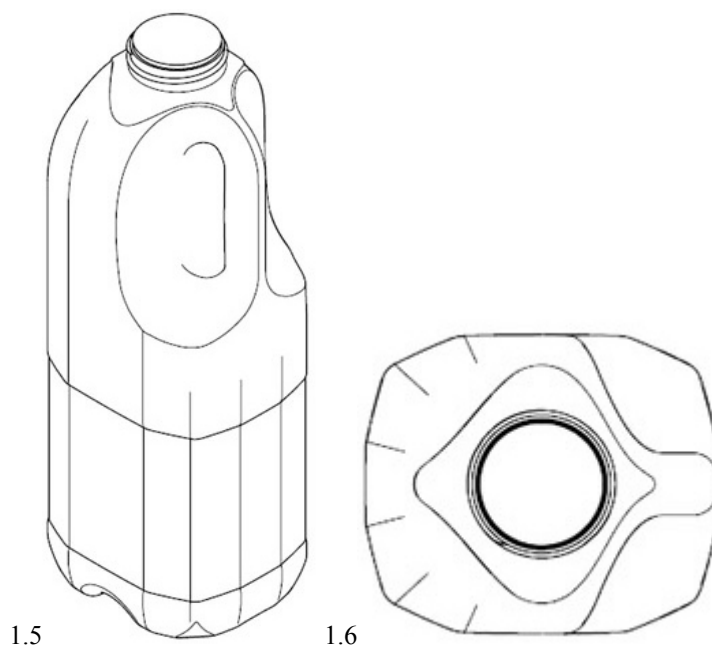
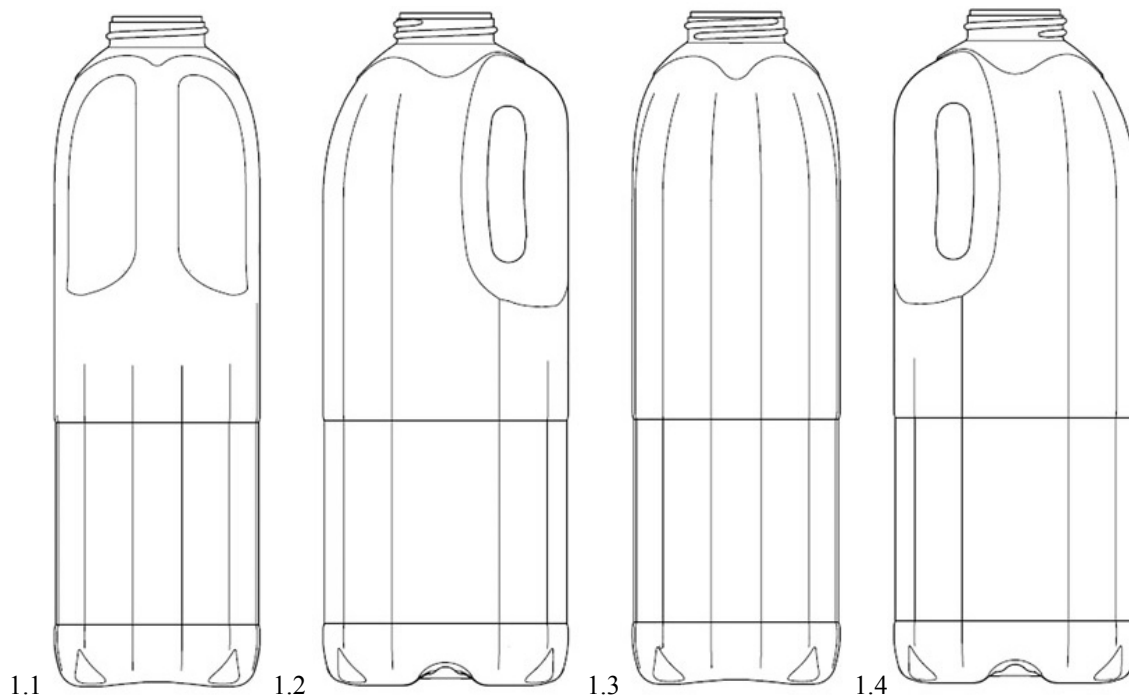
(89) EM

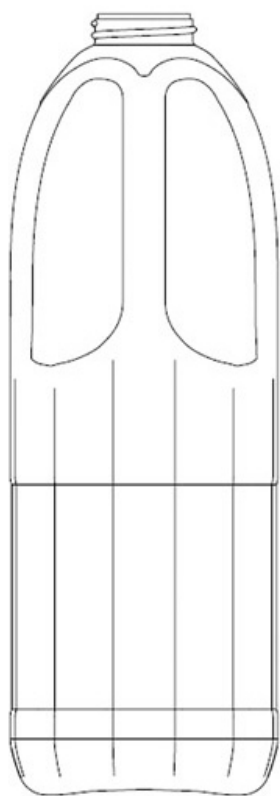
(81) III. CH, EM, GE, UA

(72) KÜNZ Hans, Rauhholzstrasse 10A, A-6971 Hard; DANLER Karl, Landstrasse 21 C TOP4, A-6900 Bregenz

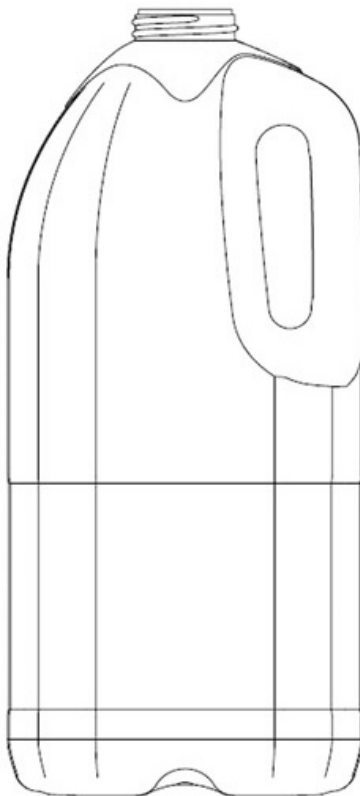
(54) 1.-3. Bottles

(55)

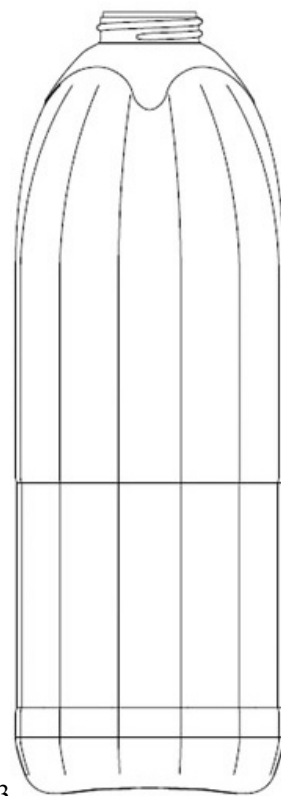




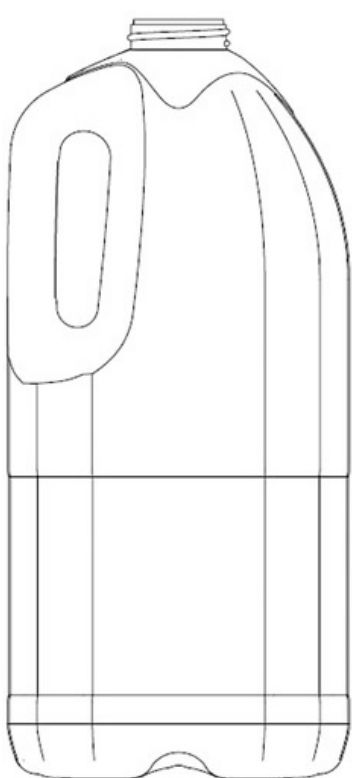
2.1



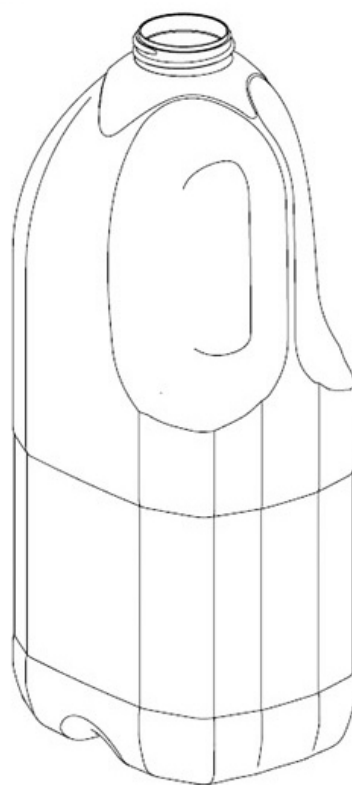
2.2



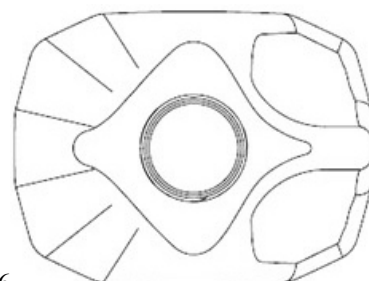
2.3



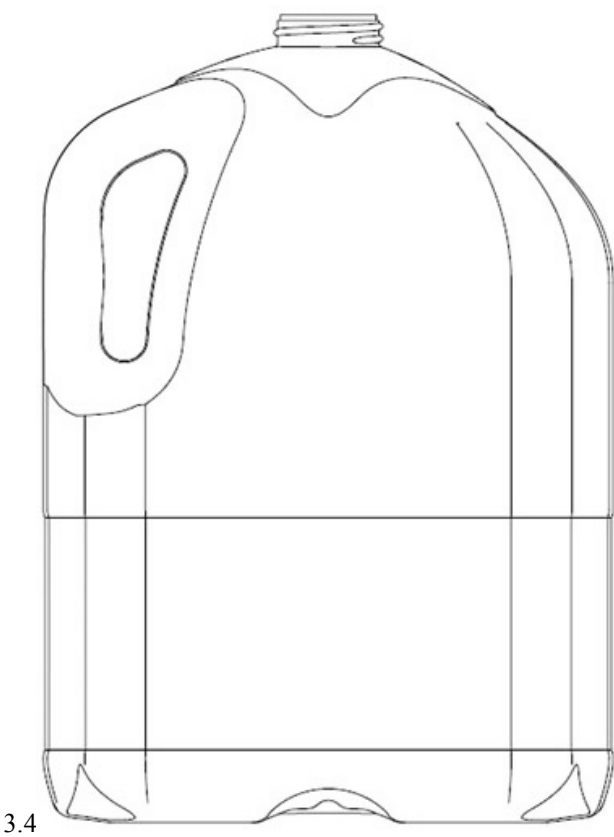
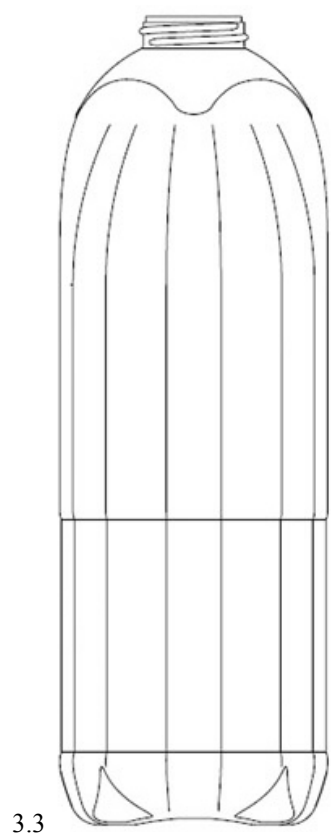
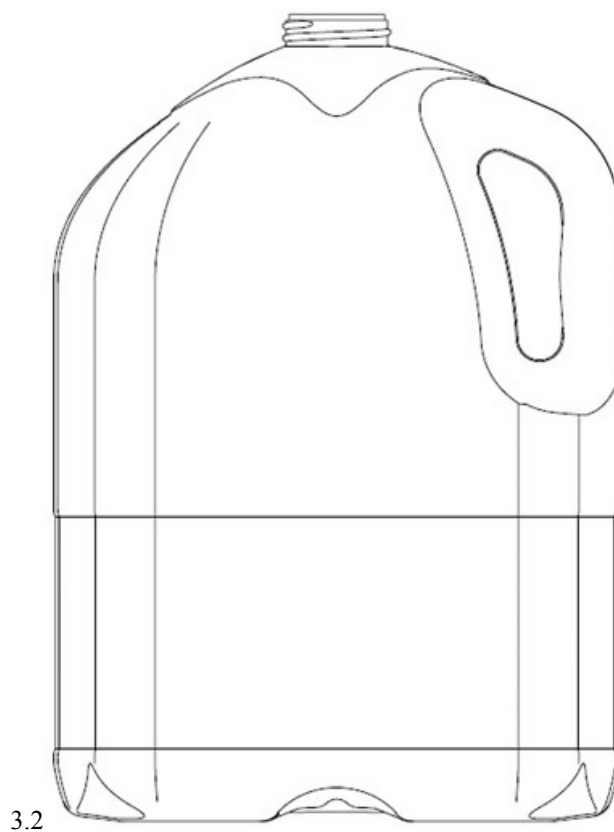
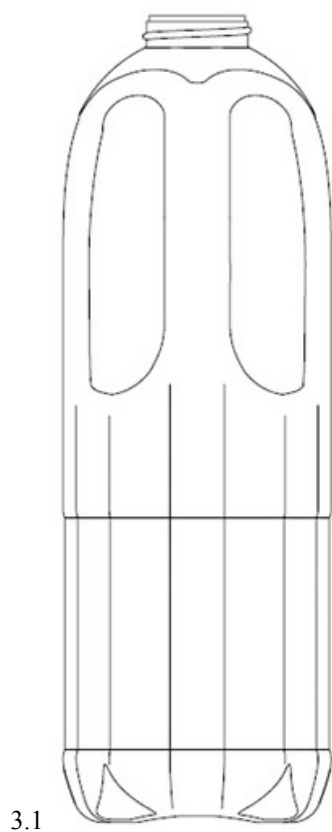
2.4

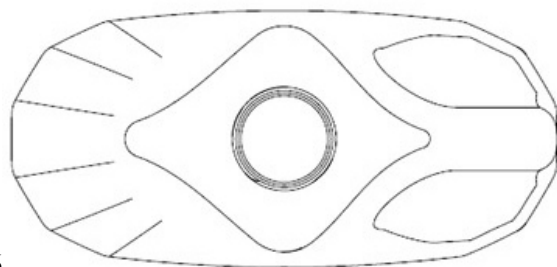
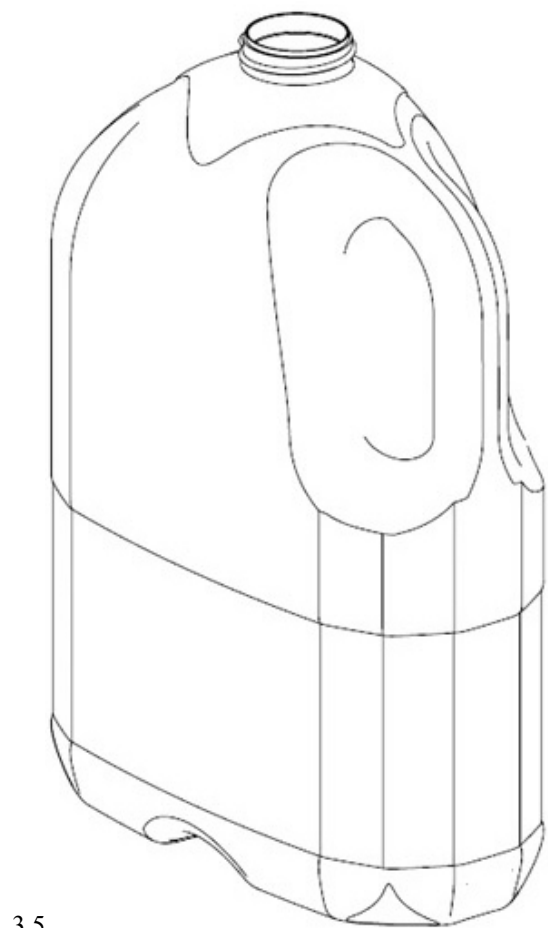


2.5



2.6





TRADEMARKS

APPLICATIONS FILED UNDER THE NATIONAL PROCEDURE APPROVED FOR REGISTRATION

The decision can be appealed at the Chamber of Appeal of Sakpatenti within 3 months from the publication or at the Administrative Chamber of the Tbilisi City Court (Address: №6, David Aghmashenebeli Kheivani 12 km., Tbilisi) within 1 month following the publication.

(260) AM 2012 62804 A

(210) AM 062804

(220) 2012 02 01

(731) LTD "PRIMA-VITA"

Saq. samkhedro gzisa da Akhmetelis quchis
gadakveta, 0159, Tbilisi, Georgia

(740) Michael Lomtadze

(540)

სტიმულაკი

Stimulac

Стимулак

(591) Black, white

(511) 5

(260) AM 2012 64722 A

(210) AM 064722

(220) 2011 11 02

(731) LTD "JORJIAN FEIFER FRODAQSHEN"

Mevelis chikhi n2, 0120, Tbilisi, Georgia

(540)



(591) Red, green, white, black

(531) 04.01.02-05.01.01-26.11.09-29.01.14-

(511) 16

(260) AM 2012 65186 A

(210) AM 065186

(220) 2011 12 02

(310) 010026871

(320) 2011 06 07

(330) EM

(731) MARRIOTT WORLDWIDE

CORPORATION

10400 Fernwood Road, Bethesda, Maryland

20817, USA

(740) Tamaz Shilakadze

(540)



(591) Black, white

(531) 26.11.08-27.05.24-

(526) **DISCLAIMER** – All verbal designations
used in the trademark, except "HOTELS", shall not
be subject to independent legal protection.

(511) 35, 43

(260) AM 2012 65825 A

(210) AM 065825

(220) 2012 01 11

(310) 85/368,365

(320) 2011 07 11

(330) US

(731) CINSAY, INC. a Nevada corporation

13355 Noel Road, Suite 400, Dallass, Texas

75240, USA

(740) Tamaz Shilakadze

(540)

POWER OF C

(591) Black, white

(511) 38, 41, 42

(260) AM 2012 65826 A

(210) AM 065826

(220) 2012 01 11

(310) 85/368,377

(320) 2011 07 11

(330) US

(731) CINSAY, INC. a Nevada corporation

13355 Noel Road, Suite 400, Dallass, Texas
75240, USA
(740) Tamaz Shilakadze
(540)

C COMMERCE

(591) Black, white
(511) 38, 41, 42

(260) AM 2012 65827 A
(210) AM 065827
(220) 2012 01 11
(310) 85/368,405
(320) 2011 07 11
(330) US
(731) CINSAY, INC. a Nevada corporation
13355 Noel Road, Suite 400, Dallass, Texas
75240, USA
(740) Tamaz Shilakadze
(540)

SEE IT. SOLD

(591) Black, white
(511) 38, 41, 42

(260) AM 2012 65828 A
(210) AM 065828
(220) 2012 01 11
(310) 85/368,393
(320) 2011 07 11
(330) US
(731) CINSAY, INC. a Nevada corporation
13355 el Road, 4th Floor, Dallass, Texas
75240, USA
(740) Tamaz Shilakadze
(540)

C IT. SOLD

(591) Black, white
(511) 38, 41, 42

(260) AM 2012 65847 A
(210) AM 065847
(220) 2012 01 12
(731) LTD "PRIMA-VITA"
Saq. samkhedro gzisa da Akhmetelis quchis
gadakveta, 0159, Tbilisi, Georgia
(740) Tatia Cheludze
(540)

ბეოვირ NEOVIR НЕОВИР

(591) Black, white
(511) 5

(260) AM 2012 66049 A
(210) AM 066049
(220) 2012 02 01
(731) RUSINVEST, OOO
vomytishchenskiy prospekt, 41, korp. 1,
Mytishchi, Moskovskaya oblast, 141018,
Russian Federation
(740) Alexander Gegechkori
(540)

СТАРАЯ МАРКА

(591) Black, white
(511) 33

(260) AM 2012 66085 A
(210) AM 066085
(220) 2012 02 06
(731) LTD "DANELIA DA KOMPANIA"
Agladzis qucha 38, bina 91, Tbilisi, Georgia
(740) Dimitri Dzamukashvili
(540)



(591) Golden, red, black
(531) 28.19.00-29.01.13-
(511) 33

(260) AM 2012 66095 A
(210) AM 066095
(220) 2012 02 06
(731) MILLENIUM PHARMACEUTICALS, INC.
40 Landsdowne Street, Cambridge,
Massachusetts, USA
(740) Tamar Kochlamazashvili
(540)

ADCETRIS

(591) Black, white
(511) 5

(260) AM 2012 66104 A
(210) AM 066104
(220) 2012 02 07
(731) HOCK SENG FOOD PTE LTD
267 Pandan Loop 128439, Singapore
(740) George Meipariani
(540)

HOSEN

(591) Black, white
(511) 29, 30

(260) AM 2012 66109 A
 (210) AM 066109
 (220) 2012 02 07
 (731) TAKEDA PHARMACEUTICAL
 COMPANY LIMITED
 1-1, Doshomachi 4-chome, Chuo-ku, Osaka,
 Japan

(740) David ZurabiAshvili
 (540)

EDARBYCLOR

(591) Black, white
 (511) 5

(260) AM 2012 66110 A
 (210) AM 066110
 (220) 2012 02 07
 (731) BRIDGESTONE CORPORATION
 10-1, Kyobashi 1-Chome, Chuo-ku, Tokyo,
 Japan

(740) Shalva Gvaramadze
 (540)

ICE CRUISER

(591) Black, white
 (511) 12

(260) AM 2012 66111 A
 (210) AM 066111
 (220) 2012 02 07
 (731) PAUL ANTHONY SAAD
 5 Heath Row, Durban, Kwa Zulu Natal,
 South Africa

(740) George Taktakishvili
 (540)

FUTURE LIFE

(591) Black, white
 (511) 30

(260) AM 2012 66112 A
 (210) AM 066112
 (220) 2012 02 07
 (731) General Motors LLC
 300 Renaissance Center, City of Detroit,
 State of Michigan 48265-3000, USA

(740) George Taktakishvili
 (540)

STINGRAY

(591) Black, white
 (511) 12

(260) AM 2012 66129 A
 (210) AM 066129
 (220) 2012 02 08
 (731) TOYOTA JIDOSHA KABUSHIKI KAISHA

(also trading as TOYOTA MOTOR
 CORPORATION)
 1, Toyota-Cho, Toyota-Shi, Aichi-Ken,
 Japan

(740) Tamar Kochlamazashvili
 (540)

THE POWER OF H

(591) Black, white
 (511) 12

(260) AM 2012 66133 A
 (210) AM 066133
 (220) 2012 02 08
 (731) NUFARM
 28 boulevard Camélinat, 92230
 Gennevilliers, France

(740) Shalva Gvaramadze
 (540)

GIBGRO

(591) Black, white
 (511) 1

(260) AM 2012 66138 A
 (210) AM 066138
 (220) 2012 02 09
 (731) Joint Stock Company Mikrosafinanso
 organizatsia "KRISTALI"
 Tamar Mepis 72, 4600, Qutaisi, Georgia

(540)

მიკროსაფინანსო ორგანიზაცია

კრისტალი

Microfinance organization

CRYSTAL

(591) Blue, white
 (531) 27.05.05-28.19.00-29.01.12-
 (526) **DISCLAIMER** – All verbal designations
 used in the trademark, excepts „მიკროსაფინანსო
 ორგანიზაცია“, "Microfinance organization",
 shall not be subject to independent legal protection.
 (511) 36

(260) AM 2012 66162 A
 (210) AM 066162
 (220) 2012 02 10
 (310) 85/475,645
 (320) 2011 11 17
 (330) US

(731) BIOGEN IDEK MA INC.
 Massachusetts Corporation, 14 Cambridge
 Center, Cambridge, Massachusetts 02142, USA
 (740) Tamaz Shilakadze
 (540)

NEUVERIC

(591) Black, white
 (511) 5

(260) AM 2012 66163 A
 (210) AM 066163
 (220) 2012 02 10
 (310) 85/475,644
 (320) 2011 11 17
 (330) US

(731) BIOGEN IDEK MA INC.
 Massachusetts Corporation, 14 Cambridge
 Center, Cambridge, Massachusetts 02142,
 USA

(740) Tamaz Shilakadze
 (540)

NEUTRINZA

(591) Black, white
 (511) 5

(260) AM 2012 66164 A
 (210) AM 066164
 (220) 2012 02 10
 (310) 85/475,642
 (320) 2011 11 17
 (330) US

(731) BIOGEN IDEK MA INC.
 Massachusetts Corporation, 14 Cambridge
 Center, Cambridge, Massachusetts 02142,
 USA

(740) Tamaz Shilakadze
 (540)

NEUTRINSA

(591) Black, white
 (511) 5

(260) AM 2012 66332 A
 (210) AM 066332
 (220) 2012 02 24

(731) HERCULES INCORPORATED
 Hercules Plaza, 1313 rth Market Street,
 Wilmington, Delaware 19894-0001, USA

(740) Shalva Gvaramadze
 (540)

AQUAVIS

(591) Black, white
 (511) 1

(260) AM 2012 66333 A
 (210) AM 066333
 (220) 2012 02 24
 (731) PHILIP MORRIS BRANDS SÀRL.
 Quai Jeanrenaud 3, 2000 Neuchâtel,
 Switzerland

(740) Shalva Gvaramadze
 (540)

CARAT

(591) Black, white
 (511) 34

(260) AM 2012 66335 A
 (210) AM 066335
 (220) 2012 02 24
 (731) LTD "TIFLISSKI VINNI POGREB"
 Iumashevis q.27, 0198, Tbilisi, Georgia
 (740) Shalva Gvaramadze
 (540)

მერანი

МЕРАНИ MERANI

(591) Black, white
 (511) 33

(260) AM 2012 66336 A
 (210) AM 066336
 (220) 2012 02 24
 (731) LTD "TIFLISSKI VINNI POGREB"
 Iumashevis q.27, 0198, Tbilisi, Georgia
 (740) Shalva Gvaramadze
 (540)

საბატონო

САБАТОНО SABATONO

(591) Black, white
 (511) 33

(260) AM 2012 66337 A
 (210) AM 066337
 (220) 2012 02 24
 (731) LTD "TIFLISSKI VINNI POGREB"
 Iumashevis q.27, 0198, Tbilisi, Georgia
 (740) Shalva Gvaramadze
 (540)

საერისტავო СЭРИСТАВО SAERISTAVO

(591) Black, white
 (511) 33

(260) AM 2012 66338 A
 (210) AM 066338
 (220) 2012 02 24
 (731) LTD "TIFLISSKI VINNI POGREB"
 Iumashevis q.27, 0198, Tbilisi, Georgia
 (740) Shalva Gvaramadze
 (540)

მჭეპანო
МТЕВАНИ
MTEVANI

(591) Black, white
 (511) 33

(260) AM 2012 66339 A
 (210) AM 066339
 (220) 2012 02 24
 (731) LTD "TIFLISSKI VINNI POGREB"
 Iumashevis q.27, 0198, Tbilisi, Georgia
 (740) Shalva Gvaramadze
 (540)

რთველი
РТВЕЛИ
RTVELI

(591) Black, white
 (511) 33

(260) AM 2012 66340 A
 (210) AM 066340
 (220) 2012 02 24
 (731) LEVAN ALAVIDZE
 Ip. Khvichias q., 17, bina 12, 0160, Tbilisi,
 Georgia
 (540)



(591) Sky, blue, green, light green, white
 (531) 26.03.23-27.05.22-29.01.12-
 (511) 29, 30, 32, 35

(260) AM 2012 66341 A
 (210) AM 066341
 (220) 2012 02 24
 (731) LEVAN ALAVIDZE
 Ip. Khvichias q., 17, bina 12, 0160, Tbilisi,
 Georgia

(540)



(591) Sky, blue, green, light green, white
 (531) 26.03.23-28.19.00-29.01.12-
 (511) 29, 30, 32, 35

(260) AM 2012 66352 A
 (210) AM 066352
 (220) 2012 02 28
 (731) SAAQTSIO SAZOGADOEBA "LOMISI"
 Sopeli Natakhtari, 3308, Mtskhetis raioni,
 Georgia
 (740) Elguja Amozashvili
 (540)

ნატახტარი უნიკალური
Natakhtari Unique

(591) Black, white
 (526) **DISCLAIMER** – All verbal designations
 used in the trademark, excepts „უნიკალური“,
 "Unique", shall not be subject to independent legal
 protection.
 (511) 32

(260) AM 2012 66367 A
 (210) AM 066367
 (220) 2012 02 28
 (731) LTD "BOKOLA"
 Mukhianis me-4 a m/r. korp.3, bina 50, 0172,
 Tbilisi, Georgia
 (540)

ბოკოლა
bokola

(591) Black, white
 (511) 29

(260) AM 2012 66369 A
 (210) AM 066369
 (220) 2012 02 28
 (731) VASCONCELOS & GONÇALVES, S.A.
 Rua da Cintura do Porto, Prédio B, 1º A/B,
 Marvila, 1950-326 Lisboa, Portugal
 (740) Shalva Gvaramadze
 (540)

GIOVANNI GALLI

(591) Black, white
 (531) 27.05.17-
 (511) 14, 18, 25

(260) AM 2012 66385 A
 (210) AM 066385
 (220) 2012 02 29
 (310) 85/410,039
 (320) 2011 08 29
 (330) US
 (731) CINSAY, INC.

a Nevada corporation, 13355 el Road, 4th
 Floor, Dallass, Texas 75240, USA

(740) Tamaz Shilakadze
 (540)

SMART CONTAINER

(591) Black, white
 (511) 9, 35, 42

(260) AM 2012 66387 A
 (210) AM 066387
 (220) 2012 02 29
 (731) DISCOVERY COMMUNICATIONS, LLC
 One Discovery Place, Silver Spring,
 Maryland 20910, USA

(740) David Zurabishvili
 (540)



(591) Black, white
 (531) 26.04.09-27.05.18-
 (511) 38

(260) AM 2012 66448 A
 (210) AM 066448
 (220) 2012 03 07
 (731) MERCK SHARP & DOHME CORP.
 One Merck Drive, Whitehouse Station,
 New Jersey 08889, USA

(740) Tamaz Shilakadze
 (540)

JUVICOR

(591) Black, white
 (511) 5

(260) AM 2012 66472 A
 (210) AM 066472
 (220) 2012 03 09
 (731) SAAQTSIO SAZOGADOEBA "LOMISI"
 Sopeli Natakhtari, 3308, Mtskhetis raioni,
 Georgia

(740) Rusudan Roinishvili
 (540)



(591) Black, white
 (531) 19.07.01-19.07.22-19.07.23-
 (511) 32

(260) AM 2012 66474 A
 (210) AM 066474
 (220) 2012 03 12
 (731) Barilla G.e.R. Fratelli-Società per Azioni
 Via Mantova 166, Parma, Italy
 (740) Pavle Meipariani
 (540)

MULINELLI

(591) Black, white
 (511) 30

(260) AM 2012 66476 A
 (210) AM 066476
 (220) 2012 03 12
 (731) MONCLER S.r.l.
 Via Stendhal 47, 20144 Mila , Italy
 (740) George Meipariani
 (540)



(591) Black, white
 (531) 03.07.03-03.07.24-26.01.16-26.01.21-
 26.13.25-27.05.01-
 (511) 3, 4, 9, 14, 18, 25

(260) AM 2012 66555 A
 (210) AM 066555
 (220) 2012 03 16
 (731) TEIJIN PHARMA LIMITED
 2-1, Kasumigaseki 3-chome, Chiyoda-ku,
 Tokyo, Japan
 (740) Shalva Gvaramadze

(540)



(591) Black, white
(531) 01.15.05-
(511) 5

(260) AM 2012 66584 A
(210) AM 066584
(220) 2012 03 20
(731) SVIATOSLAV IGOROVICH NECHYTAILO
Zankovetska st.4, flat 27, Kievi, Ukraine
(740) Vakhtang Torotadze
(540)



(591) Dark and light green, golden, black, white,
red
(531) 05.07.02-05.11.11-28.05.00-29.01.14-
(511) 33

(260) AM 2012 66604 A
(210) AM 066604
(220) 2012 03 20
(731) ABBOTT LABORATORIES
100 Abbott Park Road, Abbott Park,
Illinois 60064, USA
(740) Tamar Kochlamazashvili
(540)

ABBVIE

(591) Black, white
(511) 5, 42

(260) AM 2012 66652 A
(210) AM 066652
(220) 2012 03 23
(731) Joint Stock Company "SASTUMROEBISA
DA RESTORNEBIS MENEJMENT JGUPI –
M/GROUP"
Marshal Gelovanis gamz. 2, me-5 sartuli,
0159, Tbilisi, Georgia

(540)

მ ა ნ ღ ა რ ი

(591) Black, white
(511) 43

(260) AM 2012 66676 A
(210) AM 066676
(220) 2012 03 26
(731) LTD "SKAI TREVEL"
Davit Agmasheneblis gamz.,148/d. Uznadzis
117, 0112, Tbilisi, Georgia

(540)



(591) White, grey, green, blue
(531) 06.01.01-21.03.01-26.11.06-27.05.24-
29.01.14-
(511) 35, 39

(260) AM 2012 66682 A
(210) AM 066682
(220) 2012 03 26
(731) YILDIZ HOLDING A.S.
Kisikli Mah. Ferah cad. N2/4 B. Camlica
Uskudar Istanbul, Turkey
(740) Shalva Gvaramadze
(540)

KOMILI

(591) Black, white
(511) 5, 16

(260) AM 2012 66862 A
(210) AM 066862
(220) 2012 04 06
(731) KOBANADAREISHVILI
cxvedadzis 17, 0160, Georgia
(740) Merab Kvimsadze
(540)



[JANI]

(591) Black, white
 (531) 19.09.02-27.05.17-28.19.00-
 (511) 29, 32, 33

(260) AM 2012 63211 A*
 (210) AM 063211
 (220) 2011 07 14
 (731) SOLDEX LIMITED
 P.O. Box 3321, Drake Chambers, Road
 Town, Tortola, British Virgin Islands
 (740) Vakhtang Torotadze
 (540)



(591) Black, grey
 (531) 24.09.09-26.01.12-26.01.16-26.01.19-
 27.05.02-
 (511) 29

(260) AM 2012 63785 A*
 (210) AM 063785
 (220) 2011 08 18
 (731) THE GILLETTE COMPANY
 One Gillete Park, Boston, Massachusetts
 02127, USA
 (740) Shalva Gvaramadze
 (540)

ORANGE BURST

(591) Black, white
 (531) 27.05.05-
 (511) 3

(260) AM 2012 64112 A*
 (210) AM 064112
 (220) 2011 09 15
 (220) 2011 09 15
 (731) TAKEDA PHARMACEUTICAL
 COMPANY LIMITED
 1-1, Doshomachi 4-chome, Chuo-ku, Osaka,
 Japan
 (740) David Zurabishvili
 (540)

ТАНДЕМАКТ

(591) Black, white
 (511) 5

(260) AM 2012 64113 A *
 (210) AM 064113
 (220) 2011 09 15
 (731) TAKEDA PHARMACEUTICAL
 COMPANY LIMITED
 1-1, Doshomachi 4-chome, Chuo-ku, Osaka,
 Japan
 (740) David Zurabishvili
 (540)

TANDEMACT

(591) Black, white
 (511) 5

(260) AM 2012 64241 A*
 (210) AM 064241
 (220) 2011 09 27
 (731) PAYLESS SHOESOURCE WORLDWIDE
 INC.
 Jayhawk Towers, 700 Southwest Jackson
 Street, Suite 202, Topeka, Kansas 66603,
 USA
 (740) Shalva Gvaramadze
 (540)

BRASH

(591) Black, white
 (511) 3, 9, 14, 18, 25, 26, 35

REGISTERED TRADEMARKS

(111) M 2012 023094 R
(151) 2012 11 29
(181) 2022 11 29
(260) AM 2012 60074 A
(220) 2011 08 30
(732) LTD "QARTULI SADISTRIBUTSIO-MARKETINGULI KOMPANIA"
Moskovis gamz. 31a, 0120, Tbilisi, Georgia

(111) M 2012 023095 R
(151) 2012 11 29
(181) 2022 11 29
(260) AM 2012 60883 A
(220) 2011 01 18
(732) SARANA PROPERTY FINANCE LTD
P.O. Box 10152 Dubai, United Arab
Emirates

(111) M 2012 023096 R
(151) 2012 11 29
(181) 2022 11 29
(260) AM 2012 62325 A
(220) 2011 05 04
(732) ASSAN GIDA SANAYİ VE TİCARET A
NİM ŞİRKETİ
Tersane Caddesi İçiş İş Merkezi, : 92 Kat: 6
34420 Karaköy-Istanbul, Turkey

(111) M 2012 023097 R
(151) 2012 11 29
(181) 2022 11 29
(260) AM 2012 62691 A
(220) 2011 06 03
(732) Joint Stock Company "Sastumroebisa da
Restornebis Menejment jgupi - EM/GROUP"
Marshal Gelovanis gamz. 2, me-5 sartuli,
0159, Tbilisi, Georgia

(111) M 2012 023098 R
(151) 2012 11 29
(181) 2022 11 29
(260) AM 2012 62692 A
(220) 2011 06 03
(732) Joint Stock Company "Sastumroebisa da
Restornebis Menejment jgupi - EM/GROUP"
Marshal Gelovanis gamz. 2, me-5 sartuli,
0159, Tbilisi, Georgia

(111) M 2012 023099 R
(151) 2012 11 29
(181) 2022 11 29
(260) AM 2012 62751 A
(220) 2011 06 07
(732) TEA FERADZE
Ilia Chavchavadzis gamz.37d. bina 20, 0179,
Tbilisi, Georgia

(111) M 2012 023100 R
(151) 2012 11 29
(181) 2022 11 29
(260) AM 2012 62829 A
(220) 2011 06 14
(732) COIN S.p.A.
Via Terraglio 17, 30174 Venezia Mestre
(VE), Italy

(111) M 2012 023101 R
(151) 2012 11 29
(181) 2022 11 29
(260) AM 2012 62830 A
(220) 2011 06 14
(732) COIN S.p.A.
Via Terraglio 17, 30174 Venezia Mestre
(VE), Italy

(111) M 2012 023102 R
(151) 2012 11 29
(181) 2022 11 29
(260) AM 2012 62831 A
(220) 2011 06 14
(732) COIN S.p.A.
Via Terraglio 17, 30174 Venezia Mestre
(VE), Italy

(111) M 2012 023103 R
(151) 2012 11 29
(181) 2022 11 29
(260) AM 2012 62832 A
(220) 2011 06 14
(732) COIN S.p.A.
Via Terraglio 17, 30174 Venezia Mestre
(VE), Italy

(111) M 2012 023104 R
(151) 2012 11 29
(181) 2022 11 29
(260) AM 2012 62833 A
(220) 2011 06 14
(732) COIN S.p.A.
Via Terraglio 17, 30174 Venezia Mestre
(VE), Italy

(111) M 2012 023105 R
(151) 2012 11 29
(181) 2022 11 29
(260) AM 2012 62898 A
(220) 2011 06 17
(732) LTD "SUFTA SAKHLI"
Temqa, me-10 kvartali, savachro tsentri,
0178, Tbilisi, Georgia

(111) M 2012 023106 R
(151) 2012 11 29
(181) 2022 11 29
(260) AM 2012 63206 A
(220) 2011 07 13
(732) SHANTHA BIOTECHNICS LIMIED
3rd & 4th Floor, Vasantha Chambers,
Fateh Maidan Road, Basheerbagh
Hyderabad, 500 004 ANDHRA PRADESH,
India

(111) M 2012 023107 R
(151) 2012 11 29
(181) 2022 11 29
(260) AM 2012 63255 A
(220) 2011 07 18
(732) IDS Borjomi Beverages Co. N.V.
45, Pareraweg, Curacao, Netherlands Antilles

(111) M 2012 023108 R
(151) 2012 11 29
(181) 2022 11 29
(260) AM 2012 63328 A
(220) 2011 07 21
(732) HARRINGTON DEVELOPMENT INC.
Arango-Orillac Bldg. East 54 th street,
Panama

(111) M 2012 023109 R
(151) 2012 11 29
(181) 2022 11 29
(260) AM 2012 63378 A
(220) 2011 07 26
(732) General Motors LLC
300 Renaissance Center, City of Detroit,
State of Michigan 48265-3000, USA

(111) M 2012 023110 R
(151) 2012 11 29
(181) 2022 11 29
(260) AM 2012 63379 A
(220) 2011 07 26
(732) General Motors LLC
300 Renaissance Center, City of Detroit,
State of Michigan 48265-3000, USA

(111) M 2012 023111 R
(151) 2012 11 29
(181) 2022 11 29
(260) AM 2012 63534 A
(220) 2011 08 03
(732) PZ Cussons (International) Limited
3500 Aviator Way, Manchester Business
Park, Manchester M22 5TG, United
Kingdom

(111) M 2012 023112 R
(151) 2012 11 29
(181) 2022 11 29
(260) AM 2012 63535 A
(220) 2011 08 03
(732) PZ Cussons (International) Limited
3500 Aviator Way, Manchester Business
Park, Manchester M22 5TG, United
Kingdom

(111) M 2012 023113 R
(151) 2012 11 29
(181) 2022 11 29
(260) AM 2012 63585 A
(220) 2011 08 05
(732) ASPHALT RESEARCH TECH LOGY, INC.
1786 NW 82nd Avenue, Miami, Florida
33126, USA

(111) M 2012 023114 R
(151) 2012 11 29
(181) 2022 11 29
(260) AM 2012 63792 A
(220) 2011 08 19
(732) LTD "TOBI"
Rustavelis gamz. 40-40a, 0108, Tbilisi,
Georgia

(111) M 2012 023115 R
(151) 2012 11 29
(181) 2022 11 29
(260) AM 2012 63859 A
(220) 2011 08 26
(732) LTD qahveji parketi
Vanis q.4 (nakveti N4/51, bina 266), Georgia

(111) M 2012 023116 R
(151) 2012 11 29
(181) 2022 11 29
(260) AM 2012 63960 A
(220) 2011 09 07
(732) MARS, INCORPORATED
6885 Elm Street Mclean, Virginia
22101-3883, USA

(111) M 2012 023117 R
(151) 2012 11 29
(181) 2022 11 29
(260) AM 2012 63971 A
(220) 2011 09 08
(732) LTD "ALFA"
Tevdore Mgvdlis q. 53, 0154, Tbilisi,
Georgia

(111) M 2012 023118 R
(151) 2012 11 29
(181) 2022 11 29
(260) AM 2012 64023 A
(220) 2011 09 13
(732) LTD "JORJIAN BEIQERS"
Gorgaslis q. n115, 0114, Tbilisi, Georgia

(111) M 2012 023119 R
(151) 2012 11 29
(181) 2022 11 29
(260) AM 2012 64024 A
(220) 2011 09 13
(732) LTD "JORJIAN BEIQERS"
Gorgaslis q. n115, 0114, Tbilisi, Georgia

(111) M 2012 023120 R
(151) 2012 11 29
(181) 2022 11 29
(260) AM 2012 64025 A
(220) 2011 09 13
(732) LTD "JORJIAN BEIQERS"
Gorgaslis q. n115, 0114, Tbilisi, Georgia

(111) M 2012 023121 R
(151) 2012 11 29
(181) 2022 11 29
(260) AM 2012 64147 A
(220) 2011 09 20
(732) LTD "TOBI"
Rustavelis gamz. 40-40a, 0108, Tbilisi,
Georgia

(111) M 2012 023122 R
(151) 2012 11 29
(181) 2022 11 29
(260) AM 2012 64428 A
(220) 2011 10 17
(732) ZELTIQ AESTHETICS, INC.
4698 Willow Road, Suite 100, Pleasanton,
California 94588, USA

(111) M 2012 023123 R
(151) 2012 11 29
(181) 2022 11 29
(260) AM 2012 64441 A
(220) 2011 10 17
(732) THE COCA-COLA COMPANY
One Coca-Cola Plaza, Atlanta, Georgia
30313, USA

(111) M 2012 023124 R
(151) 2012 11 29
(181) 2022 11 29
(260) AM 2012 64509 A
(220) 2011 10 20
(732) THE PROCTER & GAMBLE COMPANY
One Procter & Gamble Plaza, Cincinnati,
Ohio 45202, USA

(111) M 2012 023125 R
(151) 2012 11 29
(181) 2022 11 29
(260) AM 2012 64556 A
(220) 2011 10 24
(732) United States Polo Association
(c/o UPSA Properties, Inc.)
771 Corporate Drive, Suite 430, 40503
Lexington, Kentucky 10503, USA

(111) M 2012 023126 R
(151) 2012 11 29
(181) 2022 11 29
(260) AM 2012 64557 A
(220) 2011 10 24
(732) United States Polo Association
(c/o UPSA Properties, Inc.)
771 Corporate Drive, Suite 430, 40503
Lexington, Kentucky 10503, USA

(111) M 2012 023127 R
(151) 2012 11 29
(181) 2022 11 29
(260) AM 2012 64635 A

(220) 2011 10 27
 (732) THE RTH FASE APPAREL CORP.
 3411 Silverside Road, Hanby 200,
 Willmington, DE 19810, USA

(111) M 2012 023128 R
 (151) 2012 11 29
 (181) 2022 11 29
 (260) AM 2012 64636 A
 (220) 2011 10 27
 (732) THE RTH FASE APPAREL CORP.
 3411 Silverside Road, Hanby 200,
 Willmington, DE 19810, USA

(111) M 2012 023129 R
 (151) 2012 11 29
 (181) 2022 11 29
 (260) AM 2012 64637 A
 (220) 2011 10 27
 (732) THE RTH FASE APPAREL CORP.
 3411 Silverside Road, Hanby 200,
 Willmington, DE 19810, USA

(111) M 2012 023130 R
 (151) 2012 11 29
 (181) 2022 11 29
 (260) AM 2012 64638 A
 (220) 2011 10 27
 (732) THE RTH FASE APPAREL CORP.
 3411 Silverside Road, Hanby 200,
 Willmington, DE 19810, USA

(111) M 2012 023131 R
 (151) 2012 11 29
 (181) 2022 11 29
 (260) AM 2012 64639 A
 (220) 2011 10 27
 (732) THE RTH FASE APPAREL CORP.
 3411 Silverside Road, Hanby 200,
 Willmington, DE 19810, USA

(111) M 2012 023132 R
 (151) 2012 11 29
 (181) 2022 11 29
 (260) AM 2012 64640 A
 (220) 2011 10 27
 (732) MASTELLONE H S. S.A.
 Alte. Brown 957; (1748) General Rodriguez,
 Provincia de Santa Fe, Argentina

(111) M 2012 023133 R
 (151) 2012 11 29
 (181) 2022 11 29
 (260) AM 2012 64721 A
 (220) 2011 11 02
 (732) LTD "TOBI"
 Rustavelis gamz. 40-40a, 0108, Tbilisi,
 Georgia

(111) M 2012 023134 R
 (151) 2012 11 29
 (181) 2022 11 29
 (260) AM 2012 64813 A
 (220) 2011 11 08
 (732) LTD "AVERSI-PHARMA"
 Davit Agmasheneblis gamz., 148/2, 0112 ,
 Tbilisi, Georgia

(111) M 2012 023135 R
 (151) 2012 11 29
 (181) 2022 11 29
 (260) AM 2012 64823 A
 (220) 2011 11 08
 (732) LTD "AVERSI-PHARMA"
 Davit Agmasheneblis gamz., 148/2, 0112 ,
 Tbilisi, Georgia

(111) M 2012 023136 R
 (151) 2012 11 29
 (181) 2022 11 29
 (260) AM 2012 64825 A
 (220) 2011 11 08
 (732) LTD "AVERSI-PHARMA"
 Davit Agmasheneblis gamz., 148/2, 0112 ,
 Tbilisi, Georgia

(111) M 2012 023137 R
 (151) 2012 11 29
 (181) 2022 11 29
 (260) AM 2012 64826 A
 (220) 2011 11 08
 (732) LTD "AVERSI-PHARMA"
 Davit Agmasheneblis gamz., 148/2, 0112 ,
 Tbilisi, Georgia

(111) M 2012 023138 R
 (151) 2012 11 29
 (181) 2022 11 29
 (260) AM 2012 64827 A
 (220) 2011 11 08
 (732) LTD "AVERSI-PHARMA"
 Davit Agmasheneblis gamz., 148/2, 0112 ,
 Tbilisi, Georgia

(111) M 2012 023139 R
(151) 2012 11 29
(181) 2022 11 29
(260) AM 2012 64828 A
(220) 2011 11 08
(732) LTD "AVERSI-PHARMA"
Davit Agmasheneblis gamz., 148/2, 0112 ,
Tbilisi, Georgia

(111) M 2012 023145 R
(151) 2012 11 29
(181) 2022 11 29
(260) AM 2012 65350 A
(220) 2011 12 14
(732) Galderma S.A.
Zugerstrasse 8, CH-6330 CHAM,
Switzerland

(111) M 2012 023140 R
(151) 2012 11 29
(181) 2022 11 29
(260) AM 2012 65001 A
(220) 2011 11 22
(732) SIRQUE DU SOLEIL i.i.i. S.A.
16, Avenue Pasteur, L-2310,
LUXEMBOURG, Luxembourg

(111) M 2012 023146 R
(151) 2012 11 29
(181) 2022 11 29
(260) AM 2012 65351 A
(220) 2011 12 14
(732) Galderma S.A.
Zugerstrasse 8, CH-6330 CHAM,
Switzerland

(111) M 2012 023141 R
(151) 2012 11 29
(181) 2022 11 29
(260) AM 2012 65002 A
(220) 2011 11 22
(732) SIRQUE DU SOLEIL i.i.i. S.A.
16, Avenue Pasteur, L-2310,
LUXEMBOURG, Luxembourg

(111) M 2012 023147 R
(151) 2012 11 29
(181) 2022 11 29
(260) AM 2012 65484 A
(220) 2011 12 21
(732) LTD "LARKI"
Vagzlis q. 57a, bina 74, 0165, Tbilisi,
Georgia

(111) M 2012 023142 R
(151) 2012 11 29
(181) 2022 11 29
(260) AM 2012 65003 A
(220) 2011 11 22
(732) SIRQUE DU SOLEIL i.i.i. S.A.
16, Avenue Pasteur, L-2310,
LUXEMBOURG, Luxembourg

(111) M 2012 023143 R
(151) 2012 11 29
(181) 2022 11 29
(260) AM 2012 65337 A
(220) 2011 12 14
(732) ZELTIQ AESTHETICS, INC.
4698 Willow Road, Suite 100, Pleasanton,
California 94588, USA

(111) M 2012 023144 R
(151) 2012 11 29
(181) 2022 11 29
(260) AM 2012 65338 A
(220) 2011 12 14
(732) ZELTIQ AESTHETICS, INC.
4698 Willow Road, Suite 100, Pleasanton,
California 94588, USA

TRADEMARKS REGISTERED ACCORDING TO THE ACCELERATED PROCEDURE

The decision can be appealed at the Chamber of Appeal of Sakpatenti within 3 months from the publication.

(111) M 2012 23085 R

(151) 2012 11 19

(181) 2022 11 19

(210) AM 069615

(220) 2012 11 08

(732) REVAZ BOCHORISHVILI

Rcheulishvilis qucha, korp.4, bina 12, 0179,
Tbilisi, Georgia

(740) George Taktakishvili

(540)

(591) Blue

(531) 28.19.00-29.01.04-

(511) 35

(111) M 2012 23086 R

(151) 2012 11 19

(181) 2022 11 19

(210) AM 069289

(220) 2012 10 17

(732) LTD "JORJIA PARFIUMERIA"

Vazha-Pshavelas q. N27, 4600, Kutaisi,
Georgia

(540)

(591) Dark blue, turquoise

(531) 27.05.01-27.05.22-29.01.04-

(526) **Disclaimer** – The trademark is protected as a whole, word combinations "BORJOMI", "Georgia" and "Parfumeria", shall not be subject to independent protection.

(511) 3

(111) M 2012 23087 R

(151) 2012 11 26

(181) 2022 11 26

(210) AM 069196

(220) 2012 10 11

(732) KARBOSAN ZIMPARA TASI SANAYI A
NIM SIRKETI

Halkali Yolu. 267, Sefaköy-Istanbul,
Turkey

(740) George Taktakishvili

(540)



Wings

(591) Dark and light brown, cream, black, grey,
green

(531) 03.07.01-27.05.17-29.01.15-

(511) 3, 7, 8

(111) M 2012 23088 R

(151) 2012 11 26

(181) 2022 11 26

(210) AM 069614

(220) 2012 11 08

(732) LTD "FARNAVAZI"

Didube-Chuguretis raioni, Saqartvelos
samkhedro gzasa da Akhmetelis quchis
gadakvetastan, 0159, Tbilisi, Georgia

(740) Shota Metreveli

(540)

შარნავაზი

PARNAVAZI

ΦΑΡΗΑΒΑΖΙ

(591) Black, white

(511) 33

(111) M 2012 23089 R

(151) 2012 11 27

(181) 2022 11 27

(210) AM 069700

(220) 2012 11 16

(732) LTD "FUDLAINI"

Gldani-Nnadaladevis raioni, Gagris q. 2,
0186, Tbilisi, Georgia

(740) Irakli Uturashvili

(540)



(591) Red, yellow
 (531) 03.07.03-09.07.19-29.01.12-
 (511) 29, 35

(111) M 2012 23090 R
 (151) 2012 11 27
 (181) 2022 11 27
 (210) AM 069701
 (220) 2012 11 16
 (732) LTD "FUDLAINI"
 Gldani-Nadzaladevis raioni, Gagris q. 2,
 0186, Tbilisi, Georgia
 (740) Irakli Uturashvili
 (540)



(591) Red, yellow, blue, white
 (531) 03.09.24-26.01.15-26.01.22-29.01.14-
 (526) **Disclaimer** – The trademark is protected as a whole, except "GEORGIA", shall not be subject to independent protection.
 (511) 29, 35

(111) M 2012 23091 R
 (151) 2012 11 28
 (181) 2022 11 28
 (210) AM 069678
 (220) 2012 11 14
 (732) JV Royal Armenia LTD
 38 app/26 Davidashen 2, Erevani, Armenia
 (740) David Zurabishvili
 (540)



(591) White, black, red
 (531) 26.01.18-27.05.19-29.01.13-
 (526) **Disclaimer** – Except "ARMENIA", shall not be subject to independent protection.
 (511) 30, 32

(111) M 2012 23092 R
 (151) 2012 11 28
 (181) 2022 11 28
 (210) AM 069679
 (220) 2012 11 14
 (732) JV Royal Armenia LTD
 38 app/26 Davidashen 2, Erevani, Armenia
 (740) David Zurabishvili
 (540)



(591) White, black, yellow, blue, red
 (531) 11.01.02-19.03.21-25.01.01-26.01.18-
 29.01.14-
 (526) **Disclaimer** – Excepts "ARMENIA RECLOSABLE Black Pepper Ground", „ღაფქუელი შავი პილპილი“, "МОЛЮТЫЙ ЧЕРНЫЙ ПЕРЕЦ", shall not be subject to independent protection.
 (511) 30

(111) M 2012 23093 R
 (151) 2012 11 28
 (181) 2022 11 28
 (210) AM 069680
 (220) 2012 11 14
 (732) JV Royal Armenia LTD
 38 app/26 Davidashen 2, Erevani, Armenia
 (740) David Zurabishvili
 (540)



(591) White, black, yellow, blue
 (531) 19.03.21-25.01.01-26.01.18-29.01.14-
 (526) **Disclaimer** – Excepts "ЧЕРНЫЙ МОЛО-
 ТЫЙ ПЕРЕЦ, Open here, RECLOSABLE
 PEPPER, Black Ground", shall not be subject to
 independent protection.
 (511) 30

(111) M 2012 23148 R
 (151) 2012 11 29
 (181) 2022 11 29
 (210) AM 069689
 (220) 2012 11 15
 (732) IND METSARME "KAKHABER
 MEQVEVRISHVILI"
 Kavkasionis 41, bina 17, 2200, Telavi,
 Georgia

(540)



(591) Red, yellow, sky, black, green
 (531) 01.01.10-05.05.04-05.07.06-25.01.01-
 28.19.00-29.01.15-
 (511) 29

(111) M 2012 23149 R
 (151) 2012 11 30
 (181) 2022 11 30
 (210) AM 069712
 (220) 2012 11 16
 (732) LTD "MTMI"
 Meqanizatsiis q. N1, 0192, Tbilisi, Georgia
 (740) David Dzamukashvili
 (540)



(591) Yellow, cardamom, black

(531) 01.01.10-05.07.10-25.01.19-28.05.00-
 29.01.15-
 (526) **Disclaimer** – The trademark is protected as a
 whole, words "MECXETI", shall not be subject to
 independent protection.
 (511) 33

(111) M 2012 23150 R
 (151) 2012 11 30
 (181) 2022 11 30
 (210) AM 069713
 (220) 2012 11 16
 (732) LTD "MTMI"
 Meqanizatsiis q. N1, 0192, Tbilisi, Georgia
 (740) David Dzamukashvili
 (540)



(591) Yellow, tobacco, black
 (531) 01.01.10-19.01.05-25.01.19-28.05.00-
 29.01.13-
 (526) **Disclaimer** – The trademark is protected as a
 whole, words "ТИФЛИСЪ", shall not be subject to
 independent protection.
 (511) 33

INTERNATIONAL TRADEMARKS FOR WHICH A DECISION ON GRANTING PROTECTIONS IS TAKEN

The decision can be appealed at the Chamber of Appeal of Sakpatenti within 3 months from the publication or at the Administrative Chamber of the Tbilisi City Court (Address: №6, David Aghmashenebeli Kheivani 12 km., Tbilisi) within 1 month following the publication.

(260) AM 2012 64676 A
(800) 1092815
(731) "GAZPROMNEFT - LUBRICANTS" Ltd
125a, ul. Profsoyuznaya, RU-117647
Moscow, Russian Federation

(540)

Sibi[®] MOTOR
ДИЗЕЛЬ УНИВЕРСАЛ

(591) Blue and green

(511)

4 – Industrial oils and greases; lubricants; fuels (including motor spirit); illuminants; combustible oil; fuel oil; lubricating oil; industrial oil; motor oil; lubricating grease.

(260) AM 2012 64879 A
(800) 1094443
(731) Merck Sharp & Dohme Corp.
One Merck Drive, Whitehouse Station,
New Jersey 08889-100, USA

(540)

TESAPIO

(591) Black, white

(511)

5 – Pharmaceutical preparations for the prevention and treatment of diabetes.

(260) AM 2012 64880 A
(800) 1094486
(731) FM LOGISTIC CORPORATE
Rue de l'Europe – Zone Industrielle, F-57370
PHALSBOURG, France

(540)

FM → **LOGISTIC**

(591) Red, blue

(511)

39 – Transport, packaging and storage of goods.

(260) AM 2012 64881 A
(800) 1094534
(731) DarsCare A/S
Birkebakken 11, DK-2840 Holte, Denmark

(540)

ECOFEMIN

(591) Black, white

(511)

3 – Bleaching products and other products for washing and cleaning of clothes, products for cleaning, polishing and removing of stains, soap, perfumes, cosmetics product, hair water, dental care products.

5 – Pharmaceutical and veterinary medical products, sanitary products for medical use, dietetic products for medical use, nutriments for infants, bandages and connection materials, materials for sealing of tooth and dental impression materials, disinfection products, products for extermination of harmful animals, products for fungus and weed killing preparations.

44 – Medical services; veterinary services; hygienic and beauty care for human beings or animals; agriculture, horticulture and forestry services.

(260) AM 2012 64882 A
(800) 1094582
(731) Beijing MEBO High Technology Co., Ltd.
Floor 1 & 3, Building 9, No. 26 Yard, South
Road Xihuan, Economic-technological,
Development Area, Beijing, China

(540)

MEBO

(591) Black, white

(511)

30 – Cocoa products; sugar; molasses for food; royal jelly for human consumption (not for medical purposes); honey; cereal preparations; soya flour; nutritional additives for non-medical purposes included in this class; food supplements for non-medical purposes included in this class.

(260) AM 2012 64883 A
 (800) 1094593
 (731) AS 24
 Parc Tertiaire Ar Mor, 1 boulevard du Zénith,
 F-44800 Saint-Herblain, France
 (540)

CARDALERT

(591) Black, white
 (511)
 38 – Paging services (by radio, telephone or other means of electronic communication); communications by computer terminals, communications by telephone, transmission of messages on computers or telephones; electronic mail; voicemail services, information transmission services via computers or telephones.
 45 – Alarm services as regards activities of individuals; surveillance services as regards activities of individuals.

(260) AM 2012 64884 A
 (800) 1094609
 (731) TOTAL SA
 2, Place Jean Millier, La Défense 6, F-92400
 COURBEVOIE, F-92400, Courbevoie,
 France
 (540)



(591) Black, white
 (511)
 4 – Industrial oils and greases; lubricants; liquid, solid and gaseous fuels; carburants; non-chemical additives for lubricants, fuel and motor fuel.

(260) AM 2012 64885 A
 (800) 1094618
 (731) Henkel AG & Co. KGaA
 Henkelstr. 67, 40589 Düsseldorf, Germany
 (540)

POWER PLAY

(591) Black, white
 (511)
 3 – Soaps; perfumery, essential oils; cosmetics; preparations for conditioning, cleaning, tinting, dyeing, bleaching, setting and perming hair; dentifrices.

(260) AM 2012 64886 A
 (800) 1094633
 (731) Guess?, Inc.;
 1444 South Alameda Street, Los Angeles,
 CA 90021, USA
 (540)

THE WORLD IS OUR FIELD

(591) Black, white
 (511)
 25 – Men's, women's, boys', girls', and infants' apparel, namely, underwear, footwear, swimwear, caps, headwear, robes, sleep wear, pajamas, hosiery, gloves, suspenders, belts, neckties, undershirts, socks, shorts, T-shirts, sweatpants, sweatshirts, knit tops, skirts, pants, trousers, shorts, sweaters, jeans, dungarees, vests, coats, jackets, overalls, blazers, dresses, scarves, blouses, cardigans, gowns, golf shirts, jogging suits, turtle-necks, suits and polo shirts; women's panties, bras, lingerie, tank tops, crop tops, bustiers, camisoles, tap pants, rompers and teddies; men's briefs and boxer shorts; infants' coveralls and diaper covers.
 35 – Retail store services and online retail store services in the field of men's, women's and children's apparel and personal accessories.

(260) AM 2012 64887 A
 (800) 1094641
 (731) Troy Technology Corporation, Inc.
 Legal Department, 8 Vreeland Road,
 Florham Park, NJ 07932, USA
 (540)

TroyCare

(591) Black, white
 (511)
 1 – Bactericides and fungicides used in industry as general chemicals for use in manufacturing personal care products; and bactericides and fungicides used in industry as general chemicals for use in manufacturing personal care products.
 5 – Bactericides and fungicides for laundry use; bactericides and fungicides for use in soaps; bactericides and fungicides for use in cosmetics; and bactericides and fungicides for use as preservatives and disinfectants.

(260) AM 2012 64888 A
 (800) 620405
 (731) LABORATORIO FARMACEUTICO
 C.T., S.r.l.
 Strada Solaro, 97, SAN REMO (Province of
 Imperia), Italy

(540)

ALCOVER

(591) Black, white

(511)

5 – A coadjuvant pharmaceutical preparation in therapy to treat alcohol dependence.

(260) AM 2012 64889 A

(800) 675893

(731) F. Hoffmann-La Roche AG
Grenzacherstrasse 124, CH-4002 Bâle,
Switzerland

(540)

MABTHERA

(591) Black, white

(511)

5 – Pharmaceutical, veterinary and sanitary products.

(260) AM 2012 64890 A

(800) 726931

(731) Astellas Pharma Europe B.V.
Elisabethhof 19, NL-2353 EW Leiderdorp,
Netherlands

(540)

VESICARE

(591) Black, white

(511)

5 – Pharmaceutical preparations and substances for human use, all for the treatment of urologic disorders.

(260) AM 2012 64891 A

(800) 768987

(731) MSC Mediterranean Shipping Company
Holding S.A.
Avenue Eugène-Pittard 40, CH-1206 Genève,
Switzerland

(540)

**MSC MEDITERRANEAN
SHIPPING**

(591) Black, white

(511)

37 – Construction; repair services; installation services; maintenance and repair of ships; maintenance and repair of containers; underwater repair; installation and repair of warehouses; information on repair and maintenance; shipbuilding.

39 – Goods transport, packaging and storing; freighting; marine transport, lorry transport, rail transport, transport of passengers; ship chartering,

rental of storage containers, warehouse rental; storage of goods, transportation and storage-related information; transport by ship; freight brokerage, transport brokerage, ship brokerage; pleasure boat transport, arranging of cruises, organisation of travel, travel agency services.

(260) AM 2012 64893 A

(800) 817434

(731) Astellas Pharma Europe B.V.
Elisabethhof 19, NL-2353 EW Leiderdorp,
Netherlands

(540)



(591) Various shades of grey and pink; white

(511)

5 – Pharmaceutical preparations and substances for human use.

(260) AM 2012 64894 A

(800) 898561

(731) CASTROL LIMITED
Wakefield House, Pipers Way, Swindon,
Wiltshire SN3 1RE, United Kingdom

(540)

POWER 1

(591) Black, white

(511)

4 – Motorcycle lubricants.

(260) AM 2012 64895 A

(800) 1007868

(731) Kraft Foods Global Brands LLC
Three Lakes Drive, Northfield,
IL 60093, USA

(540)



(591) Blue, pink, red, green, yellow, purple, orange

(511)

29 – Grated cheese; processed cheeses; processed cheese foods; cottage cheese; sour cream; cream cheese; jellies, jams; processed meats, namely turkey, chicken, beef, and ham; bacon; pickles, processed nuts; prepared meals containing meat and cheese; processed cheese dips and spreads; cheese sauces; vegetable based dips and spreads; snack mix consisting primarily of processed fruits and nuts; protein-based snack bars.

30 – Coffee; mustard; horseradish; relishes; ketchup; salad dressings, barbecue sauces, mayonnaise; confectionery including caramels, chocolates, and marshmallows; grain-based snack foods; seasonings; cookies; crackers; puddings; flavored and sweetened gelatins; pizza; stuffing mix containing bread; packaged meals consisting primarily of pasta and sauces.

32 – Beverages, namely, soft drinks and non-alcoholic fruit flavored drinks; powdered preparations for making beverages.

(260) AM 2012 64971 A

(800) 1095225

(731) TOVARYSTVO Z OBMEZHENOJU
VIDPOVIDAL'NISTJU "ASKANIJA GRUP"
prov. Novopechers'kyj, bud. 5, Kyiv 01042,
Ukraine

(540)

carta verde

(591) Black, white

(511)

30 – Coffee, tea, cocoa, sugar, rice, tapioca, sago, artificial coffee; flour for food and cereal preparations, bread; confectionery, sugar confectionery, ice cream, honey, golden syrup; yeast, powders for baking; salt, mustard; vinegar, condiments; spices; edible ices; aniseed; peanut confectionery; bee glue (propolis) for human consumption; bicarbonate of soda for cooking purposes (baking soda); bean meal; star aniseed; tapioca flour for food; flour for food; meal; farinaceous foods; pastries; bread rolls; buns; sandwiches; vanillin (vanilla substitute); vanilla (flavoring) (flavouring); waffles; vermicelli (noodles); pasty; pate (pastries); oatmeal; oat flakes; oat-based food; sea water for cooking; weeds (condiment); binding agents for ice cream (edible ices); biscuits; cloves (spice); mustard meal; glucose for food; relish (condiment); yeast in pill form, not for medical use; yeast; essences for foodstuffs, except etheric essences and essential oils; fruit jellies (confectionery); chewing gum, not for medical purposes; custard; leaven; rice-based snack food; cereal-based snack food; frozen yoghurt (confectionery ices); frozen yogurt (confectionery ices); flavorings (flavourings), other than essential oils, for beverages; flavorings (flavourings), other than essential oils, for cakes; aromatic preparations for food; flavorings, other than essential oils; preparations for stiffening whipped cream; thickening agents for cooking foodstuffs; cereal preparations; ginger (spice); coffee; unroasted coffee; coffee flavorings (flavourings); coffee-based beverages; coffee beverages with milk; vegetal preparations for use as coffee substitutes; cocoa; cocoa beverages with milk; cocoa-based beverages; cocoa products;

capers; caramels (candy); lozenges (confectionery); pastilles (confectionery); curry (spice); potato flour for food; ketchup (sauce); gluten for food; sausage binding materials; confectionery; sugar confectionery; tortillas; cinnamon (spice); starch for food; hominy grits; groats for human food; corn, milled; maize, roasted; corn flour; corn meal; maize flour; maize meal; popcorn; corn flakes; maize flakes; turmeric for food; couscous (semolina); cooking salt; confectionery for decorating christmas trees; ice for refreshment; ice, natural or artificial; liquorice (confectionery); noodles; ribbon vermicelli; candy for food; mayonnaise; macaroni; farinaceous food pastes; pasta; maltose; hominy; semolina; chow-chow (condiment); marzipan; royal jelly for human consumption, not for medical purposes; honey; molasses for food; macarons (pastry); almond paste; almond confectionery; flour-milling products; pancakes; spring rolls; gruel, with a milk base, for food; ice cream; nutmegs; muesli; meat tenderizers, for household purposes; mint for confectionery; tea-based beverages; chocolate-based beverages; infusions, not medicinal; husked oats; crushed oats; vinegar; husked barley; stick liquorice (confectionery); soya bean paste (condiment); ravioli; pepper; peppers (seasonings); allspice; cookies; beer vinegar; meat pies; quiches; natural sweeteners; pizzas; chips (cereal products); pies; fondants (confectionery); powders for ice cream; pralines; edible decorations for cakes; dressings for salad; seasonings; unleavened bread; propolis (bee glue) for human consumption; gingerbread; puddings; cake powder; wheat flour; rice; rice cakes; baking powder; ferments for pastes; sago; garden herbs, preserved (seasonings); celery salt; salt for preserving foodstuffs; soya flour; soya sauce; malt for human consumption; malt biscuits; malt extract for food; tomato sauce; sauces (condiments); spaghetti; rusks; breadcrumbs; petit-beurre biscuits; sushi; tabbouleh; tacos; tapioca; cakes; petits fours (cakes); cake paste; pastry; crackers; tarts; sherbets (ices); sorbets (ices); halvah; chicory (coffee substitute); sweetmeats (candy); peppermint sweets; sugar; tea; iced tea; chutneys (condiments); saffron (seasoning); chocolate; crushed barley.

(260) AM 2012 64975 A

(800) 1095260

(731) X-Trade Brokers Dom Maklerski S.A.
ul. Ogrodowa 58, PL-00-876 Warszawa,
Poland

(540)



(591) Orange, white and black
(511)
36 – Brokerage.

(260) AM 2012 64976 A
(800) 1095300
(731) Henkel AG & Co. KgaA
Henkelstraße 67, 40589 Düsseldorf,
Germany
(540)



LUXURIOUS
MOMENTS

(591) Black, white
(511)
3 – Soaps, preparations for body and beautycare, deodorants for personal use; cosmetic preparations for care and treatment of hair; non-medicated toothpastes and mouthwashes; cosmetical foam baths and shower baths.

(260) AM 2012 64979 A
(800) 923198
(731) David Austin Roses Limited
Bowling Green Lane, Albrighton,
Wolverhampton WV7 3HB, United Kingdom
(540)



(591) Black, white
(511)
3 – Perfume; toiletries; cosmetics; soaps; essential oils.

16 – Printed matter; diaries; calendars; books; carrier bags; paper sacks; stationery.

26 – Artificial flowers; silk flowers.

31 – Live plants.

(260) AM 2012 64980 A
(800) 943315
(731) CARRERA Y CARRERA, S.A.
Carretera Nacional I, Km. 31,600 E-28750
SAN AGUSTIN DE GUADALIX (Madrid),
Spain
(540)



(591) Black, white
(511)
14 – Precious metals and their alloys and goods made of or coated with these materials not included in other classes; jewellery, precious stones; jewellery wristwatches and other watches manufactured with precious materials (gold, platinum and sterling silver) and mounted with or without precious or natural stones.

(260) AM 2012 65005 A
(800) 1095340
(731) EDNOLITCHNO DRUJESTVO S
OGRANITCHENA OTGOVORNOST
"FINANSKONSULT"
Altzeke str. 16, BG-4000 PLOVDIV,
Bulgaria
(540)



(591) Red, white and yellow
(511)
34 – Tobacco, cigarettes, cigars, cigarillos; smokers' articles; matches.

(260) AM 2012 65006 A
(800) 1095341
(731) Hytera Communications Co., Ltd.
HYT Tower, Beihuan Road, North Part of
Shenzhen, Hi-Tech Industrial Park, Nanshan
District, Shenzhen, China

(540)



Hytera

(591) Black, white

(511)

9 – Transmitters of electronic signals; intercommunication apparatus; walkie-talkies; processors (central processing units); integrated circuits; galvanic cells; battery chargers; semiconductors.

(260) AM 2012 65011 A

(800) 1095376

(731) Arla Foods amba

Sønderhøj 14, DK-8260 Viby J, Denmark

(540)



(591) Blue, green, orange and white

(511)

29 – Milk and milk products, including cheese and yoghurt; milk and cream in powder form, milk based dessert mousses, soufflés and mousses, powders for making milk based soufflés and mousses; milk based beverages; edible oils and fats.

(260) AM 2012 65012 A

(800) 1095391

(731) Björn Borg Brands AB

Tulegatan 11, SE-113 53 Stockholm, Sweden

(540)



BJÖRN BORG

(591) Black, white

(511)

3 – Bleaching preparations and other substances for laundry use; cleaning, polishing, scouring and abrasive preparations; soaps; perfumery, essential oils, cosmetics, hair lotions; dentifrices, dental creams and toothpastes, including but not limited to; aftershave; face creams; skin toners; face and body masks; anti-perspirants (toiletries); anti-perspirant soap; aromatics (essential oils); make-up removing preparations; bath gel; bath oils; bath preparations; bath salts, not for medical purposes; bath foam; bases for flower perfumes; bergamot oil; bleaching agents (decolorants) for cosmetic purposes; flowers (extracts of -) [perfumes]; deodorants for personal use; deodorant soap; disinfectant

soaps; shower soap; eau de Cologne; eau de toilet; ethereal essences; essential oils; greases for cosmetic purposes; essential oils; colouring substances for cosmetic purposes; skin whitening creams; skin creams; hair conditioners; hair care gels; hair care creams; hair-protecting lotions; hair-protecting mousses; hair lacquers; hair lotions; hair wax; hair-care preparations; toiletries; cosmetics; eyebrow cosmetics; cosmetic dyes; cosmetic creams; lotions for cosmetic purposes; cosmetic pencils; cosmetic preparations; cosmetic preparations for baths; cosmetic preparations for skin care; cosmetics, hair care preparations; cosmetic preparations for eyelashes; make-up powder; cleansing preparations; sun-tanning preparations (cosmetics); whitening the skin (cream for -); lacquer removing preparations; lavender oil; lavender water; lotions for cosmetic purposes; scented water; lipsticks; false nails; false eyelashes; makeup preparations; almond milk for cosmetic purposes; almond oil; almond soap; mascara; musk (perfumery); nail polish; nail care preparations; oils for cosmetic purposes; oils for perfumes; oils for cleaning purposes; oils for toilet purposes; perfumes; perfumery; perfume essence; oils for perfumes and scents; pomades for cosmetic purposes; potpourris (fragrances); make-up powder; preparations for shaving; shaving preparations; shaving soaps; aftershave; cleansing milk for toilet purposes; cleaning preparations; rose oil; blush; incense; incense sticks; fumigating preparations (perfumes); astringents for cosmetic purposes; shampoos; tissues impregnated with cosmetic lotions; beauty masks; beauty products; make up; sun-tanning preparations (cosmetics); suntan lotions; suntanning oils; sun care oils (cosmetics); sunscreen preparations; talcum powder for toilet use; tooth care preparations; toilet soaps; soaps; petroleum jelly for cosmetic purposes; eyebrow cosmetics; eyebrow pencils.

9 – Anti-glare glasses; pince-nez frames; DVD disks; spectacle cases; spectacles; spectacle frames; spectacle cases; spectacle frames; ophthalmic lenses for eyeglasses; eye-glass chains; eye glass cords; spectacles for sports; binoculars; pince-nez mountings; pince-nez cases; swimming goggles; ski goggles; pince-nez cords; sunglasses; frames for sunglasses; sunglass cases; videos.

14 – Precious metals and their alloys and goods in precious metals or coated therewith, not included in other classes; jewellery, precious stones, horological and chronometric instruments, including but not limited to; amulets (jewellery); bracelets (jewellery); wrist watch bands; watches; boxes of precious metal; charms [jewellery, jewelry (am)]; costume jewellery; brooches (jewellery); clocks and watches, electric; cases for clock and watch making; necklaces (jewellery); semi-precious stones; hat

ornaments [of precious metal]; jewellery; chains (jewellery); watch straps; cases for clocks; watch chains; clocks and watches; control clocks, cufflinks; medallions (jewellery); badges of precious metal; trinkets (jewellery); key rings (trinkets or fobs); key cords (key straps) of metal; pins (jewellery); paste jewelry [costume jewelry]; ornaments (jewellery); ornamental pins; pearls (jewellery); rings (jewellery); silver ornaments; ornaments (shoe -) of precious metal; tie slides; tie pins; jewellery, jewellery boxes; horological instruments; clocks and watches; horological and chronometric instruments; watch straps; alarm clocks, precious stones; earrings.

18 – Leather and imitations of leather, and goods made of these materials and not included in other classes; animal skins, hides, trunks and travelling bags; umbrellas, parasols and walking sticks; boxes of leather or leatherboard; attaché cases; shoulder belts of leather; Leather shoulder straps; satchels; bags (envelopes, pouches), of leather, for packaging; bags for climbers; leather straps; backpacks; vanity cases (not fitted); animal skins, hides; toilet bags; wallets; plaited leather thongs; animal skins for use in the manufacture of footwear; suitcase handles; handbags; hat boxes of leather; wheeled shopping bags; envelopes, of leather, for packaging; game bags; valises; bags, string bags and shopping bags; trunks; trunks and travelling bags; imitation leather; credit card holders; leather, unworked or semi-worked; bands of leather; leatherboard; pouches, of leather, for packaging; thongs; leather cords; leather straps; bags [envelopes, pouches] of leather, for packaging; leather thread; leather braids; music cases; key cases; net bags for shopping; chain mesh purses, not of precious metal; envelopes, of leather, for packaging; umbrellas; umbrella covers; umbrella or parasol ribs; parasols and walking sticks; whips, harness and saddlery; notecases; briefcases; change purses; purses, not of precious metal; bags (envelopes, pouches) of leather, for packaging; travelling sets (leatherware); travelling sets (leatherware); garment bags for travel; travelling trunks; suitcases; suitcases; rucksacks; haversacks; shopping bags; wheeled shopping bags; bags for school; school bags and satchels; sports bags; sports bags; sport bags for sports clothing; sports bags beach bags; leather pouches for boots; butts (parts of hides); tennis bags; fabric bags; tool bags of leather, empty; business-card cases; bags; bags for climbers; bags for campers; sponge bags.

25 – Clothing, footwear, headgear, including but not limited to; articles of work clothing; shoulder wraps; babies' pants; clothing for new born babies; layettes (clothing); bathing trunks; swimming costumes; swimwear; bathing caps; bathrobes; bath sandals; thongs; basques; brassieres; leg clothing;

leggings; fittings of metal for boots and shoes; bikinis; blouses; short-sleeved vests; trousers; trouser straps; belts; belts (clothing); cyclists' clothing; lingerie; suits; esparto shoes or sandals; leisurewear; aprons for wear; gymnastic shoes; scarves; gloves (clothing); gloves and mittens; hats; men's underwear; hoods (clothing); headgear; braces; jackets; jeans; jerseys; jumpers; skull caps; underpants; coats; jackets; caps; skirts; clothing; articles of leather clothing; leather (clothing of imitations of-); gymnastic clothing; knitwear (clothing); dresses; cardigans; slippers (undergarments); ready-made clothing; corsets (underclothing); suits; collars (clothing); ankle boots; drawers (clothing); belts of leather; leather belts; detachable collars; wristbands (clothing); cuffs; dressing gowns; muffs (clothing); caps; visors (hatmaking); overalls; headbands (clothing); headbands (clothing); paper clothing; parkas; pullovers; pyjamas; pyjamas and nightclothes; fur coats; furs (clothing); rainwear; gabardines (clothing); coats; sandals; neckerchiefs; shawls; shorts; bathing trunks; swimsuit; articles of clothing for swimwear; shawls; ski boots; shirts; shoes; soles for footwear, and parts therefor, not included in other classes; visors (hatmaking); visor caps; waistbands; ties; bandanas (neckerchiefs); lace boots; socks; sunhats; sun visors; sports shoes; sports jerseys; camisoles; beachwear; beach shoes; knitwear [clothing]; tights; garters; stockings; hosiery; boots; sweaters; ready-made linings (parts of clothing); slippers; leotards; knitted goods (clothing); knickers; t-shirts; sweaters; mittens; underpants; petticoats; underwear; slippers; under shirts; outdoor clothing; waterproof clothing; wet suits; waistcoats; stuff jackets [clothing]; outer clothing; top coats; ear muffs (clothing); overcoats; ready made clothing linings, leather belts; sports shoes; boots.

(260) AM 2012 65105 A

(800) 721725

(731) BASF SE

Carl-Bosch-Strasse 38, 67056 Ludwigshafen,
Germany

(540)

CORRIOLIS

(591) Black, white

(511)

5 – Fungicides, herbicides, insecticides, pesticides.

(260) AM 2012 65106 A

(800) 734004

(731) O.T.S.- S.P.A.

Via Morea SCN, I-62012 CIVITANOVA
MARCHE (MACERATA), Italy

(540)



(591) Black, white

(511)

39 – Transport, warehousing, shipping of goods by air, water or road.

(260) AM 2012 65107 A

(800) 767767

(731) MERKEZ SAATÇILIK TICARET
LIMITED ŞİRKETİHalaskargazi Caddesi, 214 Gazi Ethem Paşa
Sitesi, Kat: 5, №3, OSMANBEY-
ISTANBUL, Turkey

(540)

MOMENTUS

(591) Black, white

(511)

14 – Watches.

(260) AM 2012 65108 A

(800) 799280

(731) Pfanner Holding AG

Alte Landstrasse 10, A-6923 Lauterach,
Austria

(540)

PFANNER

(591) Black, white

(511)

5 – Dietetic beverages adapted for medical pur-
poses.

(260) AM 2012 65109 A

(800) 799799

(731) DOSSODOSSI TEKSTİL SANAYİ
TURİZM VE ORGANİZASYON LİMİTED
ŞİRKETİMesihpaşa Cad. Kızıldaş Sokak No.13,
Kat 1-2-3, Eminönü İstanbul, Turkey

(540)



(591) Red, light red, white

(511)

25 – Clothing, footwear, headgear.

(260) AM 2012 65110 A

(800) 804963

(731) FUJIAN GUANDAXING WUJINZHIPIN
YOUXIANGONGSIShichuangongyequ, Chidianzhen,
CN-362200 Jinjiang, Fujian, China

(540)

**冠达星**

(591) Black, white

(511)

20 – Furniture, covers for clothing, furniture of
metal, coatstands, showcases (furniture), sofas,
infant walkers, carts for computers, deck chairs,
cabinet work.

(260) AM 2012 65111 A

(800) 809164

(731) Humana Milchunion eG

Münsterstrasse 31, 48351 Everswinkel,
Germany

(540)

Quafrutta

(591) Black, white

(511)

5 – Dietetic substances adapted for medical use,
food for babies.29 – Milk and milk products; preparations for
desserts made of milk and/or milk products, jellies
and/or compotes.30 – Pastry and confectionery, edible ices and
preparations for edible ices; ice cream powder;
cream puddings, powder for desserts.32 – Non-alcoholic beverages; fruit drinks and fruit
juices; syrups and other preparations for making
beverages.

(260) AM 2012 65125 A

(800) 1096103

(731) Bayer Consumer Care AG

Peter Merian-Strasse 84, CH-4052 Basel,
Switzerland

(540)

Бепантол

(591) Black, white

(511)

3 – Cosmetics.

5 – Pharmaceutical products; sanitary products for medical use.

(260) AM 2012 65126 A

(800) 1096111

(731) AUDI AG; 85057 Ingolstadt, Germany

(540) Four Rings

(591) Black, white

(511)

4 – Industrial oils and greases; lubricants; dust absorbing, wetting and binding compositions; fuels (including motor spirit) and illuminants; candles and wicks for lighting.

9 – Scientific, nautical, surveying, photographic, cinematographic, optical, weighing, measuring, signalling, checking (supervision), life-saving and teaching apparatus and instruments; apparatus and instruments for conducting, switching, transforming, accumulating, regulating or controlling electricity; apparatus for recording, transmission or reproduction of sound or images; magnetic data carriers, recording discs; automatic vending machines and mechanisms for coin-operated apparatus; cash registers, calculating machines, data processing equipment and computers; fire-extinguishing apparatus.

12 – Vehicles and their constructive parts; apparatus for locomotion by land, air or water.

(260) AM 2012 65127 A

(800) 1096119

(731) GROUPE AUCHAN

40 avenue de Flandre, F-59170 CROIX,

France

(540)



(591) Red, white, green

(511)

3 – Bleaching preparations and other substances for laundry use; cleaning, polishing, scouring and abrasive preparations and products; javelle water; stain removers; fabric softeners for laundry use; paint stripping preparations; emery paper; rust removing preparations; scouring solutions; scale removing preparations for household purposes; detergents other than for use in manufacturing operations and for medical purposes; rust removing

preparations; floor polishing waxes; shoe wax; preparations to make the leaves of plants shiny; adhesives for cosmetic purposes; soap; disinfectant soap; perfumery, perfumes, toilet water; essential oils; deodorants for personal use; cosmetics; preparations for hair care; dentifrices, make-up and make-up removing preparations; shaving preparations; toiletries; toiletry milks and oils; tissues impregnated with cosmetic lotions; sunscreen preparations; shampoos for pets; incense; scented wood; potpourris.

5 – Pharmaceutical and veterinary preparations; sanitary products for medical use and for intimate hygiene; pharmaceutical preparations for skin care; dietetic beverages, foodstuffs and substances for medical use; nutritional additives for medical purposes; medical preparations for slimming purposes; medicinal infusions, medicinal herbs, herbs teas for medicinal purposes; vitamin preparations, preparations of trace elements for human and animal use; mineral food-supplements; foodstuffs and lacteal flour for babies; plasters, materials for dressings, material for dental fillings and dental impressions; antiseptics; medical or sanitary disinfectants (other than soaps); pesticides; anti-insect products; insecticides; insect repellents; fungicides, herbicides; antiparasitic preparations, antiparasitic collars for animals; animal washes; sunburn ointments; antiseptic cotton, absorbent cotton; sanitary pads, napkins and panties; menstruation tampons; breast-nursing pads; sterilising preparations; adhesives for dentures; deodorants, other than for personal use; air purifying preparations; solutions for contact lenses.

8 – Hand tools and implements, hand-operated, non-electric cutlery; table forks; spoons, other than for fishing and for medicines; side arms, other than firearms; scissors; hand-operated hand tools and implements for gardening; mechanical tools for chopping and cutting foodstuffs; can openers, non-electric; razors, razor blades; shaving cases; nail nippers and files, nail clippers; manicure sets; hair clippers for personal use, electric and non-electric; depilation appliances, electric and non-electric, hair-removing tweezers.

10 – Surgical, medical, dental and veterinary apparatus and instruments; artificial limbs, eyes and teeth; inhalers; diagnostic apparatus for medical purposes; orthopedic articles and shoes; suture materials; elastic bands, maternity belts; stockings for varices; belts for medical purposes, maternity belts, umbilical belts; contraceptives, non-chemical; condoms; feeding bottles, feeding bottle teats; babies' pacifiers (teats), breast-feeding teats made of latex or silicone; teething rings; nursing appliances, breast pumps; ear picks, nasal aspirator devices for children; spoons for administering medicine; droppers for medical purposes;

thermometers for medical purposes; draw-sheets for sick beds; incontinence sheets; ice bags for medical purposes, gloves for massage; corn knives; furniture especially made for medical purposes; physical exercise apparatus, for medical purposes, esthetic massage apparatus; soporific pillows for insomnia.

16 – Paper; cardboard (unprocessed, semi-processed or for stationery use); cardboard articles; paper or plastic packaging bags, pouches and sheets; paper sheets (stationery); printed matter, printing type; bookbinding material, photographs, printing blocks; stationery; adhesives [glues] for stationery or household purposes; artists' materials, paintbrushes; paint boxes (articles for use in school); typewriters and office requisites (except furniture); instructional and teaching material (except apparatus); school supplies; staples for offices, thumbtacks, pencil sharpeners, correcting fluids, paper knives; pencils, pencil lead holders, rubber erasers; envelopes; files; albums, books, periodicals; almanacs, pamphlets, writing or drawing books, catalogues; calendars; lithographs, engravings; paintings; posters, geographical maps, newspapers; spools for inking ribbons; sealing machines; postage stamps; adhesive tape dispensers (office requisites); tissues of paper for removing make-up; disposable diapers of paper or cellulose; paper coffee filters; decalcomanias; garbage bags of paper or of plastics; bags for microwave cooking; signboards of paper or cardboard; toilet paper; table linen of paper; hand-towels, handkerchiefs of paper; greeting cards; postcards; patterns for dressmaking; rosaries; terrestrial globes; discount coupons, vouchers, tickets; payment gift cards; payment gift vouchers; non-magnetic loyalty cards; non-magnetic identity cards.

21 – Non-electric utensils and containers for household or kitchen use (not of precious metal or coated therewith); utensils for kitchen and tableware use of glass, porcelain and earthenware; tableware, not of precious metal; cooking pot sets, plates, bowls, tumblers, sweetmeat boxes, not of precious metals; drinking vessels; stew-pans; boxes of glass; cookie jars; fitted picnic baskets; thermally insulated containers for food, insulating flasks; corkscrews; bottle openers; isothermic bags; drinking flasks for travellers, portable coldboxes, non-electric; heaters for feeding bottles, non-electric; brushes for cleaning tanks and containers; soap dispensers; toilet paper holders; soap boxes; clothes-pegs; dustbins; basins (receptacles), bowls; articles for cleaning purposes; insect traps; flower pots; baskets, for domestic use, not of precious metal; combs, sponges, brushes, toothbrushes, nail brushes; toiletry sets and utensils; perfume sprays; baby baths (portable); chamber pots. 29 – Meat, fish, poultry and game; meat extracts; charcuterie;

croquettes; preserved, dried, frozen and cooked fruits, mushrooms and vegetables; fruit pulp and salads; vegetable salads; canned meat, fish, vegetables and fruit; jams, marmalade, compotes; jellies for food; pollen prepared as foodstuff; weed extracts for food; soya beans, preserved, for food; protein for human consumption; broth, soups, consommés; vegetable juices for cooking; eggs, milk, butter, cream, yogurts, cheese and other dairy products; edible oils and fats; preparations for making bouillon, potato chips; prepared dishes made with the above products.

30 – Coffee, tea, cocoa, chocolate; chocolate products; vegetal preparations for use as coffee substitutes; artificial coffee; coffee-based beverages, tea, cocoa, chocolate; infusions, not medicinal; sugar, natural sweeteners; glucose for food; rice, tapioca, sago; pasta, semolina; flours and cereal preparations; chips; bread, pastries, cakes, buns, pancakes, tarts, pies; confectionery, confectionery; edible ices; honey; golden syrup, royal jelly for human consumption, not for medical purposes; aniseed; star aniseed; malt extract for food; flavorings, other than essential oils; aromatic preparations for food; yeast, baking-powder; salt; mustard; vinegar, sauces [condiments], dressings for salad; ketchup; mayonnaise; seasonings; thickening agents for cooking foodstuffs; weeds (condiment); spices; garden herbs, preserved; ice for refreshment; sandwiches; pizzas; rice-based snack food; spring rolls; sushi, tabouleh; tortillas; tacos; prepared dishes made with the above products.

31 – Agricultural, horticultural and forestry products (neither prepared, nor transformed); grains (seeds); turf, natural; fresh fruits and vegetables; algae for consumption; mushrooms, fresh; garden herbs, fresh; crustaceans, live; fish roe; grains; flower bulbs; trees, shrubs; natural plants and flowers; Christmas trees; animal food and beverages; products for animal litter; malt; fishing bait (live); live animals.

32 – Beer, mineral and aerated waters and other non-alcoholic drinks; isotonic beverages; lemonades; fruit drinks and fruit juices; tomato juice; vegetable juices (beverages); syrups for beverages; preparations for making beverages (except those made with tea, coffee or cocoa, milk-based beverages); pastilles and powders for aerated drinks; essences for preparing beverages; preparations for making liqueurs.

33 – Alcoholic beverages, except beer; aperitifs, cider, cocktails containing alcohol, digesters (liqueurs and spirits), brandies; spirits; wine; rum; vodka; whisky.

(260) AM 2012 65128 A
 (800) 1096120
 (731) Prometheus Global Media, LLC
 770 Broadway, New York NY 100039595,
 USA

(540)
BILLBOARD

(591) Black, white
 (511)
 9 – Downloadable publications in the field of music and entertainment; computer software and computer applications; mobile phones; electronic devices; sunglasses.
 15 – Musical instruments.
 18 – Leather goods; leather accessories; bags; umbrellas.
 25 – Clothing, footwear, headwear.
 41 – Online websites featuring information in the field of music and entertainment (terms considered too vague by the International Bureau – rule 13.2.b) of the Common Regulations); online magazines in the field of music and entertainment (terms considered too vague by the International Bureau – rule 13.2.b) of the Common Regulations); entertainment services in the nature of providing live musical performances; nightclub services.
 43 – Restaurant.

(260) AM 2012 65129 A
 (800) 1096136
 (731) Sis Natural LLC
 V. Aghtsk, Aragatsotn region, Armenia
 (540)



(591) Light blue, light brown
 (511)
 21 – Glass bottle.
 32 – Natural juices.

(260) AM 2012 65132 A
 (800) 1096264
 (731) SOREMARTEC SA
 Rue Joseph Netzer 5, B-6700 ARLON,
 Belgium

(540)

(591) Black, orangey red, blue, brown
 (511)
 29 – Meat, fish, poultry and game; meat extracts; preserved, frozen, dried and cooked fruits and vegetables; jellies, jams, compotes; eggs, milk and milk products; edible oils and fats.
 30 – Coffee, tea, cocoa, sugar, rice, tapioca, sago, artificial coffee; flour and preparations made from cereals, bread, pastry and confectionery, ices; honey, treacle; yeast, baking-powder; salt, mustard; vinegar, sauces (condiments); spices; ice for refreshment.
 32 – Mineral and aerated waters and other non-alcoholic drinks; fruit drinks and fruit juices; syrups and other preparations for making beverages.

(260) AM 2012 65133 A
 (800) 1096298
 (731) Rado Uhren AG (Rado Watch Co. Ltd.)
 (Montres Rado S.A.)
 Bielstrasse 45, CH-2543 Lengnau,
 Switzerland

(540)
RADO DIVE STAR

(591) Black, white
 (511)
 14 – Precious metals and their alloys and goods in precious metals or coated therewith, included in this class; jewellery, precious stones; horological and chronometric instruments.

(260) AM 2012 65135 A
 (800) 1096343
 (731) "Gazpromneft – lubricants" Ltd
 125a, ul. Profsoyuznaya, RU-117647
 Moscow, Russian Federation

(540)

(591) Blue, green
 (511)
 4 – Industrial oils and greases; lubricants; fuels (including motor spirit); illuminants; combustible oil; fuel oil; lubricating oil; industrial oil; motor oil; lubricating grease.

(260) AM 2012 65136 A
 (800) 1096364
 (731) SEBAGO USA, LLC
 9341 Courtland Drive NE, Rockford
 MI 49351, USA
 (540)



(591) Black, white
 (511)
 18 – Briefcases; duffel bags; knapsacks; luggage; messenger bags; umbrellas; wallets; wheeled bags.
 25 – Belts; boots; caps; footwear; gloves; jackets; pajamas; pants; sandals; scarves; shirts; shoes; shorts; socks; t-shirts.

(260) AM 2012 65137 A
 (800) 1096380
 (731) L-Fashion Group Oy
 Linjakatu 5, FI-15100 Lahti, Finland
 (540)



(591) Black, white and orange
 (511) 18 – Leather and imitations of leather, and goods made of these materials and not included in other classes; animal skins, hides; trunks and travelling bags; umbrellas, parasols and walking sticks; whips, harness and saddler, all being destined for sport use or for leisure oriented to sport use.
 20 – Furniture, mirrors, picture frames; goods (not included in other classes) of wood, cork, reed, cane, wicker, horn, bone, ivory, whalebone, shell, amber, mother-of-pearl, meerschaum and substitutes for all these materials, or of plastics.
 22 – Ropes, string, nets, tents, awnings, tarpaulins, sails, sacks and bags (not included in other classes); padding and stuffing materials (except of rubber or plastics); raw fibrous textile materials.
 25 – Clothing, footwear and headgear, all being destined for sport use or leisure oriented to sport use.

(260) AM 2012 65138 A
 (800) 1096394
 (731) Industria de Diseño Textil, S.A.
 (Inditex, S.A.)
 Avenida de la Diputación, Edificio Inditex,
 E-15142 Arteixo (A Coruña), Spain
 (540)

TRAFALUC

(591) Black, white
 (511)
 3 – Bleaching preparations and other substances for laundry use; cleaning, polishing, scouring and abrasive preparations; soaps; perfumery, essential oils, cosmetics, hair lotions; dentifrices; shoe polish, creams and wax; wax included in this class; shampoo; cosmetic kits; depilatory preparations; make-up removing preparations; deodorants for personal use (perfumery); lip-sticks; pencils for cosmetic uses; hair spray and nail polish; lacquer-remover preparations; tissues impregnated with cosmetic lotions; cleaning tissues or cloths pre-moistened or impregnated with cosmetic lotions or detergents; after shave lotions; lotions for cosmetic purposes; make-up products; pomades for cosmetic purposes; stain removers; sachets for perfuming linen; nail care preparations; bleaching preparations (decolorants) for cosmetic purposes; extracts of flowers (perfumes); incense; scented wood; decorative transfers for cosmetic purposes; false eyelashes and nails; pumice stone; aromatic potpourris; cosmetic preparations for slimming purposes; cosmetic preparations for baths; waving preparations for hair; washing preparations; toiletries; mouth washes not for medical purposes; bath salts, not for medical purposes; hygiene preparations which are toilet products; oils for toilet purposes; sun-tanning preparations (cosmetics); eau de cologne; deodorant soaps; talcum powder for toilet use; adhesives for cosmetic purposes; greases for cosmetic purposes; abrasives; shaving preparations; colour brightening chemicals for household purposes (laundry); cotton sticks for cosmetic purposes; beauty masks; moustache wax; laundry blueing; hair colorants; cosmetics for eyebrows; depilatory wax; cleaning chalk; shampoos for pets; cosmetics for animals; cosmetic creams; disinfectant soap; cakes of soap; soap for foot perspiration; detergents other than for use in manufacturing operations and for medical purposes; laundry starch; cleansing milk for toilet purposes; bleach; dry-cleaning preparations; scented water; perfumes; cosmetic preparations for eyelashes; cosmetic preparations for skin care; make-up powder; adhesives for affixing false hair; fabric softeners for laundry use; cosmetic dyes; colour-removing preparations; toilet waters.
 18 – Leather and imitations of leather, and goods made of these materials and not included in other

classes; animal skins, hides; trunks and travelling bags; umbrellas, parasols and walking sticks; whips, harness and saddlery; bags for climbers and campers and beach bags; handbag frames; frames for umbrellas or parasols; mountaineering sticks; camping bags, sports bags; mountaineering bags; net bags for shopping; traveling bags; leather bags for packaging; handbags; leather lining for footwear; travelling sets and key cases (leatherware); attaché cases; coin purses, not of precious metal; garment bags for travel; hat boxes of leather; sling bags for carrying infants; wheeled shopping bags; boxes of leather or leather board; boxes of vulcanised fibre; pocket wallets; briefcases; notecases; school satchels and document cases; school bags; vanity cases (not fitted); collars for animals; leather leashes; leather laces, leather leads; umbrella covers; saddle cloths for horses; backpacks, rucksacks; haversacks; school haversacks; music cases; halters; bags (envelopes, pouches) of leather, for packaging; leather twist, leather thread; suitcase handles; walking stick and umbrella handles; lashes; horse blankets; furniture coverings of leather; clothing for animals; pads for horse saddles; umbrella rings; blinkers (harness); harness fittings of iron; trappings for animals; ornaments for animals; harness fittings, not of precious metal; walking stick seats; shoulder belts (straps), of leather; tool bags of leather (empty); chain mesh purses, not of precious metal; beach sacks; muzzles; bridles (harness); head-stalls; leatherboard; bands of leather; travelling trunks; shopping bags; straps for soldiers equipment; harness traces, harness straps; straps of leather (saddlery); straps for skates; artificial leather; trimmings of leather for furniture; leather straps; butts (parts of hides); curried skins; cat o' nine tails; coverings of skins (furs); stirrup leathers; parts of rubber for stirrups; bits for animals (harness); saddlery products; reins; suitcases; moleskin (imitation of leather); furs; chamois leather, other than for cleaning purposes; nose bags (feed bags); net bags for shopping; casings, of leather for springs; knee-pads for horses; riding saddles; fastenings for saddles; card cases; traces (harness); valves of leather.

25 – Clothing, footwear, headgear; motorists' and cyclists' clothing; bibs, not of paper; headbands (clothing); dressing gowns; bathing suits, swimsuits; bathing caps and sandals; boas (necklets); babies' pants of textile; collar protectors; boots for sports and beach shoes; hoods (clothing); shawls; belts (clothing); money belts (clothing); wet suits for water-skiing; neckties; corsets (underclothing); sashes for wear; fur stoles; scarves; caps (headwear); peaked caps; gloves (clothing); waterproof clothing; girdles; underclothing; mantillas; stockings; socks; bandanas (neckerchiefs); babies' napkins of textile; furs

(clothing); pyjamas; soles for footwear; heels; veils (clothing); suspenders; gymnastics and sports suits; layettes (clothing); collars (clothing); singlets; mittens; ear muffs (clothing); inner soles; bow ties; beach wraps; cuffs, wristbands (clothing); dress shields; beach clothes; housecoats; pockets for clothing; socks suspenders; stocking suspenders; petticoats; tights; aprons (clothing); headdress for wear; masquerade costumes; uniforms; cap peaks; wooden shoes; frilled caps; garters; coats; esparto shoes or sandals; non-slipping devices for boots and shoes; bath robes; bath slippers; birettas; overalls, smocks; teddies (undergarments); berets; footmuffs, not electrically heated; lace boots; boots; boot uppers; studs for football boots; half-boots; fittings of metal for shoes and boots; tips for footwear; welts for boots and shoes; heelpieces for boots and shoes; drawers (clothing), pants; shirts; shirt yokes; shirt fronts; chemisettes (shirt fronts); tee-shirts; bodices (lingerie); vests, waistcoats; jackets (clothing); fishing vests; stuff jackets (clothing); combinations (clothing); slippers (undergarments); ready-made clothing; detachable collars and collars (clothing); clothing of leather; clothing of imitations of leather; shower caps; bed socks; skirts; pants; ready-made linings (parts of clothing); overcoats, topcoats; gabardines (clothing); gymnastic shoes; jerseys (clothing); pullovers; sweaters; liveries; muffs (clothing); footwear uppers; pocket squares; parkas; pelerines; pelisses; gaiters, spats; leggings; hosiery; knitwear (clothing); clothing for gymnastics; outerclothing; underwear; sandals; saris; underpants; hats; wimples; togas; gaiter straps, trouser straps; frocks; turbans; suits; items of clothing; slippers; shoes; sports shoes.

(260) AM 2012 65140 A

(800) 1096409

(731) ATİKER METAL İTHALAT İHRACAT VE İMALAT SANAYİ TİCARET ANONİM ŞİRKETİ

1. Organize Sanayi Bölgesi, Atabey Sokak
2. 5/A, KONYA, Turkey

(540)



(591) Green, red and white

(511)

6 – Containers of metal for compressed gas or liquid air, empty metal containers for liquefied petroleum gas (LPG), metal containers for gas.

7 – Fuel economizers for engines, liquefied petroleum gas (LPG) fuel conversion apparatus for internal combustion engines.

9 – Electronic devices used in machines and devices, namely, semi-conductors, electronic circuits, integrated circuits, chips, photocells, diodes, transistors, circuit boards, crystal oscillators, capacitors, interface circuits, delay lines, electronic LCD display units, electronic hybrid circuits, electronic heat sensors, electronic converters, magnetic heads, electronic magnetic deflection devices, electronic indicators for vehicles; speed indicators, oil indicators, fuel indicators and temperature indicators, tachometers, taximeters

(260) AM 2012 65182 A

(800) 729036

(731) BIA Separations d.o.o.

Teslova 30, SI-1000 Ljubljana, Slovenia

(540)

CIM

(591) Black, white

(511)

1 – Chemicals for use in industry, science, photography, as well as agriculture, horticulture and forest economics, in particular chemicals for separating and purifying mixtures and separating pure substances; chromatography chemicals; unprocessed artificial porous resins for use in chromatography.

9 – Chromatography apparatus for laboratory use; apparatus and instruments for separating and purifying mixtures and separating pure substances; compact and porous tubes and disks of artificial porous resins in columns or cartridges for separating and purifying mixtures, separating pure substances; kits containing chemicals for use in industry, science, photography as well as agriculture, horticulture and forest economics, in particular chemicals for use in separating and purifying mixtures, separating pure substances, chromatography chemicals, artificial porous resins for use in chromatography, compact and porous tubes and disks of artificial porous resins in columns or cartridges for separating and purifying mixtures, and separating pure substances.

11 – Chromatography apparatus for industrial purposes.

(260) AM 2012 65183 A

(800) 748395

(731) DeLaval Holding AB

Gustaf de Laval's väg 15, SE-147 41

TUMBA, Sweden

(540)

DeLaval

(591) Black, white

(511)

1 – Chemicals used in industry and science, as well as in agriculture, horticulture and forestry; manures; fire extinguishing compositions; chemical substances for preserving foodstuffs; biological/chemical additives used to preserve crops.

3 – Bleaching preparations and other substances for laundry use; cleaning, polishing, scouring and abrasive preparations; soaps; washing-up liquids; dishwasher detergents; teat and udder cleaning preparations; udder soap.

4 – Industrial oils and greases; lubricants; dust absorbing, wetting and binding compositions; vacuum pump oils; hydraulic oils; pulsator oils; silicone sprays.

5 – Pharmaceutical, veterinary and sanitary preparations; dietetic substances adapted for medical and veterinary use, plasters, materials for dressings; disinfectants; preparations for destroying vermin; fungicides, herbicides; fly combating preparations; additives to fodder for medical purposes; teat dipping preparations; disinfectant and softening teat and udder protection preparations; animal washes; cement for animal hooves.

6 – Metal building materials; transportable buildings of metal; non-electric cables and wires of common metal; ironmongery, small items of metal hardware; pipes and tubes of metal; stalling arrangements and equipment; stationary and temporary gate and fence installations; electric fences; fluid storage tanks of metal; refrigeration tanks of metal.

7 – Machines namely conveyors and machine tools; agricultural implements other than hand-operated; incubators for eggs; milking machines including control means, take-off means, milk meter means, vacuum connections and joints; automatic feeding, milking and milk yield recording systems for animals, parts and fittings therefor; fodder presses; teat cups, teat cup liners and flexible tubes for milking machines; vacuum pumps; flexible tubes for hydraulic and vacuum arrangements; handling equipment for the removal, treatment, storage and spreading of manure; feeding equipment for the storage, preparation and distribution of feed such as hay, ensilage, grain, concentrates, water, milk and products from the food industry to milk producing animals, young stock and other livestock; washing machines for milking equipment and milk lines; high pressure washes; professional vacuum cleaners.

8 – Hand tools and implements (hand operated); cutlery; hand tools for animal care; hair-cutting apparatuses.

9 – Apparatus and instruments for weighing, measuring, signalling and checking (supervision); apparatus for recording, transmission or reproduction of sound or images; data processing equipment and computers; computers and processors for guiding, control, measuring, signalling and supervision of production parameters for breeding of animals, for feeding of animals and for milk production, including apparatus for measuring and registering the quantity of milk; computer programs in machine readable form; instruments for measuring milk quality parameters; hardware and software computer systems for the management, supervision and control of herds such as sensors, automatic identification, activity monitoring, feed analysis and milk quantity and quality control; transponders and readers for animal identification; pulsators; closed circuit cameras and monitors; electrical fly catchers.

11 – Apparatus for lighting, heating, steam generating, cooking, refrigerating, drying, ventilating, water supply and sanitary purposes (not including heat exchangers); irrigation installations for animals, including water buckets, nipples, irrigation pumps for feeding of animals; milk filters; equipment for cooling and storage of milk on the farm and ancillary equipment like cleaning, water heating and vacuum generation; energy recovery systems from milk cooling and barn air; equipment for generating cleaning foam.

12 – Ensilage and feed wagons for cattle stables.

17 – Air hoses; liquid transfer hoses; teat cup liners.

18 – Harness; harness accessories (metallic); fastenings; halters; saddlery.

21 – Horse brushes and curry combs; combs and sponges; brushes for cleaning purposes; cloths for cleaning; feeding and water troughs and bowls for animals; hand sprayers; teat dipping cups; troughs for livestock.

25 – Clothing, footwear, headgear, aprons (clothing); gloves.

27 – Floor coverings for stables and barns; cow mats.

31 – Foodstuffs for animals; additives to fodder (not for medical purposes).

36 – Financial services.

37 – Repair, maintenance and installation services concerning livestock arrangements, buildings and installations, including feeding, breeding, milking and manure handling.

41 – Education and providing of training/instructions concerning management, operation, maintenance and development of livestock and dairy farms.

42 – Agricultural services; consultancy in the field of management, operation, maintenance and development of livestock and dairy farms; consultancy concerning environmental control in agriculture.

(260) AM 2012 65190 A

(800) 775475

(731) Fritz Egger GmbH & Co. OG

Weiberndorf 20, A-6380 St. Johann in Tirol, Austria

(540)

EUROSPAN

(591) Black, white

(511)

17 – Goods made from plastics, plastic laminates (semi-finished goods).

19 – Building materials (non metallic); laminated or non-laminated chip boards and wood fiber boards; laminated wood-fiber panels; wooden construction components, such as load-bearing elements, boards, beams and pre-formed elements for building purposes; window sills.

20 – Furniture and parts for furniture made from wood fiber boards or chip boards, such as worktops, frontal elements for furniture, body elements for furniture, edge elements; boards made from laminated material and plastic laminates, all being parts of furniture.

(260) AM 2012 65191 A

(800) 781923

(731) Aktsionerno droujestvo "SOPHARMA"

Oulitsa "Iliensko chaussee" 16, BG-1220 SOFIA, Bulgaria

(540)

TRIBESTAN ТРИБЕСТАН

(591) Black, white

(511)

5 – Pharmaceutical, veterinary and sanitary preparations, dietetic substances adapted for medical use.

30 – Tea; infusions, non-medicinal.

31 – Agricultural, horticultural and forestry products and grains not included in other classes; natural plants, foodstuffs for animals.

(260) AM 2012 65293 A
 (800) 1097426
 (731) EGIS GYÓGYSZERGYÁR
 Nyilvánosan Működő Részvénytársaság
 Kereszturi út 30-38, H-1106 Budapest,
 Hungary
 (540)

**EGIS- Health.
 Quality. Life.**

(591) Black, white
 (511)
 5 – Pharmaceutical, veterinary and sanitary preparations; dietetic substances adapted for medical use; vitamin composition, mineral food supplements; dietary supplements; plasters, materials for dressings; material for stopping teeth, dental wax; disinfectants; preparations for destroying vermin; fungicides.

35 – Advertising or information in connection with pharmaceutical products; communication towards different target groups, business consultations, providing commercial information or advise on the pharmaceutical or medical field; handling of computer data; arranging of exhibitions for commercial or advertising purposes; all kinds of on-line advertising with the aid of computer network, including the Internet; arranging and conducting of exhibitions on pharmaceutical matters; marketing activity, company representation.

41 – Education on therapeutic and pharmaceutical matters, professional training, organizing and conducting of conferences, congresses and seminars on therapeutic matters, edition of publications, books, manuals and data bases on pharmaceutical matters.

42 – Search and development of medicaments, clinical testing.

44 – Medical and health care services, advisory activity on the pharmaceutical and public health field; providing information in the public health.

45 – Registration of medicines and substances adapted for medical use.

(260) AM 2012 65294 A
 (800) 1097427
 (731) EGIS GYÓGYSZERGYÁR
 Nyilvánosan Működő Részvénytársaság
 Kereszturi út 30-38, H-1106 Budapest,
 Hungary
 (540)

**ЭГИС – Здоровье.
 Качество. Жизнь.**

(591) Black, white
 (511)
 5 – Pharmaceutical, veterinary and sanitary preparations; dietetic substances adapted for medical use; vitamin composition, mineral food supplements; dietary supplements; plasters, materials for dressings; material for stopping teeth, dental wax; disinfectants; preparations for destroying vermin; fungicides.

35 – Advertising or information in connection with pharmaceutical products; communication towards different target groups, business consultations, providing commercial information or advise on the pharmaceutical or medical field; handling of computer data; arranging of exhibitions for commercial or advertising purposes; all kinds of on-line advertising with the aid of computer network, including the Internet; arranging and conducting of exhibitions on pharmaceutical matters, marketing activity, company representation.

41 – Education on therapeutic and pharmaceutical matters, professional training, organizing and conducting of conferences, congresses and seminars on therapeutic matters, edition of publications, books, manuals and data bases on pharmaceutical matters.

42 – Search and development of medicaments, clinical testing.

44 – Medical and health care services, advisory activity on the pharmaceutical and public health field; providing information in the public health.

45 – Registration of medicaments and substances adapted for medical use.

(260) AM 2012 65295 A
 (800) 353100
 (731) Bayer Consumer Care AG
 Peter Merian Str. 84, CH-4052 Basel,
 Switzerland
 (540)

ELEVIT

(591) Black, white
 (511)
 5 – Vitamin-based pharmaceutical products.

(260) AM 2012 65296 A
 (800) 367739
 (731) CEVA SANTE ANIMALE
 10 Avenue de La Ballastière, F-33500
 LIBOURNE, France
 (540)

CEVA

(591) Black, white
 (511)
 1 – Chemical products for industry and animal husbandry.
 5 – Medicated foodstuffs for animal consumption; veterinary products; chemical products for veterinary science.
 31 – Animal feed, live animals, feed for livestock and animal husbandry.

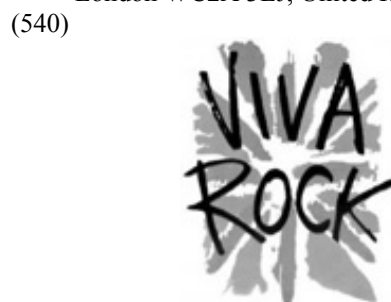
(260) AM 2012 65303 A
 (800) 558709
 (731) CORAL S.P.A.
 Corso Europa, 597, I-10088 Volpiano (TO), Italy



(591) Black, white
 (511)
 6 – Common metals and their alloys; building materials of metal; transportable buildings, of metal; railway material of metal; non-electric cables and wires of common metal; ironmongery and small items of metal hardware; pipes of metal; safes; goods of common metal not included in other classes; ores, varnishing booths.
 7 – Machines and machine tools; motors and engines (other than for land vehicles); machine coupling components and transmission belts (other than for land vehicles); agricultural implements; incubators for eggs; air relief valves.
 9 – Scientific, nautical, surveying, electric, photographic, cinematographic, optical, weighing, measuring, signaling, checking (supervision), life-saving and teaching apparatus and instruments; apparatus for recording, transmission or reproduction of sound or images; magnetic recording media, sound recording disks; automatic vending machines and mechanisms for coin-operated apparatus; cash registers, calculating machines, data processing equipment and computers; extinguishers.
 11 – Apparatus for lighting, heating, steam generating, cooking, refrigerating, drying, ventilating, water supply and sanitary purposes; electric fans, filters, air relief valves, drying ovens, drying apparatus, water filters, water drain valves, desalination installations, vacuum cleaning installations.
 17 – Rubber, gutta-percha, gum, asbestos, mica and goods made from these materials and not included

in other classes; plastics in extruded form for use in manufacture; packing, stopping and insulating materials; flexible tubes, not of metal; soundproofing material.
 19 – Building materials, not of metal; rigid pipes, not of metal, for building; asphalt, pitch and bitumen; transportable buildings, not of metal; monuments, not of metal.

(260) AM 2012 65340 A
 (800) 1097631
 (731) Akkurate Limited
 Queens House, 55-56 Lincoln's Inn Fields,
 London WC2A 3LJ, United Kingdom



(591) Black, white
 (511)
 3 – Perfumes and cosmetics including: lipsticks, bath foams, essential oils for personal use, tanning oils and lotions, mascara, foundation creams, eyeliners, soaps for personal use, cold creams, vanishing creams, shaving creams, antiwrinkle creams, nail varnish, nail polish, tooth paste, skin lotions, hair lotions, eye shadow, deodorants for personal use, liquid soaps, aftershave lotions, beauty masks, cotton sticks and wool for cosmetics purposes, eyebrow pencils, hair waving preparations, hair colorants spray, make-up powder, make-up removing preparations, shampoos, talcum powder.

(260) AM 2012 65341 A
 (800) 1097653
 (731) Limited liability company
 "UPLADDER.RU"
 korp. 1, d. 12, ul. Dvintsev, RU-127018
 Moskva, Russian Federation



(591) Black, white
 (511)
 35 – Advertising; radio advertising; television advertising; on-line advertising on a computer network; advertising by mail order; advertising agencies; updating of advertising material;

publication of publicity texts; dissemination of advertising matter; publicity material rental; rental of advertising time on communication media; publicity columns preparation; news clipping services; modelling for advertising or sales promotion; rental of advertising space; shop window dressing; bill-posting; organization of exhibitions for commercial or advertising purposes; organization of trade fairs for commercial or advertising purposes; public relations; opinion polling; employment agencies; psychological testing for the selection of personnel; personnel recruitment; personnel management consultancy; compilation of information into computer databases; business information.

(260) AM 2012 65342 A
(800) 1097656
(731) ROSENBERGER Hochfrequenztechnik GmbH & Co. KG
Hauptstr. 1, 83413 Fridolfing, Germany
(540)

P-SMP

(591) Black, white
(511)
9 – Electric and electronic apparatus and instruments (included in this class), including the aforesaid goods in the field of high-frequency engineering; electronic components, electric and electronic switches and circuits, and connecting elements, including pin and socket connections (included in this class); electric cables; all the aforementioned goods also in the field of electronic automobile.

(260) AM 2012 65344 A
(800) 1097671
(731) SYMTECO INTERNATIONAL LIMITED
2, Michail Karaoli Str. Engomi, CY-2404
Nicosia, Cyprus
(540)



(591) Pale violet and red
(511)
36 – Financial payment systems, services rendered to banks, i.e. providing banks with an international platform for mobile and online payments services and notifying its customers on financial events, allowing third party payment systems and

individuals to securely connect to bank accounts for charges and deposits; money transfers, electronic banking services, electronic cash transfer.

(260) AM 2012 65345 A
(800) 1097672
(731) Razer (Asia-Pacific) Pte Ltd
514 CHAI CHEE LANE, №07-05,
SINGAPORE 469029, Singapore
(540)



(591) Black, white
(511)
9 – Computers; laptop computers; notebook computers; handheld computers; personal digital assistants; computer and video game apparatus adapted for use with television receivers or other external display screens or monitors; computer displays; computer monitors; computer hardware; computer sound cards; computer peripherals; computer and video game controllers; computer mice; computer keyboards; computer keypads; computer graphics tablets; computer pens; computer joysticks; computer trackballs; computer game apparatus and video game apparatus (adapted for use with an external display screen or monitor), namely, flight yokes, steering wheels, accelerator pedals, brake pedals and guns; motion sensors for computer and video games; apparatus for recording, transmission or reproduction of data, sound or images; audio equipment and apparatus; earphones; headphones; microphones; headsets; loudspeakers; apparatus for cable management for the aforementioned goods; batteries and power supplies for the aforementioned goods; parts and spare parts of the aforementioned goods as far as included in this class; computer software and computer software drivers for the aforementioned goods; computer and video games; computer mice mats; bags, pouches, cases and covers adapted for holding and storing the aforementioned goods.

18 – Bags; messenger bags; sport bags; travel bags; backpacks; knapsacks.

25 – Clothing; polo shirts; T-shirts; sweatshirts; headgear; caps; sweatbands.

28 – Games and playthings; electronic games and playthings other than those adapted for use with television receivers; video game apparatus other than those adapted for use with television receivers; handheld video game apparatus other than those adapted for use with television receivers; parts and spare parts of the aforementioned goods as far as included in this class; bags, pouches, cases and

covers adapted for holding and storing the
aforementioned goods.

(260) AM 2012 65347 A
(800) 1097705
(731) GUANGDONG HAN'S YUEMING LASER
TECHNOLOGY CO., LTD.
Yanwu Industrial Park, Wanjiang District,
Dongguan, Guangdong, China
(540)



(591) Black, white
(511)
7 – Engraving machines; computer engraved paint
machine (terms considered too vague by the
International Bureau – rule 13.2.b) of the Common
Regulations); computer cutting plotter (terms
considered too vague by the International Bureau –
rule 13.2.b) of the Common Regulations); fabric
cutting machine; batteries engine (terms considered
too vague by the International Bureau – rule 13.2.b)
of the Common Regulations); print circuit board
processor; glass cutting machine; packaging
machines; cutting machines; robots (machines).

(260) AM 2012 65348 A
(800) 1097722
(731) Green Smoke, Inc.
20533 Biscayne Blvd., Suite 784, Miami FL
33180, USA
(540)

GREEN SMOKE

(591) Black, white
(511)
34 – Electronic cigarettes and accessories sold
therewith.

(260) AM 2012 65349 A
(800) 1097732
(731) Joint stock company "FARMAK"
63, vul. Frunze, Kyiv 04080, Ukraine
(540)

АМІЗОН

(591) Black, white
(511)
5 – Pharmaceutical preparations; medicine for
human purposes.

(260) AM 2012 65352 A
(800) 1097738
(731) Delphi Technologies, Inc.
5725 Delphi Drive, Troy MI 48098, USA
(540)

MULTEC

(591) Black, white
(511)
7 – Fuel injectors for internal combustion engines
used in motor vehicles; fuel injectors not for use in
motor vehicles; fuel rails for engines; engine parts,
namely, electronic fuel injection modules.

(260) AM 2012 65353 A
(800) 1097757
(731) BRIDGESTONE CORPORATION
10-1, Kyobashi 1-chome, Chuo-ku, Tokyo
104-8340, Japan
(540)

Your Journey, Our Passion

(591) Black, white
(511)
1 – Rubber cement for use in retreading preformed
tires; solvents; self-vulcanizing binder
compositions and vulcanizing accelerator
compositions all used in the repair of tires.
6 – Metal junctions for pipes; metal flanges; water-
pipe valves of metal; pipework of metal;
antiseismic construction materials of metal;
construction materials of metal; reinforcing
materials of metal for building; metal hardware;
reinforcing materials of metal for pipes; nuts of
metal; industrial water storage tanks (of metal);
water tanks of metal for household purposes; steel
buildings; stainless-steel water tanks; containers of
metal; rubber covered metal chains for preventing
bridge collapse; man-made garden ponds (metal
structures).

7 – Construction machines and apparatus; loading-
unloading machines and apparatus; rubber tracks
for use with crawlers on agricultural machinery;
rubber tracks for use with crawlers on mining
machinery; rubber tracks for use with crawlers on
construction, cargo handling machinery; rubber
pads to be attached to shoe plates of metal crawlers;
rubber tracks for use with crawlers on snow
remover; rubber tracks for use with crawlers on
construction, cargo handling, agricultural mining
machinery; parts and fittings for all the aforesaid
goods; belts for conveyors; transmission belts not
for land vehicles; belt conveyers; brakes for
machines; hydraulic hoses, not of metal, for use in
machines; non-metallic hoses for transferring
hydraulic power in machines; nonmetallic hoses for
use in hydraulic systems in machines; hydraulic
quick release couplings for high pressure hoses

used in machines; plastics pipes (fitted parts of machines); hydraulic connectors (pipes) being parts of machines; tire repairing machinery; pressure chambers as parts of tire repairing machinery; tire buffers as parts of tire repairing machinery; tire tread rollers and stitchers, as parts of tire repairing machinery; tire tread cutters and bonding agent applicators used in recapping tires as parts of tire repairing machinery; pneumatic shock absorbers (air springs, for machine elements not for land vehicles); rubber springs for non-vehicular suspension systems. 9 – Phase indicators; rubber covered electrical wires; electronic buzzers; solar batteries; facsimiles; electronic displays utilizing electronic paper technology; computers; rollers such as transfer rollers, toner supply rollers, development rollers, etc. for printers, facsimiles, copy machines; alarm devices for tire pressure; pressure gauges in vehicle tires; rubber testing machines; cameras; magnetic cores; gasoline gauges; gasoline pumps for service stations; cigar lighters for automobiles; protective masks; apparatus for consumer games adapted for use with an external display screen or monitor; electronic circuits and cd-roms recorded with programs for hand-held games with liquid crystal displays; weight belts for scuba diving; downloadable music files; downloadable image files; electronic publications; batteries, electric; batteries, electric, for vehicles; sunglasses.

12 – Automobiles and their parts and fittings; tires for passenger cars; tires for trucks; tires for buses; tires for racing cars; tires for automobiles; retreaded tires for passenger cars; retreaded tires for trucks; retreaded tires for buses; retreaded tires for racing cars; retreaded tires; retreaded tires for automobiles; inner tubes for passenger cars; inner tubes for trucks; inner tubes for buses; inner tubes for racing cars; inner tubes for automobiles; wheels and rims for passenger cars; wheels and rims for trucks; wheels and rims for buses; wheels and rims for racing cars; wheels and rims for automobiles; tread rubber for retreading tires for the above-mentioned vehicles; two-wheeled motor vehicles and their parts and fittings; tires for two-wheeled motor vehicles; inner tubes for two-wheeled motor vehicles; wheels and rims for two-wheeled motor vehicles; bicycles and their parts and fittings; tires for bicycles; inner tubes for bicycles; wheels and rims for bicycles; aircraft and their parts and fittings; tires and inner tubes for aircraft; adhesive rubber patches for repairing tubes or tires; tread rubber for retreading tires for two-wheeled motor vehicles or bicycles; tread rubber for retreading tires for aircraft; tread used to retread tires; preformed tire treads; rubber patches for repairing vehicle tread; shock absorbers (for land vehicles); air springs for land vehicles; shaft couplings or connectors (for land vehicles); fenders for vessels

(boat side protectors); seat cushions for vehicles; air springs for railway cars; vehicle bumpers; suspension shock absorbers for vehicles; suspension springs for vehicles; tires for off-the-road vehicles; four-wheeled go-carts; tricycles for infants; tires for scrapers; tires for motor graders; tires for shovel loaders; tires for tire rollers; tires for wheeled cranes; tires for cranes; tires for snow plows; tires for pavers; tires for mining machinery.

17 – Valves of rubber or vulcanized fiber; flexible tubes not of metal; junctions for pipes, not of metal; sealants for use in building and construction and insulation for use in building and construction; floating anti-pollution barriers; packing containers of rubber; hydraulic hoses, not of metal; plastic substances, semi-processed; plastic sheets for use as interlayers for laminated glass; plastic films, not for wrapping; EVA (ethylene vinyl acetate) films for solar batteries; EVA (ethylene vinyl acetate) films for solar cells; urethane foam; thermoplastic elastomers used as materials for buffers of HDD; flexible pipes and tubes of plastic; flexible rubber tubes; laminated plastic films for use in electronic displays including plasma display panels and liquid crystal displays; adhesive-coated plastic sheets for solar cells; rubber; materials of rubber for seismic isolation; synthetic rubber; natural rubber; rubber compounds; rubber for retreading and repairing tires and repairing tubes; rubber material for recapping tires; gaskets; seals; waterproof membranes; gaskets of metal.

18 – Shopping bags; bags for sports; rucksacks; travelling bags; handbags; wheeled shopping bags; net bags for shopping; purses; school bags; bags (envelopes, pouches) of leather for packaging; umbrellas; parasols; card cases; key cases leatherware; vanity cases not fitted.

19 – Rigid pipes, not of metal (building); rubber building or construction materials; antiseismic construction materials, not of metal; rubber building materials for seismic isolation; non-metallic building materials; roofing membranes; roofing membranes having waterproof properties; non-metal bridge construction materials, covered with rubber; man-made garden ponds (structures, not of metal).

20 – Valves, not of metal, other than parts of machines; tanks, not of metal nor of masonry; liquid storage tanks not of metal nor of masonry; gas storage tanks not of metal nor masonry; chests, not of metal; desks; chairs; mirrors; bathroom vanities; bookcases; cushions; pillows; mattresses; cases of wood; bamboo and plastic containers for packaging; fans for personal use, non-electric; water tanks for household purposes not of metal nor masonry; sleeping bags for camping; hairdressers' chairs; non-metal chains covered with rubber.

24 – Towels of textile; handkerchiefs; labels (cloth).

25 – Wind jackets; wristbands; golf shoes; golf spikes; cyclists' suits of jerseys for racing; cyclists' pants for racing; cyclists' overalls; golf trousers; golf caps; golf shirts; golf pants; golf skirts; jackets; jogging pants; sweat pants; trousers; overcoats; raincoats; sweaters; sport shirts; camisoles; undershirts; underpants; vests; open-necked shirts; polo shirts; collar protectors; socks; scarfs; gloves; gloves for bicycling; neckerchieves; thermal underwear; mufflers; ear muffs; hats; caps (clothing); visors; sports shoes; walking shoes; shoes; gloves for bicycle racing; gloves for cycling.

28 – Miniature cars; rubber balls; model vehicles; golf clubs; golf bags; golf balls; golf gloves; golf club heads; golf club head covers; golf irons; golf putters; golf implements; sports bags shaped to contain specific sports apparatus; tennis rackets; tennis balls.

35 – Retail services or wholesale services for automobiles, tires and parts and fittings for automobiles; retail services or wholesale services for sports goods; retail services or wholesale services for bicycles and parts and fittings for bicycles.

37 – Repair and maintenance of automobiles and their parts; repair and maintenance of tires for automobiles; retreading of tires; repair and maintenance of two-wheeled motor vehicles and their parts; repair and maintenance of tires for bicycles; repair and maintenance of tires for aircraft; tire repair and recapping services; roofing services; roof repair; roof installation, and maintenance.

(260) AM 2012 65354 A

(800) 1097765

(731) VE-GE HASSAS KAĞIT VE YAPIŞTIRICI BANT SAN. VE TİC. A.Ş.

Halkali Cad. №229, TR-34295 SEFAKÖY-ISTANBUL, Turkey

(540)



(591) Green, black

(511)

16 – Paper, cardboard and goods made from these materials, not included in other classes; photocopy papers, plastic materials for packaging, printed matter; bookbinding material, printed publications, calendars, posters, photographs, placards of paper

or cardboard, paintings (pictures), stickers, stamps, typewriters and office requisites (except furniture); office requisites, paint rollers.

(260) AM 2012 65355 A

(800) 1097789

(731) Audi AG

85045 Ingolstadt, Germany

(540)

Audi connect

(591) Black, white

(511)

9 – Scientific, nautical, surveying, photographic, cinematographic, optical, weighing, measuring, signalling, checking (supervision), life-saving and teaching apparatus and instruments; electronic interface modules for wired and wireless communications equipment; apparatus and instruments for conducting, switching, transforming, accumulating, regulating or controlling electricity; apparatus for recording, transmission or reproduction of sound or images; data carriers; automatic vending machines and mechanisms for coin-operated apparatus; cash registers, calculating machines, data processing equipment and computers; computer programs, computer software and computer hardware; navigation apparatus for vehicles (on-board computers); GPS navigation device; cell phones, telephones.

12 – Vehicles and their constructive parts; apparatus for locomotion by land, air or water.

38 – Telecommunication; providing telecommunication connections to a global computer network or database; providing access to information on the Internet; providing access to databases; electronic mail.

42 – Scientific and technological services and research and design relating thereto; industrial analysis and research services; design and development of computer hardware and software, in particular of interactive multimedia software; installation and maintenance of software.

(260) AM 2012 65356 A

(800) 1097804

(731) Razer (Asia-Pacific) Pte Ltd

514 CHAI CHEE LANE, №07-05,
SINGAPORE 469029, Singapore

(540)

RAZER

(591) Black, white

(511)

9 – Computers; laptop computers; notebook computers; handheld computers; personal digital

assistants; computer and video game apparatus adapted for use with television receivers or other external display screens or monitors; computer displays; computer monitors; computer hardware; computer sound cards; computer peripherals; computer and video game controllers; computer mice; computer keyboards; computer keypads; computer graphics tablets; computer pens; computer joysticks; computer trackballs; flight yokes for computer and video games; steering wheels for computer and video games; accelerator pedals and brake pedals for computer and video games; guns for computer and video games; motion sensors for computer and video games; apparatus for recording, transmission or reproduction of data, sound or images; audio equipment and apparatus; earphones; headphones; microphones; headsets; loudspeakers; apparatus for cable management for the aforementioned goods; batteries and power supplies for the aforementioned goods; parts and spare parts of the aforementioned goods as far as included in this class; computer software and computer software drivers for the aforementioned goods; computer and video games; computer mice mats; bags, pouches, cases and covers adapted for holding and storing the aforementioned goods.

18 – Bags; messenger bags; sport bags; travel bags; backpacks; knapsacks.

25 – Clothing; polo shirts; T-shirts; sweatshirts; headgear; caps; sweatbands.

28 – Games and playthings; electronic games and playthings other than those adapted for use with television receivers; video game apparatus other than those adapted for use with television receivers; handheld video game apparatus other than those adapted for use with television receivers; parts and spare parts of the aforementioned goods as far as included in this class; bags, pouches, cases and covers adapted for holding and storing the aforementioned goods.

(260) AM 2012 65357 A

(800) 1097805

(731) Zakrytoje akcionernoe obshchestvo

"Upravljajuschaja kompanija – Stroitel'nyj holding "Etalon-LenSpetsSMU"

Bogatyrskij pr., d. 2, RU-197348

Saint-Petersburg, Russian Federation

(540)



(591) Blue, black and white

(511)

42 – Architecture; graphic arts designing; technical project studies; engineering; material testing;

geological research; research in the field of environmental protection; research and development for others; underwater exploration; technical research; calibration [measuring]; architectural consultation; quality control; land surveying; geological surveys; design of interior decor; urban planning; construction drafting; consultancy in the field of energy-saving; industrial design; surveying.

(260) AM 2012 65359 A

(800) 1097814

(731) MARC RICH + CO HOLDING GMBH

Artherstrasse 20, CH-6300 Zug, Switzerland

(540)

Marc Rich

(591) Black, white

(511)

35 – Electronic commerce services, namely information transmission between suppliers as well as advertisers and buyers and the target market by means of an Internet-based communication platform; compilation of data into electronic databases; publishing of advertisements (for advertising purposes) by means of data processing equipment, particularly by means of global telecommunication systems; provision of advertising space on the Internet and in the print media; electronic commerce services, namely supply of goods purchase and sale contracts for others; marketing; auctioneering, particularly by means of telecommunication systems; management of data banks, namely updating of their content; arranging and conducting of exhibitions and trade fairs for commercial purposes; commercial and business information, particularly product information services for commercial and advertising purposes; wholesale and retail sale of all kinds of goods, including works of art and raw materials; economic forecasting; market research and analysis; provision of information and data on-line via global electronic computer networks (the Internet) on selecting goods and services of all kinds; on-line price comparison services for goods and services of all kinds; all kinds of comparative analyses of business operations (benchmarking); provision of information and data of all kinds for on-line calculation of the price and value of goods and services of all kinds; provision of information and data of all kinds in the field of insurance, finance, monetary and real estate affairs via a telecommunication network (the Internet) in order to establish comparisons between the various goods and services available in these fields.

36 – Financial affairs; financial consultancy; drawing up of financial analyses; financial transactions; financial management; investment

consultancy; capital investments; mutual funds; financial evaluation of companies; insurance services; real estate affairs, sales, auctioneering, purchase, valuation, agency services, trading and exchanging of real estate property; management of houses and apartment houses; mortgage agencies; management of real estate and investment funds.

(260) AM 2012 65360 A

(800) 1097867

(731) Barilla G. e R. Fratelli – Società per Azioni
Via Mantova, 166, I-43100 PARMA, Italy

(540)



(591) Black, white

(511)

30 – Coffee, tea, cocoa, sugar, rice, tapioca, sago, artificial coffee; flour and preparations made from cereals, bread, bread substitutes and other bread products; snacks made from cereals; biscuits, pastry and confectionery; chocolate and chocolate-based products or products containing chocolate; bakery products; snacks and sweet snacks; preparations for making cakes; pizzas and preparations for pizzas; ice-cream; honey; treacle; yeast; baking-powder; salt; mustard; vinegar, sauces (condiments); spices; ices.

(260) AM 2012 65361 A

(800) 1097889

(731) ZHEJIANG PFLUON TECHNO-
LOGY CO., LTD.
№588 Huatai Road, New District, Jinpan
development Area, Jinhua, Zhejiang, China

(540)



(591) Blue and green

(511)

1 – Unprocessed epoxy resins; unprocessed plastics; unprocessed synthetic resins; unprocessed artificial resins; unprocessed acrylic resins; silicones; filtering materials, namely, unprocessed plastics; organic silicon resin; ion-exchange resin; synthetic resins.

2 – Printers' pastes, namely, ink; printing ink; paints; bactericidal paints; varnishes; ceramic paints; undercoating for vehicle chassis; thinners for paints; coatings, namely, paints; fireproof paints; agglutinants for paints; lacquers; anti-fouling paints; non-sticky chemical coating used for non-stick pans; paint thinner.

21 – Cooking pot sets; stew-pans; cauldrons; pot lids; cooking pots; frying pans; cake moulds; egg cups, not of precious metal; non-electric autoclaves, namely, pressure cookers; kitchen utensils, not of precious metal; non-electric waffle irons; bread bins; iron pot; non-electric hot pot; tableware not of precious metal, other than knives, forks and spoons; containers, namely, glass flasks; glassware for everyday use, including cups, plates, kettles and jars; earthen wares, namely, saucepans; porcelain for everyday use, namely, basins, bowls, plates, kettles, tableware, jars, jugs and pots; coffee services not of precious metal.

(260) AM 2012 65362 A

(800) 1097890

(731) UNİFİT BORU BAĞLANTI ELEMANLARI
ENDÜSTRİ MAMULLERİ SANAYİ VE
TİCARET ANONİM ŞİRKETİ
Mermerciler Organize Sanayi Bölgesi,
Mermerciler Caddesi, №:59, Kat: 1, Tuzia
İSTANBUL, Turkey

(540)

UNİFIT

(591) Black, white

(511)

6 – Metal pipes for liquid or gas transfer and their connection parts (including drilling pipes of metal); metal pipe couplings and joints, metal pipe collars, metal junctions for pipes, metal pipe muffers, elbows of metal for pipes, metal valves other than parts of machines, metal taps for casks; manhole covers of metal for drain channels, channels for electric cables and telephone cables; metal gratings.

(260) AM 2012 65364 A

(800) 1097948

(731) Zdesenko Andrii
kv. 23, bud. 1, vul. Novokrims'ka,
m. Dnipropetrovs'k 49055, Ukraine

(540)

Праздник в твоих руках

(591) Black, white

(511)

4 – Industrial oils and greases; lubricants; dust absorbing, wetting and binding compositions; fuels, including motor spirit, and illuminants; candles and wicks for lighting; beeswax, additives, non-

chemical, to motor-fuel, dust laying compositions, methylated spirit, fuel with an alcoholic base, alcohol used as fuel, paper spills for lighting, wood spills for lighting, firelighters, anthracite, non-slipping preparations for belts, Christmas tree candles, grease for arms (weapons), dust binding compositions for sweeping, benzene, benzine, benzol, firewood, wood briquettes, charcoal (fuel), firewood, tapers, perfumed candles, coal briquettes, combustible briquettes, peat briquettes [fuel], motor fuel, vaporized fuels (mixtures), carnauba wax, ceresine, tallow candles, coal, grease for shoes, candles, belting wax, illuminating wax, waxes (raw materials), industrial wax, coke, fuels, oil for the preservation of masonry, preservatives for leather (oils and greases), cutting fluids, grease for belts, oils for releasing form work (building), tallow, dust removing preparations, gas for lighting, illuminating grease, illuminants, electrical energy, textile oils, gasoline, petroleum ether, diesel oil, fuel gas, oil-gas, producer gas, solidified fuel gases, gasoline, petroleum jelly for industrial purposes, coal tar oil, lubricating grease, lubricating oil, industrial grease, grease for leather, lubricating graphite, coal, coal naphtha, castor oil for technical purposes, soya bean oil preparations for non-stick treatment of cooking utensils, combustible oil, moistening oil, industrial oil, oil for the preservation of leather, oils for paints, textile oils, motor oil, kerosene, lamp wicks, wool grease, lignite, ligroin, lubricants, mazut, minerals (fuels), naphtha, rape oil for industrial purposes, oleine, bone oil for industrial purposes, ozokerite (ozokerite), paraffin, petroleum (crude or refined), fish oil, not edible, coal dust (fuel), grease for shoes, stearine, wool grease, peat (fuel), sunflower oil for industrial purposes, nightlights (candles), xylene, xylol.

6 – Common metals and their alloys; building materials of metal; buildings, transportable, of metal; railway material of metal; non-electric cables and wires of common metal; ironmongery, small items of metal hardware; pipes of metal; safes; goods of common metal not included in other classes; ores of metal; steel alloys, balls of steel, steel balls, steel, unwrought or semi-wrought, steel buildings, steel strips, steel wire, cast steel, steel masts, roller blinds of steel, steel sheets, steel tubes, steel pipes, advertisement columns of metal, machine belt fasteners of metal, railway switches, fittings of metal for compressed air ducts, jets of metal, building or furniture fittings of nickel-silver, nickel-silver, alloys of common metal, wire of common metal alloys except fuse wire, aluminum, aluminum foil, aluminum wire, floating docks of metal for mooring boats, mooring bollards of metal, anchor plates, anchors, traps for wild animals, metal cages for wild animals, rings of metal, rings of common metal for keys, wire for aerials, anti-

friction metal, tree protectors of metal, hooks for slate, cashboxes of metal, silver solder, nickel-silver, silvered (tin alloys), door frames of metal, reinforcing materials, of metal, for concrete, reinforcing materials of metal for pipes, reinforcing materials of metal for machine belts, reinforcing materials of metal for buildings, window-stops of metal, door stops of metal, works of art of common metal, wall hooks of metal for pipes, clips of metal for cables and pipes, troughs of metal for mixing mortar, stop collars of metal, rods of metal for brazing and welding, chests of metal, bird baths (structures of metal), cabanas of metal, broom handles of metal of metal, beacons of metal, non-luminous, bands of metal for tying-up purposes, stretchers for metal bands (tension links), barbed wire, barrel hoops of metal, barrels of metal, bars for metal railings, casks of metal, basins (swimming pools (metal structures), building materials of metal, beryllium (glucinium), cattle chains, traps for wild animals, shuttering of metal for concrete, bicycle parking installations of metal, beak-irons, white metal, armour plating, tin cans, unfitted metal toolboxes, letter boxes of metal, boxes of common metal, box fasteners of metal, plugs of metal, signs, non-luminous and non-mechanical of metal for roads, sealing caps of metal, buckles of common metal (hardware), mooring buoys of metal, bolts of metal, bottles (metal containers) for compressed gas or liquid air, sealing caps of metal for bottles, bottle closures of metal, metal knobs (handles), identification bracelets of metal for hospitals, iron slabs, rods of metal for brazing, brazing alloys, braces of metal for load handling, flanges of metal (collars), bronze, bronzes for tombstones, bronzes (works of art), busts of common metal, stops of metal, paint spraying booths, of metal, telephone boxes of metal, rope thimbles of metal, cables of metal, non-electric, cable linkages of metal, non-electric, binding screws of metal for cables, telpher cables, padlocks, cadmium, window frames of metal, door frames of metal, duckboards of metal, chests of metal, shims, shims, metal manifolds for piping systems, ferrules of metal for walking-sticks, chimney cowls of metal, tiles of metal for building, tile floorings of metal, safety cashboxes, vaults of metal (burial), celtium (hafnium), barrel hoops of metal, fittings of metal for coffins, cermets, safety chains of metal, chains of metal, couplings of metal for chains, railway switches, cask stands of metal, loading gauge rods, of metal for railway wagons, stillages (loading pallets of metal, hinges of metal, framework of metal for building, window frames of metal, door cases of metal, greenhouse frames of metal, frames of metal for building, ducts and pipes of metal for central heating installations, chimneys of metal, chimney pots of metal, chimney shafts of metal, railroad ties of metal, gutters of metal,

firedogs (andirons), pegs of metal, chains for dogs, letters and numerals of common metal, except type, chrome, chrome ores, water-pipe valves of metal, drain traps of metal, cotter pins, wrenches (keys), latch bars of metal, keys (keys), ducts of metal for ventilating and air conditioning installations, bells, small bells, partitions of metal, fences of metal, nails, nail products, cobalt (raw) (metal), metal forms for oil wells, tool chests of metal (empty), chests of metal, safes, advertisement columns of metal, pillars of metal for buildings, containers of metal for liquid fuel, water-pipes of metal, penstock pipes of metal, metal building materials, metal buildings, transportable buildings of metal, floating containers of metal, containers of metal, guard rails of metal, chill-molds (foundry), baskets of metal, rope eyes, ropes of metal, cornices of metal, moldings of metal for cornices, angle irons, elbows of metal for pipes, belt stretchers of metal, knife handles of metal, manhole covers of metal, roof coverings of metal, crampons (climbing irons), cramps of metal, pot hooks of metal, window casement bolts, hooks (metal hardware), hooks of metal for clothes rails, armour plate, copper rings, copper, unwrought or semi-wrought, copper wire, not insulated, tubing of metal, vats of metal, floor tiles of metal, foot scrapers, stair treads (steps) of metal, gutter pipes of metal, reels of metal, non-mechanical for flexible hoses, towel dispensers, fixed, of metal, drain pipes of metal, scaffolding of metal, ladders of metal, boarding stairs of metal, mobile for passengers, fish plates (rails), furnace screens, nuts of metal, badges of metal for vehicles, slings of metal for handling loads, foils of metal for wrapping and packaging, packaging containers of metal, tin-plate packings, ferrules of metal for walking sticks, branching pipes of metal, enclosures of metal for tombs, anvils, non-mechanical winding spools of metal for flexible hoses, signboards of metal, spurs, brackets of metal for building, staircases of metal, window fasteners of metal, vice benches not of metal, tin, tinfoil, props of metal, props of metal, vice benches of metal, scythe handles of metal, sash pulleys, fittings of metal for windows, windows of metal, iron, unwrought or semi-wrought, iron strip, iron wire, iron ores, stretchers for iron bands [tension links], tinplate, door closers, non-electric, closures of metal for containers, locks of metal for bags, railway material of metal, chrome iron, molybdenum iron, silicon iron, titanium iron, tungsten iron, ironwork for windows, ironwork for doors, fittings of metal for buildings, horseshoe nails, pins (hardware), figurines (statuettes) of common metal, wire rope, metal thread for tying-up purposes, wire of common metal, wire of common metal (turnbuckles) [tension links], floating containers of metal, foundry molds of metal, cast iron, unwrought or semi-wrought, gravestone slabs

of metal, monuments of metal for tombs, tombstone plaques of metal, tombstone stelae of metal, materials of metal for funicular railway permanent ways, rocket launching platforms of metal, galena (ore), runners of metal for sliding doors, lead seals, furnace fireguards, chests of metal for food, fittings of metal for beds, fittings of metal for furniture, door fittings, of metal, metal containers for gas under pressure, sheaf binders of metal, germanium, weather vanes of metal, ice molds of metal, crash barriers of metal for roads, glucinium (beryllium), gutters of metal, grease nipples, bells, grilles of metal, hafnium (celtium), spring locks, bins of metal, door frames of metal, identity plates of metal, numberplates of metal, indium, jalousies of metal, brass, unwrought or semi-wrought, wainscotting of metal, laths of metal, bindings of metal, binding thread of metal for agricultural purposes, posts of metal for electric lines, filings of metal, limonite, stringers (parts of staircases) of metal, ingots of common metal, lintels of metal, bed casters of metal, latches of metal, blooms (metallurgy), magnesium, nickel-silver, house numbers of metal, non-luminous, tool handles of metal, ferrules of metal for handles, sleeves [metal hardware], pipe muffs of metal, manganese, straps of metal for load handling, handling pallets of metal, steps of metal, stair treads of metal, porches of metal (building), door knockers, metal fireproof building materials, masts (posts) of metal, handcuffs, common metals, unwrought or semi-wrought, metals in powder form, pyrophoric metals, furniture casters of metal, ores of metal, registration plates of metal, molybdenum, monuments of metal, vice claws of metal, insect screens of metal, wall claddings of metal (building), nickel, niobium, flashing of metal, for building, wind-driven bird-repelling devices made of metal, gold solder, loading pallets, of metal, transport pallets of metal, palings of metal, sheet piles of metal, baskets of metal, non-luminous and non-mechanical metal signboards, building panels of metal, wall linings of metal (building), clothes hooks of metal, skating rinks (structures of metal), clips of metal for cables and pipes, paving blocks of metal, lock bolts, strap-hinges of metal, poles of metal, tent pegs of metal, swimming pools (metal structures), paint spraying booths, of metal, pitons of metal (mountaineering equipment), ceilings of metal, floors of metal, memorial plaques, of metal, tombstone plaques of metal, registration plates of metal, turntables (railways), lead, unwrought or semi-wrought, diving boards of metal, door handles of metal, tacks (nails), gates of metal, door openers, non-electric, doors of metal, door panels of metal, door bells, non-electric, door bolts, posts of metal, telegraph posts of metal, chicken-houses of metal, pulleys of metal (other than for machines), joists of metal, girders of metal, pyrophoric metals,

platforms, prefabricated, of metal, hardware of metal, junctions of metal for pipes, stiffeners (hardware of metal), rails of metal, closures of metal for containers, containers of metal for storing acids, containers of metal for compressed gas or liquid air, refractory construction materials of metal, wind-driven bird-repelling devices made of metal, tanks of metal, springs (metal hardware), cladding of metal for construction and building, rivets of metal, taps for casks of metal, washers of metal, wheel clamps (boots), tacks (nails), greenhouses of metal, transportable, locks of metal, other than electric, locks of metal for vehicles, sills of metal, signs, non-luminous and non-mechanical of metal, silos of metal, bells for animals, bells, rods of metal for welding, soldering wire of metal, valves of metal, other than parts of machines, statues of common metal, statuettes of common metal, tombstone stelae of metal, outdoor blinds of metal, wall plugs of metal, tantalum (metal), bolts, flat, anvils (portable), telegraph posts of metal, wire stretchers (tension links), tension links, eye bolts, money boxes of metal, wire gauze, titanium, wire cloth, roof flashing of metal, roofing of metal, sheets and plates of metal, tombs, tombs of metal, metal bases for barrels, barrels of metal, non-automatic turnstiles, trellis of metal, hoppers of metal, non-mechanical, tubes of metal, tiles of metal, gravestone slabs of metal, tungsten, pipework of metal, pipes of metal, nozzles of metal, vanadium, valves of metal, other than parts of machines, casement windows of metal, locks of metal for vehicles, bolts, ferrules of metal, screws of metal, railway switches, shutters of metal, aviaries of metal (structures), wolfram, zinc, zirconium.

16 – Paper, cardboard and goods made from these materials, not included in other classes; printed matter; bookbinding material; photographs; stationery; adhesives [glues] for stationery or household purposes; artists' materials; paintbrushes; typewriters and office requisites (except furniture); instructional and teaching material (except apparatus); plastic materials for packaging (not included in other classes); printing type; printing blocks; steel letters, steel pens, adhesives (glues) for stationery or household purposes, adhesive tapes for stationery or household purposes, adhesive bands for stationery or household purposes, address stamps, addressing machines, address plates for addressing machines, address stamps, posters, advertisement boards of paper or cardboard, franking machines (stamping machines), stapling presses (office requisites), staples for offices, pen clips, scrapbooks, almanacs, starch paste for stationery or household purposes, cigar bands, hand-rests for painters, aquarelles, architects' models, slate pencils, writing slates, silver paper, modelling clay, arithmetical tables, drawer liners of paper, perfumed or not, engravings, lithographed

works of art, atlases, self-adhesive tapes for stationery or household purposes, stickers (stationery), cigar bands, chart pointers, non electronic, adhesive bands for stationery or household purposes, adhesive bands for stationery or household purposes, comic books, gummed tape (stationery), ink sticks, bibs of paper, bibs of paper, loose-leaf binders, mats for beer glasses, balls for ball-point pens, tickets, money clips, printers' blankets, not of textile, pads (stationery), drawing pads, spools for inking ribbons, wood pulp board (stationery), wood-pulp paper, cardboard or paper boxes, bottle wrappers (of cardboard or paper), bottle envelopes of cardboard or paper, wristbands for the retention of writing instruments, staplers (stationery), pamphlets, embroidery designs, thumbtacks, brushes (small brushes), writing brushes, office requisites, except furniture, blotters, flower-pot covers of paper, sealing wax, sealing machines for offices, sealing compounds for stationery purposes, sealing wafers, sealing stamps, seals (seals), (stamps) cases for stamps (seals), (stamps) holders for stamps, inking pads, composing frames (printing), paper coffee filters, writing or drawing books, calendars, technical tracing paper, tracing cloth, tracing patterns, type (numerals and letters), coasters of paper, carbon paper, note books, square rulers (rules), cards, credit card imprinters, non-electric, musical greeting cards, geographical maps, cardboard, cardboard tubes, cardboard articles, perforated cards for jacquard looms, catalogs, tags for index cards, sheets of reclaimed cellulose for wrapping, song books, cardboard hatboxes, chaplets, composing frames (printing), folders for papers, painters' easels, numbers (type), Indian inks, chromolithographs (chromos), chromos, cigar bands, circulars, modelling wax, not for dental purposes, files (office requisites), printing blocks, cases for stamps (seals), stationery cases (office supplies), apparatus for mounting photographs, adhesive bands for stationery or household purposes, adhesives for stationery or household purposes, pastes for stationery or household purposes, compasses for drawing, composing frames (printing), composing sticks, patterns for making clothes, letter trays, conical paper bags, correcting fluids (office requisites), correcting ink (heliography), babies' diapers of paper and cellulose, disposable, disposable napkin-pants of paper or cellulose, paper cutters (office requisites), biological samples for use in microscopy (teaching materials), histological sections for teaching purposes, French curves, sewing patterns, wrappers (stationery), writing chalk, marking chalk, chalk holders, chalk for lithography, tailor's chalk, pencils, pencil sharpening machines, electric or non-electric, pencil leads, pencil holders, electric or non-electric pencil sharpeners, cream containers of paper, paper clasps, rollers for typewriters, decalcomanias, paper shredders for office use, tissues of paper for removing make-up, drawing

materials, drawing instruments, graphic prints, diagrams, adhesive tape dispensers (office requisites), apparatus for plastifying documents (office articles), finger-stalls (office requisites), document files (stationery), paper flags, duplicators, inking sheets for duplicators, etchings, etching needles, writing materials, electric or non-electric typewriters, writing sets (inkstands), nibs, nibs of gold, scratch-pads, typewriter keys, signboards of paper or cardboard, inkstands, writing materials, writing instruments, handwriting specimens for copying, shields (paper seals), erasing shields, rubber erasers, erasing products, writing board erasers, elastic bands for offices, electrocardiograph paper, packaging material made of starches, paper for wrapping and packaging, bottle wrappers of cardboard or paper, punches (office requisites), ink stones (ink reservoirs), ink, inkers (spools for inking ribbons (inking ribbons (stamps)), inkwells, recorders (paper for apparatus), teaching materials (except apparatus), signboards of paper or cardboard, envelopes (stationery), bottle envelopes of cardboard or paper, envelope sealing machines, for offices, tear-off calendars, drawing squares, towels of paper, pen wipers, hand labelling appliances, non-textile labels, fabrics for bookbinding, stencil cases, announcement cards (stationery), paper pennants, paper sheets (stationery), plastic bubble packs for wrapping or packaging, index cards (stationery), figurines [statuettes] of papier mâché, cords for bookbinding, filtering materials (paper), filter paper, paper coffee filters, forms, school supplies, charcoal pencils, stencils [stationery], galley racks (printing), electrotypes, electrotypes, geographical maps, terrestrial globes, gluten (glue) for stationery or household purposes, artists' water-color saucers, gummed cloth for stationery purposes, gum (glues) for stationery or household purposes, graphic representations, scrapers for offices, engraving plates, engravings, hectographs, printed timetables, moisteners for gummed surfaces [office requisites], toilet paper, isinglass for stationery or household purposes, pictures, printed matter, inking ribbons for computer printers, printers' type, printed matter, printing sets, portable (office requisites), printed matter, teaching materials (except apparatus), perforated cards for jacquard looms, newspapers, disposable babies' napkins of paper or cellulose, letters (printers' type), writing paper, ruling pens, table linen of paper, lithographs, lithographic works of art, lithographic stones, books, bookmarkers, bookends, booklets, luminous paper, papier mâché, manifolds, manuals, graining combs, plastics for modelling, bags for microwave cooking, pencil lead holders, modeling materials, modeling materials, molds for modelling clays (artists' materials), trays for sorting and counting money, handkerchiefs of paper, moisteners [office requisites], tablecloths of paper, writing sets (inkstands), paper bows (stationery), numbering apparatus, oleographs, binding strips (bookbinding), paper tapes and cards

for recording computer programs, palettes for painters, plastic cling film extensible, for palletization, pantographs (drawing instruments), stationery articles, writing cases (sets), copying paper (stationery articles), tracing paper, carbon paper, toilet paper, luminous paper, papier mâché, waxed paper, paper for recording machines, paper for radiograms, xuan paper for chinese painting and calligraphy, parchment paper, paperweights, passport holders, pastels (crayons), modeling paste, painters' brushes, house painters' rollers, paint boxes (articles for use in school), canvas for painting, framed or non-framed paintings, plastic film for wrapping, office perforators, periodicals, photographs, photograph stands, photo-engravings, lithographic stones, clipboards, paintbrushes, bulldog clips, French curves, plates (engravings), drawing boards, blueprints, address plates for addressing machines, plastics for modelling, folders [stationery], penholders, pens (office requisites), drawing pens, pen cases, stencil plates, tracing needles for drawing purposes, mimeograph apparatus and machines, holders for checkbooks, portraits, postcards, postage stamps, prospectuses, publications, drawing pins (tacks), registers (books), drawing rulers, printers' reglets, bookbinding apparatus and machines (office equipment), bookbindings, bookbinding articles, indexes, graphic representations, inking sheets for document reproducing machines, graphic reproductions, periodical reviews, tablemats of paper, adhesive tapes for stationery or household purposes, paper ribbons, inking ribbons, typewriter ribbons, paper or plastic sachets (envelopes, pouches) for wrapping, bags (envelopes, pouches) of paper or plastic materials for wrapping or packaging purposes, garbage bags of paper or of plastics, seals (stamps), stamp pads, school supplies, table napkins of paper, face towels of paper, place mats of paper, bookmarkers, greeting cards, writing pads, statuettes of papier mâché, steatite (tailor's chalk), stencils, fountain pens, pens, stands for pens and pencils, tablecloths of paper, framed or unframed pictures (paintings), blackboards, calculating tables, inking pads, drawing t-squares, tickets, stamp stands, stamps (seals), holders for stamps, cloth for bookbinding, gummed cloth for stationery purposes, transparencies (stationery), drawing sets, type, vignetting apparatus, viscose sheets for wrapping.

21 – Household or kitchen utensils and containers; combs and sponges; brushes, except paint brushes; material for brush-making; articles for cleaning purposes; steel wool; glass, unworked or semi-worked, except building glass; glassware, porcelain and earthenware not included in other classes; drinking troughs, aerosol dispensers, not for medical purposes, thermally insulated containers for food, glass vials (receptacles), litter trays for animals, cages for household pets, combs for animals, animal bristles (brushware), towel rails

and rings, poultry rings, indoor aquaria, aquarium hoods, syringes for watering flowers and plants, watering devices, nozzles for sprinkler hose, sprinklers, watering cans, roses for watering cans, works of art, of porcelain, terra-cotta or glass, plates, disposable plates, feeding troughs, autoclaves (stockpots) non-electric, non-electric pressure cookers, rings for birds, chopsticks, bird baths, portable baths for babies, brooms, mops, carpet sweepers, glass flasks (containers), pails, shaving brushes, towel rails and rings, basins (receptacles), cocktail stirrers, cooking pot sets, beaters, non-electric, spouts, mangers for livestock, currycombs, butter-dish covers, butter dishes, heaters for feeding bottles, non-electric, bottle gourds, beer mugs, shaving brushes, stands for shaving brushes, candle rings, not of precious metal, glass jars, drinking vessels, heat insulated containers for beverages, cookie jars, lunch boxes, bread bins, soap boxes, tea caddies, metal boxes for dispensing paper towels, glass boxes, bowls, demijohns, boxes for sweetmeats, boot jacks, glass stoppers, corkscrews, candle-holders, kettles, non-electric, tea infusers, glass bowls, bottles, insulating flasks, bottle openers, refrigerating bottles, door knobs made of porcelain, buttonhooks, waffle irons, non-electric, skewers (metal needles) for cooking, jugs, brush goods, material for brush-making, brushes, toothbrushes, electric tooth brushes, electric brushes, except parts of machines, dishwashing brushes, non-electric kitchen mixers, perfume burners, cruets, busts of china, terra-cotta or glass, cabarets (serving trays), flower-pot covers, not of paper, non-electric coffee filters, coffee grinders, hand operated, coffee percolators, non-electric, coffee services, non-electric coffee pots, bird-cages, heat-insulated containers, candelabra (candlesticks), decanters, coasters, not of paper and other than table linen, lazy susans, menu card holders, stew-pans, non-electric pressure cookers, cinder sifters (household utensils), ceramics for household purposes, chamber pots, chamois leather for cleaning, candelabra, coal scuttles, fly swatters, cauldrons, shoe horns, brushes for footwear, wax-polishing appliances, non-electric, for shoes, shoe horns, shoe trees (lasts, stretchers), shirt stretchers, horse brushes, cloths for cleaning, china ornaments, wax-polishing appliances, non-electric, cheese-dish covers, hot pots (not electrically heated), glue-pots, egg cups, baskets for domestic use, drinking horns, cosmetic utensils, cotton waste for cleaning, pastry cutters (baker's knife), fruit cups, knife rests for the table, closures for pot lids, dish covers, pot lids, tie presses, sifters (household utensils), crystal (glassware), pitchers, small jugs, mixing spoons (kitchen utensils), polishing leather, cookery molds, kitchen containers, kitchen utensils, cooking utensils, non-electric, toothpicks, toothpick holders, basins, washtubs, chamois leather for cleaning,

demijohns, plates to prevent milk boiling over, plungers for clearing blocked drains, wool waste for cleaning, cutting boards for the kitchen, non-electric apparatus for removing make-up, large-toothed combs for the hair, dusting apparatus, non-electric, deodorizing apparatus for personal use, coasters, not of paper and other than table linen flat-iron stands, trivets (table utensils), toilet paper holders, soap dispensers, water apparatus for cleaning teeth and gums, siphons for carbonated water, brushes for cleaning tanks and containers, basins, enamelled glass, shoe trees (shoe trees), cookie cutters (kitchenware), blenders, non-electric, for household purposes, signboards of porcelain or glass, funnels, spice sets, abrasive sponges for scrubbing the skin, sponges for household purposes, toilet sponges, sponge holders, dusting rags (cloths), furniture dusters, candle extinguishers, drying racks for washing, buckets made of woven fabrics, cleaning tow, currycombs, comb cases, earthenware, steel wool for cleaning, flat-iron stands, vitreous silica fibers, not for textile use, fiberglass other than for insulation or textile use, figurines (statuettes) of porcelain, terra-cotta or glass, floss for dental purposes, fiberglass thread, not for textile use, tea strainers, strainers for household purposes, small bottles, flowerpots, holders for flowers (flower arranging), shoe trees (stretchers), non-electric whisks for household purposes, frying pans, non-electric deep friers, scrub brushes, fruit presses, non-electric, for household purposes, smoke absorbers for household purposes, lunch pails, polishing gloves, gardening gloves, gloves for household purposes, glove stretchers, cake molds, waffle irons, non-electric, ice pails, plate glass (raw material), non-electric portable coolers, ice cube molds, tumblers, cups of paper or plastic, drinking flasks for travelers, grills (cooking utensils), grill supports, tar-brushes, long handled, tankards, powder puffs, ironing board covers, oil cruets, insect traps, vacuum bottles, basins, glass wool other than for insulation, lamp-glass brushes, washing boards, frying pans, vegetable dishes, clothes racks, clothes-pins, liqueur sets, litter trays, basting spoons, majolica, feeding troughs for animals, cooking pots, non-electric pressure cookers, mixers, manual (cocktail shakers), utensils for household purposes, crumb trays, mosaics of glass, not for building, molds (kitchenware), mills for domestic purposes, hand operated, toilet cases, picnic sets (crocker), hand-operated cleaning instruments, cloths for cleaning, scouring pads, nest eggs, noodle machines, hand-operated, nail brushes, opal glass, opaline glass, bread baskets, bread boards, trouser presses, trouser stretchers, toilet paper roll holders, perfume vaporizers, perfume sprayers, tea strainers, sieves, rolling pins, chamois leather for cleaning, combs, electric combs, scoops

(tableware), tart scoops, pipettes (wine-tasting cups), ironing boards, holders for plants (floral arrangements), trays for domestic purposes, paper trays for domestic use, dishes, paper plates, feather dusters, confectioners' decorating bags (pastry bags), earthenware saucepans, hair for brushes, hand-operated pepper mills, pepper pots, polishing materials (for shining, excluding preparations, paper and stone), polishing apparatus and machines, for household purposes, non-electric, pig bristles, porcelain ware, dishes for soap, towel closets, towel holders (rings and bars), pottery, pots, trash cans, powder cases, garlic presses (kitchen utensils), coolers, graters (household utensils), rat traps, heat-insulated containers, containers for household or kitchen use, saucepan scourers of metal, refrigerating bottles, food cooling devices containing heat exchange fluids, for household purposes, napkin rings, isothermic bags, salad bowls, salt cellars, buckets, side-handle buckets, floor cloths, services (tableware), metal boxes for dispensing paper towels, fused silica (semi-worked product), other than for building, vessels of metal for making ices and iced drinks, saucers, shoe horns, shoe trees, soup tureens, eyebrow brushes, mouse traps, spatulas (kitchen utensils), statues, of porcelain, terra-cotta or glass, statuettes, of porcelain, terra-cotta or glass, sugar bowls, table centerpieces, sieves (household utensils), abrasive pads for kitchen purposes, carpet beaters, drinking cups, pipettes (wine-tasters), clothing stretchers, indoor terrariums (plant cultivation), indoor terrariums (vivariums), tea services, teapots, piggy banks, not of metal, toilet brushes, toilet utensils, urns, tableware, other than knives, forks and spoons, vases, chamber pots, glass for vehicle windows (semi-finished product), glass incorporating fine electrical conductors, unworked or semi-worked glass (except glass used in building), enamelled glass, powdered glass for decoration, painted glassware, glasses (receptacles), drinking glasses, opal glass, pourers (endpieces), birdcages.

28 – Games and playthings; gymnastic and sporting articles not included in other classes; Christmas tree decorations; hang gliders, bladders of balls for games, air pistols (toys), artificial fishing bait, percussion caps (toys), caps for pistols (toys), toys for domestic pets, ring games, hunting game calls, ornaments for Christmas trees except illumination articles and confectionery, Christmas trees of synthetic material, Christmas tree stands, archery implements, bows for archery, edges of skis, fencing weapons, practical jokes (novelties), swings, balls for games, tennis ball-throwing apparatus, play balloons, billiard table cushions, rocking horses (toys), baseball gloves, pools (swimming pools, game or sports articles), batting gloves (accessories for games), climbing harnesses,

dolls' feeding bottles, stationary exercise bicycles, rollers for stationary exercise bicycles, billiard balls, chalk for billiard cues, billiard cue tips, billiard cues, skittles, billiard, snooker and pool tables, coin-operated billiard tables, billiard markers, small balls for games, building blocks (toys), starting blocks for sports, bob-sleighs, body boards, explosive bonbons (Christmas crackers), skating boots with skates attached, bite indicators (fishing tackle), candle holders for Christmas trees, snow globes, balls for playing, boxing gloves, gut for rackets, soap bubbles (toys), camouflage screens (sports articles), rods for fishing, golf clubs, twirling batons, toy detonating caps, toy masks, playing cards, bingo cards, weight lifting belts (sports articles), kites, kite reels, dolls' rooms, targets, electronic targets, bells for Christmas trees, confetti, building games, strings for rackets, machines for physical exercises, novelties for parties, dances (party favors, favours), chalk for billiard cues, cricket bags, golf clubs, golf bags with or without wheels, hockey sticks, appliances for gymnastics, body-building apparatus, checkers (games), checkerboards, dice, bite sensors (fishing tackle), discuses for sports, flying disks (toys), dominoes, chess games, chessboards, machines for physical exercises, landing nets for anglers, fencing gauntlets, fencing masks, chest expanders (exercisers), exercisers, practical jokes (novelties), ski wax, horseshoe games, nets (sports articles), butterfly nets, ski bindings, darts, foils for fencing, floats for angling, floats for fishing, tables for table football, harpoon guns (sports articles), gloves for games (accessories for games), golf gloves, cups for dice, golf clubs, appliances for gymnastics, dumb-bells, fish hooks, harnesses for sailboards, rattles, covers specially designed for skis and surfboards, counters [discs] for games, bowling apparatus and machinery, amusement machines, automatic and coin-operated, games other than those adapted for use with an external display screen or monitor, apparatus for games other than those adapted for use with an external display screen or monitor, playing cards, board games, toys, kaleidoscopes, harpoon guns (rifles) (sports articles), sling shots (sports articles), scent lures for hunting or fishing, decoys for hunting or fishing, lines for fishing, dolls' beds, mah-jong, dolls' houses, fairground ride apparatus, puppets, theatrical masks, masts for sailboards, mobiles (toys), vehicle miniatures, reels for fishing, paintballs (ammunition for paintball guns) (sports apparatus), flippers for swimming, creels (fishing equipment), artificial snow for Christmas trees, teddy bears, divot fixing tools (golf accessories), quoits, paragliders, ice skates, roller skates, inline roller skates, seal skins (coverings for skis), fishing tackle, guns paintball (sports apparatus), plush toys, clay pigeons (targets), piñatas, swimming pools

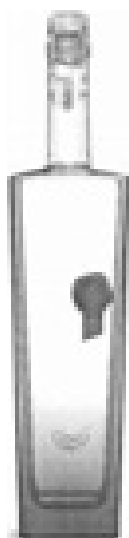
(play articles), toy pistols, skateboards, sailboards, straps for surfboards, surfboards, roulette wheels, dolls, dolls' clothes, conjuring apparatus, protective paddings (parts of sports suits), elbow guards (sports articles), knee guards (sports articles), shin guards (sports articles), punching balls, puzzles, skittles (game), gut for fishing, scrapers for skis, rackets, snowshoes, resin used by athletes, sole coverings for skis, skis, skis and covers specially designed for surfboards, waterskis, surf skis, men's athletic supporters (sports articles), parlor games, tables for table tennis, tennis nets, clay pigeon traps, slides (games), spinning tops (toys), sleighs (sports articles), spring boards (sports articles), backgammon games, scooters, toy vehicles, radio-controlled toy vehicles, shuttlecocks.

(260) AM 2012 65365 A

(800) 1097959

(731) BAYADERA MANAGEMENT LIMITED
Karpensiou, 30, P.C. CY-1660 Nicosia,
Cyprus

(540)



(591) Black, white

(511)

33 – Alcoholic beverages, except beer; aperitifs; arak (arrack); brandy; whisky; vermouths, wine; beverages containing wine in this class, white wines, table wines; dessert wine; sparkling wines; liqueur wine; fortified wine; muscat wine; sweet wine; semi-dry wine; rose wine, including sparkling wine; dry wines; red wine; fruit and berry wines; anisette (liqueur); anise (liqueur); hydromel (mead); vodka; kirsch; perry; gin; cocktails; curacao; liqueurs; peppermint liqueurs; distilled beverages (in this class); alcoholic beverages containing fruit; bitters; piquette; rice alcohol; rum; sake; cider; spirits (beverages); alcoholic extracts; alcoholic essences; digesters (liqueurs and spirits); fruit extracts, alcoholic, soft (light) alcoholic beverages.

(260) AM 2012 65366 A

(800) 1097964

(731) Inostrannoe Tchastnoe Ounitarnoe
Proizvodstvenno-Torgovoe Predpriatie
"KARAVAN" Korporatsii "Kamberli
Marketing Korp."
komm. 2, d. 1, oul. Zavodskaia, Zaslavl,
223034 Minskaia obl., Belarus

(540)



(591) White, red, orange, green, yellow and brown

(511)

30 – Tea, tea-based beverages, flavored tea, tea with additives, ice tea; condiments, spices.

(260) AM 2012 65367 A

(800) 1098008

(731) Zakrytoe Aktsionernoe Obshchestvo
"ZOLOTAYA KORONA"
dom 86, ul. Kirova, RU-630102 Novosibirsk,
Russian Federation

(540)



(591) Red, white, yellow

(511) 35 – Business management and organization consultancy; professional business consultancy; commercial or industrial management assistance.

36 – Financial analysis; bail-bonding; issuance of a letter of credit; banking; brokerage; issue of tokens of value; issuing of travellers' checks [cheques]; stock exchange quotations; financial information and consultancy; mortgage banking; clearing [financial]; exchanging money; financial evaluation [insurance, banking, real estate]; debit and credit card services; electronic funds transfer.

40 – Custom assembling of materials [for others].

(260) AM 2012 65457 A
 (800) 921431
 (731) DEBENHAMS RETAIL PLC
 1 Welbeck Street, London W1G 0AA,
 United Kingdom

(540)

DEBENHAMS

(591) Black, white
 (511)
 25 – Clothing; sportswear; leisurewear; swimwear;
 footwear; headgear.

(260) AM 2012 65458 A
 (800) 923379
 (731) FLONAL S.P.A.
 Via Einaudi, 20 – Frazione Bellocchi,
 I-61032 Fano (PU), Italy

(540)



(591) Black, white
 (511)
 21 – Basting spoons, bottle openers, pressure
 cookers, risotto dishes, cooking pans, saucepans,
 frying pans; milk pans, strainers, lids, asparagus
 pans, serving plates, grills, pot holders, coffee pots,
 sugar bowls, milk jugs, deep fryers, all not of
 precious metal.

(260) AM 2012 65460 A
 (800) 984946
 (731) TRENDY GİYİM SANAYİ VE TİCARET
 LİMİTED ŞİRKETİ
 Merkez Mahallesi, Atatürk Caddesi, Adil
 Sokak №1 D: 3, Çekmeköy – İstanbul,
 Turkey

(540)



(591) Blue, brown, white
 (511)
 25 – Clothing namely pullovers; skirts; dresses;
 blouses; jeans; trousers; jackets; coats, raincoats,
 anoraks; sportswear, namely shirts, shorts, pants
 and jackets; shirts; T-shirts; sweatshirts; beach
 clothes, namely, bathing suits and beach cover-ups;
 shorts; knitwear, namely shirts, shorts, sweaters and
 scarves; overalls; underclothing; bodices; brassi-
 eres; camisoles; underpants; dressing gowns; bath
 robes; bathing suits; pyjamas; gloves clothing; ski
 suits; headgear namely hats, caps, knitted caps,
 berets; footwear namely shoes excluding

orthopaedic shoes, slippers, boots, sandals, beach
 shoes, sports shoes, lace boots and parts thereof;
 shoe parts namely heelpieces; heels; footwear
 uppers; stockings; belts clothing; ties; neckties;
 shawls; scarves; mufflers; neck scarves; sarongs;
 collars for dresses; maniples; muffs; suspenders;
 braces for clothing; garters; bandanas; headbands.

(260) AM 2012 65461 A
 (800) 1005192
 (731) GLOBERIDE, Inc.
 3-14-16, Maesawa, Higashikurume-shi,
 Tokyo 203-8511, Japan

(540)



(591) Black, white
 (511)
 18 – Bags; umbrellas and their parts; handbag
 frames; purse frames; horseshoes; bags and the like;
 pouches and the like; leather and fur (unworked or
 semi-worked).

25 – Clothing; headgear for wear; boots; tennis
 shoes; golf shoes; suspenders (braces); waistbands;
 belts for clothing; footwear (other than boots for
 sports); clothes for sports; boots for sports.

28 – Fishing tackle; golf implements; tennis
 rackets; wax for skis; amusement machines and
 apparatus for use in amusement parks (other than
 arcade video game machines); toys for domestic
 pets; toys; dolls; go games; Japanese playing cards
 (utagaruta); Japanese chess (shogi games); dice;
 Japanese dice games (sugoroku); dice cups;
 diamond games; chess games; checkers (checker
 sets); conjuring apparatus; dominoes; playing cards;
 Japanese playing cards (hanafuda); mah-jong; game
 machines and apparatus; billiard equipment; sports
 equipment; insect collecting implements.

(260) AM 2012 65481 A
 (800) 1098546
 (731) Zakrytoe Aktsionernoe Obshchestvo
 "Upravljajuschaja kompanija-Stroitel'nyj
 holding Etalon LenSpetsSMU"
 Bogatyrskij pr., d. 2, RU-197348,
 Saint-Peterburg, Russian Federation

(540)



(591) Blue, black and white
 (511)
 42 – Architecture; graphic arts designing; technical
 project studies; engineering; material testing;

geological research; research in the field of environmental protection; research and development for others; underwater exploration; technical research; calibration [measuring]; architectural consultation; quality control; land surveying; geological surveys; design of interior decor; urban planning; construction drafting; consultancy in the field of energy-saving; industrial design; surveying.

(260) AM 2012 65482 A

(800) 1098564

(731) Solvay

Rue de Ransbeek 310, B-1120 Bruxelles,
Belgium

(540)



(591) Blue, white

(511)

1 – Industrial chemicals; chemical substances for preserving foodstuffs for animals; chemical substances as additives for foodstuffs for animals.

5 – Pharmaceutical and veterinary preparations; dietetic foods adapted for medical purposes for animals.

31 – Animal foodstuffs.

(260) AM 2012 65483 A

(800) 1098590

(731) Razer (Asia-Pacific) Pte Ltd

514 CHAI CHEE LANE, №07-05,
SINGAPORE 469029, Singapore

(540)

FOR GAMERS. BY GAMERS.

(591) Black, white

(511)

9 – Computers; laptop computers; notebook computers; handheld computers; personal digital assistants; computer and video game apparatus adapted for use with television receivers or other external display screens or monitors; computer displays; computer monitors; computer hardware; computer soundcards; computer peripherals; computer and video game controllers; computer mice; computer keyboards; computer keypads; computer graphics tablets; computer pens; computer joysticks; computer trackballs; computer game apparatus and video game apparatus (adapted for use with an external display screen or monitor) namely flight yokes, steering wheels, accelerator pedals, brake pedals and guns; motion sensors for computer and video games; apparatus for recording, transmission or reproduction of data, sound or images; audio equipment and apparatus; earphones;

headphones; microphones; headsets; loudspeakers; apparatus for cable management for the aforementioned goods; batteries and power supplies for the aforementioned goods; parts and spare parts of the aforementioned goods as far as included in this class; computer software and computer software drivers for the aforementioned goods; computer and video games (software); computer mice mats; bags, pouches, cases and covers adapted for holding and storing the aforementioned goods.

18 – Bags; messenger bags; sport bags; travel bags; backpacks; knapsacks.

25 – Clothing; polo shirts; T-shirts; sweatshirts; headgear; caps; sweatbands.

28 – Games and playthings; electronic games and playthings other than those adapted for use with television receivers; video game apparatus other than those adapted for use with television receivers; handheld video game apparatus other than those adapted for use with television receivers; parts and spare parts of the aforementioned goods as far as included in this class; bags, pouches, cases and covers adapted for holding and storing the aforementioned goods.

(260) AM 2012 65485 A

(800) 1098634

(731) MIDAL CABLES LIMITED

Building 744, Road 5128, Block 951, Askar,
Bahrain

(540)



(591) Black, white

(511)

6 – Alloys of common metals; aluminium; aluminium wire; cable joints of metal, non-electric; clips of metal for cables and pipes; cables of metal (non-electric).

9 – Coaxial cables; cables, electric; cables (fibre optic); junction sleeves for electric cables; conductors (electric).

(260) AM 2012 65486 A

(800) 1098638

(731) Publichne Aktsionerne Tovarystvo

"Kharkivska Biskvitna Fabryka"

vul. Lozivska, 8, Kharkiv 61017, Ukraine

(540)

ХАРЬКОВСКИЙ СУВЕНИР**ХАРКІВСЬКИЙ СУВЕНІР****KHARKOV SOUVENIR**

(591) Black, white

(511)

30 – Sponge cakes; cookies; buns; waffles; confectionery (sweets); pastries; confectionery for decorating Christmas trees; fruit jellies (confectionery); cakes; peanut confectionery; almond confectionery; pies; cocoa; cocoa products; caramels; sweetmeats (candy); liquorice (confectionery); peppermint sweets; crackers; candy for food; marzipan; custard; pastilles (confectionery); lozenges (confectionery); petits fours (cakes); biscuits; fondants (confectionery); popcorn; pralines; gingerbread; puddings; cake powder; sugar; sweet paste for cakes, pies, cookies, buns, gingerbread, puddings; rusks; sandwiches; tarts; edible decorations for cakes; halvah; chips from cereal products; chocolate.

(260) AM 2012 65487 A

(800) 1098651

(731) Celgene Corporation

86 Morris Avenue, Summit, NJ 07901, USA

(540)

APR

(591) Black, white

(511)

5 – Pharmaceutical preparations, namely, cytokine inhibitory drugs; pharmaceutical preparations that modulate the immune system; pharmaceutical preparations for the treatment of certain cancers and blood diseases.

(260) AM 2012 65508 A

(800) 1098795

(731) ECA Medical Handels-GmbH

Niederhart 100, A-6263 Hart im Zillertal, Austria

(540)

**FLOWER AID ERSTE
HILFE**

(591) Black, white

(511)

3 – Soaps; perfumery, essential oils, cosmetics, hair lotions; dentifrices.

5 – Pharmaceutical and veterinary preparations; dietetic substances adapted for medical use; bonbons, lozenges and chewing gum for medical purposes.

30 – Coffee, tea, cocoa, sugar, rice, tapioca, sago, artificial coffee; flour and preparations made from cereals, bread, pastry and confectionery; bonbons, pastilles, chewing gum, confectionery; ices; honey, treacle; yeast, baking-powder; salt, mustard; vinegar, sauces (condiments); spices; ice.

(260) AM 2012 65511 A

(800) 1098796

(731) Société des Produits Nestlé S.A.

CH-1800 Vevey, Switzerland

(540)

NFACTOR

(591) Blue and gray

(511)

5 – Dietetic substances and foodstuffs for clinical and medical use; formulated milk, food and food substances for babies; food and food substances for medical use for children and the sick; food and food substances for pregnant women and nursing mothers, for medical use; nutritional and dietetic supplements for medical use; vitamin preparations, preparations made with minerals; dietetic confectionery products for medical use.

41 – Training of personnel, arranging of courses, seminars, conferences, exhibitions; publishing and producing books, pamphlets, newspapers, movies and recordings; education on nutrition, all educational services in connection with nutrition and food, especially transmitting of information and suggestions in the fields of food, nutrition and dietetics; all the above services in the fields of food and nutrition.

42 – Research and development in the fields of food and nutrition.

44 – Consulting services relating to health, food and nutrition; consulting on dieting and food in general; planning and monitoring weight loss programs; information on consulting and advisory services in the fields of medicine, psychology, changing eating habits and physical exercises; fitness clinics; nursing and medical care services; sanatoriums; rest homes; clinics.

(260) AM 2012 65512 A

(800) 1098797

(731) Société des Produits Nestlé S.A.

CH-1800 Vevey, Switzerland

(540)

NFACTOR

(591) Black, white

(511)

5 – Dietetic substances and foodstuffs for clinical and medical use; formulated milk, food and food substances for babies; food and food substances for medical use for children and the sick; food and food substances for pregnant women and nursing mothers, for medical use; nutritional and dietetic supplements for medical use; vitamin preparations, preparations made with minerals; dietetic confectionery products for medical use.

41 – Training of personnel, arranging of courses, seminars, conferences, exhibitions; publishing and producing books, pamphlets, newspapers, movies and recordings; education on nutrition, all educational services in connection with nutrition and food, especially transmitting of information and suggestions in the fields of food, nutrition and dietetics; all the above services in the fields of food and nutrition.

42 – Research and development in the fields of food and nutrition.

44 – Consulting services relating to health, food and nutrition; consulting on dieting and food in general; planning and monitoring weight loss programs; information on consulting and advisory services in the fields of medicine, psychology, changing eating habits and physical exercises; fitness clinics; nursing and medical care services; sanatoriums; rest homes; clinics.

(260) AM 2012 65518 A

(800) 1098840

(731) Création Gross GmbH & Co. KG
Houbirgstr. 7, 91217 Hersbruck, Germany

(540)



(591) Black, white

(511)

3 – Bleaching preparations and other substances for laundry use; Cleaning, polishing, scouring and abrasive preparations; Soaps; Perfumery, essential oils, cosmetics, hair lotions; Dentifrices.

14 – Precious metals and their alloys and goods in precious metals or coated therewith, not included in other classes; Jewellery, precious stones; Horological and chronometric instruments.

18 – Leather and imitations of leather, and goods made of these materials and not included in other classes; Animal skins, hides; Trunks and travelling bags; Umbrellas, parasols and walking sticks; Whips, harness and saddlery.

25 – Clothing, footwear, headgear.

35 – Advertising; Business management; Business administration; Office functions.

(260) AM 2012 65525 A

(800) 1098971

(731) Dr. Theiss Naturwaren GmbH
Michelinstrasse 10, 66424 Homburg,
Germany

(540)

(591) Green

(511)

3 – Soaps; essential oils; cosmetics, including foam and cream additives for baths, non-medicated massage preparations; massage oils, foot lotions, foot powders, foot creams and foot balms; hair lotions.

5 – Pharmaceutical, veterinary and sanitary preparations adapted for medical use including balms for medical purposes; plasters, materials for dressings.

(260) AM 2012 65526 A

(800) 1098975

(731) TM Investment Sp. z o.o.
Brzeznica 18, PL-39-207 Brzeznica, Poland

(540)



(591) Grey, blue and white

(511)

1 – Chemical preparations for dyeing enamel and glass, chemical products for the manufacture of dyes, chemicals for color vibrancy for industrial purposes, adhesives for industrial purposes, adhesives for wallpaper, wall tile, for posters, for footwear, preservatives for cement, bricks, tiles and walls (except paints and oils), putty.

2 – Anti-corrosion agents, varnishes and enamels, wood preservatives, paints, watercolors paints, bactericidal, fireproof and anti-pollution paint; enamel paints used in ceramics, metal foils for painters, shoe dyes, corrosion inhibitor for metals, anti-rust greases and oils, paint thinners and varnishes, fixatives, thickeners for paints and dyes; solvents for paints.

3 – Cosmetic dyes and paints, preparations for removing paint, abrasives, bleaching preparations,

pastes and waxes for leather, footwear, floor and furniture, polishing preparations.

17 – Insulating paints, oils and varnishes, insulating tapes, insulating mortar, putty and sealing materials.

19 – Plaster, building materials for creating insulation systems for external walls of buildings, non-metallic building materials including building boards; mortar cement.

(260) AM 2012 65532 A
 (800) 1099006
 (731) Henkel AG & Co. KGaA
 Henkelstraße 67, 40589 Düsseldorf,
 Germany
 (540)

DUO--CAPS

(591) Black, white
 (511)
 3 – Bleaching and washing preparations for laundry use; rinsing agents for laundry and tableware; stain removing agents; laundry starch; fabric softeners; cleaning, polishing, scouring and abrasive preparations; soaps; essential oils as fragrances for laundry use.

(260) AM 2012 65534 A
 (800) 1099021
 (731) Philip Morris Brands Sàrl
 Quai Jeanrenaud 3, CH-2000 Neuchâtel,
 Switzerland
 (540)



(591) Blue, white, silver and gray
 (511)
 34 – Tobacco, raw or manufactured; tobacco products, including cigars, cigarettes, cigarillos, tobacco for roll-your-own cigarettes, pipe tobacco, chewing tobacco, snuff tobacco, kretek; snus; tobacco substitutes (not for medical purposes);

smokers' articles, including cigarette paper and tubes, cigarette filters, tobacco tins, cigarette cases and ashtrays, pipes, pocket apparatus for rolling cigarettes, lighters; matches.

(260) AM 2012 65535 A
 (800) 1099023
 (731) BAUSCH & LOMB INCORPORATED
 One Bausch & Lomb place, Rochester,
 NEW-YORK, NY 14604, USA
 (540)

ARTELAC REBALANCE

(591) Black, white
 (511)
 5 – Ophthalmic pharmaceutical preparations and substances.

(260) AM 2012 65536 A
 (800) 1099055
 (731) Amidel Sàrl
 c/o Multifiduciaire Fribourg SA, Rue
 Faucigny 5, CH-1700 Fribourg, Switzerland
 (540)

SARMATA

(591) Black, white
 (511)
 33 – Alcoholic beverages (except beers); spirits; vodka.

(260) AM 2012 65537 A
 (800) 1099069
 (731) Bayer Consumer Care AG
 Peter Merian Str. 84, CH-4052 Basel,
 Switzerland
 (540)

BEPANMED

(591) Black, white
 (511)
 3 – Cosmetics.
 5 – Pharmaceutical products.

(260) AM 2012 65538 A
 (800) 1099070
 (731) Bayer Consumer Care AG
 Peter Merian Str. 84, CH-4052 Basel,
 Switzerland
 (540)

BEPANDERM

(591) Black, white
 (511)
 3 – Cosmetics.

5 – Pharmaceutical products.

(260) AM 2012 65539 A

(800) 1099083

(731) FRITZ HILTL KG

Asamstrasse 6, 92230 Sulzbach-Rosenberg,
Germany

(540)

HILTL

(591) Black, white

(511)

25 – Clothing for men, women and children.

(260) AM 2012 65591 A

(800) 778372

(731) Meggle AG

Megglestrasse 6-12, 83512 Wasserburg,
Germany

(540)



(591) Blue, green

(511)

1 – Chemicals used in industry, science and photography, as well as in agriculture, horticulture and forestry; chemical substances for preserving foodstuffs; artificial sweetening substances; casein, caseinates, albumen; milk, whey or casein hydrolysates, also being mixtures or with additives, for chemical purposes, as well as auxiliary products for other industrial purposes; whey, or components thereof for chemical purposes as well as pre-process products for other industrial purposes.

3 – Whey or components thereof, for cosmetic purposes; milk, whey or casein hydrolysates, also being mixtures or with additives, for cosmetic purposes.

5 – Pharmaceutical, veterinary and sanitary preparations; dietetic substances adapted for medical use, food for babies; whey, or components thereof, for pharmaceutical and dietetic-medical purposes; milk sugar (lactose); milk, whey or casein hydrolysates, also being mixtures or with additives, for pharmaceutical and for dietetic-medical purposes; animal sperm.

29 – Milk and milk products; edible oils and fats; spreads or pastes made of milk, egg white, fat and/or carbohydrates; soya preparations in the form of spreads or pastes; coffee and tea whitener, mainly consisting of carbohydrates, egg white and/or fat; cocoa butter; ready made or powdered

desserts and similar meals with a milk base; soups; whey or components thereof for food purposes; whey, milk sugar, fruit or egg white concentrates for the food industry; all the aforementioned goods (where possible) also in powder form for food purposes; fruit and vegetable juices for cooking; fruit sauces, marmalades and jams; animal and/or vegetable fat powder, egg substitutes, milk protein, casein, caseinate, albumen; milk, whey or casein hydrolysates, also being mixtures or with additives, for food purposes; alcoholic fruit and vegetable juices for cooking.

30 – Mayonnaise; sauces, including salad dressing and dips; flavoured sauces and seasonings; cocoa concentrates for the food industry; bread and bread products, also spread or topped with butter, butter preparations, cheese, cheese preparations and/or soya preparations; pastry and flour confectionery; edible ices, powder for edible ices; edible salt; natural sweeteners; confectionery.

31 – Foodstuffs, foodstuff additives; whey or components thereof for foodstuff purposes, also in powder form; milk, whey and/or casein hydrolysates, also being mixtures or with additives, for foodstuff purposes, all of the aforesaid being foodstuff for animals or products for use in the preparation of foodstuff for animals; living animals.

32 – Fruit and vegetable juices being drinks and/or for making beverages or for adding to drinks; other non-alcoholic beverages, in particular beverages with an addition of milk and milk products; syrups and other preparations for making beverages.

33 – Milk, cream, buttermilk, sour milk or alcoholic whey drinks, all being alcoholic beverages in this class; cream, milk, whey, milk sugar, fruit, cocoa and/or egg white concentrates for the preparation of alcoholic beverages; alcoholic fruit and vegetable juices for the preparation of alcoholic drinks.

(260) AM 2012 65596 A

(800) 883664

(731) Janssen Pharmaceutica N.V.

Turnhoutseweg 30, B- 2340 Beerse,
Belgium

(540)

EVICEL

(591) Black, white

(511)

5 – Pharmaceutical preparations, namely fibrin sealants for use in surgical procedures.

10 – Surgical instruments.

(260) AM 2012 65651 A
 (800) 1100081
 (731) SOLVAY
 Rue de Ransbeek 310, B-1120 Bruxelles,
 Belgium

(540)



(591) Green, red, brown, orange, yellow, pink,
 purple

(511)

1 – Industrial chemicals; chemical substances for preserving foodstuffs for animals; chemical substances as additives for foodstuffs for animals.

5 – Pharmaceutical and veterinary preparations; dietetic foods adapted for medical purposes for animals.

31 – Animal foodstuffs.

(260) AM 2012 65654 A
 (800) 1100113
 (731) Dotchirne pidpriemstvo
 "Konditerska korporatzia "Roshen"
 vul. Pavla Usenka, 8, Kyiv 02105, Ukraine

(540)



(591) Red, white and green

(511)

30 – Sweetmeats (candy), caramels (candy).

(260) AM 2012 65674 A
 (800) 1100244
 (731) MESAN METAL SANAYİ VE TİCARET
 LİMİTED ŞİRKETİ
 Tuzla Deri Yan San. Böl. YC 8-9,
 Parsel Tuzla, İstanbul, Turkey

(540)



(591) Black, white, red

(511)

6 – Non-precious metal ores; common metals and their alloys and semi-manufactures; materials for constructions made of metal; accommodation, storage, coating, wrapping, containment, storage or placement of metal materials and tools made for those purposes (including metal stairs); screening, filtering, and made of metal materials for similar purposes; made of metal for doors and windows, shutters, blinds, their frames and arms (excluding locks); ironmongery (hardware) apparel; air-conditioning, heating, sewerage, telephone, electricity and air conditioning systems for underground ventilation ducts, vents, vent covers, anemostads, pipes, chimney caps, manhole (chimney), caps, grills (terms considered too vague by the International Bureau – rule 13.2.b) of the Common Regulations); flags made of metal for display, routing, specification, introductory materials (signs, billboards, including plates); made of metal pipes and their fittings for liquid and gas transfer (including drill pipes); coin boxes (terms considered too vague by the International Bureau – rule 13.2.b) of the Common Regulations); railway materials made of metal; mineral pier and buoys fathers, mine floats, anchor rods for marine vehicles (terms considered too vague by the International Bureau – rule 13.2.b) of the Common Regulations); casting molds made of metal (except machine parts); works of art made of common metals and their alloys; caps made of metal, bottle caps; poles made of metal; lifting, loading and transport pallets (terms considered too vague by the International Bureau – rule 13.2.b) of the Common Regulations); for the mineral, metal ropes, slings, lifting and transporting coins, bonds, columns, bolts and tapes; electricity for the non-metallic cables, wires (terms considered too vague by the International Bureau – rule 13.2.b) of the Common Regulations).

(260) AM 2012 65680 A
 (800) 1100360
 (731) TANGSHAN IMEX
 INDUSTRIAL CO., LTD.
 Financial Building, No. 116 West Xinhua
 Street, Tangshan City, Hebei Province,
 China

(540)

IMEX

(591) Black, white

(511)

11 – Hydrants; toilet seats; bidets; wash-hand basins (parts of sanitary installations); showers; hot air bath fittings; urinals (sanitary fixtures); sinks; level controlling valves in tanks.

(260) AM 2012 65681 A
 (800) 1100381
 (731) GREENME AG
 TELLENMATTSTRASSE, 23, CH-6317
 OBERWIL BEI ZUG, Switzerland
 (540)



(591) Green, white
 (511)

32 – Non-alcoholic aperitifs; water; kvass; non-alcoholic cocktails; lemonades; peanut drinks; isotonic beverages; non-alcoholic beverages on the basis of honey; beverages on the basis of milk serum; fruit drinks; almond milk drink; fruit nectar with pulp; orgeat; beer; powders for the manufacture of carbonated beverages; sarsaparilla; syrups for lemonades; syrups for beverages; vegetable juices; fruit juices; preparations for making aerated water; preparations for making liqueurs; preparations for making mineral water; preparations for making beverages; worts; grape wort; beer wort; malt wort; soft fruits extracts for making beverages; hop extracts for making beer; essences for making beverages.

33 – Aperitifs; arak; brandy; wines; wine from grape marc; whiskey; vodka; gin; alcoholic digestives; cocktails; liqueurs; alcoholic beverages; alcoholic beverages containing fruit; spirituous beverages; beverages obtained by distillation; mead; brandy mint liqueurs; bitter; rum; sake; ciders; rice alcohol; alcoholic extracts; alcoholic fruit; extracts; alcohol essences.

35 – Advice on organizing and managing the business connected with production and sale of beverages, quality control during production, harmonization of formulas and technological instructions for the beverage industry; other administrative assistance in the manufacture of beverages; sales promotion (for the third parties); wholesale and retail services, sale of all goods, including the sale of goods in shopping malls; presentation of products in all media forms for the purpose of retail sale; distribution of samples; provision of services for the third parties being the procurement of goods and provision of business services.

36 – Renting real estate; renting non-residential premises; property management.

39 – Renting out warehouses; warehousing goods; packing of products; packaging products; supply (delivery) of goods.

42 – Development of new beverages.

(260) AM 2012 65682 A
 (800) 1100383
 (731) Psipsikas George
 52B Kapodistriou Str., GR-151 23 Maroussi,
 Greece
 (540)



(591) Black and gray
 (511)
 10 – Orthopedic apparatus (medical splints).
 25 – Clothing, footwear and headwear.

(260) AM 2012 65685 A
 (800) 1100405
 (731) Wilmax Limited
 1 Undine Road, London E14 9UW, United
 Kingdom
 (540)

Wilmax England

(591) Black, white
 (511)
 21 – Household or kitchen utensils and containers; combs and sponges; brushes (except paint brushes); brush-making materials; articles for cleaning purposes; steelwool; unworked or semi-worked glass (except glass used in building); glassware, porcelain and earthenware not included in other classes; abrasive pads for kitchen purposes; abrasive sponges for scrubbing the skin; aerosol dispensers, not for medical purposes; indoor aquaria; aquarium hoods; autoclaves, non-electric; baby baths, portable; bowls; basins; baskets for domestic use; basting spoons, for kitchen use; carpet beaters, not being machines; beaters, non-electric; beer mugs; heat insulated containers for beverages; dust bins; bird baths; birdcages; blenders, non-electric, for household purposes; bootjacks; boot trees; bottle gourds: bottle openers; bottles; refrigerating bottles, glass bowls; boxes of glass; boxes for sweetmeats; boxes of metal, for dispensing paper towels; soap boxes; bread baskets, domestic; bread bins; bread boards; animal bristles; brooms; brush goods; brushes; dishwashing brushes; shaving brushes; electric brushes, except parts of machines; brushes for cleaning tanks and containers; brushes for footwear; material for brush-making; buckets; buckskin for cleaning; perfume burners; busts of china, terra-cotta or glass; butter dishes; butter-dish covers; buttonhooks; trays; cages for household pets; cake molds; candlesticks; candle extinguishers; candle rings; carboys; carpet beaters; carpet sweepers; comb cases; cauldrons; ceramics for household purposes;

chamber pots; chamois leather for cleaning; cheese-dish covers; china ornaments; chopsticks; cinder sifters (household utensils); cleaning instruments, hand-operated; cloth for cleaning; cleaning tow; closures for pot lids; cloth for washing floors; clothes racks, for drying; clothes-pegs; clothes-pins; clothing stretchers; cloths for cleaning; coal scuttles; coasters, not of paper and other than table linen; cocktail stirrers; coffee filters, non-electric; coffee grinders, hand-operated; coffee percolators, non-electric; coffee services; coffeepots, non-electric; portable coldboxes, non-electric; combs; confectioners' decorating bags; containers for household or kitchen use; cookery molds (moulds); cookie cutters; cookie jars; cooking pot sets; cooking pots; cooking skewers, of metal; cooking utensils, non-electric; coolers (ice pails); food cooling devices containing heat exchange fluids, for household purposes; corkscrews; cosmetic utensils; cotton waste for cleaning; covers for dishes; covers, not of paper, for flower pots; crockery; cruet stands for oil and vinegar; cruets; crumb trays; crystal (glassware); cups; cups of paper or plastic; currycombs; cutting boards for the kitchen; decanters; deep fryers, non-electric; demijohns; deodorising apparatus for personal use; dish covers; dishes; dishes for soap; soap dispensers; metal boxes for dispensing paper towels; disposable table plates; domestic grinders, non-electric; drinking flasks for travelers; drinking glasses; drinking troughs; drinking vessels; drying racks for washing; dustbins; furniture dusters; dusting apparatus, non-electric; dusting cloths; earthenware; egg cups; enamelled glass; epergnes; eyebrow brushes; buckets made of woven fabrics; feather-dusters; heaters for feeding bottles, non-electric; feeding troughs; feeding troughs for animals; fiberglass other than for insulation or textile use; fiberglass thread, not for textile use; fibreglass thread, not for textile use; figurines of porcelain, terra-cotta or glass; flasks; flat-iron stands; floss for dental purposes; flower pots; flower-pot covers, not of paper; fly catchers; fly swatters; food cooling devices, containing heat exchange fluids, for household purposes; fruit cups; fruit presses, non-electric, for household purposes; frying pans; funnels; fused silica, other than for building; garbage cans; gardening gloves; garlic presses; glass bulbs; glass caps; glass flasks; glass for vehicle windows; glass incorporating fine electrical conductors; glass jars; opal glass; glass stoppers; glass, unworked or semi-worked, except building glass; glass vials; glass wool other than for insulation; painted glassware; glove stretchers; gloves for household purposes; polishing gloves; glue-pots; goblets; bottle gourds; graters; griddles; gridiron supports; grill supports; grills; hair for brushes; heat-insulated containers; holders for flowers and plants; toilet paper holders; drinking

horns; horse brushes; hot pots, not electrically heated; ice buckets; ice cube molds; ice pails; indoor terrariums; insect traps; insulating flasks; ironing board covers, shaped; ironing boards; isothermic bags; jugs; kettles, non-electric; kitchen containers; kitchen mixers, non-electric; kitchen utensils; knife rests for the table; knobs of porcelain; lamp-glass brushes; lazy susans; polishing leather; liqueur sets; litter boxes for pets; lunch boxes; lye washtubs; majolica; appliances for removing make-up, non-electric; mangers for animals; mangers for livestock; menu card holders; mess-tins; mills for domestic purposes, hand-operated; mixers, manual; mixing machines, non-electric, for household purposes; mixing spoons; molds (kitchen utensils); mops; mosaics of glass, not for building; mouse traps; mugs; nail brushes; napkin holders; napkin rings; nest eggs, artificial; noodle machines, hand-operated; nozzles for sprinkler hose; nozzles for watering cans; oil cruets; pads for cleaning; pails; pepper mills, hand-operated; pepper pots; perfume burners; perfume sprayers; perfume vaporizers; fitted picnic baskets, including dishes; pie servers; pig bristles; piggy banks, not of metal; cooking pins of metal; pitchers; plate glass; paper plates; plates to prevent milk boiling over; plungers for clearing blocked drains; polishing apparatus and machines, for household purposes, non-electric; polishing materials for making shiny, except preparations; porcelain ware; pot lids; pots; pottery; poultry rings; powder compacts; powder puffs; powdered glass for decoration; rails and rings for towels; rat traps; refrigerating bottles; refuse bins; rings for birds; rolling pins, domestic; roses for watering cans; salt cellars; salt shakers; saucepan scourers of metal; earthenware saucepans; saucers; scoops; scouring pads; services (dishes); shakers; shirt stretchers; shoe brushes; shoe horns; shoe stretchers; sieves (household utensils); sifters; signboards of porcelain or glass; siphons for carbonated water; skins of chamois for cleaning; smoke absorbers for household purposes; soap holders; spatulas (kitchen utensils); spice sets; sponge holders; sponges for household purposes; spouts; sprinklers; sprinklers for watering flowers and plants; sprinkling devices; stands for shaving brushes; statues of porcelain, terra-cotta or glass; steel wool for cleaning; stew-pans; strainers; strainers for household purposes; stretchers for clothing; sugar bowls; syringes for watering flowers and plants; table plates; tableware, other than knives, forks and spoons; tankards; tar-brushes, long handled; tart scoops; tea balls; tea caddies; tea infusers; tea services; tea strainers; teapots; thermally insulated containers for food; tie presses; toilet brushes; toilet cases; toilet sponges; toilet utensils; toothbrushes; toothbrushes, electric; toothpick holders; toothpicks; trash cans; trays for domestic purposes; trays for domestic purposes, of

paper; trivets (table utensils); troughs for livestock; trouser presses; trouser stretchers; vacuum bottles; fitted vanity cases; vases; vegetable dishes; vessels of metal for making ices and iced drinks; vitreous silica fibers, not for textile use; waffle irons, non-electric; washing boards; washtubs; water apparatus for cleaning teeth and gums; watering cans; watering devices; wax-polishing appliances, non-electric, for shoes; wine tasters; wool waste for cleaning; works of art, of porcelain, terra-cotta or glass.

(260) AM 2012 65703 A

(800) 1100723

(731) TENEO 3000 s.r.o.

Hlavní 986, CZ-468 41 Tanvald,

Czech Republic

(540)



(591) Black, white

(511)

9 – Connectors (electricity), acoustic couplers, connectors of all kinds included in this class.

(260) AM 2012 65706 A

(800) 670395

(731) LIST TRADE-MARK S.r.l.

Via Cerchiara, 67, Roma, Italy

(540)

LIST

(591) Black, white

(511)

18 – Leather and imitation leather, articles made thereof, not included in other classes; animal skins and hides; trunks and suitcases; umbrellas, parasols and walking sticks; whips and saddlery.

25 – Clothing, footwear and headgear.

(260) AM 2012 65712 A

(800) 1027041

(731) LIXIL Group Corporation

2-1-1, Ojima, Koto-ku, Tokyo 136-8535,

Japan

(540)



(591) Red, grey

(511)

6 – Sashes of metal; doors of metal; curtain walls of metal; shutters of metal; siding materials of metal; metal materials for building or constructions;

prefabricated building assembly kits of metal; water pipe valves of metal; other metal hardware; wire nets and gauzes; metal nameplates and door nameplates; metal stepladders and ladders; letter boxes of metal; hat hanging hooks of metal; water tanks of metal for household purposes; towel dispensers of metal; metal joinery fittings; safes; outdoor blinds of metal; door mats of metal; transportable greenhouses of metal for household use; sculptures of metal; bicycle parking installations of metal.

9 – Fire extinguishers; fire hose nozzles; sprinkler systems for fire protection; fire alarms; crime prevention alarm apparatus and devices for residential use; gas alarms; anti-theft warning apparatus; alarms; electric locks; electronic locks; electric door openers; measuring or testing machines and instruments; power distribution or control machines and apparatus; rotary converters; phase modifiers; electric flat irons; electric hair-curlers; electric buzzers; telecommunication devices and apparatus; electronic machines, apparatus and their parts.

11 – Toilet bowl and toilet seat units; shower cubicles; sinks (vanity units); cooking equipment for industrial purposes; industrial dish drying apparatus and installations; dish disinfectant apparatus for industrial purposes; tap water faucets; level controlling valves for tanks; pipe line cocks; garbage incinerators; solar water heaters; electric lamps and other lighting apparatus; hand drying apparatus for washrooms; household electrothermic appliances; washers for water taps; gas water heaters (for household use); non-electric cooking heaters (for household purposes); kitchen sinks; sinks/basins and/or hobs, being an integral part of kitchenettes or of preparation modules for kitchen activities, if desired also with a kitchen unit and with an integrated refrigerator and if desired with additional accessories, such as strainer bowls and draining basins; household tap-water filters; shower heads; metal hardware for water faucet for bathroom; bath tubs and the like; flush valve; toilet stool units with an automatic washing water squirter (put-in type); other toilet stool units with a washing water squirter; disinfectant dispensers for toilets; toilet bowls with an automatic washing water squirter (integrated type); sanitary wares (toilet bowls); other toilet bowls; seatings for use with japanese style toilet bowls; non-electric heating apparatus for household purposes; fire hydrants.

19 – Ceramic tiles; other ceramic building materials, bricks and refractory products; fireproof and smoke proof shutters made mainly of heat resistance glass cloth; linoleum building materials; plastic building materials; synthetic building materials; asphalt, and asphalt building or

construction materials; rubber building or construction materials; plaster (for building purposes); lime building or construction materials; building or construction materials for plaster; rockfall prevention nets of textile; prefabricated building kits (not of metal); siding materials of ceramic based cement; cement and its products; building timber; building stone; building glass; letter boxes of masonry; joinery fittings (not of metal); transportable greenhouse (not of metal) for household use; stone sculptures; concrete sculptures; marble sculptures; non metallic mineral materials (unworked or partly worked); bicycle parking installations, not of metal.

20 – Curtain fittings; water pipes valves of plastic; non metallic fasteners, namely nails, wedges, nuts, screws, tacks, bolts, rivets and casters (not of metal); washers (not of metal, not of rubber or vulcanized fiber); locks (non-electric, not of metal); nameplates and door nameplates (not of metal); step ladders and ladders (not of metal); letter boxes (not of metal or masonry); hat hooks (not of metal); water tanks for household purposes (not of metal or masonry); towel dispensers (not of metal); furniture; washstands; indoor window blinds (shade) (furniture); blinds of reed, rattan or bamboo (sudare); bead curtains for decoration; benches; plaster sculptures; plastic sculptures; wooden sculptures; kitchen worktops.

22 – Cotton waddings for clothes; hammocks; cotton batting for futon; cordage; netting (not of metal or asbestos); industrial packaging containers of textile; bands for binding; window awnings; awnings; tarpaulins (not for ships); tents (not for camping); sunshades; Japanese reed screens (yoshizu).

(260) AM 2012 65713 A

(800) 1027237

(731) LIXIL Group Corporation

2-1-1, Ojima, Koto-ku, Tokyo 136-8535,
Japan

(540)

L I X I L

(591) Black, white

(511)

6 – Sashes of metal; doors of metal; curtain walls of metal; shutters of metal; siding materials of metal; metal materials for building or constructions; prefabricated building assembly kits of metal; water pipe valves of metal; other metal hardware; wire nets and gauzes; metal nameplates and door nameplates; metal stepladders and ladders; letter boxes of metal; hat hanging hooks of metal; water tanks of metal for household purposes; towel dispensers of metal; metal joinery fittings; safes;

outdoor blinds of metal; door mats of metal; transportable greenhouses of metal for household use; sculptures of metal; bicycle parking installations of metal.

9 – Fire extinguishers; fire hose nozzles; sprinkler systems for fire protection; fire alarms; crime prevention alarm apparatus and devices for residential use; gas alarms; anti-theft warning apparatus; alarms; electric locks; electronic locks; electric door openers; measuring or testing machines and instruments; power distribution or control machines and apparatus; rotary converters; phase modifiers; electric flat irons; electric hair-curlers; electric buzzers; telecommunication devices and apparatus; electronic machines, apparatus and their parts.

11 – Toilet bowl and toilet seat units; shower cubicles; sinks (vanity units); cooking equipment for industrial purposes; industrial dish drying apparatus and installations; dish disinfectant apparatus for industrial purposes; tap water faucets; level controlling valves for tanks; pipe line cocks; garbage incinerators; solar water heaters; electric lamps and other lighting apparatus; hand drying apparatus for washrooms; household electrothermic appliances; washers for water taps; gas water heaters (for household use); non-electric cooking heaters (for household purposes); kitchen sinks; sinks/basins and/or hobs, being an integral part of kitchenettes or of preparation modules for kitchen activities, if desired also with a kitchen unit and with an integrated refrigerator and if desired with additional accessories, such as strainer bowls and draining basins; household tap-water filters; shower heads; metal hardware for water faucet for bathroom; bath tubs and the like; flush valve; toilet stool units with an automatic washing water squirter (put-in type); other toilet stool units with a washing water squirter; disinfectant dispensers for toilets; toilet bowls with an automatic washing water squirter (integrated type); sanitary wares (toilet bowls); other toilet bowls; seatings for use with japanese style toilet bowls; non-electric heating apparatus for household purposes; fire hydrants.

19 – Ceramic tiles; other ceramic building materials, bricks and refractory products; fireproof and smoke proof shutters made mainly of heat resistance glass cloth; linoleum building materials; plastic building materials; synthetic building materials; asphalt, and asphalt building or construction materials; rubber building or construction materials; plaster (for building purposes); lime building or construction materials; building or construction materials for plaster; rockfall prevention nets of textile; prefabricated building kits (not of metal); siding materials of ceramic based cement; cement and its products;

building timber; building stone; building glass; letter boxes of masonry; joinery fittings (not of metal); transportable greenhouse (not of metal) for household use; stone sculptures; concrete sculptures; marble sculptures; non metallic mineral materials (unworked or partly worked); bicycle parking installations, not of metal.

20 – Curtain fittings; water pipes valves of plastic; non metallic fasteners, namely nails, wedges, nuts, screws, tacks, bolts, rivets and casters (not of metal); washers (not of metal, not of rubber or vulcanized fiber); locks (non-electric, not of metal); nameplates and door nameplates (not of metal); step ladders and ladders (not of metal); letter boxes (not of metal or masonry); hat hooks (not of metal); water tanks for household purposes (not of metal or masonry); towel dispensers (not of metal); furniture; washstands; indoor window blinds (shade) (furniture); blinds of reed, rattan or bamboo (sudare); bead curtains for decoration; benches; plaster sculptures; plastic sculptures; wooden sculptures; kitchen worktops.

22 – Cotton waddings for clothes; hammocks; cotton batting for futon; cordage; netting (not of metal or asbestos); industrial packaging containers of textile; bands for binding; window awnings; awnings; tarpaulins (not for ships); tents (not for camping); sunshades; Japanese reed screens (yoshizu).

(260) AM 2012 65714 A

(800) 1074088

(731) THE NET-A-PORTER GROUP LIMITED
1 The Village Offices, Westfield, Ariel Way,
London W12 7GF, United Kingdom

(540)

NET-A-PORTER

(591) Black, white

(511)

9 – Information in electronic form; electronic downloadable publications in the fields of fashion, news, lifestyle, culture, entertainment, travel, social networking; electronic applications for electronic telecommunications equipment.

16 – Printed publications; printed matter, namely magazines and publications in relation to fashion and lifestyle; books; address books; pamphlets; manuals; magazines; periodical publications; newspapers; newsletters; decalcomanias; pressure sensitive stickers; photographs; cards; greeting cards; gift tags; diaries, postcards, posters, stationery; writing or drawing implements; tissues; calendars; office requisites.

41 – Entertainment and educational services featuring electronic media, multimedia content, videos, movies, pictures, images, text, photos, user-

generated content, audio content, and related information via the internet and other communications networks in the field of fashion, general interest, cultural events and entertainment related topics; production of films on videotapes or on all types of audiovisual or sound media in the field of fashion, general interest, cultural events and entertainment related topics; electronic publishing of on-line books, magazines and periodicals in the field of fashion, general interest, cultural events and entertainment related topics; providing on-line electronic publications (not downloadable) in the field of fashion, general interest, cultural events and entertainment related topics; digital video, audio and multimedia entertainment publishing services in the field of fashion, general interest, cultural events and entertainment related topics; online digital publishing services in the field of fashion, general interest, cultural events and entertainment related topics; fashion show services, production of fashion shows provided online from a computer database or the internet or transmitted via wireless communication device; news reporting; providing information about entertainment, current events, cultural events and activities and news; publication of electronic applications for fashion, entertainment; consultancy, information and advisory services relating to the aforesaid; providing electronic library services containing images, pictures, photographs, text and other multimedia content via an online computer network and other electronic communication networks; publishing online journals, namely blogs featuring personal information and opinions; publishing services, namely photo sharing via the internet and wireless communication devices; organising entertainment and cultural events; entertainment in the nature of contests, competitions and games; education, entertainment, sporting and cultural activities.

(260) AM 2012 65715 A

(800) 1083292

(731) With Heart Foundation
11 Hoyle Avenue Castle Hill NSW 2154,
Australia

(540)

With Heart

(591) Black, white

(511)

36 – Charitable collections; charitable fundraising; charitable services, namely financial services; organising of charitable collections.

(260) AM 2012 65720 A

(800) 1100845

(731) Ballu Industrial Group Limited
Special administrative district, of the People's
Republic of China, Hong Kong Konnaught

Road, Central, 148, complex 18V, China
(540)



(591) Black, white
(511)

6 – Ducts of metal for ventilating and air conditioning installations; fittings of metal for compressed air ducts.

7 – Compressors (machines); air pumps (garage installations); compressors for refrigerators; superchargers; aerocondensers; steam condensers (parts of machines); steam engine boilers; bellows (machines); blowing machines for the compression, exhaustion and transport of gases; airblast superchargers; pumps (machines); pumps (parts of machines, engines or motors); compressed air pumps; pumps for heating installations; centrifugal pumps; pulverisers (machines); steam traps; feeding apparatus for engine boilers; separators; machine boiler scale collectors; boiler tubes (parts of machines); turbines other than for land vehicles; hydraulic turbines; turbocompressors; air suction machines; filtering machines; filters for cleaning cooling air, for engines; flues for engine boilers; fittings for engine boilers.

11 – Air conditioning apparatus; ventilation (air-conditioning) installations and apparatus; air-conditioning equipment for vehicles; filters for air conditioning; fans (parts of air-conditioning installations); fans (air-conditioning); ionisation apparatus for the treatment of air; air cooling apparatus; air cleaning (filtration) devices; air sterilization devices; drying apparatus and installations; air purifying apparatus and machines; hot air apparatus; air reheaters; air dryers; extractor hoods for kitchens; hot air bath fittings; heating boilers; feeding apparatus for heating boilers; boiler pipes (tubes) for heating installations; flues for heating boilers; gas boilers; split systems for air conditioning; air heaters (apparatus); desiccating apparatus; air cooling devices; ventilation hoods; ventilation hoods for laboratories; air refrigerators.

(260) AM 2012 65721 A
(800) 1100854

(731) EGIS GYOGYSZERGYÁR
Nyilvánosan Működő Részvénytársaság
ut Kereszturi 30-38, H-1108 Budapest,
Hungary

(540)

EGITAQUIN

(591) Black, white
5 – Pharmaceutical preparations for human purposes, except medicated skin care preparations

(260) AM 2012 65723 A

(800) 1100855

(731) EGIS GYOGYSZERGYÁR
Nyilvánosan Működő Részvénytársaság
ut Kereszturi 30-38, H-1108 Budapest,
Hungary

(540)

CAVELLON

(591) Black, white

(511)

5 – Pharmaceutical preparations for human purposes, except medicated skin care preparations

(260) AM 2012 65725 A

(800) 1100857

(731) EGIS GYOGYSZERGYÁR
Nyilvánosan Működő Részvénytársaság
ut Kereszturi 30-38, H-1108 Budapest,
Hungary

(540)

CAMIMBO

(591) Black, white

(511)

5 – Pharmaceutical preparations for human purposes.

(260) AM 2012 65726 A

(800) 1100867

(731) NOVARTIS AG
CH-4002 Basel, Switzerland

(540)

СИБРИ

(591) Black, white

(511)

5 – Pharmaceutical preparations.

(260) AM 2012 65727 A

(800) 1100875

(731) FICOSOTA SYNTEZ OOD
Madara Blvd. 48, BG-9700 SHUMEN,
Bulgaria

(540)

SEMANA

(591) Black, white

(511)

3 – Bleaching preparations and other substances for laundry use; washing, cleaning, polishing, scouring and abrasive preparations; perfumery, cosmetics; make-up; make-up removing preparations; cosmetic preparations for skin care; cosmetic creams; nail polish; lacquer-removing preparations; eau de cologne; lotions for cosmetic purposes; cleansing milk for toilet purposes; toilet water;

essential oils; ethereal essences; oils for perfumes and scents; extracts of flowers (perfumes); sachets for perfuming linen; hair waving preparations; hair waving preparations; hair spray; colourings for hair and beard; colourings for cosmetic purposes; talcum for cosmetic purposes; deodorants; sun-tanning preparations (cosmetics); stain removers; soap; shampoos; bath salts, not for medical purposes; rust removing preparations; dentifrices; tissues impregnated with cosmetic lotions; fabric softeners (for laundry use); color-brightening chemicals for household purposes (laundry); antistatic preparations for household purposes; smoothing preparations (starching); toiletries; cosmetic preparations for slimming purposes.

5 – Pharmaceutical and veterinary preparations; sanitary preparations for medical purposes; dietetic substances adapted for medical use, food for babies; plasters, materials for dressings; disinfectants; antiseptics; air freshening preparations; antiparasitic preparations; antiseptic cotton; sanitary towels; salts for mineral water baths; medicinal herbs; menstruation bandages, menstruation pads; first-aid boxes (filled); food for babies; food-supplements and preparations for medical purposes.

(260) AM 2012 65732 A

(800) 1100926

(731) Sopro Bauchemie GmbH
Biebricher Strasse 74, 65203 Wiesbaden,
Germany

(540)



(591) Light blue, dark blue, red and white

(511)

1 – Chemical products for industrial purposes; impregnating preparations; adhesives used in industry, in particular made of synthetic resins; chemical products for industrial purposes being additives for building materials, chemical products for industrial purposes being additives for screed, concrete and mortar; liquid plastics, unprocessed and included in this class; preservatives for building materials (except for organic substances); tempering agents for concrete, mortar and screed, included in this class, namely for preventing drying out of concrete and mortar, screed and pre-fabricated concrete components, for rendering concrete screed resistant against impacts, abrasion,

freeze and chemical stress, for increasing imperviousness against liquid and gases as well as for controlling the working consistency; unprocessed artificial resin; surface-active agents (tensides); damp proofing preparations for brickwork, except paints; horticulture chemicals; antifreeze; chemical products as aid for removing and cleaning joint compounds.

2 – Paints, varnishes, lacquers; preservatives against corrosion, anti-rust agents, wood preservatives; coloring compounds; solvents and diluents for paints; mordants; primers; bitumen varnishes; chemical color intensifying and color brightening agents for applying and coating of ceramics, natural stone and concrete.

3 – Cleaning, polishing, scouring and abrasive preparations; cleaning and conditioning substances for mineral undercoat, metal, plastics, wood; washing agents for joint fillers, included in this class; tool cleaning agents; scouring solutions; color removing agents; polishing wax.

6 – Common metals and their alloys; metal building materials; transportable buildings of metal; cables and wires of common metal (non-electric); ironmongery, small items of ironware; pipes of metal; tubes of metal; goods of metal, included in this class; tile floorings of metal; floor tiles of metal; windows of metal.

11 – Heating apparatus, electric heating mats as well as sanitary installations.

17 – Rubber, gutta-percha, gum, asbestos, mica and goods made from these materials, included in this class; goods made of plastics; goods made of artificial and synthetic resins (semi-finished products), resins for fabricating adhesives (semi-finished products); cast resins including silica sand (semi-finished products); sealing, packing and insulating materials, sealing tapes, sealing collars; rubber gloves for insulating purposes, not for household purposes; joint fillers (seals and cements); insulating coating materials and insulating lacquers; insulating paints; self-adhesive tapes, other than stationery and not for medical or household purposes; insulating coatings and insulating materials; filling material as insulating, damping and sealing materials; bituminous coatings for roofing for sealing and insulating purposes.

19 – Building materials (non-metallic), in particular with damping and insulating properties; building materials (non-metallic), namely hydraulic binding agents such as cement, lime, gypsum and as additives for binding and hardening concrete, mortar and stony building materials; building materials (non-metallic), namely mixtures of hydraulic binding agents with aggregates, puzzolanic materials and/or chemical substances;

mortar (building material), plaster (building material), lime floor (building material); reinforcing fabrics (non-metallic) for building purposes; contact slurries (non-metallic) for building purposes; building materials, non-metallic, in the form of filling materials for building purposes for preparing surfaces made of concrete, mortar and other stony building materials; silica sand for building purposes; bitumen; bituminous products for building; pipes, not of metal for building purposes; concrete, concrete building elements; roof coverings, not of metal; bituminous coatings for roofing (except for sealing and insulating purposes); windows, not of metal; felts for building; gravel; sand for building purposes; prefabricated swimming pools (not of metal); prefabricated chimneys, not of metal; floor tiles, not of metal, tile floorings, not of metal; binding material for road repair, road coating materials.

24 – Woven material and textile goods, included in this class.

27 – Carpets, door and floor mats, mats, linoleum and other floor coverings; tapestry (wall hangings), not of textile.

37 – Building construction, consulting regarding matters concerning construction, namely in the fields of application of building materials; renting of construction tools and building materials; repair in the field of buildings above ground, underground engineering and completion of interiors.

(260) AM 2012 65733 A

(800) 1100932

(731) ZHEJIANG PUXIN ELECTRIC
APPLIANCE CO., LTD.

Jingsi Road, Dongyi Section, Shangyu
Industrial Park, Hangzhouwan, Zhejiang,
China

(540)

PUSUNG

(591) Black, white

(511)

11 – Lighting apparatus and installations; automobile lights; water heaters; ice chests; refrigerators; ventilation hoods; axial fans of glass-fibre-reinforced plastic; electric hair driers; hot air apparatus; hot water heating installations; bath heaters; disinfectant cupboards; electric radiators; installations for processing nuclear fuel and nuclear moderating material.

(260) AM 2012 65778 A

(800) 1101431

(731) VALME S.r.l.

Via Vittorio Veneto, 2, I-23010 ROGOLO

(Sondrio), Italy

(540)

VALME

(591) Black, white

(511)

6 – Pipes made of steel, junction elements made of steel.

7 – Pipes in materials other than steel, junction elements in materials other than steel.

(260) AM 2012 65780 A

(800) 1101459

(731) Société des Produits Nestlé S.A.
CH-1800 Vevey, Switzerland

(540)



(591) Green, blue, yellow and white

(511)

30 – Coffee, coffee extracts, coffee-based preparations and beverages; iced coffee; artificial coffee, artificial coffee extracts, preparations and beverages based on artificial coffee; chicory; tea, tea extracts, tea-based preparations and beverages; iced tea; cocoa and cocoa-based preparations and beverages; chocolate, chocolate products, chocolate-based preparations and beverages; confectionery, sugar confectionery, sweetmeats; sugar; chewing gum, not for medical purposes; natural sweeteners; bakery products, bread, pastries; biscuits, cakes, cookies, wafers, caramels, puddings; edible ices, water ices, sherbets, iced confectionery, ice-cream cakes, ice cream, ice desserts, frozen yogurts; honey; breakfast cereals, muesli, corn flakes, cereal bars, ready-to-eat cereals; cereal preparations; rice, pasta, noodles; foodstuffs made with rice, flour or cereals, also in the form of cooked dishes; pizzas; sandwiches; oven-ready preparations of farinaceous paste and cake pastry; sauces, soya sauce; ketchup; products for flavoring or seasoning foodstuffs; edible spices, condiments, salad dressings, mayonnaise; mustard; vinegar.

(260) AM 2012 65782 A
 (800) 1101497
 (731) Rado Uhren AG (Rado Watch Co. Ltd.)
 (Montres Rado S.A.)
 Bielstrasse 45, CH-2543 Lengnau,
 Switzerland
 (540)

RADO R-ONE

(591) Black, white
 (511)
 14 – Precious metals and their alloys and goods in
 precious metals or coated therewith, included in
 this class; jewellery, precious stones; horological
 and chronometric instruments.

(260) AM 2012 65783 A
 (800) 1101498
 (731) Rado Uhren AG (Rado Watch Co. Ltd.)
 (Montres Rado S.A.)
 Bielstrasse 45, CH-2543 Lengnau,
 Switzerland
 (540)

RADO HYPERCHROME

(591) Black, white
 (511)
 14 – Precious metals and their alloys and goods in
 precious metals or coated therewith, included in
 this class; jewellery, precious stones; horological
 and chronometric instruments.

(260) AM 2012 65784 A
 (800) 1101499
 (731) Rado Uhren AG (Rado Watch Co. Ltd.)
 (Montres Rado S.A.)
 Bielstrasse 45, CH-2543 Lengnau,
 Switzerland
 (540)

RADO SPECCHIO

(591) Black, white
 (511)
 14 – Precious metals and their alloys and goods in
 precious metals or coated therewith, included in
 this class; jewellery, precious stones; horological
 and chronometric instruments.

(260) AM 2012 65786 A
 (800) 1101533
 (731) GUCCIO GUCCI S.P.A.
 Via Tornabuoni, 73/R, I-50123 FIRENZE,
 Italy
 (540)

GUCCI

(591) Black, white

(511)
 35 – The bringing together, for others, for retail
 purposes, of perfumery, cosmetic goods, clothing,
 footwear, headgear and accessories therefore,
 glasses, leather goods, watches, jewellery, and
 stationery, also by means of e-commerce.

(260) AM 2012 65788 A
 (800) 1101552
 (731) ZAKŁADY FARMACEUTYCZNE
 "POLPHARMA" SPÓŁKA AKCYJNA
 Peplńska 19, PL-83-200 STAROGARD
 GDANSKI, Poland
 (540)

Polmatine **ПОЛЬМАТИН**

(591) Black, white
 (511)
 5 – Pharmaceutical preparations.

(260) AM 2012 65789 A
 (800) 1101553
 (731) ZAKŁADY FARMACEUTYCZNE
 "POLPHARMA" SPÓŁKA AKCYJNA
 Peplńska 19, PL-83-200 STAROGARD
 GDANSKI, Poland
 (540)

RAVENTON **РАВЕТОН**

(591) Black, white
 (511)
 5 – Pharmaceutical preparations.

(260) AM 2012 65790 A
 (800) 1101568
 (731) Beiersdorf AG
 Unnastr. 48, 20253 Hamburg, Germany
 (540)

AQUA EFFECT

(591) Black, white
 (511)
 3 – Cosmetics.

(260) AM 2012 65791 A
 (800) 1101583
 (731) MEDANA PHARMA SPÓŁKA AKCYJNA
 Władysława Łokietka 10, PL-98-200 Sieradz,
 Poland

(540)

ACIDOLAC JUNIOR
Ацидолак Юниор

(591) Black, white

(511)

5 – Pharmaceutical preparations.

(260) AM 2012 65792 A

(800) 1101591

(731) PETRONAS LUBRICANTS ITALY S.P.A.

Via Santena, 1, I-10029 VILLASTELLONE
(TO), Italy

(540)

ROKLUBE

(591) Black, white

(511)

4 – Lubricating oils and greases.

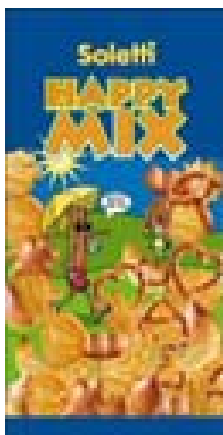
(260) AM 2012 65793 A

(800) 1101657

(731) Intersnack Group GmbH & Co. KG

Peter-Müller-Str. 18, 40468 Düsseldorf,
Germany

(540)

(591) Dark blue, blue, light blue, pink, red, orange,
light yellow, yellow, dark yellow, light
brown, dark brown, white, grey and black

(511)

31 – Unprocessed nuts, cashew nuts, pistachio nuts
(shelled), almonds, peanuts and seeds.

(260) AM 2012 65794 A

(800) 1101711

(731) A.E.T. Holding B.V.

IJsselburcht 3, NL-6825 BS Arnhem,
Netherlands

(540)

SAFESIGN

(591) Black, white

(511)

9 – Electronic data communications and data
security apparatus and instruments and software;
electronic apparatus and instruments and software
for providing user authentication and transaction
security via a network; electronic apparatus and
instruments and software for issuing, monitoring
and controlling smart cards and security tokens;
parts for the aforesaid apparatus and instruments;
firmware (software) for all the aforesaid apparatus
and instruments.

(260) AM 2012 65795 A

(800) 1101719

(731) Avon Products, Inc.

World Headquarters, 1345 Avenue of the
Americas, New York, NY 10105-0196, USA

(540)

LUCHESSA

(591) Black, white

(511)

14 – Jewellery, precious stones; horological instru-
ments and chronometric instruments; precious
metals and their alloys; coins; works of art of
precious metal; jewel cases of precious metal;
boxes of precious metal; cases, bracelets, chains,
springs or watch crystals; fancy key rings; statues
or figurines of precious metal (statuettes); cases or
cases for watches; medals.

(260) AM 2012 65798 A

(800) 1101768

(731) OBSHESTVO S OGRANICHENNOJ
OTVETSTVENNOSTJU "TEPLOVOE
OBORUDOVANIE"Moskovskoe schosse 44, Tosno, Tosnenski
r-n, RU-187000 Leningradskaja obl., Russian
Federation

(540)



(591) Black, white

(511)

11 – Boilers, other than parts of machines; water
heaters; gas generators [installations]; thermostatic
valves [parts of heating installations]; air
conditioning apparatus; gas boilers; heating boilers;
taps [faucets]; mixer taps for water pipes; heaters
for baths; heat pumps; heating apparatus for solid,
liquid or gaseous fuels; heating apparatus, electric;
hot air apparatus; safety accessories for water or
gas apparatus and pipes; regulating accessories for
water or gas apparatus and pipes; regulating
accessories for water or gas apparatus and pipes;

heat regenerators; water purification installations; water softening apparatus and installations; heating installations; hot water heating installations. 35 – Import-export agencies; commercial information agencies; publicity agencies; rental of advertising space; computerized file management; book-keeping; demonstration of goods; opinion polling; marketing studies; business information; commercial information and advice for consumers [consumer advice shop]; business investigations; marketing research; business management and organization consultancy; personnel management consultancy; business management consultancy; professional business consultancy; business management of performing artists; news clipping services; updating of advertising material; organization of exhibitions for commercial or advertising purposes; organization of trade fairs for commercial or advertising purposes; shop window dressing; business appraisals; payroll preparation; business management assistance; presentation of goods on communication media, for retail purposes; economic forecasting; auctioneering; sales promotion for others; publicity material rental; rental of advertising time on communication media; publication of publicity texts; typing; radio advertising; bill-posting; distribution of samples; writing of publicity texts; publicity; advertising by mail order; on-line advertising on a computer network; television advertising; document reproduction; publicity columns preparation; commercial administration of the licensing of the goods and services of others; administrative processing of purchase orders; modelling for advertising or sales promotion; procurement services for others [purchasing goods and services for other businesses]; efficiency experts.

37 – Heating equipment installation and repair; air conditioning apparatus installation and repair; electric appliance installation and repair; kitchen equipment installation; installation, maintenance and repair of computer hardware; machinery installation, maintenance and repair.

(260) AM 2012 65799 A
(800) 1101771
(731) Roche Diagnostics GmbH
Sandhofer Strasse 116, 68305 Mannheim,
Germany

(540)
ACCU-CHEK SOLO

(591) Black, white
(511)
10 – Medical instruments and devices, namely insulin pumps and accessories; infusion sets.

(260) AM 2012 65801 A
(800) 773195
(731) Boehringer Ingelheim International GmbH
55218 Ingelheim, Germany
(540)

АНТИСТАКС

(591) Black, white
(511)
5 – Pharmaceutical products.

30 – Food additives, dietetic substances and supplements for foodstuffs included in this class, for non-medical use.

(260) AM 2012 65802 A
(800) 811905
(731) SIP STROJNA INDUSTRIJA, D.D.,
ŠEMPETER V SAVINJSKI DOLINI;
Juhartova ulica 2, SI-3311 Šempeter
v Savinjski dolini, Slovenia

(540)



(591) Black, white
(511)

7 – Agricultural machines including corn harvesters, silage manipulators, hay harvesters and swathers as well as tedders, mowers, self-propelled mowers, manure spreading machines, hop pruning machines, corn-cob mills; machines for treatment ground; parts and accessories for the aforementioned goods; vacuum manipulators, pneumatic manipulators with telescope; hydraulic manipulators, portal manipulators, packaging machines, labelling machines, parts of the aforementioned goods.

11 – Inductive heating apparatus; inductive appliances for heat treatment.

(260) AM 2012 65807 A
(800) 1001502
(731) Vidkryte aktsionerne tovarystvo "Koblevo"
vul. Odeska, 6, s. Kobleve, Berezanskyj
rajon, Mykolajivska oblast 57453, Ukraine
(540)

Marengo

(591) Black, white
(511)
33 – Alcoholic beverages, except beer; aperitifs; wine; cocktails; bitters; piquette; digesters; vermouth.

(260) AM 2012 65813 A
 (800) 1051920
 (731) HLT Domestic IP LLC
 7930 Jones Branch Drive, Suite 1100,
 McLean, VA 22102, USA

(540)

WALDORF ASTORIA

(591) Black, white

(511)

43 – Rental of temporary accommodations, namely, hotel rooms; reservations, temporary accommodations, namely hotel rooms; hotel, motel, bar, cafe, restaurant, banqueting and catering services, rental of rooms for holding functions, conferences, conventions, exhibitions, seminars and meetings.

(260) AM 2012 65848 A

(800) 1102183

(731) JAPANPARTS S.R.L.

Via Della Meccanica, 1/A, I-37139 Fraz.

Bassona, VERONA (VR), Italy

(540)

ASHIKA

(591) Black, white

(511)

7 – Cartridges for filtering machines, filtering machines, filters (machine or engine parts), pumps (machine or engine parts), pumps (machines), pump diaphragms, lubrication pumps, alternators; regulators (machine parts), speed governors for machines and engines, brushes (parts of machines), brushes for dynamos, glow plugs for diesel engines, trimming machines, parts of ignition engines for water vehicles, ignition engines, pinions for ignition engines and electromagnets for water vehicles, engine belts for land vehicles, spare parts for ignition engines for land vehicles, ignition engines, pinions for ignition engines.

9 – Self-regulating fuel pumps, voltage regulators for vehicles, condensers (electric) electric contacts, electric switches, electric batteries, electric sockets, electric plugs, cartridges for valves (electricity), circuit breakers, cut-outs for electric batteries, apparatus and instruments using the heavy current engineering, namely for conducting, transforming, accumulating, regulating, and controlling, current rectifiers for alternators.

12 – Treads for vehicles, safety belts for vehicle seats, brake linings for land vehicles, air pumps (vehicle accessories), clutches for land vehicles, brake disks for land vehicles, vehicle brakes, automobiles, vehicles for locomotion by land, electromagnets for ignition engines for land vehicles.

(260) AM 2012 65849 A

(800) 1102202

(731) Mayne Pharma International Pty Ltd
 Level 9, 470 Collins Street, MELBOURNE
 VIC 3000, Australia

(540)

LOZANOC

(591) Black, white

(511)

5 – Pharmaceutical preparations and substances; antifungal preparations and substances.

(260) AM 2012 65852 A

(800) 1102265

(731) SANOFI PASTEUR

2, avenue Pont Pasteur, F-69007 LYON,
 France

(540)

VerorabVax

(591) Black, white

(511)

5 – Pharmaceutical preparations, vaccines.

(260) AM 2012 65855 A

(800) 772712

(731) B. Braun Melsungen Aktiengesellschaft

Carl-Braun-Strasse 1, 34212 Melsungen,
 Germany

(540)

INJEKT

(591) Black, white

(511)

10 – Surgical, medical, dental and veterinary instruments, apparatus and utensils.

(260) AM 2012 65856 A

(800) 901211

(731) NINGBO GEMAY INDUSTRY CO., LTD

(ningbo jiemei jinchukou youxian gongsi)
 Room 603, building 5, №22 Henghe Road,
 Beilun, Ningbo, Zhejiang 315000, China

(540)

POWER FORCE

(591) Black, white

(511)

7 – Hand-held tools, other than hand-operated; compressed air pumps; milling machines; chain saws; drill presses; reciprocating saws; winches; electric hammers; saws (machines); stone cutting machines.

(260) AM 2012 65857 A
 (800) 1065039
 (731) SUAREZ H, S.A
 Gran Via, 40 Bis – 3°, E-48009 Bilbao,
 Vizcaya, Spain

(540)

aristocrazy

(591) Black, white

(511)

14 – Precious metals and their alloys, as well as goods made of these materials or coated therewith not included in other classes; jewelry, precious stones; timepieces and chronometric instruments.

18 – Leather and imitations of leather, and goods made of these materials and not included in other classes; animal skins; trunks and traveling bags; umbrellas, parasols and walking sticks; whips, harness and saddlery.

(260) AM 2012 65858 A
 (800) 1068840
 (731) CHIESI FARMACEUTICI S.P.A.
 Via Palermo, 26/A, I-43122 PARMA (PR),
 Italy

(540)

PEYONA

(591) Black, white

(511)

5 – Pharmaceutical preparations to the exclusion of drugs for the treatment of central nervous system disorders and drugs for the treatment of thrombotic and/or cardiovascular diseases; sanitary preparations for medical purposes; dietetical substances for medical use, foodstuffs for babies; material for stopping teeth, dental wax; disinfectants.

(260) AM 2012 65912 A
 (800) 1102709
 (731) SOREMARTEC SA
 Rue Joseph Netzer 5, B-6700 ARLON,
 Belgium

(540)



(591) Dark orange, white, brown, light blue, green,
 yellow, gray, beige

(511)

30 – Coffee, tea, cocoa, sugar, rice, tapioca, sago, artificial coffee; flour and preparations made from cereals, bread, pastry and confectionery, ices; honey, treacle; yeast, baking-powder; salt, mustard; vinegar, sauces (condiments); spices; ice for refreshment.

(260) AM 2012 65913 A
 (800) 1102711
 (731) SABMiller International B.V.
 Schouwburgplein 30-34, NL-3012
 CL ROTTERDAM, Netherlands

(540)

St. Stefanus ANNO 1295

(591) Black, white

(511)

32 – Beers.

(260) AM 2012 65916 A
 (800) 1102758
 (731) Uždaroji akcinė bendrovė "Plungės
 kooperatinė prekyba"
 Birutės g. 50, LT-90112 Plungė, Lithuania

(540)

Суримики

(591) Black, white

(511)

29 – Meat, fish, poultry and game; meat extracts; preserved, frozen, dried and cooked fruits and vegetables; jellies, jams, compotes; eggs, milk and milk products; edible oils and fats.

(260) AM 2012 65918 A
 (800) 1102769
 (731) BIOFARMA
 50 rue Carnot, F-92284 SURESNES
 CEDEX, France

(540)

DIADONAL

(591) Black, white

(511)

5 – Pharmaceutical, veterinary and sanitary products; dietetic substances adapted for medical use; food for babies; plasters, materials for dressings; material for dental fillings and dental impressions; disinfectants; pesticides; fungicides, herbicides.

(260) AM 2012 65919 A

(800) 1102777

(731) PEKER YÜZEY TASARIMLARI SANAYİ
VE TİCARET ANONİM ŞİRKETİUğur Mumcu Caddesi, Uğur Mumcu'nun
Sokağı, №6, ANKARA, Turkey

(540)

belenco

(591) Black, white

(511)

19 – Materials for constructing, coating, repairing roads, namely, asphalt, pitch and tar, bitumen asphalt; sand, gravel, slag stone; aggregate material composed of sand and sand stone, gravel, non-agricultural lime for use in construction, slag-lime cement, gypsum; blocks of concrete, plaster and colored plaster for building purposes; articles of artificial stone for building purposes; shaped building, construction and road construction materials made of concrete, gypsum, earthen, clay, sand, natural stone, artificial stone, wooden, plastic or synthetic materials; poles, barriers; concrete, clay roofing tiles, natural stones, artificial stones, building materials, namely, semi-worked woods, plastic tiles; flooring or wall-claddings of synthetic materials; natural marbles, artificial marbles, inner and outer facings of natural or artificial stones, place and floor coatings; concrete panels, concrete pipes, concrete beams, concrete blocks, concrete bollards, concrete walls, concrete fences, concrete roof repair compounds, concrete slabs, concrete roof tiles, barrier of concrete, concrete poles for electric power lines; plaster for building purpose, namely, plaster boards, plaster panels, plaster walls, plasters for prefabricated buildings; bricks, rigid pipes, not of metal, tubes and connection pieces; non-luminous, non-mechanical signs not of metal; monuments of stone, concrete or marble; statues of stone, concrete or marble; natural or synthetic surface coatings for building purposes in form of plates or strips (heat-adhesive); glass blocks for building, glass bricks, glass tiles, glass panes, glass panels for building construction aquarium sand.

20 – Furniture, display stands and boards, index cabinets, medicine cabinets, writing and drawing desks, service carts, deck chairs, counters (tables) not of metal, work benches, vice benches, furniture chests, mailboxes, fixed towel dispensers (not of metal), coat hangers, coat stands; mirrors; beehives, comb foundations for beehives, sections of wood for beehives; playpens for babies, high chairs for babies, bassinets, infant walkers; vehicle plates not of metal, signs, signboards of wood or plastics, display boards, picture frames, picture frame brackets, moldings (moldings) for picture frames, identity plates, not of metal; nameplates, not of metal; registration plates, not of metal; number plates, not of metal; wooden barrels, casks, kegs, liquid containers, wood boxes, boxes for transportation purposes, chests, transport palettes,

packaging containers of plastic, plastic barrels, reservoirs, neither of metal nor of masonry; boxes, non-metal valves for containers, taps for casks (not of metal); handles, stalks, stems, buttons for tools and instruments, of wood, wood substitute materials or synthetic materials, latches not of metal, bottle closures, not of metal; bottle caps, not of metal; corks for bottles, cork bands, window fittings, not of metal; door fittings, not of metal; locks, not of metal; racks, door handles, not of metal; drawer rails; casters, not of metal; bolts, not of metal; screws, not of metal; dowels, not of metal; pipe or cable clips, plugs (dowels) not of metal; works of art in this class, of wood, wax, plaster or plastic; sculptures, busts; mannequins, mobiles (decoration), wall plaques made of plastic or wood (furniture), stuffed animals; baskets, bakers' bread baskets, hamper baskets, reed baskets, fishing baskets; kennels, nesting boxes, cushions, beds for household pets; portable steps (ladders), not of metal, of wood or plastic; mobile boarding stairs not of metal for passengers; curtain holders, not of textile material; curtain hooks, curtain rails, curtain rings, curtain rods, curtain rollers, curtain tie-backs, bamboo curtains, indoor window blinds (shades), slatted indoor blinds, bead curtains for decoration.

35 – Advertising agencies services, marketing and publicity bureaus services including commercial or advertisement exhibition and trade fair organization services; providing office functions; business management; business administration; import and export agencies; business investigations, evaluations, expert appraisals, information and research of industrial and commercial goods, auctioneering; the bringing together, for the benefit of others, of building materials (non-metallic), non-metallic rigid pipes for building, asphalt, pitch and bitumen, non-metallic transportable buildings, monuments, not of metal, furniture, mirrors, picture frames, goods (not included in other classes) of wood, cork, reed, cane, wicker, horn, bone, ivory, whalebone, shell, amber, mother-of-pearl, meerschaum and substitutes for all these materials, or of plastics (excluding the transport thereof), enabling customers to conveniently view and purchase those goods; such services may be provided by retail stores, wholesale outlets, through mail order catalogues or by means of electronic media, for example, through Web sites or television shopping programmes.

(260) AM 2012 65921 A

(800) 1102788

(731) KAMPMANN GmbH

Friedrich-Ebert-Strasse 128-130, 49811
Lingen, Germany

(540)

**Kampmann. Genau mein
Klima.**

(591) Black, white

(511)

6 – Linear metal gratings, flexible metal gratings for coiling, water overflow metal gratings, ducts of metal for central heating installations.

9 – Physical, electrical and electronical measuring, control and regulation appliances and electric valve actuators, in particular for air conditioning, ventilation and heating systems.

11 – Radiators; heating systems composed primarily of tubes, pipes and pre-assembled manifolds through which water circulates; underfloor heating systems composed primarily of radiators, tubes, pipes and fans; church heating systems composed primarily of tubes, pipes and pre-assembled manifolds through which water circulates; air treatment apparatus for heating, ventilation and cooling purposes, namely air purifiers, air heaters, air filtering installations for domestic and commercial use; air coolers, namely evaporative air coolers, air cooling apparatus, air conditioning units, air coolers operating with heat exchangers, and electric space cooling apparatus; heated air curtains; hot air generators; electric hot air dryers, in particular for horses; solariums, in particular for horses.

(260) AM 2012 65923 A

(800) 1102849

(731) Zakrytoe aktsionernoe obshchestvo
"Keramogranitny zavod"
Starositnenskoe shosse, vladenie 32,
g. Stupino, RU-142800 Moskovskaya oblast,
Russian Federation

(540)

COLISEUMGRES

(591) Black, white

(511)

19 – Building materials (non-metallic); non-metallic rigid pipes for building; asphalt, pitch and bitumen; non-metallic transportable buildings; monuments, not of metal.

(260) AM 2012 65948 A

(800) 1103023

(731) Barilla G. e R. Fratelli – Societ  per Azioni
Via Mantova, 166, I-43100 PARMA, Italy

(540)



(591) Yellow, light blue, green, red, brown, white

(511)

30 – Coffee, tea, cocoa, sugar, rice, tapioca, sago, artificial coffee; flour and preparations made from cereals, bread, bread substitutes and other bread products; snacks made from cereals; biscuits, pastry and confectionery; chocolate and chocolate-based products or products containing chocolate; bakery products; snacks and sweet snacks; preparations for making cakes; pizzas and preparations for pizzas; ice-cream; honey, treacle; yeast, baking-powder; salt; mustard; vinegar, sauces (condiments); spices; ice.

(260) AM 2012 65949 A

(800) 1103035

(731) PETRONAS LUBRICANTS ITALY S.P.A.
Via Santena, 1, I-10029 VILLASTELLONE
(TO), Italy

(540)

PROFAR

(591) Black, white

(511)

1 – Antifreeze and antifreezing liquids; liquid chemicals used to inhibit and remove limescale deposits; liquid stabilizing chemical preparations for cooling circuits for internal combustion engines for motor vehicles, tractors, earth-moving machines, commercial and industrial vehicles, 2/4 time engines for motor vehicles, and fixed and naval engines; anaerobic adhesives for industrial purposes; descaling preparations for industrial purposes for use in connection with radiators, internal combustion engines and cooling circuits related to said equipment; chemical preparations, namely, degreasing and cleaning solvents for use in connection with radiators, internal combustion engines and cooling circuits related to said equipment; chemical additives for motor fuels; brake fluids; automobile brake system leak sealants; protective antifreeze fluids for compressed-air braking systems of industrial vehicles; power steering fluid.

(260) AM 2012 65951 A

(800) 1103062

(731) Zakrytoe aktsionernoe obshchestvo
"Involux"
d. 72, ul. Gorodskaya, 225001 g. Brest,
Belarus

(540)



(591) Black, white
 (511)
 20 – Furniture, including furniture of metal; school furniture, office furniture.
 35 – Sales promotion of furniture for others.

(260) AM 2012 65952 A
 (800) 1103063
 (731) APT INTERNATIONAL Ko, LIMITED
 Rm 804, Sino Center, 582-592 Natan rd, Kin,
 Hong Kong, China
 (540)



(591) White and blue-green
 (511)
 7 – Bearings [parts of machines]; ball rings for bearings; bearing brackets for machines; anti-friction bearings for machines; roller bearings; self-oiling bearings; bearings for transmission shafts; ball-bearings; journal boxes [parts of machines].
 8 – Hand tools, hand-operated; spanners [hand tools]; screwdrivers; hammers [hand tools]; punch pliers [hand tools]; augers [hand tools]; hollowing bits [parts of hand tools]; pliers; cutting tools [hand tools].
 35 – Marketing studies; marketing research; import-export agencies; commercial information agencies; sales promotion for others; commercial or industrial management assistance; demonstration of goods; organization of exhibitions and trade fairs for commercial or advertising purposes; procurement services for others [purchasing goods and services for other businesses].

(260) AM 2012 65953 A
 (800) 1103071
 (731) KİĞİLİ GİYİM TİCARET ANONİM
 ŞİRKETİ
 Şekerpınar Mahallesi, Otomotiv Caddesi №3,
 Çayırova/Kocaeli, Turkey
 (540)



(591) Black, white
 (511)
 18 – Leather and imitations of leather, and goods made of these materials and not included in other

classes, namely bags, suitcases; wallets, sling bags for carrying infants, boxes of leather, cases of leather, card cases, key cases (leatherware), purses, rucksacks, briefcases, school satchels; umbrellas, parasols and walking sticks, whips, saddle trees, stirrup leathers, gut for making sausages.

21 – Household or kitchen utensils, non-electric; kitchen mixers, non-electric; blenders, non-electric, for household purposes; hand-operated coffee and spice grinders; fruit and vegetable presses, non-electric, for household purposes; graters (household utensils); non-electric cleaning apparatus; brushes (except paint brushes); brushes for cleaning; brush-making materials; sponges for household purposes; steel wool for cleaning; wool waste for cleaning; rags for cleaning; gloves for household purposes; non-electric polishing apparatus and machines, for household purposes; carpet beaters; carpet sweepers; mops; pads for cleaning; toothbrushes; electric toothbrushes; floss for dental purposes; shaving brushes; hair brushes; combs; household and kitchen utensils and earthenware (not of precious metal); household or kitchen utensils of glass, plastic, porcelain, ceramic and materials not included in other classes; buckets, trash cans, pots, paper plates, plates and glasses, trays for domestic purposes, coffee pots, strainers, scoops, basting spoons for kitchen use, spatulas (kitchen utensils); basins (bowls), cups (bowls), egg cups, cake moulds, decanters, containers for kitchen use, vases, soap holders, soap dispensers, metal boxes for dispensing paper towels, toilet paper holders; baby baths, ice buckets, heat-insulated containers, drinking flasks, fitted picnic baskets (including dishes), cups of non precious metals, bread bins, bread baskets (domestic), bread boards; non-electric cooking utensils; cooking pots, non-electric; grills (cooking utensils), grill supports, cooking skewers of metal; ironing boards, ironing board covers (shaped), drying racks for washing; cages for household pets; litter boxes for pets; mangers for animals, drinking vessels; bird baths; rings for birds; works of art of porcelain, terra-cotta or glass (not of precious materials or coated therewith); figurines of porcelain, terra-cotta or glass; statues of porcelain, terra-cotta or glass; bottles, glass jars, demijohns, rat traps, insect traps, fly catchers (traps or whisks), fly swatters, toilet cases; perfume burners, perfume sprayers, perfume vaporizers; non-electric cosmetic utensils; appliances for removing make-up (non-electric), powder puffs, containers for toilet utensils; roses for watering cans; syringes for watering flowers and plants; watering devices, sprinklers for watering plants and flowers, sprinkling devices for spouts; corkscrews, shoe horns; toothpicks, pipettes (wine-tasters); glass, unworked (except building glass); semi-worked glass (except building glass); mosaics of glass, not for building; powdered glass for decoration; glass wool and fiberglass (other than for insulation or textile use).

24 – Woven or non-woven fabrics, glass fibre fabrics, gas proof fabrics, water proof fabrics, imitations of animal skin fabrics, all kinds of linings, filtering materials of textile, curtains, shower curtains of plastic or textile, covers used at homes, tablecloths including oilcloths, bed cloths, sheets, pillowcases, bed linen, furniture covers of textile, napkins, prayer rugs of fabrics, bed covers of paper, bundles of textiles, quilts, fibre quilts, blankets, bath gloves and wash cloths, hand and face towels, bath towels, wall coverings of fabric, tapestry, handkerchiefs of fabric, flags, labels of fabric, laundry bags.

(260) AM 2012 65954 A

(800) 1103136

(731) Pivovary Staropramen a.s.

Nádražní 84, CZ-150 54 Praha 5, Czech Republic

(540)

THE SPIRIT OF PRAGUE

(591) Black, white

(511)

32 – Beers.

(260) AM 2012 65955 A

(800) 1103153

(731) Pi-Design AG

Kantonsstrasse 100, CH-6234 Triengen, Switzerland

(540)

БОДУМ

(591) Black, white

(511)

1 – Chemicals used in industry, science and photography, as well as in agriculture, horticulture and forestry; unprocessed artificial resins, unprocessed plastics; fertilizers; fire extinguishing compositions; tempering and soldering preparations; chemical substances for preserving foodstuffs; tanning substances; adhesives for industrial purposes; carbon for filters; dispersions of plastics; distilled water; filtering materials, filter materials and filtering products not included in other classes; water-softening preparations (scale-removing preparations).

3 – Bleaching preparations and other substances for laundry use; cleaning, polishing, degreasing and abrasive preparations; soap; perfumery, essential oils, cosmetics, hair lotions; dentifrices; almond milk and almond oil for cosmetic purposes, almond soaps; foam baths, bath gloves and bath salts, not for medical purposes; tea for use in the bath (essential oils/bath gels); body lotions; cosmetic preparations

for baths; glass cloth; hair conditioner; shampoos; perfumes.

4 – Industrial oils and greases; lubricants; dust absorbing, wetting and binding compositions; fuels [including motor spirit] and illuminants, candles and wicks for lighting; alcohol used as fuel, pastes for burners (fuel) for fondue sets and hot plates; candles for lighting, including tealights and candle night lights; Christmas tree candles; oils for lamps; stearine; wicks for lighting, including wicks for candles and wicks for lamps.

6 – Common metals and their alloys; building materials of metal; buildings, transportable, of metal; materials of metal for railway tracks; non-electric cables and wires of common metal; ironmongery, small items of metal hardware; pipes of metal; safes; goods of common metal not included in other classes; ores of metal; baskets of metal; chests of metal; bottle closures of metal; boxes of common metal; preserving boxes of metal; fittings of metal for furniture; metal handles for kitchen utensils and tableware, including knives, forks and spoons; pot hooks of metal; ice cube trays of metal; locks of metal for bags; clothes hooks of metal; pins (hardware); rings of common metal for keys; stoppers of metal; wire cloth; wire mesh for burners.

7 – Machines and machine tools; motors, other than for land vehicles; machine coupling and transmission components (except for land vehicles); agricultural implements other than hand-operated; incubators for eggs; electric machines for household use, including rotary beaters, mixers, can and tin openers, coffee grinders, other than hand operated, crushers/grinders, food processors, juicers, machines for grating foods, grinding machines, meat mincers and choppers, milk frothers, mills (other than hand-operated), mixers and kneaders, peeling machines, pepper mills (other than hand-operated), salt and pepper mills, slicers, spice mills, electric whisks for household purposes; adhesive tape dispensers (machines); beverage preparation machines, electromechanical; filtering machines; knives, electric; kitchen machines, electric; food preparation machines, electromechanical; scissors, electric; parts and accessories (not included in other classes) for all the aforementioned goods.

8 – Hand tools and implements, hand-operated; cutlery, forks and spoons; side arms, other than firearms; razors; can openers, non-electric; choppers (knives); hair clippers for cutting animal hair (hand instruments) and hair clippers for personal use (electric and non-electric); table forks, including carving forks, salad forks, forks for lobster, meat forks, forks for snails and fondue forks; parts of tableware in the form of handles (not

included in other classes); knives, including carving knives, boning knives, bread knives, steak knives; cases for knives; sharpening steels; spoons (hand-operated utensils); mincing knives (hand instruments); mortars for pounding; nail clippers, electric or non-electric, nail files; nutcrackers (not of precious metal); oyster openers; palette knives; parsley chopping utensil; vegetable-peelers (hand tools), including asparagus peelers and potato peelers; penknives; perforating tools (hand tools); pestles for pounding; non-electric pizza cutters; scissors; pruning knives and shears; pruning scissors; sharpening instruments, including sharpening steels; slicers (non-electric), including instruments for slicing and cutting cheese as well as wires for cutting cheese; non-electric egg slicers; spoons, including serving spoons, honey servers, sugar shells, punch ladles, spaghetti ladles; skimmers (spoons); tongs, including sugar tongs, spaghetti tongs, asparagus tongs and escargot tongs; flatware (knives, forks and spoons); tableware (knives, forks and spoons); tongs; vegetable choppers, vegetable knives, vegetable shredders; vegetable slicers; wick trimmers (scissors); pot openers and jar openers; parts and accessories (not included in other classes) for all the aforementioned goods.

9 – Scientific, nautical, surveying, photographic, cinematographic, optical, weighing, measuring, signaling, checking (supervision), life-saving and teaching apparatus and instruments; apparatus and instruments for conducting, switching transforming accumulating regulating or controlling electricity; apparatus for recording, transmitting or reproducing sounds or images; magnetic data carriers, recording discs; automatic vending machines and mechanisms for coin-operated apparatus; cash registers, calculating machines, data processing equipment and computers; extinguishers; computer bags; dosage dispensers; batteries, electric; magnets, including decorative magnets; measuring apparatus and instruments, including measures, measuring glasses, measuring bowls and measuring spoons; weighing scales, including letter scales; time clocks (time recording devices); automatic time switches; egg timers; parts and accessories (not included in other classes) for all the aforementioned goods; kitchen timers; hurricane lamps.

11 – Apparatus for lighting, heating, steam generating, cooking, refrigerating, drying, ventilating, water supply and sanitary purposes; alcohol burners; barbecues; burners (apparatus for cooking); burners, including burners for lamps; chandeliers; ignition devices for chimneys; coffee filters, electric; electric coffee machines, including espresso coffee machines; coffee machines, electric; coffee percolators, electric; machines for roasting coffee; refrigerating containers; cookers;

cooking apparatus and installations; cooking utensils, electric; deep fryers, electric; plate warmers; filters for drinking water; filters (parts of domestic installations); hot plates non-electric; friction lighters for igniting gas; gas burners; gas lamps; gas lighters; grills (cooking appliances); grilling apparatus (apparatus for cooking), including picnic grills; electric grills; skewers for grills; ignition devices for grills; hearths; immersion heaters; hot plates (chafing dishes); kettles, electric; burners, lamp mantles, lamp glasses, globes, reflectors and lamp shades; electric lamps; oil lamps; lighters (not intended for smokers); plate warmers; hot plates; pressure cookers, electric; cooking rings (reheaters); roasting apparatus; roasting jacks; roasting spits; rotisseries; kitchen ranges; toasters including bread toasters; apparatus and installations intended for softening water; waffle irons, electric; warming pans; electric appliances for making yogurt; parts and accessories (not included in other classes) of all the aforementioned goods.

14 – Precious metals and their alloys and goods in precious metals or coated therewith, not included in other classes; jewelry articles, precious stones; horological and chronometric instruments; key rings [trinkets or fobs]; kitchen and household utensils of precious metal or plated therewith (not included in other classes); clocks and watches, including electric clocks and watches, alarm clocks, stopwatches, wristwatch straps, watch bands; wristwatches; parts and accessories (not included in other classes) for all the aforementioned goods.

16 – Paper, cardboard and goods made from these materials, not included in other classes; printed matter; materials for bookbindings; photographs; stationery; adhesives [glues] for stationery or household purposes; artists' materials; paintbrushes; typewriters and office requisites (except furniture); instructional and teaching material (except apparatus); plastic materials for packaging (not included in other classes); printing type; printing blocks; address books/telephone books; diaries; albums; cardboard and paper boxes for archiving; bags (envelopes, pouches) for packaging made of paper or plastic; waste paper baskets; loose-leaf binders; ring binders; bookends; note books; bookmarkers; books, including cookery books; pamphlets; bottle envelopes of cardboard or paper; bottle wrappers of cardboard or paper; boxes of cardboard or paper; calendars; cards (not included in other classes); CD holders made of cardboard, of paper or of plastic materials (other than furniture); cardboard articles (not included in other classes); catalogues; arch files and clipboards (stationery articles); paperclip holders; office paper clips; paper-clips; binder clips; coasters and place mats of paper; paper coffee filters; drawing pencils;

adhesive tape dispensers (office supplies); document bags; document files (stationery); drawing instruments; drawing materials; drawing pads; drawing pens; thumbtacks; envelopes (stationery); erasing products, including rubber erasers; files (office requisites); filter paper; filtering materials (paper); jackets for papers; filing jackets (stationery articles); gift tags made of paper or cardboard; document markers; letter trays and sets of letter trays as well as their holders; towels of paper; nibs; memo pads and scratch pads; pads (stationery); paper for storing, filing or collecting photographs; pen cases; pens and pencils, including pens for calligraphy; pencil cases and pencil holders; pencil pots; penholders; pencil leads; pencil lead holders; pencil sharpeners, electric or non-electric; pencil sharpening machines, electric or non-electric; office perforators; photograph albums; photograph cases; photo corners; photograph stands; pockets for photographs; paper doilies; stationery-type portfolios; postcards; posters; printed matter; printed publications; punches (office requisites); paper tapes; drawing rulers; stands for pens and pencils; staples, staplers and staple removers (office requisites); stickers; tablecloths of paper, table linen of paper, place mats of paper, table napkins of paper; adhesive tapes for stationery or household purposes; tear-off calendars; wrappers and wrapping paper; wristbands for the retention of writing instruments; writing instruments, writing materials; writing or drawing books; writing pads; writing paper; leather credit card holders; leather luggage tags.

18 – Leather and leather imitations and goods made of these materials and not included in other classes; animal skins; trunks and travelling bags; umbrellas, parasols and walking sticks; whips, harnesses and saddlery; carrying cases for documents; backpacks; bags of leather, for packaging, bags for campers; bags for climbers; garment bags for travel; beach bags; boxes and cases of leather or of leatherboard; briefcases; card cases; umbrella covers; pouches, of leather, for packaging; frames for umbrellas or parasols; handbag frames; handbags; nose bags; key cases (leather goods); net bags for shopping; bags made of nylon mesh; wallets; school bags; shopping bags, including wheeled shopping bags; shoulder bags; valises; travelling sets (leatherware); traveling trunks; purses and wallets (not included in other classes); overnight bags; parts and accessories (not included in other classes) for all the aforementioned goods.

20 – Furniture, mirrors, picture frames; goods, not included in other classes, of wood, cork, reed, cane, wicker, horn, bone, ivory, whalebone, shell, amber, mother-of-pearl, meerschaum and substitutes for all these materials, or of plastics; baskets, not of metal; chests, not of metal; corks for bottles; boxes of

wood or plastic; boxes of wood or plastic; seats; chests, not of metal, including chests for toys; closures, not of metal, for containers, including stoppers for bottles and grips of plastic materials for closing containers; clothes hooks, not of metal; garment hangers and hooks, not of metal; coatstands; containers, not of metal for storing and/or transportation, including bamboo containers; packaging containers of plastic; cork stoppers, including corks for bottles; holders, hooks, rails, rings, rods and rollers for curtains; dinner wagons; keyboards for hanging keys; knife handles, not of metal; mattresses; photograph frames; shelves (furniture), including wall shelving for storage, CD racks, cupboards for bottles (bottle racks) and plate racks; tea carts; stoppers (other than of glass, metal or rubber) for bottles and other containers; paper trays made of natural fibers; serving trolleys; tea carts; trays, not of metal; wine bottle holders, including wine bottle holders on wheels; parts and accessories (not included in other classes) for all the aforementioned goods.

21 – Household or kitchen utensils and containers (not of precious metal or coated therewith); combs and sponges; brushes, except paint brushes; brush-making equipment; articles for cleaning purposes; steel wool; unworked or semiworked glass (excluding building glass); glassware, porcelain and earthenware not included in other classes; non-electric autoclaves (pressure cookers); basins (bowls, receptacles); household baskets, not of precious metal; basting spoons, for kitchen use; beaters, non-electric; beer mugs; heat insulated containers for beverages; portable coldboxes, non-electric; dustbins; non-electric blenders for household use; bottle openers; bottles; refrigerating bottles; bowls; boxes (not included in other classes), including glass boxes; bread baskets for domestic use; bread bins; bread boards; bread bins; brush goods, including brooms, dishwashing brushes, brushes for footwear, body brushes, massage brushes and nail brushes; butter dishes and butter-dish covers; tray tables (lazy susans) not of precious metal; cake molds; candelabras, candle holders, candlesticks, candle rings and candle extinguishers, not of precious metal; earthenware saucepans; shakers; cauldrons; ceramic products for domestic use; cheese boards; cheese-dish covers and food domes for cheese boards; chop sticks and chop stick holders; grips (not of metal) for closing sachets; sticks for mixing cocktails; coffee filters, non-electric; hand-operated coffee mills; coffeepots, non-electric; coffee percolators, non-electric; coffee services, not of precious metal; coffee-pots, non-electric, not of precious metal; strainers; electric combs; household or kitchen containers (not made of precious metal); cookie jars; stock pots, including cooking pot sets; cooking utensils, non-electric; cooling bags; corkscrews;

water cress beds; tableware, other than knives, forks and spoons; cruet stands for oil and vinegar, not of precious metal; cruets, not of precious metal; crumb trays; crystal (glassware); fruit cups; cups, not of precious metal; paper or plastic beakers; cutting boards for the kitchen; carafes for decanting; deep fryers, non-electric; dishes and dish covers, not of precious metal; coasters, not of paper and other than table linen; mixing machines, non-electric, for household purposes; drinking flasks for travellers; drinking glasses; drip-catchers and drip stoppers; drainers; earthenware; egg cups, not of precious metal; fly swatters; fondue sets; fruit presses, non-electric, for household purposes; frying pans, including sauté frying pans; funnels; garlic presses (kitchen utensils); garlic slicer (kitchen utensils); glass bowls; covers made of glass; glass flasks; glass jars; glass stoppers; spice jars made of glass; glass wool other than for insulation; gloves for household purposes, including kitchen gloves and oven gloves; mugs, not of precious metal; graters (household utensils); pancake griddles (cooking utensils); grill supports; grill pans; grill plates; grills (cooking utensils); salt and pepper mills, spice mills, all hand operated; grips and handles (not included in other classes) for kitchen utensils; heat-insulated containers; holders for knives, including wooden supports for knives; toilet paper dispensers; non-electric casserole dishes for stewing; ice buckets; ice cube trays; ice buckets; isothermic jars and bottles; pitchers (not of precious metal); kettles, non-electric; kitchen containers, not of precious metal; mixing machines, non-electric, for household purposes; knife rests for the table; ladles (not included in other classes), including soup ladles, sauce spoons and gravy spoons; lazy susans; covers for kitchen utensils and tableware; liqueur sets; lunch pails; oil and vinegar sets or sets consisting of vinegar bottles, oil receptacles, salt and pepper shakers; menu card holders; milk frothers hand operated; mills for household purposes hand operated; mixers, manual (cocktail shakers); kneaders non-electric for domestic use; mixing spoons (kitchen utensils); molds (kitchen utensils); mugs [not of precious metal; holders for drinking cups (holders for mugs, not of precious metal); towel closets, napkin holders and napkin rings (not of precious metal); noodle machines (hand-operated); oil cruets, not of precious metal; oil dispensers (kitchen utensils), including oil sprays; paper plates; paper roll holders; pie servers; pepper mills, hand operated; pepper pots and pepper shakers; hot plates (non-electric table plate-warmers intended for keeping food and beverages warm); picnic baskets fitted, with tableware; trays, plate racks and plates (not of precious metal); serving dishes; china ware; pot holders; jugs; pottery; garbage cans; salad bowls, not of precious metal; salt pots and salt shakers, not

of precious metal; sandwich boxes; saucepan scourers of metal; stew-pans (earthenware); saucers, not of precious metal; portioning machines (tableware accessories), including ice-cream scoops; serving sets (tableware accessories), including cake servers, pizza servers and salad serving utensils; sets (tableware accessories) not of precious metal; sets of sugar bowls and creamers (not of precious metal); shakers; shoe horns; strainers [household utensils]; sifters (household utensils); soap dishes not of precious metal; soap boxes; soap dispensers; soap holders; soup bowls, not of precious metal; spatulas (kitchen utensils); spice sets; spouts; dutch ovens; mixing spoons; beverage stirrers; storage jars; strainers for household purposes, including bar strainers; sugar bowls, not of precious metal; sugar dosers, including sugar casters; table plates, not of precious metal; tableware not of precious metal other than knives, forks and spoons; tankards, not of precious metal; tea infusers, not of precious metal; tea caddies, not of precious metal; tea balls not of precious metal; tea makers non-electric; tea services, not of precious metal; tea strainers, not of precious metal; teapots, not of precious metal; thermally insulated containers for food and beverages; toilet brushes; toilet utensils; toothbrushes; toothbrushes, electric; toothpick holders, not of precious metal; toothpicks; trays for domestic purposes not of precious metal; trays for domestic purposes of paper; insulating flasks; vases, not of precious metal; vegetable dishes; waffle irons, non-electric; water bottles; water carafes; wine buckets; whisks, non-electric, for household purposes; pipettes (wine-tasters); woks; works of art, of porcelain, terra-cotta or glass; parts and accessories (not included in other classes) of all the aforementioned goods.

22 – Ropes, string, nets, tents, awnings, tarpaulins, sails, sacks and bags [not included in other classes]; padding and stuffing materials, except of rubber or plastics; raw fibrous textile; sacks for washing articles of hosiery; laundry bags; tapes and threads, not of metal, for packaging and for binding; packing, of straw, for bottles; packing, of straw, for bottles.

24 – Textiles and textile goods, not included in other classes; bed and table covers; bath linen; coasters (table linen); covers for cushions; tea cosies coffee cosies; curtain holders of textile material; curtains of textile or plastic, including shower curtains; face towels of textile and washing mitts of textile; filtering materials of textile; slip covers for toilet seats; handkerchiefs of textile; household linen; mattress covers; table napkins of textile; net curtains; pillowcases; table mats not of paper; potholders of textile; comforters; travelling rugs; table runners; tablecloths, not of paper; table

linen, not of paper; tea towels of textile; napkins of textile, including beach towels, bath and hand towels; washing mitts.

25 – Clothing, footwear, headgear; aprons; bath robes; caps, including chef's hats; dressing gowns; kimonos; scarves; cap peaks; tee-shirts.

26 – Lace and embroidery, ribbons and braid; buttons, hooks and eyes, pins and needles; artificial flowers; badges for wear, not of precious metal; boxes and cases, not of precious metal, for needles; sewing boxes; coffee cosies and tea cosies; lace trimmings; pins, other than jewellery; ribbons (haberdashery); elastic ribbons.

28 – Games and playthings; gymnastic and sporting articles not included in other classes; decorations for Christmas trees; candle holders for Christmas trees; Christmas tree stands; Christmas tree stands; ornaments for Christmas trees, except illumination articles and confectionery.

29 – Meat, fish, poultry and game; meat extracts; preserved, dried and cooked fruits and vegetables; jellies, jams, compotes; eggs, milk and milk products; edible oils and fats, including maize oil, palm oil for food, sunflower oil for food and edible olive oil; artichoke paste; cream; dried tomatoes, nut syrup, olive pastes; pesto sauce; mushrooms, preserved; prepared nuts; olives, preserved; onions, preserved; peanuts, processed; cream of roquette; whipped cream.

30 – Coffee, tea, cocoa, sugar, rice, tapioca, sago, artificial coffee; flours and cereal preparations, bread, pastry and confectionery, edible ices; honey, treacle; yeast, baking powder; salt, mustard; vinegar, sauces [condiments]; spices; ice for refreshment; rubinia honey, almond paste and almond syrup; aromatic preparations for human consumption; husked barley; buns; ready-made cake preparations; breakfast cereals (cereal preparations); chocolate-based beverages; cocoa-based beverages; coffee-based beverages; tea-based beverages; chicory (coffee substitute); chocolate; chocolate beverages with milk; cocoa beverages with milk; cocoa products; coffee beverages with milk; coffee flavorings; vegetal preparations for use as coffee substitutes; unroasted coffee; instant preparations for desserts; farinaceous foods, including macaroni, noodles, pasta, ravioli, vermicelli and spaghetti; flavorings, other than essential oils, including vanilla, hazelnut and caramel flavorings; flavorings for glögg (spiced mulled wine); instant ice cream mixes; pepper; pies; pizzas; salt; sandwiches; seasonings and spices; instant preparations for sherbets; preparations for stiffening whipped cream; iced tea; sushi; meat tenderizers, for household purposes; yeast powder.

33 – Alcoholic beverages (except beers); wines, spirits and liqueurs.

35 – Advertising; commercial business management; business administration; office functions; bringing together, for the benefit of others, of a variety of goods (excluding the transport thereof) to enable consumers to examine them and buy them conveniently.

42 – Scientific and technological services and research and design relating thereto; industrial analysis and research services; design and development of computer hardware and software; industrial design.

43 – Services for providing food and drink; temporary accommodation; bar services; cafés; cafeterias; food and drink catering; rental of table linen and glassware; restaurant services, including self-service restaurant services; snack-bars.

(260) AM 2012 65962 A

(800) 1103188

(731) Compagnie des Montres Longines, Francillon S.A. (Longines Watch Co., Francillon Ltd.)
CH-2610 Saint-Imier, Switzerland

(540)



(591) Black, white

(511)

35 – Advertising promotion (sponsoring) of sport and cultural events.

36 – Financial sponsorship (sponsoring) of sport and cultural events.

38 – Transmission of sport data and sport results to the media (press, radio, television, internet); displaying of sport data and of sport results.

41 – Timing of sport events; organization of sport and cultural events.

(260) AM 2012 65966 A

(800) 1103205

(731) Otkrytoe Aktsionernoe Obschestvo
"GAZPROM"

ul. Nametkina, 16, RU-117997 Moscow, USA

(540)



(591) B|Blue, dark blue, white
 (511)
 4 – Industrial oils and greases; lubricants; dust absorbing, wetting and binding compositions; fuels (including motor spirit) and illuminants; candles and wicks for lighting.

(260) AM 2012 65974 A
 (800) 1103206
 (731) Otkrytoe Aktsionernoe Obshchestvo
 "GAZPROM"
 ul. Nametkina, 16, RU-117997 Moscow, USA
 (540)



(591) Blue, dark blue, white
 (511)
 4 – Industrial oils and greases; lubricants; dust absorbing, wetting and binding compositions; fuels (including motor spirit) and illuminants; candles and wicks for lighting.

(260) AM 2012 65975 A
 (800) 1103207
 (731) Otkrytoe Aktsionernoe Obshchestvo
 "GAZPROM"
 ul. Nametkina, 16, RU-117997 Moscow, USA
 (540)



(591) Blue, dark blue, white
 (511)
 4 – Industrial oils and greases; lubricants; dust absorbing, wetting and binding compositions; fuels (including motor spirit) and illuminants; candles and wicks for lighting.

(260) AM 2012 65976 A
 (800) 1103208
 (731) Otkrytoe Aktsionernoe Obshchestvo
 "GAZPROM"
 ul. Nametkina, 16, RU-117997 Moscow, USA
 (540)



(591) Blue, dark blue, white
 (511)
 4 – Industrial oils and greases; lubricants; dust absorbing, wetting and binding compositions; fuels (including motor spirit) and illuminants; candles and wicks for lighting.

(260) AM 2012 65978 A
 (800) 1103247
 (731) WÖRWAG PHARMA GmbH & Co. KG
 Calwer Strasse 7, 71034 Böblingen, Germany
 (540)

Capsamol

(591) Black, white
 (511)
 5 – Medicines.

(260) AM 2012 65985 A
 (800) 1103249
 (731) Zentiva, k.s.
 U Kabelovny 130, CZ-102 37 Praha
 10 - Dolní Měcholupy, Czech Republic
 (540)

ZENTINIB

(591) Black, white
 (511)
 5 – Medicines, pharmaceutical preparations for human use.

(260) AM 2012 65986 A
 (800) 1103251
 (731) Zentiva, k.s.
 U Kabelovny 130, CZ-102 37 Praha
 10 - Dolní Měcholupy, Czech Republic
 (540)

ZENTIMANIB

(591) Black, white
 (511)
 5 – Medicines, pharmaceutical preparations for human use.

(260) AM 2012 65987 A
 (800) 1103266
 (731) Big Dutchman AG
 Auf der Lage 2, 49377 Vechta, Germany
 (540)

Big Dutchman

(591) Black, white
 (511)
 6 – Common metals and their alloys; metal building materials; transportable buildings of metal, in particular breeding, feeding and laying batteries

for agricultural purposes; feed silos and cattle stalls of metal; materials of metal for railway tracks; non-electric cables and wires of common metal; ironmongery and small items of metal hardware; pipes and tubes of metal; goods of common metal, not included in other classes.

7 – Machines for agriculture and machine tools; mechanically driven apparatus for collecting, sorting and transporting eggs; mechanical feeding systems for animals, in particular feeding machines; mills (machines) for animal feed; mixing machines for animal feed; feed conveyor belts; mechanically driven conveyors for dung and liquid manure, in particular screw conveyors, conveyor belts, feeders, spreaders; mechanically driven apparatus for processing dung and liquid manure, in particular mincers and prefabricated wind tunnels of metal or plastic for drying dung; motors and engines (except for land vehicles); machine coupling and transmission components (except for land vehicles); agricultural implements (not hand operated); incubators for eggs; elevators, trough chain conveyors, round bottom conveyors, round bottom segment conveyors, pipe screw conveyors, trough screw conveyors, pneumatic feeders, plug conveyor systems; hammer mills; pellet presses; greasing machines; filters for machines, packaging machines; vacuum cleaning installations; biomass gas production apparatus.

9 – Scientific, surveying, photographic, cinematographic, optical, weighing, measuring, signalling, checking, life-saving and teaching apparatus and instruments; apparatus and instruments for conducting, switching, transforming, accumulating, regulating and controlling electricity; apparatus for recording, transmission and reproduction of sound and images; magnetic data carriers; calculating machines, data processing equipment and computers, in particular computers for controlling of feeding systems; computer software; electronic weighing machines for animal feed and animals; fire-extinguishing apparatus; weighing machines for hopper, dosing scales.

11 – Apparatus for lighting, heating, steam generating, cooking, refrigerating, drying, ventilating and water supply and sanitary purposes; air-conditioning apparatus for animal stalls; filters for waste water and slurry.

19 – Building materials (non-metallic); non-metallic rigid pipes for building; asphalt, pitch and bitumen; transportable buildings (not of metal), in particular of plastic in the form of breeding, feeding and laying batteries for agriculture; feeding silos made of plastic; cattle stalls made of wood or plastic.

20 – Furniture, mirrors, picture frames; goods (not included in other classes) of wood, cork, reed, cane, wicker, horn, bone, ivory and substitutes for all

these materials, or of plastics; feed storage containers and mixing hoppers, not made of metal.

21 – Household or kitchen utensils and containers; combs and sponges; brushes (except paint brushes); articles for cleaning purposes; steel wool; unworked or semi-worked glass (except glass used in building); glassware, porcelain and earthenware (not included in other classes); feeding troughs, feeding bowls and drinking troughs.

37 – Construction, in particular the construction of animal stalls; installation, repair and maintenance of silo systems, fish breeding tanks, bioreactors, fish feeding systems, biogas systems, biomass gas generation systems; demolition of buildings; building sealing; asphaltting; information on construction matters; building construction supervision; rental of construction machines; installation and repair of irrigation systems; maintenance and repair of burners; roofing services; building insulating; electric appliance installation and repair, interference suppression in electrical apparatus; installation of doors and windows; fire alarm installation and repair; heating equipment installation and repair; servicing of tanks for breeding fish; air-conditioning apparatus installation and repair; plumbing; freezing equipment installation and repair; warehouse construction and repair; painting; machinery installation, maintenance and repair, masonry; furnace installation and repair; pump repair; damp proofing services; drilling of hoppers and wells; bricklaying; underwater construction; underwater repair; rental of excavators, construction equipment, bulldozers, cranes (construction equipment) and cleaning machines.

41 – Education; providing of training.

42 – Technological services; industrial analysis and research services; design and development of computer hardware and software; construction drafting; material testing; technical project studies; quality control; surveying.

(260) AM 2012 66017 A

(800) 1103397

(731) CACHE-CACHE SA

ZAC de la Moinerie – 10 impasse du grand
Jardin, F-35400 Saint Malo, France

(540)

CACHE CACHE

(591) Black, white

(511)

3 – Toiletries; tissues impregnated with cosmetic lotions; wipes for removing make-up, cleansing milk for toilet purposes; antiperspirants, deodorants for personal use; deodorant soap, soap, shaving soaps, cakes of toilet soap; oils for cosmetic

purposes; oils for perfumes and scents; oils for toilet purposes; perfumery, toilet water, scented water, perfumes, eau de Cologne; essential oils; essential oils; extracts of flowers (perfumes); cosmetics, cosmetic preparations for skin, body and facial care; cosmetic creams; cosmetic lotions; sunscreen preparations; suntan creams; beauty masks; cosmetic preparations for baths; bath salts, not for medical purposes; aromatics (essential oils); cosmetic kits; cosmetic preparations for slimming purposes; cotton sticks for cosmetic purposes; after-shave lotions; cotton wool for cosmetic purposes; depilatory preparations; depilatory preparations; shaving or depilation products, nail care preparations; dentifrices; make-up preparations; make-up removing preparations, lipsticks, mascara, make-up, nail polish; nail polish; cosmetic preparations for eyelashes; eyebrow cosmetics; make-up powder; make-up pencils; cosmetic pencils; cosmetic hair care preparations; hair lotions; hair dyes; hair styling waxes; hair oil; hair gel; hair spray; bleach for cosmetic use, shampoos; decorative transfers for cosmetic purposes; false nails; false eyelashes; incense; sachets for perfuming linen; potpourris.

5 – Feminine protections, namely menstruation tampons, sanitary towels and panty liners (sanitary products).

9 – Mobile and fixed telephones, applications for mobile or cellular telephones; cases and accessories for telephones, namely protective casings, casings with detachable fronts, headphones, in-ear headphones, holders, headsets, loudspeakers, mounting brackets, hands-free kits, batteries; covers, wallets and bags for telephones; optical goods; spectacles (optics); prescription glasses; protective goggles; sunglasses; spectacle glasses; ski goggles; goggles for sports; chains for spectacles; spectacle frames; contact lenses; spectacle cases; containers for contact lenses; binoculars, telescopes, magnifying glasses and cases therefor; audio and/or video headsets; headphones; protective helmets and clothing against accidents; protective helmets for sports; integrated circuit cards; encoded cards, magnetic; encoded and/or laminated magnetic cards for commercial purposes; prepaid magnetic encoded gift cards; prepaid laminated gift cards; magnetic loyalty cards; USB sticks, computer software (recorded programs) and software packages for design, for retouching images and for simulation in the field of fashion, fashion accessories and fashion distribution, for beauty and styling, for make-up; computer software, recorded; sound and video recordings; pre-recorded compact disks and CD-ROMs containing information in the field of fashion and/or entertainment and/or music and/or videos and/or films and/or books and/or television

and/or games and/or sports; compact disks and CD-ROMs; optical data media; apparatus, instruments and media for recording, reproducing, storing, processing, manipulating, transmitting, distributing, retrieval, downloading and reproduction of music, sounds, images, texts, data; computer software for transmitting sounds, images, texts and data on communication networks; computer game programs; transmitters and receivers (audio, video); electronic games; photographic cameras and video apparatus and accessories thereof (cases, cords); cases for apparatus, instruments and media for recording, reproducing, storing, processing, manipulating, transmitting, distributing, retrieval, downloading and reproduction of music, sounds, images, texts, data; electronic publications, downloadable; coin-operated musical automata; magnetic tapes; cassettes, audio cassettes, video cassettes; compact disks and other data storage media; optical and magnetic devices, all containing or designed to contain audio and/or video recordings; audio and/or video recordings.

12 – Bicycles; scooters (vehicles); electric power-assisted bicycles; bicycles; mopeds; mopeds; motorcycles, golf carts, tricycles and accessories thereof namely saddlery, covers and bagging (bags), namely bags made of leather or imitation leather, of textile or plastics.

16 – Printed matter; stationery; cardboard (unprocessed, semi-processed or for stationery use); packing cardboard; packets for packaging; paper and plastic bags and sachets for packaging purposes; wrapping paper; plastic materials for packaging (not included in other classes), namely bags, small bags, films and sheets; envelopes; boxes of cardboard or paper; cabinets for stationery; labels, not of textile; advertisement boards of paper or cardboard; posters; albums; almanacs; pads (stationery); drawing pads; pamphlets, writing or drawing books, calendars, catalogues; note books; files; document files; folders; office requisites, except furniture; lead pencils; stationery sheets; self-adhesive tapes for stationery or household purposes; staples and staplers; ball-point pens; fountain pens; ink; pairs of compasses; drawing rulers, rulers for use in mathematics; drawing squares, triangular rulers for use in mathematics; protractors; rubber erasers; correction fluids and pencils; pencil sharpeners and pencil holders; thumbtacks; paper-clips; writing pads; arithmetical tables; blotters; office perforators; bookmarkers; chalks; slate pencils; paper clasps; black writing slates and erasable pads; decalcomanias; exercise-book covers; paper knives; bookmarks; bookmarkers; paper-clips; bookends; drawing supplies and instruments; colored pencils; felt pens; pastels; paintbrushes; drawing boards; paintboxes; artists watercolor saucers; engravings,

etchings; tear-off calendars; aquarelles; pictures; photographs; photo-engravings; portraits; boxes for pens, drawing sets, carrying cases for writing instruments; diary holders and paper holders for motor cars; printed matter; prospectuses; newspapers; books; booklets; manuals; paper; periodicals; printed publications; publications in the fashion field; bookbindings; bookbinding material; indexes; magazines (periodicals); postcards; playing cards; non-magnetic coded cards for business use; non-magnetic laminated plastic cards for business use; prepaid non-magnetic coded gift cards; prepaid non-magnetic laminated gift cards; non-magnetic loyalty cards; adhesive cards; adhesives [glues] for stationery or household purposes; self-adhesive stickers; self-adhesive stickers intended for appearing on loyalty cards, bank cards; handkerchiefs of paper, table linen of paper; patterns for dressmaking; diary holders; paper holders for motor cars.

24 – Fabrics, except for surgical, asbestos, insulation and wire cloths; elastic woven material; fabric labels; fiberglass fabrics, for textile use; filtering materials of textile, calico fabrics; jersey fabrics; jute fabric; cotton fabrics; textile material; woollen cloth; woollen cloth; linen cloth; fabric of imitation animal skins; fabrics for textile use; upholstery fabrics; lingerie fabric; bath linen, except clothing; washing mitts, hand towels, bath towels made of textile material; bath towels; bath towels, beach towels and sheets; table linen, table napkins (of textile material), tablecloths, place mats of textile, table runners, table covers; cotton fabric; bed linen, blankets, bed covers, bedspreads; travelling rugs; sheets, eiderdowns, pillowcases, cushion covers, quilt covers; household linen; curtain holders of textile material, curtains, wall hangings; hand towels of textile; cleaning cloths, handkerchiefs, all the aforementioned items made of textile fabrics; fabrics for packaging purposes; furniture coverings of plastic; furniture coverings of textile; blinds of textile; sleeping bags (sheeting); mattress covers; napkins, of cloth, for removing make-up; fabrics with heat or cold activated adhesives.

26 – Haberdashery, except thread; lace and embroidery, ribbons and braid; buttons, hooks and eyes, pins and needles; artificial flowers; ornamental novelty badges; lapel pins (brooches), hair bands; barrettes (hair-slides); hair ornaments; hair pins; hair nets, wigs, buckles (clothing accessories); shoe buckles; brooches (clothing accessories); embroidery; belt clasps; hat ornaments, not of precious metal; shoe ornaments, not of precious metal; shoulder pads for clothing; feathers and birds feathers (clothing accessories); heat adhesive patches for decoration of textile articles (haberdashery); spangles for clothing;

fastenings for clothing; ribbons (haberdashery); ribbons (prizes).

28 – Games, playing cards or board games, amusement game machines and electronic games other than those designed to be used only with a television set, checkers (games), chess games; toys; teddy bears, plush toys, plush toys known as "doudou", rattles (playthings); gymnastics or sports articles, excluding clothing, footwear and mats; decorations for Christmas trees (except lighting apparatus); protection padding for parts of sportswear items.

30 – Coffee, tea, cocoa, chocolate, sugar, substitutes for coffee and sugar, flours and cereal preparations, bread, pastry, confectionery and sugar confectionery made with real or artificial sugar, edible ices; honey, cookies and biscuits, cakes, beverages or preparations for beverages made with cocoa, coffee, chocolate, tea or herbs.

31 – Fresh fruits and vegetables; seeds, natural plants and flowers.

32 – Mineral and/or sparkling water and other non-alcoholic beverages; soda water, fruit drinks and fruit juices; syrups and other preparations for making beverages.

35 – Retail sales services and sales services via the Internet of the following goods: oils and milks for cosmetic use, soaps, perfumery, essential oils, cosmetics, dentifrices, cosmetic preparations for slimming purposes, sun-tanning preparations (cosmetics), cosmetic preparations for baths, bath salts not for medical purposes, shaving soaps, beauty masks, make-up preparations, make-up, make-up pencils, lipstick, make-up removing preparations, dentifrices, deodorants for personal use, toilet water, nail varnish, shaving preparations, cases for telephones, sheaths, satchel bags and bags for telephones, encoded and/or laminated magnetic cards for commercial purposes, prepaid magnetic coded and/or laminated gift cards, corrective glasses, protective glasses, sunglasses, lenses for sunglasses, ski eyewear, sports eyewear, spectacles (optics), chains for spectacles, spectacle frames, protective helmets for sports, spectacle cases, contact lenses, containers for contact lenses, binoculars, telescopes, magnifying glasses and cases therefor, audio and/or video headsets, jewelry, jewels in precious metals, costume jewelry, charms, brooches (jewelry), collars, bracelets, earrings, chains, statues and statuettes of precious metal, horological and chronometric instruments, watches, alarm clocks, key rings (trinkets or fobs), jewelry cases not of precious metal, precious stones, posters, albums, almanacs, lithographic or engraved works of art, drawing pads, cardboard or paper boxes, pamphlets, writing or drawing books, calendars, catalogs, cabinets for

stationery, office requisites (except furniture), drawing supplies and instruments, engravings, etchings, wrapping paper, packaging and wrapping of cardboard, envelopes, tear-off calendars, stationery sheets, statuettes made from paper or cardboard, school supplies, namely self-adhesive tapes for stationery or household purposes, staples and staplers, aquarelles, black writing slates and erasable pads, chalks, slate pencils, arithmetical tables, blotters, ball-point pens, fountain pens, colored pencils, lead pencils, felt pens, pastels, drawing pads, writing or drawing books, note books, files, document files, folders, pairs of compasses, rulers, triangular rulers, protractors, rubber erasers, correction fluids and pencils, pencil sharpeners and pencil holders, decalcomanias, paintbrushes, boxes for pens, inks, artists water-color saucers, exercise-book covers, paper cutters, paintboxes, office perforators, drawing boards, thumbtacks, paper clips, bookmarkers, desk pads, drawing sets, pictures, newspapers, books, booklets, manuals, paper, periodicals, photographs, photo-engravings, portraits, postcards, playing cards, publications, postage stamps, paper or plastic bags and sachets for packaging purposes, diary holders and paper holders for motor cars, plastic materials for packaging (not included in other classes), non-magnetic laminated and/or coded cards for commercial purposes, prepaid non-magnetic laminated and/or coded gift cards, non-magnetic loyalty cards, adhesive cards, adhesives, self-adhesive stickers; self-adhesive stickers intended for appearing on loyalty cards, bank cards, umbrellas, purses, traveling trunks, attaché cases, school bags, game bags, trunks, valises, business cases, purses not of precious metal, beach bags, card cases, wallets, shopping bags, small bags, envelopes and pouches for packaging purposes made of leather, rucksacks, handbags, travel bags (leather goods), empty traveling sets (leather goods), toiletry cases sold empty, vanity cases (not fitted), diary holders, paper holders for motor cars, key cases, parasols, walking sticks, leather key holders, clothing covers made of leather, garment bags for travel, shoe bags for travel, clutch bags (leather goods), fabrics, except for surgical, asbestos, insulation and wire cloths, upholstery fabrics, bath linen (except clothing), especially washing mitts, face towels, bath towels, beach towels and sheets, table linen, especially table napkins (of textile material), tablecloths, place mats of textile, table runners, cotton fabric, bed linen, especially blankets, bed covers, sheets, eiderdowns, pillowcases, quilt covers, household linen, especially curtain holders of textile material, curtains, wall hangings, hand towels of textile, cleaning cloths, handkerchieves, all the aforementioned items made of textile fabrics, adhesive fabrics for application by heat, fabrics for

packaging purposes, clothing, footwear (excluding orthopedic footwear), headgear, belts (clothing), pharmaceutical and veterinary preparations, sanitary preparations for medical purposes, dietetic substances adapted for medical use, food for babies, cycles, cycle accessories, namely cycle stands, cycle tires, cycle frames, inner tubes for cycles, nets for cycles, cycle brakes, cycle handle bars, direction indicators for cycles, cycle rims, cycle pumps, spokes for cycles, cycle saddles, cycle bells, luggage carriers for cycles, tubeless tires for cycles, cycle chains, audible warning systems for cycles, cycle wheels, gears for cycles, cranks for cycles, motors for cycles, cycle hubs, pedals for cycles, cycle tires, covers for saddles for cycles, baskets adapted for cycles, motorcycles, motorcycle accessories, namely motorcycle kickstands, tires for motorcycles, motorcycle frames, inner tubes for motorcycles, nets for motorcycles, brakes for motorcycles, motorcycle handlebars, direction indicators for motorcycles, motorcycle wheel rims, motorcycle pumps, motorcycle spokes, motorcycle saddles, motorcycle bells, luggage carriers for motorcycles, tubular tires for motorcycles, motorcycle chains, audio warning devices for motorcycles, motorcycle wheels, motorcycle sprockets, motorcycle crank handles, motorcycle engines, motorcycle hubs, motorcycle pedals, motorcycle tires, saddle covers for motorcycles, special panniers for motorcycles, inner tubes for pneumatic tires, repair outfits for inner tubes, adhesive rubber patches for repairing inner tubes, spoke clips for wheels, anti-theft devices for vehicles, mudguards, carts, golf carts, children's safety seats for vehicles, baby carriages, covers for baby carriages, hoods for baby carriages, pushchairs, pushchair hoods, bicycles, tricycles, scooters (vehicles), carrying straps for scooters, transport cases for scooters, electric power-assisted bicycles, bicycles, motor bicycles, mopeds, motorcycles, haberdashery, except thread, lace and embroidery, ribbons and braid, buttons, hooks and eyes, pins and needles, artificial flowers, ornamental badges, hair bands, barrettes (hair-slides), buckles (clothing accessories), shoe buckles, brooches (clothing accessories), fancy goods (embroidery), belt clasps, hat ornaments, not of precious metal, shoe ornaments (not of precious metal), hair ornaments, hair pins, hairnets, competitors numbers, shoulder pads for clothing, feathers and birds feathers (clothing accessories), heat adhesive patches for decoration of textile articles (haberdashery), spangles for clothing, fastenings for clothing, ribbons (haberdashery), ribbons (prizes), games and toys, meat, fish, poultry and game, meat extracts, preserved, frozen, dried and cooked fruits and vegetables, jellies, jams, compotes, eggs, milk and dairy products, edible oils and fats, coffee, tea, cocoa, sugar, rice, tapioca,

sago, artificial coffee, flours and preparations made from cereals, bread, pastry and confectionery, ices, honey, treacle, yeast, baking-powder, salt, mustard, vinegar, sauces (condiments), spices, ice for refreshment, seeds, natural plants and flowers, animal foodstuffs, malt, mineral and aerated waters and other non-alcoholic drinks, fruit drinks and fruit juices, syrups and other preparations for making beverages, audiovisual and pre-recorded musical works; wholesale sales services for the following goods: oils and milks for cosmetic use, soaps, perfumery, essential oils, cosmetics, dentifrices, cosmetic preparations for slimming purposes, sun-tanning preparations (cosmetics), cosmetic preparations for baths, bath salts not for medical purposes, shaving soaps, beauty masks, make-up preparations, make-up, make-up pencils, lipstick, make-up removing preparations, dentifrices, deodorants for personal use, toilet water, nail varnish, shaving products, cases for telephones, sheaths, satchel bags and bags for telephones, encoded and/or laminated magnetic cards for commercial purposes, prepaid magnetic coded and/or laminated gift cards, corrective glasses, protective glasses, sunglasses, lenses for sunglasses, ski eyewear, sports eyewear, spectacles (optics), chains for spectacles, spectacle frames, protective helmets for sports, spectacle cases, contact lenses, containers for contact lenses, binoculars, telescopes, magnifying glasses and cases therefor, audio and/or video headsets, jewelry, jewelry of precious metal, costume jewelry, trinkets, brooches (jewelry), necklaces, bracelets, earrings, chains, statues and statuettes of precious metal, horological and chronometric instruments, watches, alarm clocks, key rings (trinkets or fobs), jewelry cases not of precious metal, precious stones, posters, albums, almanacs, lithographic or engraved works of art, drawing pads, cardboard or paper boxes, pamphlets, writing or drawing books, calendars, catalogs, cabinets for stationery, office requisites excluding furniture), drawing supplies and instruments, engravings, etchings, wrapping paper, packaging and wrapping of cardboard, envelopes, tear-off calendars, stationery sheets, statuettes of paper or of cardboard, school supplies, namely adhesive tapes for stationery or household purposes, staples and staplers, watercolors (paintings), black writing slates and erasable pads, chalks, slate pencils, arithmetical tables, blotters, ballpoint pens, fountain pens, colored pencils, lead pencils, felt pens, pastels, drawing pads, writing or drawing books, note books, files, document files (stationery), folders, compasses (measuring instruments), measuring rulers, triangular rulers, protractors, rubber erasers, correction fluids and pencils, pencil sharpeners and pencil holders, decalcomanias, paintbrushes, boxes for pens, inks, artists water-

color saucers, exercise-book covers, paper cutters, paintboxes, office perforators, drawing boards, thumbtacks, paper fasteners, bookmarkers, desk pads, drawing sets, pictures, newspapers, books, booklets, manuals, paper, periodicals, photographs, photo-engravings, portraits, postcards, playing cards, published material, postage stamps, paper or plastic bags and sachets for packaging purposes, diary holders and paper holders for motor cars, plastic materials for packaging (not included in other classes), non-magnetic laminated and/or coded cards for commercial use, prepaid non-magnetic laminated and/or coded gift cards, non-magnetic loyalty cards, adhesive cards, adhesives, self-adhesive stickers, self-adhesive stickers intended for appearing on loyalty cards, bank cards, umbrellas, purses, traveling trunks, attaché cases, school bags, game bags, trunks, suitcases, business cases, purses not of precious metal, beach bags, card holders, wallets, shopping bags, sachets, packaging bags (envelopes, pouches) of leather, rucksacks, handbags, traveling bags (leather goods), empty traveling sets (leather goods), empty toiletry bags, vanity cases (not fitted), diary holders, paper holders for motor cars, key cases, parasols, walking sticks, leather key holders, clothing covers of leather, garment bags for travel, shoe bags for travel, pouches (leather goods), fabrics, with the exception of surgical, asbestos, insulation and wire cloths, upholstery fabrics, bath linen (except clothing), especially washing mitts, face towels, bath towels, beach towels and sheets, table linen, especially table napkins (of textile material), tablecloths, place mats of textile, table runners, cotton fabric, bed linen, especially blankets, bed covers, sheets, eiderdowns, pillowcases, quilt covers, household linen, especially curtain holders of textile material, curtains, wall coverings, hand towels of textile, cleaning cloths, handkerchiefs, all the above items made of textile fabrics, adhesive fabrics for application by heat, fabrics for packaging purposes, clothing, footwear (with the exception of orthopedic footwear), headgear, belts (clothing), pharmaceutical and veterinary preparations, sanitary preparations for medical purposes, dietetic substances adapted for medical use, food for babies, cycles, cycle accessories, namely cycle stands, cycle tires, cycle frames, inner tubes for cycles, nets for cycles, cycle brakes, cycle handle bars, direction indicators for cycles, cycle rims, cycle pumps, spokes for cycles, cycle saddles, cycle bells, luggage carriers for cycles, tubeless tires for cycles, cycle chains, audible warning systems for cycles, cycle wheels, gears for cycles, cranks for cycles, motors for cycles, cycle hubs, pedals for cycles, cycle tires, saddle covers for cycles, baskets adapted for cycles, motorcycles, motorcycle accessories, namely motorcycle kickstands, tires for

motorcycles, motorcycle frames, inner tubes for motorcycles, nets for motorcycles, brakes for motorcycles, motorcycle handlebars, direction indicators for motorcycles, motorcycle wheel rims, motorcycle pumps, motorcycle spokes, motorcycle saddles, motorcycle bells, luggage carriers for motorcycles, tubular tires for motorcycles, motorcycle chains, sound alarms for motorcycles, motorcycle wheels, motorcycle sprockets, motorcycle crank handles, motorcycle engines, motorcycle hubs, motorcycle pedals, motorcycle tires, saddle covers for motorcycles, special panniers for motorcycles, inner tubes for pneumatic tires, repair outfits for inner tubes, adhesive rubber patches for repairing inner tubes, spoke clips for wheels, anti-theft devices for vehicles, mudguard, carts, golf carts, children s safety seats for vehicles, baby carriages, covers for baby carriages, hoods for baby carriages, pushchairs, pushchair hoods, bicycles, tricycles, scooters (vehicles), carrying straps for scooters, carrier cases for scooters, electric power-assisted bicycles, bicycles, mopeds, mopeds, motorcycles, haberdashery, except thread, lace and embroidery, ribbons and braid, buttons, hooks and eyes, pins and needles, artificial flowers, ornamental badges, hair bands, barrettes (hair-slides), buckles (clothing accessories), shoe buckles, brooches (clothing accessories), fancy goods [embroidery], belt clasps, hat ornaments, not of precious metal, shoe ornaments (not of precious metal), hair ornaments, hair pins, hairnets, competitors numbers, shoulder pads for clothing, feathers and birds feathers (clothing accessories), heat adhesive patches for decoration of textile articles (haberdashery), spangles for clothing, fastenings for clothing, ribbons (haberdashery), ribbons (prizes), games and toys, meat, fish, poultry and game, meat extracts, preserved, frozen, dried and cooked fruits and vegetables, jellies, jams, compotes, eggs, milk and milk products, edible oils and fats, coffee, tea, cocoa, sugar, rice, tapioca, sago, artificial coffee, flours and preparations made from cereals, bread, pastry and confectionery, ices, honey, treacle, yeast, baking-powder, salt, mustard, vinegar, sauces (condiments), spices, ice for refreshment, seeds, natural plants and flowers, foodstuffs for animals, malt, mineral and aerated waters and other non-alcoholic drinks, fruit drinks and fruit juices, syrups and other preparations for making beverages, audiovisual and pre-recorded musical works; retail sales services, provided by stores, regarding goods for destocking or at reduced price namely: oils and milks for cosmetic use, soaps, perfumery, essential oils, cosmetics, dentifrices, cosmetic preparations for slimming purposes, sun-tanning preparations (cosmetics), cosmetic preparations for baths, bath salts not for medical purposes, shaving soaps, beauty masks, make-up preparations, make-up, make-up pencils,

lipsticks, make-up removing preparations, dentifrices, deodorants for personal use, toilet water, nail varnish, shaving products, cases for telephones, sheaths, satchel bags and bags for telephones, encoded and/or laminated magnetic cards for commercial purposes, prepaid magnetic coded and/or laminated gift cards, corrective glasses, protective glasses, sunglasses, lenses for sunglasses, ski eyewear, sports eyewear, spectacles (optics), chains for spectacles, spectacle frames, protective helmets for sports, spectacle cases, contact lenses, containers for contact lenses, binoculars, telescopes, magnifying glasses and cases therefor, audio and/or video headsets, jewelry, jewelry of precious metal, costume jewelry, trinkets, brooches (jewelry), necklaces, bracelets, earrings, chains, statues and statuettes of precious metal, horological and chronometric instruments, watches, alarm clocks, key rings (trinkets or fobs), jewelry cases not of precious metal, precious stones, posters, albums; almanacs; lithographic or engraved works of art, drawing pads, cardboard or paper boxes, pamphlets, writing or drawing books, calendars, catalogs, cabinets for stationery, office requisites (except furniture), supplies and instruments for drawing, engravings, etchings, wrapping paper, packaging and wrapping of cardboard, envelopes, tear-off calendars, stationery sheets, statuettes of paper or of cardboard, school supplies, namely adhesive tapes for stationery or household purposes, staples and staplers, watercolors (paintings), black writing slates and erasable pads, chalks, slate pencils, arithmetical tables, desk blotters, ballpoint pens, fountain pens, colored pencils, lead pencils, felt pens, pastels, drawing pads, writing or drawing books, note books, files, files, folders, compasses (measuring instruments), measuring rulers, triangular rulers, protractors, rubber erasers, correction fluids and pencils, pencil sharpeners and pencil holders, decalcomanias, paintbrushes, sets, inks, artists water-color saucers, exercise-book covers, paper cutters, paintboxes, office perforators, drawing boards, thumbtacks, paper clips, bookmarkers, desk pads, drawing sets, pictures, newspapers, books, booklets, manuals, paper, periodicals, photographs, photoengravings, portraits, postcards, playing cards, published material, postage stamps, paper or plastic bags and sachets for packaging purposes, diary holders and paper holders for motor cars, plastic materials for packaging (not included in other classes), non-magnetic laminated and/or coded cards for commercial use, prepaid non-magnetic laminated and/or coded gift cards, non-magnetic loyalty cards, adhesive cards, adhesives, self-adhesive stickers, self-adhesive stickers intended for appearing on loyalty cards, bank cards, umbrellas, purses, traveling trunks, attaché cases, school bags, game

bags, trunks, suitcases, business cases, purses not of precious metal, beach bags, card holders, wallets, shopping bags, sachets, envelopes and pouches for packaging purposes made of leather, rucksacks, handbags, traveling bags (leather goods), empty traveling sets (leather goods), empty toiletry bags, vanity cases (not fitted), diary holders, paper holders for motor cars, key cases, parasols, walking sticks, leather key holders, clothing covers of leather, garment bags for travel, shoe bags for travel, pouches (leather goods), fabrics, with the exception of surgical, asbestos, insulation and wire cloths, upholstery fabrics, bath linen (except clothing), especially washing mitts, face towels, bath towels, beach towels and sheets, table linen, especially table napkins (of textile material), tablecloths, place mats, table runners, cotton fabric, bed linen, especially blankets, bed covers, sheets, eiderdowns, pillowcases, quilt covers, household linen, especially curtain holders of textile material, curtains, wall hangings, hand towels of textile, cleaning cloths, handkerchiefs, all the above items made of textile fabrics, adhesive fabrics for application by heat, fabrics for packaging purposes, clothing, footwear (with the exception of orthopedic footwear), headgear, belts (clothing), pharmaceutical and veterinary preparations, sanitary preparations for medical purposes, dietetic substances adapted for medical use, food for babies, cycles, cycle accessories, namely cycle stands, cycle tires, cycle frames, inner tubes for cycles, nets for cycles, cycle brakes, cycle handle bars, direction indicators for cycles, cycle rims, cycle pumps, spokes for cycles, cycle saddles, cycle bells, luggage carriers for cycles, tubeless tires for cycles, cycle chains, cycle bells, cycle wheels, gears for cycles, cranks for cycles, motors for cycles, cycle hubs, pedals for cycles, cycle tires, saddle covers for cycles, baskets adapted for cycles, motorcycles, motorcycle accessories, namely motorcycle kickstands, tires for motorcycles, motorcycle frames, inner tubes for motorcycles, nets for motorcycles, brakes for motorcycles, motorcycle handlebars, direction indicators for motorcycles, motorcycle wheel rims, motorcycle pumps, motorcycle spokes, motorcycle saddles, motorcycle bells, luggage carriers for motorcycles, tubular tires for motorcycles, motorcycle chains, audio warning devices for motorcycles, motorcycle wheels, motorcycle sprockets, motorcycle crank handles, motorcycle engines, motorcycle hubs, motorcycle pedals, motorcycle tires, saddle covers for motorcycles, special panniers for motorcycles, inner tubes for pneumatic tires, repair outfits for inner tubes, adhesive rubber patches for repairing inner tubes, spoke clips for wheels, anti-theft devices for vehicles, mudguard, carts, golf carts, children's safety seats for vehicles, baby carriages, covers for baby carriages, hoods for baby carriages,

pushchairs, pushchair hoods, bicycles, tricycles, scooters (vehicles), carrying straps for scooters, carrier cases for scooters, electric power-assisted bicycles, bicycles, mopeds, mopeds, motorcycles, haberdashery, except thread, lace and embroidery, ribbons and braid, buttons, hooks and eyes, pins and needles, artificial flowers, ornamental badges, hair bands, barrettes (hair-slides), buckles (clothing accessories), shoe buckles, brooches (clothing accessories), embroidery, belt clasps, hat ornaments, not of precious metal, shoe ornaments (not of precious metal), hair ornaments, hair pins, hairnets, competitors numbers, shoulder pads for clothing, feathers and birds feathers (clothing accessories), heat adhesive patches for decoration of textile articles (haberdashery), spangles for clothing, fastenings for clothing, ribbons (haberdashery), ribbons (prizes), games and toys, meat, fish, poultry and game, meat extracts, preserved, frozen, dried and cooked fruits and vegetables, jellies, jams, compotes, eggs, milk and milk products, edible oils and fats, coffee, tea, cocoa, sugar, rice, tapioca, sago, artificial coffee, flours and preparations made from cereals, bread, pastry and confectionery, ices, honey, treacle, yeast, baking-powder, salt, mustard, vinegar, sauces (condiments), spices, ice for refreshment, seeds, natural plants and flowers, animal foodstuffs, malt, mineral and aerated waters and other non-alcoholic drinks, fruit drinks and fruit juices, syrups and other preparations for making beverages, audiovisual and pre-recorded musical works; wholesale sales services, regarding goods for destocking or at reduced price namely: oils and milks for cosmetic use, soaps, perfumery, essential oils, cosmetics, dentifrices, cosmetic preparations, for slimming purposes, sun-tanning preparations (cosmetics), cosmetic preparations for baths, bath salts not for medical purposes, shaving soaps, beauty masks, make-up preparations, make-up, make-up pencils, lipsticks, make-up removing preparations, dentifrices, deodorants for personal use, toilet water, nail varnish, shaving products, cases for telephones, sheaths, satchel bags and bags for telephones, encoded and/or laminated magnetic cards for commercial purposes, prepaid magnetic coded and/or laminated gift cards, corrective glasses, protective glasses, sunglasses, lenses for sunglasses, ski eyewear, sports eyewear, spectacles (optics), chains for spectacles, spectacle frames, protective helmets for sports, spectacle cases, contact lenses, containers for contact lenses, binoculars, telescopes, magnifying glasses and cases therefor, audio and/or video headsets, jewelry, jewelry of precious metal, costume jewelry, trinkets, brooches (jewelry), necklaces, bracelets, earrings, chains, statues and statuettes of precious metal, horological and chronometric instruments, watches, alarm clocks, key rings

(trinkets or fobs), jewelry cases not of precious metal, precious stones, posters, albums, almanacs, lithographic or engraved works of art, drawing pads, cardboard or paper boxes, pamphlets, writing or drawing books, calendars, catalogs, cabinets for stationery, office requisites (except furniture), supplies and instruments for drawing, engravings, etchings, wrapping paper, packaging and wrapping of cardboard, envelopes, tear-off calendars, stationery sheets, statuettes of paper or of cardboard, school supplies, namely adhesive tapes for stationery or household purposes, staples and staplers, watercolors (paintings), black writing slates and erasable pads, chalks, slate pencils, arithmetical tables, desk blotters, ballpoint pens, fountain pens, colored pencils, lead pencils, felt pens, pastels, drawing pads, writing or drawing books, note books, files, folders, compasses (measuring instruments), measuring rulers, triangular rulers, protractors, rubber erasers, correction fluids and pencils, pencil sharpeners and pencil holders, decalcomanias, paintbrushes, sets, inks, artists water-color saucers, exercise-book covers, paper cutters, paintboxes, office perforators, drawing boards, thumbtacks, paper clips, bookmarkers, desk pads, drawing sets, pictures, newspapers, books, booklets, manuals, paper, periodicals, photographs, photoengravings, portraits, postcards, playing cards, published material, postage stamps, paper or plastic bags and sachets for packaging purposes, diary holders and paper holders for motor cars, plastic materials for packaging (not included in other classes), non-magnetic laminated and/or coded cards for commercial use, prepaid non-magnetic laminated and/or coded gift cards, non-magnetic loyalty cards, adhesive cards, adhesives, self-adhesive stickers, self-adhesive stickers intended for appearing on loyalty cards, bank cards, umbrellas, purses, traveling trunks, attaché cases, school bags, game bags, trunks, suitcases, business cases, purses not of precious metal, beach bags, card holders, wallets, shopping bags, sachets, envelopes and pouches for packaging purposes made of leather, rucksacks, handbags, traveling bags (leather goods), empty traveling sets (leather goods), empty toiletry bags, vanity cases (not fitted), diary holders, paper holders for motor cars, key cases, parasols, walking sticks, leather key holders, clothing covers of leather, garment bags for travel, shoe bags for travel, pouches (leather goods), fabrics, with the exception of surgical, asbestos, insulation and wire cloths, upholstery fabrics, bath linen (except clothing), especially washing mitts, face towels, bath towels, beach towels and sheets, table linen, especially table napkins (of textile material), tablecloths, place mats, table runners, cotton fabric, bed linen, especially blankets, bed covers, sheets, eiderdowns, pillowcases, quilt covers, household

linen, especially curtain holders of textile material, curtains, wall hangings, hand towels of textile, cleaning cloths, handkerchiefs, all the above items made of textile fabrics, adhesive fabrics for application by heat, fabrics for packaging purposes, clothing, footwear (with the exception of orthopedic footwear), headgear, belts (clothing), pharmaceutical and veterinary preparations, sanitary preparations for medical purposes, dietetic substances adapted for medical use, food for babies, cycles, cycle accessories, namely cycle stands, cycle tires, cycle frames, inner tubes for cycles, nets for cycles, cycle brakes, cycle handle bars, direction indicators for cycles, cycle rims, cycle pumps, spokes for cycles, cycle saddles, cycle bells, luggage carriers for cycles, tubeless tires for cycles, cycle chains, cycle bells, cycle wheels, gears for cycles, cranks for cycles, motors for cycles, cycle hubs, pedals for cycles, cycle tires, saddle covers for cycles, baskets adapted for cycles, motorcycles, motorcycle accessories, namely motorcycle kickstands, tires for motorcycles, motorcycle frames, inner tubes for motorcycles, nets for motorcycles, brakes for motorcycles, motorcycle handlebars, direction indicators for motorcycles, motorcycle wheel rims, motorcycle pumps, motorcycle spokes, motorcycle saddles, motorcycle bells, luggage carriers for motorcycles, tubular tires for motorcycles, motorcycle chains, audio warning devices for motorcycles, motorcycle wheels, motorcycle sprockets, motorcycle crank handles, motorcycle engines, motorcycle hubs, motorcycle pedals, motorcycle tires, saddle covers for motorcycles, special panniers for motorcycles, inner tubes for pneumatic tires, repair outfits for inner tubes, adhesive rubber patches for repairing inner tubes, spoke clips for wheels, anti-theft devices for vehicles, mudguard, carts, golf carts, children s safety seats for vehicles, baby carriages, covers for baby carriages, hoods for baby carriages, pushchairs, pushchair hoods, bicycles, tricycles, scooters (vehicles), carrying straps for scooters, carrier cases for scooters, electric power-assisted bicycles, bicycles, mopeds, mopeds, motorcycles, haberdashery, except thread, lace and embroidery, ribbons and braid, buttons, hooks and eyes, pins and needles, artificial flowers, ornamental badges, hair bands, barrettes (hair-slides), buckles (clothing accessories), shoe buckles, brooches (clothing accessories), embroidery, belt clasps, hat ornaments, not of precious metal, shoe ornaments (not of precious metal), hair ornaments, hair pins, hairnets, competitors numbers, shoulder pads for clothing, feathers and birds feathers (clothing accessories), heat adhesive patches for decoration of textile articles (haberdashery), spangles for clothing, fastenings for clothing, ribbons (haberdashery), ribbons (prizes), games and toys, meat, fish, poultry and game, meat extracts,

preserved, frozen, dried and cooked fruits and vegetables, jellies, jams, compotes, eggs, milk and milk products, edible oils and fats, coffee, tea, cocoa, sugar, rice, tapioca, sago, artificial coffee, flours and preparations made from cereals, bread, pastry and confectionery, ices, honey, treacle, yeast, baking-powder, salt, mustard, vinegar, sauces (condiments), spices, ice for refreshment, seeds, natural plants and flowers, animal foodstuffs, malt, mineral and aerated waters and other non-alcoholic drinks, fruit drinks and fruit juices, syrups and other preparations for making beverages, audiovisual and pre-recorded musical works; import-export services; import-export services for the following products: oils and milks for cosmetic use, soaps, perfumery, essential oils, cosmetics, dentifrices, cosmetic preparations for slimming purposes, sun-tanning preparations (cosmetics), cosmetic preparations for baths, bath salts not for medical purposes, shaving soaps, beauty masks, make-up preparations, make-up, make-up pencils, lipstick, make-up removing preparations, dentifrices, deodorants for personal use, toilet water, nail varnish, shaving products, cases for telephones, sheaths, satchel bags and bags for telephones, encoded and/or laminated magnetic cards for commercial purposes, prepaid magnetic coded and/or laminated gift cards, corrective glasses, protective glasses, sunglasses, lenses for sunglasses, ski eyewear, sports eyewear, spectacles (optics), chains for spectacles, spectacle frames, protective helmets for sports, spectacle cases, contact lenses, containers for contact lenses, binoculars, telescopes, magnifying glasses and cases therefor, audio and/or video headsets, jewelry, jewelry of precious metal, costume jewelry, trinkets, brooches (jewelry), necklaces, bracelets, earrings, chains, statues and statuettes of precious metal, horological and chronometric instruments, watches, alarm clocks, key rings (trinkets or fobs), jewelry cases not of precious metal, precious stones, posters, albums, almanacs, lithographic or engraved works of art, drawing pads, cardboard or paper boxes, pamphlets, writing or drawing books, calendars, catalogs, cabinets for stationery, office requisites (except furniture), drawing supplies and instruments, engravings, etchings, wrapping paper, packaging and wrapping of cardboard, envelopes, tear-off calendars, stationery sheets, statuettes of paper or of cardboard, school supplies, namely adhesive tapes for stationery or household purposes, staples and staplers, watercolors (paintings), black writing slates and erasable pads, chalks, slate pencils, arithmetical tables, desk blotters, ballpoint pens, fountain pens, colored pencils, lead pencils, felt pens, pastels, drawing pads, writing or drawing books, note books, files, document files, folders, compasses (measuring instruments), measuring

rulers, triangular rulers, protractors, rubber erasers, correction fluids and pencils, pencil sharpeners and pencil holders, decalcomanias, paintbrushes, kits, inks, artists water-color saucers, exercise-book covers, paper cutters, paintboxes, office perforators, drawing boards, thumbtacks, paper clips, bookmarkers, desk pads, drawing sets, pictures, newspapers, books, booklets, manuals, paper, periodicals, photographs, photoengravings, portraits, postcards, playing cards, published material, postage stamps, paper or plastic bags and sachets for packaging purposes, diary holders and paper holders for motor cars, plastic materials for packaging (not included in other classes), non-magnetic laminated and/or coded cards for commercial use, prepaid non-magnetic laminated and/or coded gift cards, non-magnetic loyalty cards, adhesive cards, adhesives, self-adhesive stickers; self-adhesive stickers intended for appearing on loyalty cards, bank cards, umbrellas, purses, traveling trunks, attaché cases, school bags, game bags, trunks, suitcases, business cases, purses not of precious metal, beach bags, card holders, wallets, shopping bags, sachets, envelopes and pouches for packaging purposes made of leather, rucksacks, handbags, traveling bags (leather goods), empty traveling sets (leather goods), empty toiletry bags, vanity cases (not fitted), diary holders, paper holders for motor cars, key cases, parasols, walking sticks, leather key holders, clothes covers made of leather, garment bags for travel, shoe bags for travel, pouches (leather goods), fabrics, with the exception of surgical, asbestos, insulation and wire cloths, upholstery fabrics, bath linen (except clothing), especially washing mitts, face towels, bath towels, beach towels and sheets, table linen, especially table napkins (of textile material), tablecloths, place mats, table runners, cotton fabric, bed linen, especially blankets, bed covers, sheets, eiderdowns, pillowcases, quilt covers, household linen, especially curtain holders of textile material, curtains, wall hangings, hand towels of textile, cleaning cloths, handkerchiefs, all the above items made of textile fabrics, adhesive fabrics for application by heat, fabrics for packaging purposes, clothing, footwear (with the exception of orthopedic footwear), headgear, belts (clothing), pharmaceutical and veterinary preparations, sanitary preparations for medical purposes, dietetic substances adapted for medical use, food for babies, cycles, cycle accessories, namely cycle stands, cycle tires, cycle frames, inner tubes for cycles, nets for cycles, cycle brakes, cycle handle bars, direction indicators for cycles, cycle rims, cycle pumps, spokes for cycles, cycle saddles, cycle bells, luggage carriers for cycles, tubeless tires for cycles, cycle chains, cycle bells, cycle wheels, gears for cycles, cranks for cycles, motors for cycles, cycle hubs, pedals for cycles, cycle tires, saddle covers

for cycles, baskets adapted for cycles, motorcycles, motorcycle accessories, namely motorcycle kickstands, tires for motorcycles, motorcycle frames, inner tubes for motorcycles, nets for motorcycles, brakes for motorcycles, motorcycle handlebars, direction indicators for motorcycles, motorcycle wheel rims, motorcycle pumps, motorcycle spokes, motorcycle saddles, motorcycle bells, luggage carriers for motorcycles, tubular tires for motorcycles, motorcycle chains, audio warning devices for motorcycles, motorcycle wheels, motorcycle sprockets, motorcycle crank handles, motorcycle engines, motorcycle hubs, motorcycle pedals, motorcycle tires, saddle covers for motorcycles, special panniers for motorcycles, inner tubes for pneumatic tires, repair outfits for inner tubes, adhesive rubber patches for repairing inner tubes, spoke clips for wheels, anti-theft devices for vehicles, mudguard, carts, golf carts, children's safety seats for vehicles, baby carriages, covers for baby carriages, hoods for baby carriages, pushchairs, pushchair hoods, bicycles, tricycles, scooters (vehicles), carrying straps for scooters, carrier cases for scooters, electric power-assisted bicycles, bicycles, mopeds, mopeds, motorcycles, haberdashery, except thread, lace and embroidery, ribbons and braid, buttons, hooks and eyes, pins and needles, artificial flowers, ornamental badges, hair bands, barrettes (hair-slides), buckles (clothing accessories), shoe buckles, brooches (clothing accessories), embroidery, belt clasps, hat ornaments, not of precious metal, shoe ornaments (not of precious metal), hair ornaments, hair pins, hairnets, competitors' numbers, shoulder pads for clothing, feathers and birds' feathers (clothing accessories), heat adhesive patches for decoration of textile articles (haberdashery), spangles for clothing, fastenings for clothing, ribbons (haberdashery), ribbons (prizes), games and toys, meat, fish, poultry and game, meat extracts, preserved, frozen, dried and cooked fruits and vegetables, jellies, jams, compotes, eggs, milk and milk products, edible oils and fats, coffee, tea, cocoa, sugar, rice, tapioca, sago, artificial coffee, flours and preparations made from cereals, bread, pastry and confectionery, ices, honey, treacle, yeast, baking powder, salt, mustard, vinegar, sauces (condiments), spices, ice for refreshment, seeds, natural plants and flowers, animal foodstuffs, malt, mineral and aerated waters and other non-alcoholic drinks, fruit drinks and fruit juices, syrups and other preparations for making beverages, audiovisual and pre-recorded musical works; advertising; services for distributing advertisements, publication of advertising texts, sales promotion for others, outdoor advertising; services for updating advertising literature; distribution and dissemination of advertising materials namely samples; product demonstration services; modelling

for advertising or sales promotion; advertising, namely preparation of media plans; advertising sponsorship service; promotional and advertising operations with a view to developing customer loyalty; services of sales promotion for others by means of customer loyalty schemes; customer loyalty services connected or not with the use of a card; advertising campaign design in the context of loyalty programs by means of accumulating loyalty points obtained on purchases and transformable into gifts; promotion and advertising (communication) by means of mobile or cellular telephones; business information by means of mobile or cellular telephones allowing the user to optimize relations with goods and services of a trademark; invoicing by means of mobile or cellular telephones; management services for customer accounts; computer file management services, compilation and systemization of information into computer databases, information compilation; data recording and processing services namely data input, compilation and systemization; business management and organization consultancy; corporate management assistance provided to commercial or industrial companies; business administration; office functions; services provided by a franchiser, namely assistance in operation or management of industrial or commercial companies; franchise agreements (commercial services); franchising services, namely services provided by a franchisor, especially assistance in business operations and/or management, technology transfer, namely transfer providing business know-how; business management namely business management assistance in the context of a franchise agreement; services for managing events, namely organizing events for commercial or advertising purposes; commercial information and advice for consumers.

39 – Transport; packaging and storage of goods; arranging of tours; delivery of newspapers; packaging and storage of goods; packaging of goods; storage of merchandise in a warehouse for protection or safekeeping purposes; arranging of tours; information and consulting for travel; booking of seats for travel; tourism and travel agencies (excluding hotel and boarding house reservations); rental of transport vehicles especially automobiles, cycles and motorized cycles; escorting of travellers; arranging of cruises; arranging of tours; sightseeing.

41 – Teaching; providing of training; entertainment; entertainment services, namely production of shows, films, photographs, theater productions; radio or television entertainment; videotape film production; videotaping; videotape editing; production of music; arranging and conducting of seminars, colloquiums, conferences, conventions

and seminars, symposiums, videoconferences; organization of exhibitions for cultural or educational purposes; services for managing events, namely organization of events for cultural or educational purposes; entertainment; organization, arrangement and holding of competitions, entertainment, activities and events; providing information, advisory and consulting services relating to the aforementioned domains; organizing organization of events in the field of fashion; arranging and conducting of workshops, party planning (entertainment); practical training (demonstration); operating lotteries; game services provided on-line from a computer network; gambling services; publication of newspapers, periodicals, reviews, magazines, books, comic strips, publications, printed matter, pamphlets, catalogs, booklets, albums; publication of electronic books and journals on-line; release of software, computer software packages, computer databases; publication of multimedia content in all fields of fashion, music, videos, movies, entertainment, games, sports; sporting and cultural activities; club services (education, entertainment), providing recreation facilities; organization of games and competitions, of information campaigns and professional and other events, consulting and information services (training courses and instruction) in all fields of fashion, beauty, leisure, couples, marriage, maternity, the family, cookery and decorating; photography, photographic reporting; dance lessons; cooking classes; organizing competitions pertaining to entertainment and cooking classes; arranging of beauty contests; organizing any event (fêtes, parties, concerts) (for entertainment purposes); musical shows; music publishing services; news reporters services.

42 – Styling; graphic arts designing, packaging design, dress designing; computer systems analysis; recovery of computer data; computer system design, computer software design, installation of computer software, updating of computer software, rental of computer software; quality control; cosmetic research; creating and maintaining web sites for others, hosting computer sites (web sites).

43 – Hotels; temporary accommodation; motels; accommodation bureaux (hotels, boarding houses); tourist homes and bed and breakfast; holiday camp services (lodging); holiday cottage services; services for holiday clubs, rental of rooms; booking of hotel rooms for travelers, temporary accommodation and boarding houses, providing of food and drinks (meals), including providing of food and drinks (meals) home delivered, preparing take-away meals and dishes; cafeterias; bar and pub services; snack-bars; self-service restaurants; tea rooms; services of an ice-cream maker; food and drink catering; rental of assembly halls; rental of

transportable buildings, tents, chairs, tables, table linen and glassware.

44 – Hygienic and beauty care for human beings; massages; beauty salons; health services (saunas), spas (health and beauty services); balneotherapy, physiotherapy and aromatherapy services; consulting in connection with cosmetic treatment; manicure and pedicure services; hairdressing salons; services of a beautician; beauty advice, make-up advice, advice on image (relooking) and advice on personal appearance and beauty for human beings namely advice on make-up, hairstyling, dress style, dietetics and advice in connection with care and cosmetology; advice on personal image namely make-up advice; advice on beauty care; advice on hairstyling; advice on dress style; advice on dietetics.

45 – Services of dating agencies; dating services organizing speed-dating sessions and events (virtual or physical) (for entertainment purposes); providing information, consultancy and advisory services relating to the aforementioned domains; marriage agency services; services of agencies through which people can meet one another, namely dating services; advice about marriage namely personal services provided by others to meet the needs of individuals (drawing-up of wedding lists, advice to individuals on organizing receptions and ceremonies); clothing rental.

(260) AM 2012 66027 A
(800) 1103412
(731) Bacardi & Company Limited
Aeulestrasse 5, FL-9490 Vaduz,
Liechtenstein

(540)

LA CASA DEL MURCIELAGO

(591) Black, white
(511)
33 – Alcoholic beverages (except beers).

(260) AM 2012 66051 A
(800) 1103577
(731) SCHRACK SECONET AG
Eibesbrunnnergasse 18, A-1120 Wien, Austria
(540)

NTELLIFIX

(591) Black, white
(511)
9 – Electrical and fiber optic adapter cables, electric cables, cables for electrical power supply; electrical and fiber optic cable connections; equipment as well as electrical and fiber optic connections for transmission and reproduction of sound, images and

data; network adapters; electrical and fiber optic adapter plugs; electrical and fiber optical adapter connectors; electric plugs; electric plug connectors; electric contacts and connectors; plugs; outlet sockets; electrical and fiber optic connectors; adaptors and contacts for making of magnetic, electrical or fiber optic connections; parts for all aforesaid goods.

(260) AM 2012 66052 A

(800) 1103589

(731) Pro Bono Bio Entrepreneur Limited
4th floor, Reading Bridge House, George
Street, Reading, Berkshire RG1 8LS, United
Kingdom

(540)

PRO BONO BIO

(591) Black, white

(511)

5 – Pharmaceutical preparations and substances; veterinary and sanitary preparations and substances; dietetic substances adapted for medical use; chemical preparations for pharmaceutical purposes; diagnostic preparations and substances, all for in vivo use; micro-organisms and preparation of micro-organisms, all for medical and veterinary use; infants and invalids foods; nutritional supplements included in this class for humans and animals; vitamins, minerals and mineral salts; herbal preparations; medicated confectionery; enzyme preparations; pharmaceuticals in the field of oncology, cardiovascular disease, respiratory disease, inflammation, infection, gastrointestinal diseases and central nervous system diseases; diagnostic preparations for medical and veterinary use; topical and parenteral preparations of vesicles; chemical preparations in the form of vesicles for medical and veterinary purposes; chemical membranes and chemical aggregates for medical and veterinary purposes; preparations of arachidonic acids; dispersions and dry preparations of liposomal active substance carriers for pharmaceutical, cosmetic and veterinary substances; cosmeceutical preparations for medical use; local anesthetics; steroids; anti-inflammatory drugs; pharmaceuticals for the treatment of nail fungal infections; vaccines; immunotherapeutic vaccines.

10 – Surgical, medical and dental apparatus and instruments; artificial limbs, eyes and teeth; orthopedic articles; suture materials; apparatus for carrying out diagnostic tests for medical purposes; syringes; injectors; medical thermometers; blood sugar meters; fibrin scaffolds; stents; X-ray machines.

(260) AM 2012 66101 A

(800) 1103917

(731) Alois Dallmayr Kaffee oHG
Dienerstrasse 14-15, 80331 München,
Germany

(540)

Dallmayr Gold

(591) Black, white

(511)

30 – Coffee, coffee extracts, coffee substitutes, tea, tea extracts, cocoa, cocoa extracts, instant-coffee, instant-tea, instant-cocoa, mixtures for coffee-containing, tea-containing, chocolate-containing and cocoa-containing beverages, coffee, tea, cocoa and chocolate beverages, ready-to-drink coffee, tea, cocoa and chocolate preparations.

(260) AM 2012 66102 A

(800) 1103923

(731) ETABLISSEMENT AMRA
Austrasse 49, FL-9490 Vaduz, Liechtenstein

(540)

Kangoo Jumps

(591) Black, white

(511)

28 – Games, toys; gymnastic and sporting articles not included in other classes.

(260) AM 2012 66103 A

(800) 820178

(731) ECCO SKO A/S
Industrivej 5, DK-6261 Bredebro, Denmark

(540)



(591) Black, white

(511)

25 – Clothing, footwear, headgear.

35 – Retail services, including especially sale of footwear, clothing, headgear, leather goods, and of preparations for the care of footwear and goods of leather and skins.

(260) AM 2012 66105 A

(800) 922988

(731) TITİZ PLASTİK DIŞ TICARET VE
SANAYİ LIMITED ŞİRKETİ
İstoc 10. Ada №13-15, Bağcılar, İstanbul,
Turkey

(540)



(591) Red, yellow

(511)

21 – Cleaning instruments (non-electric); brushes (except paint brushes), brushes for cleaning (household purposes), brush-making materials, sponges, steel wools, oakums, cloths for cleaning purposes, gloves for household purposes, polishing machines non electric, carpet beaters hand instruments, carpet sweepers, mops; toothbrushes, electric toothbrushes, dental floss, shaving brushes, hair brushes, combs; household and kitchen utensils which are made of glass, porcelain, ceramics, ordinary metal, plastics, and synthetic material; cups, buckets, garbage cans, pans, dishes, paper plates and glasses, cups of paper or plastics, trays for domestic purposes not of precious metal, coffee pots, percolators, scoops, spoons for kitchen use, spatulas (kitchen utensils), bowls, egg cups not of precious metal, cake molds, jugs not of precious metal, containers for household or kitchen use, coasters; pots, soap holders, soap dispensers, paper towel dispensers, toilet paper holders, baby baths, ice molds and ice buckets; heat insulated containers, flasks for travelers (drinking), fitted picnic baskets including dishes, bread bins, bread baskets, bread boards.

(260) AM 2012 66106 A

(800) 935888

(731) NUFARM

28, boulevard Camélinat, F-92230
GENNEVILLIERS, France

(540)

NANDO

(591) Black, white

(511)

5 – Preparations for destroying vermin; fungicides, herbicides.

(260) AM 2012 66107 A

(800) 964057

(731) medac Gesellschaft für klinische

Spezialpräparate mbH
Theaterstrasse 6, 22880 Wedel, Germany

(540)

Metex

(591) Black, white

(511)

5 – Medicines, namely antirheumatics.

(260) AM 2012 66108 A

(800) 1049473

(731) CONLUXART S.R.L.

societate comercială
Str. Alba-Iulia nr. 184, bloc 2, ap. 32,
MD-2071 Chişinău, Republic of Moldova

(540)

roofart®

(591) Black, white

(511)

6 – Common metals and their alloys; building materials of metal; buildings, transportable, of metal; railway material of metal; non-electric cables and wires of common metal; ironmongery, small items of metal hardware; pipes of metal; safes; goods of common metal not included in other classes; ores of metal.

35 – Advertising; business management; business administration; office functions.

(260) AM 2012 66140 A

(800) 1104103

(731) RANX 62 DI CESARE CASADEI

Via Italo Fiori, I-47922 RIMINI, Italy

(540)

CESARE CASADEI

(591) Black, white

(511)

18 – Bags, purses, coin holders, wallets, suitcases, trunks, empty makeup and beauty-cases, briefcase, umbrellas, hand bags.

25 – Dresses, skirts, trousers, shirts, jackets, coats, raincoats, sweaters and pullovers (casual wear), jackets, hats, scarves, socks, gloves, belts for clothing, neckties, shoes, boots, sandals, clogs, slippers, tennis shoes.

(260) AM 2012 66143 A

(800) 1104227

(731) Obschestvo s ogranitchennoi

otvetstvennostyuu "Berlingo"
str. 4, dom 11A, pr. Shmitovskiy, RU-123100
gor. Moskva, Russian Federation

(540)

DELUCCI

(591) Black, white

(511)

9 – Scientific, nautical, surveying, electric, photographic, cinematographic, optical, weighing, measuring, signalling, checking (supervision), life-saving and teaching apparatus and instruments; apparatus for recording, transmission or reproduction of sound or images; magnetic data carriers, recording discs; automatic vending machines and mechanisms for coin-operated apparatus; cash registers, calculating machines, data processing equipment and computers; fire extinguishers.

16 – Fountain pens; albums; almanacs; document laminators for office use; atlases; posters; paper

bows; table linen of paper; tickets; forms, printed; paper note tablets; drawing pads; pads [stationery]; loose-leaf binders; wristbands for the retention of writing instruments; pamphlets; booklets; paper sheets [stationery]; waxed paper; paper for recording machines; paper for radiograms; electrocardiograph paper; drawer liners of paper, perfumed or not; wood pulp paper; copying paper [stationery]; parchment paper; writing paper; luminous paper; toilet paper; wrapping paper; Xuan paper for Chinese painting and calligraphy; writing pads; news bulletins; rollers for typewriters; house painters' rollers; obliterating stamps; modelling wax, not for dental purposes; signboards of paper or cardboard; patterns for making clothes; newspapers; electrotypes; hectographs; shields [paper seals]; engravings; slate pencils; pencil leads; pencil holders; chalk holders; holders for stamps [seals]; holders for checkbooks [cheque books]; diagrams; engraving plates; writing slates; blackboards; galley racks [printing]; drawing boards; paper hole punches; money clips; tags for index cards; pen clips; bookmarkers; etching needles; tracing needles for drawing purposes; printed publications; bags [envelopes, pouches] of paper or plastics, for packaging; cardboard articles; paper shredders for office use; graphic representations; graining combs; calendars; tear-off calendars; glassine paper; tracing paper; tracing patterns; gums [adhesives] for stationery or household purposes; lithographic stones; drawing pencils; pencil lead holders; charcoal pencils; pictures; transfers [decalcomanias]; paintings [pictures], framed or unframed; cardboard; hat boxes of cardboard; files [office requisites]; credit card imprinters, non-electric; geographical maps; paper tapes and cards for the recordal of computer programmes; perforated cards for Jacquard looms; catalogues; spools for inking ribbons; covers of paper for flower pots; paintbrushes; artists' brushes; writing brushes; typewriter keys; isinglass for stationery or household purposes; starch paste [adhesive] for stationery or household purposes; printing blocks; books; ledgers [books]; manifolds [stationery]; comic books; drawing pins; cigar bands; envelopes [stationery]; cases for stamps [seals]; boxes of cardboard or paper; paint boxes [articles for use in school]; correcting fluids [office requisites]; drafting curves; paper tapes; typewriter ribbons; inking ribbons; inking ribbons for computer printers; drafting rulers; square rulers; viscose sheets for wrapping; plastic bubble packs for wrapping or packaging; sheets of reclaimed cellulose for wrapping; steel letters; type [numerals and letters]; numbers [type]; lithographs; architects' models; postage stamps; graphic prints; teaching materials [except apparatus]; sealing compounds for stationery purposes; adhesives [glues] for stationery or household purposes; packaging material made of starches; addressing machines; bookbinding apparatus and machines [office equipment]; folders [stationery]; franking machines

[stamping machines]; chalk for lithography; writing chalk; tailors' chalk; marking chalk; garbage bags of paper or of plastics; painters' easels; hand-rests for painters; writing instruments; bibs of paper; stickers [stationery]; finger-stalls [office requisites]; cords for bookbinding; paper knives [cutters] [office requisites]; numbering stamps; bottle envelopes of cardboard or paper; sealing wafers; covers [stationery]; passport holders; plastic cling film, extensible, for palletization; embroidery designs [patterns]; handwriting specimens for copying; oleographs; musical greeting cards; greeting cards; postcards; etchings; conical paper bags; bags for microwave cooking; ink sticks; folders for papers; papier mâché; pastels [crayons]; pen cases; bookbindings; periodicals; pen wipers; office perforators; nibs of gold; steel pens; drawing pens; song books; sealing stamps; seals [stamps]; announcement cards [stationery]; clipboards; handkerchiefs of paper; plastic film for wrapping; babies' napkin-pants [diaper-pants] of paper and cellulose, disposable; letter trays; trays for sorting and counting money; stamp stands; coasters of paper; mats for beer glasses; stands for pens and pencils; photograph stands; binding strips [bookbinding]; hand towels of paper; gummed cloth for stationery purposes; printers' blankets, not of textile; inking sheets for duplicators; portraits; paperweights; writing cases [sets]; drawing instruments; office requisites, except furniture; writing materials; school supplies [stationery]; adhesive tape dispensers [office requisites]; printed matter; prospectuses; printed timetables; printers' reglets; indexes; elastic bands for offices; penholders; pens [office requisites]; tissues of paper for removing make-up; face towels of paper; scrapers [erasers] for offices; staples for offices; histological sections for teaching purposes; figurines [statuettes] of papier mâché; writing board erasers; composing frames [printing]; sealing wax; arithmetical tables; writing or drawing books; stationery; transparencies [stationery]; stencils; cardboard tubes; Indian inks; moisteners [office requisites]; moisteners for gummed surfaces [office requisites]; chart pointers, non-electronic; bottle wrappers of cardboard or paper; envelope sealing machines, for offices; sealing machines for offices; vignetting apparatus; apparatus for mounting photographs; stapling presses [office requisites]; textbooks; paper coffee filters; flags of paper; silver paper; photo-engravings; photographs; stencil cases; canvas for painting; chromolithographs [chromos]; watercolor [watercolour] saucers for artists; correcting ink [heliography]; ink; inkstands; blueprints; rosaries; balls for ball-point pens; cabinets for stationery [office requisites]; printing type; address stamps; stamps [seals]; prints [engravings]; labels, not of textile; terrestrial globes; paper; cream containers of paper; wood pulp board [stationery]; index cards [stationery]; glue for stationery or household purposes; adhesive bands for stationery or household purposes;

bookbinding material; filtering materials [paper]; typewriters, electric or non-electric; writing cases [stationery]; palettes for painters; nibs; address plates for addressing machines; bookends; stamp pads; erasing products; hand labelling appliances; pencil sharpeners, electric or non-electric; biological samples for use in microscopy [teaching materials]; placards of paper or cardboard; molds for modelling clays [artists' materials]; advertisement boards of paper or cardboard; modelling materials.

18 – Mountaineering sticks; banknote holders; card cases [notecases]; reins; harness fittings; parts of rubber for stirrups; chamois leather, other than for cleaning purposes; umbrellas; parasols; saddlery; frames for umbrellas or parasols; handbag frames; valves of leather; whips; imitation leather; leather, unworked or semi-worked; leatherboard; casings, of leather, for springs; umbrella rings; hat boxes of leather; boxes of leather or leather board; boxes of vulcanised fibre; purses; chain mesh purses; fastenings for saddles; butts [parts of hides]; saddle trees; bags [envelopes, pouches] of leather, for packaging; knee-pads for horses; muzzles; halters; vanity cases, not fitted; leather thread; furniture coverings of leather; gut for making sausages; clothing for pets; trimmings of leather for furniture; collars for animals; dog collars; music cases; gold beaters' skin; cat o' nine tails; pads for horse saddles; bands of leather; coverings of skins [furs]; horse blankets; bandoliers; fur; haversacks; leather straps; straps for soldiers' equipment; harness straps; straps for skates; straps of leather [saddlery]; chin straps, of leather; stirrup leathers; umbrella handles; walking stick handles; suitcase handles; daypacks; gladstone bags; riding saddles; net bags for shopping; umbrella or parasol ribs; bags for climbers; travelling sets [leatherware]; sling bags for carrying infants; garment bags for travel; handbags; tool bags of leather, empty; wheeled shopping bags; beach bags; bags for campers; shopping bags; school bags; travelling trunks; cases, of leather or leatherboard; nose bags [feed bags]; bridoons; walking canes; umbrella sticks; walking stick seats; bits for animals [harness]; bridles [harness]; harness for animals; key cases [leatherware]; horse collars; trunks [luggage]; suitcases; attaché cases; covers for horse-saddles; umbrella covers; kid; curried skins; animal hides; cattle skins; leather leads; blinkers [harness]; game bags [hunting accessories]; briefcases; moleskin [imitation of leather].

(260) AM 2012 66144 A

(800) 1104228

(731) "AnviLab" Company Limited

pom. 14-N, lit. A, d. 43, ul. Professora
Popova, RU-197022 Saint-Petersburg,
Russian Federation

(540)

ANVIFEN

(591) Black, white

(511)

5 – Acaricides; aconitine; alkaloids for medical purposes; algicides; aldehydes for pharmaceutical purposes; dental amalgams of gold; dental amalgams; amino acids for veterinary purposes; amino acids for medical purposes; antibiotics; aluminium acetate for pharmaceutical purposes; acetates for pharmaceutical purposes; germicides; balms for medical purposes; hygienic bandages; bandages for dressings; biocides; bracelets for medical purposes; anti-rheumatism bracelets; bromine for pharmaceutical purposes; paper for mustard plasters; fly catching paper; mothproofing paper; petroleum jelly for medical purposes; vaccines; oxygen baths; antiseptic cotton; aseptic cotton; absorbent cotton; cotton for medical purposes; wadding for medical purposes; dietetic substances adapted for medical use; radiological contrast substances for medical purposes; nutritive substances for microorganisms; radioactive substances for medical purposes; bismuth subnitrate for pharmaceutical purposes; melissa water for pharmaceutical purposes; sea water for medicinal bathing; mineral water for medical purposes; thermal water; edible plant fibers [fibres], non-nutritive; molding wax for dentists; gases for medical purposes; guaiacol for pharmaceutical purposes; haematogen; haemoglobin; hydrastine; hydrastinine; glycerine for medical purposes; glycerophosphates; glucose for medical purposes; gentian for pharmaceutical purposes; hormones for medical purposes; mustard for pharmaceutical purposes; mustard plasters; mud for baths; medicinal sediment [mud]; gamboge for medical purposes; gurjun [gurjon, gurjan] balsam for medical purposes; deodorants, other than for personal use; diastase for medical purposes; digitalin; additives to fodder for medical purposes; mineral food-supplements; nutritional additives for medical purposes; yeast for pharmaceutical purposes; gelatin for medical purposes; cod liver oil; isotopes for medical purposes; insecticides; iodine for pharmaceutical purposes; iodides for pharmaceutical purposes; alkaline iodides for pharmaceutical purposes; iodoform; calomel; cream of tartar for pharmaceutical purposes; tartar for pharmaceutical purposes; camphor for medical purposes; capsules for medicines; capsules for pharmaceutical purposes; candy for medical purposes; pastilles for pharmaceutical purposes; haemostatic pencils; wart pencils; caustic pencils; carbolineum [parasiticide]; caustics for pharmaceutical purposes; cachou for pharmaceutical purposes; quassia for medical purposes; quebracho for medical purposes; gallic acid for pharmaceutical purposes; acids for pharmaceutical purposes;

adhesives for dentures; adhesive bands for medical purposes; cocaine; collodion for pharmaceutical purposes; corn rings for the feet; anti-rheumatism rings; confectionery, medicated; angostura bark for medical purposes; barks for pharmaceutical purposes; cedar wood for use as an insect repellent; condurango bark for medical purposes; croton bark; mangrove bark for pharmaceutical purposes; myrobalan bark for pharmaceutical purposes; cinchona for medical purposes; medicinal roots; rhubarb roots for pharmaceutical purposes; lint for medical purposes; starch for dietetic or pharmaceutical purposes; creosote for pharmaceutical purposes; blood for medical purposes; cultures of microorganisms for medical and veterinary use; curare; dental lacquer; liquorice for pharmaceutical purposes; milk sugar [lactose]; adhesive plaster; medicines for alleviating constipation; lecithin for medical purposes; lotions for veterinary purposes; dog lotions; lotions for pharmaceutical purposes; lupulin for pharmaceutical purposes; magnesia for pharmaceutical purposes; liniments; ointments for pharmaceutical purposes; sunburn ointments; mercurial ointments; frostbite salve for pharmaceutical purposes; gauze for dressings; anti-horsefly oils; medicinal oils; mustard oil for medical purposes; camphor oil for medical purposes; castor oil for medical purposes; oil of turpentine for pharmaceutical purposes; dill oil for medical purposes; dental mastics; dental abrasives; dental impression materials; teeth filling material; dressings, medical; surgical dressings; drugs for medical purposes; medicines for veterinary purposes; serotherapeutic medicines; medicines for human purposes; medicines for dental purposes; menthol; medicinal drinks; moleskin for medical purposes; albuminous milk; milk of almonds for pharmaceutical purposes; royal jelly [for medical purposes]; milk ferments for pharmaceutical purposes; irish moss for medical purposes; lacteal flour for babies; flour for pharmaceutical purposes; linseed meal for pharmaceutical purposes; fishmeal for pharmaceutical purposes; fly catching adhesives; mint for pharmaceutical purposes; first-aid boxes, filled; medicine cases, portable, filled; dietetic beverages adapted for medical purposes; malted milk beverages for medical purposes; narcotics; medicinal infusions; tincture of iodine; eucalyptol for pharmaceutical purposes; tinctures for medical purposes; opium; opodeldoc; decoctions for pharmaceutical purposes; antiparasitic collars for animals; stick liquorice for pharmaceutical purposes; sulphur sticks [disinfectants]; pants, absorbent, for incontinents; pectin for pharmaceutical purposes; napkins for incontinents; pepsins for pharmaceutical purposes; peptones for pharmaceutical purposes; hydrogen peroxide for medical purposes; pills for pharmaceutical purposes; leeches for medical purposes; blood plasma;

plasters for medical purposes; eyepatches for medical purposes; poultices; compresses; scapulars for surgical purposes; bunion pads; breast-nursing pads; pomades for medical purposes; powder of cantharides; pyrethrum powder; belts for sanitary napkins [towels]; anti-uric preparations; bacterial preparations for medical and veterinary use; bacteriological preparations for medical and veterinary use; balsamic preparations for medical purposes; albuminous preparations for medical purposes; biological preparations for veterinary purposes; biological preparations for medical purposes; veterinary preparations; bismuth preparations for pharmaceutical purposes; vitamin preparations; diagnostic preparations for medical purposes; therapeutic preparations for the bath; haemorrhoid preparations; preparations for callouses; preparations to facilitate teething; preparations for the treatment of burns; fumigation preparations for medical purposes; organotherapy preparations; air freshening preparations; air purifying preparations; bronchodilating preparations; sterilising preparations; soil-sterilising preparations; corn remedies; pharmaceutical preparations for treating dandruff; pesticides; herbicides; preparations for destroying dry rot fungus; larvae exterminating preparations; fly destroying preparations; preparations for destroying mice; slug exterminating preparations; vermin destroying preparations; pharmaceutical preparations for skin care; contact lens cleaning preparations; preparations of lime for pharmaceutical purposes; bath preparations, medicated; medicinal hair growth preparations; opiates; anticryptogamic preparations; preparations of trace elements for human and animal use; sulphonamides [medicines]; pharmaceutical preparations; sunburn preparations for pharmaceutical purposes; enzyme preparations for veterinary purposes; enzyme preparations for medical purposes; chemico-pharmaceutical preparations; chemical preparations for veterinary purposes; chemical preparations for the diagnosis of pregnancy; chemical preparations for medical purposes; chemical preparations to treat wheat blight [smut]; vine disease treating chemicals; chemical preparations to treat mildew; chemical preparations for treating phylloxera; chemical preparations for pharmaceutical purposes; chilblain preparations; mothproofing preparations; eye-wash; lead water; chemical conductors for electrocardiograph electrodes; albuminous foodstuffs for medical purposes; food for babies; dietetic foods adapted for medical purposes; by-products of the processing of cereals for medical purposes; menstruation bandages; panty liners [sanitary]; radium for medical purposes; hydrated chloral for pharmaceutical purposes; solvents for removing adhesive plasters; vaginal washes; solutions for contact lenses; chemical reagents for medical or

veterinary purposes; gum for medical purposes; rubber for dental purposes; chewing gum for medical purposes; insect repellent incense; insect repellents; repellents for dogs; sanitary napkins; tissues impregnated with pharmaceutical lotions; sarsaparilla [for medical purposes]; sugar for medical purposes; asthmatic tea; fumigating pastilles; suppositories; linseed for pharmaceutical purposes; tobacco-free cigarettes for medical purposes; siccatives [drying agents] for medical purposes; syrups for pharmaceutical purposes; turpentine for pharmaceutical purposes; milking grease; greases for veterinary purposes; greases for medical purposes; soporifics; bicarbonate of soda for pharmaceutical purposes; salts for mineral water baths; bath salts for medical purposes; salts for medical purposes; potassium salts for medical purposes; sodium salts for medical purposes; smelling salts; mineral water salts; malt for pharmaceutical purposes; semen for artificial insemination; medicinal alcohol; alloys of precious metals for dental purposes; ergot for pharmaceutical purposes; anaesthetics; antiseptics; analgesics; adjuvants for medical purposes; styptic preparations; anthelmintics; disinfectants for hygiene purposes; disinfectants for chemical toilets; appetite suppressants for medical purposes; medical preparations for slimming purposes; parasiticides; mouthwashes for medical purposes; febrifuges; depuratives; animal washes; detergents for medical purposes; cattle washes; dog washes; vesicants; articles for headache; headache pencils; remedies for perspiration; remedies for foot perspiration; chemical contraceptives; antiparasitic preparations; evacuants; laxatives; tonics [medicines]; nervines; digestives for pharmaceutical purposes; media for bacteriological cultures; steroids; strychnine; serums; sal ammoniac lozenges; menstruation tampons; vulnerary sponges; thymol for pharmaceutical purposes; surgical cloth [tissues]; smoking herbs for medical purposes; medicinal herbs; tranquillizers; surgical implants [living tissues]; sanitary panties; charcoal for pharmaceutical purposes; fennel for medical purposes; porcelain for dental prostheses; phenol for pharmaceutical purposes; enzymes for veterinary purposes; enzymes for medical purposes; ferments for pharmaceutical purposes; formic aldehyde for pharmaceutical purposes; phosphates for pharmaceutical purposes; fungicides; quinine for medical purposes; chinoline for medical purposes; diabetic bread; chloroform; flowers of sulphur for pharmaceutical purposes; cement for animal hooves; bone cement for surgical and orthopaedic purposes; dental cements; herbs teas for medicinal purposes; medicinal tea; reducing tea for medical purposes; eucalyptus for pharmaceutical purposes; tobacco extracts [insecticides]; extracts of hops for pharmaceutical purposes; elixirs [pharmaceutical

preparations]; ethers for pharmaceutical purposes; esters for pharmaceutical purposes; cellulose esters for pharmaceutical purposes; cellulose ethers for pharmaceutical purposes; jujube, medicated; rat poison; poisons; bacterial poisons; jalap.

(260) AM 2012 66145 A

(800) 1104230

(731) H2H DAYANIKLI TÜKETİM MALLARI
SANAYİ TİCARET LİMİTED ŞİRKETİ
Aksaray Mahallesi Kuleboyu, Sokak №20
Aksaray, Fatih/İstanbul, Turkey

(540)



(591) Black, white

(511)

7 – Machine tools to process wood, metal, glass and plastic materials, planing machines for metalworking; working machines, construction machines, bulldozers, excavators, road making machines; lifting and mechanical hoisting apparatus, namely elevators, elevating platforms, lifts, cranes, hoists, belt conveyors; agricultural tools and machinery, tools machines for food processing; engines not for land vehicles, electric motors for machines, segments, namely transmission gears for machines, bearings, namely ball or roller bearings for machines, hydraulic jacks; alternators and generators for land vehicles, electrical generators, solar-powered electricity generators; paint sprayers, spray guns for paint, electric punching presses for metalworking, electric glue guns, power-operated spray guns, electric hand-held drills, chain saws, power jig saws, spiral binding machines for industrial use; compressed air machines, namely pumps, electric air compressors, compressors for machines; vehicle washing installations; welding machines, namely electric welding machines, electric point welding machines; printing machines and apparatus; packaging machines, bottling and capping machines, industrial printing machines; textile machines, sewing machines; electric pumps, pneumatic pumps, pumps for cooling installations; electrically operated kitchen machines used for chopping, grinding, crushing, trimming and crumbling; dishwasher machines, clothes washing machines, clothes drying machines (electric), floor polishing machines, vacuum cleaners, carpet cleaning machines and their parts.

11 – Lighting installations (lighting apparatus for vehicles, interior and exterior sites); devices for heating and vapor producing installations, heating apparatus for solid, liquid or gaseous fuels, cookers;

acclimatization and air-conditioning devices; water coolers, refrigerators, deep freezers, ice boxes, ice machines and devices; electric and gas operated tools, machines and equipment used in cooking and boiling; apparatus for water supply and sanitary purposes; bath tubs, bidets, bath installations, shower enclosures, urinals (sanitary fixtures), water closets, toilets, lavatories, sinks; water softening apparatus and installations, water purifying apparatus and machines, water purification installations, incinerators, water purifiers; skin moisturizing machines, tanning apparatus sun beds, solarium devices; bed warmers and blankets, electric, not for medical purposes; electric heating pads and cushions not for medical purposes; electric or non-electric foot warmers; hot water bottles; aquarium filters, filtration-motor combination apparatus; aquarium heaters and lights; industrial type furnaces; industrial type dryer installations; industrial type cooling installations, cooling towers, air cooling apparatus; pasteurizers and sterilizers.

21 – Non-electrical small hand utensils for home and kitchen use, cleaning tools and equipment (non-electric); brushes (other than painting brushes), brushes with cleaning purposes, materials used in brush making, steel brushes for cleaning, sponges, steel wools, wool cloth for cleaning, dusting and cleaning clothes, gloves for washing dishes, non-electric polishing machines, carpet beaters, carpet sweepers, pads for cleaning, toothbrushes, electric toothbrushes, dental floss, shaving brushes, hairbrushes, combs, non-electrical home and kitchen implements, non-electric heating and cooking tools; non-electric cookers, heaters, grills, grates, braziers, barbeques, metal cooking skewers, ironing boards, ironing board covers, laundry drying mechanisms, clothes hanger, cages, bed boxes for animals, toilet boxes for animals, watering cans, water boxes and feedboxes for animals, birdbaths, bird rings, indoor terrariums for animal and plant cultivation, ornaments made of glass, porcelain, ceramics or terra-cotta; sculptures included in this class, works of art included in this class, mousetraps, insect traps, flycatchers, fly swatters, toilet utensils, perfume burners, perfume atomizers, perfume sprays and vaporizers; cosmetic utensils (non-electric), appliances for removing make-up (non-electric), powder puffs, toilet cases; nozzles for sprinkler hose, nozzles for watering cans, watering devices, roses for watering cans; glass, unworked or semi-worked (except building glass), mosaics of and powdered glass for decoration, not for building; glass wool other than for insulation and textile; sports bottles.

35 – Advertising agencies services, marketing and publicity bureaus services, business management; business administration, accounting, financial statement preparation and analysis for businesses,

auctioneering, bringing together, for the benefit of others, of apparatus for lighting, heating, steam generating, cooking, refrigerating, drying, ventilating, water supply and sanitary purposes, enabling customers to conveniently view and purchase those goods.

(260) AM 2012 66146 A

(800) 1104237

(731) Shanghai World-Prospect Chem Tech Co., Ltd.
8th Floor Suite 801-A, No. 88 Building,
№1 199 North Qinzhou Rd. Shanghai,
China;
Shanghai World-Prospect Industrial
Co., Ltd.;
D17, 3th Floor, 231 North Fute Rd.,
Waigaoqiao Free Trade Zone, Shanghai,
China

(540)



(591) Red, black and blue

(511)

1 – Titanium dioxide for industrial purposes; chemical preparations, except pigments, for the manufacture of enamel; ceramic glazings; enamel-staining chemicals; China clay; kaolin; enamel and glass staining chemicals; ceramic compositions for sintering in form of granules and powders; chemical preparations for the manufacture of paints; chemical intensifiers for rubber; antistatic preparations, other than for household purposes; chemical preparations to prevent mildew; chemical intensifiers for paper; additives, chemical, to fungicides; anti mildew agent for tobacco; paper pulp.

2 – Colorants, dyestuffs; zinc oxide pigment; lithopone, namely zinc baryta white; bactericidal paints; coatings for wood as paints; ceramic paints; enamel paints; glazes (paints, lacquers); fireproof paints; lacquers; anti-fouling paints.

(260) AM 2012 66147 A

(800) 1104245

(731) Public Joint-Stock Company "Kyivskiy kartonno-paperovyi kombinat"
vul. Kyivska, 130, Kyivska obl. 08700,
m. Obukhiv, Ukraine

(540)



(591) Black, white

(511)

16 – Paper and cardboard products not included in other classes; artists' materials; albums; almanacs; atlases; paper bows; tickets; forms, printed; drawing pads; pamphlets; booklets; signboards of paper or cardboard; placards of paper or cardboard; tear-off calendars; viscose sheets for wrapping; greeting cards; geographical maps; hygienic paper; covers of paper for flower pots; graphic representations; graphic reproductions; graphic prints; bibs of paper; babies' napkin-pants (diaper-pants) of paper and cellulose, disposable; babies' napkins of paper and cellulose, disposable; diagrams; advertisement boards of paper or cardboard; printed matter; labels, not of textile; note books; pads (stationery); writing or drawing books; paper coffee filters; calendars; tracing paper; tracing cloth; paintings (pictures), framed or unframed; pictures; cardboard; wood pulp board (stationery); cardboard articles; cardboard tubes; hat boxes of cardboard; catalogues; manifolds (stationery); books; comic books; envelopes (stationery); boxes of cardboard or paper; cases for stamps (seals); conical paper bags; sealing compounds for stationery purposes; bookbinding material; bags (envelopes, pouches) of paper or plastics, for packaging; garbage bags of paper or of plastics; waxed paper; stickers (stationery); handkerchiefs of paper; covers (stationery); packing paper; bookbindings; paper ribbons; paper tapes and cards for the recordal of computer programmes; papier mâché; paper; paper sheets (stationery); electrocardiograph paper; paper for recording machines; wood pulp paper; wrapping paper; document files (stationery); folders for papers; babies' diapers of paper and cellulose, disposable; parchment paper; drawer liners of paper, perfumed or not; writing paper; writing pads; handbooks (manuals); photograph stands; coasters of paper; mats for beer glasses; place mats of paper; song books; posters; blueprints; bottle wrappers of cardboard or paper; bottle envelopes of cardboard or paper; announcement cards (stationery); portraits; postcards; postage stamps; flags of paper; blotters; prospectuses; ledgers (books); printed timetables; towels of paper; face towels of paper; napkins of paper for removing make-up; table napkins of paper; tablecloths of paper; table linen of paper; tablemats of paper; toilet paper; cardboard tubes.

(260) AM 2012 66148 A

(800) 1104254

(731) Arla Plast AB

Box 33, Västanåvägen, SE-590 30
Borensberg, Sweden

(540)



(591) Red, orange

(511)

17 – Plastics in extruded form for use in manufacture.

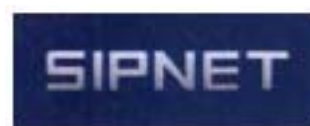
(260) AM 2012 66153 A

(800) 1104314

(731) SIPNET eu s.r.o.

T.G. Masaryka 859/18, CZ-360 01 Karlovy
Vary, Czech Republic

(540)



(591) Dark blue, gray and white

(511)

38 – IP telephony, data transmission, telematic services.

(260) AM 2012 66155 A

(800) 1104392

(731) UAB "PLUNGĖS KOOPERATINĖ
PREKYBA"

Birutės g. 50, LT-90112 Plungė, Lithuania

(540)

Нямнюшка

(591) Black, white

(511)

29 – Alginates for food; olive oil for food; anchovy; oysters, not live; albumen for food; bacon; broth; sausages; sausages in batter; spiny lobsters, not live; jellies for food; weed extracts for food; fish filets; suet for food; animal marrow for food; mushrooms, preserved; sea-cucumbers, not live; caviar; toasted laver; clams (not live); bone oil, edible; casein for food; liver; liver pate; pork; charcuterie; lard for food; snail eggs for consumption; eggs; white of eggs; powdered eggs; yolk of eggs; soups and broth concentrates; preparations for making soup; broth concentrates; black pudding (blood sausage); shrimps and prawns, not live; ham; salmon; game, not live; edible fats; meat; preserved meat; meat jellies; meat extracts; salted meats; mussels, not live; shellfish, not live; poultry, not live; lobsters, not live; edible birds' nests; pectin for food; fatty substances for the manufacture of edible fats; fat-containing mixtures for bread slices; sardines; herrings; tuna fish; edible oils; crustaceans, not live; gelatine for food; foods

prepared from fish; fish, preserved; fish, not live; salted fish; isinglass for food; fishmeal for human consumption.

(260) AM 2012 66156 A

(800) 1104399

(731) ROMEO (BEIJING) TRADE CO., LTD
№105 The First Building, №.28 Wusheng
Xili, Chaoyang District, Beijing, China

(540)

ROMEO
POPULAR

(591) Black, white

(511)

9 – Spectacles (optics); sunglasses; pince-nez mountings; spectacle frames; pince-nez chains; pince-nez cords; correcting lenses (optics); eyeglass cases; spectacle glasses; protective goggles.

(260) AM 2012 66157 A

(800) 1104409

(731) SAYIM TEKSTİL SANAYİ İÇ VE DIŞ
TİCARET LİMİTED ŞİRKETİ
Çobançeşme Mah. Mithatpaşa Cad. Badem
Sk. №11, Yenibosna/İstanbul, Turkey

(540)

C.C.N.
cocoon

(591) Black, white

(511)

25 – Clothing, footwear, headgear.

(260) AM 2012 66158 A

(800) 1104424

(731) Techbalt Taller Ltd
Boksitogorskaya street, house 9, bld. V,
ap. 12H, Saint-Petersburg, Russian
Federation

(540)

TALLER

(591) Black, white

(511)

8 – Hand tools and implements (hand-operated); cutlery; side arms; razors.

9 – Sound recording apparatus; camcorders; video telephones; dictating machines; optical data media; compact disc players; cassette players; players; radios; television apparatus; telephone receivers; distance recording apparatus; cameras [photography].

11 – Apparatus for lighting, heating, steam generating, cooking, refrigerating, drying, ventilating, water supply and sanitary purposes.

21 – Household or kitchen utensils and containers; combs and sponges; brushes (except paint brushes); brush-making materials; articles for cleaning purposes; steelwool; unworked or semi-worked glass (except glass used in building); glassware, porcelain and earthenware not included in other classes.

(260) AM 2012 66159 A

(800) 1104459

(731) LABORATOIRES DE BIOLOGIE
VEGETALE YVES ROCHER
La Croix des Archers, F-56200
LA GACILLY, France

(540)

UN MATIN AU JARDIN

(591) Black, white

(511)

3 – Soap; deodorants for personal use; perfumery products for cosmetic use; products for perfuming the home excluding vaporizers; sachets for perfuming linen; essential oils; cosmetic products in all galenic forms not for medical use; cosmetic products for face and body care; cosmetic products for the bath and shower; cosmetic make-up products; tanning products for cosmetic use; products for hair treatment, cleaning and improved hair appearance for cosmetic use; cosmetic feet and hand care products; dentifrices.

(260) AM 2012 66160 A

(800) 1104501

(731) AB Lindec
P.O. Box 5, SE-421 21 Västra Frölunda,
Sweden

(540)

LINDOLIT

(591) Black, white

(511)

19 – Building materials (non-metallic).

(260) AM 63525 A*

(800) 1083698

(731) Salvatore Ferragamo S.p.A.
Via dei Tornabuoni, 2, I-50123 Firenze, Italy

(540)

SALVATORE FERRAGAMO
SIGNORINA

(591) Black, white

(511)

3 – Bleaching preparations and other substances for laundry use; cleaning, polishing, scouring and abrasive preparations; soaps; perfumery, essential oils, cosmetics, hair lotions; dentifrices; perfumes, eau de parfum, colognes, toilet waters, cold creams, deodorants for personal use, antiperspirants, skin cleansing lotions, skin moisturizers, body oils, skin emollients, bath soaps, bath soaps in liquid or gel form, bath foam, bath and shower gels, body lotions, skin lotions.

INTERNATIONAL TRADEMARKS PROTECTED IN GEORGIA

(260) AM 2012 63234 A
(800) 1080458
(151) 2011 05 17
(181) 2021 05 17
(511) 34

(260) AM 2012 63256 A
(800) 1080522
(151) 2011 05 27
(181) 2021 05 27
(511) 34

(260) AM 2012 63235 A
(800) 1080459
(151) 2011 05 17
(181) 2021 05 17
(511) 34

(260) AM 2012 63257 A
(800) 1080525
(151) 2010 11 17
(181) 2020 11 17
(511) 01, 04, 16, 35, 36, 37, 39, 40, 41, 42

(260) AM 2012 63236 A
(800) 1080465
(151) 2011 05 19
(181) 2021 05 19
(511) 34

(260) AM 2012 63258 A
(800) 1080532
(151) 2011 05 04
(181) 2021 05 04
(511) 05

(260) AM 2012 63237 A
(800) 1080466
(151) 2011 05 19
(181) 2021 05 19
(511) 34

(260) AM 2012 63259 A
(800) 1080560
(151) 2011 03 14
(181) 2021 03 14
(511) 03, 05, 16, 18, 22, 28, 31

(260) AM 2012 63238 A
(800) 1080467
(151) 2011 05 23
(181) 2021 05 23
(511) 34

(260) AM 2012 63260 A
(800) 1080577
(151) 2011 05 12
(181) 2021 05 12
(511) 42

(260) AM 2012 63251 A
(800) 1080471
(151) 2011 04 28
(181) 2021 04 28
(511) 25, 30

(260) AM 2012 63261 A
(800) 1080586
(151) 2011 04 01
(181) 2021 04 01
(511) 35

(260) AM 2012 63252 A
(800) 1080489
(151) 2011 05 31
(181) 2021 05 31
(511) 34

(260) AM 2012 63262 A
(800) 1080619
(151) 2011 04 18
(181) 2021 04 18
(511) 30

(260) AM 2012 63467 A
(800) 1083057
(151) 2010 04 08
(181) 2020 04 08
(511) 09, 35, 38, 41, 42

(260) AM 2012 63531 A
(800) 1083734
(151) 2011 02 11
(181) 2021 02 11
(511) 05, 30

(260) AM 2012 63468 A
(800) 1083093
(151) 2011 04 07
(181) 2021 04 07
(511) 25

(260) AM 2012 63536 A
(800) 1083752
(151) 2011 06 01
(181) 2021 06 01
(511) 04, 37, 39

(260) AM 2012 63469 A
(800) 1083104
(151) 2011 05 13
(181) 2021 05 13
(511) 09

(260) AM 2012 63537 A
(800) 1083775
(151) 2011 04 26
(181) 2021 04 26
(511) 41

(260) AM 2012 63470 A
(800) 1083137
(151) 2011 05 20
(181) 2021 05 20
(511) 17, 19

(260) AM 2012 63657 A
(800) 1084324
(151) 2011 06 30
(181) 2021 06 30
(511) 05

(260) AM 2012 63471 A
(800) 1083244
(151) 2011 06 10
(181) 2021 06 10
(511) 41

(260) AM 2012 63658 A
(800) 1084348
(151) 2011 06 03
(181) 2021 06 03
(511) 25

(260) AM 2012 63473 A
(800) 1083256
(151) 2011 01 14
(181) 2021 01 14
(511) 05

(260) AM 2012 63659 A
(800) 1084356
(151) 2010 12 09
(181) 2020 12 09
(511) 01, 02, 05, 06, 07, 16, 17, 27

(260) AM 2012 63474 A
(800) 153563
(151) 2011 05 12
(181) 2021 05 12
(511) 24, 25

(260) AM 2012 63660 A
(800) 1084359
(151) 2011 05 13
(181) 2021 05 13
(511) 33

(260) AM 2012 63475 A
(800) 1072347
(151) 2011 03 24
(181) 2021 03 24
(511) 34

(260) AM 2012 63661 A
(800) 1084364
(151) 2011 07 07
(181) 2021 07 07
(511) 34

(260) AM 2012 63662 A
(800) 1084366
(151) 2011 06 20
(181) 2021 06 20
(511) 09, 16, 28, 30, 41

(260) AM 2012 63670 A
(800) 1084509
(151) 2011 06 10
(181) 2021 06 10
(511) 03, 05

(260) AM 2012 63663 A
(800) 1084368
(151) 2011 02 24
(181) 2021 02 24
(511) 28

(260) AM 2012 63671 A
(800) 1084510
(151) 2011 06 10
(181) 2021 06 10
(511) 03, 05, 16, 29, 32

(260) AM 2012 63664 A
(800) 1084369
(151) 2011 03 11
(181) 2021 03 11
(511) 18, 25, 35

(260) AM 2012 63672 A
(800) 1084511
(151) 2011 06 10
(181) 2021 06 10
(511) 03, 05, 16, 29, 32

(260) AM 2012 63665 A
(800) 1084398
(151) 2011 06 06
(181) 2021 06 06
(511) 07, 42

(260) AM 2012 63676 A
(800) 1084521
(151) 2011 04 29
(181) 2021 04 29
(511) 01, 02, 19

(260) AM 2012 63666 A
(800) 1084405
(151) 2011 06 15
(181) 2021 06 15
(511) 05

(260) AM 2012 63722 A
(800) 605687
(151) 2003 07 24
(181) 2013 07 24
(511) 30

(260) AM 2012 63667 A
(800) 1084426
(151) 2011 03 25
(181) 2021 03 25
(511) 25, 35

(260) AM 2012 63723 A
(800) 653742
(151) 2006 03 13
(181) 2016 03 13
(511) 05

(260) AM 2012 63668 A
(800) 1084452
(151) 2011 05 30
(181) 2021 05 30
(511) 33, 43

(260) AM 2012 63724 A
(800) 673417
(151) 2007 03 18
(181) 2017 03 18
(511) 07

(260) AM 2012 63669 A
(800) 1084480
(151) 2011 06 15
(181) 2021 06 15
(511) 20

(260) AM 2012 63726 A
(800) 820677
(151) 2004 01 13
(181) 2014 01 13
(511) 09

(260) AM 2012 63727 A
(800) 867184
(151) 2005 03 25
(181) 2015 03 25
(511) 25

(260) AM 2012 63819 A
(800) 1085765
(151) 2011 04 27
(181) 2021 04 27
(511) 07, 12, 37

(260) AM 2012 63728 A
(800) 870178
(151) 2004 09 24
(181) 2014 09 24
(511) 06, 17, 19

(260) AM 2012 63821 A
(800) 1085805
(151) 2011 06 20
(181) 2021 06 20
(511) 05

(260) AM 2012 63729 A
(800) 975236
(151) 2008 03 03
(181) 2018 03 03
(511) 07, 11

(260) AM 2012 63822 A
(800) 1085807
(151) 2011 07 06
(181) 2021 07 06
(511) 05

(260) AM 2012 63730 A
(800) 980356
(151) 2008 08 15
(181) 2018 08 15
(511) 05, 29, 30, 40, 41, 42

(260) AM 2012 63823 A
(800) 1085808
(151) 2011 07 20
(181) 2021 07 20
(511) 05

(260) AM 2012 63731 A
(800) 1000752
(151) 2008 10 14
(181) 2018 10 14
(511) 09

(260) AM 2012 63825 A
(800) 1085817
(151) 2011 06 01
(181) 2021 06 01
(511) 05, 10, 42

(260) AM 2012 63732 A
(800) 1026812
(151) 2009 12 15
(181) 2019 12 15
(511) 34

(260) AM 2012 63826 A
(800) 1085846
(151) 2011 07 14
(181) 2021 07 14
(511) 05

(260) AM 2012 63733 A
(800) 1044343
(151) 2010 05 20
(181) 2020 05 20
(511) 34

(260) AM 2012 63827 A
(800) 1085847
(151) 2011 07 14
(181) 2021 07 14
(511) 05

(260) AM 2012 63734 A
(800) 1045491
(151) 2010 06 23
(181) 2020 06 23
(511) 14, 35

(260) AM 2012 63828 A
(800) 1085869
(151) 2011 05 04
(181) 2021 05 04
(511) 09, 25, 35

(260) AM 2012 63829 A
(800) 1085879
(151) 2010 10 08
(181) 2020 10 08
(511) 03, 44

(260) AM 2012 63906 A
(800) 1086568
(151) 2011 07 12
(181) 2021 07 12
(511) 09

(260) AM 2012 63831 A
(800) 1085887
(151) 2011 03 28
(181) 2021 03 28
(511) 41

(260) AM 2012 63908 A
(800) 1086648
(151) 2010 08 27
(181) 2020 08 27
(511) 11, 17

(260) AM 2012 63832 A
(800) 1085916
(151) 2011 05 24
(181) 2021 05 24
(511) 41, 44

(260) AM 2012 63909 A
(800) 1086657
(151) 2011 01 28
(181) 2021 01 28
(511) 03, 08

(260) AM 2012 63899 A
(800) 1086453
(151) 2011 04 01
(181) 2021 04 01
(511) 05

(260) AM 2012 63911 A
(800) 1086682
(151) 2011 04 28
(181) 2021 04 28
(511) 05

(260) AM 2012 63900 A
(800) 1086474
(151) 2011 07 05
(181) 2021 07 05
(511) 09

(260) AM 2012 63913 A
(800) 1086686
(151) 2011 05 17
(181) 2021 05 17
(511) 05

(260) AM 2012 63901 A
(800) 1086477
(151) 2011 01 12
(181) 2021 01 12
(511) 03, 14, 18, 25

(260) AM 2012 63941 A
(800) 920690
(151) 2007 03 30
(181) 2017 03 30
(511) 05

(260) AM 2012 63904 A
(800) 1086541
(151) 2011 07 04
(181) 2021 07 04
(511) 05

(260) AM 2012 63965 A
(800) 1087114
(151) 2010 12 30
(181) 2020 12 30
(511) 11, 17

(260) AM 2012 63905 A
(800) 1086542
(151) 2011 07 04
(181) 2021 07 04
(511) 05

(260) AM 2012 63966 A
(800) 1087121
(151) 2011 06 16
(181) 2021 06 16
(511) 33

(260) AM 2012 63967 A
(800) 1087122
(151) 2011 06 16
(181) 2021 06 16
(511) 33

(260) AM 2012 63968 A
(800) 1087132
(151) 2011 06 16
(181) 2021 06 16
(511) 33

(260) AM 2012 63975 A
(800) 1087135
(151) 2011 07 18
(181) 2021 07 18
(511) 01, 04

(260) AM 2012 63980 A
(800) 1087138
(151) 2011 01 09
(181) 2021 01 09
(511) 16, 35, 36, 41, 42, 45

(260) AM 2012 63981 A
(800) 1087281
(151) 2011 06 24
(181) 2021 06 24
(511) 03

(260) AM 2012 63982 A
(800) 1087301
(151) 2011 07 29
(181) 2021 07 29
(511) 14

(260) AM 2012 63983 A
(800) 1087310
(151) 2011 07 05
(181) 2021 07 05
(511) 09

(260) AM 2012 63984 A
(800) 1087312
(151) 2011 06 15
(181) 2021 06 15
(511) 29, 30

(260) AM 2012 63985 A
(800) 1087352
(151) 2011 07 18
(181) 2021 07 18
(511) 32

(260) AM 2012 63986 A
(800) 1087372
(151) 2010 12 01
(181) 2020 12 01
(511) 30

(260) AM 2012 63987 A
(800) 1087385
(151) 2011 02 09
(181) 2021 02 09
(511) 33

(260) AM 2012 63988 A
(800) 1087391
(151) 2011 03 16
(181) 2021 03 16
(511) 35, 41, 43

(260) AM 2012 63989 A
(800) 1087392
(151) 2011 03 16
(181) 2021 03 16
(511) 35, 41, 43

(260) AM 2012 63990 A
(800) 1087398
(151) 2011 03 16
(181) 2021 03 16
(511) 35, 41, 43

(260) AM 2012 64045 A
(800) 1087981
(151) 2011 08 10
(181) 2021 08 10
(511) 25

(260) AM 2012 64046 A
(800) 1087996
(151) 2011 07 15
(181) 2021 07 15
(511) 25

(260) AM 2012 64047 A
(800) 1088004
(151) 2011 06 16
(181) 2021 06 16
(511) 33

(260) AM 2012 64048 A
(800) 1088005
(151) 2011 06 16
(181) 2021 06 16
(511) 33

(260) AM 2012 64049 A
(800) 1088050
(151) 2011 06 20
(181) 2021 06 20
(511) 06

(260) AM 2012 64050 A
(800) 1088067
(151) 2011 03 17
(181) 2021 03 17
(511) 09

(260) AM 2012 64052 A
(800) 1088073
(151) 2011 04 11
(181) 2021 04 11
(511) 25

(260) AM 2012 64053 A
(800) 1088083
(151) 2011 03 23
(181) 2021 03 23
(511) 05, 10, 44

(260) AM 2012 64054 A
(800) 1088097
(151) 2011 05 23
(181) 2021 05 23
(511) 03, 05, 29, 35

(260) AM 2012 64055 A
(800) 1088122
(151) 2011 07 13
(181) 2021 07 13
(511) 33

(260) AM 2012 64056 A
(800) 1088136
(151) 2011 08 08
(181) 2021 08 08
(511) 18

(260) AM 2012 64057 A
(800) 1088160
(151) 2011 06 08
(181) 2021 06 08
(511) 11

(260) AM 2012 64126 A
(800) 602502
(151) 2003 05 18
(181) 2013 05 18
(511) 04

(260) AM 2012 64127 A
(800) 649454
(151) 2006 01 04
(181) 2016 01 04
(511) 04, 12, 20

(260) AM 2012 64128 A
(800) 866432
(151) 2005 09 17
(181) 2015 09 17
(511) 32, 33

(260) AM 2012 64129 A
(800) 868833
(151) 2005 07 04
(181) 2015 07 04
(511) 01, 16, 17, 20, 21, 29, 32, 35, 37, 39, 40

(260) AM 2012 64131 A
(800) 1060811
(151) 2010 11 08
(181) 2020 11 08
(511) 01, 02, 37

(260) AM 2012 64132 A
(800) 1082322
(151) 2011 03 02
(181) 2021 03 02
(511) 03, 09, 12, 14, 18, 20, 25, 28, 29, 30, 32, 35,
41, 42, 43

(260) AM 2012 64133 A
(800) 1082378
(151) 2011 06 07
(181) 2021 06 07
(511) 05, 10

(260) AM 2012 64206 A
(800) 856039
(151) 2005 05 18
(181) 2015 05 18
(511) 25

(260) AM 2012 64151 A
(800) 1088651
(151) 2011 07 06
(181) 2021 07 06
(511) 05

(260) AM 2012 64207 A
(800) 862916
(151) 2005 05 18
(181) 2015 05 18
(511) 25

(260) AM 2012 64152 A
(800) 1088653
(151) 2011 07 07
(181) 2021 07 07
(511) 05

(260) AM 2012 64208 A
(800) 909146
(151) 2006 11 17
(181) 2016 11 17
(511) 29, 30, 43

(260) AM 2012 64156 A
(800) 1088654
(151) 2011 08 08
(181) 2021 08 08
(511) 05

(260) AM 2012 64209 A
(800) 917100
(151) 2006 12 19
(181) 2016 12 19
(511) 18, 25

(260) AM 2012 64157 A
(800) 1088676
(151) 2011 07 12
(181) 2021 07 12
(511) 09

(260) AM 2012 64210 A
(800) 933216
(151) 2007 04 05
(181) 2017 04 05
(511) 16, 29, 30, 35

(260) AM 2012 64158 A
(800) 1088677
(151) 2011 07 12
(181) 2021 07 12
(511) 09

(260) AM 2012 64211 A
(800) 992854
(151) 2008 11 19
(181) 2018 11 19
(511) 16, 35, 41, 42

(260) AM 2012 64203 A
(800) 1049511
(151) 2010 07 27
(181) 2020 07 27
(511) 05

(260) AM 2012 64259 A
(800) 1089207
(151) 2011 07 27
(181) 2021 07 27
(511) 30

(260) AM 2012 64205 A
(800) 1014435
(151) 2009 07 17
(181) 2019 07 17
(511) 30, 43

(260) AM 2012 64260 A
(800) 1089208
(151) 2011 05 17
(181) 2021 05 17
(511) 05, 30

(260) AM 2012 64261 A
(800) 1089253
(151) 2011 08 11
(181) 2021 08 11
(511) 05

(260) AM 2012 64262 A
(800) 1089280
(151) 2011 08 08
(181) 2021 08 08
(511) 05

(260) AM 2012 64271 A
(800) 1089287
(151) 2010 12 23
(181) 2020 12 23
(511) 03, 05, 09, 11, 12, 13, 14, 16, 18, 19, 20, 21,
22, 24, 25, 27, 28, 29, 30, 31, 32, 33, 35, 36,
37, 38, 39, 40, 41, 42, 43, 44, 45

(260) AM 2012 64336 A
(800) 1090077
(151) 2011 07 29
(181) 2021 07 29
(511) 05

(260) AM 2012 64337 A
(800) 1090078
(151) 2011 07 29
(181) 2021 07 29
(511) 05

(260) AM 2012 64338 A
(800) 1090079
(151) 2011 07 29
(181) 2021 07 29
(511) 05

(260) AM 2012 64344 A
(800) 1090081
(151) 2011 08 02
(181) 2021 08 02
(511) 05

(260) AM 2012 64345 A
(800) 1090082
(151) 2011 08 02
(181) 2021 08 02
(511) 05

(260) AM 2012 64346 A
(800) 1090083
(151) 2011 08 02
(181) 2021 08 02
(511) 05

(260) AM 2012 64347 A
(800) 1090084
(151) 2011 08 02
(181) 2021 08 02
(511) 05

(260) AM 2012 64348 A
(800) 1090085
(151) 2011 08 09
(181) 2021 08 09
(511) 05

(260) AM 2012 64349 A
(800) 1090086
(151) 2011 07 11
(181) 2021 07 11
(511) 05

(260) AM 2012 64350 A
(800) 1090088
(151) 2011 07 11
(181) 2021 07 11
(511) 05

(260) AM 2012 64351 A
(800) 1090091
(151) 2011 07 11
(181) 2021 07 11
(511) 05

(260) AM 2012 64352 A
(800) 1090092
(151) 2011 07 11
(181) 2021 07 11
(511) 05

(260) AM 2012 64353 A
(800) 1090093
(151) 2011 07 11
(181) 2021 07 11
(511) 05

(260) AM 2012 64354 A
(800) 1090110
(151) 2010 10 20
(181) 2020 10 20
(511) 09, 35, 38, 41, 45

(260) AM 2012 64573 A
(800) 1091937
(151) 2011 08 17
(181) 2021 08 17
(511) 05, 10

(260) AM 2012 64399 A
(800) 1090616
(151) 2011 08 26
(181) 2021 08 26
(511) 11

(260) AM 2012 64574 A
(800) 1091948
(151) 2011 08 29
(181) 2021 08 29
(511) 38, 45

(260) AM 2012 64555 A
(800) 1091815
(151) 2011 07 28
(181) 2021 07 28
(511) 21

(260) AM 2012 64575 A
(800) 1091951
(151) 2011 08 29
(181) 2021 08 29
(511) 25

(260) AM 2012 64565 A
(800) 1091817
(151) 2011 09 07
(181) 2021 09 07
(511) 08, 25, 33

(260) AM 2012 64576 A
(800) 1092031
(151) 2011 06 23
(181) 2021 06 23
(511) 05, 35, 42, 44

(260) AM 2012 64568 A
(800) 1091871
(151) 2011 08 02
(181) 2021 08 02
(511) 19

(260) AM 2012 64577 A
(800) 1092092
(151) 2011 08 05
(181) 2021 08 05
(511) 09, 18, 25, 28, 35, 41

(260) AM 2012 64570 A
(800) 1091890
(151) 2011 06 27
(181) 2021 06 27
(511) 03, 05

(260) AM 2012 64616 A
(800) 1092417
(151) 2011 09 14
(181) 2021 09 14
(511) 09, 38

(260) AM 2012 64571 A
(800) 1091909
(151) 2011 07 29
(181) 2021 07 29
(511) 30

(260) AM 2012 64617 A
(800) 1092421
(151) 2011 08 09
(181) 2021 08 09
(511) 16, 20, 21

(260) AM 2012 64572 A
(800) 1091936
(151) 2011 08 17
(181) 2021 08 17
(511) 30

(260) AM 2012 64618 A
(800) 1092433
(151) 2011 08 04
(181) 2021 08 04
(511) 25, 28

(260) AM 2012 64619 A
(800) 1092459
(151) 2011 08 23
(181) 2021 08 23
(511) 12, 17

(260) AM 2012 64711 A
(800) 1093113
(151) 2011 09 15
(181) 2021 09 15
(511) 37, 42

(260) AM 2012 64620 A
(800) 1092461
(151) 2011 08 04
(181) 2021 08 04
(511) 33, 35, 39

(260) AM 2012 64712 A
(800) 474659A
(151) 2003 02 23
(181) 2013 02 23
(511) 03

(260) AM 2012 64621 A
(800) 1092467
(151) 2011 09 01
(181) 2021 09 01
(511) 05

(260) AM 2012 64756 A
(800) 1093507
(151) 2011 09 02
(181) 2021 09 02
(511) 04

(260) AM 2012 64622 A
(800) 1092471
(151) 2011 08 02
(181) 2021 08 02
(511) 28

(260) AM 2012 64757 A
(800) 1093510
(151) 2011 05 30
(181) 2021 05 30
(511) 29, 30

(260) AM 2012 64625 A
(800) 1092486
(151) 2011 08 09
(181) 2021 08 09
(511) 33

(260) AM 2012 64758 A
(800) 1093519
(151) 2011 09 05
(181) 2021 09 05
(511) 25

(260) AM 2012 64629 A
(800) 1092553
(151) 2011 08 01
(181) 2021 08 01
(511) 09, 11

(260) AM 2012 64759 A
(800) 1093540
(151) 2011 06 29
(181) 2021 06 29
(511) 07, 12, 37

(260) AM 2012 64647 A
(800) 1092584
(151) 2011 03 02
(181) 2021 03 02
(511) 03, 14, 25, 41

(260) AM 2012 64760 A
(800) 1093572
(151) 2011 08 25
(181) 2021 08 25
(511) 21

(260) AM 2012 64654 A
(800) 1092616
(151) 2011 06 09
(181) 2021 06 09
(511) 03, 05, 16, 18, 22, 28, 31

(260) AM 2012 64761 A
(800) 1093576
(151) 2011 08 11
(181) 2021 08 11
(511) 43

(260) AM 2012 64763 A
(800) 1093579
(151) 2011 07 20
(181) 2021 07 20
(511) 05

(260) AM 2012 64779 A
(800) 1093719
(151) 2011 06 29
(181) 2021 06 29
(511) 03

(260) AM 2012 64764 A
(800) 1093581
(151) 2011 09 19
(181) 2021 09 19
(511) 09, 42

(260) AM 2012 64780 A
(800) 1093745
(151) 2011 08 31
(181) 2021 08 31
(511) 01, 17, 19

(260) AM 2012 64765 A
(800) 1093596
(151) 2011 09 22
(181) 2021 09 22
(511) 29

(260) AM 2012 64781 A
(800) 1093792
(151) 2011 09 21
(181) 2021 09 21
(511) 14

(260) AM 2012 64767 A
(800) 1093624
(151) 2011 08 05
(181) 2021 08 05
(511) 30, 43

(260) AM 2012 64782 A
(800) 1093800
(151) 2011 05 13
(181) 2021 05 13
(511) 14, 18, 25

(260) AM 2012 64775 A
(800) 1093678
(151) 2011 06 29
(181) 2021 06 29
(511) 05

(260) AM 2012 64783 A
(800) 1093809
(151) 2011 09 23
(181) 2021 09 23
(511) 09

(260) AM 2012 64776 A
(800) 1093699
(151) 2011 09 16
(181) 2021 09 16
(511) 03, 05, 21

(260) AM 2012 64784 A
(800) 1093835
(151) 2011 08 16
(181) 2021 08 16
(511) 18

(260) AM 2012 64777 A
(800) 1093709
(151) 2011 04 11
(181) 2021 04 11
(511) 05, 30

(260) AM 2012 64785 A
(800) 1093841
(151) 2011 08 12
(181) 2021 08 12
(511) 09, 35, 38, 42

(260) AM 2012 64778 A
(800) 1093712
(151) 2011 05 13
(181) 2021 05 13
(511) 09

(260) AM 2012 64856 A
(800) 1094088
(151) 2011 09 26
(181) 2021 09 26
(511) 34

(260) AM 2012 64857 A
(800) 1094130
(151) 2011 09 02
(181) 2021 09 02
(511) 18, 25, 35

(260) AM 2012 64866 A
(800) 1094257
(151) 2011 08 26
(181) 2021 08 26
(511) 16

(260) AM 2012 64858 A
(800) 1094139
(151) 2011 05 20
(181) 2021 05 20
(511) 03, 05, 35, 44

(260) AM 2012 64867 A
(800) 1094265
(151) 2011 08 17
(181) 2021 08 17
(511) 16, 29, 35

(260) AM 2012 64859 A
(800) 1094153
(151) 2010 11 19
(181) 2020 11 19
(511) 11

(260) AM 2012 64869 A
(800) 1094287
(151) 2011 07 08
(181) 2021 07 08
(511) 23, 24, 25

(260) AM 2012 64860 A
(800) 1094193
(151) 2011 08 11
(181) 2021 08 11
(511) 16

(260) AM 2012 64870 A
(800) 1094299
(151) 2011 09 05
(181) 2021 09 05
(511) 29

(260) AM 2012 64861 A
(800) 1094194
(151) 2011 08 11
(181) 2021 08 11
(511) 16

(260) AM 2012 64871 A
(800) 1094318
(151) 2011 10 06
(181) 2021 10 06
(511) 34

(260) AM 2012 64862 A
(800) 1094195
(151) 2011 09 07
(181) 2021 09 07
(511) 03

(260) AM 2012 64873 A
(800) 1094333
(151) 2011 09 23
(181) 2021 09 23
(511) 05

(260) AM 2012 64863 A
(800) 1094237
(151) 2011 09 26
(181) 2021 09 26
(511) 05

(260) AM 2012 64874 A
(800) 1094367
(151) 2010 11 09
(181) 2020 11 09
(511) 17

(260) AM 2012 64864 A
(800) 1094238
(151) 2011 09 26
(181) 2021 09 26
(511) 05

(260) AM 2012 64875 A
(800) 1094441
(151) 2011 09 23
(181) 2021 09 23
(511) 05

(260) AM 2012 65037 A
(800) 1095779
(151) 2011 05 17
(181) 2021 05 17
(511) 09

OFFICIAL NOTIFICATIONS

TRADEMARKS

RENEWAL OF REGISTRATIONS

(111) M 2002 14512 R1
(156) 2012 11 13
(186) 2022 06 13
(732) OAO Pivovarennaya kompaniya "Baltika"
194292 Sankt-Peterburg, 6-Verkhniy per. 3,
Russian Federation

(111) M 2002 14596 R1
(156) 2012 08 29
(186) 2022 08 15
(732) BUSHNELL INC.
9200 Cody, Overland Park, Kansas 66214,
USA

(111) M 2002 14603 R1
(156) 2012 10 03
(186) 2022 09 13
(732) LTD "AsPharma" - Saqartvelos
pharmatsevtuli kompania
Shevchenkos q., 12, 0108 , Tbilisi, Georgia

(111) M 2002 14604 R1
(156) 2012 10 03
(186) 2022 09 13
(732) LTD "AsPharma" - Saqartvelos
pharmatsevtuli kompania
Shevchenkos q., 12, 0108 , Tbilisi, Georgia

(111) M 2002 14606 R1
(156) 2012 10 03
(186) 2022 09 13
(732) LTD "AsPharma" - Saqartvelos
pharmatsevtuli kompania
Shevchenkos q., 12, 0108 , Tbilisi, Georgia

(111) M 2002 14680 R1
(156) 2012 09 16
(186) 2022 09 16
(732) LTD "G-M-P"
Zemo Vedzisi Str. 103, 0160, Tbilisi,
Georgia;
LTD "Phitopharmi"
Giorgi Akhvledianis 22, 0108, Tbilisi,
Georgia

(111) M 2002 14704 R1
(156) 2012 11 14
(186) 2022 09 30
(732) LTD "Gvinis Kompania Shumi"
Sulkhan Tsintsadzis q. 18, 0160, Tbilisi,
Georgia

(111) M 2002 14707 R1
(156) 2012 10 15
(186) 2022 10 15
(732) QUALITEA CEYLON (PVT) LTD.
14 Station Road, Wattala, Sri Lanka

(111) M 2002 14761 R1
(156) 2012 10 15
(186) 2022 10 15
(732) QUALITEA CEYLON (PVT) LTD.
14 Station Road, Wattala, Sri Lanka

(111) M 2002 14781 R1
(156) 2012 10 29
(186) 2022 10 29
(732) GENZYME CORPORATION
500 Kendall Street, Cambridge, Massachusetts
02142, USA

(111) M 2002 14813 R1
(156) 2012 11 28
(186) 2022 11 28
(732) LTD "BORJOMI PRODAQTI"
Dasakhleba Larebi, 1200, Borjomi, Georgia

(111) M 2002 14815 R1
(156) 2012 11 28
(186) 2022 11 28
(732) LTD "BORJOMI PRODAQTI"
Dasakhleba Larebi, 1200, Borjomi, Georgia

(111) M 2003 15022 R1
(156) 2013 03 12
(186) 2023 03 12
(732) BRISTOL-MYERS SQUIBB SARL
3, rue Joseph Monier, 92500 Rueil
Melmaison, France

(111) M 2003 15023 R1
(156) 2013 03 12
(186) 2023 03 12
(732) BRISTOL-MYERS SQUIBB SARL
3, rue Joseph Monier, 92500 Rueil
Melmaison, France

CHANGES IN NAMES AND/OR ADDRESSES OF OWNERS

(111) M 1998 010557 R1
(732) BIOFARMA
50, rue Car t, 92284 Suresnes cedex, France
(770) BIOFARMA
22, rue Garnier, 92200 NEUILLY-SUR-
SEINE, France
(580) 2012 11 13

(111) M 1998 010558 R1
(732) BIOFARMA
50, rue Car t, 92284 Suresnes cedex, France
(770) BIOFARMA
22, rue Garnier, 92200 NEUILLY-SUR-
SEINE, France
(580) 2012 11 13

(111) M 1998 010559 R1
(732) BIOFARMA
50, rue Car t, 92284 Suresnes cedex, France
(770) BIOFARMA
22, rue Garnier, 92200 NEUILLY-SUR-
SEINE, France
(580) 2012 11 13

(111) M 1999 011385 R1
(732) BIOFARMA
50, rue Car t, 92284 Suresnes cedex, France
(770) BIOFARMA
22, rue Garnier, 92200 NEUILLY-SUR-
SEINE, France
(580) 2012 11 13

(111) M 1999 011386 R1
(732) BIOFARMA
50, rue Car t, 92284 Suresnes cedex, France
(770) BIOFARMA
22, rue Garnier, 92200 NEUILLY-SUR-
SEINE, France
(580) 2012 11 13

(111) M 1999 011396 R1
(732) BIOFARMA
50, rue Car t, 92284 Suresnes cedex, France
(770) BIOFARMA
22, rue Garnier, 92200 NEUILLY-SUR-
SEINE, France
(580) 2012 11 13

(111) M 1999 011397 R1
(732) BIOFARMA
50, rue Car t, 92284 Suresnes cedex, France
(770) BIOFARMA
22, rue Garnier, 92200 NEUILLY-SUR-
SEINE, France
(580) 2012 11 13

(111) M 1999 011398 R1
(732) BIOFARMA
50, rue Car t, 92284 Suresnes cedex, France
(770) BIOFARMA
22, rue Garnier, 92200 NEUILLY-SUR-
SEINE, France
(580) 2012 11 13

(111) M 1999 011497 R1
(732) BIOFARMA
50, rue Car t, 92284 Suresnes cedex, France
(770) BIOFARMA
22, rue Garnier, 92200 NEUILLY-SUR-
SEINE, France
(580) 2012 11 13

(111) M 1999 011498 R1
(732) BIOFARMA
50, rue Car t, 92284 Suresnes cedex, France
(770) BIOFARMA
22, rue Garnier, 92200 NEUILLY-SUR-
SEINE, France
(580) 2012 11 13

(111) M 1999 012242 R1
(732) BIOFARMA
50, rue Car t, 92284 Suresnes cedex, France
(770) BIOFARMA
22, rue Garnier, 92200 NEUILLY-SUR-
SEINE, France
(580) 2012 11 13

(111) M 1999 012243 R1
(732) BIOFARMA
50, rue Car t, 92284 Suresnes cedex, France
(770) BIOFARMA
22, rue Garnier, 92200 NEUILLY-SUR-
SEINE, France
(580) 2012 11 13

(111) M 1999 012244 R1
(732) BIOFARMA
50, rue Car t, 92284 Suresnes cedex, France
(770) BIOFARMA
22, rue Garnier, 92200 NEUILLY-SUR-
SEINE, France
(580) 2012 11 13

(111) M 1999 012694 R1
(732) BIOFARMA
50, rue Car t, 92284 Suresnes cedex, France
(770) BIOFARMA
22, rue Garnier, 92200 NEUILLY-SUR-
SEINE, France
(580) 2012 11 13

(111) M 1995 001282 R1
(732) ARKEMA INC.
900 First Avenue, King of Prussia,
Pennsylvania 19406, USA
(770) ARKEMA INC.
2000 Market Street, Philadelphia,
PA 19103-3222, USA
(580) 2012 11 08

(111) M 2005 015994 R
(732) BIOFARMA
50, rue Car t, 92284 Suresnes cedex, France
(770) BIOFARMA
22, rue Garnier, 92200 NEUILLY-SUR-
SEINE, France
(580) 2012 11 13

(111) M 1996 002448 R1
(732) BIOFARMA
50, rue Car t, 92284 Suresnes cedex, France
(770) BIOFARMA
22, rue Garnier, 92200 NEUILLY-SUR-
SEINE, France
(580) 2012 11 13

(111) M 1996 002449 R1
(732) BIOFARMA
50, rue Car t, 92284 Suresnes cedex, France
(770) BIOFARMA
22, rue Garnier, 92200 NEUILLY-SUR-
SEINE, France
(580) 2012 11 13

(111) M 1996 002450 R1
(732) BIOFARMA
50, rue Car t, 92284 Suresnes cedex, France

(770) BIOFARMA
22, rue Garnier, 92200 NEUILLY-SUR-
SEINE, France
(580) 2012 11 13

(111) M 1996 002451 R1
(732) BIOFARMA
50, rue Car t, 92284 Suresnes cedex, France
(770) BIOFARMA
22, rue Garnier, 92200 NEUILLY-SUR-
SEINE, France
(580) 2012 11 13

(111) M 1996 002454 R1
(732) BIOFARMA
50, rue Car t, 92284 Suresnes cedex, France
(770) BIOFARMA
22, rue Garnier, 92200 NEUILLY-SUR-
SEINE, France
(580) 2012 11 13

(111) M 1996 002455 R1
(732) BIOFARMA
50, rue Car t, 92284 Suresnes cedex, France
(770) BIOFARMA
22, rue Garnier, 92200 NEUILLY-SUR-
SEINE, France
(580) 2012 11 13

(111) M 1996 002456 R1
(732) BIOFARMA
50, rue Car t, 92284 Suresnes cedex, France
(770) BIOFARMA
22, rue Garnier, 92200 NEUILLY-SUR-
SEINE, France
(580) 2012 11 13

(111) M 1996 002457 R1
(732) LES LABORATOIRES SERVIER
50 rue Car t, 92284 Suresnes cedex, France
(770) LES LABORATOIRES SERVIER
22 rue Garnier, 92200 Neuilly-sur-Seine,
France
(580) 2012 10 15

(111) M 1996 002877 R1
(732) BIOFARMA
50, rue Car t, 92284 Suresnes cedex, France
(770) BIOFARMA
22, rue Garnier, 92200 NEUILLY-SUR-
SEINE, France
(580) 2012 11 13

(111) M 1996 002879 R1
(732) BIOFARMA
50, rue Car t, 92284 Suresnes cedex, France
(770) BIOFARMA
22, rue Garnier, 92200 NEUILLY-SUR-
SEINE, France
(580) 2012 11 13

(111) M 1996 002880 R1
(732) BIOFARMA
50, rue Car t, 92284 Suresnes cedex, France
(770) BIOFARMA
22, rue Garnier, 92200 NEUILLY-SUR-
SEINE, France
(580) 2012 11 13

(111) M 1996 002881 R1
(732) BIOFARMA
50, rue Car t, 92284 Suresnes cedex, France
(770) BIOFARMA
22, rue Garnier, 92200 NEUILLY-SUR-
SEINE, France
(580) 2012 11 13

(111) M 1996 002882 R1
(732) BIOFARMA
50, rue Car t, 92284 Suresnes cedex, France
(770) BIOFARMA
22, rue Garnier, 92200 NEUILLY-SUR-
SEINE, France
(580) 2012 11 13

(111) M 1996 002883 R1
(732) BIOFARMA
50, rue Car t, 92284 Suresnes cedex, France
(770) BIOFARMA
22, rue Garnier, 92200 NEUILLY-SUR-
SEINE, France
(580) 2012 11 13

(111) M 1996 002884 R1
(732) BIOFARMA
50, rue Car t, 92284 Suresnes cedex, France
(770) BIOFARMA
22, rue Garnier, 92200 NEUILLY-SUR-
SEINE, France
(580) 2012 11 13

(111) M 1996 002885 R1
(732) BIOFARMA
50, rue Car t, 92284 Suresnes cedex, France

(770) BIOFARMA
22, rue Garnier, 92200 NEUILLY-SUR-
SEINE, France
(580) 2012 11 13

(111) M 1996 002886 R1
(732) BIOFARMA
50, rue Car t, 92284 Suresnes cedex, France
(770) BIOFARMA
22, rue Garnier, 92200 NEUILLY-SUR-
SEINE, France
(580) 2012 11 13

(111) M 1996 002887 R1
(732) BIOFARMA
50, rue Car t, 92284 Suresnes cedex, France
(770) BIOFARMA
22, rue Garnier, 92200 NEUILLY-SUR-
SEINE, France
(580) 2012 11 13

(111) M 1996 002888 R1
(732) BIOFARMA
50, rue Car t, 92284 Suresnes cedex, France
(770) BIOFARMA
22, rue Garnier, 92200 NEUILLY-SUR-
SEINE, France
(580) 2012 11 13

(111) M 1996 002889 R1
(732) BIOFARMA
50, rue Car t, 92284 Suresnes cedex, France
(770) BIOFARMA
22, rue Garnier, 92200 NEUILLY-SUR-
SEINE, France
(580) 2012 11 13

(111) M 1996 002890 R1
(732) BIOFARMA
50, rue Car t, 92284 Suresnes cedex, France
(770) BIOFARMA
22, rue Garnier, 92200 NEUILLY-SUR-
SEINE, France
(580) 2012 11 13

(111) M 1996 002891 R1
(732) BIOFARMA
50, rue Car t, 92284 Suresnes cedex, France
(770) BIOFARMA
22, rue Garnier, 92200 NEUILLY-SUR-
SEINE, France
(580) 2012 11 13

(111) M 1996 002892 R1
 (732) BIOFARMA
 50, rue Car t, 92284 Suresnes cedex, France
 (770) BIOFARMA
 22, rue Garnier, 92200 NEUILLY-SUR-
 SEINE, France
 (580) 2012 11 13

(770) BIOFARMA
 22, rue Garnier, 92200 NEUILLY-SUR-
 SEINE, France
 (580) 2012 11 13

(111) M 1996 002895 R1
 (732) BIOFARMA
 50, rue Car t, 92284 Suresnes cedex, France
 (770) BIOFARMA
 22, rue Garnier, 92200 NEUILLY-SUR-
 EINE, France
 (580) 2012 11 13

(111) M 1997 005185 R1
 (732) LES LABORATOIRES SERVIER
 50 rue Car t, 92284 Suresnes cedex, France
 (770) LES LABORATOIRES SERVIER
 22 rue Garnier, 92200 Neuilly-sur-Seine,
 France
 (580) 2012 10 15

(111) M 1996 002896 R1
 (732) BIOFARMA
 50, rue Car t, 92284 Suresnes cedex, France
 (770) BIOFARMA
 22, rue Garnier, 92200 NEUILLY-SUR-
 SEINE, France
 (580) 2012 11 13

(111) M 1997 005341 R1
 (732) BIOFARMA
 50, rue Car t, 92284 Suresnes cedex, France
 (770) BIOFARMA
 22, rue Garnier, 92200 NEUILLY-SUR-
 SEINE, France
 (580) 2012 11 13

(111) M 1996 002897 R1
 (732) BIOFARMA
 50, rue Car t, 92284 Suresnes cedex, France
 (770) BIOFARMA
 22, rue Garnier, 92200 NEUILLY-SUR-
 SEINE, France
 (580) 2012 11 13

(111) M 1997 006100 R1
 (732) BIOFARMA
 50, rue Car t, 92284 Suresnes cedex, France
 (770) BIOFARMA
 22, rue Garnier, 92200 NEUILLY-SUR-
 SEINE, France
 (580) 2012 11 13

(111) M 1996 002898 R1
 (732) BIOFARMA
 50, rue Car t, 92284 Suresnes cedex, France
 (770) BIOFARMA
 22, rue Garnier, 92200 NEUILLY-SUR-
 SEINE, France
 (580) 2012 11 13

(111) M 1997 006362 R1
 (732) BLOCK DRUG COMPANY, INC.,
 a New Jersey Corporation
 Corporation Service Company,
 830 Bear Tavern Road, West Trenton,
 New Jersey 08628, USA
 (770) BLOCK DRUG COMPANY, INC.,
 New Jersey Corporation,
 257 Cornelison Avenue, Jersey City,
 New Jersey 07302, USA
 (580) 2012 10 16

(111) M 1996 002899 R1
 (732) BIOFARMA
 50, rue Car t, 92284 Suresnes cedex, France
 (770) BIOFARMA
 22, rue Garnier, 92200 NEUILLY-SUR-
 SEINE, France
 (580) 2012 11 13

(111) M 1997 007308 R1
 (732) AKZO BEL CHEMICALS B.V.
 Stationsstraat 77, 3811 LE Amersfoort,
 Netherlands
 (770) AKZO BEL CHEMICALS B.V.
 4, Stationsplein, NL-3818 LE Amersfoort,
 Netherlands
 (580) 2012 11 09

(111) M 1996 002900 R1
 (732) BIOFARMA
 50, rue Car t, 92284 Suresnes cedex, France

(111) M 1998 008172 R1
(732) BIOFARMA
50, rue Car t, 92284 Suresnes cedex, France
(770) BIOFARMA
22, rue Garnier, 92200 NEUILLY-SUR-
SEINE, France
(580) 2012 11 13

(111) M 1998 008204 R1
(732) BIOFARMA
50, rue Car t, 92284 Suresnes cedex, France
(770) BIOFARMA
22, rue Garnier, 92200 NEUILLY-SUR-
SEINE, France
(580) 2012 11 13

(111) M 1998 008205 R1
(732) BIOFARMA
50, rue Car t, 92284 Suresnes cedex, France
(770) BIOFARMA
22, rue Garnier, 92200 NEUILLY-SUR-
SEINE, France
(580) 2012 11 13

(111) M 1998 008206 R1
(732) BIOFARMA
50, rue Car t, 92284 Suresnes cedex, France
(770) BIOFARMA
22, rue Garnier, 92200 NEUILLY-SUR-
SEINE, France
(580) 2012 11 13

(111) M 1998 008208 R1
(732) BIOFARMA
50, rue Car t, 92284 Suresnes cedex, France
(770) BIOFARMA
22, rue Garnier, 92200 NEUILLY-SUR-
SEINE, France
(580) 2012 11 13

(111) M 1998 008215 R1
(732) BIOFARMA
50, rue Car t, 92284 Suresnes cedex, France
(770) BIOFARMA
22, rue Garnier, 92200 NEUILLY-SUR-
SEINE, France
(580) 2012 11 13

(111) M 1998 009621 R1
(732) SALAMANDER GMBH
Zur Schlenkhecke 4, 40764 Langenfeld,
Germany
(770) SALAMANDER GMBH
Kaiserstrasse 39-49, D-63065 Offenbach,
Germany
(580) 2012 10 16

(111) M 2002 014781 R1
(732) GENZYME CORPORATION
500 Kendall Street, Cambridge,
Massachusetts 02142, USA
(770) GENZYME CORPORATION
One Kendall Square, Cambridge,
Massachusetts 02139-1562, USA
(580) 2012 11 09

CLASSIFICATION INDEXES

INVENTIONS

CONCORDANCE TABLE OF INTERNATIONAL CLASSIFICATION INDEX AND PUBLICATION NUMBERS

INTERNATIONAL CLASSIFICATION INDEXES (51)	NUMBER OF PUBLISHED APPLICATION (10)
A 61 K 31/437; A 61 K 31/4709; A 61 K 31/496; A 61 K 31/573; A 61 K 38/08; A 61 P 19/02	AP 2012 12055 A
A 61 K 31/513; A 61 K 31/44; A 61 K 31/131; A 61 P 3/10 B 65 G 27/00	AP 2012 10608 A AP 2012 12175 A
C 07 D 231/40; C 07 D 401/12; C 07 D 403/12; C 07 D 513/04; A 61 K 31/4427; A 61 K 31/4155; A 61 K 31/4178; A 61 K 31/506; A 61 K 31/497; A 61 P 3/00	AP 2012 12135 A
F 03 B 13/14; F 03 B 13/22	AP 2012 12176 A

CONCORDANCE TABLE OF PUBLICATION NUMBERS AND INTERNATIONAL CLASSIFICATION INDEX

NUMBER OF PUBLISHED APPLICATION (10)	INTERNATIONAL CLASSIFICATION INDEXES (51)
AP 2012 10608 A	A 61 K 31/513; A 61 K 31/44; A 61 K 31/131; A 61 P 3/10
AP 2012 12055 A	A 61 K 31/437; A 61 K 31/4709; A 61 K 31/496; A 61 K 31/573; A 61 K 38/08; A 61 P 19/02
AP 2012 12135 A	C 07 D 231/40; C 07 D 401/12; C 07 D 403/12; C 07 D 513/04; A 61 K 31/4427; A 61 K 31/4155; A 61 K 31/4178; A 61 K 31/506; A 61 K 31/497; A 61 P 3/00
AP 2012 12175 A	B 65 G 27/00
AP 2012 12176 A	F 03 B 13/14; F 03 B 13/22

**CONCORDANCE TABLE OF INTERNATIONAL CLASSIFICATION INDEX,
PATENT NUMBERS AND PUBLICATION NUMBERS**

INTERNATIONAL CLASSIFICATION INDEX (51)	NUMBER OF PATENT (11)	NUMBER OF PUBLISHED APPLICATION (10)
A 61 K 31/4545; C 07 D 487/04; C 07 D 487/14; A 61 P 37/08; A 61 P 11/00	P 2012 5704 B	AP 2012 11771 A
A 61 K 31/513; A 61 P 3/10; A 61 P 35/00; A 61 P 31/18; A 61 P 5/50	P 2012 5701 B	AP 2012 11217 A
B 24 B 9/18	P 2012 5703 B	AP 2012 11759 A
B 61 L 23/00; B 61 L 3/00	P 2012 5705 B	AP 2012 11782 A
C 07 C 227/04; C 07 C 227/16; C 07 C 227/18; C 07 C 229/46	P 2012 5710 B	AP 2012 12299 A
C 07 D 207/08; C 07 D 403/06; C 07 D 405/06; C 07 D 413/06; C 07 D 471/04; A 61 K 31/4025; A 61 P 35/00; C 07 D 401/06	P 2012 5708 B	AP 2012 11949 A
C 07 D 295/135	P 2012 5711 B	AP 2012 12300 A
C 07 D 295/135	P 2012 5712 B	AP 2012 12301 A
C 07 D 311/04	P 2012 5709 B	AP 2012 11980 A
C 07 D 311/68, 311/96, 405/12, 407/12; A 61 K 31/353; A 61 P 29/02	P 2012 5707 B	AP 2012 11876 A
C 07 D 401/04; C 07 D 401/12; C 07 D 401/14; C 07 D 403/04; C 07 D 403/14; C 07 D 405/14; C 07 D 409/14; C 07 D 413/14; C 07 D 471/04; A 61 K 31/4433; A 61 K 31/4439; A 61 K 31/517; A 61 P 35/00	P 2012 5702 B	AP 2012 11622 A
F 03 D 3/06; F 03 D 11/00	P 2012 5706 B	AP 2012 11826 A
G 09 F 19/00	P 2012 5713 B	AP 2012 11550 A

**CONCORDANCE TABLE OF PATENT NUMBERS,
PUBLICATION NUMBERS AND INTERNATIONAL CLASSIFICATION INDEX**

NUMBER OF PATENT (11)	NUMBER OF PUBLISHED APPLICATION (10)	INTERNATIONAL CLASSIFICATION INDEX (51)
1	2	3
P 2012 5701 B	AP 2012 11217 A	A 61 K 31/513; A 61 P 3/10; A 61 P 35/00; A 61 P 31/18; A 61 P 5/50
P 2012 5702 B	AP 2012 11622 A	C 07 D 401/04; C 07 D 401/12; C 07 D 401/14; C 07 D 403/04; C 07 D 403/14; C 07 D 405/14; C 07 D 409/14; C 07 D 413/14; C 07 D 471/04; A 61 K 31/4433; A 61 K 31/4439; A 61 K 31/517; A 61 P 35/00
P 2012 5703 B	AP 2012 11759 A	B 24 B 9/18
P 2012 5704 B	AP 2012 11771 A	A 61 K 31/4545; C 07 D 487/04; C 07 D 487/14; A 61 P 37/08; A 61 P 11/00
P 2012 5705 B	AP 2012 11782 A	B 61 L 23/00; B 61 L 3/00
P 2012 5706 B	AP 2012 11826 A	F 03 D 3/06; F 03 D 11/00
P 2012 5707 B	AP 2012 11876 A	C 07 D 311/68, 311/96, 405/12, 407/12; A 61 K 31/353; A 61 P 29/02
P 2012 5708 B	AP 2012 11949 A	C 07 D 207/08; C 07 D 403/06; C 07 D 405/06; C 07 D 413/06; C 07 D 471/04; A 61 K 31/4025; A 61 P 35/00; C 07 D 401/06

1	2	3
P 2012 5709 B	AP 2012 11980 A	C 07 D 311/04
P 2012 5710 B	AP 2012 12299 A	C 07 C 227/04; C 07 C 227/16; C 07 C 227/18; C 07 C 229/46
P 2012 5711 B	AP 2012 12300 A	C 07 D 295/135
P 2012 5712 B	AP 2012 12301 A	C 07 D 295/135
P 2012 5713 B	AP 2012 11550 A	G 09 F 19/00

**CONCORDANCE TABLE OF APPLICATION NUMBERS, PUBLICATION NUMBERS
AND PATENTS**

NUMBER OF APPLICATION (21)	NUMBER OF PUBLISHED APPLICATION (10)	NUMBER OF PATENT (11)
AP 2007 011217	AP 2012 11217 A	P 2012 5701 B
AP 2009 011550	AP 2012 11550 A	P 2012 5713 B
AP 2008 011622	AP 2012 11622 A	P 2012 5702 B
AP 2010 011759	AP 2012 11759 A	P 2012 5703 B
AP 2008 011771	AP 2012 11771 A	P 2012 5704 B
AP 2010 011782	AP 2012 11782 A	P 2012 5705 B
AP 2008 011826	AP 2012 11826 A	P 2012 5706 B
AP 2008 011876	AP 2012 11876 A	P 2012 5707 B
AP 2009 011949	AP 2012 11949 A	P 2012 5708 B
AP 2009 011980	AP 2012 11980 A	P 2012 5709 B
AP 2009 012299	AP 2012 12299 A	P 2012 5710 B
AP 2009 012300	AP 2012 12300 A	P 2012 5711 B
AP 2009 012301	AP 2012 12301 A	P 2012 5712 B

UTILITY MODELS

**CONCORDANCE TABLE OF INTERNATIONAL CLASSIFICATION INDEX
AND PUBLICATION NUMBERS**

INTERNATIONAL CLASSIFICATION INDEXES (51)	NUMBER OF PUBLISHED APPLICATION (10)
A 61 K 8/97	AU 2012 12317 U
A 61 K 9/02	AU 2012 12492 U
A 61 K 9/02	AU 2012 12493 U
A 61 N 5/06	AU 2012 12650 U

**CONCORDANCE TABLE OF PUBLICATION NUMBERS
AND INTERNATIONAL CLASSIFICATION INDEX**

NUMBER OF PUBLISHED APPLICATION (10)	INTERNATIONAL CLASSIFICATION INDEXES (51)
AU 2012 12317 U	A 61 K 8/97
AU 2012 12492 U	A 61 K 9/02
AU 2012 12493 U	A 61 K 9/02
AU 2012 12650 U	A 61 N 5/06

**CONCORDANCE TABLE OF INTERNATIONAL CLASSIFICATION INDEX,
PATENT NUMBERS AND PUBLICATION NUMBERS**

INTERNATIONAL CLASSIFICATION INDEX (51)	NUMBER OF PATENT (11)	NUMBER OF PUBLISHED APPLICATION (10)
A 23 L 1/09; A 23 L 2/00	U 2012 1749 Y	AU 2012 12019 U
C 22 C 1/02, 1/03, 11/00, 13/00	U 2012 1750 Y	AU 2012 12042 U
H 02 N 11/00; F 03 G 7/00	U 2012 1751 Y	AU 2012 12618 U

**CONCORDANCE TABLE OF PATENT NUMBERS,
PUBLICATION NUMBERS AND INTERNATIONAL CLASSIFICATION INDEX**

NUMBER OF PATENT (11)	NUMBER OF PUBLISHED APPLICATION (10)	INTERNATIONAL CLASSIFICATION INDEX (51)
U 2012 1749 Y	AU 2012 12019 U	A 23 L 1/09; A 23 L 2/00
U 2012 1750 Y	AU 2012 12042 U	C 22 C 1/02, 1/03, 11/00, 13/00
U 2012 1751 Y	AU 2012 12618 U	H 02 N 11/00; F 03 G 7/00

**CONCORDANCE TABLE OF APPLICATION NUMBERS, PUBLICATION NUMBERS
AND PATENTS**

NUMBER OF APPLICATION (21)	NUMBER OF PUBLISHED APPLICATION (10)	NUMBER OF PATENT (11)
AU 2010 012019	AU 2012 12019 U	U 2012 1749 Y
AU 2010 012042	AU 2012 12042 U	U 2012 1750 Y
AU 2012 012618	AU 2012 12618 U	U 2012 1751 Y

DESIGNS**CONCORDANCE TABLE OF INTERNATIONAL CLASSIFICATION INDEX
AND PUBLICATION NUMBERS**

INTERNATIONAL CLASSIFICATION INDEXES (51)	NUMBER OF PUBLISHED APPLICATION (10)
09-01	AD 2012 709 S

**CONCORDANCE TABLE OF PUBLICATION NUMBERS
AND INTERNATIONAL CLASSIFICATION INDEX**

NUMBER OF PUBLISHED APPLICATION (10)	INTERNATIONAL CLASSIFICATION INDEXES (51)
AD 2012 709 S	09-01

**CONCORDANCE TABLE OF INTERNATIONAL CLASSIFICATION INDEX,
PATENT NUMBERS AND PUBLICATION NUMBERS**

INTERNATIONAL CLASSIFICATION INDEX (51)	NUMBER OF PATENT (11)	NUMBER OF PUBLISHED APPLICATION (10)
06-13	D 2012 520 S	AD 2012 680 S
22-06	D 2012 521 S	AD 2012 682 S
32-00	D 2012 522 S	AD 2012 694 S

**CONCORDANCE TABLE OF PATENT NUMBERS,
PUBLICATION NUMBERS AND INTERNATIONAL CLASSIFICATION INDEX**

NUMBER OF PATENT (11)	NUMBER OF PUBLISHED APPLICATION (10)	INTERNATIONAL CLASSIFICATION INDEX (51)
D 2012 520 S	AD 2012 680 S	06-13
D 2012 521 S	AD 2012 682 S	22-06
D 2012 522 S	AD 2012 694 S	32-00

**CONCORDANCE TABLE OF APPLICATION NUMBERS, PUBLICATION NUMBERS
AND PATENTS**

NUMBER OF APPLICATION (21)	NUMBER OF PUBLISHED APPLICATION (10)	NUMBER OF PATENT (11)
AD 2012 000680	AD 2012 680 S	D 2012 520 S
AD 2012 000682	AD 2012 682 S	D 2012 521 S
AD 2012 000694	AD 2012 694 S	D 2012 522 S

TRADEMARKS

CONCORDANCE TABLE OF REGISTRATION NUMBERS, APPLICATION NUMBERS, PUBLICATION NUMBERS AND BULLETIN NUMBERS

NUMBER OF REGISTRATION (111)	NUMBER OF APPLICATION (210)	NUMBER OF PUBLISHED APPLICATION (260)	NUMBER OF BULLETIN
M 2012 23085 R	AM 2012 69615	-	23(363) 2012
M 2012 23086 R	AM 2012 69289	-	23(363) 2012
M 2012 23087 R	AM 2012 69196	-	23(363) 2012
M 2012 23088 R	AM 2012 69614	-	23(363) 2012
M 2012 23089 R	AM 2012 69700	-	23(363) 2012
M 2012 23090 R	AM 2012 69701	-	23(363) 2012
M 2012 23091 R	AM 2012 69678	-	23(363) 2012
M 2012 23092 R	AM 2012 69679	-	23(363) 2012
M 2012 23093 R	AM 2012 69680	-	23(363) 2012
M 2012 23094 R	AM 2010 60074	AM 2012 60074 A	15(355) 2012
M 2012 23095 R	AM 2011 60883	AM 2012 60883 A	9(349) 2012
M 2012 23096 R	AM 2011 62325	AM 2112 62325 A	13(353) 2012
M 2012 23097 R	AM 2011 62691	AM 2012 62691 A	10(350) 2012
M 2012 23098 R	AM 2011 62692	AM 2012 62692 A	10(350) 2012
M 2012 23099 R	AM 2011 62751	AM 2012 62751 A	13(353) 2012
M 2012 23100 R	AM 2011 62829	AM 2012 62829 A	15(355) 2012
M 2012 23101 R	AM 2011 62830	AM 2012 62830 A	10(350) 2012
M 2012 23102 R	AM 2011 62831	AM 2012 62831 A	10(350) 2012
M 2012 23103 R	AM 2011 62832	AM 2012 62832 A	10(350) 2012
M 2012 23104 R	AM 2011 62833	AM 2012 62833 A	10(350) 2012
M 2012 23105 R	AM 2011 62898	AM 2012 62898 A	10(350) 2012
M 2012 23106 R	AM 2011 63206	AM 2012 63206 A	15(355) 2012
M 2012 23107 R	AM 2011 63255	AM 2012 63255 A	9(349) 2012
M 2012 23108 R	AM 2011 63328	AM 2012 63328 A	9(349) 2012
M 2012 23109 R	AM 2011 63378	AM 2012 63378 A	9(349) 2012
M 2012 23110 R	AM 2011 63379	AM 2012 63379 A	9(349) 2012
M 2012 23111 R	AM 2011 63534	AM 2012 63534 A	9(349) 2012
M 2012 23112 R	AM 2011 63535	AM 2012 63535 A	9(349) 2012
M 2012 23113 R	AM 2011 63585	AM 2012 63585 A	15(355) 2012
M 2012 23114 R	AM 2011 63792	AM 2012 63792 A	15(355) 2012
M 2012 23115 R	AM 2011 63859	AM 2012 63859 A	9(349) 2012
M 2012 23116 R	AM 2011 63960	AM 2012 63960 A	8(348) 2012
M 2012 23117 R	AM 2011 63971	AM 2012 63971 A	15(355) 2012
M 2012 23118 R	AM 2011 64023	AM 2012 64023 A	9(349) 2012
M 2012 23119 R	AM 2011 64024	AM 2012 64024 A	9(349) 2012
M 2012 23120 R	AM 2011 64025	AM 2012 64025 A	9(349) 2012
M 2012 23121 R	AM 2011 64147	AM 2012 64147 A	15(355) 2012
M 2012 23122 R	AM 2011 64428	AM 2012 64428 A	15(355) 2012
M 2012 23123 R	AM 2011 64441	AM 2012 64441 A	15(355) 2012
M 2012 23124 R	AM 2011 64509	AM 2012 64509 A	13(353) 2012
M 2012 23125 R	AM 2011 64556	AM 2012 64556 A	15(355) 2012
M 2012 23126 R	AM 2011 64557	AM 2012 64557 A	15(355) 2012
M 2012 23127 R	AM 2011 64635	AM 2012 64635 A	11(351) 2012
M 2012 23128 R	AM 2011 64636	AM 2012 64636 A	11(351) 2012

1	2	3	4
M 2012 23129 R	AM 2011 64637	AM 2012 64637 A	11(351) 2012
M 2012 23130 R	AM 2011 64638	AM 2012 64638 A	11(351) 2012
M 2012 23131 R	AM 2011 64639	AM 2012 64639 A	11(351) 2012
M 2012 23132 R	AM 2011 64640	AM 2012 64640 A	15(355) 2012
M 2012 23133 R	AM 2011 64721	AM 2012 64721 A	15(355) 2012
M 2012 23134 R	AM 2011 64813	AM 2012 64813 A	15(355) 2012
M 2012 23135 R	AM 2011 64823	AM 2012 64823 A	15(355) 2012
M 2012 23136 R	AM 2011 64825	AM 2012 64825 A	15(355) 2012
M 2012 23137 R	AM 2011 64826	AM 2012 64826 A	15(355) 2012
M 2012 23138 R	AM 2011 64827	AM 2012 64827 A	15(355) 2012
M 2012 23139 R	AM 2011 64828	AM 2012 64828 A	15(355) 2012
M 2012 23140 R	AM 2011 65001	AM 2012 65001 A	15(355) 2012
M 2012 23141 R	AM 2011 65002	AM 2012 65002 A	15(355) 2012
M 2012 23142 R	AM 2011 65003	AM 2012 65003 A	15(355) 2012
M 2012 23143 R	AM 2011 65337	AM 2012 65337 A	15(355) 2012
M 2012 23144 R	AM 2011 65338	AM 2012 65338 A	15(355) 2012
M 2012 23145 R	AM 2011 65350	AM 2012 65350 A	15(355) 2012
M 2012 23146 R	AM 2011 65351	AM 2012 65351 A	15(355) 2012
M 2012 23147 R	AM 2011 65484	AM 2012 65484 A	14(354) 2012
M 2012 23148 R	AM 2012 69689	-	23(363) 2012
M 2012 23149R	AM 2012 69712	-	23(363) 2012
M 2012 23150R	AM 2012 69713	-	23(363) 2012

CONCORDANCE TABLE OF PUBLICATION NUMBERS
AND APPLICATION NUMBERS

NUMBER OF PUBLISHED APPLICATION (260)	NUMBER OF APPLICATION (210)	1	2
		1	2
AM 2012 62804 A	AM 2011 62804	AM 2012 66163 A	AM 2012 66163
AM 2012 64722 A	AM 2011 64722	AM 2012 66164 A	AM 2012 66164
AM 2012 65186 A	AM 2011 65186	AM 2012 66332 A	AM 2012 66332
AM 2012 65825 A	AM 2012 65825	AM 2012 66333 A	AM 2012 66333
AM 2012 65826 A	AM 2012 65826	AM 2012 66335 A	AM 2012 66335
AM 2012 65827 A	AM 2012 65827	AM 2012 66336 A	AM 2012 66336
AM 2012 65828 A	AM 2012 65828	AM 2012 66337 A	AM 2012 66337
AM 2012 65847 A	AM 2012 65847	AM 2012 66338 A	AM 2012 66338
AM 2012 66049 A	AM 2012 66049	AM 2012 66339 A	AM 2012 66339
AM 2012 66085 A	AM 2012 66085	AM 2012 66340 A	AM 2012 66340
AM 2012 66095 A	AM 2012 66095	AM 2012 66341 A	AM 2012 66341
AM 2012 66104 A	AM 2012 66104	AM 2012 66352 A	AM 2012 66352
AM 2012 66109 A	AM 2012 66109	AM 2012 66367 A	AM 2012 66367
AM 2012 66110 A	AM 2012 66110	AM 2012 66369 A	AM 2012 66369
AM 2012 66111 A	AM 2012 66111	AM 2012 66385 A	AM 2012 66385
AM 2012 66112 A	AM 2012 66112	AM 2012 66387 A	AM 2012 66387
AM 2012 66129 A	AM 2012 66129	AM 2012 66448 A	AM 2012 66448
AM 2012 66133 A	AM 2012 66133	AM 2012 66472 A	AM 2012 66472
AM 2012 66138 A	AM 2012 66138	AM 2012 66474 A	AM 2012 66474
AM 2012 66162 A	AM 2012 66162	AM 2012 66476 A	AM 2012 66476
		AM 2012 66555 A	AM 2012 66555
		AM 2012 66584 A	AM 2012 66584
		AM 2012 66604 A	AM 2012 66604

1	2
AM 2012 66652 A	AM 2012 66652
AM 2012 66676 A	AM 2012 66676
AM 2012 66682 A	AM 2012 66682
AM 2012 66862 A	AM 2012 66862
AM 2012 63211 A*	AM 2011 63211

1	2
AM 2012 63785 A*	AM 2011 63785
AM 2012 64112 A*	AM 2011 64112
AM 2012 64113 A*	AM 2011 64113
AM 2012 64241 A*	AM 2011 64241

CONCORDANCE TABLE OF INDEX OF GOODS AND/OR SERVICES
AND APPLICATION NUMBERS

INDEX OF GOODS AND/OR SERVICES (511)	NUMBER OF PUBLISHED APPLICATION (260)	1	2
1	2		
1	AM 2012 66133 A	29	AM 2012 66340 A
1	AM 2012 66332 A	29	AM 2012 66341 A
3	AM 2012 66476 A	29	AM 2012 66367 A
3	AM 2012 63785 A*	29	AM 2012 66862 A
3	AM 2012 64241 A*	29	AM 2012 63211 A*
4	AM 2012 66476 A	30	AM 2012 66104 A
5	AM 2012 62804 A	30	AM 2012 66111 A
5	AM 2012 65847 A	30	AM 2012 66340 A
5	AM 2012 66095 A	30	AM 2012 66341 A
5	AM 2012 66109 A	30	AM 2012 66474 A
5	AM 2012 66162 A	32	AM 2012 66340 A
5	AM 2012 66163 A	32	AM 2012 66341 A
5	AM 2012 66164 A	32	AM 2012 66352 A
5	AM 2012 66448 A	32	AM 2012 66472 A
5	AM 2012 66555 A	32	AM 2012 66862 A
5	AM 2012 66604 A	33	AM 2012 66049 A
5	AM 2012 66682 A	33	AM 2012 66085 A
5	AM 2012 64112 A*	33	AM 2012 66335 A
5	AM 2012 64113 A*	33	AM 2012 66336 A
9	AM 2012 66385 A	33	AM 2012 66337 A
9	AM 2012 66476 A	33	AM 2012 66338 A
9	AM 2012 64241 A*	33	AM 2012 66339 A
12	AM 2012 66110 A	33	AM 2012 66584 A
12	AM 2012 66112 A	33	AM 2012 66862 A
12	AM 2012 66129 A	34	AM 2012 66333 A
14	AM 2012 66369 A	35	AM 2012 65186 A
14	AM 2012 66476 A	35	AM 2012 66340 A
14	AM 2012 64241 A*	35	AM 2012 66341 A
16	AM 2012 64722 A	35	AM 2012 66385 A
16	AM 2012 66682 A	35	AM 2012 66676 A
18	AM 2012 66369 A	35	AM 2012 64241 A*
18	AM 2012 66476 A	36	AM 2012 66138 A
18	AM 2012 64241 A*	38	AM 2012 65825 A
25	AM 2012 66369 A	38	AM 2012 65826 A
25	AM 2012 66476 A	38	AM 2012 65827 A
25	AM 2012 64241 A*	38	AM 2012 65828 A
26	AM 2012 64241 A*	38	AM 2012 66387 A
29	AM 2012 66104 A	39	AM 2012 66676 A
		41	AM 2012 65825 A
		41	AM 2012 65826 A
		41	AM 2012 65827 A

1	2
41	AM 2012 65828 A
42	AM 2012 65825 A
42	AM 2012 65826 A
42	AM 2012 65827 A
42	AM 2012 65828 A

1	2
42	AM 2012 66385 A
42	AM 2012 66604 A
43	AM 2012 65186 A
43	AM 2012 66652 A

**CONCORDANCE TABLE OF INDEX OF GOODS AND/OR SERVICES
AND NUMBERS OF TRADEMARKS REGISTERED ACCORDING
TO THE ACCELERATED PROCEDURE**

INDEX OF GOODS AND/OR SERVICES (511)	NUMBER OF REGISTERED ACCORDING TO THE ACCELERATED PROCEDURE (111)
3	M 2012 23086 R
3	M 2012 23087 R
7	M 2012 23087 R
8	M 2012 23087 R
29	M 2012 23089 R
29	M 2012 23090 R
29	M 2012 23148 R
30	M 2012 23091 R
30	M 2012 23092 R
30	M 2012 23093 R
32	M 2012 23091 R
33	M 2012 23088 R
33	M 2012 23149 R
33	M 2012 23150 R
35	M 2012 23085 R
35	M 2012 23089 R
35	M 2012 23090 R

OFFICIAL BULLETIN OF THE INDUSTRIAL PROPERTY

23(363)

EDITOR-IN-CHIEF: N. Bebrishvili

EDITORS-TRANSLATORS: E. Gabunia

PROOFREADER: L. Chanturia

COMPUTER LAYOUT: M. Ordenidze
K. Svanidze

www.sakpatenti.org.ge
E-mail: info@sakpatenti.org.ge