



**NATIONAL INTELLECTUAL PROPERTY CENTER OF GEORGIA
SAKPATENTI**

**OFFICIAL BULLETIN
OF THE INDUSTRIAL PROPERTY**

24(412)

**2014
TBILISI**

INID CODES FOR IDENTIFICATION OF BIBLIOGRAPHIC DATA

INVENTIONS, UTILITY MODELS

- (10) Number of publication for application, which has been examined
- (11) Number of patent and kind of document
- (21) Serial number of application
- (22) Date of filing of the application
- (23) Date of exhibition or the date of the earlier filing and the number of application, if any
- (24) Date from which patent may have effect
- (31) Number of priority application
- (32) Date of filing of priority application
- (33) Code of the country or regional organization allotting priority application number
- (44) Date of publication of application not granted, but examined and number of bulletin
- (45) Date of publication of registered document
- (51) International Patent Classification Index
- (54) Title of the invention
- (57) Abstract
- (60) Number of examined patent document granted by foreign patent office, date from which patent has effect and country code
- (62) Number of the earlier application and in case of divided application, date of filing an application
- (71) Name, surname and address of applicant (country code)
- (72) Name, surname of inventor (country code)
- (73) Name, surname and address of patent owner (country code)
- (74) Name, surname of representative or patent attorney
- (85) Date of commencement of the national phase of International Application
- (86) Number and date of filing of international application
- (87) Number and date of publication of international application

DESIGNS

- (10) Number of publication for application
- (11) Number of patent and kind of document or number of registration
- (15) Date of registration/Date of patent renewal
- (18) Expected expiration date of patent or registration
- (21) Serial number of application
- (22) Date of filing of the application
- (23) Date of exhibition or the date of the earlier filing and the number of application, if any
- (24) Date from which patent may have effect
- (28) Number of designs included in the application
- (30) Data relating to priority (number of application, date of filing of application, two-letter code identifying the authority with whom the priority application was made)
- (31) Number of priority application
- (32) Date of filing of priority application
- (33) Code of the country or regional organization allotting priority application number
- (34) Two-letter code according to WIPO St.3 identifying the authority with which the priority application was made
- (44) Date of publication of design and number of bulletin (the first publication)
- (45) Date of publication of design registered by WIPO and number of bulletin
- (51) International Classification for designs (class and subclass of the Locarno Classification)
- (54) Title of the invention
- (55) Reproduction of the design
- (57) Description of characteristic features of the design including indication of colors
- (58) Date of recording of any kind of amendment in the Register
- (62) Number of the earlier application, registration and document number and if available the date of filing an application in case of divided application
- (71) Name, surname and address of applicant (country code)
- (72) Name, surname of creator (country code)
- (73) Name, surname and address of patent owner (country code)
- (74) Name, surname of representative or patent attorney
- (81) Contracting states concerned
 - II designated contracting states according to the 1960 Act
 - III designated contracting states according to the 1999 Act
- (85) Owner's permanent address
- (86) Owner's nationality
- (87) Owner's residence
- (88) State in which the owner has a real and effective industrial or commercial establishment

TRADEMARKS

- (111) – Number of registration
- (151) – Date of registration
- (156) – Date of the renewal
- (181) – Expected expiration date of registration
- (186) – Renewal expiration date of registration
- (141) – Date of cancel of duration of the mark
- (210) – Serial number of application
- (220) – Date of filing of the application
- (230) – Date concerning exhibition
- (260) – Number of application, for which favorable decision of examination about registration has been taken (publication number)
- (310) – Number of the first application
- (320) – Date of filing of the first application
- (330) – Code, identifying national or regional Office where the first application was made
- (511) – International Classification of Goods and Services for the purposes of registration of trade marks and/or list of goods and/or services classified according thereto
- (531) – Description of figurative elements of Trade Marks according to the International Classification of the Figurative Elements of Marks
- (540) – Reproduction of Trade Mark
- (550) – Nature and kind of Trade Mark
- (580) – Date of recording of any kind changes in respect of applications or registrations
- (591) – Information concerning colors claimed
- (731) – Name and address of the applicant
- (732) – Name and address of the holder of the registration
- (740) – Name and address of the representative
- (750) – Address for correspondence
- (770) – Name and address of the previous applicant or holder in case of change in ownership
- (771) – Previous name and address of the applicant or holder in case of change in ownership
- (791) – Name and address of the licensee
- (793) – Indication of conditions and/or restrictions under the license (Type of license, number of license agreement, data of license, data of validity of license)
- (800) – Certain data relating to the international registration of Trade Marks under the Protocol Relating to Madrid Agreement (International registration number)

CODES FOR PUBLICATION IN BULLETIN

- (21) AP 0000 000000 – serial number of application for invention
- (10) AP 0000 0000 A – number of published application for invention (first publication)
- (11) P 0000 0000 B – number of patent for invention (second publication)
- (21) API 0000 000000 – number of application for imported patent
- (11) PI 0000 0000 A – number of imported patent (first publication)
- (21) AU 0000 000000 – serial number of application for utility model
- (10) AU 0000 000 U – number of published application for utility model (first publication)
- (11) U 0000 000 Y – number of patent for utility model (second publication)
- (21) AD 0000 000000 – serial number of application for design
- (10) AD 0000 000 S – number of published application for design (first publication)
- (11) D 0000 000 S – number of patent for design (second publication)

INTERNATIONAL PATENT CLASSIFICATION FOR INVENTIONS AND UTILITY MODELS

- SECTION A – HUMAN NECESSITIES
- SECTION B – PERFORMING OPERATIONS; TRANSPORTING
- SECTION C – CHEMISTRY; METALLURGY
- SECTION D – TEXTILES; PAPER
- SECTION E – FIXED CONSTRUCTIONS
- SECTION F – MECHANICAL ENGINEERING; LIGHTING; HEATING; WEAPONS; BLASTING
- SECTION G – PHYSICS
- SECTION H – ELECTRICITY

-
- M – Trade Mark
 - (210) AM 0000 000000 – Serial number of application;
 - (260) AAM 0000 00000 A – Publication number of application;
 - (111) M 0000 00000 R – Number of registration;
 - (111) MMM0000 00000 Rn – Number of renewals, in which n=1,2,3;
 - (111) M 0000 00000 R(P) – Number of registration under partial assignment of rights
-

LIST OF CODES, IN ALPHABETIC SEQUENCE, AND THE CORRESPONDING (SHORT) NAMES OF STATES, OTHER ENTITIES AND INTERGOVERNMENTAL ORGANIZATIONS
(WIPO STANDARD ST.3)

AD	Andorra				
AE	United Arab Emirates				
AF	Afghanistan				
AG	Antigua and Barbuda				
AI	Anguilla				
AL	Albania				
AM	Armenia				
AN	Netherlands Antilles				
AO	Angola				
AP	African Regional Intellectual Property Organization (ARIPO)				
AR	Argentina				
AT	Austria				
AU	Australia				
AW	Aruba				
AZ	Azerbaijan				
BA	Bosnia and Herzegovina				
BB	Barbados				
BD	Bangladesh				
BE	Belgium				
BF	Burkina Faso				
BG	Bulgaria				
BH	Bahrain				
BI	Burundi				
BJ	Benin				
BM	Bermuda				
BN	Brunei Darussalam				
BO	Bolivia				
BR	Brazil				
BS	Bahamas				
BT	Bhutan				
BV	Bouvet Island				
BW	Botswana				
BX	Benelux Office for Intellectual Property (BOIP)				
BY	Belarus				
BZ	Belize				
CA	Canada				
CD	Democratic Republic of the Congo				
CF	Central African Republic				
CG	Congo				
CH	Switzerland				
CI	Cote d'Ivoire				
CK	Cook Islands				
CL	Chile				
CM	Cameroon				
CN	China				
CO	Colombia				
CR	Costa Rica				
CU	Cuba				
CV	Cape Verde				
CY	Cyprus				
CZ	Czech Republic				
DE	Germany				
DJ	Djibouti				
DM	Dominica				
DO	Dominican Republic				
DZ	Algeria				
EA	Eurasian Patent Organization (EAPO)				
EC	Ecuador				
EE	Estonia				
EG	Egypt				
EH	Western Sahara				
EM	Office for Harmonization in the Internal Market (Trademarks and Designs)(OHIM)				
EP	European Patent Office (EPO)				
ER	Eritrea				
ES	Spain				
ET	Ethiopia				
FI	Finland				
FJ	Fiji				
FK	Falkland Islands (Malvinas)				
FO	Faroe Islands				
FR	France				
GA	Gabon				
GB	United Kingdom				
GC	Patent Office of the Cooperation Council for the Arab States of the Gulf (GCC)				
GD	Grenada				
GG	Guernsey				
GH	Ghana				
GI	Gibraltar				
GT	Guatemala				
GW	Guinea- Bissau				
GY	Guyana				
HK	The Hong Kong Special Administrative Region of the People's Republic of China				
HN	Honduras				
HR	Croatia				
HT	Haiti				
HU	Hungary				
IB	International Bureau of the World Intellectual Property Organization (WIPO)				
ID	Indonesia				
IE	Ireland				
IL	Israel				
IM	Isle of Man				
IN	India				
IQ	Iraq				
ID	Indonesia				
IE	Ireland				
IL	Israel				
IM	Isle of Man				
IN	India				
IQ	Iraq				
IR	Iran (Islamic Republic of)				
IS	Iceland				
IT	Italy				
JE	Jersey				
JM	Jamaica				
JO	Jordan				
JP	Japan				
KE	Kenya				
KG	Kyrgyzstan				
KH	Cambodia				
KI	Kiribati				
KM	Saint Kitts and Nevis				
KP	Democratic People's Republic of Korea				
KR	Republic of Korea				
KW	Kuwait				
KY	Cayman Islands				
KZ	Kazakhstan				
LA	Lao People's Democratic Republic				
LB	Lebanon				
LC	Saint Lucia				
LI	Liechtenstein				
LK	Sri Lanka				
LR	Liberia				
LS	Lesotho				
LT	Lithuania				
LU	Luxembourg				
LV	Latvia				
LY	Libyan Arab Jamahiriya				
MA	Morocco				
MC	Monaco				
MD	Republic of Moldova				
ME	Montenegro				
MG	Madagascar				
MK	The former Yugoslav Republic of Macedonia				
ML	Mali				
MM	Myanmar				
MN	Mongolia				
MO	Macao				
MP	Northern Mariana Islands				
MR	Mauritania				
MS	Montserrat				
MT	Malta				
MU	Mauritius				
MV	Maldives				
MW	Malawi				
MX	Mexico				
MY	Malaysia				
MZ	Mozambique				
NA	Namibia				
NE	Niger				
NG	Nigeria				
NI	Nicaragua				
NL	Netherlands				
NO	Norway				
NP	Nepal				
NR	Nauru				
NZ	New Zealand				
OA	African Intellectual Property Organization (OAPI)				
OM	Oman				
PA	Panama				
PE	Peru				
PG	Papua New Guinea				
PH	Philippines				
PK	Pakistan				
PL	Poland				
PT	Portugal				
PW	Palau				
PY	Paraguay				
QA	Qatar				
QZ	Community Plant Variety Office (European Community) (CPVO)				
RO	Romania				
RS	Serbia				
RU	Russian Federation				
RW	Rwanda				
SA	Saudi Arabia				
SB	Solomon Islands				
SC	Seychelles				
SD	Sudan				
SG	Singapore				
SH	Saint Helena				
SI	Slovenia				
SK	Slovakia				
SL	Sierra Leone				
SM	San Marino				
SN	Senegal				
SO	Somalia				
SR	Suriname				
ST	Sao Tome and Principe				
SV	El Salvador				
SY	Syrian Arab Republic				
SZ	Swaziland				
TC	Turks and Caicos Islands				
TD	Chad				
TG	Togo				
TH	Thailand				
TJ	Tajikistan				
TL	Timor-Leste				
TM	Turkmenistan				
TN	Tunisia				
TO	Tonga				
TR	Turkey				
SE	Sweden				
TT	Trinidad and Tobago				
TV	Tuvalu				
TW	Taiwan, Province of China				
TZ	United Republic of Tanzania				
UA	Ukraine				
UG	Uganda				
US	United States of America				
UY	Uruguay				
UZ	Uzbekistan				
VA	Holy See				
VC	Saint Vincent and the Grenadines				
VE	Venezuela				
VG	Virgin Islands (British)				
VN	Viet Nam				
VU	Vanuatu				
WO	World Intellectual Property Organization (WIPO)				
WS	Samoa				
XN	Nordic Patent Institute (NPI)				
YE	Yemen				
ZA	South Africa				
ZM	Zambia				
ZW	Zimbabwe				

**NATIONAL INTELLECTUAL PROPERTY CENTER OF GEORGIA
SAKPATENTI**

**OFFICIAL BULLETIN
OF THE INDUSTRIAL PROPERTY**

**ОФИЦИАЛЬНЫЙ БЮЛЛЕТЕНЬ
ПРОМЫШЛЕННОЙ СОБСТВЕННОСТИ**

24(412)

**INVENTIONS
UTILITY MODELS
DESIGNS
TRADEMARKS**

DATE OF PUBLICATION

2014 12 25

CONTENTS

PUBLISHED TITLES OF PROTECTION	3
INVENTIONS	
▪ APPLICATIONS APPROVED FOR GRANTING PATENTS	4
UTILITY MODELS	
▪ APPLICATION APPROVED FOR GRANTING PATENT	9
DESIGNS	
▪ APPLICATION APPROVED FOR REGISTRATION	10
▪ REGISTERED DESIGN	11
▪ DESIGNS REGISTERED ACCORDING TO THE ACCELERATED PROCEDURE	12
▪ DESIGNS REGISTERED WITH THE INTERNATIONAL BUREAU CLAIMING PRIORITY ON THE TERRITORY OF GEORGIA	14
TRADEMARKS	
▪ APPLICATIONS FILED UNDER THE NATIONAL PROCEDURE APPROVED FOR REGISTRATION	61
▪ REGISTERED TRADEMARKS	68
▪ TRADEMARKS REGISTERED ACCORDING TO THE ACCELERATED PROCEDURE	72
▪ INTERNATIONAL TRADEMARKS FOR WHICH A DECISION ON GANTING PROTECTION IS TAKEN	75
▪ INTERNATIONAL TRADEMARKS PROTECTED IN GEORGIA	134
OFFICIAL NOTIFICATIONS	
TRADEMARKS	
▪ RENEWAL OF REGISTRATIONS	142
▪ COMPLETE TRANSFER OF RIGHTS	145
▪ CHANGES IN NAMES AND/OR ADDRESSES OF OWNERS	146
CLASSIFICATION INDEXES	
INVENTIONS	147
UTILITY MODELS	148
DESIGNS	149
TRADEMARKS	150

PUBLISHED TITLES OF PROTECTION

INVENTIONS

- **APPLICATIONS APPROVED FOR GRANTING PATENTS:**
12698; 12291; 13192, 13193; 13313; 12811; 12484; 13030; 13107, 13108; 13132; 12943

UTILITY MODELS

- **APPLICATION APPROVED FOR GRANTING PATENT:**
13209

DESIGNS

- **APPLICATION APPROVED FOR REGISTRATION:**
816
- **REGISTERED DESIGN:**
603
- **DESIGNS REGISTERED ACCORDING TO THE ACCELERATED PROCEDURE:**
605, 604
- **DESIGNS, REGISTERED WITH THE INTERNATIONAL BUREAU CLAIMING PRIORITY ON THE TERRITORY OF GEORGIA:**
83263, 83264; 83269; 83274; 83298; 83300-83304; 83324; 83616; 84429; 83331; 83333, 83334; 83337, 83338; 83390; 84447; 84462

TRADEMARKS

- **APPLICATIONS FILED UNDER THE NATIONAL PROCEDURE APPROVED FOR REGISTRATION:**
65156*; 70882; 73927; 74375; 74719; 74772; 74778; 74874, 74875; 74890; 75056; 75184; 75247; 75300; 75402; 75428; 75465; 75483; 75487; 75573, 75574; 75802; 75837; 75867-75870; 75885; 76030; 76033; 76035; 76058; 76060; 76087; 76089; 76239; 76261; 76403; 76405, 76406; 76408; 76413; 76417; 76462; 76584; 76602; 76726; 76810; 76863; 77340
- **REGISTERED TRADEMARKS:**
25460-25491; 25498-25508
- **TRADEMARKS REGISTERED ACCORDING TO THE ACCELERATED PROCEDURE:**
25458, 25459; 25492-25497; 25509, 25510; 25529-25532
- **INTERNATIONAL TRADEMARKS FOR WHICH A DECISION ON GRANTING PROTECTIONS IS TAKEN:**
72500*; 72937*; 73193; 73259*; 73504; 73730; 74084; 74338; 74384; 74408-74421; 74483; 74520; 74523; 74526; 74626-74629; 74631; 74633; 74635; 74638-74640; 74643, 74644; 74676; 74688; 74696; 74701; 74839-74845; 74848; 74858-74867; 74871, 74872; 74876-74882; 74884-74888; 74891-74895; 74897, 74898; 74906-74911; 74913-74919; 74943; 74975; 75051; 75054; 75058-75060; 75063; 75067; 75072; 75160, 75161; 75163; 75165-75175; 75205; 75253, 75254; 75256; 75269; 75278; 75287-75291; 75293-75296; 75298; 75308; 75310; 75312, 75313; 75326-75330; 75333-75336; 75355-75359; 75422; 75433, 75434; 75621; 75939, 75940; 76095; 76907
- **INTERNATIONAL TRADEMARKS PROTECTED IN GEORGIA:**
71411; 71573; 72049; 72097; 73608; 73746; 73883; 73885-73892; 73894-73897; 73899-73910; 74127-74129; 74131-74138; 74281; 74284; 74287; 74290-74292; 74352; 74355; 74357-74368; 74370-74372; 74377; 74379-74383; 74385-74388; 74390-74393; 74422, 74423; 74429; 74433; 74447; 74450; 74453, 74454; 74458, 74459; 74481, 74482; 74493, 74494; 74496-74498; 74500-74504; 74506-74508; 74510, 74511; 74621; 74623; 74645; 74647-74650; 74652-74660; 74820, 74822; 74826; 74830; 74832; 74834; 74836, 74837

INVENTIONS

APPLICATIONS APPROVED FOR GRANTING PATENTS

The decision can be appealed at the Chamber of Appeal of Sakpatenti within 3 months from the publication or at the Mtskheta District Court Administrative Cases Board (Address: №17, Samkhedro str., Mtskheta), within 1 month following the publication.

PART A

A 01

(10) AP 2014 12698 A (51) Int. Cl. (2006)

A 01 N 25/04

A 01 N 25/32

(21) AP 2010 012698 (22) 2010 10 04

(31) 61/248,983

(32) 2009 10 06

(33) US

(71) DOW AGROSCIENCES LLC (US)

9330 Zionsville Road, Indianapolis,

IN 46268 (US)

(72) KEENEY, Franklin (US);

LI, Mei (CN)

(74) Tamar Kochlamazashvili

(85) 2012 05 04

(86) PCT/US2010/051282, 2010 10 04

(54) **STABLE "OIL-IN-WATER" TYPE**

EMULSIONS

(57) Present invention relates to "oil-in-water" type emulsion compositions having improved stability, wherein cloquintocet mexyl hydrate creation and ripening accordingly Ostwald are decreased by means of specific surface-active materials and solvents.

Claims: 2 independent

7 dependent

EL QACEMI, Myriem (FR);

HALL, Roger Graham (GB);

JEANGUENAT, André (CH);

STOLLER, André (CH);

GODFREY, Christopher, Richard (GB);

SCHAETZER, Jürgen Harry (DE);

LOISELEUR, Olivier (CH);

MAIENFISCH, Peter (CH);

CARTER, Neil Brian (GB);

(74) Tamar Kochlamazashvili

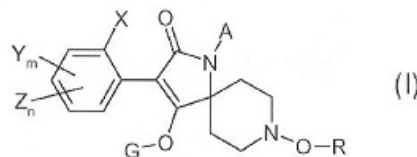
(85) 2011 07 11

(86) PCT/EP2009/066710, 2009 12 09

(54) **SPIROHETEROCYCLIC**

N-OXYPIPERIDINES AS PESTICIDES

(57) Present invention relates to spiroheterocyclic oxypiperidines new compounds of formula I,



compositions thereof and their application as pesticides.

Claims: 6 independent

4 dependent

A 23

(10) AP 2014 12291 A (51) Int. Cl. (2006)

A 01 N 43/90

C 07 D 211/94

C 07 D 471/10

(21) AP 2009 012291 (22) 2009 12 09

(31) 0822748.0; 0905237.4

(32) 2008 12 12; 2009 03 26

(33) GB; GB

(71) SYNGENTA PARTICIPATIONS AG (CH)

Schwarzwaldallee 215, CH-4058 Basel (CH);

SYNGENTA LIMITED (GB)

European Regional Centre, Priestley Road,

Surrey Research Park,

Guildford Surrey GU2 7YH (GB)

(72) MUEHLEBACH, Michel (CH);

PITTERNA, Thomas (AT);

CASSAYRE, Jérôme Yves (FR);

EDMUNDS, Andrew (GB);

CORSI, Camilla (IT);

(10) AP 2014 13192 A (51) Int. Cl. (2006)

A 23 C 9/13

(21) AP 2013 013192 (22) 2013 08 13

(71) Zurab Tskitishvili (GE)

Debi Ishkhnelebis q. 4, b. 3, 0160, Tbilisi (GE)

(72) Zurab Tskitishvili (GE)

(54) **METHOD OF "NADUGI" PREPARATION**

(57) A method provides serum received at cheese production heating up to ripening temperature, coagulant introduction, boiling mixture, receiving "nadugi", serum removal and cooling "nadugi" – everything is executed in the same hermetic capacity, and additional wall exists around side wall thereof. Rotable perforated mixer is installed inside of capacity; at that, in the hermetic capacity serum is heated up to ripening temperature – 38-40°C with hot water fed into the space existed between side and additional walls, then the coagulant is fed in the capacity, after ripening the

mixture existed in the capacity is heated up to 40-50°C with hot water existed in the space between side and additional walls, then the vacuum with the rest pressure of 4-5 kilopaskal is created, and mixture is boiled in said temperature conditions providing mixture dehydration as a result of moisture intensive evaporation, after obtaining mixture moisture up to 75-77%; in the space between side and additional walls the cold water is fed for cooling received "nadugi", and existed in the capacity rest pressure is reduced to 0.4-0.93 kilopaskal.

Claims: 1 independent

**(10) AP 2014 13193 A (51) Int. Cl. (2006)
A 23 C 19/076
A 01 J 25/00**

(21) AP 2013 013193 (22) 2013 08 13

(71) Zurab Tskitishvili (GE)

Debi Ishkhnelebis q. 4, b. 3, 0160, Tbilisi (GE)

(72) Zurab Tskitishvili (GE)

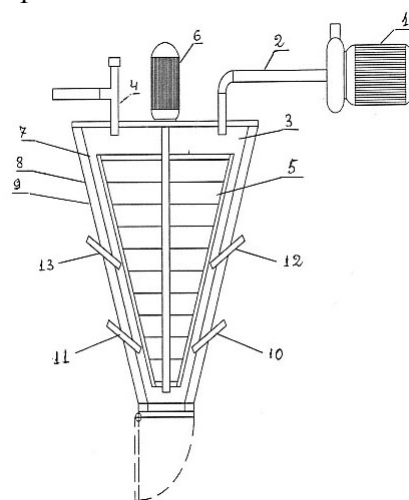
**(54) METHOD FOR COTTAGE CHEESE
PRODUCTION WITH RESTORED
MILK AND EQUIPMENT EMBODYING
THEREOF**

(57) A method provides dry milk restoration, pasteurization, restored milk heating up to ripening temperature, ferment introduction and restored milk fermentation, ripped mass heating, serum removal and received cottage cheese cooling; at that, restored milk is heated up to ripening temperature and received cottage cheese is cooled in the same hermetic capacity, and additional wall exists around side wall thereof. The capacity has rotatable perforated mixer; at that, restored milk is heated in the hermetic capacity up to ripening temperature – 38-40°C with hot water fed into the space existed between side and additional walls, then the ferment is added therein. After fermentation a blob is cut in 1-2 cm pieces by means of perforated mixer, the mass (blob and serum) existed in the capacity is heated up to the temperature – 50-60 °C with hot water existed between side and additional walls, then the vacuum is created with rest pressure 4-5.3 kilopaskal, and mixture boiling is executed in said operating practices causing mass dehydration as a result of moisture intensive evaporation, after mixture moisture obtaining up to 72-74% the cold water is fed in the space between side and additional walls for cottage cheese cooling, and rest pressure existed in the capacity is reduced to 0.4-0.93 kilopaskal. An equipment producing cottage cheese with restored milk includes a vacuum-pump 1 connected to a capacity 3 with a pipeline 2. The capacity 3 is executed as truncated cone-shaped hermetic bin and has a pipe 4 for restored milk and ferment feeding, as well. In the capacity 3 the rotatable perforated mixer 5 is installed and

connected to a drive 6. The capacity 3 has an additional wall 8 around a wall 7, between which a space 9 is created for cold water feeding. The capacity 3 is additionally equipped with apparatus measuring acidity 10, moisture 11, vacuum 12 and temperature 13.

Claims: 2 independent

Fig.: 1



PART B

B 61

**(10) AP 2014 13313 A (51) Int. Cl. (2006)
B 61 B 12/04**

(21) AP 2013 013313 (22) 2013 12 06

(71) Bela Navrozashvili (GE)

Kazbegis Gamz. 33, b. 11, 0177, Tbilisi (GE);

Tamaz Mchedlishvili (GE)

Titsian Tabidzis q. 76, 0179, Tbilisi (GE);

Zaur Balamtsarashvili (GE)

Saburtalos q. 37/4, b. 12, 0102, Tbilisi (GE);

Marine Tepnadze (GE)

Vazisubani, IV mkr., I kvart., korp. 19, b. 37, 0152, Tbilisi (GE);

Ramaz Tkemaladze (GE)

Sop. Etseri, 5510, Chiatura (GE);

Luarsab Mezvrishvili (GE)

Sop. Akhalubani, 3308, Mtskheta (GE)

(72) Bela Navrozashvili (GE);

Tamaz Mchedlishvili (GE);

Zaur Balamtsarashvili (GE);

Marine Tepnadze (GE);

Ramaz Tkemaladze (GE);

Luarsab Mezvrishvili (GE)

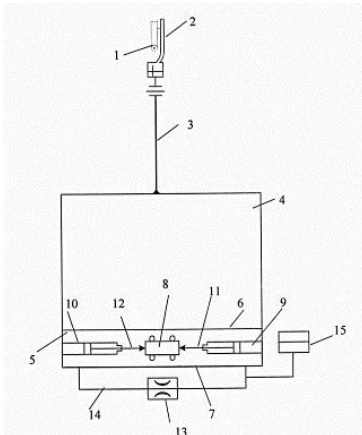
**(54) DYNAMICAL DEVICE DAMPING
CROSSCUT OSCILLATIONS OF
OVERHEAD CABLEWAY CARRIAGE**

(57) There is represented a device comprising counterweight bogie 8 allocated movable in carriage 4 bottom in the guides 6 and 7, in contact

with hydro dampers 9 and 10 rods 11 and 12 from both sides of face surfaces, and mounted coaxially opposite each other in carriage bottom; at that, hydro dampers operating environments are connected to each other with a pipeline 14 equipped with a throttle 13 switched to hydraulic accumulator 15.

Claims: 1 independent

Fig.: 1



PART C

C 07

(10) AP 2014 12811 A (51) Int. Cl. (2006)
 C 07 D 215/48
 C 07 D 401/12
 C 07 D 407/12
 C 07 D 409/12
 C 07 D 413/12
 C 07 D 417/12
 A 61 K 31/4709
 A 61 P 31/10

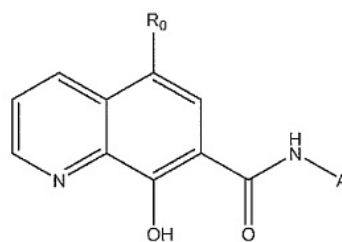
(21) AP 2010 012811 (22) 2010 12 28
 (31) 09180895.6
 (32) 2009 12 29
 (33) EP
 (71) POLICHEM S.A. (LU)
 50, Val Fleuri, L-1526, Luxembourg (LU)

(72) GAGLIARDI, Stefania (IT);
 DEL SORDO, Simone (IT);
 MAILLAND, Federico (IT);
 LEGORA, Michela (IT)

(74) Aleksandre Gegechkori
 (85) 2012 07 27
 (86) PCT/EP/2010/070793, 2010 12 28

(54) **NEW SECONDARY
 8-HYDROXYQUINOLINE-7-
 CARBOXAMIDE DERIVATIVES**

(57) Present invention relates to secondary 8-hydroxyquinoline-7-carboxamide derivatives of general formula (I),



(I)

pharmaceutically acceptable salts thereof, as well as pharmaceutical compositions including them.

Claims: 2 independent

Fig.: 3

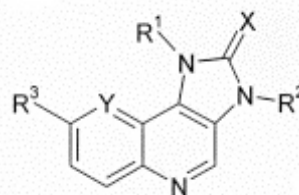
(10) AP 2014 12484 A (51) Int. Cl. (2006)
 C 07 D 471/04
 C 07 D 471/14
 A 61 K 31/437
 A 61 K 31/4375
 A 61 P 35/00

(21) AP 2010 012484 (22) 2010 06 02
 (31) 61/184,141
 (32) 2009 06 04
 (33) US

(71) NOVARTIS AG (CH)
 Lichtstrasse 35 CH-4056 Basel (CH)
 (72) FURET, Pascal (RF);
 KALTHOFF, Frank Stephan (DE);
 MAH, Robert (CA);
 RAGOT, Christian (CH);
 STAUFFER, Frédéric (CH)

(74) Aleksandre Kartvelishvili
 (85) 2011 12 02
 (86) PCT/EP2010/057719, 2010 06 02
 (54) **1H-IMIDAZO[4,5-c]QUINOLINONE
 DERIVATIVES**

(57) There are represented 1H-imidazo[4,5-c]quinolinone derivatives of formula (1),



values of X substitute thereof is O or S; Y is CH or N; R¹ is substituted or unsubstituted with 5-member heteroaryl; R² is hydrogen, C1-C4 alkyl or C2-C4 alkynyle, R³ is substituted or unsubstituted with aryl or heterocyclile; or pharmaceutically acceptable salt thereof, solvate or hydrate; pharmaceutical compositions on basis thereof, and application thereat the treatment of diseases dependent on protein- and/or lipidkinase.

Claims: 9 independent

10 dependent

Table: 92

PART F

F 02

**(10) AP 2014 13030 A (51) Int. Cl. (2006)
F 02 B 75/32**

- (21) AP 2013 013030 (22) 2013 03 18
- (71) Revaz Varsimashvili (GE)
Vazha-Pshavelas Gamz., V kvart., korp. 4, b. 82, 0186, Tbilisi (GE);
Mariam Varsimashvili (GE)
Vazha-Pshavelas Gamz., V kvart., korp. 4, b. 82, 0186, Tbilisi (GE);
Zaza Varsimashvili (GE)
Vazha-Pshavelas Gamz., V kvart., korp. 4, b. 82, 0186, Tbilisi (GE);
Mertsia Tchirakadze (GE);
Vazha-Pshavelas Gamz., V kvart., korp. 4, b. 82, 0186, Tbilisi (GE);
Luka Varsimashvili (GE)
Mtskhethis q. 20, b. 34, 0179, Tbilisi (GE);
Zurab Varsimashvili (GE)
Mtskhethis q. 20, b. 34, 0179, Tbilisi (GE);
Tsiala Varsimashvili (GE)
T. Tabidzis q. 39, 4600, Kutaisi (GE)
- (72) Revaz Varsimashvili (GE);
Mariam Varsimashvili (GE);
Zaza Varsimashvili (GE);
Mertsia Tchirakadze (GE);
Luka Varsimashvili (GE);
Zurab Varsimashvili (GE);
Tsiala Varsimashvili (GE)

(54) INTERNAL COMBUSTION ENGINE

(57) There is represented internal combustion engine comprising cylinder 1 with a piston 2 placed therein and a mechanism converting its reciprocal motion into rotation of shaft executed as cylindrical rackwheel 10 installed rotatably on an axle 9 rigid onto piston rod and nonround rackwheel 11 set on the shaft 4 and providing center-to-center distance variation; at that, piston rod is spring-loaded with a spring 7 and set movable freely in cylindrical partition 5 aperture allocated in engine cylinder.

Claims: 1 independent

Fig.: 2

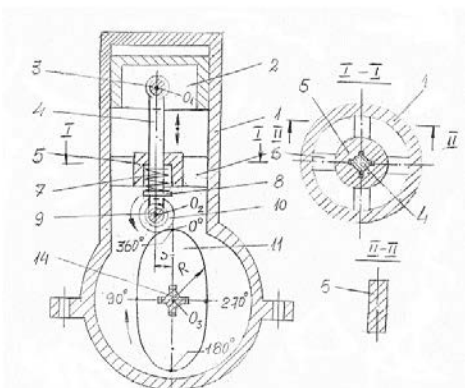


Fig. 1

**(10) AP 2014 13107 A (51) Int. Cl. (2006)
F 02 B 75/32**

- (21) AP 2013 013107 (22) 2013 06 05
- (71) Revaz Varsimashvili (GE)
Vazha-Pshavelas Gamz., V kvart., korp. 4, b. 82, 0186, Tbilisi (GE);
Mariam Varsimashvili (GE)
Vazha-Pshavelas Gamz., V kvart., korp. 4, b. 82, 0186, Tbilisi (GE);
Zaza Varsimashvili (GE)
Vazha-Pshavelas Gamz., V kvart., korp. 4, b. 82, 0186, Tbilisi (GE);
Zurab Varsimashvili (GE)
Mtskhethis q. 20, b. 34, 0179, Tbilisi (GE);
Luka Varsimashvili (GE)
Mtskhethis q. 20, b. 34, 0179, Tbilisi (GE);
Tsiala Varsimashvili (GE)
Mtskhethis q. 20, b. 34, 0179, Tbilisi (GE);
Mertsia Tchirakadze (GE)
Vazha-Pshavelas Gamz., V kvart., korp. 4, b. 82, 0186, Tbilisi (GE);
- (72) Revaz Varsimashvili (GE);
Mariam Varsimashvili (GE);
Zaza Varsimashvili (GE);
Zurab Varsimashvili (GE);
Luka Varsimashvili (GE);
Tsiala Varsimashvili (GE);
Mertsia Tchirakadze (GE)

(54) INTERNAL COMBUSTION ENGINE

(57) There is represented internal combustion engine comprising a cylinder 1 with a piston 2 placed therein, which mechanism converting its reciprocal motion into shaft rotation is executed as nonround rackwheel 11 installed rotatably on an axle 10 rigid on rod 4 end and a block 14 of conical rackwheels set on a shaft 15 movable lengthwise; at that, piston rod is spring-loaded and set movable freely in cylindrical partition 5 aperture allocated in engine cylinder.

Claims: 1 independent

Fig.: 3

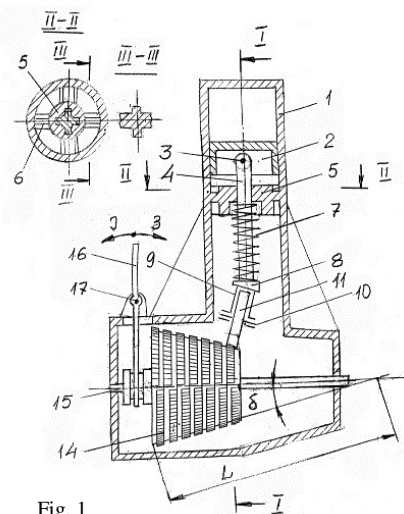


Fig. 1

F 03

(10) AP 2014 13108 A (51) Int. Cl. (2006)

F 03 B 3/00

F 03 B 3/12

(21) AP 2013 013108 (22) 2013 06 05

(71) Levan Nikoladze (GE)

Zh. Shartavas q. 35, b.18, 0160, Tbilisi (GE);

Vicheslav Zagoruichenko (GE)

Zh. Shartavas q. 35, b.18, 0160, Tbilisi (GE)

(72) Levan Nikoladze (GE);

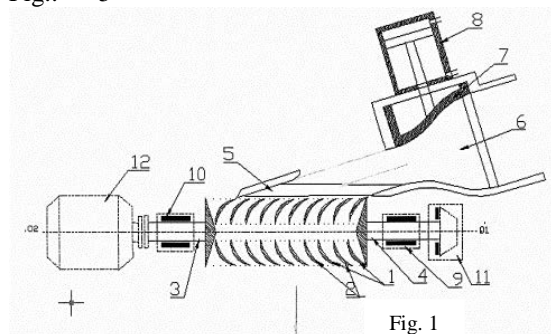
Vicheslav Zagoruichenko (GE)

(54) **SCREW TURBINE**

(57) There is represented a turbine comprising spiral blades 1, couple of concentric shafting 3 and 4 with flanges, whereto the blades are welded. At that, in radial section the blade profile is executed archlike, and outer radial end therewith turbine axis creates rated angle α_2 , inner radial end near inner diameter are perpendicular relative to turbine axis; at that, the turbine is equipped with receive-distributor box 5 having guide blades 14.

Claims: 1 independent

Fig.: 5



(10) AP 2014 13132 A (51) Int. Cl. (2006)

F 03 D 5/02

(21) AP 2013 013132 (22) 2013 06 21

(71) Levan Nikoladze (GE)

Zh. Shartavas q. 35, b.18, 0160, Tbilisi (GE);

Vicheslav Zagoruichenko (GE)

Zh. Shartavas q. 35, b.18, 0160, Tbilisi (GE)

(72) Levan Nikoladze (GE);

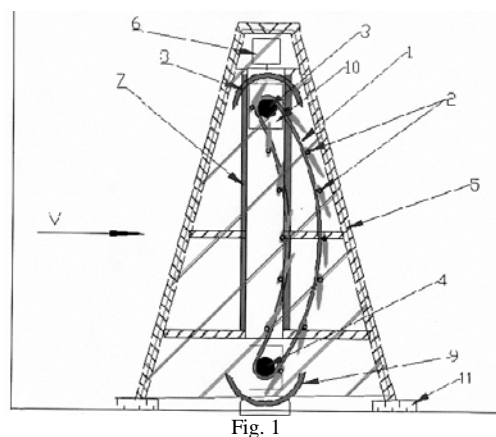
Vicheslav Zagoruichenko (GE)

(54) **WIND BELT INSTALLATION WITH SELF-INSTALLING BETWEEN BELT BLADES**

(57) There is represented an installation comprising continuous flexible belts 1 tensed between couple of pulleys 3 and 4. At that, the blades 2 having the axes 16 from both sides are installed on the belts. The axes are fixed into cylindrical bearings 21 installed on the belts disposed nearby, and attached therefrom the top with a band 12. The retainers 14 limiting blades turn are attached on the axes from its face.

Claims: 1 independent

Fig.: 2



PART H

H 02

(10) AP 2014 12943 A (51) Int. Cl. (2006)

H 02 J 3/18

(21) AP 2012 012943 (22) 2012 12 26

(71) Badur Tchunashvili (GE)

M. Tamarashvilis q. 13a, b. 40, 0177,

Tbilisi (GE);

Aleksandre Petrosyan (GE)

Mukhianis dasakh., II mkr., korp. 8, b. 37,

0172, Tbilisi (GE)

(72) Badur Tchunashvili (GE);

Aleksandre Petrosyan (GE)

(54) **METHOD FOR REACTIVE POWER COMPENSATOR CONTROL**

(57) A method provides compensatory power slide control unit determination between power network and static compensator by reactive power user, command injection, and slide control with generated reactive power condensers.

Claims: 1 independent

Fig.: 1

UTILITY MODELS

APPLICATION APPROVED FOR GRANTING PATENT

The decision can be appealed at the Chamber of Appeal of Sakpatenti within 3 months from the publication or at the Mtskheta District Court Administrative Cases Board (Address: №17, Samkhedro str., Mtskheta), within 1 month following the publication.

PART E

E 02

(10) AU 2014 13209 U (51) Int. Cl. (2006)

E 02 B 3/06

(21) AU 2013 013209 (22) 2013 08 30

(71) Giorgi Ugulava (GE)

Shanidzis q. 9, 5400, Tskaltubo (GE)

(72) Giorgi Ugulava (GE)

(54) **DAM**

(57) There is represented a dam comprising basic wall 1 construed in river bed, and fixing therewith flexible fabric 3 the wall – float 2 freely movable in vertical plane on poling 4 attached into river bed.

Claims: 1 independent

Fig.: 2

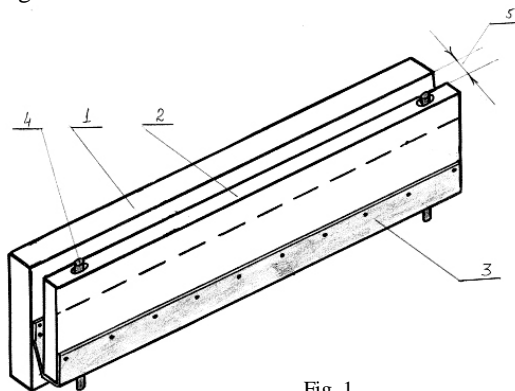


Fig. 1

DESIGNS

APPLICATION APPROVED FOR REGISTRATION

The decision can be appealed at the Chamber of Appeal of Sakpatenti within 3 months from the publication or at the Mtskheta District Court Administrative Cases Board (Address: №17, Samkhedro str., Mtskheta), within 1 month following the publication.

(10) AD 2014 816 S (51) 12-08

(21) AD 2014 000816

(22) 2014 09 01

(28) 1

(71) Irakli Khundadze (GE)

Temka, III mkr., I kvart., korp. 69, b. 21, 0197, Tbilisi (GE)

(72) Irakli Khundadze (GE)

(54) CAR

(55)



1.1



1.2



1.3



1.4



1.5



1.6

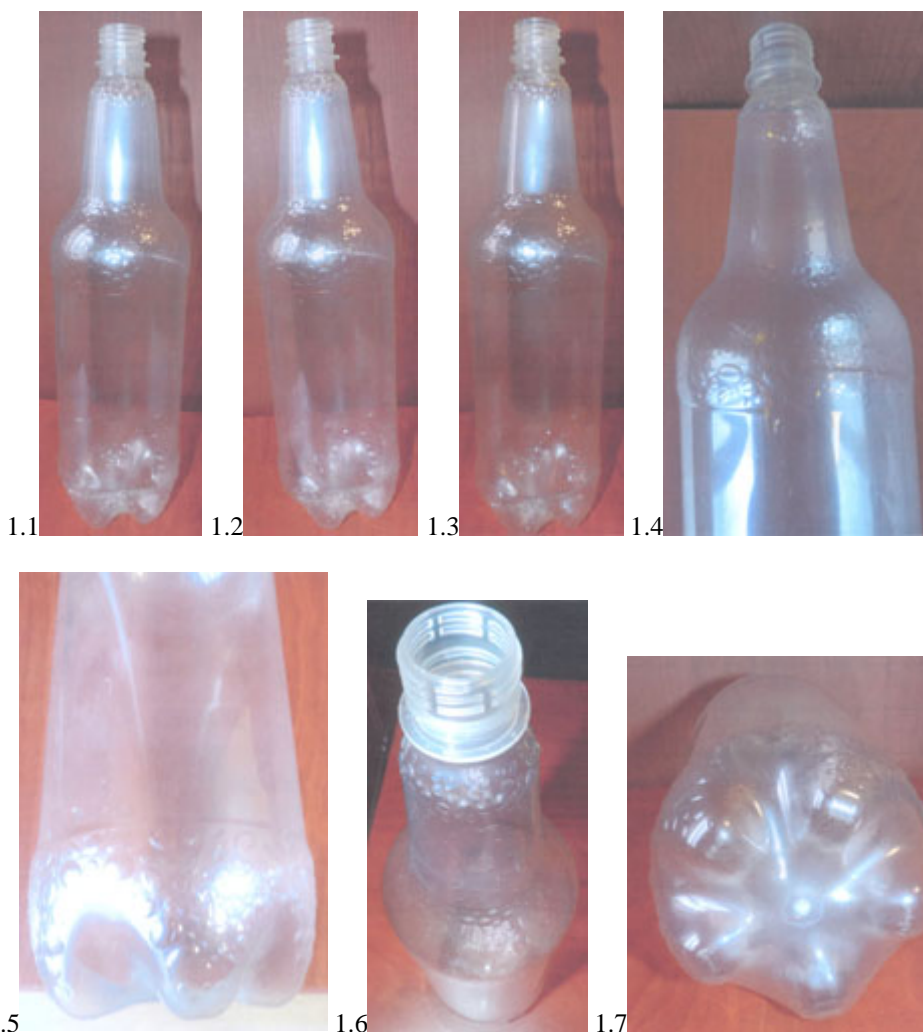
REGISTERED DESIGN

(11) D 2014 603 S **(51) 07-01**
(10) AD 2014 795 S (44) 17(405)/2014
(21) AD 2014 000795
(22) 2014 04 28
(24) 2014 04 28
(28) 1
(18) 2019 04 28
(73) Tchibo GmbH (DE)
 Uberseering 18, 22297 Hamburg (DE)
(72) Stephanie Graf (DE)
(74) Tamaz Shilakadze
(54) **CAN WHITH LID**

DESIGNS REGISTERED ACCORDING TO THE ACCELERATED PROCEDURE

The decision can be appealed at the Chamber of Appeal of Sakpatenti within 3 months from the publication.

- (11) **D 2014 605 S** (51) **09-01**
(21) AD 2014 000826 (22) 2014 12 11
(24) 2014 12 11
(28) 1
(18) 2019 12 11
(73) JSC "LOMISI" (GE)
 Sop. Natakhvari, 3308, Mtskheta R-ni (GE)
(72) Mehmet Tanju Kochak (TR)
(74) Elguja Amozashvili
(54) **BOTTLE**
(55)



(11) D 2014 604 S **(51) 32-00**

(21) AD 2014 000824

(22) 2014 11 21

(24) 2014 11 21

(28) 2

(18) 2019 11 21

(73) Iadon Kapanadze (GE)

Gedevanishvilis q. 10, 3300, Mtskheta (GE)

(72) Iadon Kapanadze (GE)

(54) **WORD GRAPHICAL IMAGE**

(55)



DESIGNS, WHICH HAVE BEEN REGISTERED WITH THE INTERNATIONAL BUREAU CLAIMING PRIORITY ON THE TERRITORY OF GEORGIA

The decision can be appealed at the Chamber of Appeal of Sakpatenti within 3 months from the publication or at the Mtskheta District Court Administrative Cases Board (Address: №17, Samkhedro Str., Mtskheta), within 1 month following the publication.

(11) DM/083263

(51) 10-02

(15) 2014 04 02

(45) 2014/39 (2014 10 03)

(22) 2014 04 02

(28) 2

(73) SWATCH AG (SWATCH SA) (SWATCH LTD.)

Jakob-Stämpfli-Strasse 94, CH-2502 Biel/Bienne (CH)

(85) CH

(86) CH

(87) CH

(88) CH

(89) CH

(81) II. BZ, MA. III. AL, AM, AZ, BA, CH, EM, GE, KG, LI, MC, MD, ME, MK, MN, NO, OM, SG, TJ, TN, TR, UA

(72) 1: Rossana BOFFI

Swatchlab, Via Archimede 6, 20129 Milano, Italie;

2: Claudia CARIERI

Swatchlab, Via Archimede 6, 20129 Milano, Italie

(54) 1.-2. Wristwatches

(55)



1.1



1.2



(11) DM/083264

(15) 2014 04 02

(22) 2014 04 02

(73) SWATCH AG (SWATCH SA) (SWATCH LTD.)

Jakob-Stämpfli-Strasse 94, CH-2502 Biel/Bienne (CH)

(85) CH

(86) CH

(87) CH

(88) CH

(89) CH

(81) II. BZ, MA. III. AL, AM, AZ, BA, CH, EM, GE, KG, LI, MC, MD, ME, MK, MN, NO, OM, SG, TJ, TN, TR, UA

(72) 1-2: Min KIM

St. Alban Ring 238, 4052 Basel, Suisse

(54) 1.-2. Wristwatches

(55)

(51) 10-02

(45) 2014/39 (2014 10 03)

(28) 2



(11) DM/083269**(51) 11-01**

(15) 2014 04 01

(45) 2014/39 (2014 10 03)

(22) 2014 04 01

(28) 2

(73) HARRY WINSTON SA

Chemin du Tourbillon 8, CH-1228 Plan-les-Ouates (CH)

(85) CH

(86) CH

(87) CH

(88) CH

(89) CH

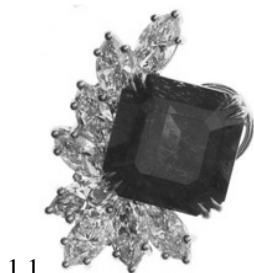
(81) II. BZ, MA. III. AL, AM, AZ, BA, CH, EM, GE, KG, LI, MC, MD, ME, MK, MN, NO, OM, SG, TJ, TN, TR, UA

(72) 1-2: Dominique Rivière

360 E. 72nd Street, Apt.Nb1003, 10021 New York N.Y., États-Unis d'Amérique

(54) 1. Earring; 2. Pendant

(55)



1.1



1.2



1.3



1.4



1.5



1.6



1.7



1.8



2.1



2.2



2.3



2.4



2.5



2.6



2.7



2.8

(11) DM/083274

(51) 10-02

(15) 2014 04 02

(45) 2014/39 (2014 10 03)

(22) 2014 04 02

(28) 5

(73) SWATCH AG (SWATCH SA) (SWATCH LTD.)

Jakob-Stämpfli-Strasse 94, CH-2502 Biel/Bienne (CH)

(85) CH

(86) CH

(87) CH

(88) CH

(89) CH

(81) IL, BZ, MA, III, AL, AM, AZ, BA, CH, EM, GE, KG, LI, MC, MD, ME, MK, MN, NO, OM, SG, TJ, TN, TR, UA

(72) 1, 3, 4: Rossana BOFFI

Swatchlab Via Archimede 6, 20129 Milano, Italie;

2: Min KIM

St. Alban Ring 238, 4052 Basel, Suisse;

5: Claudia CARIERI

Swatchlab, Via Archimede 6, 20129 Milano, Italie;

6: Francesca ERRANI

Swatchlab Via Archimede 6, 20129 Milano, Italie

(54) 1.-6. Wristwatches

(55)





(11) DM/083298

(15) 2014 04 03

(22) 2014 04 03

(73) SWATCH AG (SWATCH SA) (SWATCH LTD.)

Jakob-Stämpfli-Strasse 94, CH-2502 Biel/Bienne (CH)

(85) CH

(86) CH

(87) CH

(88) CH

(89) CH

(81) II. BZ, MA. III. AL, AM, AZ, BA, CH, EM, GE, KG, LI, MC, MD, ME, MK, MN, NO, OM, SG, TJ, TN, TR, UA

(72) 1-6: Danilo SALA

Swatchlab, Via Archimede 6, 20129 Milano, Italie

(54) 1.-6. Wristwatches

(55)



(11) DM/083300

(15) 2014 04 03

(22) 2014 04 03

(73) SWATCH AG (SWATCH SA) (SWATCH LTD.)

Jakob-Stämpfli-Strasse 94, CH-2502 Biel/Bienne (CH)

(85) CH

(86) CH

(87) CH

(88) CH

(89) CH

(81) II. BZ, MA. III. AL, AM, AZ, BA, CH, EM, GE, KG, LI, MC, MD, ME, MK, MN, NO, OM, SG, TJ, TN, TR, UA

(72) 1-5: Danilo SALA

Swatchlab, Via Archimede 6, 20129 Milano, Italie;

6-8: Andrea ARRIGONI

Swatchlab, Via Archimede 6, 20129 Milano, Italie;

9: Min KIM

St. Alban-Ring 238, 4052 Basel, Suisse

(54) 1.-9. Wristwatches

(55)







6.2



7.1



7.2



8.1



8.2



9.1



9.2

(11) DM/083301

(51) 20-02

(15) 2014 04 03

(45) 2014/39 (2014 10 03)

(22) 2014 04 03

(28) 1

(73) SWATCH AG (SWATCH SA) (SWATCH LTD.)

Jakob-Stämpfli-Strasse 94, CH-2502 Biel/Bienne (CH)

(85) CH

(86) CH

(87) CH

(88) CH

(89) CH

(81) II. BZ, MA. III. AL, AM, AZ, BA, CH, EM, GE, KG, LI, MC, MD, ME, MK, MN, NO, OM, SG, TJ, TN, TR, UA

(72) Alexandre ZUNTINI

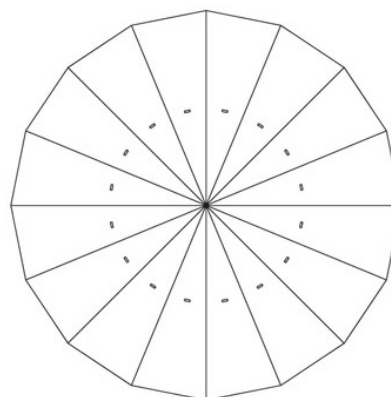
Route Aloys-Fauquez 85, 1018 Lausanne, Suisse

(54) Display unit

(55)



1.1



1.2



1.3

(11) DM/083302

(15) 2014 04 03

(22) 2014 04 03

(73) SWATCH AG (SWATCH SA) (SWATCH LTD.)

Jakob-Stämpfli-Strasse 94, CH-2502 Biel/Bienne (CH)

(85) CH

(86) CH

(87) CH

(88) CH

(89) CH

(81) II. BZ, MA. III. AL, AM, AZ, BA, CH, EM, GE, KG, LI, MC, MD, ME, MK, MN, NO, OM, SG, TJ, TN, TR, UA

(72) 1, 2, 5: Andrea ARRIGONI

Swatchlab, Via Archimede 6, 20129 Milano, Italie;

3: Rossana BOFFI

Swatchlab, Via Archimede 6, 20129 Milano, Italie;

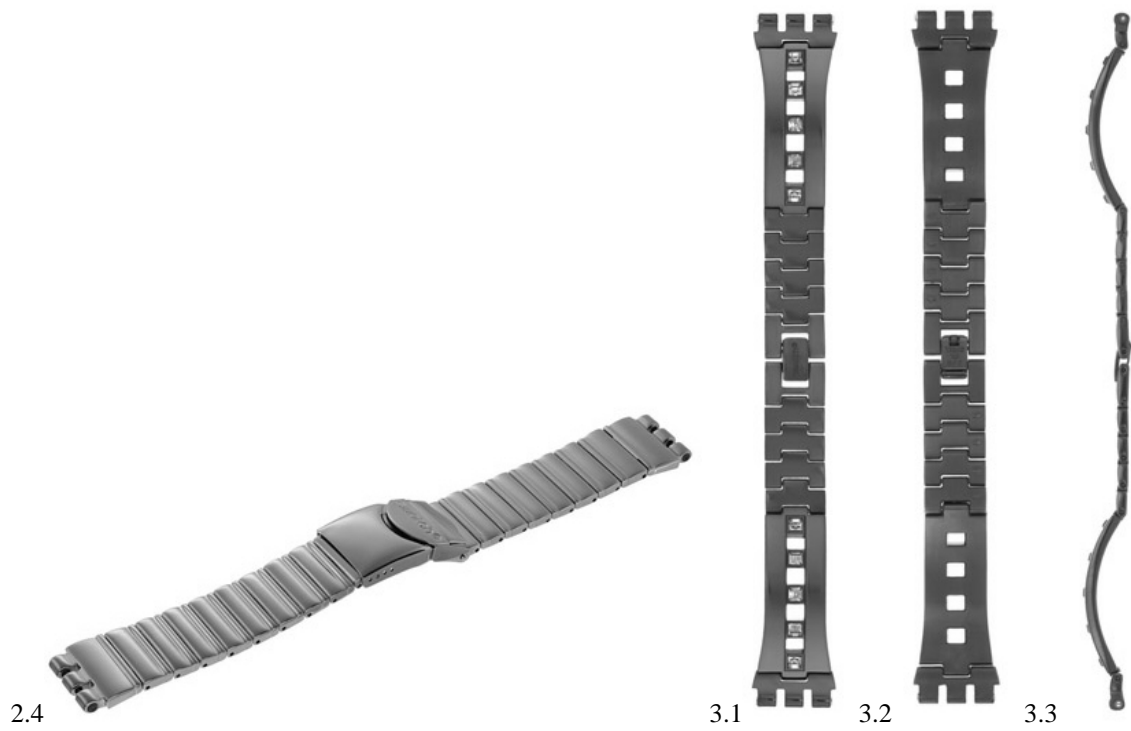
4: Ylenia AGATE

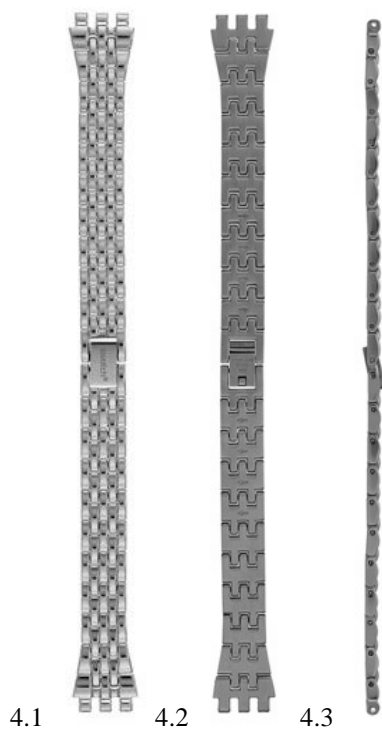
Swatchlab, Via Archimede 6, 20129 Milano, Italie

(54) 1.-5. Watch bracelets

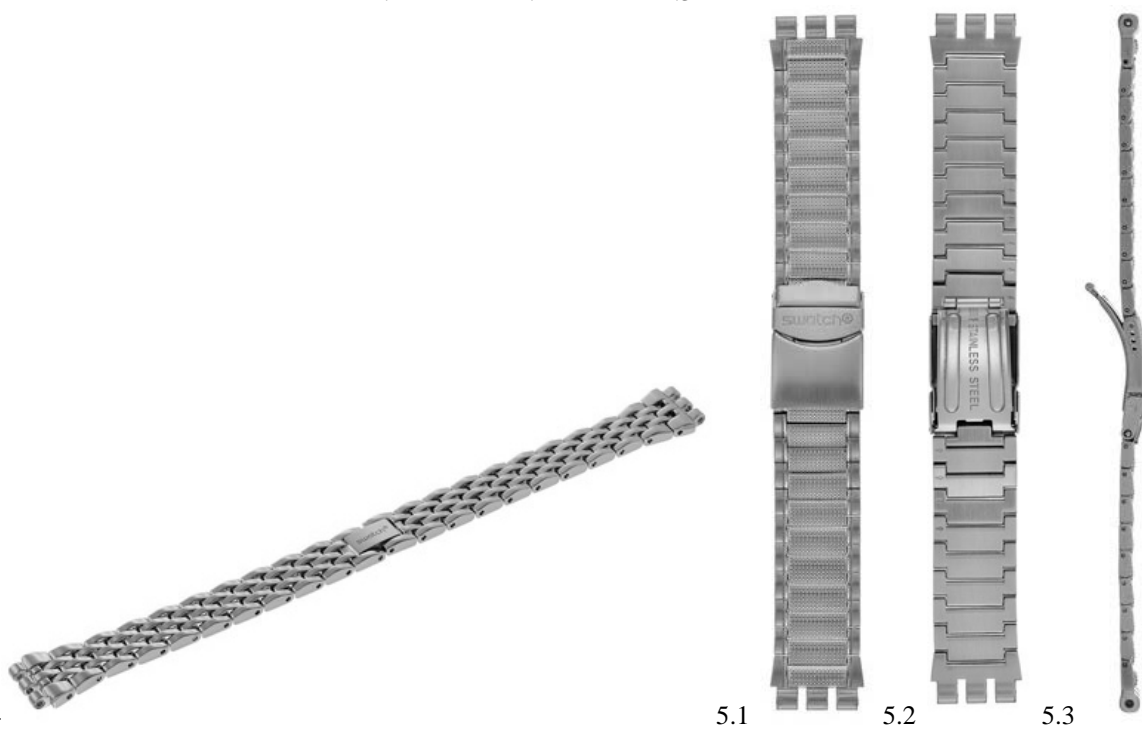
(55)







4.1 4.2 4.3



4.4 5.1 5.2 5.3



5.4

(11) DM/083303

(51) 10-02

(15) 2014 04 03

(45) 2014/39 (2014 10 03)

(22) 2014 04 03

(28) 5

(73) SWATCH AG (SWATCH SA) (SWATCH LTD.)

Jakob-Stämpfli-Strasse 94, CH-2502 Biel/Bienne (CH)

(85) CH

(86) CH

(87) CH

(88) CH

(89) CH

(81) IL, BZ, MA, III, AL, AM, AZ, BA, CH, EM, GE, KG, LI, MC, MD, ME, MK, MN, NO, OM, SG, TJ, TN, TR, UA

(72) 1, 3, 4, 5: Andrea ARRIGONI

Swatchlab, Via Archimede 6, 20129 Milano, Suisse;

2: Min KIM

St. Alban Ring 238, 4052 Basel, Suisse

(54) 1.-5. Wristwatches

(55)





5.2

(11) DM/083304

(15) 2014 04 03

(22) 2014 04 03

(73) SWATCH AG (SWATCH SA) (SWATCH LTD.)

Jakob-Stämpfli-Strasse 94, CH-2502 Biel/Bienne (CH)

(85) CH

(86) CH

(87) CH

(88) CH

(89) CH

(81) II. BZ, MA, III. AL, AM, AZ, BA, CH, EM, GE, KG, LI, MC, MD, ME, MK, MN, NO, OM, SG, TJ, TN, TR, UA

(72) 1: Andrea ARRIGONI

Swatchlab, Via Archimede 6, 20129 Milano, Italie;

2: Patrizio VITA

Swatchlab, Via Archimede 6, 20129 Milano, Italie;

3: Antonio FAZIO

Avenue de Cour 40, 1007 Lausanne, Suisse

(54) 1.-3. Wristwatches

(55)

(51) 10-02

(45) 2014/39 (2014 10 03)

(28) 3



1.1



1.2



2.1

2.2



3.1



3.2



(11) DM/083324

(15) 2014 04 03

(22) 2014 04 03

(73) SWATCH AG (SWATCH SA) (SWATCH LTD.)

Jakob-Stämpfli-Strasse 94, CH-2502 Biel/Bienne (CH)

(85) CH

(86) CH

(87) CH

(88) CH

(89) CH

(81) IL, BZ, MA, III, AL, AM, AZ, BA, CH, EM, GE, KG, LI, MC, MD, ME, MK, MN, NO, OM, SG, TJ, TN, TR, UA

(72) 1: Andrea ARRIGONI

Swatchlab Via Archimede 6, 20129 Milano, Italie;

2: Danilo SALA

Swatchlab, Via Archimede 6, 20129 Milano, Italie;

3-4: Rossana BOFFI

Swatchlab Via Archimede 6, 20129 Milano, Italie;

5-6: Ylenia AGATE

Swatchlab Via Archimede 6, 20129 Milano, Italie

(54) 1.-6. Wristwatches

(55)



(11) DM/083616

(51) 09-01, 03, 05

(15) 2014 03 28

(45) 2014/39 (2014 10 03)

(22) 2014 03 28

(28) 16

(73) SOREMARTEC S.A.

Findel Business Center, Complexe B, Rue de Trèves, L-2632 Findel (LU)

(85) --

(86) BX, EM

(87) BX, EM

(88) BX, EM

(89) EM

(81) II. MA. III. AL, CH, EM, GE, HR, ME, MK, OA, TR, UA

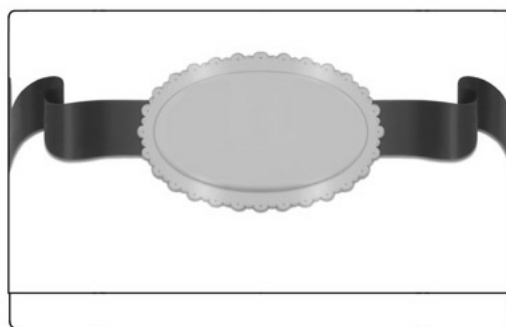
(54) 1. Container; 2. Packaging; 3.-4. Displaying packagings; 5. Packaging; 6.-8. Containers; 9.-10. Bottles;

11. Vial; 12. Packaging; 13. Container; 14. Displaying container; 15.-16. Boxes

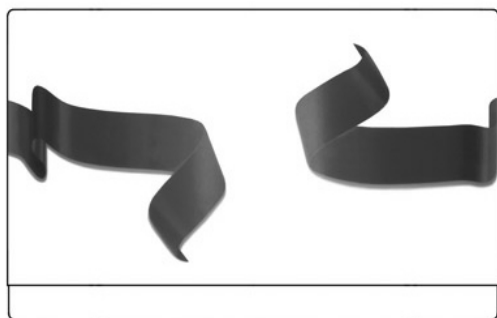
(55)



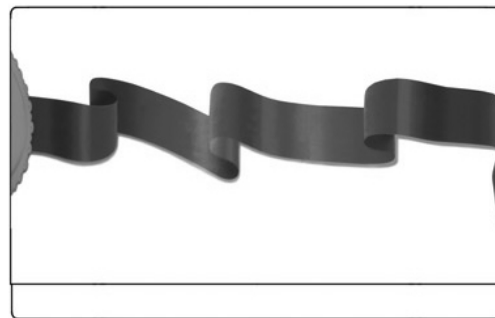
1.1



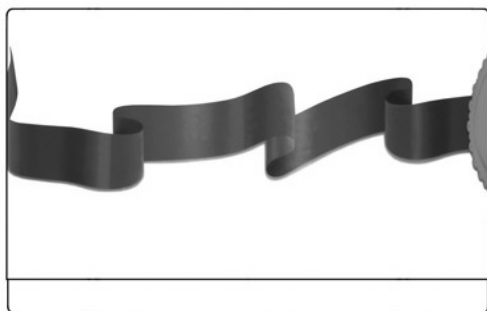
1.2



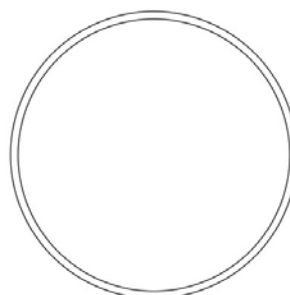
1.3



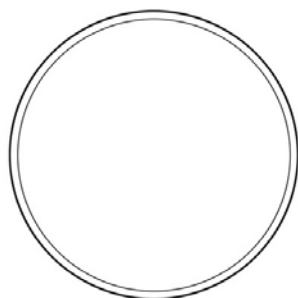
1.4



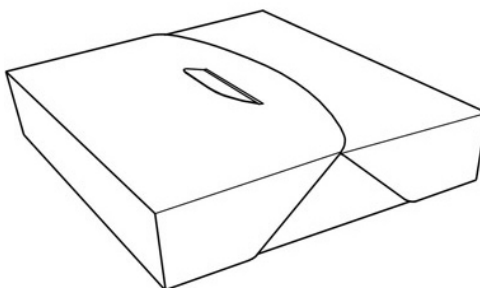
1.5



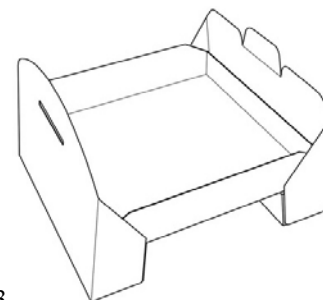
1.6



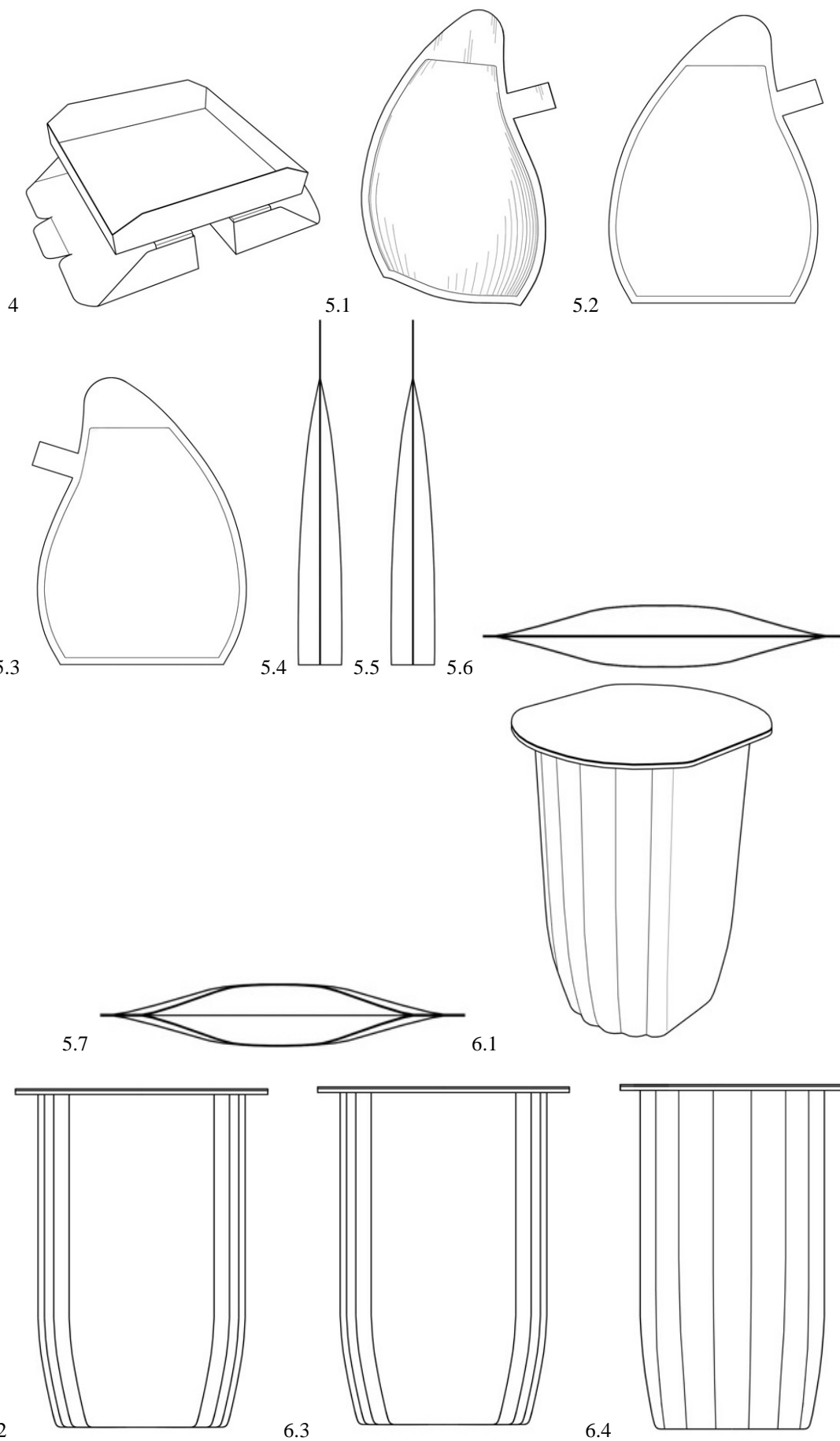
1.7

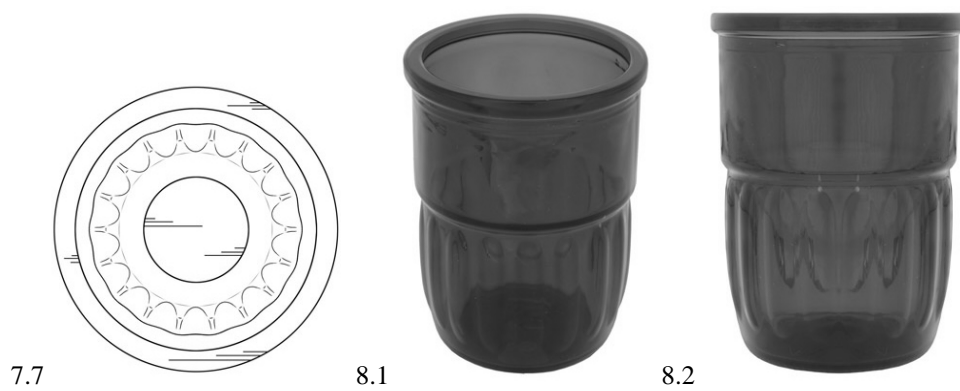
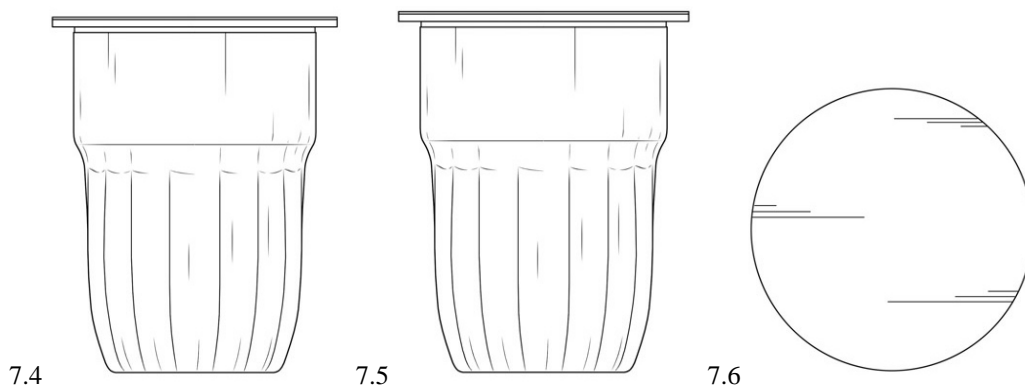
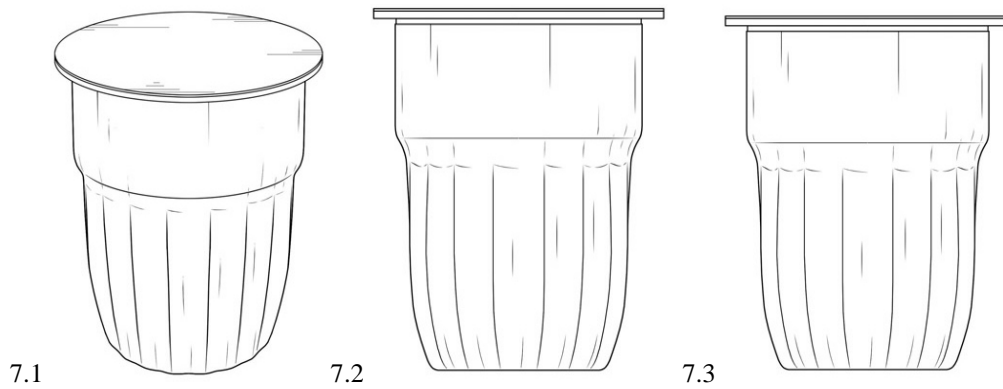
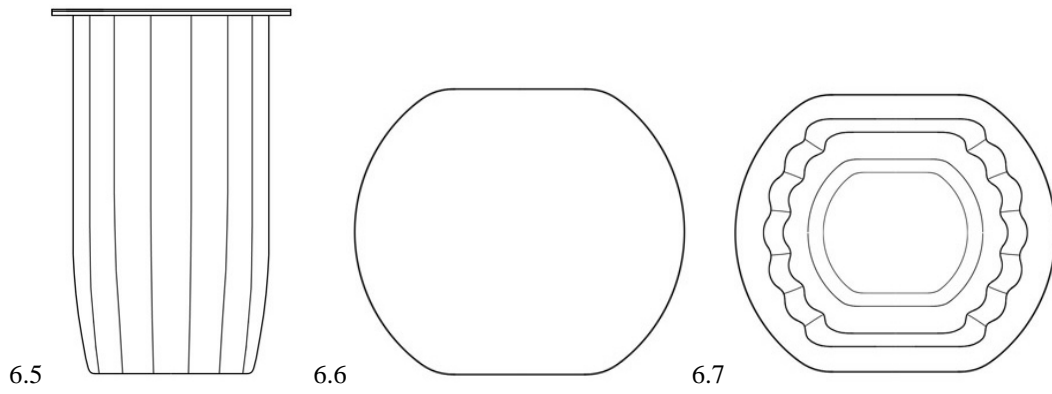


2



3







8.3



8.4



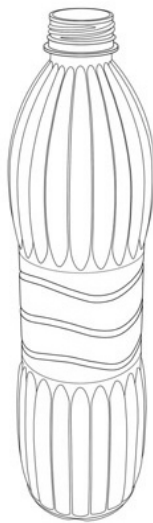
8.5



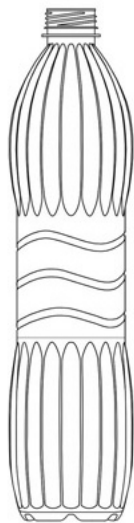
8.6



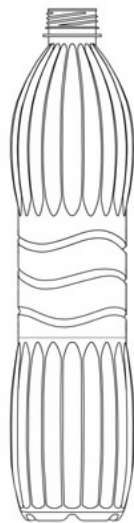
8.7



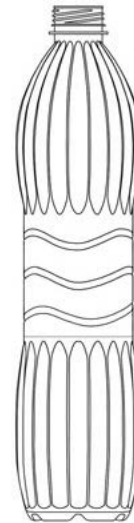
9.1



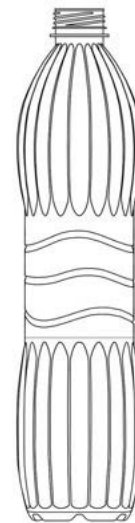
9.2



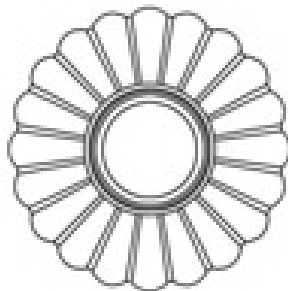
9.3



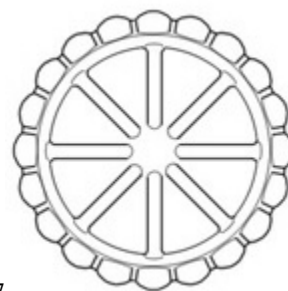
9.4



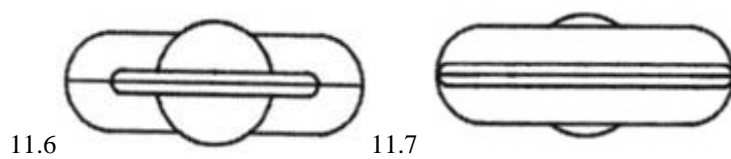
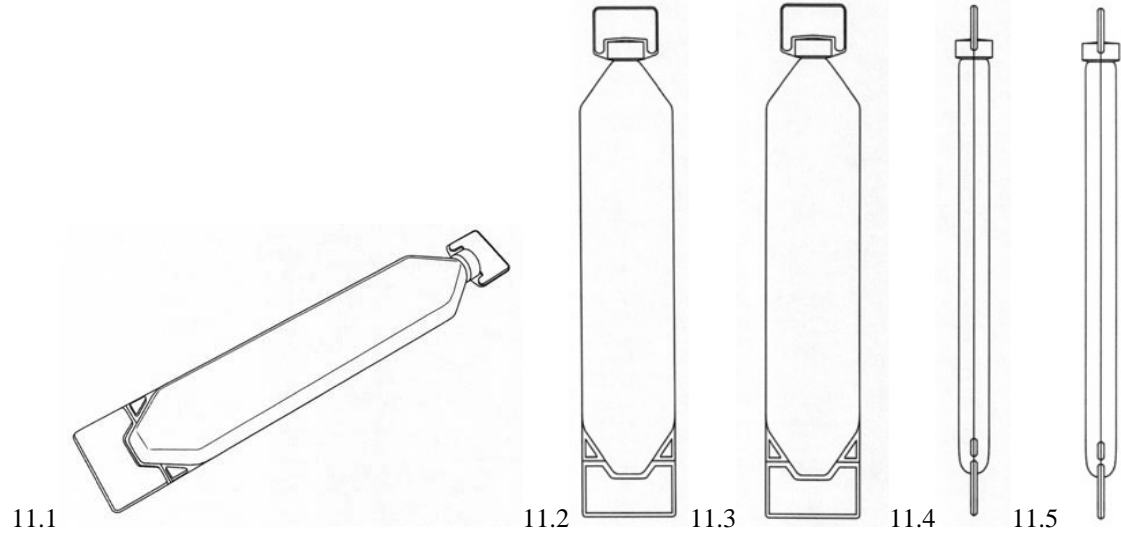
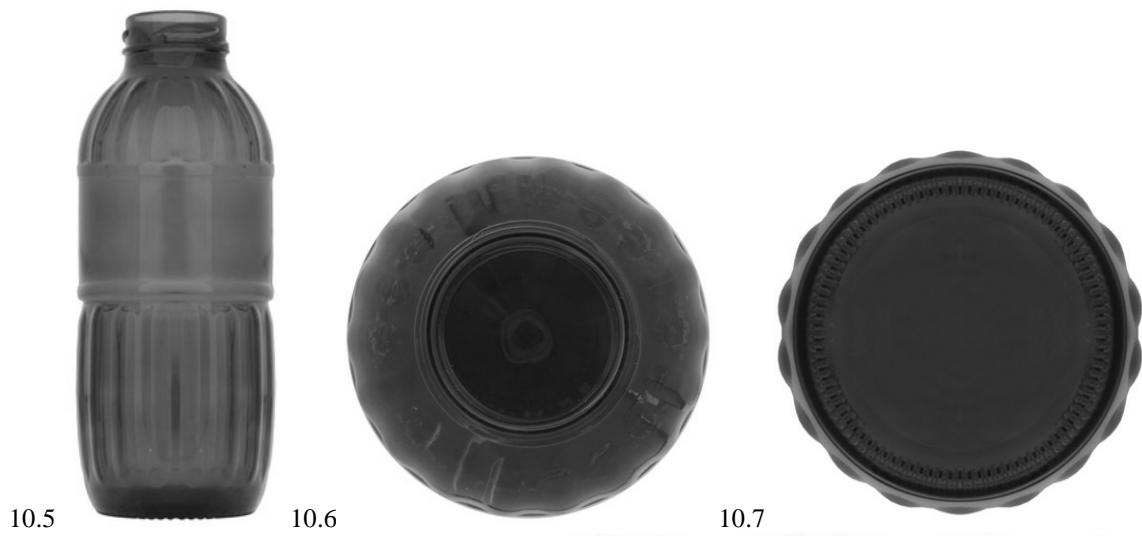
9.5

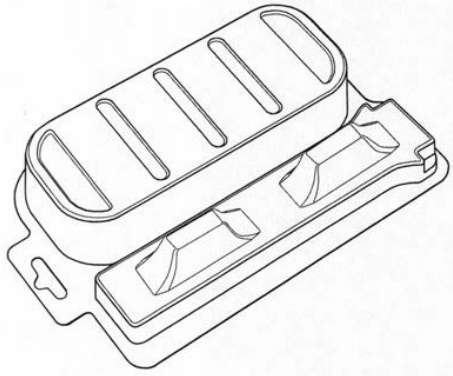


9.6

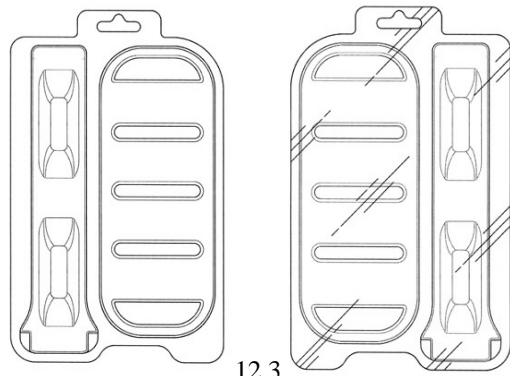


9.7





12.1

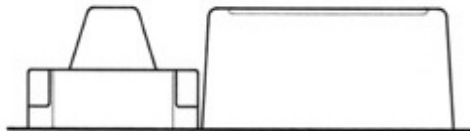


12.2

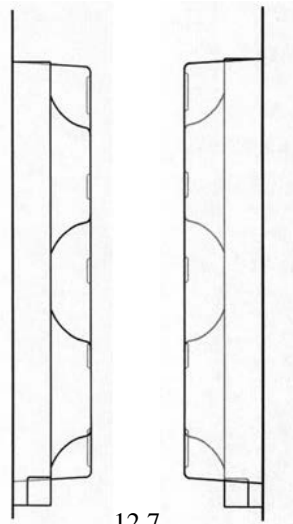
12.3



12.4



12.5



12.6

12.7

13.1



13.2



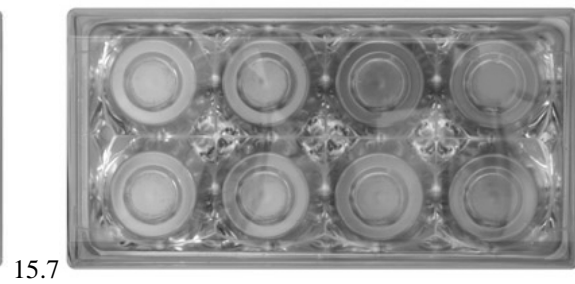
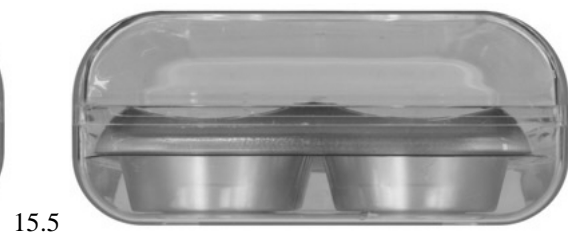
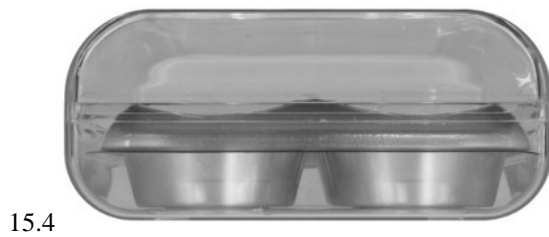
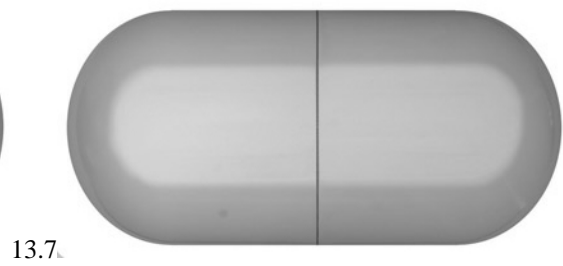
13.3



13.4



13.5



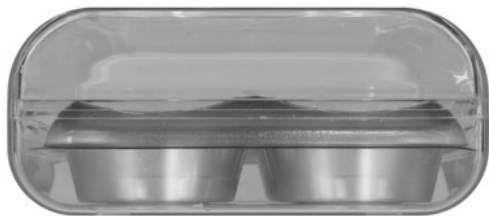
16.2



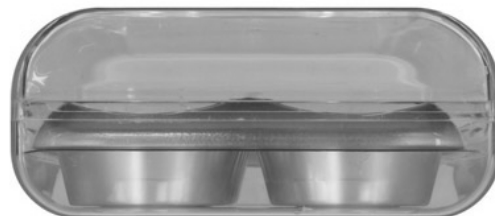
16.3



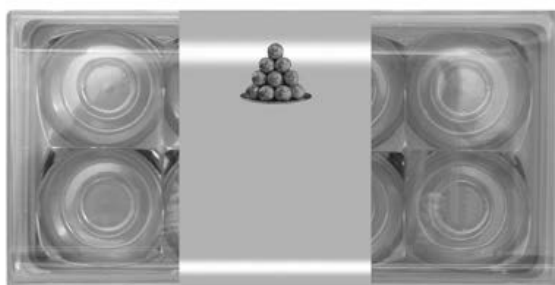
16.4



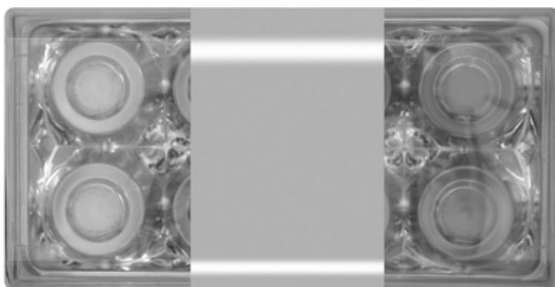
16.5



16.6



16.7



(11) DM/084429

(51) 13-03

(15) 2014 09 18

(45) 2014/39 (2014 10 03)

(22) 2014 09 18

(28) 2

(30) 16.06.2014; 2014/04387; TR

(73) GUNSAN ELEKTRİK MALZEMELERİ SANAYİ VE TİCARET ANONİM ŞİRKETİ

Osmangazi Mahallesi Yıldırım Beyazıt Caddesi No:29, Sancaktepe/Istanbul (TR)

(85) TR

(86) TR

(87) TR

(88) TR

(89) TR

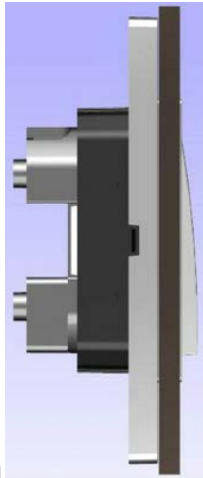
(81) III. AL, AZ, BA, EG, EM, GE, RS, SY, UA

(72) 1-2: MURAT GÜN

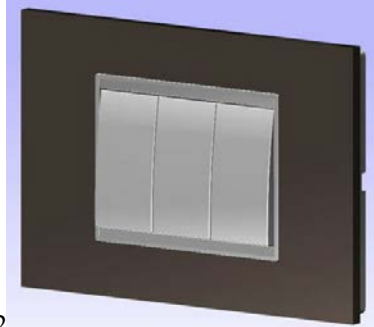
Osmangazi Mah. Yıldırım Beyazıt Cad.No:29 Sancaktepe, 34887 İSTANBUL, Turkey

(54) 1.-2. Electric switches

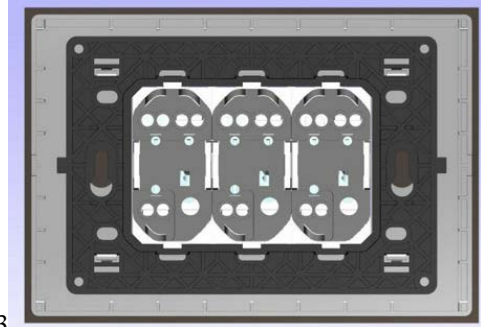
(55)



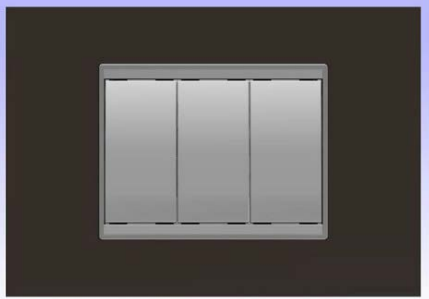
1.1



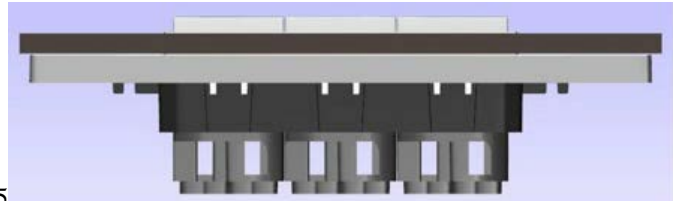
1.2



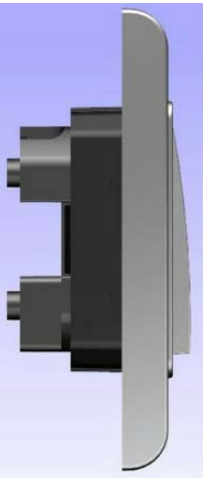
1.3



1.4



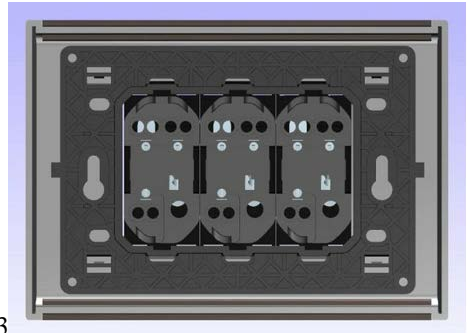
1.5



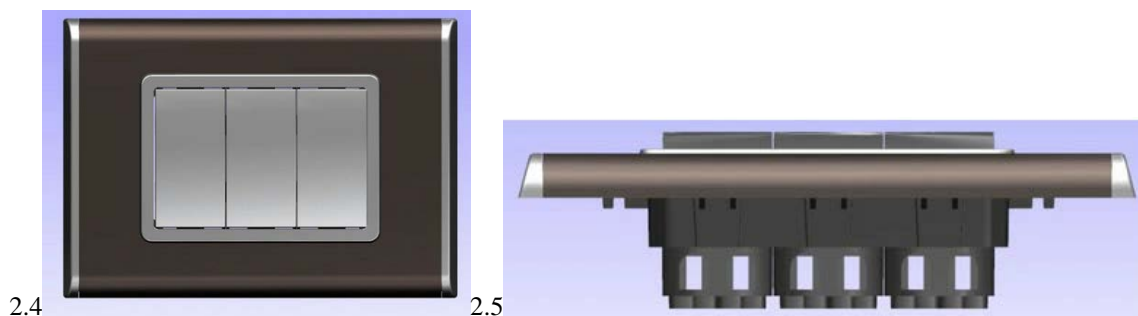
2.1



2.2



2.3



(11) DM/083331

(51) 10-02

(15) 2014 04 08

(45) 2014/40 (2014 10 10)

(22) 2014 04 08

(28) 3

(73) SWATCH AG (SWATCH SA) (SWATCH LTD.)

Jakob-Stämpfli-Strasse 94, CH-2502 Biel/Bienne (CH)

(85) CH

(86) CH

(87) CH

(88) CH

(89) CH

(81) II. BZ, MA. III. AL, AM, AZ, BA, CH, EM, GE, KG, LI, MC, MD, ME, MK, MN, NO, OM, SG, TJ, TN, TR, UA

(72) 1-3: Min KIM

St. Alban-Ring 238, 4052 Basel, Suisse

(54) 1.-3. Wristwatches

(55)





- (11) **DM/083333** (51) **10-02**
 (15) 2014 04 08 (45) 2014/40 (2014 10 10)
 (22) 2014 04 08 (28) 9
 (73) SWATCH AG (SWATCH SA) (SWATCH LTD.)
 Jakob-Stämpfli-Strasse 94, CH-2502 Biel/Bienne (CH)
 (85) CH
 (86) CH
 (87) CH
 (88) CH
 (89) CH
 (81) II. BZ, MA. III. AL, AM, AZ, BA, CH, EM, GE, KG, LI, MC, MD, ME, MK, MN, NO, OM, SG, TJ, TN,
 TR, UA
 (72) 1: Patrizio VITA
 Swatchlab, Via Archimede 6, 20129 Milano, Italie;
 2-3: Min KIM
 St. Alban-Ring 238, 4052 Basel, Suisse;
 4-9: Antonio FAZIO
 Avenue de Cour 40, 1007 Lausanne, Suisse
 (54) 1.-9. Wristwatches
 (55)







7.1



7.2



8.1



8.2



9.1



9.2

(11) DM/083334**(51) 10-02**

(15) 2014 04 08

(45) 2014/40 (2014 10 10)

(22) 2014 04 08

(28) 5

(73) SWATCH AG (SWATCH SA) (SWATCH LTD.)

Jakob-Stämpfli-Strasse 94, CH-2502 Biel/Bienne (CH)

(85) CH

(86) CH

(87) CH

(88) CH

(89) CH

(81) II. BZ, MA. III. AL, AM, AZ, BA, CH, EM, GE, KG, LI, MC, MD, ME, MK, MN, NO, OM, SG, TJ, TN, TR, UA

(72) 1: Andrea ARRIGONI

Swatchlab, Via Archimede 6, 20129 Milano, Italie;

2-5: Antonio FAZIO

Avenue de Cour 40, 1007 Lausanne, Suisse

(54) 1.-5. Wristwatches

(55)



1



2.1



2.2



3.1



3.2



(11) DM/083337**(51) 10-02**

(15) 2014 04 08

(45) 2014/40 (2014 10 10)

(22) 2014 04 08

(28) 5

(73) SWATCH AG (SWATCH SA) (SWATCH LTD.)

Jakob-Stämpfli-Strasse 94, CH-2502 Biel/Bienne (CH)

(85) CH

(86) CH

(87) CH

(88) CH

(89) CH

(81) IL, BZ, MA, III, AL, AM, AZ, BA, CH, EM, GE, KG, LI, MC, MD, ME, MK, MN, NO, OM, SG, TJ, TN, TR, UA

(72) 1-2: Andrea ARRIGONI

Swatchlab, Via Archimede 6, 20129 Milano, Italie;

3: Min KIM

St. Alban-Ring 238, 4052 Basel, Suisse;

4-5: Antonio FAZIO

Avenue de Cour 40, 1007 Lausanne, Suisse

(54) 1.-5. Wristwatches

(55)





4.1



5.2



5.1



5.2

(11) DM/083338

(15) 2014 04 08

(22) 2014 04 08

(73) SWATCH AG (SWATCH SA) (SWATCH LTD.)

Jakob-Stämpfli-Strasse 94, CH-2502 Biel/Bienne (CH)

(85) CH

(86) CH

(87) CH

(88) CH

(89) CH

(81) II. BZ, MA. III. AL, AM, AZ, BA, CH, EM, GE, KG, LI, MC, MD, ME, MK, MN, NO, OM, SG, TJ, TN, TR, UA

(72) 1: Patrizio VITA

Swatchlab, Via Archimede 6, 20129 Milano, Italie

(51) 10-02

(45) 2014/40 (2014 10 10)

(28) 1

(54) 1. Wristwatch

(55)



(11) DM/083390

(51) 11-01

(15) 2014 04 10

(45) 2014/40 (2014 10 10)

(22) 2014 04 10

(28) 9

(73) HARRY WINSTON SA

Chemin du Tourbillon 8, CH-1228 Plan-les-Ouates (CH)

(85) CH

(86) CH

(87) CH

(88) CH

(89) CH

(81) II. BZ, MA. III. AL, AM, AZ, BA, CH, EM, GE, KG, LI, MC, MD, ME, MK, MN, NO, OM, SG, TJ, TN, TR, UA

(72) 1, 2, 3, 4, 5, 7, 8: Rie YATSUGI-KANG

272 Highland St., 07626 Cresskill N.J., États-Unis d'Amérique;

6, 9: Dominique Rivière

360 E. 72nd Street, Apt.Nb1003, 10021 New York N.Y., États-Unis d'Amérique

(54) 1. Finger ring; 2. Earring; 3. Bracelet; 4. Finger ring; 5. Earring; 6. Bracelet; 7. Finger ring; 8. Bracelet; 9. Jewelry article

(55)





1.4

1.5

1.6

1.7



1.8

2.1

2.2

2.3

2.4



2.5

2.6

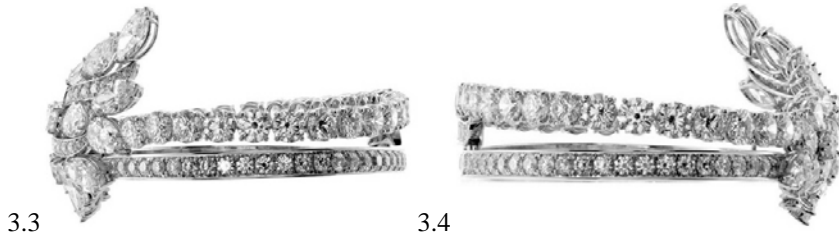
2.7

2.8



3.1

3.2



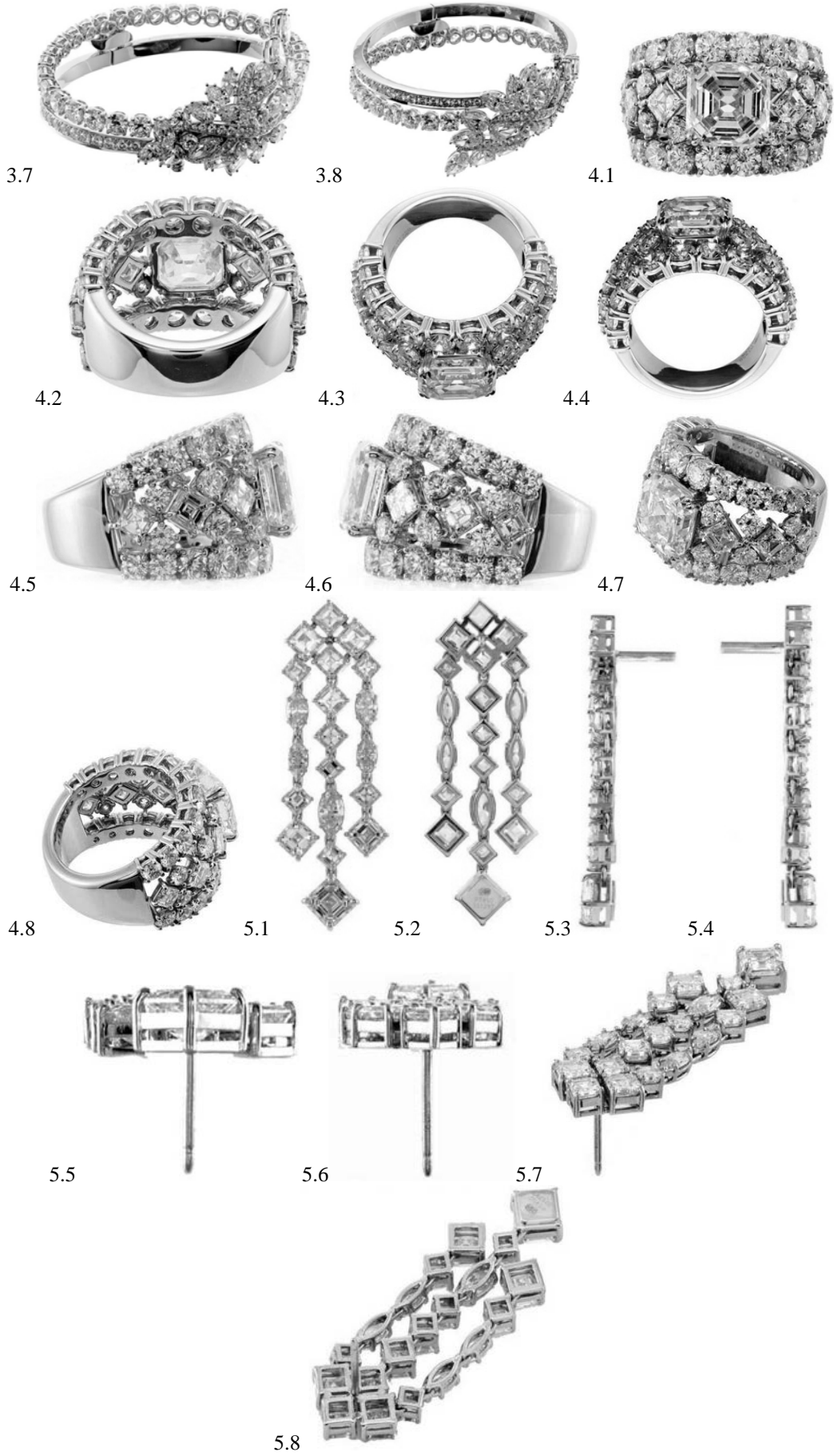
3.3

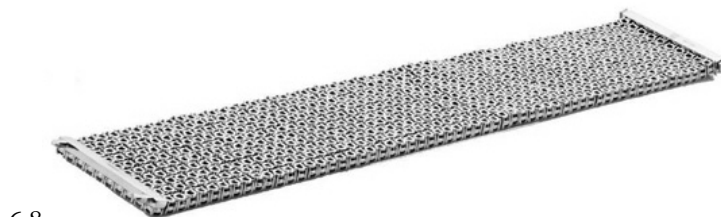
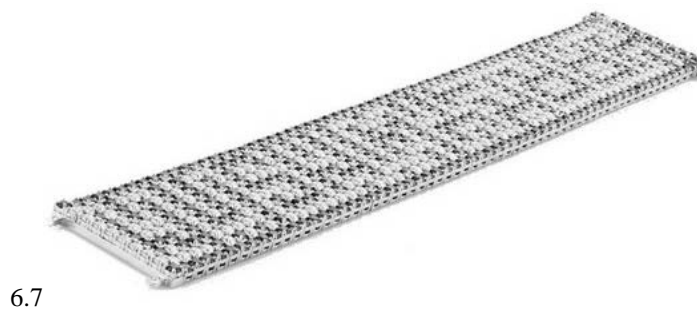
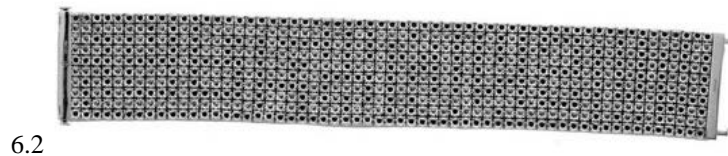
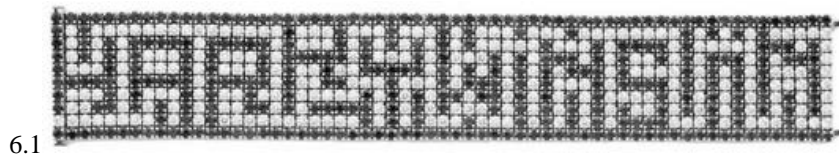
3.4



3.5

3.6







7.8



8.1



8.2



8.3



8.4



8.5



8.6



8.7



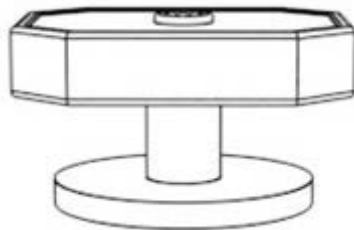
8.8



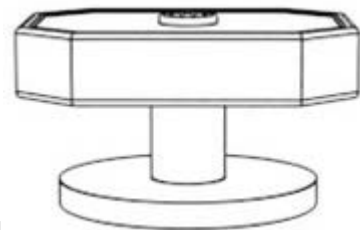
9.1



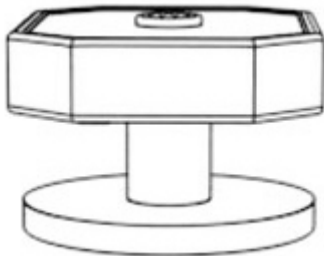
9.2



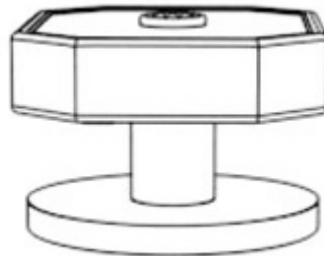
9.3



9.4



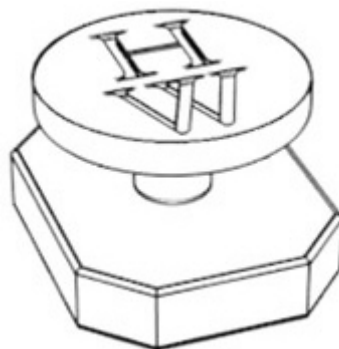
9.5



9.6



9.7



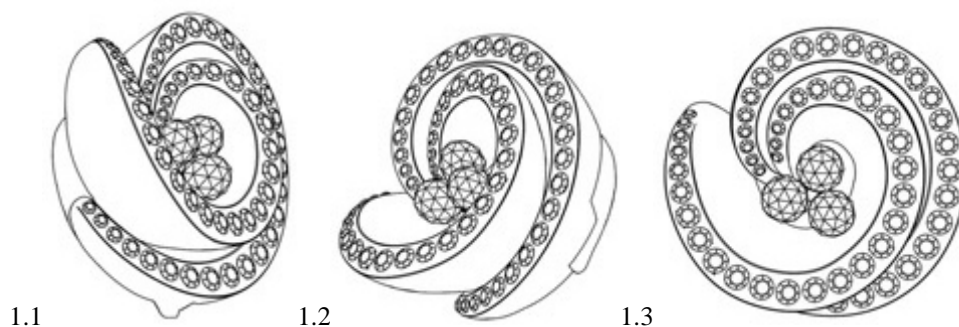
9.8

- (11) **DM/084447** (51) **09-03**
 (15) 2014 08 22 (45) 2014/40 (2014 10 10)
 (22) 2014 08 22 (28) 1
 (73) GEDİK HOLDING ANONİM ŞİRKETİ
 Ankara Caddesi No. 306, Şeyhli, TR-34913 PENDİK/İSTANBUL (TR)
 (85) --
 (86) TR
 (87) TR
 (88) n/a
 (89) TR
 (81) III. AM, AZ, GE
 (72) Hulya GEDİK SADIKLAR
 Ankara Caddesi No. 306, Seyhli 34913 PENDİK/İSTANBUL TURKEY
 (54) 1. Package
 (55)



1

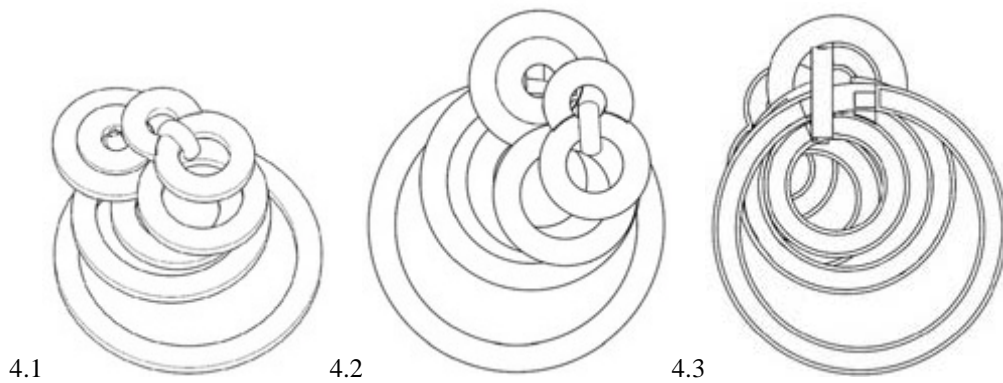
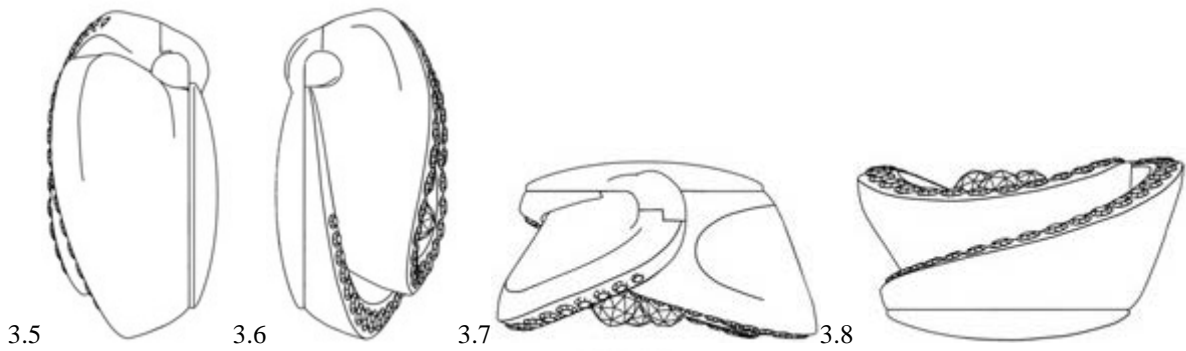
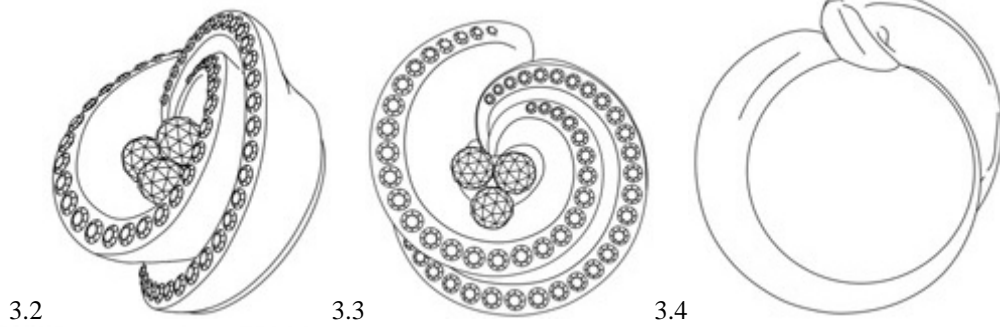
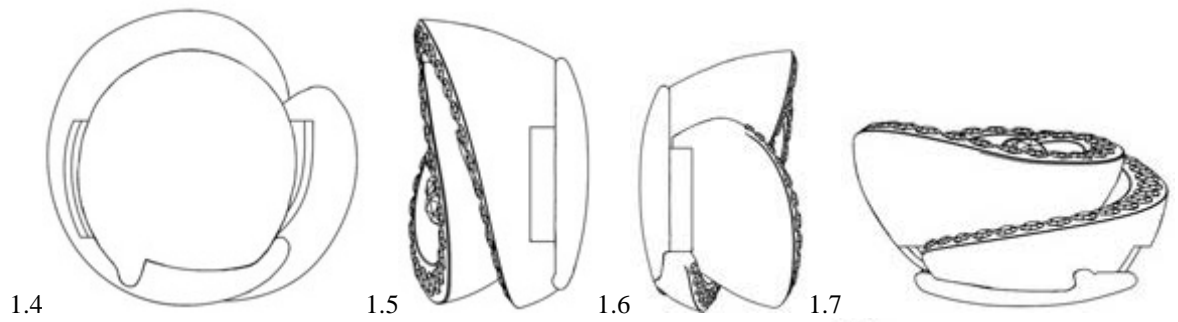
- (11) **DM/084462** (51) **11-01**
 (15) 2014 09 24 (45) 2014/40 (2014 10 10)
 (22) 2014 09 24 (28) 10
 (30) 25.03.2014; 140645; CH
 (73) DE GRISOGONO S.A.
 Route de St-Julien 176bis, CH-1228 Plan-les-Ouates (CH)
 (85) CH
 (86) CH
 (87) CH
 (88) CH
 (89) CH
 (81) II. MA. III. EG, ES, GE, KR, MC, OM, SG, TR, UA
 (72) 1-10: Fawaz Gruosi
 Chemin de Trembley, 30, 1197 Prangins, Switzerland
 (54) 1.-2. Jewellery; 3.-4. Pendants (jewellery); 5.-6. Rings (jewellery); 7. Earrings; 8. Sautoir; 9.-10. Earrings
 (55)

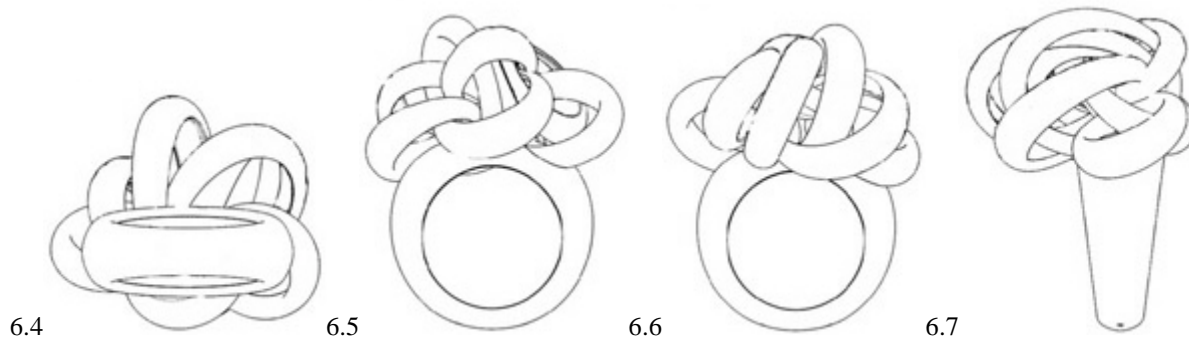
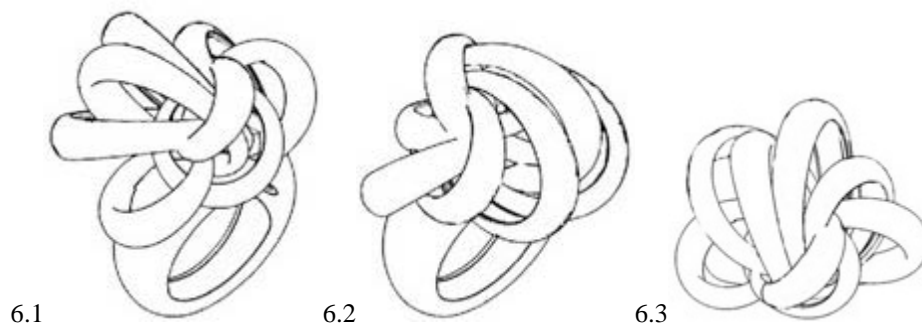
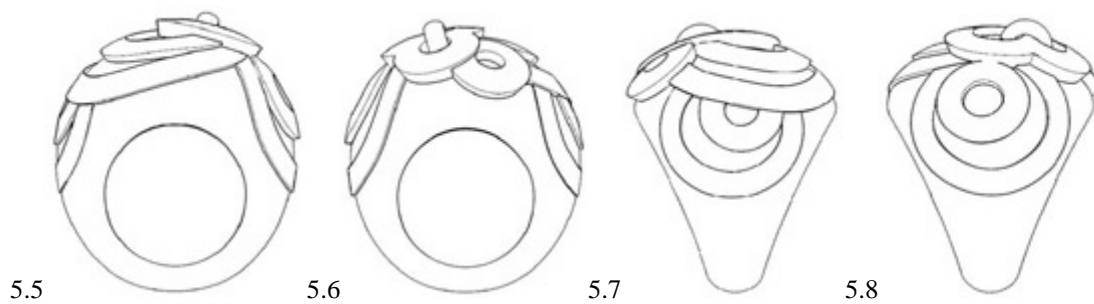
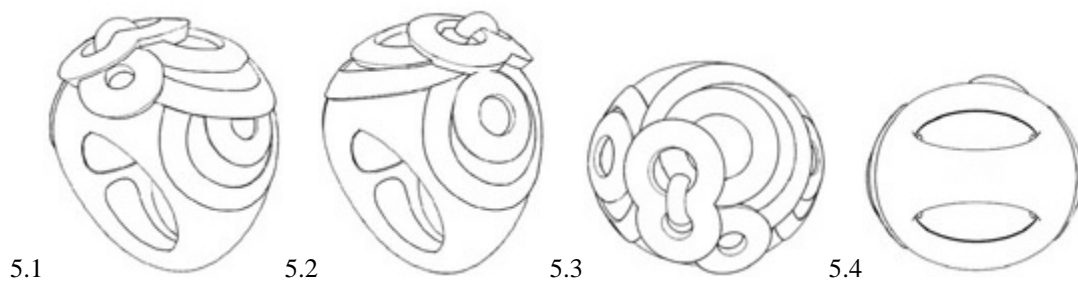
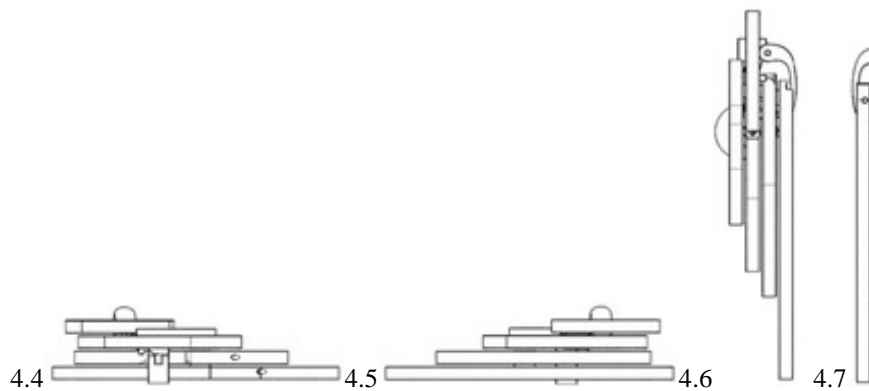


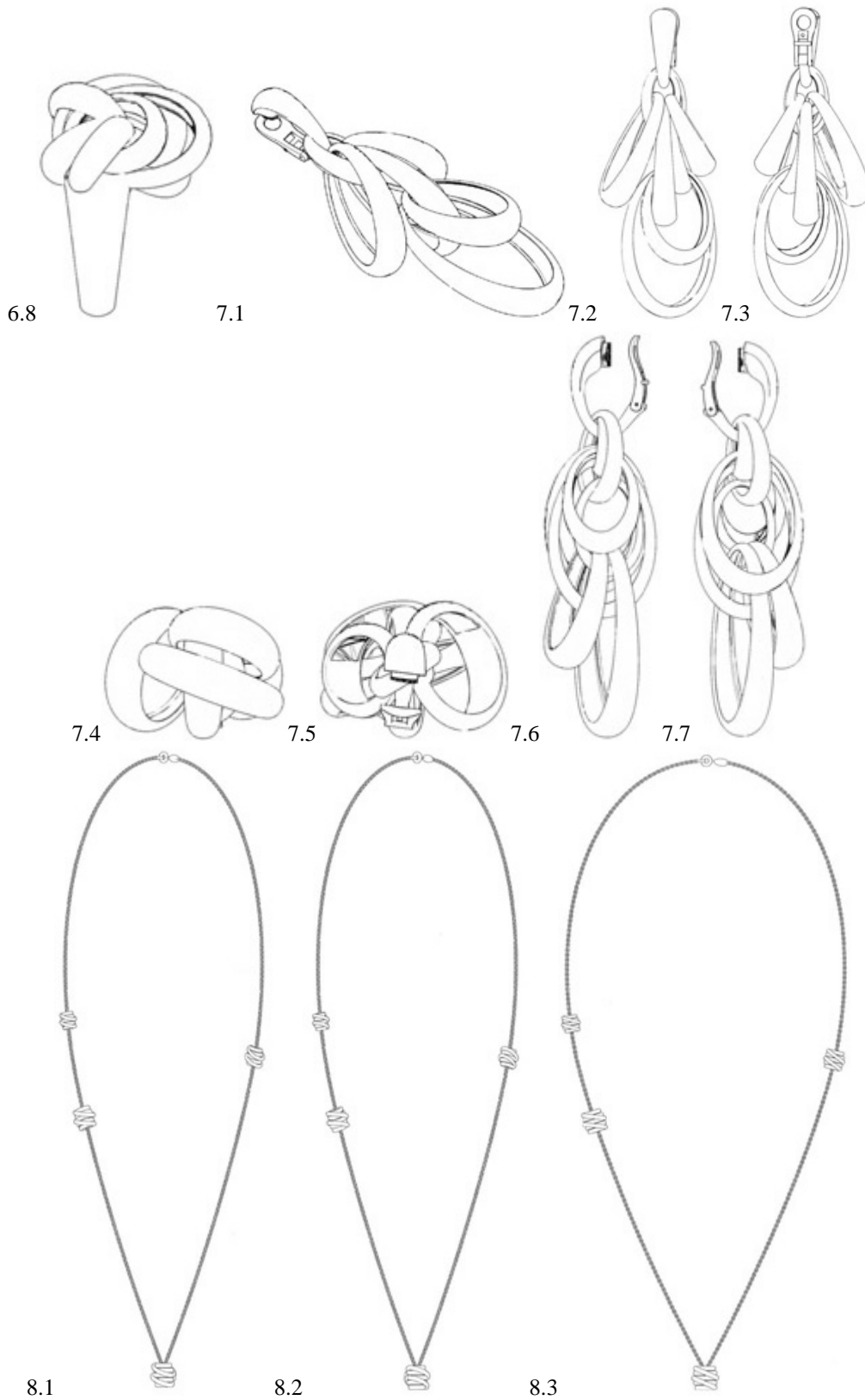
1.1

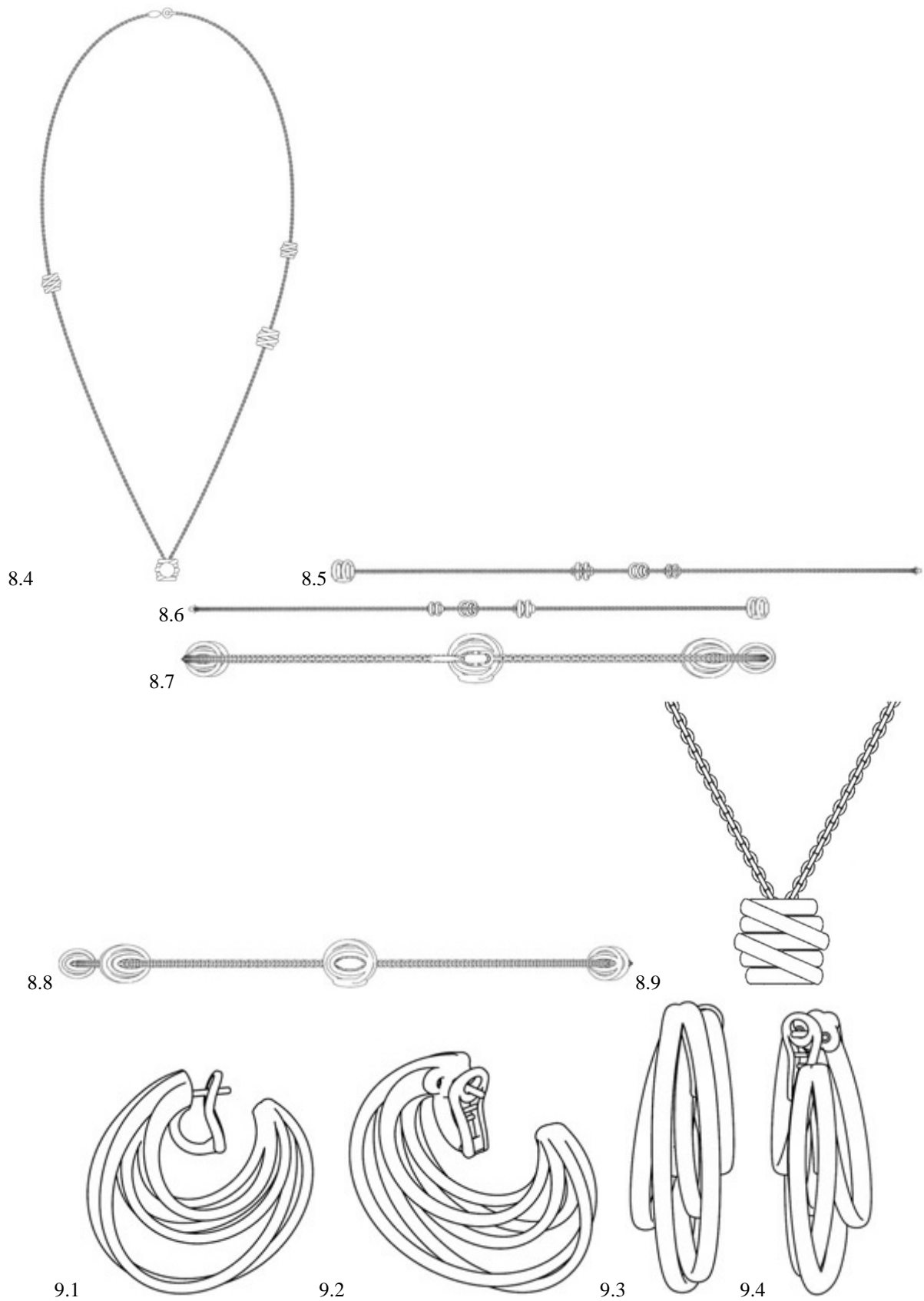
1.2

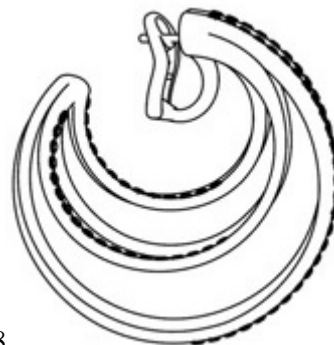
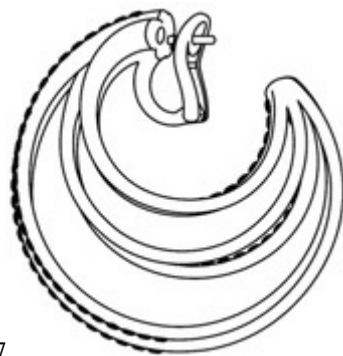
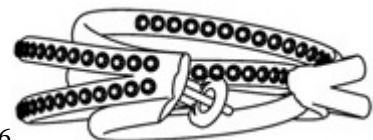
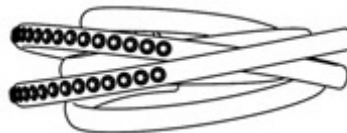
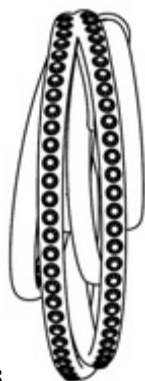
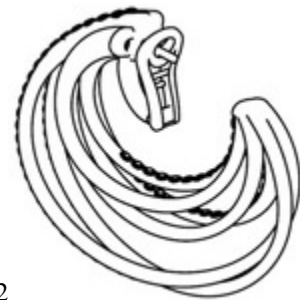
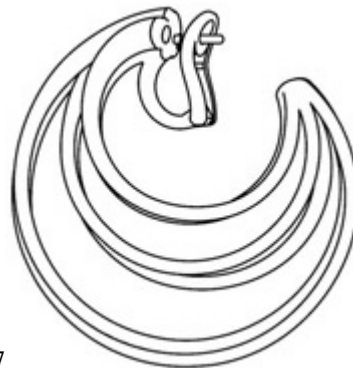
1.3











TRADEMARKS

APPLICATIONS FILED UNDER THE NATIONAL PROCEDURE APPROVED FOR REGISTRATION

The decision can be appealed at the Chamber of Appeal of Sakpatenti within 3 months from the publication or at the Mtskheta District Court Administrative Cases Board (Address: №17, Samkhedro str., Mtskheta), within 1 month following the publication.

(260) AM 2014 65156 A**
(210) AM 65156
(220) 2011 11 30
(731) LTD "PSP"
Zemo vedzisis q. 103, 0177, Tbilisi,
Georgia

(740) Nugzar Ksovreli
(540)

პსპ ჩემი ოჯახის დამზღვევი

PSP INSURER OF MY FAMILY

ПСП СТРАХОВЩИК МОЕЙ СЕМЬИ

(591) Black, white
(531) 27.05.05-28.05.00-28.19.00-
(511) 36

(260) AM 2014 70882 A
(210) AM 70882
(220) 2013 08 07
(731) LTD "GUDAURI SQI RESORT"
Makashvilis q. №31, dzveli Tbilisis raioni,
0105, Tbilisi, Georgia
(540)



MARCO POLO
HOTEL
GUDAURI
★★★★

(591) White, grey, golden
(531) 01.03.07-27.05.01-29.01.13-
(526) – The trademark is protected as a whole. The
words "GUDAURI" and "HOTEL" included therein
shall not be subject to independent legal protection.
(511) 43

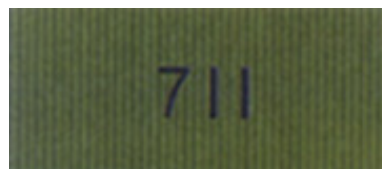
(260) AM 2014 73927 A
(210) AM 73927
(220) 2013 09 13
(731) PUBLICHE AKTSIONERE
OBSHCHESTVO
"KIEVMEDPREPARATI"
Ul. Saksaganskogo, 139, q. Kievi 01032,
Ukraine

(740) Shalva Gvaramadze
(540)

ПРОНЕЙРО

(591) Black, white
(511) 5

(260) AM 2014 74375 A
(210) AM 74375
(220) 2014 06 03
(731) LTD "MORE is LOVE"
Gurielis q. №7, 0186, Tbilisi, Georgia
(540)



(591) Green, grey, black
(531) 25.07.15-25.07.20-26.04.12-26.04.17-
26.11.07-29.01.12-
(511) 14, 25, 35

(260) AM 2014 74719 A
(210) AM 74719
(220) 2013 11 12
(731) LTD "SANTREIDI"
Varketili-3, III a m/r, korp., 340, b. 8, 0163,
Tbilisi, Georgia
(540)



(591) White, grey, green
(531) 03.01.08-27.05.02-29.01.13-
(511) 31

(260) AM 2014 74772 A
(210) AM 74772
(220) 2013 11 18
(731) LTD "WORLD MEDICINE"
Berbutis q. №10/ Almasianis q. №19/21
(bloki II), b. №26 bloki II, 0171, Tbilisi,
Georgia

(540)

ციტომედი
ЦИТОМЕД
CITOMED

(591) Black, white
(511) 5

(260) AM 2014 74778 A

(210) AM 74778

(220) 2013 11 19

(731) LTD "BARAMBO"

Sop. Natakhtari, 3308, Mtskheta, Georgia

(540)

პოპი

Popi
Попи

(591) Black, white
(511) 30

(260) AM 2014 74874 A

(210) AM 74874

(220) 2013 11 25

(731) LTD "FUDSERVISI"

Marshal Gelovanis gamz. 2, 0159, Tbilisi, Georgia

(540)

ფუდმარტი

(591) Black, white
(511) 35, 43

(260) AM 2014 74875 A

(210) AM 74875

(220) 2013 11 25

(731) LTD "FUDSERVISI"

Marshal Gelovanis gamz. 2, 0159, Tbilisi, Georgia

(540)

Food Mart

(591) Black, white
(511) 35, 43

(260) AM 2014 74890 A

(210) AM 74890

(220) 2013 11 26

(731) LG LIFE SCIENCES, LTD.

58, Saemunan-ro, Jong-gu, Seoul, Republic of Korea

(740) Giorgi Taktakishvili

(540)

Hyruan ONE

(591) Black, white
(511) 5

(260) AM 2014 75056 A

(210) AM 75056

(220) 2013 12 05

(731) LA SENZA CORPORATION

900-1959 Upper Water Street, Halifax, va Scotia B3J 3 N2, Canada

(740) Tamar Kochlamazashvili

(540)

LA SENZA

(591) Black, white
(511) 3

(260) AM 2014 75184 A

(210) AM 75184

(220) 2013 12 18

(731) PENETRON INTERNATIONAL LTD

45 Research Way, Suite 203 East Setauket, New York 11733, USA

(740) Tamaz Shilakadze

(540)

PENECRETE MORTAR

(511) 19

(260) AM 2014 75247 A

(210) AM 75247

(220) 2013 12 24

(731) AINES GIDA SANAYI VE TICARET

ANONİM ŞİRKETİ

Aligöz Mevkii, Acıpayam – Denizli, Turkey

(740) Ketevan Tsakadze

(540)



(591) Red, white

(531) 26.01.04, 26.01.20, 27.05.24, 29.01.01

(511) 29, 30, 32, 35

(260) AM 2014 75300 A

(210) AM 75300

(220) 2013 12 27

(731) TRAMONTINA S.A. CUTELARIA

Av. 25 de Setembro, 1024, Bairro Triangulo, CEP: 95185-000, Carlos Barbosa, RS, Brazil

(740) Ketevan Tsakadze

(540)

TRAMONTINA

(591) Black, white

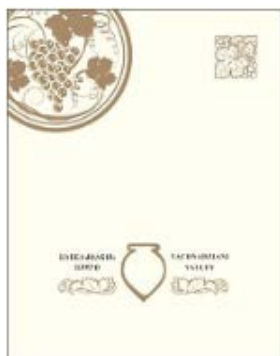
(531) 26.04.22, 26.04.04, 26.04.24, 27.05.24
(511) 8, 11, 21

(260) AM 2014 75402 A
(210) AM 75402
(220) 2014 01 10
(731) LTD "PREMIUM SUPPLIES"
Tseretlis gamz. 55, 0112 Tbilisi, Georgia
(740) Davit Menteshashvili
(540)



(591) Black, golden
(531) 27.05.24, 28.19, 29.01.12, 24.01.15, 24.01.25,
24.09.07, 26.04.24, 26.04.22,
(511) 29, 30, 31

(260) AM 2014 75428 A
(210) AM 75428
(220) 2014 01 14
(731) LTD "VACHNADZIANIS VELI"
D. Guramishvilis q. №13, 1500 Gurjaani,
Georgia
(740) Eter Tavtetrashvili
(540)



(591) Cream, light brown, black
(531) 05.07.10, 05.13.06, 19.09.01, 19.09.02,
25.01.19, 28.19, 29.01.13
(526) – The trademark is protected as a whole. The
words „ვახნაძიანის ველი“ and "VACHNADZIA-
NI VELLE" included therein shall not be subject
to independent legal protection.
(511) 33

(260) AM 2014 75465 A
(210) AM 75465
(220) 2014 01 16
(731) MERCK SHARP & DOHME CORP.

One Merck Drive, Whitehouse Station,
New Jersey 08889, USA

(740) Tamaz Shilakadze
(540)

VIMASCEND

(511) 5

(260) AM 2014 75483 A
(210) AM 75483
(220) 2014 01 17
(731) LTD "MEGHVINEOBA KHAREBA"
Davit Aghmasheneblis kheivani me-6 km.,
0131, Tbilisi, Georgia
(540)

ხარება Хареба Khareba

(511) 1, 2, 3, 4, 5, 6, 7, 8, 9, 10, 11, 12, 13, 14, 15,
16, 17, 18, 19, 20, 21, 22, 23, 24, 25, 26, 27,
28, 29, 30, 31, 32, 34

(260) AM 2014 75487 A
(210) AM 75487
(220) 2014 01 17
(731) LTD "PCHOLA"
Eristavis q. №2, Tbilisi, Georgia
(740) Irma Babunashvili
(540)



(591) Black, white, green, yellow
(531) 01.15.15, 05.07.02, 26.01.15, 26.01.21,
27.05.24, 28.05, 29.01.14
(511) 1

(260) AM 2014 75573 A
(210) AM 75573
(220) 2014 01 21
(731) AHI (Avacare International)
Grand Baie Coeur de Ville, 4th Floor, La
Salette Road, Grand Baie, Mauritius
(740) Shalva Gvaramadze
(540)

avacarehealth 

(591) White, grey, terra-cotta
 (531) 24.13.01, 26.01.16, 27.05.05, 29.01.13
 (511) 1, 5, 10

(260) AM 2014 75574 A
 (210) AM 75574
 (220) 2014 01 21
 (731) AHI (Avacare International)
 Grand Baie Coeur de Ville, 4th Floor,
 La Salette Road, Grand Baie, Mauritius
 (740) Shalva Gvaramadze
 (540)



(591) Yellow, black
 (531) 26.04.07, 26.04.22, 26.04.24, 27.05.24,
 27.07.24, 26.04.04, 29.01.12
 (511) 1, 5, 10

(260) AM 2014 75802 A
 (210) AM 75802
 (220) 2014 02 07
 (731) LTD "PALAVANI"
 Shindisis gzatketsili №19, 1400 Gori,
 Georgia
 (740) Zviadi Gachechiladze
 (540)



(591) Black, white
 (531) 02.01.01, 05.07.10, 25.01.19, 25.01.13,
 26.11.08, 27.05.11, 27.07.01
 (526) – The trademark is protected as a whole. The
 words "1954 WINNERY & VINEYARDS" included
 therein shall not be subject to independent legal
 protection.
 (511) 33

(260) AM 2014 75837 A
 (210) AM 75837
 (220) 2014 02 10
 (731) LTD "GVMT Group"
 Isani-Samgoris raioni, Krtsanisis me-2
 gas. №11, 0114, Tbilisi, Georgia
 (540)

Голд Тбилиси
Gold Tbilisi

(526) – The trademark is protected as a whole. The
 words "Тбилиси", "Tbilisi" included therein shall
 not be subject to independent legal protection.
 (511) 33

(260) AM 2014 75867 A
 (210) AM 75867
 (220) 2014 02 11
 (731) DISCOVERY COMMUNICATIONS, LLC.
 One Discovery Place, Silver Spring, Maryland
 20910, USA
 (740) Davit Zurabishvili
 (540)

IDXTRA

(511) 9, 38, 41

(260) AM 2014 75868 A
 (210) AM 75868
 (220) 2014 02 12
 (731) LTD "NOVATOR PHARMA"
 Sop. Irganchai, 1707, Dmanisis raioni,
 Georgia
 (540)

VENOLAST

(511) 5

(260) AM 2014 75869 A
 (210) AM 75869
 (220) 2014 02 12
 (731) LTD "NOVATOR PHARMA"
 Sop. Irganchai, 1707, Dmanisis raioni,
 Georgia
 (540)

KSINOCART

(511) 5

(260) AM 2014 75870 A
 (210) AM 75870
 (220) 2014 02 12
 (731) LTD "ORNADO MEDICINE"
 Sop. Irganchai, 1707, Dmanisis raioni,
 Georgia
 (540)

SALUTEM

(511) 5

(260) AM 2014 75885 A
 (210) AM 75885
 (220) 2014 02 12
 (731) LTD "SAERTASHORISO KORPORATSIA
 AI SI AR"
 Davit Aghmasheneblis gamz. 173, 0112,
 Tbilisi, Georgia

(740) Tinatin Narimanidze
(540)



(591) Brown and white
(531) 25.01.10, 26.01.20, 27.05.04, 29.01.07
(511) 43

(260) AM 2014 76030 A
(210) AM 76030
(220) 2014 02 24
(731) VISA INTERNATIONAL SERVICE
ASSOCIATION
900 Metro Center Boulevard, Foster City,
California 94404, USA
(740) Giorgi Meipariani
(540)

**ყველგან, სადაც ყოფნა
გსურთ**

(511) 36

(260) AM 2014 76033 A
(210) AM 76033
(220) 2014 02 24
(731) HERBARIUM LABORATÓRIO BOTÂNICO
LTDA
Av. Santos Dumont, 1100, Roça Grande,
Colombo, PR, Brazil
(740) Pavle Meipariani
(540)

IMUNOMAX

(511) 5

(260) AM 2014 76035 A
(210) AM 76035
(220) 2014 02 24
(731) KENDA RUBBER INDUSTRIAL CO., LTD.
No:146, Sector 1, Chung Shan Road, Yuanlin
Township, Changhua County, Taiwan,
Province of China
(740) Pavle Meipariani
(540)

ACENDA

(511) 12

(260) AM 2014 76058 A
(210) AM 76058
(220) 2014 02 25
(731) CROSSCARE LIMITED
Broomhill Road, Tallaght, Dublin 24, Ireland
(740) Giorgi Meipariani
(540)

COLIEF

(511) 5

(260) AM 2014 76060 A
(210) AM 76060
(220) 2014 02 25
(731) CROSSCARE LIMITED
Broomhill Road, Tallaght, Dublin 24, Ireland
(740) Giorgi Meipariani
(540)

კოლიფი

(511) 5

(260) AM 2014 76087 A
(210) AM 76087
(220) 2014 02 26
(731) HONGTA TOBACCO (GROUP) CO., LTD
Hongta Avenue No:118, Hongta District,
Yuxi, Yunnan
(740) Vakhtang Torotadze
(540)

Hongtashan

(591) Black
(531) 27.05.19
(511) 34

(260) AM 2014 76089 A
(210) AM 76089
(220) 2014 02 26
(731) HONGTA TOBACCO (GROUP) CO., LTD
Hongta Avenue No:118, Hongta District,
Yuxi, Yunnan
(740) Vakhtang Torotadze
(540)

玉漠

(591) Black
(531) 28.03
(511) 34

(260) AM 2014 76239 A
 (210) AM 76239
 (220) 2014 03 13
 (731) TOYOTA JIDOSHA KABUSHIKI KAISHA
 (also trading as Toyota Motor Corporation)
 1, Toyota-cho, Toyota-shi, Aichi-ken, Japan
 (740) Tamar Kochlamazashvili
 (540)

LEXUS

(511) 35

(260) AM 2014 76261 A
 (210) AM 76261
 (220) 2014 03 14
 (731) HARRINGTON DEVELOPMENT INC.
 Elivira Mendez Street, Valerino Bldg, 3rd
 Floor, Panama, Panama
 (740) Givi Akopashvili
 (540)

VERSUS

(511) 34

(260) AM 2014 76403 A
 (210) AM 76403
 (220) 2014 03 25
 (731) YILDIZ ENTEGRE AGAC SANAYI VE
 TICARET ANONIM ŞİRKETİ
 Organize Sanayi Bolgesi No: 5,
 Arslanbey/Kocaeli 41285, Turkey
 (740) Vakhtang Torotadze
 (540)

Variokapak

(511) 19, 20, 35

(260) AM 2014 76405 A
 (210) AM 76405
 (220) 2014 03 25
 (731) YILDIZ ENTEGRE AGAC SANAYI VE
 TICARET ANONIM ŞİRKETİ
 Organize Sanayi Bolgesi No: 5,
 Arslanbey/Kocaeli 41285, Turkey
 (740) Vakhtang Torotadze
 (540)

Variosuntalam

(511) 19, 20, 35

(260) AM 2014 76406 A
 (210) AM 76406
 (220) 2014 03 25
 (731) YILDIZ ENTEGRE AGAC SANAYI VE
 TICARET ANONIM ŞİRKETİ
 Organize Sanayi Bolgesi No: 5,
 Arslanbey/Kocaeli 41285, Turkey

(740) Vakhtang Torotadze
 (540)

Variopan

(511) 19, 20, 35

(260) AM 2014 76408 A
 (210) AM 76408
 (220) 2014 03 25
 (731) YILDIZ ENTEGRE AGAC SANAYI VE
 TICARET ANONIM ŞİRKETİ
 Organize Sanayi Bolgesi No: 5,
 Arslanbey/Kocaeli 41285, Turkey
 (740) Vakhtang Torotadze
 (540)

Variolam

(511) 19, 20, 35

(260) AM 2014 76413 A
 (210) AM 76413
 (220) 2014 03 25
 (731) YILDIZ ENTEGRE AGAC SANAYI VE
 TICARET ANONIM ŞİRKETİ
 Organize Sanayi Bolgesi No: 5,
 Arslanbey/Kocaeli 41285, Turkey
 (740) Vakhtang Torotadze
 (540)

Varioprint

(511) 19, 20, 35

(260) AM 2014 76417 A
 (210) AM 76417
 (220) 2014 03 25
 (731) YILDIZ ENTEGRE AGAC SANAYI VE
 TICARET ANONIM ŞİRKETİ
 Organize Sanayi Bolgesi No: 5,
 Arslanbey/Kocaeli 41285, Turkey
 (740) Vakhtang Torotadze
 (540)

Varioclic

(511) 19, 20, 35

(260) AM 2014 76462 A
 (210) AM 76462
 (220) 2014 03 28
 (731) WORLD MEDICINE İLAÇLARI LİMİTED
 ŞİRKETİ.
 EVREN MAH. CAMİYOLU CAD. NO:50
 K:2, GÜNEŞLİ, BAĞCILAR, İSTANBUL,
 Turkey
 (740) Ketevan Tsakadze
 (540)

PROTECTA

(511) 5

(260) AM 2014 76584 A

(210) AM 76584

(220) 2014 04 04

(731) POZNAŃSKIE ZAKŁADY ZIELARSKIE
HERBAPOL S.A.

ul. Towarowa 47/51, 61-896 poznani, Poland

(740) Khatuna Imnadze

(540)

Силивит Макс
Sylivit Max
სილივიტ მაქსი

(511) 5, 30

(260) AM 2014 76602 A

(210) AM 76602

(220) 2014 04 07

(731) Vakhtang Kasradze

Maiakovskis q. N49, b.19., q. Omski,
644010, Russian Federation

(740) Tamar Kochlamazashvili

(540)



(591) Light green, white, brown

(531) 29.01.12, 27.01.25, 26.13.25

(526) – The trademark is protected as a whole. The words "Bubble Tea" included therein shall not be subject to independent legal protection.

(511) 32, 35, 43

(260) AM 2014 76726 A

(210) AM 76726

(220) 2014 04 16

(731) LTD "REDMONDI"

Sverdlovsk sanap. shenoba 44, Literi B,
Sankt-Peterburgi, 195027, Russian
Federation

(740) Tina Chalauri

(540)

MULTIPOVAR

(511) 11

(260) AM 2014 76810 A

(210) AM 76810

(220) 2014 04 25

(731) LTD "ARQITEQTORI GAMOMGONEBLEBI"

I. Chavchavadzis gamz. 53a, b. 19, 0179,

Tbilisi, Georgia

(740) Giorgi Taktakishvili

(540)

Architects of Invention

(511) 42

(260) AM 2014 76863 A

(210) AM 76863

(220) 2014 04 29

(731) LTD "RESTORANI MAMA-PAPURI"

Shorapnis q. №23, 0144, Tbilisi, Georgia

(540)

მამა-პაპური

(511) 43

(260) AM 2014 77340 A

(210) AM 77340

(220) 2014 05 30

(731) LTD "EI-BI-SI PHARMATSIA"

Sanapiros q. 10, 0108, Tbilisi, Georgia

(740) Salome Jeladze

(540)

RELIFE**რელიფი**

(591) Black, white

(511) 5

REGISTERED TRADEMARKS

(111) M 2014 025460 R
(151) 2014 12 09
(181) 2024 12 09
(260) AM 2014 67747 A
(220) 2013 04 09
(732) Ioseb Boglotsishvili
Gogolis q. №3, 0164, Tbilisi, Georgia

(111) M 2014 025461 R
(151) 2014 12 09
(181) 2024 12 09
(260) AM 2014 71623 A
(220) 2013 04 02
(732) GENERAL MOTORS LLC
300 Renaissance Center, City of Detroit, State
of Michigan 48265-3000, USA

(111) M 2014 025462 R
(151) 2014 12 09
(181) 2024 12 09
(260) AM 2014 71624 A
(220) 2013 04 02
(732) GENERAL MOTORS LLC
300 Renaissance Center, City of Detroit, State
of Michigan 48265-3000, USA

(111) M 2014 025463 R
(151) 2014 12 09
(181) 2024 12 09
(260) AM 2014 72309 A
(220) 2013 05 21
(732) LTD "SANTREIDI"
Varketili-3, III a m/r, korp. 340, b. 8, 0163,
Tbilisi, Georgia

(111) M 2014 025464 R
(151) 2014 12 09
(181) 2024 12 09
(260) AM 2014 74646 A
(220) 2013 11 06
(732) EDELWEISS GMBH & CO.KG
Oberstdorfer Strasse 7, 87435 Kempten,
Germany

(111) M 2014 025465 R
(151) 2014 12 09
(181) 2024 12 09
(260) AM 2014 73039 A
(220) 2013 07 09

(732) LTD "MODERNRUPINGI"
Ak. Tseretlis gamz. 118, 0119, Tbilisi,
Georgia

(111) M 2014 025466 R
(151) 2014 12 09
(181) 2024 12 09
(260) AM 2014 73104 A
(220) 2013 07 15
(732) KENTUCKY FRIED CHICKEN
INTERNATIONAL HOLDINGS, INC.
1441 Gardiner Lane, Louisville, Kentucky,
40213, USA

(111) M 2014 025467 R
(151) 2014 12 09
(181) 2024 12 09
(260) AM 2014 73106 A
(220) 2013 07 15
(732) PIZZA HUT INTERNATIONAL L.L.C.
(a Delaware limited liability company)
7100 Corporate Drive, Plano, Texas, 75024,
USA

(111) M 2014 025468 R
(151) 2014 12 09
(181) 2024 12 09
(260) AM 2014 73511 A
(220) 2013 08 13
(732) TACO BELL CORP. CALIFORNIA
KORPORATION
1 Glen Bell Way, Irvine, California, 92618, USA

(111) M 2014 025469 R
(151) 2014 12 09
(181) 2024 12 09
(260) AM 2014 73698 A
(220) 2013 08 26
(732) LTD "GRAND CANDY"
Peikrebis q. 12, 0141, Tbilisi, Georgia

(111) M 2014 025470 R
(151) 2014 12 09
(181) 2024 12 09
(260) AM 2014 73733 A
(220) 2013 08 29
(732) CANTERBURY LIMITED
8 Manchester Square, London, W1U 3PH,
United Kingdom

(111) M 2014 025471 R
(151) 2014 12 09
(181) 2024 12 09
(260) AM 2014 73761 A
(220) 2013 08 30
(732) LTD "MAGTIVINI"
Davit Agmasheneblis gamz. №119, 0164,
Tbilisi, Georgia

(111) M 2014 025472 R
(151) 2014 12 09
(181) 2024 12 09
(260) AM 2014 73911 A
(220) 2013 09 11
(732) DOMINO'S IP HOLDER LLC
24 Frank Lloyd Wright Drive, P.O. Box 485,
Ann Arbor, Michigan 48106, USA

(111) M 2014 025473 R
(151) 2014 12 09
(181) 2024 12 09
(260) AM 2014 73912 A
(220) 2013 09 11
(732) DOMINO'S IP HOLDER LLC
24 Frank Lloyd Wright Drive, P.O. Box 485,
Ann Arbor, Michigan 48106, USA

(111) M 2014 025474 R
(151) 2014 12 09
(181) 2024 12 09
(260) AM 2014 73921 A
(220) 2013 09 13
(732) GAP (ITM) Inc.
2 Folsom Street, San Francisco, CA 94105,
USA

(111) M 2014 025475 R
(151) 2014 12 09
(181) 2024 12 09
(260) AM 2014 74065 A
(220) 2013 09 30
(732) LTD "VAZI-1"
Sop. Tserovani, 3318, Mtskheta, Georgia

(111) M 2014 025476 R
(151) 2014 12 09
(181) 2024 12 09
(260) AM 2014 74085 A
(220) 2013 09 30
(732) OMNICOM INTERNATIONAL
HOLDINGS INC.
720 California Street, San Francisco,
California 94108, USA

(111) M 2014 025477 R
(151) 2014 12 09
(181) 2024 12 09
(260) AM 2014 74159 A
(220) 2013 12 03
(732) Zaur Beruashvili
Varketili 3, me-3 m/r-ni, korp. 310, b. 99,
0163, Tbilisi, Georgia

(111) M 2014 025478 R
(151) 2014 12 09
(181) 2024 12 09
(260) AM 2014 74167 A
(220) 2013 10 02
(732) LTD "BARAMBO"
Sop. Natakhtari, 3308, Mtskheta, Georgia

(111) M 2014 025479 R
(151) 2014 12 09
(181) 2024 12 09
(260) AM 2014 74168 A
(220) 2013 10 02
(732) LTD "BARAMBO"
Sop. Natakhtari, 3308, Mtskheta, Georgia

(111) M 2014 025480 R
(151) 2014 12 09
(181) 2024 12 09
(260) AM 2014 74242 A
(220) 2013 10 08
(732) LTD "ALKO TREIDI"
Dzveli Tbilisis raioni, N. Izashvilis q. 7,
Tbilisi, Georgia

(111) M 2014 025481 R
(151) 2014 12 09
(181) 2024 12 09
(260) AM 2014 74243 A
(220) 2013 10 08
(732) LTD "RUSSIAN ALCOHOL"
M. Tsinamdzgvishvilis q. №118, 0164,
Tbilisi, Georgia

(111) M 2014 025482 R
(151) 2014 12 09
(181) 2024 12 09
(260) AM 2014 74244 A
(220) 2013 10 08
(732) LTD "RUSSIAN ALCOHOL"
M. Tsinamdzgvishvilis q. №118, 0164,
Tbilisi, Georgia

(111) M 2014 025483 R
(151) 2014 12 09
(181) 2024 12 09
(260) AM 2014 74246 A
(220) 2013 10 08
(732) LTD "RUSSIAN ALCOHOL"
M. Tsinamdzgvrishvilis q. №118, 0164,
Tbilisi, Georgia

(111) M 2014 025484 R
(151) 2014 12 09
(181) 2024 12 09
(260) AM 2014 74304 A
(220) 2013 10 10
(732) Obshestvo s Ogranichennoi Otvetstvennostiu
"Koordiniroiushi raspredelitelni centr
"EFKO-Kaskad"
ul. Phrunze, d.4, g. Alekseevka, 309850,
Belgorodskaia oblast, Russian Federation

(111) M 2014 025485 R
(151) 2014 12 09
(181) 2024 12 09
(260) AM 2014 74305 A
(220) 2013 10 10
(732) Obshestvo s Ogranichennoi Otvetstvennostiu
"Koordiniroiushi raspredelitelni centr
"EFKO-Kaskad"
ul. Phrunze, d.4, g. Alekseevka, 309850,
Belgorodskaia oblast, Russian Federation

(111) M 2014 025486 R
(151) 2014 12 09
(181) 2024 12 09
(260) AM 2014 74306 A
(220) 2013 10 10
(732) Obshestvo s Ogranichennoi Otvetstvennostiu
"Koordiniroiushi raspredelitelni centr
"EFKO-Kaskad"
ul. Phrunze, d.4, g. Alekseevka, 309850,
Belgorodskaia oblast, Russian Federation

(111) M 2014 025487 R
(151) 2014 12 09
(181) 2024 12 09
(260) AM 2014 74528 A
(220) 2013 10 29
(732) TEAVANA CORPORATION, A GEORGIA
STATE CORPORATION
3630 Peachtree Road NE, Suite 1480,
Atlanta, Georgia 30326, USA

(111) M 2014 025488 R
(151) 2014 12 09
(181) 2024 12 09

(260) AM 2014 74529 A
(220) 2013 10 29
(732) TEAVANA CORPORATION, A GEORGIA
STATE CORPORATION
3630 Peachtree Road NE, Suite 1480, Atlanta,
Georgia 30326, USA

(111) M 2014 025489 R
(151) 2014 12 09
(181) 2024 12 09
(260) AM 2014 74544 A
(220) 2013 10 30
(732) ELJI LAIF SAIENSIZ LTD
58, saemunan-ro, chonogu, seuli (koreis
respublika), Republic of Korea

(111) M 2014 025490 R
(151) 2014 12 09
(181) 2024 12 09
(260) AM 2014 74720 A
(220) 2013 11 12
(732) LTD "SADAZGVEVO KOMPANIA
UNISONI"
Budapeshtis q. 15, 0160, Tbilisi, Georgia

(111) M 2014 025491 R
(151) 2014 12 10
(181) 2024 12 10
(260) –
(220) 2014 09 22
(732) APPLE, INC.
1, Infinite Loop, Cupertino, California 95014,
USA

(111) M 2014 025498 R
(151) 2014 12 12
(181) 2024 12 12
(260) AM 2014 73154 A
(220) 2013 07 22
(732) LTD "WORLD MEDICINE"
Berbutis q. №10/ Almasianis q. №19/21
(bloki II), b. №26 bloki II, 0171, Tbilisi,
Georgia

(111) M 2014 025499 R
(151) 2014 12 12
(181) 2024 12 12
(260) AM 2014 73155 A
(220) 2013 07 22
(732) LTD "WORLD MEDICINE"
Berbutis q. №10/ Almasianis q. №19/21
(bloki II), b. №26 bloki II, 0171, Tbilisi,
Georgia

(111) M 2014 025500 R (151) 2014 12 12 (181) 2024 12 12 (260) AM 2014 73156 A (220) 2013 07 22 (732) LTD "WORLD MEDICINE" Berbutis q. №10/ Almasianis q. №19/21 (bloki II), b. №26 bloki II, 0171, Tbilisi, Georgia	İHRACAT VE TİCARET ANONİM ŞİRKETİ Aso 1. rganize Sanayi Bölgesi, Kirim Hanlığı Caddesi N17, Ayaş Karayolu 25. Km, Sincan- Ankara, Turkey
(111) M 2014 025501 R (151) 2014 12 12 (181) 2024 12 12 (260) AM 2014 73157 A (220) 2013 07 22 (732) LTD "WORLD MEDICINE" Berbutis q. №10/ Almasianis q. №19/21 (bloki II), b. №26 bloki II, 0171, Tbilisi, Georgia	(111) M 2014 025506 R (151) 2014 12 12 (181) 2024 12 12 (260) AM 2014 74324 A (220) 2013 10 11 (732) SALWA MATAR GENERAL TRADING CO (L.L.C.) P.O. Box: 40806, Dubai, United Arab Emirates
(111) M 2014 025502 R (151) 2014 12 12 (181) 2024 12 12 (260) AM 2014 73158 A (220) 2013 07 22 (732) LTD "WORLD MEDICINE" Berbutis q. №10/ Almasianis q. №19/21 (bloki II), b. №26 bloki II, 0171, Tbilisi, Georgia	(111) M 2014 025507 R (151) 2014 12 12 (181) 2024 12 12 (260) AM 2014 74325 A (220) 2013 10 11 (732) EYAD ABDULAH MASHAT P.O. Box 48188, Jaddah 21572, Fad Int. Building, Mohammed Albakri Street, Alandalus Dist. Jeddah, Saudi Arabia
(111) M 2014 025503 R (151) 2014 12 12 (181) 2024 12 12 (260) AM 2014 73722 A (220) 2013 08 29 (732) BOUTIQUE ISTORE CANADA INC. 3981 boul. Saint-Laurent, Suite 300, Montreal, Quebec H2W 1Y5, Canada	(111) M 2014 025508 R (151) 2014 12 12 (181) 2024 12 12 (260) AM 2014 74351 A (220) 2013 10 16 (732) FASHION ONE TELEVISION LLC. 820 Meridian Ave, Suite 100, 33139 Miami Beach, Florida, USA
(111) M 2014 025504 R (151) 2014 12 12 (181) 2024 12 12 (260) AM 2014 73951 A (220) 2013 09 18 (732) LTD "WORLD MEDICINE" Berbutis q. №10/ Almasianis q. №19/21 (bloki II), b. №26 bloki II, 0171, Tbilisi, Georgia	
(111) M 2014 025505 R (151) 2014 12 12 (181) 2024 12 12 (260) AM 2014 74101 A (220) 2013 09 30 (732) TERMİKEL MADENİ EŞYA SANAYİ	

TRADEMARKS REGISTERED ACCORDING TO THE ACCELERATED PROCEDURE

The decision can be appealed at the Chamber of Appeal of Sakpatenti within 3 months from the publication.

(111) M 2014 25458 R
(151) 2014 12 04
(181) 2024 12 04
(210) AM 79502
(220) 2014 11 17
(732) Zaza Krikheli
Tverskoy Bulvar, dom. 9, kvartira 18,
Moscow, Russian Federation
(540)



(591) Straw-coloured, black
(531) 25.01.25-26.13.25-26.01.21-27.01.12-
29.01.12-
(511) 33

(111) M 2014 25459 R
(151) 2014 12 08
(181) 2024 12 08
(210) AM 79572
(220) 2014 11 20
(732) LTD "MODERN TECHNICS XXI"
Svishevskis q. 166/3, 6000, Batumi, Georgia
(540)



(591) Blue, yellow
(531) 05.13.08-24.09.07-26.01.21-27.01.12-
27.05.21-29.01.12-
(526) – The trademark is protected as a whole. The
words "ROYAL" and "ORIGINAL" included the-
rein shall not be subject to independent legal pro-
tection.
(511) 7

(111) M 2014 25492 R
(151) 2014 12 10
(181) 2024 12 10
(210) AM 79617
(220) 2014 11 24
(732) LTD "Somet Medical Supply/Somet (SMS)"
Besikis q. 4-is mimdebared, 0108, Tbilisi,
Georgia
(740) Tamar Tkemaladze
(540)

სომეთ მედიკალ საფლაი/სომეტი (სმს)
Somet Medical Supply/Somet (SMS)
Сомет медикал саплаи/Сомет (СМС)

(591) Black, white
(531) 27.05.05-28.05.00-28.19.00-
(511) 10, 35

(111) M 2014 25493 R
(151) 2014 12 11
(181) 2024 12 11
(210) AM 79664
(220) 2014 11 25
(732) LTD "Caucasus Online"
Vazha-Pshavelas gamz. 71, 0186, Tbilisi,
Georgia
(740) Tamar Kharazishvili
(540)

კავკასუს ონლაინი
Caucasus Online
Кавкасус Онлайн

(591) Black, white
(531) 27.05.05-28.05.00-28.19.00-
(511) 9, 38, 42, 45

(111) M 2014 25494 R
(151) 2014 12 11
(181) 2024 12 11
(210) AM 79665
(220) 2014 11 26
(732) LTD "Caucasus Online"
Vazha-Pshavelas gamz. 71, 0186, Tbilisi,
Georgia
(740) Tamar Kharazishvili

(540)



(591) White, red

(531) 26.01.01-26.01.03-26.04.10-26.11.12-29.01.12-

(511) 9, 38, 42, 45

(111) M 2014 25495 R

(151) 2014 12 11

(181) 2024 12 11

(210) AM 79730

(220) 2014 12 02

(732) KASIRGA IC VE DIS TICARET A.S.

Incilipinar Mah. Ali Fuat Cebesoy Bulvari:35

Kat:1/2 Sehitkamil/Gaziantep/, Turkey

(740) George Taktakishvili

(540)



(591) Red, blue, grey

(531) 01.15.05-26.04.24-27.05.24-29.01.13-

(511) 32

(111) M 2014 25496 R

(151) 2014 12 11

(181) 2024 12 11

(210) AM 79666

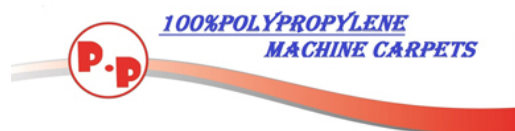
(220) 2014 11 26

(732) LTD "AIDIN CARPET"

Sop. Karajala, 2200, Telavi, Georgia

(740) Sophio Khutchua

(540)



(591) Red, blue

(531) 26.11.18-26.11.08-26.11.12-27.05.11-27.05.21-29.01.14-

(526) – The trademark is protected as a whole. The words "100% POLYPROPYLENE MACHINE CARPETS" included therein shall not be subject to independent legal protection.

(511) 27

(111) M 2014 25497 R

(151) 2014 12 12

(181) 2024 12 12

(210) AM 79606

(220) 2014 11 21

(732) Iadon Kapanadze

Gedevanishvili q. 10, 3300, Mtskheta

Georgia

(540)

Yelli

(591) Black, white

(511) 33

(111) M 2014 25509 R

(151) 2014 12 18

(181) 2024 12 18

(210) AM 79724

(220) 2014 12 01

(732) JSC "TBS BANK"

Marjanishvili q. 7, 0102, Tbilisi, Georgia

(740) George Gogshelidze

(540)



(591) White, blue

(531) 26.03.03-27.05.05-28.19.00-29.01.04-

(511) 36

(111) M 2014 25510 R

(151) 2014 12 19

(181) 2024 12 19

(210) AM 79650

(220) 2014 11 25

(732) LTD "HAIDELBERGTSEMENT

CAUCASUSI"

Lermontovis q. №18, 0105, Tbilisi, Georgia

(740) George Taktakishvili

(540)



(591) Green, straw-coloured

(531) 19.01.11-26.04.09-29.01.12-

(511) 19, 37

(111) M 2014 25529 R

(151) 2014 12 19

(181) 2024 12 19

(210) AM 79839

(220) 2014 12 08
 (732) LTD "GAS GEORGIA"
 Varketilis me-3 mas., Zemo plato, me-10
 korp., b. 139, 0163, Tbilisi, Georgia
 (540)



(591) White, green
 (531) 26.04.02-26.04.22-26.04.24-27.05.24-
 29.01.12-
 (526) – The trademark is protected as a whole. The
 words "GAS" and "GEORGIA" included therein
 shall not be subject to independent legal protection
 (511) 4, 35, 37

(111) M 2014 25530 R
 (151) 2014 12 22
 (181) 2024 12 22
 (210) AM 79703
 (220) 2014 11 28
 (732) LTD "MIKROSAPINANSO
 ORGANIZATSIA KREDO"
 Asatianis q. 9, 0177, Tbilisi, Georgia
 (740) Tea Parunashvili
 (540)



(591) Orange, sky-blue, white, grey
 (531) 24.15.13-26.15.01-28.19.00-29.01.12-
 (511) 1, 5, 9, 11, 12, 14, 16, 20, 22, 25, 29, 30, 31,
 35, 36, 39, 41, 42, 44

(111) M 2014 25531 R
 (151) 2014 12 22
 (181) 2024 12 22
 (210) AM 79704
 (220) 2014 12 01
 (732) LTD "MIKROSAPINANSO
 ORGANIZATSIA KREDO"
 Asatianis q. 9, 0177, Tbilisi, Georgia
 (740) Tea Parunashvili
 (540)



(591) Orange, sky-blue, white, grey
 (531) 24.15.13-26.15.01-28.05.00-29.01.12-
 (511) 1, 5, 9, 11, 12, 14, 16, 20, 22, 25, 29, 30,
 31, 35, 36, 39, 41, 42, 44

(111) M 2014 25532 R
 (151) 2014 12 22
 (181) 2024 12 22
 (210) AM 79785
 (220) 2014 12 04
 (732) SCHÄRF COFFEESHOP GMBH.
 Dr. Alexander Schärf Platz 1, 7100 Neusiedl
 am See, Austria
 (740) George Taktakishvili
 (540)



(591) Straw-coloured, black
 (531) 27.05.10-27.05.11-17.05.22-29.01.12-
 (526) – The trademark is protected as a whole. The
 words "VIENNA", "COFFEESHOP", "COMPANY"
 and "COFFEE" included therein shall not be subject
 to independent legal protection
 (511) 30, 43

INTERNATIONAL TRADEMARKS FOR WHICH A DECISION ON GRANTING PROTECTIONS IS TAKEN

The decision can be appealed at the Chamber of Appeal of Sakpatenti within 3 months from the publication or at the Mtskheta District Court Administrative Cases Board (Address: №17, Samkhedro str., Mtskheta), within 1 month following the publication.

(260) AM 72500 A*

(800) 1095003

(731) HYUNDAI HEAVY INDUSTRIES CO. LTD.

1, Jeonha-Dong, Dong-Ku, Ulsan, 682-792, Republic of Korea

(540)



(591) Green, yellow and blue

(511)

12 – Tractors; fork lift trucks; tractors for agricultural purposes; passenger ships; drillship; oil ships, namely, oil tankers; container ships; cargo ships.

(260) AM 72937 A*

(800) 1163329

(731) ADAMA Registrations B.V.

Arnhemseweg 87, P.O. Box 205, NL-3830 AE Leusden, Netherlands

(540)

KESTREL

(591) Black, white

(511)

5 – Pesticides, insecticides, herbicides and fungicides.

(260) AM 2014 73193 A

(800) 1165890

(151) 2013 04 25

(731) COSENTINO. S.A.U.

Ctra. A-334, Km. 59, E-04850 Cantoria (Almeria), Spain

(540)



(591) Blue and gray

(511)

19 – Coatings (not of metal) for facades, walls and floors; bath tiles, building materials not of metal; rigid pipes, not of metal [for building]; asphalt, pitch and bitumen; transportable buildings, not of metal;

onuments, not of metal; marble, silica (quartz), glass (construction); xylolith, gypsum, stone, slate, granite, sandstone, concrete, brick, ballast, limestone, lime, rock crystal, quartz, asbestos (cement of), clay, ceramic, alabaster.

(260) AM 73259 A*

(800) 1167184

(731) AKTSIONERNO DROUJESTVO

"BULGARTABAC HOLDING"

"Graf Ignatiev" Str. 62, BG-1000 SOFIA,

Bulgaria

(540)

THE HOUSE OF PREMIUM TOBACCO

(591) Black, white

(511)

34 – Tobacco; smokers' articles; matches; cigarettes, cigars; cigarillos; lighters for smokers; tobacco-raw, manipulated or processed; tobacco products; cigarette filters; cigarette paper; ashtrays for smokers.

35 – office functions; publication of publicity texts; radio advertising; advertising through posters; distribution of samples, models, patterns; dissemination of advertising matters; sales advertising; advertising agencies; TV advertisements; administrative activities and services for management of domestic and international commercial transactions; consultations connected with the business management; marketing surveys and researches; consulting services for business management; management of business or industrial enterprises assistance; support in business management; organization of exhibitions and fairs with commercial and advertising purposes; outdoor advertising with billboards; advertising services using outdoor posters, advertising panel and wall surfaces; demonstration of goods; preparation and publishing of advertisements through printed, audio, video, radio, television and electronic media; advertising through the global computer network; actualization of advertisement matters;

(260) AM 2014 73504 A

(800) 1169696

(151) 2013 01 24

(731) OBSHESTVO S OGRANITCHENNOI

OTVETSTVENNOSTYOU MIKSOLOGIST"

str. 1-2, dom.27, ul. Tverskya-Yamskya,
RU-117556 gor. Moskva, Russian Federation
(540)



(591) White, black and red
(511)

32 – Mineral and aerated waters and other non-alcoholic beverages; fruit beverages and fruit juices; syrups and other preparations for making beverages, including aperitifs, non-alcoholic; aerated water; lithia water; mineral water [beverages]; seltzer water; soda water; waters [beverages]; kvass [non-alcoholic beverage]; cocktails, non-alcoholic; lemonades; peanut milk [non-alcoholic beverage]; preparations for making liqueurs; non-alcoholic beverages; isotonic beverages; non-alcoholic honey-based beverages; whey beverages; aloe vera drinks, non-alcoholic; non-alcoholic fruit juice beverages; fruit nectars, non-alcoholic; orgeat; beer; ginger beer; malt beer; powders for effervescing beverages; sarsaparilla [soft drink]; syrups for lemonade; syrups for beverages; smoothie drinks based on fruit or vegetable mixtures; tomato juice [beverage]; cider, non-alcoholic; vegetable juices [beverages]; fruit juices; preparations for making aerated water; preparations for making mineral water; preparations for making beverages; must; grape must, unfermented; beer wort; malt wort; pastilles for effervescing beverages; sherbets [beverages]; non-alcoholic fruit extracts; extracts of hops for making beer; essences for making beverages.

33 – Alcoholic beverages (except beers), including aperitifs; arak [arrack]; brandy; wine; piquette; whiskey; vodka; anisette [liqueur]; kirsch; gin; digesters [liqueurs and spirits]; cocktails; curacao; liqueurs; anise [liqueur]; alcoholic beverages, except beer; alcoholic beverages containing fruit; spirits [beverages]; distilled beverages; hydromel; bitters; rum; sake; cider; perry; rice alcohol; alcoholic extracts; fruit extracts, alcoholic; alcoholic essences.

(260) AM 2014 73730 A
(800) 1171914
(151) 2013 03 25
(731) AKTSIONERNO DROUJESTVO
"BULGARTABAC-HOLDING" "Graf
Ignatiev"
Str. 62, BG-1000 SOFIA, Bulgaria
(540)



(591) Black, white
(511)

16 – Paper, cardboard and goods made from these materials, not included in other classes; printed matter; photographs; plastic materials for packaging (not included in other classes); paper and cardboard packages, especially cigarette packages; boxes of cardboard, wrappings and packages (stationery); packing paper, cigar bands; stationery; forms (printed); pamphlets; writing pads; placards of paper or cardboard; posters; decalcomanias; labels, not of textile; calendars; catalogues; folders (stationery); files (office requisites); bags (envelopes, pouches) of paper or plastics, for packaging.

32 – Beers; mineral and aerated waters and other non-alcoholic beverages; fruit beverages and fruit juices; syrups and other preparations for making beverages.

34 – Tobacco; smokers' articles; matches; cigarettes, cigars; cigarillos; lighters for smokers; tobacco-raw, manipulated or processed; tobacco products; cigarette filters; cigarette paper; ashtrays for smokers.

(260) AM 2014 74084 A
(800) 1174590
(151) 2013 01 29
(731) ALEN MAK BULGARIA COSMETICS
EOOD
123 "G.S. Rakovski" Str., 3rd floor, BG-1000
Sofia, Bulgaria
(540)



(591) Red and black.
(511)

3 – Bleaching preparations and other substances for laundry use; cleaning polishing, scouring and abrasive preparations; soaps; perfumery, essential oils, cosmetics, hair lotions; dentifrices; almond oil; almond soap; cosmetic dyes; hair dyes; mouth washes; toothpaste; make-up; mascara; deodorants for personal use; shampoos for pets; cosmetic kits; cream for leather; lotions for cosmetic purposes; after-shave lotions; cosmetic pencils; nail polish; nail vanish; eau de cologne; fabric softeners (for laundry use); hair colorants; shaving preparations; color-removing preparations; shaving soap; toilet water; lipstick; shampoos; children cosmetics; baby shampoos; baby lotions; cosmetics for medical purposes; medicated toothpaste with healing functions; all the above mentioned excluding products connected with cleaning and house cleaning.

(260) AM 2014 74338 A

(800) 1128193

(151) 2012 08 06

(891) 2013 07 04

(731) ELEVEN

50 rue Etienne Marcel, F-75002 PARIS,
France

(540)

ELEVEN PARIS

(591) Black, white

(511)

3 – Soap; perfumes; essential oils; cosmetics; hair lotions; cosmetic creams and cosmetic lotions for the face and body; make-up preparations; make-up removing preparations; beauty masks.

14 – Jewelry; jewelry products; precious stones; timepieces and chronometric instruments; precious metals and their alloys; jewelry cases [caskets]; boxes of precious metal; bracelets (jewelry), chains (jewelry); earrings; necklaces (jewelry); brooches (jewelry); rings (jewelry); key rings (trinkets or fobs); fashion jewelry; cases or presentation cases for timepieces.

18 – Leather and imitation leather; trunks and traveling bags; umbrellas; wallets; purses (coin purses); handbags, backpacks, shopping bags; bags or small bags (envelopes, pouches) of leather for packaging; key cases (leather goods); travel bags; beach bags; vanity cases (empty).

25 – Clothing; underwear; socks; tights; slippers; footwear; headgear; belts (clothing); furs (clothing); gloves (clothing); scarves, neckties; hosiery.

(260) AM 2014 74384 A

(800) 1177229

(151) 2013 07 11

(731) ADMIRAL MARKETS AS

Ahtri 6a, EE-10151 Tallinn, Estonia

(540)



(591) Light blue, dark blue and red

(511)

35 – Advertising; business management; office functions; computerized file management; compilation and systemization of information into computer databases, including by means of the Internet or any other data communications media; on-line advertising on a computer network; auctioneering; rental of advertising space.

36 – Financing services; financial consultancy; providing securities brokerage services; issue of tokens of value; exchanging money; investments, investment management; brokerage; none of the aforesaid services being hedge fund administration service.

41 – Education; providing of training, entertainment; sporting and cultural activities; teaching, tuition.

(260) AM 2014 74408 A

(800) 1177543

(151) 2013 08 09

(731) ORIFLAME COSMETICS S.A.

24, avenue Emile Reuter, L-2420
LUXEMBOURG, Luxembourg

(540)

ORIFLAME MANFUL

(591) Black, white

(511)

3 – Soaps, perfumery, essential oils, cosmetics, hair lotions; dentifrices.

(260) AM 2014 74409 A

(800) 1177545

(151) 2013 08 29

(731) JANSSEN PHARMACEUTICA NV

Turnhoutseweg 30, B-2340 BEERSE, Belgium

(540)

IMBRUVICA

(591) Black, white

(511)

5 – Human pharmaceutical preparations.

(260) AM 2014 74410 A

(800) 1177572

(151) 2013 07 09

(731) EGIS GYOGYSZERGYÁR Nyilvánosan

Működő Részvénytársaság

Kereszturi ut 30-38, H-1106 Budapest, Hungary

(540)

DABIGAN

(591) Black, white

(511)

5 – Pharmaceutical preparations for human use.

(260) AM 2014 74411 A

(800) 1177573

(151) 2013 07 09

(731) EGIS GYOGYSZERGYÁR Nyilvánosan

Működő Részvénytársaság

Kereszturi ut 30-38, H-1106 Budapest, Hungary

(540)

CLOTEGIS

(591) Black, white

(511)

5 – Pharmaceutical preparations for human use.

(260) AM 2014 74412 A
 (800) 1177574
 (151) 2013 07 09
 (731) EGIS GYOGYSZERGYÁR Nyilvánosan
 Működő Részvénytársaság
 Kereszturi ut 30-38, H-1106 Budapest,
 Hungary

(540)

BONAXON

(591) Black, white
 (511)
 5 – Pharmaceutical preparations for human use.

(260) AM 2014 74413 A
 (800) 1177575
 (151) 2013 09 04
 (731) RICHTER GEDEON NYRT.
 Gyömrői út 19-21, H-1103 Budapest, Hungary

(540)

PRUGLARYN

(591) Black, white
 (511)
 5 – Pharmaceutical preparations.

(260) AM 2014 74414 A
 (800) 1177576
 (151) 2013 07 09
 (731) EGIS GYOGYSZERGYÁR Nyilvánosan
 Működő Részvénytársaság
 Kereszturi ut 30-38, H-1106 Budapest,
 Hungary

(540)

ANTICLOT

(591) Black, white
 (511)
 5 – Pharmaceutical preparations for human use.

(260) AM 2014 74415 A
 (800) 1177577
 (151) 2013 07 09
 (731) EGIS GYOGYSZERGYÁR Nyilvánosan
 Működő Részvénytársaság
 Kereszturi ut 30-38, H-1106 Budapest,
 Hungary

(540)

EGIRUB

(591) Black, white
 (511)
 5 – Pharmaceutical preparations for human use.

(260) AM 2014 74416 A
 (800) 1177611
 (151) 2012 11 28

(731) BEIJING XIAOMI TECHNOLOGY CO.,
 LTD.
 2nd Floor, No. 2, Yong Jie North Road,
 Haidian District, Beijing, China

(540)



(591) Black, white

(511)

9 – Recorded computer software; monitors; mouse; printers, for use with computers; central processing units (CPU's); data processing equipment namely readers; scanners; downloadable mobile phone ring-tones; downloadable music files; downloadable image files; universal serial bus (USB) flash disks; counters; photographic, leetrostatic and thermic photocopiers; scales; portable telephones; GPS equipment (Terms Too Vague in the opinion of the International Bureau – Rule 13(2)(b) of the Common Regulations); mobile phone sirup (Terms Too Vague in the opinion of the International Bureau – Rule 13(2)(b) of the Common Regulations); loudspeakers; compact disc; camcorders; headset; portable media player; cameras; stereoscopes; telescopes; semi-conductors; wafers; integrated circuits; integrated circuit chips; electric theft prevention installations; battery chargers; chargers for electric batteries; galvanic cells; portable computer; animated cartoons.

35 – Public relations; economic forecasting; business management of hotels; price comparison services; rental of vending machines; shorthand; compilation of statistics; telephone answering for unavailable subscribers; on-line advertising on a computer network; marketing sales (Terms Too Vague in the opinion of the International Bureau – Rule 13(2)(b) of the Common Regulations); business investigations; organization of exhibitions for commercial or advertising purposes; business information; organization of trade fairs for commercial or advertising purposes; commercial administration of the licensing of the goods and services of others; outsourcing services; commercial information and advice for consumers; advertising; dissemination of advertising matter; rental of advertising space.

38 – Radio broadcasting; digital files transmission; communications by fiber optic networks; digital greeting cards transmission; communications by telephone; electronic mail; rental telephone apparatus; rental of message sending apparatus; providing telecommunication channels for teleshopping services; computer aided transmission of messages and images; information about telecommunication; satellite transmission.

42 – Graphic arts designing; cloud, seeding; scanning (Terms Too Vague in the opinion of the International Bureau – Rule 13(2)(b) of the Common Regulations); computer remote monitoring system;

consultancy in the field of energysaving; computer rental; computer programming; rental of computer software; technical research; industrial design; packaging design services; technical project studies; computer software design; updating of computer software; consultancy in the field of computer hardware; dress designing; industrial design, namely styling; recovery of computer data; research and development for others; maintenance of computer software; computer systems analysis; computer system design; duplication of computer programs; conversion of data or documents from physical to electronic media; creating and maintaining web sites for others; managed computer station (Terms Too Vague in the opinion of the International Bureau – Rule 13(2)(b) of the Common Regulations); installation of computer software; providing search engines for the Internet; data conversion of computer programs and data, not physical, conversion; computer software consultancy rental of web servers; computer virus protection services.

(260) AM 2014 74417 A

(800) 1177624

(151) 2013 03 19

(731) KURSAVTO OBSHCHESTVO S OGRANICHENNOY OTVETSTVENNOSTYU
ul. Vtorchermeta, 6, RU-603124 Nizhniy
Novgorod, Russian Federation

(540)



(591) Black, white

(511)

12 – Vehicles; apparatus for locomotion by land, air or water, including motor buses; automobiles; sports cars; concrete mixing vehicles; refrigerated vehicles; casings for pneumatic tires [tyres]; caravans; camping cars; brake linings for vehicles; shock absorbers for automobiles; suspension shock absorbers for vehicles; space vehicles; aircraft; aeronautical apparatus, machines and appliances; snowmobiles; air balloons; luggage carriers for vehicles; ski carriers for cars; vehicle bumpers; bumpers for automobiles; barges; buffers for railway rolling stock; dining cars [carriages]; waggons; railway carriages; sleeping cars; dining cars; refrigerated waggons [railroad vehicles]; transmission shafts for land vehicles; bicycles; valves for vehicle tires [tyres]; automobile hoods; hoods for baby carriages; hoods for vehicles; oars; sculls; paddles for canoes; screws [propellers] for ships; hydroplanes; air cushion vehicles; flanges for railway wheel tires [tyres]; lorries; horns for vehicles; treads for vehicles [tractor type]; doors for vehicles; driving motors for land vehicles; motors for cycles; jet engines for land vehicles; screw-propellers; screw-propellers for boats; airships; cable

cars; dredgers [boats]; hand cars; bells for bicycles, cycles; rear view mirrors; portholes; rolling stock for funicular railways; cars for cable transport installations; inner tubes for bicycles, cycles; inner tubes for pneumatic tires [tyres]; hoods for vehicle engines; crankcases for land vehicle components, other than for engines; boats; vehicle wheels; wheels for bicycles, cycles; mine cart wheels; casters for trolleys [vehicles] [carts (Am.)]; brake segments for vehicles; hub caps; baby carriages; side cars; ships; baskets adapted for cycles; panniers adapted for cycles; gear boxes for land vehicles; ships' hulls; fenders for ships; bands for wheel hubs; ejector seats for aircraft; wheelchairs; caps for vehicle petrol [gas] tanks; boat hooks; bodies for vehicles; automobile bodies; tipping bodies for lorries [trucks]; traction engines; locomotives; sprinkling trucks; elevating tailgates (Am.) [parts of land vehicles]; propulsion mechanisms for land vehicles; mopeds; motorcycles; freewheels for land vehicles; clutches for land vehicles; repair outfits for inner tubes; adhesive rubber patches for repairing inner tubes; air pumps [vehicle accessories]; bicycle pumps; upholstery for vehicles; rims for vehicle wheels; bicycle rims; windows for vehicles; omnibuses; axles for vehicles; parachutes; ferry boats; pedals for cycles; gearing for land vehicles; treads for retreading tires [tyres]; carts; headrests for vehicle seats; vehicle running boards; air bags [safety devices for automobiles]; ski lifts; chairlifts; vehicle covers [shaped]; sleeping berths for vehicles; pontoons; torque converters for land vehicles; anti-dazzle devices for vehicles; anti-theft devices for vehicles; sun-blinds adapted for automobiles; non-skid devices for vehicle tires [tyres]; balance weights for vehicle wheels; shock absorbing springs for vehicles; bicycle frames; spars for ships; reduction gears for land vehicles; security harness for vehicle seats; vehicle suspension springs; rudders; bicycle handle bars; cranks for cycles; aeroplanes; amphibious airplanes; sleighs [vehicles]; kick sledges; saddles for bicycles, cycles or motorcycles; luggage nets for vehicles; dress guards for bicycles, cycles; anti-theft alarms for vehicles; reversing alarms for vehicles; vehicle seats; safety seats for children, for vehicles; hydraulic circuits for vehicles; rolling stock for railways; bicycle spokes; vehicle wheel spokes; inclined ways for boats; undercarriages for vehicles; water vehicles; military vehicles for transport; air vehicles; cycle cars; vehicles for locomotion by land, air, water or rail; electric vehicles; ambulances; remote control vehicles, other than toys; tricycles; carrier tricycles; windscreens; windscreen wipers; cycle stands; hubs for vehicle wheels; cycle hubs; railway couplings; trailer hitches for vehicles; couplings for land vehicles; wheelbarrows; hose carts; luggage trucks; golf carts; shopping trolleys [carts (Am.)]; bogies for railway cars; casting carriages; tilting-carts; handling carts; fork lift trucks; cleaning trolleys; brakes for vehicles; bicycle

brakes; torsion bars for vehicles; tractors; tramcars; transmissions, for land vehicles; aerial conveyors; trailers [vehicles]; funnels for locomotives; funnels for ships; cleats [nautical]; turbines for land vehicles; direction indicators for vehicles; rowlocks; bicycle stands; disengaging gear for boats; ships' steering gears; cable transport apparatus and installations; spoke clips for wheels; funiculars; vans [vehicles]; caissons [vehicles]; automobile chains; bicycle chains; driving chains for land vehicles; anti-skid chains; tipping apparatus, parts of trucks and wagons; covers for baby carriages; saddle covers for bicycles or motorcycles; seat covers for vehicles; vehicle chassis; automobile chassis; connecting rods for land vehicles, other than parts of motors and engines; axle journals; gears for cycles; tubeless tires [tyres] for bicycles, cycles; bicycle tires [tyres]; automobile tires [tyres]; tires for vehicle wheels; vehicle wheel tires [tyres]; pneumatic tires [tyres]; spikes for tires [tyres]; davits for boats; launches; timbers [frames] for ships; mudguards; cycle mudguards; electric motors for land vehicles; yachts.

(260) AM 2014 74418 A
(800) 1177626
(151) 2013 05 10
(731) SIS NATURAL CJSC
v. Aghtsk, Aragatsotn region, Armenia
(540)



(591) Black, white
(511)
29 – Meat, fish, poultry and game; meat extracts; preserved, dried and cooked fruits and vegetables; jellies, jams, compotes; eggs; milk and milk products; edible oils and fats.

30 – Coffee, tea, cocoa and artificial coffee; rice; tapioca and sago; flour and preparations made from cereals; bread, pastry and confectionery; ices; sugar, honey, treacle; yeast, baking-powder; salt; mustard; vinegar, sauces (condiments); spices.

32 – Beers; mineral and aerated waters and other non-alcoholic beverages; fruit beverages and fruit juices; syrups and other preparations for making beverages.

(260) AM 2014 74419 A
(800) 1177629
(151) 2013 05 17
(731) GREY CARDINAL LIMITE
555 White Hart Lane, London N17 7RP,
United Kingdom

(540)

grey cardinal

(591) Black, white
(511)
33 – Spirits and liqueurs.

(260) AM 2014 74420 A
(800) 1177632
(151) 2013 04 03
(731) ROTAPHARM İLAÇLARI LİMİTED
ŞİRKETİ
Evren Mah. Camiyolu, Cad. No: 50 K.2,
GÜNEŞLİ BAĞCILAR İSTANBUL, Turkey
(540)

Viador Виадор

(591) Black, white
(511)
5 – Medicines for human purposes, medicines for veterinary purposes, chemical preparations for medical purposes, dietetic substances adapted for medical use; dietetic foods adapted for medical purposes; amino acids for medical purposes, nutritional supplements, pollen dietary substances, mineral food supplements, protein dietary supplements, baby foods, medicinal herbs, herbal beverages adapted for medical purposes; medicines for dental purposes, hygienic products for medical purposes including pads, waddings for medical purposes, plasters for medical purposes, dressings for medical purposes; preparations for destroying noxious plants, preparations for destroying noxious animals, fungicides; deodorants other than for human beings or for animals; disinfectants for hygiene purposes, antiseptics, detergents for medical purposes.

(260) AM 2014 74421 A
(800) 1177647
(151) 2013 07 04
(731) JT International S.A.
1, Rue de la Gabelle, CH-1211 Genève 26,
Switzerland
(540)

RETHINK TOBACCO

(591) Black, white
(511)
34 – Tobacco, raw or manufactured; smoking tobacco, pipe tobacco, rolling tobacco, chewing tobacco, moist tobacco powder called "snus"; cigarettes, cigars, cigarillos; substances for smoking sold separately or mixed with tobacco for non-medical and non-therapeutic purposes; snuff; smokers' articles included in this class; cigarette paper, cigarette tubes, matches, manufactured tobacco capsules.

(260) AM 2014 74483 A
 (800) 1178434
 (151) 2013 08 07
 (731) Harry Winston SA
 Chemin du Tourbillon 8, CH-1228 Plan-les-
 Ouates, Switzerland
 (540)

HARRY WINSTON

(591) Black, white
 (511)
 14 – precious stones, semi-precious stones;
 35 – Wholesale and retail sale services in stores and via computer networks, by catalog, by mail, by telephone, by radio and television and by other electronic means for timepieces and jewelry products; presentation of timepieces and jewelry products on all communication media for retail sale; advertising, marketing and public relations services; advertising services for the purchase and sale of timepieces and jewelry products; business management; business administration; office functions; business organizational and management consulting in the field of timepieces and jewelry products.
 37 – Repair and maintenance of timepieces and jewelry products.

(260) AM 2014 74520 A
 (800) 946987
 (151) 2007 11 12
 (891) 2013 03 18
 (731) SAS MODULO-BETON
 70 Avenue du Danemark, ZA ALBASUD,
 F-82000 MONTAUBAN, France
 (540)

MODULO – BETON

(591) Black, white
 (511)
 19 – Non-metallic constructions, concrete.
 37 – Construction of permanent edifices, masonry.

(260) AM 2014 74523 A
 (800) 1112236
 (151) 2012 03 05
 (891) 2013 06 19
 (731) CHEMO IBERICA, S.A.
 Gran Vía Carlos III, 98, 7°, E-08028
 BARCELONA, Spain
 (540)

EXELTIS

(591) Black, white
 (511)
 5 – Pharmaceutical preparations only for use in the treatment of ophthalmological, dermatological, digestive, gynecological, hormonal, blood, cardiova-

scular, vascular, gastrointestinal, genitourinary, immunological, infectious, inflammatory, metabolic, viral, hepatic, neurological, psychiatric diseases and disorders, diseases and disorders of the central nervous system, the musculoskeletal system, the respiratory system, the circulatory system, glaucoma, cancer, dental and oral diseases, headache, migraine, obesity, cholesterol, blood pressure and rheumatism treatments, reagents used in pregnancy tests, reagents used in ovulation tests, reagents used in diabetes tests, contraceptives, nutraceutical products; veterinary preparations only for use in the treatment of ophthalmological, dermatological, digestive, gynecological, hormonal, blood, cardiovascular, vascular, gastrointestinal, genitourinary, immunological, infectious, inflammatory, metabolic, viral, hepatic, neurological diseases and disorders, diseases and disorders of the central nervous system, the musculoskeletal system, the respiratory system, the circulatory system, glaucoma, cancer, dental and oral diseases, headache, migraine, obesity, blood pressure and rheumatism treatments, nutraceutical veterinary products; dietetic foods for medical use.

10 – Surgical apparatus and instruments and medical instruments only for use in gynecological, ophthalmological, dermatological, respiratory and metabolic disorders, in pregnancy, ovulation and diabetes tests; orthopedic devices only for diagnostic and therapeutic use; suture materials.

35 – Sales promotion for third parties, business management assistance; consulting on business management and marketing studies; presentation of goods on communication media, for retail purposes; business administration of product licences and services for others; organization of exhibitions, trade fairs or congresses for business or advertising purposes, all relating to pharmaceutical, veterinary and biotechnological companies and for pharmaceutical, veterinary and biotechnological products.

42 – Chemical, biological and pharmaceutical research services.

(260) AM 2014 74526 A
 (800) 1127873
 (151) 2012 02 08
 (891) 2013 04 19
 (731) HEIDI CHOCOLAT SA
 Bd. Biruintei 87, Oras Pantelimon, 077145
 Jud. Ilfov, Romania
 (540)

HEIDI THE CHOCOLATE SIDE OF LIFE

(591) Black, white
 (511)
 30 – Chocolate products; chocolate and chocolates; chocolate bars; chocolate bonbons, praline made of chocolate, cream filled chocolate pralines.

35 – Advertising; business management; business administration; office functions.

(260) AM 2014 74626 A

(800) 1079662

(151) 2011 01 24

(731) ÖMÜRPEN PVC METAL SANAYİ VE
TİCARET LİMİTED ŞİRKETİ

Organize Sanayi Bölgesi, Koyunlu Caddesi

No:8, Niğde, Turkey

(540)



(591) Orange and white

(511)

6 – Non-precious metal ores; common metals and their alloys and semi-manufactured products; metal building materials, metal cladding for construction and building, steel frames for buildings; metal products and tools manufactured for sheltering, preserving, conserving, covering, girdling, warehousing (including metal ladders), metal floors, metal staircases, metal gates and fences, metal railings for fences, metal roofing, metal palings; metal products manufactured for sifting, filtering and similar purposes, namely, metal window screens, metal sieves being parts of drains; metal doors and windows, metal rolling shutters, metal жалусies, metallic door handles, metallic window handles, metal panels of doors and windows; metal cables and wires not for electrical purposes; ironmongery (hardware) articles, small items of metal hardware, namely, screws, nails, bolts, nuts, metal chains, pulley; metallic materials for ventilating, heating, canalization, telephone, underground electricity and air-conditioning installations, airing canals, metallic holes, metallic hole covers, metallic chimney heads, metallic man-holes (stack) covers, metal roof vents for residential and commercial buildings; metal materials for pointing, navigating, indicating, introduction purposes (including sign boards, panels, plates); metal pipes for liquid or gas transfer and their connection parts (including drilling pipes of metal); metal cash boxes; materials of metal for railway construction; metal bollards, metal mooring buoys, anchors for sea vehicles; metallic moulds for metal casting; works of art made of common metals and their alloys; metallic covers, metal bottle caps; poles of metal; metal pallets, metal ropes for lifting, loading and transportation, metal hangs, cords, columns, strips, bands and tapes for use in lifting and carrying loads.

17 – Rubber; gutta-percha; gum; asbestos; mica and goods made from these materials; insulating materials; non-conducting materials for retaining heat; insulators for electric mains; insulating fabrics; foils of metal for insulating; insulating paints; insulating

paper; asbestos paper; asbestos cloth; asbestos fabrics; adhesive bands other than stationery and not for medical or household purposes; insulating tape and band; asbestos coverings; asbestos sheets; asbestos felt; rubber stoppers; expansion joint filters; chemical compositions for repairing leaks; flexible plumbing pipes of plastic, rubber or natural rubber, canvas hose pipes for use in fire extinguishing systems; fire hoses, flexible compressed air pipe fittings, not of metal, pipe fittings; vehicle radiator connecting hoses; synthetic plastic as semi finished products in form of foils, plates, rods, profiles, hoses, tubes, blocks, foam rubber, natural rubber, synthetic elastomer resin blended with additives and colorants sold in a pellet form, rubber, cellulose acetate film, plastic films not use for packing padding, semi-processed brake lining material, clutch linings, rubber thread, plastic fibers, natural rubber threads not for textile use, natural rubber and rubber bags for merchandise packaging; goods made of rubber, natural rubber, plastic and similar materials, namely, rubber and natural rubber pads (shock absorber), expansion joint fillers, rubber stoppers, sealing plugs made primarily from rubber, billets from rubber, rubber sleeves for protecting parts of machinery, foam rubber for protecting parts of machinery, rings of rubber for use as pipe connection seals, metal engine gaskets for vehicles, gasket sealer for use in plumbing, gasket rings.

19 – Materials for constructing, coating, repairing roads, namely, asphalt, pitch and tar, bitumen asphalt; sand, gravel, slag stone; aggregate material composed of sand and sand stone, gravel, non-agricultural lime for use in construction, slag-lime cement, gypsum; blocks of concrete, plaster and colored plaster for building purposes; articles of artificial stone for building purposes; shaped building, construction and road construction materials made of concrete, gypsum, earthen, clay, sand, natural stone, artificial stone, wooden, plastic or synthetic materials; building parts, buildings, poles, barriers; concrete, clay roofing tiles, natural stones, artificial stones, building materials, namely, semi-worked woods, plastic tiles; flooring or wall-claddings of synthetic materials; natural marbles, artificial marbles, inner and outer facings of natural or artificial stones, place and floor coatings; concrete panels, concrete pipes, concrete beams, concrete blocks, concrete bollards, concrete pipes, concrete walls, concrete fences, concrete roof repair compounds, concrete slabs, concrete roof tiles, barrier of concrete, concrete poles for electric power lines; plaster for building purpose, namely, plaster boards, plaster panels, plaster walls, plasters for prefabricated buildings; bricks, rigid pipes, not of metal, tubes and connection pieces; non-luminous, non-mechanical signs not of metal; monuments of stone, concrete or marble; statues of stone, concrete or marble; natural or synthetic surface coatings for building purposes in

form of plates or strips (heat-adhesive); glass blocks for building, glass bricks, glass tiles, glass panes, glass panels for building construction purposes; pre-fabricated swimming pools not of metal; aquarium sand.

(260) AM 2014 74627 A

(800) 1179723

(151) 2013 07 16

(731) JIANGSU SUYUN MEDICAL MATERIALS CO., LTD.

Lianyungang Kaifaqu, Jiangsu Province, China

(540)



(591) Black, white

(511)

10 – Catheters; syringes for injections; injectors for medical purposes; medical apparatus and instruments; otolaryngological apparatus and instruments; blood transfusion apparatus; galvanic therapeutic appliances; orthopedic articles; disposable infusion set; vaginal dilators.

(260) AM 2014 74628 A

(800) 1179729

(151) 2013 06 14

(731) TURKIYE CUMHURİYETİ ZIRAAT BANKASI ANONİM ŞİRKETİ

Doganbey M. Ataturk Blv. N:8, ULUS

ALTINDAG ANKARA, Turkey

(540)



(591) Black, red

(511)

9 – Measurement tools, instruments, indicators including the ones for scientific purposes and laboratory-use purposes and materials used in laboratories; apparatus for recording, transmission or reproduction of sound and images including apparatus and computer peripheral equipments for data processing, communication and reproduction; magnetic and optical data carriers and computer programs and software recorded on them, electronic publications which can be downloaded via computer networks and can be recorded on magnetic and optical mediums, cards with magnetic/optical reader; antennas, satellite antennas, amplifiers and parts thereof; ticket dispensers, ATMs; electronic components used at machines and equipments; meters and timers to get

consuming amount for a specific period of time; protective clothes, protecting and life saving equipments including ear plugs for divers; glasses, sunglasses, contact lenses and their containers, cases, parts and accessories; controlling instruments and tools for conduction, conversion, storage of electrical energy including cables and power sources used in electricity and electronics; cells, batteries, anodes and cathodes; instruments the main function of which is warning and alarm except for vehicle alarms, electric bells; tools and instruments of signalization, sign notification to be used in traffic; fire extinguishing apparatus and devices including vehicles for fire extinguishing purposes including fire hoses and valves; radar apparatus, sonars, apparatus and devices for the improvement of night sighting; decorative magnets.

36 – Insurance services; financial and monetary services; real estate broker and advisor services, real estate management services; customs brokerage services.

42 – Scientific and industrial examination and research; engineering services; computer services; computer programming; computer virus protection services, computer system design; web site design, maintenance and updating on behalf of others; computer software design, rental of computer software, updating of computer software; providing Internet search engines; hosting services; consultancy and rental services in the field of computer hardware; all kinds of designing services included in this class but not included in the services of engineering, architecture, computer; services of graphic arts designing; services of authenticating works of art.

(260) AM 2014 74629 A

(800) 1179734

(151) 2013 08 07

(731) ZHANG SHAOXIA

Fuqiao Coating Manufactory, Guxia Village,

Shipai Town, Dongguan City,

GUANGDONG, China

(540)



(591) Black, white

(511)

25 – Clothing; children's clothing; shoes; hats; hosiery; scarves; bathing suits; gloves [clothing]; straps for clothes; underwear.

(260) AM 2014 74631 A
 (800) 1179757
 (151) 2013 08 05
 (731) ALMIRALL, S.A.
 Ronda General Mitre, 151, E-08022
 Barcelona, Spain

(540)

ДЖЕНУЭЙР

(591) Black, white
 (511)
 5 – Pharmaceutical products.

10 – Surgical and medical apparatus and instruments; inhaler.

(260) AM 2014 74633 A
 (800) 1179775
 (151) 2013 08 23
 (731) EGIS GYÓGYSZERGYÁR Nyilvánosan
 Működő Részvénytársaság
 Keresztúri út 30-38, H-1106 Budapest,
 Hungary

(540)

ANGINEGIS

(591) Black, white
 (511)
 5 – Pharmaceutical preparations for human use.

(260) AM 2014 74635 A
 (800) 1179777
 (151) 2013 08 23
 (731) EGIS GYÓGYSZERGYÁR Nyilvánosan
 Működő Részvénytársaság
 Keresztúri út 30-38, H-1106 Budapest,
 Hungary

(540)

TREXEGYT

(591) Black, white
 (511)
 5 – Pharmaceutical preparations for human use.

(260) AM 2014 74638 A
 (800) 1179778
 (151) 2013 08 23
 (731) EGIS GYÓGYSZERGYÁR Nyilvánosan
 Működő Részvénytársaság
 Keresztúri út 30-38, H-1106 Budapest,
 Hungary

(540)

WALOVA

(591) Black, white
 (511)
 5 – Human pharmaceutical prescription preparations for use in the oncological and immunotherapeutic fields, with the definite exclusion of homeopathic

pharmaceuticals and anthroposophic goods or goods made of mainly natural substances.

(260) AM 2014 74639 A
 (800) 1179779
 (151) 2013 08 23
 (731) EGIS GYÓGYSZERGYÁR Nyilvánosan
 Működő Részvénytársaság
 Keresztúri út 30-38, H-1106 Budapest,
 Hungary

(540)

YREKON

(591) Black, white
 (511)
 5 – Pharmaceutical preparations for human use.

(260) AM 2014 74640 A
 (800) 1179794
 (151) 2013 08 27
 (731) PRIVATE JOINT STOCK COMPANY
 "INDUSTRIAL ASSOCIATION "KONTI"
 Bul. Shevchenko, 6-b, Donetsk 83015,
 Ukraine

(540)

Рачки-морячки

(591) Black, white
 (511)
 30 – Coffee, tea, cocoa and artificial coffee; rice; tapioca and sago; flour and preparations made from cereals; bread, pastry and confectionery; ices; sugar, honey, treacle; yeast, baking-powder; salt; mustard; vinegar, sauces (condiments); spices; ice; aniseed; peanut confectionery; high-protein cereal bars; baking soda (bicarbonate of soda for cooking purposes); soya bean paste (condiment); bean meal; star aniseed; tapioca flour for food; flour; flour-milling products; pastries; bread rolls; buns; sandwiches; vanillin (vanilla substitute); vanilla (flavoring); waffles; vermicelli (noodles); cream of tartar for culinary purposes; farinaceous foods; oatmeal; oat flakes; oat-based food; sea water for cooking; seaweed (condiment); binding agents for ice cream (edible ices); biscuits; cloves (spice); mustard; mustard meal; cake frosting (icing); glucose for culinary purposes; relish (condiment); gluten additives for culinary purposes; yeast; essences for foodstuffs, except etheric essences and essential oils; fruit jellies (confectionery); chewing gum; custard; leaven; rice-based snack food; cereal-based snack food; artificial coffee; frozen yogurt (confectionery ices); frozen kefir (confectionery ices); flavorings, other than essential oils, for beverages; flavorings, other than essential oils, for cakes; flavorings, other than essential oils; wheat germ for human consumption; preparations for stiffening whipped cream; thickening agents for cooking foodstuffs; chips (cereal products); ginger

(spice); coffee; unroasted coffee; coffee flavorings; coffee-based beverages; coffee beverages with milk; vegetal preparations for use as coffee substitutes; cocoa; cocoa beverages with milk; cocoa-based beverages; cocoa products; capers; caramels (candy); lozenges (confectionery); curry (spice); potato flour for food; ketchup (sauce); gluten prepared as foodstuffs; confectionery; confectionery with sugar; tortillas; cinnamon (spice); starch for food; hominy grits; groats for human food; corn, milled; corn, roasted; corn flour; pop corn; corn flakes; turmeric for food; couscous (semolina); salt for preserving foodstuffs; confectionery for decorating Christmas trees; edible ices; ice for refreshment; ice, natural or artificial; liquorice (confectionery); noodles; candy; flaxseed for human consumption; mayonnaise; macaroni; maltose; hominy; chow-chow (condiment); marinades; marzipan; royal jelly; honey; molasses for food; macarons (pastry); almond paste; almond confectionery; flour-milling products; pancakes; spring rolls; gruel, with a milk base, for food; ice-cream; dessert mousses (confectionery); chocolate mousses; nutmegs; muesli; meat gravies; meat tenderizers, for household purposes; mint for confectionery; peppermint sweets; infusions, not medicinal; husked oats; vinegar; ravioli; pepper; pesto (sauce); beer vinegar; quiches; sweetmeats (candy); pizzas; pies; fondants (confectionery); powder for edible ices; pralines; condiments; dressings for salad; seasonings; unleavened bread; bee glue; gingerbread; spices; puddings; cake powder; fruit coulis (sauces); rice; rice cakes; baking powder; ferments for pastes; sago; garden herbs, preserved (seasonings); celery salt; golden syrup; salt for preserving foodstuffs; soya flour; soya sauce; malt for human consumption; malt biscuits; malt extract for food; tomato sauce; sauces (condiments); spaghetti; noodle-based prepared meals; ham glaze; rusks; breadcrumbs; petit-beurre biscuits; sushi; tabbouleh; tacos; tapioca; petits fours (cakes); crackers; cake paste; tarts; sorbets (ices); halvah; bread; chicory (coffee substitute); sweetmeats (candy); sugar; tea; iced tea; tea-based beverages; chutneys (condiments); saffron (seasoning); chocolate; chocolate-based beverages; chocolate beverages with milk; barley meal; crushed barley.

(260) AM 2014 74643 A
 (800) 1179832
 (151) 2013 08 13
 (731) PICORNELL ROWE, JUAN
 Sant Miquel N:53, E-07002 Palma de
 Mallorca, Spain
 (540)



(591) Green "(Pantone 3405C)", yellow "(Pantone 125C)" and white
 (511)
 43 – Hotel services, hotel reservation and temporary accommodation; services for providing food and drink; food and drink catering services.

(260) AM 2014 74644 A
 (800) 1179852
 (151) 2013 08 22
 (731) NOVARTIS AG
 CH-4002 Basel, Switzerland
 (540)

SYNCROS IMAGE GUIDED SYSTEM

(591) Black, white
 (511)
 9 – Software used for collection, calculation, transfer and storage of data relating to diagnosis and treatment of eye disease, sold as component parts of ophthalmic surgical instruments.
 10 – Surgical apparatus and instruments for ophthalmic surgery.

(260) AM 2014 74676 A
 (800) 1180248
 (151) 2012 11 26
 (731) WORLD MEDICINE İLAÇLARI LİMİTED
 ŞİRKETİ
 Evren Mah., Camiyolu Cad. No:50 K.2,
 Güneşli Bağcılar İstanbul, Turkey
 (540)

My vitality cream

(591) Black, white
 (511)
 3 – cosmetic creams
 35 – Services related to advertising, marketing and public relations including organization of exhibitions and fairs for commercial or advertising purposes, office services, business management and administration, consultancy for business management and administration including accountancy services, import export agency services, commercial and industrial management expertise services, organization of auctioneering services and auctioneering, the bringing together of detergents other than for use in manufacturing operations and for medical purposes, laundry bleach, laundry starch blueing for laundry, soft soap, fabric softeners for laundry purposes, cleaning preparations for waste pipes, granular soap, windscreen cleaning liquids, preparations for bleaching and polishing purposes, perfumery, ethereal essences, eau de cologne, lotions, deodorants for human beings, rose oil, after-shave lotions, antiperspirant deodorants, cosmetic products, nail polish,

lipsticks, mascara, cosmetic creams, hair dyes, shampoos, hair care preparations, eyebrow pencils, powders for cosmetic purposes, acetone based cosmetics, shaving preparations, shower gel, petroleum jelly for cosmetic purposes, depilatory preparations, cosmetic dyes, cosmetics preparations for slimming purposes, cosmetic kits, tissues impregnated with cosmetic lotions, cotton wool and cotton sticks for cosmetic purposes, wet tissues, soaps for personal use including medical purposes and deodorant soap, disinfectant soap, antiperspirant soap, tooth care products, toothpastes, dentifrices, medicated tooth cleaning preparations, tooth cleaning powders, tooth waters preparations for cleaning dentures, mouth washes, not for medical purposes, anti-tartar tooth pastes, abrasive products namely, emery clothes, emery papers, pumice stones, including pumice pastes, polishing preparations, leather preservative polishes, polish for furniture and flooring, oils for cosmetic purposes, enabling customers to conveniently view and purchase those goods, the mentioned services can be provided by wholesale outlets, retail stores, by means of electronic media or through mail order catalogues and other similar methods.

44 – Medical services; hygienic and beauty care for human beings; veterinary and animal breeding services, agriculture, horticulture and forestry services.

(260) AM 2014 74688 A
 (800) 1180322
 (151) 2013 07 04
 (731) REHAU AG+Co
 Rheniumhaus, 95111 Rehau, Germany
 (540)

Intelio

(591) Black, white
 (511)
 42 – Services of a technical measuring and testing laboratory; services of a chemist; services of engineers; services of chemical laboratories; performance of chemical analyses; performance of technical tests; material testing.

(260) AM 2014 74696 A
 (800) 1180402
 (151) 2013 09 14
 (731) IBS INDUSTRIEMASCHINEN-BERGBAU-SERVICE GMBH
 Industriestrasse 15, 97653 Bischofsheim, Germany
 (540)



(591) Black and orange
 (511)
 7 – Device for the stripping of material from a conveyor belt of a belt conveyor (stripper) as parts of belt conveyor.

(260) AM 2014 74701 A
 (800) 894182
 (151) 2006 06 28
 (891) 2013 08 23
 (731) GLASHÜTTER UHRENBETRIEB GMBH
 Altenberger Str. 1, 01768 Glashütte, Germany
 (540)



(591) Black, white
 (511)
 14 – Clocks and watches, in particular wristwatches, clock parts, movements for clocks and watches, chronometers, chronometric instruments, escape-ments for clocks and watches and models for escape-ments; cases for clocks and watches, microchronometers for clocks;

(260) AM 2014 74839 A
 (800) 1181313
 (151) 2013 09 16
 (731) XADO-HOLDING LIMITED LIABILITY COMPANY
 4, 23 Serpnia Lane, Kharkiv 61103, Ukraine
 (540)



(591) Black, white
 (511)
 4 – Motor oil, industrial oil, lubricating oil, lubricants, industrial grease, lubricating grease.

(260) AM 2014 74840 A
 (800) 1181325
 (151) 2013 09 19
 (731) XADO-HOLDING LIMITED LIABILITY COMPANY
 4, 23 Serpnia Lane, Kharkiv 61103, Ukraine

(540)



(591) Black, white

(511)

1 – Condensation-preventing chemicals; anti-tarnishing chemicals for windows; preparations for preventing the tarnishing of glass; stain-preventing chemicals for use on fabrics; chemical additives to fungicides; anti-incrustants.

2 – Anti-rust preparations for preservation; anti-rust greases; anti-rust oils; anti-corrosive preparations; protective preparations for metals; anti-tarnishing preparations for metals.

3 – Antistatic preparations for household purposes; air fragrancing preparations; laundry glaze; shining preparations [polish]; non-slipping wax for floors; washing soda, for cleaning; laundry preparations; bleaching soda; leather preservatives [polishes]; polishing creams; polishing preparations; polish for furniture and flooring; floor wax; soap; cleaning preparations; scouring solutions; colour-brightening chemicals for household purposes [laundry]; bleaching salts; cloths impregnated with a detergent for cleaning; disinfectant soap; scale removing preparations for household purposes; drying agents for dishwashing machines; refurbishing preparations; stain removers; laundry bleach; laundry preparations; laundry soaking preparations; laundry starch; preparations for unblocking drain pipes; dry-cleaning preparations; laundry starch; rust removing preparations; deodorant soap; fabric softeners for laundry use.

4 – Lubricants; lubricating oil; firelighters.

5 – Germicides; disinfectants for hygiene purposes; disinfectants for chemical toilets; carbolineum [parasiticide]; antiseptics; air purifying preparations; air deodorising preparations; fungicides; deodorants for clothing and textiles; deodorants, other than for human beings or for animals; insecticides; fly destroying preparations; insect repellent incense; larvae exterminating preparations; vermin destroying preparations; insect repellents; repellents for dogs; preparations for destroying mice; mothproofing paper; mothproofing preparations.

(260) AM 2014 74841 A

(800) 1181408

(151) 2013 03 08

(731) ERICH KRAUSE FINLAND OY

Henry Fordin katu 5 N, FI-00150 Helsinki,
Finland

(540)



(591) Red, yellow, white and grey

(511)

16 – Paper, cardboard and goods made from these materials, not included in other classes; printed matter; bookbinding material; photographs; stationery; adhesives for stationery or household purposes; artists' materials; paint brushes; typewriters and office requisites (except furniture); instructional and teaching material (except apparatus); plastic materials for packaging (not included in other classes); printers' type; printing blocks; absorbent sheets of paper or plastic for foodstuff packaging; addressing machines; adhesive tapes for stationery or household purposes; adhesive bands for stationery or household purposes; adhesives [glues] for stationery or household purposes; advertisement boards of paper or cardboard; albums; scrapbooks; almanacs; announcement cards [stationery]; aquarelles; watercolors [paintings]; watercolours [paintings]; artists' watercolor [watercolour] saucers; watercolor [watercolour] saucers for artists; artists' watercolor saucers; artists' watercolour saucers; atlases; conical paper bags; bags [envelopes, pouches] of paper or plastics, for packaging; garbage bags of paper or of plastics; balls for ball-point pens; bibs of paper; loose-leaf binders; binding strips [bookbinding]; biological samples for use in microscopy [teaching materials]; blackboards; blotters; blueprints; plans; bookbinding material; bookbinding apparatus and machines [office equipment]; bookbindings; bookends; booklets; bookmarkers; books; bottle envelopes of cardboard or paper; bottle wrappers of cardboard or paper; paper bows; boxes of cardboard or paper; plastic bubble packs for wrapping or packaging; calendars; canvas for painting; carbon paper; cardboard; cardboard articles; cards; charts; catalogues; chalk for lithography; chalk holders; marking chalk; charcoal pencils; holders for checkbooks [cheque books]; chromolithographs [chromos]; chromos; cigar bands; clipboards; clips for offices; staples for offices; money clips; cloth for bookbinding; bookbinding cloth; coasters of paper; paper coffee filters; comic books; compasses for drawing; composing frames [printing]; paper tapes and cards for the recordal of computer programmes; inking ribbons for computer printers; copying paper [stationery]; cords for bookbinding; bookbinding cords; correcting fluids [office requisites]; correcting ink [heliography]; correcting tapes [office requisites]; covers [stationery]; wrappers [stationery]; cream containers

of paper; diagrams; adhesive tape dispensers [office requisites]; document files [stationery]; document holders [stationery]; drawer liners of paper, perfumed or not; drawing pads; drawing pins; thumb-tacks; drawing boards; drawing materials; drawing instruments; drawing sets; drawing pens; duplicators; inking sheets for duplicators; painters' easels; elastic bands for offices; electrocardiograph paper; electro-cardiograph paper; electrotypes; embroidery designs [patterns]; engraving plates; engravings; envelope sealing machines, for offices; envelopes [stationery]; writing board erasers; erasing products; etching needles; etchings; fabrics for bookbinding; face towels of paper; figurines [statuettes] of papier mâché; files [office requisites]; filter paper; filtering materials [paper]; finger-stalls [office requisites]; flags of paper; flower-pot covers of paper; covers of paper for flower pots; flyers; folders for papers; jackets for papers; folders [stationery]; forms, printed; fountain pens; franking machines for office use; postage meters for office use; french curves; galley racks [printing]; terrestrial globes; glue for stationery or household purposes; pastes for stationery or household purposes; gluten [glue] for stationery or household purposes; graining combs; graphic prints; graphic representations; greeting cards; gummed tape [stationery]; gummed cloth for stationery purposes; gums [adhesives] for stationery or household purposes; hand labelling appliances; hand-rests for painters; handkerchiefs of paper; handwriting specimens for copying; hat boxes of cardboard; hectographs; histological sections for teaching purposes; holders for stamps [seals]; passport holders; humidity control sheets of paper or plastic for foodstuff packaging; credit card imprinters, non-electric; index cards [stationery]; indexes; indian inks; ink; ink sticks; ink stones [ink reservoirs]; inking pads; inking ribbons; inking sheets for document reproducing machines; inkstands; inkwells; isinglass for stationery or household purposes; perforated cards for jacquard looms; labels, not of textile; document laminators for office use; ledgers [books]; letter trays; lithographic works of art; lithographs; luminous paper; magazines [periodicals]; manifolds [stationery]; manuals [handbooks]; handbooks [manuals]; geographical maps; marking pens [stationery]; mats for beer glasses; bags for microwave cooking; mimeograph apparatus and machines; modelling clay; modelling wax, not for dental purposes; modelling materials; modelling paste; moulds for modelling clays [artists' materials]; molds for modelling clays [artists' materials]; architects' models; moisteners [office requisites]; moisteners for gummed surfaces [office requisites]; apparatus for mounting photographs; musical greeting cards; napkins of paper for removing make-up; tissues of paper for removing make-up; table napkins of paper; newsletters; newspapers; nibs; nibs of gold; note books; numbering apparatus; numbers [type]; obliterating stamps; com-

posing sticks; office perforators; office requisites, except furniture; oleographs; pads [stationery]; writing pads; writing tablets; paint boxes [articles for use in school]; paint trays; paintbrushes; painters' brushes; paintings [pictures], framed or unframed; palettes for painters; pamphlets; pantographs [drawing instruments]; paper; paper for recording machines; paper sheets [stationery]; paper clasps; paper shredders for office use; paper knives [cutters] [office requisites]; paper cutters [office requisites]; paper knives [office requisites]; waxed paper; paper-clips; paperweights; papier mâché; parchment paper; pastels [crayons]; patterns for dressmaking; patterns for making clothes; pen clips; pen cases; boxes for pens; pen wipers; pencil sharpening machines, electric or non-electric; pencil leads; pencil holders; pencil lead holders; pencil sharpeners, electric or non-electric; pencils; penholders; pens [office requisites]; periodicals; photo-engravings; photograph stands; photographs [printed]; pictures; placards of paper or cardboard; place mats of paper; plastic film for wrapping; plastic cling film, extensible, for palletization; plastics for modelling; address plates for addressing machines; chart pointers, non-electronic; portraits; postage stamps; postcards; posters; printed matter; printers' blankets, not of textile; printers' galleys; printing blocks; printing type; printing sets, portable [office requisites]; prints [engravings]; prospectuses; printed publications; punches [office requisites]; paper for radiograms; graphic reproductions; paper ribbons; rollers for typewriters; house painters' rollers; rosaries; chaplets; rubber erasers; square rulers; drawing rulers; school supplies [stationery]; scrapers [erasers] for offices; sealing stamps; sealing machines for offices; sealing compounds for stationery purposes; sealing wafers; seals [stamps]; self-adhesive tapes for stationery or household purposes; sheets of reclaimed cellulose for wrapping; shields [paper seals]; erasing shields; signboards of paper or cardboard; silver paper; slate pencils; song books; spools for inking ribbons; drawing squares; stamp pads; stamp stands; address stamps; stamps [seals]; cases for stamps [seals]; stands for pens and pencils; stapling presses [office requisites]; starch paste [adhesive] for stationery or household purposes; packaging material made of starches; stationery; cabinets for stationery [office requisites]; steatite [tailor's chalk]; steel letters; steel pens; stencil cases; stencil plates; stencils [stationery]; stencils; stickers [stationery]; lithographic stones; drawing T-squares; table linen of paper; tablecloths of paper; tablemats of paper; arithmetical tables; calculating tables; tags for index cards; tailors' chalk; teaching materials [except apparatus]; tickets; printed timetables; toilet paper; hygienic paper; towels of paper; tracing patterns; tracing paper; tracing cloth; tracing needles for drawing purposes; trading cards other than for games; transfers [decalcomanias]; decalcomanias; transparencies [stationery]; trays for sorting and

counting money; cardboard tubes; type [numerals and letters]; letters [type]; typewriter ribbons; typewriter keys; typewriters, electric or non-electric; vignetting apparatus; viscose sheets for wrapping; sealing wax; wood pulp board [stationery]; wood pulp paper; wrapping paper; packing paper; wristbands for the retention of writing instruments; writing slates; writing or drawing books; writing chalk; writing materials; writing paper; writing cases [stationery]; writing cases [sets]; writing brushes; writing instruments; xuan paper for Chinese painting and calligraphy.

28 – Games and playthings; gymnastic and sporting articles not included in other classes; decorations for Christmas trees; air pistols [toys]; amusement machines, automatic and coin-operated; arcade video game machines; archery implements; ascenders [mountaineering equipment]; backgammon games; artificial fishing bait; play balloons; batting gloves [accessories for games]; bells for Christmas trees; weight lifting belts [sports articles]; billiard table cushions; billiard balls; billiard tables; coin-operated billiard tables; bite indicators [fishing tackle]; bite sensors [fishing tackle]; bladders of balls for games; building blocks [toys]; board games; bob-sleighs; body boards; body-building apparatus; body-training apparatus; body rehabilitation apparatus; explosive bonbons [Christmas crackers]; cosques [toy fireworks]; skating boots with skates attached; bowling apparatus and machinery; bows for archery; building games; candle holders for Christmas trees; bingo cards; playing cards; chalk for billiard cues; chess games; chessboards; chest expanders [exercisers]; exercisers [expanders]; chips for gambling; Christmas trees of synthetic material; ornaments for Christmas trees, except illumination articles and confectionery; Christmas tree stands; clay pigeons [targets]; golf clubs; confetti; conjuring apparatus; controllers for game consoles; sole coverings for skis; creels [fishing traps]; cricket bags; billiard cue tips; billiard cues; darts; decoys for hunting or fishing; lures for hunting or fishing; dice; cups for dice; discs for sports; dolls; dolls' beds; dolls' houses; dolls' clothes; dominoes; draughtboards; checkerboards draughts [games]; checkers [games]; dumb-bells; bar-bells; elbow guards [sports articles]; stationary exercise bicycles; rollers for stationary exercise bicycles; fairground ride apparatus; dolls' feeding bottles; flippers for swimming; swimming webs [flippers]; floats for fishing; flying discs [toys]; hunting game calls; balls for games; marbles for games; counters [discs] for games; games; apparatus for games; gaming machines for gambling; fencing gauntlets; fencing gloves; boxing gloves; gloves for games; baseball gloves; golf gloves; golf bags, with or without wheels; harpoon guns [sports articles]; paintball guns [sports apparatus]; gut for rackets; gut for fishing; appliances for gymnastics; hang gliders; climbers' harness; hockey sticks; fish hooks; horses-

hoe games; tables for indoor football; jigsaw puzzles; practical jokes [novelties]; kaleidoscopes; kite reels; kites; knee guards [sports articles]; lines for fishing; scent lures for hunting or fishing; mah-jong; billiard markers; theatrical masks; toy masks; fencing masks; mobiles [toys]; scale model vehicles; landing nets for anglers; nets for sports; butterfly nets; novelties for parties, dances [party favors, favours]; pachinkos; protective paddings [parts of sports suits]; paintballs [ammunition for paintball guns] [sports apparatus]; paper party hats; paragliders; parlour games; parlor games; percussion caps [toys]; detonating caps [toys]; machines for physical exercises; pinatas; caps for pistols [toys]; toy pistols; playing balls; plush toys; poles for pole vaulting; swimming pools [play articles]; portable games with liquid crystal displays; punching bags; puppets; marionettes; quoits; strings for rackets; rackets; bats for games; rattles [playthings]; reels for fishing; ring games; rocking horses; rods for fishing; dolls' rooms; rosin used by athletes; roulette wheels; sailboards; harness for sailboards; masts for sailboards; scale model kits [toys]; scooters [toys]; scrapers for skis; scratch cards for playing lottery games; camouflage screens [sports articles]; seal skins [coverings for skis]; shin guards [sports articles]; shuttlecocks; skateboards; roller skates; ice skates; in-line roller skates; ski bindings; edges of skis; wax for skis; skis; bags especially designed for skis and surfboards; skittles; skittles [games]; ninepins; sleighs [sports articles]; slides [playthings]; sling shots [sports articles]; slot machines [gaming machines]; artificial snow for Christmas trees; snow globes; snowboards; snowshoes; soap bubbles [toys]; spring boards [sports articles]; starting blocks for sports; stuffed toys; men's athletic supporters [sports articles]; surfboards; surf skis; surfboard leashes; swimming kick boards; swimming belts; swimming jackets; swings; tables for table tennis; fishing tackle; targets; electronic targets; teddy bears; tennis nets; tennis ball throwing apparatus; divot repair tools [golf accessories]; pitch mark repair tools [golf accessories]; spinning tops [toys]; toy vehicles; toys for domestic pets; toys; trampolines; clay pigeon traps; twirling batons; radio-controlled toy vehicles; video game machines; water wings; floats for bathing and swimming; waterskis; fencing weapons.

(260) AM 2014 74842 A

(800) 1181455

(151) 2013 08 27

(731) TORIDOLL CORPORATION

1-1, Onoedori 7-chome, Chuo-ku, Kobe-shi,
Hyogo 651-0088, Japan

(540)

MARUKAME UDON

(591) Black, white

(511)

29 – Soup stock for Udon; soups for Udon; tempura of fish or shellfish (deep-fried fish or shellfish in a light batter); tempura of meat (deep-fried meat in a light batter); tempura of vegetable (deep-fried vegetable in a light batter); tempura of egg (deep-fried egg in a light batter); soft-boiled eggs; processed meat products; processed fisheries products (other than "Katsuo-bushi (blocks of boiled, smoked and then dried bonitos), Kanten (dried pieces of agar jelly), Kezuri-bushi (flakes of dried fish meat), fish-meal for human consumption, Tororo-kombu (edible shavings of dried kelp), Hoshi-nori (sheets of dried laver), Hoshi-hijiki (dried brown alga), Hoshi-wakame (dried edible seaweed) and Yaki-nori (toasted sheets of laver)"); processed vegetables and fruits; processed eggs.

30 – Udon noodles (uncooked); cooked Udon; Inari-sushi (a pouch of fried bean curd stuffed with vinegared rice); rice balls; cereal preparations; sushi; boxed lunches consisting of curry and rice; boxed lunches consisting of rice topped with beef, and other boxed lunches consisting of rice with added meat, fish or vegetables.

43 – Providing foods and beverages, mainly Udon.

(260) AM 2014 74843 A

(800) 1181476

(151) 2013 09 20

(731) BESTWAY INFLATABLES & MATERIAL CORP.

3065 Cao An Road, 201812 Shanghai, China

(540)

PAVILLO

(591) Black, white

(511)

18 – All-purpose carrying bags; diaper bags; duffel bags; messenger bags; shoulder bags; tote bags; travel bags; backpacks; fanny packs; sports packs; waist packs; briefcases; wallets.

20 – Inflatable objects made of PVC, namely inflatable sofas and beds; inflatable armchairs and ottomans; air mattresses, air beds, pillows, cushions, sleeping bags for indoor and outdoor use; furniture, cots, chairs, seats, tables for indoor and outdoor use.

22 – Tents.

(260) AM 2014 74844 A

(800) 1181513

(151) 2013 08 20

(731) CLOSED JOINT STOCK COMPANY

"PREPREG – ADVANCED COMPOSITE MATERIALS"

Vernadskogo avenue, 37, bldg. 2, RU-119415 Moscow, Russian Federation

(540)

FibArm ФибАрм

(591) Black, white

(511)

1 – Resins included in this class.

17 – Carbon fibers, other than for textile use; resins included in this class.

19 – Building materials, not of metal.

22 – Carbon fibers for textile use.

(260) AM 2014 74845 A

(800) 1181551

(151) 2013 09 20

(731) EGIS GYÓGYSZERGYÁR
NYILVÁNOSAN MŰKÖDŐ
RÉSZVÉNYTÁRSASÁG

Keresztúri út 30-38, H-1106 Budapest,
Hungary

(540)

BETAHART

(591) Black, white

(511)

5 – Pharmaceutical preparations for human use.

(260) AM 2014 74848 A

(800) 1181552

(151) 2013 09 20

(731) EGIS GYÓGYSZERGYÁR
NYILVÁNOSAN MŰKÖDŐ
RÉSZVÉNYTÁRSASÁG

Keresztúri út 30-38, H-1106 Budapest,
Hungary

(540)

HARRIMON

(591) Black, white

(511)

5 – Pharmaceutical preparations for human use.

(260) AM 2014 74858 A

(800) 1181553

(151) 2013 09 20

(731) EGIS GYÓGYSZERGYÁR
NYILVÁNOSAN MŰKÖDŐ
RÉSZVÉNYTÁRSASÁG

Keresztúri út 30-38, H-1106 Budapest,
Hungary

(540)

TENDIMAR

(591) Black, white

(511)
5 – Pharmaceutical preparations for human use.

(260) AM 2014 74859 A

(800) 1181554

(151) 2013 09 20

(731) EGIS GYÓGYSZERGYÁR
NYILVÁNOSAN MŰKÖDŐ
RÉSZVÉNYTÁRSASÁG
Keresztúri út 30-38, H-1106 Budapest,
Hungary

(540)

YOGLEN

(591) Black, white

(511)

5 – Pharmaceutical preparations for human use.

(260) AM 2014 74860 A

(800) 1181560

(151) 2013 01 31

(731) BIOGUARD INVESTMENTS LTD.
Mill Mall Tower, 2nd Floor, Wickhams Cay 1,
P.O. Box 4406, Road Town, Tortola, British
Virgin Islands

(540)

MOSQUITALL

(591) Black, white

(511)

1 – Alkaloids; natural adhesives for industrial purposes; surface-active chemical agents; chemical preparations for self defence (terms too vague in the opinion of the International Bureau – Rule 13(2)(b) of the Common Regulations); chemical additives to insecticides; gelatine for industrial purposes; catalysts; biochemical catalysts; gums [adhesives], other than for stationery or household purposes; adhesives for industrial purposes; bacterial preparations other than for medical and veterinary use; bacteriological preparations other than for medical and veterinary use; biological preparations, other than for medical or veterinary purposes; enzyme preparations for industrial purposes; artificial resins, unprocessed; synthetic resins, unprocessed; salts (chemical preparations); enzymes for industrial purposes; industrial chemicals; ethers; esters.

3 – Amber (perfume); petroleum jelly for cosmetic purposes; cotton wool for cosmetic purposes; cotton sticks for cosmetic purposes; aromatics (essential oils); sachets for perfuming linen; scented water; lavender water; toilet water; make-up; deodorants for personal use; perfumes; greases for cosmetic purposes; perfumery; eyebrow pencils; cosmetic pencils; cosmetic dyes; cosmetic creams; creams for leather; waxes for leather; hair spray; nail polish; after-shave lotions; hair lotions; lotions for cosmetic purposes;

beauty masks; oils for perfumes and scents; oils for cosmetic purposes; oils for toilet purposes; essential oils; essential oils of cedarwood; essential oils of citron; oils for cleaning purposes; lavender oil; adhesives for cosmetic purposes; cleansing milk for toilet purposes; disinfectant soap; deodorant soap; shaving soap; cakes of toilet soap; medicated soap; antiperspirant soap; cosmetic kits; Eau de Cologne; bases for flower perfumes; dentifrices; lipsticks; pomades for cosmetic purposes; shaving preparations; cosmetic preparations for baths; toiletries; laundry bleach; dry-cleaning preparations; scouring solutions; tissues impregnated with cosmetic lotions; potpourris (fragrances); bath salts, not for medical purposes; fumigation preparations (perfumes); make-up preparations; sun-tanning preparations (cosmetics); hair colorants; cosmetic preparations for skin care; cosmetics; cosmetics for animals; detergents other than for use in manufacturing operations and for medical purposes; antiperspirants (toiletries); talcum powder, for toilet use; shampoos; shampoos for pets; extracts of flowers (perfumes); ethereal essences; cloths impregnated with a detergent for cleaning.

5 – Acaricides; alkaloids for medical purposes; amino acids for medical purposes; germicides; balms for medical purposes; biocides; bracelets for medical purposes; fly catching paper; mothproofing paper; petroleum jelly for medical purposes; aseptic cotton; antiseptic cotton; wadding for medical purposes; deodorants, other than for human beings or for animals; gelatine for medical purposes; insecticides; carbolineum (parasiticide); caustics for pharmaceutical purposes; acids for pharmaceutical purposes; liniments; ointments for pharmaceutical purposes; sunburn ointments; gauze for dressings; anti-horse-fly oils; medicinal oils; dressings, medical; drugs for medical purposes; medicines for human purposes; fly catching adhesives; antiparasitic collars for animals; medical plasters; pomades for medical purposes; bacterial preparations for medical and veterinary use; bacteriological preparations for medical and veterinary use; biological preparations for veterinary purposes; biological preparations for medical purposes; veterinary preparations; fumigation preparations for medical purposes; air deodorising preparations; air purifying preparations; preparations for destroying noxious animals; larvae exterminating preparations; fly destroying preparations; preparations for destroying mice; vermin destroying preparations; pharmaceutical preparations for skin care; bath preparations, medicated; anticryptogamic preparations; preparations of trace elements for human and animal use; pharmaceutical preparations; sunburn preparations for pharmaceutical purposes; enzyme preparations for veterinary purposes; enzyme preparations for medical purposes; chemico-pharmaceutical preparations; chemical preparations for veterinary purposes; chemical prepa-

rations for medical purposes; chemical preparations for pharmaceutical purposes; mothproofing preparations; insect repellent incense; insect repellents; repellents for dogs; sanitary napkins; tissues impregnated with pharmaceutical lotions; fumigating pastilles; greases for veterinary purposes; greases for medical purposes; salts for mineral water baths; salts for medical purposes; antiseptics; adjuvants for medical purposes; parasiticides; animal washes; detergents for medical purposes; cattle washes; dog washes; remedies for perspiration; antiparasitic preparations; smoking herbs for medical purposes; enzymes for veterinary purposes; enzymes for medical purposes; ferments for pharmaceutical purposes; tobacco extracts (insecticides); elixirs (pharmaceutical preparations); ethers for pharmaceutical purposes; esters for pharmaceutical purposes.

9 – Monitoring apparatus, electric; detectors; life jackets; electric loss indicators; clothing for protection against accidents, irradiation and fire; spectacle frames; spectacles (optics); diagnostic apparatus, not for medical purposes; apparatus and instruments for physics; chemistry apparatus and instruments; observation instruments; regulating apparatus, electric.

21 – Deep fryers, non-electric; rat traps; perfume burners; insect traps; feather-dusters; brooms; mouse traps; sprinklers; cosmetic utensils; toilet utensils; dusting apparatus, non-electric; cloth for washing floors; cloths for cleaning; dusting cloths (rags); furniture dusters; aerosol dispensers, not for medical purposes; fly catchers (traps or whisks); horse brushes; scrubbing brushes; carpet sweepers; brushes; boxes of metal, for dispensing paper towels; dustbins; electric devices for attracting and killing insects.

37 – Linen ironing; pressing of clothing; disinfecting; car wash; window cleaning; vehicle wash; washing; cleaning of buildings (interior); vermin exterminating, other than for agriculture.

40 – Paper finishing; air deodorising; material treatment information; paper treating; water treating; woodworking; leather working; fur conditioning; fur mothproofing; textile mothproofing; cloth treating; wool treating; air freshening; destruction of waste and trash; dyeing services.

42 – Engineering; material testing; bacteriological research; biological research; cosmetic research; chemical research; research and development of new products for others; technical research; chemistry services; surveying.

44 – Public baths for hygiene purposes; massage; veterinary assistance; medical assistance; beauty salons; health care; vermin exterminating for agriculture, horticulture and forestry; nursing, medical; animal grooming; pet grooming.

(260) AM 2014 74861 A

(800) 1181561

(151) 2013 03 01

(731) OTKRYTOE AKTSIONERNOE

OBSHCHESTVO "NOVOSIBKHMIFARM"
ul. Dekabristov, 275, RU-630028 Novosibirsk,
Russian Federation

(540)

Kpoxa[®]

(591) Dark blue and violet

(511)

3 – Balms other than for medical purposes; lip glosses; petroleum jelly for cosmetic purposes; cotton wool for cosmetic purposes; sachets for perfuming linen; scented water; massage gels other than for medical purposes; toilet water; deodorants for human beings or for animals; perfumes; perfumery; decorative transfers for cosmetic purposes; cosmetic pencils; cosmetic creams; skin whitening creams; hair lotions; lotions for cosmetic purposes; beauty masks; oils for perfumes and scents; oils for cosmetic purposes; oils for toilet purposes; essential oils; oils for cleaning purposes; cleansing milk for toilet purposes; soap; disinfectant soap; deodorant soap; cakes of toilet soap; medicated soap; antiperspirant soap; soap for foot perspiration; almond soap; cosmetic kits; nail art stickers; eau de Cologne; bases for flower perfumes; cotton sticks for cosmetic purposes; dentifrices; lipsticks; pomades for cosmetic purposes; cosmetic preparations for baths; toiletries; toiletries, including preparations for baby bathing; mouth washes, not for medical purposes; douching preparations for personal sanitary or deodorant purposes [toiletries]; make-up removing preparations; aloe vera preparations for cosmetic purposes; nail care preparations; sunscreen preparations; make-up powder; tissues impregnated with cosmetic lotions; potpourris [fragrances]; bath salts, not for medical purposes; astringents for cosmetic purposes; eyebrow cosmetics; make-up preparations; sun-tanning preparations [cosmetics]; depilatory preparations; cosmetic preparations for skin care; cosmetics; antiperspirants [toiletries].

(260) AM 2014 74862 A

(800) 1181580

(151) 2013 08 30

(731) JANSSEN R&D IRELAND

Eastgate Village, Eastgate, Little Island,
Co Cork, Ireland

(540)

PREZEEGO

(591) Black, white

(511)

5 – Human pharmaceutical preparations.

(260) AM 2014 74863 A

(800) 1181622

(151) 2013 05 14

(731) DR. SERTUS İLAÇ SANAYİ VE TİCARET LİMİTED ŞİRKETİ

Evren Mah. Camiyolu Cad. No:50 K.2,
Güneşli, Bağcılar, Istanbul, Turkey

(540)

SERTOPEC СЕРТОБЕК

(591) Black, white

(511)

5 – Medicines for human purposes; medicines for veterinary purposes; chemical preparations for medical purposes; dietetic substances adapted for medical use; dietetic foods adapted for medical purposes; aminoacids for medical purposes; nutritional supplements; pollen dietary substances; mineral food supplements; protein dietary supplements; baby foods; medicinal herbs; herbal beverages adapted for medical purposes; medicines for dental purposes; hygienic products for medical purposes including pads, waddings for medical purposes, plasters for medical purposes, dressings for medical purposes; preparations for destroying noxious plants; preparations for destroying noxious animals, fungicides; deodorants, other than for human beings or for animals; disinfectants for hygiene purposes; antiseptics; detergents for medical purposes.

(260) AM 2014 74864 A

(800) 1181642

(151) 2013 05 14

(731) DR. SERTUS İLAÇ SANAYİ VE TİCARET LİMİTED ŞİRKETİ

Evren Mah. Camiyolu Cad. No:50 K.2,
Güneşli, Bağcılar, Istanbul, Turkey

(540)

SERTOSPAN СЕРТОСПАН

(591) Black, white

(511)

5 – Medicines for human purposes; medicines for veterinary purposes; chemical preparations for medical purposes; dietetic substances adapted for medical use; dietetic foods adapted for medical purposes; amino acids for medical purposes; nutritional supplements; pollen dietary substances; mineral food supplements; protein dietary supplements; baby foods; medicinal herbs; herbal beverages adapted for medical purposes; medicines for dental purposes; hygienic products for medical purposes including pads, waddings for medical purposes, plasters for medical purposes, dressings for medical purposes; preparations for destroying noxious plants; preparations for destroying noxious animals, fungicides; deodorants, other than for human beings or for ani-

mals; disinfectants for hygiene purposes; antiseptics; detergents for medical purposes.

(260) AM 2014 74865 A

(800) 1181654

(151) 2013 06 18

(731) Obshchestvo s ogranichennoy otvetstvennostyu "FORTUNA"

Novoslobodskaya ul., d.50/1, str.1 A,
RU-127055 Moscow, Russian Federation

(540)

Providence

(591) Black, white

(511)

5 – Solutions for contact lenses; disinfectants for contact lenses.

9 – Contact lenses; containers for contact lenses.

(260) AM 2014 74866 A

(800) 1181655

(151) 2013 06 18

(731) Obshchestvo s ogranichennoy otvetstvennosryu "FORTUNA"

Novoslobodskaya ul., d.50/1, str.1 A,
RU-127055 Moscow, Russian Federation

(540)

MELLORA

(591) Black, white

(511)

5 – Solutions for contact lenses; disinfectants for contact lenses.

9 – Contact lenses; containers for contact lenses.

(260) AM 2014 74867 A

(800) 1181658

(151) 2013 07 17

(731) JVI Innovation GmbH

St. Veiter Straße 34/III, A-9020 Klagenfurt,
Austria

(540)

Ноцисталь Nocistal

(591) Black, white

(511)

5 – Dietetic foods adapted for medical purposes, dietetic substances adapted for medical use, pharmaceutical preparations, pharmaceutical and medical preparations based on cranberry; medical infusions; tinctures for medical purposes; dietetic beverages adapted for medical purposes; diuretics; antiseptics; anti-inflammatory preparations.

(260) AM 2014 74871 A
 (800) 1181683
 (151) 2013 09 12
 (731) AVON PRODUCTS, INC.
 World Headquarters, 777 Third Avenue,
 New York, NY 10017, USA
 (540)

SHINE DIVINE

(591) Black, white
 (511)
 3 – Non-medicated toilet preparations; toiletries; skin care preparations; skin moisturizers; body and beauty care preparations; powders, creams and lotions, all for the face, hands and body; cosmetic suntan preparations; soaps; shower and bath preparations; beauty masks; talcum powder; nail polish; nail polish remover; enamel for nails; false nails; adhesives for cosmetic purposes; cosmetics; eye makeup remover, eye shadow, eye liner, mascara, lipstick, lip liner, lipgloss; make-up foundation; blusher; tissues impregnated with cosmetic lotions; cotton sticks for cosmetic purposes; cotton wool for cosmetic purposes; preparations for cleaning, moisturising, colouring and styling the hair; preparations for cleaning the teeth; shaving and aftershave preparations; perfumes, fragrances, toilet waters, cologne; deodorants for human beings; anti-perspirants for personal use (toiletries); essential oils (cosmetic).

(260) AM 2014 74872 A
 (800) 1181691
 (151) 2013 08 08
 (731) SETONDA, S.L.
 Joaquin Costa, 18 P.1, E-08390 Montgat
 (Barcelona), Spain
 (540)

TUTUKON

(591) Black, white
 (511)
 5 – Pharmaceutical products.

(260) AM 2014 74876 A
 (800) 1181704
 (151) 2013 08 02
 (731) ASSAN GIDA SANAYİ VE TİCARET
 ANONİM ŞİRKETİ
 Tersane Caddesi, Işık İş Merkezi No:92,
 Kat:6, Karakö, Beyoğlu-İstanbul, Turkey
 (540)



(591) Red and white

(511)
 29 – Canned fruits and vegetables, canned tomatoes, tomato paste, tomato puree, peeled tomato, diced tomato, tomato juice for cooking, processed peppers, pepper paste, red pepper paste.
 30 – Ketchup, mayonnaise, tomato sauce.

(260) AM 2014 74877 A
 (800) 1181717
 (151) 2013 09 04
 (731) BACARDI & COMPANY LIMITED
 Aeulestrasse 5, FL-9490 Vaduz, Liechtenstein
 (540)

GREY GOOSE FLY BEYOND

(591) Black, white
 (511)
 33 – Alcoholic beverages, except beers.

(260) AM 2014 74878 A
 (800) 1181732
 (151) 2013 09 04
 (731) VALENTINO S.P.A.
 Via Turati, 16/18, I-20121 MILANO, Italy
 (540)



(591) Gold, black and grey
 (511)
 3 – Cosmetics, including night and day creams; face and body care and cleansing products, bath foam; shaving foam, aftershave; foundation cream; nail polish; deodorants for men and women; hand and body soaps; shampoos and hair rinses; hair spray; dentifrices; fragrances, namely, perfumes, eau de Cologne and essential oils for personal use for men and women.

(260) AM 2014 74879 A
 (800) 1181817
 (151) 2013 07 06
 (731) HEEL HOP, LLC
 8455 Beverly Boulevard, Suite 500,
 Los Angeles CA 90048, USA
 (540)

HEEL HOP

(591) Black, white

(511)

9 – Digital media and apparatuses for recording, transmission or reproduction of sound or images, magnetic data carriers, compact discs, DVDs, and other digital recording media, computer software, including digital media, electronic agendas, audio-visual teaching apparatus, encoded magnetic cards, electric apparatus for commutation, bags adapted for laptops, computer memory devices, computer programs, recorded, computer game software, data processing apparatus, magnetic data media, optical data media, audio visual and read only memory compact discs, optical discs, disks, magnetic downloadable ring tones for mobile phones, downloadable music files, downloadable image and video files, cinematographic film, floppy disks, headphones, encoded identification bracelets, magnetic identity cards, magnetic tapes, optical goods, mouse pads, sound recording discs, computer programs, downloadable software, electronic publications, downloadable, signals, luminous or mechanical signs, luminous sleeves for laptops, computer software, recorded sound, sound recording carriers, sound transmitting apparatus, sound recording apparatus, sound reproduction apparatus, sunglasses, teaching apparatus, USB flash drives, video cassettes, video game cartridges, videotapes, interactive video game programs and software.

25 – Clothing, namely shirts, shorts, skirts, pants, athletic wear, athletic clothing, dance clothing, ankle and arm warmers, underclothing, underwear, vests, belts, wraps, robes, swimwear, beachwear, blouses, bodices, lingerie, boas, bras, casual wear, dresses, coats, jackets, sweatshirts, gowns, suits, scarves, exercise wear, hose, hosiery, jumpers, kimonos, jump suits, stockings, knitwear, ladies wear, leisure wear, leather garments, leggings, night clothes, negligees, dance instructor clothing, fitness instructor clothing, occupational clothing, parkas, t-shirts, fitness clothing, socks, sweat bands, sweatpants, costumes, thongs, track suits, scarves, and shawls; footwear, namely shoes, athletic shoes, high heels, boots, casual footwear, booties, dance shoes, espadrilles, dress shoes, flat shoes, flip-flops, sandals, gymnastic shoes, wedges, heels, non-slipping devices for footwear, outsoles, non-orthopedic pads and insoles for shoes, sandals, shoe soles, thongs, trainers, training shoes, and walking shoes; and headwear, namely hats, caps, bandanas, berets, shawls, scarves, and visors.

41 – Education and entertainment services, namely, providing classes, workshops, training, instruction, seminars, concerts, conferences, conventions, festivals, lectures, performances, loyalty programs, television programs, audio programs, sound recordings, videos, club services, live entertainment, lifestyle training, mentoring, music arranging, composing, concert and performance services, organizational

services for entertainment and education purposes, organization of charitable fundraising event services, weblog services, sports instruction, and teacher training, including providing all of the above in the fields of choreography, dance, fitness, physical education and exercise.

(260) AM 2014 74880 A

(800) 1181858

(151) 2013 07 25

(731) Obshchestvo s ogramchennoy

otvetstyennostvu "UPECO"

Chaplygina ul. 13/2, office 104, RU-103062

Moscow, Russian Federation

(540)



(591) Black, grey, white, red

(511)

3 – Amber [perfume]; antistatic preparations for household purposes; aromatics [essential oils]; air fragrancing preparations; canned pressurized air for cleaning and dusting purposes; balms other than for medical purposes; petroleum jelly for cosmetic purposes; cotton wool for cosmetic purposes; sachets for perfuming linen; scented water; dental bleaching gels; deodorants for human beings or for animals; scented wood; Perfumes; greases for cosmetic purposes; perfumery; decorative transfers for cosmetic purposes; cosmetic pencils; laundry blueing; colorants for toilet purposes; cosmetic dyes; creams for leather; waxes for leather; polishing creams; cosmetic creams; incense; hair lotions; after-shave lotions; beauty masks; oils for perfumes and scents; oils for cosmetic purposes; oils for toilet purposes; essential oils; essential oils of lemon; oils for cleaning purposes; bergamot oil; gaultheria oil; jasmine oil; lavender oil; almond oil; rose oil; cleansing milk for toilet purposes; musk [perfumery]; soap; disinfectant soap; Deodorant soap; medicated soap; mint for perfumery; cosmetic kits; Eau de Cologne; bases for flower perfumes; cotton sticks for cosmetic purposes; joss sticks; dentifrices; pumice stone; hydrogen peroxide for cosmetic purposes; lipsticks; pomades for cosmetic purposes; shaving preparations; toiletries; douching preparations for personal sanitary or deodorant purposes [toiletries]; mouth washes, not for medical purposes; laundry bleach; cleaning preparations; aloe vera preparations for cosmetic purposes; sunscreen preparations; stain removers; scouring solutions; tissues impregnated with cosmetic lotions; Turpentine, for degreasing; potpourris [fragrances];

bath salts, not for medical purposes; fumigation preparations [perfumes]; ammonia [volatile alkali] [detergent]; sun-tanning preparations [cosmetics]; depilatories; cosmetic preparations for skin care; cosmetics; cosmetics for animals; detergents other than for use in manufacturing operations and for medical purposes; degreasers other than for use in manufacturing processes; talcum powder, for toilet use; terpenes [essential oils]; cloths impregnated with a detergent for cleaning; shampoos; shampoos for pets; dry shampoos; extracts of flowers [perfumes]; ethereal essences; mint essence [essential oil].

4 – Anthracite; benzine; benzene; wood briquettes; combustible briquettes; illuminating wax; Paper spills for lighting; cutting fluids; lanolin; illuminating grease; grease for leather; tallow; wood spills for lighting; combustible oil; lubricating oil; moistening oil; lubricants; nightlights [candles]; paraffin; dust removing preparations; firelighters; perfumed candles; candles; alcohol [fuel]; preservatives for leather [oils and greases]; stearine; Lighting fuel; lamp wicks; wicks for candles.

5 – Germicides; balms for medical purposes; fly catching paper; mothproofing paper; air deodorising preparations; deodorants, other than for human beings or for animals; deodorants for clothing and textiles; insecticides; liniments; antihorsefly oils; medicinal oils; menthol; fly catching adhesives; mint for pharmaceutical purposes; eucalyptol for pharmaceutical purposes; tinctures for medical purposes; tincture of iodine; medicinal infusions; antiparasitic collars for animals; medical plasters; air freshening preparations; air purifying preparations; preparations for destroying noxious animals; preparations for destroying noxious plants; larvae exterminating preparations; fly destroying preparations; preparations for destroying mice; vermin destroying preparations; pharmaceutical preparations for skin care; mothproofing preparations; parasiticides; tissues impregnated with pharmaceutical lotions; insect repellents; insect repellent incense; fungicides; tobacco extracts [insecticides]; elixirs [pharmaceutical preparations]; ethers for pharmaceutical purposes; esters for pharmaceutical purposes.

11 – Lamp shades; disinfectant apparatus; air deodorising apparatus; burners; burners for lamps; lampshade holders; lighters; searchlights; Light bulbs; acetylene flares; Oil lamps; electric lamps; deodorising apparatus, not for personal use; fumigation apparatus, not for medical purposes; air purifying apparatus and machines; lamps; lanterns for lighting; heating elements.

21 – Rat traps; insect traps; mouse traps; sprinklers; dusting apparatus, non-electric; aerosol dispensers, not for medical purposes; electric devices for attracting and killing insects; fly swatters.

(260) AM 2014 74881 A

(800) 1181873

(151) 2013 08 13

(731) IDEAL STANDARD INTERNATIONAL
BVBA

Corporate Village, Gent Building Da

Vincilaan 2, B-1935 ZAVENTEM, Belgium

(540)

VIDIMA

(591) Black, white

(511)

11 – Installations and apparatus for water supply and sanitary purposes; bathroom suites; baths; lavatories, basins, bidets, water closets, urinals (none of the aforesaid including portable toilets); saunas, showers; shower enclosures; taps and tap fittings; cisterns and flushing apparatus for lavatories; water closet seats; pedestals for washbasins; sinks including metal sinks; whirlpool tubs and hydro massage tubs; parts and fittings for all the aforesaid goods.

20 – Furniture, especially bathroom furniture; furniture and furniture fittings for bathrooms, washrooms, changing rooms, saunas and kitchens; mirrors; frames for mirrors and pictures; mirror holders; storage units; toilet and medicine cabinets; non-metallic bathroom hooks; hooks for towels and/or bath robes; shelves and shelving; non-metallic fittings for furniture, especially handles and hooks; support rails and grips; grab rails; clothes stands, clothes racks, clothes rails; towel dispensers not of metal; water pipe valves of plastic; plugs (stoppers) not of metal; parts and fittings for the aforesaid goods.

21 – Small domestic utensils and containers, as well as holders therefor; sanitary furnishings; dishes, holders and dispensers for soap, lotions and shampoos; closet brushes; toilet brushes, tooth brushes and drinking vessels; holders and dispensers for brushers, toilet paper, towels.

(260) AM 2014 74882 A

(800) 1181894

(151) 2013 10 03

(731) APPLE INC.

1 Infinite Loop, Cupertino, CA 95014, USA

(540)



(591) Black, white

(511)

9 – Computer software, for recording, editing, managing, and sharing audio content, for use in connection with handheld mobile digital electronic devices, mobile phones, digital audio and video players, handheld computers, handheld computers, and tablet computers.

(260) AM 2014 74884 A

(800) 1181933

(151) 2013 07 08

(731) Nordischer Maschinenbau Rud. Baader GmbH + Co. KG

Geniner Strasse 249, 23560 Lübeck, Germany

(540)

BAADER Logistix

(591) Black, white

(511)

7 – Machines for the food processing industry; fish, poultry and meat processing machines and parts thereof, as far as contained in this class; machines for treating and processing of fish, meat and poultry as well as fruit and vegetables and products made therefrom; transport belts; conveyor belts; mechanical conveyor belts for loading machines with goods and articles for further processing; sorting machines for industry; separators (machines); control mechanisms for machines.

9 – Photographic, cinematographic, optical, weighing, measuring and checking (supervision) apparatus and instruments; apparatus for recording, transmission or reproduction of sound or images; cameras; data processing apparatus and computers; electrical and electronic controls, control installations, control units, control systems and control apparatus; programmable controls and control apparatus; controls and control apparatus for the fish, meat and poultry processing industry; dosage dispensers; computer peripheral devices; computer software (stored); electric sensors; optical sensors; infrared sensors; microwave sensors (measuring devices); optical apparatus and instruments and checking devices consisting thereof; detectors; lasers, not for medical purposes; quantity indicators; measuring devices; weighing apparatus and instruments; weighing machines; electric switching devices; electric control panels and control cabinets; Roentgen apparatus, not for medical purposes; temperature indicators; thermometers (not for medical purposes); camcorders; digital cameras; cameras (photography); counters; counting mechanisms; apparatus for dosing solid or deformable food.

37 – Installation, repair, cleaning and maintenance of machines, apparatus and equipment, particularly those for treating and processing of fish, meat and poultry as well as fruit and vegetables and products made therefrom.

42 – Technological services and research and design relating thereto; industrial analysis and research services; design and development of computer hardware and software; installation, maintenance and repair of software for data system equipment, also by remote access; computer consulting services; updating of software; hardware and software consultancy; services of an EDP programmer; development, design, servicing and maintenance of programs for data processing, for data processing systems and networks and for components thereof; design of program and database systems for data processing; implementation of EDP programs in networks; system administration for software-based systems; planning of the application and use of data carriers for planning, organisation, production and management of machines in the food processing industry; all aforementioned services particularly in the field of the food processing industry, particularly with respect to machines for treating and processing of fish, meat and poultry as well as fruit and vegetables and products made therefrom.

(260) AM 2014 74885 A

(800) 1181935

(151) 2012 12 13

(731) İSBİR SÜNGER SANAYİ ANONİM ŞİRKETİ

İstanbul Yolu 17. KM Etimesgut – Ankara, Turkey

(540)


 The logo for 'jsbir Bedding' features the word 'jsbir' in a white, lowercase, sans-serif font inside a red, tilted rectangular box. To the right of this box, the word 'Bedding' is written in a larger, black, serif font.

(591) Red, white and black

(511)

10 – Medical, dental, veterinary and surgical apparatus and instruments; furniture adapted for medical treatment purposes; heat beds and electric blankets for medical purposes, air pillows for medical purposes, water beds for medical purposes; electrically-heated cushions for medical purposes; massage apparatus for medical purposes; implants consisting of artificial materials; orthopedic cushions and padding; medical orthopedic materials; surgery dresses; sterilized covers; sexual aids; condoms; feeding bottles, baby bottle nipples, teething rings.

20 – Furniture; mattresses, spring mattresses, pillows, air mattresses and pillows, hydrostatic (water) beds, not for medical purposes; straw mattresses and sleeping bags for camping; mirrors; beehives, comb foundations for beehives, sections of wood for beehives; playpens for babies, high chairs for babies, bassinets, infant walkers; picture frames, picture frame brackets, identity plates, not of metal; nameplates, not of metal; wooden barrels, wood casks, wood kegs, containers for industrial and commercial

liquids, not of metal, wood boxes, containers, not of metal (storage, transport), chests, not of metal, transport pallets, not of metal, packaging containers of plastic, plastic barrels, plastic casks, plastic kegs, reservoirs, neither of metal nor of masonry; boxes of wood or plastic, non-metal valves for containers, taps for casks (not of metal); tool handles, not of metal; window fittings, not of metal; door fittings, not of metal; furniture fittings (not of metal); works of art in this class, of wood, wax, plaster or plastic; baskets, not of metal, fishing baskets; kennels, nesting boxes, cushions, beds for household pets; portable steps (ladders), not of metal, of wood or plastic; bamboo curtains, indoor window blinds (shades), slatted indoor blinds, bead curtains for decoration; bed headboards, bed frames.

24 – Woven textiles, namely, fabrics for use in the manufacture of clothing, towels, table linen, bed linen, household linen; non-woven textiles, namely, fabrics for use in the manufacture of clothing, towels, table linen, bed linen, household linen; fiberglass fabrics for textile use; fabric impervious to gases for aeronautical balloons; waterproof fabrics, namely, waterproof fabric for manufacturing clothing, furniture, luggage and automobile upholstery; gummed waterproof cloth; fabric of imitation animal skins; textile linings, namely, linen lining fabric for shoes, unfinished textile for the manufacture of linings for garments, textile used as lining for clothing; buckram; filtering materials of textile, namely, chemical fiber fabrics, synthetic fiber fabrics, inorganic fiber mixed fabrics all for use in filtering liquids and powders; quilts of textile, blankets; washing mitts, bath linen, hand towels, face towels of textile, bathing towels; tapestries of textile, handkerchiefs of textile, banners of textile, namely, cloth banners; flags not of paper, namely, cloth flags, fabric flags; cloth labels; traveling rugs, namely, lap rugs; curtains of textile, shower curtains of textile, shower curtains of plastics; oilcloth for use as table cloths; bed covers, namely, bed blankets, bed sheets, bedspreads, bed linen, diapered linen, pillowcases, quilt covers; furniture coverings of textile, namely, unfitted fabric furniture covers; upholstery fabrics; table napkins of textile; bed covers of paper.

35 – Advertising agencies services, marketing and publicity bureaus services including commercial or advertisement exhibition and trade fair organization services; providing office functions; business management; business administration; import and export agencies; business investigations, evaluations, expert business appraisals; auctioneering; the bringing together, for the benefit of others, of medical products, namely, therapeutic mattresses, beds, seats and cushions, orthopedic cushions and padding, orthopedic seat cushions, cervical pillows for medical use, beds, mattresses, pillows and bolsters, bed headboards, bed frames, bed linen, namely, pillowcases, quilt co-

vers, bed blankets, bed sheets, bed pads, bedspreads (excluding the transport thereof), enabling customers to conveniently view and purchase those goods, all the aforementioned services may be provided by retail stores, wholesale outlets, through mail order catalogues or by means of electronic media, for example, through web sites or television shopping programmes.

(260) AM 2014 74886 A

(800) 1181941

(151) 2013 09 30

(731) Subsidiary Enterprise "BOOK CLUB"
"FAMILY LEISURE CLUB"

prospekt Haharina 20-A, Kharkiv 61140,
Ukraine

(540)



(591) Black, white

(511)

16 – Booklets; newspapers; printed matter; magazines (periodicals); books; handbooks (manuals).

25 – Berets; outerclothing; footwear; ready-made clothing; pelisses; hats; combinations (clothing); suits; jackets (clothing); singlets; body linen (garments); headgear for wear; overcoats; pyjamas; coats; pullovers; overalls; sweaters; shirts; sports jerseys; dresses; aprons (clothing); tee-shirts; dressing gowns; caps (headwear); trousers.

41 – Publication of books; amusements; providing amusement arcade services; recreation information; entertainment information; club services (entertainment or education); night clubs.

(260) AM 2014 74887 A

(800) 1181979

(151) 2013 06 04

(731) COMITÉ INTERNATIONAL OLYMPIQUE

Château de Vidy, CH-1007 Lausanne,
Switzerland

(540)



(591) Blue, yellow, black, green and red

(511)

1 – Chemicals used in industry, science and photography, as well as in agriculture, horticulture and forestry; unprocessed artificial resins, unprocessed plastics; fertilizers for land; fire extinguishing com-

positions; tempering and soldering preparations; chemical substances for preserving foodstuffs; tanning substances; adhesives for use in industry; unexposed sensitized films; synthetic resins; thermoplastic and thermosetting synthetic resins and organic compounds for molding, for general use in the industrial arts; chemical intermediates; organosilicon compounds, namely polysiloxanes and silanes in the form of resins, pastes, fluids, elastomers, vulcanization and acceleration products; anti-foaming agents; catalysts for paints; chemicals for development and setting of x-ray films and other chemicals in connection with the development of said films; phosphorescent substances; chemical substances used as nuclear fission materials; fuel for nuclear reactors; fused quartz in various forms, such as disks, ingots, rods and tubes for general use in the industrial arts; adhesives substances for industrial purposes; polycrystalline alumina ceramic for general use in the industrial arts; brazing and soldering fluxes and products; thermoplastic and thermosetting adhesives; chemicals, biochemicals and reagents for use in industry, science and research; chemical products, kits and reagents, for analysis or diagnosis for scientific purposes, namely chemical preparations for cell separation and culture, nucleic acid purification, nucleotides, fluorescent nucleotides, oligonucleotides, peptides, proteins, amino acids, organic molecules and markers for DNA/RNA synthesis; reagents for luminescence; reagents for gene expression quantification; reagents for polymerase chain reaction processes; reagents for rolling circle amplification processes; reagents for DNA cloning and vectors, enzymes for modification and restriction; reagents for labeling, sequencing and fragment analysis of nucleic acids and proteins and customized synthesis; reagents for recombinant protein expression and purification; chromatography media; reagents for electrophoresis, biocomputing, spectrophotometry and fluorometry; radiochemical products for scientific research; reagents for scintillation proximity assay; test kits and products for high data rate analysis for producing medicines; reagents for high-resolution laser microscopy, fluoroscopic microscopy and confocal microscopy; specialized chemicals for use in industry, science and research; gases and gas mixtures for use in industry, research and science; chemical products and substances for the manufacture of pharmaceutical products, diagnostic products and substances; chemical testing reagents, saline solution and paper coated with reagents, all for scientific use and for use in laboratories; fissile chemicals for scientific research; Radioactive elements and isotopes for use in industry, science and research; radioactive norms and sources for radiographic technology; radioactive sources for non-destructive sterilization, purification and testing, technology; radionuclides for scientific research; chemical compounds and chemicals for use in the

treatment of water supply systems, wastewater treatment systems, cooling water circuits, boiler water and steam generating systems, boiler condensation systems, liquid separation systems, systems for water purification and dehydration in aqueous systems, conditioning systems, gas purification systems, industrial process systems, fuel treatment systems, hydrocarbon and gas treatment systems, petrochemical systems and oil and gas treatment systems, paper and pulp making systems, plastic and metal coating systems, metal processing systems; chemicals, namely chemical additives for gasoline, additives for heating oil and additives for improving the efficiency of turbine engine fuel; chemically-treated bagged water-absorbing granular materials for placement into fuel tanks; testing kit comprising reagents for determining the presence of algae and active organic organisms in diesel fuel; bacterial cultures and nutrients for sludge and wastewater treatment; polymeric chemicals for dispersing particles in steam generating equipment; chemicals and chemical compounds used as anti-fouling and demulsifying agents in operations for producing coke by-product operations of steel industries; chemicals, catalysts, plastic semi-processed goods used as materials, filtering materials for removing acid gases, unprocessed plastics, crystal whiskers and zinc oxide; radio-pharmaceuticals for scientific use and for research; polymeric membrane materials for liquid separation.

2 – Paints, varnishes, lacquers; preservatives against rust and against deterioration of wood; dyestuffs; mordants; raw natural resins; metals in foil and powder form for painters, decorators, printers and artists; corrosion inhibitors in the form of coatings for use in the metal finishing industry, namely acid aqueous products for final rinsing; corrosion inhibitors in the form of coatings for cooling water circuits; corrosion inhibitors in the form of coatings, namely resinous coatings for metal and masonry surfaces; coating materials, etching fluids; toner cartridges for printers; ink cartridges for printers; toners, toners for copiers, toners for facsimile machines.

3 – Bleaching preparations and other substances for laundry use; cleaning, polishing, degreasing and abrasive preparations; soaps; perfumery, essential oils, cosmetics, hair lotions; dentifrices; cleaning preparations containing chemicals and chemical compounds for cleaning steel, aluminum, galvanized and mixed metal surfaces for general industrial use in the manufacture of metal products; cleaning agents containing chemicals and chemical compounds for industrial use for removing contaminants in industrial process systems; paint stripping preparations containing chemicals and chemical compounds for removing paint from equipment surfaces in spray-painting booth operations.

9 – Scientific, nautical, surveying, photographic, cinematographic, optical, weighing, measuring, signaling, checking (supervision), life-saving and teaching apparatus and instruments; apparatus and instruments for conducting, switching, transforming, accumulating, regulating or controlling electricity; apparatus for recording, transmission or reproduction of sound or images; magnetic recording media, sound recording disks; compact disks, DVDs and other digital recording media; mechanisms for coin-operated apparatus; cash registers, calculating machines, equipment for data processing and computers; software; fire-extinguishing apparatus; protective helmets for sports; glasses, sunglasses, sports goggles; game software; fuel distribution equipment, namely electric fuel-level gauges, control valves for regulating gas flow and fuel lines; automated systems for service-station management comprising operating software for calibrated fuel pumps, flow control panels, fuel lines and pump nozzles for refueling of land vehicles, marine vehicles and aircraft; gas meters; on-board and roadside signaling and communication systems, train inspection systems, crossing notification systems, apparatus for electric control of switching; GPS tracking and monitoring systems for the transit and railway industries; electrical distribution devices and products, namely capacitors, circuit breakers, circuit-breaker patch boards, circuit closers, contact breakers, commutators, contactors, current rectifiers, current limiters, electric contacts, electric collectors, electric conductors, electric connectors, electric controllers, electric inductors, electric power supply systems, distribution boards and branch boxes (electricity), electrical distribution consoles, electrical switchboards and switchboxes; software for persons in charge of troubleshooting and maintenance of programmable controllers, software for cardiac vessel analysis, including heart vessel analysis, also with calculation functions with regard to blood vessels, software for medical patient-monitoring equipment, software for receiving, processing, transmitting and displaying data, software for developing customized programs for asset allocation; software for use on line enabling vendors of office equipment to place orders, to manage portfolios and communicate with the company; software for accessing mortgage and insurance information, software for collecting data concerning vital signs, software for analyzing electrical systems and electronic instruction manuals sold as a unit therewith, software for employees of financial institutions used for assessing customers' financial investments and processing the sale of the identified investments, software for obtaining information on the risk of flooding with regard to real property, software for developing graphic user interfaces and displaying data, software for calculating mortgage payments, software for controlling and managing vehicle fleet maintenance services, soft-

ware for using and accessing commercial computer services, software used by clients to obtain information regarding lease portfolios, software for a radiology information system for radiologists and radiology departments, software for managing databases containing information on employees and patients for archiving purposes and patient monitoring, software installed on and used with PCs and medical monitoring equipment for graphic user interfaces, software for sending encrypted and compressed data to radio-paging (transport) systems, software for providing access to web sites so that buyers and sellers can carry out business transactions by electronic means, and software for subterranean navigation, namely navigation of the assembly of a depth probe for oil drilling and drilling assemblies so as to route subterranean installations; electronic, nuclear, industrial and laboratory instruments and apparatus, for testing, measuring, calculating and monitoring; electrical products, electricity production and distribution products and voltage surge protection products, namely lightning conductors, armored rods; condensers (capacitors); switches for lighting; input/output controls and devices; fuses; controls for lighting; switch boxes, LEDs, namely light-emitting diodes, voltage regulators for electric power, voltage surge protectors, voltage surge limiters, voltmeters, electrical circuit boards, relays and timers, solenoids and limit switches, manual full-voltage starters, reduced-voltage starters, electric switches and disconnecting switches, splitters for circuit boards and pumping panels, circuit breakers and disconnecting switches, transformers, electric circuit and electric lighting boards, electric wires, cables, cords and conductors, electric wiring and accessories, lightning conductors, electricity meters, wattmeters, grounding resistances, humidity and temperature sensors; industrial calibration sensors, push buttons, engine and motor control centers and their electric controls and voltage regulators included in this class; computer programs and software for medical use, industrial use and for research; electrophoresis apparatus; chromatography columns and pumps; apparatus for particle or laser rays microfabrication; apparatus for bio-informatics systems; scintillation apparatus; imaging apparatus for radioactive and luminescent emissions; integrated synthesis and purification systems; oligonucleotide-producing apparatus; optical laser systems for digital imaging; glassware for laboratories; vials and micro-vials; microtiter plates; software for managing hospital operating rooms; software for intensive care information management; software for industrial operation control; software and manuals therefor sold as unit for factory management; graphic interface computer programs for controlling machines in industrial automation applications; software for creating graphic presentations and editing dynamic data interfaces for real-time graphic applications for industrial and

commercial use; communication software for connecting computer network users; software for plastic injection molding; software for controlling, monitoring, simulating, communicating, recording and collecting data and for factory automation; software for integration of manufacturing machine operations, process control, supply of data for displaying, problem monitoring and production report generation; software packages for operating and programming grinders in the manufacturing industry; computer hardware for monitoring industrial processes, namely computer monitors; portable computers, Ethernet cards and cables; computer networking hardware, memory cards; microchips; microprocessors; computer network hubs, switches and routers, computer accessories, displaying devices and terminals; computer whiteboards; processors and system cards; call controllers, operator interfaces, reference interfaces and data collectors; applications for manufacture and control, namely for statistical process control, data collection, direct digital control; document management systems; digital signal processing products and systems, namely, industrial automation controls and programmable logic controllers; adaptive control product in the form of an external controller for optimizing rough and semi-rough cutting performance of machine tools; distributed and remote input/output equipment, input/output modules, interface modules, electricity supplies and assembly equipment; anti-theft and burglar alarm systems; security devices, namely logic programming computers, control panels, electronic burglar detectors, electronic glass-breakage detectors, electronic vibration detectors, magnetic contacts for security systems, electronic switch plates, electronic motion detectors for alarm systems, electronic motion-sensitive switches, fixed connection sirens, audio loudspeakers, electronic navigation systems, access control and alarm monitoring systems; fire, heat and smoke alarms and detectors; computer cards access control systems; card readers, card encoders and encoded cards for card-operated access control systems; video cameras; video devices for object recognition; video devices for object tracking; video devices for reading license plates; video devices for checking alarms; video devices for facial recognition; video devices for vehicle recognition; video devices for traffic detection; video devices for access door control; video devices for burglar detection; processing hardware or software used for analyzing digital video images for automatically extracting, recording and reporting information automatically, and remote video monitoring systems for security and surveillance applications; central video monitors; video recorders; apparatus for shooting and filming; closed-circuit video systems; closed-circuit video systems consisting of one or several cameras and camera housings; wireless, short-range and radio-frequency transceivers; transceivers for electrical lines;

communication monitoring equipment for operating closed-circuit cameras; communication monitoring equipment, namely numeric-pad controls, matrix switching devices, multiplexers, digital video recorders, integrated swinging panoramic zoom domes, remote video controllers, receivers, electronic alarms, triggers and management controls and video transmission devices sold separately or as parts of a closed-circuit camera operating system; personal digital assistants (PDAs) configured for use by real estate professionals; communication interfacing devices for personal digital assistants (PDAs); fiber-optic transmission systems, namely fiber-optic transmitters, receivers and transceivers for transmission of video signals, audio signals and data via optical fibers; electric switches; electromechanical locking devices; magnetic cards for locks, access control, presence control, alarms and security systems; portable electronic hardware for reception, control, storage, handling, display and transmission of data and for actuating electronic locks; electronic access cards and readers and encoders thereof; magnetic access cards and readers and encoders thereof; memory access cards and readers and encoders thereof; proximity cards and readers and encoders thereof; electronic keys and readers and encoders thereof; barcode access cards and their readers, encoders and laminators; access keypads; radio-frequency tracking tags; tracking and control systems consisting of one or several radio-frequency beacons, detectors and transceivers for determining and checking the location and movements of tangible assets, stocks and individuals; infrared sensors; computer hardware and software for managing infrastructures and monitoring systems for accessing infrastructures and components thereof, namely control boards, access card readers and video imaging, video surveillance, digital hard disk recording, network transmission and remote access equipment and systems; networked digital video storage servers, applications for surveillance and access control, alarm and security monitoring, computer software and hardware for monitoring and operating access and security systems comprising locking systems, doors, access and identification devices and security cases in the form of boxes for securing keys; surveillance systems sold separately or as components or in the form of sets such as systems comprising one or several surveillance cameras, hidden cameras, closed-circuit television cameras, camera housings, camera stands, lenses, video monitors, video recorders, digital recorders, video recording media, video switches, control panels, numerical pad controls, joysticks, interface apparatus for alarms and access control equipment, transceivers, receivers, transmitters, signal processors, multiplexers, matrix switches, controls, control panel casings, switch housings, transformers, switches, splitters, coaxial cables, connectors, motion detectors,

microphones and loudspeakers; user interface software and control software for management of access, security and fire-extinguishing systems; electric locks; portable electronic communication and computer equipment for data reception, control, storage, handling, display and transmission for operating electronic locking devices; electronic key holders, readers and encoders; data processing computer software and hardware; electric power supplies, namely batteries, rectifiers/regulators of current/voltage and transformers; control panels, namely electronic apparatus designed for electronically monitoring a predefined activity and for activating an anti-theft alarm; loudspeakers for sirens and electronic siren controls, namely ringer tone generators and amplifiers for sirens; software for controlling communication equipment for operating and controlling closed-circuit cameras; switching devices integrating magnetically triggered blade switches for anti-theft alarm systems and fire alarm systems, in industrial tracking apparatus, revolution counters, security lock systems for equipment cabinets, industrial position-monitoring apparatus, electric cables and pump and valve monitoring apparatus and home security alarm systems; electric and electronic checking apparatus for detecting the presence of certain substances on individuals, in luggage and freight; electric and electronic checking apparatus for detecting the presence of explosives and/or narcotics on individuals, in luggage and freight; apparatus for detecting the presence of explosives and other contraband; timers or sensitive apparatus for detecting changes in conditions for launching and monitoring regeneration or washing cycles for water treatment equipment; control valves for water treatment and filtering equipment; bioreactors for cell culture; portable analysis instruments, namely a probe with a recorder for data conversion equipped with microprocessors for measuring organic and inorganic products in water; filters and filter housings for laboratories; membrane filters for laboratories; silt density measuring devices; deionization devices for laboratories, filters and filter housings for laboratories; liquid separating apparatus for laboratories; membranes for laboratories; liquid flow control devices, namely pumps, valves, flowmeters and regulators for laboratories; ozone monitoring instruments; laboratory equipment, namely porous titration microplates for cellular biology and other applications in life sciences; electronic controls for water treatment and processes, namely apparatus for treatment of industrial and commercial water supply systems, boiler water systems, water cooling systems, cooling water systems and closed water-supply systems, systems for paper and pulp treatment, fuel treatment systems and metal treatment systems for analyzing the chemistry of the system, determining the proper treatment program, applying the desired treatment and monitoring the effectiveness of the treatment; data

management software in the field of paper, pulp and water treatment; electronic controls for data processing in the field of paper, pulp and water treatment; apparatus for industrial water-supply systems for measuring and checking pH and conductivity; apparatus for supplying an industrial, commercial or municipal water supply system with measured quantities of chemicals; electronic testing apparatus for water treatment; laboratory testing equipment, namely apparatus for testing deposit levels and corrosion speed; mobile laboratory equipped with equipment and instruments for measuring and monitoring pH, conductivity and concentration of chromate in domestic and industrial waters, for carrying out inorganic and microbiological water testing; electronic and electrochemical products, namely fuel cells; apparatus for converting photoelectric radiation to electrical energy, namely, photovoltaic solar modules, hybrid photovoltaic solar modules, electronic sensors for measuring solar radiation, photo-cells; apparatus for converting electronic radiation to electric energy, namely photovoltaic solar modules, systems and components and all related system components; printers, laser printers, ink-jet printers, multi-function and multi-purpose printers, parts of all the aforesaid goods; portable electronic devices for wireless reception and/or transmission of data, enabling users to store or manage personal information and to transmit and receive voice, video and image communications; software for synchronization of data between a remote unit or station and a fixed unit or station, and software providing a one-way and/or two-way wireless connection to data; portable digital electronic apparatus and software related thereto; portable electronic devices for wireless data reception and/or transmission; software for re-orientation of messages, electronic mail and/or other data from a personal computer or a server towards one or several portable electronic devices; computer software and programs for wireless device operation and management; telecommunication devices; software for accessing, searching, indexing and retrieving information and data from global computer networks and global communication networks, and for navigation on the aforesaid networks websites; software for sending and receiving short messages and electronic mail and for filtering non-text information from data; portable electronic devices for voice, video, data and image communications; computer game software for mobile telephone receivers; electronic game software for mobile telephone receivers; software packages; batteries, dry cells and batteries, rechargeable batteries, battery chargers, storage batteries, solar cells and batteries, fuel cells; carbon electrodes for dry batteries, wiring apparatus, connectors (electric), electric cables, electric ducts, floor ducts specially designed for housing electric cables, ballast (for discharge lamps), under carpet wiring

systems, code lighting-switches, circuit breakers, magnetic contactors and starter switches, circuit protectors, switching devices, electric connecting boxes, device switches, output jacks, plugs (electric), insulating materials, electric timers, other wiring devices; signaling apparatus and instruments, video intercoms, intercom systems, electric door chimes, intercoms, fire alarms, gas-leak alarms, anti-theft alarms, portable emergency intercoms; acoustic machines and apparatus, radios, tape recorders/players, radio cassette recorders, portable tape players, compact disc recorders/players, minidisc recorders/players, minidisc decks consoles, DVD (digital versatile disc) audio recorders/players, secured digital recorders/players, secured digital cards, loudspeakers, tuners, amplifiers, stereo component systems, disc readers, graphic equalizers, alarm clocks, integrated circuit recorders, digital audio processing devices, earphones, headphones, microphones, cassette recorders/players, software for compact discs (prerecorded), electric megaphones, language laboratories, audio systems for cars, public address systems, audio mixers, audio equipment cleaning equipment, namely magnetic head cleaning equipment; audio cables, video cables, other audio machines; audiovisual machines and apparatus, television sets, cathode ray tube display devices, cathode ray tubes, image pick-up tubes, plasma television sets, plasma displays, LCD (liquid crystal display) television sets, liquid crystal display monitors, television sets combined with video tape recorders, television sets combined with disc players, antennas, tuners for satellite broadcasting, television tuners, Internet terminals, video projectors, video cassette recorders, camcorders, video cameras, video printers, laser disc players, video CD (compact disc) players, software for video CD (compact disc), video recorders/players for DVDs, color video systems for large-scale display, cable television systems, hard disk units, video imaging devices, electric optical display boards, multi-purpose electric display systems, closed-circuit video equipment systems, software for DVDs, television cameras, video switches, non-linear editing systems, editing controllers, DVD creation systems, light emitting diodes (LED) displays, other audiovisual machines; optical disc machines and apparatus; optical disc units, optical disc recorders, optical disc players, optical disc changers, optical disc cartridges, optical disc recording systems; communication apparatus and machines, facsimile transceivers, transceivers, telephones, cellular mobile telephones, cases for cellular mobile telephones, telephone answering machines, private auto-switch systems, global positioning system receivers, radiotelephones, marine radars, radio-paging receivers, mobile communication systems, multi-channel access radio systems, electric panels for traffic information, videoconferencing systems, private portable telephone systems, local network systems, AV

codecs (coder-decoders), navigation systems for cars (road guidance systems), electronic systems for road toll collection, GPS (global positioning system) antennas; checking (supervision) apparatus and instruments, communication and surveillance systems for apartment buildings, intruder detection systems, automated systems for surveillance and control of functions within buildings, electric multi-layer security apparatus; automatic control machines and instruments, electric distribution boards, road signal control apparatus, bus location systems, ultrasound vehicle detectors, information and telecommunication networks for road traffic management, light dimmers, light switches, inverters, programmable control systems, transformers, cabinets, domestic electricity production systems, power capacitors; data processing equipment; computers and computer peripherals, word processors, software (recorded), image scanners for personal computers, printers, PC (personal computer) cards, computer keyboards, mouse(data processing equipment), CD-ROM (compact disc-read only memory) units, diskette units, card reading/writing systems, barcode readers, time recorders, portable data terminals, point-of-sale systems, data collection terminals, personal digital assistants (PDAs), DVD-RAM/ROM (digital versatile disc-random access memory / read only memory) units, CAD/CAM (computer-aided design/computer-aided manufacturing) systems, hard disk units, electronic calculators,uninterrupted power supplies for computers / communication / broadcasting; external storage devices, video cassettes, cleaning heads, D-VHS (video data home systems), other computer peripherals; video tapes, audio cassettes, diskettes, optical discs, mini-discs, DVDs (digital versatile discs), integrated circuit memory cards; weighing and measuring apparatus and instruments, thermoluminescent dosimetry systems, portable x-ray dosimeters, electronic meters, ammeters, electricity consumption meters, grip measuring devices, electric apparatus for measuring leakage, electric insulation meters, thermometers, measuring system processors, electric multi-circuit sector voltage monitors, micro-precision measuring devices, body fat monitors, pacers, audio/video analyzers, oscilloscopes, modulators, voltmeters, distortion meters, other measuring apparatus; sensors, light-sensitive sensors, thermometric sensors, position sensors, angular velocity sensors, rotation sensors, angle sensors, dew point sensors, other sensors; electric components, light emitting diodes, liquid crystals, liquid crystal display modules, magnetrons, diodes, transistors, thermostats, integrated circuits, semi-conductor storage devices, one chip micro-computers, electric condenser, microphones cartridge, gray-scale image processors, thermal printing heads, magnetic heads, permanent magnets, connectors, relays, display components, semi-conductor lasers, charge coupling devices (CCD device), image detectors, film capaci-

tors, over-oxygenation membrane units, electric tuner units, high-frequency units, coin validation units, note validation units, magnetic card reading/writing devices, voltage-controlled oscillators, phase-locking circuit synthesizing modules, wireless communication module units, optical transmission components, printed wiring boards, loudspeaker components, electricity supplies, AC (alternating current) adaptors, focusing magnets, inductors (coils), capacitors for electric apparatus, electric signal filters, transformers, deflection coils, thermistors, varistors, piezoelectric ceramic components, acoustic-optical components, resistances, potentiometers, encoders, printing units, hybrid integrated circuits, switching components, heat-welding wiring boards, transparent touch panels, electroluminescent components, remote control units, magnetic resistance elements, thermal disconnects; data processing equipment, in particular for financial applications; operating system programs; computer hardware and software, in particular for local and wide-range computer networks development, maintenance and use; systems for reading memory cards and systems for reading stored data including integrated circuit memories and bank card memories; automatic ticket dispensers; accounting machines; encoded cards, including magnetic cards and integrated circuit cards, in particular for financial applications; card readers, printing apparatus, including printing apparatus for data processing systems and financial transaction systems; machines for banking institutions; encoders and decoders; modems; encoded magnetic cards, electronic data carrier cards, encoded magnetic card readers, electronic data cards reader, electronic encryption systems, computer hardware, computer terminals, software used in financial services, in the banking and telecommunication industries; electric and electronic products, namely calculating machines, pocket planners, alarms; bank cards, including printed bank cards and bank cards with magnetic memory and with integrated circuit memory; bank cards, credit cards, debit cards, including such cards equipped with integrated circuits and microprocessors; memory cards (smart cards); automated teller machines (ATMs); data processing equipment and computers including cards equipped with microprocessors and integrated circuits; computer hardware in the form of integrated circuit cards and card readers containing transponders and other proximity payment devices; mouse pads; machines and machine systems, including parts and accessories for transmission, distribution and control of electricity; induction devices, electrical displacement devices, electricity control and regulation devices, electricity measuring instruments, electrical protection devices, switchboards, switchboard apparatus, wiring devices and supplies; liquid control devices, namely, flowmeters, manostats, sequential timers, electric switches and controls; electric devices for killing insects,

audio amplifiers for keyboards, external memories for musical instruments; systems for managing data and preserving archives in the field of anesthesia; gradient coils, namely magnetic gradient coils for magnetic resonance imaging.

14 – Precious metals and their alloys and goods in precious metals or coated therewith, not included in other classes, in particular commemorative coins and medals; jewelry, precious stones; pins; timepieces and chronometric instruments; key rings.

25 – Clothing, footwear, headgear.

29 – Meat, fish, poultry and game; meat extracts; preserved, dried and cooked fruits and vegetables; jellies, jams, compotes; eggs, milk and dairy products; edible oils and fats.

32 – Beers; mineral and aerated waters and other non-alcoholic beverages; fruit beverages and fruit juices; syrups and other preparations for making beverages.

35 – Advertising; dissemination of advertising matter via all media, in particular in the form of thematic messages centered on human values; advertising by sponsoring; business management; business administration; office functions; promoting the goods and services of others, by means of contractual agreements, in particular sponsoring and licensing agreements, enabling them to gain additional notoriety and/or enhanced image and/or a surge of sympathy derived from the notoriety and/or enhanced image resulting from cultural and sporting events, in particular international events, and/or a surge of sympathy generated by the above; promoting the goods and services of others by means of what is referred to as the initial interest factor leading the public to consider, among a multitude of competitors, goods or services presented to the public bearing signs, emblems or messages able to capture its attention; promoting the goods and services of others by means of the so-called image transfer; rental of advertising space of all type and on all media, whether digital or not; business administration of the participation of national teams to an international athletic competition, and promoting the support to said teams with the public and the concerned circles; inventory management services; consultation relating to stock monitoring services; advertising by means of direct marketing for others consisting in marketing of databases; consultation for advertising by means of direct marketing for others consisting in marketing of databases; advisory services in connection with business reorganization; truck and automobile fleet management services, namely billing and consulting in connection with the administrative management of truck and automobile fleets; business administration consultancy; administrative management of power plants of others; business consultation in connection with the manage-

ment of power plants, commercial services, namely administration of contracts for repair and servicing, supply chain management services and consulting services relating to the purchase and supply of chemical services and products, supply management and product inventory, limitation of costs; consulting, marketing, analysis of prices and costs concerning devices for electrochemical purification of liquids for industrial use; administrative, commercial and technical management of computer files; data input and processing services; retail sale of electric and electronic machines and apparatus (the bringing together, for the benefit of others, of a range of goods so as to enable customers to view and purchase said goods at their convenience in a retail store carrying electrical goods), information concerning the sale of raw materials, commercial information, commercial information agencies, rental of photocopiers; promoting the sale of goods and services of others including by means of advertisements, promotional competitions, awarding of prizes and bonuses in the form of promotional lotteries, discounts, reduction tokens and value-added offers in connection with the use of payment cards; promotion of sporting events and competitions for use by others; promoting concerts and cultural events for others, organization of exhibitions for commercial or advertising purposes; provision of documentation, namely direct mail advertising, distribution of advertising material, distribution of samples, reproduction of documents; advertising concerning the promotion of commercial sales of goods and services for retail sale purposes; provision of information in connection with e-commerce and electronic retail sale; provision of information concerning the purchase of goods and services on line via the Internet and other computer networks; tourist documentation services, namely advertising concerning transport, travel, hotels, accommodation, food and meals, sports, entertainment and sightseeing tours, tourist agency services; maintenance of computerized databases.

36 – Insurance underwriting; financial affairs; banking; monetary affairs; real estate affairs, credit card services; financing of sporting and cultural activities; rental of buildings and outbuildings designed for hosting corporate entertainment events; equity and private mark financing services; financial analyses and consultation; financial services in connection with credit cards; credit card services, namely granting credit to others; financial asset management for others; insurance and reinsurance services, namely underwriting of all types of insurance; equity capital investment services; insurance underwriting services in the field of bonds; financial security underwriting services; personal loan financing; lending against collateral; acquisition financing services; commercial financing services; commercial real-estate agency services; raising capital; loan and private capital investments; information, assistance

and consultancy in all the aforesaid fields, lease-purchasing of mobile and modular structures, insurance brokerage services, credit agency services in the field of commercial and consumer credit, financing of real estate loans and financial and banking services; monetary operations in particular by means of bank cards or customer loyalty cards; financial clearing services; issuance of checks and letters of credit; financial services; insurance services; financial operations; bill payment services; debit card services; payment card services; pre-paid card services; electronic transactions by credit and debit card; electronic transfer of funds; smart card and electronic money services; provision of liquidities; credit card and payment services replacing cash payments; electronic transfer of capital; check verification; check cashing services; automated teller and safe deposit system services; payment processing services; transaction authentication and verification services; provision of financial information via a global computer network; financial sponsoring of festivals and concerts; financial services for purchasing goods and services sold in retail at points-of-sale for promotion purposes; information services in the field of tourism, namely financial information; financial services for tourist assistance purposes; lease-purchasing of telephones, facsimile machines and other telecommunication equipment; lease-purchasing of transport containers.

38 – Telecommunications; television program broadcasting, broadcasting of televised programs (live or recorded); radio telephony; communications by electronic computer terminals, by databases and by telecommunication networks connected to the Internet; communications by telex; communications by telegrams; communications by telephone; communications by facsimile machines; radio paging; teleconferencing communications; television broadcasting; cable television; radio broadcasting; news agencies; other message transmission services; broadcasting of a commercial site on the Internet; radio and television broadcasting provided via the Internet; electronic messaging; providing access to computer information newsletters and to discussion forums on line; transmission of messages and images via computers; providing access to home and office shopping services via computer and/or interactive communication technologies; telecommunication of information (including web pages), of computer programs and of all other data; electronic mail services; providing user access to the Internet; services of telecommunication connections to the Internet or to databases; providing access to digital music web sites on the Internet; providing access to MP3 web sites on the Internet; rental of access time to a central database (telecommunications); provision of access to search engines; operating discussion forums on the Internet; rental of access time to a central server database; rental of access time to a

computer database (telecommunication services); simultaneous broadcasting, in particular by means of electronic interconnections, of films and of video and sound recordings; wireless data messaging services, in particular services enabling a user to send and/or receive messages via a wireless data network; one-way and two-way messaging services; electronic transmission of data, images, documents and audio and video data, including texts, cards, letters, messages, mail, animations and electronic mail, via local or global communication networks, including the Internet, intranets, extranets, television, mobile communication networks, cellular networks and satellite networks; electronic transmission of software via local or global communication networks, including the Internet, intranets, extranets, television, mobile communication networks, cellular networks and satellite networks; providing access to databases and to local or global communication networks, including the Internet, intranets, extranets, television, mobile communication, cellular and satellite networks; transmission and relay of messages, namely electronic transmission of messages; telecommunication services for the dissemination of information by mobile telephone, namely, transmission of data to mobile telephones; communication by mobile telephone; voice communication transmission and reception; transmission and reception on a value-added network; telecommunication services by telematic means and by multimedia networks; rental of access time to a database server center; operating networks for transmission of value-added data (multimedia systems, interactive videography, global computer telecommunication networks).

41 – Education; training; entertainment; sporting and cultural activities, televised sporting and cultural entertainment; organization of exhibitions for cultural and educational purposes; organization of lotteries and competitions; betting and gambling services in connection with or relating to sports; entertainment services provided during sporting events or concerning sporting events; organization of sporting and cultural events and activities; organization of real or virtual sporting competitions; operation of sports facilities; rental of audio and video equipment, production of films, other than advertising films; production of sound and video recordings; presentation and distribution of films and of sound and video recordings; rental of sound and video recordings; rental and/or provision via a computer network of interactive education and entertainment products, namely interactive compact discs, CD-ROMs, computer games; entertainment, namely presentation of interactive education and entertainment products, namely interactive compact discs, CD-ROMs, computer games; radio and television coverage of sporting events; production of television and radio programs and of videotapes; production of cartoons; production of animated programs for television;

reservation of tickets for sporting events and shows; timing of sports events; organization of beauty contests; interactive entertainment; on-line betting services; provision of games on the Internet; provision of raffle services; information concerning entertainment or education, provided on line from a data bank or the Internet; electronic game services provided by means of the Internet; provision of electronic publications on line; publication of books, magazines, texts (other than publicity texts) and periodicals; on line publication of electronic books, magazines, texts (other than publicity texts) and periodicals; provision of digital music from the Internet; provision of digital music from MP3 web sites; provision of sporting results; information services concerning sports and sporting events; rental of recorded sounds and images; audio production services; information services concerning sporting events provided on line from a computer database or the Internet; editing and publishing services; provision of digital music (non-downloadable); offering digital music by means of telecommunications; publication of statistics regarding sporting results and audience ratings for sporting competitions; training in the use and operation of systems for signaling and notification of crossings for the railway and transit industries; education services in the field of medical imaging and diagnosis, namely conducting of seminars, conferences, symposiums or workshops concerning the pharmaceutical industry, intended for medical practitioners and employees of pharmaceutical companies; education services, namely conducting of seminars, conferences, symposiums or workshops in the field of life sciences and biotechnology for scientists and researchers; conducting of seminars on problems in connection with industrial water treatment; training services in all the aforesaid fields; training services in the field of management and medicine by means of the use of instructions and demonstrations provided on line, via the Internet, intranets and extranets; education services, namely conducting of practical training workshops, courses and seminars including demonstrations in the field of medicine and management; design, conducting and hosting of courses, seminars and all training activities in the field of information technology; organization and performance of concerts; booking of seats for shows; movie presentations; entertainment information; production of films; show production; theater production services; operation of golf facilities; health club services (fitness training); sports camp services; presentation of live performances; film projection; organization of shows (impresario services); holiday camp services [entertainment]; movie studios; news reporter services; provision of on-line electronic publications, not downloadable; music hall services; education services, namely conducting of courses, seminars, presentations, video presentations; provision of educational

material, namely dissemination of material in the field of financial knowledge; education services in the field of tourism; information services in the field of tourism, namely information services regarding reservation of tickets for recreational events; information services in the field of tourism, namely information services regarding entertainment; information services in the field of tourism, namely information services regarding planned sporting, cultural and recreational activities; services in connection with entertainment for tourist assistance; tourist reservation services, namely activity and entertainment reservation services; assistance services for tourists concerning reservation of tickets for recreational events; assistance services for tourists concerning planned sporting, cultural and recreational activities.

43 – Services for providing food and drink; cafeteria and restaurant services; welcoming and hospitality services, namely providing food and drink; food and drink catering; reservation of hotels and temporary accommodation; bar services; cafes; rental of meeting rooms; tourist homes; providing information in the field of tourism, namely accommodation information; providing information in the field of tourism, namely information on provision of food and meal; accommodation services for tourist assistance; services in connection with providing food and meal for tourist assistance; reservation services for tourism, namely reservation of hotel rooms and of food and meal; information services in the field of tourism, namely information concerning the reservation of hotel rooms, accommodation, food and meal; assistance provided to tourists concerning the reservation of hotel rooms, accommodation, food and meal; tourist reservation services, namely reservation of hotel rooms, accommodation, food and meal; rental of mobile and modular structures.

(260) AM 2014 74888 A

(800) 1181984

(151) 2013 07 04

(731) NOVOMATIC AG

Wiener Str., A-2352 Gumpoldskirchen,
Austria

(540)



(591) Black, white

(511)

9 – Hardware and software, in particular for casino and amusement arcade games, for gaming machines, slot machines, video lottery gaming machines or games of chance via the Internet.

28 – Casino fittings, namely roulette tables, roulette wheels; casino games, gaming machines and games machines, in particular for commercial use in casinos and amusement arcades, with or without a prize payout, or games of chance via the internet, slot machines and/or electronic money game apparatus, with or without prize options; housings for slot machines and gaming machines; electronic or electrotechnical gaming apparatus, gaming machines and automatic gaming machines, slot machines operated by coins, tokens, banknotes, tickets or by means of electronic, magnetic or biometric storage media, in particular for commercial use in casinos and amusement arcades, with or without a prize payout; housings for slot machines, gaming apparatus, gaming machines and automatic gaming machines operated by means of coins, tokens, tickets or by means of electronic, magnetic or biometric storage media; electric, electronic or electromechanical apparatus for bingo games, lotteries or video lottery games and for betting offices, networked or unnetworked; electropneumatic and electric pulling machines (gaming machines).

41 – Providing casino facilities (gambling), betting offices, bingo halls and/or lottery offices; operating gaming establishments and arcades and/or online Internet casinos and betting platforms.

(260) AM 2014 74891 A

(800) 1181985

(151) 2013 06 12

(731) DR. SERTUS İLAÇ SANAYİ VE TİCARET
LİMİTED ŞİRKETİ

Evren Mah. Camiyolu Cad. No:50 K.2,
Güneşli, Bağcılar, İstanbul, Turkey

(540)

PANTAMA
ΠΑΝΤΑΜΑ

(591) Black, white

(511)

5 – Medicines for human purposes, medicines for veterinary purposes, vitamin preparations, chemical preparations for medical purposes, dietetic substances adapted for medical use; dietetic foods adapted for medical purposes; baby foods, medicinal herbs, herbal beverages adapted for medical purposes, nutritional supplements, pollen dietary supplements, mineral food supplements, protein dietary supplements; medicines for dental purposes, hygienic products for medical purposes including pads, waddings for medical purposes, plasters for medical purposes, dressings for medical purposes, babies' napkins, preparations for destroying noxious plants, preparations for destroying noxious animals, fungicides, deodorants other than for human beings or for

animals, disinfectants for hygiene purposes, antiseptics, detergents for medical purposes.

(260) AM 2014 74892 A

(800) 1182006

(151) 2013 09 19

(731) APPLE INC.

1 Infinite Loop, Cupertino, CA 95014, USA

(540)

SPOTLIGHT

(591) Black, white

(511)

9 – Computer software sold as a component of applicant's proprietary computer operating system for locating and retrieving computer programs, files, folders and documents, electronic mail messages, address book contacts, electronic calendar entries, images, fonts, music files, movies, bookmarks, and computer system preferences, excluding database management applications used to detect, analyze, diagnose, and resolve errors and technical problems in complex equipment and systems and in computer databases, programs and files.

(260) AM 2014 74893 A

(800) 1182022

(151) 2013 10 02

(731) APPLE INC.

1 Infinite Loop, Cupertino, CA 95014, USA

(540)



(591) Blue, light blue, red, white

(511)

9 – Internet browser software; downloadable internet browser software.

(260) AM 2014 74894 A

(800) 1182037

(151) 2013 08 13

(731) COMPANY FOREX CLUB LTD.

Apartment No 3 Beau Bios, Castle Comfort,
Roseau, Dominica

(540)



(591) Black and orange

(511)

9 – Scientific, nautical, surveying, photographic, cinematographic, optical, weighing, measuring, signaling, checking (supervision), life-saving and teaching apparatus and instruments; apparatus and instruments for conducting, switching, transforming, accumulating, regulating or controlling electricity; apparatus for recording, transmission or reproduction of sound or images; magnetic recording media, sound recording disks; compact disks, DVDs and other digital recording media; mechanisms for coin-operated apparatus; cash registers, calculating machines, data processing equipment, computers; software; fire-extinguishing apparatus; DVD players; ticket dispensers; coin-operated musical automata [juke boxes]; telephone answering machines; fire trucks; electric accumulators; electric accumulators for vehicles; actinometers; alidades; altimeters; ammeters; anemometers; anodes; antennas; anticathodes; apertometers [optics]; high-frequency apparatus; testing apparatus not for medical use; remote control apparatus; electro-dynamic apparatus for the remote control of railway points; electro-dynamic apparatus for the remote control of signals; electric monitoring apparatus; sound recording apparatus; Global Positioning System [GPS] apparatus; distillation apparatus for scientific use; diffraction apparatus [microscopy]; air analysis apparatus; apparatus to check franking; sound transmitting apparatus; apparatus for fermentation [laboratory apparatus]; breathing apparatus for underwater swimming; breathing apparatus except for artificial respiration; X-ray producing apparatus and installations not for medical purposes; electric apparatus for commutation; sound recording apparatus; stills for laboratory experiments; projection apparatus; radiological apparatus for industrial use; X-ray apparatus not for medical purposes; blueprint apparatus; flashing lights [light signals]; stereoscopic apparatus; telephone apparatus; facsimile machines; phototelegraphy apparatus; electric igniting apparatus for igniting at a distance; acid hydrometers; salinometers; acidimeters for batteries; aerometers; luminous beacons; battery jars; barometers; anode batteries; galvanic cells; batteries for lighting; solar batteries; electric cells (batteries); balances [steelyards]; betatrons; binoculars; electronic tags for goods; lens hoods; magnetic tape units [for computers]; computer memory devices; fire hose nozzles; magnetic identification bracelets; safety tarpaulins; signalling buoys; life buoys; marking buoys; directional compasses; vacuum gauges; electrolyzers; variometers; verniers; scales; letter scales; weighbridges; precision balances; leveling staffs [surveying instruments]; video cameras; video cassettes; video telephones; video screens; photographic viewfinders; sockets, plugs and other contacts [electric connections]; micrometer screws for optical instruments; viscosi-

meters; circuit closers; wavemeters; voltmeters; switchboxes [electricity]; current rectifiers; gas testing instruments; gasometers [measuring instruments]; galvanometers; hands-free kits for telephones; heliographic apparatus; hygrometers; hydrometers; weights; peepholes [magnifying lenses] for doors; holograms; plotters; loudspeakers; sounding leads; plumb bobs; range finders; densimeters; densitometers; optical goods; detectors; smoke detectors; counterfeit [false] coin detectors; transparencies; slide projectors; diaphragms [photography]; dictating machines; dynamometers; light-emitting diodes [LED]; floppy disks; magnetic disks; optical disks; calculating disks; disk drives [for computers]; juke boxes [for computers]; DNA chips; electronic notice boards; bullet-proof vests; life jackets; identification threads for electric wires; nose clips for divers and swimmers; electric locks; bells [warning apparatus]; electric alarm bells; electric door bells; signal bells; acoustic conduits; mirrors for inspecting work; luminous or mechanical road signs; mechanical signs; luminous signs; marine depth finders; probes for scientific use; buzzers; needles for record players; measures; pressure measuring apparatus; simulators for the steering and control of vehicles; inverters [electricity]; pressure indicators; temperature indicators; labels indicating temperature, other than for medical purposes; incubators for bacteria culture; measuring instruments; cosmographic instruments; mathematical instruments; leveling instruments; instruments containing eyepieces; surveying instruments; azimuth instruments; interfaces [for computers]; ionization apparatus not for the treatment of air or water; spark-guards; coaxial cables; fiber-optic cables; electric cables; calipers; slide calipers; screw-tapping gauges; calculating machines; pocket calculators; decompression chambers; cinematographic cameras; electronic pens [visual display units]; holders for electric coils; magnetic identification cards; video game cartridges; encoded magnetic cards; riding helmets; protective helmets; carriers for dark plates [photography]; automated teller machines [ATM]; cathodes; spools [photography]; choking coils [impedance]; electric coils; electromagnetic coils; exposed cinematographic films; computer keyboards; solenoid valves [electromagnetic switches]; wire connectors [electricity]; electronic agendas; push buttons for bells; mouse pads; magnetic encoders; anti-glare visors; electric collectors; calibrating rings; protective suits for aviators; commutators (switches); compact discs [audio-video]; optical compact disks; comparators; marine compasses; laptop computers; notebook computers; condensers [capacitors]; electric contacts; wind socks for indicating wind direction; road traffic cones; branch boxes [electricity]; distribution boxes [electricity]; junction boxes [electricity]; battery boxes; cabinets for loudspeakers; diving suits; clothing for protection against fire; galena crystals [detec-

tors]; reflecting disks, for wear, for the prevention of traffic accidents; covers for electric outlets; logs [measuring instruments]; lasers not for medical use; lactodensimeters; lactometers; vacuum tubes [radio]; darkroom lamps [photography]; thermionic tubes; amplifying lamps; flashlights [photography]; head cleaning tapes; magnetic tapes; videotapes; surveying chains; fire escapes; rulers [measuring instruments]; slide-rules; contact lenses; correcting lenses [optics]; optical lenses; optical condensers; sounding lines; electricity conduits; measuring spoons; magnifying glasses [optics]; thread counters; magnets; decorative magnets; crash test dummies; resuscitation mannequins [teaching apparatus]; mice [computing]; pressure gauges; divers' masks; solderers' helmets; protective masks; materials for electricity mains [wires, cables]; voting machines; money counting and sorting machines; material testing instruments and machines; furniture especially made for laboratories; megaphones; portable media players; diaphragms [acoustics]; diaphragms for scientific apparatus; metal detectors for industrial or military use; metronomes; rules [measuring instruments]; carpenters' rules; dressmakers' measures; mechanisms for counter-operated apparatus; coin-operated mechanisms for television sets; shutter releases [photography]; micrometers; microprocessors; microscopes; microtomes; microphones; modems; lightning conductors; monitors [computer hardware]; monitors [computer programs]; terminals [electricity]; junction sleeves for electric cables; cases fitted with dissecting instruments [microscopy]; teeth protectors; knee-pads for workers; headphones; surveyors' levels; sound recording media; optical data media; electrically heated socks; software [recorded programs]; sheaths for electric cables; identification sheaths for electric wires; weighing machines; punched card machines for offices; life-saving devices; footwear for protection against accidents, irradiation and fire; objectives [lenses] [optics]; lenses for astrophotography; egg-candlers; electrified fences; limiters [electricity]; clothing for protection against accidents, irradiation and fire; clothing for protection against fire; asbestos clothing for protection against fire; special clothing for laboratories; ozonizers [ozonators]; octants; eyepieces; ohmmeters; wrist rests for use with computers; spectacle frames; eyeglass frames; oscillographs; plumb lines; mirrors [optics]; spectacles [optics]; sunglasses; goggles for sports; luminous or mechanical signaling panels; radio pagers; pincenez; electronic pocket translators; transmitters [telecommunication]; telephone transmitters; transmitters of electronic signals; switches; periscopes; gloves for divers; gloves for protection against accidents; gloves for protection against X-rays for industrial use; asbestos gloves for protection against accidents; furnaces for laboratory use; pipettes; pyrometers; planimeters; plane tables [surveying instruments]; plates for batteries; boards for integrated circuits;

printed circuit boards; compact disc players; cassette players; sound recording strips; X-ray films, exposed; exposed films; life-saving rafts; laboratory trays; semi-conductors; polarimeters; fire engines; measuring glassware; life belts; fuses; circuit breakers; electric converters; telerupters; food analysis apparatus; diagnostic apparatus not for medical use; distance recording apparatus; distance measuring apparatus; speed measuring apparatus [photography]; appliances for measuring the thickness of leather; apparatus for measuring the thickness of skins; speed checking apparatus for vehicles; time recording apparatus; hemline markers; apparatus and instruments for astronomy; surveying apparatus and instruments; apparatus and instruments for physics; chemistry apparatus and instruments; measuring apparatus; electric measuring apparatus; boiler control instruments; meteorological instruments; naval signaling apparatus; observation instruments; navigation apparatus for vehicles [on-board computers]; satellite navigational apparatus; electric regulating apparatus; precision measuring apparatus; receivers [audio, video]; prisms [optics]; printers for use with computers; retorts' stands; apparatus for changing record player needles; drainers for use in photography; cleaning apparatus for sound recording discs; fire beaters; sighting telescopes for firearms; test tubes; pressure indicator plugs for valves; magnetic wires; telegraph wires; telephone wires; electric wires; electric conductors; insulated copper wire; fuse wire; recorded computer programs; game software; computer programs [downloadable software]; recorded computer operating programs; record players; central processing units [processors]; rods for water diviners; downloadable electronic publications; distribution consoles [electricity]; control panels [electricity]; radar apparatus; masts for wireless aerials; transmitters [telecommunication]; radio sets; vehicle radios; sprinkler systems for fire protection; frames for photographic transparencies; screens for photoengraving; walkie-talkies; voltage surge protectors; voltage regulators for vehicles; stage lighting regulators; electric light regulators [dimmers]; speed regulators for record players; cell switches [electricity]; washing trays [photography]; marking gauges [joinery]; automatic time switches; electric relays; safety restraints [other than for vehicle seats or sports equipment]; X-ray photographs, other than for medical purposes; rheostats; respirators for filtering air; respiratory masks other than for artificial respiration; retorts; refractometers; refractors; grids for batteries; speaking tubes; horns for loudspeakers; saccharometers; light conducting filaments [optical fibers [fibres]]; traffic-light apparatus [signaling devices]; dog whistles; signaling whistles; sextants; inductors [electricity]; safety nets; nets for protection against accidents; fire alarms; luminous or mechanical signals; sirens; scanners [computer equipment]; integrated circuit cards [smart cards]; connections for

electric lines; electric couplings; connectors [electricity]; sonars; sound locating instruments; lighting ballasts; electric resistances; spectrograph apparatus; spectrometers; speed indicators; alcohol meters; satellites for scientific purposes; protection devices for personal use against accidents; audiovisual teaching apparatus; radiotelegraphy sets; radiotelephony sets; spectacle lenses; glass covered with an electrical conductor; anti-glare glasses; optical glass; personal stereos; stereoscopes; stands for photographic apparatus; strobes; fire boats; sulphitometers; bags designed for laptop computers; drying racks [photography]; spherometers; integrated circuits; printed circuits; counters; parking meters; kilometer recorders for vehicles; revolution counters; abacuses; egg timers [sandglasses]; taximeters; ear plugs for divers; tachometers; television apparatus; telegraphs [apparatus]; telescopes; teleprompters; teleprinters; portable telephones; theodolites; thermometers, not for medical use; thermostats; thermostats for vehicles; crucibles [laboratory]; tone arms for record players; totalizers; transistors [electronic]; transponders; protractors [measuring instruments]; transformers; step-up transformers; vehicle breakdown warning triangles; triodes; starter cables for motors; electric discharge tubes other than for lighting; capillary tubes; neon signs; Pitot tubes; X-ray tubes not for medical purposes; telephone receivers; gauges; quantity indicators; automatic indicators of low pressure in vehicle tires; gasoline gauges; water level indicators; electric loss indicators; light-emitting electronic pointers; slope indicators; levels [instruments for determining the horizontal]; mercury levels; spirit levels; urinometers; amplifiers; particle accelerators; electric installations for the remote control of industrial operations; automatic steering apparatus for vehicles; balancing apparatus; video recorders; sound reproduction apparatus; invoicing machines; tape recorders; protection devices against X-rays, not for medical purposes; railway traffic safety appliances; data processing apparatus; oxygen transvasing apparatus; electric installations for theft prevention; film cutting apparatus; drying apparatus for photographic prints; optical character readers; centering apparatus for photographic transparencies; dosage dispensers; battery chargers; apparatus for charging electric accumulators; acoustic [sound] alarms; sounding apparatus and machines; editing devices for cinematographic films; cathodic anti-corrosion apparatus; couplers [data processing equipment]; anti-theft warning apparatus; computer peripherals; anti-interference devices [electricity]; demagnetizing apparatus for magnetic tapes; acoustic couplers; alarms (instruments); non-explosive fog signals; whistle alarms; adding machines; readers [data processing equipment]; heat regulating apparatus; photocopiers; bar code readers; downloadable ring tones for mobile telephones; downloadable image files; downloadable music files; animated car-

toons; filters [photography]; filters for respiratory masks; filters for ultraviolet rays for photography; USB flash drives; magic lanterns; optical lamps; signal lanterns; cameras [photography]; glazing apparatus for photographic prints; shutters [photography]; darkrooms [photography]; photometers; flashbulbs [photography]; enlarging apparatus [photography]; photovoltaic cells; containers for contact lenses; spectacle cases; pince-nez cases; containers for microscope slides; cases especially made for photographic apparatus and instruments; chromatography apparatus for laboratory use; chronographs [time recording apparatus]; laboratory centrifuges; eyeglass chains; cyclotrons; compasses [measuring instruments]; frequency meters; time clocks [time recording devices]; Petri dishes; sleeves for laptop computers; fire-extinguishing blankets; chips [integrated circuits]; jigs [measuring instruments]; pedometers; meteorological balloons; electrified rails for mounting spot lights; asbestos screens for firemen; fire hose; protective helmets for sports; cell phone straps; eyeglass cords; tripods for cameras; switchboards; distribution boards [electricity]; screens [photography]; protective face shields for workers; projection screens; radiology screens for industrial purposes; fluorescent screens; exposure meters [light meters]; ducts [electricity]; galvanic cells; epidiascopes; ergometers; armatures [electricity].

16 – Paper, cardboard and goods made from these materials, not included in other classes; printed matter (printing products); bookbinding material; photographs; stationery; adhesives for stationery or household purposes; artists' materials; paintbrushes; typewriters and office requisites (except furniture); instructional or teaching material (except apparatus); plastic materials for packaging (not included in other classes); printing type; printing blocks; pens; watercolors [paintings]; albums; almanacs; document laminators for office use; mimeograph apparatus and machines; atlases; posters; paper bows; table linen of paper; tickets; printed forms; announcement cards [stationery]; notebooks; pads [stationery]; drawing pads; loose-leaf binders; wristbands for the retention of writing instruments; pamphlets; booklets; sheets [stationery]; waxed paper; paper for recording machines; paper for radiograms; electrocardiograph paper; drawer liners of paper, perfumed or not; wood pulp paper; carbon paper; copying paper [stationery]; parchment paper; writing paper; luminous paper; Xuan paper for Chinese painting and calligraphy; toilet paper; wrapping paper; filter paper; blotters; newsletters; rollers for typewriters; house painters' rollers; obliterating stamps; modeling wax not for dental purposes; signboards of paper or cardboard; patterns for making clothes; patterns for dressmaking; newspapers; electrotypes; hectographs; modeling clay; terrestrial globes; drawing sets; engravings; slate pencils; pencil leads; document holders; pencil holders; chalk holders; holders for

checkbooks; holders for stamps [seals]; diagrams; engraving plates; writing slates; blackboards; galley racks [printing]; drawing boards; advertisement boards of paper or cardboard; duplicators; punches [office requisites]; cream containers of paper; magazines [periodicals]; money clips; tags for index cards; pen clips; bookmarks; etching needles; tracing needles for drawing purposes; periodicals; printed publications; cardboard articles; paper shredders for office use; graphic representations; non-electric credit card imprints; graining combs; drawing instruments; calendars; tracing paper; tracing cloth; tracing patterns; gums [adhesives] for stationery or household purposes; lithographic stones; ink stones [ink reservoirs]; pencils; pencil lead holders; charcoal pencils; pictures; transfers [decalcomanias]; framed or unframed paintings [pictures]; wood pulp board [stationery]; cardboard hat boxes; binders [office requisites]; cards; index cards [stationery]; maps; paper tapes and cards for the recordal of computer programs; trading cards other than for games; perforated cards for Jacquard looms; catalogs; spools for inking ribbons; covers of paper for flower pots; painters' brushes; writing brushes; typewriter keys; glue for stationery or household purposes; isinglass for stationery or household purposes; gluten [glue] for stationery or household purposes; starch paste [adhesive] for stationery or household purposes; books; manifolds [stationery]; comic books; thumbtacks [drawing pins]; cigar bands; envelopes [stationery]; cases for stamps [seals]; boxes of cardboard or paper; paint boxes [articles for use in school]; correcting fluids [office requisites]; stencils [stationery]; French curves; paper ribbons; typewriter ribbons; gummed tape [stationery]; adhesive (sticky) bands for stationery or household purposes; correcting tapes [office requisites]; inking ribbons; inking ribbons for computer printers; adhesive tapes for stationery or household purposes; self-adhesive tapes for stationery or household purposes; drawing rulers; square rulers; absorbent sheets of paper or plastic for foodstuff packaging; humidity control sheets of paper or plastic for foodstuff packaging; viscose sheets for wrapping; sheets of reclaimed cellulose for wrapping; plastic bubble packs for wrapping or packaging; steel letters; type [numerals and letters]; lithographs; paint trays; architects' models; postage stamps; plastics for modeling; graphic prints; modeling materials; teaching materials [except apparatus]; sealing compounds for stationery purposes; adhesives glues for stationery or household purposes; packaging material made of starches; filtering materials [paper]; address-printing machines; electric or non-electric pencil sharpening machines; bookbinding apparatus and machines [office equipment]; typewriters [electric or non-electric]; folders [stationery]; franking machines for office use; chalk for lithography; writing chalk; tailors' chalk; marking chalk; bags [envelopes, pouches] of

paper or plastics, for packaging; garbage bags of paper or of plastics; painters' easels; hand-rests for painters; portable printing sets [office requisites]; bibs of paper; stickers [stationery]; finger-stalls [office requisites]; cords for bookbinding; paper cutters [office supplies]; numbering apparatus; bottle envelopes of cardboard or paper; sealing wafers; covers [stationery]; passport holders; extensible plastic cling film for palletization; embroidery patterns; handwriting specimens for copying; oleographs; musical greeting cards; greeting cards; postcards; etchings; conical paper bags; bags for microwave cooking; palettes for painters; ink sticks; pantographs [drawing instruments]; folders for papers; papier mâché; pastels [crayons]; modeling paste; pen cases; bookbindings; pen wipers; office hole punches; pens [office requisites]; nibs of gold; nibs; steel pens; drawing pens; song books; stamps [seals]; sealing stamps; clipboards [office requisites]; address plates for addressing machines; handkerchiefs of paper; plastic film for wrapping; writing tablets; letter trays; trays for sorting and counting money; coasters of paper; bookends; stamp stands; beer mats; stands for pens and pencils; photograph stands; inking pads; stamp pads; binding strips [bookbinding]; hand towels of paper; inking sheets for document reproducing machines; inking sheets for duplicators; book-binding cloth; gummed cloth for stationery purposes; printers' blankets not of textile; portraits; paperweights; writing cases [sets]; inkstands; writing materials; writing instruments; drawing materials; school supplies; adhesive tape dispensers [office requisites]; hand labeling appliances; lithographic works of art; prospectuses; printed timetables; ledgers [books]; printers' galleys; indexes; rubber erasers; elastic bands for offices; drawing T-squares; graphic reproductions; penholders; marking pens [stationery]; tissues of paper for removing make-up; face towels of paper; table napkins of paper; place mats of paper; table mats of paper; tablecloths of paper; paper clasps; document files [stationery]; scrapers [erasers] for offices; paper clips; staples for offices; erasing products; biological samples for use in microscopy [teaching materials]; histological sections for teaching purposes; steatite [tailor's chalk]; writing board erasers; composing frames [printing]; sealing wax; arithmetical tables; placards of paper or cardboard; writing or drawing books; fabrics for bookbinding; electric or non-electric pencil sharpeners; transparencies [stationery]; stencil plates; cardboard tubes; Indian inks; moisteners [office requisites]; moisteners for gummed surfaces [office requisites]; drawing squares; non-electronic chart pointers; packaging of cardboard or paper for bottles; envelope sealing machines for offices; sealing machines for offices; vignetting apparatus; apparatus for mounting photographs; stapling presses [office requisites]; manuals; statuettes of papier mâché; coffee filters of paper; pennants (flags) of paper; flyers; silver paper;

molds for modeling clays [artists' materials]; photo-engravings; photographs [printed]; stencil cases; canvas for painting; chromolithographs [chromos]; compasses for drawing; numbers [type]; watercolor saucers for artists; correcting ink [heliography]; ink; inkwells; blueprints; rosaries; stencils; erasing shields; balls for ball-point pens; cabinets for stationery [office requisites]; address stamps; stamps [seals]; shields [paper seals]; prints [engravings]; labels, not of textile.

41 – Education; training; entertainment; sporting and cultural activities; modeling for artists; academies [education]; rental of sports grounds; rental of tennis courts; lending of books; booking of seats for shows; videotaping; physical education; discotheque services; animal training; dubbing; gambling; publication of books; education information; recreation information; entertainment information; movie studios; sports club services [health and fitness training]; nightclubs; layout services, other than for advertising purposes; microfilming; videotape editing; production of radio and television programs; music-halls; production of music; game services provided on-line from a computer network; provision of non-downloadable online electronic publications; religious education; gymnastic instruction; correspondence courses; practical training [demonstration]; organization of balls; organization of exhibitions for cultural or educational purposes; providing recreation facilities; organization and conducting of colloquiums; organization and conducting of congresses; organization and conducting of conferences; organization and conducting of concerts; organization and conducting of training workshops; organization and conducting of seminars; organization and conducting of symposiums; organization of competitions [education or entertainment]; organization of beauty contests; operating lotteries; organization of fashion shows for entertainment purposes; organization of shows [impresario services]; organization of sports competitions; vocational guidance [education or training advice]; amusement parks; sign language interpretation; television entertainment; mobile library services; vocational retraining; providing karaoke services; providing golf facilities; providing sports facilities; providing amusement arcade services; movie projection; presentation of live performances; theater productions; conducting fitness classes; educational examination; timing of sports events; videotape film production; production of films other than advertising films; rental of audio equipment; rental of video cameras; rental of video cassette recorders; rental of videotapes; rental of show scenery; rental of sound recordings; toy rental; rental of movie projectors and accessories; rental of motion pictures; rental of equipment for games; rental of stadium facilities; rental of lighting apparatus for theatrical sets or television studios; rental of radio and television sets; rental of skin diving equipment;

rental of sports equipment except vehicles; rental of stage scenery; electronic desktop publishing; publication of electronic books and journals on-line; publication of texts other than advertising texts; radio entertainment; entertainer services; writing of texts other than advertising texts; zoo services; news reporter services; party planning [entertainment]; music composition services; subtitling; holiday camp services [entertainment]; disc jockey services; personal trainer services [fitness training]; providing casino facilities [gambling]; calligraphy services; club services [entertainment or education]; providing museum facilities [presentation, exhibitions]; orchestra services; translation services; scriptwriting services; ticket agency services [entertainment]; coaching [training]; sports camp services; recording studio services; language interpreter services; nursery schools; photography; photographic reporting; circuses; boarding schools; show production.

(260) AM 2014 74895 A
 (800) 356682
 (151) 1969 04 09
 (891) 2013 06 21
 (731) Ecolab USA Inc.
 370 Wabasha Street North, Saint Paul,
 Minnesota 55102, USA
 (540)

Seraman

(591) Black, white
 (511)
 3 – Toilet soaps in solid and liquid form, particularly in the form of lotions with skin care agents, not causing adverse reactions and mild for the skin.

(260) AM 2014 74897 A
 (800) 521972
 (151) 1988 03 14
 (891) 2013 01 23
 (731) CEVA SANTE ANIMALE
 10 Avenue de La Ballastière, F-33500
 LIBOURNE, France
 (540)

TRANSMUNE

(591) Black, white
 (511)
 5 – Pharmaceutical, veterinary and diagnostic products.

(260) AM 2014 74898 A
 (800) 541657
 (151) 1989 07 20
 (891) 2012 07 24
 (731) LABORATOIRES SVR
 ZAC de la Tremblaie, Rue de la Mare à

Blot, F-91220 Le Plessis Pate, France
 (540)

CELLULIGNE

(591) Black, white
 (511)
 3 – Perfumery, cosmetics, soaps, hair products, dentifrices.
 5 – Pharmaceutical, veterinary, sanitary products; dietetic products and slimming products for medical use.

(260) AM 2014 74906 A
 (800) 610307
 (151) 1993 10 06
 (891) 2013 10 07
 (731) CAFEA GmbH
 Am Sandtorkai 2, 20457 Hamburg, Germany
 (540)

COFFIT

(591) Black, white
 (511)
 30 – Coffee and coffee extracts, except artificial coffee and coffee extract substitutes.

(260) AM 2014 74907 A
 (800) 638240
 (151) 1995 06 12
 (891) 2013 07 24
 (731) LABORATOIRES SVR
 ZAC de la Tremblaie, Rue de la Mare à
 Blot, F-91220 Le Plessis Pate, France
 (540)

HYDRACUIVRE

(591) Black, white
 (511)
 3 – Perfumery, cosmetics, soaps, hair products, treatment creams, dentifrices, deodorants, antiperspirants; nail products.
 5 – Pharmaceutical products, veterinary, sanitary and dietetic products for medical use.

(260) AM 2014 74908 A
 (800) 682277
 (151) 1997 10 23
 (891) 2013 07 24
 (731) LOMAR S.r.l.
 Via dell'Agricoltura, 23, I-41012 Carpi (MO),
 Italy
 (540)

infioré

(591) Black, white

(511)
25 – Underwear and outerwear; lingerie; footwear; headgear.

(260) AM 2014 74909 A
(800) 748120
(151) 2000 11 08
(891) 2013 10 18
(731) J. Cortès Cigars, naamloze vennootschap
Pannenbakkersstraat 1, B-8552 MOEN,
Belgium
(540)

NEOS

(591) Black, white
(511)
34 – Raw or manufactured tobacco, particularly cigars and cigarillos, smokers' articles not made of precious metals; matches.

(260) AM 2014 74910 A
(800) 770027
(151) 2001 11 05
(891) 2013 09 20
(731) Joint Stock Company
"AMKODOR" – managing holding company"
(JSC "AMKODOR" – managing holding
company")
P.Brovki Str. 8, 220013 Minsk, Belarus

(540)


(591) Black, white
(511)
7 – Road rollers, machines for the maintenance of aerodromes, including snowplows.
12 – Vehicles, fork lift trucks.

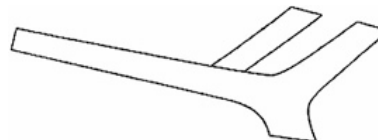
(260) AM 2014 74911 A
(800) 809597
(151) 2003 07 25
(891) 2013 07 30
(731) Coltène/Whaledent GmbH + Co. KG
Raiffeisenstrasse 30, 89129 Langenau,
Germany
(540)

GuttaFlow

(591) Black, white
(511)
5 – Pharmaceutical products for dental-medical purposes; sanitary products for dental-medical purposes, dental-medical plaster and bandage materials; dental filing materials and impression materials for dental purposes; disinfectants for dentists and dental hospitals.

10 – Dental instruments and apparatus; artificial teeth; dental-surgical sewing material.

(260) AM 2014 74913 A
(800) 868940
(151) 2005 09 30
(891) 2013 08 08
(731) INDUSTRIA DE DISEÑO TEXTIL, S.A.
(INDITEX, S.A.)
Avenida de la Diputación, Edificio Inditex,
E-15142 Arteixo (LA CORUÑA), Spain
(540)



(591) Black, white
(511)
25 – Men's, women's and children's ready-to-wear clothing, footwear (except orthopaedic), headgear; clothing for motorists and cyclists; bibs, not of paper; headbands (clothing); dressing gowns; swimming costumes; bathing caps and sandals; boas (necklets); underwear; babies' pants; scarves; hoods (for clothing); shawls; belts (clothing); water skiing suits; ties; corsets (girdles); scarves; fur stoles; foulards; caps; gloves (clothing); underwear; mantillas; stockings; socks; neckerchieves; textile nappies; furs (clothing); pyjamas; soles; heels; veils (clothing); braces; paper clothing; gymnastic and sports outfits; layettes; collars (clothing); leotards; mittens; ear muffs (clothing); inner soles.

(260) AM 2014 74914 A
(800) 973104
(151) 2008 06 11
(891) 2013 10 09
(731) EYEMED TECHNOLOGIES S.r.l.
Corso Italia, 34, I-24052 BUSTO ARSIZIO
(VARESE), Italy
(540)

A | D | O | R | E

(591) Black, white
(511)
9 – Contact lenses.

(260) AM 2014 74915 A
(800) 1061373
(151) 2010 11 27
(891) 2013 10 09
(731) KRAFT FOODS UK INTELLECTUAL
PROPERTY LIMITED
PO Box 12, Bournville Lane Bournville,

Birmingham B30 2LU, United Kingdom
(540)

MILLICANO

(591) Black, white

(511)

30 – Coffee, coffee extracts, coffee substitutes, coffee beverages and preparations for such beverages, tea.

(260) AM 2014 74916 A

(800) 1109930

(151) 2011 11 11

(891) 2013 10 04

(731) Obchtchestvo s ogranitchennoi otvetstvennostyou "Naoutchno-proizvodstvennaya firma "ALBIT" 5, pr-kt Naouki, g. Puchtchino, RU-142290 Moskovskaya obl., Russian Federation

(540)

Albit

(591) Black, white

(511)

5 – Fungicides; herbicides; pesticides; nutritive substances for microorganisms; insecticides; soil-sterilizing preparations; herbicides; chemical preparations to treat wheat blight; vine disease treating chemicals; chemical preparations to treat mildew; chemicals for treating phylloxera; culture media for plants.

(260) AM 2014 74917 A

(800) 1117930

(151) 2012 02 28

(891) 2013 08 13

(731) IRVINSTON SERVICES LIMITED
Trident Chambers, P.O. Box 146, Road
Town, Tortola, British Virgin Islands

(540)



(591) Black, white

(511)

9 – Scientific, life-saving and teaching apparatus and instruments; apparatus for recording, transmission or reproduction of sound or images; magnetic data carriers; calculating machines; computer software, recorded; IT-systems; apparatus and equipment for computer software and IT-systems design; computer peripheral devices; data processing apparatus; optical data media; recorded computer programs; computer memories; computer programs (recorded programs); computer programs (downloadable software); magnetic data media; monitors (computer programs), monitors (computer hardware); mouse pads; electronic notice boards; optical character readers;

bank card, credit card, debit card and payment card; magnetic encoded cards; integrated circuits cards (smart cards).

16 – Paper, cardboard and goods made from these materials, not included in other classes; printed matter; bookbinding material; photographs; stationery; typewriters and office requisites (except furniture); instructional and teaching material (except apparatus); printed publications; school supplies (stationery); user manuals.

35 – Advertising; business management consultancy; business administration consultancy; office functions; business management assistance; personal management consultancy services.

36 – Issuance of credit and debit cards; credit card services, debit card services.

38 – Telecommunications; providing access to databases; information about telecommunication; communications by computer terminals.

41 – Education; providing of practical training; instruction services; arranging and conducting of conferences, congresses, seminars and symposiums; arranging and conducting of workshops (training); educational services; publication of books.

42 – Scientific and technical research services and research and industrial design services; industrial analysis and research services; design and development of computer hardware, software and IT-systems; computer programming; updating of computer software; duplication of computer programs; computer software design; maintenance of computer software; computer system design; technical research; research and development for others; engineering; installation of computer software; computer software and hardware consultancy; conversion of data or documents from physical to electronic media; data conversion of computer programs and data (not physical conversion); coping of computer software; quality control; creating and maintaining Web sites for others; computer, software and Web server rental; hosting computer sites (Web sites).

(260) AM 2014 74918 A

(800) 1138351

(151) 2012 05 22

(731) KARACA ZÜCCACIYE TICARET VE
SANAYI ANONIM SİRKETİ
Yakuplu Mahallesi Beysan sanayi, Sitesi
Birlık Cad. No:24 Istanbul, Turkey

(540)



(591) Black, white

(511)

8 – Forks, spoons, knives and similar service appliances including those made of precious metals; knives, forks, spoons, soup ladles and similar service appliances; service tongs, ladles and filtering spoons; cutting and provoking weapons; swords, florets (small swords), daggers, curved daggers, harpoons; hand tools for personal use; razors, electric or non-electric; razor blades; hair clippers for personal use, electric and non-electric; depilation appliances, electric and non-electric; scissors; nail clippers, nail files; manicure and pedicure sets, and their covers and protective boxes; hand-operated tools for use in manufacturing machines, devices and vehicles; hand-operated tools for use in the field of construction, agriculture, horticulture or forestry; traverse cutters, saws, cut-off saws; adjustable wrenches; spatulas; sickles; axes; hammers; sledge hammers; rakes (hand tools); cutters; screw drivers; hand drills [hand tools], grindstones; lifting jacks; table cutlery (knives, forks and spoons) including those made of precious metals.

(260) AM 2014 74919 A

(800) 1138353

(151) 2012 05 22

(891) 2013 09 20

(731) LMK TURIZM REKLAM INSAAT GIDA
IMALAT SANAYI VE TICARET LIMITED
SIRKETI

Ulucanlar Cad. Cira Sk. No:7/10, Altindag-
Ankara, Turkey

(540)

LEMAN KÜLTÜR

(591) Black, white

(511)

43 – Services for providing food and drink; temporary accommodation services (including day-nurseries (crèches), retirement homes); boarding for animals.

(260) AM 2014 74943 A

(800) 1182355

(151) 2013 06 14

(731) TRADEPORT CAPITAL LLP

82 Whitchurch Road, Cardiff CA14 3LX,
United Kingdom

(540)

VITAFERON

(591) Black, white

(511)

5 – Pharmaceutical and veterinary preparations; antibiotics; bioactive food supplements; antioxidant pills; tonics (medicines); balms for medical purposes; balsamic preparations for medical purposes;

biological preparations for medical purposes; vaccines; bath preparations, medicated; vitamin beverages; gels for pharmaceutical purposes; homeopathic preparations; hormones for medical purposes; diagnostic preparations for medical purposes; dietary supplements; food supplements adapted for medical use; elixirs (pharmaceutical preparations); adjuvants for medical purposes; immunobiological preparations for medical purposes; immune modulating preparations for medical purposes; capsules for medicines; medicinal drops; medicines for human purposes; medicinal and vitamin preparations; mineral waters for medical purposes; medicinal infusions; tinctures for medical purposes; medicinal drinks, medicinal tea; liniments; lotions for pharmaceutical purposes; candy for medical purposes; magnesia for pharmaceutical purposes; ointments for pharmaceutical purposes; pills; nutritional supplements for medical purposes; preparations of trace elements for human and animal use; cultures of microorganisms for medical and veterinary use; pharmaceutical preparations for the treatment and prevention of various diseases; immunity improvement preparations; antivirals; anti-influenza pharmaceutical preparations; febrifuges; injections; syrups for pharmaceutical purposes; suppositories; substances for pharmaceutical preparations; pastilles, lozenges for pharmaceutical purposes; herbal teas for medicinal purposes; pharmaceutical preparations for complex treatment of infectious diseases; enzyme preparations for medical purposes; chemico-pharmaceutical preparations; chemical preparations for medical purposes; confectionery, medicated.

(260) AM 2014 74975 A

(800) 917592

(151) 2006 10 11

(891) 2013 09 09

(731) TYCO ELECTRONICS AUSTRIA GMBH

Pilzgasse 33, A-1210 Wien, Austria

(540)

ШРАК

(591) Black, white

(511)

11 – Apparatus for lighting, heating, steam generating, cooking, refrigerating, drying, ventilating and water conduit purposes; direct heating apparatus, extractor hoods, deep freeze cabinets, ice-making machines, chest freezers, hand driers, hot water tanks, refrigerators, microwave ovens, cookers, nursing bottle heaters, air driers, espresso machines, deep friers, automatic coffee machines, pizza ovens, griddles, raclette apparatus, bread toasters, automatic waffle irons, plate warmers, electric kettles, grilling apparatus, solarium apparatus, apparatus for cooking eggs, radiators for bathrooms, frost-protection devices, heating mats for beds, hot-air generators, hair

driers, air humidifiers, air-conditioning apparatus, convector heaters, quick-heating apparatus, air purifying apparatus, radiators, salon-type hair driers, laundry driers, fans; lamps; emergency lighting installations; industrial lighting, technical lights, lights for living rooms, lighting for streets, roads and other outdoor lighting, lights and lighting means not included in other classes and electric bulbs, automatic lamps, lamp sockets, diffuse lighting installations and lighting for building sites, halogen lamps, portable lamps, small lamps, fluorescent lights, flashlights, lamps for artificial breeding of animals; automated lighting installations for staircases.

37 – Servicing, maintenance, installation and repair services.

(260) AM 2014 75051 A

(800) 1183430

(151) 2013 10 14

(731) CELGENE CORPORATION

86 Morris Avenue Summit, NJ 17901, USA

(540)

MYELOMA ALLY

(591) Black, white

(511)

9 – Computer application software for mobile phones, portable media players, handheld computers, namely, software for use in database management, for use in electronic storage of data, for use as a spreadsheet, and for word processing, all for use by health care professionals; downloadable software in the nature of a mobile application for use in database management, for use as a spreadsheet, for word processing, for electronic storage of data, all for use by health care professionals; computer software for use on mobile and cellular phones in the field of health care; downloadable electronic software for use on mobile and cellular phones, handheld computers in the field of health care.

(260) AM 2014 75054 A

(800) 1183453

(151) 2013 04 23

(731) LAUFEN CZ s.r.o.

V Tûních 3/1637, CZ-120 00 Praha 2,
Czech Republic

(540)

PURE
by JIKA

(591) Black, white

(511)

11 – Apparatus for lighting, heating, steam generating, cooking, apparatus for cooling, drying, ventilating, water distribution; sanitary (toilet) apparatus

and equipment; components and accessories of aforementioned goods, especially showers, shower cabins, taps and valves for pipes, bath tubs, bath tubs for sitz baths, bath tubs for spas, bath accessories (valves), equipment for hot water heating for bath, portable cabins for steam baths; bath fittings; shaped linings for furnaces; moulded linings for stoves; metal structures for furnaces and ovens; fireplaces; lamp shades; electric lamps; spa equipment (hot air baths); LED light emitting diodes (lights); sinks; disinfectant dispensers for toilets; disinfectant containers for toilets; electric lamps; means for odour removal, except means for personal use; urinals (sanitary fixtures); radiators (for heating); equipment for saunas; seats (for toilets); flushers; flushing equipment; WC (toilet) bowls; toilets (with flushing); portable toilets; wash-hand basins (parts of sanitary installations); hand dryers for washrooms; whirlpool-jet apparatus; water intake apparatus; washers for water taps; water supply facilities; bath linings; all included in this class.

19 – Non-metallic building materials; building ceramics and glass; rigid non-metallic pipes for building; asphalt; pitch; transportable non-metallic structures; non metallic monuments, in particular non-metallic pavement; floor tiles (not of metal); wall tiles for construction (not of metal); linings for the construction industry (not of metal); floors (not of metal); all included in this class.

20 – Furniture, mirrors, picture frames; goods (not included in other classes) of wood, cork, reed, willow wicker, horn, bone, ivory, whalebone, tortoiseshell, amber, mother-of-pearl, meerschaum and substitutes for all these materials, or of plastics; bathroom furniture of wood and plastics; non-metallic hangers and holders for bathrooms (furniture) included in this class; parts and accessories of furniture included in this class, especially chests of wood or plastics, wood furniture parts, doors of furniture, casters for furniture (not of metal), laths for furniture of plastics, furniture linings (not of metal); fixed towel dispensers (not of metal); newspaper holders; office furniture; metallic furniture; school furniture; bolsters; footstools; racks; shelves; silvered glass for the production of mirrors; plates of glass for mirrors; small mirrors (hand-held) for toiletry; wardrobes; storage cabinets; towel cabinets (furniture); medicine cabinets; water valves of plastics; all included in this class; vats; hooks for hanging (not of metal).

21 – Utensils and containers for household and kitchen; combs and sponges; brushes (except paint brushes); brush-making materials; articles for cleaning purposes; steel wool for cleaning parquetry; unworned and semi-worked glass (except glass used in building); glassware, porcelain and earthenware and goods made from these materials, not included in other classes, in particular technical ceramics and glass included in this class; decorative ceramics and

glassware; figurines (statuettes) and works of art made of porcelain, terracotta or glass; aerosol dispensers (except dispensers for medical purposes); soap dispensers; paper towel dispensers; toilet paper dispensers; deep bowls; brushes; ceramics for household use; sanitary litter bowls for pets; dishes for washing sponges; soap cases; night containers (chamber pots); small bath tubs (for babies, portable); washing tubs; storage boxes (metallic) for paper towels; reservoirs (tanks) for soap; hangers and brackets for bathrooms included in this class; jugs and buckets; flasks; cosmetic utensils; spouts; all included in this class; brush holders.

(260) AM 2014 75058 A

(800) 1183525

(151) 2013 08 23

(731) EGIS GYÓGYSZERGYÁR Nyilvánosan
Működő Részvénytársaság
Kereszturi út 30-38, H-1108 Budapest,
Hungary

(540)

JUNASSOR

(591) Black, white

(511)

5 – Pharmaceutical preparations for human use.

(260) AM 2014 75059 A

(800) 1183526

(151) 2013 08 28

(731) EGIS GYÓGYSZERGYÁR Nyilvánosan
Működő Részvénytársaság; Kereszturi út
30-38, H-1108 Budapest, Hungary

(540)

DERISK

(591) Black, white

(511)

5 – Pharmaceutical preparations for human use.

(260) AM 2014 75060 A

(800) 1183527

(151) 2013 08 23

(731) EGIS GYÓGYSZERGYÁR Nyilvánosan
Működő Részvénytársaság; Kereszturi út
30-38, H-1108 Budapest, Hungary

(540)

CARDIMOC

(591) Black, white

(511)

5 – Pharmaceutical preparations for human use.

(260) AM 2014 75063 A

(800) 1013583

(151) 2009 07 17

(891) 2009 10 23

(731) NEXT ELEKTRONİK SANAYİ VE
TİCARET ANONİM ŞİRKETİ
H. Rifat Paşa Mah. Perpa Elektrokent,
İş Merkezi A Blok Kat: 8 No:812,
Okmeydani, İstanbul, Turkey

(540)



(591) Black, white

(511)

11 – Apparatus for lighting, heating, steam generating, cooking, refrigerating, drying, ventilating, water supply and sanitary purposes.

21 – Household or kitchen utensils and containers; combs and sponges; brushes (except paint brushes); brush-making materials; articles for cleaning purposes; steelwool; unworked or semi-worked glass (except glass used in building); glassware, porcelain and earthenware not included in other classes.

(260) AM 2014 75067 A

(800) 1068258

(151) 2011 02 09

(891) 2013 10 29

(731) EMERSON PROCESS MANAGEMENT
POWER & WATER SOLUTIONS, INC.
200 Beta Drive, Pittsburgh PA 15238, USA

(540)

OVATION

(591) Black, white

(511)

9 – Computer hardware and industrial process control software.

(260) AM 2014 75072 A

(800) 1145421

(151) 2012 12 05

(891) 2013 10 18

(731) YUEQING HENGTONG ELECTRIC CO.,
LTD.
Bantang Industrial Zone, Beibaixiang,
Yueqing, ZHEJIANG, China

(540)



(591) Black, white

(511)

9 – Distribution boxes [electricity]; plugs, sockets and other contacts [electric connections]; signal lanterns; acoustic couplers; measuring apparatus; cables, electric; couplings, electric; circuit breakers.

(260) AM 2014 75160 A
 (800) 608854
 (891) 2013 09 30
 (731) ASSOCIATION ROBERT MAZARS
 Tour Exaltis, 61 rue Henri Régnault, F-92075
 Paris La Défense cedex, France
 (540)

MAZARS

(511)
 35 – Support and consultancy to industrial and commercial companies, territorial and local communities, individuals, in the area of business management, accounting, accounting appraisal, auditorship, consulting in connection with personnel issues, negotiation and settlement of commercial transactions and contracts; administration of commercial matters.

36 – Support and consultancy on tax matters for industrial and commercial companies, local and territorial communities and individuals.

41 – Support and consultancy for industrial and commercial companies, local and territorial communities, individuals, in connection with personnel training, book and review publishing.

42 – Support and consultancy to industrial and commercial companies, local and territorial communities, individuals, relating to legal counselling; computer programming and design of computer systems and software, advice for purchasers in the field of computing, implementation and parameter setting of software packages.

(260) AM 2014 75161 A
 (800) 723616
 (891) 2013 09 30
 (731) ASSOCIATION ROBERT MAZARS
 Tour Exaltis, 61 rue Henri Régnault, F-92075
 Paris La Défense cedex, France
 (540)



(591) Black, white
 (511)

35 – Assistance and advice to industrial or commercial businesses, to local and territorial communities and to individuals with regard to business management, accounting, accountant reporting, auditorship, personnel consultancy, negotiation and settlement of commercial transactions and contracts, commercial management.

41 – Assistance to industrial and commercial businesses, to local and territorial communities and to

individuals with regard to staff training, book and magazine publishing.

42 – Assistance and advice to industrial and commercial businesses, to local and territorial communities and to individuals with regard to legal counselling; advice to industrial and commercial businesses, to local and territorial communities and to individuals with regard to staff training; computer programming and design of computer systems and software.

(260) AM 2014 75163 A
 (800) 882927
 (891) 2013 10 18
 (731) THE BODY SHOP INTERNATIONAL PLC
 Watersmead, Littlehampton, West Sussex
 BN17 6LS, United Kingdom
 (540)

LOVE YOUR BODY

(511)
 9 – Encoded or magnetic discount cards, encoded or magnetic loyalty cards.

16 – Discount cards (other than encoded or magnetic), loyalty cards (other than encoded or magnetic).

35 – Organisation, operation and supervision of customer loyalty schemes.

36 – Issuing of tokens of value in relation to customer loyalty.

(260) AM 2014 75165 A
 (800) 955296
 (891) 2013 10 21
 (731) GITI TIRE PTE. LTD.
 9 Oxley Rise, #01-02 The Oxley, Singapore
 238697, Singapore
 (540)



(591) Black, white
 (511)
 12 – Tyres for vehicles.

(260) AM 2014 75166 A
 (800) 955488
 (891) 2013 10 03
 (731) MECALUX, S.A.
 C/ Silici, 1-5 E-08940 Cornellà de Llobregat
 (Barcelona), Spain
 (540)



(591) Blue

(511)

6 – Common metals and their alloys; metal building materials; transportable buildings of metal; free-standing buildings of metal; framework of metal for storage; framework of metal for buildings; mezzanines of metal; materials of metal for railway tracks; non-electric cables and wires of common metal; ironmongery, small items of metal hardware; pipes and tubes of metal; boxes and containers of metal; storage containers of metal; ladders, windows and doors of metal; paving blocks of metal; goods of common metal not included in other classes; ores.

7 – Machines and machine tools; motors and engines (except for land vehicles); machine coupling and transmission components (except for land vehicles); automatic robotic machines for storage; handling apparatus for loading and unloading; machines and apparatus for storing, retrieving, monitoring of stock, indexing, forwarding and lifting; hoists; elevators; conveyors; belts for conveyors; stacker cranes; robots (machines); robotics apparatus; mechanical parking installations; robotic parking.

20 – Furniture, mirrors, picture frames; shelving, cabinets; furniture and cupboards of metal; metal shelving; boxes and containers not of metal; goods (not included in other classes) of wood, cork, reed, cane, wicker, horn, bone, ivory, whalebone, shell, amber, mother-of-pearl, meerschaum and substitutes for all these materials or of plastics.

(260) AM 2014 75167 A

(800) 1006702

(891) 2013 12 17

(731) SOPHIE GRIVEL

Les Raies CH-1135 Denens, Switzerland

(540)

monethic

(511)

36 – Insurance; financial affairs; monetary affairs; real estate affairs.

42 – Scientific and technological services and research and design relating thereto; industrial analysis and research services; design and development of computer hardware and software.

(260) AM 2014 75168 A

(800) 1009354

(891) 2013 10 04

(731) SAINT-GOBAIN WEBER

Rue de Brie, F-77170 SERVON, France

(540)



(591) Black, white

(511)

1 – Chemicals intended for the building industry and public construction; admixtures and additives for concrete and mortar; adhesives intended for industry, including adhesives and glues used for laying building materials; unprocessed artificial resins.

2 – Non-insulating paints; colours; varnishes (excluding insulants); lacquers (dyeing additives); coatings (paints); rust-proofing agents; products for the protection of building materials; pigments.

3 – Cleaning, polishing, scouring and abrasive preparations; cleaning products and scouring solutions for the building industry and public works.

17 – Packing, stopping and insulating materials; thermal insulation materials, in particular reinforcing fabrics; soundproofing materials; insulating sheets and materials; jointing mastics; sealing strips and membranes.

19 – Non-metallic building materials; mortars for building, concretes, coatings (building materials); asphalt, bitumen, bituminous preparations for building.

37 – Information on building and on building goods and materials; rental of building tools and materials.

41 – Training services; arranging of quiz events and lottery games; arranging and conducting of colloquiums, conferences, seminars or conventions.

(260) AM 2014 75169 A

(800) 1124223

(891) 2013 11 12

(731) PREMIER MERCHANDISES LIMITED

limited corporation

Unit 2305-15 23/F, Metro Loft, 38 Kwai Hei Street, Hong-Kong, China

(540)

BENTON

(511)

9 – Scientific, nautical, surveying, photographic, cinematographic, optical, weighing, measuring, signalling, checking (supervision), life-saving and teaching apparatus and instruments; apparatus and instruments for conducting, switching, transforming, accumulating, regulating or controlling electricity; apparatus for recording, transmission or reproduction of sound or images; magnetic recording media; sound recording disks; mechanisms for coin-operated apparatus; cash registers; calculating machines; data processing equipment and computers; fire-extinguishing apparatus; scientific apparatus and instruments for motor cars; batteries and accumulators, electric, for motor cars; ignition coils; contact switches for doors; odometers; taximeters; revolution counters; thermometers, not for medical purposes, especially for vehicles; fuel level indicators (dials);

light detectors; oil level indicators and air-pressure indicators; oil gauges; electronic, electric, pneumatic, hydraulic and mechanical regulation and remote control apparatus, for vehicles; electronic, electric, pneumatic, hydraulic and mechanical detection, warning, testing, measuring apparatus and instruments for vehicles; thermostats, especially for cooling water; thermostatic commutators; temperature controllers; measuring rods; heating and starter switches; fire-extinguishing apparatus; radio broadcasting apparatus; antennas, radios for motor cars; speedometers; telephones for motor cars; remote control apparatus; tachographs; remote guidance apparatus for motor cars; vehicle breakdown warning triangles; directional compasses; spare parts and pieces for the above products included in this class (all the above products being intended for vehicles); battery boxes; batteries for lighting; battery chargers; cables, electric; electric battery chargers; solar batteries; breakdown warning triangles; electric wires; ultrasonic insect exterminators, safety jackets, fire blankets, jump cables, inverters, extensions, mobile telephone holders, battery testers, pressure gauges, multimeters, loudspeakers, radio connection cables, motor car fuses, hands free kits and chargers for mobile telephones, CD holders, FM transmitters, antennas and their parts, parking timers, sunglasses holders, electric window winders, automatic electric switches, battery bays, battery holders, pressure gauges, air current sensors for air inlets, water heater regulators, thermostats, temperature switches, electric alarm horns, switches, toggle switches, electric sockets, electric plugs, oil pressure switches, fuse boxes, electric switches, battery adapters, electric lead-acid batteries, battery cables, solar batteries, valve-regulated lead-acid batteries, battery testers, switches for sensors, electric power supply apparatus, reflective lanyards, reflective items for accident prevention, namely, folding safety cones; converters, electric sockets for vehicles; antistatic bands for motor cars; harnesses of wire, especially iron wire, terminals and connectors wired for the transmission of signals and electric currents to electric and electronic equipment for trailers, trailer testers.

12 – Vehicles, apparatus for locomotion by land, air and water; shock absorbers, anti-lock systems for tires, anti-theft devices for vehicles, head rests for seats, anti-theft alarm systems for vehicles, screws for steering wheels not of metal, for vehicles; horns, protective rings, windshield wipers, torsion bars, tank caps, bumpers, convertible roofs, vehicle safety belts, non-skid chains, anti-glare devices for vehicles, hubcaps, rims, mudguards, windshields, luggage racks, ski racks, wheels, seats and their fixings, motor car seats and airbags, spoilers, sunroofs, windows, steering wheels, window levers, locking and unlocking devices for doors, inner and exterior rearview mirrors, sunvisors and blinds for motor cars; luggage nets, luggage racks for motor car

roofs, luggage carriers, luggage racks, suitcase holders, arms and blades for windshield wipers, automobile covers, automobile tires, brake linings for vehicles, bicycle tires, inner tubes (round adhesive patches for rubber for repairing tubes), bicycle inner tubes; fuel tank cap replacements; inner tubes for automobile tires; covers for trailer hooks, coupling pliers, trailer couplings, covers for trailer hitches; tires solid for vehicle wheels; compartment boxes intended for vehicle stowage areas; seat cushions for automobiles, seat protectors for motor cars, lumbar supports for motor car seats, elbow rests for vehicles, trailer ball hitches, trailer ramps, bolts for trailer ball hitches, trailer couplings, trailer hooks, trailer rollers; pumps and inflation devices for tires [vehicle accessories]; axles for vehicles, trailer nets, bicycle racks, license plate holders, car seats for children, covers for motorcycles, protective covers against ice, for vehicles; wide angle rearview mirrors, interior rearview mirrors, blindspot rearview mirrors, caravan rearview mirrors, wide angle lenses, buttons for closing doors, gear levers, gearbox covers, pedal sets, mudguards, tire valves for vehicles, brake plates, brake segments, brake disks, brake drums, brake linings, brake tubes, brake cylinders, brake plates for HGVs, electric servo-brakes, steering and suspension systems and components, for vehicles, especially control arms, wheel hubs, idler arms, connecting rod ends, parts for steering for vehicles, clutches for land vehicles, horns for vehicles, upholstery parts for vehicles; cigar lighters for automobiles.

(260) AM 2014 75170 A

(800) 1129175

(891) 2013 10 28

(731) GHOST FRAGRANCES LIMITED

Amertrans Park, Bushey Mill Lane Watford,
Herts. WD24 7JG, United Kingdom

(540)

GHOST

(511)

3 – Perfumery; perfumes; fragrances; aftershaves; milks, oils, creams, gels, powders and lotions; cosmetics; cosmetic kits; eau de Cologne; toilet water, essential oils; fake nails and eyelashes; anti-perspirants; deodorants for personal use; toilet preparations; preparations for the care of the skin, scalp and the body; sun tanning preparations; preparation for reinforcing and strengthening nails; preparations for use in the shower and the bath; soaps; toilet soaps; preparations for toning the body; bleaching preparations and other substances for laundry use, cleaning, polishing, scouring and abrasive preparations.

(260) AM 2014 75171 A

(800) 1160226

(891) 2013 08 13

(731) SALVATORE FERRAGAMO S.p.A.
Via dei Tornabuoni, 2 I-50123 FIRENZE (FI),
Italy

(540)

**SALVATORE FERRAGAMO
SIGNORINA ELEGANZA**

(511)

3 – Bleaching preparations and other substances for laundry use; cleaning, polishing, scouring and abrasive preparations; soaps; perfumery, essential oils, cosmetics, hair lotions; dentifrices; perfumes, eau de parfum, eau de Cologne, toilet water, after shave creams, after shave lotions, shaving lotions, shaving creams and foams, shampoos, hair conditioners, beauty masks, cold creams, hand creams, body and facial creams, deodorants for personal use, antiperspirants for personal use, skin cleansers, soaps for personal use, toilet soaps, bath soaps, bath and shower foams, bath and shower gels, body oils, body lotions, skin lotions.

(260) AM 2014 75172 A

(800) 1160448

(891) 2013 11 07

(731) Chocoladefabriken Lindt & Sprüngli AG
Seestrasse 204, CH-8802 Kilchberg,
Switzerland

(540)

LINDT DIVA

(511)

30 – Cocoa, chocolate, pralines, marzipan, pastry and confectionery products.

(260) AM 2014 75173 A

(800) 1166351

(891) 2013 10 01

(731) BONGRAIN S.A.
42 rue Rieussec F-78220 VIROFLAY, France

(540)



(591) White and brown

(511)

29 – Milk, dairy products, cheeses.

(260) AM 2014 75174 A

(800) 1075367

(891) 2013 09 04

(731) OPEN TYPE JOINT STOCK COMPANY
"FATS AND OIL INTEGRATED WORKS"

ul. Titova 27, Ekaterinburg RU-620085
Sverdlovskaya oblast, Russian Federation

(540)



(591) White, red, yellow, mustard and brown

(511)

29 – Bone oil, edible; butter; butter cream; cocoa butter; coconut butter; edible fats; coconut fat; fat-containing mixtures for bread slices; fatty substances for the manufacture of edible fats; margarine; peanut butter.

30 – Condiments; mustard; vinegar.

(260) AM 2014 75175 A

(800) 1057611

(891) 2013 10 17

(731) OBSHCHESTVO S OGRANICHENNOY
OTVETSTVENNOSTYU "RAZDOLYE-
TRADE"

Skotoprogonnaya street, 29/1, RU-109029
Moscow, Russian Federation

(540)



(511)

29 – Prepared nuts, including roasted and dried; processed peanuts; ground almonds; desiccated coconut; prepared, including roasted and dried sunflower and pumpkin seeds; preserved, dried and cooked vegetables and fruits; raisins; dates; tinned (canned) fish; preserved fish; prepared, including dried, smoked and jerked fish, anchovy, salmon, sardines, herrings, tuna fish; prepared, including dried, smoked and jerked food products made from fish; prepared tripe; prepared, including dried, smoked and jerked crayfish, clams and seafood, including prawns, spiny lobsters, shellfish, lobsters, sea-cucumbers, oysters.

30 – Confectionery, sweetness, namely cotton candy; crushed barley, including hominy grits, crushed oats, husked oats; rice; cereal preparations, including

prepared, roasted and dried sunflower and pumpkin seeds; corn, roasted; popcorn; chips (cereal products).

31 – Unprocessed cereal seeds; grains (cereals); seeds of oil crops; maize; oats; wheat; unprocessed rice; rye; barley; bran; seeds, including unprocessed sunflower and pumpkin seeds; nuts, including peanuts, almonds, coconuts, cola nuts, hazelnuts.

(260) AM 2014 75205 A

(800) 1184605

(891) 2013 08 09

(731) SPOR DUNYASI DIS TICARET ANONIM SIRKETI

Mahmutbey Mah. Turgut Cad. No:9, Bagcilar, Istanbul, Turkey

(540)



(591) Orange and grey

(511)

28 – Games and toys; arcade video game machines; game apparatus and machines for use with an external display screen and monitor, including those coin-operated; toys for animals; toys for outdoor playgrounds, parks and game parks; gymnastic and sporting articles not included in other classes; Christmas trees of artificial material, ornaments for Christmas trees, artificial snow for Christmas trees, rattles (playthings), novelties for parties, dances (party favors), paper party hats.

(260) AM 2014 75253 A

(800) 1184944

(891) 2013 06 06

(731) DEKORNAME DEKORASYON HEDİYELİK EŞYA SANAYİ VE TİCARET LİMİTED SİRKETİ

Halide Edip Adivar Mahallesi, Çiftcevizler Deresi Sokak No:2, Akin Plaza Kat: 4, SISLI ISTANBUL, Turkey

(540)



(591) Black, red, white

(511)

18 – Processed or unprocessed leather and hides, artificial leather, cowhide, lining leather; articles made of leather, imitation leather and other materials use for carrying purpose not included in other classes, including bags, leather or cowhide boxes and trunks, trunks; key cases.

20 – Furniture made of any kinds of substances and materials; pillows; wood or synthetic panels, picture frames for paintings; boxes of wood or plastic,

ornaments and decorative articles included in this class made of wood, wax, bee wax, plastic or plaster; baskets.

21 – Pots and pans, vases of precious metals; ornaments and decorative articles made of glass, porcelain, ceramic and clay; perfume burners, perfume sprayers and vaporizers, boxes for toilet articles; unworked or semi-worked glass, mosaics of glass and powdered glass not for construction, glass fibers other than for textile use and insulation.

(260) AM 2014 75254 A

(800) 1184970

(891) 2013 09 18

(731) SOCIÉTÉ DES PRODUITS NESTLÉ S.A. CH-1800 Vevey, Switzerland

(540)

ШОКОЛАД С ОТКРЫТЫМ СЕРДЦЕМ

(591) Black, white

(511)

30 – Chocolate, chocolate products, chocolate paste, spreads (creams), chocolate-based beverages and preparations.

(260) AM 2014 75256 A

(800) 1184978

(891) 2013 09 20

(731) AMBOS S.r.l.

Via Chiesaccia, 9, I-40056 CALCARA (BO), Italy

(540)



(591) Black, white

(511)

20 – Furniture, mirrors, picture frames; goods (not included in other classes) of wood or of plastics; fittings for wardrobes and walk-in wardrobes.

(260) AM 2014 75269 A

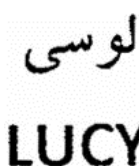
(800) 1185136

(891) 2013 09 03

(731) RAMA MEHR ARYA CO.

No:13 and 14 G, Sousan 5th Str., Chamran Blvd., Shahrak Sanati-ye, Shokohieh, Qom, Iran (Islamic Republic of)

(540)



(591) Black, white
(511)
5 – Diapers, babies' napkins, sanitary pads, sanitary napkins.

16 – Handkerchiefs of paper, tissues of paper.

35 – Export agencies, retail and wholesale services.

39 – Distribution (delivery), packaging services of all aforementioned goods.

(260) AM 2014 75278 A

(800) 1185246

(891) 2013 11 11

(731) AXALTA COATING SYSTEMS IP Co. LLC
Corporation Trust Center, 1209 Orange
St Wilmington DE 19801, USA

(540)



(591) Black, white

(511)

2 – House mark for a full line of base coats, colorants, coatings, enamels, finishes, lacquers, paints, powders and primers used in the automotive, aviation, construction, equipment, marine, rail, tool, and trailer industries.

(260) AM 2014 75287 A

(800) 1185302

(891) 2013 07 29

(731) PEARL IZUMI INC.

4-2, Ryogoku 2-Chome, Sumida-ku, Tokyo
130-0026, Japan

(540)



(591) Black, white

(511)

25 – Cyclists' clothing; clothes for sports; cyclist's footwear; triathlon shoes; ankle bands for cycling; non-Japanese style outerclouting coats; underwear; tee-shirts; socks and stockings; gloves [clothing]; hats and caps; thermal supporters [clothing]; wind-proof clothing; outdoor clothing; sports shoes; footwear, not for sports; masquerade costumes; garters; sock suspenders; braces for clothing [suspenders]; waistbands; belts [clothing].

28 – Cyclists' gloves; cyclists' supporters [sports articles]; cyclists' protectors; cyclists' protective

pads; stationary exercise bicycles; sports equipment; shin guards [sports articles]; knee guards [sports articles]; elbow guards [sports articles]; toy bicycles; model bicycles.

(260) AM 2014 75288 A

(800) 1185316

(891) 2013 09 13

(731) CHERY HEAVY INDUSTRY CO., LTD

The Eighth, Ninth, Tenth Floor, Lianhe
Building, Sanshan District, 241080 Wuhu
City, China

(540)



(591) Black, white

(511)

7 – Agricultural machines; harvesting machines; succulence cut-off machines; woodworking machines; drying machines (tea manufacturing); rice hullers [machines]; mineral water making machines; mineworking machines; agitators; excavators; hoists; metalworking machines; diesel engines (not including for land vehicles); turbines other than for land vehicles; motors other than for land vehicles; centrifugal machines; road sweeping machines (self propelled).

11 – Light bulbs; oil lamps; electric water heaters; cooling installations for liquids; drying apparatus for fodder and forage; drying apparatus and installations; heat accumulators; flushing installations; disinfectant apparatus; lighters.

12 – Vehicles for locomotion by land, air, water or rail; fork lift trucks; tractors; mine cart wheels; carriages; wheel tires for vehicles; aeroplanes; boats; electric vehicles.

(260) AM 2014 75289 A

(800) 1185341

(891) 2013 10 01

(731) BIOFARMA

50 rue Carnot, F-92284 SURESNES CEDEX,
France

(540)

Импликор

(511)

5 – Pharmaceutical and veterinary products excluding reagents for in-vitro medical analysis; sanitary products for medicine; dietetic food and substances for medical or veterinary use, food for babies; food supplements for humans and animals; plasters, ma-

terials for dressings; material for dental fillings and dental impressions; disinfectants; products for destroying vermin; fungicides, herbicides.

(260) AM 2014 75290 A

(800) 1185421

(891) 2013 11 01

(731) OBSHCHESTVO S OGRANICHENNOI OTVETSTVENNOSTYU "INTEL"

k. 1, d. 75, Varshavskoe shosse, RU-117556
Moscow, Russian Federation

(540)

Un pour tous et tous pour un

(511)

32 – Beer; mineral and aerated waters and other non-alcoholic beverages; fruit beverages and fruit juices; syrups and other preparations for making beverages.

33 – Alcoholic beverages (except beers).

(260) AM 2014 75291 A

(800) 1185498

(891) 2013 10 16

(731) AHTI, SIA

Kronvalda bulvāris 3, LV-1010 Rīga, Latvia

(540)

OlyBet
Sports Bar

(591) Red and grey

(511)

43 – Services for providing food and drink.

(260) AM 2014 75293 A

(800) 1185506

(891) 2013 09 20

(731) ROBERT BOSCH GMBH

Wernerstr. 1, 70469 Stuttgart, Germany

(540)

Allpaint

(511)

7 – Electric devices for spraying, paints, lacquers and dispersions; spray guns, nozzles for spray guns, electric paint rollers; agitators for colors (electric); color mixing systems (electric).

17 – Tubes.

20 – Plastic containers.

(260) AM 2014 75294 A

(800) 1185531

(891) 2013 10 09

(731) ACINO PHARMA AG

Birsweg 2, CH-4253 Liesberg, Switzerland

(540)

VisiCaps

(511)

5 – Pharmaceutical and veterinary products; dietetic food and substances for medical or veterinary use, food for babies; food supplements for humans and animals.

(260) AM 2014 75295 A

(800) 1185542

(891) 2013 10 21

(731) ISOMAT Anonimi Viomihaniki ke Emboriki Eteria Domikon

Himikon ke Koniamaton 17th klm

Thessalonikis-Agiou Athanasiou, GR-570 03

Agios Athanasios, Greece

(540)

isomat
building quality

(591) Black, white and red

(511)

1 – Chemicals used in industry, science and photography, as well as in agriculture, horticulture and forestry; unprocessed artificial resins, unprocessed plastics; natural or chemical manures; fire extinguishing compositions; tempering and soldering preparations; chemical substances for preserving foodstuffs; tanning substances; adhesives used in industry.

2 – Paints, varnishes, lacquers, preservatives against rust and against deterioration of wood, colorants; mordants; raw natural resins; metals in foil and powder form for painters, decorators, printers and artists.

17 – Rubber, gutta-percha, gum, asbestos, mica and goods made of these materials and not included in other classes; plastics in extruded form for use in manufacture; packing, stopping and insulating materials; flexible pipes, not of metal.

19 – Non-metallic building materials; non-metallic rigid pipes for buildings; asphalt, pitch and bitumen; non-metallic transportable buildings; monuments, not of metal.

(260) AM 2014 75296 A

(800) 1185544

(891) 2013 09 16

(731) Publichne aktsionerne tovarystvo

"Kharkivska biskvitna fabryka"

vul. Lozivska, 8, Kharkiv 61017, Ukraine

(540)

**Зимние кружева Зимове
мереживо**

(511)
30 – Sponge cakes; cookies; buns; waffles; confectionery; pastries; confectionery for decorating Christmas trees; fruit jellies (confectionery); cakes; cakes; peanut confectionery; almond confectionery; tarts; cocoa; cocoa products; caramels (candy); sweetmeats (candy); liquorice (confectionery); peppermint sweets; crackers; candy; marzipan; custard; pastilles (confectionery); lozenges (confectionery); petit fours (cakes); biscuits; pies; fondants (confectionery); popcorn; pralines; gingerbread; puddings; cake powder; sugar; sweet paste for cakes; sweets (confectionery); rusks; sandwiches; fruit and berry tarts; edible decoration for cakes; halvah; chips (cereal products); chocolate.

(260) AM 2014 75298 A
(800) 1185560
(891) 2013 10 18
(731) ZAKRYTOYE AKTCIONERNOYE
OBSCHESTVO "NITA-FARM"
ul. Osipova 1, RU-410010 Saratov, Russian
Federation

(540)
ЦЕФТОНИТ

(591) Black, white
(511)
5 – Medicines for veterinary purposes; veterinary preparations.

(260) AM 2014 75308 A
(800) 1185600
(891) 2013 11 20
(731) COLGATE-PALMOLIVE COMPANY
300 Park Avenue New York, NY 10022, USA

(540)
BRUSH. WHITEN. GO.

(511)
3 – Dentifrices, tooth whitening preparations.
10 – Dental apparatus, namely, an applicator pen-cartridge pre-filled with a tooth whitening preparation.
21 – Toothbrushes.

(260) AM 2014 75310 A
(800) 1185602
(891) 2013 11 01
(731) OBSCHESTVO S OGRANICHENNOI
OTVETSTVENNOSTYU "INTEL"
Varshavskoye shosse, d. 75, korp. 1,
RU-117556 Moscow, Russian Federation

(540)
Abbé d'Herblay, Aramis

(511)
32 – Beer; mineral and aerated waters and other non-alcoholic beverages; fruit beverages and fruit juices; syrups and other preparations for making beverages.
33 – Alcoholic beverages (except beers).

(260) AM 2014 75312 A
(800) 1185603
(891) 2013 11 01
(731) OBSCHESTVO S OGRANICHENNOI
OTVETSTVENNOSTYU "INTEL"
Varshavskoye shosse, d. 75, korp. 1,
RU-117556 Moscow, Russian Federation

(540)
Les mousquetaires

(511)
32 – Beer; mineral and aerated waters and other non-alcoholic beverages; fruit beverages and fruit juices; syrups and other preparations for making beverages.
33 – Alcoholic beverages (except beers).

(260) AM 2014 75313 A
(800) 1185604
(891) 2013 11 01
(731) OBSCHESTVO S OGRANICHENNOI
OTVETSTVENNOSTYU "INTEL"
Varshavskoye shosse, d. 75, korp. 1,
RU-117556 Moscow, Russian Federation

(540)
Trois Mousquetaires

(511)
32 – Beer.
33 – Alcoholic beverages (except beers).

(260) AM 2014 75326 A
(800) 1185652
(891) 2013 07 01
(731) ORIENT IMPORT LTD
d. 56, str. 1, shosse Entuziastov, RU-111123
Moskva, Russian Federation



(591) Black, white
(511)
25 – Headgear; clothing; footwear.
35 – Advertising; business management; business administration; office functions; import-export agen-

cies; demonstration of goods; marketing studies; commercial information and advice for consumers [consumer advice shop]; marketing research; business management of performing artists; organization of exhibitions for commercial or advertising purposes; organization of fashion shows for promotional purposes; shop window dressing; presentation of goods on communication media, for retail purposes; sales promotion for others; distribution of samples; dissemination of advertising matter; on-line advertising on a computer network; commercial administration of the licensing of the goods and services of others; administrative processing of purchase orders; procurement services for others [purchasing goods and services for other businesses]; business efficiency expert services.

(260) AM 2014 75327 A

(800) 1185663

(891) 2012 11 21

(731) DERNEK GRUP ELEKTRİK ELEKTRONİK
DİŞ TİCARET VE SANAYİ LİMİTED
ŞİRKETİ

Kartaltepe Mahallesi, Teyyareci Nurettin
Sokak, Funda Apt. No:2, Daire:9, Bakırköy –
İstanbul, Turkey

(540)



(591) The mark consists of the red wording "Lezard" and a vertical lizard figure in color grey at left of the trademark all with grey shadowing on a white background

(511)

1 – Chemicals used in industry, science and photography, as well as in agriculture, horticulture and forestry; unprocessed artificial resins, unprocessed plastics; manures; fire extinguishing compositions; tanning substances; adhesives used in industry.

2 – Paints, varnishes, lacquers, preservatives against rust in the nature of a coating, wood preservatives, binding agents for paints, paint thinners, color pigments, preparations for preserving metal against rust in the nature of a coating, shoe dyes, paints for use in the printing industry, inks for use in printing, toners (including filled toner cartridges), colorants for use in the manufacture of food, colorants for use in the manufacture of beverages; raw natural resins for use in the manufacture of resins and for general industrial use; metals in foil and powder form for painters, decorators, printers and artists.

6 – Non-precious metal ores; common metals and their alloys and semi-manufactured products of common metals and their alloys; metal building products for sheltering, preserving, conserving, co-

vering, girdling, warehousing (including metal ladders), metal floors, metal staircases, metal gates and fences, metal railings for fences, metal roofing, metal palings; metal products manufactured for sifting, filtering and similar purposes; namely, metal window screens, drain traps (valves) of metal; metal doors and windows, metal rolling shutters, metal jalousies, metallic door handles, metallic window handles, metal panels of doors and windows; metal cables and wires not for electrical purposes; ironmongery (hardware) articles, small items of metal hardware, namely, screws, nails, bolts, nuts, metal chains, pulley; ducts of metal for ventilating and air conditioning and heating installations, metal roof vents for residential and commercial buildings, metal vent covers for HVAC ducts, drains and pitch pans, metal chimneys, chimney cowls of metal, metal manhole covers for drains, poles of metal for electric power lines, metal gratings; signs, non-luminous and non-mechanical, of metal; signaling panels, non-luminous and non-mechanical, of metal; identity plates of metal; metal pipes for liquid or gas transfer and their connection parts (including valves of metal, drilling pipes of metal); metal cash boxes; materials of metal for railway construction; metal bollards, metal mooring buoys, anchors for sea vehicles; metallic moulds for metal casting; works of art made of common metals and their alloys; metal bottle caps; poles of metal; metal pallets, metal ropes for lifting, loading and transportation, metal wires, cords, columns, strips, bands and tapes for use in lifting and carrying loads.

9 – Apparatus and instruments used for measurement for scientific purposes and used in laboratory, apparatus for recording, transmission or reproduction of sound and images including data processing apparatus, communication devices, computer software and hardware; computer software to enable uploading, downloading, accessing, posting, displaying, tagging, blogging, streaming, linking, sharing or otherwise providing electronic media or information via computer and communication networks; magnetic and optical data media and exposed camera films; antennas, satellite antennas, amplifiers and parts thereof; ticket dispensers, cash dispensers; electronic devices used in machines and devices, electronic semi-conductors, electronic integrated circuits, electronic chips; electric meters, water meters, gas meters, counters and timers used for measuring the consumption in a unit of time; protective clothing, life saving and protecting equipments; eyeglasses, sun glasses, lenses and their boxes, cases, parts and accessories; apparatus and instruments for transmitting, converting and storing electrical energy including cables and power supplies used in electric and electronic; electric door bells, alarms other than vehicle alarms; traffic signalization equipments; fire-extinguishing apparatus; radars, submarine radars (sonars), night vision providing and increasing devi-

ces and apparatus, namely, night vision goggles; anodes, cathodes; magnets, decorative magnets.

11 – Lighting installations, lighting apparatus for vehicles, interior and exterior sites; devices for heating and vapor producing installations, heating apparatus for solid, liquid or gaseous fuels, stoves (heating apparatus), cookers; acclimatization and air-conditioning devices; refrigerators, deep freezers; electric and gas operated apparatus, machines and equipment used in cooking, drying and boiling including electric clothes drying machines for household purposes, electric hair-dryers, hand drying apparatus for washrooms; apparatus for water supply and sanitary purposes; bath tubs, bidets, bath installations, shower enclosures, urinals (sanitary fixtures), water closets, toilets, lavatories, sinks; water softening apparatus and installations, water purifying apparatus and machines, water purification installations, incinerators; bedwarmers and electric blankets, not for medical purposes; electric or non-electric footwarmers; hot water bottles; aquarium filters, filtration apparatus incorporating a motor device; aquarium heaters and lights; industrial type furnaces; industrial type dryer installations; industrial type cooling installations, cooling towers, air cooling apparatus; pasteurisers and sterilizers.

19 – Materials for constructing, coating, repairing roads, namely, asphalt, pitch and tar, bitumen asphalt, sand, gravel, slag stone, mixtures of sand and sand stones, non-agricultural lime for use in construction, slag-lime cement, gypsum; blocks of concrete, plaster and colored plaster for building purposes, articles of artificial stone for building purposes; shaped building, construction and road construction materials made of concrete, gypsum, earthen, clay, sand, natural stone, artificial stone, wooden, plastic or synthetic materials; building parts, buildings, poles, barriers; non-luminous, non-mechanical signs not of metal; monuments of stone, concrete or marble; statues of stone, concrete or marble; monuments of stone, concrete or marble; statues of stone, concrete or marble; natural or synthetic non-metallic surface coatings for building purposes in the form of plates or strips (heat-adhesive); glass blocks for building, glass bricks, glass tiles, glass panes, glass panels for building construction purposes; prefabricated swimming pools not of metal; aquarium sand.

27 – Carpets, rugs, mats; linoleum for covering existing floors; other material for covering existing floors, namely, rubber bath mats, rubber door mats, cork for use as a floor covering, cork mats, vinyl floor coverings, textile floor mats for use in the home; mats for gymnastic and wrestling; non-textile wall coverings, non-textile wall hangings, wall coverings of paper.

260) AM 2014 75328 A
(800) 1185682
(891) 2013 07 08
(731) Davidoff & Cie SA
2, rue de Rive, CH-1200 Genève, Switzerland
(540)



(591) Black, white
(511)

34 – Tobacco, raw or manufactured; smoking tobacco, chewing tobacco, snuff tobacco; tobacco products; cigars, cigarillos, cigars with pre-cut ends, cigarettes; tobacco substitutes (not for medical use); electronic cigarettes; smokers' articles; tobacco pipes, pipe cleaners, pipe tampers, cigar cutters, non-electric cigar and cigarette lighters (included in this class), cigarette and cigar tubes, cigar and cigarette cases, tobacco product humidors; tobacco boxes, snuff boxes, ashtrays, lighters, flints for lighters; matches.

35 – Sales promotion (for others); retail sale; retail sales via global computer networks; all these services concerning tobacco products and smokers' articles.

43 – Supply (catering) of foodstuffs and beverages; services for providing food and drink; provision of facilities for meetings, smoking rooms, lounges for cigar and cigarette smokers; bar services; temporary accommodation; all these services concerning the operation of smoking rooms or services relating thereto or services for smokers.

(260) AM 2014 75329 A
(800) 1185685
(891) 2013 06 18
(731) KIRMIZIGÜL KOZMETİK VE TURİZM
SANAYİ VE TİCARET LİMİTED ŞİRKETİ
Veliköy Organize Sanayi Sitesi Osman Uzun,
Cad. No:55 Veliköy Çerkezköy, Tekirdağ,
Turkey
(540)

REDİST

(591) Black, white
(511)

3 – Bleaching preparations and other substances for laundry use; cleaning, polishing, scouring and abrasive preparations; cleaning preparations; soaps; perfumery, essential oils, cosmetics, hair lotions; dentifrices; cosmetic creams.

(260) AM 2014 75330 A
 (800) 1185687
 (891) 2013 07 24
 (731) Davidoff & Cie SA
 Rue de Rive 2, CH-1200 Genève, Switzerland
 (540)



TIME BEAUTIFULLY FILLED

(591) Black, white
 (511)

34 – Tobacco, raw or manufactured; smoking tobacco, chewing tobacco, snuff tobacco; tobacco products; cigars, cigarillos, cigars with pre-cut ends, cigarettes; tobacco substitutes (not for medical purposes); electronic cigarettes; smokers' articles; tobacco pipes, pipe cleaners, pipe tampers, cigar cutters, electrical and non-electrical cigar and cigarette lighters (included in this class), cigarette and cigar tubes, cigar and cigarette cases, tobacco product humidors; tobacco boxes, snuff boxes, ashtrays, lighters, flints for lighters; matches.

39 – Transport; transport of travelers; organization, reservation and booking of travel, sight-seeing; travel consultancy, information and reservations; conducting of tours; all the above services being for smokers or intended to promote public awareness of tobacco products or to promote tobacco products and smokers' articles.

41 – Education; training; entertainment; club services (entertainment or education); sporting and cultural activities; organization, production, presentation, conducting of events, musical and cultural performances and live performances; providing entertainment services in the form of live musical performances or recorded music; provision of cultural, training, educational and sporting facilities, museums, amusement facilities; preparation and hosting of entertainment, training, cultural, sporting and educational events; preparation and conducting of conventions, conferences, congresses, seminars, symposiums, workshops (training), lectures, courses, exhibitions, exhibitions, sports competitions, shows, concerts, training courses or lessons for entertainment purposes, cultural, sporting or educational training; organization of competitions (education, training, entertainment, sports, culture); provision of information on entertainment, education, training, sports, culture; awarding of prizes; provision of non-downloadable electronic publications; editing and publishing services; publication of books and texts, catalogs, pamphlets, manuals; dissemination of educational, cultural, sporting, teaching or entertainment material; all the above services being for smokers or intended to promote public awareness of tobacco products or to promote tobacco products and smokers' articles.

43 – Supplying (catering) foodstuffs and beverages; services for providing food and drink; provision of meeting rooms, rooms for cigar and cigarette smokers; bar services; temporary accommodation; all these services concerning the operation of smoking rooms or services relating thereto or services for smokers.

(260) AM 2014 75333 A
 (800) 1185705
 (891) 2013 08 20
 (731) 55DSL AG
 Walchestrass 27, CH-8006 Zurich, Switzerland
 (540)

FIFTYFIVEDSL

(511)

3 – Soaps; perfumery; essential oils, cosmetics, hair lotions; dentifrices.

9 – Discs, CD-ROMs, DVDs, video recordings recorded on data media, software; spectacles; spectacle cases and spectacle chains; spectacle lenses, spectacle frames; electronic goods, namely telephones, mobile telephones, MP3 players, CD and DVD players; cases for MP3 players, cases for CD and DVD players; television sets, screens and monitors; radios; music centers; entertainment appliances for use with television sets; video cameras, photographic cameras; electronic agendas.

14 – Precious metals and their alloys and goods in precious metals or coated therewith, not included in other classes; jewelry, precious stones; timepieces and chronometric instruments.

18 – Leather and imitation leather and goods made of these materials and not included in other classes; animal hides, carcasses; trunks and suitcases; umbrellas, parasols and walking sticks; whips, harness and saddlery.

25 – Clothing, footwear, headgear; ear muffs.

(260) AM 2014 75334 A
 (800) 1185723
 (891) 2013 10 04
 (731) IDEAL SOLEIL
 14 rue Royale, F-75008 PARIS, France
 (540)

IDEAL SOLEIL

(511)

3 – Perfumes, toilet waters; bath and shower gels and salts for non-medical use; toilet soaps; body deodorants; cosmetics, particularly face, body and hand creams, milks, lotions, gels and powders; tanning and after-sun milks, gels and oils (cosmetics); make-up products; shampoos; gels, foams, balms and aerosol products for hair care and hair styling;

hair sprays; hair dyes and bleaching products; hair waving and setting products; essential oils.

(260) AM 2014 75335 A

(800) 1185729

(891) 2013 10 16

(731) ISRAEL CHEMICALS LTD.

Millenium Tower, 23 Aranha St., 61070 Tel Aviv, Israel

(540)

ICL FOOD SPECIALTIES

(511)

1 – Chemical additives for use in the manufacture of food and beverages.

(260) AM 2014 75336 A

(800) 1185747

(891) 2013 09 03

(731) EGIS Gyógyszergyár Nyilvánosan Működő Részvénytársaság

Keresztúri út 30-38, H-1106 Budapest, Hungary

(540)

TRIXID

(511)

5 – Pharmaceutical preparations for human use, excluding pharmaceutical preparations for the treatment of vascular and cardiovascular diseases.

(260) AM 2014 75355 A

(800) 1186028

(891) 2013 09 20

(731) EGIS GYOGYSZERGYÁR Nyilvánosan

Működő Részvénytársaság
Keresztúri ut 30-38, H-1106 Budapest,
Hungary

(540)

SIANTA

(511)

5 – Pharmaceutical preparations for human use.

(260) AM 2014 75356 A

(800) 1186029

(891) 2013 09 20

(731) EGIS GYOGYSZERGYÁR Nyilvánosan

Működő Részvénytársaság
Keresztúri ut 30-38, H-1106 Budapest,
Hungary

(540)

ROSURAMLON

(511)

5 – Pharmaceutical preparations for human use.

(260) AM 2014 75357 A

(800) 1186030

(891) 2013 09 20

(731) EGIS GYOGYSZERGYÁR Nyilvánosan

Működő Részvénytársaság
Keresztúri ut 30-38, H-1106 Budapest,
Hungary

(540)

RAMOSTIN

(511)

5 – Pharmaceutical preparations for human use.

(260) AM 2014 75358 A

(800) 1186053

(891) 2013 10 02

(731) OBSHESTVO S OGRANICHENNOY

OTVETSTVENNOSTYU

"INTELLEKTUALNOE PRAVO"

kv. 11, d. 63, ul. Stepana Rasina, RU-443099
Samara, Russian Federation

(540)

ЦАРИЦА СТОЛА

(511)

33 – Vodka.

(260) AM 2014 75359 A

(800) 1186060

(891) 2013 09 20

(731) EGIS GYOGYSZERGYÁR

NYILVÁNOSAN MŰKÖDŐ

RÉSZVÉNYTÁRSASÁG

Keresztúri út 30-38, H-1106 Budapest,
Hungary

(540)

TITANILLA

(511)

5 – Pharmaceutical preparations for human use.

(260) AM 2014 75422 A

(800) 1186467

(891) 2013 10 31

(731) ZAKRYTOE AKTSIONERNOE

OBSHESTVO "HOLDINGOVAYA

KOMPANIYA "LADOGA"

d. 14, Angliyskaya nab., RU-190000 Saint-
Petersburg, Russian Federation

(540)



(591) Light-gray, gray, dark-gray, white, red and black
 (526) – The trademark is protected as a whole. The words "VODKA, RUSSIAN VODKA" included therein shall not be subject to independent legal protection.
 (511)
 33 – Vodka.

(260) AM 2014 75433 A
 (800) 1186573
 (891) 2013 10 08
 (731) SHANGHAI EBASSEE ELECTRIC CO., LTD.
 West Side of Building 1, No:612 Shang Chuan Road, Pu Dong New Area, Shanghai, China

(540)



(591) Black, white
 (511)
 9 – Circuit breakers; relays, electric; plugs, sockets and other contacts [electric connections]; converters, electric; fuses; distribution boxes [electricity]; high and low voltage switch board; voltage stabilizing power supply; voltage surge protectors; electricity meters.

(260) AM 2014 75434 A
 (800) 1186575
 (891) 2013 09 04
 (731) INTERNATIONAL POLICE ASSOCIATION
 1 Fox Road, West Bridgford, Nottingham NG2 6AJ, United Kingdom

(540)



(591) CYMK Blue 89C M43, Light Blue 35C 9M, Red 100M 81Y 4K, Yellow 80Y 9M
 (511)
 41 – Education; providing of training in professional seminars; entertainment; sporting and cultural activities, all within the association and offered mainly only to members of the association.

(260) AM 2014 75621 A
 (800) 1188852
 (891) 2013 10 08

(731) FATİH AGGÜL
 Hisar Mah. Hasgöl Cad. No:3/14, Bağlum Keçiören, TR-06291 Ankara, Turkey

(540)



(591) Black, white
 (511)
 3 – Whiting; cleaning preparations; perfumery; perfumes; cosmetics; deodorants for human beings or for animals; soap; dentifrices; dental bleaching gels; abrasives; abrasive cloth; sandpaper; pumice stone; polishing preparations; refurbishing preparations.

18 – Leather, unworked or semi-worked; imitation leather; bags; boxes of leather or leather board; cases, of leather or leatherboard; key cases; umbrellas; parasols; walking sticks; whips; harness straps; harness fittings; riding saddles; stirrups; saddlery.

25 – Outerclotting; underwear; socks; footwear; hoods [clothing].

(260) AM 2014 75939 A
 (800) 1191188
 (891) 2013 11 08
 (731) GITI TIRE PTE. LTD.
 9 Oxley Rise, #01-02 The Oxley, Singapore 238697, Singapore

(540)

GT RADIAL

(511)
 12 – Tires.

35 – Advertising and marketing; arranging, conducting and organizing exhibitions, trade fairs, conferences, seminars and workshops for commercial, promotional or advertising purposes; business administration; business management; compilation and systemization of information into computer databases; database management; promotional, publicity and public relations services; compilation and provision of business or trade information; business statistical information services; promoting services of automobile dealerships; ordering services (for others); marketing agency services; dissemination of advertising matter for others via printed publications, radio, television and an on-line electronic communications network; window dressing; wholesale and retail services of tires for vehicle wheels; wholesale and retail of parts and accessories for motor (vehicles; all included in this class; all aforesaid services not included in other classes.

(260) AM 2014 75940 A
 (800) 1191200
 (891) 2013 12 04

(731) Brightflash USA LLC
1007 North Orange St., Wilmington DE,
19801, USA

(540)

IWATCH

(591) Black, white

(511)

9 – Computer software; security devices, namely, anti-theft warning apparatus, electronic theft prevention installations, and security monitoring, detection, and warning apparatus and alarms; monitors; monitoring apparatus, electronic; cameras; computers; computer hardware; computer peripherals; wireless communication devices; radios; audio and video devices; global positioning system devices; accessories, parts, components, and cases for all of the foregoing goods.

(260) AM 2014 76095 A

(800) 1192722

(891) 2013 04 09

(731) PALME MAKINA SANAYİ VE TICARET
AŞ

Atisan Sanayi Sitesi 1573.Cad. No:34-36,
Macunköy-Yenimahall/Ankara, Turkey

(540)

PALME®

(591) Orange

(511)

6 – Non-precious metal ores; common metals and their alloys and their semi-finishing; housing, storage, maintenance, covering, wrapping, surrounding, made of metal for storage or placement of materials and tools (made of metal, for use in construction materials, including metal, portable ladders) (terms considered linguistically incorrect by the International Bureau – rule 13.2.b) of the Common Regulations); screening, filtering, and made of metal materials for similar purposes ((terms considered linguistically incorrect by the International Bureau – rule 13.2.b) of the Common Regulations); made of metal doors and windows, shutters, blinds, cases and parts of these; for non-electricity metallic cables, wires (terms considered linguistically incorrect by the International Bureau – rule 13.2.b) of the Common Regulations); ironmongery (hardware) merchandise; ventilation, heating, sewer, telephone, underground electricity and air-conditioning systems for ventilation ducts, vents, vent covers, chimneys, chimney caps, manhole (stack) covers, gratings (terms considered too vague by the International Bureau – rule 13.2.b) of the Common Regulations); made of metal indicating, orientation, specification, materials for introduction purposes (signs, panels, including

plates) (terms considered linguistically incorrect by the International Bureau – rule 13.2.b) of the Common Regulations); made of metal for the liquid or gas transport pipes and their fittings (valves of metal, including drill pipe) (terms considered linguistically incorrect by the International Bureau – rule 13.2.b) of the Common Regulations); coin safe box (terms considered too vague by the International Bureau – rule 13.2.b) of the Common Regulations); railway materials made of metal; mineral bollard, buoys, metal caissons, iron anchors for watercraft (terms considered linguistically incorrect by the International Bureau – rule 13.2.b) of the Common Regulations); molds made of metal for casting (except part of the machine) (terms considered linguistically incorrect by the International Bureau – rule 13.2.b) of the Common Regulations); works of art made of common metals and their alloys; made of metal caps, bottle caps (terms considered linguistically incorrect by the International Bureau – rule 13.2.b) of the Common Regulations); mineral poles (terms considered too vague by the International Bureau – rule 13.2.b) of the Common Regulations); metal pallets for lifting, loading and transporting; metal ropes, metal hangers used for lifting and transporting; ties, coumns, braces, belts and ribbons (terms considered too vague by the International Bureau – rule 13.2.b) of the Common Regulations).

11 – Lighting equipment (vehicles, interior and exterior lighting fixtures); equipment for the installation of eating and steam production (solid, liquid, gas-fired and electric stoves, cook stoves included); air-conditioning and ventilation equipment; refrigerators and freezers; cooking, drying and boiling electricity and gas used tools, machines and equipment (electrical and heating system operated laundry dryers, hair dryers and hand dryers included); sanitary ware, vitrified; water softening devices water purification equipment, water purification systems, waste treatment systems; electrical coverlets non-medical purposes, electric blankets, heating pads, electric or electric foot warmers, hot water bags (radiators) (terms considered too vague by the International Bureau – rule 13.2.b) of the Common Regulations); filters and filter-motor combinations for aquariums; industrial-type cooking, drying and cooling equipment; pasteurizing and sterilizing machines.

37 – Construction services, construction machinery – equipment and construction equipment rental services; cleaning services, disinfection services, pest fumigation services, cleaning tools and machinery hire services; motor vehicles service station services (maintenance, repair and refueling); maintenance and repair of marine vessels, ship construction services; aircraft maintenance and repair services; related the furniture flooring, repair, and restoration services; establishment of heating, ventilation and

water systems, (establishing), maintenance and repair services (terms considered linguistically incorrect by the International Bureau – rule 13.2.b) of the Common Regulations); apparels cleaning, maintenance and repair services (terms considered linguistically incorrect by the International Bureau – rule 13.2.b) of the Common Regulations); electrical and electronic equipment installation, maintenance and repair services for industrial machinery and equipment, office machines and equipment, communications devices; clock repair services; mining, mining services; shoes, bags, belts repair services.

(260) AM 2014 76907 A

(800) 1199125

(891) 2014 01 30

(731) PRIVATBRAUEREI HERRENHAUSEN
GMBH

Herrenhäuser Straße 83, 30419 Hannover,
Germany

(540)



(591) Black, red and gold

(511)

32 – Beers; pre-mixed beer-based beverages; non-alcoholic beverages.

INTERNATIONAL TRADEMARKS PROTECTED IN GEORGIA

(260) AM 2014 71411 A
(800) 1150702
(151) 2013 01 18
(181) 2023 01 18
(511) 32, 34

(260) AM 2014 73886 A
(800) 1172805
(151) 2013 07 31
(181) 2023 07 31
(511) 03

(260) AM 2014 71573 A
(800) 1151899
(151) 2013 02 14
(181) 2023 02 14
(511) 05

(260) AM 2014 73887 A
(800) 1172807
(151) 2013 07 31
(181) 2023 07 31
(511) 03

(260) AM 2014 72049 A
(800) 1155186
(151) 2013 01 03
(181) 2023 01 03
(511) 30

(260) AM 2014 73888 A
(800) 1172831
(151) 2012 12 24
(181) 2022 12 24
(511) 07, 09, 11

(260) AM 2014 72097 A
(800) 1155565
(151) 2012 12 07
(181) 2022 12 07
(511) 03, 21

(260) AM 2014 73889 A
(800) 1172837
(151) 2013 08 02
(181) 2023 08 02
(511) 12

(260) AM 2014 73608 A
(800) 1170575
(151) 2013 06 10
(181) 2023 06 10
(511) 32, 33

(260) AM 2014 73890 A
(800) 1172855
(151) 2012 12 05
(181) 2022 12 05
(511) 09, 16, 18, 25

(260) AM 2014 73746 A
(800) 1172132
(151) 2013 05 23
(181) 2023 05 23
(511) 07

(260) AM 2014 73891 A
(800) 1172859
(151) 2013 06 26
(181) 2023 06 26
(511) 25

(260) AM 2014 73883 A
(800) 1172795
(151) 2013 08 08
(181) 2023 08 08
(511) 10

(260) AM 2014 73892 A
(800) 1172876
(151) 2013 06 22
(181) 2023 06 22
(511) 18

(260) AM 2014 73885 A
(800) 1172802
(151) 2012 03 06
(181) 2022 03 06
(511) 03, 05, 10, 16, 35, 36, 39, 41, 42, 44

(260) AM 2014 73894 A
(800) 1172895
(151) 2012 11 22
(181) 2022 11 22
(511) 03, 08, 09, 14, 18, 20, 21, 24, 25, 27, 35

(260) AM 2014 73895 A
(800) 1172903
(151) 2012 12 14
(181) 2022 12 14
(511) 30

(260) AM 2014 73896 A
(800) 1172933
(151) 2013 06 27
(181) 2023 06 27
(511) 03

(260) AM 2014 73897 A
(800) 1172979
(151) 2013 06 28
(181) 2023 06 28
(511) 12, 35

(260) AM 2014 73899 A
(800) 1173007
(151) 2013 03 20
(181) 2023 03 20
(511) 07, 09

(260) AM 2014 73900 A
(800) 1173100
(151) 2013 01 09
(181) 2023 01 09
(511) 17, 19, 20

(260) AM 2014 73901 A
(800) 1173131
(151) 2013 05 28
(181) 2023 05 28
(511) 03, 05, 21

(260) AM 2014 73902 A
(800) 1173132
(151) 2013 05 28
(181) 2023 05 28
(511) 03, 05, 21

(260) AM 2014 73903 A
(800) 1173137
(151) 2013 06 04
(181) 2023 06 04
(511) 33

(260) AM 2014 73904 A
(800) 1173160
(151) 2013 07 16
(181) 2023 07 16
(511) 35

(260) AM 2014 73905 A
(800) 1173202
(151) 2013 06 22
(181) 2023 06 22
(511) 09

(260) AM 2014 73906 A
(800) 1173208
(151) 2013 02 19
(181) 2023 02 19
(511) 01, 06, 07, 11, 37

(260) AM 2014 73907 A
(800) 591290
(151) 2013 02 26
(181) 2023 02 26
(511) 05

(260) AM 2014 73908 A
(800) 672890
(151) 1997 05 17
(891) 2013 03 28
(181) 2017 05 17
(511) 03, 18, 25

(260) AM 2014 73909 A
(800) 820875A
(151) 2004 02 25
(891) 2013 07 17
(181) 2014 02 25
(511) 05

(260) AM 2014 73910 A
(800) 831125
(151) 2004 06 30
(891) 2013 06 11
(181) 2014 06 30
(511) 05

(260) AM 2014 74127 A
(800) 901523
(151) 2006 09 26
(891) 2013 07 16
(181) 2016 09 26
(511) 05

(260) AM 2014 74128 A
(800) 910857
(151) 2006 11 10
(891) 2013 08 13
(181) 2016 11 10
(511) 01, 05, 29, 30

(260) AM 2014 74129 A
(800) 915124
(151) 2006 12 14
(891) 2013 06 24
(181) 2016 12 14
(511) 17

(260) AM 2014 74131 A
(800) 967369
(151) 2008 04 07
(891) 2013 07 16
(181) 2018 04 07
(511) 05

(260) AM 2014 74132 A
(800) 1000850
(151) 2009 04 17
(891) 2013 08 20
(181) 2019 04 17
(511) 05

(260) AM 2014 74133 A
(800) 1047846
(151) 2010 07 22
(891) 2013 06 24
(181) 2020 07 22
(511) 29, 30, 32, 43

(260) AM 2014 74134 A
(800) 1073089
(151) 2011 02 10
(891) 2013 08 13
(181) 2021 02 10
(511) 09

(260) AM 2014 74135 A
(800) 1095326
(151) 2011 07 29
(891) 2013 06 24
(181) 2021 07 29
(511) 05

(260) AM 2014 74136 A
(800) 1111423
(151) 2012 02 07
(891) 2013 07 16
(181) 2022 02 07
(511) 05

(260) AM 2014 74137 A
(800) 1120053
(151) 2012 01 12
(891) 2013 08 20

(181) 2022 01 12
(511) 29, 30, 43

(260) AM 2014 74138 A
(800) 1164909
(151) 2013 05 21
(891) 2013 07 29
(181) 2023 05 21
(511) 42

(260) AM 2014 74281 A
(800) 1176351
(151) 2013 05 08
(181) 2023 05 08
(511) 09, 35

(260) AM 2014 74284 A
(800) 1176421
(151) 2013 08 20
(891)
(181) 2023 08 20
(511) 09

(260) AM 2014 74287 A
(800) 1176500
(151) 2013 04 03
(181) 2023 04 03
(511) 09, 11

(260) AM 2014 74290 A
(800) 1176530
(151) 2013 07 25
(181) 2023 07 25
(511) 30

(260) AM 2014 74291 A
(800) 1176542
(151) 2013 08 16
(181) 2023 08 16
(511) 25

(260) AM 2014 74292 A
(800) 1176554
(151) 2013 09 02
(181) 2023 09 02
(511) 34

(260) AM 2014 74352 A
(800) 1176869
(151) 2013 03 04
(181) 2023 03 04
(511) 10

(260) AM 2014 74355 A
(800) 1176883
(151) 2013 06 04
(181) 2023 06 04
(511) 04, 09, 14, 21, 25, 34

(260) AM 2014 74357 A
(800) 1176920
(151) 2013 07 11
(181) 2023 07 11
(511) 09, 36

(260) AM 2014 74358 A
(800) 1176934
(151) 2013 07 25
(181) 2023 07 25
(511) 03

(260) AM 2014 74359 A
(800) 1176943
(151) 2013 08 29
(181) 2023 08 29
(511) 07, 16, 20

(260) AM 2014 74360 A
(800) 1176977
(151) 2013 09 06
(181) 2023 09 06
(511) 03

(260) AM 2014 74361 A
(800) 1176979
(151) 2013 07 18
(181) 2023 07 18
(511) 36, 39, 43

(260) AM 2014 74362 A
(800) 1176980
(151) 2013 08 16
(181) 2023 08 16
(511) 25, 32, 33

(260) AM 2014 74363 A
(800) 1176991
(151) 2013 07 29
(181) 2023 07 29
(511) 34

(260) AM 2014 74364 A
(800) 1177033
(151) 2012 11 06

(181) 2022 11 06
(511) 37, 42, 43

(260) AM 2014 74365 A
(800) 1177034
(151) 2012 11 22
(181) 2022 11 22
(511) 05

(260) AM 2014 74366 A
(800) 1177039
(151) 2013 04 24
(181) 2023 04 24
(511) 11, 35, 41

(260) AM 2014 74367 A
(800) 1177042
(151) 2013 03 18
(181) 2023 03 18
(511) 33

(260) AM 2014 74368 A
(800) 1177051
(151) 2013 05 27
(181) 2023 05 27
(511) 25, 35

(260) AM 2014 74370 A
(800) 1177140
(151) 2013 07 29
(181) 2023 07 29
(511) 25

(260) AM 2014 74371 A
(800) 1177143
(151) 2013 07 30
(181) 2023 07 30
(511) 07

(260) AM 2014 74372 A
(800) 1177163
(151) 2013 09 04
(181) 2023 09 04
(511) 36

(260) AM 2014 74377 A
(800) 1177171
(151) 2013 07 30
(181) 2023 07 30
(511) 16, 28, 41

(260) AM 2014 74379 A
(800) 1177185
(151) 2013 06 25
(181) 2023 06 25
(511) 28

(260) AM 2014 74380 A
(800) 1177203
(151) 2013 07 09
(181) 2023 07 09
(511) 05

(260) AM 2014 74381 A
(800) 1177205
(151) 2013 08 16
(181) 2023 08 16
(511) 03, 25, 35

(260) AM 2014 74382 A
(800) 1177207
(151) 2013 07 04
(181) 2023 07 04
(511) 25, 35

(260) AM 2014 74383 A
(800) 1177228
(151) 2013 06 27
(181) 2023 06 27
(511) 12

(260) AM 2014 74385 A
(800) 1177256
(151) 2013 04 30
(181) 2023 04 30
(511) 05

(260) AM 2014 74386 A
(800) 1177272
(151) 2013 06 18
(181) 2023 06 18
(511) 29

(260) AM 2014 74387 A
(800) 1177322
(151) 2013 07 18
(181) 2023 07 18
(511) 14

(260) AM 2014 74388 A
(800) 1177323
(151) 2013 07 25
(181) 2023 07 25
(511) 30

(260) AM 2014 74390 A
(800) 1177351
(151) 2013 07 09
(181) 2023 07 09
(511) 03, 16, 21

(260) AM 2014 74391 A
(800) 1177511
(151) 2013 07 15
(181) 2023 07 15
(511) 01, 02, 03, 06, 17, 19

(260) AM 2014 74392 A
(800) 1177372
(151) 2013 07 30
(181) 2023 07 30
(511) 32

(260) AM 2014 74393 A
(800) 1177377
(151) 2013 07 30
(181) 2023 07 30
(511) 13, 25

(260) AM 2014 74422 A
(800) 1177672
(151) 2013 07 17
(181) 2023 07 17
(511) 35, 36, 37, 39, 42, 43, 45

(260) AM 2014 74423 A
(800) 1177681
(151) 2013 07 17
(181) 2023 07 17
(511) 16, 39

(260) AM 2014 74429 A
(800) 1066317
(151) 2011 01 04
(891) 2013 08 08
(181) 2021 01 04
(511) 12, 20, 28

(260) AM 2014 74433 A
(800) 1131541
(151) 2012 05 10
(891) 2013 07 31
(181) 2022 05 10
(511) 03, 09, 14

(260) AM 2014 74447 A
(800) 1177824
(151) 2013 04 18

(181) 2023 04 18
(511) 30, 35, 43

(260) AM 2014 74450 A
(800) 1177878
(151) 2013 06 20
(181) 2023 06 20
(511) 06, 09, 10, 22, 25

(260) AM 2014 74453 A
(800) 1177955
(151) 2013 09 05
(181) 2023 09 05
(511) 03, 05, 44

(260) AM 2014 74454 A
(800) 1177985
(151) 2013 09 06
(181) 2023 09 06
(511) 41

(260) AM 2014 74458 A
(800) 1178020
(151) 2013 05 29
(181) 2023 05 29
(511) 07, 12

(260) AM 2014 74459 A
(800) 1178032
(151) 2013 06 07
(181) 2023 06 07
(511) 14, 16, 18, 26, 35

(260) AM 2014 74481 A
(800) 1178409
(151) 2013 08 27
(181) 2023 08 27
(511) 05

(260) AM 2014 74482 A
(800) 1178419
(151) 2013 08 05
(181) 2023 08 05
(511) 03, 25, 35

(260) AM 2014 74493 A
(800) 1178443
(151) 2013 08 07
(181) 2023 08 07
(511) 09, 10

(260) AM 2014 74494 A
(800) 1178446
(151) 2012 12 07
(181) 2022 12 07
(511) 01, 03, 05, 42, 44

(260) AM 2014 74496 A
(800) 1178449
(151) 2013 02 05
(181) 2023 02 05
(511) 35, 36

(260) AM 2014 74497 A
(800) 1178471
(151) 2013 07 15
(181) 2023 07 15
(511) 07, 08, 12

(260) AM 2014 74498 A
(800) 1178492
(151) 2013 08 20
(181) 2023 08 20
(511) 14

(260) AM 2014 74500 A
(800) 1178529
(151) 2013 04 30
(181) 2023 04 30
(511) 11

(260) AM 2014 74501 A
(800) 1178537
(151) 2013 04 17
(181) 2023 04 17
(511) 05

(260) AM 2014 74502 A
(800) 1178546
(151) 2013 07 12
(181) 2023 07 12
(511) 18, 25

(260) AM 2014 74503 A
(800) 1178548
(151) 2013 05 01
(181) 2023 05 01
(511) 03

(260) AM 2014 74504 A
(800) 1178549
(151) 2013 05 01

(181) 2023 05 01
(511) 03

(260) AM 2014 74506 A
(800) 1178583
(151) 2013 06 26
(181) 2023 06 26
(511) 09, 35, 38, 42, 44

(260) AM 2014 74507 A
(800) 1178591
(151) 2013 04 10
(181) 2023 04 10
(511) 16, 32, 34, 35

(260) AM 2014 74508 A
(800) 1178598
(151) 2013 06 05
(891) 2013 10 21
(181) 2023 06 05
(511) 10

(260) AM 2014 74510 A
(800) 1178607
(151) 2013 06 28
(181) 2023 06 28
(511) 03, 25, 35

(260) AM 2014 74511 A
(800) 1178637
(151) 2013 07 30
(181) 2023 07 30
(511) 05

(260) AM 2014 74621 A
(800) 1076800
(151) 2011 01 10
(891) 2013 09 10
(181) 2021 01 10
(511) 07, 11

(260) AM 2014 74623 A
(800) 1093235
(151) 2011 06 01
(891) 2013 07 25
(181) 2021 06 01
(511) 01, 03, 04, 05, 06, 09, 10, 12, 14, 16,
18, 20, 21, 24, 25, 26, 28, 30, 32, 33, 34,
35, 36, 37, 38, 39, 41, 43

(260) AM 2014 74645 A
(800) 1179943
(151) 2013 08 13
(181) 2023 08 13
(511) 06, 11, 35

(260) AM 2014 74647 A
(800) 1179971
(151) 2013 09 11
(181) 2023 09 11
(511) 29, 30

(260) AM 2014 74648 A
(800) 1179995
(151) 2013 09 26
(181) 2023 09 26
(511) 10

(260) AM 2014 74649 A
(800) 1180003
(151) 2013 08 07
(181) 2023 08 07
(511) 05

(260) AM 2014 74650 A
(800) 1180004
(151) 2013 08 05
(181) 2023 08 05
(511) 30, 35, 43

(260) AM 2014 74652 A
(800) 1180045
(151) 2013 09 26
(181) 2023 09 26
(511) 09, 24, 25

(260) AM 2014 74653 A
(800) 1180049
(151) 2013 06 23
(181) 2023 06 23
(511) 12

(260) AM 2014 74654 A
(800) 1180060
(151) 2013 04 22
(181) 2023 04 22
(511) 25

(260) AM 2014 74655 A
(800) 1180066
(151) 2013 06 05

(181) 2023 06 05
(511) 10, 42, 44

(260) AM 2014 74656 A
(800) 1180087
(151) 2013 07 09
(181) 2023 07 09
(511) 16

(260) AM 2014 74657 A
(800) 1180100
(151) 2013 08 05
(181) 2023 08 05
(511) 03, 25, 35

(260) AM 2014 74658 A
(800) 1180152
(151) 2013 09 06
(181) 2023 09 06
(511) 35

(260) AM 2014 74659 A
(800) 1180169
(151) 2013 09 26
(181) 2023 09 26
(511) 39

(260) AM 2014 74660 A
(800) 1180172
(151) 2013 09 25
(181) 2023 09 25
(511) 03, 32

(260) AM 2014 74820 A
(800) 1181149
(151) 2013 09 03
(181) 2023 09 03
(511) 05

(260) AM 2014 74821 A
(800) 1181150
(151) 2013 09 03
(181) 2023 09 03
(511) 05

(260) AM 2014 74822 A
(800) 1181171
(151) 2013 06 17
(181) 2023 06 17
(511) 17, 19, 35, 37

(260) AM 2014 74826 A
(800) 172227
(151) 1953 10 19
(891) 2013 10 20
(181) 2023 10 19
(511) 28

(260) AM 2014 74830 A
(800) 869825
(151) 2005 08 29
(891) 2013 07 15
(181) 2015 08 29
(511) 25

(260) AM 2014 74832 A
(800) 886513
(151) 2006 05 19
(891) 2013 09 04
(181) 2016 05 19
(511) 03, 05

(260) AM 2014 74834 A
(800) 1068148
(151) 2011 01 24
(891) 2013 09 24
(181) 2021 01 24
(511) 35, 37, 42

(260) AM 2014 74836 A
(800) 1146624
(151) 2012 11 10
(891) 2013 09 10
(181) 2022 11 10
(511) 03, 21, 29, 30, 32

(260) AM 2014 74837 A
(800) 1146625
(151) 2012 11 10
(891) 2013 09 10
(181) 2022 11 10
(511) 08, 10, 16, 21, 35

OFFICIAL NOTIFICATIONS

TRADEMARKS

RENEWAL OF REGISTRATIONS

(111) M 2004 15757 R1
(156) 2014 11 30
(186) 2024 11 30
(732) LTD "AVERSI-PHARMA"
Davit Agmasheneblis gamz. 148/2, 0112,
Tbilisi, Georgia

(111) M 2004 15763 R1
(156) 2014 11 30
(186) 2024 11 30
(732) LTD "AVERSI-PHARMA"
Davit Agmasheneblis gamz. 148/2, 0112,
Tbilisi, Georgia

(111) M 2004 15758 R1
(156) 2014 11 30
(186) 2024 11 30
(732) LTD "AVERSI-PHARMA"
Davit Agmasheneblis gamz. 148/2, 0112,
Tbilisi, Georgia

(111) M 2004 15764 R1
(156) 2014 11 30
(186) 2024 11 30
(732) LTD "AVERSI-PHARMA"
Davit Agmasheneblis gamz. 148/2, 0112,
Tbilisi, Georgia

(111) M 2004 15759 R1
(156) 2014 11 30
(186) 2024 11 30
(732) LTD "AVERSI-PHARMA"
Davit Agmasheneblis gamz. 148/2, 0112,
Tbilisi, Georgia

(111) M 2005 15847 R1
(156) 2015 02 11
(186) 2025 02 11
(732) ICOM INCORPORATED
1-6-19, Kamikurazukuri, Hira-ku, Osaka,
Japan

(111) M 2004 15760 R1
(156) 2014 11 30
(186) 2024 11 30
(732) LTD "AVERSI-PHARMA"
Davit Agmasheneblis gamz. 148/2, 0112,
Tbilisi, Georgia

(111) M 2005 15848 R1
(156) 2015 02 11
(186) 2025 02 11
(732) ICOM INCORPORATED
1-6-19, Kamikurazukuri, Hira-ku, Osaka,
Japan

(111) M 2004 15761 R1
(156) 2014 11 30
(186) 2024 11 30
(732) LTD "AVERSI-PHARMA"
Davit Agmasheneblis gamz. 148/2, 0112,
Tbilisi, Georgia

(111) M 2005 15933 R1
(156) 2015 05 03
(186) 2025 05 03
(732) DIAGEO BRANDS B.V.
10-12 Molenwerf, 1014 BG Amsterdam,
Netherlands

(111) M 2004 15762 R1
(156) 2014 11 30
(186) 2024 11 30
(732) LTD "AVERSI-PHARMA"
Davit Agmasheneblis gamz. 148/2, 0112,
Tbilisi, Georgia

(111) M 1994 178 R2
(156) 2014 11 27
(186) 2024 10 31
(732) BARCLAYS BANK PLC
1 Churchill Place, London E14 5HP, United
Kingdom

(111) M 1994 222 R2
(156) 2014 11 03
(186) 2024 11 01
(732) LVMH Swiss Manufactures SA
Rue Louis-Joseph-Chevrolet 6a 2300 La
Chaux-de-Fonds, Switzerland

(111) M 1994 302 R2
(156) 2014 11 07
(186) 2024 11 07
(732) JOHN PLAYER & SONS LIMITED
21 Beckett Way, Park West, Nangor Road,
Dublin 12, Ireland

(111) M 1994 372 R2
(156) 2014 11 09
(186) 2024 11 09
(732) COMPAQ TRADEMARK B.V.
Startbaan 16, 1187 XR Amstelveen,
Netherlands

(111) M 1995 478 R2
(156) 2015 01 16
(186) 2025 01 16
(732) DURAN Group GmbH
Otto-Schott-Strasse 21, 97877 Wertheim,
Germany

(111) M 1995 486 R2
(156) 2015 01 16
(186) 2025 01 16
(732) DIAGEO RTH AMERICA, INC.
801 Main Avenue, rwalk CT 06851-1127,
USA

(111) M 1995 569 R2
(156) 2015 04 27
(186) 2025 04 27
(732) THE PROCTER & GAMBLE COMPANY
One Procter & Gamble Plaza, Cincinnati,
Ohio, USA

(111) M 1995 796 R2
(156) 2015 08 02
(186) 2035 08 02
(732) MCDONALD'S INTERNATIONAL
PROPERTY COMPAN, LTD.
2711 Centerville Road, Suite 400,
Wilmington, Delaware, USA

(111) M 1995 797 R2
(156) 2015 08 02
(186) 2025 08 02

(732) MCDONALD'S INTERNATIONAL
PROPERTY COMPAN, LTD.
2711 Centerville Road, Suite 400,
Wilmington, Delaware, USA

(111) M 1995 798 R2
(156) 2015 08 02
(186) 2035 08 02
(732) MCDONALD'S INTERNATIONAL
PROPERTY COMPAN, LTD.
2711 Centerville Road, Suite 400,
Wilmington, Delaware, USA

(111) M 1995 800 R2
(156) 2015 08 02
(186) 2035 08 02
(732) MCDONALD'S INTERNATIONAL
PROPERTY COMPAN, LTD.
2711 Centerville Road, Suite 400,
Wilmington, Delaware, USA

(111) M 1995 801 R2
(156) 2015 08 02
(186) 2025 08 02
(732) MCDONALD'S INTERNATIONAL
PROPERTY COMPAN, LTD.
2711 Centerville Road, Suite 400,
Wilmington, Delaware, USA

(111) M 1995 802 R2
(156) 2015 08 02
(186) 2035 08 02
(732) MCDONALD'S INTERNATIONAL
PROPERTY COMPAN, LTD.
2711 Centerville Road, Suite 400,
Wilmington, Delaware, USA

(111) M 1995 803 R2
(156) 2015 08 02
(186) 2025 08 02
(732) MCDONALD'S INTERNATIONAL
PROPERTY COMPAN, LTD.
2711 Centerville Road, Suite 400,
Wilmington, Delaware, USA

(111) M 1995 804 R2
(156) 2015 08 03
(186) 2025 08 03
(732) MCDONALD'S INTERNATIONAL
PROPERTY COMPAN, LTD.
2711 Centerville Road, Suite 400,
Wilmington, Delaware, USA

(111) M 1995 807 R2

(156) 2015 08 03

(186) 2035 08 03

(732) MCDONALD'S INTERNATIONAL

PROPERTY COMPAN, LTD.

2711 Centerville Road, Suite 400,

Wilmington, Delaware, USA

COMPLETE TRANSFER OF RIGHTS

(111) M 1998 010202 R1
(732) ABOIT S.R.L.
S.R. 148 Pontina, Km. 52 snc, 04011
Campoverde di Aprilia (Latina), Italy
(770) ABOIT VASCULAR KLL-RAVIZZA SPA
Via Pontina km.52 - 04011 Campoverde di
Aprilia (Latina), Italy
(580) 2014 12 05

(111) M 1998 010203 R1
(732) ABOIT S.R.L.
S.R. 148 Pontina, Km. 52 snc, 04011
Campoverde di Aprilia (Latina), Italy
(770) ABOIT VASCULAR KLL-RAVIZZA SPA
Via Pontina km.52 - 04011 Campoverde di
Aprilia (Latina), Italy
(580) 2014 12 05

(111) M 2006 016920 R
(732) LTD "AVITA"
Tashkents q. 31, 0160, Tbilisi, Georgia
(770) Elchini Velievi
Shatberashvilis q. 4, II sad., b. 16, 0179,
Tbilisi, Georgia
(580) 2014 12 05

(111) M 2006 016922 R
(732) LTD "AVITA"
Tashkents q. 31, 0160, Tbilisi, Georgia
(770) Elchini Velievi
Shatberashvilis q. 4, II sad., b. 16, 0179,
Tbilisi, Georgia
(580) 2014 12 05

(111) M 2007 017570 R
(732) LTD "AVITA"
Tashkents q. 31, 0160, Tbilisi, Georgia
(770) Elchini Velievi
Shatberashvilis q. 4, II sad., b. 16, 0179,
Tbilisi, Georgia
(580) 2014 12 05

(111) M 2007 017915 R
(732) LTD "AVITA"
Tashkents q. 31, 0160, Tbilisi, Georgia
(770) Elchini Velievi
Shatberashvilis q. 4, II sad., b. 16, 0179,
Tbilisi, Georgia
(580) 2014 12 05

(111) M 2007 017916 R
(732) LTD "AVITA"
Tashkents q. 31, 0160, Tbilisi, Georgia
(770) Elchini Velievi
Shatberashvilis q. 4, II sad., b. 16, 0179,
Tbilisi, Georgia
(580) 2014 12 05

(111) M 2008 018244 R
(732) LTD AVITA"
Tashkents q. 31, 0160, Tbilisi, Georgia
(770) Elchini Velievi
Shatberashvilis q. 4, II sad., b. 16, 0179,
Tbilisi, Georgia
(580) 2014 12 05

(111) M 2010 020580 R
(732) TMD Friction Services GmbH
Schlebuscher Straße 99, 51381 Leverkusen,
Germany
(770) Levan Gobejishvili
Karkhnis q. 20, 6600, Sokhumi, Georgia
(580) 2014 12 05

CHANGES IN NAMES AND/OR ADDRESSES OF OWNERS

(111) M 1999 011631 R1
(732) NOVO NORDISK HEALTH CARE AG
Thurgauerstrasse 36/38, CH-8050 Zürich,
Switzerland
(770) NOVO NORDISK HEALTH CARE AG
Andreasstrasse 15, CH-8050 Zurich,
Switzerland
(580) 2014 12 05

(111) M 1996 001569 R1
(732) NOVO NORDISK HEALTH CARE AG,
Thurgauerstrasse 36/38, CH-8050 Zürich,
Switzerland
(770) NOVO NORDISK HEALTH CARE AG,
Andreasstrasse 15, CH-8050 Zurich,
Switzerland
(580) 2014 12 05

(111) M 1994 000178 R2
(732) BARCLAYS BANK PLC
1 Churchill Place, London E14 5HP,
United Kingdom
(770) BARCLAYS BANK PLC
51 Lombard Street, London EC 3P 3AH,
United Kingdom
(580) 2014 12 04

(111) M 1994 000302 R2
(732) JOHN PLAYER & SONS LIMITED
21 Beckett Way, Park West, Nangor Road,
Dublin 12, Ireland
(770) JOHN PLAYER & SONS LIMITED
56, Park West Road, Nangor Road,
Dublin 12, Ireland
(580) 2014 12 10

CLASSIFICATION INDEXES

INVENTIONS

CONCORDANCE TABLE OF INTERNATIONAL CLASSIFICATION INDEX AND PUBLICATION NUMBERS

INTERNATIONAL CLASSIFICATION INDEXES (51)	NUMBER OF PUBLISHED APPLICATION (10)
A 01 N 25/04; A 01 N 25/32	AP 2014 12698 A
A 01 N 43/90; C 07 D 211/94; C 07 D 471/10	AP 2014 12291 A
A 23 C 9/13	AP 2014 13192 A
A 23 C 19/076; A 01 J 25/00	AP 2014 13193 A
B 61 B 12/04	AP 2014 13313 A
C 07 D 215/48; C 07 D 401/12; C 07 D 407/12; C 07 D 409/12; C 07 D 413/12; C 07 D 417/12; A 61 K 31/4709; A 61 P 31/10	AP 2014 12811 A
C 07 D 471/04; C 07 D 471/14; A 61 K 31/437; A 61 K 31/4375; A 61 P 35/00	AP 2014 12484 A
F 02 B 75/32	AP 2014 13030 A
F 02 B 75/32	AP 2014 13107 A
F 03 B 3/00, 3/12	AP 2014 13108 A
F 03 D 5/02	AP 2014 13132 A
H 02 J 3/18	AP 2014 12943 A

CONCORDANCE TABLE OF PUBLICATION NUMBERS AND INTERNATIONAL CLASSIFICATION INDEX

NUMBER OF PUBLISHED APPLICATION (10)	INTERNATIONAL CLASSIFICATION INDEXES (51)
AP 2014 12291 A	A 01 N 43/90; C 07 D 211/94; C 07 D 471/10
AP 2014 12484 A	C 07 D 471/04; C 07 D 471/14; A 61 K 31/437; A 61 K 31/4375; A 61 P 35/00
AP 2014 12698 A	A 01 N 25/04; A 01 N 25/32
AP 2014 12811 A	C 07 D 215/48; C 07 D 401/12; C 07 D 407/12; C 07 D 409/12; C 07 D 413/12; C 07 D 417/12; A 61 K 31/4709; A 61 P 31/10
AP 2014 12943 A	H 02 J 3/18
AP 2014 13030 A	F 02 B 75/32
AP 2014 13107 A	F 02 B 75/32
AP 2014 13108 A	F 03 B 3/00, 3/12
AP 2014 13132 A	F 03 D 5/02
AP 2014 13192 A	A 23 C 9/13
AP 2014 13193 A	A 23 C 19/076; A 01 J 25/00
AP 2014 13313 A	B 61 B 12/04

UTILITY MODELS

CONCORDANCE TABLE OF INTERNATIONAL CLASSIFICATION INDEX AND PUBLICATION NUMBERS

INTERNATIONAL CLASSIFICATION INDEXES (51)	NUMBER OF PUBLISHED APPLICATION (10)
E 02 B 3/06	AU 2014 13209 U

CONCORDANCE TABLE OF PUBLICATION NUMBERS AND INTERNATIONAL CLASSIFICATION INDEX

NUMBER OF PUBLISHED APPLICATION (10)	INTERNATIONAL CLASSIFICATION INDEXES (51)
AU 2014 13209 U	E 02 B 3/06

DESIGNS

CONCORDANCE TABLE OF INTERNATIONAL CLASSIFICATION INDEX AND PUBLICATION NUMBERS

INTERNATIONAL CLASSIFICATION INDEXES (51)	NUMBER OF PUBLISHED APPLICATION (10)
12-08	AD 2014 816 S

CONCORDANCE TABLE OF PUBLICATION NUMBERS AND INTERNATIONAL CLASSIFICATION INDEX

NUMBER OF PUBLISHED APPLICATION (10)	INTERNATIONAL CLASSIFICATION INDEXES (51)
AD 2014 816 S	12-08

CONCORDANCE TABLE OF INTERNATIONAL CLASSIFICATION INDEX, PATENT NUMBERS AND PUBLICATION NUMBERS

INTERNATIONAL CLASSIFICATION INDEX (51)	NUMBER OF PATENT (11)	NUMBER OF PUBLISHED APPLICATION (10)
07-01	D 2014 603 S	AD 2014 795 S

CONCORDANCE TABLE OF PATENT NUMBERS,
PUBLICATION NUMBERS AND INTERNATIONAL CLASSIFICATION INDEX

NUMBER OF PATENT (11)	NUMBER OF PUBLISHED APPLICATION (10)	INTERNATIONAL CLASSIFICATION INDEX (51)
D 2014 603 S	AD 2014 795 S	07-01

CONCORDANCE TABLE OF APPLICATION NUMBERS, PUBLICATION NUMBERS
AND PATENTS

NUMBER OF APPLICATION (21)	NUMBER OF PUBLISHED APPLICATION (10)	NUMBER OF PATENT (11)
AD 2014 000795	AD 2014 795 S	D 2014 603 S

DESIGN REGISTERED ACCORDING TO THE
ACCELERATED PROCEDURE

CONCORDANCE TABLE OF INTERNATIONAL CLASSIFICATION INDEX
AND PATENTS NUMBERS

INTERNATIONAL CLASSIFICATION INDEX (51)	NUMBER OF PATENT (11)
09-01	D 2014 605 S
32-00	D 2014 604 S

CONCORDANCE TABLE OF PATENT NUMBERS AND INTERNATIONAL
CLASSIFICATION INDEX

NUMBER OF PATENT (11)	INTERNATIONAL CLASSIFICATION INDEX (51)
D 2014 604 S	32-00
D 2014 605 S	09-01

CONCORDANCE TABLE OF APPLICATION NUMBERS
AND PATENT NUMBERS

NUMBER OF APPLICATION (21)	NUMBER OF PATENT (11)
AD 2014 000824	D 2014 604 S
AD 2014 000826	D 2014 605 S

TRADEMARKS

CONCORDANCE TABLE OF REGISTRATION NUMBERS, APPLICATION NUMBERS, PUBLICATION NUMBERS AND BULLETIN NUMBERS

NUMBER OF REGISTRATION (111)	NUMBER OF APPLICATION (210)	NUMBER OF PUBLISHED APPLICATION (260)	NUMBER OF BULLETIN
1	2	3	4
M 2014 25458 R	AM 2014 79502	-	24(412) 2014
M 2014 25459 R	AM 2014 79572	-	24(412) 2014
M 2014 25460 R	AM 2012 67747	AM 2014 67747 A	10(398) 2014
M 2014 25461 R	AM 2013 71623	AM 2014 71623 A	14(402) 2014
M 2014 25462 R	AM 2013 71624	AM 2014 71624 A	10(398) 2014
M 2014 25463 R	AM 2013 72309	AM 2014 72309 A	13(401) 2014
M 2014 25464 R	AM 2013 74646	AM 2014 74646 A	14(402) 2014
M 2014 25465 R	AM 2013 73039	AM 2014 73039 A	10(398) 2014
M 2014 25466 R	AM 2013 73104	AM 2014 73104 A	15(403) 2014
M 2014 25467 R	AM 2013 73106	AM 2014 73106 A	14(402) 2014
M 2014 25468 R	AM 2013 73511	AM 2014 73511 A	15(403) 2014
M 2014 25469 R	AM 2013 73698	AM 2014 73698 A	9(397) 2014
M 2014 25470 R	AM 2013 73733	AM 2014 73733 A	9(397) 2014
M 2014 25471 R	AM 2013 73761	AM 2014 73761 A	15(403) 2014
M 2014 25472 R	AM 2013 73911	AM 2014 73911 A	15(403) 2014
M 2014 25473 R	AM 2013 73912	AM 2014 73912 A	15(403) 2014
M 2014 25474 R	AM 2013 73921	AM 2014 73921 A	14(402) 2014
M 2014 25475 R	AM 2013 74065	AM 2014 74065 A	15(403) 2014
M 2014 25476 R	AM 2013 74085	AM 2014 74085 A	12(400) 2014
M 2014 25477 R	AM 2013 74159	AM 2014 74159 A	12(400) 2014
M 2014 25478 R	AM 2013 74167	AM 2014 74167 A	12(400) 2014
M 2014 25479 R	AM 2013 74168	AM 2014 74168 A	12(400) 2014
M 2014 25480 R	AM 2013 74242	AM 2014 74242 A	12(400) 2014
M 2014 25481 R	AM 2013 74243	AM 2014 74243 A	12(400) 2014
M 2014 25482 R	AM 2013 74244	AM 2014 74244 A	12(400) 2014
M 2014 25483 R	AM 2013 74246	AM 2014 74246 A	12(400) 2014
M 2014 25484 R	AM 2013 74304	AM 2014 74304 A	14(402) 2014
M 2014 25485 R	AM 2013 74305	AM 2014 74305 A	14(402) 2014
M 2014 25486 R	AM 2013 74306	AM 2014 74306 A	14(402) 2014
M 2014 25487 R	AM 2013 74528	AM 2014 74528 A	14(402) 2014
M 2014 25488 R	AM 2013 74529	AM 2014 74529 A	14(402) 2014
M 2014 25489 R	AM 2013 74544	AM 2014 74544 A	15(403) 2014
M 2014 25490 R	AM 2013 74720	AM 2014 74720 A	15(403) 2014
M 2014 25491 R	AM 2014 78760	-	24(412) 2014
M 2014 25492 R	AM 2014 79617	-	24(412) 2014
M 2014 25493 R	AM 2014 79664	-	24(412) 2014
M 2014 25494 R	AM 2014 79665	-	24(412) 2014
M 2014 25495R	AM 2014 79730	-	24(412) 2014
M 2014 25496 R	AM 2014 79666	-	24(412) 2014
M 2014 25497 R	AM 2014 79606	-	24(412) 2014
M 2014 25498 R	AM 2013 73154	AM 2014 73154 A	16(404) 2014
M 2014 25499 R	AM 2013 73155	AM 2014 73155 A	16(404) 2014
M 2014 25500 R	AM 2013 73156	AM 2014 73156 A	16(404) 2014
M 2014 25501 R	AM 2013 73157	AM 2014 73157 A	16(404) 2014

1	2	3	4
M 2014 25502 R	AM 2013 73158	AM 2014 73158 A	16(404) 2014
M 2014 25503 R	AM 2013 73722	AM 2014 73722 A	12(400) 2014
M 2014 25504 R	AM 2013 73951	AM 2014 73951 A	16(404) 2014
M 2014 25505 R	AM 2013 74101	AM 2014 74101 A	14(402) 2014
M 2014 25506 R	AM 2013 74324	AM 2014 74324 A	14(402) 2014
M 2014 25507 R	AM 2013 74325	AM 2014 74325 A	14(402) 2014
M 2014 25508 R	AM 2013 74351	AM 2014 74351 A	16(404) 2014
M 2014 25509 R	AM 2014 79724	-	24(412) 2014
M 2014 25510 R	AM 2014 79650	-	24(412) 2014
M 2014 25529 R	AM 2014 79839	-	24(412) 2014
M 2014 25530 R	AM 2014 79703	-	24(412) 2014
M 2014 25531 R	AM 2014 79704	-	24(412) 2014
M 2014 25532 R	AM 2014 79785	-	24(412) 2014

**CONCORDANCE TABLE OF PUBLICATION NUMBERS
AND APPLICATION NUMBERS**

NUMBER OF PUBLISHED APPLICATION (260)	NUMBER OF APPLICATION (210)	1	2
		1	2
AM 2014 65156 A**	AM 2011 65156	AM 2014 75867 A	AM 2014 75867
AM 2014 70882 A	AM 2013 70882	AM 2014 75868 A	AM 2014 75868
AM 2014 73927 A	AM 2013 73927	AM 2014 75869 A	AM 2014 75869
AM 2014 74375 A	AM 2013 74375	AM 2014 75870 A	AM 2014 75870
AM 2014 74719 A	AM 2013 74719	AM 2014 75885 A	AM 2014 75885
AM 2014 74772 A	AM 2013 74772	AM 2014 76030 A	AM 2014 76030
AM 2014 74778 A	AM 2013 74778	AM 2014 76033 A	AM 2014 76033
AM 2014 74874 A	AM 2013 74874	AM 2014 76035 A	AM 2014 76035
AM 2014 74875 A	AM 2013 74875	AM 2014 76058 A	AM 2014 76058
AM 2014 74890 A	AM 2013 74890	AM 2014 76060 A	AM 2014 76060
AM 2014 75056 A	AM 2013 75056	AM 2014 76087 A	AM 2014 76087
AM 2014 75184 A	AM 2013 75184	AM 2014 76089 A	AM 2014 76089
AM 2014 75247 A	AM 2013 75247	AM 2014 76239 A	AM 2014 76239
AM 2014 75300 A	AM 2013 75300	AM 2014 76261 A	AM 2014 76261
AM 2014 75402 A	AM 2014 75402	AM 2014 76403 A	AM 2014 76403
AM 2014 75428 A	AM 2014 75428	AM 2014 76405 A	AM 2014 76405
AM 2014 75465 A	AM 2014 75465	AM 2014 76406 A	AM 2014 76406
AM 2014 75483 A	AM 2014 75483	AM 2014 76408 A	AM 2014 76408
AM 2014 75487 A	AM 2014 75487	AM 2014 76413 A	AM 2014 76413
AM 2014 75573 A	AM 2014 75573	AM 2014 76417 A	AM 2014 76417
AM 2014 75574 A	AM 2014 75574	AM 2014 76462 A	AM 2014 76462
AM 2014 75802 A	AM 2014 75802	AM 2014 76584 A	AM 2014 76584
AM 2014 75837 A	AM 2014 75837	AM 2014 76602 A	AM 2014 76602
		AM 2014 76726 A	AM 2014 76726
		AM 2014 76810 A	AM 2014 76810
		AM 2014 76863 A	AM 2014 76863
		AM 2014 77340 A	AM 2014 77340

CONCORDANCE TABLE OF INDEX OF GOODS AND/OR SERVICES
AND APPLICATION NUMBERS

INDEX OF GOODS AND/OR SERVICES (511)	NUMBER OF PUBLISHED APPLICATION (260)	1	2
1	2	19	AM 2014 75483 A
1	AM 2014 75483 A	19	AM 2014 76403 A
1	AM 2014 75487 A	19	AM 2014 76405 A
1	AM 2014 75573 A	19	AM 2014 76406 A
1	AM 2014 75544 A	19	AM 2014 76408 A
2	AM 2014 75483 A	19	AM 2014 76413 A
3	AM 2014 75056 A	19	AM 2014 76417 A
3	AM 2014 75483 A	20	AM 2014 75483 A
4	AM 2014 75483 A	20	AM 2014 76403 A
5	AM 2014 73927 A	20	AM 2014 76405 A
5	AM 2014 74772 A	20	AM 2014 76406 A
5	AM 2014 74890 A	20	AM 2014 76408 A
5	AM 2014 75465 A	20	AM 2014 76413 A
5	AM 2014 75483 A	20	AM 2014 76417 A
5	AM 2014 75573 A	21	AM 2014 75300 A
5	AM 2014 75574 A	21	AM 2014 75483 A
5	AM 2014 75868 A	22	AM 2014 75483 A
5	AM 2014 75869 A	23	AM 2014 75483 A
5	AM 2014 75870 A	24	AM 2014 75483 A
5	AM 2014 76033 A	25	AM 2014 74375 A
5	AM 2014 76058 A	25	AM 2014 75483 A
5	AM 2014 76060 A	26	AM 2014 75483 A
5	AM 2014 76462 A	27	AM 2014 75483 A
5	AM 2014 76584 A	28	AM 2014 75483 A
5	AM 2014 77340 A	29	AM 2014 75247 A
6	AM 2014 75483 A	29	AM 2014 75402 A
7	AM 2014 75483 A	29	AM 2014 75483 A
8	AM 2014 75300 A	30	AM 2014 74778 A
8	AM 2014 75483 A	30	AM 2014 75247 A
9	AM 2014 75483 A	30	AM 2014 75402 A
9	AM 2014 75867 A	30	AM 2014 75483 A
10	AM 2014 75483 A	30	AM 2014 75484 A
10	AM 2014 75573 A	31	AM 2014 74719 A
10	AM 2014 75574 A	31	AM 2014 75402 A
11	AM 2014 75300 A	31	AM 2014 75483 A
11	AM 2014 75483 A	32	AM 2014 75247 A
11	AM 2014 76726 A	32	AM 2014 75483 A
12	AM 2014 75483 A	32	AM 2014 76602 A
12	AM 2014 76035 A	33	AM 2014 75428 A
13	AM 2014 75483 A	33	AM 2014 75802 A
14	AM 2014 74375 A	33	AM 2014 75837 A
14	AM 2014 75483 A	34	AM 2014 75483 A
15	AM 2014 75483 A	34	AM 2014 76087 A
16	AM 2014 75483 A	34	AM 2014 76089 A
17	AM 2014 75483 A	34	AM 2014 76261 A
18	AM 2014 75483 A	35	AM 2014 74375 A
19	AM 2014 75184 A	35	AM 2014 75874 A
		35	AM 2014 75875 A
		35	AM 2014 75247 A
		35	AM 2014 76239 A
		35	AM 2014 76403 A

1	2
35	AM 2014 76405 A
35	AM 2014 76406 A
35	AM 2014 76408 A
35	AM 2014 76413 A
35	AM 2014 76417 A
35	AM 2014 76602 A
36	AM 2014 65156 A**
36	AM 2014 76030 A
38	AM 2014 75867 A

1	2
41	AM 2014 75867 A
42	AM 2014 75810 A
43	AM 2014 70882 A
43	AM 2014 74874 A
43	AM 2014 74875 A
43	AM 2014 75885 A
43	AM 2014 76602 A
43	AM 2014 76863 A

**CONCORDANCE TABLE OF INDEX OF GOODS AND/OR SERVICES
AND NUMBERS OF TRADEMARKS REGISTERED ACCORDING
TO THE ACCELERATED PROCEDURE**

INDEX OF GOODS AND/OR SERVICES (511)	NUMBER OF REGISTERED ACCORDING TO THE ACCELERATED PROCEDURE (111)
1	2
1	M 2014 25530 R
1	M 2014 25531 R
4	M 2014 25529 R
5	M 2014 25530 R
5	M 2014 25531 R
7	M 2014 25459 R
9	M 2014 25493 R
9	M 2014 25494 R
9	M 2014 25530 R
9	M 2014 25531 R
10	M 2014 25492 R
11	M 2014 25530 R
11	M 2014 25531 R
12	M 2014 25530 R
12	M 2014 25531 R
14	M 2014 25530 R
14	M 2014 25531 R
16	M 2014 25530 R
16	M 2014 25531 R
19	M 2014 25510 R
20	M 2014 25530 R
20	M 2014 25531 R
22	M 2014 25530 R
22	M 2014 25531 R
25	M 2014 25530 R
25	M 2014 25531 R
27	M 2014 25496 R
29	M 2014 25530 R

1	2
29	M 2014 25531 R
30	M 2014 25530 R
30	M 2014 25531 R
30	M 2014 25532 R
31	M 2014 25530 R
31	M 2014 25531 R
32	M 2014 25495 R
33	M 2014 25458 R
33	M 2014 25497 R
35	M 2014 25492 R
35	M 2014 25529 R
35	M 2014 25530 R
35	M 2014 25531 R
36	M 2014 25509 R
36	M 2014 25530 R
36	M 2014 25531 R
37	M 2014 25510 R
37	M 2014 25529 R
38	M 2014 25493 R
38	M 2014 25494 R
39	M 2014 25530 R
39	M 2014 25531 R
41	M 2014 25530 R
41	M 2014 25531 R
42	M 2014 25493 R
42	M 2014 25494 R
42	M 2014 25530 R
42	M 2014 25531 R
43	M 2014 25552 R
44	M 2014 25530 R
44	M 2014 25531 R
45	M 2014 25493 R
45	M 2014 25494 R

OFFICIAL BULLETIN OF THE INDUSTRIAL PROPERTY

24(412)

EDITOR-IN-CHIEF: N. Bebrishvili

EDITORS-TRANSLATORS: E. Gabunia
G. Nadareishvili

PROOFREADER: L. Chanturia

COMPUTER LAYOUT: M. Ordenidze
K. Svanidze

www.sakpatenti.org.ge

E-mail: info@sakpatenti.org.ge