



**NATIONAL INTELLECTUAL PROPERTY CENTER OF GEORGIA
SAKPATENTI**

**OFFICIAL BULLETIN
OF THE INDUSTRIAL PROPERTY**

4(344)

**2012
TBILISI**

INID CODES FOR IDENTIFICATION OF BIBLIOGRAPHIC DATA

INVENTIONS, UTILITY MODELS

- (10) Number of publication for application, which has been examined
- (11) Number of patent and kind of document
- (21) Serial number of application
- (22) Date of filing of the application
- (23) Date of exhibition or the date of the earlier filing and the number of application, if any
- (24) Date from which patent may have effect
- (31) Number of priority application
- (32) Date of filing of priority application
- (33) Code of the country or regional organization allotting priority application number
- (44) Date of publication of application not granted, but examined and number of bulletin
- (45) Date of publication of registered document
- (51) International Patent Classification Index
- (54) Title of the invention
- (57) Abstract
- (60) Number of examined patent document granted by foreign patent office, date from which patent has effect and country code
- (62) Number of the earlier application and in case of divided application, date of filing an application
- (71) Name, surname and address of applicant (country code)
- (72) Name, surname of inventor (country code)
- (73) Name, surname and address of patent owner (country code)
- (74) Name, surname of representative or patent attorney
- (85) Date of commencement of the national phase of International Application
- (86) Number and date of filing of international application
- (87) Number and date of publication of international application

DESIGNS

- (10) Number of publication for application
- (11) Number of patent and kind of document or number of registration
- (15) Date of registration/Date of patent renewal
- (18) Expected expiration date of patent or registration
- (21) Serial number of application
- (22) Date of filing of the application
- (23) Date of exhibition or the date of the earlier filing and the number of application, if any
- (24) Date from which patent may have effect
- (28) Number of designs included in the application
- (30) Data relating to priority (number of application, date of filing of application, two-letter code identifying the authority with whom the priority application was made)
- (31) Number of priority application
- (32) Date of filing of priority application
- (33) Code of the country or regional organization allotting priority application number
- (34) Two-letter code according to WIPO St.3 identifying the authority with which the priority application was made
- (44) Date of publication of design and number of bulletin (the first publication)
- (45) Date of publication of design registered by WIPO and number of bulletin
- (51) International Classification for designs (class and subclass of the Locarno Classification)
- (54) Title of the invention
- (55) Reproduction of the design
- (57) Description of characteristic features of the design including indication of colors
- (58) Date of recording of any kind of amendment in the Register
- (62) Number of the earlier application, registration and document number and if available the date of filing an application in case of divided application
- (71) Name, surname and address of applicant (country code)
- (72) Name, surname of creator (country code)
- (73) Name, surname and address of patent owner (country code)
- (74) Name, surname of representative or patent attorney
- (81) Contracting states concerned
 - II designated contracting states according to the 1960 Act
 - III designated contracting states according to the 1999 Act
- (85) Owner's permanent address
- (86) Owner's nationality
- (87) Owner's residence
- (88) State in which the owner has a real and effective industrial or commercial establishment

TRADEMARKS

- (111) – Number of registration
- (151) – Date of registration
- (156) – Date of the renewal
- (181) – Expected expiration date of registration
- (186) – Renewal expiration date of registration
- (141) – Date of cancel of duration of the mark
- (210) – Serial number of application
- (220) – Date of filing of the application
- (230) – Data concerning exhibition
- (260) – Number of application, for which favorable decision of examination about registration has been taken (publication number)
- (310) – Number of the first application
- (320) – Date of filing of the first application
- (330) – Code, identifying national or regional Office where the first application was made
- (511) – International Classification of Goods and Services for the purposes of registration of trade marks and/or list of goods and/or services classified according thereto
- (531) – Description of figurative elements of Trade Marks according to the International Classification of the Figurative Elements of Marks
- (540) – Reproduction of Trade Mark
- (550) – Nature and kind of Trade Mark
- (580) – Date of recording of any kind changes in respect of applications or registrations
- (591) – Information concerning colors claimed
- (731) – Name and address of the applicant
- (732) – Name and address of the holder of the registration
- (740) – Name and address of the representative
- (750) – Address for correspondence
- (770) – Name and address of the previous applicant or holder in case of change in ownership
- (771) – Previous name and address of the applicant or holder in case of change in ownership
- (791) – Name and address of the licensee
- (793) – Indication of conditions and/or restrictions under the license (Type of license, number of license agreement, data of license, data of validity of license)
- (800) – Certain data relating to the international registration of Trade Marks under the Protocol Relating to Madrid Agreement (International registration number)

CODES FOR PUBLICATION IN BULLETIN

- (21) AP 0000 000000 – serial number of application for invention
- (10) AP 0000 0000 A – number of published application for invention (first publication)
- (11) P 0000 0000 B – number of patent for invention (second publication)
- (21) API 0000 000000 – number of application for imported patent
- (11) PI 0000 0000 A – number of imported patent (first publication)
- (21) AU 0000 000000 – serial number of application for utility model
- (10) AU 0000 000 U – number of published application for utility model (first publication)
- (11) U 0000 000 Y – number of patent for utility model (second publication)
- (21) AD 0000 000000 – serial number of application for design
- (10) AD 0000 000 S – number of published application for design (first publication)
- (11) D 0000 000 S – number of patent for design (second publication)

INTERNATIONAL PATENT CLASSIFICATION FOR INVENTIONS AND UTILITY MODELS

- SECTION A – HUMAN NECESSITIES
- SECTION B – PERFORMING OPERATIONS; TRANSPORTING
- SECTION C – CHEMISTRY; METALLURGY
- SECTION D – TEXTILES; PAPER
- SECTION E – FIXED CONSTRUCTIONS
- SECTION F – MECHANICAL ENGINEERING; LIGHTING; HEATING; WEAPONS; BLASTING
- SECTION G – PHYSICS
- SECTION H – ELECTRICITY

-
- M – Trade Mark
 - (210) AM 0000 000000 – Serial number of application;
 - (260) AAM 0000 00000 A – Publication number of application;
 - (111) M 0000 00000 R – Number of registration;
 - (111) MMM0000 00000 Rn – Number of renewals, in which n=1,2,3;
 - (111) M 0000 00000 R(P) – Number of registration under partial assignment of rights
-

LIST OF CODES, IN ALPHABETIC SEQUENCE, AND THE CORRESPONDING (SHORT) NAMES OF STATES, OTHER ENTITIES AND INTERGOVERNMENTAL ORGANIZATIONS
(WIPO STANDARD ST.3)

AD	Andorra				
AE	United Arab Emirates				
AF	Afghanistan				
AG	Antigua and Barbuda				
AI	Anguilla				
AL	Albania				
AM	Armenia				
AN	Netherlands Antilles				
AO	Angola				
AP	African Regional Intellectual Property Organization (ARIPO)				
AR	Argentina				
AT	Austria				
AU	Australia				
AW	Aruba				
AZ	Azerbaijan				
BA	Bosnia and Herzegovina				
BB	Barbados				
BD	Bangladesh				
BE	Belgium				
BF	Burkina Faso				
BG	Bulgaria				
BH	Bahrain				
BI	Burundi				
BJ	Benin				
BM	Bermuda				
BN	Brunei Darussalam				
BO	Bolivia				
BR	Brazil				
BS	Bahamas				
BT	Bhutan				
BV	Bouvet Island				
BW	Botswana				
BX	Benelux Office for Intellectual Property (BOIP)				
BY	Belarus				
BZ	Belize				
CA	Canada				
CD	Democratic Republic of the Congo				
CF	Central African Republic				
CG	Congo				
CH	Switzerland				
CI	Cote d'Ivoire				
CK	Cook Islands				
CL	Chile				
CM	Cameroon				
CN	China				
CO	Colombia				
CR	Costa Rica				
CU	Cuba				
CV	Cape Verde				
CY	Cyprus				
CZ	Czech Republic				
DE	Germany				
DJ	Djibouti				
DM	Dominica				
DO	Dominican Republic				
DZ	Algeria				
EA	Eurasian Patent Organization (EAPO)				
EC	Ecuador				
EE	Estonia				
EG	Egypt				
EH	Western Sahara				
EM	Office for Harmonization in the Internal Market (Trademarks and Designs)(OHIM)				
EP	European Patent Office (EPO)				
ER	Eritrea				
ES	Spain				
ET	Ethiopia				
FI	Finland				
FJ	Fiji				
FK	Falkland Islands (Malvinas)				
FO	Faroe Islands				
FR	France				
GA	Gabon				
GB	United Kingdom				
GC	Patent Office of the Cooperation Council for the Arab States of the Gulf (GCC)				
GD	Grenada				
GG	Guernsey				
GH	Ghana				
GI	Gibraltar				
GT	Guatemala				
GW	Guinea- Bissau				
GY	Guyana				
HK	The Hong Kong Special Administrative Region of the People's Republic of China				
HN	Honduras				
HR	Croatia				
HT	Haiti				
HU	Hungary				
IB	International Bureau of the World Intellectual Property Organization (WIPO)				
ID	Indonesia				
IE	Ireland				
IL	Israel				
IM	Isle of Man				
IN	India				
IQ	Iraq				
ID	Indonesia				
IE	Ireland				
IL	Israel				
IM	Isle of Man				
IN	India				
IQ	Iraq				
IR	Iran (Islamic Republic of)				
IS	Iceland				
IT	Italy				
JE	Jersey				
JM	Jamaica				
JO	Jordan				
JP	Japan				
KE	Kenya				
KG	Kyrgyzstan				
KH	Cambodia				
KI	Kiribati				
KM	Saint Kitts and Nevis				
KP	Democratic People's Republic of Korea				
KR	Republic of Korea				
KW	Kuwait				
KY	Cayman Islands				
KZ	Kazakhstan				
LA	Lao People's Democratic Republic				
LB	Lebanon				
LC	Saint Lucia				
LI	Liechtenstein				
LK	Sri Lanka				
LR	Liberia				
LS	Lesotho				
LT	Lithuania				
LU	Luxembourg				
LV	Latvia				
LY	Libyan Arab Jamahiriya				
MA	Morocco				
MC	Monaco				
MD	Republic of Moldova				
ME	Montenegro				
MG	Madagascar				
MK	The former Yugoslav Republic of Macedonia				
ML	Mali				
MM	Myanmar				
MN	Mongolia				
MO	Macao				
MP	Northern Mariana Islands				
MR	Mauritania				
MS	Montserrat				
MT	Malta				
MU	Mauritius				
MV	Maldives				
MW	Malawi				
MX	Mexico				
MY	Malaysia				
MZ	Mozambique				
NA	Namibia				
NE	Niger				
NG	Nigeria				
NI	Nicaragua				
NL	Netherlands				
NO	Norway				
NP	Nepal				
NR	Nauru				
NZ	New Zealand				
OA	African Intellectual Property Organization (OAPI)				
OM	Oman				
PA	Panama				
PE	Peru				
PG	Papua New Guinea				
PH	Philippines				
PK	Pakistan				
PL	Poland				
PT	Portugal				
PW	Palau				
PY	Paraguay				
QA	Qatar				
QZ	Community Plant Variety Office (European Community) (CPVO)				
RO	Romania				
RS	Serbia				
RU	Russian Federation				
RW	Rwanda				
SA	Saudi Arabia				
SB	Solomon Islands				
SC	Seychelles				
SD	Sudan				
SG	Singapore				
SH	Saint Helena				
SI	Slovenia				
SK	Slovakia				
SL	Sierra Leone				
SM	San Marino				
SN	Senegal				
SO	Somalia				
SR	Suriname				
ST	Sao Tome and Principe				
SV	El Salvador				
SY	Syrian Arab Republic				
SZ	Swaziland				
TC	Turks and Caicos Islands				
TD	Chad				
TG	Togo				
TH	Thailand				
TJ	Tajikistan				
TL	Timor-Leste				
TM	Turkmenistan				
TN	Tunisia				
TO	Tonga				
TR	Turkey				
SE	Sweden				
TT	Trinidad and Tobago				
TV	Tuvalu				
TW	Taiwan, Province of China				
TZ	United Republic of Tanzania				
UA	Ukraine				
UG	Uganda				
US	United States of America				
UY	Uruguay				
UZ	Uzbekistan				
VA	Holy See				
VC	Saint Vincent and the Grenadines				
VE	Venezuela				
VG	Virgin Islands (British)				
VN	Viet Nam				
VU	Vanuatu				
WO	World Intellectual Property Organization (WIPO)				
WS	Samoa				
XN	Nordic Patent Institute (NPI)				
YE	Yemen				
ZA	South Africa				
ZM	Zambia				
ZW	Zimbabwe				

**NATIONAL INTELLECTUAL PROPERTY CENTER OF GEORGIA
SAKPATENTI**

**OFFICIAL BULLETIN
OF THE INDUSTRIAL PROPERTY**

4(344)

INVENTIONS

UTILITY MODELS

DESIGNS

TRADEMARKS

**APPELLATIONS OF ORIGIN AND GEOGRAPHICAL
INDICATIONS OF GOODS**

DATE OF PUBLICATION

2012 02 27

CONTENTS

PUBLISHED TITLES OF PROTECTION	2
INVENTIONS	
▪ Applications for inventions	3
▪ Patents for inventions	5
UTILITY MODELS	
▪ Applications for utility models	9
▪ Patents for utility models	11
DESIGNS	
▪ Applications for designs	12
▪ Designs, which have been registered with the international bureau claiming priority on the territory of Georgia	15
TRADEMARKS	
▪ National trademarks	44
▪ Registered trademarks	45
▪ Trademarks registered according to the accelerated procedure	51
▪ International trademarks laid open for the purpose of taking protection granting decisions	54
▪ International trademarks protected in Georgia	57
APPELLATIONS OF ORIGIN AND GEOGRAPHICAL INDICATIONS OF GOODS	
▪ REGISTERED GEOGRAPHICAL INDICATIONS	63
OFFICIAL NOTIFICATIONS	
TRADEMARKS	
▪ Renewal of registrations	65
▪ Complete transfer of rights	67
▪ Changes in names and/or addresses of owners	69
CLASSIFICATION INDEXES	
INVENTIONS	71
UTILITY MODELS	73
DESIGNS	74
TRADEMARKS	75

PUBLISHED TITLES OF PROTECTION

INVENTIONS

- **APPLICATIONS:**
11473; 11490; 12180; 12144
- **PATENTS:**
5397-5411

UTILITY MODELS

- **APPLICATIONS:**
12058; 12287; 12134
- **PATENTS:**
1696-1698

DESIGNS

- **APPLICATION:**
668; 670
- **DESIGNS, WHICH HAVE BEEN REGISTERED WITH THE INTERNATIONAL BUREAU:**
76033; 76107; 76128; 76456; 76664; 76815; 76901; 76902; 76920; 76926; 76929; 76961; 76983-76985;
76987; 76989; 76994; 76996

TRADEMARKS

- **NATIONAL TRADEMARKS:**
63055; 63121
- **REGISTERED TRADEMARKS:**
22233-22289
- **TRADEMARKS REGISTERED ACCORDING TO THE ACCELERATED PROCEDURE:**
22232; 22290-22303
- **INTERNATIONAL TRADEMARKS LAID OPEN FOR THE PURPOSE OF TAKING PROTECTION GRANTING DECISIONS:**
61800; 61802, 61803; 61805; 62087; 62277-62283; 62290-62293; 61396; 59989*
- **INTERNATIONAL TRADEMARKS PROTECTED IN GEORGIA:**
57569; 58779; 58781; 59121; 59127; 59133; 59314; 59467; 61043; 61134; 61146; 61212; 61273-61275;
61277-61282; 61285; 61287, 61288; 61355-61365; 61373, 61374; 61384; 61427-61444; 61446-61448;
61450-61453; 61487-61489; 61491, 61492; 61501-61507; 61509; 61579-61581; 61584; 61592;
61594-61596; 61598; 61600-61602

APPELLATIONS OF ORIGIN AND GEOGRAPHICAL INDICATIONS OF GOODS

- **REGISTERED GEOGRAPHICAL INDICATION:**
824

INVENTIONS

APPLICATIONS LAID OPEN FOR THE PURPOSE OF TAKING PATENT GRANTING DECISIONS

To appeal a decision is possible at Chamber of Appeal of Sakpatenti within 3 months from the publication or at The Board of Administrative Actions of Tbilisi City Court within a 1 month period. (Address: 12 km., №6, David Aghmashenebeli Kheivani, Tbilisi).

PART B

B 65

(10) AP 2012 11473 A (51) Int. Cl. (2006)
B 65 D 17/28
B 65 D 79/00

(21) AP 2008 011473 (22) 2008 02 14
(31) 07075131.8
(32) 2007 02 14
(33) EP

(71) IMPRESS GROUP B.V. (NL)
Zutphenseweg 51051, NL-7418 AH
Deventer (NL)

(72) LEBOUCHER, Fabrice (FR)

(74) Tamara Kochlamazashvili

(85) 2009 09 14

(86) PCT/EP2008/001124, 2008 02 14

(54) CAN, AND A BODY AND PANEL
THEREFORE

(57) A can comprises a body provided with a panel. The panel is provided with a tab comprising a front tab part and a rear tab part for gripping in forming by engagement of the front tab part with the panel of an opening in the panel. The panel is provided with a flip panel area at least beneath the rear tab part, which panel area forms a depression beneath the rear tab part dependent on a negative pressure difference over the panel, and to a body and panel for such can.

Claims: 3 independent

9 dependent

Fig.: 15

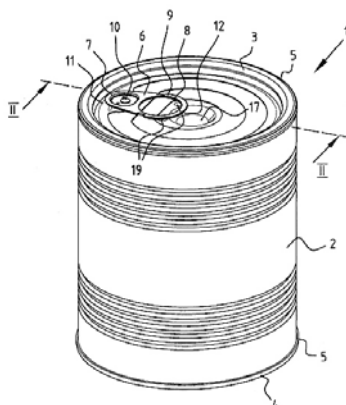


Fig. 1

(10) AP 2012 11490 A (51) Int. Cl. (2006)
B 65 D 17/34

(21) AP 2008 011490 (22) 2008 02 28

(31) 07075162.3

(32) 2007 02 28

(33) EP

(71) IMPRESS GROUP B.V. (NL)

Zutphenseweg 51051, NL-7418 AH

Deventer (NL)

(72) LEBOUCHER, Fabrice (FR)

(74) Tamara Kochlamazashvili

(85) 2009 09 28

(86) PCT/EP2008/001580, 2008 02 28

(54) CAN, HAVING AN EASY OPENING
PANEL, AN EASY OPENING PANEL,
AND PANEL THEREFORE

(57) A can 1 has an easy opening panel 3 comprising tab 4 connected via a rivet structure 7 to the panel. The tab comprises a rear part 5 for gripping and actuation of the tab, and a front part 6 for opening the can upon tab actuation. The panel comprises at least beneath the tab front part a panel structure 21 deformable upon can internal pressure.

Claims: 3 independent

8 dependent

Fig.: 15

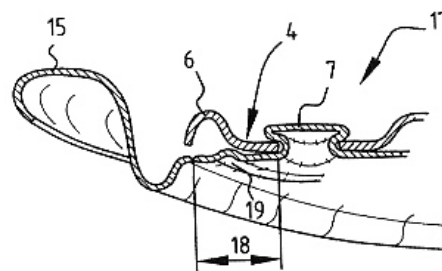


Fig. 3B

PART E

E 04

(10) AP 2012 12180 A (51) Int. Cl. (2006)
E 04 H 1/00

(21) AP 2011 012180 (22) 2011 04 12

(71) George Birkaia (GE)

Kavtaradze st. 9, ap. 37, 0186, Tbilisi (GE)

(72) George Birkaia (GE);

David Makharoblishvili (GE)

(54) **DOMESTIC HOUSE**

(57) A domestic house comprises an entrance door 1 into an entrance hall, the staircases 2 and the lifts 3, a general hall 4, the flats with separate through airing and insolation. The flats 5, 6, 7 and 8 are located two by two along both sides of staircases and are formed by cross-shaped common walls 9 and 10 and/or by common walls 11 and 12 shifted to each other to form two pairs of flats 5 and 6, and 7 and 8 on one and two levels 13 and 14 and/or on two levels with diagonal location of parts of flats.

Claims: 1 independent

Fig.: 2

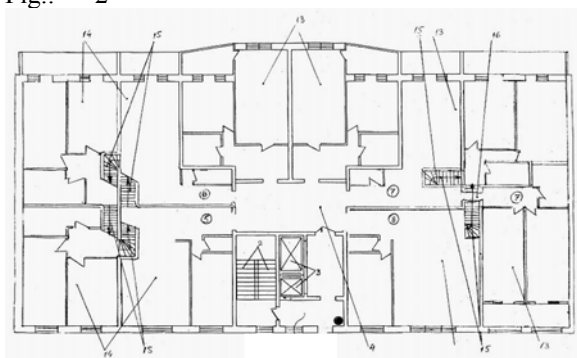


Fig. 1

PART F

F 24

(10) AP 2012 12144 A (51) Int. Cl. (2006)
F 24 J 2/15

(21) AP 2011 012144 (22) 2011 03 18

(71) Avtandil Metreveli (RU)

Privolis k., sakhli 39, korp.1, b.17, 109156,

Moskovi (RU)

(72) Avtandil Metreveli (RU)

(54) **WATER BASIN FOR SOLAR ENERGY ACCUMULATION**

(57) A water basin for solar energy accumulation comprises a capacity 1 welded from the metallic plates. The capacity installed on a frame 4 comprises the pipes 2 and 3 for cold water input and hot water output. The capacity side walls 5 have a configuration of concave hexagons; a pack 8 formed from the several transparent plates with regard to an air interlayer is fixed on an inclined front wall 6 available above a concave angle. Side, front and back walls 9 and 10, a stepped basis 11 and 12 and a cover 13 are covered by hydro- or heat-insulating layers. The pipe 2 provided for cold water input is fixed in the front vertical basin wall and is equipped by one-sided gate 14 and T-joint 15 wherein a basin discharging tap 16 is screwed. A hot water output pipe 3 is fixed in a basis upper step 11, above which an electrical heater 17 equipped by thermorelay is fastened. A deaeration pipe 18 is fixed in the cover and is equipped by one-sided action gate 19. The capacity has the rigidity edges 20.

Claims: 1 independent

Fig.: 3

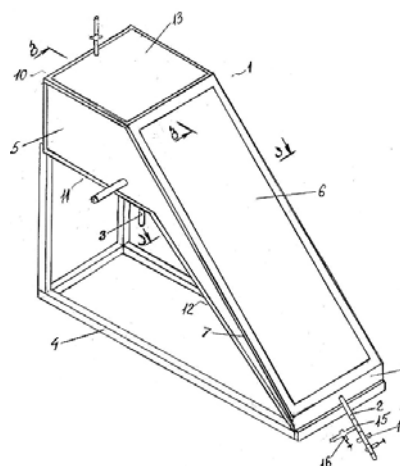


Fig. 1

PATENTS FOR INVENTIONS

PART A

A 01

(11) P 2012 5403 B (51) **Int. Cl. (2006)**
A 01 C 3/02

- (10) AP 2011 12152 A (44) 21(337)/2011
(21) AP 2011 012152
(22) 2011 03 22
(24) 2011 03 22
(73) Leri Gigineishvili (GE)
Pekinis k. 2, b.56, 0160, Tbilisi (GE);
Vakhushti Kizikurashvili (GE)
Balanchivadzis k. 40, b. 42, 0171,
Tbilisi (GE);
Nika Karalashvili (GE)
III mas., IV kvart., korp. 12, b. 11, 0182,
Tbilisi (GE);
Vazha Sharashidze (GE)
Nutsubidzis k. 29a, 0177, Tbilisi (GE);
Michael Giorgadze (GE)
Sop. Velistsikhe, 1506, Gurjaanis r-ni (GE)
(72) Leri Gigineishvili (GE);
Vakhushti Kizikurashvili (GE);
Nika Karalashvili (GE);
Vazha Sharashidze (GE);
Michael Giorgadze (GE)
(54) **SYSTEM FOR PRODUCTION OF
SUBSTRATUM WITH EARTHWORMS
FOR MANUFACTURE BIOHUMUS**
-

(11) P 2012 5402 B (51) **Int. Cl. (2006)**
A 01 G 25/02

- (10) AP 2011 12111 A (44) 21(337)/2011
(21) AP 2011 012111 (22) 2011 02 21
(24) 2011 02 21
(73) Margalita Okropiridze (GE)
Tamarashvilis k. 1, b. 20, 0162,
Tbilisi (GE)
(72) Margalita Okropiridze (GE)
(54) **OUTLET CONDUIT FOR WATERING
ON GROOVES**
-

A 61

(11) P 2012 5410 B (51) **Int. Cl. (2006)**
A 61 K 9/24

- (10) AP 2011 11445 A (44) 17(333)/2011
(21) AP 2008 011445
(22) 2008 01 30

- (24) 2008 01 30
(31) 2007-023594
(32) 2007 02 01
(33) JP
(73) TAKEDA PHARMACEUTICAL COMPANY
LIMITED (JP)
1-1, Doshomachi 4-chome, Chuo-ku, Osaka-
shi, Osaka, 5410045 (JP)
(72) NAKAMURA, Kenji (JP);
KIYOSHIMA, Kenichiro (JP);
NOMURA, Junya (JP)
(74) Shalva Gvaramadze
(85) 2009 09 01
(86) PCT/JP2008/051900, 2008 01 30
(54) **SOLID PREPARATION COMPRISING
ALOGLIPTIN AND PIOGLITAZONE**
-

(11) P 2012 5411 B (51) **Int. Cl. (2006)**
A 61 K 31/137

- (10) AP 2011 11875 A (44) 21(337)/2011
(21) AP 2010 011875
(22) 2010 07 05
(24) 2010 07 05
(73) Zviad Kheladze (GE)
Ghrmagheles k. 42, 0192, Tbilisi (GE);
Zurab Kheladze (GE)
Ghrmagheles k. 42, 0192, Tbilisi (GE)
(72) Zviad Kheladze (GE);
Zurab Kheladze (GE)
(54) **USE OF EPINEPHRINE FOR NEW
PURPOSE**
-

(11) P 2012 5398 B (51) **Int. Cl. (2006)**
A 61 K 39/395
C 07 K 16/40

- (10) AP 2011 10627 A (44) 15(331)/2011
(21) AP 2006 010627
(22) 2006 09 06
(24) 2006 09 06
(31) 60/715,292
(32) 2005 09 07
(33) US
(73) AMGEN FREMONT INC. (US)
6701 Kaiser Drive, Fremont, CA 94555 (US);
PFIZER INC (US)
235 East 42nd Street, New York, NY
10017 (US)
(72) NORTH, Michael, Aidan (GB);
AMUNDSON, Karin, Kristina (US);
BEDIAN, Vahe (US);
BELOUSKI, Shelley, Sims (US);
-

HU-LOWE, Dana, Dan (US);
 JIANG, Xin (CN);
 KARLICEK, Shannon, Marie (US);
 KELLERMANN, Sirid-Aimee (DE);
 THOMSON, James Arthur (CA);
 WANG, Jianying (US);
 WICKMAN, Grant, Raymond (CA);
 ZHANG, Jingchuan (CN)

(74) Shalva Gvaramadze

(85) 2008 04 07

(86) PCT/US2006/035096, 2006 09 06

(54) **HUMAN MONOCLONAL ANTIBODIES
 TO ACTIVIN RECEPTOR-LIKE
 KINASE-1**

PART B

B 01

(11) P 2012 5399 B (51) Int. Cl. (2006)
 B 01 D 21/00

(10) AP 2011 10687 A (44) 15(331)/2011

(21) AP 2008 010687

(22) 2008 05 08

(24) 2008 05 08

(73) Michael Gamstemlidze (GE)

Panaskerteli St. 15a, ap. 43, 0194,

Tbilisi (GE);

Teimuraz Mechurchlishvili (GE)

Kavtaradzis k.24, b.42, 0186,

Tbilisi (GE);

Demur Talakhadze (GE)

Dighmis mas. III kvart., korp.10, b.19,

0159, Tbilisi (GE);

Manana Tutberidze (GE)

Panaskerteli St. 15, b.17, 0194,

Tbilisi (GE);

Gela Chkareuli (GE)

Kurnatovis k. 18, 0180, Tbilisi (GE)

(72) Michael Gamstemlidze (GE);

Teimuraz Mechurchlishvili (GE);

Demuri Talakhadze (GE);

Manana Tutberidze (GE);

Gela Chkareuli (GE)

(54) **DEVICE FOR CONDENSATION OF
 SLUDGE AND PURIFICATION OF
 WATER**

B 05

(11) P 2012 5400 B (51) Int. Cl. (2006)

B 05 B 17/08

(10) AP 2011 11284 A (44) 15(331)/2011

(21) AP 2009 011284

(22) 2009 06 03

(24) 2009 06 03

(73) Nugzar Abzhandadze (GE)

Sop. Sareki, 4000, Sachkhere (GE)

(72) Nugzar Abzhandadze (GE)

(54) **WATER DISTRIBUTOR FOR
 DECORATIVE FOUNTAINS**

PART C

C 07

(11) P 2012 5408 B (51) Int. Cl. (2006)

C 07 C 233/18

C 07 C 231/24

(10) AP 2011 11402 A (44) 17(333)/2011

(21) AP 2009 011402

(22) 2009 08 03

(24) 2009 08 03

(31) 08.04466

(32) 2008 08 05

(33) FR

(73) LES LABORATORIES SERVIER (FR)

35, rue de Verdun F-92284 Suresnes

Cedex (FR)

(72) MARTINS, Damien (FR);

COQUEREL, Gerard (FR);

LINOL, Julie (FR);

PASCAL, Langlois (FR)

(74) Tamaz Shilakadze

(54) **NEW METHOD FOR OBTAINING
 CRYSTAL FORM V OF AGOMELATINE**

(11) P 2012 5409 B (51) Int. Cl. (2006)

C 07 D 223/16

C 07 C 255/47

(10) AP 2011 11437 A (44) 17(333)/2011

(21) AP 2009 011437

(22) 2009 08 25

(24) 2009 08 25

(31) 08.04755

(32) 2008 08 29

(33) FR

(73) LES LABORATORIES SERVIER (FR)

35, rue de Verdun F-92284 Suresnes

Cedex (FR)

(72) LERESTIF, Jean-Michel (FR);

LECOUVE, Jean-Pierre (FR);

DRON, Daniel (FR);

GOJON, Eric (FR);
 PHAN, Maryse (FR)
 (74) Tamaz Shilakadze
 (54) **NEW METHOD FOR RESOLUTION OF ENANTIOMERS OF (3,4-DIMETHOXY-BICYCLO [4.2.0] OCTA-1, 3, 5-TRIEN-7-YL) NITRILE AND THEIR APPLICATION TO THE SYNTHESIS OF IVABRADINE**

(11) P 2012 5397 B **(51) Int. Cl. (2006)**
C 07 D 233/42
A 61 K 31/4178
A 61 K 31/4166
A 61 K 31/5377
C 07 D 403/12
C 07 D 413/12

(10) AP 2011 10476 A (44) 15(331)/2011
 (21) AP 2006 010476
 (22) 2006 06 16
 (24) 2006 06 16
 (31) 60/691,391; 11/452,545
 (32) 2005 06 17; 2006 06 14
 (33) US; US
 (73) ENDORECHERCHE, INC. (CA)
 2989 de la Promenade, Sainte-Foy, Québec
 G1W 2J5 (CA)
 (72) LABRIE, Fernand (CA);
 BRETON, Rock (CA);
 SINGH, Shankar, Mohan (CA);
 MALTAIS, Rene (CA)
 (74) Liliana Darakhvelidze
 (85) 2008 01 16
 (86) PCT/CA2006/000992, 2006 06 16
 (54) **HELIX 12 DIRECTED NON-STEROIDAL ANTIANDROGENS**

(11) P 2012 5407 B **(51) Int. Cl. (2006)**
C 07 D 405/06

(10) AP 2011 11317 A (44) 17(333)/2011
 (21) AP 2009 011317
 (22) 2009 06 17
 (24) 2009 06 17
 (31) 08.03452
 (32) 2008 06 20
 (33) FR
 (73) LES LABORATORIES SERVIER (FR)
 35, rue de Verdun F-92284 Suresnes
 Cedex (FR)
 (72) LERESTIF, Jean-Michel (FR);
 LECOUBE, Jean-Pierre (FR);
 BRIGOT, Daniel (FR)
 (74) Tamaz Shilakadze
 (54) **NEW PROCESS FOR THE SYNTHESIS OF 7,8-DIMETHOXY-1,3-DIHYDRO-2H-3-BENZAZEPIN-2-ONE, AND**

APPLICATION IN THE SYNTHESIS OF IVABRADINE AND ADDITION SALTS THEREOF WITH A PHARMACEUTICALLY ACCEPTABLE ACID

(11) P 2012 5405 B **(51) Int. Cl. (2006)**
C 07 D 487/04

(10) AP 2011 11556 A (44) 17(333)/2011
 (21) AP 2008 011556
 (22) 2008 05 05
 (24) 2008 05 05
 (31) 60/917,333
 (32) 2007 05 11
 (33) US
 (71) PFIZER INC. (US)
 235 East 42nd, New York, NY 10017 (US)
 (72) VERHOEST, Patrick, Robert (US);
 PROULX-LAFRANCE, Caroline (US)
 (74) Shalva Gvaramadze
 (85) 2009 11 11
 (86) PCT/IB2008/001125, 2008 05 05
 (54) **AMINO-HETEROCYCLIC COMPOUNDS**

(11) P 2012 5404 B **(51) Int. Cl. (2006)**
C 07 F 9/58

A 61 K 31/44
A 61 P 1/00
A 61 P 11/06
A 61 P 19/02
A 61 P 25/28
A 61 P 29/00

(10) AP 2011 11399 A (44) 21(337)/2011
 (21) AP 2008 011399
 (22) 2008 01 25
 (24) 2008 01 25
 (31) 60/887,981
 (32) 2007 02 02
 (33) US
 (73) PFIZER PRODUCTS INC. (US)
 Eastern Point Road, Groton, CT 06340 (US)
 (72) DE CRESCENZO, Gary, A. (US);
 DEVRAJ, Rajesh, Venkateswaran (US);
 HU, Xiao (CN);
 JEROME, Kevin, Dewayne (US);
 OBUKOWICZ, Mark, Gerard (US);
 OLSON, Lisa (US);
 RUCKER, Paul, Vincent (US);
 WEBBER, Ronald, Keith (US)
 (74) Shalva Gvaramadze
 (85) 2009 07 31
 (86) PCT/IB2008/000229, 2008 01 25
 (54) **TRICYCLIC COMPOUNDS AND THEIR USE AS GLUCOCORTICOID RECEPTOR MODULATORS**

PART F

F 26

(11) P 2012 5401 B (51) Int. Cl. (2006)
F 26 B 3/00

(10) AP 2011 11871 A (44) 21(337)/2011

(21) AP 2010 011871

(22) 2010 06 25

(24) 2010 06 25

(73) Vasili Motiashvili (GE)

Nutsubidze Plateau, II m/d, IV Quartal, build.
1, ap. 59, 0183, Tbilisi (GE);

Otar Asatiani (GE)

Ketevan Tsamebulis gamz. 65a, b. 13, 0144,
Tbilisi (GE);

Tamaz Chuchulashvili (GE)

Kereselidzis k.13, 0108, Tbilisi (GE);

Ivane Aptsiauri (GE)

Tsotne Dadianis II mkr., korp. 2, b. 19,
0180, Tbilisi (GE);

Roland Japaridze (GE)

Bukhaidze St. 21, 0102, Tbilisi (GE);

Ketevan Archvadze (GE)

Nutsubidzis perd., III mkr., II kvart.,
korp. 4, b. 34, 0183, Tbilisi (GE)

(72) Vasili Motiashvili (GE);

Otar Asatiani (GE);

Tamaz Chuchulashvili (GE);

Ivane Aptsiauri (GE);

Roland Japaridze (GE);

Ketevan Archvadze (GE)

(54) SOLAR DRY KILN

(85) 2008 03 20

(86) PCT/US2006/032604, 2006 08 22

(54) **METHOD AND APPARATUS FOR
ADJUSTING CHANNEL QUALITY
INDICATOR FEEDBACK PERIOD TO
INCREASE UPLINK CAPACITY**

PART H

H 04

(11) P 2012 5406 B (51) Int. Cl. (2006)
H 04 B 7/216

(10) AP 2011 10571 A (44) 15(331)/2011

(21) AP 2006 010571

(22) 2006 08 22

(24) 2006 08 22

(31) 60/710,986

(32) 2005 08 24

(33) US

(73) INTERDIGITAL TECHNOLOGY

CORPORATION (US)

3411 Silverside Road, Concord Plaza, Suite
105, Hagley Building, Wilmington, Delaware
19810 (US)

(72) MARINIER, Paul (CA).

CASTOR, Douglas, R. (US).

(74) Tamaz Shilakadze

UTILITY MODELS

APPLICATIONS LAID OPEN FOR THE PURPOSE OF TAKING PATENT GRANTING DECISIONS

To appeal a decision is possible at Chamber of Appeal of Sakpatenti within 3 months from the publication or at The Board of Administrative Actions of Tbilisi City Court within a 1 month period. (Address: 12 km., №6, David Aghmashenebeli Kheivani, Tbilisi).

PART A

A 21

(10) AU 2012 12058 U (51) Int. Cl. (2006)
A 21 B 1/00

(21) AU 2011 012058 (22) 2011 01 14

(71) Levan Skhirtladze (GE)
XX mkr., korp. 5, b. 33, 3700,
Rustavi (GE)

(72) Levan Skhirtladze (GE)

(74) Khatuna Imnadze

(54) **STOVE FOR BREAD BAKING**

(57) A stove comprises a thermo insulated case 1 with a loading-unloading window 2, a conic cover 3 and an exhaust pipe 4. A drive 10 with rotation possibility around a vertical axis 5 and a truncated cone-shaped drum 6 executed as jointed two halves are located in the case. The basalt stones 7 used as backstone are placed on drum lateral surface. A conventional gas pipe 8 feeding together with the burners are disposed under the drum.

Claims: 1 independent

Fig.: 1

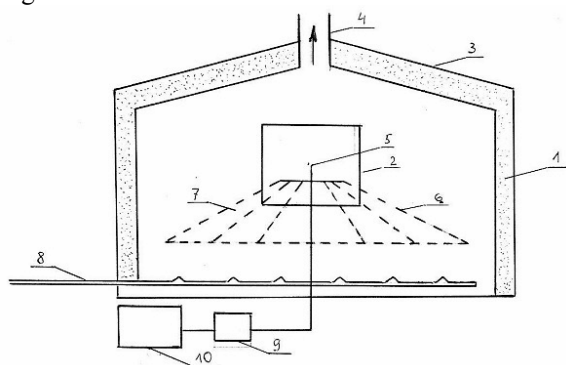


Fig. 1

(10) AU 2012 12287 U (51) Int. Cl. (2006)
A 21 C 9/06

(21) AU 2011 012287 (22) 2011 07 08

(71) Omar Marsagishvili (GE)
Krtsanisis k. 3, korp. "b", b. 2, 0114,
Tbilisi (GE)

(72) Omar Marsagishvili (GE)

(54) **DEVICE FOR FORMING KHINKALI**

(57) A device has a forming unit with a surface to place paste and stuffing. The unit comprises a vertical axis 1, a movable casing 2 with a handle and the horizontal disks 5 and 6 hingedly jointed to each other by holders 3 and the forming wings 4. A lower disk is fixed on the casing and throughout a perimeter has the cavities 7 for hinged fixing of holder ends 8. An upper disk is fixed on the axis and has the equally spaced cavities throughout the perimeter. The holder heads 10 are hingedly connected with the forming wings capable for entering into the upper disk cavities and in the cutouts 12 provided in an immobile fixed ring plate 11 to place paste and stuffing.

Claims: 1 independent

Fig.: 16

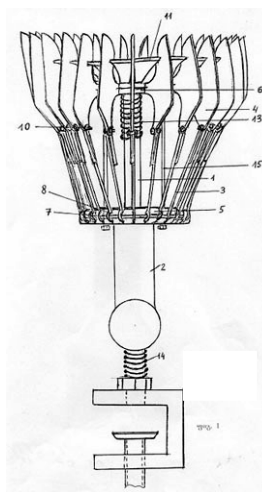


Fig. 1

A 47

(10) AU 2012 12134 U (51) Int. Cl. (2006)
A 47 K 17/00

(21) AU 2011 012134 (22) 2011 03 10

(71) Willy Pachkoria (GE)
Tseretlis gamz. 97, b. 54, 0119,
Tbilisi (GE)

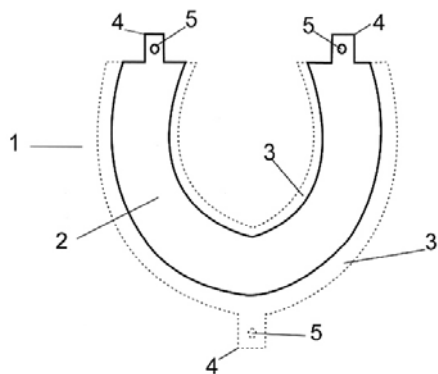
(72) Willy Pachkoria (GE)

(54) **DISPOSABLE HYGIENIC BEDDING
FOR WC SCAT**

(57) An U-shaped bedding 1 comprises one or several layers linked to each other by relief surfaces with width of 0.5-1 mm, the arched flaps 3 relevant to external and internal WC ring sides, sticky from one side attachments 4 with the openings 5. The attachments are fixed on both ends of upper surface and on the center of flap external side.

Claims: 1 independent

Fig.: 1



PATENTS FOR UTILITY MODELS

PART A

A 61

- (11) U 2012 1697 Y (51) Int. Cl. (2006)
A 61 K 7/48
- (10) AU 2011 11779 U (44) 21(337)/2011
(21) AU 2010 011779
(22) 2010 04 30
(24) 2010 04 30
(73) Nino Urushadze (GE)
Temkis das., XI mkr., korp. 15a, b. 22,
01921 (GE)
(72) Nino Urushadze (GE)
(54) **METHOD OF MANUFACTURE OF
MEDICAL AND MEDICAL-COSMETIC
APPLICATIONS WITH THE USE OF
BENTONITIC (AQUAMARINE) CLAY
EXTRACTED IN ASKANA VILLAGE OF
OZURGETI AREA**
-

PART H

H 02

- (11) U 2012 1696 Y (51) Int. Cl. (2006)
H 02 K 17/02
- (10) AU 2011 12081 U (44) 21(337)/2011
(21) AU 2011 012081
(22) 2011 02 03
(24) 2011 02 03
(73) Vladimer Kldiashvili (GE)
Robakidzis gamz., III kvart., korp. 4,
b. 13, 0151, Tbilisi (GE);
Evgeni Ushveridze (GE)
Pekinis k. 13, b. 37, 0171, Tbilisi (GE);
Slava Mebonia (GE)
Gldanis khevi, build. 3a, ap. 55, 0153,
Tbilisi (GE)
(72) Vladimer Kldiashvili (GE);
Evgeni Ushveridze (GE);
Slava Mebonia (GE)
(54) **ASYNCHRONOUS ELECTRIC MOTOR**
-

PART G

G 08

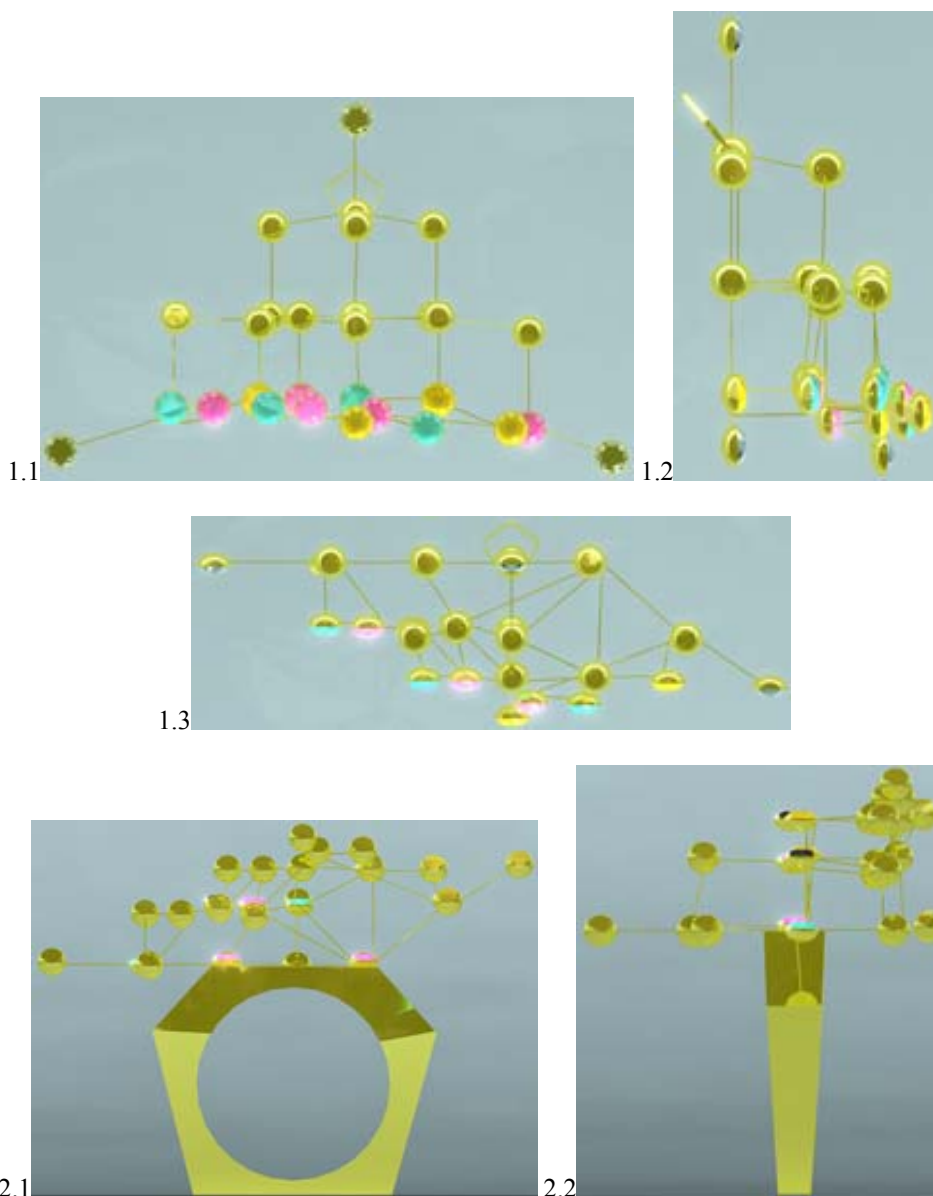
- (11) U 2012 1698 Y (51) Int. Cl. (2006)
G 08 G 1/095
- (10) AU 2011 11764 U (44) 21(337)/2011
(21) AU 2010 011764
(22) 2010 04 21
(24) 2010 04 21
(73) Zaza Tsiklauri (GE)
Vazha-Pshavelas gamz., V kvart., korp. 1,
b. 43, 0186, Tbilisi (GE)
(72) Zaza Tsiklauri (GE)
(54) **TRAFFIC LIGHT**
-

DESIGNS

APPLICATIONS LAID OPEN FOR THE PURPOSE OF TAKING PATENT GRANTING DECISIONS

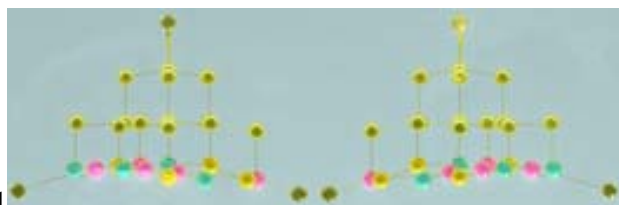
To appeal a decision is possible at Chamber of Appeal of Sakpatenti within 3 months from the publication or at The Board of Administrative Actions of Tbilisi City Court within a 1 month period. (Address: 12 km., №6, David Aghmashenebeli Kheivani, Tbilisi).

- (10) AD 2012 668 S (51) 11-01
(21) AD 2011 000668 (22) 2011 12 08
(28) 3
(71) Ia Kvaratskhelia (GE)
 Chavchavadzis gamz. 22, 0179, Tbilisi (GE)
(72) Ia Kvaratskhelia (GE)
(54) 1. PENDENT; 2. RING; 3. EARRINGS
(55)





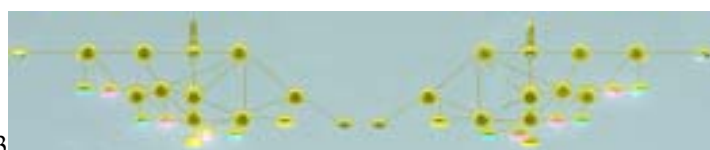
2.3



3.1

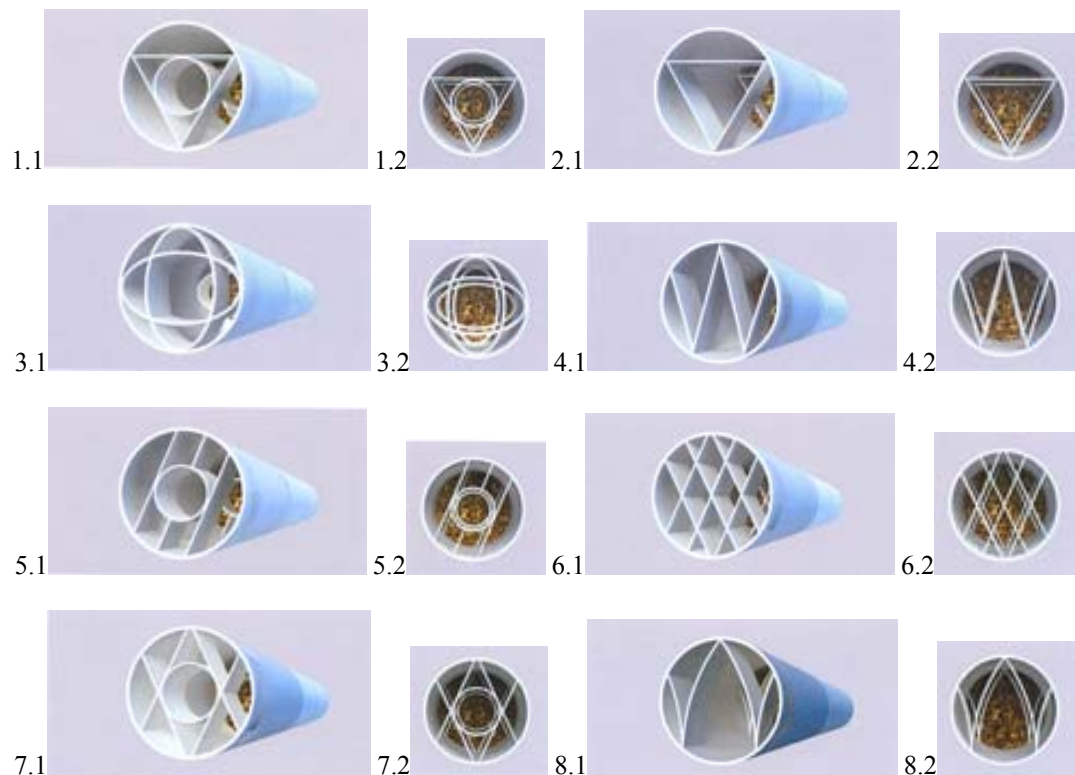


3.2



3.3

(10) AD 2012 670 S (51) 27-01
(21) AD 2011 000670 (22) 2011 12 09
(28) 8
(71) ALLIED GLOBAL TOBACCO LIMITED (GB)
Wey Court West, Union Road, Farnham, GU9 7PT Surrey (UK)
(72) Mariam Gurgendze (GE)
(74) Givi Akopashvili
(54) **FILTER FREE CIGARETTES**
(55)



**DESIGNS, WHICH HAVE BEEN REGISTERED WITH THE
INTERNATIONAL BUREAU CLAIMING PRIORITY ON THE
TERRITORY OF GEORGIA**

(IN ACCORDANCE WITH THE ACT OF HAGUE AGREEMENT OF 1960 AND/OR ACT
OF GENEVA AGREEMENT OF 1999)

To appeal a decision is possible at Chamber of Appeal of Sakpatenti within 3 months from the publication or at The Board of Administrative Actions of Tbilisi City Court within a 1 month period. (Address: 12 km., №6, David Aghmashenebeli Kheivani, Tbilisi).

(11) DM/076033 (51) 14-03

(15) 2011 05 11

(45) 2011/10 (2011 11 30)

(22) 2011 02 08

(28) 2

(73) INNOVAPHONE AG

Böblinger Straße 76, 71065 Sindelfingen (DE)

(86) n/a

(87) n/a

(88) DE, EM

(89) DE

(81) II. MC, ME. III. AL, AM, AZ, BA, BG, CH, EM, GE, HR, IS, LI, MD, MK, NO, RS, TR, UA

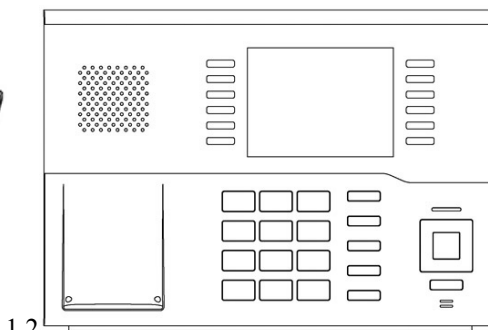
(72) Stefan Hillenmayer, c/o Designaffairs GmbH, Rosenheimer Str. 145b, DE-81771 Munich

(54) 1.-2. System telephones

(55)



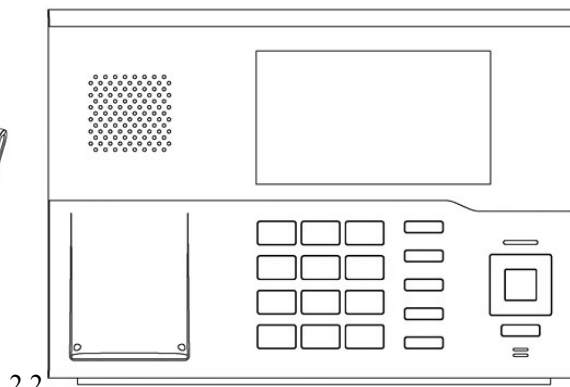
1.1



1.2



2.1



2.2

(11) DM/076107 (51) 32-00

(15) 2011 05 04

(45) 2011/10 (2011 11 30)

(22) 2011 05 04

(28) 1

(73) TYCO INTERNATIONAL SERVICES GMBH

Freier Platz 10, CH-8200 Schaffhausen (CH)

(85) CH

(86) CH

(87) CH

(88) CH

(89) CH

(81) II. BJ, BX, BZ, CI, GA, GR, IT, MA, MC, ME, ML, NE, SN, SR. III. AL, AM, AZ, BA, BG, BW, CH, DE, DK, EE, EG, EM, ES, FR, GE, GH, HR, HU, IS, KG, LI, LT, LV, MD, MK, MN, NA, NO, OM, PL, RO, RS, SG, SI, ST, SY, TR, UA

(72) Jim Hatch, 107 Grand Street, New York, NY 10013, USA

(54) 1. Logo

(55)



1

(11) DM/076128 (51) 19-06

(15) 2011 05 27

(45) 2011/10 (2011 11 30)

(22) 2011 05 27

(28) 1

(73) INOXCROM

S.A. Torrent Estadella, 46-54, E-08030 BARCELONA (ES)

(86) ES, EM

(87) ES, EM

(88) ES, EM

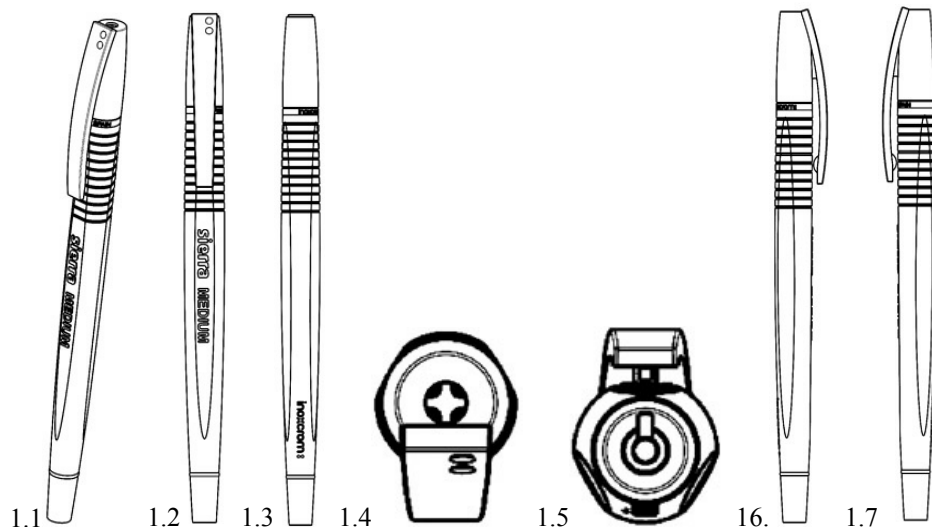
(89) ES

(81) III. AM, AZ, EG, EM, GE, KG, OM, SG, SY, TR, UA

(72) Jordi Busquets, c/Sepulveda, 139, E-08011 Barcelona

(54) 1. Ball-point pen

(55)



(11) DM/076456 (51) 15-06

(15) 2011 05 10

(45) 2011/10 (2011 11 30)

(22) 2011 05 10

(28) 1

(30) 11.11.2010; 001241780; EM

(73) TSM GMBH

Konrad-Zuse-Str. 1, 52477 Alsdorf (DE)

(86) n/a

(87) DE, EM

(88) DE, EM

(89) DE

(81) II. BJ, BZ, CI, GA, KP, MA, MC, ME, ML, NE, SN, SR. III. AL, AM, AZ, BA, BW, CH, EG, GE, GH, HR, HU, IS, KG, LI, MD, MK, MN, NA, NO, OA, OM, RS, SG, ST, TR, UA

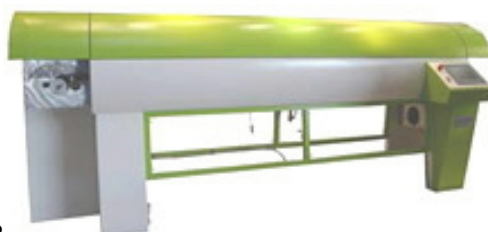
(72) Georg Tsvikis, Anna Klöcker Straße 17, DE-Stolberg

(54) 1. Textile machine

(55)



1.1



1.2



1.3



1.4



1.5



1.6



1.7

(11) DM/076664 (51) 22-01

(15) 2011 05 21

(45) 2011/10 (2011 11 30)

(22) 2011 05 21

(28) 1

(30) 28.01.2011; D20110017A; HR

(73) BERTA PROJEKT D.O.O.

Avenija V. Holjevca 20, HR-10020 Zagreb (HR)

(85) HR

(86) HR

(87) HR

(88) HR

(89) HR

(81) II. BX, GR, IT, ME. III. AL, BA, BG, CH, DE, DK, EE, EG, EM, ES, FI, FR, GE, HU, IS, LI, MK, NO, OM, PL, RS, SI, TR, UA

(72) Zvonimir Horvat, Cret 29c, HR-49217 Krapinske Toplice

(54) 1. "Rifle"

(55)



1.1



1.2



1.3

1.4



(11) DM/076815 (51) 32-00

(15) 2011 05 05

(45) 2011/10 (2011 11 30)

(22) 2011 05 05

(28) 1

(30) 11.03.2011; 2010O000013; IT

(73) RIPANI ITALIANA PELLETERIE S.R.L.

Via Nazionale Adriatica, 112/B, I-64019 TORTORETO (TE) (IT)

(86) IT, EM

(87) EM

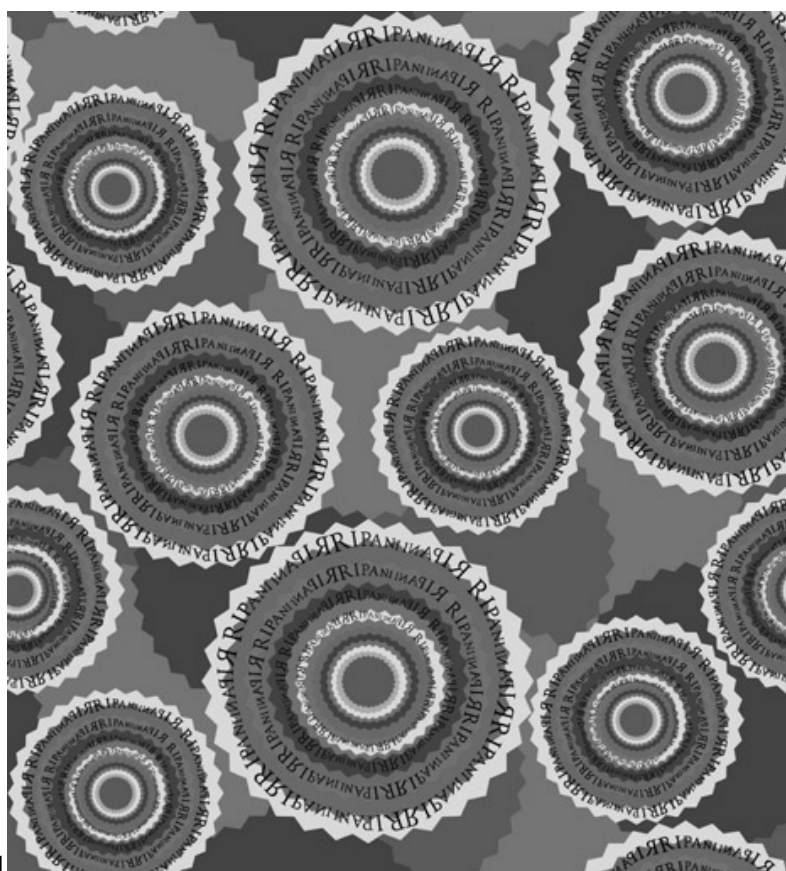
(89) EM

(81) II. BZ, KP, MA, MC, ME, SR. III. AL, AM, AZ, BA, BW, CH, EG, EM, FI, GE, HR, KG, MD, MK, MN, NO, OA, OM, RS, SG, SI, ST, SY, TR, UA

(72) Ripani Carla, Via Nazionale Adriatica, 112/B, I-64019 Tortoreto

(54) 1. Decorative pattern

(55)



(11) DM/076901 (51) 10-07

(15) 2011 10 05

(45) 2011/10 (2011 11 30)

(22) 2011 10 05

(28) 1

(73) SWATCH AG (SWATCH SA) (SWATCH LTD.)

Jakob-Stämpfli-Strasse 94, CH-2502 BIEL/BIENNE (CH)

(85) CH

(86) CH

(87) CH

(88) CH

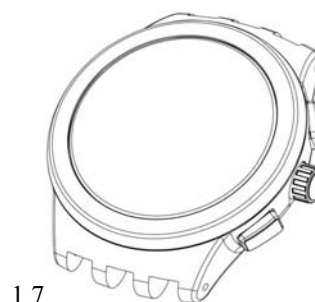
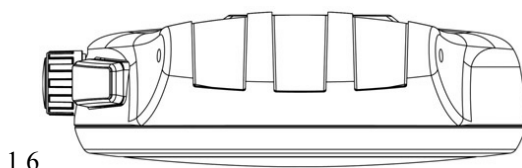
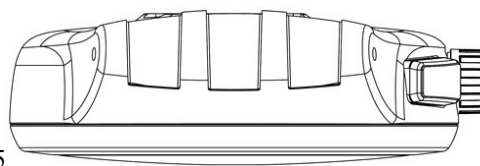
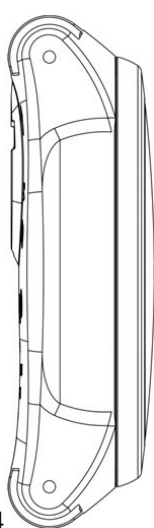
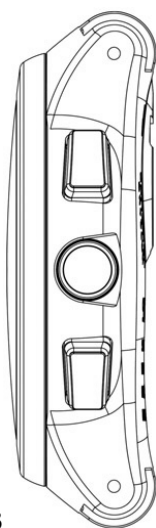
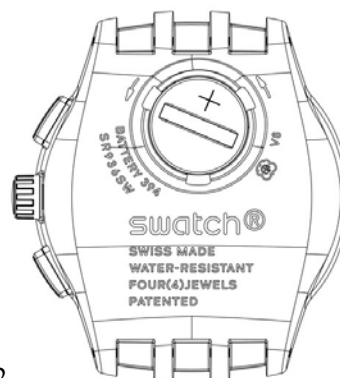
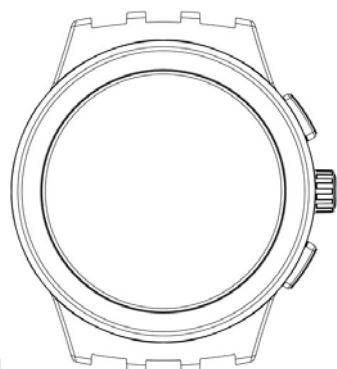
(89) CH

(81) II. BZ, MA, ME. III. AL, AM, AZ, BA, CH, EM, GE, HR, KG, LI, MC, MD, MK, MN, NO, OM, SG, TR, UA

(72) Alphonse Arellano, "WUAKA", rue des Echelettes 9, CH-1004 Lausanne

(54) 1. Watch case

(55)



(11) DM/076902 (51) 10-02, 07

(15) 2011 10 05

(45) 2011/10 (2011 11 30)

(22) 2011 10 05

(28) 12

(73) BLANCPAIN SA

Le Rocher 12, CH-1348 LE BRASSUS (CH)

(85) CH

(86) CH

(87) CH

(88) CH

(89) CH

(81) II. BZ, MA, ME. III. AL, AM, AZ, BA, CH, EM, GE, HR, KG, LI, MC, MD, MK, MN, NO, OM, TR, UA

(72) № 1, 2, 3, 4, 5, 6, 7, 8, 9, 10, 11, 12: Alan Apprederisse, Av. du Léman 48, CH-1005 Lausanne

(54) 1. Wristwatch; 2. Watch case; 3. Dial; 4.-10. Watch hands; 11. Watchband; 12. Watchband clasp

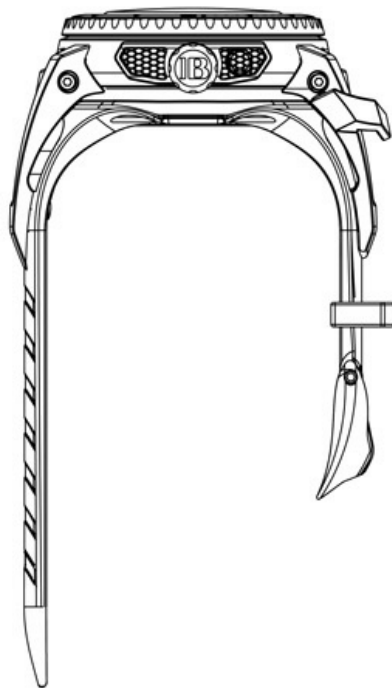
(55)



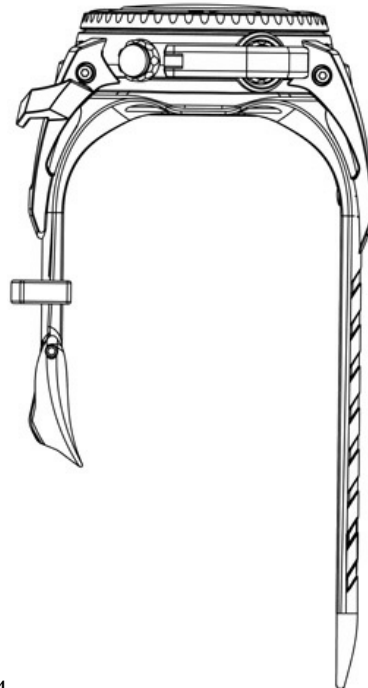
1.1



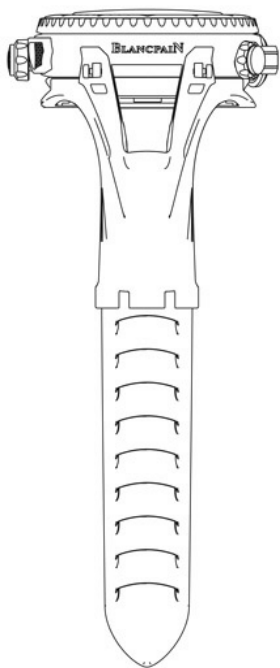
1.2



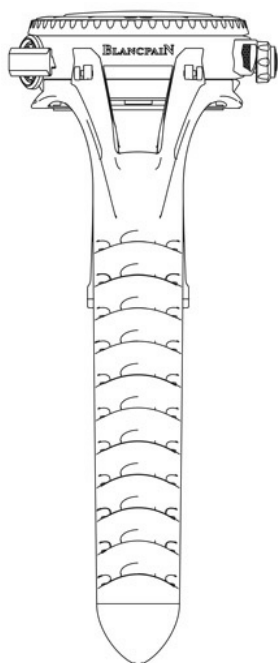
1.3



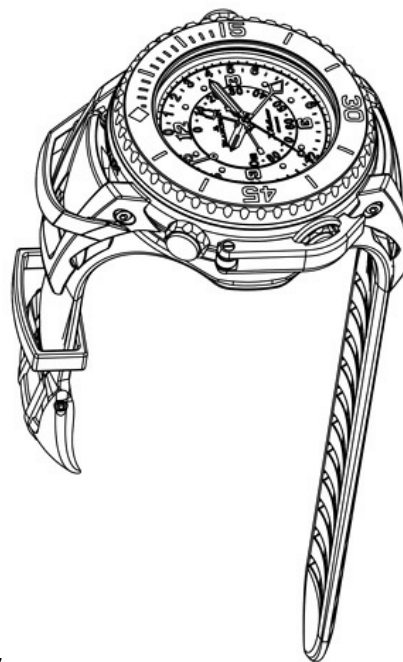
1.4



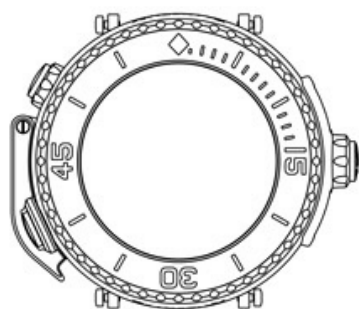
1.5



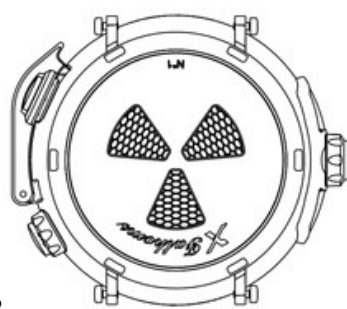
1.6



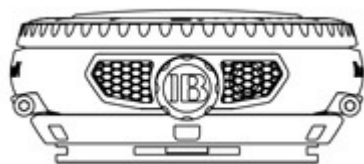
1.7



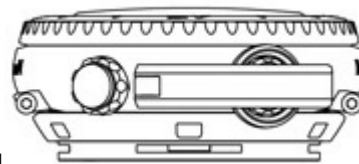
2.1



2.2



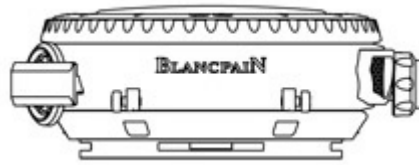
2.3



2.4



2.5



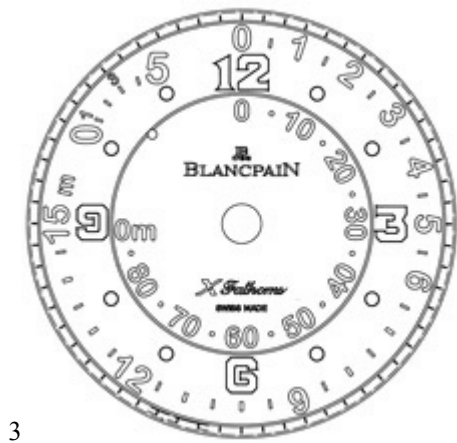
2.6



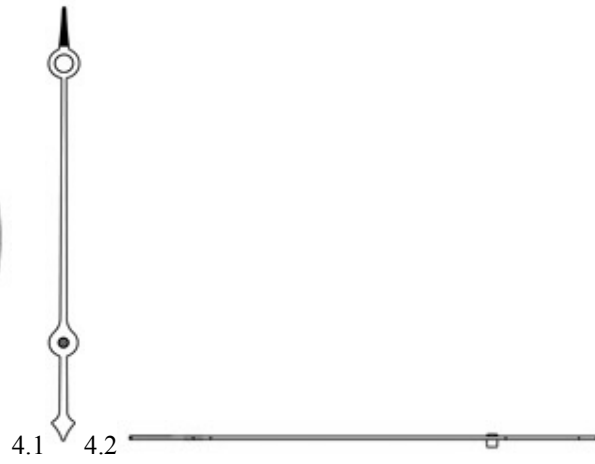
2.7



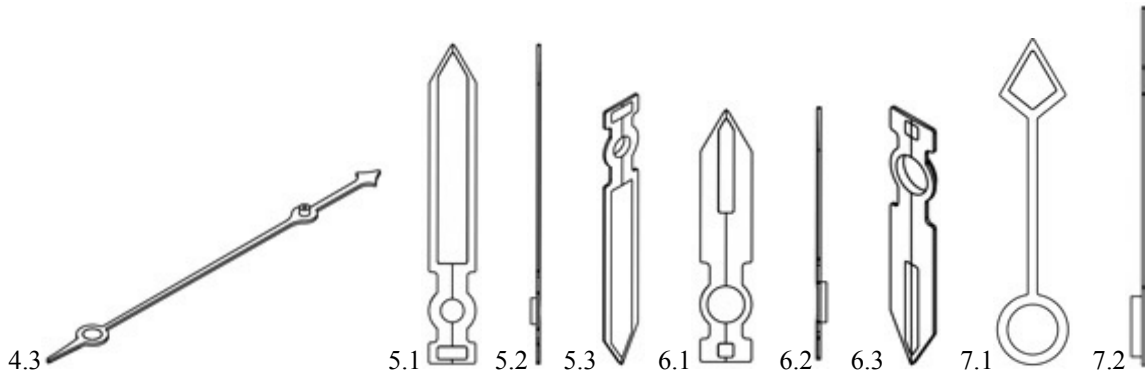
2.8



3

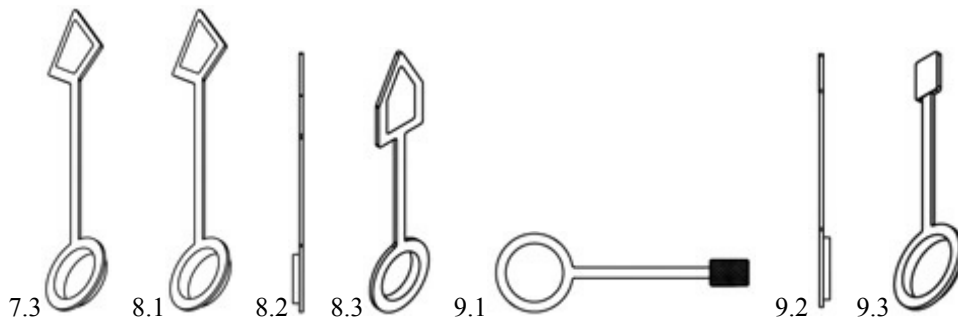


4.1 4.2

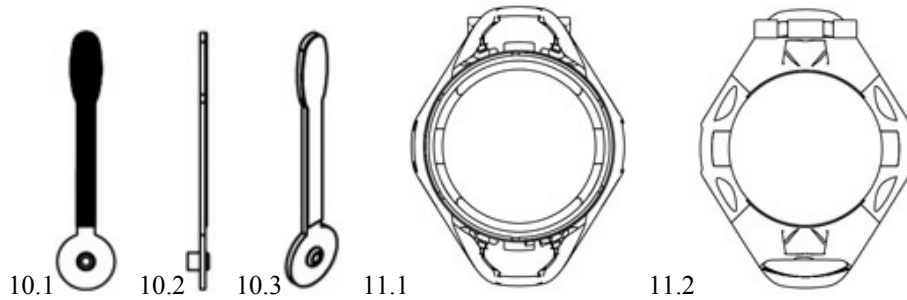


4.3

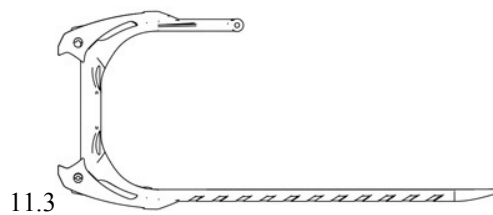
5.1 5.2 5.3 6.1 6.2 6.3 7.1 7.2



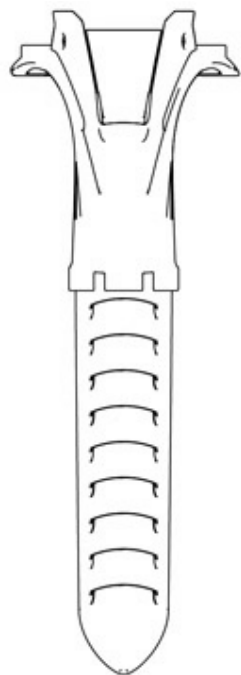
7.3 8.1 8.2 8.3 9.1 9.2 9.3



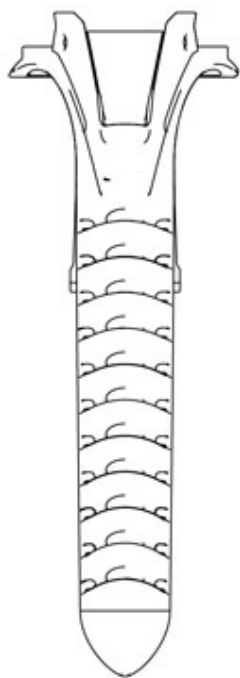
10.1 10.2 10.3 11.1 11.2



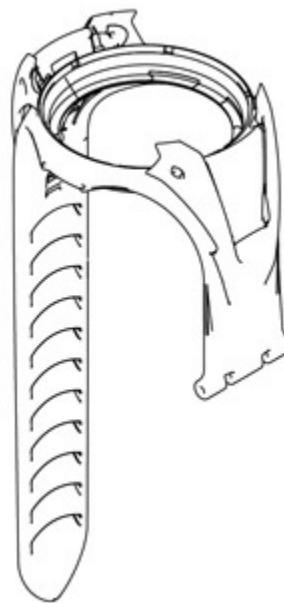
11.3



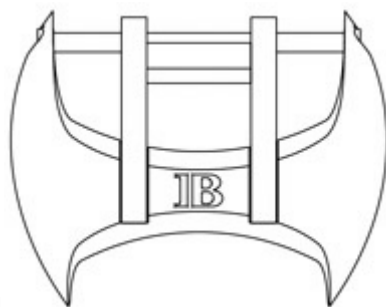
11.4



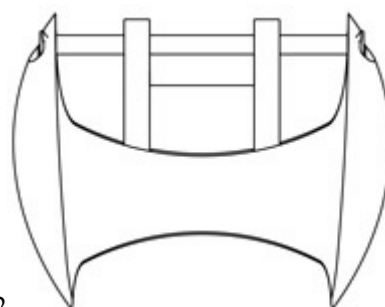
11.5



11.6



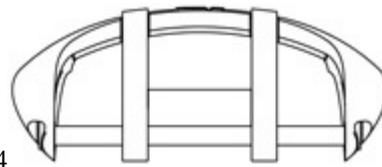
12.1



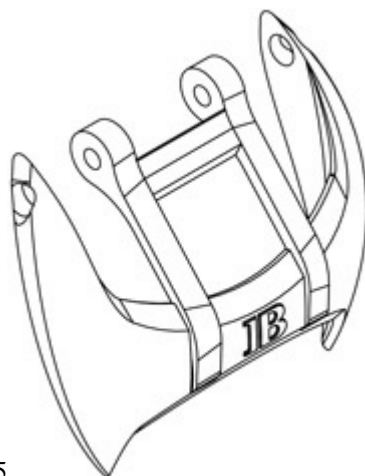
12.2



12.3



12.4



12.5

- (11) DM/076920 (51) 11-01
 (15) 2011 10 13
 (45) 2011/10 (2011 11 30)
 (22) 2011 10 13
 (28) 4
 (73) "FREY WILLE" GMBH & CO. KG
 Gumpendorfer Strasse 81, A-1060 Wien (AT)
 (85) EM
 (86) EM
 (87) EM
 (88) EM
 (89) EM
 (81) III. CH, EG, EM, GE, HR, MD, MK, MN, SG, TR, UA
 (54) 1. Charm; 2.-3. Bracelets; 4. Pendant
 (55)



1.1



1.2



1.3



2.1



2.2



(11) DM/076926 (51) 10-02

(15) 2011 10 17

(45) 2011/10 (2011 11 30)

(22) 2011 10 17

(28) 2

(73) SWATCH AG (SWATCH SA) (SWATCH LTD.)

Jakob-Stämpfli-Strasse 94, CH-2502 BIEL/BIENNE (CH)

(85) CH

(86) CH

(87) CH

(88) CH

(89) CH

(81) II. BZ, MA, ME. III. AL, AM, AZ, BA, CH, EM, GE, HR, KG, LI, MC, MD, MN, NO, OM, SG, TR, UA

(72) Jasmine Fung Hei Wah, Flat 3, 1/F, Ming Hoi House, Ming Nga Court, Tai Po, NT./HONG KONG

(54) 1.-2. Wristwatches

(55)



(11) DM/076929 (51) 10-07

(15) 2011 10 14

(45) 2011/10 (2011 11 30)

(22) 2011 10 14

(28) 2

(73) SWATCH AG (SWATCH SA) (SWATCH LTD.)

Jakob-Stämpfli-Strasse 94, CH-2502 BIEL/BIENNE (CH)

(85) CH

(86) CH

(87) CH

(88) CH

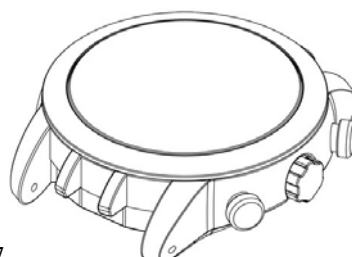
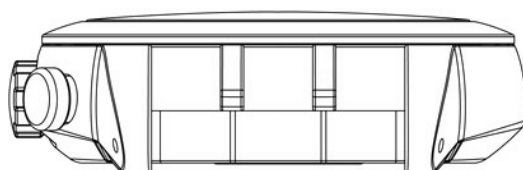
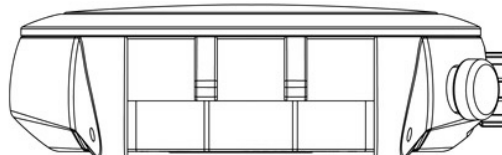
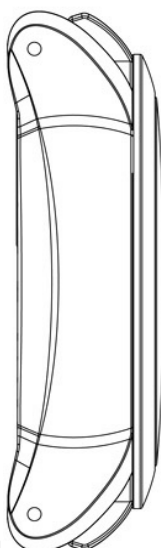
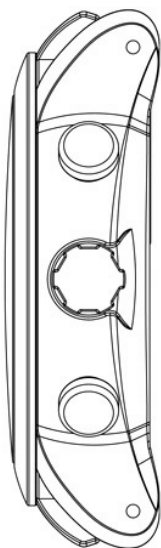
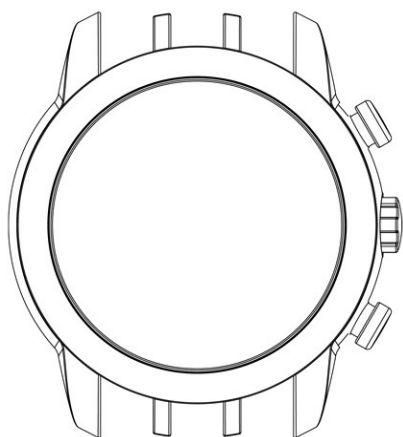
(89) CH

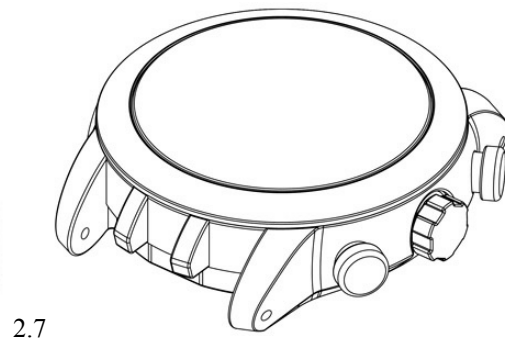
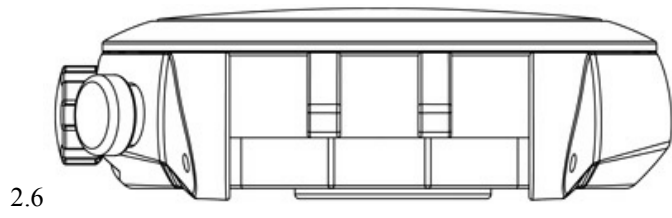
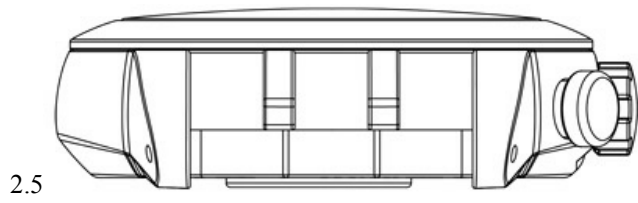
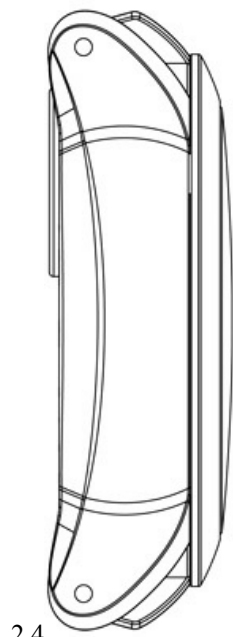
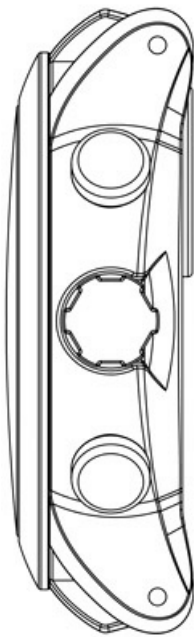
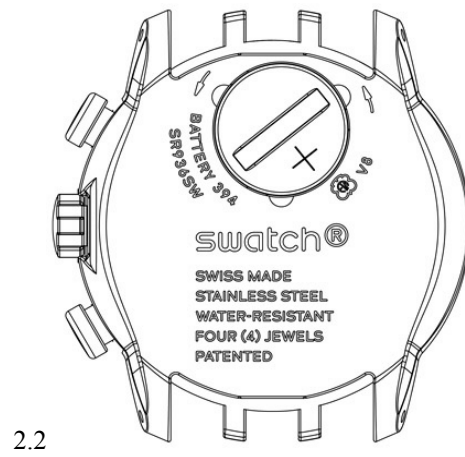
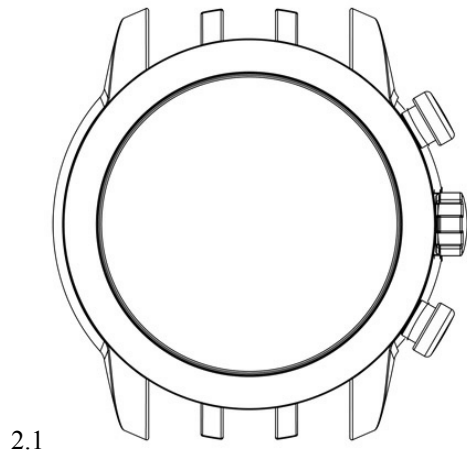
(81) II. BZ, MA, ME. III. AL, AZ, BA, CH, EM, GE, HR, KG, LI, MC, MD, MK, MN, NO, OM, SG, TR, UA

(72) Emmanuel Dietrich, 24 place du Marché Saint-Honoré, F-75001 PARIS

(54) 1.-2. Watch cases

(55)





(11) DM/076961 (51) 09-01

(15) 2011 10 20

(45) 2011/10 (2011 11 30)

(22) 2011 09 28

(28) 2

(73) LABORATOIRES LA PRAIRIE SA Industriestrasse 8, CH-8604 Volketswil (CH)

(86) n/a

(87) n/a

(88) CH

(89) CH

(81) IL, BZ, CI, KP, MA, ME, SR, III. AL, AM, AZ, BA, BW, CH, EG, EM, GE, GH, HR, IS, KG, LI, MC, MD, MK, MN, NA, NO, OA, OM, RS, SG, ST, SY, TR, UA

(72) Anil Kalyanpur, 14 Ellison Avenue, Edison, NJ 08817; Richard Suhr, 21 Blaine Avenue, Unit 6, Seaside Heights, NJ 08751

(54) 1.-2. Containers

(55)



(11) DM/076983 (51) 10-02

(15) 2011 10 19

(45) 2011/10 (2011 11 30)

(22) 2011 10 19

(28) 6

(73) THE SWATCH GROUP MANAGEMENT SERVICES AG (THE SWATCH GROUP MANAGEMENT SERVICES SA) (THE SWATCH GROUP MANAGEMENT SERVICES LTD.)

Faubourg du Lac 6, CH-2502 Biel/Bienne (CH)

(85) CH

(86) CH

(87) CH

(88) CH

(89) CH

(81) II. BZ, MA, ME. III. AL, AM, AZ, BA, CH, EM, GE, HR, KG, LI, MC, MD, MK, MN, NO, OM, SG, TR, UA

(72) №1-4: Fernando Soares, rue de Fleury 5, CH-2000 Neuchâtel; №5: Fabrice Dupont, Avenue de la Gare 4,

CH-2000 Neuchâtel; №6: Michèle Berri, La Rouette 4, CH-2516 Lamboing

(54) 1.-6. Wristwatches

(55)



1.1



1.2



1.3



1.4



2.1



2.2



2.3



2.4



3.1



3.2



3.3



3.4



4.1



4.2



4.3



4.4



5.1



5.2



5.3



5.4



6.1



6.2



6.3



6.4

(11) DM/076984 (51) 20-02

(15) 2011 10 20

(45) 2011/10 (2011 11 30)

(22) 2011 10 20

(28) 1

(73) ETA SA MANUFACTURE HORLOGÈRE SUISSE CH-2540 Grenchen (CH)

(85) CH

(86) CH

(87) CH

(88) CH

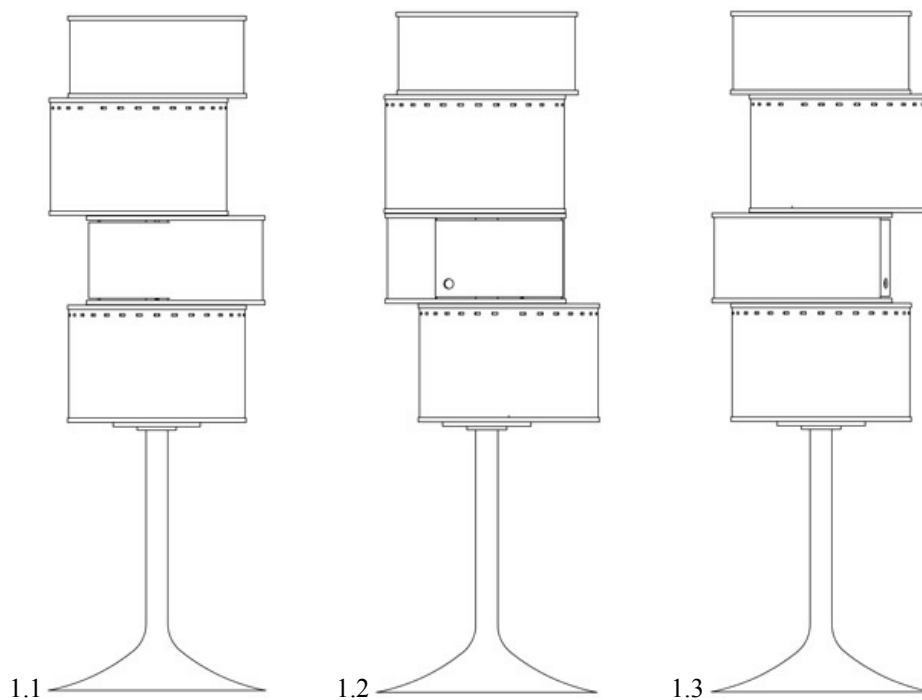
(89) CH

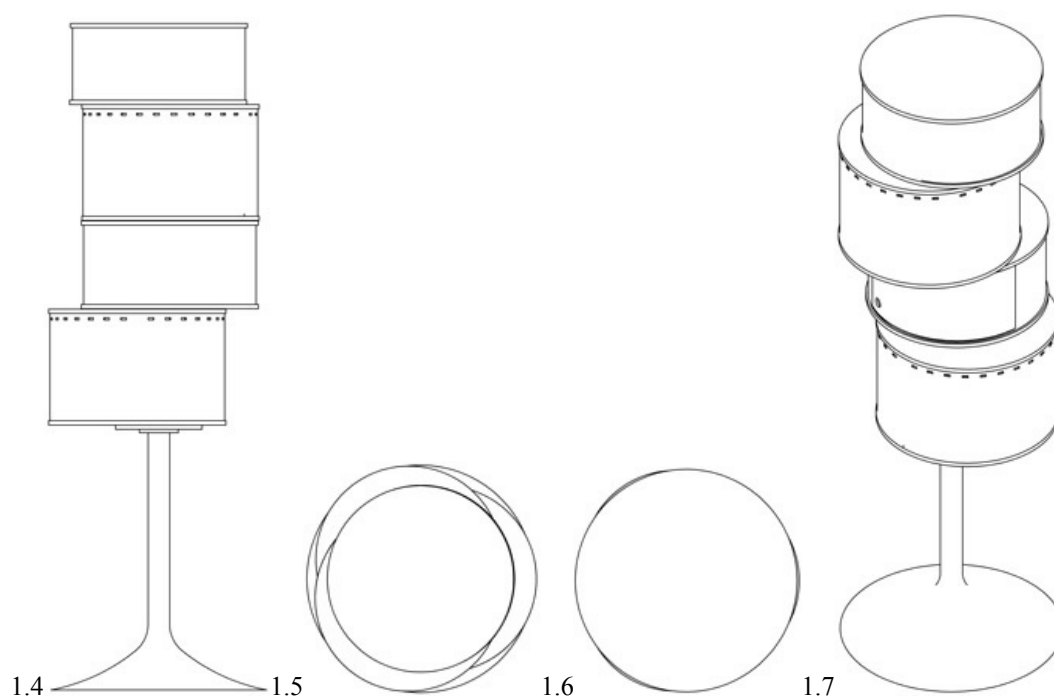
(81) II. BZ, MA, ME. III. AL, AM, AZ, BA, CH, EM, GE, HR, KG, LI, MC, MD, MK, MN, NO, OM, SG, TR, UA

(72) Cristiano Righeschi, Loc. Carda 19/B, IT-52016 Castel Focognano (AR)

(54) Display unit

(55)





(11) DM/076985 (51) 11-01

(15) 2011 10 20

(45) 2011/10 (2011 11 30)

(22) 2011 10 20

(28) 1

(73) ETA SA MANUFACTURE HORLOGÈRE SUISSE CH-2540 Grenchen (CH)

(85) CH

(86) CH

(87) CH

(88) CH

(89) CH

(81) II. BZ, MA, ME. III. AL, AM, AZ, BA, CH, EM, GE, HR, KG, LI, MC, MD, MK, MN, NO, OM, SG, TR, UA

(72) Valentina Righeschi, c/o CRIVAL METALPLAST s.a.s, Loc. Il Termine 1/e, IT-52016 Rassina (AR)

(54) 1. Necklace

(55)



1

(11) DM/076987 (51) 10-02, 07

(15) 2011 10 24

(45) 2011/10 (2011 11 30)

(22) 2011 10 24

(28) 2

(73) SWATCH AG (SWATCH SA)(SWATCH LTD)

Jakob-Stämpfli-Strasse 94, CH-2502 BIEL/BIENNE (CH)

(85) CH

(86) CH

(87) CH

(88) CH

(89) CH

(81) II. BZ, MA, ME. III. AL, AM, AZ, BA, CH, EM, GE, HR, KG, LI, MC, MD, MK, MN, NO, OM, SG, TR, UA

(72) Danilo Sala, Swatchlab, Via Archimede 6, IT-20129 Milano

(54) 1. Wristwatch; 2. Watch hand

(55)



(11) DM/076989 (51) 07-01

(15) 2011 05 29

(45) 2011/10 (2011 11 30)

(22) 2011 05 29

(28) 7

(73) BHS TABLETOP AG

Ludwigsmühle, 95100 Selb (DE)

(86) DE, EM

(87) EM

(88) EM

(81) II. KP, MA, MC, ME. III. AZ, BA, CH, EG, EM, GE, GH, IS, LI, MD, MK, NA, NO, OA, OM, RS, SG, TR, UA

(72) Markus Jehs Jürgen Laub, Römerstrasse 51a, 70180 Stuttgart Germany

(54) 1. Plate; 2. Coffeepot; 3. cup; 4. platter; 5. bowl; 6. soup bowl; 7. Teapot

(55)



1



2



3



4



5



6



7

(11) DM/076994 (51) 10-02

(15) 2011 10 21

(45) 2011/10 (2011 11 30)

(22) 2011 10 21

(28) 2

(73) RADO UHREN AG (RADO WATCH CO. LTD.) (MONTRES RADO SA)

Bielstrasse 45, CH-2543 Lengnau (CH)

(85) CH

(86) CH

(87) CH

(88) CH

(89) CH

(81) II. BZ, MA, ME. III. AL, AM, AZ, BA, CH, EM, GE, HR, KG, LI, MC, MD, MK, MN, NO, OM, SG, TR, UA

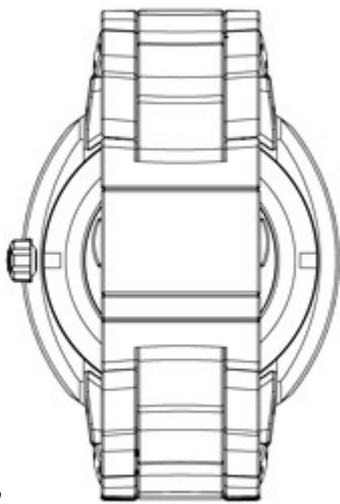
(72) Fabrice DUPORT, Avenue de la Gare 4, CH-2000 Neuchâtel

(54) 1.-2. Wristwatches

(55)



1.1



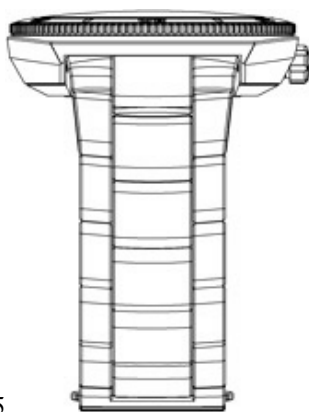
1.2



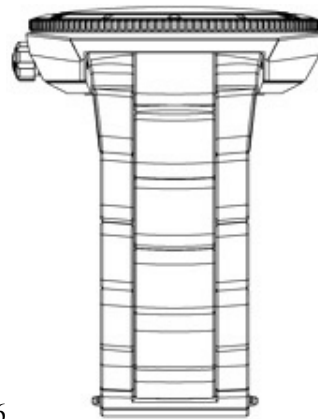
1.3



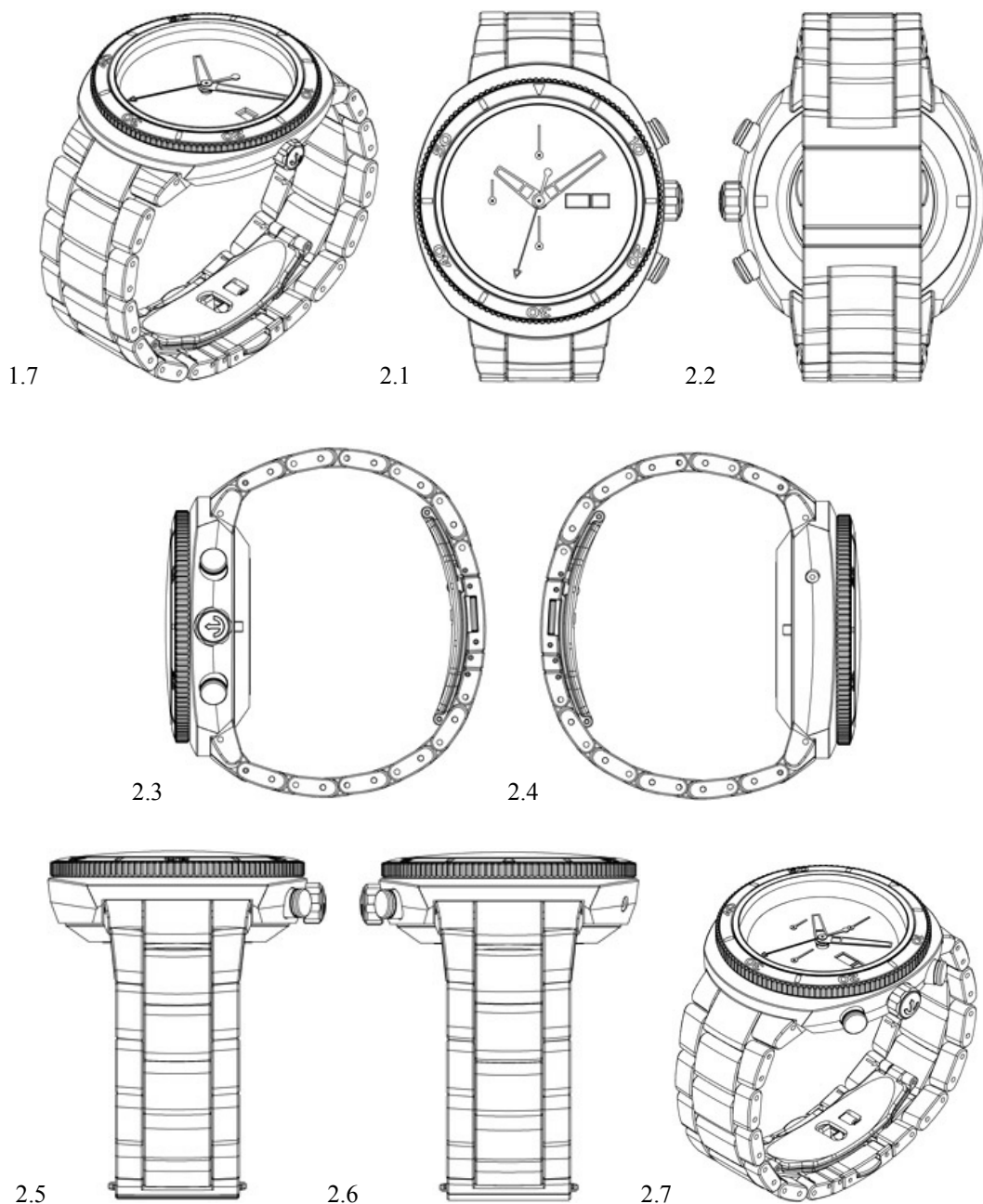
1.4



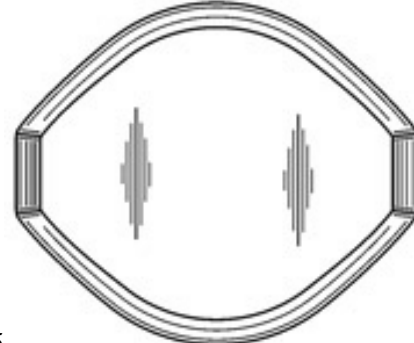
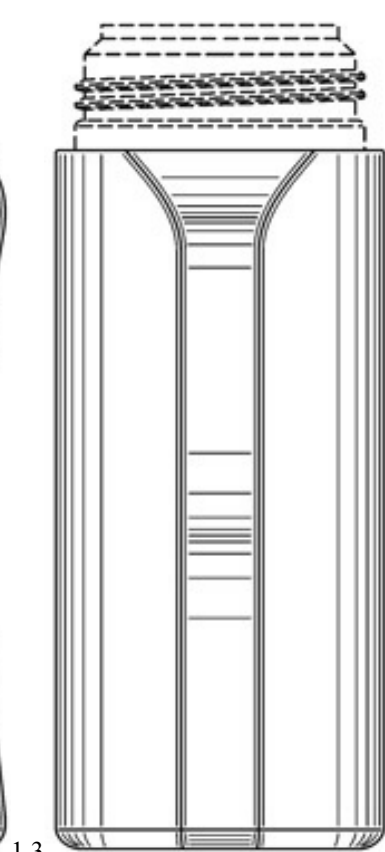
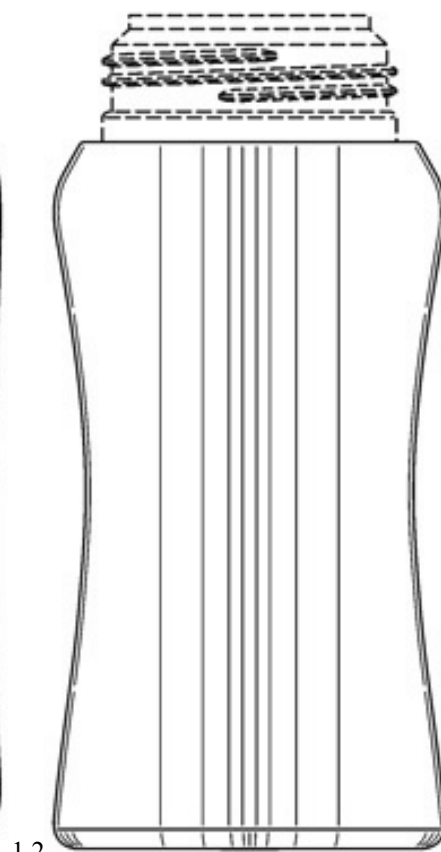
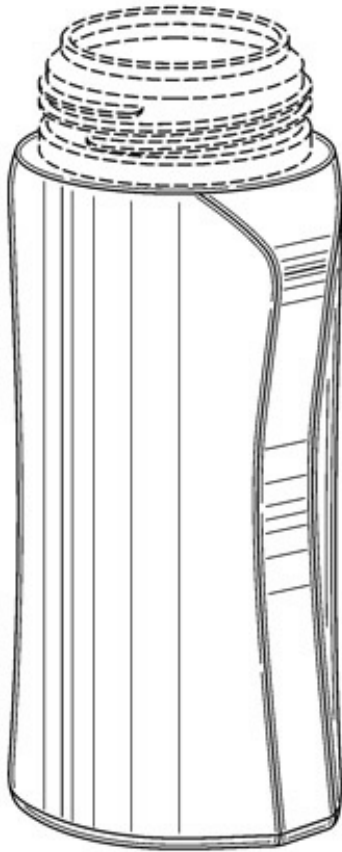
1.5

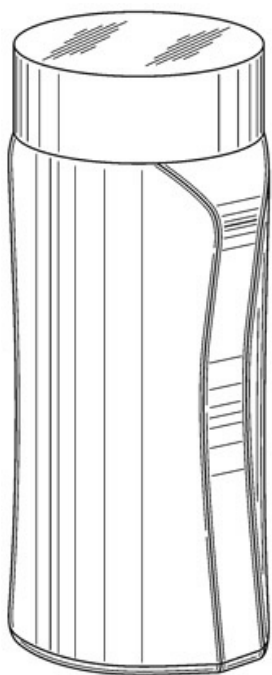


1.6

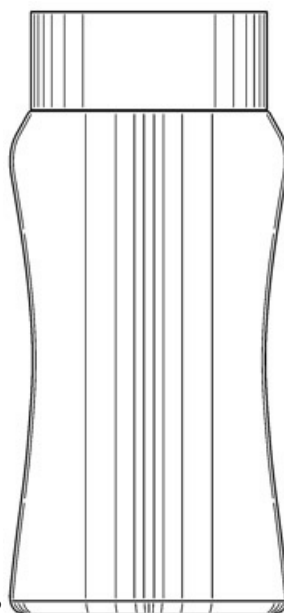


- (11) DM/076996 (51) 09-01
 (15) 2011 10 24
 (45) 2011/10 (2011 11 30)
 (22) 2011 10 24
 (28) 3
 (30) 27.07.2011; 001896622; EM
 (73) HENKEL AG & CO. KGAA Henkelstraße 67, 40589 Düsseldorf (DE)
 (86) DE, EM
 (87) DE, EM
 (89) EM
 (81) II. ME. III. BA, GE, HR, MD, MK, RS, SI, TR, UA.
 (72) Joana-Maria Bauchwitz, Blücherstraße 16, DE-40477 Düsseldorf
 (54) 1.-3. Bottle
 (55)

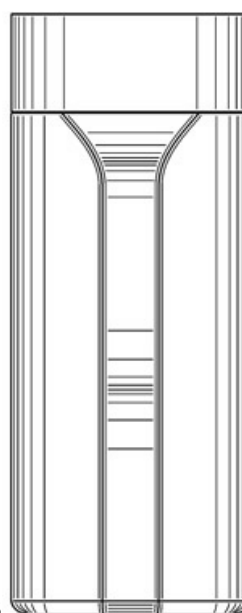




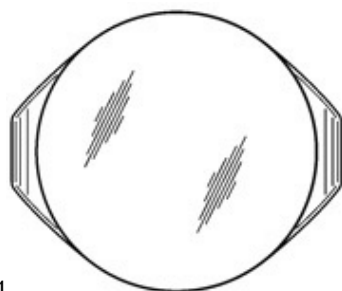
2.1



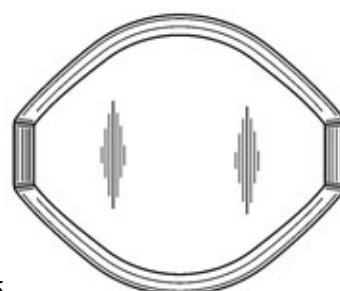
2.2



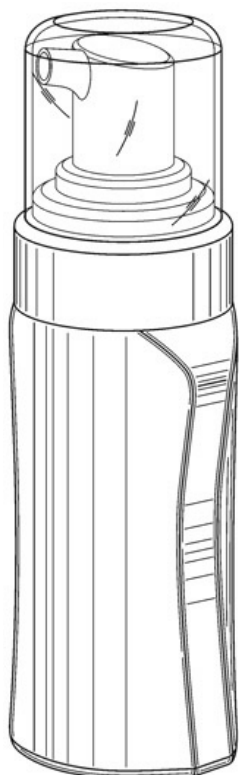
2.3



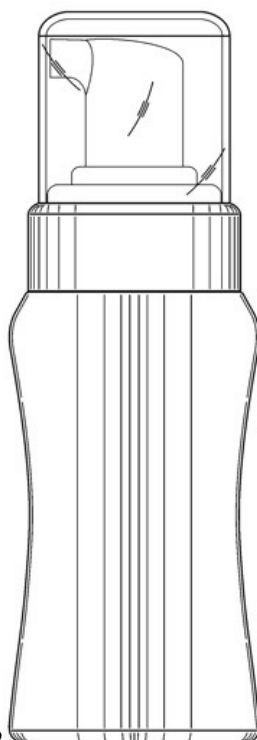
2.4



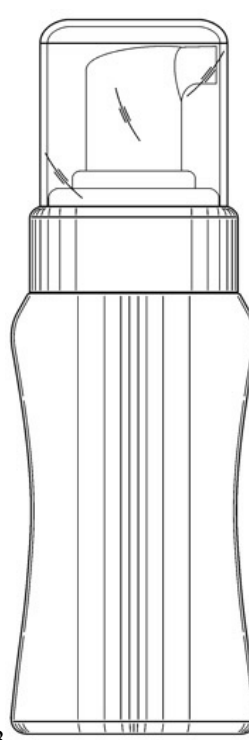
2.5



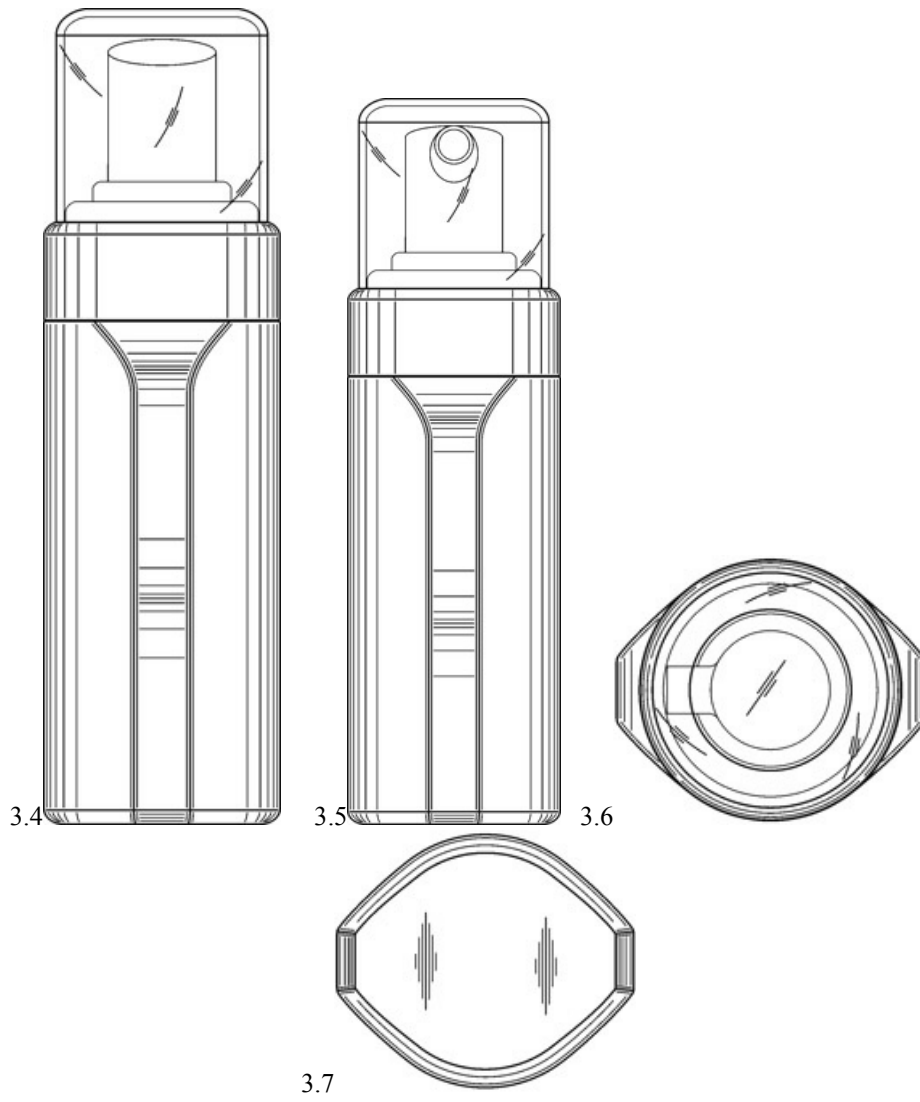
3.1



3.2



3.3



TRADEMARKS

APPLICATIONS FILED UNDER THE NATIONAL PROCEDURE LAID OPEN FOR THE PURPOSE OF TAKING PATENT GRANTING DECISIONS

To appeal a decision is possible at Chamber of Appeal of Sakpatenti within 3 months from the publication or at The Board of Administrative Actions of Tbilisi City Court within a 1 month period. (Address: 12 km., №6, David Aghmashenebeli Kheivani, Tbilisi).

(260) AM 2012 63055 A
(210) AM 063055
(220) 2011 07 04
(731) IDS Borjomi Beverages Co. N.V.
45, Pareraweg, Curacao, Netherlands Antilles
(740) Alexander Kvernadze
(540)



(591) Black, white
(531) 19.07.16-
(511) 32

(591) Light blue, dark blue
(531) 26.11.08-26.11.12-27.05.05-28.19.00-
29.01.04-
(526) **Disclaimer** – The trademark is protected as a whole, word combinations „რადიო” and "Radio", shall not be subject to independent protection.
(511) 38

(260) AM 2012 63121 A
(210) AM 063121
(220) 2011 07 07
(731) SH.P.S "RADIO IMEDI"
Aleqsidzis q.3, 0193, Tbilisi, Georgia
(540)



REGISTERED TRADEMARKS

(111) M 2012 022233 R
(151) 2012 02 03
(181) 2022 02 03
(260) AM 2011 32686 A
(220) 2004 11 08
(732) SH.P.S "TELEKOMPANIA MZE"
Merab Kostavas q. 75b, 0179, Tbilisi, Georgia

(111) M 2012 022238 R
(151) 2012 02 03
(181) 2022 02 03
(260) AM 2011 59287 A
(220) 2010 09 08
(732) SH.P.S "ALTA"
Saburtalos q., N35, 0194 , Tbilisi, Georgia

(111) M 2012 022234 R
(151) 2012 02 03
(181) 2022 02 03
(260) AM 2011 58469 A
(220) 2010 06 25
(732) ARCOR S.A.I.S.
Av. Fulvio Pagani 487, Arroyito, Province of
Cordoba, Argentina

(111) M 2012 022239 R
(151) 2012 02 03
(181) 2022 02 03
(260) AM 2011 59288 A
(220) 2010 09 08
(732) SH.P.S "ALTA"
Saburtalos q., N35, 0194 , Tbilisi, Georgia

(111) M 2012 022235 R
(151) 2012 02 03
(181) 2022 02 03
(260) AM 2011 58638 A
(220) 2010 07 08
(732) YILDIZ HOLDING A.S.
Kisikli mah. Ferah Cad. Kisikli Cesme Sk.
N2/4 B. Camlica, Uskudar/ISTANBUL,
Turkey

(111) M 2012 022240 R
(151) 2012 02 03
(181) 2022 02 03
(260) AM 2011 59371 A
(220) 2010 09 15
(732) SH.P.S "JEOSTILI"
Davit Garejis 36, 3700, Rustavi, Georgia

(111) M 2012 022236 R
(151) 2012 02 03
(181) 2022 02 03
(260) AM 2011 59108 A
(220) 2010 08 12
(732) McDonald's International Property Company,
Ltd. a corporation organized and existing
under the laws of the State of Delaware
2711 Centerville Road, Suite 400,
Wilmington, Delaware 19808, USA

(111) M 2012 022241 R
(151) 2012 02 03
(181) 2022 02 03
(260) AM 2011 59363 A
(220) 2010 09 15
(732) SH.P.S "KONDITHOLDINGI"
Rustavelis q. 13, 4200, Signagi, Georgia

(111) M 2012 022237 R
(151) 2012 02 03
(181) 2022 02 03
(260) AM 2011 59225 A
(220) 2010 09 01
(732) SH.P.S "KONDITHOLDINGI"
Rustavelis q. 13, 4200, Signagi, Georgia

(111) M 2012 022242 R
(151) 2012 02 03
(181) 2022 02 03
(260) AM 2011 59540 A
(220) 2010 09 23
(732) ABBOTT LABORATORIES
Abbott Park, Illinois 60064, USA

(111) M 2012 022243 R
(151) 2012 02 03
(181) 2022 02 03
(260) AM 2011 59541 A
(220) 2010 09 23
(732) ABBOTT LABORATORIES
Abbott Park, Illinois 60064, USA

TRADEMARKS

(111) M 2012 022244 R
(151) 2012 02 03
(181) 2022 02 03
(260) AM 2011 59543 A
(220) 2010 09 23
(732) ABBOTT LABORATORIES
Abbott Park, Illinois 60064, USA

(111) M 2012 022245 R
(151) 2012 02 03
(181) 2022 02 03
(260) AM 2011 59548 A
(220) 2010 09 23
(732) ANADOLU EFES TECHNICAL AND
MANAGEMENT CONSULTANCY N.V.
Landhuis Joonchi Kava Richard J. Beaujon
Z/N P.O. Box 837, Curacao, Netherlands
Antilles

(111) M 2012 022246 R
(151) 2012 02 03
(181) 2022 02 03
(260) AM 2011 59679 A
(220) 2010 09 30
(732) SH.P.S "ACHARATURI"
Giorgi Brtskinvalis q. 122, 6000, Batumi,
Georgia

(111) M 2012 022247 R
(151) 2012 02 03
(181) 2022 02 03
(260) AM 2011 59712 A
(220) 2010 10 01
(732) INTERNATIONALL RELIEF &
DEVELOPMENT, a Corporation Delaware
1621 North Kent Street, Arlington, Virginia
22209, USA

(111) M 2012 022248 R
(151) 2012 02 03
(181) 2022 02 03
(260) AM 2011 59713 A
(220) 2010 10 01
(732) INTERNATIONALL RELIEF &
DEVELOPMENT, A CORPORATION
DELAWARE
1621 North Kent Street, Arlington, Virginia
22209, USA

(111) M 2012 022249 R
(151) 2012 02 03
(181) 2022 02 03

(260) AM 2011 59716 A
(220) 2010 10 01
(732) GLOBAL TOBACCO INTERNATIONAL
LLC
520 S. 7th Street, Suite C, Las Vegas,
Nevada, NV 89101, USA

(111) M 2012 022250 R
(151) 2012 02 03
(181) 2022 02 03
(260) AM 2011 59734 A
(220) 2010 10 06
(732) HARRINGTON DEVELOPMENT INC.
Arango-Orillac Bldg. East 54 th street,
Panama

(111) M 2012 022251 R
(151) 2012 02 03
(181) 2022 02 03
(260) AM 2011 59792 A
(220) 2010 10 08
(732) HARRINGTON DEVELOPMENT INC.
Arango-Orillac Bldg. East 54 th street,
Panama

(111) M 2012 022252 R
(151) 2012 02 03
(181) 2022 02 03
(260) AM 2011 59793 A
(220) 2010 10 08
(732) HARRINGTON DEVELOPMENT INC.
Arango-Orillac Bldg. East 54 th street,
Panama

(111) M 2012 022253 R
(151) 2012 02 03
(181) 2022 02 03
(260) AM 2011 59881 A
(220) 2010 10 18
(732) SH.P.S "KONDITHOLDINGI"
Rustavelis q. 13, 4200, Signagi, Georgia

(111) M 2012 022254 R
(151) 2012 02 03
(181) 2022 02 03
(260) AM 2011 60029 A
(220) 2010 10 28
(732) ANEST IWATA Corporation
3176, Shinyoshida-cho, kohoku-ku,
Yokohama 223-8501, Japan

(111) M 2012 022255 R
 (151) 2012 02 03
 (181) 2022 02 03
 (260) AM 2011 60039 A
 (220) 2010 10 28
 (732) BRITISH AMERICAN TOBACCO
 (BRANDS) INC.
 (a Delaware corporation)
 2711 Centerville Road, Suite 300,
 Wilmington, Delaware 19808, USA

(111) M 2012 022256 R
 (151) 2012 02 03
 (181) 2022 02 03
 (260) AM 2011 60040 A
 (220) 2010 10 29
 (732) SHISEIDO COMPANY, LIMITED
 7-5-5 Ginza, Chuo-ku, Tokyo 104-8010,
 Japan

(111) M 2012 022257 R
 (151) 2012 02 03
 (181) 2022 02 03
 (260) AM 2011 60066 A
 (220) 2010 11 01
 (732) UNITED NATIONS CHILDREN'S FUND
 An international inter-governmental
 organization part of the United Nations
 system
 3 United Nations Plaza, City of New York,
 State of New York 10017, USA

(111) M 2012 022258 R
 (151) 2012 02 03
 (181) 2022 02 03
 (260) AM 2011 60084 A
 (220) 2010 11 03
 (732) MASTERCARD INTERNATIONAL
 INCORPORATED, A DELAWARE
 CORPORATION
 2000 Purchase Street, Purchase, New York
 10577-2405, USA

(111) M 2012 022259 R
 (151) 2012 02 03
 (181) 2022 02 03
 (260) AM 2011 60129 A
 (220) 2010 11 05
 (732) BRITISH AMERICAN TOBACCO
 (BRANDS) LIMITED
 Globe House, 4 Temple Place, London
 WC 2R 2PG, United Kingdom

(111) M 2012 022260 R
 (151) 2012 02 03
 (181) 2022 02 03
 (260) AM 2011 60131 A
 (220) 2010 11 05
 (732) Sh.P.S "GPC"
 Marjanishvilis q. 26, 0102, Tbilisi, Georgia

(111) M 2012 022261 R
 (151) 2012 02 03
 (181) 2022 02 03
 (260) AM 2011 60133 A
 (220) 2010 11 05
 (732) SH.P.S. ASFARMA - SAQARTVELO
 FARMATSEVTULI KOMPANIA
 Metexis q. 22, 0103, Tbilisi, Georgia

(111) M 2012 022262 R
 (151) 2012 02 03
 (181) 2022 02 03
 (260) AM 2011 60134 A
 (220) 2010 11 05
 (732) SH.P.S. ASFARMA - SAQARTVELO
 FARMATSEVTULI KOMPANIA
 Metexis q. 22, 0103, Tbilisi, Georgia

(111) M 2012 022263 R
 (151) 2012 02 03
 (181) 2022 02 03
 (260) AM 2011 60135 A
 (220) 2010 11 05
 (732) SH.P.S. ASFARMA - SAQARTVELO
 FARMATSEVTULI KOMPANIA
 Metexis q. 22, 0103, Tbilisi, Georgia

(111) M 2012 022264 R
 (151) 2012 02 03
 (181) 2022 02 03
 (260) AM 2011 60136 A
 (220) 2010 11 05
 (732) SH.P.S. ASFARMA - SAQARTVELO
 FARMATSEVTULI KOMPANIA
 Metexis q. 22, 0103, Tbilisi, Georgia

(111) M 2012 022265 R
 (151) 2012 02 03
 (181) 2022 02 03
 (260) AM 2011 60137 A
 (220) 2010 11 05
 (732) SH.P.S. ASFARMA - SAQARTVELO
 FARMATSEVTULI KOMPANIA
 Metexis q. 22, 0103, Tbilisi, Georgia

(111) M 2012 022266 R
 (151) 2012 02 03
 (181) 2022 02 03
 (260) AM 2011 60138 A
 (220) 2010 11 05
 (732) SH.P.S. ASFARMA - SAQARTVELO
 FARMATSEVTULI KOMPANIA
 Metexis q. 22, 0103, Tbilisi, Georgia

(111) M 2012 022267 R
 (151) 2012 02 03
 (181) 2022 02 03
 (260) AM 2011 60139 A
 (220) 2010 11 05
 (732) SH.P.S. ASFARMA - SAQARTVELO
 FARMATSEVTULI KOMPANIA
 Metexis q. 22, 0103, Tbilisi, Georgia

(111) M 2012 022268 R
 (151) 2012 02 03
 (181) 2022 02 03
 (260) AM 2011 60209 A
 (220) 2010 11 10
 (732) BIDZINA TSUTSQIRIDZE
 Vazisubnis me-4 m/r, kvart.1, korp.5,
 bina 35, 0152, Tbilisi, Georgia

(111) M 2012 022269 R
 (151) 2012 02 03
 (181) 2022 02 03
 (260) AM 2011 60299 A
 (220) 2010 11 16
 (732) JOHNNY ROCKETS LICENSING
 CORPORATION (a California corporation)
 25550 Commercentre Drive, Suite 200,
 Lake Forest, California 92630,
 USA

(111) M 2012 022270 R
 (151) 2012 02 03
 (181) 2022 02 03
 (260) AM 2011 60300 A
 (220) 2010 11 16
 (732) JOHNNY ROCKETS LICENSING
 CORPORATION (a California corporation);
 25550 Commercentre Drive, Suite 200,
 Lake Forest, California 92630, USA

(111) M 2012 022271 R
 (151) 2012 02 03
 (181) 2022 02 03
 (260) AM 2011 60323 A

(220) 2010 11 19
 (732) ОБЩЕСТВО С ОГРАНИЧЕННОЙ
 ОТВЕТСТВЕННОСТЬЮ "НОВЫЕ
 ПРОДУКТЫ"
 ул. Спортивная, 3, г. Киев, 01033, Ukraine

(111) M 2012 022272 R
 (151) 2012 02 03
 (181) 2022 02 03
 (260) AM 2011 60391 A
 (220) 2010 11 26
 (732) AKTSIONERNOE OBSHCHESTVO
 OTKRITOGO TIPA "GALICHFARM"
 Ul. oprishkovskaia, 6/8, 79024 Lvovi,
 Ukraine

(111) M 2012 022273 R
 (151) 2012 02 03
 (181) 2022 02 03
 (260) AM 2011 60394 A
 (220) 2010 11 26
 (732) AKTSIONERNOE OBSHCHESTVO
 OTKRITOGO TIPA "GALICHFARM"
 Ul. oprishkovskaia, 6/8, 79024 Lvovi,
 Ukraine

(111) M 2012 022274 R
 (151) 2012 02 03
 (181) 2022 02 03
 (260) AM 2011 60412 A
 (220) 2010 11 30
 (732) PRENATAL S.P.A.
 Via tornese, 10, GRANDATE, 22070
 COMO, Italy

(111) M 2012 022275 R
 (151) 2012 02 03
 (181) 2022 02 03
 (260) AM 2011 60575 A
 (220) 2010 12 09
 (732) DAIICHI SANKYO COMPANY, LIMITED
 3-5-1, Nihonbashi Honcho, Chuo-ku,
 Tokyo 103-8426, Japan

(111) M 2012 022276 R
 (151) 2012 02 03
 (181) 2022 02 03
 (260) AM 2011 60589 A
 (220) 2010 12 13
 (732) SS "TELIANI VELI"
 Tbilisis gzatketsili №3, 2200, Telavi, Georgia

(111) M 2012 022277 R
(151) 2012 02 03
(181) 2022 02 03
(260) AM 2011 60608 A
(220) 2010 12 16
(732) SH.P.S "KORPORATSIA QARTULI
GVINO"
S. Chiqovanis q. №35, 0171, Tbilisi, Georgia

(111) M 2012 022278 R
(151) 2012 02 03
(181) 2022 02 03
(260) AM 2011 60693 A
(220) 2010 12 23
(732) MITEL NETWORKS CORPORATION
350 Legget Drive, Ottawa, Ontario K2K 2W7,
Canada, Canada

(111) M 2012 022279 R
(151) 2012 02 03
(181) 2022 02 03
(260) AM 2011 60694 A
(220) 2010 12 23
(732) MITEL NETWORKS CORPORATION
350 Legget Drive, Ottawa, Ontario K2K 2W7,
Canada, Canada

(111) M 2012 022280 R
(151) 2012 02 03
(181) 2022 02 03
(260) AM 2011 60725 A
(220) 2010 12 24
(732) PUBLICHNOE AKTSIONERNOE
OBSHESTVO KOMERCHESKI
BANK "PRIVATBANK"
Ul. Nabehezhnaia pabedi, 50, q.
Dnepropetrovski, 49094, Ukraine

(111) M 2012 022281 R
(151) 2012 02 03
(181) 2022 02 03
(260) AM 2011 60726 A
(220) 2010 12 24
(732) PUBLICHNOE AKTSIONERNOE
OBSHESTVO KOMERCHESKI
BANK "PRIVATBANK"
Ul. Nabehezhnaia pabedi, 50, q.
Dnepropetrovski, 49094, Ukraine

(111) M 2012 022282 R
(151) 2012 02 03
(181) 2022 02 03

(260) AM 2011 60728 A
(220) 2010 12 24
(732) PUBLICHNOE AKTSIONERNOE
OBSHESTVO KOMERCHESKI
BANK "PRIVATBANK"
Ul. Nabehezhnaia pabedi, 50, q.
Dnepropetrovski, 49094, Ukraine

(111) M 2012 022283 R
(151) 2012 02 03
(181) 2022 02 03
(260) AM 2011 60844 A
(220) 2011 01 14
(732) SH.P.S "SAQARTVELOU UIVERSITETI"
Merab Kostavas 77a, 0171, Tbilisi, Georgia

(111) M 2012 022284 R
(151) 2012 02 03
(181) 2022 02 03
(260) AM 2011 61019 A
(220) 2011 01 28
(732) BUBUTEISHVILI ELGUJA
Faliashvilis q. 62, 0179, Tbilisi, Georgia

(111) M 2012 022285 R
(151) 2012 02 03
(181) 2022 02 03
(260) AM 2011 61020 A
(220) 2011 01 28
(732) THE GILLETTE COMPANY
One Gillette Park, Boston, Massachusetts
02127, USA

(111) M 2012 022286 R
(151) 2012 02 03
(181) 2022 02 03
(260) AM 2011 61131 A
(220) 2011 02 03
(732) THE COCA-COLA COMPANY
One Coca-Cola Plaza, Atlanta, Georgia
30313, USA

(111) M 2012 022287 R
(151) 2012 02 03
(181) 2022 02 03
(260) AM 2011 61182 A
(220) 2011 02 07
(732) NIKE INTERNATIONAL LTD.
One Bowerman Drive, Beaverton, Oregon
97005-6453, USA

TRADEMARKS

(111) M 2012 022288 R
(151) 2012 02 03
(181) 2022 02 03
(260) AM 2011 61194 A
(220) 2011 02 07
(732) THE COCA-COLA COMPANY
One Coca-Cola Plaza, Atlanta, Georgia
30313, USA

(111) M 2012 022289 R
(151) 2012 02 03
(181) 2022 02 03
(260) AM 2011 61456 A
(220) 2011 02 21
(732) SYNGENTA PARTICIPATIONS AG;
Schwarzwaldallee 215, 4058 Basel,
Switzerland

TRADEMARKS REGISTERED ACCORDING TO THE ACCELERATED PROCEDURE

To file an appeal on request of the registration cancelling is possible at Chamber of Appeal of Sakpatenti within 3 months from the publication.

(111) M 2012 22232 R

(151) 2012 02 01

(181) 2022 02 01

(210) AM 064594

(220) 2011 10 25

(732) SH.P.S "IMANI"

David Agmasheneblis gamz. 63a, bina 2,
0102, Tbilisi, Georgia

(540)



(591) Red, green, yellow, blue, light blue, cornelian
cherry, grey

(531) 27.05.02-29.01.15-

(511) 36

(111) M 2012 22290 R

(151) 2012 02 03

(181) 2022 02 03

(210) AM 065903

(220) 2012 01 18

(732) SH.P.S "NATALI"

Vazha Fshavelas gamz. # 42, 0177, Tbilisi,
Georgia

(540)



(591) Golden, black

(531) 27.05.06-27.05.24-29.01.12-

(511) 41, 44

(111) M 2012 22291 R

(151) 2012 02 09

(181) 2022 02 09

(210) AM 066013

(220) 2012 01 31

(732) DETLEFSEN END BELK GMBH

Hermann-Wuesthof-Ring 16, 21035
Hamburg, Germany

(740) Davit Zurabishvili

(540)

Friedrich

(591) Black, white

(511) 30

(111) M 2012 22292 R

(151) 2012 02 14

(181) 2022 02 14

(210) AM 066006

(220) 2012 01 27

(732) SS "SAQARTVELOS BANKI"

Pushkinis q. 3, 0105, Tbilisi, Georgia

(740) George Taktakishvili

(540)

საქართველოს ბარათი Card of Georgia

(591) Black, white

(526) **Disclaimer** – according to the consent of the
Ministry of Culture, on the basis of subpa-
graph (i) of paragraph 1 of Article 4 of the
Trademark Law of Georgia, the words
„საქართველოს“ and “Georgia” are inclu-
ded in a trademark as an unprotected part.

(511) 9, 35, 36

(111) M 2012 22293 R

(151) 2012 02 14

(181) 2022 02 14

(210) AM 065982

(220) 2012 01 26

(732) TBILISI SHPS QROSVEISI

Saburtalos raioni, 26 maisis moedani, N1
(sastumro Achara), Georgia

(740) George Taktakishvili

(540)



(591) Black, white

(531) 26.04.24-27.05.24-

(511) 41

(111) M 2012 22294 R

(151) 2012 02 14

(181) 2022 02 14

(210) AM 065983

(220) 2012 01 26

(732) TBILISI SHPS QROSVEISI

Saburtalos raioni, 26 maisis moedani, N1

(sastumro Achara), Georgia

(740) George Taktakishvili

(540)



(591) Black, white

(531) 26.04.24-27.05.24-

(511) 41

(111) M 2012 22295 R

(151) 2012 02 14

(181) 2022 02 14

(210) AM 065984

(220) 2012 01 26

(732) TBILISI SHPS QROSVEISI

Saburtalos raioni, 26 maisis moedani, N1

(sastumro Achara), Georgia

(740) George Taktakishvili

(540)



(591) Black, white

(531) 26.04.24-27.05.24-

(511) 41

(111) M 2012 22296 R

(151) 2012 02 14

(181) 2022 02 14

(210) AM 066037

(220) 2012 02 01

(732) OBSHCHESTVO S OGRANICHENNOI
OTVESTVENNOSTYOU "KRAFT FUDS
RUS"

Ul. Frantsa Shtolverka 10, Vladimirskaya

Oblast, Petushinskiy Rayon, G. Pokrov,

601123, Russian Federation

(740) Tamar Kochlamazashvili

(540)



(591) White, red

(531) 01.03.15-28.05.00-29.01.01-

(511) 30

(111) M 2012 22297 R

(151) 2012 02 14

(181) 2022 02 14

(210) AM 066038

(220) 2012 02 01

(732) ОБЩЕСТВО С ОГРАНИЧЕННОЙ
ОТВЕСТВЕННОСТЬЮ "КРАФТ ФУДС
РУС"

Ул. Франца Штольверка 10, Владимир-

ская Область, Петушинский Район,

Г. Покров, 601123, Russian Federation

(740) Tamar Kochlamazashvili

(540)



(591) White, red

(531) 01.03.15-28.05.00-29.01.01-

(511) 30

(111) M 2012 22298 R

(151) 2012 02 14

(181) 2022 02 14

(210) AM 066063

(220) 2012 02 03

(732) SH.P.S "SANTREIDI"

Varketili-3, III a m/r, korpusi 340, bina 8,

0163, Tbilisi, Georgia

(540)

НАША СЕМЬЯ

ჩვენო ოჯახი

OUR FAMILY

(591) Black, white

(511) 29, 30

(111) M 2012 22299 R

(151) 2012 02 14

(181) 2022 02 14

(210) AM 066057

(220) 2012 02 02

(732) GALLAHER LIMITED

Members Hill, Brooklands Road, Weybridge,

Surrey KT13 0QU, United Kingdom
 (740) Shalva Gvaramadze
 (540)



(591) Black, white
 (531) 25.01.01-26.13.25-27.05.23-27.05.24-
 (511) 34

(111) M 2012 22300 R
 (151) 2012 02 14
 (181) 2022 02 14
 (210) AM 066058
 (220) 2012 02 02
 (732) GALLAHER LIMITED
 Members Hill, Brooklands Road, Weybridge,
 Surrey KT13 0QU, United Kingdom
 (740) Shalva Gvaramadze
 (540)

RAW BEAUTY

(591) Black, white
 (511) 34

(111) M 2012 22301 R
 (151) 2012 02 14
 (181) 2022 02 14
 (210) AM 066059
 (220) 2012 02 02
 (732) GALLAHER LIMITED
 Members Hill, Brooklands Road, Weybridge,
 Surrey KT13 0QU, United Kingdom
 (740) Shalva Gvaramadze
 (540)

SOBRANIE LIQUID GOLD

(591) Black, white
 (511) 34

(111) M 2012 22302 R
 (151) 2012 02 14
 (181) 2022 02 14
 (210) AM 066060
 (220) 2012 02 02
 (732) GALLAHER LIMITED
 Members Hill, Brooklands Road, Weybridge,
 Surrey KT13 0QU, United Kingdom
 (740) Shalva Gvaramadze
 (540)

SUSPENDED BELIEF

(591) Black, white
 (511) 34

(111) M 2012 22303 R
 (151) 2012 02 14
 (181) 2022 02 14
 (210) AM 066061
 (220) 2012 02 02
 (732) GALLAHER LIMITED
 Members Hill, Brooklands Road, Weybridge,
 Surrey KT13 0QU, United Kingdom
 (740) Shalva Gvaramadze
 (540)

SOBRANIE MODERN HERITAGE

(591) Black, white
 (511) 34

INTERNATIONAL TRADEMARKS LAID OPEN FOR THE PURPOSE OF TAKING PROTECTION GRANTING DECISIONS

To appeal a decision is possible at Chamber of Appeal of Sakpatenti within 3 months from the publication or at The Board of Administrative Actions of Tbilisi City Court within a 1 month period. (Address: 12 km., №6, David Aghmashenebeli Kheivani, Tbilisi).

(260) AM 2012 61800 A
(800) 1068358
(731) THE BHAKTIVEDANTA BOOK TRUST
INTERNATIONAL, INC.
3764 Watseka Avenue, Los Angeles
California 90034, USA
(540)



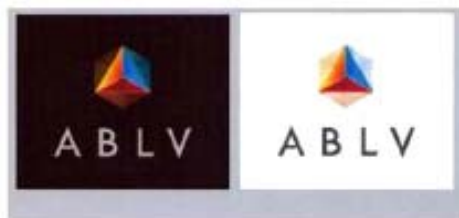
(591) Black, white
(511) 09, 16

(260) AM 2012 61802 A
(800) 1068376
(731) LIMITED COMPANY "LIMONOV"
ul. Dukacha, 4, RU-630071 Novosibirsk,
Russian Federation
(540)



(591) Blue
(511) 05, 16, 35, 39

(260) AM 2012 61803 A
(800) 1068378
(731) ABLV BANK, AS
Elizabetes iela 23, LV-1010 Riga, Latvia
(540)



(591) Dark brown, blue, green, orange, red, yellow,
grey and white
(511) 36

(260) AM 2012 61805 A
(800) 1068422
(731) ASHLEY FURNITURE
INDUSTRIES, INC.
One Ashley Way, Arcadia WI 54612,
USA
(540)



(591) Black, white
(511) 20

(260) AM 2012 62087 A
(800) 1070500
(731) WIENER STÄDTISCHE Versicherung AG
Vienna Insurance Group
Schottenring 30, A-1010 WIEN,
Austria
(540)



(591) Red and white
(511) 36

(260) AM 2012 62277 A
(800) 743607
(731) SCHAFFNER HOLDING AG
Nordstrasse 11, CH-4542 Luterbach,
Switzerland
(540)

SCHAFFNER

(591) Black, white
(511) 09

(260) AM 2012 62278 A
 (800) 775161
 (731) KAMPOL - K. HUMINSKI & syn Sp. z o.o.
 ul. Długa 25, PL-66-008 SWIDNICA, Poland
 (540)



(591) Black, red, gold
 (511) 20, 24, 25

(260) AM 2012 62279 A
 (800) 793824
 (731) MC MC TEKSTIL TURIZM INSAAT
 SANAYI VE TICARET LIMITED SIRKETI
 Laleli, Kocaragippasa Cad. No: 20/4,
 Eminönü, Istanbul , Turkey
 (540)



(591) Black, white
 (511) 25, 35

(260) AM 2012 62280 A
 (800) 828410
 (731) Ferrosan A/S
 Sydmarken 5, DK-2860 Søborg , Denmark
 (540)

СТРИК

(591) Black, white
 (511) 05, 29, 30

(260) AM 2012 62281 A
 (800) 841091
 (731) CD Cartondruck AG
 Senefelderstraße, 74182 Obersulm, Germany
 (540)

CARTONDRUCK

(591) Black, white
 (511) 16, 42

(260) AM 2012 62282 A
 (800) 932968
 (731) LAZZONI MOBİLYA İNŞAAT TURİZM
 SANAYİ VE TİCARET LTD. ŞTİ.
 Çiğiltepe Mah. Bostancık, Cad. No. 55/A,
 Siteler Ankara, Turkey
 (540)

LAZZONI

(591) Black, white
 (511) 20

(260) AM 2012 62283 A
 (800) 940324
 (731) COVIDIEN AG
 Victor von Bruns-Strasse 19, CH-8212
 Neuhausen am Rheinfall, Switzerland
 (540)



(591) Blue, white
 (511) 05, 09, 10, 44

(260) AM 2012 62290 A
 (800) 1031747
 (731) CAUSSADE SEMENCES SA
 Usine De Meaux, F-82300 Caussade, France
 (540)



(591) Green , yellow, black
 (511) 31, 42

(260) AM 2012 62291 A
 (800) 1045967
 (731) Mr Luigi PALMESINO
 2 rue Honoré Labande, MC-98000
 MONACO, Monaco
 (540)

RENEVE

(591) Black, white
 (511) 03, 10, 44

(260) AM 2012 62292 A
 (800) 1054256
 (731) ENI S.p.A.
 Piazzale Enrico Mattei, 1, I-00144 ROMA,
 Italy

(540)

ENI I-SINT

(591) Black, white

(511) 04

(260) AM 2012 62293 A

(800) 1072080

(731) DF World of Spices GmbH

Industriestraße 25, 49201 Dissen, Germany

(540)

Миродения

(591) Black, white

(511) 29, 30

(260) AM 2012 62396 A

(800) 1072732

(731) RAZER (ASIA-PACIFIC) PTE LTD

514 CHAI CHEE LANE, #07-05,

SINGAPORE 469029, Singapore

(540)



(591) Black, white

(511) 09

(260) AM 2012 59989 A*

(800) 1051237

(731) MOUNT EVEREST TEA COMPANY

GMBH

Daimlerstraße 13, 25337 Elmshorn, Germany

(540)



(591) Black, white and grey

(560) **Disclaimer** – Word combination "EVEREST
TEA, TEE" in the trademark shall not be
subject to independent protection.

(511) 21, 30, 35

INTERNATIONAL TRADEMARKS PROTECTED IN GEORGIA

(260) AM 2011 57569 A
(800) 1031619
(151) 2010 01 26
(181) 2020 01 26
(511) 09, 37, 39, 40, 42

(260) AM 2011 58779 A
(800) 1041797
(151) 2010 05 28
(181) 2020 05 28
(511) 32

(260) AM 2011 58781 A
(800) 1041807
(151) 2010 04 01
(181) 2020 04 01
(511) 32, 33

(260) AM 2011 59121 A
(800) 183010
(151) 2005 02 28
(181) 2015 02 28
(511) 01, 03, 05

(260) AM 2011 59127 A
(800) 1017003
(151) 2009 08 17
(181) 2019 08 17
(511) 33

(260) AM 2011 59133 A
(800) 785728
(151) 2002 06 25
(181) 2012 06 25
(511) 36, 38

(260) AM 2011 59314 A
(800) 1045474
(151) 2010 06 23
(181) 2020 06 23
(511) 18, 25

(260) AM 2011 59467 A
(800) 1046979
(151) 2010 07 09

(181) 2020 07 09
(511) 05

(260) AM 2011 61043 A
(800) 1060977
(151) 2010 11 11
(181) 2020 11 11
(511) 35

(260) AM 2011 61134 A
(800) 1061933
(151) 2010 07 16
(181) 2020 07 16
(511) 06, 07, 08, 09, 11, 42

(260) AM 2011 61146 A
(800) 1062193
(151) 2010 08 18
(181) 2020 08 18
(511) 09

(260) AM 2011 61212 A
(800) 1062854
(151) 2010 08 02
(181) 2020 08 02
(511) 18, 25

(260) AM 2011 61273 A
(800) 1063408
(151) 2010 05 04
(181) 2020 05 04
(511) 01, 03, 05, 30

(260) AM 2011 61274 A
(800) 1063457
(151) 2010 12 23
(181) 2020 12 23
(511) 05

(260) AM 2011 61275 A
(800) 1063466
(151) 2010 12 03
(181) 2020 12 03
(511) 01, 05

TRADEMARKS

(260) AM 2011 61277 A
(800) 1063510
(151) 2010 12 03
(181) 2020 12 03
(511) 03, 30

(260) AM 2011 61288 A
(800) 1063637
(151) 2010 12 16
(181) 2020 12 16
(511) 30

(260) AM 2011 61278 A
(800) 1063546
(151) 2010 11 29
(181) 2020 11 29
(511) 32

(260) AM 2011 61355 A
(800) 790964
(151) 2002 10 04
(181) 2012 10 04
(511) 02, 16

(260) AM 2011 61279 A
(800) 1063549
(151) 2010 11 25
(181) 2020 11 25
(511) 05

(260) AM 2011 61356 A
(800) 801563
(151) 2003 04 22
(181) 2013 04 22
(511) 31

(260) AM 2011 61280 A
(800) 1063551
(151) 2010 11 25
(181) 2020 11 25
(511) 05

(260) AM 2011 61357 A
(800) 834205
(151) 2004 03 29
(181) 2014 03 29
(511) 14

(260) AM 2011 61281 A
(800) 1063553
(151) 2010 12 13
(181) 2020 12 13
(511) 12

(260) AM 2011 61358 A
(800) 905674
(151) 2006 11 09
(181) 2016 11 09
(511) 20

(260) AM 2011 61282 A
(800) 1063578
(151) 2010 12 22
(181) 2020 12 22
(511) 05, 29, 30, 32, 41, 43

(260) AM 2011 61359 A
(800) 910828
(151) 2006 08 18
(181) 2016 08 18
(511) 35, 38, 39, 42

(260) AM 2011 61285 A
(800) 1063588
(151) 2010 12 14
(181) 2020 12 14
(511) 05

(260) AM 2011 61360 A
(800) 912776
(151) 2006 07 03
(181) 2016 07 03
(511) 05

(260) AM 2011 61287 A
(800) 1063627
(151) 2010 11 29
(181) 2020 11 29
(511) 20

(260) AM 2011 61361 A
(800) 949772
(151) 2007 12 12
(181) 2017 12 12
(511) 05

(260) AM 2011 61362 A
(800) 986191
(151) 2008 09 16
(181) 2018 09 16
(511) 18, 25, 35

(260) AM 2011 61428 A
(800) 1064641
(151) 2011 01 05
(181) 2021 01 05
(511) 10

(260) AM 2011 61363 A
(800) 996284
(151) 2009 02 02
(181) 2019 02 02
(511) 34

(260) AM 2011 61429 A
(800) 1064643
(151) 2010 12 18
(181) 2020 12 18
(511) 01, 05, 07, 09, 11, 16, 40, 42

(260) AM 2011 61364 A
(800) 1025884
(151) 2009 12 02
(181) 2019 12 02
(511) 05

(260) AM 2011 61430 A
(800) 1064662
(151) 2010 12 23
(181) 2020 12 23
(511) 41

(260) AM 2011 61365 A
(800) 1052419
(151) 2010 08 06
(181) 2020 08 06
(511) 12

(260) AM 2011 61431 A
(800) 1064668
(151) 2010 12 02
(181) 2020 12 02
(511) 18, 25, 28

(260) AM 2011 61373 A
(800) 1064042
(151) 2010 09 21
(181) 2020 09 21
(511) 03

(260) AM 2011 61432 A
(800) 1064677
(151) 2010 06 25
(181) 2020 06 25
(511) 01, 02, 03, 05, 07, 09, 16, 17, 19, 30, 37, 40,
41, 42

(260) AM 2011 61374 A
(800) 1064045
(151) 2010 11 03
(181) 2020 11 03
(511) 14

(260) AM 2011 61433 A
(800) 1064681
(151) 2010 11 03
(181) 2020 11 03
(511) 06, 17, 19

(260) AM 2011 61384 A
(800) 1064086
(151) 2010 12 23
(181) 2020 12 23
(511) 42

(260) AM 2011 61434 A
(800) 1064688
(151) 2010 07 19
(181) 2020 07 19
(511) 05, 32

(260) AM 2011 61427 A
(800) 1064638
(151) 2011 01 05
(181) 2021 01 05
(511) 05

(260) AM 2011 61435 A
(800) 1064690
(151) 2010 12 14
(181) 2020 12 14
(511) 30

TRADEMARKS

(260) AM 2011 61436 A
(800) 1064718
(151) 2010 11 08
(181) 2020 11 08
(511) 30

(260) AM 2011 61444 A
(800) 1064895
(151) 2010 12 20
(181) 2020 12 20
(511) 09

(260) AM 2011 61437 A
(800) 1064760
(151) 2010 11 30
(181) 2020 11 30
(511) 14

(260) AM 2011 61446 A
(800) 541895
(151) 2009 08 31
(181) 2019 08 31
(511) 05

(260) AM 2011 61438 A
(800) 1064802
(151) 2011 01 04
(181) 2021 01 04
(511) 32

(260) AM 2011 61447 A
(800) 733158
(151) 2010 05 16
(181) 2020 05 16
(511) 05

(260) AM 2011 61439 A
(800) 1064811
(151) 2010 12 16
(181) 2020 12 16
(511) 12

(260) AM 2011 61448 A
(800) 890724
(151) 2006 06 29
(181) 2016 06 29
(511) 05

(260) AM 2011 61440 A
(800) 1064821
(151) 2010 12 08
(181) 2020 12 08
(511) 14

(260) AM 2011 61450 A
(800) 963743
(151) 2008 03 14
(181) 2018 03 14
(511) 18, 25, 28

(260) AM 2011 61441 A
(800) 1064837
(151) 2010 06 11
(181) 2020 06 11
(511) 06, 07, 12, 17

(260) AM 2011 61451 A
(800) 1024772
(151) 2009 11 23
(181) 2019 11 23
(511) 05, 10

(260) AM 2011 61442 A
(800) 1064847
(151) 2010 12 23
(181) 2020 12 23
(511) 03

(260) AM 2011 61452 A
(800) 1058568
(151) 2010 11 18
(181) 2020 11 18
(511) 05

(260) AM 2011 61443 A
(800) 1064850
(151) 2011 01 12
(181) 2021 01 12
(511) 34

(260) AM 2011 61453 A
(800) 1058574
(151) 2010 11 18
(181) 2020 11 18
(511) 05

(260) AM 2011 61487 A
(800) 1065217
(151) 2010 08 02
(181) 2020 08 02
(511) 03, 05, 14, 16, 25, 35, 41

(260) AM 2011 61504 A
(800) 1065421
(151) 2011 01 06
(181) 2021 01 06
(511) 30

(260) AM 2011 61488 A
(800) 1065283
(151) 2010 12 08
(181) 2020 12 08
(511) 33

(260) AM 2011 61505 A
(800) 1065436
(151) 2010 12 03
(181) 2020 12 03
(511) 11

(260) AM 2011 61489 A
(800) 1065293
(151) 2010 09 16
(181) 2020 09 16
(511) 03, 20, 21, 35, 44

(260) AM 2011 61506 A
(800) 1065459
(151) 2010 10 29
(181) 2020 10 29
(511) 10

(260) AM 2011 61491 A
(800) 1065330
(151) 2010 10 18
(181) 2020 10 18
(511) 05

(260) AM 2011 61507 A
(800) 1065535
(151) 2011 01 21
(181) 2021 01 21
(511) 03

(260) AM 2011 61492 A
(800) 1065338
(151) 2010 10 21
(181) 2020 10 21
(511) 05

(260) AM 2011 61509 A
(800) 1065550
(151) 2010 11 12
(181) 2020 11 12
(511) 09, 38, 41, 43

(260) AM 2011 61501 A
(800) 1065362
(151) 2010 11 24
(181) 2020 11 24
(511) 03

(260) AM 2011 61579 A
(800) 1066326
(151) 2010 11 22
(181) 2020 11 22
(511) 12, 35, 36, 37

(260) AM 2011 61502 A
(800) 1065413
(151) 2010 09 04
(181) 2020 09 04
(511) 06, 07, 19

(260) AM 2011 61580 A
(800) 1066338
(151) 2010 06 10
(181) 2020 06 10
(511) 07, 09, 12, 35

(260) AM 2011 61503 A
(800) 1065419
(151) 2010 08 10
(181) 2020 08 10
(511) 35, 42

(260) AM 2011 61581 A
(800) 1066376
(151) 2010 12 09
(181) 2020 12 09
(511) 18

TRADEMARKS

(260) AM 2011 61584 A
(800) 1066422
(151) 2010 12 08
(181) 2020 12 08
(511) 28

(260) AM 2011 61602 A
(800) 788996
(151) 2002 09 17
(181) 2012 09 17
(511) 11

(260) AM 2011 61592 A
(800) 1066500
(151) 2010 10 14
(181) 2020 10 14
(511) 03, 08, 09, 11, 16, 21

(260) AM 2011 61594 A
(800) 1066544
(151) 2010 11 12
(181) 2020 11 12
(511) 33

(260) AM 2011 61595 A
(800) 455951
(151) 2010 10 11
(181) 2020 10 11
(511) 09

(260) AM 2011 61596 A
(800) 582624
(151) 2002 02 04
(181) 2012 02 04
(511) 05

(260) AM 2011 61598 A
(800) 603714
(151) 2003 07 07
(181) 2013 07 07
(511) 05

(260) AM 2011 61600 A
(800) 691967
(151) 2008 03 31
(181) 2018 03 31
(511) 05, 29, 30

(260) AM 2011 61601 A
(800) 734742
(151) 2010 03 21
(181) 2020 03 21
(511) 03, 05

APPELLATIONS OF ORIGIN AND GEOGRAPHICAL INDICATIONS OF GOODS

REGISTERED GEOGRAPHICAL INDICATIONS

NUMBER OF REGISTRATION № 824

DATE OF REGISTRATION: 2012 02 22

APPELLATION OF ORIGIN: **Borjomi**

PRODUCT NAME FOR WHICH THE REGISTRATION OF THE APPELLATION OF ORIGIN IS REQUESTED

Class 32 – Natural Mineral Waters

NAME AND ADDRESS OF THE APPLICANT

Ministry of Agriculture of Georgia., 6, Marshal Gelovani ave., 0159, Tbilisi (GE)

DESCRIPTION OF THE GEOGRAPHICAL LOCATION

The water deposit “Borjomi” is situated in Georgia, in the narrow valley of the river Mtkvari in the city Borjomi, in the central part of the fold mountain system of Achara-Trialeti. The territory comprises 20 km² and 3 districts for exploitation: the central district, the district of Likani and the district of Vashlovani-Kvibisi. The water “Borjomi” comes out on the earth surface from 8-10 km depth, with the help of the natural gas and Carbon dioxide pressure.

SPECIFIC CHARACTERISTICS:

Unlike other mineral waters, “Borjomi” is not in time to become cool under the earth and goes out warm on the earth surface (34-41°C) and on its way gets rich of 60 various minerals composition existing in the Caucasus Mountains.

The water “Borjomi” contains Strontium, Fluorine, Iodine and Boron. Content of Strontium in the well water samples and production is 4.0-20.0 mg/l, content of Fluorine is 3-10.6 mg/l, of Iodine is 0.3-1.5 mg/l and of Boron is 3.0-10.0 mg/l.

CHEMICAL COMPOUND: $M_{60} \frac{HCO_3 85 CL 15}{Na 86} CO_2 T 29,6^\circ$

The water mineralization of the various districts of the water deposit is 2-7 g/l. It has the acid reaction (pH-6.7-6.9). The water temperature varies between 34-41°C.

Some surface active substances: Pesticides, Poly Chlorine Biphenyls, Oils, Polycyclic Aromatic Hydrocarbons were not found in the water “Borjomi”.

MINERALIZATION OF THE WATER BORJOMI

NAME OF THE COMPONENTS	CONCENTRATION, mg/l
Calcium	20–150
Magnesium	20–150
Potassium	15–45
Sodium	1000–2000
Hydro Carbonate	3500–5000
Chlorides	250–500
Sulfates	<10
Mineralization g/l	2.0-7,5

SPECIFIC COMPONENTS OF THE WATER BORJOMI

NAME OF THE COMPONENTS	CONCENTRATION, mg/l
Strontium	40–20.0
Fluorides	0.5–10.0
Iodide	0.3–1.5
Borates (by recount on B)	3.0–0.0

The water “Borjomi” belongs to the category of the mineral waters. It is recommended for the medical-prophylactic purposes, for treatment of gastro-intestinal diseases (chronic gastritis, functional diseases of stomach, gastro-intestinal ulcer), intestine functional diseases, liver and bile duct diseases, hepatitis, cholecystitis and metabolism.

OFFICIAL NOTIFICATIONS

TRADEMARKS

RENEWAL OF REGISTRATIONS

(111) M 2002 14240 R1
(156) 2012 01 08
(186) 2022 01 08
(732) MARS, INCORPORATED
(a Delaware corporation)
6885 Elm Street, McLean, Virginia
22101-3883, USA

(111) M 2002 14241 R1
(156) 2012 01 08
(186) 2022 01 08
(732) THE PROCTER & GAMBLE COMPANY
One Procter & Gamble Plaza, Cincinnati,
Ohio, USA

(111) M 2002 14261 R1
(156) 2012 01 18
(186) 2022 01 18
(732) IPR Pharmaceuticals INC.
Sabana Gardens Industrial Park, P.O. Box
1967, Carolina, Puerto Rico, PR 00984, USA

(111) M 2002 14310 R1
(156) 2012 02 18
(186) 2022 02 18
(732) MARS, INCORPORATED
(a Delaware corporation)
6885 Elm Street, McLean, Virginia
22101-3883, USA

(111) M 2002 14383 R1
(156) 2012 03 27
(186) 2022 03 27
(732) MERCK SHARP & DOHME CORP.
One Merck Drive, P.O. Box 100, Whitehouse
Station, New Jersey 08889-0100, USA

(111) M 2002 14387 R1
(156) 2012 03 27
(186) 2022 03 27
(732) Wyeth LLC
Five Giralda Farms, Madison, New Jersey,
07940, USA

(111) M 2002 14408 R1
(156) 2012 04 01
(186) 2022 04 01
(732) MARS, INCORPORATED
(a Delaware corporation)
6885 Elm Street, McLean, Virginia
22101-3883, USA

(111) M 2002 14444 R1
(156) 2012 05 01
(186) 2022 05 01
(732) MARS, INCORPORATED
(a Delaware corporation)
6885 Elm Street, McLean, Virginia
22101-3883, USA

(111) M 2002 14455 R1
(156) 2012 05 24
(186) 2022 05 24
(732) MASTERCARD INTERNATIONAL
INCORPORATED
2000 Purchase Street, Purchase, New York
10577-2509, USA

(111) M 2002 14490 R1
(156) 2012 06 13
(186) 2022 06 13
(732) MARS, INCORPORATED,
a Delaware Corporation
6885 Elm Street, McLean, Virginia
22101-3883, USA

(111) M 2002 14492 R1
(156) 2012 06 13
(186) 2022 06 13
(732) MARS, INCORPORATED
(a Delaware corporation)
6885 Elm Street, McLean, Virginia
22101-3883, USA

(111) M 2002 14502 R1
(156) 2012 06 13
(186) 2022 06 13

(732) MARS, INCORPORATED
(a Delaware corporation)
6885 Elm Street, McLean, Virginia
22101-3883, USA

(111) M 2002 14611 R1
(156) 2012 09 13
(186) 2022 09 13
(732) "SOPHARMA" AD
16 Iliensko Shaussee Str., 1220 Sofia,
Bulgaria

(111) M 2002 14618 R1
(156) 2012 09 13
(186) 2022 09 13
(732) "SOPHARMA" AD
16 Iliensko Shaussee Str., 1220 Sofia,
Bulgaria

(111) M 2002 14690 R1
(156) 2012 09 30
(186) 2022 09 30
(732) "SOPHARMA" AD
16 Iliensko Shaussee Str., 1220 Sofia,
Bulgaria

(111) M 2002 14691 R1
(156) 2012 09 30
(186) 2022 09 30
(732) "SOPHARMA" AD
16 Iliensko Shaussee Str., 1220 Sofia,
Bulgaria

(111) M 2002 14767 R1
(156) 2012 10 15
(186) 2022 10 15
(732) "SOPHARMA" AD
16 Iliensko Shaussee Str., 1220 Sofia,
Bulgaria

(111) M 2002 14768 R1
(156) 2012 10 15
(186) 2022 10 15
(732) OSI Pharmaceuticals, LLC
1 Bioscience Park Drive, Farmingdale,
NY 11735, USA

COMPLETE TRANSFER OF RIGHTS

- (111) M 1998 010775 R1
(732) ILLINOIS TOOL WORKS INC.,
a Delaware corporation
3600 West Lake Avenue, Glenview, Illinois
60026, USA
(770) ITW CCIIP HOLDINGS LLC,
a Delaware Limited Liability Company
1201 North Market Street, PO Box 1347,
Wilmington, Delaware 19801, USA
(580) 2012 02 08
-
- (111) M 1998 011163 R1
(732) UENO-SHOKAI Co., LTD
6-10-17 Ueno, Taito-ku, Tokyo, 110-0005,
Japan
(770) Avirec Asia SA
Via Frasca 3, Lugano, Switzerland
(580) 2012 02 08
-
- (111) M 2005 016335 R
(732) MOONLIGHT PERAKENDECILIK VE
TICARET ANONIM ŞİRKETİ
Turgut Ozal Bulbari No 6, 34758, Ataschir,
Istanbul, Turkey
(770) MIGROS TURK TICARET ANONIM
ŞİRKETİ
TURGUT OZAL BULVARI, NO: ATA-6,
34758, KUGUKBAKKALKOY, KADIKOY,
ISTANBUL, Turkey
(580) 2012 02 08
-
- (111) M 2005 016335 R
(732) SOK MARKETLER ANONIM ŞİRKETİ
Turgut Ozal Cadessi No 12, Ataschir 34758,
Istanbul, Turkey
(770) MIGROS TICARET ANONIM ŞİRKETİ
Turgut Ozal Cadessi No 12, Ataschir 34758,
Istanbul, Turkey
(580) 2012 02 08
-
- (111) M 2005 016336 R
(732) MOONLIGHT PERAKENDECILIK VE
TICARET ANONIM ŞİRKETİ
Turgut Ozal Bulbari No 6, Ataschir 34758,
Istanbul, Turkey
(770) MIGROS TURK TICARET ANONIM
ŞİRKETİ
TURGUT OZAL BULVARI, NO: ATA-6,
34758, KUGUKBAKKALKOY, KADIKOY,
ISTANBUL, Turkey
-
- (111) M 2005 016336 R
(732) MOONLIGHT PERAKENDECILIK VE
TICARET ANONIM ŞİRKETİ
Turgut Ozal Bulbari No 6, Ataschir 34758,
Istanbul, Turkey
(770) MIGROS TURK TICARET ANONIM
ŞİRKETİ
TURGUT OZAL BULVARI, NO: ATA-6,
34758, KUGUKBAKKALKOY, KADIKOY,
ISTANBUL, Turkey
-
- (111) M 2005 016336 R
(732) MOONLIGHT PERAKENDECILIK VE
TICARET ANONIM ŞİRKETİ
Turgut Ozal Bulbari No 6, Ataschir 34758,
Istanbul, Turkey
(770) MIGROS TURK TICARET ANONIM
ŞİRKETİ
TURGUT OZAL BULVARI, NO: ATA-6,
34758, KUGUKBAKKALKOY, KADIKOY,
ISTANBUL, Turkey
-
- (111) M 2006 016932 R
(732) S.S. "LOMISI"
Sofeli Natakhtari, 3308, Mtskheta, Georgia
(770) S.S. "KAIZERI"
Mosashvilis q.22, skhveni 2, Georgia
(580) 2012 01 30
-
- (111) M 2006 016933 R
(732) S.S. "LOMISI"
Sofeli Natakhtari, 3308, Mtskheta, Georgia
(770) S.S. "KAIZERI"
Mosashvilis q.22, skhveni 2, Georgia
(580) 2012 01 30
-
- (111) M 2007 017637 R
(732) ITALFARMACO SpA
V.le Fulvio Testi 330, 20126 Milan, Italy
(770) ITF Pharma Kereskedelmi és Szolgáltató Kft.
Duna u.1, H-1056 Budapest, Hungary
(580) 2012 02 09
-
- (111) M 2007 017796 R
(732) ITALFARMACO SpA
V.le Fulvio Testi 330, 20126 Milan, Italy
(770) ITF Pharma Kereskedelmi és Szolgáltató Kft.
Duna u.1, H-1056 Budapest, Hungary
(580) 2012 02 09
-
- (111) M 2009 019161 R
(732) Sh.P.S "MZIURI VELI"
Noneshvilis q. 65, 6000, Batumi, Georgia
(770) Sh.P.S "Batoili"
Noneshvilis q. 65, 6007, Batumi, Georgia

(580) 2012 01 30

(111) M 1997 007008 R1
(732) TOROS İÇ VE DIŞ TİCARET LİMİTED
ŞİRKETİ
BAHARIYE CAD. NO:80/5 KADIKOY,
ISTANBUL, Turkey
(770) UNILEVER N.V.,
Weena 455, NL-3013 AL Rotterdam,
Netherlands
(580) 2012 02 08

(111) M 1997 007035 R1
(732) BROWN-FORMAN POLSKA SP. Z.O.O.
Ul. Postepu 21, 02-676, Warsaw, Poland
(770) ALTIA PLC
Salmisaarenranta 7, 00180 Helsinki, Finland
(580) 2012 01 30

(111) M 1998 009456 R1
(732) BROWN-FORMAN POLSKA SP. Z.O.O.
Ul. Postepu 21, 02-676, Warsaw, Poland
(770) ALTIA PLC
Salmisaarenranta 7, 00180 Helsinki, Finland
(580) 2012 01 30

(111) M 1998 009458 R1
(732) BROWN-FORMAN POLSKA SP. Z.O.O.
Ul. Postepu 21, 02-676, Warsaw, Poland
(770) ALTIA PLC
Salmisaarenranta 7, 00180 Helsinki, Finland
(580) 2012 01 30

(111) M 1998 009459 R1
(732) BROWN-FORMAN POLSKA SP. Z.O.O.
Ul. Postepu 21, 02-676, Warsaw, Poland
(770) ALTIA PLC
Salmisaarenranta 7, 00180 Helsinki, Finland
(580) 2012 01 30

CHANGES IN NAMES AND/OR ADDRESSES OF OWNERS

(111) M 2001 014220 R1
 (732) Schering-Plough Ltd
 Weyrstrasse 20, CH- 6004, Lucerne 6,
 Switzerland
 (770) SCHERING-PLOUGH LTD
 Topferstrasse 5, CH 6004, Lucerne,
 Switzerland
 (580) 2012 01 30

(111) M 2002 014768 R1
 (732) OSI Pharmaceuticals, LLC
 1 Bioscience Park Drve, Farmingdale,
 NY 11735, USA
 (770) OSI Pharmaceuticals, Inc.
 41 Pinelawn Road, Melville,
 New York 11747, USA
 (580) 2012 01 30

(111) M 2001 014221 R1
 (732) Schering-Plough Ltd
 Weyrstrasse 20, CH- 6004, Lucerne 6,
 Switzerland
 (770) SCHERING-PLOUGH LTD
 Topferstrasse 5, CH 6004, Lucerne,
 Switzerland
 (580) 2012 01 30

(111) M 2005 016083 R
 (732) OSI Pharmaceuticals, LLC
 1 Bioscience Park Drve, Farmingdale,
 NY 11735, USA
 (770) OSI Pharmaceuticals, Inc.
 41 Pinelawn Road, Melville,
 New York 11747, USA
 (580) 2012 01 30

(111) M 2002 014441 R
 (732) STOKELY-VAN CAMP, INC.,
 an Indiana corporation
 555 West Monroe Street, Chicago, Illinois
 60661-3716, USA
 (770) STOKELY-VAN CAMP, INC.
 an Indiana corporation
 321 North Clark Street, Chicago,
 Illinois, USA
 (580) 2012 01 30

(111) M 2005 016335 R
 (732) MIGROS TICARET ANONIM ŞİRKETİ
 Turgut Ozal Bulbari No 6, 34758, Ataschir,
 Istanbul, Turkey
 (770) MOONLIGHT PERAKENDECİLİK VE
 TICARET ANONİM ŞİRKETİ
 Turgut Ozal Bulbari No 6, 34758, Ataschir,
 Istanbul, Turkey
 (580) 2012 02 08

(111) M 2002 014442 R
 (732) STOKELY-VAN CAMP, INC.
 an Indiana corporation,
 555 West Monroe Street, Chicago, Illinois
 60661-3716, USA
 (770) STOKELY-VAN CAMP, INC.
 an Indiana corporation
 321 North Clark Street, Chicago, Illinois, USA
 (580) 2012 01 30

(111) M 2005 016335 R
 (732) MIGROS TICARET ANONİM ŞİRKETİ
 Turgut Ozal Cadessi No 12, Ataschir 34758
 Istanbul, Turkey
 (770) MIGROS TICARET ANONİM ŞİRKETİ
 Turgut Ozal Bulbari No 6, 34758, Ataschir,
 Istanbul, Turkey
 (580) 2012 02 08

(111) M 2002 014443 R
 (732) STOKELY-VAN CAMP, INC.
 an Indiana corporation,
 555 West Monroe Street, Chicago, Illinois
 60661-3716, USA
 (770) STOKELY-VAN CAMP, INC
 an Indiana corporation
 321 North Clark Street, Chicago, Illinois,
 USA
 (580) 2012 0130

(111) M 2005 016336 R
 (732) MIGROS TICARET ANONİM ŞİRKETİ
 Turgut Ozal Bulbari No 6, Ataschir 34758
 Istanbul, Turkey
 (770) MOONLIGHT PERAKENDECİLİK VE
 TICARET ANONİM ŞİRKETİ
 Turgut Ozal Bulbari No 6, Ataschir 34758,
 Istanbul, Turkey
 (580) 2012 02 08

(111) M 2005 016336 R
 (732) MIGROS TICARET ANONİM ŞİRKETİ
 Turgut Ozal Cadessi No 12, Ataschir 34758,

Istanbul, Turkey
(770) MIGROS TICARET ANONIM ŞİRKETİ
Turgut Ozal Bulbarı No 6, Ataschir 34758,
Istanbul, Turkey
(580) 2012 02 08

(111) M 2006 016572 R
(732) MEIJI SEIKA PHARMA CO., LTD.
4-16, Kyobashi 2-chome, Chuo-ku, Tokyo,
Japan
(770) MEIJI SEIKA KAISHA, LTD
N4-16, Kyobashi 2-Chome, Chuo-ku, Tokyo,
Japan
(580) 2012 02 08

(111) M 2006 016770 R
(732) MEIJI SEIKA PHARMA CO., LTD.
4-16, Kyobashi 2-chome, Chuo-ku, Tokyo,
Japan
(770) MEIJI SEIKA KAISHA, LTD.
4-16, Kyobashi 2-chome, Chuo-ku, Tokyo,
Japan
(580) 2012 02 08

(111) M 2006 016932 R
(732) S.S. "KAIZERI"
Mosashvilis q.22, skhveni 2, Georgia
(770) SAAQTSIO SAZOGADOEBA "QARTULI
HOLDINGI "BAGRATIONI"
Mosashvilis q., 22, skhveni 2, 0162, Tbilisi,
Georgia
(580) 2012 01 30

(111) M 2006 016933 R
(732) S.S. "KAIZERI"
Mosashvilis q.22, skhveni 2, 0162, Tbilisi,
Georgia
(770) SAAQTSIO SAZOGADOEBA "QARTULI
HOLDINGI "BAGRATIONI"
Mosashvilis q., 22, skhveni 2, 0162, Tbilisi,
Georgia
(580) 2012 01 30

(111) M 2008 018599 R
(732) MEIJI SEIKA PHARMA CO., LTD.
4-16, Kyobashi 2-chome, Chuo-ku, Tokyo,
Japan
(770) MEIJI SEIKA KAISHA, LTD.
4-16, Kyobashi 2-chome, Chuo-ku, Tokyo,
Japan
(580) 2012 02 08

CLASSIFICATION INDEXES

INVENTIONS

CONCORDANCE TABLE OF INTERNATIONAL CLASSIFICATION INDEX WITH REFERENCE TO NUMBERS OF PUBLISHED APPLICATIONS

INTERNATIONAL CLASSIFICATION INDEXES (51)	NUMBER OF PUBLISHED APPLICATION (10)
B 65 D 17/28; B 65 D 79/00	AP 2012 11473 A
B 65 D 17/34	AP 2012 11490 A
E 04 H 1/00	AP 2012 12180 A
F 24 J 2/15	AP 2012 12144 A

CONCORDANCE TABLE OF NUMBERS OF PUBLISHED APPLICATIONS WITH REFERENCE TO INTERNATIONAL CLASSIFICATION INDEX

NUMBER OF PUBLISHED APPLICATION (10)	INTERNATIONAL CLASSIFICATION INDEXES (51)
AP 2012 11473 A	B 65 D 17/28; B 65 D 79/00
AP 2012 11490 A	B 65 D 17/34
AP 2012 12144 A	F 24 J 2/15
AP 2012 12180 A	E 04 H 1/00

CONCORDANCE TABLE OF INTERNATIONAL CLASSIFICATION INDEX WITH REFERENCE TO NUMBERS OF PATENTS AND NUMBERS OF PUBLISHED APPLICATIONS

INTERNATIONAL CLASSIFICATION INDEX (51)	NUMBER OF PATENT (11)	NUMBER OF PUBLISHED APPLICATION (10)
1	2	3
A 01 C 3/02	P 2012 5403 B	AP 2011 12152 A
A 01 G 25/02	P 2012 5402 B	AP 2011 12111 A
A 61 K 9/24	P 2012 5410 B	AP 2011 11445 A
A 61 K 31/137	P 2012 5411 B	AP 2011 11875 A
A 61 K 39/395; C 07 K 16/40	P 2012 5398 B	AP 2011 10627 A
B 01 D 21/00	P 2012 5399 B	AP 2011 10687 A
B 05 B 17/08	P 2012 5400 B	AP 2011 11284 A
C 07 C 233/18, 231/24	P 2012 5408 B	AP 2011 11402 A
C 07 D 223/16; C 07 C 255/47	P 2012 5409 B	AP 2011 11437 A
C 07 D 233/42; A 61 K 31/4178; A 61 K 31/4166; A 61 K 31/5377; C 07 D 403/12; C 07 D 413/12	P 2012 5397 B	AP 2011 10476 A
C 07 D 405/06	P 2012 5407 B	AP 2011 11317 A
C 07 D 487/04	P 2012 5405 B	AP 2011 11556 A

1	2	3
C 07 F 9/58; A 61 K 31/44; A 61 P 1/00; A 61 P 11/06; A 61 P 19/02; A 61 P 25/28; A 61 P 29/00	P 2012 5404 B	AP 2011 11399 A
F 26 B 3/00	P 2012 5401 B	AP 2011 11871 A
H 04 B 7/216	P 2012 5406 B	AP 2011 10571 A

**CONCORDANCE TABLES OF NUMBERS OF PATENTS AND NUMBERS
OF PUBLISHED APPLICATIONS WITH REFERENCE
TO CLASSIFICATION INDEX**

NUMBER OF PATENT (11)	NUMBER OF PUBLISHED APPLICATION (10)	INTERNATIONAL CLASSIFICATION INDEX (51)
P 2012 5397 B	AP 2011 10476 A	C 07 D 233/42; A 61 K 31/4178; A 61 K 31/4166; A 61 K 31/5377; C 07 D 403/12; C 07 D 413/12
P 2012 5398 B	AP 2011 10627 A	A 61 K 39/395; C 07 K 16/40
P 2012 5399 B	AP 2011 10687 A	B 01 D 21/00
P 2012 5400 B	AP 2011 11284 A	B 05 B 17/08
P 2012 5401 B	AP 2011 11871 A	F 26 B 3/00
P 2012 5402 B	AP 2011 12111 A	A 01 G 25/02
P 2012 5403 B	AP 2011 12152 A	A 01 C 3/02
P 2012 5404 B	AP 2011 11399 A	C 07 F 9/58; A 61 K 31/44; A 61 P 1/00; A 61 P 11/06; A 61 P 19/02; A 61 P 25/28; A 61 P 29/00
P 2012 5405 B	AP 2011 11556 A	C 07 D 487/04
P 2012 5406 B	AP 2011 10571 A	H 04 B 7/216
P 2012 5407 B	AP 2011 11317 A	C 07 D 405/06
P 2012 5408 B	AP 2011 11402 A	C 07 C 233/18, 231/24
P 2012 5409 B	AP 2011 11437 A	C 07 D 223/16; C 07 C 255/47
P 2012 5410 B	AP 2011 11445 A	A 61 K 9/24
P 2012 5411 B	AP 2011 11875 A	A 61 K 31/137

**CONCORDANCE TABLE OF NUMBERS OF APPLICATIONS, NUMBERS
OF PUBLISHED APPLICATIONS AND NUMBERS OF PATENTS**

NUMBER OF APPLICATION (21)	NUMBER OF PUBLISHED APPLICATION (10)	NUMBER OF PATENT (11)
AP 2006 010476	AP 2011 10476 A	P 2012 5397 B
AP 2006 010571	AP 2011 10571 A	P 2012 5406 B
AP 2006 010627	AP 2011 10627 A	P 2012 5398 B
AP 2008 010687	AP 2011 10687 A	P 2012 5399 B
AP 2009 011284	AP 2011 11284 A	P 2012 5400 B
AP 2009 011317	AP 2011 11317 A	P 2012 5407 B
AP 2008 011399	AP 2011 11399 A	P 2012 5404 B
AP 2009 011402	AP 2011 11402 A	P 2012 5408 B
AP 2009 011437	AP 2011 11437 A	P 2012 5409 B
AP 2008 011445	AP 2011 11445 A	P 2012 5410 B
AP 2008 011556	AP 2011 11556 A	P 2012 5405 B
AP 2010 011871	AP 2011 11871 A	P 2012 5401 B
AP 2010 011875	AP 2011 11875 A	P 2012 5411 B
AP 2011 012111	AP 2011 12111 A	P 2012 5402 B
AP 2011 012152	AP 2011 12152 A	P 2012 5403 B

UTILITY MODELS

CONCORDANCE TABLE OF INTERNATIONAL CLASSIFICATION INDEX WITH REFERENCE TO NUMBERS OF PUBLISHED APPLICATIONS

INTERNATIONAL CLASSIFICATION INDEXES (51)	NUMBER OF PUBLISHED APPLICATION (10)
A 21 B 1/00	AU 2012 12058 U
A 21 C 9/06	AU 2012 12287 U
A 47 K 17/00	AU 2012 12134 U

CONCORDANCE TABLE OF NUMBERS OF PUBLISHED APPLICATIONS WITH REFERENCE TO INTERNATIONAL CLASSIFICATION INDEX

NUMBER OF PUBLISHED APPLICATION (10)	INTERNATIONAL CLASSIFICATION INDEXES (51)
AU 2012 12058 U	A 21 B 1/00
AU 2012 12134 U	A 47 K 17/00
AU 2012 12287 U	A 21 C 9/06

CONCORDANCE TABLE OF INTERNATIONAL CLASSIFICATION INDEX WITH REFERENCE TO NUMBERS OF PATENTS AND NUMBERS OF PUBLISHED APPLICATIONS

INTERNATIONAL CLASSIFICATION INDEX (51)	NUMBER OF PATENT (11)	NUMBER OF PUBLISHED APPLICATION (10)
A 61 K 7/48	U 2012 1697 Y	AU 2011 11779 U
G 08 G 1/095	U 2012 1698 Y	AU 2011 11764 U
H 02 K 17/02	U 2012 1696 Y	AU 2011 12081 U

CONCORDANCE TABLES OF NUMBERS OF PATENTS AND NUMBERS OF PUBLISHED APPLICATIONS WITH REFERENCE TO CLASSIFICATION INDEX

NUMBER OF PATENT (11)	NUMBER OF PUBLISHED APPLICATION (10)	INTERNATIONAL CLASSIFICATION INDEX (51)
U 2012 1696 Y	AU 2011 12081 U	H 02 K 17/02
U 2012 1697 Y	AU 2011 11779 U	A 61 K 7/48
U 2012 1698 Y	AU 2011 11764 U	G 08 G 1/095

CONCORDANCE TABLE OF NUMBERS OF APPLICATIONS, NUMBERS OF PUBLISHED APPLICATIONS AND NUMBERS OF PATENTS

NUMBER OF APPLICATION (21)	NUMBER OF PUBLISHED APPLICATION (10)	NUMBER OF PATENT (11)
AU 2010 011764	AU 2011 11764 U	U 2012 1698 Y
AU 2010 011779	AU 2011 11779 U	U 2012 1697 Y
AU 2011 012081	AU 2011 12081 U	U 2012 1696 Y

DESIGNS

CONCORDANCE TABLE OF INTERNATIONAL CLASSIFICATION INDEX WITH REFERENCE TO NUMBERS OF PUBLISHED APPLICATIONS

INTERNATIONAL CLASSIFICATION INDEXES (51)	NUMBER OF PUBLISHED APPLICATION (10)
11-01	AD 2012 668 S
27-01	AD 2012 670 S

CONCORDANCE TABLE OF NUMBERS OF PUBLISHED APPLICATIONS WITH REFERENCE TO INTERNATIONAL CLASSIFICATION INDEX

NUMBER OF PUBLISHED APPLICATION (10)	INTERNATIONAL CLASSIFICATION INDEXES (51)
AD 2012 668 S	11-01
AD 2012 670 S	27-01

TRADEMARKS

CONCORDANCE TABLE OF NUMBERS OF REGISTRATIONS OF TRADEMARKS, NUMBERS OF APPLICATIONS, NUMBERS OF PUBLISHED APPLICATIONS WITH REFERENCE TO NUMBERS OF BULLETINS

NUMBER OF REGISTRATION (111)	NUMBER OF APPLICATION (210)	NUMBER OF PUBLISHED APPLICATION (260)	NUMBER OF BULLETIN
1	2	3	4
M 2012 22232 R	—	—	Nº4(344) 2012
M 2012 22233 R	AM 32686	AM 2011 32686 A	Nº11(327) 2011
M 2012 22234 R	AM 2010 58469	AM 2011 58469 A	Nº16(332) 2011
M 2012 22235 R	AM 2010 58638	AM 2011 58638 A	Nº19(335) 2011
M 2012 22236 R	AM 2010 59108	AM 2011 59108 A	Nº12(328) 2011
M 2012 22237 R	AM 2010 59225	AM 2011 59225 A	Nº12(328) 2011
M 2012 22238 R	AM 2010 59287	AM 2011 59287 A	Nº14(330) 2011
M 2012 22239 R	AM 2010 59288	AM 2011 59288 A	Nº14(330) 2011
M 2012 22240 R	AM 2010 59371	AM 2011 59371 A	Nº14(330) 2011
M 2012 22241 R	AM 2010 59363	AM 2011 59363 A	Nº13(329) 2011
M 2012 22242 R	AM 2010 59540	AM 2011 59540 A	Nº14(330) 2011
M 2012 22243 R	AM 2010 59541	AM 2011 59541 A	Nº14(330) 2011
M 2012 22244 R	AM 2010 59543	AM 2011 59543 A	Nº14(330) 2011
M 2012 22245 R	AM 2010 59548	AM 2011 59548 A	Nº13(329) 2011
M 2012 22246 R	AM 2010 59679	AM 2011 59679 A	Nº13(329) 2011
M 2012 22247 R	AM 2010 59712	AM 2011 59712 A	Nº13(329) 2011
M 2012 22248 R	AM 2010 59713	AM 2011 59713 A	Nº13(329) 2011
M 2012 22249 R	AM 2010 59716	AM 2011 59716 A	Nº14(330) 2011
M 2012 22250 R	AM 2010 59734	AM 2011 59734 A	Nº14(330) 2011
M 2012 22251 R	AM 2010 59792	AM 2011 59792 A	Nº14(330) 2011
M 2012 22252 R	AM 2010 59793	AM 2011 59793 A	Nº14(330) 2011
M 2012 22253 R	AM 2010 59881	AM 2011 59881 A	Nº14(330) 2011
M 2012 22254 R	AM 2010 60029	AM 2011 60029 A	Nº14(330) 2011
M 2012 22255 R	AM 2010 60039	AM 2011 60039 A	Nº14(330) 2011
M 2012 22256 R	AM 2010 60040	AM 2011 60040 A	Nº14(330) 2011
M 2012 22257 R	AM 2010 60066	AM 2011 60066 A	Nº14(330) 2011
M 2012 22258 R	AM 2010 60084	AM 2011 60084 A	Nº14(330) 2011
M 2012 22259 R	AM 2010 60129	AM 2011 60129 A	Nº14(330) 2011
M 2012 22260 R	AM 2010 60131	AM 2011 60131 A	Nº14(330) 2011
M 2012 22261 R	AM 2010 60133	AM 2011 60133 A	Nº14(330) 2011
M 2012 22262 R	AM 2010 60134	AM 2011 60134 A	Nº14(330) 2011
M 2012 22263 R	AM 2010 60135	AM 2011 60135 A	Nº14(330) 2011
M 2012 22264 R	AM 2010 60136	AM 2011 60136 A	Nº14(330) 2011
M 2012 22265 R	AM 2010 60137	AM 2011 60137 A	Nº14(330) 2011
M 2012 22266 R	AM 2010 60138	AM 2011 60138 A	Nº14(330) 2011
M 2012 22267 R	AM 2010 60139	AM 2011 60139 A	Nº14(330) 2011
M 2012 22268 R	AM 2010 60209	AM 2011 60209 A	Nº14(330) 2011
M 2012 22269 R	AM 2010 60299	AM 2011 60299 A	Nº14(330) 2011
M 2012 22270 R	AM 2010 60300	AM 2011 60300 A	Nº14(330) 2011
M 2012 22271 R	AM 2010 60323	AM 2011 60323 A	Nº14(330) 2011
M 2012 22272 R	AM 2010 60391	AM 2011 60391 A	Nº14(330) 2011
M 2012 22273 R	AM 2010 60394	AM 2011 60394 A	Nº14(330) 2011

1	2	3	4
M 2012 22274 R	AM 2010 60412	AM 2011 60412 A	Nº16(332) 2011
M 2012 22275 R	AM 2010 60575	AM 2011 60575 A	Nº15(331) 2011
M 2012 22276 R	AM 2010 60589	AM 2011 60589 A	Nº16(332) 2011
M 2012 22277 R	AM 2010 60608	AM 2011 60608 A	Nº15(331) 2011
M 2012 22278 R	AM 2010 60693	AM 2011 60693 A	Nº16(332) 2011
M 2012 22279 R	AM 2010 60694	AM 2011 60694 A	Nº16(332) 2011
M 2012 22280 R	AM 2010 60725	AM 2011 60725 A	Nº19(335) 2011
M 2012 22281 R	AM 2010 60726	AM 2011 60726 A	Nº19(335) 2011
M 2012 22282 R	AM 2010 60728	AM 2011 60728 A	Nº19(335) 2011
M 2012 22283 R	AM 2011 60844	AM 2011 60844 A	Nº15(331) 2011
M 2012 22284 R	AM 2011 61019	AM 2011 61019 A	Nº19(335) 2011
M 2012 22285 R	AM 2011 61020	AM 2011 61020 A	Nº19(335) 2011
M 2012 22286 R	AM 2011 61131	AM 2011 61131 A	Nº19(335) 2011
M 2012 22287 R	AM 2011 61182	AM 2011 61182 A	Nº19(335) 2011
M 2012 22288 R	AM 2011 61194	AM 2011 61194 A	Nº19(335) 2011
M 2012 22289 R	AM 2011 61456	AM 2011 61456 A	Nº19(335) 2011
M 2012 22290 R	—	—	Nº4(344) 2012
M 2012 22291 R	—	—	Nº4(344) 2012
M 2012 22292 R	—	—	Nº4(344) 2012
M 2012 22293 R	—	—	Nº4(344) 2012
M 2012 22294 R	—	—	Nº4(344) 2012
M 2012 22295 R	—	—	Nº4(344) 2012
M 2012 22296 R	—	—	Nº4(344) 2012
M 2012 22297 R	—	—	Nº4(344) 2012
M 2012 22298 R	—	—	Nº4(344) 2012
M 2012 22299 R	—	—	Nº4(344) 2012
M 2012 22300 R	—	—	Nº4(344) 2012
M 2012 22301 R	—	—	Nº4(344) 2012
M 2012 22302 R	—	—	Nº4(344) 2012
M 2012 22303 R	—	—	Nº4(344) 2012

CONCORDANCE TABLE OF NUMBERS OF PUBLISHED TRADEMARK APPLICATIONS WITH REFERENCE TO NUMBERS OF APPLICATIONS

NUMBER OF PUBLISHED APPLICATION (260)	NUMBER OF APPLICATION (210)
AM 2012 63055 A	AM 2011 63055
AM 2012 63121 A	AM 2011 63121

CONCORDANCE TABLE OF INDEX OF GOODS AND/OR SERVICES WITH REFERENCE TO NUMBERS OF PUBLISHED APPLICATIONS

INDEX OF GOODS AND/OR SERVICES (511)	NUMBER OF PUBLISHED APPLICATION (260)
32	AM 2012 63055 A
38	AM 2012 63121 A

**CONCORDANCE TABLE OF INDEX OF GOODS AND/OR SERVICES
WITH REFERENCE TO NUMBERS OF REGISTERED ACCORDING TO THE
ACCELERATED PROCEDURE**

INDEX OF GOODS AND/OR SERVICES (511)	NUMBER OF REGISTERED ACCORDING TO THE ACCELERATED PROCEDURE (111)
9	M 2012 22292 R
29	M 2012 22298 R
30	M 2012 22291 R
30	M 2012 22296 R
30	M 2012 22297 R
30	M 2012 22298 R
34	M 2012 22299 R
34	M 2012 22300 R
34	M 2012 22301 R
34	M 2012 22302 R
34	M 2012 22303 R
35	M 2012 22292 R
36	M 2012 22232 R
36	M 2012 22292 R
41	M 2012 22290 R
41	M 2012 22293 R
41	M 2012 22294 R
41	M 2012 22295 R
44	M 2012 22290 R

OFFICIAL BULLETIN OF THE INDUSTRIAL PROPERTY

4(344)

EDITOR-IN-CHIEF: N. Bebrishvili

EDITORS-TRANSLATORS: M. Sichinava
G. Nadareishvili

PROOFREADER: L. Chanturia

COMPUTER LAYOUT: M. Ordenidze
K. Svanidze

www.sakpatenti.org.ge
E-mail: info@sakpatenti.org.ge