



**NATIONAL INTELLECTUAL PROPERTY CENTER OF GEORGIA  
SAKPATENTI**

**OFFICIAL BULLETIN  
OF THE INDUSTRIAL PROPERTY**

**4(368)**

**2013  
TBILISI**

# INID CODES FOR IDENTIFICATION OF BIBLIOGRAPHIC DATA

## INVENTIONS, UTILITY MODELS

- (10) Number of publication for application, which has been examined
- (11) Number of patent and kind of document
- (21) Serial number of application
- (22) Date of filing of the application
- (23) Date of exhibition or the date of the earlier filing and the number of application, if any
- (24) Date from which patent may have effect
- (31) Number of priority application
- (32) Date of filing of priority application
- (33) Code of the country or regional organization allotting priority application number
- (44) Date of publication of application not granted, but examined and number of bulletin
- (45) Date of publication of registered document
- (51) International Patent Classification Index
- (54) Title of the invention
- (57) Abstract
- (60) Number of examined patent document granted by foreign patent office, date from which patent has effect and country code
- (62) Number of the earlier application and in case of divided application, date of filing an application
- (71) Name, surname and address of applicant (country code)
- (72) Name, surname of inventor (country code)
- (73) Name, surname and address of patent owner (country code)
- (74) Name, surname of representative or patent attorney
- (85) Date of commencement of the national phase of International Application
- (86) Number and date of filing of international application
- (87) Number and date of publication of international application

## DESIGNS

- (10) Number of publication for application
- (11) Number of patent and kind of document or number of registration
- (15) Date of registration/Date of patent renewal
- (18) Expected expiration date of patent or registration
- (21) Serial number of application
- (22) Date of filing of the application
- (23) Date of exhibition or the date of the earlier filing and the number of application, if any
- (24) Date from which patent may have effect
- (28) Number of designs included in the application
- (30) Data relating to priority (number of application, date of filing of application, two-letter code identifying the authority with whom the priority application was made)
- (31) Number of priority application
- (32) Date of filing of priority application
- (33) Code of the country or regional organization allotting priority application number
- (34) Two-letter code according to WIPO St.3 identifying the authority with which the priority application was made
- (44) Date of publication of design and number of bulletin (the first publication)
- (45) Date of publication of design registered by WIPO and number of bulletin
- (51) International Classification for designs (class and subclass of the Locarno Classification)
- (54) Title of the invention
- (55) Reproduction of the design
- (57) Description of characteristic features of the design including indication of colors
- (58) Date of recording of any kind of amendment in the Register
- (62) Number of the earlier application, registration and document number and if available the date of filing an application in case of divided application
- (71) Name, surname and address of applicant (country code)
- (72) Name, surname of creator (country code)
- (73) Name, surname and address of patent owner (country code)
- (74) Name, surname of representative or patent attorney
- (81) Contracting states concerned
  - II designated contracting states according to the 1960 Act
  - III designated contracting states according to the 1999 Act
- (85) Owner's permanent address
- (86) Owner's nationality
- (87) Owner's residence
- (88) State in which the owner has a real and effective industrial or commercial establishment

## TRADEMARKS

- (111) - Number of registration
- (151) - Date of registration
- (156) - Date of the renewal
- (181) - Expected expiration date of registration
- (186) - Renewal expiration date of registration
- (141) - Date of cancel of duration of the mark
- (210) - Serial number of application
- (220) - Date of filing of the application
- (230) - Date concerning exhibition
- (260) - Number of application, for which favorable decision of examination about registration has been taken (publication number)
- (310) - Number of the first application
- (320) - Date of filing of the first application
- (330) - Code, identifying national or regional Office where the first application was made
- (511) - International Classification of Goods and Services for the purposes of registration of trade marks and/or list of goods and/or services classified according thereto
- (531) - Description of figurative elements of Trade Marks according to the International Classification of the Figurative Elements of Marks
- (540) - Reproduction of Trade Mark
- (550) - Nature and kind of Trade Mark
- (580) - Date of recording of any kind changes in respect of applications or registrations
- (591) - Information concerning colors claimed
- (731) - Name and address of the applicant
- (732) - Name and address of the holder of the registration
- (740) - Name and address of the representative
- (750) - Address for correspondence
- (770) - Name and address of the previous applicant or holder in case of change in ownership
- (771) - Previous name and address of the applicant or holder in case of change in ownership
- (791) - Name and address of the licensee
- (793) - Indication of conditions and/or restrictions under the license (Type of license, number of license agreement, data of license, data of validity of license)
- (800) - Certain data relating to the international registration of Trade Marks under the Protocol Relating to Madrid Agreement (International registration number)

## CODES FOR PUBLICATION IN BULLETIN

- (21) AP 0000 000000 - serial number of application for invention
- (10) AP 0000 0000 A - number of published application for invention (first publication)
- (11) P 0000 0000 B - number of patent for invention (second publication)
- (21) API 0000 000000 - number of application for imported patent
- (11) PI 0000 0000 A - number of imported patent (first publication)
- (21) AU 0000 000000 - serial number of application for utility model
- (10) AU 0000 000 U - number of published application for utility model (first publication)
- (11) U 0000 000 Y - number of patent for utility model (second publication)
- (21) AD 0000 000000 - serial number of application for design
- (10) AD 0000 000 S - number of published application for design (first publication)
- (11) D 0000 000 S - number of patent for design (second publication)

## INTERNATIONAL PATENT CLASSIFICATION FOR INVENTIONS AND UTILITY MODELS

- SECTION A - HUMAN NECESSITIES
- SECTION B - PERFORMING OPERATIONS; TRANSPORTING
- SECTION C - CHEMISTRY; METALLURGY
- SECTION D - TEXTILES; PAPER
- SECTION E - FIXED CONSTRUCTIONS
- SECTION F - MECHANICAL ENGINEERING; LIGHTING; HEATING; WEAPONS; BLASTING
- SECTION G - PHYSICS
- SECTION H - ELECTRICITY

- 
- M - Trade Mark
  - (210) AM 0000 000000 - Serial number of application;
  - (260) AAM 0000 00000 A - Publication number of application;
  - (111) M 0000 00000 R - Number of registration;
  - (111) MMM0000 00000 Rn - Number of renewals, in which n=1,2,3;
  - (111) M 0000 00000 R(P) - Number of registration under partial assignment of rights
-



**NATIONAL INTELLECTUAL PROPERTY CENTER OF GEORGIA  
SAKPATENTI**

**OFFICIAL BULLETIN  
OF THE INDUSTRIAL PROPERTY**

**4(368)**

**INVENTIONS**

**UTILITY MODELS**

**DESIGNS**

**TRADEMARKS**

**APPELLATIONS OF ORIGIN AND GEOGRAPHICAL  
INDICATIONS OF GOODS**

DATE OF PUBLICATION

2013 02 25

# CONTENTS

<b>PUBLISHED TITLES OF PROTECTION .....</b>	<b>2</b>
<b>INVENTIONS</b>	
▪ APPLICATIONS APPROVED FOR GRANTING PATENTS .....	4
▪ PATENTED INVENTIONS .....	10
<b>UTILITY MODELS</b>	
▪ APPLICATION APPROVED FOR GRANTING PATENT .....	16
▪ PATENTED UTILITY MODELS .....	17
<b>DESIGNS</b>	
▪ APPLICATIONS APPROVED FOR GRANTING PATENTS .....	18
▪ REGISTERED DESIGNS .....	20
▪ DESIGNS, REGISTERED WITH THE INTERNATIONAL BUREAU CLAIMING PRIORITY ON THE TERRITORY OF GEORGIA .....	21
<b>TRADEMARKS</b>	
▪ APPLICATIONS FILED UNDER THE NATIONAL PROCEDURE APPROVED FOR REGISTRATION .....	62
▪ REGISTERED TRADEMARKS .....	65
▪ TRADEMARKS REGISTERED ACCORDING TO THE ACCELERATED PROCEDURE .....	70
▪ INTERNATIONAL TRADEMARKS FOR WHICH A DECISION ON GRANTING PROTECTION IS TAKEN .....	72
▪ INTERNATIONAL TRADEMARKS PROTECTED IN GEORGIA .....	123
<b>APPELLATIONS OF ORIGIN AND GEOGRAPHICAL INDICATIONS OF GOODS</b>	
▪ THE RIGHT TO USE OF REGISTERED APPELLATIONS OF ORIGIN OF GOODS .....	127
<b>OFFICIAL NOTIFICATIONS</b>	
<b>INVENTIONS</b>	
▪ RENEWAL OF A PATENT .....	132
<b>TRADEMARKS</b>	
▪ RENEWAL OF REGISTRATIONS .....	133
▪ COMPLETE TRANSFER OF RIGHTS .....	135
▪ CHANGES IN NAMES AND/OR ADDRESSES OF OWNERS .....	136
<b>CLASSIFICATION INDEXES</b>	
INVENTIONS .....	137
UTILITY MODELS .....	140
DESIGNS .....	141
TRADEMARKS .....	143

## **PUBLISHED TITLES OF PROTECTION**

### **INVENTIONS**

- **APPLICATIONS APPROVED FOR GRANTING PATENTS:**  
12658; 11969; 10609; 12141; 12285; 11962; 10917; 12163; 12222; 11998; 12060; 11625; 11049; 11598; 11961
- **PATENTED INVENTIONS:**  
5752-5779

### **UTILITY MODELS**

- **APPLICATION APPROVED FOR GRANTING PATENT:**  
12502
- **PATENTED UTILITY MODEL:**  
1757

### **DESIGNS**

- **APPLICATION APPROVED FOR GRANTING PATENT:**  
730
- **REGISTERED DESIGNS:**  
530-534
- **DESIGNS REGISTERED WITH THE INTERNATIONAL BUREAU CLAIMING PRIORITY ON THE TERRITORY OF GEORGIA:**  
78652; 78815; 79799; 79807; 78834; 77444; 77447; 79841; 79871; 77524; 78762; 78800; 78801; 79122; 79313; 79911

### **TRADEMARKS**

- **APPLICATIONS FILED UNDER THE NATIONAL PROCEDURE APPROVED FOR REGISTRATION:**  
65008; 65755; 66534; 66611; 66746; 66924; 66927; 67188; 67200; 67282; 67343; 67345; 67346; 67360; 67465; 60071\*, 60072\*
- **REGISTERED TRADEMARKS:**  
23287-23290; 23303; 23308-23353
- **TRADEMARKS REGISTERED ACCORDING TO THE ACCELERATED PROCEDURE:**  
23307; 23354-23360
- **INTERNATIONAL TRADEMARKS FOR WHICH A DECISION ON GRANTING PROTECTIONS IS TAKEN:**  
66463; 66561; 66610; 66692; 66695; 66718-66732; 66734-66738; 66777; 66779-66784; 66787; 66796; 66797; 66800; 66801; 66807; 66815-66817; 66824-66827; 66870; 66871; 66873; 66874; 66876-66878; 66881-66895; 66897-66900; 66905-66908; 66912-66923; 66930-66934; 66937; 66941; 66942; 66949; 66950; 66961; 66969; 67006; 67008-67010; 67018; 67019; 67023-67025; 67118; 67121; 67159; 67160; 67164-67167; 67190-67193; 67195-67197; 67199; 67210-67220; 67290; 67363; 67365; 67487; 63903\*
- **INTERNATIONAL TRADEMARKS PROTECTED IN GEORGIA:**  
63421; 63510; 63719; 64430-64433; 64481-64484; 64514; 64529-64531; 64534-64538; 64595-64600; 64602; 64603; 65017; 65027; 65103; 65146; 65147; 65159; 65197; 65304-65308; 65310-65312; 65844; 65845; 65880; 65881; 65888; 65891; 65892; 65894; 65995; 65998-66000; 66002-66004; 66071; 66075-66077; 66132

### **APPELLATIONS OF ORIGIN AND GEOGRAPHICAL INDICATIONS OF GOODS**

- **THE RIGHT TO USE OF REGISTERED APPELLATIONS OF ORIGIN OF GOODS:**  
2/2-13; 3/2-13; 4/2-13; 787/2-13; 790/2-13; 791/2-13; 794/2-13; 796/2-13; 797/2-13; 787/16-12; 790/8-12; 3/15-12; 2/16-12; 822/1-13 – 824/1-13; 1/1-13 – 5/1-13; 787/1-13 – 799/1-13

# INVENTIONS

## APPLICATIONS APPROVED FOR GRANTING PATENTS

The decision can be appealed at the Chamber of Appeal of Sakpatenti within 3 months from the publication or at the Administrative Chamber of the Tbilisi City Court (Address: №6, David Aghmashenebeli Kheivani 12 km., Tbilisi) within 1 month following the publication.

### PART A

#### A 01

(10) AP 2013 12658 A (51) Int. Cl. (2006)

A 01 D 46/04

A 01 D 34/00

(21) AP 2012 012658 (22) 2012 04 05

(71) Revaz Makharoblidze (GE)

Guramishvilis Gamz. 5b, b. 65, 0192,  
Tbilisi (GE);

Nodar Maghlakelidze (GE)

B. Khmelnitskis q. 48, korp. 10, b. 713,  
0136, Tbilisi (GE);

Avtandil Kobakhidze (GE)

Nutsbudzus Perd., II mkr., V kvart.,  
korp. 1, b. 30, 0183, Tbilisi (GE)

(72) Revaz Makharoblidze (GE);

Nodar Maghlakelidze (GE);

Avtandil Kobakhidze (GE)

(54) **UNIVERSAL HAND-GUIDED TOOL  
FOR TRIMMING AND PICKING TEA  
LEAVES, MOWING LAWN AND  
PICKING UP GRASS**

(57) There is represented a tool comprising a cutter 2 having a drive. The cutter is mounted onto chassis 1 head and is executed as changeable L-shaped cutting blades 12 fixed on drive shaft 13 placed in circular bonnet 8. Cutter drive is an electric motor supplied with feeding electric element. A bin 3 for mowed grass placement is fixed into chassis rear end. The cutter and the bin are movable in a vertical plane and are able to be fixed.

Claims: 1 independent

Fig.: 3

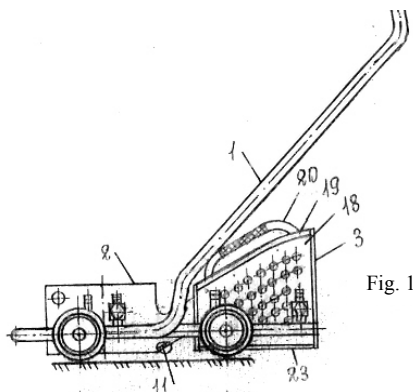


Fig. 1

#### A 61

(10) AP 2013 11969 A (51) Int. Cl. (2006)

A 61 K 9/20

A 61 K 9/50

A 61 K 31/4439

(21) AP 2009 011969 (22) 2009 03 10

(31) 2008-061673; 2008-334920

(32) 2008 03 11; 2008 12 26

(33) JP; JP

(71) TAKEDA PHARMACEUTICAL

COMPANY LIMITED (JP)

1-1, Doshomachi 4-chome, Chuo-ku,  
Osaka-shi, Osaka, 541-0045 (JP)

(72) KURASAWA, Takashi (JP);

WATANABE, Yasuko (JP);

OMACHI, Yoshihiro (JP)

(74) Shalva Gvaramadze

(85) 2010 10 11

(86) PCT/JP2009/054983, 2009 03 10

(54) **ORALLY-DISINTEGRATING SOLID  
FORMULATION**

(57) There is represented a formulation containing fine granules with controllable release of active ingredient. The formulation is covered with a coat containing polymer providing casting film having 100-700% elongation at break; at that, fine granule particles average size is 500 µm or less.

Claims: 3 independent

35 dependent

(10) AP 2013 10609 A (51) Int. Cl. (2006)

A 61 K 31/513

A 61 K 31/44

A 61 P 3/10

(21) AP 2006 010609 (22) 2006 09 13

(31) 60/717,560; 60/747,280

(32) 2005 09 14; 2006 05 15

(33) US; US

(71) TAKEDA PHARMACEUTICAL

COMPANY LIMITED (JP)

1-1, Doshomachi 4-chome, Chuo-ku,  
Osaka-shi, Osaka, 541-0045 (JP)

(72) CHRISTOPHER, Ronald, J. (US);

COVINGTON, Paul (US)

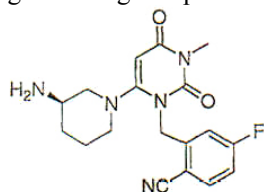
(74) Tamara Kochlamazashvili

(85) 2008 04 01

(86) PCT/US2006/035958, 2006 09 13

**(54) DIPEPTIDYL PEPTIDASE INHIBITORS  
USAGE AT DIABETES TREATMENT**

(57) There is represented pharmaceutical composition containing 1-250 mg compound of formula I



and lactose monohydrate. Said composition is applied at type I and type II diabetes treatment.

Claims: 6 independent

38 dependent

Fig.: 1

**PART B****B 65**

**(10) AP 2013 12141 A (51) Int. Cl. (2006)  
B 65 D 17/28**

(21) AP 2009 012141 (22) 2009 08 12

(31) 08075715.6

(32) 2008 08 21

(33) EP

(71) IMPRESS GROUP B.V. (NL)

Zutphenseweg 51050, NL-7418 AH,  
Deventer (NL)

(72) VAN JAARVELD, Hein, Willem

Leendert (NL)

(74) Tamaz Shilakadze

(85) 2011 03 15

(86) PCT/EP2009/005897, 2009 08 12

**(54) CAN LID AND METHOD FOR  
ORIENTATION THEREOF**

(57) An invention relates to can lid and orientation method thereof; at that, the lid has a main plane 9 and a depression 10 arranged therein. Depression bottom wall 11 is tilted relative to lid main plane, wherein the lid has weakened line 6 and detachable ear 7, free termination thereof is ended in front of lid center, and the depression is continued beyond thereof.

Claims: 2 independent

7 dependent

Fig.: 6

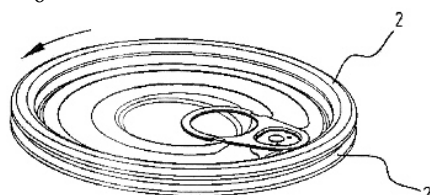


Fig. 5

**PART C****C 07**

**(10) AP 2013 12285 A (51) Int. Cl. (2006)**

C 07 C 239/10

C 07 C 239/20

A 01 N 43/26

C 07 C 239/12

(21) AP 2009 012285 (22) 2009 12 01

(31) 2764/DEL/2008

(32) 2008 12 05

(33) IN

(71) SYNGENTA PARTICIPATIONS AG (CH);  
Schwarzwaldallee 215 CH-4058 Basel (CH)

(72) RAJAN, Ramya (IN);

WALTER, Harald (DE);

STIERLI, Daniel (CH)

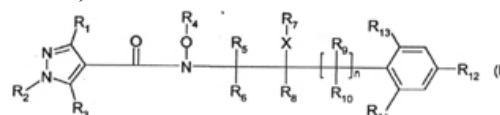
(74) Tamara Kochlamazashvili

(85) 2011 07 04

(86) PCT/EP2009/066119, 2009 12 01

**(54) NOVEL PYRAZOLE-4-N-  
ALKOXYCARBOXAMIDES AS  
MICROBIOCIDES**

(57) An invention relates to: carboxamides of formula I,



compositions thereof, and their application at agriculture and gardening against plant diseases caused by plant pathogenic microorganisms, in preference by fungi, or for their prevention.

Claims: 4 independent

11 dependent

**(10) AP 2013 11962 A (51) Int. Cl. (2006)**

C 07 D 209/14

A 61 K 31/343

A 61 K 31/381

A 61 K 31/404

A 61 K 31/415

A 61 K 31/416

A 61 K 31/4184

A 61 K 31/4355

A 61 K 31/4365

A 61 K 31/437

A 61 K 31/4439

A 61 P 3/10

A 61 P 43/00

C 07 D 231/12

C 07 D 231/20

C 07 D 231/56

C 07 D 235/14

C 07 D 307/81

C 07 D 333/58

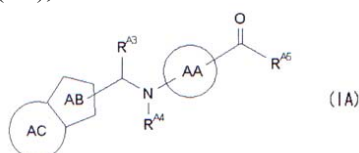
C 07 D 401/04

C 07 D 471/04



**C 07 D 491/048**  
**C 07 D 495/04**

- (21) AP 2009 011962 (22) 2009 03 04  
 (31) 2008-055250; 2009-025511  
 (32) 2008 03 05; 2009 02 06  
 (33) JP; JP  
 (71) TAKEDA PHARMACEUTICAL COMPANY LIMITED (JP)  
 1-1, Doshomachi 4-chome, Chuo-ku, Osaka-shi, Osaka, 541-0045 (JP)  
 (72) BANNO, Yoshihiro (JP); HARA, Ryoma (JP); TOKUNOH, Ryosuke (JP)  
 (74) Shalva Gvaramadze  
 (85) 2010 10 05  
 (86) PCT/JP2009/054095, 2009 03 04  
 (54) **HETEROCYCLIC COMPOUND**  
 (57) There is represented: heterocyclic compound of formula (1A),



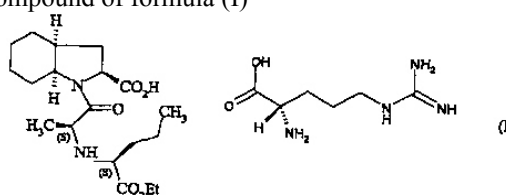
wherein link AA is benzol or 5- or 6- member aromatic heterocycle, link AB is 5-member aromatic heterocycle, link AC is benzol or 5-6- member aromatic heterocycle, and links AB and AC are replaced with 1-3 substituents, which and substituents R<sup>A3</sup>, R<sup>A4</sup>, R<sup>A5</sup> values are provided in the claims; or salt thereof; medicine on a basis thereof; and their application at diabetes prevention and treatment in mammal.

Claims: 17 independent  
 5 dependent  
 Table: 10

**(10) AP 2013 10917 A (51) Int. Cl. (2006)**  
**C 07 D 209/42**  
**A 61 K 31/404**

- (21) AP 2007 010917 (22) 2007 02 26  
 (31) 06/01747  
 (32) 2006 02 28  
 (33) FR  
 (71) LES LABORATOIRES SERVIER (FR);  
 12, Place de la Défense, F-92415 Courbevoie Cedex (FR)  
 (72) COQUEREL, Gérard (FR); LEFEBVRE, Loïc (FR); SOUVIE, Jean-Claude (FR); AUTHOUART, Pascale (FR)  
 (74) Tamaz Shilakadze  
 (85) 2008 09 22  
 (86) PCT/FR2007/000334, 2007 02 26  
 (54) **β-CRYSTALLINE FORM OF PERINDOPRIL ARGININE SALT, METHOD OF THEIR PREPARATION, AND PHARMACEUTICAL COMPOSITIONS CONTAINING THEREOF**

(57) There are represented: β-crystalline form of compound of formula (I)



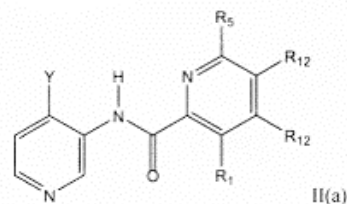
characterized with X-ray beams diffraction spikes, preparation method thereof, pharmaceutical compositions on basis thereof, and application therefor medicine preparation as enzyme inhibitors transforming angiotensin I.

Claims: 5 independent  
 4 dependent

Table: 1

**(10) AP 2013 12163 A (51) Int. Cl. (2006)**  
**C 07 D 401/12**  
**C 07 D 401/14**  
**A 61 K 31/444**  
**A 61 P 35/00**

- (21) AP 2009 012163 (22) 2009 08 31  
 (31) 61/093,666; 61/225,660  
 (32) 2008 09 02; 2009 07 15  
 (33) US; US  
 (71) NOVARTIS AG (CH)  
 Lichtstrasse 35, CH-4056 Basel (CH)  
 (72) BURGER, Matthew, T. (US); HAN, Wooseok (KR); LAN, Jiong (CN); NISHIGUCHI, Gisele (US)  
 (74) Alexander Kartvelishvili  
 (85) 2011 04 01  
 (86) PCT/EP2009/061205, 2009 08 31  
 (54) **PICOLINAMIDE DERIVATIVES AS KINASE INHIBITORS**  
 (57) An invention relates to: picolinamide novel compounds of formula II(a),



pharmaceutical compositions thereof, and their application to inhibit activity of Provirus Integration of Maloney Kinase (PIM kinase) associated with tumorigenesis in a human or animal. Said compounds may be applied at the treatment of disorders caused by serine/threonine kinase or receptor tyrosine kinase, such as cancer.

Claims: 11 independent  
 18 dependent

Fig.: 3

(10) AP 2013 12222 A (51) Int. Cl. (2006)  
C 07 D 403/14

(21) AP 2009 012222 (22) 2009 11 10

(31) 10-2008-0112403

(32) 2008 11 12

(33) KR

(71) LG LIFE SCIENCES LTD. (KR)  
East Tower, LG Twin Tower, 20,  
Yoido-Dong, Youngdeungpo-gu,  
Seoul 150-010 (KR)

(72) LEE, Koo (KR);

LEE, Sang Dae (KR);

MOON, Sang Pil (KR);

AHN, In Ae (KR);

CHOI, Sung Pil (KR);

LEE, Hyun Ho (KR);

SHIM, Dong Sup (KR);

CHUNG, Soo Yong (KR);

LEE, Hyun Min (KR)

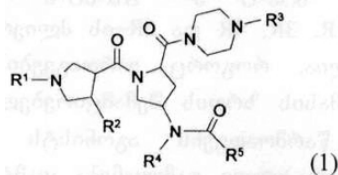
(74) Shalva Gvaramadze

(85) 2011 05 11

(86) PCT/KR2009/006568, 2009 11 10

(54) **MELANOCORTIN RECEPTOR  
AGONISTS**

(57) There are represented melanocortin receptor  
agonistic compounds of formula (I),



isomers thereof, and their pharmaceutical  
compositions applied at the treatment of obesity,  
diabetes, erectile dysfunction, and inflammatory  
processes.

Claims: 6 independent

12 dependent

(10) AP 2013 11998 A (51) Int. Cl. (2006)  
C 07 D 417/14

A 61 K 31/427

A 61 P 3/10

(21) AP 2009 011998 (22) 2009 04 09

(31) 2008-102691

(32) 2008 04 10

(33) JP

(71) TAKEDA PHARMACEUTICAL  
COMPANY LIMITED (JP)

1-1, Doshomachi 4-chome, Chuo-ku,  
Osaka-shi, Osaka, 541-0045 (JP)

(72) YASUMA, Tsuneo (JP);

TAKAKURA, Nobuyuki (JP)

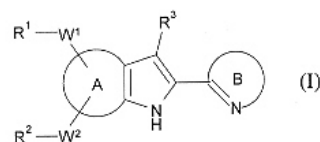
(74) Shalva Gvaramadze

(85) 2010 11 10

(86) PCT/JP2009/057625, 2009 04 09

(54) **FUSED RING COMPOUNDS AND  
USAGE THEREOF**

(57) There are represented: compound of formula (I),



wherein values  $R^1$ ,  $R^2$ ,  $R^3$ ,  $W^1$ ,  $W^2$ , A and B thereof  
are provided in the description; pharmaceutical  
agent on a basis thereof; and their application at  
diabetes and obesity treatment in mammal.

Claims: 14 independent

8 dependent

Table: 1

(10) AP 2013 12060 A (51) Int. Cl. (2006)

C 07 F 5/02

C 07 F 5/04

A 61 K 31/21

A 61 P 35/00

A 61 P 29/00

(21) AP 2009 012060 (22) 2009 06 16

(31) 61/132,244; 61/211,499; PCT/US2009/003602

(32) 2008 06 17; 2009 03 31; 2009 06 16

(33) US; US; WO

(71) MILLENNIUM PHARMACEUTICALS,  
INC. (US);

40 Landsdowne Street, Cambridge,  
MA 02139 (US)

(72) ELLIOTT, Eric, L. (US);

FERDOUS, Abu, J. (US);

KAUFMAN, Michael, J. (US);

KOMAR, Sonja, A. (CA);

MAZAIK, Debra, L. (US);

MCCUBBIN, Quentin, J. (AU);

NGUYEN, Phoung, M. (US);

PALANIAPPAN, Vaithianathan (US);

SKWIERCZYNSKI, Raymond, D. (US);

TRUONG, Nobel, T. (US);

VARGA, Csanad, M. (US);

ZAWANEH, Peter, N. (US)

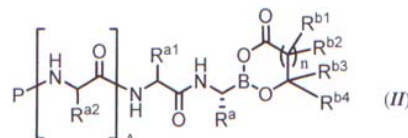
(74) Shalva Gvaramadze

(85) 2011 01 17

(86) PCT/US2009/003602, 2009 06 16

(54) **BORONATE ESTER COMPOUNDS AND  
PHARMACEUTICAL COMPOSITIONS  
CONTAINING THEREOF**

(57) There are represented: compound of formula (II),



wherein values  $R^a$ ,  $R^{a1}$ ,  $R^{a2}$ , P,  $R^{b1}$ ,  $R^{b2}$ ,  $R^{b3}$  and  $R^{b4}$   
thereof are provided in the description;  
pharmaceutical compositions on basis thereof; and  
their application at cancer treatment.

Claims: 10 independent

14 dependent

Table: 31

Fig.: 8

**PART E**

**E 04**

(10) AP 2013 11625 A (51) Int. Cl. (2006)  
E 04 C 3/04

(21) AP 2009 011625 (22) 2009 12 29

(71) Bichiko Surguladze (GE)  
Gldanis Mas., I mkr., korp. 19, b. 34, 0167,  
Tbilisi (GE);  
Levan Pirkulashvili (GE)  
Al. Kazbegis Gamz. 35b, b. 11, 0177,  
Tbilisi (GE)

(72) Bichiko Surguladze (GE);  
Levan Pirkulashvili (GE)

(54) **IN PLAN QUADRANGLE BUILDING  
POSTTENSIONED STRUCTURE  
CEILING**

(57) There is represented a structure comprising a plate 1 executed with core pyramids 2 tied together. The guide blocks 4 are fixed on the tops of pyramids. As concentric polygons in plan the flexors 6 equipped with tightening means 12 are located on the blocks. The guide blocks are fixed on the tops of core pyramids located on bottom flange on axes passing through gravity center of structure plate parallel to its sides. At plate abuts diagonally thereto the tops of first core pyramids are equipped with arms 5, and the saddle dead eyes 7 are located in the middle of polygon sides consisted of flexors. Dead eyes have sprigs 8 from both sides, and diagonally to structure plate they are tied together by means of core elements 9 equipped with attaching elements 10.

Claims: 1 independent

Fig.: 17

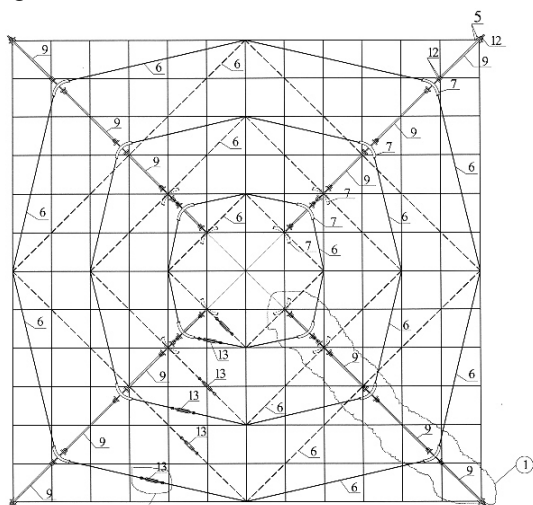


Fig. 2

**E 21**

(10) AP 2013 11049 A (51) Int. Cl. (2006)  
E 21 B 7/24  
E 21 B 10/36

(21) AP 2007 011049 (22) 2007 06 11

(31) 0611559.6; 0708193.8

(32) 2006 06 09; 2007 04 26

(33) GB; GB

(71) UNIVERSITY COURT OF THE  
UNIVERSITY OF ABERDEEN (GB)  
Research and Innovation, University Office,  
Kings College, Aberdeen AB24 3FX (GB)

(72) WIERCIGROCH, Maran (GB)

(74) Liliana Darakhvelidze

(85) 2009 01 08

(86) PCT/GB2007/002140, 2007 06 11

(54) **METHOD AND APPARATUS FOR  
DRILLING ROCK**

(57) An apparatus comprises: a drill column with a drill pipe and an extender thereof, a drill-bit capable to apply high-frequency rotary and/or oscillatory loading, and a control means controlling thereof. The control means has an adjustment means to vary applied high-frequency rotary and/or adjustment loading and is executed with responsibility on rock drillable condition. Said control means is assigned to be allocated onto drilling apparatus and comprises a sensor measuring rock characteristics, due thereof the apparatus is operable downhole on basis of closed loop control in real-time. The apparatus is capable to determine drill-bit loading parameters in order to achieve and maintain resonance between the drill-bit and drilled material in contact therewith.

Claims: 2 independent

15 dependent

Fig.: 2

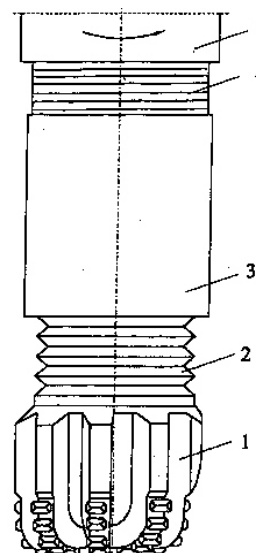


Fig. 1

**PART F**

**F 25**

(10) AP 2013 11598 A (51) Int. Cl. (2006)

F 25 B 27/00

F 25 B 30/06

(21) AP 2009 011598 (22) 2009 12 10

(71) Ioseb Orjonikidze (GE)  
 Bagebi, I. Uchaneishvilis q. 47, b. 1, 0162, Tbilisi (GE);  
 Vazha Jamarjashvili (GE)  
 Paliashvilis q. 50, b. 9, 0179, Tbilisi (GE);  
 Alex Mirianashvili (GE)  
 Mosashvilis q. 5, b. 32, 0162, Tbilisi (GE)

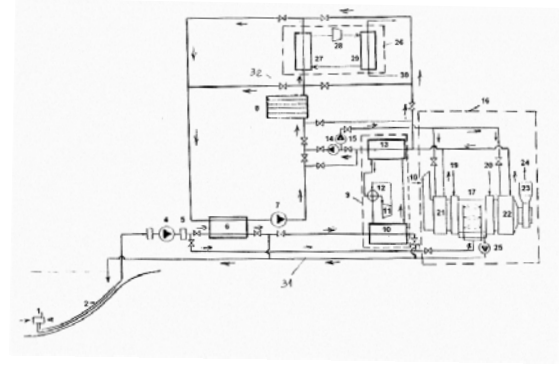
(72) Ioseb Orjonikidze (GE);  
 Vazha Jamarjashvili (GE);  
 Alex Mirianashvili (GE)

**(54) AIR-CONDITIONING SYSTEM WITH DEEP SEA WATER**

(57) There is represented a system comprising sea water withdrawal arrangement 1 connected to: purification 3 and fine purification 5 filters, heat exchanger 6 located between the contours with sea and fresh water, and then chillers 8 by means of conduit 2 for sea water supplement. Reversible heat pump 9, an air-conditioner 16, and a heat pump 26 for hot water supplement are connected to the heat exchanger. Water outflowed from chillers is delivered to heat pump for hot water supplement. Reversible heat pump is connected to chillers and air-conditioner for heated water delivery in heating mode, and air-conditioner irrigation chamber is connected to fine purification filter for purified sea water supplement. Additionally, heat pump for hot water supplement is connected to reversible heat pump at air conditioning, when it is heated for water supplement.

Claims: 1 independent  
 2 dependent

Fig.: 1



**PART G**

**G 06**

(10) AP 2013 11961 A (51) Int. Cl. (2006)

G 06 F 17/30

G 06 K 9/00

(21) AP 2009 011961 (22) 2009 03 05

(31) PA 2008 00345; 61/064,681  
 (32) 2008 03 07; 2008 03 19  
 (33) DK; US  
 (71) IL HOLDINGS APS (DK);  
 c/o Brandt & Lauritzen A/S, Amaliegade 35,  
 DK-1256 Copenhagen K (DK)  
 (72) NIELSEN, Lars Stig (DK);  
 MEIBOM, Jacob (DK)

(74) Tamaz Shilakadze

(85) 2010 10 04

(86) PCT/EP2009/052615, 2009 03 05

**(54) METHOD OF SCANNING**

(57) There is represented computer-implemented scanning method of document (e.g. newspaper or book), which text may be protected legally from unauthorized copying. The method provides following steps: at least one recording acquiring to memory, confined with field covering document delimited area; at least one recording process for character recognition; recognized character registration in memory, and above steps repetition at recording at shifted positions to obtain gradually string of characters; and string evaluation accordingly predefined condition; if condition is no satisfied, determination, whether to clear at least a portion of at least one recording from memory; if condition is satisfied, providing output and clearing at least a portion of string and at least a portion of at least one recording from memory.

Claims: 4 independent  
 27 dependent

Fig.: 5

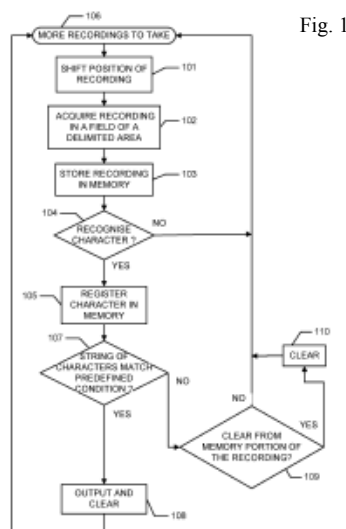


Fig. 1

## PATENTED INVENTIONS

### PART A

#### A 01

**(11) P 2013 5753 B**      **(51) Int. Cl. (2006)**  
**A 01 K 31/06**  
 (10) AP 2012 11605 A      (44) 21(361)/2012  
 (21) AP 2008 011605  
 (22) 2008 04 29  
 (24) 2008 04 29  
 (31) U200701014  
 (32) 2007 05 16  
 (33) ES  
 (86) PCT/ES2008/000293, 2008 04 29  
 (73) Zukami, S. L. (ES)  
 Polígono Industrial Morea Norte, 19, E-31191,  
 Beriain, Navarra (ES)  
 (72) ANSOAIN MARTÍNEZ, Alberto (ES)  
 (74) Tamaz Shilakadze  
 (54) **POULTRY CAGE**

**(11) P 2013 5765 B**      **(51) Int. Cl. (2006)**  
**A 01 N 43/56**  
 (10) AP 2012 12192 A      (44) 21(361)/2012  
 (21) AP 2008 012192  
 (22) 2008 04 23  
 (24) 2008 04 23  
 (62) 07008370.4 2007 04 25 (EP)  
 (31) 07008370.4  
 (32) 2007 04 25  
 (33) EP  
 (86) PCT/EP2008/003279, 2008 04 23  
 (73) SYNGENTA PARTICIPATIONS AG (CH)  
 Schwarzwaldallee 215, CH-4058 Basel (CH)  
 (72) TOBLER, Hans (CH);  
 WALTER, Harald (DE);  
 HAAS, Ulrich, Johannes (DE)  
 (74) Tamaz Shilakadze  
 (54) **FUNGICIDAL COMPOSITIONS**

**(11) P 2013 5766 B**      **(51) Int. Cl. (2006)**  
**A 01 N 43/56**  
 (10) AP 2012 12193 A      (44) 21(361)/2012  
 (21) AP 2008 012193  
 (22) 2008 04 23  
 (24) 2008 04 23  
 (62) 07008370.4 2007 04 25 (EP)  
 (31) 07008370.4  
 (32) 2007 04 25  
 (33) EP  
 (86) PCT/EP2008/003279, 2008 04 23  
 (73) SYNGENTA PARTICIPATIONS AG (CH)  
 Schwarzwaldallee 215, CH-4058 Basel (CH)

(72) TOBLER, Hans (CH);  
 WALTER, Harald (DE);  
 HAAS, Ulrich, Johannes (DE)  
 (74) Tamaz Shilakadze  
 (54) **FUNGICIDAL COMPOSITIONS**

**(11) P 2013 5767 B**      **(51) Int. Cl. (2006)**  
**A 01 N 43/56**  
 (10) AP 2012 12194 A      (44) 21(361)/2012  
 (21) AP 2008 012194  
 (22) 2008 04 23  
 (24) 2008 04 23  
 (62) 07008370.4 2007 04 25 (EP)  
 (31) 07008370.4  
 (32) 2007 04 25  
 (33) EP  
 (86) PCT/EP2008/003279, 2008 04 23  
 (73) SYNGENTA PARTICIPATIONS AG (CH)  
 Schwarzwaldallee 215, CH-4058 Basel (CH)  
 (72) TOBLER, Hans (CH);  
 WALTER, Harald (DE);  
 HAAS, Ulrich, Johannes (DE)  
 (74) Tamaz Shilakadze  
 (54) **FUNGICIDAL COMPOSITIONS**

**(11) P 2013 5768 B**      **(51) Int. Cl. (2006)**  
**A 01 N 43/56**  
 (10) AP 2012 12195 A      (44) 21(361)/2012  
 (21) AP 2008 012195  
 (22) 2008 04 23  
 (24) 2008 04 23  
 (62) 07008370.4 2007 04 25 (EP)  
 (31) 07008370.4  
 (32) 2007 04 25  
 (33) EP  
 (86) PCT/EP2008/003279, 2008 04 23  
 (73) SYNGENTA PARTICIPATIONS AG (CH)  
 Schwarzwaldallee 215, CH-4058 Basel (CH)  
 (72) TOBLER, Hans (CH);  
 WALTER, Harald (DE);  
 HAAS, Ulrich, Johannes (DE)  
 (74) Tamaz Shilakadze  
 (54) **FUNGICIDAL COMPOSITIONS**

**(11) P 2013 5769 B**      **(51) Int. Cl. (2006)**  
**A 01 N 43/56**  
 (10) AP 2012 12196 A      (44) 21(361)/2012  
 (21) AP 2008 012196  
 (22) 2008 04 23  
 (24) 2008 04 23  
 (62) 07008370.4 2007 04 25 (EP)  
 (31) 07008370.4



- A 01 N 43/56**  
**A 01 N 43/653**  
**A 01 N 43/90**
- (10) AP 2012 11803 A (44) 21(361)/2012  
(21) AP 2008 011803  
(22) 2008 10 23  
(24) 2008 10 23  
(31) 61/000,002; 61/062,400  
(32) 2007 10 23; 2008 01 25  
(33) US; US  
(86) PCT/US2008/080850, 2008 10 23  
(73) E. I. DU PONT DE NEMOURS AND COMPANY (US)  
1007 Market Street, Wilmington, DE 19898 (US)  
(72) GREGORY, Vann (US);  
PASTERIS, Robert, James (US)  
(74) Tamaz Shilakadze  
(54) **FUNGICIDAL COMPOUNDS AND MIXTURES**

**A 61**

- (11) P 2013 5755 B (51) Int. Cl. (2006)**  
**A 61 K 36/00**
- (10) AP 2012 11749 A (44) 21(361)/2012  
(21) AP 2010 011749  
(22) 2010 04 06  
(24) 2010 04 06  
(73) Teimuraz Petriashvili (GE)  
Sairmis q., korp. 6, b. 17, 0160, Tbilisi (GE)  
(72) Teimuraz Petriashvili (GE)  
(54) **SPASMOLYTIC, CHOLAGOGIC, HEPATOPROTECTIVE, ANTIINFLAMMATORY, ANTIMICROBIAL, ANTIVIRAL, IMMUNOMODULATOR, HYPOCHOLESTEROLEMIC AND ANTIPROLIFERATIVE DRUG OF ANTIOXIDANT ACTIVITY (PETADIN BABY)**

- (11) P 2013 5756 B (51) Int. Cl. (2006)**  
**A 61 K 36/00**
- (10) AP 2012 11753 A (44) 21(361)/2012  
(21) AP 2010 011753  
(22) 2010 04 12  
(24) 2010 04 12  
(73) Teimuraz Petriashvili (GE)  
Sairmis q., korp. 6, b. 17, 0160, Tbilisi (GE)  
(72) Teimuraz Petriashvili (GE)  
(54) **SPASMOLYTIC, CHOLAGOGIC, HEPATOPROTECTIVE, ANTIINFLAMMATORY, ANTIMICROBIAL, ANTIVIRAL, IMMUNOMODULATOR, HYPOCHOLESTEROLEMIC AND ANTIPROLIFERATIVE DRUG OF ANTIOXIDANT ACTIVITY (PETADIN)**

- (11) P 2013 5759 B (51) Int. Cl. (2006)**  
**A 61 K 36/00**
- (10) AP 2012 11815 A (44) 21(361)/2012  
(21) AP 2010 011815  
(22) 2010 05 28  
(24) 2010 05 28  
(73) Anzor Getsadze (GE)  
Vakhushiti Batonishvilis I Shes., 6, 2000, Zestaponi (GE);  
Leila Getsadze (GE)  
Avtomsheneblis q. 10, b. 29, 4600, Kutaisi (GE)  
(72) Anzor Getsadze (GE);  
Leila Getsadze (GE)  
(54) **COLLECTION TREATING GASTRITIS, COLITIS AND CATARRH**

- (11) P 2013 5760 B (51) Int. Cl. (2006)**  
**A 61 K 36/00**
- (10) AP 2012 11816 A (44) 21(361)/2012  
(21) AP 2010 011816  
(22) 2010 05 28  
(24) 2010 05 28  
(73) Anzor Getsadze (GE)  
Vakhushiti Batonishvilis I Shes., 6, 2000, Zestaponi (GE);  
Leila Getsadze (GE)  
Avtomsheneblis q. 10, b. 29, 4600, Kutaisi (GE);  
Tamar Machitidze (GE)  
Kvishkhetis q., korp. 2, b. 91, 0192, Tbilisi (GE);  
Natali Samkharadze (GE)  
Kvishkhetis q., korp. 2, b. 91, 0192, Tbilisi (GE)  
(72) Anzor Getsadze (GE);  
Leila Getsadze (GE);  
Tamar Machitidze (GE);  
Natali Samkharadze (GE)  
(54) **DRUG TREATING HIGHMORITIS AND FRONTITIS**

- (11) P 2013 5761 B (51) Int. Cl. (2006)**  
**A 61 K 36/00**
- (10) AP 2012 11817 A (44) 21(361)/2012  
(21) AP 2010 011817  
(22) 2010 05 28  
(24) 2010 05 28  
(73) Anzor Getsadze (GE)  
Vakhushiti Batonishvilis I Shes., 6, 2000, Zestaponi (GE);  
Leila Getsadze (GE)  
Avtomsheneblis q. 10, b. 29, 4600, Kutaisi (GE)  
(72) Anzor Getsadze (GE);  
Leila Getsadze (GE)  
(54) **VEGETABLE COLLECTION TREATING BRONCHITIS (ACUTE, HRONIC) AND BRONCHIAL ASTHMA**

- (11) P 2013 5762 B**      **(51) Int. Cl. (2006)**  
**A 61 K 36/00**  
 (10) AP 2012 11818 A      (44) 21(361)/2012  
 (21) AP 2010 011818  
 (22) 2010 05 28  
 (24) 2010 05 28  
 (73) Anzor Getsadze (GE)  
 Vakhushti Batonishvilis I Shes., 6, 2000,  
 Zestaponi (GE);  
 Leila Getsadze (GE)  
 Avtomsheneblis q. 10, b. 29, 4600,  
 Kutaisi (GE)  
 (72) Anzor Getsadze (GE);  
 Leila Getsadze (GE)  
 (54) **COLLECTION TREATING**  
**HEMORRHOID**

- (31) 08425749.2  
 (32) 2008 11 25  
 (33) EP  
 (86) PCT/EP2009/065108, 2009 11 13  
 (73) AZIENDE CHIMICHE RIUNITE ANGELINI  
 FRANCESCO A.C.R.A.F. S.P.A. (IT)  
 Viale Amelia 70, I-00181 Roma (IT)  
 (72) MASCIAMBRUNI, Roberto (IT)  
 (74) Liliana Darakhvelidze  
 (54) **PACKAGING MATERIAL WITH**  
**COLOURED ELEMENT**  
**DISCOLOURING PARTIALLY**  
**REVEALING MARKING AT**  
**RPEDETERMINED TEMPERATURE,**  
**AND METHOD OF PRODUCTION**  
**THEREOF**

## PART B

### B 01

- (11) P 2013 5757 B**      **(51) Int. Cl. (2006)**  
**B 01 D 53/62**  
 (10) AP 2012 11762 A      (44) 21(361)/2012  
 (21) AP 2008 011762  
 (22) 2008 09 19  
 (24) 2008 09 19  
 (31) 60/973,948; 61/032,802; 61/033,298  
 (32) 2007 09 20; 2008 02 29; 2008 03 03  
 (33) US; US; US  
 (86) PCT/US2008/077122, 2008 09 19  
 (73) SKYONIC CORPORATION (US)  
 1221 South Mopac Expressway, Suite 340,  
 Austin, TX 78746 (US)  
 (72) JONES, Joe, David (US);  
 ST. ANGELO, David (US)  
 (74) George Meipariani  
 (54) **METHOD OF CARBON DIOXIDE**  
**REMOVAL FROM WASTE STREAMS**  
**THROUGH CARBONATE AND/OR**  
**BICARBONATE MINERALS CO-**  
**GENERATION**

### B 41

- (11) P 2013 5775 B**      **(51) Int. Cl. (2006)**  
**B 41 M 3/00**  
**B 41 M 5/28**  
**G 09 F 3/02**  
**B 44 F 1/10**  
**B 65 D 79/02**  
 (10) AP 2012 12272 A      (44) 21(361)/2012  
 (21) AP 2009 012272  
 (22) 2009 11 13  
 (24) 2009 11 13

## PART C

### C 03

- (11) P 2013 5778 B**      **(51) Int. Cl. (2006)**  
**C 03 C 3/04**  
**C 03 C 3/095**  
**C 03 C 13/00**  
 (10) AP 2012 12046 A      (44) 20(360)/2012  
 (21) AP 2010 012046  
 (22) 2010 12 30  
 (24) 2010 12 30  
 (73) Roman Verulashvili (GE)  
 Arakishvilis I Chikh. 13, 0179, Tbilisi (GE);  
 Izolda Kamushadze (GE)  
 Nutsubidzis IV mkr., korp. 28, b. 21, 0183,  
 Tbilisi (GE);  
 Davit Verulashvili (GE)  
 Arakishvilis I Chikh. 13, 0179, Tbilisi (GE);  
 Ketevan Vakhtangishvili (GE)  
 Chavchavadzis Gamz. 41, b. 10, 0179,  
 Tbilisi (GE);  
 Merab Gvenetadze (GE)  
 Arakishvilis II Chikh. 13, 0179, Tbilisi (GE);  
 Zurab Machavariani (GE)  
 Baratashvilis 6/10, b. 60, 0105,  
 Tbilisi (GE)  
 (72) Roman Verulashvili (GE);  
 Izolda Kamushadze (GE);  
 Davit Verulashvili (GE);  
 Ketevan Vakhtangishvili (GE);  
 Merab Gvenetadze (GE);  
 Zurab Machavariani (GE)  
 (54) **GLASS FIBER COMPOSITION**



**C 07**

- (11) P 2013 5754 B** (51) **Int. Cl. (2006)**  
**C 07 D 471/10**  
**A 61 K 31/444**  
**A 61 P 3/04**
- (10) AP 2012 11654 A (44) 21(361)/2012  
(21) AP 2008 011654  
(22) 2008 06 20  
(24) 2008 06 20  
(31) 60/945,487  
(32) 2007 06 21  
(33) US  
(86) PCT/US2008/067637, 2008 06 20  
(73) **INCYTE CORPORATION (US)**  
Experimental Station, Route 141 & Henry  
Clay Road, Building E336, Wilmington,  
DE 19880 (US)
- (72) YAO, Wenqing (US);  
ZHUO, Jincong (US);  
ZHANG, Colin (CN)
- (74) Shalva Gvaramadze
- (54) **SPIROCYCLES AS INHIBITORS OF  
11-BETA HYDROXYL STEROID  
DEHYDROGENASE TYPE 1**

**C 13**

- (11) P 2013 5776 B** (51) **Int. Cl. (2006)**  
**C 13 F 3/00**
- (10) AP 2012 12311 A (44) 21(361)/2012  
(21) AP 2011 012311  
(22) 2011 07 21  
(24) 2011 07 21  
(73) Nugzar Baghaturia (GE)  
Razmadzis q. 57, b. 7, 0179, Tbilisi (GE);  
Archil Prangishvili (GE)  
Pasteris q. 1a, b. 2, 0102, Tbilisi (GE);  
Tamaz Batsikidze (GE)  
Ir. Abashidzis q. 83, b. 8, 0179, Tbilisi (GE);  
Alexandre Ivanishvili (GE)  
Vazisubnis IV mkr., korp. 3, b. 2, 0152,  
Tbilisi (GE);  
Koba Sokhadze (GE)  
Kaspis q. 3a, b. 2, 0144, Tbilisi (GE);  
Nana Begiashvili (GE)  
Mosashvilis q. 2, b. 13, 0179, Tbilisi (GE)
- (72) Nugzar Baghaturia (GE);  
Archil Prangishvili (GE);  
Tamaz Batsikidze (GE);  
Alexandre Ivanishvili (GE);  
Koba Sokhadze (GE);  
Nana Begiashvili (GE)
- (54) **METHOD OF ANTIOXIDANT LIQUID  
SUGAR PREPARATION**

**PART E****E 04**

- (11) P 2013 5752 B** (51) **Int. Cl. (2006)**  
**E 04 H 17/04**  
**E 04 H 17/02**  
**B 60 P 7/08**
- (10) AP 2012 11097 A (44) 21(361)/2012  
(21) AP 2009 011097  
(22) 2009 02 05  
(24) 2009 02 05  
(31) 12/028,809  
(32) 2008 02 10  
(33) US  
(73) **MOSEROT LTD. (IL)**  
6 Baaley Hamelacha St. Industrial Zone  
Netivot 80200 (IL)
- (72) PESSACH, Ofir (IL);  
PESSACH, Ran (IL)
- (74) Tamaz Shilakadze
- (54) **METHOD OF CONCERTINA-WIRE  
RAPID DEPLOYMENT**

**PART F****F 02**

- (11) P 2013 5777 B** (51) **Int. Cl. (2006)**  
**F 02 B 73/00**  
**F 02 G 1/043**
- (10) AP 2012 11945 A (44) 20(360)/2012  
(21) AP 2010 011945  
(22) 2010 09 20  
(24) 2010 09 20  
(73) Giorgi Vardishvili (GE)  
19 mkr., korp. 13, b. 41, 3700, Rustavi (GE);  
Ushangi Tsopurashvili (GE)  
Me-19 mkr., korp. 16, b. 11, 3700,  
Rustavi (GE);  
Guram Obgaidze (GE)  
Gardabani, Sop. Akhali Samgori, b. 33,  
1304 (GE)
- (72) Giorgi Vardishvili (GE);  
Ushangi Tsopurashvili (GE);  
Guram Obgaidze (GE)
- (54) **COMBINED DEVICE "GUG"**

**F 03**

- (11) **P 2013 5779 B** (51) **Int. Cl. (2006)**  
**F 03 B 13/12**  
 (10) AP 2012 12069 A (44) 20(360)/2012  
 (21) AP 2011 012069  
 (22) 2011 01 24  
 (24) 2011 01 24  
 (73) Merab Chirakadze (GE)  
 Ir. Aabashidzis q. 16, b. 9, 0179,  
 Tbilisi (GE)  
 (72) Merab Chirakadze (GE)  
 (54) **WAVE ENERGY CONVERTER**
- 

**PART G****G 06**

- (11) **P 2013 5764 B** (51) **Int. Cl. (2006)**  
**G 06 Q 30/00**  
**H 04 W 64/00**  
**H 04 W 4/04**  
 (10) AP 2012 11883 A (44) 21(361)/2012  
 (21) AP 2009 011883  
 (22) 2009 01 15  
 (24) 2009 01 15  
 (31) 61/011,125; 61/065,166; 61/069,076;  
 61/070,344; 12/058,705; 61/046,820;  
 12/172,326; 61/110,202; 12/353,817  
 (32) 2008 01 15; 2008 02 08; 2008 03 12;  
 2008 03 21; 2008 03 29; 2008 04 22;  
 2008 07 14; 2008 10 31; 2009 01 14  
 (33) US; US; US; US; US; US; US; US; US  
 (86) PCT/US2009/000232, 2009 01 15  
 (73) SUNRISE R&D HOLDINGS, LLC (US)  
 1014 Vine Street, Cincinnati, OH 45202 (US)  
 (72) BONNER, Brett, Bracewell (US);  
 OSBORNE, John, Edward (US);  
 HJELM, Cristopher, Todd (US);  
 JONES, Arthur, Titus (US);  
 PERKINS, Dion, Brent (US)  
 (74) Alexander Gegechkori  
 (54) **SYSTEM OF TRACKING CUSTOM  
 REAL TIME LOCATION THROUGH  
 MULTI-NETWORK WITHIN STORE**
- 

**PART H****H 01**

- (11) **P 2013 5763 B** (51) **Int. Cl. (2006)**  
**H 01 J 65/04**  
 (10) AP 2012 11850 A (44) 21(361)/2012  
 (21) AP 2008 011850  
 (22) 2008 11 14  
 (24) 2008 11 14  
 (31) 0722548.5; 0809471.6; 0814699.5;  
 0814701.9  
 (32) 2007 11 16; 2008 05 23; 2008 08 12;  
 2008 08 12  
 (33) GB; GB; GB; GB  
 (86) PCT/GB2008/003829, 2008 11 14  
 (73) CERAVISION LIMITED (GB)  
 The Mansion, Bletchley Park, Wilton Avenue,  
 Bletchley, Milton Keynes MK3 6EB (GB)  
 (72) NEATE, Andrew, Simon (GB)  
 (74) Tamaz Shilakadze  
 (85) 2010 06 15  
 (54) **LIGHT SOURCE**
-

---

# UTILITY MODELS

## APPLICATION APPROVED FOR GRANTING PATENT

The decision can be appealed at the Chamber of Appeal of Sakpatenti within 3 months from the publication or at the Administrative Chamber of the Tbilisi City Court (Address: №6, David Aghmashenebeli Kheivani 12 km., Tbilisi) within 1 month following the publication.

### PART C

#### C 02

(10) AU 2013 12502 U (51) Int. Cl. (2006)  
C 02 F 1/28

(21) AU 2011 012502 (22) 2011 12 15

(71) Tsiuri Beruashvili (GE)  
Vazha-Pshavelas Gamz. III kv., VIa korp.,  
b. 13, 0186, Tbilisi (GE)

(72) Zviad Gogochuri (GE);  
Melsi Silagadze (GE);  
Natalia Okujava (GE);  
Otar Vardigoreli (GE);  
Tsiuri Beruashvili (GE)

(54) **METHOD OF GEOTHERMAL WATER  
PURIFICATION FROM SULFUR  
COMPOUNDS**

(57) There is represented a method of geothermal water purification from sulfur compounds with usage of activated carbon and zeolite modified with copper.

Claims: 1 independent

---

## PATENTED UTILITY MODEL

### PART A

#### A 01

(11) U 2013 1757 Y (51) Int. Cl. (2006)  
A 01 B 49/00

(10) AU 2012 12574 U (44) 21(361)/2012

(21) AU 2012 012574

(22) 2012 02 15

(24) 2012 02 15

(73) Giga Barnabishvili (GE)

Sop. Chalaubani, 1518, Gurjaani (GE)

(72) Giga Barnabishvili (GE)

(54) **COMBINED TILLAGE MACHINE**  
**"BARNABA"**

---

---

# DESIGNS

## APPLICATION APPROVED FOR REGISTRATION

The decision can be appealed at the Chamber of Appeal of Sakpatenti within 3 months from the publication or at the Administrative Chamber of the Tbilisi City Court (Address: №6, David Aghmashenebeli Kheivani 12 km., Tbilisi) within 1 month following the publication.

- (10) AD 2013 730 S      (51) 06-01  
(21) AD 2012 000730  
(22) 2012 12 07  
(28) 1  
(71) Dato Amirejibi (GE)  
      Uridias q. 26, 0101, Tbilisi (GE)  
(72) Dato Amirejibi (GE)  
(54) **SOFA FOR CUISINE DINING AREA**  
(55)



1.1



1.2



1.3



1.4



1.5

## REGISTERED DESIGNS

**(11) D 2013 534 S**      **(51) 01-03**  
 (10) AD 2012 710 S      (44) 21(361)/2012  
 (21) AD 2012 000710  
 (22) 2012 06 25  
 (24) 2012 06 25  
 (28) 14  
 (18) 2017 06 25  
 (73) Guram Nikolashvili (GE)  
 Kikodzis q. 13, b. 12, 0105, Tbilisi (GE)  
 (72) Guram Nikolashvili (GE)  
 (54) **CHEESE**

**(11) D 2013 531 S**      **(51) 07-06**  
 (10) AD 2012 695 S      (44) 21(361)/2012  
 (21) AD 2012 000695  
 (22) 2012 04 04  
 (24) 2012 04 04  
 (28) 4  
 (18) 2017 04 04  
 (73) Jumber Uplisashvili (GE)  
 Dighomi, Didgoris q. 201, 0113, Tbilisi (GE);  
 Manana Kipshidze (GE)  
 S. Chikovanis q. 20, b. 3, 0160, Tbilisi (GE);  
 Lali Mdzevashvili (GE)  
 Moskovis Gamz., V kvart., korp. 10, b. 9,  
 0145, Tbilisi (GE)  
 (72) Jumber Uplisashvili (GE);  
 Manana Kipshidze (GE);  
 Lali Mdzevashvili (GE)  
 (54) **DROP HOLDING NOZZLE**

**(11) D 2013 530 S**      **(51) 09-03**  
 (10) AD 2012 674 S      (44) 21(361)/2012  
 (21) AD 2011 000674  
 (22) 2011 12 15  
 (24) 2011 12 15  
 (28) 4  
 (18) 2016 12 15  
 (31) RCD 1282602-0004; 29/394256  
 (32) 2011 06 23; 2011 06 15  
 (33) EM; US  
 (73) MARS, INCORPORATED (US)  
 6885 Elm Street, McLean, Virginia  
 22101-3883 (US)  
 (72) WILLCOCKS, Neil (US);  
 WATKINS, Adam (US);  
 COLE, Bryan (US);  
 SMITH, Jonathan (US);  
 WILSON, Sue (US)  
 (74) Tamara Kochlamazashvili  
 (54) **FOODSTUFF PACKAGING**  
**(CONTAINER)**

**(11) D 2013 532 S**      **(51) 23-03**  
 (10) AD 2012 698 S      (44) 21(361)/2012  
 (21) AD 2012 000698  
 (22) 2012 04 30  
 (24) 2012 04 30  
 (28) 1  
 (18) 2017 04 30  
 (31) F2012/00216  
 (32) 2012 03 02  
 (33) ZA  
 (73) HARRY DEAN KASSEL (ZA)  
 N1 Short Road, Morningside, Sandton,  
 Gauteng (ZA)  
 (72) KASSEL, Harry Dean (ZA)  
 (74) David Zurabishvili  
 (54) **HEAT EXCHANGER**

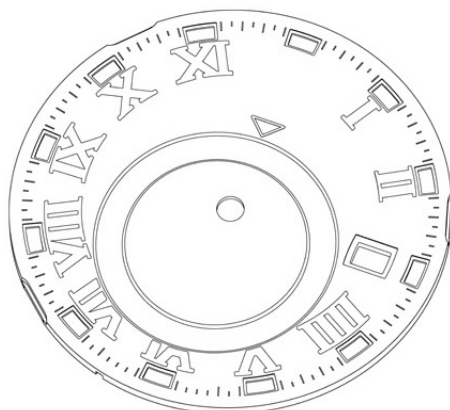
**(11) D 2013 533 S**      **(51) 23-03**  
 (10) AD 2012 699 S      (44) 21(361)/2012  
 (21) AD 2012 000699  
 (22) 2012 04 30  
 (24) 2012 04 30  
 (28) 1  
 (18) 2017 04 30  
 (31) F2012/00217  
 (32) 2012 03 02  
 (33) ZA  
 (73) HARRY DEAN KASSEL (ZA)  
 N1 Short Road, Morningside, Sandton,  
 Gauteng (ZA)  
 (72) KASSEL, Harry Dean (ZA)  
 (74) David Zurabishvili  
 (54) **HEAT EXCHANGER**

**DESIGNS, WHICH HAVE BEEN REGISTERED WITH THE INTERNATIONAL  
BUREAU CLAIMING PRIORITY ON THE TERRITORY OF GEORGIA**

(IN ACCORDANCE WITH THE HAGUE ACT OF 1960 AND/OR GENEVA ACT OF THE HAGUE  
AGREEMENT OF 1999)

The decision can be appealed at the Chamber of Appeal of Sakpatenti within 3 months from the publication or at the Administrative Chamber of the Tbilisi City Court (Address: №6, David Aghmashenebeli Kheivani 12 km., Tbilisi) within 1 month following the publication.

- (11) **DM/078652**                      (51) **10-02, 07**  
 (15) 2012 06 28                      (45) 2012/51 (2012 12 28)  
 (22) 2012 03 12                      (28) 6  
 (30) 03.11.2011; 138387; CH  
 (73) ROLEX SA  
       3-5-7 rue François-Dussaud, CH-1211 Genève 26 (CH)  
 (85) CH  
 (86) CH  
 (87) CH  
 (88) CH  
 (89) CH  
 (81) II. BZ, KP, MA, SR. III. AL, AM, AZ, BA, BW, EG, EM, GE, GH, HR, IS, KG, LI, MC, MD, ME, MK,  
       MN, NA, NO, OA, OM, RS, RW, SG, ST, SY, TR, UA  
 (72) Maria Cristina CALVANI  
       Chemin David Munier 12, CH-1223 COLOGNY  
 (54) 1.-4. Watch dials; 5.-6. Watches  
 (55)



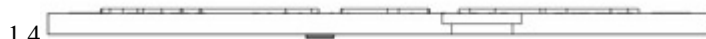
1.1



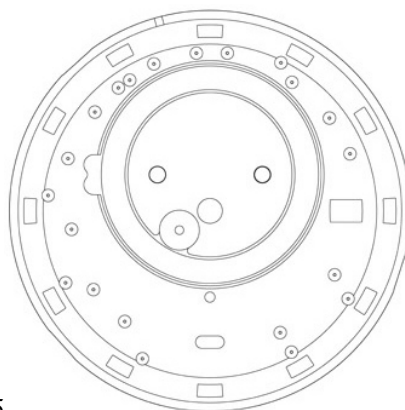
1.2



1.3

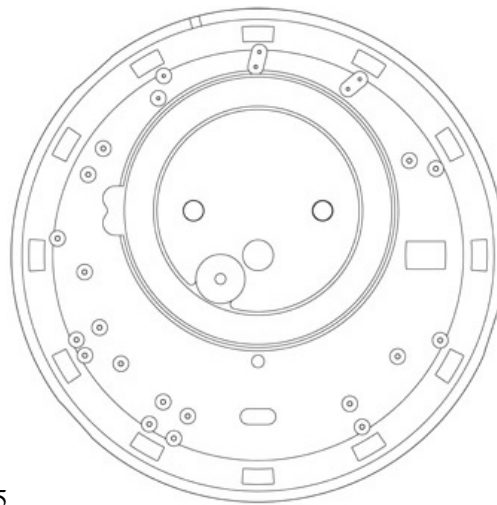
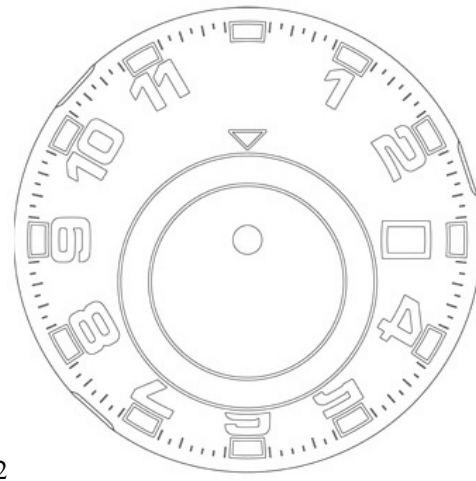
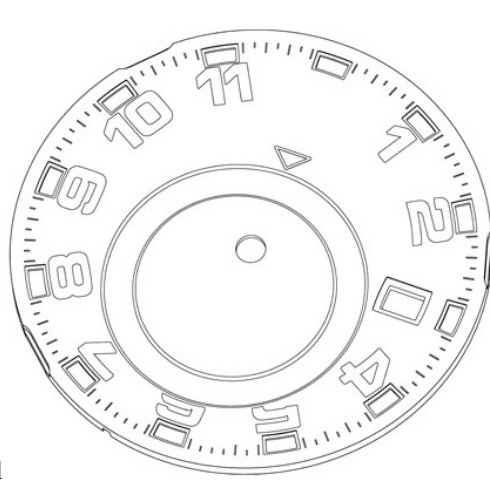
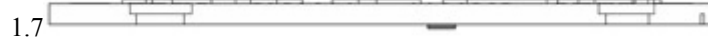


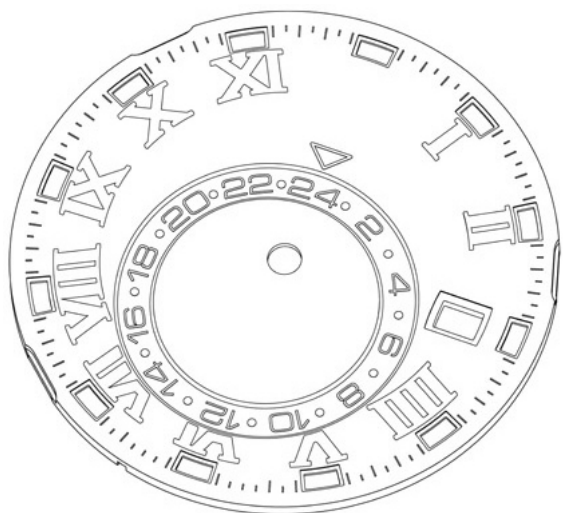
1.4



1.5







3.1



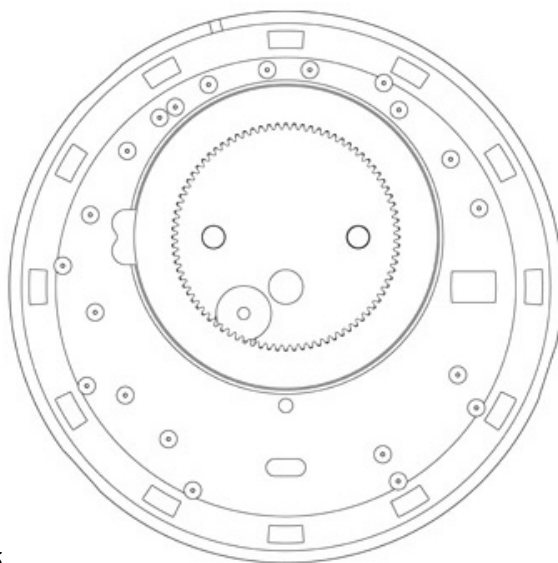
3.2



3.3



3.4



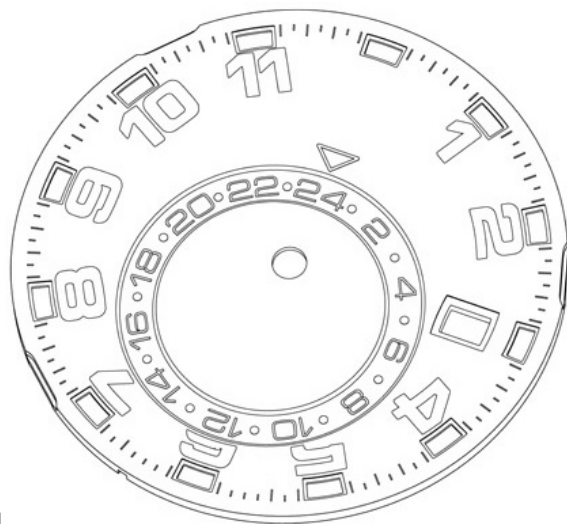
3.5



3.6



3.7



4.1



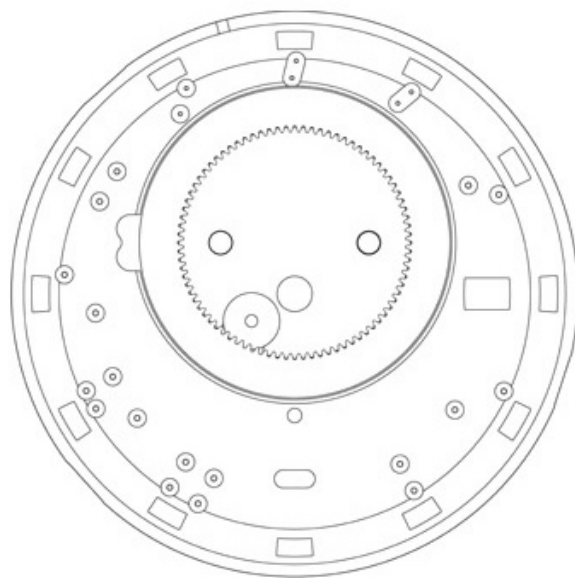
4.2



4.3



4.4



4.5



4.6



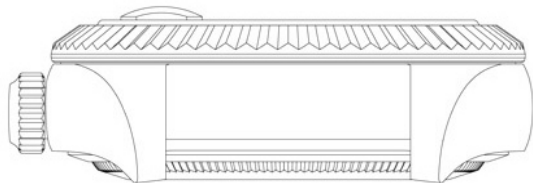
4.7



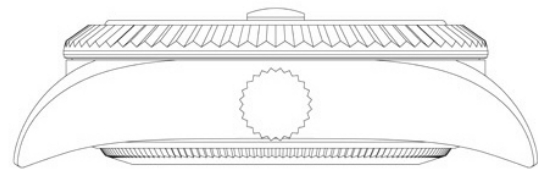
5.1



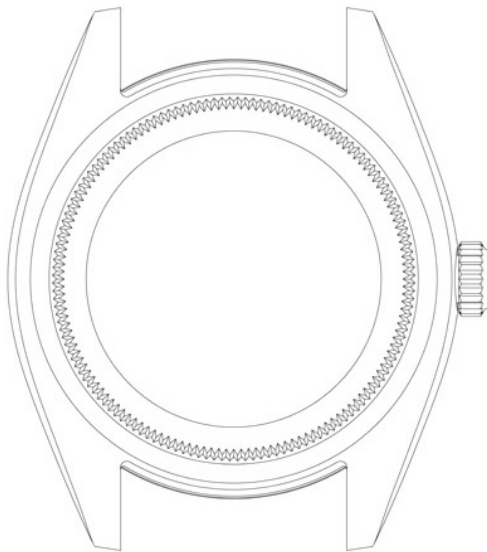
5.2



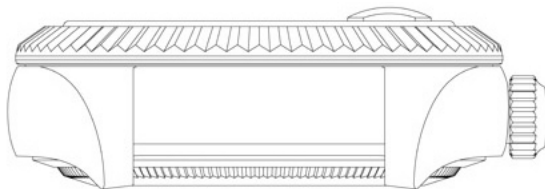
5.3



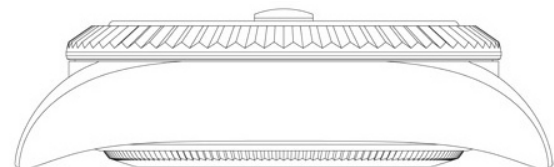
5.4



5.5



5.6



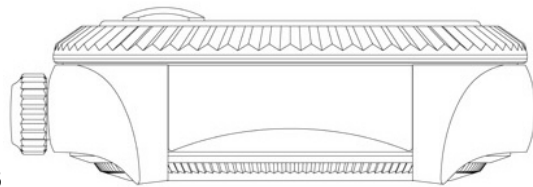
5.7



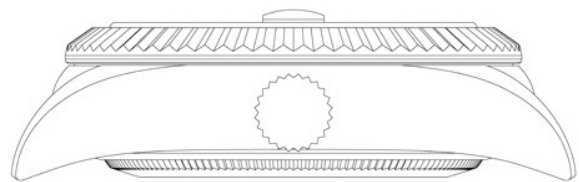
6.1



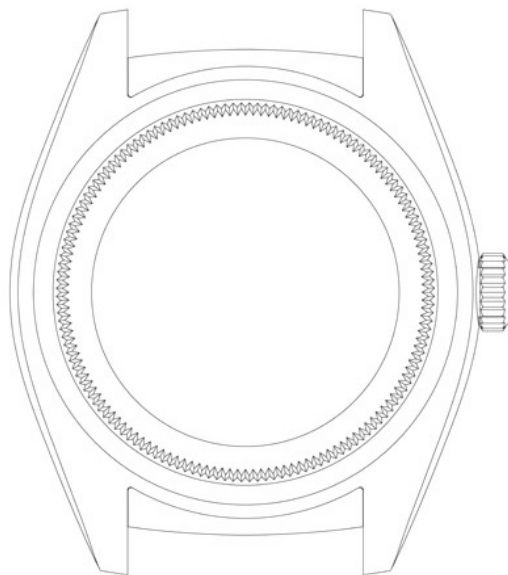
6.2



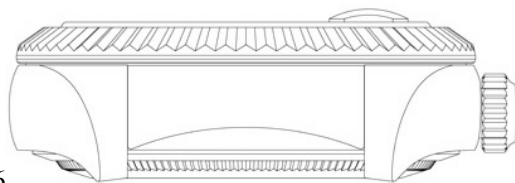
6.3



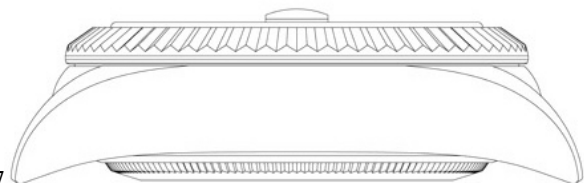
6.4



6.5



6.6



6.7

**(11) DM/078815****(51) 09-03**

(15) 2012 07 04

(45) 2012/52 (2013 01 04)

(22) 2012 07 04

(28) 4

(30) for designs No(s) 1: 27.06.2012; 246253; IN; for designs No(s) 2: 27.06.2012; 246254; IN;  
for designs No(s) 3: 27.06.2012; 246255; IN

(73) SOREMARTEC S.A.

Rue Joseph Netzer 5, B-6700 ARLON (BE)

(86) BX, EM

(87) BX, EM

(88) BX, EM

(89) EM

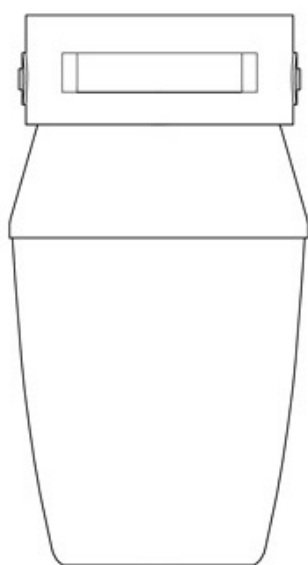
(81) II. BZ, KP, MA, SR. III. AL, AM, AZ, BA, BW, CH, EG, EM, GE, GH, HR, IS, KG, LI, MC, MD, ME,  
MK, MN, NA, NO, OA, OM, RS, RW, SG, ST, SY, TJ, TN, TR, UA

(72) Marco ROSELLA

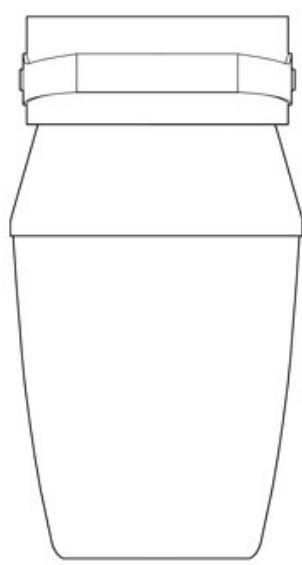
Via Raddusa 13, I-10098 RIVOLI (TORINO)

(54) 1.-4. Jars for food product

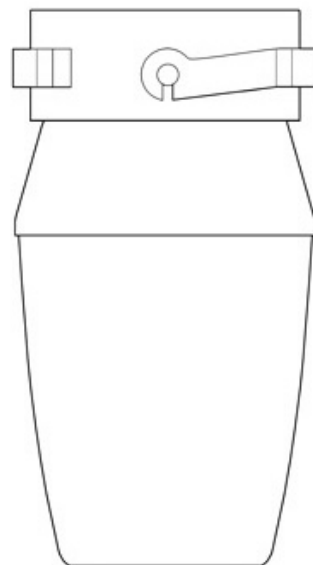
(55)



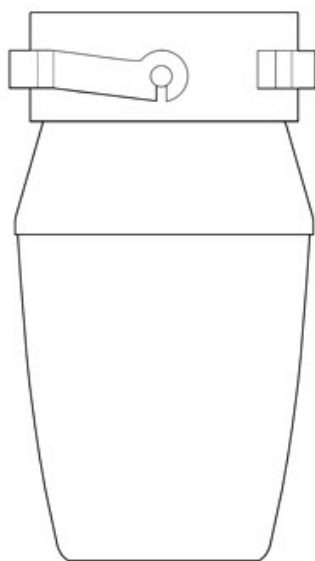
1.1



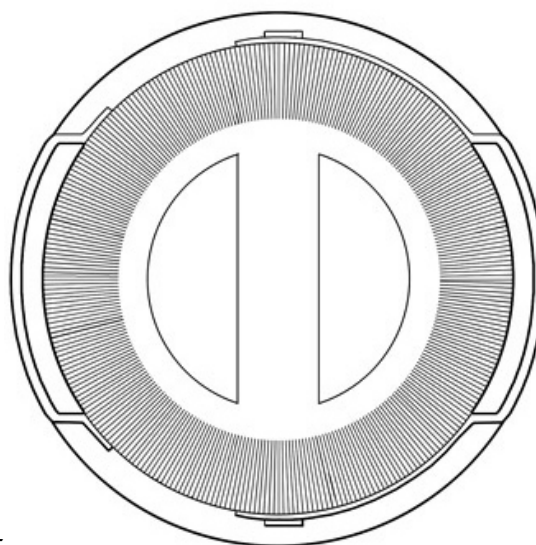
1.2



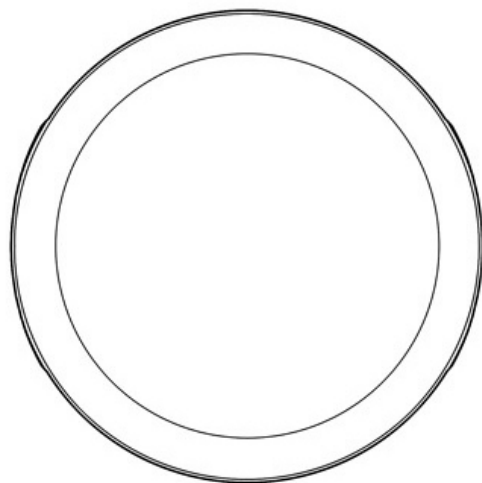
1.3



1.4



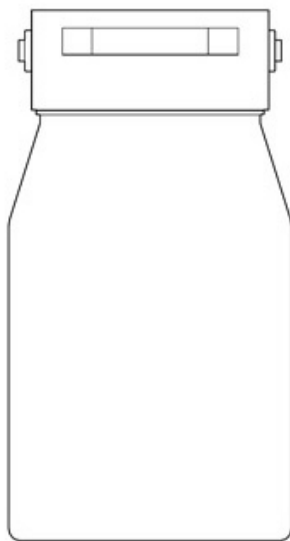
1.5



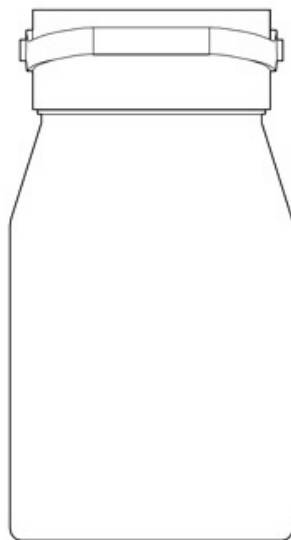
1.6



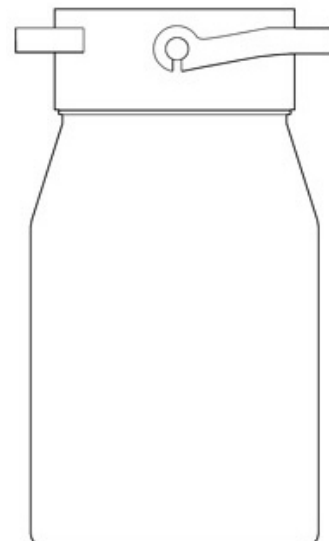
1.7



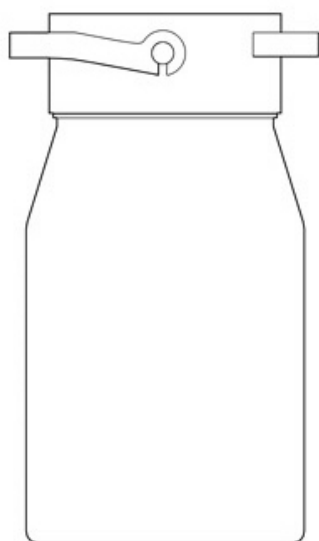
2.1



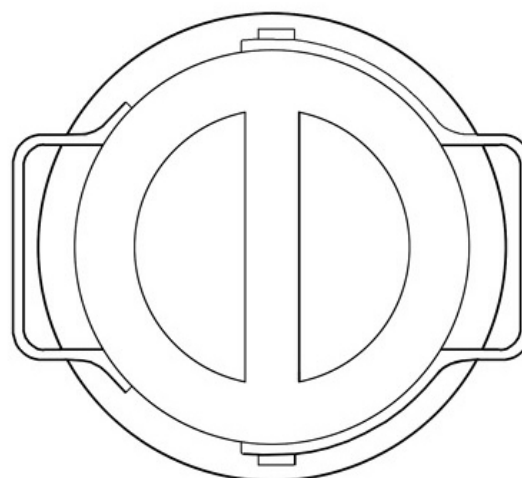
2.2



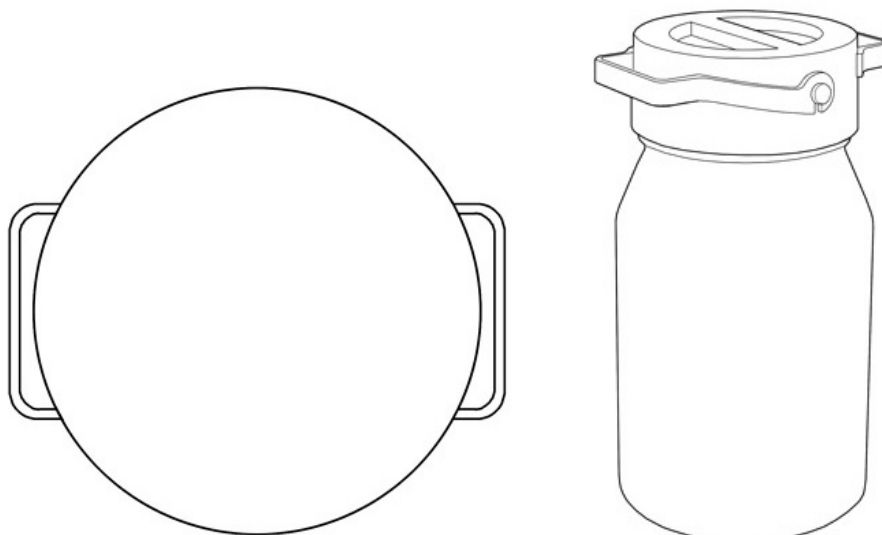
2.3



2.4

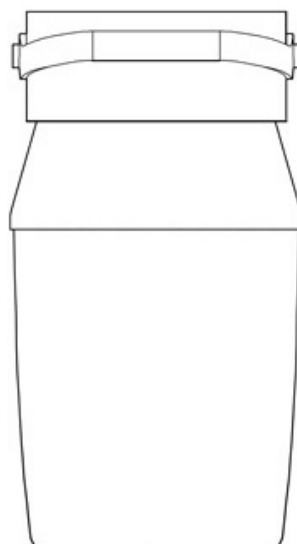
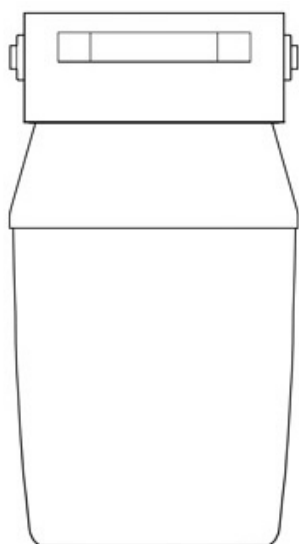


2.5



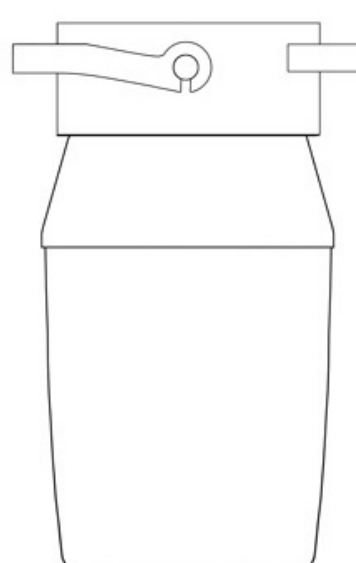
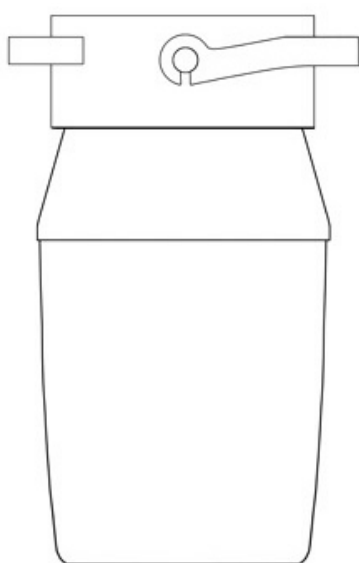
2.6

2.7



3.1

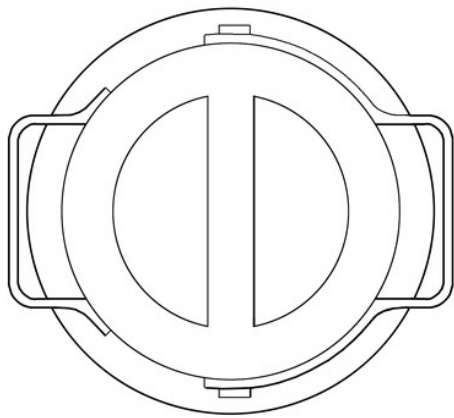
3.2



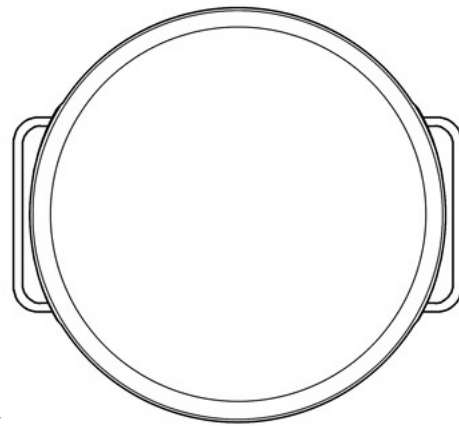
3.3

3.4

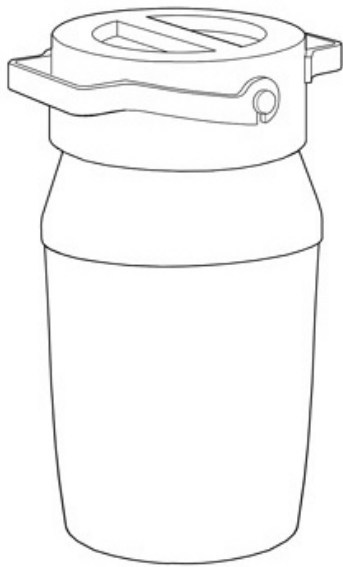




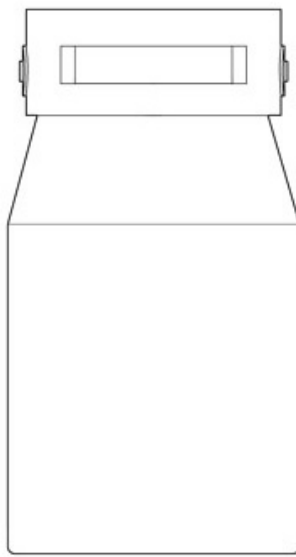
3.5



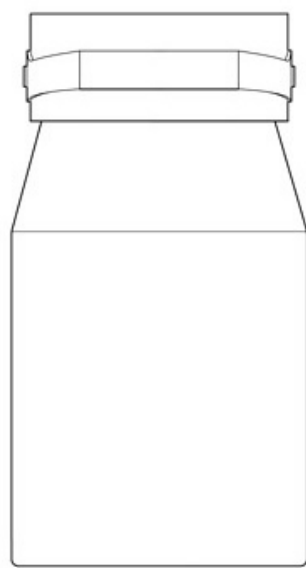
3.6



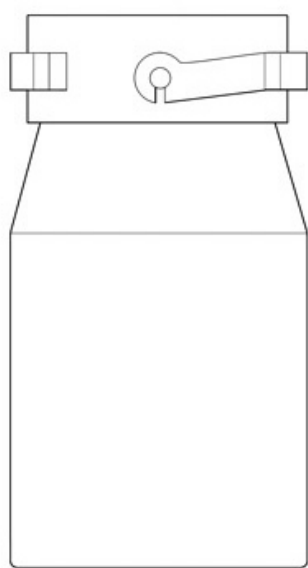
3.7



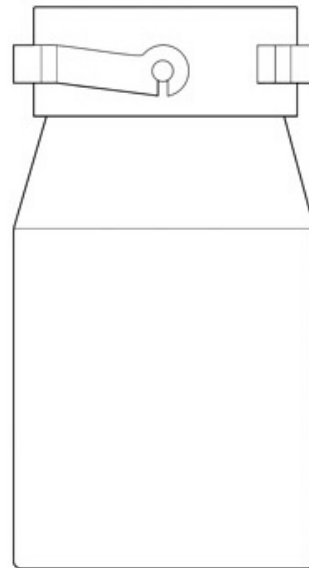
4.1



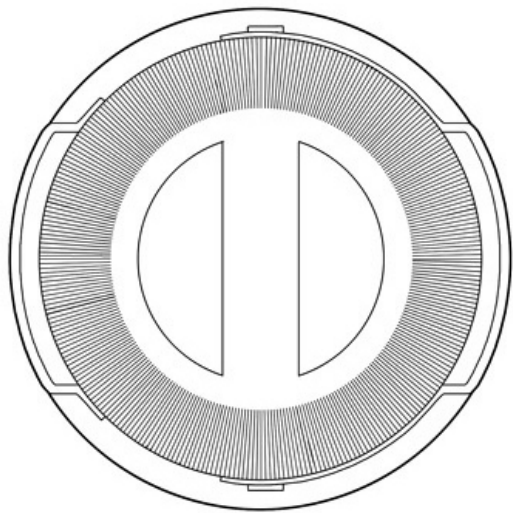
4.2



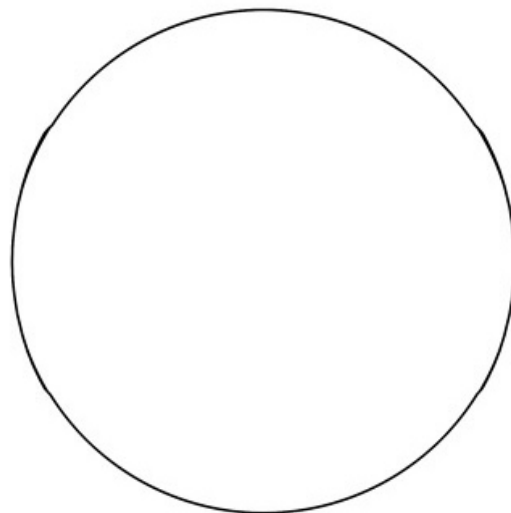
4.3



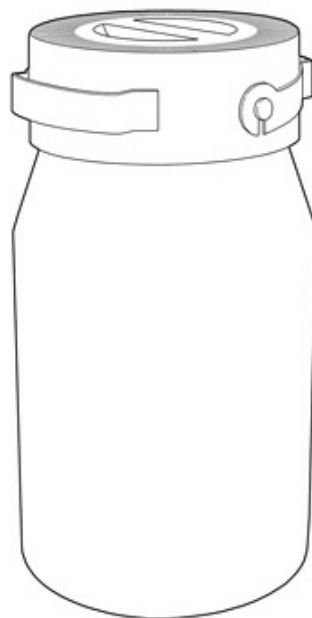
4.4



4.5

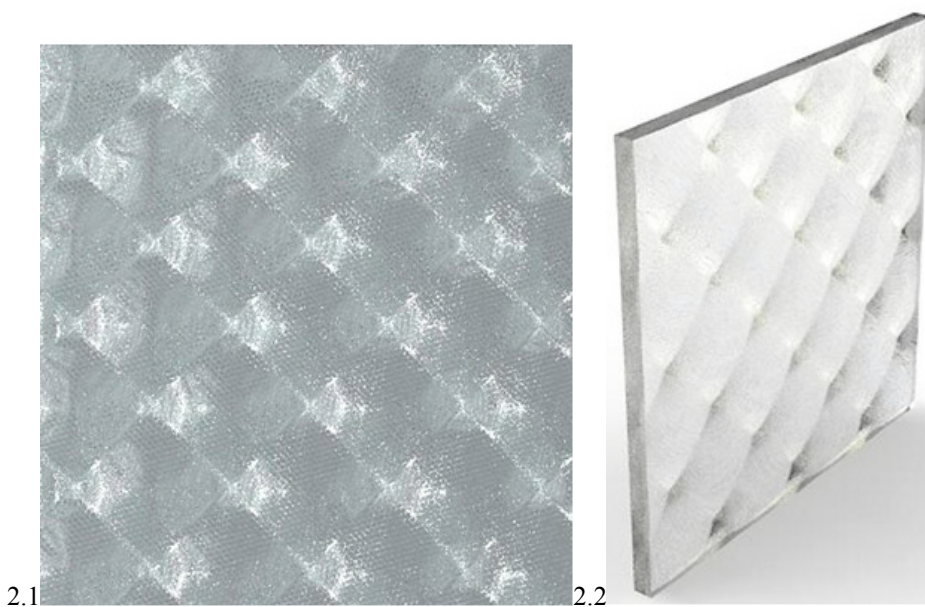
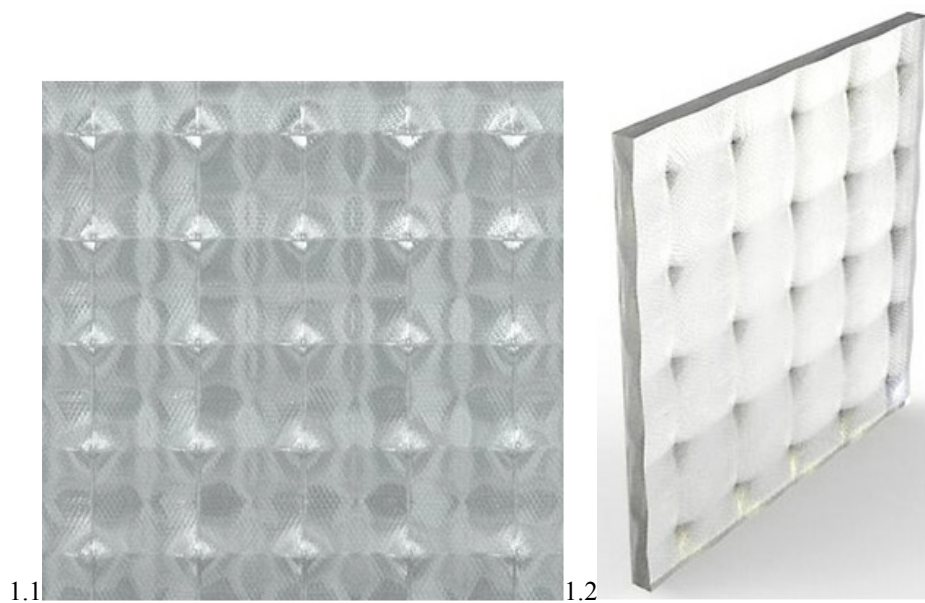


4.6



4.7

- (11) **DM/079799** (51) **25-01**  
(15) 2012 06 12 (45) 2012/52 (2013 01 04)  
(22) 2012 06 12 (28) 2  
(30) 13.12.2011; 11/5987; FR  
(73) SAINT-GOBAIN GLASS FRANCE "Les Miroirs"  
18, avenue d'Alsace, F-92400 COURBEVOIE (FR)  
(86) FR, EM  
(87) FR, EM  
(88) FR, EM  
(89) FR  
(81) III. BG, CH, EM, GE, LI, NO, RO, UA  
(72) Gilles Rozé  
71, rue du Général de Gaulle, F-89340 Villeneuve La Guyard;  
Yves Savinel  
4, rue de Cheverrures, F-78600 Les Mesnil-le-Roi  
(54) 1.-2. Printed glass panels  
(55)



**(11) DM/079807****(51) 25-01**

(15) 2012 03 23

(45) 2012/52 (2013 01 04)

(22) 2011 12 12

(28) 2

(73) WYW BLOCK AG

Landstrasse 140, FL-9494 Schaan (LI)

(86) n/a

(87) LI

(88) LI

(89) LI

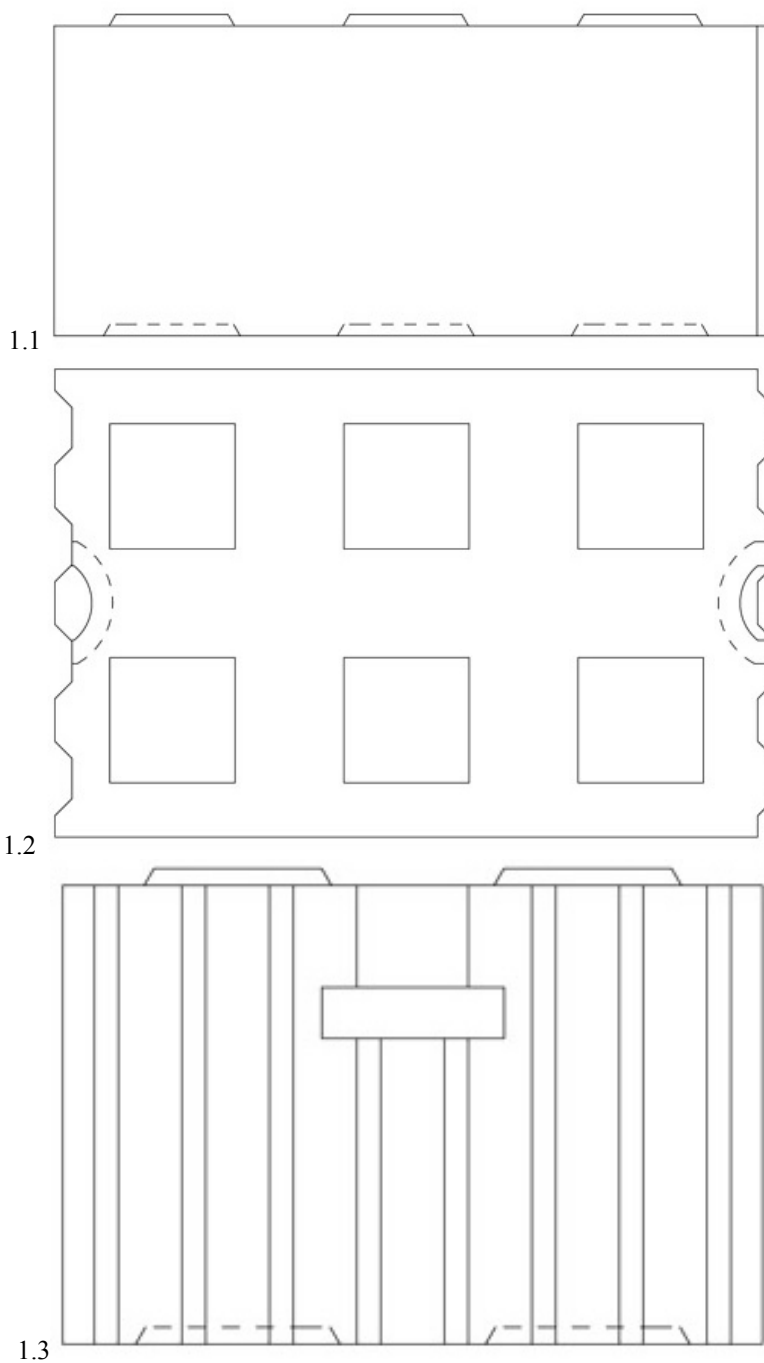
(81) II. MA. III. AL, AM, AZ, BA, BG, CH, EE, EG, EM, GE, HR, IS, KG, LI, LT, LV, MD, ME, MK, MN, OA, OM, RS, SG, SY, TR, UA

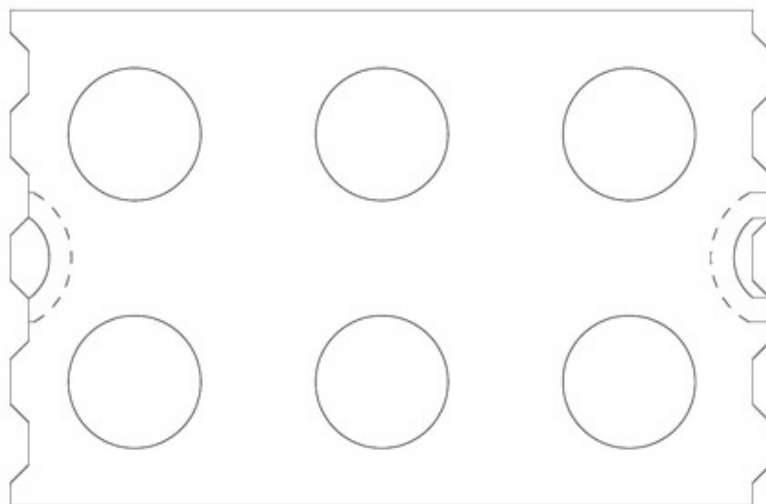
(72) Antal István

Sohordo u. 9/A, HU-6721 Szeged

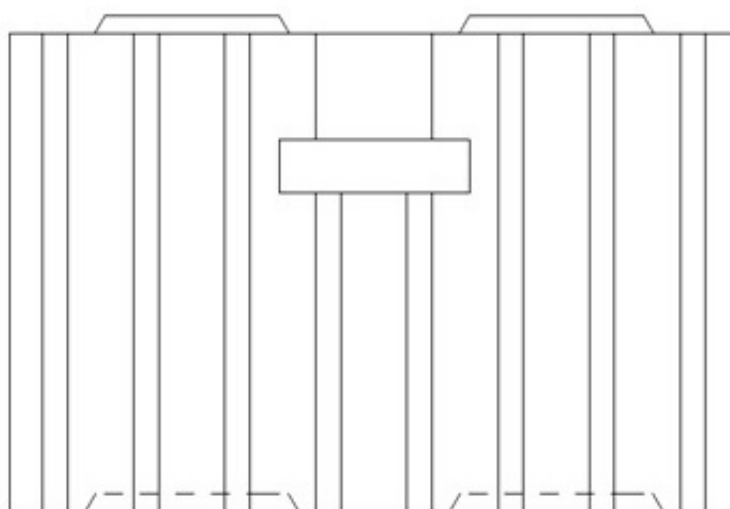
(54) 1.-2. Blocks for construction

(55)

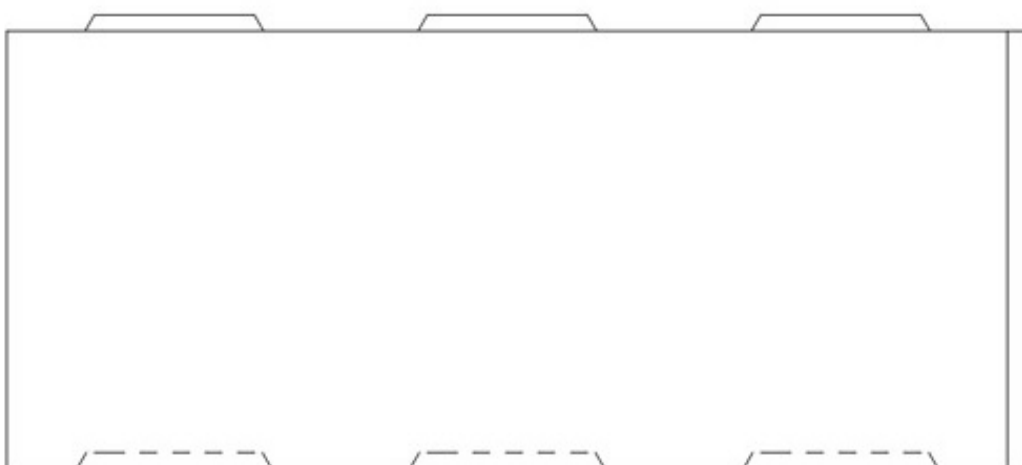




2.1

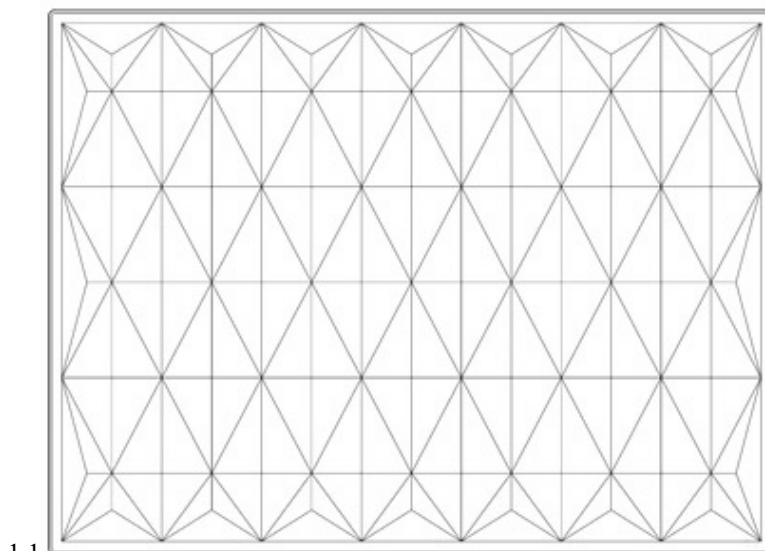


2.2

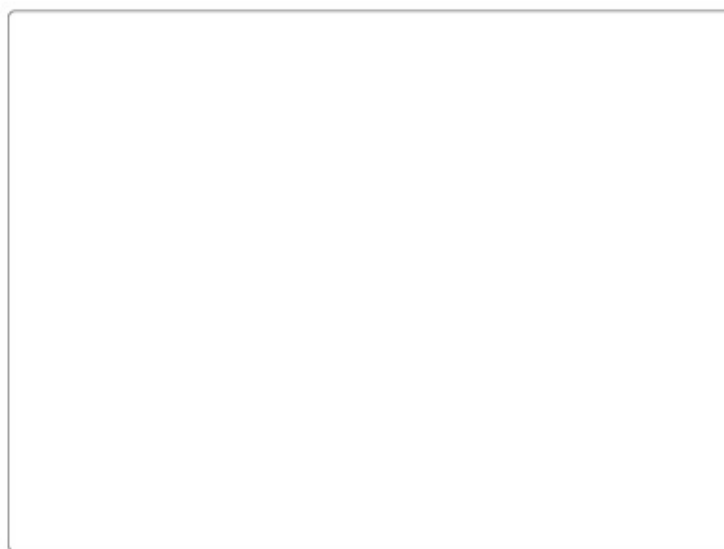


2.3

- (11) **DM/078834**      **(51) 09-03**
- (15) 2012 07 06      (45) 2013/01 (2013 01 11)
- (22) 2012 07 06      (28) 2
- (73) SOREMARTEC S.A.  
Rue Joseph Netzer 5, B-6700 ARLON (BE)
- (86) BX, EM
- (87) BX, EM
- (88) BX, EM
- (89) EM
- (81) II. MA. III. AL, CH, EM, GE, HR, ME, MK, OA, RS, TR, UA
- (54) 1.-2. Boxes
- (55)



1.1



1.2



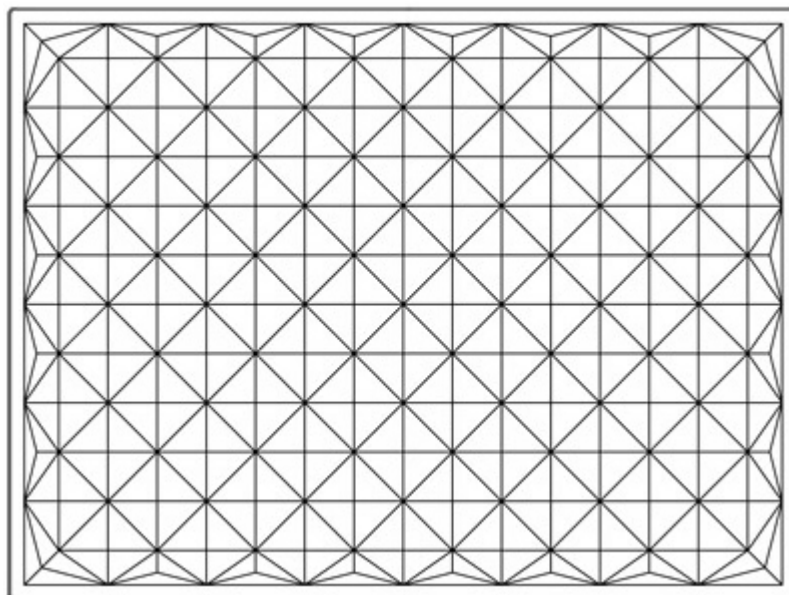
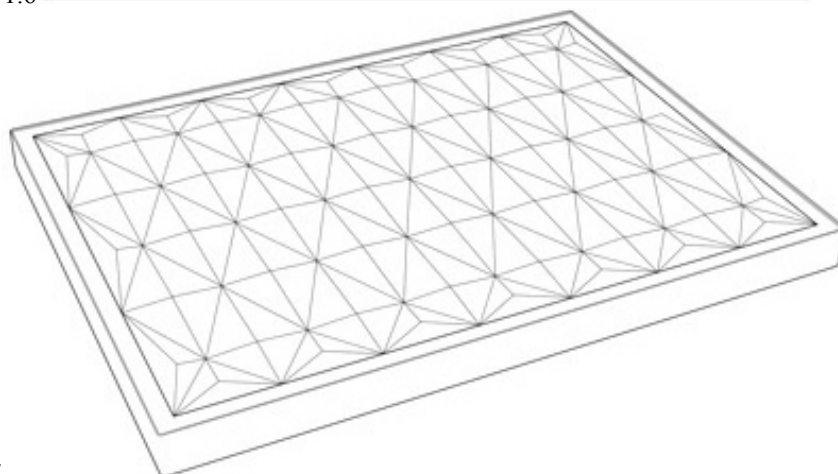
1.3

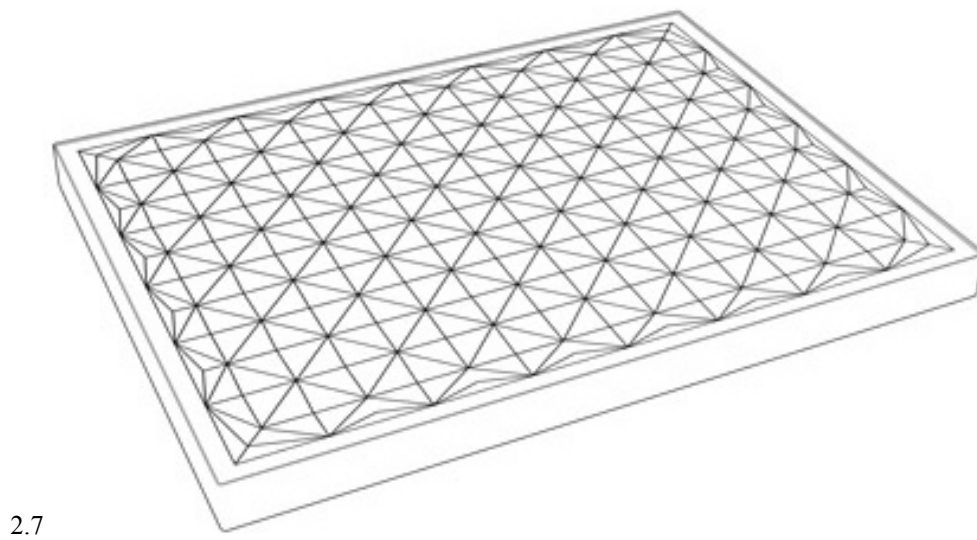
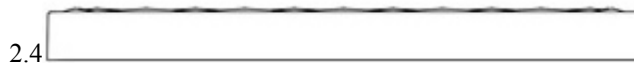
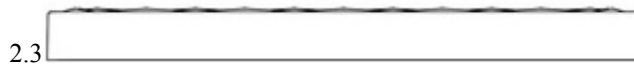


1.4



1.5







(11) DM/077444

(51) 15-05

(15) 2012 01 11

(45) 2013/02 (2013 01 18)

(22) 2012 01 11

(28) 2

(73) ALFRED KÄRCHER GMBH & CO. KG

Alfred-Kärcher-Straße 28-40, 71364 Winnenden (DE)

(85) EM

(86) DE, EM

(87) DE, EM

(88) DE, EM

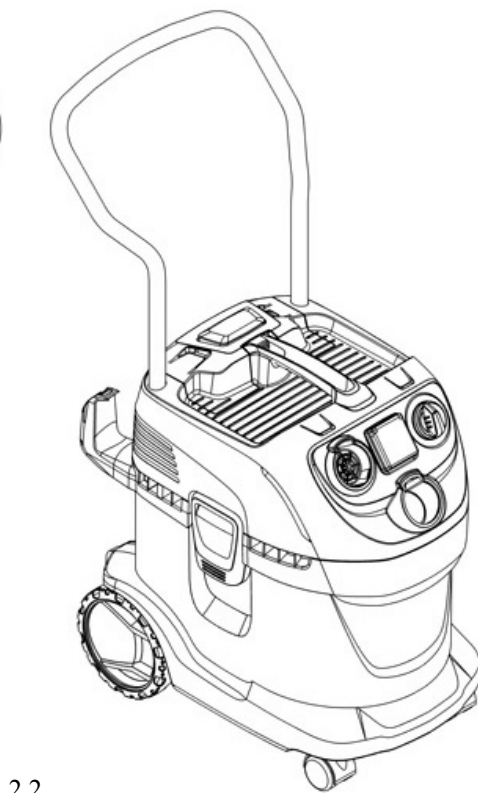
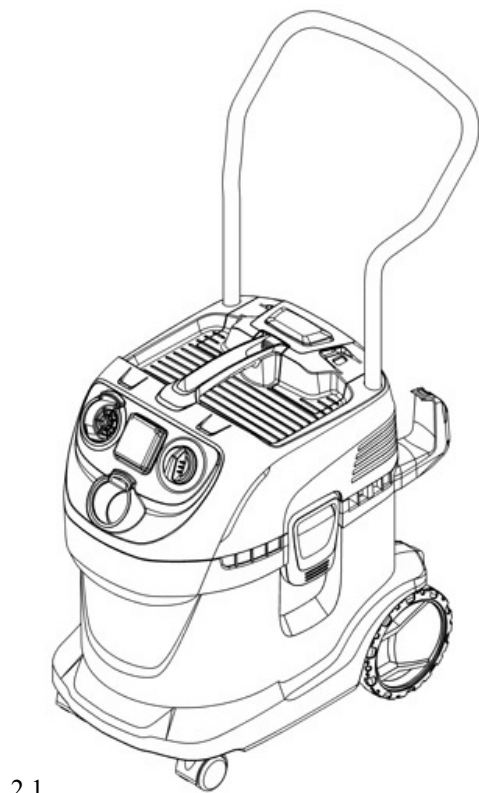
(89) EM

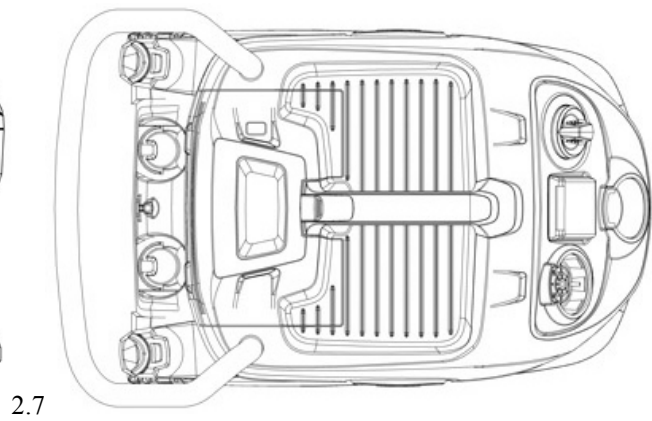
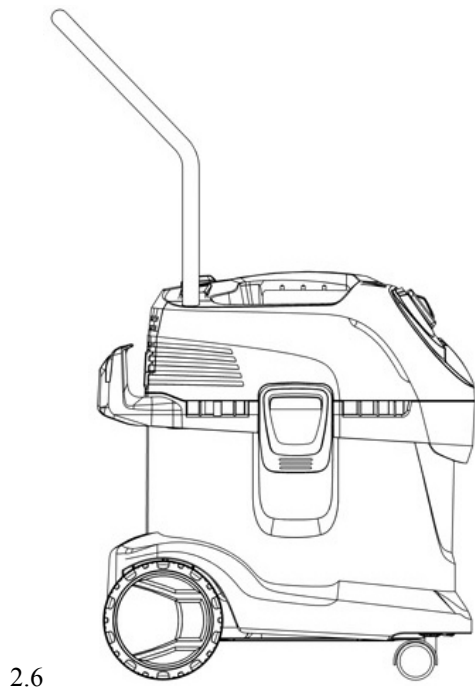
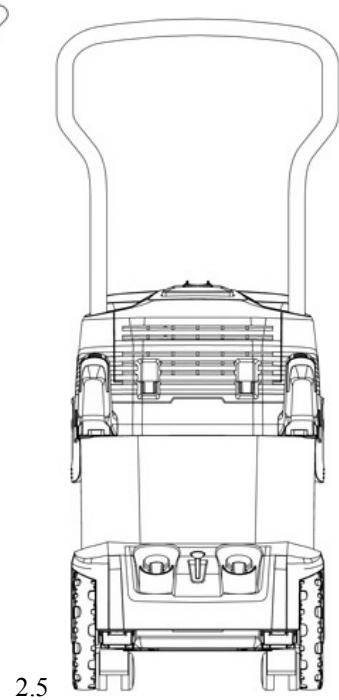
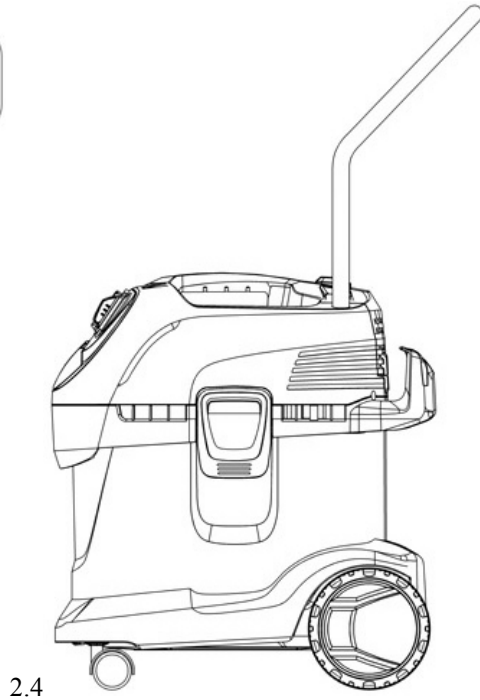
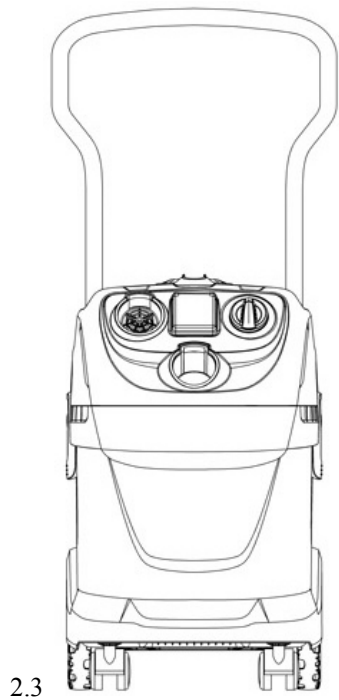
(81) II. KP, MA, ME. III. BA, CH, EG, EM, GE, HR, LI, MD, MK, MN, OM, TR

(54) 1.-2. Cleaners (Vacuum-)

(55)







(11) DM/077447

(51) 15-05

(15) 2012 01 12

(45) 2013/02 (2013 01 18)

(22) 2012 01 12

(28) 2

(73) ALFRED KÄRCHER GMBH & CO. KG

Alfred-Kärcher-Straße 28-40, 71364 Winnenden (DE)

(85) EM

(86) DE, EM

(87) DE, EM

(88) DE, EM

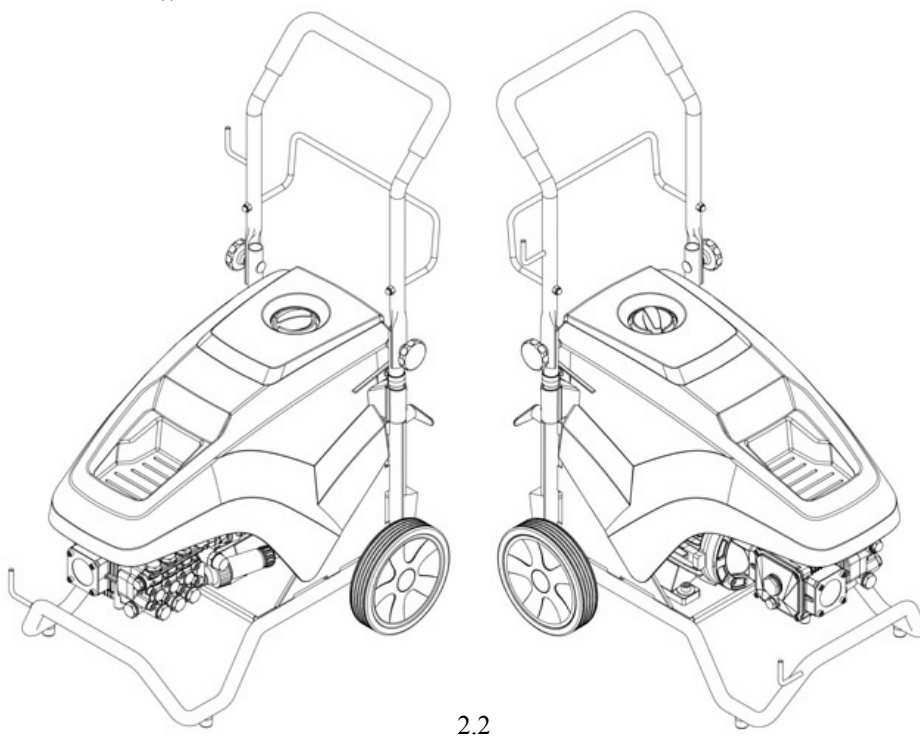
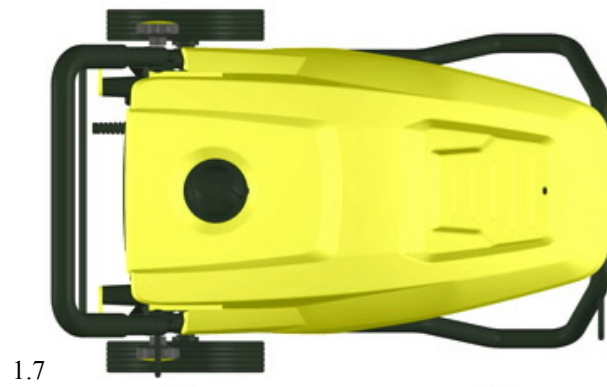
(89) EM

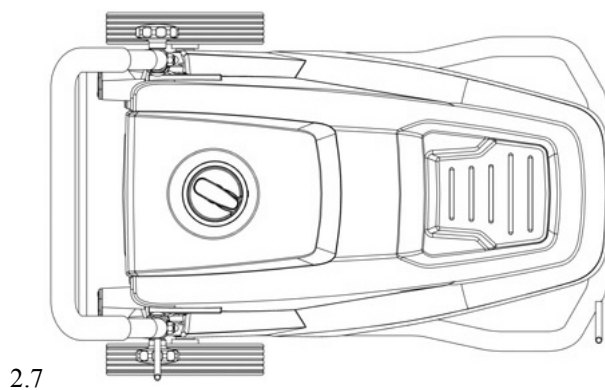
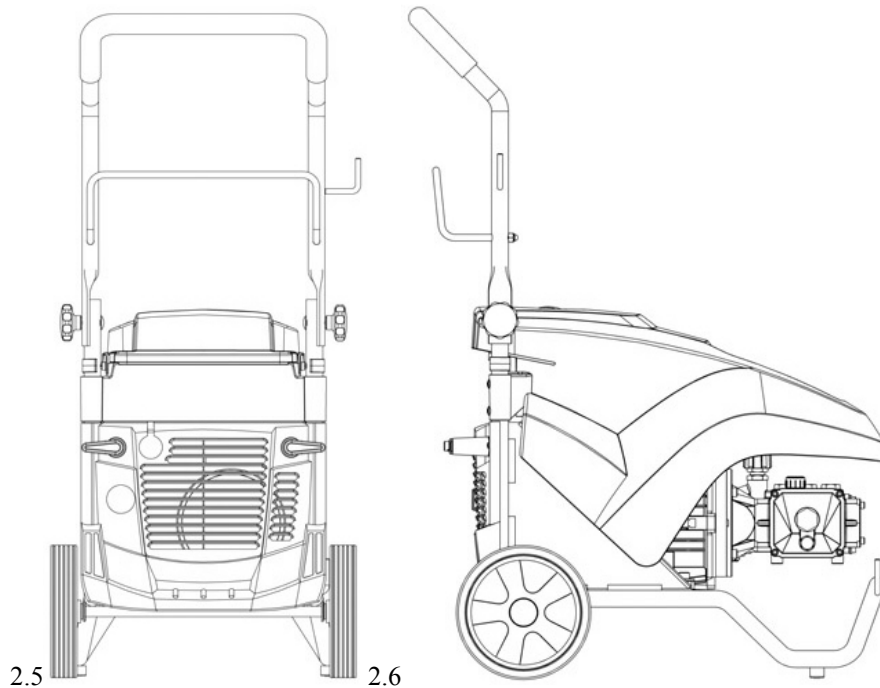
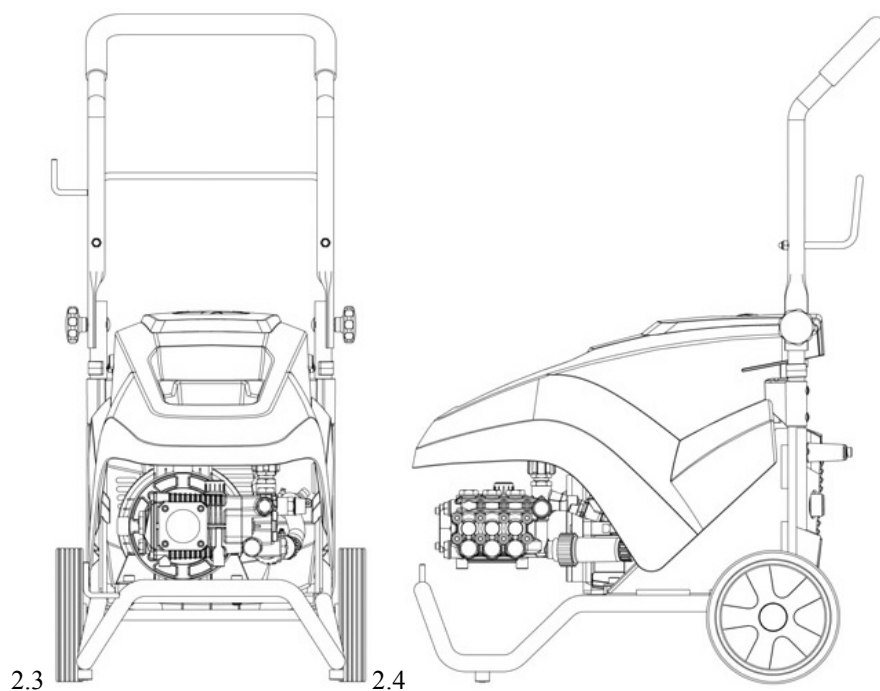
(81) II. KP, MA, ME. III. BA, CH, EG, EM, GE, HR, LI, MD, MK, MN, OM, TR

(54) 1.-2. High pressure cleaners

(55)







(11) DM/079841

(51) 09-05

(15) 2012 12 21

(45) 2013/02 (2013 01 18)

(22) 2012 12 21

(28) 2

(73) AZURFIVE CONSULTING S.À.R.L.

25, Montée de Clausen Luxembourg, L-1343 Grand-Duchy of Luxembourg (LU)

(86) n/a

(87) n/a

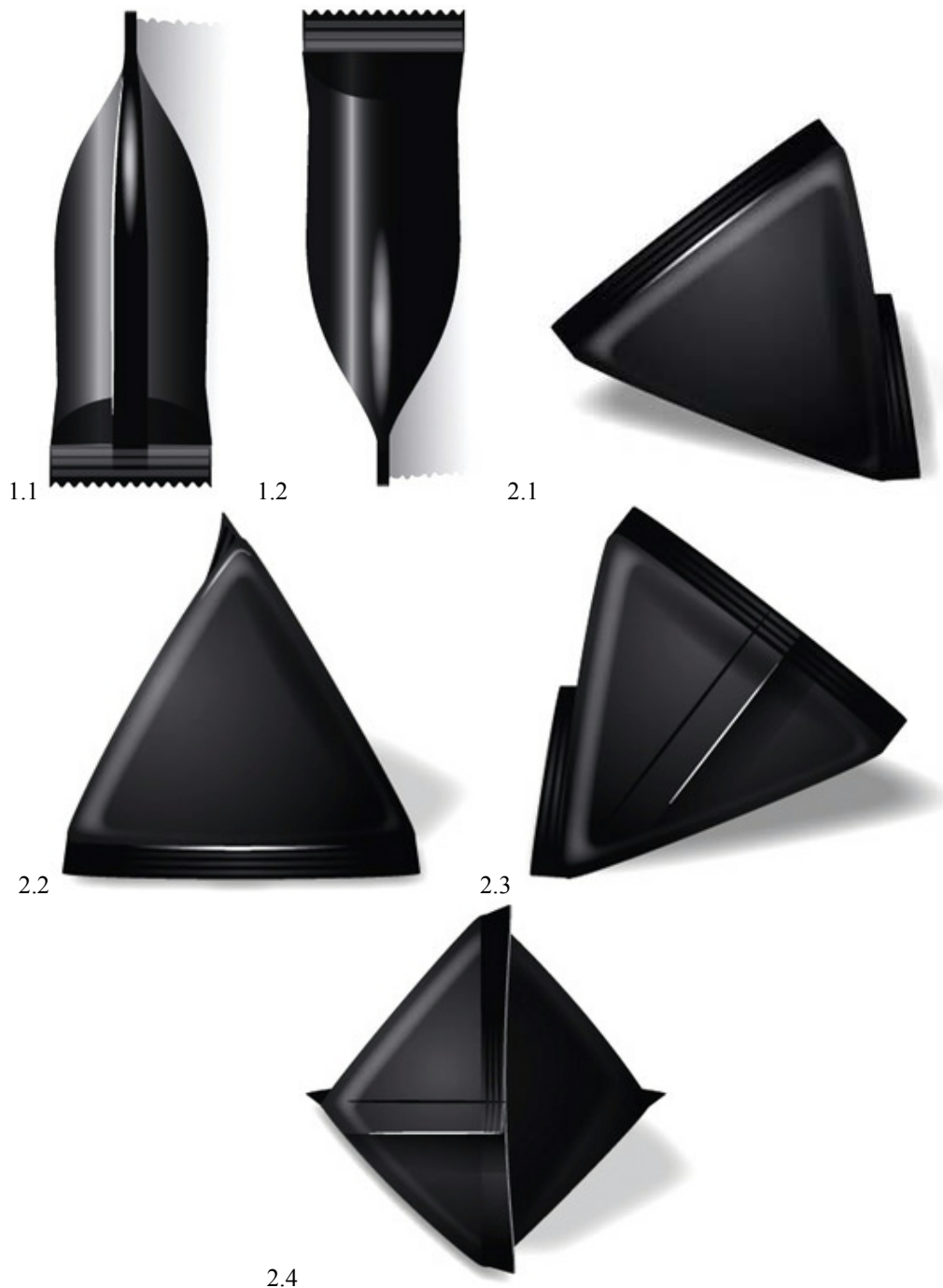
(88) BX, EM

(89) EM

(81) II. MA. III. AM, AZ, EM, GE, KG, MD, TR, UA

(54) 1.-2. Packagings for wipes

(55)



**(11) DM/079871**

(15) 2013 01 08

(22) 2013 01 08

(30) 31.08.2012; 0020957273-0001; EM

(73) SAVERGLASS 3 rue de la Gare, F-60960 FEUQUIERES (FR)

(85) FR, EM

(86) FR, EM

(87) FR, EM

(88) FR, EM

(89) FR

(81) III. AM, AZ, BA, CH, EG, GE, HR, MC, MD, ME, MK, NO, RS, SG, TR, UA

(54) 1. Bottle

(55)

**(51) 09-01**

(45) 2013/02 (2013 01 18)

(28) 1



1.1



1.2



1.3



1.4



(11) DM/077524

(51) 23-01

(15) 2012 01 18

(45) 2013/03 (2013 01 25)

(22) 2012 01 18

(28) 8

(73) ALFRED KÄRCHER GMBH & CO. KG

Alfred-Kärcher-Straße 28-40, 71364 Winnenden (DE)

(85) EM

(86) DE, EM

(87) DE, EM

(88) DE, EM

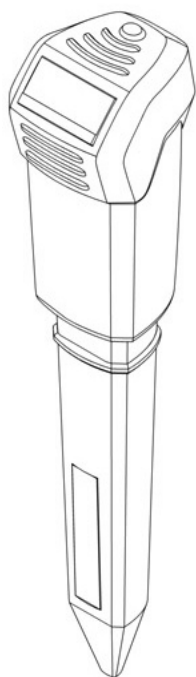
(89) EM

(81) II. KP, MA, ME. III. BA, CH, EG, EM, GE, HR, LI, MD, MK, MN, OM, TR

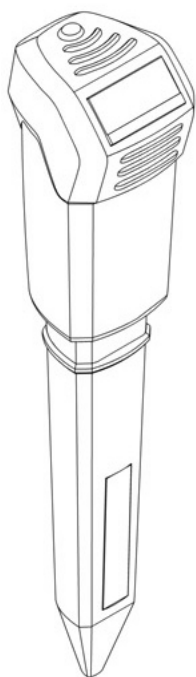
(54) 1.-8. Watering equipment (parts of-)

(55)

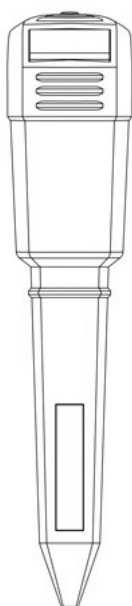




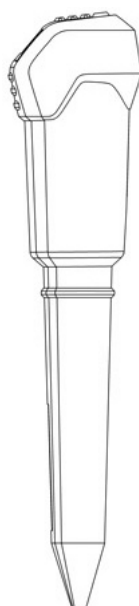
2.1



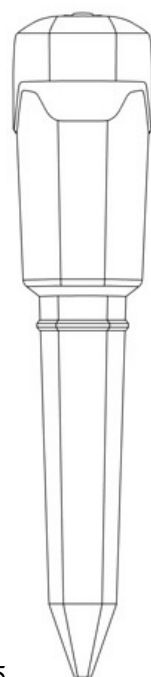
2.2



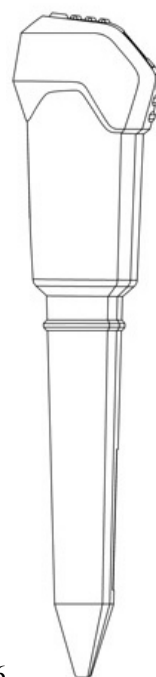
2.3



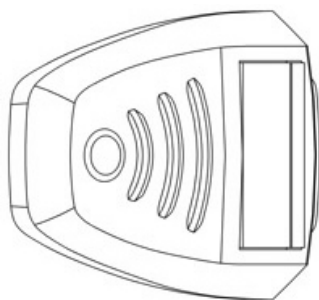
2.4



2.5



2.6



2.7



3.1



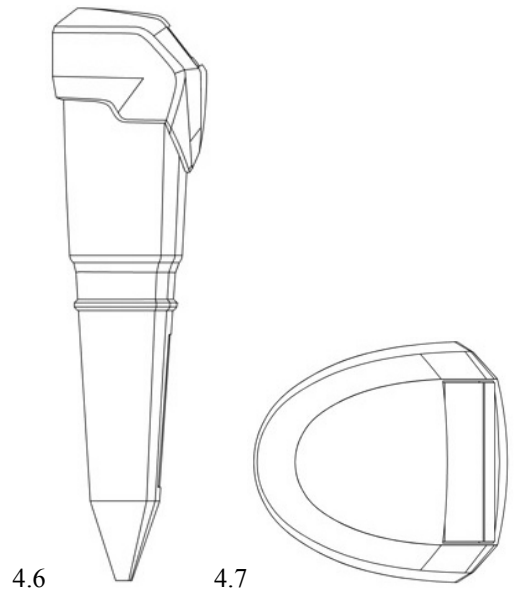
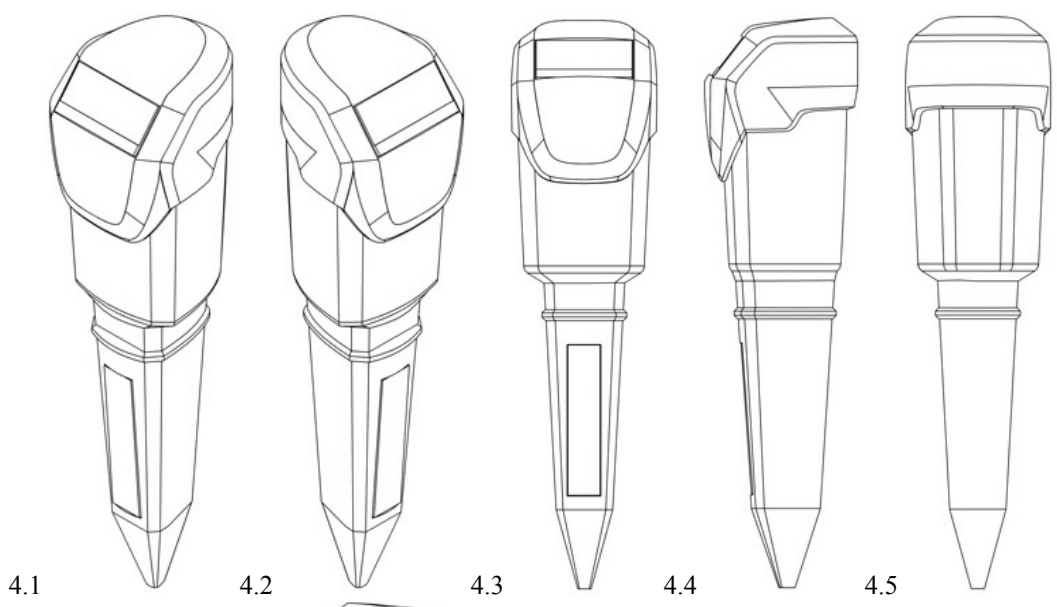
3.2



3.3



3.4





5.2



5.2



5.3



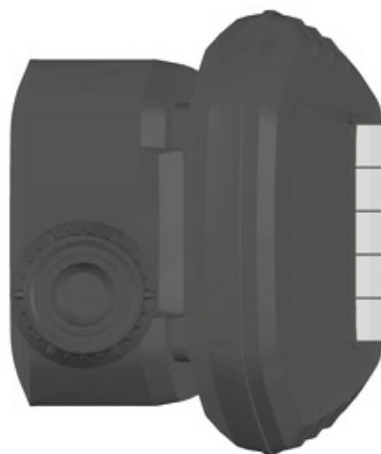
5.4



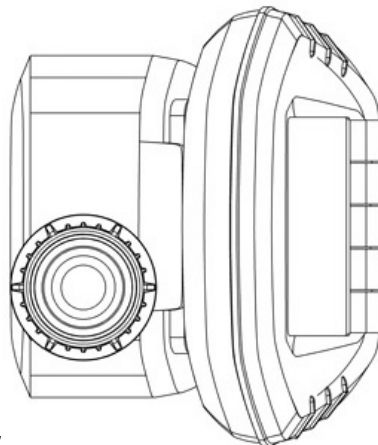
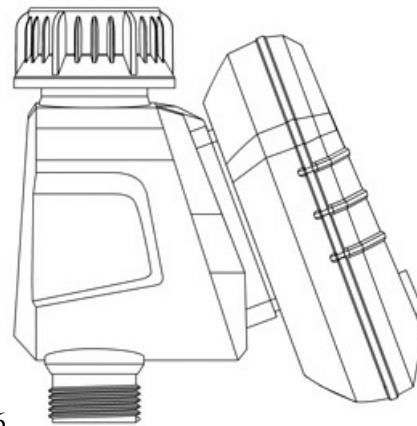
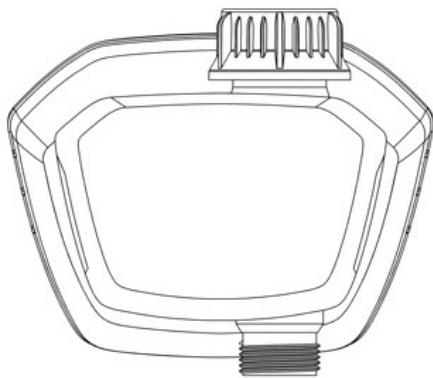
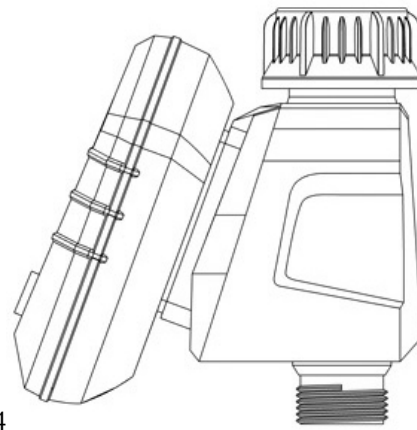
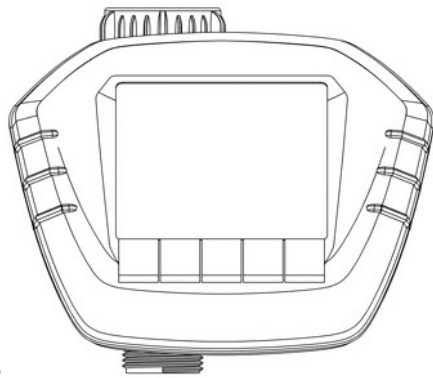
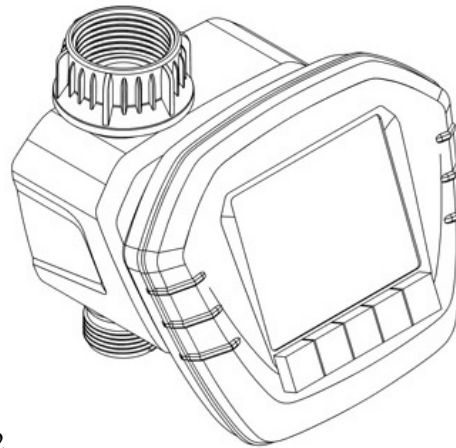
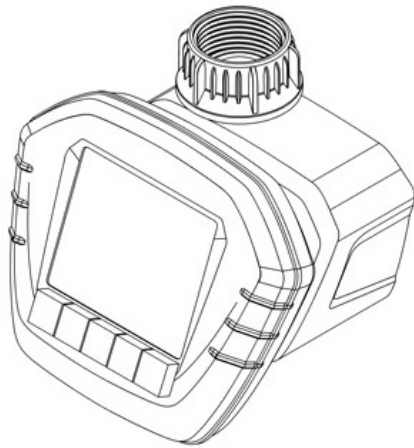
5.5



5.6



5.7





7.1



7.2



7.3



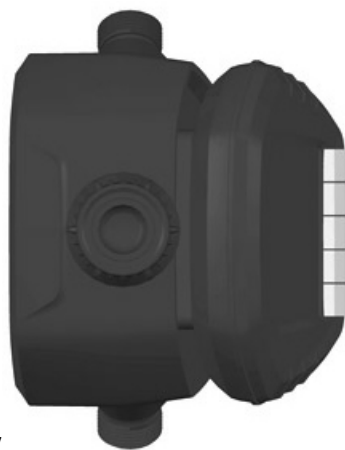
7.4



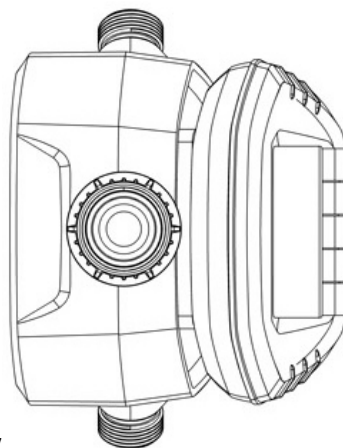
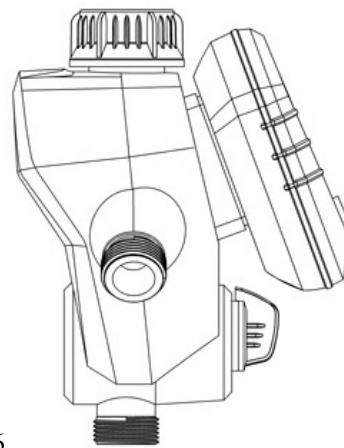
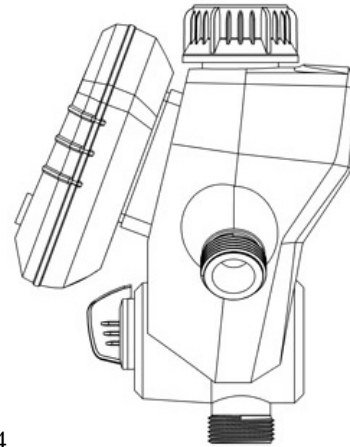
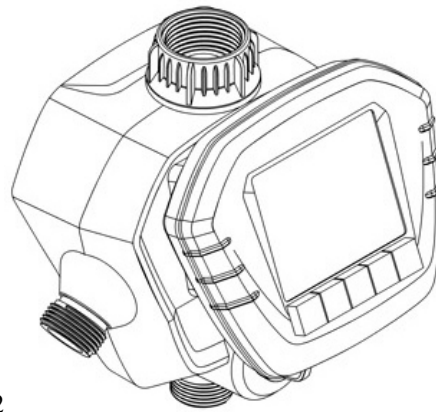
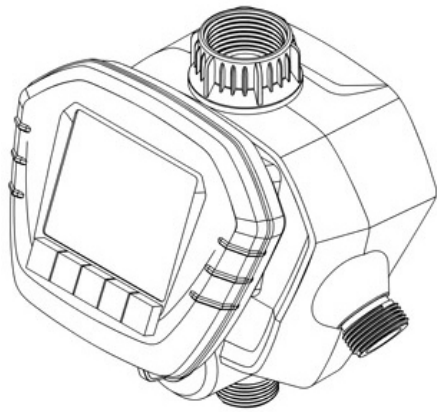
7.5



7.6



7.7



**(11) DM/078762****(51) 11-01**

(15) 2012 07 20

(45) 2013/03 (2013 01 25)

(22) 2012 07 20

(28) 11

(73) THE SWATCH GROUP MANAGEMENT SERVICES AG (THE SWATCH GROUP MANAGEMENT SERVICES SA) (THE SWATCH GROUP MANAGEMENT SERVICES LTD)

Seevorstadt 6, CH-2502 Biel/Bienne (CH)

(85) CH

(86) CH

(87) CH

(88) CH

(89) CH

(81) II. BZ, MA. III. AL, AM, AZ, BA, CH, EM, GE, HR, KG, LI, MC, MD, ME, MK, MN, NO, OM, SG, TJ, TN, TR, UA

(72) Mod. N1, 2, 8, 9: Iza EMCH, Vigner 6, 2072 St. Blaise SUISSE; Mod. N3, 10, 11: Xavier PERRNOUD, Atelier XJC Sàrl, Rue du Nord 114, 2300 La Chaux-de-Fonds SUISSE; Mod. N4, 5, 6: Philippe AIRAUD, 9, rue du Renard, 75004 PARIS FRANCE; Mod. N7: Mélanie RAETZ, A l'Atelier, Chemin des Grand-Pins 19, 2000 Neuchâtel SUISSE

(54) 1. Ring; 2. Bracelet; 3.-4. Rings; 5. Bracelet; 6.-7. Earrings; 8. Ring; 9. Bracelet; 10. Ring; 11. Necklace

(55)







9

10.1

10.2



11

- (11) DM/078800 (51) 11-01  
(15) 2012 07 25 (45) 2013/03 (2013 01 25)  
(22) 2012 07 25 (28) 1  
(30) 06.03.2012; 138738; CH  
(73) DE GRISOGONO SA  
176 bis route de Saint Julien, CH-1228 Plan-les-Ouates (CH)  
(85) CH  
(86) CH  
(87) CH  
(88) CH  
(89) CH  
(81) II. MA. III. EG, EM, GE, MC, OM, SG, TN, TR, UA  
(72) Fawaz GRUOSI, "Les Mélézes",  
Chemin de Trembley 30, CH-1197 Prangins  
(54) 1. Ring  
(55)



1.1



1.2



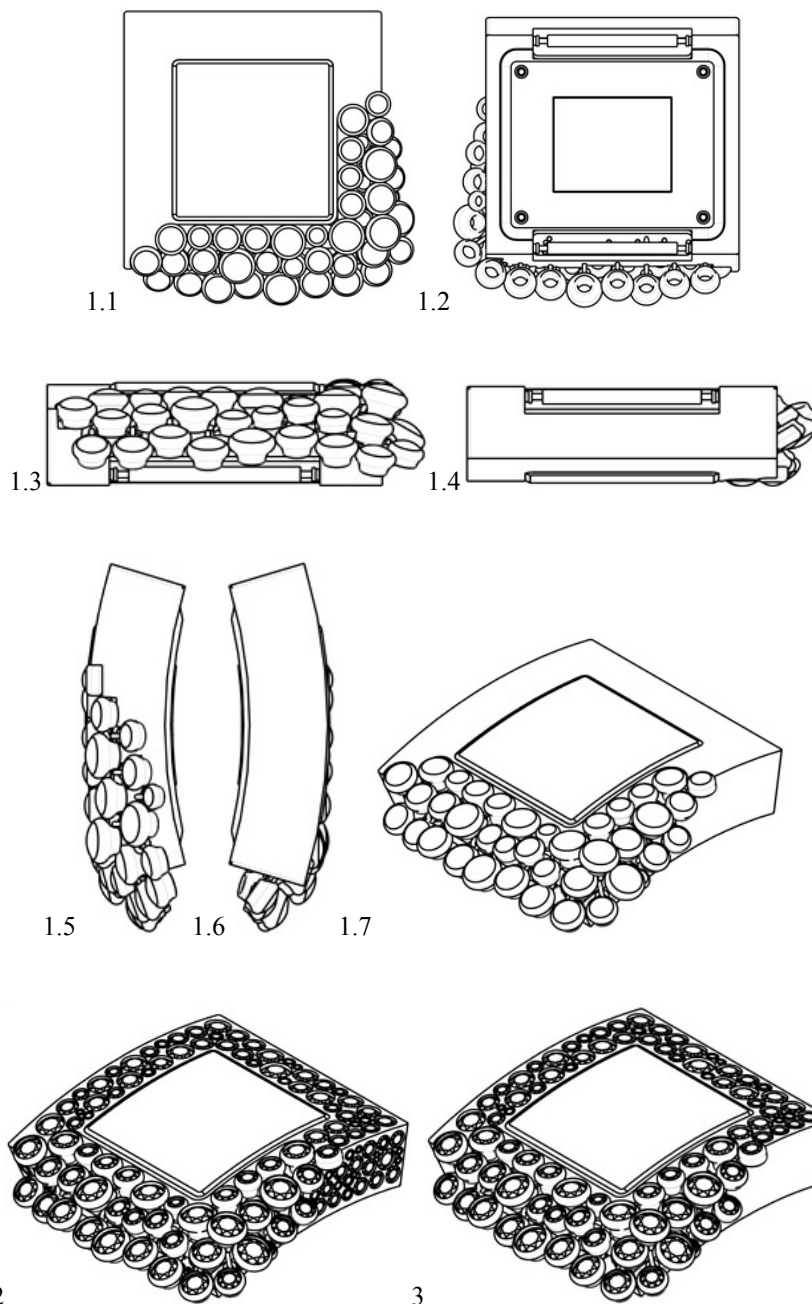
1.3



1.4



- (11) **DM/078801** (51) **10-07**  
 (15) 2012 07 25 (45) 2013/03 (2013 01 25)  
 (22) 2012 07 25 (28) 3  
 (30) 02.03.2012; 138735; CH  
 (73) DE GRISOGONO SA  
 176bis route de Saint Julien, CH-1228 Plan-les-Ouates (CH)  
 (85) CH  
 (86) CH  
 (87) CH  
 (88) CH  
 (89) CH  
 (81) II. MA. III. EG, EM, GE, MC, OM, SG, TN, TR, UA  
 (72) Fawaz GRUOSI, "Les Mélézes",  
 Chemin de Trembley 30, CH-1197 Prangins  
 (54) 1.-3. Watch cases  
 (55)



(11) DM/079122

(51) 32-00

(15) 2012 07 25

(45) 2013/03 (2013 01 25)

(22) 2012 07 25

(28) 8

(30) 27.01.2012; 2012/00551; TR

(73) İPEK KAĞIT SANAYİ VE TİCARET ANONİM ŞİRKETİ

Kanyon Ofis Büyükdere Cad. N185, TR-34394 Levent/Istanbul (TR)

(85) TR

(86) TR

(87) TR

(88) TR

(89) TR

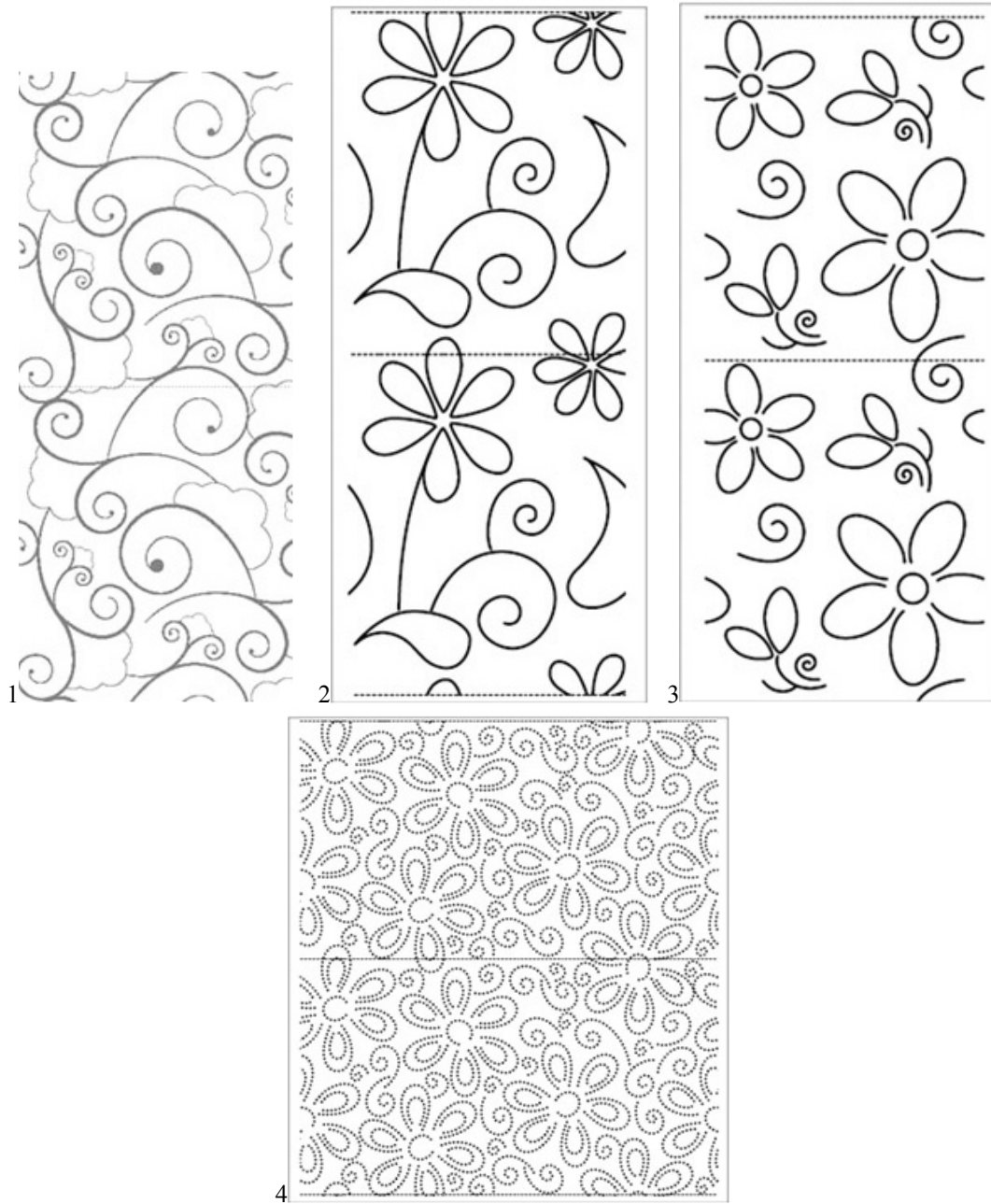
(81) III. AL, AZ, CH, EM, GE, HR, KG, MD, MK, MN, RS, TJ, UA

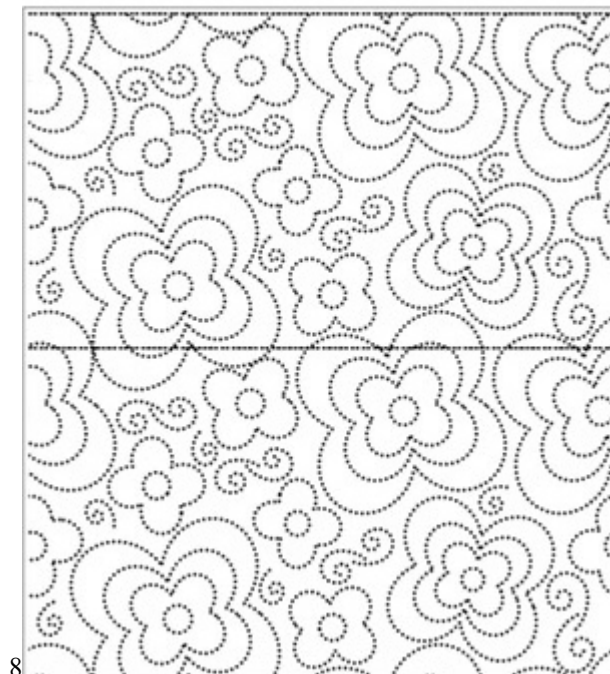
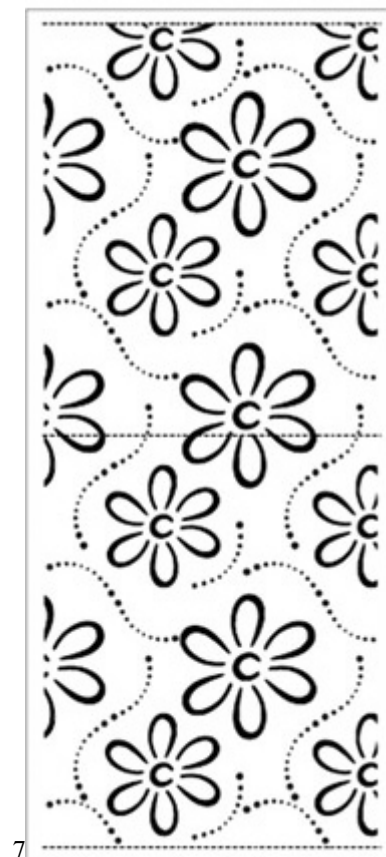
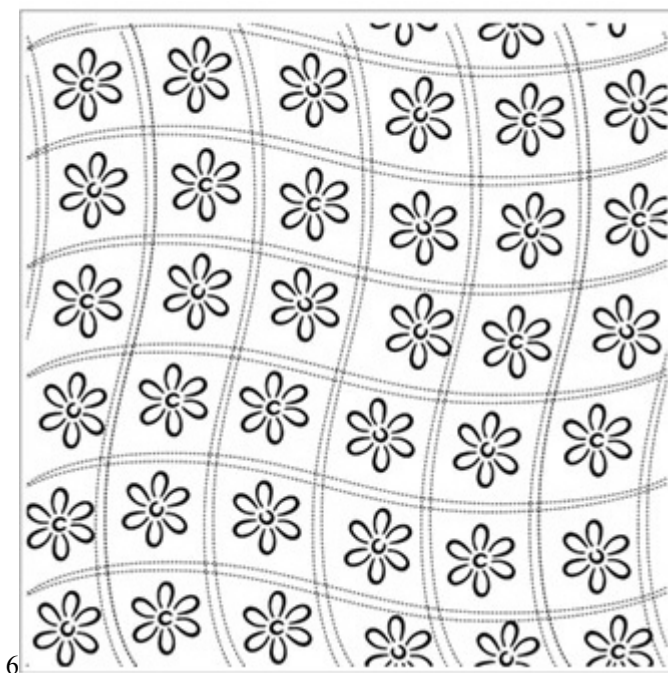
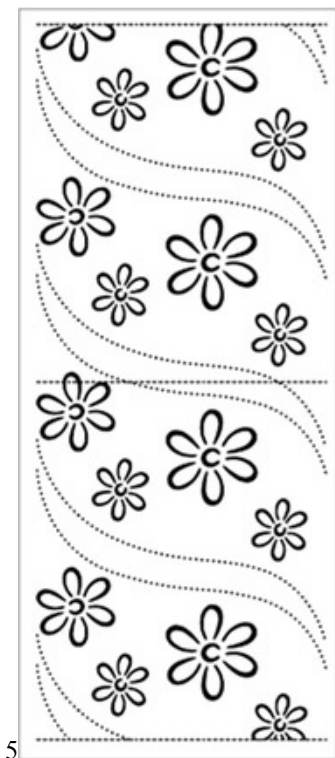
(72) METE OZKAR

Bebek Mahallesi Bebek Bostani Sokak N17 P.K.:34342 Istanbul

(54) 1.-8. Embossing patterns for articles of absorbent paper

(55)





(11) DM/079313

(51) 14-02

(15) 2012 07 22

(45) 2013/03 (2013 01 25)

(22) 2012 07 22

(28) 1

(73) BOUCHONNEAU LUDOVIC CHRISTOPHE ALAIN

Num. 100 - Lotissement les Bellevues de Montalegre, F-97129 Le Lamentin - Guadeloupe (FR)

(85) FR, EM

(86) FR, EM

(87) FR, EM

(88) FR, EM

(89) FR

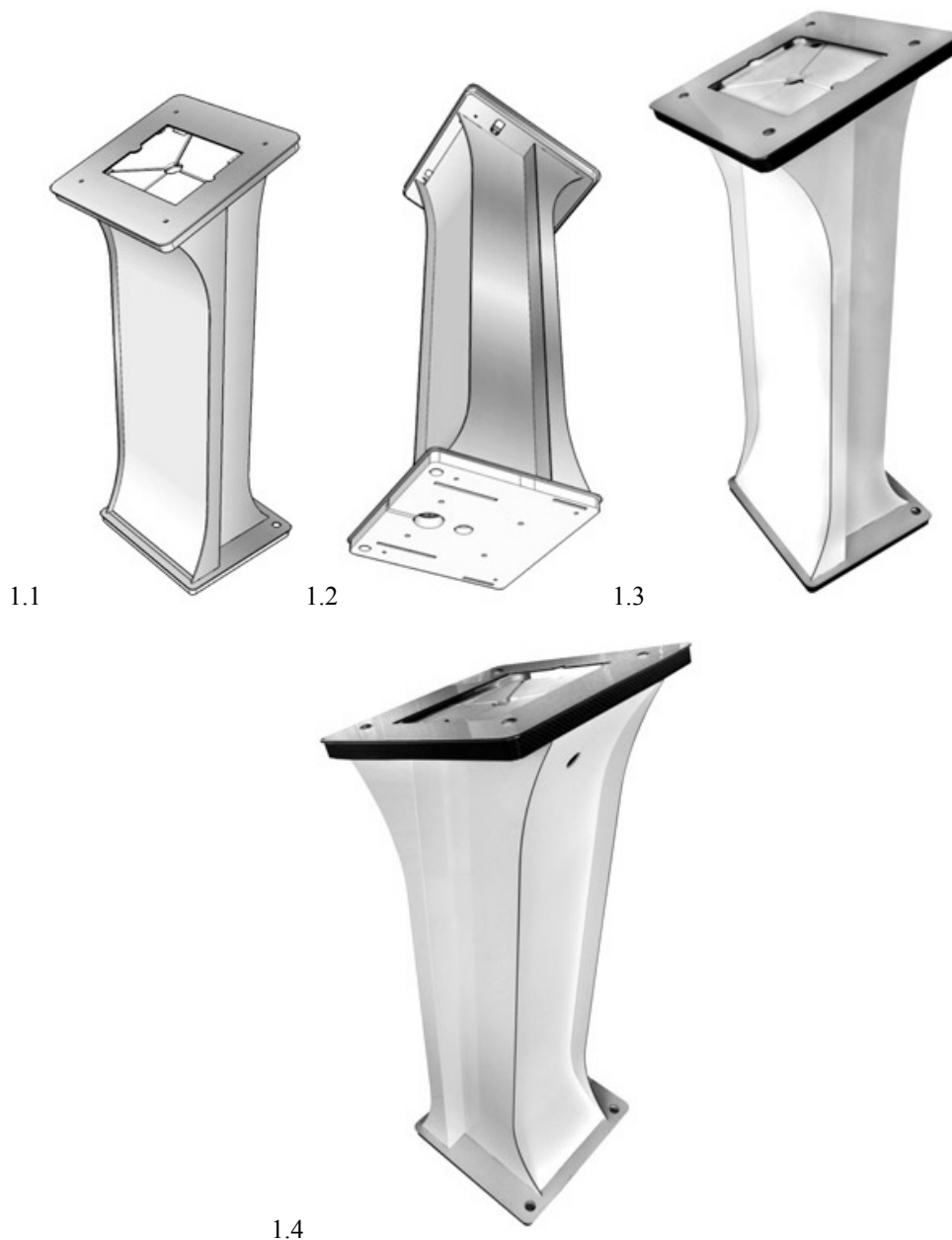
(81) II. BJ, BX, BZ, CI, GA, GR, IT, KP, MA, ML, NE, SN, SR. III. AL, AM, AZ, BA, BG, BW, CH, DE, DK, EE, EG, EM, ES, FI, FR, GE, GH, HR, IS, KG, LI, LT, LV, MC, ME, MK, MN, NA, NO, OA, OM, PL, RO, RS, RW, SG, SI, ST, SY, TN, TR, UA

(72) Ludovic BOUCHONNEAU

Num. 100 - Lotissement les Bellevues de Montalegre 97129 - Le Lamentin Guadeloupe France

(54) 1. Interactive terminal

(55)



**(11) DM/079911****(51) 06-03**

(15) 2013 01 03

(45) 2013/03 (2013 01 25)

(22) 2013 01 03

(28) 1

(30) 18.04.2012, PASSENGER TERMINAL 2012, VIENNE

(73) STRATIME COMPOSITES SYSTEMES ZI de l'Ecorcherie

1 rue des Genêts, F-02460 LA FERTE MILON (FR)

(85) FR, EM

(86) FR, EM

(87) FR, EM

(88) FR, EM

(89) FR

(81) IL, CI, GA, GR, IT, MA, SN, III. CH, EG, EM, ES, FR, GE, GH, HR, HU, PL, RO, RS, SI, TJ, TN, TR, UA

(72) STRATIME COMPOSITES SYSTEMES, ZI de l'Ecorcherie

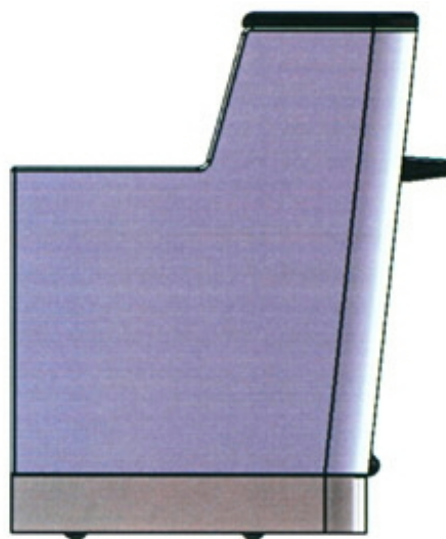
1, rue des Genêts, F-02460 LA FERTE MILON

(54) 1. Airport counter

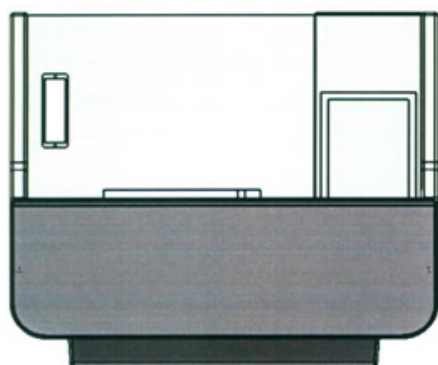
(55)



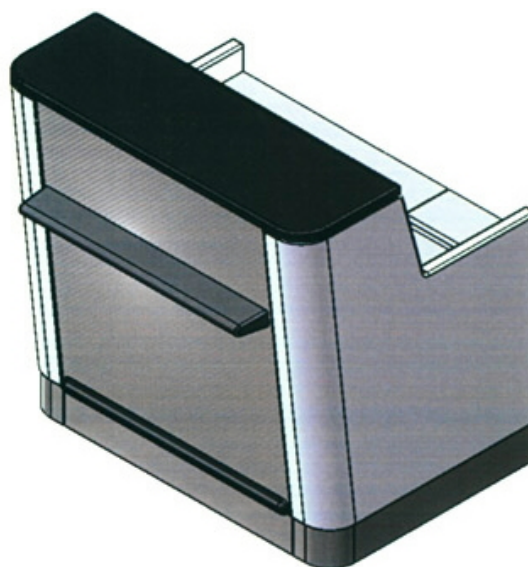
1.1



1.2



1.3



1.4



---

# TRADEMARKS

## APPLICATIONS FILED UNDER THE NATIONAL PROCEDURE APPROVED FOR REGISTRATION

The decision can be appealed at the Chamber of Appeal of Sakpatenti within 3 months from the publication or at the Administrative Chamber of the Tbilisi City Court (Address: №6, David Aghmashenebeli Kheivani 12 km., Tbilisi) within 1 month following the publication.

(260) AM 2013 65008 A  
(210) AM 065008  
(220) 2011 11 24  
(731) JOINT-STOCK COMPANY "IVERIA"  
Gudautis q. 7, Didubis raioni,  
0119, Tbilisi, Georgia  
(540)



(591) Black, white  
(531) 03.07.04-24.01.09-27.05.05-28.19.00-  
(526) **DISCLAIMER** – „თბილისი“, „თბილისი“,  
"IVERIA", "TBILISI"  
(511) 3, 4, 5, 7

---

(260) AM 2013 65755 A  
(210) AM 065755  
(220) 2012 01 06  
(731) LTD "JORJIAN BEIQERS"  
Beliashvilis 2, 0159, Tbilisi, Georgia  
(540)



(591) Black, white  
(531) 26.01.04-26.01.21-27.05.24-  
(526) **DISCLAIMER** – The trademark is protected  
as a whole. Indications "COFFEE SHOP" shall  
not be subject to independent protection.  
(511) 30, 43

(260) AM 2013 66534 A  
(210) AM 066534  
(220) 2012 03 15  
(731) FISCHER PHARMACEUTICALS LTD.  
9 Bar Yochai Street, Bnei Brak, Israel  
(740) Pavle Meipariani  
(540)



(591) White, blue  
(531) 26.04.12-26.04.22-26.04.24-27.05.19-  
27.05.24-29.01.12-  
(511) 3, 5

---

(260) AM 2013 66611 A  
(210) AM 066611  
(220) 2012 03 21  
(731) GIORGI KUDASHVILI  
Gamsakhurdias qucha, korp. N11, bina 22,  
0108, Tbilisi, Georgia  
(540)

ოზ  
IA  
IIA

(591) Black, white  
(511) 3

---

(260) AM 2013 66746 A  
(210) AM 066746  
(220) 2012 03 29  
(731) LTD "MATRIQSI"  
E. Takaishvilis q., 80, 6000, Batumi, Georgia  
(740) Givi Akopashvili  
(540)

**La Mer**

(591) Black, white  
(511) 34

- (260) AM 2013 66924 A  
 (210) AM 066924  
 (220) 2012 04 12  
 (731) OAO FARMSTANDART-LEKSREDSTVA"  
 1a/18, 2nd Agregatnaia Str., Kursk, 305022,  
 Russian Federation  
 (740) Vakhtang Torotadze  
 (540)

## МАКСИКОЛД-РИНО

- (591) Black, white  
 (511) 5

- (260) AM 2013 66927 A  
 (210) AM 066927  
 (220) 2012 04 12  
 (731) FORTIN MÜHLENWERKE GMBH & CO.  
 KG  
 Fringsstrasse 1, 40221 Düsseldorf, Germany  
 (740) Shalva Gvaramadze  
 (540)

## Fortin

- (591) Black, white  
 (511) 30, 31, 40

- (260) AM 2013 67188 A  
 (210) AM 067188  
 (220) 2012 04 30  
 (731) BEYAZ KAĞIT VE HİJYENİK ÜRÜNLER  
 TEMİZLİK İNŞAAT SANAYİ TİCARET  
 LİMİTED ŞİRKETİ  
 Hacı Sabancı Organise Sanayi Bölgesi 28.  
 Cadde No: 5 Yüreğir-Adana - ADANA,  
 Turkey  
 (740) George Taktakishvili  
 (540)



- (591) Red  
 (531) 27.05.03-29.01.01-  
 (511) 16

- (260) AM 2013 67200 A  
 (210) AM 067200  
 (220) 2012 05 01  
 (731) JOINT-STOCK COMPANY  
 "SAQARTVELOS BARMENTA  
 ASOTSIATSIA"  
 Delisis me-3 qucha n15, 0117, Tbilisi,  
 Georgia

(540)

საქართველოს ბარმენტის  
 ასოციაცია



**GEORGIAN BARMAN ASSOCIATION**

- (591) Black, white, lilac  
 (531) 01.17.11-05.07.10-11.03.02-27.05.05-  
 28.19.00-29.01.13-  
 (526) **DISCLAIMER** – The trademark is protected  
 as a whole. Words „საქართველოს ბარმენტის  
 ასოციაცია“, "GEORGIAN BARMAN ASSOCI-  
 ATION" shall not be subject to independent pro-  
 tection.  
 (511) 41

- (260) AM 2013 67282 A  
 (210) AM 067282  
 (220) 2012 05 10  
 (731) ISHIHARA SANGYO KAISHA, LTD.  
 3-15, Edobori, 1-chome, Nishi-ku, Osaka,  
 Japan  
 (740) Shalva Gvaramadze  
 (540)

## NISSHIN

- (591) Black, white  
 (511) 5

- (260) AM 2013 67343 A  
 (210) AM 067343  
 (220) 2012 05 16  
 (731) EGIS Gyógyszergyár Nyilvánosan Működő  
 Részvénytársaság  
 30-38, Keresztúri út. Budapest, H-1106,  
 Hungary  
 (740) Liliana Darakhvelidze  
 (540)

## EGISEPT

- (591) Black, white  
 (511) 5

- (260) AM 2013 67345 A  
 (210) AM 067345  
 (220) 2012 05 16  
 (731) MONSTER ENERGY COMPANY  
 a Delaware corporation,  
 550 Monica Circle, Suite 201, Corona,  
 California 92880, USA

(740) Shalva Gvaramadze  
(540)

**REHABITUATE**

(591) Black, white  
(511) 5, 30, 32

(260) AM 2013 67346 A  
(210) AM 067346  
(220) 2012 05 16  
(731) MONSTER ENERGY COMPANY  
a Delaware corporation,  
550 Monica Circle, Suite 201, Corona,  
California 92880, USA

(740) Shalva Gvaramadze  
(540)

**MONSTER DETOX**

(591) Black, white  
(511) 5, 30, 32

(260) AM 2013 67360 A  
(210) AM 067360  
(220) 2012 05 17  
(731) PHILIP MORRIS PRODUCTS S.A.  
Quai Jeanrenaud 3, 2000 NEUCHATEL,  
Switzerland

(740) Shalva Gvaramadze  
(540)



(591) Different tone of blue, white, red  
(531) 03.01.02-24.01.15-24.17.09-25.01.10-  
29.01.13-  
(511) 34

(260) AM 2013 67465 A  
(210) AM 067465  
(220) 2012 05 29  
(731) LTD "UNIVERSAL QARD  
KORPOREISHEN"  
Stanislavskis q.5, Didube Plazas me-4 sartuli,  
0119, Tbilisi, Georgia

(540)

**უნიმანია  
Unimania**

(591) Black, white  
(511) 9, 35, 36

(260) AM 2013 60071 A\*  
(210) AM 060071  
(220) 2010 11 02  
(731) BERLIN-CHEMIE AG  
Glienicker Weg 125, 12489 Berlin, Germany

(740) George Gvinjilia  
(540)

**QUIXX**

(591) Black, white

(511) 5, 10

(260) AM 2013 60072 A\*  
(210) AM 060072  
(220) 2010 11 02  
(731) BERLIN-CHEMIE AG  
Glienicker Weg 125, 12489 Berlin, Germany

(740) George Gvinjilia  
(540)

**КВИКС**

(591) Black, white  
(511) 5, 10

## REGISTERED TRADEMARKS

(111) M 2013 023287 R  
 (151) 2013 01 25  
 (181) 2023 01 25  
 (260) AM 2012 64221 A  
 (220) 2011 09 27  
 (732) KAREN VARDANIANI  
 Baironis q. 3, bina 36, Erevani, Armenia

---

(111) M 2013 023288 R  
 (151) 2013 01 25  
 (181) 2023 01 25  
 (260) AM 2012 64222 A  
 (220) 2011 09 27  
 (732) KAREN VARDANIANI  
 Baironis q. 3, bina 36, Erevani, Armenia

---

(111) M 2013 023289 R  
 (151) 2013 01 25  
 (181) 2023 01 25  
 (260) AM 2012 64223 A  
 (220) 2011 09 27  
 (732) KAREN VARDANIANI  
 Baironis q. 3, bina 36, Erevani, Armenia

---

(111) M 2013 023290 R  
 (151) 2013 01 25  
 (181) 2023 01 25  
 (260) AM 2012 64226 A  
 (220) 2011 09 27  
 (732) KAREN VARDANIANI  
 Baironis q. 3, bina 36, Erevani, Armenia

---

(111) M 2013 023303 R  
 (151) 2013 01 25  
 (181) 2023 01 25  
 (260) AM 2012 64795 A  
 (220) 2011 11 07  
 (732) LTD "LIKA-GEORGIA"  
 Gagarinis II shes. N4, 0160, Tbilisi, Georgia

---

(111) M 2013 023308 R  
 (151) 2013 02 12  
 (181) 2023 02 12  
 (260) AM 2012 65822 A  
 (220) 2012 01 11  
 (732) TOYOTA JIDOSHA KABUSHIKI KAISHA  
 (also trading as TOYOTA MOTOR  
 CORPORATION)  
 1, Toyota-Cho, Toyota-Shi, Aichi-Ken,  
 Japan

---

(111) M 2013 023309 R  
 (151) 2013 02 12  
 (181) 2023 02 12  
 (260) AM 2011 59791 A  
 (220) 2010 10 08  
 (732) HARRINGTON DEVELOPMENT INC.  
 Arango-Orillac Bldg., East 54th street,  
 Panama

---

(111) M 2013 023310 R  
 (151) 2013 02 12  
 (181) 2023 02 12  
 (260) AM 2012 62897 A  
 (220) 2011 06 17  
 (732) MARIA BARNOVI  
 Zemovakis I shesakhvevi N9, 0179, Tbilisi,  
 Georgia

---

(111) M 2013 023311 R  
 (151) 2013 02 12  
 (181) 2023 02 12  
 (260) AM 2012 62899 A  
 (220) 2011 06 17  
 (732) LTD ASPHARMA - SAQARTVELO  
 PHARMATSEVTULI KOMPANIA  
 Metexis q. 22, 0103, Tbilisi, Georgia

---

(111) M 2013 023312 R  
 (151) 2013 02 12  
 (181) 2023 02 12  
 (260) AM 2012 62995 A  
 (220) 2011 06 30  
 (732) CAPRICORN LIFE SCIENCES B.V.  
 Traviatastraat 110, 2555 VH Hague,  
 Netherlands

---

(111) M 2013 023313 R  
 (151) 2013 02 12  
 (181) 2023 02 12  
 (260) AM 2012 62996 A  
 (220) 2011 06 30  
 (732) CAPRICORN LIFE SCIENCES B.V.  
 Traviatastraat 110, 2555 VH Hague,  
 Netherlands

---

(111) M 2013 023314 R  
 (151) 2013 02 12  
 (181) 2023 02 12  
 (260) AM 2012 62997 A  
 (220) 2011 06 30

(732) CAPRICORN LIFE SCIENCES B.V.  
Traviatastraat 110, 2555 VH Hague,  
Netherlands

---

(111) M 2013 023315 R  
(151) 2013 02 12  
(181) 2023 02 12  
(260) AM 2012 63204 A  
(220) 2011 07 13

(732) JOHNSON CONTROLS HYBRID AND  
RECYCLING GmbH  
Am Leineufer 51, 30419 Hannover, Germany

---

(111) M 2013 023316 R  
(151) 2013 02 12  
(181) 2023 02 12  
(260) AM 2012 63742 A  
(220) 2011 08 15

(732) CORPORACION HABANOS S.A.  
Avenida 3ra. No. 2006 entre 20 y 22,  
Miramar, Playa, Ciudad de La Habana, Cuba

---

(111) M 2013 023317 R  
(151) 2013 02 12  
(181) 2023 02 12  
(260) AM 2012 64099 A  
(220) 2011 09 15

(732) BIOGEN IDEK MA INC.  
Masachusetts Corporation  
14 Cambridge Center, Cambridge,  
Masachusetts 02142, USA

---

(111) M 2013 023318 R  
(151) 2013 02 12  
(181) 2023 02 12  
(260) AM 2012 64100 A  
(220) 2011 09 15

(732) BIOGEN IDEK MA INC.  
Masachusetts Corporation  
14 Cambridge Center, Cambridge,  
Masachusetts 02142, USA

---

(111) M 2013 023319 R  
(151) 2013 02 12  
(181) 2023 02 12  
(260) AM 2012 64101 A  
(220) 2011 09 15

(732) BIOGEN IDEK MA INC.  
Masachusetts Corporation  
14 Cambridge Center, Cambridge,  
Masachusetts 02142, USA

---

(111) M 2013 023320 R  
(151) 2013 02 12  
(181) 2023 02 12  
(260) AM 2012 64103 A  
(220) 2011 09 15

(732) BIOGEN IDEK MA INC.  
Masachusetts Corporation  
14 Cambridge Center, Cambridge,  
Masachusetts 02142, USA

---

(111) M 2013 023321 R  
(151) 2013 02 12  
(181) 2023 02 12  
(260) AM 2012 64122 A  
(220) 2011 09 15

(732) BIOGEN IDEK MA INC.  
Masachusetts Corporation  
14 Cambridge Center, Cambridge,  
Masachusetts 02142, USA

---

(111) M 2013 023322 R  
(151) 2013 02 12  
(181) 2023 02 12  
(260) AM 2012 64123 A  
(220) 2011 09 15

(732) BIOGEN IDEK MA INC.  
Masachusetts Corporation  
14 Cambridge Center, Cambridge,  
Masachusetts 02142, USA

---

(111) M 2013 023323 R  
(151) 2013 02 12  
(181) 2023 02 12  
(260) AM 2012 64124 A  
(220) 2011 09 15

(732) BIOGEN IDEK MA INC.  
Masachusetts Corporation  
14 Cambridge Center, Cambridge,  
Masachusetts 02142, USA

---

(111) M 2013 023324 R  
(151) 2013 02 12  
(181) 2023 02 12  
(260) AM 2012 64215 A  
(220) 2011 09 23

(732) LTD "GEOPLANTI"  
Sofeli Rukhi, 2100, Zugdidis raioni, Georgia

---

(111) M 2013 023325 R  
(151) 2013 02 12  
(181) 2023 02 12  
(260) AM 2012 64301 A  
(220) 2011 10 03

(732) S.A. INFINITY LTD, CO.  
Unit 1111, 11/f Chuangs's Hung Hom Plaza,

83 Wuhu Street Hung Hom, Know loon, The  
Hong Kong Special Administrative Region  
of the people's republic of China

(111) M 2013 023326 R  
(151) 2013 02 12  
(181) 2023 02 12  
(260) AM 2012 64302 A  
(220) 2011 10 03

(732) S.A. INFINITY LTD, CO.  
Unit 1111, 11/f Chuangs's Hung Hom Plaza,  
83 Wuhu Street Hung Hom, Know loon, The  
Hong Kong Special Administrative Region  
of the people's republic of China

(111) M 2013 023327 R  
(151) 2013 02 12  
(181) 2023 02 12  
(260) AM 2012 64303 A  
(220) 2011 10 03

(732) S.A. INFINITY LTD, CO.  
Unit 1111, 11/f Chuangs's Hung Hom Plaza,  
83 Wuhu Street Hung Hom, Know loon,  
China

(111) M 2013 023328 R  
(151) 2013 02 12  
(181) 2023 02 12  
(260) AM 2012 64305 A  
(220) 2011 10 03

(732) S.A. INFINITY LTD, CO.  
Unit 1111, 11/f Chuangs's Hung Hom Plaza,  
83 Wuhu Street Hung Hom, Know loon,  
China

(111) M 2013 023329 R  
(151) 2013 02 12  
(181) 2023 02 12  
(260) AM 2012 64306 A  
(220) 2011 10 03

(732) S.A. INFINITY LTD, CO.  
Unit 1111, 11/f Chuangs's Hung Hom Plaza,  
83 Wuhu Street Hung Hom, Know loon,  
China

(111) M 2013 023330 R  
(151) 2013 02 12  
(181) 2023 02 12  
(260) AM 2012 64491 A  
(220) 2011 10 18

(732) ABRO INDUSTRIES, INC.  
3580 Blackthorn Court, South Bend,  
Indiana 46628, USA

(111) M 2013 023331 R  
(151) 2013 02 12  
(181) 2023 02 12  
(260) AM 2012 64492 A  
(220) 2011 10 18

(732) YİĞİT AKÜ MALZEMELERİ NAKLİYAT  
TURİZM İNŞAAT SANAYİ VE TİCARET  
ANONİM ŞİRKETİ  
Organize Sanayi Bölgesi, Türkmenistan  
Caddesi No. 27, Sincan - Ankara, Turkey

(111) M 2013 023332 R  
(151) 2013 02 12  
(181) 2023 02 12  
(260) AM 2012 64507 A  
(220) 2011 10 20

(732) MERCK SHARP & DOHME CORP.  
One Merck Drive, Whitehouse Station,  
New Jersey 08889, USA

(111) M 2013 023333 R  
(151) 2013 02 12  
(181) 2023 02 12  
(260) AM 2012 64651 A  
(220) 2011 10 28

(732) JOINT-STOCK COMPANY "RMG Cooper"  
Daba Kazreti, 1100, Bolnisi, Georgia

(111) M 2013 023334 R  
(151) 2013 02 12  
(181) 2023 02 12  
(260) AM 2012 64745 A  
(220) 2011 11 03

(732) SHOTA GVENETADZE  
Saburtalos q.37/4, bina 20, 0160, Tbilisi,  
Georgia

(111) M 2013 023335 R  
(151) 2013 02 12  
(181) 2023 02 12  
(260) AM 2012 64794 A  
(220) 2011 11 07

(732) NEW YORKER FASHION  
CORPORATION  
1209 Orange St., Wilmington 19801,  
New Castle, Delaware, USA

(111) M 2013 023336 R  
(151) 2013 02 12  
(181) 2023 02 12  
(260) AM 2012 64970 A  
(220) 2011 11 17

(732) RESEARCH, INVESTMENT &  
DEVELOPMENT S.A.L. (Holdingi)

---

Najjar Building, facing Mar Youssef hospital, Sad Al bawchrieh, Beirut, Lebanon	(260) AM 2012 65271 A (220) 2011 12 09 (732) BRITISH AMERICAN TOBACCO (BRANDS) INC. (a Delaware corporation) 2711 Centerville Road, Suite 300, Wilmington, Delaware 19808, USA
(111) M 2013 023337 R (151) 2013 02 12 (181) 2023 02 12 (260) AM 2012 64992 A (220) 2011 11 21 (732) LTD "MATRIQSI" Takaishvilis q.80, 6000, Batumi, Georgia	(111) M 2013 023343 R (151) 2013 02 12 (181) 2023 02 12 (260) AM 2012 65272 A (220) 2011 12 09 (732) BRITISH AMERICAN TOBACCO (BRANDS) INC. (a Delaware corporation) 2711 Centerville Road, Suite 300, Wilmington, Delaware 19808, USA
(111) M 2013 023338 R (151) 2013 02 12 (181) 2023 02 12 (260) AM 2012 64993 A (220) 2011 11 21 (732) LTD "MATRIQSI" Takaishvilis q.80, 6000, Batumi, Georgia	(111) M 2013 023344 R (151) 2013 02 12 (181) 2023 02 12 (260) AM 2012 65273 A (220) 2011 12 09 (732) BRITISH AMERICAN TOBACCO (BRANDS) INC. (a Delaware corporation) 2711 Centerville Road, Suite 300, Wilmington, Delaware 19808, USA
(111) M 2013 023339 R (151) 2013 02 12 (181) 2023 02 12 (260) AM 2012 65000 A (220) 2011 11 22 (732) LTD "IP TREIDINGI" Tsinamdzgvrvishvilis q. 186, 0112, Tbilisi, Georgia	(111) M 2013 023345 R (151) 2013 02 12 (181) 2023 02 12 (260) AM 2012 65455 A (220) 2011 12 20 (732) LTD "AVERSI-PHARMA" Davit Agmasheneblis gamz., 148/2, 0112, Tbilisi, Georgia
(111) M 2013 023340 R (151) 2013 02 12 (181) 2023 02 12 (260) AM 2012 65094 A (220) 2011 11 29 (732) KINGSTON TECHNOLOGI CORPORATION 17600 Newhope Street, Fountain Valley, CALIFORNIA 92708, USA	(111) M 2013 023346 R (151) 2013 02 12 (181) 2023 02 12 (260) AM 2012 65662 A (220) 2011 12 29 (732) RANBAXY LABORATORIES LIMITED Plot N 90, Sector-32, Gurgaon-122001, Haryana, India
(111) M 2013 023341 R (151) 2013 02 12 (181) 2023 02 12 (260) AM 2012 65157 A (220) 2011 11 30 (732) LTD "AGORA JGUFI" Almasianis q.19/21, bina 64, 0108, Tbilisi, Georgia	(111) M 2013 023347 R (151) 2013 02 12 (181) 2023 02 12 (260) AM 2012 65663 A (220) 2011 12 29 (732) RANBAXY LABORATORIES LIMITED Plot N 90, Sector-32, Gurgaon-122001, Haryana, India
(111) M 2013 023342 R (151) 2013 02 12 (181) 2023 02 12	

---

---

(111) M 2013 023348 R  
(151) 2013 02 12  
(181) 2023 02 12  
(260) AM 2012 65664 A  
(220) 2011 12 29  
(732) RANBAXY LABORATORIES LIMITED  
Plot N90, Sector-32, Gurgaon-122001,  
Haryana, India

---

(111) M 2013 023349 R  
(151) 2013 02 12  
(181) 2023 02 12  
(260) AM 2012 65665 A  
(220) 2011 12 29  
(732) RANBAXY LABORATORIES LIMITED  
Plot N 90, Sector-32, Gurgaon-122001,  
Haryana, India

---

(111) M 2013 023350 R  
(151) 2013 02 12  
(181) 2023 02 12  
(260) AM 2012 65666 A  
(220) 2011 12 29  
(732) RANBAXY LABORATORIES LIMITED  
Plot N90, Sector-32, Gurgaon-122001,  
Haryana, India

---

(111) M 2013 023351 R  
(151) 2013 02 12  
(181) 2023 02 12  
(260) AM 2012 65722 A  
(220) 2012 01 05  
(732) LTD "ROUTEH"  
Vazha-Fshavelas gamz.VI kv.,  
korp. 25/Qavtaradzis q.17, bina 17, 0186,  
Tbilisi, Georgia

---

(111) M 2013 023352 R  
(151) 2013 02 12  
(181) 2023 02 12  
(260) AM 2012 65754 A  
(220) 2012 01 06  
(732) RANBAXY LABORATORIES LIMITED  
Plot N90, Sector-32, Gurgaon-122001,  
Haryana, India

---

(111) M 2013 023353 R  
(151) 2013 02 12  
(181) 2023 02 12  
(260) AM 2012 65756 A  
(220) 2012 01 06  
(732) LTD "JORJIAN BEIQERS"  
Beliashvilis 2, 0159, Tbilisi, Georgia

---



## TRADEMARKS REGISTERED ACCORDING TO THE ACCELERATED PROCEDURE

The decision can be appealed at the Chamber of Appeal of Sakpatenti within 3 months from the publication.

(111) M 2013 23307 R

(151) 2013 02 01

(181) 2023 02 01

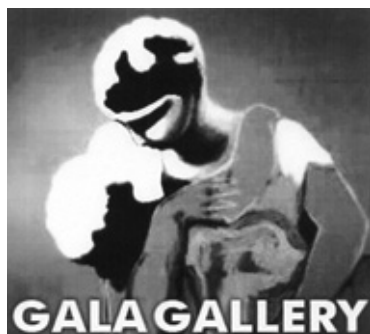
(210) AM 070521

(220) 2013 01 23

(732) DEDIKA BULIA

Ir. Abashidzis 14, 0179, Tbilisi, Georgia

(540)



(591) Black-white

(531) 02.07.09-27.05.24-

(526) **DISCLAIMER** – Word mark "GALLERY"

shall not be subject to independent protection.

(511) 35, 41

(111) M 2013 23354 R

(151) 2013 02 12

(181) 2023 02 12

(210) AM 070594

(220) 2013 01 29

(732) LTD "FEMASH"

26 Maisis q. Va, 3000, Marneuli, Georgia

(540)



(591) Black-white

(531) 01.01.10-27.01.06-

(511) 11

(111) M 2013 23355 R

(151) 2013 02 13

(181) 2023 02 13

(210) AM 070643

(220) 2013 01 30

(732) LTD "SAN GRUP"

Mitskevichis q. 4, bina 1, 0194, Tbilisi,  
Georgia

(540)

ფიგაღს  
**People's**

(591) Black-white

(511) 35, 43

(111) M 2013 23356 R

(151) 2013 02 13

(181) 2023 02 13

(210) AM 070644

(220) 2013 01 30

(732) LTD "SAN GRUP"

Mitskevichis q. 4, bina 1, 0194, Tbilisi,  
Georgia

(540)

ფორ სიზონს  
**Four Seasons**

(591) Black-white

(511) 35

(111) M 2013 23357 R

(151) 2013 02 13

(181) 2023 02 13

(210) AM 070645

(220) 2013 01 30

(732) LTD "SAN GRUP"

Mitskevichis q. 4, bina 1, 0194, Tbilisi,  
Georgia

(540)

ნაბადი  
**Nabadi**

(591) Black-white

(511) 35, 43

(111) M 2013 23358 R

(151) 2013 02 20

(181) 2023 02 20

(210) AM 070803

(220) 2013 02 08

(732) Joint-Stock Company "QARTULI LUDIS  
KOMPANIA"

Sop. Saguramo, 3311, Mtskheta, Georgia

(740) Irine Janelidze

---

(540)

## ხვეისბერი

(591) Black-white

(511) 32

---

(111) M 2013 23359 R

(151) 2013 02 20

(181) 2023 02 20

(210) AM 070804

(220) 2013 02 08

(732) Joint-Stock Company "QARTULI LUDIS  
KOMPANIA"

Sop. Saguramo, 3311, Mtskheta, Georgia

(740) Irine Janelidze

(540)

## სახვეისბრო

(591) Black-white

(511) 32

---

(111) M 2013 23360 R

(151) 2013 02 20

(181) 2023 02 20

(210) AM 070805

(220) 2013 02 08

(732) Joint-Stock Company "QARTULI LUDIS  
KOMPANIA"

Sop. Saguramo, 3311, Mtskheta, Georgia

(740) Irine Janelidze

(540)

## ხვეისბერის ლუდი

(591) Black-white

(526) **DISCLAIMER** – The word „ლუდი“ shall  
not be subject to independent protection.

(511) 32

---

## INTERNATIONAL TRADEMARKS FOR WHICH A DECISION ON GRANTING PROTECTIONS IS TAKEN

The decision can be appealed at the Chamber of Appeal of Sakpatenti within 3 months from the publication or at the Administrative Chamber of the Tbilisi City Court (Address: №6, David Aghmashenebeli Kheivani 12 km., Tbilisi) within 1 month following the publication.

(260) AM 2013 66463 A

(800) 1106776

(731) HH & UTI Switzerland LLC

Industriestrasse 3, CH-6345 Neuheim,  
Switzerland

(540)



(591) Black, white

(511)

34 – Raw or manufactured tobacco; smoking tobacco, pipe tobacco, tobacco for roll-your-own cigarettes, chewing tobacco, snus; cigarettes, cigars, cigarillos; tobacco substitutes (for non-medical use); snuff; smokers' articles included in this class; cigarette paper, cigarette tubes, cigarette filters, tobacco boxes, cigarette cases, ashtrays for smokers, tobacco pipes, pocket machines for rolling cigarettes, smokers' lighters, matches.

(260) AM 2013 66561 A

(800) 1107412

(731) EDI.CER. S.P.A. CON SOCIO UNICO

Viale Monte Santo, 40, SASSUOLO (MO),  
Italy

(540)



Ceramics of Italy

(591) Black, white

(511)

11 – Sanitary equipment and apparatus; bathtubs, showers, shower plates, sanitary vases, water closets, w.c, toilet bowls, flush tanks, bowls fixed to the wall, turkish water closets, urinals, bidets, wash basins (parts of sanitary installations), wash basins for bathroom, wash basins for kitchen, heating apparatus made of ceramic, stoves, fireplaces; lighting apparatus, lamps, chandeliers, electrical candlesticks, candle holder and any other products made of ceramic included in this class; all the aforesaid products made of ceramic.

19 – Tiles and slabs made of ceramic; ceramic square; ceramic mosaic; products and materials

made of ceramic for wall covering, floor covering and construction.

20 – Furniture and parts of furniture made of ceramic; interior and exterior furniture and urban furniture made of ceramic; frames made of ceramic; shelves.

21 – Household and kitchen utensils and containers made of ceramic; crockery wares and utensils for the kitchen made of ceramic for household, hotel, catering, supply of food or beverages, professional and promotional use; crockery, plates, saucers, table mats not of paper and other than table linen, cups, broth cups, tea cups, coffee cups, basins, bowls, small bowls, bowls for fruit, ladles, glasses, beer glasses, mugs, pitchers, drip mats, coasters not of paper and other than table linen, carafe, bowls, teapots, herbal pots, sauceboats, tureens, salad bowls, sugar bowls, butter dishes, egg boxes, toothpick boxes, napkin boxes, bread boxes, tie dye napkins, salt cellars, pepper pots, cruets, jugs, milk jugs, small basins, oven dishes; artistic and ornamental objects made of ceramic, statues, statuettes, porcelain and majolica objects not included in other classes, vase wares, pots, vases and other containers for perfumes, soap containers, sponge containers, basins or fonts for holy water, toothbrush containers, short handled brushes, short handled brush containers, knobs and any other products made of ceramic included in this class; all the aforesaid goods made of ceramic; containers; candlesticks.

(260) AM 2013 66610 A

(800) 1108003

(731) ECONOMIC DEVELOPMENT BOARD

250 North Bridge Road, #28-00 Raffles  
City Tower, Singapore 179101, Singapore

(540)



(591) Black, white

(511)

9 – Advertising display signs (electric or luminous); advertising signboards (electric); advertising signboards (luminous); illuminated advertisements; illuminated advertising signs; luminous poster (advertising) pillars; panels for advertising (luminous);

electronic and recorded multimedia publications; electronic publications (downloadable).

16 – Advertising and promotional brochures; advertising boards of paper or cardboard [non-luminous]; advertising publications; journals (publications); loose-leaf publications; periodic publications; posters being publicity material; printed publications; printed periodical publications; promotional publications; publicity leaflets (flyers); pre-printed promotional forms; promotional pamphlets; promotional printed pads.

35 – Arranging of exhibitions for business purposes; arranging of exhibitions for commercial purposes; arranging of exhibitions for trade purposes; conducting exhibitions for business purposes; conducting exhibitions for commercial purposes; conducting exhibitions for trade purposes.

36 – Management of investment funds; capital fund management; corporate funds management; financial fund management; venture capital fund management; administration of investments; fund management; financial investment fund services; financing services; equity financing; investment business services; international and domestic fund investment; investment analysis and research; provision of information, advice and consultancy relating to the aforesaid services.

38 – Provision of teleconferencing facilities; teleconferencing services; web-based multi-media teleconferencing services.

41 – Arranging and conducting symposiums; arranging and conducting of conferences; arranging and conducting of conferences relating to business; arranging and conducting of conferences relating to commerce; arranging and conducting of conferences relating to trade.

(260) AM 2013 66692 A  
(800) 1108744  
(731) AUTO MALL S.R.L.  
întreprindere mixtă; Calea Ieșilor nr. 10,  
MD-2069 Chișinău, Republic of Moldova  
(540)



(591) White, black and red  
(511)  
35 – Advertising; business management; business administration; office functions.  
37 – Building construction; repair; installation services.  
39 – Transport; packaging and storage of goods; travel arrangement.

41 – Education; providing of training; entertainment; sporting and cultural activities.

(260) AM 2013 66695 A  
(800) 695633  
(731) ALMIRALL S.A.  
Ronda General Mitre, 151, E-08022  
Barcelona, Spain  
(540)



(591) Black, white  
(511)  
5 – Pharmaceutical, veterinary and sanitary products; dietetic substances for medical use, food for babies; plasters, materials for dressings; material for stopping teeth and dental wax; disinfectants; pesticides; fungicides, herbicides.

35 – Advertising; commercial business management; commercial administration; office tasks; business assistance, consulting, information, investigations and evaluations, export and import of all kinds of chemical and pharmaceutical products.

(260) AM 2013 66718 A  
(800) 1108765  
(731) HIPPI & Co  
Brünigstrasse 141, CH-6072 Sachseln,  
Switzerland  
(540)



(591) Blue, green, orange  
(511)  
5 – Protein preparations derived from vegetable and animal products for medical purposes, for human consumption; pharmaceutical products; dietetic substances for children and invalids, adapted for medical use; dietetic foods for medical use; food for babies; goods for non-medical dietetic purposes (including as frozen food), namely, protein preparations derived from vegetable and animal products for human consumption, meat, fish, poultry, game and meat products, meat extracts, meat, fish, fruit and vegetable jellies, jams, compotes, eggs, milk, dairy products, namely butter, cheese, cream, yoghurt, cottage cheese, milk powder and lactoprotein for food; goods for non-medical dietetic purposes (including as frozen food), namely, children's desserts, in particular sweet dishes mainly consisting of milk and/or fruit; goods for non-medical dietetic purposes (including as frozen food),

namely, desserts and sweet dishes, mainly consisting of milk, including using binding agents of all kinds as well as desserts and sweet dishes, mainly consisting of fruit; goods for non-medical dietetic purposes (including as frozen food), namely, prepared and semi-prepared meals, mainly made from meat, poultry, game, fish, fruit, vegetables, eggs, milk products, pulses and/or potatoes; goods for non-medical dietetic purposes (including as frozen food), namely, soups, meat, fish, poultry, game, vegetable, fruit and milk preserves, edible oils and fats; goods for non-medical dietetic purposes (including as frozen food), namely, fruit bars, mainly consisting of fruits and cereals, muesli, nuts and/or sugar; goods for non-medical dietetic purposes (including as frozen food), namely, tea, tea beverages, cocoa, sugar, glucose, rice, tapioca, sago, flour, semolina, cereal flakes and cereal preparations, (except foodstuffs for animals), bread, biscuits, cakes, pastries, long-life pastries, snack products, on the basis of carbohydrates and roughage with added protein, fats and fatty acids; goods for non-medical dietetic purposes (including as frozen food), namely, confectionery, pasta, chocolate, sugar preparations, glucose preparations, bee preparations for nourishment, namely, royal jelly, propolis, and pollen; goods for non-medical dietetic purposes (including as frozen food), namely, children's desserts, in particular sweet dishes, mainly consisting of sugar, cocoa, chocolate and/or starch; goods for non-medical dietetic purposes (including as frozen food), namely, desserts and sweet dishes, mainly consisting of sugar and chocolate, including using binding agents of all kinds; goods for non-medical dietetic purposes (including as frozen food), namely, prepared meals and semi-prepared meals, mainly made from cereal preparations, rice and/or pasta; goods for non-medical dietetic purposes (including as frozen food), namely, spices, muesli, consisting predominantly of cereals, fruits, nuts and/or sugar; goods for non-medical dietetic purposes (including as frozen food), namely, cereal bars, mainly consisting of cereals, muesli, nuts, fruits and/or sugar; goods for non-medical dietetic purposes (including as frozen food), namely, ready-to-serve cereal food, prepared and semi-prepared food of bran, including pastries; goods for non-medical dietetic purposes (including as frozen food), namely, non-alcoholic drinks, in particular fruit juices, fruit juice drinks, fruit syrups and other non-alcoholic fruit preparations for making non-alcoholic beverages; dietetic foodstuffs and/or food supplements for non-medical purposes, with a base of proteins and/or fats, and/or carbohydrates and/or roughage, with added vitamins, minerals, trace elements, fatty acids, either singly or in combination.

29 – Protein preparations derived from vegetable and animal products for human consumption; meat, fish, poultry, game and meat products; meat ext-

racts; meat, fish, fruit and vegetable jellies; jams; compotes; eggs, milk, dairy products, namely butter, cheese, cream, yoghurt, cottage cheese, milk powder and lactoprotein for food; children's desserts, in particular sweet dishes mainly consisting of milk and/or fruit; desserts and sweet dishes, mainly consisting of milk, including using binding agents of all kinds; desserts and sweet dishes, mainly consisting of fruit; prepared and semi-prepared meals, mainly made from meat, poultry, game, fish, fruit, vegetables, eggs, milk products, pulses and/or potatoes; soups; meat, fish, poultry, game, vegetable, fruit and milk preserves; edible oils and fats; including all the aforesaid goods in frozen form; including all the aforesaid goods for dietary purposes, not for medical purposes.

30 – Fruit bars, mainly consisting of fruits and cereals, muesli, nuts and/or sugar; tea, tea beverages, cocoa, sugar, glucose, rice, tapioca, sago, flour, semolina, cereal flakes and cereal preparations (except foodstuffs for animals), bread, biscuits, cakes, pastries, long-life pastries; snack products, on a basis of carbohydrates and roughage with added proteins, fats and fatty acids; confectionery, pasta, chocolate, sugar preparations; glucose preparations, bee preparations for nourishment, namely royal jelly, propolis and pollen, included in this class; class children's desserts, in particular sweet dishes, mainly consisting of sugar, cocoa, chocolate and/or starch; desserts and sweet dishes, mainly consisting of sugar and chocolate, including using binding agents of all kinds; prepared meals and semi-prepared meals, mainly made from cereal preparations, rice and/or pasta; spices; muesli, consisting predominantly of cereals, fruits, nuts and/or sugar; cereal bars, mainly consisting of cereals, muesli, nuts, fruits and/or sugar; ready-to-serve cereal food, prepared and semi-prepared food of bran, including pastries; all the aforesaid goods also in frozen form; including all the aforesaid goods for dietary purposes, not for medical purposes.

32 – Non-alcoholic drinks, in particular fruit juices, fruit juice drinks; fruit syrups and other non-alcoholic fruit preparations for making non-alcoholic beverages; including all the aforesaid goods for dietary purposes, not for medical purposes.

(260) AM 2013 66719 A

(800) 1108775

(731) OBSHCHESTVO S OGRANICHENNOY  
OTVETSTVENNOSTYU TOSOL-SINTEZ  
(TOSOL-SINTEZ, Limited Liability  
Company)

31A, Vatutin Street, RU-606000 Dzerzhinsk,  
Nizhny Novgorod region, Russian Federation

(540)

**FELIX**

(591) Black, white

(511)

1 – Antifreeze; preparations for the separation of greases; surface-active chemical agents; tensio-active agents; distilled water; acidulated water for recharging accumulators; acidulated water for recharging batteries; glycol; detergent additives to petrol [gasoline]; additives, chemical, to motor fuel; fluids for hydraulic circuits; brake fluid; power steering fluid; transmission fluid; filtering materials [chemical preparations]; combusting preparations [chemical additives to motor fuel]; preparations for preventing the tarnishing of glass; anti-boil preparations for engine coolants; corrosive preparations; degreasing preparations for use in manufacturing processes; grease-removing preparations for use in manufacturing processes; anti-frothing solutions for accumulators; anti-frothing solutions for batteries; coolants for vehicle engines; tire repairing compositions; oil-purifying chemicals; radiator flushing chemicals; condensation-preventing chemicals; anti-tarnishing chemicals for windows; refrigerants; refrigerating preparations; chemical additives for oils; engine-decarbonising chemicals; fuel-saving preparations.

3 – Windscreen cleaning liquids; windshield cleaning liquids; polishing creams; polishing wax; refurbishing preparations; polishing preparations; shining preparations [polish]; dry-cleaning preparations; rust removing preparations; cleaning preparations; scouring solutions; leather preservatives [polishes]; preservatives for leather [polishes]; stain removers; degreasers other than for use in manufacturing processes; cloths impregnated with a detergent for cleaning.

(260) AM 2013 66720 A

(800) 1108780

(731) Koninklijke Philips Electronics N.V.  
Groenewoudseweg 1, NL-5621 BA  
Eindhoven, Netherlands

(540)



(591) Black, white, blue

(511)

9 – Apparatus and instruments for recording, processing, transmitting and reproducing of sound, images and data; software; the aforesaid products not including navigation systems and software for navigation systems.

(260) AM 2013 66721 A

(800) 1108790

(731) INTERNOVA OÜ

Kuuseheki 34-4, EE-76505 Saue, Estonia

(540)



(591) Black, white

(511)

5 – Pharmaceutical and veterinary preparations; sanitary preparations for medical purposes, sanitary preparations for personal hygiene, other than toiletries; disinfectants; disinfectants for hygiene purposes; sanitary goods for medical purposes; dietetic food and substances adapted for medical or veterinary use, food for babies; dietary supplements for humans and animals; plasters, materials for dressings; material for stopping teeth, dental wax; preparations for destroying vermin; fungicides, herbicides.

(260) AM 2013 66722 A

(800) 1108793

(731) CLOSED JOINT STOCK COMPANY  
"EMPILS"

21, 1-y Mashinostroitelny per., RU-344016  
Rostov-na-Dony, Russian Federation

(540)



(591) Red, reddish-brown, white, light blue, blue, dark blue, green, dark green, light green yellow, pale yellow, yellow-green, grey and black

(511)

2 – Paints, varnishes, lacquers; preservatives against rust and against deterioration of wood; colorants; mordants; raw natural resins; metals in foil and powder form for painters, decorators, printers and artists; annatto [dyestuffs]; annatto [dyestuffs]; auramine; canada balsam; whites [colorants or paints]; white lead; paper for dyeing easter eggs; glazes [paints, lacquers]; litharge; orange lead; primers; gamboge for painting; titanium dioxide [pigment]; indigo [colorant]; gum resins; colophony; caramel [food colorant]; carbonyl [wood preservative]; cochineal carmine; copal; alizarine dyes; aniline dyes; toner cartridges [filled] for printers and photocopiers; ink for leather; colorants for liqueurs; colorants for beverages; shoe dyes; colo-

rants for beer; colorants for butter; ink for skin-dressing; dyewood; coloring [colouring] wood; dye wood; malt colorants; cobalt oxide [colorant]; food colorants; food dyes; colorants; dyes; dyestuffs; ink [toners] for photocopiers; toners [ink] for photocopiers; aluminium paints; asbestos paints; bactericidal paints; wood stains; ceramic paints; marking ink for animals; distempers; fireproof paints; anti-fouling paints; blues [colorants or paints]; printing ink; engraving ink; enamels for painting; paints; creosote for wood preservation; turmeric [colorant]; black japan; bitumen varnish; bronzing lacquers; copal varnish; lacquers; anti-corrosive bands; bright gold for ceramics; bright platinum for ceramics; glossy platinum paint for ceramics; silver paint for ceramics; anti-rust oils; oils for the preservation of wood; mastic [natural resin]; lime wash; thickeners for paints; zinc oxide [pigment]; silver paste; printers' pastes [ink]; printing compositions [ink]; pigments; gildings; coatings [paints]; coatings for roofing felt [paints]; coatings for tarred felt [paints]; wood coatings [paints]; undercoating for vehicle chassis; undersealing for vehicle chassis; varnishes; aluminium powder for painting, artists and decorators; bronze powder; silvering powders; metals in powder form for painters, decorators, printers and artists; agglutinants for paints; binding preparations for paints; anti-corrosive preparations; protective preparations for metals; wood mordants; mordants for leather; stains for leather; mordants; thinners for paints; thinners for lacquers; whitewash; soot [colorant]; carbon black [pigment]; lamp black [pigment]; sandarac; sienna earth; siccatives [drying agents] for paints; anti-rust greases; natural resins [raw]; malt caramel [food colorant]; badigeon; anti-tarnishing preparations for metals; anti-rust preparations [for preservation]; wood preservatives; sumac for varnishes; minium; turpentine [thinner for paints]; fixatives [varnishes]; fixatives for watercolors [watercolours]; metal foil for painters, decorators, printers and artists; silver foil [leaf]; yellowwood [colorant]; blacks [colorants or paints]; saffron [colorant]; gum-lac; shellac; wood dyestuffs; dyewood extracts; enamels [varnishes]; silver emulsions [pigments].

---

(260) AM 2013 66723 A

(800) 1108817

(731) ZENTIVA, K.S.

U Kabelovny 130, CZ-102 37 Praha

10 – Dolní Měcholupy, Czech Republic

(540)

## SAFELACT

(591) Black, white

(511)

5 – Medicines, pharmaceutical preparations for human use.

---

(260) AM 2013 66724 A

(800) 1108818

(731) ZENTIVA, K.S.

U Kabelovny 130, CZ-102 37 Praha

10 – Dolní Měcholupy, Czech Republic

(540)

## GESTARELLA

(591) Black, white

(511)

5 – Medicines, pharmaceutical preparations for human use.

---

(260) AM 2013 66725 A

(800) 1108820

(731) TSN Brands LTD

Geneva Place, Waterfront Drive, P.O. Box

3469, Road Town, Tortola, British Virgin

Islands

(540)

## ELFRESCO

(591) Black, white

(511)

32 – Aperitifs, non-alcoholic; aerated water; kvass [non-alcoholic beverages]; cocktails, non-alcoholic; lemonades; peanut milk [soft drink]; non-alcoholic beverages; isotonic beverages; non-alcoholic honey-based beverages; whey beverages; non-alcoholic fruit juice beverages; milk of almonds [beverage]; fruit nectars, non-alcoholic; orgeat; beer; powders for effervescing beverages; sarsaparilla [soft drink]; syrups for lemonade; syrups for beverages; cider, non-alcoholic; vegetable juices [beverages]; fruit juices; preparations for making aerated water; preparations for making liqueurs; preparations for making mineral water; preparations for making beverages; must; grape must, unfermented; beer wort; malt wort; pastilles for effervescing beverages; sherbets [beverages]; non-alcoholic fruit extracts; extracts of hops for making beer; essences for making beverages.

33 – Aperitifs; arak [arrack]; brandy; wine; piquette; whisky; anisette [liqueur]; gin; digesters [liqueurs and spirits]; cocktails; anise [liqueur]; alcoholic beverages, except beer; alcoholic beverages containing fruit; spirits [beverages]; distilled beverages; hydromel [mead]; peppermint liqueurs; bitters; rum; sake; cider; rice alcohol; alcoholic extracts; fruit extracts, alcoholic; alcoholic essences.

35 – Import-export agencies; cost price analysis; rental of advertising space; computerized file management; demonstration of goods; opinion polling; marketing studies; business information; commercial information and advice for consumers [consumer advice shop]; business investigations; marketing research; business organization consultancy; business management consultancy; professional

business consultancy; updating of advertising material; organization of exhibitions for commercial or advertising purposes; organization of trade fairs for commercial or advertising purposes; shop window dressing; business appraisals; presentation of goods on communication media, for retail purposes; economic forecasting; auctioneering; sales promotion for others; rental of vending machines; publication of publicity texts; radio advertising; distribution of samples; direct mail advertising; advertising; on-line advertising on a computer network; advertising by mail order; television advertising; commercial administration of the licensing of the goods and services of others; administrative processing of purchase orders; modelling for advertising or sales promotion; procurement services for others [purchasing goods and services for other businesses]; outsourcing services [business assistance].

(260) AM 2013 66726 A  
(800) 1108824  
(731) BRITISH AMERICAN TOBACCO  
(BRANDS) LIMITED  
Globe House, 4 Temple Place, London  
WC2R 2PG, United Kingdom

(540)

**ORT**

(591) Black, white  
(511)  
34 – Cigarettes; tobacco; tobacco products; lighters; matches; smokers' articles.

(260) AM 2013 66727 A  
(800) 1108840  
(731) DR. THEISS NATURWAREN GMBH  
Michelinstrasse 10, 66424 Homburg,  
Germany

(540)



(591) Green and grey  
(511)  
3 – Bleaching preparations and other substances for laundry use; cleaning, polishing, scouring and abrasive preparations; soaps; perfumery, essential oils, cosmetics including non-medical cosmetic preparations for skin cleaning and skin care as well as hair care; hair lotions.

5 – Pharmaceutical preparations and substances; lotions for pharmaceutical purposes; food supplements for medical purposes; vitamin preparations in particular in the form of capsules; natural and homeopathic preparations and substances for medical purposes.

(260) AM 2013 66728 A  
(800) 1108853  
(731) KONINKLIJKE PHILIPS ELECTRONICS  
N.V.  
Groenewoudseweg 1, NL-5621 BA  
Eindhoven, Netherlands

(540)



**multiview**

(591) Black, white, dark blue, light blue  
(511)  
9 – Apparatus and instruments for recording, processing, transmitting and reproducing of sound, images and data; software.

(260) AM 2013 66729 A  
(800) 1108860  
(731) AGRO SELECTIONS FRUITS  
La Prade de Mousseillou, F-66200 ELNE,  
France

(540)



(591) Black, white  
(511)  
29 – Preserved, frozen, dried and cooked fruits and vegetables; jellies, jams, compotes; milk beverages and fruit beverages (with milk predominating).  
31 – Fresh fruits and vegetables, shrubs; plants, excluding flowers, roses and clematis, or rose and clematis plantations; seedlings; trees.

(260) AM 2013 66730 A  
(800) 1108879  
(731) PHILIP MORRIS PRODUCTS S.A.  
Quai Jeanrenaud 3, CH-2000 Neuchâtel,  
Switzerland

(540)



(591) Black, white  
(511)  
34 – Tobacco, raw or manufactured; tobacco products, including cigars, cigarettes, cigarillos, tobacco for roll-your-own cigarettes, pipe tobacco, chewing tobacco, snuff tobacco, kretek; snus; tobacco



substitutes (not for medical purposes); smokers' articles, including cigarette paper and tubes, cigarette filters, tobacco tins, cigarette cases and ashtrays, pipes, pocket apparatus for rolling cigarettes, lighters; matches.

(260) AM 2013 66731 A  
 (800) 1108880  
 (731) PHILIP MORRIS PRODUCTS S.A.  
 Quai Jeanrenaud 3, CH-2000 Neuchâtel,  
 Switzerland

(540)



(591) Black, white  
 (511)

34 – Tobacco, raw or manufactured; tobacco products, including cigars, cigarettes, cigarillos, tobacco for roll-your-own cigarettes, pipe tobacco, chewing tobacco, snuff tobacco, kretek; snus; tobacco substitutes (not for medical purposes); smokers' articles, including cigarette paper and tubes, cigarette filters, tobacco tins, cigarette cases and ashtrays, pipes, pocket apparatus for rolling cigarettes, lighters; matches.

(260) AM 2013 66732 A  
 (800) 1108881  
 (731) PHILIP MORRIS PRODUCTS S.A.  
 Quai Jeanrenaud 3, CH-2000 Neuchâtel,  
 Switzerland

(540)



(591) Black, white  
 (511)

34 – Tobacco, raw or manufactured; tobacco products, including cigars, cigarettes, cigarillos, tobacco for roll-your-own cigarettes, pipe tobacco, chewing tobacco, snuff tobacco, kretek; snus; tobacco substitutes (not for medical purposes); smokers' articles, including cigarette paper and tubes, cigarette filters, tobacco tins, cigarette cases and ashtrays, pi-

pes, pocket apparatus for rolling cigarettes, lighters; matches.

(260) AM 2013 66734 A  
 (800) 1108882  
 (731) PHILIP MORRIS PRODUCTS S.A.  
 Quai Jeanrenaud 3, CH-2000 Neuchâtel,  
 Switzerland

(540)



(591) Black, white  
 (511)

34 – Tobacco, raw or manufactured; tobacco products, including cigars, cigarettes, cigarillos, tobacco for roll-your-own cigarettes, pipe tobacco, chewing tobacco, snuff tobacco, kretek; snus; tobacco substitutes (not for medical purposes); smokers' articles, including cigarette paper and tubes, cigarette filters, tobacco tins, cigarette cases and ashtrays, pipes, pocket apparatus for rolling cigarettes, lighters; matches.

(260) AM 2013 66735 A  
 (800) 1108883  
 (731) PHILIP MORRIS PRODUCTS S.A.  
 Quai Jeanrenaud 3, CH-2000 Neuchâtel,  
 Switzerland

(540)



(591) Black, white  
 (511)

34 – Tobacco, raw or manufactured; tobacco products, including cigars, cigarettes, cigarillos, tobacco for roll-your-own cigarettes, pipe tobacco, chewing tobacco, snuff tobacco, kretek; snus; tobacco substitutes (not for medical purposes); smokers' articles, including cigarette paper and tubes, cigarette filters, tobacco tins, cigarette cases and ashtrays, pipes, pocket apparatus for rolling cigarettes, lighters; matches.

(260) AM 2013 66736 A  
 (800) 1108884  
 (731) PHILIP MORRIS PRODUCTS S.A.  
 Quai Jeanrenaud 3, CH-2000 Neuchâtel,  
 Switzerland

(540)



(591) Black, white

(511)

34 – Tobacco, raw or manufactured; tobacco products, including cigars, cigarettes, cigarillos, tobacco for roll-your-own cigarettes, pipe tobacco, chewing tobacco, snuff tobacco, kretek; snus; tobacco substitutes (not for medical purposes); smokers' articles, including cigarette paper and tubes, cigarette filters, tobacco tins, cigarette cases and ashtrays, pipes, pocket apparatus for rolling cigarettes, lighters; matches.

(260) AM 2013 66737 A

(800) 1108885

(731) PHILIP MORRIS PRODUCTS S.A.

Quai Jeanrenaud 3, CH-2000 Neuchâtel,  
Switzerland

(540)



(591) Black, white

(511)

34 – Tobacco, raw or manufactured; tobacco products, including cigars, cigarettes, cigarillos, tobacco for roll-your-own cigarettes, pipe tobacco, chewing tobacco, snuff tobacco, kretek; snus; tobacco substitutes (not for medical purposes); smokers' articles, including cigarette paper and tubes, cigarette filters, tobacco tins, cigarette cases and ashtrays, pipes, pocket apparatus for rolling cigarettes, lighters; matches.

(260) AM 2013 66738 A

(800) 1108893

(731) RICHTER GEDEON NYRT.

Gyömrői út 19-21, H-1103 BUDAPEST,  
Hungary

(540)

**ОПТЕЗОН**

(591) Black, white

(511)

5 – Pharmaceutical preparations.

(260) AM 2013 66777 A

(800) 1109114

(731) GUANGZHOU TIANQIU ENTERPRISE CO., LTD.

9/F, No.26-30, Heyi Street, Sanyuanli  
Avenue, Baiyun District, Guangzhou City,  
Guangdong Province, China

(540)



(591) Black, white

(511)

9 – Computer peripheral devices; telephone apparatus; cameras (photography); material for electricity mains (wires, cables); plugs, sockets and other contacts (electric connections); alarms; galvanic cells; accumulators, electric; batteries for lighting; battery chargers; electronic desk calendars included in this class.

11 – Lamps; pocket torches, electric; lighting apparatus and installations; flares; light for vehicles; cookers; air conditioning installations; heating apparatus; sanitary apparatus and installations; radiators, electric.

14 – Precious metals, unwrought or semi-wrought; appliances of precious metal, for household purposes; ornaments (jewellery); works of art of precious metal; watches; clocks; wristwatches; clocks and watches, electric; precision chronographs.

(260) AM 2013 66779 A

(800) 1109135

(731) VIDKRYTE AKTSIONERNE

TOVARYSTVO "ODESKY  
KONSERVNY ZAVOD DYTACHOGO  
HARCHUVANNYA"

Vysoky Lane, 22, Odessa 65028, Ukraine

(540)



**Одескiй™**

(591) Black, white

(511)

32 – Berry and fruit juices; fruit juices; fruit nectars, non alcoholic; non-alcoholic fruit juice beverages; tomato juice (beverage); vegetable juices (beverages).

(260) AM 2013 66780 A

(800) 1109137

(731) OBSHESTVO S OGRANICHENNOY  
OTVETSTVENNOST'YU  
"KORPORATSIYA "SIBIRSKOE  
ZDOROVIE"  
ul. Lenina, 48, RU-630004 Novosibirsk,  
Russian Federation

(540)



(591) Blue, green, light blue and dark yellow  
(511)

3 – After-shave lotions; antiperspirants [toiletries]; aromatics [essential oils]; bath salts, not for medical purposes; beauty masks; breath freshening sprays; cleansing milk for toilet purposes; cosmetics; cosmetic creams; cosmetic dyes; cosmetic kits; cosmetic pencils; cosmetic preparations for baths; cosmetic preparations for eyelashes; cotton sticks for cosmetic purposes; preparations for slimming purposes; cosmetic preparations for skin care; cotton wool for cosmetic purposes; dental bleaching gels; dentifrices; depilatory preparations; deodorants for personal use; eau de cologne; eyebrow cosmetics; hair dyes; hair lotions; hair spray; hair waving preparations; lotions for cosmetic purposes; make-up powder; make-up removing preparations; mascara; mouth washes, not for medical purposes; nail care preparations; nail polish; oils for cosmetic purposes; oils for toilet purposes; perfumery; perfumes; pomades for cosmetic purposes; potpourris [fragrances]; shampoos; shaving preparations; soap; tissues impregnated with cosmetic lotions; toiletries; toilet water.

5 – Adjuvants for medical purposes; albuminous foodstuffs for medical purposes; albuminous preparations for medical purposes; balms for medical purposes; barks for pharmaceutical purposes; bath preparations, medicated; bath salts for medical purposes; biological preparations for medical purposes; chemical preparations for medical purposes; candy, medicated; decoctions for pharmaceutical purposes; dental lacquer; dental mastics; dietetic beverages adapted for medical purposes; dietetic foods adapted for medical purposes; dietetic substances adapted for medical use; digestives for pharmaceutical purposes; drugs for medical purposes; edible plant fibers, non-nutritive; enzymes for medical purposes; food for babies; herbs teas for medicinal purposes; liniments; lotions for pharmaceutical purposes; medicinal drinks; medicinal hair growth preparations; medicinal herbs; medicinal infusions; medicinal mud; medicinal oils; medicinal roots; mineral

food-supplements; mineral water for medical purposes; mouthwashes for medical purposes; nutritional additives for medical purposes; pharmaceutical preparations; preparations of trace elements for human and animal use; sea water for medicinal bathing; sanitary towels; tissues impregnated with pharmaceutical lotions; vitamin preparations.

16 – Albums; almanacs; bags [envelopes, pouches] of paper or plastics, for packaging; booklets; books; calendars; catalogues; credit card imprinters, non-electric; envelopes [stationery]; forms, printed; graphic prints; greeting cards; pamphlets; paper; periodicals; postcards; posters; printed matter; prospectuses; labels, not of textile; manuals [handbooks]; newsletters; newspapers; note books; signboards of paper or cardboard; stationery; stickers [stationery]; teaching materials [except apparatus]; writing cases [sets]; writing instruments.

30 – Aromatic preparations for food; baking powder; bread; bread rolls; buns; cereal-based snack food; cereal preparations; chewing gum, not for medical purposes; chips [cereal products]; chocolate; chocolate-based beverages; chocolate beverages with milk; cocoa; cocoa-based beverages; cocoa beverages with milk; cocoa products; coffee; coffee-based beverages; coffee beverages with milk; condiments; confectionery; cooking salt; crackers; edible ices; farinaceous foods; flour for food; flour-milling products; fruit jellies [confectionery]; garden herbs, preserved [seasonings]; gingerbread; groats for human food; gruel, with a milk base, for food; honey; ice cream; macaroni; malt for human consumption; muesli; oat-based food; pancakes; pastries; pizzas; popcorn; propolis [bee glue] for human consumption; puddings; ravioli; rice-based snack food; rusks; sandwiches; seasonings; spices; starch for food; sugar; sushi; sweetmeats [candy]; tarts; tea; tea-based beverages; thickening agents for cooking foodstuffs; vinegar; yeast.

32 – Aperitifs, non-alcoholic; beer; cocktails, non-alcoholic; essences for making beverages; fruit juices; fruit nectars, non-alcoholic; isotonic beverages; kvass [non-alcoholic beverages]; non-alcoholic beverages; non-alcoholic fruit extracts; syrups for beverages; vegetable juices [beverages]; waters [beverages].

(260) AM 2013 66781 A

(800) 1109147

(731) VIENNA INSURANCE GROUP AG Wiener  
Versicherung Gruppe  
Schottenring 30, A-1010 Vienna, Austria

(540)



(591) Black, red and white  
(511)  
36 – Insurance; financial affairs; monetary affairs;  
real estate affairs.

(260) AM 2013 66782 A  
(800) 1109151  
(731) ZAKŁADY FARMACEUTYCZNE  
"POLPHARMA" SPÓŁKA AKCYJNA  
Pelplińska 19, PL-83-200 STAROGARD  
GDAŃSKI, Poland

(540)

**ФЛУТИКОМБ**  
**Fluticomb**

(591) Black, white  
(511)  
5 – Pharmaceutical preparations.

(260) AM 2013 66783 A  
(800) 1109152  
(731) ZAKŁADY FARMACEUTYCZNE  
"POLPHARMA" SPÓŁKA AKCYJNA  
Pelplińska 19, PL-83-200 STAROGARD  
GDAŃSKI, Poland

(540)

**CORDAFEN**  
**КОРДАФЕН**

(591) Black, white  
(511)  
5 – Pharmaceutical preparations.

(260) AM 2013 66784 A  
(800) 1109154  
(731) GUANGZHOU TIANQIU ENTERPRISE  
CO., LTD.  
9/F, No.26-30, Heyi Street, Sanyuanli  
Avenue, Baiyun District, Guangzhou City,  
Guangdong Province, China

(540)

**TMMQ**

(591) Black, white  
(511)  
9 – Computer peripheral devices; telephone apparatus; cameras [photography]; material for electricity mains [wires, cables]; plugs, sockets and other contacts [electric connections]; alarms; galvanic cells; accumulators, electric; batteries for lighting; battery chargers.

11 – Lamps; pocket torches, electric; lighting apparatus and installations; flares; lights for vehicles;

cookers; air conditioning installations; heating apparatus; sanitary apparatus and installations; radiators, electric.

14 – Precious metals, unwrought or semi-wrought; boxes of precious metal; ornaments [jewellery]; works of art of precious metal; watches; clocks; wristwatches; clocks and watches, electric; cases for clock- and watchmaking; precision chronographs.

(260) AM 2013 66787 A  
(800) 1109171  
(731) ODINTSOVO CONFECTIONERY PLANT,  
LTD.  
20, Maliye Vyazemy, Odintsovo District,  
RU-143040 Moscow Region, Russian  
Federation

(540)

**ROSSO**

(591) Black, white  
(511)  
29 – Meat, fish, poultry and game; meat extracts; preserved, frozen, dried and cooked fruits and vegetables; eggs; milk products; jellies, jams, compotes; milk and milk-based beverages; bouillons, soups; food ready-to-eat and consisting primarily of the aforementioned goods.

30 – Coffee and artificial coffee; tea, cocoa, chocolate-based beverages; sugar, rice, tapioca, sago; flour, flour milling products and preparations made from cereals; bars of cereal preparation; pasta; bread, cookies, biscuits, cakes, tarts, pies, pastry, chocolate, chocolate products; confectionery, sugar confectionery, sweetmeats [candy], candy for food ice; ice-cream, ices; honey, treacle; salt, mustard vinegar, sauces, pesto; condiments; spices; weeds [condiment]; food ready-to-eat and consisting primarily of the aforementioned goods.

(260) AM 2013 66796 A  
(800) 1109313  
(731) KONINKLIJKE PHILIPS ELECTRONICS  
N.V.  
Groenewoudseweg 1, NL-5621 BA  
EINDHOVEN, Netherlands

(540)



(591) Black, white, blue, red, green, orange, yellow and purple

(511)  
9 – Apparatus and instruments for recording, processing, transmitting and reproducing of sound, images and data; software.

(260) AM 2013 66797 A  
(800) 1109315  
(731) ODINTSOVO CONFECTIONERY PLANT, LTD.  
20, Maliye Vyazemy, Odintsovo District,  
RU-143040 Moscow Region, Russian  
Federation

(540)

**POCCO**

(591) Black, white  
(511)  
29 – Meat, fish, poultry and game; meat extracts; preserved, frozen, dried and cooked fruits and vegetables; eggs; milk products; jellies, jams, compotes; milk and milk-based beverages; bouillons, soups; food ready-to-eat and consisting primarily of the aforementioned goods.

30 – Coffee and artificial coffee; tea, cocoa, chocolate-based beverages; sugar, rice, tapioca, sago; flour, flour milling products and preparations made from cereals; bars of cereal preparation; pasta; bread, cookies, biscuits, cakes, tarts, pies, pastry, chocolate, chocolate products; confectionery; sugar confectionery, sweetmeats [candy], candy for food; ice; ice-cream, ices; honey, treacle; salt, mustard; vinegar, sauces, pesto; condiments; spices; weeds [condiment]; food ready-to-eat and consisting primarily of the aforementioned goods.

(260) AM 2013 66800 A  
(800) 1109332  
(731) BATA BRANDS S.à r.l.  
B.P. 1638, L-1016 Luxembourg,  
Luxembourg

(540)

**WEINBRENNER**

(591) Black, white  
(511)  
14 – Key chains.  
18 – Bags, wallets; belts of leather (saddlery).  
25 – Footwear; clothing; belts (clothing).

(260) AM 2013 66801 A  
(800) 1109333  
(731) BATA BRANDS S.à r.l.  
B.P. 1638, L-1016 Luxembourg,  
Luxembourg

(540)

**NORTH STAR**

(591) Black, white  
(511)  
14 – Key chains.  
18 – Bags, wallets; belts of leather (saddlery).  
25 – Footwear, clothing; belts (clothing).

(260) AM 2013 66807 A  
(800) 1109414  
(731) GARLANDO S.P.A.  
Via Regione Piemonte, 32, Zona Industriale  
D1, I-15068 Pozzolo Formigaro (AL), Italy

(540)

 **Garlando**

(591) Black, white  
(511)  
28 – Games and playthings; gymnastic and sporting articles not included in other classes; decorations for Christmas trees.

(260) AM 2013 66815 A  
(800) 720701  
(731) SOCIÉTÉ AIR FRANCE  
45, rue de Paris, F-95747 ROISSY-  
CHARLES-DE-GAULLE, France

(540)

**EQUATION**

(591) Black, white  
(511)  
39 – Transport, packing and storage of goods, air transport, freighting, chauffeur services, parcel delivery, packaging of goods, rental of storage containers, message delivery, freight brokerage, transport brokerage, warehousing of goods, distribution (delivery) of goods, of merchandise, wrapping of goods, storage information, rental of warehouses, forwarding services, freight (shipping of goods), transport information, courier services (messages or merchandise), storage, freight forwarding, transport reservations, armored-car transport, check-in of luggage, of merchandise, loading and unloading of airplanes, airplane lending and rental, provision of air vehicles.

(260) AM 2013 66816 A  
(800) 725445  
(731) SOCIÉTÉ AIR FRANCE  
45, rue de Paris, F-95747 ROISSY-  
CHARLES-DE-GAULLE, France

(540)

**COHESION**

(591) Black, white

(511)

39 – Transportation, packing and storage of goods, air transport, freighting, chauffeur services, parcel delivery, packaging of goods, rental of storage containers, message delivery, freight brokerage, transport brokerage, goods warehousing, distribution (supply) of goods, of freight, wrapping and packing of goods, storage information, rental of warehouses, freight forwarding, freight (shipping of goods), transportation information, courier services (messages or merchandise), warehousing, services of a forwarding agency, transport reservations, armored-car transport, check-in of luggage, of merchandise, loading and unloading of goods, loading and unloading of airplanes, airplane lending and rental, provision of aircraft.

(260) AM 2013 66817 A

(800) 726275

(731) SOCIÉTÉ AIR FRANCE

45, rue de Paris, F-95747 ROISSY-CHARLES-DE-GAULLE, France

(540)

## VARIATION

(591) Black, white

(511)

39 – Transport of goods, animal transport, packing and storage of merchandise, air transport, parcel delivery, packaging of goods, rental of storage containers, message delivery, freight brokerage, merchandise transport brokerage, warehousing of goods, supply (delivery) of goods, of merchandise, wrapping and packing of goods, storage information, rental of warehouses, forwarding services, freight (shipping of goods), information on the transport of goods and animals, courier services (messages or merchandise), storage, freight forwarding, bookings for the transport of goods and of animals, guarded transport of valuables, check-in of luggage, of merchandise, loading and unloading of goods, loading and unloading of airplanes, airplane lending and rental, provision of aircraft.

(260) AM 2013 66824 A

(800) 880565

(731) OBCHTCHESTVO S OGRANITCHENNOI OTVETSTVENNOSTYOU "KAPOUS KOSMETIKS"

komn. 18, str. 1 – 1, Volokolamskoe chosse. RU-125080 Moskva, Russian Federation

(540)

**Капус**  
**Капус**

(591) Black, white

(511)

3 – Antistatic preparations for household purposes; scented water (toiletory use); oils for perfumes; hair spray; shaving soap; shaving preparations; eyebrow pencils; eyebrow cosmetics; petroleum jelly for cosmetic purposes; mascara; cotton wool for cosmetic purposes; cotton sticks for cosmetic purposes; cosmetic preparations for the bath; hair lotions; hair dyes; hair waving preparations; make-up; cosmetic preparations for baths; make-up removing preparations; paint removing preparations; lacquer removing preparations; nail care preparations; lipsticks; pomades for cosmetic purposes; make-up powder; talcum powder, for toilet use; cosmetics; deodorants for personal use; decorative transfers for cosmetic purposes; adhesives for affixing false eyelashes; cosmetic dyes; cosmetic creams; skin whitening creams; creams for leather; nail polish; after-shave lotions; lotions for cosmetic purposes; beauty masks; disinfectant soap; deodorant soap; oils for cleaning purposes; oils for cosmetic purposes; almond milk for cosmetic purposes; cleansing milk for toilet purposes; false nails; false eyelashes; cosmetic preparations for eyelashes; depilatory preparations; degreasers other than for use in manufacturing processes; bleaching preparations [decolorants] for cosmetic purposes; cosmetic preparations for skin care; neutralizers for permanent waving; toiletries; shampoos.

5 – Amino acids for medical purposes, balms for medical purposes, petroleum jelly for medical purposes, medicinal mud, edible plant fibers, non-nutritive, mud for baths, acids for pharmaceutical purposes, glucose for medical purposes, lotions for pharmaceutical purposes, camphor oil for medical purposes, castor oil for medical purposes, ointments for pharmaceutical purposes, royal jelly (for medical purposes), medical oils, compresses, vitamin preparations, therapeutic preparations for the bath, bath preparations, medicated, pharmaceutical preparations for treating dandruff, pharmaceutical preparations for skin care, chemico-pharmaceutical preparations, by-products of the processing of cereals (for medical purposes), salts for medical purposes, bath salts for medical purposes, salts for mineral water baths, antiseptics, disinfectants for hygiene purposes, medical preparations for slimming purposes.

8 – Razors, electric or non-electric, depilation appliances, electric and non-electric, pliers, razor blades, beard clippers, hair clippers for personal use, electric and non-electric, shearers (hand instruments), scissors, manicure sets, manicure sets (electric), pedicure sets, nail files, nail files, (electric), tweezers, hair-removing tweezers, hand implements for hair curling non-electric, tongs, curling tongs, cuticle tweezers, nail nippers, hair-removing tweezers.

11 – Sauna installations, hair driers.  
 20 – Mirrors (looking glasses), hairdressers' chairs.  
 21 – Large-toothed combs for the hair, shaving brushes, appliances for removing make-up, non-electric, combs, comb cases, eyebrow brushes, nail brushes, electric combs.  
 26 – Hair curlers, other than hand implements.  
 35 – Sales promotion (for others).  
 44 – Hair implantation, manicuring, massage, hair-dressing salons, sanatoriums.

(260) AM 2013 66825 A  
 (800) 923027  
 (731) NOVARTIS AG  
 CH-4002 Basel, Switzerland  
 (540)

## GALVUSMET

(591) Black, white  
 (511)  
 5 – Pharmaceutical preparations.

(260) AM 2013 66826 A  
 (800) 964274  
 (731) TUC TUC, S.L.  
 c/ Monte La Pila, 5, E-26140 LARDERO  
 (LA RIOJA), Spain  
 (540)



(591) Black, white  
 (511)  
 25 – Ready-to-wear clothing, footwear (included in this class), headwear.  
 28 – Games, toys; gymnastic and sporting articles not included in other classes; decorations for Christmas trees.

(260) AM 2013 66827 A  
 (800) 983731  
 (731) Suit Supply B.V.  
 Joop Geesinkweg 209, NL-1096 AV  
 Amsterdam, Netherlands  
 (540)

## suitsupply

(591) Black, white  
 (511)  
 25 – Clothing, footwear, headgear.

(260) AM 2013 66870 A  
 (800) 1109495  
 (731) RICHTER GEDEON NYRT.  
 Gyömrői út 19-21, H-1103 BUDAPEST,  
 Hungary  
 (540)

## ФОЛРАПИН

(591) Black, white  
 (511)  
 5 – Pharmaceutical preparations.

(260) AM 2013 66871 A  
 (800) 1109496  
 (731) RICHTER GEDEON NYRT.  
 Gyömrői út 19-21, H-1103 BUDAPEST,  
 Hungary  
 (540)

## ПРУКНИН

(591) Black, white  
 (511)  
 5 – Pharmaceutical preparations.

(260) AM 2013 66873 A  
 (800) 1109517  
 (731) DOCHIRNIE PIDPRYIEMSTVO  
 "KONDYTERSKA  
 KORPORATSIIA "ROSHEN"  
 Elektrykiv vul., 26/9, Kyiv 04176, Ukraine  
 (540)



(591) White, brown and light brown  
 (511)  
 30 – Sweetmeats (candies).

(260) AM 2013 66874 A  
 (800) 1109530  
 (731) ENI S.p.A.  
 Piazzale Enrico Mattei, 1, I-00144 ROMA,  
 Italy

(540)

**ENI I-SIGMA**

(591) Black, white

(511)

4 – Industrial oils and greases; lubricants; dust absorbing, wetting and binding compositions; fuels (including motor spirit) and illuminants; candles and wicks for lighting.

(260) AM 2013 66876 A

(800) 1109547

(731) WORLD MEDICINE İLAÇLARI LİMİTED ŞİRKETİ

Evren Mah. Camiyolu Cad. No.50 K.2,  
BAĞCILAR-İSTANBUL, Turkey

(540)

**MIGREPTAN**

(591) Black, white

(511)

5 – Medicines for human purposes, medicines for veterinary purposes, chemical preparations for medical purposes, dietetic substances adapted for medical use; dietetic foods adapted for medical purposes; baby foods, medicinal herbs, herbal beverages adapted for medical purposes; medicines for dental purposes, hygienic products for medical purposes including pads, waddings for medical purposes, plasters for medical purposes, dressings for medical purposes, preparations for destroying noxious plants, preparations for destroying noxious animals, fungicides, deodorants other than for personal use, disinfectants for hygiene purposes, antiseptics, detergents for medical purposes.

29 – Dietary supplements and food supplements, not for medical use, not included in other classes, dietetic food for non-medical purposes whose primary ingredients consist of protein and fats which are combined with or without vitamins, carbohydrates, mineral salts, minerals and trace elements, amino acids, fatty acids, pollen preparations.

(260) AM 2013 66877 A

(800) 1109548

(731) WORLD MEDICINE İLAÇLARI LİMİTED ŞİRKETİ

Evren Mah. Camiyolu Cad. No.50 K.2,  
BAĞCILAR-İSTANBUL, Turkey

(540)

**FUTARON**

(591) Black, white

(511)

29 – Dietary supplements and food supplements, not for medical use, not included in other classes, dietetic food for non-medical purposes whose pri-

mary ingredients consist of protein and fats which are combined with or without vitamins, carbohydrates, mineral salts, minerals and trace elements, amino acids, fatty acids, pollen preparations.

(260) AM 2013 66878 A

(800) 1109549

(731) WORLD MEDICINE İLAÇLARI LİMİTED ŞİRKETİ

Evren Mah. Camiyolu Cad. No.50 K.2,  
BAĞCILAR-İSTANBUL, Turkey

(540)

**BROTAP**

(591) Black, white

(511)

29 – Dietary supplements and food supplements, not for medical use, not included in other classes, dietetic food for non-medical purposes whose primary ingredients consist of protein and fats which are combined with or without vitamins, carbohydrates, mineral salts, minerals and trace elements, amino acids, fatty acids, pollen preparations.

(260) AM 2013 66881 A

(800) 1109550

(731) WORLD MEDICINE İLAÇLARI LİMİTED ŞİRKETİ

Evren Mah. Camiyolu Cad. No.50 K.2,  
BAĞCILAR-İSTANBUL, Turkey

(540)

**POMPEZO**

(591) Black, white

(511)

5 – Medicines for human purposes, medicines for veterinary purposes, chemical preparations for medical purposes, dietetic substances adapted for medical use; dietetic foods adapted for medical purposes; baby foods, medicinal herbs, herbal beverages adapted for medical purposes; medicines for dental purposes, hygienic products for medical purposes including pads, waddings for medical purposes, plasters for medical purposes, dressings for medical purposes, preparations for destroying noxious plants, preparations for destroying noxious animals, fungicides, deodorants other than for personal use, disinfectants for hygiene purposes, antiseptics, detergents for medical purposes.

29 – Dietary supplements and food supplements, not for medical use, not included in other classes, dietetic food for non-medical purposes whose primary ingredients consist of protein and fats which are combined with or without vitamins, carbohydrates, mineral salts, minerals and trace elements, amino acids, fatty acids, pollen preparations.



- (260) AM 2013 66882 A  
 (800) 1109584  
 (731) TUNÇMATIK ELEKTRİK  
 MALZEMELERİ SANAYİ VE TİCARET  
 ANONİM ŞİRKETİ  
 Yeni Çamlıca Mahallesi, İmar İskan Caddesi  
 No:3, Ümraniye-İstanbul, Turkey

(540)



- (591) Orange, purple and white  
 (511)  
 9 – Apparatus and instruments for transmitting,  
 converting and storing electrical energy including  
 cables and power supplies used in electric and  
 electronic.

- (260) AM 2013 66883 A  
 (800) 1109594  
 (731) DOCHIRNIE PIDPRYIEMSTVO  
 "KONDYTERSKA KORPORATSIIA  
 "ROSHEN"  
 Elektrykiv vul., 26/9, Kyiv 04176, Ukraine

(540)



- (591) Red, white, yellow and green  
 (511)  
 30 – Sweetmeats (candy).

- (260) AM 2013 66884 A  
 (800) 1109595  
 (731) DOCHIRNIE PIDPRYIEMSTVO  
 "KONDYTERSKA KORPORATSIIA  
 "ROSHEN"  
 Elektrykiv vul., 26/9, Kyiv 04176, Ukraine

(540)



- (591) Brown and white  
 (511)  
 30 – Sweetmeats (candy).

- (260) AM 2013 66885 A  
 (800) 1109630  
 (731) DROGA KOLINSKA  
 Zivilska industrija, d.d.; Kolinska ulica 1,  
 SI-1544 Ljubljana, Slovenia

(540)

## Bebiki

- (591) Black, white  
 (511)  
 5 – Food for babies; dietetic products for medical  
 purposes, dietetic products for babies.

29 – Preserved, dried and cooked fruit and vege-  
 tables; jellies, jams; compotes; milk and milk pro-  
 ducts; fruit mix with muesli, flakes (cereal pro-  
 ducts), wheat flakes, corn flakes, rice flakes, with  
 high fruit content; vegetable mix with muesli,  
 flakes (cereal products), wheat flakes, corn flakes,  
 rice flakes, with high vegetable content.

30 – Coffee, tea, cocoa, sugar, rice, tapioca, sago,  
 coffee substitutes; flour and preparations made  
 from cereals, bread, pastry and confectionery,  
 biscuits; edible ice; honey, treacle; yeast, baking-  
 powder; salt, mustard; vinegar, sauces, spices; ice  
 for refreshment; muesli, flakes (cereal products),  
 wheat flakes, corn flakes, rice flakes; muesli, flakes  
 (cereal products), wheat flakes, corn flakes, rice  
 flakes, all such products with added fruits and/or  
 vegetables; muesli, flakes (cereal products), wheat  
 flakes, corn flakes, rice flakes, all such products  
 with added chocolate and/or honey and/or hazelnuts  
 and/or walnuts; herbal teas (not medicinal).

32 – Fruit drinks and fruit juices; syrups and other  
 preparations for making beverages; fruit nectars;  
 vegetable juice drinks.

- (260) AM 2013 66886 A  
 (800) 1109654  
 (731) SOREMARTEC SA  
 Rue Joseph Netzer 5, B-6700 ARLON,  
 Belgium

(540)

## KINDER MILK-SLICE

- (591) Black, white  
 (511)  
 30 – Coffee, tea, cocoa, sugar, rice, tapioca, sago,  
 artificial coffee; flour and preparations made from  
 cereals, bread, pastry and confectionery, ices; ho-  
 ney, treacle; yeast, baking-powder; salt, mustard;  
 vinegar, sauces (condiments); spices; ice for ref-  
 refreshment.

(260) AM 2013 66887 A  
 (800) 1109655  
 (731) Fondation MIRAISSME  
 Grand'Rue 92, CP 1526, CH-1820  
 Montreux 1, Switzerland

(540)

## Renovation Absolue

(591) Black, white  
 (511)  
 41 – Teaching and providing of training.

(260) AM 2013 66888 A  
 (800) 1109665  
 (731) VIENNA INSURANCE GROUP AG Wiener  
 Versicherung Gruppe  
 Schottenring 30, A-1010 Vienna, Austria

(540)



(591) Black and red  
 (511)  
 36 – Insurance; financial affairs; monetary affairs;  
 real estate affairs.

(260) AM 2013 66889 A  
 (800) 1109666  
 (731) VIENNA INSURANCE GROUP AG Wiener  
 Versicherung Gruppe  
 Schottenring 30, A-1010 Vienna, Austria

(540)



(591) Black and red  
 (511)  
 36 – Insurance; financial affairs; monetary affairs;  
 real estate affairs.

(260) AM 2013 66890 A  
 (800) 1109667  
 (731) VIENNA INSURANCE GROUP AG Wiener  
 Versicherung Gruppe  
 Schottenring 30, A-1010 Vienna, Austria

(540)



(591) Black and red  
 (511)  
 36 – Insurance; financial affairs; monetary affairs;  
 real estate affairs.

(260) AM 2013 66891 A  
 (800) 1109682  
 (731) BATA BRANDS S.à r.l.  
 B.P. 1638, L-1016 Luxembourg,  
 Luxembourg

(540)

## MC COLLECTION

(591) Black, white  
 (511)  
 18 – Goods made of leather and imitations of leather (included in this class), bags, suitcases, rucksacks, wallets, briefcases, parasols, umbrellas.  
 25 – Clothing and headgear, including ties, scarves, bandanas, gloves, belts, caps, hats.

(260) AM 2013 66892 A  
 (800) 1109687  
 (731) STENDERS, SIA  
 Mukusalas iela 63, LV-1004 Riga, Latvia

(540)

## Gardener of Feelings

(591) Black, white  
 (511)  
 3 – Soaps; beauty care and body care preparations; essential oils; oils for cosmetic purposes, massage oils not for medical purposes; cosmetic preparations for baths, bath salts not for medical purposes; shampoos.

16 – Printed matter; calendars, booklets, greeting cards; boxes for packaging included in this class.

35 – Retail and wholesale services in respect of soaps, beauty care preparations, essential oils, oils for cosmetic purposes, massage oils, cosmetic preparations for baths, shampoos; retail and wholesale services in respect of printed matter, calendars, booklets, greeting cards, boxes for packaging; the bringing together, for the benefit of others, of variety of goods (excluding the transport thereof), enabling customers to conveniently view and purchase those goods; sales promotion (for others); procurement services for others (purchasing goods and services for other businesses).

(260) AM 2013 66893 A  
 (800) 1109695  
 (731) Bon'A Parte A/S  
 Thrigesvej 2, DK-7430 Ikast, Denmark

(540)



**BON'A PARTE**  
 SCANDINAVIAN FASHION & LIFESTYLE

(591) Black, white

(511)

18 – Leather and imitations of leather, and goods made of these materials, included in this class; animal skins, hides; trunks and travelling bags; umbrellas, parasols and walking sticks; whips, harness and saddlery.

35 – Advertising; business management; business administration; office functions; wholesale and retail business in relation to leather and imitations of leather, and goods made of these materials, animal skins, hides, trunks and travelling bags, umbrellas, parasols and walking sticks, whips, harness and saddlery, textiles and textile goods, coverlets (bedspreads), bed linen, covers for cushions, clothing, clothing for children, footwear, headgear.

(260) AM 2013 66894 A

(800) 1109706

(731) SCHIRNHOFER GESELLSCHAFT M.B.H.

A-8224 Kaindorf 298, Austria

(540)



(591) Green, black, dark brown

(511)

29 – Meat, fish, poultry and game; meat extracts; preserved, dried and cooked fruits and vegetables; jellies; jams, compotes; eggs, milk and milk products; edible oils and fats.

30 – Coffee, tea, cocoa, sugar, rice, tapioca, sago, artificial coffee; flour and preparations made from cereals, bread, pastry and confectionery; ices; honey, treacle; yeast, baking powder; salt, mustard; vinegar, sauces (condiments); spices; ice.

31 – Agricultural, horticultural and forestry products and grains not included in other classes; live animals; fresh fruits and vegetables; seeds, natural plants and flowers; foodstuffs for animals; malt.

35 – Advertising; business management; business administration; office functions.

(260) AM 2013 66895 A

(800) 1109720

(731) JD Sports Fashion Plc

Hollinsbrook Way, Pilsworth Bury,

Lancashire BL9 8RR, United Kingdom

(540)

**CARBRINI**

(591) Black, white

(511)

25 – Clothing; footwear; headgear.

(260) AM 2013 66897 A

(800) 1109726

(731) Closed Joint Stock Company "SIBUR Holding"

ul.Galernaya, liter A, d.5, RU-190000  
Saint-Petersburg, Russian Federation

(540)

**GEOTEX**

(591) Black, white

(511)

1 – Unprocessed plastics; dispersions of plastics; filtering materials [unprocessed plastics]; filtering materials [mineral substances]; filtering materials [vegetable substances]; filtering materials [chemical preparations]; textile-impregnating chemicals.

17 – Plastics in extruded form for use in manufacture; stopping and insulating materials; plastic fibers [fibres], not for textile use; insulating tape and band; reinforcing materials, not of metal, for pipes; soundproofing materials; insulating materials; insulating refractory materials; padding materials of plastics; non-conducting materials for retaining heat; boiler composition to prevent the radiation of heat; sealant compounds for joints; filtering materials [semi-processed foams or films of plastic]; compositions to prevent the radiation of heat; threads of plastic materials, not for textile use; elastic threads, not for use in textiles; plastic substances, semi-processed; plastic film other than for wrapping; plastic sheeting for agricultural purposes; expansion joint fillers; pipe gaskets; draught excluder strips; gaskets; junctions, not of metal, for pipes; insulating fabrics.

19 – Building materials (non-metallic); binding material for road repair; geotextiles; reinforcing materials, not of metal, for building; road coating materials; materials for making and coating roads; cladding, not of metal, for building; flashing, not of metal, for building.

22 – Raw fibrous textile materials; plastic fibers [fibres] for textile use; textile fibers [fibres].

24 – Non-woven textile fabrics; curtains of textile or plastic; fabrics for textile use; filtering materials of textile; plastic material [substitute for fabrics]; textile material.

(260) AM 2013 66898 A

(800) 1109727

(731) CLOSED JOINT STOCK COMPANY  
"SIBUR HOLDING"

ul.Galernaya, liter A, d.5, RU-190000  
Saint-Petersburg, Russian Federation

(540)

**ГЕОТЕКС**

(591) Black, white

(511)

1 – Unprocessed plastics; dispersions of plastics; filtering materials [unprocessed plastics]; filtering materials [mineral substances]; filtering materials [vegetable substances]; filtering materials [chemical preparations]; textile-impregnating chemicals.

17 – Plastics in extruded form for use in manufacture; stopping and insulating materials; plastic fibers [fibres], not for textile use; insulating tape and band; reinforcing materials, not of metal, for pipes; soundproofing materials; insulating materials; insulating refractory materials; padding materials of plastics; non-conducting materials for retaining heat; boiler composition to prevent the radiation of heat; sealant compounds for joints; filtering materials [semi-processed foams or films of plastic]; compositions to prevent the radiation of heat; threads of plastic materials, not for textile use; elastic threads, not for use in textiles; plastic substances, semi-processed; plastic film other than for wrapping; plastic sheeting for agricultural purposes; expansion joint fillers; pipe gaskets; draught excluder strips; gaskets; junctions, not of metal, for pipes; insulating fabrics.

19 – Building materials (non-metallic); binding material for road repair; geotextiles; reinforcing materials, not of metal, for building; road coating materials; materials for making and coating roads; cladding, not of metal, for building; flashing, not of metal, for building.

22 – Raw fibrous textile materials; plastic fibers [fibres] for textile use; textile fibers [fibres].

24 – Non-woven textile fabrics; curtains of textile or plastic; fabrics for textile use; filtering materials of textile; plastic material [substitute for fabrics]; textile material.

(260) AM 2013 66899 A

(800) 1109728

(731) ASTELLAS PHARMA INC.

3-11, Nihonbashi-Honcho 2-chome,  
Chuo-ku, Tokyo 103-8411, Japan

(540)

**UMIBRI**

(591) Black, white

(511)

5 – Pharmaceutical preparations and substances.

(260) AM 2013 66900 A

(800) 1109736

(731) ASTELLAS PHARMA INC.

3-11, Nihonbashi-Honcho 2-chome,  
Chuo-ku, Tokyo 103-8411, Japan

(540)

**XTAND I**

(591) Black, white

(511)

5 – Pharmaceutical preparations and substances.

(260) AM 2013 66905 A

(800) 1109747

(731) MAKRO TEKNİK ENDÜSTRİ ÜRÜNLERİ  
VE MAKİNE İMALAT SANAYİ TİCARET  
LİMİTED ŞİRKETİ

Yukari Dudullu Mah. Keyap Çarşı, Sitesi  
No:62, Ümraniye İstanbul, Turkey

(540)

**MAKRO TEKNİK**

(591) Black, white

(511)

6 – Non-precious metal ores; common metals and their alloys and semi-manufactured products; construction materials made of metal; materials and instruments including stairs made of metal for sheltering, storing, preserving, lining, wrapping, encircling, warehousing and placing (terms considered too vague by the International Bureau – rule 13.2.b) of the Common Regulations); metal materials for sieving, filtering and similar purposes (terms considered too vague by the International Bureau – rule 13.2.b) of the Common Regulations); metal doors and windows, shutters, venetian blinds (terms considered too vague by the International Bureau – rule 13.2.b) of the Common Regulations), their cases and handles except locks; metal cables and wires not for electrical purposes; ironmongery (hardware) articles; airing canals, holes, hole covers, anemostads, pipes, chimney heads, manholes (chimney) covers, grills for ventilating, heating, sewerage, telephone, underground electric lines and air conditioning installations (terms considered too vague by the International Bureau – rule 13.2.b) of the Common Regulations); materials for indicating with signs, directing, specifying, advertising purposes including sign boards, panels, vehicle plates (terms considered too vague by the International Bureau – rule 13.2.b) of the Common Regulations); metal pipes and their fixture parts for liquid and gas transfer including drilling pipes; metal money safes; railway materials made of metal; metal crown posts and floats, metal pontoons (terms considered too vague by the International Bureau –

rule 13.2.b) of the Common Regulations); anchors for sea vehicles; metal moulds for casting excluding parts of machines; works of art made of common metals and of their alloys; metal covers, bottle taps (terms considered too vague by the International Bureau – rule 13.2.b) of the Common Regulations); metal poles; metal palettes for lifting, loading and transporting (terms considered too vague by the International Bureau – rule 13.2.b) of the Common Regulations); metal ropes, metal hangers, cords, columns, strips, bands and ribbons for use in lifting and carrying loads.

35 – Advertisement agency services, advertisement exhibition and trade fair organization services; office services, business management; business administration, office functions, public relations; import and export agencies; expertise services for evaluation of industrial and commercial goods (terms considered too vague by the International Bureau – rule 13.2.b) of the Common Regulations); auctioneering, the bringing together of a variety of "non-precious metal ores; common metals and their alloys and semi-manufactured products; construction materials made of metal; materials and instruments including stairs made of metal for sheltering, storing, preserving, lining, wrapping, encircling, warehousing and placing; metal materials for sieving, filtering and similar purposes; metal doors and windows, shutters, venetian blinds, their cases and handles except locks; metal cables and wires not for electrical purposes; ironmongery (hardware) articles; airing canals, holes, hole covers, anemostads, pipes, chimney heads, manholes (chimney) covers, grills for ventilating, heating, sewerage, telephone, underground electric lines and air conditioning installations; materials for indicating with signs, directing, specifying, advertising purposes including sign boards, panels, vehicle plates; metal pipes and their fixture parts for liquid and gas transfer including drilling pipes; metal money safes; railway materials made of metal; metal crown posts and floats, metal pontoons; anchors for sea vehicles; metal moulds for casting excluding parts of machines; works of art made of common metals and of their alloys; metal covers, bottle taps; metal poles; metal palettes for lifting, loading and transporting; metal ropes, metal hangers, cords, columns, strips, bands and ribbons for use in lifting and carrying loads" enabling customers to conveniently view and purchase those goods.

(260) AM 2013 66906 A

(800) 1109749

(731) AVON PRODUCTS, INC.

World Headquarters, 777 Third Avenue,  
New York, NY 10017, USA

(540)



(591) Black, white

(511)

3 – Non-medicated toilet preparations; toiletries; skin care preparations; skin moisturizers; body and beauty care preparations; powders, creams and lotions, all for the face, hands and body; soaps; shower and bath preparations; beauty masks; talcum powder; nail polish; nail polish remover; enamel for nails; false nails; adhesives for cosmetic purposes; cosmetics; eye makeup remover, eye shadow, eye liner, mascara, lipstick, lip liner, lipgloss; make-up foundation; blusher; tissues impregnated with cosmetic lotions; cotton sticks for cosmetic purposes; cotton wool for cosmetic purposes; preparations for cleaning, moisturising, colouring and styling the hair; preparations for cleaning the teeth; shaving and aftershave preparations; perfumes, fragrance, toilet waters, eau de cologne; deodorants and anti-perspirants for personal use; essential oils (cosmetic); all the aforesaid being alone, in combination and/or in gift sets comprised of some or all of these items.

(260) AM 2013 66907 A

(800) 1109783

(731) RALF SCHMID

Haltenriedstraße 27, CH-6045 Meggen,  
Switzerland

(540)



(591) Blue

(511)

37 – Building construction; repair services for the goods in class 12; installation services; maintenance and repair of automobiles.

42 – Scientific and technological services and research and design relating thereto; industrial analysis and research services; design and development of computer hardware and software.

(260) AM 2013 66908 A

(800) 1109784

(731) RALF SCHMID

Haltenriedstraße 27, CH-6045 Meggen,  
Switzerland

(540)



(591) Black, white  
(511)  
37 – Building construction; repair services for the goods in class 12; installation services; maintenance and repair of automobiles.

42 – Scientific and technological services and research and design relating thereto; industrial analysis and research services; design and development of computer hardware and software.

(260) AM 2013 66912 A  
(800) 1109803  
(731) HERMES INTERNATIONAL  
24, rue du Faubourg Saint Honoré, F-75008  
PARIS, France

(540)  
**JOUR D'HERMES**

(591) Black, white  
(511)  
3 – Perfumes, perfumery, toilet water, eau de parfum, essential oils for personal use, cosmetics, hair and body lotions, soap, dentifrices, deodorants for personal use, shower gels, shampoos, beauty creams for body care.

(260) AM 2013 66913 A  
(800) 1109804  
(731) Société des Produits Nestlé S.A.  
CH-1800 Vevey, Switzerland

(540)  
**BUTTONI LA PIZZERIA**

(591) Black, white  
(511)  
29 – Vegetables and potatoes (preserved, dried or cooked), fruit (preserved, dried or cooked), mushrooms (preserved, dried or cooked), mushrooms (preserved, dried or cooked); meat, poultry, game, fish and seafood, all these goods in the form of extracts, soups, jellies, spreads, preserves, cooked, deep-frozen or dehydrated dishes; jams; eggs; preserved soya beans for human consumption; edible oils and fats; protein preparations for human consumption; sausages; charcuterie, peanut butter; soups, concentrated soups, preparations for making soups, thick soups, stock, also as cubes, tablets or powder, concentrates of stock, preparations for making stock, broth.

30 – Flours, cereal preparations, bread, yeast, pastries; biscuits, cakes, cookies, wafers, caramels, puddings; rice, pasta, noodles; rice, flour or cereal-based foodstuffs, also in the form of cooked dishes; pizzas, sandwiches; oven-ready preparations of farinaceous paste and cake dough; powder mixtures for cakes; sauces, soya sauce; ketchup; products for flavoring or seasoning foodstuffs; edible spices,

condiments, salad dressings, mayonnaise; mustard; vinegar.

(260) AM 2013 66914 A  
(800) 1109849  
(731) MOBILE CLEARING HOUSE NETWORK  
S.A.  
24, rue des Genets, L-1621 Luxembourg,  
Luxembourg

(540)  
The logo for MCHN Mobile Clearinghouse Network features the letters 'MCHN' in a bold, blue, rounded font with a white outline. To the right of this, the words 'Mobile Clearinghouse Network' are written in a smaller, grey, sans-serif font.

(591) Blue, white and gray  
(511)  
36 – Services for transfer of money by mobile telephone provided to banks with a system enabling their customers to manage their accounts (to access account balance, transaction history, to make money deposits and funds transfers) via mobile telephone applications.

(260) AM 2013 66915 A  
(800) 1109866  
(731) DOCHIRNIE PIDPRYEMSTVO  
"KONDYTERSKA KORPORATSIIA  
"ROSHEN"  
Elektrykiv vul., 26/9, Kyiv 04176, Ukraine

(540)



(591) Yellow and green  
(511)  
30 – Sweetmeats (candy), caramels (candy), jelly candies.

(260) AM 2013 66916 A  
(800) 1109904  
(731) GUCCIO GUCCI S.P.A.  
Via Tornabuoni, 73/R, I-50123 FIRENZE,  
Italy

(540)  
**OSHIBANA**

(591) Black, white  
(511)  
25 – Clothing, dresses, foulards, footwear and headgear.

(260) AM 2013 66917 A  
 (800) 1110023  
 (731) DOMAINE CLARENCE DILLON SAS  
 41 Avenue George V, F-75008 PARIS,  
 France

(540)  
**CHATEAU QUINTUS**

(591) Black, white  
 (511)  
 33 – AOC wines (wines with protected appellation of origin) from the wine-making estate called Château Quintus.

(260) AM 2013 66918 A  
 (800) 1110084  
 (731) GABOR SHOES AG  
 Marienberger Strasse 31, 83024 Rosenheim,  
 Germany

(540)  


(591) Beige, brown, white, black and grey  
 (511)  
 25 – Footwear, especially shoes, ladies' shoes, boots.

(260) AM 2013 66919 A  
 (800) 1110142  
 (731) VTTI B.V.  
 K.P. van der Mandelelaan 130, NL-3062  
 MB Rotterdam, Netherlands

(540)  


(591) Black, white  
 (511)  
 6 – Pipelines of metal.

35 – Book-keeping and administration services; intermediary services in closing business agreements in the field of transport and logistics, as well as consultancy on this subject, business organization and -economics consultancy; business management of a transport company; business administration of storage and delivery places and of processing and distribution centers of documents and goods; invoicing; business intermediary services for purchasing goods.

36 – Dealing with customs formalities; customs agencies; consultancy and intermediary services in insurances; financial participation in other companies.

37 – Construction, maintenance and repair of, inter alia, transport devices and containers.

39 – Transport and storage, including but not limited to, by ship; terminal storage; storage of liquid bulk goods; storage of chemical substances, oil, gas and coals; storage of goods; packaging and repackaging of goods; loading and unloading, including but not limited to, ships; loading (chartering); freight brokerage; transport brokerage; rental (by order and at the expense of third parties) and leasing of containers; logistics services within the framework of transport.

40 – Treatment of materials.

(260) AM 2013 66920 A  
 (800) 1110152  
 (731) N.V. Nutricia  
 Eerste Stationsstraat 186, NL-2712 HM  
 Zoetermeer, Netherlands

(540)  
**PRONUTRA**

(591) Black, white  
 (511)  
 5 – Dietetic substances adapted for medical use; (fortifying) food for medical use including food for babies, infants and invalids; food for babies.

30 – Tea; cereals and preparations made from cereals, not included in other classes.

(260) AM 2013 66921 A  
 (800) 1110157  
 (731) AVON PRODUCTS, INC.  
 World Headquarters, 777 Third Avenue,  
 New York, NY 10017, USA

(540)  
**ULTI-MINUTE LIFTING**

(591) Black, white  
 (511)  
 3 – Non-medicated toilet preparations; toiletries; skin care preparations; skin moisturizers; body and beauty care preparations; powders, creams and lotions, all for the face, hands and body; cosmetic suntan preparations; soaps; shower and bath preparations; beauty masks; talcum powder; nail polish; nail polish remover; enamel for nails; false nails; adhesives for cosmetic purposes; cosmetics; eye makeup remover, eye shadow, eye liner, mascara, lipstick, lip liner, lip gloss; make-up foundation; blusher; tissues impregnated with cosmetic lotions; cotton sticks for cosmetic purposes; cotton wool for cosmetic purposes; preparations for cleaning, moisturising, colouring and styling the hair; preparations for cleaning the teeth; shaving and after-shave preparations; perfumes, fragrance, toilet wa-

ters, eau de Colognes; deodorants and anti-perspirants for personal use; essential oils (cosmetic); all the aforesaid being alone, in combination and/or in gift sets comprised of some or all of these items.

(260) AM 2013 66922 A

(800) 1000386

(731) VALENTINO S.P.A.

Via Turati, 16/18, I-20121 MILANO, Italy

(540)

**RED**  
**VALENTINO**

(591) Red and black

(511)

35 – Advertising; business management; business administration; office functions; dissemination of advertisements, dissemination of advertising matter, rental of advertising spaces; commercial or industrial business management consultancy and assistance, professional business consultancy, modeling for advertising or business promotion, franchising, namely services provided by franchisor in helping, managing and developing commercial enterprises (services for third parties), providing of information on fashion; retail services in the field of clothing and accessories thereto.

(260) AM 2013 66923 A

(800) 1014676

(731) ALVIMEDICA SAGLIK YATIRIMLARI ANONIM SIRKETI

Gumussuyu Mah. Kazanci Yokusu No: 45, Istanbul, Turkey

(540)

  
**ALVIMEDICA**  
Medical Technologies

(591) Red and grey

(511)

10 – Surgical, medical, dentistry and veterinary instruments and apparatus; artificial organs and prostheses; particularly stent, catheter, stent transmission system, medical orthopaedic materials, surgery overalls and sterile coverings; instruments and materials for the purposes of sexual usage; contraceptives (condoms); feeding bottles, feeding bottle nipples, nozzles, teethers for babies; percutaneous transluminal coronary angioplasty (PTCA) balloon catheter, manifold kit for medical use containing products used in the transfusion of medical solu-

tions to the patient and the monitoring of the vascular system during angiography and angioplasty procedures; tubing set (product which provides the transportation of blood between the patient and the oxygenator (the device which is aerating the blood and giving oxygen)).

(260) AM 2013 66930 A

(800) 1018120

(731) Barilla G. e R. Fratelli – Società per Azioni

Via Mantova, 166, I-43100 Parma (PR), Italy

(540)



(591) Black, white

(511)

30 – Rice, flour and preparations made from cereals, bread, pasta, biscuits, yeast, baking powder, salt, mustard, vinegar, sauces (condiments), spices, frozen ready meals.

(260) AM 2013 66931 A

(800) 1019149

(731) HOUSE FOODS CORPORATION

5-7 Mikuriya-sakae-machi 1-chome, Higashi-osaka-shi, Osaka 577-8520, Japan

(540)



(591) Black, white

(511)

32 – Carbonated drinks (refreshing beverages) containing turmeric; non-alcoholic fruit juice beverages, containing turmeric; vegetable juices (beverages) containing turmeric.

(260) AM 2013 66932 A

(800) 1021578

(731) AHP Merkle GmbH

Nägelseestraße 39, 79288 Gottenheim, Germany

(540)



(591) Black, white



(511)

7 – Hydraulic cylinders in particular hydraulic norm cylinders, hydraulic standard cylinders, hydraulic cylinders with proximity switches, hydraulic cylinders with distance measurement systems, block cylinders, circular block cylinders, flange cylinders, short stroke cylinders, cube cylinders, screw-in cylinders, double pipe cylinders and hydraulic cylinders with external guides; hydraulic slide units (machine parts); swing tension cylinders; rotary drives, except for land vehicles; core puller units (machine parts); pressure boosters (machine parts).

(260) AM 2013 66933 A

(800) 1037150

(731) ZALANDO GMBH

Sonnenburger Str. 7, 10437 Berlin, Germany

(540)

**Zalando**

(591) Black, white

(511)

18 – Leather and imitations of leather, and goods made of these materials and not included in other classes; animal skins, hides; trunks and travelling bags; umbrellas, parasols and walking sticks; whips, harness and saddlery.

25 – Clothing, footwear, headgear.

35 – Wholesale and retail services, in particular mail order services (including online), in relation to goods of leather and imitations of leather, bags, suitcases, rucksacks, clothing, footwear, headgear, sports spectacles and sunglasses, jewellery, clocks and watches, umbrellas, foot-care preparations, shoe-care products, shoe trees.

(260) AM 2013 66934 A

(800) 1040048

(731) REPETTO société par action simplifiée

30 Avenue de Messine, FR-75008, PARIS,

France

(540)

**Repetto**

(591) Black, white

(511)

3 – Soaps, perfumery, essential oils, cosmetics, hair lotions; polish, preservatives for leather, creams for leather.

14 – Jewelry, timepieces and chronometric instruments, watches, bracelets, chains, necklaces, earrings, rings.

(260) AM 2013 66937 A

(800) 1061584

(731) "FAVOURITE" LTD

pom. 419, str.3, 86/1 Ryazansky pr-kt

RU-109542 Moscow, Russian Federation

(540)

**CREATLUR**

(591) Black, white

(511)

30 – Coffee; tea; cocoa; sugar; rice; tapioca; sago; artificial coffee; flour and preparations made from cereals; bread; pastry and confectionery; ices; honey; treacle; yeast; baking-powder; salt; mustard; vinegar; sauces (condiments); spices; edible ice.

(260) AM 2013 66941 A

(800) 1088845

(731) OVIESSE S.p.A.

Via Terraglio, 17, I-30174 Venezia Mestre

(VE), Italy

(540)

**RUMFORD**

(591) Black, white

(511)

18 – Leather and imitations of leather and goods made of these materials and not included in other classes; animal skins, hides; trunks and travelling bags; umbrellas, parasols and walking sticks; whips, harness and saddlery.

25 – Clothing, footwear, headgear.

(260) AM 2013 66942 A

(800) 269111

(731) ZENTIVA, A.S.

Nitrianska 100, SK-92027 Hlohovec,

Slovakia

(540)

**AGAPURIN**

(591) Black, white

(511)

5 – Pharmaceutical preparations.

(260) AM 2013 66949 A

(800) 862142

(731) BIO LINE, S.r.l.

78, viale Bolognini, I-38100 TRENTO, Italy

(540)

 **BIO LINE** JATO

(591) Black, white

(511)

3 – Soaps, perfumery, essential oils, cosmetics, deodorants for personal use, hair lotions, dentifrices.

(260) AM 2013 66950 A

(800) 872368

(731) LİDER KOZMETİK SANAYİ VE  
TİCARET ANONİM ŞİRKETİ  
Dilovası Organize Sanayi Bölgesi, 5., Kısım,  
D-5007 Sokak No:12, Dilovası -Kocaeli,  
Turkey

(540)

**GREEN WORLD**

(591) Black, white

(511)

3 – Soaps; perfumes and colognes, essential oils for personal use; cosmetics and cosmetic preparations; deodorants and antiperspirants for personal use; hair lotions.

(260) AM 2013 66961 A

(800) 1110235

(731) VISTA BEST  
4th Floor No. 12 Shahid Taheri St., Africa  
Blvd. Tehran, Iran (Islamic Republic of)

(540)



(591) Red, blue, light blue

(511)

19 – Profiles, doors and windows made of UPVC (unplasticized polyvinyl chloride).

35 – Export and sale of UPVC door and window profiles.

39 – Distribution of UPVC door and window profiles.

(260) AM 2013 66969 A

(800) 1110335

(731) ECONOMIC DEVELOPMENT BOARD  
250 North Bridge Road, #28-00 Raffles  
City Tower, Singapore 179101, Singapore

(540)

**singapore  
sessions**

(591) Black, white

(511)

9 – Advertising display signs (electric or luminous); advertising signboards (electric); advertising signboards (luminous); illuminated advertisements; illuminated advertising signs; luminous poster (advertising) pillars; panels for advertising (luminous);

electronic and recorded multimedia publications; electronic publications (downloadable).

16 – Advertising and promotional brochures; advertising boards of paper or cardboard [non-luminous]; advertising publications; journals (publications); loose-leaf publications; periodic publications; posters being publicity material; printed publications; printed periodical publications; promotional publications; publicity leaflets (flyers); pre-printed promotional forms; promotional pamphlets; promotional printed pads.

35 – Arranging of exhibitions for business purposes; arranging of exhibitions for commercial purposes; arranging of exhibitions for trade purposes; conducting exhibitions for business purposes; conducting exhibitions for commercial purposes; conducting exhibitions for trade purposes.

36 – Management of investment funds; capital fund management; corporate funds management; financial fund management; venture capital fund management; administration of investments; fund management; financial investment fund services; financing services; equity financing; investment business services; international and domestic fund investment; investment analysis and research; provision of information, advice and consultancy relating to the aforesaid services.

38 – Provision of teleconferencing facilities; teleconferencing services; web-based multi-media teleconferencing services.

41 – Arranging and conducting symposiums; arranging and conducting of conferences; arranging and conducting of conferences relating to business; arranging and conducting of conferences relating to commerce; arranging and conducting of conferences relating to trade.

(260) AM 2013 67006 A

(800) 1110785

(731) SOREMARTEC SA  
Rue Joseph Netzer 5, B-6700 ARLON,  
Belgium

(540)



(591) Black, white

(511)

29 – Meat, fish, poultry and game; meat extracts; preserved, frozen, dried and cooked fruits and vegetables; jellies, jams, compotes; eggs, milk and milk products; edible oils and fats.

30 – Coffee, tea, cocoa, sugar, rice, tapioca, sago, artificial coffee; flour and preparations made from cereals, bread, pastry and confectionery, ices; honey, treacle; yeast, baking-powder; salt, mustard; vinegar, sauces (condiments); spices; ice for refreshment.

32 – Beer, mineral and aerated waters and other non-alcoholic beverages; fruit beverages and fruit juices; syrups and other preparations for making beverages.

33 – Alcoholic beverages, except beer.

(260) AM 2013 67008 A

(800) 1110854

(731) BAYER AKTIENGESELLSCHAFT  
Kaiser-Wilhelm-Allee, 51373 Leverkusen,  
Germany

(540)

**Аплик**

(591) Black, white

(511)

5 – Pharmaceutical preparations; hormonal preparations.

(260) AM 2013 67009 A

(800) 1110855

(731) BAYER AKTIENGESELLSCHAFT  
Kaiser-Wilhelm-Allee, 51373 Leverkusen,  
Germany

(540)

**Эплис**

(591) Black, white

(511)

5 – Pharmaceutical preparations; hormonal preparations.

(260) AM 2013 67010 A

(800) 1110856

(731) BAYER AKTIENGESELLSCHAFT  
Kaiser-Wilhelm-Allee, 51373 Leverkusen,  
Germany

(540)

**Лисви**

(591) Black, white

(511)

5 – Pharmaceutical preparations; hormonal preparations.

(260) AM 2013 67018 A

(800) 1110906

(731) ENI S.p.A.  
Piazzale Enrico Mattei, 1, I-00144 ROMA,  
Italy

(540)

**ENI I-BASE**

(591) Black, white

(511)

4 – Industrial oils and greases; lubricants; dust absorbing, wetting and binding compositions; fuels (including motor spirit) and illuminants; candles and wicks for lighting.

(260) AM 2013 67019 A

(800) 1110922

(731) UŽDAROJI AKCINĖ BENDROVĖ  
"PLUNGĖS KOOPERATINĖ PREKYBA"  
Birutės g. 50, LT-90112 Plungė, Lithuania

(540)

**БАНЗАЙ**  
**BANZAI**

(591) Black, white

(511)

29 – Surimi and fish products.

(260) AM 2013 67023 A

(800) 1110927

(731) HAMSARD 3145 LIMITED  
Windrush House, Windrush Park, Witney,  
Oxfordshire OX29 7DX, United Kingdom

(540)

**WHITTARD**

(591) Black, white

(511)

35 – The bringing together, for the benefit of others, of a variety of goods, enabling customers to conveniently view and purchase household and kitchen utensils and containers, glassware, porcelain, earthenware, tableware, crockery, figurines and objects for decoration, all being made of glass, porcelain, terracotta or crystal, coffee grinders, milk frothers, cafetieres, espresso makers, tea infusers, tea strainers, tea towels, tea cosies, tea, instant tea, tisanes, tea-based beverages, cocoa, cocoa-based beverages, chocolate beverages, coffee and coffee substitutes, coffee-based beverages, chocolates, products containing chocolate, non-medicated confectionery, chocolate or confectionery sprinkles or toppings for hot beverages, bread, biscuits, cakes, pastries, cookies, sugar, sauces, spices, flavourings, essences, mineral and aerated waters, beers, non alcoholic drinks, fruit drinks and fruit juices, syrups for making beverages, shandy, de-alcoholised drinks, non-alcoholic beers and wines; the bringing together, for the benefit of others, of a variety of goods enabling customers to conveniently view and purchase those goods from a food and beverages

catalogue by mail order or by means of telecommunications or through an internet website; the bringing together, for the benefit of others, of a variety of goods enabling customers to conveniently view and purchase those goods from a household items, tableware and crockery catalogue by mail order or by means of telecommunications or through an internet website; retail services connected with the sale of household and kitchen utensils and containers, glassware, porcelain, earthenware, tableware, crockery, figurines and objects for decoration, all being made of glass, porcelain, terracotta or crystal, coffee grinders, milk frothers, cafetieres, espresso makers, tea infusers, tea strainers, tea towels, tea cosies, tea, instant tea, tisanes, tea-based beverages, cocoa, cocoa-based beverages, chocolate beverages, coffee and coffee substitutes, coffee-based beverages, chocolates, products containing chocolate, non-medicated confectionery, chocolate or confectionery sprinkles or toppings for hot beverages, bread, biscuits, cakes, pastries, cookies, sugar, sauces, spices, flavourings, essences, mineral and aerated waters, beers, non-alcoholic drinks, fruit drinks and fruit juices, syrups for making beverages, shandy, de-alcoholised drinks, non-alcoholic beers and wines; retail store services in the field of household and kitchen utensils and containers, glassware, porcelain, earthenware, tableware, crockery, figurines and objects for decoration, all being made of glass, porcelain, terracotta or crystal, coffee grinders, milk frothers, cafetieres, espresso makers, tea infusers, tea strainers, tea towels, tea cosies, tea, instant tea, tisanes, tea-based beverages, cocoa, cocoa-based beverages, chocolate beverages, coffee and coffee substitutes, coffee-based beverages, chocolates, products containing chocolate, non-medicated confectionery, chocolate or confectionery sprinkles or toppings for hot beverages, bread, biscuits, cakes, pastries, cookies, sugar, sauces, spices, flavourings, essences, mineral and aerated waters, beers, non-alcoholic drinks, fruit drinks and fruit juices, syrups for making beverages, shandy, de-alcoholised drinks, non-alcoholic beers and wines; department store services connected with the sale of household and kitchen utensils and containers, glassware, porcelain, earthenware, tableware, crockery, figurines and objects for decoration, all being made of glass, porcelain, terracotta or crystal, coffee grinders, milk frothers, cafetieres, espresso makers, tea infusers, tea strainers, tea towels, tea cosies, tea, instant tea, tisanes, tea-based beverages, cocoa, cocoa-based beverages, chocolate beverages, coffee and coffee substitutes, coffee-based beverages, chocolates, products containing chocolate, non-medicated confectionery, chocolate or confectionery sprinkles or toppings for hot beverages, bread, biscuits, cakes, pastries, cookies, sugar, sauces, spices, flavourings, essences, mineral and aerated waters, beers, non-alcoholic drinks, fruit

drinks and fruit juices, syrups for making beverages, shandy, de-alcoholised drinks, non-alcoholic beers and wines; mail order retail services connected with household and kitchen utensils and containers, glassware, porcelain, earthenware, tableware, crockery, figurines and objects for decoration, all being made of glass, porcelain, terracotta or crystal, coffee grinders, milk frothers, cafetieres, espresso makers, tea infusers, tea strainers, tea towels, tea cosies, tea, instant tea, tisanes, tea-based beverages, cocoa, cocoa-based beverages, chocolate beverages, coffee and coffee substitutes, coffee-based beverages, chocolates, products containing chocolate, non-medicated confectionery, chocolate or confectionery sprinkles or toppings for hot beverages, bread, biscuits, cakes, pastries, cookies, sugar, sauces, spices, flavourings, essences, mineral and aerated waters, beers, non-alcoholic drinks, fruit drinks and fruit juices, syrups for making beverages, shandy, de-alcoholised drinks, non-alcoholic beers and wines; electronic shopping retail services connected with household and kitchen utensils and containers, glassware, porcelain, earthenware, tableware, crockery, figurines and objects for decoration, all being made of glass, porcelain, terracotta or crystal, coffee grinders, milk frothers, cafetieres, espresso makers, tea infusers, tea strainers, tea towels, tea cosies, tea, instant tea, tisanes, tea-based beverages, cocoa, cocoa-based beverages, chocolate beverages, coffee and coffee substitutes, coffee beverages, chocolates, products containing chocolate, non-medicated confectionery, chocolate or confectionery sprinkles or toppings for hot beverages, bread, biscuits, cakes, pastries, cookies, sugar, sauces, spices, flavourings, essences, mineral and aerated waters, beers, non-alcoholic drinks, fruit drinks and fruit juices, syrups for making beverages, shandy, de-alcoholised drinks, non-alcoholic beers and wines; internet shopping retail services in respect of household and kitchen utensils and containers, glassware, porcelain, earthenware, tableware crockery, figurines and objects for decoration, all being made of glass, porcelain, terracotta or crystal, coffee grinders, milk frothers, cafetieres espresso makers, tea infusers, tea strainers, tea towels, tea cosies, tea, instant tea, tisanes, tea-based beverages, cocoa, cocoa-based beverages, chocolate beverages, coffee and coffee substitutes, coffee-based beverages, chocolates, products containing chocolate, non-medicated confectionery, chocolate or confectionery sprinkles or toppings for hot beverages, bread, biscuits, cakes, pastries, cookies, sugar, sauces, spices, flavourings, essences, mineral and aerated waters, beers, non-alcoholic drinks, fruit drinks and fruit juices, syrups for making beverages, shandy, de-alcoholised drinks, non-alcoholic beers and wines; retail services offered through a website in respect of household and kitchen utensils and containers, glassware, porcelain,

earthenware, tableware, crockery, figurines and objects for decoration, all being made of glass, porcelain, terracotta or crystal, coffee grinders, milk frothers, cafetieres, espresso makers, tea infusers, tea towels, tea strainers, tea towels, tea cosies, tea, instant tea, tisanes, tea-based beverages, cocoa, cocoa-based beverages, chocolate beverages, coffee and coffee substitutes, coffee-based beverages, chocolates, products containing chocolate, non-medicated confectionery, chocolate or confectionery sprinkles or toppings for hot beverages, bread, biscuits, cakes, pastries, cookies, sugar, sauces, spices, flavourings, essences, mineral and aerated waters, beers, non alcoholic drinks, fruit drinks and fruit juices, syrups for making beverages, shandy drinks, non-alcoholic beers and wines; advisory, information and consultancy services for all the aforesaid services.

43 – Services for providing food and drink; restaurant, bar and catering services; cafeteria services, canteen services; coffee and teashop services; snack bar services; self-service restaurants; preparation of food and drink; provision of facilities for the consumption of food and beverages; advisory, information and consultancy services for all the aforesaid services.

(260) AM 2013 67024 A

(800) 1110934

(731) MALIKOV FUAD

2 unit No. 40 floor, Ou jing mingyuan,  
Heng chang, Dawan bei Road, Urumqi City,  
Xin jiang, China

(540)

**LIK GASS**

(591) Black, white

(511)

25 – Clothing; layettes (clothing); masquerade costumes; shoes; hats; hosiery; gloves (clothing); belts (clothing); raincoats; wedding dresses.

(260) AM 2013 67025 A

(800) 1110952

(731) N.V. Nutricia

Stationsstraat 186, NL-2712 HM  
ZOETERMEER, Netherlands

(540)

**СОЛНЕЧНОЕ УТРО!**

(591) Black, white

(511)

5 – Food for babies, also in liquid and powder form, whether or not fortified with vitamins and minerals; infant milk formula, baby milk formula; vitamins for preconception, also for pregnant and

lactating women; cereals and preparations of cereals for baby food and for infant food, whether or not fortified with vitamins and minerals.

29 – Milk and milk products; dairy products; milk beverages with milk predominating; whey; cream (dairy products); whipped cream; yogurt; kefir.

30 – Tea; flour and preparations and products made from cereals.

41 – Education and providing of training, including education and providing of training in the fields of medicine, health care, lifestyle, hygiene, beauty, food and drink, parenting, pregnancy and nutrition, including baby nutrition, whether or not provided via internet or online forums; education and providing of training in the field of baby nutrition foodstuffs and beverages, including dietetic foodstuffs and beverages, as well as in the fields of sanitary services, body and beauty care for babies, infants and pregnant, lactating and breast feeding women; arranging, organizing and conducting of conferences and seminars, also via the internet, in the fields of medicine, health care, lifestyle, hygiene, beauty, parenting, pregnancy and nutrition, including baby nutrition; arranging, organizing and conducting of seminars and conferences relating to foodstuffs and beverages, including dietetic foodstuffs and beverages, as well as in the field of sanitary services, body and beauty care for babies, infants and pregnant, lactating and breast feeding women.

(260) AM 2013 67118 A

(800) 1092533

(731) BACARDI & COMPANY LIMITED

Aeulestrasse 5, FL-9490 Vaduz,  
Liechtenstein

(540)

**LUCK IS AN ATTITUDE**

(591) Black, white

(511)

33 – Alcoholic beverages, except beers.

41 – Entertainment and cultural activities.

43 – Services for providing food and drink.

(260) AM 2013 67121 A

(800) 1111230

(731) Otkrytoye Akcionernoye Obshchestvo

mezhdugorodnoy i mezhdunarodnoy  
elektricheskoy svyazi "Rostelekom"  
15, Dostoevskogo str., RU-191002  
St. Petersburg, Russian Federation

(540)



(591) Black, white

(511)

9 – Dvd players; ticket dispensers; juke boxes, musical; vending machines; motor fire engines; answering machines; accumulators, electric; accumulators, electric, for vehicles; actinometers; alidades; altimeters; ammeters; anemometers; anodes; aerials; anticathodes; apertometers [optics]; high-frequency apparatus; remote control apparatus; electro-dynamic apparatus for the remote control of signals; monitoring apparatus, electric; sound recording apparatus; diffraction apparatus [microscopy]; sound transmitting apparatus; electrical apparatus for sealing plastics [packaging]; electric apparatus for commutation; intercommunication apparatus; projection apparatus; blueprint apparatus; blinkers [signalling lights]; stereoscopic apparatus; telegraphs [apparatus]; telephone apparatus; telephone transmitters; facsimile machines; phototelegraphy apparatus; acidimeters for batteries; aerometers; barometers; solar batteries; batteries, electric; magnetic tape units for computers; computer memories; encoded identification bracelets, magnetic; scales; camcorders; video cassettes; video telephones; video screens; viewfinders, photographic; plugs, sockets and other contacts [electric connections]; micrometer screws for optical instruments; switchboxes [electricity]; loudspeakers; detectors; slides [photography]; slide projectors; diaphragms [photography]; dictating machines; floppy disks; phonograph records; disks, magnetic; optical discs; disk drives for computers; juke boxes for computers; dna chips; electronic notice boards; identification threads for electric wires; locks, electric; bells [warning devices]; alarm bells, electric; electric door bells; signal bells; acoustic conduits; buzzers; measures; inverters [electricity]; indicators [electricity]; temperature indicators; measuring instruments; mathematical instruments; levelling instruments; surveying instruments; azimuth instruments; interfaces for computers; ionisation apparatus, not for the treatment of air; fibre [fiber (am.)] optic cables; cables, electric; calipers; calculating machines; cinematographic cameras; electronic pens [visual display units]; holders for electric coils; identity cards, magnetic; video game cartridges; encoded cards, magnetic; carriers for dark plates [photography]; automated teller machines [atm]; cinematographic film, exposed; computer keyboards; electronic agendas; mouse pads; magnetic encoders; collectors, electric; commutators; compact discs [audio-video]; compact discs [read-only memory]; comparators; computers; notebook computers; condensers [capacitors]; contacts, electric; contacts, electric, of precious metal; neon signs; amplifying tubes; flashlights [photography]; magnetic tapes; correcting lenses [optics]; magnets; mouse [data processing equipment]; protective masks; materials for electricity mains [wires, cables]; money counting and sorting machi-

nes; megaphones; diaphragms [acoustics]; diaphragms for scientific apparatus; metronomes; rules [measuring instruments]; shutter releases [photography]; microprocessors; microscopes; microtomes; microphones; modems; monitors [computer hardware]; animated cartoons; headphones; sound recording carriers; magnetic data media; optical data media; sheaths for electric cables; identification sheaths for electric wires; objectives [lenses] [optics]; limiters [electricity]; eyepieces; wrist rests for use with computers; spectacle frames; pince-nez mountings; spectacles [optics]; radio pagers; electronic pocket translators; transmitters [telecommunication]; transmitters of electronic signals; switches, electric; plates for batteries; compact disc players; cassette players; sound recording strips; semi-conductors; circuit breakers; converters, electric; telerupters; diagnostic apparatus, not for medical purposes; distance measuring apparatus; speed checking apparatus for vehicles; teaching apparatus; time recording apparatus; distance recording apparatus; nautical apparatus and instruments; optical apparatus and instruments; apparatus and instruments for physics; chemistry apparatus and instruments; measuring apparatus; measuring devices, electric; observation instruments; navigation apparatus for vehicles [on-board computers]; satellite navigational apparatus; regulating apparatus, electric; precision measuring apparatus; instruments containing eyepieces; audio-receivers; video-receivers; prisms [optics]; printers for use with computers; magnetic wires; telegraph wires; telephone wires; wires, electric; conductors, electric; computer operating programs, recorded; computer game programs; computer programs [downloadable software]; record players; central processing units [processors]; electronic publications, downloadable; distribution consoles [electricity]; control panels [electricity]; radar apparatus; transmitting sets [telecommunication]; radios; vehicle radios; frames for photographic transparencies; walkie-talkies; voltage surge protectors; voltage regulators for vehicles; light dimmers [regulators], electric; cell switches [electricity]; relays, electric; x-ray photographs, other than for medical purposes; rheostats; scanners [data processing equipment]; integrated circuit cards [smart cards]; connections for electric lines; connections, electric; satellites for scientific purposes; audiovisual teaching apparatus; radiotelegraphy sets; radiotelephony sets; optical glass; glass covered with an electrical conductor; anti-glare glasses; personal stereos; stereoscopes; hands free kits for phones; counters; taximeters; word processors; television apparatus; telescopes; teleprompters; teleprinters; portable telephones; transistors [electronic]; telephone receivers; amplifiers; steering apparatus, automatic, for vehicles; video recorders; sound reproduction apparatus; tape recorders; apparatus for games adapted for use with an external

display screen or monitor; data processing apparatus; amusement apparatus adapted for use with an external display screen or monitor; optical character readers; editing appliances for cinematographic films; couplers [data processing equipment]; computer peripheral devices; acoustic couplers; photocopyers [photographic, electrostatic, thermic]; bar code readers; cameras [photography].

35 – Arranging subscriptions to telecommunication services for others; import-export agencies; commercial information agencies; advertising agencies; cost price analysis; rental of advertising space; auditing; employment agencies; computerized file management; accounting; invoicing; demonstration of goods; transcription; opinion polling; marketing studies; business information; commercial information and advice for consumers [consumer advice shop]; business investigations; marketing research; personnel recruitment; professional business consultancy; layout services for advertising purposes; business management of performing artists; news clipping services; updating of advertising material; word processing; secretarial services; shorthand; organization of exhibitions for commercial or advertising purposes; arranging newspaper subscriptions for others; organization of trade fairs for commercial or advertising purposes; shop window dressing; business appraisals; payroll preparation; data search in computer files for others; sponsorship search; business management assistance; commercial or industrial management assistance; presentation of goods on communication media, for retail purposes; economic forecasting; auctioneering; sales promotion for others; office machines and equipment rental; rental of advertising time on communication media; publicity material rental; rental of vending machines; rental of photocopying machines; publication of publicity texts; typing; radio advertising; outdoor advertising; distribution of samples; direct mail advertising; writing of publicity texts; advertising; on-line advertising on a computer network; advertising by mail order; television advertising; document reproduction; compilation of statistics; compilation of information into computer databases; business inquiries; systemization of information into computer databases; tax preparation; drawing up of statements of accounts; publicity columns preparation; psychological testing for the selection of personnel; business management of hotels; commercial administration of the licensing of the goods and services of others; administrative processing of purchase orders; public relations; modelling for advertising or sales promotion; relocation services for businesses; price comparison services; procurement services for others [purchasing goods and services for other businesses]; telephone answering for unavailable subscribers; photocopying; efficiency experts.

36 – Credit bureaux; debt collection agencies; real estate agencies; customs brokerage; financial analysis; leasing of farms; hire-purchase financing; savings banks; accommodation bureaux [apartments]; rent collection; issuing of travellers' checks [cheques]; issuance of credit cards; issue of tokens of value; capital investments; insurance information; financial information; clearing, financial; insurance consultancy; financial consultancy; stock exchange quotations; business liquidation services, financial; brokerage; financial management; exchanging money; debit card services; credit card services; home banking; factoring; organization of collections; antique appraisal; jewellery appraisal; stamp appraisal; real estate appraisal; numismatic appraisal; art appraisal; financial evaluation [insurance, banking, real estate]; repair costs evaluation [financial appraisal]; electronic funds transfer; guarantees; securities brokerage; housing agents; insurance brokerage; loans [financing]; lending against security; check [cheque] verification; charitable fund raising; leasing of real estate; rental of offices [real estate]; renting of apartments; financial sponsorship; mortgage banking; instalment loans; accident insurance underwriting; apartment house management; real estate management; actuarial services; banking; retirement payment services; fiduciary; mutual funds; financing services; safe deposit services; deposits of valuables; fiscal assessments.

37 – Repair information; construction information; building construction supervision; rental of construction equipment; plumbing; masonry; roofing services; painting, interior and exterior; underwater repair; cabinet making [repair]; plastering; motor vehicle maintenance and repair; maintenance and repair of telecommunication equipment; furniture restoration; restoration of musical instruments; restoration of works of art; demolition of buildings; construction; telephone installation and repair; installation and repair of telecommunication equipment; electric appliance installation and repair; installation, maintenance and repair of computer hardware; interference suppression in electrical apparatus.

38 – News agencies; television broadcasting; cable television broadcasting; electronic bulletin board services [telecommunications services]; information about telecommunication; telecommunications routing and junction services; providing internet chatrooms; providing user access to a global computer network [service providers]; providing access to databases; providing telecommunications connections to a global computer network; providing telecommunication channels for teleshopping services; message sending; computer aided transmission of messages and images; sending of telegrams; transmission of telegrams; electronic mail; rental of message sending apparatus; rental of access time to

global computer networks; rental of modems; rental of telecommunication equipment; rental of telephones; rental of facsimile apparatus; radio broadcasting; communications by fiber [fibre] optic networks; cellular telephone communication; communications by computer terminals; satellite transmission; communications by telegrams; communications by telephone; facsimile transmission; paging services [radio, telephone or other means of electronic communication]; teleconferencing services; telex services; voice mail services; telegraph services; telephone services.

41 – Modelling for artists; academies [education]; rental of tennis courts; lending libraries; booking of seats for shows; videotaping; nursery schools; physical education; discotheque services; animal training; dubbing; gaming; publication of books; education information; recreation information; entertainment information; movie studios; health club services; club services [entertainment or education]; night clubs; layout services, other than for advertising purposes; microfilming; videotape editing; production of radio and television programmes; music-halls; game services provided on-line from a computer network; providing on-line electronic publications, not downloadable; religious education; gymnastic instruction; correspondence courses; practical training [demonstration]; organization of balls; organization of exhibitions for cultural or educational purposes; providing recreation facilities; arranging and conducting of colloquiums; arranging and conducting of congresses; arranging and conducting of conferences; arranging and conducting of concerts; arranging and conducting of workshops [training]; arranging and conducting of seminars; arranging and conducting of symposiums; arranging of beauty contests; organization of competitions [education or entertainment]; operating lotteries; holiday camp services [entertainment]; organization of shows [impresario services]; organization of sports competitions; vocational guidance [education or training advice]; amusement parks; television entertainment; providing karaoke services; providing sports facilities; providing amusement arcade services; cinema presentations; presentation of live performances; theatre productions; educational examination; timing of sports events; videotape film production; film production; rental of sound recordings; rental of audio equipment; rental of camcorders; rental of video cassette recorders; rental of videotapes; rental of show scenery; rental of movie projectors and accessories; rental of motion pictures; rental of lighting apparatus for theatrical sets or television studios; rental of radio and television sets; rental of sports equipment, except vehicles; rental of stage scenery; electronic desktop publishing; publication of electronic books and journals on-line; publication of texts, other than publicity texts; radio entertainment;

entertainer services; entertainment; writing of texts, other than publicity texts; news reporters services; party planning [entertainment]; music composition services; sport camp services; subtitling; providing casino facilities [gambling]; calligraphy services; providing museum facilities [presentation, exhibitions]; educational services; orchestra services; translation; scriptwriting services; ticket agency services [entertainment]; recording studio services; digital imaging services; photography; photographic reporting; circuses; boarding schools; production of shows.

42 – Computer systems analysis; architecture; authenticating works of art; recovery of computer data; graphic arts designing; computer virus protection services; technical project studies; engineering; installation of computer software; material testing; textile testing; bacteriological research; biological research; geological research; research in the field of environmental protection; cosmetic research; mechanical research; physics [research]; chemical research; research and development for others; analysis for oil-field exploitation; underwater exploration; technical research; calibration [measuring]; consultancy in the field of computer hardware; computer software consultancy; architectural consultation; oil-well testing; quality control; vehicle roadworthiness testing; dress designing; updating of computer software; oil-field surveys; maintenance of computer software; design of interior decor; conversion of data or documents from physical to electronic media; urban planning; providing search engines for the internet; data conversion of computer programs and data [not physical conversion]; computer system design; rental of web servers; computer rental; rental of computer software; oil prospecting; hosting computer sites [web sites]; duplication of computer programs; construction drafting; computer software design; consultancy in the field of energy-saving; creating and maintaining web sites for others; computer programming; Industrial design; packaging design; surveying.

(260) AM 2013 67159 A

(800) 1068617

(731) MILLENNIUM PHARMACEUTICALS, INC.

40 Landsdowne Street, Cambridge, MA  
02139, USA

(540)

**NAXLOMI**

(591) Black, white

(511)

5 – Pharmaceutical preparations for human use; pharmaceutical preparations for the treatment of cancer.



(260) AM 2013 67160 A  
 (800) 1068618  
 (731) MILLENNIUM PHARMACEUTICALS,  
 INC.  
 40 Landsdowne Street, Cambridge, MA  
 02139, USA

(540)

**ZIMSUGA**

(591) Black, white  
 (511)  
 5 – Pharmaceutical preparations for human use;  
 pharmaceutical preparations for the treatment of  
 cancer.

(260) AM 2013 67164 A  
 (800) 1078502  
 (731) AKTSIONERNO DROUJESTVO  
 "BULGARTABAC HOLDING"  
 "Graf Ignatiev" Str. 62, BG-1000 SOFIA,  
 Bulgaria

(540)



(591) Black, white  
 (511)  
 34 – Tobacco, raw, manipulated or processed; to-  
 bacco products, igarettes, cigars, cigarillos, cigare-  
 tette filters; cigarette paper; smokers' articles; mat-  
 ches, lighters for smokers; ashtrays, not of precious  
 metal, for smokers.

(260) AM 2013 67165 A  
 (800) 1087494  
 (731) MILLENNIUM PHARMACEUTICALS,  
 INC.  
 40 Landsdowne Street, Cambridge, MA  
 02139, USA

(540)

**KERPVELAN**

(591) Black, white  
 (511)  
 5 – Pharmaceutical preparations for human use;  
 pharmaceutical preparations for the treatment and  
 prevention of cancer.

(260) AM 2013 67166 A  
 (800) 1095262  
 (731) VIET HUNG FOOD INDUSTRY  
 COMPANY LIMITED  
 Phan Van Doi Road, Tien Lan Hamlet,  
 Ba Diem Ward, Hoc Mon District,  
 Hochiminh City, Viet Nam

(540)



(591) Red, orange, white and light yellow  
 (511)  
 30 – Instant noodles, instant rice vermicelli, instant  
 vermicelli, instant rice noodles, instant porridge,  
 dried vermicelli, dried rice noodles, dried noodles,  
 spices (condiments), spices grains (seeds season-  
 ing), soya sauces, chili sauces, beer vinegars, may-  
 onnaise sauces, mustards, tomato sauces, vinegar,  
 biscuits, breads, candies, chewing gum not for me-  
 dical purposes, thin slices of cereals, cereal po-  
 wders, fruity jellies (confectionery), ice cream, pas-  
 ta, tea, coffee, cocoa, tea-based beverages, coffee-  
 based beverages, cocoa-based beverages, sugar,  
 flours, rice flour, aromatic preparations for food  
 (except essential oils), baking powder, potato flour  
 for food, chocolate, confectionery, macaroni, rice,  
 spaghetti, frozen yoghurt (confectionery' ices), cho-  
 colate-based beverages, cereal based snack food.

(260) AM 2013 67167 A  
 (800) 1102355  
 (731) VERLA-PHARM Arzneimittel GmbH & Co.  
 KG  
 Hauptstrasse 98, 82327 Tutzing, Germany

(540)

**VERLAN**

(591) Black, white  
 (511)  
 5 – Pharmaceutical and veterinary preparations;  
 dietetic substances adapted for medical use, except  
 preparations for pedicure; medical preparations for  
 satiation for the (supporting) treatment of over-  
 weight and for control of weight; dietetic foodstuffs  
 for medical use, food supplements for medical pur-  
 poses consisting of minerals, trace elements, vita-  
 mins, secondary plant substances, vegetable and/or  
 animal oils, carbohydrates, fats, fatty acids, proteins  
 in various chemical stages and amino acids, either  
 individually or in combination; food supplements  
 for medical purposes, with a base of vitamins, pro-  
 teins, enzymes, essential amino acids, minerals and  
 trace elements, including in capsule, powder or  
 juice form, included in this class; dietary and  
 nutritionally fortified food products adapted for  
 medical purposes; dietetic food preparations adap-  
 ted for medical purposes; vitamins and vitamin pre-  
 parations; medical preparations for satiation for the  
 (supporting) treatment of overweight and for the  
 control of weight with a base of roughage, included  
 in this class.

29 – Balanced diet foodstuffs for special nutrition during illnesses, namely dietetic foodstuffs or food supplements, with a base of proteins, fats, fatty acids, with added vitamins, minerals, trade elements, either singly or in combination, included in this class.

30 – Balanced diet foodstuffs for special nutrition during illnesses, namely dietetic foodstuffs or food supplements, with a base of carbohydrates, roughage, with added vitamins, minerals, trade elements, either singly or in combination, included in this class.

(260) AM 2013 67190 A

(800) 1112223

(731) LLOMPART-FIOL, S.L.

General Luque, 480, E-07300 Inca  
(Balears), Spain

(540)



(591) Black, white

(511)

18 – Leather and imitations of leather, goods made of these materials not included in other classes; animal skins; trunks and traveling bags; umbrellas, parasols and walking sticks; whips, harnesses and saddlery.

25 – Ready-made clothing, for men, women and children, footwear (except orthopedic footwear); headgear.

35 – Retail sale and wholesale, in stores and via global computer networks of ready-made clothing, footwear, headgear, handbags, bags, rucksacks, wallets, pocket wallets, purses, goods of leather and imitation leather, leatherware, trunks, suitcases, umbrellas, parasols, walking sticks.

(260) AM 2013 67191 A

(800) 1112253

(731) ZAKRYTE AKTSIONERNE  
TOVARYSTVO "AVK"

1-a Oleksandrivka Street, 9, Donetsk 83062,  
Ukraine

(540)

**Монте дель мар**

**Monte del mar**

(591) Black, white

(511)

30 – Caramels (candy); confectionery; lozenges (confectionery); candy for food; peppermint sweets; fondants (confectionery); fruit jellies (confectionery); sugar confectionery; sweetmeats.

35 – Demonstration of goods; publication of publicity texts; advertising; dissemination of advertising matter; on-line advertising on a computer network; distribution of samples; advertising by mail order; television advertising; organization of trade fairs for commercial or advertising purposes.

(260) AM 2013 67192 A

(800) 1112276

(731) Otkrytoe Aktsionernoe Obschestvo  
"AVTOVAZ"

36, Yuzhnoe shosse, Tolyatti, RU-445024  
Samarskaya oblast, Russian Federation

(540)

**LARGUS**

(591) Black, white

(511)

7 – Machines and machine tools; motors and engines (except for land vehicles); machine coupling and transmission components (except for land vehicles).

9 – Scientific, nautical, surveying, photographic, optical, weighing, measuring, signalling, checking (supervision), life-saving and teaching apparatus and instruments; apparatus and instruments for conducting, switching, transforming, accumulating, regulating or controlling electricity; apparatus for recording, transmission or reproduction of sound or images; magnetic data carriers, recording discs; calculating machines, data processing equipment and computers.

12 – Vehicles; apparatus for locomotion by land, air or water.

16 – Paper, cardboard and goods made from these materials, not included in other classes; printed matter; bookbinding material; photographs; stationery; adhesives for stationery or household purposes; artists' materials; paint brushes; typewriters and office requisites (except furniture); instructional and teaching material (except apparatus); plastic materials for packaging (not included in other classes); printers' type; printing blocks.

25 – Clothing, footwear, headgear.

28 – Games and playthings; gymnastic and sporting articles not included in other classes; decorations for Christmas trees.

35 – Advertising; business management; business administration; office functions.

37 – Building construction; repair; installation services.

38 – Telecommunications.

39 – Transport; packaging and storage of goods; travel arrangement.

(260) AM 2013 67193 A

(800) 1112289

(731) HIPPI & Co

Brünigstrasse 141, CH-6072 Sachseln,  
Switzerland

(540)



(591) Black, white

(511)

5 – Protein preparations derived from vegetable and animal products for medical purposes, for human consumption; pharmaceutical products; dietetic substances for children and invalids, adapted for medical use; dietetic foods for medical use; food for babies; goods for non-medical dietetic purposes (including as frozen food), namely, protein preparations derived from vegetable and animal products for human consumption, meat, fish, poultry, game and meat products, meat extracts, meat, fish, fruit and vegetable jellies, jams, compotes, eggs, milk, dairy products, namely butter, cheese, cream, yoghurt, cottage cheese, milk powder and lactoprotein for food; goods for non-medical dietetic purposes (including as frozen food), namely, children's desserts, in particular sweet dishes mainly consisting of milk and/or fruit; goods for non-medical dietetic purposes (including as frozen food), namely, desserts and sweet dishes, mainly consisting of milk, including using binding agents of all kinds as well as desserts and sweet dishes, mainly consisting of fruit; goods for non-medical dietetic purposes (including as frozen food), namely, prepared and semi-prepared meals, mainly made from meat, poultry, game, fish, fruit, vegetables, eggs, milk products, pulses and/or potatoes; goods for non-medical dietetic purposes (including as frozen food), namely, soups, meat, fish, poultry, game, vegetable, fruit and milk preserves, edible oils and fats; goods for non-medical dietetic purposes (including as frozen food), namely, fruit bars, mainly consisting of fruits and cereals, muesli, nuts and/or sugar; goods for non-medical dietetic purposes (including as frozen food), namely, tea, tea beverages, cocoa, sugar, glucose, rice, tapioca, sago, flour, semolina, cereal flakes and cereal preparations (except foodstuffs for animals), bread, biscuits, cakes, pastries, long-life pastries, snack products, on the basis of carbohydrates and roughage with added protein, fats and fatty acids; goods for non-medical dietetic purposes

(including as frozen food), namely, confectionery, pasta, chocolate, sugar preparations, glucose preparations, bee preparations for nourishment, namely, royal jelly, propolis and pollen; goods for non-medical dietetic purposes (including as frozen food), namely, children's desserts, in particular sweet dishes, mainly consisting of sugar, cocoa, chocolate and/or starch; goods for non-medical dietetic purposes (including as frozen food), namely, desserts and sweet dishes, mainly consisting of sugar and chocolate, including using binding agents of all kinds; goods for non-medical dietetic purposes (including as frozen food), namely, prepared meals and semi-prepared meals, mainly made from cereal preparations, rice and/or pasta; goods for non-medical dietetic purposes (including as frozen food), namely, spices, muesli, consisting predominantly of cereals, fruits, nuts and/or sugar; goods for non-medical dietetic purposes (including as frozen food), namely, cereal bars, mainly consisting of cereals, muesli, nuts, fruits and/or sugar; goods for non-medical dietetic purposes (including as frozen food), namely, ready-to-serve cereal food, prepared and semi-prepared food of bran, including pastries; goods for non-medical dietetic purposes (including as frozen food), namely, non-alcoholic drinks, in particular fruit juices, fruit juice drinks, fruit syrups and other non-alcoholic fruit preparations for making non-alcoholic beverages; dietetic foodstuffs and/or food supplements for non-medical purposes, with a base of proteins, and/or fats, and/or carbohydrates and/or roughage, with added vitamins, minerals, trace elements, fatty acids, either singly or in combination.

29 – Protein preparations derived from vegetable and animal products for human consumption; meat, fish, poultry, game and meat products; meat extracts; meat, fish, fruit and vegetable jellies; jams; compotes; eggs, milk, dairy products, namely butter, cheese, cream, yoghurt, cottage cheese, milk powder and lactoprotein for food; fruit bars, mainly consisting of fruits and cereals, muesli, nuts and/or sugar; children's desserts, in particular sweet dishes mainly consisting of milk and/or fruit; desserts and sweet dishes, mainly consisting of milk, including using binding agents of all kinds; desserts and sweet dishes, mainly consisting of fruit; prepared and semi-prepared meals, mainly made from meat, poultry, game, fish, fruit, vegetables, eggs, milk products, pulses and/or potatoes; soups; meat, fish, poultry, game, vegetable, fruit and milk preserves; edible oils and fats; including all the aforesaid goods in frozen form; including all the aforesaid goods for dietary purposes, not for medical purposes.

30 – Fruit bars, mainly consisting of fruits and cereals, muesli, nuts and/or sugar; tea, tea beverages, cocoa, sugar, glucose, rice, tapioca, sago, flour, se-

molina, cereal flakes and cereal preparations (except foodstuffs for animals), bread, biscuits, cakes, pastries, long-life pastries; snack products, on a basis of carbohydrates and roughage with added proteins, fats and fatty acids; confectionery, pasta, chocolate, sugar preparations; glucose preparations, bee preparations for nourishment, namely royal jelly, propolis and pollen, included in this class; children's desserts, in particular sweet dishes, mainly consisting of sugar, cocoa, chocolate and/or starch; desserts and sweet dishes, mainly consisting of sugar and chocolate, including using binding agents of all kinds; prepared meals and semi-prepared meals, mainly made from cereal preparations, rice and/or pasta; spices; muesli, consisting predominantly of cereals, fruits, nuts and/or sugar; cereal bars, mainly consisting of cereals, muesli, nuts, fruits and/or sugar; ready-to-serve cereal food, prepared and semi-prepared food of bran, including pastries; all the aforesaid goods also in frozen form; including all the aforesaid goods for dietary purposes, not for medical purposes.

32 – Non-alcoholic drinks, in particular fruit juices, fruit juice drinks; fruit syrups and other non-alcoholic fruit preparations for making non-alcoholic beverages; including all the aforesaid goods for dietary purposes, not for medical purposes.

(260) AM 2013 67195 A  
(800) 1112328  
(731) GRINDEKS, akciju sabiedrība  
Krustpils iela 53, LV-1057 Rīga, Latvia  
(540)

**КАПСИКАМ  
РАЗОГРЕВАЕТ, ТАЕТ  
БОЛЬ И ОТСТУПАЕТ**

(591) Black, white  
(511)  
5 – Pharmaceutical and veterinary preparations; sanitary preparations for medical purposes; dietetic substances adapted for medical use, food for babies; plasters, materials for dressings; material for stopping teeth, dental wax; disinfectants; preparations for destroying vermin; fungicides, herbicides.

(260) AM 2013 67196 A  
(800) 1112329  
(731) JBS Invest Consult GmbH  
Kienergasse 17, A-2484 Weigelsdorf,  
Austria  
(540)



(591) Green, blue, white  
(511)  
1 – Fertilizer.

(260) AM 2013 67197 A  
(800) 1112351  
(731) BOEHRINGER INGELHEIM  
INTERNATIONAL GMBH  
55218 Ingelheim, Germany  
(540)

**ИНФОРТИСПИР**

(591) Black, white  
(511)  
5 – Pharmaceutical preparations.

(260) AM 2013 67199 A  
(800) 1112358  
(731) Barilla G. e R. Fratelli – Società per Azioni  
Via Mantova, 166, I-43100 Parma (PR), Italy  
(540)

**PICCOLINI**

(591) Black, white  
(511)  
32 – Beers; mineral and aerated waters and other non-alcoholic beverages; fruit beverages and fruit juices; syrups and other preparations for making beverages.

(260) AM 2013 67210 A  
(800) 1112411  
(731) Barilla G. e R. Fratelli – Società per Azioni  
Via Mantova, 166, I-43100 PARMA, Italy  
(540)

**БАРИЛЛА**

(591) Black, white  
(511)  
29 – Meat, fish, poultry and game; meat extracts; preserved, frozen, dried and cooked fruits and vegetables; jellies, jams, compotes; eggs; milk and milk products; edible oils and fats.

30 – Coffee, tea, cocoa, sugar, rice, tapioca, sago, coffee substitutes; flour and preparations made from cereals, bread, pastry and confectionery, pasta, biscuits, ices; honey, treacles; yeast, baking-powder; salt, mustard; vinegar, sauces (condiments); spices; ice.

32 – Beers; mineral and aerated waters and other non-alcoholic beverages; fruit beverages and fruit juices; syrups and other preparations for making beverages.

(260) AM 2013 67211 A  
 (800) 1112412  
 (731) Barilla G. e R. Fratelli – Società per Azioni  
 Via Mantova, 166, I-43100 PARMA, Italy

(540)  
**БАРИЛЛА ЛА КОЛЛЕЦИОНЕ**

(591) Black, white  
 (511)  
 29 – Meat, fish, poultry and game; meat extracts; preserved, frozen, dried and cooked fruits and vegetables; jellies, jams, compotes; eggs; milk and milk products; edible oils and fats.

30 – Coffee, tea, cocoa, sugar, rice, tapioca, sago, coffee substitutes; flour and preparations made from cereals, bread, pastry and confectionery, pasta, biscuits, ices; honey, treacles; yeast, baking-powder; salt, mustard; vinegar, sauces (condiments); spices; ice.

(260) AM 2013 67212 A  
 (800) 1112447  
 (731) ZENTIVA, K.S.  
 U Kabelovny 130, CZ-102 37 Praha  
 10 – Dolní Měcholupy, Czech Republic

(540)  
**SECULACT**

(591) Black, white  
 (511)  
 5 – Medicines, pharmaceutical preparations for human use.

(260) AM 2013 67213 A  
 (800) 1112450  
 (731) AKTSIONERNOË OBCHTCHESTVO  
 "GROUPPA KOMPANI "RESMI" (KZ)  
 prospekt Al-Farabi, d. 110 "E", 050040  
 Medeouski raion, g. Almaty, Kazakstan

(540)  


(591) Red  
 (511)  
 32 – Beer; mineral and aerated waters and other non-alcoholic beverages; fruit beverages and fruit juices; syrups and other preparations for making beverages.

(260) AM 2013 67214 A  
 (800) 1112479  
 (731) DEUTSCHE AMPHIBOLIN-WERKE VON  
 ROBERT MURJAHN STIFTUNG & CO  
 KG  
 Roßdörfer Straße 50, 64372 Ober-Ramstadt,  
 Germany

(540)  
**Dalmatherm**

(591) Black, white  
 (511)  
 1 – Chemical products for use in industry; preservative and damp-proofing preparations for masonry, roofing tiles, cement and concrete, except paints and oils; artificial resins, synthetic resins and unprocessed plastics (in the form of powders, granules, liquids or pastes); solvents for paints, varnishes and lacquers; adhesives used in industry; adhesives for wallpaper; adhesives used in building; fillers for treating subsurfaces for paints (not included in other classes).

2 – Paints, varnishes, lacquers, glazes (included in class 02), preservatives against rust; primers; colorants, dyestuffs, dye pastes; mordants, paint thickeners, fixatives, siccatives for paints; natural resins (included in class 02); thinning and binding preparations for paints and lacquers; preparations for preserving wood; wood mordants and wood preserving oils; paints (included in class 02), including structuring paint; bactericidal and/or fungicidal paints; anti-corrosion preparations; protective preparations for metals; metals in foil and powder form for painters, decorators, printers and artists.

17 – Packing, thermal protection and insulating materials (included in class 17); insulating paints, insulating varnishes, insulating fabrics, insulating plaster; substances for insulating buildings against moisture; artificial and synthetic resins; fibreglass fabrics for insulation; insulating tapes; heat insulators, insulating panels; grid mats of glass fibre fabric and/or plastics, expansion joint profiles of glass fibre fabric and/or plastics (all for heat insulating bonded systems); plastic films, not for wrapping; adhesive tapes and strips used for building.

19 – Building materials (non-metallic); profile rails and corner irons (not of metal) for building, in particular locking profiles; adjusting and levelling parts (not of metal) for building; spacers (not of metal) for building; sills (not of metal); natural and artificial stone; mortar and quartz (building materials); plaster (included in class 19); coatings; wall and ceiling panels (not of metal for building); fabric embedding compounds for building; fillers as building materials.

20 – Fastening materials (not of metal), in particular fastening anchors for building, bolts, pegs, screws and nuts.

(260) AM 2013 67215 A  
 (800) 1112505  
 (731) GENTAŞ GENEL METAL SANAYİ VE  
 TİCARET ANONİM ŞİRKETİ  
 Dolantı Sok. No:21, Siteler Altındağ –  
 ANKARA, Turkey

(540)



(591) Dark blue, white, rose

(511)

19 – Non-metallic constructions; building materials not made of metal; in particular building and construction materials derived from timber, wood plastic composites (WPC), from wood polymer composites (WPC) or from paper plastic composites (PPC); chipboard; plywood; laminated wood; trimmed timber; veneers and veneer wood; building timber and lumber; shaped wood, compressible wood, semi-worked wood, wood pulp board for building purposes; linings, not of metal, for building; construction materials, not of metal; non-metallic transportable constructions; doors (not of metal), windows (not of metal); surfacings, not of metal, for building; coatings (building materials); wall coverings (construction), not of metal; coverings, not of metal, for building; synthetic or natural coverings in strip or sheet; adhesive synthetic coverings.

20 – Furniture and parts thereof, insofar as contained in this class; sideboards, display boards, bed boards and frames made of wood or synthetic materials, signboards of wood or plastic, bed fittings (not of metal), door fittings (not of metal), chair fittings (not of metal), table fittings (not of metal), sofa fittings (not of metal), decorative table legs; wall plaques, made of plastic or wood, slatted tables, slatted table tops, slatted desks.

40 – Laminating services, treatment of materials, in particular the custom perforating, assembling and cutting of metal and wood, for others.

(260) AM 2013 67216 A

(800) 1112539

(731) Certina AG (Certina SA) Certina Ltd  
chemin des Tourelles 17, CH-2400 Le Locle,  
Switzerland

(540)

**CERTINA**

(591) Black, white

(511)

14 – Precious metals and their alloys and goods in precious metals or coated therewith, included in this class; jewellery, precious stones; horological and chronometric instruments.

(260) AM 2013 67217 A

(800) 1112549

(731) EGIS GYÓGYSZERGYÁR Nyilvánosan  
Működő Részvénytársaság  
Keresztúri út 30-38 H-1106 Budapest,  
Hungary

(540)

**BITINEX**

(591) Black, white

(511)

5 – Pharmaceutical preparations for human use.

(260) AM 2013 67218 A

(800) 1112560

(731) TOGNUM GmbH  
Maybachplatz 1, 88045 Friedrichshafen,  
Germany

(540)

**TOGNUM**

(591) Black, white

(511)

7 – Combustion engines, namely internal combustion piston engines and parts therefor, for powering ships, airships and stationary machines, in particular construction machines, mine-working machines, agricultural and forestry machines, and machines for industrial applications (all powered by combustion engines, namely internal combustion piston engines), gas exchange devices for internal combustion engines (namely internal combustion piston engines), namely mechanically operated chargers, exhaust gas turbochargers, heat exchangers, air filters, air ducts and air fittings, exhaust gas conduits, mufflers; fuel pumps and pump drives, as well as fuel filters, fuel lines and fittings, fuel containers, injection pumps, injection nozzles and injection apparatus (pump and nozzle combinations) for combustion engines, namely internal combustion piston engines; valves; fuel cells; air starters and compressors, compressor drives, compressed air reservoirs, compressed air pipes and fittings for combustion engines, namely internal combustion piston engines; dynamos, generators and electric starters; apparatus for power transmission and parts therefor in combination with combustion engines (namely internal combustion piston engines), including for powering stationary machines, in particular construction machines, mine-working machines, agricultural and forestry machines, and machines for industrial applications (all powered by

combustion engines, namely internal combustion piston engines), namely mechanical gears with fixed or switchable gears, reverse gears, hydrodynamic, hydrostatic and electric gears and combinations of these gears, mechanical, hydrodynamic, electric clutches, switchable, non-switchable and elastic couplings, articulated couplings, propeller shafts, axle drives; mechanical and hydrodynamic brakes for combustion engines, namely internal combustion piston engines; power generator units, consisting of combustion engines (namely internal combustion piston engines) and power generators, pump units, consisting of combustion engines (namely internal combustion piston engines) and fluid pumps, compressor units, consisting of combustion engines (namely internal combustion piston engines) and air or gas compressors, drive units for deep drilling installations, consisting of combustion engines (namely internal combustion piston engines) and power transmissions; mechanical, hydraulic, pneumatic, electric and electronic control, switching and regulating apparatus for combustion engines (namely internal combustion piston engines), power transmissions and for units (both powered by combustion engines, namely internal combustion piston engines).

8 – Hand tools and testing apparatus for combustion engines (namely internal combustion piston engines), power transmissions and for units (both powered by combustion engines, namely internal combustion piston engines).

9 – Computer software; computer programs recorded on data carriers; electronic publications [downloadable]; mechanical, hydraulic, pneumatic, electric and electronic measuring, testing, warning and monitoring apparatus and instruments for combustion engines (namely internal combustion piston engines), power transmissions and for units (both powered by combustion engines, namely internal combustion piston engines); electric and electronic monitoring, alarm and control apparatus, in particular for ship propelling systems and on-board power supply; electric and electronic apparatus and instruments for fire detection and alarm systems, automatic power generator systems, operational data recorder systems, machine-telegraph systems (in particular for ships); fuel consumption meters for motors and engines, in particular for marine diesel engines; switchboards and navigation systems, in particular for ships; electric and electronic apparatus and instruments for the regulating, control and monitoring of drive systems for rail vehicles; lubricating devices for combustion engines (namely internal combustion piston engines), power transmissions and for units (both powered by combustion engines, namely internal combustion piston engines), namely oil pumps and pump drives, oil coolers, oil filters, oil centrifuges, oil pipes and

fittings; base frames and elastic parts for bearings for combustion engines (namely internal combustion piston engines), power transmissions and for units (both powered by combustion engines, namely internal combustion piston engines); electric equipment and instruments for combustion engines (namely internal combustion piston engines), namely switching apparatus, pipes, batteries.

11 – Cooling apparatus for discharging lost heat and heating apparatus for pre-heating in combustion engines (namely internal combustion piston engines), power transmissions and units (both powered by combustion engines, namely internal combustion piston engines), namely heat exchangers, heating apparatus, fans, fan drives.

12 – Combustion engines, namely internal combustion piston engines and parts therefor, for powering vehicles (land vehicles, rail vehicles and military vehicles) and mobile machines, in particular construction machines, mine-working machines, agricultural and forestry machines, and machines for industrial applications (all powered by combustion engines, namely internal combustion piston engines); power transmissions and parts therefor in combination with combustion engines (namely internal combustion piston engines), for driving vehicles (land vehicles, rail vehicles and military vehicles) and mobile machines in particular construction machines, mine-working machines, agricultural and forestry machines, and machines for industrial applications (all powered by combustion engines, namely internal combustion piston engines), namely mechanical gears with fixed or switchable gears, reverse gears, hydrodynamic, hydrostatic and electric gears and combinations of these gears, mechanical, hydrodynamic, electric clutches, switchable, non-switchable and elastic couplings, articulated couplings, propeller shafts, axle drives.

16 – Printed materials, in particular operating and repair instructions.

20 – Consoles for ships.

36 – Insurance; financial affairs; monetary affairs.

37 – Building construction; repair; installation services; repair, maintenance and servicing, in particular of drive systems and components therefor; installation of drive systems.

41 – Providing of training, in particular training for operating, maintenance and workshop personnel.

42 – Commissioning of drive systems; engineering services; conducting technical tests and checks, technical measurements and scientific investigations; development and research in the field of technology; technical planning of industrial premises; design and development of computer software; material testing and quality control.

---

(260) AM 2013 67219 A  
 (800) 1112575  
 (731) LYONESS AUSTRIA GMBH  
 Kaerntnerstrasse 9, A-8020 Graz, Austria  
 (540)

## GREENFINITY

(591) Black, white  
 (511)  
 9 – Technical facilities, devices, instruments and construction components for the production of energy, in particular renewable energy.

35 – Economic consultation and planning in the area of provision of energy and the construction of power plants; business management of power plants and power provision facilities for third parties; business management in the energy area; economic consultation in the energy-area; consultation for the marketing in the energy-area, all these services also over the Internet.

39 – Distribution of energy; distribution of power; delivery and distribution of energy and power.

40 – Production of power; production of energy; processing and recycling of side and waste products.

42 – Scientific and industrial research in the area of energy, in particular of renewable energy; technical consultation and planning of projects in the area of power provision; research in the area of environmental protection; consultation in the area of saving energy; establishment and hosting of websites, in particular in the area of energy; development of technical concepts for the efficient use of energy.

(260) AM 2013 67220 A  
 (800) 1112596  
 (731) KATSAITIS FOTIOS  
 6, Themistokleous Str., P.O.B. 438, GR-190  
 09 Pikermi, Attica, Greece  
 (540)



(591) Light blue, light green, white, red, black, yellow, dark green, yellow, turquoise and pink

(511)  
 43 – Services for providing food and drink.

(260) AM 2013 67290 A  
 (800) 1113069  
 (731) Pryvatne pidpriemstvo "Viktor i K"  
 vul. Vysotskoho, 2, smt. Vlasivka,  
 Svitlovodsk, Kirovohradska obl. 27552,  
 Ukraine

(540)



(591) Black, red, white, yellow  
 (511)  
 31 – Grains (seeds); vegetables, fresh; cucumbers; olives, fresh; peppers (plants); fruit, fresh; wheat; lettuce; garden herbs, fresh.

(260) AM 2013 67363 A  
 (800) 1113581  
 (731) Joint Stock Company "TVEL"  
 24, ul. Bolshaya Ordynka, RU-119017  
 Moscow, Russian Federation  
 (540)



(591) Gray, light gray, black, blue, light-blue, lilac, light lilac

(511)  
 1 – Ammonium aldehyde; aldehydes; americium; amyl acetate; ammonia [volatile alkali] for Industrial purposes; anhydrous ammonia; ammonia; acetic anhydride; anhydrides; anti-knock substances for internal combustion engines; anti-incrustants; disincrustants; antistatic preparations, other than for household purposes; antifreeze; dextrine size; dressing and finishing preparations for textiles; size for finishing and priming; argon; lead arsenate; astatine; aluminium acetate; lime acetate; lead acetate; acetate of cellulose, unprocessed; acetates [chemicals]; acetylene; acetone; oenological bactericides [chemical preparations used in wine making]; balm of gurjun [gurjon, gurjan] for making varnish; barium; barytes; albumen [animal or vegetable, raw material]; animal albumen [raw material]; iodised albumen; malt albumen; bentonite; berkelium; bicarbonate of soda for chemical purposes; potassium dioxalate; bichromate of potassium; bichromate of soda; bauxite; bromine for chemical purposes; albuminized paper; baryta paper; diazo paper; blueprint paper; reagent paper; test paper, chemical; litmus paper; nitrate paper; sensitized paper; photometric paper; borax; agglutinants for concrete; gas purifying preparations; preservatives for pharmaceutical preparations; polish removing substances; preparations for the separation of greases; substances for preventing runs in stockings; water-softening preparations; limestone hardening substances; tan-



ning substances; birdlime; glue for industrial purposes; surface-active chemical agents; artificial sweeteners [chemical preparations]; fissionable material for nuclear energy; foundry binding substances; concrete-aeration chemicals; leather-dressing chemicals; chemical preparations for the manufacture of paints; chemical substances for preserving foodstuffs; starch-liquifying chemicals [ungluing agents]; flower preservatives; seed preserving substances; viscose; bismuth; bismuth nitrite for chemical purposes; witherite; distilled water; sea water for industrial purposes; acidulated water for recharging accumulators; heavy water; hydrogen; seaweeds [fertilizers]; gadolinium; getters [chemically active substances]; protective gases for welding; solidified gases for industrial purposes; gas propellents for aerosols; basic gallate of bismuth; gallium; gambier; helium; electrophoresis gels, other than for medical or veterinary purposes; aluminium hydrate; hydrates; hyposulphites; ceramic glazings; glycol; expanded-clay for hydroponic plant growing [substrate]; china slip; kaolin; alumina; glycerides; glycerine for industrial purposes; glucose for industrial purposes; glucosides; holmium; hormones for hastening the ripening of fruit; peat pots for horticulture; graphite for industrial purposes; guano; humus; potting soil; detergents for use in manufacturing processes; defoliant; hydrazine; diastase for industrial purposes; kieselgur; manganese dioxide; titanium dioxide for industrial purposes; dry ice [carbon dioxide]; zirconia; oil dispersants; petroleum dispersants; dysprosium; bichloride of tin; detergent additives to petrol [gasoline]; ceramic compositions for sintering [granules and powders]; additives, chemical, to drilling muds; additives, chemical, to insecticides; chemical additives for oils; additives, chemical, to motor fuel; additives, chemical, to fungicides; dolomite for industrial purposes; tan-wood; europium; gelatine for photographic purposes; gelatine for industrial purposes; auxiliary fluids for use with abrasives; fluids for hydraulic circuits; liquids for removing sulphates from accumulators; brake fluid; magnetic fluid for industrial purposes; power steering fluid; transmission fluid; grafting wax for trees; tree cavity fillers [forestry]; glaziers' putty; moderating materials for nuclear reactors; rare earths; metal earths; diatomaceous earth; fuller's earth for use in textile industry; lime chloride; isotopes for industrial purposes; ion exchangers [chemical preparations]; ytterbium; yttrium; iodine for industrial purposes; iodine for chemical purposes; aluminium iodide; alkaline iodides for industrial purposes; casein for industrial purposes; kainite; potassium; sorrel salt; californium; gum arabic for industrial purposes; tartar other than for pharmaceutical purposes; camphor, for industrial purposes; calcium carbide; carbide; lime carbonate; magnesium carbonate; carbonates; cement [metallurgy]; cassiopium [lutetium]; catalysts; bio-

chemical catalysts; catechu; caustics for industrial purposes; alum; ammonia alum; aluminium alum; chrome alum; quebracho for industrial purposes; ketones; cinematographic film, sensitized but not exposed; oxygen; nitric acid; antranilic acid; benzoic acid; boric acid for industrial purposes; tartaric acid; tungstic acid; gallic acid for the manufacture of ink; gallotannic acid; tannic acid; iodine acid; phenol for industrial purposes; citric acid for industrial purposes; lactic acid; formic acid; persulphuric acid; oleic acid; picric acid; pyrogallic acid; salicylic acid; sebacic acid; sulphuric acid; sulphurous acid; hydrochloric acid; stearic acid; carbonic acid; spirits of vinegar [dilute acetic acid]; phosphoric acid; hydrofluoric acid; cholic acid; chromic acid; oxalic acid; acids; benzene-based acids; fatty acids; arsenious acid; mineral acids; adhesives for billposting; leather glues; adhesives for wall tiles; adhesives for paperhanging; cement for mending broken articles; gums [adhesives], other than for stationery or household purposes; adhesives for industrial purposes; isinglass other than for stationery, household or alimentary purposes; gluten [glue], other than for stationery or household purposes; flocculants; collodion; compost; beer preserving agents; mangrove bark for industrial purposes; tan; starch for industrial purposes; starch paste [adhesive], other than for stationery or household purposes; silicon; creosote for chemical purposes; krypton; xenon; curium; lanthanum; lecithin [raw material]; lithium; magnesite; manganate; oils for tanning leather; oils for currying leather; oils for preparing leather in the course of manufacture; oils for the preservation of food; carbolineum for the protection of plants; paper pulp; wood pulp; grafting mastic for trees; mastic for leather; mastic for tires [tyres]; synthetic materials for absorbing oil; ceramic materials in particulate form, for use as filtering media; filtering materials [mineral substances]; filtering materials [vegetable substances]; filtering materials [chemical preparations]; copper sulphate [vitriol]; metalloids; alkaline-earth metals; alkaline metals; methane; methyl benzene; methyl benzol; flour for industrial purposes; tapioca flour for industrial purposes; potato flour for industrial purposes; soap [metallic] for industrial purposes; arsenic; emollients for industrial purposes; dressing, except oils, for skins; sodium; hypochlorite of soda; naphthalene; sal ammoniac; toxic gas neutralizers; neodymium; neon; neptunium; nitrate of uranium; nitrates; combusting preparations [chemical additives to motor fuel]; nitrous oxide; baryta; uranium oxide; oxalates; lithia [lithium oxide]; lead oxide; antimony oxide; chromium oxide; cobalt oxide for industrial purposes; mercuric oxide; olive [chemical preparations]; gallnuts; clarification preparations; wine finings; must-finishing preparations; textile-brightening chemicals; beer-clarifying and preserving agents; reducing agents for use in

photography; bases [chemical preparations]; wax-bleaching chemicals; fat-bleaching chemicals; organic-bleaching chemicals; pectin [photography]; perborate of soda; humus top dressing; percarbonates; hydrogen peroxide; persulphates; perchlorates; foundry sand; sensitized plates for offset printing; plasticizers; roentgen films, sensitized but not exposed; plutonium; substrates for soil-free growing [agriculture]; polonium; potash; potash water; earth for growing; praseodymium; rubber preservatives; brickwork preservatives, except paints and oils; masonry preservatives, except paints and oils; cement preservatives, except paints and oils; preservatives for tiles, except paints and oils; bacterial preparations other than for medical and veterinary use; bacteriological preparations other than for medical and veterinary use; bacteriological preparations for acetification; biological preparations, other than for medical or veterinary purposes; vulcanising preparations; diagnostic preparations, other than for medical or veterinary purposes; renovating preparations for phonograph records; currying preparations for leather; currying preparations for skins; metal hardening preparations; fixing baths [photography]; fixing solutions [photography]; opacifiers for enamel or glass; separating and unsticking [ungluing] preparations; metal annealing preparations; preparations for preventing the tarnishing of lenses; preparations for preventing the tarnishing of glass; cement-waterproofing preparations, except paints; plant growth regulating preparations; anti-boil preparations for engine coolants; fulling preparations for use in textile industry; scale removing preparations, other than for household purposes; flashlight preparations; galvanizing preparations; finishing preparations for use in the manufacture of steel; sizing preparations; animal carbon preparations; cultures of microorganisms other than for medical and veterinary use; corrosive preparations; cryogenic preparations; dehydrating preparations for industrial purposes; degreasing preparations for use in manufacturing processes; degumming preparations; gum solvents; oil-bleaching chemicals; bleaching preparations [decolorants] for industrial purposes; meat tenderizers for industrial purposes; preparations for stimulating cooking for industrial purposes; preparations of trace elements for plants; moistening [wetting] preparations for use in the textile industry; moistening [wetting] preparations for use in dyeing; moistening [wetting] preparations for use in bleaching; enzyme preparations for industrial purposes; filtering preparations for the beverages industry; chemical preparations to prevent mildew; vine disease preventing chemicals; chemical preparations for protection against wheat blight [smut]; chemical condensation preparations; chemical preparations for smoking meat; chemical substances for analyses in laboratories, other than for medical or veterinary purposes; chemical prepara-

tions for scientific purposes, other than for medical or veterinary use; chemical preparations for facilitating the alloying of metals; engine-decarbonising chemicals; fulling preparations; fuel-saving preparations; coal saving preparations; damp proofing preparations, except paints, for masonry; anti-sprouting preparations for vegetables; brazing preparations; preparations of the distillation of wood alcohol; by-products of the processing of cereals for industrial purposes; benzene derivatives; cellulose derivatives [chemicals]; promethium; protactinium; protein [raw material]; mordants for metals; radium for scientific purposes; radon; solvents for varnishes; anti-frothing solutions for accumulators; solutions for cyanotyping; baths for galvanizing; silver salt solutions for silvering; toning baths [photography]; drilling muds; fissionable chemical elements; chemical reagents, other than for medical or veterinary purposes; rhenium; mercury; rubidium; carbon black for industrial purposes; soot for industrial or agricultural purposes; lamp black for industrial purposes; samarium; saccharin; selenium; salpêtre; sulphur; silver nitrate; carbon sulphide; silicates; aluminium silicate; silicones; scandium; foundry molding preparations; acrylic resins, unprocessed; artificial resins, unprocessed; synthetic resins, unprocessed; epoxy resins, unprocessed; calcined soda; caustic soda for industrial purposes; barium compounds; fluorspar compounds; salts for industrial purposes; salts [fertilisers]; salts [chemical preparations]; ammoniacal salts; ammonium salts; salts of precious metals for industrial purposes; salts for galvanic cells; salt for preserving, other than for foodstuffs; salts for coloring metal; iron salts; gold salts; iodised salts; calcium salts; sodium salts [chemical preparations]; salt, raw; salts from rare earth metals; mercury salts; toning salts [photography]; chrome salts; chromic salts; salts of alkaline metals; rock salt; mold-release preparations; fire extinguishing compositions; coolants for vehicle engines; compositions for the manufacture of phonograph records; compositions for the manufacture of technical ceramics; compositions for repairing inner tubes of tires; tire repairing compositions; acid proof chemical compositions; glutinous tree-banding preparations; adhesive preparations for surgical bandages; fireproofing preparations; compositions for threading; sauce for preparing tobacco; amyl alcohol; vinic alcohol; wood alcohol; sal ammoniac spirits; ethyl alcohol; alcohol; cement for boots and shoes; concrete preservatives, except paints and oils; water glass [soluble glass]; strontium; barium sulphate; sulphates; antimony sulphide; sulphides; benzoic sulphide; sulphonic acids; sumac for use in tanning; superphosphates [fertilisers]; antimony; thallium; talc [magnesium silicate]; tannin; cream of tartar, other than for pharmaceutical purposes; tellurium; terbium; tetrachlorides; carbon tetrachloride; acety-

lene tetrachloride; technetium; thiocarbanilide; titanite; sensitized cloth for photography; blueprint cloth; toluol; fuel for atomic piles; thorium; peat [fertiliser]; tragacanth gum for use in manufactures; thulium; carbonic hydrates; carbon; activated carbons; carbon for filters; animal carbon; animal charcoal; bone charcoal; blood charcoal; fertilizing preparations; nitrogenous fertilisers; calcium cyanamide [fertilizer]; nitrogenous lime [manure]; fertilizers; manure for agriculture; pyroligneous acid [wood vinegar]; uranium; chemical intensifiers for paper; chemical intensifiers for rubber; vulcanisation accelerators; enzymes for industrial purposes; ferments for chemical purposes; milk ferments for chemical purposes; fermium; ferrocyanides; soldering fluxes; brazing fluxes; formic aldehyde for chemical purposes; phosphatides; phosphates [fertilisers]; phosphorus; photographic paper; self-toning paper [photography]; photosensitive plates; sensitized photographic plates; ferrotype plates [photography]; sensitized films, unexposed; photographic developers; photographic sensitizers; chemical preparations for use in photography; photographic emulsions; francium; fluorine; industrial chemicals; chemicals for forestry, except fungicides, herbicides, insecticides and parasiticides; glass-frosting chemicals; leather-renovating chemicals; glass-staining chemicals; enamel and glass-staining chemicals; enamel-staining chemicals; oil-separating chemicals; water purifying chemicals; oil-purifying chemicals; radiator flushing chemicals; soldering chemicals; welding chemicals; condensation-preventing chemicals; stain-preventing chemicals for use on fabrics; anti-tarnishing chemicals for windows; leather-waterproofing chemicals; textile-waterproofing chemicals; chemical preparations, except pigments, for the manufacture of enamel; leather-impregnating chemicals; textile-impregnating chemicals; horticulture chemicals, except fungicides, herbicides, insecticides and parasiticides; agricultural chemicals, except fungicides, weedkillers, herbicides, insecticides and parasiticides; soil conditioning preparations; chimney cleaners, chemical; color-brightening chemicals for industrial purposes; refrigerants; chlorine; chlorates; hydrochlorates; aluminium chloride; magnesium chloride; chlorides; palladious chlorides; chromates; flowers of sulphur for chemical purposes; caesium; cellulose; cerium; cyanides [prussiates]; cymene; loam; slag [fertilisers]; spinel [chemical preparations]; alkalis; caustic alkali; radioactive elements for scientific purposes; emulsifiers; erbium; ethane; methyl ether; sulphuric ether; ethyl ether; glycol ether; ethers; esters; cellulose ethers for industrial purposes; cellulose esters for industrial purposes.

6 – Aluminium; anchors; fittings of metal for building; white metal; beacons of metal, non-luminous; vats of metal; girders of metal; joists of metal; bottles [metal containers] for compressed gas or

liquid air; preserve tins; preserving boxes of metal; swimming pools [metal structures]; beryllium [glucinium]; blooms [metallurgy]; ingots of common metal; bolts of metal; eye bolts; casks of metal; mooring buoys of metal; barrels of metal; identification bracelets of metal, for hospitals; bronze; bells; bells for animals; letters and numerals of common metal, except type; silos of metal; busts of common metal; vanadium; bird baths [structures of metal]; vice benches of metal; screws of metal; aviaries of metal [structures]; tungsten; hoppers of metal, non-mechanical; gates of metal; sleeves [metal hardware]; signboards of metal; diving boards of metal; loading gauge rods, of metal, for railway waggons; nuts of metal; galena [ore]; celtium [hafnium]; nails; brads; tacks [nails]; horseshoe nails; germanium; tombs of metal; vice claws of metal; doors of metal; memorial plaques, of metal; tombstone plaques of metal; packaging containers of metal; containers of metal for storing acids; jalousies of metal; iron, unwrought or semi-wrought; gutters of metal; tinsplate; bungs of metal; plugs of metal; bolts, flat; latch bars of metal; window fasteners of metal; crampons of metal [cramps]; binding screws of metal for cables; wheel clamps [boots]; rivets of metal; padlocks; locks of metal for vehicles; locks of metal, other than electric; locks of metal for bags; spring locks; box fasteners of metal; machine belt fasteners of metal; door bolts; bottle closures of metal; closures of metal for containers; bolts; wall plugs of metal; latches of metal; tension links; stretchers for metal bands [tension links]; wire stretchers [tension links]; stretchers for iron bands [tension links]; couplings of metal for chains; door bells, non-electric; signs, non-luminous and non-mechanical, of metal, for roads; signs, non-luminous and non-mechanical, of metal; numberplates, of metal; registration plates, of metal; bronzes [works of art]; works of art of common metal; hardware of metal, small; ironmongery; indium; cabanas of metal; telephone booths of metal; cadmium; paint spraying booths, of metal; ropes of metal; telfer cables; greenhouse frames of metal; framework of metal for building; cornices of metal; skating rinks [structures of metal]; cermets; metal cages for wild animals; keys; knobs of metal; cobalt, raw; chill-molds [foundry]; bed casters of metal; furniture casters of metal; pillars of metal for buildings; sealing caps of metal; bottle caps of metal; capsules of metal for bottles; sealing caps of metal for bottles; tent pegs of metal; rings of common metal for keys; copper rings; ferrules of metal; ferrules of metal for handles; rings of metal; stop collars of metal; door fittings, of metal; fittings of metal for windows; buildings, transportable, of metal; buildings of metal; steel buildings; guard rails of metal; baskets of metal; money boxes of metal; door cases of metal; door frames of metal; stringers [parts of staircases] of metal; taps for

casks, of metal; tubing of metal; casings of metal for oilwells; roofing of metal; brackets of metal for building; turntables [railways]; manhole covers of metal; pitons of metal [mountaineering equipment]; hooks [metal hardware]; pot hooks of metal; hooks for slate [metal hardware]; hooks of metal for clothes rails; clothes hooks of metal; chicken-houses, of metal; brass, unwrought or semi-wrought; bands of metal for tying-up purposes; scaffolding of metal; staircases of metal; ladders of metal; limonite; steel sheets; cast steel; traps for wild animals; magnesium; manganese; reinforcing materials, of metal, for concrete; reinforcing materials of metal for machine belts; reinforcing materials of metal for pipes; reinforcing materials of metal for building; materials of metal for funicular railway permanent ways; railway material of metal; building materials of metal; refractory construction materials of metal; masts of metal; steel masts; copper, unwrought or semi-wrought; sheets and plates of metal; common metals, unwrought or semi-wrought; pyrophoric metals; metals in powder form; molybdenum; door knockers; monuments of metal; porches of metal [building]; monuments of metal for tombs; bronzes for tombstones; roof flashing of metal; fish plates [rails]; flashing of metal, for building; anvils; anvils [portable]; beak-irons [bick-irons]; ferrules of metal for walking sticks; rope thimbles of metal; handcuffs; duckboards of metal; german silver; nickel; niobium; grease nipples; thread of metal for tying-up purposes; binding thread of metal for agricultural purposes; house numbers of metal, non-luminous; braces of metal for handling loads; wall claddings of metal [building]; wall linings of metal [building]; cladding of metal for construction and building; moldings of metal for cornices; laths of metal; barrel hoops of metal; fences of metal; palings of metal; tree protectors of metal; crash barriers of metal for roads; latticework of metal; trellis of metal; ironwork for doors; ironwork for windows; windows of metal; casement windows of metal; tin; shuttering of metal for concrete; filings of metal; cask stands of metal; poles of metal, for electric lines; props of metal; wainscotting of metal; signalling panels, non-luminous and non-mechanical, of metal; partitions of metal; lintels of metal; strap-hinges of metal; shims; rocket launching platforms of metal; platforms, prefabricated, of metal; transport pallets of metal; floor tiles, of metal; tiles of metal for building; anchor plates; tie plates; armour plate; gravestone slabs of metal; tile floorings of metal; iron slabs; lead seals; loading pallets, of metal; handling pallets of metal; firedogs [andirons]; armour plating; paving blocks of metal; roof coverings of metal; floors of metal; sills of metal; ceilings of metal; gold solder; silver solder; door closers, non-electric; door openers, non-electric; door springs, non-electric; valves of metal, other than parts of machines; clips of metal for cables

and pipes; wall hooks of metal for pipes; floating docks of metal for mooring boats; iron wire; aluminium wire; wire for aerials; soldering wire of metal; wire of common metal; wire of common metal alloys, except fuse wire; barbed wire; copper wire, not insulated; steel wire; washers of metal; springs [metal hardware]; rods of metal for welding; rods of metal for brazing; rods of metal for brazing and welding; enclosures of metal for tombs; window frames of metal; frames of metal for building; tanks of metal; containers of metal [storage, transport]; containers of metal for liquid fuel; containers of metal for compressed gas or liquid air; floating containers of metal; rails of metal; belts of metal for handling loads; gratings of metal; furnace fireguards; pulleys of metal, other than for machines; runners of metal for sliding doors; window pulleys; iron ores; ores of metal; chrome ores; tool handles of metal; door handles of metal; scythe handles of metal; broom handles of metal; knife handles of metal; pilings of metal; lead, unwrought or semi-wrought; safes [strong boxes]; vaults of metal [burial]; buckles of common metal [hardware]; door scrapers; cable joints of metal, non-electric; jets of metal; nozzles of metal; anti-friction metal; silver plated tin alloy; alloys of common metal; nickel-silver; bindings of metal; sheaf binders of metal; shutters of metal; outdoor blinds of metal; steel alloys; iron strip; steel strip; steel, unwrought or semi-wrought; tinfoil; statues of common metal; figurines [statuettes] of common metal; tombstone stelae of metal; pegs of metal; pins [hardware]; bars for metal railings; posts of metal; advertisement columns of metal; telegraph posts of metal; railway switches; steps [ladders] of metal; slings of metal for handling loads; stair treads [steps] of metal; identity plates of metal; tantalum [metal]; troughs of metal for mixing mortar; greenhouses of metal, transportable; titanium; wire cloth; tombac; boarding stairs of metal, mobile, for passengers; cables of metal, non-electric; wire rope; mooring bollards of metal; turnstiles, non-automatic; angle irons; tinplate packings; stops of metal; door stops of metal; gate stops of metal; sash fasteners of metal for windows; bicycle parking installations of metal; towel dispensers, fixed, of metal; wind-driven bird-repelling devices made of metal; tungsten iron; molybdenum iron; silicon iron; ferrotitanium; chrome iron; door panels of metal; weather vanes of metal; wind vanes of metal; aluminium foil; foils of metal for wrapping and packaging; ice moulds of metal; foundry molds of metal; fittings of metal for coffins; fittings of metal for beds; fittings of metal for furniture; building or furniture fittings of nickel-silver; chromium; cattle chains; chains for dogs; safety chains of metal; chains of metal; zinc; zirconium; tiles of metal; cast iron, unwrought or semi-wrought; balls of steel; hinges of metal; poles of metal; crampons

[climbing irons]; cashboxes of metal; safety cashboxes; belt stretchers of metal; railroad ties of metal; window casement bolts; cotter pins; spurs; roller blinds of steel; building boards of metal; insect screens of metal; furnace fire screens; badges of metal for vehicles; lock bolts; bins of metal; chests of metal; tool boxes of metal, empty; tool chests of metal, empty; chests of metal for food; meat safes of metal; boxes of common metal; letter boxes of metal.

11 – Lamp shades; steam accumulators; heat accumulators; defrosters for vehicles; water heaters [apparatus]; distillation apparatus; desiccating apparatus; disinfectant apparatus; air deodorising apparatus; tanning apparatus [sun beds]; ionisation apparatus for the treatment of air; coffee roasters; beverages cooling apparatus; hand drying apparatus for washrooms; water purifying apparatus and machines; refrigerating apparatus and machines; drying apparatus and installations; freezers; drying apparatus; fruit roasters; framework of metal for ovens; coolers for furnaces; expansion tanks for central heating installations; refining towers for distillation; bidets; boilers, other than parts of machines; bath tubs; spa baths [vessels]; bath tubs for sitz baths; waffle irons, electric; fans [air-conditioning]; fans [parts of air-conditioning installations]; electric fans for personal use; roasting spits; refrigerating display cabinets [display cases]; water heaters; flushing apparatus; air reheaters; extractor hoods for kitchens; gas generators [installations]; gas condensers, other than parts of machines; acetylene generators; hydrants; burners; acetylene burners; petrol burners; gas burners; burners for lamps; germicidal burners; incandescent burners; oxhydrogen burners; laboratory burners; oil burners; alcohol burners; hot water bottles; warming pans; footwarmers, electric or non-electric; bedwarmers; pocket warmers; lampshade holders; stills; showers; chimney flues; refrigerating containers; gas lighters; lighters; friction lighters for igniting gas; chimney blowers; coils [parts of distilling, heating or cooling installations]; ash pits for furnaces; evaporators; flares; shower cubicles; turkish bath cabinets, portable; heating apparatus; refrigerating chambers; fireplaces, domestic; autoclaves [electric pressure cookers]; pressure cooking saucepans, electric; air valves for steam heating installations; level controlling valves in tanks; thermostatic valves [parts of heating installations]; electrically heated carpets; light bulbs; light bulbs, electric; solar collectors [heating]; distillation columns; lamp globes; air conditioning apparatus; gas boilers; laundry room boilers; washing coppers; heating boilers; coffee machines, electric; taps [cocks, spigots] for pipes; taps [faucets]; mixer taps for water pipes; forges, portable; lava rocks for use in barbecue grills; lights, electric, for christmas trees; acetylene flares; safety lamps; gas lamps; curling lamps; germicidal lamps

for purifying air; projector lamps; lamps for directional signals of automobiles; light bulbs for directional signals for vehicles; arc lamps; laboratory lamps; oil lamps; soldering lamps; ultraviolet ray lamps, not for medical purposes; miners' lamps; electric lamps; chandeliers; barbecues; bread baking machines; watering machines for agricultural purposes; disposable sterilization pouches; foot-muffs, electrically heated; heaters, electric, for feeding bottles; heaters for baths; heaters for heating irons; immersion heaters; brackets for gas burners; anti-splash tap nozzles; heat pumps; filaments for electric lamps; heating filaments, electric; magnesium filaments for lighting; luminous house numbers; bath linings; heating apparatus for defrosting windows of vehicles; hot air bath fittings; bath fittings; loading apparatus for furnaces; kiln furniture [supports]; sauna bath installations; refrigerating appliances and installations; blankets, electric, not for medical purposes; lamp reflectors; vehicle reflectors; clean chambers [sanitary installations]; steam boilers, other than parts of machines; pasteurisers; lamp casings; sockets for electric lights; coffee percolators, electric; furnaces, other than for experimental purposes; stoves [heating apparatus]; bakers' ovens; hot air ovens; microwave ovens [cooking apparatus]; microwave ovens for industrial purposes; incinerators; kilns; solar furnaces; urinals [sanitary fixtures]; feeding apparatus for heating boilers; heating plates; cookers; kitchen ranges [ovens]; aquarium heaters; aquarium lights; heating cushions [pads], electric, not for medical purposes; cooking utensils, electric; water intake apparatus; deodorising apparatus, not for personal use; apparatus for dehydrating foodstuffs organic materials; griddles [cooking appliances]; grills [cooking appliances]; roasting apparatus; fumigation apparatus, not for medical purposes; gas scrubbing apparatus; oil-scrubbing apparatus; glue-heating appliances; drying apparatus for fodder and forage; water filtering apparatus; air purifying apparatus and machines; ice machines and apparatus; cooling appliances and installations; cooking apparatus and installations; lighting apparatus and installations; sanitary apparatus and installations; cooking rings; lighting apparatus for vehicles; heating apparatus, electric; hot air apparatus; heating apparatus for solid, liquid or gaseous fuels; steam facial apparatus [saunas]; safety accessories for water or gas apparatus and pipes; regulating and safety accessories for gas apparatus; regulating accessories for water or gas apparatus and pipes; regulating and safety accessories for water apparatus; regulating and safety accessories for gas pipes; roasting jacks; anti-dazzle devices for automobiles [lamp fittings]; plate warmers; electric appliances for making yogurt; rotisseries; radiator caps; diving lights; flashlights [torches]; searchlights; washers for water taps; anti-glare devices for

vehicles [lamp fittings]; radiators [heating]; central heating radiators; radiators, electric; sinks; disinfectant dispensers for toilets; drip irrigation emitters [irrigation fittings]; light diffusers; atomic piles; nuclear reactors; heat regenerators; flushing tanks; pressure water tanks; furnace grates; roasters; lamps; standard lamps; street lamps; ceiling lights; toilet seats; lighting installations for air vehicles; gas scrubbers [parts of gas installations]; lamp glasses; sterilizers; water sterilizers; air sterilisers; air driers [dryers]; laundry dryers, electric; hair driers [dryers]; malt roasters; tobacco roasters; heat exchangers, not parts of machines; bread toasters; discharge tubes, electric, for lighting; lamp chimneys; luminous tubes for lighting; flues for heating boilers; boiler pipes [tubes] for heating installations; pipes [parts of sanitary installations]; toilets [water-closets]; toilets, portable; humidifiers for central heating radiators; wash-hand basins [parts of sanitary installations]; toilet bowls; water conduits installations; bath installations; bath plumbing fixtures; air conditioning installations; ventilation [air-conditioning] installations for vehicles; desalination plants; processing installations for fuel and nuclear moderating material; watering installations, automatic; cooling installations for water; cooling installations for liquids; milk cooling installations; cooling installations for tobacco; water purification installations; purification installations for sewage; steam generating installations; water distribution installations; air filtering installations; swimming pools chlorinating units; ventilation [air-conditioning] installations and apparatus; water softening apparatus and installations; cooling installations and machines; heating installations; heaters for vehicles; heating installations [water]; polymerisation installations; water supply installations; ash conveyor installations, automatic; whirlpool-jet apparatus; air cooling apparatus; furnaces; hearths; stoves; aquarium filtration apparatus; flare stacks for use in the oil industry; headlights for automobiles; vehicle headlights; filters [parts of household or industrial installations]; filters for air conditioning; coffee filters, electric; filters for drinking water; lanterns; automobile lights; bicycle lights; lights for vehicles; pocket searchlights; pocket torches, electric; lanterns for lighting; chinese lanterns; fairy lights for festive decoration; fountains; ornamental fountains; deep fryers, electric; oven fittings made of fireclay; fittings, shaped, for furnaces; refrigerators; chromatography apparatus for industrial purposes; kettles, electric; dampers [heating]; ventilation hoods; ventilation hoods for laboratories; dental ovens; refrigerating cabinets; ice boxes; fuel economisers; carbon for arc lamps; heating elements.

42 – Computer systems analysis; chemical analysis; authenticating works of art; recovery of computer data; graphic arts designing; computer virus pro-

tection services; installation of computer software; meteorological information; weather forecasting; material testing; textile testing; bacteriological research; biological research; geological research; research in the field of environmental protection; cosmetic research; mechanical research; physics [research]; chemical research; analysis for oil-field exploitation; underwater exploration; calibration [measuring]; oil-well testing; quality control; vehicle roadworthiness testing; land surveying; dress designing; updating of computer software; geological surveys; oil-field surveys; maintenance of computer software; design of interior decor; conversion of data or documents from physical to electronic media; providing search engines for the internet; data conversion of computer programs and data [not physical conversion]; computer system design; rental of web servers; computer rental; rental of computer software; geological prospecting; oil prospecting; hosting computer sites [web sites]; duplication of computer programs; computer software design; cloud seeding; consultancy in the field of energy-saving; creating and maintaining web sites for others; computer programming; industrial design; styling [industrial design]; chemistry services; packaging design.

(260) AM 2013 67365 A

(800) 1113625

(731) Joint Stock Company "TVEL"

24, ul. Bolshaya Ordynka, RU-119017  
Moscow, Russian Federation

(540)



(591) Gray, light gray, black, blue, light-blue, lilac, light lilac

(511)

1 – Ammonium aldehyde; aldehydes; americium; amyl acetate; ammonia [volatile alkali] for industrial purposes; anhydrous ammonia; ammonia; acetic anhydride; anhydrides; anti-knock substances for internal combustion engines; anti-incrustants; disin-crustants; antistatic preparations, other than for household purposes; antifreeze; dextrine size; dressing and finishing preparations for textiles; size for finishing and priming; argon; lead arsenate; astatine; aluminium acetate; lime acetate; lead acetate; acetate of cellulose, unprocessed; acetates [chemicals]; acetylene; acetone; oenological bactericides [chemical preparations used in wine making]; balm of gurjun [gurjon, gurjan] for making varnish; barium; barytes; albumen [animal or vegetable, raw material]; animal albumen [raw material]; iodised albumen; malt albumen; bentonite; berkelium; bicarbonate of soda for chemical purposes; potassium

dioxalate; bichromate of potassium; bichromate of soda; bauxite; bromine for chemical purposes; albuminized paper; baryta paper; diazo paper; blueprint paper; reagent paper; test paper, chemical; litmus paper; nitrate paper; sensitized paper; photometric paper; borax; agglutinants for concrete; gas purifying preparations; preservatives for pharmaceutical preparations; polish removing substances; preparations for the separation of greases; substances for preventing runs in stockings; water-softening preparations; limestone hardening substances; tanning substances; birdlime; glue for industrial purposes; surface-active chemical agents; artificial sweeteners [chemical preparations]; fissionable material for nuclear energy; foundry binding substances; concrete-aeration chemicals; leather-dressing chemicals; chemical preparations for the manufacture of paints; chemical substances for preserving foodstuffs; starch-liquifying chemicals [ungluing agents]; flower preservatives; seed presser substances; viscose; bismuth; bismuth nitrite for chemical purposes; witherite; distilled water; sea water for industrial purposes; acidulated water for recharging accumulators; heavy water; hydrogen; seaweeds [fertilizers]; gadolinium; getters [chemically active substances]; protective gases for welding; solidified gases for industrial purposes; gas propellents for aerosols; basic gallate of bismuth; gallium; gambier; helium; electrophoresis gels, other than for medical or veterinary purposes; aluminium hydrate; hydrates; hyposulphites; ceramic glazings; glycol; expanded-clay for hydroponic plant growing [substrate]; china slip; kaolin; alumina; glycerides; glycerine for industrial purposes; glucose for industrial purposes; glucosides; holmium; hormones for hastening the ripening of fruit; peat pots for horticulture; graphite for industrial purposes; guano; humus; potting soil; detergents for use in manufacturing processes; defoliant; hydrazine; diastase for industrial purposes; kieselgur; manganese dioxide; titanium dioxide for industrial purposes; dry ice [carbon dioxide]; zirconia; oil dispersants; petroleum dispersants; dysprosium; bichloride of tin; detergent additives to petrol [gasoline]; ceramic compositions for sintering [granules and powders]; additives, chemical, to drilling muds; additives, chemical, to insecticides; chemical additives for oils; additives, chemical, to motor fuel; additives, chemical, to fungicides; dolomite for industrial purposes; tan-wood; europium; gelatine for photographic purposes; gelatine for industrial purposes; auxiliary fluids for use with abrasives; fluids for hydraulic circuits; liquids for removing sulphates from accumulators; brake fluid; magnetic fluid for industrial purposes; power steering fluid; transmission fluid; grafting wax for trees; tree cavity fillers [forestry]; glaziers' putty; moderating materials for nuclear reactors; rare earths; metal earths; diatomaceous earth; fuller's earth for use in

textile industry; lime chloride; isotopes for industrial purposes; ion exchangers [chemical preparations]; ytterbium; yttrium; iodine for industrial purposes; iodine for chemical purposes; aluminium iodide; alkaline iodides for industrial purposes; casein for industrial purposes; kainite; potassium; sorrel salt; californium; gum arabic for industrial purposes; tartar other than for pharmaceutical purposes; camphor, for industrial purposes; calcium carbide; carbide; lime carbonate; magnesium carbonate; carbonates; cement [metallurgy]; cassiopium [lutetium]; catalysts; biochemical catalysts; catechu; caustics for industrial purposes; alum; ammonia alum; aluminium alum; chrome alum; quebracho for industrial purposes; ketones; cinematographic film, sensitized but not exposed; oxygen; nitric acid; antranilic acid; benzoic acid; boric acid for Industrial purposes; tartaric acid; tungstic acid; gallic acid for the manufacture of ink; gallotannic acid; tannic acid; iodic acid; phenol for industrial purposes; citric acid for industrial purposes; lactic acid; formic acid; persulphuric acid; oleic acid; picric acid; pyrogallic acid; salicylic acid; sebacic acid; sulphuric acid; sulphurous acid; hydrochloric acid; stearic acid; carbonic acid; spirits of vinegar [dilute acetic acid]; phosphoric acid; hydrofluoric acid; cholic acid; chromic acid; oxalic acid; acids; benzene-based acids; fatty acids; arsenious acid; mineral acids; adhesives for billposting; leather glues; adhesives for wall tiles; adhesives for paperhanging; cement for mending broken articles; gums [adhesives], other than for stationery or household purposes; adhesives for industrial purposes; isinglass other than for stationery, household or alimentary purposes; gluten [glue], other than for stationery or household purposes; flocculants; collodion; compost; beer preserving agents; mangrove bark for industrial purposes; tan; starch for industrial purposes; starch paste [adhesive], other than for stationery or household purposes; silicon; creosote for chemical purposes; krypton; xenon; curium; lanthanum; lecithin [raw material]; lithium; magnesite; manganate; oils for tanning leather; oils for currying leather; oils for preparing leather in the course of manufacture; oils for the preservation of food; carbolineum for the protection of plants; paper pulp; wood pulp; grafting mastic for trees; mastic for leather; mastic for tires [tyres]; synthetic materials for absorbing oil; ceramic materials in particulate form, for use as filtering media; filtering materials [mineral substances]; filtering materials [vegetable substances]; filtering materials [chemical preparations]; copper sulphate [vitriol]; metalloids; alkaline-earth metals; alkaline metals; methane; methyl benzene; methyl benzol; flour for industrial purposes; tapioca flour for industrial purposes; potato flour for industrial purposes; soap [metallic] for industrial purposes; arsenic; emollients for industrial purposes; dressing, except oils,

for skins; sodium; hypochlorite of soda; naphthalene; sal ammoniac; toxic gas neutralizers; neodymium; neon; neptunium; nitrate of uranium; nitrates; combusting preparations [chemical additives to motor fuel]; nitrous oxide; baryta; uranium oxide; oxalates; lithia [lithium oxide]; lead oxide; antimony oxide; chromium oxide; cobalt oxide for industrial purposes; mercuric oxide; olivine [chemical preparations]; gallnuts; clarification preparations; wine finings; must-finishing preparations; textile-brightening chemicals; beer-clarifying and preserving agents; reducing agents for use in photography; bases [chemical preparations]; wax-bleaching chemicals; fat-bleaching chemicals; organic-bleaching chemicals; pectin [photography]; perborate of soda; humus top dressing; percarbonates; hydrogen peroxide; persulphates; perchlorates; foundry sand; sensitized plates for offset printing; plasticizers; roentgen films, sensitized but not exposed; plutonium; substrates for soil-free growing [agriculture]; polonium; potash; potash water; earth for growing; praseodymium; rubber preservatives; brickwork preservatives, except paints and oils; masonry preservatives, except paints and oils; cement preservatives, except paints and oils; preservatives for tiles, except paints and oils; bacterial preparations other than for medical and veterinary use; bacteriological preparations other than for medical and veterinary use; bacteriological preparations for acetification; biological preparations, other than for medical or veterinary purposes; vulcanising preparations; diagnostic preparations, other than for medical or veterinary purposes; renovating preparations for phonograph records; currying preparations for leather; currying preparations for skins; metal hardening preparations; fixing baths [photography]; fixing solutions [photography]; opacifiers for enamel or glass; separating and unsticking [ungluing] preparations; metal annealing preparations; preparations for preventing the tarnishing of lenses; preparations for preventing the tarnishing of glass; cement-waterproofing preparations, except paints; plant growth regulating preparations; anti-boil preparations for engine coolants; fulling preparations for use in textile industry; scale removing preparations, other than for household purposes; flashlight preparations; galvanizing preparations; finishing preparations for use in the manufacture of steel; sizing preparations; animal carbon preparations; cultures of microorganisms other than for medical and veterinary use; corrosive preparations; cryogenic preparations; dehydrating preparations for industrial purposes; degreasing preparations for use in manufacturing processes; degumming preparations; gum solvents; oil-bleaching chemicals; bleaching preparations [decolorants] for industrial purposes; meat tenderizers for industrial purposes; preparations for stimulating cooking for industrial purposes; preparations of trace elements for plants;

moistening [wetting] preparations for use in the textile industry; moistening [wetting] preparations for use in dyeing; moistening [wetting] preparations for use in bleaching; enzyme preparations for industrial purposes; filtering preparations for the beverages industry; chemical preparations to prevent mildew; vine disease preventing chemicals; chemical preparations for protection against wheat blight [smut]; chemical condensation preparations; chemical preparations for smoking meat; chemical substances for analyses in laboratories, other than for medical or veterinary purposes; chemical preparations for scientific purposes, other than for medical or veterinary use; chemical preparations for facilitating the alloying of metals; engine-decarbonising chemicals; fulling preparations; fuel-saving preparations; coal saving preparations; damp proofing preparations, except paints, for masonry; anti-sprouting preparations for vegetables; brazing preparations; preparations of the distillation of wood alcohol; by-products of the processing of cereals for industrial purposes; benzene derivatives; cellulose derivatives [chemicals]; promethium; protactinium; protein [raw material]; mordants for metals; radium for scientific purposes; radon; solvents for varnishes; anti-frothing solutions for accumulators; solutions for cyanotyping; baths for galvanizing; silver salt solutions for silvering; toning baths [photography]; drilling muds; fissionable chemical elements; chemical reagents, other than for medical or veterinary purposes; rhenium; mercury; rubidium; carbon black for industrial purposes; soot for industrial or agricultural purposes; lamp black for industrial purposes; samarium; saccharin; selenium; salpêtre; sulphur; silver nitrate; carbon sulphide; silicates; aluminium silicate; silicones; scandium; foundry molding preparations; acrylic resins, unprocessed; artificial resins, unprocessed; synthetic resins, unprocessed; epoxy resins, unprocessed; calcined soda; caustic soda for industrial purposes; barium compounds; fluorspar compounds; salts for industrial purposes; salts [fertilisers]; salts [chemical preparations]; ammoniacal salts; ammonium salts; salts of precious metals for industrial purposes; salts for galvanic cells; salt for preserving, other than for foodstuffs; salts for coloring metal; iron salts; gold salts; iodised salts; calcium salts; sodium salts [chemical preparations]; salt, raw; salts from rare earth metals; mercury salts; toning salts [photography]; chrome salts; chromic salts; salts of alkaline metals; rock salt; mold-release preparations; fire extinguishing compositions; coolants for vehicle engines; compositions for the manufacture of phonograph records; compositions for the manufacture of technical ceramics; compositions for repairing inner tubes of tires; tire repairing compositions; acid proof chemical compositions; glutinous tree-banding preparations; adhesive preparations for surgical bandages; fireproofing pre-



parations; compositions for threading; sauce for preparing tobacco; amyl alcohol; vinic alcohol; wood alcohol; sal ammoniac spirits; ethyl alcohol; alcohol; cement for boots and shoes; concrete preservatives, except paints and oils; water glass [soluble glass]; strontium; barium sulphate; sulphates; antimony sulphide; sulphides; benzoic sulphinide; sulphonic acids; sumac for use in tanning; superphosphates [fertilisers]; antimony; thallium; talc [magnesium silicate]; tannin; cream of tartar, other than for pharmaceutical purposes; tellurium; terbium; tetrachlorides; carbon tetrachloride; acetylene tetrachloride; technetium; thiocarbanilide; titanite; sensitized cloth for photography; blueprint cloth; toluol; fuel for atomic piles; thorium; peat [fertiliser]; tragacanth gum for use in manufactures; thulium; carbonic hydrates; carbon; activated carbons; carbon for filters; animal carbon; animal charcoal; bone charcoal; blood charcoal; fertilizing preparations; nitrogenous fertilisers; calcium cyanamide [fertilizer]; nitrogenous lime [manure]; fertilizers; manure for agriculture; pyroligneous acid [wood vinegar]; uranium; chemical intensifiers for paper; chemical intensifiers for rubber; vulcanisation accelerators; enzymes for industrial purposes; ferments for chemical purposes; milk ferments for chemical purposes; fermium; ferrocyanides; soldering fluxes; brazing fluxes; formic aldehyde for chemical purposes; phosphatides; phosphates [fertilisers]; phosphorus; photographic paper; self-toning paper [photography]; photosensitive plates; sensitized photographic plates; ferrotype plates [photography]; sensitized films, unexposed; photographic developers; photographic sensitizers; chemical preparations for use in photography; photographic emulsions; francium; fluorine; industrial chemicals; chemicals for forestry, except fungicides, herbicides, insecticides and parasiticides; glass-frosting chemicals; leather-renovating chemicals; glass-staining chemicals; enamel and glass-staining chemicals; enamel-staining chemicals; oil-separating chemicals; water purifying chemicals; oil-purifying chemicals; radiator flushing chemicals; soldering chemicals; welding chemicals; condensation-preventing chemicals; stain-preventing chemicals for use on fabrics; anti-tarnishing chemicals for windows; leather-waterproofing chemicals; textile-waterproofing chemicals; chemical preparations, except pigments, for the manufacture of enamel; leather-impregnating chemicals; textile-impregnating chemicals; horticulture chemicals, except fungicides, herbicides, insecticides and parasiticides; agricultural chemicals, except fungicides, weedkillers, herbicides, insecticides and parasiticides; soil conditioning preparations; chimney cleaners, chemical; color-brightening chemicals for industrial purposes; refrigerants; chlorine; chlorates; hydrochlorates; aluminium chloride; magnesium chloride; chlorides; palladious chlorides; chromates; flowers of

sulphur for chemical purposes; caesium; cellulose; cerium; cyanides [prussiates]; cymene; loam; slag [fertilisers]; spinel [chemical preparations]; alkalis; caustic alkali; radioactive elements for scientific purposes; emulsifiers; erbium; ethane; methyl ether; sulphuric ether; ethyl ether; glycol ether; ethers; esters; cellulose ethers for industrial purposes; cellulose esters for industrial purposes.

6 – Aluminium; anchors; fittings of metal for building; white metal; beacons of metal, non-luminous; vats of metal; girders of metal; joists of metal; bottles [metal containers] for compressed gas or liquid air; preserve tins; preserving boxes of metal; swimming pools [metal structures]; beryllium [glucinium]; blooms [metallurgy]; ingots of common metal; bolts of metal; eye bolts; casks of metal; mooring buoys of metal; barrels of metal; identification bracelets of metal, for hospitals; bronze; bells; bells for animals; letters and numerals of common metal, except type; silos of metal; busts of common metal; vanadium; bird baths [structures of metal]; vice benches of metal; screws of metal; aviaries of metal [structures]; tungsten; hoppers of metal, non-mechanical; gates of metal; sleeves [metal hardware]; signboards of metal; diving boards of metal; loading gauge rods, of metal, for railway waggons; nuts of metal; galena [ore]; celtium [hafnium]; nails; brads; tacks [nails]; horseshoe nails; germanium; tombs of metal; vice claws of metal; doors of metal; memorial plaques, of metal; tombstone plaques of metal; packaging containers of metal; containers of metal for storing acids; jalousies of metal; iron, unwrought or semi-wrought; gutters of metal; tinsplate; bungs of metal; plugs of metal; bolts, flat; latch bars of metal; window fasteners of metal; crampons of metal [cramps]; binding screws of metal for cables; wheel clamps [boots]; rivets of metal; padlocks; locks of metal for vehicles; locks of metal, other than electric; locks of metal for bags; spring locks; box fasteners of metal; machine belt fasteners of metal; door bolts; bottle closures of metal; closures of metal for containers; bolts; wall plugs of metal; latches of metal; tension links; stretchers for metal bands [tension links]; wire stretchers [tension links]; stretchers for iron bands [tension links]; couplings of metal for chains; door bells, non-electric; signs, non-luminous and non-mechanical, of metal, for roads; signs, non-luminous and non-mechanical, of metal; numberplates, of metal; registration plates, of metal; bronzes [works of art]; works of art of common metal; hardware of metal, small; ironmongery; indium; cabanas of metal; telephone booths of metal; cadmium; paint spraying booths, of metal; ropes of metal; telpher cables; greenhouse frames of metal; framework of metal for building; cornices of metal; skating rinks [structures of metal]; cermets; metal cages for wild animals; keys; knobs of metal; cobalt, raw; chill-molds [foundry]; bed cas-

ters of metal; furniture casters of metal; pillars of metal for buildings; sealing caps of metal; bottle caps of metal; capsules of metal for bottles; sealing caps of metal for bottles; tent pegs of metal; rings of common metal for keys; copper rings; ferrules of metal; ferrules of metal for handles; rings of metal; stop collars of metal; door fittings, of metal; fittings of metal for windows; buildings, transportable, of metal; buildings of metal; steel buildings; guard rails of metal; baskets of metal; money boxes of metal; door cases of metal; door frames of metal; stringers [parts of staircases] of metal; taps for casks, of metal; tubing of metal; casings of metal for oilwells; roofing of metal; brackets of metal for building; turntables [railways]; manhole covers of metal; pitons of metal [mountaineering equipment]; hooks [metal hardware]; pot hooks of metal; hooks for slate [metal hardware]; hooks of metal for clothes rails; clothes hooks of metal; chicken-houses, of metal; brass, unwrought or semi-wrought; bands of metal for tying-up purposes; scaffolding of metal; staircases of metal; ladders of metal; limonite; steel sheets; cast steel; traps for wild animals; magnesium; manganese; reinforcing materials, of metal, for concrete; reinforcing materials of metal for machine belts; reinforcing materials of metal for pipes; reinforcing materials of metal for building; materials of metal for funicular railway permanent ways; railway material of metal; building materials of metal; refractory construction materials of metal; masts of metal; steel masts; copper, unwrought or semi-wrought; sheets and plates of metal; common metals, unwrought or semi-wrought; pyrophoric metals; metals in powder form; molybdenum; door knockers; monuments of metal; porches of metal [building]; monuments of metal for tombs; bronzes for tombstones; roof flashing of metal; fish plates [rails]; flashing of metal, for building; anvils; anvils [portable]; beak-irons [bick-irons]; ferrules of metal for walking sticks; rope thimbles of metal; hand-cuffs; duckboards of metal; german silver; nickel; niobium; grease nipples; thread of metal for tying-up purposes; binding thread of metal for agricultural purposes; house numbers of metal, non-luminous; braces of metal for handling loads; wall claddings of metal [building]; wall linings of metal [building]; cladding of metal for construction and building; moldings of metal for cornices; laths of metal; barrel hoops of metal; fences of metal; palings of metal; tree protectors of metal; crash barriers of metal for roads; latticework of metal; trellis of metal; ironwork for doors; ironwork for windows; windows of metal; casement windows of metal; tin; shuttering of metal for concrete; filings of metal; cask stands of metal; poles of metal, for electric lines; props of metal; wainscotting of metal; signalling panels, non-luminous and non-mechanical, of metal; partitions of metal; lintels of metal; strap-hinges of metal; shims; rocket launching plat-

forms of metal; platforms, prefabricated, of metal; transport pallets of metal; floor tiles, of metal; tiles of metal for building; anchor plates; tie plates; armour plate; gravestone slabs of metal; tile floorings of metal; iron slabs; lead seals; loading pallets, of metal; handling pallets of metal; firedogs [andirons]; armour plating; paving blocks of metal; roof coverings of metal; floors of metal; sills of metal; ceilings of metal; gold solder; silver solder; door closers, non-electric; door openers, non-electric; door springs, non-electric; valves of metal, other than parts of machines; clips of metal for cables and pipes; wall hooks of metal for pipes; floating docks of metal for mooring boats; iron wire; aluminium wire; wire for aerials; soldering wire of metal; wire of common metal; wire of common metal alloys, except fuse wire; barbed wire; copper wire, not insulated; steel wire; washers of metal; springs [metal hardware]; rods of metal for welding; rods of metal for brazing; rods of metal for brazing and welding; enclosures of metal for tombs; window frames of metal; frames of metal for building; tanks of metal; containers of metal [storage, transport]; containers of metal for liquid fuel; containers of metal for compressed gas or liquid air; floating containers of metal; rails of metal; belts of metal for handling loads; gratings of metal; furnace fireguards; pulleys of metal, other than for machines; runners of metal for sliding doors; window pulleys; iron ores; ores of metal; chrome ores; tool handles of metal; door handles of metal; scythe handles of metal; broom handles of metal; knife handles of metal; pilings of metal; lead, unwrought or semi-wrought; safes [strong boxes]; vaults of metal [burial]; buckles of common metal [hardware]; door scrapers; cable joints of metal, non-electric; jets of metal; nozzles of metal; anti-friction metal; silver plated tin alloy; alloys of common metal; nickel-silver; bindings of metal; sheaf binders of metal; shutters of metal; outdoor blinds of metal; steel alloys; iron strip; steel strip; steel, unwrought or semi-wrought; tinfoil; statues of common metal; figurines [statuettes] of common metal; tombstone stelae of metal; pegs of metal; pins [hardware]; bars for metal railings; posts of metal; advertisement columns of metal; telegraph posts of metal; railway switches; steps [ladders] of metal; slings of metal for handling loads; stair treads [steps] of metal; identity plates of metal; tantalum [metal]; troughs of metal for mixing mortar; greenhouses of metal, transportable; titanium; wire cloth; tombac; boarding stairs of metal, mobile, for passengers; cables of metal, non-electric; wire rope; mooring bollards of metal; turnstiles, non-automatic; angle irons; tinplate packings; stops of metal; door stops of metal; gate stops of metal; sash fasteners of metal for windows; bicycle parking installations of metal; towel dispensers, fixed, of metal; wind-driven bird-repelling devices made of metal; tungsten iron; mo-

lybdenum iron; silicon iron; ferrotitanium; chrome iron; door panels of metal; weather vanes of metal; wind vanes of metal; aluminium foil; foils of metal for wrapping and packaging; ice moulds of metal; foundry molds of metal; fittings of metal for coffins; fittings of metal for beds; fittings of metal for furniture; building or furniture fittings of nickel-silver; chromium; cattle chains; chains for dogs; safety chains of metal; chains of metal; zinc; zirconium; tiles of metal; cast iron, unwrought or semi-wrought; balls of steel; hinges of metal; poles of metal; crampons [climbing irons]; cashboxes of metal; safety cashboxes; belt stretchers of metal; railroad ties of metal; window casement bolts; cotter pins; spurs; roller blinds of steel; building boards of metal; insect screens of metal; furnace fire screens; badges of metal for vehicles; lock bolts; bins of metal; chests of metal; tool boxes of metal, empty; tool chests of metal, empty; chests of metal for food; meat safes of metal; boxes of common metal; letter boxes of metal.

11 – Lamp shades; steam accumulators; heat accumulators; defrosters for vehicles; water heaters [apparatus]; distillation apparatus; desiccating apparatus; disinfectant apparatus; air deodorising apparatus; tanning apparatus [sun beds]; ionisation apparatus for the treatment of air; coffee roasters; beverages cooling apparatus; hand drying apparatus for washrooms; water purifying apparatus and machines; refrigerating apparatus and machines; drying apparatus and installations; freezers; drying apparatus; fruit roasters; framework of metal for ovens; coolers for furnaces; expansion tanks for central heating installations; refining towers for distillation; bidets; boilers, other than parts of machines; bath tubs; spa baths [vessels]; bath tubs for sitz baths; waffle irons, electric; fans [air-conditioning]; fans [parts of air-conditioning installations]; electric fans for personal use; roasting spits; refrigerating display cabinets [display cases]; water heaters; flushing apparatus; air reheaters; extractor hoods for kitchens; gas generators [installations]; gas condensers, other than parts of machines; acetylene generators; hydrants; burners; acetylene burners; petrol burners; gas burners; burners for lamps; germicidal burners; incandescent burners; oxhydrogen burners; laboratory burners; oil burners; alcohol burners; hot water bottles; warming pans; footwarmers, electric or non-electric; bedwarmers; pocket warmers; lampshade holders; stills; showers; chimney flues; refrigerating containers; gas lighters; lighters; friction lighters for igniting gas; chimney blowers; coils [parts of distilling, heating or cooling installations]; ash pits for furnaces; evaporators; flares; shower cubicles; turkish bath cabinets, portable; heating apparatus; refrigerating chambers; fireplaces, domestic; autoclaves [electric pressure cookers]; pressure cooking saucepans, electric; air valves for steam heating installations; level controlling

valves in tanks; thermostatic valves [parts of heating installations]; electrically heated carpets; light bulbs; light bulbs, electric; solar collectors [heating]; distillation columns; lamp globes; air conditioning apparatus; gas boilers; laundry room boilers; washing coppers; heating boilers; coffee machines, electric; taps [cocks, spigots] for pipes; taps [faucets]; mixer taps for water pipes; forges, portable; lava rocks for use in barbecue grills; lights, electric, for christmas trees; acetylene flares; safety lamps; gas lamps; curling lamps; germicidal lamps for purifying air; projector lamps; lamps for directional signals of automobiles; light bulbs for directional signals for vehicles; arc lamps; laboratory lamps; oil lamps; soldering lamps; ultraviolet ray lamps, not for medical purposes; miners' lamps; electric lamps; chandeliers; barbecues; bread baking machines; watering machines for agricultural purposes; disposable sterilization pouches; foot-muffs, electrically heated; heaters, electric, for feeding bottles; heaters for baths; heaters for heating irons; immersion heaters; brackets for gas burners; anti-splash tap nozzles; heat pumps; filaments for electric lamps; heating filaments, electric; magnesium filaments for lighting; luminous house numbers; bath linings; heating apparatus for defrosting windows of vehicles; hot air bath fittings; bath fittings; loading apparatus for furnaces; kiln furniture [supports]; sauna bath installations; refrigerating appliances and installations; blankets, electric, not for medical purposes; lamp reflectors; vehicle reflectors; clean chambers [sanitary installations]; steam boilers, other than parts of machines; pasteurisers; lamp casings; sockets for electric lights; coffee percolators, electric; furnaces, other than for experimental purposes; stoves [heating apparatus]; bakers' ovens; hot air ovens; microwave ovens [cooking apparatus]; microwave ovens for Industrial purposes; incinerators; kilns; solar furnaces; urinals [sanitary fixtures]; feeding apparatus for heating boilers; heating plates; cookers; kitchen ranges [ovens]; aquarium heaters; aquarium lights; heating cushions [pads], electric, not for medical purposes; cooking utensils, electric; water intake apparatus; deodorising apparatus, not for personal use; apparatus for dehydrating foodstuffs organic materials; griddles [cooking appliances]; grills [cooking appliances]; roasting apparatus; fumigation apparatus, not for medical purposes; gas scrubbing apparatus; oil-scrubbing apparatus; glue-heating appliances; drying apparatus for fodder and forage; water filtering apparatus; air purifying apparatus and machines; ice machines and apparatus; cooling appliances and installations; cooking apparatus and installations; lighting apparatus and installations; sanitary apparatus and installations; cooking rings; lighting apparatus for vehicles; heating apparatus, electric; hot air apparatus; heating apparatus for solid, liquid or gaseous fuels; steam

facial apparatus [saunas]; safety accessories for water or gas apparatus and pipes; regulating and safety accessories for gas apparatus; regulating accessories for water or gas apparatus and pipes; regulating and safety accessories for water apparatus; regulating and safety accessories for gas pipes; roasting jacks; anti-dazzle devices for automobiles [lamp fittings]; plate warmers; electric appliances for making yogurt; rotisseries; radiator caps; diving lights; flashlights [torches]; searchlights; washers for water taps; anti-glare devices for vehicles [lamp fittings]; radiators [heating]; central heating radiators; radiators, electric; sinks; disinfectant dispensers for toilets; drip irrigation emitters [irrigation fittings]; light diffusers; atomic piles; nuclear reactors; heat regenerators; flushing tanks; pressure water tanks; furnace grates; roasters; lamps; standard lamps; street lamps; ceiling lights; toilet seats; lighting installations for air vehicles; gas scrubbers [parts of gas installations]; lamp glasses; sterilizers; water sterilizers; air sterilisers; air driers [dryers]; laundry dryers, electric; hair driers [dryers]; malt roasters; tobacco roasters; heat exchangers, not parts of machines; bread toasters; discharge tubes, electric, for lighting; lamp chimneys; luminous tubes for lighting; flues for heating boilers; boiler pipes [tubes] for heating installations; pipes [parts of sanitary installations]; toilets [water-closets]; toilets, portable; humidifiers for central heating radiators; wash-hand basins [parts of sanitary installations]; toilet bowls; water conduits installations; bath installations; bath plumbing fixtures; air conditioning installations; ventilation [air-conditioning] installations for vehicles; desalination plants; processing installations for fuel and nuclear moderating material; watering installations, automatic; cooling installations for water; cooling installations for liquids; milk cooling installations; cooling installations for tobacco; water purification installations; purification installations for sewage; steam generating installations; water distribution installations; air filtering installations; swimming pools chlorinating units; ventilation [air-conditioning] installations and apparatus; water softening apparatus and installations; cooling installations and machines; heating installations; heaters for vehicles; heating installations [water]; polymerisation installations; water supply installations; ash conveyor installations, automatic; whirlpool-jet apparatus; air cooling apparatus; furnaces; hearths; stoves; aquarium filtration apparatus; flare stacks for use in the oil industry; headlights for automobiles; vehicle headlights; filters [parts of household or industrial installations]; filters for air conditioning; coffee filters, electric; filters for drinking water; lanterns; automobile lights; bicycle lights; lights for vehicles; pocket searchlights; pocket torches, electric; lanterns for lighting; chinese lanterns; fairy lights for festive decoration; fountains; ornamental

fountains; deep fryers, electric; oven fittings made of fireclay; fittings, shaped, for furnaces; refrigerators; chromatography apparatus for industrial purposes; kettles, electric; dampers [heating]; ventilation hoods; ventilation hoods for laboratories; dental ovens; refrigerating cabinets; ice boxes; fuel economisers; carbon for arc lamps; heating elements.

42 – Computer systems analysis; chemical analysis; authenticating works of art; recovery of computer data; graphic arts designing; computer virus protection services; installation of computer software; meteorological information; weather forecasting; material testing; textile testing; bacteriological research; biological research; geological research; research in the field of environmental protection; cosmetic research; mechanical research; physics [research]; chemical research; analysis for oil-field exploitation; underwater exploration; calibration [measuring]; oil-well testing; quality control; vehicle roadworthiness testing; land surveying; dress designing; updating of computer software; geological surveys; oil-field surveys; maintenance of computer software; design of interior decor; conversion of data or documents from physical to electronic media; providing search engines for the internet; data conversion of computer programs and data [not physical conversion]; computer system design; rental of web servers; computer rental; rental of computer software; geological prospecting; oil prospecting; hosting computer sites [web sites]; duplication of computer programs; computer software design; cloud seeding; consultancy in the field of energy-saving; creating and maintaining web sites for others; computer programming; industrial design; styling [industrial design]; chemistry services; packaging design.

(260) AM 2013 67487 A

(800) 1114809

(731) SOCIETE EUROPEENNE DE  
CARDIOLOGIE

2035 route des Colles, Les Templiers – BP  
179, F-06903 SOPHIA ANTIPOLIS,  
France

(540)

**EUROECHO**

(591) Black, white

(511)

35 – Advertising; business administration; distribution of advertising material (tracts, prospectuses, printed matter, samples); arranging newspaper subscriptions (for third parties); computer file management; arranging of exhibitions for commercial or advertising purposes; on-line advertising on a computer network; advertising publications; dissemination of advertisements; public relations.

38 – Telecommunications information; providing access to a global computer network; providing telecommunications connections to a global computer network; press or news agencies; electronic messaging services.

41 – Education; providing of training; information on entertainment or education; publication of books; arranging of competitions (education or entertainment); arranging and conducting of colloquiums, conferences or congresses; arranging of exhibitions for cultural or educational purposes; publication of electronic books and journals on-line.

---

(260) AM 2013 63903 A\*

(800) 1086525

(731) Seago Line A/S

Dampfærgevej 10 3 tv, DK-2100

Copenhagen, Denmark

(540)

**SEAGO**

(591) Black, white

(511)

39 – Transport, including marine transport, railway and truck transport, packaging and storage of goods, delivery of goods, cargo loading and unloading, freight forwarding, container rental.

---

---

**INTERNATIONAL TRADEMARKS PROTECTED IN GEORGIA**

(260) AM 2013 63421 A  
(800) 1082404  
(151) 2011 06 03  
(181) 2021 06 03  
(511) 33

---

(260) AM 2013 64482 A  
(800) 409306  
(151) 2004 08 09  
(181) 2014 08 09  
(511) 05

---

(260) AM 2013 63510 A  
(800) 1083536  
(151) 2011 06 03  
(181) 2021 06 03  
(511) 33

---

(260) AM 2013 64483 A  
(800) 553797  
(151) 2010 05 10  
(181) 2020 05 10  
(511) 03

---

(260) AM 2013 63719 A  
(800) 188761  
(151) 2005 11 14  
(181) 2015 11 14  
(511) 05

---

(260) AM 2013 64484 A  
(800) 828188  
(151) 2004 04 05  
(181) 2014 04 05  
(511) 04, 07

---

(260) AM 2013 64430 A  
(800) 1090769  
(151) 2011 08 23  
(181) 2021 08 23  
(511) 29, 30

---

(260) AM 2013 64514 A  
(800) 1091512  
(151) 2011 08 23  
(181) 2021 08 23  
(511) 43

---

(260) AM 2013 64431 A  
(800) 1090783  
(151) 2011 07 08  
(181) 2021 07 08  
(511) 25

---

(260) AM 2013 64529 A  
(800) 1091524  
(151) 2011 06 20  
(181) 2021 06 20  
(511) 05

---

(260) AM 2013 64432 A  
(800) 1090797  
(151) 2011 08 10  
(181) 2021 08 10  
(511) 03

---

(260) AM 2013 64530 A  
(800) 1091532  
(151) 2011 01 24  
(181) 2021 01 24  
(511) 12, 37, 39

---

(260) AM 2013 64433 A  
(800) 1090838  
(151) 2011 09 08  
(181) 2021 09 08  
(511) 05

---

(260) AM 2013 64531 A  
(800) 1091544  
(151) 2011 05 06  
(181) 2021 05 06  
(511) 09, 16, 35, 41, 42, 45

---

(260) AM 2013 64481 A  
(800) 1091497  
(151) 2011 07 25  
(181) 2021 07 25  
(511) 14

---

(260) AM 2013 64534 A  
(800) 1091555  
(151) 2011 08 08  
(181) 2021 08 08  
(511) 12

---

(260) AM 2013 64535 A  
(800) 1091561  
(151) 2011 08 29  
(181) 2021 08 29  
(511) 03

---

(260) AM 2013 64536 A  
(800) 1091588  
(151) 2011 08 12  
(181) 2021 08 12  
(511) 33

---

(260) AM 2013 64537 A  
(800) 1091641  
(151) 2011 06 10  
(181) 2021 06 10  
(511) 05

---

(260) AM 2013 64538 A  
(800) 1091642  
(151) 2011 06 14  
(181) 2021 06 14  
(511) 14, 35

---

(260) AM 2013 64595 A  
(800) 1092309  
(151) 2011 09 05  
(181) 2021 09 05  
(511) 11

---

(260) AM 2013 64596 A  
(800) 1092311  
(151) 2011 08 31  
(181) 2021 08 31  
(511) 05

---

(260) AM 2013 64597 A  
(800) 1092322  
(151) 2011 09 05  
(181) 2021 09 05  
(511) 33

---

(260) AM 2013 64598 A  
(800) 1092323  
(151) 2011 09 05  
(181) 2021 09 05  
(511) 33

---

(260) AM 2013 64599 A  
(800) 1092324  
(151) 2011 09 05

(181) 2021 09 05  
(511) 33

---

(260) AM 2013 64600 A  
(800) 1092344  
(151) 2011 07 12  
(181) 2021 07 12  
(511) 03, 05, 30

---

(260) AM 2013 64602 A  
(800) 1092356  
(151) 2011 04 27  
(181) 2021 04 27  
(511) 09, 40

---

(260) AM 2013 64603 A  
(800) 1092361  
(151) 2011 05 27  
(181) 2021 05 27  
(511) 16

---

(260) AM 2013 65017 A  
(800) 1095494  
(151) 2011 09 13  
(181) 2021 09 13  
(511) 34

---

(260) AM 2013 65027 A  
(800) 1095615  
(151) 2011 08 19  
(181) 2021 08 19  
(511) 05

---

(260) AM 2013 65103 A  
(800) 667307  
(151) 2006 12 12  
(181) 2016 12 12  
(511) 05

---

(260) AM 2013 65146 A  
(800) 1096454  
(151) 2011 09 21  
(181) 2021 09 21  
(511) 06

---

(260) AM 2013 65147 A  
(800) 1096506  
(151) 2011 08 23  
(181) 2021 08 23  
(511) 29, 30

---

(260) AM 2013 65159 A  
(800) 1096667  
(151) 2011 05 24  
(181) 2021 05 24  
(511) 07, 08, 09, 11

---

(260) AM 2013 65197 A  
(800) 994864  
(151) 2009 01 16  
(181) 2019 01 16  
(511) 05, 10

---

(260) AM 2013 65304 A  
(800) 567095  
(151) 2011 03 14  
(181) 2021 03 14  
(511) 14

---

(260) AM 2013 65305 A  
(800) 579217  
(151) 2011 11 15  
(181) 2021 11 15  
(511) 14

---

(260) AM 2013 65306 A  
(800) 586345  
(151) 2002 04 10  
(181) 2012 04 10  
(511) 25

---

(260) AM 2013 65307 A  
(800) 619769  
(151) 2003 12 22  
(181) 2013 12 22  
(511) 07, 09, 11

---

(260) AM 2013 65308 A  
(800) 633222  
(151) 2004 09 20  
(181) 2014 09 20  
(511) 03, 18, 21

---

(260) AM 2013 65310 A  
(800) 679075  
(151) 2007 08 19  
(181) 2017 08 19  
(511) 20, 21, 25

---

(260) AM 2013 65311 A  
(800) 695520  
(151) 2008 04 03

(181) 2018 04 03  
(511) 01

---

(260) AM 2013 65312 A  
(800) 700223  
(151) 2008 10 08  
(181) 2018 10 08  
(511) 11

---

(260) AM 2013 65844 A  
(800) 1102094  
(151) 2011 11 03  
(181) 2021 11 03  
(511) 05

---

(260) AM 2013 65845 A  
(800) 1102095  
(151) 2011 11 03  
(181) 2021 11 03  
(511) 05

---

(260) AM 2013 65880 A  
(800) 1102410  
(151) 2011 09 08  
(181) 2021 09 08  
(511) 09, 35, 37, 38, 41, 42

---

(260) AM 2013 65881 A  
(800) 1102419  
(151) 2011 09 21  
(181) 2021 09 21  
(511) 12

---

(260) AM 2013 65888 A  
(800) 1102460  
(151) 2011 10 06  
(181) 2021 10 06  
(511) 07, 09, 12, 16, 25, 28, 35, 37, 38, 39

---

(260) AM 2013 65891 A  
(800) 1102587  
(151) 2011 11 10  
(181) 2021 11 10  
(511) 10, 17

---

(260) AM 2013 65892 A  
(800) 1102590  
(151) 2011 11 23  
(181) 2021 11 23  
(511) 05, 10

---



(260) AM 2013 65894 A  
(800) 1102645  
(151) 2011 11 15  
(181) 2021 11 15  
(511) 30

---

(260) AM 2013 65995 A  
(800) 1103294  
(151) 2011 11 25  
(181) 2021 11 25  
(511) 32, 33, 43

---

(260) AM 2013 65998 A  
(800) 1103303  
(151) 2011 12 14  
(181) 2021 12 14  
(511) 34

---

(260) AM 2013 65999 A  
(800) 1103304  
(151) 2011 12 05  
(181) 2021 12 05  
(511) 05

---

(260) AM 2013 66000 A  
(800) 1103305  
(151) 2011 12 05  
(181) 2021 12 05  
(511) 05

---

(260) AM 2013 66002 A  
(800) 1103382  
(151) 2011 11 08  
(181) 2021 11 08  
(511) 30

---

(260) AM 2013 66003 A  
(800) 952839  
(151) 2007 06 20  
(181) 2017 06 20  
(511) 01, 04, 05

---

(260) AM 2013 66004 A  
(800) 1067375  
(151) 2011 01 26  
(181) 2021 01 26  
(511) 09

---

(260) AM 2013 66071 A  
(800) 1103703  
(151) 2011 11 23  
(181) 2021 11 23

(511) 11, 17, 19

---

(260) AM 2013 66075 A  
(800) 1103733  
(151) 2011 11 10  
(181) 2021 11 10  
(511) 05

---

(260) AM 2013 66076 A  
(800) 1103734  
(151) 2011 11 10  
(181) 2021 11 10  
(511) 05

---

(260) AM 2013 66077 A  
(800) 1103743  
(151) 2011 10 06  
(181) 2021 10 06  
(511) 05

---

(260) AM 2013 66132 A  
(800) 1104059  
(151) 2011 11 23  
(181) 2021 11 23  
(511) 11, 17, 19

---

---

# APPELLATIONS OF ORIGIN AND GEOGRAPHICAL INDICATIONS OF GOODS

## THE RIGHT TO USE OF REGISTERED APPELLATIONS OF ORIGIN OF GOODS

Registered Appellations of Origin of Goods: **MUKUZANI**

The Right to Use: LTD "Dugladzeebis Gvinoebis Kompania"

Akhvledianis chikhi 8, Orkhevi, 0109, Tbilisi, Georgia

Number of Registration: 2/2-13

Valid: 2014 02 13

---

Registered Appellations of Origin of Goods: **TSINANDALI**

The Right to Use: LTD "Dugladzeebis Gvinoebis Kompania"

Akhvledianis chikhi 8, Orkhevi, 0109, Tbilisi, Georgia

Number of Registration: 3/2-13

Valid: 2014 02 13

---

Registered Appellations of Origin of Goods: **AKHASHENI**

The Right to Use: LTD "Dugladzeebis Gvinoebis Kompania"

Akhvledianis chikhi 8, Orkhevi, 0109, Tbilisi, Georgia

Number of Registration: 4/2-13

Valid: 2014 02 13

---

Registered Appellations of Origin of Goods: **KINDZMARauli**

The Right to Use: LTD "Dugladzeebis Gvinoebis Kompania"

Akhvledianis chikhi 8, Orkhevi, 0109, Tbilisi, Georgia

Number of Registration: 787/2-13

Valid: 2014 02 13

---

Registered Appellations of Origin of Goods: **NAPAREULI**

The Right to Use: LTD "Dugladzeebis Gvinoebis Kompania"

Akhvledianis chikhi 8, Orkhevi, 0109, Tbilisi, Georgia

Number of Registration: 790/2-13

Valid: 2014 02 13

---

Registered Appellations of Origin of Goods: **TELIANI**

The Right to Use: LTD "Dugladzeebis Gvinoebis Kompania"

Akhvledianis chikhi 8, Orkhevi, 0109, Tbilisi, Georgia

Number of Registration: 791/2-13

Valid: 2014 02 13

---

Registered Appellations of Origin of Goods: **VAZISUBANI**

The Right to Use: LTD "Dugladzebis Gvinoebis Kompania"

Akhvledianis chikhi 8, Orkhevi, 0109, Tbilisi, Georgia

Number of Registration: 794/2-13

Valid: 2014 02 13

---

Registered Appellations of Origin of Goods: **TIBAANI**

The Right to Use: LTD "Dugladzebis Gvinoebis Kompania"

Akhvledianis chikhi 8, Orkhevi, 0109, Tbilisi, Georgia

Number of Registration: 796/2-13

Valid: 2014 02 13

---

Registered Appellations of Origin of Goods: **TVISHI**

The Right to Use: LTD "Dugladzebis Gvinoebis Kompania"

Akhvledianis chikhi 8, Orkhevi, 0109, Tbilisi, Georgia

Number of Registration: 797/2-13

Valid: 2014 02 13

---

Registered Appellations of Origin of Goods: **KINDZMARAULI**

The Right to Use: LTD "Vaziani Company"

Mshvidobis q. 42, 2200, Telavi, Georgia

Number of Registration: 787/16-12

Valid: 2014 01 28

---

Registered Appellations of Origin of Goods: **NAPAREULI**

The Right to Use: LTD "Vaziani Company"

Mshvidobis q. 42, 2200, Telavi, Georgia

Number of Registration: 790/8-12

Valid: 2014 01 28

---

Registered Appellations of Origin of Goods: **TSINANDALI**

The Right to Use: LTD "Vaziani Company"

Mshvidobis q. 42, 2200, Telavi, Georgia

Number of Registration: 3/15-12

Valid: 2014 01 28

---

Registered Appellations of Origin of Goods: **MUKUZANI**

The Right to Use: LTD "Vaziani Company"

Mshvidobis q. 42, 2200, Telavi, Georgia

Number of Registration: 2/16-12

Valid: 2014 01 28

---

Registered Appellations of Origin of Goods: **NABEGLAVI**

Owner: Ministry of Agriculture of Georgia

Number of Registration: 822/1-13

Data of Registration: 2011 12 13

Names of the Goods, for which the Registration of Appellation of Origin is Required:

32 - Natural Mineral Water

Registration is perpetual

---

Registered Appellations of Origin of Goods: **SAIRME**

Owner: Ministry of Agriculture of Georgia

Number of Registration: 823/1-13

Data of Registration: 2011 12 21

Names of the Goods, for which the Registration of Appellation of Origin is Required:

32 - Natural Mineral Water

Registration is perpetual

---

Registered Appellations of Origin of Goods: **BORJOMI**

Owner: Ministry of Agriculture of Georgia

Number of Registration: 824/1-13

Data of Registration: 2012 02 22

Names of the Goods, for which the Registration of Appellation of Origin is Required:

32 - Natural Mineral Water

Registration is perpetual

---

Registered Appellations of Origin of Goods: **KHVANCHKARA**

The Right to Use: LEPL "National Agency of Wine"

Number of Registration: 1/1-13

---

Registered Appellations of Origin of Goods: **MUKUZANI**

The Right to Use: LEPL "National Agency of Wine"

Number of Registration: 2/1-13

---

Registered Appellations of Origin of Goods: **TSINANDALI**

The Right to Use: LEPL "National Agency of Wine"

Number of Registration: 3/1-13

---

Registered Appellations of Origin of Goods: **AKHASHENI**

The Right to Use: LEPL "National Agency of Wine"

Number of Registration: 4/1-13

---

Registered Appellations of Origin of Goods: **GURJAANI**

The Right to Use: LEPL "National Agency of Wine"

Number of Registration: 5/1-13

---

Registered Appellations of Origin of Goods: **KINDZMARAULI**  
The Right to Use: LEPL "National Agency of Wine"  
Number of Registration: 787/1-13

---

Registered Appellations of Origin of Goods: **MANAVI**  
The Right to Use: LEPL "National Agency of Wine"  
Number of Registration: 788/1-13

---

Registered Appellations of Origin of Goods: **KAKHETI**  
The Right to Use: LEPL "National Agency of Wine"  
Number of Registration: 789/1-13

---

Registered Appellations of Origin of Goods: **NAPAREULI**  
The Right to Use: LEPL "National Agency of Wine"  
Number of Registration: 790/1-13

---

Registered Appellations of Origin of Goods: **TELIANI**  
The Right to Use: LEPL "National Agency of Wine"  
Number of Registration: 791/1-13

---

Registered Appellations of Origin of Goods: **ATENI (ATENURI)**  
The Right to Use: LEPL "National Agency of Wine"  
Number of Registration: 792/1-13

---

Registered Appellations of Origin of Goods: **SVIRI**  
The Right to Use: LEPL "National Agency of Wine"  
Number of Registration: 793/1-13

---

Registered Appellations of Origin of Goods: **VAZISUBANI**  
The Right to Use: LEPL "National Agency of Wine"  
Number of Registration: 794/1-13

---

Registered Appellations of Origin of Goods: **KARDENAKHI**  
The Right to Use: LEPL "National Agency of Wine"  
Number of Registration: 795/1-13

---

Registered Appellations of Origin of Goods: **TIBAANI**  
The Right to Use: LEPL "National Agency of Wine"  
Number of Registration: 796/1-13

---

Registered Appellations of Origin of Goods: **TVISHI**  
The Right to Use: LEPL "National Agency of Wine"  
Number of Registration: 797/1-13

---

Registered Appellations of Origin of Goods: **KVARELI**  
The Right to Use: LEPL "National Agency of Wine"  
Number of Registration: 798/1-13

---

Registered Appellations of Origin of Goods: **KOTEKHI**  
The Right to Use: LEPL "National Agency of Wine"  
Number of Registration: 799/1-13

---

---

# OFFICIAL NOTIFICATIONS

## INVENTIONS

### RENEWAL OF A PATENT

**(11) P 2009 4643 B**

(73) Devi Vasadze (GE)

**(54) REMOTELY OPERATED COMPLEX SYSTEM OF CABLE COMMUNICATION**

DATE OF RENEWAL: 2013 02 25

---

**(11) P 2011 5286 B**

(73) Devi Vasadze (GE)

**(54) NOTIFICATION SYSTEM OF AIR-RAID PRECAUTIONS**

DATE OF RENEWAL: 2013 02 25

---

---

# TRADEMARKS

## RENEWAL OF REGISTRATIONS

(111) M 2002 14592 R1  
(156) 2012 09 20  
(186) 2022 08 15  
(732) LTD "KASTEЛИ-SAQARTVELO"  
Kakhetis gzatketsili, Lilos ludis qarkhana,  
0198, Tbilisi, Georgia

---

(111) M 2002 14727 R1  
(156) 2012 10 15  
(186) 2022 10 15  
(732) ZY Holdings LLC  
1450 Broadway, New York, New York  
10018, USA

---

(111) M 2003 14862 R1  
(156) 2013 01 28  
(186) 2023 01 14  
(732) MARRIOTT WORLDWIDE  
CORPORATION  
10400 Fernwood Road, Bethesda, Maryland  
20817, USA

---

(111) M 2003 14863 R1  
(156) 2013 01 21  
(186) 2023 01 14  
(732) MARRIOTT WORLDWIDE  
CORPORATION  
10400 Fernwood Road, Bethesda, Maryland  
20817, USA

---

(111) M 2003 14870 R1  
(156) 2013 01 14  
(186) 2023 01 14  
(732) TAMAZ SHILAKADZE  
Bakhtionis q., 6, b. 24, 0160, Tbilisi,  
Georgia

---

(111) M 2003 14879 R1  
(156) 2013 01 14  
(186) 2023 01 14  
(732) TAMAZ SHILAKADZE  
Bakhtionis q., 6, b. 24, 0160, Tbilisi,  
Georgia

---

(111) M 2003 14881 R1  
(156) 2013 01 17  
(186) 2023 01 14  
(732) TAMAZ SHILAKADZE  
Bakhtionis q., 6, b. 24, 0160, Tbilisi,  
Georgia

---

(111) M 2003 14901 R1  
(156) 2013 01 14  
(186) 2023 01 14  
(732) ILLVA SARONNO S.p.A.  
Via Archimede 243-21047 saronno (VA),  
Italy

---

(111) M 2003 14908 R1  
(156) 2013 01 16  
(186) 2023 01 14  
(732) LTD "DANELIA DA KOMPANIA"  
Tseretlis q. 77 b, b. 1, 0103, Tbilisi, Georgia

---

(111) M 2003 14920 R1  
(156) 2013 01 30  
(186) 2023 01 30  
(732) MARS, INCORPORATED  
(a Delaware corporation)  
6885 Elm Street, McLean, Virginia  
22101-3883, USA

---

(111) M 2003 14927 R1  
(156) 2013 01 30  
(186) 2023 01 30  
(732) CLARION COMPANY LIMITED  
7-2, Shintoshin- Chuo-Ku, Saitama-Shi,  
Saitama, Japan

---

(111) M 2003 14932 R1  
(156) 2013 01 30  
(186) 2023 01 30  
(732) MITSUBISHI KORPOREISHEN  
3-1, Marunouchi 2-chome, Chiyoda-ku,  
Tokyo, Japan

---

(111) M 2003 14933 R1  
(156) 2013 01 30  
(186) 2023 01 30  
(732) MITSUBISHI KORPOREISHEN

---



3-1, Marunouchi 2-chome, Chiyoda-ku,  
Tokyo, Japan

---

(111) M 2003 14955 R1  
(156) 2013 01 30  
(186) 2023 01 30  
(732) TAMAZ SHILAKADZE  
Bakhtrionis q., 6, b. 24, 0160, Tbilisi,  
Georgia

---

(111) M 2003 14956 R1  
(156) 2013 01 30  
(186) 2023 01 30  
(732) TAMAZ SHILAKADZE  
Bakhtrionis q., 6, b. 24, 0160, Tbilisi,  
Georgia

---

(111) M 2003 14957 R1  
(156) 2013 01 30  
(186) 2023 01 30  
(732) TAMAZ SHILAKADZE  
Bakhtrionis q., 6, b. 24, 0160, Tbilisi,  
Georgia

---

(111) M 2003 15050 R1  
(156) 2013 03 28  
(186) 2023 03 28  
(732) Pfizer Ireland Pharmaceuticals, a private  
unlimited liability company incorporated in  
Ireland (registered number 490938)  
Operations Support Group, Ringaskiddy,  
County Cork, Ireland

---

(111) M 2003 15167 R1  
(156) 2013 06 11  
(186) 2023 06 11  
(732) TAKEDA PHARMACEUTICAL  
COMPANY LIMITED  
1-1, Doshomachi 4-chome, Chuo-ku, Osaka,  
Japan

---

(111) M 2003 15187 R1  
(156) 2013 06 27  
(186) 2023 06 27  
(732) Wyeth LLC  
Five Giralda Farms, Madison, New Jersey,  
07940, USA

---

(111) M 2003 15193 R1  
(156) 2013 06 27  
(186) 2023 06 27  
(732) Wyeth LLC  
Five Giralda Farms, Madison, New Jersey,  
07940, USA

---

(111) M 2003 15270 R1  
(156) 2013 10 15  
(186) 2023 10 15  
(732) MARS, INCORPORATED  
(a Delaware corporation)  
6885 Elm Street, McLean, Virginia  
22101-3883, USA

---

## COMPLETE TRANSFER OF RIGHTS

- (111) M 1999 011403 R1  
(732) YARA NEDERLAND B.V.  
Industrieweg 10, 4541 HJ Sluiskil,  
Netherlands  
(770) Nu3 N.V.  
Industrieweg 20, 2280 Grobbendonk,  
Belgium  
(580) 2013 02 13
- 
- (111) M 1999 011404 R1  
(732) YARA NEDERLAND B.V.  
Industrieweg 10, 4541 HJ Sluiskil,  
Netherlands  
(770) Nu3 N.V.  
Industrieweg 20, 2280 Grobbendonk,  
Belgium  
(580) 2013 02 13
- 
- (111) M 1999 011405 R1  
(732) YARA NEDERLAND B.V.  
Industrieweg 10, 4541 HJ Sluiskil,  
Netherlands  
(770) Nu3 N.V.  
Industrieweg 20, 2280 Grobbendonk,  
Belgium  
(580) 2013 02 13
- 
- (111) M 1999 011406 R1  
(732) YARA NEDERLAND B.V.  
Industrieweg 10, 4541 HJ Sluiskil,  
Netherlands  
(770) Nu3 N.V.  
Industrieweg 20, 2280 Grobbendonk,  
Belgium  
(580) 2013 02 13
- 
- (111) M 1999 011407 R1  
(732) YARA NEDERLAND B.V.  
Industrieweg 10, 4541 HJ Sluiskil,  
Netherlands  
(770) Nu3 N.V.  
Industrieweg 20, 2280 Grobbendonk,  
Belgium  
(580) 2013 02 13
- 
- (111) M 1999 011408 R1  
(732) YARA NEDERLAND B.V.  
Industrieweg 10, 4541 HJ Sluiskil,  
Netherlands  
(770) Nu3 N.V.  
Industrieweg 20, 2280 Grobbendonk,  
Belgium  
(580) 2013 02 13
- 
- (770) Nu3 N.V.  
Industrieweg 20, 2280 Grobbendonk,  
Belgium  
(580) 2013 02 13
- 
- (111) M 1999 011413 R1  
(732) YARA NEDERLAND B.V.  
Industrieweg 10, 4541 HJ Sluiskil,  
Netherlands  
(770) Nu3 N.V.  
Industrieweg 20, 2280 Grobbendonk,  
Belgium  
(580) 2013 02 13
- 
- (111) M 1999 011414 R1  
(732) YARA NEDERLAND B.V.  
Industrieweg 10, 4541 HJ Sluiskil,  
Netherlands  
(770) Nu3 N.V.  
Industrieweg 20, 2280 Grobbendonk,  
Belgium  
(580) 2013 02 13
- 
- (111) M 2007 017528 R  
(732) ОТКРЫТОЕ АКЦИОНЕРНОЕ  
ОБЩЕСТВО "ДОНСКОЙ ТАБАК"  
344000 г. Ростов-на-Дону, ул.  
Красноармейская, 170, Russian Federation  
(770) ЗАКРЫТОЕ АКЦИОНЕРНОЕ  
ОБЩЕСТВО "НЕВО ТАБАК"  
190013, Санкт-Петербург, Клинский пр.  
25, Russian Federation  
(580) 2013 01 30
- 
- (111) M 2010 020770 R  
(732) GELA MIKADZE  
Lalionis shes.5, 0101, Tbilisi, Georgia  
(770) GELA MIQADZE  
Lalionis shes. 5, 0101, Tbilisi, Georgia;  
GIORGI JANASHIA  
Ir. Abashidzis 37, 0179, Tbilisi, Georgia;  
(580) 2013 02 01
- 
- (111) M 1997 005885 R1  
(732) Peanuts Worldwide LLC  
1450 Broadway, New York, New York  
10018, USA  
(770) UNITED FEATURE SYNDICATE, INK.  
200, Madison Avenue, 4-th Floor, New  
York, NY 10016, USA  
(580) 2013 02 13
-

## CHANGES IN NAMES AND/OR ADDRESSES OF OWNERS

(111) M 1997 007652 R1  
(732) CANSON  
67 rue Louis et Laurent Seguin, 07100  
Annonay, France  
(770) CANSON  
Vidalon, 07430 davezieux, France  
(580) 2013 02 06

---

(111) M 1997 007694 R1  
(732) CANSON  
67 rue Louis et Laurent Seguin, 07100  
Annonay, France  
(770) CANSON  
Vidalon, 07430 davezieux, France  
(580) 2013 02 06

---

(111) M 1997 007695 R1  
(732) CANSON  
67 rue Louis et Laurent Seguin, 07100  
Annonay, France  
(770) CANSON  
Vidalon, 07430 davezieux, France  
(580) 2013 02 06

---

(111) M 1997 007696 R1  
(732) CANSON  
67 rue Louis et Laurent Seguin, 07100  
Annonay, France  
(770) CANSON  
Vidalon, 07430 davezieux, France  
(580) 2013 02 06

---

# CLASSIFICATION INDEXES

## INVENTIONS

### CONCORDANCE TABLE OF INTERNATIONAL CLASSIFICATION INDEX AND PUBLICATION NUMBERS

INTERNATIONAL CLASSIFICATION INDEXES (51)	NUMBER OF PUBLISHED APPLICATION (10)
A 01 D 46/04; A 01 D 34/00	AP 2013 12658 A
A 61 K 9/20; A 61 K 9/50; A 61 K 31/4439	AP 2013 11969 A
A 61 K 31/513; A 61 K 31/44; A 61 P 3/10	AP 2013 10609 A
B 65 D 17/28	AP 2013 12141 A
C 07 C 239/10; C 07 C 239/20; A 01 N 43/26; C 07 C 239/12	AP 2013 12285 A
C 07 D 209/14; A 61 K 31/343; A 61 K 31/381; A 61 K 31/404; A 61 K 31/415; A 61 K 31/416; A 61 K 31/4184; A 61 K 31/4355; A 61 K 31/4365; A 61 K 31/437; A 61 K 31/4439; A 61 P 3/10; A 61 P 43/00; C 07 D 231/12; C 07 D 231/20; C 07 D 231/56; C 07 D 235/14; C 07 D 307/81; C 07 D 333/58; C 07 D 401/04; C 07 D 471/04; C 07 D 491/048; C 07 D 495/04	AP 2013 11962 A
C 07 D 209/42; A 61 K 31/404	AP 2013 10917 A
C 07 D 401/12; C 07 D 401/14; A 61 K 31/444; A 61 P 35/00	AP 2013 12163 A
C 07 D 403/14	AP 2013 12222 A
C 07 D 417/14; A 61 K 31/427; A 61 P 3/10	AP 2013 11998 A
C 07 F 5/02; C 07 F 5/04; A 61 K 31/21; A 61 P 35/00; A 61 P 29/00	AP 2013 12060 A
E 04 C 3/04	AP 2013 11625 A
E 21 B 7/24; E 21 B 10/36	AP 2013 11049 A
F 25 B 27/00; F 25 B 30/06	AP 2013 11598 A
G 06 F 17/30; G 06 K 9/00	AP 2013 11961 A

### CONCORDANCE TABLE OF PUBLICATION NUMBERS AND INTERNATIONAL CLASSIFICATION INDEX

NUMBER OF PUBLISHED APPLICATION (10)	INTERNATIONAL CLASSIFICATION INDEXES (51)
AP 2013 10609 A	A 61 K 31/513; A 61 K 31/44; A 61 P 3/10
AP 2013 10917 A	C 07 D 209/42; A 61 K 31/404
AP 2013 11049 A	E 21 B 7/24; E 21 B 10/36
AP 2013 11598 A	F 25 B 27/00; F 25 B 30/06
AP 2013 11625 A	E 04 C 3/04
AP 2013 11961 A	G 06 F 17/30; G 06 K 9/00
AP 2013 11962 A	C 07 D 209/14; A 61 K 31/343; A 61 K 31/381; A 61 K 31/404; A 61 K 31/415; A 61 K 31/416; A 61 K 31/4184; A 61 K 31/4355; A 61 K 31/4365; A 61 K 31/437; A 61 K 31/4439; A 61 P 3/10; A 61 P 43/00; C 07 D 231/12; C 07 D 231/20; C 07 D 231/56; C 07 D 235/14; C 07 D 307/81; C 07 D 333/58; C 07 D 401/04; C 07 D 471/04; C 07 D 491/048; C 07 D 495/04
AP 2013 11969 A	A 61 K 9/20; A 61 K 9/50; A 61 K 31/4439
AP 2013 11998 A	C 07 D 417/14; A 61 K 31/427; A 61 P 3/10
AP 2013 12060 A	C 07 F 5/02; C 07 F 5/04; A 61 K 31/21; A 61 P 35/00; A 61 P 29/00
AP 2013 12141 A	B 65 D 17/28

1	2
AP 2013 12163 A	C 07 D 401/12; C 07 D 401/14; A 61 K 31/444; A 61 P 35/00
AP 2013 12222 A	C 07 D 403/14
AP 2013 12285 A	C 07 C 239/10; C 07 C 239/20; A 01 N 43/26; C 07 C 239/12
AP 2013 12658 A	A 01 D 46/04; A 01 D 34/00

**CONCORDANCE TABLE OF INTERNATIONAL CLASSIFICATION INDEX,  
PATENT NUMBERS AND PUBLICATION NUMBERS**

INTERNATIONAL CLASSIFICATION INDEX (51)	NUMBER OF PATENT (11)	NUMBER OF PUBLISHED APPLICATION (10)
A 01 K 31/06	P 2013 5753 B	AP 2012 11605 A
A 01 N 43/56	P 2013 5765 B	AP 2012 12192 A
A 01 N 43/56	P 2013 5766 B	AP 2012 12193 A
A 01 N 43/56	P 2013 5767 B	AP 2012 12194 A
A 01 N 43/56	P 2013 5768 B	AP 2012 12195 A
A 01 N 43/56	P 2013 5769 B	AP 2012 12196 A
A 01 N 43/56	P 2013 5770 B	AP 2012 12197 A
A 01 N 43/56	P 2013 5771 B	AP 2012 12198 A
A 01 N 43/56	P 2013 5772 B	AP 2012 12199 A
A 01 N 43/56	P 2013 5773 B	AP 2012 12200 A
A 01 N 43/56	P 2013 5774 B	AP 2012 12201 A
A 01 P 3/00; A 01 N 43/78; A 01 N 43/80; C 07 D 261/00; C 07 D 277/00; A 01 N 43/40; A 01 N 43/56; A 01 N 43/653; A 01 N 43/90	P 2013 5758 B	AP 2012 11803 A
A 61 K 36/00	P 2013 5755 B	AP 2012 11749 A
A 61 K 36/00	P 2013 5756 B	AP 2012 11753 A
A 61 K 36/00	P 2013 5759 B	AP 2012 11815 A
A 61 K 36/00	P 2013 5760 B	AP 2012 11816 A
A 61 K 36/00	P 2013 5761 B	AP 2012 11817 A
A 61 K 36/00	P 2013 5762 B	AP 2012 11818 A
B 01 D 53/62	P 2013 5757 B	AP 2012 11762 A
B 41 M 3/00; B 41 M 5/28; G 09 F 3/02; B 44 F 1/10; B 65 D 79/02	P 2013 5775 B	AP 2012 12272 A
C 03 C 3/04, 3/095, 13/00	P 2013 5778 B	AP 2012 12046 A
C 07 D 471/10; A 61 K 31/444; A 61 P 3/04	P 2013 5754 B	AP 2012 11654 A
C 13 F 3/00	P 2013 5776 B	AP 2012 12311 A
E 04 H 17/04; E 04 H 17/02; B 60 P 7/08	P 2013 5752 B	AP 2012 11097 A
F 02 B 73/00; F 02 G 1/043	P 2013 5777 B	AP 2012 11945 A
F 03 B 13/12	P 2013 5779 B	AP 2012 12069 A
G 06 Q 30/00; H 04 W 64/00; H 04 W 4/04	P 2013 5764 B	AP 2012 11883 A
H 01 J 65/04	P 2013 5763 B	AP 2012 11850 A

**CONCORDANCE TABLE OF PATENT NUMBERS,  
PUBLICATION NUMBERS AND INTERNATIONAL CLASSIFICATION INDEX**

NUMBER OF PATENT (11)	NUMBER OF PUBLISHED APPLICATION (10)	INTERNATIONAL CLASSIFICATION INDEX (51)
P 2013 5752 B	AP 2012 11097 A	E 04 H 17/04; E 04 H 17/02; B 60 P 7/08
P 2013 5753 B	AP 2012 11605 A	A 01 K 31/06
P 2013 5754 B	AP 2012 11654 A	C 07 D 471/10; A 61 K 31/444; A 61 P 3/04
P 2013 5755 B	AP 2012 11749 A	A 61 K 36/00
P 2013 5756 B	AP 2012 11753 A	A 61 K 36/00
P 2013 5757 B	AP 2012 11762 A	B 01 D 53/62
P 2013 5758 B	AP 2012 11803 A	A 01 P 3/00; A 01 N 43/78; A 01 N 43/80; C 07 D 261/00; C 07 D 277/00; A 01 N 43/40; A 01 N 43/56; A 01 N 43/653; A 01 N 43/90
P 2013 5759 B	AP 2012 11815 A	A 61 K 36/00
P 2013 5760 B	AP 2012 11816 A	A 61 K 36/00
P 2013 5761 B	AP 2012 11817 A	A 61 K 36/00
P 2013 5762 B	AP 2012 11818 A	A 61 K 36/00
P 2013 5763 B	AP 2012 11850 A	H 01 J 65/04
P 2013 5764 B	AP 2012 11883 A	G 06 Q 30/00; H 04 W 64/00; H 04 W 4/04
P 2013 5765 B	AP 2012 12192 A	A 01 N 43/56
P 2013 5766 B	AP 2012 12193 A	A 01 N 43/56
P 2013 5767 B	AP 2012 12194 A	A 01 N 43/56
P 2013 5768 B	AP 2012 12195 A	A 01 N 43/56
P 2013 5769 B	AP 2012 12196 A	A 01 N 43/56
P 2013 5770 B	AP 2012 12197 A	A 01 N 43/56
P 2013 5771 B	AP 2012 12198 A	A 01 N 43/56
P 2013 5772 B	AP 2012 12199 A	A 01 N 43/56
P 2013 5773 B	AP 2012 12200 A	A 01 N 43/56
P 2013 5774 B	AP 2012 12201 A	A 01 N 43/56
P 2013 5775 B	AP 2012 12272 A	B 41 M 3/00; B 41 M 5/28; G 09 F 3/02; B 44 F 1/10; B 65 D 79/02
P 2013 5776 B	AP 2012 12311 A	C 13 F 3/00
P 2013 5777 B	AP 2012 11945 A	F 02 B 73/00; F 02 G 1/043
P 2013 5778 B	AP 2012 12046 A	C 03 C 3/04, 3/095, 13/00
P 2013 5779 B	AP 2012 12069 A	F 03 B 13/12

**CONCORDANCE TABLE OF APPLICATION NUMBERS, PUBLICATION NUMBERS  
AND PATENTS**

NUMBER OF APPLICATION (21)	NUMBER OF PUBLISHED APPLICATION (10)	NUMBER OF PATENT (11)
AP 2009 011097	AP 2012 11097 A	P 2013 5752 B
AP 2008 011605	AP 2012 11605 A	P 2013 5753 B
AP 2008 011654	AP 2012 11654 A	P 2013 5754 B
AP 2010 011749	AP 2012 11749 A	P 2013 5755 B
AP 2010 011753	AP 2012 11753 A	P 2013 5756 B
AP 2008 011762	AP 2012 11762 A	P 2013 5757 B
AP 2008 011803	AP 2012 11803 A	P 2013 5758 B
AP 2010 011815	AP 2012 11815 A	P 2013 5759 B
AP 2010 011816	AP 2012 11816 A	P 2013 5760 B
AP 2010 011817	AP 2012 11817 A	P 2013 5761 B

1	2	3
AP 2010 011818	AP 2012 11818 A	P 2013 5762 B
AP 2008 011850	AP 2012 11850 A	P 2013 5763 B
AP 2009 011883	AP 2012 11883 A	P 2013 5764 B
AP 2010 011945	AP 2012 11945 A	P 2013 5777 B
AP 2010 012046	AP 2012 12046 A	P 2013 5778 B
AP 2011 012069	AP 2012 12069 A	P 2013 5779 B
AP 2008 012192	AP 2012 12192 A	P 2013 5765 B
AP 2008 012193	AP 2012 12193 A	P 2013 5766 B
AP 2008 012194	AP 2012 12194 A	P 2013 5767 B
AP 2008 012195	AP 2012 12195 A	P 2013 5768 B
AP 2008 012196	AP 2012 12196 A	P 2013 5769 B
AP 2008 012197	AP 2012 12197 A	P 2013 5770 B
AP 2008 012198	AP 2012 12198 A	P 2013 5771 B
AP 2008 012199	AP 2012 12199 A	P 2013 5772 B
AP 2008 012200	AP 2012 12200 A	P 2013 5773 B
AP 2008 012201	AP 2012 12201 A	P 2013 5774 B
AP 2009 012272	AP 2012 12272 A	P 2013 5775 B
AP 2011 012311	AP 2012 12311 A	P 2013 5776 B

## UTILITY MODELS

### CONCORDANCE TABLE OF INTERNATIONAL CLASSIFICATION INDEX AND PUBLICATION NUMBERS

INTERNATIONAL CLASSIFICATION INDEXES (51)	NUMBER OF PUBLISHED APPLICATION (10)
C 02 F 1/28	AU 2013 12502 U

### CONCORDANCE TABLE OF PUBLICATION NUMBERS AND INTERNATIONAL CLASSIFICATION INDEX

NUMBER OF PUBLISHED APPLICATION (10)	INTERNATIONAL CLASSIFICATION INDEXES (51)
AU 2013 12502 U	C 02 F 1/28

### CONCORDANCE TABLE OF INTERNATIONAL CLASSIFICATION INDEX, PATENT NUMBERS AND PUBLICATION NUMBERS

INTERNATIONAL CLASSIFICATION INDEX (51)	NUMBER OF PATENT (11)	NUMBER OF PUBLISHED APPLICATION (10)
A 01 B 49/00	U 2013 1757 Y	AU 2012 12574 U

**CONCORDANCE TABLE OF PATENT NUMBERS,  
PUBLICATION NUMBERS AND INTERNATIONAL CLASSIFICATION INDEX**

NUMBER OF PATENT (11)	NUMBER OF PUBLISHED APPLICATION (10)	INTERNATIONAL CLASSIFICATION INDEX (51)
U 2013 1757 Y	AU 2012 12574 U	A 01 B 49/00

**CONCORDANCE TABLE OF APPLICATION NUMBERS, PUBLICATION NUMBERS  
AND PATENTS**

NUMBER OF APPLICATION (21)	NUMBER OF PUBLISHED APPLICATION (10)	NUMBER OF PATENT (11)
AU 2012 012574	AU 2012 12574 U	U 2013 1757 Y

## DESIGNS

**CONCORDANCE TABLE OF INTERNATIONAL CLASSIFICATION INDEX  
AND PUBLICATION NUMBERS**

INTERNATIONAL CLASSIFICATION INDEXES (51)	NUMBER OF PUBLISHED APPLICATION (10)
06-01	AD 2013 730 S

**CONCORDANCE TABLE OF PUBLICATION NUMBERS  
AND INTERNATIONAL CLASSIFICATION INDEX**

NUMBER OF PUBLISHED APPLICATION (10)	INTERNATIONAL CLASSIFICATION INDEXES (51)
AD 2013 730 S	06-01

**CONCORDANCE TABLE OF INTERNATIONAL CLASSIFICATION INDEX,  
PATENT NUMBERS AND PUBLICATION NUMBERS**

INTERNATIONAL CLASSIFICATION INDEX (51)	NUMBER OF PATENT (11)	NUMBER OF PUBLISHED APPLICATION (10)
01-03	D 2013 534 S	AD 2012 710 S
07-06	D 2013 531 S	AD 2012 695 S
09-03	D 2013 530 S	AD 2012 674 S
23-03	D 2013 532 S	AD 2012 698 S
23-03	D 2013 533 S	AD 2012 699 S



CONCORDANCE TABLE OF PATENT NUMBERS,  
PUBLICATION NUMBERS AND INTERNATIONAL CLASSIFICATION INDEX

NUMBER OF PATENT (11)	NUMBER OF PUBLISHED APPLICATION (10)	INTERNATIONAL CLASSIFICATION INDEX (51)
D 2013 530 S	AD 2012 674 S	09-03
D 2013 531 S	AD 2012 695 S	07-06
D 2013 532 S	AD 2012 698 S	23-03
D 2013 533 S	AD 2012 699 S	23-03
D 2013 534 S	AD 2012 710 S	01-03

CONCORDANCE TABLE OF APPLICATION NUMBERS, PUBLICATION NUMBERS  
AND PATENTS

NUMBER OF APPLICATION (21)	NUMBER OF PUBLISHED APPLICATION (10)	NUMBER OF PATENT (11)
AD 2011 000674	AD 2012 674 S	D 2012 530 S
AD 2012 000695	AD 2012 695 S	D 2012 531 S
AD 2012 000698	AD 2012 698 S	D 2012 532 S
AD 2012 000699	AD 2012 699 S	D 2012 533 S
AD 2012 000710	AD 2012 710 S	D 2012 534 S

## TRADEMARKS

### CONCORDANCE TABLE OF REGISTRATION NUMBERS, APPLICATION NUMBERS, PUBLICATION NUMBERS AND BULLETIN NUMBERS

NUMBER OF REGISTRATION (111)	NUMBER OF APPLICATION (210)	NUMBER OF PUBLISHED APPLICATION (260)	NUMBER OF BULLETIN
M 2013 23287 R	AM 2011 64221	AM 2012 64221 A	13(353) 2012
M 2013 23288 R	AM 2011 64222	AM 2012 64222 A	13(353) 2012
M 2013 23289 R	AM 2011 64223	AM 2012 64223 A	13(353) 2012
M 2013 23290 R	AM 2011 64226	AM 2012 64226 A	13(353) 2012
M 2013 23303 R	AM 2011 64795	AM 2012 64795 A	13(353) 2012
M 2013 23307 R	AM 2013 70521	-	4(368) 2013
M 2013 23308 R	AM 2012 65822	AM 2012 65822 A	19(359) 2012
M 2013 23309 R	AM 2010 59791	AM 2011 59791 A	14(330) 2011
M 2013 23310 R	AM 2011 62897	AM 2012 62897 A	15(355) 2012
M 2013 23311 R	AM 2011 62899	AM 2012 62899 A	15(355) 2012
M 2013 23312 R	AM 2011 62995	AM 2012 62995 A	15(355) 2012
M 2013 23313 R	AM 2011 62996	AM 2012 62996 A	15(355) 2012
M 2013 23314 R	AM 2011 62997	AM 2012 62997 A	15(355) 2012
M 2013 23315 R	AM 2011 63204	AM 2012 63204 A	15(355) 2012
M 2013 23316 R	AM 2011 63742	AM 2012 63742 A	18(358) 2012
M 2013 23317 R	AM 2011 64099	AM 2012 64099 A	15(355) 2012
M 2013 23318 R	AM 2011 64100	AM 2012 64100 A	15(355) 2012
M 2013 23319 R	AM 2011 64101	AM 2012 64101 A	15(355) 2012
M 2013 23320 R	AM 2011 64103	AM 2012 64103 A	15(355) 2012
M 2013 23321 R	AM 2011 64122	AM 2012 64122 A	15(355) 2012
M 2013 23322 R	AM 2011 64123	AM 2012 64123 A	15(355) 2012
M 2013 23323 R	AM 2011 64124	AM 2012 64124 A	15(355) 2012
M 2013 23324 R	AM 2011 64215	AM 2012 64215 A	13(353) 2012
M 2013 23325 R	AM 2011 64301	AM 2012 64301 A	15(355) 2012
M 2013 23326 R	AM 2011 64302	AM 2012 64302 A	15(355) 2012
M 2013 23327 R	AM 2011 64303	AM 2012 64303 A	15(355) 2012
M 2013 23328 R	AM 2011 64305	AM 2012 64305 A	15(355) 2012
M 2013 23329 R	AM 2011 64306	AM 2012 64306 A	15(355) 2012
M 2013 23330 R	AM 2011 64491	AM 2012 64491 A	18(358) 2012
M 2013 23331 R	AM 2011 64492	AM 2012 64492 A	15(355) 2012
M 2013 23332 R	AM 2011 64507	AM 2012 64507 A	16(356) 2012
M 2013 23333 R	AM 2011 64651	AM 2012 64651 A	15(355) 2012
M 2013 23334 R	AM 2011 64745	AM 2012 64745 A	13(353) 2012
M 2013 23335 R	AM 2011 64794	AM 2012 64794 A	15(355) 2012
M 2013 23336 R	AM 2011 64970	AM 2012 64970 A	18(358) 2012
M 2013 23337 R	AM 2011 64992	AM 2012 64992 A	18(358) 2012
M 2013 23338 R	AM 2011 64993	AM 2012 64993 A	18(358) 2012
M 2013 23339 R	AM 2011 65000	AM 2012 65000 A	15(355) 2012
M 2013 23340 R	AM 2011 65094	AM 2012 65094 A	20(360) 2012
M 2013 23341 R	AM 2011 65157	AM 2012 65157 A	14(354) 2012
M 2013 23342 R	AM 2011 65271	AM 2012 65271 A	18(358) 2012
M 2013 23343 R	AM 2011 65272	AM 2012 65272 A	18(358) 2012
M 2013 23344 R	AM 2011 65273	AM 2012 65273 A	18(358) 2012
M 2013 23345 R	AM 2011 65455	AM 2012 65455 A	19(359) 2012

1	2	3	4
M 2013 23346 R	AM 2011 65662	AM 2012 65662 A	19(359) 2012
M 2013 23347 R	AM 2011 65663	AM 2012 65663 A	19(359) 2012
M 2013 23348 R	AM 2011 65664	AM 2012 65664 A	19(359) 2012
M 2013 23349 R	AM 2011 65665	AM 2012 65665 A	19(359) 2012
M 2013 23350 R	AM 2011 65666	AM 2012 65666 A	19(359) 2012
M 2013 23351 R	AM 2012 65722	AM 2012 65722 A	18(358) 2012
M 2013 23352 R	AM 2012 65754	AM 2012 65754 A	18(358) 2012
M 2013 23353 R	AM 2012 65756	AM 2012 65756 A	18(358) 2012
M 2013 23354 R	AM 2013 70594	-	4(368) 2013
M 2013 23355 R	AM 2013 70640	-	4(368) 2013
M 2013 23356 R	AM 2013 70644	-	4(368) 2013
M 2013 23357 R	AM 2013 70645	-	4(368) 2013
M 2013 23358 R	AM 2013 70803	-	4(368) 2013
M 2013 23359 R	AM 2013 70804	-	4(368) 2013
M 2013 23360 R	AM 2013 70805	-	4(368) 2013

**CONCORDANCE TABLE OF PUBLICATION NUMBERS  
AND APPLICATION NUMBERS**

NUMBER OF PUBLISHED APPLICATION (260)	NUMBER OF APPLICATION (210)
AM 2013 65008 A	AM 2011 65008
AM 2013 65755 A	AM 2012 65755
AM 2013 66534 A	AM 2012 66534
AM 2013 66611 A	AM 2012 66611
AM 2013 66746 A	AM 2012 66746
AM 2013 66924 A	AM 2012 66924
AM 2013 66927 A	AM 2012 66927
AM 2013 67188 A	AM 2012 67188
AM 2013 67200 A	AM 2012 67200
AM 2013 67282 A	AM 2012 67282
AM 2013 67343 A	AM 2012 67343
AM 2013 67345 A	AM 2012 67345
AM 2013 67346 A	AM 2012 67346
AM 2013 67360 A	AM 2012 67360
AM 2013 67465 A	AM 2012 67465
AM 2011 60071 A*	AM 2010 60071
AM 2011 60072 A*	AM 2010 60072

**CONCORDANCE TABLE OF INDEX OF GOODS AND/OR SERVICES  
AND APPLICATION NUMBERS**

INDEX OF GOODS AND/OR SERVICES (511)	NUMBER OF PUBLISHED APPLICATION (260)	1	2
1	2	10	AM 2011 60071 A*
3	AM 2013 65008 A	10	AM 2011 60072 A*
3	AM 2013 66534 A	16	AM 2013 67188 A
3	AM 2013 66611 A	30	AM 2013 65755 A
4	AM 2013 65008 A	30	AM 2013 66927 A
5	AM 2013 65008 A	30	AM 2013 67345 A
5	AM 2013 66534 A	30	AM 2013 67346 A
5	AM 2013 66924 A	31	AM 2013 66927 A
5	AM 2013 67282 A	32	AM 2013 67345 A
5	AM 2013 67343 A	32	AM 2013 67346 A
5	AM 2013 67345 A	34	AM 2013 66746 A
5	AM 2013 67346 A	34	AM 2013 67360 A
5	AM 2011 60071 A*	35	AM 2013 67465 A
5	AM 2011 60072 A*	36	AM 2013 67465 A
7	AM 2013 65008 A	40	AM 2013 66927 A
9	AM 2013 67465 A	41	AM 2013 67200 A
		43	AM 2013 65755 A

**CONCORDANCE TABLE OF INDEX OF GOODS AND/OR SERVICES  
AND NUMBERS OF TRADEMARKS REGISTERED ACCORDING  
TO THE ACCELERATED PROCEDURE**

INDEX OF GOODS AND/OR SERVICES (511)	NUMBER OF REGISTERED ACCORDING TO THE ACCELERATED PROCEDURE (111)
11	M 2013 23354 R
32	M 2013 23358 R
32	M 2013 23359 R
32	M 2013 23360 R
35	M 2013 23307 R
35	M 2013 23355 R
35	M 2013 23356 R
35	M 2013 23357 R
41	M 2013 23307 R
43	M 2013 23355 R
43	M 2013 23357 R

# OFFICIAL BULLETIN OF THE INDUSTRIAL PROPERTY

## 4(368)

EDITOR-IN-CHIEF: N. Bebrishvili

EDITORS-TRANSLATORS: E. Gabunia  
G. Nadareishvili

PROOFREADER: L. Chanturia

COMPUTER LAYOUT: M. Ordenidze  
K. Svanidze

[www.sakpatenti.org.ge](http://www.sakpatenti.org.ge)  
E-mail: [info@sakpatenti.org.ge](mailto:info@sakpatenti.org.ge)