



**NATIONAL INTELLECTUAL PROPERTY CENTER OF GEORGIA  
SAKPATENTI**

**OFFICIAL BULLETIN  
OF THE INDUSTRIAL PROPERTY**

**5(345)**

**2012  
TBILISI**

# INID CODES FOR IDENTIFICATION OF BIBLIOGRAPHIC DATA

## INVENTIONS, UTILITY MODELS

- (10) Number of publication for application, which has been examined
- (11) Number of patent and kind of document
- (21) Serial number of application
- (22) Date of filing of the application
- (23) Date of exhibition or the date of the earlier filing and the number of application, if any
- (24) Date from which patent may have effect
- (31) Number of priority application
- (32) Date of filing of priority application
- (33) Code of the country or regional organization allotting priority application number
- (44) Date of publication of application not granted, but examined and number of bulletin
- (45) Date of publication of registered document
- (51) International Patent Classification Index
- (54) Title of the invention
- (57) Abstract
- (60) Number of examined patent document granted by foreign patent office, date from which patent has effect and country code
- (62) Number of the earlier application and in case of divided application, date of filing an application
- (71) Name, surname and address of applicant (country code)
- (72) Name, surname of inventor (country code)
- (73) Name, surname and address of patent owner (country code)
- (74) Name, surname of representative or patent attorney
- (85) Date of commencement of the national phase of International Application
- (86) Number and date of filing of international application
- (87) Number and date of publication of international application

## DESIGNS

- (10) Number of publication for application
- (11) Number of patent and kind of document or number of registration
- (15) Date of registration/Date of patent renewal
- (18) Expected expiration date of patent or registration
- (21) Serial number of application
- (22) Date of filing of the application
- (23) Date of exhibition or the date of the earlier filing and the number of application, if any
- (24) Date from which patent may have effect
- (28) Number of designs included in the application
- (30) Data relating to priority (number of application, date of filing of application, two-letter code identifying the authority with whom the priority application was made)
- (31) Number of priority application
- (32) Date of filing of priority application
- (33) Code of the country or regional organization allotting priority application number
- (34) Two-letter code according to WIPO St.3 identifying the authority with which the priority application was made
- (44) Date of publication of design and number of bulletin (the first publication)
- (45) Date of publication of design registered by WIPO and number of bulletin
- (51) International Classification for designs (class and subclass of the Locarno Classification)
- (54) Title of the invention
- (55) Reproduction of the design
- (57) Description of characteristic features of the design including indication of colors
- (58) Date of recording of any kind of amendment in the Register
- (62) Number of the earlier application, registration and document number and if available the date of filing an application in case of divided application
- (71) Name, surname and address of applicant (country code)
- (72) Name, surname of creator (country code)
- (73) Name, surname and address of patent owner (country code)
- (74) Name, surname of representative or patent attorney
- (81) Contracting states concerned
  - II designated contracting states according to the 1960 Act
  - III designated contracting states according to the 1999 Act
- (85) Owner's permanent address
- (86) Owner's nationality
- (87) Owner's residence
- (88) State in which the owner has a real and effective industrial or commercial establishment

## TRADEMARKS

- (111) – Number of registration
- (151) – Date of registration
- (156) – Date of the renewal
- (181) – Expected expiration date of registration
- (186) – Renewal expiration date of registration
- (141) – Date of cancel of duration of the mark
- (210) – Serial number of application
- (220) – Date of filing of the application
- (230) – Date concerning exhibition
- (260) – Number of application, for which favorable decision of examination about registration has been taken (publication number)
- (310) – Number of the first application
- (320) – Date of filing of the first application
- (330) – Code, identifying national or regional Office where the first application was made
- (511) – International Classification of Goods and Services for the purposes of registration of trade marks and/or list of goods and/or services classified according thereto
- (531) – Description of figurative elements of Trade Marks according to the International Classification of the Figurative Elements of Marks
- (540) – Reproduction of Trade Mark
- (550) – Nature and kind of Trade Mark
- (580) – Date of recording of any kind changes in respect of applications or registrations
- (591) – Information concerning colors claimed
- (731) – Name and address of the applicant
- (732) – Name and address of the holder of the registration
- (740) – Name and address of the representative
- (750) – Address for correspondence
- (770) – Name and address of the previous applicant or holder in case of change in ownership
- (771) – Previous name and address of the applicant or holder in case of change in ownership
- (791) – Name and address of the licensee
- (793) – Indication of conditions and/or restrictions under the license (Type of license, number of license agreement, data of license, data of validity of license)
- (800) – Certain data relating to the international registration of Trade Marks under the Protocol Relating to Madrid Agreement (International registration number)

## CODES FOR PUBLICATION IN BULLETIN

- (21) AP 0000 000000 – serial number of application for invention
- (10) AP 0000 0000 A – number of published application for invention (first publication)
- (11) P 0000 0000 B – number of patent for invention (second publication)
- (21) API 0000 000000 – number of application for imported patent
- (11) PI 0000 0000 A – number of imported patent (first publication)
- (21) AU 0000 000000 – serial number of application for utility model
- (10) AU 0000 000 U – number of published application for utility model (first publication)
- (11) U 0000 000 Y – number of patent for utility model (second publication)
- (21) AD 0000 000000 – serial number of application for design
- (10) AD 0000 000 S – number of published application for design (first publication)
- (11) D 0000 000 S – number of patent for design (second publication)

## INTERNATIONAL PATENT CLASSIFICATION FOR INVENTIONS AND UTILITY MODELS

- SECTION A – HUMAN NECESSITIES
- SECTION B – PERFORMING OPERATIONS; TRANSPORTING
- SECTION C – CHEMISTRY; METALLURGY
- SECTION D – TEXTILES; PAPER
- SECTION E – FIXED CONSTRUCTIONS
- SECTION F – MECHANICAL ENGINEERING; LIGHTING; HEATING; WEAPONS; BLASTING
- SECTION G – PHYSICS
- SECTION H – ELECTRICITY

- 
- M – Trade Mark
  - (210) AM 0000 000000 – Serial number of application;
  - (260) AAM 0000 00000 A – Publication number of application;
  - (111) M 0000 00000 R – Number of registration;
  - (111) MMM0000 00000 Rn – Number of renewals, in which n=1,2,3;
  - (111) M 0000 00000 R(P) – Number of registration under partial assignment of rights
-

**LIST OF CODES, IN ALPHABETIC SEQUENCE, AND THE CORRESPONDING (SHORT) NAMES OF STATES, OTHER ENTITIES AND INTERGOVERNMENTAL ORGANIZATIONS**  
(WIPO STANDARD ST.3)

AD	Andorra				
AE	United Arab Emirates				
AF	Afghanistan				
AG	Antigua and Barbuda				
AI	Anguilla				
AL	Albania				
AM	Armenia				
AN	Netherlands Antilles				
AO	Angola				
AP	African Regional Intellectual Property Organization (ARIPO)				
AR	Argentina				
AT	Austria				
AU	Australia				
AW	Aruba				
AZ	Azerbaijan				
BA	Bosnia and Herzegovina				
BB	Barbados				
BD	Bangladesh				
BE	Belgium				
BF	Burkina Faso				
BG	Bulgaria				
BH	Bahrain				
BI	Burundi				
BJ	Benin				
BM	Bermuda				
BN	Brunei Darussalam				
BO	Bolivia				
BR	Brazil				
BS	Bahamas				
BT	Bhutan				
BV	Bouvet Island				
BW	Botswana				
BX	Benelux Office for Intellectual Property (BOIP)				
BY	Belarus				
BZ	Belize				
CA	Canada				
CD	Democratic Republic of the Congo				
CF	Central African Republic				
CG	Congo				
CH	Switzerland				
CI	Cote d'Ivoire				
CK	Cook Islands				
CL	Chile				
CM	Cameroon				
CN	China				
CO	Colombia				
CR	Costa Rica				
CU	Cuba				
CV	Cape Verde				
CY	Cyprus				
CZ	Czech Republic				
DE	Germany				
DJ	Djibouti				
DM	Dominica				
DO	Dominican Republic				
DZ	Algeria				
EA	Eurasian Patent Organization (EAPO)				
EC	Ecuador				
EE	Estonia				
EG	Egypt				
EH	Western Sahara				
EM	Office for Harmonization in the Internal Market (Trademarks and Designs)(OHIM)				
EP	European Patent Office (EPO)				
ER	Eritrea				
ES	Spain				
ET	Ethiopia				
FI	Finland				
FJ	Fiji				
FK	Falkland Islands (Malvinas)				
FO	Faroe Islands				
FR	France				
GA	Gabon				
GB	United Kingdom				
GC	Patent Office of the Cooperation Council				
			for the Arab States of the Gulf (GCC)		
		GD	Grenada		
		GG	Guernsey		
		GH	Ghana		
		GI	Gibraltar		
		GT	Guatemala		
		GW	Guinea- Bissau		
		GY	Guyana		
		HK	The Hong Kong Special Administrative Region of the People's Republic of China		
		HN	Honduras		
		HR	Croatia		
		HT	Haiti		
		HU	Hungary		
		IB	International Bureau of the World Intellectual Property Organization (WIPO)		
		ID	Indonesia		
		IE	Ireland		
		IL	Israel		
		IM	Isle of Man		
		IN	India		
		IQ	Iraq		
		ID	Indonesia		
		IE	Ireland		
		IL	Israel		
		IM	Isle of Man		
		IN	India		
		IQ	Iraq		
		IR	Iran (Islamic Republic of)		
		IS	Iceland		
		IT	Italy		
		JE	Jersey		
		JM	Jamaica		
		JO	Jordan		
		JP	Japan		
		KE	Kenya		
		KG	Kyrgyzstan		
		KH	Cambodia		
		KI	Kiribati		
		KM	Saint Kitts and Nevis		
		KP	Democratic People's Republic of Korea		
		KR	Republic of Korea		
		KW	Kuwait		
		KY	Cayman Islands		
		KZ	Kazakhstan		
		LA	Lao People's Democratic Republic		
		LB	Lebanon		
		LC	Saint Lucia		
		LI	Liechtenstein		
		LK	Sri Lanka		
		LR	Liberia		
		LS	Lesotho		
		LT	Lithuania		
		LU	Luxembourg		
		LV	Latvia		
		LY	Libyan Arab Jamahiriya		
		MA	Morocco		
		MC	Monaco		
		MD	Republic of Moldova		
		ME	Montenegro		
		MG	Madagascar		
		MK	The former Yugoslav Republic of Macedonia		
		ML	Mali		
		MM	Myanmar		
		MN	Mongolia		
		MO	Macao		
		MP	Northern Mariana Islands		
		MR	Mauritania		
		MS	Montserrat		
		MT	Malta		
		MU	Mauritius		
		MV	Maldives		
		MW	Malawi		
		MX	Mexico		
		MY	Malaysia		
		MZ	Mozambique		
		NA	Namibia		
				NE	Niger
				NG	Nigeria
				NI	Nicaragua
				NL	Netherlands
				NO	Norway
				NP	Nepal
				NR	Nauru
				NZ	New Zealand
				OA	African Intellectual Property Organization (OAPI)
				OM	Oman
				PA	Panama
				PE	Peru
				PG	Papua New Guinea
				PH	Philippines
				PK	Pakistan
				PL	Poland
				PT	Portugal
				PW	Palau
				PY	Paraguay
				QA	Qatar
				QZ	Community Plant Variety Office (European Community) (CPVO)
				RO	Romania
				RS	Serbia
				RU	Russian Federation
				RW	Rwanda
				SA	Saudi Arabia
				SB	Solomon Islands
				SC	Seychelles
				SD	Sudan
				SG	Singapore
				SH	Saint Helena
				SI	Slovenia
				SK	Slovakia
				SL	Sierra Leone
				SM	San Marino
				SN	Senegal
				SO	Somalia
				SR	Suriname
				ST	Sao Tome and Principe
				SV	El Salvador
				SY	Syrian Arab Republic
				SZ	Swaziland
				TC	Turks and Caicos Islands
				TD	Chad
				TG	Togo
				TH	Thailand
				TJ	Tajikistan
				TL	Timor-Leste
				TM	Turkmenistan
				TN	Tunisia
				TO	Tonga
				TR	Turkey
				SE	Sweden
				TT	Trinidad and Tobago
				TV	Tuvalu
				TW	Taiwan, Province of China
				TZ	United Republic of Tanzania
				UA	Ukraine
				UG	Uganda
				US	United States of America
				UY	Uruguay
				UZ	Uzbekistan
				VA	Holy See
				VC	Saint Vincent and the Grenadines
				VE	Venezuela
				VG	Virgin Islands (British)
				VN	Viet Nam
				VU	Vanuatu
				WO	World Intellectual Property Organization (WIPO)
				WS	Samoa
				XN	Nordic Patent Institute (NPI)
				YE	Yemen
				ZA	South Africa
				ZM	Zambia
				ZW	Zimbabwe

**NATIONAL INTELLECTUAL PROPERTY CENTER OF GEORGIA  
SAKPATENTI**

**OFFICIAL BULLETIN  
OF THE INDUSTRIAL PROPERTY**

**5(345)**

**INVENTIONS  
UTILITY MODELS  
DESIGNS  
TRADEMARKS**

**DATE OF PUBLICATION  
2012 03 12**



# CONTENTS

<b>PUBLISHED TITLES OF PROTECTION .....</b>	<b>2</b>
<b>INVENTIONS</b>	
▪ Applications for inventions .....	3
▪ Patents for inventions .....	5
<b>UTILITY MODELS</b>	
▪ Patents for utility models .....	8
<b>DESIGNS</b>	
▪ Registered design .....	9
▪ Designs, which have been registered with the international bureau claiming priority on the territory of Georgia .....	10
<b>TRADEMARKS</b>	
▪ National trademarks .....	35
▪ Registered trademarks .....	41
▪ Trademarks registered according to the accelerated procedure .....	46
▪ International trademarks laid open for the purpose of taking protection granting decisions .....	48
▪ International trademarks protected in Georgia .....	73
<b>OFFICIAL NOTIFICATIONS</b>	
<b>INVENTIONS</b>	
▪ Renewal of a patents .....	83
<b>UTILITY MODELS</b>	
▪ Renewal of a patents .....	84
<b>INVALIDATION OF INVENTIONS PATENT .....</b>	<b>85</b>
<b>TRADEMARKS</b>	
▪ Renewal of registrations .....	86
▪ Complete transfer of rights .....	88
▪ Changes in names and/or addresses of owners .....	90
<b>CLASSIFICATION INDEXES</b>	
<b>INVENTIONS .....</b>	<b>93</b>
<b>UTILITY MODELS .....</b>	<b>94</b>
<b>DESIGNS .....</b>	<b>95</b>
<b>TRADEMARKS .....</b>	<b>96</b>

## **PUBLISHED TITLES OF PROTECTION**

### **INVENTIONS**

- **APPLICATIONS:**  
11926; 11934; 12072
- **PATENTS:**  
5412-5419

### **UTILITY MODELS**

- **PATENTS:**  
1699-1701

### **DESIGNS**

- **REGISTERED DESIGN:**  
490
- **DESIGNS, WHICH HAVE BEEN REGISTERED WITH THE INTERNATIONAL BUREAU:**  
74974; 76155; 76269; 76368; 76614; 77079; 77091; 77139; 77148; 77176; 77190; 77201; 77204; 77205

### **TRADEMARKS**

- **NATIONAL TRADEMARKS:**  
62048; 62414; 62498-62500; 62582; 62714; 62971, 62972; 62979; 63015-63019; 63227, 63228; 63241; 63243, 63244; 63247-63250; 63253; 63297, 63298; 63376, 63377; 63435; 63437; 63530; 63587, 63588; 63592, 63593; 63602; 61684\*
- **REGISTERED TRADEMARKS:**  
22309-22317; 22319; 22321-22323; 22325, 22326; 22332-22339; 22341-22348; 22350-22358; 22360-22365; 22367; 22370; 22372-22377
- **TRADEMARKS REGISTERED ACCORDING TO THE ACCELERATED PROCEDURE:**  
22304-22308; 22378
- **INTERNATIONAL TRADEMARKS LAID OPEN FOR THE PURPOSE OF TAKING PROTECTION GRANTING DECISIONS:**  
61754; 61889-61895; 61919; 62005; 62007-62012; 62014-62016; 62018-62020; 62106; 62108-62111; 62118; 62120, 62121; 62123, 62124; 62318-62321; 62339-62342; 62362-62367; 62369; 62371-62378; 62419; 62435-62442; 62444; 62446, 62447; 62453; 62469-62477; 62480, 62481; 62491; 62495, 62496; 62501-62510; 62528, 62529; 62531-62541; 62543-62550; 62554; 62556-62563; 62565-62572; 62590-62592; 62594-62599; 62617-62620; 62636-62638; 62640; 62642; 62644, 62645; 62647-62663; 62744-62747; 62752, 62753; 62758-62763; 62765-62767; 62774-62780; 62782; 60791\*; 61349\*
- **INTERNATIONAL TRADEMARKS PROTECTED IN GEORGIA:**  
57150; 57654; 59098; 59240; 59564; 59600; 60363; 60463; 60612-60614; 60616, 60617; 60621-60623; 60625-60629; 60631; 60773-60783; 60786-60788; 61231; 61286; 61343-61348; 61350, 61351; 61353; 61383; 61415-61426; 61449; 61474; 61477, 61478; 61480, 61481; 61483-61485; 61510-61512; 61519-61521; 61537, 61538; 61543, 61544; 61563-61572; 61574, 61575; 61604-61606; 61611, 61612; 61623-61629; 61662, 61663; 61665-61681; 61685-61687; 61690-61692; 61694-61696; 61748, 61749; 61755-61757; 61759-61761; 61764-61768

# INVENTIONS

## APPLICATIONS LAID OPEN FOR THE PURPOSE OF TAKING PATENT GRANTING DECISIONS

To appeal a decision is possible at Chamber of Appeal of Sakpatenti within 3 months from the publication or at The Board of Administrative Actions of Tbilisi City Court within a 1 month period. (Address: 12 km., №6, David Aghmashenebeli Kheivani, Tbilisi).

### PART B

#### B 65

(10) AP 2012 11926 A (51) Int. Cl. (2006)  
B 65 D 1/16  
B 65 D 1/44  
B 65 D 25/14  
B 05 B 13/06

(21) AP 2009 011926 (22) 2009 01 23

(31) 08300053.9

(32) 2008 01 25

(33) EP

(71) IMPRESS GROUP B.V. (NL)

Zutphenseweg 51051, NL-7418 AH

Deventer (NL)

(72) DESILES, Bruno (FR);

DATHY, Franck, Philippe (FR);

LE TALLUDEC, Alain, Marcel (FR);

CHHIM, Phabet (FR)

(74) Liliana Darakhvelidze

(85) 2010 08 23

(86) PCT/EP2009/050769, 2009 01 23

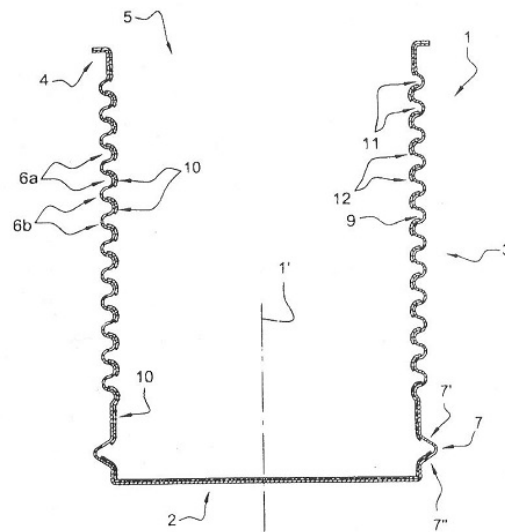
(54) CAN WITH PARTIAL INTERIOR  
LACQUERING, METHOD AND DEVICE  
FOR MANUFACTURING THE SAME

(57) A can 1 is designed for conditioning foodstuff and comprises a body composed of a bottom element 2, which is prolonged by a lateral wall 3, the interior surface 9 of said body being at least in part made of tin, said tin surface being partially covered with a coat of protective lacquer 10. Said protective lacquer prevents the contact between said tin surface and said foodstuff in such a way that the lacquerless tin surface, said exposed, being intended to come into contact with the foodstuff in order to set free said tin. The lacquerless tin surface is constituted of a plurality of exposed tin zones 11, which are separated from each other by lacquered zones 12. Said exposed tin zones being distributed on the height of said lateral wall, in particular to limit the aesthetic impact due to chemical action of said foodstuff on said exposed tin zones.

Claims: 3 independent

11 dependent

Fig.: 3



### PART C

#### C 07

(10) AP 2012 11934 A (51) Int. Cl. (2006)  
C 07 C 217/48  
C 07 C 219/22  
A 61 K 31/135  
A 61 K 31/24

(21) AP 2009 011934 (22) 2009 01 30

(31) 0800521; 61/084,829

(32) 2008 01 31; 2008 07 30

(33) FR; US

(71) OROXCELL (FR)

Parc Biocitech, 102, Avenue Gaston Roussel,

F-93230 Romainville (FR);

DENIS, Alexis (FR);

15A Rue Godefroy-Cavaignac, F-75011,

Paris (FR)

(72) DENIS, Alexis (FR);

PACHOT, Jean (FR);

DINI, Christophe (FR)

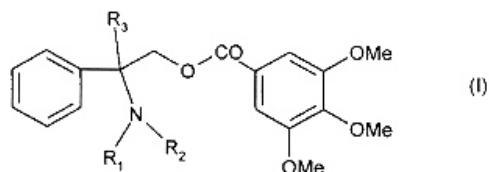
(74) Tamar Kochlamazashvili

(85) 2010 08 30

(86) PCT/FR2009/000106, 2009 01 30

(54) **2-AMINO-2-PHENYLALKANOL DERIVATIVES, PREPARATION METHOD THEREOF AND PHARMACEUTICAL COMPOSITIONS CONTAINING SAME**

(57) An invention concerns 2-amino-2-phenylalkanol ester derivatives of general formula (I)



wherein R<sub>1</sub>, R<sub>2</sub>, R<sub>3</sub> have values indicated in the description; it also concerns preparation method thereof and pharmaceutical compositions containing the same.

Claims: 3 independent

3 dependent

thereof as therapeutically effective amount for inhibiting IGF-IR in the cells.

Claims: 6 independent

14 dependent

Tables: 4

(10) AP 2012 12072 A (51) Int. Cl. (2006)

C 07 D 401/14

C 07 D 403/12

C 07 D 403/14

C 07 D 409/14

C 07 D 413/14

A 61 K 31/506

(21) AP 2009 012072 (22) 2009 06 24

(31) 61/075,583; 61/155,434

(32) 2008 06 25; 2009 02 25

(33) US; US

(71) IRM LLC (US)

131 Front Street P.O. Box HM 2899 Hamilton, HM LX (BM)

(72) MARSILJE III, Thomas H. (US);

LU, Wenshuo (CA);

CHEN, Bei (US);

HE, Xiaohui (CN);

LEE, Christian Cho-Hua (US);

JIANG, Songchun (US);

YANG, Kunyong (CN)

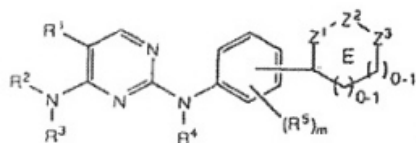
(74) Alexander Kartvelishvili

(85) 2011 01 25

(86) PCT/US2009/048428, 2009 06 24

(54) **PYRIMIDINE DERIVATIVES AS KINASE INHIBITORS**

(57) Compound of the formula (I)



wherein R<sup>1</sup>-R<sup>5</sup> и Z<sup>1</sup>-Z<sup>3</sup> are provided in the description, pharmaceutical compositions on their base and use

---

# PATENTS FOR INVENTIONS

## PART A

### A 01

- (11) P 2012 5419 B** (51) **Int. Cl. (2006)**  
**A 01 D 46/04**
- (10) AP 2011 11486 A (44) 21(337)/2011  
(21) AP 2009 011486  
(22) 2009 09 25  
(24) 2009 09 25  
(73) Revaz Makharoblidze (GE)  
Guramishvili Ave., 5b, ap. 65, 0192,  
Tbilisi (GE);  
Zaza Makharoblidze (GE)  
Guramishvili Ave., 5b, ap. 65, 0192,  
Tbilisi (GE);  
Revaz Khazhomia (GE)  
Bezhanishvili II Lane, 24, 0192, Tbilisi (GE);  
Teimuraz Japaridze (GE)  
Didgoris k.40, b.14, sop. Dighomi, 0126,  
Tbilisi (GE);  
Igor Lagvilava (GE)  
Nutsbidze perd., IV mkr, korp. 21, b. 29,  
0183, Tbilisi (GE);  
Leri Lomtadze (GE)  
Gldanis mas., VIII mkr., korp. 27, b. 12,  
0107, Tbilisi (GE)  
(72) Revaz Makharoblidze (GE);  
Zaza Makharoblidze (GE);  
Revaz Khazhomia (GE);  
Teimuraz Japaridze (GE);  
Igor Lagvilava (GE);  
Leri Lomtadze (GE)  
(54) **CUTTING, GRINDING AND  
HARVESTING DEVICE FOR PLANT  
MASS**
- 

## PART C

### C 02

- (11) P 2012 5416 B** (51) **Int. Cl. (2006)**  
**C 02 F 11/04**  
**C 02 F 3/28**  
**B 02 C 19/22**
- (10) AP 2011 11533 A (44) 19(335)/2011  
(21) AP 2008 011533  
(22) 2008 03 27  
(24) 2008 03 27  
(31) P0700246  
(32) 2007 03 28  
(33) HU  
(73) VEOLIA BIOENERGY EUROPE KFT. (HU)  
Asztalos S. u. 4 H-1087 Budapest (HU)  
(72) PÁLL, Ernő (HU);  
TÖRÖCSIK, Ferenc (HU);  
BARABÁS, Gyöző (HU);  
SZILÁGYI, Mihály (HU);  
HAJDÚ, István (HU)  
(74) Liliana Darakhvelidze  
(85) 2009 10 27  
(86) PCT/HU2008/000030, 2008 03 27  
(54) **APPARATUS FOR PROCESSING  
BIOMASS WASTE CONTAINING  
ORGANIC RESIDUES**
- 

### C 07

- (11) P 2012 5414 B** (51) **Int. Cl. (2006)**  
**C 07 D 401/06**  
**C 07 D 401/12**  
**A 61 K 31/435**  
**A 61 P 25/00**
- (10) AP 2011 11320 A (44) 17(333)/2011  
(21) AP 2007 011320  
(22) 2007 11 19  
(24) 2007 11 19  
(31) MI2006 A 002230  
(32) 2006 11 22  
(33) IT  
(73) AZIENDE CHIMICHE RIUNITE ANGELINI  
FRANCESCO A.C.R.A.F. S.p.A. (IT)  
Viale Amelia, 70, I-00181 Rome (IT)  
(72) ALISI, Maria, Alessandra (IT);  
CAZZOLLA, Nicola (IT);  
FURLOTTI, Guido (IT);  
MAUGERI, Caterina (IT);  
OMBRATO, Rosella (IT);  
POLENZANI, Lorenzo (IT)

(74) Liliana Darakhvelidze  
 (85) 2009 06 19  
 (86) PCT/EP2007/010000, 2007 11 19  
 (54) **2 -ALKYL- INDAZOLE COMPOUNDS FOR THE TREATMENT OF CERTAIN CNS-RELATED DISORDERS**

**(11) P 2012 5415 B** (51) **Int. Cl. (2006)**  
**C 07 D 403/06**  
**C 07 D 413/06**  
**A 61 K 31/422**  
**A 61 P 35/00**

(10) AP 2011 11346 A (44) 21(337)/2011  
 (21) AP 2008 011346  
 (22) 2008 01 03  
 (24) 2008 01 03  
 (31) 60/883,740  
 (32) 2007 01 05  
 (33) US  
 (73) NOVARTIS AG (CH)  
 Lichstrasse, 35, CH-4056 Basel (CH)  
 (72) BOYCE, Rustum (IN);  
 MARTIN, Eric (US);  
 WANG, Weibo (US);  
 YANG, Hong (CN);  
 BARSANTI, Paul A. (GB)

(74) Alexande Kartvelishvili  
 (85) 2009 07 03  
 (86) PCT/US2008/050149, 2008 01 03  
 (54) **IMIDAZOLE DERIVATIVES AS KINESIN SPINDLE PROTEIN INHIBITORS (EG-5)**

**(11) P 2012 5413 B** (51) **Int. Cl. (2006)**  
**C 07 F 9/09**  
**C 07 D 471/04**  
**A 61 K 31/437**  
**A 61 P 31/18**

(10) AP 2011 10811 A (44) 21(337)/2011  
 (21) AP 2006 010811  
 (22) 2006 12 13  
 (24) 2006 12 13  
 (31) 60/750,247  
 (32) 2005 12 14  
 (33) US  
 (73) BRISTOL-MYERS SQUIBB COMPANY (US)  
 Route 206 and Province Line Road, Princeton,  
 New Jersey 08543-4000 (US)  
 (72) CHEN, Chung-Pin H. (US);  
 DIGIUGNO, Dawn (US);  
 GAO, Qi (US);  
 GU, Chong-Hui (CN);  
 LEVONS, Jaquan Kalani (US);  
 YANG, Bing-Shiou (CN)  
 (74) Tamaz Shilakadze  
 (85) 2008 07 11  
 (86) PCT/US2006/047571, 2006 12 13

(54) **CRYSTALLINE FORMS OF 1-BENZOYL-4-[2-[4-METHOXY-7-(3-METHYL-1H-1, 2, 4-TRIAZOL-1-YL)-1-[(PHOSPHONOOXY)METHYL]-1H-PYRROLO[2,3-C]PYRIDIN-3-YL]-1,2-DIOXOETHYL]-PIPERAZINE**

## PART E

### E 02

**(11) P 2012 5418 B** (51) **Int. Cl. (2006)**  
**E 02 D 5/80**

(10) AP 2011 11289 A (44) 15(331)/2011  
 (21) AP 2009 011289  
 (22) 2009 06 05  
 (24) 2009 06 05  
 (73) George Loladze (GE)  
 Paliashvili St. 37/2, 0179, Tbilisi (GE);  
 Vakhtang Loladze (GE)  
 Paliashvili St. 37/2, 0179, Tbilisi (GE);  
 Nino Loladze (GE)  
 Paliashvili St. 37/2, 0179, Tbilisi (GE);  
 Vladimir Loladze (GE)  
 Paliashvili St. 37/2, 0179, Tbilisi (GE)  
 (72) George Loladze (GE);  
 Vakhtang Loladze (GE);  
 Nino Loladze (GE);  
 Vladimir Loladze (GE)  
 (54) **TAKING-OUT TEMPORARY GROUND ANCHOR**

## PART F

### F 02

**(11) P 2012 5412 B** (51) **Int. Cl. (2006)**  
**F 02 B 55/02**

(10) AP 2011 9768 A (44) 11(327)/2011  
 (21) AP 2006 009768  
 (22) 2006 12 15  
 (24) 2006 12 15  
 (73) Ramzan Goitemirov (GE)  
 Delisis k. 16, 0177, Tbilisi (GE)  
 (72) Ramzan Goitemirov (GE)  
 (54) **INTERNAL COMBUSTION ENGINE**

---

**PART H****H 03**

- (11) P 2012 5417 B      (51) Int. Cl. (2006)  
   H 03 M 13/00  
   H 03 M 13/21
- (10) AP 2011 11698 A    (44) 21(337)/2011  
(21) AP 2010 011698  
(22) 2010 02 25  
(24) 2010 02 25
- (73) Victor Nanobashvili (GE)  
      Balanchivadzis k. korp.8, b.19, 0171,  
      Tbilisi (GE);  
      David Nanobashvili (GE)  
      Balanchivadzis k. korp.8, b.19, 0171,  
      Tbilisi (GE);  
      George Iremashvili (GE)  
      Tamarashvilis k. 13a, b. 54, 0177,  
      Tbilisi (GE)
- (72) Victor Nanobashvili (GE);  
      David Nanobashvili (GE);  
      George Iremashvili (GE)
- (54) **METHOD FOR INDIVIDUAL ERRORS  
CORRECTION IN ALPHA-BALANCED  
CODES OF mBnB CLASS**
-

---

## PATENTS FOR UTILITY MODELS

### PART A

#### A 23

(11) U 2012 1700 Y (51) Int. Cl. (2006)  
A 23 L 2/00

(10) AU 2011 12087 U (44) 21(337)/2011  
(21) AU 2011 012087  
(22) 2011 02 04  
(24) 2011 02 04

(73) Luara Kutateladze (GE)  
G. Akhvlediani St. 11, 0108, Tbilisi (GE);  
Avtandil Unapkoshvili (RU)  
Kavalergardis k. 3, b. 19,  
Sankt-Peterburgi (RU);  
Edisher Unapkolvov (RU)  
Kavalergardis k. 3, b. 18,  
Sankt-Peterburgi (RU)

(72) Luara Kutateladze (GE);  
Avtandil Unapkoshvili (RU);  
Edisher Unapkolvov (RU)

(54) CREAMY SOFT DRINK

(57) A drink contains kg/1000 l: sugar 45-124 and/or sweetener 0,12-0,95, citric acid 1,008-1,10, vanilla 0,01-0,02, sodium benzoate 0,170-0,177, carbonic acid 1,4-1,5, and 1/1000 contains an essence of mint 0,01-0,03, creamy emulsion 1,0-1,2 and water - the rest.

Claims: 1 independent

---

(11) U 2012 1701 Y (51) Int. Cl. (2006)  
A 23 L 2/00

(10) AU 2011 12090 U (44) 21(337)/2011  
(21) AU 2011 012090  
(22) 2011 02 04  
(24) 2011 02 04

(73) Luara Kutateladze (GE)  
G. Akhvlediani St. 11, 0108, Tbilisi (GE);  
Avtandil Unapkoshvili (RU)  
Kavalergardis k. 3, b. 19,  
Sankt-Peterburgi (RU);  
Edisher Unapkolvov (RU)  
Kavalergardis k. 3, b. 18,  
Sankt-Peterburgi (RU)

(72) Luara Kutateladze (GE);  
Avtandil Unapkoshvili (RU);  
Edisher Unapkolvov (RU)

(54) PEAR SOFT DRINK "PEAR AROMA"

(57) A drink contains kg/1000 l: sugar 45-124 and/or sweetener 0,12-0,95, citric acid 1,008-1,10, sodium benzoate 0,170-0,177, carbonic acid 1,4-1,5, vanilla 0,01-0,03 and 1/1000 contains an essence of apricot 0,01-0,03, 1,008-1,10 an essence of pear, 0,5 color and water - the rest.

---

#### A 34

(11) U 2012 1699 Y (51) Int. Cl. (2006)  
A 34 L 2/00

(10) AU 2011 12085 U (44) 21(337)/2011  
(21) AU 2011 012085  
(22) 2011 02 04  
(24) 2011 02 04

(73) Luara Kutateladze (GE)  
G. Akhvlediani St. 11, 0108, Tbilisi (GE);  
Avtandil Unapkoshvili (RU)  
Kavalergardis k. 3, b. 19,  
Sankt-Peterburgi (RU);  
Edisher Unapkolvov (RU)  
Kavalergardis k. 3, b. 18,  
Sankt-Peterburgi (RU)

(72) Luara Kutateladze (GE);  
Avtandil Unapkoshvili (RU);  
Edisher Unapkolvov (RU)

(54) ESTRAGON SOFT DRINK "ESTRAGON AROMA"

(57) A drink contains on kg/1000 l: sugar 45-110 and/or sweetener 0,12-0,95, citric acid 1,008-1,10, vanilla 0,01-0,03, sodium benzoate 0,170-0,177, carbonic acid 1,4-1,5, and 1/1000 l contains: an essence of estragon 0,7-1,0, citric essence 0,01-0,05, green food dye 0,03-0,05 and water - the rest.

Claims: 1 independent

---



---

## REGISTERED DESIGN

**(11) D 2012 490 S**      **(51) 12-08**  
(10) AD 2011 654 S      (44) 21(337)/2011  
(21) AD 2011 000654  
(22) 2011 07 11  
(24) 2011 07 11  
(28) 1  
(73) Zaza Sukiashvili (GE)  
    II Kheivnis k. 3, 0114, Tbilisi (GE)  
(72) Zaza Sukiashvili (GE)  
(54) **CAR**

---

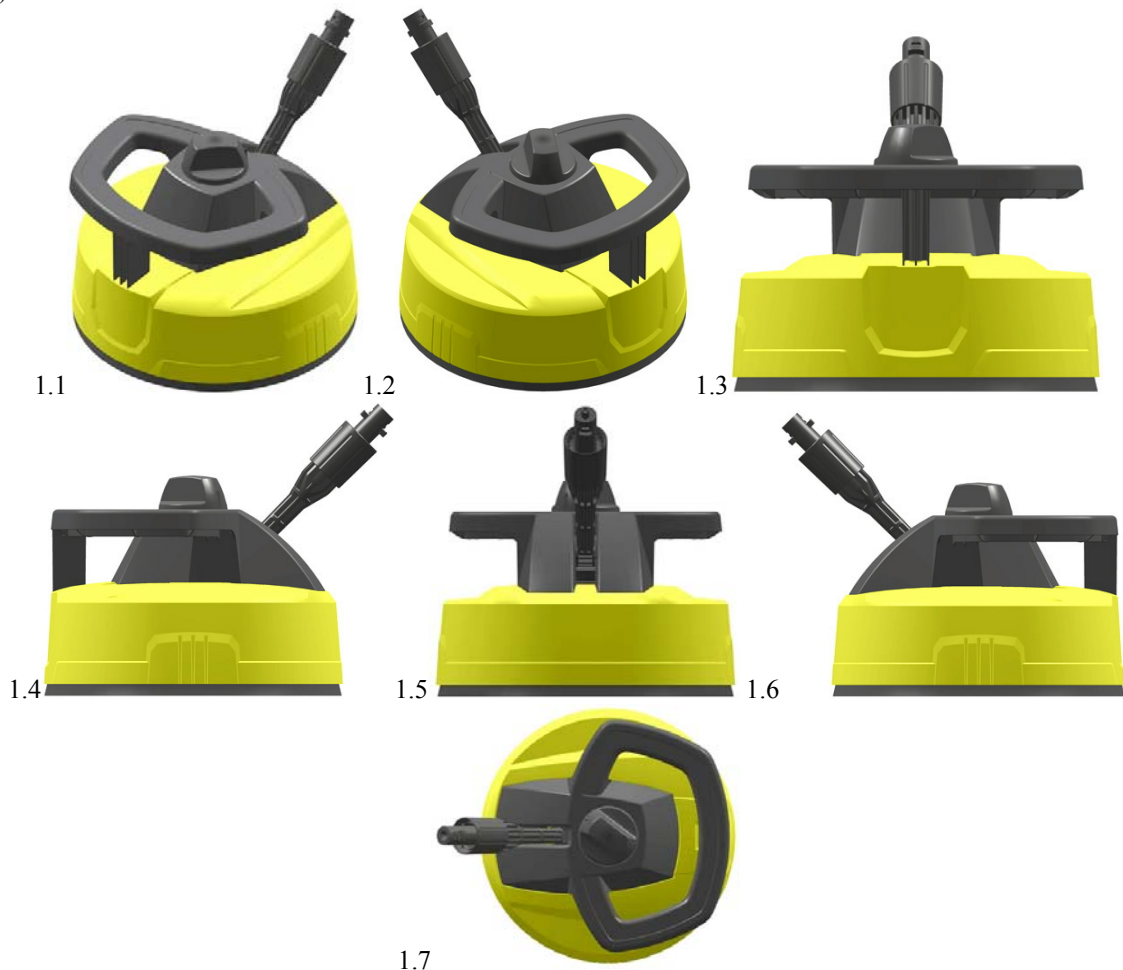
---

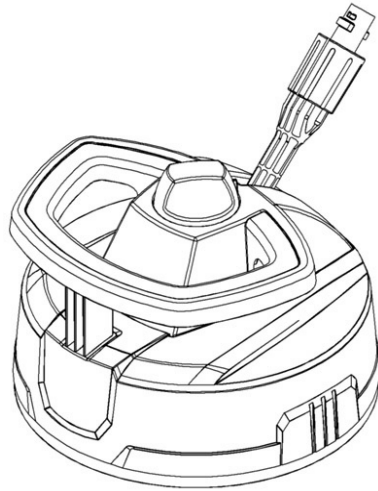
**DESIGNS, WHICH HAVE BEEN REGISTERED WITH THE  
INTERNATIONAL BUREAU CLAIMING PRIORITY ON THE  
TERRITORY OF GEORGIA**

(IN ACCORDANCE WITH THE ACT OF HAGUE AGREEMENT OF 1960 AND/OR ACT  
OF GENEVA AGREEMENT OF 1999)

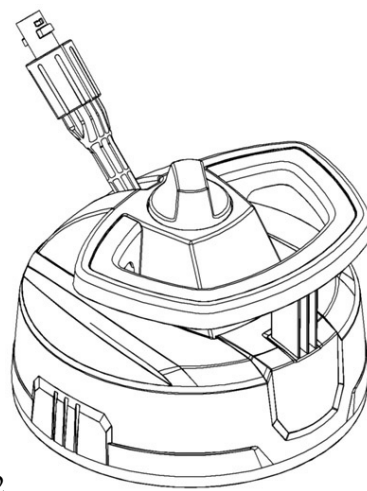
To appeal a decision is possible at Chamber of Appeal of Sakpatenti within 3 months from the publication or at The Board of Administrative Actions of Tbilisi City Court within a 1 month period. (Address: 12 km., №6, David Aghmashenebeli Kheivani, Tbilisi).

- (11) DM/074974 (51) 15-05
- (15) 2010 12 15 (45) 2011/11 (2011 12 31)
- (22) 2010 12 15
- (28) 2
- (73) ALFRED KÄRCHER GMBH & CO. KG  
Alfred-Kärcher-Straße 28-40, 71364 Winnenden (DE)
- (85) EM
- (86) DE, EM
- (87) DE, EM
- (88) DE, EM
- (89) EM
- (81) II. KP, MA, MC, ME. III. BA, CH, EG, EM, GE, HR, LI, MD, MK, MN, OM, TR
- (54) 1.-2. Parts of High Pressure cleaners
- (55)

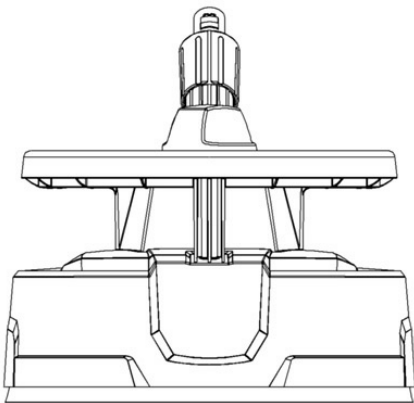




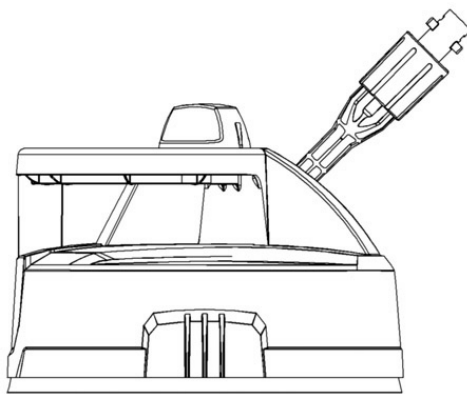
2.1



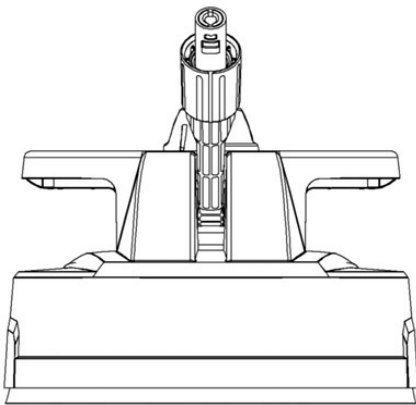
2.2



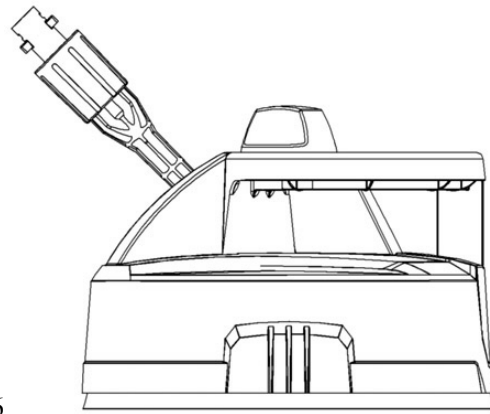
2.3



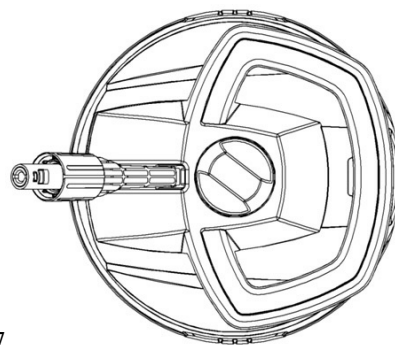
2.4



2.5

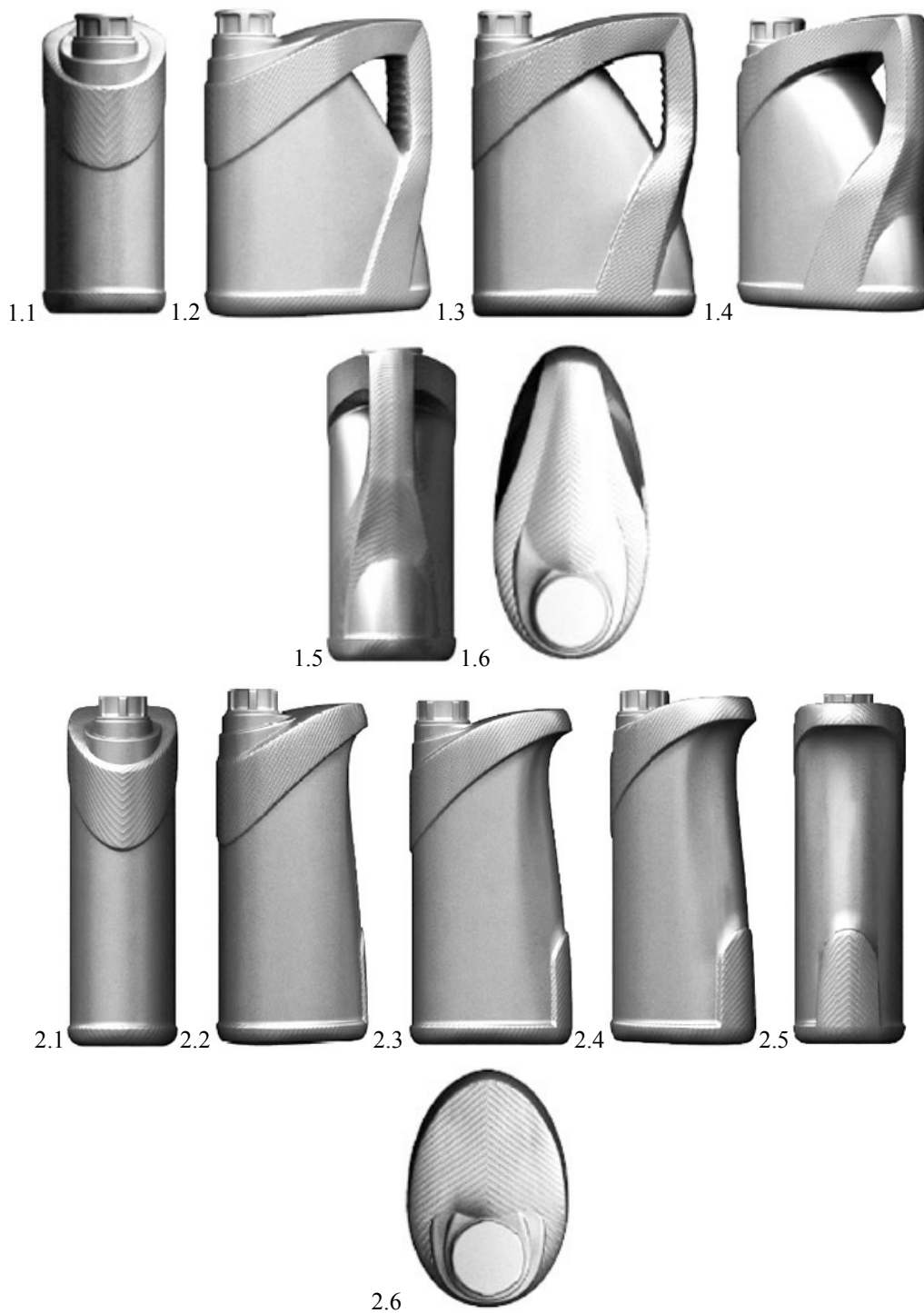


2.6



2.7

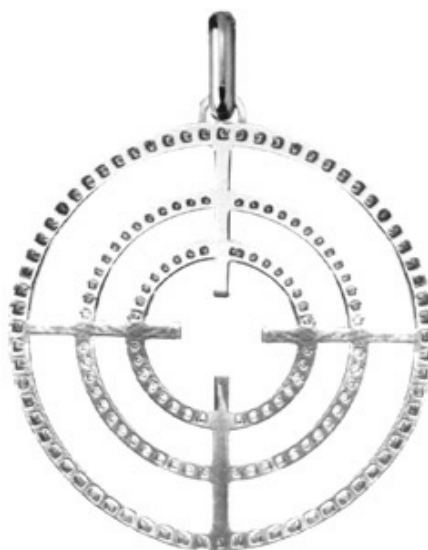
(11) DM/076155 (51) 09-02  
(15) 2011 06 07 (45) 2011/11 (2011 12 31)  
(22) 2011 06 07  
(28) 2  
(73) SUDHEIMER CAR TECHNIK VERTRIEBS GMBH  
Feldstrasse 154, 22880 Wedel (DE)  
(86) n/a  
(88) DE, EM  
(89) DE  
(81) III. AM, AZ, EM, GE, KG, UA  
(54) 1.-2. Canisters  
(55)



- (11) DM/076269 (51) 11-01  
 (15) 2011 06 08 (45) 2011/11 (2011 12 31)  
 (22) 2011 06 08  
 (28) 4  
 (73) AKILLIS (SOCIÉTÉ À RESPONSABILITÉ LIMITÉE)  
 100 rue d'Estreux, F-59264 ONNAING (FR)  
 (86) n/a  
 (87) n/a  
 (88) FR,EM  
 (89) FR  
 (81) IL, MC, III, CH, EG, EM, GE, OM, SG, TR, UA  
 (72) GASPARD Caroline, 98 rue d'Estreux, F-59264 ONNAING  
 (54) 1. Pendant; 2.-3. Jewelry; 4. Necklace  
 (55)



1.1

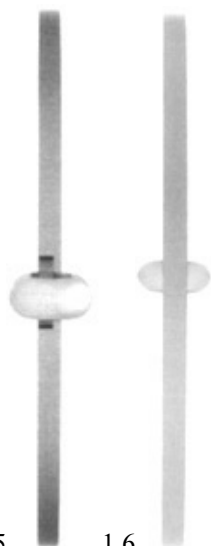


1.2



1.3

1.4



1.5

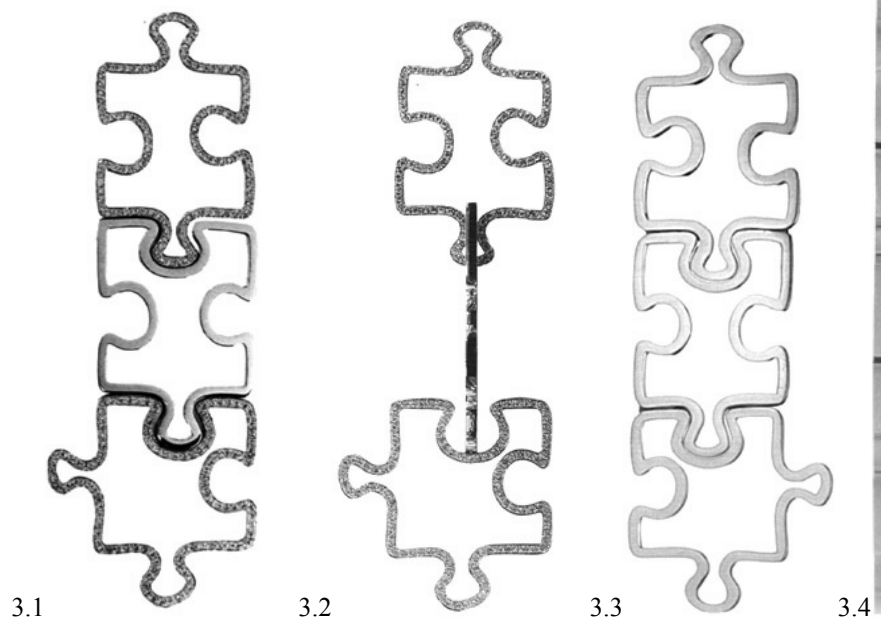
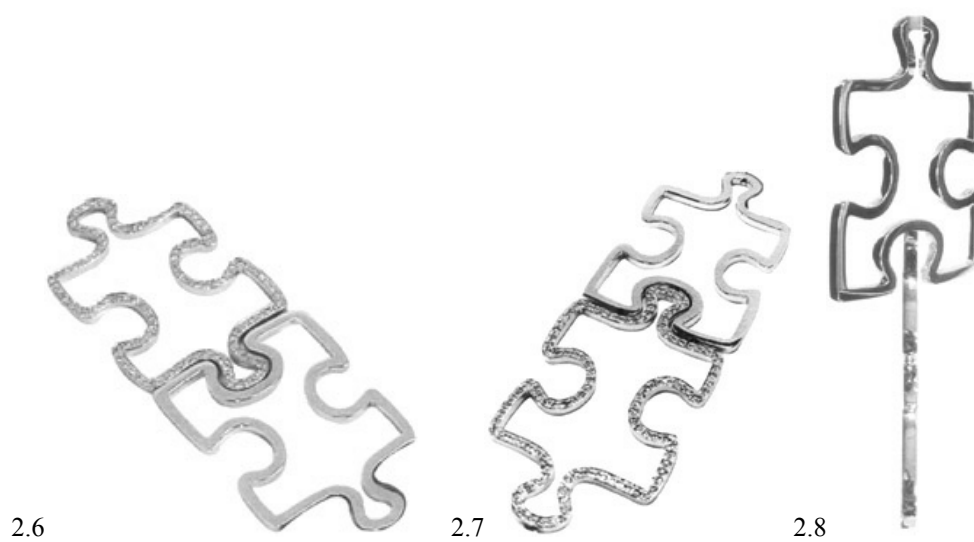
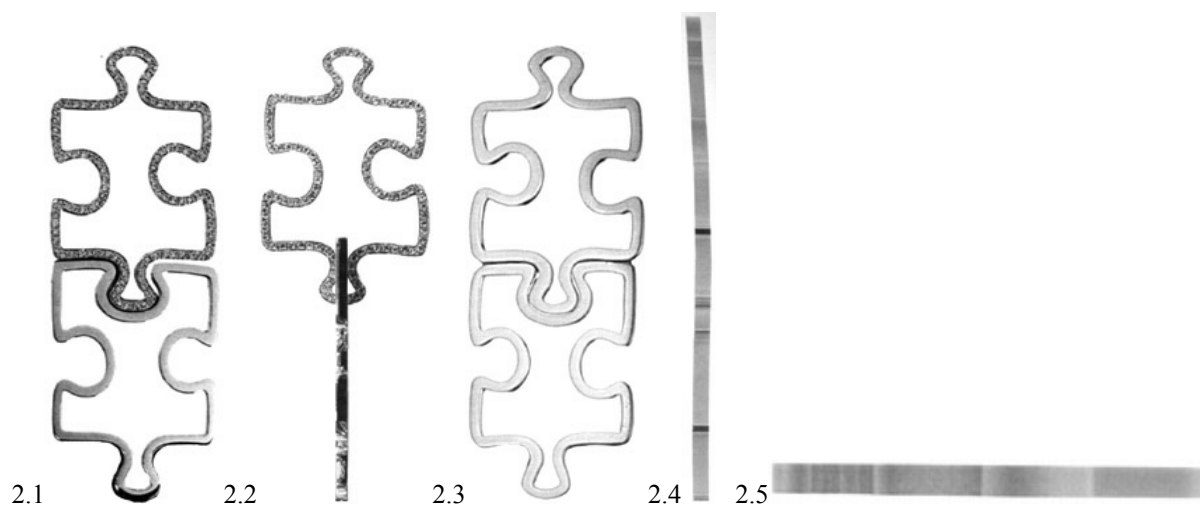
1.6

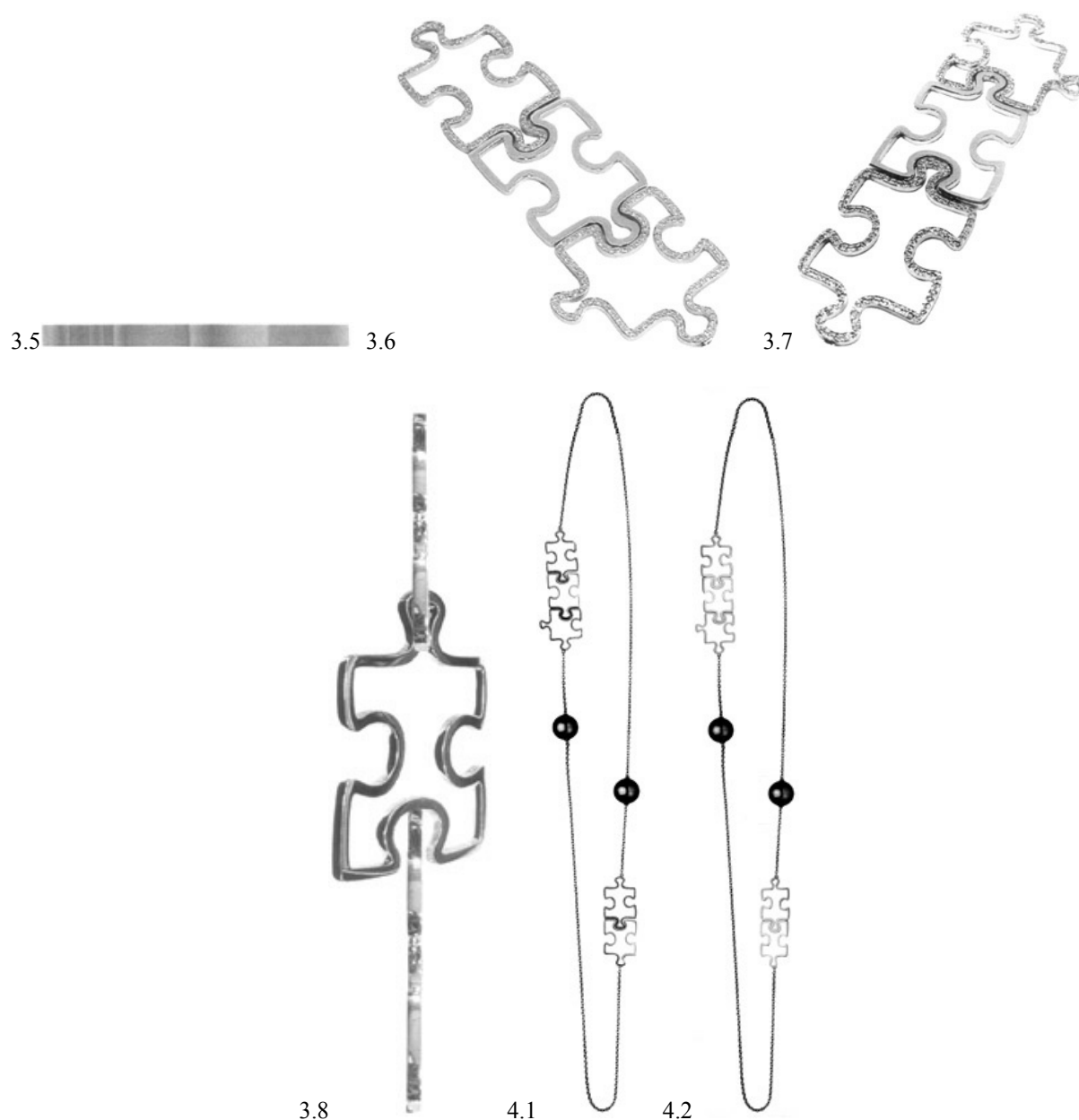
1.7



1.8

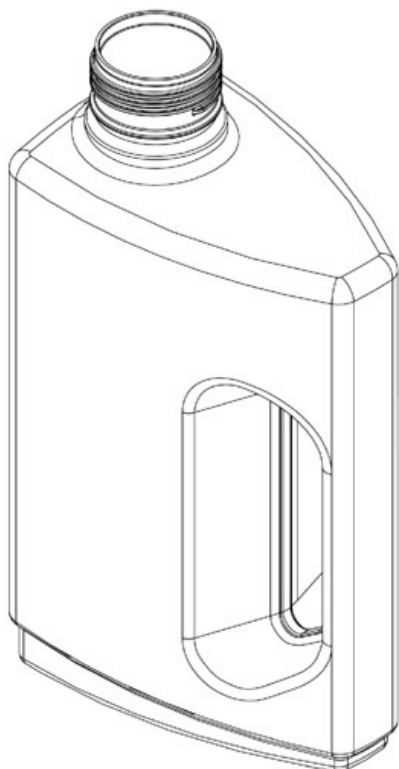




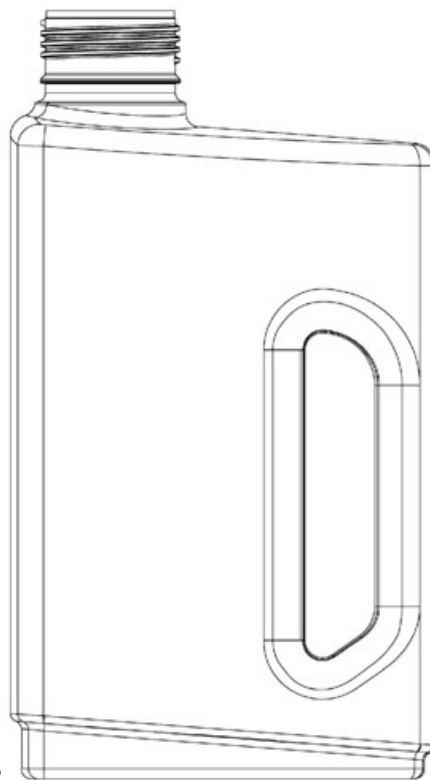


- (11) DM/076368 (51) 09-01  
 (15) 2011 06 10 (45) 2011/11 (2011 12 31)  
 (22) 2011 06 10  
 (28) 3  
 (30) 16.12.2010; 001794470; EM  
 (73) OROCHEMIE GMBH & CO. KG  
 Max-Planck-Strasse 27, 70806 Kornwestheim (DE)  
 (86) DE, EM  
 (87) DE, EM  
 (88) DE, EM  
 (89) DE  
 (81) II. ME. III. BA, CH, GE, HR, IS, LI, MC, MD, NO, OM, RS, SG, TR, UA.  
 (72) Christian Haupt, c/o Teams Design GmbH, Kollwitzstrasse 1, 73728 Esslingen  
 (54) 1.-3. Bottles

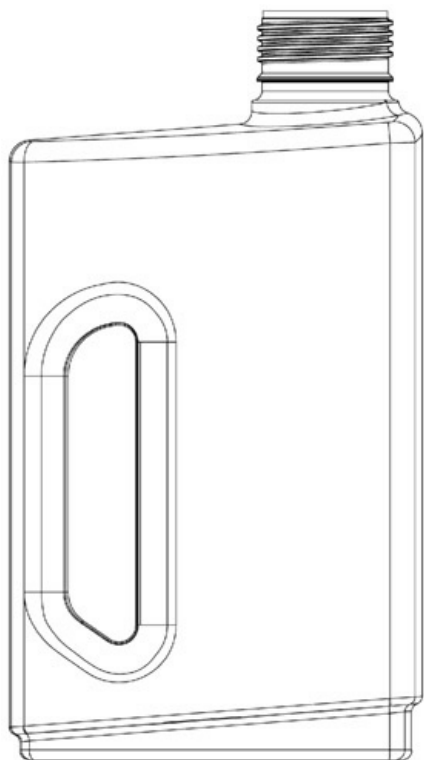
(55)



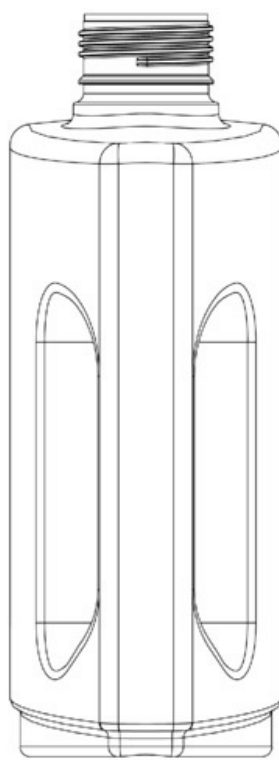
1.1



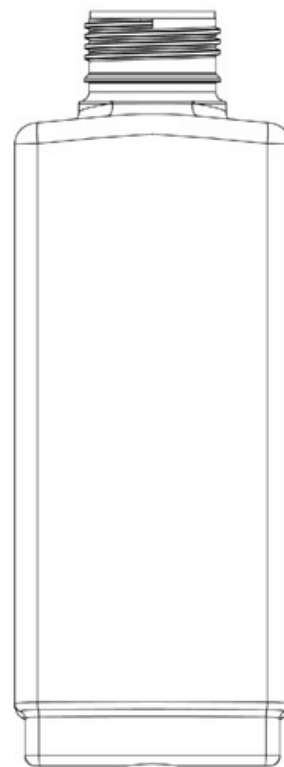
1.2



1.3

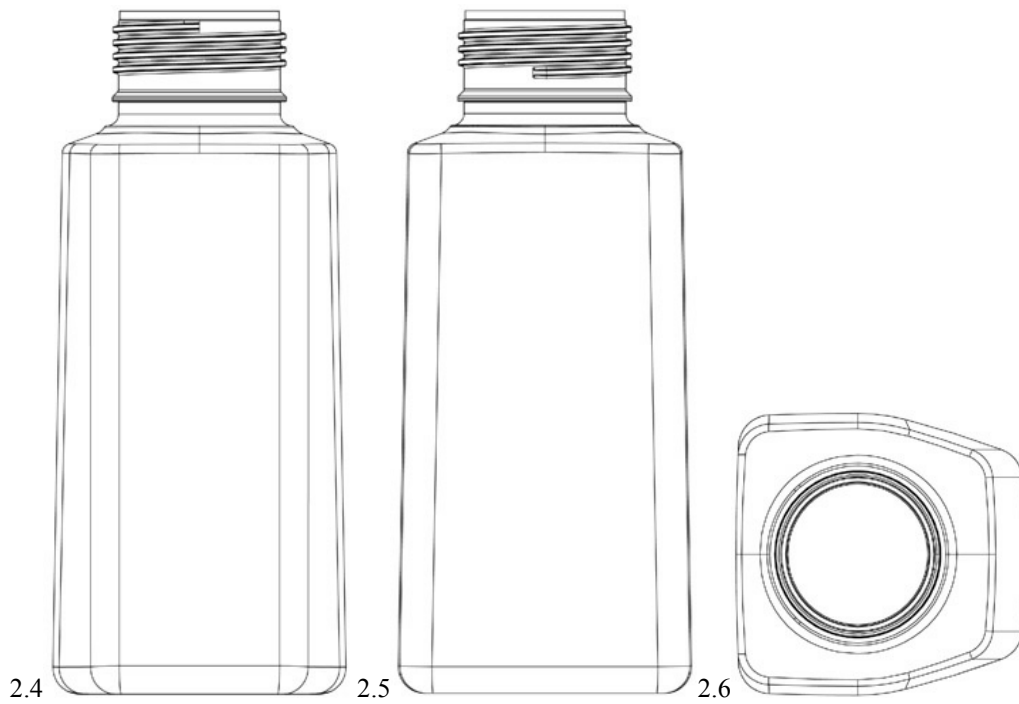
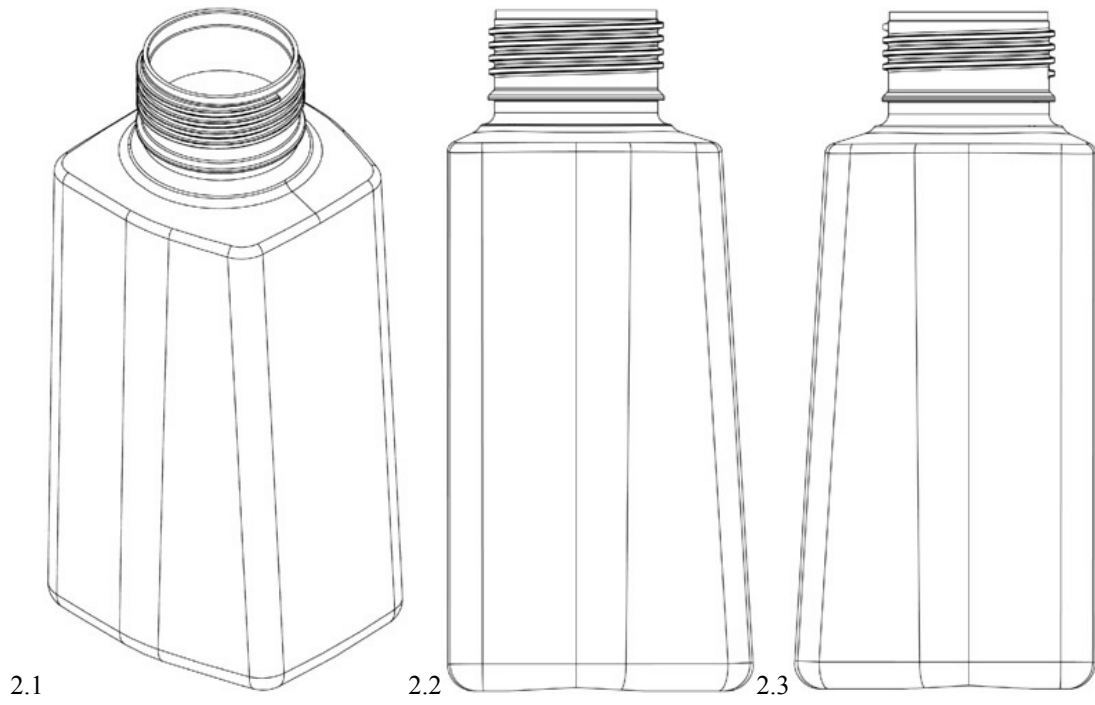
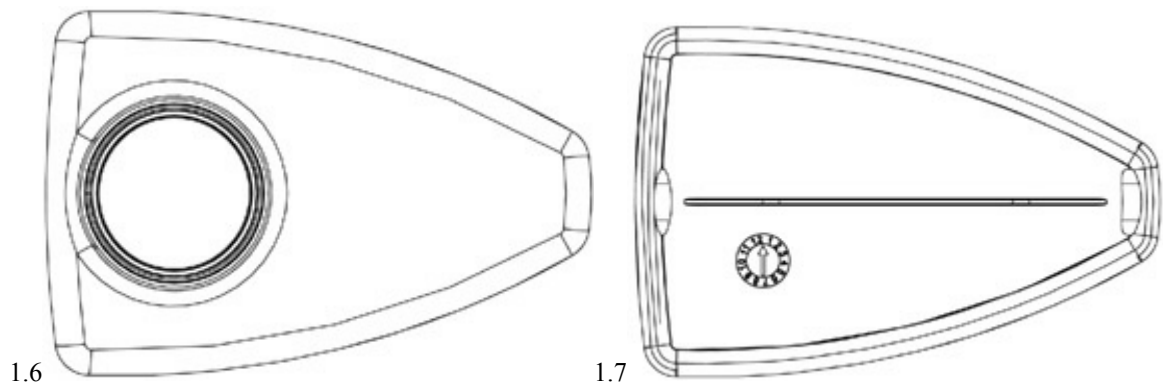


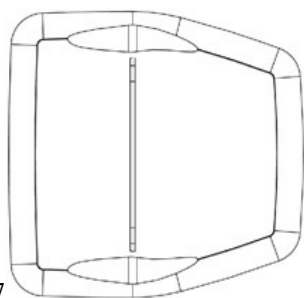
1.4



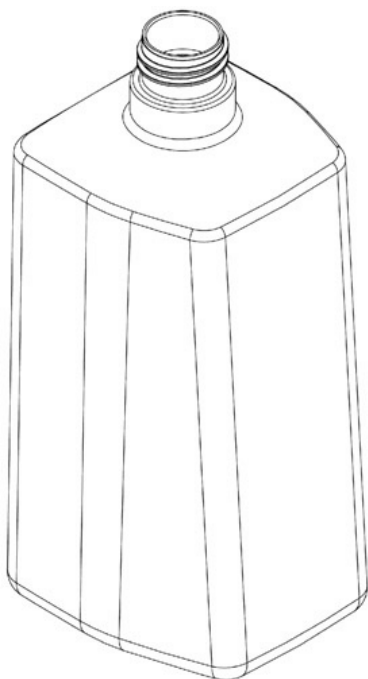
1.5



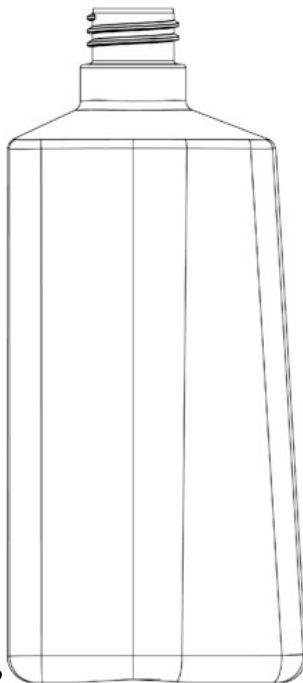




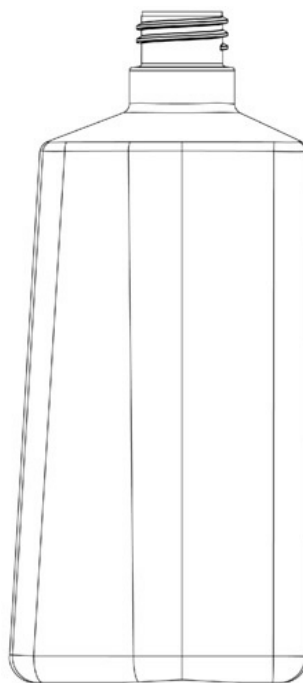
2.7



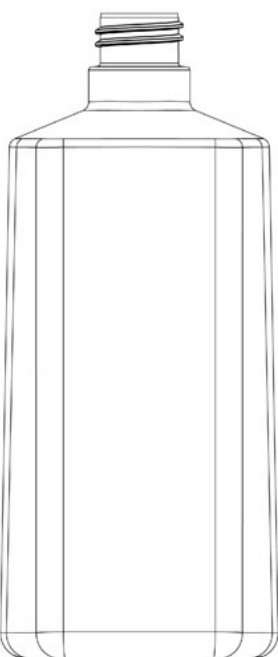
3.1



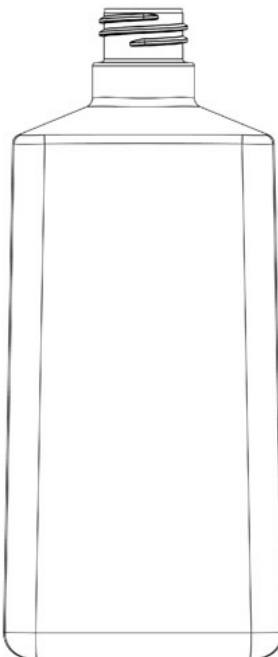
3.2



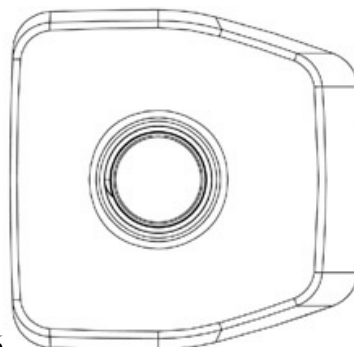
3.3



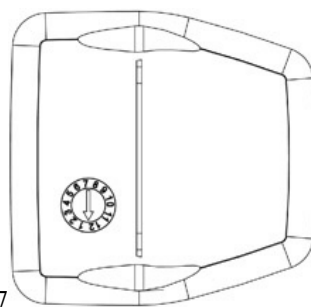
3.4



3.5



3.6



3.7

- (11) DM/076614 (51) 13-02  
 (15) 2011 06 28 (45) 2011/11 (2011 12 31)  
 (22) 2011 06 28  
 (28) 1  
 (73) BELECTRIC DRIVE GMBH  
 SEBASTIAN BACHMANN Steigweg 24, 97318 Kitzingen (DE)  
 (85) DE, EM  
 (86) DE, EM  
 (87) DE, EM  
 (88) DE, EM  
 (89) DE  
 (81) II. BX, GR, IT, MA, ME. III. CH, DE, DK, EE, EG, EM, ES, FI, FR, GE, HR, HU, IS, LI, LT, LV, MC,  
 MK, NO, OM, PL, RS, SG, SI, TR, UA  
 (72) Sebastian Bachmann, Felix-Blumenfeld-Str. 4, DE-34128 Kassel  
 (54) 1. Electric vehicle charging station  
 (55)



1.1

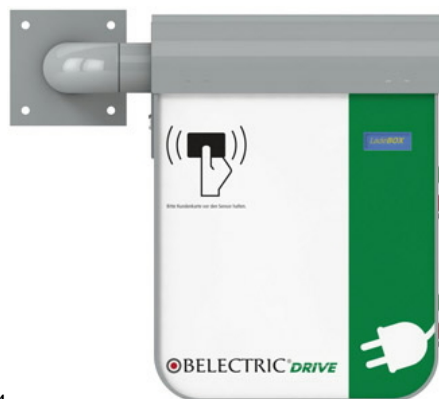


1.2



1.3

1.4



- (11) DM/077079 (51) 10-02  
(15) 2011 11 07 (45) 2011/11 (2011 12 31)  
(22) 2011 11 07  
(28) 5  
(73) SWATCH AG (SWATCH SA) (SWATCH LTD.)  
Jakob-Stämpfli-Strasse 94, CH-2502 BIEL/BIENNE (CH)  
(85) CH  
(86) CH  
(87) CH  
(88) CH  
(89) CH  
(81) II. BZ, MA, ME. III. AL, AM, AZ, BA, CH, EM, GE, HR, KG, LI, MC, MD, MK, MN, NO, OM, SG, TR, UA  
(72) Ylenia AGATE, Swatchlab, Via Archimede 6, IT-20129 Milano  
(54) 1.-5. Wristwatches  
(55)



- (11) DM/077091 (51) 10-02  
 (15) 2011 11 07 (45) 2011/11 (2011 12 31)  
 (22) 2011 11 07  
 (28) 2  
 (73) SWATCH AG (SWATCH SA) (SWATCH LTD.)  
 Jakob-Stämpfli-Strasse 94, CH-2502 BIEL/BIENNE (CH)  
 (85) CH  
 (86) CH  
 (87) CH  
 (88) CH  
 (89) CH  
 (81) II. BZ, MA, ME. III. AL, AM, AZ, BA, CH, EM, GE, HR, KG, LI, MC, MD, MK, MN, NO, OM, SG, TR, UA  
 (72) Richard Hall, p/k/a Moby, c/o 600 C Lake Street, RAMSEY, N.J. 07446/USA  
 (54) 1.-2. Wristwatches  
 (55)



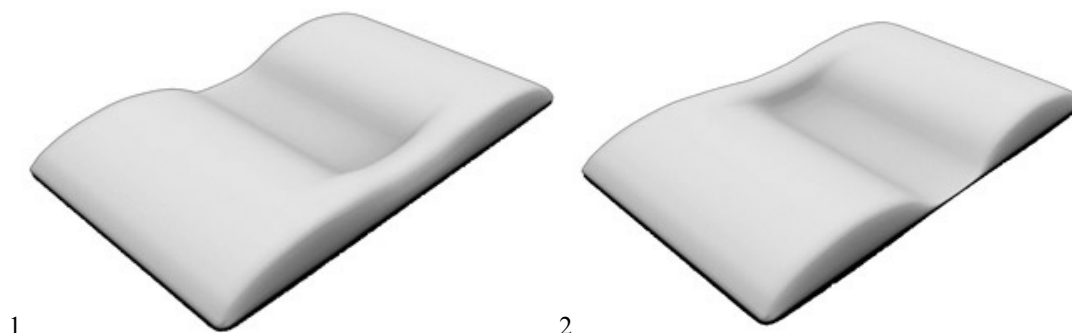
- (11) DM/077139 (51) 06-09  
 (15) 2011 11 08 (45) 2011/11 (2011 12 31)  
 (22) 2011 08 04  
 (28) 1  
 (23) 04.04.2008, International Exhibition of Inventions Salon of Geneva 2008, Geneva, Switzerland  
 (73) FORTUNATO JOSE MOREIRA DA COSTA  
 Av. 25 Abril, 22, 2D, P-2795-196 Linda-a-Velha (PT)  
 (85) EM  
 (86) EM  
 (87) EM  
 (88) EM  
 (89) EM

(81) III. AL, AM, AZ, BA, BG, BW, CH, DE, DK, EE, EG, EM, ES, FI, FR, GE, GH, HR, HU, IS, KG, LI, LT, LV, MC, MD, MK, MN, NA, NO, OA, OM, PL, RO, RS, SG, SI, ST, SY, TR, UA

(72) Fortunato Jose Moreira da Costa, Av. 25 Abril, 22, 2D, P-2795-196 Linda-a-Velha

(54) 1. Anti apnea pillow

(55)



(11) DM/077148

(51) 23-02

(15) 2011 11 02

(45) 2011/11 (2011 12 31)

(22) 2011 11 02

(28) 4

(30) 03.05.2011; 001858424; EM

(73) TOMIL S.R.O.

Gen. Svatoně 149/IV, CZ-566 01 Vysoké Mýto (CZ)

(85) EM

(86) EM

(87) EM

(88) EM

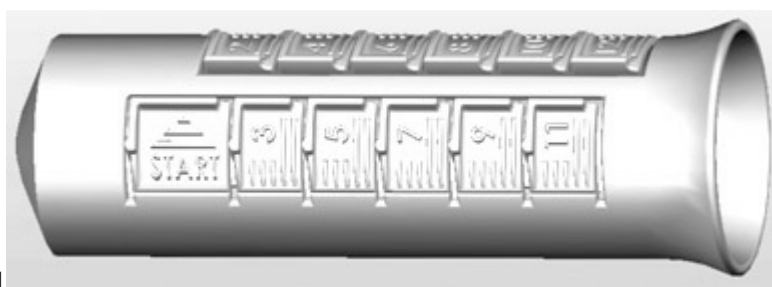
(89) EM

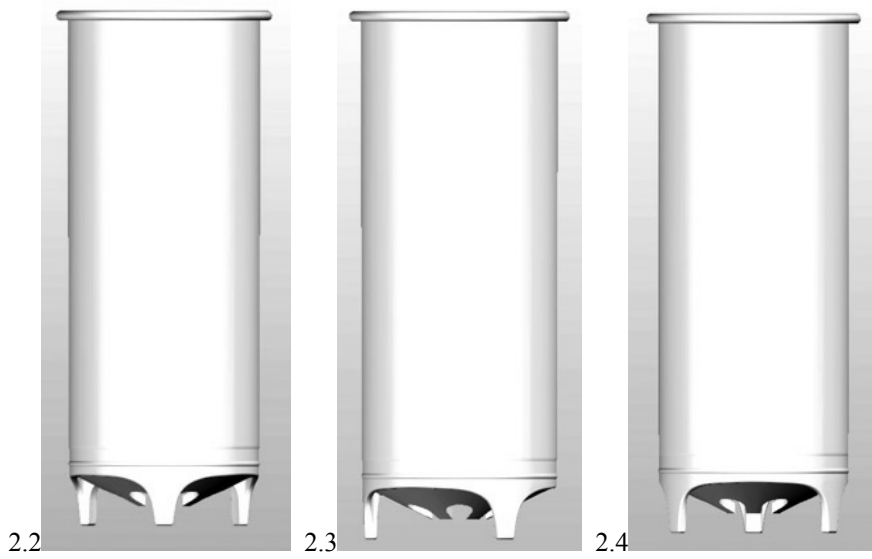
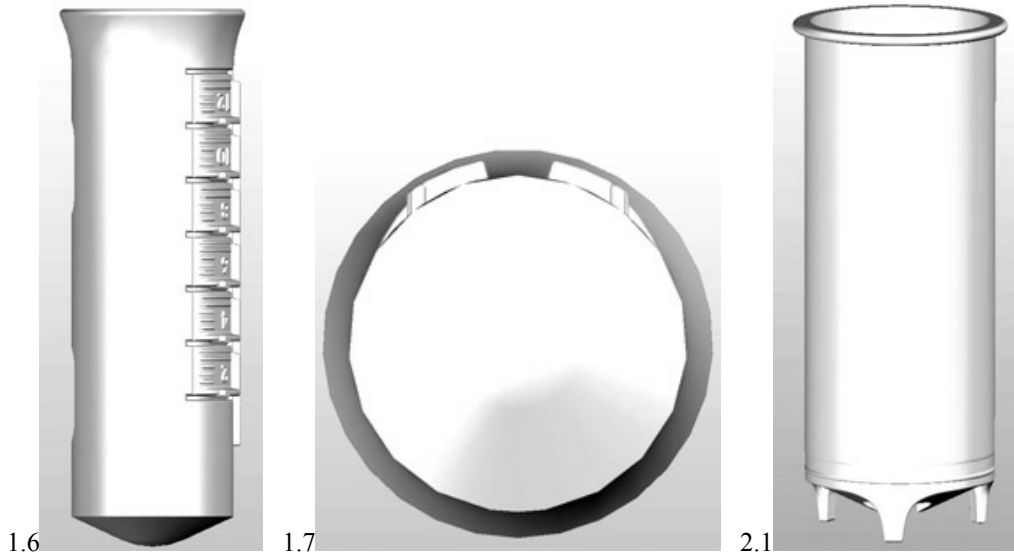
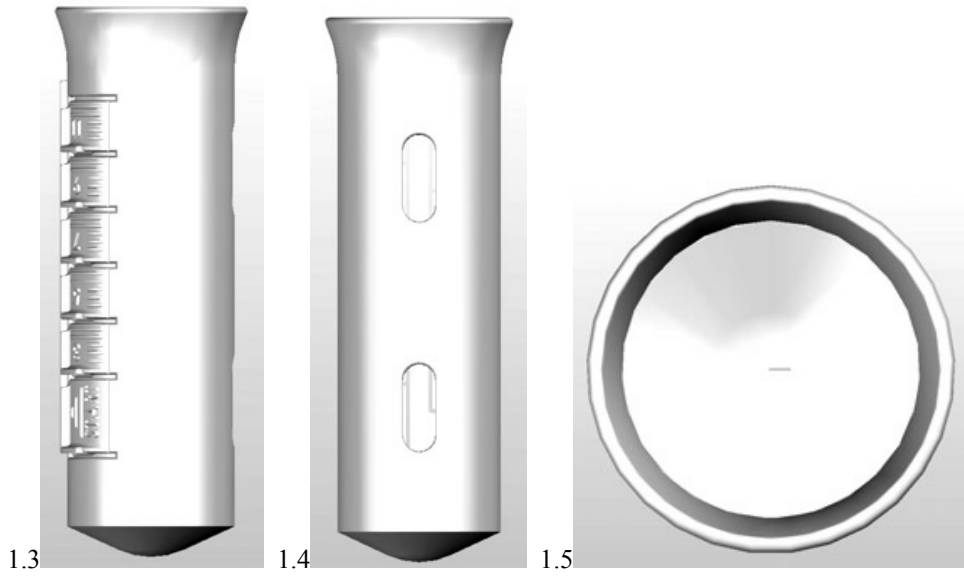
(81) III. BA, CH, EG, GE, HR, MD, NO, RS, TR, UA

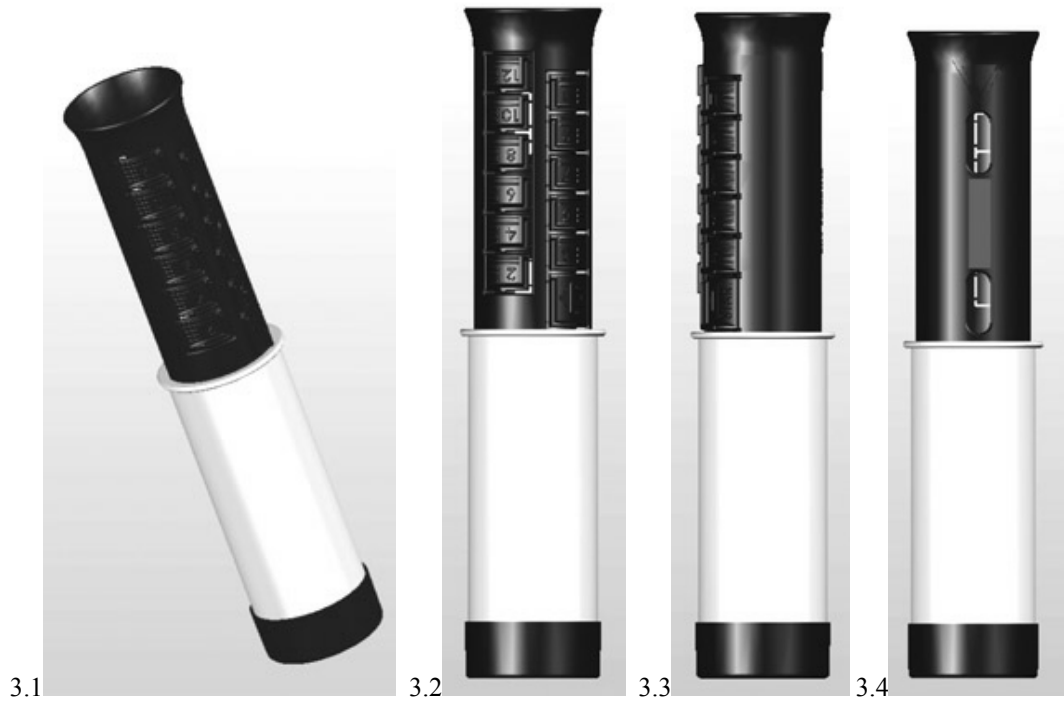
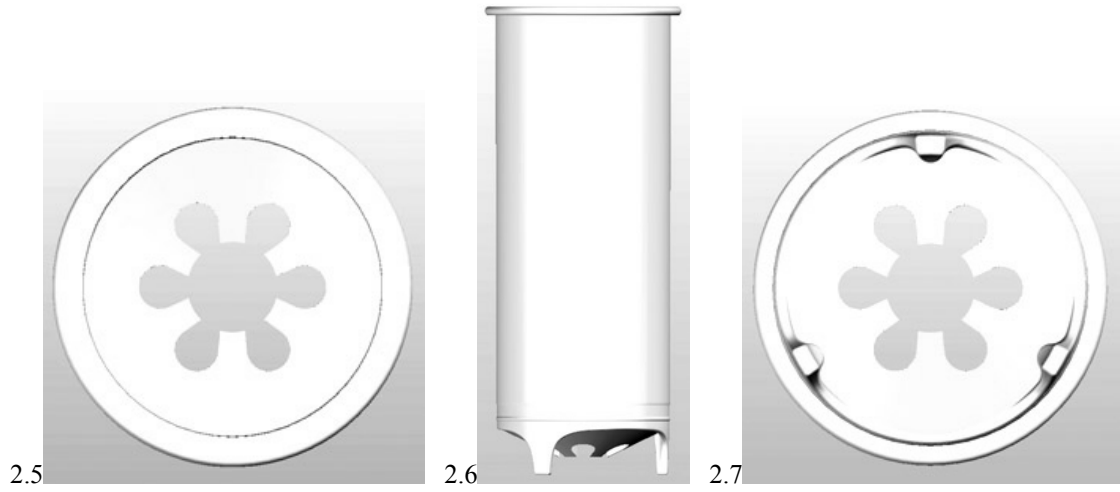
(72) Tomáš Müller, Zámecek 443, CZ-500 08 Hradec Králové

(54) 1.-4. Sanitary dispensing devices

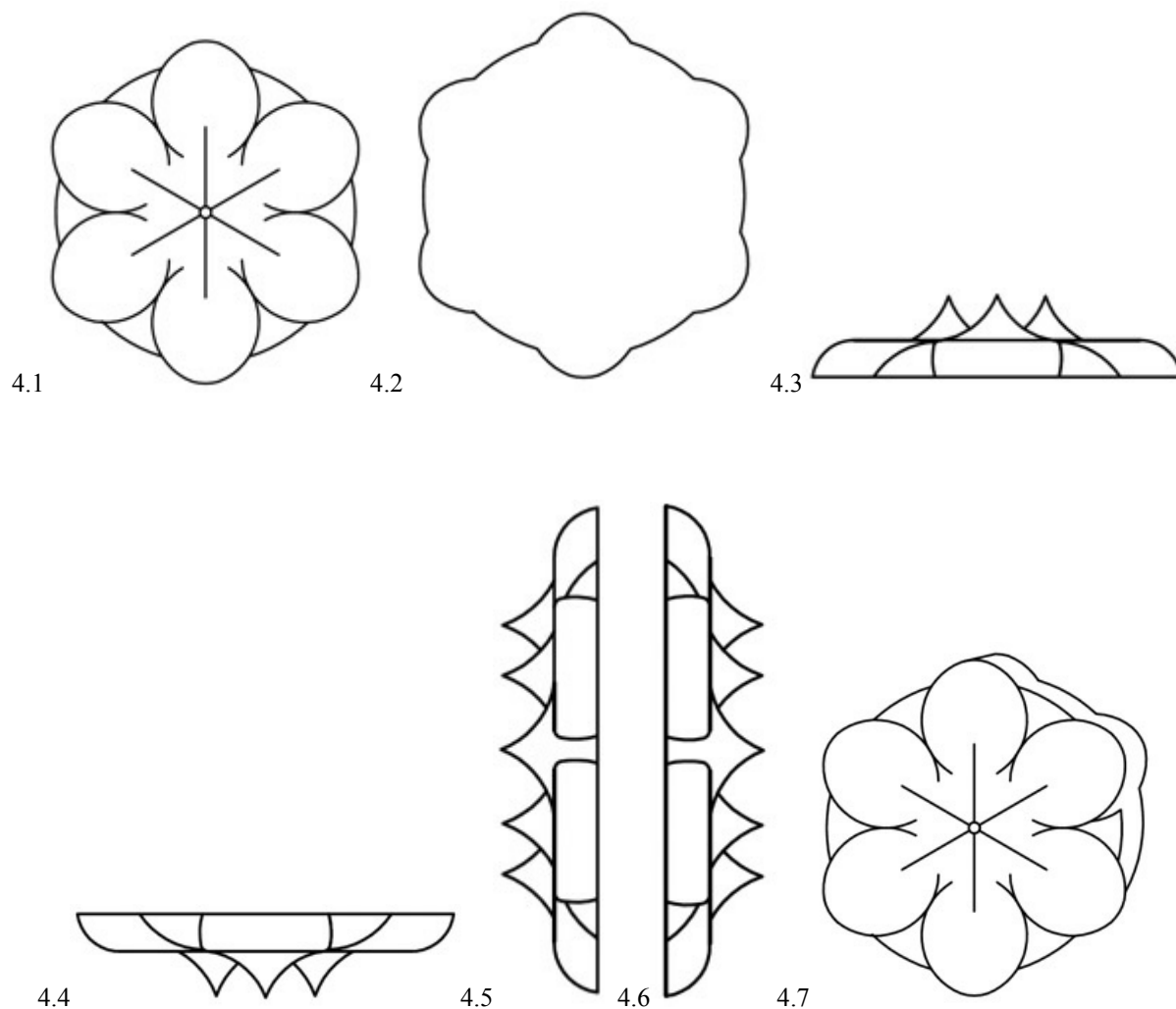
(55)











- (11) DM/077176 (51) 10-02  
 (15) 2011 11 21 (45) 2011/11 (2011 12 31)  
 (22) 2011 11 21  
 (28) 15  
 (73) ETA SA MANUFACTURE  
 HORLOGÈRE SUISSE CH-2540 Grenchen (CH)  
 (85) CH  
 (86) CH  
 (87) CH  
 (88) CH  
 (89) CH  
 (81) II. BZ, MA, ME. III. AL, AM, AZ, BA, CH, EM, GE, HR, KG, LI, MC, MD, MK, MN, NO, OM, SG, TR, UA  
 (72) №1, 2, 3, 4, 5: Michaela Koch, Albrecht Achilles-Strasse 2, 10709 Berlin; №6, 7, 8, 9, 10: Véronique Stoll,  
 Chemin de la Marnière 14A, CH-2502 Biel/Bienne; №11: Nicole Dupont, c/o DUPONT DESIGN SA,  
 Route des Jeunes 33, CH-1227 Carouge; Véronique Stoll, Chemin de la Marnière 14A, CH-2502  
 Biel/Bienne; №12, 13, 14, 15: Damien Goyet, 45 rue Principale, F-68480 Winkel; Véronique Stoll, Chemin  
 de la Marnière 14A, CH-2502 Biel/Bienne  
 (54) 1.-15. Wristwatches

(55)



- (11) DM/077190 (51) 10-02  
 (15) 2011 11 21 (45) 2011/11 (2011 12 31)  
 (22) 2011 11 21  
 (28) 3  
 (73) SWATCH AG (SWATCH SA)(SWATCH LTD)  
 Jakob-Stämpfli-Strasse 94, CH-2502 Bienne (CH)  
 (85) CH  
 (86) CH  
 (87) CH  
 (88) CH  
 (89) CH  
 (81) IL, BZ, MA, ME, III, AL, AM, AZ, BA, CH, EM, GE, HR, KG, LI, MC, MD, MK, MN, NO, OM, SG, TR, UA  
 (72) №1: Cosimo Alberto Epifani, Swatchlab, Via Archimede 6, IT-20129 Milano; №2 et №3: Claudia Cannone,  
 Swatchlab, Via Archimede 6, IT-20129 Milano;  
 (54) 1.-3. Wristwatches  
 (55)



- (11) DM/077201 (51) 32-00  
 (15) 2011 11 01 (45) 2011/11 (2011 12 31)  
 (22) 2011 11 01  
 (28) 17  
 (30) 18.10.2011; 138313; CH  
 (73) SOCIÉTÉ DES PRODUITS NESTLÉ S.A.  
 CH-1800 Vevey (CH)  
 (85) CH  
 (86) CH

(87) CH

(88) CH

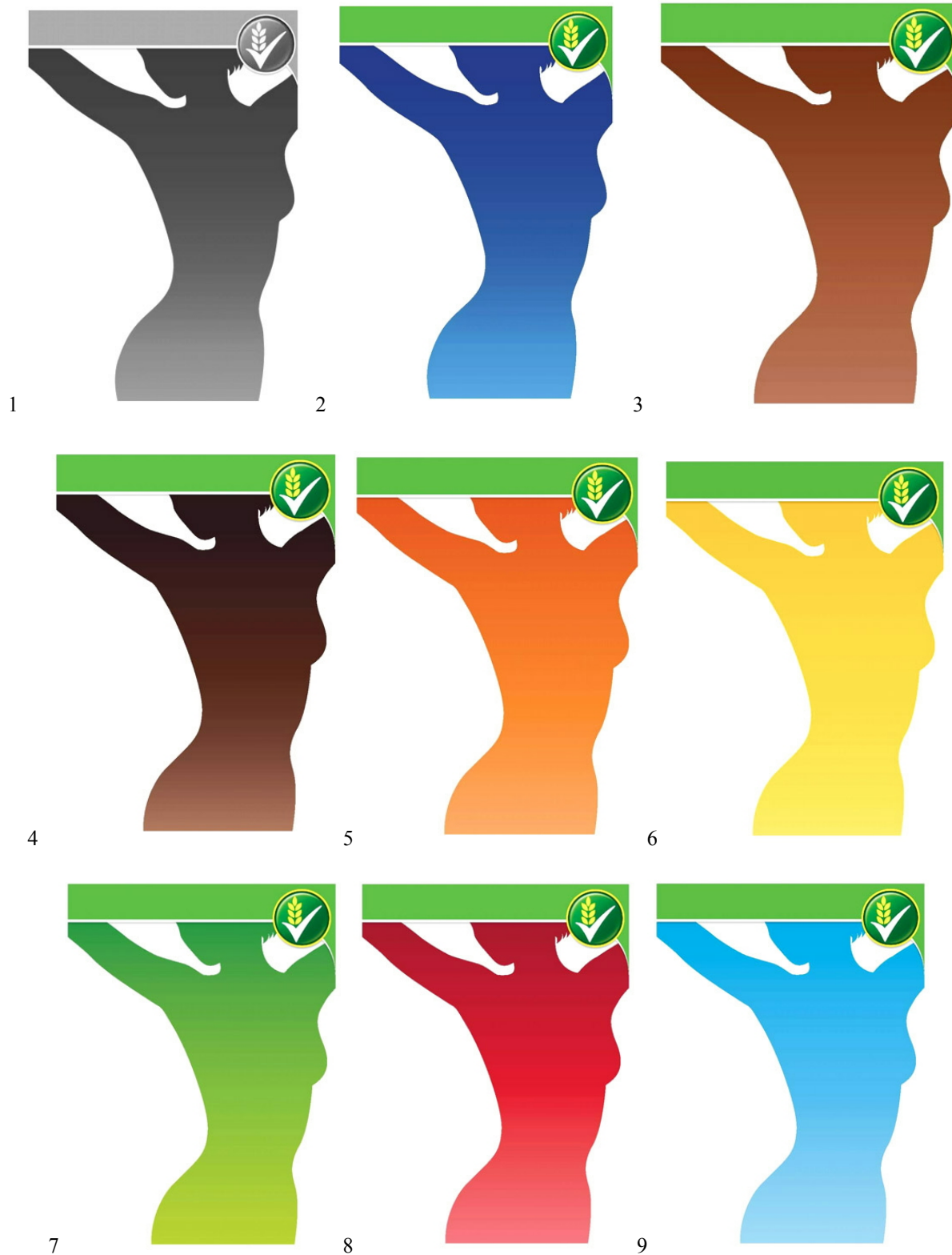
(89) CH

(81) II. ME. III. AL, AM, AZ, BA, BW, EM, GE, GH, HR, IS, MD, MK, NA, NO, OA, RS, UA

(72) David Buchan, Ocean Branding, 3 Bromley Place, London W1T 6DB, United Kingdom

(54) 1.-17. Ornamentation for packaging

(55)





10



11



12



13



14



15



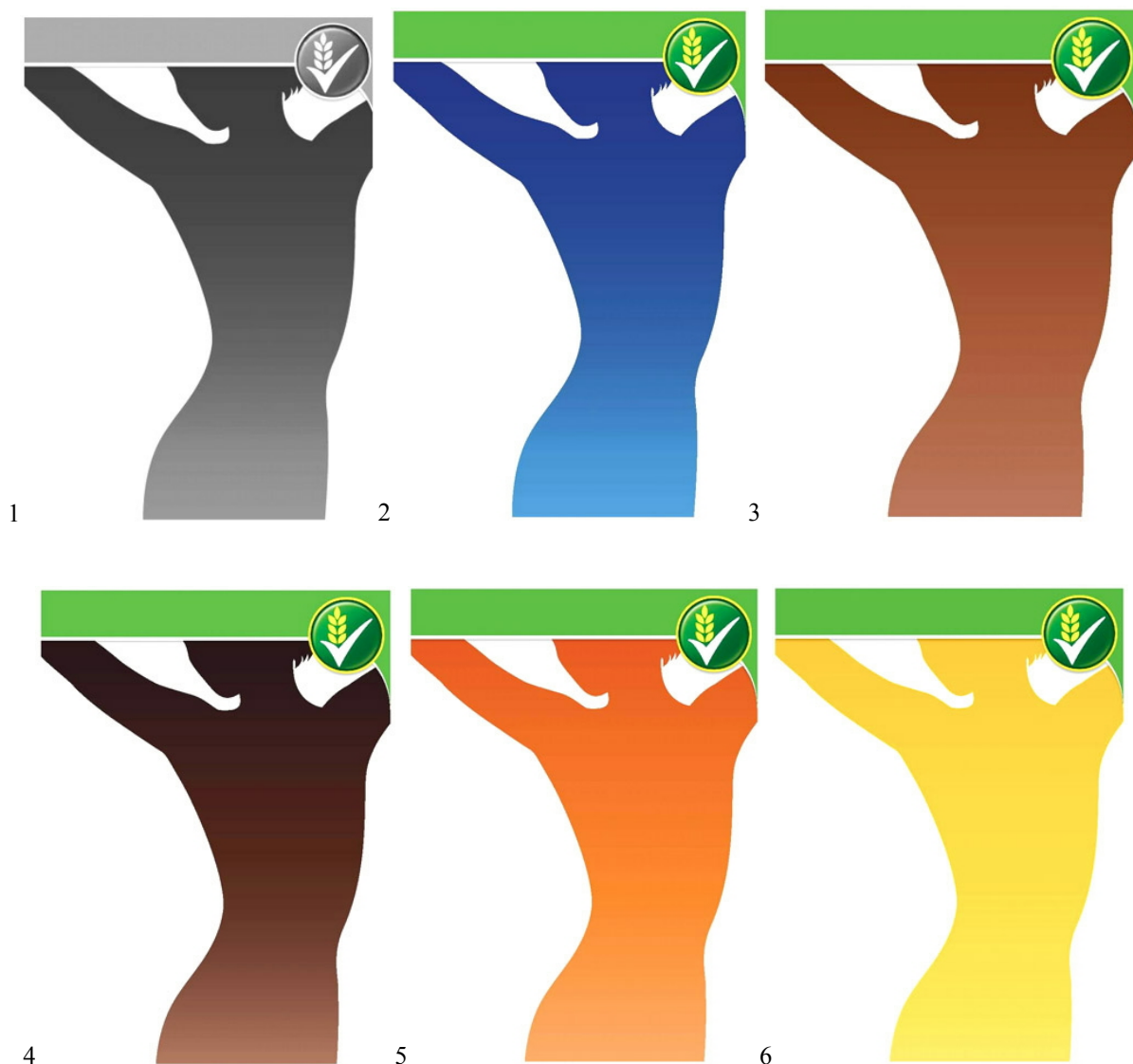
16

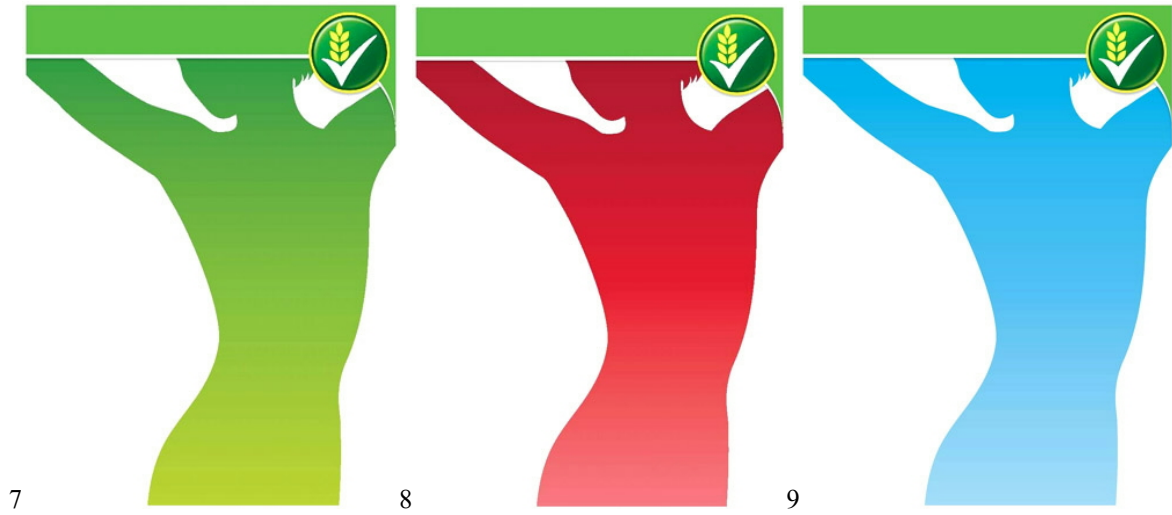


17



- (11) DM/077204 (51) 32-00  
(15) 2011 11 01 (45) 2011/11 (2011 12 31)  
(22) 2011 11 01  
(28) 17  
(30) 18.10.2011; 138315; CH  
(73) SOCIÉTÉ DES PRODUITS NESTLÉ S.A.  
CH-1800 Vevey (CH)  
(85) CH  
(86) CH  
(87) CH  
(88) CH  
(89) CH  
(81) II. MA. III. AL, AM, EE, EG, EM, GE, GH, HR, MK, NA, NO, OA, OM, RS, SG, SI, SY, TR, UA  
(72) David Buchan, Ocean Branding, 3 Bromley Place, London W1T 6DB, United Kingdom  
(54) 1.-17. Ornamentation for packaging  
(55)







16



17

(11) DM/077205 (51) 32-00

(15) 2011 11 01 (45) 2011/11 (2011 12 31)

(22) 2011 11 01

(28) 17

(30) 18.10.2011; 138314; CH

(73) SOCIÉTÉ DES PRODUITS NESTLÉ S.A.

CH-1800 Vevey (CH)

(85) CH

(86) CH

(87) CH

(88) CH

(89) CH

(81) II. MA, ME. III. AL, AM, AZ, BA, BW, EG, EM, GE, GH, HR, IS, MK, NA, NO, OA, OM, RS, SG, SI, SY, TR, UA.

(72) David Buchan, Ocean Branding, 3 Bromley Place, London W1T 6DB, United Kingdom

(54) 1.-17. Ornamentation for packaging

(55)

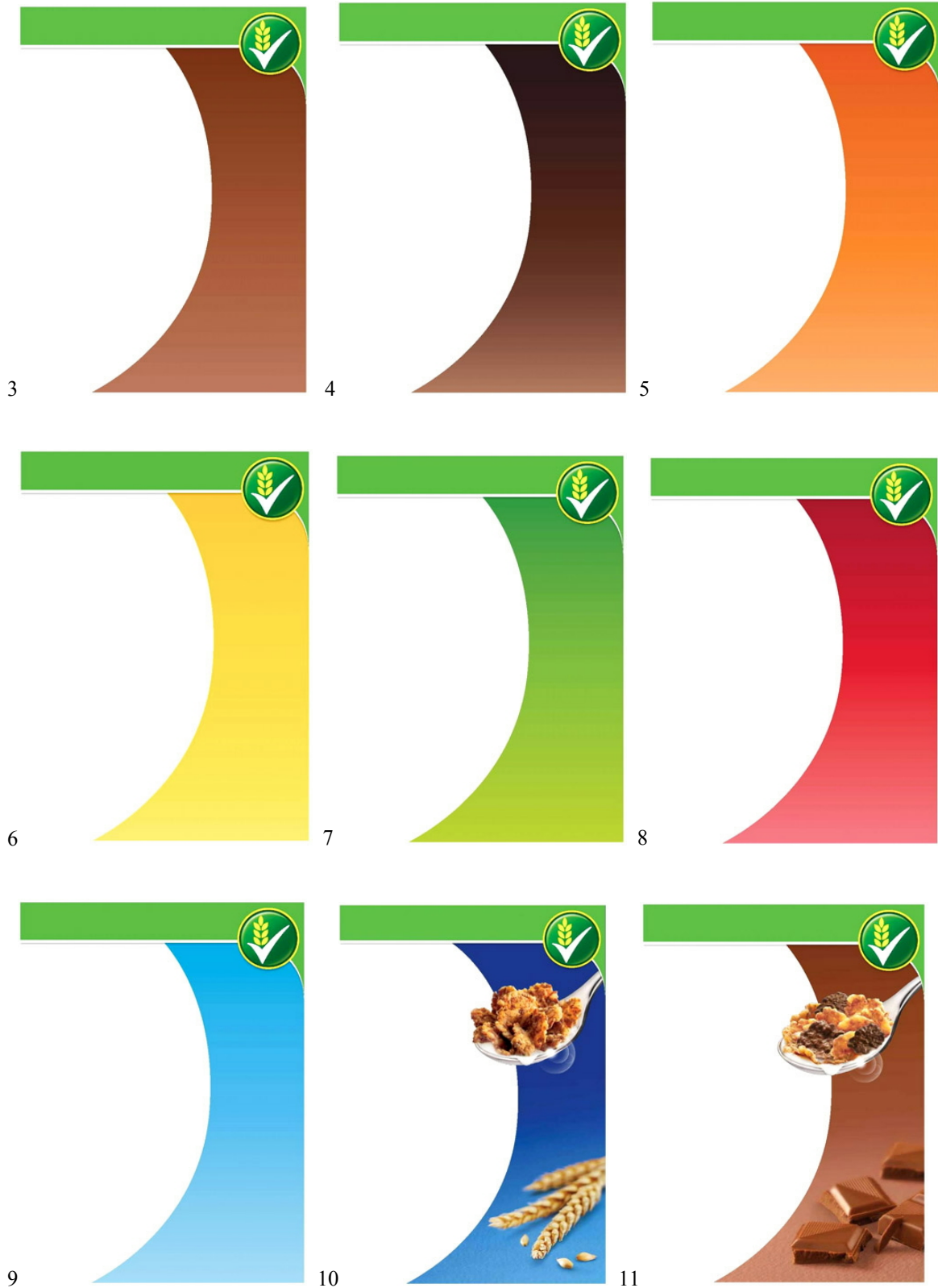


1



2







---

# TRADEMARKS

## APPLICATIONS FILED UNDER THE NATIONAL PROCEDURE LAID OPEN FOR THE PURPOSE OF TAKING PATENT GRANTING DECISIONS

To appeal a decision is possible at Chamber of Appeal of Sakpatenti within 3 months from the publication or at The Board of Administrative Actions of Tbilisi City Court within a 1 month period. (Address: 12 km., №6, David Aghmashenebeli Kheivani, Tbilisi).

(260) AM 2012 62048 A  
(210) AM 062048  
(220) 2011 04 12  
(731) S/C “Sastumroebisa Da Restornebis Menejment Jgufi -Em/Group“  
Marshal Gelovanis gamz. 2, me-5 sartuli,  
0159, Tbilisi, Georgia  
(540)



(591) Black-white  
(531) 26.04.22-27.05.01-27.05.24-  
(511) 43

---

(260) AM 2012 62414 A  
(210) AM 062414  
(220) 2011 05 13  
(731) GLAXOSMITHKLINE TRADING SERVICES LIMITED  
6900 Cork Airport Business Park, Kinsale  
Road, Cork, Ireland  
(740) Shalva Gvaramadze  
(540)

**QUEKLINE**

(591) Black-white  
(511) 5

---

(260) AM 2012 62498 A  
(210) AM 062498  
(220) 2011 05 19  
(731) LTD MIAD GEORGIA შოსლ ჯეორჯია  
Agladze st. 32, 0119, Tbilisi, Georgia  
(540)

**თამაშაი დანა**  
**Tamshaee Dana**  
**Тамашаи дана**

(591) Black-white  
(511) 29, 30

---

(260) AM 2012 62499 A  
(210) AM 062499  
(220) 2011 05 19  
(731) LTD MIAD GEORGIA შოსლ ჯეორჯია  
Agladze st. 32, 0119, Tbilisi, Georgia  
(540)

**თამაშაი**  
**Tamshaee**  
**Тамашаи**

(591) Black-white  
(511) 29, 30

---

(260) AM 2012 62500 A  
(210) AM 062500  
(220) 2011 05 19  
(731) LTD MIAD GEORGIA შოსლ ჯეორჯია  
Agladze st. 32, 0119, Tbilisi, Georgia  
(540)

**შოსლ**  
**MIAD**  
**Миад**

(591) Black-white  
(511) 29

---

(260) AM 2012 62582 A  
(210) AM 062582  
(220) 2011 05 25  
(731) PLAYBOY ENTERPRISES INTERNATIONAL, INC, 680 North Lake Shore Drive Chicago, Illinois 60611, USA  
(740) Tamar Kochlamazashvili  
(540)



(591) Black-white  
(531) 03.05.01-27.05.05-  
(511) 25

---

(260) AM 2012 62714 A  
(210) AM 062714  
(220) 2011 06 03  
(731) LTD "VIA TREVELI"  
Abashidzis k. 24, 0179, Tbilisi  
(540)



(591) Blue  
(531) 28.19.00-29.01.04-  
(511) 35, 39

---

(260) AM 2012 62971 A  
(210) AM 062971  
(220) 2011 06 27  
(731) Obshchestvo s ogranichennoi  
otvetstvenostiu "LIRA SAPR"  
Kiianovskii pereulok, 7a, of. 209, q. Kiev,  
04053, Ukraine  
(740) Shalva Gvaramadze  
(540)

**LIRA**

(591) Black-white  
(511) 9, 42

---

(260) AM 2012 62972 A  
(210) AM 062972  
(220) 2011 06 27  
(731) Obshchestvo s ogranichennoi  
otvetstvenostiu "LIRA SAPR"  
Kiianovskii pereulok, 7a, of. 209, q. Kiev,  
04053, Ukraine  
(740) Shalva Gvaramadze  
(540)

**ЛИРА**

(591) Black-white  
(511) 9, 42

---

(260) AM 2012 62979 A  
(210) AM 062979  
(220) 2011 06 28  
(731) General Motors LLC  
300 Renaissance Center, City of Detroit, State  
of Michigan 48265-3000, USA  
(740) George Taktakishvili  
(540)

**DURAMAX**

(591) Black-white  
(511) 12

---

(260) AM 2012 63015 A  
(210) AM 063015  
(220) 2011 07 01  
(731) Obshchestvo s ogranichennoi  
otvetstvenostiu "FAST FUD SYSTEMS"  
Altufevskoe shosse, d.2 a, 127273 q. Moskovi,  
Russian Federation  
(740) Zurab Lomsadze  
(540)

**F.I.L.**

**FALL IN LOVE**

(591) Black-white  
(531) 24.17.01-27.05.17-  
(511) 30

---

(260) AM 2012 63016 A  
(210) AM 063016  
(220) 2011 07 01  
(731) LTD "T.B.T. GROUP"  
Gamsakhurdia av. 24a, ap. 18, 0194, Tbilisi,  
Georgia  
(740) Nugzar Ksovreli  
(540)

**ბეგელი**

**BEGHELI  
БЕГЕЛИ**

(591) Black-white  
(511) 30

---

(260) AM 2012 63017 A  
(210) AM 063017  
(220) 2011 07 01  
(731) BRAUN-FORMAN POLSKA SP. Z.O.O.  
E POLISH LIMITED KOMPANI  
Ul. Postepu 21 d, 02-645 Warshava, Poloneti,  
Poland  
(740) George Taktakishvili  
(540)

**MAXIMUS**

(591) Black-white  
(511) 33

---

(260) AM 2012 63018 A  
(210) AM 063018  
(220) 2011 07 01  
(731) JOHNSON & JOHNSON (a corporation  
the state of New Jersey),  
One Johnson&Johnson Plaza,  
New Brunswick, New Jersey, USA

(740) George Taktakishvili  
(540)

## LISTERINE ZERO

(591) Black-white  
(511) 3, 5

(260) AM 2012 63019 A  
(210) AM 063019  
(220) 2011 07 01  
(731) BASF Agro B.V., Arnhem (NL)  
Zweigniederlassung Wadenswil,  
Moosacherstrasse 2, Au, Switzerland  
(740) Shalva Gvaramadze  
(540)

## MASAI

(591) Black-white  
(511) 5

(260) AM 2012 63227 A  
(210) AM 063227  
(220) 2011 07 15  
(731) World Medicine Limited  
Commonwealth Trust Limited,  
Drake Chambers, Tortola, British Virgin  
Islands  
(740) George Taktakishvili  
(540)

## Medatol Медатол მედატოლი

(591) Black-white  
(511) 5, 29

(260) AM 2012 63228 A  
(210) AM 063228  
(220) 2011 07 15  
(731) World Medicine Limited,  
Commonwealth Trust Limited,  
Drake Chambers, Tortola, British Virgin  
Islands  
(740) George Taktakishvili  
(540)

## Futaron Футарон ფუტარონი

(591) Black-white  
(511) 5

(260) AM 2012 63241 A  
(210) AM 063241  
(220) 2011 07 15  
(731) LTD "BALIS"  
Davit Agmasheneblis 115d, 0700,  
Akhalkalaki, Georgia  
(540)



(591) White, black, green, grey  
(531) 25.01.19-26.01.19-26.01.21-29.01.14-  
(526) **Disclaimer** – according to the consent of the  
Ministry of Culture, on the basis of subpa-  
graph (i) of paragraph 1 of Article 4 of the  
Trademark Law of Georgia, the words  
"GEORGIA" and „გორჯოია“ are included in  
a trademark as an unprotected part.  
(511) 32

(260) AM 2012 63243 A  
(210) AM 063243  
(220) 2011 07 18  
(731) Berlin-Chemie AG  
Glienicke Weg 125, 12489 Berlin, Germany  
(740) George Gvinjilia  
(540)

## MICILIN

(591) Black-white  
(511) 5

(260) AM 2012 63244 A  
(210) AM 063244  
(220) 2011 07 18  
(731) Berlin-Chemie AG  
Glienicke Weg 125, 12489 Berlin, Germany  
(740) George Gvinjilia  
(540)

## МИЦИЛИН

(591) Black-white  
(511) 5

(260) AM 2012 63247 A  
(210) AM 063247  
(220) 2011 07 18  
(731) Berlin-Chemie AG  
Glienicke Weg 125, 12489 Berlin, Germany  
(740) George Gvinjilia  
(540)

## SILTION

(591) Black-white  
(511) 5

---

(260) AM 2012 63248 A  
(210) AM 063248  
(220) 2011 07 18  
(731) Berlin-Chemie AG  
Glienicke Weg 125, 12489 Berlin, Germany  
(740) George Gvinjilia  
(540)

## СИЛТИОН

(591) Black-white  
(511) 5

---

(260) AM 2012 63249 A  
(210) AM 063249  
(220) 2011 07 18  
(731) Berlin-Chemie AG  
Glienicke Weg 125, 12489 Berlin, Germany  
(740) George Gvinjilia  
(540)

## VELIDAR

(591) Black-white  
(511) 5

---

(260) AM 2012 63250 A  
(210) AM 063250  
(220) 2011 07 18  
(731) Berlin-Chemie AG  
Glienicke Weg 125, 12489 Berlin, Germany  
(740) George Gvinjilia  
(540)

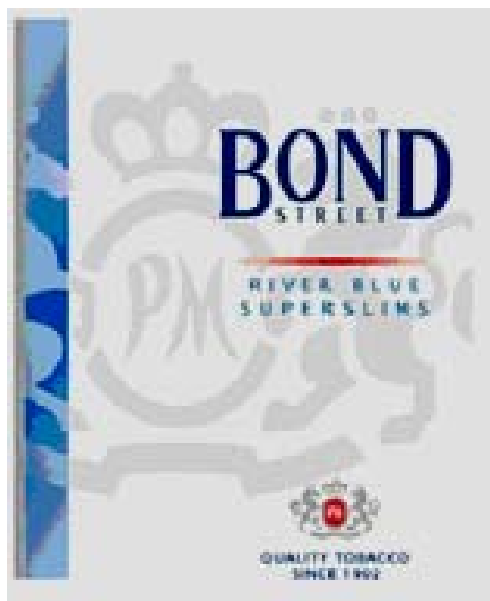
## ВЕЛИДАР

(591) Black-white  
(511) 5

---

(260) AM 2012 63253 A  
(210) AM 063253  
(220) 2011 07 18  
(731) Philip Morris Brands SàRL.  
Quai Jeanrenaud 3, 2000 Neuchâtel,  
Switzerland

(740) Shalva Gvaramadze  
(540)



(591) White, red, blue, grey, another color light blue  
(531) 24.01.15-24.09.01-25.01.01-25.07.25-  
29.01.15-  
(511) 34

---

(260) AM 2012 63297 A  
(210) AM 063297  
(220) 2011 07 19  
(731) RECKITT&COLMAN (OVERSEAS)  
LIMITED  
Dansom Lane, Hull, HU8 7DS, United  
Kingdom  
(740) Liliana Darakhvelidze  
(540)

## NUROMOL

(591) Black-white  
(511) 5

---

(260) AM 2012 63298 A  
(210) AM 063298  
(220) 2011 07 19  
(731) RECKITT&COLMAN (OVERSEAS)  
LIMITED  
Dansom Lane, Hull, HU8 7DS, United  
Kingdom  
(740) Liliana Darakhvelidze  
(540)

## НУРОМОЛ

(591) Black-white  
(511) 5

---



(260) AM 2012 63376 A  
 (210) AM 063376  
 (220) 2011 07 25  
 (731) S/C "TBILISIS TAMBAQO"  
 G. Nadareishvilis k. 5, 0120, Tbilisi, Georgia  
 (740) Tea Gogsadze  
 (540)



(591) Black-white  
 (531) 01.03.01-19.03.24-28.19.00-  
 (511) 34

(260) AM 2012 63377 A  
 (210) AM 063377  
 (220) 2011 07 25  
 (731) Inovatsiuri Teknologiebhis Saertashoriso  
 Fondi  
 Jikias k. 8, 0186, Tbilisi, Georgia  
 (740) Gvantsa Barabadze  
 (540)



(591) Yellow, golden, grey, black  
 (531) 02.09.04-26.01.05-26.11.12-27.05.05-  
 29.01.13-  
 (511) 41

(260) AM 2012 63435 A  
 (210) AM 063435  
 (220) 2011 07 27  
 (731) S/C "LISI LEIK DEVELOPMENT"  
 Vakis raioni, Kisis tbis mimdebared  
 (nakveti N1/5), 0177, Tbilisi, Georgia  
 (540)

მწვანე ქალაქი ლისი  
 Lisi Green City, Lisi Green Town  
 Зелёный Город лиси

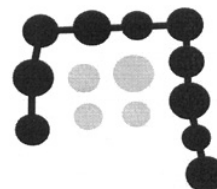
(591) Sky-blue  
 (531) 27.05.05-28.05.00-28.19.00-29.01.04-  
 (526) **Disclaimer** – according to the consent of the  
 Ministry of Culture, on the basis of subpara-  
 graph (i) of paragraph 1 of Article 4 of the  
 Trademark Law of Georgia, the words  
 „ლისი“ and "Lisi" are included in a trademark  
 as an unprotected part.  
 (511) 36, 41

(260) AM 2012 63437 A  
 (210) AM 063437  
 (220) 2011 07 27  
 (731) NOVARTIS AG  
 4002 Basel, Switzerland  
 (740) Shalva Gvaramadze  
 (540)

**IMECLO**

(591) Black-white  
 (511) 5

(260) AM 2012 63530 A  
 (210) AM 063530  
 (220) 2011 08 03  
 (731) Ironwood Pharmaceuticals, Inc.  
 301 Binney Street, Cambridge, Massachusetts  
 02142, USA  
 (740) George Meipariani  
 (540)



(591) Black-white  
 (531) 26.01.06-29.01.12-  
 (511) 5

(260) AM 2012 63587 A  
 (210) AM 063587  
 (220) 2011 08 09

(731) LTD "LEADER CREDIT"  
Isani-Samgoris raioni, Javakheti st. 42a  
mimdebare, Tbilisi, Georgia

(540)



(591) Grey, red, white, black

(531) 26.04.04-26.04.06-27.05.02-27.05.22-  
29.01.14-

(526) **Disclaimer** – The trademark is protected as a  
whole, word combination "CREDIT" shall be  
withdrawn from protection.

(511) 35, 36

---

(260) AM 2012 63588 A

(210) AM 063588

(220) 2011 08 09

(731) LTD "GORBI" - Sakartvelos azrisa da  
biznesis kvlevis saertashoriso centri  
Vazha-Pshavela 45, 0177, Tbilisi, Georgia

(540)



(591) Blue, red, white

(531) 01.05.02-27.01.06-29.01.12-

(511) 35

---

(260) AM 2012 63592 A

(210) AM 063592

(220) 2011 08 09

(731) LTD "AVERSI-PHARMA"  
Davit Agmashenebeli av. 148/2, 0112, Tbilisi,  
Georgia

(540)

ბეიბინა  
**Бейбина**  
**Babina**

(591) Black-white

(511) 5

---

(260) AM 2012 63593 A

(210) AM 063593

(220) 2011 08 09

---

(731) LTD "AVERSI-PHARMA"

Davit Agmashenebeli av. 148/2, 0112, Tbilisi,  
Georgia

(540)

ალპენი  
**Альпен**  
**Alpen**

(591) Black-white

(511) 5

---

(260) AM 2012 63602 A

(210) AM 063602

(220) 2011 08 09

(310) 51519/2011

(320) 2011 02 09

(330) CH

(731) PHILIP MORRIS PRODUCTS S. A.  
Quai Jeanrenaud 3, CH-2000 Neuchatel,  
Switzerland

(740) Shalva Gvaramadze

(540)

**2 IN 1**

(591) Black-white

(511) 34

---

(260) AM 61684 A\*

(210) AM 061684

(220) 2011 03 16

(731) LTD "LIBERTI KAPITALI"  
Ilia Chavchavadze av. 39, ap. 34, 0162,  
Tbilisi, Georgia

(540)

**Liberty Capital**

(591) Black-white

(511) 36

---



---

## REGISTERED TRADEMARKS

(111) M 2012 022309 R (151) 2012 02 23 (181) 2022 02 23 (260) AM 2011 57965 A (220) 2010 05 05 (732) Valerian Tabagua Ul. Zemlianoi val. 46, b. 25, Moskovi, Russian Federation	SAZODAGOEBA" Tavisuflebis moedani N4, 0105, Tbilisi, Georgia
(111) M 2012 022310 R (151) 2012 02 23 (181) 2022 02 23 (260) AM 2011 58242 A (220) 2010 05 27 (732) PPC Marketing Ltd., Texas Limited Partnership (Having Pilgrim's Pride Corporation, a Daleware Corporation, as its General Partner); 1770 Promontory Circle, Greeley, Colorado 80634, USA	(111) M 2012 022314 R (151) 2012 02 24 (181) 2022 02 24 (260) AM 2011 58726 A (220) 2010 07 16 (732) Unilever N.V. Weena 455, 3013 AL Rotterdam, Netherlands
(111) M 2012 022311 R (151) 2012 02 23 (181) 2022 02 23 (260) AM 2011 58243 A (220) 2010 05 27 (732) PPC Marketing Ltd., Texas Limited Partnership (Having Pilgrim's Pride Corporation, a Daleware Corporation, as its General Partner); 1770 Promontory Circle, Greeley, Colorado 80634, USA	(111) M 2012 022315 R (151) 2012 02 24 (181) 2022 02 24 (260) AM 2011 58802 A (220) 2010 07 21 (732) NOVARTIS AG 4002 Basel, Switzerland
(111) M 2012 022312 R (151) 2012 02 23 (181) 2022 02 23 (260) AM 2011 58425 A (220) 2010 06 23 (732) Alexander Kavtaradze Varketili 3, II mkr., korp. 14, b. 96, 0163, Tbilisi, Georgia	(111) M 2012 022316 R (151) 2012 02 24 (181) 2022 02 24 (260) AM 2011 58813 A (220) 2010 07 23 (732) NOVARTIS AG 4002 Basel, Switzerland
(111) M 2012 022313 R (151) 2012 02 23 (181) 2022 02 23 (260) AM 2011 59927 A (220) 2010 10 20 (732) Arakomertsiuli iuridiuli piri "FASEULOBATA KVLEVIS	(111) M 2012 022317 R (151) 2012 02 24 (181) 2022 02 24 (260) AM 2011 59180 A (220) 2010 08 24 (732) LTD "ADJARIAN TOBACCO" Ninoshvili st. 25, 6010, Batumi, Georgia
	(111) M 2012 022319 R (151) 2012 02 24 (181) 2022 02 24 (260) AM 2011 60038 A (220) 2010 10 28 (732) POLIMERPHARMI Davit Agmasheneblis kheivani, me-12 km, 0131, Tbilisi, Georgia

(111) M 2012 022321 R  
(151) 2012 02 24  
(181) 2022 02 24  
(260) AM 2011 60384 A  
(220) 2010 11 26  
(732) POLIMERPHARMI  
Davit Agmasheneblis kheivani, me-12 km,  
0131, Tbilisi, Georgia

---

(111) M 2012 022322 R  
(151) 2012 02 24  
(181) 2022 02 24  
(260) AM 2011 60385 A  
(220) 2010 11 26  
(732) LTD "NEOPHARMI"  
Davit Agmasheneblis kheivani, me-12 km,  
0131, Tbilisi, Georgia;  
Iuri Kikabidze  
Varketilis mas. II mkr., korp. 28, b. 39, 0163,  
Tbilisi, Georgia

---

(111) M 2012 022323 R  
(151) 2012 02 24  
(181) 2022 02 24  
(260) AM 2011 60439 A  
(220) 2010 12 01  
(732) Vifor (International) AG  
Vifor (International) Ltd,  
Vifor (International) Inc.  
Rechenstrasse 37, 9014 St. Gall,  
Switzerland

---

(111) M 2012 022325 R  
(151) 2012 02 24  
(181) 2022 02 24  
(260) AM 2011 60555 A  
(220) 2010 12 08  
(732) LTD "QARTULI SADISTRIBUTSIO-  
MARKETINGULI KOMPANIA"  
Moskovis gamz. 31a, 0120,  
Tbilisi, Georgia

---

(111) M 2012 022326 R  
(151) 2012 02 24  
(181) 2022 02 24  
(260) AM 2011 60558 A  
(220) 2010 12 08  
(732) TOYOTA JIDOSHA KABUSHIKI KAISHA  
(also trading as TOYOTA MOTOR  
CORPORATION)  
1, Toyota-Cho, Toyota-Shi,  
Aichi-Ken, Japan

---

(111) M 2012 022332 R  
(151) 2012 02 24  
(181) 2022 02 24  
(260) AM 2011 60637 A  
(220) 2010 12 16  
(732) Hansen Beverage Company, a Delaware  
Corporation  
550 Monica Circle, Suite 201, Corona,  
California 92880, USA

---

(111) M 2012 022333 R  
(151) 2012 02 24  
(181) 2022 02 24  
(260) AM 2011 60657 A  
(220) 2010 12 17  
(732) LTD „Sofia +“  
Vazha-Pshavelas gamz. me-7 kvartali, me-6  
korpusi, bina 20, 0186, Tbilisi, Georgia

---

(111) M 2012 022334 R  
(151) 2012 02 24  
(181) 2022 02 24  
(260) AM 2011 60668 A  
(220) 2010 12 20  
(732) LTD "SADAZGVEVO KOMPANIA  
AI SI JGUFI"  
Arakishvilis q.2, 0179, Tbilisi, Georgia

---

(111) M 2012 022335 R  
(151) 2012 02 24  
(181) 2022 02 24  
(260) AM 2011 60727 A  
(220) 2010 12 24  
(732) Publichnoe aktsionerhoe obshestvo  
komercheski Bank "PRIVATBANK"  
Ul. Nabeheznaia pabedi, 50,  
q. Dnepropetrovski, 49094, Ukraine

---

(111) M 2012 022336 R  
(151) 2012 02 24  
(181) 2022 02 24  
(260) AM 2011 60742 A  
(220) 2010 12 28  
(732) TOYOTA JIDOSHA KABUSHIKI  
KAISHA (also trading as TOYOTA MOTOR  
CORPORATION)  
1, Toyota-Cho, Toyota-Shi, Aichi-Ken, Japan

---

(111) M 2012 022337 R  
(151) 2012 02 24  
(181) 2022 02 24  
(260) AM 2011 60785 A

---

(220) 2010 12 29  
(732) Abbott Laboratories  
100 Abbott Park Road, Abbott Park, Illinois  
60064-6408, USA

---

(111) M 2012 022338 R  
(151) 2012 02 24  
(181) 2022 02 24  
(260) AM 2011 60802 A  
(220) 2010 12 30  
(732) S/C "LOMISI"  
Sopeli Natakhtari, 3308, Mtskhethis raioni,  
Georgia

---

(111) M 2012 022339 R  
(151) 2012 02 24  
(181) 2022 02 24  
(260) AM 2011 60803 A  
(220) 2010 12 30  
(732) S/C "LOMISI"  
Sopeli Natakhtari, 3308, Mtskhethis raioni,  
Georgia

---

(111) M 2012 022341 R  
(151) 2012 02 24  
(181) 2022 02 24  
(260) AM 2011 60835 A  
(220) 2011 01 12  
(732) LTD "VISOL AVTO EQSPRESI"  
Iia Chavchavadzis gamz. 74b, 0160, Tbilisi,  
Georgia

---

(111) M 2012 022342 R  
(151) 2012 02 24  
(181) 2022 02 24  
(260) AM 2011 60837 A  
(220) 2011 01 13  
(732) LTD "EFEMJI LEGAL"  
Dolidzis 2, 0171, Tbilisi, Georgia

---

(111) M 2012 022343 R  
(151) 2012 02 24  
(181) 2022 02 24  
(260) AM 2011 60885 A  
(220) 2011 01 18  
(732) Amgen Inc.  
One Amgen Center Drive, Thousand Oaks,  
California 91320-1799, USA

---

(111) M 2012 022344 R  
(151) 2012 02 24  
(181) 2022 02 24  
(260) AM 2011 60898 A  
(220) 2011 01 20  
(732) Shemoqmedebiti kavshiris saqartvelos  
musikaluri sazogadoebis acharis respublikuri  
gamgeoba  
Memed Abashidzis q.49, 6010, Batumi,  
Georgia

---

(111) M 2012 022345 R  
(151) 2012 02 24  
(181) 2022 02 24  
(260) AM 2011 60914 A  
(220) 2011 01 20  
(732) Fédération française de Football  
87 boulevard de Grenelle, 75738 Paris Cedex  
15, France

---

(111) M 2012 022346 R  
(151) 2012 02 24  
(181) 2022 02 24  
(260) AM 2011 60947 A  
(220) 2011 01 24  
(732) Philip Morris Brands S.A.R.L.  
Quai Jeanrenaud 3, CH-2000 NEUCHATEL,  
Switzerland

---

(111) M 2012 022347 R  
(151) 2012 02 24  
(181) 2022 02 24  
(260) AM 2011 60959 A  
(220) 2011 01 25  
(732) LTD "VIA TREVELI"  
Abashidzis q.24, 0179, Tbilisi, Georgia

---

(111) M 2012 022348 R  
(151) 2012 02 24  
(181) 2022 02 24  
(260) AM 2011 60963 A  
(220) 2011 01 26  
(732) Sano-Brunos Enterprises Ltd  
Neve Neeman, Hod Hasharon, Israel

---

(111) M 2012 022350 R  
(151) 2012 02 24  
(181) 2022 02 24  
(260) AM 2011 61195 A  
(220) 2011 02 07  
(732) Merab Peradze  
Sop. Apeni, 2701, Lagodekhi, Georgia

---

(111) M 2012 022351 R  
 (151) 2012 02 24  
 (181) 2022 02 24  
 (260) AM 2011 61224 A  
 (220) 2011 02 08  
 (732) LTD "ROBERTO"  
 Rustavelis gamz. 32, 0108, Tbilisi, Georgia

Ul. Viatskaia, d.27, str.13-14, 127015  
 Moskou, Russian Federation

(111) M 2012 022352 R  
 (151) 2012 02 24  
 (181) 2022 02 24  
 (260) AM 2011 61276 A  
 (220) 2011 02 10  
 (732) Cobb-Vantress, Inc.  
 P.O. Box 1030, Siloam Springs, Arkansas  
 72761, USA

(111) M 2012 022357 R  
 (151) 2012 02 24  
 (181) 2022 02 24  
 (260) AM 2011 61495 A  
 (220) 2011 02 23  
 (732) OAO "KOMPANIA IUNIMILK"  
 Ul. Viatskaia, d.27, str.13-14, 127015  
 Moskou, Russian Federation

(111) M 2012 022353 R  
 (151) 2012 02 24  
 (181) 2022 02 24  
 (260) AM 2011 61371 A  
 (220) 2011 02 16  
 (732) Zezva Gagnidze  
 Cholokashvilis q. 41, 2200, Telavi, Georgia;  
 Domenti Gagnidze  
 Sop. Shalauri, 2216, Telavi, Georgia

(111) M 2012 022358 R  
 (151) 2012 02 24  
 (181) 2022 02 24  
 (260) AM 2011 61496 A  
 (220) 2011 02 23  
 (732) OAO "KOMPANIA IUNIMILK"  
 Ul. Viatskaia, d.27, str.13-14, 127015  
 Moskou, Russian Federation

(111) M 2012 022354 R  
 (151) 2012 02 24  
 (181) 2022 02 24  
 (260) AM 2011 61372 A  
 (220) 2011 02 16  
 (732) Zezva Gagnidze  
 Cholokashvilis q. 41, 2200, Telavi, Georgia;  
 Domenti Gagnidze  
 Sop. Shalauri, 2216, Telavi, Georgia

(111) M 2012 022360 R  
 (151) 2012 02 24  
 (181) 2022 02 24  
 (260) AM 2011 61498 A  
 (220) 2011 02 23  
 (732) OAO "KOMPANIA IUNIMILK"  
 Ul. Viatskaia, d.27, str.13-14, 127015  
 Moskou, Russian Federation

(111) M 2012 022355 R  
 (151) 2012 02 24  
 (181) 2022 02 24  
 (260) AM 2011 61479 A  
 (220) 2011 02 22  
 (732) S/C "BANKI KONSTANTA"  
 Tsinamdzgvishvilis qucha N115, 0107,  
 Tbilisi, Georgia

(111) M 2012 022361 R  
 (151) 2012 02 24  
 (181) 2022 02 24  
 (260) AM 2011 61514 A  
 (220) 2011 02 24  
 (732) SANOFI-AVENTIS  
 174, Avenue de France, 75013 Paris, France

(111) M 2012 022356 R  
 (151) 2012 02 24  
 (181) 2022 02 24  
 (260) AM 2011 61494 A  
 (220) 2011 02 23  
 (732) OAO "KOMPANIA IUNIMILK"

(111) M 2012 022362 R  
 (151) 2012 02 24  
 (181) 2022 02 24  
 (260) AM 2011 61522 A  
 (220) 2011 02 24  
 (732) Nissan Jidosha Kabushiki Kaisha  
 (also trading as Nissan Motor Co., Ltd.)  
 N2 Takaracho, Kanagawa-ku, Yokohama-shi,  
 Kanagawa-ken, Japan

(111) M 2012 022363 R  
 (151) 2012 02 24  
 (181) 2022 02 24

(260) AM 2011 61523 A  
(220) 2011 02 24  
(732) Nissan Jidosha Kabushiki Kaisha  
(also trading as Nissan Motor Co., Ltd.)  
N2 Takaracho, Kanagawa-ku, Yokohama-shi,  
Kanagawa-ken, Japan

---

(111) M 2012 022364 R  
(151) 2012 02 24  
(181) 2022 02 24  
(260) AM 2011 61531 A  
(220) 2011 02 25  
(732) Tenaris Connections BV  
Locatellikatde 1, 1076 AZ Amsterdam,  
Netherlands

---

(111) M 2012 022365 R  
(151) 2012 02 24  
(181) 2022 02 24  
(260) AM 2011 61532 A  
(220) 2011 02 25  
(732) Tenaris Connections BV  
Locatellikatde 1, 1076 AZ Amsterdam,  
Netherlands

---

(111) M 2012 022367 R  
(151) 2012 02 24  
(181) 2022 02 24  
(260) AM 2011 61573 A  
(220) 2011 03 04  
(732) Nine West Development Corporation  
1007 Orange Street, Suite 225, Wilmington,  
Delaware 19801, USA

---

(111) M 2012 022370 R  
(151) 2012 02 24  
(181) 2022 02 24  
(260) AM 2011 61633 A  
(220) 2011 03 14  
(732) S/C "SARAJISHVILI"  
Sarajishvilis gamz. 4, 0153, Tbilisi, Georgia

---

(111) M 2012 022372 R  
(151) 2012 02 24  
(181) 2022 02 24  
(260) AM 2011 61707 A  
(220) 2011 03 17  
(732) OAO "KOMPANIA IUNIMILK"  
Ul. Viatskaia, d.27, str.13-14, 127015  
Moskou, Russian Federation

---

(111) M 2012 022373 R  
(151) 2012 02 24  
(181) 2022 02 24  
(260) AM 2011 61708 A  
(220) 2011 03 17  
(732) OAO "KOMPANIA IUNIMILK"  
Ul. Viatskaia, d.27, str.13-14, 127015  
Moskou, Russian Federation

---

(111) M 2012 022374 R  
(151) 2012 02 24  
(181) 2022 02 24  
(260) AM 2011 61709 A  
(220) 2011 03 17  
(732) OAO "KOMPANIA IUNIMILK"  
Ul. Viatskaia, d.27, str.13-14, 127015  
Moskou, Russian Federation

---

(111) M 2012 022375 R  
(151) 2012 02 24  
(181) 2022 02 24  
(260) AM 2011 61710 A  
(220) 2011 03 17  
(732) OAO "KOMPANIA IUNIMILK"  
Ul. Viatskaia, d.27, str.13-14, 127015  
Moskou, Russian Federation

---

(111) M 2012 022376 R  
(151) 2012 02 24  
(181) 2022 02 24  
(260) AM 2011 61711 A  
(220) 2011 03 17  
(732) OAO "KOMPANIA IUNIMILK"  
Ul. Viatskaia, d.27, str.13-14, 127015  
Moskou, Russian Federation

---

(111) M 2012 022377 R  
(151) 2012 02 24  
(181) 2022 02 24  
(260) AM 2011 61712 A  
(220) 2011 03 17  
(732) OAO "KOMPANIA IUNIMILK"  
Ul. Viatskaia, d.27, str.13-14, 127015  
Moskou, Russian Federation

---

---

## TRADEMARKS REGISTERED ACCORDING TO THE ACCELERATED PROCEDURE

To file an appeal on request of the registration cancelling is possible at Chamber of Appeal of Sakpatenti within 3 months from the publication.

(111) M 2012 22304 R  
(151) 2012 02 21  
(181) 2022 02 21  
(210) AM 065865  
(220) 2012 01 13  
(310) M 2011 17465  
(320) 2011 11 02  
(330) UA

(732) GALLAHER LIMITED;  
Members Hill, Brooklands Road, Weybridge,  
Surrey, KT13 0QU, United Kingdom

(740) Shalva Gvaramadze  
(540)

### CONTOUR

(591) Black-white  
(511) 34

---

(111) M 2012 22305 R  
(151) 2012 02 21  
(181) 2022 02 21  
(210) AM 065867  
(220) 2012 01 13  
(310) M 2011 17468  
(320) 2011 11 02  
(330) UA

(732) GALLAHER LIMITED;  
Members Hill, Brooklands Road, Weybridge,  
Surrey, KT13 0QU, United Kingdom

(740) Shalva Gvaramadze  
(540)

### DISCERN

(591) Black-white  
(511) 34

---

(111) M 2012 22306 R  
(151) 2012 02 21  
(181) 2022 02 21  
(210) AM 065868  
(220) 2012 01 13  
(310) M 2011 17469  
(320) 2011 11 02  
(330) UA

(732) GALLAHER LIMITED;  
Members Hill, Brooklands Road, Weybridge,  
Surrey, KT13 0QU, United Kingdom

(740) Shalva Gvaramadze  
(540)

### ELEVATE

(591) Black-white  
(511) 34

---

(111) M 2012 22307 R  
(151) 2012 02 21  
(181) 2022 02 21  
(210) AM 065870  
(220) 2012 01 13  
(310) M 2011 17470  
(320) 2011 11 02  
(330) UA

(732) GALLAHER LIMITED;  
Members Hill, Brooklands Road, Weybridge,  
Surrey, KT13 0QU, United Kingdom

(740) Shalva Gvaramadze  
(540)

### SOBRANIE SUPREME

(591) Black-white  
(511) 34

---

(111) M 2012 22308 R  
(151) 2012 02 21  
(181) 2022 02 21  
(210) AM 066127  
(220) 2012 02 08

(732) LTD "KONIAKISA DA GVINIS  
QARKHANA VAZIANI"  
Tamar Mefis gamz. 6, 0112, Tbilisi, Georgia

(540)



(591) Black-white  
(531) 01.03.15-06.01.02-28.05.00-  
(511) 33

---

(111) M 2012 22378 R  
(151) 2012 02 24  
(181) 2022 02 24

(210) AM 066135

(220) 2012 02 09

(732) MOKA & CO SARL

FAKHOURY CENTER, KASLIK STREET-  
2ND FLOOR, SARBA, Lebanon

(740) George Taktakishvili

(540)



(591) White, red, brown

(531) 11.03.04-01.15.11-27.05.05-29.01.07-

(526) **Disclaimer** – The trademark is protected as a whole, word combination "TEA" in the trademark shall not be subject to independent protection.

(511) 43

---

---

## INTERNATIONAL TRADEMARKS LAID OPEN FOR THE PURPOSE OF TAKING PROTECTION GRANTING DECISIONS

To appeal a decision is possible at Chamber of Appeal of Sakpatenti within 3 months from the publication or at The Board of Administrative Actions of Tbilisi City Court within a 1 month period. (Address: 12 km., №6, David Aghmashenebeli Kheivani, Tbilisi).

(260) AM 2012 61754 A  
(800) 1067958  
(731) LORENZ SNACK-WORLD  
BETEILIGUNG GMBH GERMANY  
Adelheidstr. 4/5, 30171 Hannover, Germany  
(540)



(591) Red, black, white and yellow  
(511) 29, 30

---

(260) AM 2012 61889 A  
(800) 1069011  
(731) SOREMARTEC SA  
Rue Joseph Netzer 5, B-6700 ARLON,  
Belgium  
(540)



(591) Various shades of green, orange,  
gray and white  
(511) 05, 30

---

(260) AM 2012 61890 A  
(800) 1069013  
(731) IDEM PAPERS S.A.  
Rue d'Asquempont 2, B-1460 Virginal,  
Belgium  
(540)

**IDEM**

(591) Black, white  
(511) 16

---

(260) AM 2012 61891 A  
(800) 1069015  
(731) OTKRYTOE AKTSIONERNOE  
OBSHCHESTVO  
"UPRAVLYAYUSHCHAYA  
KOMPANIYA HOLDINGA "GORIZONT"  
62, per. S. Kovalevskoy, 220014 Minsk,  
Belarus  
(540)

**HORIZONT**

(591) Black, white  
(511) 07, 09, 11

---

(260) AM 2012 61892 A  
(800) 1069056  
(731) BRISA BRIDGESTONE SABANCI  
LASTIK SANAYI VE TICARET ANONIM  
SIRKETI  
Sabanci Center, Kule 2, Kat.: 7-8-9, 4,  
Levent, Istanbul, Turkey  
(540)



(591) Red, brown, white  
(511) 12, 35

---



(260) AM 2012 61893 A  
 (800) 1069061  
 (731) MAVİ GİYİM SANAYİ VE TİCARET  
 ANONİM ŞİRKETİ  
 Gümüşsuyu Caddesi Fatih Şehitleri Sokak  
 N3/2 TOPKAPI, MALTEPE İSTANBUL,  
 Turkey

(540)

**mavi**

(591) Blue  
 (511) 18, 25, 35

(260) AM 2012 61894 A  
 (800) 1069064  
 (731) CELGENE CORPORATION  
 86 Morris Avenue Summit, NJ 17901, USA

(540)



(591) Blue, red and dark blue  
 (511) 42

(260) AM 2012 61895 A  
 (800) 1069076  
 (731) GOUVERNEMENT DE LA PRINCIPAUTE  
 DE MONACO Ministère d'Etat  
 Place de la Visitation, MC-98000 MONACO  
 (Principauté de Monaco), Monaco

(540)

**MONTE-CARLO**

(591) Black, white  
 (511) 09, 12, 14, 16, 18, 25, 28, 35, 38, 39, 41, 43

(260) AM 2012 61919 A  
 (800) 1069412  
 (731) ASHLEY FURNITURE INDUSTRIES,  
 INC.  
 ONE ASHLEY WAY, ARCADIA WI 54612,  
 USA

(540)

**ASHLEY**

(591) Black, white  
 (511) 20

(260) AM 2012 62005 A  
 (800) 1070016  
 (731) HENKEI AG & Co. KGaA  
 Henkelstraße 67, 40589 Düsseldorf, Germany

(540)

Schwarzkopf  
**Perfect  
 Mousse**

(591) Black, white  
 (511) 03

(260) AM 2012 62007 A  
 (800) 1070045  
 (731) ÇİFTÇİLER BİRLİK KAĞITÇILIK  
 HİJYENİK ÜRÜNLER VE YAĞ SANAYİ  
 ANONİM ŞİRKETİ  
 Orta Mahalle, Yanyol Üzeri, Orhangazi  
 Sokak, N19/2, İstanbul, Turkey

(540)



(591) Red, white  
 (511) 16, 21

(260) AM 2012 62008 A  
 (800) 1070104  
 (731) CHINA NATIONAL HEAVY DUTY  
 TRUCK GROUP CO., LTD.  
 N53, Wuyingshan Zhong Road, Jinan,  
 Shandong Province, China

(540)



(591) Black, white  
 (511) 12

(260) AM 2012 62009 A  
 (800) 1070115  
 (731) BEAUSSANT, PHILIPPE  
 Cioff 3 place Emile Roux, F-16500  
 Confolens, France

(540)

**CIOFF**

(591) Black, white  
(511) 41

---

(260) AM 2012 62010 A  
(800) 1070126  
(731) Henkel AG & Co. KGaA  
Henkelstr. 67, 40589 Düsseldorf, Germany  
(540)

**AIR-CONDITION**

(591) Black, white  
(511) 03

---

(260) AM 2012 62011 A  
(800) 1070133  
(731) GUCCIO GUCCI S.P.A.  
Via Tornabuoni, 73/R, I-50123 FIRENZE,  
Italy  
(540)

**COUPE'**

(591) Black, white  
(511) 14

---

(260) AM 2012 62012 A  
(800) 1070137  
(731) SOREMARTEC SA  
Rue Joseph Netzer 5, B-6700 ARLON,  
Belgium  
(540)



(591) Blue, red and black  
(511) 29, 30, 32

---

(260) AM 2012 62014 A  
(800) 1070175  
(731) GREE ELECTRIC APPLIANCES,  
INC. OF ZHUHAI  
Jinji West Road, Qianshan Zhuhai,  
Guangdong, China  
(540)



(591) Black, white  
(511) 07, 09, 11, 16, 35, 37

---

(260) AM 2012 62015 A  
(800) 1070204  
(731) UNIVISION COMMUNICATIONS INC.  
5999 Center Drive, Los Angeles CA 90045,  
USA  
(540)



(591) Black, white  
(511) 41

---

(260) AM 2012 62016 A  
(800) 1070206  
(731) GRAPHITE INTERNATIONAL B.V.  
Burg de Manlaan 2, NL-4837 BN Breda,  
Netherlands  
(540)



(591) Blue, white, red  
(511) 01, 09

---

(260) AM 2012 62018 A  
(800) 758453  
(731) Molkerei Ammerland eG  
1a, Oldenburger Landstraße, 26215  
Wiefelstede, Germany  
(540)



(591) Black, white  
(511) 29

---

(260) AM 2012 62019 A  
(800) 819014  
(731) Société des Produits Nestlé S.A.  
CH-1800 Vevey, Switzerland  
(540)

**ALTHERA**

(591) Black, white  
(511) 05

---

(260) AM 2012 62020 A  
 (800) 855819  
 (731) FAEL S.p.A.  
 Via Lovanio, 5, I-20121 Milano, Italy  
 (540)

**fael** **LUCE**

(591) Black, white  
 (511) 11

(260) AM 2012 62106 A  
 (800) 1070700  
 (731) PUBLICHNE AKTSIONERNE  
 TOVARYSTVO "KHARKIVSKA  
 BISKVITNA FABRYKA"  
 vul. Lozivska, 8, Kharkiv 61017, Ukraine  
 (540)

**ЗООЛЕНД ZOOLAND**

(591) Black, white  
 (511) 30

(260) AM 2012 62108 A  
 (800) 1070723  
 (731) HARTFORD MEDICALS s. r. o.  
 Pri mlyne 5, SK-08001 Prešov, Slovakia  
 (540)

**MOBIVEN**

(591) Black, white  
 (511) 05

(260) AM 2012 62109 A  
 (800) 1070734  
 (731) Sophie Anne Celine Decobecq  
 Gral Coronado #473 Guadalajara, Jalisco,  
 Mexico  
 (540)

**CALLE 23**

(591) Black, white  
 (511) 33

(260) AM 2012 62110 A  
 (800) 1070741  
 (731) Société des Produits Nestlé S.A.  
 CH-1800 Vevey, Switzerland  
 (540)



(591) Red, burgundy, white  
 (511) 09, 11, 30

(260) AM 2012 62111 A  
 (800) 1070746  
 (731) BAYER AKTIENGESELLSCHAFT  
 Kaiser-Wilhelm-Allee, 51373 Leverkusen,  
 Germany  
 (540)

**CLYK**

(591) Black, white  
 (511) 05, 10

(260) AM 2012 62118 A  
 (800) 1070747  
 (731) Bayer Aktiengesellschaft  
 Kaiser-Wilhelm-Allee, 51373 Leverkusen,  
 Germany  
 (540)

**CADENCY**

(591) Black, white  
 (511) 05, 10

(260) AM 2012 62120 A  
 (800) 1070759  
 (731) PORBALEMSTED LIMITED  
 68 Fitzwilliam Square, Dublin 2, Ireland  
 (540)



(591) Black, white  
 (511) 25, 28, 35

(260) AM 2012 62121 A  
 (800) 1070776  
 (731) DE-VAU-GE CEREALS HOLDING GmbH  
 Lüner Rennbahn 18, 21339 Lüneburg,  
 Germany  
 (540)

**DAILYCER**

(591) Black, white  
 (511) 29, 30, 35

(260) AM 2012 62123 A  
 (800) 1070820  
 (731) DECATHLON  
 4 boulevard de Mons, F-59650  
 VILLENEUVE D'ASCQ, France  
 (540)



(591) Black, white  
 (511) 09, 11, 14, 28, 35, 41

(260) AM 2012 62124 A  
 (800) 1070826  
 (731) ANGELUS  
 d. 26A, Tverskoy boulevard, RU-125009  
 Moskva, Russian Federation  
 (540)



(591) Black, white  
 (511) 30, 43

(260) AM 2012 62318 A  
 (800) 1072308  
 (731) SAINT-GOBAIN ISOVER  
 "Les Miroirs", 18 avenue d'Alsace, F-92400  
 COURBEVOIE, France  
 (540)



(591) Black, white  
 (511) 17, 19

(260) AM 2012 62319 A  
 (800) 1072309  
 (731) SAINT-GOBAIN ISOVER  
 "Les Miroirs", 18 avenue d'Alsace, F-92400  
 COURBEVOIE, France

(540)



(591) Black, white  
 (511) 17, 19

(260) AM 2012 62320 A  
 (800) 1072323  
 (731) IVAX INTERNATIONAL GMBH  
 Alpenstrasse 2, CH-8640 RAPPERSWIL,  
 Switzerland  
 (540)



(591) Black, white  
 (511) 05

(260) AM 2012 62321 A  
 (800) 1072331  
 (731) Société des Produits Nestlé S.A.  
 CH-1800 Vevey, Switzerland  
 (540)

**ФАНТАЗИЯ ВКУСА**

(591) Black, white  
 (511) 29, 30

(260) AM 2012 62339 A  
 (800) 1072338  
 (731) ZAKŁADY FARMACEUTYCZNE  
 "POLPHARMA" SPÓŁKA AKCYJNA  
 Pelplinska 19, PL-83-200 STAROGARD  
 GDANSKI, Poland  
 (540)

**Klabion  
 Клабион**

(591) Black, white  
 (511) 05

(260) AM 2012 62340 A  
 (800) 1072339  
 (731) ZAKŁADY FARMACEUTYCZNE  
 "POLPHARMA" SPÓŁKA AKCYJNA

Pelplinska 19, PL-83-200 STAROGARD  
GDANSKI, Poland

(540)

**Atinepte**  
**Атинепт**

(591) Black, white  
(511) 05

(260) AM 2012 62341 A

(800) 1072340

(731) ZAKŁADY FARMACEUTYCZNE  
"POLPHARMA" SPÓŁKA AKCYJNA  
Pelplinska 19, PL-83-200 STAROGARD  
GDANSKI, Poland

(540)

**Bioracef**  
**Биорацеф**

(591) Black, white  
(511) 05

(260) AM 2012 62342 A

(800) 1072345

(731) PHILIP MORRIS PRODUCTS S.A.  
Quai Jeanrenaud 3, CH-2000 Neuchâtel,  
Switzerland

(540)



(591) Black, white  
(511) 34

(260) AM 2012 62362 A

(800) 1072348

(731) PHILIP MORRIS BRANDS SÀRL  
Quai Jeanrenaud 3, CH-2000 Neuchâtel,  
Switzerland

(540)

**PARLIAMENT**

(591) Black, white  
(511) 34

(260) AM 2012 62363 A

(800) 1072395

(731) CHEPHASAAR Chem.-Pharm. Fabrik  
GmbH

Mühlstraße 50, 66386 St. Ingbert, Germany

(540)

**Tetralin**

(591) Black, white  
(511) 05

(260) AM 2012 62364 A

(800) 1072426

(731) BAYER AKTIENGESELLSCHAFT  
Kaiser-Wilhelm-Allee, 51373 Leverkusen,  
Germany

(540)



(591) Blue, light blue, white, yellow  
(511) 05

(260) AM 2012 62365 A

(800) 1072429

(731) LEVENT KİMYA SANAYİ VE TİCARET  
ANONİM ŞİRKETİ  
Sanayi Sitesi 663. Sokak N 10, Antalya,  
Turkey

(540)



(591) Black, white, red  
(511) 16

(260) AM 2012 62366 A

(800) 1072457

(731) GREE ELECTRIC APPLIANCES, INC. OF  
ZHUHAI  
Jinji West Road, Qianshan Zhuhai,  
Guangdong, China

(540)

**TOSOT**

(591) Black, white  
(511) 07, 09, 11, 16, 35, 37

(260) AM 2012 62367 A  
(800) 1072469  
(731) YAZICI TEKSTİL İNŞAAT GIDA SANAYİ  
VE TİCARET LİMİTED ŞİRKETİ  
Kirazlıtepe Mah., Okul Arkası Sok. N 15,  
Üsküdar - İSTANBUL, Turkey  
(540)

**Bulicca**

(591) Black, white  
(511) 25

(260) AM 2012 62369 A  
(800) 1072474  
(731) SOPHARMA AD  
oulitsa "Iliensko chausse" 16, BG-1220  
SOFIA, Bulgaria  
(540)

**AMBIXOL**

**АМБИКСОЛ**

(591) Black, white  
(511) 05

(260) AM 2012 62371 A  
(800) 1072492  
(731) GUANGDONG ALPHA ANIMATION  
AND CULTURE CO., LTD  
Auldey Industrial Area, Wenguan Rd.,  
Chenghai, Shantou Guangdong , China  
(540)

**ALPHA**

(591) Black, white  
(511) 28

(260) AM 2012 62372 A  
(800) 1072522  
(731) URBO Drilling & Engineering Development  
Limited  
Naousis, 1, Karapatakis Building, CY-6018  
Larnaca, Cyprus  
(540)

**URBO**

(591) Black, white  
(511) 06, 07, 09, 37, 42

(260) AM 2012 62373 A  
(800) 1072533  
(731) DUJARDIN

ZA du Pot au Pin, Immeuble A du Parc  
Logistique Parcolog, F-33610 CESTAS,  
France  
(540)

**PIGGYTO®**



(591) Black, white  
(511) 28

(260) AM 2012 62374 A  
(800) 1072537  
(731) ATİKER METAL İTHALAT İHRACAT VE  
İMALAT SANAYİ TİCARET ANONİM  
ŞİRKETİ  
1. Organize Sanayi Bölgesi, Atabey Sokak  
5/A, KONYA, Turkey  
(540)

**GASUA**

(591) Black, white  
(511) 06, 07, 09

(260) AM 2012 62375 A  
(800) 1072545  
(731) ROBERT BOSCH GMBH  
Wernerstrasse 1, 70469 Stuttgart, Germany  
(540)



(591) Black, white  
(511) 03, 07, 08

(260) AM 2012 62376 A  
(800) 1072555  
(731) ATİKER METAL İTHALAT İHRACAT VE  
İMALAT SANAYİ TİCARET ANONİM  
ŞİRKETİ  
1. Organize Sanayi Bölgesi, Atabey Sokak  
5/A, KONYA, Turkey

(540)



(591) Red, white

(511) 06, 07, 09

(260) AM 2012 62377 A

(800) 1072563

(731) OBSHCHESTVO S OGRANICHENNOY  
OTVETSTVENNOST'YU "SHEST'  
BANOK"  
Basmannyj 1-j per., 12, ofis 22, RU-105066  
Moskva, Russian Federation

(540)

**GILLETTE**

(591) Black, white

(511) 09

(260) AM 2012 62378 A

(800) 1072575

(731) BRITISH AMERICAN TOBACCO  
(BRANDS) LIMITED  
Globe House, 4 Temple Place, London  
WC2R 2PG, United Kingdom

(540)

**AMP**

(591) Black, white

(511) 34

(260) AM 2012 62419 A

(800) 1073145

(731) CHINA TELECOMMUNICATIONS  
CORPORATION  
31 Jinrong Street, Xicheng District 100032  
Beijing, China

(540)



(591) Black, white

(511) 09, 16, 35, 38, 39, 41, 42, 45

(260) AM 2012 62435 A

(800) 1073249

(731) RED HAT, INC.  
1801 Varsity Drive, Raleigh, NC 27606, USA

(540)

**JBOSS**

(591) Black, white

(511) 09, 41, 42

(260) AM 2012 62436 A

(800) 1073366

(731) FIAS-S.R.L.  
Via Osimana, 70, I-60021 Camerano (AN),  
Italy

(540)

**BIGBAT**

(591) Black, white

(511) 09

(260) AM 2012 62437 A

(800) 1073370

(731) EVONIK DEGUSSA GMBH  
Rellinghauser Straße 1-11, 45128 Essen,  
Germany

(540)

**VESTAKEEP**

(591) Black, white

(511) 17

(260) AM 2012 62438 A

(800) 1073372

(731) GRINDEKS akciju sabiedrība  
Krustpils iela 53, LV-1057 Rīga, Latvia

(540)

**GRINDEKS ЗДОРОВЬЕ. ТРАДИЦИИ. КАЧЕСТВО.**

(591) Black, white

(511) 05

(260) AM 2012 62439 A

(800) 1073373

(731) GRINDEKS, akciju sabiedrība  
Krustpils iela 53, LV-1057 Rīga, Latvia

(540)



(591) Blue  
(511) 05

(260) AM 2012 62440 A  
(800) 1073398  
(731) DOCHIRNYE PIDPRIYEMSTVO  
"NATUROPREPARAT"  
vul. Miru, b. 17, m. Kyiv 03134, Ukraine  
(540)

**KOPVITIN**

(591) Black, white  
(511) 05

(260) AM 2012 62441 A  
(800) 1073412  
(731) INDUSTRIA DE DISEÑO TEXTIL, S.A.  
(INDITEX, S.A.)  
Avda. de la Diputación, Edificio Inditex,  
E-15142 ARTEIXO (A CORUÑA), Spain  
(540)

**PULL & BEAR**

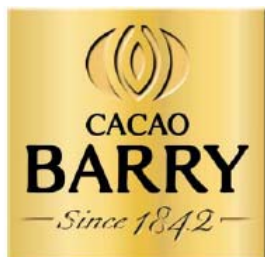
(591) Black, white  
(511) 09, 18, 24, 25, 26, 28, 35

(260) AM 2012 62442 A  
(800) 1073443  
(731) BOĞAZIÇI SİGARA VE TÛTÛNCÛLÛK  
SANAYİ VE TİCARET ANONİM ŞİRKETİ  
E-5 Karayolu Üzeri Evrensekiz, Kavşağı  
Evrensekiz Lüleburgaz, KIRKLARELİ 039,  
Turkey  
(540)

**WAGRA**

(591) Black, white  
(511) 34

(260) AM 2012 62444 A  
(800) 980712  
(731) Barry Callebaut France S.A.S.  
5, boulevard Michelet, F-78250 Meulan,  
France  
(540)



(591) Gold, black  
(511) 05, 29, 30

(260) AM 2012 62446 A  
(800) 1035544  
(731) SİNTAŞ PLASTİK VE METAL SANAYİ  
TİCARET ANONİM ŞİRKETİ  
Bekirpaşa Belediyesi, Sarıcalar Mahallesi,  
Bilano Erenler Sakarya, Turkey  
(540)



(591) Black, white  
(511) 17

(260) AM 2012 62447 A  
(800) 1044208  
(731) NO MAS VELLO, S.L.  
Sierra Nevada, 30, Villanueva de la Cañada,  
E-28691 Madrid, Spain  
(540)



(591) Green  
(511) 03, 35, 44

(260) AM 2012 62453 A  
(800) 1056676  
(731) CARLSON, INC.  
Carlson Parkway, P.O. Box 59159  
Minneapolis, MN 554598249, USA  
(540)

**CLUB CARLSON**

(591) Black, white  
(511) 43

(260) AM 2012 62469 A  
(800) 1073788  
(731) Intrum Justitia Sverige AB  
SE-10524 Stockholm, Sweden  
(540)

**INTRUM JUSTITIA**

(591) Black, white  
(511) 41, 45



(260) AM 2012 62470 A  
 (800) 1073792  
 (731) WYBOROWA S.A.  
 ul. Komandoria 5, PL-61-023 Poznan,  
 Poland  
 (540)

**ODDKA**

(591) Black, white  
 (511) 33

(260) AM 2012 62471 A  
 (800) 1073797  
 (731) PARK GIDA VE MEŞRUBAT SANAYİİ  
 VE TİCARET ANONİM ŞİRKETİ  
 Organize Sanayi Bölgesi, Atatürk Mahallesi  
 7. SokakN6, Karaağaç,  
 ÇERKEZKÖY/TEKİRDAĞ, Turkey  
 (540)



(591) Black, gold  
 (511) 29, 32, 33, 34

(260) AM 2012 62472 A  
 (800) 1073851  
 (731) ORLY INTERNATIONAL, INC.  
 7710 Haskell Avenue, VAN NUYS CA  
 91406, USA  
 (540)

**GEL FX**

(591) Black, white  
 (511) 03

(260) AM 2012 62473 A  
 (800) 1073866  
 (731) NEARMEDIC PLUS LLC  
 bldg. 2, d. 2/11, ul. 4-ya Tverskaya-  
 Yamskaya, RU-125047 Moscow,  
 Russian Federation  
 (540)

**кагоцел**

(591) Black, red and white  
 (511) 01, 05, 42, 44

(260) AM 2012 62474 A  
 (800) 1073867  
 (731) NEARMEDIC PLUS LLC  
 bldg. 2, d. 2/11, ul. 4-ya Tverskaya-  
 Yamskaya, RU-125047 Moscow,  
 Russian Federation  
 (540)

**kagOcel**

(591) Black, red and white  
 (511) 01, 05, 42, 44

(260) AM 2012 62475 A  
 (800) 1073875  
 (731) EXPRESSGLASS - VIDROS PARA  
 VIATURAS, S.A.  
 Via Adelino Amaro da Costa, Armazém 6,  
 P-4470-557 Lugar de Godim, Portugal  
 (540)

**EXPRESS  
GLASS**

(591) Black, white  
 (511) 37

(260) AM 2012 62476 A  
 (800) 1073879  
 (731) APPLE INC.  
 1 Infinite Loop, Cupertino, CA 95014, USA  
 (540)

**VOICEPASS**

(591) Black, white  
 (511) 41

(260) AM 2012 62477 A  
 (800) 1073880  
 (731) S.C. POLICOLOR S.A.  
 B-dul Theodor Pallady Nr. 51, sector 3,  
 032258 Bucharest, Romania  
 (540)

**Policolor**

(591) Blue and white  
 (511) 01, 02, 04, 16, 36

(260) AM 2012 62480 A  
 (800) 1073892  
 (731) L'AMBRE GROUPE INTERNATIONAL  
 SP. Z O.O.  
 ul. Norblina 27, PL-80-304 Gdańsk, Poland

(540)

**AMALTEA**  
*Summer*

(591) Black, white  
(511) 03, 35

(260) AM 2012 62481 A  
(800) 1073893  
(731) L'AMBRE GROUPE INTERNATIONAL  
SP. Z O.O.  
ul. Norblina 27, PL-80-304 Gdańsk , Poland

(540)

*intrigue*

(591) Black, white  
(511) 03, 35

(260) AM 2012 62491 A  
(800) 1073981  
(731) ENI S.p.A.  
Piazzale Enrico Mattei, 1, I-00144 ROMA,  
Italy

(540)

**eni I-ride**

(591) Black, white  
(511) 04

(260) AM 2012 62495 A  
(800) 161734A  
(731) Meda AB  
Box 906, SE-170 09 SOLNA, Sweden

(540)

**SOLCO**

(591) Black, white  
(511) 05

(260) AM 2012 62496 A  
(800) 1014942  
(731) IRISH DISTILLERS LIMITED  
Simmons Court House, Simmons Court Road,  
Ballsbridge, Dublin 4, Ireland

(540)



(591) Black, yellow, brown, red  
(511) 33

(260) AM 2012 62501 A  
(800) 1074076  
(731) TORAY KABUSHIKI KAISHA  
(TORAY INDUSTRIES, INC.)  
1-1, 2-chome, Nihonbashi-Muromachi  
Chuo-ku Tokyo 103-8666, Japan

(540)

**TORELIEF**

(591) Black, white  
(511) 01, 07

(260) AM 2012 62502 A  
(800) 1074078  
(731) SEDİR MOBİLYA VE ORMAN  
ÜRÜNLERİ SANAYİ VE TİCARET  
LİMİTED ŞİRKETİ  
Fatih Sultan Mehmet Blv. Yenice Yolu 2.  
Km Yenice, İnegöl Bursa, Turkey

(540)



(591) Orange, black  
(511) 20, 35

(260) AM 2012 62503 A  
(800) 1074101  
(731) EADS Deutschland GmbH  
Willy-Messerschmitt-Straße 1, 85521  
Ottobrunn b. München, Germany

(540)

**EADS**

(591) Black, white  
(511) 36

(260) AM 2012 62504 A  
(800) 1074106  
(731) S & T SYSTEM INTEGRATION &  
TECHNOLOGY DISTRIBUTION AG  
Geiselbergstraße 17-19/Stiege 3, A-1110  
Wien, Austria

(540)



Consulting. Integration. Outsourcing.

(591) Dark blue

(511) 09, 10, 16, 35, 36, 37, 38, 41, 42

(260) AM 2012 62505 A

(800) 1074108

(731) RESTO SOFTWARE

ul. 3-ya Vladimirskaia, 3, korp. 1,  
RU-123111 Moscow, Russian Federation

(540)



(591) Black, white

(511) 09, 16, 35, 41, 42, 43

(260) AM 2012 62506 A

(800) 1074143

(731) EGRIMA HOLDING GmbH + Co. KG

Balcke-Durr-Allee 3, 40882 Rattingen,  
Germany

(540)



**REMOBIS**  
REFUNDSERVICE

(591) Orange, blue and grey

(511) 16, 35, 36, 41, 42, 45

(260) AM 2012 62507 A

(800) 1074146

(731) EGRIMA HOLDING GmbH + Co. KG

Balcke-Durr-Allee 3, 40882 Rattingen,  
Germany

(540)



**MOS**  
MOBILITY OUTSOURCING SERVICE

(591) Orange, blue and grey

(511) 04, 16, 35, 36, 37, 38, 39, 41, 42, 45

(260) AM 2012 62508 A

(800) 1074148

(731) EGRIMA HOLDING GmbH + Co. KG

Balcke-Durr-Allee 3, 40882 Rattingen,  
Germany

(540)

**MOS MOBILITY  
OUTSOURCING SERVICE**

(591) Black, white

(511) 04, 16, 35, 36, 37, 38, 39, 41, 42, 45

(260) AM 2012 62509 A

(800) 1074150

(731) ОТКРЫТОЕ АКЦИОНЕРНОЕ

OBSHCHESTVO KOMPANIA "MAY"

ul. Ozernaya, 1a, RU-141190 Fryazino,  
region de Moscou, Russian Federation

(540)



(591) Light mauve, mauve, dark mauve, white.

(511) 30

(260) AM 2012 62510 A

(800) 1074172

(731) NYCOMED AUSTRIA GMBH

St. Peter-Strasse 25, A-4020 Linz, Austria

(540)

**Тахокомб**

(591) Black, white

(511) 05, 10

(260) AM 2012 62528 A

(800) 1074454

(731) RICHTER GEDEON NYRT.

Gyömroi út 19-21, H-1103 Budapest,  
Hungary

(540)

**DIAREBLOC**

(591) Black, white

(511) 05

(260) AM 2012 62529 A  
(800) 1074455  
(731) RICHTER GEDEON NYRT.  
Gyömrői út 19-21, H-1103 Budapest,  
Hungary  
(540)

**SOFTELLE**

(591) Black, white  
(511) 05

---

(260) AM 2012 62531 A  
(800) 1074457  
(731) RICHTER GEDEON NYRT.  
Gyömrői út 19-21, H-1103 Budapest,  
Hungary  
(540)

**JOCELYN**

(591) Black, white  
(511) 05

---

(260) AM 2012 62532 A  
(800) 1074458  
(731) RICHTER GEDEON NYRT.  
Gyömrői út 19-21, H-1103 Budapest,  
Hungary  
(540)

**AGARTHA**

(591) Black, white  
(511) 05

---

(260) AM 2012 62533 A  
(800) 1074459  
(731) RICHTER GEDEON NYRT.  
Gyömrői út 19-21, H-1103 Budapest,  
Hungary  
(540)

**ФЛОРИНЕЛЛА**

(591) Black, white  
(511) 05

---

(260) AM 2012 62534 A  
(800) 1074460  
(731) RICHTER GEDEON NYRT.  
Gyömrői út 19-21, H-1103 Budapest,  
Hungary  
(540)

**ЕДЕСИА**

(591) Black, white  
(511) 05

---

(260) AM 2012 62535 A  
(800) 1074461  
(731) RICHTER GEDEON NYRT.  
Gyömrői út 19-21, H-1103 Budapest,  
Hungary  
(540)

**ДЕАНДРА**

(591) Black, white  
(511) 05

---

(260) AM 2012 62536 A  
(800) 1074462  
(731) RICHTER GEDEON NYRT.  
Gyömrői út 19-21, H-1103 Budapest,  
Hungary  
(540)

**АГАРТА**

(591) Black, white  
(511) 05

---

(260) AM 2012 62537 A  
(800) 1074463  
(731) RICHTER GEDEON NYRT.  
Gyömrői út 19-21, H-1103 Budapest,  
Hungary  
(540)

**СОФТЕЛЛЕ**

(591) Black, white  
(511) 05

---

(260) AM 2012 62538 A  
(800) 1074495  
(731) JANSSEN PHARMACEUTICA NV  
Turnhoutseweg 30, B-2340 BEERSE,  
Belgium  
(540)

**GLOSAIR**

(591) Black, white  
(511) 05, 10, 11

---

(260) AM 2012 62539 A  
(800) 1074508  
(731) GREE ELECTRIC APPLIANCES,  
INC. OF ZHUHAI

Jinji West Road, Qianshan Zhuhai,  
Guangdong, China

(540)



(591) Black, white

(511) 11

(260) AM 2012 62540 A

(800) 1074530

(731) LIMITED LIABILITY COMPANY

"KRAFT FOODS RUS"

Franz Stollwerck street, 10, Pokrov City,

Petushinsky district, RU-601123

Vladimirskiy region, Russian Federation

(540)



(591) Black, white

(511) 30

(260) AM 2012 62541 A

(800) 1074531

(731) IP Worldwide Establishment

Pflugstrasse 10, FL-9490 Vaduz,

Liechtenstein

(540)

(591) Black, white, yellow, dark yellow, light  
yellow, gray, dark gray and light gray

(511) 21, 32, 33

(260) AM 2012 62543 A

(800) 1074584

(731) FTE automotive GmbH

2, Andreas-Humann-Strasse, 96106 Ebern,

Germany

(540)



(591) Red, white, grey, black

(511) 07, 09, 12

(260) AM 2012 62544 A

(800) 1074608

(731) CSF KUYUMCULUK İTHALAT

İHRACAT SANAYİ VE TİCARET

LİMİTED ŞİRKETİ

Çemberlitaş Molla Fenari Mahallesi,

Kürkçüler Pazarı SokakN63, Eminönü -

İstanbul, Turkey

(540)

# JACK PIERRE

(591) Black, white

(511) 14

(260) AM 2012 62545 A

(800) 1074609

(731) CSF KUYUMCULUK İTHALAT

İHRACAT SANAYİ VE TİCARET

LİMİTED ŞİRKETİ

Çemberlitaş Molla Fenari Mahallesi,

Kürkçüler Pazarı SokakN63, Eminönü -

İstanbul, Turkey

(540)

# Loja's

(591) Black, white

(511) 14

(260) AM 2012 62546 A

(800) 1074613

(731) KASPERSKY LAB ZAO

Ul. Geroyev Panfilovtsev 10, RU-125363  
MOSCOW, Russian Federation

(540)

**KASPERSKY**<sup>®</sup><sub>LAB</sub>

(591) Green and red

(511) 09, 16, 35, 42

(260) AM 2012 62547 A

(800) 1074647

(731) I.M.M. HYDRAULICS S.P.A.

Via Italia, 49-51, EX Contrada Saletti, Zona  
Industriale, ATESSA (Chieti), Italy

(540)

**mmHypress**

(591) Black, white

(511) 06, 17, 37

(260) AM 2012 62548 A

(800) 1074648

(731) GIORGIO ARMANI S.p.A.

Via Borgonuovo, 11, I-20121 MILANO, Italy

(540)

**ARMANI**  
Hotels & Resorts

(591) Black, white

(511) 35

(260) AM 2012 62549 A

(800) 871483

(731) MBG International Premium Brands GmbH

Oberes Feld 13, 33106 Paderborn, Germany

(540)

**effect**

(591) Black, white

(511) 32, 33

(260) AM 2012 62550 A

(800) 927822

(731) ORHEI-VIT S.A.

Str. Stejarilor nr. 20, MD-3500 Orhei,  
Republic of Moldova

(540)

**Naturalis**

(591) Green, yellow, red, orange

(511) 29, 32

(260) AM 2012 62554 A

(800) 1074684

(731) NORBERT SCHALLER GESELLSCHAFT

M.B.H.

Donau-City-Straße 11, A-1220 Wien, Austria

(540)

**SCHALLER**<sup>®</sup>  
TECHNOLOGY

(591) Red and blue

(511) 30, 40, 41, 42

(260) AM 2012 62556 A

(800) 1074701

(731) WEPA CLEAN & CARE GMBH

Rönkhauser Straße 26, 59757 Arnsberg,  
Germany

(540)

**wepa**  
Clean & Care

(591) Blue

(511) 01, 03, 05, 09, 21

(260) AM 2012 62557 A

(800) 1074754

(731) BALAMUT VOLODYMYR

ANDRIJOVYCH

vul. Akademika Zabolotnogo, 30, kv. 165,  
m. Kyiv 03187, Ukraine

(540)

**PREMKO**

(591) Black, white

(511) 09, 35, 38, 42

(260) AM 2012 62558 A  
 (800) 1074768  
 (731) TISH & SNOOKY'S N.Y.C. INC.  
 21-07 Borden Avenue, 4th Floor, Long Island  
 City, NY 11101, USA

(540)

**MANIC PANIC**

(591) Black, white  
 (511) 03, 25, 26, 35, 44

(260) AM 2012 62559 A  
 (800) 1074808  
 (731) AVON PRODUCTS, INC.  
 World Headquarters, 1345 Avenue of the  
 Americas, New York, NY 10105-0196, USA

(540)

**AVON IDEAL FLAWLESS**

(591) Black, white  
 (511) 03

(260) AM 2012 62560 A  
 (800) 1074809  
 (731) ZDESENKO ANDRII  
 kv. 23, bud. 1, vul. Novokrims'ka,  
 m. Dnipropetrovs'k 49055, Ukraine

(540)

**ЗАБОТА**

(591) Black, white  
 (511) 03, 05, 16

(260) AM 2012 62561 A  
 (800) 1074813  
 (731) BEAUTE PRESTIGE INTERNATIONAL  
 28-32, avenue Victor Hugo, F-75116 PARIS,  
 France

(540)



(591) Black, white  
 (511) 03

(260) AM 2012 62562 A  
 (800) 1074830  
 (731) FIAT GROUP AUTOMOBILES S.P.A.  
 Corso Giovanni Agnelli, 200, I-10135  
 Torino, Italy

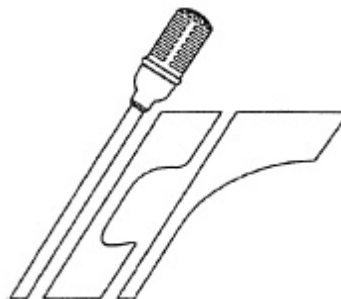
(540)

**ALFA ROMEO 4C**

(591) Black, white  
 (511) 12, 25, 28

(260) AM 2012 62563 A  
 (800) 1074841  
 (731) TAIDEN INDUSTRIAL CO., LTD  
 Room 601-602, Block B, Future Plaza, South  
 Area, Xiangnian Square, Qiaocheng North  
 Road, Nanshan District, Shenzhen 518053  
 Guangdong Province, China

(540)



(591) Black, white  
 (511) 09

(260) AM 2012 62565 A  
 (800) 1074850  
 (731) JUST Deutschland GmbH  
 Gewerbepark Edelweiss 1, 88138  
 Weissensberg, Germany

(540)

**Just** <sup>+</sup>

NATURAL - SINCE 1930

(591) Black, white  
 (511) 05

(260) AM 2012 62566 A  
 (800) 1074862  
 (731) PARK GIDA VE MEŞRUBAT SANAYİİ  
 VE TİCARET ANONİM ŞİRKETİ  
 Organize Sanayi Bölgesi, Atatürk Mahallesi  
 7. SokakN6, Karaağaç,  
 ÇERKEZKÖY/TEKİRDAĞ, Turkey



(540)

**Antalia**

(591) Black, white

(511) 32, 33, 34

(260) AM 2012 62567 A

(800) 1074870

(731) BOĞAZIÇI SİGARA VE TÛTÛNCÛLÛK  
SANAYİ VE TİCARET ANONİM  
ŞİRKETİ  
E-5 Karayolu Üzeri Evrensekiz, Kavşağı  
Evrensekiz Lüleburgaz, KIRKLARELİ 039,  
Turkey

(540)

**MEDLEY**

(591) Black, white

(511) 34

(260) AM 2012 62568 A

(800) 1074871

(731) BOĞAZIÇI SİGARA VE TÛTÛNCÛLÛK  
SANAYİ VE TİCARET ANONİM  
ŞİRKETİ  
E-5 Karayolu Üzeri Evrensekiz, Kavşağı  
Evrensekiz Lüleburgaz, KIRKLARELİ 039,  
Turkey

(540)

**HAZAR**

(591) Black, white

(511) 34

(260) AM 2012 62569 A

(800) 1074873

(731) SEBA DIS TICARET VE NAKLİYAT  
ANONİM ŞİRKETİ  
Samandıra Caddesi, N 18,  
Buyukbakkalkoy-Maltepe-İstanbul, Turkey

(540)

**25**

(591) White, black, blue and red

(511) 03, 34

(260) AM 2012 62570 A

(800) 1074883

(731) HOUSE OF WORTH LIMITED

Amertrans Park, Bushey Mill Lane, Watford,  
Hertfordshire WD24 7JG, United Kingdom

(540)

**WORTH**

(591) Black, white

(511) 03

(260) AM 2012 62571 A

(800) 1074894

(731) INDIVIDUALNIY PREDPRINIMATEL  
SLUKIN PETR VASILEVITCH  
31A, Moskovskaya ulica, RU-398042 gorod  
Lipetsk, Russian Federation

(540)

**HOLEX**

(591) Black, white

(511) 01, 02, 03, 35, 38, 39

(260) AM 2012 62572 A

(800) 1074912

(731) ATİKER METAL İTHALAT İHRACAT VE  
İMALAT SANAYİ TİCARET ANONİM  
ŞİRKETİ  
1. Organize Sanayi Bölgesi, Atabey Sokak  
5/A, KONYA, Turkey

(540)

**GASTR**  
LPG & CNG EQUIPMENTS

(591) Blue and green

(511) 06, 07, 09

(260) AM 2012 62590 A

(800) 1075175

(731) STARBUZZ TOBACCO, INC.  
2116 W. Lincoln Avenue Anaheim,  
CA 92801, USA

(540)

**STARBUZZ  
AFTERBURNER**

(591) Black, white

(511) 32

(260) AM 2012 62591 A

(800) 1075191

(731) BAYER AKTIENGESELLSCHAFT  
Kaiser-Wilhelm-Allee, 51373 Leverkusen,  
Germany



(540)



(591) Violet, turquoise and light green  
(511) 05

(260) AM 2012 62592 A  
(800) 1075213  
(731) LANXESS DISTRIBUTION GMBH  
Katzbergstr. 1, 40764 Langenfeld, Germany  
(540)

## ROVELOX

(591) Black, white  
(511) 31

(260) AM 2012 62594 A  
(800) 1075234  
(731) LODESTAR ANSTALT  
(A LIECHTENSTEIN COMPANY)  
Lova-Center, PO Box 1150, FL-9490 Vaduz,  
Liechtenstein  
(540)

## HIGH FLIER

(591) Black, white  
(511) 34

(260) AM 2012 62595 A  
(800) 1075272  
(731) APPLE INC.  
1 Infinite Loop, Cupertino, CA 95014, USA  
(540)

## GARAGEBAND

(591) Black, white  
(511) 09

(260) AM 2012 62596 A  
(800) 667017  
(731) SANTEN PHARMACEUTICAL CO., LTD  
3-9-19, Shimoshinjo, Higashiyodogawa-ku,  
Osaka 533-8651, Japan

(540)

## OCUTEARS

(591) Black, white  
(511) 05

(260) AM 2012 62597 A  
(800) 768745  
(731) NOVARTIS AG  
CH-4002 Basel, Switzerland  
(540)

## IRZITUR

(591) Black, white  
(511) 05

(260) AM 2012 62598 A  
(800) 909283  
(731) ALCATEL LUCENT  
3 avenue Octave Gréard, F-75007 PARIS,  
France  
(540)

## OPENTOUCH

(591) Black, white  
(511) 09

(260) AM 2012 62599 A  
(800) 968063  
(731) MG2MIX  
Zone de la Basse Haie, F-35220  
CHATEAUBOURG, France  
(540)



(591) Black, white, green  
(511) 31, 35

(260) AM 2012 62617 A  
(800) 1038245  
(731) ZHEJIANG LEO CO., LTD.  
N 1 Leo Road, Binhai, 317503 Wenling,  
Zhejiang, China  
(540)



(591) Black, white  
(511) 07

## TRADEMARKS

---

(260) AM 2012 62618 A  
(800) 1045767  
(731) CINNABON, INC.  
Suite 200 200 Glenridge Point Parkway  
Atlanta, GA 30342, USA  
(540)



(591) Black, white  
(511) 30, 35

---

(260) AM 2012 62619 A  
(800) 1064852  
(731) PHILIP MORRIS PRODUCTS S.A.  
Quai Jeanrenaud 3, CH-2003 Neuchâtel,  
Switzerland  
(540)



(591) Black, white  
(511) 34

---

(260) AM 2012 62620 A  
(800) 1070359  
(731) ZORLUTEKS TEKSTİL TİCARET VE  
SANAYİ ANONİM ŞİRKETİ  
Zorlu Plaza Avcılar/İstanbul, Turkey  
(540)



(591) Black, white  
(511) 24

---

(260) AM 2012 62636 A  
(800) 1075299  
(731) UAB SERVEA  
Bir elio 23-iosios g. 23G, LT-50220 Kaunas,  
Lithuania  
(540)



(591) Zalia  
(511) 37

---

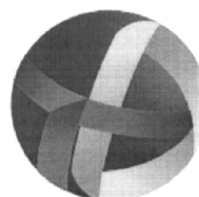
(260) AM 2012 62637 A  
(800) 1075327  
(731) MONCLER S.R.L.  
Via Stendhal, 47, I-20144 MILANO, Italy  
(540)



(591) Black, light blue, white, orange, yellow, pink,  
green and grey  
(511) 25

---

(260) AM 2012 62638 A  
(800) 1075337  
(731) DATANG TELECOM INTERNATIONAL  
TECHNOLOGY CO., LTD.  
The North of N 9 Floor, N 28 Building,  
first Zone, 40 Xue Yuan Road, Haidian  
District Beijing, China  
(540)



(591) Black, white  
(511) 09, 38, 42

---

(260) AM 2012 62640 A  
(800) 1075360  
(731) Obschestvo s ogranichennoi otvetstvennostyu  
"NAUCHNO-PROIZVODSTVENNAYA  
FIRMA "MATERIA MEDICA HOLDING"  
Trety Samotchny pereulok, 9, RU-127473  
Moscow, Russian Federation  
(540)

**МУЛЬТИФОРТ**

(591) Black, white  
(511) 05

---

(260) AM 2012 62642 A  
(800) 1075383  
(731) L'AMBRE GROUPE INTERNATIONAL  
SP. Z O.O.

---

ul. Norblina 27, PL-80-304 Gdańsk, Poland  
(540)

**AMALTEA**

(591) Black, white  
(511) 03, 35

(260) AM 2012 62644 A  
(800) 1075415

(731) GUANGDONG SHINING HOUSE INT'L  
JEWELRY LIMITED  
20th Floor, Building B, Hua Kai Plaza, Heng  
Mei Yuan Mei Road, Nan Cheng Area, Dong  
Guan City Guang Dong, China

(540)

**SHINING HOUSE**

(591) Black, white  
(511) 14, 35

(260) AM 2012 62645 A  
(800) 1075425

(731) Linsenhoff, Ann-Kathrin Schafhof  
Schwalbacher Str. 61476 Kronberg, Germany

(540)

**Totilas**

(591) Black, white  
(511) 09, 12, 14, 16, 18, 21, 24, 25, 28, 31, 41

(260) AM 2012 62647 A  
(800) 1075443

(731) IMPERIA & MONFERRINA S.P.A.  
Via Savoia, 82, I-00198 Roma (RM), Italy

(540)

**LA MONFERRINA**

(591) Black, white  
(511) 07, 11

(260) AM 2012 62648 A  
(800) 1075450

(731) SANOFI  
174 avenue de France, F-75013 PARIS,  
France

(540)



(591) Orange and violet  
(511) 05, 10, 16

(260) AM 2012 62649 A  
(800) 1075453

(731) SHURTAPE TECHNOLOGIES, LLC  
1985 Tate Boulevard S.E. Hickory NC 28603,  
USA

(540)

**FROGTAPE**

(591) Black, white  
(511) 16, 17

(260) AM 2012 62650 A  
(800) 1075529

(731) APPLE INC.  
1 Infinite Loop, Cupertino, CA 95014, USA

(540)

**IBOOKS**

(591) Black, white  
(511) 09, 35, 41, 42

(260) AM 2012 62651 A  
(800) 1075584

(731) KYB Europe GmbH  
Kimplerstr. 336, 47807 Krefeld, Germany

(540)

**K-Flex**

(591) Black, white  
(511) 12

(260) AM 2012 62652 A  
(800) 1075598

(731) WENLING HUANYU BEARING CO.,  
LTD.  
Daxi industrial area, Wenling City Zhejiang  
Province, China

(540)

**FKG**

(591) Black, white  
(511) 07

(260) AM 2012 62653 A  
(800) 1075618

(731) DEBREGEAS ET ASSOCIES PHARMA  
79 rue de Miromesnil, F-75008 PARIS,  
France

(540)

**CALPRIMUM 500**

(591) Black, white  
(511) 05

---

(260) AM 2012 62654 A  
(800) 1075632  
(731) INTERNATIONAL BUSINESS COMPANY  
"INTELLECTA GROUP LTD"  
103, Sham Peng Tong Plaza, Victoria, Mahe,  
Seychelles

(540)

**KORPO**

(591) Black, white  
(511) 18, 25, 35, 42

---

(260) AM 2012 62655 A  
(800) 1075639  
(731) STS HOLDING GRUP OOD  
ul. "Stantsionna" N 14, BG-5300 Gabrovo,  
Bulgaria

(540)

**MineralDent**

(591) Black, white  
(511) 03, 05, 21

---

(260) AM 2012 62656 A  
(800) 1075660  
(731) TOYO TIRE & RUBBER CO., LTD.  
17-18, Edobori 1-chome, Nishi-ku, Osaka-shi,  
Osaka 550-8661, Japan

(540)

**WINTER GRAPPLER**

(591) Black, white  
(511) 12

---

(260) AM 2012 62657 A  
(800) 1075692  
(731) LINX TELECOMMUNICATIONS B.V.  
Hullenbergweg 375, NL-1101 CR  
Amsterdam Zuidoost, Netherlands

(540)



(591) Pink, violet, blue, white  
(511) 38

---

(260) AM 2012 62658 A  
(800) 1075712  
(731) ARCHOS S.A.  
12 rue Ampère, F-91430 IGNY, France

(540)

**ARNOVA**

(591) Black, white  
(511) 09

---

(260) AM 2012 62659 A  
(800) 1075716  
(731) MONEYBOOKERS LTD.  
Welken House, 10-11 Charterhouse Square,  
London EC1 M6EH, United Kingdom

(540)

**Skrill**

(591) Black, white  
(511) 35, 36, 38

---

(260) AM 2012 62660 A  
(800) 1075720  
(731) JOINT-STOCK COMPANY "KRASNYJ  
OCTYABR"  
Bersenevskaya naberejnaya, d. 6, RU-119072  
Moscow, Russian Federation

(540)

**ЗОЛОТОЙ КЛЮЧИК**

(591) Black, white  
(511) 30

---

(260) AM 2012 62661 A  
(800) 1075736  
(731) SHENZHEN SHENLING CAR CO., LTD.  
N 26 Workshop, Furong San Road, Furong  
Industrial Zone, Shajing Street, Bao'an  
District, Shenzhen City, Guangdong Province,  
China

(540)

**TaILG**

(591) Black, white  
(511) 12

---

(260) AM 2012 62662 A  
 (800) 1075756  
 (731) Giorgio ARMANI S.P.A.  
 Milan, Swiss Branch Mendrisio; Via Penate  
 4, CH-6850 Mendrisio, Switzerland  
 (540)

**ARMANI**

Hotels & Resorts

(591) Black, white  
 (511) 44

(260) AM 2012 62663 A  
 (800) 1075800  
 (731) RED HAT, INC.  
 1801 Varsity Drive, Raleigh, NC 27606, USA  
 (540)

**RHCE**

(591) Black, white  
 (511) 41

(260) AM 2012 62744 A  
 (800) 1076184  
 (731) OJSC Zarubezhenergoproekt  
 Smirnov St., 105 B, RU-153034 Ivanovo,  
 Russian Federation  
 (540)



(591) White, grey and orange  
 (511) 37, 42

(260) AM 2012 62745 A  
 (800) 1076202  
 (731) Otkrytoe Aktsionernoe Obschestvo  
 "Khimiko-farmatsevtichesky kombinat  
 "AKRIKHIN""  
 ulitsa Kirova, 29, Noginsky raion,  
 gor. Staraya Kupavna, RU-142450  
 Moskovskaya oblastj, Russian Federation  
 (540)

**PASK-Akri**

(591) Black, white  
 (511) 05

(260) AM 2012 62746 A  
 (800) 1076204  
 (731) Otkrytoe Aktsionernoe Obschestvo  
 "Khimiko-farmatsevtichesky kombinat

"AKRIKHIN""  
 ulitsa Kirova, 29, Noginsky raion, gor.  
 Staraya Kupavna, RU-142450 Moskovskaya  
 oblastj, Russian Federation

(540)

**ПАСК ЦИНК**

(591) Black, white  
 (511) 05

(260) AM 2012 62747 A  
 (800) 1076208  
 (731) YANG WEIREN  
 N 47, Nanhua Road, Nanxiamei Village,  
 Chendai Town, Jinjiang City, 362200 Fujian  
 Province, China  
 (540)



(591) Black, white  
 (511) 25

(260) AM 2012 62752 A  
 (800) 1076212  
 (731) CHANGZHOU HENGDA VEHICLE  
 ACCESSORIES CO., LTD.  
 JiuLong Village XiaoHe MengHe Town  
 XinBei District, Changzhou, Jiangsu  
 Province, China  
 (540)

**TO DO**

(591) Black, white  
 (511) 11, 12

(260) AM 2012 62753 A  
 (800) 1076232  
 (731) BLASER FINANZHOLDING GMBH  
 Ziegelstadel 1, 88316 Isny im Allgäu,  
 Germany  
 (540)

**404**

(591) Black, white  
 (511) 13, 25, 28

(260) AM 2012 62758 A  
 (800) 1076253  
 (731) DKV EURO SERVICE GmbH & Co. KG

Balcke-Dürr-Allee 3, 40882 Ratingen,  
Germany

(540)

**EGRIMA**  
BUSINESSCENTER

(591) Black, white

(511) 16, 35, 36, 37, 38, 39, 41, 42, 43, 45

---

(260) AM 2012 62759 A

(800) 1076256

(731) STIFTUNG PREUSSISCHER  
KULTURBESITZ DES ÖFFENTLICHEN  
RECHTS  
Von-der-Heydt-Str. 16-18, 10785 Berlin,  
Germany

(540)



(591) Black, white

(511) 09, 14, 16, 18, 20, 25, 28, 35, 41, 42

---

(260) AM 2012 62760 A

(800) 1076265

(731) HYDRO LEDUC  
Allée René Leduc, F-54120 AZERAILLES,  
France

(540)

**HYDRO**  
**LEDOC**

(591) Blue

(511) 07

---

(260) AM 2012 62761 A

(800) 1076276

(731) ZDESENKO ANDRII  
kv. 23, bud. 1, vul. Novokrims'ka,  
m. Dnipropetrovs'k 49055, Ukraine

(540)

**Eventa**

(591) Black, white

(511) 04, 06, 08, 16, 21, 28

---

(260) AM 2012 62762 A

(800) 1076290

(731) FERRER INTERNACIONAL S.A.

Gran Vía de Carlos III, 94, E-08028  
BARCELONA, Spain

(540)

**Энанорм**

(591) Black, white

(511) 05

---

(260) AM 2012 62763 A

(800) 1076301

(731) MEPA MOBİLYA YA GEREÇLERİ  
SANAYİ VE TİCARET LİMİTED ŞİRKETİ  
Çakmaklı Köyü 4. Bölge 9, CaddeN52,  
BÜYÜKÇEKMECE/İSTANBUL, Turkey

(540)



(591) Red, blue

(511) 06, 19, 20

---

(260) AM 2012 62765 A

(800) 1076350

(731) CELGENE CORPORATION  
86 Morris Avenue, Summit, NJ 07901, USA

(540)

**IMNOVID**

(591) Black, white

(511) 05

---

(260) AM 2012 62766 A

(800) 1076367

(731) ZDESENKO ANDRII  
kv. 23, bud. 1, vul. Novokrims'ka,  
m. Dnipropetrovs'k 49059, Ukraine

(540)

**Улыбка в кармане**

(591) Black, white

(511) 03, 05, 16

---

(260) AM 2012 62767 A

(800) 1076372

(731) AXO GROUP S.R.L.  
Via Pallaia, 2/b, I-42024 CASTELNOVO DI  
SOTTO (RE), Italy



(540)



(591) Black, white  
(511) 07, 12, 35

(260) AM 2012 62774 A

(800) 1076416

(731) Otkrytoe Aktsionernoe Obshchestvo  
"Khimiko-farmatsevtichesky kombinat  
"AKRIKHIN""  
ulitsa Kirova, 29, Noginsky raion, gor.  
Staraya Kupavna, RU-142450 Moskovskaya  
oblastj, Russian Federation

(540)

**ПАСК**

(591) Black, white  
(511) 05

(260) AM 2012 62775 A

(800) 1076431

(731) MAGIC PRODUCTION GROUP (M.P.G.)  
SA  
Findel Business Center, Complexe B, Rue de  
Trèves, L-2632 FINDEL, Luxembourg

(540)



(591) Orange, white and gray  
(511) 09, 16, 28, 30, 35, 38, 41

(260) AM 2012 62776 A

(800) 1076435

(731) DOOSHION GARMENT CO., LTD.  
Bldg. 24, Sanfengli, Chaowai Street,  
Chaoyang District, Beijing, China

(540)



(591) Black, white  
(511) 18, 25, 35

(260) AM 2012 62777 A

(800) 1076439

(731) SCA Hygiene Products Hoogezand B.V.  
Abramskade 6, NL-9601 KM Hoogezand,  
Netherlands

(540)

**LIBRESSE STYLE**

(591) Black, white

(511) 03, 05, 16

(260) AM 2012 62778 A

(800) 1076446

(731) ASSOCIATION LIMITED "MEDICAL  
CENTER "M.T.K.""  
10, Mykola Amosov Str. 680, Kyiv 03680,  
Ukraine

(540)

**TIVORTIN**

(591) Black, white

(511) 05

(260) AM 2012 62779 A

(800) 1076490

(731) GRUPA LOTOS SPÓŁKA AKCYJNA  
ul. Elbląska 135, PL-80-718 Gdańsk, Poland

(540)



(591) Black, white, red, navy blue and blue  
(511) 04

(260) AM 2012 62780 A

(800) 1076492

(731) OTKRYTOE AKTSIONERNOE  
OBSHESTVO "NIZHEGORODSKY  
KHIMIKO-FARMATSEVTISHESKY  
ZAVOD"  
GSP-459, 7, ul. Salganskaya, RU-603950  
Nizhny Novgorod, Russian Federation

(540)

**ЛЕДИЛОН**

(591) Black, white

(511) 05, 35

(260) AM 2012 62782 A

(800) 1076553

(731) SOCIETE EUROPEENNE DE

CARDIOLOGIE  
2035 route des Colles, Les Templiers - BP  
179, F-06903 SOPHIA ANTIPOLIS, France

(540)



(591) Violet, red and orange  
(511) 35, 38, 41, 42

---

(260) AM 60791 A\*  
(800) 1059111  
(731) EGIS GYÓGYSZERGYÁR Nyilvánosan  
Működő Részvénytársaság  
Kereszturi út 30-38, H-1106 Budapest,  
Hungary

(540)

**АНГЕДИЛ**

(591) Black, white  
(511) 05

---

(260) AM 61349 A\*  
(800) 1064012  
(731) Apollo Tyres AG  
Mellingerstrasse 2a, CH-5400 Baden,  
Switzerland

(540)

**ASPIRE**

(591) Black, white  
(511) 12

---



---

## INTERNATIONAL TRADEMARKS PROTECTED IN GEORGIA

(260) AM 2011 57150 A  
(800) 1027697  
(151) 2010 01 05  
(181) 2020 01 05  
(511) 05

---

(260) AM 2011 60463 A  
(800) 1055651  
(151) 2010 08 09  
(181) 2020 08 09  
(511) 07

---

(260) AM 2011 57654 A  
(800) 186945  
(151) 2005 08 15  
(181) 2015 08 15  
(511) 03

---

(260) AM 2011 60612 A  
(800) 1057504  
(151) 2010 09 27  
(181) 2020 09 27  
(511) 09

---

(260) AM 2011 59098 A  
(800) 1044423  
(151) 2010 07 09  
(181) 2020 07 09  
(511) 05

---

(260) AM 2011 60613 A  
(800) 1057533  
(151) 2010 10 19  
(181) 2020 10 19  
(511) 07

---

(260) AM 2011 59240 A  
(800) 1044891  
(151) 2010 03 25  
(181) 2020 03 25  
(511) 34

---

(260) AM 2011 60614 A  
(800) 1057558  
(151) 2010 10 20  
(181) 2020 10 20  
(511) 03

---

(260) AM 2011 59564 A  
(800) 1003360  
(151) 2009 04 09  
(181) 2019 04 09  
(511) 32

---

(260) AM 2011 60616 A  
(800) 1057631  
(151) 2010 09 28  
(181) 2020 09 28  
(511) 05

---

(260) AM 2011 59600 A  
(800) 1047911  
(151) 2010 06 30  
(181) 2020 06 30  
(511) 03, 05, 11, 16, 21

---

(260) AM 2011 60617 A  
(800) 1057651  
(151) 2010 10 13  
(181) 2020 10 13  
(511) 12

---

(260) AM 2011 60363 A  
(800) 1054980  
(151) 2010 10 12  
(181) 2020 10 12  
(511) 05

---

(260) AM 2011 60621 A  
(800) 1057668  
(151) 2010 10 29  
(181) 2020 10 29  
(511) 05

---

**TRADEMARKS**

---

(260) AM 2011 60622 A  
(800) 1057713  
(151) 2010 04 05  
(181) 2020 04 05  
(511) 07, 12, 37

---

(260) AM 2011 60773 A  
(800) 1058993  
(151) 2010 11 12  
(181) 2020 11 12  
(511) 05

---

(260) AM 2011 60623 A  
(800) 1057737  
(151) 2010 07 19  
(181) 2020 07 19  
(511) 09, 11, 35, 37, 42

---

(260) AM 2011 60774 A  
(800) 1058995  
(151) 2010 11 12  
(181) 2020 11 12  
(511) 05

---

(260) AM 2011 60625 A  
(800) 1057813  
(151) 2010 10 18  
(181) 2020 10 18  
(511) 05

---

(260) AM 2011 60775 A  
(800) 1058996  
(151) 2010 11 19  
(181) 2020 11 19  
(511) 05

---

(260) AM 2011 60626 A  
(800) 1057817  
(151) 2010 10 25  
(181) 2020 10 25  
(511) 34

---

(260) AM 2011 60776 A  
(800) 1058997  
(151) 2010 11 19  
(181) 2020 11 19  
(511) 05

---

(260) AM 2011 60627 A  
(800) 1057828  
(151) 2010 10 13  
(181) 2020 10 13  
(511) 05

---

(260) AM 2011 60777 A  
(800) 1058998  
(151) 2010 11 19  
(181) 2020 11 19  
(511) 05

---

(260) AM 2011 60628 A  
(800) 1057911  
(151) 2010 10 07  
(181) 2020 10 07  
(511) 07, 11, 40, 42, 44

---

(260) AM 2011 60778 A  
(800) 1058999  
(151) 2010 11 12  
(181) 2020 11 12  
(511) 05

---

(260) AM 2011 60629 A  
(800) 1057935  
(151) 2010 11 10  
(181) 2020 11 10  
(511) 09

---

(260) AM 2011 60779 A  
(800) 1059000  
(151) 2010 11 19  
(181) 2020 11 19  
(511) 05

---

(260) AM 2011 60631 A  
(800) 1057964  
(151) 2010 07 28  
(181) 2020 07 28  
(511) 03, 05, 21

---

(260) AM 2011 60780 A  
(800) 1059018  
(151) 2010 11 11  
(181) 2020 11 11  
(511) 29

---

(260) AM 2011 60781 A  
(800) 1059033  
(151) 2010 08 25  
(181) 2020 08 25  
(511) 07, 09, 11

---

(260) AM 2011 61343 A  
(800) 1063981  
(151) 2010 10 20  
(181) 2020 10 20  
(511) 12

---

(260) AM 2011 60782 A  
(800) 1059038  
(151) 2010 09 24  
(181) 2020 09 24  
(511) 08, 10, 21

---

(260) AM 2011 61344 A  
(800) 1063983  
(151) 2010 10 20  
(181) 2020 10 20  
(511) 12

---

(260) AM 2011 60783 A  
(800) 1059040  
(151) 2010 09 28  
(181) 2020 09 28  
(511) 35, 41, 45

---

(260) AM 2011 61345 A  
(800) 1063984  
(151) 2010 10 20  
(181) 2020 10 20  
(511) 12

---

(260) AM 2011 60786 A  
(800) 1059059  
(151) 2010 10 11  
(181) 2020 10 11  
(511) 06, 20

---

(260) AM 2011 61346 A  
(800) 1063992  
(151) 2011 01 04  
(181) 2021 01 04  
(511) 25

---

(260) AM 2011 60787 A  
(800) 1059075  
(151) 2010 10 21  
(181) 2020 10 21  
(511) 03, 05, 29

---

(260) AM 2011 61347 A  
(800) 1064000  
(151) 2010 09 27  
(181) 2020 09 27  
(511) 01, 05, 09, 35

---

(260) AM 2011 60788 A  
(800) 1059080  
(151) 2010 11 03  
(181) 2020 11 03  
(511) 07, 11, 40, 42, 44

---

(260) AM 2011 61348 A  
(800) 1064011  
(151) 2010 12 13  
(181) 2020 12 13  
(511) 12

---

(260) AM 2011 61231 A  
(800) 1063106  
(151) 2010 09 06  
(181) 2020 09 06  
(511) 35

---

(260) AM 2011 61350 A  
(800) 1064017  
(151) 2010 12 14  
(181) 2020 12 14  
(511) 30

---

(260) AM 2011 61286 A  
(800) 1063607  
(151) 2010 12 23  
(181) 2020 12 23  
(511) 16, 33

---

(260) AM 2011 61351 A  
(800) 1064018  
(151) 2010 12 13  
(181) 2020 12 13  
(511) 05

---

**TRADEMARKS**

---

(260) AM 2011 61353 A  
(800) 559121  
(151) 2010 08 01  
(181) 2020 08 01  
(511) 01, 02, 06, 08, 17, 19, 20

---

(260) AM 2011 61421 A  
(800) 1064562  
(151) 2010 10 22  
(181) 2020 10 22  
(511) 05

---

(260) AM 2011 61383 A  
(800) 1064180  
(151) 2010 11 08  
(181) 2020 11 08  
(511) 30

---

(260) AM 2011 61422 A  
(800) 1064563  
(151) 2010 10 22  
(181) 2020 10 22  
(511) 05

---

(260) AM 2011 61415 A  
(800) 1064534  
(151) 2011 01 04  
(181) 2021 01 04  
(511) 07

---

(260) AM 2011 61423 A  
(800) 1064582  
(151) 2010 12 08  
(181) 2020 12 08  
(511) 30

---

(260) AM 2011 61416 A  
(800) 1064635  
(151) 2010 12 06  
(181) 2020 12 06  
(511) 32

---

(260) AM 2011 61424 A  
(800) 1064610  
(151) 2011 01 05  
(181) 2021 01 05  
(511) 09

---

(260) AM 2011 61417 A  
(800) 1064536  
(151) 2010 03 02  
(181) 2020 03 02  
(511) 03, 05

---

(260) AM 2011 61425 A  
(800) 1064614  
(151) 2011 01 04  
(181) 2021 01 04  
(511) 34

---

(260) AM 2011 61418 A  
(800) 1064539  
(151) 2010 06 07  
(181) 2020 06 07  
(511) 07, 11

---

(260) AM 2011 61426 A  
(800) 1064627  
(151) 2010 11 11  
(181) 2020 11 11  
(511) 34

---

(260) AM 2011 61419 A  
(800) 1064555  
(151) 2010 09 28  
(181) 2020 09 28  
(511) 09, 38, 42

---

(260) AM 2011 61449 A  
(800) 917284  
(151) 2006 07 21  
(181) 2016 07 21  
(511) 33

---

(260) AM 2011 61420 A  
(800) 1064561  
(151) 2010 10 22  
(181) 2020 10 22  
(511) 05

---

(260) AM 2011 61474 A  
(800) 1065075  
(151) 2010 12 29  
(181) 2020 12 29  
(511) 09, 16, 28, 30, 35, 38, 41

---

(260) AM 2011 61477 A  
(800) 1065094  
(151) 2010 11 04  
(181) 2020 11 04  
(511) 33

---

(260) AM 2011 61511 A  
(800) 1065636  
(151) 2011 01 04  
(181) 2021 01 04  
(511) 25

---

(260) AM 2011 61478 A  
(800) 1065095  
(151) 2010 11 04  
(181) 2020 11 04  
(511) 33

---

(260) AM 2011 61512 A  
(800) 1065657  
(151) 2011 01 18  
(181) 2021 01 18  
(511) 06

---

(260) AM 2011 61480 A  
(800) 1065096  
(151) 2010 11 04  
(181) 2020 11 04  
(511) 33

---

(260) AM 2011 61519 A  
(800) 897355  
(151) 2005 03 23  
(181) 2015 03 23  
(511) 05, 10, 25

---

(260) AM 2011 61481 A  
(800) 1065097  
(151) 2010 11 04  
(181) 2020 11 04  
(511) 33

---

(260) AM 2011 61520 A  
(800) 1043831  
(151) 2010 05 14  
(181) 2020 05 14  
(511) 17

---

(260) AM 2011 61483 A  
(800) 1065156  
(151) 2010 11 23  
(181) 2020 11 23  
(511) 25

---

(260) AM 2011 61521 A  
(800) 1048055  
(151) 2010 05 03  
(181) 2020 05 03  
(511) 06, 07, 09

---

(260) AM 2011 61484 A  
(800) 1065157  
(151) 2010 11 23  
(181) 2020 11 23  
(511) 25

---

(260) AM 2011 61537 A  
(800) 1065695  
(151) 2010 06 02  
(181) 2020 06 02  
(511) 09, 11, 35, 42

---

(260) AM 2011 61485 A  
(800) 1065192  
(151) 2010 10 01  
(181) 2020 10 01  
(511) 04, 06, 11, 14, 20, 25, 28, 34

---

(260) AM 2011 61538 A  
(800) 1065697  
(151) 2010 06 02  
(181) 2020 06 02  
(511) 09, 11, 35, 42

---

(260) AM 2011 61510 A  
(800) 1065577  
(151) 2010 09 24  
(181) 2020 09 24  
(511) 14, 25

---

(260) AM 2011 61543 A  
(800) 1065782  
(151) 2011 01 13  
(181) 2021 01 13  
(511) 05

---

## TRADEMARKS

---

(260) AM 2011 61544 A  
(800) 1065801  
(151) 2010 09 24  
(181) 2020 09 24  
(511) 30

---

(260) AM 2011 61570 A  
(800) 1066263  
(151) 2010 12 27  
(181) 2020 12 27  
(511) 05

---

(260) AM 2011 61563 A  
(800) 1066167  
(151) 2010 10 12  
(181) 2020 10 12  
(511) 18, 25

---

(260) AM 2011 61571 A  
(800) 1066264  
(151) 2010 12 29  
(181) 2020 12 29  
(511) 05

---

(260) AM 2011 61564 A  
(800) 1066173  
(151) 2010 11 05  
(181) 2020 11 05  
(511) 03, 29, 30, 31, 32, 33, 35

---

(260) AM 2011 61572 A  
(800) 1066265  
(151) 2010 12 10  
(181) 2020 12 10  
(511) 05

---

(260) AM 2011 61565 A  
(800) 1066183  
(151) 2010 10 29  
(181) 2020 10 29  
(511) 25

---

(260) AM 2011 61574 A  
(800) 1066266  
(151) 2010 12 27  
(181) 2020 12 27  
(511) 05

---

(260) AM 2011 61566 A  
(800) 1066215  
(151) 2010 12 09  
(181) 2020 12 09  
(511) 05

---

(260) AM 2011 61575 A  
(800) 1066279  
(151) 2010 12 22  
(181) 2020 12 22  
(511) 01, 02, 03, 04

---

(260) AM 2011 61567 A  
(800) 1066252  
(151) 2011 01 12  
(181) 2021 01 12  
(511) 01

---

(260) AM 2011 61604 A  
(800) 847858  
(151) 2005 04 17  
(181) 2015 04 17  
(511) 25

---

(260) AM 2011 61568 A  
(800) 1066261  
(151) 2010 12 27  
(181) 2020 12 27  
(511) 05

---

(260) AM 2011 61605 A  
(800) 879120  
(151) 2005 06 21  
(181) 2015 06 21  
(511) 11

---

(260) AM 2011 61569 A  
(800) 1066262  
(151) 2010 12 27  
(181) 2020 12 27  
(511) 05

---

(260) AM 2011 61606 A  
(800) 929526  
(151) 2007 04 30  
(181) 2017 04 30  
(511) 14

---

(260) AM 2011 61611 A  
(800) 1001382  
(151) 2008 12 08  
(181) 2018 12 08  
(511) 34

---

(260) AM 2011 61629 A  
(800) 1066744  
(151) 2011 01 04  
(181) 2021 01 04  
(511) 09

---

(260) AM 2011 61612 A  
(800) 1029156  
(151) 2009 08 20  
(181) 2019 08 20  
(511) 25, 35

---

(260) AM 2011 61662 A  
(800) 1067253  
(151) 2011 01 06  
(181) 2021 01 06  
(511) 05

---

(260) AM 2011 61623 A  
(800) 1066688  
(151) 2010 08 04  
(181) 2020 08 04  
(511) 30

---

(260) AM 2011 61663 A  
(800) 1067254  
(151) 2011 01 27  
(181) 2021 01 27  
(511) 05

---

(260) AM 2011 61624 A  
(800) 1066696  
(151) 2010 08 13  
(181) 2020 08 13  
(511) 09

---

(260) AM 2011 61665 A  
(800) 1067255  
(151) 2010 12 14  
(181) 2020 12 14  
(511) 41

---

(260) AM 2011 61625 A  
(800) 1066697  
(151) 2010 08 10  
(181) 2020 08 10  
(511) 05, 29, 30, 32

---

(260) AM 2011 61666 A  
(800) 1067258  
(151) 2010 11 18  
(181) 2020 11 18  
(511) 35, 36, 41

---

(260) AM 2011 61626 A  
(800) 1066720  
(151) 2010 11 26  
(181) 2020 11 26  
(511) 28

---

(260) AM 2011 61667 A  
(800) 1067290  
(151) 2011 02 04  
(181) 2021 02 04  
(511) 30

---

(260) AM 2011 61627 A  
(800) 1066726  
(151) 2010 12 13  
(181) 2020 12 13  
(511) 39

---

(260) AM 2011 61668 A  
(800) 1067299  
(151) 2010 11 30  
(181) 2020 11 30  
(511) 30, 35, 39

---

(260) AM 2011 61628 A  
(800) 1066740  
(151) 2011 01 04  
(181) 2021 01 04  
(511) 09

---

(260) AM 2011 61669 A  
(800) 1067325  
(151) 2010 07 09  
(181) 2020 07 09  
(511) 35, 36, 38, 42

---

**TRADEMARKS**

---

(260) AM 2011 61670 A  
(800) 1067346  
(151) 2010 10 26  
(181) 2020 10 26  
(511) 12

---

(260) AM 2011 61678 A  
(800) 931658  
(151) 2007 06 29  
(181) 2017 06 29  
(511) 25

---

(260) AM 2011 61671 A  
(800) 1067347  
(151) 2010 10 26  
(181) 2020 10 26  
(511) 12

---

(260) AM 2011 61679 A  
(800) 1020894  
(151) 2009 08 20  
(181) 2019 08 20  
(511) 18, 24, 25

---

(260) AM 2011 61672 A  
(800) 1067353  
(151) 2010 12 22  
(181) 2020 12 22  
(511) 42

---

(260) AM 2011 61680 A  
(800) 1020914  
(151) 2009 09 14  
(181) 2019 09 14  
(511) 18, 24, 25

---

(260) AM 2011 61673 A  
(800) 1067356  
(151) 2010 11 18  
(181) 2020 11 18  
(511) 35, 36

---

(260) AM 2011 61681 A  
(800) 1057240  
(151) 2010 06 28  
(181) 2020 06 28  
(511) 03, 04, 05, 14, 21, 24, 25, 26, 29, 30, 32, 35

---

(260) AM 2011 61674 A  
(800) 678624  
(151) 2007 08 27  
(181) 2017 08 27  
(511) 29

---

(260) AM 2011 61685 A  
(800) 1067445  
(151) 2010 12 31  
(181) 2020 12 31  
(511) 10

---

(260) AM 2011 61675 A  
(800) 718899  
(151) 2009 08 04  
(181) 2019 08 04  
(511) 05

---

(260) AM 2011 61686 A  
(800) 1067466  
(151) 2010 09 16  
(181) 2020 09 16  
(511) 03

---

(260) AM 2011 61676 A  
(800) 719296  
(151) 1999 08 13  
(181) 2009 08 13  
(511) 24, 25

---

(260) AM 2011 61687 A  
(800) 1067515  
(151) 2011 01 05  
(181) 2021 01 05  
(511) 12, 37

---

(260) AM 2011 61677 A  
(800) 823764  
(151) 2004 04 08  
(181) 2014 04 08  
(511) 05

---

(260) AM 2011 61690 A  
(800) 1067536  
(151) 2010 10 26  
(181) 2020 10 26  
(511) 06, 11, 20

---



(260) AM 2011 61691 A  
(800) 1067547  
(151) 2010 11 29  
(181) 2020 11 29  
(511) 05, 29, 30

---

(260) AM 2011 61756 A  
(800) 1068001  
(151) 2010 11 25  
(181) 2020 11 25  
(511) 30, 35, 43

---

(260) AM 2011 61692 A  
(800) 1067625  
(151) 2010 08 31  
(181) 2020 08 31  
(511) 19

---

(260) AM 2011 61757 A  
(800) 1068003  
(151) 2010 12 01  
(181) 2020 12 01  
(511) 30

---

(260) AM 2011 61694 A  
(800) 1067643  
(151) 2010 10 12  
(181) 2020 10 12  
(511) 18, 25

---

(260) AM 2011 61759 A  
(800) 1068024  
(151) 2010 12 17  
(181) 2020 12 17  
(511) 05

---

(260) AM 2011 61695 A  
(800) 1067696  
(151) 2010 06 11  
(181) 2020 06 11  
(511) 08, 11, 21

---

(260) AM 2011 61760 A  
(800) 1068026  
(151) 2010 12 31  
(181) 2020 12 31  
(511) 03, 05

---

(260) AM 2011 61696 A  
(800) 1067705  
(151) 2010 10 20  
(181) 2020 10 20  
(511) 35, 41, 43

---

(260) AM 2011 61761 A  
(800) 1068027  
(151) 2010 12 17  
(181) 2020 12 17  
(511) 32

---

(260) AM 2011 61748 A  
(800) 1067917  
(151) 2010 12 07  
(181) 2020 12 07  
(511) 05

---

(260) AM 2011 61764 A  
(800) 1068119  
(151) 2010 12 23  
(181) 2020 12 23  
(511) 06

---

(260) AM 2011 61749 A  
(800) 1067918  
(151) 2010 12 07  
(181) 2020 12 07  
(511) 05

---

(260) AM 2011 61765 A  
(800) 1068125  
(151) 2011 01 13  
(181) 2021 01 13  
(511) 01, 02, 09, 12, 17, 19, 40

---

(260) AM 2011 61755 A  
(800) 1067964  
(151) 2010 12 23  
(181) 2020 12 23  
(511) 11

---

(260) AM 2011 61766 A  
(800) 1068126  
(151) 2011 01 12  
(181) 2021 01 12  
(511) 29

---

**TRADEMARKS**

---

(260) AM 2011 61767 A  
(800) 1068137  
(151) 2011 02 02  
(181) 2021 02 02  
(511) 30

---

(260) AM 2011 61768 A  
(800) 740197  
(151) 2009 11 16  
(181) 2019 11 16  
(511) 01, 06, 07, 08, 09, 13, 17, 19, 20, 37

---

---

# OFFICIAL NOTIFICATIONS

## INVENTIONS

### RENEWAL OF A PATENTS

**(11) P 2010 4971 B**

(73) Vladimer Tarasashvili (GE)

(54) **RECORDER FOR HOLOGRAPHIC  
INTERFEROGRAM IN COLLIDING  
BEAMS**

DATE OF RENEVAL: 2012 03 12

---

**(11) P 2004 3370 B**

(73) Nugzar Tsereteli (GE);

Shukri Grigalashvili (GE);

Davit Gvelesiani (GE);

Hamlet Vasadze (GE);

Domna Nanobashvili (GE);

Ketevan Tsereteli (GE);

Archil Grigalashvili (GE)

(54) **BLEND FOR PRODUCTION  
OF SILICON MANGANESE**

DATE OF RENEVAL: 2012 03 12

---

**(11) P 2009 4734 B**

(73) Levan Tskhovrebashvili (GE)

(54) **ROLL GREENSWARD**

DATE OF RENEVAL: 2012 03 12

---

**(11) P 2009 4663 B**

(73) Marine Beroshvili (GE);

George Ioramashvili (GE)

(54) **METHOD FOR SEPARATION OF FLUID  
INTRUSION**

DATE OF RENEVAL: 2012 03 12

---

## UTILITY MODELS

**(11) U 2008 1440 Y**

(73) Paata Moniava (GE)

(54) **HELIO-WATER HEATER**

DATE OF RENEVAL: 2012 03 12

---

**(11) U 2010 1598 Y**

(73) Natela Khetsuriani (GE);

Elza Topuria (GE)

(54) **SEPARATING THERMAL-DIFFUSION  
COLUMN FOR COMPLEX ORGANIC  
MIXES**

DATE OF RENEVAL: 2012 03 12

---



---

# TRADEMARKS

## RENEWAL OF REGISTRATIONS

(111) M 2001 14069 R1  
(156) 2011 12 22  
(186) 2021 10 18  
(732) YVES SAINT LAURENT PARFUMS;  
28/34 Boulevard du Parc, 92521 Neuilly  
Cedex, France

---

(111) M 2002 14319 R1  
(156) 2012 02 18  
(186) 2022 02 18  
(732) SHOWTIME NETWORKS INC.  
1633 Broadway, New York, New-York  
10019, USA

---

(111) M 2001 14143 R1  
(156) 2011 11 19  
(186) 2021 11 19  
(732) Robert Bosch Tool Corporation;  
1800 West Central Road, Mount Prospect,  
illinois 60056, USA

---

(111) M 2002 14320 R1  
(156) 2012 02 18  
(186) 2022 02 18  
(732) SHOWTIME NETWORKS INC.  
1633 Broadway, New York, New-York  
10019, USA

---

(111) M 2002 14315 R1  
(156) 2012 02 18  
(186) 2022 02 18  
(732) SHOWTIME NETWORKS INC.  
1633 Broadway, New York, New-York  
10019, USA

---

(111) M 2002 14321 R1  
(156) 2012 02 18  
(186) 2022 02 18  
(732) SHOWTIME NETWORKS INC.  
1633 Broadway, New York, New-York  
10019, USA

---

(111) M 2002 14316 R1  
(156) 2012 02 18  
(186) 2022 02 18  
(732) SHOWTIME NETWORKS INC.  
1633 Broadway, New York, New-York  
10019, USA

---

(111) M 2002 14322 R1  
(156) 2012 02 18  
(186) 2022 02 18  
(732) SHOWTIME NETWORKS INC.  
1633 Broadway, New York, New-York  
10019, USA

---

(111) M 2002 14317 R1  
(156) 2012 02 18  
(186) 2022 02 18  
(732) SHOWTIME NETWORKS INC.  
1633 Broadway, New York, New-York  
10019, USA

---

(111) M 2002 14323 R1  
(156) 2012 02 18  
(186) 2022 02 18  
(732) SHOWTIME NETWORKS INC.  
1633 Broadway, New York, New-York  
10019, USA

---

(111) M 2002 14318 R1  
(156) 2012 02 18  
(186) 2022 02 18  
(732) SHOWTIME NETWORKS INC.  
1633 Broadway, New York, New-York  
10019, USA

---

(111) M 2002 14324 R1  
(156) 2012 02 18  
(186) 2022 02 18  
(732) SHOWTIME NETWORKS INC.  
1633 Broadway, New York, New-York  
10019, USA

---

(111) M 2002 14325 R1  
(156) 2012 02 18  
(186) 2022 02 18  
(732) SHOWTIME NETWORKS INC.  
1633 Broadway, New York, New-York  
10019, USA

---

(111) M 2002 14484 R1  
(156) 2012 05 24  
(186) 2022 05 24  
(732) IMPERIAL CHEMICAL INDUSTRIES PLC  
20 Manchester Square, London W1U 3AN,  
United Kingdom

---

(111) M 2002 14326 R1  
(156) 2012 02 18  
(186) 2022 02 18  
(732) SHOWTIME NETWORKS INC.  
1633 Broadway, New York, New-York  
10019, USA

---

(111) M 2002 14370 R1  
(156) 2012 03 27  
(186) 2022 03 27  
(732) MENARINI INTERNATIONAL  
OPERATIONS LUXEMBURG S.A.  
1, Avenue De La Gare, 1611 Luxembourg,  
Luxembourg

---

(111) M 2002 14371 R1  
(156) 2012 03 27  
(186) 2022 03 27  
(732) MENARINI INTERNATIONAL  
OPERATIONS LUXEMBURG S.A.  
1, Avenue De La Gare, 1611 Luxembourg,  
Luxembourg

---

(111) M 2002 14382 R1  
(156) 2012 03 27  
(186) 2022 03 27  
(732) THE POLO/LAUREN COMPANY L.P.  
650 Medison Avenue, New- York,  
New-York 10022, USA

---

(111) M 2002 14399 R1  
(156) 2012 04 01  
(186) 2022 04 01  
(732) WM.WRIGLEY JR.COMPANY  
410 North Michigan Avenue, Chicago, Illinois  
60611, USA

---

(111) M 2002 14483 R1  
(156) 2012 05 24  
(186) 2022 05 24  
(732) IMPERIAL CHEMICAL INDUSTRIES PLC  
20 Manchester Square, London W1U 3AN,  
United Kingdom

---

COMPLETE TRANSFER OF RIGHTS

(111) M 1998 011047 R1  
(732) SHERATON INTERNATIONAL IP, LLC  
One StarPoint, Stamford, Connecticut 06902,  
USA  
(770) SHERATON INTERNATIONAL, LLC  
1111 Westchester Avenue, White Plains,  
New-York 10604, USA  
(580) 2012 02 23

---

(111) M 1998 011048 R1  
(732) SHERATON INTERNATIONAL IP, LLC  
One StarPoint, Stamford, Connecticut 06902,  
USA  
(770) SHERATON INTERNATIONAL, LLC  
1111 Westchester Avenue, White Plains,  
New-York 10604, USA  
(580) 2012 02 23

---

(111) M 2001 014143 R1  
(732) Robert Bosch Tool Corporation,  
1800 West Central Road, Mount Prospect,  
Illinois 60056, USA  
(770) S-B Power Tool Company,  
4300 West Peterson, Chicago, IL  
60646-5999, USA  
(580) 2012 02 17

---

(111) M 2001 014176 R  
(732) Fonterra Brands (Singapore) Pte Limited  
1 Pickering Street, No 06-01, Great Eastern  
Centre, 048659, Singapore  
(770) NEW ZEALAND MILK BRANDS  
LIMITED  
9 Princes Street, Auckland, New Zealand  
(580) 2012 02 17

---

(111) M 2005 015928 P R  
(732) George Iukuridze  
Zhukovskis q.19, bina 9, Odesa, Ukraine  
(770) Bela Cholikadze  
Temqis dasakhleba, me-2 mik. r., me-2  
kvart., korpusi 29, bina 21, Tbilisi, Georgia  
(580) 2012 02 23

---

(111) M 2008 018388 R  
(732) George Iukuridze  
Zhukovskis q.19, bina 9, Odesa, Ukraine

(770) Bela Cholikadze  
Temqis dasakhleba, me-2 mik. r., me-2  
kvart., korpusi 29, bina 21, Tbilisi, Georgia  
(580) 2012 02 23

---

(111) M 2008 018389 R  
(732) George Iukuridze  
Zhukovskis q.19, bina 9, Odesa, Ukraine  
(770) Bela Cholikadze  
Temqis dasakhleba, me-2 mik. r., me-2  
kvart., korpusi 29, bina 21, Tbilisi, Georgia  
(580) 2012 02 23

---

(111) M 2009 020136 R  
(732) SHERATON INTERNATIONAL IP, LLC  
One StarPoint, Stamford, Connecticut 06902,  
USA  
(770) SHERATON INTERNATIONAL, LLC  
1111 Westchester Avenue, White Plains,  
New-York 10604, USA  
(580) 2012 02 23

---

(111) M 2010 020515 R  
(732) SHERATON INTERNATIONAL IP, LLC  
One StarPoint, Stamford, Connecticut 06902,  
USA  
(770) SHERATON INTERNATIONAL, LLC  
1111 Westchester Avenue, White Plains,  
New-York 10604, USA  
(580) 2012 02 23

---

(111) M 2011 021778 R  
(732) KRKA, tovarna zdravil, d.d., Novo mesto  
Smarjeska cesta 6, 8501 Novo mesto,  
Slovenia  
(770) Bristol-Myers Squibb Company, a Delaware  
corporation  
345 Park Avenue, New-York, New-York  
10154, USA  
(580) 2012 02 17

---

(111) M 2011 021945 R  
(732) SHERATON INTERNATIONAL IP, LLC  
One StarPoint, Stamford, Connecticut 06902,  
USA  
(770) SHERATON INTERNATIONAL, LLC  
1111 Westchester Avenue, White Plains,



New-York 10604, USA  
(580) 2012 02 23

---

(111) M 1998 009031 R1  
(732) MEDA AB  
Pipers Väg 2A, SE-17009 Solna, Sweden  
(770) GlaxoSmithKline LLC, Corporation Service  
Company  
2711 Centerville Road, Suite 400,  
Wilmington, Delaware 19808, USA  
(580) 2012 02 21

---

(111) M 1998 009363 R1  
(732) Sanex Nederland B.V.  
Weena 455, 3013 AL Rotterdam,  
Netherlands  
(770) Unilever N.V.  
Weena 455, 3013 AL Rotterdam, Netherlands  
(580) 2012 02 21

---

CHANGES IN NAMES AND/OR ADDRESSES OF OWNERS

(111) M 1998 011020 R1  
(732) GM KOREA COMPANY  
199-1, Cheongcheon-2 Dong, Bupyung-Gu,  
Incheon, Republic of Korea  
(770) GM DAEWOO AUTO & TECHNOLOGY  
COMPANY  
199-1, Cheongcheon-2 Dong, Bupyung-Gu,  
Incheon, Republic of Korea  
(580) 2012 02 15

---

(111) M 1998 011047 R1  
(732) SHERATON INTERNATIONAL, LLC  
1111 Westchester Avenue, White Plains,  
New-York 10604, USA  
(770) SHERATON INTERNATIONAL, INC.  
1111 Westchester Avenue, White Plains,  
New-York 10604, USA  
(580) 2012 02 23

---

(111) M 1998 011048 R1  
(732) SHERATON INTERNATIONAL, LLC  
1111 Westchester Avenue, White Plains,  
New-York 10604, USA  
(770) SHERATON INTERNATIONAL, INC.  
1111 Westchester Avenue, White Plains,  
New-York 10604, USA  
(580) 2012 02 23

---

(111) M 2001 014176 R  
(732) NEW ZEALAND MILK BRANDS  
LIMITED  
9 Princes Street, Auckland, New Zealand  
(770) NEW ZEALAND MILK BRANDS  
LIMITED  
Building 103, Leonard Izit Drive, Oaklend  
Airport, Oaclend , New Zealand  
(580) 2012 02 17

---

(111) M 2004 015563 R  
(732) GM KOREA COMPANY  
199-1, Cheongcheon-2 Dong, Bupyung-Gu,  
Incheon, Republic of Korea  
(770) GM DAEWOO AUTO & TECHNOLOGY  
COMPANY  
199-1, Cheongcheon-2 Dong, Bupyung-Gu,  
Incheon, Republic of Korea  
(580) 2012 02 15

---

(111) M 2004 015660 R  
(732) GM KOREA COMPANY  
199-1, Cheongcheon-2 Dong, Bupyung-Gu,  
Incheon, Republic of Korea  
(770) GM DAEWOO AUTO & TECHNOLOGY  
COMPANY  
199-1, Cheongcheon-2 Dong, Bupyung-Gu,  
Incheon, Republic of Korea  
(580) 2012 02 15

---

(111) M 2004 015661 R  
(732) GM KOREA COMPANY  
199-1, Cheongcheon-2 Dong, Bupyung-Gu,  
Incheon, Republic of Korea  
(770) GM DAEWOO AUTO & TECHNOLOGY  
COMPANY  
199-1, Cheongcheon-2 Dong, Bupyung-Gu,  
Incheon, Republic of Korea  
(580) 2012 02 15

---

(111) M 2004 015662 R  
(732) GM KOREA COMPANY  
199-1, Cheongcheon-2 Dong, Bupyung-Gu,  
Incheon, Republic of Korea  
(770) GM DAEWOO AUTO & TECHNOLOGY  
COMPANY  
199-1, Cheongcheon-2 Dong, Bupyung-Gu,  
Incheon, Republic of Korea  
(580) 2012 02 15

---

(111) M 2004 015663 R  
(732) GM KOREA COMPANY  
199-1, Cheongcheon-2 Dong, Bupyung-Gu,  
Incheon, Republic of Korea  
(770) GM DAEWOO AUTO & TECHNOLOGY  
COMPANY  
199-1, Cheongcheon-2 Dong, Bupyung-Gu,  
Incheon, Republic of Korea  
(580) 2012 02 15

---

(111) M 2006 016532 R  
(732) ARLA FOODS AMBA  
Sonderhoj 14, DK-8260 Viby J, Denmark  
(770) Arla Foods amba  
Skanderborgvej 277, DK-8260 Viby J,  
Denmark  
(580) 2012 02 14

---

(111) M 2006 016533 R  
 (732) ARLA FOODS AMBA  
 Sonderhoj 14, DK-8260 Viby J, Denmark  
 (770) Arla Foods amba  
 Skanderborgvej 277, DK-8260 Viby J,  
 Denmark  
 (580) 2012 02 14

(111) M 2006 016534 R  
 (732) ARLA FOODS AMBA  
 Sonderhoj 14, DK-8260 Viby J, Denmark  
 (770) Arla Foods amba  
 Skanderborgvej 277, DK-8260 Viby J,  
 Denmark  
 (580) 2012 02 14

(111) M 2007 017351 R  
 (732) GM KOREA COMPANY  
 199-1, Cheongcheon-2 Dong, Bupyung-Gu,  
 Incheon, Republic of Korea  
 (770) GM DAEWOO AUTO & TECHNOLOGY  
 COMPANY  
 199-1, Cheongcheon-2 Dong, Bupyung-Gu,  
 Incheon, Republic of Korea  
 (580) 2012 02 15

(111) M 2008 018225 R  
 (732) ARLA FOODS AMBA  
 Sonderhoj 14, DK-8260 Viby J, Denmark  
 (770) Arla Foods amba  
 Skanderborgvej 277, DK-8260 Viby J,  
 Denmark  
 (580) 2012 02 14

(111) M 2009 019133 R  
 (732) GM KOREA COMPANY  
 199-1, Cheongcheon-2 Dong, Bupyung-Gu,  
 Incheon, Republic of Korea  
 (770) GM DAEWOO AUTO & TECHNOLOGY  
 COMPANY  
 199-1, Cheongcheon-2 Dong, Bupyung-Gu,  
 Incheon, Republic of Korea  
 (580) 2012 02 15

(111) M 2009 019371 R  
 (732) GM KOREA COMPANY  
 199-1, Cheongcheon-2 Dong, Bupyung-Gu,  
 Incheon, Republic of Korea  
 (770) GM DAEWOO AUTO & TECHNOLOGY  
 COMPANY  
 199-1, Cheongcheon-2 Dong, Bupyung-Gu,  
 Incheon, Republic of Korea

(580) 2012 02 15

(111) M 2009 020136 R  
 (732) SHERATON INTERNATIONAL, LLC  
 1111 Westchester Avenue, White Plains,  
 New-York 10604, USA  
 (770) SHERATON INTERNATIONAL, INC.  
 1111 Westchester Avenue, White Plains,  
 New-York 10604, USA  
 (580) 2012 02 23

(111) M 2010 020515 R  
 (732) SHERATON INTERNATIONAL, LLC  
 1111 Westchester Avenue, White Plains,  
 New-York 10604, USA  
 (770) SHERATON INTERNATIONAL, INC.  
 1111 Westchester Avenue, White Plains,  
 New-York 10604, USA  
 (580) 2012 02 23

(111) M 2010 020717 R  
 (732) Meiji Seika pharma Co., Ltd  
 4-16, Kyobashi 2-Chome, Chuo-ku, Tokyo,  
 Japan  
 (770) Meiji Seika Kaisha, Ltd  
 N4-16, Kyobashi 2-Chome, Chuo-ku, Tokyo,  
 Japan  
 (580) 2012 02 15

(111) M 2011 021945 R  
 (732) SHERATON INTERNATIONAL, LLC  
 1111 Westchester Avenue, White Plains,  
 New-York 10604, USA  
 (770) SHERATON INTERNATIONAL, INC.  
 1111 Westchester Avenue, White Plains,  
 New-York 10604, USA  
 (580) 2012 02 23

(111) M 1997 005434 R1  
 (732) GM KOREA COMPANY  
 199-1, Cheongcheon-2 Dong, Bupyung-Gu,  
 Incheon, Republic of Korea  
 (770) GM DAEWOO AUTO & TECHNOLOGY  
 COMPANY  
 199-1, Cheongcheon-2 Dong, Bupyung-Gu,  
 Incheon, Republic of Korea  
 (580) 2012 02 15

(111) M 1997 007124 R1  
 (732) ARLA FOODS AMBA  
 Sonderhoj 14, DK-8260 Viby J, Denmark

(770) ARLA FOODS AMBA  
Skanderborgvej 277, DK-8260 Viby J,  
Denmark  
(580) 2012 02 14

---

(111) M 1997 007126 R1  
(732) ARLA FOODS AMBA  
Sonderhoj 14, DK-8260 Viby J, Denmark  
(770) ARLA FOODS AMBA  
Skanderborgvej 277, DK-8260 Viby J,  
Denmark  
(580) 2012 02 14

---

(111) M 1998 009036 R1  
(732) GM KOREA COMPANY  
199-1, Cheongcheon-2 Dong, Bupyung-Gu,  
Incheon, Republic of Korea  
(770) GM DAEWOO AUTO & TECHNOLOGY  
COMPANY  
199-1, Cheongcheon-2 Dong, Bupyung-Gu,  
Incheon, Republic of Korea  
(580) 2012 02 15

---

(111) M 1998 009080 R1  
(732) GM KOREA COMPANY  
199-1, Cheongcheon-2 Dong, Bupyung-Gu,  
Incheon, Republic of Korea  
(770) GM DAEWOO AUTO & TECHNOLOGY  
COMPANY  
199-1, Cheongcheon-2 Dong, Bupyung-Gu,  
Incheon, Republic of Korea  
(580) 2012 02 15

---

---

# CLASSIFICATION INDEXES

## INVENTIONS

### CONCORDANCE TABLE OF INTERNATIONAL CLASSIFICATION INDEX WITH REFERENCE TO NUMBERS OF PUBLISHED APPLICATIONS

INTERNATIONAL CLASSIFICATION INDEXES (51)	NUMBER OF PUBLISHED APPLICATION (10)
B 65 D 1/16; B 65 D 1/44; B 65 D 25/14; B 05 B 13/06	AP 2012 11926 A
C 07 C 217/48; C 07 C 219/22; A 61 K 31/135; A 61 K 31/24	AP 2012 11934 A
C 07 D 401/14; C 07 D 403/12; C 07 D 403/14; C 07 D 409/14; C 07 D 413/14; A 61 K 31/506	AP 2012 12072 A

### CONCORDANCE TABLE OF NUMBERS OF PUBLISHED APPLICATIONS WITH REFERENCE TO INTERNATIONAL CLASSIFICATION INDEX

NUMBER OF PUBLISHED APPLICATION (10)	INTERNATIONAL CLASSIFICATION INDEXES (51)
AP 2012 11926 A	B 65 D 1/16; B 65 D 1/44; B 65 D 25/14; B 05 B 13/06
AP 2012 11934 A	C 07 C 217/48; C 07 C 219/22; A 61 K 31/135; A 61 K 31/24
AP 2012 12072 A	C 07 D 401/14; C 07 D 403/12; C 07 D 403/14; C 07 D 409/14; C 07 D 413/14; A 61 K 31/506

### CONCORDANCE TABLE OF INTERNATIONAL CLASSIFICATION INDEX WITH REFERENCE TO NUMBERS OF PATENTS AND NUMBERS OF PUBLISHED APPLICATIONS

INTERNATIONAL CLASSIFICATION INDEX (51)	NUMBER OF PATENT (11)	NUMBER OF PUBLISHED APPLICATION (10)
A 01 D 46/04	P 2012 5419 B	AP 2011 11486 A
C 07 D 401/06; C 07 D 401/12; A 61 K 31/435; A 61 P 25/00	P 2012 5414 B	AP 2011 11320 A
C 07 D 403/06; C 07 D 413/06; A 61 K 31/422; A 61 P 35/00	P 2012 5415 B	AP 2011 11346 A
C 07 F 9/09; C 07 D 471/04; A 61 K 31/437; A 61 P 31/18	P 2012 5413 B	AP 2011 10811 A
C 02 F 11/04; C 02 F 3/28; B 02 C 19/22	P 2012 5416 B	AP 2011 11533 A
E 02 D 5/80	P 2012 5418 B	AP 2011 11289 A
F 02 B 55/02	P 2012 5412 B	AP 2011 9768 A
H 03 M 13/00; H 03 M 13/21	P 2012 5417 B	AP 2011 11698 A

**CONCORDANCE TABLES OF NUMBERS OF PATENTS AND NUMBERS  
OF PUBLISHED APPLICATIONS WITH REFERENCE  
TO CLASSIFICATION INDEX**

<b>NUMBER OF PATENT (11)</b>	<b>NUMBER OF PUBLISHED APPLICATION (10)</b>	<b>INTERNATIONAL CLASSIFICATION INDEX (51)</b>
P 2012 5412 B	AP 2011 9768 A	F 02 B 55/02
P 2012 5413 B	AP 2011 10811 A	C 07 F 9/09; C 07 D 471/04; A 61 K 31/437; A 61 P 31/18
P 2012 5414 B	AP 2011 11320 A	C 07 D 401/06; C 07 D 401/12; A 61 K 31/435; A 61 P 25/00
P 2012 5415 B	AP 2011 11346 A	C 07 D 403/06; C 07 D 413/06; A 61 K 31/422; A 61 P 35/00
P 2012 5416 B	AP 2011 11533 A	C 02 F 11/04; C 02 F 3/28; B 02 C 19/22
P 2012 5417 B	AP 2011 11698 A	H 03 M 13/00; H 03 M 13/21
P 2012 5418 B	AP 2011 11289 A	E 02 D 5/80
P 2012 5419 B	AP 2011 11486 A	A 01 D 46/04

**CONCORDANCE TABLE OF NUMBERS OF APPLICATIONS, NUMBERS  
OF PUBLISHED APPLICATIONS AND NUMBERS OF PATENTS**

<b>NUMBER OF APPLICATION (21)</b>	<b>NUMBER OF PUBLISHED APPLICATION (10)</b>	<b>NUMBER OF PATENT (11)</b>
AP 2006 009768	AP 2011 9768 A	P 2012 5412 B
AP 2006 010811	AP 2011 10811 A	P 2012 5413 B
AP 2009 011289	AP 2011 11289 A	P 2012 5418 B
AP 2007 011320	AP 2011 11320 A	P 2012 5414 B
AP 2008 011346	AP 2011 11346 A	P 2012 5415 B
AP 2009 011486	AP 2011 11486 A	P 2012 5419 B
AP 2008 011533	AP 2011 11533 A	P 2012 5416 B
AP 2010 011698	AP 2011 11698 A	P 2012 5417 B

**UTILITY MODELS**

**CONCORDANCE TABLE OF INTERNATIONAL CLASSIFICATION INDEX  
WITH REFERENCE TO NUMBERS OF PATENTS AND NUMBERS  
OF PUBLISHED APPLICATIONS**

<b>INTERNATIONAL CLASSIFICATION INDEX (51)</b>	<b>NUMBER OF PATENT (11)</b>	<b>NUMBER OF PUBLISHED APPLICATION (10)</b>
A 23 L 2/00	U 2012 1700 Y	AU 2011 12087 U
A 23 L 2/00	U 2012 1701 Y	AU 2011 12090 U
A 34 L 2/00	U 2012 1699 Y	AU 2011 12085 U

**CONCORDANCE TABLES OF NUMBERS OF PATENTS AND NUMBERS  
OF PUBLISHED APPLICATIONS WITH REFERENCE  
TO CLASSIFICATION INDEX**

<b>NUMBER OF PATENT (11)</b>	<b>NUMBER OF PUBLISHED APPLICATION (10)</b>	<b>INTERNATIONAL CLASSIFICATION INDEX (51)</b>
U 2012 1699 Y	AU 2011 12085 U	A 34 L 2/00
U 2012 1700 Y	AU 2011 12087 U	A 23 L 2/00
U 2012 1701 Y	AU 2011 12090 U	A 23 L 2/00

**CONCORDANCE TABLE OF NUMBERS OF APPLICATIONS, NUMBERS  
OF PUBLISHED APPLICATIONS AND NUMBERS OF PATENTS**

<b>NUMBER OF APPLICATION (21)</b>	<b>NUMBER OF PUBLISHED APPLICATION (10)</b>	<b>NUMBER OF PATENT (11)</b>
AU 2011 012085	AU 2011 12085 U	U 2012 1699 Y
AU 2011 012087	AU 2011 12087 U	U 2012 1700 Y
AU 2011 012090	AU 2011 12090 U	U 2012 1701 Y

**DESIGNS**

**CONCORDANCE TABLE OF INTERNATIONAL CLASSIFICATION INDEX  
WITH REFERENCE TO NUMBERS OF PATENTS AND NUMBERS  
OF PUBLISHED APPLICATIONS**

<b>INTERNATIONAL CLASSIFICATION INDEX (51)</b>	<b>NUMBER OF PATENT (11)</b>	<b>NUMBER OF PUBLISHED APPLICATION (10)</b>
12-08	D 2012 490 S	AD 2011 654 S

**CONCORDANCE TABLES OF NUMBERS OF PATENTS AND NUMBERS  
OF PUBLISHED APPLICATIONS WITH REFERENCE  
TO CLASSIFICATION INDEX**

<b>NUMBER OF PATENT (11)</b>	<b>NUMBER OF PUBLISHED APPLICATION (10)</b>	<b>INTERNATIONAL CLASSIFICATION INDEX (51)</b>
D 2012 490 S	AD 2011 654 S	12-08

**CONCORDANCE TABLE OF NUMBERS OF APPLICATIONS, NUMBERS  
OF PUBLISHED APPLICATIONS AND NUMBERS OF PATENTS**

<b>NUMBER OF APPLICATION (21)</b>	<b>NUMBER OF PUBLISHED APPLICATION (10)</b>	<b>NUMBER OF PATENT (11)</b>
AD 2011 000654	AD 2011 654 S	D 2012 490 S

## TRADEMARKS

**CONCORDANCE TABLE OF NUMBERS OF REGISTRATIONS  
OF TRADEMARKS, NUMBERS OF APPLICATIONS, NUMBERS  
OF PUBLISHED APPLICATIONS WITH REFERENCE TO NUMBERS  
OF BULLETINS**

NUMBER OF REGISTRATION (111)	NUMBER OF APPLICATION (210)	NUMBER OF PUBLISHED APPLICATION (260)	NUMBER OF BULLETIN
1	2	3	4
M 2012 22304 R	-	-	Nº5(345) 2012
M 2012 22305 R	-	-	Nº5(345) 2012
M 2012 22306 R	-	-	Nº5(345) 2012
M 2012 22307 R	-	-	Nº5(345) 2012
M 2012 22308 R	-	-	Nº5(345) 2012
M 2012 22309 R	AM 2010 57965	AM 2011 57965 A	Nº19(335) 2011
M 2012 22310 R	AM 2010 58242	AM 2011 58242 A	Nº16(332) 2011
M 2012 22311 R	AM 2010 58243	AM 2011 58243 A	Nº16(332) 2011
M 2012 22312 R	AM 2010 58425	AM 2011 58425 A	Nº16(332) 2011
M 2012 22313 R	AM 2010 59927	AM 2011 59927 A	Nº15(331) 2011
M 2012 22314 R	AM 2010 58726	AM 2011 58726 A	Nº21(337) 2011
M 2012 22315 R	AM 2010 58802	AM 2011 58802 A	Nº21(337) 2011
M 2012 22316 R	AM 2010 58813	AM 2011 58813 A	Nº21(337) 2011
M 2012 22317 R	AM 2010 59180	AM 2011 59180 A	Nº15(331) 2011
M 2012 22319 R	AM 2010 60038	AM 2011 60038 A	Nº16(332) 2011
M 2012 22321 R	AM 2010 60384	AM 2011 60384 A	Nº16(332) 2011
M 2012 22322 R	AM 2010 60385	AM 2011 60385 A	Nº16(332) 2011
M 2012 22323 R	AM 2010 60439	AM 2011 60439 A	Nº16(332) 2011
M 2012 22325 R	AM 2010 60555	AM 2011 60555 A	Nº15(331) 2011
M 2012 22326 R	AM 2010 60558	AM 2011 60558 A	Nº15(331) 2011
M 2012 22332 R	AM 2010 60637	AM 2011 60637 A	Nº20(336) 2011
M 2012 22333 R	AM 2010 60657	AM 2011 60657 A	Nº20(336) 2011
M 2012 22334 R	AM 2010 60668	AM 2011 60668 A	Nº19(335) 2011
M 2012 22335 R	AM 2010 60727	AM 2011 60727 A	Nº19(335) 2011
M 2012 22336 R	AM 2010 60742	AM 2011 60742 A	Nº16(332) 2011
M 2012 22337 R	AM 2010 60785	AM 2011 60785 A	Nº16(332) 2011
M 2012 22338 R	AM 2010 60802	AM 2011 60802 A	Nº21(337) 2011
M 2012 22339 R	AM 2010 60803	AM 2011 60803 A	Nº21(337) 2011
M 2012 22341 R	AM 2011 60835	AM 2011 60835 A	Nº20(336) 2011
M 2012 22342 R	AM 2011 60837	AM 2011 60837 A	Nº20(336) 2011
M 2012 22343 R	AM 2011 60885	AM 2011 60885 A	Nº20(336) 2011
M 2012 22344 R	AM 2011 60898	AM 2011 60898 A	Nº20(336) 2011
M 2012 22345 R	AM 2011 60914	AM 2011 60914 A	Nº20(336) 2011
M 2012 22346 R	AM 2011 60947	AM 2011 60947 A	Nº20(336) 2011
M 2012 22347 R	AM 2011 60959	AM 2011 60959 A	Nº20(336) 2011
M 2012 22348 R	AM 2011 60963	AM 2011 60963 A	Nº20(336) 2011
M 2012 22350 R	AM 2011 61195	AM 2011 61195 A	Nº21(337) 2011
M 2012 22351 R	AM 2011 61224	AM 2011 61224 A	Nº21(337) 2011
M 2012 22352 R	AM 2011 61276	AM 2011 61276 A	Nº21(337) 2011
M 2012 22353 R	AM 2011 61371	AM 2011 61371 A	Nº21(337) 2011
M 2012 22354 R	AM 2011 61372	AM 2011 61372 A	Nº21(337) 2011
M 2012 22355 R	AM 2011 61479	AM 2011 61479 A	Nº21(337) 2011



1	2	3	4
M 2012 22356 R	AM 2011 61494	AM 2011 61494 A	Nº20(336) 2011
M 2012 22357 R	AM 2011 61495	AM 2011 61495 A	Nº20(336) 2011
M 2012 22358 R	AM 2011 61496	AM 2011 61496 A	Nº20(336) 2011
M 2012 22360 R	AM 2011 61498	AM 2011 61498 A	Nº20(336) 2011
M 2012 22361 R	AM 2011 61514	AM 2011 61514 A	Nº20(336) 2011
M 2012 22362 R	AM 2011 61522	AM 2011 61522 A	Nº20(336) 2011
M 2012 22363 R	AM 2011 61523	AM 2011 61523 A	Nº20(336) 2011
M 2012 22364 R	AM 2011 61531	AM 2011 61531 A	Nº20(336) 2011
M 2012 22365 R	AM 2011 61532	AM 2011 61532 A	Nº20(336) 2011
M 2012 22367 R	AM 2011 61573	AM 2011 61573 A	Nº20(336) 2011
M 2012 22370 R	AM 2011 61633	AM 2011 61633 A	Nº20(336) 2011
M 2012 22372 R	AM 2011 61707	AM 2011 61707 A	Nº20(336) 2011
M 2012 22373 R	AM 2011 61708	AM 2011 61708 A	Nº20(336) 2011
M 2012 22374 R	AM 2011 61709	AM 2011 61709 A	Nº20(336) 2011
M 2012 22375 R	AM 2011 61710	AM 2011 61710 A	Nº20(336) 2011
M 2012 22376 R	AM 2011 61711	AM 2011 61711 A	Nº20(336) 2011
M 2012 22377 R	AM 2011 61712	AM 2011 61712 A	Nº20(336) 2011
M 2012 22378 R	-	-	Nº5(345) 2012

**CONCORDANCE TABLE OF NUMBERS OF PUBLISHED TRADEMARK APPLICATIONS WITH REFERENCE TO NUMBERS OF APPLICATIONS**

NUMBER OF PUBLISHED APPLICATION (260)	NUMBER OF APPLICATION (210)	1	2
		1	2
AM 2012 61684 A	AM 2011 61684*	AM 2012 63228 A	AM 2011 63228
AM 2012 62048 A	AM 2011 62048	AM 2012 63241 A	AM 2011 63241
AM 2012 62414 A	AM 2011 62414	AM 2012 63243 A	AM 2011 63243
AM 2012 62498 A	AM 2011 62498	AM 2012 63244 A	AM 2011 63244
AM 2012 62499 A	AM 2011 62499	AM 2012 63247 A	AM 2011 63247
AM 2012 62500 A	AM 2011 62500	AM 2012 63248 A	AM 2011 63248
AM 2012 62582 A	AM 2011 62582	AM 2012 63249 A	AM 2011 63249
AM 2012 62714 A	AM 2011 62714	AM 2012 63250 A	AM 2011 63250
AM 2012 62971 A	AM 2011 62971	AM 2012 63253 A	AM 2011 63253
AM 2012 62972 A	AM 2011 62972	AM 2012 63297 A	AM 2011 63297
AM 2012 62979 A	AM 2011 62979	AM 2012 63298 A	AM 2011 63298
AM 2012 63015 A	AM 2011 63015	AM 2012 63376 A	AM 2011 63376
AM 2012 63016 A	AM 2011 63016	AM 2012 63377 A	AM 2011 63377
AM 2012 63017 A	AM 2011 63017	AM 2012 63435 A	AM 2011 63435
AM 2012 63018 A	AM 2011 63018	AM 2012 63437 A	AM 2011 63437
AM 2012 63019 A	AM 2011 63019	AM 2012 63530 A	AM 2011 63530
AM 2012 63227 A	AM 2011 63227	AM 2012 63587 A	AM 2011 63587
		AM 2012 63588 A	AM 2011 63588
		AM 2012 63592 A	AM 2011 63592
		AM 2012 63593 A	AM 2011 63593
		AM 2012 63602 A	AM 2011 63602

**CONCORDANCE TABLE OF INDEX OF GOODS AND/OR SERVICES WITH REFERENCE TO NUMBERS OF PUBLISHED APPLICATIONS**

<b>INDEX OF GOODS AND/OR SERVICES</b> (511)	<b>NUMBER OF PUBLISHED APPLICATION</b> (260)	1	2
1	2	25	AM 2012 62582 A
3	AM 2012 63018 A	29	AM 2012 62498 A
5	AM 2012 62414 A	29	AM 2012 62499 A
5	AM 2012 63018 A	29	AM 2012 62500 A
5	AM 2012 63019 A	29	AM 2012 63227 A
5	AM 2012 63227 A	30	AM 2012 62498 A
5	AM 2012 63228 A	30	AM 2012 62499 A
5	AM 2012 63243 A	30	AM 2012 63015 A
5	AM 2012 63244 A	30	AM 2012 63016 A
5	AM 2012 63247 A	32	AM 2012 63241 A
5	AM 2012 63248 A	33	AM 2012 63017 A
5	AM 2012 63249 A	34	AM 2012 63253 A
5	AM 2012 63250 A	34	AM 2012 63376 A
5	AM 2012 63297 A	34	AM 2012 63602 A
5	AM 2012 63298 A	34	AM 2012 63602 A
5	AM 2012 63437 A	35	AM 2012 62714 A
5	AM 2012 63530 A	35	AM 2012 63587 A
5	AM 2012 63592 A	35	AM 2012 63588 A
5	AM 2012 63593 A	35	AM 2012 63588 A
9	AM 2012 62971 A	36	AM 2012 61684 A*
9	AM 2012 62972 A	36	AM 2012 63435 A
12	AM 2012 62979 A	36	AM 2012 63587 A
		39	AM 2012 62714 A
		41	AM 2012 63377 A
		41	AM 2012 63435 A
		42	AM 2012 62971 A
		42	AM 2012 62972 A
		43	AM 2012 62048 A

**CONCORDANCE TABLE OF INDEX OF GOODS AND/OR SERVICES WITH REFERENCE TO NUMBERS OF REGISTERED ACCORDING TO THE ACCELERATED PROCEDURE**

<b>INDEX OF GOODS AND/OR SERVICES</b> (511)	<b>NUMBER OF REGISTERED ACCORDING TO THE ACCELERATED PROCEDURE</b> (111)
33	M 2012 22308 R
34	M 2012 22304 R
34	M 2012 22305 R
34	M 2012 22306 R
34	M 2012 22307 R
43	M 2012 22378 R

# OFFICIAL BULLETIN OF THE INDUSTRIAL PROPERTY

## 5(345)

EDITOR-IN-CHIEF: N. Bebrishvili

EDITORS-TRANSLATORS: M. Sichinava  
G. Nadareishvili

PROOFREADER: L. Chanturia

COMPUTER LAYOUT: M. Ordenidze  
K. Svanidze

[www.sakpatenti.org.ge](http://www.sakpatenti.org.ge)  
E-mail: [info@sakpatenti.org.ge](mailto:info@sakpatenti.org.ge)