



**NATIONAL INTELLECTUAL PROPERTY CENTER OF GEORGIA
SAKPATENTI**

**OFFICIAL BULLETIN
OF THE INDUSTRIAL PROPERTY**

5(369)

**2013
TBILISI**

INID CODES FOR IDENTIFICATION OF BIBLIOGRAPHIC DATA

INVENTIONS, UTILITY MODELS

- (10) Number of publication for application, which has been examined
- (11) Number of patent and kind of document
- (21) Serial number of application
- (22) Date of filing of the application
- (23) Date of exhibition or the date of the earlier filing and the number of application, if any
- (24) Date from which patent may have effect
- (31) Number of priority application
- (32) Date of filing of priority application
- (33) Code of the country or regional organization allotting priority application number
- (44) Date of publication of application not granted, but examined and number of bulletin
- (45) Date of publication of registered document
- (51) International Patent Classification Index
- (54) Title of the invention
- (57) Abstract
- (60) Number of examined patent document granted by foreign patent office, date from which patent has effect and country code
- (62) Number of the earlier application and in case of divided application, date of filing an application
- (71) Name, surname and address of applicant (country code)
- (72) Name, surname of inventor (country code)
- (73) Name, surname and address of patent owner (country code)
- (74) Name, surname of representative or patent attorney
- (85) Date of commencement of the national phase of International Application
- (86) Number and date of filing of international application
- (87) Number and date of publication of international application

DESIGNS

- (10) Number of publication for application
- (11) Number of patent and kind of document or number of registration
- (15) Date of registration/Date of patent renewal
- (18) Expected expiration date of patent or registration
- (21) Serial number of application
- (22) Date of filing of the application
- (23) Date of exhibition or the date of the earlier filing and the number of application, if any
- (24) Date from which patent may have effect
- (28) Number of designs included in the application
- (30) Data relating to priority (number of application, date of filing of application, two-letter code identifying the authority with whom the priority application was made)
- (31) Number of priority application
- (32) Date of filing of priority application
- (33) Code of the country or regional organization allotting priority application number
- (34) Two-letter code according to WIPO St.3 identifying the authority with which the priority application was made
- (44) Date of publication of design and number of bulletin (the first publication)
- (45) Date of publication of design registered by WIPO and number of bulletin
- (51) International Classification for designs (class and subclass of the Locarno Classification)
- (54) Title of the invention
- (55) Reproduction of the design
- (57) Description of characteristic features of the design including indication of colors
- (58) Date of recording of any kind of amendment in the Register
- (62) Number of the earlier application, registration and document number and if available the date of filing an application in case of divided application
- (71) Name, surname and address of applicant (country code)
- (72) Name, surname of creator (country code)
- (73) Name, surname and address of patent owner (country code)
- (74) Name, surname of representative or patent attorney
- (81) Contracting states concerned
 - II designated contracting states according to the 1960 Act
 - III designated contracting states according to the 1999 Act
- (85) Owner's permanent address
- (86) Owner's nationality
- (87) Owner's residence
- (88) State in which the owner has a real and effective industrial or commercial establishment

TRADEMARKS

- (111) – Number of registration
- (151) – Date of registration
- (156) – Date of the renewal
- (181) – Expected expiration date of registration
- (186) – Renewal expiration date of registration
- (141) – Date of cancel of duration of the mark
- (210) – Serial number of application
- (220) – Date of filing of the application
- (230) – Date concerning exhibition
- (260) – Number of application, for which favorable decision of examination about registration has been taken (publication number)
- (310) – Number of the first application
- (320) – Date of filing of the first application
- (330) – Code, identifying national or regional Office where the first application was made
- (511) – International Classification of Goods and Services for the purposes of registration of trade marks and/or list of goods and/or services classified according thereto
- (531) – Description of figurative elements of Trade Marks according to the International Classification of the Figurative Elements of Marks
- (540) – Reproduction of Trade Mark
- (550) – Nature and kind of Trade Mark
- (580) – Date of recording of any kind changes in respect of applications or registrations
- (591) – Information concerning colors claimed
- (731) – Name and address of the applicant
- (732) – Name and address of the holder of the registration
- (740) – Name and address of the representative
- (750) – Address for correspondence
- (770) – Name and address of the previous applicant or holder in case of change in ownership
- (771) – Previous name and address of the applicant or holder in case of change in ownership
- (791) – Name and address of the licensee
- (793) – Indication of conditions and/or restrictions under the license (Type of license, number of license agreement, data of license, data of validity of license)
- (800) – Certain data relating to the international registration of Trade Marks under the Protocol Relating to Madrid Agreement (International registration number)

CODES FOR PUBLICATION IN BULLETIN

- (21) AP 0000 000000 – serial number of application for invention
- (10) AP 0000 0000 A – number of published application for invention (first publication)
- (11) P 0000 0000 B – number of patent for invention (second publication)
- (21) API 0000 000000 – number of application for imported patent
- (11) PI 0000 0000 A – number of imported patent (first publication)
- (21) AU 0000 000000 – serial number of application for utility model
- (10) AU 0000 000 U – number of published application for utility model (first publication)
- (11) U 0000 000 Y – number of patent for utility model (second publication)
- (21) AD 0000 000000 – serial number of application for design
- (10) AD 0000 000 S – number of published application for design (first publication)
- (11) D 0000 000 S – number of patent for design (second publication)

INTERNATIONAL PATENT CLASSIFICATION FOR INVENTIONS AND UTILITY MODELS

- SECTION A – HUMAN NECESSITIES
- SECTION B – PERFORMING OPERATIONS; TRANSPORTING
- SECTION C – CHEMISTRY; METALLURGY
- SECTION D – TEXTILES; PAPER
- SECTION E – FIXED CONSTRUCTIONS
- SECTION F – MECHANICAL ENGINEERING; LIGHTING; HEATING; WEAPONS; BLASTING
- SECTION G – PHYSICS
- SECTION H – ELECTRICITY

-
- M – Trade Mark
 - (210) AM 0000 000000 – Serial number of application;
 - (260) AAM 0000 00000 A – Publication number of application;
 - (111) M 0000 00000 R – Number of registration;
 - (111) MMM0000 00000 Rn – Number of renewals, in which n=1,2,3;
 - (111) M 0000 00000 R(P) – Number of registration under partial assignment of rights
-

LIST OF CODES, IN ALPHABETIC SEQUENCE, AND THE CORRESPONDING (SHORT) NAMES OF STATES, OTHER ENTITIES AND INTERGOVERNMENTAL ORGANIZATIONS
(WIPO STANDARD ST.3)

AD	Andorra				
AE	United Arab Emirates				
AF	Afghanistan				
AG	Antigua and Barbuda				
AI	Anguilla				
AL	Albania				
AM	Armenia				
AN	Netherlands Antilles				
AO	Angola				
AP	African Regional Intellectual Property Organization (ARIPO)				
AR	Argentina				
AT	Austria				
AU	Australia				
AW	Aruba				
AZ	Azerbaijan				
BA	Bosnia and Herzegovina				
BB	Barbados				
BD	Bangladesh				
BE	Belgium				
BF	Burkina Faso				
BG	Bulgaria				
BH	Bahrain				
BI	Burundi				
BJ	Benin				
BM	Bermuda				
BN	Brunei Darussalam				
BO	Bolivia				
BR	Brazil				
BS	Bahamas				
BT	Bhutan				
BV	Bouvet Island				
BW	Botswana				
BX	Benelux Office for Intellectual Property (BOIP)				
BY	Belarus				
BZ	Belize				
CA	Canada				
CD	Democratic Republic of the Congo				
CF	Central African Republic				
CG	Congo				
CH	Switzerland				
CI	Cote d'Ivoire				
CK	Cook Islands				
CL	Chile				
CM	Cameroon				
CN	China				
CO	Colombia				
CR	Costa Rica				
CU	Cuba				
CV	Cape Verde				
CY	Cyprus				
CZ	Czech Republic				
DE	Germany				
DJ	Djibouti				
DM	Dominica				
DO	Dominican Republic				
DZ	Algeria				
EA	Eurasian Patent Organization (EAPO)				
EC	Ecuador				
EE	Estonia				
EG	Egypt				
EH	Western Sahara				
EM	Office for Harmonization in the Internal Market (Trademarks and Designs)(OHIM)				
EP	European Patent Office (EPO)				
ER	Eritrea				
ES	Spain				
ET	Ethiopia				
FI	Finland				
FJ	Fiji				
FK	Falkland Islands (Malvinas)				
FO	Faroe Islands				
FR	France				
GA	Gabon				
GB	United Kingdom				
GC	Patent Office of the Cooperation Council for the Arab States of the Gulf (GCC)				
GD	Grenada				
GG	Guernsey				
GH	Ghana				
GI	Gibraltar				
GT	Guatemala				
GW	Guinea- Bissau				
GY	Guyana				
HK	The Hong Kong Special Administrative Region of the People's Republic of China				
HN	Honduras				
HR	Croatia				
HT	Haiti				
HU	Hungary				
IB	International Bureau of the World Intellectual Property Organization (WIPO)				
ID	Indonesia				
IE	Ireland				
IL	Israel				
IM	Isle of Man				
IN	India				
IQ	Iraq				
ID	Indonesia				
IE	Ireland				
IL	Israel				
IM	Isle of Man				
IN	India				
IQ	Iraq				
IR	Iran (Islamic Republic of)				
IS	Iceland				
IT	Italy				
JE	Jersey				
JM	Jamaica				
JO	Jordan				
JP	Japan				
KE	Kenya				
KG	Kyrgyzstan				
KH	Cambodia				
KI	Kiribati				
KM	Saint Kitts and Nevis				
KP	Democratic People's Republic of Korea				
KR	Republic of Korea				
KW	Kuwait				
KY	Cayman Islands				
KZ	Kazakhstan				
LA	Lao People's Democratic Republic				
LB	Lebanon				
LC	Saint Lucia				
LI	Liechtenstein				
LK	Sri Lanka				
LR	Liberia				
LS	Lesotho				
LT	Lithuania				
LU	Luxembourg				
LV	Latvia				
LY	Libyan Arab Jamahiriya				
MA	Morocco				
MC	Monaco				
MD	Republic of Moldova				
ME	Montenegro				
MG	Madagascar				
MK	The former Yugoslav Republic of Macedonia				
ML	Mali				
MM	Myanmar				
MN	Mongolia				
MO	Macao				
MP	Northern Mariana Islands				
MR	Mauritania				
MS	Montserrat				
MT	Malta				
MU	Mauritius				
MV	Maldives				
MW	Malawi				
MX	Mexico				
MY	Malaysia				
MZ	Mozambique				
NA	Namibia				
NE	Niger				
NG	Nigeria				
NI	Nicaragua				
NL	Netherlands				
NO	Norway				
NP	Nepal				
NR	Nauru				
NZ	New Zealand				
OA	African Intellectual Property Organization (OAPI)				
OM	Oman				
PA	Panama				
PE	Peru				
PG	Papua New Guinea				
PH	Philippines				
PK	Pakistan				
PL	Poland				
PT	Portugal				
PW	Palau				
PY	Paraguay				
QA	Qatar				
QZ	Community Plant Variety Office (European Community) (CPVO)				
RO	Romania				
RS	Serbia				
RU	Russian Federation				
RW	Rwanda				
SA	Saudi Arabia				
SB	Solomon Islands				
SC	Seychelles				
SD	Sudan				
SG	Singapore				
SH	Saint Helena				
SI	Slovenia				
SK	Slovakia				
SL	Sierra Leone				
SM	San Marino				
SN	Senegal				
SO	Somalia				
SR	Suriname				
ST	Sao Tome and Principe				
SV	El Salvador				
SY	Syrian Arab Republic				
SZ	Swaziland				
TC	Turks and Caicos Islands				
TD	Chad				
TG	Togo				
TH	Thailand				
TJ	Tajikistan				
TL	Timor-Leste				
TM	Turkmenistan				
TN	Tunisia				
TO	Tonga				
TR	Turkey				
SE	Sweden				
TT	Trinidad and Tobago				
TV	Tuvalu				
TW	Taiwan, Province of China				
TZ	United Republic of Tanzania				
UA	Ukraine				
UG	Uganda				
US	United States of America				
UY	Uruguay				
UZ	Uzbekistan				
VA	Holy See				
VC	Saint Vincent and the Grenadines				
VE	Venezuela				
VG	Virgin Islands (British)				
VN	Viet Nam				
VU	Vanuatu				
WO	World Intellectual Property Organization (WIPO)				
WS	Samoa				
XN	Nordic Patent Institute (NPI)				
YE	Yemen				
ZA	South Africa				
ZM	Zambia				
ZW	Zimbabwe				

**NATIONAL INTELLECTUAL PROPERTY CENTER OF GEORGIA
SAKPATENTI**

**OFFICIAL BULLETIN
OF THE INDUSTRIAL PROPERTY**

5(369)

**INVENTIONS
UTILITY MODELS
DESIGNS
TRADEMARKS**

**DATE OF PUBLICATION
2013 03 11**

CONTENTS

PUBLISHED TITLES OF PROTECTION	2
INVENTIONS	
▪ APPLICATIONS APPROVED FOR GRANTING PATENTS	4
▪ PATENTED INVENTIONS	9
UTILITY MODELS	
▪ APPLICATION APPROVED FOR GRANTING PATENT	12
▪ PATENTED UTILITY MODELS	13
DESIGNS	
▪ APPLICATION APPROVED FOR GRANTING PATENTS	14
TRADEMARKS	
▪ APPLICATIONS FILED UNDER THE NATIONAL PROCEDURE APPROVED FOR REGISTRATION	15
▪ REGISTERED TRADEMARKS	19
▪ TRADEMARKS REGISTERED ACCORDING TO THE ACCELERATED PROCEDURE	23
▪ INTERNATIONAL TRADEMARKS FOR WHICH A DECISION ON GRANTING PROTECTION IS TAKEN	25
▪ INTERNATIONAL TRADEMARKS PROTECTED IN GEORGIA	48
OFFICIAL NOTIFICATIONS	
TRADEMARKS	
▪ RENEWAL OF REGISTRATIONS	61
▪ COMPLETE TRANSFER OF RIGHTS	64
▪ CHANGES IN NAMES AND/OR ADDRESSES OF OWNERS	66
▪ CANCELLING OF TRADEMARK REGISTRATION	68
▪ INVALIDATION OF TRADEMARK REGISTRATION	69
CLASSIFICATION INDEXES	
INVENTIONS	70
UTILITY MODELS	72
DESIGNS	73
TRADEMARKS	74

PUBLISHED TITLES OF PROTECTION

INVENTIONS

- **APPLICATIONS APPROVED FOR GRANTING PATENTS:**
12608; 12210; 12035; 11877; 11447; 11854; 12414; 12448; 12123; 12560; 12006; 12240, 12241
- **PATENTED INVENTIONS:**
5780-5790

UTILITY MODELS

- **APPLICATION APPROVED FOR GRANTING PATENT:**
12803
- **PATENTED UTILITY MODELS:**
1758, 1759

DESIGNS

- **APPLICATION APPROVED FOR GRANTING PATENT:**
716

TRADEMARKS

- **APPLICATIONS FILED UNDER THE NATIONAL PROCEDURE APPROVED FOR REGISTRATION:**
66408; 66556; 66560; 66568; 67235; 67239; 67261; 67263; 67337-67339; 67394; 67412, 67413; 67417; 67446; 67460; 67496; 67540; 67560; 67565-67567; 66008*
- **REGISTERED TRADEMARKS:**
23362-23407
- **TRADEMARKS REGISTERED ACCORDING TO THE ACCELERATED PROCEDURE:**
23361; 23408- 23412
- **INTERNATIONAL TRADEMARKS FOR WHICH A DECISION ON GRANTING PROTECTIONS IS TAKEN:**
65318; 66126, 66130, 66131; 66169; 66365; 66455; 66700; 66704; 66706; 66711; 66778; 66785; 66868; 66875; 67043; 67101, 67102; 67104; 67106-67111; 67154, 67155; 67157, 67158; 64076*; 64463*; 65369*
- **INTERNATIONAL TRADEMARKS PROTECTED IN GEORGIA:**
62677; 62734; 63472; 64075; 64292; 64310; 64316; 64388; 64457; 64601; 64604-64609; 64632; 64669-64675; 64677-64683; 64685; 64699-64703; 64706-64710; 64723, 64724; 64726-64732; 64734, 64735; 64739-64741; 64743; 64746; 64748-64751; 64766; 64892; 64977, 64978; 64981; 65007; 65009, 65010; 65013, 65014; 65117; 65171; 65192; 65216; 65218-65221; 65228-65230; 65233, 65234; 65250-65253; 65256-65260; 65309; 65315-65317; 65319; 65321-65332; 65334-65336; 65339; 65418; 65420-65432; 65434, 65435; 65437-65443, 65445, 65446; 65448-65453; 65474-65476; 65580; 65597; 65609-65622; 65624; 65628-65634; 65636, 65637; 65839-65842; 65977-65879; 65890; 65895-65897; 65996; 66053-66055; 66062; 66064-66066; 66069; 66074; 66141; 66149; 67194; 67372, 67373

INVENTIONS

APPLICATIONS APPROVED FOR GRANTING PATENTS

The decision can be appealed at the Chamber of Appeal of Sakpatenti within 3 months from the publication or at the Administrative Chamber of the Tbilisi City Court (Address: №6, David Aghmashenebeli Kheivani 12 km., Tbilisi) within 1 month following the publication.

PART A

A 23

(10) AP 2013 12608 A (51) Int. Cl. (2006)
A 23 L 1/22

- (21) AP 2012 012608 (22) 2012 03 01
(71) Giorgi Topadze (GE)
Mtskhetis q. 43, b. 6, 0179, Tbilisi (GE);
Irakli Topadze (GE)
Mtskhetis q. 43, b. 7, 0179, Tbilisi (GE);
Zurab Kostava (GE)
Shanidzis q. 20, 0179, Tbilisi (GE);
Giorgi Topadze (GE)
Mtskhetis q. 43, b. 6, 0179, Tbilisi (GE);
Giorgi Tedoradze (GE)
Vazha-Pshavelas Gamz. 46, b. 52, 0177,
Tbilisi (GE)
(72) Giorgi Topadze (GE);
Irakli Topadze (GE);
Zurab Kostava (GE);
Giorgi Topadze (GE);
Giorgi Tedoradze (GE)

(54) **METHOD OF NATURAL
AROMATIZER PREPARATION**

(57) There is represented a method providing plant raw preparation, extraction thereby rectified ethyl alcohol 96% in ratio 1:5, its holding within 7-10 days to obtain first filling tincture and separation thereof, then waste extraction with water-spirit mix 40-55% in ratio 1:2, its holding within 5 days to obtain second filling tincture and separation thereof, blending first and second filling tincture, received blend filtration, evaporation therein vacuum evaporator at 30-45°C by flavoring substances withdrawal, and addition thereon flavored spirit received after distillation.
Claims: 1 independent

A 61

(10) AP 2013 12210 A (51) Int. Cl. (2006)
A 61 K 9/20
A 61 K 31/138
A 61 K 31/4422

- (21) AP 2009 012210 (22) 2009 09 30
(31) P0800591

(32) 2008 09 30

(33) HU

(71) EGIS GYÓGYSZERGYÁR
NYILVÁNOSAN MŰKÖDŐ
RÉSZVÉNYTÁRSASÁG (HU)
30-38, Keresztúri út. H-1106
Budapest (HU)

(72) WAGNER, László (HU);
ZSIGMOND, Zsolt (HU);
UJFALUSSY, György (HU);
LEVENTISZNÉ HUSZÁR, Magdolna (HU);
TONKA-NAGY, Péter (HU);
BÁRCZAY, Erzsébet (HU);
GÓRA, Lászlóné (HU);
SZELECZKI, Edit (HU);
FÜLÖP, Ágnes (HU)

(74) Liliana Darakhvelidze

(85) 2011 04 29

(86) PCT/HU2009/000085, 2009 09 30

(54) **STABLE COMBINED
PHARMACEUTICAL COMPOSITION**

(57) There is represented pharmaceutical product in damp-proof package, which contains pharmaceutical composition consisting of amlodipine and bisoprolol or pharmaceutically acceptable salts thereof, as well as pharmaceutically acceptable excipients.

Claims: 2 independent

11 dependent

(10) AP 2013 12035 A (51) Int. Cl. (2006)

A 61 K 31/01

A 61 K 31/047

A 61 P 17/02

A 61 P 17/06

(21) AP 2009 012035 (22) 2009 05 18

(31) 0853185

(32) 2008 05 16

(33) FR

(71) PIERRE FABRE DERMO-
COSMETIQUE (FR)
45, Place Abel Gance, F-92100
Boulogne-Billancourt (FR)

(72) COUSTOU, Didier (FR);
DUPLAN, Hélène (FR)

(74) Giorgi Meipariani

(85) 2010 12 15

(86) PCT/EP2009/056007, 2009 05 18

(54) EMOLLIENT COMPOSITION FOR ATOPIC DERMATITIS PREVENTIVE TREATMENT

(57) An invention relates to composition for topical application, which includes glycerol, Vaseline and liquid medicinal paraffin combination as oil-in-water or water-in-oil emulsion as active ingredient for atopic dermatitis prevention.

Claims: 2 independent
10 dependent

(10) AP 2013 11877 A **(51) Int. Cl. (2006)**
A 61 K 31/4184
A 61 K 31/4745
A 61 K 39/395
A 61 K 45/06
A 61 K 35/00
A 61 P 35/02

(21) AP 2008 011877 (22) 2008 12 10

(31) 61/012,762

(32) 2007 12 10

(33) US

(71) BIOCRYST PHARMACEUTICALS, INC. (US)
2190 Parkway Lake Drive, Birmingham, AL 35244 (US)

(72) BANTIA, Shanta (US);
BREITFELD, Philip (US);
BABU, Yarlagadda, S. (IN)

(74) Shalva Gvaramadze

(85) 2010 07 09

(86) PCT/US2008/086256, 2008 12 10

(54) APPLICATION OF PURINE NUCLEOSIDE PHOSPHORYLASE (PNP) INHIBITORS SUCH AS FORODESIN WITH ALKYLATING AGENTS OR ANTI-CD20 AGENTS COMPOSITION AT HEMATOLOGIC CANCERS TREATMENT

(57) There is represented combination containing purine nucleoside phosphorylase (PNP) inhibitor and alkylating agent or anti-CD20 agent applicable at hematologic cancer treatment.

Claims: 3 independent
25 dependent

Fig.: 6

(10) AP 2013 11447 A **(51) Int. Cl. (2006)**
A 61 K 38/17
A 61 K 48/00
A 61 P 25/00
C 12 N 5/06

(21) AP 2008 011447 (22) 2008 02 04

(31) 60/898,992

(32) 2007 02 02

(33) US

(71) BIOGEN IDEC MA INC. (US);
14 Cambridge Center, Cambridge, MA 02142 (US);
CENTRE NATIONAL DE RECHERCHE SCIENTIFIQUE (FR);
3 Rue Michel-Ange, F-75794 Paris Cedex 16 (FR);
UNIVERSITY PIERRE AND MARIE CURIE (FR);
4, Place Jussieu, F-75252 Paris Cedex 05 (FR)

(72) CHEDOTAL, Alain (FR);
MI, Sha (US);
BERNARD, Frederic (FR)

(74) Shalva Gvaramadze

(85) 2009 09 02

(86) PCT/US2008/001444, 2008 02 04

(54) METHOD OF MYELINATION AND OLIGODENDROCYTE DIFFERENTIATION PROMOTION

(57) An invention relates to: Sema6A polypeptide belonged to semaphorins class, and application thereat the treatment of diseases caused by neurons myelination by means of: oligodendrocytes proliferation, differentiation or viability promotion, and improvement of neurons myelination caused by oligodendrocytes.

Claims: 3 independent
12 dependent

Fig.: 9

PART B

B 65

(10) AP 2013 11854 A **(51) Int. Cl. (2006)**
B 65 D 17/50

(21) AP 2008 011854 (22) 2008 11 21

(31) 07022610.5

(32) 2007 11 21

(33) EP

(71) IMPRESS GROUP B.V. (NL)
Zutphenseweg 51051, NL-7418 AH, Deventer (NL)

(72) JOUILLAT, Jean-François (FR)

(74) Tamaz Shilakadze

(85) 2010 06 18

(86) PCT/EP2008/009979, 2008 11 21

(54) CONTAINER AND MEMBRANE THEREOF

(57) There is represented a container 1 having opening 6 limited by opening edge 5 and a membrane 7. At least with single membrane tab 9 the membrane closes opening 6 and is adhered to

opening edge 5. The tab is at least adhered to the membrane by temper proof means 10.

Claims: 2 independent
8 dependent

Fig.: 6

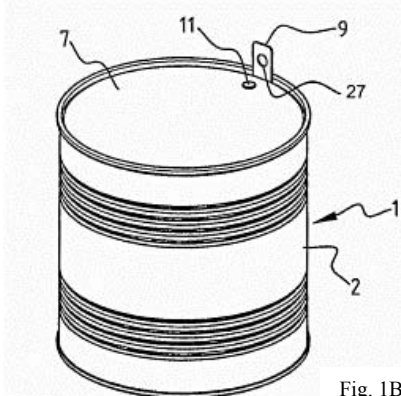


Fig. 1B

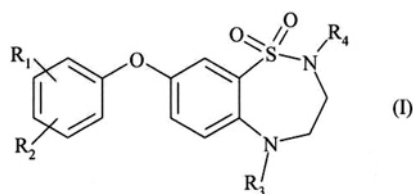
PART C

C 07

(10) AP 2013 12414 A (51) Int. Cl. (2006)
C 07 D 285/36
A 61 K 31/554
A 61 P 25/00

- (21) AP 2010 012414 (22) 2010 03 18
(31) 09/01300
(32) 2009 03 20
(33) FR
(71) LES LABORATORIES SERVIER (FR)
35, Rue de Verdun, F-92284
Suresnes Cedex (FR)
(72) CORDI, Alexis (FR);
DESOS, Patrice (FR);
LESTAGE, Pierre (FR);
DANOBER, Laurence (FR)
(74) Tamaz Shilakadze
(85) 2011 10 12
(86) PCT/FR2010/000227, 2010 03 18
(54) **NOVEL BENZOTHIADIAZEPINE
COMPOUNDS, METHOD OF THEIR
PREPARATION, AND
PHARMACEUTICAL COMPOSITIONS
CONTAINING THEREOF**

(57) There are represented: benzothiadiazepine compounds of formula (I),

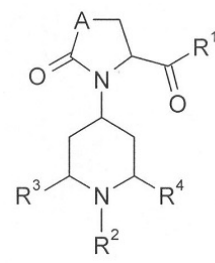


their preparation method, and pharmaceutical compositions containing thereof, applicable as AMPA receptors positive allosteric modulators and as NMDA receptors antagonists.

Claims: 6 independent
5 dependent

(10) AP 2013 12448 A (51) Int. Cl. (2006)
C 07 D 401/04
C 07 D 401/14
C 07 D 413/04
C 07 D 413/14
C 07 D 417/14
A 61 K 31/4523
A 61 K 31/454
A 61 P 31/00
A 61 P 35/00
A 61 P 37/00

- (21) AP 2010 012448 (22) 2010 04 01
(31) 09157653.8; 09174917.6
(32) 2009 04 08; 2009 11 03
(33) EP; EP
(71) BOEHRINGER INGELHEIM
INTERNATIONAL GMBH (DE)
Binger Straße 173,
55216 Ingelheim am Rhein (DE)
(72) GRUNDL, Marc (DE);
DOLLINGER, Horst (DE);
GIOVANNINI, Riccardo (IT);
HOENKE, Christoph (DE);
HOFFMANN, Matthias (DE);
KRIEGL, Jan (DE);
MARTYRES, Domnic (GB);
RAST, Georg (DE);
SEITHER, Peter (DE)
(74) Tamara Kochlamazashvili
(85) 2011 11 08
(86) PCT/EP2010/054396, 2010 04 01
(54) **SUBSTITUTED PIPERIDINES AS CCR3
ANTAGONISTS**
(57) There are represented piperidine derivatives of
formula (I),



and pharmaceutical compositions containing thereof, which are CCR3 antagonists and applied at inflammatory, infectious and immunoregulatory disorders and diseases treatment.

Claims: 8 independent
7 dependent

(10) AP 2013 12123 A (51) Int. Cl. (2006)
C 07 D 471/04
A 61 K 31/4745
A 61 P 1/00
A 61 P 9/00
A 61 P 13/02
A 61 P 25/00
A 61 P 35/00

(21) AP 2009 012123 (22) 2009 07 17

(31) 08425516.5

(32) 2008 07 29

(33) EP

(71) AZIENDE CHIMICHE RIUNITE
ANGELINI FRANCESCO
A.C.R.A.F. S.p.A. (IT)
Viale Amelia, 70 I-00181 Roma (IT)

(72) ALISI, Maria Alessandra (IT);
CAZZOLLA, Nicola (IT);
COSTI, Roberta (IT);
FURLOTTI, Guido (IT);
DI SANTO, Roberto (IT);
GUGLIELMOTTI, Angelo (IT);
POLENZANI, Lorenzo (IT)

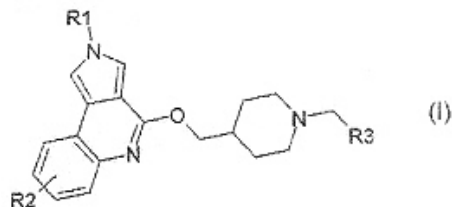
(74) Liliana Darakhvelidze

(85) 2011 02 28

(86) PCT/EP2009/059216, 2009 07 17

(54) **COMPOUND WITH
SEROTONINERGIC ACTIVITY,
METHOD OF ITS PREPARATION,
AND PHARMACEUTICAL
COMPOSITION CONTAINING
THEREOF**

(57) An invention relates to: 2H-pyrrolo[3,4-c]quinoline compounds of common formula (I),



pharmaceutical compositions containing thereof,
and their application for pharmaceutical
compositions preparation active at serotonergic
system disorders treatment.

Claims: 9 independent

9 dependent

Fig.: 1

PART F

F 03

(10) AP 2013 12560 A (51) Int. Cl. (2006)
F 03 D 3/06
F 03 D 7/06

(21) AP 2012 012560 (22) 2012 02 07

(71) Vladimer Chkhaidze (GE)

Akhmetelis q. 5, b. 41, 6010, Batumi (GE)

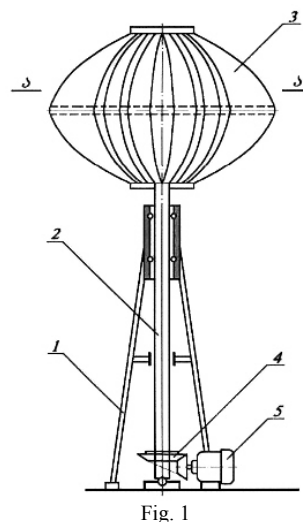
(72) Vladimer Chkhaidze (GE)

(54) **WIND AGGREGATE**

(57) There is represented a wind aggregate comprising a support 1, a rotor 3 fixed thereon and connected to a generator 5 by vertical shaft 2. At that, the rotor comprises allocated in the middle thereof supporting flywheel – ring 6 and the end hubs 7 and 8, to which meridially allocated curved blades 9 are fixed.

Claims: 1 independent

Fig.: 5



PART G**G 06****(10) AP 2013 12006 A (51) Int. Cl. (2006)
G 06 F 9/46**

- (21) AP 2009 012006 (22) 2009 04 22
 (31) 61/046,820; 12/427,012
 (32) 2008 04 22; 2009 04 21
 (33) US; US
 (71) SUNRISE R&D HOLDINGS, LLC (US)
 1014 Vine St., Cincinnati, Ohio, 45202 (US)
 (72) BONNER, Brett, Bracewell (US);
 HJELM, Christopher, Todd (US);
 JONES, Titus, Arthur (US);
 JORDAN, Michael, Aaron (US);
 PERKINS, Dion, Brent (US)
 (74) Alexander Gegechkori
 (85) 2010 11 16
 (86) PCT/US2009/002497, 2009 04 22

**(54) SYSTEMS FOR STORE ASSOCIATE
MANAGEMENT THEREIN**

(57) There is represented a management system, at least of one store associate, at his operation in a store through wireless electronic communication between a manager and, at least of one store associate through communication network. The manager uses manager's communication device and, at least one store associate uses associate's communication device to communicate through communication network. A list of orders to perform is provided for store associate, and on manager's communication device the manager receives created on associate's communication device the orders list performance data. At that, manager uses data to evaluate, at least one store associate's job performance.

Claims: 2 independent
 14 dependent

Fig.: 6

**(10) AP 2013 12240 A (51) Int. Cl. (2006)
G 06 Q 30/00**

- (21) AP 2009 012240 (22) 2009 11 02
 (31) 12/609,246; 12/609,224; 61/110,202;
 12/408,581; 12/353,817; 12/353,760
 (32) 2009 10 30; 2009 10 30
 2008 10 31; 2009 03 20; 2009 01 14;
 2009 01 14
 (33) US; US; US; US; US; US
 (71) SUNRISE R&D HOLDINGS, LLC (US)
 1014 Vine St., Cincinnati, Ohio, 45202 (US)
 (72) BONNER, Brett, Bracewell (US);
 HJELM, Christopher, Todd (US);
 JONES, Titus, Arthur (US);
 OSBORN II, John, Edward (US);
 PERKINS, Dion, Brent (US);

MENZ, Gregory, Michael (US)
 (74) Alexander Gegechkori
 (85) 2011 05 27
 (86) PCT/US2009/005930, 2009 11 02
 (54) **SYSTEMS OF INFLUENCE ON
SHOPPERS AT FIRST MOMENT OF
DECISION AT RETAIL
ESTABLISHMENT**

(57) There is represented a system of influence on shoppers' decisions at shopping at retail establishment. Particularly, according to system, influence on shoppers can be implemented at first moment of decision by one or more influential messages transmission through communication network to portable wireless electronic device or intelligent shopping cart existed in proximity to shopper during shopping at retail establishment.

Claims: 1 independent
 19 dependent

Fig.: 10

**(10) AP 2013 12241 A (51) Int. Cl. (2006)
G 06 Q 30/00**

- (21) AP 2009 012241 (22) 2009 11 02
 (31) 12/609,246; 12/609,224; 61/110,202;
 12/408,581; 12/353,817; 12/353,760
 (32) 2009 10 30; 2009 10 30
 2008 10 31; 2009 03 20; 2009 01 14;
 2009 01 14
 (33) US; US; US; US; US; US
 (71) SUNRISE R&D HOLDINGS, LLC (US)
 1014 Vine St., Cincinnati, Ohio, 45202 (US)
 (72) BONNER, Brett, Bracewell (US);
 HJELM, Christopher, Todd (US);
 JONES, Titus, Arthur (US);
 OSBORN II, John, Edward (US);
 PERKINS, Dion, Brent (US);
 MENZ, Gregory, Michael (US)

(74) Alexander Gegechkori
 (85) 2011 05 27
 (86) PCT/US2009/005925, 2009 11 02

**(54) METHODS OF INFLUENCE ON
SHOPPERS AT FIRST MOMENT OF
DECISION AT RETAIL
ESTABLISHMENT**

(57) There is represented a method of influence on shoppers' decisions at shopping at retail establishment. Particularly, according to method, influence on shoppers can be implemented at first moment of decision by one or more influential messages transmission through communication network to portable wireless electronic device or intelligent shopping cart existed in proximity to shopper during shopping at retail establishment.

Claims: 1 independent
 18 dependent

Fig.: 10

PATENTED INVENTIONS

PART A

A 61

- (11) P 2013 5788 B (51) Int. Cl. (2006)
 A 61 K 31/44
 A 61 K 47/26
 A 61 K 47/34
 A 01 N 43/40
 A 61 K 8/34
 A 61 K 8/49
 A 61 K 8/60
- (10) AP 2012 12244 A (44) 22(362)/2012
 (21) AP 2009 012244
 (22) 2009 11 13
 (24) 2009 11 13
 (31) 08450183.2
 (32) 2008 11 14
 (33) EP
 (86) PCT/EP2009/065111, 2009 11 13
 (73) ARTAN HOLDING AG (LI)
 Landstrasse 40, 9495 Triesen (LI)
 (72) AYDINOGLU, Ahmet Melih (TR)
 (74) Alexander Gegechkori
 (54) **OCTENIDINE COMPOSITION**

- STAFFORD, Jeffrey, A. (US);
 WANG, Haxia (US);
 GWALTNEY, Stephen, L. (US);
 SABAT, Mark (US);
 TANG, Mingnam (US)
 (74) Alexander Gegechkori
 (54) **GLUCOKINASE ACTIVATORS**

- (11) P 2013 5786 B (51) Int. Cl. (2006)
 C 07 D 401/14
 A 61 K 31/444
- (10) AP 2012 12153 A (44) 22(362)/2012
 (21) AP 2009 012153
 (22) 2009 08 26
 (24) 2009 08 26
 (31) 2008-218851; 2008-269099
 (32) 2008 08 27; 2008 10 17
 (33) JP; JP
 (86) PCT/JP2009/065279, 2009 08 26
 (73) TAKEDA PHARMACEUTICAL
 COMPANY LIMITED (JP)
 1-1, Doshomachi 4-chome, Chuo-ku,
 Osaka-shi, Osaka 541-0045 (JP)
 (72) NISHIDA, Haruyuki (JP);
 ARIKAWA, Yasuyoshi (JP);
 FUJIMORI, Ikuo (JP)
 (74) Shalva Gvaramadze
 (54) **PYRROLE COMPOUNDS**

PART C

C 07

- (11) P 2013 5783 B (51) Int. Cl. (2006)
 C 07 D 231/56
 C 07 D 403/12
 C 07 D 405/14
 C 07 D 417/12
 C 07 D 471/14
 C 07 D 471/04
 C 07 D 513/04
 A 61 K 31/4155
 A 61 P 3/10
- (10) AP 2012 12029 A (44) 22(362)/2012
 (21) AP 2009 012029
 (22) 2009 05 15
 (24) 2009 05 15
 (31) 61/054,052; 61/108,370; PCT/US2009/044190
 (32) 2008 05 16; 2008 10 24; 2009 05 15
 (33) US; US; WO
 (86) PCT/US2009/044190, 2009 05 15
 (73) TAKEDA CALIFORNIA, INC. (US)
 2711 Centerwille Road, Suite 400,
 Wilmington, Newcastle, DE (US)
 (72) CHERUVALLATH, Zacharia (US);
 JENNINGS, Andrew, John (GB);

- (11) P 2013 5785 B (51) Int. Cl. (2006)
 C 07 D 487/04
 A 61 K 31/519
 A 61 P 35/00
- (10) AP 2012 12114 A (44) 22(362)/2012
 (21) AP 2009 012114
 (22) 2009 08 20
 (24) 2009 08 20
 (31) 61/091,037; PCT/EP2009/060793
 (32) 2008 08 22; 2009 08 20
 (33) US; WO
 (86) PCT/EP2009/060793, 2009 08 20
 (73) NOVARTIS AG (CH)
 Lichtstrasse 35, CH-4056 Basel (CH);
 ASTEX THERAPEUTICS LTD. (GB)
 436 Cambridge Science Park, Milton Road,
 Cambridge CB4 0QA (GB)
 (72) BESONG, Gilbert (DE);
 BRAIN, Christopher Thomas (GB);
 BROOKS, Clinton A. (US);
 CONGREVE, Miles Stuart (GB);
 DAGOSTIN, Claudio (IT);
 HE, Guo (US);
 HOU, Ying (CN);

HOWARD, Steven (GB);
 LI, Yue (CN);
 LU, Yipin (CN);
 MORTENSON, Paul (GB);
 SMITH, Troy (US);
 SUNG, Moo (KR);
 WOODHEAD, Steven (GB);
 WRONA, Wojciech (US);
 LAGU, Baharat (US)

(74) Alexander Kartvelishvili

(54) **PYRROLOPYRIMIDINE COMPOUNDS
 AS CDK INHIBITORS**

(11) P 2013 5780 B (51) Int. Cl. (2006)
 C 07 D 487/04
 A 61 K 31/519
 A 61 P 35/00

(10) AP 2012 11914 A (44) 22(362)/2012
 (21) AP 2009 011914
 (22) 2009 01 12
 (24) 2009 01 12
 (31) 109/CHE/2008
 (32) 2008 01 11
 (33) IN

(86) PCT/IN2009/000037, 2009 01 12
 (73) NATCO PHARMA LIMITED (IN)
 "Natco House", Road 2, Banjara Hills
 Hyderabad, 500 033 Andhra Pradesh (IN)

(72) KONAKANCHI, Durga, Prasad (IN);
 PULA, Subba Rao (IN);
 ANANTHANENI, Lakshmi (IN);
 PILLI, Ramakrishna (IN);
 PULLA REDDY, Muddasani (IN);
 ADIBHATLA KALI SATYA,
 Bhujanga Rao (IN);
 VENKAIAH CHOWDARY,
 Nannapaneni (IN)

(74) Tamaz Shilakadze

(54) **NOVEL PYRAZOLO [3,4-D] PYRIMIDINE
 DERIVATIVES AS ANTI-CANCER
 AGENTS**

C 09

(11) P 2013 5787 B (51) Int. Cl. (2006)
 C 09 B 61/00

(10) AP 2012 12155 A (44) 22(362)/2012
 (21) AP 2009 012155
 (22) 2009 10 01
 (24) 2009 10 01
 (31) 12/245,367
 (32) 2008 10 03
 (33) US

(86) PCT/IB2009/007024, 2009 10 01

(73) ECOFLORA S.A. (CO)
 Kolómetro 1.7 Via San Antonio-El Carme
 Parque Tecnológico de Antioquia Costado

Derecho Carmen de Viboral Antioquia (CO)
 (72) ECHEVERRI LOPEZ, Luis, Fernando (CO);
 ZAPATA PORRAS, Sandra, Patricia (CO);
 TORRES ROLDAN, Luis, Fernando (CO)

(74) Shalva Gvaramadze

(54) **BLUE COLORANT DERIVED FROM
 GENIPA AMERICANA FRUIT**

PART F

F 24

(11) P 2013 5784 B (51) Int. Cl. (2006)
 F 24 J 3/08
 F 28 D 21/00
 F 25 B 30/06

(10) AP 2012 12057 A (44) 22(362)/2012
 (21) AP 2009 012057
 (22) 2009 06 15
 (24) 2009 06 15
 (31) 61/131,967
 (32) 2008 06 13
 (33) US

(86) PCT/US2009/003592, 2009 06 15

(73) PARRELLA, Michael, J. (US)
 40 Keliogg Hill Road, Weston,
 CT 06883 (US)

(72) PARRELLA, Michael, J. (US)

(74) Shalva Gvaramadze

(54) **SYSTEM AND METHOD OF
 CAPTURING GEOMETHERMAL
 ENERGY FROM DRILLED WELL AND
 ITS GENERATING INTO ELECTRICITY**

PART G

G 01

(11) P 2013 5789 B (51) Int. Cl. (2006)
 G 01 K 13/00
 G 01 K 11/12

(10) AP 2012 12273 A (44) 22(362)/2012
 (21) AP 2009 012273
 (22) 2009 11 13
 (24) 2009 11 13
 (31) 08425748.4
 (32) 2008 11 25
 (33) EP

(86) PCT/EP2009/065113, 2009 11 13

(73) AZIENDE CHIMICHE RIUNITE
 ANGELINI FRANCESCO A.C.R.A.F.
 S.p.A. (IT)
 Viale Amelia 70, I-00181 Roma (IT)

(72) MASCIAMBRUNI, Roberto (IT)
 (74) Liliana Darakhvelidze
 (54) **PACKAGING MATERIAL FOR PHARMACEUTICAL PRODUCT WITH SUCH COLOURED ELEMENT AT PRELIMINARILY SPECIFIED TEMPERATURE DISCOLOURING PARTIALLY REVEALING MARKING, AND METHOD OF SUCH MATERIAL PRODUCTION**

HJELM, Cristopher, Todd (US);
 JONES, Arthur, Titus (US);
 PERKINS, Dion, Brent (US)
 (74) Alexander Gegechkori
 (54) **METHOD OF TRACKING INDIVIDUALS REAL TIME LOCATION THROUGH MULTI-NETWORK WITHIN STORE**

G 06

(11) P 2013 5781 B (51) Int. Cl. (2006)
 G 06 F 17/30
 (10) AP 2012 11919 A (44) 22(362)/2012
 (21) AP 2009 011919
 (22) 2009 03 23
 (24) 2009 03 23
 (31) 61/070,344; 12/172,326; 12/353,760;
 12/353,817; 12/408,581
 (32) 2008 03 21; 2008 07 14; 2009 01 14;
 2009 01 14; 2009 03 20
 (33) US; US; US; US; US
 (86) PCT/US2009/001804, 2009 03 23
 (73) SUNRISE R & D HOLDINGS, LLC (US)
 1014 Vine Street, Cincinnati, OH 45202 (US)
 (72) BONNER, Brett, Bracewell (US);
 OSBORNE, John, Edward, II (US);
 HJELM, Christopher, Todd (US);
 JONES, Titus, Arthur (US);
 PERKINS, Dion, Brent (US)
 (74) Alexander Gegechkori
 (54) **ACQUIRING ACTUAL REAL-TIME SHOPPER BEHAVIOR DATA DURING SHOPPER'S PRODUCT SELECTION**

(11) P 2013 5790 B (51) Int. Cl. (2006)
 G 06 Q 30/00
 G 06 F 15/173
 H 04 W 4/04
 (10) AP 2012 11882 A (44) 21(361)/2012
 (21) AP 2009 011882
 (22) 2009 01 15
 (24) 2009 01 15
 (31) 61/011,125; 61/065,166; 61/069,076;
 61/070,344; 12/058,705; 61/046,820;
 12/172,326; 61/110,202; 12/353,760
 (32) 2008 01 15; 2008 02 08; 2008 03 12;
 2008 03 21; 2008 03 29; 2008 04 22;
 2008 07 14; 2008 10 31; 2009 01 14
 (33) US; US; US; US; US; US; US; US; US
 (86) PCT/US2009/000231, 2009 01 15
 (73) SUNRISE R & D HOLDINGS, LLC (US)
 1014 Vine Street, Cincinnati, OH 45202 (US)
 (72) BONNER, Brett, Bracewell (US);
 OSBORNE, John, Edward (US);

PART H

H 01

(11) P 2013 5782 B (51) Int. Cl. (2006)
 H 01 M 8/00
 H 01 M 8/08
 H 01 M 8/22
 H 01 M 4/20
 H 01 M 4/29
 H 01 M 4/30
 C 25 B 1/00
 C 25 B 1/28
 C 25 B 1/30
 C 25 B 1/32
 C 25 B 1/46
 (10) AP 2012 11924 A (44) 22(362)/2012
 (21) AP 2010 011924
 (22) 2010 08 20
 (24) 2010 08 20
 (73) Giorgi Agladze (GE)
 D. Aghmasheneblis Gamz. 86/90, sad. 1,
 b. 1, 0102, Tbilisi (GE)
 (72) Giorgi Agladze (GE);
 Paata Nikoleishvili (GE)
 (54) **FUEL ELEMENT SYSTEM WITH BOROHYDRIDE OXIDATION AND METHOD OF ALKALI METALS METABORATE, PEROXIDE AND/OR PERBORATE COGENERATION**

UTILITY MODELS

APPLICATION APPROVED FOR GRANTING PATENT

The decision can be appealed at the Chamber of Appeal of Sakpatenti within 3 months from the publication or at the Administrative Chamber of the Tbilisi City Court (Address: №6, David Aghmashenebeli Kheivani 12 km., Tbilisi) within 1 month following the publication.

PART E

E 05

(10) AU 2013 12803 U (51) Int. Cl. (2006)
E 05 B 41/00

(21) AU 2012 012803 (22) 2012 07 19

(71) Gocha Muzashvili (GE)

Akhtalis q. Gas. 4, 0104, Tbilisi (GE)

(72) Gocha Muzashvili (GE)

(74) Nugzar Ksovreli

(54) CLOSURE SYSTEM

(57) There is represented a closure system comprising: a case 1 with springed girder 2 located therein; internal and external: arms 3 and 4, and connectors 5 and 6; rectangular pillar 7 and cranked rod 8. A flat leaf spring 12 is located in a depression executed on connector back side 11. The internal arm is fixed onto internal connector back side so, that arm journal could be located in connector hole. The closure system comprises a flat placket 18 having depression 19 from its side face, and catch 20 from its front side. Said placket from cut 10 side is inserted in connector so, that cranked rod knee 21 could be allocated in placket depression 19. A round fastener 22 is forced onto internal connector, from its front side so, that lugs 23 and 24 executed on one side thereof could be allocated on a top of cut 10 executed on the connector. Distance between said lugs provides placket catch free allocation between them and its outlet. A socket 28 having a spring 29 is located on the connector front side, as well as a cover 32 is located between the arm and the fastener. External connector 6 is constructively similar of internal one, has cylindric shape and through hole. Return spring socket 35 fixed from arm back side and having spring 36 is located on said connector. External arm construction is analogical of internal one, but with this difference, that a window 40 together with a central hole is executed on a cap 38. An indicative element 41 is located in said connector with its cylindrical part.

Claims: 1 independent

Fig.: 27

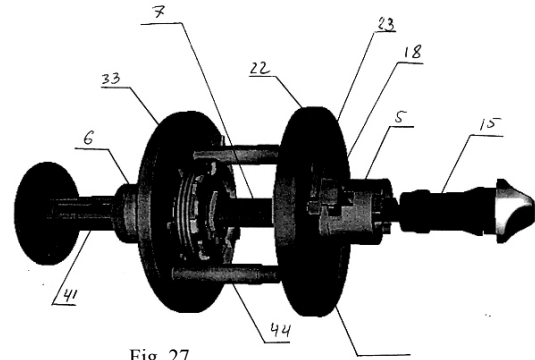


Fig. 27

PATENTED UTILITY MODELS

PART B

B 60

- (11) U 2013 1758 Y (51) Int. Cl. (2006)
B 60 L 15/00
- (10) AU 2012 12638 U (44) 22(362)/2012
(21) AU 2012 012638
(22) 2012 03 21
(24) 2012 03 21
- (73) TBILISI BRANCH OF ELECTROMOVING
COMPOSITION REPAIR FACTORY (GE)
Tskalsadenis q. 55, 0153, Tbilisi (GE)
- (72) Boris Gogitauri (GE);
Gocha Janashia (GE);
Jambul Jgerenaia (GE);
Lasha Torchinava (GE);
Alexandre Bibilashvili (GE);
Zurab Vachiberidze (GE);
Shalva Vardzelashvili (GE);
Avtandil Vachadze (GE);
Bacho Alchibaia (GE)
- (54) TRANSIT VEHICLE DRIVE MOTOR
CONTROL SYSTEM
-

PART F

F 24

- (11) U 2013 1759 Y (51) Int. Cl. (2006)
F 24 J 2/44
- (10) AU 2012 12702 U (44) 22(362)/2012
(21) AU 2012 012702
(22) 2012 05 07
(24) 2012 05 07
- (73) Nugzar Meladze (GE)
Bakhtrionis q. korp. 2, b. 41, 0194, Tbilisi (GE)
- (72) Nugzar Meladze (GE)
- (54) SOLAR STATION SUPPLYING WITH
HOT WATER
-

DESIGNS

APPLICATION APPROVED FOR REGISTRATION

The decision can be appealed at the Chamber of Appeal of Sakpatenti within 3 months from the publication or at the Administrative Chamber of the Tbilisi City Court (Address: №6, David Aghmashenebeli Kheivani 12 km., Tbilisi) within 1 month following the publication.

(10) AD 2013 716 S (51) 32-00

(21) AD 2012 000716

(22) 2012 08 07

(28) 3

(71) Gocha Tsulaia (GE)

Sop. Gumbra, 5406, Tskaltubo (GE)

(72) Gocha Tsulaia (GE)

(54) 1.-3. LOGO

(55)



TRADEMARKS

APPLICATIONS FILED UNDER THE NATIONAL PROCEDURE APPROVED FOR REGISTRATION

The decision can be appealed at the Chamber of Appeal of Sakpatenti within 3 months from the publication or at the Administrative Chamber of the Tbilisi City Court (Address: №6, David Aghmashenebeli Kheivani 12 km., Tbilisi) within 1 month following the publication.

(260) AM 2013 66408 A
(210) AM 066408
(220) 2012 03 05
(731) FISCHER PHARMACEUTICALS LTD.
9 BAR YOCHAI STREET, BNEI BRAK,
ISRAE
(740) Pavle Meipariani
(540)

DR. FISCHER

(591) Black, white
(511) 3, 5

(260) AM 2013 66556 A
(210) AM 066556
(220) 2012 03 19
(731) OOO "BAIADERA HOLDING"
Donetskis olqi, q. Gorlovka, qucha
Ozerianovskaia, 2, 84601, Ukraine
(740) Vakhtang Torotadze
(540)

Royal Match

(591) Black, white
(511) 32, 33, 35

(260) AM 2013 66560 A
(210) AM 066560
(220) 2012 03 19
(731) TAKEDA PHARMACEUTICAL COMPANY
LIMITED
1-1, Doshomachi 4-chome, Chuo-ku, Osaka,
Japan
(740) Davit Zurabishvili
(540)

ЭДАРБИКЛОР

(591) Black, white
(511) 5

(260) AM 2013 66568 A
(210) AM 066568
(220) 2012 03 19
(310) 85/427,476
(320) 2011 09 20

(330) US
(731) MONSTER ENERGY COMPANY
a Delaware corporation
550 Monica Circle, Suite 201, Corona,
California 92880, USA
(740) Shalva Gvaramadze
(540)

SIZE DOES MATTER!

(591) Black, white
(511) 32

(260) AM 2013 67235 A
(210) AM 067235
(220) 2012 05 02
(731) TEIJIN PHARMA LIMITED
2-1, Kasumigaseki 3-chome, Chiyoda-ku,
Tokyo, Japan
(740) Shalva Gvaramadze
(540)

ADENURIC

(591) Black, white
(511) 5

(260) AM 2013 67239 A
(210) AM 067239
(220) 2012 05 03
(731) LTD "IIVERTA"
Sanapiros 10, 0108, Tbilisi, Georgia
(740) Salome Jeladze
(540)

VINIDA

ВИНИДА

ՅՈՅՈՅՅ

(591) Black, white
(511) 5, 32, 33

(260) AM 2013 67261 A
(210) AM 067261
(220) 2012 05 08
(731) NOVARTIS AG

4002 Basel, Switzerland
 (740) Shalva Gvaramadze
 (540)

FLORATINE

(591) Black, white
 (511) 5

(260) AM 2013 67263 A
 (210) AM 067263
 (220) 2012 05 08
 (731) GERDA 2 SP.Z.O.O.
 Ul. 1-go maja 12, PL-27-200 Starachowice,
 Poland
 (740) George Taktakishvili
 (540)

GERDA

(591) Black, white
 (511) 6, 19

(260) AM 2013 67337 A
 (210) AM 067337
 (220) 2012 05 15
 (731) SHALVA GVARAMADZE
 Bakhtrionis q., 1 korpusi , bina 10, 0160,
 Tbilisi, Georgia
 (540)



(591) Black, white
 (531) 03.03.02-19.09.02-24.01.15-24.09.25-
 25.05.01-27.05.22-
 (511) 33

(260) AM 2013 67338 A
 (210) AM 067338
 (220) 2012 05 16
 (731) OLD NAVY (ITM) INC.
 2 Folsom Street, San Francisco, California
 94105, USA
 (740) Tamar Kochlamazashvili
 (540)

OLD NAVY

(591) Black, white
 (511) 35

(260) AM 2013 67339 A
 (210) AM 067339
 (220) 2012 05 16
 (731) OLD NAVY (ITM) INC.
 2 Folsom Street, San Francisco, California
 94105, USA
 (740) Tamar Kochlamazashvili
 (540)

OLD NAVY

(591) Black, white
 (511) 18

(260) AM 2013 67394 A
 (210) AM 067394
 (220) 2012 05 21
 (731) SHEZGUDULI PASUKHISMGBLOBIS
 SAZOGADOEBA "IIMERETI"
 Ilia Chavchavadzis gamz. 53a, 4600, Kutaisi,
 Georgia
 (540)



(591) Blue, red
 (531) 24.09.07-26.01.18-27.05.18-29.01.12-
 (511) 35, 36

(260) AM 2013 67412 A
 (210) AM 067412
 (220) 2012 05 23
 (731) ILIA UKHURGUNASHVILI
 Saburtalos 30a, bina 49, 0160, Tbilisi,
 Georgia
 (540)



(591) Black, white, yellow
 (531) 26.11.12-26.15.01-27.05.24-29.01.14-
 (511) 7, 9, 11

(260) AM 2013 67413 A
 (210) AM 067413
 (220) 2012 05 23
 (731) ABRAXIC BIOSCIENCE, LLC
 11755 Wilshire Blvd., 20 Floor, Los Angeles,
 CA 90025, USA
 (740) Tamaz Shilakadze
 (540)

Абраксан

(591) Black, white
 (511) 5

(260) AM 2013 67417 A
 (210) AM 067417
 (220) 2012 05 23
 (731) MARS, INCORPORATED
 6885 Elm Street Mclean, Virginia
 22101-3883, USA
 (740) Tamar Kochlamazashvili
 (540)

LEFT TWIX. RIGHT TWIX. PICK A SIDE.

(591) Black, white
 (531) 27.05.05-
 (511) 30

(260) AM 2013 67446 A
 (210) AM 067446
 (220) 2012 05 25
 (731) LTD "HIVERTA"
 Sanapiros 10, 0108, Tbilisi, Georgia
 (740) Salome Jeladze
 (540)



(591) Bordeaux (Cornelian cherry), light grey
 (531) 26.04.22-27.05.05-27.05.21-29.01.12-
 (511) 32 , 33

(260) AM 2013 67460 A
 (210) AM 067460
 (220) 2012 05 28
 (731) LTD FERMO FENSI
 Didi Digomi, Parnavazis gamz. Avtosadgomis
 (puris satskhobis) mimdebared, 0131, Tbilisi,
 Georgia

(540)



(591) Orange, white
 (531) 25.05.01-26.04.22-27.05.01-29.01.12-
 (511) 6, 19, 37

(260) AM 2013 67496 A
 (210) AM 067496
 (220) 2012 05 30
 (731) LTD "EDENA"
 Rustavelis q. 1, 2400, Terjola, Georgia
 (540)

ბრეზო

GREB

ГРЕБ

(591) Black, white
 (511) 29, 32

(260) AM 2013 67540 A
 (210) AM 067540
 (220) 2012 06 01
 (731) ONCOLYTICS BIOTECH INC.
 Suite 210, 1167 Kensington Crescent,
 N.W., Calgary, Alberta T2N 1X7, Canada
 (740) Shalva Gvaramadze
 (540)

РЕОЛИЗИН

(591) Black, white
 (511) 5

(260) AM 2013 67560 A
 (210) AM 067560
 (220) 2012 06 05
 (731) TOYOTA JIDOSHA KABUSHIKI KAISHA
 (also trading as TOYOTA MOTOR
 CORPORATION)
 1, Toyota-Cho, Toyota-Shi, Aichi-Ken,
 Japan
 (740) Tamar Kochlamazashvili
 (540)



(591) Black, white
 (531) 24.11.25-26.01.05-26.01.12-26.01.20-
 (511) 12

(260) AM 2013 67565 A
 (210) AM 067565
 (220) 2012 06 06
 (731) SMYK GLOBAL ASSETS GMBH
 K.O. Haeusermann + Partner AG
 Schwanengasse 5/7, 3011 Bern, Switzerland
 (740) Georgia Gvinjilia
 (540)



(591) Black, white, dark red
 (531) 26.04.06-27.05.24-29.01.13-
 (511) 28, 35

(260) AM 2013 67566 A
 (210) AM 067566
 (220) 2012 06 06
 (731) SMYK GLOBAL ASSETS GMBH
 K.O. Haeusermann + Partner AG
 Schwanengasse 5/7, 3011 Bern, Switzerland
 (740) Georgia Gvinjilia
 (540)



(591) Sky, blue
 (531) 26.04.22-27.05.24-29.01.12-
 (511) 25, 35

(260) AM 2013 67567 A
 (210) AM 067567
 (220) 2012 06 06
 (731) SMYK GLOBAL ASSETS GMBH
 K.O. Haeusermann + Partner AG
 Schwanengasse 5/7, 3011 Bern, Switzerland
 (740) Georgia Gvinjilia

(540)



(591) Red, white
 (531) 26.04.22-27.05.24-29.01.12-
 (511) 25, 35

(260) AM 2013 66008 A*
 (210) AM 066008
 (220) 2012 01 27
 (731) LTD "INJOI & JOI"
 Savanelis q. 20, 0105, Tbilisi, Georgia
 (540)



(591) Blue, light sky, gradient blue, gradient sky, dark red, dark blue, light blue, white
 (531) 26.01.02-26.01.22-26.04.03-26.11.12-27.05.24-29.01.13-
 (526) **DISCLAIMER** – "Deodorant Cream", "REMOVES SMELL OF SWEAT FROM ARMPIT, FEET, GROIN".
 (511) 3

REGISTERED TRADEMARKS

- (111) M 2013 023362 R
(151) 2013 02 27
(181) 2023 02 27
(260) AM 2012 60887 A
(220) 2011 01 18
(732) LTD "GEOPLANTI"
Sopeli Rukhi, 2100, Zugdidis raioni,
Georgia
-
- (111) M 2013 023363 R
(151) 2013 02 27
(181) 2023 02 27
(260) AM 2112 61935 A
(220) 2011 04 01
(732) LTD "EI-BI-SI FARMATSIA"
Sanapiros q.10a, 0108, Tbilisi,
Georgia
-
- (111) M 2013 023364 R
(151) 2013 02 27
(181) 2023 02 27
(260) AM 2012 63210 A
(220) 2011 07 14
(732) SOLDEX LIMITED
P.O. Box 3321, Drake Chambers, Road
Town, Tortola, British Virgin Islands
-
- (111) M 2013 023365 R
(151) 2013 02 27
(181) 2023 02 27
(260) AM 2012 63409 A
(220) 2011 07 26
(732) Joint-Stock Company "QARTULI LUDIS
KOMPANIA"
Sop. Saguramo, 3311, Mtskhetis raioni,
Georgia
-
- (111) M 2013 023366 R
(151) 2013 02 27
(181) 2023 02 27
(260) AM 2012 63864 A
(220) 2011 08 26
(732) Unilin BVBA
Ooigemstraat 3, 8710 wielsbeke,
Belgium
-
- (111) M 2013 023367 R
(151) 2013 02 27
(181) 2023 02 27
- (260) AM 2012 63865 A
(220) 2011 08 26
(732) LTD QAHVEJI PARKETI
Vanis q. 4 (nakveti N4/51, bina 266),
Georgia
-
- (111) M 2013 023368 R
(151) 2013 02 27
(181) 2023 02 27
(260) AM 2012 63955 A
(220) 2011 09 06
(732) AQTSIONERNO DRUZHESTVO
"BULGARTABAK-HOLDING"
R. Bulgareti, 1000, q. Sofia, "Graf Ignatievis"
q. 62, Bulgaria
-
- (111) M 2013 023369 R
(151) 2013 02 27
(181) 2023 02 27
(260) AM 2012 64424 A
(220) 2011 10 13
(732) LASHA NADAREISHVILI
Ikaltos q. 8, bina 54, 0171, Tbilisi,
Georgia
-
- (111) M 2013 023370 R
(151) 2013 02 27
(181) 2023 02 27
(260) AM 2012 64518 A
(220) 2011 10 21
(732) LTD "GEOPLANTI"
Sopeli Rukhi, 2100, Zugdidis raioni,
Georgia
-
- (111) M 2013 023371 R
(151) 2013 02 27
(181) 2023 02 27
(260) AM 2012 64519 A
(220) 2011 10 21
(732) LTD "GEOPLANTI"
Sopeli Rukhi, 2100, Zugdidis raioni,
Georgia
-
- (111) M 2013 023372 R
(151) 2013 02 27
(181) 2023 02 27
(260) AM 2012 64658 A
(220) 2011 10 31
(732) LTD FUDSERVISI

Marshal Gelovanis gamz. 2, 0159, Tbilisi, Georgia	(111) M 2013 023378 R (151) 2013 02 27 (181) 2023 02 27 (260) AM 2012 64771 A (220) 2011 11 04 (732) Integrated Systems Events, LLC 11242 Waples Mill Rd., Suit 200, Fairfax, Virginia US 22030, USA
(111) M 2013 023373 R (151) 2013 02 27 (181) 2023 02 27 (260) AM 2012 64659 A (220) 2011 10 31 (732) LTD FUDSERVISI Marshal Gelovanis gamz. 2, 0159, Tbilisi, Georgia	(111) M 2013 023379 R (151) 2013 02 27 (181) 2023 02 27 (260) AM 2012 64820 A (220) 2011 11 08 (732) LTD "AVERSI-PHARMA" Davit Agmasheneblis gamz. 148/2, 0112, Tbilisi, Georgia
(111) M 2013 023374 R (151) 2013 02 27 (181) 2023 02 27 (260) AM 2012 64662 A (220) 2011 10 31 (732) Joint-Stock Company "QARTULI LUDIS KOMPANIA" Sop. Saguramo, 3311, Mtskheta, Georgia	(111) M 2013 023380 R (151) 2013 02 27 (181) 2023 02 27 (260) AM 2012 64821 A (220) 2011 11 08 (732) LTD "AVERSI-PHARMA" Davit Agmasheneblis gamz. 148/2, 0112, Tbilisi, Georgia
(111) M 2013 023375 R (151) 2013 02 27 (181) 2023 02 27 (260) AM 2012 64664 A (220) 2011 10 31 (732) HERSHEY CHOCOLATE & CONFECTIONERY CORPORATION 4860, Robb Street, Suite 204, Wheat Ridge, Colorado 80033, USA	(111) M 2013 023381 R (151) 2013 02 27 (181) 2023 02 27 (260) AM 2012 64822 A (220) 2011 11 08 (732) LTD "AVERSI-PHARMA" Davit Agmasheneblis gamz. 148/2, 0112, Tbilisi, Georgia
(111) M 2013 023376 R (151) 2013 02 27 (181) 2023 02 27 (260) AM 2012 64665 A (220) 2011 10 31 (732) HERSHEY CHOCOLATE & CONFECTIONERY CORPORATION 4860, Robb Street, Suite 204, Wheat Ridge, Colorado 80033, USA	(111) M 2013 023382 R (151) 2013 02 27 (181) 2023 02 27 (260) AM 2012 64834 A (220) 2011 11 08 (732) LTD "AVERSI-PHARMA" Davit Agmasheneblis gamz. 148/2, 0112, Tbilisi, Georgia
(111) M 2013 023377 R (151) 2013 02 27 (181) 2023 02 27 (260) AM 2012 64714 A (220) 2011 11 02 (732) Nanyang Brothers Tobacco Company Limited 9 Tsing Yeung Circuit, Tuen Mun, New Territories, Hong Kong, China	(111) M 2013 023383 R (151) 2013 02 27 (181) 2023 02 27 (260) AM 2012 64835 A (220) 2011 11 08 (732) LTD "AVERSI-PHARMA" Davit Agmasheneblis gamz. 148/2, 0112, Tbilisi, Georgia

(111) M 2013 023384 R
(151) 2013 02 27
(181) 2023 02 27
(260) AM 2012 64837 A
(220) 2011 11 08
(732) LTD "AVERSI-PHARMA"
Davit Agmasheneblis gamz. 148/2, 0112,
Tbilisi, Georgia

(111) M 2013 023385 R
(151) 2013 02 27
(181) 2023 02 27
(260) AM 2012 64898 A
(220) 2011 11 14
(732) OAO Farmstandart-Leksredstva"
1a/18, 2nd Agregatnaia Str., Kursk, 305022,
Russian Federation

(111) M 2013 023386 R
(151) 2013 02 27
(181) 2023 02 27
(260) AM 2012 64899 A
(220) 2011 11 14
(732) OAO Farmstandart-Leksredstva"
1a/18, 2nd Agregatnaia Str., Kursk, 305022,
Russian Federation

(111) M 2013 023387 R
(151) 2013 02 27
(181) 2023 02 27
(260) AM 2012 65096 A
(220) 2011 11 29
(732) KINGSTON TECHNOLOGI
CORPORATION
17600 Newhope Street, Fountain Valley,
CALIFORNIA 92708, USA

(111) M 2013 023388 R
(151) 2013 02 27
(181) 2023 02 27
(260) AM 2012 65389 A
(220) 2011 12 15
(732) NINE WEST DEVELOPMENT
CORPORATION
1007 Orange Street, Suite 225, Wilmington,
Delaware 19801, USA

(111) M 2013 023389 R
(151) 2013 02 27
(181) 2023 02 27
(260) AM 2012 65390 A
(220) 2011 12 15
(732) MERCK SHARP & DOHME CORP.
One Merck Drive, Whitehouse Station,
New Jersey 08889, USA

(111) M 2013 023390 R
(151) 2013 02 27
(181) 2023 02 27
(260) AM 2012 65497 A
(220) 2011 12 22
(732) LTD "IVERTA"
Sanapiros 10a, 0108, Tbilisi, Georgia

(111) M 2013 023391 R
(151) 2013 02 27
(181) 2023 02 27
(260) AM 2012 65498 A
(220) 2011 12 22
(732) LTD "IVERTA"
Sanapiros 10a, 0108, Tbilisi, Georgia

(111) M 2013 023392 R
(151) 2013 02 27
(181) 2023 02 27
(260) AM 2012 65499 A
(220) 2011 12 22
(732) LTD "IVERTA"
Sanapiros 10a, 0108, Tbilisi, Georgia

(111) M 2013 023393 R
(151) 2013 02 27
(181) 2023 02 27
(260) AM 2012 65516 A
(220) 2011 12 22
(732) LTD "NUTRILENDI"
Chkondidelis q.87, 0180, Tbilisi, Georgia

(111) M 2013 023394 R
(151) 2013 02 27
(181) 2023 02 27
(260) AM 2012 65667 A
(220) 2011 12 29
(732) RANBAXY LABORATORIES LIMITED
Plot N 90, Sector-32, Gurgaon-122001,
Haryana, India

(111) M 2013 023395 R
(151) 2013 02 27
(181) 2023 02 27
(260) AM 2012 65668 A
(220) 2011 12 29
(732) RANBAXY LABORATORIES LIMITED
Plot N 90, Sector-32, Gurgaon-122001,
Haryana, India

(111) M 2013 023396 R
(151) 2013 02 27
(181) 2023 02 27
(260) AM 2012 65669 A

(220) 2011 12 29
(732) RANBAXY LABORATORIES LIMITED
Plot N 90, Sector-32, Gurgaon-122001,
Haryana, India

(111) M 2013 023397 R
(151) 2013 02 27
(181) 2023 02 27
(260) AM 2012 65742 A
(220) 2012 01 06
(732) HALLMARK CARDS, INCORPORATED
2501 McGee Trafficway, Kansas-Sity,
Missouri 64108, USA

(111) M 2013 023398 R
(151) 2013 02 27
(181) 2023 02 27
(260) AM 2012 65743 A
(220) 2012 01 06
(732) HALLMARK CARDS, INCORPORATED
2501 McGee Trafficway, Kansas-Sity,
Missouri 64108, USA

(111) M 2013 023399 R
(151) 2013 02 27
(181) 2023 02 27
(260) AM 2012 65751 A
(220) 2012 01 06
(732) RANBAXY LABORATORIES LIMITED
Plot N 90, Sector-32, Gurgaon-122001,
Haryana, India

(111) M 2013 023400 R
(151) 2013 02 27
(181) 2023 02 27
(260) AM 2012 65753 A
(220) 2012 01 06
(732) RANBAXY LABORATORIES LIMITED
Plot N 90, Sector-32, Gurgaon-122001,
Haryana, India

(111) M 2013 023401 R
(151) 2013 02 27
(181) 2023 02 27
(260) AM 2012 65776 A
(220) 2012 01 09
(732) RANBAXY LABORATORIES LIMITED
Plot N 90, Sector-32, Gurgaon-122001,
Haryana, India

(111) M 2013 023402 R
(151) 2013 02 27
(181) 2023 02 27

(260) AM 2012 65904 A
(220) 2012 01 18
(732) HALLMARK CARDS, INCORPORATED
2501 McGee Trafficway, Kansas-Sity,
Missouri 64108, USA

(111) M 2013 023403 R
(151) 2013 02 27
(181) 2023 02 27
(260) AM 2012 65906 A
(220) 2012 01 18
(732) IGOR BARKOVSKI
Kievo-Sviatoshinski raioni, sopeli
Kriukovshchina, Lvovis q. 6, Kievis olqi,
Ukraine

(111) M 2013 023404 R
(151) 2013 02 27
(181) 2023 02 27
(260) AM 2012 66007 A
(220) 2012 01 27
(732) LTD EARNETI
I. Gogebashvilis q. 55a, 3500, Ozurgeti,
Georgia

(111) M 2013 023405 R
(151) 2013 02 27
(181) 2023 02 27
(260) AM 2012 66015 A
(220) 2012 01 31
(732) LTD "SANNI"
Nakveti 038/536, Sopeli Digomi, 0159,
Tbilisi, Georgia

(111) M 2013 023406 R
(151) 2013 02 27
(181) 2023 02 27
(260) AM 2012 66016 A
(220) 2012 01 31
(732) LTD "SANNI"
Nakveti 038/536, Sopeli Digomi, 0159,
Tbilisi, Georgia

(111) M 2013 023407 R
(151) 2013 02 27
(181) 2023 02 27
(260) AM 2012 66287 A
(220) 2012 02 22
(732) LAFARGE
61 rue des Belles Feuilles, 75116 Paris,
France

TRADEMARKS REGISTERED ACCORDING TO THE ACCELERATED PROCEDURE

The decision can be appealed at the Chamber of Appeal of Sakpatenti within 3 months from the publication.

(111) M 2013 23361 R
(151) 2013 02 20
(181) 2023 02 20
(210) AM 070800
(220) 2013 02 08
(732) LTD sairme mineral voters
(740) Agnesa Bartaia
(540)



(591) Black-white
(531) 06.01.01-03.04.07-25.01.19-27.05.17-28.19.00-
(526) **DISCLAIMER** – The trademark is protected as a whole, words mark "SAIRME" and „საირმე“ shall not be subject to independent legal protection.
(511) 32

(111) M 2013 23408 R
(151) 2013 03 01
(181) 2023 03 01
(210) AM 070793
(220) 2013 02 07
(732) LTD "MAXHOME TRADE COMPANY"
Gldani, me-7 m/r, korp.22, bina N83, 0107, Georgia
(540)



(591) Black, red, grey
(531) 07.01.20-26.11.11-27.05.21-29.01.12-
(511) 35

(111) M 2013 23409 R
(151) 2013 03 01
(181) 2023 03 01
(210) AM 070986
(220) 2013 02 21
(732) LTD "INCEPTION POINT CO"
Kostavas q. 27, 0179, Tbilisi, Georgia
(540)



(591) Red, white, green
(531) 02.09.01-24.09.07-26.01.20-27.05.08-27.05.19-29.01.13-
(511) 29, 30, 31, 35

(111) M 2013 23410 R
(151) 2013 03 04
(181) 2023 03 04
(210) AM 070732
(220) 2013 02 05
(732) LTD Europharma Georgia eurofarma jorjia
Machablis q.N5, 0105, Tbilisi, Georgia
(740) Nia Masiukovichi
(540)

Bone baby / ბონ ბეიბი

(591) Black-white
(511) 5

(111) M 2013 23411 R
(151) 2013 03 04
(181) 2023 03 04
(210) AM 070733
(220) 2013 02 05
(732) LTD Europharma Georgia eurofarma jorjia
Machablis q.N5, 0105, Tbilisi, Georgia
(740) Nia Masiukovichi
(540)

Euromag B6 / ევრომაგი B6

(591) Black-white
(511) 5

(111) M 2013 23412 R
(151) 2013 03 04
(181) 2023 03 04
(210) AM 070734
(220) 2013 02 05
(732) LTD Europharma Georgia eurofarma Jorjia
Machablis q. 5, 0105, Tbilisi, Georgia
(740) Nia Masiukovichi
(540)

Colispas / კოლისპასი

(591) Black-white
(511) 5

INTERNATIONAL TRADEMARKS FOR WHICH A DECISION ON GRANTING PROTECTIONS IS TAKEN

The decision can be appealed at the Chamber of Appeal of Sakpatenti within 3 months from the publication or at the Mtskheta District Court Administrative Cases Board (Address: №17, Samkhedro str., Mtskheta), within 1 month following the publication.

(260) AM 2013 65318 A

(800) 840321

(731) DEDO WEIGERT FILM GMBH

Karl-Weinmair-Strasse 10, 80807 München,
Germany

(540)

TECPRO

(591) Black, white

(511)

9 – Cinematographical, electrical, electronic, optical and optronic film and video cameras and instruments; wide angle adaptors; sunshades; optical filters and other accessories for film and video cameras (included in this class).

41 – Rental of movie projectors and accessories.

(260) AM 2013 66126 A

(800) 1103989

(731) ZHANG DELONG

Rm.4A 25, B Building, Ritan International
Trade Center, N 17 Ritan North Road,
Chaoyang District, Beijing, China

(540)



ROSE SAGA

(591) Black, white

(511)

25 – Shirts; dresses; fur clothing (dresses); imitation leather clothing; clothing of leather; fur cape stoles for ladies; down garments; suits; shoes (footwear); knitwear.

(260) AM 2013 66130 A

(800) 1103994

(731) Tovarystvo z Obmezhenoyu

Vidpovidalnistyu "FUTBOLNYI KLUB
"DYNAMO" KYIV"

Vul. Myhaila Gruchevskogo, 3, Kyiv 01001,
Ukraine

(540)



(591) White and blue

(511)

3 – Bleaching preparations and other substances for laundry use; cleaning, polishing, scouring and abrasive preparations; soaps; perfumery, essential oils, cosmetics, hair lotions; dentifrices.

6 – Souvenirs and goods of common metals and their alloys.

14 – Precious metals and their alloys and goods in precious metals or coated therewith, not included in other classes; jewellery, precious stones; horological and chronometric instruments.

16 – Printed matter, paper, cardboard and goods made from these materials, not included in other classes; stationery, teaching materials (except apparatus), plastic materials for packaging (not included in other classes); flags of paper, engravings.

18 – Leather and imitations of leather, and goods made of these materials and not included in other classes; trunks and travelling bags; umbrellas, parasols and walking sticks.

20 – Souvenirs (goods) (not included in other classes) of wood, cork, reed, cane, wicker, horn, bone, ivory, whalebone, shell, amber, mother-of-pearl, meerschaum and substitutes for all these materials, or of plastics.

24 – Banners, flags, not of paper.

25 – Clothing, footwear, headgear.

26 – Souvenir fancy goods (embroidery), badges for wear, not of precious metal; bows for the hair, brassards, gold and silver embroidery, badges and ornaments not of precious metals.

28 – Games and playthings; gymnastic and sporting articles not included in other classes.

32 – Beers; mineral and aerated waters and other non-alcoholic drinks; fruit drinks and fruit juices; syrups and other preparations for making beverages.

35 – Advertising; business management; business administration; office functions.

37 – Building construction; repair; installation services.

41 – Education; providing of training; entertainment; sporting and cultural activities.

43 – Holiday homes and tourist homes, bars, hotels, rental of temporary accommodation, accommodation bureaux (hotels, boarding houses), canteens, cafes, cafeterias, motels, providing campground facilities, boarding houses, food and drink catering, restaurants, self-service restaurant, snack-bars.

(260) AM 2013 66131 A
(800) 1104026
(731) OBSHESTVO S OGRANICHENNOY OTVETSTVENNOST'YU "LABORATORIYA SOVREMENNOGO ZDOROVIIYA" ul. Khimzavodskaya, 11/20, RU-633004 Berdsk, Novosibirskaya obl., Russian Federation

(540)

КАРДИОВИТ

(591) Black, white
(511)

5 – Albuminous milk; dietetic beverages adapted for medical purposes; dietetic foods adapted for medical purposes; dietetic substances adapted for medical use; disinfectants for hygiene purposes; food for babies; sanitary towels.

30 – Artificial coffee; bread; cereal preparations; cocoa; cocoa products; coffee; coffee-based beverages; chips [cereal products]; chocolate-based beverages; condiments; cooking salt; corn, roasted; edible ices; essences for foodstuffs, except etheric essences and essential oils; flour for food; flour-milling products; gluten for food; groats for human food; gruel, with a milk base, for food; honey; ice cream; macaroni; mustard; natural sweeteners; oat-based food; pancakes; pastries; pelmeni [dumplings consisting of a filling wrapped in thin, unleavened dough]; popcorn; rice; rusks; sandwiches; spices; starch for food; sugar*; tea; thickening agents for cooking foodstuffs; vegetal preparations for use as coffee substitutes; yeast.

(260) AM 2013 66169 A
(800) 644548
(731) DAVID ROSS INTERNATIONAL, S.R.L. Via San Bernardino Da Siena, 25, I-22100 COMO (CO), Italy

(540)



The logo for David Ross features the name 'David Ross' in a stylized, cursive font. The 'D' is large and prominent, and the 'R' is also large and stylized. The text is black on a white background.

(591) Black, white
(511)

34 – Tobacco; smokers' articles; matches.

(260) AM 2013 66365 A
(800) 1106035
(731) BAYER AKTIENGESELLSCHAFT Kaiser-Wilhelm-Allee, 51373 Leverkusen, Germany

(540)

Катозал

(591) Black, white

(511)

5 – Veterinary preparations.

(260) AM 2013 66455 A
(800) 1106710
(731) PHDR. IVAN HRONEC Haburská 89/35, SK-821 01 Bratislava, Slovakia

(540)



(591) Black, white

(511)

35 – Television advertising.

38 – Television program broadcasting; television broadcasts; terrestrial analog television; digital television; cable television; satellite television; television via Internet networks; on-line television.

41 – Television program editing; television program rental; distribution of television programs; subtitling; dubbing; television entertainment.

(260) AM 2013 66700 A
(800) 835396
(731) OBCHTCHESTVO S OGRANITCHENNOI OTVETSTVENNOSTIYOU "KORPORATSIA "SIBIRSKOE ZDOROVIE" ul. Lenina, 48, RU-630004 Novosibirsk, Russian Federation

(540)



Т Р А Д И Ц И И Б У Д У Щ Е Г О

(591) White, green, light green and blue

(511)

3 – Adhesives for cosmetic purposes; aromatics (essential oils); astringents for cosmetic purposes; cosmetic creams; cosmetics; cosmetic preparations for eyelashes; eyebrow cosmetics; greases for cosmetic purposes; oils for perfumes; beauty masks; potpourris; make-up powder; cosmetic preparations for slimming purposes; cosmetic preparations for baths; cosmetic preparations for skin care; toiletries; perfumery; nail care preparations; soap; tissues impregnated with cosmetic lotions; shampoos; cosmetic dyes.

5 – Dietetic foods adapted for medical purposes; food for babies; antiseptics; bath preparations, medicated; balms for medical purposes; biocides; dietetic beverages adapted for medical purposes; confectionery, medicated; mud for baths, nutritional additives for medical purposes; depuratives; disinfectants for hygiene purposes; digestives for pharmaceutical purposes; germicides; medicinal herbs; medicinal infusions; lactose [milk sugar]; albuminous milk; bacterial preparations for medical or veterinary use; biological preparations for medical purposes; biological preparations for veterinary purposes; vitamin preparations; anti-uric preparations; tonics (medicines); serums; sanitary towels; dietetic substances adapted for medical use; mineral food-supplements; herbal teas.

16 – Albums; almanacs; pamphlets; calendars; note books; postcards; cardboard; cardboard articles; catalogues; newsletters; inkstands; signboards of paper or cardboard; labels, not of textile; flags of paper; index cards (stationery); forms, printed; writing materials; school supplies; pictures; printed matter; comic books; booklets; books; manuals; teaching materials [except apparatus]; photographs; prospectuses; printed publications; graphic representations; graphic reproductions; magazines (periodicals); bags (envelopes, pouches) for packaging (made of paper or plastic); stencils, tablecloths of paper; tickets.

29 – Albumen for food; milk beverages, milk predominating; caviar; game, not live; crayfish, not live; meat extracts; liver; cheese; jellies for food; edible fats; frozen fruits; fruit, preserved; crystallized fruits; edible oils, kephir; kumys [kumyss]; milk; vegetables, preserved; vegetables, cooked; margarine; fatty substances for the manufacture of edible fats; foods prepared from fish; eggs; fish, preserved; milk products; fish, not live; sausages; tripe; tofu; meat; poultry, not live; yogurt.

32 – Non-alcoholic beverages; non-alcoholic fruit juice beverages; waters (beverages); non-alcoholic fruit extracts; fruit juices; vegetable juices (beverages); fruit nectars, non-alcoholic; preparations for making beverages.

(260) AM 2013 66704 A

(800) 980696

(731) GGI IP GmbH c/o United Trust
Consulting AG
Chamerstrasse 172, CH-6300 Zug,
Switzerland

(540)

GGI

(591) Black, white

(511)

35 – Business management (including business management consulting), in particular in the field of corporate risk management and information risk management; business administration, commercial advice, business valuation and corporate planning, in particular for mergers, purchase and sale of companies, acquisition strategies, franchising services, disposal of companies and bankruptcy of companies, accounting; cost/price analyses; business consulting (including business consulting in the field of corporate planning and development, in the field of project consultancy, in the field of corporate risk management and process management); administering and managing collective capital investments (in particular investment funds) and companies for the administration of collective capital investments (in particular investment funds); office functions, organisation of office functions; secretarial services; collection, compilation and systematization in computer databases; accounting, payroll preparation; internal and external auditing, public accounting, economic information, consulting in economic matters, expert reports in economic matters; creation of economic forecasts, information relating to economic developments, tax declaration preparation; consulting and information about office functions, secretarial services, drawing up statements of accounts, preparing accounts, payroll preparation, internal and external auditing, public accounting, creating economic forecasts and drawing up tax declarations; public relations; marketing, marketing information projects, market studies; employment agencies, personnel management consultancy, human resources consulting, personnel management, selection and recruitment services; outplacement services; professional business consulting and analysis, in particular in connection with the founding, purchase, sale, conversion, stabilization, reorganisation, merging, succession planning for and liquidation of companies; advertising; distribution of advertising, in particular sales promotion of third-party goods and services through the placing of messages and advertisements on electronic sites accessible on computer networks (in particular the Internet); arranging and conducting of auction sales and adjudications; organizing, conducting and producing exhibitions, fairs, trade shows, company presentations and other events and opportunities for commercial purposes, for industrial purposes and/or

for advertising purposes; information and enquiries about all the other aforesaid services in class 35; consulting for all the other aforesaid services in class 35.

36 – Financial and monetary affairs, in particular financial services, financial consulting (in particular for pension plan services), consulting for and brokerage of capital investments, wealth and estate investment strategies, development and brokerage of asset and estate investment strategies, consulting for asset and estate investment, consulting services for assets and estates, financing, drawing up fiscal expert reports and fiscal estimates, research in fiscal matters, distribution of financial products, development, creation and presentation of proposals for asset and estate investment, securitisation, issuing of securities, financial transactions, asset and estate investments and brokerage of asset and estate investments and financial affairs, in particular in the fields of corporate finance and mergers and acquisitions and collective capital investments (in particular investment funds); capital investment services, financial analyses, banking operations, banking; stock markets, in particular financial securities trading, options, derivatives, precious metals, raw materials and currencies; foreign exchange operations; fiduciary services; administration of provident institutions, in particular retirement funds; financial evaluation and appraisal of goods (in particular companies, assets, estates, on real estate, intellectual property rights, licenses); real estate affairs (including real estate renting, consulting for property investments and real estate financing); management of property (in particular by trust companies), in particular securities, security deposits and real estate, creating asset inventories (in particular for fiscal purposes); banking reviews; debt collection agencies; financial and fiscal consulting, in particular in connection with the founding, purchase, sale, conversion, stabilization, reorganisation, merging, succession planning for and liquidation of companies; actuarial services; brokerage; services in the fields of investment and risk management (financial services); financial services for trusts; financial sponsorship in the fields of culture, sport, science, education, research and development assistance; hire-purchase financing (leasing); appraisal of objects of art; providing news and information in the fields of finance and monetary affairs as well as financial information; insurance; information and enquiry services for the other aforesaid services in class 36; consulting services for the other aforesaid services in class 36.

45 – Legal services, in particular legal advice, legal representation and litigation services for all legal matters as well as legal expert reports; management licences for intellectual property rights and other industrial property rights, in particular licences for

intellectual property rights and other industrial property rights; domain name registration (legal services); licences for intellectual property rights and other industrial property rights; evaluation of intellectual property rights and of know-how in the field of intellectual property; legal research; mediation services; personal and social services rendered by others to meet the needs of individuals, namely detective agencies, consulting in personal development, administrative procedures (except legal representation) for third parties; lobbying services except for economic purposes; security services for the protection of property and individuals; information and enquiry services for all the other aforesaid services in class 45; consulting for all the other aforesaid services in class 45.

(260) AM 2013 66706 A
 (800) 1032671
 (731) GILEAD SCIENCES LIMITED
 IDA Business and Technology Park,
 Carrigtohill, Co. Cork, Ireland
 (540)

TYBOST

(591) Black, white
 (511)
 5 – Pharmaceuticals.

(260) AM 2013 66711 A
 (800) 1089158
 (731) LINGUALEO CYPRUS LIMITED
 Arch. Kyprianou & Agiou Andreou; 2,
 G. Pavlides Court, 5th Floor, CY-3036
 Limassol, Cyprus
 (540)

LINGUALEO

(591) Black, white
 (511)
 38 – News agencies; television broadcasting; cable television broadcasting; electronic bulletin board services (telecommunications services); information about telecommunication; telecommunications routing and junction services; providing Internet chat rooms; providing user access to a global computer network (service providers); providing access to databases; providing telecommunications connections to a global computer network; providing telecommunication channels for teleshopping services; message sending; computer aided transmission of messages and images; sending of telegrams; transmission of telegrams; electronic mail; rental of message sending apparatus; rental of access time to global computer networks; rental of modems; rental of telecommunication equipment; rental of telephones; rental of facsimile apparatus; radio broadcasting; communications by fiber (fibre) optic net-

works; cellular telephone communication; communications by computer terminals; satellite transmission; communications by telegrams; communications by telephone; facsimile transmission; paging services (radio, telephone or other means of electronic communication); teleconferencing services; telex services; voice mail services; telegraph services; telephone services.

41 – Modelling for artists; academies (education); rental of tennis courts; lending libraries; booking of seats for shows; videotaping; nursery schools; physical education; discotheque services; animal training; dubbing; gaming; publication of books; education information; recreation information; entertainment information; movie studios; health club services; club services (entertainment or education); night clubs; layout services, other than for advertising purposes; microfilming; videotape editing; production of radio and television programmes; music-halls; game services provided on-line from a computer network; providing on-line electronic publications, not downloadable; religious education; gymnastic instruction; correspondence courses; practical training (demonstration); organization of balls; organization of exhibitions for cultural or educational purposes; providing recreation facilities; arranging and conducting of colloquiums; arranging and conducting of congresses; arranging and conducting of conferences; arranging and conducting of concerts; arranging and conducting of workshops (training); arranging and conducting of seminars; arranging and conducting of symposiums; arranging of beauty contests; organization of competitions (education or entertainment); operating lotteries; holiday camp services (entertainment); organization of shows (impresario services); organization of sports competitions; vocational guidance (education or training advice); amusement parks; sign language interpretation; television entertainment; bookmobile services; providing karaoke services; providing golf facilities; providing sports facilities; providing amusement arcade services; cinema presentations; presentation of live performances; theatre productions; educational examination; timing of sports events; videotape film production; film production; rental of sound recordings; rental of audio equipment; rental of camcorders; rental of video cassette recorders; rental of videotapes; rental of show scenery; rental of movie projectors and accessories; rental of motion pictures; rental of stadium facilities; rental of lighting apparatus for theatrical sets or television studios; rental of radio and television sets; rental of skin diving equipment; rental of sports equipment, except vehicles; rental of stage scenery; electronic desktop publishing; publication of electronic books and journals on-line; publication of texts, other than publicity texts; radio entertainment; entertainer services; amusements; writing of texts, other than

publicity texts; zoological gardens; news reporters services; party planning (entertainment); music composition services; sport camp services; subtitling; providing casino facilities (gambling); calligraphy services; providing museum facilities (presentation, exhibitions); educational services; orchestra services; translation; scriptwriting services; ticket agency services (entertainment); recording studio services; digital imaging services; photography; photographic reporting; circuses; boarding schools; production of shows.

(260) AM 2013 66778 A

(800) 1109121

(731) Otkrytoje aktsionernoe obshchestvo
"Federal'naja gydrogenerirujushchaja
kompanija"
dom No51, Respubliki ul., Krasnojarskij kraj,
RU-660099 Krasnojarsk g., Russian
Federation

(540)



(591) Blue, white, orange

(511)

9 – Apparatus and instruments for conducting, switching, transforming, accumulating, regulating or controlling electricity.

35 – Import-export agencies; commercial information agencies; cost price analysis; auditing; employment agencies; computerized file management; demonstration of goods; transcription; opinion polling; marketing studies; business information; commercial information and advice for consumers [consumer advice shop]; business research; marketing research; personnel recruitment; business management and organization consultancy; business organization consultancy; business management consultancy; professional business consultancy; business management of performing artists; news clipping services; organization of exhibitions for commercial or advertising purposes; organization of trade fairs for commercial or advertising purposes; business appraisals; business management assistance; commercial or industrial management assistance; presentation of goods on communication media, for retail purposes; sales promotion for others; advertising; procurement services for others [purchasing goods and services for other businesses]; efficiency experts.

37 – Construction, in particular, construction of hydroelectric power plant, wind farms, administrative building; construction of breakwaters; un-

derwater construction; interference suppression in electrical installations.

39 – Electricity distribution; distribution of energy; transport.

40 – Production of energy.

42 – Technical project studies; engineering; research in the field of environmental protection; underwater exploration; technical research; quality control; construction drafting; consultancy in the field of energy-saving; surveying.

(260) AM 2013 66785 A

(800) 1109169

(731) MARS, INCORPORATED

6885 Elm Street, McLean, VA 22101-3883, USA

(540)



(591) Brown, beige, white, red

(511)

29 – Meat, fish, poultry and game; meat extracts; preserved, frozen, dried and cooked fruits and vegetables; eggs; milk products; jellies, jams, compotes; milk and milk-based beverages; bouillons, soups; food ready-to-eat and consisting primarily of the aforementioned goods.

30 – Coffee and artificial coffee; tea, cocoa, chocolate-based beverages; sugar, rice, tapioca, sago; flour, flour milling products and preparations made from cereals; bars of cereal preparation; pasta; bread, cookies, biscuits, cakes, tarts, pies, pastry, chocolate, chocolate products; confectionery; sugar confectionery, sweetmeats [candy], candy for food; ice; ice-cream, ices; honey, treacle; salt, mustard; vinegar, sauces, pesto; condiments; spices; weeds [condiment]; food ready-to-eat and consisting primarily of the aforementioned goods.

32 – Mineral and aerated waters and other non-alcoholic drinks; fruit drinks and fruit juices; syrups and other preparations for making beverages.

(260) AM 2013 66868 A

(800) 1109493

(731) RICHTER GEDEON NYRT.

Gyömrői út 19-21, H-1103 BUDAPEST, Hungary

(540)

КНЕПТИКС

(591) Black, white

(511)

5 – Pharmaceutical preparations.

(260) AM 2013 66875 A

(800) 1109542

(731) ALLIANT TECHSYSTEMS INC.

7480 Flying Cloud Drive, Minneapolis MN 55344, USA

(540)

BLACKHAWK!

(591) Black, white

(511)

9 – Tactical gear and tactical equipment for military, law enforcement and defense applications, namely, protective clothing; protective eyewear; protective sunglasses; protective goggles and masks; protective helmets; gloves for protection against accidents and injury, namely, protective gloves, driving gloves, shooting gloves, hazmat gloves, water operation diving gloves, assault gloves, viral barrier gloves, rescue gloves, rappelling gloves, and glove liners; protective clothing, namely, flame retardant balaclavas, slash resistant balaclavas, thermal balaclavas, tactical vests, modular tactical vests, rapid entry vests, mesh vests, armor bearing vests, rescue vests, medical and paramedic vests, combination ballistic/flotation vests, load-bearing vests; elbow pads, knee pads, shin pads and guards, included in this class; disturbance control gear, namely, hard shell riot suits and soft shell riot suits; hand-held tactical and protective shields for use by police, detention centers, correctional facilities and the like; bags for tactical gear and tactical equipment.

13 – Firearms accessories, namely, holsters, pistol holsters, holster belts, duty belts, shoulder holster harnesses, leg-mounted harnesses, leg-mounted holsters, slings for firearms, straps for firearms, covers for firearms, cartridge pouches, packs, and carriers, ammunition magazine pouches, packs, and carriers, ammunition pouches, packs, and carriers; cases for guns, and weapons; pouches, carriers, and keepers for firearms for affixation to belts, vests, and backpacks.

18 – Backpacks; small backpacks; backpack pouches; rucksacks; waist packs; hip packs; lumbar packs; pouches for hydration units sold empty; all purpose carrying bags for tactical equipment; duffel bags; harnesses; all purpose carrying pouches and bags sold empty for attachment to backpacks, vests, belts, and carriers; garment bags for travel; satchels; travel bags; all-purpose sport bags; drawstring pouches and luggage.

(260) AM 2013 67043 A

(800) 891809

(731) FAST ČR, a.s.

Černokostelecká 2111, CZ-100 00 Praha 10, Czech Republic

(540)

SENCOR

(591) Black, white
(511)

7 – Machines and machines tools included in this class, motors and its parts (other than for land vehicles), sweeping machines and cleaning appliances, machine wheelwork and driving chains, agricultural implements other than hand-operated, incubators for eggs, lubricators, electric kitchen machines (grinding machines, mixers, grinders/crushers, beaters, food processors), drying machines for fruits and vegetables, cutters, washing machines, dishwashers, vacuum cleaners, belt conveyors, pneumatic transporters, welding machines.

9 – Scientific, naval and geodesic instruments and tools, instruments and tools for transmission, switching over, conversion, storage, regulation or control of electric current and energy, cameras, cinematographic and optical instruments and instruments for weighing, measuring, signalling, control (inspection), rescue instruments, teaching instruments, cases for these instruments and for instruments included in this class, instruments for recording, transmission and reproduction of sound or pictures, magnetic carriers of sound recordings, recording discs, automatic distributors and mechanisms for vending machines, recording cash Registers, calculators, instruments for processing of information and computers, extinguishers, manually operated electric welders, electric irons, electric igniters in cars, specialized rescue clothes, protective clothing against accidents/injuries, sports breathing apparatus, electronic games used exclusively with a TV set, sunglasses, glasses, monocles, magnifying glasses and lenses, opera glasses, tape recorders and cassettes, CD, CD ROM, videotapes, sound films, copying machines, software.

11 – Equipment and instruments for lighting, heating and steam generating, for production of vapour, for cooking, for cooling, for ventilation and air-conditioning and for drying, sanitary installations, regulating accessories for water apparatus, warming pans, electric saucepans, drying apparatus for fruits and vegetables, hearths, heat exchangers, electric lamps, lighting for Christmas decoration; electrically heated clothes.

16 – Paper and products made of paper, paperboard and cardboard products, printed matter, magazines, periodicals, books, bookbinding products, calendars, postcards, photographs, writing implements, adhesives for offices and households, spare pencil leads, pencils, pastels, charcoal pencils, paintbrushes, typewriters (electric or non-electric), office equipment apart from furniture, exercise books, sketch pads, coloured pencils, erasers, pencil sharpeners, pencil sharpening machines, pencil cases, paper napkins, handkerchiefs and diapers, bags and sachets made of paper and/or plastics for packaging, pictures, colouring books, transfer pictures,

stamps, printers' type, printing plates, copying equipment (stencil duplicators).

21 – Implements and vessels for household and kitchen purposes of common metal, wood, crockery, porcelain, glass and plastic matter; combs, toilet sponges, brushes, material for brush-making; cleaning requisites (steel wool for cleaning, abrasive pads for kitchen purposes); unworked and semi worked glass except building glass; small hand operated apparatus for mincing, grinding and pressing; porcelain and crockery for decoration purposes.

28 – Games, playing cards, memory games, toys, gymnastic and sport apparatus and protective padding included in this class, fishing tackles (with exception of nets), Christmas decoration with the exception of lighting and sweets, electronic toys, electronic games apart from electronic games used exclusively with a TV-set.

(260) AM 2013 67101 A

(800) 876764

(731) IDEMITSU KOSAN CO., LTD.

1-1, 3-chome, Marunouchi, Chiyoda-ku,
Tokyo 100-8321, Japan

(540)

(591) Black, white

(511)

4 – Fuels; industrial oils (including lubricating oils); non-mineral oils and greases for industrial purposes (not for fuel); wax; greases for shoes and boots; solid lubricants; leather preserving oil and grease; lamp wicks; candles.

(260) AM 2013 67102 A

(800) 892196

(731) TEDI GmbH & Co. KG

Brackeler Hellweg 301, 44309 Dortmund,
Germany

(540)

TEDI

(591) Black, white

(511)

35 – Retail services in relation to chemical products for commercial, scientific, photographic, horticulture and forestry purposes, unprocessed artificial resins, unprocessed plastics, fertilizers, fire-extinguishing compositions, means for hardening and soldering of metals, chemical products for preserving food, tanning substances, adhesives for Industrial purpose, paints, lacquers, rust inhibitor, wood

preservatives, colorants, mordants, raw natural resins, metal foils and metals in powder form for painters, decorators, printers and artists, detergents, cleansers, cosmetics, ethereal oils, perfumery, dentifrices, shampoos, fuel and lighters, candles, grease, medicines, dressings, medical, fungicides, herbicides, pesticides, pharmaceutical and veterinary products, plasters, disinfectant products, dietetic products adapted for medical purposes, food for babies, building materials of metal, metalware, safes (strong boxes), cashboxes of metal, machines and machine tools, engines, agricultural implements, other than hand-operated, tools, garden tools, table cutlery, scissors, knives, razors, utensils for household purposes, electric and electronic apparatus, entertainment equipment, cameras, glasses, cases for glasses, computers, software, computer peripheral devices, phones, storage media, blank and recorded CD's, DVD's, electric batteries, fire extinguishers, medical instruments and apparatus, contraceptive, orthopaedic products, lamps, light bulbs, electric household devices, lighting devices, vehicles and vehicle accessories, fireworks, watches, jewellery, music instruments, books, magazines (periodicals), newspapers, stationery, office supplies, packaging materials, teaching materials, adhesives for stationery, plastic products, leather goods, bags, suitcases, purses, parasols, umbrellas, building materials, furniture, furnishings, household goods, works of art, decorations, household goods, tableware, pots, cleaning apparatus, ropes, strings, nets, yarns and threads, bed covers, tablecloths, towels, textiles, clothing, footwear, headgear, haberdashery, buttons, artificial flowers, carpets, floor coverings, wallpapers, mats, games, toys, decorations for Christmas trees, gymnastics and sporting articles, novelties for parties, dances (party favours), erotic products, foodstuffs, agricultural, horticultural and forestry products, animal foodstuffs, alcoholic beverages, non-alcoholic beverages, cigarettes, tobacco, smokers' articles, matches, tobacco products.

(260) AM 2013 67104 A

(800) 915884

(731) TURNER BROADCASTING SYSTEM
EUROPE LIMITED

16 Great Marlborough Street, London
W1F 7HS, United Kingdom

(540)

CARTOONITO

(591) Black, white

(511)

9 – Pre-recorded video cassettes, discs, CDs, DVDs, and data carriers; pre-recorded audio cassettes, records, tapes, discs, CDs, DVDs, cartridges; computer hardware, software and peripheral apparatus, parts and fittings for all the aforesaid goods;

joysticks and game controllers; downloadable games; computer game and video game cartridges, cassettes, discs, programs, software; downloadable music; downloadable computer software, video games, music, multimedia programs and ring tones for telephones, wireless devices and electronic handheld devices; video game interactive remote control units; video game interactive handheld remote controls for playing electronic games; mouse pads and mats; eyeglasses, sunglasses, anti-glare glasses, frames and cases therefore; rulers, calculators; alarms, life jackets, protective helmets and clothing, diving apparatus, snorkel tubes, swimming masks, swimming goggles; cameras, film, batteries; magnets, magnetic boards, and decorative refrigerator magnets; swimming floats for recreational use.

16 – Paper, cardboard and goods made from these materials, not included in other classes; printed matter; stationery; artists' materials; paint brushes; instructional and teaching material (except apparatus); books featuring characters from animated, action adventure, comedy and/or drama features, comic books, children's books, magazines featuring characters from animated, action adventure, comedy and/or drama features, coloring books, children's activity books; stationery, writing paper, envelopes, notebooks, diaries, note cards, greeting cards; trading cards, lithographs and animation cels; pens, pencils and cases, erasers, crayons, markers, colored pencils, painting sets, chalk and chalkboards; decals, heat transfers; posters; mounted and/or unmounted photographs; book covers, book marks, calendars, gift wrapping paper; paper party decorations; paper napkins, paper doilies, paper place mats, crepe paper, invitations, paper table cloths, paper cake decorations; printed transfers for embroidery or fabric appliques; printed patterns for costumes and clothing; passport cases.

25 – Clothing, footwear, headgear; paper hats.

28 – Games and playthings; gymnastic and sporting articles not included in other classes; decorations for Christmas trees; action figures and accessories for action figures; plush toys, balloons, bathtub toys, ride-on toys, playing cards, equipment sold as a unit for playing card games, toy vehicles, dolls, flying discs, electronic handheld game units; game equipment sold as a unit for playing board games, manipulative games, parlor games, action type target games; stand alone video output game machines; jigsaw and manipulative puzzles, paper face masks, skateboards, ice skates; water squirting toys; balls including playground balls, soccer balls, baseballs, basketballs; baseball gloves; kick board flotation devices for recreational use, surfboards, swim boards for recreational use, swim fins; toy bakeware, toy cookware and toy banks; paper party favors.

41 – Education; entertainment; sporting and cultural activities; provision of television, broadband, wireless and online entertainment information services; provision of television, broadband, wireless and online computer games; provision of television, broadband, wireless and online entertainment multimedia programs; production, distribution, projecting and rental of television programs, videos, motion picture films, pre-recorded audio and video tapes, cassettes, discs, records, CDs, DVDs and all other types of carriers, production and arrangement of radio and television programs; information relating to entertainment or education provided via television, broadband, wireless and online; providing television, broadband, wireless and online electronic publications (not downloadable); providing entertainment news and information, products, multimedia programs and reference materials online.

(260) AM 2013 67106 A
(800) 992959
(731) Pierre HARDY
20 rue Saintonge, F-75003 PARIS, France
(540)

PIERRE HARDY

(591) Black, white
(511)
14 – Jewellery; jewellery; chronometric instruments, namely chronometers, chronographs used as watches; watches and their components, namely watch crystals, watch cases, watch crowns, watch movements, watch bands, watch clasps; necklaces; bracelets; rings; earrings; pendants; brooches; cufflinks; charms; medals; medallions; tie pins; precious stones; precious metals and alloys thereof except for dental use; jewel boxes of precious metal, jewellery boxes of precious metal.

18 – Leather goods, school bags, key cases (leather goods); card cases (notecases), document cases, wallets, change purses, briefcases (leatherware), school satchels, travelling sets (leather goods); handbags, travelling bags; trunks and suitcases; collars for animals; hat boxes of leather; boxes made of leather; purses; walking sticks; horse collars; covers for horse saddles; riding saddles; travelling trunks; vanity cases sold empty; whips; game bags; leather leashes; attaché cases; parasols; umbrellas; beach bags; sling bags for carrying infants; garment bags (for travelling purposes); saddlery articles.

25 – Clothing, blouses, blousons, leotards (bodysuits), shawls, dressing gowns, jerseys, shirts, chemisettes, coveralls, suits, leather clothing, imitation leather clothing, sashes for wear, scarves, furs, gabardines, waistcoats, raincoats, skirts, layettes, coats, trousers, overcoats, parkas, pullovers, pyjamas, dresses, tee-shirts, knitwear, uniforms, jackets, clothing for gymnastics; bathing suits, bath-

robes, stockings, briefs, socks, tights, underclothing, singlets, corsets, briefs and pants, fur stoles, gloves (clothing), brassieres, gaiters, panties and underpants, suspenders, garters, ties, belts (clothing); footwear, bath slippers, boots, half-boots, slippers, beach shoes, ski boots, sports footwear, dress shoes, espadrilles, gymnastic shoes, slippers, sandals, shoes; berets; caps; eyeshades; bonnets; top hats.

(260) AM 2013 67107 A
(800) 1032869
(731) FORALL CONFEZIONI S.p.A.
Via Fabio Filzi, 34, I-36050 QUINTO
VICENTINO (VINCENZA), Italy
(540)



(591) Black, white
(511)
9 – Spectacles and sun glasses.

18 – Leather and imitations of leather, and goods made of these materials and not included in other classes; animal skins, hides; trunks and travelling bags; umbrellas, parasols and walking sticks; whips, harness and saddlery.

25 – Clothing, footwear, headgear for man.

(260) AM 2013 67108 A
(800) 1040537
(731) Limited Liability Company
"AST-International Environment"
ul. Starokachalovskaya, d. 3, korp. 3,
RU-117216 Moscow, Russian Federation
(540)

БУРЖУА

(591) Black, white
(511)
33 – Aperitifs; arak (arrack); brandy; wine; piquette; whisky; anisette (liqueur); kirsch; vodka; gin; digesters (liqueurs and spirits); cocktails; anise (liqueur); curacao; liqueurs; alcoholic beverages, except beer; alcoholic beverages containing fruit; spirits (beverages); distilled beverages; hydromel (mead); peppermint liqueurs; bitters; rum; sake; cider; perry; rice alcohol, alcoholic extracts; fruit extracts, alcoholic; alcoholic essences.

(260) AM 2013 67109 A

(800) 1047239

(731) MANCHESTER UNITED LIMITED

Sir Matt Busby Way Old Trafford,

Manchester M16 0RA, United Kingdom

(540)

MANCHESTER UNITED

(591) Black, white

(511)

3 – After-shave lotions; eau de cologne; non-medicated toilet preparations; bleaching preparations and other substances for laundry use; cleaning, polishing, scouring and abrasive preparations; perfumery; hair care preparations; skin care preparations; suntanning preparations; dentifrices; toothpaste; boot cream; boot polish; creams for leather; depilatory preparations; soaps; toiletries; antiperspirants; essential oils, flower oils and scented waters; bath salts and preparations; cosmetic kits, cosmetics; cotton wool for cosmetic purposes; creams; deodorants and deodorant soaps for body and feet; cosmetic dyes; eyebrow cosmetics and preparations; fabric softeners; flower perfumes; hair dyes and hair sprays; incense; ionone (perfumery); jewellers' rouge; lipsticks; make-up preparations; medicated soaps; mouth washes; nail polish and nail preparations; cosmetic pencils; potpourris; shampoos; shaving preparations; talcum powders; transfers (decorative) for cosmetic purposes; windscreen cleaning liquids.

5 – Air fresheners consisting of perfume products.

9 – Scientific, nautical, surveying, photographic, cinematographic, optical, weighing, measuring, signalling, checking (supervision), life-saving and teaching apparatus and instruments; apparatus and instruments for conducting, switching, transforming, accumulating, regulating or controlling electricity; apparatus for recording, transmission or reproduction of sound or images; magnetic data carriers, recording discs; automatic vending machines and mechanisms for coin-operated apparatus; cash Registers, calculating machines, data processing equipment and computers; fire-extinguishing apparatus; radios; televisions; electrical and electronic apparatus for use in the reception of satellite, terrestrial or cable broadcasts; video recorders; tape recorders; cassette players; record players; juke boxes; CD players; CD-ROM players; DVD players; DVD recorders; MP3 players; MP3 readers; audio and/or video file recorders and/or players; magnetic data carriers; recording discs; magnetic tapes for recording and reproducing sound or vision; audio recordings; video recordings; audio and video recordings; motion picture films; animated cartoons; photographic transparencies and photographic and cinematographic films prepared for exhibition purposes; CDs, DVDs, CD ROMs; cassettes; video

cassettes; gramophone and phonographic records; downloadable audio and video recordings; downloadable ring tones, music, MP3s, graphics, games and video images for wireless mobile communication devices; screen savers; downloadable electronic publications; remote control apparatus; cameras, video cameras; cases for photographic apparatus and instruments; camera film; digital photo frames; anti-dazzle shades, glasses and visors; binoculars; prescription and non-prescription eye glasses, spectacles and sunglasses and cases, chains, cords and frames therefor; containers for contact lenses; optical goods; holograms; compasses and barometers; bells; calculating machines; computers; portable computers; computer hardware and parts and fittings therefor; computer peripherals; mouse mats; wrist pads; computer mice; keyboard and screen covers; customised computer disks and CD-ROMs; computer software; computer programs; computer games programs; pre-recorded games on CD, software and any other recording media; downloadable computer software; electronic storage media; memory cards; customised storage boxes for electronic storage media, CDs, DVDs and disks; games for video game machines; home video game machines and amusement apparatus all for use with television receivers; telephones; mobile telephones; parts and accessories for mobile telephones; mobile telephone covers; mobile telephone cases; telephone answering apparatus, telephone recorders and telephones incorporating facsimile machines; smart cards; telephone cards; encrypted smart cards; encoded smart cards; encrypted telephone cards; encoded telephone cards; encrypted cards; encoded cards; magnetic identity cards; PDAs (personal digital assistants); time recording apparatus; magnets; magnifying glasses; measures and measuring instruments; mechanical signs; neon signs; sockets; plugs and switches; ticket dispensers; vehicle breakdown warning apparatus; parts and fittings for all of the aforesaid goods.

25 – Articles of outer clothing; articles of sports clothing; leisurewear; articles of underclothing; lingerie; hosiery; footwear being articles of clothing; headgear (for wear); shirts; boots; underwear; coats; overalls; collar protectors and collars; ear muffs; football boots and shoes; fittings of metal for boots and shoes; shorts; T-shirts; socks; sweaters; caps; hats; scarves; jackets; dressing gowns; pyjamas; sandals; slippers; footwear; boxer shorts; beach clothes and shoes; baby boots; diapers and bibs; romper suits; baby pants and sleep suits; dungarees; braces; belts and berets; wrist bands; track suits; ties; cravats; aprons; bathrobes; bathing caps and suits; bathing trunks; galoshes; garters; gloves and mittens; headbands; jerseys; jumpers and knitwear; leggings; clothes linings; parkas; shawls; singlets; skirts; vests; visors; waistcoats; waterproof clothing.

35 – Advertising; business management; business administration; office functions; advertising via the Internet; provision of advertising space; provision of space on web sites for advertising goods and services; organisation, arrangement and conducting of exhibitions, events and conferences for commercial or advertising purposes; organisation of private draws for promotional and advertising purposes; operation and supervision of membership schemes; promotional activities relating to loyalty award schemes, incentive award schemes and frequent buyer programmes; organisation, operation and supervision of incentive and loyalty schemes and frequent buyer programmes; retail services connected with the sale of bleaching preparations and other substances for laundry use, cleaning, polishing, scouring and abrasive preparations, soaps, perfumery, essential oils, cosmetics, hair lotions, dentifrices, toilet waters, after-shave lotions, eau de cologne, flower oils and scented waters, flower perfumes, antiperspirants, deodorants for personal use, deodorant soaps for body and feet, incense, bath salts and preparations, bath oils, bath foams, shower gels, medicated soaps, non-medicated toilet preparations, toiletries, talcum powders, hair care preparations, shampoos, hair conditioners, hair dyes and hair sprays, depilatory preparations, shaving preparations, skin care preparations, oils, creams, lotions, gels and powders for the skin, make-up and make-up removing preparations, cosmetic kits, cosmetic dyes, cosmetic body paint, eyebrow cosmetics and preparations, lipsticks, nail polish and nail preparations, cosmetic pencils, cotton wool for cosmetic purposes, transfers (decorative) for cosmetic purposes, sun tanning preparations, toothpaste, mouth washes, detergents, fabric softeners, air fresheners consisting of perfume products, potpourris, boot cream, boot polish, creams for leather, car cleaning preparations, windscreen cleaning liquids, industrial oils and greases, lubricants, dust absorbing, wetting and binding compositions, fuels (including motor spirit) and illuminants, candles and wicks for lighting, pharmaceutical and veterinary preparations, sanitary preparations for medical purposes, dietetic substances adapted for medical use, food for babies, plasters, materials for dressings, material for stopping teeth, dental wax, disinfectants, preparations for destroying vermin, fungicides, herbicides, vitamins, food supplements, common metals and their alloys, metal building materials, transportable buildings of metal, materials of metal for railway tracks, non-electric cables and wires of common metal, ironmongery, small items of metal hardware, pipes and tubes of metal, safes, goods of common metal, ores, badges, vehicle badges, signs, plaques, number plates, ornaments, figurines, statues and statuettes, works of art, money boxes, trophies, bronzes, keys, key blanks key rings and key chains, locks, machines

and machine tools, motors and engines, machine coupling and transmission components, agricultural implements other than hand-operated, incubators for eggs, hand tools and implements (hand-operated), cutlery, side arms, razors, razor blades, shavers, shaving cases, manicure and pedicure implements and sets, scissors, penknives, scientific, nautical, surveying, photographic, cinematographic, optical, weighing, measuring, signalling, checking (supervision), life-saving and teaching apparatus and instruments, apparatus and instruments for conducting, switching, transforming, accumulating, regulating or controlling electricity, apparatus for recording, transmission or reproduction of sound or images, magnetic data carriers, recording discs, automatic vending machines and mechanisms for coin-operated apparatus, cash registers, calculating machines, data processing equipment and computers, fire-extinguishing apparatus, radios, televisions, electrical and electronic apparatus for use in the reception of satellite, terrestrial or cable broadcasts, video recorders, tape recorders, cassette players, record players, juke boxes, CD players, CD-ROM players, DVD players, DVD recorders, MP3 players, MP3 readers, audio and/or video file recorders and/or players, magnetic data carriers, recording discs, magnetic tapes for recording and reproducing sound or vision, audio recordings, video recordings, audio and video recordings, motion picture films, animated cartoons, photographic transparencies and photographic and cinematographic films prepared for exhibition purposes, CDs, DVDs, CD ROMs, cassettes, video cassettes, gramophone and phonographic records, downloadable audio and video recordings, downloadable ring tones, music, MP3s, graphics, games and video images for wireless mobile communication devices, screen savers, downloadable electronic publications, remote control apparatus, cameras, video cameras, cases for photographic apparatus and instruments, camera film, digital photo frames, anti-dazzle shades, glasses and visors, binoculars, prescription and non-prescription eye glasses, spectacles and sunglasses and cases, chains, cords and frames therefor, containers for contact lenses, optical goods, holograms, compasses and barometers, bells, calculating machines, computers, portable computers, computer hardware and parts and fittings therefor, computer peripherals, mouse mats, wrist pads, computer mice, keyboard and screen covers, customised computer disks and CD-ROMs, computer software, computer programs, computer games programs, pre-recorded games on CD, software and any other recording media, downloadable computer software, electronic storage media, memory cards, customised storage boxes for electronic storage media, CDs, DVDs and disks, games for video game machines, home video game machines and amusement apparatus all for use with

television receivers, telephones, mobile telephones, parts and accessories for mobile telephones, mobile telephone covers, mobile telephone cases, telephone answering apparatus, telephone recorders and telephones incorporating facsimile machines, smart cards, telephone cards, encrypted smart cards, encoded smart cards, encrypted telephone cards, encoded telephone cards, encrypted cards, encoded cards, magnetic identity cards, PDAs (personal digital assistants), time recording apparatus, magnets, magnifying glasses, measures and measuring instruments, mechanical signs, neon signs, sockets, plugs and switches, ticket dispensers, vehicle breakdown warning apparatus, surgical, medical, dental and veterinary apparatus and instruments, artificial limbs, eyes and teeth, orthopedic articles, suture materials, apparatus for lighting, heating, steam generating, cooking, refrigerating, drying, ventilating, water supply and sanitary purposes, apparatus and equipment for cooling, sterilizing, air-conditioning, air freshening, air purifying, water purifying, electric toasters and casseroles, lights, electric Christmas tree lights, light fittings, luminaires, lamps, lampshades, lampshade holders, light diffusers, electric torches, pocket torches, torches for lighting, electric kettles, electric coffee-making machines, electric tea-making machines, coffee roasting machines, cookers, electric pressure cookers, roasting apparatus, deep fryers, electric fryers, toasters, grills, ovens, microwave ovens, kitchen ranges, hairdryers, electric clothes dryers, refrigerators, freezers, electric cool boxes, ice machines, bathroom fixture and/or installations, bathroom ware, sanitary fixtures and/or installations, sanitary ware, laundry dryers, tumble dryers, dehumidifiers, demisters, drinking fountains, drinking water filters, vehicles, apparatus for locomotion by land, air or water, parts and fittings for vehicles, land vehicles and motor land vehicles and parts, components and fittings therefor, bicycles, cycles, tricycles and velocipedes and parts, components and fittings therefor, alarms for vehicles, bells for bicycles, bells for cycles, bells for tricycles, bells for velocipedes, carriers for bicycles, carriers for cycles, carriers for luggage, carriers for sailboards, carriers for surfboards, carriers for skis, carriers for tricycles, carriers for velocipedes, buggies, canoes, golf bag trolleys, golf carts, oars, paddles, parachutes, parachuting apparatus, perambulators, pushchairs, strollers, pumps for inflating tyres, roof bars, boxes, cases, linings, racks, all for vehicles, seat covers and/or shaped covers for vehicles, sledges, tyres, upholstery for vehicles, visors (strips) for vehicle screens, wheelbarrows, wheelchairs, wheeled carriers, precious metals and their alloys and goods in precious metals or coated therewith, jewellery, precious stones, horological and chronometric instruments, watches and clocks, badges and bars for use with jewellery, earrings, keys and key rings,

key blanks and key chains, trinkets and fobs, pins and pendants, jewellery charms, cases and boxes, buckles, busts and statues, candle sticks and candle extinguishers, cigar and cigarette holders, flasks and goblets, hat and shoe ornaments, matchboxes and match holders, works of art, napkin holders and napkin rings, tankards, urns and vases, nutcrackers, salt cellars and salt shakers, tie pins and clips, cuff links, coins and copper tokens, costume jewellery, silver ornaments, objects of imitation gold, medals, watch straps, musical instruments, paper, cardboard and goods made from these materials, printed matter, bookbinding material, photographs, stationery, adhesives for stationery or household purposes, artists' materials, paint brushes, typewriters and office requisites, instructional and teaching material, plastic materials for packaging, printers' type, printing blocks, newspapers, magazines, periodical publications, books, programme binders, manuals, writing or drawing books and pads, playing cards, cards, birthday cards, greeting cards, postcards, tickets, timetables, note pads and note books, photo engravings, albums, photograph albums, address books, cheque book holders, almanacs, holders, cases and boxes for pens, blotters and jotters, pens and pencils, pencil and pen holders, wooden pen sets, erasers and erasing products, pencil sharpeners, rulers, booklets, book markers and book ends, posters, letter trays, calendars, paper weights and paper clips, gift bags and bags for packaging, gift wrap, gift tags and packaging paper, envelopes, folders, labels, seals, blackboards and scrap books, height charts and charts, carrier bags and garbage bags, prints and pictures, ink and ink wells, paper knives, poster magazines, signs and advertisement boards, tapes and dispensers, diaries, hat boxes, pads of paper, stickers and stencils, beer mats, coasters, catalogues, decalcomanias, confetti, transfers and diagrams, drawing instruments and materials, paint boxes and brushes, patterns and embroidery design, engravings and etchings, paper towels and handkerchiefs, flags, toilet paper, maps, place mats, graphic prints, representations and reproductions, lithographs and lithographic works of art, portraits, table cloths and napkins, prints, poster magazines, leather and imitations of leather, and goods made of these materials, animal skins, hides, trunks and travelling bags, umbrellas, parasols and walking sticks, whips, harness and saddlery, suitcases, school bags and satchels, back packs and beach bags, umbrella covers, duffel bags, boot bags, holdalls, wallets, bags, cases, key cases, purses, boxes, pouches, credit card holders, cheque book holders, walking canes, attaché cases and brief cases, bands and straps of leather, leather shoe and boot linings, collars and covers for animals, leather trimmings, laces, leads and leashes, furniture, mirrors, picture frames, goods of wood, cork, reed, cane, wicker, horn, bone, ivory, whalebone,

shell, amber, mother-of-pearl, meerscham and substitutes for all these materials, or of plastics, key rings, locks, plaques, mirrors, headboards being furniture, works of art of wood, wax, plaster or plastic, sleeping bags for camping, baskets, bins, display stands and boards, sign boards, placards, decorative wall plaques, bottle caps and casings, bottle racks, corks for bottles, containers, casks, chests, cases and boxes, busts, chairs, tables, closures for containers, clothes hooks, pegs and pins, coat hangers, hat and coat stands, cots and cradles, playpens, cupboards, curtain tie backs, pillows and cushions, sofas and settees, deck chairs, decorations for foodstuffs, divans, dog kennels, mobiles, stools, trays, drinking straws, statues and figurines, fire screens, knife handles, house numbers, jewellery cases and caskets, key boards for hanging keys, magazine racks, name plates and number plates, plugs and stoppers, wickerwork, statuettes, model stadia, household or kitchen utensils and containers, combs and sponges, brushes, brush-making materials, articles for cleaning purposes, steelwool, unworked or semi-worked glass, glassware, porcelain and earthenware, domestic utensils and containers, chinaware, pottery, comb cases, drinking glasses, half-pint glasses, pint glasses, mugs, whisky glasses, wine glasses, champagne flutes, glass tumblers, glass whisky tumblers, brooms, money boxes, toothbrushes and toothbrush holders, articles for cleaning purposes, baskets, beer mugs, heated insulated containers for beverages, bins, bottle openers, ironing boards, bottles, plastic sports bottles, balls, boxes, bread and cutting boards, trays, dishes, vanity cases, soap boxes and holders, spice sets, squeezers, glass stoppers, strainers, picnic baskets, pie servers, non-metal watering cans, piggy banks, pictures, polishing materials, pots, powder compacts and puffs, rolling pins, scoops and siphons, drinking vessels and flasks, dustbins, cocktail shakers, napkin holders and rings, paper plates, toothpick holders and toothpicks, tankards, tea caddies and tea services, tea pots, egg cups and egg timers, enamelled glass, flowers pots, gloves for household purposes, ice buckets and ice cube moulds, jugs and kettles, menu card holders, shaving brushes and shaving brush stands and holders, shoe horns, shoe brushes and shoe trees, vases, candy boxes, ceramics for household purposes, chamois leather for cleaning, coasters, coffee services and coffee pots, cooking pots and utensils, cork screws and coolers, crockery, cups, decanters, sign boards, perfume sprayers and burners, salad bowls, salt cellars and shakers, tableware, table utensils, toilet utensils, works of art of porcelain, earthenware, china, terracotta or glass, buckets, gifts of china, earthenware, porcelain, terracotta, pewter ware or glass, butter dishes and covers, button hooks, candle sticks and candle extinguishers, cages for household pets, moulds, customised storage boxes,

ropes, string, nets, tents, awnings, tarpaulins, sails, sacks and bags, padding and stuffing materials, raw fibrous textile materials, bags for the storage of tents, bivouac bags, canvas structures, clothes lines, cords made of plastics materials and/or textile, covers for ponds, covers for swimming pools, eiderdown, fabric in the form of a canopy cover, fabric roofed structures, feathers for bedding and/or stuffing upholstery, fillings for duvets, pillows, quilts, upholstered pillows, flexible sack-like containers, fly sheets, garden nets, groundsheets, hammocks, marquees, nets for leaves, nets for protective use in gardening, nets for shading, nets for windbreak purposes, netting made from acrylic, outdoor sun screens made of textile, padding made of non-woven fabrics, padding materials made of fibrous material, retractable covers, rope ladders, ropes, ropes for mountaineering, ropes for tents, screens for protection against the wind, shelters made from canvas, plastic or nylon, emergency and standby shelters, twine, vehicle covers, wadding materials, washing lines, waterproof coverings for camping, yarns and threads, for textile use, textiles and textile goods, bed and table covers, curtains, towels, flannels, banners, flags, beach towels, valances, sheets, duvet covers, bath and bed linen, table and household linen, bed blankets, cloths and covers, bed spreads, bunting, coasters, covers for furniture, eiderdowns, handkerchiefs, labels, mats, mattress covers, fabrics, pillow cases and pillow shams, quilts, rugs, runners, napkins and serviettes, sleeping bags, table cloths, wall hangings, clothing, footwear, headgear, articles of outer clothing, articles of sports clothing, leisurewear, articles of underclothing, lingerie, hosiery, shirts, boots, underwear, coats, overalls, collar protectors and collars, ear muffs, football boots and shoes, fittings of metal for boots and shoes, shorts, T-shirts, socks, sweaters, caps, hats, scarves, jackets, dressing gowns, pyjamas, sandals, slippers, footwear, boxer shorts, beach clothes and shoes, baby boots, diapers and bibs, romper suits, baby pants and sleep suits, dungarees, braces, belts and berets, wrist bands, track suits, ties, cravats, aprons, bathrobes, bathing caps and suits, bathing trunks, galoshes, garters, gloves and mittens, headbands, jerseys, jumpers and knitwear, leggings, clothes linings, parkas, shawls, singlets, skirts, vests, visors, waistcoats, waterproof clothing, belts, lace and embroidery, ribbons and braid, buttons, hooks and eyes, pins and needles, artificial flowers, badges, rosettes, patches, hairbands and slides, belt clasps, sewing baskets, clothing fasteners and shoe fasteners, needle and pin cushions, hair grips, hair and shoe ornaments, sewing thimbles, hat ornaments, shoe laces, numerals or letters for marking linen, hairnets, brooches and buckles, edging for clothing, competitor numbers, cords, tea cosies, expanding bands for holding sleeves, fancy goods, frills and fringes, reins for guiding children, tassels,

mini football kits, mini shorts, mini shirts, mini jerseys, carpets, rugs, mats and matting, linoleum and other materials for covering existing floors, wall hangings (non-textile), wallpaper, games and playthings, gymnastic and sporting articles, decorations for Christmas trees, toys, party novelty hats, shinguards, gloves for games, balloons, balls, playing balls, footballs, teddy bears, playing cards, Christmas crackers, synthetic Christmas trees and stands, cups for dice, darts, dice, dolls and dolls' clothes, dolls' beds, dolls' houses and rooms, tables for indoor football, golf bags and gloves, jokes and novelties, spinning tops, kites, knee guards and protective padding, marbles, marionettes and puppets, skis, slides, surfboards, skateboards, snowboards, skittles, sleighs, masks, mobiles, rattles, roller skates, in-line skates, bodybuilding apparatus, exercise apparatus, meat, fish, poultry and game, meat extracts, preserved, frozen, dried and cooked fruits and vegetables, jellies, jams, compotes, eggs, milk and milk products, edible oils and fats, prepared meals, meat products, fruit sauces, products made from bacon, preserved beans, dairy products, cocoa butter and peanut butter, fruit and vegetable chips and crisps, croquettes, crystallised fruits, preserved fruits, edible bird's nests, fish and fish products, frosted and frozen fruits, fruit jellies and fruit peel and fruit products, game and game products, preserved and conserved jams and marmalades, jellies for food, margarine, processed peanuts, piccalilli and pickles, poultry and poultry products, raisins, fruit salads, sausages, tomato purée, vegetable juices and soups and preparations, coffee, tea, cocoa, sugar, rice, tapioca, sago, artificial coffee, flour and preparations made from cereals, bread, pastry and confectionery, ices, honey, treacle, yeast, baking-powder, salt, mustard, vinegar, sauces (condiments), spices, ice, chicory, all spices, barley and bean products, chocolate, cocoa-based and flavoured beverages, biscuits, bread buns and cakes, edible candy, chewing gum, Christmas tree confectionery, cocoa and coffee products, condiments, pop corn, breakfast cereals, ice cream and ice cream products, custard, cake decorations and edible ices, fondants, frozen yoghurt, gingerbread, golden syrup, honey and honey products, ketchup, liquorice and lozenges, macaroni and macarons, mayonnaise, pies, muesli and mustard, pancakes and pasta, pastries and pastry, pizzas, puddings, ravioli, relish, vermicelli and rice, bread, rusks and sandwiches, tomato sauce and other fruit and vegetable sauces, semolina, sherbets and sorbets, spaghetti, sugar products, tarts, waffles, agricultural, horticultural and forestry products and grains not included in other classes, live animals, fresh fruits and vegetables, seeds, natural plants and flowers, foodstuffs for animals, malt, beers, mineral and aerated waters and other non-alcoholic drinks, fruit drinks and fruit juices, syrups and other

preparations for making beverages, alcoholic beverages, spirits, wines, fortified wines, alcopops, brandy, champagne, cider, cognac, digestifs, gin, liqueurs, perry, port, rum, sherry, tequila, vermouth, vodka, aperitifs, cocktails, mixtures of wine and fruit flavourings, punch, lighters, matches; information, advisory and consultancy services in relation to all of the aforesaid.

36 – Insurance; financial affairs; monetary affairs; real estate affairs; provision of financial services; credit card services; charitable fund raising services; financial sponsorship services; life and health insurance and annuity services; charitable fundraising; organisation of collections; pension fund insurances; mortgage issuing and financial services; investment and investment management services; brokerage and share services; financial and insurance consultancy, information and management; debt collection agencies; safe deposit services; trusteeship; guarantees; fund investments; pension, insurance and mortgage investments; loans and financing services; unit trusts; deposit and cheque account services; issuing of travellers cheques; information, advisory and consultancy services relating to the aforesaid services.

38 – Broadcasting; broadcasting and transmission of radio and television programmes; data transmission and data broadcasting; cellular telephone communication services; cable, satellite and terrestrial broadcasting services; communications by fibre optic networks; broadcasting via the world wide web; broadcasting and transmission of text, messages, information, sound and images; transmission of radio and television programmes, text, messages, information, sound and images via communication and computer networks; computer aided transmission of information, texts, sounds, messages, images, data and radio television programmes; broadcasting and transmission of digital information by means of cable, wire or fibre; receiving and exchanging of information, text, sounds, images, data and messages; electronic mail services; interactive video text services; news information and news agency services; message sending; communications by and/or between computers and computer terminals and computer networks; communications for access to databases and computer networks; communication services for access to information, sound, images, text and data via communication and computer networks; gateway services for access to a communications or computer network; retrieval, provision and display of information from a computer stored databank; electronic display of information, text, images, messages and data; on-line communication services; information, consultancy and advisory services in relation to the aforesaid services.

41 – Education; providing of training; entertainment; sporting and cultural activities;

organisation of sporting events; provision of entertainment, training, recreational, sporting and cultural activities and facilities; instruction and educational services; football coaching, football schools and schooling; arranging and conducting of education and training in relation to football; arranging, conducting and provision of football instructional courses; sporting management services for footballers; football entertainment services; physical education; fitness training services; provision of practical training and demonstrations; sport and holiday camp services (in the nature of entertainment); rental of sporting equipment; practical training and demonstrations; arranging, organising and conducting of conferences, workshops, seminars, conventions, events and exhibitions; arranging, organising and conducting of games, contests and competitions; hospitality services (entertainment); lotteries; gaming services; arranging, organising and conducting of award ceremonies; provision of museum facilities; provision of stadium facilities and services; rental of stadium facilities; club services; health club services; provision of information relating to football; fan club services; membership scheme services; booking and ticketing services for sports, entertainment, cultural and educational events; information and/or education services relating to Manchester United Football Club; entertainment, training, recreational, and sporting information services provided via the Internet and other communications networks; education and entertainment services provided by means of radio, television, telephony, the Internet and on-line databases; entertainment and educational services featuring electronic media, multimedia content, audio and video content, movies, pictures, photographs, graphics, images, text and related information provided via the Internet and other communications networks; film production; production of video recordings, sound recordings, DVDs, CDs, CD-ROMs, video and audio tapes; production of television and radio programmes; production of sporting events for television and radio; publication of magazines, books, texts and printed matter; publishing by electronic means; providing online electronic publications (not downloadable); provision of television programmes, radio programmes, films, audio and/or visual material and games online (not downloadable); provision of news online; information relating to sport and entertainment provided online from a computer database or the Internet; information, advisory and consultancy services relating to all of the aforesaid services; operation of lotteries.

(260) AM 2013 67110 A

(800) 1047333

(731) MANCHESTER UNITED LIMITED

Sir Matt Busby Way Old Trafford,
Manchester M16 0RA, United
Kingdom

(540)



(591) Black, white

(511)

3 – Bleaching preparations and other substances for laundry use; cleaning, polishing, scouring and abrasive preparations; soaps; perfumery, essential oils, cosmetics, hair lotions; dentifrices; toilet waters; after-shave lotions; eau de cologne; flower oils and scented waters; flower perfumes; antiperspirants; deodorants for personal use; deodorant soaps for body and feet; incense; bath salts and preparations; bath oils; bath foams; shower gels; medicated soaps; non-medicated toilet preparations; toiletries; talcum powders; hair care preparations; shampoos; hair conditioners; hair dyes and hair sprays; depilatory preparations; shaving preparations; skin care preparations; oils, creams, lotions, gels and powders for the skin; make-up and make-up removing preparations; cosmetic kits; cosmetic dyes; cosmetic body paint; eyebrow cosmetics and preparations; lipsticks; nail polish and nail preparations; cosmetic pencils; cotton wool for cosmetic purposes; transfers (decorative) for cosmetic purposes; sun tanning preparations; toothpaste; mouth washes; detergents; fabric softeners; potpourris; boot cream; boot polish; creams for leather; car cleaning preparations; windscreen cleaning liquids.

5 – Air fresheners consisting of perfume products.

9 – Scientific, nautical, surveying, photographic, cinematographic, optical, weighing, measuring, signalling, checking (supervision), life-saving and teaching apparatus and instruments; apparatus and instruments for conducting, switching, transforming, accumulating, regulating or controlling electricity; apparatus for recording, transmission or reproduction of sound or images; magnetic data carriers, recording discs; automatic vending machines and mechanisms for coin-operated apparatus; cash registers, calculating machines, data processing equipment and computers; fire-extinguishing apparatus; radios; televisions; electrical and electronic apparatus for use in the reception of satellite, terrestrial or cable broadcasts; video recorders; tape recorders; cassette players; record players; juke boxes; CD players; CD-ROM players; DVD players; DVD recorders; MP3 players; MP3 readers; audio and/or video file recorders and/or players; magnetic data carriers; recording discs; magnetic tapes for recording and reproducing sound or vision; audio recordings; video recordings; audio and video recordings; motion picture films; animated cartoons;

photographic transparencies and photographic and cinematographic films prepared for exhibition purposes; CDs, DVDs, CD ROMs; cassettes; video cassettes; gramophone and phonographic records; downloadable audio and video recordings; downloadable ring tones, music, MP3s, graphics, games and video images for wireless mobile communication devices; screen savers; downloadable electronic publications; remote control apparatus; cameras, video cameras; cases for photographic apparatus and instruments; camera film; digital photo frames; anti-dazzle shades, glasses and visors; binoculars; prescription and non-prescription eye glasses, spectacles and sunglasses and cases, chains, cords and frames therefor; containers for contact lenses; optical goods; holograms; compasses and barometers; bells; calculating machines; computers; portable computers; computer hardware and parts and fittings therefor; computer peripherals; mouse mats; wrist pads; computer mice; keyboard and screen covers; customised computer disks and CD-ROMs; computer software; computer programs; computer games programs; pre-recorded games on CD, software and any other recording media; downloadable computer software; electronic storage media; memory cards; customised storage boxes for electronic storage media, CDs, DVDs and disks; games for video game machines; home video game machines and amusement apparatus all for use with television receivers; telephones; mobile telephones; parts and accessories for mobile telephones; mobile telephone covers; mobile telephone cases; telephone answering apparatus, telephone recorders and telephones incorporating facsimile machines; smart cards; telephone cards; encrypted smart cards; encoded smart cards; encrypted telephone cards; encoded telephone cards; encrypted cards; encoded cards; magnetic identity cards; PDAs (personal digital assistants); time recording apparatus; magnets; magnifying glasses; measures and measuring instruments; mechanical signs; neon signs; sockets; plugs and switches; ticket dispensers; vehicle breakdown warning apparatus; parts and fittings for all of the aforesaid goods.

25 – Articles of outer clothing; articles of sports clothing; leisurewear; articles of underclothing; lingerie; hosiery; footwear being articles of clothing; headgear (for wear); shirts; boots; underwear; coats; overalls; collar protectors and collars; ear muffs; football boots and shoes; fittings of metal for boots and shoes; shorts; T-shirts; socks; sweaters; caps; hats; scarves; jackets; dressing gowns; pyjamas; sandals; slippers; footwear; boxer shorts; beach clothes and shoes; baby boots; diapers and bibs; romper suits; baby pants and sleep suits; dungarees; braces; belts and berets; wrist bands; track suits; ties; cravats; aprons; bathrobes; bathing caps and suits; bathing trunks; galoshes; garters; gloves and mittens; headbands; jerseys; jumpers

and knitwear; leggings; clothes linings; parkas; shawls; singlets; skirts; vests; visors; waistcoats; waterproof clothing; belts.

35 – Advertising; business management; business administration; office functions; advertising via the Internet; provision of advertising space; provision of space on web sites for advertising goods and services; organisation, arrangement and conducting of exhibitions, events and conferences for commercial or advertising purposes; organisation of private draws for promotional and advertising purposes; operation and supervision of membership schemes; promotional activities relating to loyalty award schemes, incentive award schemes and frequent buyer programmes; organisation, operation and supervision of incentive and loyalty schemes and frequent buyer programmes; retail services connected with the sale of bleaching preparations and other substances for laundry use, cleaning, polishing, scouring and abrasive preparations, soaps, perfumery, essential oils, cosmetics, hair lotions, dentifrices, toilet waters, after-shave lotions, eau de cologne, flower oils and scented waters, flower perfumes, antiperspirants, deodorants for personal use, deodorant soaps for body and feet, incense, bath salts and preparations, bath oils, bath foams, shower gels, medicated soaps, non-medicated toilet preparations, toiletries, talcum powders, hair care preparations, shampoos, hair conditioners, hair dyes and hair sprays, depilatory preparations, shaving preparations, skin care preparations, oils, creams, lotions, gels and powders for the skin, make-up and make-up removing preparations, cosmetic kits, cosmetic dyes, cosmetic body paint, eyebrow cosmetics and preparations, lipsticks, nail polish and nail preparations, cosmetic pencils, cotton wool for cosmetic purposes, transfers (decorative) for cosmetic purposes, sun tanning preparations, toothpaste, mouth washes, detergents, fabric softeners, air fresheners consisting of perfume products, potpourris, boot cream, boot polish, creams for leather, car cleaning preparations, windscreen cleaning liquids, industrial oils and greases, lubricants, dust absorbing, wetting and binding compositions, fuels (including motor spirit) and illuminants, candles and wicks for lighting, pharmaceutical and veterinary preparations, sanitary preparations for medical purposes, dietetic substances adapted for medical use, food for babies, plasters, materials for dressings, material for stopping teeth, dental wax, disinfectants, preparations for destroying vermin, fungicides, herbicides, vitamins, food supplements, common metals and their alloys, metal building materials, transportable buildings of metal, materials of metal for railway tracks, non-electric cables and wires of common metal, ironmongery, small items of metal hardware, pipes and tubes of metal, safes, goods of common metal, ores, badges, vehicle badges, signs, plaques, number plates, orna-

ments, figurines, statues and statuettes, works of art, money boxes, trophies, bronzes, keys, key blanks, key rings and key chains, locks, machines and machine tools, motors and engines, machine coupling and transmission components, agricultural implements other than hand-operated, incubators for eggs, hand tools and implements (hand-operated), cutlery, side arms, razors, razor blades, shavers, shaving cases, manicure and pedicure implements and sets, scissors, penknives, scientific, nautical, surveying, photographic, cinematographic, optical, weighing, measuring, signalling, checking (supervision), life-saving and teaching apparatus and instruments, apparatus and instruments for conducting, switching, transforming, accumulating, regulating or controlling electricity, apparatus for recording, transmission or reproduction of sound or images, magnetic data carriers, recording discs, automatic vending machines and mechanisms for coin-operated apparatus, cash registers, calculating machines, data processing equipment and computers, fire-extinguishing apparatus, radios, televisions, electrical and electronic apparatus for use in the reception of satellite, terrestrial or cable broadcasts, video recorders, tape recorders, cassette players, record players, juke boxes, CD players, CD-ROM players, DVD players, DVD recorders, MP3 players, MP3 readers, audio and/or video file recorders and/or players, magnetic tapes for recording and reproducing sound or vision, audio recordings, video recordings, audio and video recordings, motion picture films, animated cartoons, photographic transparencies and photographic and cinematographic films prepared for exhibition purposes, CDs, DVDs, CD ROMs, cassettes, video cassettes, gramophone and phonographic records, downloadable audio and video recordings, downloadable ring tones, music, MP3s, graphics, games and video images for wireless mobile communication devices, screen savers, downloadable electronic publications, remote control apparatus, cameras, video cameras, cases for photographic apparatus and instruments, camera film, digital photo frames, anti-dazzle shades, glasses and visors, binoculars, prescription and non-prescription eye glasses, spectacles and sunglasses and cases, chains, cords and frames therefor, containers for contact lenses, optical goods, holograms, compasses and barometers, bells, calculating machines, computers, portable computers, computer hardware and parts and fittings therefor, computer peripherals, mouse mats, wrist pads, computer mice, keyboard and screen covers, customised computer disks and CD-ROMs, computer software, computer programs, computer games programs, pre-recorded games on CD, software and any other recording media, downloadable computer software, electronic storage media, memory cards, customised storage boxes for electronic storage media, CDs, DVDs and disks, games for video game

machines, home video game machines and amusement apparatus all for use with television receivers, telephones, mobile telephones, parts and accessories for mobile telephones, mobile telephone covers, mobile telephone cases, telephone answering apparatus, telephone recorders and telephones incorporating facsimile machines, smart cards, telephone cards, encrypted smart cards, encoded smart cards, encrypted telephone cards, encoded telephone cards, encrypted cards, encoded cards, magnetic identity cards, PDAs (personal digital assistants), time recording apparatus, magnets, magnifying glasses, measures and measuring instruments, mechanical signs, neon signs, sockets, plugs and switches, ticket dispensers, vehicle breakdown warning apparatus, surgical, medical, dental and veterinary apparatus and instruments, artificial limbs, eyes and teeth, orthopedic articles, suture materials, apparatus for lighting, heating, steam generating, cooking, refrigerating, drying, ventilating, water supply and sanitary purposes, apparatus and equipment for cooling, sterilizing, air-conditioning, air freshening, air purifying, water purifying, electric toasters and casseroles, lights, electric Christmas tree lights, light fittings, luminaires, lamps, lampshades, lampshade holders, light diffusers, electric torches, pocket torches, torches for lighting, electric kettles, electric coffee-making machines, electric tea-making machines, coffee roasting machines, cookers, electric pressure cookers, roasting apparatus, deep fryers, electric fryers, toasters, grills, ovens, microwave ovens, kitchen ranges, hairdryers, electric clothes dryers, refrigerators, freezers, electric cool boxes, ice machines, bathroom fixture and/or installations, bathroom ware, sanitary fixtures and/or installations, sanitary ware, laundry dryers, tumble dryers, dehumidifiers, demisters, drinking fountains, drinking water filters, vehicles, apparatus for locomotion by land, air or water, parts and fittings for vehicles, land vehicles and motor land vehicles and parts, components and fittings therefor, bicycles, cycles, tricycles and velocipedes and parts, components and fittings therefor, alarms for vehicles, bells for bicycles, bells for cycles, bells for tricycles, bells for velocipedes, carriers for bicycles, carriers for cycles, carriers for luggage, carriers for sailboards, carriers for surfboards, carriers for skis, carriers for tricycles, carriers for velocipedes, buggies, canoes, golf bag trolleys, golf carts, oars, paddles, parachutes, parachuting apparatus, perambulators, pushchairs, strollers, pumps for inflating tyres, roof bars, boxes, cases, linings, racks, all for vehicles, seat covers and/or shaped covers for vehicles, sledges, tyres, upholstery for vehicles, visors (strips) for vehicle screens, wheelbarrows, wheelchairs, wheeled carriers, precious metals and their alloys and goods in precious metals or coated therewith, jewellery, precious stones, horological and chronometric instru-

ments, watches and clocks, badges and bars for use with jewellery, earrings, keys and key rings, key blanks and key chains, trinkets and fobs, pins and pendants, jewellery charms, cases and boxes, buckles, busts and statues, candle sticks and candle extinguishers, cigar and cigarette holders, flasks and goblets, hat and shoe ornaments, matchboxes and match holders, works of art, napkin holders and napkin rings, tankards, urns and vases, nutcrackers, salt cellars and salt shakers, tie pins and clips, cuff links, coins and copper tokens, costume jewellery, silver ornaments, objects of imitation gold, medals, watch straps, musical instruments, paper, cardboard and goods made from these materials, printed matter, bookbinding material, photographs, stationery, adhesives for stationery or household purposes, artists' materials, paint brushes, typewriters and office requisites, instructional and teaching material, plastic materials for packaging, printers' type, printing blocks, newspapers, magazines, periodical publications, books, programme binders, manuals, writing or drawing books and pads, playing cards, cards, birthday cards, greeting cards, postcards, tickets, timetables, note pads and note books, photo engravings, albums, photograph albums, address books, cheque book holders, almanacs, holders, cases and boxes for pens, blotters and jotters, pens and pencils, pencil and pen holders, wooden pen sets, erasers and erasing products, pencil sharpeners, rulers, booklets, book markers and book ends, posters, letter trays, calendars, paper weights and paper clips, gift bags and bags for packaging, gift wrap, gift tags and packaging paper, envelopes, folders, labels, seals, blackboards and scrap books, height charts and charts, carrier bags and garbage bags, prints and pictures, ink and ink wells, paper knives, poster magazines, signs and advertisement boards, tapes and dispensers, diaries, hat boxes, pads of paper, stickers and stencils, beer mats, coasters, catalogues, decalcomanias, confetti, transfers and diagrams, drawing instruments and materials, paint boxes and brushes, patterns and embroidery design, engravings and etchings, paper towels and handkerchiefs, flags, toilet paper, maps, place mats, graphic prints, representations and reproductions, lithographs and lithographic works of art, portraits, table cloths and napkins, prints, poster magazines, leather and imitations of leather, and goods made of these materials, animal skins, hides, trunks and travelling bags, umbrellas, parasols and walking sticks, whips, harness and saddlery, suitcases, school bags and satchels, back packs and beach bags, umbrella covers, duffel bags, boot bags, holdalls, wallets, bags, cases, key cases, purses, boxes, pouches, credit card holders, cheque book holders, walking canes, attaché cases and brief cases, bands and straps of leather, leather shoe and boot linings, collars and covers for animals, leather trimmings, laces, leads and leashes, furni-

ture, mirrors, picture frames, goods of wood, cork, reed, cane, wicker, horn, bone, ivory, whalebone, shell, amber, mother-of-pearl, meerschaum and substitutes for all these materials, or of plastics, key rings, locks, plaques, mirrors, headboards being furniture, works of art of wood, wax, plaster or plastic, sleeping bags for camping, baskets, bins, display stands and boards, sign boards, placards, decorative wall plaques, bottle caps and casings, bottle racks, corks for bottles, containers, casks, chests, cases and boxes, busts, chairs, tables, closures for containers, clothes hooks, pegs and pins, coat hangers, hat and coat stands, cots and cradles, playpens, cupboards, curtain tie backs, pillows and cushions, sofas and settees, deck chairs, decorations for foodstuffs, divans, dog kennels, mobiles, stools, trays, drinking straws, statues and figurines, fire screens, knife handles, house numbers, jewellery cases and caskets, key boards for hanging keys, magazine racks, name plates and number plates, plugs and stoppers, wickerwork, statuettes, model stadia, household or kitchen utensils and containers, combs and sponges, brushes, brush-making materials, articles for cleaning purposes, steelwool, unworked or semi-worked glass, glassware, porcelain and earthenware, domestic utensils and containers, chinaware, pottery, comb cases, drinking glasses, half-pint glasses, pint glasses, mugs, whisky glasses, wine glasses, champagne flutes, glass tumblers, glass whisky tumblers, brooms, money boxes, toothbrushes and toothbrush holders, articles for cleaning purposes, baskets, beer mugs, heated insulated containers for beverages, bins, bottle openers, ironing boards, bottles, plastic sports bottles, balls, boxes, bread and cutting boards, trays, dishes, vanity cases, soap boxes and holders, spice sets, squeezers, glass stoppers, strainers, picnic baskets, pie servers, non-metal watering cans, piggy banks, pictures polishing materials, pots, powder compacts and puffs, rolling pins, scoops and siphons, drinking vessels and flasks, dustbins, cocktail shakers, napkin holders and rings, paper plates, toothpick holders and toothpicks, tankards, tea caddies and tea services, tea pots, egg cups and egg timers, enamelled glass, flowers pots, gloves for household purposes, ice buckets and ice cube moulds, jugs and kettles, menu card holders, shaving brushes and shaving brush stands and holders, shoe horns, shoe brushes and shoe trees, vases, candy boxes, ceramics for household purposes, chamois leather for cleaning, coasters, coffee services and coffee pots, cooking pots and utensils, cork screws and coolers, crockery, cups, decanters, sign boards, perfume sprayers and burners, salad bowls, salt cellars and shakers, tableware, table utensils, toilet utensils, works of art of porcelain, earthenware, china, terracotta or glass, buckets, gifts of china, earthenware, porcelain, terracotta, pewter ware or glass, butter dishes and covers, button

hooks, candle sticks and candle extinguishers, cages for household pets, moulds, customised storage boxes, ropes, string, nets, tents, awnings, tarpaulins, sails, sacks and bags, padding and stuffing materials, raw fibrous textile materials, bags for the storage of tents, bivouac bags, canvas structures, clothes lines, cords made of plastics materials and/or textile, covers for ponds, covers for swimming pools, eiderdown, fabric in the form of a canopy cover, fabric roofed structures, feathers for bedding and/or stuffing upholstery, fillings for duvets, pillows, quilts, upholstered pillows, flexible sack-like containers, fly sheets, garden nets, groundsheets, hammocks, marquees, nets for leaves, nets for protective use in gardening, nets for shading, nets for windbreak purposes, netting made from acrylic, outdoor sun screens made of textile, padding made of non-woven fabrics, padding materials made of fibrous material, retractable covers, rope ladders, ropes, ropes for mountaineering, ropes for tents, screens for protection against the wind, shelters made from canvas, plastic or nylon, emergency and standby shelters, twine, vehicle covers, wadding materials, washing lines, waterproof coverings for camping, yarns and threads, for textile use, textiles and textile goods, bed and table covers, curtains, towels, flannels, banners, flags, beach towels, valances, sheets, duvet covers, bath and bed linen, table and household linen, bed blankets, cloths and covers, bed spreads, bunting, coasters, covers for furniture, eiderdowns, handkerchiefs, labels, mats, mattress covers, fabrics, pillow cases and pillow shams, quilts, rugs, runners, napkins and serviettes, sleeping bags, table cloths, wall hangings, clothing, footwear, headgear, articles of outer clothing, articles of sports clothing, leisurewear, articles of underclothing, lingerie, hosiery, shirts, boots, underwear, coats, overalls, collar protectors and collars, ear muffs, football boots and shoes, fittings of metal for boots and shoes, shorts, T-shirts, socks, sweaters, caps, hats, scarves, jackets, dressing gowns, pyjamas, sandals, slippers, footwear, boxer shorts, beach clothes and shoes, baby boots, diapers and bibs, romper suits, baby pants and sleep suits, dungarees, braces, belts and berets, wrist bands, track suits, ties, cravats, aprons, bathrobes, bathing caps and suits, bathing trunks, galoshes, garters, gloves and mittens, headbands, jerseys, jumpers and knitwear, leggings, clothes linings, parkas, shawls, singlets, skirts, vests, visors, waistcoats, waterproof clothing, belts, lace and embroidery, ribbons and braid, buttons, hooks and eyes, pins and needles, artificial flowers, badges, rosettes, patches, hairbands and slides, belt clasps, sewing baskets, clothing fasteners and shoe fasteners, needle and pin cushions, hair grips, hair and shoe ornaments, sewing thimbles, hat ornaments, shoe laces, numerals or letters for marking linen, hairnets, brooches and buckles, edging for clothing, compe-

titor numbers, cords, tea cosies, expanding bands for holding sleeves, fancy goods, frills and fringes, reins for guiding children, tassels, mini football kits, mini shorts, mini shirts, mini jerseys, carpets, rugs, mats and matting, linoleum and other materials for covering existing floors, wall hangings (non-textile), wallpaper, games and playthings, gymnastic and sporting articles, decorations for Christmas trees, toys, party novelty hats, shinguard, gloves for games, balloons, balls, playing balls, footballs, teddy bears, Christmas crackers, synthetic Christmas trees and stands, cups for dice, darts, dice, dolls and dolls' clothes, dolls' beds, dolls' houses and rooms, tables for indoor football, golf bags and gloves, jokes and novelties, spinning tops, kites, knee guards and protective padding, marbles, marionettes and puppets, skis, slides, surfboards, skateboards, snowboards, skittles, sleighs, masks, mobiles, rattles, roller skates, in-line skates, body-building apparatus, exercise apparatus, meat, fish, poultry and game, meat extracts, preserved, frozen, dried and cooked fruits and vegetables, jellies, jams, compotes, eggs, milk and milk products, edible oils and fats, prepared meals, meat products, fruit sauces, products made from bacon, preserved beans, dairy products, cocoa butter and peanut butter, fruit and vegetable chips and crisps, croquettes, crystallised fruits, preserved fruits, edible bird's nests, fish and fish products, frosted and frozen fruits, fruit jellies and fruit peel and fruit products, game and game products, preserved and conserved jams and marmalades, jellies for food, margarine, processed peanuts, piccalilli and pickles, poultry and poultry products, raisins, fruit salads, sausages, tomato purée, vegetable juices and soups and preparations, coffee, tea, cocoa, sugar, rice, tapioca, sago, artificial coffee, flour and preparations made from cereals, bread, pastry and confectionery, ices, honey, treacle, yeast, baking-powder, salt, mustard, vinegar, sauces (condiments), spices, ice, chicory, all spices, barley and bean products, chocolate, cocoa-based and flavoured beverages, biscuits, bread buns and cakes, edible candy, chewing gum, Christmas tree confectionery, cocoa and coffee products, condiments, pop corn, breakfast cereals, ice cream and ice cream products, custard, cake decorations and edible ices, fondants, frozen yoghurt, gingerbread, golden syrup, honey and honey products, ketchup, liquorice and lozenges, macaroni and macaroons, mayonnaise, pies, muesli and mustard, pancakes and pasta, pastries and pastry, pizzas, puddings, ravioli, relish, vermicelli and rice, bread, rusks and sandwiches, tomato sauce and other fruit and vegetable sauces, semolina, sherbets and sorbets, spaghetti, sugar products, tarts, waffles, agricultural, horticultural and forestry products and grains, live animals, fresh fruits and vegetables, seeds, natural plants and flowers, foodstuffs for animals, malt, beers, mineral and aerated waters

and other non-alcoholic drinks, fruit drinks and fruit juices, syrups and other preparations for making beverages, alcoholic beverages, spirits, wines, fortified wines, alcopops, brandy, champagne, cider, cognac, digestifs, gin, liqueurs, perry, port, rum, sherry, tequila, vermouth, vodka, aperitifs, cocktails, mixtures of wine and fruit flavourings, punch, lighters, matches; information, advisory and consultancy services in relation to all of the aforesaid.

38 – Telecommunications; broadcasting; broadcasting and transmission of radio and television programmes; data transmission and data broadcasting; cellular telephone communication services; cable, satellite and terrestrial broadcasting services; communications by fibre optic networks; broadcasting via the Internet and other computer and communication networks; webcasting services; broadcasting, transmission, reception and other dissemination of text, messages, information, data, sound and images; transmission of radio and television programmes, text, messages, information, data, sound and images via communication and computer networks; computer aided transmission of information, text, sounds, messages, images, data and radio television programmes; broadcasting and transmission of digital information by means of cable, wire or fibre; receiving and exchanging of information, text, sounds, images, data and messages; electronic mail services; interactive video text services; news information and news agency services; message sending; communications by and/or between computers and computer terminals and computer networks; communications for access to databases and computer networks; communication services for access to information, sound, images, text and data via communication and computer networks; gateway services for access to a communications or computer network; retrieval, provision and display of information from a computer stored databank; electronic display of information, text, images, messages and data; on line communication services; provision of discussion forums and chat room services; information, advisory and consultancy services relating to all of the aforesaid services.

41 – Education; providing of training; entertainment; sporting and cultural activities; organisation of sporting events; provision of entertainment, training, recreational, sporting and cultural activities and facilities; instruction and educational services; football coaching, football schools and schooling; arranging and conducting of education and training in relation to football; arranging, conducting and provision of football instructional courses; sporting management services for footballers; football entertainment services; physical education; fitness training services; provision of practical training and demonstrations; sport and holiday

camp services (in the nature of entertainment); rental of sporting equipment; practical training and demonstrations; arranging, organising and conducting of conferences, workshops, seminars, conventions, events and exhibitions; arranging, organising and conducting of games, contests and competitions; hospitality services (entertainment); lotteries; gaming services; arranging, organising and conducting of award ceremonies; provision of museum facilities; provision of stadium facilities and services; rental of stadium facilities; club services; health club services; provision of information relating to football; fan club services; membership scheme services; booking and ticketing services for sports, entertainment, cultural and educational events; information and/or education services relating to Manchester United Football Club; entertainment, training, recreational, and sporting information services provided via the Internet and other communications networks; education and entertainment services provided by means of radio, television, telephony, the Internet and on-line databases; entertainment and educational services featuring electronic media, multimedia content, audio and video content, movies, pictures, photographs, graphics, images, text and related information provided via the Internet and other communications networks; film production; production of video recordings, sound recordings, DVDs, CDs, CD-ROMs, video and audio tapes; production of television and radio programmes; production of sporting events for television and radio; publication of magazines, books, texts and printed matter; publishing by electronic means; providing online electronic publications (not downloadable); provision of television programmes, radio programmes, films, audio and/or visual material and games online (not downloadable); provision of news online; information relating to sport and entertainment provided online from a computer database or the Internet; information, advisory and consultancy services relating to all of the aforesaid services.

(260) AM 2013 67111 A

(800) 1065863

(731) TAKEDA PHARMACEUTICAL
COMPANY LIMITED

1-1, Doshomachi 4-chome, Chuo-ku,
Osaka-shi Osaka 540-8645, Japan

(540)

ETEDLI

(591) Black, white

(511)

5 – Pharmaceutical preparations; pharmaceutical preparations for human use for the treatment and prevention of cancer.

(260) AM 2013 67154 A
 (800) 907934
 (731) Koninklijke De Heus B.V.
 Rubensstraat 175, NL-6717 VE Ede,
 Netherlands
 (540)

KOUDIJS

(591) Black, white
 (511)
 5 – Additives, vitamins and mineral supplements for fodder (for veterinary use).

31 – Foodstuffs for animals; animal feed additives, not for veterinary purposes; fodder; fodder additives (not for veterinary purposes); mixed feed; poultry feed; horse feed; calf formula; pellet feed for piglets; live animals; live plants; oats; cattle fodder.

35 – Advertising; business management; business administration; retail services regarding commercial brokerage with wholesale businesses and the acquisition and sale and import and export of foodstuffs for animals, animal feed additives (not for veterinary purposes), fodder, fodder additives (not for veterinary purposes), mixed feed, poultry feed, horse feed, calf formula, pellet feed for piglets, live animals, live plants, oats, cattle fodder, additives, vitamins and mineral supplements for fodder.

(260) AM 2013 67155 A
 (800) 1006701
 (731) YAMAHA CORPORATION
 10-1, Nakazawa-cho, Naka-ku, Hamamatsu-shi, Shizuoka 430-8650, Japan
 (540)

VOCALOID

(591) Black, white
 (511)
 9 – Arcade video game machines; cinematographic machines and apparatus; movie projectors; editing machines (for movie films); sound recording apparatus and instruments (cinematographic apparatus); optical apparatus and instruments; batteries and cells; telecommunication machines and apparatus; telephone apparatus; telephone sets; broadcasting machines and apparatus; television receivers (TV sets); television transmitters; radio receivers; radio transmitters; radio communication machines and apparatus; portable radio communication machines and apparatus; vehicular radio communication machines and apparatus; radio application machines and apparatus; navigation apparatus for vehicles (on-board computers); audio frequency machines and apparatus; public-address systems and instruments; compact disc players; juke boxes; sound recording machines and apparatus (audio frequency apparatus); digital audio players; mini disc players; optical disc players; optical disc recorders; audio

amplifiers; audio signal processors; audio mixers; karaoke apparatus; video frequency machines and apparatus; video cameras (camcorders); videodisc players; videotape recorders; video monitors; video projectors; hard disc video recorders; digital versatile disc players and recorders; parts and accessories for telecommunication machines and apparatus; antennas (aerials); loudspeakers; blank optical discs; blank magnetic discs; headphones; electronic machines, apparatus and their parts; electronic machines and apparatus; computers; computer peripheral devices; electronic circuits (not including those recorded with computer programs); integrated circuits; large scale integrated circuits; computer programs; consumer video games; electronic circuits and CD-ROMs recorded programs for handheld games with liquid crystal displays; phonograph records; EP records; LP records; sound recorded magnetic cards, sheets and tapes; recorded compact discs; downloadable music; metronomes; electronic circuits and CD-ROMs recorded automatic performance programs for electronic musical instruments; exposed cinematographic films; exposed slide films; slide film mounts; recorded video discs and video tapes; electronic publications; downloadable digital music and sound; downloadable digital images (including motion picture); downloadable images, music and lyrics for singing along; downloadable automatic performance programs for electronic musical instruments; computer programs through communications by computer terminals; consumer games software adapted for use with an external display screen or monitor.

41 – Providing information on movie showing, direction or presentation of plays and presentation of musical performances; providing information on planning, arrangement of showing movies, shows, plays or musical performances; planning, management or arrangement of contests or auditions in the field of music; organization, management or arrangement of seminars, study groups, training meetings, lectures and symposiums; music composition services; writing lyrics for others; arranging music for others; producing music video; providing non-downloadable digital music and sounds on-line; providing non-downloadable digital images (including motion pictures) on-line; game services provided on-line from a computer network; providing on-line non-downloadable images, music and lyrics for singing along; educational and instruction services relating to arts, crafts, sports or general knowledge; arranging, conducting and organization of seminars; providing of electronic publications; services of reference libraries for literature and documentary records; art exhibitions; publication of books; planning or arrangement of showing movies, shows, plays or musical performances; movie showing, movie film production, or movie film distribution; presentation of live show performances;

direction or presentation of plays; presentation of musical performance; production of radio or television programs; production of video tape film in the fields of education, culture, entertainment or sports [not for movies, radio or television programs and not for advertising and publicity]; direction of radio or television programs' making; operation of video equipment or audio equipment, etc. for production of radio or television programs; organization, management or arrangement of entertainment (excluding movies, shows, plays, musical performances, sports, horse races, bicycle races, boat races and auto races); providing audio or video studio services; providing amusement facilities; providing facilities for movies, shows, plays, music or educational training; booking of seats for shows; rental of cinematographic machines and apparatus; rental of cine-films; rental of musical instruments; rental of television sets; rental of radio sets; book rental; rental of records or sound-recorded magnetic tapes; rental of image-recorded magnetic tapes; rental of toys; rental of amusement machines and apparatus; rental of game machines and apparatus; rental of paintings and calligraphic works; photography.

(260) AM 2013 67157 A

(800) 1065865

(731) TAKEDA PHARMACEUTICAL
COMPANY LIMITED

1-1, Doshomachi 4-chome, Chuo-ku, Osaka-
shi Osaka 540-8645, Japan

(540)

TROSEPAL

(591) Black, white

(511)

5 – Pharmaceutical preparations; pharmaceutical preparations for human use for the treatment and prevention of cancer.

(260) AM 2013 67158 A

(800) 1068612

(731) MILLENNIUM PHARMACEUTICALS,
INC.

40 Landsdowne Street, Cambridge, MA
02139, USA

(540)

MYELCA

(591) Black, white

(511)

5 – Pharmaceutical preparations for human use; pharmaceutical preparations for the treatment of cancer.

(260) AM 2013 64076 A*

(800) 1088401

(731) Otkrytoe aktsionernoe obshchestvo
"Nizhegorodsky khimiko- farmatsevtichesky
zavod"

7 Salganskaya St., GSP-459, RU-603950
Nizhny Novgorod, Russian Federation

(540)



(591) Black, white

(511)

3 – Cosmetic creams; creams for leather; beauty masks; oils for cosmetic purposes; adhesives for cosmetic purposes; toiletries; leather bleaching preparations; cosmetic preparations for slimming purposes; make-up removing preparations; nail care preparations; nail care preparations; tissues impregnated with cosmetic lotions; make-up preparations; sunscreen preparations; depilatory preparations; cosmetic preparations for skin care; cosmetics; antiperspirants (toiletries); shampoos.

5 – Dietetic substances adapted for medical use; mineral food-supplements; nutritional additives for medical purposes; capsules for medicines; capsules for pharmaceutical purposes; adhesive bands for medical purposes; lotions for pharmaceutical purposes; antibiotic ointments; ointments for pharmaceutical purposes; gauze for dressings; drugs for medical purposes; medicines for human purposes; medicines for dental purposes; medicinal drinks; medicine case, portable, filled; pills for pharmaceutical purposes; plasters for medical purposes; albuminous preparations for medical purposes; biological preparations for medical purposes; vitamin preparations; pharmaceutical preparations for skin care; preparations of trace elements for human and animal use; pharmaceutical preparations; albuminous foodstuffs for medical purposes; food for babies; dietetic foods adapted for medical purposes; tissues impregnated with pharmaceutical lotions; suppositories; syrups for pharmaceutical purposes; vulnerary sponges.

35 – Import-export agencies; sales promotion (for others); advertising.

(260) AM 2013 64463 A*

(800) 1091273

(731) ROTAPHARM İLAÇLARI LİMİTED
ŞİRKETİ

Evren Mah. Camiyolu Cad. No. 50 K.2,
Bağcılar İstanbul, Turkey

(540)



(591) White, blue, light blue

(511)

5 – Medicines for human purposes, medicines for veterinary purposes, chemical preparations for medical purposes, dietetic substances adapted for medical use; dietetic foods adapted for medical purposes; baby foods, medicinal herbs, herbal beverages adapted for medical purposes; medicines for dental purposes, hygienic products for medical purposes including pads, waddings for medical purposes, plasters for medical purposes, dressings for medical purposes, preparations for destroying noxious plants, preparations for destroying noxious animals, fungicides, deodorants other than for personal use, disinfectants for hygiene purposes, antiseptics, detergents for medical purposes.

10 – Surgical, medical, dental and veterinary apparatus and instruments; artificial limbs, eyes and teeth and prosthesis; orthopedic articles; suture materials and sterilized covers; devices and equipments for sexual purposes; preservatives (condom); feeding bottles, baby bottles, teethingers for babies.

35 – Services related to advertising, marketing and public relations including organization of exhibitions and fairs for commercial or advertising purposes, office services, business management and administration, consultancy for business management and administration including accountancy services, import export agency services, commercial and industrial management expertise services, organization of auctioneering services and auctioneering, the bringing together of "medicines for human purposes, medicines for veterinary purposes, chemical preparations for medical purposes, dietetic substances adapted for medical use; dietetic foods adapted for medical purposes; baby foods, medicinal herbs, herbal beverages adapted for medical purposes; medicines for dental purposes, hygienic products for medical purposes including pads, waddings for medical purposes, plasters for medical purposes, dressings for medical purposes, preparations for destroying noxious plants, preparations for destroying noxious animals, fungicides, deodorants other than for personal use, disinfectants for hygiene purposes, antiseptics, detergents for medical purposes, surgical, medical, dental and veterinary apparatus and instruments; artificial limbs, eyes and teeth and prosthesis; orthopedic articles; suture materials and sterilized covers; devices and equipments for sexual purposes; preservatives (condom);

feeding bottles, baby bottles, teethingers for babies" enabling customers to conveniently view and purchase those goods (the mentioned services can be provided by wholesale, retail, electronic media, catalogues and other similar methods).

36 – Insurance services, financial and monetary services, real estate brokerage, custom brokerage.

39 – Land, air and sea transport services, land, air and sea transports renting services (including travel reservation), arranging of tours; courier services (messages or merchandise); car parking and garage rental services; boat sheltering services; pipeline transport services; electricity distribution services; water supply services; vehicle and good rescue services; storage, packaging and crating of goods; garbage storage and transport services, waste collection and transport services.

44 – Medical services; hygienic and beauty care for human beings; veterinary services, agriculture, horticulture and forestry services.

(260) AM 2013 65369 A*

(800) 1098064

(731) AMIDEL SÀRL

c/o Multifiduciaire Fribourg SA, Rue

Faucigny 5, CH-1700 Fribourg, Switzerland

(540)



(591) Black, white

(511)

32 – Beer; mineral and aerated waters and other non-alcoholic drinks; fruit drinks and fruit juices; syrups and other preparations for making beverages; all the aforesaid goods of Polish origin.

33 – Alcoholic beverages (except beer); spirits; vodka; all the aforesaid goods of Polish origin.

INTERNATIONAL TRADEMARKS PROTECTED IN GEORGIA

(260) AM 2013 62677 A
(800) 918385
(151) 2006 08 08
(181) 2016 08 08
(511) 06, 07, 09, 12, 16, 17

(260) AM 2013 64457 A
(800) 1091111
(151) 2011 02 10
(181) 2021 02 10
(511) 17, 35

(260) AM 2013 62734 A
(800) 1076059
(151) 2011 02 14
(181) 2021 02 14
(511) 29

(260) AM 2013 64601 A
(800) 1092352
(151) 2010 11 02
(181) 2020 11 02
(511) 05, 10, 18, 31, 35, 36, 39, 41, 42, 44

(260) AM 2013 63472 A
(800) 1083253
(151) 2011 02 16
(181) 2021 02 16
(511) 29

(260) AM 2013 64604 A
(800) 1092389
(151) 2011 08 17
(181) 2021 08 17
(511) 05, 10

(260) AM 2013 64075 A
(800) 1088396
(151) 2010 06 09
(181) 2020 06 09
(511) 05

(260) AM 2013 64605 A
(800) 1092410
(151) 2011 09 05
(181) 2021 09 05
(511) 33

(260) AM 2013 64292 A
(800) 953443
(151) 2007 12 11
(181) 2017 12 11
(511) 43

(260) AM 2013 64606 A
(800) 318753A
(151) 2006 08 11
(181) 2016 08 11
(511) 32, 33

(260) AM 2013 64310 A
(800) 1089803
(151) 2011 03 28
(181) 2021 03 28
(511) 09, 35, 38, 41

(260) AM 2013 64607 A
(800) 764190
(151) 2011 04 21
(181) 2021 04 21
(511) 05, 36, 37, 42

(260) AM 2013 64316 A
(800) 1089920
(151) 2011 03 01
(181) 2021 03 01
(511) 03, 09, 25, 35

(260) AM 2013 64608 A
(800) 838604
(151) 2001 10 27
(181) 2011 10 27
(511) 29, 30

(260) AM 2013 64388 A
(800) 1090453
(151) 2011 08 11
(181) 2021 08 11
(511) 33

(260) AM 2013 64609 A
(800) 928432
(151) 2007 01 02
(181) 2017 01 02
(511) 09, 18, 35

(260) AM 2013 64632 A
(800) 1092571
(151) 2011 04 27
(181) 2021 04 27
(511) 09, 11

(260) AM 2013 64677 A
(800) 1092820
(151) 2011 04 27
(181) 2021 04 27
(511) 09, 11

(260) AM 2013 64669 A
(800) 1092698
(151) 2011 08 12
(181) 2021 08 12
(511) 05

(260) AM 2013 64678 A
(800) 1092842
(151) 2011 08 03
(181) 2021 08 03
(511) 18, 25, 35

(260) AM 2013 64670 A
(800) 1092699
(151) 2011 08 12
(181) 2021 08 12
(511) 05

(260) AM 2013 64679 A
(800) 1092868
(151) 2011 07 04
(181) 2021 07 04
(511) 09, 11

(260) AM 2013 64671 A
(800) 1092710
(151) 2011 05 20
(181) 2021 05 20
(511) 33

(260) AM 2013 64680 A
(800) 1092869
(151) 2011 06 21
(181) 2021 06 21
(511) 03, 18, 25

(260) AM 2013 64672 A
(800) 1092722
(151) 2011 04 21
(181) 2021 04 21
(511) 03, 05, 24

(260) AM 2013 64681 A
(800) 1092871
(151) 2011 07 22
(181) 2021 07 22
(511) 14, 35, 36

(260) AM 2013 64673 A
(800) 1092762
(151) 2011 06 15
(181) 2021 06 15
(511) 18, 25, 28

(260) AM 2013 64682 A
(800) 1092882
(151) 2011 07 14
(181) 2021 07 14
(511) 07, 12, 35

(260) AM 2013 64674 A
(800) 1092775
(151) 2011 07 26
(181) 2021 07 26
(511) 09, 19, 21

(260) AM 2013 64683 A
(800) 1092886
(151) 2011 08 22
(181) 2021 08 22
(511) 01, 16, 19

(260) AM 2013 64675 A
(800) 1092811
(151) 2011 08 11
(181) 2021 08 11
(511) 01, 09, 10, 16, 38, 41, 42, 44

(260) AM 2013 64685 A
(800) 1092888
(151) 2011 08 22
(181) 2021 08 22
(511) 01, 16, 19

(260) AM 2013 64699 A
 (800) 1092935
 (151) 2011 08 08
 (181) 2021 08 08
 (511) 05

(260) AM 2013 64709 A
 (800) 1093078
 (151) 2011 05 11
 (181) 2021 05 11
 (511) 30

(260) AM 2013 64700 A
 (800) 1092936
 (151) 2011 08 08
 (181) 2021 08 08
 (511) 05

(260) AM 2013 64710 A
 (800) 1093091
 (151) 2011 08 16
 (181) 2021 08 16
 (511) 03

(260) AM 2013 64701 A
 (800) 1092991
 (151) 2011 09 08
 (181) 2021 09 08
 (511) 05

(260) AM 2013 64723 A
 (800) 1093120
 (151) 2011 04 01
 (181) 2021 04 01
 (511) 05

(260) AM 2013 64702 A
 (800) 1093004
 (151) 2011 08 30
 (181) 2021 08 30
 (511) 30

(260) AM 2013 64724 A
 (800) 1093129
 (151) 2011 07 29
 (181) 2021 07 29
 (511) 08, 11, 14, 21, 24

(260) AM 2013 64703 A
 (800) 1093027
 (151) 2011 05 30
 (181) 2021 05 30
 (511) 07, 11

(260) AM 2013 64726 A
 (800) 1093131
 (151) 2011 03 31
 (181) 2021 03 31
 (511) 03, 09, 14, 16, 18, 21, 24, 25, 35, 41, 42

(260) AM 2013 64706 A
 (800) 1093052
 (151) 2011 08 02
 (181) 2021 08 02
 (511) 25

(260) AM 2013 64727 A
 (800) 1093149
 (151) 2011 07 20
 (181) 2021 07 20
 (511) 05

(260) AM 2013 64707 A
 (800) 1093056
 (151) 2011 03 31
 (181) 2021 03 31
 (511) 07, 08, 09

(260) AM 2013 64728 A
 (800) 1093168
 (151) 2011 09 05
 (181) 2021 09 05
 (511) 33

(260) AM 2013 64708 A
 (800) 1093057
 (151) 2011 03 31
 (181) 2021 03 31
 (511) 07, 08, 09

(260) AM 2013 64729 A
 (800) 1093180
 (151) 2011 03 21
 (181) 2021 03 21
 (511) 14

(260) AM 2013 64730 A
(800) 1093210
(151) 2011 06 01
(181) 2021 06 01
(511) 05, 30

(260) AM 2013 64743 A
(800) 1093388
(151) 2011 05 20
(181) 2021 05 20
(511) 03, 05

(260) AM 2013 64731 A
(800) 1093224
(151) 2011 03 21
(181) 2021 03 21
(511) 03, 09, 14, 16, 18, 21, 24, 25, 26, 35

(260) AM 2013 64746 A
(800) 1093412
(151) 2011 08 09
(181) 2021 08 09
(511) 16, 20, 21

(260) AM 2013 64732 A
(800) 1093231
(151) 2011 05 12
(181) 2021 05 12
(511) 17

(260) AM 2013 64748 A
(800) 1093454
(151) 2011 07 18
(181) 2021 07 18
(511) 05

(260) AM 2013 64734 A
(800) 1093273
(151) 2011 07 13
(181) 2021 07 13
(511) 09, 16, 25

(260) AM 2013 64749 A
(800) 1093455
(151) 2011 09 05
(181) 2021 09 05
(511) 33

(260) AM 2013 64735 A
(800) 1093317
(151) 2011 09 01
(181) 2021 09 01
(511) 05

(260) AM 2013 64750 A
(800) 1093456
(151) 2011 09 05
(181) 2021 09 05
(511) 33

(260) AM 2013 64739 A
(800) 1093348
(151) 2011 02 14
(181) 2021 02 14
(511) 03, 05

(260) AM 2013 64751 A
(800) 1093475
(151) 2011 09 07
(181) 2021 09 07
(511) 03, 09, 25

(260) AM 2013 64740 A
(800) 1093380
(151) 2011 03 14
(181) 2021 03 14
(511) 20, 21

(260) AM 2013 64766 A
(800) 1093605
(151) 2011 08 08
(181) 2021 08 08
(511) 30

(260) AM 2013 64741 A
(800) 1093387
(151) 2011 05 20
(181) 2021 05 20
(511) 03, 05

(260) AM 2013 64892 A
(800) 816396
(151) 2003 11 19
(181) 2013 11 19
(511) 30

(260) AM 2013 64977 A
 (800) 508054
 (151) 2006 12 01
 (181) 2016 12 01
 (511) 09

(260) AM 2013 65117 A
 (800) 899182
 (151) 2006 09 01
 (181) 2016 09 01
 (511) 03, 21

(260) AM 2013 64978 A
 (800) 923197
 (151) 2006 12 23
 (181) 2016 12 23
 (511) 03, 16, 26, 31

(260) AM 2013 65171 A
 (800) 1096723
 (151) 2011 09 27
 (181) 2021 09 27
 (511) 01, 17

(260) AM 2013 64981 A
 (800) 1062552
 (151) 2010 12 14
 (181) 2020 12 14
 (511) 05

(260) AM 2013 65192 A
 (800) 816862
 (151) 2003 12 06
 (181) 2013 12 06
 (511) 14, 24, 26

(260) AM 2013 65007 A
 (800) 1095344
 (151) 2011 07 28
 (181) 2021 07 28
 (511) 11

(260) AM 2013 65216 A
 (800) 1096859
 (151) 2011 07 22
 (181) 2021 07 22
 (511) 09

(260) AM 2013 65009 A
 (800) 1095355
 (151) 2011 10 07
 (181) 2021 10 07
 (511) 02

(260) AM 2013 65218 A
 (800) 1096874
 (151) 2011 08 23
 (181) 2021 08 23
 (511) 35

(260) AM 2013 65010 A
 (800) 1095373
 (151) 2011 08 12
 (181) 2021 08 12
 (511) 05

(260) AM 2013 65219 A
 (800) 1096890
 (151) 2011 10 07
 (181) 2021 10 07
 (511) 03

(260) AM 2013 65013 A
 (800) 1095435
 (151) 2011 08 26
 (181) 2021 08 26
 (511) 16

(260) AM 2013 65220 A
 (800) 1096916
 (151) 2011 08 28
 (181) 2021 08 28
 (511) 07, 08, 11, 21

(260) AM 2013 65014 A
 (800) 1095436
 (151) 2011 08 26
 (181) 2021 08 26
 (511) 16

(260) AM 2013 65221 A
 (800) 1096929
 (151) 2011 09 02
 (181) 2021 09 02
 (511) 04

(260) AM 2013 65228 A
(800) 1096932
(151) 2011 09 13
(181) 2021 09 13
(511) 20, 31

(260) AM 2013 65253 A
(800) 1097058
(151) 2011 10 19
(181) 2021 10 19
(511) 18, 25, 28

(260) AM 2013 65229 A
(800) 1096937
(151) 2011 08 25
(181) 2021 08 25
(511) 05

(260) AM 2013 65256 A
(800) 1097112
(151) 2011 09 14
(181) 2021 09 14
(511) 03, 05

(260) AM 2013 65230 A
(800) 1096951
(151) 2011 10 06
(181) 2021 10 06
(511) 32

(260) AM 2013 65257 A
(800) 1097131
(151) 2011 10 04
(181) 2021 10 04
(511) 05

(260) AM 2013 65233 A
(800) 1096965
(151) 2011 10 19
(181) 2021 10 19
(511) 05

(260) AM 2013 65258 A
(800) 1097132
(151) 2011 10 04
(181) 2021 10 04
(511) 05

(260) AM 2013 65234 A
(800) 1096967
(151) 2011 10 14
(181) 2021 10 14
(511) 18, 25, 40, 42

(260) AM 2013 65259 A
(800) 1097161
(151) 2011 10 04
(181) 2021 10 04
(511) 05

(260) AM 2013 65250 A
(800) 1096981
(151) 2011 10 17
(181) 2021 10 17
(511) 10

(260) AM 2013 65260 A
(800) 1097179
(151) 2011 10 14
(181) 2021 10 14
(511) 07

(260) AM 2013 65251 A
(800) 1097043
(151) 2011 08 02
(181) 2021 08 02
(511) 03, 05, 21

(260) AM 2013 65309 A
(800) 652566
(151) 2005 12 14
(181) 2015 12 14
(511) 09

(260) AM 2013 65252 A
(800) 1097047
(151) 2011 09 16
(181) 2021 09 16
(511) 12, 37

(260) AM 2013 65315 A
(800) 811079
(151) 2003 08 18
(181) 2013 08 18
(511) 07, 09, 11

(260) AM 2013 65316 A
 (800) 813759
 (151) 2003 09 23
 (181) 2013 09 23
 (511) 14

(260) AM 2013 65326 A
 (800) 1021659
 (151) 2009 11 16
 (181) 2019 11 16
 (511) 28

(260) AM 2013 65317 A
 (800) 833289
 (151) 2003 11 22
 (181) 2013 11 22
 (511) 02, 03, 04

(260) AM 2013 65327 A
 (800) 1049824
 (151) 2010 08 18
 (181) 2020 08 18
 (511) 05

(260) AM 2013 65319 A
 (800) 892544
 (151) 2006 06 30
 (181) 2016 06 30
 (511) 05

(260) AM 2013 65328 A
 (800) 1049825
 (151) 2010 08 18
 (181) 2020 08 18
 (511) 05

(260) AM 2013 65321 A
 (800) 950257
 (151) 2007 05 28
 (181) 2017 05 28
 (511) 03, 21

(260) AM 2013 65329 A
 (800) 1051591
 (151) 2010 09 09
 (181) 2020 09 09
 (511) 05

(260) AM 2013 65322 A
 (800) 960117
 (151) 2007 12 05
 (181) 2017 12 05
 (511) 09, 42

(260) AM 2013 65330 A
 (800) 1071778
 (151) 2011 02 23
 (181) 2021 02 23
 (511) 14

(260) AM 2013 65323 A
 (800) 962990
 (151) 2008 03 03
 (181) 2018 03 03
 (511) 18, 25

(260) AM 2013 65331 A
 (800) 1097547
 (151) 2011 09 15
 (181) 2021 09 15
 (511) 01, 09

(260) AM 2013 65324 A
 (800) 965524
 (151) 2008 03 28
 (181) 2018 03 28
 (511) 09, 42

(260) AM 2013 65332 A
 (800) 1097582
 (151) 2011 09 02
 (181) 2021 09 02
 (511) 09, 18, 25, 28

(260) AM 2013 65325 A
 (800) 970630
 (151) 2008 06 24
 (181) 2018 06 24
 (511) 35, 42, 44

(260) AM 2013 65334 A
 (800) 1097589
 (151) 2011 08 19
 (181) 2021 08 19
 (511) 01, 17

(260) AM 2013 65335 A
(800) 1097601
(151) 2011 06 28
(181) 2021 06 28
(511) 09, 35

(260) AM 2013 65424 A
(800) 381575
(151) 2011 06 22
(181) 2021 06 22
(511) 06, 08, 20

(260) AM 2013 65336 A
(800) 1097624
(151) 2011 09 16
(181) 2021 09 16
(511) 03

(260) AM 2013 65425 A
(800) 382584
(151) 2011 07 29
(181) 2021 07 29
(511) 07, 09

(260) AM 2013 65339 A
(800) 1097629
(151) 2011 09 12
(181) 2021 09 12
(511) 01, 02, 17, 19

(260) AM 2013 65426 A
(800) 520726
(151) 2008 01 21
(181) 2018 01 21
(511) 03, 04, 21

(260) AM 2013 65418 A
(800) 1098417
(151) 2011 08 24
(181) 2021 08 24
(511) 07, 09

(260) AM 2013 65427 A
(800) 549593
(151) 2009 08 31
(181) 2019 08 31
(511) 35, 36

(260) AM 2013 65420 A
(800) 1098439
(151) 2011 09 12
(181) 2021 09 12
(511) 29, 30

(260) AM 2013 65428 A
(800) 560033
(151) 2010 09 11
(181) 2020 09 11
(511) 29, 30

(260) AM 2013 65421 A
(800) 1098475
(151) 2011 10 31
(181) 2021 10 31
(511) 01

(260) AM 2013 65429 A
(800) 623192
(151) 2004 08 09
(181) 2014 08 09
(511) 33

(260) AM 2013 65422 A
(800) 1098493
(151) 2011 10 24
(181) 2021 10 24
(511) 09, 16, 28, 30, 35, 38, 41

(260) AM 2013 65430 A
(800) 631910
(151) 2005 02 09
(181) 2015 02 09
(511) 19

(260) AM 2013 65423 A
(800) 367748A
(151) 2010 04 06
(181) 2020 04 06
(511) 06, 07, 08

(260) AM 2013 65431 A
(800) 632476
(151) 2005 03 02
(181) 2015 03 02
(511) 03, 05

(260) AM 2013 65432 A
 (800) 640057
 (151) 2005 07 18
 (181) 2015 07 18
 (511) 35, 36

(260) AM 2013 65442 A
 (800) 811614
 (151) 2003 09 01
 (181) 2013 09 01
 (511) 03, 16, 25, 28

(260) AM 2013 65434 A
 (800) 649773
 (151) 2005 10 31
 (181) 2015 10 31
 (511) 29

(260) AM 2013 65443 A
 (800) 823013
 (151) 2004 04 08
 (181) 2014 04 08
 (511) 33

(260) AM 2013 65435 A
 (800) 670280
 (151) 2007 03 24
 (181) 2017 03 24
 (511) 07

(260) AM 2013 65445 A
 (800) 863451
 (151) 2005 09 09
 (181) 2015 09 09
 (511) 09

(260) AM 2013 65437 A
 (800) 714763
 (151) 2009 01 19
 (181) 2019 01 19
 (511) 03, 05, 09, 10, 35, 36, 37, 39, 41, 42

(260) AM 2013 65446 A
 (800) 868318
 (151) 2005 10 25
 (181) 2015 10 25
 (511) 25

(260) AM 2013 65438 A
 (800) 757398
 (151) 2011 05 25
 (181) 2021 05 25
 (511) 05

(260) AM 2013 65448 A
 (800) 875727
 (151) 2005 11 21
 (181) 2015 11 21
 (511) 25

(260) AM 2013 65439 A
 (800) 800480
 (151) 2002 09 13
 (181) 2012 09 13
 (511) 06, 07, 09, 12, 17

(260) AM 2013 65449 A
 (800) 879030
 (151) 2006 02 17
 (181) 2016 02 17
 (511) 07, 08, 11

(260) AM 2013 65440 A
 (800) 801173
 (151) 2002 09 13
 (181) 2012 09 13
 (511) 06, 07, 09, 12, 17

(260) AM 2013 65450 A
 (800) 881756
 (151) 2005 11 23
 (181) 2015 11 23
 (511) 03, 05, 09, 16, 32, 39, 41

(260) AM 2013 65441 A
 (800) 808831
 (151) 2003 07 14
 (181) 2013 07 14
 (511) 30

(260) AM 2013 65451 A
 (800) 888610
 (151) 2006 01 25
 (181) 2016 01 25
 (511) 18, 25

(260) AM 2013 65452 A
(800) 905776
(151) 2006 09 01
(181) 2016 09 01
(511) 25

(260) AM 2013 65453 A
(800) 915143
(151) 2007 01 09
(181) 2017 01 09
(511) 25

(260) AM 2013 65474 A
(800) 1068455
(151) 2011 01 25
(181) 2021 01 25
(511) 30

(260) AM 2013 65475 A
(800) 1070917
(151) 2011 01 25
(181) 2021 01 25
(511) 17, 19

(260) AM 2013 65476 A
(800) 1072317
(151) 2011 01 31
(181) 2021 01 31
(511) 05

(260) AM 2013 65580 A
(800) 1099601
(151) 2011 11 03
(181) 2021 11 03
(511) 33

(260) AM 2013 65597 A
(800) 899904
(151) 2006 02 14
(181) 2016 02 14
(511) 17, 19, 20

(260) AM 2013 65609 A
(800) 937719
(151) 2007 08 24
(181) 2017 08 24
(511) 29

(260) AM 2013 65610 A
(800) 949598
(151) 2007 11 26
(181) 2017 11 26
(511) 29, 30

(260) AM 2013 65611 A
(800) 966997
(151) 2008 04 23
(181) 2018 04 23
(511) 05

(260) AM 2013 65612 A
(800) 969606
(151) 2008 06 11
(181) 2018 06 11
(511) 35

(260) AM 2013 65613 A
(800) 973364
(151) 2008 04 28
(181) 2018 04 28
(511) 01, 02, 03, 05, 07, 09, 16, 17, 19, 30, 37, 40,
41, 42

(260) AM 2013 65614 A
(800) 1004033
(151) 2009 04 03
(181) 2019 04 03
(511) 18, 25, 35

(260) AM 2013 65615 A
(800) 1041322
(151) 2010 02 19
(181) 2020 02 19
(511) 16

(260) AM 2013 65616 A
(800) 1066490
(151) 2010 08 02
(181) 2020 08 02
(511) 09, 14, 18, 25, 26

(260) AM 2013 65617 A
(800) 1066873
(151) 2010 08 02
(181) 2020 08 02
(511) 09, 14, 18, 25, 26

(260) AM 2013 65618 A
(800) 1078031
(151) 2011 02 21
(181) 2021 02 21
(511) 05, 28

(260) AM 2013 65630 A
(800) 1099738
(151) 2011 09 28
(181) 2021 09 28
(511) 01, 05

(260) AM 2013 65619 A
(800) 1082092
(151) 2011 05 13
(181) 2021 05 13
(511) 33

(260) AM 2013 65631 A
(800) 1099743
(151) 2011 07 25
(181) 2021 07 25
(511) 01, 02, 17, 19

(260) AM 2013 65620 A
(800) 1088412
(151) 2011 04 07
(181) 2021 04 07
(511) 03, 05, 16

(260) AM 2013 65632 A
(800) 1099800
(151) 2011 06 17
(181) 2021 06 17
(511) 12

(260) AM 2013 65621 A
(800) 1099658
(151) 2011 06 02
(181) 2021 06 02
(511) 06, 09

(260) AM 2013 65633 A
(800) 1099809
(151) 2011 11 10
(181) 2021 11 10
(511) 05

(260) AM 2013 65622 A
(800) 1099683
(151) 2011 05 12
(181) 2021 05 12
(511) 18, 35, 39

(260) AM 2013 65634 A
(800) 1099810
(151) 2011 11 10
(181) 2021 11 10
(511) 05

(260) AM 2013 65624 A
(800) 1099697
(151) 2011 11 16
(181) 2021 11 16
(511) 09

(260) AM 2013 65636 A
(800) 1099838
(151) 2011 10 31
(181) 2021 10 31
(511) 11

(260) AM 2013 65628 A
(800) 1099715
(151) 2011 09 15
(181) 2021 09 15
(511) 29

(260) AM 2013 65637 A
(800) 1099856
(151) 2011 05 11
(181) 2021 05 11
(511) 05

(260) AM 2013 65629 A
(800) 1099725
(151) 2011 10 21
(181) 2021 10 21
(511) 43

(260) AM 2013 65839 A
(800) 1102011
(151) 2011 10 04
(181) 2021 10 04
(511) 33

(260) AM 2013 65840 A
(800) 1102013
(151) 2011 11 11
(181) 2021 11 11
(511) 09

(260) AM 2013 65896 A
(800) 1102678
(151) 2011 11 17
(181) 2021 11 17
(511) 14, 18, 25, 35

(260) AM 2013 65841 A
(800) 1102035
(151) 2011 11 15
(181) 2021 11 15
(511) 36

(260) AM 2013 65897 A
(800) 1102679
(151) 2011 11 17
(181) 2021 11 17
(511) 14, 18, 25, 35

(260) AM 2013 65842 A
(800) 1102068
(151) 2011 11 17
(181) 2021 11 17
(511) 07, 35

(260) AM 2013 65996 A
(800) 1103299
(151) 2011 11 28
(181) 2021 11 28
(511) 03, 16, 35, 44

(260) AM 2013 65877 A
(800) 1102337
(151) 2011 04 13
(181) 2021 04 13
(511) 05, 30, 32

(260) AM 2013 66053 A
(800) 1103610
(151) 2011 11 22
(181) 2021 11 22
(511) 12, 35, 37

(260) AM 2013 65878 A
(800) 1102339
(151) 2011 04 06
(181) 2021 04 06
(511) 39, 41, 43

(260) AM 2013 66054 A
(800) 1103611
(151) 2011 11 22
(181) 2021 11 22
(511) 12, 35, 37

(260) AM 2013 65879 A
(800) 1102369
(151) 2011 07 19
(181) 2021 07 19
(511) 03

(260) AM 2013 66055 A
(800) 1103613
(151) 2011 11 23
(181) 2021 11 23
(511) 16

(260) AM 2013 65890 A
(800) 1102485
(151) 2011 11 14
(181) 2021 11 14
(511) 14, 18, 25

(260) AM 2013 66062 A
(800) 1103614
(151) 2011 11 23
(181) 2021 11 23
(511) 16

(260) AM 2013 65895 A
(800) 1102655
(151) 2011 11 10
(181) 2021 11 10
(511) 41, 42

(260) AM 2013 66064 A
(800) 1103618
(151) 2011 11 18
(181) 2021 11 18
(511) 35, 36

(260) AM 2013 66065 A
(800) 1103631
(151) 2011 11 17
(181) 2021 11 17
(511) 16

(260) AM 2013 67373 A
(800) 1113732
(151) 2011 12 12
(181) 2021 12 12
(511) 35, 36

(260) AM 2013 66066 A
(800) 1103674
(151) 2011 08 22
(181) 2021 08 22
(511) 03, 07, 08, 12, 17, 20, 21

(260) AM 2013 66069 A
(800) 1103692
(151) 2011 10 08
(181) 2021 10 08
(511) 09

(260) AM 2013 66074 A
(800) 1103732
(151) 2011 11 14
(181) 2021 11 14
(511) 05

(260) AM 2013 66141 A
(800) 1104131
(151) 2011 09 27
(181) 2021 09 27
(511) 25

(260) AM 2013 66149 A
(800) 1104256
(151) 2011 12 15
(181) 2021 12 15
(511) 03, 05

(260) AM 2013 67194 A
(800) 1112290
(151) 2011 11 18
(181) 2021 11 18
(511) 35, 36

(260) AM 2013 67372 A
(800) 1113731
(151) 2011 12 12
(181) 2021 12 12
(511) 35, 36

OFFICIAL NOTIFICATIONS
TRADEMARKS
RENEWAL OF REGISTRATIONS

(111) M 2002 14682 R1
(156) 2013 02 05
(186) 2022 09 16
(732) LTD "MATRIQSI"
E. Takaishvilis q., 80, 6000, Batumi,
Georgia

(111) M 2003 14992 R1
(156) 2013 03 04
(186) 2023 03 04
(732) Actavis Group PTC ehf
Reykjavikurvegi 76-78, 18-220
Hafnarfjordur, Iceland

(111) M 2002 14683 R1
(156) 2013 02 05
(186) 2022 09 16
(732) LTD "MATRIQSI"
E. Takaishvilis q., 80, 6000, Batumi,
Georgia

(111) M 2003 15073 R1
(156) 2013 04 16
(186) 2023 04 16
(732) BONGRAIN S.A.
An Organisation, organized and
existing under the laws of France
42 rue Rieussec, 78220 Viroflay, France

(111) M 2002 14685 R1
(156) 2013 02 05
(186) 2022 09 30
(732) LTD "MATRIQSI"
E. Takaishvilis q., 80, 6000, Batumi,
Georgia

(111) M 2003 15081 R1
(156) 2013 04 29
(186) 2023 04 29
(732) "G-M-P" LTD
Zemo Vedzisi Str. 103, 0160, Tbilisi,
Georgia

(111) M 2002 14686 R1
(156) 2013 02 05
(186) 2022 09 30
(732) LTD "MATRIQSI"
E. Takaishvilis q., 80, 6000, Batumi,
Georgia

(111) M 2003 15082 R1
(156) 2013 04 29
(186) 2023 04 29
(732) "G-M-P" LTD
Zemo Vedzisi Str. 103, 0160, Tbilisi,
Georgia

(111) M 2003 14968 R1
(156) 2013 02 12
(186) 2023 02 12
(732) Actavis Group PTC ehf
Reykjavikurvegi 76-78, 18-220
Hafnarfjordur, Iceland

(111) M 2003 15083 R1
(156) 2013 04 29
(186) 2023 04 29
(732) "G-M-P" LTD
Zemo Vedzisi Str. 103, 0160, Tbilisi,
Georgia

(111) M 2003 14974 R1
(156) 2013 02 12
(186) 2023 02 12
(732) Actavis Group PTC ehf
Reykjavikurvegi 76-78, 18-220
Hafnarfjordur, Iceland

(111) M 2003 15084 R1
(156) 2013 04 30
(186) 2023 04 30
(732) "G-M-P" LTD
Zemo Vedzisi Str. 103, 0160, Tbilisi,
Georgia

(111) M 2003 15085 R1
(156) 2013 04 30
(186) 2023 04 30
(732) "G-M-P" LTD
Zemo Vedzisi Str. 103, 0160, Tbilisi,
Georgia

(111) M 2003 15086 R1
(156) 2013 04 30
(186) 2023 04 30
(732) "G-M-P" LTD
Zemo Vedzisi Str. 103, 0160, Tbilisi,
Georgia

(111) M 2003 15087 R1
(156) 2013 04 30
(186) 2023 04 30
(732) "G-M-P" LTD
Zemo Vedzisi Str. 103, 0160, Tbilisi,
Georgia

(111) M 2003 15088 R1
(156) 2013 04 30
(186) 2023 04 30
(732) "G-M-P" LTD
Zemo Vedzisi Str. 103, 0160, Tbilisi,
Georgia

(111) M 2003 15089 R1
(156) 2013 04 30
(186) 2023 04 30
(732) "G-M-P" LTD
Zemo Vedzisi Str. 103, 0160, Tbilisi,
Georgia

(111) M 2003 15090 R1
(156) 2013 04 30
(186) 2023 04 30
(732) "G-M-P" LTD
Zemo Vedzisi Str. 103, 0160, Tbilisi,
Georgia

(111) M 2003 15091 R1
(156) 2013 04 30
(186) 2023 04 30
(732) "G-M-P" LTD
Zemo Vedzisi Str. 103, 0160, Tbilisi,
Georgia

(111) M 2003 15092 R1
(156) 2013 04 30
(186) 2023 04 30
(732) "G-M-P" LTD
Zemo Vedzisi Str. 103, 0160, Tbilisi,
Georgia

(111) M 2003 15093 R1
(156) 2013 04 30
(186) 2023 04 30
(732) "G-M-P" LTD
Zemo Vedzisi Str. 103, 0160, Tbilisi,
Georgia

(111) M 2003 15094 R1
(156) 2013 04 30
(186) 2023 04 30
(732) "G-M-P" LTD
Zemo Vedzisi Str. 103, 0160, Tbilisi,
Georgia

(111) M 2003 15095 R1
(156) 2013 04 30
(186) 2023 04 30
(732) "G-M-P" LTD
Zemo Vedzisi Str. 103, 0160, Tbilisi,
Georgia

(111) M 2003 15096 R1
(156) 2013 04 30
(186) 2023 04 30
(732) "G-M-P" LTD
Zemo Vedzisi Str. 103, 0160, Tbilisi,
Georgia

(111) M 2003 15097 R1
(156) 2013 04 30
(186) 2023 04 30
(732) "G-M-P" LTD
Zemo Vedzisi Str. 103, 0160, Tbilisi,
Georgia

(111) M 2003 15098 R1
(156) 2013 04 30
(186) 2023 04 30
(732) "G-M-P" LTD
Zemo Vedzisi Str. 103, 0160, Tbilisi,
Georgia

(111) M 2003 15099 R1
(156) 2013 04 30
(186) 2023 04 30
(732) "G-M-P" LTD
Zemo Vedzisi Str. 103, 0160, Tbilisi,
Georgia

(111) M 2003 15105 R1
(156) 2013 04 30
(186) 2023 04 30
(732) "G-M-P" LTD
Zemo Vedzisi Str. 103, 0160, Tbilisi,
Georgia

(111) M 2003 15106 R1
(156) 2013 04 30
(186) 2023 04 30
(732) "G-M-P" LTD
Zemo Vedzisi Str. 103, 0160, Tbilisi,
Georgia

(111) M 2003 15123 R1
(156) 2013 05 01
(186) 2023 05 01
(732) THE PROCTER & GAMBLE COMPANY
One Procter & Gamble Plaza, Cincinnati,
Ohio, USA

(111) M 2003 15153 R1
(156) 2013 05 28
(186) 2023 05 28
(732) "G-M-P" LTD
Zemo Vedzisi Str. 103, 0160, Tbilisi,
Georgia

(111) M 2003 15154 R1
(156) 2013 05 28
(186) 2023 05 28
(732) "G-M-P" LTD
Zemo Vedzisi Str. 103, 0160, Tbilisi,
Georgia

(111) M 2003 15191 R1
(156) 2013 06 27
(186) 2023 06 27
(732) Wyeth LLC
Five Giralda Farms, Madison, New Jersey,
07940, USA

(111) M 2003 15208 R1
(156) 2013 07 16
(186) 2023 07 16
(732) ABRO Industries, Inc.
3580 Blackthorn Court, South Bend,
IN 46628, USA

(111) M 2003 15220 R1
(156) 2013 07 30
(186) 2023 07 30
(732) "G-M-P" LTD
Zemo Vedzisi Str. 103, 0160, Tbilisi,
Georgia

(111) M 2003 15221 R1
(156) 2013 07 30
(186) 2023 07 30
(732) "G-M-P" LTD
Zemo Vedzisi Str. 103, 0160, Tbilisi,
Georgia

COMPLETE TRANSFER OF RIGHTS

(111) M 1995 001029 R1
(732) OMEGA PHARMA NV
Venecoweg 26, 9810 Nazareth, Belgium
(770) GLAXO GROUP LIMITED
Glaxo Wellcome House, Berkeley Avenue,
Greenford, Middlesex UB6 0NN,
United Kingdom
(580) 2013 03 04

(111) M 1995 001029 R1
(732) OMEGA PHARMA INNOVATION &
DEVELOPMENT NV
Venecoweg 26, 9810 Nazareth, Belgium
(770) OMEGA PHARMA NV
Venecoweg 26, 9810 Nazareth, Belgium
(580) 2013 03 04

(111) M 1995 001030 R1
(732) OMEGA PHARMA NV
Venecoweg 26, 9810 Nazareth, Belgium
(770) GLAXO GROUP LIMITED
Glaxo Wellcome House, Berkeley Avenue,
Greenford, Middlesex UB6 0NN, United
Kingdom
(580) 2013 03 04

(111) M 1995 001030 R1
(732) OMEGA PHARMA INNOVATION &
DEVELOPMENT NV
Venecoweg 26, 9810 Nazareth, Belgium
(770) OMEGA PHARMA NV
Venecoweg 26, 9810 Nazareth, Belgium
(580) 2013 03 04

(111) M 1998 010820 R1
(732) OMEGA PHARMA NV
Venecoweg 26, 9810 Nazareth, Belgium
(770) SMITHKLINE BEECHAM LIMITED
980 Great West Road, Brentford, Middlesex
TW8 9GS, United Kingdom
(580) 2013 03 04

(111) M 1998 010820 R1
(732) OMEGA PHARMA INNOVATION &
DEVELOPMENT NV
Venecoweg 26, 9810 Nazareth, Belgium
(770) OMEGA PHARMA NV
Venecoweg 26, 9810 Nazareth, Belgium
(580) 2013 03 04

(111) M 2000 013669 R1
(732) EDELWEISS GMBH & CO.KG
Oberstdorfer Strasse 7, 87435 Kempten,
Germany
(770) UNILEVER N.V.
Weena 455, NL-3013 AL Rotterdam,
Netherlands
(580) 2013 02 25

(111) M 2004 015545 R
(732) EMZAR BALADZE
VaJa-Pshavela 7, ap.14, 6000, Batumi,
Georgia
(770) LEILA JANASHIA
Aragvispirelis q. 42, Tbilisi, Georgia;
MAMUKA MAISURADZE
Chkondidelis q. 20, korp. 1, bina 21, Tbilisi,
Georgia;
TEIMURAZ FSUTURI
Sof. varketilis dasakhleba, gardabani,
Georgia
(580) 2013 02 21

(111) M 2005 016068 R
(732) HAMSARD 3146 LIMITED
Rutland House, 148 Edmund Street,
Birmingham B1 2JR, United Kingdom
(770) WHITTARD OF CHELSEA LIMITED
Union Court, 22 Union Road, London,
SW4 6JQ, United Kingdom
(580) 2013 03 04

(111) M 2005 016068 R
(732) HAMSARD 3146 LIMITED
Rutland House, 148 Edmund Street,
Birmingham B1 2JR, United Kingdom
(770) HAMSARD 3146 LIMITED
Windrush House, Windrush Park,
Witney, Oxfordshire OX29 7DX, United
Kingdom
(580) 2013 03 04

(111) M 2005 016069 R
(732) HAMSARD 3146 LIMITED
Rutland House, 148 Edmund Street,
Birmingham B1 2JR, United Kingdom
(770) WHITTARD OF CHELSEA LIMITED
Union Court, 22 Union Road, London,
SW4 6JQ, United Kingdom
(580) 2013 03 04

(111) M 2005 016069 R
(732) HAMSARD 3146 LIMITED
Rutland House, 148 Edmund Street,
Birmingham B1 2JR, United Kingdom
(770) HAMSARD 3146 LIMITED
Windrush House, Windrush Park, Witney,
Oxfordshire OX29 7DX, United Kingdom
(580) 2013 03 04

(111) M 2005 016315 R
(732) OMEGA PHARMA NV
Veneccoweg 26, 9810 Nazareth, Belgium
(770) ABTEI PHARMA-VERTRIEBS GMBH
Abtei Marienmünster 37696, Germany
(580) 2013 03 04

(111) M 2005 016315 R
(732) OMEGA PHARMA INNOVATION &
DEVELOPMENT NV
Veneccoweg 26, 9810 Nazareth, Belgium
(770) OMEGA PHARMA NV
Veneccoweg 26, 9810 Nazareth, Belgium
(580) 2013 03 04

(111) M 2012 023039 R
(732) LTD "SAMBA JGUFİ"
Navtlugis 9 chikhi, bina 10, isani-samgoris
raioni, Tbilisi, Georgia
(770) LTD "SIMONI"
Baqteriofagis mimdebaed, 0160, Tbilisi,
Georgia
(580) 2013 02 21

(111) M 1996 003462 R1
(732) OMEGA PHARMA NV
Veneccoweg 26, 9810 Nazareth, Belgium
(770) SMITHKLINE BEECHAM LIMITED
980 Great West Road, Brentford,
Middlesex TW8 9GS, United Kingdom
(580) 2013 03 04

(111) M 1996 003462 R1
(732) OMEGA PHARMA INNOVATION &
DEVELOPMENT NV
Veneccoweg 26, 9810 Nazareth, Belgium
(770) OMEGA PHARMA NV
Veneccoweg 26, 9810 Nazareth, Belgium
(580) 2013 03 04

(111) M 1998 009757 R1
(732) OMEGA PHARMA NV
Veneccoweg 26, 9810 Nazareth, Belgium
(770) SMITHKLINE BEECHAM LIMITED

980 Great West Road, Brentford, Middlesex
TW8 9GS, United Kingdom
(580) 2013 03 04

(111) M 1998 009757 R1
(732) OMEGA PHARMA INNOVATION &
DEVELOPMENT NV
Veneccoweg 26, 9810 Nazareth, Belgium
(770) OMEGA PHARMA NV
Veneccoweg 26, 9810 Nazareth, Belgium
(580) 2013 03 04

CHANGES IN NAMES AND/OR ADDRESSES OF OWNERS

- (111) M 1999 012618 R1
 (732) IMERY'S MINERALS CALIFORNIA, INC.
 1732 North First Street, Suite 450,
 San Jose, California 95112, USA
 (770) CELITE CORPORATION
 130 Castilian drive, Santa Barbara,
 California 93117, USA
 (580) 2013 02 22
-
- (111) M 2002 014614 R
 (732) Intersun Holding FZCO
 P.O. Box: 61051, Jebel Ali Free Zone,
 Dubai, United Arab Emirates
 (770) INTERSUN HOLDING FZE corporation
 P.O. box: 61051 Jebel Ali Free Zone,
 Dubai, United Arab Emirates
 (580) 2013 02 26
-
- (111) M 2005 016068 R
 (732) WHITTARD OF CHELSEA LIMITED
 Union Court, 22 Union Road, London,
 SW4 6JQ, United Kingdom
 (770) WHITTARD OF CHELSEA PLC
 Union Court, 22 Union Road, London,
 SW4 6JQ, United Kingdom
 (580) 2013 03 04
-
- (111) M 2005 016068 R
 (732) HAMSARD 3146 LIMITED
 Windrush House, Windrush Park,
 Witney, Oxfordshire OX29 7DX, United
 Kingdom
 (770) HAMSARD 3146 LIMITED
 Rutland House, 148 Edmund Street,
 Birmingham B1 2JR, United Kingdom
 (580) 2013 03 04
-
- (111) M 2005 016068 R
 (732) HAMSARD 3146 LIMITED
 Windrush House, Windrush Park,
 Witney, Oxfordshire OX29 7DX, United
 Kingdom
 (770) HAMSARD 3146 LIMITED
 Rutland House, 148 Edmund Street,
 Birmingham B1 2JR, United Kingdom
 (580) 2013 03 04
-
- (111) M 2005 016068 R
 (732) HAMSARD 3146 LIMITED
 Windrush House, Windrush Park,
 Witney, Oxfordshire OX29 7DX, United
 Kingdom
 (770) HAMSARD 3146 LIMITED
 Rutland House, 148 Edmund Street,
 Birmingham B1 2JR, United Kingdom
 (580) 2013 03 04
-
- (111) M 2005 016069 R
 (732) WHITTARD OF CHELSEA LIMITED
 Union Court, 22 Union Road, London,
 SW4 6JQ, United Kingdom
 (770) WHITTARD OF CHELSEA PLC
 Union Court, 22 Union Road, London,
 SW4 6JQ, United Kingdom
 (580) 2013 03 04
-
- (111) M 2005 016069 R
 (732) HAMSARD 3146 LIMITED
 Windrush House, Windrush Park,
 Witney, Oxfordshire OX29 7DX, United
 Kingdom
 (770) HAMSARD 3146 LIMITED
 Rutland House, 148 Edmund Street,
 Birmingham B1 2JR, United Kingdom
 (580) 2013 03 04
-
- (111) M 2006 016891 R
 (732) VLAKTOR TRADING LIMITED
 Zinonos Kitieos, 8, Kato Lakatamia,
 P.C. 2322 Nicosia, Cyprus
 (770) VLAKTOR TRADING LIMITED
 Arch. Makariou III, 134, Yiota Court,
 Flat/Office 102, P.C. 3021, Limassol, Cyprus
 (580) 2013 03 01
-
- (111) M 2007 017374 R
 (732) MEY ALKOLLU ICKILER SANAYII
 VE TICARET ANONIM SIRKETI
 Abide-i Hurriyet Cad. No:211 Bolkan Center
 B Blok SISLI 34381 ISTANBUL, Turkey
 (770) MEY ALKOLLU ICKILER SANAYII VE
 TICARET ANONIM SIRKETI
 Buyukdere Caddesi No: 71 Kat: 1 Maslak
 Sisli Istanbul, Turkey
 (580) 2013 02 22
-
- (111) M 2005 016069 R
 (732) WHITTARD OF CHELSEA LIMITED
 Union Court, 22 Union Road, London,
 SW4 6JQ, United Kingdom
 (770) WHITTARD OF CHELSEA PLC
 Union Court, 22 Union Road, London,
 SW4 6JQ, United Kingdom
 (580) 2013 03 04
-
- (111) M 2007 017375 R
 (732) MEY ALKOLLU ICKILER SANAYII
 VE TICARET ANONIM SIRKETI
 Abide-i Hurriyet Cad. No:211 Bolkan Center
 B Blok SISLI 34381 ISTANBUL, Turkey
 (770) MEY ALKOLLU ICKILER SANAYII

VE TICARET ANONIM SIRKETI
Buyukdere Caddesi No: 71 Kat: 1 Maslak
Sisli Istanbul, Turkey
(580) 2013 02 22

(111) M 2007 017856 R
(732) VLAKTOR TRADING LIMITED
Zinonos Kitieos, 8, Kato Lakatamia,
P.C. 2322 Nicosia, Cyprus
(770) VLAKTOR TRADING LIMITED
Arch. Makariou III, 134, Yiota Court,
Flat/Office 102, P.C. 3021, Limassol,
Cyprus
(580) 2013 03 01

(111) M 2007 017904 R
(732) VLAKTOR TRADING LIMITED
Zinonos Kitieos, 8, Kato Lakatamia,
P.C. 2322 Nicosia, Cyprus
(770) VLAKTOR TRADING LIMITED
Arch. Makariou III, 134, Yiota Court,
Flat/Office 102, P.C. 3021, Limassol,
Cyprus
(580) 2013 03 01

(111) M 2007 017986 R
(732) VLAKTOR TRADING LIMITED
Zinonos Kitieos, 8, Kato Lakatamia,
P.C. 2322 Nicosia, Cyprus
(770) VLAKTOR TRADING LIMITED
Arch. Makariou III, 134, Yiota Court,
Flat/Office 102, P.C. 3021, Limassol,
Cyprus
(580) 2013 03 01

(111) M 2007 017987 R
(732) VLAKTOR TRADING LIMITED
Zinonos Kitieos, 8, Kato Lakatamia,
P.C. 2322 Nicosia, Cyprus
(770) VLAKTOR TRADING LIMITED
Arch. Makariou III, 134, Yiota Court,
Flat/Office 102, P.C. 3021, Limassol,
Cyprus
(580) 2013 03 01

(111) M 2007 017988 R
(732) VLAKTOR TRADING LIMITED
Zinonos Kitieos, 8, Kato Lakatamia,
P.C. 2322 Nicosia, Cyprus
(770) VLAKTOR TRADING LIMITED
Arch. Makariou III, 134, Yiota Court,
Flat/Office 102, P.C. 3021, Limassol,
Cyprus
(580) 2013 03 01

(111) M 2009 019134 R
(732) Vanguard Trademark Holdings USA LLC
600 Corporate Park Drive, St. Louis,
Missouri 63105, USA
(770) Vanguard Trademark Holdings USA LLC
6929 North Lakewood Avenue,
Suite 100, Tulsa, OK 74117-1808, USA
(580) 2013 03 04

(111) M 2009 019881 R
(732) VLAKTOR TRADING LIMITED
Zinonos Kitieos, 8, Kato Lakatamia,
P.C. 2322 Nicosia, Cyprus
(770) VLAKTOR TRADING LIMITED
Arch. Makariou III, 134, Yiota Court,
Flat/Office 102, P.C. 3021, Limassol,
Cyprus
(580) 2013 03 01

(111) M 2010 020556 R
(732) PATRON SPIRITS INTERNATIONAL AG
Quaistrasse 11, 8200 Schaffhausen,
Switzerland
(770) PATRÓN SPIRITS INTERNATIONAL AG
Spitalstrasse 5, 8200 Schaffhausen,
Switzerland
(580) 2013 02 22

(111) M 2011 021780 R
(732) MEY ALKOLLU ICKILER SANAYII
VE TICARET ANONIM SIRKETI
Abide-i Hurriyet Cad. No:211 Bolkan Center
B Blok SISLI 34381 ISTANBUL, Turkey
(770) MEY ALKOLLU ICKILER SANAYII
VE TICARET ANONIM SIRKETI
Buyukdere Caddesi No: 71 Kat: 1 Maslak
Sisli Istanbul, Turkey
(580) 2013 02 22

(111) M 2012 022789 R
(732) Forever 21, Inc., a Delaware corporation
3380 North Mission Road, Los Angeles,
California 90031, USA
(770) Forever 21, Inc., a Delaware corporation
2001 South Alameda Street, Los Angeles,
California 90058, USA
(580) 2013 02 22

(111) M 1998 008179 R1
(732) KRAFT FUDS DANMARK
INTELLECTUAL PROPERTY APS
Roskildevej 161, DK-2620 Albertslund,
Denmark
(770) DANDY A/S
Hjulgagervej 4B, 7100 Vejle, Denmark
(580) 2013 02 22

CANCELLING OF TRADEMARK REGISTRATION

(111) M 2010 21019 R
(141) 2012 11 16, On demand of the owner
(732) COLGATE - PALMOLIVE COMPANY
Delaware Corporation
300 Park Avenue, New York, New York
10022, USA

(111) M 2011 21462 R
(141) 2012 10 18, On demand of the owner
(732) LTD "FASHION GROUP"
Pekini str. N14, 0171, Tbilisi, Georgia

(111) M 2011 21463 R
(141) 2012 10 18, On demand of the owner
(732) LTD "FASHION GROUP"
Pekini str. N14, 0171, Tbilisi, Georgia

(111) M 2011 21473 R
(141) 2012 10 18, On demand of the owner
(732) LTD "FASHION GROUP"
Pekini str. N14, 0171, Tbilisi, Georgia

(111) M 2011 21474 R
(141) 2012 10 18, On demand of the owner
(732) LTD "FASHION GROUP"
Pekini str. N14, 0171, Tbilisi, Georgia

(111) M 2011 21534 R
(141) 2012 10 18, On demand of the owner
(732) LTD "FASHION GROUP"
Pekini str. N14, 0171, Tbilisi, Georgia

INVALIDATION OF TRADEMARK REGISTRATION

(260) AM 2004 011161 A
(800) 798721
(731) UCB Farchim S.A.
Z.I. Planchy, 10 chemin de Croix-Blanche C.P. 411, CH-1630 Bulle, CH
(540)

SITOR

(141) 2013 03 07
GROUNDS: Order №20 of Sakpatenti Chairman of 2013 03 07 for enforcement of the decision of September 18, 2012, of Tbilisi City Court Civil Cases Board (Case №2/5300–12).

(260) AM 2004 011164 A
(800) 798726
(731) UCB Farchim SA
Z.I. Planchy, 10 Chemin de Croix-Blanche Case postale 411, CH-1630 Bulle, CH
(540)

СИТОР

(141) 2013 03 07
GROUNDS: Order №20 of Sakpatenti Chairman of 2013 03 07 for enforcement of the decision of September 18, 2012, of Tbilisi City Court Civil Cases Board (Case №2/5300–12).

(260) AM 2004 011163 A
(800) 798723
(731) UCB Farchim SA
Z.I. Planchy, 10 Chemin de Croix-Blanche Case postale 411, CH-1630 Bulle, CH
(540)

АЛТОР

(141) 2013 03 07
GROUNDS: Order №21 of Sakpatenti Chairman of 2013 03 07 for enforcement of the decision of September 18, 2012, of Tbilisi City Court Civil Cases Board (Case №2/8809–12).

CLASSIFICATION INDEXES

INVENTIONS

CONCORDANCE TABLE OF INTERNATIONAL CLASSIFICATION INDEX AND PUBLICATION NUMBERS

INTERNATIONAL CLASSIFICATION INDEXES (51)	NUMBER OF PUBLISHED APPLICATION (10)
A 23 L 1/22	AP 2013 12608 A
A 61 K 9/20; A 61 K 31/138; A 61 K 31/4422	AP 2013 12210 A
A 61 K 31/01; A 61 K 31/047; A 61 P 17/02; A 61 P 17/06	AP 2013 12035 A
A 61 K 31/4184; A 61 K 31/4745; A 61 K 39/395; A 61 K 45/06; A 61 K 35/00; A 61 P 35/02	AP 2013 11877 A
A 61 K 38/17; A 61 K 48/00; A 61 P 25/00; C 12 N 5/06	AP 2013 11447 A
B 65 D 17/50	AP 2013 11854 A
C 07 D 285/36; A 61 K 31/554; A 61 P 25/00	AP 2013 12414 A
C 07 D 401/04; C 07 D 401/14; C 07 D 413/04; C 07 D 413/14; C 07 D 417/14; A 61 K 31/4523; A 61 K 31/454; A 61 P 31/00; A 61 P 35/00; A 61 P 37/00	AP 2013 12448 A
C 07 D 471/04; A 61 K 31/4745; A 61 P 1/00; A 61 P 9/00; A 61 P 13/02; A 61 P 25/00; A 61 P 35/00	AP 2013 12123 A
F 03 D 3/06; F 03 D 7/06	AP 2013 12560 A
G 06 F 9/46	AP 2013 12006 A
G 06 Q 30/00	AP 2013 12240 A
G 06 Q 30/00	AP 2013 12241 A

CONCORDANCE TABLE OF PUBLICATION NUMBERS AND INTERNATIONAL CLASSIFICATION INDEX

NUMBER OF PUBLISHED APPLICATION (10)	INTERNATIONAL CLASSIFICATION INDEXES (51)
AP 2013 11447 A	A 61 K 38/17; A 61 K 48/00; A 61 P 25/00; C 12 N 5/06
AP 2013 11854 A	B 65 D 17/50
AP 2013 11877 A	A 61 K 31/4184; A 61 K 31/4745; A 61 K 39/395; A 61 K 45/06; A 61 K 35/00; A 61 P 35/02
AP 2013 12006 A	G 06 F 9/46
AP 2013 12035 A	A 61 K 31/01; A 61 K 31/047; A 61 P 17/02; A 61 P 17/06
AP 2013 12123 A	C 07 D 471/04; A 61 K 31/4745; A 61 P 1/00; A 61 P 9/00; A 61 P 13/02; A 61 P 25/00; A 61 P 35/00
AP 2013 12210 A	A 61 K 9/20; A 61 K 31/138; A 61 K 31/4422
AP 2013 12240 A	G 06 Q 30/00
AP 2013 12241 A	G 06 Q 30/00
AP 2013 12414 A	C 07 D 285/36; A 61 K 31/554; A 61 P 25/00
AP 2013 12448 A	C 07 D 401/04; C 07 D 401/14; C 07 D 413/04; C 07 D 413/14; C 07 D 417/14; A 61 K 31/4523; A 61 K 31/454; A 61 P 31/00; A 61 P 35/00; A 61 P 37/00
AP 2013 12560 A	F 03 D 3/06; F 03 D 7/06
AP 2013 12608 A	A 23 L 1/22

**CONCORDANCE TABLE OF INTERNATIONAL CLASSIFICATION INDEX,
PATENT NUMBERS AND PUBLICATION NUMBERS**

INTERNATIONAL CLASSIFICATION INDEX (51)	NUMBER OF PATENT (11)	NUMBER OF PUBLISHED APPLICATION (10)
A 61 K 31/44; A 61 K 47/26; A 61 K 47/34; A 01 N 43/40; A 61 K 8/34; A 61 K 8/49; A 61 K 8/60	P 2013 5788 B	AP 2012 12244 A
C 07 D 231/56; C 07 D 403/12; C 07 D 405/14; C 07 D 417/12; C 07 D 471/14; C 07 D 471/04; C 07 D 513/04; A 61 K 31/4155; A 61 P 3/10	P 2013 5783 B	AP 2012 12029 A
C 07 D 401/14; A 61 K 31/444	P 2013 5786 B	AP 2012 12153 A
C 07 D 487/04; A 61 K 31/519; A 61 P 35/00	P 2013 5785 B	AP 2012 12114 A
C 07 D 487/04; A 61 K 31/519; A 61 P 35/00	P 2013 5780 B	AP 2012 11914 A
C 09 B 61/00	P 2013 5787 B	AP 2012 12155 A
F 24 J 3/08; F 28 D 21/00; F 25 B 30/06	P 2013 5784 B	AP 2012 12057 A
G 01 K 13/00; G 01 K 11/12	P 2013 5789 B	AP 2012 12273 A
G 06 F 17/30	P 2013 5781 B	AP 2012 11919 A
G 06 Q 30/00; G 06 F 15/173; H 04 W 4/04	P 2013 5790 B	AP 2012 11882 A
H 01 M 8/00, 8/08, 8/22, 4/20, 4/29, 4/30; C 25 B 1/00, 1/28, 1/30, 1/32, 1/46	P 2013 5782 B	AP 2012 11924 A

**CONCORDANCE TABLE OF PATENT NUMBERS,
PUBLICATION NUMBERS AND INTERNATIONAL CLASSIFICATION INDEX**

NUMBER OF PATENT (11)	NUMBER OF PUBLISHED APPLICATION (10)	INTERNATIONAL CLASSIFICATION INDEX (51)
P 2013 5790 B	AP 2012 11882 A	G 06 Q 30/00; G 06 F 15/173; H 04 W 4/04
P 2013 5780 B	AP 2012 11914 A	C 07 D 487/04; A 61 K 31/519; A 61 P 35/00
P 2013 5781 B	AP 2012 11919 A	G 06 F 17/30
P 2013 5782 B	AP 2012 11924 A	H 01 M 8/00, 8/08, 8/22, 4/20, 4/29, 4/30; C 25 B 1/00, 1/28, 1/30, 1/32, 1/46
P 2013 5783 B	AP 2012 12029 A	C 07 D 231/56; C 07 D 403/12; C 07 D 405/14; C 07 D 417/12; C 07 D 471/14; C 07 D 471/04; C 07 D 513/04; A 61 K 31/4155; A 61 P 3/10
P 2013 5784 B	AP 2012 12057 A	F 24 J 3/08; F 28 D 21/00; F 25 B 30/06
P 2013 5785 B	AP 2012 12114 A	C 07 D 487/04; A 61 K 31/519; A 61 P 35/00
P 2013 5786 B	AP 2012 12153 A	C 07 D 401/14; A 61 K 31/444
P 2013 5787 B	AP 2012 12155 A	C 09 B 61/00
P 2013 5788 B	AP 2012 12244 A	A 61 K 31/44; A 61 K 47/26; A 61 K 47/34; A 01 N 43/40; A 61 K 8/34; A 61 K 8/49; A 61 K 8/60
P 2013 5789 B	AP 2012 12273 A	G 01 K 13/00; G 01 K 11/12

CONCORDANCE TABLE OF APPLICATION NUMBERS, PUBLICATION NUMBERS AND PATENTS

NUMBER OF APPLICATION (21)	NUMBER OF PUBLISHED APPLICATION (10)	NUMBER OF PATENT (11)
AP 2009 011882	AP 2012 11882 A	P 2013 5790 B
AP 2009 011914	AP 2012 11914 A	P 2013 5780 B
AP 2009 011919	AP 2012 11919 A	P 2013 5781 B
AP 2010 011924	AP 2012 11924 A	P 2013 5782 B
AP 2009 012029	AP 2012 12029 A	P 2013 5783 B
AP 2009 012057	AP 2012 12057 A	P 2013 5784 B
AP 2009 012114	AP 2012 12114 A	P 2013 5785 B
AP 2009 012153	AP 2012 12153 A	P 2013 5786 B
AP 2009 012155	AP 2012 12155 A	P 2013 5787 B
AP 2009 012244	AP 2012 12244 A	P 2013 5788 B
AP 2009 012273	AP 2012 12273 A	P 2013 5789 B

UTILITY MODELS

CONCORDANCE TABLE OF INTERNATIONAL CLASSIFICATION INDEX AND PUBLICATION NUMBERS

INTERNATIONAL CLASSIFICATION INDEXES (51)	NUMBER OF PUBLISHED APPLICATION (10)
E 05 B 41/00	AU 2013 12803 U

CONCORDANCE TABLE OF PUBLICATION NUMBERS AND INTERNATIONAL CLASSIFICATION INDEX

NUMBER OF PUBLISHED APPLICATION (10)	INTERNATIONAL CLASSIFICATION INDEXES (51)
AU 2013 12803 U	E 05 B 41/00

CONCORDANCE TABLE OF INTERNATIONAL CLASSIFICATION INDEX, PATENT NUMBERS AND PUBLICATION NUMBERS

INTERNATIONAL CLASSIFICATION INDEX (51)	NUMBER OF PATENT (11)	NUMBER OF PUBLISHED APPLICATION (10)
B 60 L 15/00	U 2013 1758 Y	AU 2012 12638 U
F 24 J 2/44	U 2013 1759 Y	AU 2012 12702 U

**CONCORDANCE TABLE OF PATENT NUMBERS,
PUBLICATION NUMBERS AND INTERNATIONAL CLASSIFICATION INDEX**

NUMBER OF PATENT (11)	NUMBER OF PUBLISHED APPLICATION (10)	INTERNATIONAL CLASSIFICATION INDEX (51)
U 2013 1758 Y	AU 2012 12638 U	B 60 L 15/00
U 2013 1759 Y	AU 2012 12702 U	F 24 J 2/44

**CONCORDANCE TABLE OF APPLICATION NUMBERS, PUBLICATION NUMBERS
AND PATENTS**

NUMBER OF APPLICATION (21)	NUMBER OF PUBLISHED APPLICATION (10)	NUMBER OF PATENT (11)
AU 2012 012638	AU 2012 12638 U	U 2013 1758 Y
AU 2012 012702	AU 2012 12702 U	U 2013 1759 Y

DESIGNS

**CONCORDANCE TABLE OF INTERNATIONAL CLASSIFICATION INDEX
AND PUBLICATION NUMBERS**

INTERNATIONAL CLASSIFICATION INDEXES (51)	NUMBER OF PUBLISHED APPLICATION (10)
32-00	AD 2013 716 S

**CONCORDANCE TABLE OF PUBLICATION NUMBERS
AND INTERNATIONAL CLASSIFICATION INDEX**

NUMBER OF PUBLISHED APPLICATION (10)	INTERNATIONAL CLASSIFICATION INDEXES (51)
AD 2013 716 S	32-00

TRADEMARKS

CONCORDANCE TABLE OF REGISTRATION NUMBERS, APPLICATION NUMBERS, PUBLICATION NUMBERS AND BULLETIN NUMBERS

NUMBER OF REGISTRATION (111)	NUMBER OF APPLICATION (210)	NUMBER OF PUBLISHED APPLICATION (260)	NUMBER OF BULLETIN
1	2	3	4
M 2013 23361 R	AM 2013 70800	-	5(369) 2013
M 2013 23362 R	AM 2011 60887	AM 2012 60887 A	15(355) 2012
M 2013 23363 R	AM 2011 61935	AM 2112 61935 A	1(341) 2012
M 2013 23364 R	AM 2011 63210	AM 2012 63210 A	15(355) 2012
M 2013 23365 R	AM 2011 63409	AM 2012 63409 A	15(355) 2012
M 2013 23366 R	AM 2011 63864	AM 2012 63864 A	15(355) 2012
M 2013 23367 R	AM 2011 63865	AM 2012 63865 A	15(355) 2012
M 2013 23368 R	AM 2011 63955	AM 2012 63955 A	15(355) 2012
M 2013 23369 R	AM 2011 64424	AM 2012 64424 A	17(357) 2012
M 2013 23370 R	AM 2011 64518	AM 2012 64518 A	15(355) 2012
M 2013 23371 R	AM 2011 64519	AM 2012 64519 A	15(355) 2012
M 2013 23372 R	AM 2011 64658	AM 2012 64658 A	15(355) 2012
M 2013 23373 R	AM 2011 64659	AM 2012 64659 A	15(355) 2012
M 2013 23374 R	AM 2011 64662	AM 2012 64662 A	15(355) 2012
M 2013 23375 R	AM 2011 64664	AM 2012 64664 A	20(360) 2012
M 2013 23376 R	AM 2011 64665	AM 2012 64665 A	20(360) 2012
M 2013 23377 R	AM 2011 64714	AM 2012 64714 A	21(361) 2012
M 2013 23378 R	AM 2011 64771	AM 2012 64771 A	20(360) 2012
M 2013 23379 R	AM 2011 64820	AM 2012 64820 A	20(360) 2012
M 2013 23380 R	AM 2011 64821	AM 2012 64821 A	20(360) 2012
M 2013 23381 R	AM 2011 64822	AM 2012 64822 A	20(360) 2012
M 2013 23382 R	AM 2011 64834	AM 2012 64834 A	20(360) 2012
M 2013 23383 R	AM 2011 64835	AM 2012 64835 A	20(360) 2012
M 2013 23384 R	AM 2011 64837	AM 2012 64837 A	20(360) 2012
M 2013 23385 R	AM 2011 64898	AM 2012 64898 A	18(358) 2012
M 2013 23386 R	AM 2011 64899	AM 2012 64899 A	15(355) 2012
M 2013 23387 R	AM 2011 65096	AM 2012 65096 A	20(360) 2012
M 2013 23388 R	AM 2011 65389	AM 2012 65389 A	20(360) 2012
M 2013 23389 R	AM 2011 65390	AM 2012 65390 A	20(360) 2012
M 2013 23390 R	AM 2011 65497	AM 2012 65497 A	21(361) 2012
M 2013 23391 R	AM 2011 65498	AM 2012 65498 A	21(361) 2012
M 2013 23392 R	AM 2011 65499	AM 2012 65499 A	21(361) 2012
M 2013 23393 R	AM 2011 65516	AM 2012 65516 A	18(358) 2012
M 2013 23394 R	AM 2011 65667	AM 2012 65667 A	21(361) 2012
M 2013 23395 R	AM 2011 65668	AM 2012 65668 A	21(361) 2012
M 2013 23396 R	AM 2011 65669	AM 2012 65669 A	21(361) 2012
M 2013 23397 R	AM 2012 65742	AM 2012 65742 A	21(361) 2012
M 2013 23398 R	AM 2012 65743	AM 2012 65743 A	21(361) 2012
M 2013 23399 R	AM 2012 65751	AM 2012 65751 A	21(361) 2012
M 2013 23400 R	AM 2012 65753	AM 2012 65753 A	21(361) 2012
M 2013 23401 R	AM 2012 65776	AM 2012 65776 A	21(361) 2012
M 2013 23402 R	AM 2012 65904	AM 2012 65904 A	21(361) 2012
M 2013 23403 R	AM 2012 65906	AM 2012 65906 A	21(361) 2012
M 2013 23404 R	AM 2012 66007	AM 2012 66007 A	21(361) 2012
M 2013 23405 R	AM 2012 66015	AM 2012 66015 A	21(361) 2012

1	2	3	4
M 2013 23406 R	AM 2012 66016	AM 2012 66016 A	21(361) 2012
M 2013 23407 R	AM 2012 66287	AM 2012 66287 A	21(361) 2012
M 2013 23408 R	AM 2013 70793	-	5(369) 2013
M 2013 23409 R	AM 2013 70986	-	5(369) 2013
M 2013 23410 R	AM 2013 70732	-	5(369) 2013
M 2013 23411 R	AM 2013 70733	-	5(369) 2013
M 2013 23412 R	AM 2013 70734	-	5(369) 2013

**CONCORDANCE TABLE OF PUBLICATION NUMBERS
AND APPLICATION NUMBERS**

NUMBER OF PUBLISHED APPLICATION (260)	NUMBER OF APPLICATION (210)
AM 2013 66408 A	AM 2012 66408
AM 2013 66556 A	AM 2012 66556
AM 2013 66560 A	AM 2012 66560
AM 2013 66568 A	AM 2012 66568
AM 2013 67235 A	AM 2012 67235
AM 2013 67239 A	AM 2012 67239
AM 2013 67261 A	AM 2012 67261
AM 2013 67263 A	AM 2012 67263
AM 2013 67337 A	AM 2012 67337
AM 2013 67338 A	AM 2012 67338
AM 2013 67339 A	AM 2012 67339
AM 2013 67394 A	AM 2012 67394
AM 2013 67412 A	AM 2012 67412
AM 2013 67413 A	AM 2012 67413
AM 2013 67417 A	AM 2012 67417
AM 2013 67446 A	AM 2012 67446
AM 2013 67460 A	AM 2012 67460
AM 2013 67496 A	AM 2012 67496
AM 2013 67540 A	AM 2012 67540
AM 2013 67560 A	AM 2012 67560
AM 2013 67565 A	AM 2012 67565
AM 2013 67566 A	AM 2012 67566
AM 2013 67567 A	AM 2012 67567
AM 2013 66008 A*	AM 2012 66008

**CONCORDANCE TABLE OF INDEX OF GOODS AND/OR SERVICES
AND APPLICATION NUMBERS**

INDEX OF GOODS AND/OR SERVICES (511)	NUMBER OF PUBLISHED APPLICATION (260)	1	2
1	2	25	AM 2013 67567 A
3	AM 2013 66408 A	28	AM 2013 67565 A
3	AM 2013 66008 A*	29	AM 2013 67496 A
5	AM 2013 66408 A	30	AM 2013 67417 A
5	AM 2013 66560 A	32	AM 2013 66556 A
5	AM 2013 67235 A	32	AM 2013 66568 A
5	AM 2013 67239 A	32	AM 2013 67239 A
5	AM 2013 67261 A	32	AM 2013 67446 A
5	AM 2013 67413 A	32	AM 2013 67496 A
5	AM 2013 67540 A	33	AM 2013 66556 A
6	AM 2013 67263 A	33	AM 2013 67239 A
6	AM 2013 67460 A	33	AM 2013 67337 A
7	AM 2013 67412 A	33	AM 2013 67446 A
9	AM 2013 67412 A	35	AM 2013 66556 A
11	AM 2013 67412 A	35	AM 2013 67338 A
12	AM 2013 67560 A	35	AM 2013 67394 A
18	AM 2013 67339 A	35	AM 2013 67565 A
19	AM 2013 67263 A	35	AM 2013 67566 A
19	AM 2013 67460 A	35	AM 2013 67567 A
25	AM 2013 67566 A	36	AM 2013 67394 A
		37	AM 2013 67460 A

**CONCORDANCE TABLE OF INDEX OF GOODS AND/OR SERVICES
AND NUMBERS OF TRADEMARKS REGISTERED ACCORDING
TO THE ACCELERATED PROCEDURE**

INDEX OF GOODS AND/OR SERVICES (511)	NUMBER OF REGISTERED ACCORDING TO THE ACCELERATED PROCEDURE (111)
5	M 2013 23410 R
5	M 2013 23411 R
5	M 2013 23412 R
29	M 2013 23409 R
30	M 2013 23409 R
31	M 2013 23409 R
32	M 2013 23361 R
35	M 2013 23408 R
35	M 2013 23409 R

OFFICIAL BULLETIN OF THE INDUSTRIAL PROPERTY

5(369)

EDITOR-IN-CHIEF: N. Bebrishvili

EDITORS-TRANSLATORS: E. Gabunia
G. Nadareishvili

PROOFREADER: L. Chanturia

COMPUTER LAYOUT: M. Ordenidze
K. Svanidze

www.sakpatenti.org.ge
E-mail: info@sakpatenti.org.ge