



**NATIONAL INTELLECTUAL PROPERTY CENTER OF GEORGIA
SAKPATENTI**

**OFFICIAL BULLETIN
OF THE INDUSTRIAL PROPERTY**

6(346)

**2012
TBILISI**

INID CODES FOR IDENTIFICATION OF BIBLIOGRAPHIC DATA

INVENTIONS, UTILITY MODELS

- (10) Number of publication for application, which has been examined
- (11) Number of patent and kind of document
- (21) Serial number of application
- (22) Date of filing of the application
- (23) Date of exhibition or the date of the earlier filing and the number of application, if any
- (24) Date from which patent may have effect
- (31) Number of priority application
- (32) Date of filing of priority application
- (33) Code of the country or regional organization allotting priority application number
- (44) Date of publication of application not granted, but examined and number of bulletin
- (45) Date of publication of registered document
- (51) International Patent Classification Index
- (54) Title of the invention
- (57) Abstract
- (60) Number of examined patent document granted by foreign patent office, date from which patent has effect and country code
- (62) Number of the earlier application and in case of divided application, date of filing an application
- (71) Name, surname and address of applicant (country code)
- (72) Name, surname of inventor (country code)
- (73) Name, surname and address of patent owner (country code)
- (74) Name, surname of representative or patent attorney
- (85) Date of commencement of the national phase of International Application
- (86) Number and date of filing of international application
- (87) Number and date of publication of international application

DESIGNS

- (10) Number of publication for application
- (11) Number of patent and kind of document or number of registration
- (15) Date of registration/Date of patent renewal
- (18) Expected expiration date of patent or registration
- (21) Serial number of application
- (22) Date of filing of the application
- (23) Date of exhibition or the date of the earlier filing and the number of application, if any
- (24) Date from which patent may have effect
- (28) Number of designs included in the application
- (30) Data relating to priority (number of application, date of filing of application, two-letter code identifying the authority with whom the priority application was made)
- (31) Number of priority application
- (32) Date of filing of priority application
- (33) Code of the country or regional organization allotting priority application number
- (34) Two-letter code according to WIPO St.3 identifying the authority with which the priority application was made
- (44) Date of publication of design and number of bulletin (the first publication)
- (45) Date of publication of design registered by WIPO and number of bulletin
- (51) International Classification for designs (class and subclass of the Locarno Classification)
- (54) Title of the invention
- (55) Reproduction of the design
- (57) Description of characteristic features of the design including indication of colors
- (58) Date of recording of any kind of amendment in the Register
- (62) Number of the earlier application, registration and document number and if available the date of filing an application in case of divided application
- (71) Name, surname and address of applicant (country code)
- (72) Name, surname of creator (country code)
- (73) Name, surname and address of patent owner (country code)
- (74) Name, surname of representative or patent attorney
- (81) Contracting states concerned
 - II designated contracting states according to the 1960 Act
 - III designated contracting states according to the 1999 Act
- (85) Owner's permanent address
- (86) Owner's nationality
- (87) Owner's residence
- (88) State in which the owner has a real and effective industrial or commercial establishment

TRADEMARKS

- (111) – Number of registration
- (151) – Date of registration
- (156) – Date of the renewal
- (181) – Expected expiration date of registration
- (186) – Renewal expiration date of registration
- (141) – Date of cancel of duration of the mark
- (210) – Serial number of application
- (220) – Date of filing of the application
- (230) – Date concerning exhibition
- (260) – Number of application, for which favorable decision of examination about registration has been taken (publication number)
- (310) – Number of the first application
- (320) – Date of filing of the first application
- (330) – Code, identifying national or regional Office where the first application was made
- (511) – International Classification of Goods and Services for the purposes of registration of trade marks and/or list of goods and/or services classified according thereto
- (531) – Description of figurative elements of Trade Marks according to the International Classification of the Figurative Elements of Marks
- (540) – Reproduction of Trade Mark
- (550) – Nature and kind of Trade Mark
- (580) – Date of recording of any kind changes in respect of applications or registrations
- (591) – Information concerning colors claimed
- (731) – Name and address of the applicant
- (732) – Name and address of the holder of the registration
- (740) – Name and address of the representative
- (750) – Address for correspondence
- (770) – Name and address of the previous applicant or holder in case of change in ownership
- (771) – Previous name and address of the applicant or holder in case of change in ownership
- (791) – Name and address of the licensee
- (793) – Indication of conditions and/or restrictions under the license (Type of license, number of license agreement, data of license, data of validity of license)
- (800) – Certain data relating to the international registration of Trade Marks under the Protocol Relating to Madrid Agreement (International registration number)

CODES FOR PUBLICATION IN BULLETIN

- (21) AP 0000 000000 – serial number of application for invention
- (10) AP 0000 0000 A – number of published application for invention (first publication)
- (11) P 0000 0000 B – number of patent for invention (second publication)
- (21) API 0000 000000 – number of application for imported patent
- (11) PI 0000 0000 A – number of imported patent (first publication)
- (21) AU 0000 000000 – serial number of application for utility model
- (10) AU 0000 000 U – number of published application for utility model (first publication)
- (11) U 0000 000 Y – number of patent for utility model (second publication)
- (21) AD 0000 000000 – serial number of application for design
- (10) AD 0000 000 S – number of published application for design (first publication)
- (11) D 0000 000 S – number of patent for design (second publication)

INTERNATIONAL PATENT CLASSIFICATION FOR INVENTIONS AND UTILITY MODELS

- SECTION A – HUMAN NECESSITIES
- SECTION B – PERFORMING OPERATIONS; TRANSPORTING
- SECTION C – CHEMISTRY; METALLURGY
- SECTION D – TEXTILES; PAPER
- SECTION E – FIXED CONSTRUCTIONS
- SECTION F – MECHANICAL ENGINEERING; LIGHTING; HEATING; WEAPONS; BLASTING
- SECTION G – PHYSICS
- SECTION H – ELECTRICITY

-
- M – Trade Mark
 - (210) AM 0000 000000 – Serial number of application;
 - (260) AAM 0000 00000 A – Publication number of application;
 - (111) M 0000 00000 R – Number of registration;
 - (111) MMM0000 00000 Rn – Number of renewals, in which n=1,2,3;
 - (111) M 0000 00000 R(P) – Number of registration under partial assignment of rights
-

LIST OF CODES, IN ALPHABETIC SEQUENCE, AND THE CORRESPONDING (SHORT) NAMES OF STATES, OTHER ENTITIES AND INTERGOVERNMENTAL ORGANIZATIONS
(WIPO STANDARD ST.3)

AD	Andorra		for the Arab States of the Gulf (GCC)	NE	Niger
AE	United Arab Emirates	GD	Grenada	NG	Nigeria
AF	Afghanistan	GG	Guernsey	NI	Nicaragua
AG	Antigua and Barbuda	GH	Ghana	NL	Netherlands
AI	Anguilla	GI	Gibraltar	NO	Norway
AL	Albania	GT	Guatemala	NP	Nepal
AM	Armenia	GW	Guinea- Bissau	NR	Nauru
AN	Netherlands Antilles	GY	Guyana	NZ	New Zealand
AO	Angola	HK	The Hong Kong Special Administrative Region of the People's Republic of China	OA	African Intellectual Property Organization (OAPI)
AP	African Regional Intellectual Property Organization (ARIPO)	HN	Honduras	OM	Oman
AR	Argentina	HR	Croatia	PA	Panama
AT	Austria	HT	Haiti	PE	Peru
AU	Australia	HU	Hungary	PG	Papua New Guinea
AW	Aruba	IB	International Bureau of the World Intellectual Property Organization (WIPO)	PH	Philippines
AZ	Azerbaijan	ID	Indonesia	PK	Pakistan
BA	Bosnia and Herzegovina	IE	Ireland	PL	Poland
BB	Barbados	IL	Israel	PT	Portugal
BD	Bangladesh	IM	Isle of Man	PW	Palau
BE	Belgium	IN	India	PY	Paraguay
BF	Burkina Faso	IQ	Iraq	QA	Qatar
BG	Bulgaria	ID	Indonesia	QZ	Community Plant Variety Office (European Community) (CPVO)
BH	Bahrain	IE	Ireland	RO	Romania
BI	Burundi	IL	Israel	RS	Serbia
BJ	Benin	IM	Isle of Man	RU	Russian Federation
BM	Bermuda	IN	India	RW	Rwanda
BN	Brunei Darussalam	IQ	Iraq	SA	Saudi Arabia
BO	Bolivia	IR	Iran (Islamic Republic of)	SB	Solomon Islands
BR	Brazil	IS	Iceland	SC	Seychelles
BS	Bahamas	IT	Italy	SD	Sudan
BT	Bhutan	JE	Jersey	SG	Singapore
BV	Bouvet Island	JM	Jamaica	SH	Saint Helena
BW	Botswana	JO	Jordan	SI	Slovenia
BX	Benelux Office for Intellectual Property (BOIP)	JP	Japan	SK	Slovakia
BY	Belarus	KE	Kenya	SL	Sierra Leone
BZ	Belize	KG	Kyrgyzstan	SM	San Marino
CA	Canada	KH	Cambodia	SN	Senegal
CD	Democratic Republic of the Congo	KI	Kiribati	SO	Somalia
CF	Central African Republic	KM	Saint Kitts and Nevis	SR	Suriname
CG	Congo	KP	Democratic People's Republic of Korea	ST	Sao Tome and Principe
CH	Switzerland	KR	Republic of Korea	SV	El Salvador
CI	Cote d'Ivoire	KW	Kuwait	SY	Syrian Arab Republic
CK	Cook Islands	KY	Cayman Islands	SZ	Swaziland
CL	Chile	KZ	Kazakhstan	TC	Turks and Caicos Islands
CM	Cameroon	LA	Lao People's Democratic Republic	TD	Chad
CN	China	LB	Lebanon	TG	Togo
CO	Colombia	LC	Saint Lucia	TH	Thailand
CR	Costa Rica	LI	Liechtenstein	TJ	Tajikistan
CU	Cuba	LK	Sri Lanka	TL	Timor-Leste
CV	Cape Verde	LR	Liberia	TM	Turkmenistan
CY	Cyprus	LS	Lesotho	TN	Tunisia
CZ	Czech Republic	LT	Lithuania	TO	Tonga
DE	Germany	LU	Luxembourg	TR	Turkey
DJ	Djibouti	LV	Latvia	SE	Sweden
DM	Dominica	LY	Libyan Arab Jamahiriya	TT	Trinidad and Tobago
DO	Dominican Republic	MA	Morocco	TV	Tuvalu
DZ	Algeria	MC	Monaco	TW	Taiwan, Province of China
EA	Eurasian Patent Organization (EAPO)	MD	Republic of Moldova	TZ	United Republic of Tanzania
EC	Ecuador	ME	Montenegro	UA	Ukraine
EE	Estonia	MG	Madagascar	UG	Uganda
EG	Egypt	MK	The former Yugoslav Republic of Macedonia	US	United States of America
EH	Western Sahara			UY	Uruguay
EM	Office for Harmonization in the Internal Market (Trademarks and Designs)(OHIM)	ML	Mali	UZ	Uzbekistan
EP	European Patent Office (EPO)	MM	Myanmar	VA	Holy See
ER	Eritrea	MN	Mongolia	VC	Saint Vincent and the Grenadines
ES	Spain	MO	Macao	VE	Venezuela
ET	Ethiopia	MP	Northern Mariana Islands	VG	Virgin Islands (British)
FI	Finland	MR	Mauritania	VN	Viet Nam
FJ	Fiji	MS	Montserrat	VU	Vanuatu
FK	Falkland Islands (Malvinas)	MT	Malta	WO	World Intellectual Property Organization (WIPO)
FO	Faroe Islands	MU	Mauritius	WS	Samoa
FR	France	MV	Maldives	XN	Nordic Patent Institute (NPI)
GA	Gabon	MW	Malawi	YE	Yemen
GB	United Kingdom	MX	Mexico	ZA	South Africa
GC	Patent Office of the Cooperation Council	MY	Malaysia	ZM	Zambia
		MZ	Mozambique	ZW	Zimbabwe
		NA	Namibia		

**NATIONAL INTELLECTUAL PROPERTY CENTER OF GEORGIA
SAKPATENTI**

**OFFICIAL BULLETIN
OF THE INDUSTRIAL PROPERTY**

6(346)

**INVENTIONS
UTILITY MODELS
DESIGNS
TRADEMARKS**

**DATE OF PUBLICATION
2012 03 26**

CONTENTS

PUBLISHED TITLES OF PROTECTION	2
INVENTIONS	
▪ Applications for inventions	3
▪ Patents for inventions	6
UTILITY MODELS	
▪ Patents for utility models	15
DESIGNS	
▪ Designs registered according to the accelerated procedure	18
▪ Designs, which have been registered with the international bureau claiming priority on the territory of Georgia	19
TRADEMARKS	
▪ National trademarks	52
▪ Registered trademarks	70
▪ Trademarks registered according to the accelerated procedure	76
▪ International trademarks laid open for the purpose of taking protection granting decisions	79
▪ International trademarks protected in Georgia	97
OFFICIAL NOTIFICATIONS	
INVENTIONS	
▪ Renewal of a patents	109
TRADEMARKS	
▪ Renewal of registrations	110
▪ Complete transfer of rights	113
▪ Changes in names and/or addresses of owners	115
CLASSIFICATION INDEXES	
INVENTIONS	116
UTILITY MODELS	120
DESIGNS	122
TRADEMARKS	123

PUBLISHED TITLES OF PROTECTION

INVENTIONS

- **APPLICATIONS:**
10125; 11327; 10473; 11715; 11795; 11911; 11265
- **PATENTS:**
5420-5460

UTILITY MODELS

- **PATENTS:**
1702-1715

DESIGNS

- **DESIGNS REGISTERED ACCORDING TO THE ACCELERATED PROCEDURE:**
491
- **DESIGNS, WHICH HAVE BEEN REGISTERED WITH THE INTERNATIONAL BUREAU:**
76766; 77213; 77221; 77231; 77234; 77236; 77250; 77256; 77257; 77308; 77310; 77345; 77353; 77376;
77399; 77420; 77438; 77483; 77485; 77493; 77512; 77516; 77517

TRADEMARKS

- **NATIONAL TRADEMARKS:**
59313; 61682; 62043-62046; 62148; 62299; 62333; 62345, 62346; 62348, 62349; 62368; 62381-62385;
62387; 62390-62394; 62429; 62462; 62551; 62583; 62605; 62629-62635; 62697; 62718-62720; 62722-
-62727; 62809; 62815; 62836, 62837; 62879, 62880; 62901-62906; 62974; 63021; 63024; 63035; 63044;
63183; 63197; 63207; 63220-63222; 63357; 63479, 63480; 63591; 63616-63654; 63673-63675; 60732*
- **REGISTERED TRADEMARKS:**
22033; 22058; 22102; 22318; 22320; 22324; 22327-22331; 22340; 22349; 22359; 22366; 22368, 22369;
22371; 22396-22437
- **TRADEMARKS REGISTERED ACCORDING TO THE ACCELERATED PROCEDURE:**
22379-22395
- **INTERNATIONAL TRADEMARKS LAID OPEN FOR THE PURPOSE OF TAKING PROTECTION GRANTING DECISIONS:**
61651; 62007; 62077; 62082-62084; 62119; 62172-62175; 62184; 62195; 62306; 62454; 62530; 62570;
62593; 62639; 62662; 62680-62682; 62729-62733; 62735-62740; 62742; 62764; 62841-62843; 62845,
62848; 62850-62852; 62855-62858; 62860, 62861; 62864-62877; 62881-62883; 62885-62889; 62923-
-62929; 62931; 62944-62947; 62950; 62952-62961; 62980, 62981; 62983-62988; 62992, 62993; 63045-
-63053; 63056; 63058-63060; 63062, 63063; 63065-63072; 63127-63129; 63131-63139
- **INTERNATIONAL TRADEMARKS PROTECTED IN GEORGIA:**
60684; 60686-60689; 60695; 60700-60704; 60707-60709; 60873-60881; 60889-60893; 60895; 60954, 60955;
60967-60979; 61035; 61104, 61105; 61114-61119; 61121-61126; 61173-61176; 61178-61181; 61183-61188;
61241; 61245-61256; 61258; 61352; 61476; 61482; 61508; 61545; 61607; 61649, 61650; 61652-61655;
61657-61661; 61771, 61772; 61778-61780; 61787, 61788; 61790; 61793; 61827, 61828; 61830, 61831;
61835-61837; 61839-61848; 61850-61852; 61857; 61862; 61866-61870; 61915-61918; 61920-61930; 61932;
61934; 61954; 61961, 61962; 61966-61968; 61971, 61972; 61974, 61975; 62021; 62023-62025; 62032,
62033; 62050, 62051; 62053, 62054; 62057-62060

INVENTIONS

APPLICATIONS LAID OPEN FOR THE PURPOSE OF TAKING PATENT GRANTING DECISIONS

To appeal a decision is possible at Chamber of Appeal of Sakpatenti within 3 months from the publication or at The Board of Administrative Actions of Tbilisi City Court within a 1 month period. (Address: 12 km., №6, David Aghmashenebeli Kheivani, Tbilisi).

PART A

A 61

(10) AP 2012 10125 A (51) Int. Cl. (2006)

A 61 K 31/52
A 61 K 31/496
A 61 K 31/4747
C 07 D 473/02
C 07 D 487/04

(21) AP 2005 010125 (22) 2005 11 09

(31) 60/626,617; 60/715,020

(32) 2004 11 10; 2005 09 08

(33) US; US

(71) INCYTE CORPORATION (US)

Experimental Station, Building 336,
Route 141 & Henry Clay Road,
Wilmington, DE 19880 (US)

(72) YAO, Wenqing (US);

HE, Chunhong (CN);

ZHUO, Jincong (CN);

XU, Meizhong (CN);

ZHANG, Colin (CN);

QIAN, Ding-Quan (US);

BURNS, David (US);

METCALF, Brian, W. (US)

(74) Tamara Kochlamazashvili

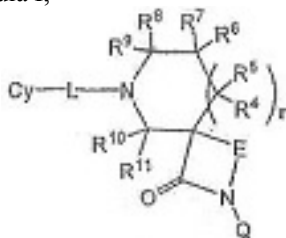
(85) 2007 06 08

(86) PCT/US2005/040550, 2005 11 09

(54) **LACTAM COMPOUNDS AND**

THEIR PHARMACEUTICAL USE

(57) The invention relates to compounds of the general formula I,



wherein substitutes have the values indicated in the description; pharmaceutical compositions comprising these compounds and use thereof for treatment of II type diabetes and other diseases.

Claims: 7 independent

9 dependent

(10) AP 2012 11327 A (51) Int. Cl. (2006)

A 61 K 31/416

A 61 P 3/04

A 61 P 3/06

A 61 P 3/10

A 61 P 9/00

A 61 P 35/00

(21) AP 2007 011327

(22) 2007 11 13

(31) MI2006A002254

(32) 2006 11 24

(33) IT

(71) AZIENDE CHIMICHE RIUNITE

ANGELINI FRANCESCO

A.C.R.A.F.S.P.A. (IT)

Viale Amelia, 70, I-00181 Roma (IT)

(72) GUGLIELMOTTI, Angelo (IT);

BIONDI, Giuseppe (IT)

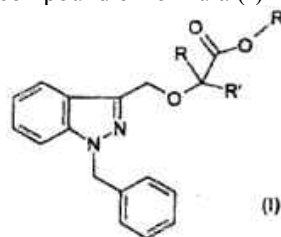
(74) Liliana Darakhvelidze

(85) 2009 06 23

(86) PCT/EP2007/009908, 2007 11 13

(54) **USE OF INDAZOLEMETHOXYALKANOIC ACID FOR DECREASING LEVELS OF TRIGLYCERIDES, CHOLESTEROL AND GLUCOSE**

(57) Use of compound of formula (I)



(values R, R' and R'' are defined in the description), for production of pharmaceutical composition for treatment of following diseases – obesity, metabolic syndrome, cardiovascular diseases, type II diabetes, insulin resistance and cancer.

Claims: 2 independent

4 dependent

Fig.: 4

(10) AP 2012 10473 A (51) Int. Cl. (2006)

A 61 P 25/00

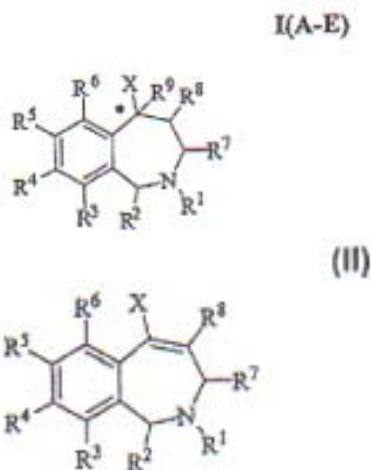
A 61 K 31/55

C 07 D 223/16

(21) AP 2006 010473

(22) 2006 07 17

- (31) 60/700,057
 (32) 2005 07 15
 (33) US
 (71) AMR TECHNOLOGY, INC. (US);
 5429 Main Street, P.O. Box 2587,
 Manchester Center, VT 05255-2587 (US);
 BRISTOL-MYERS SQUIBB
 COMPANY (US)
 Lawrenceville-Princeton Road,
 Princeton, TV 08543-4000 (US)
 (72) MOLINO, Bruce, F. (US);
 LIU, Shuang (US);
 SAMBANDAM, Aruna (US);
 GUZZO, Peter, R. (US);
 HU, Min (US);
 ZHA, Congxlang (US);
 NACRO, Kassoum (US);
 MANNING, David, D. (US);
 ISHERWOOD, Matthew, L. (US);
 FLEMING, Kristen, N. (US);
 CUI, Wenge (US);
 OLSON, Richard, E. (US)
 (74) Alexander Kvernadze
 (85) 2008 01 14
 (86) PCT/US2006/027574, 2006 07 17
 (54) **ARYL-AND HETEROARYL-
 SUBSTITUED TETRAHYDRO-
 BENZAZEPINES AND USE THEREOF
 TO BLOCK REUPTAKE OF
 NOREPINEPHRINE, DOPAMINE
 AND SEROTONIN**
 (57) Compound of formula



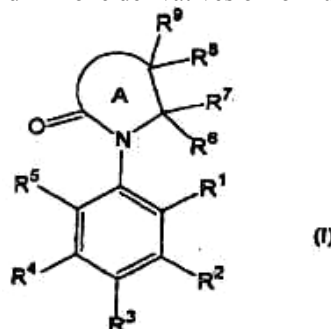
values R^1 - R^9 , and X are given in description, the pharmaceutically acceptable salts thereof, production method, pharmaceutical compositions on the basis thereof and use therapeutically effective amount thereof for treatment of disorders caused by or linked with decreased level of norepinephrine, dopamine and serotonin.

Claims: 7 independent
 77 dependent
 Table: 1

PART C

C 07

- (10) AP 2012 11715 A (51) Int. Cl. (2006)
 C 07 D 207/273
 C 07 D 209/54
 A 61 K 31/4015
 A 61 P 5/00
 A 61 P 15/12
 A 61 P 19/10
 (21) AP 2008 011715 (22) 2008 08 06
 (31) 2007-205966; 2007-299658
 (32) 2007 08 07; 2007 11 19
 (33) JP; JP
 (71) TAKEDA PHARMACEUTICAL
 COMPANY LIMITED (JP)
 1-1, Doshomachi 4-chome, Chuo-ku,
 Osaka-shi, Osaka, 5410045 (JP)
 (72) HASUOKA, Atsushi (JP)
 (74) Shalva Gvaramadze
 (85) 2010 03 05
 (86) PCT/JP2008/064500, 2008 08 06
 (54) **PYRROLIDIN-2-ONE DERIVATIVES
 AS ANDROGEN RECEPTOR
 MODULATOR**
 (57) Pyrrolidin-2-one derivatives of formula (I)



wherein link A is pyrrolidin and the values of substitutes R^1 - R^9 are provided in the claims, or a salt thereof and pharmaceutical agent on its base. The use of said compounds for prevention and treatment of mammals against hypogonadism, climacteric disorders at males, bones fragility, cachexia, or osteoporosis and preparation of medicaments.

Claims: 15 independent
 7 dependent

Tables: 2

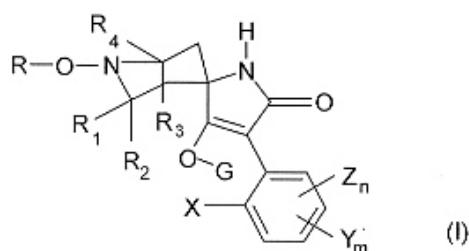
- (10) AP 2012 11795 A (51) Int. Cl. (2006)
 C 07 D 211/94
 C 07 D 471/10
 A 01 N 43/90
 (21) AP 2008 011795 (22) 2008 10 13
 (31) 0720126.2
 (32) 2007 10 15
 (33) GB

- (71) SYNGENTA PARTICIPATIONS AG (CH)
Schwarzwaldallee 215, CH-4058 Basel (CH)
- (72) ZAMBACH, Werner (CH);
HUETER, Ottmar, Franz (DE);
WENGER, Jean (CH);
GOEGHOVA, Marcela (SK);
PITTERNA, Thomas (AT);
MAIENFISCH, Peter (CH);
MUEHLEBACH, Michel (CH)

- (74) Tamara Kochlamazashvili
(85) 2010 05 14
(86) PCT/EP2008/008657, 2008 10 13

(54) **SPIROHETEROCYCLIC
PYRROLIDINE DIONE
DERIVATIVES USEFUL
AS PESTICIDES**

- (57) A compound of the formula (I)



wherein R, R₁-R₄, X, Y, Z and G are defined in the description, a method for its production and use thereof as a pesticide.

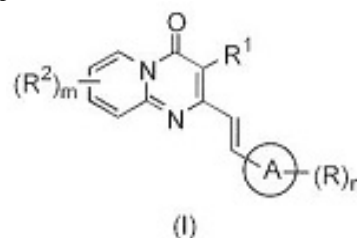
- Claims: 11 independent
3 dependent
Tables: 22

(10) **AP 2012 11911 A** (51) **Int. Cl. (2006)
C 07 D 471/04**

- (21) AP 2009 011911 (22) 2009 01 07
(31) 82/MUM/2008; 61/028,770;
548/MUM/2008; 798/MUM/2008; 61/048,276
(32) 2008 01 11; 2008 02 14; 2008 03 18;
2008 04 04; 2008 04 28
(33) IN; US; IN; IN; US
(71) GLENMARK PHARMACEUTICALS,
S.A. (CH)
Chemin de la Combeta 5,
CH-2300 La Chaux-de-Fonds (CH)
- (72) LINGAM V S, Prasadarao (IN);
THOMAS, Abraham (IN);
MORE, Dattaguru Anandrao (IN);
KHATIK, Javed Yusuf (IN);
KHAIRATKAR, JOSHI Neelima (IN);
KATTIGE, Vidya Ganapati (IN)

- (74) Alexander Kvernadze
(85) 2010 08 09
(86) PCT/IN2009/000025, 2009 01 07
- (54) **FUSED PYRIMIDINE
DERIVATIVES AS
TRPV3 MODULATORS**

- (57) Compound of formula,



values R¹, R², R³ and A are given in the description, pharmaceutically acceptable salts thereof, production method, pharmaceutical compositions on the basis thereof and use of therapeutically effective amount thereof for treatment of diseases caused by Transient Receptor Potential Vanilloid 3 (TRPV3).

- Claims: 5 independent
40 dependent

Tables: 1

(10) **AP 2012 11265 A** (51) **Int. Cl. (2006)
C 07 K 14/47
A 61 K 38/16**

- (21) AP 2007 011265 (22) 2007 10 24
(31) 2006-290536; 2007-021387; 2007-221911
(32) 2006 10 25; 2007 01 31; 2007 08 28
(33) JP; JP; JP
(71) TAKEDA PHARMACEUTICAL
COMPANY LIMITED (JP)
1-1, Doshomachi 4-chome, Chuo-ku,
Osaka-shi, Osaka, 5410045 (JP)
- (72) ASAMI, Taiji (JP);
NISHIZAWA, Naoki (JP)

- (74) Shalva Gvaramadze
(85) 2009 05 22
(86) PCT/JP2007/071169, 2007 10 24
- (54) **METASTIN DERIVATIVES AND
USE THEREOF**

- (57) A compound – derivative of metastin selected from (1):

Ac-D-Tyr-Hyp-Alb-Thr-Cha-GlyΨ((E)CH=CH)Leu-Arg(Me)-Trp-NH₂,
Ac-D-Tyr-Hyp-Asn-Thr-Cha-GlyΨ((E)CH=CH)Leu-Arg-Trp-NH₂ and
Ac-D-Tyr-Hyp-Alb-Thr-Cha-GlyΨ((E)CH=CH)Leu-Arg-Trp-NH₂ (1)

or salt thereof, medicament containing it and use of the compound and the medicament for suppressing a cancer metastasis or cancer growth, for suppressing gonadotropic hormone or sex hormone secretion, for treatment of infertility, endometriosis and pubertas precox or hysteromyoma.

- Claims: 9 independent
4 dependent

PATENTS FOR INVENTIONS

PART A

A 01

(11) P 2012 5424 B (51) Int. Cl. (2006)
A 01 B 41/04

(10) AP 2011 11783 A (44) 21(337)/2011
(21) AP 2010 011783
(22) 2010 05 04
(24) 2010 05 04

(73) Elgudja Shapakidze (GE)
Petriashvili St. 13, 0179, Tbilisi (GE);
Dimitri Natroshvili (GE)
Mukhiani, II m/d, build 11, ap. 36,
0172, Tbilisi (GE);
Vladimir Miruashvili (GE)
Dolidze St. 132, 0171, Tbilisi (GE);
Shalva Khatiashvili (GE)
Varketilis mas., II mkr., korp. 22, b. 115,
0163, Tbilisi (GE);
Malkhaz Miruashvili (GE)
Dolidze St. 132, 0171, Tbilisi (GE)

(72) Elgudja Shapakidze (GE);
Dimitri Natroshvili (GE);
Vladimir Miruashvili (GE);
Shalva Khatiashvili (GE);
Malkhaz Miruashvili (GE)

(54) **DEVICE FOR THINNING SHOOTS**

(11) P 2012 5423 B (51) Int. Cl. (2006)
A 01 B 49/00

(10) AP 2011 11729 A (44) 21(337)/2011
(21) AP 2010 011729
(22) 2010 03 15
(24) 2010 03 15

(73) Elgudja Shapakidze (GE)
Petriashvili St. 13, 0179, Tbilisi (GE);
Dimitri Natroshvili (GE)
Mukhiani, II m/d, build 11, ap. 36,
0172, Tbilisi (GE);
Vladimir Miruashvili (GE)
Dolidze St. 132, 0171, Tbilisi (GE);
Merab Kvartskhava (GE)
Sop. Didi Chqoni, 3105, Martvilis r-ni (GE);
Malkhaz Miruashvili (GE)
Dolidze St. 132, 0171, Tbilisi (GE)

(72) Elgudja Shapakidze (GE);
Dimitri Natroshvili (GE);
Vladimir Miruashvili (GE);
Merab Kvartskhava (GE);
Malkhaz Miruashvili (GE)

(54) **COMBINED SOIL-CULTIVATING
MACHINE**

A 43

(11) P 2012 5431 B (51) Int. Cl. (2006)

A 43 B 7/12
A 43 B 7/08
A 43 B 9/00

(10) AP 2011 10494 A (44) 23(339)/2011

(21) AP 2006 010494
(22) 2006 07 17
(24) 2006 07 17
(31) PD2005A000228

(32) 2005 07 26
(33) IT
(73) GEOX S.P.A. (IT)
Via Feltrina Centro, 16, I-31044
Montebelluna, Località Biadene-(Treviso) (IT)

(72) POLEGATO MORETTI, Mario (IT)

(74) Alexander Gegechkori

(85) 2008 01 30

(86) PCT/EP2006/006989, 2006 07 17

(54) **WATERPROOF VAPOR-PERMEABLE
SHOE**

A 61

(11) P 2012 5448 B (51) Int. Cl. (2006)
A 61 C 2/06

(10) AP 2011 11834 A (44) 23(339)/2011

(21) AP 2010 011834
(22) 2010 06 07
(24) 2010 06 07

(73) Vladimir Loladze (GE)
Paliashvili St. 37/2, b. 23a, 0179, Tbilisi (GE);
George Loladze (GE)
Paliashvili St. 37/2, b. 23a, 0179, Tbilisi (GE);
Nino Loladze (GE)
Paliashvili St. 37/2, b. 23a, 0179, Tbilisi (GE);
Vakhtang Loladze (GE)
Bakhtionis k., korp. 1, b.13, 0194, Tbilisi (GE)

(72) Vladimir Loladze (GE);

George Loladze (GE);

Nino Loladze (GE);

Vakhtang Loladze (GE)

(54) **DEVICE FOR EXTINGUISHING FIRE
AND LOCALIZATION OF EMISSION
FROM WELLHEAD**

(11) P 2012 5432 B (51) Int. Cl. (2006)

A 61 K 31/568
A 61 K 47/14
A 61 K 9/06
A 61 K 47/32

- A 61 K 47/10**
A 61 P 15/00
- (10) AP 2011 10611 A (44) 23(339)/2011
 (21) AP 2006 010611
 (22) 2006 10 12
 (24) 2006 10 12
 (31) 60/725,276
 (32) 2005 10 12
 (33) US
 (73) UNIMED PHARMACEUTICALS, LLC (US)
 901 Sawyer Road, Marietta, Georgia
 30062 (US)
 LABORATOIRES BESINS
 INTERNATIONAL (FR)
 3, rue du Bourg l'Abbé, F-75003 Paris (FR)
 (72) MALLADI, Ramana (US);
 MILLER, Jodi (US)
 (74) Alexander Gegechkori
 (85) 2008 04 02
 (86) PCT/US2006/040481, 2006 10 12
 (54) **IMPROVED TESTOSTERONE GEL AND
 USE THEREOF**

-
- (11) P 2012 5420 B (51) Int. Cl. (2006)**
A 61 K 47/34
A 61 K 9/20
A 61 K 31/4245
A 61 K 47/38
- (10) AP 2011 11154 A (44) 19(335)/2011
 (21) AP 2007 011154
 (22) 2007 08 09
 (24) 2007 08 09
 (31) 2006 - 218145
 (32) 2006 08 10
 (33) JP
 (73) TAKEDA PHARMACEUTICAL COMPANY
 LIMITED (JP)
 1-1, Doshomachi 4-chome, Chuo-ku, Osaka-
 shi, Osaka 541-0045 (JP) (JP)
 (72) NOMURA, Yukihiko (JP);
 NONOMURA, Muneo (JP)
 (74) Shalva Gvaramadze
 (85) 2009 03 10
 (86) PCT/JP2007/065666, 2007 08 09
 (54) **SOLID PHARMACEUTICAL
 COMPOSITION COMPRISING
 BENZIMIDAZOLE COMPOUND**

-
- (11) P 2012 5454 B (51) Int. Cl. (2006)**
A 61 P 25/30
A 61 P 25/36
- (10) AP 2011 9184 A (44) 21(337)/2011
 (21) AP 2004 009184
 (22) 2004 07 26
 (24) 2004 07 26
 (31) 60/490,407
 (32) 2003 07 25

- (33) US
 (73) EURO-CELTIQUE S.A. (LU)
 122, Boulevard de la Petrusse, L-2330
 Luxembourg (LU)
 (72) REIDENBERG, Bruce, E. (US);
 SPYKER, Daniel, A. (US)
 (74) Tamaz Shilkadze
 (85) 2006 01 24
 (86) PCT/US2004/024010, 2004 07 26
 (54) **TREATMENT OF DRUG DEPENDENCE
 WITHDRAWAL**

PART B

B 02

- (11) P 2012 5445 B (51) Int. Cl. (2006)**
B 02 C 1/00
- (10) AP 2011 11683 A (44) 23(339)/2011
 (21) AP 2010 011683
 (22) 2010 02 12
 (24) 2010 02 12
 (73) Mikhail Gamtsemlidze (GE)
 Panaskerteli St. 15a, ap.43, 0194, Tbilisi (GE);
 Nukri Samkharadze (GE)
 Shanidze St. 14, 0179, Tbilisi (GE);
 Gela Chkareuli (GE)
 Kurnatovis k.18, 0180, Tbilisi (GE)
 (72) Mikhail Gamtsemlidze (GE);
 Nukri Samkharadze (GE);
 Gela Chkareuli (GE)
 (54) **CRUSHING DEVICE**

B 24

- (11) P 2012 5443 B (51) Int. Cl. (2006)**
B 24 B 9/18
- (10) AP 2011 11616 A (44) 23(339)/2011
 (21) AP 2009 011616
 (22) 2009 12 24
 (24) 2009 12 24
 (73) Zaur Balamtsarashvili (GE)
 Saburtalos k.37, b.12, 0160, Tbilisi (GE);
 Tamaz Mchedlishvili (GE)
 Titsian Tabidzis k. 76, 0179, Tbilisi (GE);
 Marina Tepnadze (GE)
 Vazisubani, IV mkr., I kvart., korp. 19,
 b. 37, 0152, Tbilisi (GE);
 Merab Lobzhanidze (GE)
 Chavchavadzis k. 33, 3600, Oni (GE);
 George Zubiashvili (GE)
 Vashlijvari, II shes., korp. 15, b. 17, 0159,
 Tbilisi (GE);
 Malkhaz Narimanishvili (GE)
 Vardziis chikh. 9, 0800, Akhaltsikhe (GE)

- (72) Zaur Balamtsarashvili (GE);
 Tamaz Mchedlishvili (GE);
 Marina Tepnadze (GE);
 Merab Lobzhanidze (GE);
 George Zubiashvili (GE);
 Malkhaz Narimanishvili (GE)
- (54) **MACHINE TOOL FOR GRINDING
 CURVILINEAR WOODEN DETAILS OF
 COMPLEX STRUCTURE**

B 25

- (11) **P 2012 5450 B** (51) **Int. Cl. (2006)
 B 25 G 9/00**
- (10) AP 2011 11855 A (44) 23(339)/2011
 (21) AP 2010 011855
 (22) 2010 06 18
 (24) 2010 06 18
 (73) Nodar Davitashvili (GE)
 Vazha-Pshavelas gamz., VII kvart.,
 korp. 10, b. 7, 0186, Tbilisi (GE)
- (72) Nodar Davitashvili (GE)
 (54) **AUTOMATIC MANIPULATOR**

- (11) **P 2012 5451 B** (51) **Int. Cl. (2006)
 B 25 G 9/00**
- (10) AP 2011 11861 A (44) 23(339)/2011
 (21) AP 2010 011861
 (22) 2010 06 23
 (24) 2010 06 23
 (73) Nodar Davitashvili (GE)
 Vazha-Pshavelas gamz., VII kvart.,
 korp. 10, b. 7, 0186, Tbilisi (GE)
- (72) Nodar Davitashvili (GE)
 (54) **ROBOT ACTUATOR**

- (11) **P 2012 5447 B** (51) **Int. Cl. (2006)
 B 25 J 9/00
 F 16 H 21/00**
- (10) AP 2011 11813 A (44) 23(339)/2011
 (21) AP 2010 011813
 (22) 2010 05 27
 (24) 2010 05 27
 (73) Nodar Davitashvili (GE)
 Vazha-Pshavelas gamz., VII kvart.,
 korp. 10, b. 7, 0186, Tbilisi (GE)
- (72) Nodar Davitashvili (GE)
 (54) **AUTOMATIC MANIPULATOR**

- (11) **P 2012 5449 B** (51) **Int. Cl. (2006)
 B 25 J 9/00
 F 16 H 21/00**
- (10) AP 2011 11843 A (44) 23(339)/2011
 (21) AP 2010 011843
 (22) 2010 06 14

- (24) 2010 06 14
 (73) Nodar Davitashvili (GE)
 Vazha-Pshavelas gamz., VII kvart.,
 korp. 10, b. 7, 0186, Tbilisi (GE)
- (72) Nodar Davitashvili (GE)
 (54) **AUTOMATIC MANIPULATOR**

- (11) **P 2012 5452 B** (51) **Int. Cl. (2006)
 B 25 J 9/00
 F 16 H 21/08**
- (10) AP 2011 11868 A (44) 23(339)/2011
 (21) AP 2010 011868
 (22) 2010 06 25
 (24) 2010 06 25
 (73) Nodar Davitashvili (GE)
 Vazha-Pshavelas gamz., VII kvart.,
 korp. 10, b. 7, 0186, Tbilisi (GE)
- (72) Nodar Davitashvili (GE)
 (54) **AUTOMATIC MANIPULATOR**

- (11) **P 2012 5444 B** (51) **Int. Cl. (2006)
 B 25 J 18/00**
- (10) AP 2011 11643 A (44) 23(339)/2011
 (21) AP 2010 011643
 (22) 2010 01 15
 (24) 2010 01 15
 (73) Nodar Davitashvili (GE)
 Vazha-Pshavelas gamz., VII kvart.,
 korp. 10, b. 7, 0186, Tbilisi (GE)
- (72) Nodar Davitashvili (GE)
 (54) **MANIPULATOR**

B 30

- (11) **P 2012 5422 B** (51) **Int. Cl. (2006)
 B 30 B 9/00**
- (10) AP 2011 11638 A (44) 21(337)/2011
 (21) AP 2010 011638
 (22) 2010 01 12
 (24) 2010 01 12
 (73) George Miruashvili (GE)
 Dolidze St. 132, 0171, Tbilisi (GE);
 Vladimir Miruashvili (GE)
 Dolidze St. 132, 0171, Tbilisi (GE)
- (72) George Miruashvili (GE);
 Vladimir Miruashvili (GE)
 (54) **CONTINUOUS ACTION PRESS**

B 60

- (11) **P 2012 5429 B** (51) **Int. Cl. (2006)
 B 60 K 17/30**
- (10) AP 2011 10030 A (44) 23(339)/2011

- (21) AP 2007 010030
 (22) 2007 04 27
 (24) 2007 04 27
 (73) Ramzan Goitemirov (GE)
 N. Chkheidze St. 21, 0102, Tbilisi (GE)
 (72) Ramzan Goitemirov (GE)
 (54) **MOVER DRIVE**

B 63

- (11) P 2012 5455 B** **(51) Int. Cl. (2006)**
B 63 B 1/00
 (10) AP 2011 9951 A (44) 21(337)/2011
 (21) AP 2007 009951
 (22) 2007 03 29
 (24) 2007 03 29
 (73) SAKARTVELOŠ TEKNİKURI UNIVER-
 SİTETİS NAGEBOBEBİS, SPETSİALURI
 SİSTEMEBİSA DA SAINZHİNRO UZRUN-
 VELKOPİS İNSTITUTİ (GE)
 Kostavas K. 77, 0175, Tbilisi (GE)
 (72) Elgudja Medzmariashvili (GE);
 George Medzmariashvili (GE)
 (54) **FLOATING ON WATER, OPENING AND**
FOLDING MEANS "E&GM"-3

PART C**C 01**

- (11) P 2012 5453 B** **(51) Int. Cl. (2006)**
C 01 G 45/00
C 01 G 45/02
 (10) AP 2011 11901 A (44) 23(339)/2011
 (21) AP 2010 011901
 (22) 2010 07 29
 (24) 2010 07 29
 (73) Tamaz Agladze (GE)
 Ioseliani St. 2, ap. 62, 0171, Tbilisi (GE);
 Jemal Shengelia (GE)
 Nutsbidze St. 2, b. 9, 0177, Tbilisi (GE);
 Jondo Gvelesiani (GE)
 Vazha-Pshavelas gamz., VII kvart.,
 korp. 5b., b. 5, 0186, Tbilisi (GE)
 (72) Tamaz Agladze (GE);
 Jemal Shengelia (GE);
 Jondo Gvelesiani (GE)
 (54) **METHOD FOR RECEPTION OF ACTIVE**
MANGANESE DIOXIDE

C 07

- (11) P 2012 5437 B** **(51) Int. Cl. (2006)**
C 07 C 311/21
A 61 K 31/18
A 61 P 29/00
C 07 D 207/26
C 07 D 211/26
C 07 D 211/34
C 07 D 211/56
C 07 D 211/62
C 07 D 211/76
C 07 D 213/38
C 07 D 213/74
C 07 D 213/75
C 07 D 233/54
C 07 D 239/04
C 07 D 239/42
 (10) AP 2011 11270 A (44) 23(339)/2011
 (21) AP 2007 011270
 (22) 2007 10 27
 (24) 2007 10 27
 (31) P0600810
 (32) 2006 10 27
 (33) HU
 (73) RICHTER GEDEON NYRT. (HU)
 Gyömrői út 19-21., H-1103 Budapest (HU)
 (72) BOZÓ, Éva (HU);
 BEKE, Gyula (HU);
 ÉLES, János (HU);
 FARKAS, Sándor (HU);
 HORNOK, Katalin (HU);
 KESERÜ, György (HU);
 SCHMIDT, Éva (HU);
 SZENTİRMAY, Éva (HU);
 VÁGÓ, István (HU);
 VASTAG, Mónika (HU)
 (74) Liliana Darakhvelidze
 (85) 2009 05 25
 (86) PCT/HU2007/000104, 2007 10 27
 (54) **NEW SULFONAMIDE DERIVATIVES AS**
BRADYKININ ANTAGONISTS

- (11) P 2012 5456 B** **(51) Int. Cl. (2006)**
C 07 D 205/04
C 07 D 205/06
C 07 D 401/06
C 07 D 401/12
C 07 D 401/14
C 07 D 403/04
C 07 D 403/06
C 07 D 403/12
C 07 D 405/12
C 07 D 409/06
C 07 D 409/12
C 07 D 413/12
C 07 D 413/14
C 07 D 417/12
C 07 D 471/04

(10) AP 2011 10685 A (44) 17(333)/2011
 (21) AP 2006 010685
 (22) 2006 10 05
 (24) 2006 10 05
 (31) 60/724,578; 60/802,840
 (32) 2005 10 07; 2006 05 23
 (33) US; US
 (73) EXELIXIS, INC. (US)
 210 East Grand Avenue, P.O. Box 511, South
 San Francisco, CA 94083-0511 (US)
 (72) AAY, Naing (US);
 ANAND, Neel Kumar (GB);
 BOWLES, Owen Joseph (CA);
 BUSSENIUS, Joerg (DE);
 COSTANZO, Simona (IT);
 CURTIS, Jeffry Kimo (US);
 DUBENKO, Larisa (US);
 JOSHI, Anagha Abhijit (IN);
 KENNEDY, Abigail R. (US);
 KIM, Angie Inyoung (US);
 KOLTUN, Elena (RU);
 MANALO, Jean-Claire Limun (US);
 PETO, Csaba J. (US);
 RICE, Kenneth D. (US);
 TSANG, Tsze H. (US);
 DeFina, Steven Charles (US);
 BLAZEY, Charles M. (US)
 (74) Tamaz Shilakadze
 (85) 2008 05 06
 (86) PCT/US2006/039126, 2006 10 05
 (54) **AZETIDINES AS MEK INHIBITORS
 FOR THE TREATMENT
 OF PROLIFERATIVE DISEASES**

**(11) P 2012 5433 B (51) Int. Cl. (2006)
 C 07 D 209/42
 A 61 K 31/403**
 (10) AP 2011 10918 A (44) 19(335)/2011
 (21) AP 2007 010918
 (22) 2007 02 26
 (24) 2007 02 26
 (31) 06/01748
 (32) 2006 02 28
 (33) FR
 (73) LES LABORATOIRES SERVIER (FR)
 12, place de la Défense, F-92415 Courbevoie
 Cedex (FR)
 (72) COQUEREL, Gérard (FR);
 LEFEBVRE, Loïc (FR);
 SOUVIE, Jean-Claude (FR);
 AUTHOUART, Pascale (FR)
 (74) Tamaz Shilakadze
 (85) 2008 09 22
 (86) PCT/FR2007/000335, 2007 02 26
 (54) **α CRYSTALLINE FORM OF THE
 ARGININE SALT OF PERINDOPRIL,
 PROCESS FOR PREPARING IT, AND
 PHARMACEUTICAL COMPOSITIONS
 COMPRISING IT**

**(11) P 2012 5458 B (51) Int. Cl. (2006)
 C 07 D 209/48
 C 07 D 401/06
 A 61 K 31/4035
 A 61 P 29/00**
 (10) AP 2011 11178 A (44) 21(337)/2011
 (21) AP 2007 011178
 (22) 2007 08 21
 (24) 2007 08 21
 (31) 1880/DEL/2006
 (32) 2006 08 22
 (33) IN
 (73) RANBAXY LABORATORIES
 LIMITED (IN)
 Plot N 90, Sector 32, Gurgaon, Haryana
 122001 (IN)
 (72) SATTIGERI, Viswajanani, J. (IN);
 PALLE, Venkata, P. (US);
 KHERA, Manoj, Kumar (IN);
 REDDY, Ranadheer (IN);
 TIWARI, Manoj, Kumar (IN);
 SONI, Ajay (IN);
 RAUF, Abdul, Rehman, Abdul (IN);
 JOSEPH, Sony (IN);
 MUSIB, Arpita (IN);
 DASTIDAR, Sunanda, G. (IN);
 SRIVASTAVA, Punit, Kumar (IN)
 (74) Tamaz Shilakadze
 (85) 2009 03 20
 (86) PCT/IB2007/053340, 2007 08 21
 (54) **MATRIX METALLOPROTEINASE
 INHIBITORS**

**(11) P 2012 5426 B (51) Int. Cl. (2006)
 C 07 D 213/75
 A 61 K 31/44
 A 61 P 1/00
 A 61 P 11/06
 A 61 P 19/02
 A 61 P 25/28
 A 61 P 29/00**
 (10) AP 2011 11398 A (44) 19(335)/2011
 (21) AP 2008 011398
 (22) 2008 01 28
 (24) 2008 01 28
 (31) 60/887,981
 (32) 2007 02 02
 (33) US
 (73) PFIZER PRODUCTS INC. (US)
 Eastern Point Road, Groton, Connecticut
 06340 (US)
 (72) CHENG, Hengmiao (CA);
 HU, Xiao (CN);
 JEROME, Kevin, DeWayne (US);
 OBUKOWICZ, Mark, Gerard (US);
 OLSON, Lisa (US);
 RUCKER, Paul, Vincent (US);
 WEBBER, Ronald, Keith (US)

(74) Shalva Gvaramadze
 (85) 2009 07 31
 (86) PCT/IB2008/000249, 2008 01 28
 (54) **TRICYCLIC COMPOUNDS AND THEIR
 USE AS GLUCOCORTICOID
 RECEPTOR MODULATORS**

(11) P 2012 5460 B (51) **Int. Cl. (2006)
 C 07 D 223/16**

(10) AP 2011 11741 A (44) 19(335)/2011
 (21) AP 2010 011741
 (22) 2010 03 29
 (24) 2010 03 29
 (31) 09.01555
 (32) 2009 03 31
 (33) FR
 (73) LES LABORATOIRES SERVIER (FR)
 12, place de la Défense, F-92415 Courbevoie
 Cedex (FR)
 (72) PEGLION, Jean-Louis (FR);
 DESSINGES, Aimee (FR);
 SERKIZ, Bernard (FR)
 (74) Tamaz Shilakadze
 (54) **NEW PROCESS FOR THE SYNTHESIS
 OF IVABRADINE AND ITS
 PHARMACEUTICALLY ACCEPTABLE
 ACID ADDITION SALTS**

(11) P 2012 5446 B (51) **Int. Cl. (2006)
 C 07 D 223/16**

(10) AP 2011 11742 A (44) 19(335)/2011
 (21) AP 2010 011742
 (22) 2010 03 29
 (24) 2010 03 29
 (31) 09.01556
 (32) 2009 03 31
 (33) FR
 (73) LES LABORATOIRES SERVIER (FR)
 35, rue de Verdun F-92284 Suresnes
 Cedex (FR)
 (72) PEGLION, Jean-Louis (FR);
 DESSINGES, Aimee (FR);
 SERKIZ, Bernard (FR)
 (74) Tamaz Shilakadze
 (54) **NEW PROCESS FOR THE SYNTHESIS
 OF IVABRADINE AND ITS
 PHARMACEUTICALLY ACCEPTABLE
 ACID ADDITION SALTS**

(11) P 2012 5425 B (51) **Int. Cl. (2006)
 C 07 D 401/10
 C 07 D 401/12
 C 07 D 401/14
 C 07 D 413/12
 C 07 D 471/04**

**A 61 K 31/444
 A 61 P 29/02**
 (10) AP 2011 11226 A (44) 19(335)/2011
 (21) AP 2007 011226
 (22) 2007 10 05
 (24) 2007 10 05
 (31) 60/829,966; 60/965,210
 (32) 2006 10 18; 2007 08 17
 (33) US; US
 (73) PFIZER PRODUCTS INC. (US)
 Eastern Point Road, Groton, CT 06340 (US)
 (72) FAY, Lorraine, Kathleen (US);
 JOHNSON, Douglas, Scott (US);
 LAZERWITH, Scott, Edward (US);
 MORRIS, Mark, Anthony (US);
 WANG, Lijuan, Jane (US);
 MEYERS, Marvin, Jay (US);
 KESTEN, Suzanne, Ross (US);
 STIFF, Cory, Michael (US)
 (74) Shalva Gvaramadze
 (85) 2009 04 16
 (86) PCT/IB2007/003202, 2007 10 05
 (54) **BIARYL ETHER UREA COMPOUNDS**

(11) P 2012 5436 B (51) **Int. Cl. (2006)
 C 07 D 471/04
 A 61 K 31/4745
 A 61 P 35/00**

(10) AP 2011 11260 A (44) 23(339)/2011
 (21) AP 2007 011260
 (22) 2007 11 16
 (24) 2007 11 16
 (31) 60/866,483
 (32) 2006 11 20
 (33) US
 (73) NOVARTIS AG (CH)
 Lichtstrasse 35, CH-4056 Basel (CH)
 (72) STOWASSER, Frank (DE);
 BÄNZIGER, Markus (CH);
 GARAD, Sudhakar Devidasrao (IN)
 (74) Alexander Kartvelishvili
 (85) 2009 05 20
 (86) PCT/US2007/084893, 2007 11 16
 (54) **SALTS AND CRYSTAL FORMS OF 2-
 METHYL-2-[4-(3-METHYL-2-OXO-8-
 QUINOLIN-3-YL-2,3-DIHYDRO-
 IMIDAZO[4,5-C]QUINOLIN-1-YL)-
 PHENYL]-PROPIONITRILE**

(11) P 2012 5459 B (51) **Int. Cl. (2006)
 C 07 D 487/04
 A 61 K 31/55
 A 61 P 35/00**
 (10) AP 2011 11309 A (44) 23(339)/2011
 (21) AP 2007 011309
 (22) 2007 11 14
 (24) 2007 11 14

- (31) 60/859,340
 (32) 2006 11 16
 (33) US
 (73) MILLENNIUM PHARMACEUTICALS, INC. (US)
 40 Landsdowne Street, Cambridge, MA 02139 (US)
 (72) CLAIBORNE, Christopher, F. (US); SELLS, Todd, B. (US); STROUD, Stephen, G. (US)
 (74) Tamaz Shilakadze
 (85) 2009 06 15
 (86) PCT/US2007/023948, 2007 11 14
 (54) **COMPOUNDS FOR INHIBITING MITOTIC PROGRESSION**
-

(11) P 2012 5438 B **(51) Int. Cl. (2006)**
 C 07 D 498/04
 A 61 K 31/53
 A 61 P 25/16
 A 61 P 25/18
 A 61 P 25/28

- (10) AP 2011 11384 A (44) 23(339)/2011
 (21) AP 2007 011384
 (22) 2007 12 28
 (24) 2007 12 28
 (31) 60/878,503; 60/921,433
 (32) 2007 01 03; 2007 04 02
 (33) US; US
 (73) LES LABORATOIRES SERVIER (FR)
 35, rue de Verdun, F-92284 Suresnes Cedex (FR);
 CORTEX PHARMACEUTICALS, INC. (US)
 15241 Barranca Parkway, Irvine, CA 92718 (US)
 (72) CORDI, Alexis (FR); ROGERS, Gary (US); MUELLER, Rudolf (DE)
 (74) Tamaz Shilakadze
 (85) 2009 07 27
 (86) PCT/US2007/026416, 2007 12 28
 (54) **3-SUBSTITUTED-[1,2,3]-BENZOTRIAZINONE COMPOUND FOR ENHANCING GLUTAMATERGIC SYNAPTIC RESPONSES**
-

PART E

E 02

- (11) P 2012 5457 B** **(51) Int. Cl. (2006)**
 E 02 D 29/02
 (10) AP 2011 10765 A (44) 21(337)/2011
 (21) AP 2006 010765
 (22) 2006 11 01
 (24) 2006 11 01
 (31) 0523925.6
 (32) 2005 11 24
 (33) GB
 (73) HESCO BASTION LIMITED (GB)
 Unit 37 Knowsthorpe Gate, Cross Green Industrial Estate, Leeds Yorkshire LS9 0NP (GB)
 (72) HESELDEN, James (GB)
 (74) Tamaz Shilakadze
 (85) 2008 06 20
 (86) PCT/GB2006/050367, 2006 11 01
 (54) **GABION**
-

E 04

- (11) P 2012 5434 B** **(51) Int. Cl. (2006)**
 E 04 F 21/02
 (10) AP 2011 11020 A (44) 23(339)/2011
 (21) AP 2008 011020
 (22) 2008 12 19
 (24) 2008 12 19
 (73) Tamaz Sarishvili (GE)
 Namgaladzis k. 4, 4600, Kutaisi (GE)
 (72) Tamaz Sarishvili (GE)
 (54) **PLASTER MACHINE**
-

PART F**F 02**

(11) P 2012 5428 B (51) **Int. Cl. (2006)**
F 02 B 57/00

(10) AP 2011 10024 A (44) 23(339)/2011
(21) AP 2007 010024
(22) 2007 04 26
(24) 2007 04 26
(73) Ramzan Goitemirov (GE)
N. Chkheidze St. 21, 0102, Tbilisi (GE)
(72) Ramzan Goitemirov (GE)
(54) **INTERNAL COMBUSTION ENGINE**

(11) P 2012 5430 B (51) **Int. Cl. (2006)**
F 02 B 57/00

(10) AP 2011 10194 A (44) 23(339)/2011
(21) AP 2007 010194
(22) 2007 07 25
(24) 2007 07 25
(73) Ramzan Goitemirov (GE)
N. Chkheidze St. 21, 0102, Tbilisi (GE)
(72) Ramzan Goitemirov (GE)
(54) **INTERNAL COMBUSTION ENGINE**

F 16

(11) P 2012 5440 B (51) **Int. Cl. (2006)**
F 16 C 3/30

(10) AP 2011 11577 A (44) 23(339)/2011
(21) AP 2009 011577
(22) 2009 11 27
(24) 2009 11 27
(73) Nodar Davitashvili (GE)
Vazha-Pshavelas gamz., VII kvart.,
korp. 10, b. 7, 0186, Tbilisi (GE)
(72) Nodar Davitashvili (GE)
(54) **HINGED-LEVERAGE SPATIAL SEVEN-
LINK MECHANISM**

(11) P 2012 5439 B (51) **Int. Cl. (2006)**
F 16 H 21/00

(10) AP 2011 11539 A (44) 23(339)/2011
(21) AP 2009 011539
(22) 2009 11 02
(24) 2009 11 02
(73) Nodar Davitashvili (GE)
Vazha-Pshavelas gamz., VII kvart.,
korp. 10, b. 7, 0186, Tbilisi (GE)
(72) Nodar Davitashvili (GE)
(54) **SPHERICAL SEVEN-LINK
MECHANISM**

(11) P 2012 5441 B (51) **Int. Cl. (2006)**
F 16 H 21/00

(10) AP 2011 11602 A (44) 23(339)/2011
(21) AP 2009 011602
(22) 2009 12 14
(24) 2009 12 14
(73) Nodar Davitashvili (GE)
Vazha-Pshavelas gamz., VII kvart.,
korp. 10, b. 7, 0186, Tbilisi (GE)
(72) Nodar Davitashvili (GE)
(54) **SPHERICAL FIVE-LINK MECHANISM
WITH DWELLS**

(11) P 2012 5435 B (51) **Int. Cl. (2006)**
F 16 H 25/06

(10) AP 2011 11218 A (44) 23(339)/2011
(21) AP 2009 011218
(22) 2009 04 10
(24) 2009 04 10
(73) Revaz Varsimashvili (GE)
Vazha-Pshavela V quartal, build. 4, ap. 82,
0186, Tbilisi (GE)
(72) Revaz Varsimashvili (GE)
(54) **GEARING-BALL TRANSMISSION**

F 23

(11) P 2012 5421 B (51) **Int. Cl. (2006)**
F 23 C 1/00

(10) AP 2011 10891 A (44) 17(333)/2011
(21) AP 2008 010891
(22) 2008 09 09
(24) 2008 09 09
(73) IOZTIRIAKILER MADENI JESHIA
SANAI VE TIKARET ANONIM
SHIRKETI (TR)
Dzhumhuriyet Mahalesi Jeski Hadimkio Iolu 1
Km. № 37, Biuiukchekmedzhe, Istanbul (TR)
(72) Jusup Kenan Ioztiriaki (TR)
(74) George Meipariani
(54) **STOVE FOR LIQUID AND GASEOUS
FUEL AND METHOD OF ITS WORK**

F 26

(11) P 2012 5442 B (51) **Int. Cl. (2006)**
F 26 B 15/04

(10) AP 2011 11615 A (44) 23(339)/2011
(21) AP 2009 011615
(22) 2009 12 24
(24) 2009 12 24
(73) Petre Dundua (GE)
Shio Mgvimelis k. 6a, b.8, 0179, Tbilisi (GE);
Zaur Balamtsarashvili (GE)
Saburtalos k.37, b.12, 0160, Tbilisi (GE);

PATENTS FOR UTILITY MODELS

PART A

A 23

(11) U 2012 1707 Y (51) Int. Cl. (2006)
A 23 F 3/00
A 23 F 3/40

- (10) AU 2011 12112 U (44) 23(339)/2011
(21) AU 2011 012112
(22) 2011 02 21
(24) 2011 02 21
(73) George Bendelava (GE)
Ambrolauri St. 11, ap.3, 0160, Tbilisi (GE);
Parmen Margvelashvili (GE)
Ateni St. 20, ap. 57, 0179, Tbilisi (GE);
Vashkhi Zhvania (GE)
Nutsubidzis IV mkr., korp. 18, b. 47, 0183,
Tbilisi (GE);
David Loladze (GE)
Parnavaz Str. 10, 2000, Zestafoni (GE)
(72) George Bendelava (GE);
Parmen Margvelashvili (GE);
Vashkhi Zhvania (GE);
David Loladze (GE)
(54) **METHOD OF TEA IODINE**
ENRICHMENT
-

(11) U 2012 1715 Y (51) Int. Cl. (2006)
A 23 G 3/00

- (10) AU 2011 12227 U (44) 23(339)/2011
(21) AU 2011 012227
(22) 2011 05 19
(24) 2011 05 19
(73) Valeri Bogveradze (GE)
Vazisubnis dasakh., korp.17, b.13, 0152,
Tbilisi (GE)
(72) Valeri Bogveradze (GE)
(54) **METHOD FOR PREPARATION OF**
BOGVERADZE CAKE
-

(11) U 2012 1708 Y (51) Int. Cl. (2006)
A 23 L 1/09

- (10) AU 2011 12147 U (44) 23(339)/2011
(21) AU 2011 012147
(22) 2011 03 21
(24) 2011 03 21
(73) Luara Kutateladze (GE)
G. Akhvlediani St. 11, 0108, Tbilisi (GE);
Amiran Gardafkhadze (GE)
Zovretis q. 35, 0160, Tbilisi (GE);
Tamaz Kapanadze (RU)

- Mprinavi Babushkinis k. 11/2, korp. 1,
b. 98 Moskovi (RU);
David Gigolashvili (RU)
Altupievis Gzatketsili 74, b. 154, Moskovi (RU)
(72) Luara Kutateladze (GE);
Amiran Gardafkhadze (GE);
Tamaz Kapanadze (RU);
David Gigolashvili (RU)
(54) **CITRUS SYRUP**
-

(11) U 2012 1709 Y (51) Int. Cl. (2006)
A 23 L 1/09

- (10) AU 2011 12148 U (44) 23(339)/2011
(21) AU 2011 012148
(22) 2011 03 21
(24) 2011 03 21
(73) Luara Kutateladze (GE)
G. Akhvlediani St. 11, 0108, Tbilisi (GE);
Amiran Gardafkhadze (GE)
Zovretis q. 35, 0160, Tbilisi (GE);
Tamaz Kapanadze (RU)
Mprinavi Babushkinis k. 11/2, korp. 1,
b. 98 Moskovi (RU);
David Gigolashvili (RU)
Altupievis Gzatketsili 74, b. 154, Moskovi (RU)
(72) Luara Kutateladze (GE);
Amiran Gardafkhadze (GE);
Tamaz Kapanadze (RU);
David Gigolashvili (RU)
(54) **SYRUP FOR WINE DRINKS "SAKHALISO"**
AND "SAKARTVELOS TAIGULP"
-

(11) U 2012 1710 Y (51) Int. Cl. (2006)
A 23 L 1/09

- (10) AU 2011 12149 U (44) 23(339)/2011
(21) AU 2011 012149
(22) 2011 03 21
(24) 2011 03 21
(73) Luara Kutateladze (GE)
G. Akhvlediani St. 11, 0108, Tbilisi (GE);
Amiran Gardafkhadze (GE)
Zovretis q. 35, 0160, Tbilisi (GE);
Tamaz Kapanadze (RU)
Mprinavi Babushkinis k. 11/2, korp. 1,
b. 98 Moskovi (RU);
David Gigolashvili (RU)
Altupievis Gzatketsili 74, b. 154, Moskovi (RU)
(72) Luara Kutateladze (GE);
Amiran Gardafkhadze (GE);
Tamaz Kapanadze (RU);
David Gigolashvili (RU)
(54) **SYRUP FROM VEGETATIVE RAW**
MATERIAL
-

- (11) U 2012 1711 Y (51) Int. Cl. (2006)
A 23 L 1/09
- (10) AU 2011 12150 U (44) 23(339)/2011
(21) AU 2011 012150
(22) 2011 03 21
(24) 2011 03 21
(73) Luara Kutateladze (GE)
G. Akhvlediani St. 11, 0108, Tbilisi (GE);
Amiran Gardafkhadze (GE)
Zovretis q. 35, 0160, Tbilisi (GE);
Tamaz Kapanadze (RU)
Mprinavi Babushkinis k. 11/2, korp. 1,
b. 98 Moskovi (RU);
David Gigolashvili (RU)
Altupievis Gzatketsili 74, b. 154, Moskovi (RU)
- (72) Luara Kutateladze (GE);
Amiran Gardafkhadze (GE);
Tamaz Kapanadze (RU);
David Gigolashvili (RU)
- (54) **CHERRY SYRUP**

- (11) U 2012 1712 Y (51) Int. Cl. (2006)
A 23 L 1/09
- (10) AU 2011 12151 U (44) 23(339)/2011
(21) AU 2011 012151
(22) 2011 03 21
(24) 2011 03 21
(73) Luara Kutateladze (GE)
G. Akhvlediani St. 11, 0108, Tbilisi (GE);
Amiran Gardafkhadze (GE)
Zovretis q. 35, 0160, Tbilisi (GE);
Tamaz Kapanadze (RU)
Mprinavi Babushkinis k. 11/2, korp. 1,
b. 98 Moskovi (RU);
David Gigolashvili (RU)
Altupievis Gzatketsili 74, b. 154, Moskovi (RU)
- (72) Luara Kutateladze (GE);
Amiran Gardafkhadze (GE);
Tamaz Kapanadze (RU);
David Gigolashvili (RU)
- (54) **TEA SYRUP "SAAMO CHAIS AROMATI"**

- (11) U 2012 1702 Y (51) Int. Cl. (2006)
A 23 L 2/00
- (10) AU 2011 12086 U (44) 17(333)/2011
(21) AU 2011 012086
(22) 2011 02 04
(24) 2011 02 04
(73) Luara Kutateladze (GE)
G. Akhvledianis k. 11, 0108, Tbilisi (GE);
Avtandil Unapkoshvili (RU)
Kavalergardis k. 3, b. 19,
Sankt-Peterburgi (RU);
Edisher Unapkoshvili (RU)
Kavalergardis k. 3, b. 19,
Sankt-Peterburgi (RU)
- (72) Luara Kutateladze (GE);

- Avtandil Unapkoshvili (RU);
Edisher Unapkoshvili (RU)
- (54) **SOFT BERRY DRINK**

- (11) U 2012 1703 Y (51) Int. Cl. (2006)
A 23 L 2/00
- (10) AU 2011 12088 U (44) 17(333)/2011
(21) AU 2011 012088
(22) 2011 02 04
(24) 2011 02 04
(73) Luara Kutateladze (GE)
G. Akhvledianis k. 11, 0108,
Tbilisi (GE);
Avtandil Unapkoshvili (RU)
Kavalergardis k. 3, b. 19,
Sankt-Peterburgi (RU);
Edisher Unapkoshvili (RU)
Kavalergardis k. 3, b. 19,
Sankt-Peterburgi (RU)
- (72) Luara Kutateladze (GE);
Avtandil Unapkoshvili (RU);
Edisher Unapkoshvili (RU)
- (54) **SOFT GRAPE DRINK "KURDZNIS SIKHALISE"**

- (11) U 2012 1705 Y (51) Int. Cl. (2006)
A 23 L 2/00
- (10) AU 2011 12089 U (44) 23(339)/2011
(21) AU 2011 012089
(22) 2011 02 04
(24) 2011 02 04
(73) Luara Kutateladze (GE)
G. Akhvlediani St. 11, 0108, Tbilisi (GE);
Avtandil Unapkoshvili (RU)
Kavalergardis k. 3, b. 19,
Sankt-Peterburgi (RU);
Edisher Unapkolvov (RU)
Kavalergardis k. 3, b. 19,
Sankt-Peterburgi (RU)
- (72) Luara Kutateladze (GE);
Avtandil Unapkoshvili (RU);
Edisher Unapkolvov (RU)
- (54) **CHERRY SOFT DRINK "CHERRY MAGIA"**

A 61

- (11) U 2012 1713 Y (51) Int. Cl. (2006)
A 61 K 9/68
A 61 K 33/10
- (10) AU 2011 12183 U (44) 23(339)/2011
(21) AU 2011 012183
(22) 2011 04 12
(24) 2011 04 12
(73) LTD "AVERSI-RATSIONALI" (GE)

DESIGNS REGISTERED ACCORDING TO THE ACCELERATED PROCEDURE

To file an appeal on request of the registration cancelling is possible at Chamber of Appeal of Sakpatenti within 3 months from the publication.

- (11) **D 2012 491 S** (51) **09-01**
(21) AD 2012 000689 (22) 2012 02 28
(24) 2012 02 28
(28) 1
(18) 2017 02 28
(73) Joint-Stock Company "LOMISI" (GE)
 Village Natakhtari, 3308, Mtskheta (GE)
(72) Mehmet Tanju Kochaki (TR)
(74) Elguja Amozashvili (GE)
 Kostava St. 76, 0119, Tbilisi (GE)
(54) **BOTTLE**
(55)



1.1



1.2



1.3



1.4



1.5



1.6



1.7



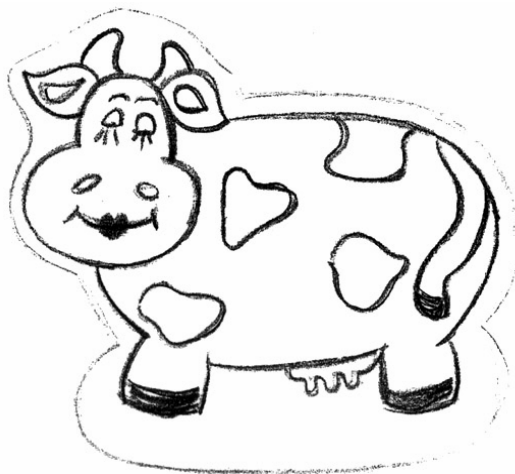
1.8

**DESIGNS, WHICH HAVE BEEN REGISTERED WITH THE
INTERNATIONAL BUREAU CLAIMING PRIORITY ON THE
TERRITORY OF GEORGIA**

(IN ACCORDANCE WITH THE ACT OF HAGUE AGREEMENT OF 1960 AND/OR ACT
OF GENEVA AGREEMENT OF 1999)

To appeal a decision is possible at Chamber of Appeal of Sakpatenti within 3 months from the publication or at The Board of Administrative Actions of Tbilisi City Court within a 1 month period. (Address: 12 km., №6, David Aghmashenebeli Kheivani, Tbilisi).

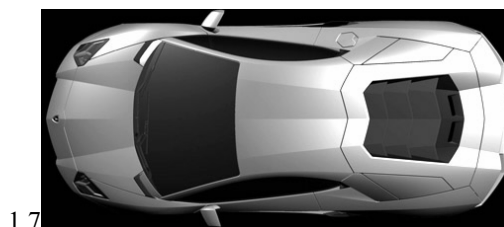
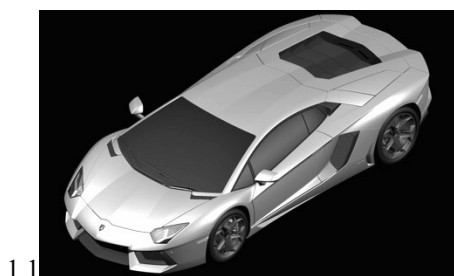
- (11) **DM/076766** (51) **32-00**
(15) 2011 07 21 (45) 2011/12 (2012 01 31)
(22) 2011 07 21
(28) 1
(30) 19.02.2011; 40 2011 000 963.3; DE
(73) ANDREAS SCHILL
Alte Schulstraße 10, 26757 Borkum (DE)
(85) DE, EM
(86) DE, EM
(87) DE, EM
(88) DE, EM
(89) DE
(81) III. AL, BA, CH, EG, GE, LI, NO, SG, TR, UA
(54) I. Ornamental design for packaging
(55)



-
- (11) **DM/077213** (51) **12-08**
(15) 2011 08 29 (45) 2011/12 (2012 01 31)
(22) 2011 08 29
(28) 1
(30) 02.03.2011; 1829441-0001; EM
(73) AUTOMOBILI LAMBORGHINI S.P.A.
Via Modena, 12, I-40019 Sant'Agata Bolognese (BO,IT)
(86) n/a
(87) n/a
(88) IT, EM
(89) EM
(81) II. BZ, KP, MA, ME, SR. III. AL, AM, AZ, BA, BW, CH, EG, GE, GH, HR, IS, KG, LI, MC, MD, MK,
MN, NA, NO, OA, OM, RS, SG, ST, TR, UA
(72) Filippo Perini, Contrada dell' Ospedale 14, IT-29022 Bobbio (Piacenza)

(54) 1. Motor vehicle

(55)



(11) DM/077221 (51) 20-02

(15) 2011 11 28 (45) 2011/12 (2012 01 31)

(22) 2011 11 28

(28) 4

(73) SWATCH AG (SWATCH SA) (SWATCH LTD.)

Jakob-Stämpfli-Strasse 94, CH-2502 BIEL/BIENNE (CH)

(85) CH

(86) CH

(87) CH

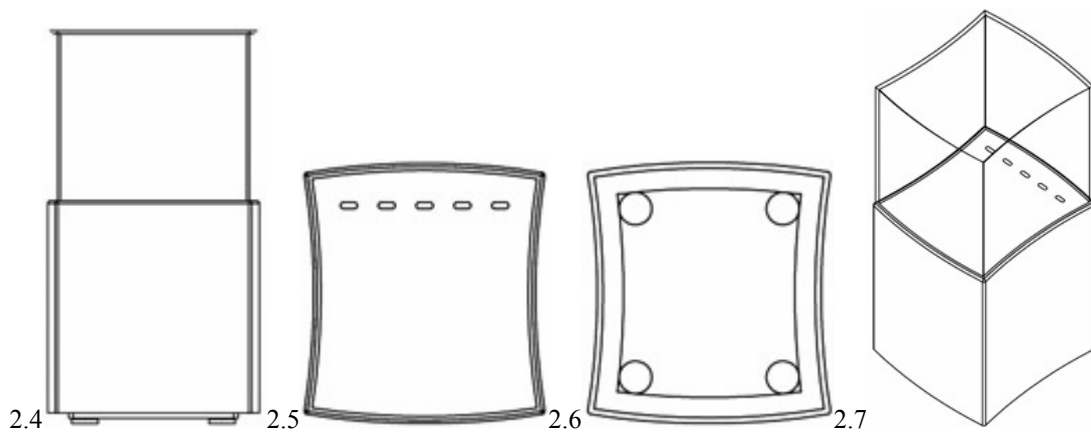
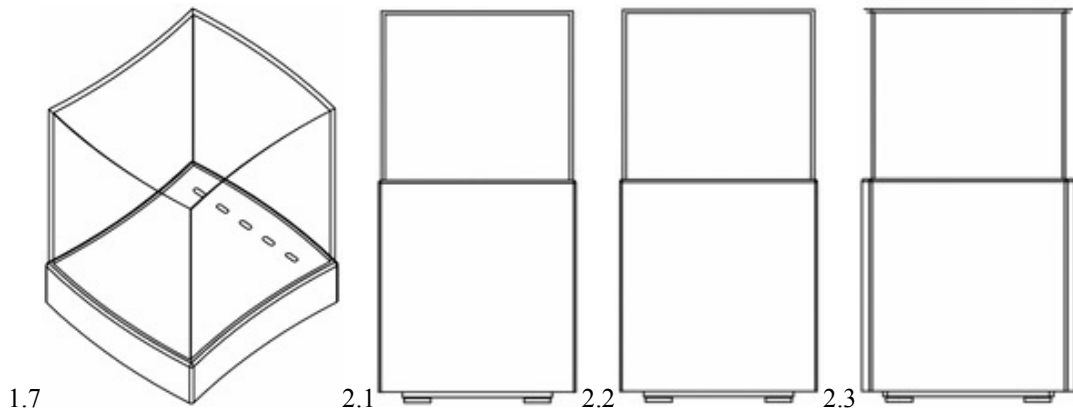
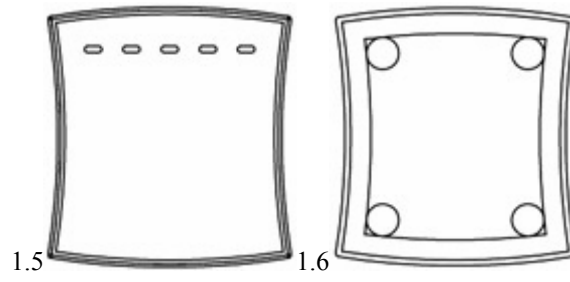
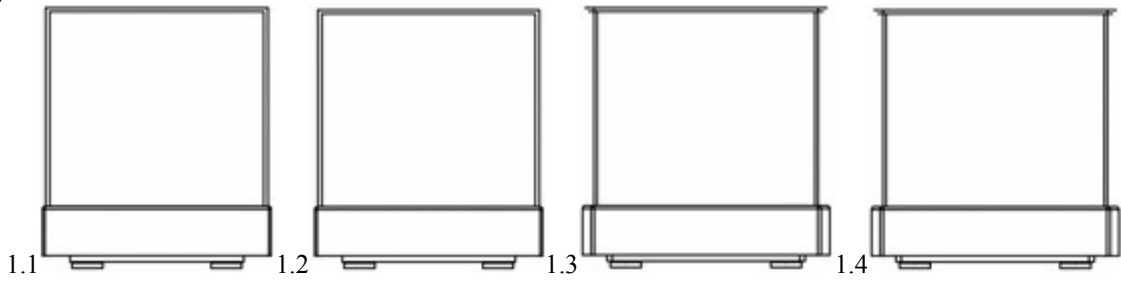
(88) CH

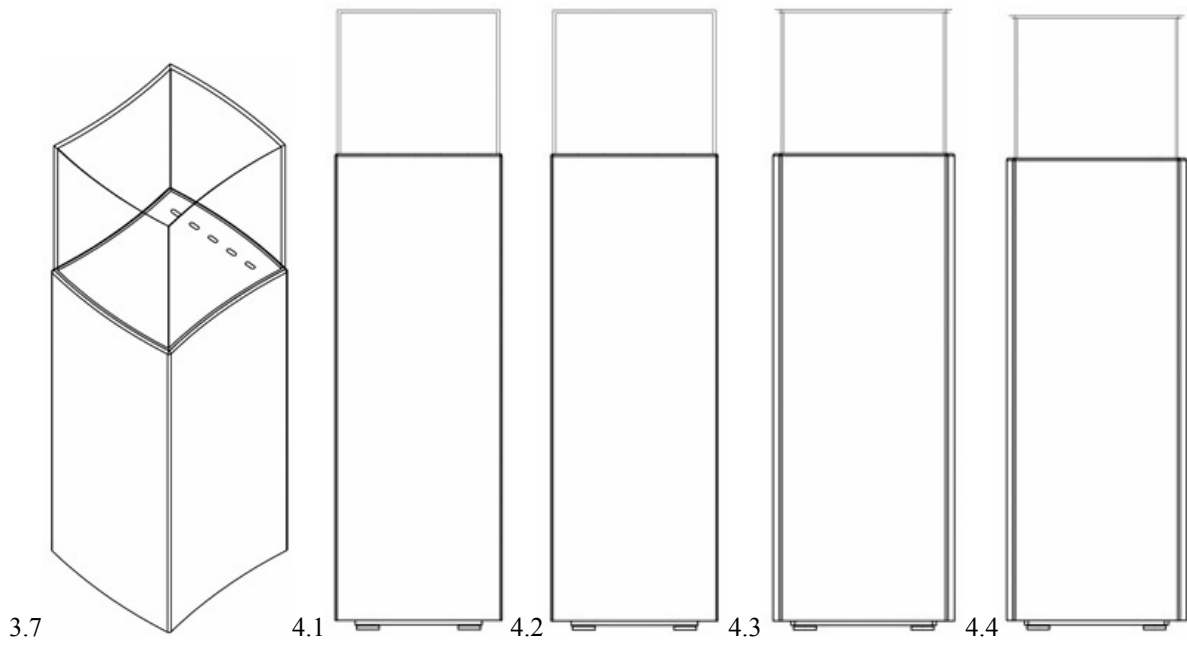
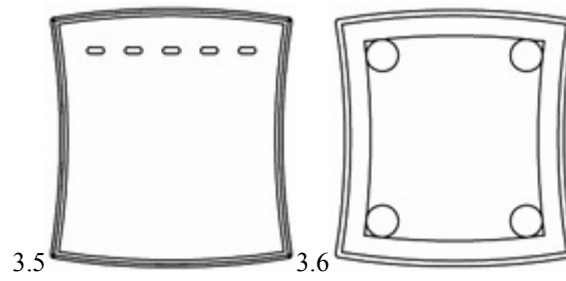
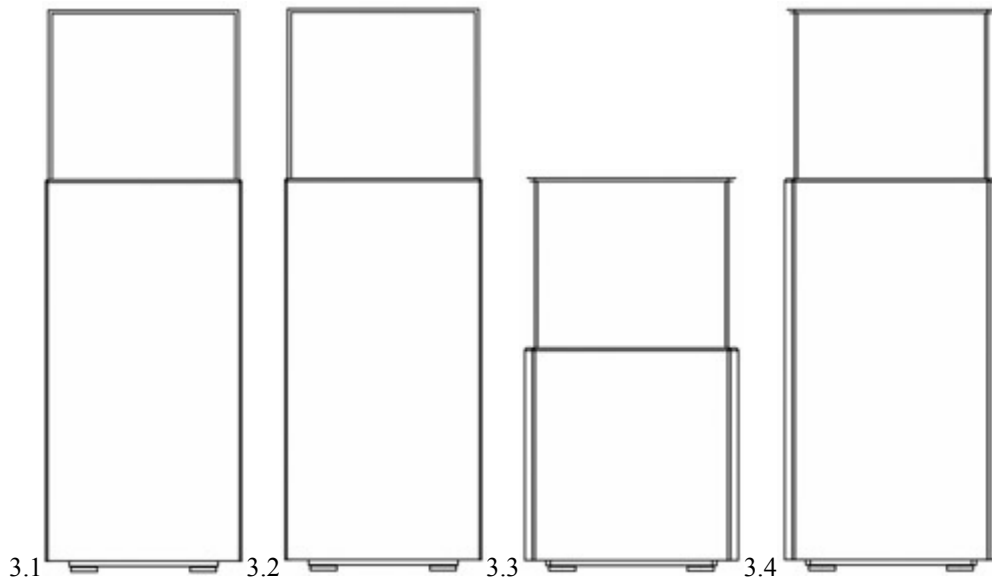
(89) CH

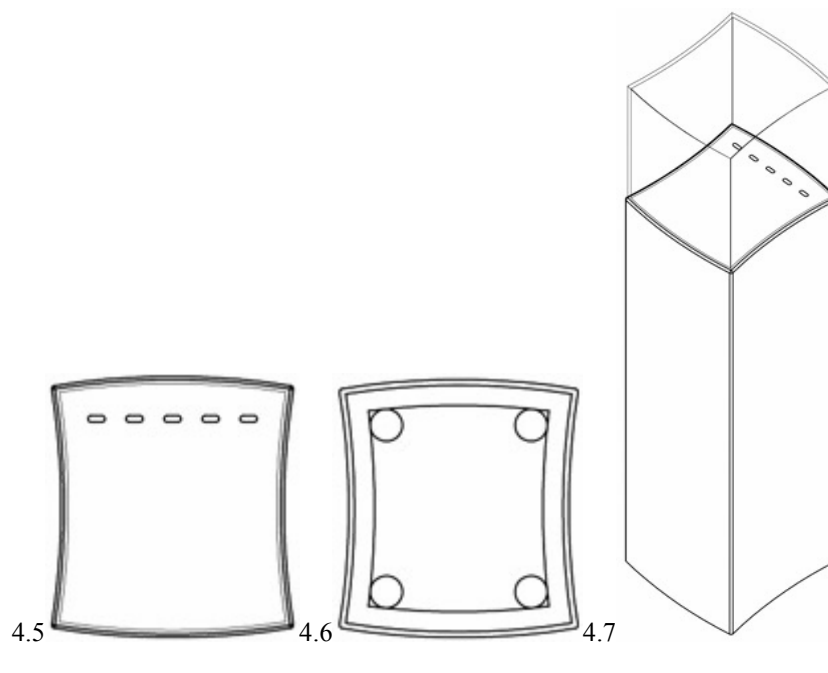
(81) II. BZ, MA, ME. III. AL, AM, AZ, BA, CH, EM, GE, HR, KG, LI, MC, MD, MK, MN, NO, OM, SG,
TR, UA

(72) Serge Kaeppli, Florastrasse 24, CH-3005 Berne

(54) 1.-4. Display units
(55)







(11) DM/077231 (51) 20-02

(15) 2011 11 30 (45) 2011/12 (2012 01 31)

(22) 2011 11 30

(28) 2

(73) SWATCH AG (SWATCH SA) (SWATCH LTD.)

Jakob-Stämpfli-Strasse 94, CH-2502 BIEL/BIENNE (CH)

(85) CH

(86) CH

(87) CH

(88) CH

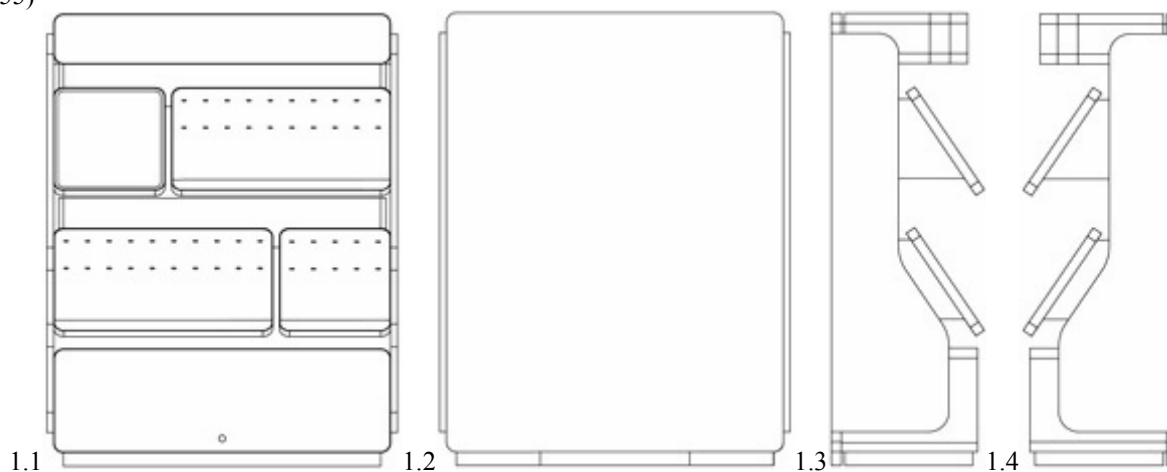
(89) CH

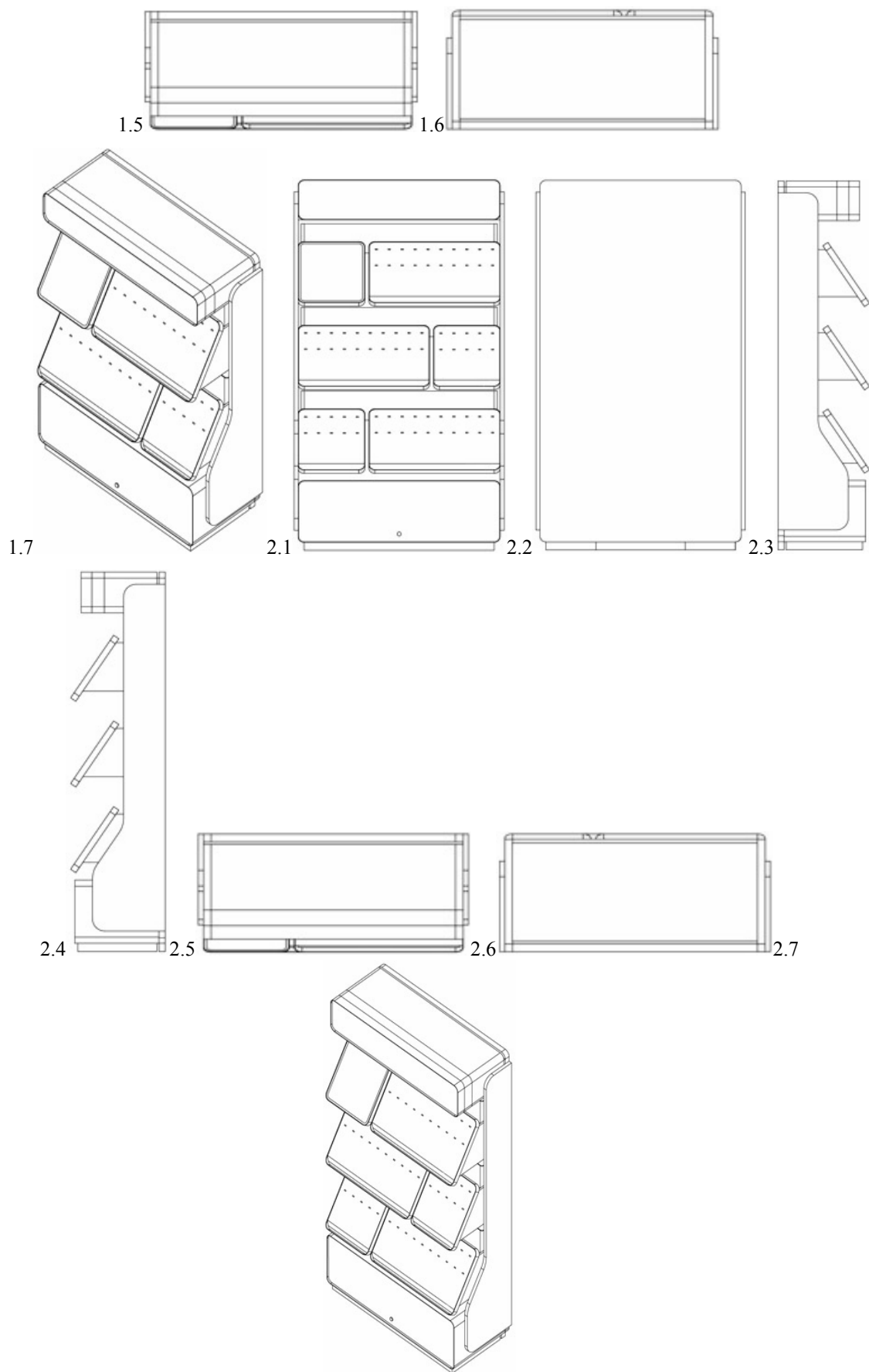
(81) II. BZ, MA, ME. III. AL, AM, AZ, BA, CH, EM, GE, HR, KG, LI, MC, MD, MK, MN, NO, OM, SG, TR, UA

(72) № 1, 2: Serge Kaeppli, Florastrasse 24, CH-3005 Berne

(54) 1.-2. Display units

(55)





(11) DM/077234 (51) 03-01

(15) 2011 12 01 (45) 2011/12 (2012 01 31)

(22) 2011 12 01

(28) 1

(73) TISSOT SA (TISSOT AG) (TISSOT LTD)

Chemin des Tourelles 17, CH-2400 Le Locle (CH)

(85) CH

(86) CH

(87) CH

(88) CH

(89) CH

(81) II. BZ, MA, ME. III. AL, AM, AZ, BA, CH, EM, GE, HR, KG, LI, MC, MD, MK, MN, NO, OM, SG, TR, UA

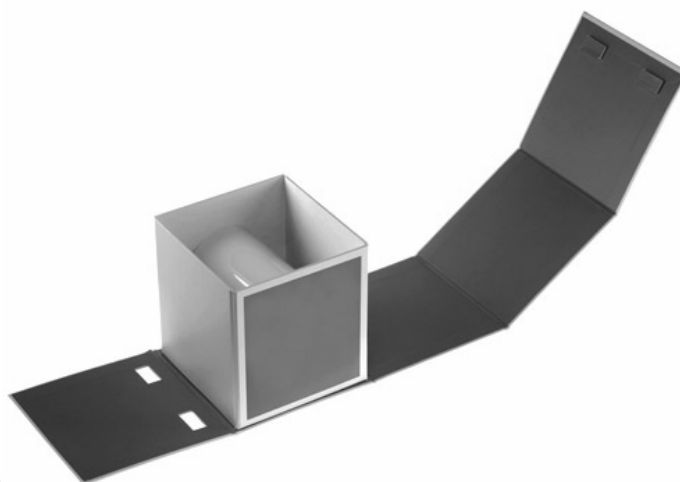
(72) Béatrice Morelli Carullo, Beau-Site 34, CH-2400 Le Locle

(54) 1. Watch display case

(55)



1.1



1.2



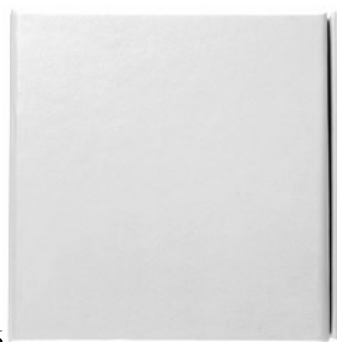
1.3



1.4



1.5



1.6



1.7



1.8

(11) DM/077236 (51) 03-01

(15) 2011 12 01 (45) 2011/12 (2012 01 31)

(22) 2011 12 01

(28) 2

(73) ETA SA MANUFACTURE HORLOGÈRE SUISSE CH-2540 Grenchen (CH)

(85) CH

(86) CH

(87) CH

(88) CH

(89) CH

(81) II. BZ, MA, ME. III. AL, AM, AZ, BA, CH, EM, GE, HR, KG, LI, MC, MD, MK, MN, NO, OM, SG, TR, UA

(72) Arianna ZANGLA, Chemin des Fléoles 3, CH-2503 Biel/Bienne

(54) 1.-2. Cases

(55)



(11) DM/077250 (51) 10-02

(15) 2011 12 07 (45) 2011/12 (2012 01 31)

(22) 2011 12 07

(28) 2

(73) ETA SA MANUFACTURE HORLOGÈRE SUISSE CH-2540 Grenchen (CH)

(85) CH

(86) CH

(87) CH

(88) CH

(89) CH

(81) II. BZ, MA, ME. III. AL, AM, AZ, BA, CH, EM, GE, HR, KG, LI, MC, MD, MK, MN, NO, OM, SG, TR, UA

(72) N°1: Véronique STOLL, Chemin de la Marnière 14A, CH-2502 Biel/Bienne; N°2: Damien GOYET, 45, rue Principale, F-68480 Winkel

(54) 1.-2. Wristwatches

(55)



(11) DM/077256 (51) 10-02

(15) 2011 12 12 (45) 2011/12 (2012 01 31)

(22) 2011 12 12

(28) 1

(73) RADO UHREN AG (RADO WATCH CO. LTD.) (MONTRES RADO SA)

Bielstrasse 45, CH-2543 Lengnau (CH)

(85) CH

(86) CH

(87) CH

(88) CH

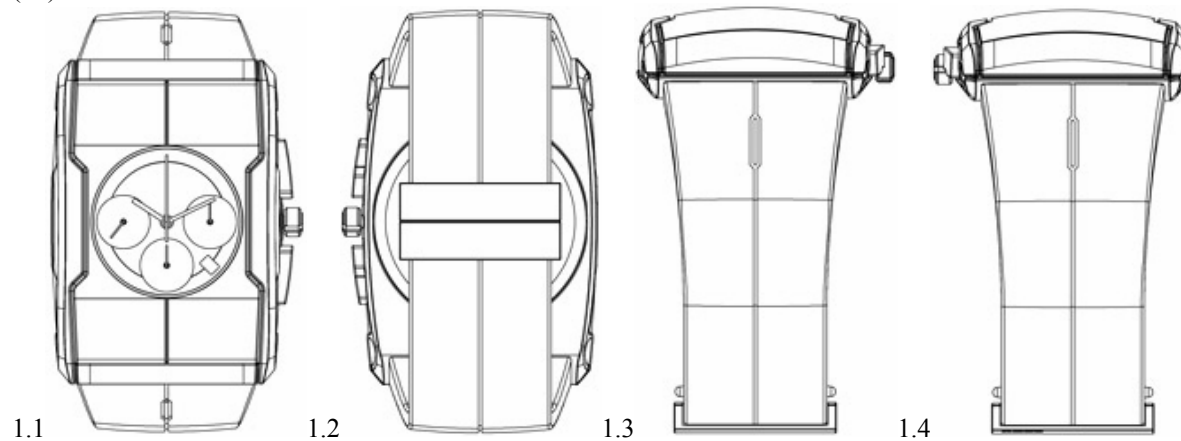
(89) CH

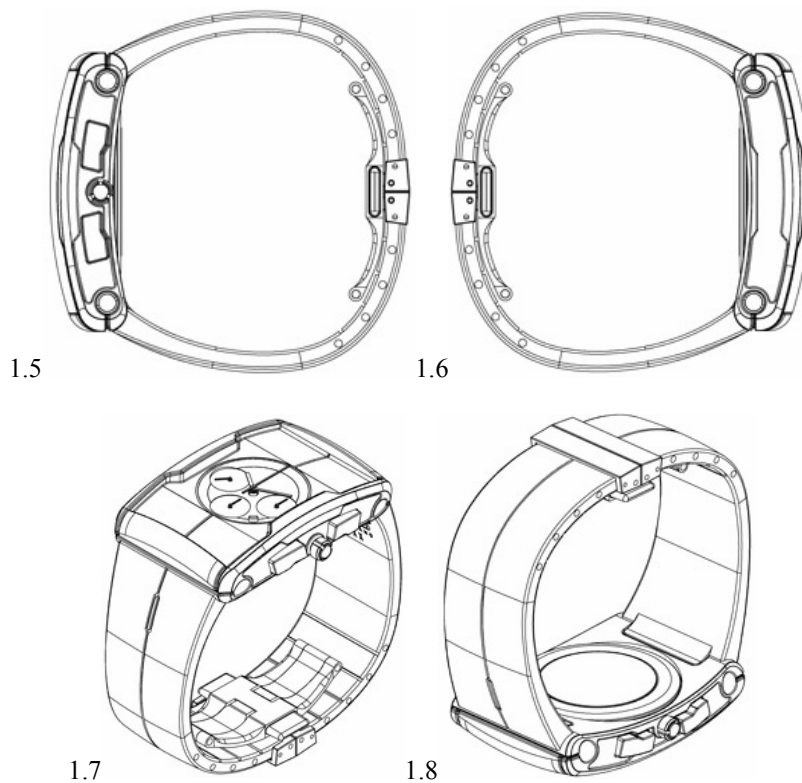
(81) II. BZ, MA, ME. III. AL, AM, AZ, BA, CH, EM, GE, HR, KG, LI, MC, MD, MK, MN, NO, OM, SG, TR, UA

(72) N° 1: Nuno Oliveira, Rue Jaquet-Droz 2, CH-2000 Neuchâtel

(54) 1. Wristwatch

(55)





(11) DM/077257 (51) 10-02

(15) 2011 12 12 (45) 2011/12 (2012 01 31)

(22) 2011 12 12

(28) 3

(73) RADO UHREN AG (RADO WATCH CO. LTD.) (MONTRES RADO SA)
Bielstrasse 45, CH-2543 Lengnau (CH)

(85) CH

(86) CH

(87) CH

(88) CH

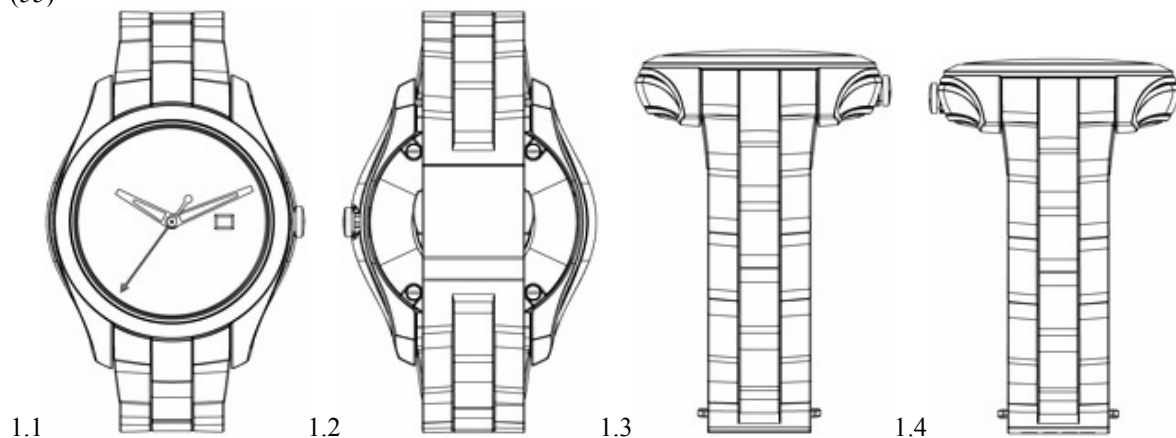
(89) CH

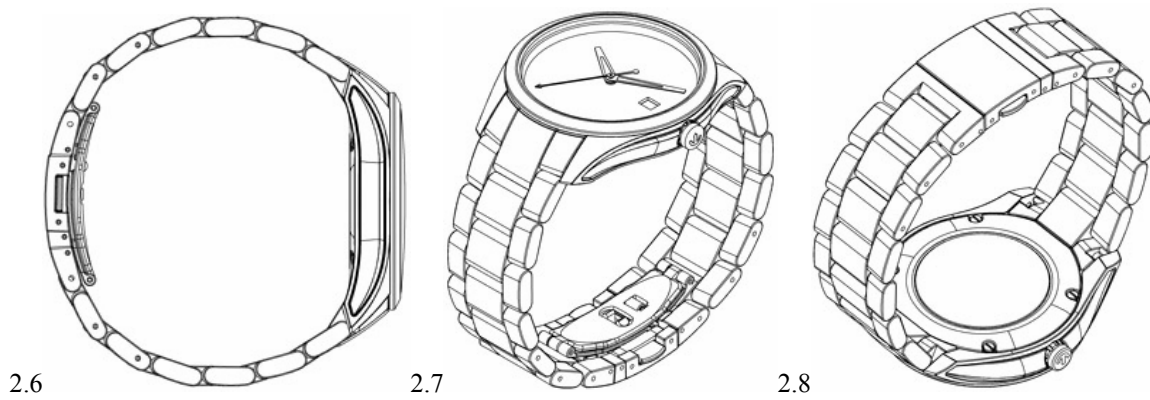
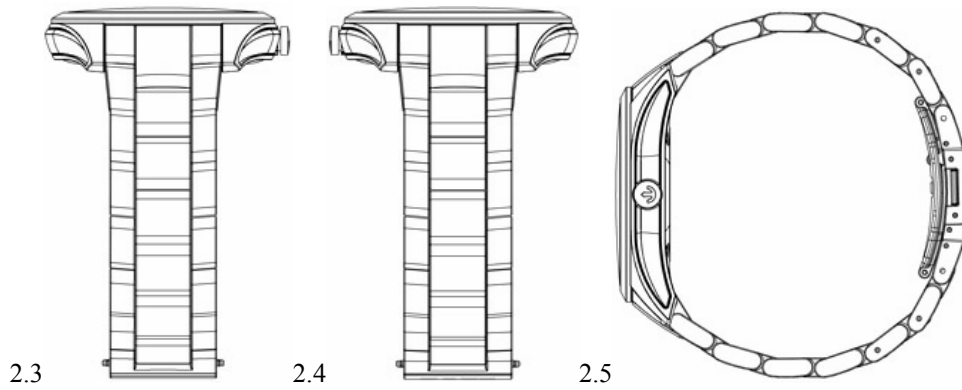
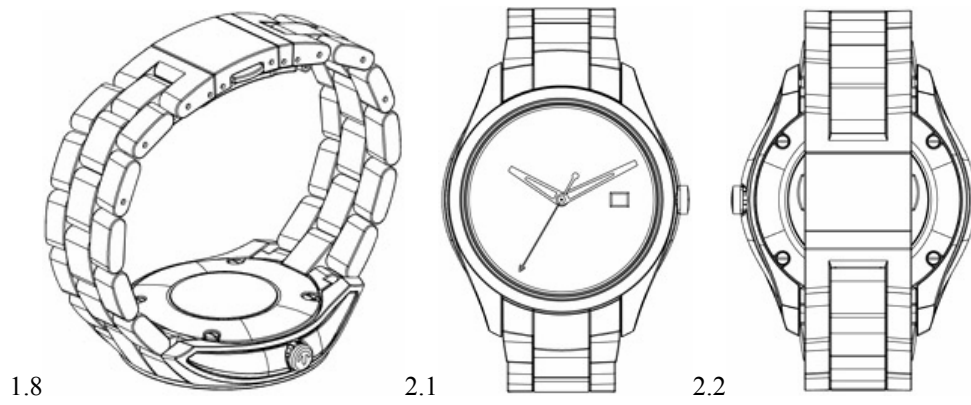
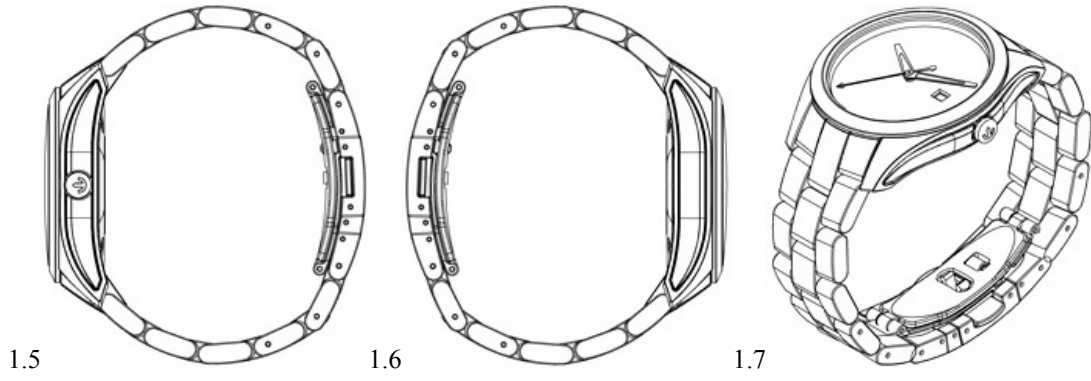
(81) II. BZ, MA, ME. III. AL, AM, AZ, BA, CH, EM, GE, HR, KG, LI, MC, MD, MK, MN, NO, OM, SG,
TR, UA

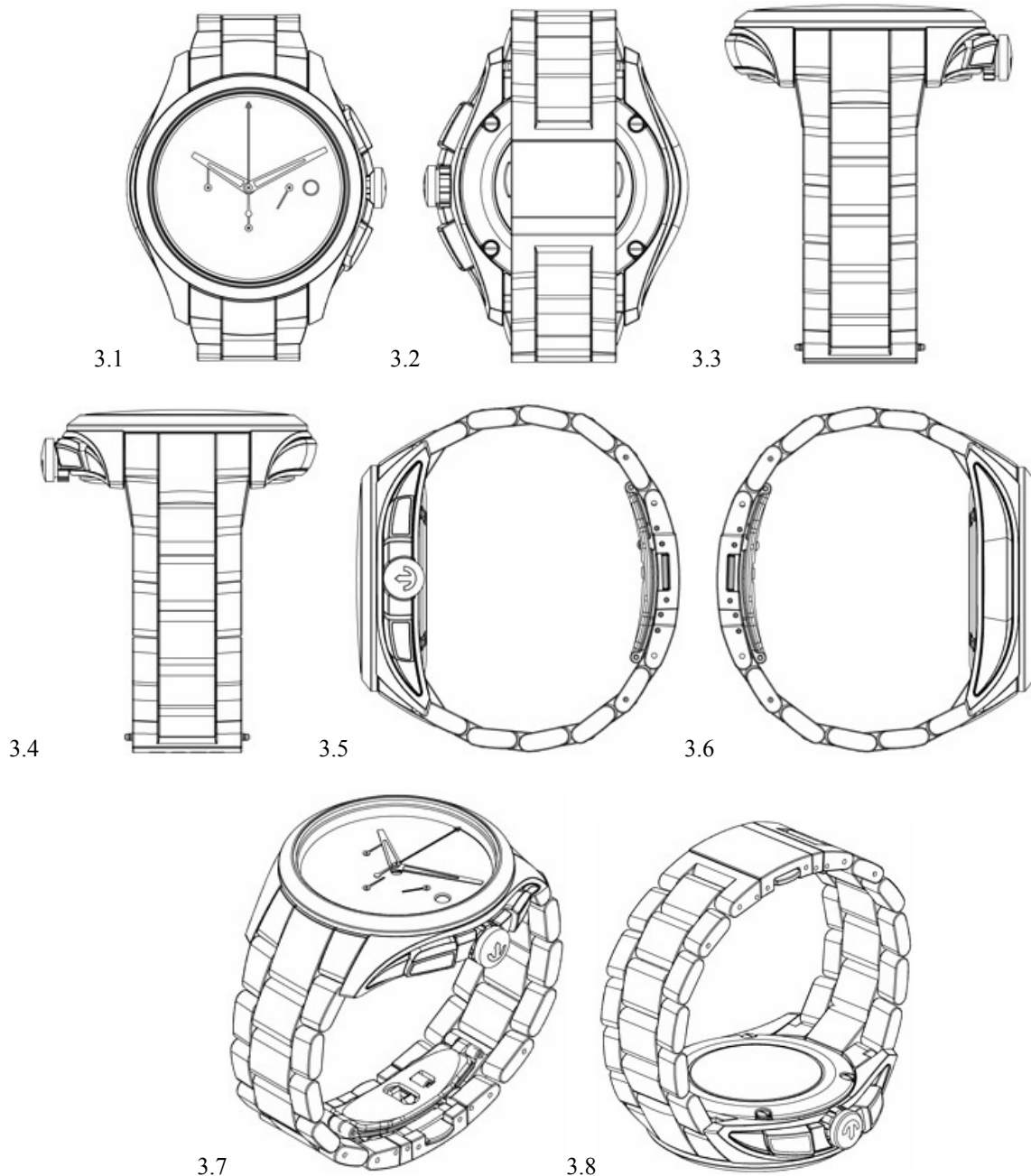
(72) №1, 2, 3: Fabrice DUPORT, Avenue de la Gare 4, CH-2000 Neuchâtel

(54) 1.-3. Wristwatches

(55)







- (11) DM/077308 (51) 11-01
 (15) 2011 12 19 (45) 2011/12 (2012 01 31)
 (22) 2011 12 19
 (28) 9
 (73) "FREY WILLE" GMBH & CO KG
 Gumpendorferstrasse 81, A-1060 Vienna (AT)
 (85) EM
 (86) EM
 (87) EM
 (88) EM
 (89) EM
 (81) III. CH, EG, EM, GE, HR, MD, MK, MN, SG, TR, UA
 (54) 1.-2. Bracelets; 3. Pendant; 4.-5. Bracelets; 6. Pendant; 7.-8. Bracelets; 9. Pendant

(55)







8.3



9

(11) DM/077310 (51) 06-01

(15) 2011 12 15 (45) 2011/12 (2012 01 31)

(22) 2011 12 15

(28) 1

(30) №1: 24.11.2011; 559-04/3-11-001; HR

(23) №1: 14.11.2011, 49h INTERNATIONAL FAIR OF FURNITURE, EQUIPMENT AND, BELGRADE, SERBIA (23) №1: 19.10.2011, AMBIENTA-INTERNATIONAL FURNITURE, INTERIOR, ZAGREB, CROATIA

(73) KVADRA D.O.O.

Pustodol Začretski 19G, HR-49223 Sveti Kri Začretje (HR)

(86) n/a

(87) n/a

(88) HR

(89) HR

(81) II. BX, GR, IT, ME. III. AM, AZ, BA, BG, CH, DE, DK, EE, EM, ES, FI, FR, GE, HU, KG, LI, LT, LV, MD, MK, NO, OM, PL, RO, RS, SI, TR, UA.

(72) Nikola Radeljkovic, Kopernikova 50, HR-10000 Zagreb; Ivana Borovnjak, Hreljinska 7, HR-10000

Zagreb; Roberta Bratovic, Ilica 54, HR-10000 Zagreb; Christoph Katzler, Canisiusgasse 13/16, AT-1090 Wien; Sven Jonke, Trg Bana Jelacica 3, HR-10000 Zagreb

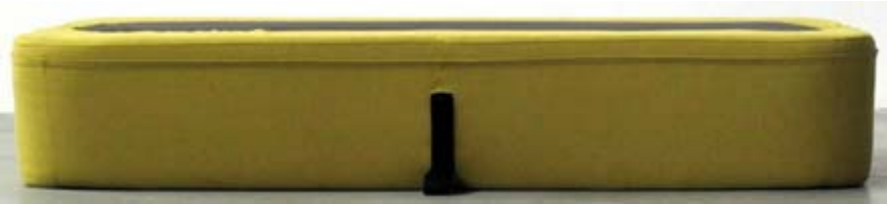
(54) 1. Rotating sofa bed

(55)



1.1

1.2



1.3



1.4



1.5



1.6





1.7



1.8

(11) DM/077345 (51) 10-07

(15) 2011 12 16 (45) 2011/12 (2012 01 31)

(22) 2011 12 16

(28) 3

(73) BLANCPAIN SA

Le Rocher 12, CH-1348 LE BRASSUS (CH)

(85) CH

(86) CH

(87) CH

(88) CH

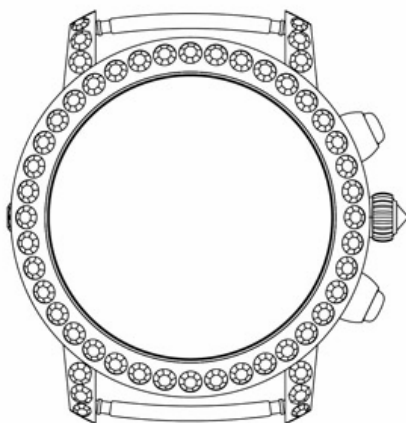
(89) CH

(81) II. BZ, MA, ME. III. AL, AM, AZ, BA, CH, EM, GE, HR, KG, LI, MC, MD, MK, MN, NO, OM, SG, TR, UA

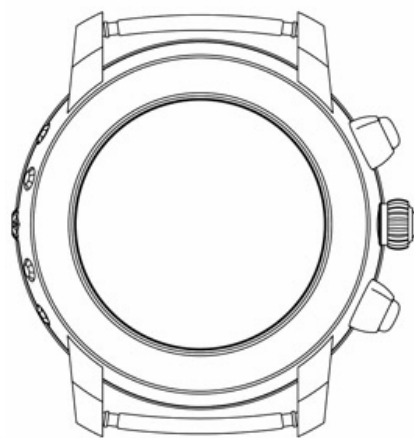
(72) Mod. N°1, N°2, N°3: Patrice NANGA, Avenue Dapples 26, CH-1006 LAUSANNE (Suisse)

(54) 1. Watch case; 2.-3. dials

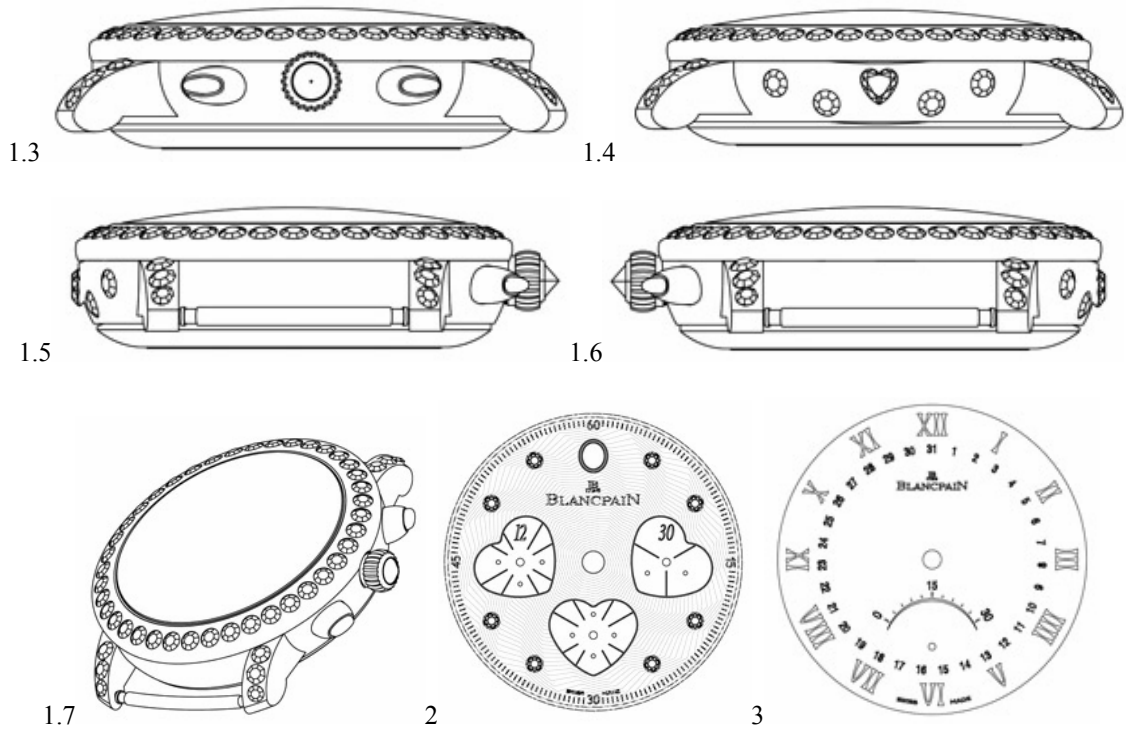
(55)



1.1



1.2



(11) DM/077353 (51) 10-07

(15) 2011 12 22 (45) 2011/12 (2012 01 31)

(22) 2011 12 22

(28) 2

(73) SWATCH AG (SWATCH SA)(SWATCH LTD)
Jakob-Stämpfli-Strasse 94, CH-2502 Bienne (CH)

(85) CH

(86) CH

(87) CH

(88) CH

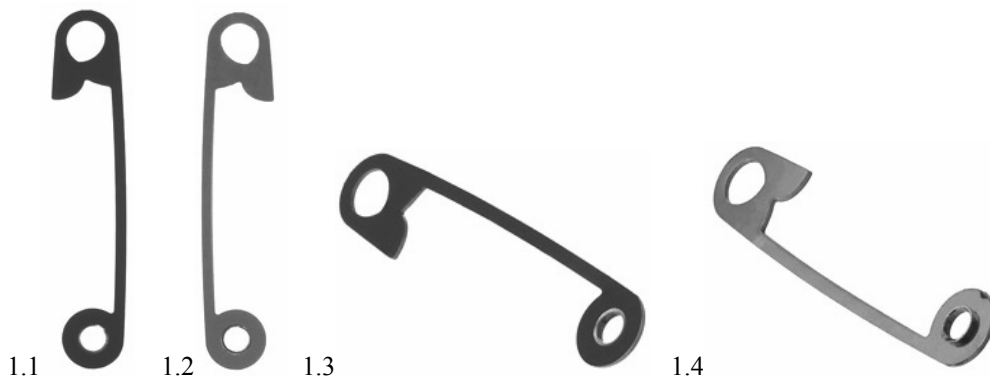
(89) CH

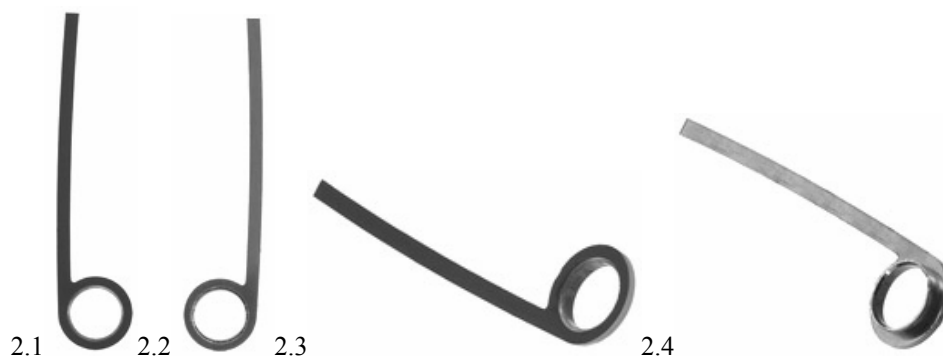
(81) II. BZ, MA, ME. III. AL, AM, AZ, BA, CH, EM, GE, HR, KG, LI, MC, MD, MK, MN, NO, OM, SG, TR, UA

(72) Mod. N°1 et 2: Uma Wang, c/o Shanghai UMA WANG Fashion Co. Ltd., House A-3, Long Xi Road N°1, Shanghai 200336 (Chine)

(54) 1.-2. Watch hands

(55)



**(11) DM/077376 (51) 10-02**

(15) 2011 12 22 (45) 2011/12 (2012 01 31)

(22) 2011 12 22

(28) 4

(73) SWATCH AG (SWATCH SA)(SWATCH LTD)

Jakob-Stämpfli-Strasse 94, CH-2502 Bienne (CH)

(85) CH

(86) CH

(87) CH

(88) CH

(89) CH

(81) II. BZ, KP, MA, ME. III. AL, AM, AZ, BA, CH, EM, GE, HR, KG, MC, MD, MK, MN, NO, OM, SG, TR, UA

(72) Mod. N°1 et N°2: Uma Wang, c/o Shanghai UMA WANG Fashion Co. Ltd., House A-3, Long Xi Road N°1, Shanghai 200336 / Chine; Mod. N°3: Mathieu Mercier, 82 rue de Crimée, 75019 Paris / FR; Mod. N°4: Patrizio Vita, Swatchlab, Via Archimede 6, IT-20129 Milano (Italie)

(54) 1.-4. Wristwatches

(55)



(11) DM/077399 (51) 13-02

(15) 2011 11 03 (45) 2012/02 (2012 02 03)

(22) 2011 11 03

(28) 2

(30) 28.06.2011; DM/076614; WO

(73) BELECTRIC DRIVE GMBH

Steigweg 24, 97318 Kitzingen (DE)

(85) DE

(86) n/a

(87) n/a

(88) DE, EM

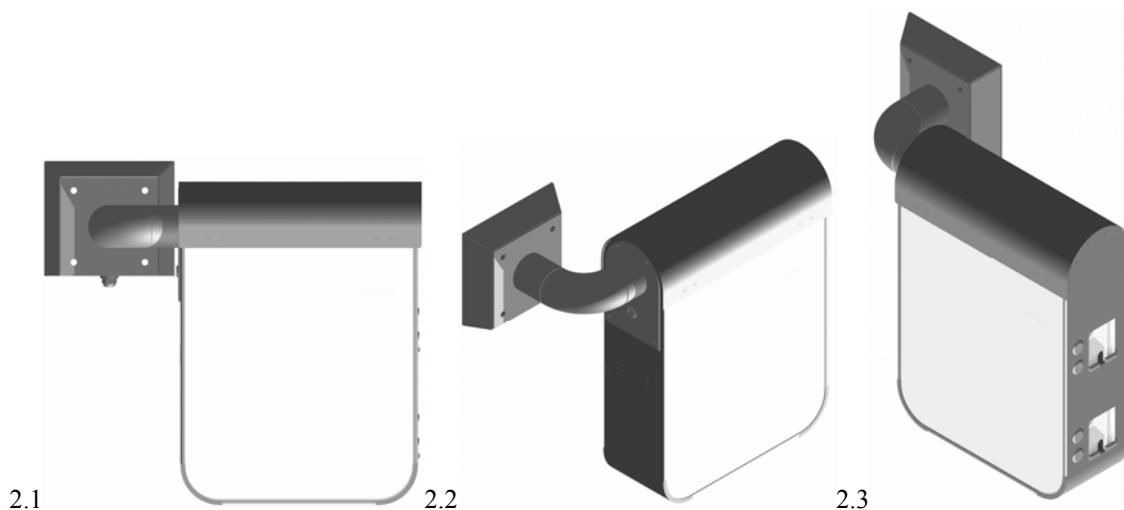
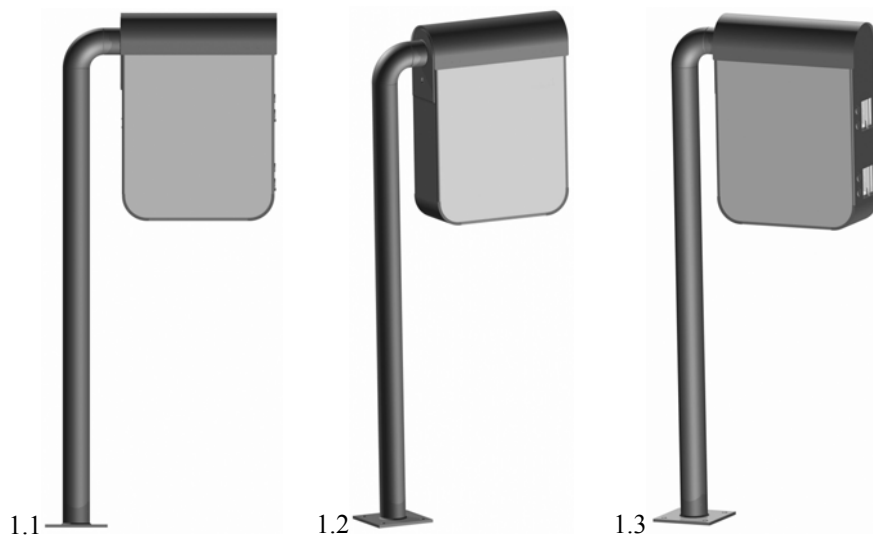
(89) DE

(81) II. MA, ME. III. CH, EG, EM, GE, HR, IS, LI, MC, MK, NO, OM, RS, SG, TR, UA

(72) Sebastian Bachmann, Feliz-Blumenfeld-Str. 4, DE-34128 Kassel

(54) 1.-2. Electric vehicle charging stations

(55)



(11) DM/077420 (51) 20-02

(15) 2011 12 30 (45) 2012/03 (2012 02 03)

(22) 2011 12 30

(28) 1

(73) ETA SA MANUFACTURE HORLOGÈRE SUISSE CH-2540 Grenchen (CH)

(85) CH

(86) CH

(87) CH

(88) CH

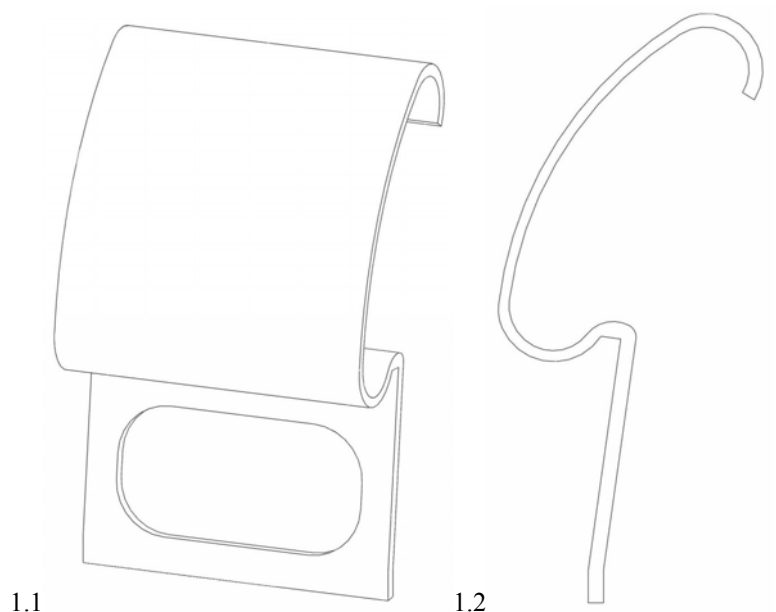
(89) CH

(81) II. BZ, MA, ME. III. AL, AM, AZ, BA, CH, EM, GE, HR, KG, LI, MC, MD, MK, MN, NO, OM, SG, TR, UA

(72) Arianna Zangla, Chemin des Fléoles 3, CH-2503 Biel/Bienne

(54) 1. Display unit for wristwatch

(55)

**(11) DM/077438 (51) 01-99**

(15) 2011 10 11 (45) 2012/03 (2012 02 03)

(22) 2011 09 29

(28) 1

(30) 17.05.2011; 137938; CH

(73) SOCIÉTÉ DES PRODUITS NESTLÉ S.A. CH-1800 Vevey (CH)

(85) CH

(86) CH

(87) CH

(88) CH

(89) CH

(81) II. KP, MA, SR. III. AL, AM, AZ, BA, BW, EG, EM, GE, GH, HR, IS, MD, MK, NA, NO, OA, OM, RS, SG, SY, TR, UA

(72) Jose Guillermo Krauch

Nestec Ltd., Julius-Bühler-Strasse 8, 78221 Singen; Caroline Schroeder, Nestec Ltd., Julius-Bühler-Strasse 8, 78221 Singen

(54) 1. Bouillon tablet

(55)



1.1



1.2



1.3



1.4



1.5



1.6

(11) DM/077483 (51) 10-02

(15) 2012 01 11 (45) 2012/04 (2012 02 03)

(22) 2012 01 11

(28) 5

(73) TISSOT SA (TISSOT AG) (TISSOT LTD)

Chemin des Tourelles 17, CH-2400 Le Locle (CH)

(85) CH

(86) CH

(87) CH

(88) CH

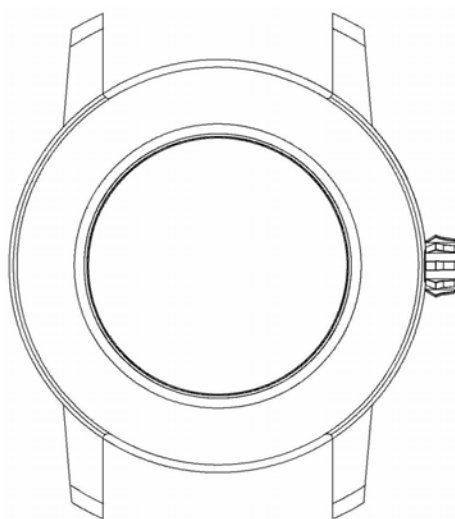
(89) CH

(81) II. BZ, MA, ME. III. AL, AM, AZ, BA, CH, EM, GE, HR, KG, LI, MC, MD, MK, MN, NO, OM, SG, TR, UA

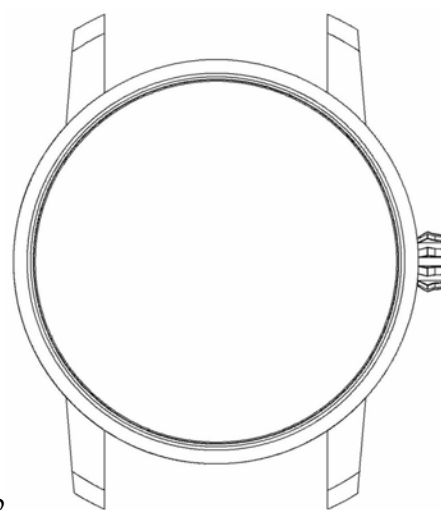
(72) N°1: Bertrand Robert, Chemin du Rêche 8, CH-2520 La Neuveville; N°2: Sébastien Perret, Rue du Temple 27A, CH-2014 Bâle; N°3: Patrice Monnin, Parc Astrea Zac La Fayette, 27A, rue Clément Marot, FR-2500 Besançon; N°4: Christophe Barbier, Rue de Montilier 21, CH-2523 Lignières; N°5: Sébastien Perret, Rue du Temple 27A, CH-2014 Bôle

(54) 1.-4. Watch cases; 5. Watch case with bracelet

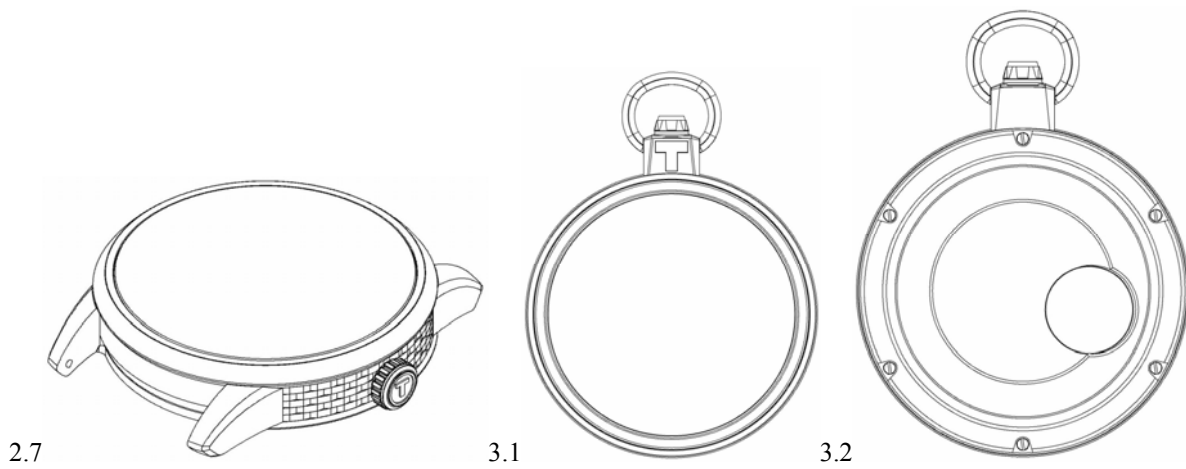
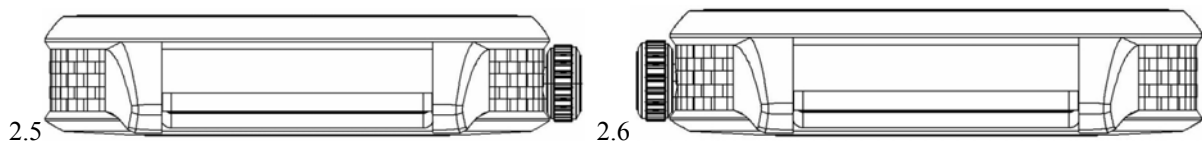
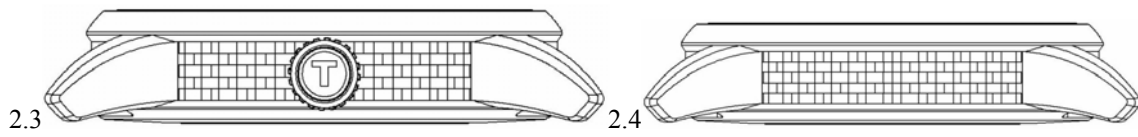
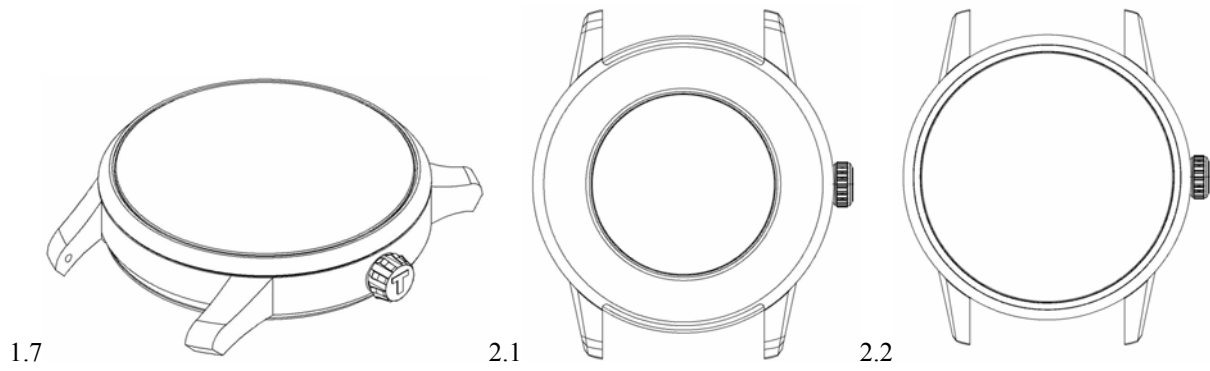
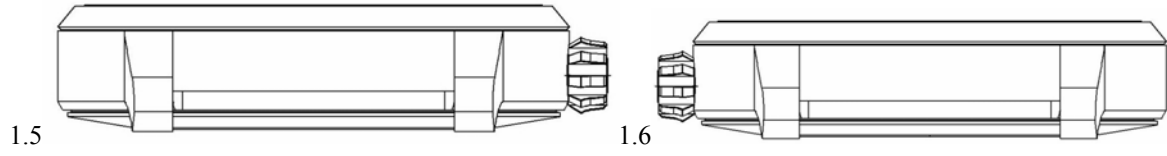
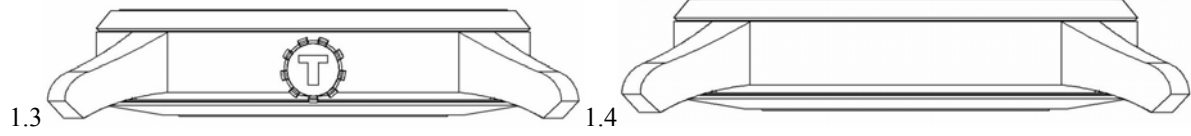
(55)

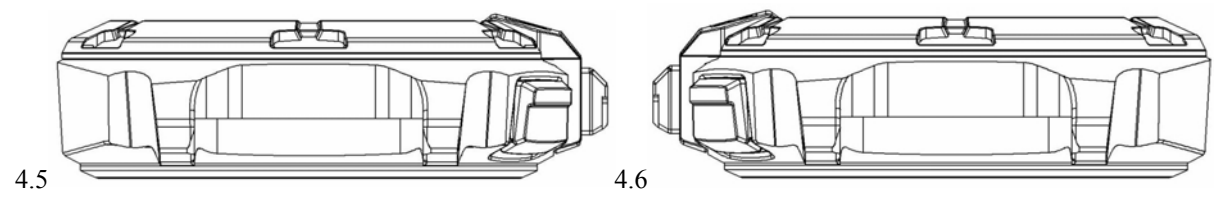
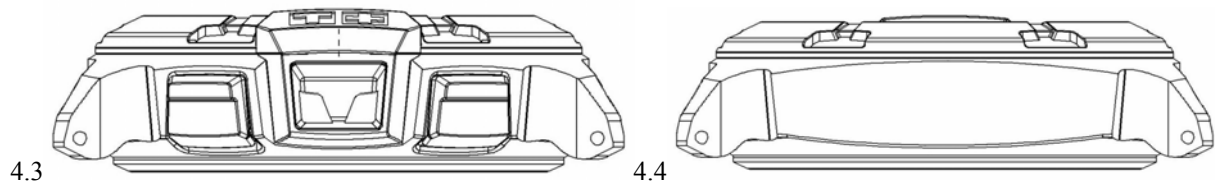
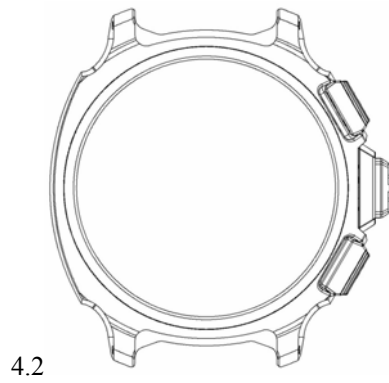
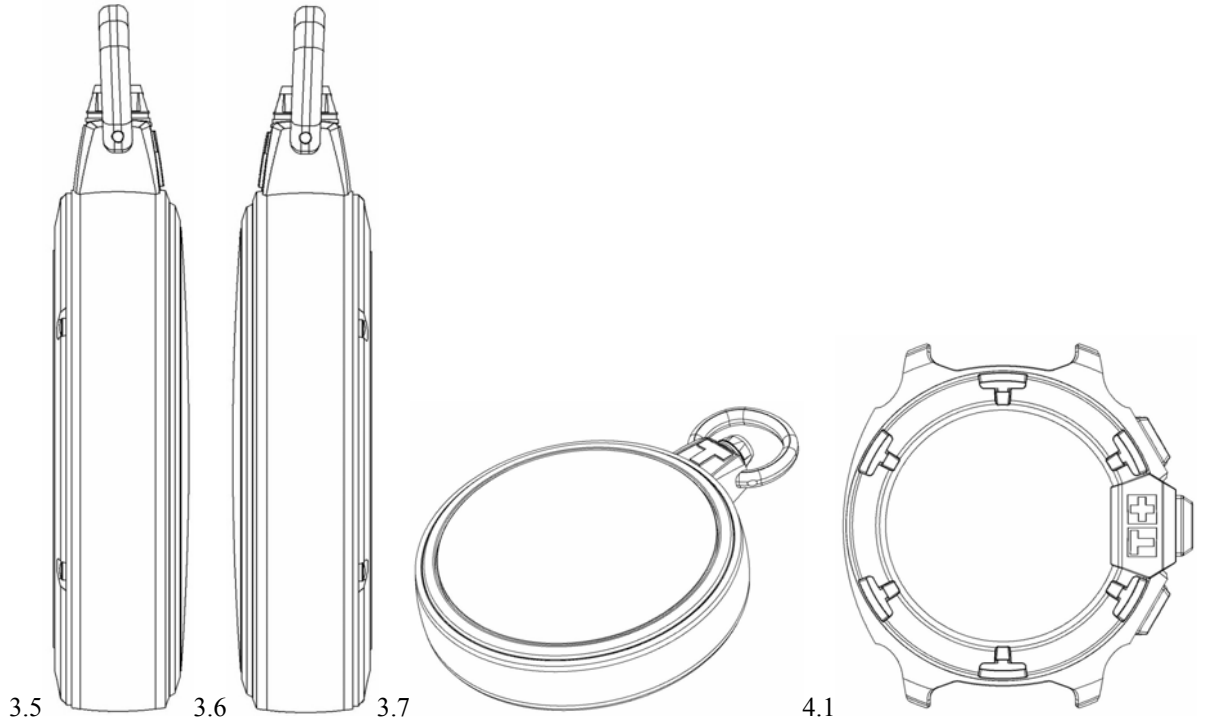
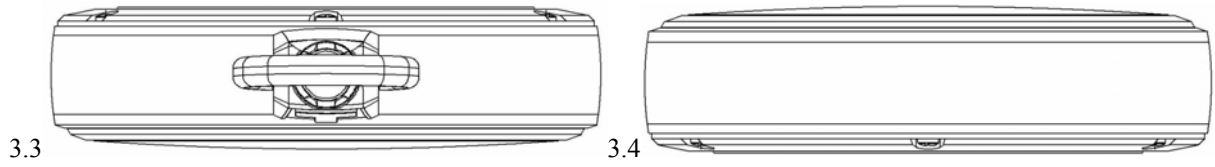


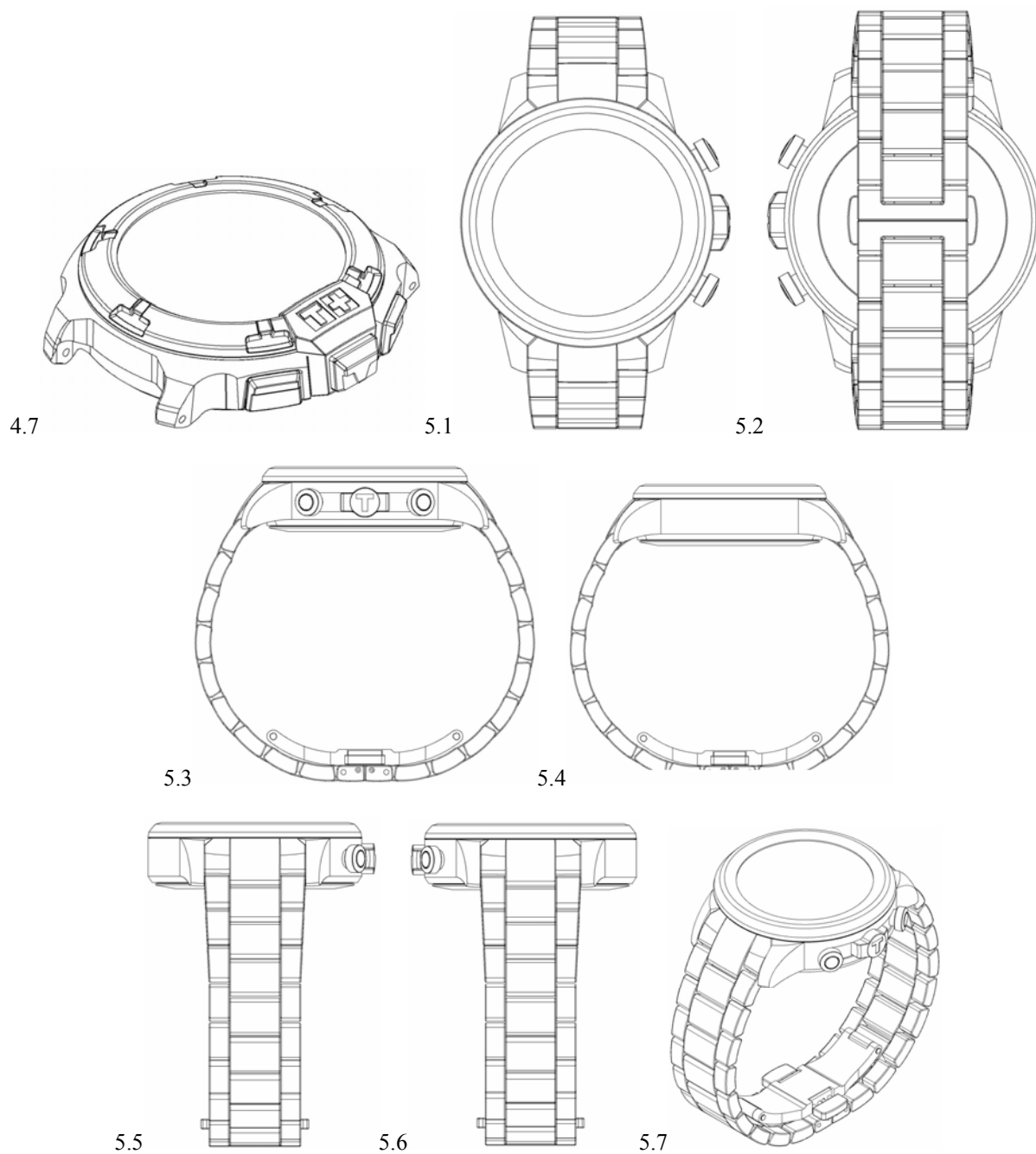
1.1



1.2





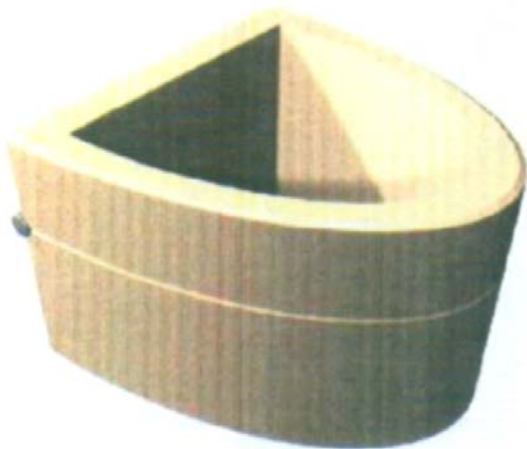


(11) DM/077485 (51) 10-07
(15) 2012 01 11 (45) 2012/04 (2012 02 03)
(22) 2012 01 11
(28) 1
(73) BLANCPAIN SA
Le Rocher 12, CH-1348 LE BRASSUS (CH)
(85) CH
(86) CH
(87) CH
(88) CH
(89) CH

- (81) II. BZ, MA, ME. III. AL, AM, AZ, BA, CH, EM, GE, HR, KG, LI, MC, MD, MK, MN, NO, OM, SG, TR, UA
 (72) Alan Apprederisse, Av. du Léman 48, CH-1005 Lausanne
 (54) 1. Dial
 (55)



- (11) DM/077493 (51) 25-02
 (15) 2011 12 28 (45) 2012/04 (2012 02 03)
 (22) 2011 12 28
 (28) 10
 (73) ISTON ISTANBUL BETON ELEMANLARI VE HAZIR BETON FABRIKALARI SANAYI VE TICARET ANONIM ŞİRKETİ
 Karadeniz Mah., Eski Edirne Asfaltı No:142, GAZIOSMANPAŞA/ISTANBUL (TR)
 (85) TR
 (86) TR
 (87) TR
 (88) n/a
 (89) TR
 (81) III. AZ, GE
 (72) Yıldız Uzuner, Karadeniz Mah. Eski Edirne Asfaltı №142, Gaziosmanpaşa/Istanbul; Elif Bölen, Karadeniz Mah. Eski Edirne Asfaltı №142, Gaziosmanpaşa/Istanbul; Emre Gözleveli, Karadeniz Mah. Eski Edirne Asfaltı №142, Gaziosmanpaşa/Istanbul
 (54) 1.-10. Outdoor flowerpots
 (55)





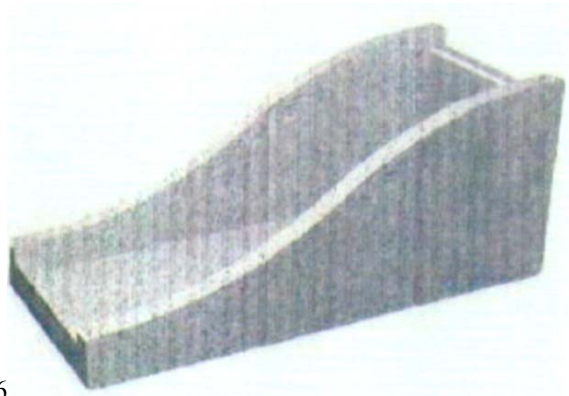
3



4



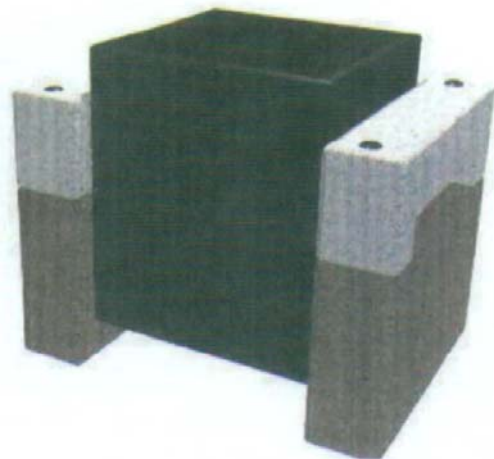
5



6



7



8



9



10

(11) DM/077512 (51) 09-09

(15) 2011 12 07 (45) 2012/04 (2012 02 03)

(22) 2011 12 07

(28) 3

(73) ISTON ISTANBUL BETON ELEMANLARI VE HAZIR BETON FABRIKALARI SANAYI VE TICARET ANONIM ŞİRKETİ

Karadeniz Mah., Eski Edirne Asfaltı No:142, GAZIOSMANPAŞA/ISTANBUL (TR)

(85) TR

(86) TR

(87) TR

(88) n/a

(89) TR

(81) III. AZ, GE

(72) №1: Yıldız Uzuner, Karadeniz Mah., Eski Edirne Asfaltı №142, Gaziosmaspas, İstanbul; №2: Harun Durgun, Karadeniz Mah., Eski Edirne Asfaltı №142, Gaziosmaspas, İstanbul; №3: Emre Gözleveli, Karadeniz Mah., Eski Edirne Asfaltı №142, Gaziosmaspas, İstanbul

(54) 1.-3. Refuse receptacles

(55)



1



2



3

(11) DM/077516 (51) 06-01

(15) 2011 12 12 (45) 2012/04 (2012 02 03)

(22) 2011 12 12

(28) 23

(73) ISTON ISTANBUL BETON ELEMANLARI VE HAZIR BETON FABRIKALARI SANAYI VE
TICARET ANONİM ŞİRKETİ

Karadeniz Mah., Eski Edirne Asfaltı No:142, GAZIOSMANPAŞA/ISTANBUL (TR)

(85) TR

(86) TR

(87) TR

(88) n/a

(89) TR

(81) III. AZ, GE

(72) №1: ELIF BÖLEN, Karadeniz Mah., Eski Edirne Asfaltı №142, GAZIOSMANPASA/ISTANBUL;

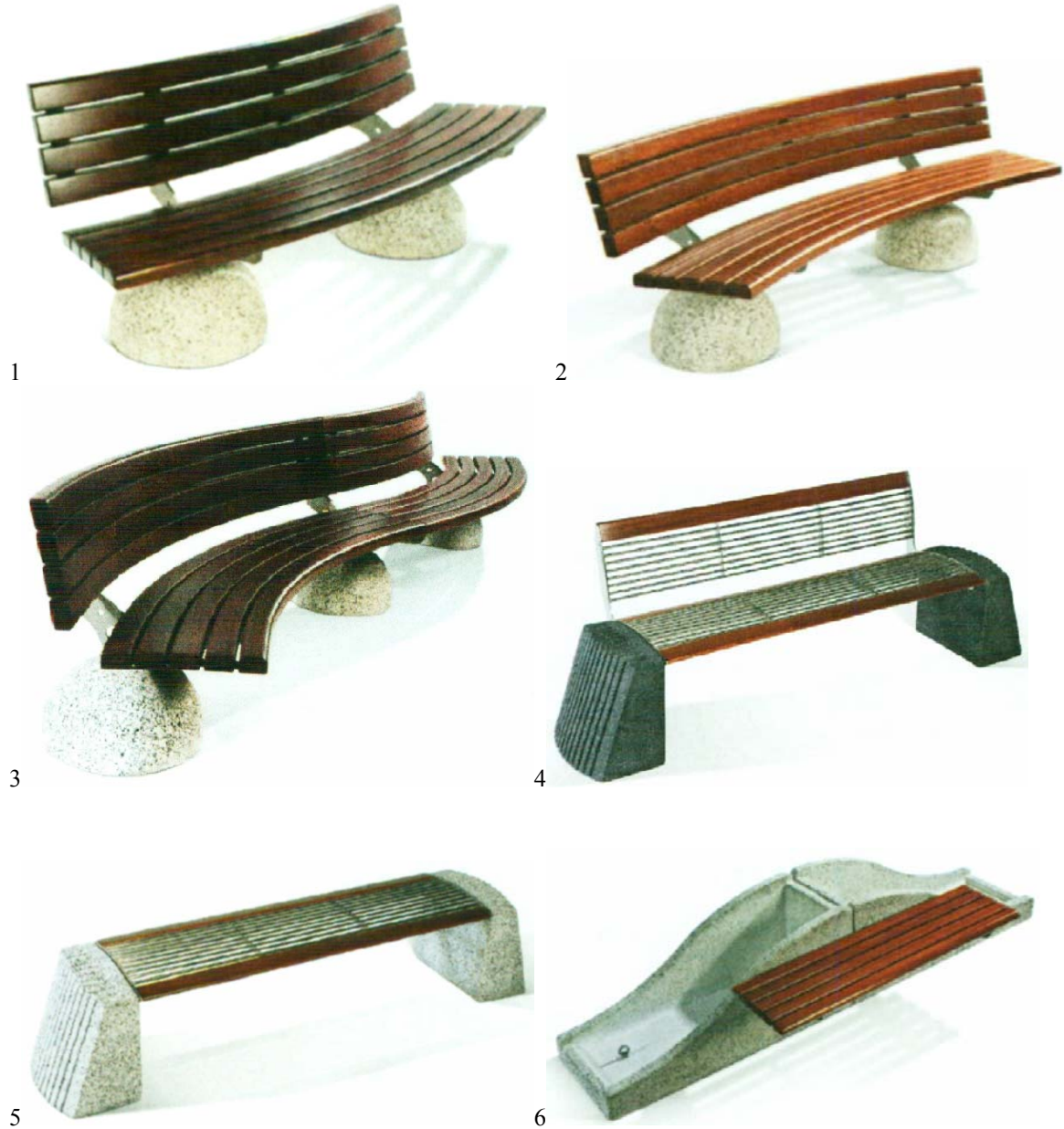
№2: IDIL KANAT, Karadeniz Mah., Eski Edirne Asfaltı №142, GAZIOSMANPASA/ISTANBUL;

№3: HARUN DURGUN, Karadeniz Mah., Eski Edirne Asfaltı №142, GAZIOSMANPASA/ISTANBUL;

№4: YILDIZ UZUNER, Karadeniz Mah., Eski Edirne Asfaltı №142, GAZIOSMANPASA/ISTANBUL

(54) 1.-23. Benches

(55)







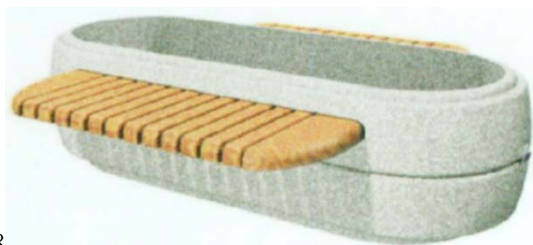
15



16



17



18



19



20



21



22



23

(11) DM/077517 (51) 25-01

(15) 2011 12 12 (45) 2012/04 (2012 02 03)

(22) 2011 12 12

(28) 5

(73) İSTON İSTANBUL BETON ELEMANLARI VE HAZIR BETON FABRİKALARI SANAYİ VE
TİCARET ANONİM ŞİRKETİ Karadeniz Mah., Eski Edirne Asfaltı N:142,
GAZİOSMANPAŞA/İSTANBUL (TR)

(85) TR

(86) TR

(87) TR

(88) n/a

(89) TR

(81) III. AZ, GE

(72) №1: YILDIZ UZUNER, Karadeniz Mah., Eski Edirne Asfaltı №142, GAZİOSMANPAŞA/İSTANBUL;

№2: ELİF BÖLEN, Karadeniz Mah., Eski Edirne Asfaltı №142, GAZİOSMANPAŞA/İSTANBUL;

№3: HARUN DURGUN, Karadeniz Mah., Eski Edirne Asfaltı №142, GAZİOSMANPAŞA/İSTANBUL;

№4: İDİL KANAT DURALI, Karadeniz Mah., Eski Edirne Asfaltı №142,

GAZİOSMANPAŞA/İSTANBUL

(54) 1.-5. Boundary stones

(55)



TRADEMARKS

APPLICATIONS FILED UNDER THE NATIONAL PROCEDURE LAID OPEN FOR THE PURPOSE OF TAKING PATENT GRANTING DECISIONS

To appeal a decision is possible at Chamber of Appeal of Sakpatenti within 3 months from the publication or at The Board of Administrative Actions of Tbilisi City Court within a 1 month period. (Address: 12 km., №6, David Aghmashenebeli Kheivani, Tbilisi).

(260) AM 2012 59313 A
(210) AM 059313
(220) 2011 06 29
(731) LTD "SANTE JI-EM-TI PRODUQTEBI"
Kakhetis gzatketsili, me-10 km., 0182,
Tbilisi, Georgia
(540)

(591) Blue, white
(531) 05.05.20-27.03.11-27.05.01-28.19.00-
29.01.11-
(511) 29, 32

(260) AM 2012 61682 A
(210) AM 061682
(220) 2011 03 16
(731) LTD "AVERSI-FARMA"
Davit Aghmasheneblis gamz., 148/2, 0112,
Tbilisi, Georgia
(540)

ფილიგრა
Филигра
Filigra

(591) Black, white
(511) 5

(260) AM 2012 62043 A
(210) AM 062043
(220) 2011 04 12
(731) SS "SASTUMROEBISA DA
RESTORNEBIS MENEJMENT JGUF-
EM/GRUP"
Marshal Gelovanis gamz. 2, me-5 sartuli,
0159, Tbilisi, Georgia
(540)

(591) Green, white
(531) 05.01.16-28.19.00-29.01.03-
(526) **Disclaimer** – Word combination "KVARELI"
in the trademark shall not be subject to
independent protection.
(511) 43

(260) AM 2012 62044 A
(210) AM 062044
(220) 2011 04 12
(731) SS "SASTUMROEBISA DA
RESTORNEBIS MENEJMENT JGUF-
EM/GRUP"
Marshal Gelovanis gamz. 2, me-5 sartuli,
0159, Tbilisi, Georgia
(540)



(591) Light green, dark green, white
(531) 03.09.24-05.01.16-28.19.00-29.01.03-
(526) **Disclaimer** – Word combination "KVARELI"
in the trademark shall not be subject to
independent protection.
(511) 43

(260) AM 2012 62045 A
(210) AM 062045
(220) 2011 04 12
(731) SS "SASTUMROEBISA DA
RESTORNEBIS MENEJMENT JGUF-
EM/GRUP"
Marshal Gelovanis gamz. 2, me-5 sartuli,
0159, Tbilisi, Georgia
(540)



(591) Gree, light green, dark green, white
 (531) 03.09.24-05.01.16-27.05.24-29.01.03-
 (526) **Disclaimer** – Word combination "KVARELI"
 in the trademark shall not be subject to
 independent protection.
 (511) 43

(260) AM 2012 62046 A
 (210) AM 062046
 (220) 2011 04 12
 (731) SS "SASTUMROEBISA DA
 RESTORNEBIS MENEJMENT JGUF-
 EM/GRUP"
 Marshal Gelovanis gamz. 2, me-5 sartuli,
 0159, Tbilisi, Georgia
 (540)



(591) Green, white
 (531) 05.01.16-28.19.00-29.01.03-
 (526) **Disclaimer** – Word bination "KVARELI" in
 the trademark shall not be subject to
 independent protection.
 (511) 43

(260) AM 2012 62148 A
 (210) AM 062148
 (220) 2011 04 20
 (310) 43097
 (320) 2010 12 07
 (330) TT
 (731) INTEL CORPORATION,
 a Delaware corporation,
 2200 Mission College Boulevard, Santa Clara,
 California 95052-8119, USA
 (740) Tamaz Shilakadze
 (540)



(591) Black, white
 (531) 01.15.03-24.15.01-
 (511) 9

(260) AM 2012 62299 A
 (210) AM 062299
 (220) 2011 05 03
 (310) MA/M/1/00056869

(320) 2010 11 09
 (330) JM
 (731) APPLE INC.
 1 Infinite loop, Cupertino, California
 95014, USA
 (740) Tamaz Shilakadze
 (540)

THUNDERBOLT

(591) Black, white
 (511) 9

(260) AM 2012 62333 A
 (210) AM 062333
 (220) 2011 05 04
 (731) LTD "ALFA"
 Tevdore Mgvdlis q. 53, 0154, Tbilisi, Georgia
 (740) Nugzar Ksovrel
 (540)

მწვანე ველი GREEN FIELD ЗЕЛЕНОЕ ПОЛЕ

(591) Black, white
 (511) 29, 31

(260) AM 2012 62345 A
 (210) AM 062345
 (220) 2011 05 06
 (731) SS "LISI LEIQ DEVELOPMENT"
 Vakis raioni, lisis tbis mimdebared (nakveti
 N1/5), 0177, Tbilisi, Georgia
 (540)



(591) Turquoise
 (531) 05.05.20-26.03.04-27.05.10-29.01.03-
 (526) **Disclaimer** – The word "LISI" in the trademark
 shall not be subject to independent protection.
 (511) 36, 41

(260) AM 2012 62346 A
 (210) AM 062346
 (220) 2011 05 06
 (731) SS "LISI LEIQ DEVELOPMENT"
 Vakis raioni, lisis tbis mimdebared (nakveti
 N1/5), 0177, Tbilisi, Georgia

(540)



(591) Turquoise
 (531) 03.07.24-26.03.04-27.05.10-29.01.03-
 (526) **Disclaimer** – The word "LISI" in the trademark shall not be subject to independent protection.
 (511) 36, 41

(260) AM 2012 62348 A
 (210) AM 062348
 (220) 2011 05 06
 (731) SS "LISI LEIQ DEVELOPMENT"
 Vakis raioni, lisis tbis mimdebared (nakveti N1/5), 0177, Tbilisi, Georgia

(540)



(591) Turquoise
 (531) 18.03.23-26.03.04-27.05.10-29.01.03-
 (526) **Disclaimer** – The word "LISI" in the trademark shall not be subject to independent protection.
 (511) 36, 41

(260) AM 2012 62349 A
 (210) AM 062349
 (220) 2011 05 06
 (731) SS "LISI LEIQ DEVELOPMENT"
 Vakis raioni, lisis tbis mimdebared (nakveti N1/5), 0177, Tbilisi, Georgia

(540)



(591) Turquoise
 (531) 18.03.23-26.03.04-27.05.10-29.01.03-
 (526) **Disclaimer** – The word "LISI" in the trademark shall not be subject to independent protection.
 (511) 36, 41

(260) AM 2012 62368 A
 (210) AM 062368
 (220) 2011 05 06
 (731) LTD "IONFASH JORJIA"
 Guramishvilis q.64, 0141, Tbilisi, Georgia
 (740) Tamila Gornakashvili
 (540)



(591) Blue, red, white
 (531) 26.04.09-26.04.22-29.01.13-
 (511) 19, 35

(260) AM 2012 62381 A
 (210) AM 062381
 (220) 2011 05 06
 (731) NISSAN JIDOSHA KABUSHIKI KAISHA
 (also trading as NISSAN MOTTOR Co., LTD)
 N2 Takaracho, Kanagawa-ku, Yokohama-shi, Kanagawa-ken, Japan
 (740) Shalva Gvaramadze
 (540)

DATSUN

(591) Black, white
 (511) 37

(260) AM 2012 62382 A
 (210) AM 062382
 (220) 2011 05 10
 (731) COMPAGNIE FINANSIERE ET DE PARTICIPATIONS ROULLIER
 27 Avenue Franklin Roosevelt, 35400 Saint Malo, France
 (740) Pavle Meipariani
 (540)

EUROTIM

(591) Black, white
 (511) 1

(260) AM 2012 62383 A
 (210) AM 062383
 (220) 2011 05 10
 (731) LASHOU HK LIMITED
 Suite A, 7th Floor, Hon Kong Diamond Exchange Building, 8-10 Duddell Street, Central, The Hong Kong Special Administrative Region of the people's republic of China
 (740) George Meipariani

(540)

LASHOU(591) Black, white
(511) 9, 35

(260) AM 2012 62384 A

(210) AM 062384

(220) 2011 05 10

(731) LASHOU HK LIMITED

Suite A, 7th Floor, Hon Kong Diamond
Exchange Building, 8-10 Duddell Street,
Central, The Hong Kong Special
Administrative Region of the people's republic
of China

(740) George Meipariani

(540)

LASHO(591) Black, white
(511) 9, 35

(260) AM 2012 62385 A

(210) AM 062385

(220) 2011 05 10

(731) LASHOU HK LIMITED

Suite A, 7th Floor, Hon Kong Diamond
Exchange Building, 8-10 Duddell Street,
Central, The Hong Kong Special
Administrative Region of the people's
republic of China

(740) George Meipariani

(540)

LASO(591) Black, white
(511) 9, 35

(260) AM 2012 62387 A

(210) AM 062387

(220) 2011 05 10

(731) AVANTHA HOLDINGS LIMITED

First India Plase, Tower-C, Mehrauli-Gurgaon
Road, Gurgaon, Haryana-122002, India

(740) George Taktakishvili

(540)



(591) Red, blue, grey

(531) 26.01.01-27.05.10-29.01.13-

(511) 35

(260) AM 2012 62390 A

(210) AM 062390

(220) 2011 05 10

(731) NISSAN JIDOSHA KABUSHIKI KAISHA

(also trading as Nissan Motor Co., Ltd.)

N2 Takaracho, Kanagawa-ku, Yokohama-shi,
Kanagawa-ken, Japan

(740) Shalva Gvaramadze

(540)



(591) Black, white

(531) 26.05.22-27.05.24-

(511) 12, 37

(260) AM 2012 62391 A

(210) AM 062391

(220) 2011 05 10

(731) Закрытое акционерное общество

"ТехноНИКОЛЬ"

Крымский вал. 8, 119049, Москва,
Russian Federation

(740) Shalva Gvaramadze

(540)

Стеклоизол**Stekloizol****სტეკლოიზოლი**

(591) Black, white

(511) 17, 19

(260) AM 2012 62392 A

(210) AM 062392

(220) 2011 05 10

(731) Закрытое акционерное общество

"ТехноНИКОЛЬ"

Крымский вал. 8, 119049, Москва,
Russian Federation

(740) Shalva Gvaramadze

(540)

Унифлекс**Uniflex****უნიფლექსი**

(591) Black, white

(511) 17, 19

(260) AM 2012 62393 A

(210) AM 062393

(220) 2011 05 10

(731) Закрытое акционерное общество
"ТехноНИКОЛЬ"
Крымский вал. 8, 119049, Москва,
Russian Federation

(740) Shalva Gvaramadze
(540)

Экофлекс
Ecoflex
ეკოფლექსი

(591) Black, white
(511) 17, 19

(260) AM 2012 62394 A
(210) AM 062394
(220) 2011 05 11
(731) LTD SIMETRA
Atenis q. 20, bina 28, 0179, Tbilisi, Georgia
(540)

Orei

(591) Black, white
(511) 16

(260) AM 2012 62429 A
(210) AM 062429
(220) 2011 05 16
(731) LTD "IMANI"
David Agmasheneblis gamz. 63a, bina 2,
0102, Tbilisi, Georgia
(540)

eMoney

(591) Blue, white
(531) 27.05.02-29.01.12-
(511) 36

(260) AM 2012 62462 A
(210) AM 062462
(220) 2011 05 18
(731) ALEQSANDRE GOGITIDZE
Takaishvilis q.44/50, bina 27, 6000, Batumi,
Georgia
(540)



(591) Blue, red, white
(531) 20.01.05-26.01.18-29.01.13-
(511) 30, 35

(260) AM 2012 62551 A
(210) AM 062551
(220) 2011 05 23
(731) NINE WEST DEVELOPMENT
CORPORATION
1007 Orange Street, Suite 225, Wilmington,
Delaware 19801, USA
(740) Tamaz Shilakadze
(540)

NINE WEST VINTAGE
AMERICA
COLLECTION

(591) Black, white
(511) 14, 18, 25

(260) AM 2012 62583 A
(210) AM 062583
(220) 2011 05 25
(731) LTD. "JI-I-TI"
Saqnavtis dasakhleba, 0151, Tbilisi, Georgia
(540)

BARLY

(591) Black, white
(531) 27.05.17-
(511) 30

(260) AM 2012 62605 A
(210) AM 062605
(220) 2011 05 27
(731) GENERAL MOTORS LLC
300 Renaissance Center, City of Detroit,
State of Michigan 48265-3000, USA
(740) George Taktakishvili
(540)

CADILLAC CUE

(591) Black, white
(511) 9

(260) AM 2012 62629 A
(210) AM 062629
(220) 2011 05 31
(731) Ss "Nobel ilac Sanayii Ve Ticaret anonim
sirketi"-is tsarm. saqartveloshi
Tavisuflebis moedani N4, 0105, Tbilisi,
Georgia
(740) Michael Kristesashvili

(540)

Amocal
ამოკალი

(591) Black, white
(511) 5

(260) AM 2012 62630 A

(210) AM 062630

(220) 2011 05 31

(731) Ss "Nobel ilac Sanayii Ve Ticaret anonim
sirketi"-is tsarm. saqartveloshi
Tavisuflebis moedani N4, 0105, Tbilisi,
Georgia

(740) Michael Kristesashvili

(540)

Sispres
სისპრესი

(591) Black, white
(511) 5

(260) AM 2012 62631 A

(210) AM 062631

(220) 2011 05 31

(731) MEDEA MAMULASHVILI
Tarkhnishvilis q.9, 0179, Tbilisi, Georgia

(540)

Medea

Медея

მედეა



(591) Red, yellow, brown, white, black, grey

(531) 02.03.05-05.05.23-27.05.05-28.05.00-
28.19.00-29.01.15-

(511) 3, 5, 35

(260) AM 2012 62632 A

(210) AM 062632

(220) 2011 05 31

(731) CHONGQING YUAN INNOVATION
TECHNOLOGY CO., LTD
Fenghuang, Shapingba District, Chongqing,
China

(740) Pavle Meipariani

(540)



(591) Black, white

(531) 26.01.12-

(511) 12

(260) AM 2012 62633 A

(210) AM 062633

(220) 2011 05 31

(731) ABDI İBRAHİM İLAÇ SANAYİ VE
TİCARET ANONİM ŞİRKETİ
Reşitpaşa Mahallesi Eski Büyükdere Caddesi
N4, 34467 Maslak-Sarıyer-İstanbul, Turkey

(740) Tamaz Shilakadze

(540)

MAXALJIN

(591) Black, white

(511) 5

(260) AM 2012 62634 A

(210) AM 062634

(220) 2011 05 31

(731) ABDI İBRAHİM İLAÇ SANAYİ VE
TİCARET ANONİM ŞİRKETİ
Reşitpaşa Mahallesi Eski Büyükdere Caddesi
N4, 34467 Maslak-Sarıyer-İstanbul, Turkey

(740) Tamaz Shilakadze

(540)

მაქსალჯინი

(591) Black, white

(511) 5

(260) AM 2012 62635 A

(210) AM 062635

(220) 2011 05 31

(731) TEMUR KILADZE

Lomtadizis q. 24, 3500, Ozurgeti, Georgia

(540)

კოლხეთის ველი
Walley of Kolkhis
Valle di Colchida
Долина Колхиды

(591) Black, white

(526) **Disclaimer** – Word combination "Kolkhetis",
"Kolkhis", "Colchida" "Колхиды" in the

trademark shall not be subject to independent protection.
(511) 33

(260) AM 2012 62697 A
(210) AM 062697
(220) 2011 06 03
(731) LTD "MEGAFUDI"
Vake-saburtalos raioni, Gelovanis gamz. 2,
0159, Tbilisi, Georgia
(540)



(591) Red, black, white, grey, cream
(531) 02.05.22-02.09.08-28.19.00-29.01.14-
(511) 28

(260) AM 2012 62718 A
(210) AM 062718
(220) 2011 06 06
(731) ALEQSANDR VIACHESLAVOVICH
SLOBODIAN
ul. Radunskaia, d. 26, kv. 55, 02097 Kiev,
Ukraine
(740) Pavle Meipariani
(540)

Zibert

(591) Black, white
(531) 27.05.03-27.05.17-
(511) 32

(260) AM 2012 62719 A
(210) AM 062719
(220) 2011 06 06
(731) SHEZGUDULI PASUKHISMGEBLOBIS
SAZOGADOEBA IBERIELI
Nutsubidzis ferdobi, me-3 m/r, me-2 kvartali,
me-3 korpusi, 0183, Tbilisi, Georgia
(540)



(591) Black, white
(531) 19.09.02-19.11.09-26.13.25-
(511) 33

(260) AM 2012 62720 A
(210) AM 062720
(220) 2011 06 06
(731) SHEZGUDULI PASUKHISMGEBLOBIS
SAZOGADOEBA IBERIELI
Nutsubidzis ferdobi, me-3 m/r, me-2 kvartali,
me-3 korpusi, 0183, Tbilisi, Georgia
(540)



(591) Black, white
(531) 26.13.25-
(511) 33

(260) AM 2012 62722 A
(210) AM 062722
(220) 2011 06 06
(731) LTD. ASFARMA - SAQARTVELO
FARMATSEVTULI KOMPANIA
Metexis q. 22, 0103, Tbilisi, Georgia
(540)

SULAMAX

სულამაქსი

СУЛАМАКС

(591) Black, white
(531) 27.05.05-28.05.00-28.19.00-
(511) 5

(260) AM 2012 62723 A
(210) AM 062723
(220) 2011 06 06
(731) LTD. ASFARMA - SAQARTVELO
FARMATSEVTULI KOMPANIA
Metexis q. 22, 0103, Tbilisi, Georgia
(540)

AZINFEXIN

აზინფექსინი

АЗИНФЕКСИН

(591) Black, white
(531) 27.05.05-28.05.00-28.19.00-
(511) 5

(260) AM 2012 62724 A
 (210) AM 062724
 (220) 2011 06 06
 (731) LTD. ASFARMA - SAQARTVELO
 FARMATSEVTULI KOMPANIA
 Metexis q. 22, 0103, Tbilisi, Georgia
 (540)

RELAXO-MIX
რელაქსო-მიქსი
РЕЛАКСО-МИКС

(591) Black, white
 (531) 27.05.05-28.05.00-28.19.00-
 (511) 5

(260) AM 2012 62725 A
 (210) AM 062725
 (220) 2011 06 06
 (731) LTD. ASFARMA - SAQARTVELO
 FARMATSEVTULI KOMPANIA
 Metexis q. 22, 0103, Tbilisi, Georgia
 (540)

HYALURAS
ჰიალურასი
ГИАЛУРАС

(591) Black, white
 (531) 27.05.05-28.05.00-28.19.00-
 (511) 5

(260) AM 2012 62726 A
 (210) AM 062726
 (220) 2011 06 06
 (731) LTD. ASFARMA - SAQARTVELO
 FARMATSEVTULI KOMPANIA
 Metexis q. 22, 0103, Tbilisi, Georgia
 (540)

GYNO-PROBILAC
გინო-პრობილაკი
ГИНО-ПРОБИЛАК

(591) Black, white
 (531) 27.05.05-28.05.00-28.19.00-
 (511) 5

(260) AM 2012 62727 A
 (210) AM 062727
 (220) 2011 06 06
 (731) LTD. ASFARMA - SAQARTVELO
 FARMATSEVTULI KOMPANIA
 Metexis q. 22, 0103, Tbilisi, Georgia

(540)

RHEUMECAM
რეუმეკამი
РЕВМЕКАМ

(591) Black, white
 (531) 27.05.05-28.05.00-28.19.00-
 (511) 5

(260) AM 2012 62809 A
 (210) AM 062809
 (220) 2011 06 10
 (731) LTD "BRITANUL-QARTULI
 SATSARMO EVROMEDIKALI"
 Saq. samkhedro gzisa da Akhmetelis quchis
 gadakveta, 0159, Tbilisi, Georgia
 (740) Michael Lomtadze
 (540)

დუტაპროსი
Dutapros
Дутапрос

(591) Black, white
 (511) 5

(260) AM 2012 62815 A
 (210) AM 062815
 (220) 2011 06 10
 (731) LTD "BRITANUL-QARTULI
 SATSARMO EVROMEDIKALI"
 Saq. samkhedro gzisa da Akhmetelis quchis
 gadakveta, 0159, Tbilisi, Georgia
 (740) Michael Lomtadze
 (540)

ფლუკაზოლი
Flucazol
Флуказол

(591) Black, white
 (511) 5

(260) AM 2012 62836 A
 (210) AM 062836
 (220) 2011 06 14
 (731) PLAYBOY ENTERPRISES
 INTERNATIONAL, INC.
 680 North Lake Shore Drive Chicago,
 Illinois 60611, USA
 (740) Tamar Kochlamazashvili
 (540)

PLAYBOY

(591) Black, white
(511) 32

(260) AM 2012 62837 A
(210) AM 062837
(220) 2011 06 14
(731) PLAYBOY ENTERPRISES
INTERNATIONAL, INC.
680 North Lake Shore Drive Chicago,
Illinois 60611, USA
(740) Tamar Kochlamazashvili
(540)



(591) Black, white
(531) 03.05.01-
(511) 32

(260) AM 2012 62879 A
(210) AM 062879
(220) 2011 06 16
(731) DR. TAMÁS SZABÓ
H-2094 Nagykovácsi, Szt. Flórián u. 28,
Hungary;
DR. MARIANNA RITTER
H-1133 Budapest, Pannónia u. 66, Hungary
(740) Shalva Gvaramadze
(540)

IKARUSBUS

(591) Black, white
(511) 12

(260) AM 2012 62880 A
(210) AM 062880
(220) 2011 06 16
(731) THE GILLETTE COMPANY
One Gillete Park, Boston, Massachusetts
02127, USA
(740) Shalva Gvaramadze
(540)

PROGLIDE

(591) Black, white
(511) 8

(260) AM 2012 62901 A
(210) AM 062901
(220) 2011 06 20
(731) WILLIAMS-SONOMA, INC.
3250 Van Ness Avenue, San-Francisco,
California 94109, USA
(740) Pavle Meipariani

(540)
WILLIAMS-SONOMA
(591) Black, white
(511) 21, 35

(260) AM 2012 62902 A
(210) AM 062902
(220) 2011 06 20
(731) WILLIAMS-SONOMA, INC.
3250 Van Ness Avenue, San-Francisco,
California 94109, USA
(740) Pavle Meipariani
(540)

POTTERY BARN

(591) Black, white
(511) 20, 35

(260) AM 2012 62903 A
(210) AM 062903
(220) 2011 06 20
(731) WILLIAMS-SONOMA, INC.
3250 Van Ness Avenue, San-Francisco,
California 94109, USA
(740) Pavle Meipariani
(540)

POTTERY BARN KIDS

(591) Black, white
(511) 20, 35

(260) AM 2012 62904 A
(210) AM 062904
(220) 2011 06 20
(731) WILLIAMS-SONOMA, INC.
3250 Van Ness Avenue, San-Francisco,
California 94109, USA
(740) Pavle Meipariani
(540)

WEST ELM

(591) Black, white
(511) 20, 35

(260) AM 2012 62905 A
(210) AM 062905
(220) 2011 06 20
(731) WILLIAMS-SONOMA, INC.
3250 Van Ness Avenue, San-Francisco,
California 94109, USA
(740) Pavle Meipariani
(540)

PB TEEN

(591) Black, white
(511) 20, 35

(260) AM 2012 62906 A
(210) AM 062906
(220) 2011 06 20
(731) LTD "JI AR SI"
Bakhtrionis q. 16, 0194, Tbilisi, Georgia
(540)

FinProfile ფინპროფაილი

(591) Black, white
(511) 6

(260) AM 2012 62974 A
(210) AM 062974
(220) 2011 06 28
(731) SHAQRO BAKURADZE
Gabashvilis q. n3, b. 43, Tbilisi, Georgia;
SHEKSPIR YUSUPOV
Nutsubidze Plateau, III m/d, II quartal,
build. 8, ap. 22, 0183, Tbilisi, 0183,
Tbilisi, Georgia
(740) Tamaz Shilakadze
(540)



(591) Brown, white, yellow
(531) 05.07.02-25.01.05-28.19.00-29.01.12-
(511) 30

(260) AM 2012 63021 A
(210) AM 063021
(220) 2011 07 04
(731) LTD AGROGANVITAREBA
Isnis raioni, samgoris chikhi 4, 0120, Tbilisi,
Georgia
(540)



(591) Light and dark green
(531) 05.01.06-28.19.00-29.01.12-
(511) 35, 44

(260) AM 2012 63024 A
(210) AM 063024
(220) 2011 07 04
(731) 3M COMPANY,
a corporation of the State of Delaware,
3M Center, 2501 Hudson Road, St. Paul,
Minnesota 55144, USA
(740) Tamar Kochlamazashvili
(540)

COMMAND

(591) Black, white
(511) 16

(260) AM 2012 63035 A
(210) AM 063035
(220) 2011 07 04
(731) ITUNKAYA INSAAT NAKLIYAT GIDA
TIKARET ANONIM SIRKETI
Gezimuhtarpara Bulvari Kalyon Ismerkezi
K:4 N14 Gaziantep, Turkey
(740) David Zurabishvili
(540)



(591) Black, white, grey, bordeaux, golden, green
(531) 25.01.01-26.01.18-26.04.03-26.04.18-
27.05.21-27.05.24-29.01.14-
(511) 29, 30, 32

(260) AM 2012 63044 A
(210) AM 063044
(220) 2011 07 04
(731) "G-M-P" LTD
Zemo Vedzisi Str. 103, 0160, Tbilisi, Georgia
(740) Nugzar Ksovreli
(540)

ამრადიპინი AMRADIPIN AMRADIPIN

(591) Black, white
(511) 5

(260) AM 2012 63183 A
 (210) AM 063183
 (220) 2011 07 12
 (731) LTD "LEVANTO"
 Tseretlis q. 165, 4600, Qutaisi, Georgia
 (540)



(591) Black, white
 (531) 03.02.07-27.05.11-27.05.24-28.19.00-
 (511) 25

(260) AM 2012 63197 A
 (210) AM 063197
 (220) 2011 07 12
 (731) FOREVER 21, INC.
 a Delaware corporation
 2001 South Alameda Street, Los Angeles,
 California 90058, USA
 (740) Shalva Gvaramadze
 (540)

FOREVER 21

(591) Black, white
 (511) 25, 35

(260) AM 2012 63207 A
 (210) AM 063207
 (220) 2011 07 13
 (731) S.S. MEZGVAURTA SAMEDITSINO
 TSENTRI-2010
 G. Tabidzis q. 2a, 6020, Batumi, Georgia
 (740) Khatuna Imnadze
 (540)



(591) Blue, cyan, light cyan, yellow, black, white,
 beige, green, light green
 (531) 03.11.02-18.04.02-26.01.21-29.01.15-
 (511) 44

(260) AM 2012 63220 A
 (210) AM 063220
 (220) 2011 07 14
 (731) SH.P. "INTERTEQNIKSI"

Nakveti 034/ 349- 034,350, sofeli digomi,
 0134, Tbilisi, Georgia
 (740) Ilia Mikelaishvili
 (540)



(591) Black, white, orange
 (531) 03.07.08-03.07.25-29.01.14-
 (511) 35

(260) AM 2012 63221 A
 (210) AM 063221
 (220) 2011 07 14
 (731) LTD "BARAMBO"
 Tashkentis q. N23, 0160, Tbilisi, Georgia
 (540)

ბარამბინო
Барамбино
Barambino

(591) Black, white
 (511) 30

(260) AM 2012 63222 A
 (210) AM 063222
 (220) 2011 07 14
 (731) LTD "BARAMBO"
 Tashkentis q. N23, 0160, Tbilisi, Georgia
 (540)



(591) White, black, yellow, red, blue, brown, cream
 (531) 02.05.02-29.01.15-
 (511) 30

(260) AM 2012 63357 A
 (210) AM 063357
 (220) 2011 07 22
 (731) OBSHESTVO S OGRANICHENOI
 OTVETSTVENOSTIU "IUNAITED

BEIKERS" (ООО „Unaited beikers")
Ul. Vitruka 4, 394033 g. Voronezhi, Russian
Federation

(740) Tamar Kochlamazashvili
(540)

Любятово

(591) Black, white
(511) 30

(260) AM 2012 63479 A
(210) AM 063479
(220) 2011 07 29
(731) QATAR OLYMPIC COMMITTEE
P.O. Box: 7494, Doha, Qatar
(740) George Taktakishvili
(540)

Sport For Life

(591) Black, white
(531) 27.05.01-
(511) 16, 18, 25, 35

(260) AM 2012 63480 A
(210) AM 063480
(220) 2011 07 29
(731) TONG MO CHING
6/F.,-Yan Hing Centre, 9-13 Wong Chuk
Yeung Street, Fo Tan, New Territories,
The Hong Kong Special Administrative
Region of the people's republic of China
(740) George Taktakishvili
(540)



KELVINGIORMANI

(591) Black, white
(531) 26.04.18-
(511) 20

(260) AM 2012 63591 A
(210) AM 063591
(220) 2011 08 09
(731) LTD "AVERSI-FARMA"
Davit Agmasheneblis gamz., 148/2, 0112,
Tbilisi, Georgia
(540)

დოქტორ ფიშერო
Доктор Фишер
Dr. Fischer

(591) Black, white
(511) 3

(260) AM 2012 63616 A
(210) AM 063616
(220) 2011 08 10
(731) LTD "BTM TEXTILE"
Meliqishvilis q. 25, bina 3, 6000, Batumi,
Georgia
(740) David Chavleishvili
(540)



(591) Blue, black, light blue, yellow
(531) 03.13.04-27.05.21-29.01.14-
(511) 21, 29, 30, 31, 32, 33, 35

(260) AM 2012 63617 A
(210) AM 063617
(220) 2011 08 10
(731) LTD "BTM TEXTILE"
Meliqishvilis q. 25, bina 3, 6000, Batumi,
Georgia
(740) David Chavleishvili
(540)



(591) Red, black
(531) 03.13.01-29.01.12-
(511) 25, 35

(260) AM 2012 63618 A
(210) AM 063618
(220) 2011 08 10
(731) TOYOTA JIDOSHA KABUSHIKI KAISHA
(also trading as TOYOTA MOTOR
CORPORATION)
1, Toyota-Cho, Toyota-Shi, Aichi-Ken, Japan

(740) Tamar Kochlamazashvili
(540)

GT86

(591) Black, white
(511) 12

(260) AM 2012 63619 A
(210) AM 063619
(220) 2011 08 10
(731) 3M COMPANY,
a corporation of the State of Delaware
3M Center, 2501 Hudson Road, St. Paul,
Minnesota 55144, USA
(740) Tamar Kochlamazashvili
(540)



(591) Black, white
(531) 15.01.21-27.05.23-
(511) 7

(260) AM 2012 63620 A
(210) AM 063620
(220) 2011 08 10
(731) BANANA REPUBLIC (ITM) INC.
2 Folsom Street, San Francisco,
California 94105, USA
(740) Tamar Kochlamazashvili
(540)

BANANA REPUBLIC

(591) Black, white
(511) 26

(260) AM 2012 63621 A
(210) AM 063621
(220) 2011 08 10
(731) BANANA REPUBLIC (ITM) INC.
2 Folsom Street, San Francisco,
California 94105, USA
(740) Tamar Kochlamazashvili
(540)

BANANA REPUBLIC

(591) Black, white
(511) 14

(260) AM 2012 63622 A
(210) AM 063622
(220) 2011 08 10

(731) BANANA REPUBLIC (ITM) INC.
2 Folsom Street, San Francisco,
California 94105, USA

(740) Tamar Kochlamazashvili
(540)

BANANA REPUBLIC

(591) Black, white
(511) 9

(260) AM 2012 63623 A
(210) AM 063623
(220) 2011 08 10
(731) BANANA REPUBLIC (ITM) INC.
2 Folsom Street, San Francisco,
California 94105, USA

(740) Tamar Kochlamazashvili
(540)

BANANA REPUBLIC

(591) Black, white
(511) 16

(260) AM 2012 63624 A
(210) AM 063624
(220) 2011 08 10
(731) BANANA REPUBLIC (ITM) INC.
2 Folsom Street, San Francisco,
California 94105, USA
(740) Tamar Kochlamazashvili
(540)

BANANA REPUBLIC

(591) Black, white
(511) 24

(260) AM 2012 63625 A
(210) AM 063625
(220) 2011 08 10
(731) BANANA REPUBLIC (ITM) INC.
2 Folsom Street, San Francisco,
California 94105, USA
(740) Tamar Kochlamazashvili
(540)

BANANA REPUBLIC

(591) Black, white
(511) 3

(260) AM 2012 63626 A
(210) AM 063626
(220) 2011 08 10
(731) BANANA REPUBLIC (ITM) INC.
2 Folsom Street, San Francisco,
California 94105, USA

(740) Tamar Kochlamazashvili
(540)

BANANA REPUBLIC

(591) Black, white
(511) 25

(260) AM 2012 63627 A
(210) AM 063627
(220) 2011 08 10
(731) BANANA REPUBLIC (ITM) INC.
2 Folsom Street, San Francisco,
California 94105, USA

(740) Tamar Kochlamazashvili
(540)

BANANA REPUBLIC

(591) Black, white
(511) 35

(260) AM 2012 63628 A
(210) AM 063628
(220) 2011 08 10
(731) BANANA REPUBLIC (ITM) INC.
2 Folsom Street, San Francisco,
California 94105, USA

(740) Tamar Kochlamazashvili
(540)

BANANA REPUBLIC

(591) Black, white
(511) 4

(260) AM 2012 63629 A
(210) AM 063629
(220) 2011 08 10
(731) BANANA REPUBLIC (ITM) INC.
2 Folsom Street, San Francisco,
California 94105, USA

(740) Tamar Kochlamazashvili
(540)



BANANA REPUBLIC

(591) Black, white
(531) 27.05.05-27.05.22-
(511) 25

(260) AM 2012 63630 A
(210) AM 063630
(220) 2011 08 10
(731) BANANA REPUBLIC (ITM) INC.

2 Folsom Street, San Francisco,
California 94105, USA

(740) Tamar Kochlamazashvili
(540)



BANANA REPUBLIC

(591) Black, white
(531) 27.05.05-27.05.22-
(511) 14

(260) AM 2012 63631 A
(210) AM 063631
(220) 2011 08 10
(731) BANANA REPUBLIC (ITM) INC.
2 Folsom Street, San Francisco,
California 94105, USA

(740) Tamar Kochlamazashvili
(540)



(591) Black, white
(531) 27.05.22-
(511) 9

(260) AM 2012 63632 A
(210) AM 063632
(220) 2011 08 10
(731) BANANA REPUBLIC (ITM) INC.
2 Folsom Street, San Francisco,
California 94105, USA

(740) Tamar Kochlamazashvili
(540)



(591) Black, white
(531) 27.05.22-
(511) 35

(260) AM 2012 63633 A
(210) AM 063633
(220) 2011 08 10
(731) BANANA REPUBLIC (ITM) INC.
2 Folsom Street, San Francisco,
California 94105, USA
(740) Tamar Kochlamazashvili

(540)



(591) Black, white
(531) 27.05.22-
(511) 25

(260) AM 2012 63634 A
(210) AM 063634
(220) 2011 08 10
(731) BANANA REPUBLIC (ITM) INC.
2 Folsom Street, San Francisco,
California 94105, USA
(740) Tamar Kochlamazashvili
(540)



(591) Black, white
(531) 27.05.22-
(511) 18

(260) AM 2012 63635 A
(210) AM 063635
(220) 2011 08 10
(731) BANANA REPUBLIC (ITM) INC.
2 Folsom Street, San Francisco,
California 94105, USA
(740) Tamar Kochlamazashvili
(540)



(591) Black, white
(531) 27.05.22-
(511) 14

(260) AM 2012 63636 A
(210) AM 063636
(220) 2011 08 10
(731) BANANA REPUBLIC (ITM) INC.
2 Folsom Street, San Francisco,
California 94105, USA
(740) Tamar Kochlamazashvili
(540)



(591) Black, white

(531) 27.05.22-
(511) 3

(260) AM 2012 63637 A
(210) AM 063637
(220) 2011 08 10
(731) Gap (ITM) Inc.
2 Folsom Street, San Francisco, CA 94105,
USA
(740) Tamar Kochlamazashvili
(540)

GAP

(591) Black, white
(511) 3

(260) AM 2012 63638 A
(210) AM 063638
(220) 2011 08 10
(731) Gap (ITM) Inc.
2 Folsom Street, San Francisco, CA 94105,
USA
(740) Tamar Kochlamazashvili
(540)

GAP

(591) Black, white
(511) 4

(260) AM 2012 63639 A
(210) AM 063639
(220) 2011 08 10
(731) Gap (ITM) Inc.
2 Folsom Street, San Francisco, CA 94105,
USA
(740) Tamar Kochlamazashvili
(540)

GAP

(591) Black, white
(511) 9

(260) AM 2012 63640 A
(210) AM 063640
(220) 2011 08 10
(731) Gap (ITM) Inc.
2 Folsom Street, San Francisco, CA 94105,
USA
(740) Tamar Kochlamazashvili
(540)

GAP

(591) Black, white
(511) 14

(260) AM 2012 63641 A
 (210) AM 063641
 (220) 2011 08 10
 (731) Gap (ITM) Inc.
 2 Folsom Street, San Francisco, CA 94105,
 USA
 (740) Tamar Kochlamazashvili
 (540)

GAP

(591) Black, white
 (511) 24

(260) AM 2012 63642 A
 (210) AM 063642
 (220) 2011 08 10
 (731) Gap (ITM) Inc.
 2 Folsom Street, San Francisco, CA 94105,
 USA
 (740) Tamar Kochlamazashvili
 (540)

GAP

(591) Black, white
 (511) 26

(260) AM 2012 63643 A
 (210) AM 063643
 (220) 2011 08 10
 (731) Gap (ITM) Inc.
 2 Folsom Street, San Francisco, CA 94105,
 USA
 (740) Tamar Kochlamazashvili
 (540)

GAP

(591) Black, white
 (511) 28

(260) AM 2012 63644 A
 (210) AM 063644
 (220) 2011 08 10
 (731) Gap (ITM) Inc.
 2 Folsom Street, San Francisco, CA 94105,
 USA
 (740) Tamar Kochlamazashvili
 (540)

GAP

(591) Black, white
 (511) 35

(260) AM 2012 63645 A
 (210) AM 063645
 (220) 2011 08 10

(731) Gap (ITM) Inc.
 2 Folsom Street, San Francisco, CA 94105,
 USA
 (740) Tamar Kochlamazashvili
 (540)

GAP

(591) Black, white
 (511) 16

(260) AM 2012 63646 A
 (210) AM 063646
 (220) 2011 08 10
 (731) Gap (ITM) Inc.
 2 Folsom Street, San Francisco, CA 94105,
 USA
 (740) Tamar Kochlamazashvili
 (540)

1969

(591) Black, white
 (511) 35

(260) AM 2012 63647 A
 (210) AM 063647
 (220) 2011 08 10
 (731) Gap (ITM) Inc.
 2 Folsom Street, San Francisco, CA 94105,
 USA
 (740) Tamar Kochlamazashvili
 (540)

1969

(591) Black, white
 (511) 25

(260) AM 2012 63648 A
 (210) AM 063648
 (220) 2011 08 10
 (731) Gap (ITM) Inc.
 2 Folsom Street, San Francisco, CA 94105,
 USA
 (740) Tamar Kochlamazashvili
 (540)

BABY GAP

(591) Black, white
 (511) 18, 24, 25, 28, 35

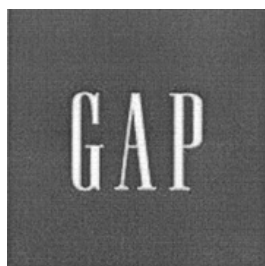
(260) AM 2012 63649 A
 (210) AM 063649
 (220) 2011 08 10
 (731) Gap (ITM) Inc.
 2 Folsom Street, San Francisco, CA 94105,
 USA

(740) Tamar Kochlamazashvili
(540)

GAP KIDS

(591) Black, white
(511) 18, 25, 35

(260) AM 2012 63650 A
(210) AM 063650
(220) 2011 08 10
(731) Gap (ITM) Inc.
2 Folsom Street, San Francisco, CA 94105,
USA
(740) Tamar Kochlamazashvili
(540)



(591) Black, white
(531) 27.05.23-27.05.24-
(511) 18, 25, 35

(260) AM 2012 63651 A
(210) AM 063651
(220) 2011 08 10
(731) Gap (ITM) Inc.
2 Folsom Street, San Francisco, CA 94105,
USA
(740) Tamar Kochlamazashvili
(540)



(591) Black, white
(531) 03.01.14-
(511) 25

(260) AM 2012 63652 A
(210) AM 063652
(220) 2011 08 10
(731) PEPSICO, INC.
a North Carolina Corporation
700 Anderson Hill Road, Purchase,
New York 10577, USA
(740) Shalva Gvaramadze

(540)

LAY'S MAX

(591) Black, white
(511) 29, 30

(260) AM 2012 63653 A
(210) AM 063653
(220) 2011 08 10
(731) PEPSICO, INC.
a North Carolina Corporation
700 Anderson Hill Road, Purchase,
New York 10577, USA
(740) Shalva Gvaramadze
(540)

ХрусTeam

(591) Black, white
(511) 29

(260) AM 2012 63654 A
(210) AM 063654
(220) 2011 08 10
(731) PEPSICO, INC.
a North Carolina Corporation
700 Anderson Hill Road, Purchase,
New York 10577, USA
(740) Shalva Gvaramadze
(540)

ХРУСТАЙМ

(591) Black, white
(511) 29

(260) AM 2012 63673 A
(210) AM 063673
(220) 2011 08 11
(731) RDZIS MTSARMOEBEL FERMERTA
ASOTSIATSIA
Davit agmasheneblis q.38, 4216, Tsnori,
Georgia
(540)



(591) White, yellow, green, black, grey
(531) 03.04.02-25.01.01-28.19.00-29.01.15-
(511) 31

(260) AM 2012 63674 A
 (210) AM 063674
 (220) 2011 08 11
 (731) RDZIS MTSARMOEBEL FERMERTA
 ASOTSIATSIA
 Davit agmasheneblis q.38, 4216, Tsnori,
 Georgia

(540)



(591) White, yellow, green, black, grey
 (531) 03.04.02-06.19.13-27.05.05-28.19.00-
 29.01.15-
 (511) 31

(260) AM 2012 63675 A
 (210) AM 063675
 (220) 2011 08 11
 (731) RDZIS MTSARMOEBEL FERMERTA
 ASOTSIATSIA
 Davit agmasheneblis q.38, 4216, Tsnori,
 Georgia

(540)



(591) White, brown, green, black
 (531) 03.04.02-25.01.01-28.19.00-29.01.13-
 (511) 31

(260) AM 60732 A*
 (210) AM 060732
 (220) 2010 12 27
 (731) ASHTARAK KAT CJSC
 Village Agarak, Aragatsotn province,
 Armenia
 (740) Shalva Gvaramadze
 (540)

Yo-Yo

(591) Black, white
 (531) 27.05.05-
 (511) 29

REGISTERED TRADEMARKS

(111) M 2011 022033 R
(151) 2011 12 07
(181) 2021 12 07
(260) AM 2011 58745 A
(220) 2010 07 19
(732) GURAM DARSANIA
Mosashvilis q. N5, bina 42, 0162, Tbilisi,
Georgia

(111) M 2011 022058 R
(151) 2011 12 14
(181) 2021 12 14
(260) AM 2011 58992 A
(220) 2010 08 06
(732) SS "TELIANI VELI"
Tbilisis gzatketsili N3, 2200, Telavi, Georgia

(111) M 2011 022102 R
(151) 2011 12 14
(181) 2021 12 14
(260) AM 2011 60583 A
(220) 2010 12 10
(732) MARRIOTT WORLDWIDE CORPORATION
A Maryland Corporation;
10400 Fernwood Road, Bethesda, Maryland
20817, USA

(111) M 2012 022318 R
(151) 2012 02 24
(181) 2022 02 24
(260) AM 2011 59539 A
(220) 2010 09 23
(732) DAREJAN NIZHARADZE
Avchalis q. 1, bina 47, 0125, Tbilisi, Georgia

(111) M 2012 022320 R
(151) 2012 02 24
(181) 2022 02 24
(260) AM 2011 60294 A
(220) 2010 11 16
(732) DONARA MCHEDLISHVILI
Panaskerteli st. 14, ap.15, 0115, Tbilisi,
Georgia

(111) M 2012 022324 R
(151) 2012 02 24
(181) 2022 02 24

(260) AM 2011 60486 A
(220) 2010 12 03
(732) 3M COMPANY, A CORPORATION OF
THE STATE OF DELAWARE
3M Center, 2501 Hudson Road, St. Paul,
Minnesota 55144, USA

(111) M 2012 022327 R
(151) 2012 02 24
(181) 2022 02 24
(260) AM 2011 60590 A
(220) 2010 12 13
(732) SS "SAQARTVELOV BANKI"
Pushkinis q. 3, 0105, Tbilisi, Georgia

(111) M 2012 022328 R
(151) 2012 02 24
(181) 2022 02 24
(260) AM 2011 60591 A
(220) 2010 12 13
(732) SS "SAQARTVELOV BANKI"
Pushkinis q. 3, 0105, Tbilisi, Georgia

(111) M 2012 022329 R
(151) 2012 02 24
(181) 2022 02 24
(260) AM 2011 60592 A
(220) 2010 12 13
(732) SS "SAQARTVELOV BANKI"
Pushkinis q. 3, 0105, Tbilisi, Georgia

(111) M 2012 022330 R
(151) 2012 02 24
(181) 2022 02 24
(260) AM 2011 60593 A
(220) 2010 12 13
(732) SS "SAQARTVELOV BANKI"
Pushkinis q. 3, 0105, Tbilisi, Georgia

(111) M 2012 022331 R
(151) 2012 02 24
(181) 2022 02 24
(260) AM 2011 60594 A
(220) 2010 12 13
(732) SS "SAQARTVELOV BANKI"
Pushkinis q. 3, 0105, Tbilisi, Georgia

- (111) M 2012 022340 R
 (151) 2012 02 24
 (181) 2022 02 24
 (260) AM 2011 60833 A
 (220) 2011 01 11
 (732) Turkmall Real Estate Yatirim İnşaat ve Ticaret Anonim Şirketi
 Ebulula Mardin Caddesi Maya Meridyen İş Merkezi kat: 13 akatlar-Beşiktaş-İstanbul, Turkey
-
- (111) M 2012 022349 R
 (151) 2012 02 24
 (181) 2022 02 24
 (260) AM 2011 60992 A
 (220) 2011 01 27
 (732) APPLE INC.
 1 Infinite loop, Cupertino, California 95014, USA
-
- (111) M 2012 022359 R
 (151) 2012 02 24
 (181) 2022 02 24
 (260) AM 2011 61497 A
 (220) 2011 02 23
 (732) OAO "KOMPANIA IUNIMILK"
 Ul. Viatskaia, d.27, str.13-14, 127015 Moskovi, Russian Federation
-
- (111) M 2012 022366 R
 (151) 2012 02 24
 (181) 2022 02 24
 (260) AM 2011 61533 A
 (220) 2011 02 25
 (732) KABUSHIKI KAISHA TOSHIBA
 (also trading as Toshiba Corporation)
 1-1, Shibaura 1-chome, Minato-ku, Tokyo, Japan
-
- (111) M 2012 022368 R
 (151) 2012 02 24
 (181) 2022 02 24
 (260) AM 2011 61597 A
 (220) 2011 03 07
 (732) SH.P.S "TEGETA MOTORSI"
 Digmis masivi, me-6 kvart., korp. 22, 0159, Tbilisi, Georgia
-
- (111) M 2012 022369 R
 (151) 2012 02 24
 (181) 2022 02 24
 (260) AM 2011 61615 A
- (220) 2011 03 10
 (732) NETFLIX, INC., a corporation of Delaware
 100 Winchester Corcle, Los-Gatos, California 95032, USA
-
- (111) M 2012 022371 R
 (151) 2012 02 24
 (181) 2022 02 24
 (260) AM 2011 61706 A
 (220) 2011 03 17
 (732) OAO "KOMPANIA IUNIMILK"
 Ul. Viatskaia, d.27, str.13-14, 127015 Moskovi, Russian Federation
-
- (111) M 2012 022396 R
 (151) 2012 03 16
 (181) 2022 03 16
 (260) AM 2011 59309 A
 (220) 2010 09 09
 (732) SH.P.S "BADAGONI"
 Tavisuflebis moedani 4, 0105, Tbilisi, Georgia
-
- (111) M 2012 022397 R
 (151) 2012 03 16
 (181) 2022 03 16
 (260) AM 2011 59830 A
 (220) 2010 10 12
 (732) SH.P.S "EI-BI-SI FARMATSIA"
 Sanapiros 10a, 0108, Tbilisi, Georgia
-
- (111) M 2012 022398 R
 (151) 2012 03 16
 (181) 2022 03 16
 (260) AM 2011 60376 A
 (220) 2010 11 25
 (732) SH.P.S "AVERSI-FARMA"
 Davit Agmasheneblis gamz., 148/2, 0112, Tbilisi, Georgia
-
- (111) M 2012 022399 R
 (151) 2012 03 16
 (181) 2022 03 16
 (260) AM 2011 60381 A
 (220) 2010 11 26
 (732) OBSHCHESTVO S OGRANICHENOI OTVETSTVENOSTIU "DOQTOR KAFMAN FARMA"
 Per. Neftanoi, 43, 344016, g. Rostovi Donze, Russian Federation
-

(111) M 2012 022400 R
 (151) 2012 03 16
 (181) 2022 03 16
 (260) AM 2011 60382 A
 (220) 2010 11 26
 (732) OBSHCHESTVO S OGRANICHENOI
 OTVETSTVENOSTIU "DOQTOR
 KAFMAN FARMA"
 Per. Neftanoi, 43, 344016, g. Rostovi Donze,
 Russian Federation

(111) M 2012 022401 R
 (151) 2012 03 16
 (181) 2022 03 16
 (260) AM 2011 60383 A
 (220) 2010 11 26
 (732) OBSHCHESTVO S OGRANICHENOI
 OTVETSTVENOSTIU "DOQTOR
 KAFMAN FARMA"
 Per. Neftanoi, 43, 344016, g. Rostovi Donze,
 Russian Federation

(111) M 2012 022402 R
 (151) 2012 03 16
 (181) 2022 03 16
 (260) AM 2011 60442 A
 (220) 2010 12 01
 (732) SH.P.S "KORPORATSIA QARTULI
 GVINO"
 S. Chiqovanis q. N35, 0171, Tbilisi, Georgia

(111) M 2012 022403 R
 (151) 2012 03 16
 (181) 2022 03 16
 (260) AM 2011 60559 A
 (220) 2010 12 09
 (732) NIKOLOZ BENIAIDZE
 Sof. Arkhiloskalo, 1603, Dedoflistskaro,
 Georgia

(111) M 2012 022404 R
 (151) 2012 03 16
 (181) 2022 03 16
 (260) AM 2011 60596 A
 (220) 2010 12 13
 (732) SH.P.S "TINATIN MAGALASHVILI"
 Temqis dasakhleba, III m/r, II kv. korp.29,
 bina 11, 0197, Tbilisi, Georgia

(111) M 2012 022405 R
 (151) 2012 03 16
 (181) 2022 03 16

(260) AM 2011 60599 A
 (220) 2010 12 15
 (732) VIFOR (INTERNATIONAL) AG,
 Vifor (International) Ltd, Vifor
 (International) Inc. Rechenstrasse 37, 9014
 St. Gall, Switzerland

(111) M 2012 022406 R
 (151) 2012 03 16
 (181) 2022 03 16
 (260) AM 2011 60767 A
 (220) 2010 12 29
 (732) KAREN GRANTIS DZE VARDANIANI
 Baironis q.3, bina 36, Erevani , Armenia

(111) M 2012 022407 R
 (151) 2012 03 16
 (181) 2022 03 16
 (260) AM 2011 60836 A
 (220) 2011 01 13
 (732) GENERAL MOTORS LLC
 300 Renaissance Center, City of Detroit,
 State of Michigan 48265-3000, USA

(111) M 2012 022408 R
 (151) 2012 03 16
 (181) 2022 03 16
 (260) AM 2011 60950 A
 (220) 2011 01 25
 (732) EXPRESS, LLC
 1 Express Drive, Columbus, Ohio 43230,
 USA

(111) M 2012 022409 R
 (151) 2012 03 16
 (181) 2022 03 16
 (260) AM 2011 60994 A
 (220) 2011 01 27
 (732) GENZYME CORPORATION
 (a Massachusetts Corporation)
 500 Kendall Street, Cambridge, Massachu-
 setts 02142, USA

(111) M 2012 022410 R
 (151) 2012 03 16
 (181) 2022 03 16
 (260) AM 2011 60995 A
 (220) 2011 01 27
 (732) GENZYME CORPORATION
 (a Massachusetts Corporation)
 500 Kendall Street, Cambridge, Massachu-
 setts 02142, USA

-
- (111) M 2012 022411 R
(151) 2012 03 16
(181) 2022 03 16
(260) AM 2011 60996 A
(220) 2011 01 27
(732) GENZYME CORPORATION
(a Massachusetts Corporation)
500 Kendall Street, Cambridge, Massachu-
setts 02142, USA
-
- (111) M 2012 022412 R
(151) 2012 03 16
(181) 2022 03 16
(260) AM 2011 60997 A
(220) 2011 01 27
(732) GENZYME CORPORATION
(a Massachusetts Corporation)
500 Kendall Street, Cambridge, Massachu-
setts 02142, USA
-
- (111) M 2012 022413 R
(151) 2012 03 16
(181) 2022 03 16
(260) AM 2011 60998 A
(220) 2011 01 27
(732) THE GILLETTE COMPANY
One Gillette Park, Boston, Massachusetts
02127, USA
-
- (111) M 2012 022414 R
(151) 2012 03 16
(181) 2022 03 16
(260) AM 2011 61004 A
(220) 2011 01 28
(732) ROSSMAX INTERNATIONAL LTD.
12 F. N189, Kang Chien Road, Taipei 114,
Taiwan, China
-
- (111) M 2012 022415 R
(151) 2012 03 16
(181) 2022 03 16
(260) AM 2011 61062 A
(220) 2011 02 01
(732) SH.P.S SADAZGVEVO KOMPANIA
"UUNISONI"
Petriashvilis q. 1, 0179, Tbilisi, Georgia
-
- (111) M 2012 022416 R
(151) 2012 03 16
(181) 2022 03 16
(260) AM 2011 61130 A
(220) 2011 02 03
- (732) GENERAL MOTORS LLC
300 Renaissance Center, City of Detroit, State
of Michigan 48265-3000, USA
-
- (111) M 2012 022417 R
(151) 2012 03 16
(181) 2022 03 16
(260) AM 2011 61269 A
(220) 2011 02 10
(732) TEA ZARANDIA
Cherqezishvilis shes.N6/30, 0102, Tbilisi,
Georgia
-
- (111) M 2012 022418 R
(151) 2012 03 16
(181) 2022 03 16
(260) AM 2011 61311 A
(220) 2011 02 14
(732) SH.P.S "ASKANELI DZMEBI"
Kakhetis gzatketsili 110a, 0198, Tbilisi,
Georgia
-
- (111) M 2012 022419 R
(151) 2012 03 16
(181) 2022 03 16
(260) AM 2011 61379 A
(220) 2011 02 16
(732) TEQUILA CUERVO, S.A. DE C.V.
(a company organized existing under the laws
of Mexico)
Avenida Periferico Sur N8500, Tlaquepaque,
Jalisco, C.P. 45601, Mexico
-
- (111) M 2012 022420 R
(151) 2012 03 16
(181) 2022 03 16
(260) AM 2011 61381 A
(220) 2011 02 16
(732) PHILIP MORRIS BRANDS SÀRL.
Quai Jeanrenaud 3, 2000 Neuchâtel,
Switzerland
-
- (111) M 2012 022421 R
(151) 2012 03 16
(181) 2022 03 16
(260) AM 2011 61457 A
(220) 2011 02 21
(732) SH.P.S "DGT"
Tevdore Mgvdlis q. 10, bina 13, 0112,
Tbilisi, Georgia
-

TRADEMARKS

(111) M 2012 022422 R (151) 2012 03 16 (181) 2022 03 16 (260) AM 2011 61499 A (220) 2011 02 23 (732) GENERAL MOTORS LLC 300 Renaissance Center, City of Detroit, State of Michigan 48265-3000, USA	Three Lakes Drive, Northfield, Illinois 60093, USA
(111) M 2012 022423 R (151) 2012 03 16 (181) 2022 03 16 (260) AM 2011 61500 A (220) 2011 02 23 (732) GENERAL MOTORS LLC 300 Renaissance Center, City of Detroit, State of Michigan 48265-3000, USA	(111) M 2012 022428 R (151) 2012 03 16 (181) 2022 03 16 (260) AM 2011 61751 A (220) 2011 03 21 (732) Kraft Foods Global Brands LLC. Three Lakes Drive, Northfield, Illinois 60093, USA
(111) M 2012 022424 R (151) 2012 03 16 (181) 2022 03 16 (260) AM 2011 61609 A (220) 2011 03 09 (732) BOEHRINGER INGELHEIM PHARMA GMBH & CO. KG 55218 Ingelheim, (DE) , Germany	(111) M 2012 022429 R (151) 2012 03 16 (181) 2022 03 16 (260) AM 2011 61753 A (220) 2011 03 21 (732) Kraft Foods Global Brands LLC. Three Lakes Drive, Northfield, Illinois 60093, USA
(111) M 2012 022425 R (151) 2012 03 16 (181) 2022 03 16 (260) AM 2011 61614 A (220) 2011 03 10 (732) GENERAL MOTORS LLC (a limited liability organized existing under laws of the State of Delaware) 300 Renaissance Center, City of Detroit, State of Michigan 48265-3000, USA	(111) M 2012 022430 R (151) 2012 03 16 (181) 2022 03 16 (260) AM 2011 61773 A (220) 2011 03 22 (732) ROSEFIELD LUXEMBOURG, SA 412 F, Route D'esch, L-1471 Luxembourg, Luxembourg
(111) M 2012 022426 R (151) 2012 03 16 (181) 2022 03 16 (260) AM 2011 61688 A (220) 2011 03 16 (732) SH.P.S "EI-BI-SI FARMATSIA" Sanapiros q.10a , 0108, Tbilisi, Georgia	(111) M 2012 022431 R (151) 2012 03 16 (181) 2022 03 16 (260) AM 2011 61791 A (220) 2011 03 23 (732) SS "POPULI" Bogdan Khmelnitskis q. 48/5, 0145, Tbilisi, Georgia
(111) M 2012 022427 R (151) 2012 03 16 (181) 2022 03 16 (260) AM 2011 61750 A (220) 2011 03 21 (732) Kraft Foods Global Brands LLC.	(111) M 2012 022432 R (151) 2012 03 16 (181) 2022 03 16 (260) AM 2011 61792 A (220) 2011 03 23 (732) SS "POPULI" Bogdan Khmelnitskis q. 48/5, 0145, Tbilisi, Georgia
	(111) M 2012 022433 R (151) 2012 03 16 (181) 2022 03 16

(260) AM 2011 61810 A
(220) 2011 03 24
(732) TOYOTA JIDOSHA KABUSHIKI KAISHA
(also trading as TOYOTA MOTOR
CORPORATION)
1, Toyota-Cho, Toyota-Shi, Aichi-Ken, Japan

(111) M 2012 022434 R
(151) 2012 03 16
(181) 2022 03 16
(260) AM 2011 61832 A
(220) 2011 03 24
(732) COSTA LIMITED
Whitbread Court, Houghton Hall Business
Park, Porz Avenue, Dunstable, Bedfordshire
LU5 5XE, United Kingdom

(111) M 2012 022435 R
(151) 2012 03 16
(181) 2022 03 16
(260) AM 2011 61855 A
(220) 2011 03 25
(732) SH.P.S. EQSPRESDIAGNOSTIKA
Nutsubidzis me-3 m/r, kvart. 1, korp. 7,
bina 22, 0183, Tbilisi, Georgia

(111) M 2012 022436 R
(151) 2012 03 16
(181) 2022 03 16
(260) AM 2011 62013 A
(220) 2011 04 08
(732) FINLANDIA VODKA WORLDWIDE LTD
Porkalankatu 24, 00180 Helsinki, Finland

(111) M 2012 022437 R
(151) 2012 03 16
(181) 2022 03 16
(260) AM 2011 58737 A
(220) 2010 07 19
(732) HEINZ ITALIA S.P.A.
Via Migliara 45, 04100 Latina, Italy

TRADEMARKS REGISTERED ACCORDING TO THE ACCELERATED PROCEDURE

To file an appeal on request of the registration cancelling is possible at Chamber of Appeal of Sakpatenti within 3 months from the publication.

(111) M 2012 22379 R
(151) 2012 03 01
(181) 2022 03 01
(210) AM 066236
(220) 2012 02 16
(732) SS "SAQARTVELOS BANKI"
Pushkinis q. 3, 0105, Tbilisi, Georgia
(740) George Taktakishvili
(540)

Exspresscard ექსპრესქარდი

(591) Black, white
(511) 9, 35, 36

(111) M 2012 22380 R
(151) 2012 03 01
(181) 2022 03 01
(210) AM 066237
(220) 2012 02 16
(732) SS "SAQARTVELOS BANKI"
Pushkinis q. 3, 0105, Tbilisi, Georgia
(740) George Taktakishvili
(540)

ექსპრესბარათი

(591) Black, white
(511) 9, 35, 36

(111) M 2012 22381 R
(151) 2012 03 01
(181) 2022 03 01
(210) AM 066238
(220) 2012 02 16
(732) SS "SAQARTVELOS BANKI"
Pushkinis q. 3, 0105, Tbilisi, Georgia
(740) George Taktakishvili
(540)

EXPRESSBANK ექსპრესბანკი

(591) Black, white
(511) 9, 35, 36

(111) M 2012 22382 R
(151) 2012 03 01
(181) 2022 03 01

(210) AM 066239
(220) 2012 02 16
(732) SS "SAQARTVELOS BANKI"
Pushkinis q. 3, 0105, Tbilisi, Georgia
(740) George Taktakishvili
(540)

Expresspay ექსპრესფეი

(591) Black, white
(511) 9, 35, 36

(111) M 2012 22383 R
(151) 2012 03 01
(181) 2022 03 01
(210) AM 066240
(220) 2012 02 16
(732) SS "SAQARTVELOS BANKI"
Pushkinis q. 3, 0105, Tbilisi, Georgia
(740) George Taktakishvili
(540)

Expressterminal ექსპრესტერმინალი

(591) Black, white
(511) 9, 35, 36

(111) M 2012 22384 R
(151) 2012 03 01
(181) 2022 03 01
(210) AM 066241
(220) 2012 02 16
(732) SS "SAQARTVELOS BANKI"
Pushkinis q. 3, 0105, Tbilisi, Georgia
(740) George Taktakishvili
(540)

Expressbox ექსპრესბოქსი

(591) Black, white
(511) 9, 35, 36

(111) M 2012 22385 R
(151) 2012 03 01
(181) 2022 03 01
(210) AM 066244

(220) 2012 02 17
 (732) SAAQTSIO SAZOGADOEBA "LOMISI"
 Sofeli Natakhtari, 3308, Mtskhetis raioni,
 Georgia
 (540)

მთიელი

(591) Black, white
 (511) 32

(111) M 2012 22386 R
 (151) 2012 03 06
 (181) 2022 03 06
 (210) AM 065762
 (220) 2012 01 06
 (310) 2011 741169
 (320) 2011 12 15
 (330) RU
 (732) JAPAN TOBACCO INC.
 2-2-1, Toranomom, Minato-ku, Tokyo, Japan
 (740) Shalva Gvaramadze
 (540)

FREEDOM ISLAND

(591) Black, white
 (531) 27.05.05-
 (511) 41

(111) M 2012 22387 R
 (151) 2012 03 06
 (181) 2022 03 06
 (210) AM 065866
 (220) 2012 01 13
 (310) 2011 736342
 (320) 2011 11 07
 (330) RU
 (732) GALLAHER LIMITED
 Members Hill, Brooklands Road, Weybridge,
 Surrey, KT13 0QU, United Kingdom
 (740) Shalva Gvaramadze
 (540)

CONTRAST

(591) Black, white
 (511) 34

(111) M 2012 22388 R
 (151) 2012 03 06
 (181) 2022 03 06
 (210) AM 065869
 (220) 2012 01 13
 (310) 2011 736348
 (320) 2011 11 07
 (330) UA
 (732) GALLAHER LIMITED
 Members Hill, Brooklands Road, Weybridge,

Surrey, KT13 0QU, United Kingdom
 (740) Shalva Gvaramadze
 (540)

REFINE

(591) Black, white
 (511) 34

(111) M 2012 22389 R
 (151) 2012 03 09
 (181) 2022 03 09
 (210) AM 066218
 (220) 2012 02 15
 (310) 64219/2011
 (320) 2011 12 16
 (330) CH
 (732) JAPAN TOBACCO INC.
 2-2-1, Toranomom, Minato-ku, Tokyo, Japan
 (740) Shalva Gvaramadze
 (540)



(591) Grey, dark and light grey, sky, blue, light sky,
 light blue, dark sky, dark blue, white
 (531) 03.07.16-19.03.03-25.01.01-27.05.22-
 27.05.24-29.01.15-
 (511) 34

(111) M 2012 22390 R
 (151) 2012 03 12
 (181) 2022 03 12
 (210) AM 066391
 (220) 2012 02 29
 (732) SS "SAQARTVELO BANKI"
 Pushkinis q. 3, 0105, Tbilisi, Georgia
 (740) George Taktakishvili
 (540)



(591) White, orange, grey
 (531) 26.01.05-26.04.22-26.11.12-27.05.05-
 29.01.13-
 (511) 9, 35, 36

(111) M 2012 22391 R
 (151) 2012 03 12
 (181) 2022 03 12
 (210) AM 065820
 (220) 2012 01 11
 (732) SERGO SULADZE
 Temqis dasakhleba kvart.9, korp.15, bina 34,
 0168, Tbilisi, Georgia
 (540)

EILDRINE



(591) Black, white
 (531) 26.01.18-26.04.10-26.04.22-26.13.25-
 27.05.04-27.05.24-
 (511) 41

(111) M 2012 22392 R
 (151) 2012 03 12
 (181) 2022 03 12
 (210) AM 066329
 (220) 2012 02 24
 (732) SH.P.S "TELESAMAUTSKEBLO
 KOMPANIA ME-9 ARKHI"
 Chavchavadzis gamz. 39, 0179, Tbilisi,
 Georgia
 (540)



(591) White, blue
 (531) 01.07.09-28.19.00-29.01.12-
 (511) 38

(111) M 2012 22393 R
 (151) 2012 03 13
 (181) 2022 03 13
 (210) AM 066248
 (220) 2012 02 17

(732) SH.P.S "KORPORATSIA QARTULI
 GVINO"
 S. Chiqovanis q. N35, 0171, Tbilisi, Georgia
 (540)



(591) Wine, golden
 (531) 05.03.19-27.05.01-27.05.05-27.05.23-
 28.05.00-28.19.00-29.01.12-
 (511) 33

(111) M 2012 22394 R
 (151) 2012 03 13
 (181) 2022 03 13
 (210) AM 066386
 (220) 2012 02 29
 (732) SH.P.S "EVRAZIA MENEJMENT HAUS"
 Tergis q.14a, sartuli 2, bina 3, 0179, Tbilisi,
 Georgia
 (540)

Eurasia Business School



(591) Red, green, blue
 (531) 27.05.05-27.05.23-29.01.13-
 (511) 41

(111) M 2012 22395 R
 (151) 2012 03 15
 (181) 2022 03 15
 (210) AM 066366
 (220) 2012 02 28
 (732) SH.P.S "LAMER"
 Asatianis skv.n37, 0105, Batumi, Georgia
 (540)

პოლიანა
ПОЛЯНА
Polyana

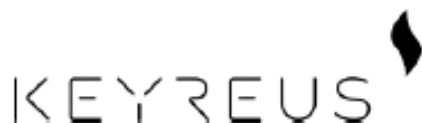
(591) Black, white
 (511) 43

INTERNATIONAL TRADEMARKS LAID OPEN FOR THE PURPOSE OF TAKING PROTECTION GRANTING DECISIONS

To appeal a decision is possible at Chamber of Appeal of Sakpatenti within 3 months from the publication or at The Board of Administrative Actions of Tbilisi City Court within a 1 month period. (Address: 12 km., №6, David Aghmashenebeli Kheivani, Tbilisi).

(260) AM 2012 61651 A
(800) 1067104
(731) KEYREUS HOLDING AG
Kappelergasse 11, CH-8001 Zürich,
Switzerland

(540)



KEYREUS

(591) Black, white
(511) 09, 38, 42

(260) AM 2012 62007 A
(800) 1070045
(731) ÇİFTÇİLER BİRLİK KAĞITÇILIK
HİJYENİK ÜRÜNLER VE YAĞ SANAYİ
ANONİM ŞİRKETİ
Orta Mahalle, Yanyol Üzeri, Orhangazi
Sokak, N19/2, İstanbul, Turkey

(540)



Flexi

(591) Red, white
(511) 16, 21

(260) AM 2012 62077 A
(800) 1070386
(731) AGILENT TECHNOLOGIES, INC.
5301 Stevens Creek Blvd. Santa Clara, CA
95051, USA

(540)

TOXI-LAB

(591) Black, white
(511) 09

(260) AM 2012 62082 A
(800) 1070391
(731) ACKERMANN & GRITZNER PTE. LTD.
N21-04 Shaw Centre, 1 Scotts Road,
Singapore 228208, Singapore

(540)

Ackermann

(591) Black, white
(511) 23

(260) AM 2012 62083 A
(800) 1070398
(731) WENZHOU RUIPAI AUTO PARTS
CO.,LTD.
Hebin North Road 263, Xianyan Yanyi
Industrial District, Wenzhou City, 325000
ZheJiang Province, China

(540)



ELEMFIL
FILTER

(591) Black, white
(511) 07

(260) AM 2012 62084 A
(800) 1070399
(731) CHAPMAN ANNA VASILYEVNA
536, oul. Lobatchevskogo, d. 100/2,
RU-119607 MOSKVA, Russian Federation

(540)

АННА ЧАПМАН
ANNA CHAPMAN

(591) Black, white
(511) 03, 14, 25, 28, 32, 33, 35, 41

(260) AM 2012 62119 A
(800) 1070754
(731) ROBERT BOSCH GMBH
70469 Stuttgart, Germany

(540)

OIS

(591) Black, white
(511) 03, 07, 08

(260) AM 2012 62172 A
 (800) 1071281
 (731) ZAKŁADY FARMACEUTYCZNE
 "POLPHARMA" SPÓŁKA AKCYJNA
 Pelplińska 19, PL-83-200 STAROGARD
 GDAŃSKI, Poland
 (540)

Biotaksym
Биотаксим

(591) Black, white
 (511) 05

(260) AM 2012 62173 A
 (800) 1071282
 (731) ZAKŁADY FARMACEUTYCZNE
 "POLPHARMA" SPÓŁKA AKCYJNA
 Pelplińska 19, PL-83-200 STAROGARD
 GDAŃSKI, Poland
 (540)

Biofazolin
Биофазолин

(591) Black, white
 (511) 05

(260) AM 2012 62174 A
 (800) 1071283
 (731) ZAKŁADY FARMACEUTYCZNE
 "POLPHARMA" SPÓŁKA AKCYJNA
 Peplinska 19, PL-83-200 STAROGARD
 GDANSKI, Poland
 (540)

Biotrakson
Биотраксон

(591) Black, white
 (511) 05

(260) AM 2012 62175 A
 (800) 1071305
 (731) OBSHCHESTVO S OGRANICHENNOY
 OTVETSTVENNOSTYU "VEST"
 Bolshaya Serpuhovskaya street, 44, office 19,
 RU-115093 Moscow, Russian Federation
 (540)

Westrenger

(591) Black, white
 (511) 25, 35

(260) AM 2012 62184 A
 (800) 1071314
 (731) NADIR AY KUYUMCULUK VE
 HEDİYELİK EŞYA SANAYİ VE TİCARET
 LIMITED SİRKETİ
 Topçular Mahallesi, Kısıl Caddesi, N39,
 Kat:3, D:29/34, Eyüp - Istanbul, Turkey
 (540)



(591) Blue and white
 (511) 14

(260) AM 2012 62195 A
 (800) 1071375
 (731) JANSSEN PHARMACEUTICA NV
 Turnhoutseweg 30, B-2340 BEERSE,
 Belgium
 (540)

K-Y

(591) Black, white
 (511) 03

(260) AM 2012 62306 A
 (800) 1072134
 (731) SANOFI
 174 avenue de France, F-75013 PARIS,
 France
 (540)

CGStar

(591) Black, white
 (511) 09, 10

(260) AM 2012 62454 A
 (800) 1059445
 (731) VASTAŞ VALF ARMATÜR SANAYİ
 TİCARET ANONİM ŞİRKETİ
 Perpa Ticaret Merkezi B, Blok Kat: 13 N
 2365, Okmeydanı Şişli Istanbul, Turkey
 (540)



(591) Green
 (511) 06

(260) AM 2012 62530 A
 (800) 1074456
 (731) RICHTER GEDEON NYRT.
 Gyömroi út 19-21, H-1103 Budapest,
 Hungary

(540)

GILLIAN

(591) Black, white
 (511) 05

(260) AM 2012 62570 A
 (800) 1074883
 (731) HOUSE OF WORTH LIMITED
 Amertrans Park, Bushey Mill Lane, Watford,
 Hertfordshire WD24 7JG, United Kingdom

(540)

WORTH

(591) Black, white
 (511) 03

(260) AM 2012 62593 A
 (800) 1075222
 (731) CLEMENS VON SCHACKY
 Schwedenstr. 62, 80505 München, Germany

(540)

OmegaMetrix

(591) Black, white
 (511) 10, 42, 44

(260) AM 2012 62639 A
 (800) 1075358
 (731) BVT PARTNERS OÜ
 Vägeva tee 7, Peetri küla, EE-75312 Rae
 vald, Harjumaa, Estonia

(540)

AlpicAir

(591) Black, white
 (511) 11

(260) AM 2012 62662 A
 (800) 1075756
 (731) Giorgio ARMANI S.P.A.
 Milan, Swiss Branch Mendrisio; Via Penate
 4, CH-6850 Mendrisio, Switzerland

(540)

ARMANI
 Hotels & Resorts

(591) Black, white
 (511) 44

(260) AM 2012 62680 A
 (800) 1039249
 (731) Uponor Innovation AB c/o Uponor AB
 Box 101, SE-730 61 Virsbo, Sweden

(540)

UPOFLOOR

(591) Black, white
 (511) 17, 19, 27

(260) AM 2012 62681 A
 (800) 1040881
 (731) Rulewave B.V.
 Ringdijk 366, NL-2983 GR Ridderkerk,
 Netherlands

(540)

RULEWAVE

(591) Black, white
 (511) 35, 39

(260) AM 2012 62682 A
 (800) 1041684
 (731) Icon Burger Development Company
 LLC 1515 Arapahoe Street, Suite 1000,
 Tower 1, Denver CO 80202, USA

(540)

SMASHBURGER

(591) Black, white
 (511) 43

(260) AM 2012 62729 A
 (800) 1076003
 (731) BANKIA, S.A.
 Monte Esquinza, 48, E-28010 Madrid, Spain

(540)

BANKIA

(591) Black, white
 (511) 36

(260) AM 2012 62730 A
 (800) 1076004
 (731) BANKIA, S.A.
 Monte Esquinza, 48, E-28010 Madrid, Spain

(540)



(591) Brown, green
(511) 36

(260) AM 2012 62731 A
(800) 1076033
(731) CSL Limited
45 Poplar Road, PARKVILLE VIC 3052,
Australia
(540)

СиЭсЭл

(591) Black, white
(511) 05

(260) AM 2012 62732 A
(800) 1076034
(731) ARAS KARGO YURT İÇİ-YURT DIŞI
TASIMACILIK ANONİM SİRKETİ
Rüzgarlıbahçe Mahallesi, Yavuz Sultan Selim
Caddesi N2, Beykoz, Istanbul, Turkey
(540)



(591) Dark blue, red and white
(511) 39

(260) AM 2012 62733 A
(800) 1076055
(731) OBSHCHESTVO S OGRANICHENNOY
OTVETSTVENNOSTYU "LIGA GRUPP"
building 1, 13, Academician
Millionshchikova str. RU-115487 Moscow,
Russian Federation
(540)



(591) Green, black, yellow, brown and white
(511) 07, 09, 12

(260) AM 2012 62735 A
(800) 1076065
(731) CHARMING CHARLIE, INC.
5999 Savoy Drive, Houston TX 77036, USA
(540)

CHARMING CHARLIE

(591) Black, white
(511) 09, 14, 18, 20, 21, 25, 26, 35

(260) AM 2012 62736 A
(800) 1076067
(731) UAB "TEXBALTIC"
Kirtimu g. 47 B, LT-02244 Vilnius, Lithuania
(540)

SAN MARCO

(591) Black, white
(511) 29, 30, 35

(260) AM 2012 62737 A
(800) 1076110
(731) OJSC Zarubezhenergoproekt
Smirnov St., 105 B, RU-153034 Ivanovo,
Russian Federation
(540)

ПРОДВИГАЯ ЭНЕРГИЮ

(591) Black, white
(511) 37, 42

(260) AM 2012 62738 A
(800) 1076111
(731) OJSC Zarubezhenergoproekt
Smirnov St., 105 B, RU-153034 Ivanovo,
Russian Federation
(540)

ADVANCING ENERGY

(591) Black, white
(511) 37, 43

(260) AM 2012 62739 A
(800) 1076137
(731) OTKRYTOE AKCIONERNOE
OBSHCHESTVO "AROMAROS-M"
dom No 5, Mihajlovskij proezd, RU-109316
Moskva, Russian Federation

(540)

AROMAROS-M

(591) Black, white
(511) 01, 05, 29, 30

(260) AM 2012 62740 A
(800) 1076152
(731) IWI AG
Industriestrasse 13-C, CH-6304 Zug,
Switzerland

(540)

SIBERRY(591) Black, white
(511) 03

(260) AM 2012 62742 A

(800) 1076179

(731) Association limited "Medical center
"M.T.K.""
10, Mykola Amosov Str. 680, Kyiv 03680,
Ukraine

(540)

Ornigil(591) Black, white
(511) 05

(260) AM 2012 62764 A

(800) 1076327

(731) UAB "SCT Lubricants"
Silutes pl. 119, LT-95112 Klaipeda,
Lithuania

(540)

CHEMPIOIL(591) Black, white
(511) 01, 03, 04

(260) AM 2012 62841 A

(800) 1076824

(731) COLGATE-PALMOLIVE COMPANY
300 Park Avenue, New York, NY 10022,
USA

(540)

INVISIBLE NASTIES(591) Black, white
(511) 21

(260) AM 2012 62842 A

(800) 1076858

(731) DUJARDIN
ZA du Pot au Pin, Immeuble A du Parc
Logistique Parcolog, F-33610 CESTAS,
France

(540)

MILLE BORNES(591) Black, white
(511) 28

(260) AM 2012 62843 A

(800) 1076901

(731) KAPCI COATINGS

(Mohamed Ahmed El Sayed & Partners)
Port Said Governorate Industrial Zone,
El Raswa Port Said, Egypt

(540)

(591) Green, yellow, pink, blue and orange
(511) 02

(260) AM 2012 62845 A

(800) 1076906

(731) DIMITAR HRISTOV BALEV;
kv. Vladislavovo, bl. 224, vh. 2, ap. 50,
BG-9000 VARNA, Bulgaria

(540)

(591) Black, white
(511) 03, 05

(260) AM 2012 62846 A

(800) 1076917

(731) RORO GmbH - R. Rott
Kalkgrub 1-2, 84427 Sankt Wolfgang,
Germany

(540)

sanho(591) Black, white
(511) 06, 09, 11, 19, 20, 35, 37

(260) AM 2012 62847 A

(800) 1076927

(731) MİNİMEN ORTOPEDİK AYAKKABI
SANAYİ VE TİCARET LİMİTED SİRKETİ
50. Yıl Mahallesi, B.Caddesi, 2000 Sokak,
N 2 Sultanciftigi, Gaziosmanpasa, İstanbul,
Turkey

(540)

kidmen(591) Black, white
(511) 25

(260) AM 2012 62848 A
(800) 1076952
(731) ZHANG JIN LAN
Stand N C129-C133, Tianpingjia
Decorative Materials City, Shahe, Guangzhou
City, 510000 Guangdong Province, China

(540)
GOODSENSE

(591) Black, white
(511) 19

(260) AM 2012 62850 A
(800) 1077000
(731) ZAKRYTOE AKTSIONERNOE
OBCHTCHESTVO "DEKART"
31, oul. Leningradskaya, RU-141400 Khimki,
Moskovskaya oblast , Russian Federation

(540)
ХАСКИ

(591) Black, white
(511) 02

(260) AM 2012 62851 A
(800) 1077054
(731) BEIQI FOTON MOTOR CO., LTD.
Laoniawan Village North, Shayang Road,
Shahe own, Changping District, Beijing
102206, China

(540)
AUMAN

(591) Black, white
(511) 12

(260) AM 2012 62852 A
(800) 1077088
(731) BAMBİ TERLİK VE AYAKKABI
TİCARET VE PAZARLAMA ANONİM
ŞİRKETİ
Turnacıbaşı Sok. Nil Apt N4 K:3,
Galatasaray İSTANBUL, Turkey

(540)



(591) Black, white
(511) 18, 25, 35

(260) AM 2012 62855 A
(800) 1077130
(731) SCA Hygiene Products Hoogezand B.V.

Abramskade 6, NL-9601 KM
HOOGEZAND, Netherlands

(540)
**LIBRESSE NATURAL
CARE**

(591) Black, white
(511) 03, 05, 16

(260) AM 2012 62856 A
(800) 1077138
(731) PUBLIC JOINT STOCK COMPANY
"PHARMSTANDARD"
Likhachevsky proezd, d. 5 "B",
g. Dolgoprudny, RU-141700 Moscow
Region, Russian Federation

(540)
МАГНЕЛІС

(591) Black, white
(511) 05

(260) AM 2012 62857 A
(800) 1077141
(731) GOMENIUK Iuri
Str. Bulgară nr. 64, ap. 60, MD-3100 Bălți,
Republic of Moldova

(540)
АЖУР

(591) Black, white
(511) 30

(260) AM 2012 62858 A
(800) 1077145
(731) BUGATTI INTERNATIONAL S.A.
412F route d'Esch, L-1030 Luxembourg,
Luxembourg

(540)
GALIBIER

(591) Black, white
(511) 12, 25, 28

(260) AM 2012 62860 A
(800) 1077157
(731) Limited Liability Company "MTI"
blvr. L. Ukrainky, 4, Kyiv 01023, Ukraine

(540)



(591) Black, white
(511) 14, 18, 25, 35

(260) AM 2012 62861 A
(800) 1077174
(731) NEMIROFF INTELLECTUAL PROPERTY
ESTABLISHMENT
Städtle 31, FL-9490 Vaduz, Liechtenstein
(540)



(591) Silver, light grey, dark grey, gold and black
(511) 33

(260) AM 2012 62864 A
(800) 1077219
(731) Procter & Gamble International Operations
SA
47, route de Saint-Georges, CH-1213
Petit-Lancy, Switzerland
(540)

P&G PROUD SPONSOR OF MOMS

(591) Black, white
(511) 03, 05, 08, 09, 16, 21, 29, 31, 35

(260) AM 2012 62865 A
(800) 1077244
(731) FORBO FINANCIAL SERVICES AG
Lindenstrasse 8, CH-6340 Baar, Switzerland
(540)

ETERNAL

(591) Black, white
(511) 27

(260) AM 2012 62866 A
(800) 1077249
(731) PHILIP MORRIS PRODUCTS S.A.
Quai Jeanrenaud 3, CH-2003 Neuchâtel,
Switzerland

(540)

L & M SENSO

(591) Black, white
(511) 34

(260) AM 2012 62867 A
(800) 1077250
(731) SUSINO UMBRELLA CO., LTD.
Ignou Industry Area, Dongshi Town, Jinjiang
City, 362271 Fujian Province, China
(540)

SUSINO

(591) Black, white
(511) 18

(260) AM 2012 62868 A
(800) 1077270
(731) KAPCI COATINGS (Mohamed Ahmed El
Sayed & Partners)
Port Said Governorate Industrial Zone,
El Raswa Port Said, Egypt
(540)



(591) Green, yellow, red, blue, orange and black
(511) 02

(260) AM 2012 62869 A
(800) 1077271
(731) Vidkryte aktsionerne tovarystvo
"KYIVMEDPREPARAT"
vul. Saksaganskogo, 139, m. Kyiv 01032,
Ukraine
(540)

HERPEVIR

(591) Black, white
(511) 03, 05

(260) AM 2012 62870 A
(800) 1077272
(731) Vidkryte aktsionerne tovarystvo
"KYIVMEDPREPARAT"
vul. Saksaganskogo, 139, m. Kyiv 01032,
Ukraine

(540)

ГЕРПЕВИР

(591) Black, white
(511) 03, 05

(260) AM 2012 62871 A

(800) 1077316

(731) CHOCOLADEFABRIKEN LINDT &
SPRÜNGLI AG
Seestrasse 204, CH-8802 Kilchberg,
Switzerland

(540)



(591) Black, white
(511) 30

(260) AM 2012 62872 A

(800) 1077346

(731) ROSENUIST - GESTÃO E SERVIÇOS,
LDA.
Rua Serpa Pinto N° 4, 4°, Andar, P-9000-029
Funchal, Madeira, Portugal

(540)

terrANOVA

(591) Black, white
(511) 18, 25, 35

(260) AM 2012 62873 A

(800) 1077349

(731) ZAO "NIVOD"
korp. 2A, d. 8, Golovinskoye shosse,
RU-125212 Moscow, Russian Federation

(540)



(591) White and red
(511) 07, 08

(260) AM 2012 62874 A

(800) 1077385

(731) AGAPE S.R.L.

Via Po Barna, 69-70 - FRAZIONE
CORREGGIO MICHELI BAGNOLO SAN
VITO (MN), Italy

(540)



(591) Black, white
(511) 11, 20, 21

(260) AM 2012 62875 A

(800) 1077396

(731) TALASCEND, LLC
Northfield Plaza II, 5700 Crooks Road, Suite
450, Troy MI 48098, USA

(540)

TALASCEND

(591) Black, white
(511) 35

(260) AM 2012 62876 A

(800) 1077404

(731) SUSINO UMBRELLA CO., LTD.
Jinou Industry Area, Dongshi Town, Jinjiang
City, 362771 Fujian Province, China

(540)

Susino

(591) Black, white
(511) 09, 14, 25

(260) AM 2012 62877 A

(800) 1077405

(731) Barilla G. e R. Fratelli - Società per Azioni
Via Mantova, 166, I-43100 Parma (PR), Italy

(540)

BARILLA

(591) Black, white
(511) 29, 30, 31, 32, 33, 35, 41, 42, 43

(260) AM 2012 62881 A

(800) 1077412

(731) IWI AG
Industriestrasse 13-C, CH-6304 Zug,
Switzerland

(540)

SPLAT DREAM

(591) Black, white
(511) 03

(260) AM 2012 62882 A
 (800) 1077418
 (731) PRENATAL S.P.A
 Via Tornese, 10, I-22070 GRANDATE (CO),
 Italy
 (540)



(591) Green, fuchsia
 (511) 03, 08, 09, 10, 11, 12, 16, 18, 20, 21, 24,
 25, 41

(260) AM 2012 62883 A
 (800) 1077421
 (731) HENNIG ARZNEIMITTEL
 GMBH & CO. KG
 Liebigstrasse 1-2, 65439 Flörsheim, Germany
 (540)

Арлеверт

(591) Black, white
 (511) 05

(260) AM 2012 62885 A
 (800) 1077430
 (731) Henkel AG & Co. KGaA
 Henkelstrasse 67, 40589 Düsseldorf,
 Germany
 (540)



(591) Black, white
 (511) 03

(260) AM 2012 62886 A
 (800) 1077442
 (731) Helvetas, Schweizer Gesellschaft für
 internationale Zusammenarbeit
 Weinbergstrasse 22a, CH-8001 Zürich,
 Switzerland
 (540)

**HELVETAS SWISS
 INTERCOOPERATION**

(591) Black, white
 (511) 35, 36, 42

(260) AM 2012 62887 A
 (800) 1077452
 (731) DERKACH NATALIIA
 23/25 Klinichna Str., apt. 173 Kyiv 03110,
 Ukraine
 (540)



(591) Green, dark green, light green, light violet,
 white and lettuce green
 (511) 05, 44

(260) AM 2012 62888 A
 (800) 1077559
 (731) Closed joint-stock company with 100 per cent
 foreign investments "ROUST
 INCORPORATED"
 litera A., 52, Pulkovskoe sh. RU-196140
 p.Shushary, Saint-Petersburg, Russian
 Federation
 (540)

РОССИЯ СОЗДАЛА МЕНЯ

(591) Black, white
 (511) 33

(260) AM 2012 62889 A
 (800) 1077566
 (731) MHCS
 9 avenue de Champagne, F-51200 Epernay,
 France
 (540)

VEUVE CLICQUOT

(591) Black, white
 (511) 21, 32, 33

(260) AM 2012 62923 A
 (800) 1077750
 (731) ZENTIVA, K.S.
 U Kabelovny 130, CZ-102 37 Praha
 10 - Dolní Měcholupy, Czech Republic
 (540)

SIDRETA

(591) Black, white
 (511) 05

(260) AM 2012 62924 A
 (800) 1077755
 (731) OBSHESTVO S OGRANICHENNOY OTVETSTVENNOSTYOU "NAUCHNO-PROIZVODSTVENNAYA KOMPANIYA "PHARMASOFT"
 ul. Avtozavodskaya, 22, RU-115280
 Moscow, Russian Federation

(540)
VALEOCOR-Q10


(591) Black, white
 (511) 05, 35

(260) AM 2012 62925 A
 (800) 1077756
 (731) OBSHESTVO S OGRANICHENNOY OTVETSTVENNOSTYOU "NAUCHNO-PROIZVODSTVENNAYA KOMPANIYA "PHARMASOFT"
 ul. Avtozavodskaya, 22, RU-115280
 Moscow, Russian Federation

(540)
ВАЛЕОКОР-Q10


(591) Black, white
 (511) 05, 35

(260) AM 2012 62926 A
 (800) 1077783
 (731) DUKTUS S.A.
 55-57, avenue Pasteur, L-2311 Luxembourg,
 Luxembourg

(540)


(591) Black, white
 (511) 06, 40, 42

(260) AM 2012 62927 A
 (800) 1077790
 (731) SHANGYU CITY XINGBAO UMBRELLA INDUSTRY CO., LTD.
 Linghui Street, Xietang Zhen, Shangyu City,
 Zhejiang Province, China

(540)


(591) Black, white
 (511) 18

(260) AM 2012 62928 A
 (800) 1077792
 (731) Obschestvo s ogranichennoi otvetstvennostyu "NAUCHNO-PROIZVODSTVENNAYA FIRMA "MATERIA MEDICA HOLDING"
 Trety Samotechny pereulok, 9, RU-127473
 Moscow, Russian Federation

(540)
БРОНХОФОРТ

(591) Black, white
 (511) 05

(260) AM 2012 62929 A
 (800) 1077793
 (731) Obschestvo s ogranichennoi otvetstvennostyu "NAUCHNO-PROIZVODSTVENNAYA FIRMA "MATERIA MEDICA HOLDING";
 Trety Samotechny pereulok, 9, RU-127473
 Moscow, Russian Federation

(540)
БРОНХОМЕД

(591) Black, white
 (511) 05

(260) AM 2012 62931 A
 (800) 1077833
 (731) IWI AG
 Industriestrasse 13-C, CH-6304 Zug,
 Switzerland

(540)


(591) White, grey, red, light grey and black
 (511) 03

(260) AM 2012 62944 A
 (800) 1078033
 (731) SM Electronic GmbH
 Waldweg 2, 22145 Stapelfeld, Germany

(540)


(591) Blue
 (511) 03, 09, 10, 11, 13, 18, 21

(260) AM 2012 62945 A
 (800) 1078045
 (731) TURKCELL İLETİŞİM HİZMETLERİ
 ANONİM ŞİRKETİ
 Turkcell Plaza Meşrutiyet Cad. N 153,
 İstanbul, Turkey

(540)

More Life

(591) Black, white
 (511) 09, 35, 38, 41

(260) AM 2012 62946 A
 (800) 1078103
 (731) AMSAFE BRIDPORT LIMITED
 The Court, West Street, Bridport, Dorset DT6
 3QU, United Kingdom

(540)

TARIAN

(591) Black, white
 (511) 22, 37

(260) AM 2012 62947 A
 (800) 1078152
 (731) INOSTRANNOE OBCHTCHESTVO S
 OGRANITCHENNOI OTVETSTVENNOSTIOU
 "MOROZPRODUKT"
 d. 133, k. 5, oul. Oktiabrskaja, g. Marina
 Gorka, Poukhovitchski r-n, 222810 Minskaia
 obl., Belarus

(540)

MOROZPRODUCT

МОРОЗПРОДУКТ

(591) Black, white
 (511) 29, 30, 32, 35

(260) AM 2012 62950 A
 (800) 1078168
 (731) ING. DURD'ÁK OTTO
 Hostětín 36, CZ-687 71 Bojkovice, Czech
 Republic

(540)

ТВД

(591) Black, white
 (511) 06, 07, 09, 17, 40

(260) AM 2012 62952 A
 (800) 1078185
 (731) HARTFORD MEDICALS s. r. o.
 Pri mlyne 5, SK-08001 Prešov,
 Slovakia

(540)

МОБИВЕН

(591) Black, white
 (511) 05

(260) AM 2012 62953 A
 (800) 1078221
 (731) SINOCEM CORPORATION
 28 Fuxingmennei Street, Xicheng District,
 Beijing, China

(540)



(591) Black, white
 (511) 01, 02

(260) AM 2012 62954 A
 (800) 1078226
 (731) PUBLICHNE AKTSIONERNE
 TOVARYSTVO "KHARKIVSKA
 BISKVITNA FABRYKA"
 vul. Lozivska, 8, Kharkiv 61017, Ukraine

(540)

ДЕЙЗИ

ДЕЙЗИ

(591) Black, white
 (511) 30

(260) AM 2012 62955 A
 (800) 1078235
 (731) ZDESENKO ANDRII
 kv. 23, bud. 1, vul. Novokrims'ka,
 m. Dnipropetrovs'k 49059, Ukraine

(540)



(591) White, green, yellow, brown and blue
 (511) 03, 05, 16

(260) AM 2012 62956 A
 (800) 586719
 (731) SOMMA & C. S.R.L.
 Via Pertini, 10/c, I-43123 Parma, Italy

(540)

SVEVO

(591) Black, white
(511) 25

(260) AM 2012 62957 A
(800) 612930

(731) Velinor AG c/o Dr. iur. Adrian von Segesser
Kapellplatz 1, CH-6004 Luzern, Switzerland

(540)

MOVICOL

(591) Black, white
(511) 05

(260) AM 2012 62958 A
(800) 859032

(731) ZHANG JIN LAN
Stand N C129-C133, Tianpingjia
Decorative Materials City, Shahe,
Guangzhou, Guangdong 510000, China

(540)

GOODSENSE

(591) Black, white
(511) 06

(260) AM 2012 62959 A
(800) 1017519

(731) ADOLFO DOMINGUEZ, S.A.
Polígono Industrial San Ciprian de Viñas,
Calle 4, Parcela 8, E-32901 SAN CIPRIAN
DE VIÑAS (ORENSE), Spain

(540)

ADOLFO DOMINGUEZ

(591) Black, white
(511) 18, 25, 35

(260) AM 2012 62960 A
(800) 1030709

(731) ADOLFO DOMINGUEZ, S.A.
Polígono Industrial San Ciprian de Viñas,
Calle 4, Parcela 8, E-32901 SAN CIPRIAN
DE VIÑAS (ORENSE), Spain

(540)



(591) Navy blue
(511) 24, 25, 35

(260) AM 2012 62961 A
(800) 1042760

(731) ZHANG ZHONG WU
Room 504, Block 8, Hongyang Xincheng,
Yangqiao Road, Gulou District, Fuzhou City,
Fujian Province, China

(540)

ONLEAD

(591) Black, white
(511) 18, 24, 25

(260) AM 2012 62980 A
(800) 1078292

(731) PUBLICHNE AKTSIONERNE
TOVARYSTVO "KHARKIVSKA
BISKVITNA FABRYKA"
vul. Lozivska, 8, Kharkiv 61017, Ukraine

(540)

Государев орех

(591) Black, white
(511) 30

(260) AM 2012 62981 A
(800) 1078293

(731) PUBLICHNE AKTSIONERNE
TOVARYSTVO "KHARKIVSKA
BISKVITNA FABRYKA"
vul. Lozivska, 8, Kharkiv 61017, Ukraine

(540)

**Предпочтение
Превага**

(591) Black, white
(511) 30

(260) AM 2012 62983 A
(800) 1078314

(731) GEORGIA-PACIFIC S.À.R.L.
25, route d'Esch, L-1470 Luxembourg,
Luxembourg

(540)



(591) Black, white
(511) 16

(260) AM 2012 62984 A
(800) 1078331
(731) REMAK a.s.
Zuberská 2601, CZ-756 61 Rožnov pod
Radhoštěm, Czech Republic
(540)

AeroMaster Cirrus

(591) Black, white
(511) 09, 11, 35, 37, 42

(260) AM 2012 62985 A
(800) 1078338
(731) DKV EURO SERVICE GmbH & Co. KG
Balcke-Dürr-Allee 3, 40882 Ratingen,
Germany
(540)

**EGRIMA
BUSINESSCENTER**

(591) Dark grey, light grey, blue, yellow
(511) 16, 35, 36, 37, 38, 39, 41, 42, 43, 45

(260) AM 2012 62986 A
(800) 1078366
(731) SONY CORPORATION
1-7-1 Konan, Minato-ku, Tokyo 108-0075,
Japan
(540)



(591) Black, white
(511) 09, 36, 45

(260) AM 2012 62987 A
(800) 1078390
(731) ROLEX S.A.
3-5-7, rue François-Dussaud, CH-1211
GENEVA 26, Switzerland
(540)

LIVE FOR GREATNESS

(591) Black, white
(511) 14

(260) AM 2012 62988 A
(800) 1078412
(731) AVON PRODUCTS, INC.
World Headquarters, 1345 Avenue of the
Americas, New York, NY 10105-0196, USA
(540)

LITTLE RED DRESS

(591) Black, white
(511) 03

(260) AM 2012 62992 A
(800) 1078420
(731) ARES TRADING S.A.
Zone Industrielle de l'Ourietaz, CH-1170
Aubonne, Switzerland
(540)

NIMSURA

(591) Black, white
(511) 05

(260) AM 2012 62993 A
(800) 1078439
(731) PANG JIANFENG
702, Gongzheng Road, Sanzhou Street,
Hecheng Avenue, Gaoming District, 528000
Foshan City, Guangdong, China
(540)



(591) Black, white
(511) 11

(260) AM 2012 63045 A
(800) 1078906
(731) Plusfidelity Limited
10 Skopa str. Tribune House, CY-1075
Nicosie, Cyprus
(540)

topstar

(591) Gray
(511) 21

(260) AM 2012 63046 A
(800) 1078910
(731) İSTİKBAL MOBİLYA SANAYİ VE
TİCARET ANONİM ŞİRKETİ
1. Organize Sanayi Bölgesi 8., Cad.

N60/A, Melikgazi Kayseri, Turkey
(540)

ისტკბალო

(591) Black, white
(511) 20, 24, 27, 35

(260) AM 2012 63047 A

(800) 1078926

(731) SEBAT KİMYA SANAYİ İÇ VE DIŞ
TİCARET A.Ş.

Adnan Kahveci Mahallesi İstanbul, Caddesi
Çelik Sokak N8/3, Gürpınar Büyük
Çekmece İstanbul, Turkey

(540)



(591) Black, white
(511) 03

(260) AM 2012 63048 A

(800) 1078933

(731) JAPAN TOBACCO INC.

2-2-1 Toranomon, Minato-ku, Tokyo, Japan

(540)



(591) Blue, red, gray and white
(511) 41

(260) AM 2012 63049 A

(800) 1078965

(731) JANSSEN PHARMACEUTICA NV

Turnhoutseweg 30, B-2340 BEERSE,
Belgium

(540)

QUIVERA

(591) Black, white
(511) 05

(260) AM 2012 63050 A

(800) 1078974

(731) RÍZENÍ LETOVÉHO PROVOZU ČESKÉ
REPUBLIKY, STÁTNÍ PODNIK

Navigační 787, CZ-252 61 Jeneč, Czech
Republic

(540)



(591) Black, white

(511) 09, 16, 35, 36, 37, 39, 40, 41, 42

(260) AM 2012 63051 A

(800) 1078990

(731) PUBLICHNE AKTSIONERNE
TOVARYSTVO "KHARKIVSKA
BISKVITNA FABRYKA"

vul. Lozivska, 8, Kharkiv 61017, Ukraine

(540)

ШКОДНИК

(591) Black, white

(511) 30

(260) AM 2012 63052 A

(800) 1079056

(731) OBSHCHESTVO S OGRANICHENNOY
OTVETSTVENNOSTYU "SPLAT-
COSMETICA"

ul. Stromynka, dom 19, korp. 2, RU-107076
Moscow, Russian Federation

(540)

SEEYA

(591) Black, white

(511) 03

(260) AM 2012 63053 A

(800) 1079062

(731) VOLKOV ALEKSEY EVGENYEVICH

ul. Uritskogo, d.7a, kv.52, g. Zlatoust,
RU-456217 Chelyabinskaya obl., Russian
Federation

(540)

КАРАВАН ОРЕХОВ

(591) Black, white

(511) 29, 31, 35

(260) AM 2012 63056 A

(800) 1079069

(731) GLOBAL ASSOCIATION OF RISK
PROFESSIONALS, INC.

111 Town Square Place, Suite 1215, Jersey
City, NJ 07310, USA

(540)



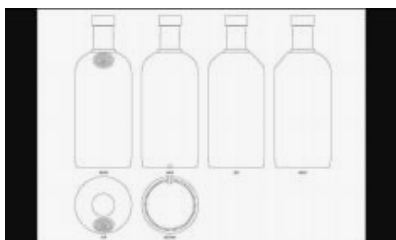
(591) Black, white
(511) 35, 42

(260) AM 2012 63058 A

(800) 1079104

(731) THE ABSOLUT COMPANY AKTIEBOLAG
SE-117 97 Stockholm, Sweden

(540)



(591) Black, white
(511) 33

(260) AM 2012 63059 A

(800) 1079113

(731) FATO GROUP INTERNATIONAL
LIMITED COMPANY
N51 Daqiao Road, Liushi Town, Yueqing
Zhejiang, China

(540)



(591) Black, white
(511) 09

(260) AM 2012 63060 A

(800) 1079126

(731) NOMS DE CODE
28-32, avenue Victor Hugo, F-75116 PARIS,
France

(540)




(591) Black, white
(511) 03

(260) AM 2012 63062 A

(800) 1079187

(731) BOYTAŞ MOBİLYA SANAYİ VE
TİCARET ANONİM ŞİRKETİ
Organize Sanayi Bölgesi 7, CAD N5,
TR-38070 Melikgazi - Kayseri, Turkey

(540)



(591) Black, white

(511) 20, 24, 27, 35

(260) AM 2012 63063 A

(800) 1079190

(731) KSK-electro Limited
RU-197110 Glukhayia Zelenina str. 4,
Saint-Petersburg, Russian Federation

(540)



(591) Black, white

(511) 11

(260) AM 2012 63065 A

(800) 1079234

(731) LIANG YONGBIAO
N 240, Hai Bei East Road, Travel Resort,
Xiqiao Mountain, Nanhai City Guangdong
Province, China

(540)



(591) Black, white

(511) 07

(260) AM 2012 63066 A

(800) 1079236

(731) GEORGIA-PACIFIC S.A.R.L.
25, Route D'Esch, L-1470 Luxembourg,
Luxembourg

(540)



(591) Black, white

(511) 21

(260) AM 2012 63067 A
(800) 1079264
(731) FERRER INTERNACIONAL S.A.
Gran Vía de Carlos III, 94, E-08028
BARCELONA, Spain

(540)

ENANORM

(591) Black, white
(511) 05

(260) AM 2012 63068 A
(800) 513241
(731) BASF SE
Carl-Bosch-Strasse 38, 67056 Ludwigshafen,
Germany

(540)

STRATOS

(591) Black, white
(511) 01, 05

(260) AM 2012 63069 A
(800) 608532
(731) INTERVET INTERNATIONAL B.V.
Wim de Körverstraat 35, NL-5831 AN
Boxmeer, Netherlands

(540)

SCALIBOR

(591) Black, white
(511) 05

(260) AM 2012 63070 A
(800) 697661
(731) COMPAGNIE FINANCIERE ET DE
PARTICIPATIONS ROULLIER
27, avenue Franklin Roosevelt, F-35400
SAINT-MALO, France

(540)

BASIfertil

(591) Black, white
(511) 01, 05, 31

(260) AM 2012 63071 A
(800) 824224
(731) TELE PIZZA, S.A.
c/ Isla Graciosa, 7 - Parque Empresarial "La
Marina", E-28700 SAN SEBASTIAN DE
LOS REYES (MADRID), Spain

(540)

telepizza

(591) Black, white
(511) 30, 39, 43

(260) AM 2012 63072 A
(800) 873683
(731) BERND BREITER
Gustav-Hoch-Strasse 62, 63452 Hanau,
Germany

(540)

Big City Beats

(591) Black, white
(511) 09, 25, 38, 41

(260) AM 2012 63127 A
(800) 1079668
(731) ROCKWOOL INTERNATIONAL A/S
Hovedgaden 584, DK-2640 Hedehusene,
Denmark

(540)

GRODAN

(591) Black, white
(511) 01, 09, 44

(260) AM 2012 63128 A
(800) 1079707
(731) KIRCHNER ITALIA S.P.A.
Via A. Ressi, 17, I-20125 MILANO, Italy

(540)



KIRCHNER

(591) Black, white
(511) 11, 42

(260) AM 2012 63129 A
(800) 1079743
(731) WU Fengxiang
Room 213, Jili Mansion, Suifenhe City
Heilongjiang Province, China

(540)

Steering

(591) Black, white
(511) 25

(260) AM 2012 63131 A
 (800) 1079840
 (731) Union des Associations Européennes de
 Football (UEFA)
 Route de Genève 46, CH-1260 Nyon,
 Switzerland
 (540)



(591) Black, white
 (511) 01, 03, 04, 05, 06, 07, 08, 09, 10, 11, 12, 14,
 15, 16, 18, 20, 21, 24, 25, 26, 27, 28, 29, 30,
 31, 32, 33, 35, 36, 37, 38, 39, 40, 41, 42, 43,
 44, 45

(260) AM 2012 63132 A
 (800) 1079846
 (731) ZHEJIANG LAMDA BRAKE PADS CO.,
 LTD.
 Hai'an, Xialin Industrial Zone, Ruian City
 Zhejiang Province, China
 (540)

lamda

(591) Black, white
 (511) 12

(260) AM 2012 63133 A
 (800) 1079856
 (731) TOVARYSTVO Z OBMEZHENOIU
 VIDPOVIDALNISTIU
 "KRYMSKA VODOCHNA COMPANIJA"
 vul. Sadova, 19, s. Mazanka, Simferopolskyi
 r-n, AR Krym 97530, Ukraine
 (540)

ПРИРОДНА КОЛЕКЦІЯ

(591) Black, white
 (511) 33

(260) AM 2012 63134 A
 (800) 1079862
 (731) NEW LOOK LIMITED
 New Look House, Mercery Road Mount
 Pleasant, Weymouth Dorset DT3 5HJ,
 United Kingdom

(540)



(591) Black, white
 (511) 16, 25, 35

(260) AM 2012 63135 A
 (800) 1079868
 (731) CCV BEAUMANOIR
 Impasse du Grand Jardin, 10, ZAC de la
 Moinerie, F-35400 SAINT-MALO, France
 (540)

MORGAN
 MORGAN DE TOI !

(591) Black, white
 (511) 25

(260) AM 2012 63136 A
 (800) 1079879
 (731) YIWU MEISHI COSMETIC CO., LTD.
 B Zone, Qingkou Dongyuan Industrial Zone,
 YiWu City, 322000 Zhejiang Province, China
 (540)

meis

(591) Black, white
 (511) 03

(260) AM 2012 63137 A
 (800) 1079892
 (731) PROTEKTORWERK FLORENZ MAISCH
 GMBH & CO. KG
 Viktoriastr. 58, 76571 Gaggenau, Germany
 (540)

MaxiComfort

(591) Black, white
 (511) 06

(260) AM 2012 63138 A
 (800) 1079907
 (731) OLIMAC S.r.l.
 Via Cunco, 41, I-12040 MARGARITA CN,
 Italy
 (540)

olimac

(591) Red
 (511) 07

TRADEMARKS

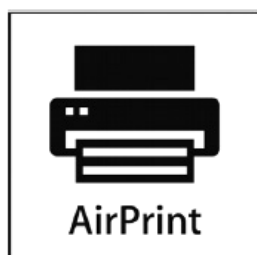
(260) AM 2012 63139 A

(800) 1079915

(731) APPLE INC.

1 Infinite Loop, Cupertino, CA 95014, USA

(540)



(591) Black, white

(511) 09

INTERNATIONAL TRADEMARKS PROTECTED IN GEORGIA

(260) AM 2011 60684 A
(800) 1058241
(151) 2010 07 14
(181) 2020 07 14
(511) 07, 09

(260) AM 2011 60686 A
(800) 1058243
(151) 2010 09 20
(181) 2020 09 20
(511) 09, 42

(260) AM 2011 60687 A
(800) 1058244
(151) 2010 09 22
(181) 2020 09 22
(511) 01, 02, 03, 04, 42

(260) AM 2011 60688 A
(800) 1058257
(151) 2010 07 09
(181) 2020 07 09
(511) 09, 14, 16, 25, 32, 41

(260) AM 2011 60689 A
(800) 1058264
(151) 2010 09 01
(181) 2020 09 01
(511) 07

(260) AM 2011 60695 A
(800) 1058273
(151) 2010 10 18
(181) 2020 10 18
(511) 05

(260) AM 2011 60700 A
(800) 1058285
(151) 2010 10 22
(181) 2020 10 22
(511) 03

(260) AM 2011 60701 A
(800) 1058289
(151) 2010 09 10

(181) 2020 09 10
(511) 42, 44

(260) AM 2011 60702 A
(800) 1058369
(151) 2010 08 17
(181) 2020 08 17
(511) 09, 35, 38, 42

(260) AM 2011 60703 A
(800) 1058370
(151) 2010 08 17
(181) 2020 08 17
(511) 09, 35, 38, 42

(260) AM 2011 60704 A
(800) 1058383
(151) 2010 06 29
(181) 2020 06 29
(511) 03, 05, 30

(260) AM 2011 60707 A
(800) 1058396
(151) 2010 09 13
(181) 2020 09 13
(511) 03, 08, 09, 10, 11, 12, 14, 16, 18, 20, 21, 22,
24, 25, 26, 27, 28, 30, 32, 33, 34, 35, 38, 39,
40, 41, 43

(260) AM 2011 60708 A
(800) 1058436
(151) 2010 09 15
(181) 2020 09 15
(511) 36, 42

(260) AM 2011 60709 A
(800) 1058517
(151) 2010 09 09

(181) 2020 09 09
(511) 45

(260) AM 2011 60873 A
(800) 743646
(151) 2010 05 10
(181) 2020 05 10

TRADEMARKS

(511) 09, 11, 37, 42

(260) AM 2011 60874 A
(800) 746147
(151) 2010 10 19
(181) 2020 10 19
(511) 31

(260) AM 2011 60875 A
(800) 750959
(151) 2010 10 05
(181) 2020 10 05
(511) 03, 05

(260) AM 2011 60876 A
(800) 816693
(151) 2003 11 18
(181) 2013 11 18
(511) 05

(260) AM 2011 60877 A
(800) 818473
(151) 2003 09 17
(181) 2013 09 17
(511) 03, 05, 35

(260) AM 2011 60878 A
(800) 944041
(151) 2007 10 16
(181) 2017 10 16
(511) 30, 43

(260) AM 2011 60879 A
(800) 1031384
(151) 2010 01 21
(181) 2020 01 21
(511) 05, 29, 32

(260) AM 2011 60880 A
(800) 1049775
(151) 2010 03 31
(181) 2020 03 31
(511) 17, 40, 42

(260) AM 2011 60881 A
(800) 1052420
(151) 2010 08 06
(181) 2020 08 06

(511) 12

(260) AM 2011 60889 A
(800) 1059748
(151) 2010 11 10
(181) 2020 11 10
(511) 09, 42

(260) AM 2011 60890 A
(800) 1059767
(151) 2010 11 29
(181) 2020 11 29
(511) 34

(260) AM 2011 60891 A
(800) 1059768
(151) 2010 11 29
(181) 2020 11 29
(511) 34

(260) AM 2011 60892 A
(800) 1059798
(151) 2010 11 10
(181) 2020 11 10
(511) 36

(260) AM 2011 60893 A
(800) 1059799
(151) 2010 10 12
(181) 2020 10 12
(511) 04

(260) AM 2011 60895 A
(800) 1059808
(151) 2010 10 25
(181) 2020 10 25
(511) 35

(260) AM 2011 60954 A
(800) 1060416
(151) 2010 10 08
(181) 2020 10 08
(511) 43

(260) AM 2011 60955 A
(800) 1060426
(151) 2010 11 30
(181) 2020 11 30
(511) 32

(260) AM 2011 60967 A
(800) 1060446
(151) 2010 09 27
(181) 2020 09 27
(511) 05

(260) AM 2011 60975 A
(800) 1060472
(151) 2010 11 16
(181) 2020 11 16
(511) 12

(260) AM 2011 60968 A
(800) 1060455
(151) 2010 11 02
(181) 2020 11 02
(511) 04

(260) AM 2011 60976 A
(800) 1060475
(151) 2010 11 25
(181) 2020 11 25
(511) 21, 32, 43

(260) AM 2011 60969 A
(800) 1060458
(151) 2010 11 19
(181) 2020 11 19
(511) 34

(260) AM 2011 60977 A
(800) 1060487
(151) 2010 11 17
(181) 2020 11 17
(511) 05

(260) AM 2011 60970 A
(800) 1060460
(151) 2010 11 19
(181) 2020 11 19
(511) 34

(260) AM 2011 60978 A
(800) 1060517
(151) 2010 04 14
(181) 2020 04 14
(511) 02, 03, 17

(260) AM 2011 60971 A
(800) 1060461
(151) 2010 11 19
(181) 2020 11 19
(511) 34

(260) AM 2011 60979 A
(800) 1060523
(151) 2010 11 09
(181) 2020 11 09
(511) 28

(260) AM 2011 60972 A
(800) 1060462
(151) 2010 11 19
(181) 2020 11 19
(511) 34

(260) AM 2011 61035 A
(800) 1060908
(151) 2010 11 11
(181) 2020 11 11
(511) 18, 25, 35

(260) AM 2011 60973 A
(800) 1060463
(151) 2010 11 19
(181) 2020 11 19
(511) 34

(260) AM 2011 61104 A
(800) 1061424
(151) 2010 10 05
(181) 2020 10 05
(511) 18, 24, 25, 28, 35, 40

(260) AM 2011 60974 A
(800) 1060465
(151) 2010 11 17
(181) 2020 11 17
(511) 05, 35, 44

(260) AM 2011 61105 A
(800) 1061475
(151) 2010 11 11
(181) 2020 11 11
(511) 32, 33, 43

TRADEMARKS

(260) AM 2011 61114 A
(800) 1061540
(151) 2010 11 24
(181) 2020 11 24
(511) 32, 33

(260) AM 2011 61123 A
(800) 1061721
(151) 2010 11 16
(181) 2020 11 16
(511) 01

(260) AM 2011 61115 A
(800) 1061569
(151) 2010 10 12
(181) 2020 10 12
(511) 04, 07, 09

(260) AM 2011 61124 A
(800) 1061743
(151) 2010 11 10
(181) 2020 11 10
(511) 03, 05

(260) AM 2011 61116 A
(800) 1061581
(151) 2010 11 19
(181) 2020 11 19
(511) 03

(260) AM 2011 61125 A
(800) 1061750
(151) 2010 12 02
(181) 2020 12 02
(511) 03, 18, 25

(260) AM 2011 61117 A
(800) 1061586
(151) 2010 11 24
(181) 2020 11 24
(511) 27, 35

(260) AM 2011 61126 A
(800) 1061757
(151) 2010 11 30
(181) 2020 11 30
(511) 05

(260) AM 2011 61118 A
(800) 1061615
(151) 2010 05 14
(181) 2020 05 14
(511) 28

(260) AM 2011 61173 A
(800) 1062451
(151) 2010 11 08
(181) 2020 11 08
(511) 01, 02, 04

(260) AM 2011 61119 A
(800) 1061619
(151) 2010 08 02
(181) 2020 08 02
(511) 09, 14, 28, 35

(260) AM 2011 61174 A
(800) 1062478
(151) 2010 10 14
(181) 2020 10 14
(511) 35

(260) AM 2011 61121 A
(800) 1061642
(151) 2010 10 06
(181) 2020 10 06
(511) 05

(260) AM 2011 61175 A
(800) 1062517
(151) 2010 10 14
(181) 2020 10 14
(511) 35

(260) AM 2011 61122 A
(800) 1061693
(151) 2010 10 08
(181) 2020 10 08
(511) 07

(260) AM 2011 61176 A
(800) 1062526
(151) 2010 09 16
(181) 2020 09 16
(511) 03, 09, 18, 25

(260) AM 2011 61178 A
(800) 1062549
(151) 2010 12 27
(181) 2020 12 27
(511) 05

(260) AM 2011 61187 A
(800) 1062624
(151) 2010 11 16
(181) 2020 11 16
(511) 16, 29

(260) AM 2011 61179 A
(800) 1062553
(151) 2010 12 16
(181) 2020 12 16
(511) 05

(260) AM 2011 61188 A
(800) 1062649
(151) 2010 12 08
(181) 2020 12 08
(511) 10

(260) AM 2011 61180 A
(800) 1062554
(151) 2010 12 16
(181) 2020 12 16
(511) 05

(260) AM 2011 61241 A
(800) 1063273
(151) 2010 12 21
(181) 2020 12 21
(511) 09

(260) AM 2011 61181 A
(800) 1062557
(151) 2010 07 23
(181) 2020 07 23
(511) 16, 29

(260) AM 2011 61245 A
(800) 1063276
(151) 2010 11 10
(181) 2020 11 10
(511) 06

(260) AM 2011 61183 A
(800) 1062563
(151) 2010 06 28
(181) 2020 06 28
(511) 01, 02, 03, 04, 05, 31, 35, 42

(260) AM 2011 61246 A
(800) 1063295
(151) 2010 12 14
(181) 2020 12 14
(511) 05

(260) AM 2011 61184 A
(800) 1062587
(151) 2010 06 04
(181) 2020 06 04
(511) 18, 25

(260) AM 2011 61247 A
(800) 1063302
(151) 2010 07 01
(181) 2020 07 01
(511) 01, 02, 09, 12, 17, 19, 40

(260) AM 2011 61185 A
(800) 1062596
(151) 2010 06 04
(181) 2020 06 04
(511) 29, 30

(260) AM 2011 61248 A
(800) 1063326
(151) 2010 09 08
(181) 2020 09 08
(511) 09, 41, 42, 45

(260) AM 2011 61186 A
(800) 1062604
(151) 2010 08 26
(181) 2020 08 26
(511) 35, 36, 39

(260) AM 2011 61249 A
(800) 1063331
(151) 2010 12 10
(181) 2020 12 10
(511) 03

TRADEMARKS

(260) AM 2011 61250 A
(800) 1063341
(151) 2010 12 21
(181) 2020 12 21
(511) 07

(260) AM 2011 61352 A
(800) 1064022
(151) 2010 11 30
(181) 2020 11 30
(511) 30

(260) AM 2011 61251 A
(800) 1063351
(151) 2010 08 12
(181) 2020 08 12
(511) 09

(260) AM 2011 61476 A
(800) 1065083
(151) 2010 11 18
(181) 2020 11 18
(511) 29, 30, 31

(260) AM 2011 61252 A
(800) 237909
(151) 2010 11 26
(181) 2020 11 26
(511) 32, 33

(260) AM 2011 61482 A
(800) 1065110
(151) 2010 10 01
(181) 2020 10 01
(511) 14, 18, 24, 25, 35

(260) AM 2011 61253 A
(800) 515981
(151) 2007 08 18
(181) 2017 08 18
(511) 30

(260) AM 2011 61508 A
(800) 1065545
(151) 2011 01 06
(181) 2021 01 06
(511) 30

(260) AM 2011 61254 A
(800) 562148
(151) 2010 10 31
(181) 2020 10 31
(511) 30

(260) AM 2011 61545 A
(800) 1065802
(151) 2010 09 24
(181) 2020 09 24
(511) 30

(260) AM 2011 61255 A
(800) 582260
(151) 2002 02 04
(181) 2012 02 04
(511) 03, 05

(260) AM 2011 61607 A
(800) 949165
(151) 2007 10 15
(181) 2017 10 15
(511) 09, 16, 35, 36

(260) AM 2011 61256 A
(800) 619105
(151) 2004 05 09
(181) 2014 05 09
(511) 03

(260) AM 2011 61649 A
(800) 1067080
(151) 2011 01 19
(181) 2021 01 19
(511) 14

(260) AM 2011 61258 A
(800) 668868
(151) 2006 12 20
(181) 2016 12 20
(511) 30, 42

(260) AM 2011 61650 A
(800) 1067091
(151) 2011 01 28
(181) 2021 01 28
(511) 30

(260) AM 2011 61652 A
(800) 1067141
(151) 2010 11 12
(181) 2020 11 12
(511) 03

(260) AM 2011 61661 A
(800) 1067238
(151) 2010 11 18
(181) 2020 11 18
(511) 35, 36, 41, 45

(260) AM 2011 61653 A
(800) 1067153
(151) 2010 06 16
(181) 2020 06 16
(511) 37, 42

(260) AM 2011 61771 A
(800) 1005920
(151) 2009 03 06
(181) 2019 03 06
(511) 03, 07

(260) AM 2011 61654 A
(800) 1067163
(151) 2010 09 21
(181) 2020 09 21
(511) 05, 16, 35, 42

(260) AM 2011 61772 A
(800) 1051455
(151) 2010 09 16
(181) 2020 09 16
(511) 01, 04

(260) AM 2011 61655 A
(800) 1067170
(151) 2010 11 16
(181) 2020 11 16
(511) 03, 05, 21

(260) AM 2011 61778 A
(800) 1068165
(151) 2010 08 28
(181) 2020 08 28
(511) 01, 35

(260) AM 2011 61657 A
(800) 1067213
(151) 2011 01 14
(181) 2021 01 14
(511) 05

(260) AM 2011 61779 A
(800) 1068194
(151) 2011 01 28
(181) 2021 01 28
(511) 09

(260) AM 2011 61658 A
(800) 1067214
(151) 2011 01 14
(181) 2021 01 14
(511) 05

(260) AM 2011 61780 A
(800) 1068210
(151) 2011 02 04
(181) 2021 02 04
(511) 30

(260) AM 2011 61659 A
(800) 1067226
(151) 2011 02 03
(181) 2021 02 03
(511) 19

(260) AM 2011 61787 A
(800) 1068217
(151) 2010 12 31
(181) 2020 12 31
(511) 30

(260) AM 2011 61660 A
(800) 1067237
(151) 2010 11 18
(181) 2020 11 18
(511) 35, 36

(260) AM 2011 61788 A
(800) 1068218
(151) 2010 12 31
(181) 2020 12 31
(511) 30

TRADEMARKS

(260) AM 2011 61790 A
(800) 1068229
(151) 2011 01 17
(181) 2021 01 17
(511) 28

(260) AM 2011 61837 A
(800) 1068582
(151) 2011 01 26
(181) 2021 01 26
(511) 05

(260) AM 2011 61793 A
(800) 1068260
(151) 2011 01 24
(181) 2021 01 24
(511) 24, 27

(260) AM 2011 61839 A
(800) 1068624
(151) 2011 01 18
(181) 2021 01 18
(511) 14

(260) AM 2011 61827 A
(800) 1068473
(151) 2011 02 01
(181) 2021 02 01
(511) 05

(260) AM 2011 61840 A
(800) 1068628
(151) 2011 01 31
(181) 2021 01 31
(511) 36

(260) AM 2011 61828 A
(800) 1068474
(151) 2011 02 01
(181) 2021 02 01
(511) 05

(260) AM 2011 61841 A
(800) 1068652
(151) 2010 12 29
(181) 2020 12 29
(511) 32

(260) AM 2011 61830 A
(800) 1068481
(151) 2011 02 01
(181) 2021 02 01
(511) 05

(260) AM 2011 61842 A
(800) 1068653
(151) 2010 12 29
(181) 2020 12 29
(511) 32

(260) AM 2011 61831 A
(800) 1068523
(151) 2011 02 03
(181) 2021 02 03
(511) 05

(260) AM 2011 61843 A
(800) 1068699
(151) 2011 02 01
(181) 2021 02 01
(511) 05

(260) AM 2011 61835 A
(800) 1068541
(151) 2011 01 26
(181) 2021 01 26
(511) 05

(260) AM 2011 61844 A
(800) 1068746
(151) 2010 11 05
(181) 2020 11 05
(511) 12

(260) AM 2011 61836 A
(800) 1068543
(151) 2011 02 10
(181) 2021 02 10
(511) 09

(260) AM 2011 61845 A
(800) 1068748
(151) 2010 11 18
(181) 2020 11 18
(511) 35, 36, 41, 45

(260) AM 2011 61846 A
(800) 1068749
(151) 2010 10 21
(181) 2020 10 21
(511) 33

(260) AM 2011 61866 A
(800) 1068830
(151) 2010 06 15
(181) 2020 06 15
(511) 10

(260) AM 2011 61847 A
(800) 1068795
(151) 2011 01 27
(181) 2021 01 27
(511) 07

(260) AM 2011 61867 A
(800) 1068856
(151) 2011 01 24
(181) 2021 01 24
(511) 30

(260) AM 2011 61848 A
(800) 196810
(151) 2006 11 23
(181) 2016 11 23
(511) 32

(260) AM 2011 61868 A
(800) 1068864
(151) 2011 01 20
(181) 2021 01 20
(511) 41

(260) AM 2011 61850 A
(800) 527720
(151) 2008 08 16
(181) 2018 08 16
(511) 05

(260) AM 2011 61869 A
(800) 1068868
(151) 2010 06 17
(181) 2020 06 17
(511) 06, 07, 11, 12, 35, 37

(260) AM 2011 61851 A
(800) 654082
(151) 2006 03 29
(181) 2016 03 29
(511) 04

(260) AM 2011 61870 A
(800) 1068886
(151) 2009 01 21
(181) 2019 01 21
(511) 09, 11, 35, 37, 42

(260) AM 2011 61852 A
(800) 966900
(151) 2008 05 21
(181) 2018 05 21
(511) 16, 30, 32

(260) AM 2011 61915 A
(800) 1069353
(151) 2010 10 07
(181) 2020 10 07
(511) 29, 30

(260) AM 2011 61857 A
(800) 1035036
(151) 2009 12 23
(181) 2019 12 23
(511) 33

(260) AM 2011 61916 A
(800) 1069374
(151) 2010 12 30
(181) 2020 12 30
(511) 03

(260) AM 2011 61862 A
(800) 1068818
(151) 2011 01 31
(181) 2021 01 31
(511) 05

(260) AM 2011 61917 A
(800) 1069378
(151) 2011 02 09
(181) 2021 02 09
(511) 29, 30

TRADEMARKS

(260) AM 2011 61918 A
(800) 1069390
(151) 2010 12 28
(181) 2020 12 28
(511) 01, 17, 19

(260) AM 2011 61927 A
(800) 832383
(151) 2004 02 19
(181) 2014 02 19
(511) 03, 07, 08

(260) AM 2011 61920 A
(800) 1069426
(151) 2011 02 21
(181) 2021 02 21
(511) 29

(260) AM 2011 61928 A
(800) 880441
(151) 2005 10 28
(181) 2015 10 28
(511) 09

(260) AM 2011 61921 A
(800) 1069447
(151) 2010 10 04
(181) 2020 10 04
(511) 05, 10

(260) AM 2011 61929 A
(800) 917316
(151) 2006 12 15
(181) 2016 12 15
(511) 37, 40, 42

(260) AM 2011 61922 A
(800) 1069463
(151) 2010 12 23
(181) 2020 12 23
(511) 36

(260) AM 2011 61930 A
(800) 1008961
(151) 2009 06 03
(181) 2019 06 03
(511) 25

(260) AM 2011 61923 A
(800) 1069482
(151) 2011 02 22
(181) 2021 02 22
(511) 35

(260) AM 2011 61932 A
(800) 1024167
(151) 2009 03 25
(181) 2019 03 25
(511) 09, 35, 44

(260) AM 2011 61924 A
(800) 480505
(151) 2003 10 27
(181) 2013 10 27
(511) 32

(260) AM 2011 61934 A
(800) 1038474
(151) 2010 04 14
(181) 2020 04 14
(511) 09, 14, 18, 25, 35

(260) AM 2011 61925 A
(800) 635211
(151) 2005 03 18
(181) 2015 03 18
(511) 05

(260) AM 2011 61954 A
(800) 1069498
(151) 2010 10 01
(181) 2020 10 01
(511) 09, 18, 24, 25

(260) AM 2011 61926 A
(800) 785984
(151) 2002 07 16
(181) 2012 07 16
(511) 24

(260) AM 2011 61961 A
(800) 1069535
(151) 2010 12 09
(181) 2020 12 09
(511) 05, 29, 30

(260) AM 2011 61962 A
(800) 1069541
(151) 2010 12 10
(181) 2020 12 10
(511) 28

(260) AM 2011 62021 A
(800) 928775
(151) 2007 05 24
(181) 2017 05 24
(511) 05

(260) AM 2011 61966 A
(800) 1069549
(151) 2011 01 25
(181) 2021 01 25
(511) 38, 42, 45

(260) AM 2011 62023 A
(800) 1012460
(151) 2009 08 20
(181) 2019 08 20
(511) 01

(260) AM 2011 61967 A
(800) 1069560
(151) 2011 02 28
(181) 2021 02 28
(511) 05

(260) AM 2011 62024 A
(800) 1034295
(151) 2010 03 11
(181) 2020 03 11
(511) 09, 16, 35, 36

(260) AM 2011 61968 A
(800) 1069572
(151) 2010 11 10
(181) 2020 11 10
(511) 12

(260) AM 2011 62025 A
(800) 1056381
(151) 2010 09 14
(181) 2020 09 14
(511) 32, 33

(260) AM 2011 61971 A
(800) 1069586
(151) 2011 02 23
(181) 2021 02 23
(511) 30

(260) AM 2011 62032 A
(800) 1070284
(151) 2010 11 19
(181) 2020 11 19
(511) 06, 07, 09, 11, 12, 37, 41, 42

(260) AM 2011 61972 A
(800) 1069594
(151) 2011 02 03
(181) 2021 02 03
(511) 10

(260) AM 2011 62033 A
(800) 1070287
(151) 2011 02 11
(181) 2021 02 11
(511) 30

(260) AM 2011 61974 A
(800) 1069599
(151) 2011 01 11
(181) 2021 01 11
(511) 18, 25

(260) AM 2011 62050 A
(800) 1070289
(151) 2011 02 11
(181) 2021 02 11
(511) 30

(260) AM 2011 61975 A
(800) 1069602
(151) 2011 02 15
(181) 2021 02 15
(511) 05, 29, 30

(260) AM 2011 62051 A
(800) 1070290
(151) 2011 02 11
(181) 2021 02 11
(511) 30

(260) AM 2011 62053 A
(800) 1070292
(151) 2011 02 11
(181) 2021 02 11
(511) 30

(260) AM 2011 62054 A
(800) 1070293
(151) 2011 02 11
(181) 2021 02 11
(511) 30

(260) AM 2011 62057 A
(800) 1070295
(151) 2011 02 11
(181) 2021 02 11
(511) 30

(260) AM 2011 62058 A
(800) 1070296
(151) 2011 02 11
(181) 2021 02 11
(511) 30

(260) AM 2011 62059 A
(800) 1070297
(151) 2011 02 11
(181) 2021 02 11
(511) 30

(260) AM 2011 62060 A
(800) 1070353
(151) 2010 11 12
(181) 2020 11 12
(511) 36

OFFICIAL NOTIFICATIONS

INVENTIONS

RENEWAL OF A PATENTS

(11) P 2011 5178 B

(73) SILICIUM BECANCOUR INC. (CA)
6500 rue Yvon-Trudeau, Bécancour, Québec
G9H 2V8 (CA)

(54) **PROCESS AND APPARATUS FOR
PURIFYING LOW-GRADE SILICON
MATERIAL**

DATE OF RENEVAL: 2012 03 26

(11) P 2011 5182 B

(73) Raul Turmanidze (GE)
Revaz Bidzinashvili (GE)
Omar Rukhadze (GE)
Teimuraz Mosashvili (GE)

(54) **VARIABLE GEOMETRY PROPELLER**

DATE OF RENEVAL: 2012 03 26

(11) P 2006 3918 B

(73) Merckle GmbH (DE),
Ludwig- Merckle -Strasse 3, 89143
Blaubeuren (DE)

(54) **METHOD FOR THE PRODUCTION OF
6-(4-CHLOROPHENYL)-2,2-DIMETHYL-
7-PHENYL-2,3-DIHYDRO-1H-PYRRO-
LIZIN-5-YLACETIC ACID**

DATE OF RENEVAL: 2012 03 26

TRADEMARKS

RENEWAL OF REGISTRATIONS

(111) M 2001 13962 R1
(156) 2012 01 16
(186) 2021 07 20
(732) SH.P.S. "QARTU UNIVERSALI"
Kakhetis gzatketsili, me-2 chikhi N11,
0120, Tbilisi, Georgia

(111) M 2001 13963 R1
(156) 2012 01 16
(186) 2021 07 20
(732) SH.P.S. "QARTU UNIVERSALI"
Kakhetis gzatketsili, me-2 chikhi N11,
0120, Tbilisi, Georgia

(111) M 2001 13964 R1
(156) 2012 01 16
(186) 2021 07 20
(732) SH.P.S. "QARTU UNIVERSALI"
Kakhetis gzatketsili, me-2 chikhi N11,
0120, Tbilisi, Georgia

(111) M 2001 13965 R1
(156) 2012 01 16
(186) 2021 07 20
(732) SH.P.S. "QARTU UNIVERSALI"
Kakhetis gzatketsili, me-2 chikhi N11,
0120, Tbilisi, Georgia

(111) M 2001 13968 R1
(156) 2012 01 16
(186) 2021 07 20
(732) SH.P.S. "QARTU UNIVERSALI"
Kakhetis gzatketsili, me-2 chikhi N11,
0120, Tbilisi, Georgia

(111) M 2001 14124 R1
(156) 2012 03 01
(186) 2021 10 31
(732) Saaqtsio sazogadoeba "TBC-Banki"
Ilia Chavchavadzis gamz.11, 0179, Tbilisi,
Georgia

(111) M 2001 14212 R1
(156) 2011 12 17
(186) 2021 12 17
(732) MERCK SHARP & DOHME CORP.
One Merck Drive, P.O. Box 100, Whitehouse
Station, New Jersey 08889-0100, USA

(111) M 2001 14213 R1
(156) 2011 12 17
(186) 2021 12 17
(732) MERCK SHARP & DOHME CORP.
One Merck Drive, P.O. Box 100, Whitehouse
Station, New Jersey 08889-0100, USA

(111) M 2002 14277 R1
(156) 2012 02 09
(186) 2022 02 01
(732) BERLIN-CHEMIE AG
Glienicke Weg 125, D-12489, Berlin,
Germany

(111) M 2002 14278 R1
(156) 2012 02 09
(186) 2022 02 01
(732) BERLIN-CHEMIE AG
Glienicke Weg 125, D-12489, Berlin,
Germany

(111) M 2002 14280 R1
(156) 2012 02 09
(186) 2022 02 01
(732) MENARINI INTERNATIONAL
OPERATIONS LUXEMBURG S.A.
1, Avenue De La Gare, 1611 Luxembourg,
Luxembourg

(111) M 2002 14311 R1
(156) 2012 02 18
(186) 2022 02 18
(732) PIONEER INVESTMENT MANAGEMENT
USA INC.
60 State Street, Boston, Massachusetts 02109,
USA

(111) M 2002 14312 R1
 (156) 2012 02 18
 (186) 2022 02 18
 (732) PIONEER Investment Management USA Inc.
 60 State Street, Boston, Massachusetts 02109,
 USA

OPERATIONS LUXEMBURG S.A.
 1, Avenue De La Gare, 1611 Luxembourg,
 Luxembourg

(111) M 2002 14357 R1
 (156) 2012 03 27
 (186) 2022 03 27
 (732) HUMAN Gesellschaft für Biochemica und
 Diagnostica mbH
 Max-Planck-Ring 21, 65205 Wiesbaden,
 Germany

(111) M 2002 14378 R1
 (156) 2012 03 27
 (186) 2022 03 27
 (732) GENETICS INSTITUTE, LLC
 87, Cambridge Park Drive, Cambridge,
 Massachusetts 02140, USA

(111) M 2002 14363 R1
 (156) 2012 03 27
 (186) 2022 03 27
 (732) MENARINI INTERNATIONAL
 OPERATIONS LUXEMBURG S.A.
 1, Avenue De La Gare, 1611 Luxembourg,
 Luxembourg

(111) M 2002 14394 R1
 (156) 2012 03 27
 (186) 2022 03 27
 (732) Cerveceria Modelo, S.A. de C.V.
 Lago Alberto N156, Colonia Anahuac,
 11320 Mexico, D.F., Mexico

(111) M 2002 14372 R1
 (156) 2012 03 27
 (186) 2022 03 27
 (732) MENARINI INTERNATIONAL
 OPERATIONS LUXEMBURG S.A.
 1, Avenue De La Gare, 1611 Luxembourg,
 Luxembourg

(111) M 2002 14395 R1
 (156) 2012 03 27
 (186) 2022 03 27
 (732) Cerveceria Modelo, S.A. de C.V.
 Lago Alberto N156, Colonia Anahuac,
 11320 Mexico, D.F., Mexico

(111) M 2002 14373 R1
 (156) 2012 03 27
 (186) 2022 03 27
 (732) MENARINI INTERNATIONAL
 OPERATIONS LUXEMBURG S.A.
 1, Avenue De La Gare, 1611 Luxembourg,
 Luxembourg

(111) M 2002 14437 R1
 (156) 2012 05 01
 (186) 2022 05 01
 (732) JO MALONE INC. (a Delaware Corporation)
 767 Fifth Avenue, New York, New York
 10153, USA

(111) M 2002 14376 R1
 (156) 2012 03 27
 (186) 2022 03 27
 (732) MENARINI INTERNATIONAL
 OPERATIONS LUXEMBURG S.A.
 1, Avenue De La Gare, 1611 Luxembourg,
 Luxembourg

(111) M 2002 14438 R1
 (156) 2012 05 01
 (186) 2022 05 01
 (732) JO MALONE INC. (a Delaware Corporation)
 767 Fifth Avenue, New York, New York
 10153, USA

(111) M 2002 14377 R1
 (156) 2012 03 27
 (186) 2022 03 27
 (732) MENARINI INTERNATIONAL

(111) M 2002 14441 R1
 (156) 2012 05 01
 (186) 2022 05 01
 (732) STOKELY-VAN CAMP, INC.
 an Indiana corporation
 555 West Monroe Street, Chicago, Illinois
 60661-3716, USA

(111) M 2002 14442 R1
 (156) 2012 05 01
 (186) 2022 05 01
 (732) STOKELY-VAN CAMP, INC.

an Indiana corporation
555 West Monroe Street, Chicago, Illinois
60661-3716, USA

(111) M 2002 14443 R1
(156) 2012 05 01
(186) 2022 05 01
(732) STOKELY-VAN CAMP, INC.
an Indiana corporation
555 West Monroe Street, Chicago, Illinois
60661-3716, USA

(111) M 2002 14477 R1
(156) 2012 05 24
(186) 2022 05 24
(732) THE COCA-COLA COMPANY
One Coca-Cola Plaza, Atlanta, Georgia 30313,
USA

(111) M 2002 14585 R1
(156) 2012 08 15
(186) 2022 08 15
(732) MARS, INCORPORATED (a Delaware
corporation)
6885 Elm Street, McLean, Virginia
22101-3883, USA

(111) M 2002 14597 R1
(156) 2012 08 15
(186) 2022 08 15
(732) SEBA DIS TICARET VE NAKLIYAT
ANONIM SIRKETI
Yakacik Yolu, Gallik Mahallesi, Giftlik
Mevkii, SAMANDRA-KARTAL,
ISTANBUL, Turkey

(111) M 2002 14598 R1
(156) 2012 08 15
(186) 2022 08 15
(732) SEBA DIS TICARET VE NAKLIYAT
ANONIM SIRKETI
Yakacik Yolu, Gallik Mahallesi, Giftlik
Mevkii, SAMANDRA-KARTAL,
ISTANBUL, Turkey

(111) M 2002 14599 R1
(156) 2012 08 15
(186) 2022 08 15
(732) SEBA DIS TICARET VE NAKLIYAT
ANONIM SIRKETI
Yakacik Yolu, Gallik Mahallesi, Giftlik

Mevkii, SAMANDRA-KARTAL,
ISTANBUL, Turkey

(111) M 2002 14620 R1
(156) 2012 09 13
(186) 2022 09 13
(732) MARS, INCORPORATED,
a Delaware corporation
6885 Elm Street, McLean, Virginia
22101-3883, USA

(111) M 2002 14627 R1
(156) 2012 09 13
(186) 2022 09 13
(732) MARS, INCORPORATED (a Delaware
corporation)
6885 Elm Street, McLean, Virginia
22101-3883, USA

(111) M 2002 14629 R1
(156) 2012 09 13
(186) 2022 09 13
(732) MARS, INCORPORATED (a Delaware
corporation)
6885 Elm Street, McLean, Virginia
22101-3883, USA

(111) M 2002 14632 R1
(156) 2012 09 13
(186) 2022 09 13
(732) MARS, INCORPORATED (a Delaware
corporation)
6885 Elm Street, McLean, Virginia
22101-3883, USA

(111) M 2002 14710 R1
(156) 2012 10 15
(186) 2022 10 15
(732) MERCK SHARP & DOHME CORP.
One Merck Drive, P.O. Box 100, Whitehouse
Station, New Jersey 08889-0100, USA

(111) M 2002 14735 R1
(156) 2012 10 15
(186) 2022 10 15
(732) KNORR NÄHRMITTEL
AKTIENGESELLSCHAFT
Bahnhofstrasse 19, 8240 THAYNGEN,
Switzerland

COMPLETE TRANSFER OF RIGHTS

(111) M 1998 011264 R1
(732) PRESTIGE BRANDS INTERNATIONAL,
INC.
90 North Broadway, Irvington, New York,
10533, USA
(770) JOHNSON & JOHNSON
One Johnson & Johnson Plaza, New
Brunswick, New Jersey 08933-7001, USA
(580) 2012 03 07

(111) M 2003 014936 R
(732) FRAM Group IP LLC
39 Old Ridgebury Road, Danbury,
Connecticut 06810-5109, USA
(770) HONEYWELL INTERNATIONAL INC.
101 Columbia Road, Morristown,
NJ 07962-2245, USA
(580) 2012 03 07

(111) M 2004 015531 R
(732) OOO "PROFIT-S"
Zagorievskaya street, h.10, bld.4, 115598
Moscow, Russian Federation
(770) OOO "ТВМ-ТРЕЙД"
улица Севанская, дом 15, город Москва
115516, Russian Federation
(580) 2012 03 13

(111) M 2004 015532 R
(732) OOO "PROFIT-S"
Zagorievskaya street, h.10, bld.4, 115598
Moscow, Russian Federation
(770) OOO "ТВМ-ТРЕЙД"
улица Севанская, дом 15, город Москва
115516, Russian Federation
(580) 2012 03 13

(111) M 2004 015533 R
(732) OOO "PROFIT-S"
Zagorievskaya street, h.10, bld.4, 115598
Moscow, Russian Federation
(770) OOO "ТВМ-ТРЕЙД"
улица Севанская, дом 15, город Москва
115516, Russian Federation
(580) 2012 03 13

(111) M 2004 015534 R
(732) OOO "PROFIT-S"
Zagorievskaya street, h.10, bld.4, 115598
Moscow, Russian Federation
(770) OOO "ТВМ-ТРЕЙД"
улица Севанская, дом 15, город Москва
115516, Russian Federation
(580) 2012 03 13

(111) M 2004 015535 R
(732) OOO "PROFIT-S"
Zagorievskaya street, h.10, bld.4, 115598
Moscow, Russian Federation
(770) OOO "ТВМ-ТРЕЙД"
улица Севанская, дом 15, город Москва
(580) 2012 03 13

(111) M 2006 016699 R
(732) GULF INTERNATIONAL LUBRICANTS,
LTD.
Canon's Court, 22 Victoria Street,
HM12 Hamilton, Bermuda
(770) GULF OIL MARKETING GESMBH
c/o, ZH Hrn Dr. Friedrich Bubla,
Biondegasse 4, 2500 Baden, Austria
(580) 2012-03-07

(111) M 2006 016767 R
(732) PALDO CO., LTD
577 Gangnamdaero, (7-th Floor, Jamwon-
Dong), Seocho-Gu, Seoul, Republic of Korea
(770) KOREA YAKULT CO., LTD.
28-10, Jamwon-dong, Seocho-gu, Seoul,
137-030, Republic of Korea
(580) 2012 03 07

(111) M 2007 017639 R
(732) FRAM Group IP LLC
39 Old Ridgebury Road, Danbury,
Connecticut 06810-5109, USA
(770) Honeywell International Inc., a Delaware
Corporation
101 Columbia Road, Morristown, NJ 07962,
USA
(580) 2012 03 07

(111) M 2009 019776 R
(732) INTERVET INTERNATIONAL B.V.
Wim de Körperstraat 35, NL-5831,
AN Boxmeer, Netherlands
(770) SCHERING-PLOUGH LTD.
Weystrasse 20, CH- 6000 LUCERNE 6,
Switzerland
(580) 2012 03 13

(111) M 2009 019777 R
(732) INTERVET INTERNATIONAL B.V.
Wim de Körperstraat 35, NL-5831,
AN Boxmeer, Netherlands
(770) SCHERING-PLOUGH LTD.
Weystrasse 20, CH- 6000 LUCERNE 6,
Switzerland
(580) 2012 03 13

(111) M 2009 019778 R
(732) INTERVET INTERNATIONAL B.V.
Wim de Körperstraat 35, NL-5831,
AN Boxmeer, Netherlands
(770) SCHERING-PLOUGH LTD.
Weystrasse 20, CH- 6000 LUCERNE 6,
Switzerland
(580) 2012 03 13

(111) M 2009 019779 R
(732) INTERVET INTERNATIONAL B.V.
Wim de Körperstraat 35, NL-5831,
AN Boxmeer, Netherlands
(770) SCHERING-PLOUGH LTD.
Weystrasse 20, CH- 6000 LUCERNE 6,
Switzerland
(580) 2012 03 13

(111) M 2009 019780 R
(732) INTERVET INTERNATIONAL B.V.
Wim de Körperstraat 35, NL-5831,
AN Boxmeer, Netherlands
(770) SCHERING-PLOUGH LTD.
Weystrasse 20, CH- 6000 LUCERNE 6,
Switzerland
(580) 2012 03 13

(111) M 2009 019781 R
(732) INTERVET INTERNATIONAL B.V.
Wim de Körperstraat 35, NL-5831,
AN Boxmeer, Netherlands
(770) SCHERING-PLOUGH LTD.
Weystrasse 20, CH- 6000 LUCERNE 6,
Switzerland
(580) 2012 03 13

(111) M 2009 019782 R
(732) INTERVET INTERNATIONAL B.V.
Wim de Körperstraat 35, NL-5831,
AN Boxmeer, Netherlands
(770) SCHERING-PLOUGH LTD.
Weystrasse 20, CH- 6000 LUCERNE 6,
Switzerland
(580) 2012 03 13

(111) M 2009 019783 R
(732) INTERVET INTERNATIONAL B.V.
Wim de Körperstraat 35, NL-5831,
AN Boxmeer, Netherlands
(770) SCHERING-PLOUGH LTD.
Weystrasse 20, CH- 6000 LUCERNE 6,
Switzerland
(580) 2012 03 13

(111) M 1997 007189 R1
(732) SIGMA-ALDRICH CO., Newco Inc.,
3050 Spruce Street, St. Louis, Missouri,
63103, USA
(770) SIGMA-ALDRICH CO., an Illinois
Corporation,
3050 Spruce Street, St. Louis, Missouri,
63103, USA
(580) 2012 03 07

(111) M 1997 007194 R1
(732) SIGMA-ALDRICH CO., Newco Inc.,
3050 Spruce Street, St. Louis, Missouri,
63103, USA
(770) SIGMA-ALDRICH CO., an Illinois
Corporation,
3050 Spruce Street, St. Louis, Missouri,
63103, USA
(580) 2012 03 07

(111) M 1997 007495 R1
(732) RED DIAMOND HOLDINGS SÀRL
1B, Heienhaff, L-1736 Senningerberg,
Luxembourg
(770) DOSERNO TRADING LIMITED
Lemesou 11, Galatariotis Building 2 nd Floor,
P.C. 2112 Nicosia, Cyprus
(580) 2012 03 07

CHANGES IN NAMES AND/OR ADDRESSES OF OWNERS

(111) M 1996 001559 R1
(732) Reebok-CCM Hockey AB
c/o Jofa Ab, Box 66, 782 22 MALUNG,
Sweden
(770) REEBOK JOFA AB
Vaestra Industrigatan 10, 78233 Malung,
Sweden
(580) 2012 03 14

(111) M 2005 016067 R
(732) SH.P.S GICHI-SKOLA JEJILI
Atenis q.18, Tbilisi, Georgia
(770) SH.P.S. "GICHI"
Atenis shesakhv., 18, bina 12, 0179, Tbilisi,
Georgia
(580) 2012 03 07

(111) M 1997 007189 R1
(732) SIGMA-ALDRICH CO. LLC
3050 Spruce Street, St. Louis, Missouri,
63103, USA
(770) SIGMA-ALDRICH CO., NEWCO INC.
3050 Spruce Street, St. Louis, Missouri,
63103, USA
(580) 2012 03 07

(111) M 1997 007194 R1
(732) SIGMA-ALDRICH CO. LLC
3050 Spruce Street, St. Louis, Missouri,
63103, USA
(770) SIGMA-ALDRICH CO., NEWCO INC.
3050 Spruce Street, St. Louis, Missouri,
63103, USA
(580) 2012 03 07

CLASSIFICATION INDEXES

INVENTIONS

CONCORDANCE TABLE OF INTERNATIONAL CLASSIFICATION INDEX WITH REFERENCE TO NUMBERS OF PUBLISHED APPLICATIONS

INTERNATIONAL CLASSIFICATION INDEXES (51)	NUMBER OF PUBLISHED APPLICATION (10)
A 61 K 31/52; A 61 K 31/496; A 61 K 31/4747; C 07 D 473/02; C 07 D 487/04	AP 2012 10125 A
A 61 K 31/416; A 61 P 3/04; A 61 P 3/06; A 61 P 3/10; A 61 P 9/00; A 61 P 35/00	AP 2012 11327 A
A 61 P 25/00; A 61 K 31/55; C 07 D 223/16	AP 2012 10473 A
C 07 D 207/273; C 07 D 209/54; A 61 K 31/4015; A 61 P 5/00; A 61 P 15/12; A 61 P 19/10	AP 2012 11715 A
C 07 D 211/94; C 07 D 471/10; A 01 N 43/90	AP 2012 11795 A
C 07 D 471/04	AP 2012 11911 A
C 07 K 14/47; A 61 K 38/16	AP 2012 11265 A

CONCORDANCE TABLE OF NUMBERS OF PUBLISHED APPLICATIONS WITH REFERENCE TO INTERNATIONAL CLASSIFICATION INDEX

NUMBER OF PUBLISHED APPLICATION (10)	INTERNATIONAL CLASSIFICATION INDEXES (51)
AP 2012 10125 A	A 61 K 31/52; A 61 K 31/496; A 61 K 31/4747; C 07 D 473/02; C 07 D 487/04
AP 2012 10473 A	A 61 P 25/00; A 61 K 31/55; C 07 D 223/16
AP 2012 11265 A	C 07 K 14/47; A 61 K 38/16
AP 2012 11327 A	A 61 K 31/416; A 61 P 3/04; A 61 P 3/06; A 61 P 3/10; A 61 P 9/00; A 61 P 35/00
AP 2012 11715 A	C 07 D 207/273; C 07 D 209/54; A 61 K 31/4015; A 61 P 5/00; A 61 P 15/12; A 61 P 19/10
AP 2012 11795 A	C 07 D 211/94; C 07 D 471/10; A 01 N 43/90
AP 2012 11911 A	C 07 D 471/04

**CONCORDANCE TABLE OF INTERNATIONAL CLASSIFICATION INDEX
WITH REFERENCE TO NUMBERS OF PATENTS AND NUMBERS
OF PUBLISHED APPLICATIONS**

INTERNATIONAL CLASSIFICATION INDEX (51)	NUMBER OF PATENT (11)	NUMBER OF PUBLISHED APPLICATION (10)
1	2	3
A 01 B 41/04	P 2012 5424 B	AP 2011 11783 A
A 01 B 49/00	P 2012 5423 B	AP 2011 11729 A
A 43 B 7/12; A 43 B 7/08; A 43 B 9/00	P 2012 5431 B	AP 2011 10494 A
A 61 C 2/06	P 2012 5448 B	AP 2011 11834 A
A 61 K 31/568; A 61 K 47/14; A 61 K 9/06; A 61 K 47/32; A 61 K 47/10; A 61 P 15/00	P 2012 5432 B	AP 2011 10611 A
A 61 K 47/34; A 61 K 9/20; A 61 K 31/4245; A 61 K 47/38	P 2012 5420 B	AP 2011 11154 A
A 61 P 25/30, 25/36	P 2012 5454 B	AP 2011 9184 A
B 02 C 1/00	P 2012 5445 B	AP 2011 11683 A
B 24 B 9/18	P 2012 5443 B	AP 2011 11616 A
B 25 G 9/00	P 2012 5450 B	AP 2011 11855 A
B 25 G 9/00	P 2012 5451 B	AP 2011 11861 A
B 25 J 9/00; F 16 H 21/00	P 2012 5447 B	AP 2011 11813 A
B 25 J 9/00; F 16 H 21/00	P 2012 5449 B	AP 2011 11843 A
B 25 J 9/00; F 16 H 21/08	P 2012 5452 B	AP 2011 11868 A
B 25 J 18/00	P 2012 5444 B	AP 2011 11643 A
B 30 B 9/00	P 2012 5422 B	AP 2011 11638 A
B 60 K 17/30	P 2012 5429 B	AP 2011 10030 A
B 63 B 1/00	P 2012 5455 B	AP 2011 9951 A
C 01 G 45/00; C 01 G 45/02;	P 2012 5453 B	AP 2011 11901 A
C 07 C 311/21; A 61 K 31/18; A 61 P 29/00; C 07 D 207/26; C 07 D 211/26; C 07 D 211/34; C 07 D 211/56; C 07 D 211/62; C 07 D 211/76; C 07 D 213/38; C 07 D 213/74; C 07 D 213/75; C 07 D 233/54; C 07 D 239/04; C 07 D 239/42	P 2012 5437 B	AP 2011 11270 A
C 07 D 205/04; C 07 D 205/06; C 07 D 401/06; C 07 D 401/12; C 07 D 401/14; C 07 D 403/04; C 07 D 403/06; C 07 D 403/12; C 07 D 405/12; C 07 D 409/06; C 07 D 409/12; C 07 D 413/12; C 07 D 413/14; C 07 D 417/12; C 07 D 471/04	P 2012 5456 B	AP 2011 10685 A
C 07 D 209/42; A 61 K 31/403	P 2012 5433 B	AP 2011 10918 A
C 07 D 209/48; C 07 D 401/06; A 61 K 31/4035; A 61 P 29/00	P 2012 5458 B	AP 2011 11178 A
C 07 D 213/75; A 61 K 31/44; A 61 P 1/00; A 61 P 11/06; A 61 P 19/02; A 61 P 25/28; A 61 P 29/00	P 2012 5426 B	AP 2011 11398 A
C 07 D 223/16	P 2012 5460 B	AP 2011 11741 A
C 07 D 223/16	P 2012 5446 B	AP 2011 11742 A
C 07 D 401/10; C 07 D 401/12; C 07 D 401/14; C 07 D 413/12; C 07 D 471/04; A 61 K 31/444; A 61 P 29/02	P 2012 5425 B	AP 2011 11226 A
C 07 D 471/04; A 61 K 31/4745; A 61 P 35/00	P 2012 5436 B	AP 2011 11260 A
C 07 D 487/04; A 61 K 31/55; A 61 P 35/00	P 2012 5459 B	AP 2011 11309 A
C 07 D 498/04; A 61 K 31/53; A 61 P 25/16; A 61 P 25/18; A 61 P 25/28	P 2012 5438 B	AP 2011 11384 A
E 02 D 29/02	P 2012 5457 B	AP 2011 10765 A
E 04 F 21/02	P 2012 5434 B	AP 2011 11020 A
F 02 B 57/00	P 2012 5430 B	AP 2011 10194 A

1	2	3
F 02 B 57/00	P 2012 5428 B	AP 2011 10024 A
F 16 C 3/30	P 2012 5440 B	AP 2011 11577 A
F 16 H 21/00	P 2012 5439 B	AP 2011 11539 A
F 16 H 21/00	P 2012 5441 B	AP 2011 11602 A
F 16 H 25/06	P 2012 5435 B	AP 2011 11218 A
F 23 C 1/00	P 2012 5421 B	AP 2011 10891 A
F 26 B 15/04	P 2012 5442 B	AP 2011 11615 A
H 04 L 1/18; G 08 C 25/02	P 2012 5427 B	AP 2011 9739 A

**CONCORDANCE TABLES OF NUMBERS OF PATENTS AND NUMBERS
OF PUBLISHED APPLICATIONS WITH REFERENCE
TO CLASSIFICATION INDEX**

NUMBER OF PATENT (11)	NUMBER OF PUBLISHED APPLICATION (10)	INTERNATIONAL CLASSIFICATION INDEX (51)
1	2	3
P 2012 5420 B	AP 2011 11154 A	A 61 K 47/34; A 61 K 9/20; A 61 K 31/4245; A 61 K 47/38
P 2012 5421 B	AP 2011 10891 A	F 23 C 1/00
P 2012 5422 B	AP 2011 11638 A	B 30 B 9/00
P 2012 5423 B	AP 2011 11729 A	A 01 B 49/00
P 2012 5424 B	AP 2011 11783 A	A 01 B 41/04
P 2012 5425 B	AP 2011 11226 A	C 07 D 401/10; C 07 D 401/12; C 07 D 401/14; C 07 D 413/12; C 07 D 471/04; A 61 K 31/444; A 61 P 29/02
P 2012 5426 B	AP 2011 11398 A	C 07 D 213/75; A 61 K 31/44; A 61 P 1/00; A 61 P 11/06; A 61 P 19/02; A 61 P 25/28; A 61 P 29/00
P 2012 5427 B	AP 2011 9739 A	H 04 L 1/18; G 08 C 25/02
P 2012 5428 B	AP 2011 10024 A	F 02 B 57/00
P 2012 5429 B	AP 2011 10030 A	B 60 K 17/30
P 2012 5430 B	AP 2011 10194 A	F 02 B 57/00
P 2012 5431 B	AP 2011 10494 A	A 43 B 7/12; A 43 B 7/08; A 43 B 9/00
P 2012 5432 B	AP 2011 10611 A	A 61 K 31/568; A 61 K 47/14; A 61 K 9/06; A 61 K 47/32; A 61 K 47/10; A 61 P 15/00
P 2012 5433 B	AP 2011 10918 A	C 07 D 209/42; A 61 K 31/403
P 2012 5434 B	AP 2011 11020 A	E 04 F 21/02
P 2012 5435 B	AP 2011 11218 A	F 16 H 25/06
P 2012 5436 B	AP 2011 11260 A	C 07 D 471/04; A 61 K 31/4745; A 61 P 35/00
P 2012 5437 B	AP 2011 11270 A	C 07 C 311/21; A 61 K 31/18; A 61 P 29/00; C 07 D 207/26; C 07 D 211/26; C 07 D 211/34; C 07 D 211/56; C 07 D 211/62; C 07 D 211/76; C 07 D 213/38; C 07 D 213/74; C 07 D 213/75; C 07 D 233/54; C 07 D 239/04; C 07 D 239/42
P 2012 5438 B	AP 2011 11384 A	C 07 D 498/04; A 61 K 31/53; A 61 P 25/16; A 61 P 25/18; A 61 P 25/28
P 2012 5439 B	AP 2011 11539 A	F 16 H 21/00
P 2012 5440 B	AP 2011 11577 A	F 16 C 3/30
P 2012 5441 B	AP 2011 11602 A	F 16 H 21/00
P 2012 5442 B	AP 2011 11615 A	F 26 B 15/04
P 2012 5443 B	AP 2011 11616 A	B 24 B 9/18
P 2012 5444 B	AP 2011 11643 A	B 25 J 18/00
P 2012 5445 B	AP 2011 11683 A	B 02 C 1/00
P 2012 5446 B	AP 2011 11742 A	C 07 D 223/16
P 2012 5447 B	AP 2011 11813 A	B 25 J 9/00; F 16 H 21/00

1	2	3
P 2012 5448 B	AP 2011 11834 A	A 61 C 2/06
P 2012 5449 B	AP 2011 11843 A	B 25 J 9/00; F 16 H 21/00
P 2012 5450 B	AP 2011 11855 A	B 25 G 9/00
P 2012 5451 B	AP 2011 11861 A	B 25 G 9/00
P 2012 5452 B	AP 2011 11868 A	B 25 J 9/00; F 16 H 21/08
P 2012 5453 B	AP 2011 11901 A	C 01 G 45/00; C 01 G 45/02;
P 2012 5454 B	AP 2011 9184 A	A 61 P 25/30, 25/36
P 2012 5455 B	AP 2011 9951 A	B 63 B 1/00
P 2012 5456 B	AP 2011 10685 A	C 07 D 205/04; C 07 D 205/06; C 07 D 401/06; C 07 D 401/12; C 07 D 401/14; C 07 D 403/04; C 07 D 403/06; C 07 D 403/12; C 07 D 405/12; C 07 D 409/06; C 07 D 409/12; C 07 D 413/12; C 07 D 413/14; C 07 D 417/12; C 07 D 471/04
P 2012 5457 B	AP 2011 10765 A	E 02 D 29/02
P 2012 5458 B	AP 2011 11178 A	C 07 D 209/48; C 07 D 401/06; A 61 K 31/4035; A 61 P 29/00
P 2012 5459 B	AP 2011 11309 A	C 07 D 487/04; A 61 K 31/55; A 61 P 35/00
P 2012 5460 B	AP 2011 11741 A	C 07 D 223/16

**CONCORDANCE TABLE OF NUMBERS OF APPLICATIONS, NUMBERS
OF PUBLISHED APPLICATIONS AND NUMBERS OF PATENTS**

NUMBER OF APPLICATION (21)	NUMBER OF PUBLISHED APPLICATION (10)	NUMBER OF PATENT (11)
1	2	3
AP 2004 009184	AP 2011 9184 A	P 2012 5454 B
AP 2005 009739	AP 2011 9739 A	P 2012 5427 B
AP 2007 009951	AP 2011 9951 A	P 2012 5455 B
AP 2007 010024	AP 2011 10024 A	P 2012 5428 B
AP 2007 010030	AP 2011 10030 A	P 2012 5429 B
AP 2007 010194	AP 2011 10194 A	P 2012 5430 B
AP 2006 010494	AP 2011 10494 A	P 2012 5431 B
AP 2006 010611	AP 2011 10611 A	P 2012 5432 B
AP 2006 010685	AP 2011 10685 A	P 2012 5456 B
AP 2006 010765	AP 2011 10765 A	P 2012 5457 B
AP 2008 010891	AP 2011 10891 A	P 2012 5421 B
AP 2007 010918	AP 2011 10918 A	P 2012 5433 B
AP 2008 011020	AP 2011 11020 A	P 2012 5434 B
AP 2007 011154	AP 2011 11154 A	P 2012 5420 B
AP 2007 011178	AP 2011 11178 A	P 2012 5458 B
AP 2009 011218	AP 2011 11218 A	P 2012 5435 B
AP 2007 011226	AP 2011 11226 A	P 2012 5425 B
AP 2007 011260	AP 2011 11260 A	P 2012 5436 B
AP 2007 011270	AP 2011 11270 A	P 2012 5437 B
AP 2007 011309	AP 2011 11309 A	P 2012 5459 B
AP 2007 011384	AP 2011 11384 A	P 2012 5438 B
AP 2008 011398	AP 2011 11398 A	P 2012 5426 B
AP 2009 011539	AP 2011 11539 A	P 2012 5439 B
AP 2009 011577	AP 2011 11577 A	P 2012 5440 B
AP 2009 011602	AP 2011 11602 A	P 2012 5441 B
AP 2009 011615	AP 2011 11615 A	P 2012 5442 B
AP 2009 011616	AP 2011 11616 A	P 2012 5443 B
AP 2010 011643	AP 2011 11643 A	P 2012 5444 B
AP 2010 011683	AP 2011 11683 A	P 2012 5445 B

1	2	3
AP 2010 011729	AP 2011 11729 A	P 2012 5423 B
AP 2010 011741	AP 2011 11741 A	P 2012 5460 B
AP 2010 011742	AP 2011 11742 A	P 2012 5446 B
AP 2010 011783	AP 2011 11783 A	P 2012 5424 B
AP 2010 011813	AP 2011 11813 A	P 2012 5447 B
AP 2010 011834	AP 2011 11834 A	P 2012 5448 B
AP 2010 011843	AP 2011 11843 A	P 2012 5449 B
AP 2010 011855	AP 2011 11855 A	P 2012 5450 B
AP 2010 011861	AP 2011 11861 A	P 2012 5451 B
AP 2010 011868	AP 2011 11868 A	P 2012 5452 B
AP 2010 011901	AP 2011 11901 A	P 2012 5453 B

UTILITY MODELS

CONCORDANCE TABLE OF INTERNATIONAL CLASSIFICATION INDEX WITH REFERENCE TO NUMBERS OF PATENTS AND NUMBERS OF PUBLISHED APPLICATIONS

INTERNATIONAL CLASSIFICATION INDEX (51)	NUMBER OF PATENT (11)	NUMBER OF PUBLISHED APPLICATION (10)
A 23 F 3/00; A 23 F 3/40	U 2012 1707 Y	AU 2011 12112 U
A 23 G 3/00	U 2012 1715 Y	AU 2011 12227 U
A 23 L 1/09;	U 2012 1710 Y	AU 2011 12149 U
A 23 L 1/09	U 2012 1708 Y	AU 2011 12147 U
A 23 L 1/09	U 2012 1709 Y	AU 2011 12148 U
A 23 L 1/09	U 2012 1711 Y	AU 2011 12150 U
A 23 L 1/09	U 2012 1712 Y	AU 2011 12151 U
A 23 L 2/00	U 2012 1702 Y	AU 2011 12086 U
A 23 L 2/00	U 2012 1703 Y	AU 2011 12088 U
A 23 L 2/00	U 2012 1705 Y	AU 2011 12089 U
A 61 K 9/68, 33/10	U 2012 1713 Y	AU 2011 12183 U
A 61 K 47/06, 9/22, 31/495	U 2012 1704 Y	AU 2011 12185 U
F 24 C 3/08	U 2012 1706 Y	AU 2011 12104 U
H 02 J 7/32	U 2012 1714 Y	AU 2011 12225 U

**CONCORDANCE TABLES OF NUMBERS OF PATENTS AND NUMBERS
OF PUBLISHED APPLICATIONS WITH REFERENCE
TO CLASSIFICATION INDEX**

NUMBER OF PATENT (11)	NUMBER OF PUBLISHED APPLICATION (10)	INTERNATIONAL CLASSIFICATION INDEX (51)
U 2012 1702 Y	AU 2011 12086 U	A 23 L 2/00
U 2012 1703 Y	AU 2011 12088 U	A 23 L 2/00
U 2012 1704 Y	AU 2011 12185 U	A 61 K 47/06, 9/22, 31/495
U 2012 1705 Y	AU 2011 12089 U	A 23 L 2/00
U 2012 1706 Y	AU 2011 12104 U	F 24 C 3/08
U 2012 1707 Y	AU 2011 12112 U	A 23 F 3/00; A 23 F 3/40
U 2012 1708 Y	AU 2011 12147 U	A 23 L 1/09
U 2012 1709 Y	AU 2011 12148 U	A 23 L 1/09
U 2012 1710 Y	AU 2011 12149 U	A 23 L 1/09;
U 2012 1711 Y	AU 2011 12150 U	A 23 L 1/09
U 2012 1712 Y	AU 2011 12151 U	A 23 L 1/09
U 2012 1713 Y	AU 2011 12183 U	A 61 K 9/68, 33/10
U 2012 1714 Y	AU 2011 12225 U	H 02 J 7/32
U 2012 1715 Y	AU 2011 12227 U	A 23 G 3/00

**CONCORDANCE TABLE OF NUMBERS OF APPLICATIONS, NUMBERS
OF PUBLISHED APPLICATIONS AND NUMBERS OF PATENTS**

NUMBER OF APPLICATION (21)	NUMBER OF PUBLISHED APPLICATION (10)	NUMBER OF PATENT (11)
AU 2011 012086	AU 2011 12086 U	U 2012 1702 Y
AU 2011 012088	AU 2011 12088 U	U 2012 1703 Y
AU 2011 012089	AU 2011 12089 U	U 2012 1705 Y
AU 2011 012104	AU 2011 12104 U	U 2012 1706 Y
AU 2011 012112	AU 2011 12112 U	U 2012 1707 Y
AU 2011 012147	AU 2011 12147 U	U 2012 1708 Y
AU 2011 012148	AU 2011 12148 U	U 2012 1709 Y
AU 2011 012149	AU 2011 12149 U	U 2012 1710 Y
AU 2011 012150	AU 2011 12150 U	U 2012 1711 Y
AU 2011 012151	AU 2011 12151 U	U 2012 1712 Y
AU 2011 012183	AU 2011 12183 U	U 2012 1713 Y
AU 2011 012185	AU 2011 12185 U	U 2012 1704 Y
AU 2011 012225	AU 2011 12225 U	U 2012 1714 Y
AU 2011 012227	AU 2011 12227 U	U 2012 1715 Y

**DESIGN REGISTERED ACCORDING TO THE
ACCELERATED PROCEDURE**

**CONCORDANCE TABLE OF INTERNATIONAL CLASSIFICATION INDEX
WITH REFERENCE TO NUMBERS OF PATENTS**

INTERNATIONAL CLASSIFICATION INDEX (51)	NUMBER OF PATENT (11)
09-01	D 2012 491 S

**CONCORDANCE TABLES OF NUMBERS OF PATENTS AND INTERNATIONAL
CLASSIFICATION INDEX**

NUMBER OF PATENT (11)	INTERNATIONAL CLASSIFICATION INDEX (51)
D 2012 491 S	09-01

**CONCORDANCE TABLE OF NUMBERS OF APPLICATIONS
AND NUMBERS OF PATENTS**

NUMBER OF APPLICATION (21)	NUMBER OF PATENT (11)
AD 2012 000689	D 2012 491 S

TRADEMARKS

CONCORDANCE TABLE OF NUMBERS OF REGISTRATIONS OF TRADEMARKS, NUMBERS OF APPLICATIONS, NUMBERS OF PUBLISHED APPLICATIONS WITH REFERENCE TO NUMBERS OF BULLETINS

NUMBER OF REGISTRATION (111)	NUMBER OF APPLICATION (210)	NUMBER OF PUBLISHED APPLICATION (260)	NUMBER OF BULLETIN
1	2	3	4
M 2011 22033 R	AM 2010 58745	AM 2011 58745 A	Nº9(325) 2011
M 2011 22058 R	AM 2010 58992	AM 2011 58992 A	Nº11(327) 2011
M 2011 22102 R	AM 2010 60583	AM 2011 60583 A	Nº15(331) 2011
M 2012 22318 R	AM 2010 59539	AM 2011 59539 A	Nº20(336) 2011
M 2012 22320 R	AM 2010 60294	AM 2011 60294 A	Nº16(332) 2011
M 2012 22324 R	AM 2010 60486	AM 2011 60486 A	Nº16(332) 2011
M 2012 22327 R	AM 2010 60590	AM 2011 60590 A	Nº16(332) 2011
M 2012 22328 R	AM 2010 60591	AM 2011 60591 A	Nº16(332) 2011
M 2012 22329 R	AM 2010 60592	AM 2011 60592 A	Nº16(332) 2011
M 2012 22330 R	AM 2010 60593	AM 2011 60593 A	Nº16(332) 2011
M 2012 22331 R	AM 2010 60594	AM 2011 60594 A	Nº16(332) 2011
M 2012 22340 R	AM 2011 60833	AM 2011 60833 A	Nº16(332) 2011
M 2012 22349 R	AM 2011 60992	AM 2011 60992 A	Nº21(337) 2011
M 2012 22359 R	AM 2011 61497	AM 2011 61497 A	Nº20(336) 2011
M 2012 22366 R	AM 2011 61533	AM 2011 61533 A	Nº20(336) 2011
M 2012 22368 R	AM 2011 61597	AM 2011 61597 A	Nº20(336) 2011
M 2012 22369 R	AM 2011 61615	AM 2011 61615 A	Nº20(336) 2011
M 2012 22371 R	AM 2011 61706	AM 2011 61706 A	Nº20(336) 2011
M 2012 22379 R	AM 2012 66236	-	Nº6(346) 2012
M 2012 22380 R	AM 2012 66237	-	Nº6(346) 2012
M 2012 22381 R	AM 2012 66238	-	Nº6(346) 2012
M 2012 22382 R	AM 2012 66239	-	Nº6(346) 2012
M 2012 22383 R	AM 2012 66240	-	Nº6(346) 2012
M 2012 22384 R	AM 2012 66241	-	Nº6(346) 2012
M 2012 22385 R	AM 2012 66244	-	Nº6(346) 2012
M 2012 22386 R	AM 2012 65762	-	Nº6(346) 2012
M 2012 22387 R	AM 2012 65866	-	Nº6(346) 2012
M 2012 22388 R	AM 2012 65869	-	Nº6(346) 2012
M 2012 22389 R	AM 2012 66218	-	Nº6(346) 2012
M 2012 22390 R	AM 2012 66391	-	Nº6(346) 2012
M 2012 22391 R	AM 2012 65820	-	Nº6(346) 2012
M 2012 22392 R	AM 2012 66329	-	Nº6(346) 2012
M 2012 22393 R	AM 2012 66248	-	Nº6(346) 2012
M 2012 22394 R	AM 2012 66386	-	Nº6(346) 2012
M 2012 22795 R	AM 2012 66366	-	Nº6(346) 2012
M 2012 22396 R	AM 2010 59309	AM 2011 59309 A	Nº22(338) 2011
M 2012 22397 R	AM 2010 59830	AM 2011 59830 A	Nº16(332) 2011
M 2012 22398 R	AM 2010 60376	AM 2011 60376 A	Nº22(338) 2011
M 2012 22399 R	AM 2010 60381	AM 2011 60381 A	Nº16(332) 2011
M 2012 22400 R	AM 2010 60382	AM 2011 60382 A	Nº16(332) 2011
M 2012 22401 R	AM 2010 60383	AM 2011 60383 A	Nº16(332) 2011
M 2012 22402 R	AM 2010 60442	AM 2011 60442 A	Nº20(336) 2011

1	2	3	4
M 2012 22403 R	AM 2010 60559	AM 2011 60559 A	Nº15(331) 2011
M 2012 22404 R	AM 2010 60596	AM 2011 60596 A	Nº16(332) 2011
M 2012 22405 R	AM 2010 60599	AM 2011 60599 A	Nº15(331) 2011
M 2012 22406 R	AM 2010 60767	AM 2011 60767 A	Nº16(332) 2011
M 2012 22407 R	AM 2011 60836	AM 2011 60836 A	Nº20(336) 2011
M 2012 22408 R	AM 2011 60950	AM 2011 60950 A	Nº20(336) 2011
M 2012 22409 R	AM 2011 60994	AM 2011 60994 A	Nº20(336) 2011
M 2012 22410 R	AM 2011 60995	AM 2011 60995 A	Nº20(336) 2011
M 2012 22411 R	AM 2011 60996	AM 2011 60996 A	Nº20(336) 2011
M 2012 22412 R	AM 2011 60997	AM 2011 60997 A	Nº20(336) 2011
M 2012 22413 R	AM 2011 60998	AM 2011 60998 A	Nº22(338) 2011
M 2012 22414 R	AM 2011 61004	AM 2011 61004 A	Nº20(336) 2011
M 2012 22415 R	AM 2011 61062	AM 2011 61062 A	Nº22(338) 2011
M 2012 22416 R	AM 2011 61130	AM 2011 61130 A	Nº19(335) 2011
M 2012 22417 R	AM 2011 61269	AM 2011 61269 A	Nº22(338) 2011
M 2012 22418 R	AM 2011 61311	AM 2011 61311 A	Nº21(337) 2011
M 2012 22419 R	AM 2011 61379	AM 2011 61379 A	Nº22(338) 2011
M 2012 22420 R	AM 2011 61381	AM 2011 61381 A	Nº22(338) 2011
M 2012 22421 R	AM 2011 61457	AM 2011 61457 A	Nº22(338) 2011
M 2012 22422 R	AM 2011 61499	AM 2011 61499 A	Nº21(337) 2011
M 2012 22423 R	AM 2011 61500	AM 2011 61500 A	Nº21(337) 2011
M 2012 22424 R	AM 2011 61609	AM 2011 61609 A	Nº20(336) 2011
M 2012 22425 R	AM 2011 61614	AM 2011 61614 A	Nº22(338) 2011
M 2012 22426 R	AM 2011 61688	AM 2011 61688 A	Nº20(336) 2011
M 2012 22427 R	AM 2011 61750	AM 2011 61750 A	Nº22(338) 2011
M 2012 22428 R	AM 2011 61751	AM 2011 61751 A	Nº22(338) 2011
M 2012 22429 R	AM 2011 61753	AM 2011 61753 A	Nº22(338) 2011
M 2012 22430 R	AM 2011 61773	AM 2011 61773 A	Nº22(338) 2011
M 2012 22431 R	AM 2011 61791	AM 2011 61791 A	Nº22(338) 2011
M 2012 22432 R	AM 2011 61792	AM 2011 61792 A	Nº22(338) 2011
M 2012 22433 R	AM 2011 61810	AM 2011 61810 A	Nº21(337) 2011
M 2012 22434 R	AM 2011 61832	AM 2011 61832 A	Nº22(338) 2011
M 2012 22435 R	AM 2011 61855	AM 2011 61855 A	Nº22(338) 2011
M 2012 22436 R	AM 2011 62013	AM 2011 62013 A	Nº22(338) 2011
M 2012 22437 R	AM 2010 58737	AM 2011 58737 A	Nº21(337) 2011

CONCORDANCE TABLE OF NUMBERS OF PUBLISHED TRADEMARK APPLICATIONS WITH REFERENCE TO NUMBERS OF APPLICATIONS

NUMBER OF PUBLISHED APPLICATION (260)	NUMBER OF APPLICATION (210)	1	2
1	2		
AM 2012 59313 A	AM 2010 59313	AM 2012 62727 A	AM 2011 62727
AM 2012 61682 A	AM 2011 61682	AM 2012 62809 A	AM 2011 62809
AM 2012 62043 A	AM 2011 62043	AM 2012 62815 A	AM 2011 62815
AM 2012 62044 A	AM 2011 62044	AM 2012 62836 A	AM 2011 62836
AM 2012 62045 A	AM 2011 62045	AM 2012 62837 A	AM 2011 62837
AM 2012 62046 A	AM 2011 62046	AM 2012 62879 A	AM 2011 62879
AM 2012 62148 A	AM 2011 62148	AM 2012 62880 A	AM 2011 62880
AM 2012 62299 A	AM 2011 62299	AM 2012 62901 A	AM 2011 62901
AM 2012 62333 A	AM 2011 62333	AM 2012 62902 A	AM 2011 62902
AM 2012 62345 A	AM 2011 62345	AM 2012 62903 A	AM 2011 62903
AM 2012 62346 A	AM 2011 62346	AM 2012 62904 A	AM 2011 62904
AM 2012 62348 A	AM 2011 62348	AM 2012 62905 A	AM 2011 62905
AM 2012 62349 A	AM 2011 62349	AM 2012 62906 A	AM 2011 62906
AM 2012 62368 A	AM 2011 62368	AM 2012 62974 A	AM 2011 62974
AM 2012 62381 A	AM 2011 62381	AM 2012 63021 A	AM 2011 63021
AM 2012 62382 A	AM 2011 62382	AM 2012 63024 A	AM 2011 63024
AM 2012 62383 A	AM 2011 62383	AM 2012 63035 A	AM 2011 63035
AM 2012 62384 A	AM 2011 62384	AM 2012 63044 A	AM 2011 63044
AM 2012 62385 A	AM 2011 62385	AM 2012 63183 A	AM 2011 63183
AM 2012 62387 A	AM 2011 62387	AM 2012 63197 A	AM 2011 63197
AM 2012 62390 A	AM 2011 62390	AM 2012 63207 A	AM 2011 63207
AM 2012 62391 A	AM 2011 62391	AM 2012 63220 A	AM 2011 63220
AM 2012 62392 A	AM 2011 62392	AM 2012 63221 A	AM 2011 63221
AM 2012 62393 A	AM 2011 62393	AM 2012 63222 A	AM 2011 63222
AM 2012 62394 A	AM 2011 62394	AM 2012 63357 A	AM 2011 63357
AM 2012 62429 A	AM 2011 62429	AM 2012 63479 A	AM 2011 63479
AM 2012 62462 A	AM 2011 62462	AM 2012 63480 A	AM 2011 63480
AM 2012 62551 A	AM 2011 62551	AM 2012 63591 A	AM 2011 63591
AM 2012 62583 A	AM 2011 62583	AM 2012 63616 A	AM 2011 63616
AM 2012 62605 A	AM 2011 62605	AM 2012 63617 A	AM 2011 63617
AM 2012 62629 A	AM 2011 62629	AM 2012 63618 A	AM 2011 63618
AM 2012 62630 A	AM 2011 62630	AM 2012 63619 A	AM 2011 63619
AM 2012 62631 A	AM 2011 62631	AM 2012 63620 A	AM 2011 63620
AM 2012 62632 A	AM 2011 62632	AM 2012 63621 A	AM 2011 63621
AM 2012 62633 A	AM 2011 62633	AM 2012 63622 A	AM 2011 63622
AM 2012 62634 A	AM 2011 62634	AM 2012 63623 A	AM 2011 63623
AM 2012 62635 A	AM 2011 62635	AM 2012 63624 A	AM 2011 63624
AM 2012 62697 A	AM 2011 62697	AM 2012 63625 A	AM 2011 63625
AM 2012 62718 A	AM 2011 62718	AM 2012 63626 A	AM 2011 63626
AM 2012 62719 A	AM 2011 62719	AM 2012 63627 A	AM 2011 63627
AM 2012 62720 A	AM 2011 62720	AM 2012 63628 A	AM 2011 63628
AM 2012 62722 A	AM 2011 62722	AM 2012 63629 A	AM 2011 63629
AM 2012 62723 A	AM 2011 62723	AM 2012 63630 A	AM 2011 63630
AM 2012 62724 A	AM 2011 62724	AM 2012 63631 A	AM 2011 63631
AM 2012 62725 A	AM 2011 62725	AM 2012 63632 A	AM 2011 63632
AM 2012 62726 A	AM 2011 62726	AM 2012 63633 A	AM 2011 63633
		AM 2012 63634 A	AM 2011 63634
		AM 2012 63635 A	AM 2011 63635
		AM 2012 63636 A	AM 2011 63636

1	2
AM 2012 63637 A	AM 2011 63637
AM 2012 63638 A	AM 2011 63638
AM 2012 63639 A	AM 2011 63639
AM 2012 63640 A	AM 2011 63640
AM 2012 63641 A	AM 2011 63641
AM 2012 63642 A	AM 2011 63642
AM 2012 63643 A	AM 2011 63643
AM 2012 63644 A	AM 2011 63644
AM 2012 63645 A	AM 2011 63645
AM 2012 63646 A	AM 2011 63646
AM 2012 63647 A	AM 2011 63647

1	2
AM 2012 63648 A	AM 2011 63648
AM 2012 63649 A	AM 2011 63649
AM 2012 63650 A	AM 2011 63650
AM 2012 63651 A	AM 2011 63651
AM 2012 63652 A	AM 2011 63652
AM 2012 63653 A	AM 2011 63653
AM 2012 63654 A	AM 2011 63654
AM 2012 63673 A	AM 2011 63673
AM 2012 63674 A	AM 2011 63674
AM 2012 63675 A	AM 2011 63675
AM 2012 60732 A	AM 2010 60732*

CONCORDANCE TABLE OF INDEX OF GOODS AND/OR SERVICES WITH REFERENCE TO NUMBERS OF PUBLISHED APPLICATIONS

INDEX OF GOODS AND/OR SERVICES (511)	NUMBER OF PUBLISHED APPLICATION (260)
1	2
1	AM 2012 62382 A
3	AM 2012 62631 A
3	AM 2012 63591 A
3	AM 2012 63625 A
3	AM 2012 63636 A
3	AM 2012 63637 A
4	AM 2012 63628 A
4	AM 2012 63638 A
5	AM 2012 61682 A
5	AM 2012 62629 A
5	AM 2012 62630 A
5	AM 2012 62631 A
5	AM 2012 62633 A
5	AM 2012 62634 A
5	AM 2012 62722 A
5	AM 2012 62723 A
5	AM 2012 62724 A
5	AM 2012 62725 A
5	AM 2012 62726 A
5	AM 2012 62727 A
5	AM 2012 62809 A
5	AM 2012 62815 A
5	AM 2012 63044 A
6	AM 2012 62906 A
7	AM 2012 63619 A
8	AM 2012 62880 A
9	AM 2012 62148 A
9	AM 2012 62299 A
9	AM 2012 62383 A
9	AM 2012 62384 A

1	2
9	AM 2012 62385 A
9	AM 2012 62605 A
9	AM 2012 63622 A
9	AM 2012 63631 A
9	AM 2012 63639 A
12	AM 2012 62390 A
12	AM 2012 62632 A
12	AM 2012 62879 A
12	AM 2012 63618 A
14	AM 2012 62551 A
14	AM 2012 63621 A
14	AM 2012 63630 A
14	AM 2012 63635 A
14	AM 2012 63640 A
16	AM 2012 62394 A
16	AM 2012 63024 A
16	AM 2012 63479 A
16	AM 2012 63623 A
16	AM 2012 63645 A
17	AM 2012 62391 A
17	AM 2012 62392 A
17	AM 2012 62393 A
18	AM 2012 62551 A
18	AM 2012 63479 A
18	AM 2012 63634 A
18	AM 2012 63648 A
18	AM 2012 63649 A
18	AM 2012 63650 A
19	AM 2012 62368 A
19	AM 2012 62391 A
19	AM 2012 62392 A
19	AM 2012 62393 A
20	AM 2012 62902 A
20	AM 2012 62903 A

1	2	1	2
20	AM 2012 62904 A	35	AM 2012 62631 A
20	AM 2012 62905 A	35	AM 2012 62901 A
20	AM 2012 63480 A	35	AM 2012 62902 A
21	AM 2012 62901 A	25	AM 2012 63650 A
21	AM 2012 63616 A	25	AM 2012 63651 A
24	AM 2012 63624 A	26	AM 2012 63620 A
24	AM 2012 63641 A	26	AM 2012 63642 A
24	AM 2012 63648 A	28	AM 2012 62697 A
25	AM 2012 62551 A	28	AM 2012 63643 A
25	AM 2012 63183 A	28	AM 2012 63648 A
25	AM 2012 63197 A	29	AM 2012 59313 A
25	AM 2012 63479 A	29	AM 2012 60732 A*
25	AM 2012 63617 A	29	AM 2012 62333 A
25	AM 2012 63626 A	29	AM 2012 63035 A
25	AM 2012 63629 A	29	AM 2012 63616 A
25	AM 2012 63633 A	29	AM 2012 63652 A
25	AM 2012 63647 A	29	AM 2012 63653 A
25	AM 2012 63648 A	35	AM 2012 62903 A
25	AM 2012 63649 A	35	AM 2012 62904 A
29	AM 2012 63654 A	35	AM 2012 62905 A
30	AM 2012 62462 A	35	AM 2012 63021 A
30	AM 2012 62583 A	35	AM 2012 63197 A
30	AM 2012 62974 A	35	AM 2012 63220 A
30	AM 2012 63035 A	35	AM 2012 63479 A
30	AM 2012 63221 A	35	AM 2012 63616 A
30	AM 2012 63222 A	35	AM 2012 63617 A
30	AM 2012 63357 A	35	AM 2012 63627 A
30	AM 2012 63616 A	35	AM 2012 63632 A
30	AM 2012 63652 A	35	AM 2012 63644 A
31	AM 2012 62333 A	35	AM 2012 63646 A
31	AM 2012 63616 A	35	AM 2012 63648 A
31	AM 2012 63673 A	35	AM 2012 63649 A
31	AM 2012 63674 A	35	AM 2012 63650 A
31	AM 2012 63675 A	36	AM 2012 62345 A
32	AM 2012 59313 A	36	AM 2012 62346 A
32	AM 2012 62718 A	36	AM 2012 62348 A
32	AM 2012 62836 A	36	AM 2012 62349 A
32	AM 2012 62837 A	36	AM 2012 62429 A
32	AM 2012 63035 A	37	AM 2012 62381 A
32	AM 2012 63616 A	37	AM 2012 62390 A
33	AM 2012 62635 A	41	AM 2012 62345 A
33	AM 2012 62719 A	41	AM 2012 62346 A
33	AM 2012 62720 A	41	AM 2012 62348 A
33	AM 2012 63616 A	41	AM 2012 62349 A
35	AM 2012 62368 A	43	AM 2012 62043 A
35	AM 2012 62383 A	43	AM 2012 62044 A
35	AM 2012 62384 A	43	AM 2012 62045 A
35	AM 2012 62385 A	43	AM 2012 62046 A
35	AM 2012 62387 A	44	AM 2012 63021 A
35	AM 2012 62462 A	44	AM 2012 63207 A

**CONCORDANCE TABLE OF INDEX OF GOODS AND/OR SERVICES
WITH REFERENCE TO NUMBERS OF REGISTERED ACCORDING TO THE
ACCELERATED PROCEDURE**

INDEX OF GOODS AND/OR SERVICES (511)	NUMBER OF REGISTERED ACCORDING TO THE ACCELERATED PROCEDURE (111)
9	M 2012 22379 R
9	M 2012 22380 R
9	M 2012 22381 R
9	M 2012 22382 R
9	M 2012 22383 R
9	M 2012 22384 R
9	M 2012 22390 R
32	M 2012 22385 R
33	M 2012 22393 R
34	M 2012 22387 R
34	M 2012 22388 R
34	M 2012 22389 R
35	M 2012 22379 R
35	M 2012 22380 R
35	M 2012 22381 R
35	M 2012 22382 R
35	M 2012 22383 R
35	M 2012 22384 R
35	M 2012 22390 R
36	M 2012 22379 R
36	M 2012 22380 R
36	M 2012 22381 R
36	M 2012 22382 R
36	M 2012 22383 R
36	M 2012 22384 R
36	M 2012 22390 R
38	M 2012 22392 R
41	M 2012 22386 R
41	M 2012 22391 R
41	M 2012 22394 R
43	M 2012 22395 R

OFFICIAL BULLETIN OF THE INDUSTRIAL PROPERTY

6(346)

EDITOR-IN-CHIEF: N. Bebrishvili

EDITORS-TRANSLATORS: M. Sichinava
G. Nadareishvili

PROOFREADER: L. Chanturia

COMPUTER LAYOUT: M. Ordenidze
K. Svanidze

www.sakpatenti.org.ge
E-mail: info@sakpatenti.org.ge