



**NATIONAL INTELLECTUAL PROPERTY CENTER OF GEORGIA
SAKPATENTI**

**OFFICIAL BULLETIN
OF THE INDUSTRIAL PROPERTY**

7(347)

**2012
TBILISI**

INID CODES FOR IDENTIFICATION OF BIBLIOGRAPHIC DATA

INVENTIONS, UTILITY MODELS

- (10) Number of publication for application, which has been examined
- (11) Number of patent and kind of document
- (21) Serial number of application
- (22) Date of filing of the application
- (23) Date of exhibition or the date of the earlier filing and the number of application, if any
- (24) Date from which patent may have effect
- (31) Number of priority application
- (32) Date of filing of priority application
- (33) Code of the country or regional organization allotting priority application number
- (44) Date of publication of application not granted, but examined and number of bulletin
- (45) Date of publication of registered document
- (51) International Patent Classification Index
- (54) Title of the invention
- (57) Abstract
- (60) Number of examined patent document granted by foreign patent office, date from which patent has effect and country code
- (62) Number of the earlier application and in case of divided application, date of filing an application
- (71) Name, surname and address of applicant (country code)
- (72) Name, surname of inventor (country code)
- (73) Name, surname and address of patent owner (country code)
- (74) Name, surname of representative or patent attorney
- (85) Date of commencement of the national phase of International Application
- (86) Number and date of filing of international application
- (87) Number and date of publication of international application

DESIGNS

- (10) Number of publication for application
- (11) Number of patent and kind of document or number of registration
- (15) Date of registration/Date of patent renewal
- (18) Expected expiration date of patent or registration
- (21) Serial number of application
- (22) Date of filing of the application
- (23) Date of exhibition or the date of the earlier filing and the number of application, if any
- (24) Date from which patent may have effect
- (28) Number of designs included in the application
- (30) Data relating to priority (number of application, date of filing of application, two-letter code identifying the authority with whom the priority application was made)
- (31) Number of priority application
- (32) Date of filing of priority application
- (33) Code of the country or regional organization allotting priority application number
- (34) Two-letter code according to WIPO St.3 identifying the authority with which the priority application was made
- (44) Date of publication of design and number of bulletin (the first publication)
- (45) Date of publication of design registered by WIPO and number of bulletin
- (51) International Classification for designs (class and subclass of the Locarno Classification)
- (54) Title of the invention
- (55) Reproduction of the design
- (57) Description of characteristic features of the design including indication of colors
- (58) Date of recording of any kind of amendment in the Register
- (62) Number of the earlier application, registration and document number and if available the date of filing an application in case of divided application
- (71) Name, surname and address of applicant (country code)
- (72) Name, surname of creator (country code)
- (73) Name, surname and address of patent owner (country code)
- (74) Name, surname of representative or patent attorney
- (81) Contracting states concerned
 - II designated contracting states according to the 1960 Act
 - III designated contracting states according to the 1999 Act
- (85) Owner's permanent address
- (86) Owner's nationality
- (87) Owner's residence
- (88) State in which the owner has a real and effective industrial or commercial establishment

TRADEMARKS

- (111) – Number of registration
- (151) – Date of registration
- (156) – Date of the renewal
- (181) – Expected expiration date of registration
- (186) – Renewal expiration date of registration
- (141) – Date of cancel of duration of the mark
- (210) – Serial number of application
- (220) – Date of filing of the application
- (230) – Date concerning exhibition
- (260) – Number of application, for which favorable decision of examination about registration has been taken (publication number)
- (310) – Number of the first application
- (320) – Date of filing of the first application
- (330) – Code, identifying national or regional Office where the first application was made
- (511) – International Classification of Goods and Services for the purposes of registration of trade marks and/or list of goods and/or services classified according thereto
- (531) – Description of figurative elements of Trade Marks according to the International Classification of the Figurative Elements of Marks
- (540) – Reproduction of Trade Mark
- (550) – Nature and kind of Trade Mark
- (580) – Date of recording of any kind changes in respect of applications or registrations
- (591) – Information concerning colors claimed
- (731) – Name and address of the applicant
- (732) – Name and address of the holder of the registration
- (740) – Name and address of the representative
- (750) – Address for correspondence
- (770) – Name and address of the previous applicant or holder in case of change in ownership
- (771) – Previous name and address of the applicant or holder in case of change in ownership
- (791) – Name and address of the licensee
- (793) – Indication of conditions and/or restrictions under the license (Type of license, number of license agreement, data of license, data of validity of license)
- (800) – Certain data relating to the international registration of Trade Marks under the Protocol Relating to Madrid Agreement (International registration number)

CODES FOR PUBLICATION IN BULLETIN

- (21) AP 0000 000000 – serial number of application for invention
- (10) AP 0000 0000 A – number of published application for invention (first publication)
- (11) P 0000 0000 B – number of patent for invention (second publication)
- (21) API 0000 000000 – number of application for imported patent
- (11) PI 0000 0000 A – number of imported patent (first publication)
- (21) AU 0000 000000 – serial number of application for utility model
- (10) AU 0000 000 U – number of published application for utility model (first publication)
- (11) U 0000 000 Y – number of patent for utility model (second publication)
- (21) AD 0000 000000 – serial number of application for design
- (10) AD 0000 000 S – number of published application for design (first publication)
- (11) D 0000 000 S – number of patent for design (second publication)

INTERNATIONAL PATENT CLASSIFICATION FOR INVENTIONS AND UTILITY MODELS

- SECTION A – HUMAN NECESSITIES
- SECTION B – PERFORMING OPERATIONS; TRANSPORTING
- SECTION C – CHEMISTRY; METALLURGY
- SECTION D – TEXTILES; PAPER
- SECTION E – FIXED CONSTRUCTIONS
- SECTION F – MECHANICAL ENGINEERING; LIGHTING; HEATING; WEAPONS; BLASTING
- SECTION G – PHYSICS
- SECTION H – ELECTRICITY

-
- M – Trade Mark
 - (210) AM 0000 000000 – Serial number of application;
 - (260) AAM 0000 00000 A – Publication number of application;
 - (111) M 0000 00000 R – Number of registration;
 - (111) MMM0000 00000 Rn – Number of renewals, in which n=1,2,3;
 - (111) M 0000 00000 R(P) – Number of registration under partial assignment of rights
-

LIST OF CODES, IN ALPHABETIC SEQUENCE, AND THE CORRESPONDING (SHORT) NAMES OF STATES, OTHER ENTITIES AND INTERGOVERNMENTAL ORGANIZATIONS
(WIPO STANDARD ST.3)

AD	Andorra				
AE	United Arab Emirates				
AF	Afghanistan				
AG	Antigua and Barbuda				
AI	Anguilla				
AL	Albania				
AM	Armenia				
AN	Netherlands Antilles				
AO	Angola				
AP	African Regional Intellectual Property Organization (ARIPO)				
AR	Argentina				
AT	Austria				
AU	Australia				
AW	Aruba				
AZ	Azerbaijan				
BA	Bosnia and Herzegovina				
BB	Barbados				
BD	Bangladesh				
BE	Belgium				
BF	Burkina Faso				
BG	Bulgaria				
BH	Bahrain				
BI	Burundi				
BJ	Benin				
BM	Bermuda				
BN	Brunei Darussalam				
BO	Bolivia				
BR	Brazil				
BS	Bahamas				
BT	Bhutan				
BV	Bouvet Island				
BW	Botswana				
BX	Benelux Office for Intellectual Property (BOIP)				
BY	Belarus				
BZ	Belize				
CA	Canada				
CD	Democratic Republic of the Congo				
CF	Central African Republic				
CG	Congo				
CH	Switzerland				
CI	Cote d'Ivoire				
CK	Cook Islands				
CL	Chile				
CM	Cameroon				
CN	China				
CO	Colombia				
CR	Costa Rica				
CU	Cuba				
CV	Cape Verde				
CY	Cyprus				
CZ	Czech Republic				
DE	Germany				
DJ	Djibouti				
DM	Dominica				
DO	Dominican Republic				
DZ	Algeria				
EA	Eurasian Patent Organization (EAPO)				
EC	Ecuador				
EE	Estonia				
EG	Egypt				
EH	Western Sahara				
EM	Office for Harmonization in the Internal Market (Trademarks and Designs)(OHIM)				
EP	European Patent Office (EPO)				
ER	Eritrea				
ES	Spain				
ET	Ethiopia				
FI	Finland				
FJ	Fiji				
FK	Falkland Islands (Malvinas)				
FO	Faroe Islands				
FR	France				
GA	Gabon				
GB	United Kingdom				
GC	Patent Office of the Cooperation Council for the Arab States of the Gulf (GCC)				
GD	Grenada				
GG	Guernsey				
GH	Ghana				
GI	Gibraltar				
GT	Guatemala				
GW	Guinea- Bissau				
GY	Guyana				
HK	The Hong Kong Special Administrative Region of the People's Republic of China				
HN	Honduras				
HR	Croatia				
HT	Haiti				
HU	Hungary				
IB	International Bureau of the World Intellectual Property Organization (WIPO)				
ID	Indonesia				
IE	Ireland				
IL	Israel				
IM	Isle of Man				
IN	India				
IQ	Iraq				
ID	Indonesia				
IE	Ireland				
IL	Israel				
IM	Isle of Man				
IN	India				
IQ	Iraq				
IR	Iran (Islamic Republic of)				
IS	Iceland				
IT	Italy				
JE	Jersey				
JM	Jamaica				
JO	Jordan				
JP	Japan				
KE	Kenya				
KG	Kyrgyzstan				
KH	Cambodia				
KI	Kiribati				
KM	Saint Kitts and Nevis				
KP	Democratic People's Republic of Korea				
KR	Republic of Korea				
KW	Kuwait				
KY	Cayman Islands				
KZ	Kazakhstan				
LA	Lao People's Democratic Republic				
LB	Lebanon				
LC	Saint Lucia				
LI	Liechtenstein				
LK	Sri Lanka				
LR	Liberia				
LS	Lesotho				
LT	Lithuania				
LU	Luxembourg				
LV	Latvia				
LY	Libyan Arab Jamahiriya				
MA	Morocco				
MC	Monaco				
MD	Republic of Moldova				
ME	Montenegro				
MG	Madagascar				
MK	The former Yugoslav Republic of Macedonia				
ML	Mali				
MM	Myanmar				
MN	Mongolia				
MO	Macao				
MP	Northern Mariana Islands				
MR	Mauritania				
MS	Montserrat				
MT	Malta				
MU	Mauritius				
MV	Maldives				
MW	Malawi				
MX	Mexico				
MY	Malaysia				
MZ	Mozambique				
NA	Namibia				
NE	Niger				
NG	Nigeria				
NI	Nicaragua				
NL	Netherlands				
NO	Norway				
NP	Nepal				
NR	Nauru				
NZ	New Zealand				
OA	African Intellectual Property Organization (OAPI)				
OM	Oman				
PA	Panama				
PE	Peru				
PG	Papua New Guinea				
PH	Philippines				
PK	Pakistan				
PL	Poland				
PT	Portugal				
PW	Palau				
PY	Paraguay				
QA	Qatar				
QZ	Community Plant Variety Office (European Community) (CPVO)				
RO	Romania				
RS	Serbia				
RU	Russian Federation				
RW	Rwanda				
SA	Saudi Arabia				
SB	Solomon Islands				
SC	Seychelles				
SD	Sudan				
SG	Singapore				
SH	Saint Helena				
SI	Slovenia				
SK	Slovakia				
SL	Sierra Leone				
SM	San Marino				
SN	Senegal				
SO	Somalia				
SR	Suriname				
ST	Sao Tome and Principe				
SV	El Salvador				
SY	Syrian Arab Republic				
SZ	Swaziland				
TC	Turks and Caicos Islands				
TD	Chad				
TG	Togo				
TH	Thailand				
TJ	Tajikistan				
TL	Timor-Leste				
TM	Turkmenistan				
TN	Tunisia				
TO	Tonga				
TR	Turkey				
SE	Sweden				
TT	Trinidad and Tobago				
TV	Tuvalu				
TW	Taiwan, Province of China				
TZ	United Republic of Tanzania				
UA	Ukraine				
UG	Uganda				
US	United States of America				
UY	Uruguay				
UZ	Uzbekistan				
VA	Holy See				
VC	Saint Vincent and the Grenadines				
VE	Venezuela				
VG	Virgin Islands (British)				
VN	Viet Nam				
VU	Vanuatu				
WO	World Intellectual Property Organization (WIPO)				
WS	Samoa				
XN	Nordic Patent Institute (NPI)				
YE	Yemen				
ZA	South Africa				
ZM	Zambia				
ZW	Zimbabwe				

**NATIONAL INTELLECTUAL PROPERTY CENTER OF GEORGIA
SAKPATENTI**

**OFFICIAL BULLETIN
OF THE INDUSTRIAL PROPERTY**

7(347)

**INVENTIONS
UTILITY MODELS
DESIGNS
TRADEMARKS**

**DATE OF PUBLICATION
2012 04 10**

CONTENTS

PUBLISHED TITLES OF PROTECTION	3
INVENTIONS	
▪ Applications for inventions	4
▪ Patents for inventions	11
UTILITY MODELS	
▪ Applications for utility models	13
▪ Patents for utility models	15
DESIGNS	
▪ Registered designs	16
▪ Designs registered according to the accelerated procedure	17
TRADEMARKS	
▪ National trademarks	18
▪ Trademarks registered according to the accelerated procedure	20
▪ International trademarks laid open for the purpose of taking protection granting decisions	22
▪ International trademarks protected in Georgia	27
OFFICIAL NOTIFICATIONS	
INVENTIONS	
▪ Transfer of rights	32
▪ Changes in names and/or addresses of owners	33
TRADEMARKS	
▪ Renewal of registrations	34
▪ Complete transfer of rights	35
▪ Changes in names and/or addresses of owners	37
CLASSIFICATION INDEXES	
INVENTIONS	40
UTILITY MODELS	43
DESIGNS	44
TRADEMARKS	46

PUBLISHED TITLES OF PROTECTION

INVENTIONS

- **APPLICATIONS:**
11572; 11893; 11569; 10876; 11513; 11634; 11662; 11761; 12154; 11699; 10961; 12098; 12188; 12011;
11748; 11453; 9874; 9735; 9986
- **PATENTS:**
5461-5469

UTILITY MODELS

- **APPLICATIONS:**
12282, 12283; 11922
- **PATENT:**
1716

DESIGNS

- **REGISTERED DESIGNS:**
492, 493
- **DESIGN REGISTERED ACCORDING TO THE ACCELERATED PROCEDURE:**
494

TRADEMARKS

- **NATIONAL TRADEMARKS:**
63692; 63735, 63736; 63741; 59620*; 61587-61589*
- **TRADEMARKS REGISTERED ACCORDING TO THE ACCELERATED PROCEDURE:**
22438-22443
- **INTERNATIONAL TRADEMARKS LAID OPEN FOR THE PURPOSE OF TAKING PROTECTION GRANTING DECISIONS:**
62930; 62935; 62937-62942; 62951; 63029-63034; 63036, 63037; 63039-63043; 63057; 63107;
63109-63017; 63123-63125; 60225*
- **INTERNATIONAL TRADEMARKS PROTECTED IN GEORGIA:**
54706; 59625; 59995; 60444; 61045; 61047-61051; 61053-61059; 61177; 61320, 61321; 61323; 61325;
61333-61335; 61337, 61338; 61340-61342; 61475; 61689; 61722-61729; 61743-61745; 61763;
61815-61823; 61825, 61826; 61829; 61838; 61969; 62125-6 2133; 62135-62137; 63344

INVENTIONS

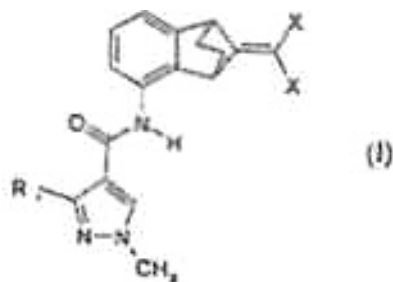
APPLICATIONS LAID OPEN FOR THE PURPOSE OF TAKING PATENT GRANTING DECISIONS

To appeal a decision is possible at Chamber of Appeal of Sakpatenti within 3 months from the publication or at The Board of Administrative Actions of Tbilisi City Court within a 1 month period. (Address: 12 km., №6, David Aghmashenebeli Kheivani, Tbilisi).

PART A

A 01

- (10) AP 2012 11572 A (51) Int. Cl. (2006)
A 01 N 43/56
(21) AP 2008 011572 (22) 2008 04 23
(31) 07008370.4
(32) 2007 04 25
(33) EP
(71) SYNGENTA PARTICIPATIONS AG (CH)
Schwarzwaldallee 215, CH-4058
Basel (CH)
(72) TOBLER, Hans (CH);
WALTER, Harald (DE);
HAAS, Ulrich, Johannes (DE)
(74) Tamaz Shilakadze
(85) 2009 11 24
(86) PCT/EP2008/003279, 2008 04 23
(54) **FUNGICIDAL COMPOSITIONS**
(57) A composition useful in fighting against diseases caused by phytopathogens comprises (A) compound of formula (I)



wherein R₁ is difluoromethyl or trifluoromethyl and X is chloro, fluoro or bromo; and (B) is at least one compound selected from strobilurine fungicide such as azoxystrobin, dimoxystrobin, orizastrobin, fluoxastrobin, picoxystrobin, paraclostrobin, krezoxymethyl, methominostrobin and trifloxystrobin. Fighting method against diseases on useful plants, especially on soy-bean plants, when phytopathogen is Phakopsora pachyrhizi.

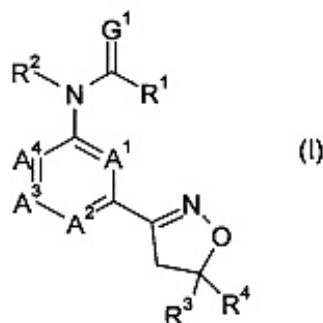
Claims: 3 independent

10 dependent

Table: 15

- (10) AP 2012 11893 A (51) Int. Cl. (2006)
A 01 N 43/80
A 01 N 47/20
A 01 P 7/00
C 07 D 261/04
C 07 D 413/04

- (21) AP 2008 011893 (22) 2008 12 18
(31) 0724757.0; 0808471.7
(32) 2007 12 19; 2008 05 09
(33) GB; GB
(71) SYNGENTA PARTICIPATIONS AG (CH)
Schwarzwaldallee 215, CH-4058
Basel (CH)
(72) JUNG, Pierre, Joseph, Marcel (FR);
RENOLD, Peter (CH)
(74) Tamar Kochlamazashvili
(85) 2010 07 19
(86) PCT/EP2008/010863, 2008 12 18
(54) **INSECTICIDAL COMPOUNDS**
(57) A compound of formula (I)



wherein R¹-R⁴, A¹-A⁴ and G¹ have values specified in the claims comprising its insecticidal, acaricidal, molluscicidal and nematocidal compositions and method of using them to combat and exterminate insects, acarines, mollusks and nematode pests.

Claims: 3 independent

10 dependent

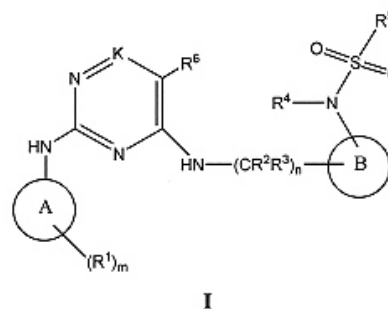
A 61

- (10) AP 2012 11569 A (51) Int. Cl. (2006)
A 61 K 9/50
A 61 K 38/00
(21) AP 2008 011569 (22) 2008 05 23

(31) 07108796.9
 (32) 2007 05 24
 (33) EP
 (71) NOVARTIS AG (CH)
 Lichtstrasse 35, CH-4056 Basel (CH)
 (72) LAMBERT, Olivier (FR);
 RIEMENSCHNITTER, Marc (DE);
 VUCENOVIC, Vitomir (DE)
 (74) Alexander Kartvelishvili
 (85) 2009 11 24
 (86) PCT/EP2008/056347, 2008 05 23
 (54) **EXTENDED-RELEASE COMPOSITION
 COMPRISING SOMATOSTATIN
 DERIVATIVE IN MICROPARTICLES**
 (57) Mix of linear copolymer of polylactide-glycolyd and branched copolymer of polylactide-glycolyd is dissolved in methylene chloride for receiving microparticles. An active ingredient – pasireotid pamoat is added into received polymer solution. Received solution is dissolved with aqueous dispersion of phosphate salts and polyvinyl alcohol; then, methylene chloride is evaporated and microparticles are filtered. A pharmaceutical composition contains microparticles received by said method.
 Claims: 5 independent
 14 dependent
 Fig.: 1

(10) AP 2012 10876 A (51) Int. Cl. (2006)
 A 61 K 31/485
 A 61 K 9/22
 (21) AP 2007 010876 (22) 2007 01 25
 (31) 06001754.8
 (32) 2006 01 27
 (33) EP
 (71) EURO-CELTIQUE S.A. (LU)
 2, Avenue Charles de Gaulle,
 L-1653 Luxembourg (LU)
 (72) FLEISCHER, Wolfgang (DE);
 LEUNER, Christian (DE);
 SCHERER, Sabine (DE)
 (74) Tamaz Shilakadze
 (85) 2008 08 25
 (86) PCT/EP2007/050751, 2007 01 25
 (54) **TAMPER RESISTANT DOSAGE FORMS**
 (57) An invention concerns opioid antagonist usage together with opioid agonist in such dosed form of controlled release, which matrix composition provides dosed form protection from illegal – without prescription usage of opioid agonist by people with drug dependence, when dosed form is processed by simple method of extraction.
 Claims: 4 independent
 16 dependent
 Fig.: 11

(10) AP 2012 11513 A (51) Int. Cl. (2006)
 A 61 P 35/00
 C 07 D 239/48
 C 07 D 401/12
 C 07 D 401/14
 C 07 D 403/12
 C 07 D 405/14
 C 07 D 413/14
 C 07 D 417/12
 C 07 D 417/14
 A 61 K 31/506
 A 61 K 31/53
 (21) AP 2008 011513 (22) 2008 04 07
 (31) 60/912,597
 (32) 2007 04 18
 (33) US
 (71) PFIZER PRODUCTS INC. (US)
 Eastern Point Road, Groton, CT 06340 (US)
 (72) AUTRY, Christopher, Lowell (US);
 BHATTACHARYA, Samit, Kumar (IN);
 FREEMAN-COOK, Kevin, Daniel (US);
 HAYWARD, Matthew, Merrill (US);
 HULFORD, Catherine, Angela (US);
 LUZZIO, Michael, Joseph (US);
 NELSON, Kendra, Louise (CA);
 XIAO, Jun (CN);
 ZHAO, Xumiao (US)
 (74) Shalva Gvaramadze
 (85) 2009 10 16
 (86) PCT/IB2008/000845, 2008 04 07
 (54) **SULFONYL AMIDE DERIVATIVES FOR
 TREATMENT OF ABNORMAL CELL
 GROWTH**
 (57) Sulfonyl amide derivatives of formula (I),



cyclic radical A chosen from a group: 4-7-member carbocyclyl, 4-7-member heterocyclyl, phenyl or 5-6-member heteroaryl; K=CH, C(NH₂) or N; B is chosen from a group: phenyl or 5-6-member heteroaryl, n=1-3, m=0-3, and substituent R¹-R⁶ values are specified in the claims or pharmaceutically acceptable salts thereof; pharmaceutical compositions on their basis and usage method for treatment of abnormal cell growth, such as cancer in mammals.
 Claims: 7 independent
 17 dependent
 Table: 1

PART B**B 02**

(10) AP 2012 11634 A (51) Int. Cl. (2006)
B 02 C 4/28

(21) AP 2008 011634 (22) 2008 07 07

(31) PA200701012

(32) 2007 07 10

(33) DK

(71) FLSMIDTH A/S (DK)

Vlgerslev Alee 77, DK-2500 Valby,
Kopenhagen (DK)

(72) Lars Demuth (DK);

Nicolaj Stenberg Balk Moller (DK)

(74) Shalva Gvaramadze

(85) 2010 01 08

(86) PCT/EP2008/058762, 2008 07 07

(54) **ROLLER PRESS WITH ADJUSTABLE PLATES**

(57) A roller press 1 is useful for grinding particulate material such as cement raw materials, a cement clinker and similar materials. The roller press comprises two rollers 2 and 3 rotating in opposite directions. One roller is movably mounted relative to the second roller forming a gap 4 between them. A feed system has at least one inclined plate section 5 regulating amount of particulate material feeding along the gap. At that, along the rollers axial direction the inclined plate section comprises at least two substantially parallel plates 6 and 7 substantially located in the same plane. Those plates have independent regulation capability of movement to and from the gap. So, material feeding regulation along the gap and thereby preventing movable roller distortion is possible.

Claims: 1 independent

3 dependent

Fig.: 1

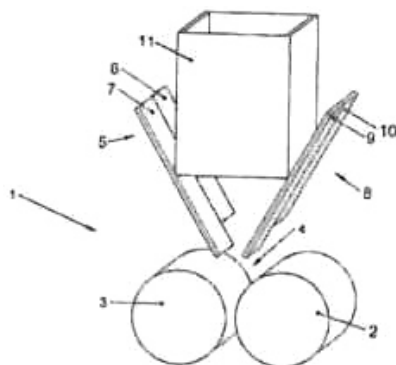


Fig. 1

(10) AP 2012 11662 A (51) Int. Cl. (2006)
B 02 C 4/28

(21) AP 2008 011662 (22) 2008 07 21

(31) PA2007 01083

(32) 2007 07 25

(33) DK

(71) FLSMIDTH A/S (DK)

Vlgerslev Alee 77, DK-2500 Valby,
Kopenhagen (DK)

(72) Lars Demuth (DK);

Nicolaj Stenberg Balk Moller (DK)

(74) Shalva Gvaramadze

(85) 2010 01 25

(86) PCT/EP2008/059544, 2008 07 21

(54) **ROLLER PRESS WITH ANNULAR DISC**

(57) A roller press 1 is useful for grinding particulate material such as cement raw materials, a cement clinker and similar materials. The roller press comprises two rollers 2 and 3 rotating in opposite directions. The first roller is movably mounted relative to the second one forming a gap 4 between them. The roller press also comprises an annular disc rotating in one direction. The disc is attached to the one of rollers 2 and is subject of action by a number of springs 7 mounted with mobility towards the roller axis and extended over the second roller end surface 3a around the gap. The annular disc over its circumference comprises a number of ring sectors 5, and each of them are individually biased towards second roller 3 end surface 3a by one or more springs. Accordingly to maintain grinding material layer thickness at roller ends is possible, thereby attaining uniform pressure distribution along the rollers, as well as uniform grinding efficiency and rollers uniform wear.

Claims: 1 independent

4 dependent

Fig.: 2

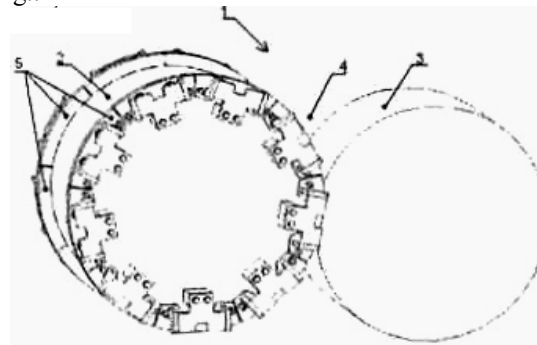


Fig. 1

B 25

(10) AP 2012 11761 A (51) Int. Cl. (2006)
B 25 J 11/00

(21) AP 2010 011761 (22) 2010 04 19

(71) Vakhtang Natbiladze (GE)

Meunargias k. 23, 0101, Tbilisi (GE);

Nia Natbiladze (GE)

Qazbegis gamz. 1, b. 12, 0160,

Tbilisi (GE);

Nikoloz Natbiladze (GE)
 Meunargias k. 23, 0101, Tbilisi (GE);
 Natia Natbiladze (GE)
 Tamarashvilis k. 5, b. 61, 0165,
 Tbilisi (GE)

(72) Vakhtang Natbiladze (GE);
 Nia Natbiladze (GE);
 Nikoloz Natbiladze (GE);
 Natia Natbiladze (GE)

(54) **HANDLER OPERATING MEMBER DRIVER**

(57) A driver comprises a case 1 with a slit 2 performed therein. A mobile power cylinder together with a barrel 3 is located in a guide executed into the case. Power cylinder piston 4 is rigidly tied with a rod 5. The driver is equipped by power cylinder barrel positioning means 6 inserted flexibly into the slit 2 having millimeter divisions and capable of fixing power cylinder into specified place. A clamber 7 is connected with the rod 5 fastening it as well as an operating member 9. The positioning means 6 and the clamber 7 are operating in turn.

Claims: 1 independent

Fig.: 2

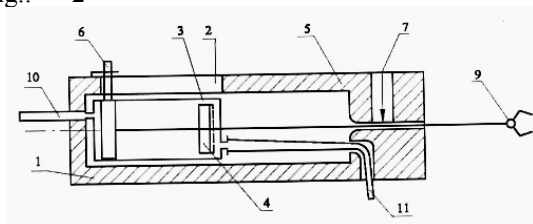


Fig. 1

PART C

C 01

(10) AP 2012 12154 A (51) Int. Cl. (2006)
C 01 B 17/00

(21) AP 2011 012154 (22) 2011 03 28
 (71) Khose Sordia (GE)
 Gldanis IV mkr. korp. 109a, b. 90, 0167,
 Tbilisi (GE)

(72) Khose Sordia (GE)

(54) **METHOD OF HYDROGEN SULFIDE WATER SOLUTION DECOMPOSITION**

(57) A method provides hydrogen sulfide water solution passing through a reactor and impulsive electromagnetic field attachment thereto. Insulate copper conductor coils connected with impulsive current are located on internal or external reactor surface.

Claims: 2 independent

Fig.: 2

C 07

(10) AP 2012 11699 A (51) Int. Cl. (2006)
C 07 C 231/02
C 07 C 253/14
C 07 C 233/18
C 07 C 255/37

(21) AP 2008 011699 (22) 2008 08 01

(31) 07 05688

(32) 2007 08 03

(33) FR

(71) LES LABORATOIRES SERVIER (FR)
 35, Rue de la Verdure, F-92284
 Seuran Cedex (FR)

(72) DUBUFFET, Thierry (FR);
 LECOUE, Jean-Pierre (FR);
 HERMET, Jean-Paul (FR)

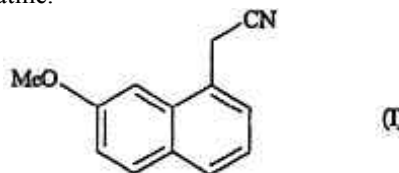
(74) Tamaz Shilakadze

(85) 2010 02 25

(86) PCT/FR2008/001146, 2008 08 01

(54) **NOVEL METHOD FOR SYNTHESIS OF (7-METHOXY-L-NAPHTHYL)-ACETONITRILE AND APPLICATION THEREOF IN SYNTHESIS OF AGOMELATINE**

(57) An invention concerns (7-methoxy-L-naphthyl) acetonitrile synthesis method used at synthesis agomelatine.



Claims: 1 independent
 3 dependent

(10) AP 2012 10961 A (51) Int. Cl. (2006)
C 07 C 231/24

(21) AP 2008 010961 (22) 2008 11 04

(31) 07.07861; AP2008 010961

(32) 2007 11 09; 2008 11 04

(33) FR; GE

(71) LES LABORATOIRES SERVIER (FR)
 12, Place De La Défense, F-92415
 Courbevoie Cedex (FR)

(72) COQUEREL, Gérard (FR);

LINOL, Julie (FR);

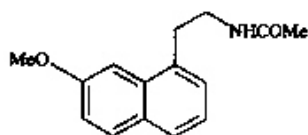
LE PAPE, Lionel (FR);

LECOUE, Jean-Pierre (FR)

(74) Tamaz Shilakadze

(54) **NOVEL CRYSTALLINE FORM VI OF AGOMELATINE, PREPARATION METHOD THEREOF AND PHARMACEUTICAL COMPOSITIONS CONTAINING SAME**

(57) Crystalline form VI of compound of formula (I)



is characterized by powder X-diffraction diagram.
Compound is used in medicine.

Claims: 6 independent
1 dependent

(10) AP 2012 12098 A (51) Int. Cl. (2006)
C 07 D 223/16
C 07 D 401/06
C 07 D 401/12
C 07 D 401/14
C 07 D 403/12
C 07 D 405/12
C 07 D 405/14
C 07 D 409/12
C 07 D 409/14
C 07 D 413/12
C 07 D 417/12
A 61 K 31/55
A 61 P 25/18

(21) AP 2009 012098 (22) 2009 07 17

(31) 0813254.0; 0905231.7

(32) 2008 07 18; 2009 03 26

(33) GB; GB

(71) TAKEDA PHARMACEUTICAL
COMPANY LIMITED (JP)
1-1, Doshomachi 4-chome, Chuo-ku,
Osaka-shi, Osaka, 541-0045 (JP)

(72) POONI, Parminder, Kaur (GB);
MERCHANT, Kevin, John (GB);
KERR, Catrina (GB);
CROSBY, Stuart, Richard (GB);
OKAWA, Tomohiro (JP);
SASAKI, Mitsuru (JP);
GOTOU, Mika (JP);
SHOWELL, Graham, Andrew (GB);
TEALL, Martin, Richard (GB)

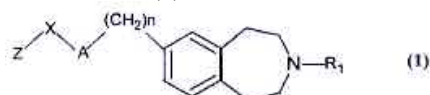
(74) Alexander Gegechkori

(85) 2011 02 09

(86) PCT/GB2009/001774, 2009 07 17

(54) **BENZAZEPINE DERIVATIVES AND
USAGE THEREOF AS HISTAMINE
H3 ANTAGONISTS**

(57) An invention concerns benzazepine derivatives
of common formula (1)



wherein Z, X, A, R¹ and n have values specified in the
claims and usage thereof for treatment of diseases
and conditions linked with histamine H3 receptor.

Claims: 8 independent
22 dependent

(10) AP 2012 12188 A (51) Int. Cl. (2006)
C 07 D 413/04
A 61 K 31/5377
A 61 K 35/00

(21) AP 2009 012188 (22) 2009 09 15

(31) 61/097,580

(32) 2008 09 17

(33) US

(71) NOVARTIS AG (CH)
Lichtstrasse 35, CH-4056 Basel (CH)

(72) BAJWA, Joginder, Singh (US);
DE LA CRUZ, Marilyn (US);
DODD, Stephanie Kay (US);
WAYKOLE, Liladhar Murlidhar (US);
WU, Raeann (US)

(74) Alexander Kartvelishvili

(85) 2011 04 15

(86) PCT/US2009/056918, 2009 09 15

(54) **SALTS OF N-[6-(CIS-2,6-
DIMETHYLMORPHOLIN-4-YL)-
PYRIDINE-3-YL]-2-METHYL-4'-
(TRIFLUOROMETHOXY)[1,1'-
BIPHENYL]-3-CARBOXAMIDE**

(57) Salt of N-[6-(cis-2,6-dimethylmorpholin-4-yl)
pyridine-3-yl]-2-methyl-4'-trifluoromethoxy][1,1'-bi-
phenyl]-3-carboxamide biphosphate and drug usage
containing thereof for treatment diseases reacting on
hedgheg signal way modulating.

Claims: 3 independent

Fig.: 3

(10) AP 2012 12011 A (51) Int. Cl. (2006)
C 07 D 498/08
A 61 K 31/53
A 61 P 35/00

(21) AP 2009 012011 (22) 2009 05 21

(31) 61/055,661

(32) 2008 05 23

(33) US

(71) WYET (US)
Patent Law Department,
Five Giralda Farms, Medison,
NJ 07940 (US)

(72) AYRAL-KALOUSTIAN, Semiramis (US);
CHEN, Zecheng (CN);
CURRAN, Kevin, J. (US);
DEHNHARDT, Christoph, M. (DE);
DELOS SANTOS, Efen Guillermo (US);
DOS SANTOS, Osvaldo (US);
GOPALSAMY, Ariamala (US);
KAPLAN, Joshua, Aaron (US);
MANSOUR, Tarek, S. (US);
RICHARD, David, J. (US);
SHI, Mengxiao (US);
VENKATESAN, Aranapakam, M. (US);
VERHEIJEN, Jeroen, C. (NL);
ZASK, Arie (US)

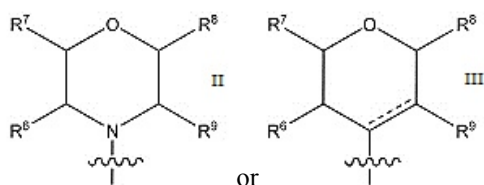
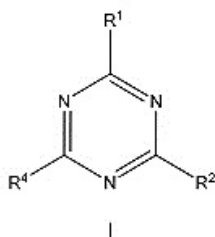
(74) Shalva Gvaramadze

(85) 2010 11 22

(86) PCT/US2009/044774, 2009 05 21

(54) **TRIAZINE COMPOUNDS AS P13 KINASE AND MTOR INHIBITORS**

(57) Compound of formula (I),



wherein R¹ is fragment of formula (II) or (III), R² and R⁴ and R⁶-R⁹ have values specified in the claims and pharmaceutically acceptable salts thereof; receiving method and pharmaceutical compositions containing same; compounds of formula (I) have ability of the P13 kinase and mTOR inhibition and can be used for treatment diseases caused by P13 kinase and mTOR, including various kinds of cancer.

Claims: 9 independent

17 dependent

PART E

E 02

(10) AP 2012 11748 A (51) Int. Cl. (2006) E 02 B 3/06

(21) AP 2010 011748 (22) 2010 03 31

(71) Zaur Tsikhelashvili (GE)
 Dighmis mas., V kvart., korp. 20, b. 42,
 0159, Tbilisi (GE);
 Archil Prangishvili (GE)
 Pasteris k. 1a, b. 20, 0102, Tbilisi (GE);
 Nodar Chkheidze (GE)
 L. Asatianis k. 2, b.60, 6000, Batumi (GE);
 Tamaz Batsikadze (GE)
 Ir. Abashidzis k. 83, b. 8, 0162, Tbilisi (GE);
 Temur Gvelesiani (GE)
 Borjomis k. 14, 0112, Tbilisi (GE);
 Guram Dolidze (GE)
 Lermontovis k. 14, b. 20, 6000, Batumi (GE)

(72) Zaur Tsikhelashvili (GE);

Archil Prangishvili (GE);

Nodar Chkheidze (GE);

Tamaz Batsikadze (GE);

Temur Gvelesiani (GE);

Guram Dolidze (GE)

(54) **FLOATING COAST-PROTECTING STRUCTURE**

(57) A construction comprises the float details 1 tied by flexible bridging, on a surface 2 and a basis 3 thereof is placed the shield system 4 having various height and allocated in distance from each other. At that, at least one window 5 is carried out on the each shield hingedly 8 connected with float detail so, that can incline towards incoming wave and free end thereof is tied with the float detail by a rope 9 and a damping means 10. The float detail can also be equipped by means 11 limiting shield inclination opposite to incoming wave.

Claims: 3 independent

7 dependent

Fig.: 3

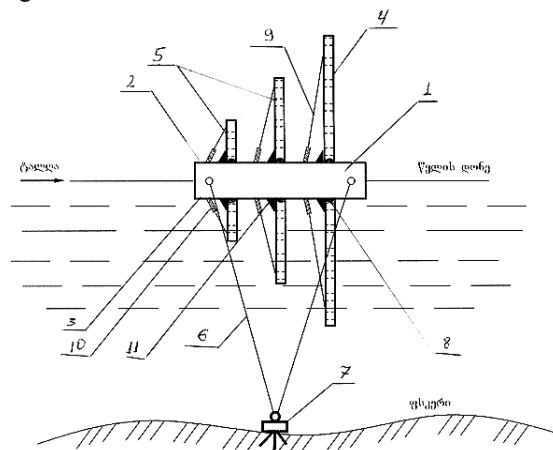


Fig. 1

PART F

F 01

(10) AP 2012 11453 A (51) Int. Cl. (2006) F 01 B 9/06
 F 01 B 1/06
 F 02 G 1/043

(21) AP 2009 011453 (22) 2009 09 08

(71) Gugu Kiknavelidze (GE)
 Z. Chavchavadzis k. 4, b. 75, 4600,
 Kutaisi (GE)
 (72) Gugu Kiknavelidze (GE)
 (54) **DOUBLE-ACTING FOUR-CYLINDER STIRLING ENGINE**
 (57) An engine comprises the cylinders 1 fastened onto a common case, the pistons 2 with the rods 3 and

the rollers 4, and the conversion mechanism for piston back-and-forth motion in rotary mobile shaft, which are executed as force-closure cam gear. A cam 8 is common for all four cylinders, which are located radially and uniformly in one plane perpendicular to an axle and which are under corresponding angle relative to each part of cam profile having size inversely proportional to combs amount thereof; and the profile is performed so, that provides piston delay in dead point area.

Claims: 1 independent

Fig.: 5

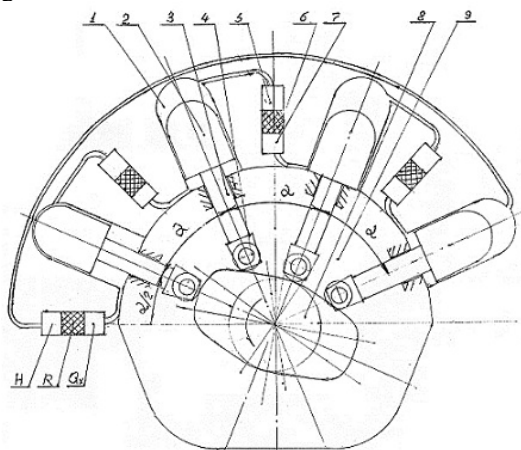


Fig. 3

PART H

H 04

(10) AP 2012 9874 A (51) Int. Cl. (2006)

H 04 J 3/02

H 04 J 3/16

H 04 J 3/22

H 04 B 7/00

(21) AP 2005 009874 (22) 2005 07 05

(31) 60/588,960; 11/113,763

(32) 2004 07 09; 2005 04 25

(33) US; US

(71) INTERDIGITAL TECHNOLOGY CORPORATION (US)

3411 Silverside Road, Concord Plaza, Suite 105, Hagley Building, Wilmington, Delaware 19810 (US)

(72) TERRY, Stephen, E. (US)

(74) Shalva Gvaramadze

(85) 2007 02 19

(86) PCT/US2005/023891, 2005 07 05

(54) **METHOD AND APPARATUS FOR ENHANCED UPLINK MULTIPLEXING**

(57) There are represented a method and an apparatus for enhanced uplink multiplexing. Set of MAC-d flow combinations (and/or logical channels), which are

allowed for multiplexing MAC-e in PDU, are appropriated for WTRU. In MAC-e, the WTRU chooses combination from set of allowed combinations for multiplexing MAC-d flows for each MAC-e PDU. Certain MAC-d flow combinations may be specified after unblocked transmission and at restricted power state WTRU. Data amount from each logical channel or corresponding MAC-d flow capable of multiplexing within MAC-e PDU may be specified for guaranteed data rates reception. When WTRU is at restricted power state, an indication thereof may be passed to Node-B by EU transmission.

Claims: 6 independent

34 dependent

Fig.: 3

(10) AP 2012 9735 A (51) Int. Cl. (2006)

H 04 L 12/28

H 04 W 72/00 (2009.01)

(21) AP 2005 009735 (22) 2005 04 29

(31) 60/568,944; 60/578,533

(32) 2004 05 07; 2004 06 10

(33) US; US

(71) INTERDIGITAL TECHNOLOGY CORPORATION (US)

3411 Silverside Road, Concord Plaza, Suite 105, Hagley Building, Wilmington, Delaware 19810 (US)

(72) TERRY, Stephen, E. (US);

ZHANG, Goudong (CN);

DICK, Stephen, G. (US)

(74) Shalva Gvaramadze

(85) 2006 12 07

(86) PCT/US2005/014876, 2005 04 29

(54) **(MAC) DATA TRANSMISSION ENVIRONMENT ACCESS CONTROL LAYER ARCHITECTURE FOR SUPPORTING ENHANCED UPLINK**

(57) (MAC) data transmission environment access control layer architecture and supporting enhanced uplink (EU) functionality are represented. (MAC) or (MAC-e) entity for EU is switched into a wireless transmit/receive unit (WTRU), a Node-B and a radio network controller (RNC). The WTRU MAC-e handles hybrid-automatic repeat request (H-ARQ) transmissions and retransmissions, priority handling, MAC-e multiplexing and transport format combination (TFC) selection. The Node-B MAC-e entity handles H-ARQ transmissions and retransmissions, E-DCH scheduling and MAC-e demultiplexing. The MAC-e RNC entity provides in-sequence delivery and handles data combining from different Node-Bs.

Claims: 6 independent

32 dependent

Fig.: 5

(10) AP 2012 9986 A (51) Int. Cl. (2006)
H 04 W 48/18 (2009.01)

(21) AP 2005 009986 (22) 2005 09 13

(31) 10/939,785

(32) 2004 09 13

(33) US

(71) INTERDIGITAL TECHNOLOGY

CORPORATION (US)

3411 Silverside Road, Concord Plaza,

Suite 105, Hagley Building,

Wilmington, Delaware 19810 (US)

(72) KWAK, Joseph A. (US);

CUFFARO, Angelo (CA);

MARINIER, Paul (CA);

CAVE, Christopher (CA);

ALI, Ahmed (IQ);

ROY, Vincent (CA);

TOUAG, Athmane (DZ);

LA SITA, Frank (US);

RUDOLF, Marian (DE);

HUNKELER, Teresa (CA);

RAHMAN, Shamin, Akbar (CA)

(74) Shalva Gvaramadze

(85) 2007 04 12

(86) PCT/US2005/032605, 2005 09 13

(54) **METHOD AND APPARATUS FOR
CONGESTION SPECIFICATION
AND WIRELESS COMMUNICATION
SYSTEM MANAGEMENT**

(57) There is represented an improved network management method, particularly in IEEE802.11 and IEEE802.11k standards context, wherein an advantage is provided by two new MAC measurements including WTRU uplink traffic and AP service loading. Generally, those measurements are applicable at least for layers 1 and 2 and 802.11k in OFDM and CDMA 2000 systems context, as well as in other scenarios. Also, congestion specification and advertising method is provided for Wireless Local Area Network (WLAN) system. In addition, the particular invention introduces congestion management method at detection embodiment thereof. Usually, the present invention aspect applies for Carrier Sense Multiple Access/Collision Avoidance (CSMA/CA) wireless system usage mechanism. Mainly, said methods are carried out at various selectively configured WTRU.

Claims: 4 independent

28 dependent

Fig.: 12

PATENTS FOR INVENTIONS

PART A

A 43

- (11) P 2012 5461 B (51) Int. Cl. (2006)
A 43 B 7/06
(44) 11(327)/2011
- (10) AP 2011 9504 A
(21) AP 2004 009504
(22) 2004 12 27
(24) 2004 12 27
(31) PD2003A000312
(32) 2003 12 30
(33) IT
(73) GEOX S.P.A. (IT)
Via Feltrina Centro, 16, 31044 Montebelluna
Localita Biadene, (Treviso) (IT)
- (72) POLEGATO MORETTI, Mario (IT);
FERRARESE, Antonio (IT);
MATTIONI, Bruno (IT)
- (74) Alexander Mikadze
(85) 2006 07 07
(86) PCT/EP2004/014717, 2004 12 27
(54) **BREATHABLE WATERPROOF SOLE
FOR SHOES**
-

A 61

- (11) P 2012 5464 B (51) Int. Cl. (2006)
A 61 K 31/465
A 61 K 31/232
C 07 C 67/02
C 07 C 69/587
A 61 P 9/00
(44) 19(335)/2011
- (10) AP 2011 11074 A
(21) AP 2007 011074
(22) 2007 06 22
(24) 2007 06 22
(31) 0605649
(32) 2006 06 23
(33) FR
(73) PIERRE FABRE MEDICAMENT (FR)
45, place Abel Gance, F-92100 Boulogne-
Billancourt (FR)
- (72) BRUNE, Frédérique (FR);
DELHON, André (FR);
GARDETTE, Jean (FR);
PATOISEAU, Jean François (FR);
MARTY, Alain (FR);
SEVERAC, Etienne (FR)
- (74) Liliana Darakhvelidze
(85) 2009 01 21
(86) PCT/EP2007/056277, 2007 06 22
(54) **DHA ESTERS AND USE THEREOF IN
TREATMENT AND PREVENTION OF
CARDIOVASCULAR DISEASE**
-

PART B

B 23

- (11) P 2012 5466 B (51) Int. Cl. (2006)
B 23 F 13/00
(44) 23(339)/2011
- (10) AP 2011 11297 A
(21) AP 2009 011297
(22) 2009 06 08
(24) 2009 06 08
(73) Revaz Varsimashvili (GE)
Vazha-Pshavela V quartal, build. 4, ap. 82,
0186, Tbilisi (GE)
- (72) Revaz Varsimashvili (GE)
(54) **NON-ROUND CONIC TOOTH GEARING**
-

PART C

C 07

- (11) P 2012 5469 B (51) Int. Cl. (2006)
C 07 D 401/04
C 07 D 401/06
C 07 D 403/04
C 07 D 403/06
C 07 D 407/04
C 07 D 409/04
C 07 D 413/04
C 07 D 417/04
C 07 D 471/04
A 61 K 31/4353
A 61 P 35/00
(44) 23(339)/2011
- (10) AP 2011 11349 A
(21) AP 2007 011349
(22) 2007 12 03
(24) 2007 12 03
(31) 60/873,198; 60/880,661; 60/967,872
(32) 2006 12 06; 2007 01 16; 2007 09 06
(33) US; US; US
(73) MERCK SHARP & DOHME CORP. (US)
126 East Lincoln Avenue, Rahway, New
Jersey
07065-0907 (US)
- (72) KELLY, Michael, J., III (US);
LAYTON, Mark, E. (US);
SANDERSON, Philip, E. (GB)
- (74) Shalva Gvaramadze
(85) 2009 07 06
(86) PCT/US2007/024772, 2007 12 03
(54) **INHIBITORS OF AKT ACTIVITY**
-

PART F**F 16**

- (11) P 2012 5465 B (51) Int. Cl. (2006)
F 16 H 55/00
(10) AP 2011 11296 A (44) 23(339)/2011
(21) AP 2009 011296
(22) 2009 06 08
(24) 2009 06 08
(73) Revaz Varsimashvili (GE)
Vazha-Pshavela V quartal, build. 4, ap. 82,
0186, Tbilisi (GE)
(72) Revaz Varsimashvili (GE)
(54) **GEAR-CUTTING MACHINE WITH
PROGRAM CONTROL**
-

- (11) P 2012 5467 B (51) Int. Cl. (2006)
F 16 H 55/22
(10) AP 2011 11298 A (44) 23(339)/2011
(21) AP 2009 011298
(22) 2009 06 08
(24) 2009 06 08
(73) Revaz Varsimashvili (GE)
Vazha-Pshavela V quartal, build. 4, ap. 82,
0186, Tbilisi (GE)
(72) Revaz Varsimashvili (GE)
(54) **SPACE TRANSMISSION**
-

F 24

- (11) P 2012 5468 B (51) Int. Cl. (2006)
F 24 C 3/00
(10) AP 2011 11844 A (44) 23(339)/2011
(21) AP 2010 011844
(22) 2010 06 14
(24) 2010 06 14
(73) Kartlos Gabarashvili (GE)
Nutsbidzis Perd., I I mkr., I kvart.,
korp. 1, b. 45, 0183, Tbilisi (GE)
(72) Kartlos Gabarashvili (GE)
(54) **BAKING FURNACE**
-

PART G**G 06**

- (11) P 2012 5463 B (51) Int. Cl. (2006)
G 06 Q 30/00
(10) AP 2011 10389 A (44) 21(337)/2011
(21) AP 2006 010389
(22) 2006 04 21
(24) 2006 04 21
(31) 60/674,149; 11/408,192
(32) 2005 04 22; 2006 04 21
(33) US; US
(73) SIX CONTINENTS HOTELS, INC. (US)
Three Ravinia Drive, Suite 100, Atlanta,
Georgia 30346 (US)
(72) SICKEL, Steven, Scott (US);
KOPEC, Michael, John (US);
BERMAN, Marc, Elliot (US)
(74) Shalva Gvaramadze
(85) 2007 11 22
(86) PCT/US2006/015334, 2006 04 21
(54) **UNIVERSAL REDEMPTION VEHICLE**
-

PART H**H 04**

- (11) P 2012 5462 B (51) Int. Cl. (2006)
H 04 M 11/04
H 04 Q 7/20
(10) AP 2011 9737 A (44) 21(337)/2011
(21) AP 2005 009737
(22) 2005 05 09
(24) 2005 05 09
(31) 60/569,014
(32) 2004 05 07
(33) US
(73) INTERDIGITAL TECHNOLOGY
CORPORATION (US)
300 Delaware Avenue, Suite 527,
Wilmington, Delaware 19801 (US)
(72) RUDOLF, Marian (DE);
RAHMAN, Shamin, Akbar (CA);
ZUNIGA, Juan, Carlos (MX);
KWAK, Joseph (US)
(74) Shalva Gvaramadze
(85) 2006 12 07
(86) PCT/US2005/015986, 2005 05 09
(54) **METHOD AND DEVICE FOR
SUPPORTING EMERGENCY CALLS ON
A WIRELESS LOCAL AREA NETWORK**
-

UTILITY MODELS

APPLICATIONS LAID OPEN FOR THE PURPOSE OF TAKING PATENT GRANTING DECISIONS

To appeal a decision is possible at Chamber of Appeal of Sakpatenti within 3 months from the publication or at The Board of Administrative Actions of Tbilisi City Court within a 1 month period. (Address: 12 km., №6, David Aghmashenebeli Kheivani, Tbilisi).

PART A

A 61

(10) AU 2012 12282 U (51) Int. Cl. (2006)

A 61 K 36/00

A 61 P 1/04

(21) AU 2011 012282 (22) 2011 07 01

(71) Ramaz Shalamberidze (GE)

Varketili-3, I mkr., korp. 13, b. 84,

0163, Tbilisi (GE);

Amiran Kvaratskhelia (GE)

Aslanidis k. 23-25, b. 29, 0171,

Tbilisi (GE)

(72) Ramaz Shalamberidze (GE);

Amiran Kvaratskhelia (GE)

(54) **PREPARATION FOR GASTRITIS,
STOMACH ULCERATIVE DISEASES
AND DUODENUM TREATMENT**

(57) Preparation contains oily extracts of seabuckthorn *Hippophae rhamnoides* L. fruits, mistletoe *Viscum album* L. part above ground level and flowers, pot marigold *Calendula officinalis* L. flowers, plantain *Plantago major* L. part above ground level and flowers, St. John's wort *Hypericum* L. and propolis.

Claims: 1 independent

3 dependent

(57) Preparation contains pot marigold *Calendula officinalis* L., flowers, camomile *Matricaria chamomilla* L. flowers, plantain *Plantago major* L., milfoil *Achillea millefolium* L. flowers, nettle *Urtica urens* L., immortelle *Helichrysum* flowers, chicory *Cichorium intybus* L. part above ground level and flowers, St. John's wort *Hypericum* part above ground level and flowers, common horsetail *Equisetum*, knotgrass *Polygonum aviculare* L., pot marjoram *Origanum vulgare* L. part above ground level and flowers, common thyme *Thymus* flowers and pharmaceutically acceptable excipient.

Claims: 1 independent

4 dependent

(10) AU 2012 12283 U (51) Int. Cl. (2006)

A 61 K 36/00

A 61 P 1/16

(21) AU 2011 012283 (22) 2011 07 01

(71) Ramaz Shalamberidze (GE)

Varketili-3, I mkr., korp. 13, b. 84,

0163, Tbilisi (GE);

Amiran Kvaratskhelia (GE)

Aslanidis k. 23-25, b. 29, 0171,

Tbilisi (GE)

(72) Ramaz Shalamberidze (GE);

Amiran Kvaratskhelia (GE)

(54) **TREATMENT-AND-PROPHYLACTIC
PREPARATION FOR GALLBLADDER
AND LIVER DISEASES TREATMENT**

PART E

E 02

(10) AU 2012 11922 U (51) Int. Cl. (2006)
E 02 B 3/12

(21) AU 2010 011922 (22) 2010 08 19

(71) Zurab Varazashvili (GE)
Didi Dighomi, Giorgi Brtsqinvaes k.9,
b. 46, 0131, Tbilisi (GE);
Goga Chakhaia (GE)
Marijanis k.4, b.33, 0186, Tbilisi (GE)

(72) Zurab Varazashvili (GE);
Goga Chakhaia (GE)

(54) **MATTRESS OF PHYTO-SOIL-
RECLAMATION PURPOSES
“NESFILE” AGAINST SOIL MAN-
INDUCED**

(57) A mattress consists of basis layer 1, from above of which by means of fasteners 4 a second layer 2 is attached. The layers are produced of natural material and hayseed 3 are located between thereof.

Claims: 1 independent

Fig.: 4 dependent

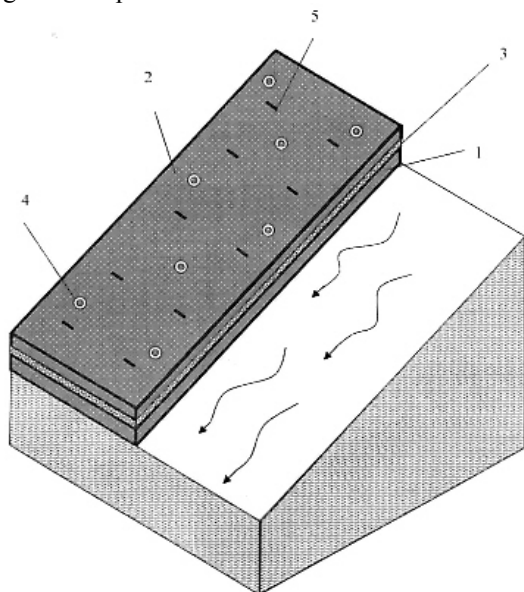


Fig. 1

PATENT FOR UTILITY MODEL

PART H

H 01

- (11) U 2012 1716 Y (51) Int. Cl. (2006)
H 01 H 83/00
- (10) AU 2011 12165 U (44) 19(335)/2011
(21) AU 2011 012165
(22) 2011 04 01
(24) 2011 04 01
(71) Nika Tevdorashvili (GE)
Turgenevis k. 12, b.12, 3700, Rustavi (GE)
(72) Nika Tevdorashvili (GE)
(54) **PROTECTION DEVICE OF THREE-
PHASE ELECTRIC DRIVE**
-

REGISTERED DESIGNS

(11) D 2012 492 S **(51) 09-01**
(10) AD 2011 658 S (44) 23(339)/2011
(21) AD 2011 000658
(22) 2011 08 10
(24) 2011 08 10
(28) 1
(18) 2016 08 10
(31) 29/387,376
(32) 2011 03 11
(33) US
(73) FINLANDIA VODKA WORLDWIDE
LTD (FI)
Porkkalankatu 24, FI-00180 Helsinki (FI)
(72) Kenneth HIRST (AU)
(74) George Taktakishvili
(54) **BOTTLE**

(11) D 2012 493 S **(51) 12-08**
(10) AD 2011 660 S (44) 23(339)/2011
(21) AD 2011 000660
(22) 2011 08 16
(24) 2011 08 16
(28) 1
(18) 2016 08 16
(31) 201130023696.7
(32) 2011 02 17
(33) CN
(73) CHONGQING SOKON INDUSTRY GROUP
STOCK CO., LTD (CN)
N61-1 Jinqiao Roads, Shapingba District,
P.R. China (CN)
(72) ZHANG, Xinghai (CN);
PENG, Zili (CN)
(74) Khatuna Imnadze
(54) **AUTOMOBILE**

DESIGNS REGISTERED ACCORDING TO THE ACCELERATED PROCEDURE

To file an appeal on request of the registration cancelling is possible at Chamber of Appeal of Sakpatenti within 3 months from the publication.

- (11) **D 2012 494 S** (51) **09-01**
(21) AD 2012 000691 (22) 2012 03 09
(24) 2012 03 09
(28) 1
(18) 2017 03 09
(73) Joint-Stock Company "LOMISI" (GE)
 Sop. Natakhtari, 3308, Mtskheta (GE)
(72) Mehmet Tanju Kochak (TR)
(74) Rusudan Roinishvili (GE)
 Bakhtrionis k. 7, 0194, Tbilisi (GE)
(54) **BOTTLE**
(55)

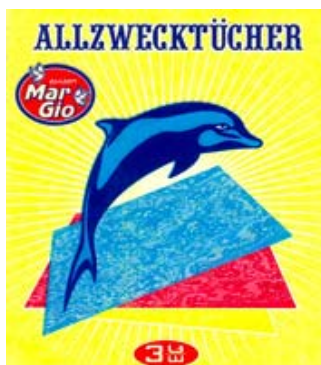


TRADEMARKS

APPLICATIONS FILED UNDER THE NATIONAL PROCEDURE LAID OPEN FOR THE PURPOSE OF TAKING PATENT GRANTING DECISIONS

To appeal a decision is possible at Chamber of Appeal of Sakpatenti within 3 months from the publication or at The Board of Administrative Actions of Tbilisi City Court within a 1 month period. (Address: 12 km., №6, David Aghmashenebeli Kheivani, Tbilisi).

(260) AM 2012 63692 A
(210) AM 063692
(220) 2011 08 12
(731) SOSO MAMULADZE
Tsulukidzis 23 b, bina 91, 0154, Tbilisi,
Georgia
(540)



(591) Blue, sky, yellow, pink, red, white
(531) 03.09.04-26.04.09-27.05.05-29.01.14-
(526) **Disclaimer** – The trademark is protected as a whole, word combinations "ALLZWECKTÜCHER", "MAR GIO" and "3/EC", shall not be subject to independent protection.
(511) 20

(260) AM 2012 63735 A
(210) AM 063735
(220) 2011 08 12
(731) AFC Enterprises, Inc.
5555 Glenridge Connector, NE, Suite 300,
Atlanta, GA 30342-4741, USA
(740) George Taktakishvili
(540)



(591) Black, white
(531) 26.01.18-26.01.21-27.05.21-
(526) **Disclaimer** – The trademark is protected as a whole, without "LOUISIANA KITCHEN", shall not be subject to independent protection.
(511) 29, 43

(260) AM 2012 63736 A
(210) AM 063736
(220) 2011 08 12
(731) AFC Enterprises, Inc.
5555 Glenridge Connector, NE, Suite 300,
Atlanta, GA 30342-4741, USA
(740) George Taktakishvili
(540)

POPEYES

(591) Black, white
(511) 29, 43

(260) AM 2012 63741 A
(210) AM 063741
(220) 2011 08 15
(731) CORPORACION HABANOS S.A.
Avenida 3ra. N2006 entre 20 y 22, Miramar,
Playa, Ciudad de La Habana, Cuba
(740) Davit Zurabishvili
(540)



(591) Black, red, dark and light tobacco
(531) 18.01.03-25.01.01-29.01.14-
(511) 34

(260) AM 2012 59620 A*
(210) AM 059620
(220) 2010 09 28
(731) GUTHY-RENKER LLC
41-550 Eclectic Street, Suite 200,
Palm Desert, California 92260, USA
(740) George Meipariani
(540)

PROACTIV

(591) Black, white
(511) 3, 5

(260) AM 2012 61587 A*
(210) AM 061587
(220) 2011 03 07
(731) GARAGE IMINTERNATIONAL LUX SARL
1 Allée Scheffer, Suite 2.05.1, L-2520
Luxembourg, Luxembourg
(740) Davit Zurabishvili
(540)

GARAGE

(591) Black, white
(511) 3, 18, 25, 35

(260) AM 2012 61588 A*
(210) AM 061588
(220) 2011 03 07
(731) GARAGE IMINTERNATIONAL LUX SARL
1 Allée Scheffer, Suite 2.05.1, L-2520
Luxembourg, Luxembourg
(740) Davit Zurabishvili
(540)

GARAGE

(591) Black, white
(531) 01.01.10-27.05.17-
(511) 3, 18, 25, 35

(260) AM 2012 61589 A*
(210) AM 061589
(220) 2011 03 07
(731) GARAGE IMINTERNATIONAL LUX SARL
1 Allée Scheffer, Suite 2.05.1, L-2520
Luxembourg, Luxembourg
(740) Davit Zurabishvili
(540)

GRG BY GARAGE

(591) Black, white
(511) 3, 18, 25, 35

TRADEMARKS REGISTERED ACCORDING TO THE ACCELERATED PROCEDURE

To file an appeal on request of the registration cancelling is possible at Chamber of Appeal of Sakpatenti within 3 months from the publication.

(111) M 2012 22438 R
(151) 2012 03 28
(181) 2022 03 28
(210) AM 066471
(220) 2012 03 09
(732) SAAQTSIO SAZOGADOEBA "LOMISI"
Sofeli Natakhtari, 3308, Mtskhedis raioni,
Georgia
(740) Rusudan Roinishvili
(540)



(591) Black, white
(531) 19.07.01-19.07.23-
(511) 32

(111) M 2012 22439 R
(151) 2012 03 28
(181) 2022 03 28
(210) AM 066539
(220) 2012 03 16
(732) SH.P.S "LaMeR"
Asatianis skv. N37, 0105, Batumi, Georgia
(540)

მხიარული სოფელი
Мхиарули сопели
Веселая деревня
Mkhiaruli sopeli

(591) Black, white
(511) 43

(111) M 2012 22440 R
(151) 2012 03 29
(181) 2022 03 29
(210) AM 066495
(220) 2012 03 13

(732) Georgian Industrial Asset Management Group
Rustavelis q. N174, 6200, Qobuleti, Georgia
(540)



„აჭარის ნიბალო“ „Дары Аджарии“ „Gifts of Ajara“

(591) Yellow, black
(531) 05.01.05-05.01.11-24.01.10-29.01.12-
(526) **Disclaimer** – according to the consent of the
Ministry of Culture, on the basis of sub-
paragraph (i) of paragraph 1 of Article 4 of the
Trademark Law of Georgia, the words
„აჭარის“, „Аджарии“, „Ajara“ are included
in a trademark as an unpro-TECTED part.
(511) 3, 29, 30, 31, 32, 33

(111) M 2012 22441 R
(151) 2012 03 29
(181) 2022 03 29
(210) AM 066638
(220) 2012 03 22
(732) SPIRITS PRODUCT INTERNATIONAL
INTELLECTUAL PROPERTY B.V.
7, Rue Nicolas Bové, 1253 Luxembourg,
Luxembourg
(740) Davit Zurabishvili
(540)

GRADUS PERFECT
ГРАДУС СОВЕРШЕНСТВО

(591) Black, white
(511) 32, 33

(111) M 2012 22442 R
(151) 2012 03 29
(181) 2022 03 29
(210) AM 066493
(220) 2012 03 12
(732) SH.P.S "SANTREIDI"

Varketili-3, III a m/r, korpusi 340, bina 8,
0163, Tbilisi, Georgia

(540)

ჩვენი ოჯახი
OUR FAMILY
НАША СЕМЬЯ

(591) Black, white

(511) 29

(111) M 2012 22443 R

(151) 2012 03 29

(181) 2022 03 29

(210) AM 066494

(220) 2012 03 12

(732) SH.P.S "SANTREIDI"

Varketili-3, III a m/r, korpusi 340, bina 8,
0163, Tbilisi, Georgia

(540)

ჩემი ოჯახი
MY FAMILY
МОЯ СЕМЬЯ

(591) Black, white

(511) 29

INTERNATIONAL TRADEMARKS LAID OPEN FOR THE PURPOSE OF TAKING PROTECTION GRANTING DECISIONS

To appeal a decision is possible at Chamber of Appeal of Sakpatenti within 3 months from the publication or at The Board of Administrative Actions of Tbilisi City Court within a 1 month period. (Address: 12 km., №6, David Aghmashenebeli Kheivani, Tbilisi).

(260) AM 2012 62930 A
(800) 1077815
(731) YI WU NEW GREEN BIOLOGICAL
ENGINEERING CO., LTD.
Niansanli Yidong Industrial Zone, Yi Wu,
China
(540)

Auradian

(591) Black, white
(511) 09, 11, 42

(260) AM 2012 62935 A
(800) 1077849
(731) SANOFI
174, avenue de France, F-75013 PARIS,
France
(540)

VixaStar

(591) Black, white
(511) 10

(260) AM 2012 62937 A
(800) 1077850
(731) SANOFI
174, avenue de France, F-75013 PARIS,
France
(540)

JuniorStar

(591) Black, white
(511) 10

(260) AM 2012 62938 A
(800) 1077852
(731) SANOFI
174, avenue de France, F-75013 PARIS,
France
(540)

JoyStar

(591) Black, white
(511) 10

(260) AM 2012 62939 A
(800) 1077857
(731) SANOFI
174, avenue de France, F-75013 PARIS,
France
(540)

TERICOVE

(591) Black, white
(511) 05

(260) AM 2012 62940 A
(800) 1077872
(731) Zakritoe aktsionernoe obschestvo "GPK"
ul. Oktiabrskaya, d. 20, Stari Oskol,
RU-309514 Region de Belgorod,
Russian Federation
(540)

ΦΑΡC

(591) Black, white
(511) 30

(260) AM 2012 62941 A
(800) 1077885
(731) PIDPRYJEMSTVO Z INOZEMNYMY
INVESTYTSIJAMY "EAST BALT
UKRAINE"
vul. Marshala Malynovskogo, 140,
Dnipropetrovsk 49098, Ukraine
(540)



(591) Blue, yellow and white
(511) 30, 35, 43

(260) AM 2012 62942 A
 (800) 1077989
 (731) PRZEDSIĘBIORSTWO
 FARMACEUTYCZNE JELFA S.A.
 ul. Wincentego Pola 21, PL-58-500 Jelenia
 Góra, Poland

(540)

Betaderm TRI

(591) Black, white
 (511) 05

(260) AM 2012 62951 A
 (800) 1078183
 (731) POLFA sp. z o.o.
 ul. Prosta 69, PL-00-838 Warszawa, Poland

(540)



(591) Navy-blue
 (511) 10, 35, 39

(260) AM 2012 63029 A
 (800) 1078724
 (731) IWI AG
 Industriestrasse 13-C, CH-6304 Zug,
 Switzerland

(540)



(591) White, grey, red, light grey and black
 (511) 03

(260) AM 2012 63030 A
 (800) 1078742
 (731) Nupo A/S
 Elektronvej 10, DK-2670 Greve, Denmark

(540)

NUPO

(591) Black, white
 (511) 05, 25

(260) AM 2012 63031 A
 (800) 1078743
 (731) APPLE INC.
 1 Infinite Loop, Cupertino, CA 95014, USA

(540)

VOICEPASS

(591) Black, white
 (511) 37, 42

(260) AM 2012 63032 A
 (800) 1078744
 (731) ÖZALTUN OTELCİLİK TURİZM VE
 TİCARET LİMİTED ŞİRKETİ
 Cumhuriyet Cad. N233 Harbiye, İstanbul,
 Turkey

(540)



(591) Black, white, red
 (511) 39, 43

(260) AM 2012 63033 A
 (800) 1078758
 (731) DISTILLERIES GROUP TOORANK B.V.
 Edisonstraat 80, NL-6902 PK Zevenaar,
 Netherlands

(540)

COPPA COCKTAILS

(591) Black, white
 (511) 33

(260) AM 2012 63034 A
 (800) 1078788
 (731) SANOFI PASTEUR
 2, avenue Pont Pasteur, F-69007 LYON,
 France

(540)



(591) Blue circle
 (511) 05

(260) AM 2012 63036 A
(800) 1078794
(731) BAYER AKTIENGESELLSCHAFT
Kaiser-Wilhelm-Allee, 51373 Leverkusen,
Germany

(540)

SIMPLY-T

(591) Black, white
(511) 05, 10

(260) AM 2012 63037 A
(800) 1078817
(731) MARTELL & Co
Place Edouard Martell, F-16100 COGNAC,
France

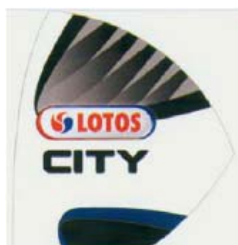
(540)



(591) Black, white
(511) 33

(260) AM 2012 63039 A
(800) 1078846
(731) GRUPA LOTOS SPÓŁKA AKCYJNA
ul. Elbląska 135, PL-80-718 Gdańsk, Poland

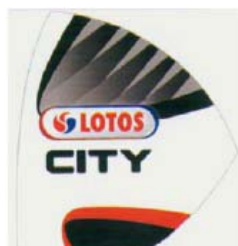
(540)



(591) White, red, navy blue, light gray, gray,
dark gray and black
(511) 04

(260) AM 2012 63040 A
(800) 1078847
(731) GRUPA LOTOS SPÓŁKA AKCYJNA
ul. Elbląska 135, PL-80-718 Gdańsk, Poland

(540)



(591) White, red, navy blue, light gray, gray,
dark gray and black

(511) 04

(260) AM 2012 63041 A
(800) 1078848
(731) "MIKHAILYUK, SOROKOLAT &
PARTNERS - PATENT ATTORNEYS"
LIMITED LIABILITY COMPANY
46, Bobruiskaya Str. Kharkiv 61054, Ukraine

(540)



(591) Black, white
(511) 35, 41, 45

(260) AM 2012 63042 A
(800) 1078849
(731) GEORGE PANAGIOTIDIS BROS O.B.E.
Petra, GR-52100 Kastoria, Greece

(540)



(591) Yellow and black
(511) 25

(260) AM 2012 63043 A
(800) 1078852
(731) MESSE MÜNCHEN GMBH
Am Messesee 2, 81829 München, Germany

(540)



(591) Orange, red and blue
(511) 16, 35, 41

(260) AM 2012 63057 A
 (800) 1079090
 (731) ERTE KOZMETİK SANAYİ VE TİCARET ANONİM ŞİRKETİ
 Yakuplu Mahallesi, Beysan Sanayi Sitesi,
 Dereboyu Caddesi. N4 Beylikdüzü-
 İstanbul, Turkey

(540)

XCEED

(591) Black, white
 (511) 03

(260) AM 2012 63107 A
 (800) 1079461
 (731) OLEINA SA
 Route de Florissant 13, CH-1206 Genève,
 Switzerland

(540)

Олейна Ароматная

(591) Black, white
 (511) 29

(260) AM 2012 63109 A
 (800) 1079469
 (731) ANADOLU EFES BIRACILIK VE MALT SANAYI ANONIM SIRKETI
 Bahçelievler Mahallesi, Şehit İbrahim,
 Koparır Caddesi N4, Bahçelievler İstanbul,
 Turkey

(540)



(591) Brown, red
 (511) 32, 33

(260) AM 2012 63110 A
 (800) 1079477
 (731) GEORGIA-PACIFIC S.A.R.L.
 25, Route D'Esch, L-1470 Luxembourg,
 Luxembourg

(540)



(591) Black and white
 (511) 21

(260) AM 2012 63111 A
 (800) 1079485
 (731) PHILIP MORRIS PRODUCTS S.A.
 Quai Jeanrenaud 3, CH-2000 Neuchâtel,
 Switzerland

(540)



(591) Red, blue, silver and gray
 (511) 34

(260) AM 2012 63112 A
 (800) 1079517
 (731) SONY CORPORATION
 1-7-1 Konan, Minato-ku, Tokyo 108-0075,
 Japan

(540)

One-red

(591) Black, white
 (511) 36, 45

(260) AM 2012 63113 A
 (800) 1079518
 (731) SONY CORPORATION
 1-7-1 Konan, Minato-ku, Tokyo 108-0075,
 Japan

(540)



(591) Red
 (511) 36, 45

(260) AM 2012 63114 A
 (800) 1079523
 (731) MERCK SHARP & DOHME CORP.,
 New Jersey Corporation
 One Merck Drive, Whitehouse Station,
 NJ 08889, USA

(540)

ABRACEDE

(591) Black, white
(511) 05

(260) AM 2012 63115 A

(800) 1079540

(731) OBSHCHESTVO S OGRANICHENNOY
OTVETSTVENNOSTYU "TRISTAR"
3, ul. Skulptora Mukhinoy, RU-119634
Moscow, Russian Federation

(540)

LUCKYCOFFEE

(591) Black, white
(511) 30

(260) AM 2012 63116 A

(800) 1079579

(731) NINGBO DEGSON ELECTRONICS CO.,
LTD.
Shatanlu Village, Xiaolin Town, Cixi City,
Zhejiang Province, China

(540)

DEGSON

(591) Black, white
(511) 09

(260) AM 2012 63117 A

(800) 1079586

(731) LIVIKO AS
Masina 11, EE-10144 Tallinn, Estonia

(540)



(591) Dark blue, white, silver, red
(511) 33

(260) AM 2012 63123 A

(800) 1079595

(731) CHINA CERTIFICATION & INSPECTION
(GROUP) CO., LTD.
Fl. 24, No. 18, Xibahe Dongli, Chaoyang
District, 100028 Beijing, China

(540)



(591) Black, white
(511) 36, 42

(260) AM 2012 63124 A

(800) 1079610

(731) WÖRWAG PHARMA GmbH & Co. KG
Calwerstrasse 7, 71034 Böblingen, Germany

(540)

Wörwag Pharma

(591) Black, white
(511) 03, 05, 29, 30, 35

(260) AM 2012 63125 A

(800) 1079635

(731) JAPAN TOBACCO INC.
2-2-1 Toranomom, Minato-ku, Tokyo, Japan

(540)



(591) Blue, dark blue, light blue, red,
gray and white
(511) 41

(260) AM 2012 60225 A*

(800) 1053449

(731) MEDICE Arzneimittel GmbH
Römerstr. 14, A-5400 Hallein, Austria

(540)

Attentin

(591) Black, white
(511) 05

INTERNATIONAL TRADEMARKS PROTECTED IN GEORGIA

(260) AM 2010 54706 A
(800) 1007028
(151) 2009 05 01
(181) 2019 05 01
(511) 12

(260) AM 2011 59625 A
(800) 1048202
(151) 2010 08 16
(181) 2020 08 16
(511) 10

(260) AM 2011 59995 A
(800) 1051347D
(151) 2010 09 09
(181) 2020 09 09
(511) 09, 16, 35, 36, 41, 42

(260) AM 2011 60444 A
(800) 1055398
(151) 2010 02 16
(181) 2020 02 16
(511) 09, 11, 12, 14, 16, 18, 20, 22, 25, 34

(260) AM 2011 61045 A
(800) 1060988
(151) 2010 05 04
(181) 2020 05 04
(511) 11

(260) AM 2011 61047 A
(800) 1061063
(151) 2010 05 14
(181) 2020 05 14
(511) 32

(260) AM 2011 61048 A
(800) 1061079
(151) 2010 08 03
(181) 2020 08 03
(511) 01, 17, 19

(260) AM 2011 61049 A
(800) 1061093
(151) 2010 09 30

(181) 2020 09 30
(511) 12

(260) AM 2011 61050 A
(800) 1061101
(151) 2010 10 13
(181) 2020 10 13
(511) 05, 29, 30, 32

(260) AM 2011 61051 A
(800) 1061123
(151) 2010 11 19
(181) 2020 11 19
(511) 32, 33

(260) AM 2011 61053 A
(800) 1061153
(151) 2010 11 16
(181) 2020 11 16
(511) 12, 25, 41

(260) AM 2011 61054 A
(800) 1061169
(151) 2010 11 26
(181) 2020 11 26
(511) 18, 25

(260) AM 2011 61055 A
(800) 1061191
(151) 2010 11 17
(181) 2020 11 17
(511) 05

(260) AM 2011 61056 A
(800) 1061200
(151) 2010 11 26
(181) 2020 11 26
(511) 05

(260) AM 2011 61057 A
(800) 1061202
(151) 2010 11 26
(181) 2020 11 26
(511) 05

TRADEMARKS

(260) AM 2011 61058 A
(800) 1061253
(151) 2010 11 23
(181) 2020 11 23
(511) 05

(260) AM 2011 61334 A
(800) 1063856
(151) 2010 12 16
(181) 2020 12 16
(511) 05

(260) AM 2011 61059 A
(800) 425498
(151) 2006 10 22
(181) 2016 10 22
(511) 18, 22, 29, 30, 31, 32, 33, 42

(260) AM 2011 61335 A
(800) 1063869
(151) 2010 07 31
(181) 2020 07 31
(511) 09, 17, 22, 23

(260) AM 2011 61177 A
(800) 1062546
(151) 2010 07 13
(181) 2020 07 13
(511) 06, 07, 08, 09, 11, 42

(260) AM 2011 61337 A
(800) 1063883
(151) 2010 10 28
(181) 2020 10 28
(511) 10, 11, 16, 20

(260) AM 2011 61320 A
(800) 1063835
(151) 2010 11 13
(181) 2020 11 13
(511) 17

(260) AM 2011 61338 A
(800) 1063918
(151) 2010 11 13
(181) 2020 11 13
(511) 05

(260) AM 2011 61321 A
(800) 1063849
(151) 2010 12 14
(181) 2020 12 14
(511) 11, 19, 37

(260) AM 2011 61340 A
(800) 1063958
(151) 2010 07 26
(181) 2020 07 26
(511) 38, 41

(260) AM 2011 61323 A
(800) 1063852
(151) 2010 12 16
(181) 2020 12 16
(511) 05

(260) AM 2011 61341 A
(800) 1063960
(151) 2010 11 11
(181) 2020 11 11
(511) 34

(260) AM 2011 61325 A
(800) 1063854
(151) 2010 12 16
(181) 2020 12 16
(511) 05

(260) AM 2011 61342 A
(800) 1063979
(151) 2010 08 02
(181) 2020 08 02
(511) 03

(260) AM 2011 61333 A
(800) 1063855
(151) 2010 12 16
(181) 2020 12 16
(511) 05

(260) AM 2011 61475 A
(800) 1065076
(151) 2010 12 29
(181) 2020 12 29
(511) 09, 16, 28, 30, 35, 41

(260) AM 2011 61689 A
(800) 1067531
(151) 2011 02 03
(181) 2021 02 03
(511) 05

(260) AM 2011 61729 A
(800) 1067886
(151) 2010 10 21
(181) 2020 10 21
(511) 35

(260) AM 2011 61722 A
(800) 1067876
(151) 2010 11 18
(181) 2020 11 18
(511) 36

(260) AM 2011 61743 A
(800) 1067888
(151) 2010 06 17
(181) 2020 06 17
(511) 04, 06, 07, 09, 11, 12, 17

(260) AM 2011 61723 A
(800) 1067877
(151) 2010 11 18
(181) 2020 11 18
(511) 36

(260) AM 2011 61744 A
(800) 1067898
(151) 2010 09 27
(181) 2020 09 27
(511) 09

(260) AM 2011 61724 A
(800) 1067878
(151) 2010 11 18
(181) 2020 11 18
(511) 36

(260) AM 2011 61745 A
(800) 1067907
(151) 2010 10 25
(181) 2020 10 25
(511) 11

(260) AM 2011 61725 A
(800) 1067879
(151) 2010 11 18
(181) 2020 11 18
(511) 36

(260) AM 2011 61763 A
(800) 1068098
(151) 2010 11 26
(181) 2020 11 26
(511) 09, 42

(260) AM 2011 61726 A
(800) 1067880
(151) 2010 11 18
(181) 2020 11 18
(511) 36

(260) AM 2011 61815 A
(800) 1068432
(151) 2011 01 11
(181) 2021 01 11
(511) 05

(260) AM 2011 61727 A
(800) 1067881
(151) 2010 11 18
(181) 2020 11 18
(511) 36

(260) AM 2011 61816 A
(800) 1068433
(151) 2011 01 11
(181) 2021 01 11
(511) 05

(260) AM 2011 61728 A
(800) 1067882
(151) 2011 02 11
(181) 2021 02 11
(511) 12

(260) AM 2011 61817 A
(800) 1068436
(151) 2010 12 27
(181) 2020 12 27
(511) 03, 05

TRADEMARKS

(260) AM 2011 61818 A
(800) 1068437
(151) 2010 12 29
(181) 2020 12 29
(511) 06

(260) AM 2011 61829 A
(800) 1068480
(151) 2011 02 01
(181) 2021 02 01
(511) 05

(260) AM 2011 61819 A
(800) 1068438
(151) 2010 12 14
(181) 2020 12 14
(511) 06

(260) AM 2011 61838 A
(800) 1068599
(151) 2010 11 30
(181) 2020 11 30
(511) 30

(260) AM 2011 61820 A
(800) 1068447
(151) 2011 01 18
(181) 2021 01 18
(511) 14

(260) AM 2011 61969 A
(800) 1069573
(151) 2010 12 03
(181) 2020 12 03
(511) 07, 12, 28, 37

(260) AM 2011 61821 A
(800) 1068452
(151) 2010 10 01
(181) 2020 10 01
(511) 11, 40

(260) AM 2011 62125 A
(800) 1070838
(151) 2011 03 11
(181) 2021 03 11
(511) 09

(260) AM 2011 61822 A
(800) 1068465
(151) 2010 11 23
(181) 2020 11 23
(511) 12

(260) AM 2011 62126 A
(800) 1070867
(151) 2011 02 10
(181) 2021 02 10
(511) 25, 28, 35

(260) AM 2011 61823 A
(800) 1068469
(151) 2011 02 01
(181) 2021 02 01
(511) 05

(260) AM 2011 62127 A
(800) 1070886
(151) 2011 02 21
(181) 2021 02 21
(511) 05

(260) AM 2011 61825 A
(800) 1068471
(151) 2011 02 01
(181) 2021 02 01
(511) 05

(260) AM 2011 62128 A
(800) 870012
(151) 2005 10 06
(181) 2015 10 06
(511) 03, 05, 21

(260) AM 2011 61826 A
(800) 1068472
(151) 2011 02 01
(181) 2021 02 01
(511) 05

(260) AM 2011 62129 A
(800) 917661
(151) 2006 10 31
(181) 2016 10 31
(511) 05, 10

(260) AM 2011 62130 A
(800) 939823
(151) 2007 07 10
(181) 2017 07 10
(511) 03

(260) AM 2011 62131 A
(800) 966939
(151) 2008 04 03
(181) 2018 04 03
(511) 03

(260) AM 2011 62132 A
(800) 987255
(151) 2008 08 21
(181) 2018 08 21
(511) 16, 36, 41, 43

(260) AM 2011 62133 A
(800) 1060160
(151) 2010 11 12
(181) 2020 11 12
(511) 05

(260) AM 2011 62135 A
(800) 1070919
(151) 2011 02 01
(181) 2021 02 01
(511) 05

(260) AM 2011 62136 A
(800) 1070920
(151) 2011 02 01
(181) 2021 02 01
(511) 05

(260) AM 2011 62137 A
(800) 1070955
(151) 2011 03 09
(181) 2021 03 09
(511) 20

(260) AM 2011 63344 A
(800) 1081841
(151) 2011 05 06
(181) 2021 05 06
(511) 18, 25, 35

OFFICIAL NOTIFICATIONS

INVENTIONS

TRANSFER OF RIGHTS

(I quarter of 2012 years)

NUMBER OF PATENT	OLD PATENTOWNERS (TRANSFER OF RIGHTS)	NEW PATENTOWNERS (RECIPIENT OF RIGHTS)	DATE OF TRANSFER
1	2	3	4
2697/1	Naili Khetereli Vazha-Pshavelas gamz., II kvart., 31 korp., 4 sad., Tbilisi, GE; Miranda Khetereli Kavtaradzis k. 6, b. 9, 380077, Tbilisi, GE; Alexander Khetereli Kazbegis gamz. 20, b. 14, 380077, Tbilisi, GE	Naili Khetereli Vazha-Pshavelas gamz., II kvart., 31 korp., 4 sad., Tbilisi, GE	2012 02 17
2698/1	Naili Khetereli Vazha-Pshavelas gamz., II kvart., 31 korp., 4 sad., Tbilisi, GE; Miranda Khetereli Kavtaradzis k. 6, b. 9, 380077, Tbilisi, GE; Alexander Khetereli Kazbegis gamz. 20, b. 14, 380077, Tbilisi, GE	Naili Khetereli Vazha-Pshavelas gamz., II kvart., 31 korp., 4 sad., Tbilisi, GE	2012 02 17
4824/1	Naili Khetereli Vazha-Pshavelas gamz., II kvart., 31 korp., 4 sad., Tbilisi, GE; Alexander Khetereli Kazbegis gamz. 20, b. 14, 380077, Tbilisi, GE; Miranda Khetereli Kavtaradzis k. 6, b. 9, 380077, Tbilisi, GE	Naili Khetereli Vazha-Pshavelas gamz., II kvart., 31 korp., 4 sad., Tbilisi, GE	2012 02 17
4560/1	INTERMUNE, INC. 3280 Bayshore Boulevard, Brisbane, CA 94005, US	HOFFMANN LA ROCHE Ltd 340 Kingsland Str., Natley, New-Jersey, US; P. HOFFMANN LA ROCHE Ltd 124 Grenzahestrasse, CH-4070 Basel, CH	2012 03 09
5438/1	LES LABORATOIRES SERVIER 35, rue de Verdun, 92284 Suresnes Cedex, FR; CORTEX PHARMACEUTICALS, INC. 15241 Barranca Parkway, Irvine, CA 92718, US	LES LABORATOIRES SERVIER 35, rue de Verdun, 92284 Suresnes Cedex, FR	2012 03 14

1	2	3	4
4560/1	HOFFMANN LA ROCHE Ltd 340 Kingsland Str., Natley, New-Jersey, US; P. HOFFMANN LA ROCHE Ltd 124 Grenzahestrasse, CH-4070 Basel, CH	P. HOFFMANN LA ROCHE Ltd 124 Grenzahestrasse, CH-4070 Basel, CH	2012 03 19
1587/2	Viktor Troshini Kindzmaraulis shes. 29, b. 14, 0121, Tbilisi, GE	Alexander Atarshikov Digmis mas. VI kvart., korp. 22a, b. 20, 0159, Tbilisi, GE	2012 03 27

CHANGES IN NAMES AND/OR ADDRESSES OF OWNERS

(I quarter of 2012 years)

NUMBER OF PATENT	OLD NAMES AND/OR ADDRESSES	NEW NAMES AND/OR ADDRESSES	DATE OF CHANGES
200/4	Joint-Stock Company “Teliani Veley” Telavis r-i, sop. Tsinandali, Teliavis gvini karkhana, 2217, Telavi, GE	Joint-Stock Company “Teliani Veley” Tbilisis gzatketsili 3, 2200, Telavi, GE	2012 01 26
201/4	Joint-Stock Company “Teliani Veley” Telavis r-i, sop. Tsinandali, Teliavis gvini karkhana, 2217, Telavi, GE	Joint-Stock Company “Teliani Veley” Tbilisis gzatketsili 3, 2200, Telavi, GE	2012 01 26
199/4	Joint-Stock Company “Teliani Veley” Telavis r-i, sop. Tsinandali, Teliavis gvini karkhana, 2217, Telavi, GE	Joint-Stock Company “Teliani Veley” Tbilisis gzatketsili 3, 2200, Telavi, GE	2012 01 26

TRADEMARKS

RENEWAL OF REGISTRATIONS

(111) M 2001 14177 R1
(156) 2012 01 12
(186) 2021 12 13
(732) DEUTSCHE TELEKOM AG
Friedrich-Ebert-Allee 140, 53113 Bonn,
Germany

(111) M 2002 14416 R1
(156) 2012 04 01
(186) 2022 04 01
(732) HAYAT KIMYA SANAY A.S.
Cobancesme Sanay Cad.N 16 Yenibosna,
34530 Istanbul, Turkey

(111) M 2001 14179 R1
(156) 2012 03 01
(186) 2021 12 13
(732) NEW ZEALAND MILK BRANDS
LIMITED
Building 103, Leonard Izit Drive, Oaklend
Airport, Oaclend, New Zealand

(111) M 2002 14440 R1
(156) 2012 05 01
(186) 2022 05 01
(732) HYUNDAI MOTOR COMPANY
140-2, Kye-Dong, Jongro-ku, Seoul,
Republic of Korea

(111) M 2001 14180 R1
(156) 2012 03 01
(186) 2021 12 13
(732) NEW ZEALAND MILK BRANDS
LIMITED
Building 103, Leonard Izit Drive, Oaklend
Airport, Oaclend, New Zealand

(111) M 2002 14450 R1
(156) 2012 05 24
(186) 2022 05 24
(732) YKK Corporation, a Japanese Corporation
1, Kanda Izumi-cho, Chiyoda-ku, Tokyo,
Japan

(111) M 2001 14191 R1
(156) 2012 01 12
(186) 2021 12 13
(732) DEUTSCHE TELEKOM AG
Friedrich-Ebert-Allee 140, 53113 Bonn,
Germany

(111) M 2002 14485 R1
(156) 2012 05 24
(186) 2022 05 24
(732) VIACOM INTERNATIONAL INC.
1515 Broadway, New York, NY 10036, USA

(111) M 2002 14362 R1
(156) 2012 03 27
(186) 2022 03 27
(732) NOVARTIS AG
CH-4002 Basel, Switzerland

(111) M 2002 14415 R1
(156) 2012 04 01
(186) 2022 04 01
(732) HAYAT KIMYA SANAY A.S.
Cobancesme Sanay Cad.N 16 Yenibosna,
34530 Istanbul, Turkey

COMPLETE TRANSFER OF RIGHTS

-
- (111) M 1998 011066 R1
(732) THE BOEING COMPANY
2201 Seal Beach Boulevard, Seal Beach,
California 90740, USA
(770) BOEING MANAGEMENT COMPANY
Located at P.O. Box 2515, M/C SB 70,
Seal Beach, California 90740-1515, USA,
USA
(580) 2012 03 23
-
- (111) M 1998 011067 R1
(732) THE BOEING COMPANY
2201 Seal Beach Boulevard, Seal Beach,
California 90740, USA
(770) BOEING MANAGEMENT COMPANY
Located at P.O. Box 2515, M/C SB 70,
Seal Beach, California 90740-1515, USA,
USA
(580) 2012 03 23
-
- (111) M 1999 012789 R1
(732) IAP „INTERNIUSI-SAQARTVELO"
P. Iashvilis q. 14/22, Tbilisi, Georgia
(770) INTERNEWS INTERNATIONAL
14 cite Griset - 75011 Paris, France
(580) 2012 03 22
-
- (111) M 1999 012790 R1
(732) IAP „INTERNIUSI-SAQARTVELO"
P. Iashvilis q. 14/22, Tbilisi, Georgia
(770) INTERNEWS INTERNATIONAL
14 cite Griset - 75011 Paris, France
(580) 2012 03 22
-
- (111) M 1999 012830 R1
(732) CONSTELLATION WINES U.S., INC
235 North Bloomfield Road, Canandaiqua,
New York 14424, USA
(770) ROBERT MONDAVI WINERY
841 Latour Court, NAPA, CA 94558, USA
(580) 2012 03 23
-
- (111) M 1999 012831 R1
(732) CONSTELLATION WINES U.S., INC
235 North Bloomfield Road, Canandaiqua,
New York 14424, USA
(770) ROBERT MONDAVI WINERY
841 Latour Court, NAPA, CA 94558,
USA
(580) 2012 03 23
-
- (111) M 2002 014362 R1
(732) NOVARTIS AG
CH-4002 Basel, Switzerland
(770) ALCON, INC.
Bosch 69, CH-6331 Hunenberg, Switzerland
(580) 2012 03 28
-
- (111) M 2003 015118 R
(732) BATA BRANDS S.A.R.L.
P.O. Box 1638, L-1016 Luxembourg,
Luxembourg
(770) BATA BRANDS S.A.R.L.
Luxembourg, succursale de Lausanne
Avenue de Rhodanie 70 1007 Lausanne,
Switzerland
(580) 2012 03 29
-
- (111) M 2003 015265 R
(732) ORACLE AMERICA, INC.
500 Oracle Parkway, Redwood Shores,
California 94065, USA
(770) SUN MICROSYSTEMS, INC.,
(a Delaware Corporation)
901 San Antonio Road, Palo Alto, California
94303, USA
(580) 2011 03 23
-
- (111) M 2008 018965 R
(732) SH.P.S "JEOSTILI"
Davit Garejis 36, 3700, Rustavi, Georgia
(770) SS "KARTULI FOLADI"
Gagarinis q.12, 3077, Rustavi, Georgia
(580) 2012 03 29
-
- (111) M 2010 020826 R
(732) NEW BALANCE ATHLETIC SHOE INC.
Brighton Landing, 20 Guest street, BOSTON,
MA 02135, USA
(770) SH.P.S "SPORTIS SAMKARO"
Tsabadzis q. 19, 0112, Tbilisi, Georgia
(580) 2012 03 23
-

(111) M 2011 021834 R
(732) GIGLA TUMANISHVILI
Likhauris 11, 0171, Tbilisi, Georgia
(770) SH.P.S ZADENI
Dzveli Tbilisis raioni, Gorgaslis quchis
shesakhvevsa da Krtsanisis quchas shoris
(nakveti 19/38), 0105, Tbilisi, Georgia
(580) 2012 03 07

(111) M 2011 022048 R
(732) SAQARTVELOSHINAGAN SAQMETA
SAMINISTRO
Guluas q.10, 0114, Tbilisi, Georgia
(770) SH.P.S ALGORITMI
Davit Agmasheneblis kheivani meeqvse
kilometri, 0145, Tbilisi, Georgia
(580) 2012 01 13

(111) M 1996 003291 R1
(732) FIAT GROUP MARKETING &
CORPORATE COMMUNICATION S.P.A.
Via Nizza 250, 10126 Torino, Italy
(770) FIAT GROUP AUTOMOBILES S.P.A.
Corso Giovanni Agnelli 200, 10135 Torino,
Italy
(580) 2012 03 21

(111) M 1997 004932 R1
(732) PHIVCO-2 LLC
Cproration Service Company
2711 Centerville Road, Suite 400,
Wilmington, 19808, Delaware, USA
(770) PHARMACIA & UPJOHN COMPANY
LLC
100 Route 206, North Peapack, New Jersew
07977, USA
(580) 2012 03 21

(111) M 1997 006303 R1
(732) SWEETYET DEVELOPMENT LIMITED
Unit 1704-1706, Harbour Centre, 25 Harbour
Road, Wanchai, The Hong Kong Special
Administrative Region of the people's
republic of China
(770) CONOPCO INC.
700 Sylvan Avenue, Englewood Cliffs,
NJ 07632, USA
(580) 2012 03 20

(111) M 1997 006473 R1
(732) FINDUS SVERIGE AKTIEBOLAG
267 81 Bjuv, Sweden
(770) SUDNIF S.A. (SWITZERLAND)

Baarerstrasse 63, 6301 Zug. Switzerland,
Switzerland
(580) 2012 03 21

(111) M 1997 007075 R1
(732) FIAT GROUP MARKETING &
CORPORATE COMMUNICATION S.P.A.
Via Nizza 250, 10126 Torino, Italy
(770) FIAT GROUP AUTOMOBILES S.P.A.
Corso Giovanni Agnelli 200, 10135 Torino,
Italy
(580) 2012 03 21

(111) M 1997 007378 R1
(732) FIAT GROUP MARKETING &
CORPORATE COMMUNICATION S.P.A.
Via Nizza 250, 10126 Torino, Italy
(770) FIAT GROUP AUTOMOBILES S.P.A.
Corso Giovanni Agnelli 200, 10135 Torino,
Italy
(580) 2012 03 21

(111) M 1995 000767 R1
(732) SIEMENS ACTIENGESSELLSCHAFT
Wittelsbacherplatz 2, 80333 MUNCHEN,
Germany
(770) A.Friedr.Flender AG
Alfred-Flender-Str. 77, 46395 Bocholt,
Germany
(580) 2012 03 20

(111) M 1998 008374 R1
(732) FIAT GROUP MARKETING &
CORPORATE COMMUNICATION S.P.A.
Via Nizza 250, 10126 Torino, Italy
(770) FIAT GROUP AUTOMOBILES S.P.A.
Corso Giovanni Agnelli 200, 10135 Torino,
Italy
(580) 2012 03 21

(111) M 1998 009277 R1
(732) FIAT GROUP MARKETING &
CORPORATE COMMUNICATION S.P.A.
Via Nizza 250, 10126 Torino, Italy
(770) FIAT GROUP AUTOMOBILES S.P.A.
Corso Giovanni Agnelli 200, 10135 Torino,
Italy
(580) 2012 03 21

CHANGES IN NAMES AND/OR ADDRESSES OF OWNERS

(111) M 2002 014228 R
 (732) DUNHILL TOBACO OF LONDON LIMITED
 Globe House, 4 Temple Place, London WC2R 2PG, United Kingdom

(770) DUNHILL TOBACCO OF LONDON LIMITED
 1A St. James's Street, London SW1A 1EF, United Kingdom
 (580) 2012 03 22

(111) M 2002 014229 R
 (732) DUNHILL TOBACO OF LONDON LIMITED
 Globe House, 4 Temple Place, London WC2R 2PG, United Kingdom

(770) DUNHILL TOBACCO OF LONDON LIMITED
 1A St. James's Street, London SW1A 1EF, United Kingdom
 (580) 2012 03 22

(111) M 2002 014230 R
 (732) DUNHILL TOBACO OF LONDON LIMITED
 Globe House, 4 Temple Place, London WC2R 2PG, United Kingdom

(770) DUNHILL TOBACCO OF LONDON LIMITED
 1A St. James's Street, London SW1A 1EF, United Kingdom
 (580) 2012 03 22

(111) M 2002 014497 R
 (732) DUNHILL TOBACO OF LONDON LIMITED
 Globe House, 4 Temple Place, London WC2R 2PG, United Kingdom

(770) DUNHILL TOBACCO OF LONDON LIMITED
 1A St. James's Street, London SW1A 1EF, United Kingdom
 (580) 2012 03 22

(111) M 2002 014546 R
 (732) DUNHILL TOBACO OF LONDON LIMITED
 Globe House, 4 Temple Place, London WC2R 2PG, United Kingdom

(770) DUNHILL TOBACCO OF LONDON LIMITED
 1A St. James's Street, London SW1A 1EF, United Kingdom
 (580) 2012 03 22

(111) M 2002 014582 R
 (732) PHARMACIA CORK LIMITED
 Little Island County Cork, United Kingdom
 (770) PHARMACIA & UPJOHN CORK LTD
 Little Island County Cork, United Kingdom
 (580) 2012 03 23

(111) M 2002 014582 R
 (732) PFIZER CORK LIMITED
 Little Island County Cork, Ireland
 (770) PHARMACIA CORK LIMITED
 Little Island County Cork, United Kingdom
 (580) 2012 03 23

(111) M 2009 019208 R
 (732) DUNHILL TOBACO OF LONDON LIMITED
 Globe House, 4 Temple Place, London WC2R 2PG, United Kingdom
 (770) DUNHILL TOBACCO OF LONDON LIMITED
 1A St. James's Street, London SW1A 1EF, United Kingdom
 (580) 2012 03 22

(111) M 2009 019209 R
 (732) DUNHILL TOBACO OF LONDON LIMITED
 Globe House, 4 Temple Place, London WC2R 2PG, United Kingdom
 (770) DUNHILL TOBACCO OF LONDON LIMITED
 1A St. James's Street, London SW1A 1EF, United Kingdom
 (580) 2012 03 22

(111) M 2009 019682 R
 (732) DUNHILL TOBACO OF LONDON LIMITED
 Globe House, 4 Temple Place, London WC2R 2PG, United Kingdom
 (770) DUNHILL TOBACCO OF LONDON

LIMITED
1A St. James's Street, London SW1A 1EF,
United Kingdom
(580) 2012 03 22

(111) M 2010 020960 R
(732) DUNHILL TOBACO OF LONDON
LIMITED
Globe House, 4 Temple Place, London
WC2R 2PG, United Kingdom
(770) DUNHILL TOBACCO OF LONDON
LIMITED
1A St. James's Street, London SW1A 1EF,
United Kingdom
(580) 2012 03 22

(111) M 1996 002873 R1
(732) DINERS CLUB INTERNATIONAL LTD.
a New York Corporation
2500 Lake Cook Road, Riverwoods, Illinois
60015, USA
(770) DINERS CLUB INTERNATIONAL LTD.
a New York Corporation
8430 West Bryn Mawr Avenue, Chicago,
Illinois, USA
(580) 2012 03 20

(111) M 1996 003291 R1
(732) FIAT GROUP AUTOMOBILES S.P.A.
Corso Giovanni Agnelli 200, 10135 Torino,
Italy
(770) FIAT AUTO S.P.A.
Corso Giovanni Agnelli 200, 10135 Torino,
Italy
(580) 2012 03 21

(111) M 1997 004398 R1
(732) DUNHILL TOBACO OF LONDON
LIMITED
Globe House, 4 Temple Place, London
WC2R 2PG, United Kingdom
(770) DUNHILL TOBACCO OF LONDON
LIMITED
1A St. James's Street, London SW1A 1EF,
United Kingdom
(580) 2012 03 22

(111) M 1997 004436 R1
(732) DUNHILL TOBACO OF LONDON
LIMITED
Globe House, 4 Temple Place, London
WC2R 2PG, United Kingdom
(770) DUNHILL TOBACCO OF LONDON

LIMITED
1A St. James's Street, London SW1A 1EF,
United Kingdom
(580) 2012 03 22

(111) M 1997 004438 R1
(732) DUNHILL TOBACO OF LONDON
LIMITED
Globe House, 4 Temple Place, London
WC2R 2PG, United Kingdom
(770) DUNHILL TOBACCO OF LONDON
LIMITED
1A St. James's Street, London SW1A 1EF,
United Kingdom
(580) 2012 03 22

(111) M 1997 006303 R1
(732) CONOPCO INC.
700 Sylvan Avenue, Englewood Cliffs,
NJ 07632, USA
(770) CONOPCO, INC.
390 Park Avenue, New York, New York
10022, USA
(580) 2012 03 20

(111) M 1995 000687 R1
(732) DINERS CLUB INTERNATIONAL LTD.,
a New York Corporation
2500 Lake Cook Road, Riverwoods, Illinois
60015, USA
(770) DINERS CLUB INTERNATIONAL LTD.,
a New York Corporation
8430 West Bryn Mawr Avenue, Chicago,
Illinois, USA
(580) 2012 03 20

(111) M 1997 006960 R1
(732) DUNHILL TOBACO OF LONDON
LIMITED
Globe House, 4 Temple Place, London
WC2R 2PG, United Kingdom
(770) DUNHILL TOBACCO OF LONDON
LIMITED
1A St. James's Street, London SW1A 1EF,
(580) 2012 03 22

(111) M 1998 008347 R1
(732) DUNHILL TOBACO OF LONDON
LIMITED
Globe House, 4 Temple Place, London
WC2R 2PG, United Kingdom
(770) DUNHILL TOBACCO OF LONDON
LIMITED

1A St. James's Street, London SW1A 1EF,
(580) 2012 03 22

(111) M 1998 008374 R1
(732) FIAT GROUP AUTOMOBILES S.P.A.
Corso Giovanni Agnelli 200, 10135 Torino,
Italy
(770) FIAT AUTO S.P.A.
Corso Giovanni Agnelli 200, 10135 Torino,
Italy
(580) 2012 03 21

(111) M 1998 008943 R1
(732) SAMSONITE IP HOLDINGS S.A.R.L.
13-15 avenue de la Liberté, L-1931
Luxembourg, Luxembourg
(770) SAMSONITE IP HOLDINGS S.A.R.L.
20, Avenue Monterey, Luxembourg, L-2163,
Luxembourg
(580) 2012 03 23

(111) M 1998 008944 R1
(732) SAMSONITE IP HOLDINGS S.A.R.L.
13-15 avenue de la Liberté, L-1931
Luxembourg, Luxembourg
(770) SAMSONITE IP HOLDINGS S.A.R.L.
20, Avenue Monterey, Luxembourg, L-2163,
Luxembourg
(580) 2012 03 23

(111) M 1998 009252 R1
(732) DUNHILL TOBACO OF LONDON
LIMITED
Globe House, 4 Temple Place, London
WC2R 2PG, United Kingdom
(770) DUNHILL TOBACCO OF LONDON
LIMITED
1A St. James's Street, London SW1A 1EF,
United Kingdom
(580) 2012 03 22

(111) M 1998 009277 R1
(732) FIAT GROUP AUTOMOBILES S.P.A.
Corso Giovanni Agnelli 200, 10135 Torino,
Italy
(770) FIAT AUTO S.P.A.
Corso Giovanni Agnelli 200, 10135 Torino,
Italy
(580) 2012 03 21

CLASSIFICATION INDEXES

INVENTIONS

CONCORDANCE TABLE OF INTERNATIONAL CLASSIFICATION INDEX WITH REFERENCE TO NUMBERS OF PUBLISHED APPLICATIONS

INTERNATIONAL CLASSIFICATION INDEXES (51)	NUMBER OF PUBLISHED APPLICATION (10)
A 01 N 43/56	AP 2012 11572 A
A 01 N 43/80; A 01 N 47/20; A 01 P 7/00; C 07 D 261/04; C 07 D 413/04	AP 2012 11893 A
A 61 K 9/50; A 61 K 38/00	AP 2012 11569 A
A 61 K 31/485; A 61 K 9/22	AP 2012 10876 A
A 61 P 35/00; C 07 D 239/48; C 07 D 401/12; C 07 D 401/14; C 07 D 403/12; C 07 D 405/14; C 07 D 413/14; C 07 D 417/12; C 07 D 417/14; A 61 K 31/506; A 61 K 31/53	AP 2012 11513 A
B 02 C 4/28	AP 2012 11634 A
B 02 C 4/28	AP 2012 11662 A
B 25 J 11/00	AP 2012 11761 A
C 01 B 17/00	AP 2012 12154 A
C 07 C 231/02; C 07 C 253/14; C 07 C 233/18; C 07 C 255/37	AP 2012 11699 A
C 07 C 231/24	AP 2012 10961 A
C 07 D 223/16; C 07 D 401/06; C 07 D 401/12; C 07 D 401/14; C 07 D 403/12; C 07 D 405/12; C 07 D 405/14; C 07 D 409/12; C 07 D 409/14; C 07 D 413/12; C 07 D 417/12; A 61 K 31/55; A 61 P 25/18	AP 2012 12098 A
C 07 D 413/04; A 61 K 31/5377; A 61 K 35/00	AP 2012 12188 A
C 07 D 498/08; A 61 K 31/53; A 61 P 35/00	AP 2012 12011 A
E 02 B 3/06	AP 2012 11748 A
F 01 B 9/06; F 01 B 1/06; F 02 G 1/043	AP 2012 11453 A
H 04 J 3/02; H 04 J 3/16; H 04 J 3/22; H 04 B 7/00	AP 2012 9874 A
H 04 L 12/28; H 04 W 72/00	AP 2012 9735 A
H 04 W 48/18	AP 2012 9986 A

**CONCORDANCE TABLE OF NUMBERS OF PUBLISHED APPLICATIONS
WITH REFERENCE TO INTERNATIONAL CLASSIFICATION INDEX**

NUMBER OF PUBLISHED APPLICATION (10)	INTERNATIONAL CLASSIFICATION INDEXES (51)
AP 2012 9735 A	H 04 L 12/28; H 04 W 72/00
AP 2012 9874 A	H 04 J 3/02; H 04 J 3/16; H 04 J 3/22; H 04 B 7/00
AP 2012 9986 A	H 04 W 48/18
AP 2012 10876 A	A 61 K 31/485; A 61 K 9/22
AP 2012 10961 A	C 07 C 231/24
AP 2012 11453 A	F 01 B 9/06; F 01 B 1/06; F 02 G 1/043
AP 2012 11513 A	A 61 P 35/00; C 07 D 239/48; C 07 D 401/12; C 07 D 401/14; C 07 D 403/12; C 07 D 405/14; C 07 D 413/14; C 07 D 417/12; C 07 D 417/14; A 61 K 31/506; A 61 K 31/53
AP 2012 11569 A	A 61 K 9/50; A 61 K 38/00
AP 2012 11572 A	A 01 N 43/56
AP 2012 11634 A	B 02 C 4/28
AP 2012 11662 A	B 02 C 4/28
AP 2012 11699 A	C 07 C 231/02; C 07 C 253/14; C 07 C 233/18; C 07 C 255/37
AP 2012 11748 A	E 02 B 3/06
AP 2012 11761 A	B 25 J 11/00
AP 2012 11893 A	A 01 N 43/80; A 01 N 47/20; A 01 P 7/00; C 07 D 261/04; C 07 D 413/04
AP 2012 12011 A	C 07 D 498/08; A 61 K 31/53; A 61 P 35/00
AP 2012 12098 A	C 07 D 223/16; C 07 D 401/06; C 07 D 401/12; C 07 D 401/14; C 07 D 403/12; C 07 D 405/12; C 07 D 405/14; C 07 D 409/12; C 07 D 409/14; C 07 D 413/12; C 07 D 417/12; A 61 K 31/55; A 61 P 25/18
AP 2012 12154 A	C 01 B 17/00
AP 2012 12188 A	C 07 D 413/04; A 61 K 31/5377; A 61 K 35/00

**CONCORDANCE TABLE OF INTERNATIONAL CLASSIFICATION INDEX
WITH REFERENCE TO NUMBERS OF PATENTS AND NUMBERS
OF PUBLISHED APPLICATIONS**

INTERNATIONAL CLASSIFICATION INDEX (51)	NUMBER OF PATENT (11)	NUMBER OF PUBLISHED APPLICATION (10)
1	2	3
A 43 B 7/06	P 2012 5461 B	AP 2011 9504 A
A 61 K 31/465, 31/232; C 07 C 67/02, 69/587; A 61 P 9/00	P 2012 5464 B	AP 2011 11074 A
B 23 F 13/00	P 2012 5466 B	AP 2011 11297 A
C 07 D 401/04; C 07 D 401/06; C 07 D 403/04; C 07 D 403/06; C 07 D 407/04; C 07 D 409/04; C 07 D 413/04; C 07 D 417/04; C 07 D 471/04; A 61 K 31/4353; A 61 P 35/00	P 2012 5469 B	AP 2011 11349 A
F 16 H 55/00	P 2012 5465 B	AP 2011 11296 A
F 16 H 55/22	P 2012 5467 B	AP 2011 11298 A
F 24 C 3/00	P 2012 5468 B	AP 2011 11844 A
G 06 Q 30/00	P 2012 5463 B	AP 2011 10389 A
H 04 M 11/04; H 04 Q 7/20	P 2012 5462 B	AP 2011 9737 A

**CONCORDANCE TABLES OF NUMBERS OF PATENTS AND NUMBERS
OF PUBLISHED APPLICATIONS WITH REFERENCE
TO CLASSIFICATION INDEX**

NUMBER OF PATENT (11)	NUMBER OF PUBLISHED APPLICATION (10)	INTERNATIONAL CLASSIFICATION INDEX (51)
1	2	3
P 2012 5461 B	AP 2011 9504 A	A 43 B 7/06
P 2012 5462 B	AP 2011 9737 A	H 04 M 11/04; H 04 Q 7/20
P 2012 5463 B	AP 2011 10389 A	G 06 Q 30/00
P 2012 5464 B	AP 2011 11074 A	A 61 K 31/465, 31/232; C 07 C 67/02, 69/587; A 61 P 9/00
P 2012 5465 B	AP 2011 11296 A	F 16 H 55/00
P 2012 5466 B	AP 2011 11297 A	B 23 F 13/00
P 2012 5467 B	AP 2011 11298 A	F 16 H 55/22
P 2012 5468 B	AP 2011 11844 A	F 24 C 3/00
P 2012 5469 B	AP 2011 11349 A	C 07 D 401/04; C 07 D 401/06; C 07 D 403/04; C 07 D 403/06; C 07 D 407/04; C 07 D 409/04; C 07 D 413/04; C 07 D 417/04; C 07 D 471/04; A 61 K 31/4353; A 61 P 35/00

**CONCORDANCE TABLE OF NUMBERS OF APPLICATIONS, NUMBERS
OF PUBLISHED APPLICATIONS AND NUMBERS OF PATENTS**

NUMBER OF APPLICATION (21)	NUMBER OF PUBLISHED APPLICATION (10)	NUMBER OF PATENT (11)
1	2	3
AP 2004 009504	AP 2011 9504 A	P 2012 5461 B
AP 2005 009737	AP 2011 9737 A	P 2012 5462 B
AP 2006 010389	AP 2011 10389 A	P 2012 5463 B
AP 2007 011074	AP 2011 11074 A	P 2012 5464 B
AP 2009 011296	AP 2011 11296 A	P 2012 5465 B
AP 2009 011297	AP 2011 11297 A	P 2012 5466 B
AP 2009 011298	AP 2011 11298 A	P 2012 5467 B
AP 2007 011349	AP 2011 11349 A	P 2012 5469 B
AP 2010 011844	AP 2011 11844 A	P 2012 5468 B

UTILITY MODELS

CONCORDANCE TABLE OF INTERNATIONAL CLASSIFICATION INDEX WITH REFERENCE TO NUMBERS OF PUBLISHED APPLICATIONS

INTERNATIONAL CLASSIFICATION INDEXES (51)	NUMBER OF PUBLISHED APPLICATION (10)
A 61 K 36/00; A 61 P 1/04	AU 2012 12282 U
A 61 K 36/00; A 61 P 1/16	AU 2012 12283 U
E 02 B 3/12	AU 2012 11922 U

CONCORDANCE TABLE OF NUMBERS OF PUBLISHED APPLICATIONS WITH REFERENCE TO INTERNATIONAL CLASSIFICATION INDEX

NUMBER OF PUBLISHED APPLICATION (10)	INTERNATIONAL CLASSIFICATION INDEXES (51)
AU 2012 11922 U	E 02 B 3/12
AU 2012 12282 U	A 61 K 36/00; A 61 P 1/04
AU 2012 12283 U	A 61 K 36/00; A 61 P 1/16

CONCORDANCE TABLE OF INTERNATIONAL CLASSIFICATION INDEX WITH REFERENCE TO NUMBERS OF PATENTS AND NUMBERS OF PUBLISHED APPLICATIONS

INTERNATIONAL CLASSIFICATION INDEX (51)	NUMBER OF PATENT (11)	NUMBER OF PUBLISHED APPLICATION (10)
H 01 H 83/00	U 2012 1716 Y	AU 2011 12165 U

CONCORDANCE TABLES OF NUMBERS OF PATENTS AND NUMBERS OF PUBLISHED APPLICATIONS WITH REFERENCE TO CLASSIFICATION INDEX

NUMBER OF PATENT (11)	NUMBER OF PUBLISHED APPLICATION (10)	INTERNATIONAL CLASSIFICATION INDEX (51)
U 2012 1716 Y	AU 2011 12165 U	H 01 H 83/00

CONCORDANCE TABLE OF NUMBERS OF APPLICATIONS, NUMBERS OF PUBLISHED APPLICATIONS AND NUMBERS OF PATENTS

NUMBER OF APPLICATION (21)	NUMBER OF PUBLISHED APPLICATION (10)	NUMBER OF PATENT (11)
AU 2011 012165	AU 2011 12165 U	U 2012 1716 Y

DESIGNS

CONCORDANCE TABLE OF INTERNATIONAL CLASSIFICATION INDEX WITH REFERENCE TO NUMBERS OF PATENTS AND NUMBERS OF PUBLISHED APPLICATIONS

INTERNATIONAL CLASSIFICATION INDEX (51)	NUMBER OF PATENT (11)	NUMBER OF PUBLISHED APPLICATION (10)
09-01	D 2012 492 S	AD 2011 658 S
12-08	D 2012 493 S	AD 2011 660 S

CONCORDANCE TABLES OF NUMBERS OF PATENTS AND NUMBERS OF PUBLISHED APPLICATIONS WITH REFERENCE TO CLASSIFICATION INDEX

NUMBER OF PATENT (11)	NUMBER OF PUBLISHED APPLICATION (10)	INTERNATIONAL CLASSIFICATION INDEX (51)
D 2012 492 S	AD 2011 658 S	09-01
D 2012 493 S	AD 2011 660 S	12-08

CONCORDANCE TABLE OF NUMBERS OF APPLICATIONS, NUMBERS OF PUBLISHED APPLICATIONS AND NUMBERS OF PATENTS

NUMBER OF APPLICATION (21)	NUMBER OF PUBLISHED APPLICATION (10)	NUMBER OF PATENT (11)
AD 2011 000658	AD 2011 658 S	D 2012 492 S
AD 2011 000660	AD 2011 660 S	D 2012 493 S

DESIGN REGISTERED ACCORDING TO THE ACCELERATED PROCEDURE

CONCORDANCE TABLE OF INTERNATIONAL CLASSIFICATION INDEX WITH REFERENCE TO NUMBERS OF PATENTS

INTERNATIONAL CLASSIFICATION INDEX (51)	NUMBER OF PATENT (11)
09-01	D 2012 494 S

CONCORDANCE TABLES OF NUMBERS OF PATENTS AND INTERNATIONAL CLASSIFICATION INDEX

NUMBER OF PATENT (11)	INTERNATIONAL CLASSIFICATION INDEX (51)
D 2012 494 S	09-01

CONCORDANCE TABLE OF NUMBERS OF APPLICATIONS AND NUMBERS OF PATENTS

NUMBER OF APPLICATION (21)	NUMBER OF PATENT (11)
AD 2012 000691	D 2012 494 S

TRADEMARKS

CONCORDANCE TABLE OF NUMBERS OF REGISTRATIONS OF TRADEMARKS, NUMBERS OF APPLICATIONS, NUMBERS OF PUBLISHED APPLICATIONS WITH REFERENCE TO NUMBERS OF BULLETINS

NUMBER OF REGISTRATION (111)	NUMBER OF APPLICATION (210)	NUMBER OF PUBLISHED APPLICATION (260)	NUMBER OF BULLETIN
M 2012 22438 R	AM 2012 66471	-	N°7(347) 2012
M 2012 22439 R	AM 2012 66539	-	N°7(347) 2012
M 2012 22440 R	AM 2012 66495	-	N°7(347) 2012
M 2012 22441 R	AM 2012 66638	-	N°7(347) 2012
M 2012 22442 R	AM 2012 66493	-	N°7(347) 2012
M 2012 22443 R	AM 2012 66494	-	N°7(347) 2012

CONCORDANCE TABLE OF NUMBERS OF PUBLISHED TRADEMARK APPLICATIONS WITH REFERENCE TO NUMBERS OF APPLICATIONS

NUMBER OF PUBLISHED APPLICATION (260)	NUMBER OF APPLICATION (210)
AM 2012 63692 A	AM 2011 63692
AM 2012 63735 A	AM 2011 63735
AM 2012 63736 A	AM 2011 63736
AM 2012 63741 A	AM 2011 63741
AM 2011 59620 A*	AM 2010 59620
AM 2011 61587 A*	AM 2011 61587
AM 2011 61588 A*	AM 2011 61588
AM 2011 61589 A*	AM 2011 61589

CONCORDANCE TABLE OF INDEX OF GOODS AND/OR SERVICES WITH REFERENCE TO NUMBERS OF PUBLISHED APPLICATIONS

INDEX OF GOODS AND/OR SERVICES (511)	NUMBER OF PUBLISHED APPLICATION (260)
1	2
3	AM 2011 59620 A*
3	AM 2011 61587 A*
3	AM 2011 61588 A*
3	AM 2011 61589 A*
5	AM 2011 59620 A*
18	AM 2011 61587 A*
18	AM 2011 61588 A*
18	AM 2011 61589 A*
20	AM 2012 63692 A
25	AM 2011 61587 A*

1	2
25	AM 2011 61588 A*
25	AM 2011 61589 A*
29	AM 2012 63735 A
29	AM 2012 63736 A
34	AM 2012 63741 A
35	AM 2011 61587 A*
35	AM 2011 61588 A*
35	AM 2011 61589 A*
43	AM 2012 63735 A
43	AM 2012 63736 A

**CONCORDANCE TABLE OF INDEX OF GOODS AND/OR SERVICES
WITH REFERENCE TO NUMBERS OF REGISTERED ACCORDING TO THE
ACCELERATED PROCEDURE**

INDEX OF GOODS AND/OR SERVICES (511)	NUMBER OF REGISTERED ACCORDING TO THE ACCELERATED PROCEDURE (111)
3	M 2012 22440 R
29	M 2012 22440 R
29	M 2012 22442 R
29	M 2012 22443 R
30	M 2012 22440 R
31	M 2012 22440 R
32	M 2012 22438 R
32	M 2012 22440 R
32	M 2012 22441 R
33	M 2012 22440 R
33	M 2012 22441 R
43	M 2012 22439 R

OFFICIAL BULLETIN OF THE INDUSTRIAL PROPERTY

7(347)

EDITOR-IN-CHIEF: N. Bebrishvili

EDITORS-TRANSLATORS: M. Sichinava
G. Nadareishvili

PROOFREADER: L. Chanturia

COMPUTER LAYOUT: M. Ordenidze
K. Svanidze

www.sakpatenti.org.ge
E-mail: info@sakpatenti.org.ge