



**NATIONAL INTELLECTUAL PROPERTY CENTER OF GEORGIA
SAKPATENTI**

**OFFICIAL BULLETIN
OF THE INDUSTRIAL PROPERTY**

7(371)

**2013
TBILISI**

INID CODES FOR IDENTIFICATION OF BIBLIOGRAPHIC DATA

INVENTIONS, UTILITY MODELS

- (10) Number of publication for application, which has been examined
- (11) Number of patent and kind of document
- (21) Serial number of application
- (22) Date of filing of the application
- (23) Date of exhibition or the date of the earlier filing and the number of application, if any
- (24) Date from which patent may have effect
- (31) Number of priority application
- (32) Date of filing of priority application
- (33) Code of the country or regional organization allotting priority application number
- (44) Date of publication of application not granted, but examined and number of bulletin
- (45) Date of publication of registered document
- (51) International Patent Classification Index
- (54) Title of the invention
- (57) Abstract
- (60) Number of examined patent document granted by foreign patent office, date from which patent has effect and country code
- (62) Number of the earlier application and in case of divided application, date of filing an application
- (71) Name, surname and address of applicant (country code)
- (72) Name, surname of inventor (country code)
- (73) Name, surname and address of patent owner (country code)
- (74) Name, surname of representative or patent attorney
- (85) Date of commencement of the national phase of International Application
- (86) Number and date of filing of international application
- (87) Number and date of publication of international application

DESIGNS

- (10) Number of publication for application
- (11) Number of patent and kind of document or number of registration
- (15) Date of registration/Date of patent renewal
- (18) Expected expiration date of patent or registration
- (21) Serial number of application
- (22) Date of filing of the application
- (23) Date of exhibition or the date of the earlier filing and the number of application, if any
- (24) Date from which patent may have effect
- (28) Number of designs included in the application
- (30) Data relating to priority (number of application, date of filing of application, two-letter code identifying the authority with whom the priority application was made)
- (31) Number of priority application
- (32) Date of filing of priority application
- (33) Code of the country or regional organization allotting priority application number
- (34) Two-letter code according to WIPO St.3 identifying the authority with which the priority application was made
- (44) Date of publication of design and number of bulletin (the first publication)
- (45) Date of publication of design registered by WIPO and number of bulletin
- (51) International Classification for designs (class and subclass of the Locarno Classification)
- (54) Title of the invention
- (55) Reproduction of the design
- (57) Description of characteristic features of the design including indication of colors
- (58) Date of recording of any kind of amendment in the Register
- (62) Number of the earlier application, registration and document number and if available the date of filing an application in case of divided application
- (71) Name, surname and address of applicant (country code)
- (72) Name, surname of creator (country code)
- (73) Name, surname and address of patent owner (country code)
- (74) Name, surname of representative or patent attorney
- (81) Contracting states concerned
 - II designated contracting states according to the 1960 Act
 - III designated contracting states according to the 1999 Act
- (85) Owner's permanent address
- (86) Owner's nationality
- (87) Owner's residence
- (88) State in which the owner has a real and effective industrial or commercial establishment

TRADEMARKS

- (111) – Number of registration
- (151) – Date of registration
- (156) – Date of the renewal
- (181) – Expected expiration date of registration
- (186) – Renewal expiration date of registration
- (141) – Date of cancel of duration of the mark
- (210) – Serial number of application
- (220) – Date of filing of the application
- (230) – Date concerning exhibition
- (260) – Number of application, for which favorable decision of examination about registration has been taken (publication number)
- (310) – Number of the first application
- (320) – Date of filing of the first application
- (330) – Code, identifying national or regional Office where the first application was made
- (511) – International Classification of Goods and Services for the purposes of registration of trade marks and/or list of goods and/or services classified according thereto
- (531) – Description of figurative elements of Trade Marks according to the International Classification of the Figurative Elements of Marks
- (540) – Reproduction of Trade Mark
- (550) – Nature and kind of Trade Mark
- (580) – Date of recording of any kind changes in respect of applications or registrations
- (591) – Information concerning colors claimed
- (731) – Name and address of the applicant
- (732) – Name and address of the holder of the registration
- (740) – Name and address of the representative
- (750) – Address for correspondence
- (770) – Name and address of the previous applicant or holder in case of change in ownership
- (771) – Previous name and address of the applicant or holder in case of change in ownership
- (791) – Name and address of the licensee
- (793) – Indication of conditions and/or restrictions under the license (Type of license, number of license agreement, data of license, data of validity of license)
- (800) – Certain data relating to the international registration of Trade Marks under the Protocol Relating to Madrid Agreement (International registration number)

CODES FOR PUBLICATION IN BULLETIN

- (21) AP 0000 000000 – serial number of application for invention
- (10) AP 0000 0000 A – number of published application for invention (first publication)
- (11) P 0000 0000 B – number of patent for invention (second publication)
- (21) API 0000 000000 – number of application for imported patent
- (11) PI 0000 0000 A – number of imported patent (first publication)
- (21) AU 0000 000000 – serial number of application for utility model
- (10) AU 0000 000 U – number of published application for utility model (first publication)
- (11) U 0000 000 Y – number of patent for utility model (second publication)
- (21) AD 0000 000000 – serial number of application for design
- (10) AD 0000 000 S – number of published application for design (first publication)
- (11) D 0000 000 S – number of patent for design (second publication)

INTERNATIONAL PATENT CLASSIFICATION FOR INVENTIONS AND UTILITY MODELS

- SECTION A – HUMAN NECESSITIES
- SECTION B – PERFORMING OPERATIONS; TRANSPORTING
- SECTION C – CHEMISTRY; METALLURGY
- SECTION D – TEXTILES; PAPER
- SECTION E – FIXED CONSTRUCTIONS
- SECTION F – MECHANICAL ENGINEERING; LIGHTING; HEATING; WEAPONS; BLASTING
- SECTION G – PHYSICS
- SECTION H – ELECTRICITY

-
- M – Trade Mark
 - (210) AM 0000 000000 – Serial number of application;
 - (260) AAM 0000 00000 A – Publication number of application;
 - (111) M 0000 00000 R – Number of registration;
 - (111) MMM0000 00000 Rn – Number of renewals, in which n=1,2,3;
 - (111) M 0000 00000 R(P) – Number of registration under partial assignment of rights
-

**NATIONAL INTELLECTUAL PROPERTY CENTER OF GEORGIA
SAKPATENTI**

**OFFICIAL BULLETIN
OF THE INDUSTRIAL PROPERTY**

7(371)

INVENTIONS

UTILITY MODELS

DESIGNS

TRADEMARKS

**APPELLATIONS OF ORIGIN AND GEOGRAPHICAL
INDICATIONS OF GOODS**

DATE OF PUBLICATION

2013 04 10

CONTENTS

PUBLISHED TITLES OF PROTECTION	2
INVENTIONS	
▪ APPLICATIONS APPROVED FOR GRANTING PATENTS	4
▪ PATENTED INVENTIONS	10
UTILITY MODELS	
▪ PATENTED UTILITY MODELS	14
DESIGNS	
▪ APPLICATION APPROVED FOR GRANTING PATENT	15
▪ DESIGNS, REGISTERED WITH THE INTERNATIONAL BUREAU CLAIMING PRIORITY ON THE TERRITORY OF GEORGIA	16
TRADEMARKS	
▪ APPLICATIONS FILED UNDER THE NATIONAL PROCEDURE APPROVED FOR REGISTRATION	57
▪ REGISTERED TRADEMARKS	69
▪ TRADEMARKS REGISTERED ACCORDING TO THE ACCELERATED PROCEDURE	75
▪ INTERNATIONAL TRADEMARKS FOR WHICH A DECISION ON GANTING PROTECTION IS TAKEN	79
▪ INTERNATIONAL TRADEMARKS PROTECTED IN GEORGIA	93
APPELLATIONS OF ORIGIN AND GEOGRAPHICAL INDICATIONS OF GOODS	
▪ THE RIGHT TO USE OF REGISTERED APPELLATIONS OF ORIGIN OF GOODS	110
OFFICIAL NOTIFICATIONS	
TRADEMARKS	
▪ RENEWAL OF REGISTRATIONS	111
▪ COMPLETE TRANSFER OF RIGHTS	112
▪ CHANGES IN NAMES AND/OR ADDRESSES OF OWNERS	113
▪ CANCELLING OF TRADEMARK REGISTRATION	114
CLASSIFICATION INDEXES	
INVENTIONS	129
UTILITY MODELS	131
DESIGNS	132
TRADEMARKS	133

PUBLISHED TITLES OF PROTECTION

INVENTIONS

- **APPLICATIONS APPROVED FOR GRANTING PATENTS:**
12474; 11823; 12459; 12336; 12080; 12581; 12362; 12013; 11960; 12079; 11864; 12305; 12499; 12224
- **PATENTED INVENTIONS:**
5796-5808

UTILITY MODELS

- **PATENTED UTILITY MODELS:**
1764-1766

DESIGNS

- **APPLICATION APPROVED FOR GRANTING PATENT:**
729
- **DESIGNS REGISTERED WITH THE INTERNATIONAL BUREAU CLAIMING PRIORITY ON THE TERRITORY OF GEORGIA:**
78886; 79925; 80013-80015; 77676; 78896; 80030; 80046, 80047; 80049; 80075; 80101; 79151; 79266; 80139; 80149; 80157; 80164; 80166

TRADEMARKS

- **APPLICATIONS FILED UNDER THE NATIONAL PROCEDURE APPROVED FOR REGISTRATION:**
65204; 66481; 66614; 66733; 66745; 66747; 67012; 67103; 67162; 67178; 67182; 67201; 67203-67206; 67238; 67248-67250; 67253; 67287; 67297; 67340-67342; 67347; 67416; 67424; 67436; 67462; 67466; 67482, 67483; 67523; 67527-67529; 67535; 67538, 67539; 67568; 67584; 67609-67612; 67614; 67618, 67619; 67637; 67681; 67689; 67693; 67697, 67698; 67701; 67704; 67723; 67753; 67790; 67843; 67888; 67906; 67975; 67977; 68034; 68046; 68053; 68056; 68059, 68060; 68164, 68165; 68307-68309; 68348; 68368; 68428
- **REGISTERED TRADEMARKS:**
23482-23541
- **TRADEMARKS REGISTERED ACCORDING TO THE ACCELERATED PROCEDURE:**
23475-23481; 23542-23550
- **INTERNATIONAL TRADEMARKS FOR WHICH A DECISION ON GRANTING PROTECTIONS IS TAKEN:**
66565; 66596; 66615; 66622; 66664, 66665; 66667; 66675; 66678; 66685; 66707; 66710; 66712; 66795; 66809, 66810; 66812-66814; 66823, 66938; 67005; 67049; 67117; 67119, 67120; 67271; 67316-67335; 65914*; 66032*, 66151*
- **INTERNATIONAL TRADEMARKS PROTECTED IN GEORGIA:**
57475; 64098; 65026; 65104; 65262, 65263; 65267-65270; 65274-65276; 65281-65283; 65285, 65286; 65297-65299; 65301, 65302; 65479, 65480; 65492-65495; 65500, 65501; 65504; 65517; 65519-65524; 65540-65547; 65549-65552; 65555, 65556; 65558-65562; 65585; 65590; 65592-65595; 65639-65643; 65645, 65646; 65648-65650; 65652, 65653; 65655-65661; 65672; 65673; 65675; 65679; 65683; 65689-65701; 65704, 65705; 65707-65711; 65716; 65718, 65719; 65728 -65730; 65734-65739; 65746; 65748; 65763; 65765, 65766; 65768, 65769; 65773-65775; 65777; 65781; 65785; 65796, 65797; 65800; 65803; 65805, 65806; 65808; 65811, 65812; 65814; 65817-65819; 65824; 65832, 65833; 65836, 65837; 65846; 65850, 65851; 65853; 65889; 65902; 65920; 65922; 65924; 65926-65930; 65932; 65934-65939; 65991, 65992; 66019; 66028; 66030; 66033-66035; 66078; 66086; 66088-66090; 66092-66094; 66096-66100; 66154; 66183-66188; 66190-66198; 66210; 66212-66214; 66256; 66258-66265; 66267-66270; 66372-66374; 66377; 66379-66384; 66388-66390; 66395-66399; 66428-66437; 66439, 66440; 66442; 66444; 66467; 66473; 66477-66480; 66498-66501; 66503-66505; 66507; 66514, 66515; 66520; 66575-66578; 66580- 66583; 66586; 66589

APPELLATIONS OF ORIGIN AND GEOGRAPHICAL INDICATIONS OF GOODS

- **THE RIGHT TO USE OF REGISTERED APPELLATIONS OF ORIGIN OF GOODS:**
824/1-13

INVENTIONS

APPLICATIONS APPROVED FOR GRANTING PATENTS

The decision can be appealed at the Chamber of Appeal of Sakpatenti within 3 months from the publication or at the Mtskheta District Court Administrative Cases Board (Address: №17, Samkhedro Str., Mtskheta), within 1 month following the publication.

PART A

A 24

(10) AP 2013 12474 A (51) Int. Cl. (2006)

A 24 D 3/14

A 24 D 3/16

(21) AP 2009 012474 (22) 2009 04 30

(31) PCT/HU2009/000041

(32) 2009 04 30

(33) HU

(71) SZÖLLÖSI, Péter (HU)

Törökbálinti út 36, H-1112 Budapest (HU);

CSÁNYI, Jenő (HU)

H-1124 Leite et 15, Hungary (HU)

(72) SZARVAS, Tibor (HU)

(74) Tamaz Shilakadze

(85) 2011 11 25

(86) PCT/HU2009/000041, 2009 04 30

(54) **CIGARETTE FILTER**

(57) The present invention relates to a cigarette filter applicable for: smoke toxic components adsorption and free radicals produced at burning reduction.

Claims: 1 independent

4 dependent

Fig.: 1

A 47

(10) AP 2013 11823 A (51) Int. Cl. (2006)

A 47 C 27/06

(21) AP 2008 011823 (22) 2008 10 28

(31) 11/978,869

(32) 2007 10 29

(33) US

(71) DREAMWELL, LTD. (US)

2215-B Renaissance Drive, Suite 12,

Las Vegas, NV 89119 (US)

(72) DEFRAKES, Michael, S. (US);

LYNN, Jeremy (US)

(74) Alexander Gegechkori

(85) 2010 05 31

(86) PCT/US2008/012198, 2008 10 28

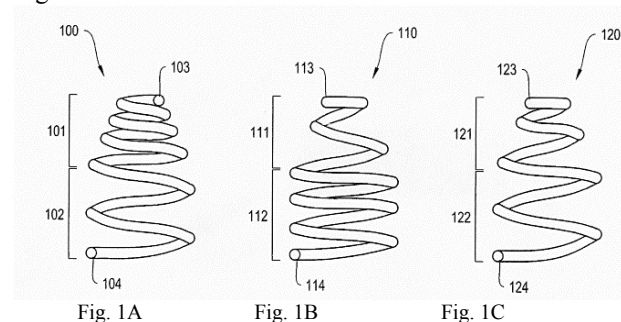
(54) **COMBINED CYLINDRIC AND CONIC SPRINGS**

(57) There is represented a mattress comprising asymmetric coil springs with nonlinear deflection rate providing comfort for users with different weights. Spring lower portion is cylindric, and upper portion is conic or frustoconic. Such arrangement causes spring undergo linear compression before unlinear. As a result is obtained the mattress sufficiently soft for lighter, and sufficiently firm for heavier users.

Claims: 5 independent

18 dependent

Fig.: 7



A 61

(10) AP 2013 12459 A (51) Int. Cl. (2006)

A 61 K 31/422

A 61 K 9/00

A 61 K 9/06

A 61 K 9/20

A 61 P 13/02

A 61 P 15/00

A 61 P 15/02

A 61 P 31/04

(21) AP 2010 012459 (22) 2010 04 19

(31) 09158221.3

(32) 2009 04 20

(33) EP

(71) POLICHEM S.A. (LU)

50, Val Fleuri, L-1526, Luxembourg (LU)

(72) MAILLAND, Federico (IT)

(74) George Taktakishvili

(85) 2011 11 18

(86) PCT/EP2010/055090, 2010 04 19

(54) **NIFURATEL APPLICATION AT INFECTION TREATMENT CAUSED BY ATOPOBIUM**

(57) There is represented nifuratel or salt thereof applied at infection treatment caused by *Atopobium vaginae*.

Claims: 1 independent
13 dependent

(10) AP 2013 12336 A (51) Int. Cl. (2006)
A 61 M 5/24
B 05 C 17/01
A 61 M 5/00
B 05 C 17/00

(21) AP 2010 012336 (22) 2010 01 14
(31) 0900199
(32) 2009 01 16
(33) FR
(71) PRIMEQUAL SA (CH)
17, Rue des Pierres-du-Niton, CH-1207
Genève (CH)
(72) WEILL, David (CH);
CHASSOT, Pierre-Yves (CH).

(74) Shalva Gvaramadze
(85) 2011-08-12
(86) PCT/EP2010/050411, 2010-01-14
(54) **EJECTION DEVICE**

(57) There is represented a device intended for liquid or pasty product ejection. The device comprises a body 2 with casing for cartridge 10 intended for containing liquid or pasty product; at that, the body comprises means for introducing cartridge into its casing in appropriate direction relative thereto and different from longitudinal direction at its introducing from back side.

Claims: 3 independent
13 dependent

Fig.: 10

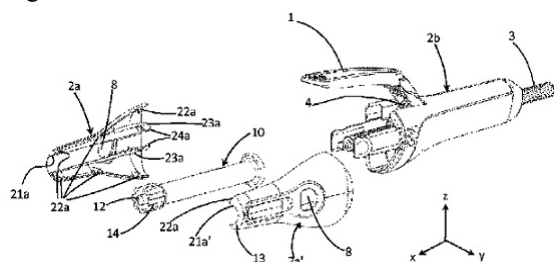


Fig. 1

PART B

B 22

(10) AP 2013 12080 A (51) Int. Cl. (2006)
B 22 F 3/14

(21) AP 2011 012080 (22) 2011 02 03
(71) LEPL "FERDINAND TAVADZE
INSTITUTE OF METALLURGY AND
MATERIALS SCIENCE" (GE)
Al. Kazbegis Gamz. 15, 0160, Tbilisi (GE)
(72) Davit Sakhvadze (GE);
Giorgi Tavadze (GE);
Alexander Steinberg (US);
Jumber Khantadze (GE);
Gigo Jandieri (GE);
Otar Okrostsvaridze (GE)

(54) **PRESS MOLD FOR SELF-
PROPAGATING HIGH-
TEMPERATURE SYNTHESIS AND
COMPACTION**

(57) There is represented a press mold for self-propagating high-temperature synthesis and compaction containing: a matrix with a vacuum chamber, a puncheon and semimanufactured article with heat-insulating mass located in the matrix. At that, a coil initiating synthesis is inserted in heat-insulating mass located between the matrix end surface and semimanufactured article. Heat-insulating mass is located between the puncheon and semimanufactured article.

Claims: 1 independent
Fig.: 1

PART C

C 07

(10) AP 2013 12581 A (51) Int. Cl. (2006)
C 07 C 173/06
C 07 C 167/40

(21) AP 2012 012581 (22) 2012 02 20
(71) Eteri kemertelidze (GE)
Pekinis Gamz. 33a, b. 40, 0160, Tbilisi (GE);
Alexandre Skhirtladze (GE)
Zahesis 3, b. 37, 0117, Tbilisi (GE);
Tsisana Sulakvelidze (GE)
Nutsbidzis q. 40, b. 40, 0177, Tbilisi (GE)
(72) Eteri kemertelidze (GE);
Alexandre Skhirtladze (GE);
Tsisana Sulakvelidze (GE)

(54) **METHOD OF OBTAINING DIGITONIN**

(57) There is represented digitonin obtaining method from the plant – *Digitalis purpurea* (purple foxglove seeds) applied at vegetable and animal

steroids quality and quantity analyses, as well as detergent for cell membrane solubilization and modification.

Claims: 6 independent

**(10) AP 2013 12362 A (51) Int. Cl. (2006)
C 07 D 211/90
A 61 K 31/4422**

(21) AP 2010 012362 (22) 2010 03 11
(31) 09154872.7; 0915919197.4; 09173816.1
(32) 2009 03 11; 2009 04 30; 2009 10 22
(33) EP; EP; EP

(71) "GRINDEKS", A JOINT STOCK
COMPANY (LV)
53, Krustpils Str., 1057 Riga (LV)

(72) DUBURS, Gunars (LV);
BISENIIEKS, Eglis (LV);
STONANS, Ilmars (LV);
SESTAKOVA, Irina (LV);
KALVINS, Ivars (LV);
VIGANTE, Brigrita (LV);
ULDRIKIS, Janis (LV);
BRUVERE, Imanta (LV);
POIKANS, Janis (LV);
DOMRACEVA, Ilona (LV);
JASCENKO, Elina (LV)

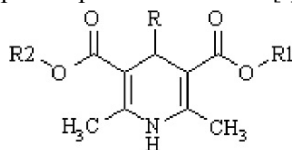
(74) Khatuna Imnadze

(85) 2011 09 02

(86) PCT/EP2010/053094, 2010 03 11

**(54) 5-FLUOROURACIL AND
1,4-DIHYDROPYRIDINE
PHARMACEUTICAL COMPOUND
AND APPLICATION THEREAT
CANCER TREATMENT**

(57) There is represented combination containing 2,6-dimethyl-1,4-dihydropyridine-3,5-dicarboxic acid ester type compound of formula [I],



and 5-fluorouracil applied at cancer treatment.

Claims: 6 independent

5 dependent

Table: 4

**(10) AP 2013 12013 A (51) Int. Cl. (2006)
C 07 D 213/82
A 61 K 31/44
A 61 P 13/02**

(21) AP 2009 012013 (22) 2009 04 22
(31) 2008-113135
(32) 2008 04 23
(33) JP

(71) TAKEDA PHARMACEUTICAL
COMPANY LIMITED (JP)

1-1, Doshomachi 4-chome, Chuo-ku,
Osaka-shi, Osaka, 541-0045 (JP)

(72) YOSHIDA, Masato (JP);
SAKAUCHI, Nobuki (JP);
SATO, Ayumu (JP)

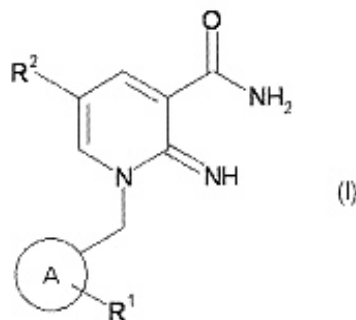
(74) Shalva Gvaramadze

(85) 2010 11 22

(86) PCT/JP2009/058434, 2009 04 22

**(54) IMINOPYRIDINE DERIVATIVES AND
USAGE THEREOF**

(57) There are represented: iminopyridine derivatives of formula (I),



wherein ring A is aromatic cyclic group, and substituents R¹ and R² are selected from groups provided in the claims; pharmaceutical agents on basis thereof, which are α 1D adrenergic receptor antagonists; compound of formula (I) and pharmaceutical agent application at lower urinary tract diseases prevention and treatment.

Claims: 10 independent

8 dependent

Table: 4

**(10) AP 2013 11960 A (51) Int. Cl. (2006)
C 07 D 401/04
A 61 K 31/506
A 61 P 35/02**

(21) AP 2009 011960 (22) 2009 03 02

(31) 12/042,235; 12/042,247

(32) 2008 03 04; 2008 03 04

(33) US; US

(71) NATCO PHARMA LIMITED (IN)

Natco House, Road No 2, Banjara Hills,
Hyderabad, Andhra Pradesh 50003-3 (IN)

(72) KOMPELLA, Amala, Kishan (IN);

RACHAKONDA, Sreenivas (IN);

ADIBHATLA KALISATYA,

Bhujanga, Rao (IN);

VENKAIHAH CHOWDARY, Nannapaneni (IN)

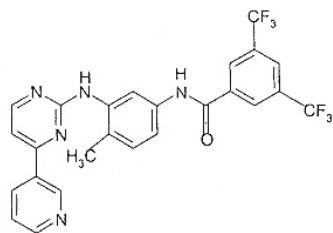
(74) Tamara Kochlamazhshvili

(85) 2010 10 04

(86) PCT/IB2009/005421, 2009 03 02

**(54) CRYSTAL FORM OF PHENYLAMINO
PYRIMIDINE DERIVATIVES**

(57) Present invention relates to: (3,5-bis-trifluoromethyl)-N-[4-methyl-3(4-pyridin-3-yl)pyrimidin-2-ylamino]-phenyl]-benzamide (formula I)



I

novel crystal form III, obtaining methods thereof, pharmaceutical compositions containing given crystal form, and their application as anti tumor agent.

Claims: 4 independent
5 dependent

Fig.: 25

PART E

E 04

(10) AP 2013 12079 A (51) Int. Cl. (2006)
E 04 B 1/19

(21) AP 2011 012079 (22) 2011 02 02

(71) Nugzar Shaishmelashvili (GE)

Vazha-Pshavelas Gamz., V kvart., korp. 2,
b. 43, 0186, Tbilisi (GE);

Davit Azaryan (GE)

Gldanula, korp. 3a, b. 18, 0153, Tbilisi (GE)

(72) Nugzar Shaishmelashvili (GE);

Davit Azaryan (GE)

(54) **PARALLEL CHORD STRUCTURAL FARM**

(57) There is represented a structural farm consisting of upper and lower chords 1 and 2 of perforated channels. The lattice component cells 3 are connected to the chords and consisting of diagonal angles 4. The diagonals have tops with symmetric section and 45° inclination relative to edges engaging each other with shelves end points and studded to a perforated plate 5; and the boots 6 of perforated plates are studded to free lower ends thereof. The component cells are joined with chords by anchor bolts 7.

Claims: 1 independent

Fig.: 12

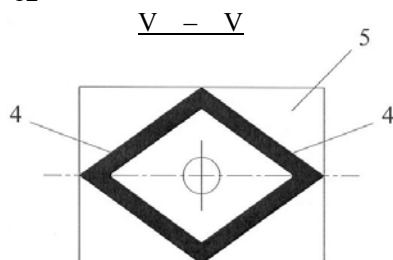


Fig. 11

PART F

F 02

(10) AP 2013 11864 A (51) Int. Cl. (2006)
F 02 C 7/055

(21) AP 2010 011864 (22) 2010 06 24

(71) Tamaz Muchiashvili (GE)

Galavnis q. 18, 0103, Tbilisi (GE)

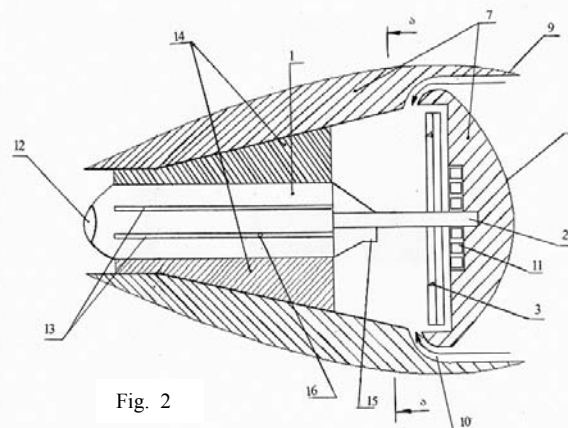
(72) Tamaz Muchiashvili (GE)

(54) **TURBOPROP**

(57) There is represented a turboprop comprising: a case 1 with cooling webbing 13, a conduit 16 supplying fuel in the turboprop, an air receiver 15, and an exhaust outlet nozzle 12. A screw 3 forced on an arbor 2 is executed as a triangular screw blade. The turboprop has streamline shape casing 7 fixed by means of partitions 14. Casing has the guides 10 for air supplement from screw front side. At that, casing is fixed on the case so, that internal volume from the screw to the nozzle 12 is diminishing. Furthermore, the nozzle is fixed so, that provides exhaust mixing with air flow forced by means of screw.

Claims: 1 independent

Fig.: 5



F 03

(10) AP 2013 12305 A (51) Int. Cl. (2006)
F 03 G 3/00

(21) AP 2011 012305 (22) 2011 07 15

(31) 099123470

(32) 2010 07 16

(33) TW

(71) Yeh, Hung-Hsien (TW)

No 314, Sec. 3, Zhongshan Rd., Wuri Dist.,

Taichung City, Taiwan (TW)

(72) Yeh, Hung-Hsien (TW)

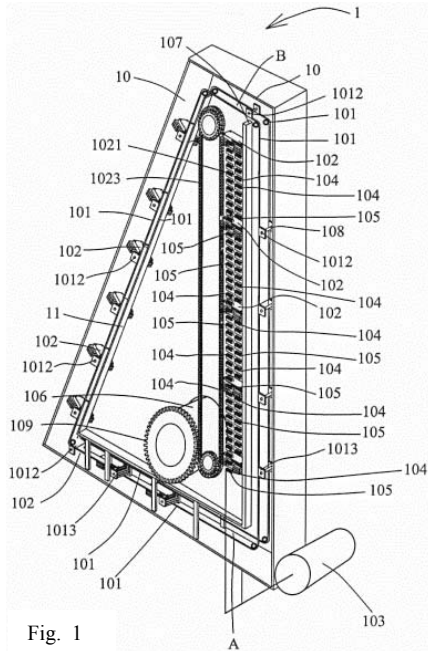
(74) Tamaz Shilakadze

(54) **GRAVITY POWER GENERATING APPARATUS**

(57) There is represented gravity power generating apparatus comprising set of heavy objects having magnetic properties, and at least one generator generating electrical power by rotating rotor; at that, the generator is rotatable in a guide at each heavy object conveyance under gravity. The apparatus also comprises delivery guide conveyor to deliver each heavy object in the guide from lower point into upper point; delivery guide conveyor drive to convey conveyor and set of magnetic elements is installed along said guide, wherein heavy objects are conveyed under gravity. Furthermore, on each magnetic element surface the coils for electrical power induction are wound in a bobbin under electromagnetic force at each heavy object passing in the guide under gravity, and for feeding drive; at that, in the guide the chain conveying each heavy object under gravity is installed by which the generator rotation is provided.

Claims: 2 independent
21 dependent

Fig.: 6



(10) AP 2013 12499 A (51) Int. Cl. (2006)
F 16 H 3/36
B 60 K 17/06

(21) AP 2011 012499 (22) 2011 12 13

(71) Merab Bibiluri (GE)
Bogdan Khmel'nitskis q. 155, b. 17, 0113,
Tbilisi (GE);
Gela Kipiani (GE)
Dzmebi Zubalashvilebis II chikhi 13, 0108,
Tbilisi (GE);
Malkhaz Nikoladze (GE)
Vazha-Pshavelas Gamz. 6, b. 34, 0160,
Tbilisi (GE)

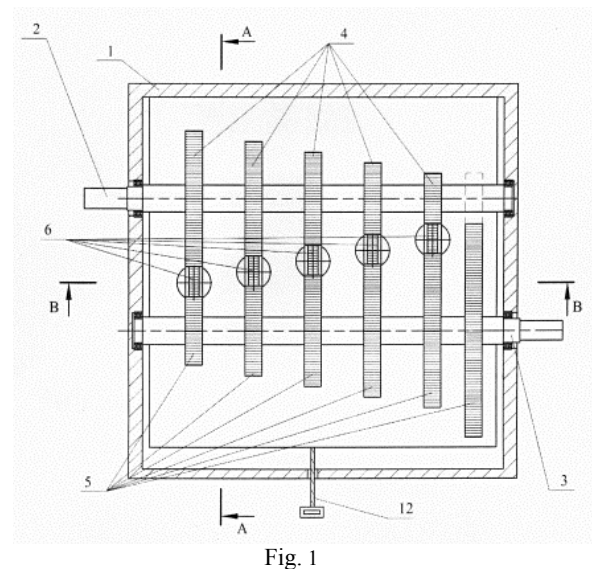
(72) Merab Bibiluri (GE);
Gela Kipiani (GE);
Malkhaz Nikoladze (GE)

(54) **GEARBOX**

(57) There is represented a gearbox comprising a case 1, drive and driven shafts 2 and 3, drive and driven gears 4 and 5, the idle gears 6, and reverse unit located between drive and driven gears. At that, the gearbox is equipped with each idle gear periodically engaging mechanism with corresponding drive and driven gears executed as a plate movable in a case guide whereon the cams are allocated in turn with roller located on the rod rolling therefor idle gear fixed on another rod end therefore idle gear fixed on another rod end engagement with corresponding drive and driven gears. Furthermore, the movable plate and each rod are equipped with spring to return in origin position.

Claims: 1 independent

Fig.: 5



F 16

(10) AP 2013 12224 A (51) Int. Cl. (2006)
F 16 L 55/12

(21) AP 2009 012224 (22) 2009 03 25

(31) 12/256,150

(32) 2008 10 22

(33) US

(71) TDW DELAWARE, INC. (US)
1100 Market Street, Suite 780,
Wilmington, DE 19801 (US)

(72) YEAZEL, Kenneth, L. (US);
PUCKETT, Gregory, L. (US);
GOSWICK, Richard, L. (US)

(74) Alexander Gegechkori

(85) 2011 05 16

(86) PCT/US2009/038272, 2009 03 25

(54) DOUBLE BLOCK AND BLEED PLUG

(57) There is represented a pipe plug including two or more plugging heads connected pivotally and together providing blocking and bleeding pipe. At least one of plugging heads has expandable sealing element communicated with an inflation source. Sealing element may be inflatable or compression packer sealing element. The plug is also equipped with circulating system for inflation medium, which section is: passing through pivot connection and plugging head, and intended to carry inflation medium from the source to sealing element. Leading plugging head may include cleaning element for sweeping away debris ahead of plug. Furthermore, plugging heads may also include a skid plate oriented to provide plugging heads location in the pipe.

Claims: 3 independent
25 dependent

Fig.: 22

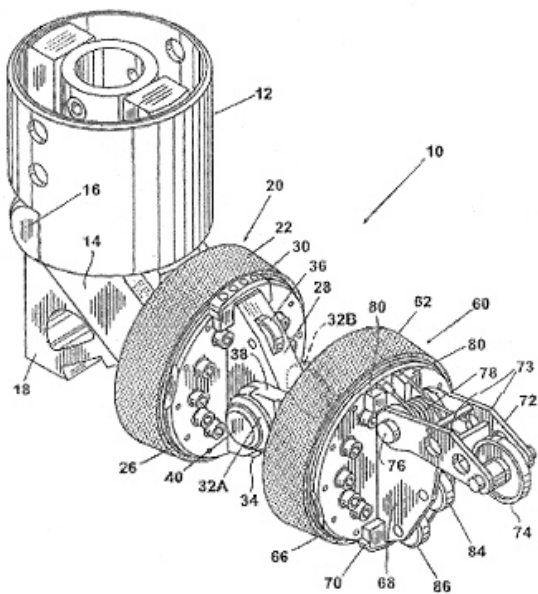


Fig. 1

PATENTED INVENTIONS

PART A

A 01

- (11) **P 2013 5807 B** (51) **Int. Cl. (2006)**
A 01 G 25/02
 (10) AP 2012 12563 A (44) 24(364)/2012
 (21) AP 2012 012563
 (22) 2012 02 07
 (24) 2012 02 07
 (73) Shota Kapanadze (GE)
 S. Chiaurelis q. 14, b. 47, 0179, Tbilisi (GE);
 Avtandil Cholokava (GE)
 Ertsos q. 6, b. 39, 0192, Tbilisi (GE);
 Nodar Tetrashvili (GE)
 II Navtlukhis Dasax., q. 6, b. 72, 0127,
 Tbilisi (GE)
 (72) Shota Kapanadze (GE);
 Avtandil Cholokava (GE);
 Nodar Tetrashvili (GE)
 (54) **TRICKLE**

A 61

- (11) **P 2013 5798 B** (51) **Int. Cl. (2006)**
A 61 K 31/00
A 61 K 9/06
 (10) AP 2012 11897 A (44) 24(364)/2012
 (21) AP 2010 011897
 (22) 2010 07 23
 (24) 2010 07 23
 (73) EEGIS GYÓGYSZERGYÁR
 NYILVÁNOSAN MŰKÖDŐ
 RÉSZVÉNYTÁRSASÁG (HU)
 Keresztúri út 30-38, H -1106 Budapest (HU)
 (72) Endre Mikulasik (HU);
 Patrick Fazekas (HU)
 (74) Liliana Darakhvelidze
 (54) **SEMISOLID PHARMACEUTICAL
 FORMULATIONS**

- (11) **P 2013 5796 B** (51) **Int. Cl. (2006)**
A 61 K 35/48
A 61 K 35/12
C 12 N 5/06
A 61 P 25/00
 (10) AP 2012 10928 A (44) 24(364)/2012
 (21) AP 2007 010928
 (22) 2007 03 06
 (24) 2007 03 06
 (31) 582/DEL/2006; 1500/DEL/2006; 60/844,350
 (32) 2006 03 07; 2006 06 26; 2006 09 14

- (33) IN; IN; US
 (86) PCT/IB2007/002292, 2007 03 06
 (73) SHROFF, Geeta (IN)
 487 Hardev Pur, Gautam Nagar,
 New Delhi 110049 (IN)
 (72) SHROFF, Geeta (IN)
 (74) Shalva Gvaramadze
 (54) **COMPOSITIONS COMPRISING
 HUMAN EMBRYONIC STEM CELLS
 AND DERIVATIVES THEREOF,
 METHODS OF THEIR PREPARATION,
 AND USAGE THEREOF**

PART B

B 21

- (11) **P 2013 5799 B** (51) **Int. Cl. (2006)**
B 21 J 7/14
 (10) AP 2012 11987 A (44) 15(355)/2012
 (21) AP 2010 011987
 (22) 2010 11 02
 (24) 2010 11 02
 (73) Slava Mebonia (GE)
 Gldanis Khevi, korp. 3a, b. 55, 0153, Tbilisi (GE);
 Evgeni Ushveridze (GE)
 Pekinis q. 13, b. 57, 0171, Tbilisi (GE);
 Kakhi Ushveridze (GE)
 Nino Ramishvilis q. 33, b.49, 0179, Tbilisi (GE);
 Vladimer Kuchukhidze (GE)
 Vakhushti Bagrationis q. 26, 0154, Tbilisi (GE);
 Genadi Zabarovski (GE)
 Vazisubani, III mkr., II kvart., korp. 10,
 b. 146, 0152, Tbilisi (GE)
 (72) Slava Mebonia (GE);
 Evgeni Ushveridze (GE);
 Kakhi Ushveridze (GE);
 Vladimer Kuchukhidze (GE);
 Genadi Zabarovski (GE)
 (54) **RADIAL FORGE FOR OBTAINING
 LONG-LENGTH ARTICLES**

PART C**C 07**

- (11) P 2013 5800 B** **(51) Int. Cl. (2006)**
C 07 C 51/09
C 07 C 17/14
C 07 C 17/26
C 07 C 253/14
C 07 C 255/35
C 07 C 57/62
C 07 C 25/18
- (10) AP 2012 11997 A (44) 24(364)/2012
(21) AP 2009 011997
(22) 2009 05 08
(24) 2009 05 08
(31) 08158022.7
(32) 2008 06 11
(33) EP
(86) PCT/EP2009/003288, 2009 05 08
(73) CHIESI FARMACEUTICI S.P.A. (IT)
Via Palermo, 26/A I-43100 Parma (IT)
(72) FOLLEAS, Benoit (FR);
BOTTE, Hubert (FR);
DELACROIX, Thomas (FR);
PIVETTI, Fausto (IT)
(74) Shalva Gvaramadze
(54) **METHOD OF 1-(2-HALOBIPHENYL-4-
YL)-CYCLOPROPANECARBOXYLIC
ACID DERIVATIVES PREPARATION**
-
- (11) P 2013 5801 B** **(51) Int. Cl. (2006)**
C 07 D 209/52
A 61 K 31/403
A 61 P 25/00
A 61 P 25/16
A 61 P 25/18
A 61 P 25/28
- (10) AP 2012 12026 A (44) 24(364)/2012
(21) AP 2010 012026
(22) 2010 12 07
(24) 2010 12 07
(31) 09.05957
(32) 2009 12 09
(33) FR
(73) LES LABORATOIRES SERVIER (FR)
35, Rue de Verdun, F-92284 Suresnes Cedex (FR)
(72) Patrick Kazara (FR);
Anna-Marie Chollie (FR);
Alen Deno (FR);
Pierre Lestage (FR);
Fanny Panay (FR)
(74) Tamaz Shilakadze
(54) **NEW AZABICYCLO[3.2.0]HEPT-3-YL
COMPOUNDS, METHOD OF THEIR
PREPARATION AND
PHARMACEUTICAL COMPOSITIONS
CONTAINING THEREOF**

- (11) P 2013 5805 B** **(51) Int. Cl. (2006)**
C 07 D 235/22
C 07 D 403/04
C 07 D 487/08
A 61 K 31/496
A 61 P 25/00
- (10) AP 2012 12221 A (44) 24(364)/2012
(21) AP 2009 012221
(22) 2009 11 10
(24) 2009 11 10
(31) 61/113,296
(32) 2008 11 11
(33) US
(86) PCT/US2009/063816, 2009 11 10
(73) WYETH LLC (US)
Five Giralda Farms Madison, NJ 07940 (US)
(72) HAYDAR, Simon N. (US);
ANDRAE, Patrick M. (US);
YUN, Heedong (US);
ROBICHAUD, Albert J. (US)
(74) Shalva Gvaramadze
(54) **1-(ARYLSULFONYL)-4-(PIPERAZIN-1-
YL)-1H-BENZIMIDAZOLES AS
5-HYDROXYTRYPTAMINE-6 LIGANDS**

- (11) P 2013 5804 B** **(51) Int. Cl. (2006)**
C 07 D 241/14
A 61 K 31/498
A 61 K 31/5377
A 61 P 27/02
A 61 P 29/00
C 07 D 409/12
- (10) AP 2012 12178 A (44) 24(364)/2012
(21) AP 2009 012178
(22) 2009 09 11
(24) 2009 09 11
(31) 2008-234105
(32) 2008 09 12
(33) JP
(86) PCT/JP2009/065888, 2009 09 11
(73) SANTEN PHARMACEUTICAL CO., LTD. (JP)
9-19, Shimoshinjo 3-chome,
Higashiyodogawa-ku, Osaka-shi,
Osaka 533-8651 (JP)
(72) KATO, Masatomo (JP);
TAKAI, Miwa (JP);
MATSUYAMA, Takahiro (JP);
KUROSE, Tatsuji (JP);
HAGIWARA, Yumi (JP);
OKI, Kenji (JP);
MATSUDA, Mamoru (JP);
MORI, Toshiyuki (JP)
(74) Pavle Meipariani
(54) **GLUCOCORTICOID RECEPTOR
AGONIST COMPRISING NOVEL
1,2,3,4-TETRAHYDROQUINOXALINE
DERIVATIVE CONTAINING PHENYL
GROUP HAVING SULFONIC ACID**

**ESTER INTRODUCED THEREIN AS
SUBSTITUENT**

- (11) **P 2013 5806 B** (51) **Int. Cl. (2006)**
C 07 D 471/10
A 61 K 31/435
A 61 P 25/28
- (10) AP 2012 12232 A (44) 24(364)/2012
(21) AP 2009 012232
(22) 2009 11 12
(24) 2009 11 12
(31) 61/117,225
(32) 2008 11 23
(33) US
(86) PCT/IB2009/055043, 2009 11 12
(73) PFIZER INC. (US)
235 East 42nd Street, New York,
NY 10017 (US)
(72) BRODNEY, Michael Aaron (US);
EFREMOV, Ivan Viktorovich (US);
HELAL, Christopher John (US);
O'NEILL, Brian Thomas (US)
(74) Shalva Gvaramadze
(54) **LACTAMS AS BETA SECRETASE
INHIBITORS**
-

- (11) **P 2013 5803 B** (51) **Int. Cl. (2006)**
C 07 D 493/10
C 07 H 15/18
A 61 K 31/357
A 61 P 3/10
- (10) AP 2012 12121 A (44) 24(364)/2012
(21) AP 2009 012121
(22) 2009 08 17
(24) 2009 08 17
(31) 61/092,470; 61/227,212
(32) 2008 08 28; 2009 07 21
(33) US; US
(86) PCT/IB2009/053626, 2009 08 17
(73) PFIZER INC. (US)
235 East 42nd Street, New York,
NY 10017 (US)
(72) MASCITTI, Vincent (US);
COLLMAN, Benjamin, Micah (US)
(74) Shalva Gvaramadze
(54) **DIOXA-BICYCLO[3.2.1.]OCTANE-
2,3,4-TRIOL DERIVATIVES**
-

PART E**E 01**

- (11) **P 2013 5808 B** (51) **Int. Cl. (2006)**
E 01 D 2/00
- (10) AP 2012 12726 A (44) 24(364)/2012
(21) AP 2012 012726
(22) 2012 05 29
(24) 2012 05 29
(73) Giorgi Khachidze (GE)
Temkis Das., III mkr., V kvart., korp. 27,
b. 2, 0197, Tbilisi (GE)
(72) Giorgi Khachidze (GE)
(54) **BRIDGE**
-

E 02

- (11) **P 2013 5797 B** (51) **Int. Cl. (2006)**
E 02 B 15/00
- (10) AP 2012 11872 A (44) 22(362)/2012
(21) AP 2010 011872
(22) 2010 06 28
(24) 2010 06 28
(73) Davit Gelenidze (GE)
Rustavis Gzatk. 28, b. 57, 0165, Tbilisi (GE);
Teimuraz Gochitashvili (GE)
Tsuladzis I shes., 4, 0113, Tbilisi (GE);
Giorgi Gelenidze (GE)
Rustavis Gzatk. 40a, b. 32, 0165, Tbilisi (GE);
Tsotne Gelenidze (GE)
Rustavis Gzatk. 40a, b. 32, 0165, Tbilisi (GE);
Medgar Gelenidze (GE)
Rustavis Gzatk. 28, b. 57, 0165, Tbilisi (GE)
(72) Davit Gelenidze (GE);
Teimuraz Gochitashvili (GE);
Giorgi Gelenidze (GE);
Tsotne Gelenidze (GE);
Medgar Gelenidze (GE)
(54) **METHOD OF CHARGING AND
KEEPING WATER**
-

PATENTED UTILITY MODELS

PART A

A 45

- (11) U 2013 1766 Y (51) Int. Cl. (2006)
A 45 B 19/04
(10) AU 2012 12565 U (44) 24(364)/2012
(21) AU 2012 012565
(22) 2012 02 07
(24) 2012 02 07
(73) Saba Mamukashvili (GE)
Tskneti, Leselidzis q. 1, 0181, Tbilisi (GE)
(72) Saba Mamukashvili (GE)
(54) **UMBRELLA WITH DEVICE
CONVERTING SOLAR ENERGY**
-

PART F

F 24

- (11) U 2013 1765 Y (51) Int. Cl. (2006)
F 24 J 2/38
(10) AU 2012 12564 U (44) 24(364)/2012
(21) AU 2012 012564
(22) 2012 02 07
(24) 2012 02 07
(73) Soso Mamukashvili (GE)
Tskneti, Leselidzis q. 1, 0181, Tbilisi (GE)
(72) Soso Mamukashvili (GE)
(54) **DEVICE CONVERTING SOLAR
ENERGY**
-

PART G

G 07

- (11) U 2013 1764 Y (51) Int. Cl. (2006)
G 07 B 15/00
(10) AU 2012 12260 U (44) 24(364)/2012
(21) AU 2011 012260
(22) 2011 06 10
(24) 2011 06 10
(73) Mikheil Gverdtsiteli (GE)
Kalistrate Tsintsadzis q. 6/7, b. 12, 0105,
Tbilisi (GE);
Giorgi Gurgendze (GE)
Ir. Abashidzis q. 68, b. 43, 0162, Tbilisi (GE);
Tengiz Sanadze (GE)
D. Arakishvilis q. 20, 0179, Tbilisi (GE);
Karina Gverdtsiteli (GE)
Kalistrate Tsintsadzis q. 6/7, b. 12, 0105,
Tbilisi (GE)
(72) Mikheil Gverdtsiteli (GE);
Giorgi Gurgendze (GE);
Tengiz Sanadze (GE);
Karina Gverdtsiteli (GE)
(54) **DEVICE FOR VEHICLE SERVICE
COST PAYMENT**
-

DESIGNS

APPLICATION APPROVED FOR REGISTRATION

The decision can be appealed at the Chamber of Appeal of Sakpatenti within 3 months from the publication or at the Mtskheta District Court Administrative Cases Board (Address: №17, Samkhedro Str., Mtskheta), within 1 month following the publication.

(10) AD 2013 729 S (51) 09-01

(21) AD 2012 000729

(22) 2012 11 16

(28) 1

(71) Gela Gamtkitsulashvili (GE)

Tbilisis Gamz. 3, b. 8, 2200, Telavi (GE);

Gia Gamtkitsulashvili (GE)

Vazha-Pshavelas Gamz. 71, b. 7, 0186, Tbilisi (GE)

(72) Gela Gamtkitsulashvili (GE);

Gia Gamtkitsulashvili (GE)

(54) **VESSEL**

(55)



1.1



1.2

**DESIGNS, WHICH HAVE BEEN REGISTERED WITH THE INTERNATIONAL
BUREAU CLAIMING PRIORITY ON THE TERRITORY OF GEORGIA**

(IN ACCORDANCE WITH THE HAGUE ACT OF 1960 AND/OR GENEVA ACT OF THE HAGUE
AGREEMENT OF 1999)

The decision can be appealed at the Chamber of Appeal of Sakpatenti within 3 months from the publication or at the Mtskheta District Court Administrative Cases Board (Address: №17, Samkhedro Str., Mtskheta), within 1 month following the publication.

(11) DM/078886

(15) 2012 07 27

(22) 2012 07 27

(28) 15

(73) SOREMARTEC S.A.

Rue Joseph Netzer 5, B-6700 ARLON (BE)

(86) BX, EM

(87) BX, EM

(88) BX, EM

(89) EM

(81) II. BZ, KP, MA, SR. III. AL, AM, AZ, BA, BW, CH, EG, EM, GE, GH, HR, IS, KG, LI, MC, MD, ME, MK, MN, NA, NO, OA, OM, RS, RW, SG, ST, TJ, TN, TR, UA

(72) Giuseppe TERRASI

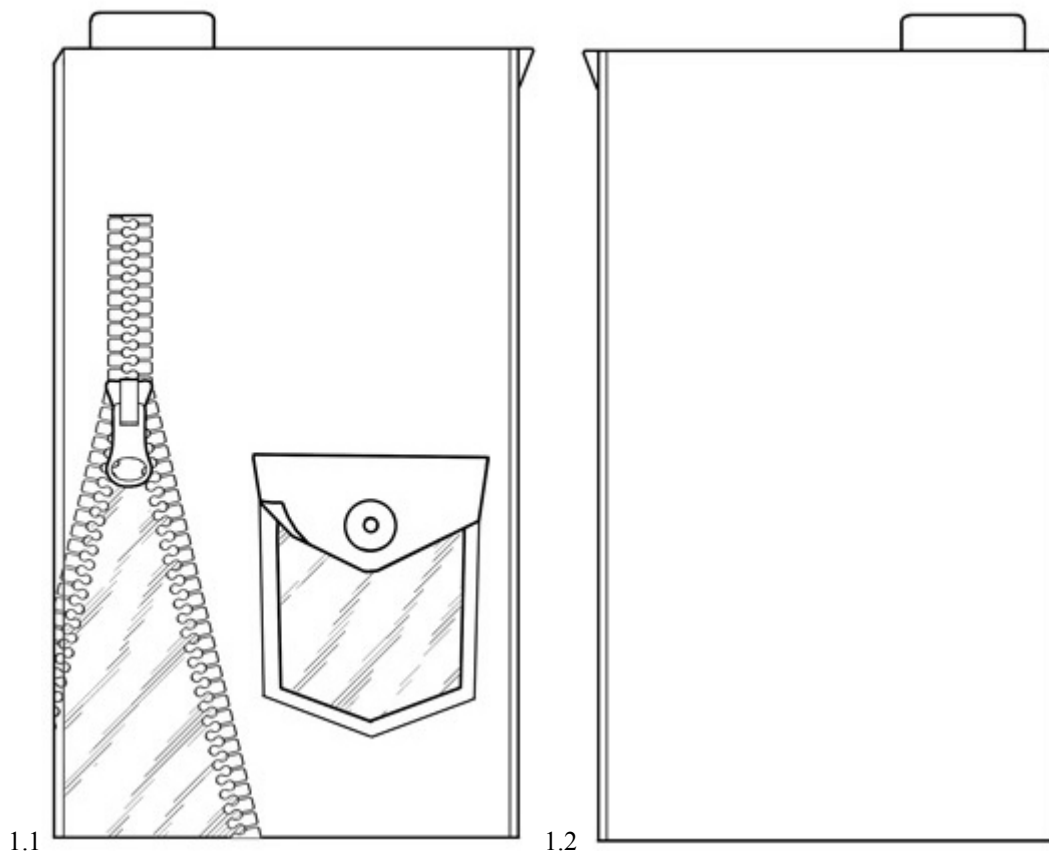
Frazione Manera 14, I-12050 BENEVELLO (CUNEO)

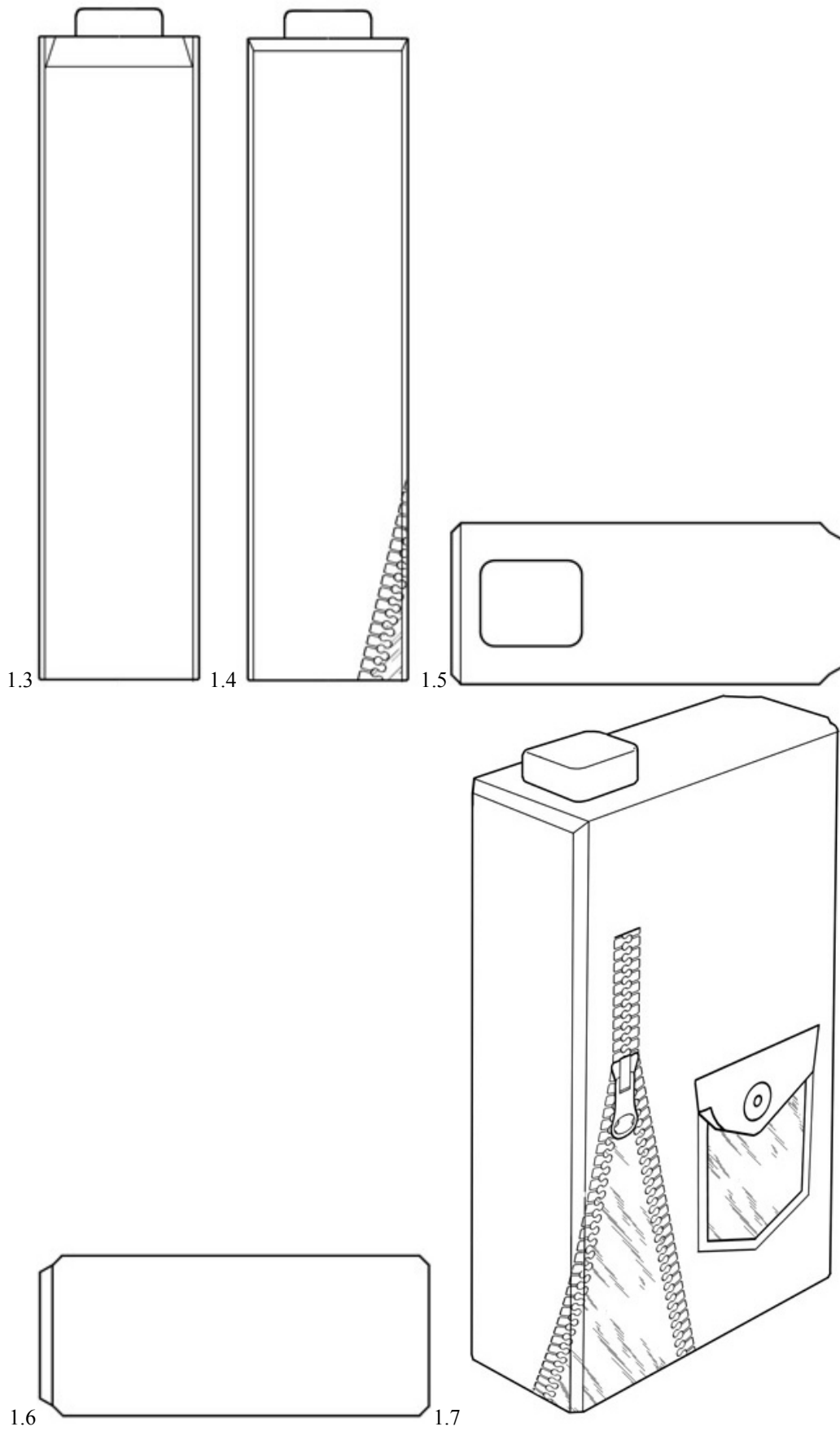
(54) 1. Container [packaging]; 2. Bottle; 3. Container [packaging]; 4.-5. Boxes; 6.-8. Packagings; 9.-15. Containers [packaging]

(55)

(51) 09-01, 03

(45) 2013/04 (2013 02 01)

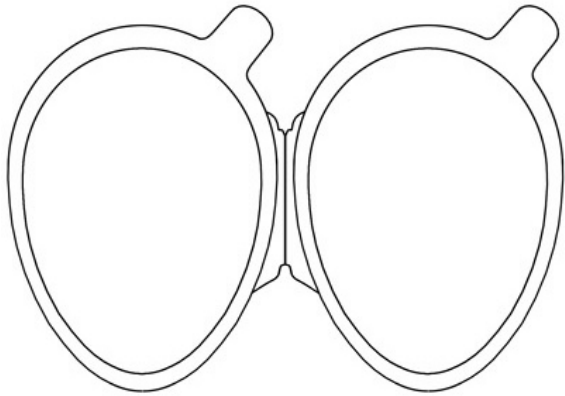




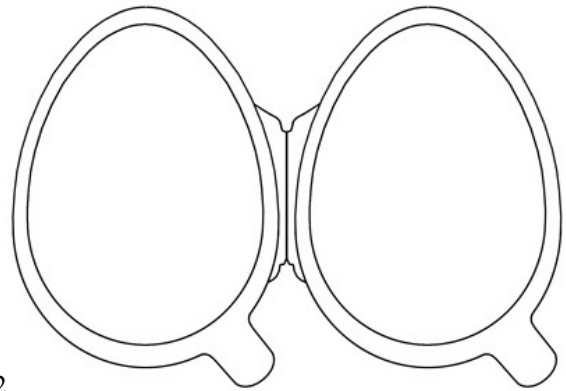


2.1

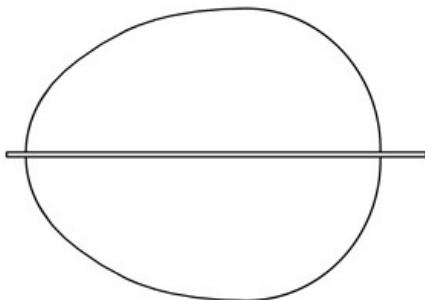
2.2



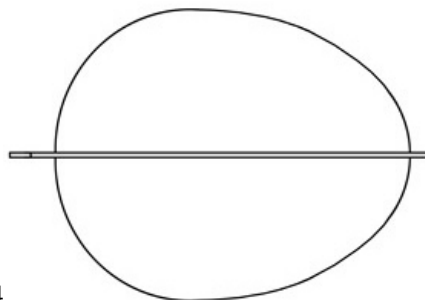
3.1



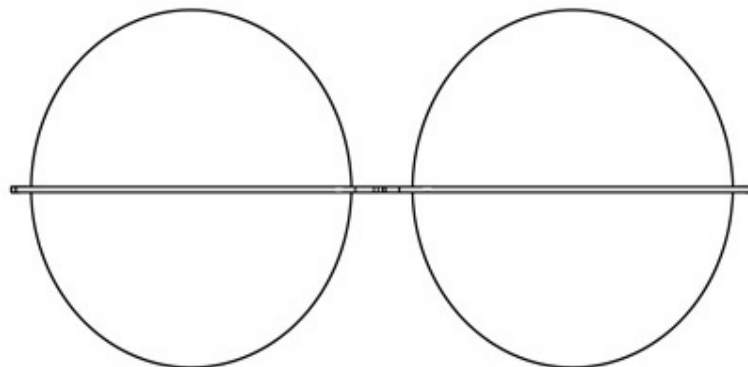
3.2



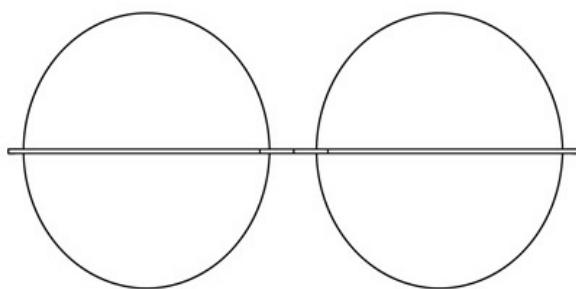
3.3



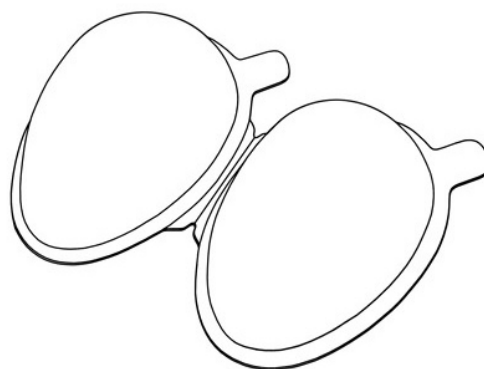
3.4



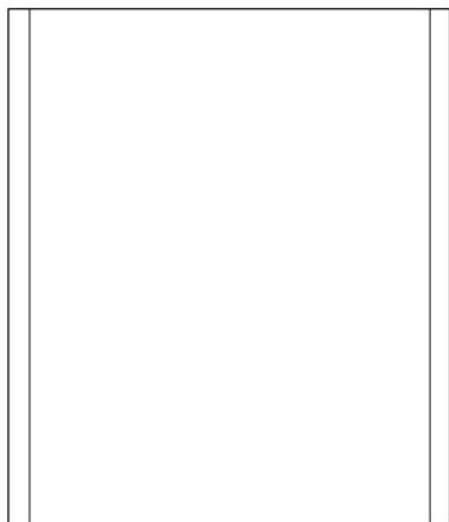
3.5



3.6

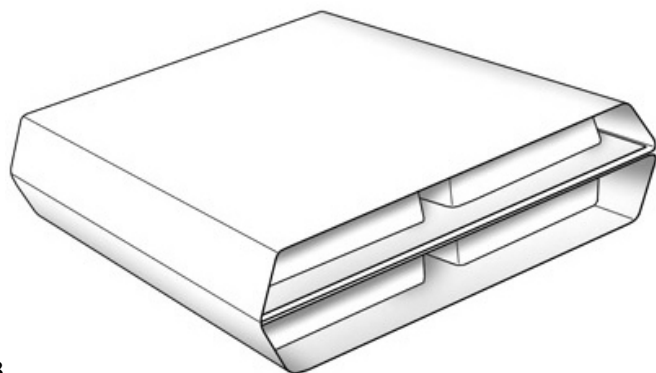
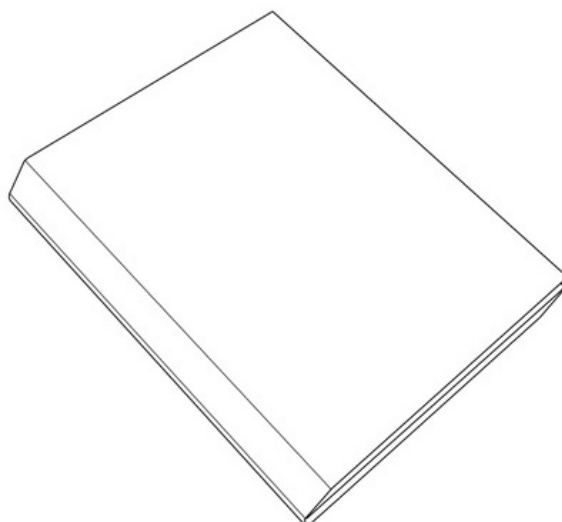


3.7



4.1

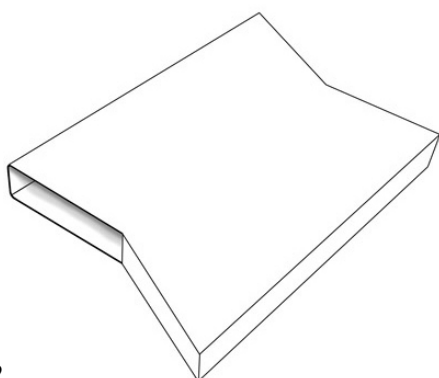
4.2



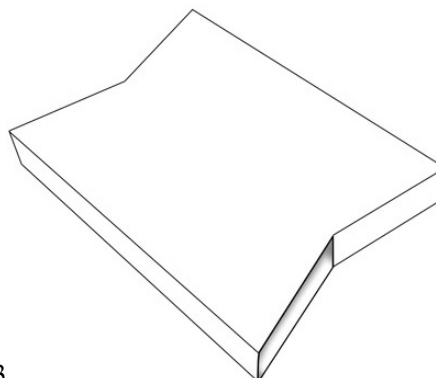
4.3



5.1



5.2



5.3



6



7



8



9



10



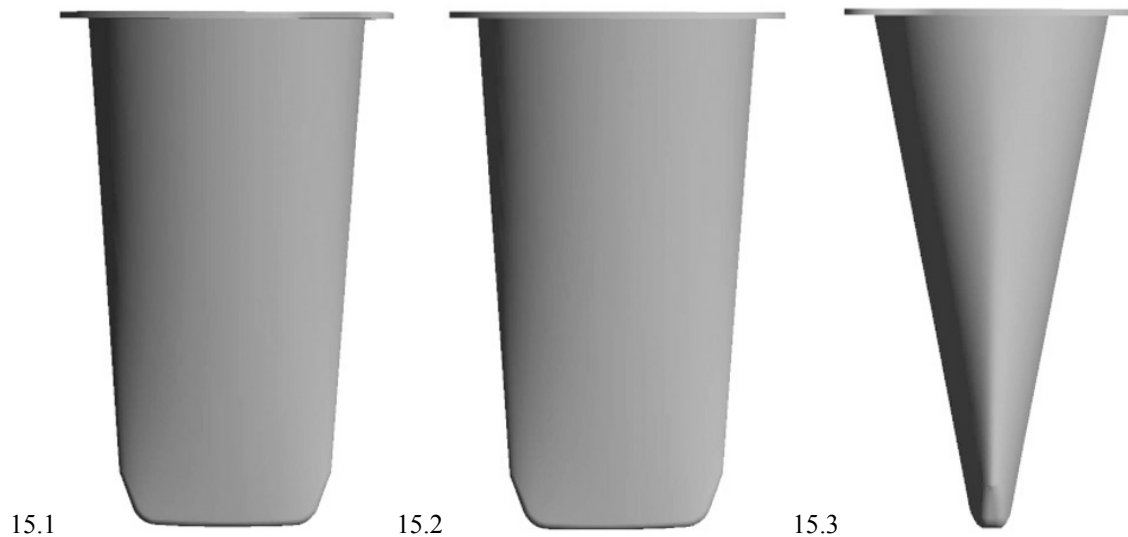
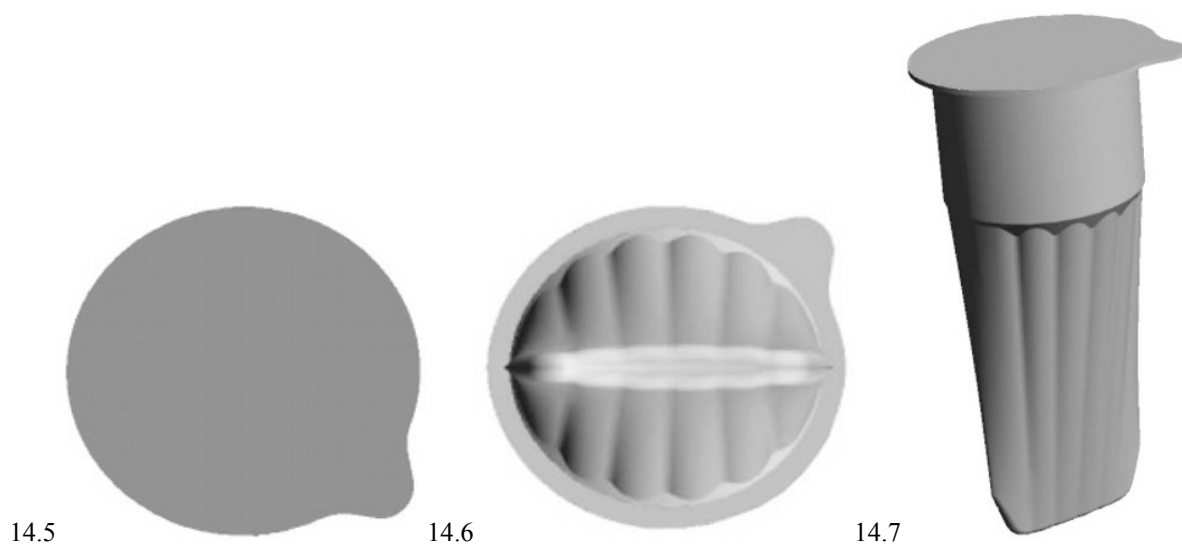
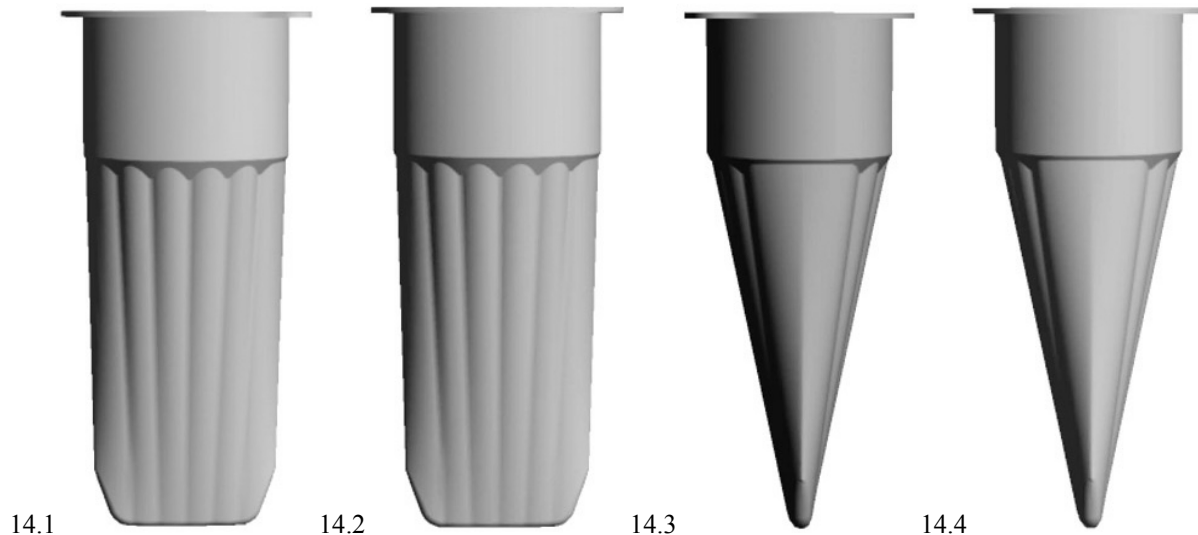
11

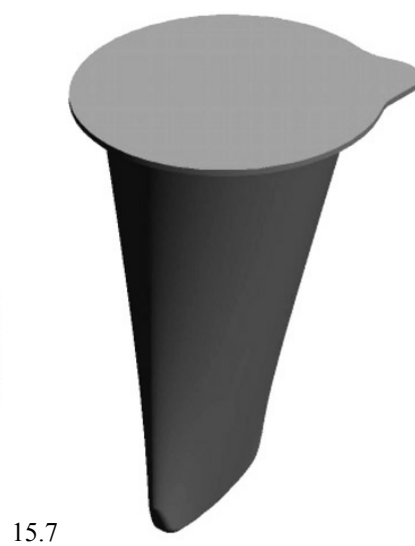
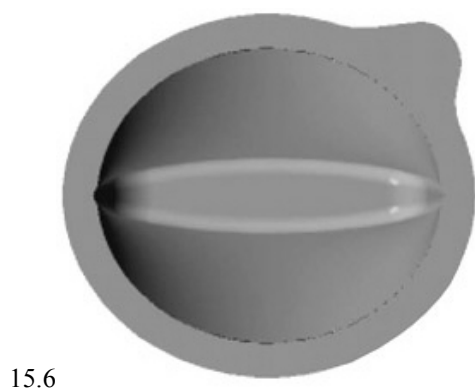
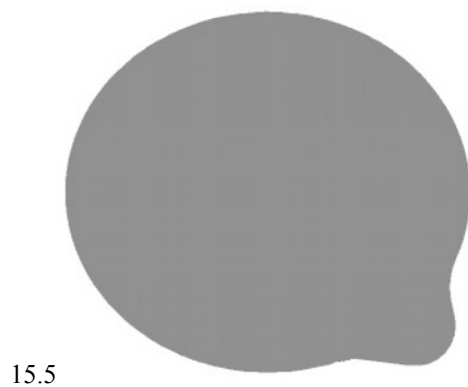
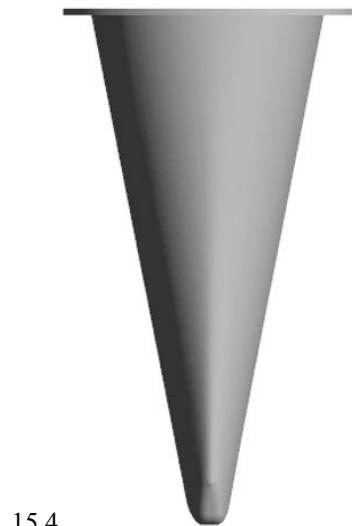


12



13





(11) DM/079925

(51) 13-03

(15) 2012 11 26

(45) 2013/04 (2013 02 01)

(22) 2012 11 26

(28) 5

(73) DERNEK GRUP ELEKTRİK ELEKTRONİK DIŞ TİCARET VE SANAYİ LİMİTED ŞİRKETİ

Kartaltepe Mahallesi, Teyyareci Nurettin Sokak, Funda Apt. No:2, Daire:9, Bakırköy - İstanbul (TR)

(85) TR

(86) TR

(87) TR

(88) n/a

(89) TR

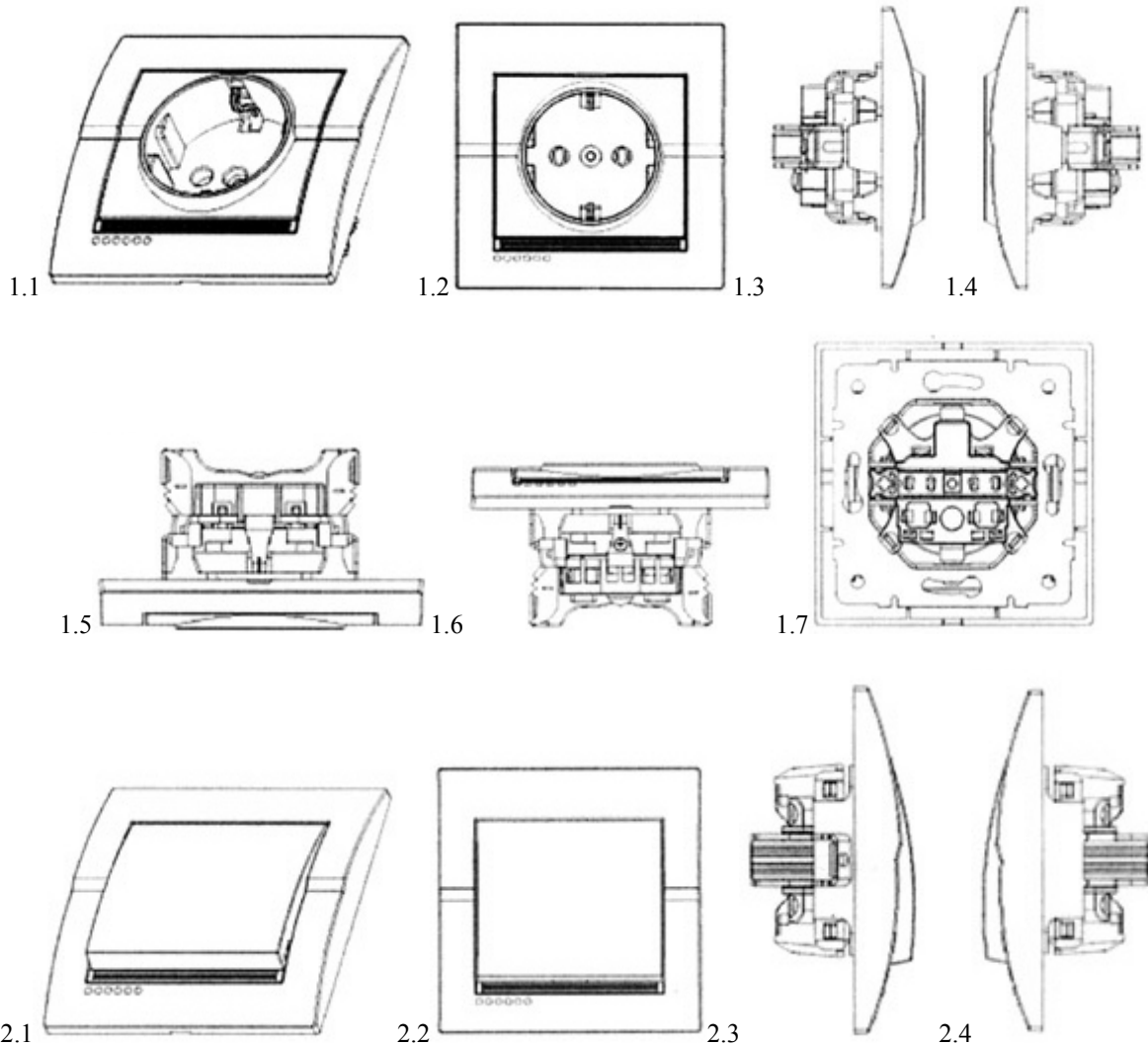
(81) III. AL, AM, AZ, BA, BG, EE, EG, EM, GE, GH, HR, HU, KG, LT, LV, ME, MK, MN, NA, OA, OM, PL, RO, RS, SI, SY, TJ, UA

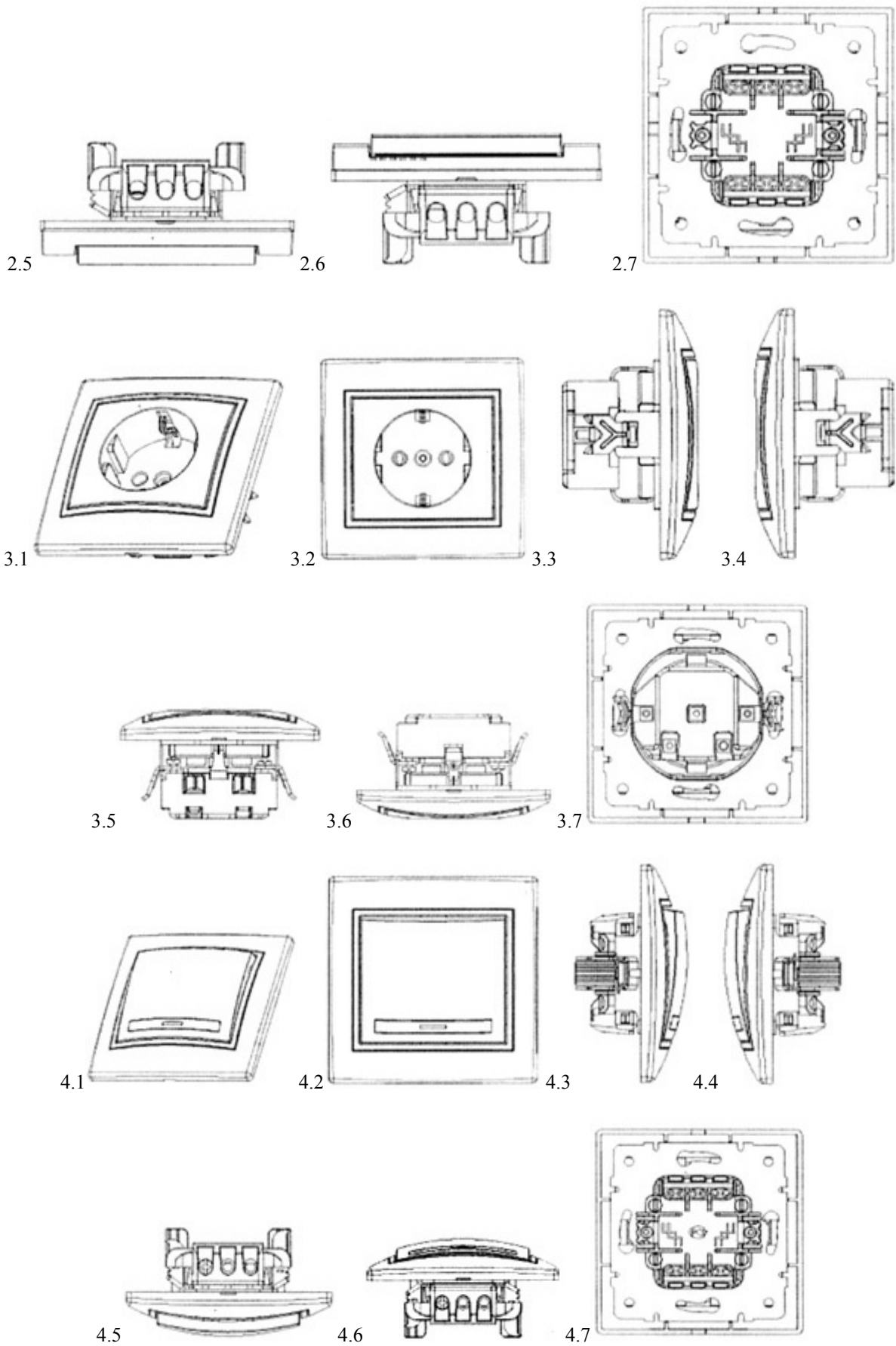
(72) TUNCAY CEYRAN (TR)

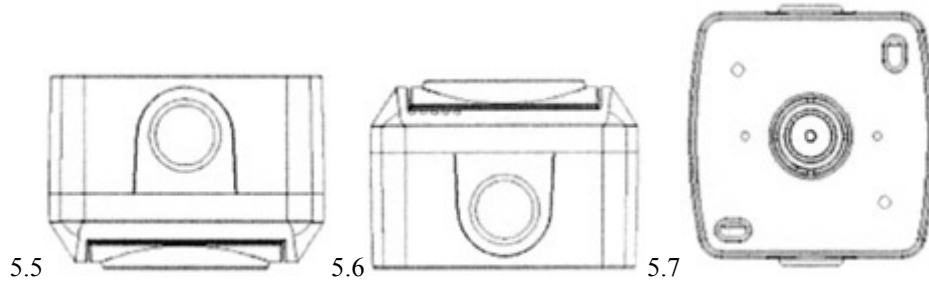
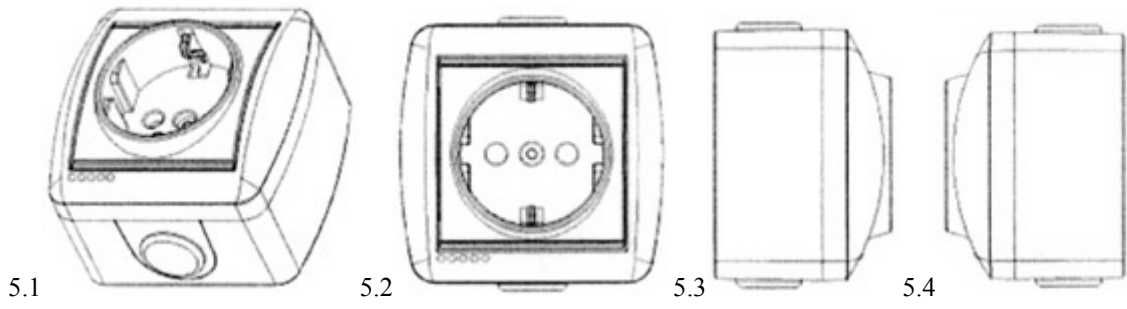
Kartaltepe Mah., Teyyarecci Nurettin Sok., Funda Apt. No:2 D:9 BAKIRKOY-ISTANBUL/TURKEY

(54) 1. Plug; 2. switch; 3. plug; 4. switch; 5. plug

(55)







(11) DM/080013

(51) 09-01

(15) 2013 01 21

(45) 2013/05 (2013 02 08)

(22) 2013 01 21

(28) 1

(30) 09.10.2012; 002115535-0001; EM

(73) SAVERGLASS

3 rue de la Gare, F-60960 FEUQUIERES (FR)

(85) FR, EM

(86) FR, EM

(87) FR, EM

(88) FR, EM

(89) FR

(81) III. AM, AZ, BA, CH, EG, GE, HR, MC, MD, ME, MK, RS, TR, UA

(54) 1. Bottle

(55)



(11) DM/080014

(15) 2013 01 21

(22) 2013 01 21

(28) 1

(30) 09.10.2012; 002115550-0001; EM

(73) SAVERGLASS

3 rue de la Gare, F-60960 FEUQUIERES (FR)

(85) FR, EM

(86) FR, EM

(87) FR, EM

(88) FR, EM

(89) FR

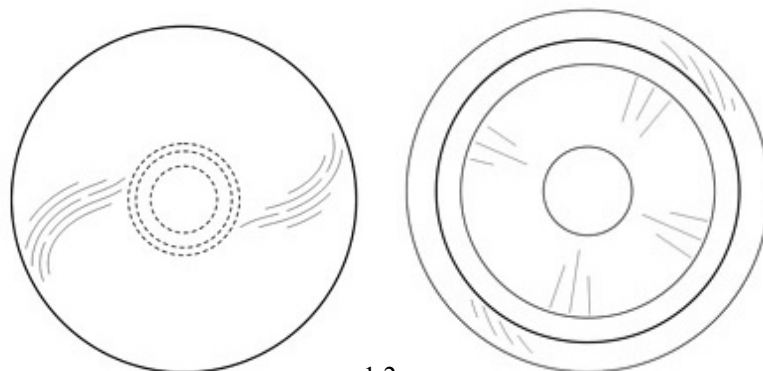
(81) III. AM, AZ, BA, CH, EG, GE, HR, MC, MD, ME, MK, RS, TR, UA

(54) 1. Bottle

(55)

(51) 09-01

(45) 2013/05 (2013 02 08)



1.1

1.2



1.3

(11) DM/080015

(51) 09-01

(15) 2013 01 21

(45) 2013/05 (2013 02 08)

(22) 2013 01 21

(28) 1

(30) 28.09.2012; 002110536-0001; EM

(73) SAVERGLASS

3 rue de la Gare, F-60960 FEUQUIERES (FR)

(85) FR, EM

(86) FR, EM

(87) FR, EM

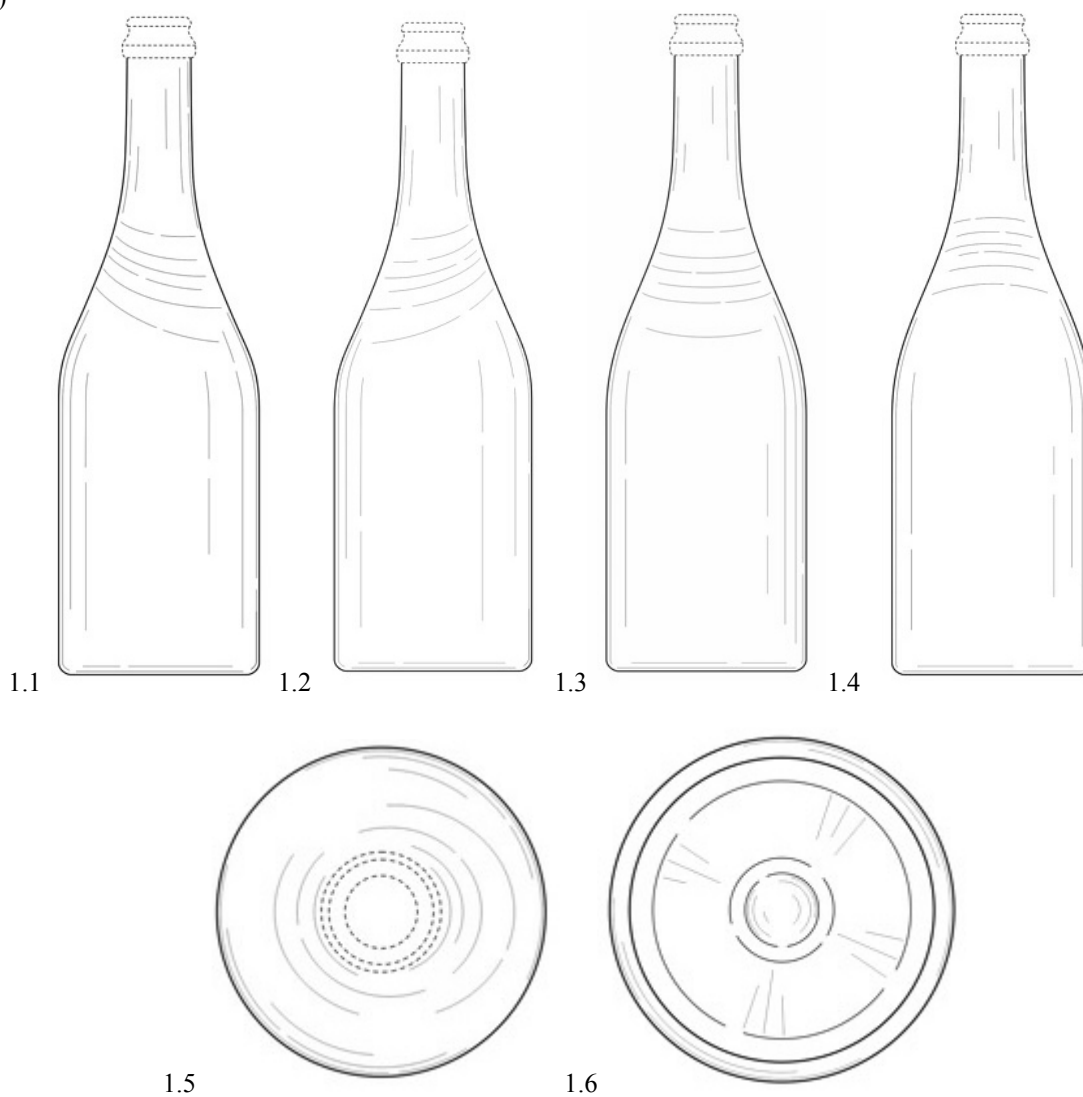
(88) FR, EM

(89) FR

(81) III. AM, AZ, BA, CH, EG, GE, HR, MC, MD, ME, MK, RS, TR, UA

(54) 1. Bottle

(55)



(11) DM/077676

(15) 2012 02 10

(22) 2012 02 10

(28) 2

(73) ALFRED KÄRCHER GMBH & CO. KG

Alfred-Kärcher-Straße 28-40, 71364 Winnenden (DE)

(85) EM

(86) DE, EM

(87) DE, EM

(88) DE, EM

(89) EM

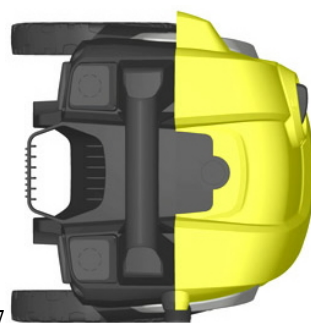
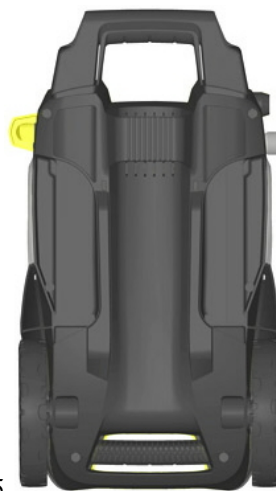
(81) II. KP, MA, ME. III. BA, CH, EG, EM, GE, HR, LI, MD, MK, MN, OM, TR

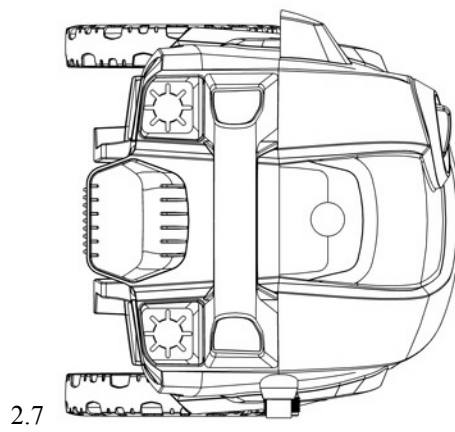
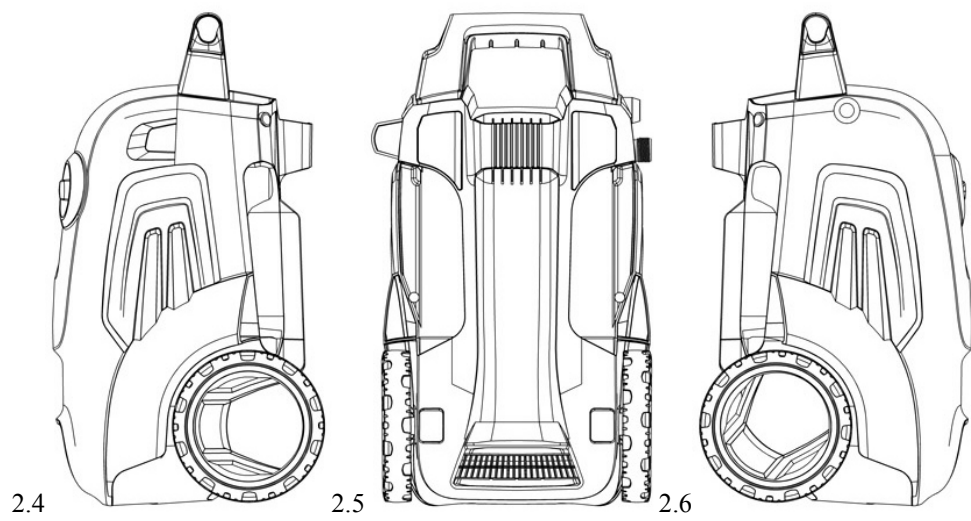
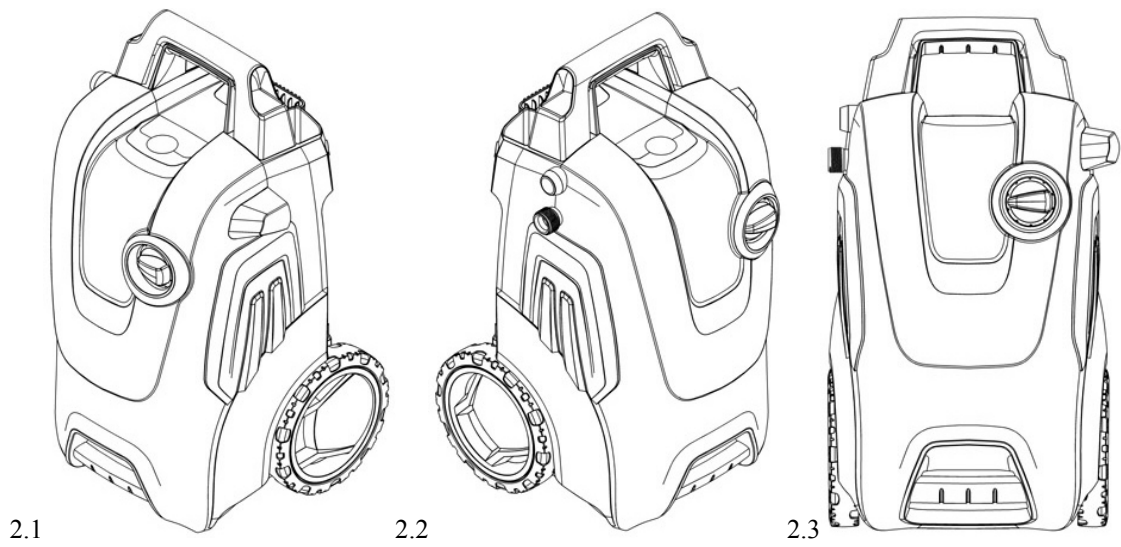
(54) 1.-2. High pressure cleaners

(55)

(51) 15-05

(45) 2013/06 (2013 02 15)





(11) DM/078896

(15) 2012 08 13

(22) 2012 08 13

(28) 2

(73) SWATCH AG (SWATCH SA)(SWATCH LTD)

Jakob-Stämpfli-Strasse 94, CH-2502 Bienne (CH)

(85) CH

(86) CH

(87) CH

(88) CH

(89) CH

(81) IL, BZ, MA, III, AL, AM, AZ, BA, CH, EM, GE, HR, KG, LI, MC, MD, ME, MK, MN, NO, OM, SG, TJ, TN, TR, UA

(72) Mod. No.1: Marta ZARI?A – ?ELZE, Bazn?icas iela 8-21, LV-1010 Riga (Lettonie);

Mod. No.2: Claudia CANNONE, Swatchlab, Via Archimede 6, IT-20129 Milano (Italie)

(54) 1.-2. Wristwatches

(55)

(51) 10-02

(45) 2013/06 (2013 02 15)



(11) DM/080030

(51) 10-07

(15) 2013 01 29

(45) 2013/06 (2013 02 15)

(22) 2013 01 29

(28) 6

(73) GLASHÜTTER UHRENBETRIEB GMBH

Altenberger Str. 1, 01768 Glashütte (DE)

(85) DE, EM

(86) DE, EM

(87) DE, EM

(88) DE, EM

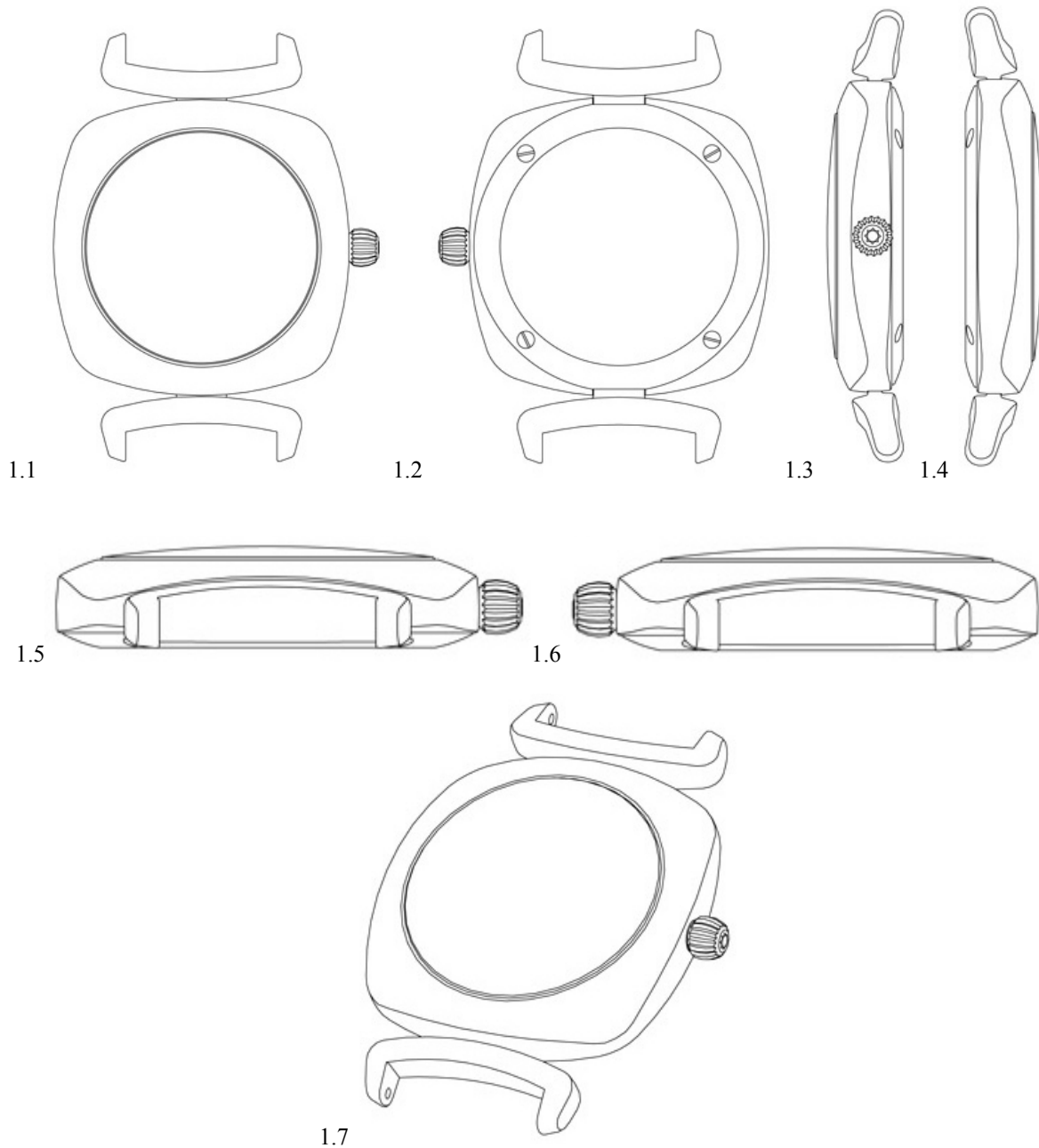
(89) EM

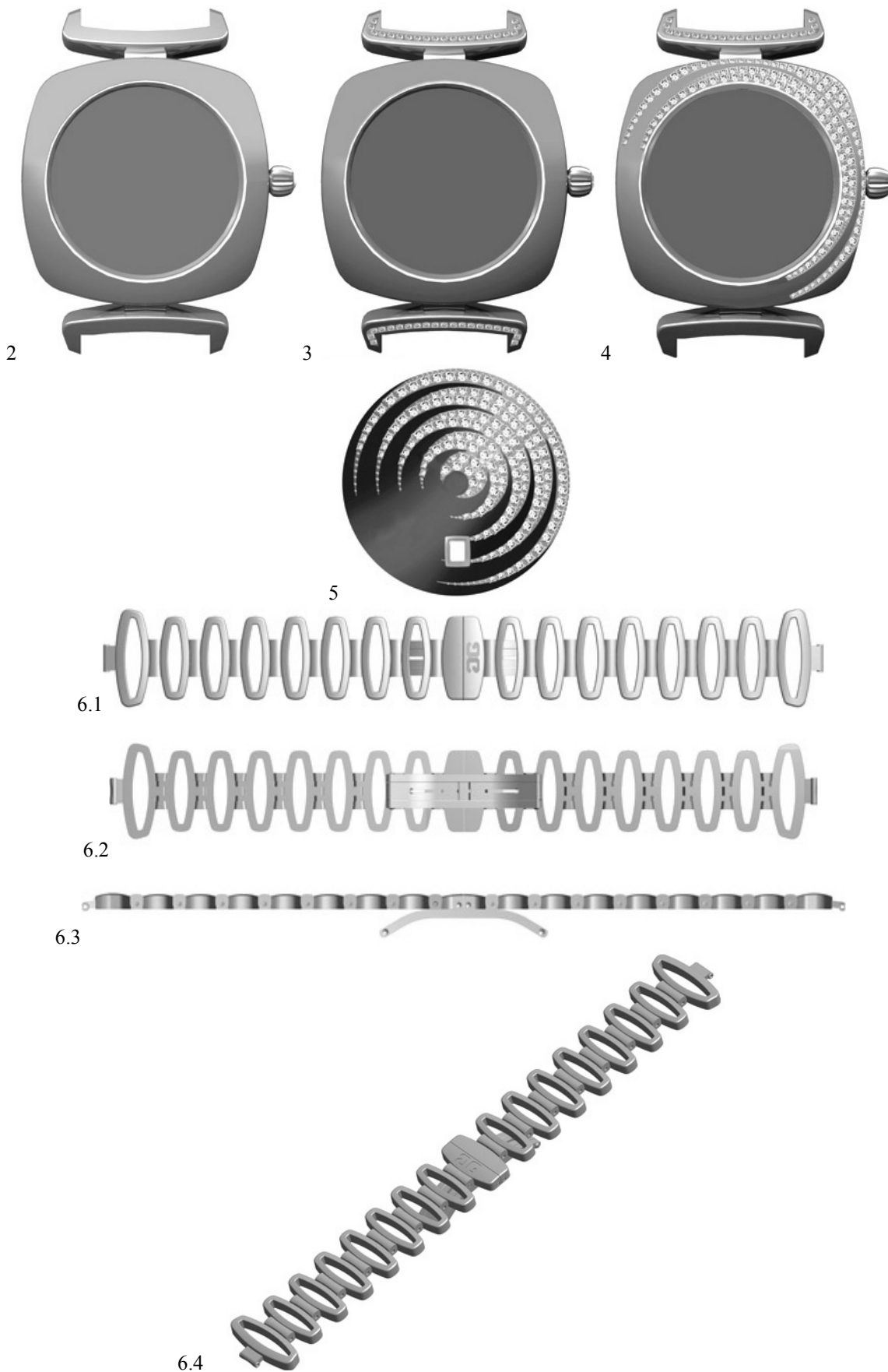
(81) II. BZ, MA, III. AL, AM, AZ, BA, CH, EM, GE, HR, KG, LI, MC, MD, ME, MK, MN, NO, OM, SG, TJ, TN, TR, UA

(72) N1, 2, 6: Katharina Stegmann, Am Mühlefeld 84, 01744 Paulsdorf; N3, 4, 5: Katharina Stegmann, Am Mühlefeld 84, 01744 Paulsdorf; Julia Schellenberg, Tauernstrasse 40, 01279 Dresden

(54) 1.-4. Watch cases; 5. Dial; 6. Watch band

(55)





(11) DM/080046

(51) 13-02

(15) 2013 01 11

(45) 2013/06 (2013 02 15)

(22) 2013 01 11

(28) 4

(30) for designs No(s) 1, 2: 12.07.2012; 29/426,981; US; for designs No(s) 3, 4: 12.07.2012; 29/426,989; US

(73) NOKIA CORPORATION

Keilalahdentie 4, FI-02150 Espoo (FI)

(85) EM

(86) EM

(87) EM

(88) EM

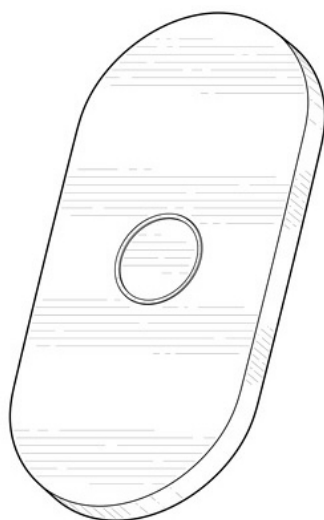
(89) EM

(81) III. AL, AM, BW, CH, EG, EM, GE, HR, IS, LI, MK, MN, NA, NO, SG, TR, UA

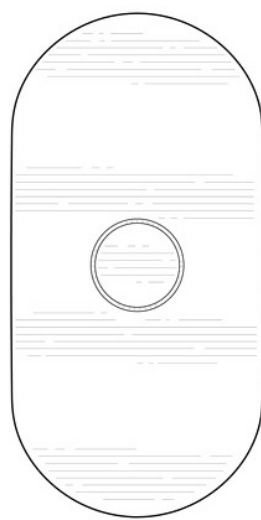
(72) Jukka Rautianinen, Pengerkatu 7 D 91, FI-00530 Helsinki

(54) 1.-4. Chargers

(55)



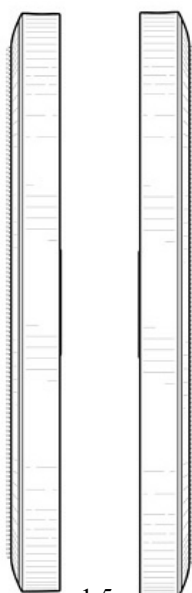
1.1



1.2



1.3

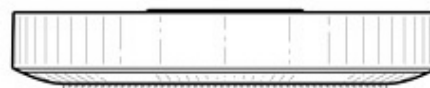


1.4

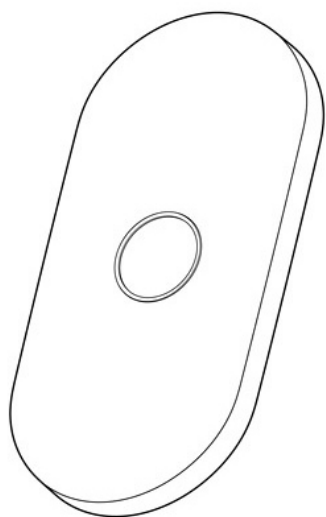
1.5



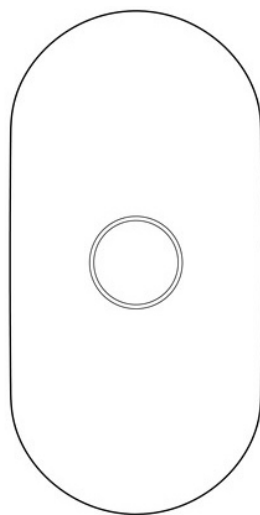
1.6



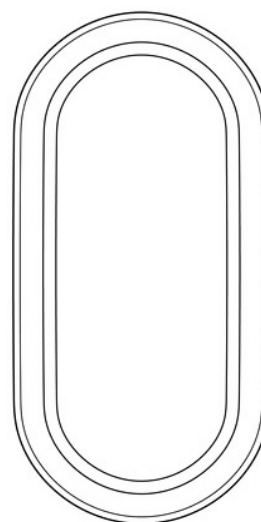
1.7



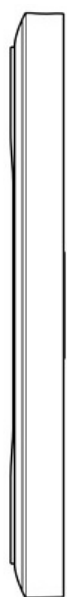
2.1



2.2



2.3



2.4



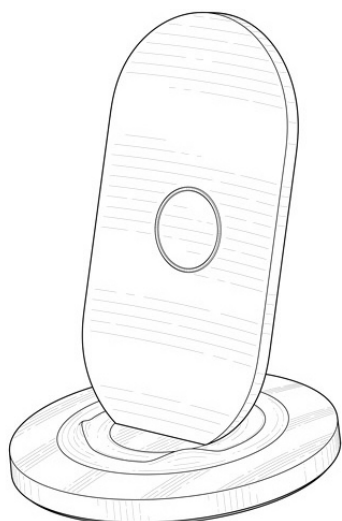
2.5



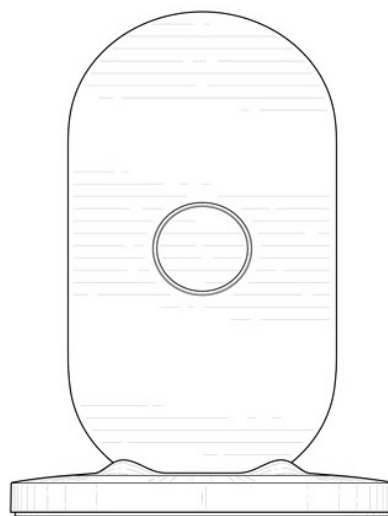
2.6



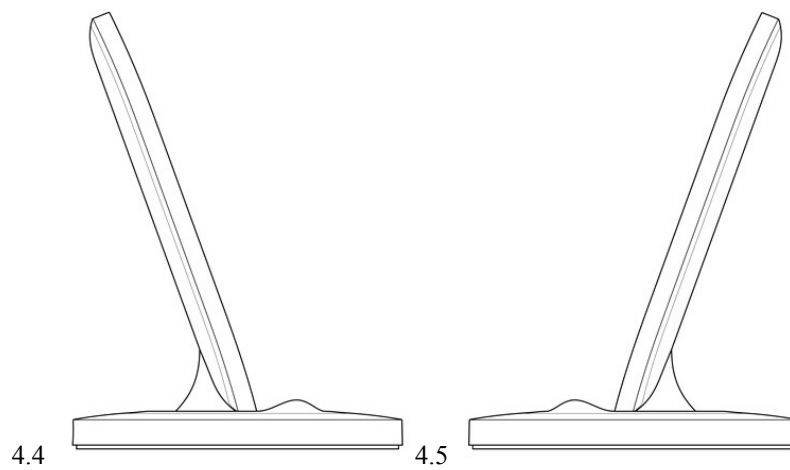
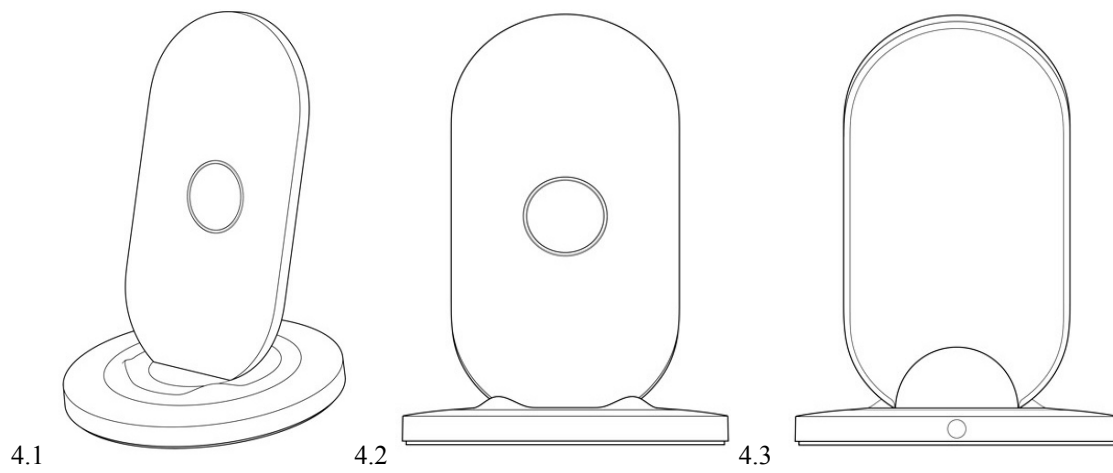
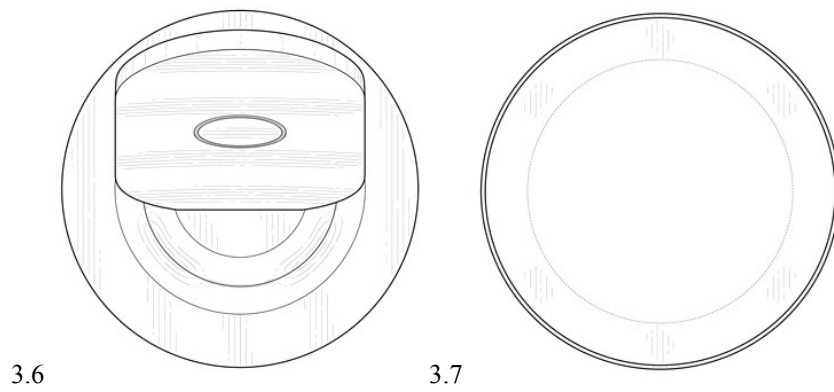
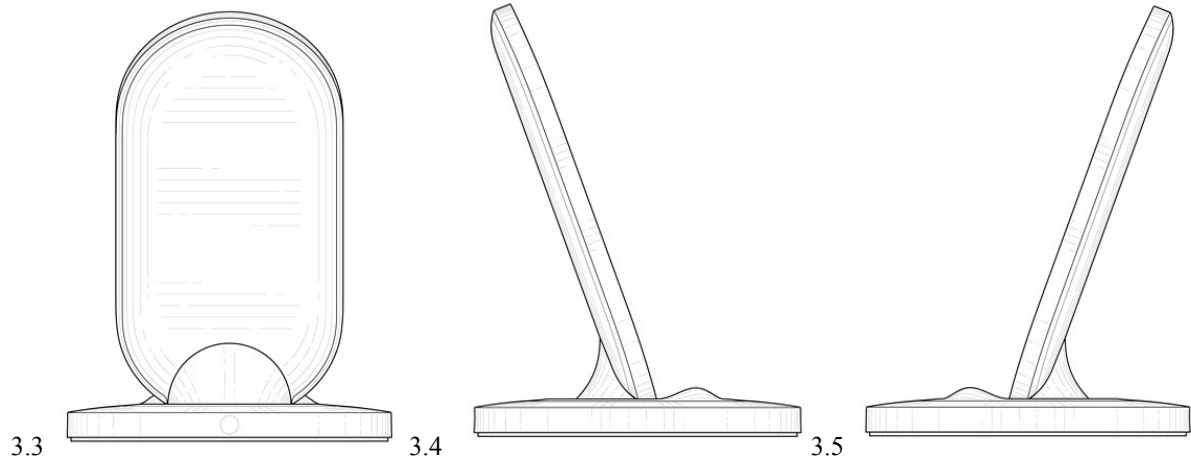
2.7

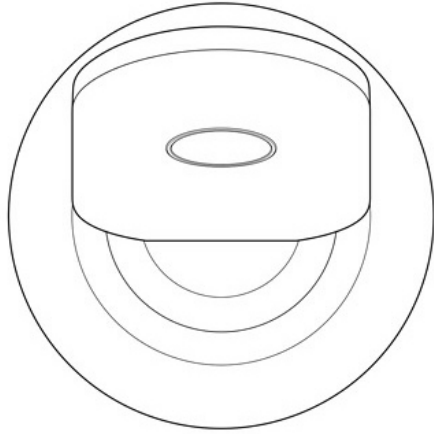


3.1

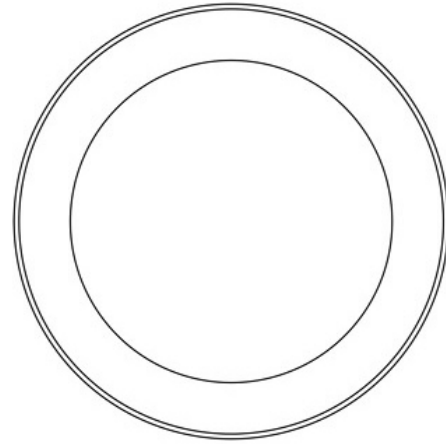


3.2





4.6



4.7

(11) DM/080047

(51) 03-01

(15) 2013 01 14

(45) 2013/06 (2013 02 15)

(22) 2013 01 14

(28) 1

(30) 28.08.2012; 29/430,638; US

(73) NOKIA CORPORATION

Keilalahdentie 4, FI-02150 Espoo (FI)

(85) EM

(86) EM

(87) EM

(88) EM

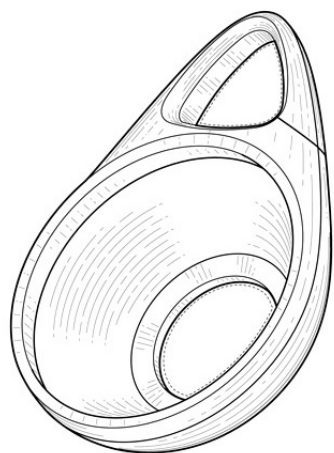
(89) EM

(81) III. AL, AM, BW, CH, EG, EM, GE, HR, IS, LI, MK, MN, NA, NO, SG, TR, UA

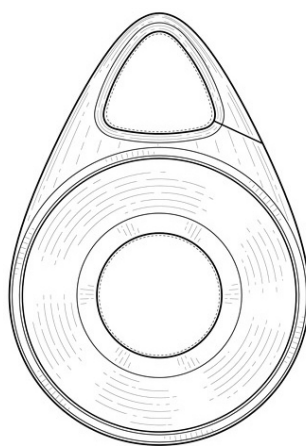
(72) (a) Chao Huang, Emännänpiha 8 A, FI-02940 Espoo; (b) Jukka Rautiainen, Pengerkatu 7 D 91, FI-00530 Helsinki

(54) 1. Headset carrying case

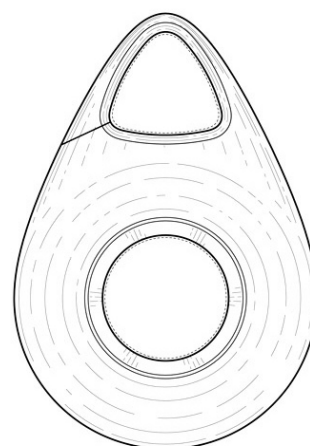
(55)



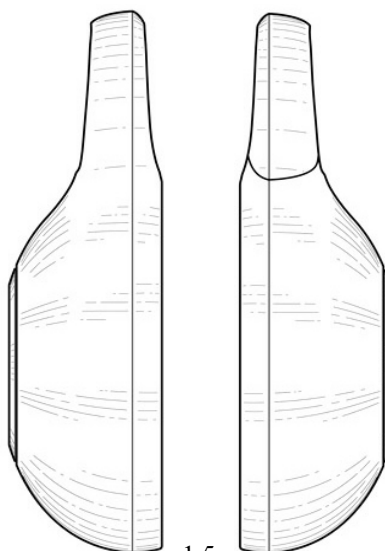
1.1



1.2

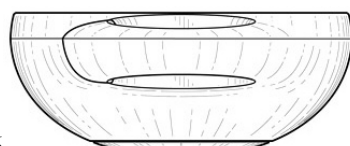


1.3



1.4

1.5



1.6



1.7

(11) DM/080049**(51) 14-01**

(15) 2013 01 15

(45) 2013/06 (2013 02 15)

(22) 2013 01 15

(28) 14

(30) for designs No(s) 1, 2: 28.08.2012; 29/430,629; US; for designs No(s) 3: 30.08.2012; 29/430,866; US; for designs No(s) 4: 30.08.2012; 29/430,868; US; for designs No(s) 5, 6: 23.10.2012; 29/435,331; US; for designs No(s) 8: 23.10.2012; 29/435,333; US; for designs No(s) 7: 23.10.2012; 29/435,336; US; for designs No(s) 13, 14: 30.11.2012; 29/438,522; US; for designs No(s) 12: 30.11.2012; 29/438,523; US; for designs No(s) 9, 10, 11: 30.11.2012; 29/438,525; US

(73) NOKIA CORPORATION

Keilalahdentie 4, FI-02150 Espoo (FI)

(85) EM

(86) EM

(87) EM

(88) EM

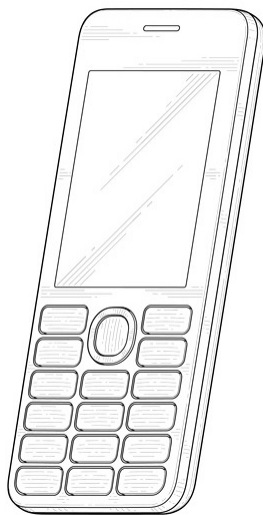
(89) EM

(81) III. AL, AM, BW, CH, EG, EM, GE, HR, IS, LI, MK, MN, NA, NO, SG, TR, UA

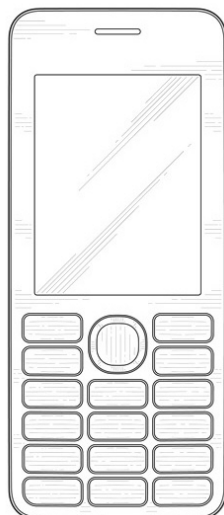
(72) DESIGNS 1-2: Go Osaki, 8-8-701 Nanlidongqu, Xihuashi, Dongcheng District, Beijing 100062, P.R.C.; DESIGNS 3-4: Tuomas Nylén, Sireenikatu 2 B7, FI-00270 Helsinki; DESIGNS 5-8: Kyeyoung Kang, #401 117-3ho, Samjeondong, Songpaju, Seoul, KR; DESIGNS 9-14: Daniel Dhondt, Iivisniementie 2H 129, FI-02260 Espoo

(54) 1.-2. Handsets; 3.-4. Speakers; 5.-14. Handsets

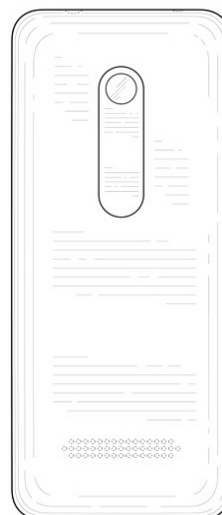
(55)



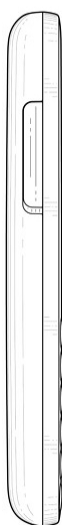
1.1



1.2



1.3



1.4



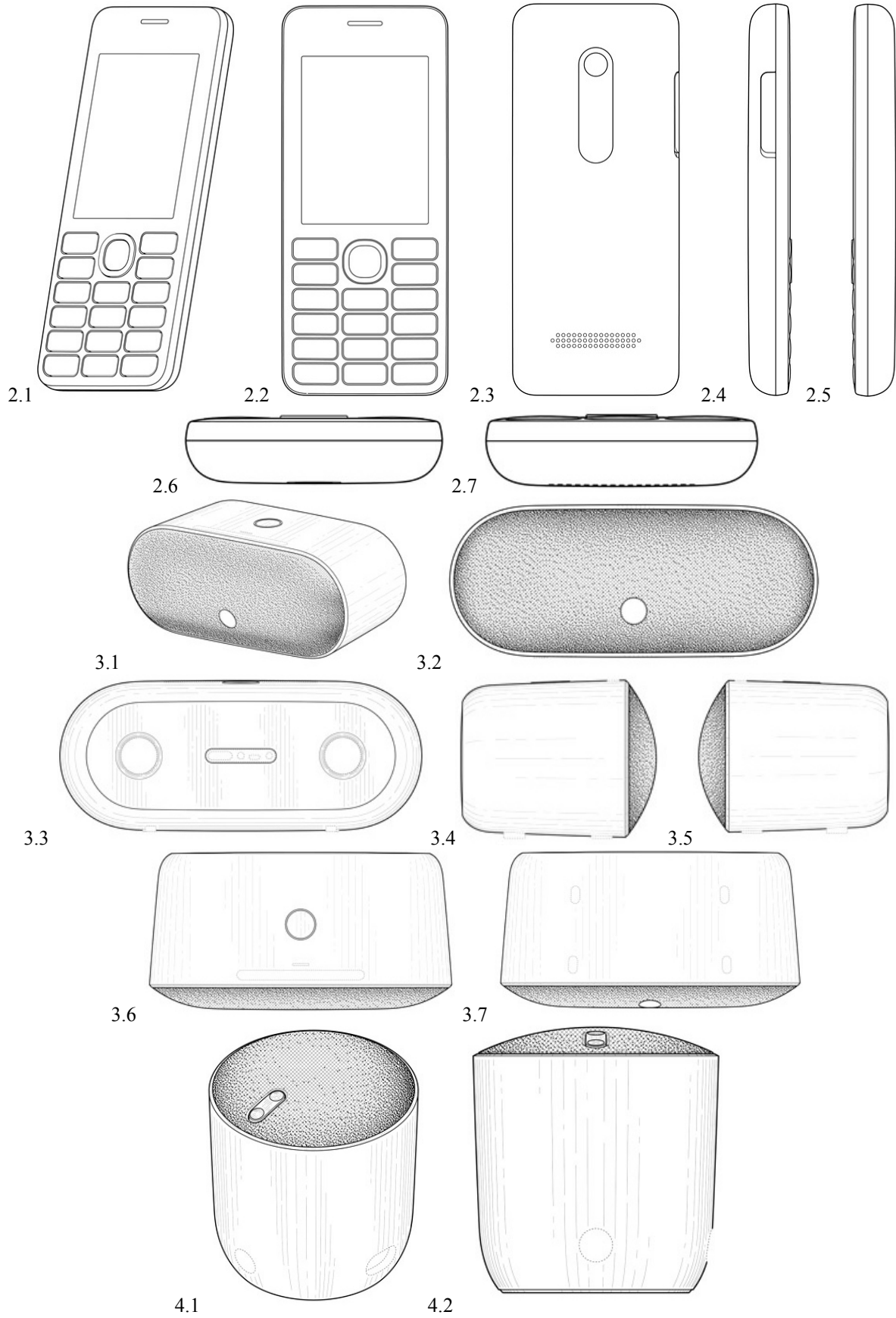
1.5

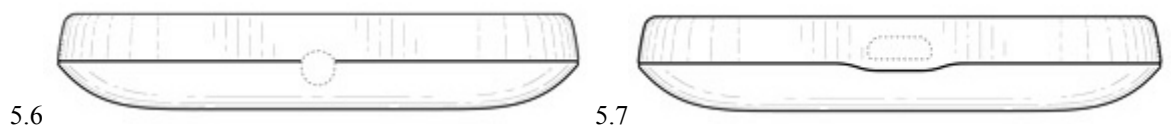
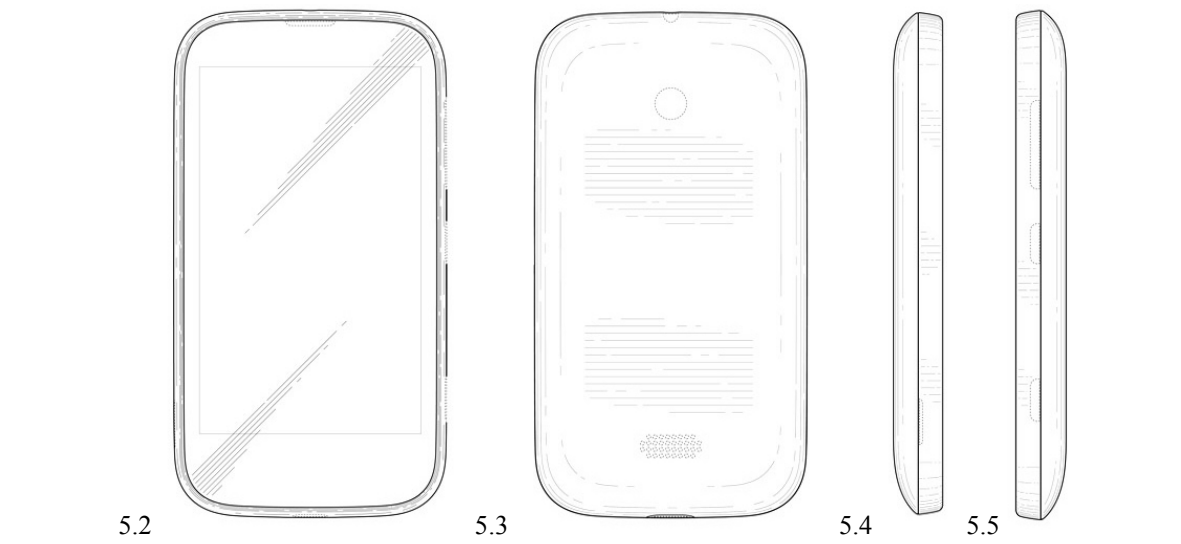
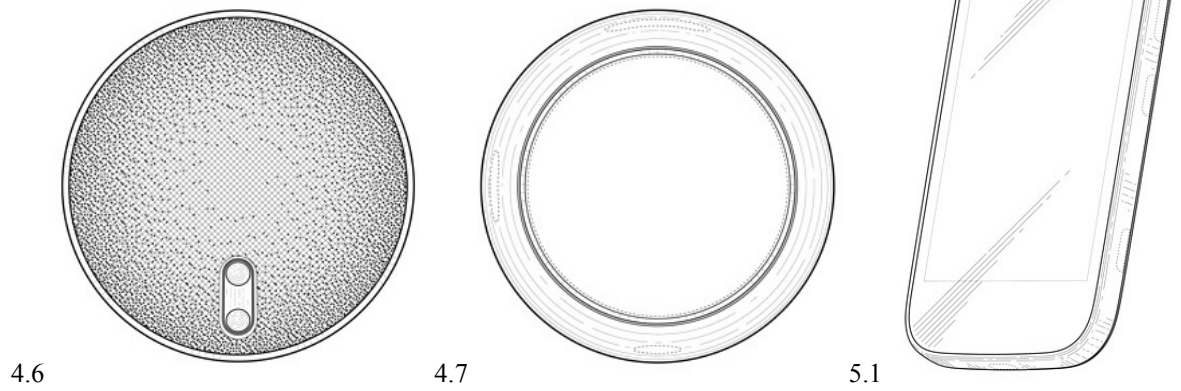
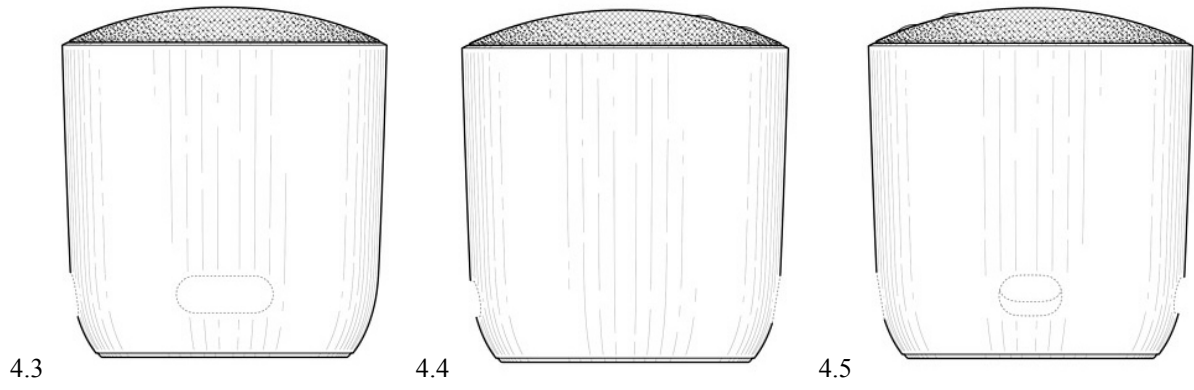


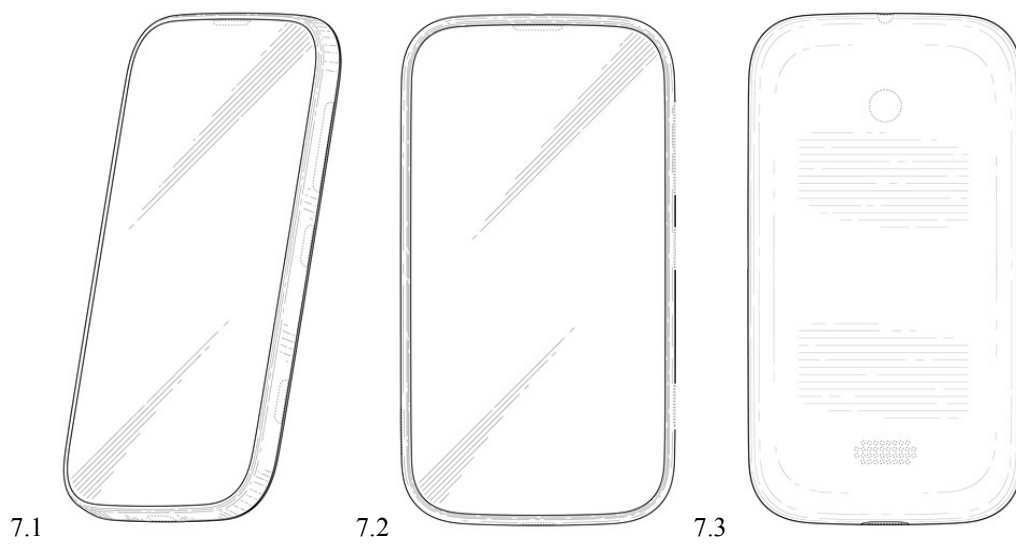
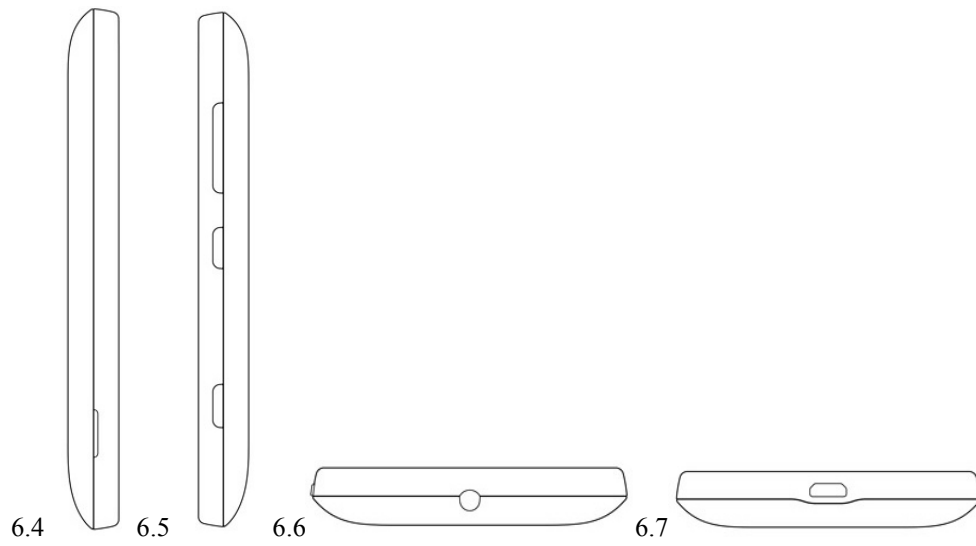
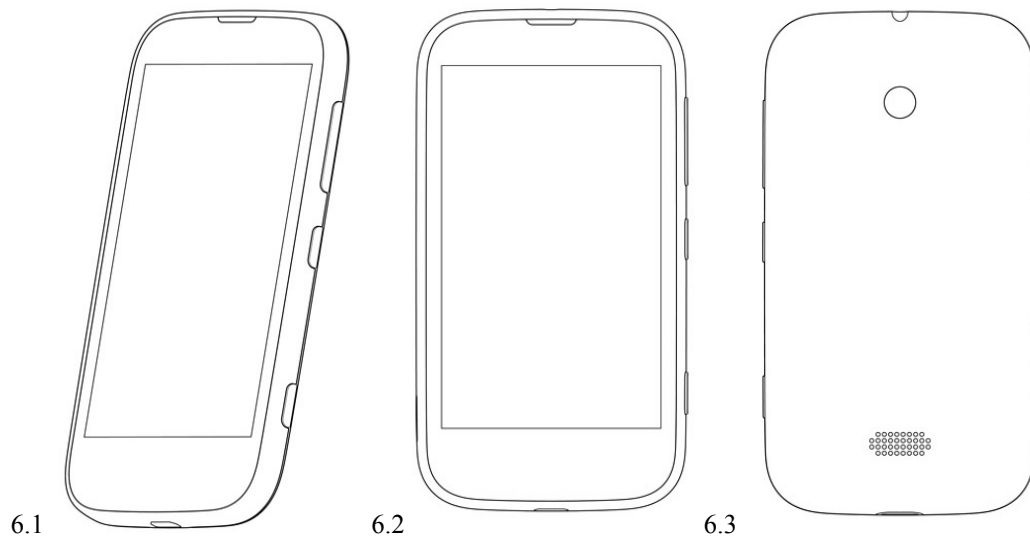
1.6

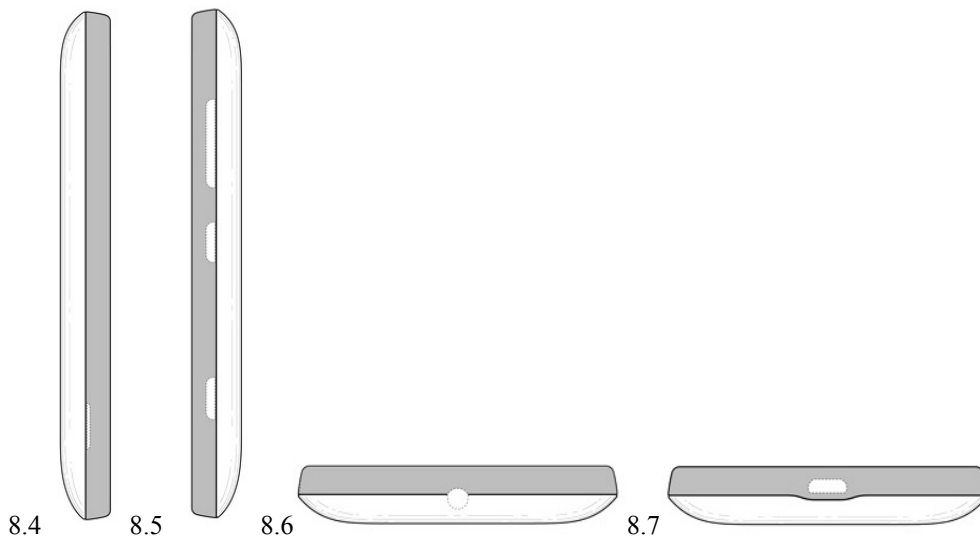
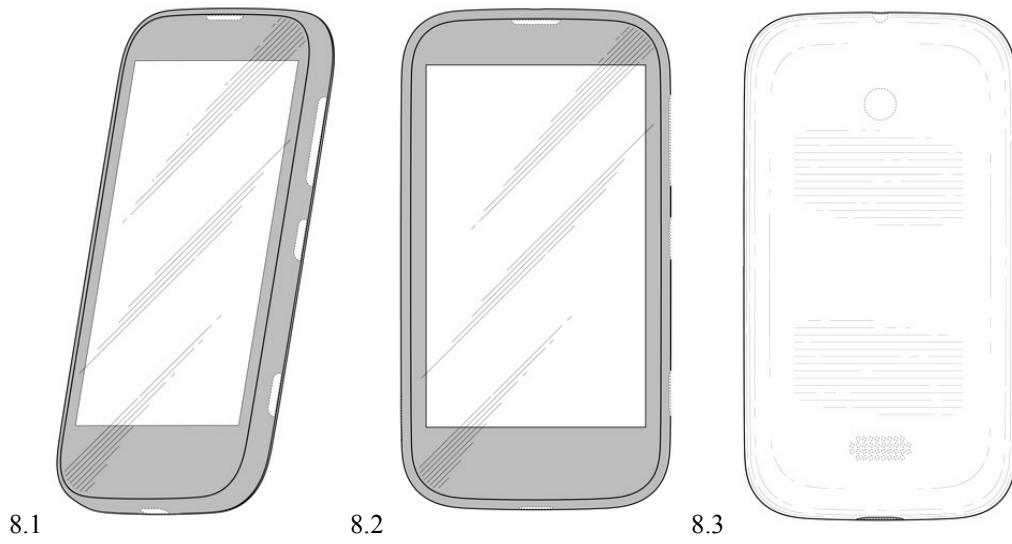
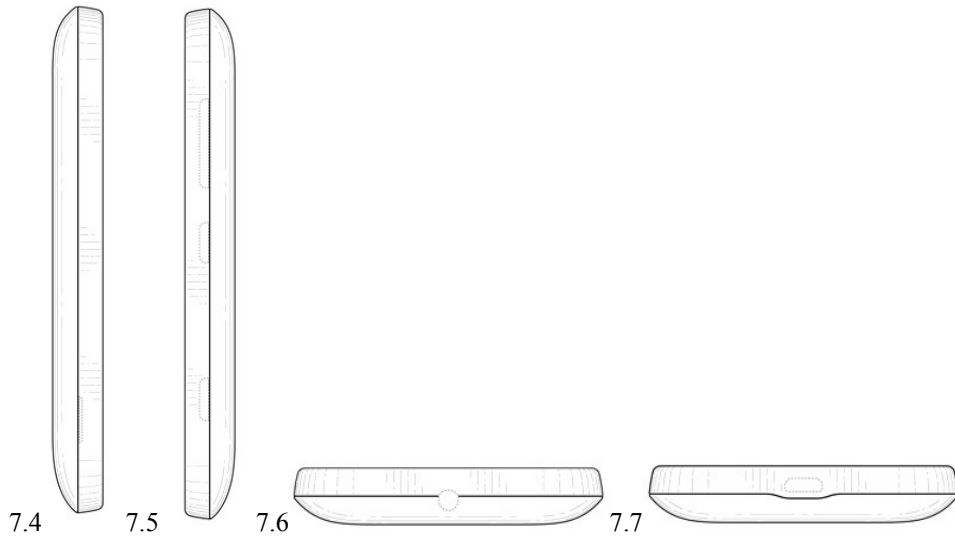


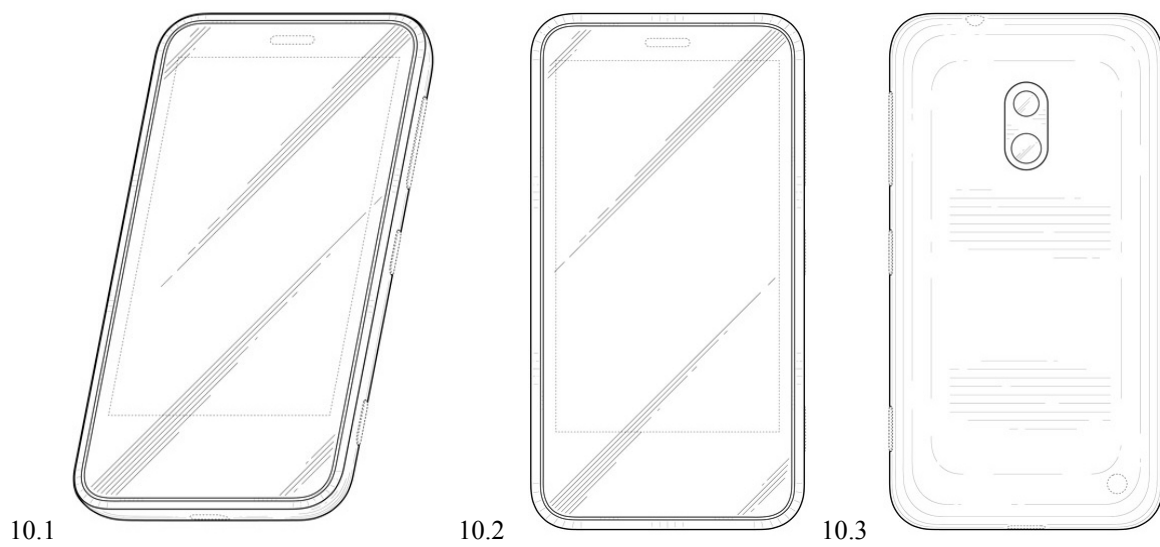
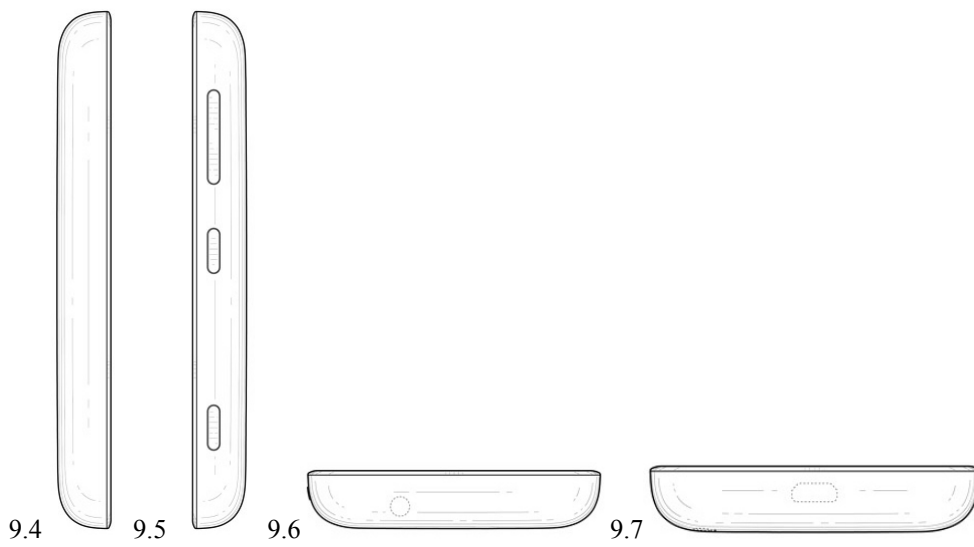
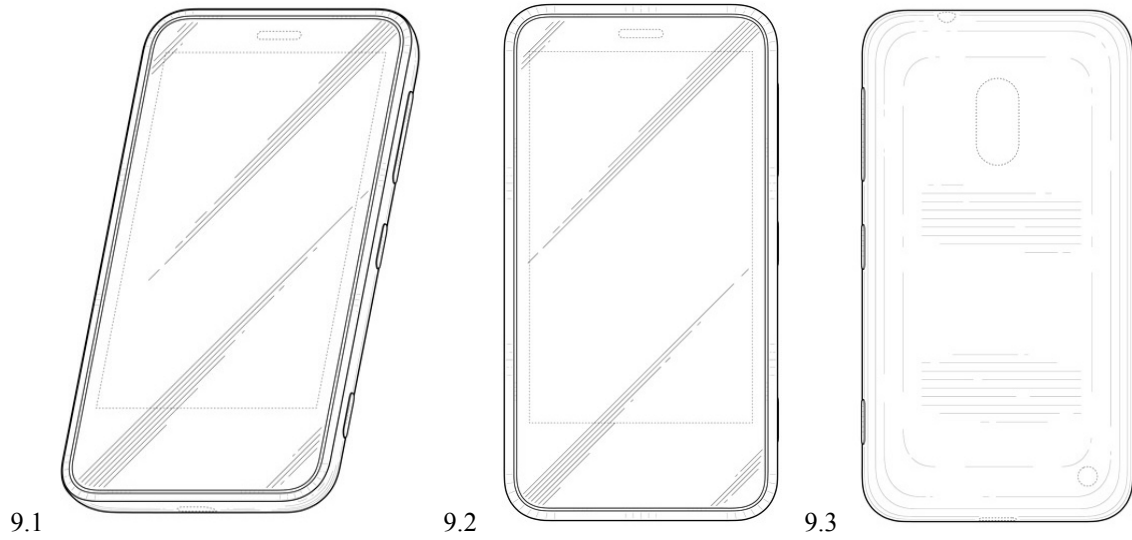
1.7

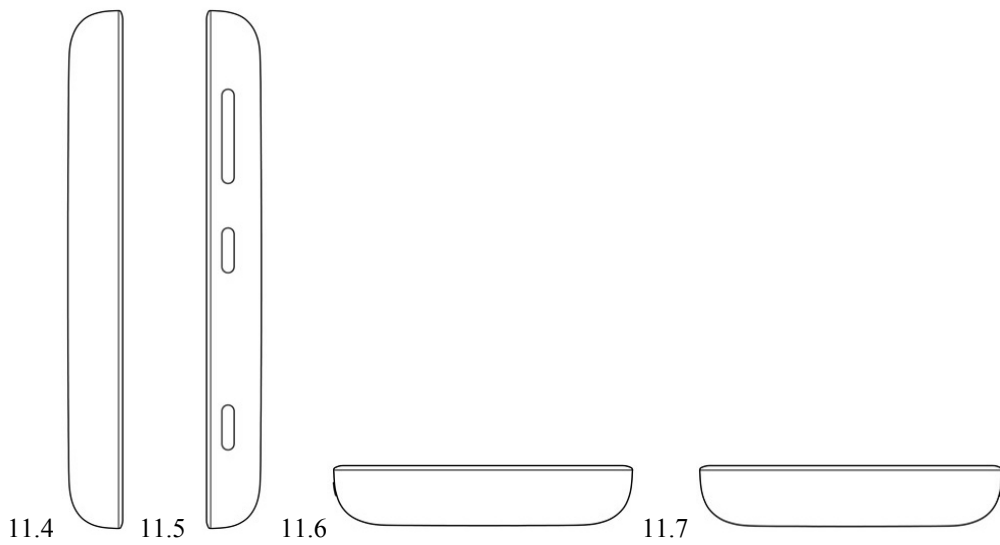
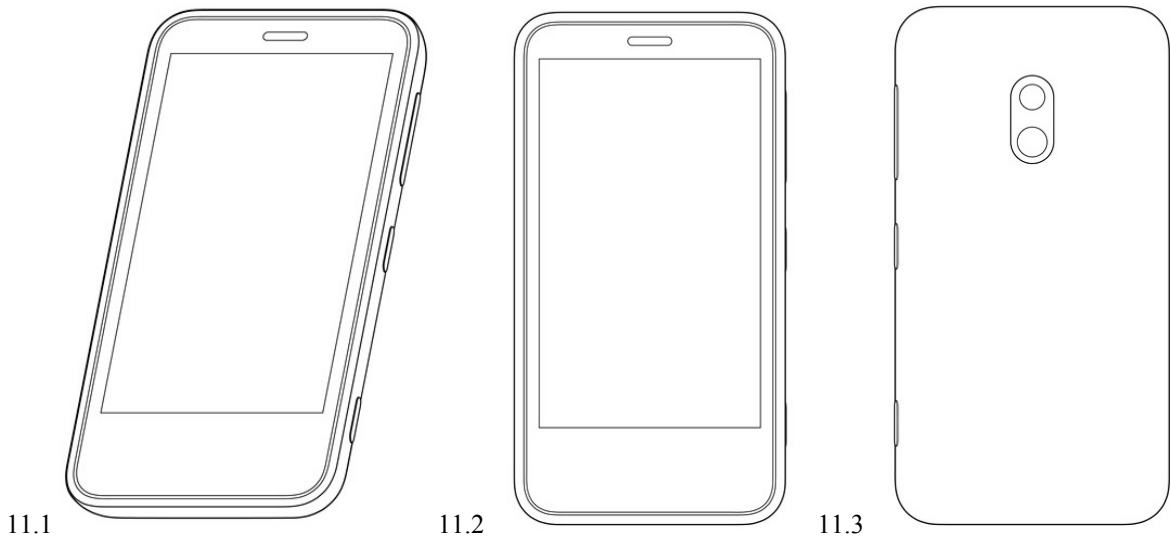
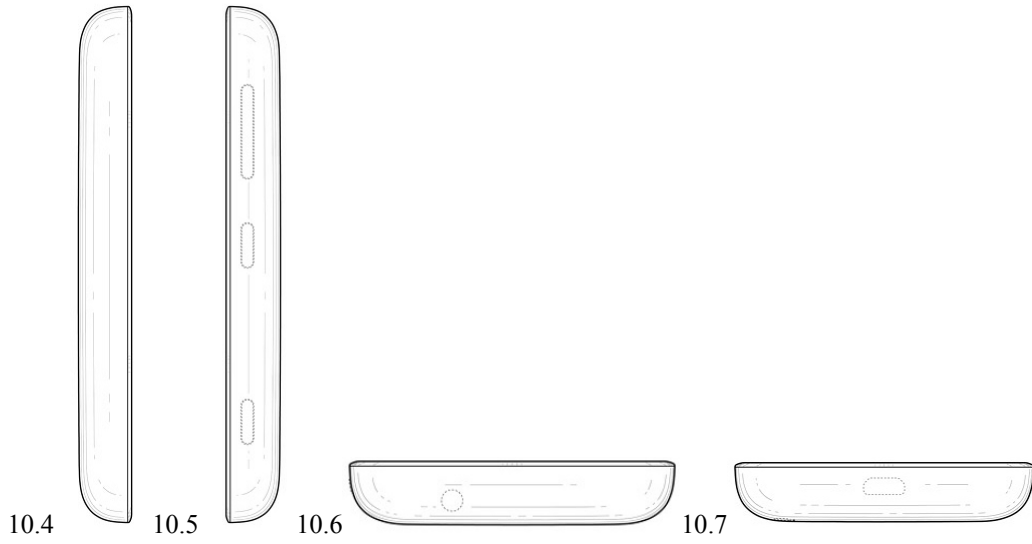


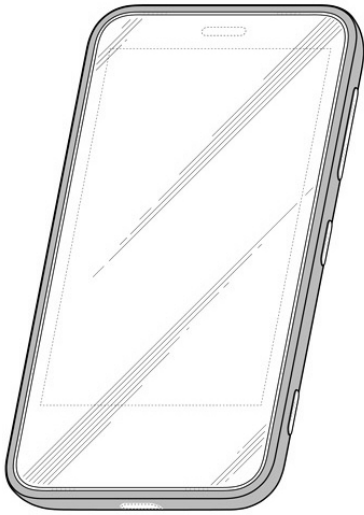




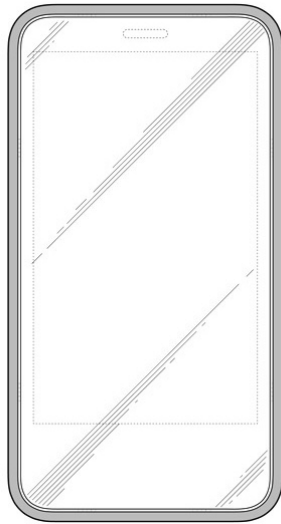




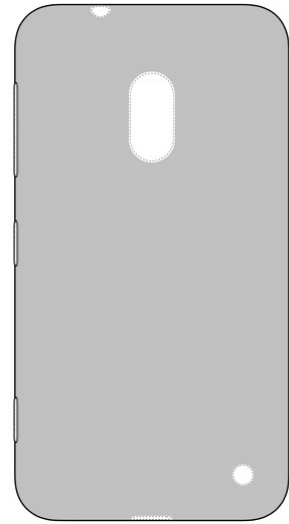




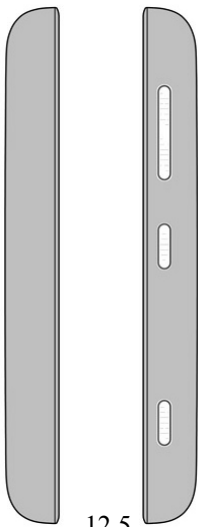
12.1



12.2



12.3



12.4

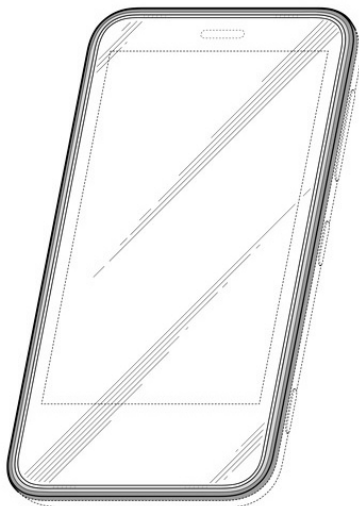
12.5



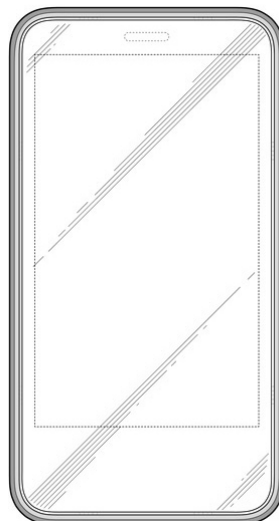
12.6



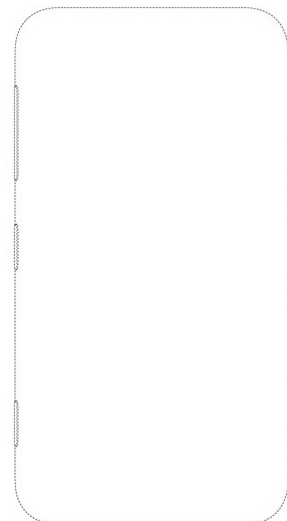
12.7



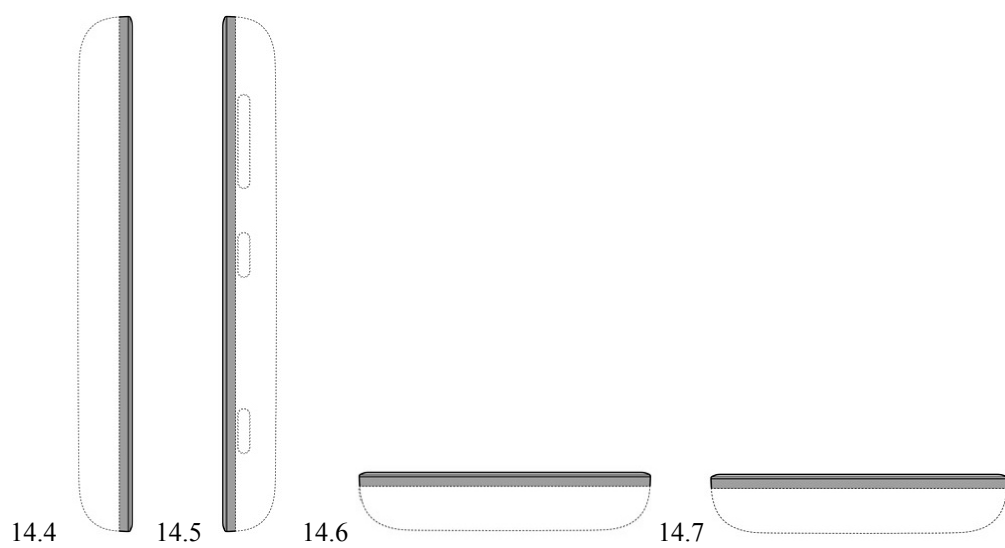
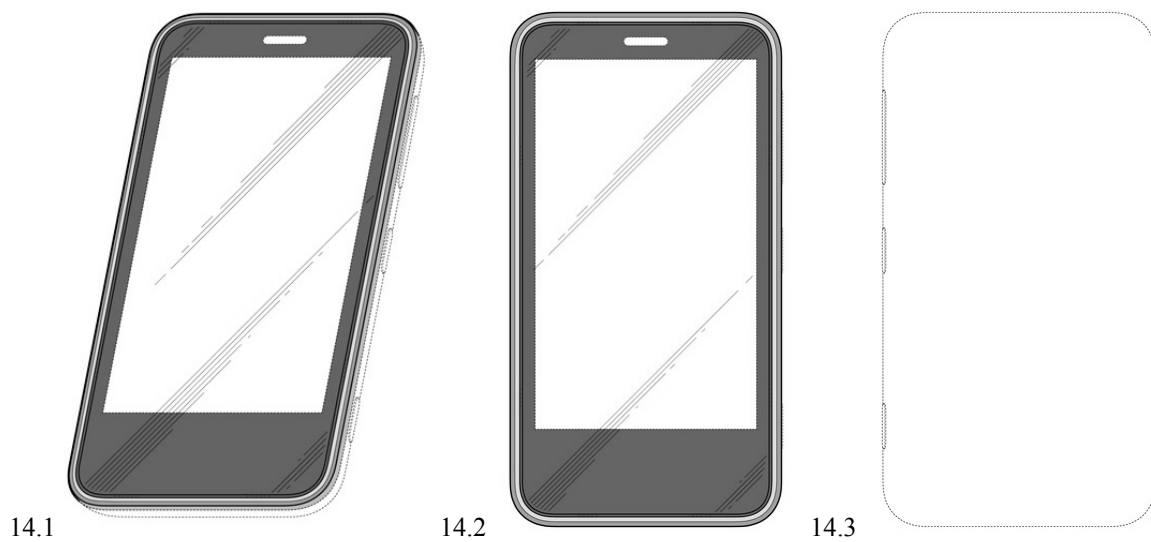
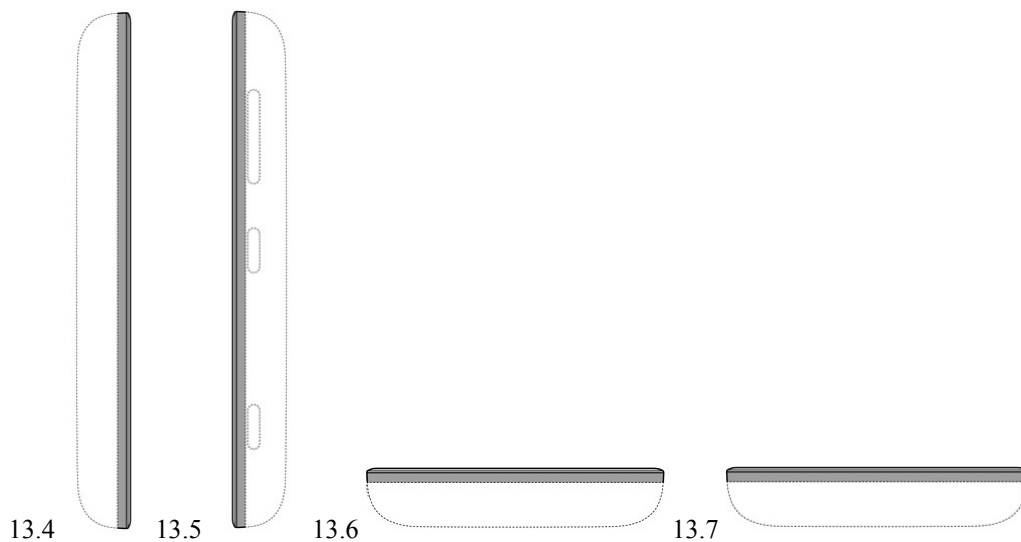
13.1



13.2



13.3



(11) DM/080075

(15) 2013 02 05

(22) 2013 02 05

(28) 2

(73) GLASHÜTTER UHRENBETRIEB GMBH

Altenberger Str. 1, 01768 Glashütte (DE)

(85) DE, EM

(86) DE, EM

(87) DE, EM

(88) DE, EM

(89) EM

(81) II. BZ, MA. III. AL, AM, AZ, BA, CH, EM, GE, HR, KG, LI, MC, MD, ME, MK, MN, NO, OM, SG, TJ, TN, TR, UA

(72) Katharina Stegmann

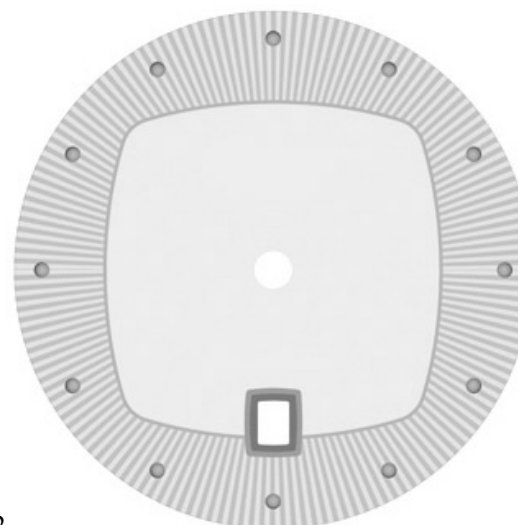
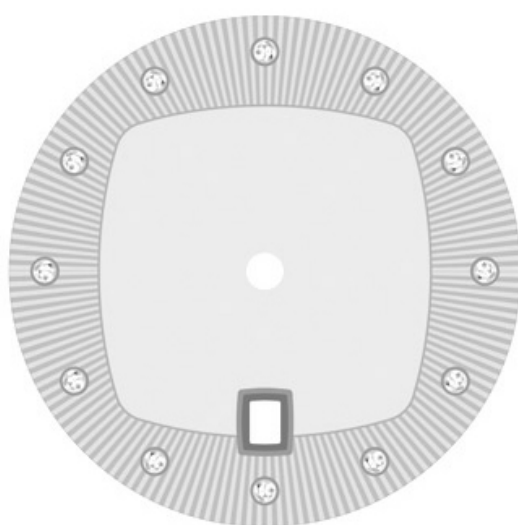
Am Mühlefeld 84, 01744 Paulsdorf

(54) 1.-2. Dials

(55)

(51) 10-07

(45) 2013/07 (2013 02 22)



(11) DM/080101**(51) 11-01**

(15) 2013 02 06

(45) 2013/07 (2013 02 22)

(22) 2013 02 06

(28) 6

(73) OMEGA SA (OMEGA AG) (OMEGA LTD.)

Jakob-Stämpfli-Strasse 96, CH-2502 Biel/Bienne (CH)

(85) CH

(86) CH

(87) CH

(88) CH

(89) CH

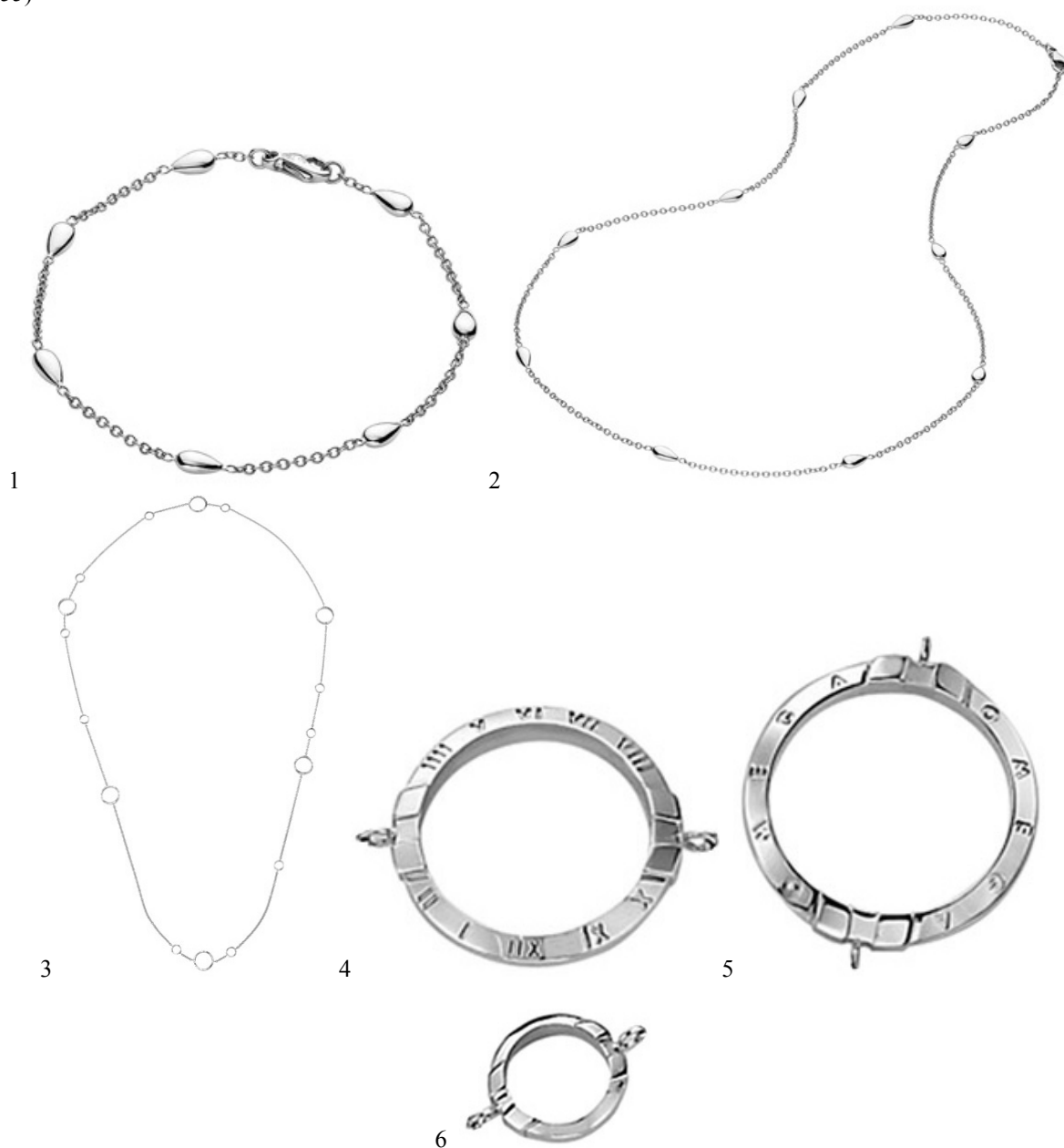
(81) II. BZ, MA, III. AL, AM, AZ, BA, CH, EM, GE, HR, KG, LI, MC, MD, ME, MK, MN, NO, OM, SG, TJ, TN, TR, UA

(72) Jean-Claude Monachon

Rue Alice-de-Chambrier 1, CH-2022 Bevaix (NE)

(54) 1. Bracelet; 2.-3. Necklaces; 4.-6. Jewelry parts

(55)



(11) DM/079151

(51) 10-07

(15) 2012 08 29

(45) 2013/08 (2013 03 01)

(22) 2012 08 29

(28) 1

(73) SWISS KUBIK SA

Grand-Rue 13, CH-1204 Genève (CH)

(85) CH

(86) CH

(87) CH

(88) CH

(89) CH

(81) II. BX, IT. III. CH, DE, ES, FR, GE, MC, SG, TR, UA

(54) 1. Watch winding box with rotor

(55)



1.1



1.2



1.3



1.4

(11) DM/079266

(51) 23-02

(15) 2012 08 28

(45) 2013/08 (2013 03 01)

(22) 2012 08 28

(28) 2

(30) 28.02.2012; 001999301; EM

(73) PHOENIX PRODUCT DEVELOPMENT LIMITED

Unit 1 West Point, 11 Durham Road, Basildon, Essex SS15 6PH (GB)

(86) EM

(87) n/a

(88) n/a

(89) EM

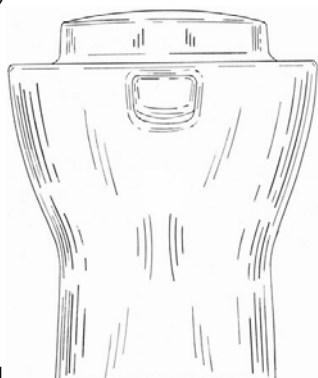
(81) III. AL, AM, AZ, BA, BG, BW, CH, DE, DK, EE, EG, ES, FI, FR, GE, GH, HR, HU, IS, KG, LI, LT, LV, MC, MD, ME, MK, MN, NA, NO, OA, OM, PL, RO, RS, RW, SG, SI, ST, SY, TJ, TN, TR, UA

(72) Garry Moore

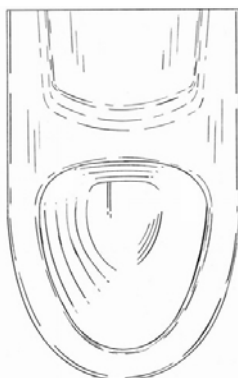
Unit 1 West Point, 11 Durham Road, Basildon Essex SS15 6PH, UK

(54) 1.-2. Water closets

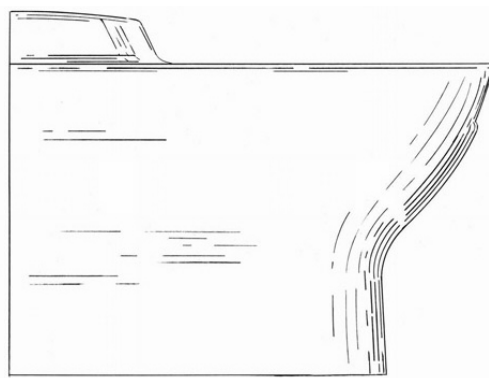
(55)



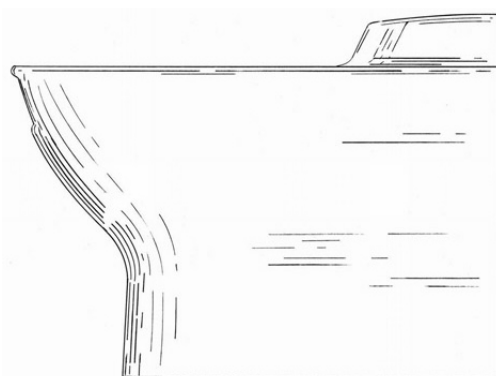
1.1



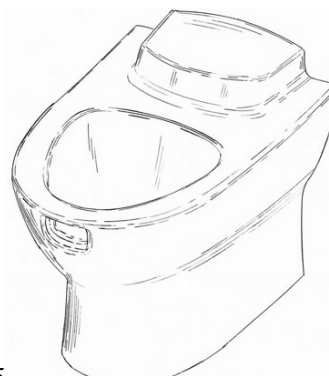
1.2



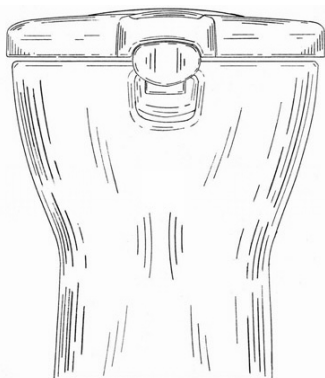
1.3



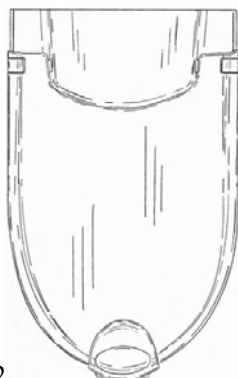
1.4



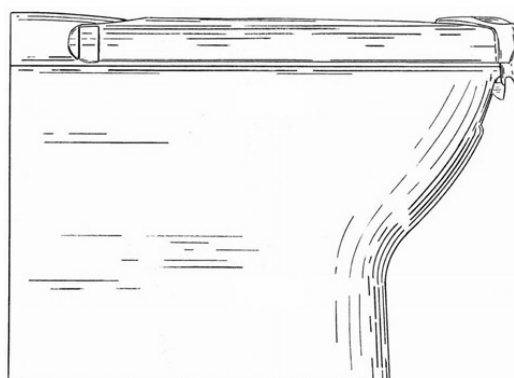
1.5



2.1

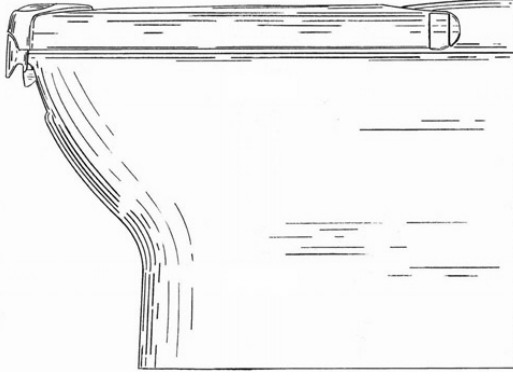


2.2



2.3

2.4



2.5



(11) DM/080139

(15) 2013 01 09

(22) 2013 01 09

(28) 1

(73) MAY-AGRO TOHUMCULUK SANAYİ VE TİCARET ANONİM ŞİRKETİ

Samanlı Mahallesi, Yiğitler Caddesi, No: 28, YILDIRIM-BURSA (TR)

(85) TR

(86) TR

(87) TR

(88) TR

(89) TR

(81) III. AL, AZ, EM, GE, HR, KG, MK, RS, UA

(72) CAN HASAN GÖKMEN

Ad-Stop Ajans Tiramisu İletişim ve Reklam Hizmetleri Ltd.Sti., Nispetiye Cad., Güvercin Sk. No:11,

TR-34330 1.LEVENT/İSTANBUL

(54) 1. Logo

(55)

1



(11) DM/080149**(51) 09-03**

(15) 2013 02 14

(45) 2013/08 (2013 03 01)

(22) 2013 02 14

(28) 1

(30) 17.08.2012; 001340210-0001; EM

(73) BONGRAIN S.A.

42 rue Rieussec, F-78220 VIROFLAY (FR)

(85) FR, EM

(86) FR, EM

(87) FR, EM

(88) FR, EM

(89) FR

(81) III. AL, AM, AZ, BA, CH, GE, HR, MD, ME, MK, NO, RO, RS, TJ, TR, UA

(72) Justyna Wróblewska

ul. Marymoncka 67/14, PL-01-802 Warszawa; Pawel Adamus, ul. Jagielly 97, PL-32-600 Oswiecim

(54) 1. Packaging for foodstuffs

(55)



1.1



1.2



1.3

1.4



1.5



1.6

(11) DM/080157

(51) 10-02

(15) 2013 02 15

(45) 2013/08 (2013 03 01)

(22) 2013 02 15

(28) 1

(73) BLANCPAIN SA

Le Rocher 12 CH-1348 LE BRASSUS (CH)

(85) CH

(86) CH

(87) CH

(88) CH

(89) CH

(81) II. BZ, MA, III. AL, AM, AZ, BA, CH, EM, GE, HR, KG, LI, MC, MD, ME, MK, MN, NO, OM, SG, TJ, TN, TR, UA

(72) Alan APPREDERISSE

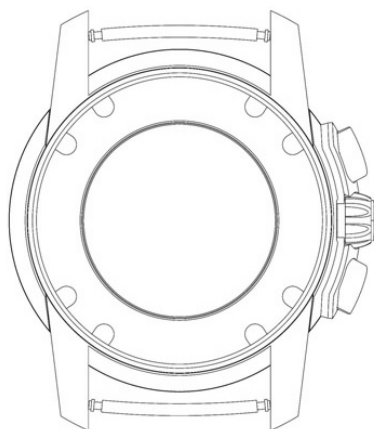
Avenue du Léman 48, CH-1005 LAUSANNE

(54) 1. Watch

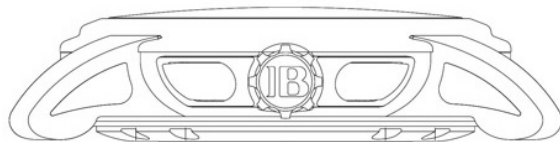
(55)



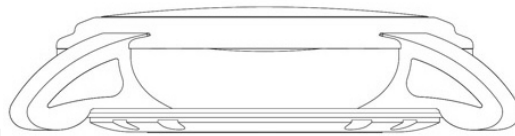
1.1



1.2



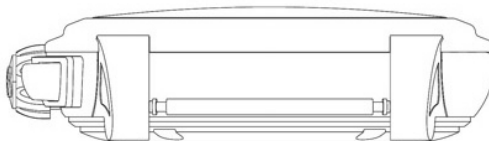
1.3



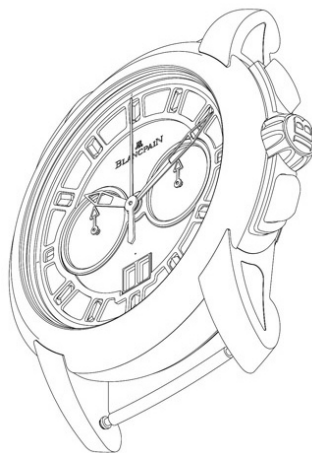
1.4



1.5



1.6



1.7

(11) DM/080164

(51) 10-02

(15) 2013 01 29

(45) 2013/08 (2013 03 01)

(22) 2013 01 29

(28) 1

(73) OMEGA SA (OMEGA AG) (OMEGA LTD.)

Jakob-Stämpfli-Strasse 96, CH-2502 Biel/Bienne (CH)

(85) CH

(86) CH

(87) CH

(88) CH

(89) CH

(81) IL, BZ, MA, III, AL, AM, AZ, BA, CH, EM, GE, HR, KG, LI, MC, MD, ME, MK, MN, NO, OM, SG, TJ, TN, TR, UA

(72) Jean-Claude Monachon

Rue Alice-de-Chambrier 1, CH-2022 Bevaix (NE) (SUISSE)

(54) 1. Watch

(55)



1.1



1.2



1.3



1.4



1.5



1.6



1.7

(11) DM/080166

(15) 2013 02 08

(22) 2013 02 08

(28) 1

(73) SWATCH AG (SWATCH SA)(SWATCH LTD.)

Jakob-Stämpfli-Strasse 94, CH-2502 Biel/Bienne (CH)

(85) CH

(86) CH

(87) CH

(88) CH

(89) CH

(81) II. BZ, MA. III. AL, AM, AZ, BA, CH, EM, GE, HR, KG, LI, MC, MD, ME, MK, MN, NO, OM, SG, TJ, TN, TR, UA

(72) Monsieur Min KIM

St. Alban-Ring 238, CH-4052 BASEL (Suisse)

(54) 1. Wristwatch

(55)

(51) 10-02

(45) 2013/08 (2013 03 01)



1

TRADEMARKS

APPLICATIONS FILED UNDER THE NATIONAL PROCEDURE APPROVED FOR REGISTRATION

The decision can be appealed at the Chamber of Appeal of Sakpatenti within 3 months from the publication or at the Mtskheta District Court Administrative Cases Board (Address: №17, Samkhedro Str., Mtskheta), within 1 month following the publication.

(260) AM 2013 65204 A

(210) AM 065204

(220) 2012 09 17

(731) KASA MIA

Davit Agmasheneblis kheivani, me-12
kilometri, 0131, Tbilisi Georgia

(540)

კასა მია
Casa mia
каса миа

(591) Black, white

(511) 20

(260) AM 2013 66481 A

(210) AM 066481

(220) 2012 03 12

(731) LTD "IIVERTA"

Sanapiros 10, 0108, Tbilisi, Georgia

(540)



(591) Yellow, sky, blue, white, dark and light green

(531) 01.15.15-26.11.12-26.11.13-26.15.01-
29.01.13-

(511) 5, 35

(260) AM 2013 66614 A

(210) AM 066614

(220) 2012 03 21

(731) SVIATOSLAV IGOROVICH NECHYTAILO

Zankovetska st.4, flat 27, Kievi, Ukraine

(740) Vakhtang Torotadze

(540)



(591) Golden, green, brown, red, black, white

(531) 05.07.02-28.05.00-29.01.15-

(511) 33

(260) AM 2013 66733 A

(210) AM 066733

(220) 2012 03 29

(731) LTD "GRINLAIN HELSI"

Vazisubnis q. 25, 0160, Tbilisi, Georgia

(540)



(591) Green, white, blue

(531) 24.13.13-24.13.17-27.05.24-29.01.13-

(511) 35

(260) AM 2013 66745 A

(210) AM 066745

(220) 2012 03 29

(731) LTD "MATRIQSI"

E. Takaishvilis q., 80, 6000, Batumi, Georgia

(740) Givi Akopashvili

(540)

1 BILLION

(591) Black, white

(511) 34

(260) AM 2013 66747 A

(210) AM 066747

(220) 2012 03 29

(731) LTD "MATRIQSI"

E. Takaishvilis q., 80, 6000, Batumi, Georgia

(740) Givi Akopashvili

(540)

ID One

(591) Black, white

(511) 34

(260) AM 2013 67012 A
 (210) AM 067012
 (220) 2012 04 20
 (731) XL ENERGY MARKETING Sp. z o. o
 ul. Niegolewskiego 17, 01-570 Warsaw,
 Poland
 (740) Tamar Kochlamazashvili
 (540)

XL Energy Drink

(591) Black, white
 (511) 32

(260) AM 2013 67103 A
 (210) AM 067103
 (220) 2012 04 25
 (731) LTD "AQVA GEO"
 Sof. Misaqtsieli, 3308, Mtskhetis raioni,
 Georgia
 (540)



(591) Sky, blue, green, yellow, red, white
 (531) 01.15.24-06.01.04-27.05.02-29.01.15-
 (526) **DISCLAIMER** – Word "CHO" shall not be
 subject to independent protection.
 (511) 32

(260) AM 2013 67162 A
 (210) AM 067162
 (220) 2012 04 27
 (731) LTD MEGATREIDI
 Marjanishvilis q. N6, 0102, Tbilisi, Georgia
 (740) Davit Zurabishvili
 (540)

МЕГАТРЕЙД

(591) Black, white
 (511) 9, 37, 42

(260) AM 2013 67178 A
 (210) AM 067178
 (220) 2012 04 30
 (731) HPI BRANDED APPAREL LIMITED, INC.
 1000 Hanes Mill Road Winston-Salem
 NC 27105, USA
 (740) Tamar Kochlamazashvili
 (540)



(591) Black, white
 (531) 26.04.03-26.04.06-26.04.24-27.05.24-
 (511) 25

(260) AM 2013 67182 A
 (210) AM 067182
 (220) 2012 04 30
 (731) LTD "LUQSI 2004"
 Tevdore Mgvdlis q. N53, 0154, Tbilisi,
 Georgia
 (740) Nugzar Ksovreli
 (540)

ქეან
Kean
Кean

(591) Black, white
 (511) 32

(260) AM 2013 67201 A
 (210) AM 067201
 (220) 2012 05 01
 (731) LTD "ZARAFKHANA"
 Lubianas q.15, 0159, Tbilisi, Georgia
 (740) სოფიო შაროქაძე
 (540)



(591) White, dark turquoise
 (531) 26.04.22-27.05.22-28.19.00-29.01.12-
 (526) **DISCLAIMER** – Word „სამკაულო“ shall
 not be subject to independent protection.
 (511) 14, 35

(260) AM 2013 67203 A
 (210) AM 067203
 (220) 2012 05 01
 (731) THE PROCTER & GAMBLE COMPANY
 One Procter & Gamble Plaza, Cincinnati,
 Ohio 45202, USA
 (740) Shalva Gvaramadze
 (540)



(591) Black, white
 (531) 27.05.22-
 (511) 3

(260) AM 2013 67204 A
 (210) AM 067204
 (220) 2012 05 01
 (731) STIEFEL LABORATORIES, INC.
 Corporation Service Company
 2711 Centerville Road, Suite 400,
 Wilmington, Delaware 19808, USA
 (740) Shalva Gvaramadze
 (540)

DUAC

(591) Black, white
 (511) 5

(260) AM 2013 67205 A
 (210) AM 067205
 (220) 2012 05 01
 (731) STIEFEL LABORATORIES, INC.
 Corporation Service Company
 2711 Centerville Road, Suite 400,
 Wilmington, Delaware 19808, USA
 (740) Shalva Gvaramadze
 (540)

ISOTREXIN

(591) Black, white
 (511) 5

(260) AM 2013 67206 A
 (210) AM 067206
 (220) 2012 05 01
 (731) GLAXO GROUP LIMITED
 Glaxo Wellcome House, Berkeley Avenue,
 Greenford, Middlesex UB6 0NN,
 United Kingdom
 (740) Shalva Gvaramadze
 (540)

CUTIVATE

(591) Black, white
 (511) 5

(260) AM 2013 67238 A
 (210) AM 067238
 (220) 2012 05 03
 (731) LTD "GEA"
 Tseretlis gamziri N119, 0119, Tbilisi,
 Georgia
 (540)

გეა
GEA
FEA

(591) Black, white
 (511) 39, 44

(260) AM 2013 67248 A
 (210) AM 067248
 (220) 2012 05 07
 (731) KİREÇ VE TUĞLA KİMYA
 SANAYİ ANİM ŞİRKETİ
 KAYSERİ-ANKARA KARAYOLU 60,
 KM., KALABA, AVAS-NEVŞEHİR,
 Turkey
 (740) Giorgi Taktakishvili
 (540)

PRF 1

(591) Black, white
 (531) 27.05.23-27.07.01-
 (511) 19

(260) AM 2013 67249 A
 (210) AM 067249
 (220) 2012 05 07
 (731) KİREÇ VE TUĞLA KİMYA
 SANAYİ ANİM ŞİRKETİ
 KAYSERİ-ANKARA KARAYOLU 60,
 KM., KALABA, AVAS-NEVŞEHİR,
 Turkey
 (740) Giorgi Taktakishvili
 (540)

PRF 2

(591) Black, white
 (531) 27.05.23-27.07.01-
 (511) 19

(260) AM 2013 67250 A
 (210) AM 067250
 (220) 2012 05 07
 (731) KİREÇ VE TUĞLA KİMYA
 SANAYİ ANİM ŞİRKETİ
 KAYSERİ-ANKARA KARAYOLU 60,
 KM., KALABA, AVAS-NEVŞEHİR,
 Turkey
 (740) Giorgi Taktakishvili
 (540)

SF1 C

(591) Black, white
 (531) 27.05.23-27.07.01-
 (511) 19

(260) AM 2013 67253 A
 (210) AM 067253
 (220) 2012 05 08
 (731) LTD GAZETI SARBIELI
 Al. Kazbegis gamz.42, 0177, Tbilisi, Georgia
 (540)

სარბიელი

(591) Black, white
 (531) 28.19.00-
 (511) 16, 28, 35, 41

(260) AM 2013 67287 A
 (210) AM 067287
 (220) 2012 05 10
 (731) LTD "KAKHURI TARADITSIULI
 MEGVINEOBA"
 Qsnis qucha n12, 0192, Tbilisi, Georgia
 (540)



(591) Red, white, golden
 (531) 01.03.15-05.07.10-06.19.07-26.01.20-
 26.01.21-28.19.00-29.01.01-
 (511) 33

(260) AM 2013 67297 A
 (210) AM 067297
 (220) 2012 05 11
 (731) MEDICOVER HOLDING S.A.
 24 avenue Emile Reuter, L-2420
 luxembourg, Luxembourg
 (740) Pavle Meipariani
 (540)



(591) Blue, yellow, white
 (531) 01.03.15-05.05.20-27.05.10-29.01.13-
 (526) **DISCLAIMER** – The trademark is protected
 as a whole, word combination "MEDICOVER
 LABORATORY SERVICES" shall not be subject
 to independent protection.
 (511) 42, 44

(260) AM 2013 67340 A
 (210) AM 067340
 (220) 2012 05 16
 (731) LTD "UNIVERSAL QARD
 KORPOREISHEN"
 Stanislavskis q. 5, didube plazas me-4 sartuli,
 0119, Tbilisi, Georgia
 (740) Tamar Dididze
 (540)

მეტი სინათლე და სითბო
 თქვენს ოჯახში

(591) Black, white
 (511) 9, 35

(260) AM 2013 67341 A
 (210) AM 067341
 (220) 2012 05 16
 (731) LTD "UNIVERSAL QARD
 KORPOREISHEN"
 Stanislavskis q.5, didube plazas me-4 sartuli,
 0119, Tbilisi, Georgia
 (540)



(591) Black, white
 (531) 28.19.00-
 (511) 9, 35

(260) AM 2013 67342 A
 (210) AM 067342
 (220) 2012 05 16
 (731) EGIS Gyógyszergyár Nyilvános
 Működő Részvénytársaság
 30-38, Keresztúri út. Budapest, H-1106,
 Hungary
 (740) Liliana Darakhvelidze
 (540)

ALSOL

(591) Black, white
 (511) 5

(260) AM 2013 67347 A
 (210) AM 067347
 (220) 2012 05 16
 (731) SORIA NATURAL S.A.
 Poligo La Sacea, 1, 42162 Garray, Spain
 (740) Shalva Gvaramadze
 (540)



(591) Dark and light green
 (531) 26.11.13-27.05.10-27.05.17-29.01.03-
 (511) 5

(260) AM 2013 67416 A
 (210) AM 067416
 (220) 2012 05 23
 (731) PRICE COSTCO INTERNATIONAL, INC.
 999 Lake Drive, Issaquah, Washington
 98027, USA
 (740) Tamar Kochlamazashvili

(540)

COSTCO

(591) Red, white
 (531) 27.05.17-29.01.01-
 (511) 35

(260) AM 2013 67424 A
 (210) AM 067424
 (220) 2012 05 24
 (731) Homeland Jousewares, LLC
 11755 Wilshire Blvd, Suite 1200, 90025
 Los Angeles, California, USA

(740) Khatuna Imnadze
 (540)

NUTRI BULLET

(591) Black, white
 (511) 7

(260) AM 2013 67436 A
 (210) AM 067436
 (220) 2012 05 25
 (731) AQUA NRG INVESTMENTS LIMITED
 Lampousas 1, P.S. 1095, Nicosia, Cyprus
 (740) Tamaz Shilakadze
 (540)



(591) Black, white
 (531) 26.01.24-27.05.24-
 (511) 32

(260) AM 2013 67462 A
 (210) AM 067462
 (220) 2012 05 28
 (731) LTD "JI-EM-PI"
 Qvemo Ponichalis dasakhleba N65, 0165,
 Tbilisi, Georgia
 (740) Nugzar Ksovreli
 (540)

ადენიტ ფორტე
АДЕНИТ Форте
ADENIT Forte

(591) Black, white
 (511) 5

(260) AM 2013 67466 A
 (210) AM 067466
 (220) 2012 05 29
 (731) LTD "NEOFARMI"
 Davit Agmasheneblis kheivani me-12 km.,
 0131, Tbilisi, Georgia
 (540)

ნეობბიბი
Neobaby
Необейби

(591) Black, white
 (511) 5

(260) AM 2013 67482 A
 (210) AM 067482
 (220) 2012 05 29
 (731) MAMUKA KIKALISHVILI
 Uznadzis q. 91a, 0102, Tbilisi, Georgia
 (540)

(591) Black, white, grey
 (531) 26.01.01-27.05.05-27.05.21-
 (511) 16, 18, 25, 35, 41, 42, 43

(260) AM 2013 67483 A
 (210) AM 067483
 (220) 2012 05 30
 (731) DEMA İHTİYAC GIDA VE TÜKETİM
 MADDELERİ SANAYİ TİCARET
 LİMİTED ŞİRKETİ
 3, Organize Sanayi Bölgesi, Başpınar,
 GAZİANTEP, Turkey
 (740) Liliana Darakhvelidze
 (540)

**LEZİZ SOFRALARIN EN
 LEZİZİ**

(591) Black, white
 (511) 29, 30, 32

(260) AM 2013 67523 A
 (210) AM 067523
 (220) 2012 05 31
 (731) OKF Corporation
 714, Bokjeung-Dong, Sujeung-Gu,
 Sungnam City, Gyeonggi-Do 461-200,
 Republic of Korea
 (740) Nugzar Ksovreli

(540)

**ALOE VERA KING**

(591) Red, white, black

(531) 26.01.04-26.01.20-27.05.17-27.05.23-
27.05.24-29.01.13-

(511) 32

(260) AM 2013 67527 A

(210) AM 067527

(220) 2012 05 31

(731) MONSTER ENERGY COMPANY

a Delaware corporation

550 Monica Circle, Suite 201, Corona,
California 92880, USA

(740) Shalva Gvaramadze

(540)

**РАЗМЕР ИМЕЕТ
ЗНАЧЕНИЕ!**

(591) Black, white

(511) 5, 32

(260) AM 2013 67528 A

(210) AM 067528

(220) 2012 05 31

(731) PHILIP MORRIS BRANDS SÀRL.

Quai Jeanrenaud 3, 2000 Neuchâtel,
Switzerland

(740) Shalva Gvaramadze

(540)

MARLBORO FLAVOR MIX

(591) Black, white

(511) 34

(260) AM 2013 67529 A

(210) AM 067529

(220) 2012 05 31

(731) TWOFATHERS LIMITED

12 Castle Street, St-Helier, JE2 3RT, Jersey

(740) Shalva Gvaramadze

(540)

BOUX AVENUE

(591) Black, white

(511) 3, 4, 25, 35

(260) AM 2013 67535 A

(210) AM 067535

(220) 2012 06 01

(731) NICOVENTURES LIMITED

1 Water Street, London WC2R 3LA,
United Kingdom

(740) Tamar Kochlamazashvili

(540)

KUJU

(591) Black, white

(511) 5, 10, 34

(260) AM 2013 67538 A

(210) AM 067538

(220) 2012 06 01

(731) ONCOLYTICS BIOTECH INC.

Suite 210, 1167 Kensington Crescent, N.W.,
Calgary, Alberta T2N 1X7, Canada

(740) Shalva Gvaramadze

(540)

REOLYSIN

(591) Black, white

(511) 5

(260) AM 2013 67539 A

(210) AM 067539

(220) 2012 06 01

(731) ONCOLYTICS BIOTECH INC.

Suite 210, 1167 Kensington Crescent, N.W.,
Calgary, Alberta T2N 1X7, Canada

(740) Shalva Gvaramadze

(540)

РЕОЛИСИН

(591) Black, white

(511) 5

(260) AM 2013 67568 A

(210) AM 067568

(220) 2012 06 06

(731) Kraft Foods Danmark Intellectual Property
ApS.

Roskildevej 161, 2620 Albertslund, Denmark

(740) Tamar Kochlamazashvili

(540)



(591) Black, white, red

(531) 26.11.12-27.05.07-29.01.12-

(511) 30

(260) AM 2013 67584 A

(210) AM 067584

(220) 2012 06 07

(731) DP EVERAGES LIMITED
PO box 309GT, Uglan House, Souch
Church Street, George Town, Grand
Cayman, Cayman Islands

(740) Alexander Gegechkori
(540)

FUSE TEA ICE TEA

(591) Black, white
(511) 30, 32

(260) AM 2013 67609 A
(210) AM 067609
(220) 2012 06 08
(731) BADRI IMNADZE
Barvis q. 184, 0179, Tbilisi, Georgia
(740) Nugzar Ksovreli
(540)



(591) Green, golden, red, black, white
(531) 02.01.02-02.01.04-24.01.03-24.01.08-
24.07.01-25.01.05-25.01.19-27.05.21-
28.19.00-29.01.15-25.01.19-

(526) **DISCLAIMER** – The trademark is protected as a whole, word „ლაზიკა“, "LAZIKA" and Georgian national flag elements shall not be subject to independent protection.

(511) 32, 33

(260) AM 2013 67610 A
(210) AM 067610
(220) 2012 06 11
(731) LTD "RANDI"
Sofeli Angisa, 6409, Khelvachauri, Georgia
(540)

რანდი

(591) Ruby red
(531) 28.19.00-29.01.01-
(511) 20

(260) AM 2013 67611 A
(210) AM 067611
(220) 2012 06 11
(731) LTD "ORISI"

Navtlugis q., 2, 0113, Tbilisi, Georgia
(740) Giorgi Kartvelishvili
(540)



(591) White, orange, grey
(531) 26.01.02-26.02.07-28.19.00-29.01.13-
(526) **DISCLAIMER** – The trademark is protected as a whole, word „ორისი“ shall not be subject to independent protection.
(511) 9, 35, 36, 37, 38, 41, 42

(260) AM 2013 67612 A
(210) AM 067612
(220) 2012 06 11
(731) LTD "ORISI"
Navtlugis q., 2, 0113, Tbilisi, Georgia
(740) Giorgi Kartvelishvili
(540)



(591) White, grey, cornelian cherry
(531) 26.01.02-26.02.07-28.19.00-29.01.13-
(526) **DISCLAIMER** – The trademark is protected as a whole, word „მარკეტი“ shall not be subject to independent protection.
(511) 9, 35, 36, 37, 38, 41, 42

(260) AM 2013 67614 A
(210) AM 067614
(220) 2012 06 11
(731) ViiV Healthcare UK Limited
980 Great West Road, Brentford, Middlesex
TW8 9GS, United Kingdom
(740) Shalva Gvaramadze
(540)

TIVICAY

(591) Black, white
(511) 5

(260) AM 2013 67618 A
(210) AM 067618
(220) 2012 06 12
(731) DP EVERAGES LIMITED

PO box 309GT, Uglan House, Souch
Church Street, George Town, Grand
Cayman, Cayman Islands

(740) Alexander Gegechkori
(540)



(591) Black, white
(531) 05.03.16-05.05.04-27.05.05-
(526) **DISCLAIMER** – The trademark is protected
as a whole, word "tea ice tea" shall not be subject to
independent protection.
(511) 30, 32

(260) AM 2013 67619 A
(210) AM 067619
(220) 2012 06 12
(731) GENERAL MOTORS LLC
300 Renaissance Center, City of Detroit,
State of Michigan 48265-3000, USA
(740) Giorgi Taktakishvili
(540)

LTS

(591) Black, white
(511) 12

(260) AM 2013 67637 A
(210) AM 067637
(220) 2012 06 13
(731) GIORGI SHIKHASHVILI
Sanzona, korp. 15, b. 27, 0141, Tbilisi,
Georgia

(540)
BLACK SWALLOW VALLEY

(591) Black, white
(511) 33

(260) AM 2013 67681 A
(210) AM 067681
(220) 2012 06 14
(731) CHEVRON INTELLECTUAL PROPERTY
LLC
6001 Bollinger Canyon Road, San Ramon,
California 94583, USA
(740) Shalva Gvaramadze

(540)
HUMAN ENERGY
(591) Black, white
(511) 40, 42

(260) AM 2013 67689 A
(210) AM 067689
(220) 2012 06 15
(731) DKH Retail Limited
Unit 60 The Runnings, Cheltenham,
Gloucestershire GL51 9NW, United
Kingdom
(740) Liliana Darakhvelidze
(540)

SUPERDRYSTORE

(591) Black, white
(511) 35

(260) AM 2013 67693 A
(210) AM 067693
(220) 2012 06 19
(731) LTD "PRIMA-VITA"
Saq. samkhedro gzisa da Akhmetelis quchis
gadakoveta, 0159, Tbilisi, Georgia
(740) Alexander Amashukeli
(540)

TAUFON ტაუფონი ТАУФОН

(591) Black, white
(511) 5

(260) AM 2013 67697 A
(210) AM 067697
(220) 2012 06 19
(731) MAGDA KEVLISHVILI
Jansug Kakhidzis (kof. Krilovis) q.12, 0102,
Tbilisi, Georgia
(540)



MTIEBI MTIEBI

(591) Black, white
(531) 27.05.05-28.05.00-28.19.00-
(511) 9, 41

(260) AM 2013 67698 A
 (210) AM 067698
 (220) 2012 06 19
 (731) GOGITA SOZASHVILI
 Simon Chiqovanis q. 35, bina 7, 0171,
 Tbilisi, Georgia
 (740) Sopio Sozashvili
 (540)

MATANI vineyards **მატანის ვენახები**

(591) Black, white
 (526) **DISCLAIMER** – The trademark is protected
 as a whole, words „მატანი“, "MATANI" shall not
 be subject to independent protection.
 (511) 33

(260) AM 2013 67701 A
 (210) AM 067701
 (220) 2012 06 20
 (731) KOSMETICS LIMITED
 Suite 104A, Saffrey Square, Nassau,
 Bahamas
 (740) Pavle Meipariani
 (540)

ELEMIS

(591) Black, white
 (511) 3, 44

(260) AM 2013 67704 A
 (210) AM 067704
 (220) 2012 06 21
 (731) ABDI İBRAHİM İLAÇ SANAYİ VE
 TİCARET ANİM ŞİRKETİ
 Reşitpaşa Mahallesi Eski Büyükdere
 Caddesi, : 4, 34467 Maslak-Sarıyer-İstanbul,
 Turkey
 (740) Tamaz Shilakadze
 (540)

Youplus

(591) Black, white
 (511) 5

(260) AM 2013 67723 A
 (210) AM 067723
 (220) 2012 06 26
 (731) LTD "STROMOSI"
 Stanislavskis q.5, 0159, Tbilisi, Georgia
 (540)

ბემრიელა

(591) Black, white
 (511) 29

(260) AM 2013 67753 A
 (210) AM 067753
 (220) 2012 06 27
 (731) UNILEVER N.V.
 Weena 455, 3013 AL Rotterdam,
 Netherlands
 (740) Shalva Gvaramadze
 (540)

NUTRIUM GENSENG

(591) Black, white
 (511) 3

(260) AM 2013 67790 A
 (210) AM 067790
 (220) 2012 06 28
 (731) KALDE KLİMA ORTA BASIŇ
 FİTTİNGS VE VALF SANAYİ
 ANİM ŞİRKETİ
 Beymersan Mermerciler Sanayi Sitesi,
 10. Cadde, :12, Beylikdüzü-İstanbul, Turkey
 (740) Giorgi Taktakishvili
 (540)



(591) Black, white
 (531) 02.03.10-25.01.01-27.05.17-
 (511) 19

(260) AM 2013 67843 A
 (210) AM 067843
 (220) 2012 07 03
 (731) LTD "EM PHARMA"
 Dgebuadzis q. 1, 0102, Tbilisi, Georgia
 (540)

ნდობაზე დამყარებული ურთიერთობა

(591) Black, white
 (511) 44

(260) AM 2013 67888 A
 (210) AM 067888
 (220) 2012 07 05
 (731) SS- Joint-Stock Company
 banki "RESPUBLIKA"
 Grigol Abashidzis q. N2, 0179, Tbilisi,
 Georgia

(540)
შოპელი ჩვენგანი მნიშვნელოვანია
 (591) Black, white
 (531) 28.19.00-
 (511) 35 , 36

(260) AM 2013 67906 A
 (210) AM 067906
 (220) 2012 07 06
 (731) R & A Bayley & Co
 Nangor House, Western Estate, Nengor
 Road, Dublin 12, Ireland
 (740) Tamar Kochlamazashvili
 (540)



(591) Black, white
 (531) 26.01.06-27.05.22-
 (511) 33

(260) AM 2013 67975 A
 (210) AM 067975
 (220) 2012 07 09
 (731) SOCIETE ZHENERAL
 29, bulvar hausmani 75009, Parizi, France
 (740) Shalva Gvaramadze
 (540)



(591) Black, red, white
 (531) 26.04.22-29.01.12-
 (511) 9, 36

(260) AM 2013 67977 A
 (210) AM 067977
 (220) 2012 07 09
 (731) A (a) ip tbilisis sakhelmtsifo
 sameditsi universiteti
 Asatianis q.7, 0177, Tbilisi, Georgia
 (540)

კარიპაინ
Caripain
Карипаин

(591) Black, white
 (511) 5

(260) AM 2013 68034 A
 (210) AM 068034
 (220) 2012 07 11
 (731) LTD "PRIMA-VITA"
 Saq. samkhedro gzisa da Akhmetelis
 quchis gadakveta, 0159, Tbilisi, Georgia
 (740) Alexander Amashukeli
 (540)

დესლონორმი
DESLO NORM
ДЕСЛОНОРМ

(591) Black, white
 (511) 5

(260) AM 2013 68046 A
 (210) AM 068046
 (220) 2012 07 12
 (731) SHEKSPIR JUSUPOV
 Nutsubidze Plateau III m/d, build 8, ap. 22,
 0183, Tbilisi, Georgia
 (740) Tamaz Shilakadze
 (540)



(591) Black, orahge, white
 (531) 05.07.02-26.01.15-26.01.19-28.19.00-
 29.01.13-
 (526) **DISCLAIMER** – The trademark is protected
 as a whole. All words and marks drawn on the
 image except the word „შეკსპირი“ shall not be subject
 to independent protection.
 (511) 30, 35

(260) AM 2013 68053 A
 (210) AM 068053
 (220) 2012 07 13
 (731) A(a)ip "OZHIOS MARANI"
 Sofeli Ozhio, 0906, Akhmetis raioni,
 Georgia
 (740) Alexander Kvernadze
 (540)

ბერეგის ზვარო

(591) Black, white
 (531) 28.19.00-
 (511) 33

(260) AM 2013 68056 A
 (210) AM 068056
 (220) 2012 07 13
 (731) MILLENNIUM END COPTHORNE

INTERNATIONAL LIMITED
36 Robinson Road #04-01 City House,
Singapore 068877, Singapore
(740) Giorgi Gvinjilia
(540)

COPTHORNE

591) Black, white
(511) 35, 43

(260) AM 2013 68059 A
(210) AM 068059
(220) 2012 07 13
(731) MILLENNIUM END COPTHORNE
INTERNATIONAL LIMITED
36 Robinson Road N04-01 City House,
Singapore 068877, Singapore
(740) Giorgi Gvinjilia
(540)

MILLENNIUM HOTELS AND RESORTS

(591) Black, white
(526) **DISCLAIMER** – The trademark is protected
as a whole. All words and marks drawn on the ima-
ge except the word "HOTELS AND RESORTS"
shall not be subject to independent protection.
(511) 35, 43

(260) AM 2013 68060 A
(210) AM 068060
(220) 2012 07 13
(731) MILLENNIUM END COPTHORNE
INTERNATIONAL LIMITED
36 Robinson Road N04-01 City House,
Singapore 068877, Singapore
(740) Giorgi Gvinjilia
(540)

YOU ARE THE CENTRE OF OUR WORLD

591) Black, white
(511) 35, 43

(260) AM 2013 68164 A
(210) AM 068164
(220) 2012 07 26
(731) LTD "KAKHURI TARADITSIULI
MEGVINEOBA"
Qsnis q. 12, 0192, Tbilisi, Georgia
(740) Ketevan Chuchulashvili
(540)

ძველი იმერეთი Old Imereti Старый Имерети

(591) Black, white
(526) **DISCLAIMER** – The trademark is protected
as a whole. All words and marks drawn on the ima-
ge except the words „იმერეთი“, "Imereti" and
"Имерети" shall not be subject to independent
protection.
(511) 33

(260) AM 2013 68165 A
(210) AM 068165
(220) 2012 07 26
(731) LTD "KAKHURI TARADITSIULI
MEGVINEOBA"
Qsnis q. 12, 0192, Tbilisi, Georgia
(740) Ketevan Chuchulashvili
(540)

ძველი იმერეთი ბაგრატი Old Imereti Bagrati Старый Имерети Баграти

(591) Black, white
(526) **DISCLAIMER** – The trademark is protected
as a whole. All words and marks drawn on the ima-
ge except the words „იმერეთი“, "Imereti" and
"Имерети" shall not be subject to independent
protection.
(511) 33

(260) AM 2013 68307 A
(210) AM 068307
(220) 2012 08 14
(731) Zakład Farmaceutyczny Adamed Pharma
Spółka Akcyjna
Ul. Szkolna 33, 95-054 Ksawerów, Poland
(740) Tamaz Shilakadze
(540)

ROVASTAT

(591) Black, white
(511) 5

(260) AM 2013 68308 A
(210) AM 068308
(220) 2012 08 14
(731) Zakład Farmaceutyczny Adamed Pharma
Spółka Akcyjna
Ul. Szkolna 33, 95-054 Ksawerów, Poland
(740) Tamaz Shilakadze
(540)

RISEBON

(591) Black, white
(511) 5

(260) AM 2013 68309 A
(210) AM 068309
(220) 2012 08 14
(731) Zakład Farmaceutyczny Adamed Pharma
Spółka Akcyjna
Ul. Szkolna 33, 95-054 Ksawerów, Poland
(740) Tamaz Shilakadze
(540)

CORDIX

(591) Black, white
(511) 5

(260) AM 2013 68348 A
(210) AM 068348
(220) 2012 08 14
(731) VARTIS AG
4002 Basel, Switzerland
(740) Shalva Gvaramadze
(540)

ФЛЮРАТИН

(591) Black, white
(511) 5

(260) AM 2013 68368 A
(210) AM 068368
(220) 2012 08 15
(731) LTD "AVERSI-PHARMA"
Davit Agmasheneblis gamz., 148/2, 0112,
Tbilisi, Georgia
(540)

ფიბრო-ვეინი
Фибро-Вейн
Fibro-Vein

(591) Black, white
(511) 5

(260) AM 2013 68428 A
(210) AM 068428
(220) 2012 08 17
(731) ALLIED GLOBAL TOBACCO LTD
Wey Court West, Union Road, Farnham,
Surrey GU9 7PT, United Kingdom
(740) Givi Akopashvili
(540)

PARK LANE

(591) Black, white
(511) 34

REGISTERED TRADEMARKS

- (111) M 2013 023482 R
(151) 2013 03 27
(181) 2023 03 27
(260) AM 2012 62804 A
(220) 2012 02 01
(732) LTD "PRIMA-VITA"
Saq. samkhedro gzisa da Akhmetelis quchis
gadakveta, 0159, Tbilisi,
Georgia
-
- (111) M 2013 023483 R
(151) 2013 03 27
(181) 2023 03 27
(260) AM 2012 63211 A
(220) 2011 07 14
(732) SOLDEX LIMITED
P.O. Box 3321, Drake Chambers, Road
Town, Tortola, British Virgin Islands
-
- (111) M 2013 023484 R
(151) 2013 03 27
(181) 2023 03 27
(260) AM 2012 64021 A
(220) 2011 09 12
(732) H.J. HEINZ COMPANY
One PPG PPlace, Suite 3100, Pittsburgh,
PA 15222, USA
-
- (111) M 2013 023485 R
(151) 2013 03 27
(181) 2023 03 27
(260) AM 2012 64026 A
(220) 2011 09 13
(732) RECKITT & COLMAN (OVERSEAS)
LIMITED
Dansom Lane, Hull, HU8 7DS, United
Kingdom
-
- (111) M 2013 023486 R
(151) 2013 03 27
(181) 2023 03 27
(260) AM 2012 64134 A
(220) 2011 09 16
(732) LTD "KAKHURI TRADITSIULI
MEGVINEOBA"
Qsnis q. 12, 0141, 0141, Tbilisi,
Georgia
-
- (111) M 2013 023487 R
(151) 2013 03 27
(181) 2023 03 27
(260) AM 2012 64246 A
- (220) 2011 09 28
(732) Bosnalijek, Pharmaceutical and Chemical
Industry, Joint Stock Company
71000 Sarajevo, Jukićeva 53, Bosnia and
Herzegovina
-
- (111) M 2013 023488 R
(151) 2013 03 27
(181) 2023 03 27
(260) AM 2012 64298 A
(220) 2011 09 30
(732) HARRINGTON DEVELOPMENT INC.
Arango-Orillac Bldg. East 54 th street,
Panama
-
- (111) M 2013 023489 R
(151) 2013 03 27
(181) 2023 03 27
(260) AM 2012 64579 A
(220) 2011 10 25
(732) HIWIN TECHLOGIES CORP.
N46, 37th RD., TAICHUNG INDUSTRIAL
PARK, TAICHUNG 40707, TAIWAN,
R.O.C., China
-
- (111) M 2013 023490 R
(151) 2013 03 27
(181) 2023 03 27
(260) AM 2012 64623 A
(220) 2011 10 27
(732) LTD BASKO
Vazisubnis ii m/r, kor. 9, b. 78, 0152,
Tbilisi, Georgia
-
- (111) M 2013 023491 R
(151) 2013 03 27
(181) 2023 03 27
(260) AM 2012 64695 A
(220) 2011 11 01
(732) ARIAN CHIMIA TECH.
68, Saech Street, Tehran, Iran (Islamic
Republic of)
-
- (111) M 2013 023492 R
(151) 2013 03 27
(181) 2023 03 27
(260) AM 2012 64698 A
(220) 2011 11 01
(732) ARIAN CHIMIA TECH.
68, Saech Street, Tehran, Iran (Islamic
Republic of)
-

(111) M 2013 023493 R
(151) 2013 03 27
(181) 2023 03 27
(260) AM 2012 64901 A
(220) 2011 11 14
(732) AL-JAZEERA FAKTORY FOR PAINTS
COMPANY
P.O. Box 1900 Khamis Mushayt 61961,
K.S.A., Saudi Arabia

(111) M 2013 023494 R
(151) 2013 03 27
(181) 2023 03 27
(260) AM 2012 64986 A
(220) 2011 11 18
(732) HARRINGTON DEVELOPMENT INC.
Arango-Orillac Bldg. East 54 th street,
Panama

(111) M 2013 023495 R
(151) 2013 03 27
(181) 2023 03 27
(260) AM 2012 64987 A
(220) 2011 11 18
(732) HARRINGTON DEVELOPMENT INC.
Arango-Orillac Bldg. East 54 th street,
Panama

(111) M 2013 023496 R
(151) 2013 03 27
(181) 2023 03 27
(260) AM 2012 64988 A
(220) 2011 11 18
(732) HARRINGTON DEVELOPMENT INC.
Arango-Orillac Bldg. East 54 th street,
Panama

(111) M 2013 023497 R
(151) 2013 03 27
(181) 2023 03 27
(260) AM 2012 65050 A
(220) 2011 11 25
(732) GARAGE IMTERNATIONAL LUX SARL
1 Allée Scheffer, Suite 2.05.1,
L-2520 Luxembourg, Luxembourg

(111) M 2013 023498 R
(151) 2013 03 27
(181) 2023 03 27
(260) AM 2012 65165 A
(220) 2011 12 01
(732) MAMUKA ISRAELASHVILI
Barvis q. 140, 0179, Tbilisi, Georgia

(111) M 2013 023499 R
(151) 2013 03 27
(181) 2023 03 27
(260) AM 2012 65278 A
(220) 2011 12 12
(732) VISA INTERNATIONAL SERVICE
ASSOCIATION
900 Metro Center Boulevard, Foster City,
California 94404, USA

(111) M 2013 023500 R
(151) 2013 03 27
(181) 2023 03 27
(260) AM 2012 65288 A
(220) 2011 12 12
(732) SAAQTSIO SAZOGADOEBA "LOMISI"
Sofeli Natakhari, 3308, Mtskhets raioni,
Georgia

(111) M 2013 023501 R
(151) 2013 03 27
(181) 2023 03 27
(260) AM 2012 65289 A
(220) 2011 12 12
(732) SAAQTSIO SAZOGADOEBA "LOMISI"
Sofeli Natakhari, 3308, Mtskhets raioni,
Georgia

(111) M 2013 023502 R
(151) 2013 03 27
(181) 2023 03 27
(260) AM 2012 65290 A
(220) 2011 12 12
(732) SAAQTSIO SAZOGADOEBA "LOMISI"
Sofeli Natakhari, 3308, Mtskhets raioni,
Georgia

(111) M 2013 023503 R
(151) 2013 03 27
(181) 2023 03 27
(260) AM 2012 65468 A
(220) 2011 12 20
(732) LTD "ISTANBUL-TEQSTILI GEORGIA"
Davit Agmasheneblis kheivani, me-7
kilometri, 0131, Tbilisi, Georgia

(111) M 2013 023504 R
(151) 2013 03 27
(181) 2023 03 27
(260) AM 2012 65509 A
(220) 2011 12 22
(732) DKH Retail Limited
Unit 60 The Runnings, Cheltenham,
Gloucestershire GL51 9NW, United
Kingdom

(111) M 2013 023505 R
(151) 2013 03 27
(181) 2023 03 27
(260) AM 2012 65644 A
(220) 2011 12 29
(732) SAAQTSIO SAZOGADOEBA "LOMISI"
Sofeli Natakhtari, 3308, Mtskhmetis raioni,
Georgia

(111) M 2013 023506 R
(151) 2013 03 27
(181) 2023 03 27
(260) AM 2012 65757 A
(220) 2012 01 06
(732) ALLIED GLOBAL TOBACCO LTD
Wey Court West, Union Road, Farnham,
Surrey GU9 7PT, United Kingdom

(111) M 2013 023507 R
(151) 2013 03 27
(181) 2023 03 27
(260) AM 2012 65758 A
(220) 2012 01 06
(732) ALLIED GLOBAL TOBACCO LTD
Wey Court West, Union Road, Farnham,
Surrey GU9 7PT, United Kingdom

(111) M 2013 023508 R
(151) 2013 03 27
(181) 2023 03 27
(260) AM 2012 65759 A
(220) 2012 01 06
(732) HARRINGTON DEVELOPMENT INC.
Arango-Orillac Bldg. East 54 th street,
Panama

(111) M 2013 023509 R
(151) 2013 03 27
(181) 2023 03 27
(260) AM 2012 65760 A
(220) 2012 01 06
(732) HARRINGTON DEVELOPMENT INC.
Arango-Orillac Bldg. East 54 th street,
Panama

(111) M 2013 023510 R
(151) 2013 03 27
(181) 2023 03 27
(260) AM 2012 65829 A
(220) 2012 01 11
(732) SAAQTSIO SAZOGADOEBA "LOMISI"
Sofeli Natakhtari, 3308, Mtskhmetis raioni,
Georgia

(111) M 2013 023511 R
(151) 2013 03 27
(181) 2023 03 27
(260) AM 2012 65830 A
(220) 2012 01 11
(732) SAAQTSIO SAZOGADOEBA "LOMISI"
Sofeli Natakhtari, 3308, Mtskhmetis raioni,
Georgia

(111) M 2013 023512 R
(151) 2013 03 27
(181) 2023 03 27
(260) AM 2012 65831 A
(220) 2012 01 11
(732) SAAQTSIO SAZOGADOEBA "LOMISI"
Sofeli Natakhtari, 3308, Mtskhmetis raioni,
Georgia

(111) M 2013 023513 R
(151) 2013 03 27
(181) 2023 03 27
(260) AM 2012 65847 A
(220) 2012 01 12
(732) LTD "PRIMA-VITA"
Saq. samkhedro gzisa da Akhmetelis quchis
gadakveta, 0159, Tbilisi, Georgia

(111) M 2013 023514 R
(151) 2013 03 27
(181) 2023 03 27
(260) AM 2012 65911 A
(220) 2012 01 18
(732) GATX Corporation
222 West Adams Street, Chicago,
IL 60606, USA

(111) M 2013 023515 R
(151) 2013 03 27
(181) 2023 03 27
(260) AM 2012 66022 A
(220) 2012 01 31
(732) LTD "SANTREIDI"
Varketili-3, III a m/r, korpusi 340, bina 8,
0163, Tbilisi, Georgia

(111) M 2013 023516 R
(151) 2013 03 27
(181) 2023 03 27
(260) AM 2012 66026 A
(220) 2012 01 31
(732) EVEREADY BATTERY COMPANY, INC.
533 Maryville University Drive St. Louis,
Missouri 63141, USA

(111) M 2013 023517 R
(151) 2013 03 27
(181) 2023 03 27
(260) AM 2012 66110 A
(220) 2012 02 07
(732) BRIDGESTONE CORPORATION
10-1, Kyobashi 1-Chome, Chuo-ku, Tokyo,
Japan

(111) M 2013 023518 R
(151) 2013 03 27
(181) 2023 03 27
(260) AM 2012 66133 A
(220) 2012 02 08
(732) NUFARM
28 boulevard Camélinat, 92230
Gennevilliers,
France

(111) M 2013 023519 R
(151) 2013 03 27
(181) 2023 03 27
(260) AM 2012 66138 A
(220) 2012 02 09
(732) Joint-Stock Company
mikrosafinanso organizatsia "KRISTALI"
Tamar mefis q. 72, 4600, Qutaisi, Georgia

(111) M 2013 023520 R
(151) 2013 03 27
(181) 2023 03 27
(260) AM 2012 66202 A
(220) 2012 02 14
(732) NISSAN JIDOSHA KABUSHIKI KAISHA
(also trading as Nissan Motor Co., Ltd.)
N2 Takaracho, Kanagawa-ku, Yokohama-
shi, Kanagawa-ken, Japan

(111) M 2013 023521 R
(151) 2013 03 27
(181) 2023 03 27
(260) AM 2012 66200 A
(220) 2012 02 14
(732) NISSAN JIDOSHA KABUSHIKI KAISHA
(also trading as Nissan Motor Co., Ltd.)
N2 Takaracho, Kanagawa-ku, Yokohama-
shi, Kanagawa-ken, Japan

(111) M 2013 023522 R
(151) 2013 03 27
(181) 2023 03 27
(260) AM 2012 66203 A
(220) 2012 02 14

(732) NISSAN JIDOSHA KABUSHIKI KAISHA
(also trading as Nissan Motor Co., Ltd.)
N2 Takaracho, Kanagawa-ku, Yokohama-
shi, Kanagawa-ken, Japan

(111) M 2013 023523 R
(151) 2013 03 27
(181) 2023 03 27
(260) AM 2012 66204 A
(220) 2012 02 14
(732) NISSAN JIDOSHA KABUSHIKI KAISHA
(also trading as Nissan Motor Co., Ltd.)
N2 Takaracho, Kanagawa-ku, Yokohama-
shi, Kanagawa-ken, Japan

(111) M 2013 023524 R
(151) 2013 03 27
(181) 2023 03 27
(260) AM 2012 66205 A
(220) 2012 02 14
(732) NISSAN JIDOSHA KABUSHIKI KAISHA
(also trading as Nissan Motor Co., Ltd.)
N2 Takaracho, Kanagawa-ku, Yokohama-
shi, Kanagawa-ken, Japan

(111) M 2013 023525 R
(151) 2013 03 27
(181) 2023 03 27
(260) AM 2012 66206 A
(220) 2012 02 14
(732) NISSAN JIDOSHA KABUSHIKI KAISHA
(also trading as Nissan Motor Co., Ltd.)
N2 Takaracho, Kanagawa-ku, Yokohama-
shi, Kanagawa-ken, Japan

(111) M 2013 023526 R
(151) 2013 03 27
(181) 2023 03 27
(260) AM 2012 66207 A
(220) 2012 02 14
(732) NISSAN JIDOSHA KABUSHIKI KAISHA
(also trading as Nissan Motor Co., Ltd.)
N2 Takaracho, Kanagawa-ku, Yokohama-
shi, Kanagawa-ken, Japan

(111) M 2013 023527 R
(151) 2013 03 27
(181) 2023 03 27
(260) AM 2012 66208 A
(220) 2012 02 14
(732) NISSAN JIDOSHA KABUSHIKI KAISHA
(also trading as Nissan Motor Co., Ltd.)
N2 Takaracho, Kanagawa-ku, Yokohama-
shi, Kanagawa-ken, Japan

<p>(111) M 2013 023528 R (151) 2013 03 27 (181) 2023 03 27 (260) AM 2012 66209 A (220) 2012 02 14 (732) NISSAN JIDOSHA KABUSHIKI KAISHA (also trading as Nissan Motor Co., Ltd.) N.2 Takaracho, Kanagawa-ku, Yokohama- shi, Kanagawa-ken, Japan</p> <hr/> <p>(111) M 2013 023529 R (151) 2013 03 27 (181) 2023 03 27 (260) AM 2012 66242 A (220) 2012 02 16 (732) PETROLEO BRASILEIRO S.A. – PETROBRAS Avenida Republica do Chile, 65, Centro, CEP 20.031-912, Rio de Janeiro, RJ, Brazil</p> <hr/> <p>(111) M 2013 023530 R (151) 2013 03 27 (181) 2023 03 27 (260) AM 2012 66303 A (220) 2012 02 22 (732) KİREÇ VE TUĞLA KİMYA SANAYİ ANİM ŞİRKETİ KAYSERİ-ANKARA KARAYOLU 60, KM., KALABA, AVAS-NEVŞEHİR, Turkey</p> <hr/> <p>(111) M 2013 023531 R (151) 2013 03 27 (181) 2023 03 27 (260) AM 2012 66332 A (220) 2012 02 24 (732) HERCULES INCORPORATED Hercules Plaza, 1313 rth Market Street, Wilmington, Delaware 19894-0001, USA</p> <hr/> <p>(111) M 2013 023532 R (151) 2013 03 27 (181) 2023 03 27 (260) AM 2012 66333 A (220) 2012 02 24 (732) PHILIP MORRIS BRANDS SÀRL. Quai Jeanrenaud 3, 2000 Neuchâtel, Switzerland</p> <hr/> <p>(111) M 2013 023533 R (151) 2013 03 27 (181) 2023 03 27 (260) AM 2012 66340 A (220) 2012 02 24 (732) LEVAN ALAVIDZE</p>	<p>Ip. Khvichias q., 17, bina 12, 0160, Tbilisi, Georgia</p> <hr/> <p>(111) M 2013 023534 R (151) 2013 03 27 (181) 2023 03 27 (260) AM 2012 66341 A (220) 2012 02 24 (732) LEVAN ALAVIDZE Ip. Khvichias q., 17, bina 12, 0160, Tbilisi, Georgia</p> <hr/> <p>(111) M 2013 023535 R (151) 2013 03 27 (181) 2023 03 27 (260) AM 2012 66367 A (220) 2012 02 28 (732) LTD "BOKOLA" Mukhianis me-4 a m/r. korp.3, bina 50, 0172, Tbilisi, Georgia</p> <hr/> <p>(111) M 2013 023536 R (151) 2013 03 27 (181) 2023 03 27 (260) AM 2012 66483 A (220) 2012 03 12 (732) EFKO FOODS PLC Boumpoulinas, 11, 1st Floor, 1060 Nicosia, Cyprus</p> <hr/> <p>(111) M 2013 023537 R (151) 2013 03 27 (181) 2023 03 27 (260) AM 2012 66484 A (220) 2012 03 12 (732) Obshchestvo s ogranicheni otvetstvenstiu "Koordiniroiushchi Raspredelitelni Tsentri "EFKO-KASKAD" Ul. Frunze, d.4, g. Aleqseevka, 309850, Belgorodskaya oblasti, Russian Federation</p> <hr/> <p>(111) M 2013 023538 R (151) 2013 03 27 (181) 2023 03 27g (260) AM 2012 66555 A (220) 2012 03 16 (732) TEIJIN PHARMA LIMITED 2-1, Kasumigaseki 3-chome, Chiyoda-ku, Tokyo, Japan</p> <hr/> <p>(111) M 2013 023539 R (151) 2013 03 27 (181) 2023 03 27 (260) AM 2012 66604 A</p>
---	--

(220) 2012 03 20
(732) ABBOTT LABORATORIES
100 Abbott Park Road, Abbott Park,
Illis 60064, USA

(111) M 2013 023540 R
(151) 2013 03 27
(181) 2023 03 27
(260) AM 2012 66676 A
(220) 2012 03 26
(732) LTD "SKAI TREVEL"
Vladimer Gabashvilis q. 3, bina 33, 0112,
Tbilisi, Georgia

(111) M 2013 023541 R
(151) 2013 03 27
(181) 2023 03 27
(260) AM 2012 66682 A
(220) 2012 03 26
(732) YILDIZ HOLDING A.S.
Kisikli Mah. Ferah cad. N2/4 B. Camlica
Uskudar Istanbul, Turkey

TRADEMARKS REGISTERED ACCORDING TO THE ACCELERATED PROCEDURE

The decision can be appealed at the Chamber of Appeal of Sakpatenti within 3 months from the publication.

(111) M 2013 23475 R

(151) 2013 03 25

(181) 2023 03 25

(210) AM 071257

(220) 2013 03 07

(732) LTD "EVROLUQSI"

Lilos das. 5 kv., korp. 2, bina 108, 0198,
Tbilisi, Georgia

(540)

ORVICA

(591) Black-white

(511) 7, 9

(111) M 2013 23476 R

(151) 2013 03 25

(181) 2023 03 25

(210) AM 071258

(220) 2013 03 07

(732) LTD "EVROLUQSI"

Lilos das. 5 kv., korp. 2, bina 108, 0198,
Tbilisi, Georgia

(540)

ARSHIA

(591) Black-white

(511) 9

(111) M 2013 23477 R

(151) 2013 03 25

(181) 2023 03 25

(210) AM 071146

(220) 2013 02 28

(732) LTD KRISTALBETI

Vazha-Pshavelas gamziri 42-44, 0177,
Tbilisi, Georgia

(540)



(591) White, yellow, black

(531) 28.19.00-29.01.12-

(511) 9, 41

(111) M 2013 23478 R

(151) 2013 03 25

(181) 2023 03 25

(210) AM 071259

(220) 2013 03 07

(732) GIORGI DAQISHVILI

Sof.shalauri, 2200, Telavis raioni, Georgia

(540)



(591) Black-white

(531) 27.05.13-

(511) 33

(111) M 2013 23479 R

(151) 2013 03 25

(181) 2023 03 25

(210) AM 071289

(220) 2013 03 12

(732) LTD ZAZA

Gldani-nadzaladevis raioni, E. Bezhanishvilis
1., kor. 23, bina 28, 0192, Tbilisi, Georgia

(540)

გამმა

GAMMA

GAMMA

(591) Black-white

(531) 27.05.05-28.05.00-28.19.00-

(511) 11

(111) M 2013 23480 R

(151) 2013 03 25

(181) 2023 03 25

(210) AM 071290

(220) 2013 03 12

(732) LTD ZAZA

Gldani-nadzaladevis raioni, E. Bezhanishvilis
1., kor. 23, bina 28, 0192, Tbilisi, Georgia

(540)

პროტონი

ΠΡΟΤΟΗ

PROTON

(591) Black-white

(531) 27.05.05-28.05.00-28.19.00-

(511) 11

(111) M 2013 23481 R

(151) 2013 03 25

(181) 2023 03 25

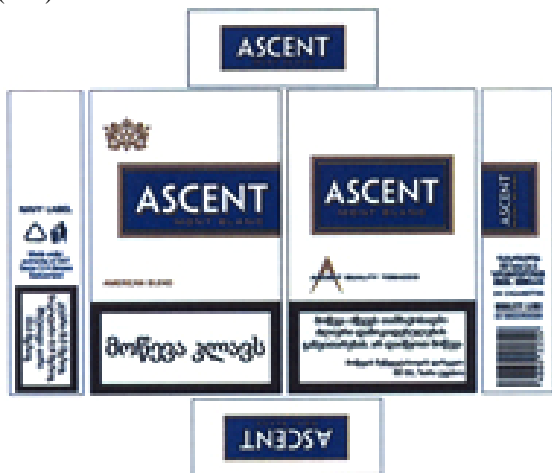
(210) AM 071291

(220) 2013 03 12
 (732) LTD IMEDI 2010
 Kakhetis gzatketsili 112-e km., 0190, Tbilisi,
 Georgia
 (540)

ROYAL CHAMPION
 როიალ ჩემპიონი
РОИАЛ ЧЕМПИОН

(591) Black-white
 (531) 27.05.05-28.05.00-28.19.00-
 (511) 7

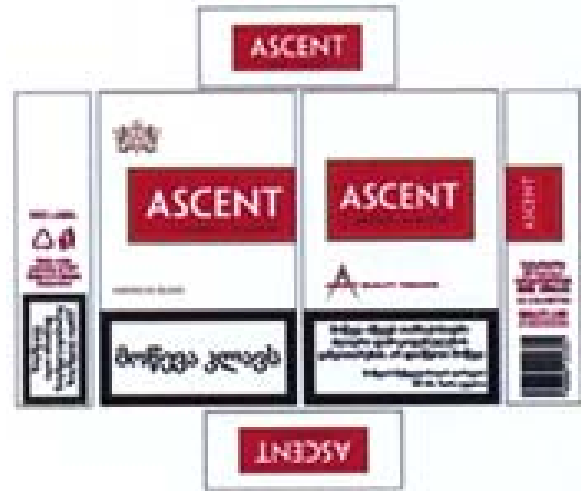
(111) M 2013 23542 R
 (151) 2013 03 28
 (181) 2023 03 28
 (210) AM 070903
 (220) 2013 02 14
 (732) HARRINGTON DEVELOPMENT INC
 Elvira Mendez Street, Vallari bldg.,
 3rd Floor, Panama, Panama
 (740) Givi Akopashvili
 (540)



(591) White, black, golden, dark blue
 (531) 19.03.24-29.01.13-
 (526) **DISCLAIMER** – Medicine warnings applied
 in trademarks of tobacco intended for realization in
 Georgia about allowable limited quantity of
 tobacco, as well as signs "MONT BLANC AME-
 RICAN BLEND QUALITY TOBACCO" shall not
 be subject to independent legal protection.
 (511) 34

(111) M 2013 23543 R
 (151) 2013 03 28
 (181) 2023 03 28
 (210) AM 070904
 (220) 2013 02 14
 (732) HARRINGTON DEVELOPMENT INC
 Elvira Mendez Street, Vallari bldg.,

3rd Floor, Panama, Panama
 (740) Givi Akopashvili
 (540)



(591) White, black, golden, red
 (531) 19.03.24-29.01.13-
 (526) **DISCLAIMER** – Medicine warnings applied
 in trademarks of tobacco intended for realization in
 Georgia about allowable limited quantity of
 tobacco, as well as signs "MONT BLANC AME-
 RICAN BLEND QUALITY TOBACCO" shall not
 be subject to independent legal protection.
 (511) 34

(111) M 2013 23544 R
 (151) 2013 03 28
 (181) 2023 03 28
 (210) AM 070905
 (220) 2013 02 14
 (732) HARRINGTON DEVELOPMENT INC
 Elvira Mendez Street, Vallari bldg.,
 3rd Floor, Panama, Panama
 (740) Givi Akopashvili
 (540)



(591) White, black, dark red
 (531) 19.03.24-29.01.13-
 (526) **DISCLAIMER** – Medicine warnings applied in trademarks of tobacco intended for realization in Georgia about allowable limited quantity of tobacco, as well as signs "AMERICAN BLEND VIRGINIA TOBACCO SLIMSTYLE" shall not be subject to independent legal protection.
 (511) 34

(111) M 2013 23545 R
 (151) 2013 03 28
 (181) 2023 03 28
 (210) AM 070906
 (220) 2013 02 14
 (732) HARRINGTON DEVELOPMENT INC
 Elvira Mendez Street, Vallari bldg.,
 3rd Floor, Panama, Panama
 (740) Givi Akopashvili
 (540)



(591) White, black, grey
 (531) 19.03.24-29.01.13-
 (526) **DISCLAIMER** – Medicine warnings applied in trademarks of tobacco intended for realization in Georgia about allowable limited quantity of tobacco, as well as "AMERICAN BLEND VIRGINIA TOBACCO SLIMSTYLE" shall not be subject to independent legal protection.
 (511) 34

(111) M 2013 23546 R
 (151) 2013 03 28
 (181) 2023 03 28
 (210) AM 071091
 (220) 2013 02 26
 (732) LTD "CHOKHATAURIS MATSNE"
 N. Dumbadzis 27, 4900, Chokhatauris raioni,
 Georgia

(540)

(591) Black, cornelian cherry, white
 (531) 26.04.22-26.04.24-27.05.24-28.19.00-
 29.01.13-
 (526) **DISCLAIMER** – The trademark is protected as a whole, word marking „გურია“ shall not be subject to independent legal protection.
 (511) 16, 38

(111) M 2013 23547 R
 (151) 2013 03 28
 (181) 2023 03 28
 (210) AM 071255
 (220) 2013 03 07
 (732) LTD "HARILI"
 Tsabadzis q. 19, 0179, Tbilisi, Georgia
 (740) Khatuna Imnadze
 (540)



(591) Black-white
 (531) 03.03.01-18.02.01-27.05.01-
 (511) 18

(111) M 2013 23548 R
 (151) 2013 03 28
 (181) 2023 03 28
 (210) AM 071371
 (220) 2013 03 15
 (732) Pixel Invest Group LLC
 Bambis rigi 7, 0105, Tbilisi, Georgia
 (740) Shalva Gvaramadze
 (540)



(591) Different tones sky, blue, white and grey
(531) 07.15.05-26.04.09-27.05.05-28.19.00-
29.01.14-
(511) 36, 39, 43

(111) M 2013 23549 R
(151) 2013 03 29
(181) 2023 03 29
(210) AM 071433
(220) 2013 03 20
(732) NINO ABRAMISHVILI
Arakishvilis q. 16/4, 0179, Tbilisi, Georgia
(540)



(591) Golden, dark brown
(531) 24.01.15-24.09.09-25.01.19-25.03.07-
26.04.06-29.01.13-
(526) **DISCLAIMER** – The trademark is protected
as a whole. All verbal records used in the trademark
without word marking "NABRON" shall not be
subject to independent legal protection.
(511) 33

(111) M 2013 23550 R
(151) 2013 03 29
(181) 2023 03 29
(210) AM 071435
(220) 2013 03 20
(732) LTD "DANI"
Al. Kazbegis gamz.19a, 0160, Tbilisi,
Georgia
(540)



(591) Black, golden
(531) 17.02.17-24.09.25-29.01.12-
(511) 14, 35

INTERNATIONAL TRADEMARKS FOR WHICH A DECISION ON GRANTING PROTECTIONS IS TAKEN

The decision can be appealed at the Chamber of Appeal of Sakpatenti within 3 months from the publication or at the Mtskheta District Court Administrative Cases Board (Address: №17, Samkhedro Str., Mtskheta), within 1 month following the publication.

(260) AM 2013 66565 A

(800) 1107466

(731) Obchtchestvo s ogranitshennoi
otvetstvennostyiu "King-Lion Foods"
58, Kantemirovskaya, RU-115477 Moscow,
Russian Federation

(540)

FASTO PASTO

(591) Black, white

(511)

16 – Albums, placards, posters; pamphlets; booklets; packing paper; newsletters; signboards of paper or cardboard; printed publications; articles of paper or plastics, for packaging; calendars; boxes of cardboard or paper; viscose sheets for wrapping; plastic bubble packs for wrapping or packaging; cellophane sheets, soft for packaging; stickers; bags of paper; bags for microwave cooking; plastic film for wrapping, labels, not of textile.

29 – Alginates for food; anchovy; peanuts, processed; albumen for food; white of eggs; beans, preserved; soya beans, preserved, for food; bouillon; jams; ginger jam; fatty substances for the manufacture of edible fats; edible birds' nests; peas, preserved; mushrooms, preserved; game, not live; gelatine for food; jellies; meat jellies; jellies for food; fruit jellies; yolk of eggs; edible fats; coconut fat; bone oil, edible; lard for food; suet for food; edible oils; fruit-based snack food; sausages; raisins; caviar; casein for food; sauerkraut; isinglass for food; black pudding [blood sausage]; fruit, stewed; meat, tinned [canned (am.)]; vegetables, tinned [canned (am.)]; fish, tinned [canned (am.)]; fruit, tinned [canned (am.)]; bouillon concentrates; gherkins; prawns, not live; buttercream; croquettes; silkworm chrysalis, for human consumption; toasted laver; spiny lobsters, not live; salmon; onions, preserved; margarine; piccalilli; marmalade; oils; vegetable oils; peanut butter; cocoa butter; coconut butter; butter; mussels, not live; almonds, ground; animal marrow for food; shellfish, not live; milk; soya milk [milk substitute]; fish flour for food; fruit pulp; meat; meat, preserved; meat extracts; milk and milk products; vegetables, preserved; vegetables, dried; vegetables, cooked; potato fritters; olives, preserved; lobsters, not live; coconut, desiccated; nuts, prepared; tomato purée; liver pate; pectin for food; liver; pickles; fruit or berries cooked in sugar syrup; powdered eggs; salted

gammon of bacon products; milk products; fermented vegetable foods [kimchi]; food products made from fish; curdled milk; protein for human consumption; poultry; poultry, not live; pollen prepared as foodstuff; cranberry purée; apple purée; crustaceans, not live; fish; fish, not live; fish, preserved; vegetable salads; fruit salads; lard; sardines; pork; herrings; whipped cream; fat-containing mixtures for bread slices; tomato juice for cooking; vegetable juices for cooking; salted meats; sausages in batter; preparations for making bouillon; preparations for making soup; tripe; soups; vegetable soups; cheese; tahini [sesame seed paste]; tofu; sea-cucumbers, not live; truffles, preserved; tuna fish; oysters, not live; rennet; fish fillets; dates; crystallized fruits; frosted fruits; fruits preserved; fruit preserved in alcohol; fruits, cooked; potato flakes; hummus [chickpea paste]; fruit peel; lentils, preserved; potato chips; fruit chips; weed extracts for food; snail eggs for consumption; eggs.

30 – Aromatic preparations for food; flavorings, other than essential oils; star aniseed; biscuits; pancakes; brioches; buns; vanillin [vanilla substitute]; vanilla [flavoring]; waffles; ribbon vermicelli; coffee flavorings; natural sweeteners; sausage binding materials; binding agents for ice cream [edible ices]; sea water for cooking; glucose for food; mustard; yeast; leaven; thickening agents for cooking foodstuffs; rice-based snack food; cereal-based snack food; coffee substitutes; vegetal preparations for use as coffee substitutes; cereal preparations; confectionery; confectionery for decorating Christmas trees; fruit jellies [confectionery]; bakery confectionery products, with filling predominantly; peanut confectionery; almond confectionery; pasta; pastry; frozen yogurt [confectionery ices]; cocoa; cocoa products; capers; caramels [candy]; gruel, with a milk base, for food; quiches; gluten for food; sweets; liquorice [confectionery]; peppermint sweets; coffee; unroasted coffee; starch for food; crackers; hominy grits; cereals for human food; corn, milled; corn, roasted; meat pies; turmeric for food; couscous [semolina]; farinaceous foods; noodles; ice for refreshment; ice, natural or artificial; edible ices; sweetmeats [candy]; rice cakes; maltose; hominy; marzipan; custard; honey; royal jelly for human consumption, not for medical purposes; ice cream; sorbets [ices]; flour for food; muesli; mint for confectionery; cocoa beverages with milk; coffee beverages with milk; coffee-based bevera-

ges; tea-based beverages; chocolate beverages with milk; chocolate-based beverages; cocoa-based beverages; infusions, not medicinal; crushed oats; husked oats; nutmegs; pastilles [confectionery]; molasses for food; pepper; petits fours [cakes]; cookies; pies; pizzas; fondants [confectionery]; popcorn; powders for ice cream; pralines; seasonings; meat tenderizers, for household purposes; flour-milling products; oat-based food; propolis [bee glue] for human consumption; gingerbread; spices; puddings; cake powder; ravioli; chewing gum, not for medical purposes; rice; spring rolls; sago; sugar; aniseed; cake paste; candies; baking soda [bicarbonate of soda for cooking purposes]; malt for human consumption; salt; salt for preserving foodstuffs; cooking salt; celery salt; spaghetti; preparations for stiffening whipped cream; treacle syrup; rusks; breadcrumbs; sushi; sandwiches; yeast in pill form, not for medical use; tabbouleh; tacos; tapioca; soya bean paste [condiment]; almond paste; tortillas; tarts; garden herbs, preserved [seasonings]; edible decorations for cakes; vinegar; ferments for pastes; halvah; bakery products; bread; unleavened bread; flakes [cereal products]; chicory [coffee substitute]; tea; iced tea; chocolate; malt extract for food; essences for foodstuffs, except etheric essences and essential oils.

35 – Organization of exhibitions for commercial or advertising purposes for goods of classes 16, 29 and 30; organization of trade fairs for commercial or advertising purposes for goods of classes 16, 29 and 30; auctioneering for goods of classes 16, 29 and 30; sales promotion of goods of classes 16, 29 and 30 (for others); advertising of goods of classes 16, 29 and 30; procurement services for others (purchasing goods and services of classes 16, 29 and 30 for other businesses).

(260) AM 2013 66596 A

(800) 1107869

(731) EVERRIS INTERNATIONAL B.V.
Nijverheidsweg 1-5, NL-6422 PD Heerlen,
Netherlands

(540)

EVERRIS

(591) Black, white

(511)

1 – Fertilizers; chemicals for use in agriculture; horticulture and forestry, with the exception of fungicides, pesticides and herbicides; manures; plant nutrients; plant growth regulating preparations; peat and peat substitute products (fertilizers); soil conditioning agents; fertilizers; compost.

35 – Wholesale and retail services in the field of chemicals for use in agriculture, horticulture or forestry, manures, plant nutrients, plant growth regulation preparations, peat and peat substitute pro-

ducts, soil conditioning agents, compost, protection agents and means for vegetation, pesticides, fungicides, herbicides and insecticides, machines, machine tools and devices for use in agriculture, horticulture and forestry for applying and spreading of chemicals, protection agents and means for vegetation, pesticides, herbicides, fungicides, insecticides, fertilizers and seeds.

(260) AM 2013 66615 A

(800) 1108005

(731) JD Sports Fashion Plc
Hollinsbrook Way, Pilsworth Bury,
Lancashire BL9 8RR, United Kingdom

(540)

BROOKHAVEN

(591) Black, white

(511)

25 – Clothing; footwear; headgear.

(260) AM 2013 66622 A

(800) 1108051

(731) T & J ELECTRIC (SHENZHEN) LIMITED
T & J Industrial Base, Xin Sheng Industrial
Zone, Long gang, 518116 Shenzhen, China

(540)

T & J

(591) Black, white

(511)

9 – Electrical power outlet boxes; sockets, plugs and other contacts (electric connections); contacts, electric; switchboxes (electricity); distribution boxes (electricity); light regulators (dimmers), electric; switches, electric; cell switches (electricity); circuit breakers; time switches, automatic.

(260) AM 2013 66664 A

(800) 1108367

(731) SANITET HANDEL K/S
Lergravsvej 53, DK-2300 København S,
Denmark

(540)

BERHOLM

(591) Black, white

(511)

6 – Anchors; fittings of metal for compressed air ducts; girders of metal; joists of metal; swimming pools [metal structures]; ingots of common metal; bolts of metal; eye bolts; screws of metal; sleeves [metal hardware]; nuts of metal; packaging containers of metal; gutters of metal; bungs of metal; bolts, flat, latch bars of metal; rivets of metal; door bolts; wall plugs of metal; hardware of

metal, small, ironmongery; cornices of metal; knobs of metal; elbows of metal for pipes; furniture casters of metal; manifolds of metal for pipelines; ferrules of metal; ferrules of metal for handles; rings of metal, stop collars of metal; door fittings of metal; buildings of metal, steel buildings; baskets of metal; hooks [metal hardware]; hooks of metal for clothes rails; clothes hooks of metal; pipe muffs of metal; moldings of metal for cornices; fences of metal; strap-hinges of metal; door closers, non-electric; iron wire; aluminium wire; wire of common metal; steel wire; washers of metal; runners of metal for sliding doors; door handles of metal; knife handles of metal; junctions of metal for pipes; anti-friction metal; silver plated tin alloy; alloys of common metal; nickel-silver; pipework of metal; ducts of metal for ventilating and air conditioning installations; penstock pipes of metal; tubes of metal; gutter pipes of metal; drain pipes of metal; water-pipes of metal; steel pipes, steel tubes; ducts and pipes of metal for central heating installations; tinplate packings; towel dispensers, fixed, of metal; fittings of metal for furniture; building or furniture fittings of nickel-silver; zinc; lock bolts; bins of metal, chests of metal; tool boxes of metal, empty; tool chests of metal, empty; chests of metal for food; meat safes of metal; boxes of common metal.

11 – Steam accumulators; heat accumulators; water heaters [apparatus]; distillation apparatus; desiccating apparatus; disinfectant apparatus; air deodorising apparatus; ionisation apparatus for the treatment of air; beverages cooling apparatus; hand drying apparatus for washrooms; water purifying apparatus and machines; refrigerating apparatus and machines; drying apparatus and installations; drying apparatus; expansion tanks for central heating installations; refining towers for distillation; bidets; boilers, other than parts of machines; bath tubs; spa baths [vessels]; bath tubs for sitz baths; water heaters, flushing apparatus; water flushing installations; air reheaters; extractor hoods for kitchens; gas condensers, other than parts of machines; hydrants; germicidal burners; showers; coils [parts of distilling, heating or cooling installations]; evaporators; shower cubicles; turkish bath cabinets, portable; air valves for steam heating installations; level controlling valves in tanks; thermostatic valves [parts of heating installations]; distillation columns; faucets for pipes, pipe line cocks [spigots], taps [cocks, spigots] for pipes; taps [faucets]; mixer taps for water pipes; heaters for baths; anti-splash tap nozzles; heat pumps; bath linings; hot air bath fittings; bath fittings; sauna bath installations; refrigerating appliances and installations; clean chambers [sanitary installations]; stoves [heating apparatus]; hot air ovens; solar furnaces; urinals [sanitary fixtures]; heating plates; cookers; kitchen ranges [ovens]; water intake apparatus; deodorising apparatus, not for personal use; fumigation appa-

ratus, not for medical purposes; gas scrubbing apparatus; water filtering apparatus; air purifying apparatus and machines; ice machines and apparatus; cooling appliances and installations; cooking apparatus and installations; sanitary apparatus and installations; heating apparatus for solid, liquid or gaseous fuels; heating apparatus, electric; hot air apparatus; steam facial apparatus [saunas]; safety accessories for water or gas apparatus and pipes; regulating accessories for water or gas apparatus and pipes; regulating and safety accessories for water apparatus; radiator caps; washers for water taps; radiators [heating]; central heating radiators; sinks; disinfectant dispensers for toilets; drip irrigation emitters [irrigation fittings]; heat regenerators; flushing tanks; pressure water tanks; toilet seats; sterilizers; water sterilizers; air sterilisers; air driers [dryers]; laundry dryers, electric; hair driers; heat exchangers, not parts of machines; flues for heating boilers; boiler pipes [tubes] for heating installations; water-pipes for sanitary installations; toilets [water-closets]; toilets, portable; wash-hand basins [parts of sanitary installations]; toilet bowls; water conduits installations; bath installations, bath plumbing fixtures; air conditioning installations; watering installations, automatic; cooling installations for water; cooling installations for liquids; water purification installations; purification installations for sewage; steam generating installations; water distribution installations; air filtering installations; swimming pools chlorinating units; ventilation [air-conditioning] installations and apparatus; water softening apparatus and installations; cooling installations and machines; heating installations; hot water heating installations; water supply installations; whirlpool-jet apparatus; air cooling apparatus; filters for air conditioning; filters for drinking water; fountains; ornamental fountains; refrigerators; kettles, electric; heating elements.

20 – Pulleys of plastics for blinds; coat hangers; shoulder poles [yokes]; showcases [furniture]; doors for furniture; curtain holders, not of textile material; bolts, not of metal; dowels, not of metal; pegs, not of metal; pins, not of metal; screws, not of metal; curtain tie-backs; rivets, not of metal; locks, other than electric, not of metal; mirrors [looking glasses]; hand-held mirrors [toilet mirrors]; bamboo; curtain rods; valves, not of metal, other than parts of machines; water-pipe valves of plastic; drain traps [valves] of plastic; furniture casters, not of metal; curtain rings; baskets, not of metal; hampers [baskets]; trays, not of metal; coathooks, not of metal; hooks, not of metal, for clothes rails; curtain hooks; clothes hooks, not of metal; furniture of metal; curtain rails; furniture; furniture partitions of wood; trestles [furniture]; mats, removable, for sinks; racks [furniture]; furniture shelves; shelves for storage; towel closets [furniture]; door handles, not of metal; silvered glass [mirrors]; filing cabi-

nets; counters [tables]; dressing tables; washstands [furniture]; door fittings, not of metal; furniture fittings, not of metal; covers for clothing [wardrobe]; screens [furniture]; cupboards; lockers; bins of wood or plastic; boxes of wood or plastic; towel dispensers, fixed, not of metal.

21 – Baby baths, portable; plungers for clearing blocked drains; napkin holders; chamber pots; sponge holders; dishes for soap; soap holders; shaving brush stands; toilet paper holders; smoke absorbers for household purposes; boxes of glass; glass bulbs [receptacles]; glass vials [receptacles]; ceramics for household purposes; shaving brushes; baskets for domestic use; watering cans; soap boxes; nozzles for watering cans; spouts; nozzles for sprinkler hose; toilet paper dispensers; soap dispensers; blenders, non-electric, for household purposes; glass [receptacles]; clothes racks, for drying; drying racks for washing; water apparatus for cleaning teeth and gums; utensils for household purposes; strainers for household purposes; toilet brushes; boxes of metal, for dispensing paper towels; dustbins; trash cans.

(260) AM 2013 66665 A

(800) 1108373

(731) Chipita Industrial and Commercial Company S.A. with the distinctive title Chipta S.A.
12th km National Road Athens-Lamia,
GR-144 52 Metamorphosis, Greece

(540)



(591) Red, dark red, white and black

(511)

30 – Flour and preparations made from cereals (except foodstuff for animals); cereal bars; cereal products prepared for human consumption (oat flakes and those made from other cereals); prepared baking mixtures for bread, pies and small biscuits; bread; bread products of all types (bread chips, bread crisps, bread sticks); rolls (pastries); swiss rolls (pastries); croissants; magdalenas (cakes); strudel; pizzas (including half-cooked for finishing, including as preserved food); rusks; bread preparations being snacks and crisps; pastries; bread rolls; biscuits; coffee-based beverages, cocoa-based beverages, chocolate-based beverages; chocolate (coating), bars of chocolate with a chocolate filling/stuffing; chocolate filled with nuts and/or cereal products and/or rice; pralines; nut confectionery; cakes and small pastries; pastry and confectionery; cookies.

(260) AM 2013 66667 A

(800) 1108406

(731) GHASSAN BEN AL TAHER BEN
JEDDOU

Beirut- Sultan Ibrahim Street, Al Rehab
Bldg. 1 floor, Beirut, Lebanon

(540)



(591) Light yellow, dark yellow and orange

(511)

35 – Advertising, business management; business administration, office functions; Web domain creation; direct mail advertising; document reproduction; commercial information agencies; commercial information agencies; advertising design services; on-line advertising on a computer network; opinion polling; bill-posting; presentation of goods on communication media, for retail purposes, word processing; publication of publicity texts; writing of publicity texts, business management of performing artists; business management of performing artists; modelling for advertising or sales promotion; news clippings; arranging newspaper subscriptions for others; rental of advertising space; rental of advertising time on communication media; television advertising; writing of publicity texts.

38 – Telecommunications; television broadcasting; radio broadcasting; computer aided transmission of messages and images; electronic bulletin board services (telecommunications services); electronic mail; news agencies; radio broadcasting; rental of telecommunication equipment; satellite transmission; teleconferencing services; providing telecommunication channels for teleshopping services; television broadcasting; providing internet chatrooms; paging services.

41 – Educational services; training, entertainment; sporting and cultural activities, arranging and conducting of conferences; arranging and conducting of colloquiums; arranging and conducting of workshops; arranging of beauty contests; publication of books; organization of sports competitions; dubbing; electronic desktop publishing; information on education; film production; vocational guidance (education or training advice); gymnastic instruction; microfilming, movie studios; presentation of live performances; photographic reporting; production of radio and television programmes; production of shows; videotape film production; providing on-line electronic publications, not downloadable; publication of books; publication of electronic books and journals on-line; radio entertainment;

news reporters services; scriptwriting services; dubbing; organization of exhibitions for cultural or educational purposes; rental of radio and television sets, videotaping; vocational guidance (education or training advice).

(260) AM 2013 66675 A
(800) 1108512
(731) BEIERSDORF AG
Unnastrasse 48, 20253 Hamburg, Germany
(540)



(591) Blue, white
(511)

3 – Bleaching preparations and other substances for laundry use; cleaning, polishing, scouring and abrasive preparations; soaps; perfumery; essential oils, cosmetics, hair lotions; dentifrices.

5 – Pharmaceutical and veterinary preparations; dietetic and nutritional preparations and substances for medical purposes; dietetic food for medical purposes; dietetic food for health care, namely on the basis of vitamins, minerals, trace elements, either separately or in combination; dietetic drinks adapted for medical purposes; food for babies, nutritional additives, namely on the basis of amino acids, minerals, trace elements, either separately or in combination; nutritional additives for medical purposes (also in pill form); enzymes for medical purposes (also in pill form); albuminous preparations for medical purposes; vitamin preparations; trace elements preparations.

44 – Services of a hair and beauty salon; beauty consultation, nutrition consultation, provision of sauna facilities, sun-tanning studios and massage studios; hygienic and beauty care; manicuring; providing of information regarding cosmetics and cosmetic services on the Internet.

(260) AM 2013 66678 A
(800) 1108560
(731) KRKA, tovarna zdravil, d.d., Novo mesto
Šmarješka cesta 6, SI-8501 Novo mesto,
Slovenia
(540)

ГАЛЬНОРА

(591) Black, white
(511)

5 – Pharmaceutical preparations.

(260) AM 2013 66685 A
(800) 1108644
(731) ONUR AIR TASIMACILIK ANONIM
SIRKETI
Senlik Mah. Catal Sk. No:3 Florya,
TR-34153 Istanbul, Turkey
(540)

Onurair

(591) Dark blue, light blue
(511)

16 – Paper, cardboard (paperboard) and products made from these materials, not included in other classes; packaging and wrapping materials made of plastic materials (not included in other classes); printed matter and bookbinding materials; printed documents; printed publications, calendars, posters, photographs, placards of paper or cardboard, paintings, stickers, stamps; stationery, office, educational and teaching materials (other than furniture and devices); office equipment and requisites; whitewashing and painting brushes and rolls.

39 – Passenger transportation and freight shipment by air; transportation commission and tourism agency services.

(260) AM 2013 66707 A
(800) 1034371
(731) jeCare BVBA
Rode Beukenlaan 30, B-1970
WEZEMBEEK-OPPEM, Belgium
(540)

EXCILOR

(591) Black, white
(511)

5 – Pharmaceutical products, namely for the topical treatment of nail fungus.

(260) AM 2013 66710 A
(800) 1075192
(731) "M TABAKO" OOD
"Pencho Slaveykov" Str. 6, BG-4002
PLOVDIV, Bulgaria
(540)

CARTEL

(591) Black, white
(511)

34 – Cigarettes; tobacco, tobacco products, smokers' articles; lighters for smokers, matches.

(260) AM 2013 66712 A
(800) 1094072
(731) HOSPIRA, INC.
Dept. NLEG, Bldg. H-1, 275 North
Field Drive, Lake Forest IL 60045, USA

(540)

INFLECTRA

(591) Black, white

(511)

5 – Pharmaceutical preparations for the treatment of autoimmune diseases and autoimmune disorders.

(260) AM 2013 66795 A

(800) 1109297

(731) ARI PETROL KİMYA ENDÜSTRİ VE
TİCARET ANONİM ŞİRKETİ
Numunebağ Caddesi No: 44/A,
Bayrampaşa/İstanbul, Turkey

(540)



(591) Black and orange

(511)

4 – Oils and greases for industrial purposes (including cutting liquid, dust absorbing – wetting and binding substances), solid fuel (other than wood), liquid and gas fuels and their non-chemical additives, candles, wicks, semi-manufactured waxes, beeswax (waxes), paraffin for illuminating purposes.

(260) AM 2013 66809 A

(800) 1017452

(731) APPLE INC.

1 Infinite Loop, Cupertino, CA 95014, USA

(540)



(591) Dark blue, light blue, white

(511)

9 – Computer software; computer application software for mobile phones, portable media players, and handheld computers; computer software for use in searching, reviewing, purchasing, and downloading software applications.

(260) AM 2013 66810 A

(800) 1041153

(731) APPLE INC.

1 Infinite Loop, Cupertino, CA 95014, USA

(540)



(591) Yellow, orange, red, and blue

(511)

9 – Computer software for use in searching, finding and viewing geographic locations and related contact information and for providing directions and traffic information.

(260) AM 2013 66812 A

(800) 579584

(731) GROUPE AUCHAN

40 avenue de Flandre, F-59170 CROIX,
France

(540)

COMPTINE

(591) Black, white

(511)

3 – Bleaching preparations and other substances for laundry use; cleaning, polishing, degreasing and abrasive preparations; soap, eaux de toilette, essential oils, toiletry oils, almond oils, almond milk for cosmetic use, toiletry milks, cosmetic preparations for skin care, pomades for cosmetic use, shampoos, hair lotions, dentifrices, talcum powder for toiletry use.

5 – Pharmaceutical, veterinary and sanitary preparations; dietetic substances for medical use, food for babies; plasters, materials for dressings; material for stopping teeth, dental wax; disinfectants; almond milk for pharmaceutical use, antiseptics, medicated bath preparations, dietetic beverages for medical use, bracelets for medical use, cotton for medical use, lacteal flour for babies, lactose, milk sugar.

10 – Surgical, medical, dental and veterinary apparatus and instruments, artificial limbs, eyes and teeth; orthopedic articles; suture materials, incubators for babies, feeding bottles, feeding bottle teats, spoons for administering medicine.

11 – Lighting, heating, steam generating, refrigerating, drying, ventilating and water supply apparatus and sanitary installations, lamp shades, bathtubs, bath installations, bath heaters, electric heaters for feeding bottles, plate warmers, lamp globes, dryers (apparatus), sterilizers.

12 – Vehicles, apparatus for locomotion by land, air or water; stroller covers, bicycles, vehicle safety seats for children, strollers, prams, pram covers, safety belts for vehicle seats.

16 – Paper, cardboard and goods made from these materials, not included in other classes; printed matter; bookbinding articles; photographs; stationery; adhesives (glues) for stationery or household purposes; artists' materials; paintbrushes; typewriters and office requisites (except furniture); instructio-

nal and teaching material (except apparatus); plastic materials for packaging (not included in other classes); playing cards; printing type; printing blocks; posters, watercolors, paper bibs, cardboard or paper boxes, song books, sewing patterns, pencils, transfers (decalcomanias), paper for packaging, envelopes (stationery), tear-off calendars, paper handtows, toilet paper, pictures, teaching materials in the form of games, paper diapers, writing paper, table linen of paper, lithographs, books, modeling materials, paper handkerchiefs, paper place mats, play dough, paint boxes (school supplies), pen holders, portraits, tablemats of paper, paper table napkins, greeting cards, blackboards, stage scenery.

20 – Furniture, mirrors, picture frames; goods not included in other classes of wood, cork, reed, cane, wicker, horn, bone, ivory, whalebone, shell, amber, mother-of-pearl, meerschaum, and substitutes for all these materials, or of plastics, cupboards, works of art made of wood, wax, plaster or plastics, benches (furniture), playpens for babies, cradles, bookcase shelving, bedsteads, identification bracelets (not of metal) for hospitals, office furniture, chairs (seats), chests of drawers, cushions, shelving units, bedding (except bed linen), bed fittings (non-metallic), spring-mattresses, beds, mattresses, clothes hooks (non-metallic), coatstands (furniture), magazine holders, desks, slatted indoor blinds, dressing tables, stools, bolsters.

24 – Fabrics, bed and table covers, textile goods not included in other classes, bed sheets, pillowcases, bedspreads, tablecloths, napkins, handkerchiefs, household linen, kitchen towels, non-woven fabrics, felt, woven fabrics, knitted fabrics, dressmaking fabrics, upholstery fabrics, hangings, curtains, bath linen (except clothing), fabric with motifs designed for embroidery, cotton fabrics, cotton goods, eiderdowns (down coverlets), mattress casings, textile hand towels, flannel (fabric), washcloths, jersey (fabric), woollen fabric, washing mitts, bed linen, mosquito nets, blinds of textile, mattress ticking, face towels of textile, knits (cloth).

25 – Ready-made clothing, knitwear and hosiery, lingerie, underclothing, pajamas, dressing gowns, skirts, dresses, slacks, jackets, coats, haberdashery, neckties, scarves, belts, gloves, hats, waterproof clothing, clothing for use in sports; footwear, socks, stockings, tights, boots, shoes and slippers, clothing for men, women and children, bathing caps, bathing suits, bathrobes, bath sandals, baby bibs not of paper, bibs not of paper, blouses, hoods (clothing), slippers, babies' diapers (intimate apparel), diaper-pants, jersey (clothing), babies' napkins of textile, layettes, briefs, aprons (clothing).

28 – Games, toys; gymnastic and sporting articles (except swimming articles) not included in other classes; Christmas tree ornaments; swings, balls for

play, balls for games, rocking horses (toys), basins (swimming pools), feeding bottles for dolls, marbles for games, toy masks, kites, doll rooms, doll houses, doll beds, puppets, ice skates, roller skates, dolls, doll clothes, board games, spinning tops (toys), scooters, steering wheels (games).

(260) AM 2013 66813 A

(800) 638108

(731) INDUSTRIAS ORIOL, S.A.

Ciudad de Asunción, 56, E-08030

BARCELONA, Spain

(540)

EURO-STIL

(591) Black, white

(511)

21 – Household and kitchen utensils and containers (not of precious metal or coated therewith); combs and sponges; brushes (except paintbrushes); brush-making materials; cleaning equipment; steel wool (scouring pads of metal, of steel); unworked or semi-worked glass (except building glass); glassware, porcelain and earthenware, not included in other classes; nail-cleaners, combs, large combs; perfume burners.

(260) AM 2013 66814 A

(800) 689899

(731) ASTELLAS PHARMA EUROPE B.V.

Elisabethhof 19, NL-2353 EW Leiderdorp,

Netherlands

(540)

OCAS

(591) Black, white

(511)

5 – Pharmaceutical preparations, particularly slow-release preparations to be administered orally.

(260) AM 2013 66823 A

(800) 776707

(731) PKF Trade Mark Limited

Farringdon Place, 20 Farringdon Road,

London EC1M 3AP, United Kingdom

(540)

PKF

(591) Black, white

(511)

35 – Marketing services; business management and business administration services; administration receivership and liquidation services; personal and company insolvency services; management consul-

tancy services; audit and accountancy services; database management services; personnel recruitment and management services, advisory services relating to business efficiency and profitability, business and personnel performance management, employee relations and employee communications, and to personal and business taxation and the taxation of trusts; research and advisory services relating to deployment of employees and employee incentives; market evaluation, strategic business planning services; company registrar and company secretary services; research and advisory services relating to mergers, acquisitions and disposals.

36 – Financial services for business; financial management services; financial research, planning and advisory services, treasury services, personal and company insolvency services; research and advisory services relating to bad debt recovery, pensions, investments, insurance and life assurance; tax planning services; negotiating for capital investments into business.

41 – Education and training in connection with financial, auditing, accounting, business and management matters; sports coaching for business personnel, team management education; computer training.

42 – Legal services relating to personal and business taxation, to company law and to statutory and regulatory requirements; computer programming; advisory services relating to information technology.

(260) AM 2013 66938 A

(800) 1063850

(731) TASARIM TEKSTİL İNŞAAT
DEKORASYON VE REKLAMCILIK
SANAYİ VE TİCARET LİMİTED ŞİRKETİ
Eski Londra Asfaltı Saraçoğlu, İş Merkezi
No. 18/1 Beşyol, Küçükçekmece-İstanbul,
Turkey

(540)

Home Sweet Home

(591) Black, white

(511)

21 – Ornamental and decoration materials made of glass, porcelain, ceramic and clay: knick-knacks, statuettes, art work.

24 – Textiles and textile goods, not included in other classes; bed and table covers, towels.

35 – The bringing together, for benefit of others, of a variety of goods (excluding the transport thereof), enabling customers to conveniently view and purchase those goods.

(260) AM 2013 67005 A

(800) 1110779

(731) BESINS HEALTHCARE, LUXEMBOURG
S.A.R.L.

67, Boulevard Grande-Duchesse Charlotte,
L-1331 Luxembourg, Luxembourg

(540)

ТРИОЖИНАЛЬ

(591) Black, white

(511)

5 – Pharmaceutical and veterinary preparations; sanitary preparations for medical purposes; dietetic substances adapted for medical use, food for babies; plasters, materials for dressings; material for dental fillings and dental impressions; disinfectants.

(260) AM 2013 67049 A

(800) 1006548

(731) TOD'S S.p.A.

Via Filippo Della Valle, 1, I-63811
Sant'Elpidio a Mare (FM), Italy

(540)



(591) Black, white

(511)

14 – Watches and clocks, pendulum clocks, chronographs and chronometers, rough gemstones, precious stones, diamonds, coral jewellery, emeralds, sapphires, rubies, opal, topaz, aquamarine, earrings, rings, necklaces, bracelets, ornamental pins made of precious metal, shoe ornaments of precious metal, pearls, boxes of precious metal, jewel cases of precious metal, brooches, pins, tie clips, cuff links, leather bracelets.

(260) AM 2013 67117 A

(800) 1084965

(731) KPO MARKETING COMPANY LIMITED

Egypt Street, 12, CY-1097 Nicosia, Cyprus

(540)



(591) Black, white

(511)

33 – Vodka; cocktails; wine; brandy; rum; gin, liquors; alcoholic beverages containing fruit; spirits (beverages); distilled beverages; bitters.

(260) AM 2013 67119 A

(800) 1095216

(731) KYOWA HAKKO BIO CO., LTD.
1-6-1, Ohtemachi, Chiyoda-ku, Tokyo
100-8185, Japan

(540)



(591) Dark blue, white, green

(511)

1 – Amino acids for use in the manufacture of dietary supplements and foods; chemicals for use in the manufacture of dietary supplements and foods; chemical additives for use in the manufacture of dietary supplements and foods.

(260) AM 2013 67120 A

(800) 1095927

(731) KYOWA HAKKO BIO CO., LTD.
1-6-1, Ohtemachi, Chiyoda-ku, Tokyo
100-8185, Japan

(540)

KYOWAQUALITY

(591) Black, white

(511)

1 – Amino acids for use in the manufacture of dietary supplements and foods; chemicals for use in the manufacture of dietary supplements and foods; chemical additives for use in the manufacture of dietary supplements and foods.

(260) AM 2013 67271 A

(800) 1112841

(731) DÄTWYLER HOLDING AG
Gotthardstrasse 31, CH-6460 Altdorf,
Switzerland

(540)



(591) Black, white

(511)

6 – Building materials of metal; products for the construction industry of metal combined with rubber (metal predominating); packings of metal, pharmaceutical packings of aluminum; caps and stoppers for medical instruments of metal, closures for vials for infusions of metal; non-electric cables and wires of common metal; cable joints of metal, non-electric; insulation caps and tops of metal for bottles; bottle closures of metal; covers and caps of metal for bottles; closures of metal for containers; aluminium foil; foils of metal for packing purposes; packaging containers of metal; packing foils of metal.

9 – Electric and electronic apparatus, instruments and components (included in this class), electrical and electronic apparatus and equipment, namely scientific, surveying, photographic, cinematographic, optical, weighing, life-saving and teaching apparatus and instruments; apparatus and instruments for conducting, switching, transforming, accumulating, regulating or controlling electricity; apparatus for the recording, transmission and reproduction of sound and images; magnetic data carriers, recording discs; automatic vending machines and mechanisms for coin-operated apparatus; cash registers, calculating machines, data processing equipment and computers; telephone apparatus; computer hardware, printers and computer peripheral devices; data carriers, computer programs; alarms; measuring, signalling and controlling (supervision) apparatus and instruments; converters, modems; electrical and electronic components; electrical cables, wires, leads and related connection fittings; cables made of glass fiber, flat and round cables; commutators and distribution switchboards or cabinets; plugs, plug-type connectors, contacts, jacks, adapters, connecting strips, sockets, luminous signals, thermostats; fuses, electric relays and related casings, capacitors, transistors, diodes, transformers, accumulators of electricity, accumulators, transducers; relays; meters, regulators, sensors, switchboxes, resistors, potentiometers, oscilloscopes, ammeters; network apparatus, electronic integrated circuits, electronic modules, automatic time switches, magnets, equalizers; electric welding equipment, solar batteries, equipment for electrical conduits; parts and accessories for all the above goods; mounting material for the aforementioned products, namely screw fastenings, cable clips; fittings for cables and cable assembly, namely connecting strips, cabling channels, identification sheaths and wires as well as connection boxes and casings not included in other classes; connections, fastenings, holders and couplings not of metal for electrical cables; apparatus and instruments for conducting, switching, transforming, accumulating, regulating or controlling electricity; plugs, actors, switching circuits; plugs and plug connectors for cables; electrical sockets; connectors and couplings for electrical cables and for power lines as well as for fiberglass cables.

12 – Vehicle parts; parts and connecting parts molded in rubber in combination with other materials such as metals, plastics, fabrics and fibers intended for shock absorbers in automobiles; diaphragms for brake amplifiers; diaphragms, valves for controlling brakes, ABS (Anti-lock Braking System), brake fittings and parts (brake parts for vehicles).

17 – Elastomer-based insulation and damping solutions for vehicles; semi-manufactured articles of rubber, mixtures of gum and rubber/gum/elastomer,

namely parts and connecting parts molded in rubber in combination with other materials such as metals, plastics, fabrics and fibers for insulation and for shock absorbers on vehicles or machines, apparatus and instruments as well as in the packaging industry and in household technology; products of plastic (semi-worked); caulking materials; seals for valves and sealing rings of rubber for air conditioning; sealing rings for air bags (safety devices for automobiles); sections made of rubber for the building industry for insulating windows, insulating doors, sections used for fire protection (weatherstripping compositions), insulation for facades, insulation for railroad trains; sections made of rubber designed for civil engineering work for insulation purposes in tunnels, sections for seals, inflatable sections, non-metal injection tubes, couplings for pipes; caulking materials for packaging foods; packaging materials made of elastomers; tubes (semi-worked), flexible tubes and connectors (not of metal); insulators; molded parts made of rubber and of aluminum/plastic for closures and packaging for the pharmaceutical industry; molded parts made of rubber used as closures for diagnostic products and for medicine dispensing systems; packaging made of rubber, wrappings made of rubber for the pharmaceutical industry.

20 – Plastic parts and elements for packaging for pharmaceutical preparations; caps and tops for medical instruments (not of metal), closures for vials for infusions (not of metal); computer furniture; nonmetallic bottle caps and closing devices; bottle closures, not of metal; corks for bottles; non-metallic stoppers; non-metallic closures for containers; packaging containers of plastic; non-metallic containers for storage and transport; stoppers; corks for bottles; non-metallic insulating caps for bottles; corks for bottles (except glass, rubber and metal); packaging for the pharmaceutical industry made of plastic materials.

(260) AM 2013 67316 A

(800) 1113454

(731) Obshchestvo s ogranichennoy otvetstvennostyu "KORPORATCIYA RIAL" ofis 6, str. 3, d.3, Davidkovskaya St., RU-121352 Moskow, Russian Federation

(540)



(591) White, black, yellow, gray, light gray, orange and green

(511)

32 – Aperitifs, non-alcoholic; waters (beverages); kvass (non-alcoholic beverages); cocktails, non-alcoholic; lemonades; peanut milk (soft drink); non-alcoholic beverages; isotonic beverages; non-alcoholic honey-based beverages; whey beverages; non-alcoholic fruit juice beverages; milk of almonds (beverage); fruit nectars, non-alcoholic; orgeat; beer; powders for effervescing beverages; sarsaparilla (soft drink); syrups for lemonade; syrups for beverages; tomato juice (beverage); cider, non-alcoholic; vegetable juices (beverages); fruit juices; preparations for making aerated water; preparations for making liqueurs; preparations for making mineral water; preparations for making beverages; must; grape must, unfermented; beer wort; malt wort; pastilles for effervescing beverages; sherbets (beverages); non-alcoholic fruit extracts; extracts of hops for making beer; essences for making beverages.

33 – Aperitifs; brandy; wine; whisky; kirsch, vodka; gin; cocktails; liqueurs; alcoholic beverages, except beer; distilled beverages; peppermint liqueurs; bitters; rum; sake; cider, perry.

(260) AM 2013 67317 A

(800) 440541

(731) MULTIVAC Sepp Haggemüller GmbH & Co. KG
Bahnhofstrasse 4, 87787 Wolfertschwenden,
Germany

(540)

MULTIVAC

(591) Black, white

(511)

7 – Machines for packing, pumps (included in this class 7) and evacuators for packaging sector; moulding presses for foodstuffs; mechanical appliances for labelling, encoding and printing; cutting and slicing machines for meats, sausages and cheeses; filling machines.

9 – Dosing machines; weighing scales; control and adjustment devices for evacuation installations.

(260) AM 2013 67318 A

(800) 444060

(731) Dr. Wild & Co. AG
Hofackerstrasse 8, CH-4132 Muttenz,
Switzerland

(540)

EMOFORM

(591) Black, white

(511)

3 – Products for dental and oral hygiene, such as mouthwashes, toothpastes.

5 – Pharmaceutical and dental preparations.

10 – Dental floss.
21 – Toothbrushes.

(260) AM 2013 67319 A
(800) 579829
(731) DUFERCO PARTICIPATIONS HOLDING S.A.
16, rue Jean l'Aveugle, L-1148 Luxembourg, Luxembourg
(540)

DUFERCO

(591) Black, white
(511)
6 – Common metals and their alloys in unwrought and partly wrought form and goods made of said alloys (included in this class), in particular iron and steel, such as plates, coils, sheets, rods, wires, tubes, bars, bands, strips, slabs, profiles, wire rods, rolled wire, blocks, ingots, cast steel, strip steel, bar steel, forged steel, rebars, rolled steel, reinforced steel, reinforced steel fabric, structural or section steel, wide flat steel, special steel, bright steel, tool steel, stainless steel, steel for electric machines, metal building materials, non-electric cables and wires of common metal, ironmongery and small items of metal hardware and other goods of metal included in this class.

(260) AM 2013 67320 A
(800) 643152
(731) ORION CORPORATION
Orionintie 1, FI-02200 Espoo, Finland
(540)

ORION

(591) Black, white
(511)
5 – Chemical preparations for medical use; pharmaceutical, veterinary and sanitary products; dietetic substances adapted for medical use; diagnostic preparations for medical use.

(260) AM 2013 67321 A
(800) 667076
(731) DR. WILD & CO. AG
Hofackerstrasse 8, CH-4132 Muttenz, Switzerland
(540)

EMOFRESH

(591) Black, white
(511)
3 – Cosmetic goods for mouth and teeth care.
5 – Pharmaceutical products for mouth and teeth care.

(260) AM 2013 67322 A
(800) 814222
(731) "VOSKRESINNYA U" LTD
Zapadynskaya str. 9A, Kyiv 04123, Ukraine
(540)

VALENTA

(591) Black, white
(511)
9 – Boxes, frames and cases for apparatus for recording, transmitting and reproducing sounds or images, including cases for mobile telephones.
18 – Leather and goods made thereof included in this class; imitation leather and goods made of these materials included in this class.

(260) AM 2013 67323 A
(800) 835148
(731) MILLET
21 rue du Pré Faucon, F-74940 Annecy-Le-Vieux, France
(540)

MILLET

(591) Black, white
(511)
18 – Sports carrier bags; rucksacks; rucksacks for mountaineers; travelling bags.
25 – Clothing; sportswear; underwear for men, women and children; rainwear; warm clothes; gloves; footwear, headgear for wear.

(260) AM 2013 67324 A
(800) 868871
(731) G.R. DERI TEKSTİL AYAKKABI VE HEDİYELİK EŞYA ÜRÜNLERİ SANAYİ VE TİCARET LİMİTED ŞİRKETİ
Yenidogan Mh. Zübeyde Hamm Cad. 41. Sk. No. 72, Zeytinburnu, ISTANBUL, Turkey
(540)



(591) Black, white
(511)
25 – Clothing (outwear and underwear) excluding protective clothing; footwear; headgear; socks; belts (clothing), neckties, gloves (clothing).

(260) AM 2013 67325 A
 (800) 897406
 (731) ACTAVIS SRL
 Bvd. Ion Mihalache, nr. 11, sector 1,
 Bucuresti, Romania

(540)

VINORELSIN

(591) Black, white
 (511)
 5 – Pharmaceutical products, anti-tumor medicines.

(260) AM 2013 67326 A
 (800) 955751
 (731) Dr. Uwe Hohendorf
 Berliner Chaussee 2, 15749 Mittenwalde,
 Germany

(540)

Nordvent

(591) Black, white
 (511)
 9 – Refrigeration units for computers for heat removal (included in this class).

11 – Air conditioning, heating, refrigerating, ventilating and environmental air control units, installations and equipment; air dryers including compressed air drying units, installations and equipment; refrigerating units for heat removal from computers (included in this class); air conditioners and refrigeration apparatus containing electronic controls, in particular precision air conditioners and refrigeration apparatus; parts, fittings, modules, accessories (included in this class) and components for the aforementioned goods.

42 – Engineering; technical consultancy, in particular technical consultancy with respect to the dimensioning, design and development of air conditioning, heating, refrigerating, ventilating and environmental air control units, installations and equipment.

(260) AM 2013 67327 A
 (800) 1042610
 (731) SOPHARMA AD
 oulitsa "Iliensko chausse" 16, BG-1220
 SOFIA, Bulgaria

(540)

ХЕКСИСЕПТ HEXISEPT

(591) Black, white
 (511)
 5 – Pharmaceutical and veterinary preparations; sanitary preparations for medical purposes.

(260) AM 2013 67328 A
 (800) 1062963
 (731) Devirex AG
 Sagenstrasse 4c, CH-6318 Walchwil,
 Switzerland

(540)

LIPIVIR

(591) Black, white
 (511)
 3 – Cosmetics.

5 – Dermatological products for external use.

44 – Hygienic and beauty care for human beings or animals.

(260) AM 2013 67329 A
 (800) 1065246
 (731) Dr. Wild & Co. AG
 Hofackerstrasse 8, CH-4132 Muttenz,
 Switzerland

(540)

EMOFLUOR

(591) Black, white
 (511)

3 – Dentifrices; mouth washes, not for medical purposes; dental care products containing fluorine.

(260) AM 2013 67330 A
 (800) 1080021
 (731) Dr. Wild & Co. AG
 Hofackerstrasse 8, CH-4132 Muttenz,
 Switzerland

(540)

DEPURDENT

(591) Black, white
 (511)

3 – Dentifrices; polishing products; mouth washes, not for medical purposes.

(260) AM 2013 67331 A
 (800) 1085301
 (731) Création Gross GmbH & Co. KG
 Houbirgstr. 7, 91217 Hersbruck, Germany

(540)

CARL GROSS®

(591) Black, white
 (511)

25 – Clothing, outerclothing for men, in particular suits, vests, trousers; footwear; headgear.

(260) AM 2013 67332 A
 (800) 1107387
 (731) GENERAL RE CORPORATION
 120 Long Ridge Road, Stamford CT 06902,
 USA

(540)

GEN RE

(591) Black, white
 (511)
 36 – Underwriting and brokerage of reinsurance; consultation services in the fields of insurance, re-insurance, financial risk management, insurance risk management, claims adjustment and actuarial services; financial risk management services; insurance risk management services; claims adjustment services; and actuarial services in the field of insurance.

(260) AM 2013 67333 A
 (800) 887069
 (731) DAF Trucks N.V.
 Hugo van der Goeslaan 1, NL-5643 TW
 Eindhoven, Netherlands

(540)



(591) Blue and red
 (511)
 35 – Import-export agencies; business mediation regarding the purchase and sale of vehicles, in particular commercial vehicles and lorries; demonstration of vehicles, in particular commercial vehicles and lorries.
 37 – Maintenance and repair of vehicles, namely commercial vehicles and lorries.

(260) AM 2013 67334 A
 (800) 1041644
 (731) HEINEKEN BROUWERIJEN B.V.
 Tweede Weteringplantsoen 21, NL-1017
 ZD Amsterdam, Netherlands

(540)



(591) Green, red, white
 (511)
 18 – Leather and imitations of leather, and goods made of these materials and not included in other classes; animal skins, hides; trunks and travelling bags; umbrellas, parasols and walking sticks; whips, harness and saddlery.

25 – Clothing, footwear, headgear.

32 – Beers; mineral and aerated waters and other non-alcoholic drinks; fruit drinks and fruit juices; syrups and other preparations for making beverages.

(260) AM 2013 67335 A
 (800) 1106759
 (731) LLOYD Shoes GmbH
 Hans-Hermann-Meyer-Strasse 1, 27232
 Sulingen, Germany

(540)



(591) Red, dark red
 (511)
 18 – Leather and imitation leather and articles made from these materials (included in this class), in particular purses, coin purses and pocket wallets (included in this class); traveling bags and handbags; trunks and suitcases.

25 – Clothing, footwear, headgear.

35 – Wholesale and retail services, including via the Internet and teleshopping, in relation to perfumery, cosmetics, jewelry, fashion jewelry, tie pins, tie clips, timepieces and chronometric instruments, leather and imitation leather and articles made from these materials (included in class 18), in particular purses, coin purses and pocket wallets (included in class 18), traveling bags and handbags, trunks and suitcases, clothing, footwear, headgear.

(260) AM 65914 A*
 (800) 1102735
 (731) SOCIÉTÉ DES PRODUITS NESTLÉ S.A.
 CH-1800 Vevey, Switzerland

(540)

NOURISHING PERSONAL HEALTH

(591) Black, white
 (511)
 5 – Pharmaceutical and veterinary preparations; sanitary preparations for medical use; diagnostic preparations for medical use; dietetic substances and foodstuffs for clinical and medical use; formula milk, food and food substances for babies; food and

food substances for medical use for children and the sick; food and food substances for pregnant women and nursing mothers for medical use; nutritional and dietetic supplements for medical use; vitamin preparations, preparations made with minerals; dietetic confectionery for medical use.

10 – Diagnostic apparatus for medical use; surgical and medical apparatus and instruments, probes, pumps for enteral feeding.

41 – Personnel training, organization of cultural or educational courses, seminars, conferences, exhibitions; publishing and editing of books, pamphlets, newspapers, films and recordings; education on nutrition, all educational services relating to nutrition and food, particularly the transmission of information and suggestions relating to food, nutrition and diet.

42 – Scientific research and development relating to food, diet and weight loss.

44 – Consulting in connection with health, food and nutrition; medical services and providing information in the field of medicine; diagnostic services for medical use; consulting on diet and food in general; planning and monitoring of weight loss programs; information on consulting and advice in relation to medicine, psychology and to modifying nutritional behaviour and physical exercise; health clinics; nursing and medical care services; sanatoriums; rest homes; clinics.

(260) AM 66032 A*

(800) 1103492

(731) HLT International IP LLC

7930 Jones Branch Drive, Suite 1100,
McLean, VA 22102, USA

(540)

EMBASSY SUITES BY HILTON

(591) Black, white

(511)

43 – Hotel services; restaurant, catering, bar and cocktail lounge services; resort lodging services; provision of general purpose facilities for meetings, conferences and exhibitions; provision of banqueting and social function facilities for special occasions; and reservation service for hotel accommodations for others; all included in this class.

(260) AM 66151 A*

(800) 1104301

(731) BALTIKA BREWERIES

3, 6-th Verkhny pereulok, RU-194292
Saint Petersburg, Russian Federation

(540)



(591) White, yellow, brown, black, red, light brown, beige, blue, light blue

(560) DISKLAIMER – ЯНТАРНОЕ ПИВО

(511)

32 – Beer.

INTERNATIONAL TRADEMARKS PROTECTED IN GEORGIA

(260) AM 2012 57475 A
(800) 1030896
(151) 2009 12 29
(181) 2019 12 29
(511) 16, 35, 41

(260) AM 2012 65269 A
(800) 1097263
(151) 2011 10 10
(181) 2021 10 10
(511) 30, 35

(260) AM 2012 64098 A
(800) 1088618
(151) 2011 08 12
(181) 2021 08 12
(511) 09

(260) AM 2012 65270 A
(800) 1097274
(151) 2011 11 04
(181) 2021 11 04
(511) 33

(260) AM 2012 65026 A
(800) 1095610
(151) 2011 09 13
(181) 2021 09 13
(511) 05

(260) AM 2012 65274 A
(800) 1097278
(151) 2011 10 17
(181) 2021 10 17
(511) 05, 10, 35, 39

(260) AM 2012 65104 A
(800) 721657
(151) 2009 10 02
(181) 2019 10 02
(511) 05

(260) AM 2012 65275 A
(800) 1097339
(151) 2011 08 29
(181) 2021 08 29
(511) 35, 38

(260) AM 2012 65262 A
(800) 1097202
(151) 2011 06 30
(181) 2021 06 30
(511) 14, 18, 25

(260) AM 2012 65276 A
(800) 1097341
(151) 2011 08 19
(181) 2021 08 19
(511) 12

(260) AM 2012 65263 A
(800) 1097207
(151) 2011 06 02
(181) 2021 06 02
(511) 03

(260) AM 2012 65281 A
(800) 1097344
(151) 2011 09 12
(181) 2021 09 12
(511) 01, 02, 17, 19

(260) AM 2012 65267 A
(800) 1097221
(151) 2011 07 14
(181) 2021 07 14
(511) 35, 36

(260) AM 2012 65282 A
(800) 1097358
(151) 2011 10 28
(181) 2021 10 28
(511) 12

(260) AM 2012 65268 A
(800) 1097249
(151) 2011 10 24
(181) 2021 10 24
(511) 09

(260) AM 2012 65283 A
(800) 1097379
(151) 2011 08 24
(181) 2021 08 24
(511) 03

(260) AM 2012 65285 A
(800) 1097408
(151) 2011 10 26
(181) 2021 10 26
(511) 32, 33

(260) AM 2012 65286 A
(800) 1097422
(151) 2011 10 11
(181) 2021 10 11
(511) 30

(260) AM 2012 65297 A
(800) 405267
(151) 2004 02 01
(181) 2014 02 01
(511) 33

(260) AM 2012 65298 A
(800) 465426
(151) 2001 11 19
(181) 2011 11 19
(511) 03

(260) AM 2012 65299 A
(800) 494239
(151) 2005 05 31
(181) 2015 05 31
(511) 01, 03

(260) AM 2012 65301 A
(800) 511907
(151) 2007 04 15
(181) 2017 04 15
(511) 19

(260) AM 2012 65302 A
(800) 519006
(151) 2007 12 17
(181) 2017 12 17
(511) 11

(260) AM 2012 65479 A
(800) 1098501
(151) 2011 09 21
(181) 2021 09 21
(511) 18, 25

(260) AM 2012 65480 A
(800) 1098512
(151) 2011 08 11

(181) 2021 08 11
(511) 38, 41, 42

(260) AM 2012 65492 A
(800) 1098660
(151) 2011 10 28
(181) 2021 10 28
(511) 12

(260) AM 2012 65493 A
(800) 1098678
(151) 2011 07 12
(181) 2021 07 12
(511) 03, 16

(260) AM 2012 65494 A
(800) 1098691
(151) 2011 10 25
(181) 2021 10 25
(511) 30

(260) AM 2012 65495 A
(800) 1098712
(151) 2011 06 16
(181) 2021 06 16
(511) 04, 06, 16, 20, 21

(260) AM 2012 65500 A
(800) 1098716
(151) 2011 10 26
(181) 2021 10 26
(511) 24

(260) AM 2012 65501 A
(800) 1098724
(151) 2011 10 13
(181) 2021 10 13
(511) 33

(260) AM 2012 65504 A
(800) 1098780
(151) 2011 08 24
(181) 2021 08 24
(511) 01, 30

(260) AM 2012 65517 A
(800) 1098827
(151) 2011 10 27
(181) 2021 10 27
(511) 33

(260) AM 2012 65519 A
(800) 1098845
(151) 2011 11 22
(181) 2021 11 22
(511) 03

(260) AM 2012 65520 A
(800) 1098882
(151) 2011 11 08
(181) 2021 11 08
(511) 12

(260) AM 2012 65521 A
(800) 1098930
(151) 2011 10 19
(181) 2021 10 19
(511) 06

(260) AM 2012 65522 A
(800) 1098946
(151) 2011 11 10
(181) 2021 11 10
(511) 06

(260) AM 2012 65523 A
(800) 1098949
(151) 2011 09 21
(181) 2021 09 21
(511) 18, 25

(260) AM 2012 65524 A
(800) 1098959
(151) 2011 11 02
(181) 2021 11 02
(511) 28

(260) AM 2012 65540 A
(800) 1099084
(151) 2011 11 03
(181) 2021 11 03
(511) 05

(260) AM 2012 65541 A
(800) 1099085
(151) 2011 11 03
(181) 2021 11 03
(511) 05

(260) AM 2012 65542 A
(800) 1099096
(151) 2011 09 23

(181) 2021 09 23
(511) 03

(260) AM 2012 65543 A
(800) 1099137
(151) 2011 11 02
(181) 2021 11 02
(511) 11

(260) AM 2012 65544 A
(800) 1099145
(151) 2011 09 17
(181) 2021 09 17
(511) 05

(260) AM 2012 65545 A
(800) 1099183
(151) 2011 11 07
(181) 2021 11 07
(511) 25

(260) AM 2012 65546 A
(800) 1099189
(151) 2011 05 03
(181) 2021 05 03
(511) 07, 08, 09, 17, 37, 38

(260) AM 2012 65547 A
(800) 1099190
(151) 2011 05 03
(181) 2021 05 03
(511) 07, 08, 09, 17, 37, 38

(260) AM 2012 65549 A
(800) 1099193
(151) 2011 05 03
(181) 2021 05 03
(511) 07, 08, 09, 17, 37, 38

(260) AM 2012 65550 A
(800) 1099204
(151) 2011 06 14
(181) 2021 06 14
(511) 33

(260) AM 2012 65551 A
(800) 1099215
(151) 2011 10 14
(181) 2021 10 14
(511) 43

(260) AM 2012 65552 A
(800) 1099217
(151) 2010 12 13
(181) 2020 12 13
(511) 01, 02, 04, 06, 07, 09, 12, 17, 37

(260) AM 2012 65555 A
(800) 1099249
(151) 2011 10 31
(181) 2021 10 31
(511) 32

(260) AM 2012 65556 A
(800) 1099257
(151) 2011 05 31
(181) 2021 05 31
(511) 03

(260) AM 2012 65558 A
(800) 1099268
(151) 2011 07 19
(181) 2021 07 19
(511) 05

(260) AM 2012 65559 A
(800) 1099319
(151) 2011 10 26
(181) 2021 10 26
(511) 03, 05

(260) AM 2012 65560 A
(800) 1099322
(151) 2011 10 10
(181) 2021 10 10
(511) 06, 07, 12

(260) AM 2012 65561 A
(800) 1099329
(151) 2011 11 03
(181) 2021 11 03
(511) 05

(260) AM 2012 65562 A
(800) 1099330
(151) 2011 11 03
(181) 2021 11 03
(511) 05

(260) AM 2012 65585 A
(800) 565660
(151) 2011 01 03

(181) 2021 01 03
(511) 10

(260) AM 2012 65590 A
(800) 770526
(151) 2011 11 15
(181) 2021 11 15
(511) 16, 35, 41

(260) AM 2012 65592 A
(800) 790162
(151) 2002 08 22
(181) 2012 08 22
(511) 25

(260) AM 2012 65593 A
(800) 806431
(151) 2003 05 19
(181) 2013 05 19
(511) 03, 30

(260) AM 2012 65594 A
(800) 822268
(151) 2004 03 16
(181) 2014 03 16
(511) 33

(260) AM 2012 65595 A
(800) 822288
(151) 2004 03 16
(181) 2014 03 16
(511) 33

(260) AM 2012 65639 A
(800) 1099914
(151) 2011 09 28
(181) 2021 09 28
(511) 30

(260) AM 2012 65640 A
(800) 1099940
(151) 2011 10 17
(181) 2021 10 17
(511) 05

(260) AM 2012 65641 A
(800) 1099947
(151) 2011 11 15
(181) 2021 11 15
(511) 20, 42

(260) AM 2012 65642 A
(800) 1099955
(151) 2011 08 10
(181) 2021 08 10
(511) 05, 29, 30

(260) AM 2012 65643 A
(800) 1100042
(151) 2011 04 21
(181) 2021 04 21
(511) 01, 04, 06, 07, 09, 11, 37, 41, 42

(260) AM 2012 65645 A
(800) 1100051
(151) 2011 07 06
(181) 2021 07 06
(511) 01

(260) AM 2012 65646 A
(800) 1100054
(151) 2011 07 08
(181) 2021 07 08
(511) 01, 02, 03, 06, 11, 17, 19, 24, 27, 37

(260) AM 2012 65648 A
(800) 1100063
(151) 2011 05 11
(181) 2021 05 11
(511) 05

(260) AM 2012 65649 A
(800) 1100073
(151) 2011 10 18
(181) 2021 10 18
(511) 03

(260) AM 2012 65650 A
(800) 1100080
(151) 2011 10 07
(181) 2021 10 07
(511) 01, 05, 31

(260) AM 2012 65652 A
(800) 1100086
(151) 2011 09 07
(181) 2021 09 07
(511) 11

(260) AM 2012 65653 A
(800) 1100112
(151) 2011 10 20

(181) 2021 10 20
(511) 30

(260) AM 2012 65655 A
(800) 1100139
(151) 2011 11 24
(181) 2021 11 24
(511) 16

(260) AM 2012 65656 A
(800) 1100140
(151) 2011 11 24
(181) 2021 11 24
(511) 16

(260) AM 2012 65657 A
(800) 1100143
(151) 2011 10 06
(181) 2021 10 06
(511) 05

(260) AM 2012 65658 A
(800) 1100182
(151) 2011 10 10
(181) 2021 10 10
(511) 11

(260) AM 2012 65659 A
(800) 1100221
(151) 2011 11 18
(181) 2021 11 18
(511) 32, 33, 43

(260) AM 2012 65660 A
(800) 1100228
(151) 2011 11 11
(181) 2021 11 11
(511) 14, 18, 25

(260) AM 2012 65661 A
(800) 1100233
(151) 2011 10 03
(181) 2021 10 03
(511) 33

(260) AM 2012 65672 A
(800) 1100238
(151) 2011 10 19
(181) 2021 10 19
(511) 03

(260) AM 2012 65673 A
(800) 1100241
(151) 2011 10 18
(181) 2021 10 18
(511) 30

(260) AM 2012 65675 A
(800) 1100247
(151) 2011 04 18
(181) 2021 04 18
(511) 17

(260) AM 2012 65679 A
(800) 1100323
(151) 2011 10 19
(181) 2021 10 19
(511) 07, 09, 11

(260) AM 2012 65683 A
(800) 1100397
(151) 2011 09 30
(181) 2021 09 30
(511) 19, 20

(260) AM 2012 65689 A
(800) 1100431
(151) 2011 11 24
(181) 2021 11 24
(511) 25

(260) AM 2012 65690 A
(800) 1100464
(151) 2011 09 21
(181) 2021 09 21
(511) 25, 35

(260) AM 2012 65691 A
(800) 1100484
(151) 2011 06 29
(181) 2021 06 29
(511) 21

(260) AM 2012 65692 A
(800) 1100488
(151) 2011 10 14
(181) 2021 10 14
(511) 05, 09, 21

(260) AM 2012 65693 A
(800) 1100490
(151) 2011 10 21

(181) 2021 10 21
(511) 05

(260) AM 2012 65694 A
(800) 1100493
(151) 2011 10 03
(181) 2021 10 03
(511) 33

(260) AM 2012 65695 A
(800) 1100515
(151) 2011 06 17
(181) 2021 06 17
(511) 29

(260) AM 2012 65696 A
(800) 1100543
(151) 2011 09 22
(181) 2021 09 22
(511) 06, 08, 20

(260) AM 2012 65697 A
(800) 1100561
(151) 2011 10 25
(181) 2021 10 25
(511) 30

(260) AM 2012 65698 A
(800) 1100573
(151) 2011 10 28
(181) 2021 10 28
(511) 03

(260) AM 2012 65699 A
(800) 1100598
(151) 2011 11 24
(181) 2021 11 24
(511) 19, 21

(260) AM 2012 65700 A
(800) 1100603
(151) 2011 11 24
(181) 2021 11 24
(511) 07

(260) AM 2012 65701 A
(800) 1100606
(151) 2011 11 23
(181) 2021 11 23
(511) 05, 16, 44

(260) AM 2012 65704 A
(800) 1100778
(151) 2011 11 24
(181) 2021 11 24
(511) 01, 02, 17

(260) AM 2012 65705 A
(800) 1100780
(151) 2011 11 24
(181) 2021 11 24
(511) 11

(260) AM 2012 65707 A
(800) 763560
(151) 2011 07 19
(181) 2021 07 19
(511) 09, 36, 39

(260) AM 2012 65708 A
(800) 789755
(151) 2002 09 26
(181) 2012 09 26
(511) 05

(260) AM 2012 65709 A
(800) 850948
(151) 2005 03 16
(181) 2015 03 16
(511) 09, 41

(260) AM 2012 65710 A
(800) 870474
(151) 2005 09 17
(181) 2015 09 17
(511) 03

(260) AM 2012 65711 A
(800) 905981
(151) 2006 10 30
(181) 2016 10 30
(511) 08, 11, 16, 20, 21, 24, 27, 28, 35

(260) AM 2012 65716 A
(800) 1094832
(151) 2011 08 04
(181) 2021 08 04
(511) 01, 07, 11, 17

(260) AM 2012 65718 A
(800) 1100808
(151) 2011 10 18

(181) 2021 10 18
(511) 09, 16, 41, 42

(260) AM 2012 65719 A
(800) 1100823
(151) 2011 11 15
(181) 2021 11 15
(511) 14, 18, 25, 28

(260) AM 2012 65728 A
(800) 1100885
(151) 2011 09 22
(181) 2021 09 22
(511) 33

(260) AM 2012 65729 A
(800) 1100894
(151) 2011 02 22
(181) 2021 02 22
(511) 05, 29, 30

(260) AM 2012 65730 A
(800) 1100895
(151) 2011 09 29
(181) 2021 09 29
(511) 30

(260) AM 2012 65734 A
(800) 1100936
(151) 2011 07 05
(181) 2021 07 05
(511) 19

(260) AM 2012 65735 A
(800) 1100940
(151) 2011 08 19
(181) 2021 08 19
(511) 09, 18, 20, 22, 24, 25, 28, 35, 41

(260) AM 2012 65736 A
(800) 1100944
(151) 2011 08 23
(181) 2021 08 23
(511) 06, 07, 09, 11, 17, 37, 41, 42

(260) AM 2012 65737 A
(800) 1100983
(151) 2011 10 19
(181) 2021 10 19
(511) 05

(260) AM 2012 65738 A
(800) 1101056
(151) 2011 10 12
(181) 2021 10 12
(511) 03

(260) AM 2012 65739 A
(800) 1101100
(151) 2011 11 24
(181) 2021 11 24
(511) 07

(260) AM 2012 65746 A
(800) 1101106
(151) 2011 10 26
(181) 2021 10 26
(511) 05

(260) AM 2012 65748 A
(800) 1101151
(151) 2011 09 05
(181) 2021 09 05
(511) 05

(260) AM 2012 65763 A
(800) 1101162
(151) 2011 05 06
(181) 2021 05 06
(511) 12

(260) AM 2012 65765 A
(800) 1101173
(151) 2011 08 10
(181) 2021 08 10
(511) 18, 25

(260) AM 2012 65766 A
(800) 1101178
(151) 2011 08 23
(181) 2021 08 23
(511) 06, 07, 09, 11, 17, 37, 41, 42

(260) AM 2012 65768 A
(800) 1101182
(151) 2011 08 18
(181) 2021 08 18
(511) 30

(260) AM 2012 65769 A
(800) 1101192
(151) 2011 10 12

(181) 2021 10 12
(511) 35

(260) AM 2012 65773 A
(800) 1101250
(151) 2011 10 12
(181) 2021 10 12
(511) 05

(260) AM 2012 65774 A
(800) 1101251
(151) 2011 10 12
(181) 2021 10 12
(511) 05

(260) AM 2012 65775 A
(800) 1101382
(151) 2011 11 02
(181) 2021 11 02
(511) 07, 08

(260) AM 2012 65777 A
(800) 1101414
(151) 2011 07 18
(181) 2021 07 18
(511) 29, 30

(260) AM 2012 65781 A
(800) 1101486
(151) 2011 11 22
(181) 2021 11 22
(511) 02, 17

(260) AM 2012 65785 A
(800) 1101528
(151) 2011 11 18
(181) 2021 11 18
(511) 30

(260) AM 2012 65796 A
(800) 1101732
(151) 2011 09 30
(181) 2021 09 30
(511) 39

(260) AM 2012 65797 A
(800) 1101735
(151) 2011 10 13
(181) 2021 10 13
(511) 30

(260) AM 2012 65800 A
(800) 730741
(151) 2010 03 24
(181) 2020 03 24
(511) 34

(260) AM 2012 65803 A
(800) 839258
(151) 2004 06 02
(181) 2014 06 02
(511) 35, 41, 42, 44

(260) AM 2012 65805 A
(800) 910275
(151) 2006 11 15
(181) 2016 11 15
(511) 25

(260) AM 2012 65806 A
(800) 1058896A
(151) 2010 07 08
(181) 2020 07 08
(511) 09, 35, 36, 41

(260) AM 2012 65808 A
(800) 1034001
(151) 2009 06 05
(181) 2019 06 05
(511) 09, 35, 42

(260) AM 2012 65811 A
(800) 1051601
(151) 2010 08 10
(181) 2020 08 10
(511) 43

(260) AM 2012 65812 A
(800) 1051915
(151) 2010 08 10
(181) 2020 08 10
(511) 43

(260) AM 2012 65814 A
(800) 1101779
(151) 2011 10 14
(181) 2021 10 14
(511) 19, 20

(260) AM 2012 65817 A
(800) 1101782
(151) 2011 06 13

(181) 2021 06 13
(511) 16, 35, 36, 39, 40

(260) AM 2012 65818 A
(800) 1101792
(151) 2011 11 18
(181) 2021 11 18
(511) 03, 05

(260) AM 2012 65819 A
(800) 1101807
(151) 2011 05 03
(181) 2021 05 03
(511) 30, 43

(260) AM 2012 65824 A
(800) 1101881
(151) 2011 10 31
(181) 2021 10 31
(511) 11, 19, 21

(260) AM 2012 65832 A
(800) 1101893
(151) 2011 11 23
(181) 2021 11 23
(511) 03

(260) AM 2012 65833 A
(800) 1101941
(151) 2011 06 07
(181) 2021 06 07
(511) 03, 05, 16, 21, 35

(260) AM 2012 65836 A
(800) 1101942
(151) 2011 06 22
(181) 2021 06 22
(511) 09, 11

(260) AM 2012 65837 A
(800) 1101953
(151) 2011 07 22
(181) 2021 07 22
(511) 32

(260) AM 2012 65846 A
(800) 1102135
(151) 2011 11 02
(181) 2021 11 02
(511) 25

(260) AM 2012 65850 A
(800) 1102228
(151) 2011 11 15
(181) 2021 11 15
(511) 18, 25

(260) AM 2012 65851 A
(800) 1102240
(151) 2011 11 08
(181) 2021 11 08
(511) 30

(260) AM 2012 65853 A
(800) 1102299
(151) 2011 11 15
(181) 2021 11 15
(511) 18, 25

(260) AM 2012 65889 A
(800) 1102475
(151) 2011 10 27
(181) 2021 10 27
(511) 36, 38, 45

(260) AM 2012 65902 A
(800) 1102680
(151) 2011 11 02
(181) 2021 11 02
(511) 03, 05

(260) AM 2012 65920 A
(800) 1102786
(151) 2011 06 14
(181) 2021 06 14
(511) 03, 14, 18, 24, 25

(260) AM 2012 65922 A
(800) 1102821
(151) 2011 11 22
(181) 2021 11 22
(511) 16, 35, 41

(260) AM 2012 65924 A
(800) 1102850
(151) 2011 10 31
(181) 2021 10 31
(511) 12, 28, 42

(260) AM 2012 65926 A
(800) 1102870
(151) 2011 09 21

(181) 2021 09 21
(511) 02

(260) AM 2012 65927 A
(800) 1102878
(151) 2011 11 14
(181) 2021 11 14
(511) 05

(260) AM 2012 65928 A
(800) 1102883
(151) 2011 07 27
(181) 2021 07 27
(511) 07

(260) AM 2012 65929 A
(800) 1102886
(151) 2011 11 30
(181) 2021 11 30
(511) 05

(260) AM 2012 65930 A
(800) 1102891
(151) 2011 12 06
(181) 2021 12 06
(511) 09

(260) AM 2012 65932 A
(800) 1102905
(151) 2011 08 17
(181) 2021 08 17
(511) 09, 12, 37, 41

(260) AM 2012 65934 A
(800) 1102951
(151) 2011 10 10
(181) 2021 10 10
(511) 11, 19, 20

(260) AM 2012 65935 A
(800) 1102967
(151) 2011 12 07
(181) 2021 12 07
(511) 11

(260) AM 2012 65936 A
(800) 1102971
(151) 2011 12 14
(181) 2021 12 14
(511) 03

(260) AM 2012 65937 A
(800) 1102992
(151) 2011 10 31
(181) 2021 10 31
(511) 12

(260) AM 2012 65938 A
(800) 1005736
(151) 2009 01 19
(181) 2019 01 19
(511) 16, 20

(260) AM 2012 65939 A
(800) 752218
(151) 2010 07 20
(181) 2020 07 20
(511) 05, 10, 16

(260) AM 2012 65991 A
(800) 1103273
(151) 2011 09 20
(181) 2021 09 20
(511) 35, 38, 41

(260) AM 2012 65992 A
(800) 1103276
(151) 2011 10 19
(181) 2021 10 19
(511) 02

(260) AM 2012 66019 A
(800) 1103403
(151) 2011 12 14
(181) 2021 12 14
(511) 34

(260) AM 2012 66028 A
(800) 1103417
(151) 2011 11 22
(181) 2021 11 22
(511) 05

(260) AM 2012 66030 A
(800) 1103488
(151) 2011 12 13
(181) 2021 12 13
(511) 38, 41, 42

(260) AM 2012 66033 A
(800) 1103505
(151) 2011 06 07

(181) 2021 06 07
(511) 05

(260) AM 2012 66034 A
(800) 1103521
(151) 2011 12 12
(181) 2021 12 12
(511) 02, 17

(260) AM 2012 66035 A
(800) 1103523
(151) 2011 10 19
(181) 2021 10 19
(511) 05, 09, 21

(260) AM 2012 66078 A
(800) 1103744
(151) 2011 10 03
(181) 2021 10 03
(511) 05

(260) AM 2012 66086 A
(800) 1103745
(151) 2011 09 30
(181) 2021 09 30
(511) 05

(260) AM 2012 66088 A
(800) 1103746
(151) 2011 09 30
(181) 2021 09 30
(511) 05

(260) AM 2012 66089 A
(800) 1103749
(151) 2011 12 13
(181) 2021 12 13
(511) 12, 35, 36, 37

(260) AM 2012 66090 A
(800) 1103764
(151) 2011 11 30
(181) 2021 11 30
(511) 18

(260) AM 2012 66092 A
(800) 1103770
(151) 2011 08 16
(181) 2021 08 16
(511) 25

(260) AM 2012 66093 A
(800) 1103771
(151) 2011 08 02
(181) 2021 08 02
(511) 35, 36, 41, 42

(260) AM 2012 66094 A
(800) 1103784
(151) 2011 09 21
(181) 2021 09 21
(511) 05

(260) AM 2012 66096 A
(800) 1103796
(151) 2011 11 11
(181) 2021 11 11
(511) 30

(260) AM 2012 66097 A
(800) 1103797
(151) 2011 11 11
(181) 2021 11 11
(511) 30

(260) AM 2012 66098 A
(800) 1103831
(151) 2011 08 22
(181) 2021 08 22
(511) 09, 37, 39, 42

(260) AM 2012 66099 A
(800) 1103854
(151) 2011 12 05
(181) 2021 12 05
(511) 35, 36

(260) AM 2012 66100 A
(800) 1103856
(151) 2011 12 02
(181) 2021 12 02
(511) 09, 38, 41

(260) AM 2012 66154 A
(800) 1104387
(151) 2011 12 21
(181) 2021 12 21
(511) 18, 25, 35, 39

(260) AM 2012 66183 A
(800) 1104516
(151) 2011 07 07

(181) 2021 07 07
(511) 25

(260) AM 2012 66184 A
(800) 1104594
(151) 2011 12 16
(181) 2021 12 16
(511) 34

(260) AM 2012 66185 A
(800) 1104604
(151) 2011 09 19
(181) 2021 09 19
(511) 25

(260) AM 2012 66186 A
(800) 1104609
(151) 2011 12 23
(181) 2021 12 23
(511) 30, 32

(260) AM 2012 66187 A
(800) 1104613
(151) 2011 11 25
(181) 2021 11 25
(511) 25

(260) AM 2012 66188 A
(800) 1104623
(151) 2011 11 08
(181) 2021 11 08
(511) 09

(260) AM 2012 66190 A
(800) 1104653
(151) 2011 11 24
(181) 2021 11 24
(511) 28

(260) AM 2012 66191 A
(800) 1104666
(151) 2011 07 25
(181) 2021 07 25
(511) 07, 11, 37, 42

(260) AM 2012 66192 A
(800) 1104678
(151) 2011 10 07
(181) 2021 10 07
(511) 01, 02, 03, 35

(260) AM 2012 66193 A
(800) 1104701
(151) 2011 11 23
(181) 2021 11 23
(511) 05, 29

(260) AM 2012 66194 A
(800) 1104707
(151) 2011 12 15
(181) 2021 12 15
(511) 06, 19

(260) AM 2012 66195 A
(800) 1104711
(151) 2011 12 15
(181) 2021 12 15
(511) 39, 43

(260) AM 2012 66196 A
(800) 1104739
(151) 2011 10 30
(181) 2021 10 30
(511) 03

(260) AM 2012 66197 A
(800) 1104747
(151) 2011 11 15
(181) 2021 11 15
(511) 03, 05, 31

(260) AM 2012 66198 A
(800) 1104748
(151) 2011 11 15
(181) 2021 11 15
(511) 03, 05, 31

(260) AM 2012 66210 A
(800) 1104749
(151) 2010 10 28
(181) 2020 10 28
(511) 33

(260) AM 2012 66212 A
(800) 1104774
(151) 2011 06 21
(181) 2021 06 21
(511) 03, 09, 14, 16, 18, 20, 21, 25, 26, 28, 35

(260) AM 2012 66213 A
(800) 1104779
(151) 2011 07 21

(181) 2021 07 21
(511) 03, 24, 25

(260) AM 2012 66214 A
(800) 1104780
(151) 2011 07 28
(181) 2021 07 28
(511) 05

(260) AM 2012 66256 A
(800) 1105095
(151) 2011 09 15
(181) 2021 09 15
(511) 05

(260) AM 2012 66258 A
(800) 1105111
(151) 2011 11 15
(181) 2021 11 15
(511) 05

(260) AM 2012 66259 A
(800) 1105112
(151) 2011 11 15
(181) 2021 11 15
(511) 05

(260) AM 2012 66260 A
(800) 1105113
(151) 2011 11 15
(181) 2021 11 15
(511) 05

(260) AM 2012 66261 A
(800) 1105114
(151) 2011 11 15
(181) 2021 11 15
(511) 05

(260) AM 2012 66262 A
(800) 1105120
(151) 2011 12 02
(181) 2021 12 02
(511) 14

(260) AM 2012 66263 A
(800) 1105121
(151) 2011 12 13
(181) 2021 12 13
(511) 07

(260) AM 2012 66264 A
(800) 1105142
(151) 2011 11 10
(181) 2021 11 10
(511) 29

(260) AM 2012 66265 A
(800) 231048
(151) 2010 04 28
(181) 2020 04 28
(511) 05

(260) AM 2012 66267 A
(800) 866131
(151) 2005 10 04
(181) 2015 10 04
(511) 05

(260) AM 2012 66268 A
(800) 867535
(151) 2005 09 19
(181) 2015 09 19
(511) 33

(260) AM 2012 66269 A
(800) 957796
(151) 2008 01 21
(181) 2018 01 21
(511) 05

(260) AM 2012 66270 A
(800) 963997
(151) 2007 12 28
(181) 2017 12 28
(511) 09, 36, 37

(260) AM 2012 66372 A
(800) 1106062
(151) 2011 12 19
(181) 2021 12 19
(511) 30, 32, 33

(260) AM 2012 66373 A
(800) 1106088
(151) 2011 12 19
(181) 2021 12 19
(511) 05

(260) AM 2012 66374 A
(800) 1106089
(151) 2011 12 19

(181) 2021 12 19
(511) 05

(260) AM 2012 66377 A
(800) 1106104
(151) 2012 01 02
(181) 2022 01 02
(511) 03

(260) AM 2012 66379 A
(800) 1106108
(151) 2011 12 12
(181) 2021 12 12
(511) 05

(260) AM 2012 66380 A
(800) 1106109
(151) 2011 12 12
(181) 2021 12 12
(511) 05

(260) AM 2012 66381 A
(800) 1106110
(151) 2011 12 12
(181) 2021 12 12
(511) 05

(260) AM 2012 66382 A
(800) 1106111
(151) 2011 12 12
(181) 2021 12 12
(511) 05

(260) AM 2012 66383 A
(800) 1106112
(151) 2011 12 12
(181) 2021 12 12
(511) 05

(260) AM 2012 66384 A
(800) 1106113
(151) 2011 12 12
(181) 2021 12 12
(511) 05

(260) AM 2012 66388 A
(800) 1106114
(151) 2011 12 12
(181) 2021 12 12
(511) 05

(260) AM 2012 66389 A
(800) 1106115
(151) 2011 12 12
(181) 2021 12 12
(511) 05

(260) AM 2012 66390 A
(800) 1106118
(151) 2012 01 23
(181) 2022 01 23
(511) 03

(260) AM 2012 66395 A
(800) 1106134
(151) 2011 06 27
(181) 2021 06 27
(511) 18, 25, 35

(260) AM 2012 66396 A
(800) 1106135
(151) 2011 06 30
(181) 2021 06 30
(511) 18, 25, 35

(260) AM 2012 66397 A
(800) 1106151
(151) 2011 10 20
(181) 2021 10 20
(511) 05

(260) AM 2012 66398 A
(800) 1106152
(151) 2011 10 20
(181) 2021 10 20
(511) 05

(260) AM 2012 66399 A
(800) 1106153
(151) 2011 10 20
(181) 2021 10 20
(511) 05

(260) AM 2012 66428 A
(800) 1084258
(151) 2011 05 23
(181) 2021 05 23
(511) 43

(260) AM 2012 66429 A
(800) 365429
(151) 2010 01 22

(181) 2020 01 22
(511) 05

(260) AM 2012 66430 A
(800) 514631
(151) 2007 07 24
(181) 2017 07 24
(511) 03

(260) AM 2012 66431 A
(800) 629056
(151) 2004 11 07
(181) 2014 11 07
(511) 05

(260) AM 2012 66432 A
(800) 761809
(151) 2011 07 24
(181) 2021 07 24
(511) 12

(260) AM 2012 66433 A
(800) 774673
(151) 2011 12 21
(181) 2021 12 21
(511) 05

(260) AM 2012 66434 A
(800) 808436
(151) 2003 07 30
(181) 2013 07 30
(511) 32, 43

(260) AM 2012 66435 A
(800) 820681
(151) 2004 02 24
(181) 2014 02 24
(511) 07

(260) AM 2012 66436 A
(800) 920858
(151) 2006 10 10
(181) 2016 10 10
(511) 20

(260) AM 2012 66437 A
(800) 925230
(151) 2007 04 17
(181) 2017 04 17
(511) 35

(260) AM 2012 66439 A
(800) 940658
(151) 2007 06 22
(181) 2017 06 22
(511) 35, 36, 45

(260) AM 2012 66440 A
(800) 955301
(151) 2008 01 21
(181) 2018 01 21
(511) 05

(260) AM 2012 66442 A
(800) 963626
(151) 2007 04 16
(181) 2017 04 16
(511) 14, 25, 35, 40

(260) AM 2012 66444 A
(800) 1006895
(151) 2009 06 16
(181) 2019 06 16
(511) 29, 30, 32

(260) AM 2012 66467 A
(800) 1106785
(151) 2011 12 06
(181) 2021 12 06
(511) 35

(260) AM 2012 66473 A
(800) 1106805
(151) 2011 12 12
(181) 2021 12 12
(511) 03, 18, 25

(260) AM 2012 66477 A
(800) 1106819
(151) 2011 11 25
(181) 2021 11 25
(511) 27, 35

(260) AM 2012 66478 A
(800) 1106842
(151) 2011 12 08
(181) 2021 12 08
(511) 05

(260) AM 2012 66479 A
(800) 1106872
(151) 2011 08 12

(181) 2021 08 12
(511) 03, 18, 25

(260) AM 2012 66480 A
(800) 1106879
(151) 2011 09 20
(181) 2021 09 20
(511) 09, 16, 35, 38

(260) AM 2012 66498 A
(800) 1106890
(151) 2011 10 12
(181) 2021 10 12
(511) 05

(260) AM 2012 66499 A
(800) 1106891
(151) 2011 10 12
(181) 2021 10 12
(511) 05

(260) AM 2012 66500 A
(800) 1106895
(151) 2011 10 12
(181) 2021 10 12
(511) 05

(260) AM 2012 66501 A
(800) 1106896
(151) 2011 12 10
(181) 2021 12 10
(511) 05

(260) AM 2012 66503 A
(800) 1106941
(151) 2011 12 29
(181) 2021 12 29
(511) 09, 44

(260) AM 2012 66504 A
(800) 1106942
(151) 2011 12 21
(181) 2021 12 21
(511) 25, 28, 35

(260) AM 2012 66505 A
(800) 1106948
(151) 2012 01 06
(181) 2022 01 06
(511) 16, 36, 38, 42

(260) AM 2012 66507 A
(800) 1106950
(151) 2012 01 16
(181) 2022 01 16
(511) 03, 16

(260) AM 2012 66514 A
(800) 1107049
(151) 2011 09 30
(181) 2021 09 30
(511) 39

(260) AM 2012 66515 A
(800) 1107084
(151) 2012 01 19
(181) 2022 01 19
(511) 29

(260) AM 2012 66520 A
(800) 1107092
(151) 2012 01 17
(181) 2022 01 17
(511) 14

(260) AM 2012 66575 A
(800) 1107663
(151) 2011 12 30
(181) 2021 12 30
(511) 05, 12, 26, 28, 30, 31, 32, 39, 43, 44, 45

(260) AM 2012 66576 A
(800) 1107677
(151) 2011 12 22
(181) 2021 12 22
(511) 29

(260) AM 2012 66577 A
(800) 1107697
(151) 2011 09 09
(181) 2021 09 09
(511) 03, 09, 18, 25

(260) AM 2012 66578 A
(800) 1107700
(151) 2011 11 14
(181) 2021 11 14
(511) 03, 25

(260) AM 2012 66580 A
(800) 1107707
(151) 2011 12 07

(181) 2021 12 07
(511) 34

(260) AM 2012 66581 A
(800) 1107716
(151) 2011 08 10
(181) 2021 08 10
(511) 07, 08, 09, 11

(260) AM 2012 66582 A
(800) 1107720
(151) 2011 08 15
(181) 2021 08 15
(511) 09

(260) AM 2012 66583 A
(800) 1107741
(151) 2011 12 07
(181) 2021 12 07
(511) 30

(260) AM 2012 66586 A
(800) 1107786
(151) 2011 12 07
(181) 2021 12 07
(511) 35

(260) AM 2012 66589 A
(800) 1107800
(151) 2012 01 13
(181) 2022 01 13
(511) 07, 11

APPELLATIONS OF ORIGIN AND GEOGRAPHICAL INDICATIONS OF GOODS

THE RIGHT TO USE OF REGISTERED APPELLATIONS OF ORIGIN OF GOODS

Registered Appellations of Origin of Goods: **BORJOMI**

The Right to Use: LTD "IDS Borjomi Beverages Co. N.V.

Pareraweg 45, Curacao, Antiliis kundzulebi (Niderlandebis), AN

Number of Registration: 824/1-13

Valid: 2014 03 29

OFFICIAL NOTIFICATIONS

TRADEMARKS

RENEWAL OF REGISTRATIONS

(111) M 2002 14605 R1

(156) 2013 03 11

(186) 2022 09 13

(732) Joint-Stock Company

"Nobel ilac Sanayii Ve Ticaret anonim
sirketi"-is tsarm. saqartveloshi;
Tavisuflebis moedani N4, 0105, Tbilisi,
Georgia

(111) M 2002 14607 R1

(156) 2013 03 11

(186) 2022 09 13

(732) Joint-Stock Company

"Nobel ilac Sanayii Ve Ticaret anonim
sirketi"-is tsarm. saqartveloshi;
Tavisuflebis moedani N4, 0105, Tbilisi,
Georgia

(111) M 2002 14608 R1

(156) 2013 03 11

(186) 2022 09 13

(732) Joint-Stock Company

"Nobel ilac Sanayii Ve Ticaret anonim
sirketi"-is tsarm. saqartveloshi;
Tavisuflebis moedani N4, 0105, Tbilisi,
Georgia

(111) M 2003 14909 R1

(156) 2013 01 30

(186) 2023 01 30

(732) Obshchestvo s ogranichenoi otvetstvenosti

"Obiedinennie Pivovarni Heineken"
Ul. Telmana, dom 24, liter "A", 193230,
Sankt-Peterburgi, Russian Federation

(111) M 2003 14910 R1

(156) 2013 01 30

(186) 2023 01 30

(732) Obshchestvo s ogranichenoi otvetstvenosti

"Obiedinennie Pivovarni Heineken"
Ul. Telmana, dom 24, liter "A", 193230,
Sankt-Peterburgi, Russian Federation

(111) M 2003 14937 R1

(156) 2013 01 30

(186) 2023 01 30

(732) PRINGLES S.A.R.L.

560A Rue de Neudorf, Luxembourg, L-2220,
Luxembourg

(111) M 2003 15025 R1

(156) 2013 03 25

(186) 2023 03 25

(732) Joint-Stock Company "ARMEN AMIK

EGPAIRNER"
PA, Kotaykskiy marz, Gegashen Armenia

(111) M 2003 15107 R1

(156) 2013 04 30

(186) 2023 04 30

(732) AMGEN INC.

One Amgen Center Drive, Thousand Oaks,
California 91320-1799, USA

(111) M 2003 15108 R1

(156) 2013 04 30

(186) 2023 04 30

(732) NARCISO RODRIGUES CORPORATION

30 Irving Place, 9th Floor, New York,
New York 10003, USA

(111) M 2003 15192 R1

(156) 2013 06 27

(186) 2023 06 27

(732) WYETH HOLDINGS CORPORATION

Five Giralda Farms, Madison, New Jersey
07940-0874, USA

(111) M 2003 15352 R1

(156) 2013 12 15

(186) 2023 12 15

(732) ABBOTT BIOTECHNOLOGY LTD

Clarendon House, 2 Church Street,
Hamilton HM 11, Bermuda

COMPLETE TRANSFER OF RIGHTS

(111) M 2003 014909 R1
(732) Obshchestvo s ogranichenoi otvetstvenostiu
"Obiedinennie Pivovarni Heineken"
Ul. Telmana, dom 24, liter "A", 193230,
Sankt-Peterburgi, Russian Federation
(770) Barrel Holdings Limited
Arch. Makariou III, 195, NEOCLEOUS
HOUSE, 3030, Limassol, Cyprus
(580) 2013 03 20

(111) M 2003 014910 R1
(732) Obshchestvo s ogranichenoi otvetstvenostiu
"Obiedinennie Pivovarni Heineken"
Ul. Telmana, dom 24, liter "A", 193230,
Sankt-Peterburgi, Russian Federation
(770) Barrel Holdings Limited
Arch. Makariou III, 195, NEOCLEOUS
HOUSE, 3030, Limassol, Cyprus
(580) 2013 03 20

CHANGES IN NAMES AND/OR ADDRESSES OF OWNERS

(111) M 2003 014909 R1
(732) BARREL HOLDINGS LIMITED
Arch. Makariou III, 195, NEOCLEOUS
HOUSE, 3030, Limassol, Cyprus
(770) BARREL HOLDINGS LIMITED
Arch. Makariou III, 199, NEOCLEOUS
HOUSE, P.C. 3030, Limassol, Cyprus,
Cyprus
(580) 2013 03 20

(111) M 2003 014910 R1
(732) BARREL HOLDINGS LIMITED
Arch. Makariou III, 195, NEOCLEOUS
HOUSE,
3030, Limassol, Cyprus
(770) BARREL HOLDINGS LIMITED
Arch. Makariou III, 199, NEOCLEOUS
HOUSE, P.C. 3030, Limassol, Cyprus,
Cyprus
(580) 2013 03 20

CANCELLING OF TRADEMARK REGISTRATION

(111) M 1999 12397 R
(141) 2009 12 31, Not payment for prolongation of registration on the following of 10 years
(732) ROVER GROUP LIMITED
Coventri, US

(111) M 2000 13599 R
(141) 2011 05 31, Not payment for prolongation of registration on the following of 10 years
(732) LTD "GEORGIAN WINES & SPIRITS COMP.
Sopeli Achinebuli, 2200, Telavi, Georgia

(111) M 2000 13628 R
(141) 2011 06 21, Not payment for prolongation of registration on the following of 10 years
(732) S.C. JOHNSON COMMERCIAL MARKETS, INC.
8310 16 th Street, Sturtevant, Wisconsin
53177, US

(111) M 2000 13652 R
(141) 2011 06 21, Not payment for prolongation of registration on the following of 10 years
(732) Branemark Osseointegration AG
Freulerquetli 10, CH-8750 Glarus, CH

(111) M 2000 13653 R
(141) 2011 06 21, Not payment for prolongation of registration on the following of 10 years
(732) Branemark Osseointegration AG
Freulerquetli 10, CH-8750 Glarus, CH

(111) M 2001 13720 R
(141) 2011 08 01, Not payment for prolongation of registration on the following of 10 years
(732) LTD "EQSKO-GEORGIA"
Didi Kheivnis q. 3, 380014, Tbilisi, GE

(111) M 2001 13721 R
(141) 2011 08 01, Not payment for prolongation of registration on the following of 10 years
(732) LTD "EQSKO-GEORGIA"
Didi Kheivnis q. 3, 380014, Tbilisi, GE

(111) M 2001 13749 R
(141) 2011 08 22, Not payment for prolongation of registration on the following of 10 years
(732) MECCANO
363, Avenue Antoin de Saint Exupery,
Calais, Pas-de-Calais, FR

(111) M 2001 13784 R
(141) 2011 08 23, Not payment for prolongation of registration on the following of 10 years
(732) LTD "GEORGIAN WINES & SPIRITS COMP.
Sopeli Achinebuli, 2200, Telavi, Georgia

(111) M 2001 13785 R
(141) 2011 08 23, Not payment for prolongation of registration on the following of 10 years
(732) LTD "GEORGIAN WINES & SPIRITS COMP.
Sopeli Achinebuli, 2200, Telavi, Georgia

(111) M 2001 13786 R
(141) 2011 08 23, Not payment for prolongation of registration on the following of 10 years
(732) LTD "GEORGIAN WINES & SPIRITS COMP.
Sopeli Achinebuli, 2200, Telavi, Georgia

(111) M 2001 13787 R
(141) 2011 08 23, Not payment for prolongation of registration on the following of 10 years
(732) LTD "GEORGIAN WINES & SPIRITS COMP.
Sopeli Achinebuli, 2200, Telavi, Georgia

(111) M 2001 13788 R
(141) 2011 08 23, Not payment for prolongation of registration on the following of 10 years
(732) LTD "GEORGIAN WINES & SPIRITS COMP.
Sopeli Achinebuli, 2200, Telavi, Georgia

(111) M 2001 13790 R
(141) 2011 08 23, Not payment for prolongation of registration on the following of 10 years
(732) LTD "GEORGIAN WINES & SPIRITS COMP.
Sopeli Achinebuli, 2200, Telavi, Georgia

(111) M 2001 13851 R
(141) 2011 11 30, Not payment for prolongation of registration on the following of 10 years
(732) LTD "SAVANETI-99"
Tamar Mepis q. 35, 1100, Bolnisi, GE

(111) M 2001 13871 R
(141) 2011 11 30, Not payment for prolongation of registration on the following of 10 years
(732) LTD "GEOINZHINIRINGI"
26 Maisis moedani N2, 0171, Tbilisi, GE

(111) M 2001 13880 R
(141) 2011 11 30, Not payment for prolongation of registration on the following of 10 years
(732) LTD "SAVANETI-99"
Tamar Mepis q. 35, 1100, Bolnisi, GE

(111) M 2001 13881 R
(141) 2011 11 30, Not payment for prolongation of registration on the following of 10 years
(732) LTD "SAVANETI-99"
Tamar Mepis q. 35, 1100, Bolnisi, GE

(111) M 2001 13882 R
(141) 2011 11 30, Not payment for prolongation of registration on the following of 10 years
(732) LTD "SAVANETI-99"
Tamar Mepis q. 35, 1100, Bolnisi, GE

(111) M 2001 13906 R
(141) 2011 11 30, Not payment for prolongation of registration on the following of 10 years
(732) Joint-Stock Company "MADNEULI"
Daba Kazreti, 383154, Bolnisi, GE

(111) M 2001 13929 R
(141) 2011 12 14, Not payment for prolongation of registration on the following of 10 years
(732) Joint-Stock Company "KOMPLEKSI"
Iumashevis q. 8, 0151, Tbilisi, GE

(111) M 2001 13930 R
(141) 2011 12 14, Not payment for prolongation of registration on the following of 10 years
(732) JSK "NIZHPHARM"
Salganskaia str. 7, GSP-459 Nizhni Novgorodi, 603600, RU

(111) M 2001 13931 R
(141) 2011 12 28, Not payment for prolongation of registration on the following of 10 years
(732) BRISTOL-MYERS SQUIBB COMPANY
(a Delaware Corporation)
345 Park Avenue, New York, New York
10154, US

(111) M 2001 13933 R
(141) 2011 12 28, Not payment for prolongation of registration on the following of 10 years
(732) LTD "GEORGIAN WINES & SPIRITS COMP."
Sopeli Achinebuli, 2200, Telavi, Georgia

(111) M 2001 13934 R
(141) 2011 12 28, Not payment for prolongation of registration on the following of 10 years
(732) LTD "GEORGIAN WINES & SPIRITS COMP."
Sopeli Achinebuli, 2200, Telavi, Georgia

(111) M 2001 13935 R
(141) 2011 12 28, Not payment for prolongation of registration on the following of 10 years
(732) LTD "GEORGIAN WINES & SPIRITS COMP."
Sopeli Achinebuli, 2200, Telavi, Georgia

(111) M 2001 13936 R
(141) 2011 12 28, Not payment for prolongation of registration on the following of 10 years
(732) LTD "GEORGIAN WINES & SPIRITS COMP."
Sopeli Achinebuli, 2200, Telavi, Georgia

(111) M 2001 13937 R
(141) 2011 12 28, Not payment for prolongation of registration on the following of 10 years
(732) LTD "GEORGIAN WINES & SPIRITS COMP."
Sopeli Achinebuli, 2200, Telavi, Georgia

(111) M 2001 13938 R
(141) 2011 12 28, Not payment for prolongation of registration on the following of 10 years
(732) LTD "GEORGIAN WINES & SPIRITS COMP."
Sopeli Achinebuli, 2200, Telavi, Georgia

(111) M 2001 13939 R
(141) 2011 12 28, Not payment for prolongation of registration on the following of 10 years
(732) LTD "GEORGIAN WINES & SPIRITS COMP."
Sopeli Achinebuli, 2200, Telavi, Georgia

(111) M 2001 13941 R
(141) 2011 12 28, Not payment for prolongation of registration on the following of 10 years
(732) LTD "GEORGIAN WINES & SPIRITS COMP."
Sopeli Achinebuli, 2200, Telavi, Georgia

(111) M 2001 13942 R
 (141) 2011 12 28, Not payment for prolongation of registration on the following of 10 years
 (732) LTD "GEORGIAN WINES & SPIRITS COMP. Sopeli Achinebuli, 2200, Telavi, Georgia

(111) M 2001 13943 R
 (141) 2011 12 28, Not payment for prolongation of registration on the following of 10 years
 (732) LTD "GEORGIAN WINES & SPIRITS COMP. Sopeli Achinebuli, 2200, Telavi, Georgia

(111) M 2001 13944 R
 (141) 2011 12 28, Not payment for prolongation of registration on the following of 10 years
 (732) LTD "GEORGIAN WINES & SPIRITS COMP. Sopeli Achinebuli, 2200, Telavi, Georgia

(111) M 2001 13945 R
 (111) M 2001 13945 R
 (141) 2011 12 28, Not payment for prolongation of registration on the following of 10 years
 (732) LTD "GEORGIAN WINES & SPIRITS COMP. Sopeli Achinebuli, 2200, Telavi, Georgia

(111) M 2001 13946 R
 (141) 2011 12 28, Not payment for prolongation of registration on the following of 10 years
 (732) LTD "GEORGIAN WINES & SPIRITS COMP. Sopeli Achinebuli, 2200, Telavi, Georgia

(111) M 2001 13947 R
 (141) 2011 12 28, Not payment for prolongation of registration on the following of 10 years
 (732) LTD "GEORGIAN WINES & SPIRITS COMP. Sopeli Achinebuli, 2200, Telavi, Georgia

(111) M 2001 13948 R
 (141) 2011 12 28, Not payment for prolongation of registration on the following of 10 years
 (732) LTD "GEORGIAN WINES & SPIRITS COMP. Sopeli Achinebuli, 2200, Telavi, Georgia

(111) M 2001 13949 R
 (141) 2011 12 28, Not payment for prolongation of registration on the following of 10 years
 (732) LTD "GEORGIAN WINES & SPIRITS COMP. Sopeli Achinebuli, 2200, Telavi, Georgia

(111) M 2001 13955 R
 (141) 2011 12 28, Not payment for prolongation of registration on the following of 10 years
 (732) BRITISH AMERICAN TOBACCO (BRANDS) LIMITED
 Globe House, 4 Temple Place, London WC 2R 2PG, GB

(111) M 2001 13956 R
 (141) 2011 12 28, Not payment for prolongation of registration on the following of 10 years
 (732) Aktsionerno Druzhestvo "Bulgartabak-Holding" /shemoklebit AD "Bulgartabak Holding"
 Ul. Graf Ignatievi 62, Sofia 1000, BG

(111) M 2001 13958 R
 (141) 2012 01 20, Not payment for prolongation of registration on the following of 10 years
 (732) Joint-Stock Company "VAZIANI"
 Orkhevi, Akhvledianis Chikhi 8, 380103, Tbilisi, GE

(111) M 2001 13959 R
 (141) 2012 01 20, Not payment for prolongation of registration on the following of 10 years
 (732) IZKA, SOCIETE CIVILE
 202 Route de Charlieu, 42300 Roanne, FR

(111) M 2001 13960 R
 (141) 2012 01 20, Not payment for prolongation of registration on the following of 10 years
 (732) IZKA, SOCIETE CIVILE
 202 Route de Charlieu, 42300 Roanne, FR

(111) M 2001 13961 R
 (141) 2012 01 20, Not payment for prolongation of registration on the following of 10 years
 (732) LTD "KARTU UNIVERSALI"
 Kakhetis Gzatkecili, me-2 chikhi N11, 0120, Tbilisi, GE

(111) M 2001 13966 R
 (141) 2012 01 20, Not payment for prolongation of registration on the following of 10 years
 (732) LTD "GEORGIAN WINES & SPIRITS COMP.
 Sopeli Achinebuli, 2200, Telavi, Georgia

(111) M 2001 13967 R
 (141) 2012 01 20, Not payment for prolongation of registration on the following of 10 years

(732) Glaxo Group Limited
Glaxo Wellcome House, Berkeley Avenue,
Greenford, Middlesex UB6 0NN, GB

(732) UNITED LABELS
AKTIENGESELLSCHAFT
Gildenstrasse 6, D-48157 Munster, DE

(111) M 2001 13970 R
(141) 2012 01 20, Not payment for prolongation of
registration on the following of 10 years
(732) LTD "KARTU UNIVERSALI"
Kakhetis Gzatkecili, me-2 chikhi N11,
0120, Tbilisi, GE

(111) M 2001 13980 R
(141) 2012 03 13, Not payment for prolongation of
registration on the following of 10 years
(732) LTD "Rustavi 2 Onlaini"
Vazha-Pshavelas gamz. 45, 380060,
Tbilisi, GE

(111) M 2001 13971 R
(141) 2012 01 20, Not payment for prolongation of
registration on the following of 10 years
(732) LTD "GEORGIAN WINES & SPIRITS
COMP.
Sopeli Achinebuli, 2200, Telavi, Georgia

(111) M 2001 13981 R
(141) 2012 03 13, Not payment for prolongation of
registration on the following of 10 years
(732) ALCATEL S.A.
54, rue La Boeti, 75008 PARIS, FR

(111) M 2001 13972 R
(141) 2012 02 02, Not payment for prolongation of
registration on the following of 10 years
(732) LTD "ILINOI"
Takaishvilis q. 80, 384500, Batumi, GE

(111) M 2001 13984 R
(141) 2012 03 13, Not payment for prolongation of
registration on the following of 10 years
(732) PFIZER PRODUCTS INC.
a Connecticut Corporation
Eastern Point Road, Groton, Connecticut
06340, US

(111) M 2001 13973 R
(141) 2012 02 02, Not payment for prolongation of
registration on the follo
(732) LTD "GEORGIAN WINES & SPIRITS
COMP.
Sopeli Achinebuli, 2200, Telavi, Georgiaing
of 10 years
(732) LTD "MATRIKSI"
E. Takaishvilis q. 80, 6000, Batumi, GE

(111) M 2001 13987 R
(141) 2012 03 13, Not payment for prolongation of
registration on the following of 10 years
(732) PHILIP MORRIS PRODUCTS INC.
3601 Commerce Road, RICHMOND,
Virginia 23234, US

(111) M 2001 13974 R
(141) 2012 02 02, Not payment for prolongation of
registration on the following of 10 years
(732) LTD "GEORGIAN WINES & SPIRITS
COMP.
Sopeli Achinebuli, 2200, Telavi, Georgia

(111) M 2001 13992 R
(141) 2012 03 13, Not payment for prolongation of
registration on the following of 10 years
(732) AVAYA INC.
211 Mount Airy Road, Basking Ridge,
New Jersey 07920, US

(111) M 2001 13975 R
(141) 2012 02 02, Not payment for prolongation of
registration on the following of 10 years
(732) Glaxo Group Limited
Glaxo Wellcome House, Berkeley Avenue,
Greenford, Middlesex UB6 0NN, GB

(111) M 2001 13994 R
(141) 2012 03 13, Not payment for prolongation of
registration on the following of 10 years
(732) PCCW-HKT DataCom Services Limited
39th Floor, Hong Kong Telecom Tower,
Taikoo Place, 979 King's Road,
Quarry Bay, HK

(111) M 2001 13976 R
(141) 2012 03 13, Not payment for prolongation of
registration on the following of 10 years

(111) M 2001 13997 R
(141) 2012 03 13, Not payment for prolongation of
registration on the following of 10 years
(732) Glaxo Group Limited

Glaxo Wellcome House, Berkeley Avenue,
Greenford, Middlesex UB6 0NN, GB

(111) M 2001 14000 R
(141) 2012 03 13, Not payment for prolongation of
registration on the following of 10 years
(732) PCCW-HKT DataCom Services Limited
39th Floor, Hong Kong Telecom Tower,
Taikoo Place, 979 King's Road,
Quarry Bay, HK

(111) M 2001 14002 R
(141) 2012 03 13, Not payment for prolongation of
registration on the following of 10 years
(732) AVAYA INC.
211 Mount Airy Road, Basking Ridge,
New Jersey 07920, US

(111) M 2001 14006 R
(141) 2012 03 13, Not payment for prolongation of
registration on the following of 10 years
(732) OITATION INDUSTRIELLE DES
TABACS ET ALLUMETTES (SEITA)
53, Quai D'Orsay, 75347 Paris Cedex 07, FR

(111) M 2001 14008 R
(141) 2012 03 13, Not payment for prolongation of
registration on the following of 10 years
(732) SmithKline Beecham Limited
980 Great West Road, Brentford, Middlesex
TW8 9GS, GB

(111) M 2001 14010 R
(141) 2012 03 13, Not payment for prolongation of
registration on the following of 10 years
(732) BULTABAX EOOD
A. P. Chehov str.43, Sofia 1113, BG

(111) M 2001 14020 R
(141) 2012 04 02, Not payment for prolongation of
registration on the following of 10 years
(732) Joint Stock Company "RUSTAVTSEMENTI"
Msheneblis q. 70, 383040, Rustavi, GE

(111) M 2001 14021 R
(141) 2012 04 02, Not payment for prolongation of
registration on the following of 10 years
(732) CORNING INCORPORATED
Haughton Park, City of Corning, State of
New York 14831, US

(111) M 2001 14023 R
(141) 2012 04 02, Not payment for prolongation of
registration on the following of 10 years
(732) ACTAVIS AD
Kniaginia Maria Louisa Blvd..2, Business
Centre "TSUM", 1000 Sofia, BG

(111) M 2001 14027 R
(141) 2012 04 02, Not payment for prolongation of
registration on the following of 10 years
(732) ACTAVIS AD
Kniaginia Maria Louisa Blvd..2, Business
Centre "TSUM", 1000 Sofia, BG

(111) M 2001 14029 R
(141) 2012 04 02, Not payment for prolongation of
registration on the following of 10 years
(732) "ACTAVIS" EAD
ul. Athanas Dukov 29, Sofia, Raion
Lozenets, BG

(111) M 2001 14032 R
(141) 2012 04 02, Not payment for prolongation of
registration on the following of 10 years
(732) ACTAVIS AD
Kniaginia Maria Louisa Blvd..2, Business
Centre "TSUM", 1000 Sofia, BG

(111) M 2001 14033 R
(141) 2012 04 02, Not payment for prolongation of
registration on the following of 10 years
(732) ACTAVIS AD
Kniaginia Maria Louisa Blvd..2, Business
Centre "TSUM", 1000 Sofia, BG

(111) M 2001 14035 R
(141) 2012 04 02, Not payment for prolongation of
registration on the following of 10 years
(732) "ACTAVIS" EAD
ul. Athanas Dukov 29, Sofia, Raion
Lozenets, BG

(111) M 2001 14036 R
(141) 2012 04 02, Not payment for prolongation of
registration on the following of 10 years
(732) ACTAVIS AD
Kniaginia Maria Louisa Blvd..2, Business
Centre "TSUM", 1000 Sofia, BG

(111) M 2001 14037 R
(141) 2012 04 02, Not payment for prolongation of
registration on the following of 10 years

(732) ACTAVIS AD
Kniaginia Maria Louisa Blvd..2, Business
Centre "TSUM", 1000 Sofia, BG

(111) M 2001 14043 R
(141) 2012 04 02, Not payment for prolongation of
registration on the following of 10 years
(732) PCCW-HKT DataCom Services Limited
39th Floor, Hong Kong Telecom Tower,
Taikoo Place, 979 King's Road,
Quarry Bay, HK

(111) M 2001 14044 R
(141) 2012 04 02, Not payment for prolongation of
registration on the following of 10 years
(732) SHACHIHATA INC.
N69, 4-chome, Amatsuka-cho, Nishi-ku,
Nagoya, JP

(111) M 2001 14045 R
(141) 2012 04 02, Not payment for prolongation of
registration on the following of 10 years
(732) SHACHIHATA INC.
N69, 4-chome, Amatsuka-cho, Nishi-ku,
Nagoya, JP

(111) M 2001 14046 R
(141) 2012 04 02, Not payment for prolongation of
registration on the following of 10 years
(732) SHACHIHATA INC.
N69, 4-chome, Amatsuka-cho, Nishi-ku,
Nagoya, JP

(111) M 2001 14047 R
(141) 2012 04 02, Not payment for prolongation of
registration on the following of 10 years
(732) SHACHIHATA INC.
N69, 4-chome, Amatsuka-cho, Nishi-ku,
Nagoya, JP

(111) M 2001 14052 R
(141) 2012 04 02, Not payment for prolongation of
registration on the following of 10 years
(732) LTD "VEGAKEVS"
113397 Moskovii, Ul. Iasenevaia 40, RU

(111) M 2001 14055 R
(141) 2012 04 11, Not payment for prolongation of
registration on the following of 10 years
(732) SHOPNLIST, INC.
26 Broadway, Suite 963, New York, New
York 10004, US

(111) M 2001 14056 R
(141) 2012 04 11, Not payment for prolongation of
registration on the following of 10 years
(732) JSK Banki "BAZISBANKI"
Leselidzis q. 18, 0105, Tbilisi, GE

(111) M 2001 14057 R
(141) 2012 04 11, Not payment for prolongation of
registration on the following of 10 years
(732) LTD "Georgia Onlaine"
Vazha-Pshavelas gamz. 45, 0177,
Tbilisi, GE

(111) M 2001 14058 R
(141) 2012 04 18, Not payment for prolongation of
registration on the following of 10 years
(732) Saniteqs industrial komershel LTD
Lulini, blok 914, entransi 2, ap 17, BG

(111) M 2001 14059 R
(141) 2012 04 18, Not payment for prolongation of
registration on the following of 10 years
(732) Intersun Holding FZE
P.O. Box: 61051, Jebel Ali Free Zone,
Dubai, AE

(111) M 2001 14060 R
(141) 2012 04 18, Not payment for prolongation of
registration on the following of 10 years
(732) Intersun Holding FZE
P.O. Box: 61051, Jebel Ali Free Zone,
Dubai, AE

(111) M 2001 14062 R
(141) 2012 04 18, Not payment for prolongation of
registration on the following of 10 years
(732) V.E.V. Ltd (Delaveris shtatis korporatsia)
225 uest 39 striti, New York, N.Y. 10018, US

(111) M 2001 14064 R
(141) 2012 04 18, Not payment for prolongation of
registration on the following of 10 years
(732) PFIZER PRODUCTS INC.
a Connecticut Corporation
Eastern Point Road, Groton, Connecticut
06340, US

(111) M 2001 14065 R
(141) 2012 04 18, Not payment for prolongation of
registration on the following of 10 years
(732) PFIZER PRODUCTS INC.
a Connecticut Corporation

Eastern Point Road, Groton, Connecticut
06340, US

(111) M 2001 14067 R
(141) 2012 04 18, Not payment for prolongation of
registration on the following of 10 years
(732) Intersun Holding FZE
P.O. Box: 61051, Jebel Ali Free Zone,
Dubai, AE

(111) M 2001 14070 R
(141) 2012 04 18, Not payment for prolongation of
registration on the following of 10 years
(732) CORNING INCORPORATED
Haughton Park, City of Corning, State of
New York 14831, US

(111) M 2001 14074 R
(141) 2012 04 18, Not payment for prolongation of
registration on the following of 10 years
(732) HEWLETT-PACKARD DEVELOPMENT
COMPANY L.P.
20555 S.H. 249, Houston, Texas 77070, US

(111) M 2001 14077 R
(141) 2012 04 18, Not payment for prolongation of
registration on the following of 10 years
(732) "ACTAVIS" EAD
ul. Athanas Dukov 29, Sofia, Raion
Lozenets, BG

(111) M 2001 14078 R
(141) 2012 04 18, Not payment for prolongation of
registration on the following of 10 years
(732) "ACTAVIS" EAD
ul. Athanas Dukov 29, Sofia, Raion
Lozenets, BG

(111) M 2001 14079 R
(141) 2012 04 18, Not payment for prolongation of
registration on the following of 10 years
(732) "ACTAVIS" EAD
ul. Athanas Dukov 29, Sofia, Raion
Lozenets, BG

(111) M 2001 14080 R
(141) 2012 04 18, Not payment for prolongation of
registration on the following of 10 years
(732) COMPAQ INFORMATION
TECHNOLOGIES GROUP, L.P.
20555 S.H. 249, Houston, Texas 77070, US

(111) M 2001 14081 R
(141) 2012 04 18, Not payment for prolongation of
registration on the following of 10 years
(732) PERFETTI GIDA SANAYI VE TICARET A.S.
Kirac Koyu, Markez Mah. Ataturk Cad.
N17, 34900 Buyukcekmece, Istanbul

(111) M 2001 14083 R
(141) 2012 04 18, Not payment for prolongation of
registration on the following of 10 years
(732) PFIZER PRODUCTS INC.
a Connecticut Corporation
Eastern Point Road, Groton, Connecticut
06340, US

(111) M 2001 14084 R
(141) 2012 04 18, Not payment for prolongation of
registration on the following of 10 years
(732) PFIZER PRODUCTS INC.
a Connecticut Corporation
Eastern Point Road, Groton, Connecticut
06340, US

(111) M 2001 14085 R
(141) 2012 04 18, Not payment for prolongation of
registration on the following of 10 years
(732) SUN MICROSYSTEMS, INC.
a Delaware Corporation
901 San Antonio Road, Palo Alto, California
94303, US

(111) M 2001 14088 R
(141) 2012 04 18, Not payment for prolongation of
registration on the following of 10 years
(732) WM.WRIGLEY JR.COMPANY
410 North Michigan Avenue, Chicago,
Illinois 60611, US

(111) M 2001 14089 R
(141) 2012 04 18, Not payment for prolongation of
registration on the following of 10 years
(732) WM.WRIGLEY JR.COMPANY
410 North Michigan Avenue, Chicago,
Illinois 60611, US

(111) M 2001 14092 R
(141) 2012 04 18, Not payment for prolongation of
registration on the following of 10 years
(732) RATIOPHARM GmbH
Graf-Arco-Strasse 3, D-89079 Ulm, DE

(111) M 2001 14094 R
(141) 2012 04 18, Not payment for prolongation of registration on the following of 10 years
(732) AgroFresh Inc.
100 Independence Mall West, Philadelphia, PA 19106-2399, US

(111) M 2001 14095 R
(141) 2012 04 18, Not payment for prolongation of registration on the following of 10 years
(732) MARRIOTT WORLDWIDE CORPORATION, a Maryland Corporation
10400 Fernwood Road, Bethesda, Maryland 20817, US

(111) M 2001 14096 R
(141) 2012 04 18, Not payment for prolongation of registration on the following of 10 years
(732) THE PROCTER & GAMBLE COMPANY
One Procter & Gamble Plaza, Cincinnati, Ohio, US

(111) M 2001 14097 R
(141) 2002 11 28, On demand of the owner
(732) PHARMACIA & UPJOHN S.A.
c/o Kredit Europeen, 52 route d'Esch, L-1470 Luxembourg, LU

(111) M 2001 14098 R
(141) 2012 04 18, Not payment for prolongation of registration on the following of 10 years
(732) FL SELENIA S.p.A.
Via Santena 1, 10029 Villastellone, Torino, IT

(111) M 2001 14102 R
(141) 2012 04 18, Not payment for prolongation of registration on the following of 10 years
(732) MARS, INCORPORATED
6885, Elm Street, McLean, Virginia, US

(111) M 2001 14103 R
(141) 2012 04 18, Not payment for prolongation of registration on the following of 10 years
(732) MARS, INCORPORATED
6885, Elm Street, McLean, Virginia, US

(111) M 2001 14104 R
(141) 2012 04 18, Not payment for prolongation of registration on the following of 10 years
(732) THE PROCTER & GAMBLE COMPANY

One Procter & Gamble Plaza, Cincinnati, Ohio, US

(111) M 2001 14105 R
(141) 2012 04 18, Not payment for prolongation of registration on the following of 10 years
(732) CITIGROUP GLOBAL MARKETS INC.
388 Greenwich Street, New York, New York 10013, US

(111) M 2001 14107 R
(141) 2012 04 18, Not payment for prolongation of registration on the following of 10 years
(732) Saqartvelos energoefekturobis tsentri Davit Agmasheneblis gamz. 61, 380002, Tbilisi, GE

(111) M 2001 14115 R
(141) 2012 05 01, Not payment for prolongation of registration on the following of 10 years
(732) "ACTAVIS" EAD
ul. Athanas Dukov 29, Sofia, Raion Lozenets, BG

(111) M 2001 14116 R
(141) 2012 05 01, Not payment for prolongation of registration on the following of 10 years
(732) "ACTAVIS" EAD
ul. Athanas Dukov 29, Sofia, Raion Lozenets, BG

(111) M 2001 14117 R
(141) 2012 05 01, Not payment for prolongation of registration on the following of 10 years
(732) WM.WRIGLEY JR.COMPANY
410 North Michigan Avenue, Chicago, Illinois 60611, US

(111) M 2001 14119 R
(141) 2012 05 01, Not payment for prolongation of registration on the following of 10 years
(732) Biovet AD
39 Peter Rakov Str., 4550-Peshtera, BG

(111) M 2001 14120 R
(141) 2012 05 01, Not payment for prolongation of registration on the following of 10 years
(732) Biovet AD
39 Peter Rakov Str., 4550-Peshtera, BG

(111) M 2001 14122 R (141) 2012 05 01, Not payment for prolongation of registration on the following of 10 years (732) S.S. "Georgian EG" Atenis q.18a, bina 29, 0179, Tbilisi, GE	1-1, Kanda, Nishiki-cho, Chioyda-ku, Tokyo 101-8442, JP
(111) M 2001 14123 R (141) 2012 05 01, Not payment for prolongation of registration on the following of 10 years (732) Societe des Produits Nestle S.A. CH-1800 Vevey, CH	(111) M 2001 14141 R (141) 2012 05 21, Not payment for prolongation of registration on the following of 10 years (732) MERCK & CO., INC., a New Jersey Corporation One Merck Drive, P.O. Box 100, Whitehouse Station, New Jersey 08889-0100, US
(111) M 2001 14131 R (141) 2012 05 01, Not payment for prolongation of registration on the following of 10 years (732) Societe des Produits Nestle S.A. CH-1800 Vevey, CH	(111) M 2001 14155 R (141) 2012 05 21, Not payment for prolongation of registration on the following of 10 years (732) LTD "Iimereti" Ilia Chavchavadzis gamz., 53a, 4600, Kutaisi, GE
(111) M 2001 14134 R (141) 2012 05 21, Not payment for prolongation of registration on the following of 10 years (732) AstraZeneca AB Vastra Malarehamnen 9, 15185 Sodertalje, SE	(111) M 2001 14168 R (141) 2012 06 06, Not payment for prolongation of registration on the following of 10 years (732) LTD "Jeoseli" Lesia Ukrainkas N1, 0108, Tbilisi, GE
(111) M 2001 14135 R (141) 2012 05 21, Not payment for prolongation of registration on the following of 10 years (732) WM.WRIGLEY JR.COMPANY 410 North Michigan Avenue, Chicago, Illinois 60611, US	(111) M 2001 14174 R (141) 2012 06 13, Not payment for prolongation of registration on the following of 10 years (732) PREPARADOS ALIMENTICIOS, S.A. osep Tarradellas, 38, E-08029 Barcelona, ES
(111) M 2001 14136 R (141) 2012 05 21, Not payment for prolongation of registration on the following of 10 years (732) LTD "SaqAvtotransi" M. Tsiskarishvilis q., 2a/57, 0168, Tbilisi, GE	(111) M 2001 14175 R (141) 2012 06 13, Not payment for prolongation of registration on the following of 10 years (732) NEW ZEALAND MILK BRANDS LIMITED Building 103, Leonard Izit Drive, Oakland Airport, Oaclend, NZ
(111) M 2001 14139 R (141) 2012 05 21, Not payment for prolongation of registration on the following of 10 years (732) Vlaktor Trading Limited Arch. Makariou III, 134, Yiota Court, 1st Floor, Flat/Office 102 P.C., 3021 Limassol, CY	(111) M 2001 14176 R (141) 2012 06 13, Not payment for prolongation of registration on the following of 10 years (732) Fonterra Brands (Singapore) Pte Limited 1 Pickering Street, No 06-01, Great Eastern Centre, 048659, SG
(111) M 2001 14140 R (141) 2012 05 21, Not payment for prolongation of registration on the following of 10 years (732) TOSHIBA TEC KABUSHIKI KAISHA	(111) M 2001 14181 R (141) 2012 06 13, Not payment for prolongation of registration on the following of 10 years (732) G.D. Searle LLC 235 East 42 nd Street, New York, New York 10017, US

(111) M 2001 14184 R
(141) 2012 06 13, Not payment for prolongation of registration on the following of 10 years
(732) SmithKline Beecham Limited
980 Great West Road, Brentford,
Middlesex TW8 9GS, GB

(111) M 2001 14185 R
(141) 2012 06 13, Not payment for prolongation of registration on the following of 10 years
(732) SmithKline Beecham Limited
980 Great West Road, Brentford,
Middlesex TW8 9GS, GB

(111) M 2001 14186 R
(141) 2012 06 13, Not payment for prolongation of registration on the following of 10 years
(732) WM. WRIGLEY JR. COMPANY
410 North Michigan Avenue, Chicago,
Illinois 60611, US

(111) M 2001 14196 R
(141) 2012 06 13, Not payment for prolongation of registration on the following of 10 years
(732) Roin Nachkebia
Tseretlis gamz. 55, me-2 korp., me-2 sad.,
bina 41, 380054, Tbilisi, GE

(111) M 2001 14197 R
(141) 2012 06 13, Not payment for prolongation of registration on the following of 10 years
(732) LTD "Matriqsi"
E. Takaishvilis q., 80, 6000, Batumi, GE

(111) M 2001 14198 R
(141) 2012 06 13, Not payment for prolongation of registration on the following of 10 years
(732) LTD "Matriqsi"
E. Takaishvilis q., 80, 6000, Batumi, GE

(111) M 2001 14200 R
(141) 2012 06 18, Not payment for prolongation of registration on the following of 10 years
(732) Kavshiri "Saqmiani Saqartvelo"
Digmis masivi, me-4 kv., me-6 korp, bina
51, 0159, Tbilisi, GE

(111) M 2001 14201 R
(141) 2012 06 18, Not payment for prolongation of registration on the following of 10 years
(732) Kavshiri "Saqmiani Saqartvelo"
Digmis masivi, me-4 kv., me-6 korp, bina
51, 0159, Tbilisi, GE

(111) M 2001 14202 R
(141) 2012 06 18, Not payment for prolongation of registration on the following of 10 years
(732) George Topadze
Mtskhmetis q., 43, bina 7, 0179, Tbilisi, GE

(111) M 2001 14203 R
(141) 2012 06 18, Not payment for prolongation of registration on the following of 10 years
(732) George Topadze
Mtskhmetis q., 43, bina 7, 0179, Tbilisi, GE

(111) M 2001 14204 R
(141) 2012 06 18, Not payment for prolongation of registration on the following of 10 years
(732) George Topadze
Mtskhmetis q., 43, bina 7, 0179, Tbilisi, GE

(111) M 2001 14205 R
(141) 2012 06 18, Not payment for prolongation of registration on the following of 10 years
(732) George Topadze
Mtskhmetis q., 43, bina 7, 0179, Tbilisi, GE

(111) M 2001 14206 R
(141) 2012 06 18, Not payment for prolongation of registration on the following of 10 years
(732) Asotsiatsia "Mteni"
Vazha-Pshavelas gamz. me-5 kv., me-4
korp., bina 12, 0186, Tbilisi, GE

(111) M 2002 14225 R
(141) 2012 07 10, Not payment for prolongation of registration on the following of 10 years
(732) AgroFresh Inc.
100 Independence Mall West,
Philadelphia, PA 19106-2399, US

(111) M 2002 14227 R
(141) 2012 07 10, Not payment for prolongation of registration on the following of 10 years
(732) INTERVOICE LIMITED PARTNERSHIP
639 Isbell Road, Suite 290, Reno, Nevada
89509, US

(111) M 2002 14228 R
(141) 2012 07 10, Not payment for prolongation of registration on the following of 10 years
(732) Dunhill Tobacco of London Limited
Globe House, 4 Temple Place, London
WC2R 2PG, GB

(111) M 2002 14229 R
(141) 2012 07 10, Not payment for prolongation of registration on the following of 10 years
(732) Dunhill Tobacco of London Limited
Globe House, 4 Temple Place, London
WC2R 2PG, GB

(111) M 2002 14230 R
(141) 2012 07 10, Not payment for prolongation of registration on the following of 10 years
(732) Dunhill Tobacco of London Limited
Globe House, 4 Temple Place, London
WC2R 2PG, GB

(111) M 2002 14231 R
(141) 2012 07 10, Not payment for prolongation of registration on the following of 10 years
(732) BRITISH AMERICAN TOBACCO (BRANDS) LIMITED
Globe House, 4 Temple Place, London,
WC2R 2PG, GB

(111) M 2002 14232 R
(141) 2012 07 10, Not payment for prolongation of registration on the following of 10 years
(732) BRITISH AMERICAN TOBACCO (BRANDS) LIMITED
Globe House, 4 Temple Place, London,
WC2R 2PG, GB

(111) M 2002 14233 R
(141) 2012 07 10, Not payment for prolongation of registration on the following of 10 years
(732) TELECOM ITALIA SPA
Piazza degli Affari 2, Milano, IT

(111) M 2002 14254 R
(141) 2012 07 10, Not payment for prolongation of registration on the following of 10 years
(732) LTD "Saqartvelos Aviakhazebi"
Aeroporti, 0158, Tbilisi, GE

(111) M 2002 14255 R
(141) 2012 07 18, Not payment for prolongation of registration on the following of 10 years
(732) LTD "Iasoni"
Rustavelis gamz. 44, 0108, Tbilisi, GE

(111) M 2002 14257 R
(141) 2012 07 18, Not payment for prolongation of registration on the following of 10 years

(732) Tamaz Shvangiradze
Tbilisis q. 28, 384000, Kutaisi, GE

(111) M 2002 14267 R
(141) 2012 07 18, Not payment for prolongation of registration on the following of 10 years
(732) GLOBAL ONE COMMUNICATIONS WORLD HOLDING B.V.
c/o Rokin Corporate Service B.V., 2001
Strawinskylaan, P.O. Box 75640, 1070 AP
Amsterdam, NL

(111) M 2002 14268 R
(141) 2012 08 01, Not payment for prolongation of registration on the following of 10 years
(732) GEORGIAN GLASS & MINERAL WATER CO., N.V.
Landhuis Joonchi, Kaya Richard J. Beaujon
z/n, Curacao, AN

(111) M 2002 14269 R
(141) 2003 10 13, On demand of the owner
(732) STARBUCKS (HK) LIMITED
38 th Floor, Citibank Tower, Citibank
Plaza, 3 Garden Road, Central, HK

(111) M 2002 14270 R
(141) 2012 08 01, Not payment for prolongation of registration on the following of 10 years
(732) MARRIOTT WORLDWIDE CORPORATION, a Maryland Corporation
10400 Fernwood Road, Bethesda, Maryland
20817, US

(111) M 2002 14282 R
(141) 2012 08 01, Not payment for prolongation of registration on the following of 10 years
(732) Sotsialuri pediatriis datsvis fondi
Lublianas q. 21, 0159, Tbilisi, GE

(111) M 2002 14286 R
(141) 2012 08 20, Not payment for prolongation of registration on the following of 10 years
(732) LTD "Matriqsi"
E. Takaishvilis q., 80, 6000, Batumi, GE

(111) M 2002 14288 R
(141) 2012 08 20, Not payment for prolongation of registration on the following of 10 years
(732) LTD "Matriqsi"
E. Takaishvilis q., 80, 6000, Batumi, GE

(111) M 2002 14289 R
 (141) 2012 08 20, Not payment for prolongation of registration on the following of 10 years
 (732) LTD "Matriqsi"
 E. Takaishvilis q., 80, 6000, Batumi, GE

(111) M 2002 14290 R
 (141) 2012 08 20, Not payment for prolongation of registration on the following of 10 years
 (732) LTD "Matriqsi"
 E. Takaishvilis q., 80, 6000, Batumi, GE

(111) M 2002 14303 R
 (141) 2012 08 20, Not payment for prolongation of registration on the following of 10 years
 (732) STARBUCKS (HK) LIMITED
 38 th Floor, Citibank Tower, Citibank Plaza, 3 Garden Road, Central, HK

(111) M 2002 14304 R
 (141) 2012 08 20, Not payment for prolongation of registration on the following of 10 years
 (732) George Topadze
 Mtskhetis q., 43, b. 7, 0179, Tbilisi, GE

(111) M 2002 14305 R
 (141) 2012 08 20, Not payment for prolongation of registration on the following of 10 years
 (732) George Topadze
 Mtskhetis q., 43, b. 7, 0179, Tbilisi, GE

(111) M 2002 14306 R
 (141) 2012 08 20, Not payment for prolongation of registration on the following of 10 years
 (732) George Topadze
 Mtskhetis q., 43, b. 7, 0179, Tbilisi, GE

(111) M 2002 14307 R
 (141) 2012 08 20, Not payment for prolongation of registration on the following of 10 years
 (732) MARRIOTT WORLDWIDE CORPORATION, a Maryland Corporation
 10400 Fernwood Road, Bethesda, Maryland 20817, US

(111) M 2002 14329 R
 (141) 2012 08 20, Not payment for prolongation of registration on the following of 10 years
 (732) Tbiluniversalbanki
 Kostavas q. 70, 380071, Tbilisi, GE

(111) M 2002 14349 R
 (141) 2012 08 20, Not payment for prolongation of registration on the following of 10 years
 (732) LTD "Korporatsia Qartuli Gvino"
 Paliashvilis q. N24, 0179, Tbilisi, GE

(111) M 2002 14350 R
 (141) 2012 08 20, Not payment for prolongation of registration on the following of 10 years
 (732) LTD "Korporatsia Qartuli Gvino"
 Paliashvilis q. N24, 0179, Tbilisi, GE

(111) M 2002 14351 R
 (141) 2012 08 20, Not payment for prolongation of registration on the following of 10 years
 (732) LTD "Kanargo Standart Oil produqti"
 Tseretlis gamz. 142, 380000, Tbilisi, GE

(111) M 2002 14352 R
 (141) 2012 09 28, Not payment for prolongation of registration on the following of 10 years
 (732) AZIENDE CHIMICHE RIUNITE ANGELINI FRANCESCO A.C.R.A.F. S.p.A.
 Viale Amelia 70, 00181 Roma, IT

(111) M 2002 14353 R
 (141) 2012 09 28, Not payment for prolongation of registration on the following of 10 years
 (732) AZIENDE CHIMICHE RIUNITE ANGELINI FRANCESCO A.C.R.A.F. S.p.A.
 Viale Amelia 70, 00181 Roma, IT

(111) M 2002 14354 R
 (141) 2012 09 28, Not payment for prolongation of registration on the following of 10 years
 (732) SS "Saqartvelos Safondo Birzha"
 Iliia Chavchavadzis gamz. 74a, 0162, Tbilisi, GE

(111) M 2002 14360 R
 (141) 2012 09 28, Not payment for prolongation of registration on the following of 10 years
 (732) LTD "Matriqsi"
 E. Takaishvilis q., 80, 6000, Batumi, GE

(111) M 2002 14398 R
 (141) 2012 09 28, Not payment for prolongation of registration on the following of 10 years
 (732) MHCS
 9, avenue de Champagne, 51200 Epernay, FR

(111) M 2002 14400 R
 (141) 2012 10 01, Not payment for prolongation of registration on the following of 10 years
 (732) LTD "Matriqsi"
 E. Takaishvilis q., 80, 6000, Batumi, GE

(111) M 2002 14403 R
 (141) 2012 10 01, Not payment for prolongation of registration on the following of 10 years
 (732) LTD "Matriqsi"
 E. Takaishvilis q., 80, 6000, Batumi, GE

(111) M 2002 14420 R
 (141) 2012 10 04, Not payment for prolongation of registration on the following of 10 years
 (732) LTD "Nikora"
 M. Kavtaradzis q. 11, 0180, Tbilisi, GE

(111) M 2002 14421 R
 (141) 2012 10 29, Not payment for prolongation of registration on the following of 10 years
 (732) SS Union Financial Corporation
 David Agmashenebeli Ave. 154, 380012, Tbilisi, GE

(111) M 2002 14422 R
 (141) 2012 10 29, Not payment for prolongation of registration on the following of 10 years
 (732) SS Union Financial Corporation
 David Agmashenebeli Ave. 154, 380012, Tbilisi, GE

(111) M 2002 14430 R
 (141) 2012 11 09, Not payment for prolongation of registration on the following of 10 years
 (732) LTD Jino Iunaitid Kompani
 Zedazenis q. N4, Tbilisi, GE

(111) M 2002 14431 R
 (141) 2012 11 02, Not payment for prolongation of registration on the following of 10 years
 (732) LTD Jino Iunaitid Kompani
 Zedazenis q. N4, Tbilisi, GE

(111) M 2002 14432 R
 (141) 2012 11 02, Not payment for prolongation of registration on the following of 10 years
 (732) LTD Jino Iunaitid Kompani
 Zedazenis q. N4, Tbilisi, GE

(111) M 2002 14451 R
 (141) 2012 11 26, Not payment for prolongation of registration on the following of 10 years
 (732) LTD Jino Iunaitid Kompani
 Zedazenis q. N4, Tbilisi, GE

(111) M 2002 14452 R
 (141) 2012 11 26, Not payment for prolongation of registration on the following of 10 years
 (732) LTD Jino Iunaitid Kompani
 Zedazenis q. N4, Tbilisi, GE

(111) M 2002 14453 R
 (141) 2012 11 26, Not payment for prolongation of registration on the following of 10 years
 (732) LTD "Khomeri"
 Metro "Akhmetelis" mimdebare teritoria, supermarketi "Mariami", Tbilisi, GE

(111) M 2002 14454 R
 (141) 2012 11 26, Not payment for prolongation of registration on the following of 10 years
 (732) LTD "Khomeri"
 Metro "Akhmetelis" mimdebare teritoria, supermarketi "Mariami", Tbilisi, GE

(111) M 2002 14469 R
 (141) 2012 11 26, Not payment for prolongation of registration on the following of 10 years
 (732) LTD "Galt end Taggart siquritis"
 Iliа Chavchavadzis gamz., 74a, me-7 sart., otakhi 711, 0162, Tbilisi, GE

(111) M 2002 14470 R
 (141) 2012 11 26, Not payment for prolongation of registration on the following of 10 years
 (732) SS "Visol Petroleum Jorjia"
 Merab Kostavas q., 46/50, 0179, Tbilisi, GE

(111) M 2002 14478 R
 (141) 2012 11 26, Not payment for prolongation of registration on the following of 10 years
 (732) LTD Alkoholiani sasmelebis kompania "Triumfi"
 Akhvledianis q. N1a, 0103, Tbilisi, GE

(111) M 2002 14479 R
 (141) 2012 11 26, Not payment for prolongation of registration on the following of 10 years
 (732) LTD "Qartuli gvinisa da alkoholuri Sasmelebis Kompania"
 Achinebuli, 2200, Telavi, GE

(111) M 2002 14482 R
(141) 2012 11 26, Not payment for prolongation of registration on the following of 10 years
(732) LTD Jino Iunaitid Kompani
Zedazenis q. N4, Tbilisi, GE

(111) M 2002 14511 R
(141) 2012 12 13, Not payment for prolongation of registration on the following of 10 years
(732) OAO Pivovarennaya kompaniya "Baltika"
194292 Sankt-Peterburg, 6-Verkhniy
per. 3, RU

(111) M 2002 14513 R
(141) 2012 12 13, Not payment for prolongation of registration on the following of 10 years
(732) Pergo AB
Strandridaregatan 8, S-23125 Trelleborg, SE

(111) M 2002 14514 R
(141) 2012 12 13, Not payment for prolongation of registration on the following of 10 years
(732) SS "Telavis Gvinis Marani"
Sop. Kurdgelauri, 2200, Telavi, GE

(111) M 2002 14519 R
(141) 2012 12 13, Not payment for prolongation of registration on the following of 10 years
(732) Berlin-Chemie AG
Glienicker Weg 125, D-12489, Berlin, DE

(111) M 2002 14520 R
(111) M 2002 14520 R
(141) 2012 12 13, Not payment for prolongation of registration on the following of 10 years
(732) Berlin-Chemie AG
Glienicker Weg 125, D-12489, Berlin, DE

(111) M 2002 14521 R
(141) 2012 12 13, Not payment for prolongation of registration on the following of 10 years
(732) Berlin-Chemie AG
Glienicker Weg 125, D-12489, Berlin, DE

(111) M 2002 14522 R
(141) 2012 12 13, Not payment for prolongation of registration on the following of 10 years
(732) Berlin-Chemie AG
Glienicker Weg 125, D-12489, Berlin, DE

(111) M 2002 14523 R
(141) 2012 12 13, Not payment for prolongation of registration on the following of 10 years
(732) LTD "TBILLUDI"
Agladzis q. 1, 0112, Tbilisi, GE

(111) M 2002 14524 R
(141) 2012 12 13, Not payment for prolongation of registration on the following of 10 years
(732) OAO Pivovarennaya kompaniya "Baltika"
194292 Sankt-Peterburg, 6-Verkhniy
per. 3, RU

(111) M 2002 14527 R
(141) 2012 12 13, Not payment for prolongation of registration on the following of 10 years
(732) LTD "GEORGIAN WINES & SPIRITS
COMP.
Sop. Achinebuli, 2200, Telavi, GE

(111) M 2002 14529 R
(141) 2012 12 13, Not payment for prolongation of registration on the following of 10 years
(732) Smith Kline Beecham (Cork) Limited
Currabinny, Carrigaline, County Cork, IE

(111) M 2002 14530 R
(141) 2012 12 13, Not payment for prolongation of registration on the following of 10 years
(732) Smith Kline Beecham (Cork) Limited
Currabinny, Carrigaline, County Cork, IE

(111) M 2002 14532 R
(141) 2012 12 13, Not payment for prolongation of registration on the following of 10 years
(732) Smith Kline Beecham (Cork) Limited
Currabinny, Carrigaline, County Cork, IE

(111) M 2002 14534 R
(141) 2012 12 14, Not payment for prolongation of registration on the following of 10 years
(732) LTD "Borjomi Light"
Sop. Asureti, 383100, Tetritskaro, GE

(111) M 2002 14547 R
(141) 2013 01 11, Not payment for prolongation of registration on the following of 10 years
(732) Turkiye Sise ve Cam Fabrikalari A.S.
Is Kuleleri, Kule-3 80620, 4 Levent-
Istanbul, TR

(111) M 2002 14548 R
(141) 2013 01 11, Not payment for prolongation of registration on the following of 10 years
(732) Turkiye Sise ve Cam Fabrikalari A.S.
Is Kuleleri, Kule-3 80620, 4 Levent-Istanbul, TR

(111) M 2002 14549 R
(141) 2013 01 11 Not payment for prolongation of registration on the following of 10 years
(732) European Tobacco Inc.
Palm Chambers 3, Road Town, Tortola, VG

(111) M 2002 14550 R
(141) 2002-11-04, On demand of the owner
(732) INTEL CORPORATION
2200 Mission College Boulevard,
Santa Clara, California 95052-8119, US

(111) M 2002 14552 R
(141) 2013 01 11, Not payment for prolongation of registration on the following of 10 years
(732) European Tobacco Inc.
Palm Chambers 3, Road Town, Tortola, VG

(111) M 2011 21465 R
(141) 2012 10 18, On demand of the owner
(732) LTD "Feshen Group"
Pekinis q. N14, 0171, Tbilisi, GE

(111) M 1994 225 R
(141) Not payment for prolongation of registration on the following of 10 years
(732) Chois Houtels International, Ink.
10750 Kolambia paik, Silver Spring,
MD 20901, US

(111) M 1994 342 R
(141) Not payment for prolongation of registration on the following of 10 years
(732) Chois Houtels International, Ink.
Delaware state, US

(111) M 1997 4879 R
(141) 2007 10 01, Not payment for prolongation of registration on the following of 10 years
(732) ASAHI KASEI KABUSHIKI KAISHA
2-6, Dejimahama 1-chome, Kita-ku,
Osaka, jp

(111) M 1997 6797 R
(141) 2008 03 18, Not payment for prolongation of registration on the following of 10 years
(732) Arista LifeScience Corporation
2-18 NaKanoshima 3-Chome, Kita-Ku,
Osaka, JP

(111) M 1998 8532 R
(141) 2008 09 05, Not payment for prolongation of registration on the following of 10 years
(732) STAR STABILIMENTO ALIMENTARE S.P.A.
Via Matteotti 142, 20041 Abriate Bianza,
Milano, IT

CLASSIFICATION INDEXES

INVENTIONS

CONCORDANCE TABLE OF INTERNATIONAL CLASSIFICATION INDEX AND PUBLICATION NUMBERS

INTERNATIONAL CLASSIFICATION INDEXES (51)	NUMBER OF PUBLISHED APPLICATION (10)
A 24 D 3/14; A 24 D 3/16	AP 2013 12474 A
A 47 C 27/06	AP 2013 11823 A
A 61 K 31/422; A 61 K 9/00; A 61 K 9/06; A 61 K 9/20; A 61 P 13/02; A 61 P 15/00; A 61 P 15/02; A 61 P 31/04	AP 2013 12459 A
A 61 M 5/24; B 05 C 17/01; A 61 M 5/00; B 05 C 17/00	AP 2013 12336 A
B 22 F 3/14	AP 2013 12080 A
C 07 C 173/06; C 07 C 167/40	AP 2013 12581 A
C 07 D 211/90; A 61 K 31/4422	AP 2013 12362 A
C 07 D 213/82; A 61 K 31/44; A 61 P 13/02	AP 2013 12013 A
C 07 D 401/04; A 61 K 31/506; A 61 P 35/02	AP 2013 11960 A
E 04 B 1/19	AP 2013 12079 A
F 02 C 7/055	AP 2013 11864 A
F 03 G 3/00	AP 2013 12305 A
F 16 H 3/36; B 60 K 17/06	AP 2013 12499 A
F 16 L 55/12	AP 2013 12224 A

CONCORDANCE TABLE OF PUBLICATION NUMBERS AND INTERNATIONAL CLASSIFICATION INDEX

NUMBER OF PUBLISHED APPLICATION (10)	INTERNATIONAL CLASSIFICATION INDEXES (51)
AP 2013 11823 A	A 47 C 27/06
AP 2013 11864 A	F 02 C 7/055
AP 2013 11960 A	C 07 D 401/04; A 61 K 31/506; A 61 P 35/02
AP 2013 12013 A	C 07 D 213/82; A 61 K 31/44; A 61 P 13/02
AP 2013 12079 A	E 04 B 1/19
AP 2013 12080 A	B 22 F 3/14
AP 2013 12224 A	F 16 L 55/12
AP 2013 12305 A	F 03 G 3/00
AP 2013 12336 A	A 61 M 5/24; B 05 C 17/01; A 61 M 5/00; B 05 C 17/00
AP 2013 12362 A	C 07 D 211/90; A 61 K 31/4422
AP 2013 12459 A	A 61 K 31/422; A 61 K 9/00; A 61 K 9/06; A 61 K 9/20; A 61 P 13/02; A 61 P 15/00; A 61 P 15/02; A 61 P 31/04
AP 2013 12474 A	A 24 D 3/14; A 24 D 3/16
AP 2013 12499 A	F 16 H 3/36; B 60 K 17/06
AP 2013 12581 A	C 07 C 173/06; C 07 C 167/40

**CONCORDANCE TABLE OF INTERNATIONAL CLASSIFICATION INDEX,
PATENT NUMBERS AND PUBLICATION NUMBERS**

INTERNATIONAL CLASSIFICATION INDEX (51)	NUMBER OF PATENT (11)	NUMBER OF PUBLISHED APPLICATION (10)
A 01 G 25/02	P 2013 5807 B	AP 2012 12563 A
A 61 K 31/00; A 61 K 9/06;	P 2013 5798 B	AP 2012 11897 A
A 61 K 35/48; A 61 K 35/12; C 12 N 5/06; A 61 P 25/00	P 2013 5796 B	AP 2012 10928 A
B 21 J 7/14	P 2013 5799 B	AP 2012 11987 A
C 07 C 51/09; C 07 C 17/14; C 07 C 17/26; C 07 C 253/14; C 07 C 255/35; C 07 C 57/62; C 07 C 25/18	P 2013 5800 B	AP 2012 11997 A
C 07 D 209/52; A 61 K 31/403; A 61 P 25/00; A 61 P 25/16; A 61 P 25/18; A 61 P 25/28	P 2013 5801 B	AP 2012 12026 A
C 07 D 235/22; C 07 D 403/04; C 07 D 487/08; A 61 K 31/496; A 61 P 25/00	P 2013 5805 B	AP 2012 12221 A
C 07 D 241/14; A 61 K 31/498; A 61 K 31/5377; A 61 P 27/02; A 61 P 29/00; C 07 D 409/12	P 2013 5804 B	AP 2012 12178 A
C 07 D 471/10; A 61 K 31/435; A 61 P 25/28	P 2013 5806 B	AP 2012 12232 A
C 07 D 493/10; C 07 H 15/18; A 61 K 31/357; A 61 P 3/10	P 2013 5803 B	AP 2012 12121 A
E 01 D 2/00	P 2013 5808 B	AP 2012 12726 A
E 02 B 15/00	P 2013 5797 B	AP 2012 11872 A
F 23 G 5/02; F 23 G 5/08	P 2013 5802 B	AP 2012 12030 A

**CONCORDANCE TABLE OF PATENT NUMBERS,
PUBLICATION NUMBERS AND INTERNATIONAL CLASSIFICATION INDEX**

NUMBER OF PATENT (11)	NUMBER OF PUBLISHED APPLICATION (10)	INTERNATIONAL CLASSIFICATION INDEX (51)
P 2013 5796 B	AP 2012 10928 A	A 61 K 35/48; A 61 K 35/12; C 12 N 5/06; A 61 P 25/00
P 2013 5797 B	AP 2012 11872 A	E 02 B 15/00
P 2013 5798 B	AP 2012 11897 A	A 61 K 31/00; A 61 K 9/06;
P 2013 5799 B	AP 2012 11987 A	B 21 J 7/14
P 2013 5800 B	AP 2012 11997 A	C 07 C 51/09; C 07 C 17/14; C 07 C 17/26; C 07 C 253/14; C 07 C 255/35; C 07 C 57/62; C 07 C 25/18
P 2013 5801 B	AP 2012 12026 A	C 07 D 209/52; A 61 K 31/403; A 61 P 25/00; A 61 P 25/16; A 61 P 25/18; A 61 P 25/28
P 2013 5802 B	AP 2012 12030 A	F 23 G 5/02; F 23 G 5/08
P 2013 5803 B	AP 2012 12121 A	C 07 D 493/10; C 07 H 15/18; A 61 K 31/357; A 61 P 3/10
P 2013 5804 B	AP 2012 12178 A	C 07 D 241/14; A 61 K 31/498; A 61 K 31/5377; A 61 P 27/02; A 61 P 29/00; C 07 D 409/12
P 2013 5805 B	AP 2012 12221 A	C 07 D 235/22; C 07 D 403/04; C 07 D 487/08; A 61 K 31/496; A 61 P 25/00
P 2013 5806 B	AP 2012 12232 A	C 07 D 471/10; A 61 K 31/435; A 61 P 25/28
P 2013 5807 B	AP 2012 12563 A	A 01 G 25/02
P 2013 5808 B	AP 2012 12726 A	E 01 D 2/00

**CONCORDANCE TABLE OF APPLICATION NUMBERS, PUBLICATION NUMBERS
AND PATENTS**

NUMBER OF APPLICATION (21)	NUMBER OF PUBLISHED APPLICATION (10)	NUMBER OF PATENT (11)
AP 2007 010928	AP 2012 10928 A	P 2013 5796 B
AP 2010 011872	AP 2012 11872 A	P 2013 5797 B
AP 2010 011897	AP 2012 11897 A	P 2013 5798 B
AP 2010 011987	AP 2012 11987 A	P 2013 5799 B
AP 2009 011997	AP 2012 11997 A	P 2013 5800 B
AP 2010 012026	AP 2012 12026 A	P 2013 5801 B
AP 2009 012030	AP 2012 12030 A	P 2013 5802 B
AP 2009 012121	AP 2012 12121 A	P 2013 5803 B
AP 2009 012178	AP 2012 12178 A	P 2013 5804 B
AP 2009 012221	AP 2012 12221 A	P 2013 5805 B
AP 2009 012232	AP 2012 12232 A	P 2013 5806 B
AP 2012 012563	AP 2012 12563 A	P 2013 5807 B
AP 2012 012726	AP 2012 12726 A	P 2013 5808 B

UTILITY MODELS

**CONCORDANCE TABLE OF INTERNATIONAL CLASSIFICATION INDEX,
PATENT NUMBERS AND PUBLICATION NUMBERS**

INTERNATIONAL CLASSIFICATION INDEX (51)	NUMBER OF PATENT (11)	NUMBER OF PUBLISHED APPLICATION (10)
A 45 B 19/04	U 2013 1766 Y	AU 2012 12565 U
F 24 J 2/38	U 2013 1765 Y	AU 2012 12564 U
G 07 B 15/00	U 2013 1764 Y	AU 2012 12260 U

**CONCORDANCE TABLE OF PATENT NUMBERS,
PUBLICATION NUMBERS AND INTERNATIONAL CLASSIFICATION INDEX**

NUMBER OF PATENT (11)	NUMBER OF PUBLISHED APPLICATION (10)	INTERNATIONAL CLASSIFICATION INDEX (51)
U 2013 1764 Y	AU 2012 12260 U	G 07 B 15/00
U 2013 1765 Y	AU 2012 12564 U	F 24 J 2/38
U 2013 1766 Y	AU 2012 12565 U	A 45 B 19/04

CONCORDANCE TABLE OF APPLICATION NUMBERS, PUBLICATION NUMBERS
AND PATENTS

NUMBER OF APPLICATION (21)	NUMBER OF PUBLISHED APPLICATION (10)	NUMBER OF PATENT (11)
AU 2011 012260	AU 2012 12260 U	U 2013 1764 Y
AU 2012 012564	AU 2012 12564 U	U 2013 1765 Y
AU 2012 012565	AU 2012 12565 U	U 2013 1766 Y

DESIGNS

CONCORDANCE TABLE OF INTERNATIONAL CLASSIFICATION INDEX
AND PUBLICATION NUMBERS

INTERNATIONAL CLASSIFICATION INDEXES (51)	NUMBER OF PUBLISHED APPLICATION (10)
09-01	AD 2013 729 S

CONCORDANCE TABLE OF PUBLICATION NUMBERS
AND INTERNATIONAL CLASSIFICATION INDEX

NUMBER OF PUBLISHED APPLICATION (10)	INTERNATIONAL CLASSIFICATION INDEXES (51)
AD 2013 729 S	09-01

TRADEMARKS

CONCORDANCE TABLE OF REGISTRATION NUMBERS, APPLICATION NUMBERS, PUBLICATION NUMBERS AND BULLETIN NUMBERS

NUMBER OF REGISTRATION (111)	NUMBER OF APPLICATION (210)	NUMBER OF PUBLISHED APPLICATION (260)	NUMBER OF BULLETIN
M 2013 23475 R	AM 2013 71257	-	7(371) 2013
M 2013 23476 R	AM 2013 71258	-	7(371) 2013
M 2013 23477 R	AM 2013 71146	-	7(371) 2013
M 2013 23478 R	AM 2013 71259	-	7(371) 2013
M 2013 23479 R	AM 2013 71289	-	7(371) 2013
M 2013 23480 R	AM 2013 71290	-	7(369) 2013
M 2013 23481 R	AM 2013 71291	-	7(371) 2013
M 2013 23482 R	AM 2011 62804	AM 2012 62804 A	23(363) 2012
M 2013 23483 R	AM 2011 63211	AM 2012 63211 A	23(363) 2012
M 2013 23484 R	AM 2011 64021	AM 2012 64021 A	22(362) 2012
M 2013 23485 R	AM 2011 64026	AM 2012 64026 A	22(362) 2012
M 2013 23486 R	AM 2011 64134	AM 2012 64134 A	22(362) 2012
M 2013 23487 R	AM 2011 64246	AM 2012 64246 A	17(357) 2012
M 2013 23488 R	AM 2011 64298	AM 2012 64298 A	17(357) 2012
M 2013 23489 R	AM 2011 64579	AM 2012 64579 A	17(357) 2012
M 2013 23490 R	AM 2011 64623	AM 2012 64623 A	18(358) 2012
M 2013 23491 R	AM 2011 64695	AM 2012 64695 A	20(360) 2012
M 2013 23492 R	AM 2011 64698	AM 2012 64698 A	20(360) 2012
M 2013 23493 R	AM 2011 64901	AM 2012 64901 A	21(361) 2012
M 2013 23494 R	AM 2011 64986	AM 2012 64986 A	21(361) 2012
M 2013 23495 R	AM 2011 64987	AM 2012 64987 A	21(361) 2012
M 2013 23496 R	AM 2011 64988	AM 2012 64988 A	21(361) 2012
M 2013 23497 R	AM 2011 65050	AM 2012 65050 A	18(358) 2012
M 2013 23498 R	AM 2011 65165	AM 2012 65165 A	20(360) 2012
M 2013 23499 R	AM 2011 65278	AM 2012 65278 A	18(358) 2012
M 2013 23500 R	AM 2011 65288	AM 2012 65288 A	22(362) 2012
M 2013 23501 R	AM 2011 65289	AM 2012 65289 A	22(362) 2012
M 2013 23502 R	AM 2011 65290	AM 2012 65290 A	22(362) 2012
M 2013 23503 R	AM 2011 65468	AM 2012 65468 A	22(362) 2012
M 2013 23504 R	AM 2011 65509	AM 2012 65509 A	22(362) 2012
M 2013 23505 R	AM 2011 65644	AM 2012 65644 A	22(362) 2012
M 2013 23506 R	AM 2012 65757	AM 2012 65757 A	20(360) 2012
M 2013 23507 R	AM 2012 65758	AM 2012 65758 A	20(360) 2012
M 2013 23508 R	AM 2012 65759	AM 2012 65759 A	21(361) 2012
M 2013 23509 R	AM 2012 65760	AM 2012 65760 A	21(361) 2012
M 2013 23510 R	AM 2012 65829	AM 2012 65829 A	22(362) 2012
M 2013 23511 R	AM 2012 65830	AM 2012 65830 A	22(362) 2012
M 2013 23512 R	AM 2012 65831	AM 2012 65831 A	22(362) 2012
M 2013 23513 R	AM 2012 65847	AM 2012 65847 A	23(363) 2012
M 2013 23514 R	AM 2012 65911	AM 2012 65911 A	21(361) 2012
M 2013 23515 R	AM 2012 66022	AM 2012 66022 A	22(362) 2012
M 2013 23516 R	AM 2012 66026	AM 2012 66026 A	21(361) 2012
M 2013 23517 R	AM 2012 66110	AM 2012 66110 A	23(363) 2012
M 2013 23518 R	AM 2012 66133	AM 2012 66133 A	23(363) 2012

1	2	3	4
M 2013 23519 R	AM 2012 66138	AM 2012 66138 A	23(363) 2012
M 2013 23520 R	AM 2012 66202	AM 2012 66202 A	22(362) 2012
M 2013 23521 R	AM 2012 66200	AM 2012 66200 A	22(362) 2012
M 2013 23522 R	AM 2012 66203	AM 2012 66203 A	22(362) 2012
M 2013 23523 R	AM 2012 66204	AM 2012 66204 A	22(362) 2012
M 2013 23524 R	AM 2012 66205	AM 2012 66205 A	22(362) 2012
M 2013 23525 R	AM 2012 66206	AM 2012 66206 A	22(362) 2012
M 2013 23526 R	AM 2012 66207	AM 2012 66207 A	22(362) 2012
M 2013 23527 R	AM 2012 66208	AM 2012 66208 A	22(362) 2012
M 2013 23528 R	AM 2012 66209	AM 2012 66209 A	22(362) 2012
M 2013 23529 R	AM 2012 66242	AM 2012 66242 A	21(361) 2012
M 2013 23530 R	AM 2012 66303	AM 2012 66303 A	21(361) 2012
M 2013 23531 R	AM 2012 66332	AM 2012 66332 A	23(363) 2012
M 2013 23532 R	AM 2012 66333	AM 2012 66333 A	23(363) 2012
M 2013 23533 R	AM 2012 66340	AM 2012 66340 A	23(363) 2012
M 2013 23534 R	AM 2012 66341	AM 2012 66341 A	23(363) 2012
M 2013 23535 R	AM 2012 66367	AM 2012 66367 A	23(363) 2012
M 2013 23536 R	AM 2012 66483	AM 2012 66483 A	22(362) 2012
M 2013 23537 R	AM 2012 66484	AM 2012 66484 A	22(362) 2012
M 2013 23538 R	AM 2012 66555	AM 2012 66555 A	23(363) 2012
M 2013 23539 R	AM 2012 66604	AM 2012 66604 A	23(363) 2012
M 2013 23540 R	AM 2012 66676	AM 2012 66676 A	23(363) 2012
M 2013 23541 R	AM 2012 66682	AM 2012 66682 A	23(363) 2012
M 2013 23542 R	AM 2013 70903	-	7(371) 2013
M 2013 23543 R	AM 2013 70904	-	7(371) 2013
M 2013 23544 R	AM 2013 70905	-	7(371) 2013
M 2013 23545 R	AM 2013 70906	-	7(371) 2013
M 2013 23546 R	AM 2013 71091	-	7(371) 2013
M 2013 23547 R	AM 2013 71255	-	7(371) 2013
M 2013 23548 R	AM 2013 71371	-	7(371) 2013
M 2013 23549 R	AM 2013 71433	-	7(371) 2013
M 2013 23550 R	AM 2013 71435	-	7(371) 2013

**CONCORDANCE TABLE OF PUBLICATION NUMBERS
AND APPLICATION NUMBERS**

NUMBER OF PUBLISHED APPLICATION (260)	NUMBER OF APPLICATION (210)	1	2
1	2		
AM 2013 65204 A	AM 2011 65204	AM 2013 67538 A	AM 2012 67538
AM 2013 66481 A	AM 2012 66481	AM 2013 67539 A	AM 2012 67539
AM 2013 66614 A	AM 2012 66614	AM 2013 67568 A	AM 2012 67568
AM 2013 66733 A	AM 2012 66733	AM 2013 67584 A	AM 2012 67584
AM 2013 66745 A	AM 2012 66745	AM 2013 67609 A	AM 2012 67609
AM 2013 66747 A	AM 2012 66747	AM 2013 67610 A	AM 2012 67610
AM 2013 67012 A	AM 2012 67012	AM 2013 67611 A	AM 2012 67611
AM 2013 67103 A	AM 2012 67103	AM 2013 67612 A	AM 2012 67612
AM 2013 67162 A	AM 2012 67162	AM 2013 67614 A	AM 2012 67614
AM 2013 67178 A	AM 2012 67178	AM 2013 67618 A	AM 2012 67618
AM 2013 67182 A	AM 2012 67182	AM 2013 67619 A	AM 2012 67619
AM 2013 67201 A	AM 2012 67201	AM 2013 67637 A	AM 2012 67637
AM 2013 67203 A	AM 2012 67203	AM 2013 67681 A	AM 2012 67681
AM 2013 67204 A	AM 2012 67204	AM 2013 67689 A	AM 2012 67689
AM 2013 67205 A	AM 2012 67205	AM 2013 67693 A	AM 2012 67693
AM 2013 67206 A	AM 2012 67206	AM 2013 67697 A	AM 2012 67697
AM 2013 67238 A	AM 2012 67238	AM 2013 67698 A	AM 2012 67698
AM 2013 67248 A	AM 2012 67248	AM 2013 67701 A	AM 2012 67701
AM 2013 67249 A	AM 2012 67249	AM 2013 67704 A	AM 2012 67704
AM 2013 67250 A	AM 2012 67250	AM 2013 67704 A	AM 2012 67704
AM 2013 67253 A	AM 2012 67253	AM 2013 67723 A	AM 2012 67723
AM 2013 67287 A	AM 2012 67287	AM 2013 67753 A	AM 2012 67753
AM 2013 67297 A	AM 2012 67297	AM 2013 67790 A	AM 2012 67790
AM 2013 67340 A	AM 2012 67340	AM 2013 67843 A	AM 2012 67843
AM 2013 67341 A	AM 2012 67341	AM 2013 67888 A	AM 2012 67888
AM 2013 67342 A	AM 2012 67342	AM 2013 67906 A	AM 2012 67906
AM 2013 67347 A	AM 2012 67347	AM 2013 67975 A	AM 2012 67975
AM 2013 67416 A	AM 2012 67416	AM 2013 67977 A	AM 2012 67977
AM 2013 67424 A	AM 2012 67424	AM 2013 68034 A	AM 2012 68034
AM 2013 67436 A	AM 2012 67436	AM 2013 68046 A	AM 2012 68046
AM 2013 67462 A	AM 2012 67462	AM 2013 68053 A	AM 2012 68053
AM 2013 67466 A	AM 2012 67466	AM 2013 68056 A	AM 2012 68056
AM 2013 67482 A	AM 2012 67482	AM 2013 68059 A	AM 2012 68059
AM 2013 67483 A	AM 2012 67483	AM 2013 68060 A	AM 2012 68060
AM 2013 67523 A	AM 2012 67523	AM 2013 68164 A	AM 2012 68164
AM 2013 67527 A	AM 2012 67527	AM 2013 68165 A	AM 2012 68165
AM 2013 67528 A	AM 2012 67528	AM 2013 68307 A	AM 2012 68307
AM 2013 67529 A	AM 2012 67529	AM 2013 68308 A	AM 2012 68308
AM 2013 67535 A	AM 2012 67535	AM 2013 68309 A	AM 2012 68309
		AM 2013 68348 A	AM 2012 68348
		AM 2013 68368 A	AM 2012 68368
		AM 2013 68428 A	AM 2012 68428

CONCORDANCE TABLE OF INDEX OF GOODS AND/OR SERVICES
AND APPLICATION NUMBERS

INDEX OF GOODS AND/OR SERVICES (511)	NUMBER OF PUBLISHED APPLICATION (260)	1	2
1	2		
3	AM 2013 67203 A	20	AM 2013 67610 A
3	AM 2013 67529 A	25	AM 2013 67178 A
3	AM 2013 67701 A	25	AM 2013 67482 A
3	AM 2013 67753 A	25	AM 2013 67529 A
4	AM 2013 67529 A	28	AM 2013 67253 A
5	AM 2013 66481 A	29	AM 2013 67483 A
5	AM 2013 67204 A	29	AM 2013 67723 A
5	AM 2013 67205 A	30	AM 2013 67483 A
5	AM 2013 67206 A	30	AM 2013 67568 A
5	AM 2013 67342 A	30	AM 2013 67584 A
5	AM 2013 67347 A	30	AM 2013 67618 A
5	AM 2013 67462 A	30	AM 2013 68046 A
5	AM 2013 67466 A	32	AM 2013 67012 A
5	AM 2013 67527 A	32	AM 2013 67103 A
5	AM 2013 67535 A	32	AM 2013 67182 A
5	AM 2013 67538 A	32	AM 2013 67436 A
5	AM 2013 67539 A	32	AM 2013 67483 A
5	AM 2013 67614 A	32	AM 2013 67523 A
5	AM 2013 67693 A	32	AM 2013 67527 A
5	AM 2013 67704 A	32	AM 2013 67584 A
5	AM 2013 67977 A	32	AM 2013 67609 A
5	AM 2013 68034 A	32	AM 2013 67618 A
5	AM 2013 68307 A	33	AM 2013 66614 A
5	AM 2013 68308 A	33	AM 2013 67287 A
5	AM 2013 68309 A	33	AM 2013 67609 A
5	AM 2013 68348 A	33	AM 2013 67637 A
5	AM 2013 68368 A	33	AM 2013 67698 A
7	AM 2013 67424 A	33	AM 2013 67906 A
9	AM 2013 67162 A	33	AM 2013 68053 A
9	AM 2013 67340 A	33	AM 2013 68164 A
9	AM 2013 67341 A	33	AM 2013 68165 A
9	AM 2013 67611 A	34	AM 2013 66745 A
9	AM 2013 67612 A	34	AM 2013 66747 A
9	AM 2013 67697 A	34	AM 2013 67528 A
9	AM 2013 67975 A	34	AM 2013 67535 A
10	AM 2013 67535 A	34	AM 2013 68428 A
12	AM 2013 67619 A	35	AM 2013 66481 A
14	AM 2013 67201 A	35	AM 2013 66733 A
16	AM 2013 67253 A	35	AM 2013 67178 A
16	AM 2013 67482 A	35	AM 2013 67201 A
18	AM 2013 67482 A	35	AM 2013 67253 A
19	AM 2013 67248 A	35	AM 2013 67340 A
19	AM 2013 67249 A	35	AM 2013 67341 A
19	AM 2013 67250 A	35	AM 2013 67416 A
19	AM 2013 67790 A	35	AM 2013 67482 A
20	AM 2013 65204 A	35	AM 2013 67529 A
		35	AM 2013 67611 A
		35	AM 2013 67612 A
		35	AM 2013 67689 A

1	2	1	2
35	AM 2013 67888 A	41	AM 2013 67611 A
35	AM 2013 68046 A	41	AM 2013 67612 A
35	AM 2013 68056 A	41	AM 2013 67697 A
35	AM 2013 68059 A	42	AM 2013 67162 A
35	AM 2013 68060 A	42	AM 2013 67297 A
36	AM 2013 67611 A	42	AM 2013 67482 A
36	AM 2013 67612 A	42	AM 2013 67611 A
36	AM 2013 67888 A	42	AM 2013 67612 A
36	AM 2013 67975 A	42	AM 2013 67681 A
37	AM 2013 67162 A	43	AM 2013 67482 A
37	AM 2013 67611 A	43	AM 2013 68056 A
37	AM 2013 67612 A	43	AM 2013 68059 A
38	AM 2013 67611 A	43	AM 2013 68060 A
38	AM 2013 67612 A	44	AM 2013 67238 A
39	AM 2013 67238 A	44	AM 2013 67297 A
40	AM 2013 67681 A	44	AM 2013 67701 A
41	AM 2013 67253 A	44	AM 2013 67843 A
41	AM 2013 67482 A		

**CONCORDANCE TABLE OF INDEX OF GOODS AND/OR SERVICES
AND NUMBERS OF TRADEMARKS REGISTERED ACCORDING
TO THE ACCELERATED PROCEDURE**

INDEX OF GOODS AND/OR SERVICES (511)	NUMBER OF REGISTERED ACCORDING TO THE ACCELERATED PROCEDURE (111)
7	M 2013 23475 R
7	M 2013 23481 R
9	M 2013 23475 R
9	M 2013 23476 R
9	M 2013 23477 R
11	M 2013 23479 R
11	M 2013 23480 R
14	M 2013 23550 R
16	M 2013 23546 R
18	M 2013 23547 R
33	M 2013 23478 R
33	M 2013 23549 R
34	M 2013 23542 R
34	M 2013 23543 R
34	M 2013 23544 R
34	M 2013 23545 R
35	M 2013 23550 R
36	M 2013 23548 R
38	M 2013 23546 R
39	M 2013 23548 R
41	M 2013 23477 R
43	M 2013 23548 R

OFFICIAL BULLETIN OF THE INDUSTRIAL PROPERTY

7(371)

EDITOR-IN-CHIEF: N. Bebrishvili

EDITORS-TRANSLATORS: E. Gabunia
G. Nadareishvili

PROOFREADER: L. Chanturia

COMPUTER LAYOUT: M. Ordenidze
K. Svanidze

www.sakpatenti.org.ge

E-mail: info@sakpatenti.org.ge