



**NATIONAL INTELLECTUAL PROPERTY CENTER OF GEORGIA
SAKPATENTI**

**OFFICIAL BULLETIN
OF THE INDUSTRIAL PROPERTY**

8(396)

**2014
TBILISI**

**NATIONAL INTELLECTUAL PROPERTY CENTER OF GEORGIA
SAKPATENTI**

**OFFICIAL BULLETIN
OF THE INDUSTRIAL PROPERTY**

**ОФИЦИАЛЬНЫЙ БЮЛЛЕТЕНЬ
ПРОМЫШЛЕННОЙ СОБСТВЕННОСТИ**

8(396)

**INVENTIONS
UTILITY MODELS
DESIGNS
TRADEMARKS**

DATE OF PUBLICATION

2014 04 25

INID CODES FOR IDENTIFICATION OF BIBLIOGRAPHIC DATA

INVENTIONS, UTILITY MODELS

- (10) Number of publication for application, which has been examined
- (11) Number of patent and kind of document
- (21) Serial number of application
- (22) Date of filing of the application
- (23) Date of exhibition or the date of the earlier filing and the number of application, if any
- (24) Date from which patent may have effect
- (31) Number of priority application
- (32) Date of filing of priority application
- (33) Code of the country or regional organization allotting priority application number
- (44) Date of publication of application not granted, but examined and number of bulletin
- (45) Date of publication of registered document
- (51) International Patent Classification Index
- (54) Title of the invention
- (57) Abstract
- (60) Number of examined patent document granted by foreign patent office, date from which patent has effect and country code
- (62) Number of the earlier application and in case of divided application, date of filing an application
- (71) Name, surname and address of applicant (country code)
- (72) Name, surname of inventor (country code)
- (73) Name, surname and address of patent owner (country code)
- (74) Name, surname of representative or patent attorney
- (85) Date of commencement of the national phase of International Application
- (86) Number and date of filing of international application
- (87) Number and date of publication of international application

DESIGNS

- (10) Number of publication for application
- (11) Number of patent and kind of document or number of registration
- (15) Date of registration/Date of patent renewal
- (18) Expected expiration date of patent or registration
- (21) Serial number of application
- (22) Date of filing of the application
- (23) Date of exhibition or the date of the earlier filing and the number of application, if any
- (24) Date from which patent may have effect
- (28) Number of designs included in the application
- (30) Data relating to priority (number of application, date of filing of application, two-letter code identifying the authority with whom the priority application was made)
- (31) Number of priority application
- (32) Date of filing of priority application
- (33) Code of the country or regional organization allotting priority application number
- (34) Two-letter code according to WIPO St.3 identifying the authority with which the priority application was made
- (44) Date of publication of design and number of bulletin (the first publication)
- (45) Date of publication of design registered by WIPO and number of bulletin
- (51) International Classification for designs (class and subclass of the Locarno Classification)
- (54) Title of the invention
- (55) Reproduction of the design
- (57) Description of characteristic features of the design including indication of colors
- (62) Number of the earlier application, registration and document number and if available the date of filing an application in case of divided application
- (71) Name, surname and address of applicant (country code)
- (72) Name, surname of creator (country code)
- (73) Name, surname and address of patent owner (country code)
- (74) Name, surname of representative or patent attorney
- (81) Contracting states concerned
 - II designated contracting states according to the 1960 Act
 - III designated contracting states according to the 1999 Act
- (85) Owner's permanent address
- (86) Owner's nationality
- (87) Owner's residence
- (88) State in which the owner has a real and effective industrial or commercial establishment

TRADEMARKS

- (111) - Number of registration
- (151) - Date of registration
- (156) - Date of the renewal
- (181) - Expected expiration date of registration
- (186) - Renewal expiration date of registration
- (141) - Date of cancel of duration of the mark
- (210) - Serial number of application
- (220) - Date of filing of the application
- (230) - Data concerning exhibition
- (260) - Number of application, for which favorable decision of examination about registration has been taken (publication number)
- (310) - Number of the first application
- (320) - Date of filing of the first application
- (330) - Code, identifying national or regional Office where the first application was made
- (511) - International Classification of Goods and Services for the purposes of registration of trade marks and/or list of goods and/or services classified according thereto
- (526) - Disclaimer
- (531) - Description of figurative elements of Trade Marks according to the International Classification of the Figurative Elements of Marks
- (540) - Reproduction of Trade Mark
- (550) - Nature and kind of Trade Mark
- (580) - Date of recording of any kind changes in respect of applications or registrations
- (591) - Information concerning colors claimed
- (731) - Name and address of the applicant
- (732) - Name and address of the holder of the registration
- (740) - Name and address of the representative
- (750) - Address for correspondence
- (770) - Name and address of the previous applicant or holder in case of change in ownership
- (771) - Previous name and address of the applicant or holder in case of change in ownership
- (791) - Name and address of the licensee
- (793) - Indication of conditions and/or restrictions under the license (Type of license, number of license agreement, data of license, data of validity of license)
- (800) - Certain data relating to the international registration of Trade Marks under the Protocol Relating to Madrid Agreement (International registration number
- (891) - Date of subsequent designation

CODES FOR PUBLICATION IN BULLETIN

- (21) AP 0000 000000 - serial number of application for invention
- (10) AP 0000 0000 A - number of published application for invention (first publication)
- (11) P 0000 0000 B - number of patent for invention (second publication)
- (21) API 0000 000000 - number of application for imported patent
- (11) PI 0000 0000 A - number of imported patent (first publication)
- (21) AU 0000 000000 - serial number of application for utility model
- (10) AU 0000 000 U - number of published application for utility model (first publication)
- (11) U 0000 000 Y - number of patent for utility model (second publication)
- (21) AD 0000 000000 - serial number of application for design
- (10) AD 0000 000 S - number of published application for design (first publication)
- (11) D 0000 000 S - number of patent for design (second publication)

INTERNATIONAL PATENT CLASSIFICATION FOR INVENTIONS AND UTILITY MODELS

- SECTION A - HUMAN NECESSITIES
- SECTION B - PERFORMING OPERATIONS; TRANSPORTING
- SECTION C - CHEMISTRY; METALLURGY
- SECTION D - TEXTILES; PAPER
- SECTION E - FIXED CONSTRUCTIONS
- SECTION F - MECHANICAL ENGINEERING; LIGHTING; HEATING; WEAPONS; BLASTING
- SECTION G - PHYSICS
- SECTION H - ELECTRICITY

-
- M - Trade Mark
 - (210) AM 0000 000000 - Serial number of application;
 - (260) AAM 0000 00000 A - Publication number of application;
 - (111) M 0000 00000 R - Number of registration;
 - (111) MMM0000 00000 Rn - Number of renewals, in which n=1,2,3;
 - (111) M 0000 00000 R(P) - Number of registration under partial assignment of rights
-

LIST OF CODES, IN ALPHABETIC SEQUENCE, AND THE CORRESPONDING (SHORT) NAMES OF STATES, OTHER ENTITIES AND INTERGOVERNMENTAL ORGANIZATIONS
(WIPO STANDARD ST.3)

AD	Andorra				
AE	United Arab Emirates				
AF	Afghanistan				
AG	Antigua and Barbuda				
AI	Anguilla				
AL	Albania				
AM	Armenia				
AN	Netherlands Antilles				
AO	Angola				
AP	African Regional Intellectual Property Organization (ARIPO)				
AR	Argentina				
AT	Austria				
AU	Australia				
AW	Aruba				
AZ	Azerbaijan				
BA	Bosnia and Herzegovina				
BB	Barbados				
BD	Bangladesh				
BE	Belgium				
BF	Burkina Faso				
BG	Bulgaria				
BH	Bahrain				
BI	Burundi				
BJ	Benin				
BM	Bermuda				
BN	Brunei Darussalam				
BO	Bolivia				
BR	Brazil				
BS	Bahamas				
BT	Bhutan				
BV	Bouvet Island				
BW	Botswana				
BX	Benelux Office for Intellectual Property (BOIP)				
BY	Belarus				
BZ	Belize				
CA	Canada				
CD	Democratic Republic of the Congo				
CF	Central African Republic				
CG	Congo				
CH	Switzerland				
CI	Cote d'Ivoire				
CK	Cook Islands				
CL	Chile				
CM	Cameroon				
CN	China				
CO	Colombia				
CR	Costa Rica				
CU	Cuba				
CV	Cape Verde				
CY	Cyprus				
CZ	Czech Republic				
DE	Germany				
DJ	Djibouti				
DM	Dominica				
DO	Dominican Republic				
DZ	Algeria				
EA	Eurasian Patent Organization (EAPO)				
EC	Ecuador				
EE	Estonia				
EG	Egypt				
EH	Western Sahara				
EM	Office for Harmonization in the Internal Market (Trademarks and Designs)(OHIM)				
EP	European Patent Office (EPO)				
ER	Eritrea				
ES	Spain				
ET	Ethiopia				
FI	Finland				
FJ	Fiji				
FK	Falkland Islands (Malvinas)				
FO	Faroe Islands				
FR	France				
GA	Gabon				
GB	United Kingdom				
GC	Patent Office of the Cooperation Council for the Arab States of the Gulf (GCC)				
GD	Grenada				
GG	Guernsey				
GH	Ghana				
GI	Gibraltar				
GT	Guatemala				
GW	Guinea- Bissau				
GY	Guyana				
HK	The Hong Kong Special Administrative Region of the People's Republic of China				
HN	Honduras				
HR	Croatia				
HT	Haiti				
HU	Hungary				
IB	International Bureau of the World Intellectual Property Organization (WIPO)				
ID	Indonesia				
IE	Ireland				
IL	Israel				
IM	Isle of Man				
IN	India				
IQ	Iraq				
ID	Indonesia				
IE	Ireland				
IL	Israel				
IM	Isle of Man				
IN	India				
IQ	Iraq				
IR	Iran (Islamic Republic of)				
IS	Iceland				
IT	Italy				
JE	Jersey				
JM	Jamaica				
JO	Jordan				
JP	Japan				
KE	Kenya				
KG	Kyrgyzstan				
KH	Cambodia				
KI	Kiribati				
KM	Saint Kitts and Nevis				
KP	Democratic People's Republic of Korea				
KR	Republic of Korea				
KW	Kuwait				
KY	Cayman Islands				
KZ	Kazakhstan				
LA	Lao People's Democratic Republic				
LB	Lebanon				
LC	Saint Lucia				
LI	Liechtenstein				
LK	Sri Lanka				
LR	Liberia				
LS	Lesotho				
LT	Lithuania				
LU	Luxembourg				
LV	Latvia				
LY	Libyan Arab Jamahiriya				
MA	Morocco				
MC	Monaco				
MD	Republic of Moldova				
ME	Montenegro				
MG	Madagascar				
MK	The former Yugoslav Republic of Macedonia				
ML	Mali				
MM	Myanmar				
MN	Mongolia				
MO	Macao				
MP	Northern Mariana Islands				
MR	Mauritania				
MS	Montserrat				
MT	Malta				
MU	Mauritius				
MV	Maldives				
MW	Malawi				
MX	Mexico				
MY	Malaysia				
MZ	Mozambique				
NA	Namibia				
NE	Niger				
NG	Nigeria				
NI	Nicaragua				
NL	Netherlands				
NO	Norway				
NP	Nepal				
NR	Nauru				
NZ	New Zealand				
OA	African Intellectual Property Organization (OAPI)				
OM	Oman				
PA	Panama				
PE	Peru				
PG	Papua New Guinea				
PH	Philippines				
PK	Pakistan				
PL	Poland				
PT	Portugal				
PW	Palau				
PY	Paraguay				
QA	Qatar				
QZ	Community Plant Variety Office (European Community) (CPVO)				
RO	Romania				
RS	Serbia				
RU	Russian Federation				
RW	Rwanda				
SA	Saudi Arabia				
SB	Solomon Islands				
SC	Seychelles				
SD	Sudan				
SG	Singapore				
SH	Saint Helena				
SI	Slovenia				
SK	Slovakia				
SL	Sierra Leone				
SM	San Marino				
SN	Senegal				
SO	Somalia				
SR	Suriname				
ST	Sao Tome and Principe				
SV	El Salvador				
SY	Syrian Arab Republic				
SZ	Swaziland				
TC	Turks and Caicos Islands				
TD	Chad				
TG	Togo				
TH	Thailand				
TJ	Tajikistan				
TL	Timor-Leste				
TM	Turkmenistan				
TN	Tunisia				
TO	Tonga				
TR	Turkey				
SE	Sweden				
TT	Trinidad and Tobago				
TV	Tuvalu				
TW	Taiwan, Province of China				
TZ	United Republic of Tanzania				
UA	Ukraine				
UG	Uganda				
US	United States of America				
UY	Uruguay				
UZ	Uzbekistan				
VA	Holy See				
VC	Saint Vincent and the Grenadines				
VE	Venezuela				
VG	Virgin Islands (British)				
VN	Viet Nam				
VU	Vanuatu				
WO	World Intellectual Property Organization (WIPO)				
WS	Samoa				
XN	Nordic Patent Institute (NPI)				
YE	Yemen				
ZA	South Africa				
ZM	Zambia				
ZW	Zimbabwe				

CONTENTS

PUBLISHED TITLES OF PROTECTION	2
INVENTIONS	
▪ APPLICATIONS APPROVED FOR GRANTING PATENTS	4
▪ PATENTED INVENTIONS	11
UTILITY MODELS	
▪ APPLICATIONS APPROVED FOR GRANTING PATENTS	13
▪ PATENTED UTILITY MODEL:.....	14
DESIGNS	
▪ APPLICATIONS APPROVED FOR REGISTRATION.....	15
▪ REGISTERED DESIGNS.....	17
▪ DESIGNS REGISTERED ACCORDING TO THE ACCELERATED PROCEDURE	18
TRADEMARKS	
▪ APPLICATIONS FILED UNDER THE NATIONAL PROCEDURE APPROVED FOR REGISTRATION	19
▪ REGISTERED TRADEMARKS.....	28
▪ TRADEMARKS REGISTERED ACCORDING TO THE ACCELERATED PROCEDURE	32
▪ INTERNATIONAL TRADEMARKS FOR WHICH A DECISION ON GANTING PROTECTION IS TAKEN	35
▪ INTERNATIONAL TRADEMARKS PROTECTED IN GEORGIA	59
OFFICIAL NOTIFICATIONS	
TRADEMARKS	
RENEWAL OF REGISTRATIONS.....	68
COMPLETE TRANSFER OF RIGHTS.....	70
CHANGES IN NAMES AND/OR ADDRESSES OF OWNERS.....	72
CANCELLING OF TRADEMARK REGISTRATION.....	74
CLASSIFICATION INDEXES	
INVENTIONS	75
UTILITY MODELS	77
DESIGNS	78
TRADEMARKS	80

PUBLISHED TITLES OF PROTECTION

INVENTIONS

- APPLICATIONS APPROVED FOR GRANTING PATENTS
12711; 13005; 12712; 12259; 12661; 12997; 12145; 12213; 12612; 12063; 11540; 12664; 12322; 12960
- PATENTED INVENTIONS
6079-6083

UTILITY MODELS

- APPLICATIONS APPROVED FOR GRANTING PATENTS
12961; 13287
- PATENTED UTILITY MODEL:
1807-1810

DESIGNS

- APPLICATIONS APPROVED FOR REGISTRATION
771
- REGISTERED DESIGNS
576
DESIGNS REGISTERED ACCORDING TO THE ACCELERATED PROCEDURE
577

TRADEMARKS

- APPLICATIONS FILED UNDER THE NATIONAL PROCEDURE APPROVED FOR REGISTRATION
71445; 71447, 71448; 71620, 71621; 71641; 71728-71730; 71765; 71806, 71807; 71809-71829; 71831, 71832;
71863; 71924; 72147-72149; 72701; 72805, 72806; 72835, 72836; 72869-72871; 72878, 72879; 72882; 72893;
72906, 73266; 73338; 73387; 73389, 73390; 73450; 73847; 73868
- REGISTERED TRADEMARKS
24653-24694
- TRADEMARKS REGISTERED ACCORDING TO THE ACCELERATED PROCEDURE
24639-24652
- INTERNATIONAL TRADEMARKS FOR WHICH A DECISION ON GRANTING PROTECTION IS TAKEN
70541; 70662; 71346; 712349; 71376; 71380; 72198-72202; 72205-72208; 72210; 72213-72215; 72221,
72222; 72225, 72226; 72229-72232; 72234; 72236-72247; 72274; 72428-72430; 72435; 72437-72439; 72441,
72442; 72470; 72475; 72527, 72528; 72533; 72534; 72538; 72541-72543; 72547-72549; 72551; 72553-72555;
72708; 72711; 72715-72717; 72719; 72725-72727; 72880, 72881; 72885, 72886; 72888, 72889; 72897; 73992;
74180-74182; 74184, 74185; 74187-74189
- INTERNATIONAL TRADEMARKS PROTECTED IN GEORGIA
68885; 68927; 69070; 69221, 69222; 69224; 69226; 69324; 69396; 69398, 69399; 69406, 69407; 69410;
69506, 69507; 69510; 69513; 69608-69613; 69620, 69621; 69623-69627; 69779-69781; 69783; 69788, 69789;
69791, 69792; 69895-69899; 69902-69905; 69967, 69968; 69971-69974; 69976; 70158; 70209, 70210; 70215;
70217; 70219; 70223-70225; 70227-70230; 70236-70238; 70240; 70256; 70257; 70261; 70263-70265; 70267-
70270; 70272, 70273; 70280, 70281; 70287-70292; 70294; 70297, 70298; 70302; 70308, 70309; 70315;
70317; 70344-70346; 70349, 70350; 70352-70355; 70359-70369; 70398-70404; 70407-70414

INVENTIONS

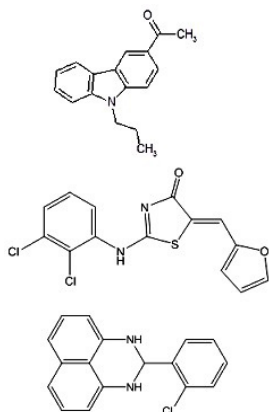
APPLICATIONS APPROVED FOR GRANTING PATENTS

The decision can be appealed at the Chamber of Appeal of Sakpatenti within 3 months from the publication or at the Mtskheta District Court Administrative Cases Board (Address: №17, Samkhedro str., Mtskheta), within 1 month following the publication.

PART A

A 01

- (10) AP 2014 12711 A (51) Int. Cl. (2006)
A 01 N 43/38
A 61 K 31/40
- (21) AP 2010 012711 (22) 2010 10 25
(31) 61/254395
(32) 2009 10 23
(33) US
(71) HEALTH RESEARCH INC (US)
Elm and Carlton Streets Buffalo, NY 14263 (US);
PANACELA LABS, INC (US)
73 High Street Buffalo, New York 14203 (US)
(72) GUROVA, Katerina (RU);
NARIZHEVA, Natalia (RU)
(74) Shalva Gvaramadze
(85) 2012 05 14
(86) PCT/US2010/053916, 2010 10 25
(54) **METHOD FOR TREATING ANDROGEN RECEPTOR POSITIVE CANCERS**
(57) There is represented composition containing compound



selected from compounds of following structures, which is applied at the treatment of cancer positive relative to androgen receptor.

Claims: 1 independent

4 dependent

Fig.: 20

A 21

- (10) AP 2014 13005 A (51) Int. Cl. (2006)
A 21 B 1/22
A 21 B 1/52
- (21) AP 2013 013005 (22) 2013 02 19
(71) Kartlos Gabarashvili (GE)
Nutsubidzis Perd., I I Mkr., I Kv., korp.1, b. 45,
0183 Tbilisi (GE)
(72) Kartlos Gabarashvili (GE)
(54) **"TONE" (GEORGIAN TRADITIONAL OVEN)**
(57) There is represented "tone" comprising cylindrical case 1 executed as three segments hingedly connected together, as well as heating energy source. The case is equipped with thermally insulated boot 2 consisting of three segments and has thermally insulated bottom 3. Heating energy source is arched electric heaters 4 and 5 allocated on the case bottom in the space between the case and the boot. The electric heaters have automatic electric system 8 of thermal control. At the case inner part the thermal control is executed by means of visual observation thermal instrument 7.
- Claims: 1 independent
Fig.: 2

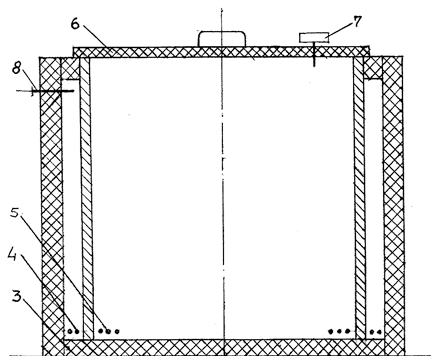


Fig. 2

A 61

(10) AP 2014 12712 A (51) Int. Cl. (2006)
A 61 K 9/00
A 61 K 47/14

(21) AP 2010 012712 (22) 2010 11 19

(31) 61/262719; 10164362.5

(32) 2009 11 19; 2010 05 28

(33) US; EP

(71) SANTEN SAS (FR)

Bâtiment Genavenir IV, 1, Rue

Pierre Fontaine, F-91000 Evry (FR)

(72) GARRIGUE, Jean-Sébastien (FR);

LALLEMAND, Frédéric (FR);

HEIER, Jeffrey (US)

(74) Shalva Gvaramadze

(85) 2012 05 16

(86) PCT/EP2010/067844, 2010 11 19

(54) METHOD FOR TREATING RETINAL
CONDITIONS USING AN
INTRAOCULAR TAMPONADE

(57) There is represented treating in vitreous cavity injectable composition containing fatty acid glycerol ester; at that, composition is bioresorbable, and has surface tension 50 dynes/cm. Said composition is applied at retinal conditions treatment.

Claims: 2 independent

7 dependent

(10) AP 2014 12259 A (51) Int. Cl. (2006)
A 61 K 31/4045
A 61 K 31/55
A 61 K 45/06
A 61 P 9/04

(21) AP 2011 012259 (22) 2011 06 10

(31) 10/02525

(32) 2010 06 15

(33) FR

(71) LES LABORATOIRES SERVIER (FR)

35, Rue de Verdun, F-92284 Suresnes Cedex (FR)

(72) THUILLEZ, Christian (FR);

MULDER, Paulus (FR);

VILAINE, Jean-Paul (FR);

FRATACCI, Marie-Dominique (FR);

LEREBOURS-PIGENNIERE, Guy (FR);

FELDMANN, Luc (FR);

RUSSEL, Jerome (FR)

(74) Tamaz Shilakadze

(54) SINUS NODE IF CURRENT INHIBITOR
ASSOCIATION AND ANGIOTENSIN-
CONVERTING ENZYME INHIBITOR
USAGE AT HEART FAILURE
TREATMENT

(57) There is represented ivabradine or N-[(7S)-3,4-dimethoxybicyclo[4.2.0]octa-1,3,5-triene-7-yl]methyl-3-(7,8-dimethoxy-1,2,4,5-tetrahydro-3H-3-benzazepine-3-yl)-N-methyl-3-oxo-1-pro-

panamine and perindopril combination used at systole function heart failure treatment.

Claims: 3 independent

5 dependent

Fig.: 4

PART B**B 22**

(10) AP 2014 12661 A (51) Int. Cl. (2006)
B 22 D 41/00

(21) AP 2012 012661 (22) 2012 04 10

(71) Otar Barbakadze (GE)

Moskovis Gamz., V kv., korp. 7, b. 26, 0145 Tbilisi (GE);

Vasil Kopaleishvili (GE)

I.Abashidzis q. 68, b. 47, 0162, Tbilisi (GE);

Lamara Kereselidze (GE)

I.Abashidzis q. 68, b. 47, 0162, Tbilisi (GE);

Robinzon Lomidze (GE)

Rustavelis q. 19, b.18, 3700 Rustavi (GE); (GE);

Ramaz Bakradze (GE)

XII Mkr., korp. 6, b. 176, 3700 Rustavi (GE);

Gia Putkaradze (GE)

XVII Mkr., korp. 17, b. 17, 3700 Rustavi (GE);

Salome Barbakadze (GE)

Moskovis Gamz., V kv., korp. 7, b. 26, 0145 Tbilisi (GE)

(72) Otar Barbakadze (GE);

Vasil Kopaleishvili (GE);

Lamara Kereselidze (GE);

Robinzon Lomidze (GE);

Ramaz Bakradze (GE);

Gia Putkaradze (GE);

Salome Barbakadze (GE)

(54) CAST IRON ALLOY CASTING SCOOP

(57) There is represented a scoop comprising a case 1, a cap 2, and casting beak 3 whereon consisting of telescopic componentry 4 and 5 the pipe, which is ended with conic nozzle 6 is hinged. A cistern 7 having loading 8 and unloading 10 means is rigid onto scoop case wall. Unloading 10 means is connected to conic nozzle by means of valve 11 and elastic tube 12.

Claims: 1 independent

Fig.: 2

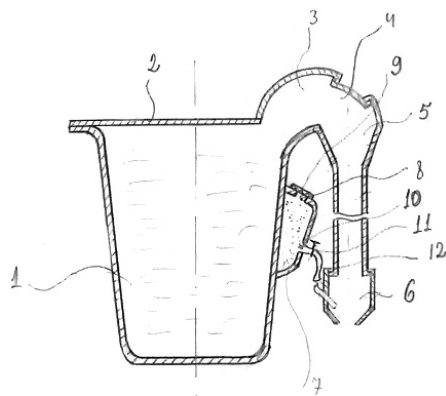


Fig. 1

B 60

(10) AP 2014 12997 A (51) Int. Cl. (2006)
B 60 B 19/00
B 62 D 57/00

- (21) AP 2013 012997 (22) 2013 02 12
- (71) Amiran Rekhviashvili (GE)
 V. Chikovanis q. 35, 0177 Tbilisi (GE);
 Davit Chachanidze (GE)
 S. Tsintsadzis q. 77 (Saburtalos q. 53), b. 2a
 0160 Tbilisi (GE);
 Giorgi Rekhviashvili (GE)
 V. Chikovanis q. 35, 0177 Tbilisi (GE)
- (72) Amiran Rekhviashvili (GE);
 Davit Chachanidze (GE);
 Giorgi Rekhviashvili (GE)

(54) **VEHICLE DRIVE**

(57) There is represented a vehicle drive comprising means 3 for connection to rotational node 2, and connected thereto rigidly the componentry 4 and 5, which are round and rigidly connected to the means so, that the tangent passed through the connection point thereof is allocated on the plane passed through connecting means. The drive is equipped with additional supporting component 6 allocated in the vertical plane so, that it symmetrically crosses said supporting componentry along the line connecting their centers; at that, diameters of all supporting componentry are equal. The angle between supporting componentry is 34-45°.

Claims: 1 independent
 2 dependent

Fig.: 4

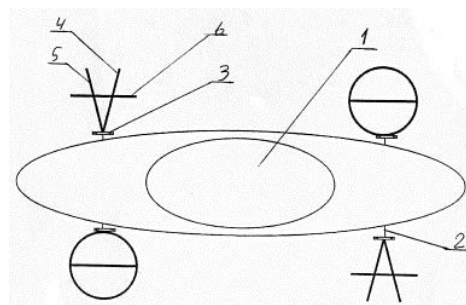


Fig. 2

B 61

(10) AP 2014 12145 A (51) Int. Cl. (2006)
B 61 G 3/10
B 61 G 5/06

- (21) AP 2011 012145 (22) 2011 03 18
- (31) EP10 157 092.7; EP10 172 493.8
- (32) 2010 03 19; 2010 08 11
- (33) EP; EP
- (71) VOITH PATENT GMBH (DE)
 St. Pöltener Straße 43, 89522 Heidenheim (DE)
- (72) SCHUELER, Martin (DE)
- (74) Shalva Gvaramadze
- (54) **COUPLING HEAD OF AUTOMATIC MIDDLE BUFFER**

(57) There is represented coupling 100 head 1 having Willison's profile including large coupling claw 4, small coupling claw 5, and highways coupler 20, 220 and 320 including in its turn at least one coupling unit 21, 21a and 21b connecting highways 18, 18' and 41 between two neighbor carriage-bodies, particularly, connecting pneumatic and/or feeding or signal lines. Accordingly said invention, first stiffness rendering unit 8 is allocated in large coupling claw 4 area, and complementary configured secondary stiffness rendering unit 9 appropriated to first stiffness rendering unit, is allocated in small coupling claw 5 area. A lever mechanism 30, 31, 32, 33 and 34 is executed with capability to pull out automatically connecting highways 20, 220 and 320 coupling unit 21, 21a and 21b from first – pull in position to second – pull out position towards binding plane T; at that, the lever mechanism 30, 31, 32, 33 and 34 is activated by means of secondary stiffness rendering unit 9, which will be engaged with between carriage coupling head 1' allocated opposite thereof, with stiffness rendering unit 8' executed complementary thereof, at binding therewith between carriage coupling head 1' opposite of between carriage coupling head 1.

Claims: 1 independent
 14 dependent

Fig.: 12

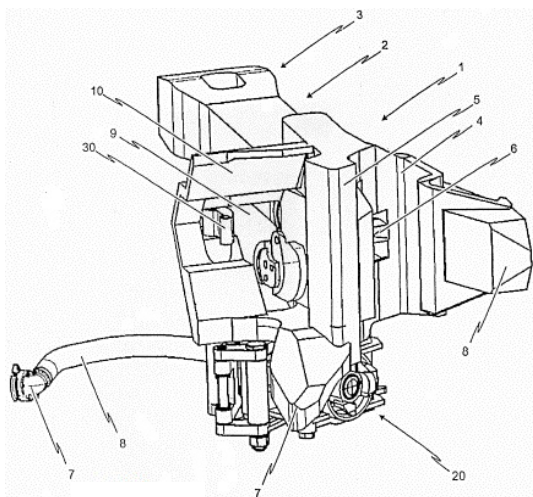
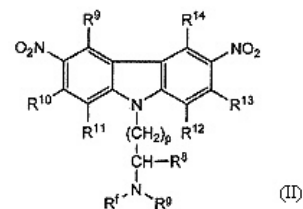
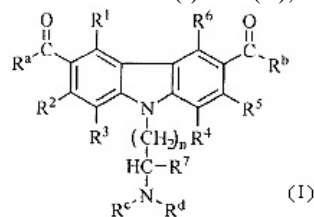


Fig. 1

(57) Present invention relates to compounds of common structural formula (I) and (II),



and application thereof and their salts and hydrates as therapeutic agents at cancer, inflammatory and immunodeficiency diseases treatment, as well.

Claims: 7 independent

14 dependent

Fig.: 27

PART C

C 07

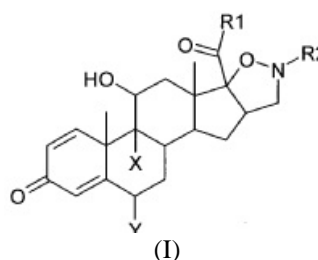
- (10) AP 2014 12213 A (51) Int. Cl. (2006)
 C 07 D 209/86
 C 07 D 209/88
 C 07 D 401/04
 C 07 D 487/04
 A 61 K 31/403
 A 61 P 33/00
 A 61 P 31/00
 A 61 P 35/00
 A 61 P 29/00
- (21) AP 2009 012213 (22) 2009 10 05
 (31) 61/102.913
 (32) 2008 10 06
 (33) US
 (71) INCURON, LLC (RU)
 6 Stolovyi Pereulok, Bld. 2 Moscow 121069 (RU)
 (72) TUCKER, John (US);
 SVIRIDOV, Sergey (RU);
 BRODSKY, Leonid (IL);
 BURKHART, Catherine (US);
 PURMAL, Andrei (US);
 GUROVA, Katerina (RU);
 GUDKOV, Andrei (US)
 (74) Tamaz Shilakadze
 (85) 2011 04 29
 (86) PCT/US2009/059558, 2009 10 05
 (54) **CARBAZOLE COMPOUNDS AND THERAPEUTIC USES THEREOF**

- (10) AP 2014 12612 A (51) Int. Cl. (2006)
 C 07 J 71/00
 A 61 K 31/58
 A 61 P 5/44

- (21) AP 2010 012612 (22) 2010 09 01
 (31) 09011665.8; PCT/EP2010/005366
 (32) 2009 09 11; 2010 09 01
 (33) EP; WO
 (71) CHIESI FARMACEUTICI S.P.A. (IT)
 Via Palermo, 26/A I-43100 Parma (IT)
 (72) ARMANI, Elisabetta (IT);
 GHIDINI, Eleonora (IT);
 PERETTO, Ilaria (IT);
 VIRDIS, Andrea (IT)
 (74) Shalva Gvaramadze
 (85) 2012 03 02
 (86) PCT/EP2010/005366, 2010 09 01
 (54) **PREGNANE DERIVATIVES**

CONDENSED IN 16, 17 POSITION WITH N-SUBSTITUTED ISOXAZOLIDINE RING AS ANTI-INFLAMMATORY AGENTS

(57) Present invention provides pregnane derivatives in 16, 17 position with N-substituted isoxazolidine ring of formula (I)



as anti-inflammatory and anti-allergenic compounds, preparation methods thereof, and compositions containing them, as well.

Claims: 7 independent
9 dependent

(10) AP 2014 12063 A **(51) Int. Cl. (2006)**
C 07 K 16/28
A 61 K 39/395
A 61 P 37/06
A 61 P 19/02

(21) AP 2009 012063 (22) 2009 07 15

(31) 08160671.7; 09160326.6

(32) 2008 07 17; 2009 05 15

(33) EP; EP

(71) NOVARTIS AG (CH)
Lichtstrasse 35, CH-4056 Basel (CH)

(72) HEUSSER, Christoph (CH);
NEUGEBAUER, Julia (DE);
SCHAADT, Eveline (DE);
URLINGER, Stefanie (DE);
WOISETSCHLAEGGER, Maximilian (AT)

(74) Alexander Kartvelishvili

(85) 2011 01 17

(86) PCT/EP2009/059030, 2009 07 15

(54) COMPOSITIONS AND METHODS OF THERAPEUTIC ANTIBODIES USAGE

(57) There are represented humanized antibodies specifically binding to BAFF receptor (BAFFR) strictly specified epitope and causing B cells reversible elimination. Said antibodies are characterized according to amino acid sequences heavy and light chains variable areas. They are applied at such pathological disorders, which treatment relates to B cells gradual disappearance, such as B cells neoplasia or autoimmune diseases, particularly, lupus erythematosus or rheumatoid arthritis, lymphomas, leukemias and myelomas.

Claims: 14 independent
22 dependent

Fig.: 3

C 12

(10) AP 2014 11540 A **(51) Int. Cl. (2006)**
C 12 N 15/82
A 01 H 5/00
A 01 H 5/10
C 12 N 9/10
C 12 N 9/88

(21) AP 2008 011540 (22) 2008 04 03

(31) 60/910,008

(32) 2007 04 04

(33) US

(71) BASF SE (DE)
Carl-Bosch-St. 38, 67056 Ludwigshafen (DE);
VITERRA, INC (CA)
2625 Victoria Avenue, Regina, Saskatchewan
C4T 5T9 (CA)

(72) YAO, Kening (CA);

POTTS, Derek (CA);

MALES, Daryl (CA)

(74) Tamar Kochlamazashvili

(85) 2009 11 02

(86) PCT/IB2008/002645, 2008 04 03

(54) HERBICIDE-RESISTANT BRASSICA PLANTS AND USAGE METHODS THEREOF

(57) There are represented cabbages – Brassica juncea tolerant relative to herbicides, including double mutation – acetohydroxy acid synthetase (AHASL) coding big subunit polypeptide in polynucleotides, in vegetable A and B genomes; at that, I and II AHASL polypeptides including said mutations provide Brassica juncea vegetable tolerant synergic level relative to herbicides.

Claims: 9 independent
32 dependent

Fig.: 8

C 21

(10) AP 2014 12664 A **(51) Int. Cl. (2006)**
C 21 C 1/00

(21) AP 2012 012664 (22) 2012 04 10

(71) Otar Barbakadze (GE)

Moskovis Gamz., V kv., korp. 7, b. 26,
0145 Tbilisi (GE);

Vasil Kopaleishvili (GE)

I.Abashidzis q. 68, b. 47, 0162, Tbilisi (GE);

Lamara Kereselidze (GE)

I.Abashidzis q. 68, b. 47, 0162, Tbilisi (GE);

Robinson Lomidze (GE)

Rustavelis q. 19, b.18, 3700 Rustavi (GE);

Ramaz Bakradze (GE)

XII Mkr., korp. 6, b. 176, 3700 Rustavi (GE);

Gia Putkaradze (GE)

XVII Mkr., korp. 17, b. 17, 3700 Rustavi (GE);

Salome Barbakadze (GE)

Moskovis Gamz., V kv., korp. 7, b. 26, 0145
Tbilisi (GE)

(72) Otar Barbakadze (GE);

Vasil Kopaleishvili (GE);

Lamara Kereselidze (GE);

Robinson Lomidze (GE);

Ramaz Bakradze (GE);

Gia Putkaradze (GE);

Salome Barbakadze (GE)

(54) SCOOP FOR TREATING ALLOY OUT FURNACE AND CASTING THEREOF

(57) There is represented a scoop comprising a case 1, and bounded with a partition 2 on the bottom thereof the modifier 3 chamber 4 with a cap and a drive mechanism. The cap is executed as placed on each other two plates 5 and 6 having coincident holes 7 and 8. At that, the upper plate 5 is supported on the partition, it has point 9 on whole perimeter, and by

cross-shaped means 11 set on a tube 10, it is supported on scoop case. The lower plate 6 is rigid on pipe-like stem 13 set on the tube 10; and in its turn, by means of valve 16 and flexible pipe 17, it is connected to blowing gas source. Furthermore, the pipe-like stem additionally includes turning handle 18.

Claims: 1 independent

Fig.: 2

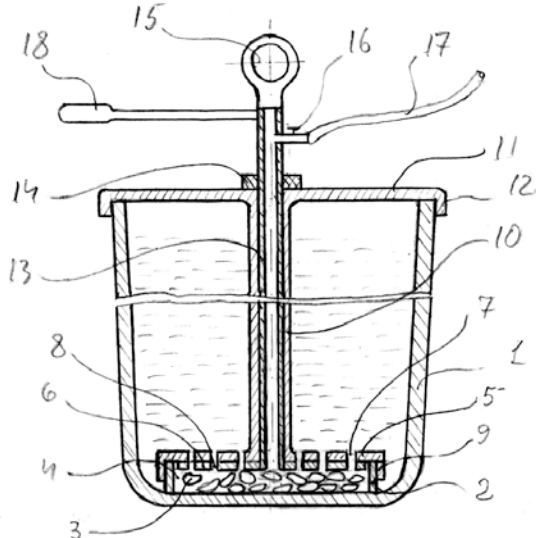


Fig. 1

each other in horizontal and/or vertical plane and one therefrom is appropriated as wall filling part 1, and another – as wall facing part 2. Facing part or its side length is equal or more than filling part length, at least on wall post thickness. Accordingly invention implementation variations the block filling and facing parts are capable have componentry for connection to each other or building blocks together or thereto wall componentry. Block parts are capable be made with hollow case wherein heat- and sound-insulating material is attached; or at least one facing part is capable be connected to at least one filling part. Building blocks are allocated between side and/or intermediate posts in the frame wall and are fastened thereto so, that similar or different blocks are allocated in wall outer and inner sides.

Claims: 2 independent

15 dependent

Fig.: 44

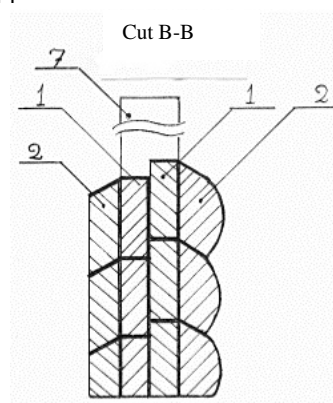


Fig. 26

PART E

E 04

(10) AP 2014 12322 A (51) Int. Cl. (2006)

E 04 C 2/26

E 04 B 2/10

(21) AP 2011 012322 (22) 2011 08 01

(71) Tamaz Mushkudiani (GE)

Bakhtrionis q. 29, b. 76, 0194 Tbilisi (GE);

Levan Mushkudiani (GE)

Bakhtrionis q. 29, b. 76, 0194 Tbilisi (GE);

Lasha Mushkudiani (GE)

Bakhtrionis q. 29, b. 76, 0194 Tbilisi (GE)

(72) Tamaz Mushkudiani (GE);

Levan Mushkudiani (GE);

Lasha Mushkudiani (GE)

(54) **BUILDING BLOCK FOR FRAME WALL AND WALL CONSTRUCTION THEREWITH**

(57) There is represented building block comprising similar or different in size and shape parts consisting of at least one layer and made with same or various materials or combination thereof connected to each other. At least two parts are displaced from

PART F

F 27

(10) AP 2014 12960 A (51) Int. Cl. (2006)

F 27 D 9/00

(21) AP 2013 012960 (22) 2013 01 11

(71) Otar Barbakadze (GE)

Moskovis Gamz., V kv., korp. 7, b. 26,

0145 Tbilisi (GE);

Vasil Kopaleishvili (GE)

I.Abashidzis q. 68, b. 47, 0162, Tbilisi

(GE);

Robinzon Lomidze (GE)

Rustavelis q. 19, b.18, 3700 Rustavi (GE);

Nugzar Mumladze (GE)

XVII Mkr., korp.1, b. 18, 3700 Rustavi (GE);

Zaza Tabatadze (GE)

VII Mkr. korp. 22, b. 55, 3700 Rustavi (GE);

Sergo Katsitadze (GE)
 Kashakashvili q. 5, b. 9, 3700 Rustavi (GE);
 Salome Barbakadze (GE)
 Moskovis Gamz., V kv., korp. 7, b. 26,
 0145 Tbilisi (GE)

(72) Otar Barbakadze (GE);
 Vasil Kopaleishvili (GE);
 Robinzon Lomidze (GE);
 Nugzar Mumladze (GE);
 Zaza Tabatadze (GE);
 Sergo Katsitadze (GE);
 Salome Barbakadze (GE)

(54) **METALLURGICAL FURNACE
 COOLING DEVICE**

(57) There is represented a device comprising a frame 1, a fan 2, and cranked pipe 3 with straight end 4. Pipe straight end part dipped in a furnace 6 is executed with perforation allocated spirally, whereon curved pipes of 30-40 cm length are hinged on 30-45° angle relative to horizontal plane. Pipe free ends are directed up.

Claims: 1 independent

Fig.: 2

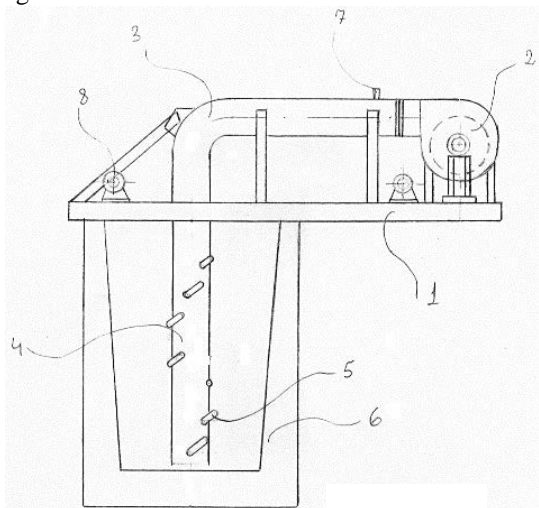


Fig. 1

PATENTED INVENTIONS

PART C

C 01

- (11) P 2014 6083 B (51) Int. Cl. (2006)
C 01 B 35/00
- (10) AP 2014 12871 A (44) 1(389)/2014
(21) AP 2012 012871
(22) 2012 10 15
(24) 2012 10 15
(31) 13/276376
(32) 2011 10 19
(33) US
(73) GENERAL ELECTRIC COMPANY (US)
1 River Road 12345 Schenectady, NY (US)
(72) LUSTIG, James Michael (US)
(74) Shalva Gvaramadze
(54) **OPTIMIZED BORON POWDER FOR
NEURON DETECTION APPLICATIONS**

C 07

- (11) P 2014 6082 B (51) Int. Cl. (2006)
C 07 D 213/75
C 07 D 401/12
C 07 D 401/14
C 07 D 403/12
C 07 D 413/14
C 07 D 417/12
C 07 D 417/14
A 61 K 31/44
A 61 P 35/00
- (10) AP 2014 12768 A (44) 1(389)/2014
(21) AP 2010 012768
(22) 2010 03 01
(24) 2010 03 01
(62) 61/156599 2009 03 02 (US);
61/245187 2009 09 23 (US)
(31) 61/156599; 61/245187
(32) 2009 03 02; 2009 09 23
(33) US; US
(86) PCT/US2010/025813, 2010 03 01
(73) IRM LLC (US)
131 Front Street P.O. Box HM 2899 Hamilton,
HM LX (BM) (US)
(72) CHENG, Dai (US);
ZHANG, Guobao (US);
HAN, Dong (CN);
GAO, Wenqi (CN);
PAN, Shifeng (US)
(74) Alexander Kartvelishvili
(54) **COMPOSITIONS AND METHODS OF
WNT SIGNALING MODULATORS**

- (11) P 2014 6080 B (51) Int. Cl. (2006)
C 07 D 311/22
C 07 D 407/12
C 07 D 413/12
C 07 D 493/04
A 61 K 31/496
A 61 K 31/506
A 61 P 15/10
A 61 P 25/16
A 61 P 25/18
A 61 P 25/22
A 61 P 25/24
A 61 P 25/28
A 61 P 25/32
A 61 P 25/34
A 61 P 25/36

- (10) AP 2014 12642 A (44) 1(389)/2014
(21) AP 2010 012642
(22) 2010 08 31
(24) 2010 08 31
(31) 0955944; 61/336992
(32) 2009 09 01; 2010 01 29
(33) FR; US
(86) PCT/IB2010/053895, 2010 08 31
(73) PIERRE FABRE MEDICAMENT (FR)
45, Place Abel Gance, F-92100 Boulogne
(FR)
(72) SOKOLOFF, Pierre (FR);
IMBERT, Thierry (FR);
LERICHE, Ludovic (FR);
PATOISEAU, Jean-François (FR);
RIEU, Jean-Pierre (FR)
(74) Shalva Gvaramadze
(54) **CHROMONE DERIVATIVES, METHOD
OF THEIR PREPARATION AND
THERAPEUTIC APPLICATIONS**

- (11) P 2014 6079 B (51) Int. Cl. (2006)
C 07 D 413/04
C 07 D 413/14
C 07 D 417/04
C 07 D 417/14
A 01 P 3/00
A 01 N 43/78
A 01 N 43/76
A 01 N 43/836
- (10) AP 2014 12623 A (44) 1(389)/2014
(21) AP 2010 012623
(22) 2010 08 05
(24) 2010 08 05
(31) 09167736.9
(32) 2009 08 12
(33) EP
(86) PCT/EP2010/061381, 2010 08 05
(73) SYNGENTA PARTICIPATIONS AG (CH)
Schwarzwaldallee 215, CH-4058 Basel (CH)
(72) SULZER-MOSSE, Sarah (FR);
LAMBERTH, Clemens (DE);
RESPONDEK, Mathias, Stephan (DE);
QUARANTA, Laura (IT)
(74) Tamar Kochlamazashvili
(54) **MICROBIOCIDAL HETEROCYCLES**
-

PART G

G 10

- (11) P 2014 6081 B (51) Int. Cl. (2006)
G 10 L 19/00
G 10 L 19/02
- (10) AP 2014 12753 A (44) 1(389)/2014
(21) AP 2010 012753
(22) 2010 10 28
(24) 2010 10 28
(31) 61/267422
(32) 2009 12 07
(33) US
(86) PCT/US2010/054480, 2010 10 28
(73) DOLBY LABORATORIES LICENSING
CORPORATION (US)
100 Potrero Ave., San Francisco, CA
94103-4813 (US)
(72) RAMAMOORTHY, Kamalanathan (IN)
(74) Pavle Meipariani
(54) **DECODING OF MULTICHANNEL
AUFIO ENCODED BIT STREAMS
USING ADAPTIVE HYBRID
TRANSFORMATION**
-

UTILITY MODELS

APPLICATIONS APPROVED FOR GRANTING PATENT

The decision can be appealed at the Chamber of Appeal of Sakpatenti within 3 months from the publication or at the Mtskheta District Court Administrative Cases Board (Address: №17, Samkhedro str., Mtskheta), within 1 month following the publication.

PART G

G 01

(10) AU 2014 12961 U (51) Int. Cl. (2006)

G 01 K 1/10

(21) AU 2013 012961 (22) 2013 01 11

(71) Otar Barbakadze (GE)

Moskovis Gamz., V kv., korp. 7, b. 26,
0145 Tbilisi (GE);

Vasil Kopaleishvili (GE)

I. Abashidzis q. 68, b. 47, 0162, Tbilisi
(GE);

Robinzon Lomidze (GE)

Rustavelis q. 19, b.18, 3700 Rustavi (GE);

Nugzar Mumladze (GE)

XVII Mkr., korp. 1, b. 18, 3700 Rustavi
(GE);

Zaza Tabatadze (GE)

VII Mkr., korp. 22, b. 55, 3700 Rustavi
(GE);

Sergo Katsitadze (GE)

Kashakashvilis q. 5, b. 9, 3700 Rustavi (GE);

Salome Barbakadze (GE)

Moskovis Gamz., V kv., korp. 7, b. 26,
0145 Tbilisi (GE)

(72) Otar Barbakadze (GE);

Vasil Kopaleishvili (GE);

Robinzon Lomidze (GE);

Nugzar Mumladze (GE);

Zaza Tabatadze (GE);

Sergo Katsitadze (GE);

Salome Barbakadze (GE)

(54) **THERMOCOUPLE MEASURING
ALLOY TEMPERATURE**

(57) There is represented a thermocouple including a case 1 rigid in refractory material holder 2 in which center the thermosensitive element 3 is mounted; furthermore, the thermocouple includes truncated-cone-shaped protective cap 4 having withdrawing and mounting capability, which is made of easily melted material rod having 1.5-2.0 mm diameter.

Claims: 1 independent

Fig.: 1

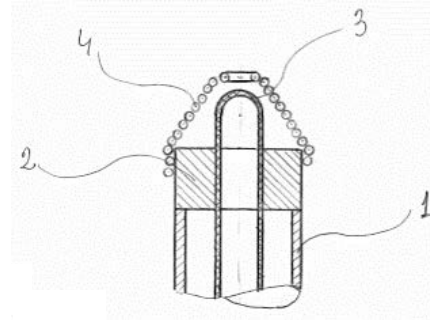


Fig. 1

PART F

F 16

(10) AU 2014 13287 U (51) Int. Cl. (2006)

F 16 D 9/02

C 09 K 3/14

(21) AU 2013 013287 (22) 2013 11 11

(71) Lia Gventsadze (GE)

Vazha-Pshavelas Gamz. V Kv., korp. 4,
b. 184, 0186 Tbilisi (GE);

Elguja Kutelia (GE)

Dighmis Mas. V Kv., korp. 20, b. 97, 0159
Tbilisi (GE);

Davit Gventsadze (GE)

Vazha-Pshavelas Gamz. V Kvart., korp. 4,
b. 184, 0186 Tbilisi (GE)

(72) Lia Gventsadze (GE);

Elguja Kutelia (GE);

Davit Gventsadze (GE)

(54) **COMPOSITE MATERIAL OF
FRICTION PLATE**

(57) There is represented material containing: phenolformaldehyde gum, barite concentrate, copper powder, klinoptylolith, technical carbon, and basalt fiber with certain ratio of components.

Claims: 1 independent

Table: 2

PATENTED UTILITY MODEL

PART A

A 21

- (11) U 2014 1807 Y** **(51) Int. Cl. (2006)**
A 21 D 10/00
- (10) AU 2014 13052 U (44) 1(389)/2014
 (21) AU 2013 013052
 (22) 2013 04 12
 (24) 2013 04 12
 (73) Ana Kabzinadze (GE)
 Otar Chiladzis q. 166, korp. 5, b. 24, 0160
 Tbilisi (GE)
 (72) Ana Kabzinadze (GE)
**(54) PASTRY INGREDIENTS FOR COLORED
 PANCAKES**

- (11) U 2014 1808 Y** **(51) Int. Cl. (2006)**
A 21 D 10/00
- (10) AU 2014 13053 U (44) 1(389)/2014
 (21) AU 2013 013053
 (22) 2013 04 12
 (24) 2013 04 12
 (73) Ana Kabzinadze (GE)
 Otar Chiladzis q. 166, korp. 5, b. 24, 0160
 Tbilisi (GE)
 (72) Ana Kabzinadze (GE)
(54) INGREDIENTS FOR PANCAKE PASTRY

A 61

- (11) U 2014 1810 Y** **(51) Int. Cl. (2006)**
A 61 K 36/00
- (10) AU 2014 13163 U (44) 1(389)/2014
 (21) AU 2013 013163
 (22) 2013 07 15
 (24) 2013 07 15
 (73) Gizo Bokeria (GE)
 Akhmed Melashvilis q. 25, b. 8,
 6015 Batumi (GE)
 (72) Gizo Bokeria (GE)
 (74) Shalva Gvaramadze
**(54) HERBAL INGREDIENTS FOR LIVER
 DISEASES TREATMENT**

- (11) U 2014 1809 Y** **(51) Int. Cl. (2006)**
A 61 N 5/06
- (10) AU 2014 13064 U (44) 1(389)/2014
 (21) AU 2013 013064
 (22) 2013 04 22
 (24) 2013 04 22
 (73) Merab Jibladze (GE)
 I. Chavchavadzis Gamz. 16, b. 23, 0179
 Tbilisi (GE);
 Tamaz Batsikadze (GE)
 R. Laghidzis q. 16, 0108 Tbilisi (GE);
 Dimitri Kordzaia (GE)
 Mitskevichis q. 6, 0108 Tbilisi (GE);
 Zurab Razmadze (GE)
 Barnovis q. 26, 0108 Tbilisi (GE);
 Aleksandre Mikaberidze (GE)
 Tamarashvilis q. 11, b. 114, 0162 Tbilisi (GE)
 (72) Merab Jibladze (GE);
 Tamaz Batsikadze (GE);
 Dimitri Kordzaia (GE);
 Zurab Razmadze (GE);
 Aleksandre Mikaberidze (GE)
**(54) PHOTOTHERAPEUTICAL DEVICE
 "AISI 3"**

DESIGNS

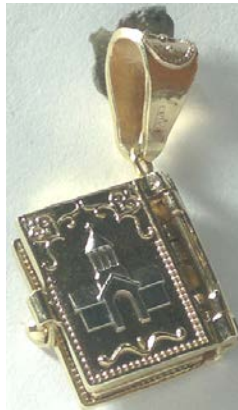
APPLICATION APPROVED FOR REGISTRATION

The decision can be appealed at the Chamber of Appeal of Sakpatenti within 3 months from the publication or at the Mtskheta District Court Administrative Cases Board (Address: №17, Samkhedro str., Mtskheta), within 1 month following the publication.

- (10) AD 2014 771 S (51) 11-01
- (21) AD 2013 000771
- (22) 2013 11 14
- (28) 3
- (23) 2013 11 14
- (32) 2013 11 14
- (71) Ekaterine Dadesheli (GE)
Stalinis q. 10/24, 1400 Gori (GE)
- (72) Ekaterine Dadesheli (GE)
- (54) **PENDENT**
- (55)



1.1



1.2



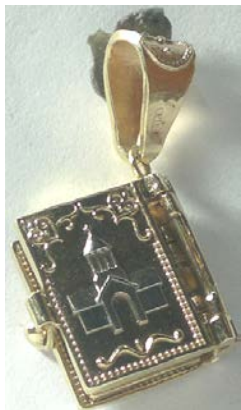
1.3



1.4



2.1



2.2



2.3



2.4



3.1



3.2



3.3

REGISTERED DESIGN

- (11) D 2014 576 S** **(51) 09-05**
(10) AD 2014 764 S (44) 1(389) 2014
(21) AD 2013 000764
(22) 2013 10 09
(24) 2013 10 09
(28) 1
(18) 2018 10 09
(73) Tamta Bilonashvili (GE)
 Varketilis Mas., IV mkr., III kvart., korp. 1,
 b. 58, 0152 Tbilisi (GE)
(72) Tamta Bilonashvili (GE)
(54) **PACKAGE FOR KEEPING SUNFLOWER
SEEDS, EARTHNUT AND OTHER
PRODUCTS**
-

DESIGNS REGISTERED ACCORDING TO THE ACCELERATED PROCEDURE

The decision can be appealed at the Chamber of Appeal of Sakpatenti within 3 months from the publication.

(11) D 2014 577 S (51) 09-03

(21) AD 2014 000785

(22) 2014 03 05

(24) 2014 03 05

(28) 2

(18) 2019 03 05

(73) LTD "CHERIE" (GE)

Didi Lilo, Isani-Samgoris R-ni, Al. Kartvelishvilis q., Nakveti 726, 0198 Tbilisi (GE)

(72) Kakhaber Kakhadze (GE)

(54) PACKAGING

(55)



1



2

TRADEMARKS

APPLICATIONS FILED UNDER THE NATIONAL PROCEDURE APPROVED FOR REGISTRATION

The decision can be appealed at the Chamber of Appeal of Sakpatenti within 3 months from the publication or at the Mtskheta District Court Administrative Cases Board (Address: №17, Samkhedro str., Mtskheta), within 1 month following the publication.

(260) AM 2014 71445 A
(210) AM 071445
(220) 2013 03 20
(731) ARCOR S.A.I.C.
Av. Fulvio Pagani 487, Arroyito, Province
of Cordoba, Argentina
(740) Tamar Kochlamazashvili
(540)

Cofler

(591) Black, white
(511) 30

(260) AM 2014 71447 A
(210) AM 071447
(220) 2013 03 20
(731) SHULTON, INC.
One Procter & Gamble Plaza, Cincinnati
Ohio 45202, USA
(740) Shalva Gvaramadze
(540)

DANGER ZONE

(591) Black, white
(511) 3

(260) AM 2014 71448 A
(210) AM 071448
(220) 2013 03 20
(731) THE COCA-COLA COMPANY
Delaware Corporation
One Coca-Cola Plaza, Atlanta, GA
30313, USA
(740) Givi Sibashvili
(540)



(591) Orange, opalesce green, blue, white
(531) 05.03.14-26.01.19-27.05.01-29.01.15-
(511) 32

(260) AM 2014 71620 A
(210) AM 071620
(220) 2013 04 02
(310) 85804346
(320) 2012 12 17
(330) US
(731) THE GILLETTE COMPANY
One Gillete Park, Boston, Massachusetts
02127, USA
(740) Shalva Gvaramadze
(540)

FLEXBALL

(591) Black, white
(511) 8

(260) AM 2014 71621 A
(210) AM 071621
(220) 2013 04 02
(731) COLGATE-PALMOLIVE COMPANY
Delavare Corporation
300 Park Avenue, New York, NY 10022,
USA
(740) Shalva Gvaramadze
(540)

COLGATE TOTAL PRO GUM HEALTH

(591) Black, white
(511) 3, 21

(260) AM 2014 71641 A
(210) AM 071641
(220) 2013 04 02
(731) CLAAS KGAA MBH
Münsterstraße 33, 33428 Harsewinkel,
Germany
(740) Shalva Gvaramadze
(540)



(591) Red (without background)
(531) 27.05.17-29.01.01-
(511) 2, 4, 6, 7, 8, 9, 12, 14, 16, 18, 21, 24, 25, 28,
31, 35, 36, 37, 38, 42, 44

(260) AM 2014 71728 A
 (210) AM 071728
 (220) 2013 04 08
 (731) CLAAS KGAA MBH
 Münsterstraße 33, 33428 Harsewinkel,
 Germany
 (740) Shalva Gvaramadze
 (540)

CLAAS

(591) Black, white
 (511) 2, 4, 6, 7, 8, 9, 12, 14, 16, 18, 21, 24, 25, 28,
 31, 35, 36, 37, 38, 42, 44

(260) AM 2014 71729 A
 (210) AM 071729
 (220) 2013 04 08
 (731) CENTRO NACIONAL DE SANIDAD
 AGROPECUARIA (CENSA)
 Carretera de Tapaste y 8 Vías, San José,
 de las Lajas, Provincia Mayabeque, Cuba
 (740) Shalva Gvaramadze
 (540)

SURFACEN

(591) Black, white
 (511) 5

(260) AM 2014 71730 A
 (210) AM 071730
 (220) 2013 04 08
 (731) INTERNATIONAL FOODSTUFFS CO. LLC
 Al-Wahda Street, Industrial Area No 1, P.O.
 Box 4115 Sharjah, United Arab Emirates
 (740) Shalva Gvaramadze
 (540)

SUNNY

(591) Black, white
 (511) 29

(260) AM 2014 71765 A
 (210) AM 071765
 (220) 2013 04 10
 (731) TIEFEL LABORATORIES, INC.
 Corporation Service Company, 2711
 Centerville Road, Suite 400, 19808
 Wilmington, DE, USA
 (740) Shalva Gvaramadze
 (540)

SOLANTIOX

(591) Black, white
 (511) 3, 5

(260) AM 2014 71806 A
 (210) AM 071806
 (220) 2013 04 12
 (731) CHEVRON INTELLECTUAL PROPERTY
 LLC
 6001 Bollinger Canyon Road, San Ramon,
 CA 94583, USA
 (740) Shalva Gvaramadze
 (540)

MARFAK

(591) Black, white
 (511) 4

(260) AM 2014 71807 A
 (210) AM 071807
 (220) 2013 04 12
 (731) CHEVRON INTELLECTUAL PROPERTY
 LLC
 6001 Bollinger Canyon Road, San Ramon,
 CA 94583, USA
 (740) Shalva Gvaramadze
 (540)

MEROPA

(591) Black, white
 (511) 4

(260) AM 2014 71809 A
 (210) AM 071809
 (220) 2013 04 12
 (731) CHEVRON INTELLECTUAL PROPERTY
 LLC
 6001 Bollinger Canyon Road, San Ramon,
 CA 94583, USA
 (740) Shalva Gvaramadze
 (540)

MOTEX

(591) Black, white
 (511) 4

(260) AM 2014 71810 A
 (210) AM 071810
 (220) 2013 04 12
 (731) CHEVRON INTELLECTUAL PROPERTY
 LLC
 6001 Bollinger Canyon Road, San Ramon,
 CA 94583, USA
 (740) Shalva Gvaramadze
 (540)

MULTIFAK

(591) Black, white
 (511) 4

(260) AM 2014 71811 A
(210) AM 071811
(220) 2013 04 12
(731) CHEVRON INTELLECTUAL PROPERTY
LLC
6001 Bollinger Canyon Road, San Ramon,
CA 94583, USA
(740) Shalva Gvaramadze
(540)

MULTIGEAR

(591) Black, white
(511) 4

(260) AM 2014 71812 A
(210) AM 071812
(220) 2013 04 12
(731) CHEVRON INTELLECTUAL PROPERTY
LLC
6001 Bollinger Canyon Road, San Ramon,
CA 94583, USA
(740) Shalva Gvaramadze
(540)

NOVATEX

(591) Black, white
(511) 4

(260) AM 2014 71813 A
(210) AM 071813
(220) 2013 04 12
(731) CHEVRON INTELLECTUAL PROPERTY
LLC
6001 Bollinger Canyon Road, San Ramon,
CA 94583, USA
(740) Shalva Gvaramadze
(540)

OMNIS

(591) Black, white
(511) 4

(260) AM 2014 71814 A
(210) AM 071814
(220) 2013 04 12
(731) CHEVRON INTELLECTUAL PROPERTY
LLC
6001 Bollinger Canyon Road, San Ramon,
CA 94583, USA
(740) Shalva Gvaramadze
(540)

PINNACLE

(591) Black, white
(511) 4

(260) AM 2014 71815 A
(210) AM 071815
(220) 2013 04 12
(731) CHEVRON INTELLECTUAL PROPERTY
LLC
6001 Bollinger Canyon Road, San Ramon,
CA 94583, USA
(740) Shalva Gvaramadze
(540)

PMO

(591) Black, white
(511) 4

(260) AM 2014 71816 A
(210) AM 071816
(220) 2013 04 12
(731) CHEVRON INTELLECTUAL PROPERTY
LLC
6001 Bollinger Canyon Road, San Ramon,
CA 94583, USA
(740) Shalva Gvaramadze
(540)

QUENCHTEX

(591) Black, white
(511) 4

(260) AM 2014 71817 A
(210) AM 071817
(220) 2013 04 12
(731) CHEVRON INTELLECTUAL PROPERTY
LLC
6001 Bollinger Canyon Road, San Ramon,
CA 94583, USA
(740) Shalva Gvaramadze
(540)

RANDO

(591) Black, white
(511) 4

(260) AM 2014 71818 A
(210) AM 071818
(220) 2013 04 12
(731) CHEVRON INTELLECTUAL PROPERTY
LLC
6001 Bollinger Canyon Road, San Ramon,
CA 94583, USA
(740) Shalva Gvaramadze
(540)

REGAL

(591) Black, white
(511) 4

(260) AM 2014 71819 A
(210) AM 071819
(220) 2013 04 12
(731) CHEVRON INTELLECTUAL PROPERTY
LLC
6001 Bollinger Canyon Road, San Ramon,
CA 94583, USA
(740) Shalva Gvaramadze
(540)

STARPLEX

(591) Black, white
(511) 4

(260) AM 2014 71820 A
(210) AM 071820
(220) 2013 04 12
(731) CHEVRON INTELLECTUAL PROPERTY
LLC
6001 Bollinger Canyon Road, San Ramon,
CA 94583, USA
(740) Shalva Gvaramadze
(540)

SYNLUBE

(591) Black, white
(511) 4

(260) AM 2014 71821 A
(210) AM 071821
(220) 2013 04 12
(731) CHEVRON INTELLECTUAL PROPERTY
LLC
6001 Bollinger Canyon Road, San Ramon,
CA 94583, USA
(740) Shalva Gvaramadze
(540)

TECHRON

(591) Black, white
(511) 1, 4

(260) AM 2014 71822 A
(210) AM 071822
(220) 2013 04 12
(731) CHEVRON INTELLECTUAL PROPERTY
LLC
6001 Bollinger Canyon Road, San Ramon,
CA 94583, USA
(740) Shalva Gvaramadze
(540)

TEXACO RUSTPROOF

(591) Black, white
(526) **DISCLAIMER** – The trademark is protected as a
whole, verbal sign "RUSTPROOF" included therein
shall not be subject to independent legal protection.
(511) 2, 4

(260) AM 2014 71823 A
(210) AM 071823
(220) 2013 04 12
(731) CHEVRON INTELLECTUAL PROPERTY
LLC
6001 Bollinger Canyon Road, San Ramon,
CA 94583, USA
(740) Shalva Gvaramadze
(540)

TEXAFORM

(591) Black, white
(511) 4

(260) AM 2014 71824 A
(210) AM 071824
(220) 2013 04 12
(731) CHEVRON INTELLECTUAL PROPERTY
LLC
6001 Bollinger Canyon Road, San Ramon,
CA 94583, USA
(740) Shalva Gvaramadze
(540)

TEXAMATIC

(591) Black, white
(511) 4

(260) AM 2014 71825 A
(210) AM 071825
(220) 2013 04 12
(731) CHEVRON INTELLECTUAL PROPERTY
LLC
6001 Bollinger Canyon Road, San Ramon,
CA 94583, USA
(740) Shalva Gvaramadze
(540)

TEXANDO

(591) Black, white
(511) 4

(260) AM 2014 71826 A
(210) AM 071826
(220) 2013 04 12
(731) CHEVRON INTELLECTUAL PROPERTY
LLC
6001 Bollinger Canyon Road, San Ramon,
CA 94583, USA
(740) Shalva Gvaramadze
(540)

TEXATHERM

(591) Black, white
(511) 4

(260) AM 2014 71827 A
 (210) AM 071827
 (220) 2013 04 12
 (731) CHEVRON INTELLECTUAL PROPERTY
 LLC
 6001 Bollinger Canyon Road, San Ramon,
 CA 94583, USA
 (740) Shalva Gvaramadze
 (540)

TEXCLAD

(591) Black, white
 (511) 4

(260) AM 2014 71828 A
 (210) AM 071828
 (220) 2013 04 12
 (731) CHEVRON INTELLECTUAL PROPERTY
 LLC
 6001 Bollinger Canyon Road, San Ramon,
 CA 94583, USA
 (740) Shalva Gvaramadze
 (540)

TEXNAP

(591) Black, white
 (511) 4

(260) AM 2014 71829 A
 (210) AM 071829
 (220) 2013 04 12
 (731) CHEVRON INTELLECTUAL PROPERTY
 LLC
 6001 Bollinger Canyon Road, San Ramon,
 CA 94583, USA
 (740) Shalva Gvaramadze
 (540)

TEXTRAN

(591) Black, white
 (511) 4

(260) AM 2014 71831 A
 (210) AM 071831
 (220) 2013 04 12
 (731) CHEVRON INTELLECTUAL PROPERTY
 LLC
 6001 Bollinger Canyon Road, San Ramon,
 CA 94583, USA
 (740) Shalva Gvaramadze
 (540)

URSA

(591) Black, white
 (511) 4

(260) AM 2014 71832 A
 (210) AM 071832
 (220) 2013 04 12
 (731) CHEVRON INTELLECTUAL PROPERTY
 LLC
 6001 Bollinger Canyon Road, San Ramon,
 CA 94583, USA
 (740) Shalva Gvaramadze
 (540)

WAY LUBRICANT

(591) Black, white
 (526) **DISCLAIMER** – The trademark is protected as a
 whole, verbal sign "LUBRICANT" included therein
 shall not be subject to independent legal protection.
 (511) 4

(260) AM 2014 71863 A
 (210) AM 071863
 (220) 2013 04 15
 (731) PFIZER INC.
 235 East 42nd Street, New York, New York
 10017, USA
 (740) Shalva Gvaramadze
 (540)

XELJANZ

(591) Black, white
 (511) 5

(260) AM 2014 71924 A
 (210) AM 071924
 (220) 2013 04 17
 (731) STAFFORD-MILLER (IRELAND) LIMITED
 Clocherane, Youghal Road, Dungarvan, Co.
 Waterford, Ireland
 (740) Shalva Gvaramadze
 (540)

SENSODYNE

(591) Black, white
 (511) 10, 21

(260) AM 2014 72147 A
 (210) AM 072147
 (220) 2013 05 08
 (731) LTD "TIMELESS"
 Rustavelis Gamz. 46, 0108 Tbilisi, Georgia
 (740) Salome Jojua
 (540)



(591) Red, blue
 (531) 27.05.01-27.05.21-29.01.12-
 (511) 28

(260) AM 2014 72148 A
 (210) AM 072148
 (220) 2013 05 08
 (731) LTD "TIMELESS"
 Rustavelis Gamz. 46, 0108 Tbilisi, Georgia
 (740) Salome Jojua
 (540)

SANTA FE

(591) Black, white
 (511) 43

(260) AM 2014 72149 A
 (210) AM 072149
 (220) 2013 05 08
 (731) LTD "TIMELESS"
 Rustavelis Gamz. 46, 0108 Tbilisi, Georgia
 (740) Salome Jojua
 (540)

MEGATOYS

(591) Black, white
 (511) 28

(260) AM 2014 72701 A
 (210) AM 072701
 (220) 2013 06 14
 (731) JSC "CORPORATION KINDZMARauli"
 Iliа Chavchavadzis Gamz. No. 55, 4800
 Kvareli, Georgia
 (540)



(591) Black, white
 (531) 03.07.02-24.01.10-25.01.05-
 (511) 32, 33

(260) AM 2014 72805 A
 (210) AM 072805
 (220) 2013 06 21
 (731) LTD "KAKHURI"
 Tbilisis Gzatketsili 1, 2200 Telavi, Georgia
 (540)



(591) Red, black, white
 (531) 25.01.19-26.11.07-27.05.01-27.05.21-
 29.01.01-

(526) **DISCLAIMER** – The trademark is protected as a whole, verbal sign included therein except stylized written letter "K" shall not be subject to independent legal protection.

(511) 33

(260) AM 2014 72806 A
 (210) AM 072806
 (220) 2013 06 21
 (731) LTD "IMERULI EZO"
 Didube-Chughuretis R-ni, Military Way
 Adjacent Chiaureli St., 0159 Tbilisi, Georgia
 (540)

იმერული ეზო

(591) Black, white
 (511) 30, 43

(260) AM 2014 72835 A
 (210) AM 072835
 (220) 2013 06 26
 (731) INTERSUN HOLDING FZCO
 P.O. box: 61051, Jebel Ali Free Zone, Dubai,
 United Arab Emirates
 (740) Davit Bibiluri
 (540)



(591) White yellow, dark brown, green, light green,
 sky blue, white

(531) 03.04.02-06.19.11-25.03.03-26.01.21-
 28.05.00-29.01.15-

(526) **DISCLAIMER** – The trademark is protected as a whole, verbal sign "100% НАТУРАЛЬНОЕ МАСЛО" included therein shall not be subject to independent legal protection.

(511) 29, 35, 39

(260) AM 2014 72836 A
 (210) AM 072836
 (220) 2013 06 26
 (731) INTERSUN HOLDING FZCO
 P.O. box: 61051, Jebel Ali Free Zone, Dubai,
 United Arab Emirates
 (740) Davit Bibiluri
 (540)

XOMAN FARM

(591) Black, white
 (511) 29, 35, 39

(260) AM 2014 72869 A
 (210) AM 072869
 (220) 2013 06 27
 (731) BRIDGESTONE CORPORATION
 10-1, Kyobashi 1-Chome, Chuo-ku, Tokyo,
 Japan
 (740) Shalva Gvaramadze
 (540)



(591) Red, blue, black, white, grey
 (531) 04.05.04-26.01.19-27.05.02-29.01.13-
 (511) 12

(260) AM 2014 72870 A
 (210) AM 072870
 (220) 2013 06 27
 (731) BRIDGESTONE CORPORATION
 10-1, Kyobashi 1-Chome, Chuo-ku, Tokyo,
 Japan
 (740) Shalva Gvaramadze
 (540)



(591) Red, blue, black, white, gray
 (531) 04.05.04-26.01.19-27.05.02-29.01.13-
 (511) 12

(260) AM 2014 72871 A
 (210) AM 072871
 (220) 2013 06 27
 (731) S.C. JOHNSON & SON, INC.
 A WISCONSIN CORPORATION
 1525 Howe Street, Racine, Wisconsin
 53403-2236, USA
 (740) Shalva Gvaramadze
 (540)

RAID MAX

(591) Black, white
 (511) 5

(260) AM 2014 72878 A
 (210) AM 072878
 (220) 2013 06 28
 (731) DOUBLE A (1991) PUBLIC COMPANY
 LIMITED
 1 Moo 2, Thatoom, Srimahaphote, Prachinburi,
 Tayland
 (740) Giorgi Meipariani
 (540)



(591) Black, white
 (531) 25.07.20-26.01.06-
 (511) 16

(260) AM 2014 72879 A
 (210) AM 072879
 (220) 2013 06 28
 (731) HOLLMARK CARDS, INCORPORATED
 2501 McGee Trafficway, Kansas City,
 Miasouri 64108, USA
 (740) Giorgi Meipariani
 (540)

ჰოლმარკ

(591) Black, white
 (511) 35

(260) AM 2014 72882 A
 (210) AM 072882
 (220) 2013 06 28
 (731) ANDELI GROUP CO., LTD.
 No.208 Weiqi Road, Yueqing Economic
 Development Zone, Yueqing, Zhejiang
 325600, China
 (740) Shalva Gvaramadze

(540)

ANDELI

(591) Black, white
 (531) 27.05.17-
 (511) 9

(260) AM 2014 72893 A
 (210) AM 072893
 (220) 2013 07 01
 (731) ALDO GROUP INTERNARTIONAL
 AG
 Schochenmuhlerstrasse 6, 6340 Baar,
 Switzerland
 (740) Pavle Meipariani
 (540)

ALDO ACCESSORIES

(591) Black, white
 (526) **DISCLAIMER** – The trademark is protected as a whole, verbal sign "ACCESSORIES" included therein shall not be subject to independent legal protection.
 (511) 18, 25, 35

(260) AM 2014 72906 A
 (210) AM 072906
 (220) 2013 07 01
 (731) LTD "GMP"
 Ponichala 65, 0165 Tbilisi, Georgia
 (740) Nugzar Ksovreli
 (540)

**სონერალი
 СОНЕРАЛ
 SONERAL**

(591) Black, white
 (511) 5

(260) AM 2014 73266 A
 (210) AM 073266
 (220) 2013 07 30
 (731) LTD "EGMETAL GROUP"
 Nikea 2 - lane, 7/17, 4600 Kutaisi, Georgia
 (540)



(591) Yellow, golden, black
 (531) 05.05.04-25.01.05-28.19.00-29.01.15-
 (526) **DISCLAIMER** – The trademark is protected as a whole, verbal signs included therein shall not be subject to independent legal protection.
 (511) 29

(260) AM 2014 73338 A
 (210) AM 073338
 (220) 2013 08 01
 (731) AGCO CORPORATION
 4205 River Green Parkway, Duluth, Georgia
 30096, USA
 (740) Giorgi Taktakishvili
 (540)



(591) Black, white
 (531) 26.03.04-26.03.12-26.11.09-
 (511) 7, 12

(260) AM 2014 73387 A
 (210) AM 073387
 (220) 2013 08 05
 (731) JSC "ZHIROVOI KOMBINAT"
 Sverdlovskaja Oblast, 620085, Ekaterinburg,
 Ul. Titova 27, Russain Federation
 (740) Khatuna Imnadze
 (540)



(591) Blue, red
 (531) 28.05.00-29.01.12-
 (511) 3, 29, 30, 35

(260) AM 2014 73389 A
 (210) AM 073389
 (220) 2013 08 06
 (731) DISCOVERY COMMUNICATIONS, LLC
 One Discovery Place, Silver Spring, Maryland
 20910, USA
 (740) Tamaz Shilakadze
 (540)

DTX

(591) Black, white
 (511) 9, 38, 41

(260) AM 2014 73390 A
 (210) AM 073390
 (220) 2013 08 06
 (731) DISCOVERY COMMUNICATIONS, LLC
 One Discovery Place, Silver Spring, Maryland
 20910, USA
 (740) Tamaz Shilakadze
 (540)

DISCOVERY TURBO XTRA

(591) Black, white
 (511) 9, 38, 41

(260) AM 2014 73450 A
 (210) AM 073450
 (220) 2013 08 08
 (731) WIX-FILTRON SP. Z O.O.
 Wroclawska 145 Str., Gostyn, 63-800, Poland
 (740) Tamaz Shilakadze
 (540)

FILTRON

(591) Black, white
 (531) 26.01.05-27.01.06-27.05.17-
 (511) 7, 12

(260) AM 2014 73847 A
 (210) AM 073847
 (220) 2013 09 04
 (731) UNION TOBACCO & CIGARETTE
 INDUSTRIES CO.
 P.O. Box 851015, Amman 11185, Jordan
 (740) Ketevan Tsakadze
 (540)



(591) Black, white
 (531) 24.09.07-26.03.23-
 (511) 34

(260) AM 2014 73868 A
 (210) AM 073868
 (220) 2013 09 05
 (731) LTD LTD "UNIMED GROUP B."
 Vera - Saburatalo, Ad. Mitskevichis q. 29,
 b. 61, Tbilisi, Georgia
 (740) Alexander Amashukeli
 (540)

უნიბოლილი
UNIBOLIL
УНИБОЛИЛ

(591) Black, white
 (511) 5

REGISTERED TRADEMARKS

(111) M 2014 024653 R (151) 2014 04 15 (181) 2024 04 15 (260) AM 2013 64997 A (220) 2012 12 07 (732) LTD "IVERIULI" Voroninis q. 11, 0112 Tbilisi, Georgia	Grigol Abashidzis q. No. 2, 0179 Tbilisi, Georgia
(111) M 2014 024654 R (151) 2014 04 15 (181) 2024 04 15 (260) AM 2012 65717 A (220) 2012 01 04 (732) Lela Aslanikashvili Gorgaslis q. 73, 0114 Tbilisi, Georgia	(111) M 2014 024659 R (151) 2014 04 15 (181) 2024 04 15 (260) AM 2013 69674 A (220) 2012 11 14 (732) JSC BANK "REPUBLIC" Grigol Abashidzis q. No. 2, 0179 Tbilisi, Georgia
(111) M 2014 024655 R (151) 2014 04 15 (181) 2024 04 15 (260) AM 2013 67866 A (220) 2012 07 04 (732) Irakli Kiria G. Dzotsenidzis q. 5, b. 29, 0183 Tbilisi, Georgia	(111) M 2014 024660 R (151) 2014 04 15 (181) 2024 04 15 (260) AM 2013 69874 A (220) 2012 12 03 (732) AL TANNAN GENERAL TRADING CO. (L.L.C.) P/O Box 3640, Deira, Dubai, United Arab Emirates
(111) M 2014 024656 R (151) 2014 04 15 (181) 2024 04 15 (260) AM 2013 69260 A (220) 2012 10 16 (732) TOYOTA JIDOSHA KABUSHIKI KAISHA (Also Trading as TOYOTA MOTOR CORPORATION) 1, Toyota-Cho, Toyota-Shi, Aichi-Ken, Japan	(111) M 2014 024661 R (151) 2014 04 15 (181) 2024 04 15 (260) AM 2013 69993 A (220) 2012 12 10 (732) POZNAŃSKIE ZAKLADY ZIELARSKIE HERBAPOL S.A. 61-896, Poznań, ul. Towarowa 47/51, Poland
(111) M 2014 024657 R (151) 2014 04 15 (181) 2024 04 15 (260) AM 2013 69540 A (220) 2012 11 02 (732) TOYOTA JIDOSHA KABUSHIKI KAISHA (Also Trading as TOYOTA MOTOR CORPORATION) 1, Toyota-Cho, Toyota-Shi, Aichi-Ken, Japan	(111) M 2014 024662 R (151) 2014 04 15 (181) 2024 04 15 (260) AM 2013 70021 A (220) 2012 12 12 (732) BRITISH AMERICAN TOBACCO (BRANDS) INC. (Delaware Corporation) 2711 Centerville Road, Suite 300, Wilmington, DE 19808, USA
(111) M 2014 024658 R (151) 2014 04 15 (181) 2024 04 15 (260) AM 2013 69673 A (220) 2012 11 14 (732) JSC BANK "REPUBLIC"	(111) M 2014 024663 R (151) 2014 04 15 (181) 2024 04 15 (260) AM 2013 70118 A (220) 2012 12 21 (732) HARRINGTON DEVELOPMENT INC. Elvira Mendez Street, Vallarino bldg., 3 rd Floor, Panama, Panama

(111) M 2014 024664 R
 (151) 2014 04 15
 (181) 2024 04 15
 (260) AM 2013 70191 A
 (220) 2012 12 31
 (732) Gela Mikadze
 Lalionis Shes. 5, 0101 Tbilisi, Georgia

(111) M 2014 024670 R
 (151) 2014 04 15
 (181) 2024 04 15
 (260) AM 2013 70760 A
 (220) 2013 02 05
 (732) KIMBERLY-CLARK WORLDWIDE, INC.
 Neenah, WI 54956, USA

(111) M 2014 024665 R
 (151) 2014 04 15
 (181) 2024 04 15
 (260) AM 2013 70207 A
 (220) 2013 01 03
 (732) CHINA TOBACCO GUANGDONG
 INDUSTRIAL CO., LTD.
 8th-16th Floor, No. 186, Linhexiheng Road,
 Tianhe, Guangzhou, China

(111) M 2014 024671 R
 (151) 2014 04 15
 (181) 2024 04 15
 (260) AM 2013 70790 A
 (220) 2013 02 07
 (732) LTD. "G-M-T MTATSMINDA"
 Tavisuplebis Moed. No. 4, VII sart., 0105
 Tbilisi, Georgia

(111) M 2014 024666 R
 (151) 2014 04 15
 (181) 2024 04 15
 (260) AM 2013 70333 A
 (220) 2013 01 15
 (732) LTD. "IVERTA"
 Sanapiros q. 10, 0108 Tbilisi, Georgia

(111) M 2014 024672 R
 (151) 2014 04 15
 (181) 2024 04 15
 (260) AM 2013 70907 A
 (220) 2013 02 14
 (732) HARRINGTON DEVELOPMENT INC.
 Elvira Mendez Street, Vallarino bldg.,
 3rd Floor, Panama, Panama

(111) M 2014 024667 R
 (151) 2014 04 15
 (181) 2024 04 15
 (260) AM 2013 70334 A
 (220) 2013 01 15
 (732) LTD. "IVERTA"
 Sanapiros q. 10, 0108 Tbilisi, Georgia

(111) M 2014 024673 R
 (151) 2014 04 15
 (181) 2024 04 15
 (260) AM 2013 70918 A
 (220) 2013 02 18
 (732) LTD "G-M-P"
 Ponichala 65, 0165 Tbilisi, Georgia

(111) M 2014 024668 R
 (151) 2014 04 15
 (181) 2024 04 15
 (260) AM 2013 70335 A
 (220) 2013 01 15
 (732) LTD. "IVERTA"
 Sanapiros q. 10, 0108 Tbilisi, Georgia

(111) M 2014 024674 R
 (151) 2014 04 15
 (181) 2024 04 15
 (260) AM 2013 70931 A
 (220) 2013 02 19
 (732) LTD "MATRIX"
 Takaishvilis q. 80, 6000 Batumi, Georgia

(111) M 2014 024669 R
 (151) 2014 04 15
 (181) 2024 04 15
 (260) AM 2013 70704 A
 (220) 2013 02 01
 (732) Timur Sisauri
 Daba Tianeti D. Sanikidzis q. 11, 383050
 Tianetis R-ni, Georgia

(111) M 2014 024675 R
 (151) 2014 04 15
 (181) 2024 04 15
 (260) AM 2013 71334 A
 (220) 2013 03 13
 (732) NISSAN JIDOSHA KABUSHIKI KAISHA
 (Also Trading as NISSAN MOTTOR Co.
 LTD)
 No. 2 Takaracho, Kanagawa-ku, Yokohama-
 shi, Kanagawa-ken, Japan

(111) M 2014 024676 R
 (151) 2014 04 15
 (181) 2024 04 15
 (260) AM 2013 71392 A
 (220) 2013 03 18
 (732) STARBUCKS CORPORATION D/B/A
 STARBUCKS COFFEE COMPANY
 (Washington Corporation)
 2401 Utah Avenue South, Seattle,
 Washington 98134, USA

(111) M 2014 024677 R
 (151) 2014 04 15
 (181) 2024 04 15
 (260) AM 2013 71408 A
 (220) 2013 03 18
 (732) LTD "G-M-P"
 Ponichala 65, 0165 Tbilisi, Georgia

(111) M 2014 024678 R
 (151) 2014 04 15
 (181) 2024 04 15
 (260) AM 2013 71415 A
 (220) 2013 03 19
 (732) HYATT INTERNATIONAL
 CORPORATION
 71 S. Wacker Drive, 14th Floor, Chicago, IL
 60606, USA

(111) M 2014 024679 R
 (151) 2014 04 15
 (181) 2024 04 15
 (260) AM 2013 71416 A
 (220) 2013 03 19
 (732) HYATT INTERNATIONAL
 CORPORATION
 71 S. Wacker Drive, 14th Floor, Chicago, IL
 60606, USA

(111) M 2014 024680 R
 (151) 2014 04 15
 (181) 2024 04 15
 (260) AM 2013 71418 A
 (220) 2013 03 19
 (732) HYATT INTERNATIONAL
 CORPORATION
 71 S. Wacker Drive, 14th Floor, Chicago, IL
 60606, USA

(111) M 2014 024681 R
 (151) 2014 04 15
 (181) 2024 04 15
 (260) AM 2013 71419 A
 (220) 2013 03 19
 (732) HYATT INTERNATIONAL
 CORPORATION
 71 S. Wacker Drive, 14th Floor, Chicago, IL
 60606, USA

(111) M 2014 024682 R
 (151) 2014 04 15
 (181) 2024 04 15
 (260) AM 2013 71468 A
 (220) 2013 03 21
 (732) HYATT INTERNATIONAL
 CORPORATION
 71 S. Wacker Drive, 14th Floor, Chicago, IL
 60606, USA

(111) M 2014 024683 R
 (151) 2014 04 15
 (181) 2024 04 15
 (260) AM 2013 71534 A
 (220) 2013 03 26
 (732) VIIV HEALTHCARE UK LIMITED
 980 Great West Road, Brentford, TW8 9GS
 Middlesex, UK

(111) M 2014 024684 R
 (151) 2014 04 15
 (181) 2024 04 15
 (260) AM 2013 71535 A
 (220) 2013 03 26
 (732) VIIV HEALTHCARE UK LIMITED
 980 Great West Road, Brentford, TW8 9GS
 Middlesex, UK

(111) M 2014 024685 R
 (151) 2014 04 15
 (181) 2024 04 15
 (260) AM 2013 71579 A
 (220) 2013 03 28
 (732) SANRIO COMPANY, LTD
 1-6-1 osaki, Shinagawa-ku, Tokyo, Japan

(111) M 2014 024686 R
 (151) 2014 04 15
 (181) 2024 04 15
 (260) AM 2013 71580 A
 (220) 2013 03 28
 (732) SANRIO COMPANY, LTD
 1-6-1 osaki, Shinagawa-ku, Tokyo, Japan

(111) M 2014 024687 R
(151) 2014 04 15
(181) 2024 04 15
(260) AM 2013 71581 A
(220) 2013 03 28
(732) SANRIO COMPANY, LTD
1-6-1 osaki, Shinagawa-ku, Tokyo, Japan

(111) M 2014 024688 R
(151) 2014 04 15
(181) 2024 04 15
(260) AM 2013 71601 A
(220) 2013 04 01
(732) LTD "IVERTA"
Sanapiros q. 10, 0108 Tbilisi, Georgia

(111) M 2014 024689 R
(151) 2014 04 15
(181) 2024 04 15
(260) AM 2013 71617 A
(220) 2013 04 01
(732) LTD "G-M-P"
Ponichala 65, 0165 Tbilisi, Georgia

(111) M 2014 024690 R
(151) 2014 04 15
(181) 2024 04 15
(260) AM 2013 71698 A
(220) 2013 04 05
(732) LTD "AVERSI-PHARMA"
Davit Aghmashebelis Gamz. 148/2, 0112
Tbilisi, Georgia

(111) M 2014 024691 R
(151) 2014 04 15
(181) 2024 04 15
(260) AM 2013 72072 A
(220) 2013 04 29
(732) LTD "G-M-P"
Ponichala 65, 0165 Tbilisi, Georgia

(111) M 2014 024692 R
(151) 2014 04 15
(181) 2024 04 15
(260) AM 2013 72073 A
(220) 2013 04 29
(732) LTD "G-M-P"
Ponichala 65, 0165 Tbilisi, Georgia

(111) M 2014 024693 R
(151) 2014 04 15
(181) 2024 04 15
(260) AM 2013 72174 A
(220) 2013 05 10
(732) LTD "ECOREST"
Meskhetis q. 29a, b. 15, 1200 Borjomi,
Georgia

(111) M 2014 024694 R
(151) 2014 04 15
(181) 2024 04 15
(260) AM 2013 72384 A
(220) 2013 05 28
(732) ZHENGZHOU YUTONG GROUP CO.,
LTD.
No.8 Zhengchun Road, Hi-tech Industrial
Park, Zhengzhou, China

TRADEMARKS REGISTERED ACCORDING TO THE ACCELERATED PROCEDURE

The decision can be appealed at the Chamber of Appeal of Sakpatenti within 3 months from the publication.

(111) M 2014 24639 R

(151) 2014 04 10

(181) 2024 04 10

(210) AM 076204

(220) 2014 03 10

(732) PLOOM, INC

660 Alabama Street, Floor 2,
San Francisco, CA 94110, USA

(740) Shalva Gvaramadze

(540)

DRAGON

(591) Black, white

(511) 34

(111) M 2014 24640 R

(151) 2014 04 10

(181) 2024 04 10

(210) AM 076206

(220) 2014 03 10

(732) PLOOM, INC

660 Alabama Street, Floor 2,
San Francisco, CA 94110, USA

(740) Shalva Gvaramadze

(540)

ORCHARD

(591) Black, white

(511) 34

(111) M 2014 24641 R

(151) 2014 04 10

(181) 2024 04 10

(210) AM 076207

(220) 2014 03 10

(732) PLOOM, INC

660 Alabama Street, Floor 2,
San Francisco, CA 94110, USA

(740) Shalva Gvaramadze

(540)



(591) Black, white

(531) 25.07.01-25.07.06-26.02.01-

(511) 34

(111) M 2014 24642 R

(151) 2014 04 10

(181) 2024 04 10

(210) AM 076209

(220) 2014 03 10

(732) PLOOM, INC

660 Alabama Street, Floor 2,
San Francisco, CA 94110, USA

(740) Shalva Gvaramadze

(540)



(591) Black, white

(531) 27.05.01-27.05.19-

(511) 34

(111) M 2014 24643 R

(151) 2014 04 10

(181) 2024 04 10

(210) AM 076342

(732) LTD "JULY"

Chachavas q. 2-4-6-8-10-12, 0159 Tbilisi,
Georgia

(740) Mamuka Meladze

(540)



(591) Black, white

(531) 27.05.01-28.19.00-

(511) 9, 35

(111) M 2014 24644 R
 (151) 2014 04 10
 (181) 2024 04 10
 (210) AM 076356
 (220) 2014 03 21
 (732) NIKAI GULF FZCO
 P.O. Box 9200, Dubai, United Arab Emirates
 (740) Giorgi Taktakishvili
 (540)

NIKAI

(591) Red
 (531) 27.05.17-29.01.01-
 (511) 7, 9, 11

(111) M 2014 24645 R
 (151) 2014 04 10
 (181) 2024 04 10
 (210) AM 076293
 (220) 2014 03 17
 (732) JSC "ALEKSANDROV CELLAR"
 Altupievskoe Shosse, d. 79 A, str. 25,
 Moscow, 127410, Russian Federation
 (740) Shalva Gvaramadze
 (540)



(591) Brown, cream-coloured, opalesce golden,
 chocolate-coloured, black, gray
 (531) 06.01.01-25.01.10-25.01.19-28.05.00-
 28.19.00-29.01.13-
 (526) **DISCLAIMER** – The trademark is protected as a
 whole, verbal sign "Кавказа" included therein shall not
 be subject to independent legal protection.
 (511) 33

(111) M 2014 24646 R
 (151) 2014 04 10
 (181) 2024 04 10
 (210) AM 076310
 (220) 2014 03 19
 (732) LTD INTRADE
 M. Kavtaradzis No. 11, 0180 Tbilisi,
 Georgia;
 JSC "MTSENSKIJ DISTILLERY
 "ORLOVSKAYA KREPOST"
 (JSC "MSBK" ORLOVSKAYA KREPOST")
 Russia 303004, Orlovskaya Oblast,
 Mtsenskij Region, Derevnya Volkov,
 Russian Federation

(740) Shalva Gvaramadze
 (540)



(591) Black, opalesce golden, red, white, violet,
 green, silver, yellow, beige
 (531) 05.01.03-05.07.02-06.19.11-25.01.05-
 25.01.19-26.01.19-28.05.00-29.01.15-
 (526) **DISCLAIMER** – The trademark is protected as a
 whole, verbal signs included therein shall not be subject
 to independent legal protection.
 (511) 33

(111) M 2014 24647 R
 (151) 2014 04 10
 (181) 2024 04 10
 (210) AM 076368
 (220) 2014 03 21
 (732) LTD "PDT"
 Ul. Panfilova 12, Khimki, Moscow Region
 141400, Russian Federation
 (740) Vakhtang Torotadze
 (540)



(591) Green, White
 (531) 26.01.22-26.01.24-27.05.24-
 (511) 32, 35

(111) M 2014 24648 R
 (151) 2014 04 10
 (181) 2024 04 10
 (210) AM 076370
 (220) 2014 03 21
 (732) LTD "PDT"

Ul. Panfilova 12, Khimki, Moscow Region
 141400, Russian Federation

(740) Vakhtang Torotadze
 (540)



(591) Red, white, black
 (531) 26.04.22-26.04.24-27.05.21-27.05.24-
 29.01.13-
 (511) 32, 35

(111) M 2014 24649 R
 (151) 2014 04 10
 (181) 2024 04 10
 (210) AM 076373
 (220) 2014 03 21
 (732) LTD "NONGOVERNMENTAL GENERAL
 SECONDARY SECULAR SCHOOL –
 MERMISI"
 Chavchavadzis Gamz. 17a, 0179 Tbilisi,
 Georgia
 (740) Vakhtang Torotadze
 (540)



(591) Black, white, yellow, red
 (531) 20.01.03-20.07.01-28.19.00-29.01.14-
 (511) 41

(111) M 2014 24650 R
 (151) 2014 04 10
 (181) 2024 04 10
 (210) AM 076292
 (220) 2014 03 17
 (732) JSC "ALEKSANDROV CELLAR"
 Altupievskoe Shosse, d. 79 A, str. 25,
 Moscow, 127410, Russian Federation
 (740) Shalva Gvaramadze
 (540)

Bulati

(591) Black, white
 (511) 33

(111) M 2014 24651 R
 (151) 2014 04 10
 (181) 2024 04 10
 (210) AM 076369
 (220) 2014 03 21
 (732) LTD "PDT"

Ul. Panfilova 12, Khimki, Moscow Region
 141400, Russian Federation

(740) Vakhtang Torotadze
 (540)



(591) Black, red, white, gray
 (531) 26.01.05-27.05.17-29.01.12-
 (511) 32, 35

(111) M 2014 24652 R
 (151) 2014 04 10
 (181) 2024 04 10
 (210) AM 076371
 (220) 2014 03 21
 (732) LTD "PDT"
 Ul. Panfilova 12, Khimki, Moscow Region
 141400, Russian Federation
 (740) Vakhtang Torotadze
 (540)



(591) Red, white
 (531) 27.05.17-29.01.01-
 (511) 32, 35

INTERNATIONAL TRADEMARKS FOR WHICH A DECISION ON GRANTING PROTECTIONS IS TAKEN

The decision can be appealed at the Chamber of Appeal of Sakpatenti within 3 months from the publication or at the Mtskheta District Court Administrative Cases Board (Address: №17, Samkhedro str., Mtskheta), within 1 month following the publication.

(260) AM 2014 70541 A

(800) 778861

(151) 2002 03 12

(891) 2012 08 01

(731) SCOR SE (société européenne)

5 avenue Kléber, F-75016 PARIS, France

(540)



(591) Black, white

(511)

35 – Commercial advice relating to corporate risk analysis, management and/or prevention; computerized file management; advice on the organization and management of industrial and commercial companies; business management assistance; accounting consultancy and expert appraisal; advice and expert opinions regarding accounting evaluation of tangible or intangible corporate assets; organization of seminars and colloquiums for commercial purposes relating to corporate and/or social risk analysis, management and/or prevention; commercial management for third parties of telecommunication networks and telecommunication sites for electronic commerce (including by computer means).

(260) AM 2014 70662 A

(800) 1043041

(151) 2010 04 01

(891) 2012 07 16

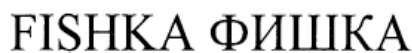
(731) Obshchestvo s ogranichennoy

otvetstvennostyu "Razdolye-Trade"

Skotoprogonnaya street, 29/1, RU-109029

Moscow, Russian Federation

(540)



(591) Black, white

(511)

31 – Unprocessed cereal seeds; grains (cereals); seeds of oil crops; maize; oats; wheat; unprocessed rice; rye; barley; bran; seeds, including unprocessed sunflower and pumpkin seeds; nuts, including peanuts, almonds, coconuts, cola nuts, hazelnuts.

(260) AM 2014 71346 A

(800) 1150282

(151) 2012 10 09

(731) ROTA SEYAHAT ACENTALIĞI VE

TURİZM LİMİTED ŞİRKETİ

Soğucaksu Mahallesi Susam Sokağı No.3,

Aksu 007, Turkey

(540)



(591) Red, blue, yellow

(511)

41 – Education; providing of training; entertainment; sporting and cultural activities, arranging and conducting of seminars, congresses, conferences and symposiums.

43 – Services for providing food and drink; temporary accommodation, agency services for booking hotel accommodation.

(260) AM 2014 71349 A

(800) 1150317

(151) 2012 12 11

(731) AKTSIONERNO DROUJESTVO

"BULGARTABAC-HOLDING"

"Graf Ignatiev" Str. 62, BG-1000 SOFIA,

Bulgaria

(540)



(591) Black, white

(511)

32 – Beers; mineral and aerated waters and other non-alcoholic beverages; fruit beverages and fruit juices; syrups and other preparations for making beverages.

34 – Tobacco; smokers' articles; matches; cigarettes, cigars; cigarillos; lighters for smokers; raw tobacco, manipulated or processed; tobacco products; cigarette filters; cigarette paper; ashtrays for smokers.

35 – Advertising; business management; business administration; office functions; publication of publicity texts; radio advertising; advertising through posters; distribution of samples, models, patterns; dissemination of advertising matters; sales advertising; advertising agencies; TV advertising; adminis-

trative activities and services for management of domestic and international commercial transactions; consultations connected with the business management; marketing surveys and research; consulting services for business management; management of business or industrial enterprises assistance, support in business management; organization of exhibitions and fairs with commercial and advertising purposes; outdoor advertising with bill boards; advertising services using outdoor posters, advertising panel and wall surfaces, demonstration of goods; preparation and publishing of advertisements through printed, audio, video, radio, television and electronic media; advertising through the global computer network; actualization of advertisement matter, import-export agencies.

(260) AM 2014 71376 A

(800) 1150423

(151) 2012 12 06

(731) Carmeda AB

Kanalvägen 3 B SE-194 61 Upplands Väsby,
Germany

(540)

CBAS

(591) Black, white

(511)

40 – Surface treatment of disposable medical devices and implants; consulting services relating to bioactive coating technology.

45 – Licensing services relating to bioactive coating technology.

(260) AM 2014 71380 A

(800) 1150434

(151) 2012 03 01

(731) AKBEL MAKINA DIS TICARET LTD. STI.

Yesilbayir Mah. Simsir Sok. No.5,
TR-34555 Hadimkoy/Arnavutkoy Istanbul,
Turkey

(540)

ANURA

(591) Brown

(511)

9 – Measuring devices, indicators and materials for scientific purposes and for usage at laboratories; devices for tape recording, transferring or reproduction (data processing, communicating and reproduction including computer equipment); magnetic, optical tape recordings and computer based programmes and software installed into them; electronic transmissions downloaded via computer networks that can be recorded by magnetic and optic storage; magnetic and optic card readers; antenna, satellite dishes, amplifiers and their components; ticket reader machines; cash machines; electronic components

used at machines and devices; counters measuring consumption by unit time and time setters; protective clothing, safety and lifesaving equipment (including ear plugs for scuba divers); glasses, sun glasses, lens and their boxes, covers, accessories; electrical charge controllers; electric converters and electric storage devices (including electric and electronic cables); power supplies, batteries, accumulators, anodes and cathodes; warning devices (excluding vehicle alarms); electric bells; traffic indicating and signaling devices; fire extinguishing devices namely fire extinguishing hose and valves; radars, submarine radars, night vision glasses or devices; magnets, decorative magnets.

(260) AM 2014 72198 A

(800) 1156364

(151) 2013 03 25

(731) NOVARTIS AG

CH-4002 Basel, Switzerland

(540)

PECOBAH3

(591) Black, white

(511)

5 – Pharmaceutical preparations.

(260) AM 2014 72199 A

(800) 1156365

(151) 2013 03 25

(891)

(731) NOVARTIS AG

CH-4002 Basel, Switzerland

(540)

PEACAH3

(591) Black, white

(511)

5 – Pharmaceutical preparations.

(260) AM 2014 72200 A

(800) 1156373

(151) 2013 03 05

(731) INDRA SISTEMAS, S.A.

Avenida Bruselas, 33-35, E-28108
Alcobendas (Madrid), Spain

(540)



(591) Black, white

(511)

9 – Computer software for use in the design, installation and implementation of computer software applicable to companies in the energy, sanitary, financial and insurance sectors, in the telecommunication, real estate, automotive, commercial distribution

and shipbuilding sectors, as well as in the management of public administrations, transport, traffic and defense.

35 – Business management consultancy; business procedure management and consultancy; provision of information relating to business management consultancy; market and business research; business management planning; industrial and commercial company management assistance; all the aforesaid services intended for companies in the energy, sanitary, financial and insurance sectors, in the telecommunication, real estate, automotive, commercial distribution and shipbuilding sectors, as well as in the management of public administrations, transport, traffic and defense.

37 – Construction; repair; installation services.

38 – Telecommunication services intended for companies in the energy, sanitary, financial and insurance sectors, in the telecommunication, real estate, automotive, commercial distribution and shipbuilding sectors, as well as in the management of public administrations, transport, traffic and defense.

39 – Transport, air traffic management, distribution of energy; information on traffic and transport.

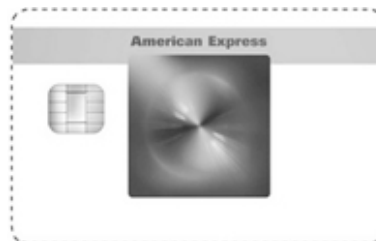
42 – Installation, implementation, maintenance and repair services in connection with computer software; provision of information in connection with information technology, computers and computer systems; consultancy in connection with computers, computer systems and computer system design; computer services, specifically design and development of computer systems for others; consultancy services regarding information technology; computer software design for others; computer site design; technical project planning; all the aforesaid services intended for companies in the energy, sanitary, financial and insurance sectors, in the telecommunication, real estate, automotive, commercial distribution and shipbuilding sectors, as well as in the management of public administrations, transport, traffic and defense.

(260) AM 2014 72201 A
(800) 1156380
(151) 2013 03 21
(731) Cilag GmbH International
Gubelstrasse 34, CH-6300 Zug, Switzerland
(540)



(591) Black, white
(511)
5 – Pharmaceutical preparations, namely remedies against cough and the common cold.

(260) AM 2014 72202 A
(800) 1156391
(151) 2013 03 13
(731) American Express Marketing & Development Corp.
200 Vesey Street, New York, NY 10285, USA
(540)



(591) Black, white
(511)
36 – Charge card and credit card services.

(260) AM 2014 72205 A
(800) 1156424
(151) 2012 09 25
(731) Spey Medical Limited
Lynton House, 7-12 Tavistock Square,
London WC1H 9LT, United Kingdom
(540)

AFLADOBS
АФЛАДОБС

(591) Black, white
(511)
5 – Pharmaceutical and veterinary preparations; sanitary preparations for medical purposes; dietetic substances adapted for medical use, food for babies; plasters, materials for dressings; material for stopping teeth, dental wax; disinfectants; preparations for destroying vermin; fungicides, herbicides; foods and beverages which are adapted for medical purposes; air deodorising preparations.

(260) AM 2014 72206 A
(800) 1156431
(151) 2013 03 26
(731) Apple Inc.
1 Infinite Loop, Cupertino CA 95014, USA
(540)



(591) Grey, white
(511)
9 – Computer software for managing user system settings and preferences.

(260) AM 2014 72207 A

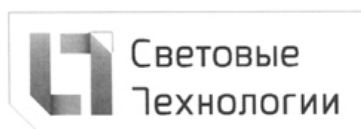
(800) 1156459

(151) 2012 10 31

(731) LLC "Lighting Technologies Trading Company"

Str. 2, d. 2B, ul. Otradnaya, RU-127273
Moscow, Russian Federation

(540)



(591) Black, light gray, gray, dark gray and white
(511)

9 – Darkroom lamps (photography); neon signs; thermionic tubes; thermionic valves [radio]; amplifying tubes; flashlights [photography]; mirrors (optics); signalling panels, luminous or mechanical; control panels (electricity); light conducting filaments (optical fibers); flash-bulbs (photography); electrified rails for mounting spot lights.

10 – Lamps for medical purposes; quartz lamps for medical purposes; ultraviolet ray lamps for medical purposes.

11 – Apparatus for lighting; disinfectant apparatus; light bulbs; light bulbs, electric; lamp globes; acetylene flares; safety lamps; gas lamps; curling lamps; projector lamps; lamps for directional signals of automobiles; light bulbs for directional signals for vehicles; arc lamps; laboratory lamps; oil lamps; ultraviolet ray lamps, not for medical purposes; miners' lamps; electric lamps; chandeliers; filaments for electric lamps; magnesium filaments for lighting; luminous house numbers; lamp reflectors; lamp casings; sockets for electric lights; aquarium lights; lighting apparatus and installations; sanitary apparatus and installations; lighting apparatus for vehicles; searchlight including diving lights and torches for lighting; anti-glare devices for vehicles [lamp fittings]; light diffusers; lamps; street lamps, standard lamps, lanterns; ceiling lights; lighting installations for air vehicles; discharge tubes, electric, for lighting; lamp chimneys; luminous tubes for lighting; lights; automobile lights; bicycle lights; lights for vehicles; pocket searchlights; lanterns for lighting.

35 – Import-export agencies; demonstration of goods; marketing studies; on-line advertising on a computer network; professional business consultancy; updating of advertising material; organization of exhibitions for commercial or advertising purposes; organization of trade fairs for commercial or advertising purposes; shop window dressing; auctionneering; sales promotion for others including the bringing together, for the benefit of others, of a variety of goods (excluding the transport thereof), enabling customers to conveniently view and purchase those goods including purchase through

retail stores and wholesale outlets, mail order catalogues, electronic media, for example, through television shopping programmes or web sites; publication of publicity texts; distribution of samples; dissemination of advertising matter; advertising including advertising by mail order; procurement services for others (purchasing goods and services for other businesses).

37 – Installation, mounting, repair, maintenance of devices, apparatus and installations for lighting included in 09, 10, 11 classes.

42 – Graphic arts designing of devices, apparatus and installations for lighting included in 09, 10, 11 classes; technical project studies; engineering; testing devices, apparatus and installations for lighting included in 09, 10, 11 classes; research and development for others; technical research; lighting equipment quality control; industrial design; professional consultancy services in the field of light engineering; surveying.

(260) AM 2014 72208 A

(800) 1156463

(151) 2012 10 31

(731) LLC "Lighting Technologies Trading Company"

Str. 2, d. 2B, ul. Otradnaya, RU-127273
Moscow, Russian Federation

(540)



(591) Black, light gray, gray, dark gray and white
(511)

9 – Darkroom lamps (photography); neon signs; thermionic valves; thermionic valves [radio]; amplifying tubes; flashlights [photography]; mirrors (optics); signalling panels, luminous or mechanical; control panels (electricity); light conducting filaments (optical fibers); flash-bulbs (photography); electrified rails for mounting spot lights.

10 – Lamps for medical purposes; quartz lamps for medical purposes; ultraviolet ray lamps for medical purposes.

11 – Apparatus for lighting; disinfectant apparatus; light bulbs; light bulbs, electric; lamp globes; acetylene flares; safety lamps; gas lamps; curling lamps; projector lamps; lamps for directional signals of automobiles; light bulbs for directional signals for vehicles; arc lamps; laboratory lamps; oil lamps; ultraviolet ray lamps, not for medical purposes; miners' lamps; electric lamps; chandeliers; filaments for electric lamps; magnesium filaments for lighting; luminous house numbers; lamp reflectors; lamp casings; sockets for electric lights; aquarium lights;

lighting apparatus and installations; sanitary apparatus and installations; lighting apparatus for vehicles; searchlight including diving lights and torches for lighting; anti-glare devices for vehicles [lamp fittings]; light diffusers; lamps; street lamps, standard lamps, lantern; ceiling lights; lighting installations for air vehicles; discharge tubes, electric, for lighting; lamp chimneys; luminous tubes for lighting; lights; automobile lights; bicycle lights; lights for vehicles; pocket searchlights; lanterns for lighting.

35 – Import-export agencies; demonstration of goods; marketing studies; on-line advertising on a computer network; professional business consultancy; updating of advertising material; organization of exhibitions for commercial or advertising purposes; organization of trade fairs for commercial or advertising purposes; shop window dressing; auctionneering; sales promotion for others including the bringing together, for the benefit of others, of a variety of goods (excluding the transport thereof), enabling customers to conveniently view and purchase those goods including purchase through retail stores and wholesale outlets, mail order catalogues, electronic media, for example, through television shopping programmes or web sites; publication of publicity texts; distribution of samples; dissemination of advertising matter; advertising including advertising by mail order; procurement services for others (purchasing goods and services for other businesses).

37 – Installation, mounting, repair, maintenance of devices, apparatus and installations for lighting included in 09, 10, 11 classes.

42 – Graphic arts designing of devices, apparatus and installations for lighting included in 09, 10, 11 classes; technical project studies; engineering; testing devices, apparatus and installations for lighting included in 09, 10, 11 classes; research and development for others; technical research; professional consultancy services in the field of light engineering; lighting equipment quality control; industrial design; surveying.

(260) AM 2014 72210 A
(800) 1156472
(151) 2013 01 15
(731) RUDOLPH FOODS COMPANY, INC.
6575 Bellefontaine Rd, Lima OH 45804,
USA
(540)



(591) Black, white

(511)
29 – Puffed and unpuffed pork rinds and pork cracklin pellets for preparing shelf stable prepacked snack foods.

30 – Snack foods; namely, puffed or formed dough made from corn, potatoes, cereal grain and/or animal skins.

(260) AM 2014 72213 A
(800) 1156518
(151) 2013 03 04
(731) Becton, Dickinson and Company
1 Becton Drive, MC 090 Franklin Lakes,
NJ 07417, USA

(540)
**BD HORIZON BRILLIANT
VIOLET**

(591) Black, white
(511)
1 – Fluorescent dyes for laboratory and research use.

(260) AM 2014 72214 A
(800) 1156525
(151) 2013 03 05
(731) Apple Inc.
1 Infinite Loop, Cupertino, CA 95014, USA
(540)



(591) Black, white
(511)
9 – Electrical and electronic connectors, wires, cables, chargers, docks, docking stations, and adapters, all for use with computers, computer peripherals, consumer electronics, portable and handheld digital electronic devices, digital media players, handheld computers, tablet computers, mobile phones, and global positioning system (GPS) devices.

(260) AM 2014 72215 A
(800) 1156543
(151) 2013 03 06
(731) Société des Produits Nestlé S.A.
CH-1800 Vevey, Switzerland
(540)



(591) Blue, dark blue, light blue and white

(511)

5 – Dietetic substances and food for medical and clinical use; formulated milk, food, beverages and food substances for babies; formulated milk, food, beverages and food substances for babies, for medical use; food and food substances for medical use for babies, children and patients; food and food substances for pregnant women and nursing mothers, for medical use; nutritional and dietetic supplements for medical use; vitamin preparations, mineral food supplements for medical use; dietetic confectionery for medical use.

(260) AM 2014 72221 A

(800) 1156595

(151) 2013 03 14

(731) Société des Produits Nestlé S.A.

CH-1800 Vevey, Switzerland

(540)



The logo features the word "MAMA" in large, bold, blue capital letters with a yellow outline. Below it, the words "u di" are written in a smaller, blue, cursive script.

(591) Blue, dark blue, light blue and white

(511)

5 – Dietetic substances and food for medical and clinical use; formulated milk, food, beverages and food substances for babies; formulated milk, food, beverages and food substances for babies, for medical use; food and food substances for medical use for babies, children and patients; food and food substances for pregnant women and nursing mothers, for medical use; nutritional and dietetic supplements for medical use; vitamin preparations, mineral food supplements for medical use; dietetic confectionery for medical use.

29 – Vegetables and potatoes (preserved, frozen, dried or cooked), fruit (preserved, frozen, dried or cooked), mushrooms (preserved, dried or cooked), meat, poultry, game, fish and seafood, all these goods in the form of extracts, soups, jellies, spreads, preserves, cooked, deepfrozen or dehydrated dishes; jams; eggs; milk, cream, butter, cheese and dairy products; milk substitutes; milk beverages, milk predominating; milk-based beverages containing cereals, chocolate and/or coffee; desserts made of milk and desserts made of cream; yogurts; soya milk (milk substitute), canned soya beans for human consumption; edible oils and fats; protein preparations for human consumption; coffee and/or tea whiteners (cream substitutes); sausages; charcuterie, peanut butter; soups, concentrated soups, thick soups, bouillon cubes, bouillon, broths.

(260) AM 2014 72222 A

(800) 1156596

(151) 2013 03 14

(731) Société des Produits Nestlé S.A.

CH-1800 Vevey, Switzerland

(540)



(591) Blue, red, dark blue, light blue, gray and white

(511)

29 – Vegetables and potatoes (preserved, dried or cooked), fruit (preserved, dried or cooked), mushrooms (preserved, dried or cooked); meat, poultry, game, fish and seafood, all these goods in the form of extracts, soups, jellies, spreads, preserves, cooked, deep-frozen or dehydrated dishes; jams; eggs; preserved soya beans for human consumption; edible oils and fats; protein preparations for human consumption; sausages; charcuterie, peanut butter; soups, concentrated soups, preparation for making soups, soup, broth, also in the form of cubes, tablets or powder, broth concentrates, preparation for making broth, consommés.

30 – Flours, cereal preparation, bread, yeast, pastry; biscuits, cakes, cookies, wafers, caramels, puddings; rice, pasta, noodles; rice, flour or cereal-based food-stuffs, also in the form of cooked dishes; pizzas, sandwiches; oven-ready preparations of farinaceous paste and cake paste; powdered mixture for cakes; sauces, soya sauce; tomato ketchup; flavoring or seasoning products for food; spices for food, condiments, salad dressings, mayonnaise; mustard; vinegar.

(260) AM 2014 72225 A

(800) 1156632

(151) 2013 03 14

(731) The Rompetrol Group N.V.

Strawinskylaan 807, Tower A-8, NL-1077 XX
Amsterdam, Netherlands

(540)



The logo for "efixS", where "efix" is in a dark red font and "S" is in a bright orange font with a pixelated, digital-style effect.

(591) Orange, red and white

(511)

4 – Industrial oils and greases; lubricants; dust absorbing, wetting and binding compositions; fuels (including motor spirit) and illuminants; candles and wicks for lighting; gasoline.

35 – Advertising; business management; business administration; office functions; retail services in the field of fuels.

(260) AM 2014 72226 A

(800) 1156641

(151) 2013 03 18

(731) Amini Innovation Corp.

8725 Rex Road Pico Rivera CA 90660, USA

(540)



(591) Black, white

(511)

20 – Furniture.

35 – Retail furniture stores featuring furniture.

(260) AM 2014 72229 A

(800) 1156648

(151) 2012 11 07

(731) Arikan İthalat Saat Sanayi ve Dış Ticaret

Limited Şirketi

Tahtakale Cad. No:69, Eminönü İstanbul,

Turkey

(540)

Ferrucci

(591) Black, white

(511)

9 – Eyeglasses, sunglasses and contact lenses; boxes and cases for eyeglasses, sunglasses and contact lenses; spare parts and accessories for eyeglasses, sunglasses and contact lenses.

14 – Watches (including wall clock, table clock, wrist watches); watch accessories and spare parts; stopwatches, watch chains, watch bands; jewelry goods (including imitations); gold; jewels, precious stones and jewelry made from these, cufflinks, tie pins, tie clips; statuettes of precious metal.

(260) AM 2014 72230 A

(800) 1156652

(151) 2013 02 14

(731) Guy Margel Trust Ltd.

1 Ben Gurion Road 51201 Bnei Brak, Israel

(540)

EGL

(591) Black, white

(511)

42 – Laboratory services for the examination of precious stones, jewellery, diamonds, antiques, valuables, artistic craftsmanship and works of art; certification services relating to precious stones, jewelry, diamonds, antiques, valuables, artistic craftsmanship and works of art.

(260) AM 2014 72231 A

(800) 1156662

(151) 2013 03 26

(731) Apple Inc.

1 Infinite Loop, Cupertino, CA 95014, USA

(540)



(591) Blue and white

(511)

9 – Computer software for recording, editing, managing, and sharing audio content.

(260) AM 2014 72232 A

(800) 1156676

(151) 2013 03 18

(731) Amini Innovation Corp.

8725 Rex Road Pico Rivera CA 90660, USA

(540)

AICO

(591) Black, white

(511)

20 – Furniture, accent pillows.

24 – Bedding, namely, comforters, bed skirts, bed shams.

35 – Retail furniture stores.

(260) AM 2014 72234 A

(800) 1156721

(151) 2012 12 06

(731) Trade-Import LLC

d.11, ul. Pikhtovaya, RU-614025 Perm,

Russian Federation

(540)

FORMAT

(591) Black, white

(511)

12 – Casings for pneumatic tires; caravans; luggage carriers for vehicles; ski carriers for cars; bicycles; valves for vehicle tires; motors for cycles; bicycle

bells; rearview mirrors; inner tubes for bicycles; inner tubes for pneumatic tires; wheels for bicycles; brake pads for automobiles; baskets adapted for cycles; mopeds; motorcycles; repair outfits for inner tubes; air pumps [vehicle accessories]; bicycle pumps; bicycle rims; pedals for cycles; gearing for land vehicles; anti-theft devices for vehicles; bicycle frames; bicycle handle bar; cranks for cycles; sleighs [vehicles]; saddles for bicycles, cycles or motorcycles; luggage nets for vehicles; dress guards for bicycles, cycles; bicycle spokes; vehicle wheel spokes; tricycles; carrier tricycles; cycle stands; cycle hubs; bicycle brakes; bicycle chains; saddle covers for bicycles or motorcycles; gears for cycles; tubeless tires for bicycles, cycles; bicycle tires; cycle mudguards.

(260) AM 2014 72236 A

(800) 1156726

(151) 2012 11 21

(731) Actavis Group PTC ehf.

Reykjavikurvegi 76-78, IS-220 Hafnarfjordur, Iceland

(540)

ACTAVIS PHARMACEUTICALS

(591) Black, white

(511)

1 – Chemicals used in industry, science and photography, as well as in agriculture, horticulture and forestry; unprocessed artificial resins, unprocessed plastics; manures; fire extinguishing compositions; tempering and soldering preparations; chemical substances for preserving foodstuffs, tanning substances; adhesives used in industry.

3 – Bleaching preparations and other substances for laundry use; cleaning, polishing, scouring and abrasive preparations; soaps; perfumery, essential oils, cosmetics, hair lotions; dentifrices; skin and hair care preparations not for medical use.

5 – Pharmaceutical and veterinary preparations; sanitary preparations for medical purposes; dietetic food and substances adapted for medical or veterinary use, food for babies; dietary supplements for humans and animals, plasters, materials for dressings; materials for stopping teeth, dental wax; disinfectants, preparations for destroying vermin, fungicides, herbicides.

41 – Education; providing of training; entertainment; sporting and cultural activities.

42 – Scientific and technological services and research and design relating thereto; industrial analysis and research services; design and development of computer hardware and software; scientific and technological developing.

(260) AM 2014 72237 A

(800) 1156749

(151) 2013 02 21

(731) Farmaprim S.R.L.

Str. Gheorghe Tudor nr.3, MD-2028 Chişinău, Republic of Moldova

(540)

CLINDABIOX КЛИНДАБИОКС

(591) Black, white

(511)

5 – Pharmaceutical and veterinary products; sanitary products for medical purposes; dietetic food and substances adapted for medical or veterinary use, food for babies; food supplements for humans and animals; plasters, materials for dressings; material for dental fillings and dental impressions; disinfectants; pesticides; fungicides, herbicides.

(260) AM 2014 72238 A

(800) 1156762

(151) 2013 03 06

(731) Andermatt Biocontrol AG

Stahlermatten 6, CH-6146 Grossdietwil, Switzerland

(540)

where Nature leads Innovation

(591) Black, white

(511)

5 – Products for treating plants against illnesses and for destroying vermin.

(260) AM 2014 72239 A

(800) 1156793

(151) 2013 02 25

(731) Malysheva Olga Valentinovna

Tutaevskoe shosse, 41-45, RU-150042 Yaroslavl, Russian Federation

(540)

ALCASTA

(591) Black, white

(511)

12 – Vehicle wheels; hub caps; bands for wheel hubs; rims for vehicle wheels; axles for vehicles; balance weights for vehicle wheels; hubs for vehicle wheels; spoke clips for wheels.

(260) AM 2014 72240 A
 (800) 1156800
 (151) 2013 03 26
 (731) Apple Inc.
 1 Infinite Loop, Cupertino CA 95014, USA
 (540)



(591) Blue and white
 (511)
 9 – Computer software for organizing, storing, and viewing images.

(260) AM 2014 72241 A
 (800) 1156811
 (151) 2013 03 29
 (731) Otkrytoe aktsionernoe obshchestvo
 "Shadrinsky Avtoagregatny Zavod"
 ul. Sverdlova 1, Shadrinsk, RU-641876
 Kurganskaya obl., Russian Federation
 (540)



(591) Black, white
 (511)
 7 – Radiators [cooling] for motors and engines; carburettors; lubricators [parts of machines]; pneumatic grease guns; taps [parts of machines, engines or motors]; jacks [machines]; expansion tanks [parts of machines]; rack and pinion jacks; fans for motors and engines.

11 – Air purifying apparatus and machines; heating apparatus for solid, liquid or gaseous fuels; heaters for vehicles; radiator caps; hot air apparatus.

12 – Automobiles, tractors, motorcycle units.

(260) AM 2014 72242 A
 (800) 1156815
 (151) 2013 03 28
 (731) Farmaprim S.R.L.
 Str. Gheorghe Tudor nr.3, MD-2028 Chişinău,
 Republic of Moldova
 (540)

PROCTOTROMBIN

(591) Black, white
 (511)
 5 – Pharmaceutical and veterinary products; sanitary products for medical purposes; dietetic substances

for medical use, food for babies; plasters, materials for dressings; material for dental fillings and dental impressions; disinfectants; products for destroying vermin; fungicides, herbicides.

(260) AM 2014 72243 A
 (800) 1156816
 (151) 2013 03 28
 (731) Farmaprim S.R.L.
 Str. Gheorghe Tudor nr.3, MD-2028 Chişinău,
 Republic of Moldova
 (540)

VENAPROX
ΒΕΝΑΠΡΟΚΣ

(591) Black, white
 (511)
 5 – Pharmaceutical and veterinary products; sanitary products for medical purposes; dietetic food and substances adapted for medical or veterinary use, food for babies; food supplements for humans and animals; plasters, materials for dressings; material for dental fillings and dental impressions; disinfectants; pesticides; fungicides, herbicides.

(260) AM 2014 72244 A
 (800) 1156883
 (151) 2013 03 25
 (731) NOVARTIS AG
 CH-4002 Basel, Switzerland
 (540)



(591) Black, white
 (511)
 5 – Pharmaceuticals for use in the treatment of viral, oncological, hematological, metabolic, autoimmune and inflammatory diseases and disorders.

(260) AM 2014 72245 A
 (800) 1156892
 (151) 2013 02 05
 (731) Luitpold Pharmaceuticals, Inc.
 One Luitpold Drive, Shirley, NY 11967, USA
 (540)

SocketKAGE

(591) Black, white
 (511)
 10 – A device made of biocompatible materials placed in an extraction socket used to support, maintain

and facilitate regeneration of the socket site where portions have been destroyed by disease, infection, trauma or surgery, used alone or in combination with other socket management devices.

(260) AM 2014 72246 A

(800) 1156900

(151) 2013 03 13

(731) Mulberry Company (Design) Limited
The Rookery, Chilcompton Bath BA3 4EH,
United Kingdom

(540)

MULBERRY

(591) Black, white

(511)

14 – Jewellery, imitation jewellery, costume jewellery, charms, key rings, cuff-links, tiepins, tie clips; watches, watch chains, clocks, articles of precious metal or coated therewith, precious stones.

(260) AM 2014 72247 A

(800) 1156921

(151) 2013 02 01

(731) Sovmestnoe otkrytoe aktsionernoe
obshchestvo "Kommunarka"
ul. Aranskaya 18, 220033 Minsk, Belarus

(540)

LUARTE

(591) Black, white

(511)

29 – Marmalade; cocoa butter; crystallized fruits.

30 – Cocoa, cocoa products; confectionery; waffles; confectionery for decorating Christmas trees; pastries; peanut confectionery; almond confectionery; caramels; sweetmeats; liquorice [confectionery]; peppermint sweets; crackers, candy, cocoa beverages with milk, chocolate beverages with milk, chocolate-based beverages; cocoa-based beverages; pastilles [confectionery]; cookies; fondants [confectionery]; pralines; gingerbread; sugar powder; sugar confectionery; cakes; tarts; halvah; chocolate; marmalade [confectionery].

35 – Advertising; rental of advertising space; computerized file management; demonstration of goods; opinion polling; marketing studies, including market situation research; marketing research; personnel recruitment; updating of advertising material; word processing; organization of exhibitions for commercial or advertising purposes; organization of trade fairs for commercial or advertising purposes; shop window dressing, sales promotion [for others]; rental of advertising time on communication media; publicity material rental; publication of publicity texts; radio advertising; bill-posting; distribution of samples; dissemination of advertising matter, on-line adver-

tising on a computer network; advertising by mail order; television advertising; services related to wholesale and retail trade of food and drinks including trading on exchange and auction sales; assistance in organization and management of commercial enterprises.

43 – Services for providing food and drink; snack-bars, cafés, cafeterias, restaurants, self-service restaurants, canteens; bar services; food and drink catering; temporary accommodation; holiday camp services [lodging]; providing campground facilities; day-nurseries [crèches].

(260) AM 2014 72274 A

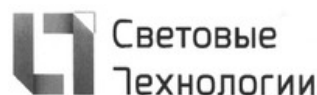
(800) 1157251

(151) 2012 10 31

(731) LLC "Lighting Technologies Trading
Company"

Str. 2, d. 2B, ul. Otravnaya, RU-127273
Moscow, Russian Federation

(540)



(591) Black, light gray, gray, dark gray and white
(511)

9 – Darkroom lamps (photography); neon signs; thermionic tubes; thermionic valves [radio]; amplifying tubes; flashlights [photography]; mirrors (optics); signalling panels, luminous or mechanical; control panels (electricity); light conducting filaments (optical fibers); flash-bulbs (photography); electrified rails for mounting spot lights.

10 – Lamps for medical purposes; quartz lamps for medical purposes; ultraviolet ray lamps for medical purposes.

11 – Apparatus for lighting; disinfectant apparatus; light bulbs; light bulbs, electric; lamp globes; acetylene flares; safety lamps; gas lamps; curling lamps; projector lamps; lamps for directional signals of automobiles; light bulbs for directional signals for vehicles; arc lamps; laboratory lamps; oil lamps; ultraviolet ray lamps, not for medical purposes; miners' lamps; electric lamps; chandeliers; filaments for electric lamps; magnesium filaments for lighting; luminous house numbers; lamp reflectors; lamp casings; sockets for electric lights; aquarium lights; lighting apparatus and installations; sanitary apparatus and installations; lighting apparatus for vehicles; searchlight including diving lights and torches for lighting; anti-glare devices for vehicles [lamp fittings]; light diffusers; lamps; street lamps, standard lamps, lanterns; ceiling lights; lighting installations for air vehicles; discharge tubes, electric, for lighting; lamp chimneys; luminous tubes for lighting; lights; automobile lights; bicycle lights; lights for vehicles; pocket searchlights; lanterns for lighting.

35 – Import-export agencies; demonstration of goods; marketing studies; on-line advertising on a computer network; professional business consultancy; updating of advertising material; organization of exhibitions for commercial or advertising purposes; organization of trade fairs for commercial or advertising purposes; shop window dressing; auctioneering; sales promotion for others including the bringing together, for the benefit of others, of a variety of goods (excluding the transport thereof), enabling customers to conveniently view and purchase those goods including purchase through retail stores and wholesale outlets, mail order catalogues, electronic media, for example, through television shopping programmes or web sites; publication of publicity texts; distribution of samples; dissemination of advertising matter; advertising including advertising by mail order; procurement services for others (purchasing goods and services for other businesses).

37 – Installation, mounting, repair, maintenance of devices, apparatus and installations for lighting included in 09, 10, 11 classes.

42 – Graphic arts designing of devices, apparatus and installations for lighting included in 09, 10, 11 classes; technical project studies; engineering; testing devices, apparatus and installations for lighting included in 09, 10, 11 classes; research and development for others; technical research; lighting equipment quality control; industrial design; professional consultancy services in the field of light engineering; surveying.

(260) AM 2014 72428 A

(800) 1158985

(151) 2013 03 20

(731) SJEC CORPORATION

718 Fengting Avenue, Suzhou Industrial Park
Suzhou, China

(540)

SJEC

(591) Black, white

(511)

7 – Elevators; elevating apparatus; hoists; moving pavements (sidewalks); moving staircases (elevators); stair lifts; wheelchair lifts for use in the home.

(260) AM 2014 72429 A

(800) 1158988

(151) 2013 03 26

(731) All-Russian public organization

"Russian Union of Youth"

ul. Maroseyka, d. 3/13, RU-101990 Moscow,
Russian Federation

(540)

**СТУДЕНЧЕСКАЯ
ВЕЧНА**

(591) Black, white

(511)

41 – Education; organization of exhibitions for cultural or educational purposes; discotheque services; providing recreation facilities; publication of books; movie studios; club services [entertainment or education]; arranging and conducting of congresses, conferences, symposiums; organization of competitions [education or entertainment]; providing of training; presentation of live performances; party planning [entertainment]; television entertainment; radio entertainment; entertainment; organization of sports competitions; publication of texts, other than publicity texts.

(260) AM 2014 72430 A

(800) 1159003

(151) 2012 09 27

(731) Federal State-financed Institution, Russian
State Broadcasting Company "The Voice of
Russia" Ul. Pyatnitskaya, 25-1, RU-115326
Moscow, Russian Federation

(540)



(591) Black, white

(511)

16 – Newspapers; magazines [periodicals]; printed publications; printed periodicals; printed matter.

35 – Production of advertising material; organization of exhibitions for commercial or advertising purposes; marketing studies; import-export agencies; commercial or industrial management assistance; business management and organization consultancy; professional business consultancy; publicity material rental; publication of publicity texts; radio advertising; dissemination of advertising matter; direct mail advertising; television advertising; sales of goods through intermediaries; text – word processing; sales of goods, works, services; services of the entrepreneurs.

38 – News agencies; apparatus for sending of message; rental of message sending apparatus; cable television broadcasting; message sending; computer aided transmission of messages and images; radio broadcasting; transmission of data, messages and information through facsimile transmission; communications by telegrams; communications by telephone; telex services.

40 – Printing; photocomposing services.

41 – Rental of videotapes; videotape film production; organization of exhibitions for cultural or

educational purposes; providing recreation facilities; rental of sound recordings; publication of books; education information; recreation information; entertainment information; rental of movie projectors and accessories; movie studios; film production, other than advertising films; rental of cine-films; arranging and conducting of conferences; correspondence courses; organization of competitions [education or entertainment]; organization of sports competitions; editing of radio and television programmes; theatre productions; presentation of live performances; publication of texts [other than publicity texts]; radio entertainment; recording studio services; videotaping; news reporters services; translation; photography; making photographic reports; bureau of editing and preparation for printing material.

42 – Graphic arts designing; professional consultancy relating to computer security not including business consultancy; computer programming; bureau of editing and preparation for printing material; development of information technologies.

(260) AM 2014 72435 A

(800) 1159017

(151) 2012 12 24

(731) Shenzhen Techdow Pharmaceutical Co., Ltd.
No. 19, Gaoxinzhongyi Road, Nanshan
District, Shenzhen, China

(540)



(591) Black, white

(511)

5 – Pharmaceutical preparations; drugs for medical purposes; biological preparations for medical purposes; chemical preparations for pharmaceutical purposes; chemical preparations for medical purposes; injection namely enoxaparin sodium injection, dalteparin sodium injection, and nadroparin sodium injection; tablets; active pharmaceutical ingredients, namely enoxaparin sodium active pharmaceutical ingredients, dalteparin sodium active pharmaceutical ingredients, and nadroparin sodium active pharmaceutical ingredients; biochemical drug.

(260) AM 2014 72437 A

(800) 1159089

(151) 2013 03 14

(731) L'OREAL

14, rue Royale, F-75008 PARIS, France

(540)

MIA

(591) Black, white

(511)

21 – Sonic oscillating brush for skin care; the registration does not cover products for applying make-up.

(260) AM 2014 72438 A

(800) 1159105

(151) 2013 03 22

(731) Publichne aktsionerne tovarystvo "Kharkivska
biskvitna fabryka"
vul. Lozivska, 8, Kharkiv 61017, Ukraine

(540)

ПАРИЖАНКА

(591) Black, white

(511)

30 – Sponge cakes; pastries; waffles; biscuits; fruit jellies (confectionery); chewing gum, not for medical purposes; frozen yoghurt (confectionery ices); flavorings, other than essential oils, for cakes; marshmallows; caramels (candy); lozenges (confectionery); confectionery (sweets); popcorn; corn flakes; confectionery for decorating Christmas trees; liquorice (confectionery); candy; mint for confectionery; peppermint sweets; marzipan; macaroons (pastry); almond confectionery; stick liquorice (confectionery); pastilles (confectionery); cookies; pies (confectionery); quiches; natural sweeteners; chips (cereal products); pies; fondants (confectionery); candy decorations for cakes; chocolate decorations for cakes; gingerbread; puddings; cake powder; rice cakes; rolls (confectionery); malt biscuits; malt extract for food; rusks; breadcrumbs; petit-beurre biscuits; cakes; petits fours (cakes); almond paste; cake paste; crackers; tarts; sweetmeats (candy); sugar confectionery; chocolate.

35 – Export-import operations; sales promotion for others; advertising; advertising on a computer network; the bringing together, for the benefit of others, of a variety of goods of class 30, enabling customers to conveniently view and purchase those goods at retail stores, wholesale outlets.

(260) AM 2014 72439 A

(800) 1159191

(151) 2013 01 22

(731) Dr. Ivo Hungerbühler, c/o Bratschi
Wiederkehr & Buob
Bahnhofstrasse 70, CH-8001 Zürich,
Switzerland

(540)

Bosphoria
Let the voyage begin

(591) Black, white

(511)

12 – Ships of Turkish origin.

39 – Organization of cruises, transport and accommodation for travelers, organization of trips and excursions, marine transport services.

41 – Entertainment in connection with the transport of travelers.

43 – Provision of food and drink for customers.

(260) AM 2014 72441 A

(800) 1159198

(151) 2013 03 14

(731) L'OREAL

14, rue Royale, F-75008 PARIS, France

(540)



(591) Black, white

(511)

21 – Cosmetic applicators for brushes; sonic oscillating brushes for cosmetic and skincare purposes; electric brushes for skin care.

(260) AM 2014 72442 A

(800) 1159213

(151) 2013 04 05

(731) Eurocos GmbH

Dornhofstr. 71, 63263 Neu-Isenburg,
Germany

(540)



(591) Red, black and white

(511)

3 – Cosmetics; Make-up; Cosmetics for personal use; Nail care products; Perfumery, essential oils, cosmetics, hair lotions; Perfumery goods.

(260) AM 2014 72470 A

(800) 1159423

(151) 2013 03 07

(731) HeineMack, GmbH

Am Steinacher Kreuz 28, 90427 Nürnberg,
Germany

(540)

RollercoasterRestaurant

(591) Black, white

(511)

37 – Building construction; Repair; Installation services.

42 – Scientific and technological services and research and design relating thereto; Industrial analysis and research services; Design and development of computer hardware and software.

43 – Services for providing food and drink; Temporary accommodation.

(260) AM 2014 72475 A

(800) 1159464

(151) 2013 03 28

(731) GUCCIO GUCCI S.P.A.

Via Tornabuoni, 73/R, I-50123 FIRENZE,
Italy

(540)



(591) Black, white

(511)

3 – Eau de Cologne; toilet water; aromatics (essential oils); joss sticks; shoe wax; cosmetics; cosmetic creams; dentifrices; after-shave lotions; lotions for cosmetic purposes; cosmetic pencils; oils for toilet purposes; essential oils; potpourris (fragrances); sun-tanning preparations (cosmetics); cosmetic preparations for baths; cosmetic preparations for skin care; perfumery; make-up preparations; make-up removing preparations; perfumes; air fragrancing preparations; lipsticks; bath salts, not for medical purposes; shaving soap; cakes of toilet soap; shampoos; talcum powder, for toilet use.

9 – Amplifiers; sound recording apparatus; sound reproduction apparatus; sound transmitting apparatus; radios; teaching apparatus; telephone apparatus; spectacle cases; acoustic (sound) alarms; bags adapted for laptops; signal bells; riding helmets; cell phone straps; laptop computers; digital photo frames; sleeves for laptops; downloadable image files; downloadable music files; record players; spectacle lenses; compact disc players; DVD players; spectacle frames; mouse (data processing equipment); sunglasses; goggles for sports; spectacles (optics); downloadable ring tones for mobile phones; mouse pads; portable telephones.

14 – Precious metals and their alloys and goods in precious metals or coated therewith, not included in other classes; jewellery, precious stones; horological and chronometric instruments.

18 – Leather and imitations of leather, and goods made of these materials and not included in other classes; animal skins, hides; trunks and travelling bags; umbrellas and parasols; walking sticks; whips, harness and saddlery.

25 – Clothing, footwear, headgear.

35 – Shop window dressing; dissemination of advertising matter; direct mail advertising; marketing; organization of exhibitions for commercial or advertising purposes; organization of fashion shows

for promotional purposes; presentation of goods on communication media, for retail purposes; advertising; retail or wholesale services for products claimed in classes 3, 9, 14, 18 and 25.

38 – Telecommunications.

41 – Education; providing of training; entertainment; sporting and cultural activities.

42 – Creating and maintaining web sites for others; maintenance of computer software; computer programming; graphic arts design; packaging design; dress designing.

45 – Personal and social services rendered by others to meet the needs of individuals.

(260) AM 2014 72527 A

(800) 1159633

(151) 2013 04 25

(731) NOVARTIS AG

CH-4002 Basel, Switzerland

(540)

РАПСИДО

(591) Black, white

(511)

5 – Pharmaceutical preparations.

(260) AM 2014 72528 A

(800) 1159651

(151) 2012 12 27

(731) Limited liability Company Medical

Corporation "RHANA"

rooms 2,3,12,13,15, placement V, floor 1,22,

ul.Zoologhicheskaya, RU-123242 Moscow,

Russian Federation

(540)

RHANA

(591) Black, white

(511)

5 – Pharmaceutical, chemico-pharmaceutical, chemical, enzyme, bacterial, bacteriological, balsamic, albuminous, biological and diagnostic preparations for medical purposes; opotherapy preparations, pharmaceutical preparations for skin care, bath preparations, medicated, medicinal hair growth preparations; medicines for human purposes; anaesthetics, analgesics, adjuvants for medical purposes; disinfectants for hygiene purposes; medical preparations for slimming purposes; detergents for medical use; digestives for pharmaceutical purposes; balms for medical purposes; mineral water for medical purposes; blood for medical purposes; dietetic beverages adapted for medical purposes; tinctures for medical purposes; albuminous foodstuffs for medical purposes; enzymes for medical purposes; medicinal tea.

10 – Medical apparatus; physiotherapy apparatus; apparatus for use in medical analysis; physical exercise apparatus, for medical purposes; diagnostic apparatus for medical purposes; esthetic massage apparatus; armchairs for medical purposes; lasers for medical purposes; quartz lamps and ultraviolet ray lamps for medical purposes; blankets, electric, for medical purposes.

42 – Medical research; cosmetic research; research and development [for others].

44 – Medical services; medical assistance; cosmetic treatment services for the body, face and hair, nursing homes; hospitals; beauty salons; massage; physical therapy; plastic surgery.

(260) AM 2014 72533 A

(800) 1159785

(151) 2013 04 16

(731) Ningbo Yufangtang Biology

Science-technology Co., Ltd.

No. 188, Duantangxi Road, Haishu District,

Ningbo City, Zhejiang Province, China

(540)

ZE'MOITU

(591) Black, white

(511)

3 – Soap; washing preparations; stain removers; polishing preparations; abrasive paper; extracts of flowers (perfumes); cosmetic kits; cosmetics; dentifrices; incense; cosmetics for animals.

(260) AM 2014 72534 A

(800) 1159821

(151) 2013 01 14

(731) NATIONAL CLOUD

88 ter avenue du Général Leclerc,

F-92100 Boulogne-Billancourt, France

(540)

CLOUDWATT

(591) Black, white

(511)

9 – Apparatus and equipment for processing, storing and communicating information; computers; computer peripherals; computer servers; remote servers for managing, processing and storing computer data; database server centers (software); web management interfaces (software or downloading); systems information installations and apparatus; apparatus for access control, software for access control to a local wireless network or to a radio communication network; apparatus for broadcasting, recording, transmitting or reproducing sound, data or images; magnetic recording media, optical or telematic, computer memories, modems; telecommunication transmitters; software, software for management of infor-

mation and data, data backup software; computer software intended for electronic archiving; software, particularly data compression software, data processing software, database creation, management, storage, updating and use software, software providing access to an electronic mail service, software providing access to wireless area networks or radio communication networks; software for access to a computer network or data transmission network, especially to a global communication network (such as the Internet) or to a private or restricted network (such as an intranet); software for downloading electronic images, sounds, data and messages; software for secure access control to a center for processing and managing data (computer platform), software packages, audiovisual apparatus, telecommunication apparatus, instruments for inputting, storing, processing information or data; media for recording and reproducing sounds, images, signals and data, computer connection equipment (modems); message transmission equipment (modems); telecommunication control components, apparatus for capturing, counting, collecting, storing, converting, processing, inputting, broadcasting and transmitting information, data and signals; interfaces namely interface apparatus or interface programs for computers; software for searching for, compiling, indexing and organizing information on computer networks.

35 – Subscriptions to a remote server for the management, processing and storage of computer data, subscriptions to a support service for the implementation of facilities management products and computer; subscriptions to a local wireless network; subscriptions to a central service providing access to a computer network or to a center providing access to servers for managing databases or transmitting data, sound, images, moving images; telephone subscriptions; subscriptions to an Internet connection offer; subscriptions to a database server; arranging subscriptions to telecommunication services; arranging subscriptions to data transmission services via telematic means; arranging subscriptions to computer databases; database updating services (inputting); information services related to updating of databases; data recording and processing services namely data input, compilation and systemization; computer file management services; database management services; compilation of information into computer databases; systematization of information into computer databases; demonstration of products for others; data search in computer files for others; information collection services for others; administrative management of information system infrastructure for others.

36 – Insurance underwriting; financial affairs; monetary affairs; insurance information, financial information, electronic funds transfer.

38 – Telecommunication services; transmitting and processing information, data, images and sound by telephone, data communications, computer means or via satellite; communications (transmission) via computer terminals; telecommunications and electronic mail services via a global communications network (the Internet) or via a local network (an intranet) or via telephone or data communications means ; sending and reception of data, signals and information processed by computers or by telecommunication apparatus and instruments; information, advice and support in matters of telecommunications namely assistance for the operation and supervision of electronic, telephone, data communications and computer messaging services; advice in matters of providing access to a global computer network; providing access to databases online; Provision of access to a global computer network; providing access to electronic communication networks and the Internet; providing access time to a telecommunications network portal; providing access time to a telecommunication network search engine; transmission of information via databases and to computer database server centers; providing (access to) an Internet platform for the provision (transmission) of information and data; providing (access to) information and data via the Internet; providing (access to) information held in data banks; electronic mail services; providing, secured or not (transmitting, downloading), online text, data, photos, pictures, moving pictures, music, sound from a computer database or the Internet; broadcasting and providing (transmission) multimedia content over electronic communications networks, worldwide communication networks (Internet); providing Internet access for users; providing access to wireless, telephone, radiotelephone, data communication, global communication (such as the Internet) or private or restricted access (such as intranets) networks, to a global (such as on the Internet) communication server center or private or restricted access (such as on an intranet) network; information dissemination (transmission) services in the field of telecommunications by telephone, radio telephone, by data communication or electronic means; providing access to on-line data processing and computerized data management centers; radio access to a telematic network; communications between and via computer terminals; rental of access time to databases and to computer or data communication database server centers, wireless networks, telephone, radio telephone, data communication, global communication networks (the Internet) or private or reserved access networks (intranets).

39 – Storage of data media or documents stored electronically, physical storage of electronically stored information, messaging services, physical storage of electronically stored data, message delivery,

transportation; packaging and storage of goods, distribution of newspapers.

41 – Education; training; entertainment; sporting and cultural activities, information on entertainment, education information, rental of motion pictures, rental of sound recordings, providing online electronic publications, not downloadable, electronic publication of books and journals on-line; rental of apparatus for the reproduction and processing of sounds, images and animated images.

42 – Research, development, design, advice, installation, maintenance, updating, rental of computer equipment (software), software and networks for telecommunications; appraisal, estimates, analyses, testing and evaluation of performance, technical inspection of computer hardware, software and networks for telecommunications; technical project study; analysis for the installation of computer systems; computer programming; design, development and maintenance of computer systems and tools; computer security for preventing piracy and information deterioration; monitoring of data, signals and information processed by computers or by telecommunications apparatus and instruments; rental of computerized dispensers (servers); rental of capacity for storage of computer data and calculations; rental of apparatus for recording, reproducing and processing of texts, data, sounds, images and animated images, namely computers, database server centers (software), personal digital assistants; development, design of Web management interfaces; creating and maintaining web sites for others; design by computer engineers of computer platforms for others; outsourcing information structures and systems, hosting computer platforms, Internet sites and secure messaging services; creation (design/development) by computer engineers and especially of virtual and interactive images; scientific and industrial research (technical research) relating to new information technology, computer, communication networks, communication and virtual and interactive images; advice and technical appraisals in the field of telecommunications and computer or data transmission networks; technical assistance (advice) for improving the deployment conditions for apparatus for recording, transmitting, reproducing and processing text, data, sounds, images and animated images, telecommunication terminals, database servers, provision centers for access to computer or data transmission networks, monitoring and efficiency of the above apparatus and instruments; consultancy in connection with computers; installation and maintenance of information system infrastructures (software); computer system analysis; setting up and hosting servers on the Internet; data storage for others; Internet site management for others; computer management for others; rental of data reproduction and processing apparatus.

45 – Software licensing, legal services; security services for the protection of property and individuals; legal services; licensing of computer programs; advice relating to licensing or protection of intellectual or industrial property; licensing of computer software; Exploitation of copyright protected material; exploitation of rights of radio programs, television programs, films, pre-recorded video tapes, cinematographic films; exploitation of transmission rights; exploitation of intellectual or industrial property rights; issuance and granting of rights; licensing services; management of intellectual or Industrial property rights; providing supervision and home and personal security alarms; burglar and anti-theft alarms; fire alarm and protection; evaluation with regard to security of goods and persons; computerized security of goods and persons; security advice; rental of security apparatus; rental of security surveillance apparatus; electrical protection for telephone exchanges; online provision of information and general encyclopedic knowledge relating to security, security systems, personal security, business security, household security; on-line dating, social networking, dating and freindship; online fraud prevention; personal and social services rendered by others to meet the needs of individuals, namely, providing online personal tracking, online social networking services, granting of computer software licenses in connection with computer security, preventing computer risks, antivirus and/or anti-malware programs, coding, computer data encryption.

(260) AM 2014 72538 A

(800) 1159825

(151) 2013 01 14

(731) IMCoPharma s.r.o.

Štramberská 515/45, CZ-709 00 Ostrava-Hulváky, Czech Republic

(540)

imcopharma

(591) Grery, black

(511)

1 – Chemical preparations for industry, chemical preparations for scientific purposes.

5 – Pharmaceutical preparations, veterinary preparations, drugs, sanitary products for medical use, chemical preparations for medical use, dietetic substances adapted for medical use, dietary foods for medical purposes, medicinal tea, medicinal herbs, vitamin preparations, vitamins, mineral and mineral-vitamin dietary supplements with healing effects, mineral water for medical purposes, plasters, bandages, dietary supplements for human use and for animals, disinfectants.

44 – Advisory and information services in the field of medical and therapeutical care and preventive

health care, nutritional consulting, dietetic consulting, pharmaceutical consulting.

(260) AM 2014 72541 A

(800) 1159903

(151) 2013 04 22

(731) Denk Ingredients GmbH

Prinzregentenstr. 79, 81675 München,
Germany

(540)

DENK SWEET

(591) Black, white

(511)

1 – Artificial sweeteners.

30 – Natural Sweeteners.

(260) AM 2014 72542 A

(800) 1159916

(151) 2013 03 05

(731) Acino Holding AG

Dornacherstrasse 114, CH-4147 Aesch BL,
Switzerland

(540)

**Acino Pharma – Delivering
Health**

(591) Black, white

(511)

5 – Pharmaceutical and veterinary products; sanitary products for medical purposes; dietetic substances for medical use, food for babies; plasters, materials for dressings; material for dental fillings and dental impressions; disinfectants.

42 – Scientific and technological services and research.

(260) AM 2014 72543 A

(800) 1159934

(151) 2013 04 06

(731) GUANGZHOU YIHAI TRADING CO., LTD

RM712, 713, 714, Guangzhou Pengyuan
Development, No. 185, 187, 189 Xiaobei Rd,
Yuexiu District Guangzhou, China

(540)

YEEHAI

(591) Black, white

(511)

9 – Computers; computer peripheral devices; television apparatus; DVD media player; television cameras; couplers (data processing equipment) sound reproduction apparatus; notebook computers; monitors (computer hardware); cameras.

(260) AM 2014 72547 A

(800) 1159983

(151) 2013 02 05

(731) Juan José Llombart Gavalda

Huberweg 14, 77933 Lahr, Germany

(540)

MeccaTime

(591) Black, white

(511)

9 – Positioning apparatus using the GPS or GSM systems.

14 – Timepieces and chronometric instruments.

(260) AM 2014 72548 A

(800) 1159991

(151) 2013 01 16

(731) Bertsch Holding GmbH

Herrengasse 23, A-6700 Bludenz, Austria

(540)

BERTSCHgroup

(591) Red and grey

(511)

6 – Pipes and tubes of metal; pressure piping of metal; metal cladding; metal vessels and tanks, in particular for liquid fuels; pressure vessel of metal.

7 – Machines, apparatus and plants, namely for diary and meat processing, as far as not included in other classes; machines for generation of electricity; steam boilers; boiler tubes; fittings for steam boilers; firing for steam boilers; boiler feed pumps; steam condensers; heat exchangers; super heaters; turbines other than for land vehicles; steam engines; steam condensers; steam/oil separators; cleaning appliances utilizing steam; aerators and deaerator (machines and parts of machines); machinery and equipment for meat processing, especially cutters, mincers and frozen meat cutters; blenders (electric), mixing machines, grinding machines; kitchen machines; mechanical implements and tools for butchers' purposes.

8 – Implements (hand-operated) and hand tools for butchers' purposes; cutlery; butchers' knives; forks and spoons; cutting and stabbing implements; instruments for slaughtering of livestock.

9 – Apparatus and equipment for conducting, switching, transforming, accumulating, regulating and controlling electricity; data processing equipment, computers and computer software; boiler control instruments; food analyses apparatus; heat regulating apparatus; gas testing instruments.

11 – Apparatus for heating and steam generating; heat boilers; gas boilers; combustion channels for boilers; boiler pipes and tubes; steam generating

systems; cooling systems and machines; (water) heating systems; heat accumulators; heat exchangers not being parts of machines; heat regenerators; air reheaters; separators for steam heating systems; steam boilers, steam accumulators; evaporators; distillation columns; gas boilers; apparatus for cooking, refrigerating and drying, refrigerators; refrigerating machines, refrigerating display cabinets for butchery.

42 – Scientific and technological services and research and design relating thereto; industrial analysis and research services; design and development of computer hardware and computer software, in particular decentral control system (CDSs) and process control system (PCs) equipment for boiler and power plants.

(260) AM 2014 72549 A

(800) 1159993

(151) 2013 02 13

(731) MOFIN SPA

Piazza Svampa, 1, I-63900 FERMO (FM), Italy

(540)



(591) Black, white

(511)

18 – Leather and imitations of leather; trunks and travelling bags; umbrellas; parasols; walking sticks; rucksacks; all purpose sports bags; haversacks; beach bags; carrying cases for documents; change purses; notecases; bags; handbags; shopping bags with wheels attached; textile shopping bags; handbags; leads for animals; school satchels; suitcases; sports bags; tote bags; shoulder bags; bum bags; cosmetic bags (empty).

25 – Clothing items; sweaters; cardigans; waistcoats; dresses; trousers; shorts; jerseys; raincoats; leather clothing; woolen clothing; stockings; stocking suspenders; sock suspenders; wind resistant jackets; ski pants; fur coats; evening jackets; overcoats; skirts; suits; jackets; undershirts; T-shirts; clothing for gymnastics; ladies' shirts; collars; shirts; scarves; swimming costumes; tracksuits; wedding dresses; bath robes; underwear; brassieres; corsets; slippers; underpants; briefs; nightshirts; housecoats; pyjamas; gloves; shawls; mufflers; ties; bow ties; belts [clothing]; braces; hats; caps; shoes; boots; ankle boots; leather shoes; rubber shoes; rain boots; sports footwear; sandals; slippers; soles for footwear; heels; footwear uppers.

(260) AM 2014 72551 A

(800) 1159995

(151) 2013 03 14

(731) PRETO, spol. s r.o.

Uhoľná 8518/9 SK-010 01 Žilina, Slovakia

(540)

PRETO

(591) Black, white

(511)

3 – Cosmetics.

5 – Foodstuffs enriched with biologically active substances used for special dietary regimens and for therapeutic purposes.

(260) AM 2014 72553 A

(800) 1160078

(151) 2013 03 06

(731) BAKUNENKO Michael

Pine Street 20 app. 2901, New York NY 10005, USA;

VANHECKE Peter; Bogdana Khmelnietskogo Street 80 app. 14, KIEV 01030, Ukraine

(540)



(591) Red, grey, black

(511)

33 – Alcoholic beverages (except beers), vodka; vodka drinks.

(260) AM 2014 72554 A

(800) 1160040

(151) 2013 04 03

(731) Publichne aktsionerne tovarystvo "Kharkivska

biskvitna fabryka"; vul. Lozivska, 8,

Kharkiv 61017, Ukraine

(540)

**ГРАМОТЕЙКА
ГРАМОТІЙКА**

(591) Black, white

(511)

30 – Sponge cakes; cookies; buns; waffles; confectionery (sweets); pastries; confectionery for decorating christmas trees; fruit jellies (confectionery); cakes; peanut confectionery; almond confectionery;

pies; cocoa; cocoa products; caramels (candy); sweetmeats (candy); liquorice (confectionery); peppermint sweets; crackers; candy; marzipan; custard; pastilles (confectionery); lozenges (confectionery); petits fours (cakes); biscuits; fondants (confectionery); popcorn; pralines; gingerbread; puddings; cake powder; sugar; sweet paste for cakes, pies, cookies, gingerbread, puddings; rusks; sandwiches; tarts; candy decorations for cakes; chocolate decorations for cakes; halvah; chips from cereal products; chocolate.

(260) AM 2014 72555 A
(800) 1160086
(151) 2013 03 21
(731) POLIFARMA S.P.A.
Viale dell'Arte, 69, I-00144 ROMA, Italy
(540)

KENTRON

(591) Black, white
(511)
5 – Pharmaceutical and veterinary preparations; sanitary preparations for medical purposes; dietetic food and substances adapted for medical or veterinary use, food for babies; dietary supplements for humans and animals; plasters, materials for dressings; material for stopping teeth, dental wax; disinfectants; preparations for destroying vermin; fungicides, herbicides.

(260) AM 2014 72708 A
(800) 1161274
(151) 2013 02 07
(731) BLANCO ÖZTİRYAKİLER MUTFAK
DONANIMI SANAYİ VE TİCARET
ANONİM ŞİRKETİ
Cumhuriyet Mahallesi, Eski Hadimköy
Yolu No:31/B Büyükçekmece İSTANBUL,
Turkey
(540)

PERA

(591) Black, white
(511)
11 – Apparatus for lighting, heating, steam generating, cooking, refrigerating, drying, ventilating, water supply and sanitary purposes.
35 – Advertising; business management; business administration; office functions.

(260) AM 2014 72711 A
(800) 1161306
(151) 2013 04 16
(731) BASF SE
Carl-Bosch-Strasse 38, 67063 Ludwigshafen
Am Rhein, Germany
(540)

CLENTIGA

(591) Black, white
(511)
5 – Preparations for destroying and combating vermin, insecticides, fungicides, herbicides, pesticides.

(260) AM 2014 72715 A
(800) 813249
(151) 2003 07 04
(891) 2013 04 04
(731) Nilfisk-Advance A/S
Sognevej 25, DK-2605 Brøndby, Denmark
(540)

NILFISK

(591) Black, white
(511)
7 – Cleaning machines, including high-pressure cleaners, vacuum cleaners, vacuum cleaner bags, vacuum cleaner hoses; vacuum cleaner attachments for disseminating perfumes and disinfectants, central vacuum cleaning installations, suction apparatus (vacuum cleaners) for the removal of dust, wet and dry vacuum cleaners, parts and accessories for the mentioned goods (not included in other classes), including filters for vacuum cleaners and cleaning machines (not included in other classes); non-electric vacuum cleaners.

(260) AM 2014 72716 A
(800) 891710
(151) 2006 05 29
(891) 2013 03 21
(731) YKK CORPORATION
1, Kanda Izumi-cho, Chiyoda-ku, Tokyo
101-8642, Japan
(540)

YKK

Little Parts. Big Difference.

(591) Black, white
(511)
26 – Slide fasteners, hook & loop fasteners, buttons, snap buttons, buckles for clothing, hooks, eyelets for clothing, braids, tapes, ribbons, shoes eyelets.

(260) AM 2014 72717 A
 (800) 896314
 (151) 2006 02 24
 (891) 2013 05 09
 (731) Urbach Hacker Young International Limited
 Quadrant House, 4 Thomas More Square,
 London E1W 1YW, United Kingdom
 (540)

UHY

(591) Black, white
 (511)
 35 – Business management; business administration; office functions; advertising; accounting; chartered accountancy business services; auditing; book-keeping; tax preparation services; tax assessment consultancy; business appraisals; professional business consulting and the provision of business information; business management; consulting services relating to business organization; business research services in the fields of cost/price analysis and economic forecasting; management consulting services rendered to commercial and industrial organizations.
 36 – Consulting services relating to business insolvency.

(260) AM 2014 72719 A
 (800) 956546
 (151) 2008 01 22
 (891) 2013 05 07
 (731) HANGZHOU ZHONGCE RUBBER CO.,
 LTD.
 NO.2 10th Avenue, Hangzhou Economic and
 Technological Development Zone, Hangzhou,
 Zhejiang, China
 (540)

YARTU

(591) Black, white
 (511)
 12 – Rolling stock for railways; cycle cars; motorcycles; vehicle wheels; bicycles; wheels for bicycles, cycles; tricycles; pumps for bicycles, cycles; funiculars; luggage trucks; baby carriages; sleighs (vehicles); tires for vehicle wheels; tires for motorcycles; inner tubes for motorcycles; tires for electric cars; inner tubes for electric cars; tires for children's bicycles; tires for bicycles, cycles; treads for retreading tires; adhesive rubber patches for repairing inner tubes; treads for vehicles (roller belts); inner tubes for bicycles, cycles; inner tubes for pneumatic tires; tires for landing gear wheels of aircraft; repair outfits for inner tubes; non-skid devices for vehicle tires; boats; tire liners; pneumatic tires; automobiles; propulsion mechanisms for land vehicles; upholstery for vehicles.

(260) AM 2014 72725 A
 (800) 1001129
 (151) 2009 02 05
 (891) 2013 05 10
 (731) Roger Aoun c/o Igma (UK) Ltd
 EBC House, Townsend Lane, London
 NW9 8LL, United Kingdom
 (540)

BEAUTYLAB

(591) Black, white
 (511)
 3 – Cosmetics, skincare and haircare preparations, perfumes, non-medicated toilet preparations, soaps and toilet articles, dentifrices, essential oils and essential oils blends.
 44 – Health and beauty salons, provision of health and beauty treatments.

(260) AM 2014 72726 A
 (800) 1007759
 (151) 2009 06 02
 (891) 2013 03 05
 (731) ATMACA ELEKTRONIK SANAYI VE
 TICARET ANONIM SIRKETI
 Namuk Kemal Mahallesi, 177, Sokak, No.2,
 Esenyurt-Istanbul, Turkey
 (540)

SUNNY

(591) Black, white
 (511)
 7 – Machines and machine tools; motors and engines (except for land vehicles); machine coupling and transmission components (except for land vehicles); agricultural implements other than hand-operated; incubators for eggs.

(260) AM 2014 72727 A
 (800) 1015735
 (151) 2009 08 27
 (891) 2013 05 09
 (731) Raffaele Caruso S.p.A.
 Via Croce Rossa, 2, I-43019 Soragna, Italy
 (540)

CARUSO

(591) Black, white
 (511)
 18 – Leather and imitations of leather, and goods made of these materials and not included in other classes; animal skins, hides; trunks and travelling bags; umbrellas, parasols and walking sticks; whips, harness and saddlery.
 25 – Clothing, footwear, headgear.

(260) AM 2014 72880 A
 (800) 1162630
 (151) 2013 01 29
 (731) PROFESSIONE BELLEZZA SRL
 Piazzale Biccamano, 8, I-20121 Milano
 (MI), Italy
 (540)

glossip

(591) Black, white
 (511)
 3 – Bleaching preparations and other substances for laundry use; cleaning, polishing, scouring and abrasive preparations; soaps; perfumery, essential oils, cosmetics, hair lotions; dentifrices.
 35 – Advertising; business management; business administration; office functions.

(260) AM 2014 72881 A
 (800) 1162636
 (151) 2013 03 20
 (731) WENZHOU FUJIE TRADING CO.,LTD.
 2nd Floor, No.91 Fuchunjiang Road,
 Eco.&Tec.Development Zone, Wenzhou,
 325011 Zhejiang, China
 (540)

SmartPan

(591) Black, white
 (511)
 7 – Mixing machines; ironing machines; blenders, electric, for household purposes; grinders/crushers, electric, for household purposes; whisks, electric, for household purposes; fruit presses, electric, for household purposes; electromechanical soybean milk preparation machine for domestic use; washing machines; kitchen machines, electric.
 8 – Tableware [knives, forks and spoons]; cutlery; silver plate [knives, forks and spoons]; ladles for wine; beard clippers; stamping-out tools [hand tools]; tweezers; daggers; scissors; pliers.
 11 – Electric hair dryers; electric water heaters; cookers; coffee filters, electric; lamps; coffee machines, electric; kettles, electric; microwave ovens [cooking apparatus]; radiators, electric; drinking water supplying device.
 21 – Containers for household or kitchen use; tableware, other than knives, forks and spoons; glassware for everyday use, including cups, plates, kettles, and jars; porcelain for everyday use, including basins, bowls, plates, kettles, tableware, jars, jugs, and pots; tea services [tableware]; cleaning instruments, hand-operated; crystal [glassware]; thermally insulated containers for food; spice sets; utensils for household purposes.

(260) AM 2014 72885 A
 (800) 1162674
 (151) 2013 04 08
 (731) Obschestvo s ogranichennoy otvetstvennostyu
 "Laboratoriya sovremennogo zdorovya"
 ul. Khimzavodskaya, 11/20, Berdsk,
 RU-633004 Novosibirskaya oblast',
 Russian Federation
 (540)

ELEMVITALS

(591) Black, white
 (511)
 5 – Albumin dietary supplements; albuminous food-stuffs for medical purposes; albuminous preparations for medical purposes; alginate dietary supplements; aloe vera preparations for pharmaceutical purposes; antioxidant pills; appetite suppressant pills; balms for medical purposes; bath preparations, medicated; biocides; biological preparations for medical purposes; by-products of the processing of cereals for dietetic or medical purposes; casein dietary supplements; decoctions for pharmaceutical purposes; dietetic beverages adapted for medical purposes; diabetic bread adapted for medical use; dietetic foods adapted for medical purposes; dietetic substances adapted for medical use; dietary fiber; digestives for pharmaceutical purposes; enzyme dietary supplements; enzyme preparations for medical purposes; flaxseed dietary supplements; flaxseed oil dietary supplements; flour for pharmaceutical purposes; food for babies; glucose dietary supplements; hema-togen; herbal teas for medicinal purposes; lacteal flour for babies; lecithin dietary supplements; lotions for pharmaceutical purposes; liniments; malted milk beverages for medical purposes; medicinal herbs; medicinal infusions; medicinal oils; medicinal roots; medicinal tea; milk ferments for pharmaceutical purposes; mineral food supplements; nervines; nutritional supplements; pharmaceutical preparations for skin care; pollen dietary supplements; preparations of trace elements for human and animal use; propolis dietary supplements; protein dietary supplements; royal jelly dietary supplements; royal jelly for pharmaceutical purposes; slimming pills; syrups for pharmaceutical purposes; vitamin preparations; wheat germ dietary supplements; yeast dietary supplements; yeast for pharmaceutical purposes.

(260) AM 2014 72886 A
 (800) 1162720
 (151) 2013 04 03
 (731) Publichne aktsionerne tovarystvo "Kharkivska biskvitna fabryka"
 vul. Lozivska, 8, Kharkiv 61017, Ukraine

(540)
**СДОБНАЯ СЕМЕЙКА
 ЗДОБНА РОДИНА**

(591) Black, white
 (511)
 30 – Sponge cakes; cookies; buns; waffles; confectionery; pastries; confectionery for decorating Christmas trees; fruit jellies (confectionery); cakes; peanut confectionery; almond confectionery; pies; cocoa; cocoa products; caramels (candy); sweetmeats (candy); liquorice (confectionery); peppermint sweets; crackers; candy; marzipan; custard; pastilles (confectionery); lozenges (confectionery); petits fours (cakes); biscuits; fondants (confectionery); popcorn; pralines; gingerbread; puddings; cake powder; sugar; sweet paste for cakes, pies, cookies, gingerbread, puddings; sweets (confectionery); rusks; sandwiches; tarts; candy decorations for cakes; chocolate decorations for cakes; halvah; chips from cereal products; chocolate.

(260) AM 2014 72888 A
 (800) 1162746
 (151) 2013 04 22
 (731) BASF SE
 Carl-Bosch-Strasse 38, Ludwigshafen am Rhein, Germany

(540)
CLERTERGO

(591) Black, white
 (511)
 5 – Preparations for destroying and combating vermin, insecticides, fungicides, herbicides, pesticides.

(260) AM 2014 72889 A
 (800) 1162747
 (151) 2013 04 22
 (731) BASF SE
 Carl-Bosch-Strasse 38, Ludwigshafen am Rhein, Germany

(540)
CLEVERSA

(591) Black, white
 (511)
 5 – Preparations for destroying and combating vermin, insecticides, fungicides, herbicides, pesticides.

(260) AM 2014 72897 A
 (800) 1162830
 (151) 2013 01 23
 (731) QURAMAX LIMITED
 Artisan House, 7 Queensbridge Northampton NN4 7BF, United Kingdom

(540)
CINEPAR

(591) Black, white
 (511)
 5 – Pharmaceutical preparations.

(260) AM 2014 73992 A
 (800) 1173601
 (151) 2013 08 05
 (731) Pharmaton SA
 Via Mulini, CH-6934 Bioggio, Switzerland

(540)
ФАРМАТОН ВИТАЛИТИ

(591) Black, white
 (511)
 30 – Dietetic foods containing extracts of ginseng (either alone or in combination with vitamins, minerals and trace elements).

(260) AM 2014 74180 A
 (800) 1175462
 (151) 2013 07 19
 (731) A.V.K. CONFECTIONERY HOLDINGS LIMITED
 1, Lampousas Street, P.O. Box 22119, Nicosia, Cyprus

(540)



(591) Black, white, brown, yellow
 (511)
 30 – Confectionery; sugar confectionery; lozenges (confectionery); sweetmeats (candy); pastilles (confectionery); fondants (confectionery).

(260) AM 2014 74181 A
 (800) 1175496
 (151) 2013 04 18
 (731) Mtysun Auto Parts Co., Ltd.
 Room 206, Longwan Foreign Trade Building,
 No. 997, Wenzhou Airport Road, Wenzhou
 Industrial Park, Wenzhou, China

(540)

REVVSUN

(591) Black, white

(511)

7 – Belts for machines; igniting magnetos for engines; igniting devices for internal combustion engines; condensers [steam] [parts of machines]; separators; filters [parts of machines or engines]; cooling radiators for automobile engines; bearings [parts of machines]; connecting rods for machines, motors and engines; parts of engines, namely couplings other than for land vehicles.

12 – Automobile chassis; clutches for land vehicles; propulsion mechanisms for land vehicles; transmission shafts for land vehicles; brakes for land vehicles; shock absorbers for automobiles; direction signals for vehicles; torque converters for land vehicles; axles for vehicles; anti-interference ignition cables for vehicles; cigar lighters for automobiles.

(260) AM 2014 74182 A

(800) 1175499

(151) 2013 03 18

(731) AYT KUMAŞÇILIK SANAYI VE DİS
 TICARET LIMITED SİRKETİ
 Aksaray Mahallesi Küçükklanga Aralığı, Cad.
 No.19 K:1 Fatih, İstanbul, Turkey

(540)

 SABA GONZALES
 COLLECTION

(591) Dark blue and white

(511)

24 – Non-woven fabrics; woven fabrics; household linen; cloth pennants; handkerchiefs; fabric flags.

35 – Advertising, marketing and publicity services; organization of exhibitions and trade fairs for commercial or advertising purposes; office functions; advisory services for business management; business accounts management; import-export agencies; efficiency experts; auction and reverse auction services; the bringing together, for the benefit of others, non-woven fabrics, woven fabrics, household linen, cloth pennants, handkerchiefs, fabric flags, (excluding the transport thereof), enabling customers to conveniently view and purchase those goods from wholesale outlets, retail outlets and from a general merchandise catalogue by mail order or by means of telecommunications.

(260) AM 2014 74184 A

(800) 1175520

(151) 2013 06 21

(731) S.C. KAYA TIME S.R.L.
 Str. Traian 2, bloc F1, scara 4, etaj 7,
 ap. 20/21, sector 3, Bucuresti, Romania

(540)

JEAN BRENNIN

(591) Black, white

(511)

14 – Precious metals and their alloys and goods in precious metals or coated therewith, not included in other classes; jewellery, precious stones; horological and chronometric instruments.

(260) AM 2014 74185 A

(800) 1175522

(151) 2013 06 28

(731) BLUE ANT AG c/o TREUCO AG
 Claridenstrasse 25, CH-8002 Zürich,
 Switzerland

(540)

LSD

(591) Black, white

(511)

9 – Sports goggles, sunglasses, protective eyewear (anti-glare spectacles), lenses, spectacle lenses, optical lenses, spectacle frames, spectacle holders.

18 – Leather, imitation leather, goods made of leather and imitation leather, travel accessories, hides, luggage, backpacks, backpacks (rucksacks), shoulder bags, sports bags, umbrellas, parasols and walking sticks, whips, saddlery.

25 – Clothing of all kinds for women, men and children, sun protection (clothing), footwear, underwear, scarves, socks, gloves (clothing), headgear of all kinds, headgear for women, men and children, hats, caps, neckerchiefs, footwear for women, men and children.

35 – Wholesaling, retailing, distribution of samples, e-commerce services, namely the provision of product information via telecommunication networks for advertising and sales purposes.

(260) AM 2014 74187 A
 (800) 1175536
 (151) 2013 07 17
 (731) SOREMARTEC S.A.
 Findel Business Center, Complexe B,
 Rue de Trèves, L-2632 Findel, Luxembourg

(540)
KINDER CHOCO-BONS

(591) Black, white
 (511)
 30 – Pastry and confectionery; chocolate and chocolate-based products; cocoa and cocoa-based products; candy; edible ices.

(260) AM 2014 74188 A
 (800) 1175542
 (151) 2013 07 12
 (731) SAFE IP S.A.
 11, Avenue Emile Reuter, L-2420
 Luxembourg, Luxembourg

(540)



L'esprit industriel

(591) Gray, blue, white
 (511)
 7 – Machines and machine tools for the assembly, badging, soldering, injection and extrusion of plastic components; molds (parts of machines).
 12 – Vehicles, automobiles, caps for vehicle fuel tanks, safety belts for vehicle seats, housings for vehicle safety belts; airbags (safety devices for automobiles); housings, covers and shells for airbags (automobile safety devices); control buttons for vehicles, front panels for vehicle dashboards; safety seats for children for vehicles; hub caps, direction signals for vehicles, vehicle bumpers, rear-view mirrors and rear-view mirror housings, vehicle seats, headrests for vehicle seats, ski carriers for cars, vehicle convertible tops, luggage carriers for vehicles, steering wheels, components and subassemblies made of plastic for vehicle safety devices; control levers for vehicles; special panniers for cycles.
 17 – Semi-processed plastics, semi-processed plastics for making components for vehicles; clutch linings, gaskets for vehicles, connecting pipes for vehicle radiators, plastic pipes for airbags (safety devices for automobiles); extruded plastic parts for automobile applications.
 19 – Non-metal foundry molds, namely molds for plastics used for making vehicle components.
 26 – Ornamental badges for affixing to plastic components.

(260) AM 2014 74189 A
 (800) 1175577
 (151) 2013 06 28
 (731) SHANGHAI DOF TRADING CO., LTD.
 Room 225, No. 157-209, Jihe Road,
 Minhang District, Shanghai City (China),
 China

(540)



(591) Black, white
 (511)
 9 – Computer hardware, namely monitors; flash-bulbs for photography; drainers for use in photography; cases especially made for photographic apparatus and instruments; tripods for cameras; editing appliances for cinematographic films; lens filters for photography; screens [photography]; remote control apparatus; batteries.
 11 – Lamps; lighting apparatus and installations; projector lamps; luminous tubes for lighting; lamps and lanterns for lighting for stages; reflector spot-lights for photography; diving lights; street lamps; lights, electric, for Christmas trees; sockets for electric lights.

INTERNATIONAL TRADEMARKS PROTECTED IN GEORGIA

(260) AM 2014 68885 A
(800) 1125618
(151) 2012 03 08
(181) 2022 03 08
(511) 35, 38, 41, 42

(260) AM 2014 68927 A
(800) 1126036
(151) 2012 05 18
(181) 2022 05 18
(511) 29, 30

(260) AM 2014 69070 A
(800) 1127679
(151) 2011 12 19
(181) 2021 12 19
(511) 06, 40, 42

(260) AM 2014 69221 A
(800) 1129650
(151) 2012 03 30
(181) 2022 03 30
(511) 14, 18, 25

(260) AM 2014 69222 A
(800) 916080
(151) 2007 01 08
(891) 2012 07 23
(181) 2017 01 08
(511) 09, 12, 18, 25

(260) AM 2014 69224 A
(800) 1129695
(151) 2012 07 31
(181) 2022 07 31
(511) 09, 35, 37, 42

(260) AM 2014 69226 A
(800) 675706
(151) 1996 12 14
(891) 2012 06 26
(181) 2016 12 14
(511) 07, 09, 11, 12, 20, 35, 36, 37, 38, 39, 41, 42

(260) AM 2014 69324 A
(800) 1102710
(151) 2011 12 02
(891) 2012 08 02
(181) 2021 12 02
(511) 35, 36, 45

(260) AM 2014 69396 A
(800) 1131300
(151) 2012 03 27
(181) 2022 03 27
(511) 27

(260) AM 2014 69398 A
(800) 1131360
(151) 2012 07 09
(181) 2022 07 09
(511) 30

(260) AM 2014 69399 A
(800) 1131366
(151) 2012 06 28
(181) 2022 06 28
(511) 12

(260) AM 2014 69406 A
(800) 1131436
(151) 2012 01 13
(181) 2022 01 13
(511) 06, 12, 19, 35, 37

(260) AM 2014 69407 A
(800) 1131440
(151) 2012 04 12
(181) 2022 04 12
(511) 29

(260) AM 2014 69410 A
(800) 1131479
(151) 2012 08 13
(181) 2022 08 13
(511) 20

(260) AM 2014 69506 A
(800) 1132481
(151) 2012 05 08
(181) 2022 05 08
(511) 09, 36

(260) AM 2014 69507 A
(800) 1132507
(151) 2012 08 02
(181) 2022 08 02
(511) 19

(260) AM 2014 69510 A
(800) 1132654
(151) 2012 06 29
(181) 2022 06 29
(511) 16, 34

(260) AM 2014 69513 A
(800) 1132705
(151) 2012 05 14
(181) 2022 05 14
(511) 01, 09, 16, 17, 37, 42

(260) AM 2014 69608 A
(800) 1133584
(151) 2012 07 25
(181) 2022 07 25
(511) 18, 25

(260) AM 2014 69609 A
(800) 1133614
(151) 2012 08 28
(181) 2022 08 28
(511) 05

(260) AM 2014 69610 A
(800) 1133651
(151) 2012 09 28
(181) 2022 09 28
(511) 25

(260) AM 2014 69611 A
(800) 1133685
(151) 2012 06 04
(181) 2022 06 04
(511) 43

(260) AM 2014 69612 A
(800) 650542
(151) 1996 01 12
(891) 2012 07 04
(181) 2016 01 12
(511) 09, 37, 42

(260) AM 2014 69613 A
(800) 755258
(151) 2001 02 08
(891) 2012 12 20
(181) 2021 02 08
(511) 05

(260) AM 2014 69620 A
(800) 983946
(151) 2008 10 01
(891) 2012 10 01
(181) 2018 10 01
(511) 03

(260) AM 2014 69621 A
(800) 1007141
(151) 2009 06 18
(891) 2012 08 03
(181) 2019 06 18
(511) 07, 12

(260) AM 2014 69623 A
(800) 1042661
(151) 2009 12 21
(891) 2012 07 22
(181) 2019 12 21
(511) 29, 30, 31, 32, 35, 42, 43, 44

(260) AM 2014 69624 A
(800) 1053339
(151) 2010 06 23
(891) 2012 08 21
(181) 2020 06 23
(511) 05

(260) AM 2014 69625 A
(800) 1054469
(151) 2010 08 06
(891) 2012 08 16
(181) 2020 08 06
(511) 44

(260) AM 2014 69626 A
(800) 1081834
(151) 2011 04 12
(891) 2012 08 01
(181) 2021 04 12
(511) 36, 37

(260) AM 2014 69627 A
(800) 1107140
(151) 2012 01 25
(891) 2012 08 24
(181) 2022 01 25
(511) 14, 18, 25, 35

(260) AM 2014 69779 A
(800) 624473A
(151) 1994 08 08
(891) 2012 10 17
(181) 2014 08 08
(511) 06, 11, 17

(260) AM 2014 69780 A
(800) 717748
(151) 1999 07 23
(891) 2012 10 12
(181) 2019 07 23
(511) 06, 20

(260) AM 2014 69781 A
(800) 852321
(151) 2004 12 28
(891) 2012 10 16
(181) 2014 12 28
(511) 05, 29, 30, 32

(260) AM 2014 69783 A
(800) 903544
(151) 2006 04 13
(891) 2012 10 12
(181) 2016 04 13
(511) 03, 09, 14, 16, 18, 20, 21, 25, 28, 29, 30, 32, 41

(260) AM 2014 69788 A
(800) 1037390
(151) 2010 03 31
(891) 2012 10 16
(181) 2020 03 31
(511) 05, 29, 30, 32

(260) AM 2014 69789 A
(800) 903831
(151) 2006 04 13
(891) 2012 10 12
(181) 2016 04 13
(511) 03, 09, 14, 16, 18, 20, 21, 25, 28, 29, 30, 32, 41

(260) AM 2014 69791 A
(800) 1006383
(151) 2009 05 20
(891) 2012 09 03
(181) 2019 05 20
(511) 11

(260) AM 2014 69792 A
(800) 1006384
(151) 2009 05 20
(891) 2012 09 03
(181) 2019 05 20
(511) 11

(260) AM 2014 69895 A
(800) 1136035
(151) 2012 09 20
(181) 2022 09 20
(511) 05

(260) AM 2014 69896 A
(800) 1136038
(151) 2012 09 24
(181) 2022 09 24
(511) 05

(260) AM 2014 69897 A
(800) 1136083
(151) 2012 07 28
(181) 2022 07 28
(511) 36

(260) AM 2014 69898 A
(800) 1136131
(151) 2012 07 03
(181) 2022 07 03
(511) 14, 18, 25, 35

(260) AM 2014 69899 A
(800) 1136136
(151) 2012 07 25
(181) 2022 07 25
(511) 09, 41, 42

(260) AM 2014 69902 A
(800) 1136164
(151) 2012 09 18
(181) 2022 09 18
(511) 35

(260) AM 2014 69903 A
(800) 1136166
(151) 2012 08 29
(181) 2022 08 29
(511) 05

(260) AM 2014 69904 A
(800) 1136167
(151) 2012 08 29
(181) 2022 08 29
(511) 05

(260) AM 2014 69905 A
(800) 1136168
(151) 2012 08 29
(181) 2022 08 29
(511) 05

(260) AM 2014 69967 A
(800) 1137138
(151) 2012 08 06
(181) 2022 08 06
(511) 03, 05, 21

(260) AM 2014 69968 A
(800) 1137139
(151) 2012 08 06
(891)
(181) 2022 08 06
(511) 03, 05, 21

(260) AM 2014 69971 A
(800) 1137165
(151) 2012 10 01
(181) 2022 10 01
(511) 29

(260) AM 2014 69972 A
(800) 1137179
(151) 2012 10 02
(181) 2022 10 02
(511) 35, 41, 45

(260) AM 2014 69973 A
(800) 1137183
(151) 2012 02 28
(181) 2022 02 28
(511) 03, 05

(260) AM 2014 69974 A
(800) 1137195
(151) 2012 10 02
(181) 2022 10 02
(511) 05

(260) AM 2014 69976 A
(800) 1137218
(151) 2012 08 21
(181) 2022 08 21
(511) 03, 05, 21

(260) AM 2014 70158 A
(800) 1138942
(151) 2012 02 17
(181) 2022 02 17
(511) 09, 25, 28

(260) AM 2014 70209 A
(800) 1139476
(151) 2012 04 27
(181) 2022 04 27
(511) 10

(260) AM 2014 70210 A
(800) 1139479
(151) 2012 06 12
(181) 2022 06 12
(511) 03, 16, 21, 28

(260) AM 2014 70215 A
(800) 1139491
(151) 2012 06 18
(181) 2022 06 18
(511) 14, 18, 25

(260) AM 2014 70217 A
(800) 1139516
(151) 2012 08 01
(181) 2022 08 01
(511) 03

(260) AM 2014 70219 A
(800) 1139571
(151) 2012 09 04
(181) 2022 09 04
(511) 05

(260) AM 2014 70236 A
(800) 1139808
(151) 2012 10 23
(181) 2022 10 23
(511) 03

(260) AM 2014 70223 A
(800) 1139586
(151) 2012 09 21
(181) 2022 09 21
(511) 33

(260) AM 2014 70237 A
(800) 1139840
(151) 2012 10 18
(181) 2022 10 18
(511) 11

(260) AM 2014 70224 A
(800) 1139631
(151) 2012 10 17
(181) 2022 10 17
(511) 11

(260) AM 2014 70238 A
(800) 1139841
(151) 2012 10 18
(181) 2022 10 18
(511) 18, 25, 35

(260) AM 2014 70225 A
(800) 1139687
(151) 2012 09 04
(181) 2022 09 04
(511) 32, 35

(260) AM 2014 70240 A
(800) 1139955
(151) 2012 06 20
(181) 2022 06 20
(511) 09

(260) AM 2014 70227 A
(800) 1139726
(151) 2012 10 29
(181) 2022 10 29
(511) 36

(260) AM 2014 70256 A
(800) 1140271
(151) 2012 09 20
(181) 2022 09 20
(511) 05

(260) AM 2014 70228 A
(800) 1139727
(151) 2012 10 29
(181) 2022 10 29
(511) 36

(260) AM 2014 70257 A
(800) 1140301
(151) 2012 09 03
(181) 2022 09 03
(511) 25, 35

(260) AM 2014 70229 A
(800) 1139736
(151) 2012 09 06
(181) 2022 09 06
(511) 32

(260) AM 2014 70261 A
(800) 1140339
(151) 2012 09 04
(181) 2022 09 04
(511) 12

(260) AM 2014 70230 A
(800) 1139738
(151) 2012 09 07
(181) 2022 09 07
(511) 30

(260) AM 2014 70263 A
(800) 1140362
(151) 2012 09 05
(181) 2022 09 05
(511) 12

(260) AM 2014 70264 A
(800) 1140369
(151) 2012 10 29
(181) 2022 10 29
(511) 29

(260) AM 2014 70265 A
(800) 1140375
(151) 2012 08 08
(181) 2022 08 08
(511) 43

(260) AM 2014 70267 A
(800) 1140405
(151) 2012 07 31
(181) 2022 07 31
(511) 05

(260) AM 2014 70268 A
(800) 1140411
(151) 2012 08 28
(181) 2022 08 28
(511) 09, 19, 20

(260) AM 2014 70269 A
(800) 1140475
(151) 2012 10 17
(181) 2022 10 17
(511) 33

(260) AM 2014 70270 A
(800) 1140487
(151) 2012 11 07
(181) 2022 11 07
(511) 05

(260) AM 2014 70272 A
(800) 1139472
(151) 2012 04 02
(181) 2022 04 02
(511) 09, 36

(260) AM 2014 70273 A
(800) 1139494
(151) 2012 06 15
(181) 2022 06 15
(511) 09, 35

(260) AM 2014 70280 A
(800) 1139548
(151) 2012 08 23
(181) 2022 08 23
(511) 05, 10

(260) AM 2014 70281 A
(800) 1139700
(151) 2012 10 04
(181) 2022 10 04
(511) 29

(260) AM 2014 70287 A
(800) 1139701
(151) 2012 10 04
(181) 2022 10 04
(511) 29

(260) AM 2014 70288 A
(800) 1139832
(151) 2012 11 14
(181) 2022 11 14
(511) 01, 04, 30, 35, 37, 40, 42, 44

(260) AM 2014 70289 A
(800) 1139925
(151) 2012 03 21
(181) 2022 03 21
(511) 19, 20

(260) AM 2014 70290 A
(800) 1139963
(151) 2012 06 29
(181) 2022 06 29
(511) 36, 41

(260) AM 2014 70291 A
(800) 1140008
(151) 2012 07 25
(181) 2022 07 25
(511) 09, 16, 38, 41

(260) AM 2014 70292 A
(800) 1140010
(151) 2012 07 25
(181) 2022 07 25
(511) 09, 16, 38, 41

(260) AM 2014 70294 A
(800) 1140317
(151) 2012 11 14
(181) 2022 11 14
(511) 01, 04, 30, 35, 37, 40, 42, 44

(260) AM 2014 70297 A
(800) 1140370
(151) 2012 10 29
(181) 2022 10 29
(511) 29

(260) AM 2014 70298 A
(800) 1140419
(151) 2012 09 28
(181) 2022 09 28
(511) 29, 30, 35

(260) AM 2014 70302 A
(800) 830931
(151) 2004 07 09
(891) 2012 11 07
(181) 2014 07 09
(511) 03, 44

(260) AM 2014 70308 A
(800) 594556
(151) 1992 12 03
(891) 2012 12 04
(181) 2022 12 03
(511) 35, 36, 41

(260) AM 2014 70309 A
(800) 916702
(151) 2006 11 23
(891) 2012 09 20
(181) 2016 11 23
(511) 19, 21

(260) AM 2014 70315 A
(800) 916703
(151) 2006 11 23
(891) 2012 09 20
(181) 2016 11 23
(511) 19, 21

(260) AM 2014 70317 A
(800) 990181
(151) 2008 09 01
(891) 2012 10 11
(181) 2018 09 01
(511) 05, 35

(260) AM 2014 70344 A
(800) 1140913
(151) 2012 02 23
(181) 2022 02 23
(511) 16, 35, 41

(260) AM 2014 70345 A
(800) 1140943
(151) 2012 08 08
(181) 2022 08 08
(511) 09

(260) AM 2014 70346 A
(800) 1140985
(151) 2012 08 29
(181) 2022 08 29
(511) 25

(260) AM 2014 70349 A
(800) 1141018
(151) 2012 10 22
(181) 2022 10 22
(511) 02

(260) AM 2014 70350 A
(800) 1141088
(151) 2012 11 09
(181) 2022 11 09
(511) 16, 41

(260) AM 2014 70352 A
(800) 1141130
(151) 2012 11 14
(181) 2022 11 14
(511) 14

(260) AM 2014 70353 A
(800) 1141137
(151) 2012 11 12
(181) 2022 11 12
(511) 05

(260) AM 2014 70354 A
(800) 1141138
(151) 2012 11 12
(181) 2022 11 12
(511) 05

(260) AM 2014 70355 A
(800) 1141160
(151) 2012 10 12
(181) 2022 10 12
(511) 03, 18, 25, 28

(260) AM 2014 70359 A
(800) 1141188
(151) 2012 08 16
(181) 2022 08 16
(511) 06, 09, 35, 39

(260) AM 2014 70360 A
(800) 1141202
(151) 2012 09 20
(181) 2022 09 20
(511) 01

(260) AM 2014 70361 A
(800) 1141212
(151) 2012 07 09
(181) 2022 07 09
(511) 18, 25, 35

(260) AM 2014 70362 A
(800) 1141215
(151) 2012 04 18
(181) 2022 04 18
(511) 29, 43

(260) AM 2014 70363 A
(800) 1141217
(151) 2012 05 18
(181) 2022 05 18
(511) 08, 21

(260) AM 2014 70364 A
(800) 1141259
(151) 2012 03 20
(181) 2022 03 20
(511) 25, 28, 41

(260) AM 2014 70365 A
(800) 1141288
(151) 2012 04 11
(181) 2022 04 11
(511) 12, 17

(260) AM 2014 70366 A
(800) 1141305
(151) 2012 04 25
(181) 2022 04 25
(511) 19

(260) AM 2014 70367 A
(800) 1141313
(151) 2012 05 08
(181) 2022 05 08
(511) 05

(260) AM 2014 70368 A
(800) 1141316
(151) 2012 05 31
(181) 2022 05 31
(511) 30, 32

(260) AM 2014 70369 A
(800) 1141346
(151) 2012 06 15
(181) 2022 06 15
(511) 33

(260) AM 2014 70398 A
(800) 1141607
(151) 2012 09 19
(181) 2022 09 19
(511) 16, 35, 41

(260) AM 2014 70399 A
(800) 1141610
(151) 2012 09 19
(181) 2022 09 19
(511) 29, 30, 35, 39, 43

(260) AM 2014 70400 A
(800) 1141625
(151) 2012 10 04
(181) 2022 10 04
(511) 09

(260) AM 2014 70401 A
(800) 1141641
(151) 2012 10 04
(181) 2022 10 04
(511) 17

(260) AM 2014 70402 A
(800) 1141642
(151) 2012 10 14
(181) 2022 10 14
(511) 32, 33

(260) AM 2014 70412 A
(800) 1141863
(151) 2012 10 15
(181) 2022 10 15
(511) 29

(260) AM 2014 70403 A
(800) 1141649
(151) 2012 10 04
(181) 2022 10 04
(511) 01, 04, 16, 35, 37, 39, 40, 42

(260) AM 2014 70413 A
(800) 1141866
(151) 2012 06 13
(181) 2022 06 13
(511) 01, 02, 16, 17, 19, 20, 27, 40

(260) AM 2014 70404 A
(800) 1141656
(151) 2012 10 15
(181) 2022 10 15
(511) 01, 19

(260) AM 2014 70414 A
(800) 1141868
(151) 2012 10 24
(181) 2022 10 24
(511) 11

(260) AM 2014 70407 A
(800) 1141717
(151) 2012 10 18
(181) 2022 10 18
(511) 19

(260) AM 2014 70408 A
(800) 1141724
(151) 2012 10 23
(181) 2022 10 23
(511) 09, 37, 42

(260) AM 2014 70409 A
(800) 1141726
(151) 2012 09 07
(181) 2022 09 07
(511) 05, 35

(260) AM 2014 70410 A
(800) 1141730
(151) 2012 10 24
(181) 2022 10 24
(511) 34

(260) AM 2014 70411 A
(800) 1141753
(151) 2012 11 19
(181) 2022 11 19
(511) 18, 25

OFFICIAL NOTIFICATIONS

TRADEMARKS

RENEWAL OF REGISTRATIONS

(111) M 2004 15487 R1
(156) 2014 03 31
(186) 2024 03 31
(732) DAEWOO ELECTRONICS CORPORATION
686, Ahyeon-dong, Mapo-gu, Seoul, Korea

(111) M 2004 15546 R1
(156) 2014 06 15
(186) 2024 06 15
(732) PPG INDUSTRIES OHIO, INC.
A Corporation of the State of Delaware
3800 West 143 Street, Cleveland, Ohio
44111, USA

(111) M 2004 15674 R1
(156) 2014 10 05
(186) 2024 10 05
(732) STARWOOD HOTELS & RESORTS WORLDWIDE, INC.
One StarPoint, Stamford, Connecticut 06902, USA

(111) M 2004 15779 R1
(156) 2014 12 15
(186) 2024 12 15
(732) P.T. SARI INCOFOOD CORPORATION
Desa Tanjung Morava B, Kabupaten Deli Serdang, Sumatera Utara, Indonesia

(111) M 1994 216 R2
(156) 2014 11 01
(186) 2024 11 01
(732) EXXON MOBIL CORPORATION
New Jersey Corporation
5959 Las Colinas Boulevard, Irving, Texas, USA

(111) M 1994 217 R2
(156) 2014 11 01
(186) 2024 11 01
(732) EXXON MOBIL CORPORATION
New Jersey Corporation
5959 Las Colinas Boulevard, Irving, Texas, USA

(111) M 1994 373 R2
(156) 2014 11 09
(186) 2024 11 09
(732) EXXON MOBIL CORPORATION
New Jersey Corporation
5959 Las Colinas Boulevard, Irving, Texas, USA

(111) M 1994 374 R2
(156) 2014 11 09
(186) 2024 11 09
(732) EXXON MOBIL CORPORATION
New Jersey Corporation
5959 Las Colinas Boulevard, Irving, Texas, USA

(111) M 1994 400 R2
(156) 2014 11 09
(186) 2024 11 09
(732) EXXON MOBIL CORPORATION
New Jersey Corporation
5959 Las Colinas Boulevard, Irving, Texas, USA

(111) M 1994 407 R2
(156) 2014 11 11
(186) 2024 11 11
(732) EXXON MOBIL CORPORATION
New Jersey Corporation
5959 Las Colinas Boulevard, Irving, Texas, USA

(111) M 1994 408 R2
(156) 2014 11 11
(186) 2024 11 11
(732) EXXON MOBIL CORPORATION
New Jersey Corporation
5959 Las Colinas Boulevard, Irving, Texas, USA

(111) M 1994 409 R2
(156) 2014 11 11
(186) 2024 11 11
(732) EXXON MOBIL CORPORATION
New Jersey Corporation
5959 Las Colinas Boulevard, Irving, Texas, USA

(111) M 1994 410 R2
(156) 2014 11 11
(186) 2024 11 11
(732) EXXON MOBIL CORPORATION
New Jersey Corporation
5959 Las Colinas Boulevard, Irving, Texas,
USA

(111) M 1994 445 R2
(156) 2014 11 11
(186) 2024 11 11
(732) EXXON MOBIL CORPORATION
New Jersey Corporation
5959 Las Colinas Boulevard, Irving, Texas,
USA

(111) M 1994 412 R2
(156) 2014 11 11
(186) 2024 11 11
(732) EXXON MOBIL CORPORATION
New Jersey Corporation
5959 Las Colinas Boulevard, Irving, Texas,
USA

(111) M 1995 474 R2
(156) 2015 01 16
(186) 2025 01 16
(732) CARTIER INTERNATIONAL AG
(CATRIER INTERNATIONAL LTD)
(CATRTIER INTERNATIONAL SA)
Hinterbergstrasse 22, Postfach 61, 6312
Steinhausen, Switzerland

(111) M 1994 415 R2
(156) 2014 11 11
(186) 2024 11 11
(732) EXXON MOBIL CORPORATION
New Jersey Corporation
5959 Las Colinas Boulevard, Irving, Texas,
USA

(111) M 1994 77 R2
(156) 2014 10 26
(186) 2024 10 26
(732) EXXON MOBIL CORPORATION
New Jersey Corporation
5959 Las Colinas Boulevard, Irving, Texas,
USA

(111) M 1994 432 R2
(156) 2014 11 11
(186) 2024 11 11
(732) EXXON MOBIL CORPORATION
New Jersey Corporation
5959 Las Colinas Boulevard, Irving, Texas,
USA

(111) M 1994 79 R2
(156) 2014 10 26
(186) 2024 10 26
(732) EXXON MOBIL CORPORATION
New Jersey Corporation
5959 Las Colinas Boulevard, Irving, Texas,
USA

(111) M 1994 433 R2
(156) 2014 11 11
(186) 2024 11 11
(732) EXXON MOBIL CORPORATION
New Jersey Corporation
5959 Las Colinas Boulevard, Irving, Texas,
USA

(111) M 1994 438 R2
(156) 2014 11 11
(186) 2024 11 11
(732) EXXON MOBIL CORPORATION
New Jersey Corporation
5959 Las Colinas Boulevard, Irving, Texas,
USA

COMPLETE TRANSFER OF RIGHTS

(111) M 2009 019795 R
(732) DELL INC.
One Dell Way, Round Rock, Texas 78682,
USA
(770) WYSE TECHNOLOGY L.L.C.
3471 North First Street, San Jose, CA 95134,
USA
(580) 2014 04 04

(111) M 2009 020107 R
(732) DELL INC.
One Dell Way, Round Rock, Texas 78682,
USA
(770) WYSE TECHNOLOGY L.L.C.
3471 North First Street, San Jose, CA 95134,
USA
(580) 2014 04 04

(111) M 2010 020142 R
(732) DELL INC.
One Dell Way, Round Rock, Texas 78682,
USA
(770) WYSE TECHNOLOGY L.L.C.
3471 North First Street, San Jose, CA 95134,
USA
(580) 2014 04 04

(111) M 2010 020143 R
(732) DELL INC.
One Dell Way, Round Rock, Texas 78682,
USA
(770) WYSE TECHNOLOGY L.L.C.
3471 North First Street, San Jose, CA 95134,
USA
(580) 2014 04 04

(111) M 2010 020144 R
(732) DELL INC.
One Dell Way, Round Rock, Texas 78682,
USA
(770) WYSE TECHNOLOGY L.L.C.
3471 North First Street, San Jose, CA 95134,
USA
(580) 2014 04 04

(111) M 2010 020850 R
(732) LTD. "NIK-PHARMA"
Chavchavadzis Gamz. 20, 0179 Tbilisi,
Georgia
(770) Giorgi Gogbaidze
Griboedovis q. 21, 0108 Tbilisi, Georgia
(580) 2014 03 24

(111) M 1997 005299 R1
(732) GLAXOSMITHKLINE TRADING
SERVICES LIMITED
6900 Cork Airport Business Park, Kinsale
Road, Cork, Ireland
(770) USB PHARMA S.A.
Allée de la Recherche 60, B-1070 Brussels,
Belgium
(580) 2014 04 04

(111) M 1997 005300 R1
(732) GLAXOSMITHKLINE TRADING
SERVICES LIMITED
6900 Cork Airport Business Park, Kinsale
Road, Cork, Ireland
(770) USB PHARMA S.A.
Allée de la Recherche 60, B-1070 Brussels,
Belgium
(580) 2014 04 04

(111) M 1997 005303 R1
(732) GLAXOSMITHKLINE TRADING
SERVICES LIMITED
6900 Cork Airport Business Park, Kinsale
Road, Cork, Ireland
(770) USB PHARMA S.A.
Allée de la Recherche 60, B-1070 Brussels,
Belgium
(580) 2014 04 04

(111) M 1997 006210 R1
(732) GLAXOSMITHKLINE TRADING
SERVICES LIMITED
6900 Cork Airport Business Park, Kinsale
Road, Cork, Ireland
(770) USB PHARMA S.A.
Allée de la Recherche 60, B-1070 Brussels,
Belgium
(580) 2014 04 04

(111) M 1997 006226 R1
(732) GLAXOSMITHKLINE TRADING
SERVICES LIMITED
6900 Cork Airport Business Park, Kinsale
Road, Cork, Ireland
(770) USB PHARMA S.A.
Allée de la Recherche 60, B-1070 Brussels,
Belgium
(580) 2014 04 04

(111) M 1997 006227 R1
(732) GLAXOSMITHKLINE TRADING
SERVICES LIMITED
6900 Cork Airport Business Park, Kinsale
Road, Cork, Ireland
(770) USB PHARMA S.A.
Allée de la Recherche 60, B-1070 Brussels,
Belgium
(580) 2014 04 04

(111) M 1998 008876 R1
(732) INBEV BELGIUM S.A.
Boulevard Industriel 21, 1070 Brussels,
Belgium
(770) BRANDBREW S.A.
5, Rue Gabriel Lippman, 5365 Munsbach,
Luxemburg
(580) 2014 04 15

CHANGES IN NAMES AND/OR ADDRESSES OF OWNERS

(111) M 2004 015462 R
(732) BASF AGRO B.V. ARNHEM (NL)
Zweigniederlassung Zürich, Im Tiergarten 7,
8055 Zürich, Switzerland
(770) BASF AGRO B.V. ARNHEM (NL)
Zweigniederlassung Wädenswil,
Steinacherstrasse 101, 8804 AU,
Switzerland
(580) 2014 04 03

(111) M 2004 015462 R
(732) BASF AGRO B.V. ARNHEM (NL)
Zweigniederlassung Zürich, Im Tiergarten 7,
8055 Zürich, Switzerland
(770) BASF AGRO B.V. ARNHEM (NL)
Zweigniederlassung Wädenswil,
Steinacherstrasse 101, 8804 AU,
Switzerland
(580) 2014 04 03

(111) M 2004 015463 R
(732) BASF AGRO B.V. ARNHEM (NL)
Zweigniederlassung Wädenswil,
Moosacherstrasse 2, 8804 AU, Switzerland
(770) BASF AGRO B.V. ARNHEM (NL)
Zweigniederlassung Wädenswil,
Steinacherstrasse 101, 8804 AU,
Switzerland
(580) 2014 04 03

(111) M 2004 015463 R
(732) BASF AGRO B.V. ARNHEM (NL)
Zweigniederlassung Zürich, Im Tiergarten 7,
8055 Zürich, Switzerland
(770) BASF AGRO B.V. ARNHEM (NL)
Zweigniederlassung Wädenswil,
Moosacherstrasse 2, 8804 AU, Switzerland
(580) 2014 04 03

(111) M 2004 015810 R
(732) SANITEK HOLDING AG
C/O ARNOLD LEGAL AG
Gotthardstrasse 3, 6300 Zug, Switzerland
(770) SANITEK HOLDING AG
Hamerstrasse 14, 6300 Zug, Switzerland
(580) 2014 04 04

(111) M 2009 019074 R
(732) BASF AGRO B.V. ARNHEM (NL)
Zweigniederlassung Zürich, Im Tiergarten 7,
8055 Zürich, Switzerland
(770) BASF AGRO B.V. ARNHEM (NL)
Wädenswil Branch
Moosacherstrasse 2, 8804 AU, Switzerland
(580) 2014 04 03

(111) M 2009 019795 R
(732) WYSE TECHNOLOGY L.L.C.
3471 North First Street, San Jose, CA
95134, USA
(770) WYSE TECHNOLOGY INC.
3471 North 1st St., San-Jose, CA 95134,
USA
(580) 2014 04 04

(111) M 2009 020088 R
(732) BASF AGRO B.V. ARNHEM (NL)
Zweigniederlassung Zürich, Im Tiergarten 7,
8055 Zürich, Switzerland
(770) BASF AGRO B.V. ARNHEM (NL)
Zweigniederlassung Wädenswil,
(BASF AGRO B.V. ARNHEM (NL),
Succursale de Wädenswil),
(BASF AGRO B.V. ARNHEM (NL),
Wädenswil Branch),
Moosacherstrasse 2, 8804 AU, Switzerland
(580) 2014 04 03

(111) M 2009 020089 R
(732) BASF AGRO B.V. ARNHEM (NL)
Zweigniederlassung Zürich, Im Tiergarten 7,
8055 Zürich, Switzerland
(770) BASF AGRO B.V. ARNHEM (NL)
Zweigniederlassung Wädenswil,
(BASF AGRO B.V. ARNHEM (NL),
Succursale de Wädenswil),
(BASF AGRO B.V. ARNHEM (NL),
Wädenswil Branch),
Moosacherstrasse 2, 8804 AU, Switzerland
(580) 2014 04 03

(111) M 2009 020107 R
(732) WYSE TECHNOLOGY L.L.C.
3471 North First Street, San Jose, CA 95134,
USA
(770) WYSE TECHNOLOGY INC.
3471 North 1st St., San-Jose, CA 95134,
USA
(580) 2014 04 04

(111) M 2010 020142 R
(732) WYSE TECHNOLOGY L.L.C.
3471 North First Street, San Jose, CA 95134,
USA
(770) WYSE TECHNOLOGY INC.
3471 North 1st St., San-Jose, CA 95134,
USA
(580) 2014 04 04

(111) M 2010 020143 R
(732) WYSE TECHNOLOGY L.L.C.
3471 North First Street, San Jose, CA 95134,
USA
(770) WYSE TECHNOLOGY INC.
3471 North 1st St., San-Jose, CA 95134,
USA
(580) 2014 04 04

(111) M 2010 020144 R
(732) WYSE TECHNOLOGY L.L.C.
3471 North First Street, San Jose, CA 95134,
USA
(770) WYSE TECHNOLOGY INC.
3471 North 1st St., San-Jose, CA 95134,
USA
(580) 2014 04 04

(111) M 2012 022732 R
(732) BASF AGRO B.V. ARNHEM (NL)
Zweigniederlassung Zürich, Im Tiergarten 7,
8055 Züric, Switzerland
(770) BASF AGRO B.V. ARNHEM (NL)
Zweigniederlassung Wädenswil,
Steinacherstrasse 101, 8804 AU,
Switzerland
(580) 2014 04 03

(111) M 2012 022965 R
(732) BASF AGRO B.V. ARNHEM (NL)
Zweigniederlassung Zürich, Im Tiergarten 7,
8055 Züric, Switzerland
(770) BASF AGRO B.V. ARNHEM (NL)
Zweigniederlassung Wädenswil,
Moosacherstrasse 2, 8804 AU, Switzerland
(580) 2014 04 03

(111) M 2013 023752 R
(732) MONCLER S.P.A.
Via Stendhal 47, 20144 Milano, Italy
(770) MONCLER S.R.L.
Via Stendhal 47, 20144 Milano, Italy
(580) 2014 04 04

(111) M 1996 004258 R1
(732) MONCLER S.P.A.
Via Stendhal 47, 20144 Milano, Italy
(770) MONCLER S.R.L.
Via Stendhal 47, 20144 Milano, Italy
(580) 2014 04 04

(111) M 1998 008746 R1
(732) BASF AGRO B.V. ARNHEM (NL)
Zweigniederlassung Wädenswil,
Moosacherstrasse 2, 8804 AU, Switzerland
(770) BASF AGRO B.V. ARNHEM (NL)
Zweigniederlassung Wädenswil,
Steinacherstrasse 101, 8804 AU,
Switzerland (580) 2014 04 03

(111) M 1998 008746 R1
(732) BASF AGRO B.V. ARNHEM (NL)
Zweigniederlassung Zürich, Im Tiergarten 7,
8055 Züric, Switzerland
(770) BASF AGRO B.V. ARNHEM (NL)
Zweigniederlassung Wädenswil,
Moosacherstrasse 2, 8804 AU, Switzerland
(580) 2014 04 03

(111) M 1998 008876 R1
(732) BRANDBREW S.A.
5, Rue Gabriel Lippman, 5365 Munsbach,
Luxemburg
(770) BRANDBREW S.A.
5, Park D'Activite Syrdall, 5365 Munsbach,
Luxemburg
(580) 2014 04 15

CANCELLING OF TRADEMARK REGISTRATION

(111) M 2003 15205 R
(141) 2014 01 16, Fee for renewal of the registration for the next 10 year is not paid.
(732) Vazha Loladze
Sop. Ali, 383641Khashuris R-ni, Georgia

(111) M 2003 15206 R
(141) 2014 01 16, Fee for renewal of the registration for the next 10 year is not paid.
(732) Varketili Government Residence
Ghvinis Karkhnis Dasakhleba, 384070
Baghdatis R-ni, Georgia

(111) M 2003 15210 R
(141) 2014 01 16, Fee for renewal of the registration for the next 10 year is not paid.
(732) Individual Enterprise "Boris Kurashvili –
"Bor- Mary"
N.Nikoladzis q. 7, 0108 Tbilisi, Georgia

(111) M 2003 15216 R
(141) 2014 01 17, Fee for renewal of the registration for the next 10 year is not paid.
(732) LTD. "STANDARD TOBACCO
INCORPORATED"
Abuseridze-Tbelis q. 13, 0120 Tbilisi,
Georgia

(111) M 2003 15222 R
(141) 2014 01 30, Fee for renewal of the registration for the next 10 year is not paid.
(732) MARGARINE PUBLIC JOINT STOCK CO.
9th Floor, Shahd Bldg., Ferdowsi Sq., Tehran,
P.O. Box 15815-3555, Islamic Republic of
Iran

(111) M 2003 15223 R
(141) 2014 01 30, Fee for renewal of the registration for the next 10 year is not paid.
(732) BAYER HEALTHCARE LLC
100 Bayer Road, Pittsburgh, Pennsylvania
15205, USA

(111) M 2003 15224 R
(141) 2014 02 14, Fee for renewal of the registration for the next 10 year is not paid.
(732) LTD "MEAT FACTORY-VAKE"
Tamarashvilis Shes. 15, 0162 Tbilisi, Georgia

(111) M 2003 15225 R
(141) 2014 02 14, Fee for renewal of the registration for the next 10 year is not paid.
(732) LTD "MATRIX"
E. Takaishvilis q. 80, 6000 Batumi, Georgia

(111) M 2003 15228 R
(141) 2014 02 14, Fee for renewal of the registration for the next 10 year is not paid.
(732) THE COCA-COLA COMPANY
A Corporation of the State of Delaware
P.O. Box 1734, Atlanta, Georgia 30313,
USA

(111) M 2003 15229 R
(141) 2014 02 14, Fee for renewal of the registration for the next 10 year is not paid.
(732) LTD "FIRM MIMINO"
Peikrebis 21, 0167 Tbilisi, Georgia

CLASSIFICATION INDEXES

INVENTIONS

CONCORDANCE TABLE OF INTERNATIONAL CLASSIFICATION INDEX AND PUBLICATION NUMBERS

INTERNATIONAL CLASSIFICATION INDEXES (51)	NUMBER OF PUBLISHED APPLICATION (10)
A 01 N 43/38; A 61 K 31/40	AP 2014 12711 A
A 21 B 1/22; A 21 B 1/52	AP 2014 13005 A
A 61 K 9/00; A 61 K 47/14	AP 2014 12712 A
A 61 K 31/4045, 31/55, 45/06; A 61 P 9/04	AP 2014 12259 A
B 22 D 41/00	AP 2014 12661 A
B 60 B 19/00; B 62 D 57/00	AP 2014 12997 A
B 61 G 3/10, 5/06	AP 2014 12145 A
C 07 D 209/86; C 07 D 209/88; C 07 D 401/04; C 07 D 487/04; A 61 K 31/403; A 61 P 33/00; A 61 P 31/00; A 61 P 35/00; A 61 P 29/00	AP 2014 12213 A
C 07 J 71/00; A 61 K 31/58; A 61 P 5/44	AP 2014 12612 A
C 07 K 16/28; A 61 K 39/395; A 61 P 37/06; A 61 P 19/02	AP 2014 12063 A
C 12 N 15/82; A 01 H 5/00; A 01 H 5/10; C 12 N 9/10; C 12 N 9/88	AP 2014 11540 A
C 21 C 1/00	AP 2014 12664 A
E 04 C 2/26; E 04 B 2/10	AP 2014 12322 A
F 27 D 9/00	AP 2014 12960 A

CONCORDANCE TABLE OF APPLICATION PUBLICATION NUMBERS AND INTERNATIONAL CLASSIFICATION INDEXES

NUMBER OF PUBLISHED APPLICATION (10)	INTERNATIONAL CLASSIFICATION INDEXES (51)
AP 2014 12711 A	A 01 N 43/38; A 61 K 31/40
AP 2014 13005 A	A 21 B 1/22; A 21 B 1/52
AP 2014 12712 A	A 61 K 9/00; A 61 K 47/14
AP 2014 12259 A	A 61 K 31/4045, 31/55, 45/06; A 61 P 9/04
AP 2014 12661 A	B 22 D 41/00
AP 2014 12997 A	B 60 B 19/00; B 62 D 57/00
AP 2014 12145 A	B 61 G 3/10, 5/06
AP 2014 12213 A	C 07 D 209/86; C 07 D 209/88; C 07 D 401/04; C 07 D 487/04; A 61 K 31/403; A 61 P 33/00; A 61 P 31/00; A 61 P 35/00; A 61 P 29/00
AP 2014 12612 A	C 07 J 71/00; A 61 K 31/58; A 61 P 5/44
AP 2014 12063 A	C 07 K 16/28; A 61 K 39/395; A 61 P 37/06; A 61 P 19/02
AP 2014 11540 A	C 12 N 15/82; A 01 H 5/00; A 01 H 5/10; C 12 N 9/10; C 12 N 9/88
AP 2014 12664 A	C 21 C 1/00
AP 2014 12322 A	E 04 C 2/26; E 04 B 2/10
AP 2014 12960 A	F 27 D 9/00

**CONCORDANCE TABLE OF INTERNATIONAL CLASSIFICATION INDEXES,
PATENT NUMBERS AND PUBLICATION NUMBERS**

INTERNATIONAL CLASSIFICATION INDEX (51)	NUMBER OF PATENT (11)	NUMBER OF PUBLISHED APPLICATION (10)
C 01 B 35/00	P 2014 6083 B	AP 2014 12871 A
C 07 D 213/75; C 07 D 401/12; C 07 D 401/14; C 07 D 403/12; C 07 D 413/14; C 07 D 417/12; C 07 D 417/14; A 61 K 31/44; A 61 P 35/00	P 2014 6082 B	AP 2014 12768 A
C 07 D 311/22; C 07 D 407/12; C 07 D 413/12; C 07 D 493/04; A 61 K 31/496; A 61 K 31/506; A 61 P 15/10; A 61 P 25/16; A 61 P 25/18; A 61 P 25/22; A 61 P 25/24; A 61 P 25/28; A 61 P 25/32; A 61 P 25/34; A 61 P 25/36	P 2014 6080 B	AP 2014 12642 A
C 07 D 413/04; C 07 D 413/14; C 07 D 417/04; C 07 D 417/14; A 01 P 3/00; A 01 N 43/78; A 01 N 43/76; A 01 N 43/836	P 2014 6079 B	AP 2014 12623 A
G 10 L 19/00; G 10 L 19/02	P 2014 6081 B	AP 2014 12753 A

**CONCORDANCE TABLE OF PATENT NUMBERS,
PUBLICATION NUMBERS AND INTERNATIONAL CLASSIFICATION INDEXES**

NUMBER OF PATENT (11)	NUMBER OF PUBLISHED APPLICATION (10)	INTERNATIONAL CLASSIFICATION INDEX (51)
1	2	3
P 2014 6079 B	AP 2014 12623 A	C 07 D 413/04; C 07 D 413/14; C 07 D 417/04; C 07 D 417/14; A 01 P 3/00; A 01 N 43/78; A 01 N 43/76; A 01 N 43/836
P 2014 6080 B	AP 2014 12642 A	C 07 D 311/22; C 07 D 407/12; C 07 D 413/12; C 07 D 493/04; A 61 K 31/496; A 61 K 31/506; A 61 P 15/10; A 61 P 25/16; A 61 P 25/18; A 61 P 25/22; A 61 P 25/24; A 61 P 25/28; A 61 P 25/32; A 61 P 25/34; A 61 P 25/36
P 2014 6081 B	AP 2014 12753 A	G 10 L 19/00; G 10 L 19/02
P 2014 6082 B	AP 2014 12768 A	C 07 D 213/75; C 07 D 401/12; C 07 D 401/14; C 07 D 403/12; C 07 D 413/14; C 07 D 417/12; C 07 D 417/14; A 61 K 31/44; A 61 P 35/00
P 2014 6083 B	AP 2014 12871 A	C 01 B 35/00

**CONCORDANCE TABLE OF APPLICATION NUMBERS, APPLICATION
PUBLICATION NUMBERS AND PATENT NUMBERS**

NUMBER OF APPLICATION (21)	NUMBER OF PUBLISHED APPLICATION (10)	NUMBER OF PATENT (11)
AP 2010 012623	AP 2014 12623 A	P 2014 6079 B
AP 2010 012642	AP 2014 12642 A	P 2014 6080 B
AP 2010 012753	AP 2014 12753 A	P 2014 6081 B
AP 2010 012768	AP 2014 12768 A	P 2014 6082 B
AP 2012 012871	AP 2014 12871 A	P 2014 6083 B

UTILITY MODELS

CONCORDANCE TABLE OF INTERNATIONAL CLASSIFICATION INDEXES AND PUBLICATION NUMBERS

INTERNATIONAL CLASSIFICATION INDEXES (51)	NUMBER OF PUBLISHED APPLICATION (10)
G 01 K 1/10	AU 2014 12961 U
F 16 D 9/02; C 09 K 3/14	AU 2014 13287 U

CONCORDANCE TABLE OF PUBLICATION NUMBERS AND INTERNATIONAL CLASSIFICATION INDEX

NUMBER OF PUBLISHED APPLICATION (10)	INTERNATIONAL CLASSIFICATION INDEXES (51)
AU 2014 12961 U	G 01 K 1/10
AU 2014 13287 U	F 16 D 9/02; C 09 K 3/14

CONCORDANCE TABLE OF INTERNATIONAL CLASSIFICATION INDEX, PATENT NUMBERS AND PUBLICATION NUMBERS

INTERNATIONAL CLASSIFICATION INDEX (51)	NUMBER OF PATENT (11)	NUMBER OF PUBLISHED APPLICATION (10)
A 21 D 10/00	U 2014 1807 Y	AU 2014 13052 U
A 21 D 10/00	U 2014 1808 Y	AU 2014 13053 U
A 61 K 36/00	U 2014 1810 Y	AU 2014 13163 U
A 61 N 5/06	U 2014 1809 Y	AU 2014 13064 U

CONCORDANCE TABLE OF PATENT NUMBERS, PUBLICATION NUMBERS AND INTERNATIONAL CLASSIFICATION INDEX

NUMBER OF PATENT (11)	NUMBER OF PUBLISHED APPLICATION (10)	INTERNATIONAL CLASSIFICATION INDEX (51)
U 2014 1807 Y	AU 2014 13052 U	A 21 D 10/00
U 2014 1808 Y	AU 2014 13053 U	A 21 D 10/00
U 2014 1809 Y	AU 2014 13064 U	A 61 N 5/06
U 2014 1810 Y	AU 2014 13163 U	A 61 K 36/00

CONCORDANCE TABLE OF APPLICATION NUMBERS, PUBLICATION NUMBERS AND PATENTS

NUMBER OF APPLICATION (21)	NUMBER OF PUBLISHED APPLICATION (10)	NUMBER OF PATENT (11)
AU 2013 013052	AU 2014 13052 U	U 2014 1807 Y
AU 2013 013053	AU 2014 13053 U	U 2014 1808 Y
AU 2013 013064	AU 2014 13064 U	U 2014 1809 Y
AU 2013 013163	AU 2014 13163 U	U 2014 1810 Y

DESIGNS**CONCORDANCE TABLE OF INTERNATIONAL CLASSIFICATION INDEXES
AND PUBLICATION NUMBERS**

INTERNATIONAL CLASSIFICATION INDEX (51)	NUMBER OF PUBLISHED APPLICATION (10)
11-01	AD 2014 771 S

**CONCORDANCE TABLE OF PUBLICATION NUMBERS
AND INTERNATIONAL CLASSIFICATION INDEX**

NUMBER OF PUBLISHED APPLICATION (10)	INTERNATIONAL CLASSIFICATION INDEXES (51)
AD 2014 771 S	11-01

**CONCORDANCE TABLE OF INTERNATIONAL CLASSIFICATION INDEX,
PATENT NUMBERS AND PUBLICATION NUMBERS**

INTERNATIONAL CLASSIFICATION INDEX (51)	NUMBER OF PATENT (11)	NUMBER OF PUBLISHED APPLICATION (10)
09-05	AD 2014 576 S	AD 2014 764 S

**CONCORDANCE TABLE OF PATENT NUMBERS,
PUBLICATION NUMBERS AND INTERNATIONAL CLASSIFICATION INDEXES**

NUMBER OF PATENT (11)	NUMBER OF PUBLISHED APPLICATION (10)	INTERNATIONAL CLASSIFICATION INDEX (51)
AD 2014 576 S	AD 2014 764 S	09-05

**CONCORDANCE TABLE OF APPLICATION NUMBERS, PUBLICATION NUMBERS
AND PATENT NUMBERS**

NUMBER OF APPLICATION (21)	NUMBER OF PUBLISHED APPLICATION (10)	NUMBER OF PATENT (11)
AD 2013 000764	AD 2014 576 S	AD 2014 576 S

DESIGN REGISTERED ACCORDING TO THE ACCELERATED PROCEDURE

CONCORDANCE TABLE OF INTERNATIONAL CLASSIFICATION INDEX AND PATENTS NUMBERS

INTERNATIONAL CLASSIFICATION INDEX (51)	NUMBER OF PATENT (11)
09-03	D 2014 577 S

CONCORDANCE TABLE OF PATENT NUMBERS AND INTERNATIONAL CLASSIFICATION INDEX

NUMBER OF PATENT (11)	INTERNATIONAL CLASSIFICATION INDEX (51)
D 2014 577 S	09-03

CONCORDANCE TABLE OF APPLICATION NUMBERS AND PATENT NUMBERS

NUMBER OF APPLICATION (21)	NUMBER OF PATENT (11)
AD 2014 000785	D 2014 577 S

TRADEMARKS

CONCORDANCE TABLE OF REGISTRATION NUMBERS, APPLICATION NUMBERS, PUBLICATION NUMBERS AND BULLETIN NUMBERS

NUMBER OF REGISTRATION (111)	NUMBER OF APPLICATION (210)	NUMBER OF PUBLISHED APPLICATION (260)	NUMBER OF BULLETIN
1	2	3	4
M 2014 24639 R	AM 2014 76204	-	8(396) 2014
M 2014 24640 R	AM 2014 76206	-	8(396) 2014
M 2014 24641 R	AM 2014 76207	-	8(396) 2014
M 2014 24642 R	AM 2014 76209	-	8(396) 2014
M 2014 24643 R	AM 2014 76342	-	8(396) 2014
M 2014 24644 R	AM 2014 76356	-	8(396) 2014
M 2014 24645 R	AM 2014 76293	-	8(396) 2014
M 2014 24646 R	AM 2014 76310	-	8(396) 2014
M 2014 24647 R	AM 2014 76368	-	8(396) 2014
M 2014 24648 R	AM 2014 76370	-	8(396) 2014
M 2014 24649 R	AM 2014 76373	-	8(396) 2014
M 2014 24650 R	AM 2014 76292	-	8(396) 2014
M 2014 24651 R	AM 2014 76369	-	8(396) 2014
M 2014 24652 R	AM 2014 76371	-	8(396) 2014
M 2014 24653 R	AM 2011 64997	AM 2013 64997 A	18(382) 2013
M 2014 24654 R	AM 2012 65717	AM 2012 65717 A	18(358) 2012
M 2014 24655 R	AM 2012 67866	AM 2013 67866 A	18(382) 2013
M 2014 24656 R	AM 2012 69260	AM 2013 69260 A	20(384) 2013
M 2014 24657 R	AM 2012 69540	AM 2013 69540 A	20(384) 2013
M 2014 24658 R	AM 2012 69673	AM 2013 69673 A	20(384) 2013
M 2014 24659 R	AM 2012 69674	AM 2013 69674 A	20(384) 2013
M 2014 24660 R	AM 2012 69874	AM 2013 69874 A	19(383) 2013
M 2014 24661 R	AM 2012 69993	AM 2013 69993 A	22(386) 2013
M 2014 24662 R	AM 2012 70021	AM 2013 70021 A	23(387) 2013
M 2014 24663 R	AM 2012 70118	AM 2013 70118 A	18(382) 2013
M 2014 24664 R	AM 2012 70191	AM 2013 70191 A	18(382) 2013
M 2014 24665 R	AM 2013 70207	AM 2013 70207 A	24(388) 2013
M 2014 24666 R	AM 2013 70333	AM 2013 70333 A	24(388) 2013
M 2014 24667 R	AM 2013 70334	AM 2013 70334 A	24(388) 2013
M 2014 24668 R	AM 2013 70335	AM 2013 70335 A	24(388) 2013
M 2014 24669 R	AM 2013 70704	AM 2013 70704 A	24(388) 2013
M 2014 24670 R	AM 2013 70760	AM 2013 70760 A	24(388) 2013
M 2014 24671 R	AM 2013 70790	AM 2013 70790 A	18(382) 2013
M 2014 24672 R	AM 2013 70907	AM 2013 70907 A	20(384) 2013
M 2014 24673 R	AM 2013 70918	AM 2013 70918 A	24(388) 2013
M 2014 24674 R	AM 2013 70931	AM 2013 70931 A	24(388) 2013
M 2014 24675 R	AM 2013 71334	AM 2013 71334 A	24(388) 2013
M 2014 24676 R	AM 2013 71392	AM 2013 71392 A	23(387) 2013
M 2014 24677 R	AM 2013 71408	AM 2013 71408 A	23(387) 2013
M 2014 24678 R	AM 2013 71415	AM 2013 71415 A	24(388) 2013
M 2014 24679 R	AM 2013 71416	AM 2013 71416 A	24(388) 2013
M 2014 24680 R	AM 2013 71418	AM 2013 71418 A	24(388) 2013
M 2014 24681 R	AM 2013 71419	AM 2013 71419 A	24(388) 2013
M 2014 24682 R	AM 2013 71468	AM 2013 71468 A	24(388) 2013

1	2	3	4
M 2014 24683 R	AM 2013 71534	AM 2013 71534 A	24(388) 2013
M 2014 24684 R	AM 2013 71535	AM 2013 71535 A	24(388) 2013
M 2014 24685 R	AM 2013 71579	AM 2013 71579 A	23(387) 2013
M 2014 24686 R	AM 2013 71580	AM 2013 71580 A	23(387) 2013
M 2014 24687 R	AM 2013 71581	AM 2013 71581 A	23(387) 2013
M 2014 24688 R	AM 2013 71601	AM 2013 71601 A	24(388) 2013
M 2014 24689 R	AM 2013 71617	AM 2013 71617 A	24(388) 2013
M 2014 24690 R	AM 2013 71698	AM 2013 71698 A	24(388) 2013
M 2014 24691 R	AM 2013 72072	AM 2013 72072 A	24(388) 2013
M 2014 24692 R	AM 2013 72073	AM 2013 72073 A	24(388) 2013
M 2014 24693 R	AM 2013 72174	AM 2013 72174 A	24(388) 2013
M 2014 24694 R	AM 2013 72384	AM 2013 72384 A	24(388) 2013

**CONCORDANCE TABLE OF PUBLICATION NUMBERS
AND APPLICATION NUMBERS**

NUMBER OF PUBLISHED APPLICATION (260)	NUMBER OF APPLICATION (210)	1	2
1	2	AM 2014 71825 A	AM 2013 71825
AM 2014 71445 A	AM 2013 71445	AM 2014 71826 A	AM 2013 71826
AM 2014 71447 A	AM 2013 71447	AM 2014 71827 A	AM 2013 71827
AM 2014 71448 A	AM 2013 71448	AM 2014 71828 A	AM 2013 71828
AM 2014 71620 A	AM 2013 71620	AM 2014 71829 A	AM 2013 71829
AM 2014 71621 A	AM 2013 71621	AM 2014 71831 A	AM 2013 71831
AM 2014 71641 A	AM 2013 71641	AM 2014 71832 A	AM 2013 71832
AM 2014 71728 A	AM 2013 71728	AM 2014 71863 A	AM 2013 71863
AM 2014 71729 A	AM 2013 71729	AM 2014 71924 A	AM 2013 71924
AM 2014 71730 A	AM 2013 71730	AM 2014 72147 A	AM 2013 72147
AM 2014 71765 A	AM 2013 71765	AM 2014 72148 A	AM 2013 72148
AM 2014 71806 A	AM 2013 71806	AM 2014 72149 A	AM 2013 72149
AM 2014 71807 A	AM 2013 71807	AM 2014 72701 A	AM 2013 72701
AM 2014 71809 A	AM 2013 71809	AM 2014 72805 A	AM 2013 72805
AM 2014 71810 A	AM 2013 71810	AM 2014 72806 A	AM 2013 72806
AM 2014 71811 A	AM 2013 71811	AM 2014 72835 A	AM 2013 72835
AM 2014 71812 A	AM 2013 71812	AM 2014 72836 A	AM 2013 72836
AM 2014 71813 A	AM 2013 71813	AM 2014 72869 A	AM 2013 72869
AM 2014 71814 A	AM 2013 71814	AM 2014 72870 A	AM 2013 72870
AM 2014 71815 A	AM 2013 71815	AM 2014 72871 A	AM 2013 72871
AM 2014 71816 A	AM 2013 71816	AM 2014 72878 A	AM 2013 72878
AM 2014 71817 A	AM 2013 71817	AM 2014 72879 A	AM 2013 72879
AM 2014 71818 A	AM 2013 71818	AM 2014 72882 A	AM 2013 72882
AM 2014 71819 A	AM 2013 71819	AM 2014 72893 A	AM 2013 72893
AM 2014 71820 A	AM 2013 71820	AM 2014 72906 A	AM 2013 72906
AM 2014 71821 A	AM 2013 71821	AM 2014 73266 A	AM 2013 73266
AM 2014 71822 A	AM 2013 71822	AM 2014 73338 A	AM 2013 73338
AM 2014 71823 A	AM 2013 71823	AM 2014 73387 A	AM 2013 73387
AM 2014 71824 A	AM 2013 71824	AM 2014 73389 A	AM 2013 73389
		AM 2014 73390 A	AM 2013 73390
		AM 2014 73450 A	AM 2013 73450
		AM 2014 73847 A	AM 2013 73847
		AM 2014 73868 A	AM 2013 73868

CONCORDANCE TABLE OF INDEX OF GOODS AND/OR SERVICES
AND APPLICATION NUMBERS

INDEX OF GOODS AND/OR SERVICES (511)	NUMBER OF PUBLISHED APPLICATION (260)	1	2
1	2	7	AM 2014 73450 A
1	AM 2014 71821 A	8	AM 2014 71620 A
2	AM 2014 71641 A	8	AM 2014 71641 A
2	AM 2014 71728 A	8	AM 2014 71728 A
2	AM 2014 71822 A	9	AM 2014 71641 A
3	AM 2014 71447 A	9	AM 2014 71728 A
3	AM 2014 71621 A	9	AM 2014 72882 A
3	AM 2014 71765 A	9	AM 2014 73389 A
3	AM 2014 73387 A	9	AM 2014 73390 A
4	AM 2014 71641 A	10	AM 2014 71924 A
4	AM 2014 71728 A	12	AM 2014 71641 A
4	AM 2014 71806 A	12	AM 2014 71728 A
4	AM 2014 71807 A	12	AM 2014 72869 A
4	AM 2014 71809 A	12	AM 2014 72870 A
4	AM 2014 71810 A	12	AM 2014 73338 A
4	AM 2014 71811 A	12	AM 2014 73450 A
4	AM 2014 71812 A	14	AM 2014 71641 A
4	AM 2014 71813 A	14	AM 2014 71728 A
4	AM 2014 71814 A	16	AM 2014 71641 A
4	AM 2014 71815 A	16	AM 2014 71728 A
4	AM 2014 71816 A	16	AM 2014 72878 A
4	AM 2014 71817 A	18	AM 2014 71641 A
4	AM 2014 71818 A	18	AM 2014 71728 A
4	AM 2014 71819 A	18	AM 2014 72893 A
4	AM 2014 71820 A	21	AM 2014 71621 A
4	AM 2014 71821 A	21	AM 2014 71641 A
4	AM 2014 71822 A	21	AM 2014 71728 A
4	AM 2014 71823 A	21	AM 2014 71924 A
4	AM 2014 71824 A	24	AM 2014 71641 A
4	AM 2014 71825 A	24	AM 2014 71728 A
4	AM 2014 71826 A	25	AM 2014 71641 A
4	AM 2014 71827 A	25	AM 2014 71728 A
4	AM 2014 71828 A	25	AM 2014 72893 A
4	AM 2014 71829 A	28	AM 2014 71641 A
4	AM 2014 71831 A	28	AM 2014 71728 A
4	AM 2014 71832 A	28	AM 2014 72147 A
5	AM 2014 71729 A	28	AM 2014 72149 A
5	AM 2014 71765 A	29	AM 2014 71730 A
5	AM 2014 71863 A	29	AM 2014 72835 A
5	AM 2014 72871 A	29	AM 2014 72836 A
5	AM 2014 72906 A	29	AM 2014 73266 A
5	AM 2014 73868 A	29	AM 2014 73387 A
6	AM 2014 71641 A	30	AM 2014 71445 A
6	AM 2014 71728 A	30	AM 2014 72806 A
7	AM 2014 71641 A	30	AM 2014 73387 A
7	AM 2014 71728 A	31	AM 2014 71641 A
7	AM 2014 73338 A	31	AM 2014 71728 A
		32	AM 2014 71448 A
		32	AM 2014 72701 A
		33	AM 2014 72701 A
		33	AM 2014 72805 A

1	2	1	2
34	AM 2014 73847 A	38	AM 2014 73389 A
35	AM 2014 71641 A	38	AM 2014 73390 A
35	AM 2014 71728 A	39	AM 2014 72835 A
35	AM 2014 72835 A	39	AM 2014 72836 A
35	AM 2014 72836 A	41	AM 2014 73389 A
35	AM 2014 72879 A	41	AM 2014 73390 A
35	AM 2014 72893 A	42	AM 2014 71641 A
35	AM 2014 73387 A	42	AM 2014 71728 A
36	AM 2014 71641 A	43	AM 2014 72148 A
36	AM 2014 71728 A	43	AM 2014 72806 A
37	AM 2014 71641 A	44	AM 2014 71641 A
37	AM 2014 71728 A	44	AM 2014 71728 A
38	AM 2014 71641 A	44	AM 2014 71728 A
38	AM 2014 71728 A		

**CONCORDANCE TABLE OF INDEX OF GOODS AND/OR SERVICES
AND NUMBERS OF TRADEMARKS REGISTERED ACCORDING
TO THE ACCELERATED PROCEDURE**

INDEX OF GOODS AND/OR SERVICES (511)	NUMBER OF REGISTERED ACCORDING TO THE ACCELERATED PROCEDURE (111)
7	M 2014 24644 R
9	M 2014 24643 R
9	M 2014 24644 R
11	M 2014 24644 R
32	M 2014 24647 R
32	M 2014 24648 R
32	M 2014 24651 R
32	M 2014 24652 R
33	M 2014 24645 R
33	M 2014 24646 R
33	M 2014 24650 R
34	M 2014 24639 R
34	M 2014 24640 R
34	M 2014 24641 R
34	M 2014 24642 R
35	M 2014 24643 R
35	M 2014 24647 R
35	M 2014 24648 R
35	M 2014 24651 R
35	M 2014 24652 R
41	M 2014 24649 R

OFFICIAL BULLETIN OF THE INDUSTRIAL PROPERTY

8(396)

EDITOR-IN-CHIEF: N. Bebrishvili

EDITORS-TRANSLATORS: E. Gabunia
G. Nadareishvili

COMPUTER LAYOUT: K. Svanidze

www.sakpatenti.org.ge

E-mail: info@sakpatenti.org.ge