



**NATIONAL INTELLECTUAL PROPERTY CENTER OF GEORGIA
SAKPATENTI**

**OFFICIAL BULLETIN
OF THE INDUSTRIAL PROPERTY**

8(348)

**2012
TBILISI**

INID CODES FOR IDENTIFICATION OF BIBLIOGRAPHIC DATA

INVENTIONS, UTILITY MODELS

- (10) Number of publication for application, which has been examined
- (11) Number of patent and kind of document
- (21) Serial number of application
- (22) Date of filing of the application
- (23) Date of exhibition or the date of the earlier filing and the number of application, if any
- (24) Date from which patent may have effect
- (31) Number of priority application
- (32) Date of filing of priority application
- (33) Code of the country or regional organization allotting priority application number
- (44) Date of publication of application not granted, but examined and number of bulletin
- (45) Date of publication of registered document
- (51) International Patent Classification Index
- (54) Title of the invention
- (57) Abstract
- (60) Number of examined patent document granted by foreign patent office, date from which patent has effect and country code
- (62) Number of the earlier application and in case of divided application, date of filing an application
- (71) Name, surname and address of applicant (country code)
- (72) Name, surname of inventor (country code)
- (73) Name, surname and address of patent owner (country code)
- (74) Name, surname of representative or patent attorney
- (85) Date of commencement of the national phase of International Application
- (86) Number and date of filing of international application
- (87) Number and date of publication of international application

DESIGNS

- (10) Number of publication for application
- (11) Number of patent and kind of document or number of registration
- (15) Date of registration/Date of patent renewal
- (18) Expected expiration date of patent or registration
- (21) Serial number of application
- (22) Date of filing of the application
- (23) Date of exhibition or the date of the earlier filing and the number of application, if any
- (24) Date from which patent may have effect
- (28) Number of designs included in the application
- (30) Data relating to priority (number of application, date of filing of application, two-letter code identifying the authority with whom the priority application was made)
- (31) Number of priority application
- (32) Date of filing of priority application
- (33) Code of the country or regional organization allotting priority application number
- (34) Two-letter code according to WIPO St.3 identifying the authority with which the priority application was made
- (44) Date of publication of design and number of bulletin (the first publication)
- (45) Date of publication of design registered by WIPO and number of bulletin
- (51) International Classification for designs (class and subclass of the Locarno Classification)
- (54) Title of the invention
- (55) Reproduction of the design
- (57) Description of characteristic features of the design including indication of colors
- (58) Date of recording of any kind of amendment in the Register
- (62) Number of the earlier application, registration and document number and if available the date of filing an application in case of divided application
- (71) Name, surname and address of applicant (country code)
- (72) Name, surname of creator (country code)
- (73) Name, surname and address of patent owner (country code)
- (74) Name, surname of representative or patent attorney
- (81) Contracting states concerned
 - II designated contracting states according to the 1960 Act
 - III designated contracting states according to the 1999 Act
- (85) Owner's permanent address
- (86) Owner's nationality
- (87) Owner's residence
- (88) State in which the owner has a real and effective industrial or commercial establishment

TRADEMARKS

- (111) – Number of registration
- (151) – Date of registration
- (156) – Date of the renewal
- (181) – Expected expiration date of registration
- (186) – Renewal expiration date of registration
- (141) – Date of cancel of duration of the mark
- (210) – Serial number of application
- (220) – Date of filing of the application
- (230) – Date concerning exhibition
- (260) – Number of application, for which favorable decision of examination about registration has been taken (publication number)
- (310) – Number of the first application
- (320) – Date of filing of the first application
- (330) – Code, identifying national or regional Office where the first application was made
- (511) – International Classification of Goods and Services for the purposes of registration of trade marks and/or list of goods and/or services classified according thereto
- (531) – Description of figurative elements of Trade Marks according to the International Classification of the Figurative Elements of Marks
- (540) – Reproduction of Trade Mark
- (550) – Nature and kind of Trade Mark
- (580) – Date of recording of any kind changes in respect of applications or registrations
- (591) – Information concerning colors claimed
- (731) – Name and address of the applicant
- (732) – Name and address of the holder of the registration
- (740) – Name and address of the representative
- (750) – Address for correspondence
- (770) – Name and address of the previous applicant or holder in case of change in ownership
- (771) – Previous name and address of the applicant or holder in case of change in ownership
- (791) – Name and address of the licensee
- (793) – Indication of conditions and/or restrictions under the license (Type of license, number of license agreement, data of license, data of validity of license)
- (800) – Certain data relating to the international registration of Trade Marks under the Protocol Relating to Madrid Agreement (International registration number)

CODES FOR PUBLICATION IN BULLETIN

- (21) AP 0000 000000 – serial number of application for invention
- (10) AP 0000 0000 A – number of published application for invention (first publication)
- (11) P 0000 0000 B – number of patent for invention (second publication)
- (21) API 0000 000000 – number of application for imported patent
- (11) PI 0000 0000 A – number of imported patent (first publication)
- (21) AU 0000 000000 – serial number of application for utility model
- (10) AU 0000 000 U – number of published application for utility model (first publication)
- (11) U 0000 000 Y – number of patent for utility model (second publication)
- (21) AD 0000 000000 – serial number of application for design
- (10) AD 0000 000 S – number of published application for design (first publication)
- (11) D 0000 000 S – number of patent for design (second publication)

INTERNATIONAL PATENT CLASSIFICATION FOR INVENTIONS AND UTILITY MODELS

- SECTION A – HUMAN NECESSITIES
- SECTION B – PERFORMING OPERATIONS; TRANSPORTING
- SECTION C – CHEMISTRY; METALLURGY
- SECTION D – TEXTILES; PAPER
- SECTION E – FIXED CONSTRUCTIONS
- SECTION F – MECHANICAL ENGINEERING; LIGHTING; HEATING; WEAPONS; BLASTING
- SECTION G – PHYSICS
- SECTION H – ELECTRICITY

-
- M – Trade Mark
 - (210) AM 0000 000000 – Serial number of application;
 - (260) AAM 0000 00000 A – Publication number of application;
 - (111) M 0000 00000 R – Number of registration;
 - (111) MMM0000 00000 Rn – Number of renewals, in which n=1,2,3;
 - (111) M 0000 00000 R(P) – Number of registration under partial assignment of rights
-

LIST OF CODES, IN ALPHABETIC SEQUENCE, AND THE CORRESPONDING (SHORT) NAMES OF STATES, OTHER ENTITIES AND INTERGOVERNMENTAL ORGANIZATIONS
(WIPO STANDARD ST.3)

AD	Andorra				
AE	United Arab Emirates				
AF	Afghanistan				
AG	Antigua and Barbuda				
AI	Anguilla				
AL	Albania				
AM	Armenia				
AN	Netherlands Antilles				
AO	Angola				
AP	African Regional Intellectual Property Organization (ARIPO)				
AR	Argentina				
AT	Austria				
AU	Australia				
AW	Aruba				
AZ	Azerbaijan				
BA	Bosnia and Herzegovina				
BB	Barbados				
BD	Bangladesh				
BE	Belgium				
BF	Burkina Faso				
BG	Bulgaria				
BH	Bahrain				
BI	Burundi				
BJ	Benin				
BM	Bermuda				
BN	Brunei Darussalam				
BO	Bolivia				
BR	Brazil				
BS	Bahamas				
BT	Bhutan				
BV	Bouvet Island				
BW	Botswana				
BX	Benelux Office for Intellectual Property (BOIP)				
BY	Belarus				
BZ	Belize				
CA	Canada				
CD	Democratic Republic of the Congo				
CF	Central African Republic				
CG	Congo				
CH	Switzerland				
CI	Cote d'Ivoire				
CK	Cook Islands				
CL	Chile				
CM	Cameroon				
CN	China				
CO	Colombia				
CR	Costa Rica				
CU	Cuba				
CV	Cape Verde				
CY	Cyprus				
CZ	Czech Republic				
DE	Germany				
DJ	Djibouti				
DM	Dominica				
DO	Dominican Republic				
DZ	Algeria				
EA	Eurasian Patent Organization (EAPO)				
EC	Ecuador				
EE	Estonia				
EG	Egypt				
EH	Western Sahara				
EM	Office for Harmonization in the Internal Market (Trademarks and Designs)(OHIM)				
EP	European Patent Office (EPO)				
ER	Eritrea				
ES	Spain				
ET	Ethiopia				
FI	Finland				
FJ	Fiji				
FK	Falkland Islands (Malvinas)				
FO	Faroe Islands				
FR	France				
GA	Gabon				
GB	United Kingdom				
GC	Patent Office of the Cooperation Council for the Arab States of the Gulf (GCC)				
GD	Grenada				
GG	Guernsey				
GH	Ghana				
GI	Gibraltar				
GT	Guatemala				
GW	Guinea- Bissau				
GY	Guyana				
HK	The Hong Kong Special Administrative Region of the People's Republic of China				
HN	Honduras				
HR	Croatia				
HT	Haiti				
HU	Hungary				
IB	International Bureau of the World Intellectual Property Organization (WIPO)				
ID	Indonesia				
IE	Ireland				
IL	Israel				
IM	Isle of Man				
IN	India				
IQ	Iraq				
ID	Indonesia				
IE	Ireland				
IL	Israel				
IM	Isle of Man				
IN	India				
IQ	Iraq				
IR	Iran (Islamic Republic of)				
IS	Iceland				
IT	Italy				
JE	Jersey				
JM	Jamaica				
JO	Jordan				
JP	Japan				
KE	Kenya				
KG	Kyrgyzstan				
KH	Cambodia				
KI	Kiribati				
KM	Saint Kitts and Nevis				
KP	Democratic People's Republic of Korea				
KR	Republic of Korea				
KW	Kuwait				
KY	Cayman Islands				
KZ	Kazakhstan				
LA	Lao People's Democratic Republic				
LB	Lebanon				
LC	Saint Lucia				
LI	Liechtenstein				
LK	Sri Lanka				
LR	Liberia				
LS	Lesotho				
LT	Lithuania				
LU	Luxembourg				
LV	Latvia				
LY	Libyan Arab Jamahiriya				
MA	Morocco				
MC	Monaco				
MD	Republic of Moldova				
ME	Montenegro				
MG	Madagascar				
MK	The former Yugoslav Republic of Macedonia				
ML	Mali				
MM	Myanmar				
MN	Mongolia				
MO	Macao				
MP	Northern Mariana Islands				
MR	Mauritania				
MS	Montserrat				
MT	Malta				
MU	Mauritius				
MV	Maldives				
MW	Malawi				
MX	Mexico				
MY	Malaysia				
MZ	Mozambique				
NA	Namibia				
NE	Niger				
NG	Nigeria				
NI	Nicaragua				
NL	Netherlands				
NO	Norway				
NP	Nepal				
NR	Nauru				
NZ	New Zealand				
OA	African Intellectual Property Organization (OAPI)				
OM	Oman				
PA	Panama				
PE	Peru				
PG	Papua New Guinea				
PH	Philippines				
PK	Pakistan				
PL	Poland				
PT	Portugal				
PW	Palau				
PY	Paraguay				
QA	Qatar				
QZ	Community Plant Variety Office (European Community) (CPVO)				
RO	Romania				
RS	Serbia				
RU	Russian Federation				
RW	Rwanda				
SA	Saudi Arabia				
SB	Solomon Islands				
SC	Seychelles				
SD	Sudan				
SG	Singapore				
SH	Saint Helena				
SI	Slovenia				
SK	Slovakia				
SL	Sierra Leone				
SM	San Marino				
SN	Senegal				
SO	Somalia				
SR	Suriname				
ST	Sao Tome and Principe				
SV	El Salvador				
SY	Syrian Arab Republic				
SZ	Swaziland				
TC	Turks and Caicos Islands				
TD	Chad				
TG	Togo				
TH	Thailand				
TJ	Tajikistan				
TL	Timor-Leste				
TM	Turkmenistan				
TN	Tunisia				
TO	Tonga				
TR	Turkey				
SE	Sweden				
TT	Trinidad and Tobago				
TV	Tuvalu				
TW	Taiwan, Province of China				
TZ	United Republic of Tanzania				
UA	Ukraine				
UG	Uganda				
US	United States of America				
UY	Uruguay				
UZ	Uzbekistan				
VA	Holy See				
VC	Saint Vincent and the Grenadines				
VE	Venezuela				
VG	Virgin Islands (British)				
VN	Viet Nam				
VU	Vanuatu				
WO	World Intellectual Property Organization (WIPO)				
WS	Samoa				
XN	Nordic Patent Institute (NPI)				
YE	Yemen				
ZA	South Africa				
ZM	Zambia				
ZW	Zimbabwe				

**NATIONAL INTELLECTUAL PROPERTY CENTER OF GEORGIA
SAKPATENTI**

**OFFICIAL BULLETIN
OF THE INDUSTRIAL PROPERTY**

8(348)

**INVENTIONS
UTILITY MODELS
DESIGNS
TRADEMARKS**

**DATE OF PUBLICATION
2012 04 25**

CONTENTS

PUBLISHED TITLES OF PROTECTION	2
INVENTIONS	
▪ Applications for inventions	3
▪ Patents for inventions	10
UTILITY MODELS	
▪ Applications for utility models	19
▪ Patents for utility models	20
DESIGNS	
▪ Applications for designs	22
▪ Registered designs	25
▪ Designs, which have been registered with the international bureau claiming priority on the territory of Georgia	26
TRADEMARKS	
▪ National trademarks	61
▪ Registered trademarks	65
▪ Trademarks registered according to the accelerated procedure	70
▪ International trademarks laid open for the purpose of taking protection granting decisions	71
▪ International trademarks protected in Georgia	72
OFFICIAL NOTIFICATIONS	
INVENTIONS	
▪ Renewal of patents	78
UTILITY MODELS	
▪ Renewal of patents	79
▪ Invalidation of patents	80
TRADEMARKS	
▪ Complete transfer of rights	81
▪ Changes in names and/or addresses of owners	83
▪ Correction of mistakes	86
CLASSIFICATION INDEXES	
INVENTIONS	87
UTILITY MODELS	91
DESIGNS	92
TRADEMARKS	94

PUBLISHED TITLES OF PROTECTION

INVENTIONS

- **APPLICATIONS:**
11807; 10804; 11311; 10664; 11913; 11788; 12038; 11860; 12219; 11821; 12064; 11714; 10403; 12292; 12039; 10214
- **PATENTS:**
5470-5507

UTILITY MODELS

- **APPLICATIONS:**
12243; 12084; 12008
- **PATENTS:**
1717-1722

DESIGNS

- **APPLICATIONS:**
667; 679; 676, 649
- **REGISTERED DESIGNS:**
495, 496
- **DESIGNS, WHICH HAVE BEEN REGISTERED WITH THE INTERNATIONAL BUREAU:**
75342; 75529; 77571-77573; 75355; 75364; 77618, 77619; 77625

TRADEMARKS

- **NATIONAL TRADEMARKS:**
56433; 61454; 61456; 62450; 63182; 63184; 63223-63225; 63299-63303; 63411; 63462, 63463; 63883; 63960; 64019, 64020; 64030; 64144; 64216
- **REGISTERED TRADEMARKS:**
22244-22462; 22464-22492
- **TRADEMARKS REGISTERED ACCORDING TO THE ACCELERATED PROCEDURE:**
22493-22496
- **INTERNATIONAL TRADEMARKS LAID OPEN FOR THE PURPOSE OF TAKING PROTECTION GRANTING DECISIONS:**
61397*; 61541*
- **INTERNATIONAL TRADEMARKS PROTECTED IN GEORGIA:**
59936; 60020; 60501; 61354; 61400, 61401; 61403-61409; 61464, 61465; 61467; 61469-61473; 61548-61554; 61646, 61647; 61698, 61699; 61701; 61806, 61807; 61813, 61814; 61871-61873; 61875-61878; 61899-61903; 61905, 61906; 61913; 61984; 61992, 61993; 61995-62004; 62034; 62052; 62072-62076; 62204-62213; 62215-62217; 62221,62222; 62289; 62410-62412; 62443

INVENTIONS

APPLICATIONS LAID OPEN FOR THE PURPOSE OF TAKING PATENT GRANTING DECISIONS

To appeal a decision is possible at Chamber of Appeal of Sakpatenti within 3 months from the publication or at The Board of Administrative Actions of Tbilisi City Court within a 1 month period. (Address: 12 km., №6, David Aghmashenebeli Kheivani, Tbilisi).

PART A

A 61

(10) AP 2012 11807 A (51) Int. Cl. (2006)
A 61 K 9/08
A 61 K 9/00

(21) AP 2008 011807 (22) 2008 11 10

(31) MI2007A002225

(32) 2007 11 23

(33) IT

(71) INSTITUTO LUSO FARMACO
D'ITALIA S.P.A. (IT)
Via Walter Tobagi, 8, Peschiera Borromeo,
I-20068, (IT)

(72) MAGGI, Carlo Alberto (IT);
GIULIANI, Sandro (IT);
QUARTARA, Laura (IT)

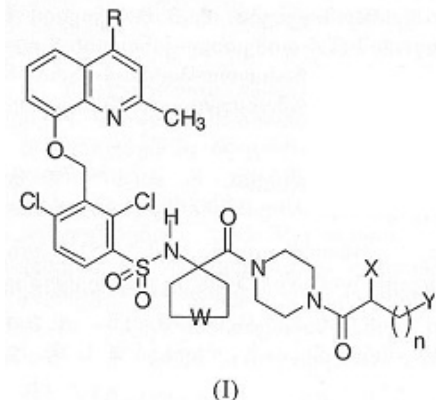
(74) Shalva Gvaramadze

(85) 2010 05 20

(86) PCT/EP2008/009451, 2008 11 10

(54) **PHARMACEUTICAL COMPOSITIONS
CONTAINING BRADYKININ
ANTAGONISTS AND HYALURONIC
ACID, AND USAGE THEREOF**

(57) There are represented pharmaceutical compositions as active ingredients containing mixture of: a) hyaluronic acid or salts thereof chosen from sodium or potassium salts; and b) bradykinin B2 receptor antagonist of formula (I),



with pharmaceutically acceptable carrier or excipient wherein hyaluronic acid as polymer is available

within MW 0.5-10 million dalton, and bradykinin antagonist values are chosen from values defined in the claims (see the claims), pharmaceutically acceptable salts thereof, enantiomers, enantiomer mixtures thereof, and their usage at the treatment of osteoarthritis and posttraumatic osteoarthritis.

Claims: 2 independent

17 dependent

(10) AP 2012 10804 A (51) Int. Cl. (2006)
A 61 K 9/16

A 61 K 9/20

A 61 K 47/26

A 61 K 33/06

A 23 L 1/09

A 23 L 1/304

A 23 L 1/303

(21) AP 2006 010804 (22) 2006 12 07

(31) PA 2005 01736; PA 2006 01203; 60/850,130

(32) 2005 12 07; 2006 09 15; 2006 10 06

(33) DK; DK; US

(71) NYCOMED PHARMA AS (NO)
Drammensveien 852, NO-1385 Asker (NO)

(72) PIENE, Jan Yngvar (NO)

(74) Shalva Gvaramadze

(85) 2008 07 07

(86) PCT/DK2006/000696, 2006 12 07

(54) **FILM-COATED AND/OR GRANULATED
CALCIUM-CONTAINING COMPOUNDS
AND USE THEREOF IN PHARMACE-
UTICAL COMPOSITIONS**

(57) There are represented granular calcium-containing compounds received by partial coating of particles and/or shaped crystals of calcium-containing compounds with water-soluble film containing water-soluble substance dispersed in dissolvent chosen among polyols and carbohydrates, and polymeric substance chosen among povidons, co-povidons and mixture thereof. This method provides preparation of small size tablet with high content of elemental calcium.

Claims: 3 independent

11 dependent

Fig.: 12

(10) AP 2012 11311 A (51) Int. Cl. (2006)

A 61 K 9/16

A 61 K 31/55

(21) AP 2007 011311 (22) 2007 12 17

(31) 60/875,364; 60/917,401

(32) 2006 12 18; 2007 05 11

(33) US; US

(71) TAKEDA PHARMACEUTICAL

COMPANY LIMITED (JP)

1-1, Doshomachi 4-Chome, Chuo-ku,

Osaka-shi, Osaka, 541-0045 (JP)

(72) FUTO, Tomomichi (JP);

SAITO, Kazuhiro (JP);

HOSHINO, Tetsuo (JP);

HORI, Masuhisa (JP)

(74) Shalva Gvaramadze

(85) 2009 06 15

(86) PCT/JP2007/074617, 2007 12 17

(54) **SUSTAINED-RELEASE COMPOSITION
AND PRODUCTION METHOD THEREOF**

(57) A composition contains stearic acid and water-soluble physiologically active peptide dispersed into microcapsules containing lactic acid polymer or salt thereof, which is dissolved within volatile solvent immiscible with water for preparation of said composition, and water-soluble physiologically active peptide is dissolved within solvent miscible with water. Received solutions are mixed together and the stearic acid is added thereto. Received solution is dispersed into solution containing surfactant, and an O/W type emulsion is received; then, the solvents are removed from prepared microcapsules.

Claims: 10 independent

36 dependent

Fig.: 9

(10) AP 2012 11913 A (51) Int. Cl. (2006)

A 61 K 31/4375

A 61 K 31/4745

A 61 P 35/00

(21) AP 2008 011913 (22) 2008 12 23

(31) 61/006,459

(32) 2008 01 15

(33) US

(71) MEDA AB (SE)

Pipers Väg 2, S-170 09, Solna (SE)

(72) MAUS, Joachim (DE);

SZELENYI, Istvan (DE);

PETZOLD, Ursula (DE)

(74) Shalva Gvaramadze

(85) 2010 08 09

(86) PCT/EP2008/011088, 2008 12 23

(54) **APPLICATION OF IMIDAZOQUINOLINE
DERIVATIVES FOR COLON DISEASES
TREATMENT OR PREVENTION OF
COLORECTAL CARCINOMA**

(57) Imiquimod is applied at colorectal polyp treatment or for prevention degeneration thereof into colorectal carcinoma.

Claims: 4 independent

3 dependent

Fig.: 1

(10) AP 2012 10664 A (51) Int. Cl. (2006)

A 61 K 31/165

(21) AP 2006 010664 (22) 2006 09 27

(31) 60/721,722

(32) 2005 09 28

(33) US

(71) CYPRESS BIOSCIENCE, INC. (US)

4350 Executive Drive, Suite 325,

San Diego, CA 92121 (US)

(72) RAO, Srinivas, G. (US);

GENDREAU, Michael (US);

KRANZLER, Jay, D. (US)

(74) George Meipariani

(85) 2008 04 24

(86) PCT/US2006/037714, 2006 09 27

(54) **MILNACIPRAN FOR LONG-TERM
TREATMENT OF FIBROMYALGIA
SYNDROME**

(57) Milnacipran is used for fibromyalgia syndrome (FMS) treatment.

Claims: 2 independent

12 dependent

Fig.: 2

PART B**B 24**

(10) AP 2012 11788 A (51) Int. Cl. (2006)

B 24 B 7/22

B 24 B 9/06

B 28 D 1/00

(21) AP 2010 011788 (22) 2010 05 05

(71) Pridon Gognadze (GE)

A. Shanidzis k. 3, 1000 Baghdati (GE);

Anton (Markoz) Bulukhia (GE)

Melikishvili k. 10, b. 78, 4600, Kutasi (GE)

(72) Pridon Gognadze (GE);

Anton (Markoz) Bulukhia (GE)

(54) INSTALLATION FOR MAKING CURVED ARCHITECTURAL SHAFT

(57) An installation comprises a holder 6 with a grinder fixed therein, a holder moving mechanism, a table 2 of workpiece installation and a table moving mechanism. At that, the holder moving mechanism has a curved guide 4 wherein a roller board 5 is installed, which is movable and able to be fixed. The table of workpiece installation has ability of back-and-forth movement in a vertical plane and of rotation around a vertical axis.

Claims: 1 independent

Fig.: 1

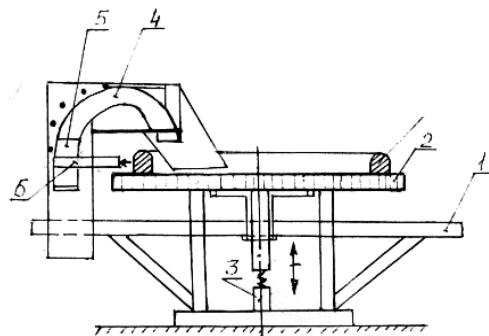


Fig. 1

(54) METHOD OF HEADSPACE MODIFICATION FOR VACUUM PRESSURE REMOVAL AND APPARATUS FOR EMBODIMENT THEREOF

(57) A container modifying headspace and removing vacuum pressure has a seal or cap providing temporary opening into container and sealing under compression, which is also providing to raise controlled internal pressure at container content cooling process. Fluid medium admission into the headspace 23b and forcing thereby the fluid level lower is carried out by usage of chamber 84 for hermetic encapsulation.

Claims: 4 independent

13 dependent

Fig.: 85

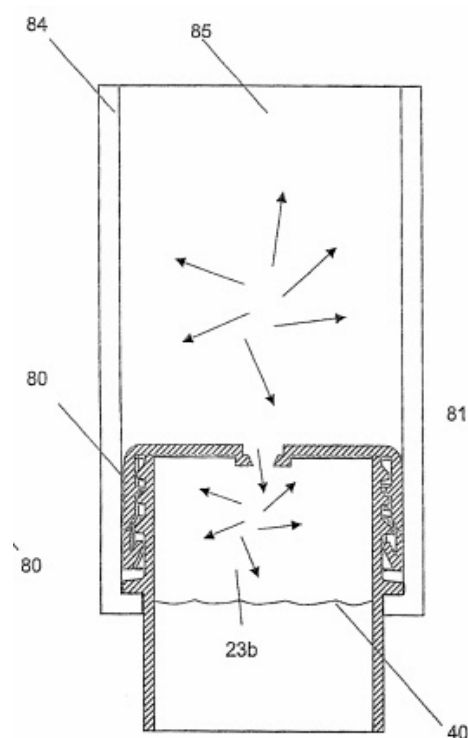


Fig. 6b

B 65

(10) AP 2012 12038 A (51) Int. Cl. (2006)

B 65 B 31/04

(21) AP 2009 012038 (22) 2009 05 18

(31) 568439; 573865

(32) 2008 05 19; 2008 12 19

(33) NZ; NZ

(71) MELROSE, David Murray (NZ)

88 Balmoral Road, Mt Eden,

Auckland, 1024 (NZ)

(72) MELROSE, David Murray (NZ)

(74) Alexander Kartvelishvili

(85) 2010 12 17

(86) PCT/NZ2009/000079, 2009 05 18

PART C

C 07

(10) AP 2012 11860 A (51) Int. Cl. (2006)

C 07 C 323/61

C 07 C 327/34

C 07 D 205/04

C 07 D 213/55

C 07 D 211/34

C 07 D 213/73

A 61 P 9/00

A 61 P 7/02

A 61 K 31/095

(21) AP 2010 011860 (22) 2010 06 23

(31) 09.03111; AP 2010 011860

(32) 2009 06 26; 2010 06 23

(33) FR; GE

(71) LES LABORATOIR SERVIER (FR)

35, rue de Verdun F-92284, Suresnes

Cedex (FR);

L'ENSTITUT NASIONAL DES SCIENCES

APPLIQUÉ DE ROUEN (FR)

Avenue de l'Universite, F-76801

Saint Etienne du Rouvray Cedex (FR);

LE CENTRE NATIONAL DE LA

RECHERCHE SCIENTIFIQUE (FR)

3, Rue Michel-Ange F-75794

Paris Cedex 16 (FR);

L'UNIVERSITE DE ROUEN (FR)

1, Rue Thomas Becket, F-76821

Mont-Saint-Aignan Cedex (FR)

(72) DE NANTEUIL, Guillaume (FR);

GLOANEC, Philippe (FR);

PARMENTIER, Jean-Gilles (FR);

RUPIN, Alain (FR);

VALLEZ, Marie-Odile (FR);

VERBEUREN, Tony (FR);

GUILLOZIC, Anne-Francoise (FR);

MENNECIER, Philippe (FR);

QUIRION, Jean-Charles (FR);

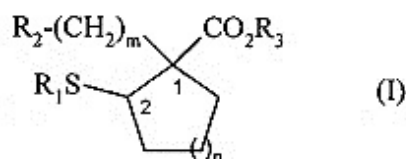
JUBAULT, Philippe (FR);

BOYER, Nicolas (FR)

(74) Tamaz Shilakadze

(54) **NOVEL COMPOUNDS OF 2-MERCAPTO-CYCLOPENTANECARBOXYL ACID, PREPARATION METHOD AND PHARMACEUTICAL COMPOSITIONS THEREOF**

(57) There are disclosed compound of formula (I),



the values R_1 , R_2 and R_3 and a preparation method thereof, pharmaceutical compositions on their basis

and thrombotic events prevention or treatment by their therapeutically effective amount application.

Claims: 5 independent

10 dependent

(10) AP 2012 12219 A (51) Int. Cl. (2006)

C 07 D 207/16

C 07 D 401/12

C 07 D 403/12

A 61 K 31/40

A 61 P 43/00

(21) AP 2009 012219 (22) 2009 10 30

(31) 61/112,869

(32) 2008 11 10

(33) US

(71) PFIZER LIMITED (GB)

Ramsgate Road, Sandwich, Kent CT13 9NJ (GB)

(72) DACK, Kevin Neil (GB);

MILLS, James Edward John (GB);

SKERRATT, Sarah Elizabeth (GB)

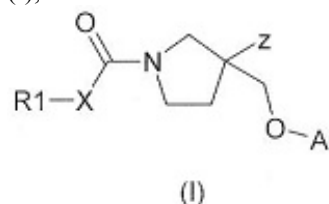
(74) Shalva Gvaramadze

(85) 2011 05 10

(86) PCT/IB2009/054824, 2009 10 30

(54) **PYRROLIDINES**

(57) An invention relates to: pyrrolidine compounds of formula (I),



pharmaceutically acceptable derivatives and compositions containing thereof, preparation process and usage thereof in medicine. The compounds are useful at EP2-mediated conditions treatment, such as endometriosis, uterine fibroids (leiomyomata), menorrhagia, adenomyosis, primary and secondary dysmenorrhoea, chronic pelvic pain syndrome, polycystic kidney disease and polycystic ovarian syndrome.

Claims: 8 independent

15 dependent

(10) AP 2012 11821 A (51) Int. Cl. (2006)

C 07 D 239/72

C 07 D 239/86

C 07 D 239/94

C 07 D 401/14

C 07 D 403/04

C 07 D 403/14

A 61 K 31/498

A 61 P 35/00

(21) AP 2008 011821 (22) 2008 10 28

(31) 2445/CHE/2007

(32) 2007 10 29

- (33) IN
 (71) NACTO PHARMA LIMITED (IN)
 "Nacto House" Road N2, Banjara Hills,
 Hyderabad, Andhra Pradesh 500 033 (IN)
 (72) KONAKANCHI, Durga Prasad (IN);
 PULA, Subba Rao (IN);
 ANANTHANELI, Lakshmi (IN);
 PULLA REDDY, Muddasani (IN);
 ADIBHATLA KALI SATYA,
 Bhujanga Rao (IN);
 VENKAIAH CHOWDARY,
 Nannapaneni (IN)

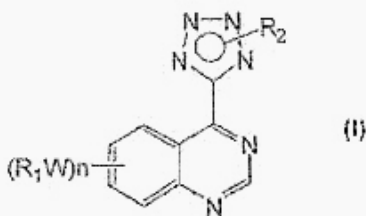
(74) Shalva Gvaramadze

(85) 2010 05 28

(86) PCT/IN2008/000708, 2008 10 28

(54) **NOVEL 4-(TETRAZOL-5-YL)-
 QUINAZOLINE DERIVATIVES
 AS ANTI CANCER AGENTS**

(57) There are disclosed: compound of formula (I)



and the values R_1 , R_2 and W thereof, pharmaceutical compositions on their basis and their therapeutically effective amount application at hyperproliferative disorder treatment in mammal.

Claims: 4 independent

4 dependent

- (10) **AP 2012 12064 A** (51) **Int. Cl. (2006)**
C 07 D 401/12
C 07 D 401/14
C 07 D 403/12
C 07 D 413/14
C 07 D 471/04
A 61 K 31/501
A 61 K 31/506
A 61 P 35/00

(21) AP 2009 012064 (22) 2009 07 16

(31) 61/081,900

(32) 2008 07 18

(33) US

(71) NOVARTIS AG (CH)

Lichtstrasse 35, CH-4056 Basel (CH)

(72) HE, Feng (CN);

PEUKERT, Stefan (DE);

MILLER-MOSLIN, Karen (US);

YUSUFF, Naem (US);

CHEN, Zhuoliang (CN);

LAGU, Bharat (US)

(74) Alexander Kartvelishvili

(85) 2011 01 18

(86) PCT/EP2009/059138, 2009 07 16

(54) **PYRIDAZINE DERIVATIVES AS
 SMO INHIBITORS**

(57) There are represented the novel compounds and pharmacologically accepted salts thereof, pharmacological compositions on their basis and their therapeutically effective amount usage at the treatment of diseases, abnormalities or syndromes associated with Smo inhibition.

Claims: 14 independent

15 dependent

Table: 10

- (10) **AP 2012 11714 A** (51) **Int. Cl. (2006)**
C 07 F 5/02
C 07 F 5/04
C 07 K 5/06
A 61 K 31/69
A 61 K 38/05
A 61 P 35/00
A 61 P 29/00

(21) AP 2007 011714 (22) 2007 08 06

(31) 11714

(32) 2010 03 05

(33) GE

(71) MILLENNIUM PHARMACEUTICALS, INC. (US)

40 Landsdowne Street, Cambridge, MA 02139 (US)

(72) OLHAVA, Edward J. (US);

DANCA, Mihaela D. (US)

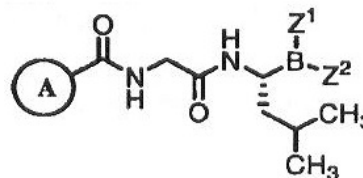
(74) Shalva Gvaramadze

(85) 2010 03 05

(86) PCT/US2007/017440, 2007 08 06

(54) **PROTEASOME INHIBITORS**

(57) There are represented: compound of formula (I)



(I)

(which values: Z^1 , Z^2 , A and B are disclosed) or pharmaceutically acceptable salts thereof or boronic acid anhydride containing pharmaceutical compositions thereof and their usage for drug preparation at cancer treatment.

Claims: 4 independent

10 dependent

- (10) **AP 2012 10403 A** (51) **Int. Cl. (2006)**
C 07 K 14/51
C 07 K 16/18

(21) AP 2006 010403 (22) 2006 04 28

(31) 60/677,583; 60/776,847; 60/782, 244;

60/792,645; 11/411,003

(32) 2005 05 03; 2006 02 24; 2006 03 13;

2006 04 17; 2006 04 25

(33) US; US; US; US; US

- (71) UCB PHARMA S.A. (BE)
Allée de la Recherche 60,
B-1070 Brussels (BE);
AMGEN INC. (US)
One Amgen Center Drive, Thousand Oaks,
California 91320 (US)
- (72) PASZTY, Christopher (US);
ROBINSON, Martyn, Kim (GB);
GRAHAM, Kevin (US);
HENRY, Alistair, James (GB);
HOFFMANN, Kelly, Sue (US);
LATHAM, John (US);
LAWSON, Alastair (GB);
LU, Hsieng, Sen (US);
POPPLEWELL, Andy (GB);
SHEN, Wenyan (CA);
WINKLER, David (US);
WINTERS, Aaron, George (US)

(74) Tamaz Shilakadze

(85) 2007 11 30

(86) PCT/US2006/016441, 2006 04 28

(54) **SCLEROSTIN BINDING AGENTS**

(57) There are represented sclerostin binding sequences or amino acid sequences determining segments complementarity in (CDR) antibodies blocking binding and isolated coding polynucleotide sequences thereof, pharmaceutical compositions containing said antibodies and their usage at the treatment of diseases associated with sclerostin, particularly, with bone mineralization related diseases.

Claims: 22 independent

25 dependent

Fig.: 25

PART F

F 03

(10) AP 2012 12292 A (51) Int. Cl. (2006)
F 03 D 1/02

(21) AP 2011 012292 (22) 2011 07 11

(71) Marsel Kapanadze (GE)
Gldanis das., "a" mkr., korp. 53, b. 30,
0167, Tbilisi (GE)

(72) Marsel Kapanadze (GE)

(54) **ELECTRIC POWER INSTALLATION**

(57) An installation comprises a case 1, a generator with a rotor 3 located thereon and two operating wheels 4 and 5. Each wheel consists of drive shaft 6 and at least two blades 7 spread along them. The hemispherical cavities 9 are executed into each blade from operating plane side 8; or each blade is executed as a row of hemispherical elements fixed onto the frame; at that the blades are located onto the operating wheels with an orientation, when the unidirectional flow provides their reciprocally opposite rotation.

Claims: 2 independent

12 dependent

Fig: 6

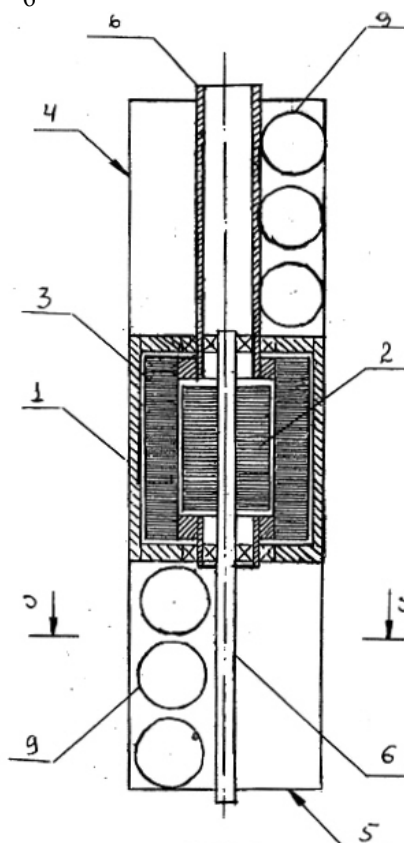


Fig. 1

F 04

(10) AP 2012 12039 A (51) Int. Cl. (2006)
F 04 B 43/02
F 04 B 19/24

- (21) AP 2010 012039 (22) 2010 12 17
(71) Irakli Shekrladze (GE)
Vazha-Pshavelas gamz., VII kvart., Korp. 13,
b. 54, 0186, Tbilisi (GE);
Evtikhi Machavariani (GE)
Samtrediis k. 15, b.48, 0154, Tbilisi (GE);
Jondo Rusishvili (GE)
Nutsbidzis k. 40, b.29, 0177, Tbilisi (GE);
George Gigineishvili (GE)
Gldanis VII mkr., korp.17, b. 47, Tbilisi (GE);
David Shekrladze (GE)
Vazha-Pshavelas gamz., VII kvart., korp. 13,
b. 54, 0186, Tbilisi (GE)
(72) Irakli Shekrladze (GE);
Evtikhi Machavariani (GE);
Jondo Rusishvili (GE);
George Gigineishvili (GE);
David Shekrladze (GE)

(54) DIAPHRAGM PUMP

(57) A diaphragm pump comprises a case 1 and a heater 6. The case has a flexible diaphragm 2 detaching it onto upper 3 and lower 4 compartments and the heater is connected with a cap 5 of upper compartment wherein the intermediate agent batch is located. The absorbing 7 and forcing 8 clappers are connected with the lower compartment wherein a partition 9 is located. The partition is linked with the forcing clapper and is equipped by the through holes 10.

Claims: 1 independent

Fig.: 1

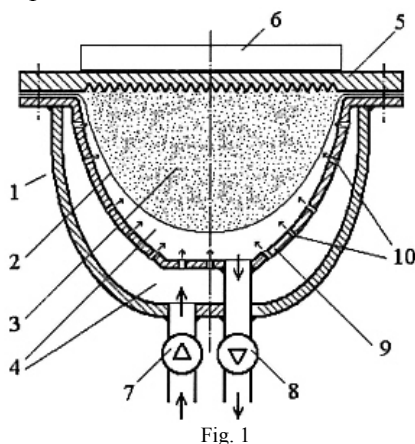


Fig. 1

PART G

G 01

(10) AP 2012 10214 A (51) Int. Cl. (2006)
G 01 N 33/53

- (21) AP 2005 010214 (22) 2005 12 30
(31) 60/641,521; 60/697,079; 60/702,494
(32) 2005 01 05; 2005 07 07; 2005 07 26
(33) US; US; US
(71) AMERICAN SILVER, LLC (US)
MARK MORTENSON H.J.
JULIANA BROOKS (US)
(72) HOLLADAY, Robert (US);
MOELLER, William (US);
MEHTA, Dilip (IN);
MORTENSON, Juliana, H., J. (US);
ROY, Rustum (US);
MORTENSON, Mark (US)
(74) Liliana Darakhvelidze
(85) 2007 08 06
(86) PCT/US2005/047699, 2005 12 30
(54) SILVER-BASED, SILVER/WATER
AND SILVER GELS COMPOSITIONS,
PREPARATION AND USAGE
METHODS THEREOF

(57) There is represented composition with antimicrobial properties composing silver in water. It contains silver general concentration about at 5-40 ppm level, wherein said silver forms nanoparticles having elemental silver interior and an exterior at least of one silver oxides. Silver particles majority has a maximum diameter less than 0.015 micrometer, and colloid silver particles majority has a minimum diameter more than 0.005 micrometer. Also, there is represented their usage at the treatment of such diseases as: malaria, fungal skin infections, bacterial skin infections, vaginitis, urinary tract infections (UTI), tonsillitis, pyelitis, pharyngitis, gonorrhea, conjunctivitis, ear inflammation and respiratory tract infections: lower respiratory tract infection – pneumonia and upper respiratory tract infection – URI, including sinuses and nasal inflammation.

Claims: 10 independent

15 dependent

Fig.: 48

PATENTS FOR INVENTIONS

PART A

A 01

(11) P 2012 5494 B (51) **Int. Cl. (2006)**
A 01G 31/00

(10) AP 2012 11648 A (44) 1(341)/2012

(21) AP 2010 011648

(22) 2010 01 18

(24) 2010 01 18

(73) Evgenij Ushveridze (GE)

Pekinis k.13, b.57, 0171, Tbilisi (GE);

Zurab Ushveridze (GE)

Tsinamdzgvrishvilis k. 146, 0112,

Tbilisi (GE);

Kakhi Ushveridze (GE)

Nino Ramishvilis k. 33, b. 49, 0179,

Tbilisi (GE);

Slava Mebonia (GE)

Gldanis Khevi, korp. 3a, b. 55, 0153,

Tbilisi (GE);

Sandro Katamadze (GE)

Pekinis k. 13, b. 57, 0171, Tbilisi (GE)

(72) Evgenij Ushveridze (GE);

Zurab Ushveridze (GE);

Kakhi Ushveridze (GE);

Slava Mebonia (GE);

Sandro Katamadze (GE)

(54) **USHVERIDZE METHOD OF
GARDENING IN HYDROPONICS
VERTICAL MODULE WITH
INCLINED SIDES**

A 23

(11) P 2012 5488 B (51) **Int. Cl. (2006)**
A 23 F 3/00

(10) AP 2012 11519 A (44) 1(341)/2012

(21) AP 2009 011519

(22) 2009 10 20

(24) 2009 10 20

(73) Soso Guruli (GE)

Metsnierebis St. 12, Anaseuli 3503,

Ozurgeti (GE);

Temur Revishvili (GE)

Metsnierebis St. 9., Anaseuli, 3503,

Ozurgeti (GE);

Bakhva Dolidze (GE)

Shemokmedelis Str. 32, 3500, Ozurgeti (GE);

Zurab Andguladze (GE)

Sop. Dzimiti, 3526, Ozurgetis r-ni

Ingush Choladze (GE)

Metsnierebis St. 3, Anaseuli, 3503,

Ozurgeti (GE)

(72) Soso Guruli (GE);

Temuri Revishvili (GE);

Bakhva Dolidze (GE);

Zurab Andguladze (GE);

Ingush Choladze (GE)

(54) **MACHINE FOR PLANT RAW
DRYING**

(11) P 2012 5495 B (51) **Int. Cl. (2006)**
A 23 F 3/00

(10) AP 2012 11649 A (44) 1(341)/2012

(21) AP 2010 011649

(22) 2010 01 18

(24) 2010 01 18

(73) Ingush Choladze (GE)

Metsnierebis St. 3, Anaseuli, 3503,

Ozurgeti (GE)

Temur Revishvili (GE)

Universiteti St. 9, Anaseuli, 3503,

Ozurgeti (GE);

Tamaz Mikadze (GE)

Tseretlis k. 276 a/31, 4600, Kutaisi (GE);

Soso Guruli (GE)

Universiteti St. 12, Anaseuli, 3503,

Ozurgeti (GE);

Bakhva Dolidze (GE)

I. Shemokmedelis St. 32, 3500,

Ozurgeti (GE);

Mirza Choladze (GE)

Metsnierebis St. 3, Anaseuli, 3503,

Ozurgeti (GE)

(72) Ingush Choladze (GE);

Temur Revishvili (GE);

Tamaz Mikadze (GE);

Soso Guruli (GE);

Bakhva Dolidze (GE);

Mirza Choladze (GE)

(54) **TEA DRYING MACHINE**

A 43

(11) P 2012 5481 B (51) **Int. Cl. (2006)**
A 43 B 7/12

A 43 B 13/12

B 29 D 31/518

(10) AP 2012 11053 A (44) 1(341)/2012

(21) AP 2006 011053

(22) 2006 06 20

- (24) 2006 06 20
 (31) PCT/EP/2006/005906
 (32) 2006 06 20
 (33) EP
 (73) GEOX S.P.A. (IT)
 Via Feltrina Centro, 16, I-31044
 Montebelluna, Località Biadene
 (Treviso) (IT)
 (72) POLEGATO MORETTI, Mario (IT)
 (74) Alexander Gegechkori
 (85) 2009 01 12
 (86) PCT/EP2006/005906, 2006 06 20
 (54) **VAPOR-PERMEABLE ELEMENT TO BE
 USED IN COMPOSING SOLES FOR
 SHOES, SOLE PROVIDED WITH SUCH
 VAPOR-PERMEABLE ELEMENT, AND
 SHOE PROVIDED WITH SUCH SOLE**

A 61

- (11) P 2012 5505 B** **(51) Int. Cl. (2006)
 A 61 K 31/454**
 (10) AP 2012 11072 A (44) 1(341)/2012
 (21) AP 2007 011072
 (22) 2007 07 27
 (24) 2007 07 27
 (31) 60/833,824; 60/897,173;
 PCT/US2007/014647
 (32) 2006 07 27; 2007 01 24; 2007 06 22
 (33) US; US; US
 (73) E. I. DU PONT DE NEMOURS AND
 COMPANY (US)
 1007 Market Street, Wilmington, Delaware
 19898 (US)
 (72) PASTERIS, Robert, James (US)
 HANAGAN, Mary, Ann (US)
 SHAPIRO, Rafael (US)
 (74) Tamaz Shilakadze
 (85) 2009 01 20
 (86) PCT/US2007/016875, 2007 07 27
 (54) **FUNGICIDAL AZOCYCLIC AMIDES**

- (11) P 2012 5480 B** **(51) Int. Cl. (2006)
 A 61 K 35/74
 A 61 P 1/06
 C 12 N 1/20
 A 61 K 47/44
 C 07 K 14/335
 C 12 R 1/225**
 (10) AP 2012 11000 A (44) 1(341)/2012
 (21) AP 2007 011000
 (22) 2007 05 30
 (24) 2007 05 30
 (31) 11/446,628
 (32) 2006 06 05
 (33) US
 (73) BIOGAIA AB (SE)

- Kungsbroplan 3A, P.O. Box 3242, SE-103 64
 Stockholm (SE)
 (72) CONNOLLY, Eamonn (GB);
 MÖLLSTAM, Bo (SE)
 (74) Shalva Gvaramadze
 (85) 2008 12 05
 (86) PCT/SE2007/050371, 2007 05 30
 (54) **USE OF SELECTED LACTIC ACID
 BACTERIA FOR REDUCING
 INFANTILE COLIC**

- (11) P 2012 5476 B** **(51) Int. Cl. (2006)
 A 61 P 19/08
 A 61 K 35/04
 A 61 P 39/395**
 (10) AP 2012 10809 A (44) 1(341)/2012
 (21) AP 2007 010809
 (22) 2007 01 12
 (24) 2007 01 12
 (31) 60/759,216
 (32) 2006 01 13
 (33) US
 (73) NOVARTIS AG (CH)
 Lichtstrasse 35, CH-4056 Basel (CH)
 (72) SHULOK, Janine (US);
 CONG, Feng (CN);
 FISHMAN, Mark (US);
 ETTENBERG, Seth (US);
 BARDROFF, Michael (DE);
 DONZEAU, Mariel (FR);
 URLINGER, Stefanie (DE)
 (74) Alexander Kartvelishvili
 (85) 2008 07 11
 (86) PCT/US2007/000777, 2007 01 12
 (54) **COMPOSITIONS OF ANTIBODIES OF
 DICKKOPF-1 AND USE THEREOF**

PART B**B 01**

(11) P 2012 5493 B (51) Int. Cl. (2006)
B 01 D 25/00

- (10) AP 2012 11633 A (44) 1(341)/2012
 (21) AP 2010 011633
 (22) 2010 01 08
 (24) 2010 01 08
 (73) Giorgi Miruashvili (GE)
 Dolidze St. 132, 0171, Tbilisi (GE)
 (72) Giorgi Miruashvili (GE)
 (54) **PRESS-FILTER OF PERIODICAL ACTION**

B 21

(11) P 2012 5498 B (51) Int. Cl. (2006)
B 21 B 1/02

- (10) AP 2012 11707 A (44) 1(341)/2012
 (21) AP 2010 011707
 (22) 2010 03 01
 (24) 2010 03 01
 (73) Jemal Lomsadze (GE)
 Z. Panaskerteli St. 19, b. 170, 0194,
 Tbilisi (GE);
 Merab Mikautadze (GE)
 Petriashvilis 32, b.5, 0179, Tbilisi (GE);
 Zurab Lomsadze (GE)
 Gldanis II mkr., korp.29a, b. 61, 0167,
 Tbilisi (GE);
 Slava Mebonia (GE)
 Gldanis Khevi, korp. 3a, ap. 55, 0153,
 Tbilisi (GE);
 Sandro Katamadze (GE)
 Pekinis k. 13, b. 57, 0171, Tbilisi (GE)
 (72) Jemal Lomsadze (GE);
 Merab Mikautadze (GE);
 Zurab Lomsadze (GE);
 Slava Mebonia (GE);
 Sandro Katamadze (GE)
 (54) **METHOD OF SQUARE PROFILE ROLLING PRODUCTION**

B 25

(11) P 2012 5499 B (51) Int. Cl. (2006)
B 25 J 9/00
F 16 H 21/00

- (10) AP 2012 11767 A (44) 1(341)/2012
 (21) AP 2010 011767
 (22) 2010 04 23
 (24) 2010 04 23
 (73) Nodar Davitashvili (GE)

- Vazha-Pshavelas gamz., VII kvart., korp. 10,
 b. 7, 0186, Tbilisi (GE)
 (72) Nodar Davitashvili (GE)
 (54) **MANIPULATORS**

B 28

(11) P 2012 5497 B (51) Int. Cl. (2006)
B 28 C 5/18
B 28 C 5/42

- (10) AP 2012 11680 A (44) 1(341)/2012
 (21) AP 2010 011680
 (22) 2010 02 08
 (24) 2010 02 08
 (73) Teimuraz Davitashvili (GE)
 Gonashvilis k., korp. 5, b. 36, 0190,
 Tbilisi (GE)
 (72) Teimuraz Davitashvili (GE)
 (74) Khatuna Imnadze
 (54) **MIXING DEVICE**

PART C**C 07**

(11) P 2012 5479 B (51) Int. Cl. (2006)
C 07 D 207/09
A 61 K 31/40

- (10) AP 2012 10907 A (44) 1(341)/2012
 (21) AP 2008 010907
 (22) 2008 09 16
 (24) 2008 09 16
 (31) 07.06629
 (32) 2007 09 21
 (33) FR
 (73) LES LABORATOIRES SERVIER (FR)
 12, Place ge la Defense, F-92415 Courbevoie
 Cedex (FR)
 (72) DE NANTEUIL, Guillaume (FR);
 PORTEVIN, Bernard (FR);
 GLOANEC, Philippe (FR);
 PARMENTIER, Jean-Gilles (FR);
 BENOIST, Alain (FR);
 VERBEUREN, Tony (FR);
 RUPIN, Alain (FR);
 COURCHAY, Christine (FR);
 SIMONET, Serge (FR)
 (74) Tamaz Shilakadze
 (54) **NEW ADDITION SALTS OF ANGIOTENSIN-CONVERTING ENZYME INHIBITORS WITH NO DONOR ACIDS, A PROCESS FOR THEIR PREPARATION AND PHARMACEUTICAL COMPOSITIONS CONTAINING THEM**

- | | | | |
|---|---|--|---|
| <p>(11) P 2012 5506 B</p> <p>(10) AP 2011 11238 A
(21) AP 2007 011238
(22) 2007 09 27
(24) 2007 09 27
(31) 60/848,967
(32) 2006 10 03
(33) US
(73) MERCK SHARP & DOHME CORP. (US)
126 East Lincoln Avenue, Rahway,
N. J. 07065 (US)</p> <p>(72) STELMACH, John, E. (US);
PARMEE, Emma, R. (GB);
TATA, James, R. (US);
ROSAUER, Keith, G. (US);
KIM, Ronald, M. (US);
BITTNER, Amy, R. (US);
CHANG, Jiang (US);
SINZ, Christopher Joseph (US)</p> <p>(74) Tamaz Shilakadze
(85) 2009 04 30
(86) PCT/US2007/020858, 2007 09 27</p> <p>(54) GLUCAGON RECEPTOR ANTAGONIST
COMPOUNDS, COMPOSITIONS
CONTAINING SUCH COMPOUNDS
AND USE</p> | <p>(51) Int. Cl. (2006)
C 07 D 209/18
A 61 K 31/404
A 61 P 3/10
A 61 P 3/04
A 61 P 3/06
A 61 P 9/10</p> <p>(44) 21(337)/2011</p> | <p>(11) P 2012 5491 B</p> <p>(10) AP 2012 11610 A
(21) AP 2009 011610
(22) 2009 12 18
(24) 2009 12 18
(31) 08.07444
(32) 2008 12 24
(33) FR
(73) LES LABORATOIRES SERVIER (FR)
12, Place de la Defense, F-92415 Courbevoie
Cedex (FR)</p> <p>(72) PEGLION, Jean-Louis (FR);
DESSINGES, Aimée (FR);
SERKIZ, Bernard (FR);
LERESTIF, Jean-Michel (FR);
LECOUVE, Jean-Pierre (FR)</p> <p>(74) Tamaz Shilakadze</p> <p>(54) NEW PROCESS FOR THE SYNTHESIS
OF IVABRADINE AND ADDITION
SALTS THEREOF WITH A
PHARMACEUTICALLY ACCEPTABLE
ACID</p> | <p>(51) Int. Cl. (2006)
C 07 D 223/16
A 61 K 31/55</p> <p>(44) 1(341)/2012</p> |
| <p>(11) P 2012 5502 B</p> <p>(10) AP 2012 12010 A
(21) AP 2009 012010
(22) 2009 05 20
(24) 2009 05 20
(31) 08156846.1
(32) 2008 05 23
(33) EP
(73) NOVARTIS AG (CH)
Lichtstrasse 35 CH-4056 Basel (CH)</p> <p>(72) FURET, Pascal (FR);
GRAUS PORTA, Diana (ES);
GUAGNANO, Vito (IT)</p> <p>(74) Alexander Kartvelishvili
(85) 2010 11 22
(86) PCT/EP2009/056154, 2009 05 20</p> <p>(54) DERIVATIVES OF QUINOLINES AND
QUINOXALINES AS PROTEIN
TYROSINE KINASE INHIBITORS</p> | <p>(51) Int. Cl. (2006)
C 07 D 215/48
C 07 D 241/44
C 07 D 403/12
C 07 D 403/14
A 61 K 31/4709
A 61 K 31/498
A 61 P 35/00</p> <p>(44) 1(341)/2012</p> | <p>(11) P 2012 5487 B</p> <p>(10) AP 2012 11474 A
(21) AP 2008 011474
(22) 2008 03 13
(24) 2008 03 13
(31) 60/894,991
(32) 2007 03 15
(33) US
(73) NOVARTIS AG (CH)
Lichtstrasse 35, CH-4056 Basel (CH)</p> <p>(72) DAI, Miao (CN);
HE, Feng (CN);
JAIN, Rishi Kumar (IN);
KARKI, Rajesh (CA);
KELLEHER, Joseph, III (US);
LEI, John (CA);
LLAMAS, Luis (MX);
MCEWAN, Michael A. (US);</p> | <p>(51) Int. Cl. (2006)
C 07 D 237/28
C 07 D 401/04
C 07 D 401/06
C 07 D 401/12
C 07 D 401/14
C 07 D 403/12
C 07 F 9/58
C 07 D 405/14
C 07 D 417/14
C 07 D 487/04
C 07 D 491/048
C 07 D 498/14
C 07 D 237/30
A 61 K 31/502
A 61 K 31/4545</p> <p>(44) 1(341)/2012</p> |

MILLER-MOSLIN, Karen (US);
 PEREZ, Lawrence Blas (US);
 PEUKERT, Stefan (DE);
 YUSUFF, Naeem (US)

- (74) Alexander Kartvelishvili
 (85) 2009 09 15
 (86) PCT/EP2008/053040, 2008 03 13
 (54) **ORGANIC COMPOUNDS AND THERE
 USAGE**

- (11) P 2012 5471 B** (51) **Int. Cl. (2006)
 C 07 K 16/28
 A 61 K 39/395
 A 61 P 37/06**
 (10) AP 2011 9989 A (44) 19(335)/2011
 (21) AP 2005 009989
 (22) 2005 09 16
 (24) 2005 09 16
 (31) 60/610,819; 11/102,512
 (32) 2004 09 17; 2005 04 08
 (33) US; US
 (73) DOMANTIS LIMITED GB)
 980 Great West Road, Brentford, Middlesex
 TW8 9GS (GB)
 (72) GRANT, Steven (GB);
 LIU, Haiqun (CN);
 MOULDER, Kevin (GB)
 (74) Pavle Meipariani
 (85) 2007 04 16
 (86) PCT/GB2005/003562, 2005 09 16
 (54) **COMPOSITIONS MONOVALENT
 FOR CD40L BINDING AND METHODS
 OF USE**

C 12

- (11) P 2012 5504 B** (51) **Int. Cl. (2006)
 C 12 N 15/82**
 (10) AP 2011 11037 A (44) 19(335)/2011
 (21) AP 2007 011037
 (22) 2007 06 06
 (24) 2007 06 06
 (31) 60/ 811,152; 11/758,657
 (32) 2006 06 06; 2007 06 05
 (33) US; US
 (73) MONSANTO TECHNOLOGY LLC (US)
 800 North Lindbergh Blvd., St. Louis, MO
 63167 (US);
 BOARD OF REGENTS OF THE
 UNIVERSITY OF NEBRASKA (US)
 1320 Q Street, Lincoln, NE 68588 (US)
 (72) CLEMENTE, Thomas, E. (US);
 DUMITRU, Razvan (US);
 FENG, Paul, C.C. (US);
 FLASINSKI, Stanislaw (US);
 WEEKS, Donald, P. (US)

- (74) Shalva Gvaramadze
 (85) 2008 12 29
 (86) PCT/US2007/070514, 2007 06 06
 (54) **MODIFIED DMO ENZYME AND
 METHODS OF ITS USE**

PART E

E 02

- (11) P 2012 5489 B** (51) **Int. Cl. (2006)
 E 02 B 8/06**
 (10) AP 2012 11582 A (44) 1(341)/2012
 (21) AP 2009 011582
 (22) 2009 11 30
 (24) 2009 11 30
 (73) SSIP INSTITUTE OF WATER
 ECONOMY (GE)
 I. Chavchavadze gamz. 60. 0162, Tbilisi (GE);
 Goga Chakhaia (GE)
 Martqopis k. 16, 0103, Tbilisi (GE);
 Robert Diakonidze (GE)
 Gldanis mas., VIII mkr., korp. 23, b. 90, 0107,
 Tbilisi (GE);
 Levan Tsulukidze (GE)
 Nutsupidzis perd. I mkr. korp. 1, b. 40, 0183,
 Tbilisi (GE)
 (72) Goga Chakhaia (GE);
 Robert Diakonidze (GE);
 Levan Tsulukidze (GE)

- (11) P 2012 5496 B** (51) **Int. Cl. (2006)
 E 02 B 8/08**
 (10) AP 2012 11653 A (44) 1(341)/2012
 (21) AP 2010 011653
 (22) 2010 01 20
 (24) 2010 01 20
 (73) Anzor Chitanava (GE)
 I.Chavchavadzis gamz. 39, b. 26, 0179,
 Tbilisi (GE);
 Ylon Gabrichidze (GE)
 Nutsupidze St., 30, ap. 21, 0177, Tbilisi (GE);
 Abram Chrelashvili (GE)
 Al. Kazbegis gamz. 29/22, b.20, 0177,
 Tbilisi (GE);
 Anguli Tkebuchava (GE)
 Nutsupidzis III mkr., I kvart., korp.15, b.31,
 0177, Tbilisi (GE);
 Vladimir Tatarishvili (GE)
 Balanchivadzis k.43, 0171, Tbilisi (GE);
 Irakli Mosavidze (GE)
 Nutsupidzis Plato, II mkr., II kvart., korp.12,
 b.19, Tbilisi (GE)
 (72) Anzor Chitanava (GE);

Ylon Gabrichidze (GE);
 Abram Chrelashvili (GE);
 Anguli Tkebuchava (GE);
 Vladimir Tatarishvili (GE);
 Irakli Mosavlidze (GE)

(54) **FISH-PASSING CONSTRUCTION**

E 04

(11) **P 2012 5490 B** (51) **Int. Cl. (2006)**
E 04 H 9/10

(10) AP 2012 11603 A (44) 1(341)/2012
 (21) AP 2008 011603
 (22) 2008 04 18
 (24) 2008 04 18
 (31) 0709319.8; 0709569.8; 0800652.0; 0803661.8
 (32) 2007 05 15; 2007 05 18; 2008 01 15;
 2008 02 28
 (33) GB; GB; GB; GB
 (73) HESCO BASTION LIMITED (GB)
 Unit 37 Knowshorpe Gate, Cross Green
 Industrial Estate Leeds Yorkshire LS9
 ONP (GB)
 (72) HESELDEN, James (GB)
 (74) Tamaz Shilakadze
 (85) 2009 12 15
 (86) PCT/GB2008/050275, 2008 04 18
 (54) **PROTECTIVE SHELTER**

E 05

(11) **P 2012 5475 B** (51) **Int. Cl. (2006)**
E 05 C 9/04
E 05 B 15/10
E 05 B 59/00

(10) AP 2012 10503 A (44) 1(341)/2012
 (21) AP 2006 010503
 (22) 2006 06 22
 (24) 2006 06 22
 (31) 169398
 (32) 2005 06 26
 (33) IL
 (73) MUL-T LOCK TECHNOLOGIES
 LTD. (IL);
 Mul-T-Lock Park, PO Box 637, 81 104
 Yavne (IL)
 (72) MATYKO, Adalbert (IL);
 AKERMAN, Alex (IL)
 (74) Tamara Kochlamazashvili
 (85) 2008 02 08
 (86) PCT/IL2006/000735, 2006 06 22
 (54) **MORTISE LOCK**

E 21

(11) **P 2012 5484 B** (51) **Int. Cl. (2006)**
E 21 B 33/13

(10) AP 2012 11314 A (44) 1(341)/2012
 (21) AP 2009 011314
 (22) 2009 06 16
 (24) 2009 06 16
 (73) Omar Mukbaniani (GE)
 Choportis k.28, 0143, Tbilisi (GE);
 Valerian Achelashvili (GE)
 Vazisubani, I mkr., korp.20b, b.20, 0152,
 Tbilisi (GE);
 Nana Gogesashvili (GE)
 Chitaia k. 7, 0102, Tbilisi (GE)
 (72) Omar Mukbaniani (GE);
 Valerian Achelashvili (GE);
 Nana Gogesashvili (GE)
 (54) **ISOLATION METHOD OF FORMATION**
WATER

PART F

F 01

(11) **P 2012 5486 B** (51) **Int. Cl. (2006)**
F 01 L 7/02
F 01 L 33/02

(10) AP 2012 11441 A (44) 1(341)/2012
 (21) AP 2009 011441
 (22) 2009 08 27
 (24) 2009 08 27
 (73) Temur Darakhvelidze (GE)
 Mkurnalis k.16, 4600, Kutaisi (GE);
 Grisha Khelaia (GE)
 Sop. Opurchkheti, 3900, Tsqaltubo (GE)
 (72) Temur Darakhvelidze (GE);
 Grisha Khelaia (GE)
 (54) **ROTATING SLIDE VALVE OF**
INTERNAL COMBUSTION ENGINE
CONTROL GEAR

F 02

(11) **P 2012 5472 B** (51) **Int. Cl. (2006)**
F 02 B 57/00

(10) AP 2012 10025 A (44) 1(341)/2012
 (21) AP 2007 010025
 (22) 2007 04 26
 (24) 2007 04 26

- (73) Ramzan Goitemirov (GE)
N. Chkheidze St. 21, 0102, Tbilisi (GE)
(72) Ramzan Goitemirov (GE)
(54) **INTERNAL COMBUSTION ENGINE**

F 16

- (11) P 2012 5492 B (51) Int. Cl. (2006)
F 16 H 21/00
(10) AP 2012 11629 A (44) 1(341)/2012
(21) AP 2010 011629
(22) 2010 01 05
(24) 2010 01 05
(73) Nodar Davitashvili (GE)
Vazha-Pshavelas gamz., VII kvart., korp. 10,
b. 7, 0186, Tbilisi (GE)
(72) Nodar Davitashvili (GE)
(54) **SPHERICAL SIX-LINK
HINGED MECHANISM**

- (11) P 2012 5500 B (51) Int. Cl. (2006)
F 16 K 17/14
F 16 L 55/02
(10) AP 2012 11866 A (44) 1(341)/2012
(21) AP 2010 011866
(22) 2010 06 25
(24) 2010 06 25
(73) Leon Makharadze (GE)
Zestafoni St. 18, build 2, ap. 12, 0180,
Tbilisi (GE);
Levan Gavasheli (GE)
Iqaltos k.8, b.10, 0171, Tbilisi (GE);
Sophia Makharadze (GE)
Dighmis mas., korp. 6v, b.5, 0159,
Tbilisi (GE);
Svetlana Sterjakova (GE)
Kandelakis k. 8b, b. 46, 0160, Tbilisi (GE)
(72) Leon Makharadze (GE);
Levan Gavasheli (GE);
Sophia Makharadze (GE);
Svetlana Sterjakova (GE)
(54) **PROTECTIVE DEVICE OF TRUNK
PIPELINE AGAINST HYDRAULIC
HAMMER**

- (11) P 2012 5501 B (51) Int. Cl. (2006)
F 16 L 55/02
F 16 L 55/04
(10) AP 2012 11867 A (44) 1(341)/2012
(21) AP 2010 011867
(22) 2010 06 25
(24) 2010 06 25
(73) Leon Makharadze (GE)

- Zestafoni St. 18, build 2, ap. 12, 0180,
Tbilisi (GE);
Levan Gavasheli (GE)
Iqaltos k.8, b.10, 0171, Tbilisi (GE);
Sofia Makharadze (GE)
Dighmis mas., korp. 6v, b. 5, 0159,
Tbilisi (GE);
Svetlana Steriakova (GE)
Kandelakis k. 8b, b. 46, 0160, Tbilisi (GE)
(72) Leon Makharadze (GE);
Levan Gavasheli (GE);
Sofia Makharadze (GE);
Svetlana Steriakova (GE)
(54) **DEVICE FOR PROTECTION OF
MULTISTAGE HYDROTRANSPORT
SYSTEM AGAINST HYDRAULIC
IMPACT**

PART G

G 01

- (11) P 2012 5485 B (51) Int. Cl. (2006)
G 01 N 9/00
(10) AP 2012 11396 A (44) 1(341)/2012
(21) AP 2009 011396
(22) 2009 07 31
(24) 2009 07 31
(73) Amiran Ugulava (GE)
Shanidze st. 9, 3900, Tskaltubo (GE)
(72) Amiran Ugulava (GE)
(54) **AIR DENSITY MEASURING DEVICE**

G 09

- (11) P 2012 5507 B (51) Int. Cl. (2006)
G 09 F 13/00
(10) AP 2011 11287 A (44) 19(335)/2011
(21) AP 2007 011287
(22) 2007 10 23
(24) 2007 10 23
(31) 200700302
(32) 2006 12 28
(33) EA
(73) INFOGLASS GROUP INTERNATIONAL
LIMITED (CN)
Op Suite D, 9/F One Capital Place No. 18
Luard Road Wanchai (CN)
(72) KACHKIN, Victor Vasilievich (RU);
SOLINOV, Vladimir Fyodorovich (RU);
KHABAROV, Yury Alexandrovich (RU);
MITYASHIN, Arkadiy Gennadievich (RU)

(74) Liliana Darakhvelidze
 (85) 2009 06 04
 (86) PCT/EA2007/000009, 2007 10 23
 (54) **LIGHT INFORMATION MODULE**

PART H

H 03

(11) P 2012 5477 B (51) **Int. Cl. (2006)**
H 03 M 13/00

(10) AP 2012 10857 A (44) 1(341)/2012
 (21) AP 2008 010857
 (22) 2008 08 06
 (24) 2008 08 06
 (73) Melor Elizbarashvili (GE)
 Kvishkhetis k., korp. 2, b.74, 0192,
 Tbilisi (GE);
 Papuna Elizbarashvili (GE)
 Kvishkhetis k., korp. 2, b. 74, 0192,
 Tbilisi (GE)
 (72) Melor Elizbarashvili (GE);
 Papuna Elizbarashvili (GE)
 (54) **DEVICE FOR LOST READINGS**
RECONSTRUCTION

(11) P 2012 5478 B (51) **Int. Cl. (2006)**
H 03 M 13/00

(10) AP 2012 10865 A (44) 1(341)/2012
 (21) AP 2008 010865
 (22) 2008 08 08
 (24) 2008 08 08
 (73) Melor Elizbarashvili (GE)
 Kvishkhetis k., korp. 2, b. 74, 0192,
 Tbilisi (GE);
 Papuna Elizbarashvili (GE)
 Kvishkhetis k., korp. 2, b. 74, 0192,
 Tbilisi (GE)
 (72) Melor Elizbarashvili (GE);
 Papuna Elizbarashvili (GE)
 (54) **METHOD FOR RECONSTRUCTION OF**
NONUNIFORMLY QUANTIFIED
MISSED READINGS

H 04

(11) P 2012 5503 B (51) **Int. Cl. (2006)**
H 04 B 7/005
H 04 L 12/56
H 04 W 52/00

(10) AP 2011 10196 A (44) 19(335)/2011
 (21) AP 2004 010196

(22) 2004 03 23
 (24) 2004 03 23
 (62) 60/458,023 2003-03-26 (US)
 (31) 60/458,023
 (32) 2003 03 26
 (33) US
 (73) INTERDIGITAL TECHNOLOGY
 CORPORATION (US)
 300 Delaware Avenue, Suite 527,
 Wilmington, Delaware 19801 (US)

(72) RUDOLF, Marian (CA);
 MILLER, James M. (US)
 (74) Shalva Gvaramadze
 (85) 2007 07 27
 (86) PCT/US2004/008790, 2004 03 23
 (54) **METHOD AND DEVICE FOR**
WIRELESS MULTI-CELL COMMUNI-
CATION SYSTEM FOR MANAGING
RESOURCE POWER TO PROVIDE
HIGH SPEED DOWNLINK PACKET
ACCESS SERVICES

(11) P 2012 5482 B (51) **Int. Cl. (2006)**
H 04 L 25/00

(10) AP 2012 11299 A (44) 1(341)/2012
 (21) AP 2009 011299
 (22) 2009 06 09
 (24) 2009 06 09
 (73) Melor Elizbarashvili (GE)
 Kvishkhetis k., korp. 2, b. 74, 0192,
 Tbilisi (GE);
 Papuna Elizbarashvili (GE)
 Kvishkhetis k., korp. 2, b. 74, 0192,
 Tbilisi (GE)
 Eliso Elizbarashvili (GE)
 Kvishkhetis k., korp. 2, b. 74, 0192,
 Tbilisi (GE)
 (72) Melor Elizbarashvili (GE);
 Papuna Elizbarashvili (GE);
 Eliso Elizbarashvili (GE)
 (54) **METHOD FOR TRANSFORMATION OF**
SYMMETRIC CODE OF
NONUNIFORMLY QUANTIFIED
READINGS IN SIMPLE BINARY CODE

(11) P 2012 5483 B (51) **Int. Cl. (2006)**
H 04 L 25/00

(10) AP 2012 11300 A (44) 1(341)/2012
 (21) AP 2009 011300
 (22) 2009 06 09
 (24) 2009 06 09
 (73) Melor Elizbarashvili (GE)
 Kvishkhetis k., korp. 2, b. 74, 0192,
 Tbilisi (GE);
 Papuna Elizbarashvili (GE)
 Kvishkhetis k., korp. 2, b. 74, 0192,
 Tbilisi (GE)
 Eliso Elizbarashvili (GE)

Kvishkhetis k., korp. 2, b. 74, 0192,
Tbilisi (GE)
(72) Melor Elizbarashvili (GE);
Papuna Elizbarashvili (GE);
Eliso Elizbarashvili (GE)
(54) **METHOD OF TRANSFORMATION OF
SIMPLE BINARY CODE OF
UNIFORMLY QUANTIFIED READINGS
IN SYMMETRIC CODE**

(11) P 2012 5470 B (51) Int. Cl. (2006)
H 04 W 36/00
H 04 L 12/28
(10) AP 2012 9978 A (44) 1(341)/2012
(21) AP 2005 009978
(22) 2005 09 08
(24) 2005 09 08
(31) 60/608,768; 11/018,182
(32) 2004 09 10; 2004 12 21
(33) US; US
(73) INTERDIGITAL TECHNOLOGY
CORPORATION (US)
3411 Silverside Road, Concord Plaza, Suite
105, Hagley Building, Wilmington, Delaware
19810 (US)
(72) TOUAG, Athmane (DZ);
CUFFARO, Angelo (CA);
LA SITA, Frank (US);
CAVE, Christopher (CA);
ROY, Vincent (CA);
MARINIER, Paul (CA)
(74) Shalva Gvaramadze
(85) 2007 04 10
(86) PCT/US2005/031975, 2005 09 08
(54) **WIRELESS COMMUNICATION
METHODS AND DEVICE THAT
IMPLEMENT HANDOFF IN WIRELESS
LOCAL AREA NETWORKS**

(11) P 2012 5473 B (51) Int. Cl. (2006)
H 04 W 36/14
H 04 W 36/00
(10) AP 2012 10321 A (44) 1(341)/2012
(21) AP 2006 010321
(22) 2006 03 14
(24) 2006 03 14
(31) 60/661,379; 11/373,926
(32) 2005 03 14; 2006 03 13
(33) US; US
(73) INTERDIGITAL TECHNOLOGY
CORPORATION (US)
3411 Silverside Road Concord Plaza, Suite
105 Hagley Building Wilmington, Delaware,
19810 (US)
(72) OLVERA-HERNANDEZ, Ulises (MX);
CARLTON, Alan, Gerald (US)
(74) Shalva Gvaramadze

(85) 2007 10 12
(86) PCT/US2006/009088, 2006 03 14
(54) **WIRELESS COMMUNICATION
METHOD AND SYSTEM FOR
CONVEYING MEDIA INDEPENDENT
HANDOVER CAPABILITY
INFORMATION**

(11) P 2012 5474 B (51) Int. Cl. (2006)
H 04 W 52/00
H 04 W 52/36
H 04 W 28/24
(10) AP 2012 10384 A (44) 1(341)/2012
(21) AP 2006 010384
(22) 2006 04 13
(24) 2006 04 13
(31) 60/673,679; 11/402,606
(32) 2005 04 21; 2006 04 12
(33) US; US
(73) INTERDIGITAL TECHNOLOGY
CORPORATION (US)
3411 Silverside Road, Concord Plaza, Suite
105, Hagley Building, Wilmington, Delaware
19810 (US)
(72) ROY, Vincent (CA);
MARINIER, Paul (CA)
(74) Tamara Kochlamazashvili
(85) 2007 11 21
(86) PCT/US2006/014037, 2006 04 13
(54) **WIRELESS COMMUNICATION
METHOD AND WLAN FOR SIGNALING
DEFERRAL MANAGEMENT
MESSAGES**

UTILITY MODELS

APPLICATIONS LAID OPEN FOR THE PURPOSE OF TAKING PATENT GRANTING DECISIONS

To appeal a decision is possible at Chamber of Appeal of Sakpatenti within 3 months from the publication or at The Board of Administrative Actions of Tbilisi City Court within a 1 month period. (Address: 12 km., №6, David Aghmashenebeli Kheivani, Tbilisi).

PART A

A 61

(10) AU 2012 12243 U (51) Int. Cl. (2006)
A 61 K 35/12
A 61 K 36/00

(21) AU 2011 012243 (22) 2011 05 31

(71) Shorena Naskidashvili (GE)
Shanidzis k. 3, b. 8, 0179, Tbilisi (GE);
Zaza Eradze (GE)

Shanidzis k. 3, b. 8, 0179, Tbilisi (GE);

(72) Shorena Naskidashvili (GE);
Zaza Eradze (GE)

(54) OINTMENT FOR ECZEMA TREATMENT

(57) An ointment contains animal fat and conifer resin with following correlation of components in mass%:

animal fat 60-80

conifer resin 20-40

Claims: 1 independent

2 dependent

A 63

(10) AU 2012 12084 U (51) Int. Cl. (2006)
A 63 F 3/00

(21) AU 2011 012084 (22) 2011 02 03

(71) Roin Mosashvili (GE)
D.Guramishvilis k. 39, 2700, Lagodekhi (GE)

(72) Roin Mosashvili (GE)

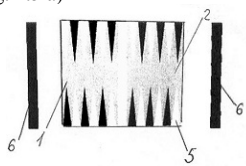
(54) BACKGAMMON BOARD

(57) A backgammon board consists of parts 1 and 2 rigidly or hingedly connected together and fenced by walls 3. The board has twenty four sockets 5 and two locks 6 closing four opposite sockets.

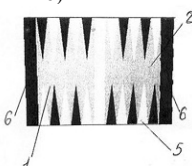
Claims: 1 independent

Fig.: 6

Fig. 1.5 a)



b)



PART F

F 03

(10) AU 2012 12008 U (51) Int. Cl. (2006)
F 03 D 1/00

(21) AU 2010 012008 (22) 2010 11 18

(71) Zaur Tsikhelashvili (GE)
Dighmis mas., V kvart., korp. 20, b. 42, 0159,
Tbilisi (GE);

Manana Moistsrapishvili (GE)

Dighmis mas., V kvart., korp. 4, b. 43, 0159,
Tbilisi (GE);

Temur Gvelesiani (GE)

Borjomis k.14, 0112, Tbilisi (GE);

Badri Churchelauri (GE)

Dighmis mas., III mkr., b.129, 0159, Tbilisi (GE);

Rusudan Bokeria (GE)

A.Tseretlis gamz. 55, korp.2, b. 65, 0154,
Kutaisi (GE)

(72) Zaur Tsikhelashvili (GE);
Manana Moistsrapishvili (GE);
Temur Gvelesiani (GE);
Badri Churchelauri (GE);
Rusudan Bokeria (GE)

(54) ELECTRIC POWER INSTALLATION FOR RAILROAD TUNNELS

(57) An installation comprises a pipe 3 mounted along at least of one tunnel walls. The wind motors 4 are installed in the pipe on certain distance from each other. At that, the openings 5 are executed on the pipe in front of each wind motor installation place, and the shields 6 controlling wind direction are installed in the openings.

Claims: 1 independent

Fig.: 3

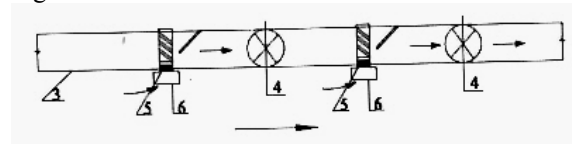


Fig. 1

PATENTS FOR UTILITY MODELS

PART A

A 44

- (11) U 2012 1721 Y (51) Int. Cl. (2006)
A 44 B 15/00
(10) AU 2011 12004 U (44) 19(335)/2011
(21) AU 2010 012004
(22) 2010 11 15
(24) 2010 11 15
(73) Vakhtang Gaidamashvili (GE)
Gvazauris II gasasv., korp. 1, b. 40,
0192, Tbilisi (GE)
(72) Vakhtang Gaidamashvili (GE)
(54) **KEYCHAIN**
-

A 47

- (11) U 2012 1719 Y (51) Int. Cl. (2006)
A 47 D 9/00
(10) AU 2012 12041 U (44) 1(341)/2012
(21) AU 2010 012041
(22) 2010 12 17
(24) 2010 12 17
(73) Grigol Vashakidze (GE)
Veriko Anjaparidzis k.5, 4600, Kutaisi (GE)
(72) Grigol Vashakidze (GE)
(54) **COT**
-

PART D

D 06

- (11) U 2012 1720 Y (51) Int. Cl. (2006)
D 06 P 5/12
(10) AU 2012 12206 U (44) 1(341)/2012
(21) AU 2011 012206
(22) 2011 04 26
(24) 2011 04 26
(73) Tinatin Kldiashvili (GE);
I. Chavchavadze Gamz. 50, b. 5, 0179,
Tbilisi (GE);
Ketevan Kavtaradze (GE);
Nioradzis k. 18, 0103, Tbilisi (GE)
(72) Tinatin Kldiashvili (GE);
Ketevan Kavtaradze (GE)
(54) **METHOD OF CLOTH PRINTING**
-

PART E

E 02

- (11) U 2012 1718 Y (51) Int. Cl. (2006)
E 02 D 29/00
(10) AU 2012 11973 U (44) 1(341)/2012
(21) AU 2010 011973
(22) 2010 10 18
(24) 2010 10 18
(73) Nikoloz Konstantinidi (GE)
Nutsubidze ferdobi III mkr., I kvartali korpusi
8, b 27, 0183, Tbilisi (GE)
(72) Nikoloz Konstantinidi (GE)
(54) **MAIN UNDERWATER WAY**
-

E 04

- (11) U 2012 1717 Y (51) Int. Cl. (2006)
E 04 H 14/00
(10) AU 2012 11972 U (44) 1(341)/2012
(21) AU 2010 011972
(22) 2010 10 18
(24) 2010 10 18
(73) Nikoloz Konstantinidi (GE)
Nutsubidzis perd. III mkr., I kvart. korp. 8,
b.27, 0183, Tbilisi (GE)
(72) Nikoloz Konstantinidi (GE)
(54) **PAVILION PENETRATED INTO
WATER**
-

DESIGNS

APPLICATIONS LAID OPEN FOR THE PURPOSE OF TAKING PATENT GRANTING DECISIONS

To appeal a decision is possible at Chamber of Appeal of Sakpatenti within 3 months from the publication or at The Board of Administrative Actions of Tbilisi City Court within a 1 month period. (Address: 12 km., №6, David Aghmashenebeli Kheivani, Tbilisi).

- (10) AD 2012 667 S (51) 02-05
(21) AD 2011 000667
(22) 2011 12 01
(28) 3
(71) Ekaterine Asatiani (GE)
Kekelidzis k. 25, 0179, Tbilisi (GE)
(72) Ekaterine Asatiani (GE)
(54) **SCARF**
(55)



(10) AD 2012 679 S (51) 02-05

(21) AD 2012 000679

(22) 2012 01 27

(28) 4

(71) Ekaterine Asatiani (GE)

Kekelidzis k. 25, 0179, Tbilisi (GE)

(72) Ekaterine Asatiani (GE)

(54) SCARF

(55)



- (10) AD 2012 676 S (51) 09-03
- (21) AD 2011 000676
- (22) 2011 12 23
- (28) 1
- (71) George Khutsishvili (GE)
Sanzona, korp. 18g, b.1, 0141, Tbilisi (GE)
- (72) George Khutsishvili (GE)
- (54) "TWISTED" PACKAGE FOR CHURCHKHELA
- (55)



1.1



1.2

-
- (10) AD 2012 649 S (51) 19-08
 - (21) AD 2011 000649
 - (22) 2011 05 24
 - (28) 9
 - (71) LTD "TKBILI KVEKANA" (GE)
G. Chkondidelis k. 26, 0180, Tbilisi (GE)
 - (72) Dimitri Saakashvili (GE)
 - (74) Dimitri Saakashvili
 - (54) GRAPHIC SYMBOL
 - (55)



3

4

5



6

7

8



9

10

11

REGISTERED DESIGNS

(11) D 2012 495 S **(51) 08-08**
(10) AD 2011 645 S (44) 23(339)/2011
(21) AD 2011 000645
(22) 2011 04 13
(24) 2011 04 13
(18) 2016 04 13
(73) LTD “AGRO INVEST” (GE)
D. Uznadze str. 9, 0102, Tbilisi (GE)
(72) George Shalibashvili (GE)
(54) **FASTENING FOR POLYETHYLENE**
FILM: METAL SHAPE (1.-5.), PVC
SHAPE (6.-8.)

(11) D 2012 496 S **(51) 19-99**
(10) AD 2012 651 S (44) 1(341)/2012
(21) AD 2011 000651
(22) 2011 06 02
(24) 2011 06 02
(18) 2016 06 02
(71) LTD “RONI 4” (GE)
Gudauta St. 7, 0119, Tbilisi (GE)
(72) Levan Natroshvili (GE)
(54) **MAGNETIC BOARD AND ALPHABET**
(with additional letters and figures)

**DESIGNS, WHICH HAVE BEEN REGISTERED WITH THE
INTERNATIONAL BUREAU CLAIMING PRIORITY ON THE
TERRITORY OF GEORGIA**

(IN ACCORDANCE WITH THE ACT OF HAGUE AGREEMENT OF 1960 AND/OR ACT
OF GENEVA AGREEMENT OF 1999)

To appeal a decision is possible at Chamber of Appeal of Sakpatenti within 3 months from the publication or at The Board of Administrative Actions of Tbilisi City Court within a 1 month period. (Address: 12 km., №6, David Aghmashenebeli Kheivani, Tbilisi).

(11) DM/075342 (51) 15-05

(15) 2011 02 04 (45) 2012/05 (2012 02 10)

(28) 4

(73) ALFRED KÄRCHER GMBH & CO. KG Alfred-Kärcher-Str. 28-40, 71364 Winnenden (DE)

(85) EM

(86) DE, EM

(87) DE, EM

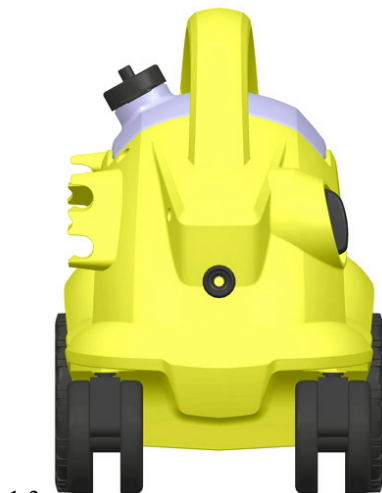
(88) DE, EM

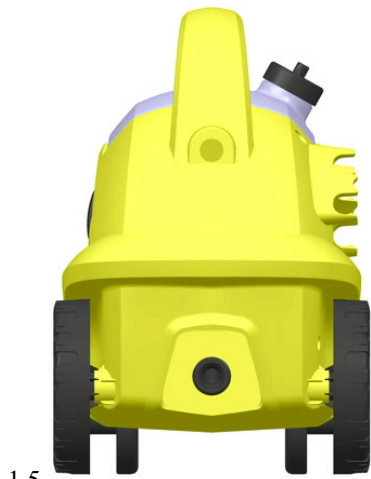
(89) EM

(81) II. KP, MA, MC, ME. III. BA, CH, EG, EM, GE, HR, LI, MD, MK, MN, OM, TR

(54) 1.-4. High pressure cleaners

(55)

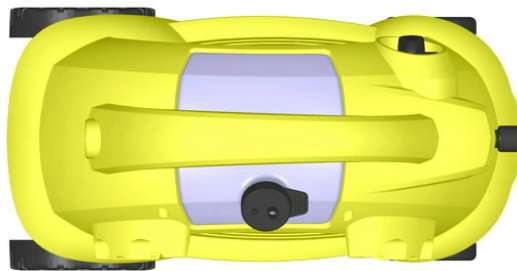




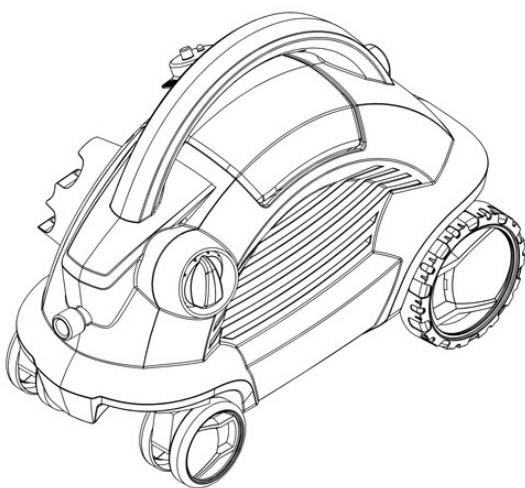
1.5



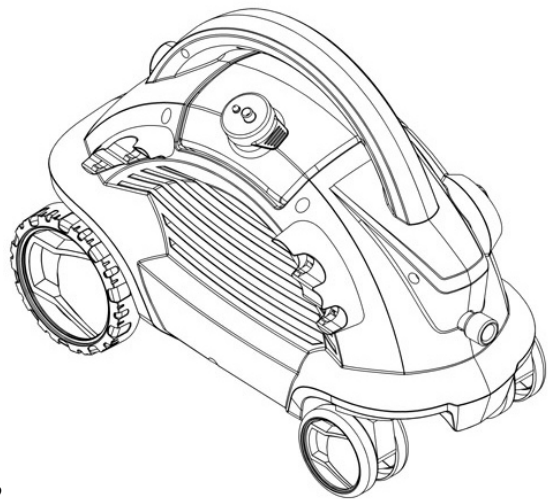
1.6



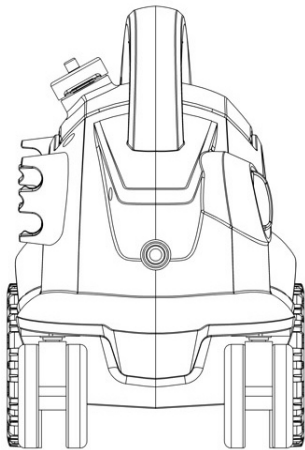
1.7



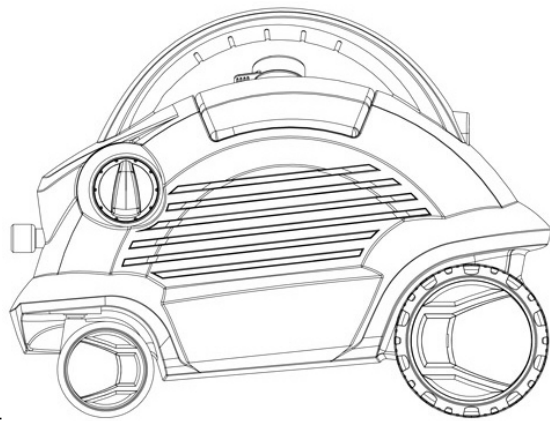
2.1



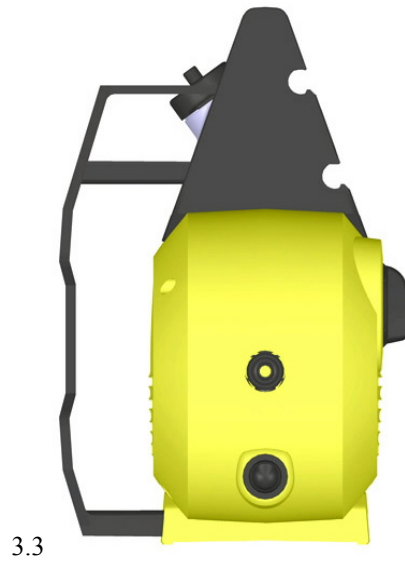
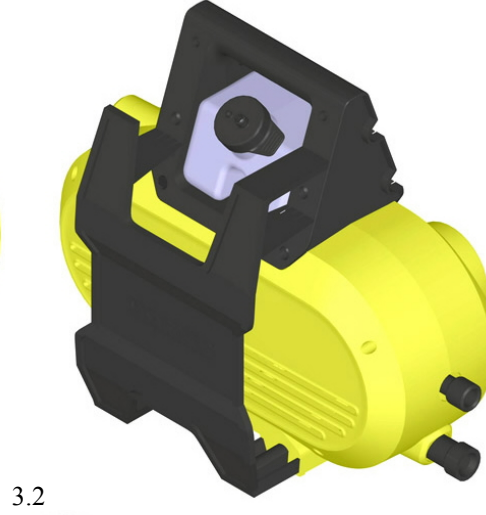
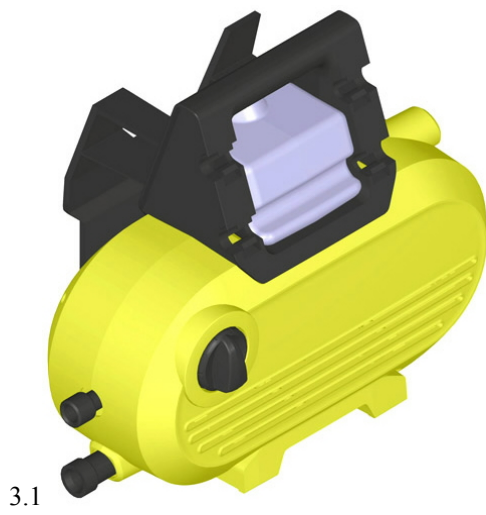
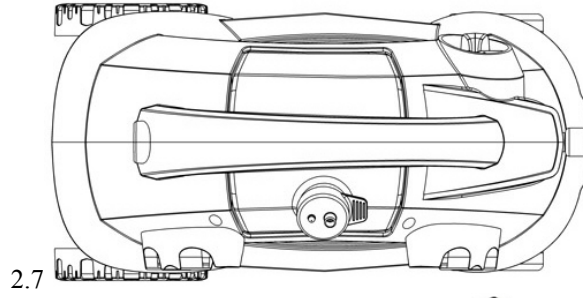
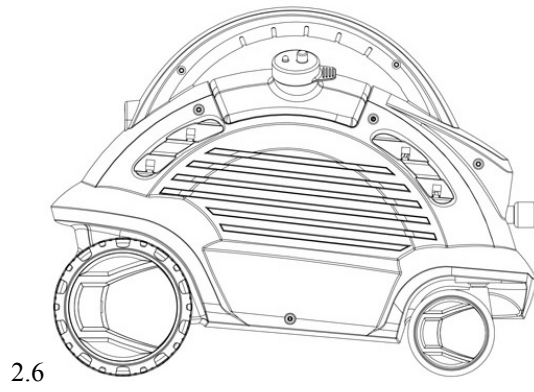
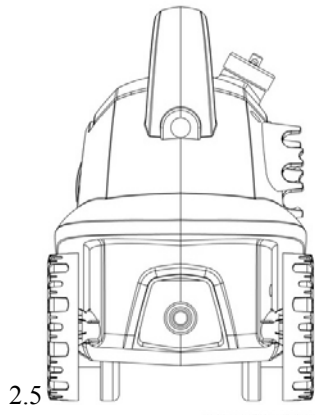
2.2

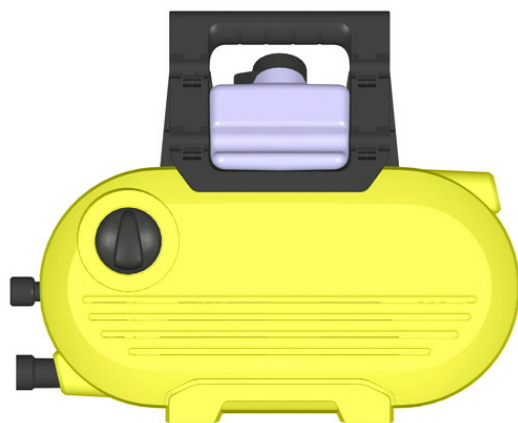


2.3



2.4

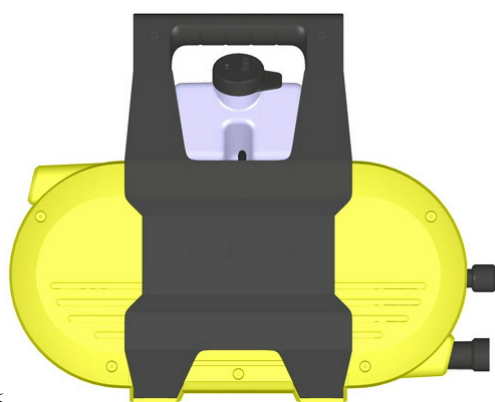




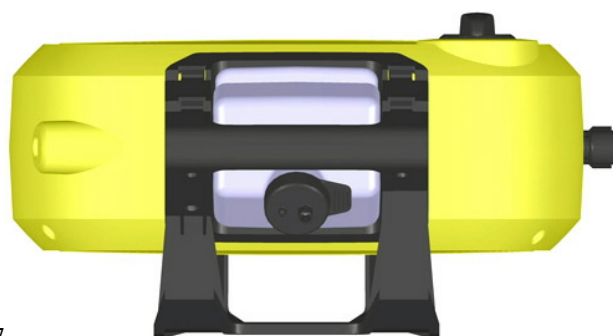
3.4



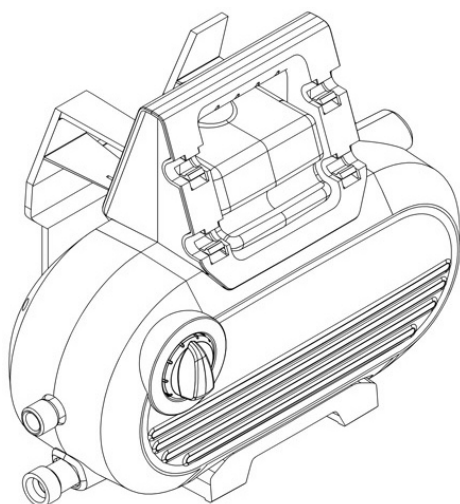
3.5



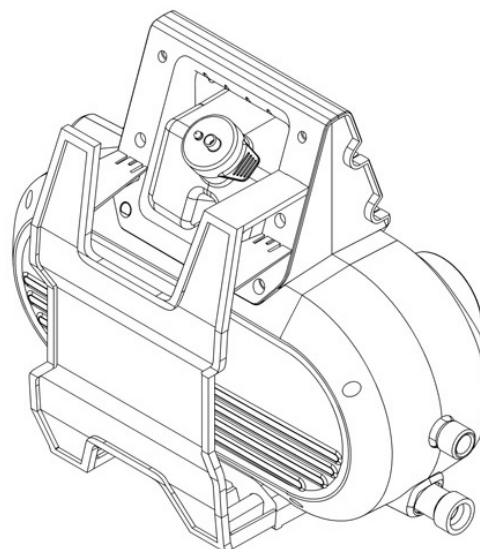
3.6



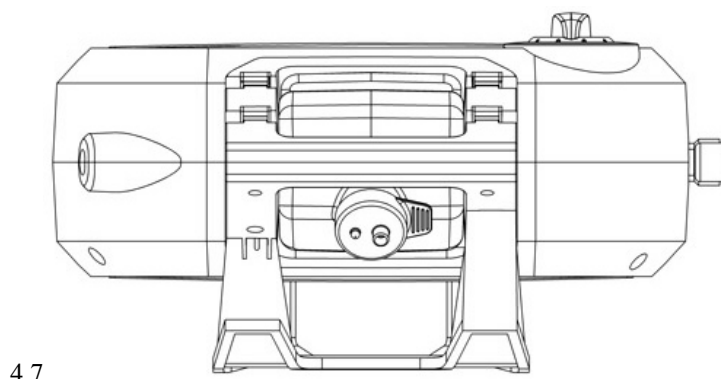
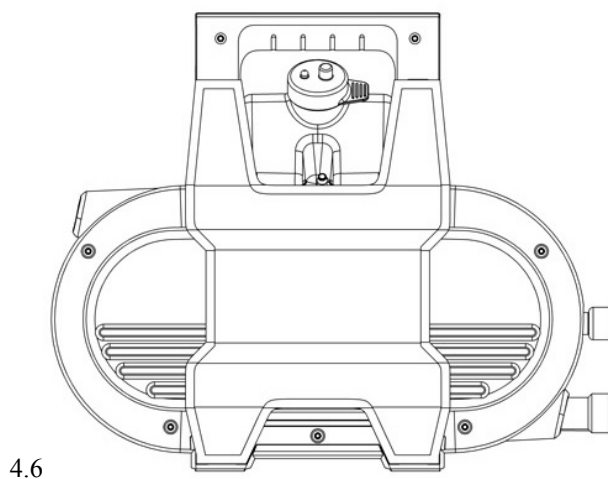
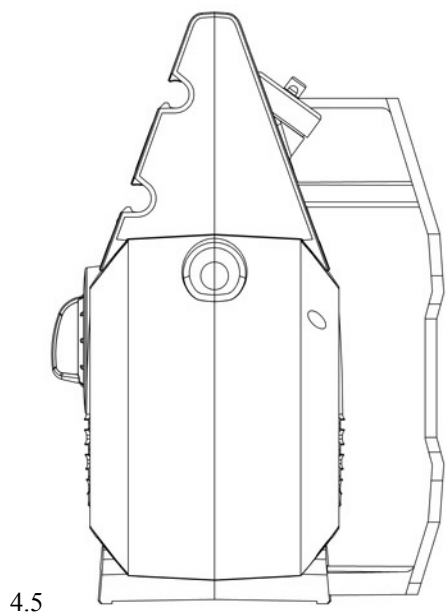
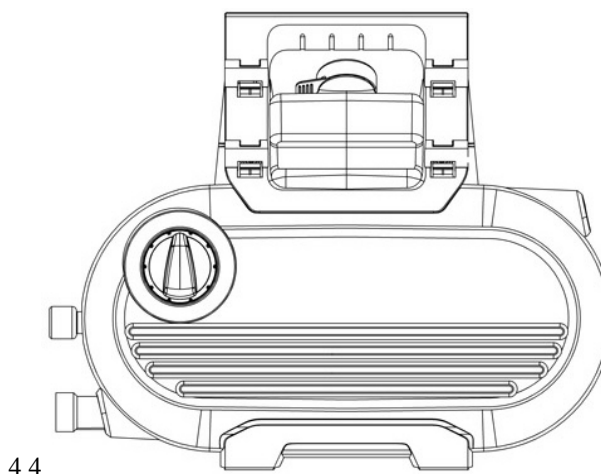
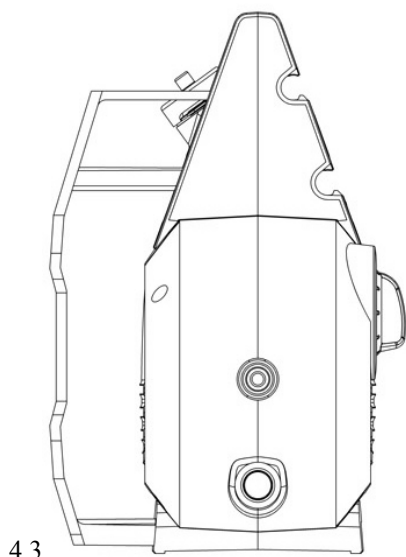
3.7



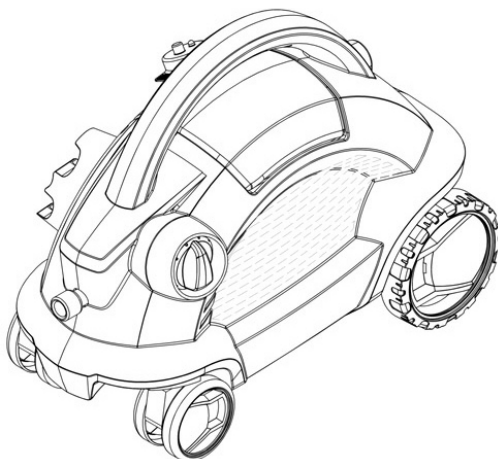
4.1



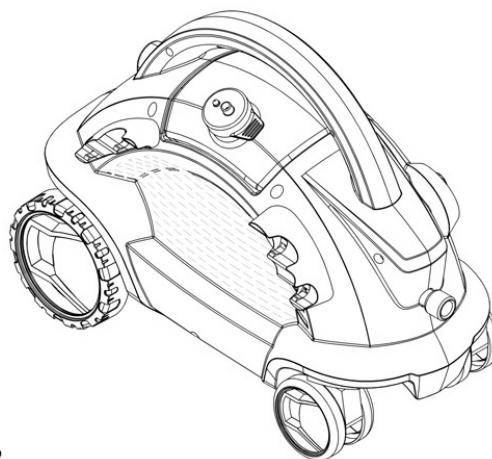
4.2



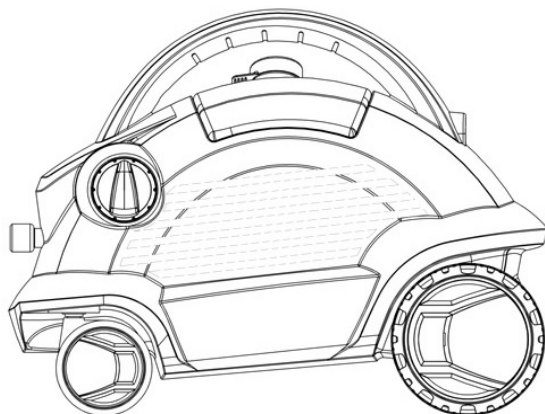
- (11) DM/075529 (51) 15-05
(15) 2011 03 04 (45) 2012/05 (2012 02 10)
(22) 2011 03 04
(28) 1
(73) ALFRED KÄRCHER GMBH & CO. KG
Alfred-Kärcher-Straße 28-40, 71364 Winnenden (DE)
(85) EM
(86) DE, EM
(87) DE, EM
(88) DE, EM
(89) EM
(81) IL, KP, MA, MC, ME, III. BA, CH, EG, EM, GE, HR, LI, MD, MK, MN, OM, TR
(30) 04.02.2011; 586057201; WO
(54) 1. High pressure cleaner
(55)



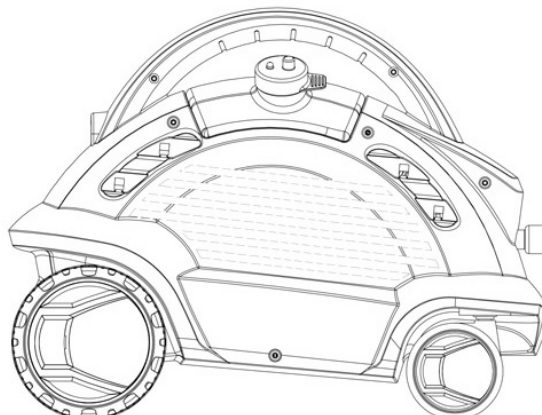
1.1



1.2



1.3



1.4

(11) DM/077571 (51) 10-07

(15) 2012 01 16 (45) 2012/05 (2012 02 10)

(22) 2012 01 16

(28) 3

(73) TISSOT SA (TISSOT AG) (TISSOT LTD)

Chemin des Tourelles 17, CH-2400 Le Locle (CH)

(85) CH

(86) CH

(87) CH

(88) CH

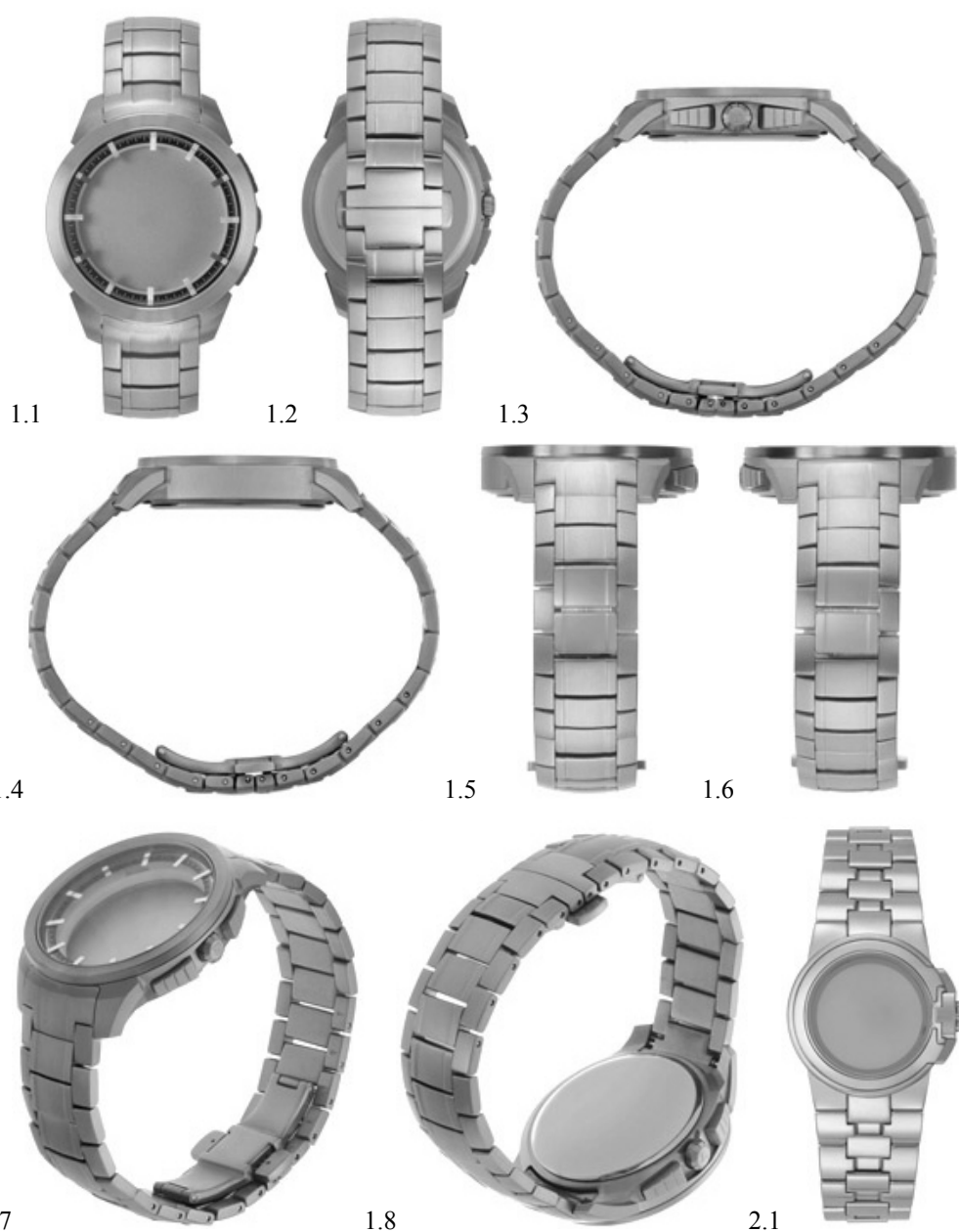
(89) CH

(81) IL, BZ, MA, ME, III, AL, AM, AZ, BA, CH, EM, GE, HR, KG, LI, MC, MD, MK, MN, NO, OM, SG, TR, UA

(72) N1: Sylvie LAMBRIGGER, Brauerstrasse 108, CH-8004 Zürich; N2, 3: Giménez Nicole, Ch. Des Coccinelles 1, CH-1185 Mont sur Rolle

(54) 1.-2. Watch cases; 3. Watch bracelet

(55)





2.2



2.3



2.4



2.5



2.6



2.7



2.8



3.1



3.2



3.3



3.4



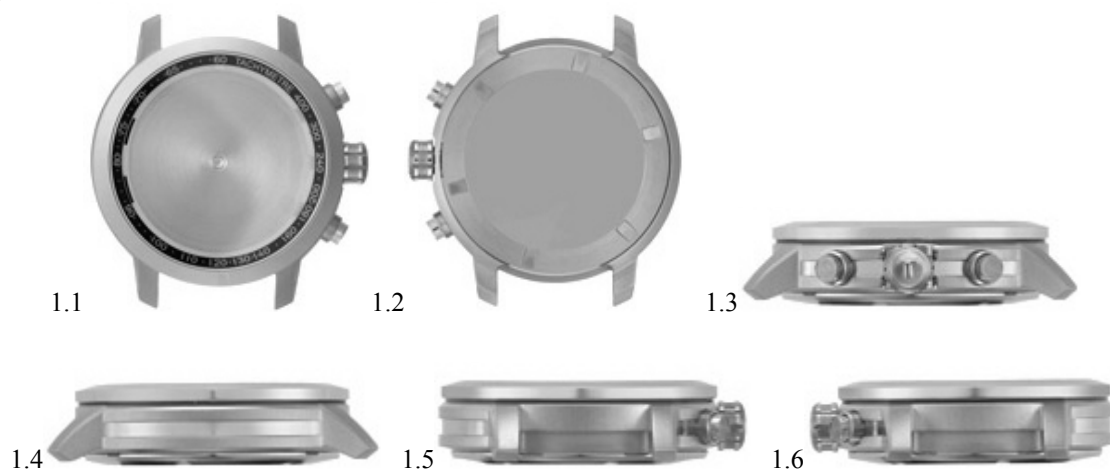
3.5

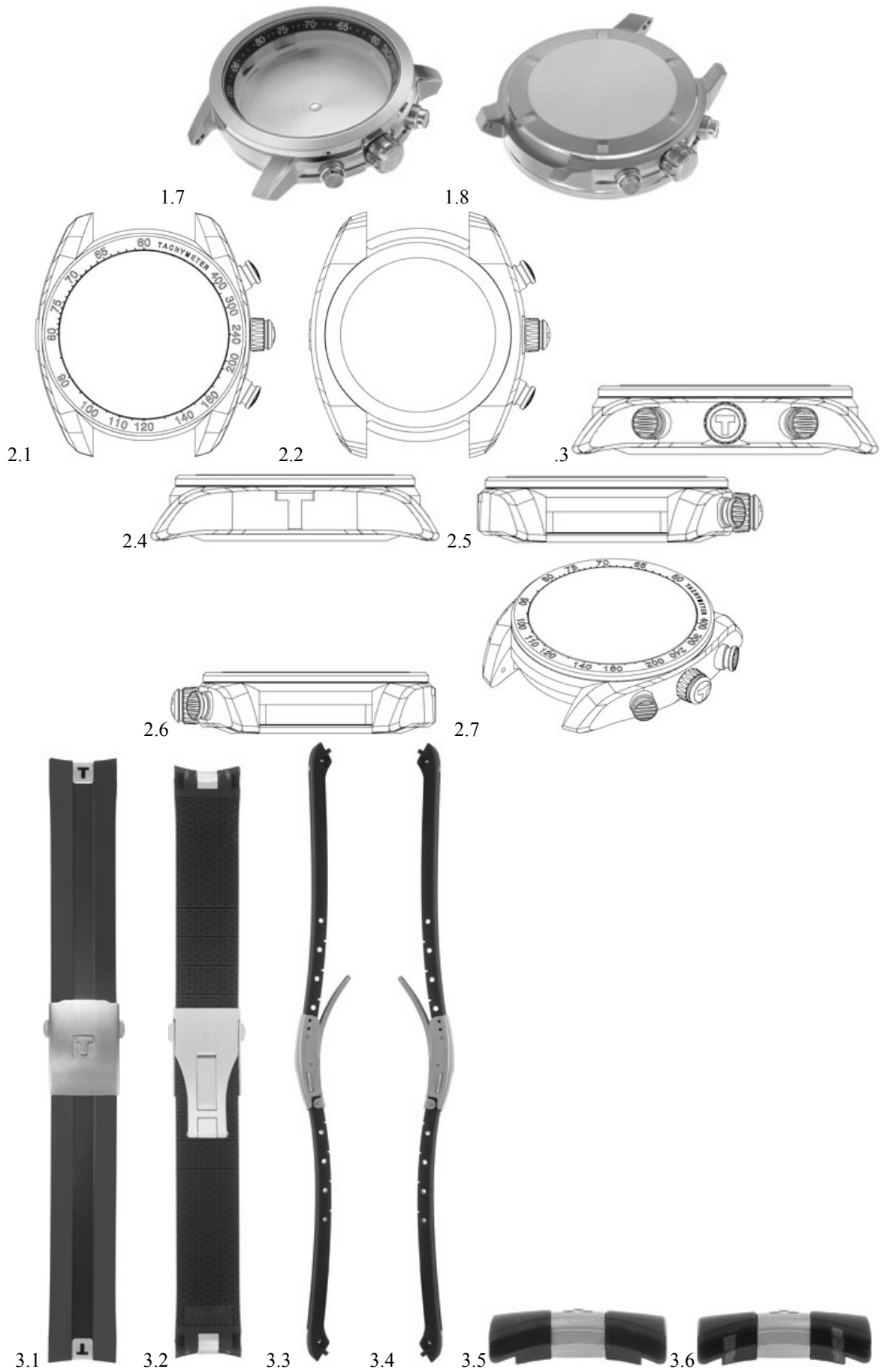


3.6



- (11) DM/077572 (51) 10-07
 (15) 2012 01 16 (45) 2012/05 (2012 02 10)
 (22) 2012 01 16
 (28) 5
 (73) TISSOT SA (TISSOT AG) (TISSOT LTD)
 Chemin des Tourelles 17, CH-2400 Le Locle (CH)
 (85) CH
 (86) CH
 (87) CH
 (88) CH
 (89) CH
 (81) II. BZ, MA, ME. III. AL, AM, AZ, BA, CH, EM, GE, HR, KG, LI, MC, MD, MK, MN, NO, OM, SG, TR, UA
 (72) N1: Laurie SAUNDERS, Grand-Grue 61, CH-2036 Cormondrèche; N2, 3, 4: Lorenzo VALLONE, Viale Stelvio 52, IT-20129 Milano; N5: Arnaud DUVAL, Fuchsenried 33, CH-2504 Bienne
 (54) 1.-2. Watch cases; 3.-4. Watch bracelets; 5. Watch case with bracelet
 (55)







3.7



3.8



4.1



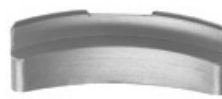
4.2



4.3



4.4



4.5



4.6



4.7



4.8



5.1



5.2



5.3



5.4



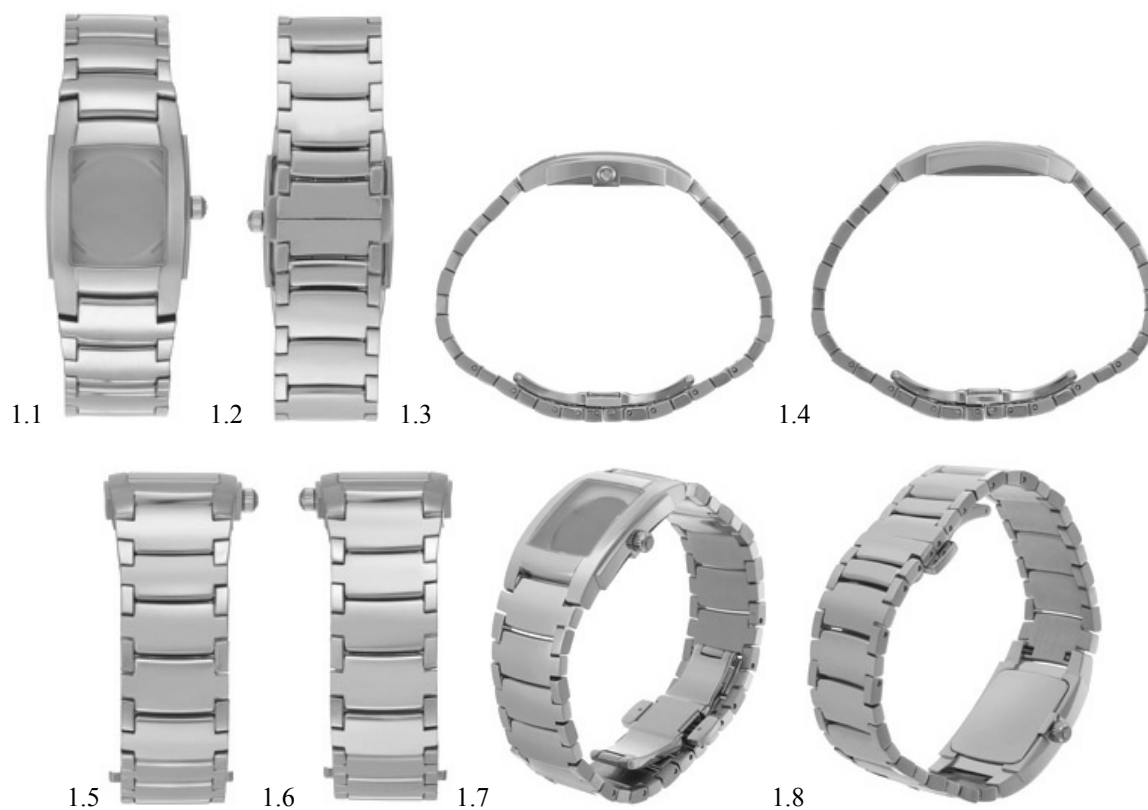
5.5

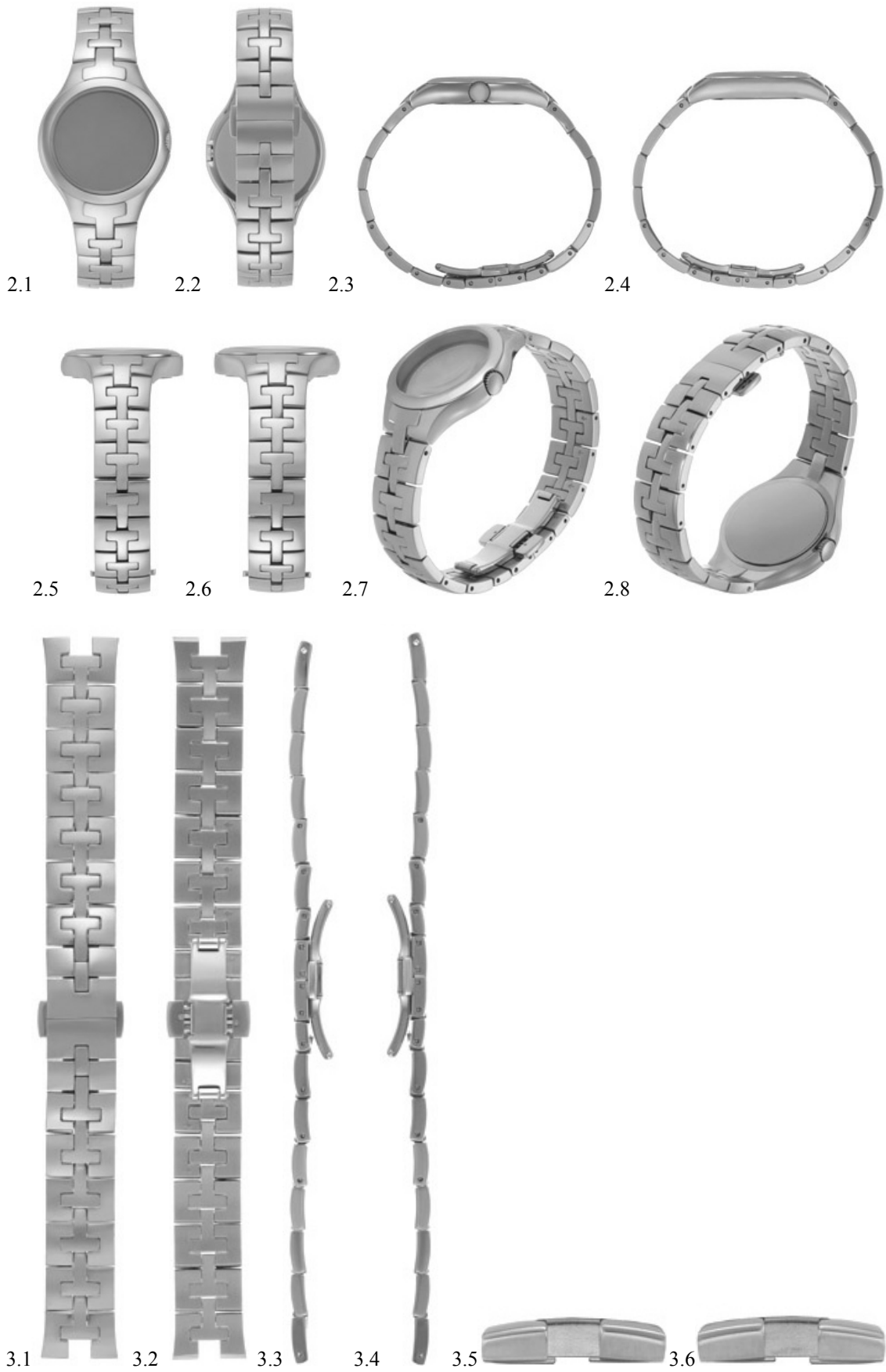


5.6



- (11) DM/077573 (51) 10-07
 (15) 2012 01 16 (45) 2012/05 (2012 02 10)
 (22) 2012 01 16
 (28) 3
 (73) TISSOT SA (TISSOT AG) (TISSOT LTD)
 Chemin des Tourelles 17, CH-2400 Le Locle (CH)
 (85) CH
 (86) CH
 (87) CH
 (88) CH
 (89) CH
 (81) II. BZ, MA. III. AL, AM, AZ, BA, CH, EM, GE, HR, KG, LI, MC, MD, MK, MN, NO, SG, TR, UA
 (72) N1: Michèle BERRI, La Rouette 4, CH-2516 Lamboing; N2, 3: Fernando Antonio SOARES, Rue Fleury 5,
 CH-2000 Neuchâtel
 (54) 1.-2. Watch cases with bracelets; 3. Watch bracelet
 (55)







(11) DM/075355 (51) 15-05

(15) 2011 02 11 (45) 2012/06 (2012 02 17)

(22) 2011 02 11

(28) 6

(73) ALFRED KÄRCHER GMBH & CO. KG

Alfred-Kärcher-Str. 28-40, 71364 Winnenden (DE)

(85) EM

(86) DE, EM

(87) DE, EM

(88) DE, EM

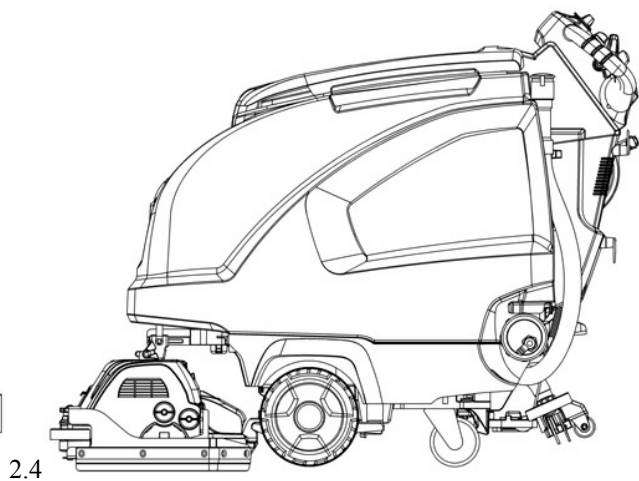
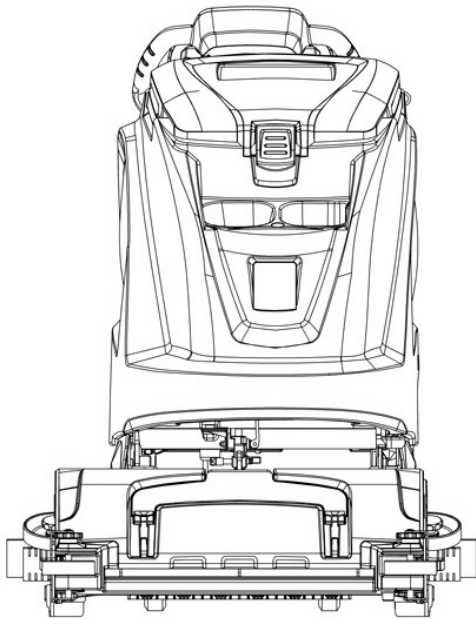
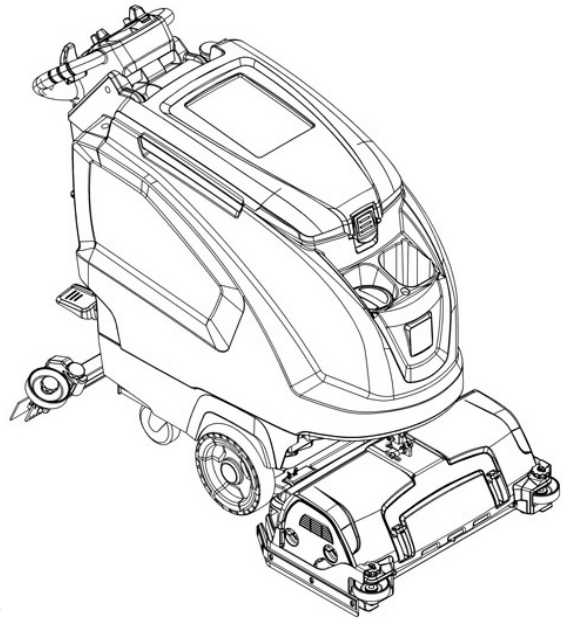
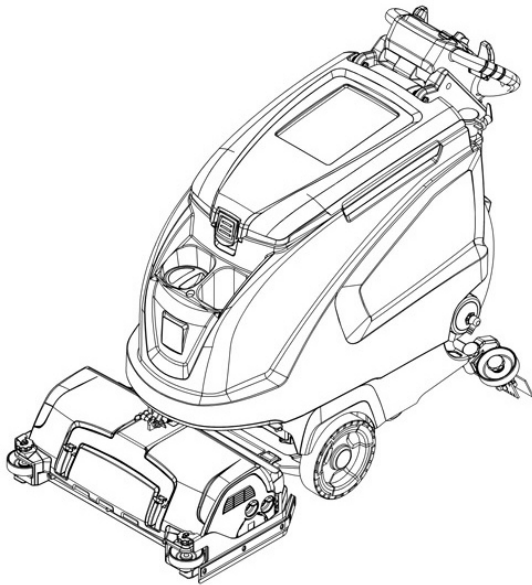
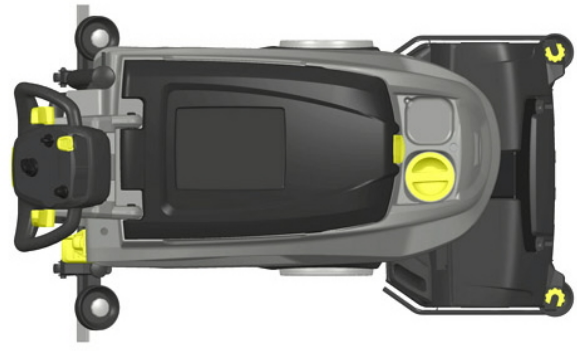
(89) EM

(81) II. KP, MA, MC, ME. III. BA, CH, EG, EM, GE, HR, LI, MD, MK, MN, OM, TR

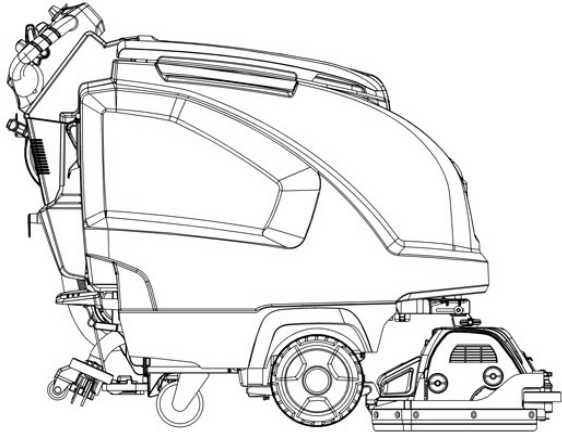
(54) 1.-6. Floor cleaning machines

(55)

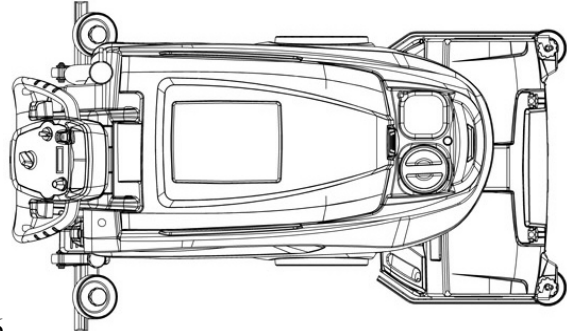




2.5



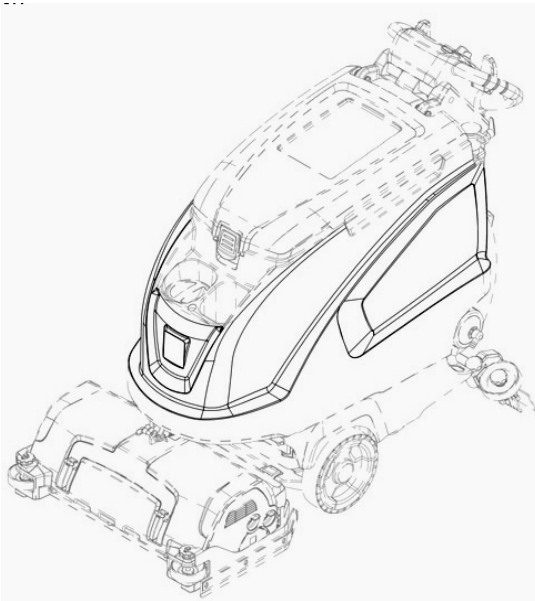
2.6



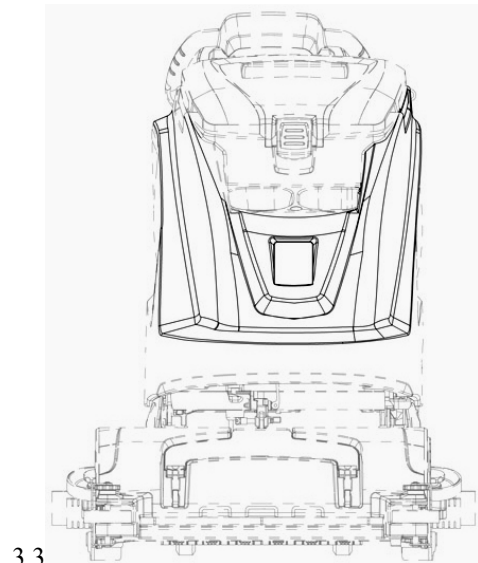
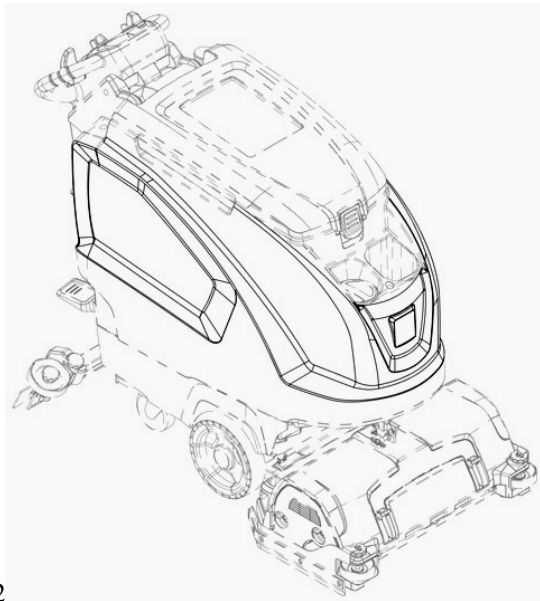
2.5

2.6

3.1

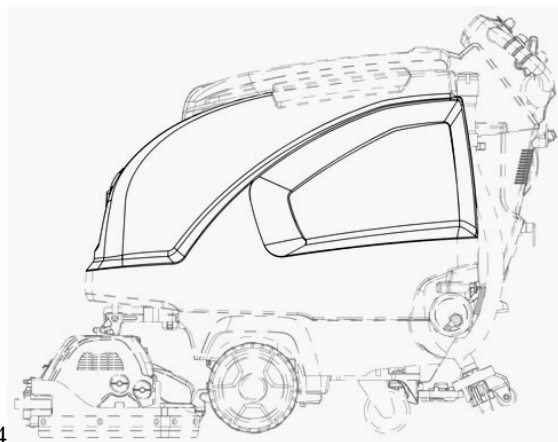


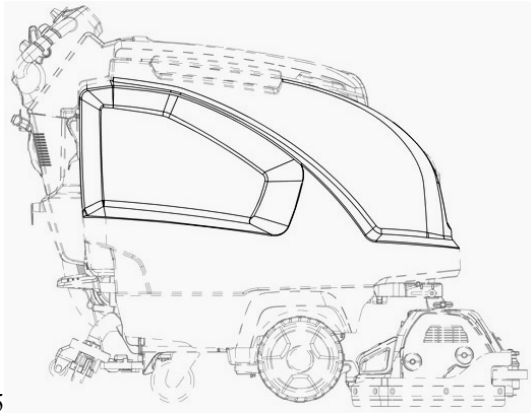
3.2



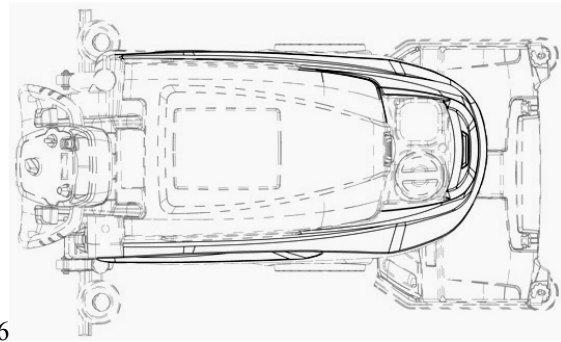
3.3

3.4





3.5



3.6



4.1



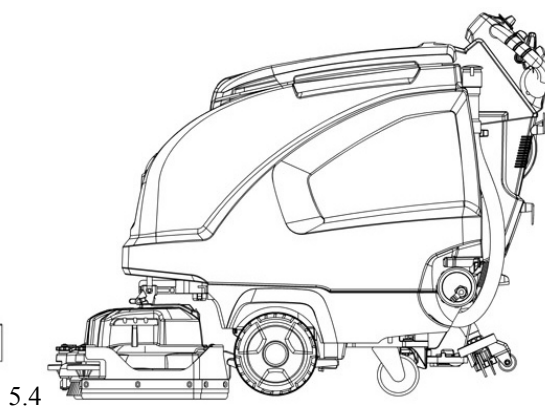
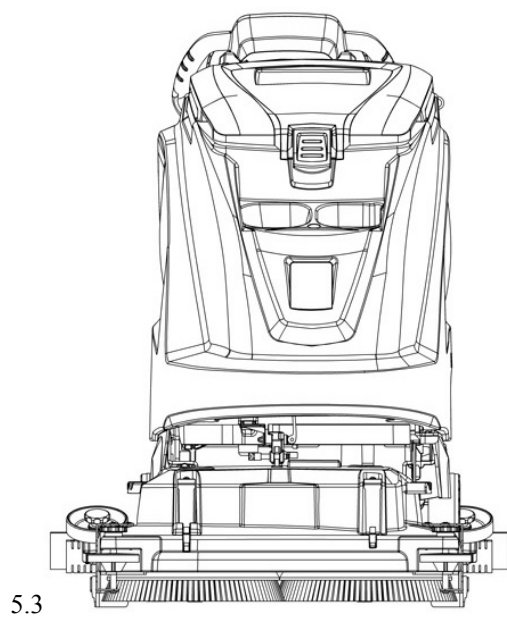
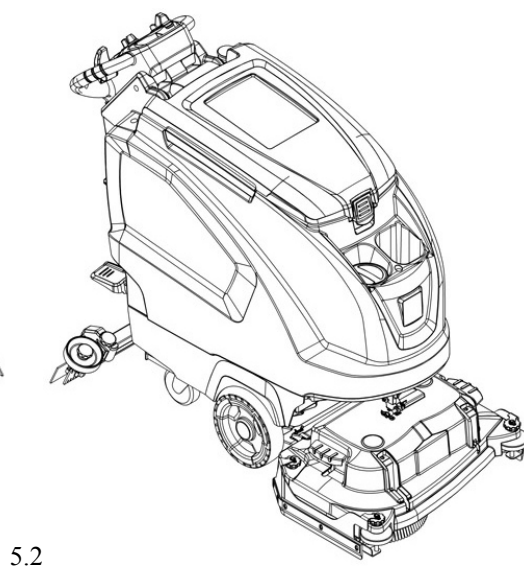
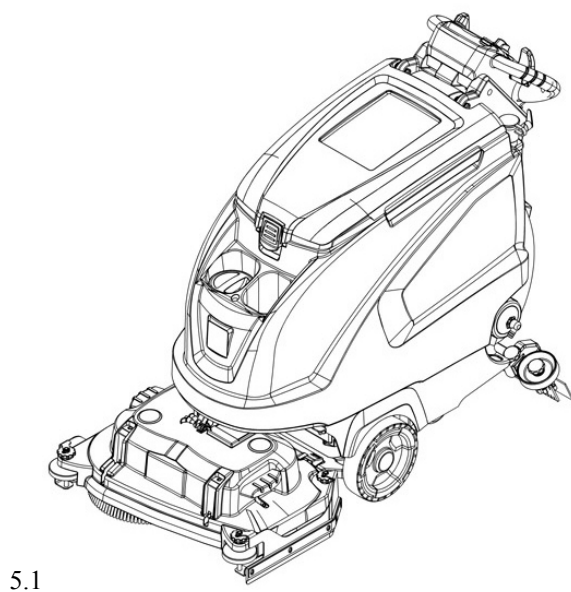
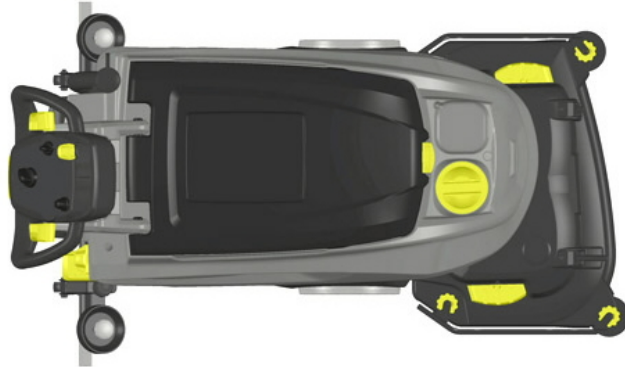
4.2

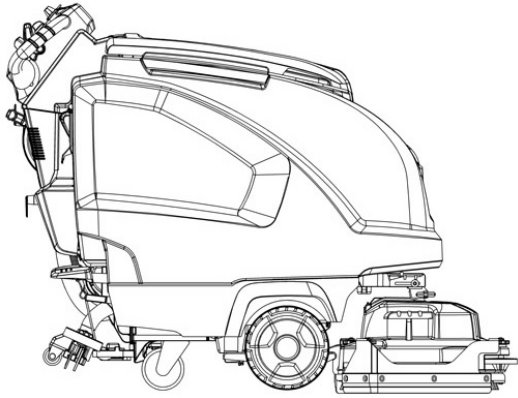


4.3

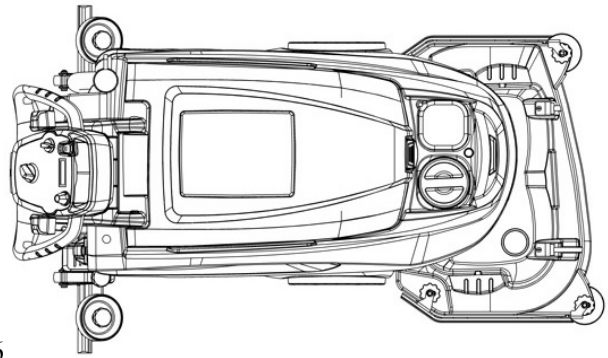


4.4

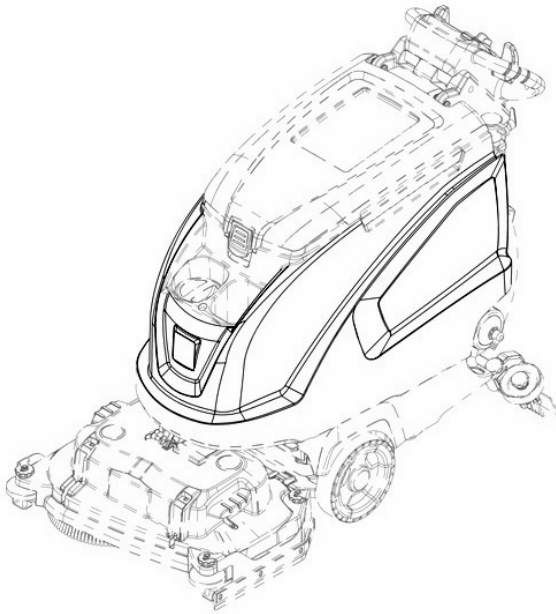




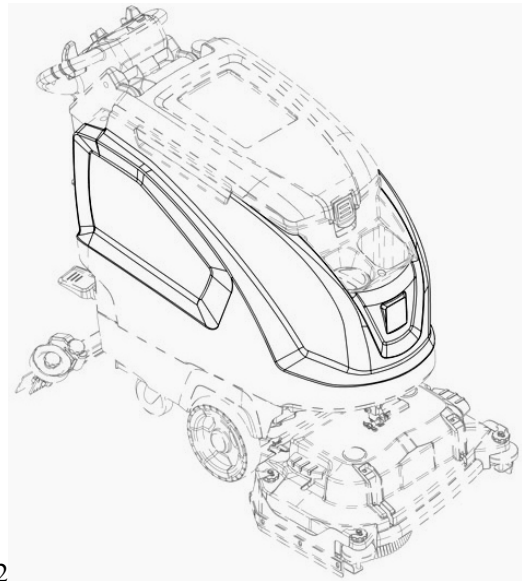
5.5



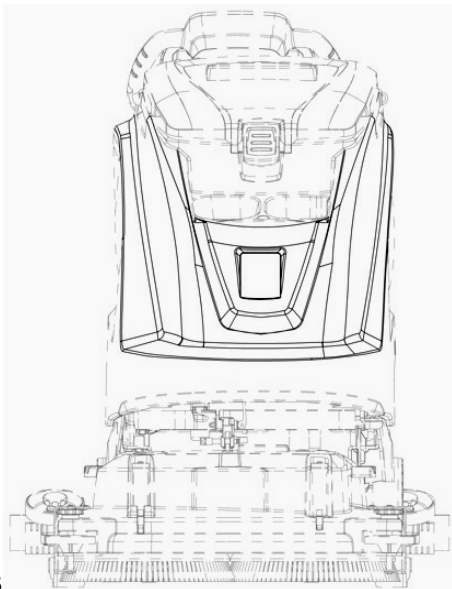
5.6



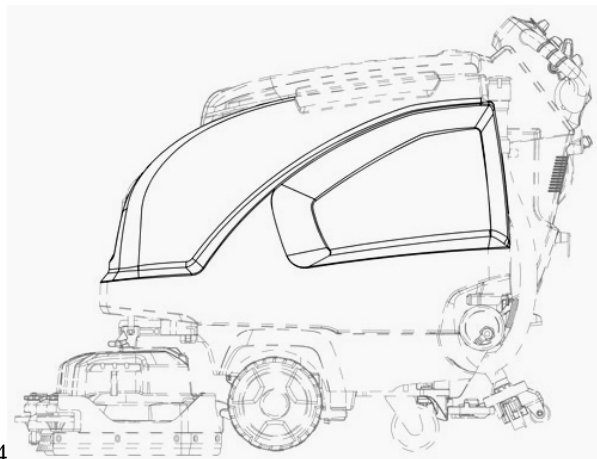
6.1



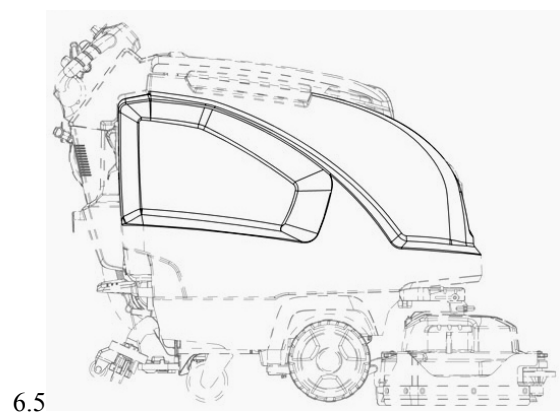
6.2



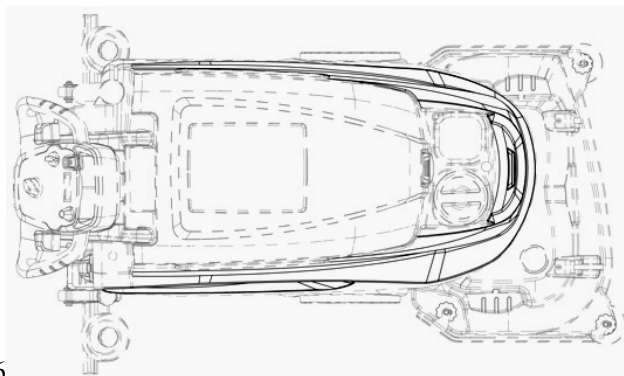
6.3



6.4



6.5



6.6

(11) DM/075364 (51) 15-05

(15) 2011 02 16 (45) 2012/06 (2012 02 17)

(22) 2011 02 16

(28) 8

(73) ALFRED KÄRCHER GMBH & CO. KG

Alfred-Kärcher-Straße 28-40, 71364 Winnenden (DE)

(85) EM

(86) DE, EM

(87) DE, EM

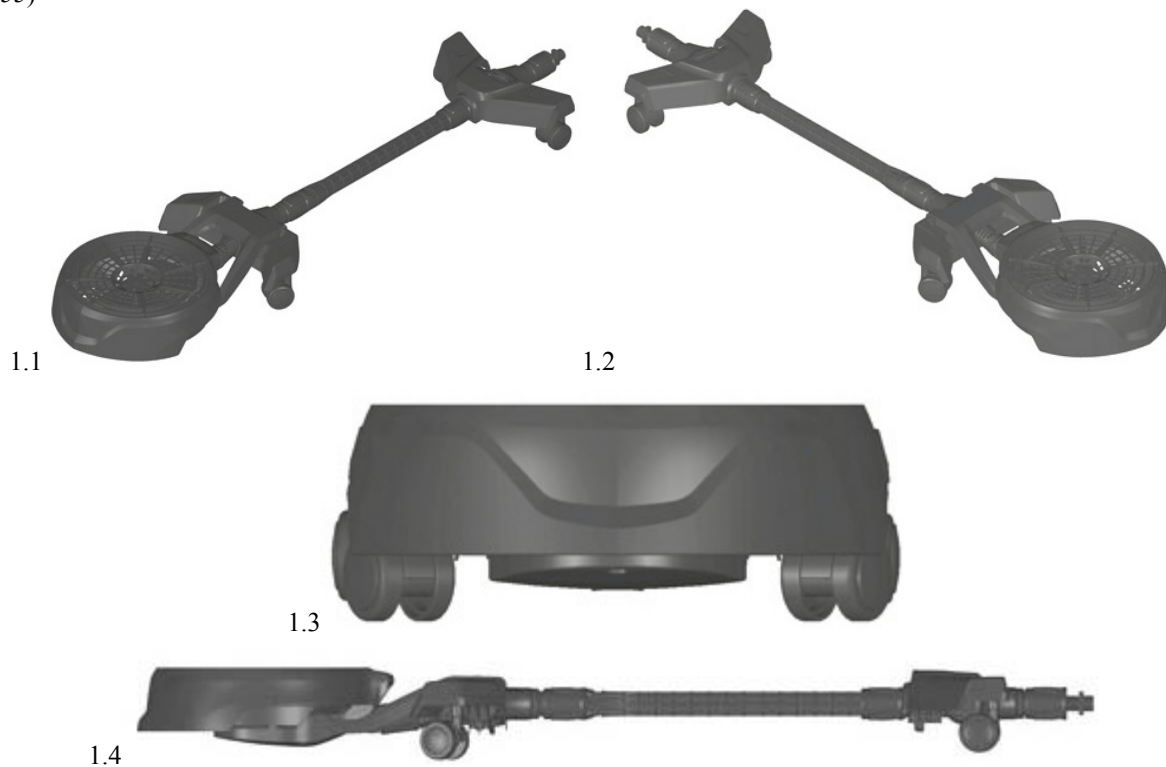
(88) DE, EM

(89) EM

(81) II. KP, MA, MC, ME. III. BA, CH, EG, EM, GE, HR, LI, MD, MK, MN, OM, TR

(54) 1.-8. Parts of high pressure cleaner

(55)



1.1

1.2

1.3

1.4



1.5



1.6



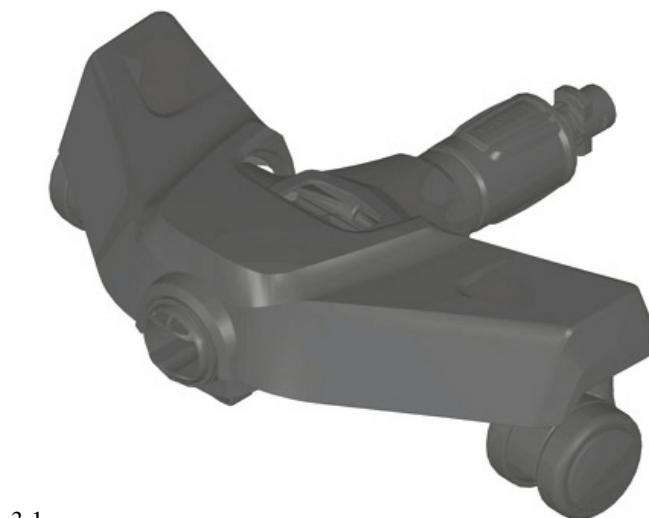
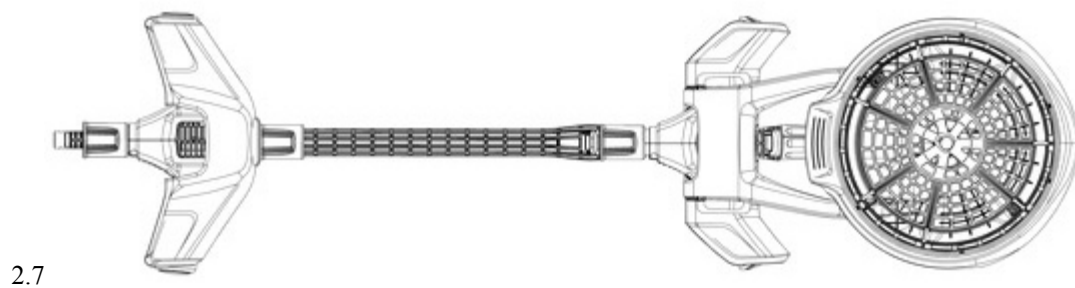
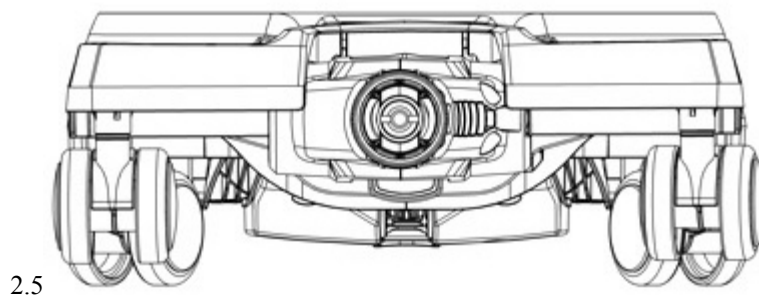
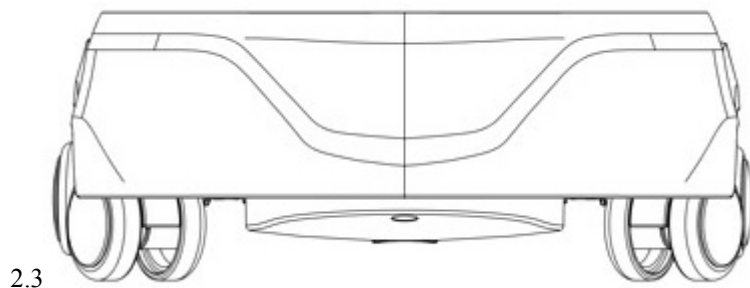
1.7

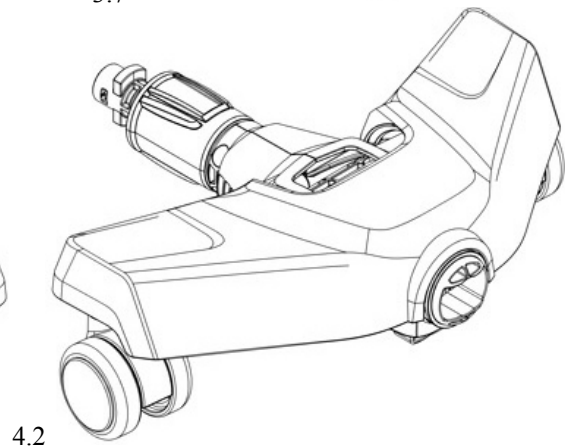
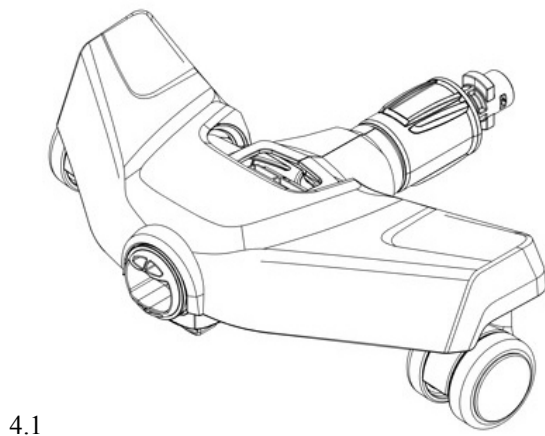
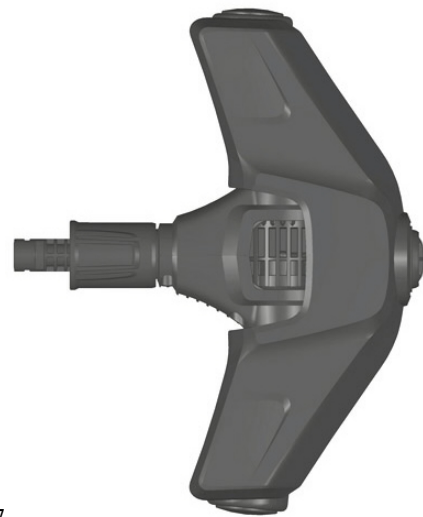
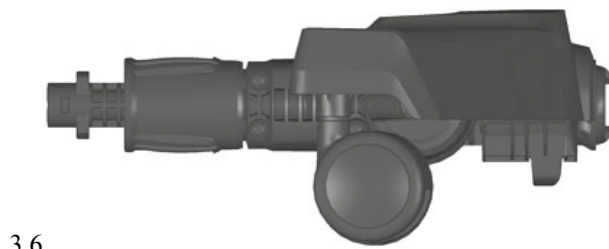
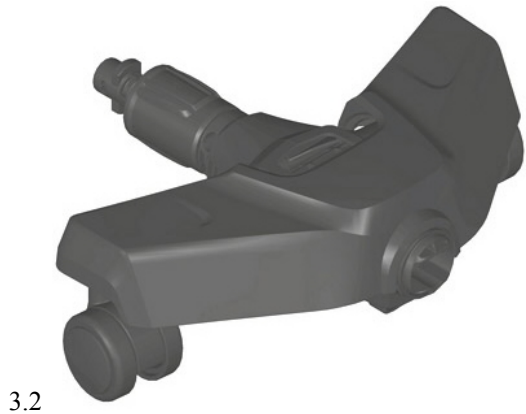


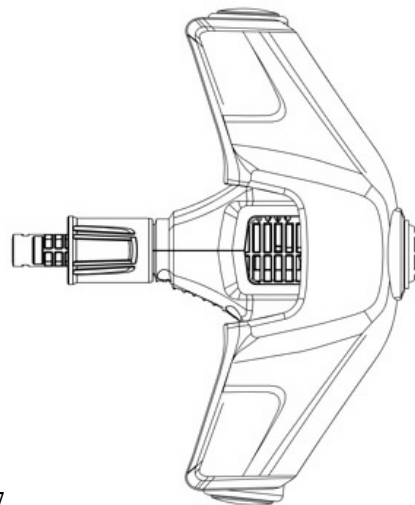
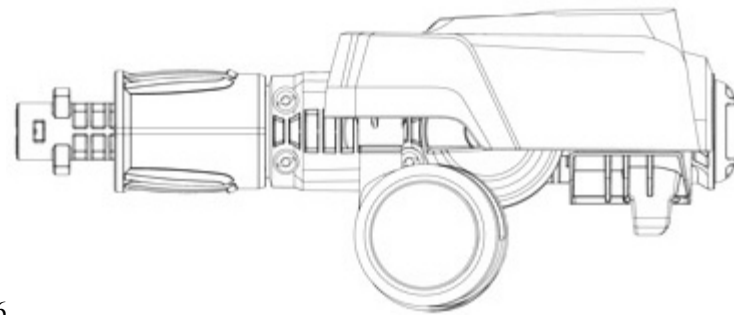
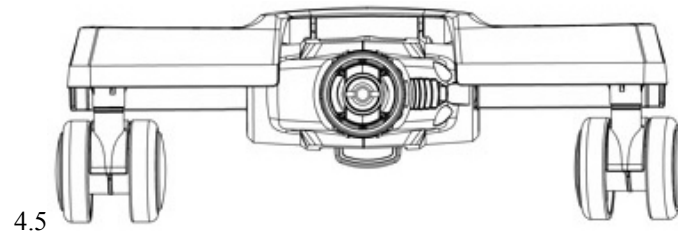
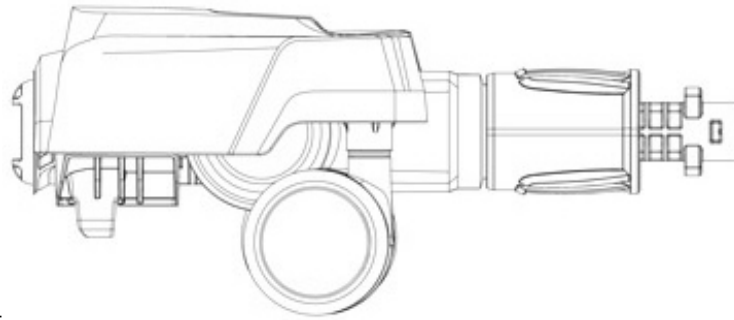
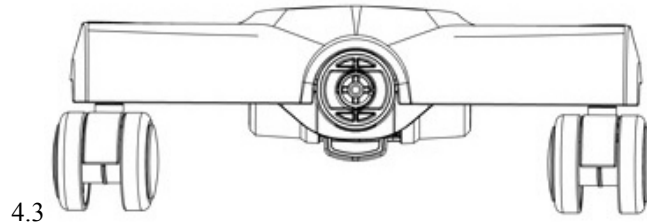
2.1

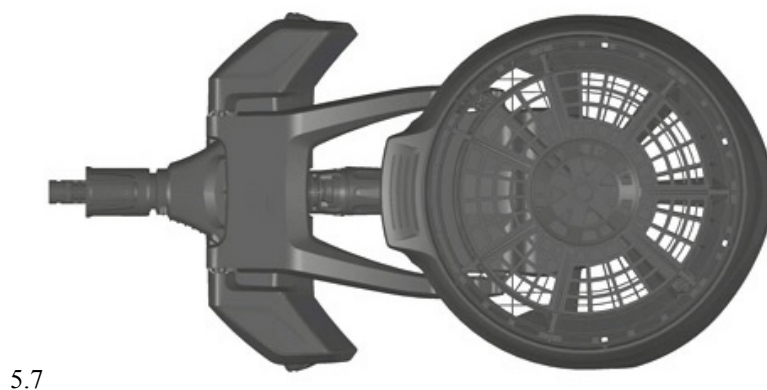
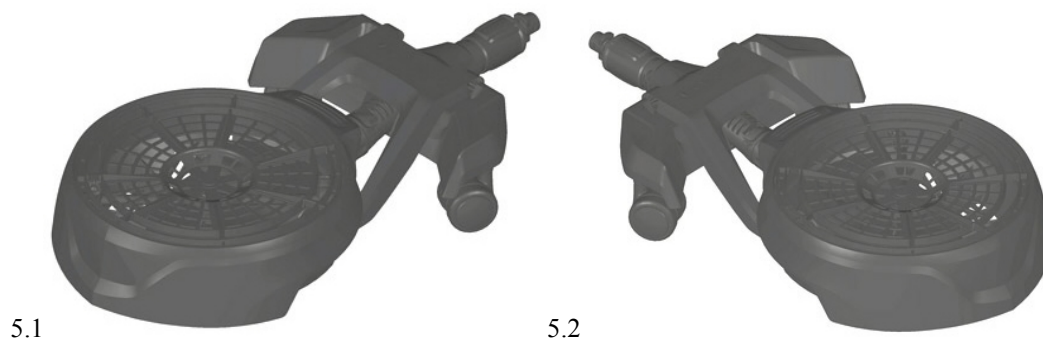


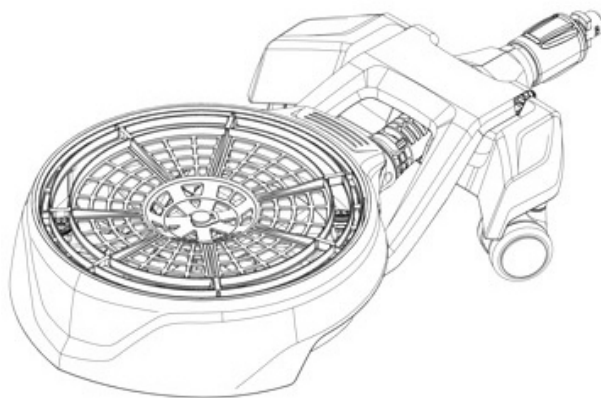
2.2



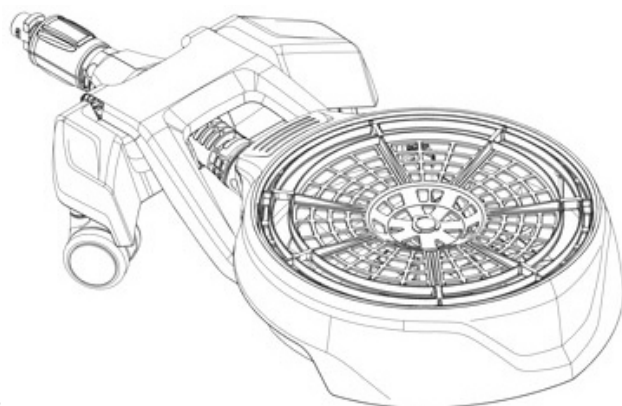




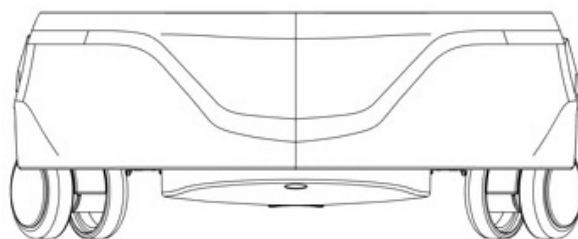




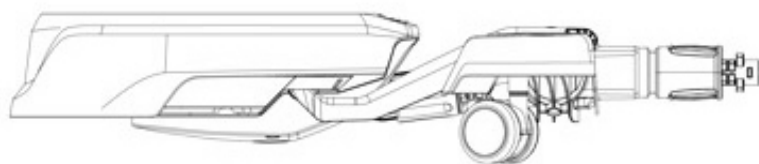
6.1



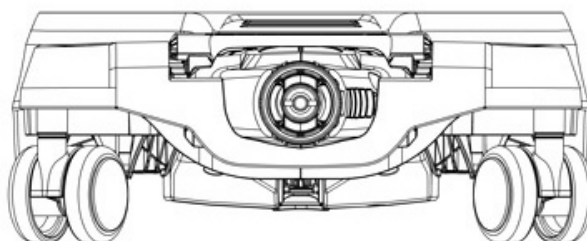
6.2



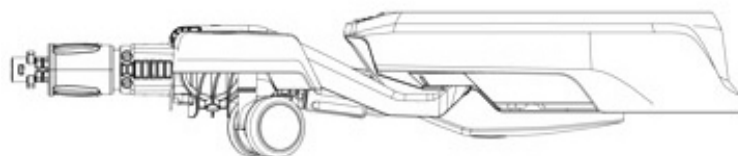
6.3



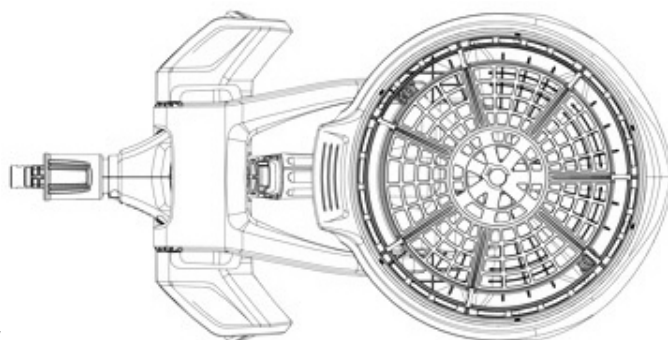
6.4



6.5



6.6



6.7



7.1



7.2



7.3



7.4



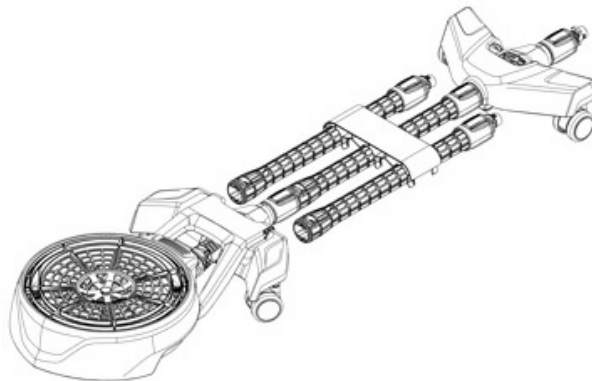
7.5



7.6



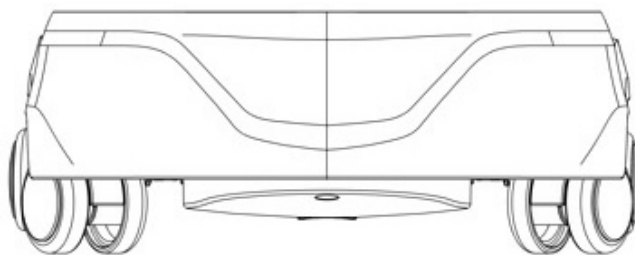
7.7



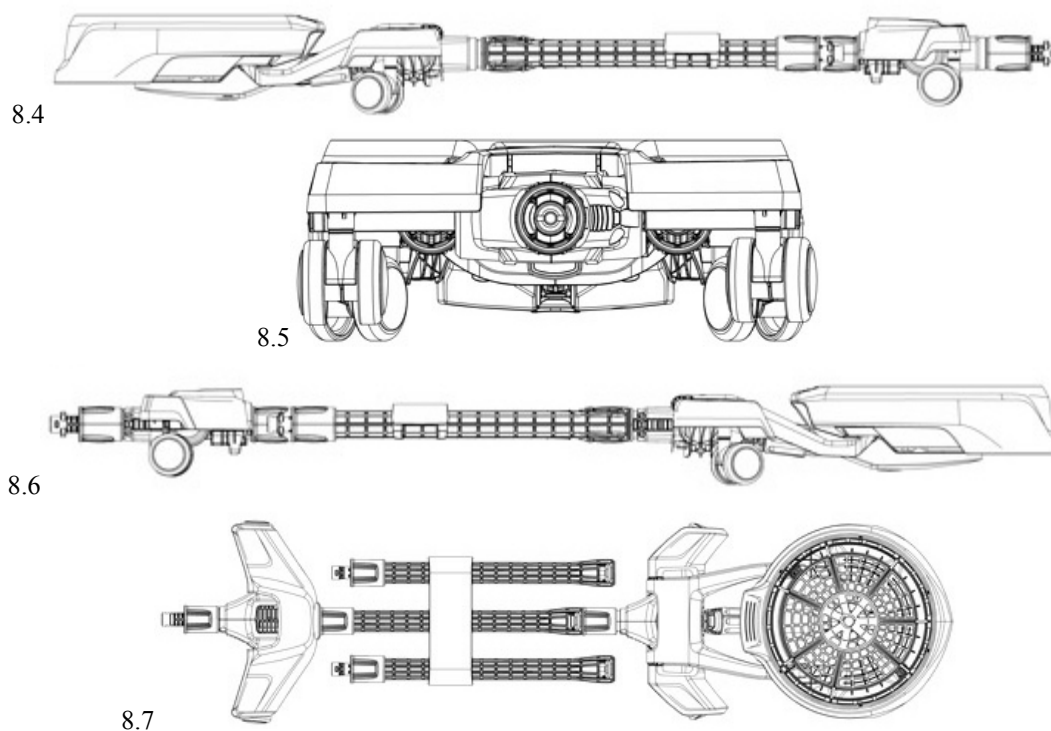
8.1



8.2



8.3



(11) DM/077618 (51) 10-02, 07

(15) 2012 02 02 (45) 2012/06 (2012 02 17)

(22) 2012 02 02

(28) 2

(73) OMEGA SA (OMEGA AG) (OMEGA LTD.)

Jakob-Stämpfli-Strasse 96, CH-2502 Biel/Bienne (CH)

(85) CH

(86) CH

(87) CH

(88) CH

(89) CH

(81) II. BZ, MA, ME. III. AL, AM, AZ, BA, CH, EM, GE, HR, KG, LI, MC, MD, MK, MN, NO, OM, SG, TR, UA

(72) N1, 2: Monachon Jean-Claude, Rue Alice-de-Chambrier 1, CH-2022 Bevaix (NE)

(54) 1. Wristwatch; 2. Watch case bottom

(55)





1.3



1.4



1.5



1.6



1.7



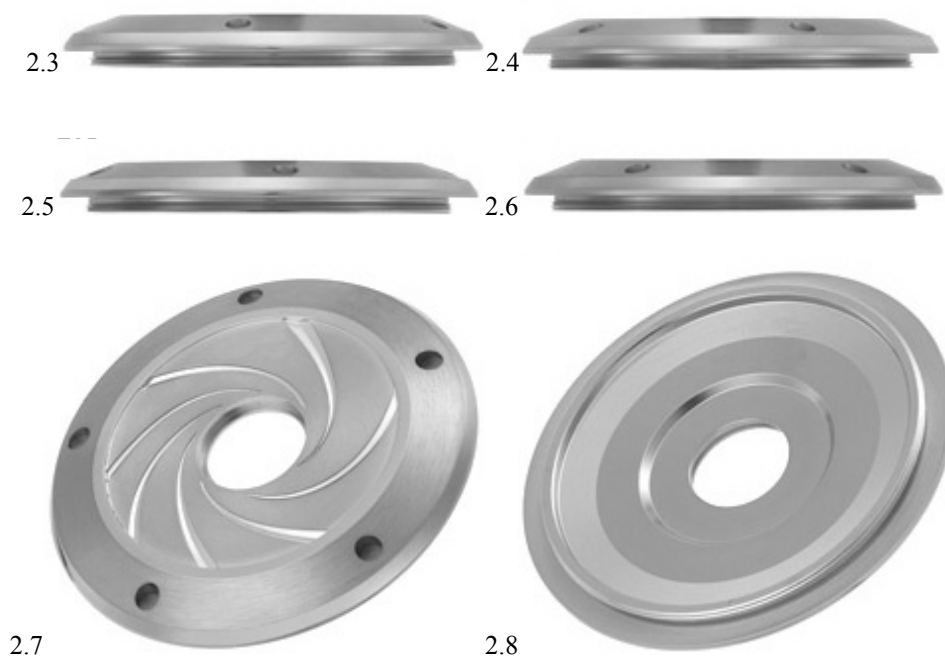
1.8



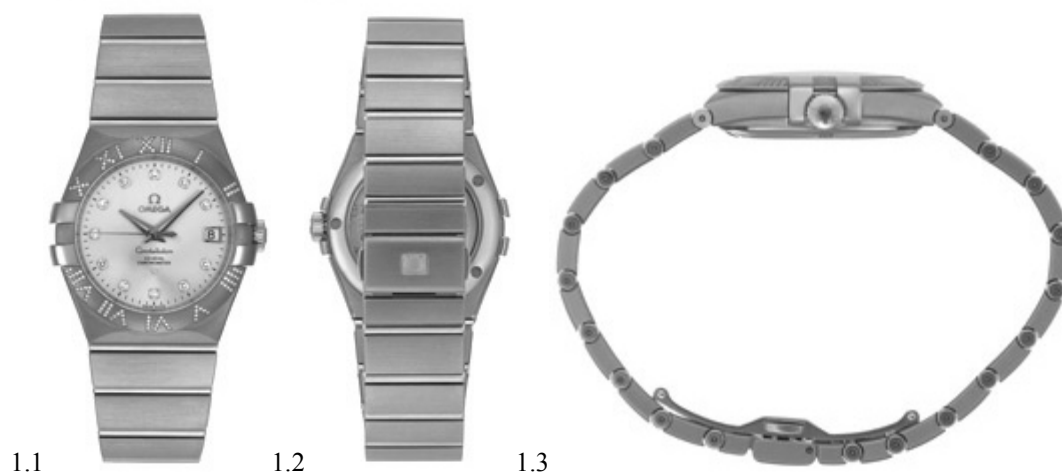
2.1



2.2



- (11) DM/077619 (51) 10-02
 (15) 2012 02 03 (45) 2012/06 (2012 02 17)
 (22) 2012 02 03
 (28) 3
 (73) OMEGA SA (OMEGA AG) (OMEGA LTD.)
 Jakob-Stämpfli-Strasse 96, CH-2502 Biel/Bienne (CH)
 (85) CH
 (86) CH
 (87) CH
 (88) CH
 (89) CH
 (81) II. BZ, MA, ME. III. AL, AM, AZ, BA, CH, EM, GE, HR, KG, LI, MC, MD, MK, MN, NO, OM, SG,
 TR, UA
 (72) N1, 2, 3: Monachon Jean-Claude, Rue Alice-de-Chambrier 1, CH-2022 Bevaix (NE)
 (54) 1.-3. Wristwatches
 (55)





1.4



1.5



1.6



1.7



1.8



2.1



2.2



2.3



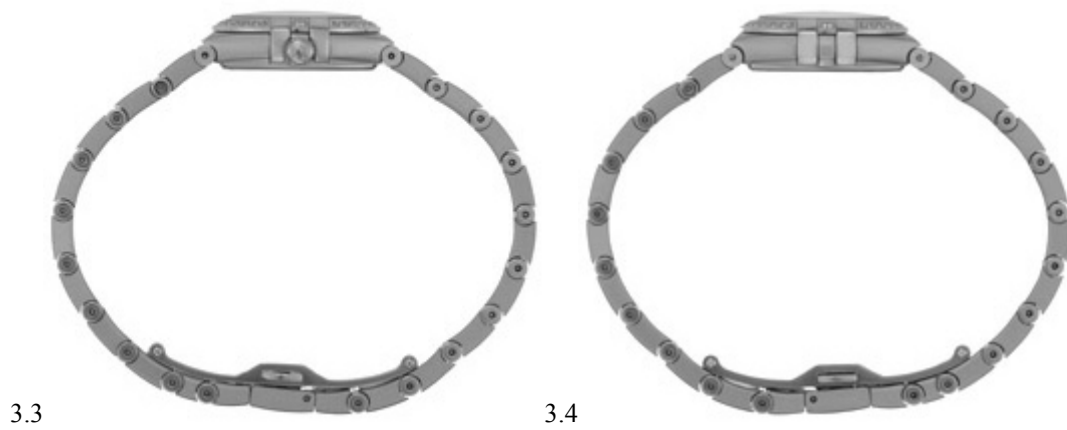
2.4



2.5



2.6



(11) DM/077625 (51) 10-02

(15) 2012 02 06 (45) 2012/06 (2012 02 17)

(22) 2012 02 06

(28) 5

(73) SWATCH AG (SWATCH SA) (SWATCH LTD.)

Jakob-Stämpfli-Strasse 94, CH-2502 Biel/Bienne (CH)

(85) CH

(86) CH

(87) CH

(88) CH

(89) CH

(81) IL, BZ, MA, ME, III, AL, AM, AZ, BA, CH, EM, GE, HR, KG, LI, MC, MD, MK, MN, NO, OM, SG, TR, UA

(72) N1: Fabienne Saincry dite "Fafi", 13, rue Civiale, F-75010 Paris; N2: Andrea Arrigoni, Swatchlab, Via Archimede 6, I-20129 Milano; N3: Xavier De Le Rue, Village, F-65240 Aulon; N4: Coco Ho, 58-010 Maika Place, 96712 Haleiwa (HI) / USA; N5: Courtney Conlogue, 1017 N. Lowell St., 92703 Santa Ana (CA)/USA

(54) 1.-5. Wristwatches

(55)



TRADEMARKS

APPLICATIONS FILED UNDER THE NATIONAL PROCEDURE LAID OPEN FOR THE PURPOSE OF TAKING PATENT GRANTING DECISIONS

To appeal a decision is possible at Chamber of Appeal of Sakpatenti within 3 months from the publication or at The Board of Administrative Actions of Tbilisi City Court within a 1 month period. (Address: 12 km., №6, David Aghmashenebeli Kheivani, Tbilisi).

(260) AM 2012 56433 A
(210) AM 056433
(220) 2010 07 21
(731) MAMUKA KAKUSHADZE
Fanaskertel-Tsitsishvilis q. ix korp., bina 161,
0194, Tbilisi, Georgia
(540)

იტალმობილი
ITALMOBILI

(591) Black, white
(511) 35

(260) AM 2012 61454 A
(210) AM 061454
(220) 2011 07 25
(731) SH.P.S "SAAMO"
Zovretis q. 35, 0160, Tbilisi, Georgia
(540)



(591) Golden, white, yellow, black, silver,
red and green
(531) 05.07.24-24.05.07-25.01.15-25.01.19-
29.01.15-
(526) **Disclaimer** – Georgian National Emblem ele-
ments and also words part "PRODUCED &
BUTTLER BY SAAMO CORPORATION
SOFT DRINKS EXCLUSIVE COLLECTI-
ON" are included in a trademark as anunpro-
tected part.
(511) 32

(260) AM 2012 62056 A
(210) AM 062056
(220) 2011 09 05
(731) SS BANKI "REPUBLIKA"
Grigol Abashidzis q.N2, 0179, Tbilisi, Georgia
(540)

Prisma

(591) white
(531) 26.04.24-27.05.24-
(511) 36

(260) AM 2012 62450 A
(210) AM 062450
(220) 2011 05 17
(731) SH.P.S "SAAMO"
Zovretis q. 35, 0160, Tbilisi, Georgia
(540)



(591) White, golden, green
(531) 01.03.15-03.01.02-19.09.03-25.01.05-
29.01.13-
(526) **Disclaimer** – according to the consent of the
Ministry of Culture, on the basis of
subparagraph (i) of paragraph 1 of Article 4 of
the Trademark Law of Georgia, Georgian
national emblem elements shall not be subject
to independent protection.
(511) 29, 30, 31, 43

(260) AM 2012 63182 A
(210) AM 063182
(220) 2011 07 12
(731) SS "TELIANI VELI"
Tbilisis gzatketsili N 3, 2200, Telavi, Georgia

(540)



- (591) Golden, black
 (531) 05.07.10-24.01.18-25.01.19-27.05.11-29.01.13-
 (526) **Disclaimer** – Word "TELIANI" in the trademark shall not be subject to independent protection.
 (511) 33

- (260) AM 2012 63184 A
 (210) AM 063184
 (220) 2011 07 12
 (731) SH.P.S "BRITANUL-QARTULI SATSARMO EVROMEDIKALI"
 Saq. samkhedro gzisa da Akhmetelis quchis gadakveta, 0159, Tbilisi, Georgia
 (740) Michael Lomtadze
 (540)

ბო-ჰეობო
No-pain
Но-пейн

- (591) Black, white
 (511) 5

- (260) AM 2012 63223 A
 (210) AM 063223
 (220) 2011 07 14
 (731) American Express Marketing & Development Corp. Limited
 200 Vesey Street., New York, New York 10285, USA
 (740) Shalva Gvaramadze
 (540)

AMERICAN EXPRESS
SELECTS

- (591) Black, white
 (511) 36

- (260) AM 2012 63224 A
 (210) AM 063224
 (220) 2011 07 14
 (731) American Express Marketing & Development Corp. Limited
 200 Vesey Street., New York, New York 10285, USA

- (740) Shalva Gvaramadze
 (540)

MEMBERSHIP REWARDS

- (591) Black, white
 (511) 35, 36

- (260) AM 2012 63225 A
 (210) AM 063225
 (220) 2011 07 14
 (731) American Express Marketing & Development Corp. Limited
 200 Vesey Street., New York, New York 10285, USA
 (740) Shalva Gvaramadze
 (540)



- (591) White, another tone grey
 (531) 02.01.01-20.05.16-
 (511) 36

- (260) AM 2012 63299 A
 (210) AM 063299
 (220) 2011 07 20
 (731) SH.P.S "FUDSERVISI"
 Marshal Gelovanis gamz. 2, 0159, Tbilisi, Georgia
 (540)



- (591) Green, red
 (531) 05.07.13-28.19.00-29.01.12-
 (526) **Disclaimer** – The trademark is protected as a whole, phrases „ფუდ სერვისი TM" shall not be subject to independent protection.
 (511) 35, 43

- (260) AM 2012 63300 A
 (210) AM 063300
 (220) 2011 07 20

(731) SH.P.S "FUDSERVISI"
 Marshal Gelovanis gamz. 2, 0159, Tbilisi,
 Georgia

(540)



(591) Green, red

(531) 05.07.13-27.05.01-29.01.12-

(526) **Disclaimer** – The trademark is protected as a whole, phrases "food service TM" shall not be subject to independent protection.

(511) 35, 43

(260) AM 2012 63301 A

(210) AM 063301

(220) 2011 07 20

(731) COLGATE-PALMOLIVE COMPANY
 a Delavare corporation, 300 Park Avenue,
 New York, New York 10022, USA

(740) Shalva Gvaramadze

(540)

КЛАСИКА ПЛЮС

(591) Black, white

(511) 21

(260) AM 2012 63302 A

(210) AM 063302

(220) 2011 07 20

(731) COLGATE-PALMOLIVE COMPANY
 a Delavare corporation, 300 Park Avenue,
 New York, New York 10022, USA

(740) Shalva Gvaramadze

(540)

ПРЕМЬЕР УЛЬТРА

(591) Black, white

(526) **Disclaimer** – Word " ULTRA" shall not be subject to independent protection.

(511) 21

(260) AM 2012 63303 A

(210) AM 063303

(220) 2011 07 20

(731) ASCHLAND LICENSING AND
 INTELLECTUAL PROPERTY LLC
 5200 Blazer Parkway, Dublin, Ohio 43017,
 USA

(740) Shalva Gvaramadze

(540)

ASHLAND AQUATHERM

(591) Black, white

(511) 1

(260) AM 2012 63411 A

(210) AM 063411

(220) 2011 07 26

(731) SS "QARTULI LUDIS KOMPANIA"
 Sof. Saguramo, 3308, Mtskheta, Georgia

(540)

„კეისარი“

"keisari"

„кеисари“

(591) Black, white

(511) 32

(260) AM 2012 63462 A

(210) AM 063462

(220) 2011 07 28

(731) PHILIP MORRIS BRANDS SàRL.
 Quai Jeanrenaud 3, 2000 Neuchâtel,
 Switzerland

(740) Shalva Gvaramadze

(540)



(591) Black, white

(531) 10.01.05-10.01.25-25.01.01-

(511) 34

(260) AM 2012 63463 A

(210) AM 063463

(220) 2011 07 29

(731) SS "QARTULI LUDIS KOMPANIA"
 Sof. Saguramo, 3308, Mtskheta, Georgia

(540)

"caesar"

(591) Black, white

(511) 32

(260) AM 2012 63883 A
 (210) AM 063883
 (220) 2011 09 02
 (731) CASPIAN HOUSEHOLD APPLIANCES
 TRADING (L.L.C)
 P.O. Box: 16579, Dubai, United Arab Emirates
 (740) George Taktakishvili
 (540)



(591) Black, orange
 (531) 26.11.12-27.05.11-27.05.22-29.01.12-
 (511) 21

(260) AM 2012 63960 A
 (210) AM 063960
 (220) 2011 09 07
 (731) MARS, INCORPORATED
 6885 Elm Street Mclean, Virginia 22101-3883,
 USA
 (740) Tamar Kochlamazashvili
 (540)



(591) Black, white
 (531) 28.19.00-
 (511) 29, 30, 32

(260) AM 2012 64019 A
 (210) AM 064019
 (220) 2011 09 12
 (731) SAMSUNG ELECTRONICS CO., LTD
 416, Maetan-dong, Yeongtong-gu, Suwon-si,
 Gyeonggi-do, Republic of Korea
 (740) Pavle Meipariani
 (540)



(591) Black, white
 (531) 26.11.13-27.05.01-27.05.05-
 (511) 9

(260) AM 2012 64020 A
 (210) AM 064020
 (220) 2011 09 12
 (731) SAMSUNG ELECTRONICS CO., LTD
 416, Maetan-dong, Yeongtong-gu, Suwon-si,
 Gyeonggi-do, Republic of Korea
 (740) Pavle Meipariani



(540)
 (591) Black, white
 (531) 27.05.01-27.05.05-
 (511) 9

(260) AM 2012 64030 A
 (210) AM 064030
 (220) 2011 09 14
 (731) MCDONALD'S INTERNATIONAL
 PROPERTY COMPANY, LTD.
 a corporation organized and existing under the
 laws of the State of Delaware, 2711
 Centerville Road, Suite 400, Wilmington,
 DE 19808 Delaware, USA
 (740) Shalva Gvaramadze
 (540)

HAPPY STUDIO

(591) Black, white
 (511) 41

(260) AM 2012 64144 A
 (210) AM 064144
 (220) 2011 09 20
 (731) Sh.p.s "BTM TEXTILE"
 Meliqishvilis q. 25, bina 3, 6000, Batumi,
 Georgia
 (740) Davit Chavleishvili
 (540)

ACARBAY

(591) Black, white
 (511) 1, 3, 35, 37, 39, 43, 45

(260) AM 2012 64216 A
 (210) AM 064216
 (220) 2011 09 23
 (731) MANANA KHELAIYA-GABASHVILI
 Vl.gabashvilis 2, bina 8, 0179, Tbilisi, Georgia
 (540)

ანო და ვანო

(591) Black, white
 (511) 16, 35, 41

REGISTERED TRADEMARKS

(111) M 2012 022444 R
(151) 2012 04 05
(181) 2022 04 05
(260) AM 2011 58752 A
(220) 2010 07 19
(732) PUBLICHNOE AKTSIONERNOE
OBSHESTVO KOMERCHESKI BANK
"PRIVATBANK"
Ul. Nabezhnaia pabedi, 50,
q. Dnepropetrovski, 49094, Ukraine

(111) M 2012 022445 R
(151) 2012 04 05
(181) 2022 04 05
(260) AM 2011 58996 A
(220) 2010 08 06
(732) GKS PARTICIPACOES LTDA.
Benjamin Constant Street, number 273,
room 04, Igrejinha/Center-Rio-Grande-do-
Sul, 95, 650-000, Brazil

(111) M 2012 022446 R
(151) 2012 04 05
(181) 2022 04 05
(260) AM 2011 59187 A
(220) 2010 08 25
(732) WM. WRIGLEY JR. COMPANY
410 North Michigan Avenue, Chicago,
Illinois 60611, USA

(111) M 2012 022447 R
(151) 2012 04 05
(181) 2022 04 05
(260) AM 2011 59310 A
(220) 2010 09 09
(732) Sh.p.s "Badagoni"
Tavisuflebis moedani 4, 0105, Tbilisi,
Georgia

(111) M 2012 022448 R
(151) 2012 04 05
(181) 2022 04 05
(260) AM 2011 59657 A
(220) 2010 09 28
(732) PUBLICHNOE AKTSIONERNOE
OBSHCHESTVO KOMERCHESKII BANK
"PRIVATBANK"
Ul. Naberezhnaia pabedi, 50,
q. Dnepropetrovsk, 49094, Ukraine

(111) M 2012 022449 R
(151) 2012 04 05
(181) 2022 04 05
(260) AM 2011 59658 A
(220) 2010 09 28
(732) PUBLICHNOE AKTSIONERNOE
OBSHCHESTVO KOMERCHESKII BANK
"PRIVATBANK"
Ul. Naberezhnaia pabedi, 50,
q. Dnepropetrovsk, 49094, Ukraine

(111) M 2012 022450 R
(151) 2012 04 05
(181) 2022 04 05
(260) AM 2011 60824 A
(220) 2011 01 10
(732) LTD "LIKA-GEORGIA-LIKA-GEORGIA"
Gagarinis 2 shes., N2/5-4, sart. 3,
P.O. Box: 4, 0160, Tbilisi, Georgia

(111) M 2012 022451 R
(151) 2012 04 05
(181) 2022 04 05
(260) AM 2011 60926 A
(220) 2011 01 21
(732) SH.P.S "POLIGLOTT"
Gudamakris q.4, 0141, Tbilisi, Georgia

(111) M 2012 022452 R
(151) 2012 04 05
(181) 2022 04 05
(260) AM 2011 61001 A
(220) 2011 01 28
(732) WORLD MEDICINE LIMITED
Commonwealth Trust Limited, Drake
Chambers, Tortola, British Virgin Islands

(111) M 2012 022453 R
(151) 2012 04 05
(181) 2022 04 05
(260) AM 2011 61002 A
(220) 2011 01 28
(732) WORLD MEDICINE LIMITED
Commonwealth Trust Limited, Drake
Chambers, Tortola, British Virgin Islands

TRADEMARKS

(111) M 2012 022454 R
(151) 2012 04 05
(181) 2022 04 05
(260) AM 2011 61003 A
(220) 2011 01 28

(732) ROTAPHARM LIMITED
Commonwealth Trust Limited, Drake
Chambers, Tortola, British Virgin Islands

(111) M 2012 022455 R
(151) 2012 04 05
(181) 2022 04 05
(260) AM 2011 61005 A
(220) 2011 01 28

(732) SH.P.S. ORIANA
Samtrediis 1, bina 77, 0119, Tbilisi, Georgia

(111) M 2012 022456 R
(151) 2012 04 05
(181) 2022 04 05
(260) AM 2011 61220 A
(220) 2011 02 08

(732) TEMUR KILADZE
Lomtavidzis q. 24, 3500, Ozurgeti, Georgia

(111) M 2012 022457 R
(151) 2012 04 05
(181) 2022 04 05
(260) AM 2011 61221 A
(220) 2011 02 08

(732) TEMUR KILADZE
Lomtavidzis q. 24, 3500, Ozurgeti, Georgia

(111) M 2012 022458 R
(151) 2012 04 05
(181) 2022 04 05
(260) AM 2011 61226 A
(220) 2011 02 08

(732) CADBURY IRELAND LIMITED
Malahide Road, Coolock, Dublin 5, Ireland

(111) M 2012 022459 R
(151) 2012 04 05
(181) 2022 04 05
(260) AM 2011 61227 A
(220) 2011 02 08

(732) CADBURY IRELAND LIMITED
Malahide Road, Coolock, Dublin 5, Ireland

(111) M 2012 022460 R
(151) 2012 04 05
(181) 2022 04 05

(260) AM 2011 61244 A
(220) 2011 02 09

(732) CADBURY IRELAND LIMITED
Malahide Road, Coolock, Dublin 5, Ireland

(111) M 2012 022461 R
(151) 2012 04 05
(181) 2022 04 05
(260) AM 2011 61270 A
(220) 2011 02 10

(732) GEOMED Medizin-Technik
GmbH & Co. KG
Ludwigstaler straÙe 27, 78532 Tuttlingen,
Germany

(111) M 2012 022462 R
(151) 2012 04 05
(181) 2022 04 05
(260) AM 2011 61313 A
(220) 2011 02 14

(732) CELGENE CORPORATION
86 Morris Avenue, Summit, New Jersey
07901, USA

(111) M 2012 022464 R
(151) 2012 04 05
(181) 2022 04 05
(260) AM 2011 61463 A
(220) 2011 02 21

(732) CELGENE CORPORATION
86 Morris Avenue, Summit, New Jersey
07901, USA

(111) M 2012 022465 R
(151) 2012 04 05
(181) 2022 04 05
(260) AM 2011 61513 A
(220) 2011 02 24

(732) Intersun Holding FZCO
P.O. Box: 61051, Jebel Ali Free Zone,
Dubai, United Arab Emirates

(111) M 2012 022466 R
(151) 2012 04 05
(181) 2022 04 05
(260) AM 2011 61524 A
(220) 2011 02 24

(732) SH.P.S "SI BI ES FARMATSEVTIKALS"
Jansug Kakhidzis qucha 8, 0102, Tbilisi,
Georgia

(111) M 2012 022467 R (151) 2012 04 05 (181) 2022 04 05 (260) AM 2011 61525 A (220) 2011 02 24 (732) SH.P.S "SI BI ES FARMATSEVTIKALS" Jansug Kakhidzis qucha 8, 0102, Tbilisi, Georgia	Landis & Gyr-Strasse 1, CH-6300 Zug, Switzerland
(111) M 2012 022468 R (151) 2012 04 05 (181) 2022 04 05 (260) AM 2011 61527 A (220) 2011 02 24 (732) SH.P.S "SI BI ES FARMATSEVTIKALS" Jansug Kakhidzis qucha 8, 0102, Tbilisi, Georgia	(111) M 2012 022473 R (151) 2012 04 05 (181) 2022 04 05 (260) AM 2011 61539 A (220) 2011 03 01 (732) SONASHI LIMITED RM 1606, PENINSULA SQUARE, 18 SUNG ON STREET, HUNGHOM, The Hong Kong Special Administrative Region of the people's republic of China
(111) M 2012 022469 R (151) 2012 04 05 (181) 2022 04 05 (260) AM 2011 61528 A (220) 2011 02 24 (732) SH.P.S "SI BI ES FARMATSEVTIKALS" Jansug Kakhidzis qucha 8, 0102, Tbilisi, Georgia	(111) M 2012 022474 R (151) 2012 04 05 (181) 2022 04 05 (260) AM 2011 61610 A (220) 2011 03 09 (732) AVANCE' PHYTOTHERAPIES PRIVATE LIMITED 204, Circle-P Building, S.G.HighWay, Ahmedabad, 380054, Gujarat, India
(111) M 2012 022470 R (151) 2012 04 05 (181) 2022 04 05 (260) AM 2011 61530 A (220) 2011 02 24 (732) SH.P.S "SI BI ES FARMATSEVTIKALS" Jansug Kakhidzis qucha 8, 0102, Tbilisi, Georgia	(111) M 2012 022475 R (151) 2012 04 05 (181) 2022 04 05 (260) AM 2011 61613 A (220) 2011 03 10 (732) DUNHILL TOBACO OF LONDON LIMITED Globe House, 4 Temple Place, London WC2R 2PG, United Kingdom
(111) M 2012 022471 R (151) 2012 04 05 (181) 2022 04 05 (260) AM 2011 61534 A (220) 2011 02 28 (732) CILAG GMBH INTERNATIONAL Landis & Gyr-Strasse 1, CH-6300 Zug, Switzerland	(111) M 2012 022476 R (151) 2012 04 05 (181) 2022 04 05 (260) AM 2011 61774 A (220) 2011 03 22 (732) SH.P.S. ASFARMA - SAQARTVELO FARMATSEVTULI KOMPANIA Metexis q. 22, 0103, Tbilisi, Georgia
(111) M 2012 022472 R (151) 2012 04 05 (181) 2022 04 05 (260) AM 2011 61535 A (220) 2011 02 28 (732) CILAG GMBH INTERNATIONAL	(111) M 2012 022477 R (151) 2012 04 05 (181) 2022 04 05 (260) AM 2011 61775 A (220) 2011 03 22 (732) SH.P.S. ASFARMA - SAQARTVELO FARMATSEVTULI KOMPANIA Metexis q. 22, 0103, Tbilisi, Georgia

TRADEMARKS

(111) M 2012 022478 R (151) 2012 04 05 (181) 2022 04 05 (260) AM 2011 61776 A (220) 2011 03 22 (732) SH.P.S. ASFARMA - SAQARTVELO FARMATSEVTULI KOMPANIA Metexis q. 22, 0103, Tbilisi, Georgia	One Procter & Gamble Plaza, Cincinnati, Ohio 45202, USA
(111) M 2012 022479 R (151) 2012 04 05 (181) 2022 04 05 (260) AM 2011 61777 A (220) 2011 03 22 (732) SH.P.S. ASFARMA - SAQARTVELO FARMATSEVTULI KOMPANIA Metexis q. 22, 0103, Tbilisi, Georgia	(111) M 2012 022484 R (151) 2012 04 05 (181) 2022 04 05 (260) AM 2011 61938 A (220) 2011 04 01 (732) SH.P.S. ASFARMA - SAQARTVELO FARMATSEVTULI KOMPANIA Metexis q. 22, 0103, Tbilisi, Georgia
(111) M 2012 022480 R (151) 2012 04 05 (181) 2022 04 05 (260) AM 2011 61785 A (220) 2011 03 22 (732) TOYOTA JIDOSHA KABUSHIKI KAISHA (also trading as TOYOTA MOTOR CORPORATION) 1, Toyota-Cho, Toyota-Shi, Aichi-Ken, Japan	(111) M 2012 022485 R (151) 2012 04 05 (181) 2022 04 05 (260) AM 2011 61955 A (220) 2011 04 04 (732) IRAKLI GLONTI Iv. Javakhishvilis q.27, 0102, Tbilisi, Georgia
(111) M 2012 022481 R (151) 2012 04 05 (181) 2022 04 05 (260) AM 2011 61865 A (220) 2011 03 29 (732) Aujan Industries Co (S.J.C) P.O. box 990, Dammam, 31421, Saudi Arabia	(111) M 2012 022486 R (151) 2012 04 05 (181) 2022 04 05 (260) AM 2011 62026 A (220) 2011 04 08 (732) Amoun Pharmaceutical Industries Co. S.A.E. El Salam City 11491, PO Box 3001, Cairo, Egypt
(111) M 2012 022482 R (151) 2012 04 05 (181) 2022 04 05 (260) AM 2011 61874 A (220) 2011 03 30 (732) SH.P.S "SUFTA SAMKARO" Digmis masivi, me-5 kv. korp.1, 0159, Tbilisi, Georgia	(111) M 2012 022487 R (151) 2012 04 05 (181) 2022 04 05 (260) AM 2011 62153 A (220) 2011 04 20 (732) SH.P.S "EKONOMI" Zovretisa da Mgaloblishvilis quchebis kutkhe, 0160, Tbilisi, Georgia
(111) M 2012 022483 R (151) 2012 04 05 (181) 2022 04 05 (260) AM 2011 61885 A (220) 2011 03 30 (732) THE PROCTER & GAMBLE COMPANY	(111) M 2012 022488 R (151) 2012 04 05 (181) 2022 04 05 (260) AM 2011 62326 A (220) 2011 05 04 (732) SS "SAQARTVELOS BANKI" Pushkinis q. 3, 0105, Tbilisi, Georgia
	(111) M 2012 022489 R (151) 2012 04 05 (181) 2022 04 05

(260) AM 2011 62328 A
(220) 2011 05 04
(732) SS "SAQARTVELOS BANKI"
Pushkinis q. 3, 0105, Tbilisi, Georgia

(111) M 2012 022490 R
(151) 2012 04 05
(181) 2022 04 05
(260) AM 2011 62329 A
(220) 2011 05 04
(732) SS "SAQARTVELOS BANKI"
Pushkinis q. 3, 0105, Tbilisi, Georgia

(111) M 2012 022491 R
(151) 2012 04 05
(181) 2022 04 05
(260) AM 2011 62330 A
(220) 2011 05 04
(732) SS "SAQARTVELOS BANKI"
Pushkinis q. 3, 0105, Tbilisi, Georgia

(111) M 2012 022492 R
(151) 2012 04 05
(181) 2022 04 05
(260) AM 2011 62331 A
(220) 2011 05 04
(732) SS "SAQARTVELOS BANKI"
Pushkinis q. 3, 0105, Tbilisi, Georgia

TRADEMARKS REGISTERED ACCORDING TO THE ACCELERATED PROCEDURE

To file an appeal on request of the registration cancelling is possible at Chamber of Appeal of Sakpatenti within 3 months from the publication.

(111) M 2012 22493 R
(151) 2012 04 06
(181) 2022 04 06
(210) AM 066466
(220) 2012 03 09
(732) SH.P.S "GUGULI"
Agmasheneblis q. 67, 1100, Bolnisi, Georgia
(740) Nugzar Ksovreli
(540)

ВИТОБТ

(591) Black, white
(511) 33

(111) M 2012 22494 R
(151) 2012 04 06
(181) 2022 04 06
(210) AM 066612
(220) 2012 03 21
(732) SS "LILO 1"
Iumashevis q. N14, 0198, Tbilisi, Georgia
(540)



(591) Black, white , dark yellow
(531) 26.04.09-26.04.22-27.07.01-29.01.12-
(526) **Disclaimer** – Word combination " LILO" in
the trademark shall not be subject to
independent protection.
(511) 38, 39

(111) M 2012 22495 R
(151) 2012 04 06
(181) 2022 04 06
(210) AM 066613
(220) 2012 03 21
(732) SS "LILO 1"
Iumashevis q. N14, 0198, Tbilisi, Georgia
(540)



(591) Black, white , dark yellow
(531) 26.04.09-26.04.22-28.19.00-29.01.12-
(526) **Disclaimer** – Word combination " LILO" in
the trademark shall not be subject to
independent protection.
(511) 38, 39

(111) M 2012 22496 R
(151) 2012 04 12
(181) 2022 04 12
(210) AM 066407
(220) 2012 03 02
(732) SH.P.S "QARTULI SAVACHRO JGUFI"
Gagarinis I shesakhv. N1, 0160, Tbilisi,
Georgia
(540)

ჯგო
EGO
ЕГО

(591) Black, white
(511) 33

INTERNATIONAL TRADEMARKS LAID OPEN FOR THE PURPOSE OF TAKING PROTECTION GRANTING DECISIONS

To appeal a decision is possible at Chamber of Appeal of Sakpatenti within 3 months from the publication or at The Board of Administrative Actions of Tbilisi City Court within a 1 month period. (Address: 12 km., №6, David Aghmashenebeli Kheivani, Tbilisi).

(260) AM 2012 61397 A*

(800) 1064324

(731) ARTSANA S.P.A.

Via Saldarini Catelli 1, I- 22070 Grandate
(CO), Italy

(540)

PIC SOLUTION

(591) Black, white

(511)

3 – Room fragrance.

5 – Materials for dressings, gauze, gauze pads, bandages of all kinds included in this class, adhesive bandages for medical purposes, plasters, waterproof and impact resistant plasters; medicated patches; plasters impregnated with transdermally active preparations; bandages and dressings for medical purposes, absorbent cotton of all kinds; hygienic bandages, tampons and ocular bandages; disinfectants; room fragrance; balsam solutions and essences for rooms; saline solutions, materials for diagnostic tests for medical purposes and diagnostic reagents, first-aid kits.

10 – Medical instruments and apparatus; surgical instruments; hypodermic syringes; disposable syringes; needles for injections, catheters, syringes of all kinds for medical purposes; orthopedic articles; thermometers and measuring instruments for medical purposes; arterial blood pressure measuring apparatus, blood pressure measuring apparatus, stethoscopes; aerosol apparatus and fittings therefor; inhalers and fittings therefor; rigid bandages for orthopaedic purposes; humidifiers and vaporisers for medical purposes; reusable heat-releasing neck cushions for medical purposes, pads for medical purposes; apparatus for diagnostic medical tests, including in kit form; first-aid equipment, including in kit form; heating pads for medical purposes; thermal compresses and dressings for first aid for medical purposes; heating blankets and heating cushions for medical purposes; instant ice for first aid and for medical purposes; disposable containers for diagnostic purposes; ear plugs; disposable gloves for examination, gloves for medical and surgical purposes, tourniquets; therapeutic devices for administering oxygen; urinals, furniture for medical pur-

poses and hospitals; disposable medical and surgical products, including sheets for medical and surgical purposes, draw-sheets for sick beds, surgical drapes and operating covers, liquid-proof coverings of textile or not of textile and/or film for beds, medical examination tables and stretchers, covers for covering the entire human body and/or limited areas of the body; pen needles for medical use.

11 – Humidifiers and vaporisers, not for medical purposes; sterilizers.

(260) AM 2012 61541 A*

(800) 1065718

(731) GUANGDONG WINTO CERAMICS CO.,
LTD.

Dalan Industrial District, Guanyao Nanhai,
Foshan City, 528100 Guangdong Province,
China

(540)

ITTO

意特陶

(591) Black, white

(511)

19 – Ceramics (for building) not of metal.

INTERNATIONAL TRADEMARKS PROTECTED IN GEORGIA

(260) AM 2012 59936 A
(800) 1050616
(151) 2010 02 26
(181) 2020 02 26
(511) 35, 36, 41

(260) AM 2012 60020 A
(800) 1051530
(151) 2010 07 26
(181) 2020 07 26
(511) 03, 09, 14, 18, 25, 35

(260) AM 2012 60501 A
(800) 1056109
(151) 2010 04 19
(181) 2020 04 19
(511) 07, 25, 37, 42

(260) AM 2012 61354 A
(800) 692755
(151) 2008 05 20
(181) 2018 05 20
(511) 30

(260) AM 2012 61400 A
(800) 1064422
(151) 2010 12 03
(181) 2020 12 03
(511) 09, 35, 38, 42

(260) AM 2012 61401 A
(800) 1064423
(151) 2010 07 09
(181) 2020 07 09
(511) 13

(260) AM 2012 61403 A
(800) 1064432
(151) 2010 11 01
(181) 2020 11 01
(511) 30

(260) AM 2012 61404 A
(800) 1064433
(151) 2010 12 16

(181) 2020 12 16
(511) 05

(260) AM 2012 61405 A
(800) 1064434
(151) 2010 12 14
(181) 2020 12 14
(511) 05

(260) AM 2012 61406 A
(800) 1064435
(151) 2010 12 14
(181) 2020 12 14
(511) 05

(260) AM 2012 61407 A
(800) 1064461
(151) 2010 11 08
(181) 2020 11 08
(511) 30, 35

(260) AM 2012 61408 A
(800) 1064462
(151) 2010 11 08
(181) 2020 11 08
(511) 30, 35

(260) AM 2012 61409 A
(800) 1064463
(151) 2010 11 08
(181) 2020 11 08
(511) 30, 35

(260) AM 2012 61464 A
(800) 1064983
(151) 2010 09 16
(181) 2020 09 16
(511) 03, 20, 21, 35, 44

(260) AM 2012 61465 A
(800) 1065060
(151) 2010 11 01
(181) 2020 11 01
(511) 01, 02, 07, 09, 16, 40, 45

(260) AM 2012 61467 A
(800) 1065100
(151) 2010 07 08
(181) 2020 07 08
(511) 01, 07, 09, 11, 12, 16, 17, 35

(260) AM 2012 61550 A
(800) 1066015
(151) 2010 09 20
(181) 2020 09 20
(511) 02

(260) AM 2012 61469 A
(800) 1065019
(151) 2010 12 22
(181) 2020 12 22
(511) 01, 05, 07, 09, 11, 16, 40, 42

(260) AM 2012 61551 A
(800) 1066032
(151) 2010 12 20
(181) 2020 12 20
(511) 25, 35

(260) AM 2012 61470 A
(800) 1065064
(151) 2010 11 23
(181) 2020 11 23
(511) 01, 05, 07, 09, 11, 16, 40, 42

(260) AM 2012 61552 A
(800) 1066055
(151) 2010 10 04
(181) 2020 10 04
(511) 05, 10

(260) AM 2012 61471 A
(800) 1065066
(151) 2010 12 21
(181) 2020 12 21
(511) 01, 05, 07, 09, 11, 16, 40, 42

(260) AM 2012 61553 A
(800) 1066071
(151) 2010 12 31
(181) 2020 12 31
(511) 05, 09, 10, 16, 35, 38, 41, 42, 44

(260) AM 2012 61472 A
(800) 1065067
(151) 2010 12 22
(181) 2020 12 22
(511) 01, 05, 07, 09, 11, 16, 40, 42

(260) AM 2012 61554 A
(800) 1066094
(151) 2011 01 10
(181) 2021 01 10
(511) 32, 33, 34

(260) AM 2012 61473 A
(800) 1065068
(151) 2010 12 24
(181) 2020 12 24
(511) 01, 05, 09, 16, 42

(260) AM 2012 61646 A
(800) 1067050
(151) 2010 12 29
(181) 2020 12 29
(511) 09

(260) AM 2012 61548 A
(800) 1065962
(151) 2010 02 15
(181) 2020 02 15
(511) 28

(260) AM 2012 61647 A
(800) 1067073
(151) 2011 01 13
(181) 2021 01 13
(511) 05

(260) AM 2012 61549 A
(800) 1065999
(151) 2010 12 14
(181) 2020 12 14
(511) 01, 05

(260) AM 2012 61698 A
(800) 1067715
(151) 2011 01 04
(181) 2021 01 04
(511) 05

TRADEMARKS

(260) AM 2012 61699 A
(800) 1067730
(151) 2011 01 13
(181) 2021 01 13
(511) 24, 25, 29, 30, 35

(260) AM 2012 61873 A
(800) 1068901
(151) 2010 10 15
(181) 2020 10 15
(511) 01

(260) AM 2012 61701 A
(800) 1067741
(151) 2011 01 14
(181) 2021 01 14
(511) 03

(260) AM 2012 61875 A
(800) 1068927
(151) 2011 01 14
(181) 2021 01 14
(511) 03, 09, 14, 18, 25, 26, 35

(260) AM 2012 61806 A
(800) 1028701
(151) 2009 10 12
(181) 2019 10 12
(511) 29

(260) AM 2012 61876 A
(800) 1068946
(151) 2010 12 22
(181) 2020 12 22
(511) 03, 09, 18, 25

(260) AM 2012 61807 A
(800) 908779
(151) 2006 08 17
(181) 2016 08 17
(511) 12

(260) AM 2012 61877 A
(800) 1068955
(151) 2011 01 24
(181) 2021 01 24
(511) 03, 18

(260) AM 2012 61813 A
(800) 1068426
(151) 2011 01 28
(181) 2021 01 28
(511) 16, 35, 40, 41, 42, 44

(260) AM 2012 61878 A
(800) 1068998
(151) 2011 01 20
(181) 2021 01 20
(511) 05

(260) AM 2012 61814 A
(800) 1068427
(151) 2011 01 29
(181) 2021 01 29
(511) 01, 05, 07, 09, 11, 16, 40, 42

(260) AM 2012 61899 A
(800) 1069136
(151) 2011 01 19
(181) 2021 01 19
(511) 12, 27, 28

(260) AM 2012 61871 A
(800) 1068894
(151) 2010 08 05
(181) 2020 08 05
(511) 35, 36, 42, 44, 45

(260) AM 2012 61900 A
(800) 1069139
(151) 2011 01 07
(181) 2021 01 07
(511) 05

(260) AM 2012 61872 A
(800) 1068896
(151) 2010 10 19
(181) 2020 10 19
(511) 32, 33

(260) AM 2012 61901 A
(800) 1069159
(151) 2011 02 01
(181) 2021 02 01
(511) 05

(260) AM 2012 61902 A
(800) 1069195
(151) 2010 11 12
(181) 2020 11 12
(511) 07, 12, 37

(260) AM 2012 61995 A
(800) 1069888
(151) 2011 02 17
(181) 2021 02 17
(511) 30

(260) AM 2012 61903 A
(800) 1069198
(151) 2011 02 07
(181) 2021 02 07
(511) 34

(260) AM 2012 61996 A
(800) 1069930
(151) 2010 09 10
(181) 2020 09 10
(511) 29, 30, 35

(260) AM 2012 61905 A
(800) 1069217
(151) 2011 03 02
(181) 2021 03 02
(511) 05, 32

(260) AM 2012 61997 A
(800) 1069933
(151) 2011 01 24
(181) 2021 01 24
(511) 32

(260) AM 2012 61906 A
(800) 1069225
(151) 2010 08 12
(181) 2020 08 12
(511) 03

(260) AM 2012 61998 A
(800) 1069955
(151) 2010 11 12
(181) 2020 11 12
(511) 33

(260) AM 2012 61913 A
(800) 1069263
(151) 2010 12 16
(181) 2020 12 16
(511) 05, 16, 35, 38, 41, 44

(260) AM 2012 61999 A
(800) 1069962
(151) 2010 12 10
(181) 2020 12 10
(511) 03, 25, 35

(260) AM 2012 61984 A
(800) 1069723
(151) 2011 01 13
(181) 2021 01 13
(511) 12, 28

(260) AM 2012 62000 A
(800) 1069971
(151) 2011 01 17
(181) 2021 01 17
(511) 14

(260) AM 2012 61992 A
(800) 1069789
(151) 2010 12 08
(181) 2020 12 08
(511) 05

(260) AM 2012 62001 A
(800) 1069990
(151) 2011 02 10
(181) 2021 02 10
(511) 05

(260) AM 2012 61993 A
(800) 1069810
(151) 2010 12 23
(181) 2020 12 23
(511) 36

(260) AM 2012 62002 A
(800) 1069998
(151) 2011 01 25
(181) 2021 01 25
(511) 05, 29, 30

TRADEMARKS

(260) AM 2012 62003 A
(800) 1070012
(151) 2011 02 23
(181) 2021 02 23
(511) 06, 19

(260) AM 2012 62076 A
(800) 1065551
(151) 2010 10 25
(181) 2020 10 25
(511) 36

(260) AM 2012 62004 A
(800) 1070013
(151) 2011 02 11
(181) 2021 02 11
(511) 30

(260) AM 2012 62204 A
(800) 1071458
(151) 2011 02 16
(181) 2021 02 16
(511) 29

(260) AM 2012 62034 A
(800) 1070288
(151) 2011 02 11
(181) 2021 02 11
(511) 30

(260) AM 2012 62205 A
(800) 1071470
(151) 2011 03 14
(181) 2021 03 14
(511) 29

(260) AM 2012 62052 A
(800) 1070291
(151) 2011 02 11
(181) 2021 02 11
(511) 30

(260) AM 2012 62206 A
(800) 1071472
(151) 2011 02 04
(181) 2021 02 04
(511) 03, 05

(260) AM 2012 62072 A
(800) 1065216
(151) 2010 08 10
(181) 2020 08 10
(511) 32

(260) AM 2012 62207 A
(800) 1071473
(151) 2011 02 17
(181) 2021 02 17
(511) 11, 17, 21

(260) AM 2012 62073 A
(800) 1065252
(151) 2010 10 07
(181) 2020 10 07
(511) 09

(260) AM 2012 62208 A
(800) 1071486
(151) 2010 12 30
(181) 2020 12 30
(511) 07, 37

(260) AM 2012 62074 A
(800) 1065483
(151) 2010 09 15
(181) 2020 09 15
(511) 07, 12

(260) AM 2012 62209 A
(800) 1071492
(151) 2010 10 25
(181) 2020 10 25
(511) 25

(260) AM 2012 62075 A
(800) 1065503
(151) 2010 08 06
(181) 2020 08 06
(511) 34

(260) AM 2012 62210 A
(800) 1071497
(151) 2011 03 15
(181) 2021 03 15
(511) 33

(260) AM 2012 62211 A
(800) 1071500
(151) 2011 02 24
(181) 2021 02 24
(511) 10

(260) AM 2012 62212 A
(800) 1071547
(151) 2010 07 08
(181) 2020 07 08
(511) 03, 04, 09, 12, 14, 16, 18, 20, 25, 28, 30, 32,
35, 36, 38, 39, 41, 43

(260) AM 2012 62213 A
(800) 1071579
(151) 2011 01 31
(181) 2021 01 31
(511) 25, 28

(260) AM 2012 62215 A
(800) 1071589
(151) 2010 10 18
(181) 2020 10 18
(511) 18, 25, 35

(260) AM 2012 62216 A
(800) 1071596
(151) 2010 11 19
(181) 2020 11 19
(511) 06, 07, 09, 11, 12, 37, 41, 42

(260) AM 2012 62217 A
(800) 1071610
(151) 2011 02 09
(181) 2021 02 09
(511) 20

(260) AM 2012 62221 A
(800) 1071619
(151) 2011 02 10
(181) 2021 02 10
(511) 30

(260) AM 2012 62222 A
(800) 1071663
(151) 2011 01 14
(181) 2021 01 14
(511) 19

(260) AM 2012 62289 A
(800) 1026242
(151) 2009 11 03
(181) 2019 11 03
(511) 01, 03, 04, 05, 06, 07, 09, 10, 11, 12, 14, 16,
17, 18, 19, 25, 28, 29, 30, 32, 35, 36, 37, 38,
39, 40, 41, 42, 43, 44

(260) AM 2012 62410 A
(800) 1073033
(151) 2011 03 08
(181) 2021 03 08
(511) 05

(260) AM 2012 62411 A
(800) 1073034
(151) 2011 03 08
(181) 2021 03 08
(511) 05

(260) AM 2012 62412 A
(800) 1073035
(151) 2011 03 08
(181) 2021 03 08
(511) 05

(260) AM 2012 62443 A
(800) 527729
(151) 2008 08 18
(181) 2018 08 18
(511) 05

OFFICIAL NOTIFICATIONS

INVENTIONS

RENEWAL OF PATENTS

(11) P 2010 5089 B

(73) Boris Karasev (GE);

Roman Karasev (GE)

(54) **METHOD FOR DEFINITION OF
TRANSFORMATION RATIO OF HIGH-
VOLTAGE TRANSFORMER**

DATE OF RENEWAL: 2012 04 25

(11) P 2009 4732 B

(73) Nona Mamulaishvili (GE);

Zurab Megrelishvili (GE);

Eteri Nizharadze (GE)

(54) **FUEL COMPOSITION**

DATE OF RENEWAL: 2012 04 25

(11) P 2010 5014 B

(73) George Tumanishvili (GE);

Jemal Bolashvili (GE);

Zurab Tsintsadze (GE);

Irakli Ninua (GE);

Levan Kavtaradze (GE);

Ioseb Tumanishvili (GE)

(54) **DEVICE FOR MOVEMENT OF TRAIN
BY RAILWAY WITH DIFFERENT
WIDTH OF TRACK**

DATE OF RENEWAL: 2012 04 25

UTILITY MODELS**RENEWAL OF PATENTS****(11) U 2009 1530 Y**

- (73) Givi Papava (GE);
Nora Dokhturishvili (GE);
Nazi Gelashvili (GE);
Nunu Maisuradze (GE);
Eteri Gavashelidze (GE);
Nanuli Khotenashvili (GE);
Ketevan Ebralidze (GE);
Shalva Papava (GE);
Zaza Molodinashvili (GE);
Eldar Gugava (GE);
Ija Chitrekashvili (GE);
Riva Liparteliani (GE)

**(54) METHOD OF NATURAL SORBENT
RECEPTION**

DATE OF RENEWAL: 2012 04 25

(11) U 2011 1676 Y

- (73) Eteri Khargelia (GE);
Jamlet Sakandelidze (GE)
- (54) **METHOD FOR PRODUCTION OF
GREEN TEA SYRUP FOR SPARKLING
NON-ALCOHOLIC DRINKS**

DATE OF RENEWAL: 2012 04 25

(11) U 2009 1545 Y

- (73) Givi Papava (GE);
Eteri Gavashelidze (GE);
Nora Dokhturishvili (GE);
Nunu Maisuradze (GE);
Nazi Gelashvili (GE);
Ketevan Papava (GE);
Eldar Gugava (GE);
Riva Liparteliani (GE);
Marine Gurgenishvili (GE);
Nanuli Khotenashvili (GE)

**(54) METHOD OF RECEPTION OF THE
PROLONGED ACTION FERTILIZER
CONTAINING NITROGEN AND
POTASSIUM**

DATE OF RENEWAL: 2012 04 25

(11) U 2009 1546 Y

- (73) Givi Papava (GE);
Nunu Maisuradze (GE);
Nora Dokhturishvili (GE);
Ketevan Papava (GE);
Shalva Papava (GE);
Eteri Gavashelidze (GE);
Eldar Gugava (GE);
Riva Liparteliani (GE);
Nanuli Khotenashvili (GE);
Zurab Tabukashvili (GE);
Nazi Gelashvili (GE)

**(54) METHOD OF RECEPTION OF
UNIVERSAL NPK CONTAINING
FERTILIZER OF THE PROLONGED
ACTION**

DATE OF RENEWAL: 2012 04 25

INVALIDATION OF PATENTS

(11) **U 2010 1596 Y** (51) **Int. Cl. (2006)**
 A 23 L 1/18
(10) AU 2009 11281 U (44) 21(289)/2009
(21) AU 2009 011281
(22) 2009 06 01
(24) 2009 06 01
(73) George Abesadze (GE)
 Varketilis IV mkr., II rigi, korp.5, b.61, 0182,
 Tbilisi (GE)
(72) George Abesadze (GE)
(54) **FOODSTUFF**

In accordance with Paragraph 2(d) of Article 6 of the Statute, approved by Resolution of the Government of Georgia N181 of July 3, 2010, On Approval of the Statute on the Legal Entity of Public Law – National Intellectual Property Center of Georgia “Sakpatenti”, Article 52 of General Administrative Code of Georgia, Paragraphs 4 and 5 of Article 421 of the Patent Law of Georgia and the attached conclusion of examination

Order number: 46/02
Order date: 2012 01 26

TRADEMARKS

COMPLETE TRANSFER OF RIGHTS

(111) M 2006 016765 R
(732) BATA BRANDS S.A.R.L.
P.O. Box 1638, L-1016 Luxembourg,
Luxembourg
(770) BATA BRANDS S.A.R.L.
Luxembourg, succursale de Lausanne,
Avenue de Rhodanie 70, 1007 Lausanne,
Switzerland
(580) 2012 04 11

(111) M 2008 018757 R
(732) ZAKRITOE AKTSIONERNOE
OBSCHESTVO "PIVOVARNIA
MOSKVA- EFES"
Ul. Podolskix kursantov, d.15B, 117546
Moscow, Russian Federation
(770) ZAKRITOE AKTSIONERNOE
OBSCHESTVO "PIVOVARENNOE
OBIEDINENIE "KRASNI VOSTOK-
SOLODOVPIVO"
Ul. Tikhoretskaia, 5, 420054 Kazani, Russian
Federation
(580) 2012 04 17

(111) M 2008 018965 R
(732) SS "QARTULI FOLADI"
Gagarinis q.12, 3077, Rustavi, Georgia
(770) SS "RUSTAVIS METALURGIULI
QARKHANA"
Gagarinis q.12, 3077, Rustavi, Georgia
(580) 2008 09 25

(111) M 2009 019851 R
(732) ZAKRITOE AKTSIONERNOE
OBSCHESTVO "PIVOVARNIA
MOSKVA- EFES"
Ul. Podolskix kursantov, d.15B, 117546
Moscow, Russian Federation
(770) ZAKRITOE AKTSIONERNOE
OBSCHESTVO "PIVOVARENNOE
OBIEDINENIE "KRASNI VOSTOK-
SOLODOVPIVO"
Ul. Tikhoretskaia, d. 5, 420054 Kazani,
Russian Federation
(580) 2012 04 17

(111) M 2010 020308 R
(732) ZAKRITOE AKTSIONERNOE
OBSCHESTVO "PIVOVARNIA
MOSKVA- EFES"
Ul. Podolskix kursantov, d.15B, 117546
Moscow, Russian Federation
(770) ZAKRITOE AKTSIONERNOE
OBSCHESTVO "PIVOVARENNOE
OBIEDINENIE "KRASNI VOSTOK-
SOLODOVPIVO"
Ul. Tikhoretskaia, d. 5, 420054 Kazani,
Russian Federation
(580) 2012 04 17

(111) M 2010 020749 R
(732) ZAKRITOE AKTSIONERNOE
OBSCHESTVO "PIVOVARNIA
MOSKVA- EFES"
Ul. Podolskix kursantov, d.15B, 117546
Moscow, Russian Federation
(770) ZAKRITOE AKTSIONERNOE
OBSCHESTVO "PIVOVARENNOE
OBIEDINENIE "KRASNI VOSTOK-
SOLODOVPIVO"
Ul. Tikhoretskaia, d. 5, 420054 Kazani,
Russian Federation
(580) 2012 04 17

(111) M 2010 020750 R
(732) ZAKRITOE AKTSIONERNOE
OBSCHESTVO "PIVOVARNIA
MOSKVA- EFES"
Ul. Podolskix kursantov, d.15B, 117546
Moscow, Russian Federation
(770) ZAKRITOE AKTSIONERNOE
OBSCHESTVO "PIVOVARENNOE
OBIEDINENIE "KRASNI VOSTOK-
SOLODOVPIVO"
Ul. Tikhoretskaia, d. 5, 420054 Kazani,
Russian Federation
(580) 2012 04 17

(111) M 2010 020865 R
(732) ZAKRITOE AKTSIONERNOE
OBSCHESTVO "PIVOVARNIA
MOSKVA- EFES"
Ul. Podolskix kursantov, d.15B, 117546

Moscow, Russian Federation
(770) ZAKRITOE AKTSIONERNOE
OBESHCHESTVO "PIVOVARENNOE
OBIEDINENIE "KRASNI VOSTOK-
SOLODOVPIVO"
Ul. Tikhoretskaia, d. 5, 420054 Kazani,
Russian Federation
(580) 2012 04 17

(111) M 2011 021421 R
(732) ZAKRITOE AKTSIONERNOE
OBESHCHESTVO "PIVOVARNIA
MOSKVA- EFES"
Ul. Podolskix kursantov, d.15B, 117546
Moscow, Russian Federation
(770) ZAKRITOE AKTSIONERNOE
OBESHCHESTVO "PIVOVARENNOE
OBIEDINENIE "KRASNI VOSTOK-
SOLODOVPIVO"
Ul. Tikhoretskaia, d. 5, 420054 Kazani,
Russian Federation
(580) 2012 04 17

(111) M 2011 021422 R
(732) ZAKRITOE AKTSIONERNOE
(732) ZAKRITOE AKTSIONERNOE
OBESHCHESTVO "PIVOVARNIA
MOSKVA- EFES"
Ul. Podolskix kursantov, d.15B, 117546
Moscow, Russian Federation
(770) ZAKRITOE AKTSIONERNOE
OBESHCHESTVO "PIVOVARENNOE
OBIEDINENIE "KRASNI VOSTOK-
SOLODOVPIVO"
Ul. Tikhoretskaia, d. 5, 420054 Kazani,
Russian Federation
(580) 2012 04 17

(111) M 1996 002560 R1
(732) JVC KENWOOD CORPORATION
3-12, Moriyacho, Kanagawa-Ku, Yokohama-
Shi, Kanagawa, Japan
(770) KABUSHIKI KAISHA KENWOOD
(Also trading as Kenwood Corporation)
2967-3, Ishikawa-Machi, Hachioji-Shi,
Tokyo, Japan
(580) 2012 04 02

(111) M 1997 006587 R1
(732) JVC KENWOOD CORPORATION
3-12, Moriyacho, Kanagawa-Ku, Yokohama-
Shi, Kanagawa, Japan
(770) VICTOR COMPANY OF JAPAN LIMITED
N12, 3-Chome, Moriya-Cho, Kanagawa-Ku,

Yokohama Sity, Japan
(580) 2012 04 02

(111) M 1994 000094 R1
(732) JVC KENWOOD CORPORATION
3-12, Moriyacho, Kanagawa-Ku, Yokohama-
Shi, Kanagawa, Japan
(770) VICTOR COMPANY OF JAPAN, LIMITED
12, Moriya-Cho 3-Chome, Kanagawa-Ku,
Yokohama-Shi, Kanagawa-Ken, Japan
(580) 2012 04 02

(111) M 1994 000095 R1
(732) JVC KENWOOD CORPORATION
3-12, Moriyacho, Kanagawa-Ku, Yokohama-
Shi, Kanagawa, Japan
(770) KABUSHIKI KAISHA KENWOOD
(Also trading as Kenwood Corporation)
2967-3, Ishikawa-Machi, Hachioji-Shi,
Tokyo, Japan
(580) 2012 04 02

CHANGES IN NAMES AND/OR ADDRESSES OF OWNERS

- (111) M 1999 011565 R1
 (732) SCHERING-PLOUGH LLC
 Weystrasse 20, CH- 6000 LUCERNE 6,
 Switzerland
 (770) SCHERING-PLOUGH LTD.
 Weystrasse 20, CH 6004, LUCERNE 6,
 Switzerland
 (580) 2012 04 03
-
- (111) M 1999 011565 R1
 (732) MSD International Holdings GmbH
 Weystrasse 20, CH-6000, Lucerne 6,
 Switzerland
 (770) SCHERING-PLOUGH LLC
 Weystrasse 20, CH- 6000 LUCERNE 6,
 Switzerland
 (580) 2012 04 03
-
- (111) M 2001 014220 R1
 (732) SCHERING-PLOUGH LLC
 Weystrasse 20, CH- 6000 LUCERNE 6,
 Switzerland
 (770) SCHERING-PLOUGH LTD
 Weystrasse 20, CH- 6004, Lucerne 6,
 Switzerland
 (580) 2012 04 03
-
- (111) M 2001 014220 R1
 (732) MSD International Holdings GmbH
 Weystrasse 20, CH-6000, Lucerne 6,
 Switzerland
 (770) SCHERING-PLOUGH LLC
 Weystrasse 20, CH- 6000 LUCERNE 6,
 Switzerland
 (580) 2012 04 03
-
- (111) M 2001 014221 R1
 (732) SCHERING-PLOUGH LLC
 Weystrasse 20, CH- 6000 LUCERNE 6,
 Switzerland
 (770) SCHERING-PLOUGH LTD.
 Weystrasse 20, CH- 6000 LUCERNE 6,
 Switzerland
 (580) 2012 04 03
-
- (111) M 2001 014221 R1
 (732) MSD International Holdings GmbH
- (111) M 2002 014244 R1
 (732) FUJITSU LIMITED
 1-1, Kamikodanaka 4-chome, Nakahara-ku,
 Kawasaki-shi, Kanagawa 211-8588, Japan
 (770) FUJITSU LIMITED
 1015, Kamikodanaka, Nakahara-ku,
 Kawasaki-shi, Kanagawa 211, Japan
 (580) 2012 04 02
-
- (111) M 2002 014245 R1
 (732) FUJITSU LIMITED
 1-1, Kamikodanaka 4-chome, Nakahara-ku,
 Kawasaki-shi, Kanagawa 211-8588, Japan
 (770) FUJITSU LIMITED
 1015, Kamikodanaka, Nakahara-ku,
 Kawasaki-shi, Kanagawa 211, Japan
 (580) 2012 04 02
-
- (111) M 2008 018214 R
 (732) SCHERING-PLOUGH LLC
 Weystrasse 20, CH- 6000 LUCERNE 6,
 Switzerland
 (770) SCHERING-PLOUGH LTD.
 Weystrasse 20, CH- 6000 LUCERNE 6,
 Switzerland
 (580) 2012 04 03
-
- (111) M 2008 018214 R
 (732) MSD International Holdings GmbH
 Weystrasse 20, CH-6000, Lucerne 6,
 Switzerland
 (770) SCHERING-PLOUGH LLC
 Weystrasse 20, CH- 6000 LUCERNE 6,
 Switzerland
 (580) 2012 04 03
-
- (111) M 2008 018215 R
 (732) SCHERING-PLOUGH LLC
 Weystrasse 20, CH- 6000 LUCERNE 6,
 Switzerland

(770) SCHERING-PLOUGH LTD.
Weystrasse 20, CH- 6000 LUCERNE 6,
Switzerland
(580) 2012 04 03

(111) M 2008 018215 R
(732) MSD International Holdings GmbH
Weystrasse 20, CH-6000, Lucerne 6,
Switzerland

(770) SCHERING-PLOUGH LLC
Weystrasse 20, CH- 6000 LUCERNE 6,
Switzerland
(580) 2012 04 03

(111) M 2008 018216 R
(732) SCHERING-PLOUGH LLC
Weystrasse 20, CH- 6000 LUCERNE 6,
Switzerland

(770) SCHERING-PLOUGH LTD.
Weystrasse 20, CH- 6000 LUCERNE 6,
Switzerland
(580) 2012 04 03

(111) M 2008 018216 R
(732) MSD International Holdings GmbH
Weystrasse 20, CH-6000, Lucerne 6,
Switzerland
(770) SCHERING-PLOUGH LLC
Weystrasse 20, CH- 6000 LUCERNE 6,
Switzerland
(580) 2012 04 03

(111) M 2008 018757 R
(732) ZAKRITOE AKTSIONERNOE
OBSCHESTVO "PIVOVARENNOE
OBIEDINENIE
"KRASNI VOSTOK-SOLODOVPIVO"
Ul. Tikhoretskaia, 5, 420054 Kazani,
Russian Federation
(770) OTKRITOE AKTSIONERNOE
OBSCHESTVO PIVOVARENNOE
OBIEDINENIE "KRASNI VOSTOK-
SOLODOVPIVO"
Ul. Tikhoretskaia, 5, 420054 Kazani, Russian
Federation
(580) 2012 04 17

(111) M 2009 019851 R
(732) ZAKRITOE AKTSIONERNOE
OBSCHESTVO "PIVOVARENNOE
OBIEDINENIE "KRASNI VOSTOK-
SOLODOVPIVO"

Ul. Tikhoretskaia, d. 5, 420054 Kazani,
Russian Federation

(770) OTKRITOE AKTSIONERNOE
OBSCHESTVO PIVOVARENNOE
OBIEDINENIE "KRASNI VOSTOK-
SOLODOVPIVO"
Ul. Tikhoretskaia, 5, 420054 Kazani, Russian
Federation
(580) 2012 04 17

(111) M 2010 020308 R
(732) ZAKRITOE AKTSIONERNOE
OBSCHESTVO "PIVOVARENNOE
OBIEDINENIE "KRASNI VOSTOK-
SOLODOVPIVO"
Ul. Tikhoretskaia, d. 5, 420054 Kazani,
Russian Federation
(770) OTKRITOE AKTSIONERNOE
OBSCHESTVO PIVOVARENNOE
OBIEDINENIE "KRASNI VOSTOK-
SOLODOVPIVO"
Ul. Tikhoretskaia, 5, 420054 Kazani, Russian
Federation
(580) 2012 04 17

(111) M 2010 020749 R
(732) ZAKRITOE AKTSIONERNOE
OBSCHESTVO "PIVOVARENNOE
OBIEDINENIE "KRASNI VOSTOK-
SOLODOVPIVO"
Ul. Tikhoretskaia, d. 5, 420054 Kazani,
Russian Federation
(770) OTKRITOE AKTSIONERNOE
OBSCHESTVO "PIVOVARENNOE
OBIEDINENIE "KRASNI VOSTOK-
SOLODOVPIVO"
Ul. Tikhoretskaia, 5, 420054 q. Kazani,
Russian Federation
(580) 2012 04 17

(111) M 2010 020750 R
(732) ZAKRITOE AKTSIONERNOE
OBSCHESTVO "PIVOVARENNOE
OBIEDINENIE "KRASNI VOSTOK-
SOLODOVPIVO"
Ul. Tikhoretskaia, d. 5, 420054 Kazani,
Russian Federation
(770) OTKRITOE AKTSIONERNOE
OBSCHESTVO "PIVOVARENNOE
OBIEDINENIE "KRASNI VOSTOK-
SOLODOVPIVO"
Ul. Tikhoretskaia, 5, 420054 q. Kazani,
Russian Federation
(580) 2012 04 17

(111) M 2010 020865 R
(732) ZAKRITOE AKTSIONERNOE
OBSHCHESTVO "PIVOVARENNOE
OBIEDINENIE "KRASNI VOSTOK-
SOLODOVPIVO"
Ul. Tikhoretskaia, d. 5, 420054 Kazani,
Russian Federation
(770) OTKRITOE AKTSIONERNOE
OBSHCHESTVO PIVOVARENNOE
OBIEDINENIE "KRASNI VOSTOK-
SOLODOVPIVO"
Ul. Tikhoretskaia, 5, 420054 Kazani, Russian
Federation
(580) 2012 04 17

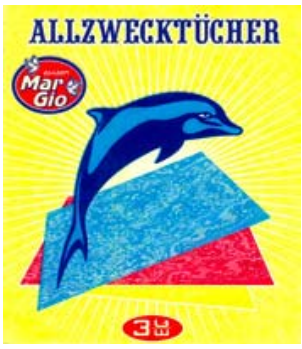

(111) M 1997 007628 R1
(732) MSD International Holdings GmbH
Weyrstrasse 20, CH-6000, Lucerne 6,
Switzerland
(770) SCHERING-PLOUGH LLC
Weyrstrasse 20, CH- 6000 LUCERNE 6,
Switzerland
(580) 2012 04 03

(111) M 2011 021421 R
(732) ZAKRITOE AKTSIONERNOE
OBSHCHESTVO "PIVOVARENNOE
OBIEDINENIE "KRASNI VOSTOK-
SOLODOVPIVO"
Ul. Tikhoretskaia, d. 5, 420054 Kazani,
Russian Federation
(770) OTKRITOE AKTSIONERNOE
OBSHCHESTVO PIVOVARENNOE
OBIEDINENIE „KRASNII VOSTOK-
SOLODOVPIVO“
420054, q. Kazani, ul. Tikhoretskaia, 5,
Russian Federation
(580) 2012 04 17

(111) M 2011 021422 R
(732) ZAKRITOE AKTSIONERNOE
OBSHCHESTVO "PIVOVARENNOE
OBIEDINENIE "KRASNI VOSTOK-
SOLODOVPIVO"
Ul. Tikhoretskaia, d. 5, 420054 Kazani,
Russian Federation
(770) OTKRITOE AKTSIONERNOE
OBSHCHESTVO PIVOVARENNOE
OBIEDINENIE "KRASNI VOSTOK-
SOLODOVPIVO"
Ul. Tikhoretskaia, 5, 420054 Kazani, Russian
Federation
(580) 2012-04-17

(111) M 1997 007628 R1
(732) SCHERING-PLOUGH LLC
Weyrstrasse 20, CH- 6000 LUCERNE 6,
Switzerland
(770) SCHERING-PLOUGH LTD.
Weyrstrasse 20, CH 6004, LUCERNE 6,
Switzerland
(580) 2012 04 03

CORRECTION OF MISTAKES

BULLETIN №	Pg.	NUMBER OF APPLICATION (260)	INTERN. CODES	PUBLISHED	MUST BE
7(347)	20	AM 2012 63692 B	(526)	<p>(260) AM 2012 63692 A (210) AM 063692 (220) 2011 08 12 (731) Soso Mamuladze Tsulukidze st. 23b, ap. 91, 0154, Tbilisi, GE (540)</p>  <p>(591) Blue, sky, yellow, pink, red, white (531) 03.09.04-26.04.09-27.05.05-29.01.14- (526) Disclaimer – The trademark is protected as a whole, word combinations "ALLZWEGKTÜ-GHER", "MAR GIO" and "3Ϸ/III", shall not be subject to independent protection. (511) 20</p>	<p>(260) AM 2012 63692 A (210) AM 063692 (220) 2011 08 12 (731) Soso Mamuladze Tsulukidze st. 23b, ap. 91, 0154, Tbilisi, GE (540)</p>  <p>(591) Blue, sky, yellow, pink, red, white (531) 03.09.04-26.04.09-27.05.05-29.01.14- (526) Disclaimer – The trademark is protected as a whole, word combinations "ALLZWEGKTÜ-GHER", "MAR GIO" and "3Ϸ/III", shall not be subject to independent protection. (511) 20</p>

CLASSIFICATION INDEXES

INVENTIONS

CONCORDANCE TABLE OF INTERNATIONAL CLASSIFICATION INDEX WITH REFERENCE TO NUMBERS OF PUBLISHED APPLICATIONS

INTERNATIONAL CLASSIFICATION INDEXES (51)	NUMBER OF PUBLISHED APPLICATION (10)
A 61 K 9/08; A 61 K 9/00	AP 2012 11807 A
A 61 K 9/16; A 61 K 9/20; A 61 K 47/26; A 61 K 33/06; A 23 L 1/09; A 23 L 1/304; A 23 L 1/303	AP 2012 10804 A
A 61 K 9/16; A 61 K 31/55	AP 2012 11311 A
A 61 K 31/165	AP 2012 10664 A
A 61 K 31/4375; A 61 K 31/4745; A 61 P 35/00	AP 2012 11913 A
B 24 B 7/22; B 24 B 9/06; B 28 D 1/00	AP 2012 11788 A
B 65 B 31/04	AP 2012 12038 A
C 07 C 323/61, 327/34; C 07 D 205/04, 213/55, 211/34, 213/73; A 61 P 9/00, 7/02; A 61 K 31/095	AP 2012 11860 A
C 07 D 207/16; C 07 D 401/12; C 07 D 403/12; A 61 K 31/40; A 61 P 43/00	AP 2012 12219 A
C 07 D 239/72; C 07 D 239/86; C 07 D 239/94; C 07 D 401/14; C 07 D 403/04; C 07 D 403/14; A 61 K 31/498; A 61 P 35/00	AP 2012 11821 A
C 07 D 401/12; C 07 D 401/14; C 07 D 403/12; C 07 D 413/14; C 07 D 471/04; A 61 K 31/501; A 61 K 31/506; A 61 P 35/00	AP 2012 12064 A
C 07 F 5/02; C 07 F 5/04; C 07 K 5/06; A 61 K 31/69; A 61 K 38/05; A 61 P 35/00; A 61 P 29/00	AP 2012 11714 A
C 07 K 14/51; C 07 K 16/18	AP 2012 10403 A
F 03 D 1/02	AP 2012 12292 A
F 04 B 43/02; F 04 B 19/24	AP 2012 12039 A
G 01 N 33/53	AP 2012 10214 A

CONCORDANCE TABLE OF NUMBERS OF PUBLISHED APPLICATIONS WITH REFERENCE TO INTERNATIONAL CLASSIFICATION INDEX

NUMBER OF PUBLISHED APPLICATION (10)	INTERNATIONAL CLASSIFICATION INDEXES (51)
1	2
AP 2012 10214 A	G 01 N 33/53
AP 2012 10403 A	C 07 K 14/51; C 07 K 16/18
AP 2012 10664 A	A 61 K 31/165
AP 2012 10804 A	A 61 K 9/16; A 61 K 9/20; A 61 K 47/26; A 61 K 33/06; A 23 L 1/09; A 23 L 1/304; A 23 L 1/303
AP 2012 11311 A	A 61 K 9/16; A 61 K 31/55
AP 2012 11714 A	C 07 F 5/02; C 07 F 5/04; C 07 K 5/06; A 61 K 31/69; A 61 K 38/05; A 61 P 35/00; A 61 P 29/00
AP 2012 11788 A	B 24 B 7/22; B 24 B 9/06; B 28 D 1/00
AP 2012 11807 A	A 61 K 9/08; A 61 K 9/00

1	2
AP 2012 11821 A	C 07 D 239/72; C 07 D 239/86; C 07 D 239/94; C 07 D 401/14; C 07 D 403/04; C 07 D 403/14; A 61 K 31/498; A 61 P 35/00
AP 2012 11860 A	C 07 C 323/61, 327/34; C 07 D 205/04, 213/55, 211/34, 213/73; A 61 P 9/00, 7/02; A 61 K 31/095
AP 2012 11913 A	A 61 K 31/4375; A 61 K 31/4745; A 61 P 35/00
AP 2012 12038 A	B 65 B 31/04
AP 2012 12039 A	F 04 B 43/02; F 04 B 19/24
AP 2012 12064 A	C 07 D 401/12; C 07 D 401/14; C 07 D 403/12; C 07 D 413/14; C 07 D 471/04; A 61 K 31/501; A 61 K 31/506; A 61 P 35/00
AP 2012 12219 A	C 07 D 207/16; C 07 D 401/12; C 07 D 403/12; A 61 K 31/40; A 61 P 43/00
AP 2012 12292 A	F 03 D 1/02

**CONCORDANCE TABLE OF INTERNATIONAL CLASSIFICATION INDEX
WITH REFERENCE TO NUMBERS OF PATENTS AND NUMBERS
OF PUBLISHED APPLICATIONS**

INTERNATIONAL CLASSIFICATION INDEX (51)	NUMBER OF PATENT (11)	NUMBER OF PUBLISHED APPLICATION (10)
1	2	3
A 01 G 31/00	P 2012 5494 B	AP 2012 11648 A
A 23 F 3/00	P 2012 5488 B	AP 2012 11519 A
A 23 F 3/00	P 2012 5495 B	AP 2012 11649 A
A 43 B 7/12; A 43 B 13/12; B 29 D 31/518	P 2012 5481 B	AP 2012 11053 A
A 61 K 31/454	P 2012 5505 B	AP 2012 11072 A
A 61 K 35/74; A 61 P 1/06; C 12 N 1/20; A 61 K 47/44; C 07 K 14/335; C 12 R 1/225	P 2012 5480 B	AP 2012 11000 A
A 61 P 19/08; A 61 K 35/04; A 61 P 39/395	P 2012 5476 B	AP 2012 10809 A
B 01 D 25/00	P 2012 5493 B	AP 2012 11633 A
B 21 B 1/02	P 2012 5498 B	AP 2012 11707 A
B 25 J 9/00; F 16 H 21/00	P 2012 5499 B	AP 2012 11767 A
B 28 C 5/18; B 28 C 5/42	P 2012 5497 B	AP 2012 11680 A
C 07 D 207/09; A 61 K 31/40	P 2012 5479 B	AP 2012 10907 A
C 07 D 209/18; A 61 K 31/404; A 61 P 3/10; A 61 P 3/04; A 61 P 3/06; A 61 P 9/10	P 2012 5506 B	AP 2011 11238 A
C 07 D 215/48; C 07 D 241/44; C 07 D 403/12; C 07 D 403/14; A 61 K 31/4709; A 61 K 31/498; A 61 P 35/00	P 2012 5502 B	AP 2012 12010 A
C 07 D 223/16; A 61 K 31/55	P 2012 5491 B	AP 2012 11610 A
C 07 D 237/28; C 07 D 401/04; C 07 D 401/06; C 07 D 401/12; C 07 D 401/14; C 07 D 403/12; C 07 F 9/58; C 07 D 405/14; C 07 D 417/14; C 07 D 487/04; C 07 D 491/048; C 07 D 498/14; C 07 D 237/30; A 61 K 31/502; A 61 K 31/4545	P 2012 5487 B	AP 2012 11474 A
C 07 K 16/28; A 61 K 39/395; A 61 P 37/06	P 2012 5471 B	AP 2011 9989 A
C 12 N 15/82	P 2012 5504 B	AP 2011 11037 A
E 02 B 8/06	P 2012 5489 B	AP 2012 11582 A
E 02 B 8/08	P 2012 5496 B	AP 2012 11653 A
E 04 H 9/10	P 2012 5490 B	AP 2012 11603 A
E 05 C 9/04; E 05 B 15/10; E 05 B 59/00	P 2012 5475 B	AP 2012 10503 A
E 21 B 33/13	P 2012 5484 B	AP 2012 11314 A

1	2	3
F 02 B 57/00	P 2012 5472 B	AP 2012 10025 A
F 16 H 21/00	P 2012 5492 B	AP 2012 11629 A
F 16 K 17/14; F 16 L 55/02	P 2012 5500 B	AP 2012 11866 A
F 16 L 55/02; F 16 L 55/04	P 2012 5501 B	AP 2012 11867 A
G 01 N 9/00	P 2012 5485 B	AP 2012 11396 A
G 09 F 13/00	P 2012 5507 B	AP 2011 11287 A
H 03 M 13/00	P 2012 5477 B	AP 2012 10857 A
H 03 M 13/00	P 2012 5478 B	AP 2012 10865 A
H 04 B 7/005; H 04 L 12/56; H 04 W 52/00	P 2012 5503 B	AP 2011 10196 A
H 04 L 25/00	P 2012 5482 B	AP 2012 11299 A
H 04 L 25/00	P 2012 5483 B	AP 2012 11300 A
H 04 W 36/00; H 04 L 12/28	P 2012 5470 B	AP 2012 9978 A
H 04 W 36/14; H 04 W 36/00	P 2012 5473 B	AP 2012 10321 A
H 04 W 52/00; H 04 W 52/36; H 04 W 28/24	P 2012 5474 B	AP 2012 10384 A

**CONCORDANCE TABLES OF NUMBERS OF PATENTS AND NUMBERS
OF PUBLISHED APPLICATIONS WITH REFERENCE
TO CLASSIFICATION INDEX**

NUMBER OF PATENT (11)	NUMBER OF PUBLISHED APPLICATION (10)	INTERNATIONAL CLASSIFICATION INDEX (51)
1	2	3
P 2012 5470 B	AP 2012 9978 A	H 04 W 36/00; H 04 L 12/28
P 2012 5471 B	AP 2011 9989 A	C 07 K 16/28; A 61 K 39/395; A 61 P 37/06
P 2012 5472 B	AP 2012 10025 A	F 02 B 57/00
P 2012 5473 B	AP 2012 10321 A	H 04 W 36/14; H 04 W 36/00
P 2012 5474 B	AP 2012 10384 A	H 04 W 52/00; H 04 W 52/36; H 04 W 28/24
P 2012 5475 B	AP 2012 10503 A	E 05 C 9/04; E 05 B 15/10; E 05 B 59/00
P 2012 5476 B	AP 2012 10809 A	A 61 P 19/08; A 61 K 35/04; A 61 P 39/395
P 2012 5477 B	AP 2012 10857 A	H 03 M 13/00
P 2012 5478 B	AP 2012 10865 A	H 03 M 13/00
P 2012 5479 B	AP 2012 10907 A	C 07 D 207/09; A 61 K 31/40
P 2012 5480 B	AP 2012 11000 A	A 61 K 35/74; A 61 P 1/06; C 12 N 1/20; A 61 K 47/44; C 07 K 14/335; C 12 R 1/225
P 2012 5481 B	AP 2012 11053 A	A 43 B 7/12; A 43 B 13/12; B 29 D 31/518
P 2012 5482 B	AP 2012 11299 A	H 04 L 25/00
P 2012 5483 B	AP 2012 11300 A	H 04 L 25/00
P 2012 5484 B	AP 2012 11314 A	E 21 B 33/13
P 2012 5485 B	AP 2012 11396 A	G 01 N 9/00
P 2012 5486 B	AP 2012 11441 A	F 01 L 7/02; F 01 L 33/02
P 2012 5487 B	AP 2012 11474 A	C 07 D 237/28; C 07 D 401/04; C 07 D 401/06; C 07 D 401/12; C 07 D 401/14; C 07 D 403/12; C 07 F 9/58; C 07 D 405/14; C 07 D 417/14; C 07 D 487/04; C 07 D 491/048; C 07 D 498/14; C 07 D 237/30; A 61 K 31/502; A 61 K 31/4545
P 2012 5488 B	AP 2012 11519 A	A 23 F 3/00
P 2012 5489 B	AP 2012 11582 A	E 02 B 8/06
P 2012 5490 B	AP 2012 11603 A	E 04 H 9/10
P 2012 5491 B	AP 2012 11610 A	C 07 D 223/16; A 61 K 31/55
P 2012 5492 B	AP 2012 11629 A	F 16 H 21/00
P 2012 5493 B	AP 2012 11633 A	B 01 D 25/00
P 2012 5494 B	AP 2012 11648 A	A 01 G 31/00

1	2	3
P 2012 5496 B	AP 2012 11653 A	E 02 B 8/08
P 2012 5497 B	AP 2012 11680 A	B 28 C 5/18; B 28 C 5/42
P 2012 5498 B	AP 2012 11707 A	B 21 B 1/02
P 2012 5499 B	AP 2012 11767 A	B 25 J 9/00; F 16 H 21/00
P 2012 5500 B	AP 2012 11866 A	F 16 K 17/14; F 16 L 55/02
P 2012 5501 B	AP 2012 11867 A	F 16 L 55/02; F 16 L 55/04
P 2012 5503 B	AP 2011 10196 A	H 04 B 7/005; H 04 L 12/56; H 04 W 52/00
P 2012 5502 B	AP 2012 12010 A	C 07 D 215/48; C 07 D 241/44; C 07 D 403/12; C 07 D 403/14; A 61 K 31/4709; A 61 K 31/498; A 61 P 35/00
P 2012 5504 B	AP 2011 11037 A	C 12 N 15/82
P 2012 5506 B	AP 2011 11238 A	C 07 D 209/18; A 61 K 31/404; A 61 P 3/10; A 61 P 3/04; A 61 P 3/06; A 61 P 9/10
P 2012 5505 B	AP 2012 11072 A	A 61 K 31/454
P 2012 5507 B	AP 2011 11287 A	G 09 F 13/00

CONCORDANCE TABLE OF NUMBERS OF APPLICATIONS, NUMBERS OF PUBLISHED APPLICATIONS AND NUMBERS OF PATENTS

NUMBER OF APPLICATION (21)	NUMBER OF PUBLISHED APPLICATION (10)	NUMBER OF PATENT (11)
1	2	3
AP 2005 009978	AP 2012 9978 A	P 2012 5470 B
AP 2005 009989	AP 2011 9989 A	P 2012 5471 B
AP 2007 010025	AP 2012 10025 A	P 2012 5472 B
AP 2004 010196	AP 2011 10196 A	P 2012 5503 B
AP 2006 010321	AP 2012 10321 A	P 2012 5473 B
AP 2006 010384	AP 2012 10384 A	P 2012 5474 B
AP 2006 010503	AP 2012 10503 A	P 2012 5475 B
AP 2007 010809	AP 2012 10809 A	P 2012 5476 B
AP 2008 010857	AP 2012 10857 A	P 2012 5477 B
AP 2008 010865	AP 2012 10865 A	P 2012 5478 B
AP 2008 010907	AP 2012 10907 A	P 2012 5479 B
AP 2007 011000	AP 2012 11000 A	P 2012 5480 B
AP 2007 011037	AP 2011 11037 A	P 2012 5504 B
AP 2006 011053	AP 2012 11053 A	P 2012 5481 B
AP 2007 011072	AP 2012 11072 A	P 2012 5505 B
AP 2007 011238	AP 2011 11238 A	P 2012 5506 B
AP 2007 011287	AP 2011 11287 A	P 2012 5507 B
AP 2009 011299	AP 2012 11299 A	P 2012 5482 B
AP 2009 011300	AP 2012 11300 A	P 2012 5483 B
AP 2009 011314	AP 2012 11314 A	P 2012 5484 B
AP 2009 011396	AP 2012 11396 A	P 2012 5485 B
AP 2009 011441	AP 2012 11441 A	P 2012 5486 B
AP 2008 011474	AP 2012 11474 A	P 2012 5487 B
AP 2009 011519	AP 2012 11519 A	P 2012 5488 B
AP 2009 011582	AP 2012 11582 A	P 2012 5489 B
AP 2008 011603	AP 2012 11603 A	P 2012 5490 B
AP 2009 011610	AP 2012 11610 A	P 2012 5491 B
AP 2010 011629	AP 2012 11629 A	P 2012 5492 B
AP 2010 011633	AP 2012 11633 A	P 2012 5493 B
AP 2010 011648	AP 2012 11648 A	P 2012 5494 B
AP 2010 011649	AP 2012 11649 A	P 2012 5495 B

1	2	3
AP 2010 011680	AP 2012 11680 A	P 2012 5497 B
AP 2010 011707	AP 2012 11707 A	P 2012 5498 B
AP 2010 011767	AP 2012 11767 A	P 2012 5499 B
AP 2010 011866	AP 2012 11866 A	P 2012 5500 B
AP 2010 011867	AP 2012 11867 A	P 2012 5501 B
AP 2009 012010	AP 2012 12010 A	P 2012 5502 B

UTILITY MODELS

CONCORDANCE TABLE OF INTERNATIONAL CLASSIFICATION INDEX WITH REFERENCE TO NUMBERS OF PUBLISHED APPLICATIONS

INTERNATIONAL CLASSIFICATION INDEXES (51)	NUMBER OF PUBLISHED APPLICATION (10)
A 61 K 35/12, 36/00	AU 2012 12243 U
A 63 F 3/00	AU 2012 12084 U
F 03 D 1/00	AU 2012 12008 U

CONCORDANCE TABLE OF NUMBERS OF PUBLISHED APPLICATIONS WITH REFERENCE TO INTERNATIONAL CLASSIFICATION INDEX

NUMBER OF PUBLISHED APPLICATION (10)	INTERNATIONAL CLASSIFICATION INDEXES (51)
AU 2012 12008 U	F 03 D 1/00
AU 2012 12084 U	A 63 F 3/00
AU 2012 12243 U	A 61 K 35/12, 36/00

CONCORDANCE TABLE OF INTERNATIONAL CLASSIFICATION INDEX WITH REFERENCE TO NUMBERS OF PATENTS AND NUMBERS OF PUBLISHED APPLICATIONS

INTERNATIONAL CLASSIFICATION INDEX (51)	NUMBER OF PATENT (11)	NUMBER OF PUBLISHED APPLICATION (10)
A 44 B 15/00	U 2012 1721 Y	AU 2011 12004 U
A 47 D 9/00	U 2012 1719 Y	AU 2012 12041 U
D 06 P 5/12	U 2012 1720 Y	AU 2012 12206 U
E 02 D 29/00	U 2012 1718 Y	AU 2012 11973 U
E 04 H 14/00	U 2012 1717 Y	AU 2012 11972 U
H 01 M 6/00, 6/04, 6/08	U 2012 1722 Y	AU 2011 12023 U

**CONCORDANCE TABLES OF NUMBERS OF PATENTS AND NUMBERS
OF PUBLISHED APPLICATIONS WITH REFERENCE
TO CLASSIFICATION INDEX**

NUMBER OF PATENT (11)	NUMBER OF PUBLISHED APPLICATION (10)	INTERNATIONAL CLASSIFICATION INDEX (51)
U 2012 1717 Y	AU 2012 11972 U	E 04 H 14/00
U 2012 1718 Y	AU 2012 11973 U	E 02 D 29/00
U 2012 1719 Y	AU 2012 12041 U	A 47 D 9/00
U 2012 1721 Y	AU 2011 12004 U	A 44 B 15/00
U 2012 1720 Y	AU 2012 12206 U	D 06 P 5/12
U 2012 1722 Y	AU 2011 12023 U	H 01 M 6/00, 6/04, 6/08

**CONCORDANCE TABLE OF NUMBERS OF APPLICATIONS, NUMBERS
OF PUBLISHED APPLICATIONS AND NUMBERS OF PATENTS**

NUMBER OF APPLICATION (21)	NUMBER OF PUBLISHED APPLICATION (10)	NUMBER OF PATENT (11)
AU 2010 011972	AU 2012 11972 U	U 2012 1717 Y
AU 2010 011973	AU 2012 11973 U	U 2012 1718 Y
AU 2010 012004	AU 2011 12004 U	U 2012 1721 Y
AU 2010 012023	AU 2011 12023 U	U 2012 1722 Y
AU 2010 012041	AU 2012 12041 U	U 2012 1719 Y
AU 2011 012206	AU 2012 12206 U	U 2012 1720 Y

DESIGNS

**CONCORDANCE TABLE OF INTERNATIONAL CLASSIFICATION INDEX
WITH REFERENCE TO NUMBERS OF PUBLISHED APPLICATIONS**

INTERNATIONAL CLASSIFICATION INDEXES (51)	NUMBER OF PUBLISHED APPLICATION (10)
02-05	AD 2012 667 S
02-05	AD 2012 679 S
09-03	AD 2012 676 S
19-08	AD 2012 649 S

**CONCORDANCE TABLE OF NUMBERS OF PUBLISHED APPLICATIONS
WITH REFERENCE TO INTERNATIONAL CLASSIFICATION INDEX**

NUMBER OF PUBLISHED APPLICATION (10)	INTERNATIONAL CLASSIFICATION INDEXES (51)
AD 2012 649 S	19-08
AD 2012 667 S	02-05
AD 2012 676 S	09-03
AD 2012 679 S	02-05

**CONCORDANCE TABLE OF INTERNATIONAL CLASSIFICATION INDEX
WITH REFERENCE TO NUMBERS OF PATENTS AND NUMBERS
OF PUBLISHED APPLICATIONS**

INTERNATIONAL CLASSIFICATION INDEX (51)	NUMBER OF PATENT (11)	NUMBER OF PUBLISHED APPLICATION (10)
08-08	D 2012 495 S	AD 2011 645 S
19-99	D 2012 496 S	AD 2012 651 S

**CONCORDANCE TABLES OF NUMBERS OF PATENTS AND NUMBERS
OF PUBLISHED APPLICATIONS WITH REFERENCE
TO CLASSIFICATION INDEX**

NUMBER OF PATENT (11)	NUMBER OF PUBLISHED APPLICATION (10)	INTERNATIONAL CLASSIFICATION INDEX (51)
D 2012 495 S	AD 2011 645 S	08-08
D 2012 496 S	AD 2012 651 S	19-99

**CONCORDANCE TABLE OF NUMBERS OF APPLICATIONS, NUMBERS
OF PUBLISHED APPLICATIONS AND NUMBERS OF PATENTS**

NUMBER OF APPLICATION (21)	NUMBER OF PUBLISHED APPLICATION (10)	NUMBER OF PATENT (11)
AD 2011 000645	AD 2011 645 S	D 2012 495 S
AD 2011 000651	AD 2012 651 S	D 2012 496 S

TRADEMARKS

CONCORDANCE TABLE OF NUMBERS OF REGISTRATIONS OF TRADEMARKS, NUMBERS OF APPLICATIONS, NUMBERS OF PUBLISHED APPLICATIONS WITH REFERENCE TO NUMBERS OF BULLETINS

NUMBER OF REGISTRATION (111)	NUMBER OF APPLICATION (210)	NUMBER OF PUBLISHED APPLICATION (260)	NUMBER OF BULLETIN
1	2	3	4
M 2012 22444 R	AM 2010 58752	AM 2011 58752 A	№21(337) 2011
M 2012 22445 R	AM 2010 58996	AM 2011 58996 A	№22(338) 2011
M 2012 22446 R	AM 2010 59187	AM 2011 59187 A	№22(338) 2011
M 2012 22447 R	AM 2010 59310	AM 2011 59310 A	№22(338) 2011
M 2012 22448 R	AM 2010 59657	AM 2011 59657 A	№23(339) 2011
M 2012 22449 R	AM 2010 59658	AM 2011 59658 A	№23(339) 2011
M 2012 22450 R	AM 2011 60824	AM 2011 60824 A	№19(335) 2011
M 2012 22451 R	AM 2011 60926	AM 2011 60926 A	№19(335) 2011
M 2012 22452 R	AM 2011 61001	AM 2011 61001 A	№20(336) 2011
M 2012 22453 R	AM 2011 61002	AM 2011 61002 A	№20(336) 2011
M 2012 22454 R	AM 2011 61003	AM 2011 61003 A	№19(335) 2011
M 2012 22455 R	AM 2011 61005	AM 2011 61005 A	№20(336) 2011
M 2012 22456 R	AM 2011 61220	AM 2011 61220 A	№22(338) 2011
M 2012 22457 R	AM 2011 61221	AM 2011 61221 A	№22(338) 2011
M 2012 22458 R	AM 2011 61226	AM 2011 61226 A	№22(338) 2011
M 2012 22459 R	AM 2011 61227	AM 2011 61227 A	№22(338) 2011
M 2012 22460 R	AM 2011 61244	AM 2011 61244 A	№22(338) 2011
M 2012 22461 R	AM 2011 61270	AM 2011 61270 A	№19(335) 2011
M 2012 22462 R	AM 2011 61313	AM 2011 61313 A	№22(338) 2011
M 2012 22464 R	AM 2011 61463	AM 2011 61463 A	№21(337) 2011
M 2012 22465 R	AM 2011 61513	AM 2011 61513 A	№22(338) 2011
M 2012 22466 R	AM 2011 61524	AM 2011 61524 A	№22(338) 2011
M 2012 22467 R	AM 2011 61525	AM 2011 61525 A	№22(338) 2011
M 2012 22468 R	AM 2011 61527	AM 2011 61527 A	№22(338) 2011
M 2012 22469 R	AM 2011 61528	AM 2011 61528 A	№20(336) 2011
M 2012 22470 R	AM 2011 61530	AM 2011 61530 A	№22(338) 2011
M 2012 22471 R	AM 2011 61534	AM 2011 61534 A	№22(338) 2011
M 2012 22472 R	AM 2011 61535	AM 2011 61535 A	№22(338) 2011
M 2012 22473 R	AM 2011 61539	AM 2011 61539 A	№22(338) 2011
M 2012 22474 R	AM 2011 61610	AM 2011 61610 A	№20(336) 2011
M 2012 22475 R	AM 2011 61613	AM 2011 61613 A	№22(338) 2011
M 2012 22476 R	AM 2011 61774	AM 2011 61774 A	№22(338) 2011
M 2012 22477 R	AM 2011 61775	AM 2011 61775 A	№22(338) 2011
M 2012 22478 R	AM 2011 61776	AM 2011 61776 A	№22(338) 2011
M 2012 22479 R	AM 2011 61777	AM 2011 61777 A	№22(338) 2011
M 2012 22480 R	AM 2011 61785	AM 2011 61785 A	№22(338) 2011
M 2012 22481 R	AM 2011 61865	AM 2011 61865 A	№22(338) 2011
M 2012 22482 R	AM 2011 61874	AM 2011 61874 A	№23(339) 2011
M 2012 22483 R	AM 2011 61885	AM 2011 61885 A	№23(339) 2011
M 2012 22484 R	AM 2011 61938	AM 2011 61938 A	№23(339) 2011
M 2012 22485 R	AM 2011 61955	AM 2011 61955 A	№23(339) 2011
M 2012 22486 R	AM 2011 62026	AM 2011 62026 A	№23(339) 2011

1	2	3	4
M 2012 22488 R	AM 2011 62326	AM 2011 62326 A	№23(339) 2011
M 2012 22489 R	AM 2011 62328	AM 2011 62328 A	№23(339) 2011
M 2012 22490 R	AM 2011 62329	AM 2011 62329 A	№23(339) 2011
M 2012 22491 R	AM 2011 62330	AM 2011 62330 A	№23(339) 2011
M 2012 22492 R	AM 2011 62331	AM 2011 62331 A	№23(339) 2011
M 2012 22493 R	AM 2012 66466	-	№8(348) 2012
M 2012 22494 R	AM 2012 66612	-	№8(348) 2012
M 2012 22495 R	AM 2012 66613	-	№8(348) 2012
M 2012 22496 R	AM 2012 66407	-	№8(348) 2012

CONCORDANCE TABLE OF NUMBERS OF PUBLISHED TRADEMARK APPLICATIONS WITH REFERENCE TO NUMBERS OF APPLICATIONS

NUMBER OF PUBLISHED APPLICATION (260)	NUMBER OF APPLICATION (210)
AM 2012 56433 A	AM 2009 56433
AM 2012 61454 A	AM 2011 61454
AM 2012 62056 A	AM 2011 62056
AM 2012 62450 A	AM 2011 62450
AM 2012 63182 A	AM 2011 63182
AM 2012 63184 A	AM 2011 63184
AM 2012 63223 A	AM 2011 63223
AM 2012 63224 A	AM 2011 63224
AM 2012 63225 A	AM 2011 63225
AM 2012 63299 A	AM 2011 63299
AM 2012 63300 A	AM 2011 63300
AM 2012 63301 A	AM 2011 63301
AM 2012 63302 A	AM 2011 63302
AM 2012 63303 A	AM 2011 63303
AM 2012 63411 A	AM 2011 63411
AM 2012 63462 A	AM 2011 63462
AM 2012 63463 A	AM 2011 63463
AM 2012 63883 A	AM 2011 63883
AM 2012 63960 A	AM 2011 63960
AM 2012 64019 A	AM 2011 64019
AM 2012 64020 A	AM 2011 64020
AM 2012 64030 A	AM 2011 64030
AM 2012 64144 A	AM 2011 64144
AM 2012 64216 A	AM 2011 64216

**CONCORDANCE TABLE OF INDEX OF GOODS AND/OR SERVICES
WITH REFERENCE TO NUMBERS OF PUBLISHED APPLICATIONS**

INDEX OF GOODS AND/OR SERVICES (511)	NUMBER OF PUBLISHED APPLICATION (260)
1	2
1	AM 2012 63303 A
1	AM 2012 64144 A
3	AM 2012 64144 A
5	AM 2012 63184 A
9	AM 2012 64019 A
9	AM 2012 64020 A
16	AM 2012 64216 A
21	AM 2012 63301 A
21	AM 2012 63302 A
21	AM 2012 63883 A
29	AM 2012 62450 A
29	AM 2012 63960 A
30	AM 2012 62450 A
30	AM 2012 63960 A
31	AM 2012 62450 A
32	AM 2012 61454 A
32	AM 2012 63411 A
32	AM 2012 63463 A
32	AM 2012 63960 A
33	AM 2012 63182 A
34	AM 2012 63462 A
35	AM 2012 56433 A
35	AM 2012 63224 A
35	AM 2012 63299 A
35	AM 2012 63300 A
35	AM 2012 64144 A
35	AM 2012 64216 A
36	AM 2012 62056 A
36	AM 2012 63223 A
36	AM 2012 63224 A
36	AM 2012 63225 A
37	AM 2012 64144 A
39	AM 2012 64144 A
41	AM 2012 64030 A
41	AM 2012 64216 A
43	AM 2012 62450 A
43	AM 2012 63299 A
43	AM 2012 63300 A
43	AM 2012 64144 A
45	AM 2012 64144 A

**CONCORDANCE TABLE OF INDEX OF GOODS AND/OR SERVICES
WITH REFERENCE TO NUMBERS OF REGISTERED ACCORDING TO THE
ACCELERATED PROCEDURE**

INDEX OF GOODS AND/OR SERVICES (511)	NUMBER OF REGISTERED ACCORDING TO THE ACCELERATED PROCEDURE (111)
33	M 2012 22493 R
33	M 2012 22496 R
38	M 2012 22494 R
38	M 2012 22495 R
39	M 2012 22494 R
39	M 2012 22495 R

OFFICIAL BULLETIN OF THE INDUSTRIAL PROPERTY

8(348)

EDITOR-IN-CHIEF: N. Bebrishvili

EDITORS-TRANSLATORS: M. Sichinava
G. Nadareishvili

PROOFREADER: L. Chanturia

COMPUTER LAYOUT: M. Ordenidze
K. Svanidze

www.sakpatenti.org.ge
E-mail: info@sakpatenti.org.ge