



**NATIONAL INTELLECTUAL PROPERTY CENTER OF GEORGIA
SAKPATENTI**

**OFFICIAL BULLETIN
OF THE INDUSTRIAL PROPERTY**

9(349)

**2012
TBILISI**

INID CODES FOR IDENTIFICATION OF BIBLIOGRAPHIC DATA

INVENTIONS, UTILITY MODELS

- (10) Number of publication for application, which has been examined
- (11) Number of patent and kind of document
- (21) Serial number of application
- (22) Date of filing of the application
- (23) Date of exhibition or the date of the earlier filing and the number of application, if any
- (24) Date from which patent may have effect
- (31) Number of priority application
- (32) Date of filing of priority application
- (33) Code of the country or regional organization allotting priority application number
- (44) Date of publication of application not granted, but examined and number of bulletin
- (45) Date of publication of registered document
- (51) International Patent Classification Index
- (54) Title of the invention
- (57) Abstract
- (60) Number of examined patent document granted by foreign patent office, date from which patent has effect and country code
- (62) Number of the earlier application and in case of divided application, date of filing an application
- (71) Name, surname and address of applicant (country code)
- (72) Name, surname of inventor (country code)
- (73) Name, surname and address of patent owner (country code)
- (74) Name, surname of representative or patent attorney
- (85) Date of commencement of the national phase of International Application
- (86) Number and date of filing of international application
- (87) Number and date of publication of international application

DESIGNS

- (10) Number of publication for application
- (11) Number of patent and kind of document or number of registration
- (15) Date of registration/Date of patent renewal
- (18) Expected expiration date of patent or registration
- (21) Serial number of application
- (22) Date of filing of the application
- (23) Date of exhibition or the date of the earlier filing and the number of application, if any
- (24) Date from which patent may have effect
- (28) Number of designs included in the application
- (30) Data relating to priority (number of application, date of filing of application, two-letter code identifying the authority with whom the priority application was made)
- (31) Number of priority application
- (32) Date of filing of priority application
- (33) Code of the country or regional organization allotting priority application number
- (34) Two-letter code according to WIPO St.3 identifying the authority with which the priority application was made
- (44) Date of publication of design and number of bulletin (the first publication)
- (45) Date of publication of design registered by WIPO and number of bulletin
- (51) International Classification for designs (class and subclass of the Locarno Classification)
- (54) Title of the invention
- (55) Reproduction of the design
- (57) Description of characteristic features of the design including indication of colors
- (58) Date of recording of any kind of amendment in the Register
- (62) Number of the earlier application, registration and document number and if available the date of filing an application in case of divided application
- (71) Name, surname and address of applicant (country code)
- (72) Name, surname of creator (country code)
- (73) Name, surname and address of patent owner (country code)
- (74) Name, surname of representative or patent attorney
- (81) Contracting states concerned
 - II designated contracting states according to the 1960 Act
 - III designated contracting states according to the 1999 Act
- (85) Owner's permanent address
- (86) Owner's nationality
- (87) Owner's residence
- (88) State in which the owner has a real and effective industrial or commercial establishment

TRADEMARKS

- (111) - Number of registration
- (151) - Date of registration
- (156) - Date of the renewal
- (181) - Expected expiration date of registration
- (186) - Renewal expiration date of registration
- (141) - Date of cancel of duration of the mark
- (210) - Serial number of application
- (220) - Date of filing of the application
- (230) - Date concerning exhibition
- (260) - Number of application, for which favorable decision of examination about registration has been taken (publication number)
- (310) - Number of the first application
- (320) - Date of filing of the first application
- (330) - Code, identifying national or regional Office where the first application was made
- (511) - International Classification of Goods and Services for the purposes of registration of trade marks and/or list of goods and/or services classified according thereto
- (531) - Description of figurative elements of Trade Marks according to the International Classification of the Figurative Elements of Marks
- (540) - Reproduction of Trade Mark
- (550) - Nature and kind of Trade Mark
- (580) - Date of recording of any kind changes in respect of applications or registrations
- (591) - Information concerning colors claimed
- (731) - Name and address of the applicant
- (732) - Name and address of the holder of the registration
- (740) - Name and address of the representative
- (750) - Address for correspondence
- (770) - Name and address of the previous applicant or holder in case of change in ownership
- (771) - Previous name and address of the applicant or holder in case of change in ownership
- (791) - Name and address of the licensee
- (793) - Indication of conditions and/or restrictions under the license (Type of license, number of license agreement, data of license, data of validity of license)
- (800) - Certain data relating to the international registration of Trade Marks under the Protocol Relating to Madrid Agreement (International registration number)

CODES FOR PUBLICATION IN BULLETIN

- (21) AP 0000 000000 - serial number of application for invention
- (10) AP 0000 0000 A - number of published application for invention (first publication)
- (11) P 0000 0000 B - number of patent for invention (second publication)
- (21) API 0000 000000 - number of application for imported patent
- (11) PI 0000 0000 A - number of imported patent (first publication)
- (21) AU 0000 000000 - serial number of application for utility model
- (10) AU 0000 000 U - number of published application for utility model (first publication)
- (11) U 0000 000 Y - number of patent for utility model (second publication)
- (21) AD 0000 000000 - serial number of application for design
- (10) AD 0000 000 S - number of published application for design (first publication)
- (11) D 0000 000 S - number of patent for design (second publication)

INTERNATIONAL PATENT CLASSIFICATION FOR INVENTIONS AND UTILITY MODELS

- SECTION A - HUMAN NECESSITIES
- SECTION B - PERFORMING OPERATIONS; TRANSPORTING
- SECTION C - CHEMISTRY; METALLURGY
- SECTION D - TEXTILES; PAPER
- SECTION E - FIXED CONSTRUCTIONS
- SECTION F - MECHANICAL ENGINEERING; LIGHTING; HEATING; WEAPONS; BLASTING
- SECTION G - PHYSICS
- SECTION H - ELECTRICITY

-
- M - Trade Mark
 - (210) AM 0000 000000 - Serial number of application;
 - (260) AAM 0000 00000 A - Publication number of application;
 - (111) M 0000 00000 R - Number of registration;
 - (111) MMM0000 00000 Rn - Number of renewals, in which n=1,2,3;
 - (111) M 0000 00000 R(P) - Number of registration under partial assignment of rights
-

LIST OF CODES, IN ALPHABETIC SEQUENCE, AND THE CORRESPONDING (SHORT) NAMES OF STATES, OTHER ENTITIES AND INTERGOVERNMENTAL ORGANIZATIONS
(WIPO STANDARD ST.3)

AD	Andorra				
AE	United Arab Emirates				
AF	Afghanistan				
AG	Antigua and Barbuda				
AI	Anguilla				
AL	Albania				
AM	Armenia				
AN	Netherlands Antilles				
AO	Angola				
AP	African Regional Intellectual Property Organization (ARIPO)				
AR	Argentina				
AT	Austria				
AU	Australia				
AW	Aruba				
AZ	Azerbaijan				
BA	Bosnia and Herzegovina				
BB	Barbados				
BD	Bangladesh				
BE	Belgium				
BF	Burkina Faso				
BG	Bulgaria				
BH	Bahrain				
BI	Burundi				
BJ	Benin				
BM	Bermuda				
BN	Brunei Darussalam				
BO	Bolivia				
BR	Brazil				
BS	Bahamas				
BT	Bhutan				
BV	Bouvet Island				
BW	Botswana				
BX	Benelux Office for Intellectual Property (BOIP)				
BY	Belarus				
BZ	Belize				
CA	Canada				
CD	Democratic Republic of the Congo				
CF	Central African Republic				
CG	Congo				
CH	Switzerland				
CI	Cote d'Ivoire				
CK	Cook Islands				
CL	Chile				
CM	Cameroon				
CN	China				
CO	Colombia				
CR	Costa Rica				
CU	Cuba				
CV	Cape Verde				
CY	Cyprus				
CZ	Czech Republic				
DE	Germany				
DJ	Djibouti				
DM	Dominica				
DO	Dominican Republic				
DZ	Algeria				
EA	Eurasian Patent Organization (EAPO)				
EC	Ecuador				
EE	Estonia				
EG	Egypt				
EH	Western Sahara				
EM	Office for Harmonization in the Internal Market (Trademarks and Designs)(OHIM)				
EP	European Patent Office (EPO)				
ER	Eritrea				
ES	Spain				
ET	Ethiopia				
FI	Finland				
FJ	Fiji				
FK	Falkland Islands (Malvinas)				
FO	Faroe Islands				
FR	France				
GA	Gabon				
GB	United Kingdom				
GC	Patent Office of the Cooperation Council for the Arab States of the Gulf (GCC)				
GD	Grenada				
GG	Guernsey				
GH	Ghana				
GI	Gibraltar				
GT	Guatemala				
GW	Guinea- Bissau				
GY	Guyana				
HK	The Hong Kong Special Administrative Region of the People's Republic of China				
HN	Honduras				
HR	Croatia				
HT	Haiti				
HU	Hungary				
IB	International Bureau of the World Intellectual Property Organization (WIPO)				
ID	Indonesia				
IE	Ireland				
IL	Israel				
IM	Isle of Man				
IN	India				
IQ	Iraq				
ID	Indonesia				
IE	Ireland				
IL	Israel				
IM	Isle of Man				
IN	India				
IQ	Iraq				
IR	Iran (Islamic Republic of)				
IS	Iceland				
IT	Italy				
JE	Jersey				
JM	Jamaica				
JO	Jordan				
JP	Japan				
KE	Kenya				
KG	Kyrgyzstan				
KH	Cambodia				
KI	Kiribati				
KM	Saint Kitts and Nevis				
KP	Democratic People's Republic of Korea				
KR	Republic of Korea				
KW	Kuwait				
KY	Cayman Islands				
KZ	Kazakhstan				
LA	Lao People's Democratic Republic				
LB	Lebanon				
LC	Saint Lucia				
LI	Liechtenstein				
LK	Sri Lanka				
LR	Liberia				
LS	Lesotho				
LT	Lithuania				
LU	Luxembourg				
LV	Latvia				
LY	Libyan Arab Jamahiriya				
MA	Morocco				
MC	Monaco				
MD	Republic of Moldova				
ME	Montenegro				
MG	Madagascar				
MK	The former Yugoslav Republic of Macedonia				
ML	Mali				
MM	Myanmar				
MN	Mongolia				
MO	Macao				
MP	Northern Mariana Islands				
MR	Mauritania				
MS	Montserrat				
MT	Malta				
MU	Mauritius				
MV	Maldives				
MW	Malawi				
MX	Mexico				
MY	Malaysia				
MZ	Mozambique				
NA	Namibia				
NE	Niger				
NG	Nigeria				
NI	Nicaragua				
NL	Netherlands				
NO	Norway				
NP	Nepal				
NR	Nauru				
NZ	New Zealand				
OA	African Intellectual Property Organization (OAPI)				
OM	Oman				
PA	Panama				
PE	Peru				
PG	Papua New Guinea				
PH	Philippines				
PK	Pakistan				
PL	Poland				
PT	Portugal				
PW	Palau				
PY	Paraguay				
QA	Qatar				
QZ	Community Plant Variety Office (European Community) (CPVO)				
RO	Romania				
RS	Serbia				
RU	Russian Federation				
RW	Rwanda				
SA	Saudi Arabia				
SB	Solomon Islands				
SC	Seychelles				
SD	Sudan				
SG	Singapore				
SH	Saint Helena				
SI	Slovenia				
SK	Slovakia				
SL	Sierra Leone				
SM	San Marino				
SN	Senegal				
SO	Somalia				
SR	Suriname				
ST	Sao Tome and Principe				
SV	El Salvador				
SY	Syrian Arab Republic				
SZ	Swaziland				
TC	Turks and Caicos Islands				
TD	Chad				
TG	Togo				
TH	Thailand				
TJ	Tajikistan				
TL	Timor-Leste				
TM	Turkmenistan				
TN	Tunisia				
TO	Tonga				
TR	Turkey				
SE	Sweden				
TT	Trinidad and Tobago				
TV	Tuvalu				
TW	Taiwan, Province of China				
TZ	United Republic of Tanzania				
UA	Ukraine				
UG	Uganda				
US	United States of America				
UY	Uruguay				
UZ	Uzbekistan				
VA	Holy See				
VC	Saint Vincent and the Grenadines				
VE	Venezuela				
VG	Virgin Islands (British)				
VN	Viet Nam				
VU	Vanuatu				
WO	World Intellectual Property Organization (WIPO)				
WS	Samoa				
XN	Nordic Patent Institute (NPI)				
YE	Yemen				
ZA	South Africa				
ZM	Zambia				
ZW	Zimbabwe				

**NATIONAL INTELLECTUAL PROPERTY CENTER OF GEORGIA
SAKPATENTI**

**OFFICIAL BULLETIN
OF THE INDUSTRIAL PROPERTY**

9(349)

**INVENTIONS
UTILITY MODELS
DESIGNS
TRADEMARKS**

**DATE OF PUBLICATION
2012 05 10**

CONTENTS

PUBLISHED TITLES OF PROTECTION	2
INVENTIONS	
▪ Applications for inventions	3
▪ Patents for inventions	7
UTILITY MODELS	
▪ Patents for utility models	10
DESIGNS	
▪ Applications for designs	11
▪ Designs, which have been registered with the international bureau claiming priority on the territory of Georgia	13
TRADEMARKS	
▪ National trademarks	54
▪ Registered trademarks	60
▪ Trademarks registered according to the accelerated procedure	66
▪ International trademarks laid open for the purpose of taking protection granting decisions	69
OFFICIAL NOTIFICATIONS	
TRADEMARKS	
▪ Renewal of registrations	108
▪ Changes in names and/or addresses of owners	109
CLASSIFICATION INDEXES	
INVENTIONS	111
UTILITY MODELS	113
DESIGNS	114
TRADEMARKS	115

PUBLISHED TITLES OF PROTECTION

INVENTIONS

- **APPLICATIONS:**
11458; 11186; 11614; 11497; 12052; 11173; 11982; 9457; 10346
- **PATENTS:**
5508-5515

UTILITY MODELS

- **PATENT:**
1723

DESIGNS

- **APPLICATIONS:**
657; 681
- **DESIGNS, WHICH HAVE BEEN REGISTERED WITH THE INTERNATIONAL BUREAU:**
76606; 77651; 77653; 77678; 77705; 77713; 77727; 77729; 77731; 75494; 76787; 77765; 77767; 77768;
77775-77777; 77793-77795

TRADEMARKS

- **NATIONAL TRADEMARKS:**
62994; 63226; 63239, 63240; 63255; 63319, 63320; 63322; 63328; 63378, 63379; 63392, 633393; 63395;
63407, 63408; 63529; 63534, 63535; 63575; 63743, 73744; 63856; 63859; 63868; 64023-64025; 60883*;
61156*; 61833
- **REGISTERED TRADEMARKS:**
22463; 22503-22521; 22525-22573
- **TRADEMARKS REGISTERED ACCORDING TO THE ACCELERATED PROCEDURE:**
22497-22502; 22522-22524
- **INTERNATIONAL TRADEMARKS LAID OPEN FOR THE PURPOSE OF TAKING PROTECTION GRANTING DECISIONS:**
62197-62203; 62226-62229; 62232; 62234; 62236, 62237; 62250, 62251; 62261-62268; 62272, 62273;
62452; 62741; 62943; 63086-63090; 63092-63097; 63100-63104; 63106; 63160-63170; 63198-63203;
63208, 63209; 63212-63219; 63229-63233; 63264, 63265; 63267-63270; 63272-63276; 63278-63287;
63289-63296; 63304-63307; 63309, 63310; 63312; 63334-63340; 63341-63343; 63345-63348; 63365-
63369; 63381; 63383-63387; 63559; 63757; 63924; 61074*

INVENTIONS

APPLICATIONS LAID OPEN FOR THE PURPOSE OF TAKING PATENT GRANTING DECISIONS

To appeal a decision is possible at Chamber of Appeal of Sakpatenti within 3 months from the publication or at The Board of Administrative Actions of Tbilisi City Court within a 1 month period. (Address: 12 km., №6, David Aghmashenebeli Kheivani, Tbilisi).

PART A

A 21

(10) AP 2012 11458 A (51) Int. Cl. (2006)
A 21 D 2/36
A 21 D 8/02

(21) AP 2009 011458 (22) 2009 09 10

(71) Maria Silagadze (GE)
26 Maisis q. 45, 4600, Kutaisi (GE);
Manana Karchava (GE)
Davit Agmasheneblis gamz. 1, b. 15,
4600, Kutaisi (GE);
Nikoloz Pkhakadze (GE)
26 Maisis q. 45, 4600, Kutaisi (GE);
Shota Jinjolia (GE)
Davit Agmasheneblis gamz. 1, b. 15,
4600, Kutaisi (GE)

(72) Maria Silagadze (GE);
Manana Karchava (GE);
Nikoloz Pkhakadze (GE);
Shota Jinjolia (GE)

(54) **DOUGH COMPOSITION FOR
VITAMINIZED DIABETIC BREAD
PREPARATION**

(57) A composition contains in mass%: raw gluten
15-45, wheat flour 15-45, yeast 1-2, salt 1-2, fat 3-7,
fruit dietary fibers or soybean flour 5-10, hips powder
2-10, and the rest is water.

Claims: 1 independent

A 23

(10) AP 2012 11186 A (51) Int. Cl. (2006)
A 23 F 3/00
A 23 F 3/34

(21) AP 2009 011186 (22) 2009 03 26

(71) Temur Revishvili (GE)
Metsnierebis q. 9, Anaseuli, 3503,
Ozurgeti (GE);
Nanuli Oragvelidze (GE)
Universitetis q. 12, b. 39, Anaseuli,
3503, Ozurgeti (GE);
Soso Guruli (GE)

Universitetis q. 12, Anaseuli, 3503,
Ozurgeti (GE);
Bakhva Dolidze (GE)
I.Shemokmedelis q. 32, 3500, Ozurgeti (GE);
Zurab Maisuradze (GE)

Universitetis q. 12, b.17, Anaseuli, 3503,
Ozurgeti (GE);
Mariam Papashvili (GE)
Sop. Makvaneti, 3502, Ozurgeti (GE);
Levan Nikolashvili (GE)
Sop. Makvaneti, 3502, Ozurgeti (GE);
Iamze Tavdumadze (GE)
Imedashvilis q. 7, b.7, Anaseuli, 3503,
Ozurgeti (GE)

(72) Temur Revishvili (GE);
Nanuli Oragvelidze (GE);
Soso Guruli (GE);
Bakhva Dolidze (GE);
Zurab Maisuradze (GE);
Mariam Papashvili (GE);
Levan Nikolashvili (GE);
Iamze Tavdumadze (GE)

(54) **METHOD OF GRAINED FOODSTUFF
PREPARATION**

(57) A method provides for chopping plant raw,
adding additives therein and/or wetting, granulating
and drying thereof; at that, citrus, fruit-berry or food
and medicinal plants, for example: orange, lemon,
mandarin, citrange, actinidia, feijoa, sea-buckthorn,
bilberry, blackberry, quince, apple, pear, ebony or
cherry laurel fruits and/or leaves or extracts or mix
thereof, laurel and mint leaves, and beet and carrot
roots are used as a plant raw. Black or green tea
powder and/or seeding are used as additives. Wetting
is carried out with black or green Bai Hao Yinzhen
tea extract or leaves thereof or fruit-berry juice.

Claims: 1 independent
1 dependent

A 43

(10) AP 2012 11614 A (51) Int. Cl. (2006)
A 43 B 7/06
A 43 B 7/12
A 43 B 17/08
B 29 D 31/515

(21) AP 2008 011614 (22) 2008 04 29
 (31) MC2007A000115
 (32) 2007 06 04
 (33) IT

(71) EUROSUOLE S.P.A. (IT)
 Via S. Pertini, 8, Zona Industriale A,
 62012 Civitanova Marche (MC) (IT)

(72) SENSINI, Andrea (IT)

(74) Pavle Meipariani

(85) 2009 12 23

(86) PCT/EP2008/003461, 2008 04 29

(54) MEMBRANE WITH SUCTION CUPS

(57) A membrane 3 is provided for shoe sole front part or entire surface coverage and consists of insole 4 and flexible suction cups 8 formed straightly thereon. The insole is executed from hydrophilic, breathable and waterproof material. The cups are directed to footbed surface and have a shape of open hourglass or bellows or cylinder.

Claims: 1 independent
 4 dependent

Fig.: 5

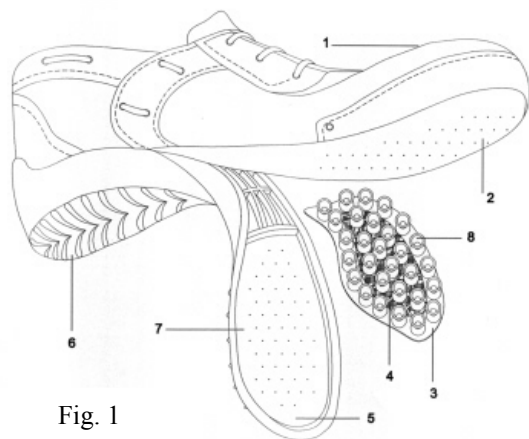


Fig. 1

A 61

(10) AP 2012 11497 A (51) Int. Cl. (2006)
A 61 M 5/315
A 61 M 5/24
A 61 M 5/34
A 61 M 5/31

(21) AP 2008 011497 (22) 2008 02 19

(31) 07/01649

(32) 2007 03 07

(33) FR

(71) PRIMEQUAL S.A. (CH)
 c/o David WEILL, Chemin
 Champ-David, CH-1268, Begnins (CH)

(72) WEILL, David (CH);
 CHASSOT, Pierre-Yves (CH)

(74) Shalva Gvaramadze

(85) 2009 10 07

(86) PCT/IB2008/050593, 2008 02 19

(54) DISPOSABLE DEVICE FOR EJECTING LIQUID OR PASTY PRODUCT

(57) A device comprises a body 2 and a rack 3. The body has a portion 2a placing product designed to be ejected throughout a cavity 13. The rack moves in the body along a bore 20. It causes placed product portion volume variation and has a movement mechanism to comprise pivoting lever 1 and pawl 4 acting on the rack. The pawl and the lever together form monolithic plastics construction.

Claims: 2 independent
 21 dependent

Fig.: 10

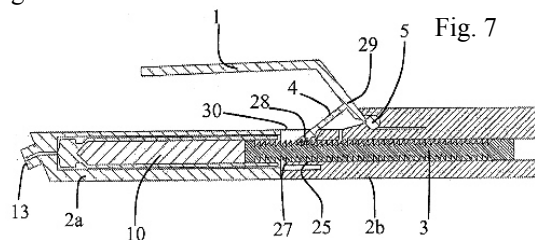


Fig. 7

PART B

B 23

(10) AP 2012 12052 A (51) Int. Cl. (2006)
B 23 F 13/00

(21) AP 2011 012052 (22) 2011 01 05

(71) Revaz Varsimashvili (GE)

Vazha-Pshavelas gamz., V kvart., korp. 4, b.82,
 0186, Tbilisi (GE);

Merab Kakhiani (GE)

Tamarashvilis q. 13 (Saburtalos quchis
 mxridan), b. 1, 0186, Tbilisi (GE)

(72) Revaz Varsimashvili (GE);

Merab Kakhiani (GE)

**(54) MACHINE TOOL MAKING
 NONROUND AND ROUND
 CYLINDRICAL WORM SCREW**

(57) A machine tool comprises the stepper motors 1, 2 and 3 switched to a machine-manager station. At that, an additional table 15 is fixed onto the longitudinal guides 16 of machine tool table 17, and a plate 23 is fixed onto the transversal guides 22 of additional table. The plate is equipped with a trapezoid cutter 26. For transversal motion the additional table has the stepper motor 3 fixed thereto, and for longitudinal motion it has a screw 13 switched to the stepper motor 2 by the claw chisels 11 and 12.

Claims: 1 independent

Fig.: 4

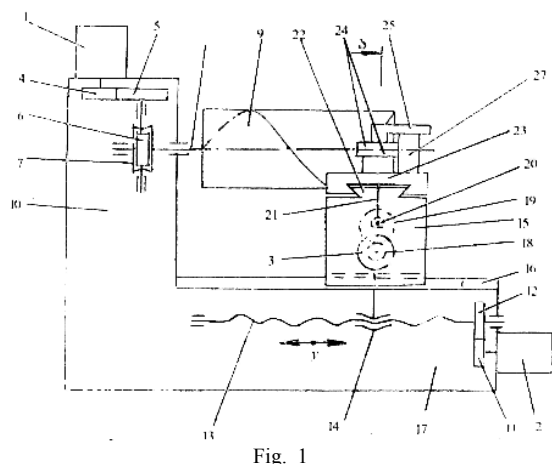


Fig. 1

PART C**C 07**

(10) AP 2012 11173 A (51) Int. Cl. (2006)

C 07 K 16/28

A 61 K 39/395

A 61 P 35/00

C 12 N 5/18

C 12 N 15/13

A 61 K 31/00

(21) AP 2007 011173 (22) 2007 08 17

(31) 60/838,648; 60/946,360

(32) 2006 08 18; 2007 06 26

(33) US; US

(71) NOVARTIS AG (CH)

Liehstrasse 35, CH-4056 Basel (CH);

XOMA TECHNOLOGY LTD. (US)

2910 S. Seventh Street, Berkeley, CA (US)

(72) BEDINGER, Daniel (US);

DAMIANO, Jason (US);

LUQMAN, Mohammad (US);

MASAT, Linda (IT);

MIRZA, Amer (US);

NONET, Genevieve (US)

(74) Shalva Gvaramadze

(85) 2009 03 18

(86) PCT/US2007/076160, 2007 08 17

(54) **PRLR-SPECIFIC ANTIBODY AND
USAGE THEREOF**

(57) An invention concerns humanized and constructed antibodies binding prolactin (PRLR) receptor extracellular domain and used for treating cancer.

Claims: 21 independent

34 dependent

Fig.: 21

PART G**G 06**

(10) AP 2012 11982 A (51) Int. Cl. (2006)

G 06 K 9/00

G 07 C 9/00

(21) AP 2010 011982 (22) 2010 10 26

(71) Archil Prangishvili (GE)

Pasteris q. 1a, b. 20, 0102, Tbilisi (GE);

Levan Imnaishvili (GE)

Nutsubidzis perd. IV mkr., korp. 5, b. 4,

0183, Tbilisi (GE);

Maguli Bedineishvili (GE)

Mirzaanis q. 18, 0114, Tbilisi (GE)

(72) Archil Prangishvili (GE);

Levan Imnaishvili (GE);

Maguli Bedineishvili (GE)

(54) **BIOMETRIC IDENTIFICATION
AND REGISTRATION SYSTEM
OF PEDAGOGUES**

(57) A system comprises one or more cantilevered computers 1 equipped by the monitors 2, biometric identification scanner 3 switched to the cantilevered computer and the server 4 connected with the Local Area Network (LAN). The cantilevered computer is performed with insertion ability of pedagogue's scanned fingerprint on a monitor. The server 4 is executed with keeping ability of pedagogue's fingerprint references at a database, the identification results thereof and registration display on cantilevered computer monitor on a basis of scanned fingerprint comparison with the references thereof. Additionally, the system comprises biometric identification scanner 7 switched to a personal computer 5 connected with the server by the LAN. Cantilevered computer monitor is complementarily equipped with the touch panel 6 inserting information.

Claims: 1 independent

6 dependent

Fig.: 1

PART H**H 04**

(10) AP 2012 9457 A **(51) Int. Cl. (2006)**
H 04 B 7/00
H 04 B 7/26
H 04 W 72/14 (2009.01)

(21) AP 2004 009457 (22) 2004 11 18

(31) 60/523,049; 10/902,740

(32) 2003 11 18; 2004 07 29

(33) US; US

(71) INTERDIGITAL TECHNOLOGY CORPORATION (US)

300 Delaware Ave., Suite 527,
Wilmington, DE 19810 (US)

(72) RUDOLF, Marian (DE);

DICK, Stephen, G. (US);

PIETRASKI, Philip, J. (US)

(74) Shalva Gvaramadze

(85) 2006 06 16

(86) PCT/US2004/038683, 2004 11 18

(54) METHOD AND SYSTEM FOR PROVIDING CHANNEL ASSIGNMENT INFORMATION USED TO SUPPORT UPLINK AND DOWNLINK CHANNELS

(57) A method and wireless communication system for providing channel assignment information used to support an uplink (UL) channel and a downlink (DL) channel. The system includes at least one Node-B and one wireless transmit/receive unit (WTRU). The WTRU communicates with the Node-B via a common control channel, the UL channel and the DL channel. The WTRU receives a message from the Node-B via the common control channel. The message includes an indication of whether the message is intended for assigning radio resources to the UL channel or the DL channel. The WTRU determines whether the message is intended for the WTRU and, if so, the WTRU determines whether the message is for assigning radio resources to the UL channel or the DL channel. The WTRU takes an appropriate action based on whether the message is for assigning radio resources to the UL channel or the DL channel.

Claims: 6 independent

66 dependent

Fig.: 3

(10) AP 2012 10346 A **(51) Int. Cl. (2006)**
H 04 M 1/00
H 04 W 88/06 (2009.01)

(21) AP 2006 010346 (22) 2006 03 30

(31) 60/667,523; 11/284,242

(32) 2005 04 01; 2005 11 21

(33) US; US

(71) INTERDIGITAL TECHNOLOGY

CORPORATION (US)

3411 Silverside Road, Concord Plaza,

Suite 105, Hagley Building,

Wilmington, DE 19810 (US)

(72) CHANDRA, Arty (IN)

(74) Shalva Gvaramadze

(85) 2007 10 30

(86) PCT/US2006/011634, 2006 03 30

(54) METHOD AND APPARATUS FOR SELECTING MULTI-BAND ACCESS POINT TO ASSOCIATE WITH MULTI-BAND MOBILE STATION

(57) A method and apparatus for selecting one of a plurality of multi-band access points (APs) to associate with a multi-band wireless transmit/receive unit (WTRU) are disclosed. The multi-band APs broadcast frequency band information regarding multiple frequency bands on which the multi-band AP is configured to operate. The multi-band WTRU selects a particular multi-band AP to associate with and a frequency band to use to communicate with the selected multi-band AP based on the frequency band information. If the multi-band WTRU receives frequency band information from the selected multi-band AP which indicates that a characteristic, (e.g., throughput, path loss, load, capacity, backhaul), of the selected frequency band is unacceptable, the multi-band WTRU determines whether to disassociate with the selected multi-band AP or to continue to associate with the selected multi-band AP via a different frequency band.

Claims: 2 independent

16 dependent

Fig.: 5

PATENTS FOR INVENTIONS

PART A

A 01

- (11) P 2012 5514 B (51) Int. Cl. (2006)
A 01 D 46/26
- (10) AP 2012 11679 A (44) 1(341)/2012
(21) AP 2010 011679
(22) 2010 02 05
(24) 2010 02 05
(73) Nugzar Ebanoidze (GE)
Gugunava St. 22, 4618, Kutaisi (GE);
Igor Tkebuchava (GE)
Tsozne Dadianis k. 189, 5800, Khobi (GE);
Zurab Ebanoidze (GE)
Didi Digomi, I. Petrici St. 6, ap. 160,
0131, Tbilisi (GE)
- (72) Nugzar Ebanoidze (GE);
Igor Tkebuchava (GE);
Zurab Ebanoidze (GE)
- (54) **DEVICE FOR SHAKING OFF FRUITS
FROM TREES**
-

A 23

- (11) P 2012 5515 B (51) Int. Cl. (2006)
A 23 N 5/00
- (10) AP 2012 11713 A (44) 1(341)/2012
(21) AP 2010 011713
(22) 2010 03 05
(24) 2010 03 05
(73) Nugzar Ebanoidze (GE)
Gugunava St. 22, 4618, Kutaisi (GE);
Zurab Ebanoidze (GE)
Didi Dighomi, I. Petritsi St. 6, ap. 160,
0131, Tbilisi (GE)
- (72) Nugzar Ebanoidze (GE);
Zurab Ebanoidze (GE)
- (54) **DEVICE FOR HAZELNUT-FILBERT
CRACKING**
-

PART B

B 65

- (11) P 2012 5513 B (51) Int. Cl. (2006)
B 65 G 25/01
- (10) AP 2012 11431 A (44) 1(341)/2012
(21) AP 2009 011431
(22) 2009 08 19
(24) 2009 08 19
(73) Zaur Balamtsarashvili (GE)
Sabutralo St. 37, ap. 12, 0160, Tbilisi (GE);
Zaur Chitidze (GE)
Tarkhnishvili St. 16, ap. 19, 0179,
Tbilisi (GE);
Igor Gelashvili (GE)
Rustavi Highway 28a, ap.1, 0165,
Tbilisi (GE);
Alexander Gelashvili (GE)
Rustavi Highway 28a, ap.1, 0165, Tbilisi (GE)
- (72) Zaur Balamtsarashvili (GE);
Zaur Chitidze (GE);
Igor Gelashvili (GE);
Alexander Gelashvili (GE)
- (54) **STEP-MOTION CONVEYOR OF
AUTOMATIC MACHINE FOR
CUTTING ORNAMENT**
-

PART C

C 07

- (11) P 2012 5511 B (51) Int. Cl. (2006)
C 07 D 471/04
A 61 K 31/4375
A 61 P 35/00
- (10) AP 2011 11376 A (44) 23(339)/2011
(21) AP 2007 011376
(22) 2007 12 18
(24) 2007 12 18
(31) 60/870,913
(32) 2006 12 20
(33) US
(73) TAKEDA PHARMACEUTICAL COMPANY
LIMITED (JP)
1-1, Doshomachi 4-chome Chuo-ku,
Osaka-shi, Osaka 541-0045 (JP)
- (72) DONG, Qing (CN);
GONG, Xianchang (US);
KALDOR, Stephen W. (US);
-

KANOUNI, Toufike (US);
 SCORAH, Nicholas (GB);
 WALLACE, Michael B. (US);
 ZHOU, Feng (US)
 (74) Shalva Gvaramadze
 (85) 2009 07 20
 (86) PCT/US2007/087913, 2007 12 18
 (54) **MAPK/ERK KINASE INHIBITORS**

(11) P 2012 5512 B (51) **Int. Cl. (2006)**
C 07 C 233/18
C 07 C 231/02
C 07 C 231/12
C 07 D 209/48
 (10) AP 2011 11403 A (44) 19(335)/2011
 (21) AP 2009 011403
 (22) 2009 08 03
 (24) 2009 08 03
 (31) 08.04465
 (32) 2008 08 05
 (33) FR
 (73) LES LABORATOIRES SERVIER (FR)
 35, rue de Verdun F-92284 Suresnes
 Cedex (FR)
 (72) HARDOUIN, Christophe (FR);
 LECOUBE, Jean-Pierre (FR);
 BRAGNIER Nicolas (FR)
 (74) Tamaz Shilakadze
 (54) **PROCESS FOR SYNTHESIS OF**
AGOMELATIN

PART G

G 01

(11) P 2012 5510 B (51) **Int. Cl. (2006)**
G 01 N 33/00
G 01 N 33/14
 (10) AP 2011 10948 A (44) 1(317)/2011
 (21) AP 2008 010948
 (22) 2008 10 27
 (24) 2008 10 27
 (73) Zaira Shapatava (GE)
 Dolidzis q., korp. 15, b. 20, 0171,
 Tbilisi (GE);
 Lia Shubladze (GE)
 Chavchavadzis gamz. 35a, b. 37, 0179,
 Tbilisi (GE);
 Kukuri Dzeria (GE)
 Atenis shes. 11, b. 4, 0179, Tbilisi (GE);
 Medea Vibliani (GE)
 Nutsubidzis k. 44, korp. 2, b. 2, 0177,
 Tbilisi (GE)
 (72) Zaira Shapatava (GE);

Lia Shubladze (GE);
 Kukuri Dzeria (GE);
 Medea Vibliani (GE)
 (54) **METHOD FOR DEFINITION OF**
APPLE JUICE FALSIFICATION

PART H

H 04

(11) P 2012 5508 B (51) **Int. Cl. (2006)**
H 04 W 36/14
 (10) AP 2012 10112 A (44) 1(341)/2012
 (21) AP 2005 010112
 (22) 2005 11 01
 (24) 2005 11 01
 (31) 60/625,611
 (32) 2004 11 05
 (33) US
 (73) INTERDIGITAL TECHNOLOGY
 CORPORATION (US)
 3411 Silverside Road, Concord Plaza, Suite
 105, Hagley Building, Wilmington, Delaware
 19810 (US)
 (72) OLIVERA-HERNANDEZ, Ulises (MX);
 SHAHEEN, Kamel, M. (EG);
 CARLTON, Alan, Gerald (US);
 RUDOLF, Marian (DE);
 LU, Guang (CA);
 ZUNIGA, Juan, Carlos (MX);
 ZAKI, Maged (CA)
 (74) Shalva Gvaramadze
 (85) 2007 06 05
 (86) PCT/US2005/039546, 2005 11 01
 (54) **WIRELESS COMMUNICATION**
METHOD AND SYSTEM FOR
IMPLEMENTING MEDIA
INDEPENDENT HANDOVER BETWEEN
TECHNOLOGICALLY DIVERSIFIED
ACCESS NETWORKS

(11) P 2012 5509 B (51) **Int. Cl. (2006)**
H 04 L 12/56
H 04 W 28/16
 (10) AP 2012 10193 A (44) 1(341)/2012
 (21) AP 2006 010193
 (22) 2006 01 19
 (24) 2006 01 19
 (31) 60/646,662; 11/234,792
 (32) 2005 01 25; 2005 09 23
 (33) US; US
 (73) INTERDIGITAL TECHNOLOGY
 CORPORATION (US)
 3411 Silverside Road, Concord Plaza, Suite

105, Hagley Building, Wilmington, Delaware
19810 (US)

(72) CHANDRA, Arty (IN);
LEVY, Joseph, S. (US);
GRANDHI, Sudheer A. (US);
ZEIRA, Eldad (US)

(74) Tamara Kochlamazashvili

(85) 2007 07 24

(86) PCT/US2006/001840, 2006 01 19

(54) **PEER-TO-PEER WIRELESS
COMMUNICATION SYSTEM**

PATENTS FOR UTILITY MODELS

PART A

A 47

(11) U 2012 1723 Y (51) Int. Cl. (2006)

A 47 J 31/50

(10) AU 2011 11974 U (44) 17(333)/2011

(21) AU 2010 011974

(22) 2010 10 19

(24) 2010 10 19

(31) U2009/07964; U2009/07966

(32) 2009 10 21; 2009 10 21

(33) TR; TR

(73) ARZUM ELEKTRIKLI EV ALETLERI

SANAI VE TIJARET ANONIM

SHIRKETI (TR)

Otakchilar Jaddesi N78 Kat: 1B blok

NB1b, Eiup - Stamboli (TR)

(72) Talip Murat Kolbashi (TR)

(74) George Meipariani

(54) **TWO-CHAMBER THERMOS**

DESIGNS

APPLICATIONS LAID OPEN FOR THE PURPOSE OF TAKING PATENT GRANTING DECISIONS

To appeal a decision is possible at Chamber of Appeal of Sakpatenti within 3 months from the publication or at The Board of Administrative Actions of Tbilisi City Court within a 1 month period. (Address: 12 km., №6, David Aghmashenebeli Kheivani, Tbilisi).

(10) AD 2012 657 S (51) 06-13

(21) AD 2011 000657

(22) 2011 08 09

(28) 7

(71) Alexander Kavtaradze (GE)

Varketili 3, II mkr., korp. 14, b. 96, 0163, Tbilisi (GE)

(72) Zurab Miminoshvili (GE)

(74) George Taktakishvili

(54) NAPKIN

(55)



- (10) AD 2012 681 S (51) 32-00
- (21) AD 2012 000681
- (22) 2012 02 13
- (28) 2
- (71) LTD "AGROVITA" (GE)
Atonelis q. 29, 0105, Tbilisi (GE)
- (72) George Laperashvili (GE)
- (74) David Dzamukashvili
- (54) GRAPHIC SYMBOL
- (55)



**DESIGNS, WHICH HAVE BEEN REGISTERED WITH THE
INTERNATIONAL BUREAU CLAIMING PRIORITY ON THE
TERRITORY OF GEORGIA**

(IN ACCORDANCE WITH THE ACT OF HAGUE AGREEMENT OF 1960 AND/OR ACT
OF GENEVA AGREEMENT OF 1999)

To appeal a decision is possible at Chamber of Appeal of Sakpatenti within 3 months from the publication or at The Board of Administrative Actions of Tbilisi City Court within a 1 month period. (Address: 12 km., №6, David Aghmashenebeli Kheivani, Tbilisi).

(11) DM/076606 (51) 14-03

(15) 2011 08 22

(45) 2012/07 (2012 02 24)

(22) 2011 08 22

(28) 6

(30) 22.02.2011; 29/385,900; US

(73) NOKIA CORPORATION

Keilalahdentie 4, FI-02150 Espoo (FI)

(85) EM

(86) EM

(87) EM

(88) EM

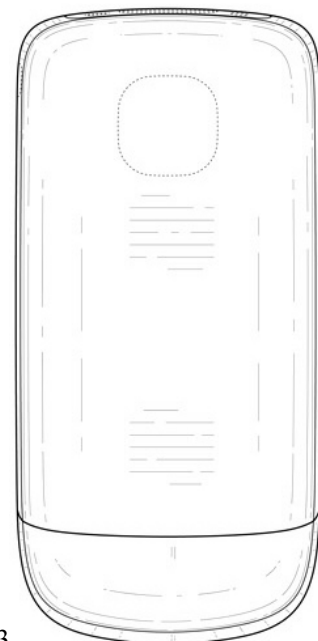
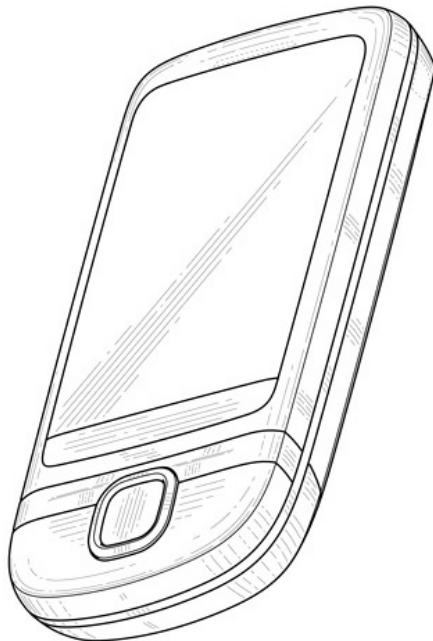
(89) EM

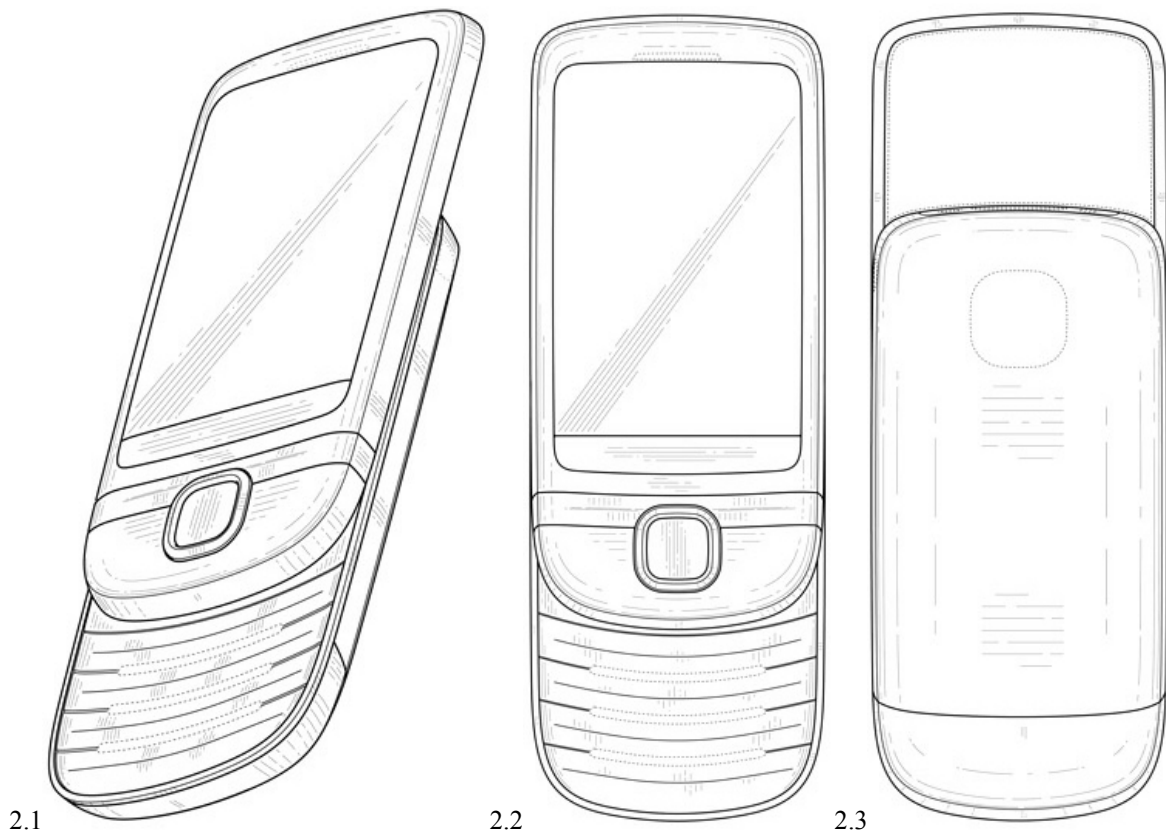
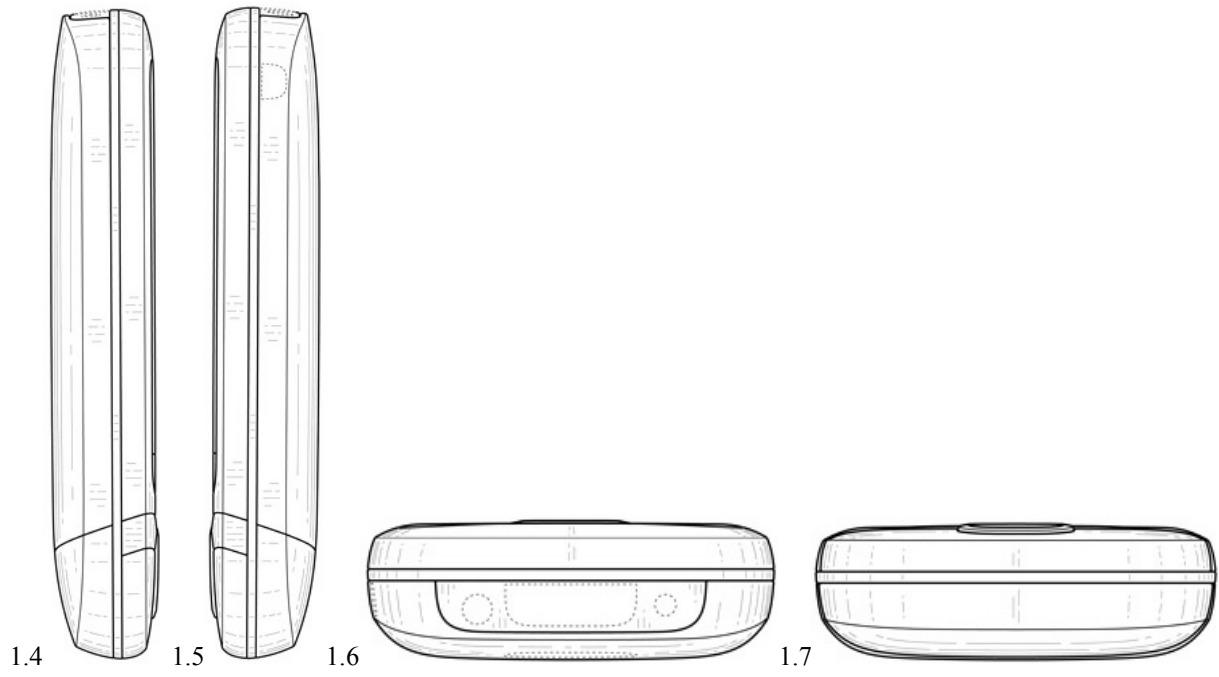
(81) III. AL, AM, BW, CH, EG, GE, HR, IS, LI, MK, NA, SG, TR, UA

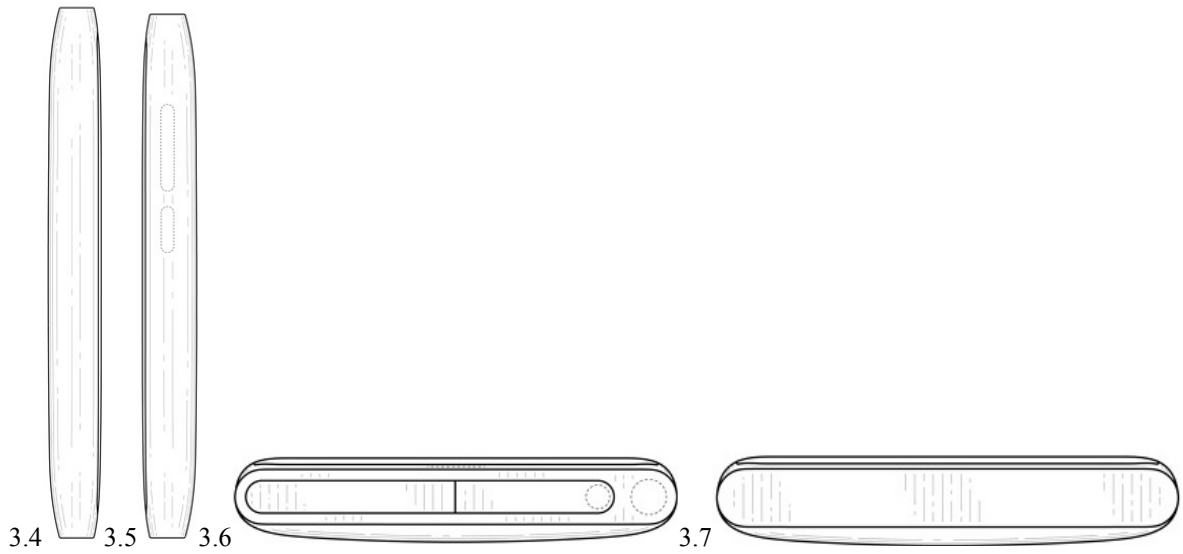
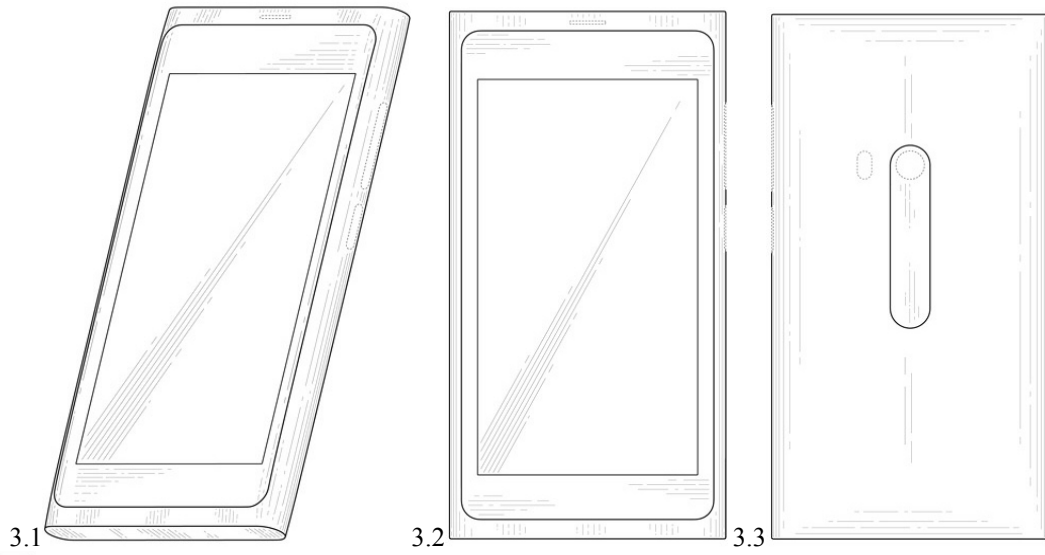
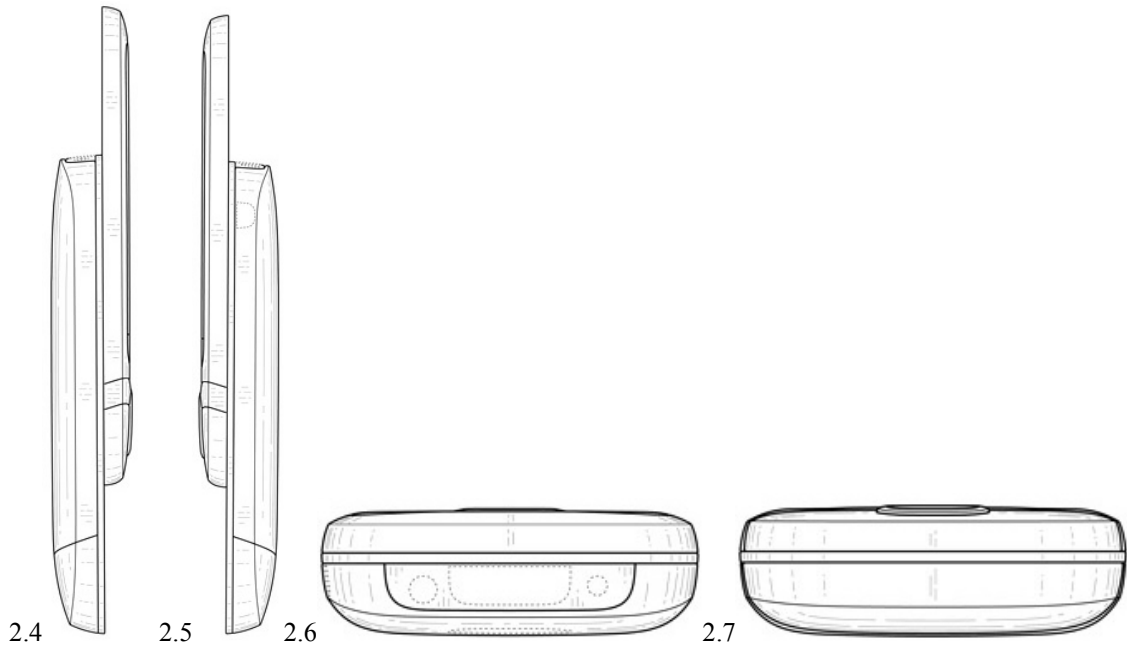
(72) N1, 2: Seed Yang, Room A2601, Rongjinglidu Building, Economic and Technological Development Area, Beijing, PRC 100176; N3, 4: Anton Fahlgren, Kapteeninkatu 9A, 00140 Helsinki; Casper Asmussen, Ankargatan 9, 21117 Malmo; N5, 6: Qiaokun Huang, 4-1-1601 Haifu Garden, Jiangyan Road, Haizhu District, Guangzhou, Guangdong Province

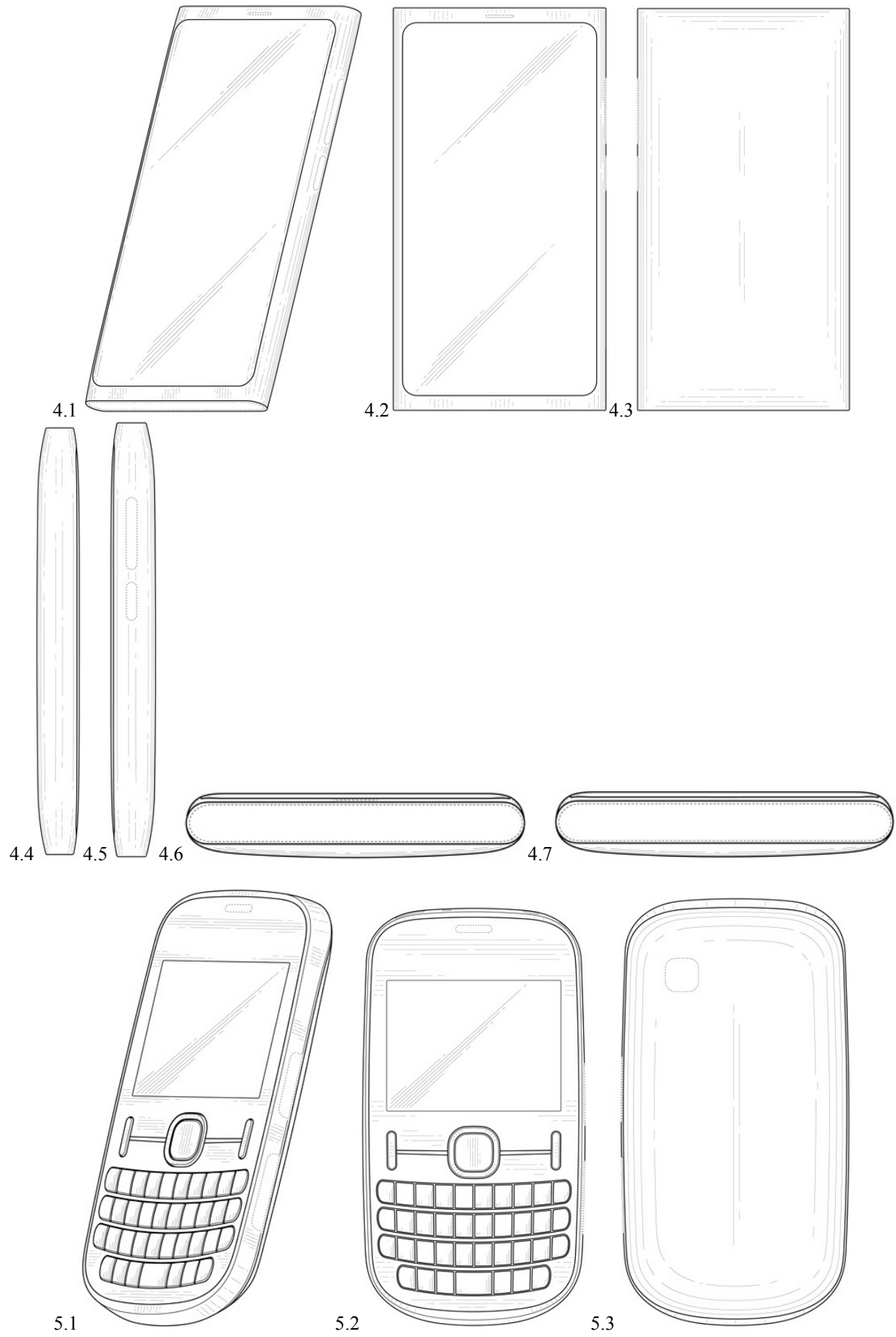
(54) 1.-6. Handsets

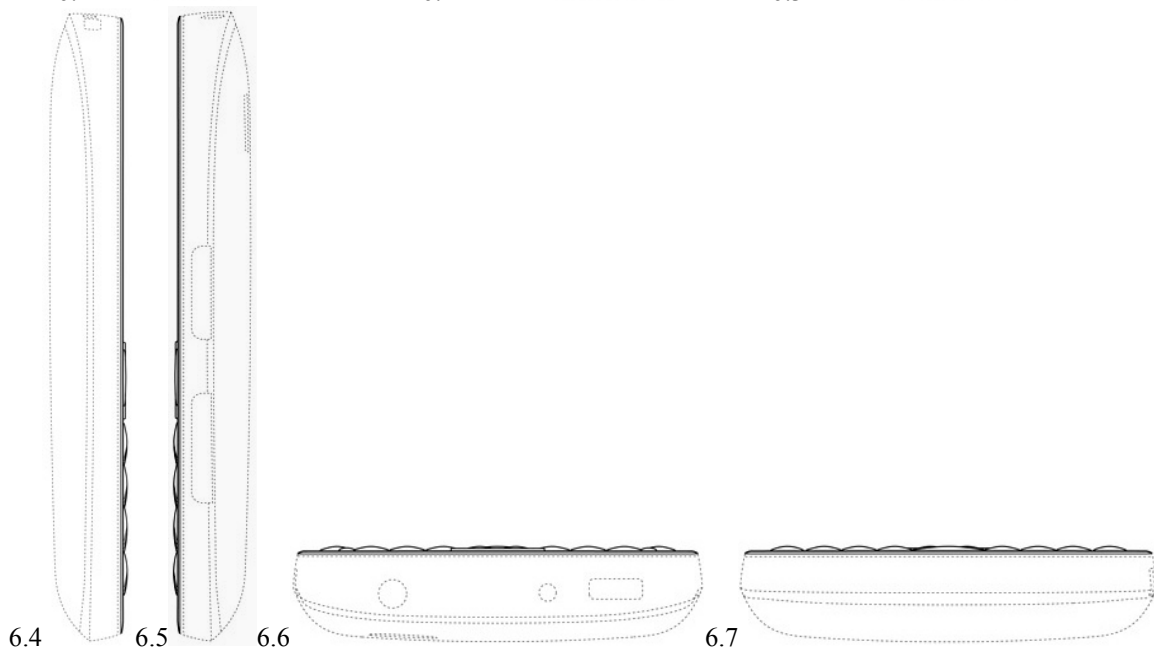
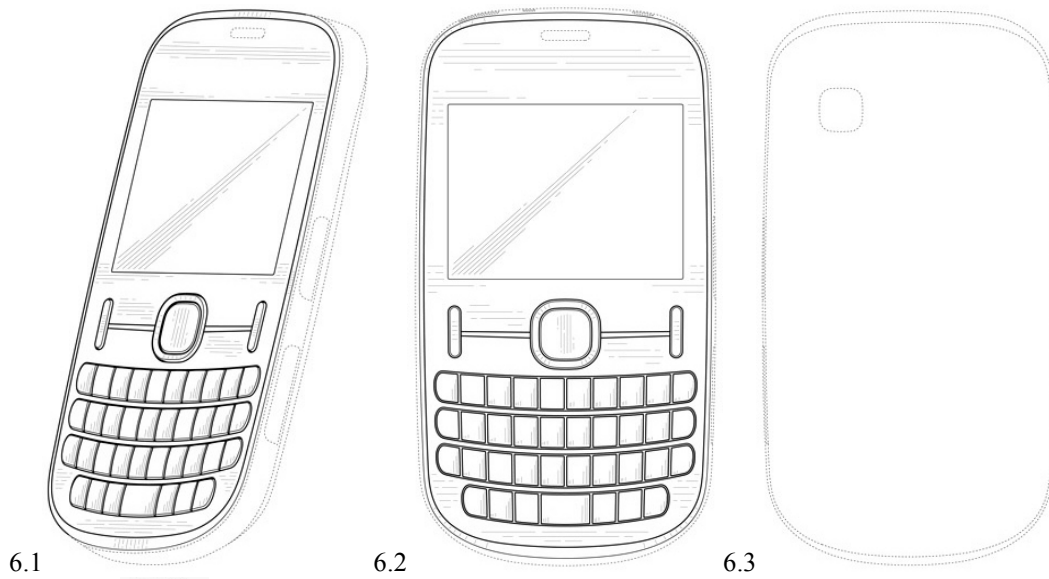
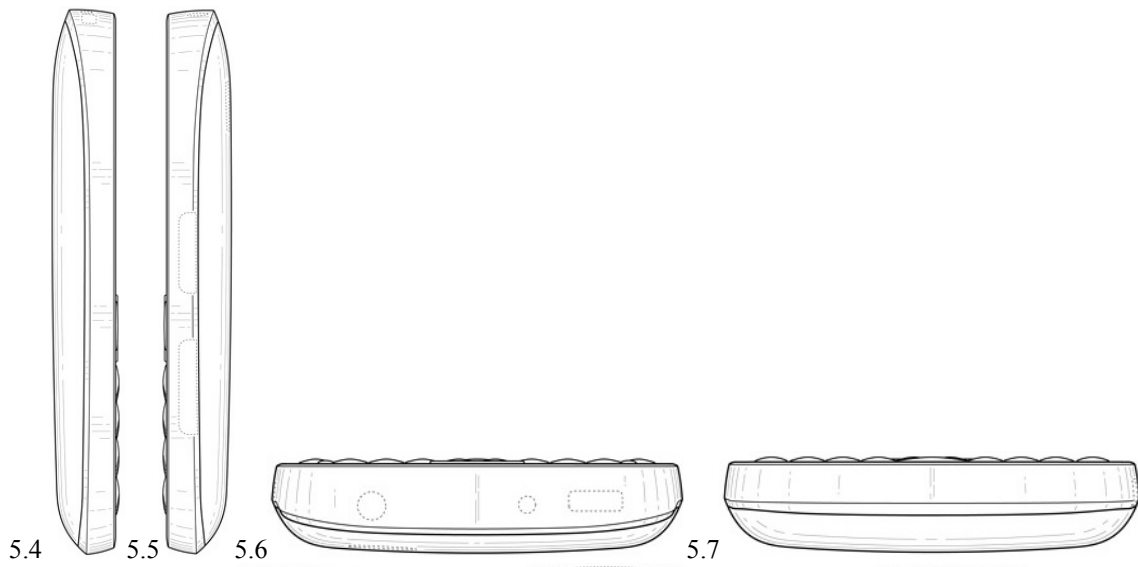
(55)











(11) DM/077651 (51) 10-02

(15) 2012 02 07 (45) 2012/07 (2012 02 24)

(22) 2012 02 07

(28) 1

(73) CERTINA AG (CERTINA SA) (CERTINA LTD.)

17, chemin des Tourelles, CH-2400 LE LOCLE (CH)

(85) CH

(86) CH

(87) CH

(88) CH

(89) CH

(81) II. BZ, MA, ME. III. AL, AM, AZ, BA, CH, EM, GE, HR, KG, LI, MC, MD, MK, MN, NO, OM, SG, TR, UA

(72) N1: Lorenzo VALLONE, Viale Stelvio 52, I-20159 MILANO

(54) 1. Wristwatch

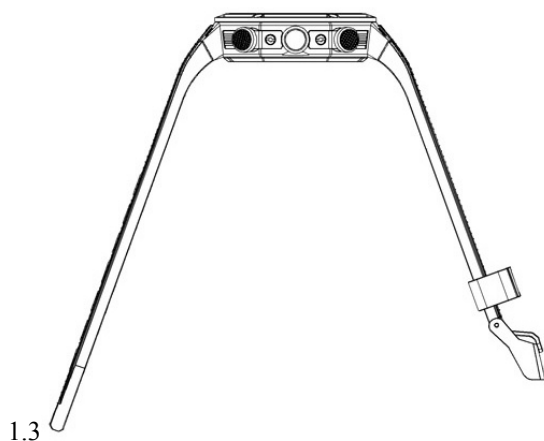
(55)



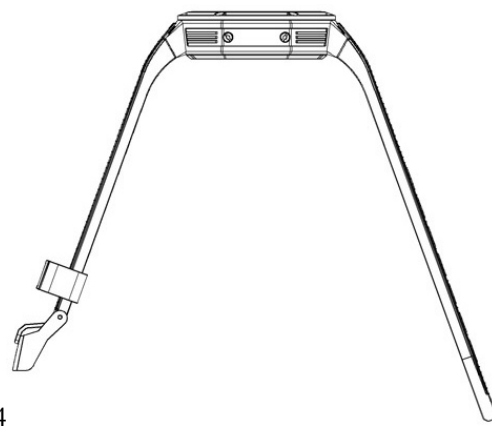
1.1



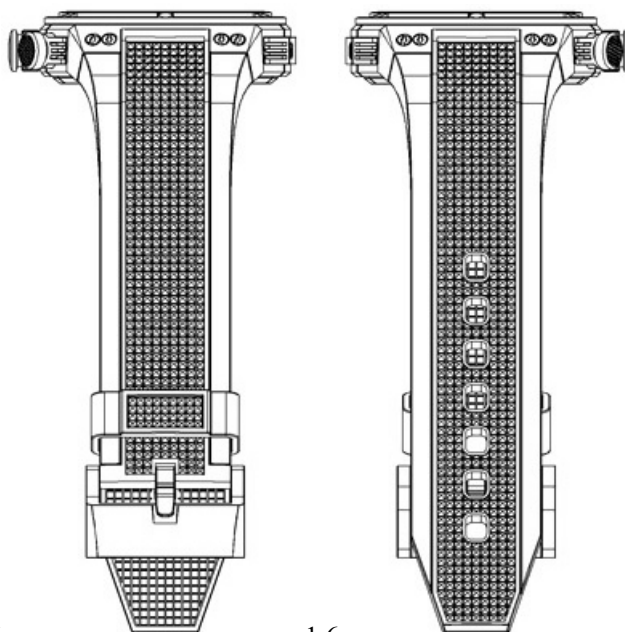
1.2



1.3



1.4

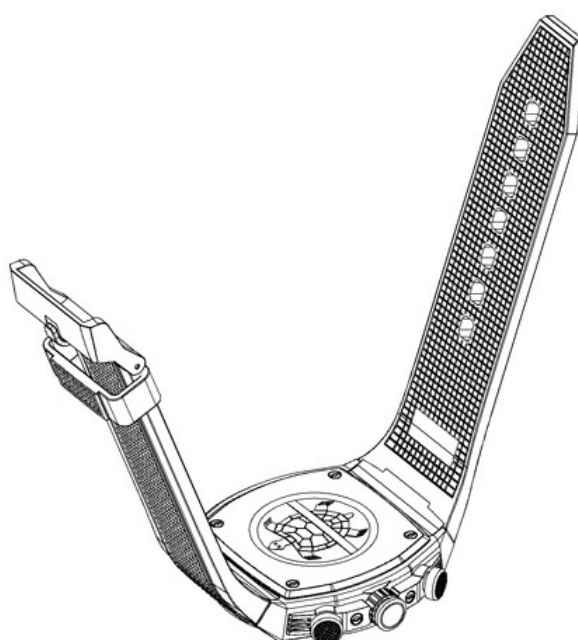


1.5

1.6



1.7



1.8

(11) DM/077653 (51) 24-01

(15) 2011 12 26 (45) 2012/07 (2012 02 24)

(22) 2011 12 26

(28) 2

(73) ORNA FILO 20104 Zurit (IL)

(86) DE, EM

(87) n/a

(88) n/a

(89) EM

(81) II. ME. III. AL, AM, AZ, BA, CH, EM, GE, HR, IS, MK, NO, RS, SG, TR, UA

(72) Orna Filo, Zurit 20104,

(54) 1. Sensory delivery system (part of -); 2. Sensory delivery system
(55)



1.1



1.2



1.3



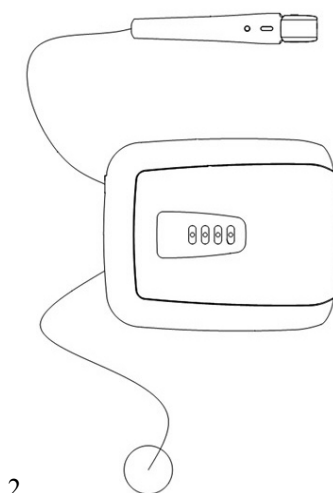
1.4



1.5



1.6



2

(11) DM/077678 (51) 10-02

(15) 2012 02 10 (45) 2012/07 (2012 02 24)

(22) 2012 02 10

(28) 1

(73) RADO UHREN AG (RADO WATCH CO. LTD.)(MONTRES RADO SA)

Bielstrasse 45, CH-2543 Lengnau (CH)

(85) CH

(86) CH

(87) CH

(88) CH

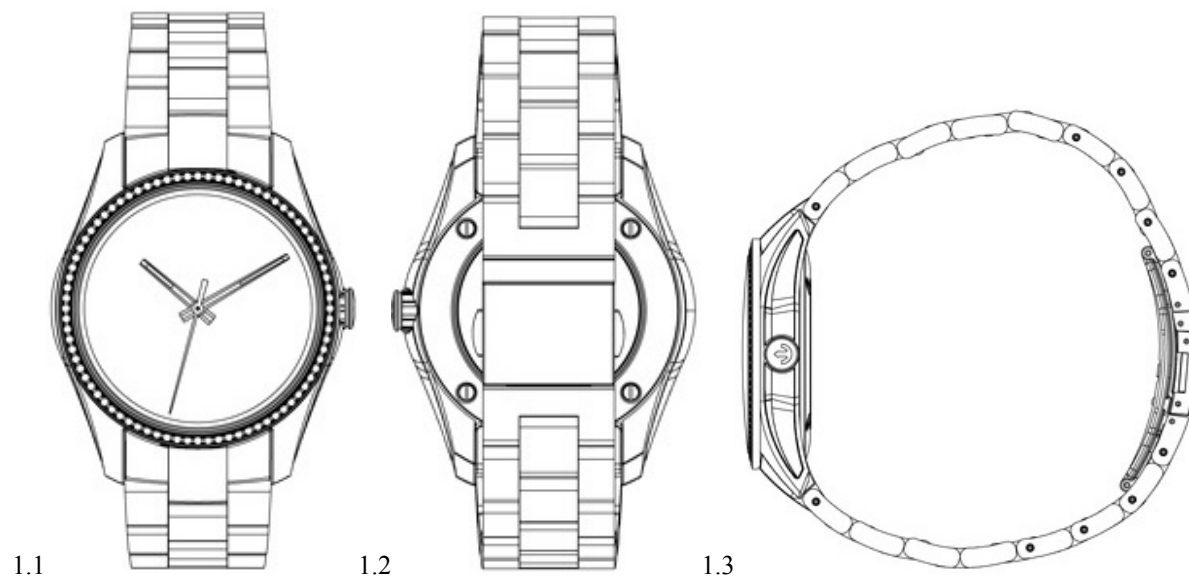
(89) CH

(81) II. BZ, MA, ME. III. AL, AM, AZ, BA, CH, EM, GE, HR, KG, LI, MC, MD, MK, MN, NO, OM, SG, TR, UA

(72) Fabrice DUPORT, Avenue de la Gare 4, CH-2000 NEUCHATEL

(54) 1. Wristwatch

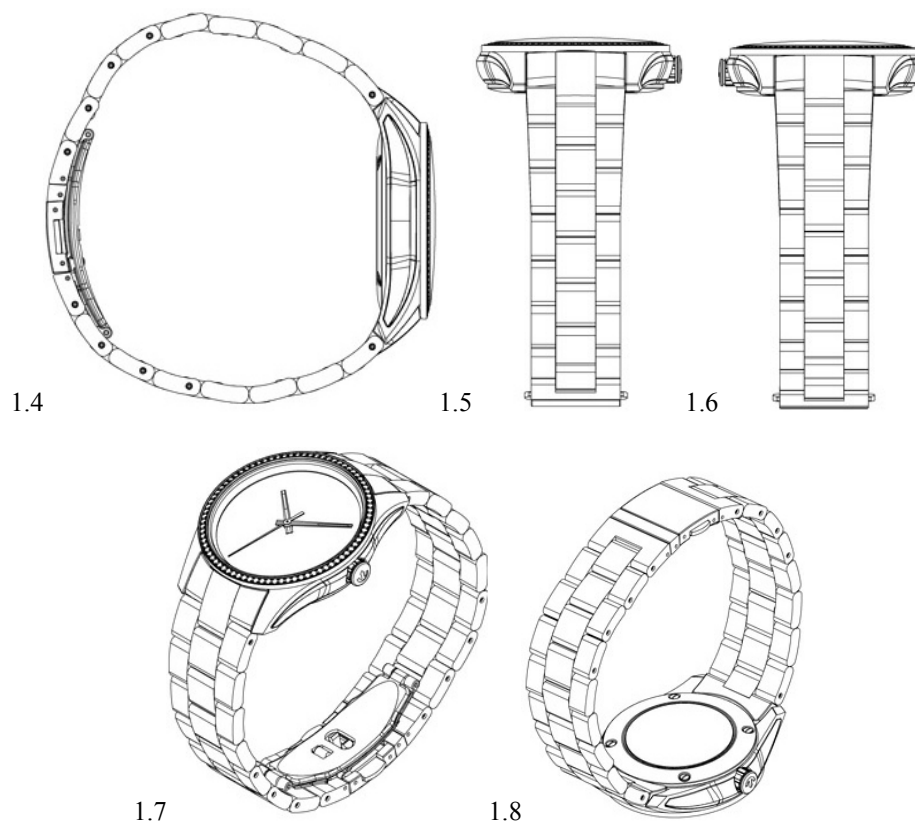
(55)



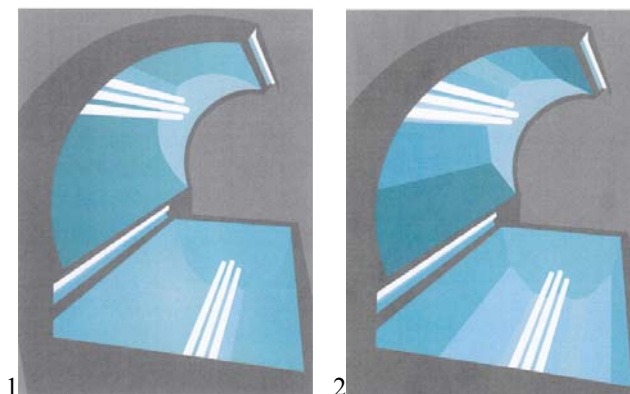
1.1

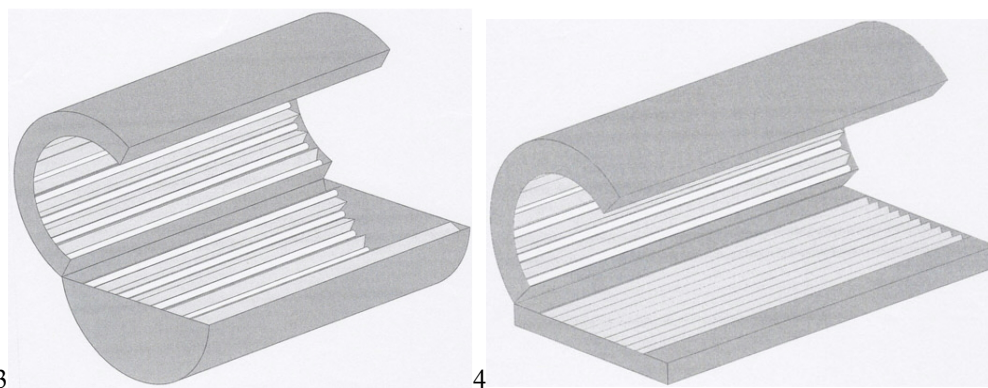
1.2

1.3



- (11) DM/077705 (51) 25-03
 (15) 2011 07 15 (45) 2012/08 (2012 03 02)
 (22) 2011 07 15
 (28) 4
 (30) 27.01.2011; D1100010; HU
 (73) ATTILA SOLTÉSZ-NAGY
 Gálffy Ignác u. 8, H-3532 Miskolc (HU)
 (85) HU, EM
 (86) HU, EM
 (87) HU, EM
 (88) HU, EM
 (89) HU
 (81) II. ME. III. AL, AM, AZ, BA, CH, GE, HR, IS, KG, LI, MC, MD, MK, RS, SG, TR, UA
 (72) Attila Soltész-Nagy, Gálffy Ignác u. 8, H-3532 Miskolc
 (54) 1.-4. Solarium beds
 (55)





- (11) DM/077713 (51) 10-02
 (15) 2012 02 14 (45) 2012/08 (2012 03 02)
 (22) 2012 02 14
 (28) 4
 (73) THE SWATCH GROUP MANAGEMENT SERVICES AG (THE SWATCH GROUP MANAGEMENT SERVICES SA) (THE SWATCH GROUP MANAGEMENT SERVICES LTD.)
 Faubourg du Lac 6, CH-2502 Biel/Bienne (CH)
 (85) CH
 (86) CH
 (87) CH
 (88) CH
 (89) CH
 (81) II. BZ, MA, ME. III. AL, AM, AZ, BA, CH, EM, GE, HR, KG, LI, MC, MD, MK, MN, NO, OM, SG, TR, UA
 (72) Mod. N1,3,4: Fernando SOARES, Fleury 5, CH-2000 Neuchâtel; Mod. N2: Fabrice Duport, Av. de la Gare 4, CH-2000 Neuchâtel
 (54) 1.-4. Wristwatches
 (55)





1.4



2.1



2.2



2.3



2.4



3.1



3.2



3.3



3.4



4.1



4.2



4.3



4.4

- (11) DM/077727 (51) 10-02
(15) 2012 02 15 (45) 2012/08 (2012 03 02)
(22) 2012 02 15
(28) 8
(73) SWATCH AG (SWATCH SA) (SWATCH LTD.)
Jakob-Stämpfli-Strasse 94, CH-2502 BIEL/BIENNE (CH)
(85) CH
(86) CH
(87) CH
(88) CH
(89) CH
(81) IL, BZ, MA, ME, III, AL, AM, AZ, BA, CH, EM, GE, HR, KG, LI, MC, MD, MK, MN, NO, OM, SG,
TR, UA
(72) N1, 2, 3, 4, 5: Andrea Arrigoni, c/o SWATCHLAB, Via Archimede 6, IT-20129 Milano; N6, 7, 8: Antonio
Fazio, c/o SWATCH AG, Jakob-Stämpfli-Strasse 94, CH-2502 Biemme
(54) 1.-8. Wristwatches
(55)





(11) DM/077729 (51) 10-07

(15) 2012 02 16 (45) 2012/08 (2012 03 02)

(22) 2012 02 16

(28) 17

(73) MONTRES JAQUET DROZ SA (MONTRES JAQUET DROZ AG) (MONTRES JAQUET DROZ LTD.)

Allée du Tourbillon 2, CH-2300 La Chaux-de-Fonds (CH)

(85) CH

(86) CH

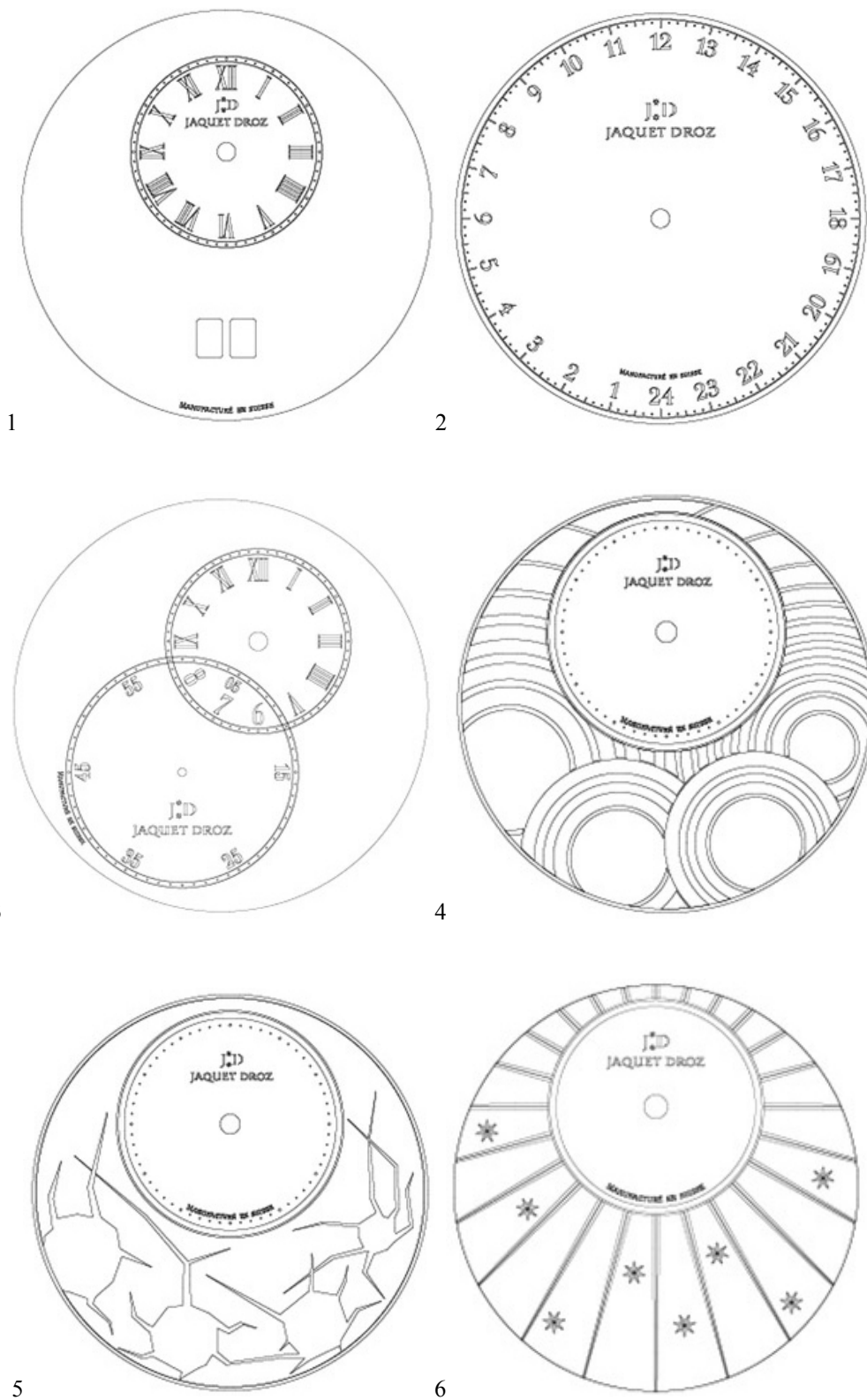
(87) CH

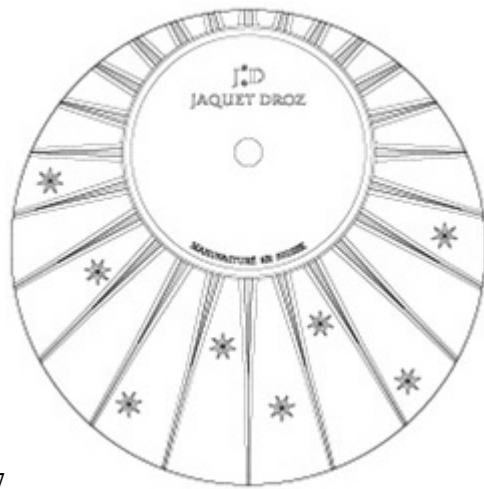
(88) CH

(89) CH

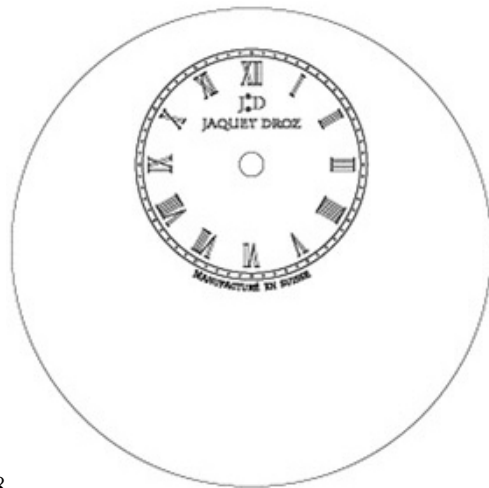
(81) II. BZ, MA, ME. III. AL, AM, AZ, BA, CH, EM, GE, HR, KG, LI, MC, MD, MK, MN, NO, OM, SG,
TR, UA

- (72) Maamar BOULARAS, c/o Montres Jaquet Droz SA, Allée du Tourbillon 2, CH-2300 La-Chaux-de-Fonds;
 Yann LEIGGENER, c/o Montres Jaquet Droz SA, Allée du Tourbillon 2, CH-2300 La-Chaux-de-Fonds
 (54) 1.-11. Dials; 12. Watch hand; 13. Watch case background; 14.-15. Watch bracelets; 16. Bracelet clasp;
 17. Oscillating weight
 (55)

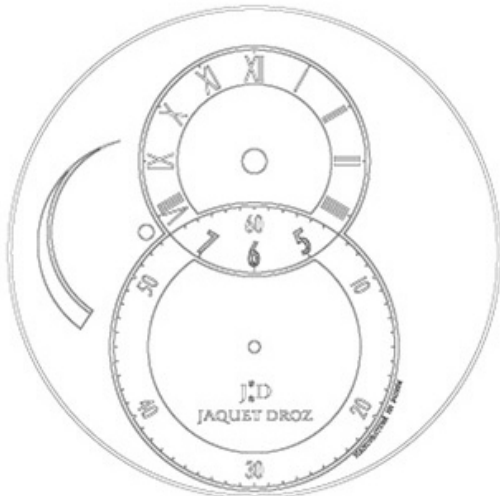




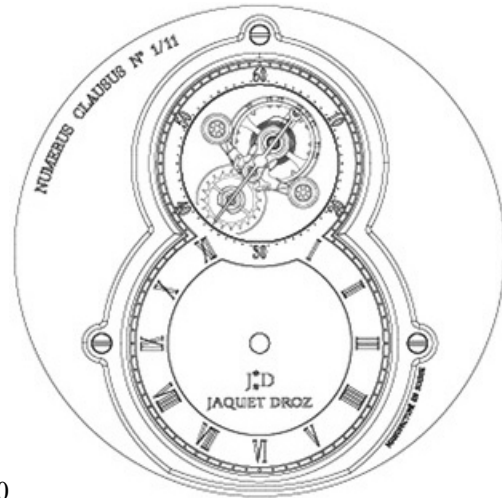
7



8



9



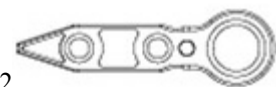
10



11



12.1



12.2



12.3



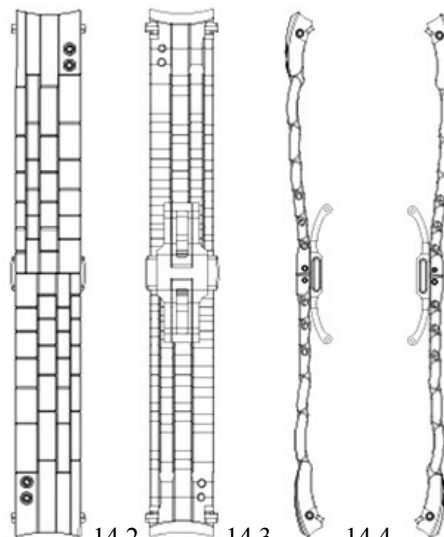
12.4



12.5



13

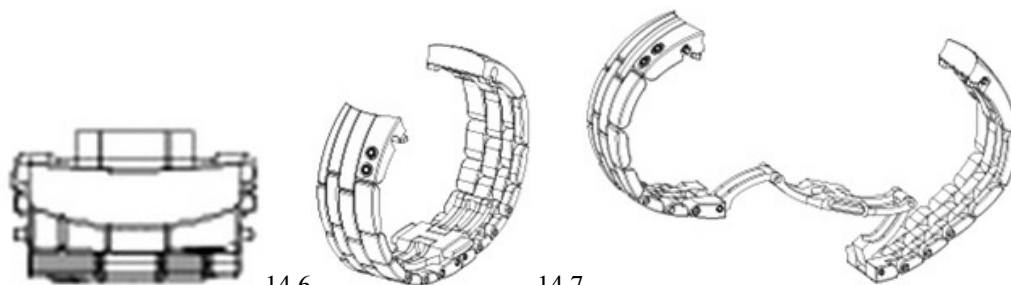


14.1

14.2

14.3

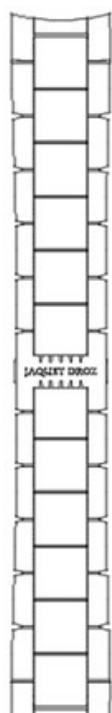
14.4



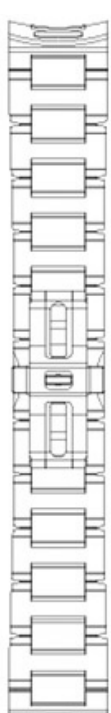
14.5

14.6

14.7



15.1



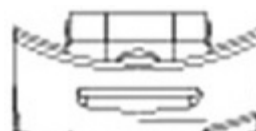
15.2



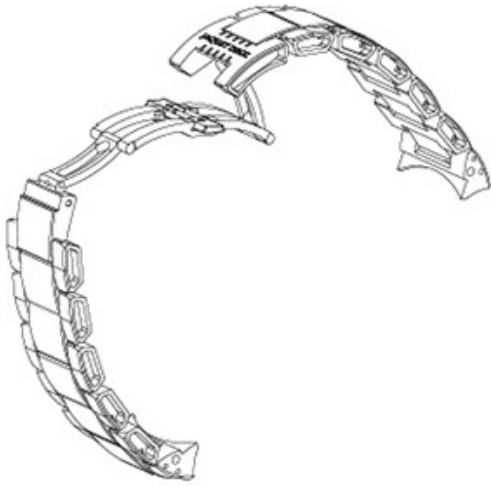
15.3



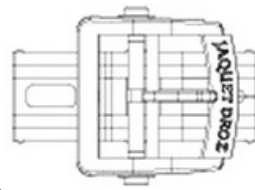
15.4



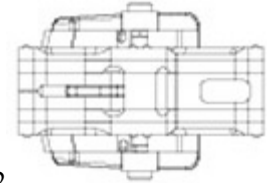
15.5



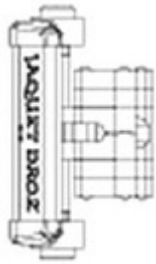
15.6



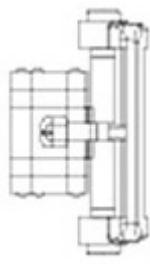
16.1



16.2



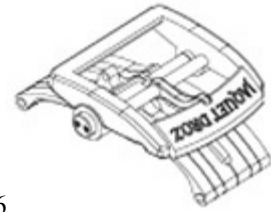
16.3



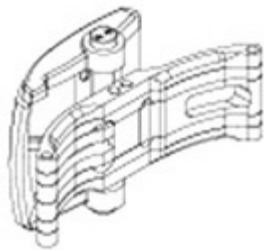
16.4



16.5



16.6



16.7



17.1



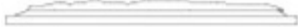
17.2



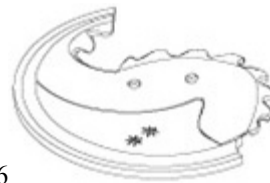
17.3



17.4

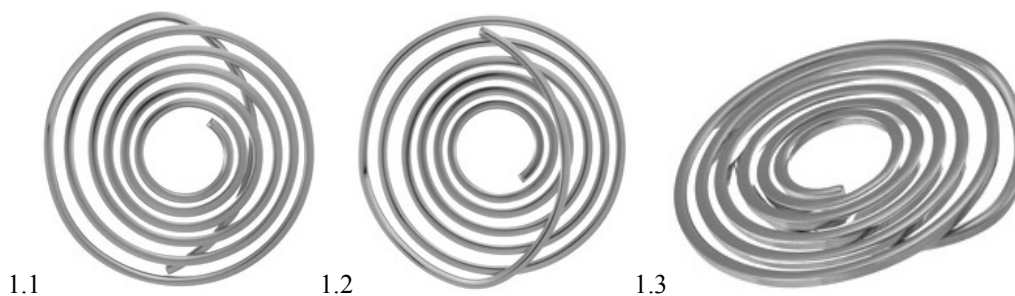


17.5

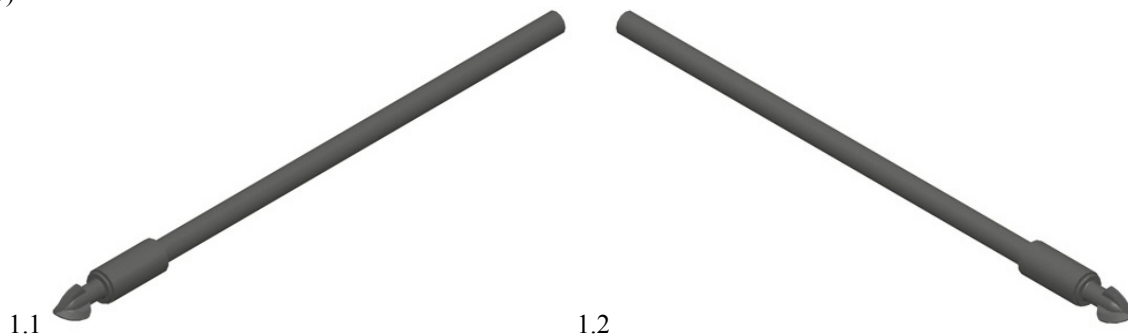


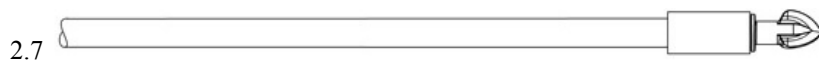
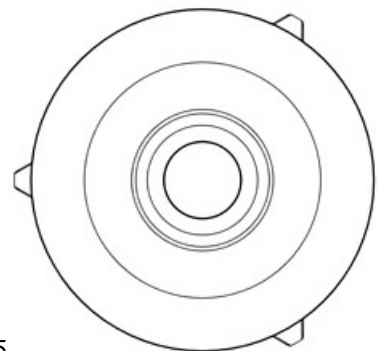
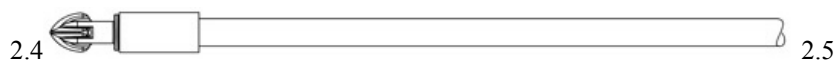
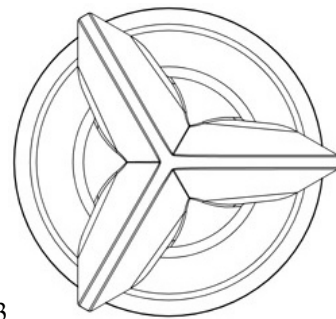
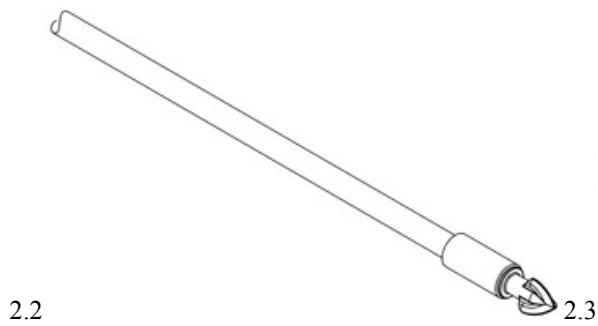
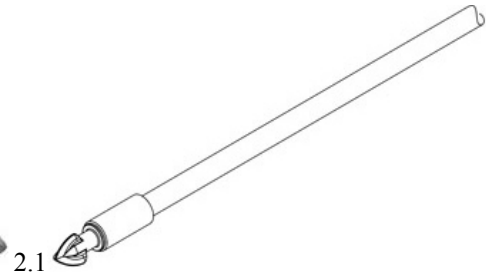
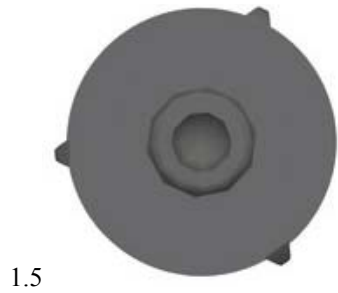
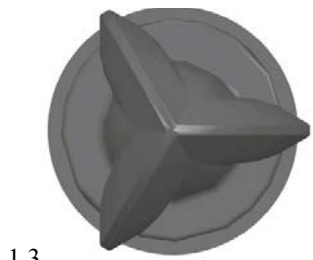
17.6

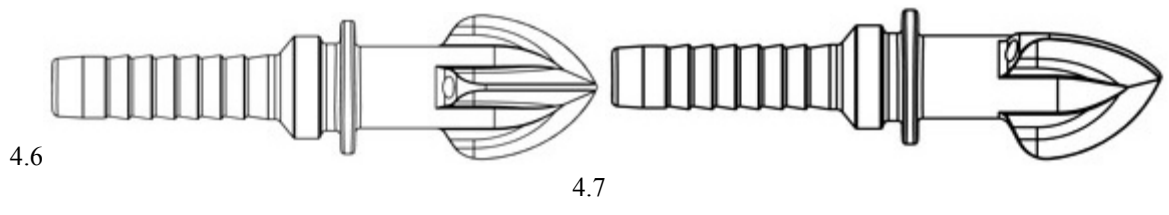
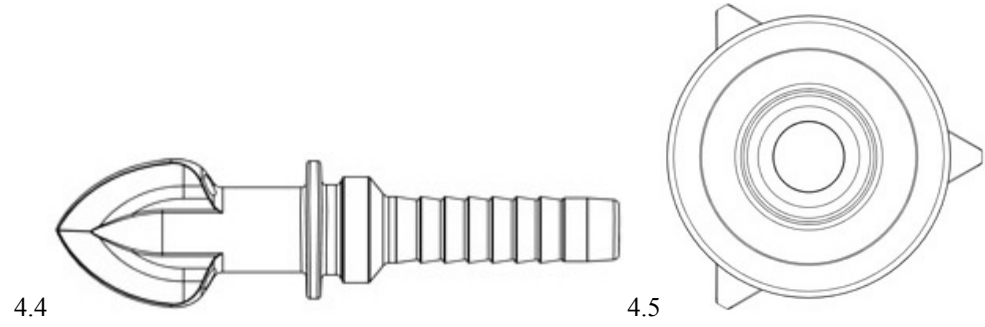
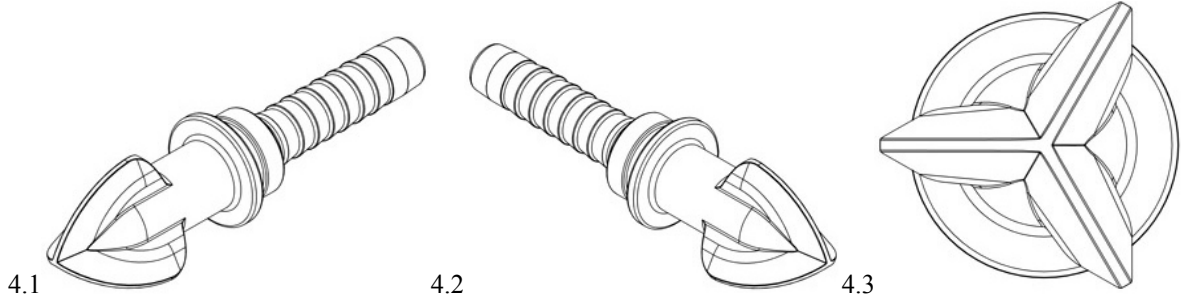
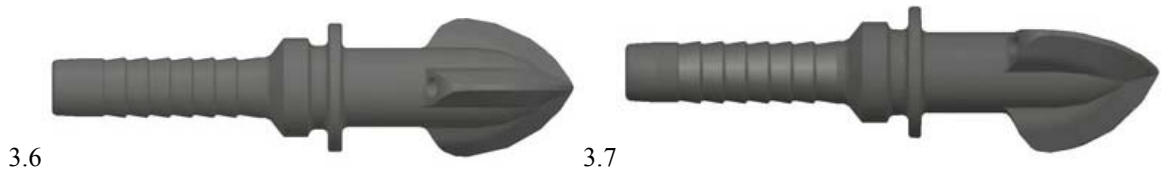
- (11) DM/077731 (51) 19-02
(15) 2012 02 17 (45) 2012/08 (2012 03 02)
(22) 2012 02 17
(28) 1
(73) MONTRES BREGUET S.A. CH-1344 L'ABBAYE (CH)
(85) CH
(86) CH
(87) CH
(88) CH
(89) CH
(81) II. BZ, MA, ME. III. AL, AM, AZ, BA, CH, EM, GE, HR, KG, LI, MC, MD, MK, MN, NO, OM, SG, TR, UA
(72) Marie-Christine CONUS, Rue Centrale 51, CH-1341 L'Orient; Christian LATTMANN, Château Neuf 17, CH-1125 Monnaz
(54) 1. Banknote clip
(55)



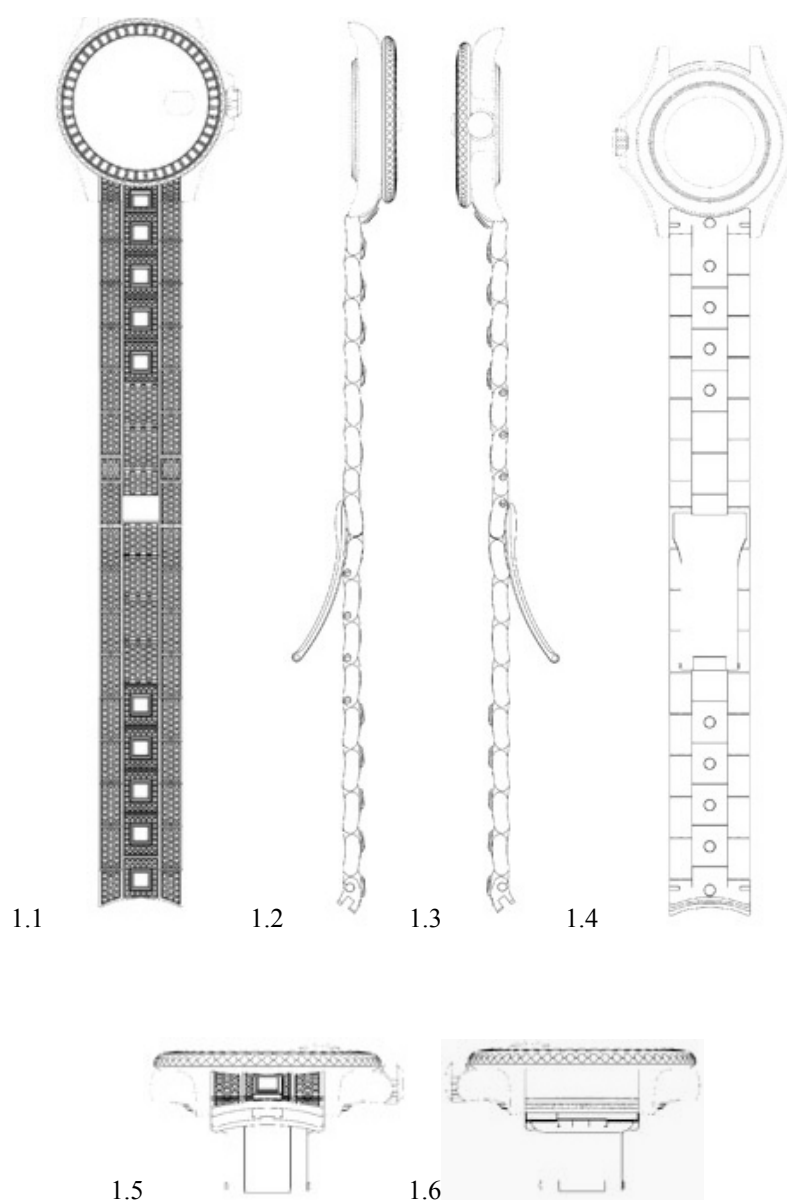
- (11) DM/075494 (51) 15-05
(15) 2011 03 07 (45) 2012/09 (2012 03 09)
(22) 2011 03 07
(28) 4
(73) ALFRED KÄRCHER GMBH & CO. KG
Alfred-Kärcher-Straße 28-40, 71364 Winnenden (DE)
(85) EM
(86) DE, EM
(87) DE, EM
(88) DE, EM
(89) EM
(81) II. KP, MA, ME. III. BA, CH, EG, EM, GE, HR, LI, MD, MK, MN, OM, TR
(54) 1.-4. Parts of high pressure cleaner
(55)

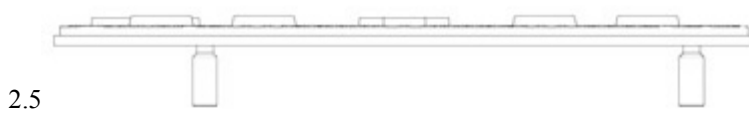
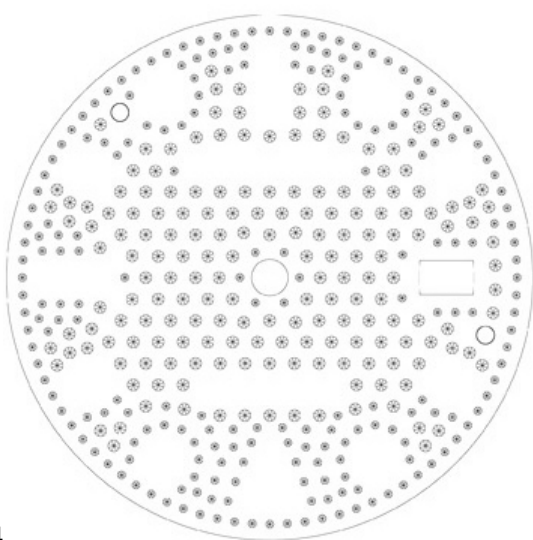
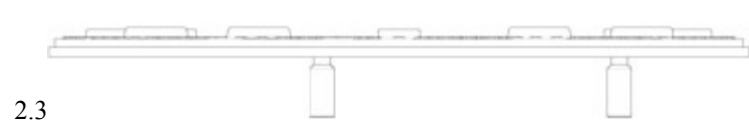


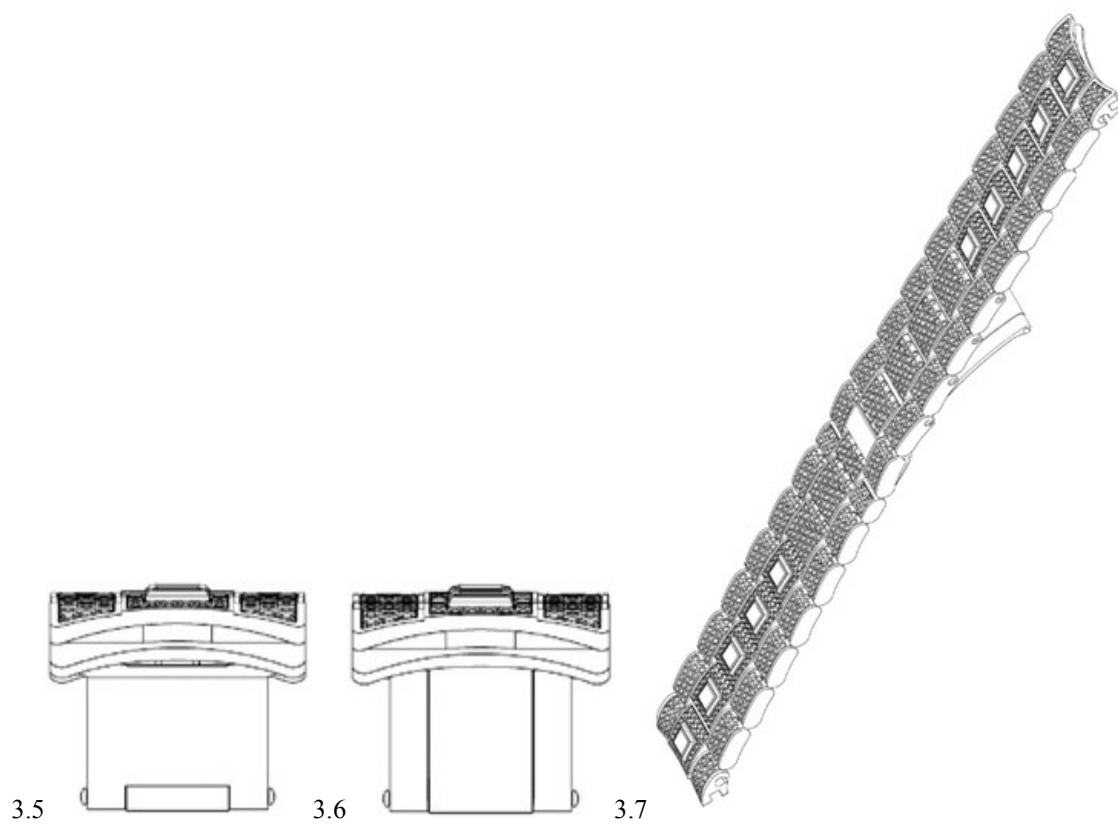
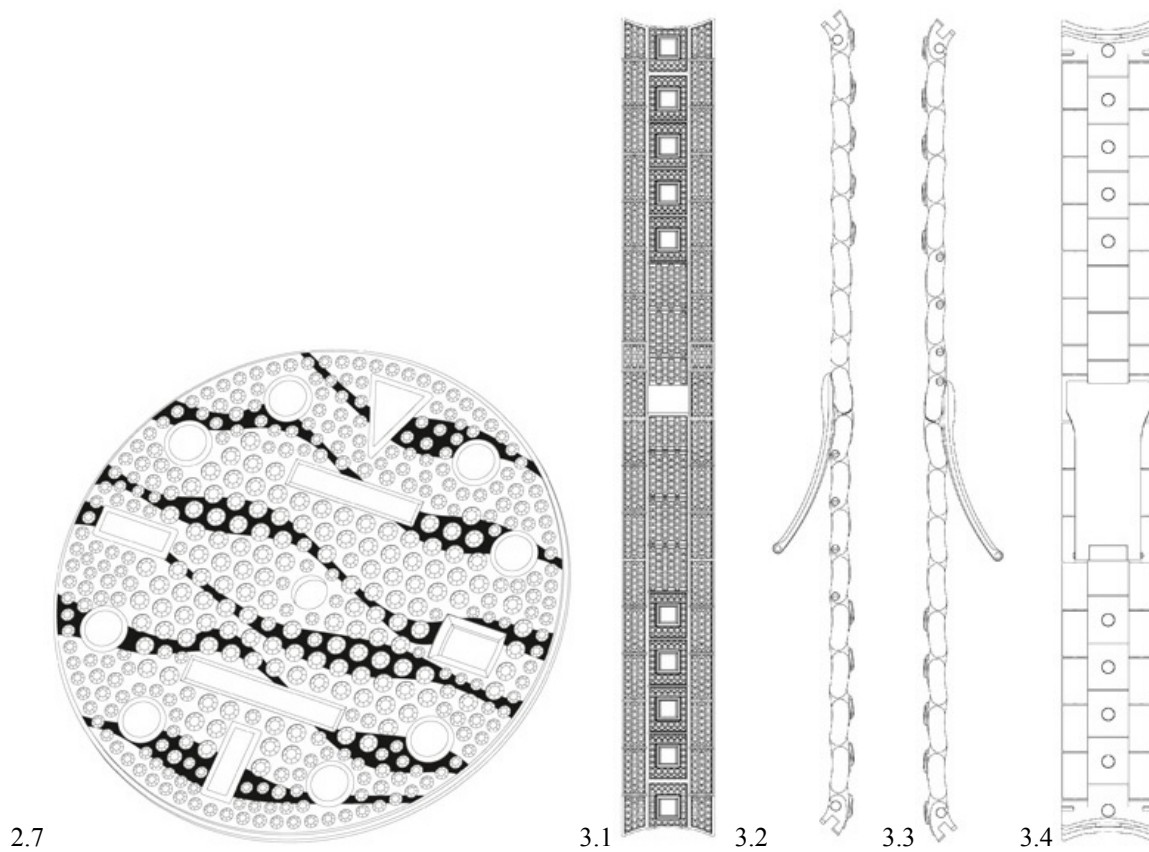


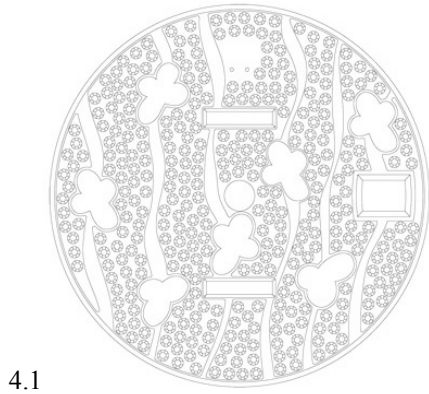


- (11) DM/076787 (51) 10-02
 (15) 2011 09 09 (45) 2012/09 (2012 03 09)
 (22) 2011 09 09
 (28) 5
 (30) 16.03.2011; 137819; CH
 (73) ROLEX SA
 Rue François-Dussaud 3-5-7, CH-1211 Genève 26 (CH)
 (85) CH
 (86) CH
 (87) CH
 (88) CH
 (89) CH
 (81) II. BZ, KP, MA, ME, SR. III. AL, AM, AZ, BA, BW, EG, EM, GE, GH, HR, IS, KG, LI, MC, MD, MK,
 MN, NA, NO, OA, OM, RS, RW, SG, ST, SY, TR, UA
 (72) Maria Cristina CALVANI, Chemin David Munier 12, CH-1223 COLOGNY
 (54) 1. Wristwatch; 2. Watch dial; 3. Watch bracelet; 4.-5. Watch dials
 (55)









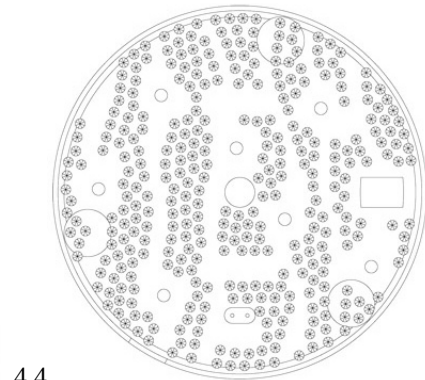
4.1



4.2



4.3



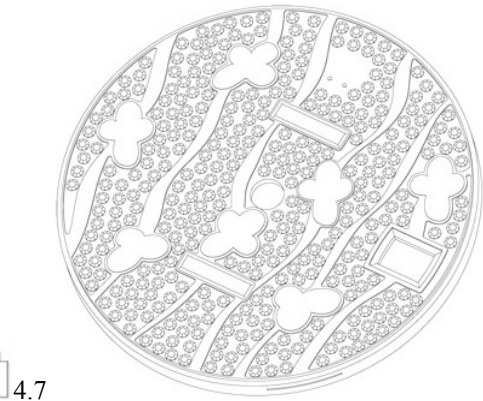
4.4



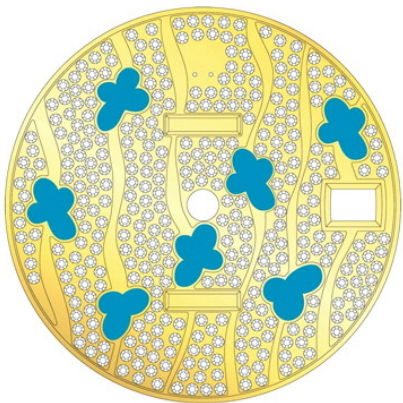
4.5



4.6



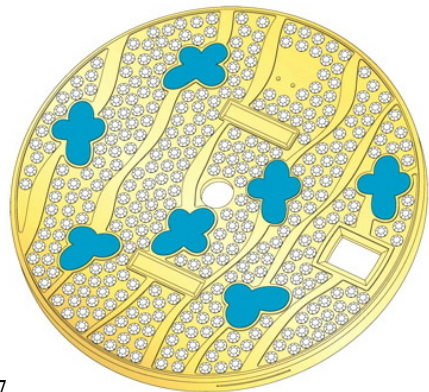
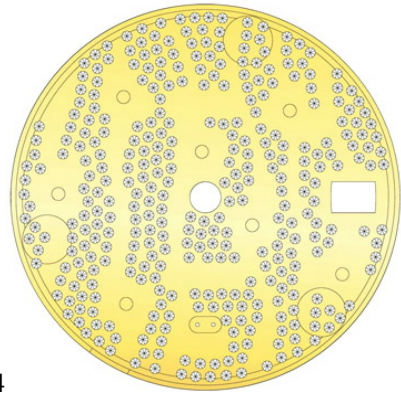
4.7



5.1



5.2



(11) DM/077765 (51) 10-02

(15) 2012 02 23 (45) 2012/09 (2012 03 09)

(22) 2012 02 23

(28) 6

(73) BLANCPAIN SA

Le Rocher 12, CH-1348 LE BRASSUS (CH)

(85) CH

(86) CH

(87) CH

(88) CH

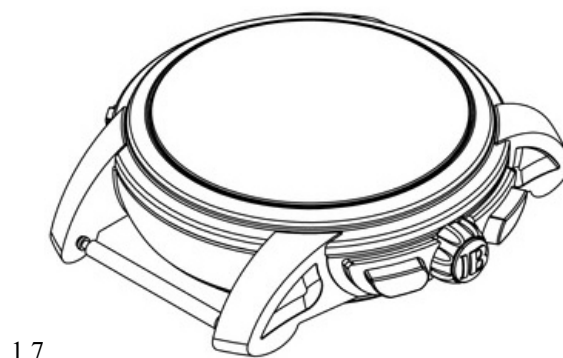
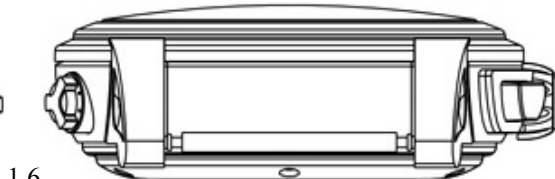
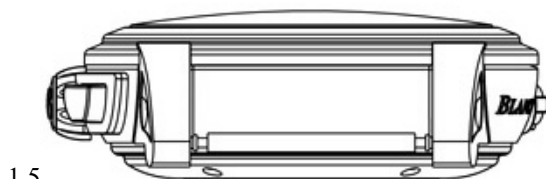
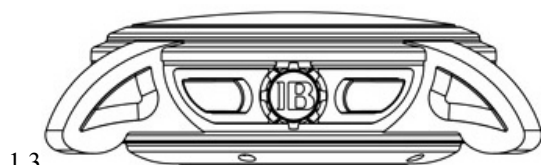
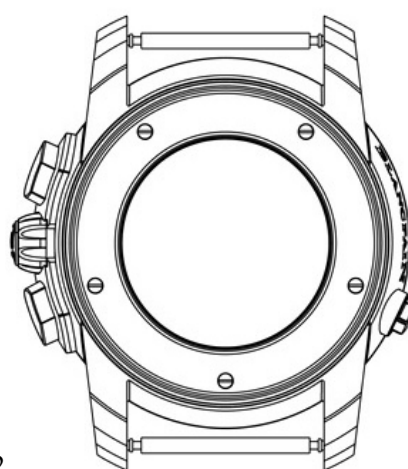
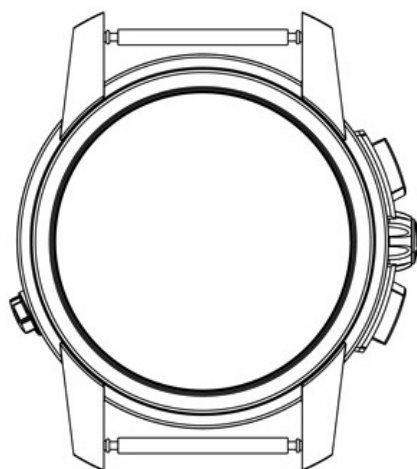
(89) CH

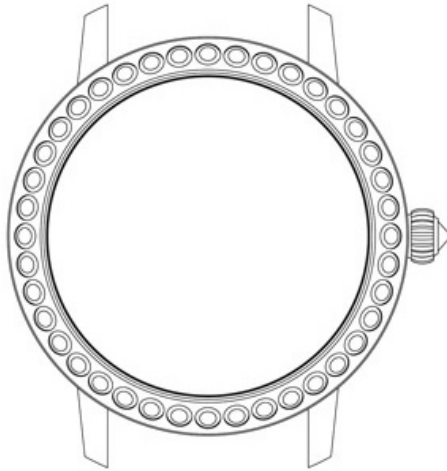
(81) II. BZ, MA, ME. III. AL, AM, AZ, BA, CH, EM, GE, HR, KG, LI, MC, MD, MK, MN, NO, OM, SG, TR, UA

(72) Mod. N1 à N5: Patrice NANGA, Avenue Dapples 26, CH-1006 LAUSANNE; Mod. N6: Alan APPREDERISSE, Av. Du Léman 48, CH-1005 LAUSANNE

(54) 1.-2. Watch cases; 3.-6. Dials

(55)

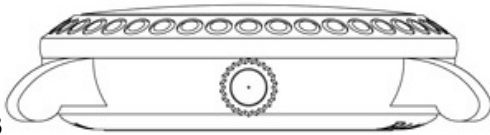




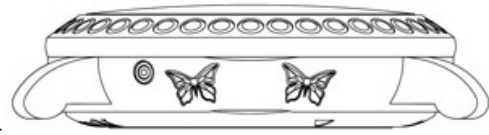
2.1



2.2



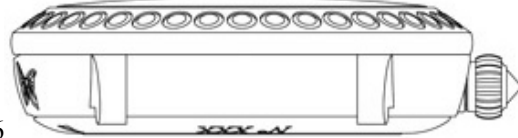
2.3



2.4



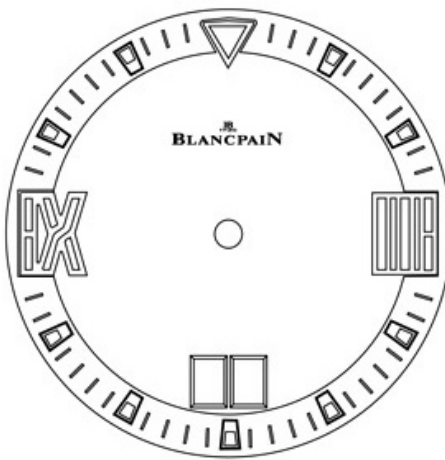
2.5



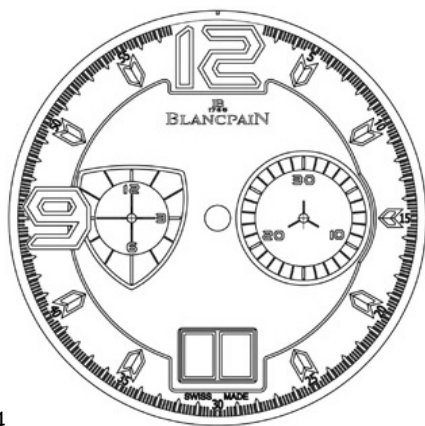
2.6



2.7



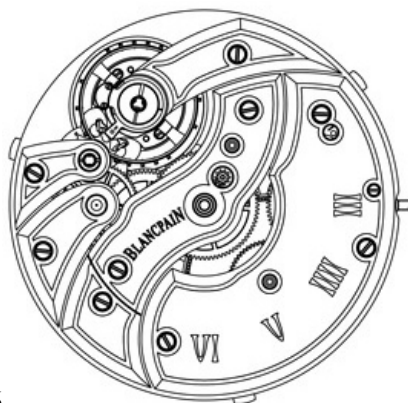
3



4



5



6

(11) DM/077767 (51) 10-02

(15) 2012 02 23 (45) 2012/09 (2012 03 09)

(22) 2012 02 23

(28) 1

(73) SWATCH AG (SWATCH SA) (SWATCH LTD.)

Jakob-Stämpfli-Strasse 94, CH-2502 BIEL/BIENNE (CH)

(85) CH

(86) CH

(87) CH

(88) CH

(89) CH

(81) II. BZ, MA, ME. III. AL, AM, AZ, BA, CH, EM, GE, HR, KG, LI, MC, MD, MK, MN, NO, OM, SG, TR, UA

(72) Patrizio Vita, c/o Swatchlab, Via Archimede 6, IT-20129 Milano

(54) 1. Wristwatch

(55)



1

(11) DM/077768 (51) 11-01

(15) 2012 02 23 (45) 2012/09 (2012 03 09)

(22) 2012 02 23

(28) 8

(73) OMEGA SA (OMEGA AG) (OMEGA LTD.)

Jakob-Stämpfli-Strasse 96, CH-2502 Biel/Bienne (CH)

(85) CH

(86) CH

(87) CH

(88) CH

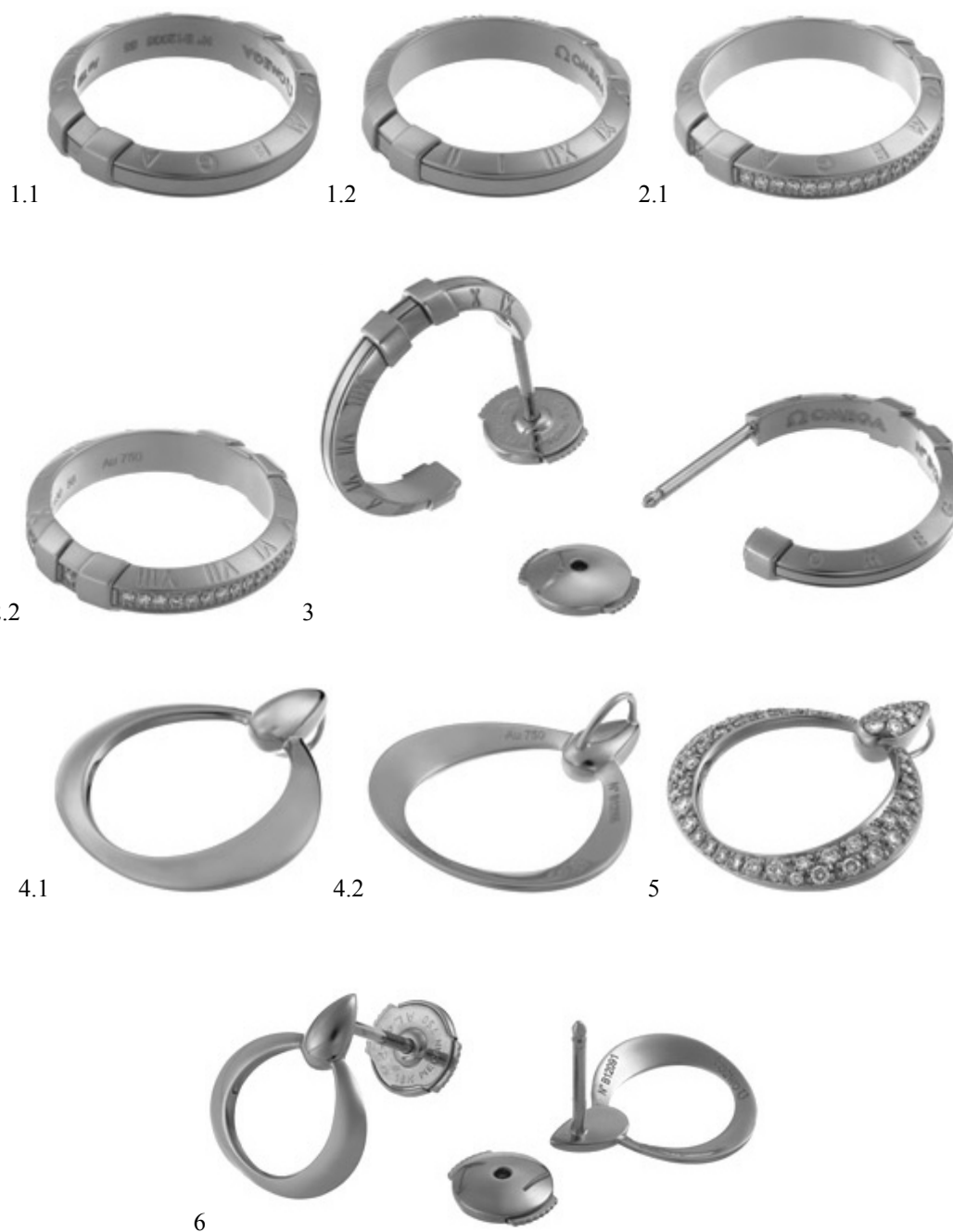
(89) CH

(81) II. BZ, MA, ME. III. AL, AM, AZ, BA, CH, EM, GE, HR, KG, LI, MC, MD, MK, MN, NO, OM, SG, TR, UA

(72) Monachon Jean-Claude, Rue Alice-de-Chambrier 1, CH-2022 Bevaix (NE)

(54) 1.-2. Rings; 3. Earrings; 4.-5. Pendants; 6.-8. Earrings

(55)





7



8

(11) DM/077775 (51) 02-07

(15) 2012 02 24 (45) 2012/09 (2012 03 09)

(22) 2012 02 24

(28) 3

(73) OMEGA SA (OMEGA AG) (OMEGA LTD.)

Jakob-Stämpfli-Strasse 96, CH-2502 Biel/Bienne (CH)

(85) CH

(86) CH

(87) CH

(88) CH

(89) CH

(81) II. BZ, MA, ME. III. AL, AM, AZ, BA, CH, EM, GE, HR, KG, LI, MC, MD, MK, MN, NO, OM, SG, TR, UA

(72) Monachon Jean-Claude, Rue Alice-de-Chambrier 1, CH-2022 Bevaix (NE)

(54) 1.-3. Cuff links

(55)



1



2



3



- (11) DM/077776 (51) 10-02
 (15) 2012 02 24 (45) 2012/09 (2012 03 09)
 (22) 2012 02 24
 (28) 3
 (73) THE SWATCH GROUP MANAGEMENT SERVICES AG (THE SWATCH GROUP MANAGEMENT SERVICES SA) (THE SWATCH GROUP MANAGEMENT SERVICES LTD.)
 Faubourg du Lac 6, CH-2502 Biel/Bienne (CH)
 (85) CH
 (86) CH
 (87) CH
 (88) CH
 (89) CH
 (81) II. BZ, MA, ME. III. AL, AM, AZ, BA, CH, EM, GE, HR, KG, LI, MC, MD, MK, MN, NO, OM, SG, TR, UA
 (72) N1: Fernando SOARES, Fleury 5, CH-2000 Neuchâtel; N2, 3: Michèle Berri, La Rouette 4, CH-2516 LAMBOING
 (54) 1.-3. Wristwatches
 (55)



1.1



1.2



1.3



1.4



2.1



2.2



2.3



2.4



3.1



3.2



3.3



3.4

(11) DM/077777 (51) 10-02

(15) 2012 02 24 (45) 2012/09 (2012 03 09)

(22) 2012 02 24

(28) 3

(73) COMPAGNIE DES MONTRES LONGINES, FRANCILLON S.A. (LONGINES WATCH CO., FRANCILLON LTD.) CH-2610 St-Imier (CH)

(85) CH

(86) CH

(87) CH

(88) CH

(89) CH

(81) IL, BZ, MA, ME, III, AL, AM, AZ, BA, CH, EM, GE, HR, KG, LI, MC, MD, MK, MN, NO, OM, SG, TR, UA

(72) Francis JACQUERYE, 68, rue de l'Ecluse, CH-2000 Neuchâtel

(54) 1.-3. Watches

(55)



1.1



1.2



1.3



1.4



1.5



1.6



1.7



1.8



2.1



2.2



2.3



2.4



2.5



2.6



2.7



2.8



3.1



3.2



3.3



3.4



3.5

3.6



3.7



3.8

(11) DM/077793 (51) 10-02

(15) 2012 02 24 (45) 2012/09 (2012 03 09)

(22) 2012 02 24

(28) 3

(73) RADO UHREN AG (RADO WATCH CO.LTD.) (MONTRES RADO SA)

Bielstrasse 45, CH-2543 LENGNAU (CH)

(85) CH

(86) CH

(87) CH

(88) CH

(89) CH

(81) II. BZ, MA, ME. III. AL, AM, AZ, BA, CH, EM, GE, HR, KG, LI, MC, MD, MK, MN, NO, OM, SG, TR, UA

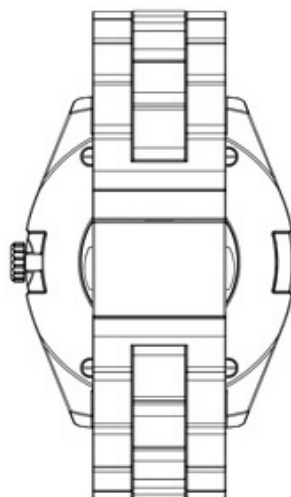
(72) Fabrice DUPORT, Avenue de la Gare 4, CH-2000 NEUCHATEL

(54) 1.-3. Wristwatches

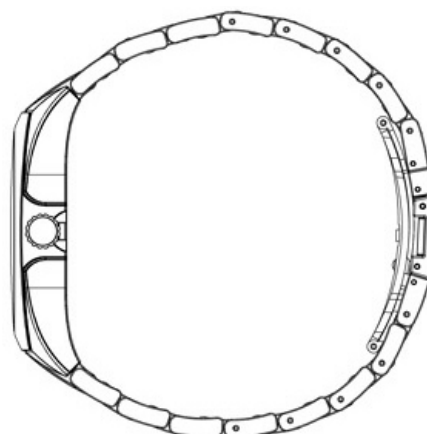
(55)



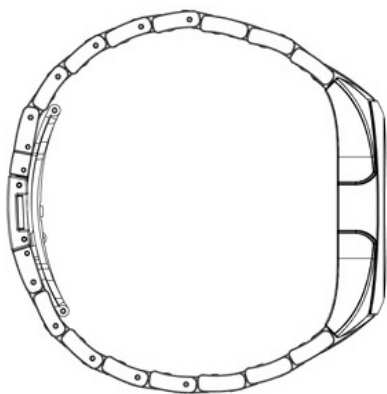
1.1



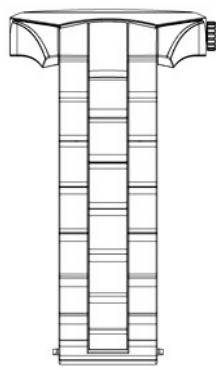
1.2



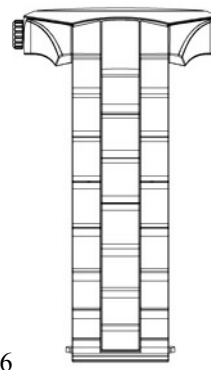
1.3



1.4



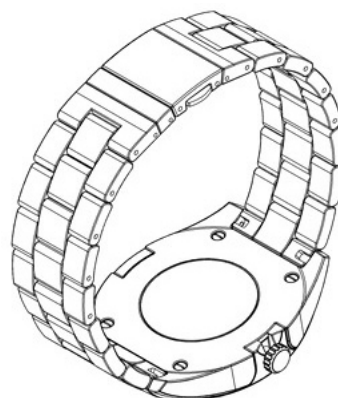
1.5



1.6



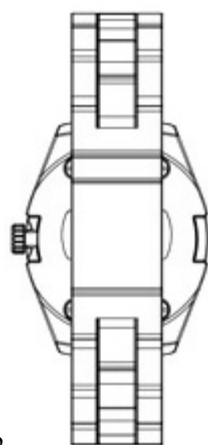
1.7



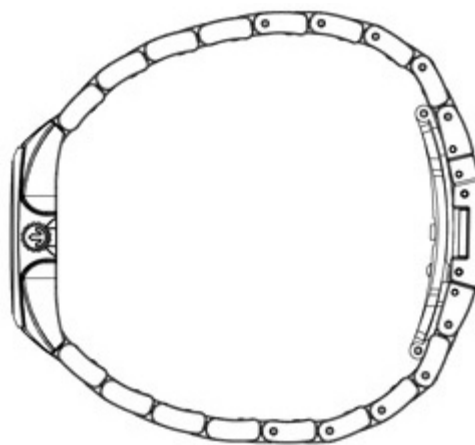
1.8



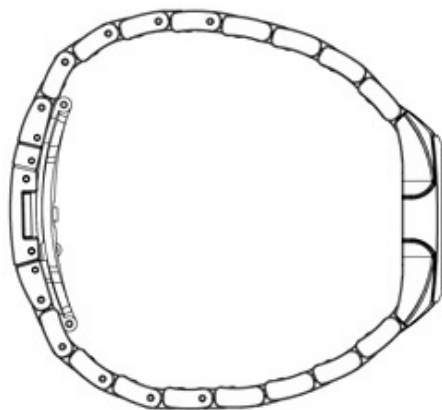
2.1



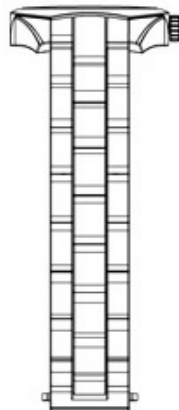
2.2



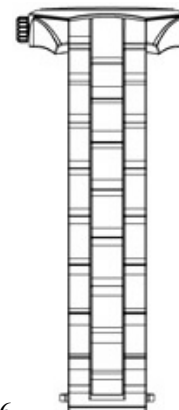
2.3



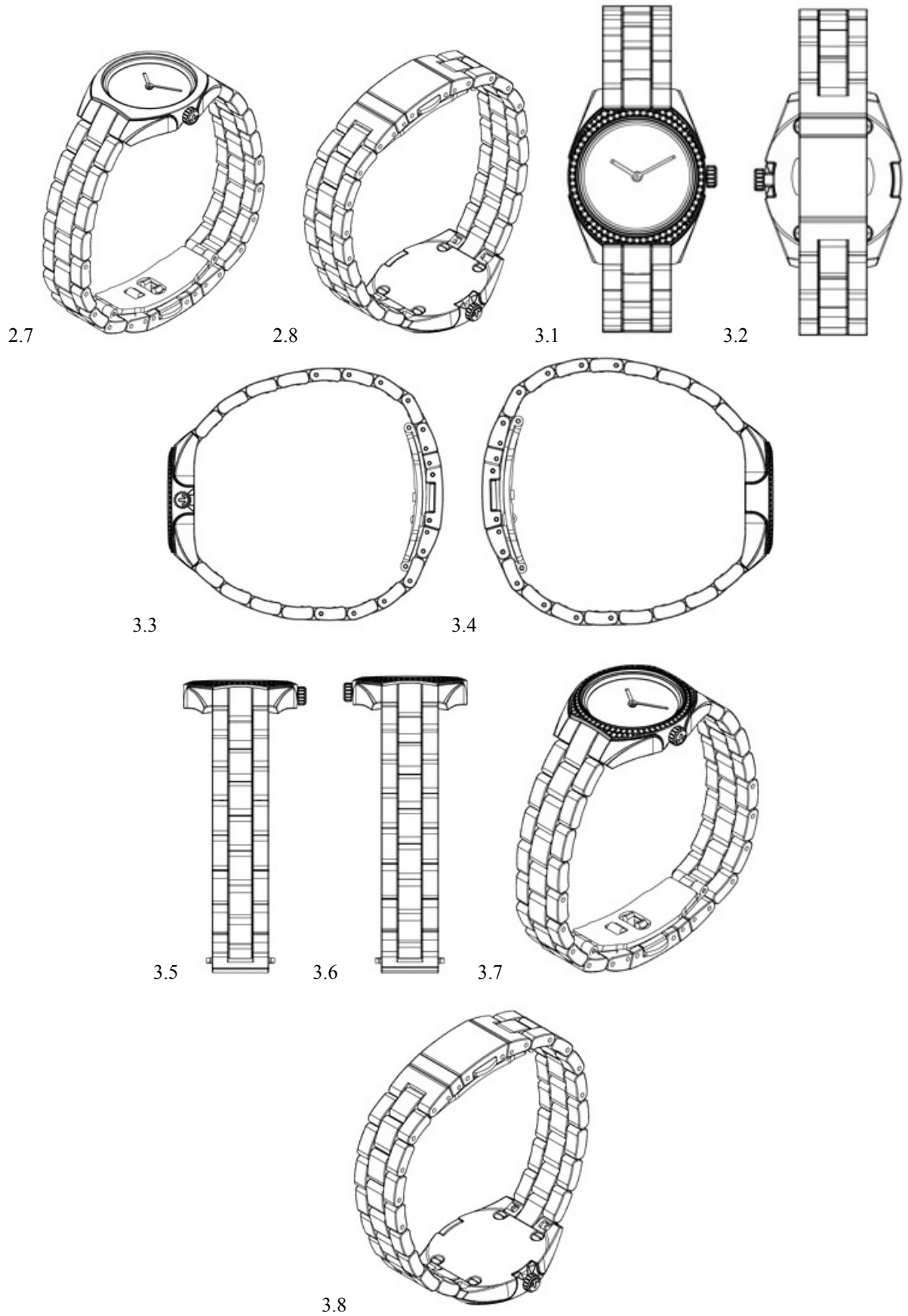
2.4



2.5



2.6



- (11) DM/077794 (51) 10-02
- (15) 2012 02 27 (45) 2012/09 (2012 03 09)
- (22) 2012 02 27
- (28) 2
- (73) SWATCH AG (SWATCH SA) (SWATCH LTD.) Jakob-Stämpfli-Strasse 94, CH-2502 Biel/Bienne (CH)
- (85) CH
- (86) CH
- (87) CH
- (88) CH
- (89) CH
- (81) II. BZ, MA, ME. III. AL, AM, AZ, BA, CH, EM, GE, HR, KG, LI, MC, MD, MK, MN, NO, OM, SG, TR, UA
- (72) Mod. N1: Kassia Meador, Kassia Meador, Inc., 1632 Grandview St., 92054 Oceanside (CA), USA;
Mod. N2: Anne-Flore Marxer, Bochet 12, CH-1028 Préverenges
- (54) 1.-2. Wristwatches
- (55)



- (11) DM/077795 (51) 10-02
(15) 2012 02 27 (45) 2012/09 (2012 03 09)
(22) 2012 02 27
(28) 3
(73) SWATCH AG (SWATCH SA) (SWATCH LTD.)
Jakob-Stämpfli-Strasse 94, CH-2502 Biel/Bienne (CH)
(85) CH
(86) CH
(87) CH
(88) CH
(89) CH
(81) II. BZ, MA, ME. III. AL, AM, AZ, BA, CH, EM, GE, HR, KG, LI, MC, MD, MK, MN, NO, OM, SG, ST,
TR, UA
(72) Mod. N1 et N2: Michelangelo Pellegrino, Swatchlab, Via Archimede 6, IT-20129 Milano;
Mod. N3: Fabienne Bilat, Rue du Doubs 16, CH-2236 Les Bois
(54) 1.-3. Wristwatches
(55)



TRADEMARKS

APPLICATIONS FILED UNDER THE NATIONAL PROCEDURE LAID OPEN FOR THE PURPOSE OF TAKING PATENT GRANTING DECISIONS

To appeal a decision is possible at Chamber of Appeal of Sakpatenti within 3 months from the publication or at The Board of Administrative Actions of Tbilisi City Court within a 1 month period. (Address: 12 km., №6, David Aghmashenebeli Kheivani, Tbilisi).

(260) AM 2012 62994 A
(210) AM 062994
(220) 2011 06 29
(310) M201100605
(320) 2011 01 26
(330) RO
(731) BRITISH AMERICAN TOBACCO
(BRANDS) INC.
(a Delaware corporation)
2711 Centerville Road, Suite 300, Wilmington,
Delaware 19808, USA
(740) Tamar Kochlamazashvili
(540)

KENT APEX

(591) Black, white
(511) 34

(260) AM 2012 63226 A
(210) AM 063226
(220) 2011 07 15
(310) 009984436
(320) 2011 05 20
(330) EM
(731) BRITISH AMERICAN TOBACCO
(BRANDS) INC.
(a Delaware corporation)
2711 Centerville Road, Suite 300, Wilmington,
Delaware 19808, USA
(740) Tamar Kochlamazashvili
(540)



(591) Brown, red
(531) 25.01.01-26.01.04-26.04.10-29.01.12-
(511) 34

(260) AM 2012 63239 A
(210) AM 063239
(220) 2011 07 15
(731) LTD"BALLIS"
Davit Agmasheneblis 115-d, 0700,
Akhalqalaqi, Georgia
(540)

აბულ
Abul
Абул

(591) Black, white
(511) 32

(260) AM 2012 63240 A
(210) AM 063240
(220) 2011 07 15
(731) LTD"BALLIS"
Davit Agmasheneblis 115-d, 0700,
Akhalqalaqi, Georgia
(540)



(591) White, brown, golden
(531) 25.01.19-26.01.19-26.01.21-29.01.14-
(526) **Disclaimer** – Word combination "GEORGI-
AN BEER", „ქართული ლუდი“, “PREMI-
UM LAGER BEER GEORGIAN ORIGINAL
BEER” in the trademark shall not be subject
to independent protection.
(511) 32

(260) AM 2012 63255 A
 (210) AM 063255
 (220) 2011 07 18
 (731) IDS Borjomi Beverages Co. N.V.,
 45, Pareraweg, Curacao, Netherlands Antilles
 (740) Alexander Kvernadze
 (540)



(591) White, blue, light sky
 (531) 01.05.02-01.15.15-29.01.04-
 (511) 32

(260) AM 2012 63319 A
 (210) AM 063319
 (220) 2011 07 21
 (310) 302011004752.9
 (320) 2011 01 26
 (330) DE
 (731) DAIMLER AG
 Mercedesstrasse 137, 70327 Stuttgart,
 Germany
 (740) Pavle Meipariani
 (540)

BIGSPACE

(591) Black, white
 (511) 12

(260) AM 2012 63320 A
 (210) AM 063320
 (220) 2011 07 21
 (310) 302011004754.5
 (320) 2011 01 26
 (330) DE
 (731) DAIMLER AG
 Mercedesstrasse 137, 70327 Stuttgart,
 Germany
 (740) Pavle Meipariani
 (540)

COMPACTSPACE

(591) Black, white
 (511) 12

(260) AM 2012 63322 A
 (210) AM 063322
 (220) 2011 07 21
 (731) SOCIETE NATIONALE D'EXPLOITATION
 INDUSTRIELLE DES TABACS ET

ALLUMETTES, SA
 143 boulevard Romain Rolland, Cedex 14,
 Paris 75685, France
 (740) George Gvinjilia
 (540)

DUPLEX

(591) Black, white
 (511) 34

(260) AM 2012 63328 A
 (210) AM 063328
 (220) 2011 07 21
 (731) HARRINGTON DEVELOPMENT INC.
 Arango-Orillac Bldg. East 54 th street, Panama
 (740) Givi Akopashvili
 (540)



(591) Dark blue, blue, black, white, silver
 (531) 01.01.10-24.01.13-25.01.01-27.05.24-
 29.01.13-
 (526) **Disclaimer** – Word combination "NON FIL-
 TER CIGARETTE" and „მოწევა კლავს” in
 the trademark shall not be subject to indepen-
 dent protection.
 (511) 34

(260) AM 2012 63378 A
 (210) AM 063378
 (220) 2011 07 26
 (731) GENERAL MOTORS LLC
 300 Renaissance Center, City of Detroit,
 State of Michigan 48265-3000, USA
 (740) George Taktakishvili
 (540)



(591) Light green, dark green, light grey, dark grey
 (531) 26.04.12-26.11.13-29.01.12-
 (511) 12

(260) AM 2012 63379 A
 (210) AM 063379
 (220) 2011 07 26
 (731) GENERAL MOTORS LLC
 300 Renaissance Center, City of Detroit,
 State of Michigan 48265-3000, USA
 (740) George Taktakishvili
 (540)



(591) Light green, dark grey
 (531) 24.17.05-26.11.13-27.05.05-29.01.12-
 (511) 12

(260) AM 2012 63392 A
 (210) AM 063392
 (220) 2011 07 26
 (731) CELTIC PHARMA HOLDINGS ADVISORS
 LLP
 Leverton House, 13 Bedford Square, London
 WC1B 3RA, United Kingdom
 (740) Tamar Kochlamazashvili
 (540)

CƏKBECOMA

(591) Black, white
 (511) 5, 10

(260) AM 2012 63393 A
 (210) AM 063393
 (220) 2011 07 26
 (731) CELTIC PHARMA HOLDINGS ADVISORS
 LLP
 Leverton House, 13 Bedford Square, London
 WC1B 3RA, United Kingdom
 (740) Tamar Kochlamazashvili
 (540)

SEQUESSOME

(591) Black, white
 (511) 5, 10

(260) AM 2012 63395 A
 (210) AM 063395
 (220) 2011 07 26
 (731) SS "LIBERTI BANKI"
 Iliia Chavchavadzis gamz.74, 0162, Tbilisi,
 Georgia
 (540)



(591) Red, green, carrot, blue, dark brown, violet,
 Cornelian cherry, grey
 (531) 26.11.09-27.05.10-27.05.17-29.01.15-
 (511) 36

(260) AM 2012 63407 A
 (210) AM 063407
 (220) 2011 07 26
 (731) LIPSY LIMITED
 Desford Road, Enderby, Leicester, LE19 4AT,
 United Kingdom
 (740) Shalva Gvaramadze
 (540)

LIPSY

(591) Black, white
 (511) 25, 35

(260) AM 2012 63408 A
 (210) AM 063408
 (220) 2011 07 26
 (731) LIPSY LIMITED
 Desford Road, Enderby, Leicester, LE19 4AT,
 United Kingdom
 (740) Shalva Gvaramadze
 (540)



(591) Black, white
 (531) 02.09.01-27.05.21-
 (511) 25, 35

(260) AM 2012 63529 A
 (210) AM 063529
 (220) 2011 08 03
 (731) VISA INTERNATIONAL SERVICE
 ASSOCIATION
 900 Metro Center Boulevard, Foster City,
 California 94404, USA
 (740) George Meipariani
 (540)



(591) White, blue, dark yellow
 (531) 26.03.06-27.05.21-29.01.12-
 (511) 36

- (260) AM 2012 63534 A
 (210) AM 063534
 (220) 2011 08 03
 (731) PZ Cussons (International) Limited
 3500 Aviator Way, Manchester Business Park,
 Manchester M22 5TG, United Kingdom
 (740) George Taktakishvili
 (540)

Cussons

- (591) Black, white
 (531) 26.11.13-27.05.11-
 (511) 3

- (260) AM 2012 63535 A
 (210) AM 063535
 (220) 2011 08 03
 (731) PZ Cussons (International) Limited
 3500 Aviator Way, Manchester Business Park,
 Manchester M22 5TG, United Kingdom
 (740) George Taktakishvili
 (540)

MORNING FRESH

- (591) Black, white
 (511) 3

- (260) AM 2012 63575 A
 (210) AM 063575
 (220) 2011 08 04
 (731) BASF Agro B.V.
 Arnhem (NL), Zweigniederlassung Wädenswil,
 Moosacherstrasse 2, Au, Switzerland
 (740) Shalva Gvaramadze
 (540)

FENDONA

- (591) Black, white
 (511) 5

- (260) AM 2012 63743 A
 (210) AM 063743
 (220) 2011 08 15
 (731) GEO&CO. LIMITED
 2410 Fortis Bank Tower, 77-79 Gloucester
 Road, Wanchai, The Hong Kong Special
 Administrative Region of the people's republic
 of China
 (740) Zurab Luarsabishvili
 (540)



- (591) White, blue, carrot
 (531) 18.03.23-26.01.16-26.01.21-27.05.24-
 29.01.13-
 (526) **Disclaimer** – The trademark is protected as a
 whole, word combination "LIMITED" shall
 not be subject to independent protection.
 (511) 35, 36

- (260) AM 2012 63744 A
 (210) AM 063744
 (220) 2011 08 15
 (731) GEO&CO. LIMITED
 2410 Fortis Bank Tower, 77-79 Gloucester
 Road, Wanchai, The Hong Kong Special
 Administrative Region of the people's
 republic of China
 (740) Zurab Luarsabishvili
 (540)



- (591) White, blue, carrot, light grey
 (531) 26.01.12-26.01.18-26.11.13-27.05.05-
 29.01.13-
 (511) 43

- (260) AM 2012 63856 A
 (210) AM 063856
 (220) 2011 08 25
 (731) JAPAN TOBACCO INC.
 2-2-1 Toranomom Minato-ku, Tokyo, Japan
 (740) Shalva Gvaramadze
 (540)

RED KAMEL

- (591) Black, white
 (511) 34

- (260) AM 2012 63859 A
 (210) AM 063859
 (220) 2011 08 26
 (731) LTDQAHVEJI PARKETI
 Vanis q.4 (nakveti N4/51, bina 266), Georgia
 (740) George Taktakishvili
 (540)

BERRY FLOOR
 laminates your dreams

- (591) Black, white, blue
 (531) 26.04.03-26.04.09-27.05.11-29.01.12-
 (511) 19

- (260) AM 2012 63868 A
(210) AM 063868
(220) 2011 08 29
(731) TOYOTA JIDOSHA KABUSHIKI KAISHA
(also trading as TOYOTA MOTOR CORPORATION)
1, Toyota-Cho, Toyota-Shi, Aichi-Ken, Japan
(740) Tamar Kochlamazashvili
(540)



- (591) Black, white
(531) 02.09.15-15.09.11-27.05.05-
(511) 9
-

- (260) AM 2012 64023 A
(210) AM 064023
(220) 2011 09 13
(731) LTD"JORJIAN BEIQERS"
Gorgaslis q. n115, 0114, Tbilisi, Georgia
(540)

SUPER BABY

- (591) Black, white
(531) 27.01.10-
(511) 30
-

- (260) AM 2012 64024 A
(210) AM 064024
(220) 2011 09 13
(731) LTD"JORJIAN BEIQERS"
Gorgaslis q. n115, 0114, Tbilisi, Georgia
(540)

BOMBA

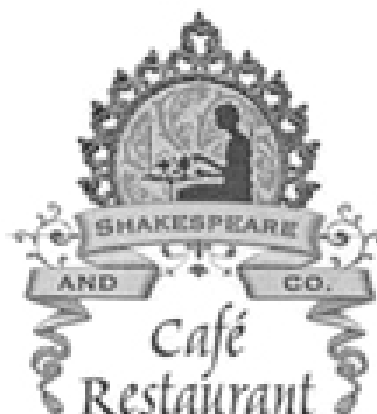
- (591) Black, white
(531) 27.05.17-
(511) 30, 33
-

- (260) AM 2012 64025 A
(210) AM 064025
(220) 2011 09 13
(731) LTD"JORJIAN BEIQERS"
Gorgaslis q. n115, 0114, Tbilisi, Georgia
(540)

ЛЮБИТЕЛЬСКОЕ

- (591) Black, white
(531) 27.01.10-28.05.00-
(511) 30
-

- (260) AM 2012 60883 A*
(210) AM 060883
(220) 2011 01 18
(731) SARANA PROPERTY FINANCE LTD
P.O. Box 10152 Dubai, United Arab Emirates
(740) George Taktakishvili
LTD "Mikadze, Gegechkori, Taktakishvili"
(540)



- (591) Black, white
(531) 02.03.14-25.01.05-25.01.09-
(511) 43
-

- (260) AM 2012 61156 A*
(210) AM 061156
(220) 2011 02 04
(731) RENAULT s.a.s.,
92100 BOULOGNE-BILLANCOURT, France
(740) Tamaz Shilakadze
(540)

PEHO

- (591) Black, white
(511) 7, 12, 35, 36, 37, 39
-

(260) AM 2012 61833 A*

(210) AM 061833

(220) 2011 03 24

(731) COSTA LIMITED

Whitbread Court, Houghton Hall Business
Park, Porz Avenue, Dunstable, Bedfordshire
LU5 5XE, United Kingdom

(740) Shalva Gvaramadze

(540)



(591) Black, white

(531) 05.07.01-26.01.21-

(526) **Disclaimer** – The trademark is protected as a whole, word combination "COFFEE" shall not be subject to independent protection.

(511) 30, 43

REGISTERED TRADEMARKS

(111) M 2012 022463 R
(151) 2012 04 05
(181) 2022 04 05
(260) AM 2011 61382 A
(220) 2011 02 17
(732) LTD "KORPORATSIA QARTULI
GVINO"
S. Chiqovanis q. N35, 0171, Tbilisi, Georgia

(111) M 2012 022503 R
(151) 2012 04 25
(181) 2022 04 25
(260) AM 2011 60669 A
(220) 2010 12 20
(732) TBILISIS MERIA
Shartavas q. 7, 0160, Tbilisi, Georgia

(111) M 2012 022504 R
(151) 2012 04 25
(181) 2022 04 25
(260) AM 2011 59925 A
(220) 2010 10 20
(732) DONALD J. TRUMP
725 Fifth Avenue New-York New-York
10022, USA

(111) M 2012 022505 R
(151) 2012 04 25
(181) 2022 04 25
(260) AM 2011 60805 A
(220) 2010 12 30
(732) LTD "GEOPLANTI"
Sopeli Rukhi, 2100, Zugdidis raioni, Georgia

(111) M 2012 022506 R
(151) 2012 04 25
(181) 2022 04 25
(260) AM 2011 60886 A
(220) 2011 01 18
(732) LTD "GEOPLANTI"
Sopeli Rukhi, 2100, Zugdidis raioni, Georgia

(111) M 2012 022507 R
(151) 2012 04 25
(181) 2022 04 25
(260) AM 2011 60888 A
(220) 2011 01 18
(732) LTD "GEOPLANTI"

Sopeli Rukhi, 2100, Zugdidis raioni,
Georgia

(111) M 2012 022508 R
(151) 2012 04 25
(181) 2022 04 25
(260) AM 2011 60928 A
(220) 2011 01 21
(732) LTD "BARAMBO"
Tashkentis q. N23, 0160, Tbilisi, Georgia

(111) M 2012 022509 R
(151) 2012 04 25
(181) 2022 04 25
(260) AM 2011 60929 A
(220) 2011 01 21
(732) LTD "BARAMBO"
Tashkentis q. N23, 0160, Tbilisi, Georgia

(111) M 2012 022510 R
(151) 2012 04 25
(181) 2022 04 25
(260) AM 2011 60930 A
(220) 2011 01 21
(732) LTD "BARAMBO"
Tashkentis q. N23, 0160, Tbilisi, Georgia

(111) M 2012 022511 R
(151) 2012 04 25
(181) 2022 04 25
(260) AM 2011 60931 A
(220) 2011 01 21
(732) LTD "BARAMBO"
Tashkentis q. N23, 0160, Tbilisi, Georgia

(111) M 2012 022512 R
(151) 2012 04 25
(181) 2022 04 25
(260) AM 2011 60932 A
(220) 2011 01 21
(732) LTD "BARAMBO"
Tashkentis q. N23, 0160, Tbilisi, Georgia

(111) M 2012 022513 R
(151) 2012 04 25
(181) 2022 04 25
(260) AM 2011 60933 A

(220) 2011 01 21
 (732) LTD "BARAMBO"
 Tashkentis q. N23, 0160, Tbilisi, Georgia

ARASAMTAVROBO ORGANIZATSIEBIS
 QSELI (CENN)
 Betlemis q. 27, 0105, Tbilisi, Georgia

(111) M 2012 022514 R
 (151) 2012 04 25
 (181) 2022 04 25
 (260) AM 2011 61330 A
 (220) 2011 02 15
 (732) LTD "BARAMBO"
 Tashkentis q. N23, 0160, Tbilisi, Georgia

(111) M 2012 022520 R
 (151) 2012 04 25
 (181) 2022 04 25
 (260) AM 2112 62773 A
 (220) 2011 06 08
 (732) LTD "SAFEKHBURTO KLUBI
 TORPEDO QUTAIISI"
 Akaki Khoravas q.N1, 4610, Qutaisi, Georgia

(111) M 2012 022515 R
 (151) 2012 04 25
 (181) 2022 04 25
 (260) AM 2011 61493 A
 (220) 2011 02 23
 (732) LTD "GEOPLANTI"
 Sofeli Rukhi, 2100, Zugdidis raioni, Georgia

(111) M 2012 022521 R
 (151) 2012 04 25
 (181) 2022 04 25
 (260) AM 2011 61898 A
 (220) 2011 03 31
 (732) SS "SASTUMROEBISA DA
 RESTORNEBIS MENEJMENT JGUFU –
 EM/GRUP"
 Marshal Gelovanis gamz. 2, me-5 sartuli,
 0159, Tbilisi, Georgia

(111) M 2012 022516 R
 (151) 2012 04 25
 (181) 2022 04 25
 (260) AM 2011 61656 A
 (220) 2011 03 15
 (732) LTD "BARAMBO"
 Tashkentis q. N23, 0160, Tbilisi, Georgia

(111) M 2012 022525 R
 (151) 2012 04 30
 (181) 2022 04 30
 (260) AM 2011 59147 A
 (220) 2010 08 17
 (732) CUMMINS INC., AN INDIANA
 CORPORATION
 500 Jackson Street, Colimbus, Indiana, US,
 USA

(111) M 2012 022517 R
 (151) 2012 04 25
 (181) 2022 04 25
 (260) AM 2011 62113 A
 (220) 2011 04 18
 (732) LTD "GEOPLANTI"
 Sofeli Rukhi, 2100, Zugdidis raioni, Georgia

(111) M 2012 022526 R
 (151) 2012 04 30
 (181) 2022 04 30
 (260) AM 2011 59893 A
 (220) 2010 10 18
 (732) "G-M-P" LTD
 Zemo Vedzisi Str. 103, 0160, Tbilisi, Georgia

(111) M 2012 022518 R
 (151) 2012 04 25
 (181) 2022 04 25
 (260) AM 2011 61908 A
 (220) 2011 03 31
 (732) LTD "KAKHURI TRADITSIULI
 MEGVINEOBA"
 Qsnis q.12, 0141, Tbilisi, Georgia

(111) M 2012 022527 R
 (151) 2012 04 30
 (181) 2022 04 30
 (260) AM 2011 60714 A
 (220) 2010 12 24
 (732) FRAG COMERCIO INTERNACIONAL,
 S.L.
 Pol. ind. Can Cortadellas - Ctra. C-55,
 Km. 1,8 08292 Esparraguera, Spain

(111) M 2012 022519 R
 (151) 2012 04 25
 (181) 2022 04 25
 (260) AM 2112 59972 A
 (220) 2011 05 25
 (732) KAVKASIIS GAREMOSDATSVITI

TRADEMARKS

(111) M 2012 022528 R
(151) 2012 04 30
(181) 2022 04 30
(260) AM 2011 60733 A
(220) 2010 12 27
(732) ASHTARAK KAT CJSC
Village Agarak, Aragatsotn province,
Armenia

(111) M 2012 022529 R
(151) 2012 04 30
(181) 2022 04 30
(260) AM 2011 60734 A
(220) 2010 12 27
(732) ASHTARAK KAT CJSC
Village Agarak, Aragatsotn province,
Armenia

(111) M 2012 022530 R
(151) 2012 04 30
(181) 2022 04 30
(260) AM 2011 60735 A
(220) 2010 12 27
(732) ASHTARAK KAT CJSC
Village Agarak, Aragatsotn province,
Armenia

(111) M 2012 022531 R
(151) 2012 04 30
(181) 2022 04 30
(260) AM 2011 60814 A
(220) 2011 01 04
(732) LTD "KONSEPT GRUPI"
Paliashvilis q. 39, 0179, Tbilisi, Georgia

(111) M 2012 022532 R
(151) 2012 04 30
(181) 2022 04 30
(260) AM 2011 60815 A
(220) 2011 01 04
(732) LTD "KONSEPT GRUPI"
Paliashvilis q. 39, 0179, Tbilisi, Georgia

(111) M 2012 022533 R
(151) 2012 04 30
(181) 2022 04 30
(260) AM 2011 60816 A
(220) 2011 01 06
(732) HARRINGTON DEVELOPMENT INC.
Arango-Orillac Bldg. East 54 th street,
Panama

(111) M 2012 022534 R
(151) 2012 04 30
(181) 2022 04 30
(260) AM 2011 60819 A
(220) 2011 01 06
(732) ALLIED GLOBAL TOBACCO LIMITED
Wey Court West, Union Road, Farnham,
GU9 7PT Surrey, United Kingdom

(111) M 2012 022535 R
(151) 2012 04 30
(181) 2022 04 30
(260) AM 2011 60822 A
(220) 2011 01 10
(732) TATIA MIMINOSHVILI
Davit Agmasheneblis 120, bina 36, 0112,
Tbilisi, Georgia

(111) M 2012 022536 R
(151) 2012 04 30
(181) 2022 04 30
(260) AM 2011 60823 A
(220) 2011 01 10
(732) TATIA MIMINOSHVILI
Davit Agmasheneblis 120, bina 36, 0112,
Tbilisi, Georgia

(111) M 2012 022537 R
(151) 2012 04 30
(181) 2022 04 30
(260) AM 2011 60884 A
(220) 2011 01 18
(732) LTD "MONASTRIS NOBATI"
Sopeli Ude, 0308, Adigenis raioni, Georgia

(111) M 2012 022538 R
(151) 2012 04 30
(181) 2022 04 30
(260) AM 2011 60927 A
(220) 2011 01 21
(732) HARRINGTON DEVELOPMENT INC.
Arango-Orillac Bldg. East 54 th street,
Panama

(111) M 2012 022539 R
(151) 2012 04 30
(181) 2022 04 30
(260) AM 2011 60957 A
(220) 2011 01 25
(732) LTD "TAURUS+"
Gamsakhurdias gamz.14, bina 14, 0171,
Tbilisi, Georgia

(111) M 2012 022540 R
(151) 2012 04 30
(181) 2022 04 30
(260) AM 2011 60991 A
(220) 2011 01 27
(732) LTD "SHTOLTSBERG GEORGIA"
G.skhvitaridzis q.1., 0160, Tbilisi, Georgia

(111) M 2012 022541 R
(151) 2012 04 30
(181) 2022 04 30
(260) AM 2011 61038 A
(220) 2011 01 31
(732) LTD "BARAMBO"
Tashkentis q. N23, 0160, Tbilisi, Georgia

(111) M 2012 022542 R
(151) 2012 04 30
(181) 2022 04 30
(260) AM 2011 61242 A
(220) 2011 02 09
(732) ZAKRITOE AQTSIONERNOE
OBSCHESTVO "OBOLON"
Ul. Bogatirskaia 3, 04655 Kiev, Ukraine

(111) M 2012 022543 R
(151) 2012 04 30
(181) 2022 04 30
(260) AM 2011 61317 A
(220) 2011 02 14
(732) LTD "BALLIS"
Davit Agmasheneblis 115-d, 0700,
Akhalqalaqi, Georgia

(111) M 2012 022544 R
(151) 2012 04 30
(181) 2022 04 30
(260) AM 2011 61318 A
(220) 2011 02 14
(732) LTD "BALLIS"
Davit Agmasheneblis 115-d, 0700,
Akhalqalaqi, Georgia

(111) M 2012 022545 R
(151) 2012 04 30
(181) 2022 04 30
(260) AM 2011 61366 A
(220) 2011 02 15
(732) Ajanta Pharma LTD.
Ajanta House, Charkop, Kandivli (W),
Mumbai - 67, India

(111) M 2012 022546 R
(151) 2012 04 30
(181) 2022 04 30
(260) AM 2011 61367 A
(220) 2011 02 15
(732) Ajanta Pharma LTD.
Ajanta House, Charkop, Kandivli (W),
Mumbai - 67, India

(111) M 2012 022547 R
(151) 2012 04 30
(181) 2022 04 30
(260) AM 2011 61368 A
(220) 2011 02 15
(732) Ajanta Pharma LTD.
Ajanta House, Charkop, Kandivli (W),
Mumbai - 67, India

(111) M 2012 022548 R
(151) 2012 04 30
(181) 2022 04 30
(260) AM 2011 61369 A
(220) 2011 02 15
(732) Ajanta Pharma LTD.
Ajanta House, Charkop, Kandivli (W),
Mumbai - 67, India

(111) M 2012 022549 R
(151) 2012 04 30
(181) 2022 04 30
(260) AM 2011 61375 A
(220) 2011 02 16
(732) PANASONIC CORPORATION
1006, Oaza Kadoma, Kadoma-Shi,
Osaka 571-8501, Japan

(111) M 2012 022550 R
(151) 2012 04 30
(181) 2022 04 30
(260) AM 2011 61516 A
(220) 2011 02 24
(732) LTD "AGROLAIN LIMITED"
Mtskhetis q. 24, 0179, Tbilisi, Georgia

(111) M 2012 022551 R
(151) 2012 04 30
(181) 2022 04 30
(260) AM 2011 61642 A
(220) 2011 03 14
(732) LTD "ADVESA"
Shavishvilis q.1, 0186, Tbilisi, Georgia

(111) M 2012 022552 R (151) 2012 04 30 (181) 2022 04 30 (260) AM 2011 61730 A (220) 2011 03 18 (732) LTD "OMMUR" Kavsadzis q.7, bina 15 / Faliashvilis 70, 0179, Tbilisi, Georgia	Globe House, 4 Temple Place, London WC 2R 2PG, United Kingdom
(111) M 2012 022553 R (151) 2012 04 30 (181) 2022 04 30 (260) AM 2011 61731 A (220) 2011 03 18 (732) LTD "OMMUR" Kavsadzis q.7, bina 15 / Faliashvilis 70, 0179, Tbilisi, Georgia	(111) M 2012 022558 R (151) 2012 04 30 (181) 2022 04 30 (260) AM 2112 62027 A (220) 2011 04 08 (732) AMOUN PHARMACEUTICAL INDUSTRIES CO. S.A.E. El Salam City 11491, PO Box 3001, Cairo, Egypt
(111) M 2012 022554 R (151) 2012 04 30 (181) 2022 04 30 (260) AM 2011 61732 A (220) 2011 03 18 (732) LTD "OMMUR" Kavsadzis q.7, bina 15 / Faliashvilis 70, 0179, Tbilisi, Georgia	(111) M 2012 022559 R (151) 2012 04 30 (181) 2022 04 30 (260) AM 2112 62029 A (220) 2011 04 08 (732) AMOUN PHARMACEUTICAL INDUSTRIES CO. S.A.E. El Salam City 11491, PO Box 3001, Cairo, Egypt
(111) M 2012 022555 R (151) 2012 04 30 (181) 2022 04 30 (260) AM 2011 61733 A (220) 2011 03 18 (732) LTD "OMMUR" Kavsadzis q.7, bina 15 / Faliashvilis 70, 0179, Tbilisi, Georgia	(111) M 2012 022560 R (151) 2012 04 30 (181) 2022 04 30 (260) AM 2011 62070 A (220) 2011 04 13 (732) SH.PS. "EM KONSULTATSIEBI DA PROGRAMULI UZRUNVELKOFA, EMCOS" Besikis moed. 3, 0108, Tbilisi, Georgia
(111) M 2012 022556 R (151) 2012 04 30 (181) 2022 04 30 (260) AM 2011 61734 A (220) 2011 03 18 (732) LTD "OMMUR" Kavsadzis q.7, bina 15 / Faliashvilis 70, 0179, Tbilisi, Georgia	(111) M 2012 022561 R (151) 2012 04 30 (181) 2022 04 30 (260) AM 2011 62081 A (220) 2011 04 14 (732) KRAFT FOODS GLOBAL BRANDS LLC. Three Lakes Drive, Northfield, Illinois 60093, USA
(111) M 2012 022557 R (151) 2012 04 30 (181) 2022 04 30 (260) AM 2011 61859 A (220) 2011 03 28 (732) BRITISH AMERICAN TOBACCO (BRANDS) LIMITED	(111) M 2012 022562 R (151) 2012 04 30 (181) 2022 04 30 (260) AM 2112 62115 A (220) 2011 04 18 (732) AMGEN INC. One Amgen Center Drive, Thousand Oaks, California 91320-1799, USA

(111) M 2012 022563 R
 (151) 2012 04 30
 (181) 2022 04 30
 (260) AM 2112 62116 A
 (220) 2011 04 18
 (732) Avocent Huntsville Corp.
 4991 Corporate Drive, Huntsville, Alabama
 35805, USA

(111) M 2012 022564 R
 (151) 2012 04 30
 (181) 2022 04 30
 (260) AM 2112 62162 A
 (220) 2011 04 20
 (732) LTD "TONUSI"
 Khvamlis q.14, 0112, Tbilisi, Georgia

(111) M 2012 022565 R
 (151) 2012 04 30
 (181) 2022 04 30
 (260) AM 2011 62185 A
 (220) 2011 04 26
 (732) STARBUCKS CORPORATION D/B/A
 STARBUCKS COFFEE COMPANY
 (a Washington Corporation)
 2401 Utah Avenue South, Seattle,
 Washington 98134, USA

(111) M 2012 022566 R
 (151) 2012 04 30
 (181) 2022 04 30
 (260) AM 2011 62192 A
 (220) 2011 04 26
 (732) GLAXOSMITHKLINE LLC
 CORPORATION SERVICE COMPANY
 2711 Centerville Road, Suite 400,
 Wilmington, 19808 Delaware, USA

(111) M 2012 022567 R
 (151) 2012 04 30
 (181) 2022 04 30
 (260) AM 2011 62259 A
 (220) 2011 04 29
 (732) LTD "RONIKO"
 Rustavelis 26, 0108, Tbilisi, Georgia

(111) M 2012 022568 R
 (151) 2012 04 30
 (181) 2022 04 30
 (260) AM 2011 62271 A
 (220) 2011 05 02

(732) LTD "T-ARTI"
 D. Aleqsidzis q. 8, 0193, Tbilisi, Georgia

(111) M 2012 022569 R
 (151) 2012 04 30
 (181) 2022 04 30
 (260) AM 2011 62332 A
 (220) 2011 05 04
 (732) LTD "AMORE"
 Vakhtang VI qucha N11, 0103, Tbilisi,
 Georgia

(111) M 2012 022570 R
 (151) 2012 04 30
 (181) 2022 04 30
 (260) AM 2112 62451 A
 (220) 2011 05 17
 (732) LTD "LUNITEX"
 M. Tsknetelis q.19/2 arqiteqtorta sakhli,
 0162, Tskneti, Georgia

(111) M 2012 022571 R
 (151) 2012 04 30
 (181) 2022 04 30
 (260) AM 2112 62615 A
 (220) 2011 05 27
 (732) S.C. Johnson & Son, Inc.,
 a Wisconsin corporation
 1525 Howe Street, Racine, Wisconsin
 53403-2236, USA

(111) M 2012 022572 R
 (151) 2012 04 30
 (181) 2022 04 30
 (260) AM 2112 62783 A
 (220) 2011 06 08
 (732) KT & G Corporation
 100, Pyong chon-dong, Daedeog-gu,
 Daejeon, Republic of Korea

(111) M 2012 022573 R
 (151) 2012 04 30
 (181) 2022 04 30
 (260) AM 2112 62799 A
 (220) 2011 06 09
 (732) HANSEN BEVERAGE COMPANY
 550 Monica Circle, Suite 201, Corona,
 California 92880, USA

TRADEMARKS REGISTERED ACCORDING TO THE ACCELERATED PROCEDURE

To file an appeal on request of the registration cancelling is possible at Chamber of Appeal of Sakpatenti within 3 months from the publication.

(111) M 2012 22497 R
 (151) 2012 04 18
 (181) 2022 04 18
 (210) AM 066902
 (220) 2012 04 11
 (732) SS "SAQARTVELOŠ NAVTOBISA DA
 GAZIS KORPORATSIA"
 Kakhetis gzatketsili N21, 0190, Tbilisi,
 Georgia
 (540)



(591) Green, yellow, blue, black, white
 (531) 26.01.05-26.15.01-27.05.05-28.19.00-
 29.01.14-
 (526) **Disclaimer** – The trademark is protected as a
 whole, word combinations "Corporation"
 "Georgian", "Oil", "Gas", „კორპორაცია“,
 „საქართველოს“, „გაზი“, and „ნავთობი“
 shall not be subject to independent
 protection.
 (511) 4, 42

(111) M 2012 22498 R
 (151) 2012 04 19
 (181) 2022 04 19
 (210) AM 066564
 (220) 2012 03 19
 (732) SS "KOR STANDART BANKI"
 Q. Tsamebulis gamz.N3, 0103, Tbilisi,
 Georgia
 (740) Irakli Tavartkiladze
 (540)

ჯეოპეი
Geopay

(591) Black, white
 (511) 36

(111) M 2012 22499 R
 (151) 2012 04 19
 (181) 2022 04 19
 (210) AM 066776
 (220) 2012 03 30

(732) LTD "CHEMPIONEBI 111"
 9 aprilis qucha N15, 4200, Signagi, Georgia
 (740) George Katamadze
 (540)



(591) Grey, black, white, yellow
 (531) 21.01.04-26.01.05-27.05.24-29.01.14-
 (511) 41

(111) M 2012 22500 R
 (151) 2012 04 19
 (181) 2022 04 19
 (210) AM 066880
 (220) 2012 04 10
 (732) LTD FRESH ELECTRONICS
 Iumashevis q.19, 0198, Tbilisi, Georgia
 (540)



(591) Silver, black
 (531) 25.05.02-
 (526) **Disclaimer** – The trademark is protected as a
 whole, word combination "Electronics" shall
 not be subject to independent protection.
 (511) 7, 11

(111) M 2012 22501 R
 (151) 2012 04 20
 (181) 2022 04 20
 (210) AM 066570
 (220) 2012 03 19
 (732) LTD "AKHALSHENI 2005"
 Tseretlis gamz.55, korp.1, bina 124, 0112,
 Tbilisi, Georgia

(540)



(591) Golden

(531) 24.01.15-24.09.08-26.11.12-27.05.03-29.01.12-

(526) **Disclaimer** – according to the consent of the Ministry of Culture, on the basis of subparagraph (i) of paragraph 1 of Article 4 of the Trademark Law of Georgia, word combination "OKAMI" shall not be subject to independent protection.

(511) 33

(111) M 2012 22502 R

(151) 2012 04 20

(181) 2022 04 20

(210) AM 066828

(220) 2012 04 03

(732) SHEZGUDULI PASUKHISMGEBLOBIS SAZOGADOEBA "KOMPANIA VIPLAIN JORJIA"

Kostavas q. 69, 0171, Tbilisi, Georgia

(540)



(591) Black, white

(531) 26.01.18-26.01.21-27.05.21-

(526) **Disclaimer** – The trademark is protected as a whole, word combinations "NAIL", "ART", "THERAPY" and "SUPERSHINE" shall not be subject to independent protection.

(511) 3

(111) M 2012 22522 R

(151) 2012 04 25

(181) 2022 04 25

(210) AM 066841

(220) 2012 04 05

(310) 20111283

(320) 2011 10 14

(330) AM

(732) SEMUR & CO LLC

Kotayq district, c. yeghvard, Yerevanyan highway 118, Armenia

(740) Givi Akopashvili

(540)



(591) Red, white and black

(531) 07.01.09-07.03.11-09.01.02-24.17.09-27.05.02-29.01.13-

(511) 6

(111) M 2012 22523 R

(151) 2012 04 26

(181) 2022 04 26

(210) AM 066860

(220) 2012 04 06

(732) LTD "AG LOGISTICS"

Varketili 3, me-3a m/r. korp. 332, 0163, Tbilisi, Georgia

(540)



(591) Red, broen, white, black

(531) 02.01.11-11.01.03-26.04.03-27.05.24-29.01.13-

(526) **Disclaimer** – Word combinations "Hergestellt Nach Osterreichische Technologie", „დამზადებულია ავსტრიული ტექნოლოგიით“ shall not be subject to independent protection.

(511) 29, 35

(111) M 2012 22524 R

(151) 2012 04 27

(181) 2022 04 27

(210) AM 066760

(220) 2012 03 30

TRADEMARKS

(732) LTD "EMBAVUD JORJIA"
Marneulis q. 37, 0165, Tbilisi, Georgia
(540)

The logo for 'embawood' features the word in a lowercase, sans-serif font. The letters 'em' are in a dark green color, while 'bawood' is in a lighter, lime green color. The 'b' has a unique shape with a curved top.

(591) Green, light green
(531) 05.03.14-27.05.07-29.01.12-
(511) 20, 37

INTERNATIONAL TRADEMARKS LAID OPEN FOR THE PURPOSE OF TAKING PROTECTION GRANTING DECISIONS

To appeal a decision is possible at Chamber of Appeal of Sakpatenti within 3 months from the publication or at The Board of Administrative Actions of Tbilisi City Court within a 1 month period. (Address: 12 km., №6, David Aghmashenebeli Kheivani, Tbilisi).

(260) AM 2012 62197 A

(800) 1071390

(731) SANPA GIDA SANAYI VE TICARET

ANONIM SIRKETI

Ataturk Cad. N20, TR-34909 Kirac Beldesi

Buyukcekmece-Istanbul, Turkey

(540)



(591) Blue, yellow, white

(511)

29 – Meat, fish, meat of poultry and game, meat products, meat extracts, bouillon, processed sea food (molluscs and crustaceans), dried, cooked, smoked, preserved and frozen meat products, dried, cooked, preserved, frozen vegetables, beans, peas, chickpeas, lentils, soya beans, ready-made soups and ready-made foods, olives, pickles, milk and milk products namely; any kind of milk, white cheese, kasar cheese (mild and pale yellow cheese made of sheep's milk), yoghurt, airan (drink made of yoghurt and water), whipped cream, cream, creme chantilly, powdered milk, kephir, milk beverages (milk predominating), fruit milk, fruit yoghurt, koumiss, desserts made of milk and milk products (milk predominating), edible oils and fats, margarines, butters, preserved, frozen, cooked fruits; jams, marmalades, fruit pulp, compote, dried fruits, pestil (dried layers of fruit pulp), puree of hazelnut and peanut, eggs, powdered eggs, jellies for food, gelatine for food, pollen and protein for human consumption, pollen preparations, potato crisps, potato chips.

30 – Coffee, cocoa, artificial coffee, mocha (coffee), coffee substitutes, coffee or cocoa-based beverages, tapioca, sago, macaroni, meat pies, vermicelli, breads, pitas, pizzas, waffles (crepe), biscuits, crackers, wafers, pastries, tarts, cakes, desserts made of flour, puddings, honey, bee glue (propolis) for human consumption, propolis, flavourings for foods namely; ketchup, mayonnaise, mustard, lemon juices, sauces, salad sauces, tomato sauces, vinegars, aromatic preparations for foods and beverages, spices, yeast, baking-powder, vanillas, flour-milling products and preparations for preserving foodstuffs, any kind of flour, semolina, starch, sugar, powdered sugar, herbal teas, ice-tea,

sage tea, lime tea, confectioneries, Turkish delight, frozen yoghurt, (confectionary), chocolates, chocolate products, products covered with chocolate and candy, confectioneries for decorating Christmas trees, chocolate-based beverages, chewing-gum, ice creams, edible ices, salt, rice, bulgur (boiled and pounded wheat), malt for food, appetizers made of cereal and flour, roasted corn and wheat, crisps, corn flakes, crushed oats, cereal for breakfast; meat gravies; molasses for food; food products made from carbohydrates.

(260) AM 2012 62198 A

(800) 1071400

(731) Diforex, S.L.U.

C/ Minyana, 3- bajo, E-46002 Valencia,

Spain

(540)

The logo for solisombra features the word "solisombra" in a lowercase, bold, sans-serif font. The letters are black with a white outline, giving it a three-dimensional appearance. The background is white.

(591) Black, white

(511)

19 – Fences, pergolas, flooring, panelling for walls, жалousies, not of metal for gardens and porches.

20 – Furniture and furnishings (included in this class) for indoor and outdoor use, namely kennels and other similar constructions for animals, hammocks, tables, chairs, sofas, benches, container protectors, chests, not of metal, picnic tables.

(260) AM 2012 62199 A

(800) 1071402

(731) "FOODCARE SPÓŁKA Z OGRANICZONA
ODPOWIEDZIALNOŚCIA" SPÓŁKA
KOMANDYTOWA

Spokojna 4, PL-32-080 ZABIERZOW,

Poland

(540)



(591) Black, yellow, grey and white

(511)

5 – Dietetic beverages and food adapted for medical or healing purposes, mineral water salts, mineral waters for medical purposes, preparations of trace elements for human and animal use, mineral additives to foodstuffs, nutritional supplements for medical purposes, vitamin preparations, fortifying medicines, medicinal herbs, confectionery, candies and chewing gum for medical purposes, chemical and pharmaceutical preparations, appetite reducing preparations for medical purposes.

30 – Aromatic preparations for food, flavorings, other than essential oils, for beverages, chocolate-based beverages, chocolate beverages with milk, tea, tea-based beverages, iced tea, cocoa, cocoa-based beverages, cocoa beverages with milk, coffee, coffee flavorings, coffee-based beverages, coffee beverages with milk, iced coffee, vegetal preparations for use as coffee substitutes, coffee substitutes, ice for refreshment, ice cream, pastry, cereal preparations, confectionery, candy, snack bars, chewing gum, not for medical purposes.

32 – Non-alcoholic beverages, beverages enriched with added vitamins and trace elements, not for medical purposes, isotonic beverages, energetic beverages, fruit juices, vegetable juices, fruit beverages, sorbets (beverages), fruit nectars, syrups, fruit syrups, syrups for making beverages, essences for making beverages, mineral waters, aerated water, mineral non-aerated waters, table water, soda water, soda pops, non-alcoholic fruit extracts, non-alcoholic aperitifs, non-alcoholic cocktails, non-alcoholic cider, lemonade, powdered lemonade, pastilles for making beverages, pastilles for effervescing beverages, powders for effervescing beverages, powder for production of beverages, preparations in the form of powder and/or pastilles for making of energetic, isotonic, fortifying, added trace elements and/or vitamins enriched beverages, concentrates used in the preparation of soft drinks, ginger beer, beer, malt beer, preparations for making liqueurs, whey beverages.

(260) AM 2012 62200 A

(800) 1071408

(731) KEREM YILMAZ

Hürriyet Mahallesi, Dr. Cemil Bengü Caddesi
N:22/1-2, Kağıthane, İstanbul, Turkey

(540)



(591) Black, white

(511)

6 – Ores of metal, namely, zinc ores, nickel ores, iron ores, lead ores, manganese ores, chrome ores; common metals, unwrought and semi-worked, for further manufacture, namely, irons and steels, nickel, tin and its alloys, zinc based alloys, copper based alloys, iron alloys, lead-tin alloys, aluminium and its alloys; steel plates and sheets, cast iron for use in building; steel frames for building, metal cladding for construction and building, metal building materials, namely, soffits, fascia; portable metal buildings, metal floors, metal staircases, portable metal staircases, metal gates and fences, metal railings for fences, metal roofing, metal palings, prefabricated metal platforms, metal telephone booths, vendor booths made primarily of metal, transportable greenhouses of metal for household use, metal swimming pools, metal diving boards, metal silos, crash barriers of metal for roads, metal scaffolding, metal casting forms for concrete, metal posts, construction elements made of metal, namely, shores, supports; high pressure metal containers, general purpose metal storage containers, containers of metal for chemicals, compressed gases and liquids, metal containers for the storage and transportation of goods, metal barrels, vats of metal, flexible metal foil for use in the manufacture of pouches, bags and lids; metal money boxes, metal tool boxes, metal mail boxes, metal shelf brackets; metal window screens, metal sieves being parts of drains; metallic doors, windows, shutters, slatted shutters, metal жалousies, metal accessories of doors and windows, namely, door handles, window handles, metal panels of doors and windows, opening closing systems of doors and windows, window latches of metal; non-electric cables, metal cable wire, metal rods for brazing and welding; metal hardware, namely, screws, nails, bolts, nuts, metal chains, pulley; door hardware, namely, keys and key cylinders; metal hinges, rivets, non-electric metal door bells, metal bells, metal nameplates and door nameplates, door chains of metal, door and window handles of metal, fittings of metal for doors and windows, marine anchors, metal handles for tools, badges of metal for vehicles; ducts of metal for ventilating and air conditioning and heating installations, metal roof vents for residential and commercial buildings, metal vent covers for HVAC ducts, drains and pitch pans, metal chimneys, chimney cowls of metal, metal manhole covers for drains, electric power lines, metal gratings; boards of metal, namely, advertising boards, wall boards of metal; metal license plates, non-luminous and non-mechanical metal road signs, loading and unloading pallets of metal, metal name badges, metal name plates; metal pipes for liquid and gas transfer, metal pipe couplings and joints, metal pipe collars, metal junctions for pipes, metal pipe muffs, elbows of

metal for pipes, metal valves other than parts of machines, metal taps for casks; metal cash boxes; materials of metal for railway construction, metal rails, metal railway crossovers; metal bollards, metal mooring buoys, metal structural supports therefor, used to support decking; metallic moulds for metal casting; works of art of common metal, sculptures made of non-precious metal, statuettes of non-precious metal, monuments of non-precious metal, busts of non-precious metal; metal bottle caps; poles of metal for electric lines, telegraph poles of metal, metal fence posts; metal ropes, belts of metal for handling loads, loading and unloading pallets of metal, tow ropes of metal.

(260) AM 2012 62201 A

(800) 1071419

(731) TURKCELL İLETİŞİM HİZMETLERİ
ANONİM ŞİRKETİ

Turkcell Plaza Meşrutiyet Cad. N 153,
İstanbul, Turkey

(540)

Turkcell, More life, More you

(591) Black, white

(511)

9 – Communication machines and devices, namely apparatus for recording, transmission or reproduction of sound and images; computers and peripheral hardware; namely card readers; barcode readers; scanners; computers; disk drivers; data gathering terminals; word processors; printers; monitors; plotters; keyboards; mouses; recorded computer programs and software; recorded programs providing access and usage global computer network; interactive multi-media disc players; DVD players; data storage medias; magnetic data medias, video and audio bands, CD-ROM, DVD, disks, optic disks, cassettes, bands, exposed films, compact discs; video bands; laser discs; visual-audiovisual bands; digital bands; magnetic cards; smart cards; telecommunication devices, namely telephones, mobile phones, radio phones, cordless phones, telephone switchboards.

35 – Organization of trade fairs via information technology and computers; advertisement services; sale increase (promotion) services; organization of researching, ordering, sale and payment processes via global computer network; bringing together, for the benefit of others, of a variety of goods and services, enabling customers to conveniently view and purchase those goods through virtual media, advertising via online electronic communication network, public relations services.

38 – Communication services; information services for communication with electronic media and agencies, publication; electronic mail services; electronic bulletin board services (telecommuni-

cation services); taking and forwarding messages and images by computer; electronic communication services; information services related to communication; communication with computer; news agencies; cable television broadcasting; radio broadcasting; television broadcasting; communication via computer terminals; providing telecommunications connections to a global computer network; rental of information transmission facilities; renting services of telecommunication instruments and apparatus; providing access to a global computer network, including access services to online guides, including access services to online databases and indexes.

41– Education and instruction services; symposia, conference, congress, seminar organization and administration services; sport, culture and entertainment services; production services of film, television and radio programs; news correspondent services, newspaper photographer services; photographer services; translation services.

(260) AM 2012 62202 A

(800) 1071435

(731) DIETLAB-PRODUTOS DIETÉTICOS E
FARMACÊUTICOS, LDA

Edifício Verde, Queimadas, Sernada,
P-3505-330 Visen, Portugal

(540)

IDEALINA

(591) Black, white

(511)

3 – Bleaching preparations and other substances for laundry use; cleaning, polishing, scouring and abrasive preparations; soaps, perfumery, essential oils, cosmetics, hair lotions; dentifrices.

5 – Pharmaceutical and veterinary preparations; sanitary products for medical use; dietetic substances adapted for medical use, food for babies; plasters, materials for dressings; material for stopping teeth and dental wax; disinfectants; preparations for destroying vermin; fungicides, herbicides.

(260) AM 2012 62203 A

(800) 1071447

(731) SOCIÉTÉ DES PRODUITS NESTLÉ S.A.
CH-1800 Vevey, Switzerland

(540)

NESCAFE ALEGRIA

(591) Black, white

(511)

9 – Automatic dispensers for hot and cold foodstuffs and beverages; related refill components,

cartridges and spare parts for these machines and apparatus.

11 – Electric machines for preparing all types of refrigerated, cold or hot drinks (except for electromechanical machines), electric coffee machines, electric coffee percolators; cartridges and refills for these apparatus and machines.

30 – Coffee, coffee extracts, coffee-based preparations and beverages; iced coffee; artificial coffee, artificial coffee extracts, preparations and beverages made with artificial coffee; chicory; tea, tea extracts, preparations and beverages made with tea; iced tea; malt-based preparations for human consumption; cocoa and cocoa-based preparations and beverages; chocolate, chocolate goods, chocolate-based preparations and beverages.

(260) AM 2012 62226 A

(800) 1071738

(731) CHEN YUPING

Room 603, No. 13 Xiliu Lane, Shuiyinzhi Street, Dongshan District, Guangzhou City, Guangdong, China

(540)



(591) Black, white

(511)

18 – Animal skins; backpacks; attaché cases; briefcases; umbrellas; handbags; canes; covers for animals.

(260) AM 2012 62227 A

(800) 1071749

(731) SANOFI

174 avenue de France, F-75013 PARIS, France

(540)

iCGStar

(591) Black, white

(511)

9 – Software for recording blood test results from a blood GI reader, intended for diabetics.

10 – Medical monitors for detecting, measuring and monitoring physiological substances, as well as parts and components thereof.

(260) AM 2012 62228 A

(800) 1071785

(731) Q-MATIC AB

Neongatan 8, SE-431 53 Mölndal, Sweden

(540)

QMATIC

(591) Black, white

(511)

9 – Computer software for queue management and customer flow management, and connected computers, including connected parts and accessories, namely printers, terminals, screens and card sensors.

16 – Queue and priority tickets made of paper, also such as bands or rolls.

(260) AM 2012 62229 A

(800) 1071793

(731) Spazio d'Ambrosio GmbH/

Cesare d'Ambrosio Bauernmarkt 6, A-1010 Vienna, Austria

(540)

SPADA

(591) Black, white

(511)

14 – Precious metals and their alloys and goods in precious metals or coated therewith, not included in other classes; jewellery, ornaments, precious stones; horological and chronometric instruments.

18 – Leather and imitations of leather, and goods made of these materials and not included in other classes; animal skins, hides; trunks and travelling bags.

25 – Shoes, boots; clothing, headgear, footwear.

(260) AM 2012 62232 A

(800) 1071794

(731) SPAZIO D'AMBROSIO GMBH / CESARE D'AMBROSIO

Bauernmarkt 6, A-1010 Vienna, Austria

(540)

PRIMA BALLERINA

(591) Black, white

(511)

14 – Precious metals and their alloys and goods in precious metals or coated therewith, not included in other classes; jewellery, ornaments, precious stones; horological and chronometric instruments.

18 – Leather and imitations of leather, and goods made of these materials and not included in other classes; animal skins, hides; trunks and travelling bags.

25 – Shoes, boots; clothing, headgear, footwear.

(260) AM 2012 62234 A

(800) 1071833

(731) OBSCHESTVO S OGRANICHENNOY OTVETSTVENNOSTYU "ROSALKO"
d. 20a, ul. Roshchinskaya, mkr. Vostraykovo,
g. Domodedovo, RU-142006 Moscow region,
Russian Federation

(540)

SOVITER

(591) Black, white

(511)

33 – Aperitifs; arak (arrack); brandy; wine; piquette; whisky; anisette (liqueur); kirsch; vodka; gin; digesters (liqueurs and spirits); cocktails; anise (liqueur); Curacao; liqueurs; alcoholic beverages, except beer; alcoholic beverages containing fruit; spirits (beverages); distilled beverages; hydromel (mead); peppermint liqueurs; bitters; rum; sake; cider; perry; rice alcohol; alcoholic extracts; fruit extracts, alcoholic; alcoholic essences.

(260) AM 2012 62236 A

(800) 1071902

(731) ALCATEL LUCENT
3 avenue Octave Gréard, F-75007 PARIS,
France

(540)

OPENTOUCH

(591) Black, white

(511)

9 – Telecommunication equipment.

(260) AM 2012 62237 A

(800) 1071905

(731) New Balance Athletic Shoe, Inc.
20 Guest Street, Brighton Landing Boston,
MA 02135, USA

(540)

PF-FLYERS

(591) Black, white

(511) 25 - Footwear.

(260) AM 2012 62250 A

(800) 1026509

(731) GLOBAL GBA METAL DEKORASYON
VE HEDİYELİK EŞYA TİCARET LTD.
ŞTİ. Atatürk Havalimanı, Serbest Bölge
Plaza, Ofis N 628, YEŞİLKÖY,
ISTANBUL, Turkey

(540)

GREENGO

(591) Black, white

(511)

9 – Scientific, nautical, surveying, photographic, cinematographic, optical, weighing, measuring, signalling, checking (supervision), life-saving and teaching apparatus and instruments; apparatus and instruments for conducting, switching, transforming, accumulating, regulating or controlling electricity; apparatus for recording, transmission or reproduction of sound or images; magnetic data carriers, recording discs; automatic vending machines and mechanisms for coin-operated apparatus; cash registers, calculating machines, data processing equipment and computers; fire-extinguishing apparatus.

11 – Apparatus for lighting, heating, steam generating, cooking, refrigerating, drying, ventilating, water supply and sanitary purposes.

(260) AM 2012 62251 A

(800) 1072051

(731) BOSCH SICHERHEITSSYSTEME GMBH
Robert-Koch-Str. 100, 85521 Ottobrunn,
Germany

(540)

VERISTO

(591) Black, white

(511)

9 – Software for the control and supervision of security systems for buildings and property.

42 – Creating software for the control and supervision of security systems for buildings and property.

(260) AM 2012 62261 A

(800) 1072591

(731) ASHTARAK-KAT CJSC
Village Agarak, Aragatsotn Province,
Armenia

(540)

MOJO

(591) Black, white
(511)
29 – Yogurt and yogurt based beverages.

(260) AM 2012 62262 A
(800) 1072594
(731) SANTEN PHARMACEUTICAL CO., LTD.
3-9-19, Shimoshinjo, Higashiyodogawa-ku,
Osaka 533-8651, Japan
(540)

Окугель

(591) Black, white
(511)
5 – Pharmaceutical, veterinary and sanitary preparations.

(260) AM 2012 62263 A
(800) 1072595
(731) SANTEN PHARMACEUTICAL CO., LTD.
3-9-19, Shimoshinjo, Higashiyodogawa-ku,
Osaka 533-8651, Japan
(540)

Окутиарз

(591) Black, white
(511)
5 – Pharmaceutical, veterinary and sanitary preparations.

(260) AM 2012 62264 A
(800) 1072604
(731) ZAKŁADY FARMACEUTYCZNE
"POLPHARMA" SPÓŁKA AKCYJNA
Pelplińska 19, PL-83-200 STAROGARD
GDAŃSKI, Poland
(540)

**Biotum
Биотум**

(591) Black, white
(511)
5 – Pharmaceutical products.

(260) AM 2012 62265 A
(800) 1072605
(731) ZAKŁADY FARMACEUTYCZNE
"POLPHARMA" SPÓŁKA AKCYJNA
Pelplińska 19, PL-83-200 STAROGARD
GDAŃSKI, Poland

(540)

**Biodacyna
Биодацина**

(591) Black, white
(511)
5 – Pharmaceutical products.

(260) AM 2012 62266 A
(800) 1072606
(731) ZAKŁADY FARMACEUTYCZNE
"POLPHARMA" SPÓŁKA AKCYJNA
Pelplińska 19, PL-83-200 STAROGARD
GDAŃSKI, Poland
(540)

**Biofuroksym
Биофуроксим**

(591) Black, white
(511)
5 – Pharmaceutical products.

(260) AM 2012 62267 A
(800) 1072637
(731) RORO GmbH - R. Rott
Kalkgrub 1-2, 84427 Sankt Wolfgang,
Germany
(540)

SANHO

(591) Black, white
(511)
6 – Transportable buildings of metal; doors, windows, gates, shutters, folding shutters, shutter cases as well as sliders for shutters; frames for windows, doors and gates, in particular garage doors; frames with and without fixed glazing; frames with and without window glazing; connection bars for windows, doors, gates and frames; garage doors; door, window and gate-fittings; locks (excluding electrical), door and gate-openers (not electrical), door and gate-closers (not electrical); window, door and gate-frame connectors as well as profiles for their manufacture; window, door and gate frames as well as profiles for their manufacture; door and gate leaves, fillings for door and gate leaves' all previously named goods made of metal, preferably made of aluminum.

9 – Locks (electrical), door and gate openers (electrical), door and gate closers (electrical).

11 – Illuminating, steam-generating, cooking, cooling, drying and ventilating devices; saunas, infra-red warming cabins, sauna ovens.

19 – Window, door and gate fittings; transportable buildings (not made of metal); prefabricated components for their manufacture, namely doors, windows and gate fittings, doors, windows, gate shutters, folding shutters, shutter cases as well as sliders for shutters, frames for windows, doors and gates, in particular garage doors; frames with and without widow glazing; connection bars for windows, doors, gates and frames; building glass, window glass (excluding glass for motor vehicle windows), garage doors; doors, window and gate frame connectors as well as profiles for their manufacture; windows, doors and gate frames as well as profiles for their manufacture; doors and gate leaves, fillings for door and gate leaves; all previously names goods made of wood and/or plastic.

20 – Furniture, mirrors, picture frames; goods included in this class, made of wood, cork, tubing, rushes, willow, horn, bones, ivory, fishbone, tortoise shell, amber, mother of pearl, meerschaum and their substitutes or made of plastics; door handles, not made of metal, door bolts, not made of metal; door, window and gate fittings as well as locks (excluding electrical) not made of metal.

35 – Advertising; business management; enterprise administration; office work.

37 – Installation of doors and windows; window cleaning; installation of glass; repair of doors and windows.

38 – Telecommunication.

(260) AM 2012 62268 A
(800) 1072640
(731) RED HAT, INC.
1801 Varsity Drive, Raleigh, NC 27606, USA
(540)

RHCSA

(591) Black, white
(511)

41 – Providing of training; teaching; providing of training for others in the use of, maintenance of, updating of, configuration of, installation of, assistance with, and programming of computer software; testing, analyzing and evaluating aptitudes and skills of others for the purpose or certification; providing educational services and courses over a global computer network.

(260) AM 2012 62272 A
(800) 176483
(731) NYCOMED AUSTRIA GMBH
St. Peter-Strasse 25, A-4020 Linz, Austria

(540)

UBRETID

(591) Black, white
(511)

1 – Food preserving products.

5 – Medicines, chemical products for medical and sanitary use, pharmaceutical drugs, pesticides and herbicides, disinfectants.

(260) AM 2012 62273 A
(800) 306306
(731) BAYER PHARMA
AKTIENGESELLSCHAFT
Müllerstr. 170-178, 13353 Berlin, Germany
(540)

Ultraproct

(591) Black, white
(511)

1 – Food preservatives.

5 – Medicines, chemical products for medical and sanitary use, pharmaceutical drugs, plasters, surgical dressings, pesticides and herbicides, disinfectants.

(260) AM 2012 62452 A
(800) 1051608
(731) Express, LLC
1 Express Drive, Columbus, OH 43230, USA
(540)



(591) Black, white
(511)

9 – Sunglasses.

14 – Jewelry.

18 – Wallets made of leather or other materials.

25 – Clothing, namely, shirts and t-shirts; jackets, shorts, flip flops, sandals, pants, underwear, belts, hats, sweaters, ties, jeans, socks, pajamas, skirts, sweat shirts.

26 – Belt buckles.

(260) AM 2012 62741 A
(800) 1076176
(731) SKYY SPIRITS, LLC
One Beach Street, Suite 300, San Francisco,
CA 94133, USA

(540)



(591) Cobalt blue, silver grey

(511)

32 – Beers; mineral and aerated waters and other non-alcoholic drinks; fruit drinks and fruit juices; syrups and other preparations for making beverages.

33 - Alcoholic beverages (except beers).

(260) AM 2012 62943 A
(800) 1077990
(731) MPR SERVICES
28 avenue Hoche, F-75008 Paris, France

(540)

OUTOX, The Safety Drink

(591) Black, white

(511)

25 – Clothing, footwear, headgear.

30 – Coffee, tea, cocoa, sugar, rice, tapioca, sago, artificial coffee; flour and preparations made from cereals, bread, pastry and confectionery, ices; honey, treacle; yeast, baking-powder; salt, mustard; vinegar, sauces (condiments); spices; ice for refreshment.

(260) AM 2012 63086 A
(800) 1044980
(731) OVIESSE S.p.A.
Via Terraglio, 17, I-30174 Venezia Mestre
(VE), Italy

(540)



(591) Black, white

(511)

18 – Leather and imitations of leather and goods made of these materials and not included in other

classes; animal skins, hides; trunks and travelling bags; umbrellas, parasols and walking sticks; whips, harness and saddlery.

25 – Clothing, footwear, headgear.

(260) AM 2012 63087 A
(800) 1046767
(731) OVIESSE S.p.A.
Via Terraglio, 17, I-30174 Venezia Mestre
(VE), Italy

(540)



(591) Black, white

(511)

18 – Leather and imitations of leather, and goods made of these materials and not included in other classes; animal skins, hides; trunks and travelling bags; umbrellas, parasols and walking sticks; whips, harness and saddlery.

24 – Textiles and textile goods, not included in other classes; bed and table covers.

25 – Clothing, footwear, headgear.

35 – Advertising services; business management; business administration; retail sale services for others; on-line sale services for others, services related to the management of department stores, stores and outlets; grouping together, for others, of a variety of goods, enabling consumers to view and buy these goods also via the Internet; arranging, implementation, management and supervision of customer loyalty schemes, sales and promotional incentives, also via the Internet.

(260) AM 2012 63088 A
(800) 1049005
(731) OVIESSE S.p.A.
Via Terraglio, 17, I-30174 Venezia Mestre
(VE), Italy

(540)



(591) Black, white

(511)

18 – Leather and imitations of leather, and goods made of these materials and not included in other classes; animal skins, hides; trunks and travelling

bags; umbrellas, parasols and walking sticks; whips, harness and saddlery.

24 – Textiles and textile goods, not included in other classes; bed and table covers.

25 – Clothing, footwear, headgear.

35 – Advertising services; business management; business administration; retail sale services for others; on-line sale services for others, services related to the management of department stores, stores and outlets; grouping together, for others, of a variety of goods, enabling consumers to view and buy these goods also via the Internet; arranging, implementation, management and supervision of customer loyalty schemes, sales and promotional incentives, also via the Internet.

(260) AM 2012 63089 A

(800) 1058702

(731) OVIESSE S.p.A.

Via Terraglio, 17, I-30174 Venezia Mestre (VE), Italy

(540)



GRAND & HILLS

(591) Black, white

(511)

18 – Leather and imitations of leather, and goods made of these materials and not included in other classes; animal skins, hides; trunks and travelling bags; umbrellas, parasols and walking sticks; whips, harness and saddlery.

25 – Clothing, footwear, headgear.

(260) AM 2012 63090 A

(800) 1063096

(731) ZAKRITE AKCIONERNE TOVARISTVO "ALEF-VINAL"

1, vul. Sobinova, Dnipropetrovsk 49083, Ukraine

(540)

KLINKOV

(591) Black, white

(511)

33 – Alcoholic beverages (except beer); aperitifs; arak (arrack); brandy; wine; whisky; vodka; gin; cocktails; liqueurs; hydromel (mead); peppermint liqueurs; distilled beverages; bitters; piquette; rice alcohol; rum; sake; cider; spirits (beverages); alcoholic extracts; alcoholic essences; fruit extracts, alcoholic.

(260) AM 2012 63092 A

(800) 1079319

(731) ÇİFTÇİLER BİRLİK KAĞITÇILIK HİJYENİK ÜRÜNLER VE YAĞ SANAYİ ANONİM ŞİRKETİ

Orta Mahalle, Yanyol Üzeri, Orhangazi Sokak, N19/2, İstanbul, Turkey

(540)

MAVİ BEYAZ

(591) Black, white

(511)

5 – Hygienic products, hygienic pads for menstruation, disposable diapers for incontinence, disposable adult diapers; plaster for medical purposes, bandages, bandages for dressings.

16 – Paper; cardboard; goods made from paper and cardboard, not included in other classes, namely coasters made of paper or of cardboard, hand-towels of paper, paper tablecloths, paper table linen, paper kitchen cloths, face towels of paper, paper handkerchiefs, babies napkins, babies diapers of paper and cellulose, paper facial tissues for removing make-up, toilet paper, paper garbage bag; packaging materials, namely, cardboard packaging, paper envelopes for packaging, paper pouches for packaging, packaging in the nature of blister cards, carry bags of paper, namely, paper shopping bags, paper bags, grocery bags, paper lunch bags; filter paper, bobbins and spools of paper or cardboard, for packaging purposes; plastic bubble packs for wrapping or packaging; carry bags of plastics, namely, plastic shopping bags, plastic trash bags, plastic lunch bags.

21 – Cleaning tools and equipments (non-electric); brushes (other than painting brushes), brushes with cleaning purposes, materials used in brush-making, namely, steel filings, sponges, steel wool and wool wastes; dusting and cleaning clothes, gloves for washing dishes, non-electric polishing machines, carpet beaters, carpet sweepers, pads for cleaning.

(260) AM 2012 63093 A

(800) 1079325

(731) REFAN BULGARIA OOD

Karlovsko shose, 52 Trud, Bulgaria

(540)

REFAN

(591) Black, white

(511)

3 – Soaps; sponges impregnated with soaps; sponges impregnated with toiletries; perfumery, essential oils, cosmetics, hair lotions; dentifrices; almond oil; almond soap; cosmetic dyes; hair dyes; mouth washes; toothpaste; make-up; mascara; deodorants for personal use; shampoo for pets;

cosmetic kits; cream for leather; lotions for cosmetic purposes; after-shave lotions; cosmetic pencils; nail polish; nail vanish; eau de cologne; fabric softeners (for laundry use); hair colorants; shaving preparations; color-removing preparations; shaving soap; toilet water; lipstick; shampoos; children cosmetics; baby shampoos; baby lotions; medicated cosmetics; medicated toothpaste; bleaching preparations and other substances for laundry use; cleaning polishing, scouring and abrasive preparations.

4 – Candles; aromatherapy fragrance candles; candles for absorbing smoke; fruit candles; candles and wicks for lighting.

35 – Advertising; business management; business administration; office functions; the bringing together, for the benefit of others, of a variety of goods (excluding the transport thereof) including perfumery, cosmetics, hair lotions, soaps, perfumes, extracts of flowers [perfumes], perfumed potpourris, perfumed sachets, perfumed powders, cosmetic preparations for baths, bath salts not for medical purposes, foaming preparations for use in the bath [toilet preparations], bath lotions, shower gel, body lotions [toilet preparations], face or body creams [toilet preparations], face or body butter [toilet preparations], face or body yogurts [toilet preparations], face or body milk [toilet preparations], face or body scrubs (not for medical purposes), beauty care and body care preparations, essential oils, oils for cosmetic purposes, massage oils not for medical purposes, massage creams not for medical purposes, massage lotions not for medical purposes, shampoos, hair products, printed matter, calendars, booklets, greeting cards, boxes for packaging or gift wrap paper, enabling customers to conveniently view and purchase those goods; sales promotion (for others); procurement services for others (purchasing goods and services for other businesses); business consultancy in relation to franchising; commercial advertising of cosmetics and perfumery.

(260) AM 2012 63094 A
 (800) 1079347
 (731) CLEMENS VON SCHACKY
 Schwedenstr. 62, 80505 München, Germany
 (540)

Omegaquant

(591) Black, white
 (511)
 10 – Surgical, medical, dental and veterinary apparatus and instruments, artificial limbs, eyes and teeth; orthopedic articles; suture materials; measuring and diagnostic apparatus for medical purposes, analytical apparatus for medical purposes, in particular blood testing apparatus.

42 – Scientific and technological services and research and design relating thereto; industrial analysis and research services; chemistry services, in particular chemical analysis; conducting technical and scientific experiments, as well as technical tests and checks; research in the field of chemistry and technology, material testing, quality control and environmental compatibility testing; technical research consultancy and project planning; medical research laboratory services; all the aforesaid services in the medical and veterinary sector.

44 – Medical and veterinary services, including medical services for therapy supervision and risk appraisal; conducting of medical and clinical examinations (medical services); medical analysis laboratory services; blood tests; blood bank, medical and blood-dispensing services; hygienic and beauty care for human beings or animals.

(260) AM 2012 63095 A
 (800) 1079352
 (731) SONY CORPORATION
 1-7-1 Konan, Minato-ku, Tokyo 108-0075,
 Japan
 (540)



(591) Blue
 (511)
 36 – Debt collection services, namely, collection of royalty payments on behalf of licensors of intellectual property rights.
 45 – Licensing of intellectual property; legal services, namely, management of intellectual property for others.

(260) AM 2012 63096 A
 (800) 1079366
 (731) PIVOVARY STAROPRAMEN A.S.
 Nádražní 84, CZ-150 54 Praha 5,
 Czech Republic
 (540)



(591) Different shades of red, gold, green, black,
white and gray

(511)
32 – Beers.

(260) AM 2012 63097 A
(800) 1079438
(731) JANSSEN PHARMACEUTICA NV
Turnhoutseweg 30, B-2340 BEERSE,
Belgium

(540)

FIRENZA

(591) Black, white
(511)
5 – Human pharmaceuticals, excluding pharmace-
uticals for the treatment of oncologic diseases.

(260) AM 2012 63100 A
(800) 1079439
(731) JANSSEN PHARMACEUTICA NV
Turnhoutseweg 30, B-2340 BEERSE,
Belgium

(540)

GLESSATA

(591) Black, white
(511)
5 – Human pharmaceuticals.

(260) AM 2012 63101 A
(800) 1079440
(731) JANSSEN PHARMACEUTICA NV
Turnhoutseweg 30, B-2340 BEERSE,
Belgium

(540)

NISTRA

(591) Black, white
(511)
5 – Human pharmaceuticals.

(260) AM 2012 63102 A
(800) 1079445
(731) JANSSEN PHARMACEUTICA NV
Turnhoutseweg 30, B-2340 BEERSE,
Belgium

(540)

TORIUS

(591) Black, white
(511)
5 – Human pharmaceuticals.

(260) AM 2012 63103 A
(800) 1079447
(731) JANSSEN PHARMACEUTICA NV
Turnhoutseweg 30, B-2340 BEERSE,
Belgium

(540)

DIRENZA

(591) Black, white
(511)
5 – Human pharmaceuticals, excluding pharmace-
uticals for the treatment of oncologic diseases.

(260) AM 2012 63104 A
(800) 1079448
(731) JANSSEN PHARMACEUTICA NV
Turnhoutseweg 30, B-2340 BEERSE,
Belgium

(540)

CIESSA

(591) Black, white
(511)
5 – Human pharmaceuticals.

(260) AM 2012 63106 A
(800) 1079450
(731) JANSSEN PHARMACEUTICA NV
Turnhoutseweg 30, B-2340 BEERSE,
Belgium

(540)

SOTEZA

(591) Black, white
(511)
5 – Human pharmaceuticals.

(260) AM 2012 63160 A
(800) 1080100
(731) GIOCHI PREZIOSI S.P.A.
Via del Lauro, 7, I-20121 Milano (MI), Italy

(540)



(591) Black, white
(511)
28 – Games; playthings including toys and dolls
and accessories therefor; gymnastic and sporting
articles not included in other classes; recreational
equipment not included in other classes;
amusement machines, automatic and coin-operated;
fishing tackle; butterfly nets; toys for domestic pets;
decorations for Christmas trees.

(260) AM 2012 63161 A
(800) 1080118
(731) Hilding Anders International AB
Östra Varvsgatan 4, SE-211 19 Malmö,
Sweden

(540)

SLUMBERLAND

(591) Black, white
(511)
20 – Furniture, beds, bedding (except linen), pillows; mattresses; cushions; bed bases; settees; divans; parts and components for all the above mentioned goods, included in this class.

(260) AM 2012 63162 A
(800) 1080121
(731) CAMUTO CONSULTING, INC.
411 West Putnam Avenue Greenwich CT
06830, USA

(540)



(591) Black, white
(511)
3 – Fragrances for personal use, perfumes; bath and body products, namely, body lotions, body creme, body mist, hand creme, bath and shower gel, body scrub, massage oil, dusting powder and bath soap, scented shampoos and conditioners.

(260) AM 2012 63163 A
(800) 1080126
(731) GILEAD SCIENCES LIMITED
IDA Business and Technology Park,
Carrigtohill, Co. Cork, Ireland

(540)

EVIPLERA

(591) Black, white
(511)
5 – Pharmaceuticals.

(260) AM 2012 63164 A
(800) 1080134
(731) Mars Chocolate UK Limited
3D Dundee Road, Slough Berkshire SL1
4LG, United Kingdom

(540)



(591) Red, white, yellow
(511)
29 – Meat, fish, poultry and game; meat extracts; preserved, dried and cooked fruits and vegetables; eggs; dairy products; jellies, jams, compotes; milk and milk drinks; products prepared for consumption and consisting primarily of the aforesaid goods.

30 – Coffee and coffee substitutes; tea, cocoa, drinking chocolate; sugar, rice, tapioca, sago; flour and preparations made from cereals; cereal bars; pasta; noodles; bread, biscuits, cakes, pastry; chocolate; confectionery; ice, ices and ice cream; honey, treacle; salt, mustard; vinegar; sauces; pesto; condiments; herbs; spices; products prepared for consumption and consisting primarily of the aforesaid goods.

(260) AM 2012 63165 A
(800) 1080137
(731) SOFAR SPA
Via Firenze, 40, I-20060 TREZZANO ROSA
(MI), Italy

(540)

ENTEROLACTIS

(591) Black, white
(511)
5 – Pharmaceutical preparations; dietetic substances for medical use, lactic ferments for pharmaceutical use; biological products and supplements for medical use.

(260) AM 2012 63166 A
(800) 1080151
(731) KALISTO BUSINESS CORP.
P.O. 3321, Road Town, Tortola, British
Virgin Islands

(540)



(591) Black, white
(511)
9 – Calculating machines; magnifying glasses (optics); decorative magnets; spectacles (optics); sunglasses; goggles for sports; eyeglasses, spectacle cases; eyeglass chains, eyeglass cords.

(260) AM 2012 63167 A
 (800) 812912
 (731) Rockwool International A/S
 Hovedgaden 584, DK-2640 Hedehusene,
 Denmark

(540)

ROXUL

(591) Black, white
 (511)
 17 – Insulation materials of mineral fibres.
 19 – Building materials of mineral fibres.

(260) AM 2012 63168 A
 (800) 813306
 (731) ROCKWOOL INTERNATIONAL A/S
 Hovedgaden 584, DK-2640 Hedehusene,
 Denmark

(540)

ROCKWOOL

(591) Black, white
 (511)
 17 – Insulants of mineral wool against heat, cold,
 fire and sound including for acoustic regulation.
 19 – Building materials of mineral wool.

(260) AM 2012 63169 A
 (800) 813307
 (731) ROCKWOOL INTERNATIONAL A/S
 Hovedgaden 584, DK-2640 Hedehusene,
 Denmark

(540)

ROCKFON

(591) Black, white
 (511)
 17 – Materials for insulating against heat, cold fire
 and sound including sound absorbing materials for
 acoustic regulation.
 19 – Building materials (not of metal).

(260) AM 2012 63170 A
 (800) 930616
 (731) COVIDIEN AG
 Victor von Bruns-Strasse 19, CH-8212
 Neuhausen am Rheinfall, Switzerland

(540)



(591) Black, white
 (511)
 5 – Pharmaceutical and veterinary preparations;
 sanitary preparations for medical purposes; dietetic

substances adapted for medical use, food for
 babies; plasters, materials for dressings; material
 for stopping teeth, dental wax; disinfectants;
 preparations for destroying vermin; fungicides,
 herbicides.

9 – Scientific, nautical, surveying, photographic,
 cinematographic, optical, weighing, measuring,
 signalling, checking (supervision), life saving and
 teaching apparatus and instruments; apparatus and
 instruments for conducting, switching, trans-
 forming, accumulating, regulating or controlling
 electricity; apparatus for recording, transmission or
 reproduction of sound or images; magnetic data
 carriers, recording discs; automatic vending
 machines and mechanisms for coin-operated
 apparatus; cash registers, calculating machines, data
 processing equipment and computers; fire
 extinguishing apparatus.

10 – Surgical, medical, dental and veterinary
 apparatus and instruments, artificial limbs, eyes and
 teeth; orthopaedic articles; suture materials.

44 – Medical services; veterinary services; hygienic
 and beauty care for human beings or animals;
 agriculture, horticulture and forestry services.

(260) AM 2012 63198 A
 (800) 1080223
 (731) OBI GmbH & Co. Deutschland KG
 Albert-Einstein-Str. 7-9, 42929
 Wermelskirchen, Germany

(540)

obi

(591) Black, white
 (511)
 35 – Wholesale and retail sale services related to
 construction, handicraft and gardening articles and
 other consumer goods, also provided from the
 Internet; business management and organization
 consultancy for franchising purposes; advertising;
 procurement of contracts for rendition of handicraft
 services; advertising; business management;
 business administration; office work; rental of
 advertising space on the Internet; procurement of
 business and economic contacts, also provided via
 the Internet; advertizing on the Internet for third
 parties; auctioneering provided on the Internet.

38 – Telecommunication; provision of user access
 to information on the Internet; posting websites on
 the Internet for third parties; telecommunication via
 platforms and portals on the Internet; e-mail
 services; electronic exchange of news via chatlines,
 chatrooms and Internet forums; transmission of
 news of all kinds to Internet addresses (web
 messaging); providing on-demand access to data

bases; provision of access to computer programs in data networks, particularly on the Internet and the worldwide web; services of a provider and network operator, namely rental of access time to data bases.

42 – Scientific and technological services and research and design relating thereto; industrial analysis and research laboratory services; design and development of computer hardware and software; updating of software; updating of Internet pages; consultancy in the design of homepages and Internet pages; consultancy in the field of telecommunication technology; Internet search engine services; design and realization of homepages and Internet pages; electronic data backup; installation and maintenance of software, also for Internet access; configuration of computer networks by software; rental and maintenance of storages sites for use as websites by third parties (hosting); provision and rental of electronic storage space (webpace) on the Internet; rental of data processing installations and computers; technical project studies and technical planning of installations for telecommunication; services for realization of the presentation of other parties in digital networks, namely web design and webhosting, included in this class; online services, namely development of hardware and software, consultancy related to computers; updating of computer software; design of computer software; server administration, rental of web servers.

45 – Registration of domain names (legal services).

(260) AM 2012 63199 A
(800) 1080251
(731) CELLTRION, INC.
13-6, Songdo-dong, Yeonsu-gu, Inchen
406-840, Republic of Korea
(540)

SIMABTRA

(591) Black, white
(511)
5 – Pharmaceutical preparations for the treatment of cancer.

(260) AM 2012 63200 A
(800) 1080283
(731) JAPAN TOBACCO INC.
2-2-1 Toranomom, Minato-ku, Tokyo, Japan
(540)

WINSTON XSPECIAL

(591) Black, white

(511)
34 – Raw or manufactured tobacco; smoking tobacco, pipe tobacco, rolling tobacco, chewing tobacco; snus; cigarettes, cigars, cigarillos; substances for smoking sold singly or blended with tobacco for non-medical and non-therapeutic purposes; snuff; smokers' articles included in class 34; cigarette paper, cigarette tubes and matches.

(260) AM 2012 63201 A
(800) 1080288
(731) JAPAN TOBACCO INC.
2-2-1 Toranomom, Minato-ku, Tokyo, Japan
(540)

WINSTON XSLIDE

(591) Black, white
(511)
34 – Raw or manufactured tobacco; smoking tobacco, pipe tobacco, rolling tobacco, chewing tobacco; snus; cigarettes, cigars, cigarillos; substances for smoking sold separately or mixed with tobacco for non-medical and non-therapeutic purposes; snuff; smokers' articles included in this class; cigarette paper, cigarette tubes and matches.

(260) AM 2012 63202 A
(800) 1080295
(731) YIWU JINJIU BATTERY CO., LTD.
Yinan Industrial Zone, Yiwu City, 322000
Zhejiang, China
(540)



(591) Black, white
(511)
9 – Electric accumulators for vehicles; battery chargers; batteries for pocketlamps; sunglasses; batteries; electroplating machines; electrolyzers; electrically heated jackets; electric accumulators; solar batteries.

(260) AM 2012 63203 A
(800) 1080297
(731) HAN TIDE BIOMEDICAL CORP.
1F, No. 40, Jialing St., Cianjhen District,
Kaohsiung city 080656 Taiwan, China
(540)

HIBIS

(591) Black, white

(511)
3 – Essential oils; beauty masks; skin whitening creams; cosmetic kits; cosmetics; perfume; shampoo; cosmetic preparations for skin care; sunscreen preparations; anti-wrinkle creams.

5 – Menstruation tampons; sanitary napkins; compresses; pants absorbent, for incontinents; medical dressings; tissues impregnated with pharmaceutical lotions; medicines for dental purposes.

35 – Import-export agencies; sales promotion for others.

(260) AM 2012 63208 A
(800) 1080302
(731) EGIS GYÓGYSZERGYÁR Nyilvánosan
Működő Részvénytársaság
Keresztúri út 30-38, H-1106 Budapest,
Hungary

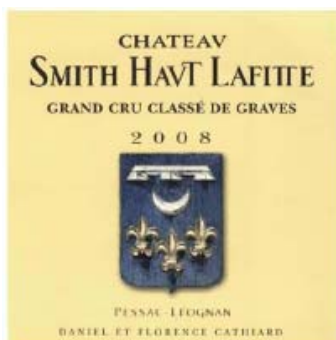
(540)

EGITIM

(591) Black, white
(511)
5 – Pharmaceutical preparations for human purposes.

(260) AM 2012 63209 A
(800) 1080311
(731) SAS D. CATHIARD
Château Smith Haut Lafitte, F-33650
MARTILLAC, France

(540)



(591) Four-colored; yellow background, black characters, gold designs (fleur-de-lis) and grey white on a blue background (shield)
(511)
33 – Pessac Léognan AOC wines from the wine-making estate called Château Smith Haut Lafitte.

(260) AM 2012 63212 A
(800) 1080312
(731) CELLTRION, INC.

13-6, Songdo-dong, Yeonsu-gu, Inchen
406-840, Republic of Korea

(540)

HERTUZU

(591) Black, white
(511)
5 – Pharmaceutical preparations for the treatment of cancer.

(260) AM 2012 63213 A
(800) 1080313
(731) CELLTRION, INC.
13-6, Songdo-dong, Yeonsu-gu, Inchen
406-840, Republic of Korea

(540)

HERZUMA

(591) Black, white
(511)
5 – Pharmaceutical preparations for the treatment of cancer.

(260) AM 2012 63214 A
(800) 1080323
(731) EDNOLITCHNO DRUJESTVO S
OGRANITCHENA OTGOVORNOST
"FINANSKONSULT"
Altzeko str. 16, BG-4000 PLOVDIV,
Bulgaria

(540)

DIVA

(591) Black, white
(511)
34 – Tobacco; smokers' articles; matches.

(260) AM 2012 63215 A
(800) 1080324
(731) EDNOLITCHNO DRUJESTVO S
OGRANITCHENA OTGOVORNOST
"FINANSKONSULT"
Altzeko str. 16, BG-4000 PLOVDIV,
Bulgaria

(540)

GRACIA

(591) Black, white
(511)
34 – Tobacco; smokers' articles; matches.

(260) AM 2012 63216 A
(800) 1080325
(731) Przedsiębiorstwo Farmaceutyczne Jelfa S.A.
ul. Wincentego Pola 21, PL-58-500 Jelenia
Góra, Poland

(540)

Бетадерм три

(591) Black, white

(511)

5 – Pharmaceutical products with the exception of disinfectants and antiseptics.

(260) AM 2012 63217 A

(800) 1080328

(731) EGIS GYÓGYSZERGYÁR Nyilvánosan
Működő Részvénytársaság
Kereszturi út 30-38, H-1106 Budapest,
Hungary

(540)

TROMBATIL

(591) Black, white

(511) 5 - Pharmaceutical preparations for human purposes.

(260) AM 2012 63218 A

(800) 1080329

(731) EGIS GYÓGYSZERGYÁR Nyilvánosan
Működő Részvénytársaság
Kereszturi út 30-38, H-1106 Budapest,
Hungary

(540)

PIRIPILL

(591) Black, white

(511)

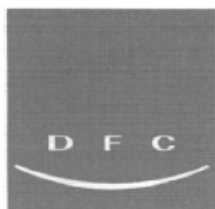
5 – Pharmaceutical preparations for human purposes.

(260) AM 2012 63219 A

(800) 1080335

(731) XIAMEN FIVE CONTINENTS INT'L
TRADING CO., LTD.
RM. 701-708, 710, Jutai Commercial Bldg,
Xiahe Road Xiamen, China

(540)



(591) Black, white

(511)

21 – Containers for household or kitchen use (except in precious metal); kitchen utensils, not of precious metal; enamel and plastic ware for everyday use, including basins, bowls, plates,

kettles and cups; ceramics for household purposes; porcelain ware; pottery for everyday use, including basins, bowls, plates, jars, jug, pots, marmites, kettles and ceramic tableware; China ornaments; works of art, of porcelain, terra-cotta or glass; statuettes of porcelain, terra-cotta or glass; drinking vessels; toilet paper holders; flower pots; dishes for soap; toilet utensils.

(260) AM 2012 63229 A

(800) 1080340

(731) DOTCHIRNE PIDPRIEMSTVO
"KONDITERSKA KORPORATZIA
"ROSHEN"
vul. Pavla Usenka, 8, Kyiv 02105, Ukraine

(540)

TRUFARELA

(591) Black, white

(511)

30 – Candies.

(260) AM 2012 63230 A

(800) 1080378

(731) LEVENT KİMYA SANAYİ VE TİCARET
ANONİM ŞİRKETİ
Sanayi Sitesi 663. Sokak No. 10, Antalya,
Turkey

(540)



(591) Blue

(511)

3 – Detergents other than for use in manufacturing operations and for medical purposes, laundry bleach, laundry starch, laundry blue, soft soap, softeners, anti-lime substances, granulated soap, glass cleaning substances, bleaching and polishing preparations, pre-moistened cosmetic tissues.

(260) AM 2012 63231 A

(800) 1080394

(731) ÜNAL KABLO SANAYİ VE TİCARET
LİMİTED ŞİRKETİ
Ortaköy Sanayi Bulvarı, 7. Sokak N1,
Ortaköy, Silivri İstanbul, Turkey

(540)



Ünal Kablo

(591) Blue
(511)
9 – Electric cables, plastic electric cables.

(260) AM 2012 63232 A
(800) 1080433
(731) Studer Käsemarketing AG
Romanshorerstrasse 253, CH-8580
Hefenhofen, Switzerland

(540)
Der Scharfe Maxx

(591) Black, white
(511)
29 – Cheese (semi-hard cheese).

(260) AM 2012 63233 A
(800) 1080435
(731) B.S.A. INTERNATIONAL Société anonyme
Place du Champs de Mars 5 Boîte 20, B-1050
Bruxelles, Belgium

(540)



(591) Red, yellow, white
(511)
5 – Dietetic substances, beverages and foods for medical use; food for babies, including milk and dairy products for babies.

29 – Milk and dairy products; edible oils and fats; milk beverages with milk predominating.

30 – Coffee; tea; cocoa; sugar; flours and cereal preparations, bread, pastry and confectionery; edible ices; cookies, cakes; chocolate; beverages made with cocoa, coffee, chocolate or tea; cooked dishes made with the aforementioned goods.

(260) AM 2012 63264 A
(800) 1080692
(731) TECNOLIGHT LEUCHTEN GMBH
15, Am Schindellehm, 59755 Arnsberg,
Germany

(540)

tecnolight

(591) Black, white
(511)
11 – Lighting installations, lighting units (lightings) and components therefor, electric lamps, all aforementioned goods included in this class.

(260) AM 2012 63265 A
(800) 1080702
(731) IŞIKLAR İNŞAAT MALZEMELERİ
PAZARLAMA VE TAAHHÜT ANONİM
ŞİRKETİ
Boğaz Mevkii, BARTIN, Turkey

(540)

Architon

(591) Black, white
(511)
19 – Sand, gravel, mosaics, rubble, sandstone; dry aggregates made of sand, gravel and similar natural materials; lime, cement, plaster; prepared concrete, prepared mortar, prepared plaster, prepared colored plasters; coatings of natural and artificial stone for interior and exterior surfaces of residences and floor (building materials); panels made of concrete, pipes made of concrete and connection pieces, panels, walls, beams and columns, roof elements, portable buildings made of concrete, poles made of concrete, concrete poles for electric power lines; barriers made of concrete; bricks, clay roofing tiles.

(260) AM 2012 63267 A
(800) 1080708
(731) ASHTARAK-KAT CJSC
Village Agarak, Aragatsotn Province,
Armenia

(540)

YOGU-MOGU

(591) Black, white
(511)
29 – Milk and milk products, in particular yogurt, drinking yogurt and drinks based on yogurt.

(260) AM 2012 63268 A
(800) 1080782
(731) Securiton AG
Alpenstrasse 20, CH-3052 Zollikofen,
Switzerland

(540)

SECURIEYE

(591) Black, white
(511)
9 – Control and security equipment, devices and apparatus, namely computer hardware and computer software for capturing, updating, combining and processing of data, in particular in the field of video surveillance, access control, recording, storage and analysis of animated images as well as of data in connection with controlling alarm devices and surveillance apparatus.

42 – Development of computer programs and computer software for capturing and analyzing data; designing computer systems.

(260) AM 2012 63269 A

(800) 1080795

(731) ARISTO TRADING LIMITED

3905 Two Exchange Square, Suite N° 8403,
8 Connaught Place, Central Hong Kong,
China

(540)

ARISTO

(591) Black and green

(511)

6 – Common metals and their alloys; rolling mill products and metal billets; metal building materials and products; transportable buildings of metal; pipes of metal; safes (strong boxes); goods of common metal not included in other classes.

(260) AM 2012 63270 A

(800) 1080810

(731) OBI GmbH & Co. Deutschland KG

Albert-Einstein-Str. 7-9, 42929
Wermelskirchen, Germany

(540)

OBI

(591) Black and orange

(511)

1 – Chemicals used in industry, science, photography, agriculture, horticulture and forestry; unprocessed artificial resins; unprocessed plastics; fertilizing preparations; fire extinguishing compositions; tempering and soldering preparations for metal; chemical substances for preserving foodstuffs; adhesives for industrial purposes; road salt for ice and snow; plant substrates; fertilizers; pottery soil.

2 – Paints, varnishes, lacquers; anti-rust preparations for preservation; wood preservatives; colorants; mordants; raw natural resins; metals in foil and powder form for painters, decorators, printers and artists.

3 – Bleaching preparations and other substances for laundry use; cleaning, polishing, scouring and abrasive preparations; soaps; perfumery; essential oils; cosmetics; hair lotions and dentifrices; abrasive paper.

4 – Industrial oils and greases; lubricants; dust absorbing, wetting and binding compositions; fuels (including motor spirit) and illuminants; candles and wicks for lighting.

5 – Pharmaceutical and veterinary preparations; hygienic preparations for medical purposes; dietetic substances adapted for medical use; food for babies; plasters; medical dressings; disinfectants; first-aid boxes (filled); preparations for destroying vermin; fungicides, herbicides, insecticides.

6 – Metal building materials; transportable buildings of metal; non-electric cables and wires of common metal; ironmongery and small items of metal hardware; pipes and tubes of metal; goods of common metal included in this class; garage doors of metal; tool chests of metal (empty); statues of common metal; safes (strong boxes); fences of metal; aviaries of metal (structures); locks of metal (other than electric); padlocks; chains of metal; hoppers of metal (non-mechanical); ladders of metal; steps (ladders of metal).

7 – Machines, namely paint-mixing machines, construction machinery, dishwashing machines, washing machines and parts thereof, included in this class, machine tools; power tools for construction, gardening and handicraft purposes; power-driven gardening and agricultural devices; vacuum cleaners, bags for vacuum cleaners; pumps (machines), pumps for heating systems, ponds, aquaria and aquaristics; compressors (machines); paint-applying guns; compressed air guns for the extrusion of mastics, glue guns (electric), tackers (electric), guns and pumps for the application of paint, putty and other viscous products; soldering irons (gas-operated); drill chucks (parts of machines), drilling machines (electric), hand drills (electric), die-cutting and tapping machines, uprights for electric hand drills; planing machines; trueing machines, grindstones (parts of machines), cutting wheels (parts of machines), saws (machines), chainsaws; current generators; soldering apparatus (gas-operated), lawnmowers (machines), leaf vacuuming machines, scarifiers (not hand-operated); snow blowers (not hand-operated); machines and apparatus for cleaning (electric); cleaning appliances utilizing steam; high-pressure washers; motor parts for automobiles, namely spark plugs for internal combustion engines, mufflers for motors and engines (exhaust pipes), gas and oil filters, filters for cleaning cooling air, for engines, cylinders for motors and engines, cylinder heads for engines, piston for engines; piston rings, mechanical shutter drives (electric); garage door drives (electric); elevators.

8 – Hand-operated tools; hand-operated implements for use in agriculture, horticulture and forestry, as well as in construction technique; hand-operated pressure-spraying devices; hand-operated guns for the application of paint, putty and other viscous products; guns, hand-operated, for the extrusion of mastics; lasts (shoemaker's hand tools);

cutlery, table cutlery (knives, forks and spoons) made of plastic or metal, silverware (knives, forks and spoons), snow shovels (hand tools); ice scrapers; sharpening stones; tackers (hand-operated); riveters (hand tools); trowels; saws (hand tools); files (hand tools); clamps for carpenters or coopers; pliers (hand tools); screwdrivers; wrenches (hand tools); hammers (hand tools); axes, lawnmowers (hand tools); hedge shears (hand tools); planes; scissors.

9 – Scientific, nautical, surveying, photographic, cinematographic, optical, weighing, measuring, signaling, checking (supervision), life-saving and teaching apparatus and instruments; apparatus and instruments for conducting, switching, transforming, accumulating, regulating or controlling electricity, apparatus for recording, transmission or reproduction of sound or images; magnetic data carriers, recording discs, fire-extinguishing apparatus; electric installation material (included in this class), namely electric cables and electric lines; wire connectors; voltage detectors; soldering irons (electric), electric welding apparatus; electronic control devices for roller shutters, time switches (not for clockworks); electronic monitoring apparatus, namely motion detectors, gas, smoke and carbon monoxide detectors; radio transmitters and receivers for the control of light; theft prevention installations (electric), bells (warning devices), door intercom systems; telephone apparatus, answering machines; car radios, CD players, antennae and accessories (included in this class); satellite receivers and antennae; optical data media, video cassettes; bicycle computers; solar collectors for the generation of electricity; batteries (electric), battery-charging devices; measuring instruments; measuring tools; thermostats; thermometers (not for medical purposes); electric flatirons; scales; illuminated signs; protective clothing (included in this class); protective helmets and protective helmets for sports, protective coverings for arms, knees and wrists (occupational health and safety); gloves for protection against accidents.

11 – Apparatus for lighting, heating, steam generating, cooking, refrigerating, drying, ventilating, water supply and sanitary installations; electric lamps; lamps; ceiling lights; pocket torches (electric); lamp shades; toilets (water closets); toilet bowls (water closets), toilet seats (water closets); water flushing installations; portable toilets; flushing tanks; sinks; wash-hand basins (parts of sanitary installations); bidets; bath tubs; whirlpool-jet apparatus; shower cubicles (enclosures); shower fixtures; roasting apparatus (kitchen appliances); roasting spits; electric lights for Christmas trees; pipes (parts of sanitary installations); air-conditioning installations; fans (air-conditioning).

12 – Vehicles; apparatus for locomotion by land, air or water; luggage carriers for vehicles; luggage nets for vehicles, trailers (vehicles); trailer hitches for vehicles.

13 – Firearms.

14 – Precious metals and their alloys and goods in precious metals or coated therewith, not included in other classes, jewellery, precious stones, horological and chronometric instruments.

16 – Paper, cardboard and goods made from these materials (as far as included in this class); printed matter; bookbinding material; photographs; stationery; adhesives (glues) for stationery or household purposes; artists' material; paint brushes; typewriters and office requisites (except furniture); instructional and teaching material (except apparatus); packaging material made of plastic (included in this class); paint rolls, articles for handicraft purposes, namely handicraft templates (stationery), modelling paste, adhesive tapes for stationery or household purposes; bags, envelopes, pouches of paper or plastics for packaging; albums.

17 – Rubber, gutta-percha, gum, asbestos, mica and goods made from these materials (included in this class); stopping, packing, and insulating materials; adhesive bands (not for medical use and not for medical and household purposes); flexible tubes, not of metal; insulating gloves.

18 – Leather and imitations of leather, and goods made of these materials (included in this class); animal skins and hides; trunks and travelling bags; umbrellas, parasols and walking sticks; whips, harness and saddlery; tool bags of leather (empty); tool chests of leather (empty); parasols.

19 – Building materials (non-metallic); non-metallic pipes for building; asphalt, pitch and bitumen; non-metallic transportable buildings; monuments (not of metal); statuettes of stone, concrete or marble; parquet flooring; floors, not of metal; furrings of wood; mouldings, not of metal, for building; building timber; veneer wood; timber (manufactured); wood (semi-worked); wood veneers; wood panelling; wood for making household utensils; plywood; paving slabs, not of metal; aviaries, not of metal (structures); garage doors, not of metal.

20 – Furniture, mirrors, picture frames; goods (included in this class) of wood, cork, reed, cane, wicker, horn, bone, ivory, whalebone, shell, amber, mother-of-pearl, meerschaum and substitutes for all these materials, or of plastics; work benches; ladders (included in this class); paper-hanger's benches; curtain rods; flower-pot pedestals (furniture); racks (not of metal) for flower pots; locking chains of plastic or wood; coat hangers;

indoor window blinds (furniture) of textile material or of plastic.

21 – Household or kitchen utensils and containers (not of precious metal and not plated); combs and sponges; brushes (except paint brushes); articles for cleaning purposes; unworked or semi-worked glass (except glass used in building); glassware, porcelain and earthenware (included in this class); brooms; steel wool for cleaning; candelabra (candlesticks); buckets of all kinds; soap holders and dishes; soap dispenser; nozzles for watering cans; flower pots; grills (cooking utensil); funnels; gardening gloves and gloves for household purposes; drying racks for washing; clothes racks, for drying; ironing boards.

22 – Ropes, string, nets, tents, awnings, tarpaulins, sails, sacks and bags (included in this class); bast; braces, not of metal, for handling loads; awnings of plastic or textile material.

23 – Yarns and threads, for textile use (included in this class).

24 – Textiles and textile goods, bed and table covers (included in this class); household linen, table linen and bed linen (not of paper), oilcloth (for use as tablecloth); shower curtains of textile material or plastic film; textile wallpaper; roller blinds (roll-up curtains) of textile or plastic.

25 – Clothing, footwear, headgear, also for use during gardening activities (included in this class).

26 – Lace and embroidery, ribbons and braid; buttons, hooks (haberdashery) and eyelets, needles; artificial flowers; feathers (clothing accessories); haberdashery (except thread).

27 – Carpets, rugs, mats and matting, linoleum and other materials for covering existing floors (floor coverings); wallpaper (included in this class); wall hangings (non-textile).

28 – Games and playthings; gymnastic and sporting articles (as far as included in this class); ornaments for Christmas-trees (except illumination articles and confectionary), Christmas-tree stands; fishing tackles and accessories (included in this class); scale model vehicles.

31 – Agricultural, horticultural and forestry products and grains (seeds) and other material for propagation (included in this class); living animals; fresh fruit and vegetables; natural plants and flowers; foodstuffs; malt; rough timber; dried flowers for decoration; dried plants for decoration; litter for animals; straw mulch.

35 – Wholesale and retail sale services related to building, do-it-yourself and gardening articles and goods from classes 1 to 34, also via the Internet; business consultancy for franchising purposes;

advertising; arranging contracts on craftpersons' services, copying of printed matter (office work).

37 – Building construction; repair, namely repair of buildings, repair of machines and machine-operated tools and devices, repair of hand-operated tools; installation services; painting, edge-gluing; shoe repair; installation and maintenance of heating systems; installation and repair of telephones; installation of telephone systems; rental of construction machines and construction tools and devices (included in this class).

39 – Transportation; packaging and storage of goods; rental of automobile trailers.

40 - Treatment of materials; key-cutting; engraving; sharpening and grinding of knives, lawnmower blades and saws; cutting-to-size of wood, plates, frames and tissues; sewing of curtains; mixing of paints; threading.

42 – Architecture; interior design; landscape gardening; horticulture; architectural consultancy.

44 – Agriculture, horticulture and forestry services; pond and aquaristic maintenance (included in this class), lawn care and animal grooming.

45 – Security services for the protection of property and individuals; licensing of franchising concepts; licensing of industrial protective rights and copyrights; opening of door locks.

(260) AM 2012 63272 A
 (800) 1080895
 (731) PRYSMIAN CAVI E SISTEMI ENERGIA
 S.R.L.
 Viale Sarca, 222, I-20126 MILANO (MI),
 Italy
 (540)



(591) Black, white
 (511)
 9 – Electrical cables and conductors, electrical connectors and parts thereof, telecommunication cable conductors, optical fibers, optical fiber cables.

(260) AM 2012 63273 A
 (800) 1080925
 (731) "UNITED FASHION BRANDS S.A.
 OF IMPORTS, EXPORTS, TRADING AND
 AGENCIES OF CLOTHING"
 91 Giannitson str., GR-556 27 Thessaloniki,
 Greece

(540)



(591) Pantone - Black

(511)

25 – Clothing namely jackets, trench coats, coats, blazers, suits, trousers, skirts, shorts, dresses, shirts, T-shirts, cardigans, sweaters, scarves, gloves, belts, hats and footwear namely shoes.

(260) AM 2012 63274 A

(800) 1080933

(731) SINOCHEM CORPORATION

28 Fuxingmennei Street, Xicheng District,
Beijing, China

(540)



(591) Black, white

(511)

2 – Pigments.

(260) AM 2012 63275 A

(800) 1080935

(731) VALENTINO S.P.A.

Via Turati, 16/18, I-20121 MILANO, Italy

(540)



(591) Black, white

(511)

3 – Cosmetics, including night and day creams; cleaning preparations for care of the face and body, bath foam; shaving foam, aftershaves; foundation makeup; nail polish; deodorants for men and women; hand and body soaps; hair shampoos and

rinses; hair spray; toothpaste; fragrances, namely perfume, toilet water and essential oils for personal use for men and women.

(260) AM 2012 63276 A

(800) 1080955

(731) EMBİL İLAÇ SANAYİ LİMİTED ŞİRKETİ

Maslak Mahallesi Sümer Sokak Ayazağa,
Ticaret Merkezi N3/1, Şişli İstanbul,
Turkey

(540)

ГАЙНОМАКС

(591) Black, white

(511)

5 – Medicines for human and veterinary purposes; chemical products for medical purposes, dietetic substances for medical purposes, diet foods, baby foods, medical herbs and herbal drinks for medical purposes, products for dentistry (other than apparatus/devices), hygienic products including sanitary pads, tampons, plasters for medical purposes, materials for dressings, substances for destroying weeds, vermin and fungus, odor repellents for rooms, air fresheners (other than for personal use), disinfectants, antiseptics (bacteria killers), detergents for medical purposes.

(260) AM 2012 63278 A

(800) 1080984

(731) Dr. Wild & Co. AG

Hofackerstrasse 8, CH-4132 Muttenz,
Switzerland

(540)

TEBODONT

(591) Black, white

(511)

3 – Dentifrices, mouth washes, not for medical purposes.

5 – Products for care of the mouth and teeth for medical use.

(260) AM 2012 63279 A

(800) 1080996

(731) CYHILL COMMERCIAL LIMITED

office 602, Phytides Court, 209,
Arch.Makariou III, CY-3030 Limassol,
Cyprus

(540)

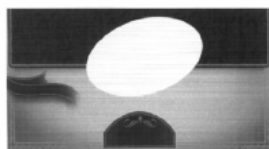
Myagkov

(591) Black, white

(511) 33 - Vodka.

(260) AM 2012 63280 A
 (800) 1081027
 (731) LIMITED LIABILITY COMPANY
 "KRAFT FOODS RUS"
 Franz Stollwerck street, 10, Pokrov City,
 Petushinsky district, RU-601123
 Vladimirskiy region, Russian Federation

(540)



(591) Black, white
 (511)
 30 – Pastry, biscuits, cakes, waffles, wafers, confectionery products in particular sugar confectionery and chocolate confectionery, dough products, preparations made from cereals, popcorn, edible ice creams, sherbets, honey, puddings, snack products in the form of popcorn and corn crisps as well as snack products based on corn, rice, barley, rye or pastry.

(260) AM 2012 63281 A
 (800) 1081033
 (731) DSM IP Assets B.V.
 Het Overloon 1, NL-6411 TE Heerlen,
 Netherlands

(540)

BREWERS COMPASS

(591) Black, white
 (511)
 1 – Chemical and biochemical products for use in the food industry and in the beverage industry; enzymes and enzyme preparations for use in the food industry and in the beverage industry; enzymes and enzyme preparations for use in beer brewery.

(260) AM 2012 63282 A
 (800) 1081034
 (731) "VESNA" LIMITED LIABILITY
 COMPANY
 Michurina str., 21A, off.VI Korolev,
 RU-141076 Moscow region,
 Russian Federation

(540)



(591) Dark green, gray, dark gray, white, black,
 ocher, red, green and yellow

(511)
 32 – Aperitifs, non-alcoholic; Beer; Cocktails, non-alcoholic; Fruit juices; Table waters; Vegetable juices.

33 – Alcoholic beverages; Aperitifs; Bitters; Cocktails; Vodka; Wine.

(260) AM 2012 63283 A
 (800) 1081048
 (731) TUNGUM LIMITED
 Number One Ashchurch Parkway,
 Tewkesbury, Gloucestershire GL20 8TU,
 United Kingdom

(540)

TUNGUM

(591) Black, white
 (511)
 6 – Metallic alloys; small items of metal hardware; metal pipes; metal tubes; clamps, nuts and bolts, made of metal; pipework assemblies of metal; metal hoses, brackets, clips and couplings; pipe fittings of metal; pipe seals of metal; valves of metal, other than parts of machines, including those made from alloy steel and titanium.

(260) AM 2012 63284 A
 (800) 1081053
 (731) Fédération Internationale des Echecs (FIDE)
 c/o Reymond & Associés, Avenue de la Gare
 1, Case postale 7255, CH-1002 Lausanne,
 Switzerland

(540)

FIDE World Chess Championship

(591) Black, white
 (511)
 9 – Scientific, nautical, surveying, photographic, cinematographic, optical, weighing, measuring, signaling, checking (supervision), life-saving and teaching apparatus and instruments; apparatus and instruments for conducting, switching, transforming, accumulating, regulating or controlling electricity; apparatus for recording, transmission or reproduction of sound or images; magnetic data carriers, recording disks; automatic vending machines and mechanisms for coin-operated apparatus; cash registers, calculating machines, data processing equipment and computers, computer software; extinguishers.

14 – Precious metals and their alloys and goods in precious metals or coated therewith (included in

this class), jewelry, precious stones, timepieces and chronometric instruments.

16 – Paper, cardboard and goods made from these materials, included in this class; printed matter; bookbinding material; photographs; stationery; adhesives (glues) for stationery or household purposes; artists' materials; paintbrushes; typewriters and office requisites (except furniture); instructional or teaching material (except apparatus); plastic materials for packaging (not included in other classes); printing type; printing blocks.

25 – Clothing, footwear, headgear.

28 – Games, toys; gymnastic and sporting articles, included in this class; Christmas tree decorations; playing cards.

41 – Teaching; training; entertainment; sporting and cultural activities.

(260) AM 2012 63285 A

(800) 1081094

(731) Limited Liability Company "ROSEL"
ul. Rikharda Zorge, 10, RU-198328
Saint-Petersburg, Russian Federation

(540)

PEKOPD

(591) Black, white

(511)

8 – Razors, electric or non-electric; razor blades; razor strops; razor cases.

9 – Accumulators, electric; accumulators, electric, for vehicles; blueprint apparatus; anode batteries; galvanic batteries; batteries for pocketlamps; solar batteries; batteries, electric; plugs, sockets and other contacts (electric connections); circuit closers; switchboxes (electricity); current rectifiers; dictating machines; electric door bells; coaxial cables; fibre (fiber (am.)) optic cables; cables, electric; calculating machines; pocket calculators; electronic agendas; neon signs; thermionic lamps and tubes; magnetic tapes; junction sleeves for electric cables; electronic pocket translators; switches, electric; compact disc players; cassette players; circuit breakers; converters, electric; receivers (audio); printers for use with computers; telegraph wires; telephone wires; wires, electric; light dimmers (regulators), electric; time switches, automatic; relays, electric; connections, electric; resistances, electric; transformers (electricity); electric devices for attracting and killing insects; chargers for electric batteries; cameras (photography); ducts (electricity); galvanic cells.

11 – Heat accumulators; coffee roasters; bidets; bath tubs; waffle irons, electric; electrically heated

carpets; air conditioning apparatus; coffee machines, electric; lights, electric, for Christmas trees; acetylene flares; safety lamps; gas lamps; electric lamps; chandeliers; barbecues; blankets, electric, not for medical purposes; sockets for electric lights; microwave ovens (cooking apparatus); cookers; cooking utensils, electric; roasting apparatus; cooking apparatus and installations; cooking rings; plate warmers; rotisseries; radiators, electric; laundry dryers, electric; hair driers; pocket torches, electric.

16 – Fountain pens; paper; punches (office requisites); calendars; pencils; glue for stationery or household purposes; adhesive bands for stationery or household purposes; adhesives (glues) for stationery or household purposes; folders for papers; stands for pens and pencils; inkstands; writing materials; stationery.

25 – Underclothing; half-boots; trousers; neckties; hosiery; suits; jackets (clothing); socks; footwear; outerclothing; ready-made clothing; clothing; overcoats; frocks; shirts; boots; sweaters; shoes; top hats; stockings; shawls; sashes for wear; pelisses; skirts.

(260) AM 2012 63286 A

(800) 1081095

(731) Beussant, Philippe
Cioff 3 place Emile Roux, F-16500
Confolens, France

(540)



(591) Black, white

(511)

41 – Organising of recreational events; cultural activities; organising and conducting folklore festivals; amusements; organising music and dance events and festivals; entertainment; organisation of exhibitions for cultural, educational or recreational purposes; organisation of symposiums and conferences; publishing, producing, distribution and rental of audio and video recordings; publishing, distribution of books and magazines.

(260) AM 2012 63287 A

(800) 1081096

(731) FERRERO S.P.A.
Piazzale Pietro Ferrero, 1, I-12051 ALBA
(CN), Italy

(540)

HAPPY START BY NUTELLA

(591) Black, white

(511)

30 – Coffee, tea, sugar, rice, tapioca, sago, artificial coffee, flour, preparations made from cereals (excluded forages); bread, biscuits, cakes, pastry and confectionery, edible ices; honey, treacle, yeast, baking-powder; salt, mustard, pepper, vinegar, sauces; spices; ice; chocolate and chocolate products, in particular chocolate-based beverages; chocolate paste, toppings, in particular chocolate toppings, pralines, chocolate products for decorating Christmas trees, products consisting of edible chocolate toppings with alcoholic stuff, sugar articles, pastry, chewing gum, chewing gum without sugar, candies without sugar.

35 – Advertising; business management; business administration; office functions.

41 – Education; providing of training; entertainment; sporting and cultural activities.

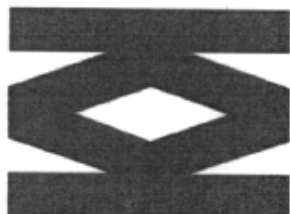
(260) AM 2012 63289 A

(800) 1081123

(731) MAHLE International GmbH

Pragstrasse 26-46, 70376 Stuttgart, Germany

(540)



(591) Black, white

(511)

7 – Cartridges for filtering machines, filters (parts of machines or engines), filtering machines, filters for cleaning cooling air, for engines, filter presses, pistons (parts of machines or engines), pistons for engines, piston segments, pistons for cylinders, anti-friction bearings for machines, ball-bearings, ball rings for bearings, bearings (parts of machines), bearing brackets for machines, journals (parts of machines), roller bearings, self-oiling bearings, bearings for transmission shafts, journal boxes (parts of machines), connecting rods for machines, motors and engines, printing cylinders, cylinders for machines, cylinders for motors and engines, pistons for cylinders, cylinder heads for engines, pressure reducers (parts of machines), pressure valves (parts of machines), fans for motors and engines, fan belts for motors and engines, valves (parts of machines), superchargers,

compressed air machines, compressed air engines, compressed air pumps, pressure regulators (parts of machines), ejectors, pumps for heating installations, pumps (parts of machines, engines or motors), pumps (machines), pump diaphragms, lubricating pumps, vacuum pumps (machines), centrifugal pumps, gear boxes other than for land vehicles, gears, other than for land vehicles, reduction gears other than for land vehicles, transmissions for machines, reduction gears other than for land vehicles, superchargers, compressors for refrigerators, compressors (machines), turbocompressors, sifting installations, sieves (machines or parts of machines), fuel conversion apparatus for internal combustion engines, sparking plugs for internal combustion engines, igniting devices for internal combustion engines, driving motors other than for land vehicles, transmission shafts, other than for land vehicles, motors, electric, other than for land vehicles, gear boxes other than for land vehicles, couplings other than for land vehicles, motors, other than for land vehicles, steam/oil separators, condensers (steam) (parts of machines), carburettors, grease boxes (parts of machines), transmission shafts, other than for land vehicles, crank shafts, axles for machines, separators, shaft couplings (machines), driving motors other than for land vehicles, expansion tanks (parts of machines), crankcases for machines, motors and engines, hydraulic controls for machines, motors and engines, clack valves (parts of machines), housings (parts of machines), axles for machines, feeders (parts of machines), pneumatic controls for machines, motors and engines, pumps (parts of machines, engines or motors), regulators (parts of machines), valves (parts of machines), slide rests (parts of machines), grease rings (parts of machines), lubricators (parts of machines), pulleys (parts of machines), stators (parts of machines), valves (parts of machines), heat exchangers (parts of machines), valves, not of metal, other than parts of machines, fuel conversion apparatus for internal combustion engines, joints (parts of engines), injectors for engines, motors, electric, other than for land vehicles, radiators (cooling) for motors and engines, filters for cleaning cooling air, for engines, crankcases for machines, motors and engines, crankcases for machines, motors and engines, motors for boats, aeronautical engines, engines for air cushion vehicles, motors, other than for land vehicles, pneumatic controls for machines, motors and engines, anti-pollution devices for motors and engines.

11 – Filters (parts of household or industrial installations), filters for air conditioning, air filtering installations, filters for drinking water, water filtering apparatus, ventilation hoods, ventilation (air-conditioning) installations for

vehicles, ventilation (air-conditioning) installations and apparatus, level controlling valves in tanks, thermostatic valves (parts of heating installations), fans (air-conditioning), fans (parts of air-conditioning installations), heat pumps, heating elements, radiator caps, humidifiers for central heating radiators, central heating radiators, ventilation hoods, heaters for vehicles, air conditioners for vehicles, oil-scrubbing apparatus, evaporators, heating apparatus for solid, liquid or gaseous fuels, cooling installations and machines, refrigerating apparatus and machines, air purifying apparatus and machines.

16 – Filtering materials (paper), filter paper.

17 – Filtering materials (semi-processed foams or films of plastic), cylinder jointings, clack valves of rubber, valves of india-rubber or vulcanized fiber (fibre), connecting hose for vehicle radiators, gaskets, pipe gaskets.

(260) AM 2012 63290 A
(800) 1081144
(731) HLT Domestic IP LLC
7930 Jones Branch Drive, Suite 1100,
McLean, VA 22102, USA
(540)



(591) Black, white
(511)

43 – Rental of temporary accommodations, namely, hotel rooms; reservations, temporary accommodations, namely hotel rooms; hotel, motel, bar, cafe, restaurant, banqueting and catering services, rental of rooms for holding functions, conferences, conventions, exhibitions, seminars and meetings in this class.

(260) AM 2012 63291 A
(800) 1081166
(731) Beachbody, LLC
Third Floor, 3301 Exposition Blvd. Santa
Monica CA 90404, USA
(540)

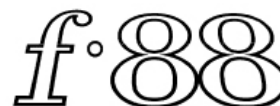
P90X2

(591) Black, white
(511)

9 – Pre-recorded video tapes, audio and video cassettes, DVDs and CDs featuring exercise, fitness and dietary information and instruction and

instructional materials distributed in connection therewith.

(260) AM 2012 63292 A
(800) 1081185
(731) FASHIONTV.COM GMBH
Brienner Strasse 21, 80333 München,
Germany
(540)



(591) Black, white
(511)

32 – Beers; mineral and aerated waters and other non-alcoholic drinks; fruit drinks and fruit juices; syrups and other preparations for making beverages; multivitamin juices; non-alcoholic energy drinks and isotonic drinks, non-alcoholic soft drinks.

33 – Alcoholic beverages (except beers).

(260) AM 2012 63293 A
(800) 1081254
(731) NOVARTIS AG
CH-4002 Basel, Switzerland
(540)

andGO
program

(591) Black, white
(511)

41 – Education and providing of training in the field of health, especially support and benefit programs for care centers, doctors, nurses, psychologists, psychiatrists, social workers, patients and their families regarding diseases of the central nervous system; arranging and conducting of courses in pedagogy, seminars and training workshops in the field of health and in particular regarding diseases of the central nervous system.

44 – Medical services, especially provision of medical information for care centers, doctors, nurses, psychologists, psychiatrists, social workers, patients and their families regarding diseases of the central nervous system, assistance in the observation and monitoring of patients, in compliance and case histories for patients suffering from diseases of the central nervous system; providing a patient registration program in the field of diseases of the central nervous system, providing an online database for the treatment of and research into the field of diseases of the central nervous

system; co-ordinating and organizing hospital rounds for physicians and specialists.

(260) AM 2012 63294 A
(800) 1081269
(731) Airex AG
Industrie Nord, CH-5643 Sins, Switzerland
(540)

COMFLOOR

(591) Black, white
(511)
11 – Electrically heated carpets, defrosters for vehicles, electric blankets, heating filaments, electric, heating apparatus, heating elements, forced convection air heaters (unit heaters), heating plates, heating radiators, heating installations, heaters for vehicles, hot water heating installations, air conditioning installations for vehicles, air conditioning apparatus, air reheaters, air filters, air filtering installations, air cooling apparatus, ventilation installations for vehicles, ventilation apparatus, heat pumps, coils (parts of distilling, heating or cooling installations), fans (air-conditioning), fans (parts of air-conditioning installations), valves (parts of heating installations), heat regenerators, heat accumulators, heat exchangers; heaters for vehicles in the form of floors, false floors, roofs and walls for vehicles, such as railway cars and motor buses; heating apparatus for heating vehicle interiors, such as railway cars and motor buses, installations for air-conditioning of railway cars and motor buses, heating panels for heaters for vehicles, such as railway cars and motor buses, heating elements in the form of plates or panels, heating elements in the form of plates or panels for vehicles, such as such as railway cars and motor buses.

(260) AM 2012 63295 A
(800) 1081281
(731) BSG AUTO GLASS CO., LTD
Qinshi Industrial Zone, Sanzao Hi-Tech
Park Zhuhai City 519000 Guangdong, China
(540)



(591) Black, white
(511)
12 – Windshields; windscreens; windshield wipers; windows for vehicles.
37 – Installation of windshields for vehicles; installation of anti-dazzle devices for vehicles; changing, maintain and repair of windshields for

vehicles; motor vehicle maintenance and repair; construction.

(260) AM 2012 63296 A
(800) 1081298
(731) NOVARTIS AG
CH-4002 Basel, Switzerland
(540)

& GO

(591) Black, white
(511)
41 – Education and providing of training in the field of health, especially support and benefit programs for care centers, doctors, nurses, psychologists, psychiatrists, social workers, patients and their families regarding diseases of the central nervous system; arranging and conducting of courses in pedagogy, seminars and training workshops in the field of health and in particular regarding diseases of the central nervous system.
44 – Medical services, especially provision of medical information for care centers, doctors, nurses, psychologists, psychiatrists, social workers, patients and their families regarding diseases of the central nervous system, assistance in the observation and monitoring of patients, in compliance and case histories for patients suffering from diseases of the central nervous system; providing a patient registration program in the field of diseases of the central nervous system, providing an online database for the treatment of and research into the field of diseases of the central nervous system; co-ordinating and organizing hospital rounds for physicians and specialists.

(260) AM 2012 63304 A
(800) 1081299
(731) NOVARTIS AG
CH-4002 Basel, Switzerland
(540)

AND GO

(591) Black, white
(511)
41 – Education and providing of training in the field of health, especially support and benefit programs for care centers, doctors, nurses, psychologists, psychiatrists, social workers, patients and their families regarding diseases of the central nervous system; arranging and conducting of courses in pedagogy, seminars and training workshops in the field of health and in particular regarding diseases of the central nervous system.
44 – Medical services, especially provision of medical information for care centers, doctors,

nurses, psychologists, psychiatrists, social workers, patients and their families regarding diseases of the central nervous system, assistance in the observation and monitoring of patients, in compliance and case histories for patients suffering from diseases of the central nervous system; providing a patient registration program in the field of diseases of the central nervous system, providing an online database for the treatment of and research into the field of diseases of the central nervous system; co-ordinating and organizing hospital rounds for physicians and specialists.

(260) AM 2012 63305 A

(800) 1081314

(731) Pavlova Anna Valentinovna
kv. 16, korp. 1145, Zelenograd,
RU-124460 Moscow, Russian
Federation

(540)


 The logo for 'EXTRA' features the word 'EXTRA' in a bold, sans-serif font. The letter 'E' is stylized with a circular element that overlaps its top and bottom strokes, creating a unique graphic symbol.

(591) Black, white

(511)

7 – Welding machines, electric; soldering apparatus, gas-operated; welding apparatus, gas-operated; aerators; gasifiers; expansion tanks (parts of machines); drums (parts of machines); reels, mechanical, for flexible hoses; concrete mixers (machines); reels (parts of machines); flues for engine boilers; harrows; bulldozers; hoppers (mechanical discharging); mine borers; valves (parts of machines); fans for motors and engines; saw benches (parts of machines); winnowers; water heaters (parts of machines); winches; lawnmowers (machines); emergency power generators; alternators; dynamos; bicycle dynamos; current generators; generators of electricity; drilling bits (parts of machines); soldering blow pipes, gas-operated; raking machines; stalk separators (machines); engines, other than for land vehicles; motors, other than for land vehicles; hydraulic engines and motors; engines for air cushion vehicles; compressed air engines; engines for boats; driving motors other than for land vehicles; de-aerators for feedwater; disintegrators; holding devices for machine tools; blade holders (parts of machines); turf removing ploughs; pump diaphragms; chisels for machines; jacks (machines); rack and pinion jacks; electric hand drills; grinders/crushers, electric, for household purposes; reapers; reapers and binders; millstones; rakes for raking machines; shredders (machines) for industrial use; incubators for eggs; tools (parts of machines); hand-held tools, other than hand-operated; air condensers; ditchers (ploughs);

reapers and threshers; compressors (machines); air pumps (garage installations); conveyors (machines); belt conveyors; mechanized livestock feeders; root slicers (machines); turnip cutters (machines); harvesting machines; mowing and reaping machines; steam engine boilers; coffee grinders, other than hand-operated; taps (parts of machines, engines or motors); cranes (lifting and hoisting apparatus); drain cocks; water separators; spray guns for paint; potters' wheels; grindstones (parts of machines); sharpening wheels (parts of machines); cultivators (machines); motorized cultivators; ploughshares; belts for conveyors; churns; vibrators (machines) for industrial use; bellows (machines); blowing engines; knitting machines; bending machines; net hauling machines (fishing); sealing machines for industrial purposes; embossing machines; engraving machines; finishing machines; garbage disposals; waste disposals; waste disposers (machines); blade sharpening (stropping) machines; earth moving machines; crushing machines; grinding machines; rammers (machines); dyeing machines; dishwashers; bottle filling machines; glass working machines; corn husking machines; grain husking machines; painting machines; colour-washing machines; whitewashing machines; weeding machines; cinder sifters (machines); notchers (machine tools); blowing machines for the compression, exhaustion and transport of gases; road making machines; trash compacting machines; waste compacting machines; blowing machines for the compression, sucking and carrying of grain; fans for the compression, sucking and carrying of grain; die-stamping machines; stamping machines; drainage machines; wrapping machines; grain separators; machines and apparatus for cleaning, electric; machines and apparatus for carpet shampooing, electric; machines and apparatus for polishing (electric); sizing machines; punching machines; riveting machines; kitchen machines, electric; rinsing machines; flour mill machines; braiding machines; steam engines; compressed air machines; apparatus for dressing; apparatus for machining; trimming machines; cutters (machines); cutting machines; road sweeping machines (self-propelled); agricultural machines; sorting machines for industry; washing machines; washing machines (laundry); coin-operated washing machines; clippers (machines); drying machines; spin driers; packaging machines; molding machines; labellers (machines); milking machines; mills (machines); mills for household purposes, other than hand-operated; pepper mills other than hand-operated; flour mills; centrifugal mills; forge bellows; mixers (machines); blenders, electric, for household purposes; agitators; threshing machines; pneumatic hammers; hammers (parts of machines); tilt hammers; power hammers; reeling apparatus,

mechanical; motors for boats; clutches other than for land vehicles; meat choppers (machines); meat mincers (machines); superchargers; guides for machines; vacuum cleaner attachments for disseminating perfumes and disinfectants; pumps (machines); pumps (parts of machines, engines or motors); aerating pumps for aquaria; vacuum pumps (machines); compressed air pumps; pumps for heating installations; beer pumps; lubricating pumps; centrifugal pumps; blades (parts of machines); knives for mowing machines; chaff cutter blades; knives, electric; scissors, electric; shears, electric; bearing brackets for machines; atomisers (machines); pulverisers (machines); spraying machines; agricultural implements other than hand-operated; axles for machines; steam traps; chucks (parts of machines); drill chucks (parts of machines); soldering irons, gas-operated; gears, other than for land vehicles; reduction gears other than for land vehicles; propulsion mechanisms other than for land vehicles; drilling machines; saws (machines); chain saws; guns (tools using explosives); glue guns, electric; compressed air guns for the extrusion of mastics; carburetter feeders; feeding apparatus for engine boilers; loading ramps; ploughs; pneumatic transporters; hangers (parts of machines); elevators (lifts); lifts, other than ski-lifts; hoists; pulleys; saw blades (parts of machines); torque converters other than for land vehicles; presses (machines for industrial purposes); fodder presses; swaging machines; transmissions for machines; elevator belts; lift belts; high pressure washers; cleaning appliances utilizing steam; food processors, electric; springs (parts of machines); vacuum cleaners; radiators (cooling) for motors and engines; sewage pulverizers; air brushes for applying colour; regulators (parts of machines); pressure regulators (parts of machines); feedwater regulators; speed governors for machines, engines and motors; knives (parts of machines); cutting blow pipes, gas-operated; robots (machines); whisks, electric, for household purposes; tedding machines; separators; steam/oil separators; cream/milk separators; sowers (machines); mixing machines; snow ploughs; sheaf-binding machines; fruit presses, electric, for household purposes; chaff cutters; straw (chaff) cutters; suction cups for milking machines; teat cups for milking machines; stands for machines; machine tools; woodworking machines; sharpening machines; die-cutting and tapping machines; nut-tapping machines; trueing machines; mortising machines; paring machines; stone working machines; metalworking machines; threading machines; planing machines; lathes (machine tools); milling machines; metal drawing machines; rolling mills; stators (parts of machines); glaziers' diamonds (parts of machines); tables for machines; couplings other than for land vehicles; heat

exchangers (parts of machines); transmissions, other than for land vehicles; control cables for machines, engines or motors; boiler tubes (parts of machines); turbines other than for land vehicles; hydraulic turbines; turbocompressors; central vacuum cleaning installations; suction machines for industrial purposes; vehicle washing installations; degreasers (machines); dust exhausting installations for cleaning purposes; sifting installations; dust removing installations for cleaning purposes; condensing installations; air suction machines; blowing machines for exhaustion of dust, etc.; washing apparatus; binding apparatus for hay; trussing apparatus for hay; curtain drawing devices, electrically operated; adhesive tape dispensers (machines); control mechanisms for machines, engines or motors; centrifugal machines; ejectors; excavators; shovels, mechanical; agricultural elevators; motors, electric, other than for land vehicles; electric hammers; parquet wax-polishers, electric; cartridges for filtering machines.

9 – Accumulators, electric; electrical apparatus for sealing plastics (packaging); electric arc cutting apparatus; electric arc welding apparatus; electric welding apparatus; electric apparatus for commutation; intercommunication apparatus; soldering apparatus, electric; welding apparatus, electric; galvanic batteries; solar batteries; batteries, electric; balances (steelyards); lever scales (steelyards); steelyards (lever scales); scales; current rectifiers; gauges; measures; pressure measuring apparatus; inverters (electricity); pressure indicators; indicators (electricity); temperature indicators; comparators; wind socks for indicating wind direction; accumulator boxes; accumulator jars; battery boxes; battery jars; fire escapes; manometers; pressure gauges; solderers' helmets; protective masks; lightning arresters; lightning conductors (rods); ozonisers (ozonators); ohmmeters; converters, electric; record players; rods for water diviners; electronic publications, downloadable; distribution consoles (electricity); control panels (electricity); radar apparatus; vacuum tubes (radio); masts for wireless aerials; transmitting sets (telecommunication); radios; vehicle radios; frames for photographic transparencies; screens for photoengraving; walkie-talkies; voltage surge protectors; battery chargers; transformers (electricity); water level indicators; electric devices for attracting and killing insects; welding electrodes.

11 – Water heaters (apparatus); ionisation apparatus for the treatment of air; expansion tanks for central heating installations; fans (air-conditioning); fans (parts of air-conditioning installations); electric fans for personal use; water heaters; air reheaters; hydrants; burners; acetylene burners; petrol burners; gas burners; burners for

lamps; oxhydrogen burners; oil burners; alcohol burners; hot water bottles; warming pans; footwarmers, electric or non-electric; bedwarmers; heating apparatus; level controlling valves in tanks; thermostatic valves (parts of heating installations); electrically heated carpets; solar collectors (heating); air conditioning apparatus; gas boilers; laundry room boilers; washing coppers; heating boilers; soldering lamps; barbecues; watering machines for agricultural purposes; heaters for baths; immersion heaters; brackets for gas burners; heat pumps; sauna bath installations; furnaces, other than for experimental purposes; ovens, other than for experimental purposes; stoves (heating apparatus); incinerators; solar furnaces; aquarium heaters; heating cushions (pads), electric, not for medical purposes; water filtering apparatus; air purifying apparatus and machines; cooking apparatus and installations; cooking rings; heating apparatus for solid, liquid or gaseous fuels; heating apparatus, electric; hot air apparatus; rotisseries; radiators (heating); central heating radiators; radiators, electric; air driers (dryers); laundry dryers, electric; heat exchangers, not parts of machines; humidifiers for central heating radiators; air conditioners for vehicles; ventilation (air-conditioning) installations for vehicles; cooling installations for water; cooling installations for liquids; water purification installations; purification installations for sewage; steam generating installations; water distribution installations; air filtering installations; ventilation (air-conditioning) installations and apparatus; cooling installations and machines; heating installations; heaters for vehicles; hot water heating installations; heating installations (water); water supply installations; air cooling apparatus; furnaces; hearths; stoves; aquarium filtration apparatus.

12 – Snowmobiles; driving motors for land vehicles; engines for land vehicles; motors for land vehicles; motors for cycles; screw-propellers for boats; casters for trolleys (vehicles); sprinkling trucks; air pumps (vehicle accessories); bicycle pumps; cycle pumps; pumps for bicycles, cycles; electric vehicles; carrier tricycles; delivery tricycles; wheelbarrows; luggage trucks; sack-barrows; two-wheeled trolleys; tractors; motors, electric, for land vehicles; yachts.

(260) AM 2012 63306 A
(800) 1081317
(731) Bioglan AB
P.O. BOX 50310, SE-202 13 Malmö, Sweden
(540)

BLOX4

(591) Black, white

(511)
5 – Pharmaceutical preparations; anti-allergics; antiallergic sprays.

(260) AM 2012 63307 A
(800) 1081324
(731) Apple Inc.
1 Infinite Loop, Cupertino, CA 95014, USA
(540)

ICLOUD

(591) Black, white
(511)
16 – Printed publications; periodicals; books; magazines; newsletters; brochures; booklets; pamphlets; manuals; journals; leaflets.
28 – Electronic hand-held game units; computer game apparatus other than coin operated or those adapted for use with television receivers.

(260) AM 2012 63309 A
(800) 1081367
(731) SANOFI
174 avenue de France, F-75013 PARIS,
France
(540)



(591) Black, white
(511)
1 – Chemical products used for the production of cosmetic and pharmaceutical products.
3 – Non-medicated products for skin cleansing, care and treatment; personal hygiene products; cosmetic products; soaps; dentifrices.
5 – Prescription or non-prescription veterinary and pharmaceutical preparations, sanitary preparations for medical purposes; dietary substances adapted for medical use, chemical preparations for medical or pharmaceutical purposes, vaccines, food for babies; plasters, materials for dressings; material for dental fillings and dental impressions; disinfectants; vitamins, vitamin-based preparations; natural dietary foodstuffs and plant-based remedies for medicinal purposes included in this class; beverages and foodstuffs for medicinal purposes, food supplements and additives for medicinal purposes; mineral food supplements for medicinal purposes, nutritional supplements, plant-based

preparations, all for medicinal purposes; plant-based preparations and plant extracts for medicinal purposes; preparations for making dietetic or medicated beverages; medicinal preparations; chemical preparations for medicinal purposes; medicinal substances, medicated candy and confectionery for medicinal purposes, pharmacological preparations for skin care.

9 – Contact lenses; spectacles; software in the field of health; audio and video cassettes, CD ROMs in the field of health, medical imaging software.

10 – Surgical, medical, dental and veterinary apparatus and instruments, artificial limbs, eyes and teeth, orthopedic articles; suture materials; medical imaging apparatus.

16 – Printed matter; printed matter, newspapers, magazines, journals, periodicals, pamphlets, books, posters, in connection with the field of health.

35 – Business management services, in running or managing enterprises and business development in the field of health, consulting services in marketing strategy in the field of health, distribution services for promotional material and products in the field of health, arranging of consulting programs in connection with sales promotion in the field of health.

38 – Telecommunications.

39 – Storage of products in the medical, diagnostics, veterinary fields.

40 – Treatment and processing of products in the medical, diagnostics, veterinary fields.

41 – Education and providing of training in the field of health; arranging of seminars, conferences and congresses in the field of health; publishing of journals, books and manuals and broadcasting of all kinds of digital media for information or training in the field of health.

42 – Scientific and technological services, namely chemical research, biological and pharmaceutical research, design and development of software for databases, all in the field of health, clinical studies.

44 – Medical services; veterinary services; hygienic and beauty care, consulting in the field of pharmacy and health; awareness and information programs in the field of health.

(260) AM 2012 63310 A

(800) 1081370

(731) PUIG FRANCE

6 boulevard du Parc, F-92200 Neuilly sur
Seine, France

(540)

INVICTUS

(591) Black, white

(511)

3 – Bleaching preparations and other substances for laundry use; cleaning, polishing, scouring and abrasive preparations; soaps; perfumery, essential oils, cosmetics, hair lotions; dentifrices.

(260) AM 2012 63312 A

(800) 1081433

(731) LUKAS TRADING CORP.

1 1/2 Miles Northern Highway, Belize City,
BELIZE, Belize

(540)

Володя и медведи

(591) Black, white

(511)

33 – Alcoholic beverages (except beers).

(260) AM 2012 63334 A

(800) 1081655

(731) GRUPA LOTOS SPÓŁKA AKCYJNA

ul. Elbląska 135, PL-80-718 Gdańsk, Poland

(540)



(591) White, red, navy blue, light gray, gray,
dark gray and black

(511)

4 – Industrial oils, mineral motor oils, semi-synthetic and synthetic motor oils.

(260) AM 2012 63335 A

(800) 1081659

(731) Stiftung Preussischer Kulturbesitz Stiftung

des öffentlichen Rechts
Von-der-Heydt-Str. 16-18, 10785 Berlin,
Germany

(540)

SMB

(591) Black, white

(511)

9 – Apparatus for recording, transmission or reproduction of sound or images; recorded and unrecorded data carriers, in particular CD's, DVD's, USB-sticks, exposed films, video cassettes, video tapes, audio cassettes; data processing devices and computers inclusively audiovisual teaching apparatus.

14 – Precious metals and their alloys and goods in precious metals or coated therewith, not included in other classes; jewellery, precious stones; horological and chronometric instruments.

16 – Printed matter, namely writings, publishment (writings), publications, collection and presentation catalogues, instructional and teaching material (except apparatus) for the purpose of advancement of science, education and culture; photographs, tickets, stamps, post cards, calendars, gift paper and decoration strips of plastic for gift packages; stationery; paint brushes; artists' materials; plastic materials for packaging (not included in other classes).

18 – Leather and imitations of leather, and goods made of these materials (not included in other classes), in particular bags; animal skins, hides; trunks and travelling bags; umbrellas, parasols and walking sticks; whips, harness and saddlery.

20 – Furniture, mirrors, picture frames; goods (not included in other classes) of wood, cork, reed, cane, wicker, horn, bone, ivory, whalebone, shell, amber, mother-of-pearl, meerschaum and substitutes for all these materials, or of plastics.

25 – Clothing, footwear, headgear.

28 – Games and playthings; decorations for Christmas trees.

35 – Advertising; business management; business administration; office functions; management of museums; retail services of a museum shop with regard to offered goods in the mentioned areas of classes 9, 14, 16, 18, 20, 24, 25, 26 and 28.

41 – Cultural activities, in particular services of a museum; education; training; entertainment; business of museums (presentation, exhibition), performance of exhibitions for cultural or teaching purposes, courses and speech and culture events, conferences, collections (as included in class 41), museum pedagogical programs and further events of cultural, entertaining and educational kind for the purpose of advancement of science, education and culture; publication of books, online publication of electronical books and magazines, instruction and education; presentation and performing of workshops (training); renting of artworks for the purpose of entertainment and/or

training and further education; seat reservations and ticket pre-selling for entertainment events.

42 – Scientific and technological services and research and design relating thereto; design and development of computer hardware and software.

(260) AM 2012 63336 A

(800) 1081665

(731) DÖRTYOL TEKSTİL GIDA AMBALAJ
SANAYİ İÇ VE DİŞ TİCARET LİMİTED
ŞİRKETİAytaç Mah. Zeynebiye Cad. Menekşe Sok.
N31-33 B, Halkalı/İSTANBUL, Turkey

(540)



(591) Black, white, red, blue

(511)

1 – Chemicals used in industry, science and photography, as well as in agriculture, horticulture and forestry; unprocessed plastic, unprocessed artificial resins for specific use and industry; fertilizers, seaweeds fertilizers, humus, cultivation soil; fire extinguishing compositions; glues, other than for stationery or household purposes.

12 – Automobiles, ambulances, lorries, tractors, trucks, camping cars, trolleys, caravans, carrier tricycles, cars, casting cars, cleaning trolleys, concrete mixing vehicles, fork lift trucks, golf carts; automobile chassis, axles for vehicles, transmission chains for land vehicles, vehicle suspension springs, vehicle wheel hubs, clutches for land vehicles; connecting rods for land vehicles, other than parts of motors and engines; torque converters for land vehicles, driving chains for land vehicles, gear boxes for land vehicles, gearing for land vehicles, mudguards, bodies for vehicles, bumpers for automobiles, doors for vehicles; mopeds, motorcycles, baskets adapted for cycles, pedals for cycles, bicycles, bicycle brakes, bicycle chains, bicycle frames, bicycle handle bars, cycle bells, cycle brakes, cycle cars, cycle chains; trailer hitches for vehicles, trailers (vehicles), vans (vehicles); brake linings for vehicles, brake segments for vehicles, brake shoes for vehicles, brakes for vehicles; automobile hoods, sleeping berths for vehicles; pushchairs; direction signals for vehicles; automobile tires (tyres), tires for vehicle wheels, vehicle wheels; adhesive rubber patches for

repairing inner tubes, bands for wheel hubs, valves for vehicle tires (tyres); windscreens, windshields; windshield wipers; anti-skid chains, automobile chains; air pumps (vehicle accessories), bicycle pumps; anti-theft alarms for vehicles, anti-theft devices for vehicles, security harness for vehicle seats, bells for bicycles and cycles; air bags (safety devices for automobiles), air cushion vehicles, head-rests for vehicle seats, seat covers for vehicles, rearview mirrors for vehicles; prams (baby carriages); baby carriages, wheelchairs; carts, hand cars, wheelbarrows, air vehicles, telfer railways (cable cars), locomotives, waggons; boats, boat hooks, davits for boats, disengaging gear for boats, aerial conveyors, aeronautical apparatus, machines and appliances; yachts; ejector seats (for aircraft), air balloons, aircraft, airships, aeroplanes.

(260) AM 2012 63337 A

(800) 1081686

(731) Emerson TEN Europe S.L.

C/Magi Casanovas 24 atico, E-08870 Sitges
(Barcelona), Spain

(540)



(591) Black, white

(511)

16 – Paper; cardboard and goods made from these materials, not included in other classes; printed matter, signs, displays, stands, stickers, pop ups and poster stands; bookbinding material; photographs; stationery; adhesives for stationery purposes; artists' materials; paint brushes; plastic materials for packaging (not included in other classes); printers' type; printing blocks.

35 – Preparing advertisements, promotional materials, printed matter, signs, displays, stands, stickers, pop ups and poster stands for others for advertising purposes, advertisement and promotion services, namely preparing and placing advertisements for performances of others and displaying advertisements (for performances of others); advice and performances of displays, preparation of publicity matters.

(260) AM 2012 63338 A

(800) 1081713

(731) SIRMAGRUP İÇECEK SANAYİ VE

TİCARET ANONİM ŞİRKETİ

Acıbadem Mahallesi, Gayretli Sokak,
Dişlioğlu Apartmanı, N3, İSTANBUL,
Turkey

(540)

SIRMA

(591) The colors golden, yellow and white are claimed as a feature of the mark

(511)

32 – Beers; preparations for use in the production of beer, namely, beer wort, extracts of hops; mineral water, aerated water, spring water, soda water, tonic water; boza (traditional Turkish beverage made of slightly fermented millet), salep (traditional Turkish hot drink made from finely ground tubers of orchids, milk and sugar); carbonated soft drinks, soda pops, isotonic beverages; fruit drinks and fruit juices; vegetable juices; concentrates syrups or powders used in the preparation of fruit drinks; must, turnip juice, tomato juice.

(260) AM 2012 63339 A

(800) 1081721

(731) Apple Inc.

1 Infinite Loop, Cupertino, CA 95014, USA

(540)

ICLOUD

(591) Black, white

(511)

9 – Computers; computer peripheral devices; computer hardware; computer software; mobile digital electronic devices.

(260) AM 2012 63340 A

(800) 1081775

(731) SOREMARTEC SA

Rue Joseph Netzer 5, B-6700 ARLON,
Belgium

(540)



(591) White, gray, blue, orangey red, brown

(511)

30 – Coffee, tea, cocoa, sugar, rice, tapioca, sago, artificial coffee; flour and preparations made from cereals, bread, pastry and confectionery, ices; honey, treacle; yeast, baking-powder; salt, mustard;

vinegar, sauces (condiments); spices; ice for refreshment.

(260) AM 2012 63341 A

(800) 1081776

(731) SOREMARTEC SA

Rue Joseph Netzer 5, B-6700 ARLON,
Belgium

(540)



(591) White, gray, blue, orangey red, brown,
yellow, orange

(511)

30 – Coffee, tea, cocoa, sugar, rice, tapioca, sago, artificial coffee; flour and preparations made from cereals, bread, pastry and confectionery, ices; honey, treacle; yeast, baking-powder; salt, mustard; vinegar, sauces (condiments); spices; ice for refreshment.

(260) AM 2012 63342 A

(800) 1081796

(731) Zakrytoe aktsionernoe obschestvo
"TechnoNICOL"

Krymsky val, 8, RU-119049 Moscow,
Russian Federation

(540)

LogicRoof
ЛоджикРуф

(591) Black, white

(511)

17 – Rubber, gum, gutta-percha, asbestos, mica and goods made from these materials and not included in other classes; plastic materials as semi-finished products; packing, stopping and insulating materials.

19 – Building materials (non-metallic); asphalt, pitch and bitumen; non-metallic transportable buildings and constructions.

37 – Building construction; repair; installation services.

(260) AM 2012 63343 A

(800) 1081828

(731) PAVLIACHVILI IOSIF RAMINOVITCH

kv.24, 8B, rue Roustavelli, RU-127254
Moscow, Russian Federation

(540)

ЖДЕТ ТЕБЯ ГРУЗИН

(591) Black, white

(511)

35 – Advertising, business management, business administration, office functions, import-export agencies, auditing, employment agencies, efficiency experts, demonstration of goods, online advertising on a computer network, business research, personnel recruitment, personnel management consultancy, professional business consultancy, auctioneering, sales promotion for others, procurement services for others (purchasing goods and services for other businesses).

41 – Teaching, training, entertainment, sporting and cultural activities.

43 – Services for providing food and drink, temporary accommodation, accommodation bureaux (hotels, boarding houses), rental of temporary accommodation, rental of meeting rooms, tourist homes, hotel reservations, boarding house bookings, temporary accommodation reservations, hotels, retirement homes, snack-bars, cafés, cafeterias, motels, boarding houses, boarding for animals, rental of chairs, tables, table linen, glassware, rental of tents, rental of transportable buildings, restaurants, self-service restaurants, canteens, holiday camp services (lodging), bar services, providing campground facilities, food and drink catering, crèches.

(260) AM 2012 63345 A

(800) 1081848

(731) TURKIYE CUMHURİYETİ ZIRAAT
BANKASI ANONİM ŞİRKETİ

Doganbey M. Ataturk Bly. N:8,
ULUS-ANKARA, Turkey

(540)



(591) Red, white

(511)

36 – Insurance services, financial and monetary services, real estate broker and advisor services, real estate management services, customs brokerage services.

(260) AM 2012 63346 A

(800) 1081856

(731) KRAFT FOODS GLOBAL BRANDS LLC

Three Lakes Drive, Northfield, IL 60093,
USA

(540)



(591) Yellow, blue, white

(511)

30 – Cocoa, chocolate, beverages made with cocoa and/or chocolate and preparations for making such beverages; bakery, pastry and confectionery products, namely bread, rusks, biscuits (sweet or savory), waffles, wafers, cakes, pastries; cereal bars; cereal preparations.

(260) AM 2012 63347 A

(800) 1081872

(731) BANCO FINANCIERO Y DE AHORROS, S.A.
Pintor Sorolla, 8, E-46002 VALENCIA, Spain

(540)

BFA

(591) Black, white

(511)

36 – Insurance services; financial affairs; financial analysis; monetary affairs; banking; home banking; brokerage services and stock exchange quotations; capital investment and administration; real estate administration, brokerage and appraisal; real estate services; deposits of valuables; issuance of credit and debit cards; trusteeship; raising funds and fund investment; establishment of mortgages; banking, financial, monetary, insurance and real estate services provided on line, via telecommunication networks (including mobile telephones), telematic networks and global computer communication networks.

(260) AM 2012 63348 A

(800) 1081917

(731) FOURNIER INDUSTRIE ET SANTE
28 Bld Clémenceau, F-21000 Dijon, France

(540)

ТРИЛИПИКС

(591) Black, white

(511)

5 – Pharmaceutical products for the prevention and treatment of cardiovascular diseases.

(260) AM 2012 63365 A

(800) 1082095

(731) BECTON, DICKINSON AND COMPANY
1 Becton Drive, MC 090 Franklin Lakes,
NJ 07417, USA

(540)

BD FACSJazz

(591) Black, white

(511)

9 – Laboratory instrument, namely flow cytometer.

(260) AM 2012 63366 A

(800) 1082099

(731) ISS Research, LLC
5400 W.T. Harris Blvd., Suite L, Charlotte
NC 28269, USA

(540)

OH YEAH

(591) Black, white

(511)

5 – Nutritional and dietary supplements for bodybuilding and athletic use, namely ready-to-eat cereal based food bars sold through health food stores, health clubs, gyms and athletic stores.

(260) AM 2012 63367 A

(800) 1082144

(731) EUROBOTS GmbH
Münsterstraße 336, 40470 Düsseldorf,
Germany

(540)

LAWNBOT

(591) Black, white

(511)

7 – Mowing and reaping machines; lawnmowers (machines); robots [machines]; lawnmower robots.

(260) AM 2012 63368 A

(800) 1082164

(731) VMC PECHE
12 rue du Général de Gaulle, F-90120
MORVILLARS, France

(540)

VMC

(591) Black, white

(511)

28 – Artificial fishing bait, floats for fishing, rods for fishing, bite sensors (fishing tackle), landing nets for anglers, floats for fishing, fish hooks, lures for fishing, lines for fishing, reels for fishing, creels

(fishing equipment), fishing tackle, gut for fishing; fishing gear for fishing with a leader.

(260) AM 2012 63369 A
(800) 1082190
(731) Tai zhou jin tai Kitchen and Bath Co., Ltd
No.888 Hai feng Road, Taizhou city, 318000
Zhejiang Province, China
(540)

博 欧
BOOU

(591) Black, white
(511)
11 – Hydrants; floor drains; taps; pipe accessories for hot-water devices; pipe valve for hot heating devices; pipe water gate for hot heating devices; water faucet spouts; three way pipe fittings for hot-water heating devices; four way pipe fittings for hot-water heating devices; pipe joint for hot-water heating devices; pipe hoop for hot-water heating devices; pipe bushing for hot heating devices.

(260) AM 2012 63381 A
(800) 1082200
(731) SANOFI
174 avenue de France, F-75013 PARIS,
France
(540)

DoceStar

(591) Black, white
(511)
10 – Medical apparatus for diagnosing blood sugar levels; insulin pen injectors.

(260) AM 2012 63383 A
(800) 1082202
(731) SANOFI
174 avenue de France, F-75013 PARIS,
France
(540)

STARIQ

(591) Black, white
(511)
5 – Glucose control solutions (reagent for medical purposes).
9 – Computer software for recording results of blood tests from a blood sugar level meter, designed for diabetics.
10 – Medical apparatus; blood glucose meters and component parts thereof, namely strips, lancets.

(260) AM 2012 63384 A
(800) 1082203
(731) SANOFI
174 avenue de France, F-75013 PARIS,
France
(540)

BOLUSTAR

(591) Black, white
(511)
5 – Glucose control solutions (reagent for medical purposes).
9 – Computer software for recording results of blood tests from a blood sugar level meter, designed for diabetics.
10 – Medical apparatus; blood glucose meters and component parts thereof, namely strips, lancets.

(260) AM 2012 63385 A
(800) 1082204
(731) SANOFI
174 avenue de France, F-75013 PARIS,
France
(540)

BGSTAR MEAL

(591) Black, white
(511)
5 – Glucose control solutions (reagent for medical purposes).
9 – Computer software for recording results of blood tests from a blood sugar level meter, designed for diabetics.
10 – Medical apparatus; blood glucose meters and component parts thereof, namely strips, lancets.

(260) AM 2012 63386 A
(800) 1082206
(731) SANOFI
174 avenue de France, F-75013 PARIS,
France
(540)

BGStarCompanion

(591) Black, white
(511)
5 – Strips, control solutions (reagent for medical purposes).
9 – Computer software for recording the results of blood tests from a blood sugar level reader, intended for individuals suffering from diabetes.
10 – Medical apparatus; blood sugar readers and parts and accessories thereof, especially lancets.

(260) AM 2012 63387 A
(800) 1082208
(731) SANOFI
174 avenue de France, F-75013 PARIS,
France

(540)

GOVTERI

(591) Black, white
(511)
5 – Pharmaceutical products; dietetic products for
medical use; food supplements for medical use.

(260) AM 2012 63559 A
(800) 1083893
(731) VIDEOSERPEL, LTD
Dammstrasse 19, CH-6300 Zug, Switzerland
(540)



(591) Black, white
(511)
35 – Advertising, import, export; sales promotion
for third parties and sole agencies, including by
means of commercial advertisements and on-line
advertisements; retail sale in stores, wholesale and
sales over global communication networks, musical
productions, audio-visual productions, television
and radio broadcasts, movies, television series,
games and ringtones, access to communications
networks and all kinds of advertising articles and
merchandising; on-line subscriptions for all kinds
of audio-visual services, including cable television,
pay per view television and video-on-demand, and
subscriptions to services for downloading music,
games, audio-visual productions and programs;
mail order services; services for providing
information in connection with e-commerce and
electronic retail sale; commercial business services,
including promoting the goods and services of
others by means of commercial advertisements and
on-line advertisements and advertising on an
electronic site accessed via computer networks;
auction sales services also through global
communications networks, professional business
consulting, organization of exhibitions for
commercial purposes or advertising purposes also
through global networks; trade information;
distribution of samples, adverts and advertising
materials; services for cost-price analysis, market
research and studies, efficiency experts,
transcription and compilation of written

communications and recordings and any other kind
of information; advertising, by means of
broadcasting, in connection with all types of goods
or services, rental of advertising space, rental of
advertising time on all communication media,
commercial or industrial business operations or
management assistance, franchise-issuing
assistance services, newspaper subscription services
for others; telephone answering services for
subscribers; opinion polling services; news clipping
services; sales promotion services by means of
affinity cards, membership and incentive programs
offering bonuses, discounts and rewards, or points
that can be exchanged for bonuses, discounts and
rewards; customer loyalty cards; awards programs
for client recognition and services.

38 – Telecommunications; uploading and
downloading music, games, pictures, sound,
ringtones, information and news by means of global
communications networks and websites accessible
electronically, including mobile communications
devices; services for electronic transmission of
data, pictures and documents over computer
terminals and networks; broadcasting by television
and radio by means of cable, satellite or
transmitters; transmission of radio and television
programs; network connection and broadcasting of
radio and television programs, entertainment
programs, news programs, educational programs
and current affairs programs; television services for
subscribers (pay-TV), including video-on-demand;
compilation, provision and transmission of news,
news agencies; rental of communications apparatus,
telecommunications and broadcasting; provision of
information and consulting services in connection
with any of the above services; telecommunications
and communications services, via satellite,
computer terminals, fiber optics, telephone, radio
and television; consulting services, information and
research relating to telecommunications and
communications via satellite; message sending
services and image sending services, computer-
assisted; services for sending of telegrams;
telephone communications services, wireless and
over computer networks; telephone services;
radiopaging, mobile telephony, fax transmissions,
telex services, services for providing access to
information and global communication computer
networks; services for accessing telecommu-
nications network portals, inter alia by computer,
telephone or television; electronic mail; commu-
nications services for voting by means of mobile or
fixed communications devices.

41 – Musical and video productions and
publications; electronic publishing of music, videos
and games (not downloadable), including on a
website; orchestras and musical bands; production
and hosting radio and television programs,

entertainment programs, news programs, educational programs and current affairs programs; organization, production and management of shows, competitions, conferences, concerts, congresses, theater performances and sporting events; rental of television sets or radios or sound or video recordings, lighting apparatus for stage scenery, stage and show scenery and cinematographic apparatus; information and advisory services in connection with the above; publishing of texts and publishing of books (other than for advertising purposes); entertainment and recreation; teaching; teaching and correspondence courses including over global computer networks; publication of electronic books and journals on-line; examination sessions and awarding of prizes, competitions and scholarships; services for the organization of exhibitions for cultural or educational purposes; providing museum facilities; career advisory services (advice on education or training); rental of stadium facilities, tennis courts, sports equipment; holiday camps, movie studios, providing cinema facilities, sports facilities and golf courses; performing and production of shows; editing and producing movies; theater productions; model agency services; services for actors and performing artists; scriptwriting and subtitling; amusement parks and zoological gardens; casino facilities (gambling) and operating lotteries (gambling); provision of dance halls; dubbing; booking of seats for shows; photographic services; digital imaging; teaching; providing of training; entertainment; sporting and cultural activities.

(260) AM 2012 63757 A

(800) 1085111

(731) EAE ELEKTRİK ASANSÖR ENDÜSTRİSİ
İNŞAAT SANAYİ VE TİCARET ANONİM
ŞİRKETİ

Akçaburgaz Mah. 119. Sk. N10
ESENYURT-ISTANBUL, Turkey

(540)



(591) Red and white

(511)

9 – Laboratory equipment namely, test tubes, beakers, furnaces for laboratory experiments and laboratory furniture; electronic advertisement boards featuring a neon lamp, electronic scoreboards, electronic sliding letter boards; apparatus and

instruments for the transmission or reproduction of sound and images, namely, phonograph records, blank record disks, blank audio cassettes, blank discs for computers, blank optical discs, blank CD's for sound or video recording; all kinds of photographic cameras, parts of photographic cameras and accessories; exposed cinematographic films, exposed camera films, exposed x-ray films; antennas, satellite dishes, satellite receivers, amplifiers and their parts; vending machines, ticket vending machines, cash dispensers; electronic devices used in machines and devices; electronic semi-conductors, electronic integrated circuits, electronic chips for the manufacturer of integrated circuits, light switches (light sensors), diodes, transistors, circuit boards, oscillators, capacitors; communication devices, namely, telephones, fax machines, telegraph machines, radio telephones, automatic telephone exchanges; photocopy machines, blueprint apparatus; magnetic cards, weighing equipment, namely, scales and balances; detectors, (namely, metal detectors, electronic imaging apparatus not for medical use, x-ray photography devices, other than for medical purposes; life saving apparatus, (namely, flotation vests, life jackets, life nets, life preservers, life-buoys), breathing apparatus for divers, namely, rebreathers, compressed air bailout units, safety glasses for diver's use, safety nets for diver's use; protective clothing, protective gloves, protective eyeglasses, protective helmets; signal whistles, signaling buoys; eyeglasses, sunglasses, contact lenses and their containers, eyeglass cases and accessories; electric plugs, electric sockets, electric junction boxes, electric switches, circuit breakers, electrical fuses, lighting ballasts, electric control panels, electronic controller panel to manage the power, movement and functions of an elevators; electric connectors and sockets; adaptors for use with portable electronic devices and battery chargers; electric door bells, alarms other than vehicle alarms (namely, burglar alarms, fire alarms and smoke alarms); electric wires and cables, fiber optic cables used in electrics, electronics and telephone lines; power supplies (electrical), accumulators (batteries), solar cells, uninterruptible power supplies; irons, namely, electric and steam irons; automotive measuring instruments, namely, speedometers, water temperature gauges, tachometers; vehicle wheel alignment machines; fire engines, fire extinguishers; electric welding apparatus including welding electrodes, welding helmets, welding masks, welding torches, electric powered soldering irons; radar, sonar, night vision goggles; lightning conductor, lightning arresters; rules (measuring instruments); plumb lines; dosage dispensers; hair-curlers, electrically heated, electric devices for attracting and killing insects; satellites for scientific purposes; electrolysis apparatus for

electroplating magnets, decorative magnets; ear plugs.

11 – Devices for heating and vapor producing installations, stoves (heating apparatus), boilers for central heating and natural gas installations, gas boilers, burners, heaters, heaters for baths, radiators, heat pumps, electric water boilers, solar collectors and devices; heating apparatus for solid, liquid or gaseous fuels, cookers; climatization and air-conditioning devices, climatizers, air blowing fans, ventilators, air-conditioning apparatus including for vehicles; air disinfecting and cleaning devices, installations and their parts and accessories for residences; refrigerators, deep freezers, ice boxes, ice machines and devices; electric and gas operated apparatus, machines and equipment used in cooking and boiling; toasters, bread toasters, deep fryers, gridirons, grills, ovens, stoves, corn-poppers, autoclaves, coffee and tea machines, water boilers (kettles) and their parts; bath tubs, bidets, bath installations, shower enclosures, urinals (sanitary fixtures) water closets, toilets, portable; lavatories, sinks; thermostatic valves as parts of heating installations, level controlling valves in tanks, regulators and regulating accessories for water or gas apparatus, whirlpool-jet apparatus for automatic watering installations, waterpipes for sanitary installations, watering machines for agricultural purposes; water softening apparatus and installations; water purifying apparatus and machines, water purification installations, water purifiers, incinerators; electric hair-dryers, hand drying apparatus for washrooms; skin moisturizing machines, tanning apparatus sun beds, solarium devices; bedwarmers and blankets, electric, not for medical purposes; heating pads and cushions for heating, not for medical purposes; electric footwarmers; footmuffs, electrically heated; hot water bottles; lighters; aquarium filters, filtration apparatus integrating a motor device; industrial type dryer installations, industrial type cooling installations, cooling towers, air cooling apparatus; nuclear reactors; burners (incandescent), burners (acetylene); pasteurizers and sterilizers; electric laundry dryers; filters (parts of household or industrial installations), industrial type furnaces, heating apparatus for defrosting windows of vehicles.

(260) AM 2012 63924 A

(800) 1087010

(731) Apple Inc.

1 Infinite Loop, Cupertino, CA 95014,
USA

(540)

ICLOUD

(591) Black, white

(511)

35 – Advertising, marketing, and promotion services; advertising and marketing consultation; sales promotion services; promoting the goods and services of others; conducting market research; analysis of advertising response and market research; creation, preparation, production, and dissemination of advertisements and advertising material for others; computerized database and file management; data processing services; searching, browsing and retrieving information, sites, and other resources available on global computer networks and other electronic and communications networks for others; organizing content of information provided over a global computer network and other electronic and communications networks according to user preferences; providing business and commercial information over computer networks and global communication networks; business services, namely, dissemination of advertising for others via computer networks and global communication networks; compilations of directories for publishing on the Internet and other electronic, computer and communications networks; retail store and online retail store services; retail store services provided via the Internet and other computer, electronic and communications networks; subscription services, namely, providing subscriptions to text, data, image, audio, video, and multimedia content, provided via the Internet and other electronic and communications networks; downloadable pre-recorded text, data, image, audio, video, and multimedia content for a fee or pre-paid subscription, provided via the Internet and other electronic and communications networks; arranging and conducting of commercial, trade and business conferences, shows, and exhibitions; information, advisory and consultancy services relating to all the aforesaid.

38 – Telecommunications; telecommunication access services; communications by computer; communication between computers; delivery of digital music by telecommunications; electronic transmission of streamed and downloadable audio and video files via computer and other communications networks; delivery of messages by electronic transmission; delivery of digital music by telecommunications; electronic mail services; streaming of video content via a global computer network; electronic transmission of audio and video files via communications networks; information, advisory and consultancy services relating to all the aforesaid.

41 – Educational and entertainment services.

42 – Application service provider (ASP) services, namely hosting computer software applications;

computer hardware and software consulting services; information relating to computer hardware or software provided on-line from a global computer network or the Internet; creating and maintaining web-sites; hosting the web-sites of others; providing search engines for obtaining data via communications networks; providing search engines for obtaining data on a global computer network; electronic storage of data; information, advisory and consultancy services relating to all the aforesaid.

45 – Online social networking services; internet-based social networking services.

(260) AM 2012 61074 A*

(800) 785677

(731) PARTNER REINSURANCE EUROPE
PUBLIC LIMITED COMPANY
5th Floor. Block 1 - The Oval, 160
Shelbourne Road, DUBLIN 4, Ireland

(540)

PartnerRe



(591) Black and red

(511)

36 – Financial affairs, accident insurance, accommodation agencies (apartments and flats), financial analyses, bail-bonding, banking, capital investment, security deposits, foreign exchange transactions, financial consulting, financial evaluations (insurance, banking, real estate), financial information, financing services, insurance brokerage, insurance consultancy, insurance information, insurance, issue of tokens of value, issuing of travellers' cheques, loans (financing), life insurance, mutual funds, real estate management, securities brokerage, stock exchange quotations, electronic funds transfer.

OFFICIAL NOTIFICATIONS

TRADEMARKS

RENEWAL OF REGISTRATIONS

(111) M 2001 14090 R1
(156) 2012 03 14
(186) 2021 10 18
(732) RATIOPHARM GmbH
Graf-Arco-Strasse 3, D-89079 Ulm, Germany

(111) M 2001 14091 R1
(156) 2012 03 14
(186) 2021 10 18
(732) RATIOPHARM GmbH
Graf-Arco-Strasse 3, D-89079 Ulm, Germany

(111) M 2001 14093 R1
(156) 2012 03 14
(186) 2021 10 18
(732) RATIOPHARM GmbH
Graf-Arco-Strasse 3, D-89079 Ulm, Germany

(111) M 2002 14287 R1
(156) 2012 02 18
(186) 2022 02 18
(732) Sh.P.S "MATRIQSI"
E. Takaishvilis q., 80, 6000, Batumi, Georgia

(111) M 2002 14386 R1
(156) 2012 03 27
(186) 2022 03 27
(732) DRUGTECH CORPORATION
(a corporation of Delaware)
300 Delaware Avenue, Suite 1270,
Wilmington, Delaware 19801, USA

(111) M 2002 14783 R1
(156) 2012 10 29
(186) 2022 10 29
(732) ANADOLU EFES TECHNICAL AND
MANAGEMENT CONSULTANCY N.V.
Landhuis Joonchi Kava Richard J. Beaujon
z/n, P.O. Box 837, Curacao, Netherlands
Antilles

CHANGES IN NAMES AND/OR ADDRESSES OF OWNERS

(111) M 2007 017330 R
(732) GLAXOSMITHKLINE LLC,
Corporation Service Company
2711 Centerville Road, Suite 400,
Wilmington, Country of New Castle,
Delaware 19808, USA
(770) GLAXOSMITHKLINE LLC,
Corporation Service Company
2711 Centerville Road, Suite 400,
Wilmington, Delaware 19808, USA
(580) 2012 04 24

(111) M 2007 017331 R
(732) GLAXOSMITHKLINE LLC,
Corporation Service Company
2711 Centerville Road, Suite 400,
Wilmington, Country of New Castle,
Delaware 19808, USA
(770) GLAXOSMITHKLINE LLC,
Corporation Service Company
2711 Centerville Road, Suite 400,
Wilmington, Delaware 19808, USA
(580) 2012 04 24

(111) M 2009 019417 R
(732) GLAXOSMITHKLINE LLC,
Corporation Service Company
2711 Centerville Road, Suite 400,
Wilmington, Country of New Castle,
Delaware 19808, USA
(770) GLAXOSMITHKLINE LLC,
Corporation Service Company
2711 Centerville Road, Suite 400,
Wilmington, Delaware 19808, USA
(580) 2012 04 24

(111) M 2009 019418 R
(732) GLAXOSMITHKLINE LLC,
Corporation Service Company
2711 Centerville Road, Suite 400,
Wilmington, Country of New Castle,
Delaware 19808, USA
(770) GLAXOSMITHKLINE LLC,
Corporation Service Company
2711 Centerville Road, Suite 400,
Wilmington, Delaware 19808, USA
(580) 2012 04 24

(111) M 2009 019429 R
(732) GLAXOSMITHKLINE LLC,
Corporation Service Company
2711 Centerville Road, Suite 400,
Wilmington, Country of New Castle,
Delaware 19808, USA
(770) GLAXOSMITHKLINE LLC,
Corporation Service Company
2711 Centerville Road, Suite 400,
Wilmington, Delaware 19808, USA
(580) 2012 04 24

(111) M 1997 005354 R1
(732) PUMA AKTIENGESELLSCHAFT
RUDOLF DASSLER SPORT
PUMA Way 1, 91074 Herzogenaurach,
Germany
(770) PUMA AKTIENGESELLSCHAFT
RUDOLF DASSLER SPORT
13, Wurzbürger Strasse, D-91074
Herzogenaurach, Germany
(580) 2012 04 25

(111) M 1997 005354 R1
(732) PUMA SE
PUMA Way 1, 91074 Herzogenaurach,
Germany
(770) PUMA AKTIENGESELLSCHAFT
RUDOLF DASSLER SPORT
PUMA Way 1, 91074 Herzogenaurach,
Germany
(580) 2012 04 25

(111) M 1998 008348 R1
(732) GLAXOSMITHKLINE LLC
Corporation Service Company
2711 Centerville Road, Suite 400,
Wilmington, Country of New Castle,
Delaware 19808, USA
(770) GLAXOSMITHKLINE LLC
Corporation Service Company
2711 Centerville Road, Suite 400,
Wilmington, Delaware 19808, USA
(580) 2012 04 24

(111) M 1998 009111 R1
(732) PUMA AKTIENGESELLSCHAFT
RUDOLF DASSLER SPORT
PUMA Way 1, 91074 Herzogenaurach,
Germany
(770) PUMA AKTIENGESELLSCHAFT
RUDOLF DASSLER SPORT
13, Wurzburger Strasse, D-91074
Herzogenaurach, Germany
(580) 2012 04 25

(111) M 1998 009111 R1
(732) PUMA SE
PUMA Way 1, 91074 Herzogenaurach,
Germany
(770) PUMA AKTIENGESELLSCHAFT
RUDOLF DASSLER SPORT
PUMA Way 1, 91074 Herzogenaurach,
Germany
(580) 2012 04 25

(111) M 1998 009112 R1
(732) PUMA AKTIENGESELLSCHAFT
RUDOLF DASSLER SPORT
PUMA Way 1, 91074 Herzogenaurach,
Germany
(770) PUMA AKTIENGESELLSCHAFT
RUDOLF DASSLER SPORT
13, Wurzburger Strasse, D-91074
Herzogenaurach, Germany
(580) 2012 04 25

(111) M 1998 009112 R1
(732) PUMA SE
PUMA Way 1, 91074 Herzogenaurach,
Germany
(770) PUMA AKTIENGESELLSCHAFT
RUDOLF DASSLER SPORT
PUMA Way 1, 91074 Herzogenaurach,
Germany
(580) 2012 04 25

(111) M 1998 009113 R1
(732) PUMA AKTIENGESELLSCHAFT
RUDOLF DASSLER SPORT
PUMA Way 1, 91074 Herzogenaurach,
Germany
(770) PUMA AKTIENGESELLSCHAFT
RUDOLF DASSLER SPORT
13, Wurzburger Strasse, D-91074
Herzogenaurach, Germany

(580) 2012 04 25

(111) M 1998 009113 R1
(732) PUMA SE
PUMA Way 1, 91074 Herzogenaurach,
Germany
(770) PUMA AKTIENGESELLSCHAFT
RUDOLF DASSLER SPORT
PUMA Way 1, 91074 Herzogenaurach,
Germany
(580) 2012 04 25

(111) M 1998 009797 R1
(732) GLAXOSMITHKLINE LLC
Corporation Service Company
2711 Centerville Road, Suite 400,
Wilmington, Country of New Castle,
Delaware 19808, USA
(770) GLAXOSMITHKLINE LLC
Corporation Service Company
2711 Centerville Road, Suite 400,
Wilmington, Delaware 19808, USA
(580) 2012 04 24

CLASSIFICATION INDEXES

INVENTIONS

CONCORDANCE TABLE OF INTERNATIONAL CLASSIFICATION INDEX WITH REFERENCE TO NUMBERS OF PUBLISHED APPLICATIONS

INTERNATIONAL CLASSIFICATION INDEXES (51)	NUMBER OF PUBLISHED APPLICATION (10)
A 21 D 2/36; A 21 D 8/02	AP 2012 11458 A
A 23 F 3/00; A 23 F 3/34	AP 2012 11186 A
A 43 B 7/06; A 43 B 7/12; A 43 B 17/08; B 29 D 31/515	AP 2012 11614 A
A 61 M 5/315; A 61 M 5/24; A 61 M 5/34; A 61 M 5/31	AP 2012 11497 A
B 23 F 13/00	AP 2012 12052 A
C 07 K 16/28; A 61 K 39/395; A 61 P 35/00; C 12 N 5/18; C 12 N 15/13; A 61 K 31/00	AP 2012 11173 A
G 06 K 9/00; G 07 C 9/00	AP 2012 11982 A
H 04 B 7/00; H 04 B 7/26; H 04 W 72/14	AP 2012 9457 A
H 04 M 1/00; H 04 W 88/06	AP 2012 10346 A

CONCORDANCE TABLE OF NUMBERS OF PUBLISHED APPLICATIONS WITH REFERENCE TO INTERNATIONAL CLASSIFICATION INDEX

NUMBER OF PUBLISHED APPLICATION (10)	INTERNATIONAL CLASSIFICATION INDEXES (51)
AP 2012 9457 A	H 04 B 7/00; H 04 B 7/26; H 04 W 72/14
AP 2012 10346 A	H 04 M 1/00; H 04 W 88/06
AP 2012 11173 A	C 07 K 16/28; A 61 K 39/395; A 61 P 35/00; C 12 N 5/18; C 12 N 15/13; A 61 K 31/00
AP 2012 11186 A	A 23 F 3/00; A 23 F 3/34
AP 2012 11458 A	A 21 D 2/36; A 21 D 8/02
AP 2012 11497 A	A 61 M 5/315; A 61 M 5/24; A 61 M 5/34; A 61 M 5/31
AP 2012 11614 A	A 43 B 7/06; A 43 B 7/12; A 43 B 17/08; B 29 D 31/515
AP 2012 11982 A	G 06 K 9/00; G 07 C 9/00
AP 2012 12052 A	B 23 F 13/00

**CONCORDANCE TABLE OF INTERNATIONAL CLASSIFICATION INDEX
WITH REFERENCE TO NUMBERS OF PATENTS AND NUMBERS
OF PUBLISHED APPLICATIONS**

INTERNATIONAL CLASSIFICATION INDEX (51)	NUMBER OF PATENT (11)	NUMBER OF PUBLISHED APPLICATION (10)
A 01 D 46/26	P 2012 5514 B	AP 2012 11679 A
A 23 N 5/00	P 2012 5515 B	AP 2012 11713 A
B 65 G 25/01	P 2012 5513 B	AP 2012 11431 A
C 07 C 233/18; C 07 C 231/02; C 07 C 231/12; C 07 D 209/48;	P 2012 5512 B	AP 2011 11403 A
C 07 D 471/04; A 61 K 31/4375; A 61 P 35/00	P 2012 5511 B	AP 2011 11376 A
G 01 N 33/00, 33/14	P 2012 5510 B	AP 2011 10948 A
H 04 L 12/56; H 04 W 28/16	P 2012 5509 B	AP 2012 10193 A
H 04 W 36/14	P 2012 5508 B	AP 2012 10112 A

**CONCORDANCE TABLES OF NUMBERS OF PATENTS AND NUMBERS
OF PUBLISHED APPLICATIONS WITH REFERENCE
TO CLASSIFICATION INDEX**

NUMBER OF PATENT (11)	NUMBER OF PUBLISHED APPLICATION (10)	INTERNATIONAL CLASSIFICATION INDEX (51)
P 2012 5508 B	AP 2012 10112 A	H 04 W 36/14
P 2012 5509 B	AP 2012 10193 A	H 04 L 12/56; H 04 W 28/16
P 2012 5510 B	AP 2011 10948 A	G 01 N 33/00, 33/14
P 2012 5511 B	AP 2011 11376 A	C 07 D 471/04; A 61 K 31/4375; A 61 P 35/00
P 2012 5512 B	AP 2011 11403 A	C 07 C 233/18; C 07 C 231/02; C 07 C 231/12; C 07 D 209/48;
P 2012 5513 B	AP 2012 11431 A	B 65 G 25/01
P 2012 5514 B	AP 2012 11679 A	A 01 D 46/26
P 2012 5515 B	AP 2012 11713 A	A 23 N 5/00

**CONCORDANCE TABLE OF NUMBERS OF APPLICATIONS, NUMBERS
OF PUBLISHED APPLICATIONS AND NUMBERS OF PATENTS**

NUMBER OF APPLICATION (21)	NUMBER OF PUBLISHED APPLICATION (10)	NUMBER OF PATENT (11)
AP 2005 010112	AP 2012 10112 A	P 2012 5508 B
AP 2006 010193	AP 2012 10193 A	P 2012 5509 B
AP 2008 010948	AP 2011 10948 A	P 2012 5510 B
AP 2007 011376	AP 2011 11376 A	P 2012 5511 B
AP 2009 011403	AP 2011 11403 A	P 2012 5512 B
AP 2009 011431	AP 2012 11431 A	P 2012 5513 B
AP 2010 011679	AP 2012 11679 A	P 2012 5514 B
AP 2010 011713	AP 2012 11713 A	P 2012 5515 B

UTILITY MODELS

CONCORDANCE TABLE OF INTERNATIONAL CLASSIFICATION INDEX WITH REFERENCE TO NUMBERS OF PATENTS AND NUMBERS OF PUBLISHED APPLICATIONS

INTERNATIONAL CLASSIFICATION INDEX (51)	NUMBER OF PATENT (11)	NUMBER OF PUBLISHED APPLICATION (10)
A 47 J 31/50	U 2012 1723 Y	AU 2011 11974 U

CONCORDANCE TABLES OF NUMBERS OF PATENTS AND NUMBERS OF PUBLISHED APPLICATIONS WITH REFERENCE TO CLASSIFICATION INDEX

NUMBER OF PATENT (11)	NUMBER OF PUBLISHED APPLICATION (10)	INTERNATIONAL CLASSIFICATION INDEX (51)
U 2012 1723 Y	AU 2011 11974 U	A 47 J 31/50

CONCORDANCE TABLE OF NUMBERS OF APPLICATIONS, NUMBERS OF PUBLISHED APPLICATIONS AND NUMBERS OF PATENTS

NUMBER OF APPLICATION (21)	NUMBER OF PUBLISHED APPLICATION (10)	NUMBER OF PATENT (11)
AU 2010 011974	AU 2011 11974 U	U 2012 1723 Y

DESIGNS

CONCORDANCE TABLE OF INTERNATIONAL CLASSIFICATION INDEX WITH REFERENCE TO NUMBERS OF PUBLISHED APPLICATIONS

INTERNATIONAL CLASSIFICATION INDEXES (51)	NUMBER OF PUBLISHED APPLICATION (10)
06-13	AD 2012 657 S
32-00	AD 2012 681 S

CONCORDANCE TABLE OF NUMBERS OF PUBLISHED APPLICATIONS WITH REFERENCE TO INTERNATIONAL CLASSIFICATION INDEX

NUMBER OF PUBLISHED APPLICATION (10)	INTERNATIONAL CLASSIFICATION INDEXES (51)
AD 2012 657 S	06-13
AD 2012 681 S	32-00

TRADEMARKS

CONCORDANCE TABLE OF NUMBERS OF REGISTRATIONS OF TRADEMARKS, NUMBERS OF APPLICATIONS, NUMBERS OF PUBLISHED APPLICATIONS WITH REFERENCE TO NUMBERS OF BULLETINS

NUMBER OF REGISTRATION (111)	NUMBER OF APPLICATION (210)	NUMBER OF PUBLISHED APPLICATION (260)	NUMBER OF BULLETIN
1	2	3	4
M 2012 22463 R	AM 2011 61382	AM 2011 61382 A	Nº22(338) 2011
M 2012 22497 R	AM 2012 66902	-	Nº9(349) 2012
M 2012 22498 R	AM 2012 66564	-	Nº9(349) 2012
M 2012 22499 R	AM 2012 66776	-	Nº9(349) 2012
M 2012 22500 R	AM 2012 66880	-	Nº9(349) 2012
M 2012 22501 R	AM 2012 66570	-	Nº9(349) 2012
M 2012 22502 R	AM 2012 66828	-	Nº9(349) 2012
M 2012 22503 R	AM 2010 60669	AM 2011 60669 A	Nº22(338) 2011
M 2012 22504 R	AM 2010 59925	AM 2011 59925 A	Nº23(339) 2011
M 2012 22505 R	AM 2010 60805	AM 2011 60805 A	Nº22(338) 2011
M 2012 22506 R	AM 2011 60886	AM 2011 60886 A	Nº22(338) 2011
M 2012 22507 R	AM 2011 60888	AM 2011 60888 A	Nº22(338) 2011
M 2012 22508 R	AM 2011 60928	AM 2011 60928 A	Nº20(336) 2011
M 2012 22509 R	AM 2011 60929	AM 2011 60929 A	Nº20(336) 2011
M 2012 22510 R	AM 2011 60930	AM 2011 60930 A	Nº20(336) 2011
M 2012 22511 R	AM 2011 60931	AM 2011 60931 A	Nº20(336) 2011
M 2012 22512 R	AM 2011 60932	AM 2011 60932 A	Nº20(336) 2011
M 2012 22513 R	AM 2011 60933	AM 2011 60933 A	Nº20(336) 2011
M 2012 22514 R	AM 2011 61330	AM 2011 61330 A	Nº21(337) 2011
M 2012 22515 R	AM 2011 61493	AM 2011 61493 A	Nº22(338) 2011
M 2012 22516 R	AM 2011 61656	AM 2011 61656 A	Nº20(336) 2011
M 2012 22517 R	AM 2011 62113	AM 2011 62113 A	Nº24(340) 2011
M 2012 22518 R	AM 2011 61908	AM 2011 61908 A	Nº23(339) 2011
M 2012 22519 R	AM 2010 59972	AM 2112 59972 A	Nº1(341) 2012
M 2012 22520 R	AM 2011 62773	AM 2112 62773 A	Nº1(341) 2012
M 2012 22521 R	AM 2011 61898	AM 2011 61898 A	Nº23(339) 2011
M 2012 22522 R	AM 2012 66841	-	Nº9(349) 2012
M 2012 22523 R	AM 2012 66860	-	Nº9(349) 2012
M 2012 22524 R	AM 2012 66760	-	Nº9(349) 2012
M 2012 22525 R	AM 2010 59147	AM 2011 59147 A	Nº22(338) 2011
M 2012 22526 R	AM 2010 59893	AM 2011 59893 A	Nº13(329) 2011
M 2012 22527 R	AM 2010 60714	AM 2011 60714 A	Nº19(335) 2011
M 2012 22528 R	AM 2010 60733	AM 2011 60733 A	Nº19(335) 2011
M 2012 22529 R	AM 2010 60734	AM 2011 60734 A	Nº19(335) 2011
M 2012 22530 R	AM 2010 60735	AM 2011 60735 A	Nº20(336) 2011
M 2012 22531 R	AM 2011 60814	AM 2011 60814 A	Nº20(336) 2011
M 2012 22532 R	AM 2011 60815	AM 2011 60815 A	Nº20(336) 2011
M 2012 22533 R	AM 2011 60816	AM 2011 60816 A	Nº19(335) 2011
M 2012 22534 R	AM 2011 60819	AM 2011 60819 A	Nº19(335) 2011
M 2012 22535 R	AM 2011 60822	AM 2011 60822 A	Nº20(336) 2011
M 2012 22536 R	AM 2011 60823	AM 2011 60823 A	Nº20(336) 2011
M 2012 22537 R	AM 2011 60884	AM 2011 60884 A	Nº20(336) 2011

1	2	3	4
M 2012 22538 R	AM 2011 60927	AM 2011 60927 A	Nº19(335) 2011
M 2012 22539 R	AM 2011 60957	AM 2011 60957 A	Nº20(336) 2011
M 2012 22540 R	AM 2011 60991	AM 2011 60991 A	Nº20(336) 2011
M 2012 22541 R	AM 2011 61038	AM 2011 61038 A	Nº19(335) 2011
M 2012 22542 R	AM 2011 61242	AM 2011 61242 A	Nº22(338) 2011
M 2012 22543 R	AM 2011 61317	AM 2011 61317 A	Nº22(338) 2011
M 2012 22544 R	AM 2011 61318	AM 2011 61318 A	Nº22(338) 2011
M 2012 22545 R	AM 2011 61366	AM 2011 61366 A	Nº22(338) 2011
M 2012 22546 R	AM 2011 61367	AM 2011 61367 A	Nº22(338) 2011
M 2012 22547 R	AM 2011 61368	AM 2011 61368 A	Nº22(338) 2011
M 2012 22548 R	AM 2011 61369	AM 2011 61369 A	Nº22(338) 2011
M 2012 22549 R	AM 2011 61375	AM 2011 61375 A	Nº21(337) 2011
M 2012 22550 R	AM 2011 61516	AM 2011 61516 A	Nº21(337) 2011
M 2012 22551 R	AM 2011 61642	AM 2011 61642 A	Nº20(336) 2011
M 2012 22552 R	AM 2011 61730	AM 2011 61730 A	Nº22(338) 2011
M 2012 22553 R	AM 2011 61731	AM 2011 61731 A	Nº22(338) 2011
M 2012 22554 R	AM 2011 61732	AM 2011 61732 A	Nº22(338) 2011
M 2012 22555 R	AM 2011 61733	AM 2011 61733 A	Nº22(338) 2011
M 2012 22556 R	AM 2011 61734	AM 2011 61734 A	Nº22(338) 2011
M 2012 22557 R	AM 2011 61859	AM 2011 61859 A	Nº23(339) 2011
M 2012 22558 R	AM 2011 62027	AM 2112 62027 A	Nº1(341) 2012
M 2012 22559 R	AM 2011 62029	AM 2112 62029 A	Nº1(341) 2012
M 2012 22560 R	AM 2011 62070	AM 2011 62070 A	Nº24(340) 2011
M 2012 22561 R	AM 2011 62081	AM 2011 62081 A	Nº24(340) 2011
M 2012 22562 R	AM 2011 62115	AM 2112 62115 A	Nº1(341) 2012
M 2012 22563 R	AM 2011 62116	AM 2112 62116 A	Nº1(341) 2012
M 2012 22564 R	AM 2011 62162	AM 2112 62162 A	Nº1(341) 2012
M 2012 22565 R	AM 2011 62185	AM 2011 62185 A	Nº24(340) 2011
M 2012 22566 R	AM 2011 62192	AM 2011 62192 A	Nº24(340) 2011
M 2012 22567 R	AM 2011 62259	AM 2011 62259 A	Nº24(340) 2011
M 2012 22568 R	AM 2011 62271	AM 2011 62271 A	Nº24(340) 2011
M 2012 22569 R	AM 2011 62332	AM 2011 62332 A	Nº24(340) 2011
M 2012 22570 R	AM 2011 62451	AM 2112 62451 A	Nº1(341) 2012
M 2012 22571 R	AM 2011 62615	AM 2112 62615 A	Nº1(341) 2012
M 2012 22572 R	AM 2011 62783	AM 2112 62783 A	Nº1(341) 2012
M 2012 22573 R	AM 2011 62799	AM 2112 62799 A	Nº1(341) 2012

CONCORDANCE TABLE OF NUMBERS OF PUBLISHED TRADEMARK APPLICATIONS WITH REFERENCE TO NUMBERS OF APPLICATIONS

NUMBER OF PUBLISHED APPLICATION (260)	NUMBER OF APPLICATION (210)
AM 2012 62994 A	AM 2011 62994
AM 2012 63226 A	AM 2011 63226
AM 2012 63239 A	AM 2011 63239
AM 2012 63240 A	AM 2011 63240
AM 2012 63255 A	AM 2011 63255
AM 2012 63319 A	AM 2011 63319
AM 2012 63320 A	AM 2011 63320
AM 2012 63322 A	AM 2011 63322
AM 2012 63328 A	AM 2011 63328
AM 2012 63378 A	AM 2011 63378
AM 2012 63379 A	AM 2011 63379
AM 2012 63392 A	AM 2011 63392
AM 2012 63393 A	AM 2011 63393
AM 2012 63395 A	AM 2011 63395
AM 2012 63407 A	AM 2011 63407
AM 2012 63408 A	AM 2011 63408
AM 2012 63529 A	AM 2011 63529
AM 2012 63534 A	AM 2011 63534
AM 2012 63535 A	AM 2011 63535
AM 2012 63575 A	AM 2011 63575
AM 2012 63743 A	AM 2011 63743
AM 2012 63744 A	AM 2011 63744
AM 2012 63856 A	AM 2011 63856
AM 2012 63859 A	AM 2011 63859
AM 2012 63868 A	AM 2011 63868
AM 2012 64023 A	AM 2011 64023
AM 2012 64024 A	AM 2011 64024
AM 2012 64025 A	AM 2011 64025
AM 2012 60883 A*	AM 2011 60883
AM 2011 61156 A*	AM 2011 61156
AM 2011 61833 A*	AM 2011 61833

**CONCORDANCE TABLE OF INDEX OF GOODS AND/OR SERVICES
WITH REFERENCE TO NUMBERS OF PUBLISHED APPLICATIONS**

INDEX OF GOODS AND/OR SERVICES (511)	NUMBER OF PUBLISHED APPLICATION (260)
3	AM 2012 63534 A
3	AM 2012 63535 A
5	AM 2012 63392 A
5	AM 2012 63393 A
5	AM 2012 63575 A
7	AM 2011 61156 A*
9	AM 2012 63868 A
10	AM 2012 63392 A
10	AM 2012 63393 A
12	AM 2011 61156 A*
12	AM 2012 63319 A
12	AM 2012 63320 A
12	AM 2012 63378 A
12	AM 2012 63379 A
19	AM 2012 63859 A
25	AM 2012 63407 A
25	AM 2012 63408 A
30	AM 2011 61833 A*
30	AM 2012 64023 A
30	AM 2012 64024 A
30	AM 2012 64025 A
32	AM 2012 63239 A
32	AM 2012 63240 A
32	AM 2012 63255 A
32	AM 2012 64024 A
33	AM 2012 64024 A
34	AM 2012 62994 A
34	AM 2012 63226 A
34	AM 2012 63322 A
34	AM 2012 63328 A
34	AM 2012 63856 A
35	AM 2011 61156 A*
35	AM 2012 63407 A
35	AM 2012 63408 A
35	AM 2012 63743 A
36	AM 2011 61156 A*
36	AM 2012 63395 A
36	AM 2012 63529 A
36	AM 2012 63743 A
37	AM 2011 61156 A*
39	AM 2011 61156 A*
43	AM 2012 60883 A*
43	AM 2012 63744 A
43	AM 2011 61833 A*

**CONCORDANCE TABLE OF INDEX OF GOODS AND/OR SERVICES
WITH REFERENCE TO NUMBERS OF REGISTERED ACCORDING TO THE
ACCELERATED PROCEDURE**

INDEX OF GOODS AND/OR SERVICES (511)	NUMBER OF REGISTERED ACCORDING TO THE ACCELERATED PROCEDURE (111)
3	M 2012 22502 R
4	M 2012 22497 R
6	M 2012 22522 R
7	M 2012 22500 R
11	M 2012 22500 R
20	M 2012 22524 R
29	M 2012 22523 R
33	M 2012 22501 R
35	M 2012 22523 R
36	M 2012 22498 R
37	M 2012 22524 R
41	M 2012 22499 R
42	M 2012 22497 R

OFFICIAL BULLETIN OF THE INDUSTRIAL PROPERTY

9(349)

EDITOR-IN-CHIEF: N. Bebrishvili

EDITORS-TRANSLATORS: M. Sichinava
G. Nadareishvili

PROOFREADER: L. Chanturia

COMPUTER LAYOUT: M. Ordenidze
K. Svanidze

www.sakpatenti.org.ge
E-mail: info@sakpatenti.org.ge