



**NATIONAL INTELLECTUAL PROPERTY CENTER OF GEORGIA
SAKPATENTI**

**OFFICIAL BULLETIN
OF THE INDUSTRIAL PROPERTY**

10(422)

**2015
TBILISI**

INID CODES FOR IDENTIFICATION OF BIBLIOGRAPHIC DATA

INVENTIONS, UTILITY MODELS

- (10) Number of publication for application, which has been examined
- (11) Number of patent and kind of document
- (21) Serial number of application
- (22) Date of filing of the application
- (23) Date of exhibition or the date of the earlier filing and the number of application, if any
- (24) Date from which patent may have effect
- (31) Number of priority application
- (32) Date of filing of priority application
- (33) Code of the country or regional organization allotting priority application number
- (44) Date of publication of application not granted, but examined and number of bulletin
- (45) Date of publication of registered document
- (51) International Patent Classification Index
- (54) Title of the invention
- (57) Abstract
- (60) Number of examined patent document granted by foreign patent office, date from which patent has effect and country code
- (62) Number of the earlier application and in case of divided application, date of filing an application
- (71) Name, surname and address of applicant (country code)
- (72) Name, surname of inventor (country code)
- (73) Name, surname and address of patent owner (country code)
- (74) Name, surname of representative or patent attorney
- (85) Date of commencement of the national phase of International Application
- (86) Number and date of filing of international application
- (87) Number and date of publication of international application

DESIGNS

- (10) Number of publication for application
- (11) Number of patent and kind of document or number of registration
- (15) Date of registration/Date of patent renewal
- (18) Expected expiration date of patent or registration
- (21) Serial number of application
- (22) Date of filing of the application
- (23) Date of exhibition or the date of the earlier filing and the number of application, if any
- (24) Date from which patent may have effect
- (28) Number of designs included in the application
- (30) Data relating to priority (number of application, date of filing of application, two-letter code identifying the authority with whom the priority application was made)
- (31) Number of priority application
- (32) Date of filing of priority application
- (33) Code of the country or regional organization allotting priority application number
- (34) Two-letter code according to WIPO St.3 identifying the authority with which the priority application was made
- (44) Date of publication of design and number of bulletin (the first publication)
- (45) Date of publication of design registered by WIPO and number of bulletin
- (51) International Classification for designs (class and subclass of the Locarno Classification)
- (54) Title of the invention
- (55) Reproduction of the design
- (57) Description of characteristic features of the design including indication of colors
- (58) Date of recording of any kind of amendment in the Register
- (62) Number of the earlier application, registration and document number and if available the date of filing an application in case of divided application
- (71) Name, surname and address of applicant (country code)
- (72) Name, surname of creator (country code)
- (73) Name, surname and address of patent owner (country code)
- (74) Name, surname of representative or patent attorney
- (81) Contracting states concerned
 - II designated contracting states according to the 1960 Act
 - III designated contracting states according to the 1999 Act
- (85) Owner's permanent address
- (86) Owner's nationality
- (87) Owner's residence
- (88) State in which the owner has a real and effective industrial or commercial establishment

TRADEMARKS

- (111) – Number of registration
- (151) – Date of registration
- (156) – Date of the renewal
- (181) – Expected expiration date of registration
- (186) – Renewal expiration date of registration
- (141) – Date of cancel of duration of the mark
- (210) – Serial number of application
- (220) – Date of filing of the application
- (230) – Date concerning exhibition
- (260) – Number of application, for which favorable decision of examination about registration has been taken (publication number)
- (310) – Number of the first application
- (320) – Date of filing of the first application
- (330) – Code, identifying national or regional Office where the first application was made
- (511) – International Classification of Goods and Services for the purposes of registration of trade marks and/or list of goods and/or services classified according thereto
- (531) – Description of figurative elements of Trade Marks according to the International Classification of the Figurative Elements of Marks
- (540) – Reproduction of Trade Mark
- (550) – Nature and kind of Trade Mark
- (580) – Date of recording of any kind changes in respect of applications or registrations
- (591) – Information concerning colors claimed
- (731) – Name and address of the applicant
- (732) – Name and address of the holder of the registration
- (740) – Name and address of the representative
- (750) – Address for correspondence
- (770) – Name and address of the previous applicant or holder in case of change in ownership
- (771) – Previous name and address of the applicant or holder in case of change in ownership
- (791) – Name and address of the licensee
- (793) – Indication of conditions and/or restrictions under the license (Type of license, number of license agreement, data of license, data of validity of license)
- (800) – Certain data relating to the international registration of Trade Marks under the Protocol Relating to Madrid Agreement (International registration number)

CODES FOR PUBLICATION IN BULLETIN

- (21) AP 0000 000000 – serial number of application for invention
- (10) AP 0000 0000 A – number of published application for invention (first publication)
- (11) P 0000 0000 B – number of patent for invention (second publication)
- (21) API 0000 000000 – number of application for imported patent
- (11) PI 0000 0000 A – number of imported patent (first publication)
- (21) AU 0000 000000 – serial number of application for utility model
- (10) AU 0000 000 U – number of published application for utility model (first publication)
- (11) U 0000 000 Y – number of patent for utility model (second publication)
- (21) AD 0000 000000 – serial number of application for design
- (10) AD 0000 000 S – number of published application for design (first publication)
- (11) D 0000 000 S – number of patent for design (second publication)

INTERNATIONAL PATENT CLASSIFICATION FOR INVENTIONS AND UTILITY MODELS

- SECTION A – HUMAN NECESSITIES
- SECTION B – PERFORMING OPERATIONS; TRANSPORTING
- SECTION C – CHEMISTRY; METALLURGY
- SECTION D – TEXTILES; PAPER
- SECTION E – FIXED CONSTRUCTIONS
- SECTION F – MECHANICAL ENGINEERING; LIGHTING; HEATING; WEAPONS; BLASTING
- SECTION G – PHYSICS
- SECTION H – ELECTRICITY

-
- M – Trade Mark
 - (210) AM 0000 000000 – Serial number of application;
 - (260) AAM 0000 00000 A – Publication number of application;
 - (111) M 0000 00000 R – Number of registration;
 - (111) MMM0000 00000 Rn – Number of renewals, in which n=1,2,3;
 - (111) M 0000 00000 R(P) – Number of registration under partial assignment of rights
-

LIST OF CODES, IN ALPHABETIC SEQUENCE, AND THE CORRESPONDING (SHORT) NAMES OF STATES, OTHER ENTITIES AND INTERGOVERNMENTAL ORGANIZATIONS
(WIPO STANDARD ST.3)

AD	Andorra				
AE	United Arab Emirates				
AF	Afghanistan				
AG	Antigua and Barbuda				
AI	Anguilla				
AL	Albania				
AM	Armenia				
AN	Netherlands Antilles				
AO	Angola				
AP	African Regional Intellectual Property Organization (ARIPO)				
AR	Argentina				
AT	Austria				
AU	Australia				
AW	Aruba				
AZ	Azerbaijan				
BA	Bosnia and Herzegovina				
BB	Barbados				
BD	Bangladesh				
BE	Belgium				
BF	Burkina Faso				
BG	Bulgaria				
BH	Bahrain				
BI	Burundi				
BJ	Benin				
BM	Bermuda				
BN	Brunei Darussalam				
BO	Bolivia				
BR	Brazil				
BS	Bahamas				
BT	Bhutan				
BV	Bouvet Island				
BW	Botswana				
BX	Benelux Office for Intellectual Property (BOIP)				
BY	Belarus				
BZ	Belize				
CA	Canada				
CD	Democratic Republic of the Congo				
CF	Central African Republic				
CG	Congo				
CH	Switzerland				
CI	Cote d'Ivoire				
CK	Cook Islands				
CL	Chile				
CM	Cameroon				
CN	China				
CO	Colombia				
CR	Costa Rica				
CU	Cuba				
CV	Cape Verde				
CY	Cyprus				
CZ	Czech Republic				
DE	Germany				
DJ	Djibouti				
DM	Dominica				
DO	Dominican Republic				
DZ	Algeria				
EA	Eurasian Patent Organization (EAPO)				
EC	Ecuador				
EE	Estonia				
EG	Egypt				
EH	Western Sahara				
EM	Office for Harmonization in the Internal Market (Trademarks and Designs)(OHIM)				
EP	European Patent Office (EPO)				
ER	Eritrea				
ES	Spain				
ET	Ethiopia				
FI	Finland				
FJ	Fiji				
FK	Falkland Islands (Malvinas)				
FO	Faroe Islands				
FR	France				
GA	Gabon				
GB	United Kingdom				
GC	Patent Office of the Cooperation Council for the Arab States of the Gulf (GCC)				
GD	Grenada				
GG	Guernsey				
GH	Ghana				
GI	Gibraltar				
GT	Guatemala				
GW	Guinea- Bissau				
GY	Guyana				
HK	The Hong Kong Special Administrative Region of the People's Republic of China				
HN	Honduras				
HR	Croatia				
HT	Haiti				
HU	Hungary				
IB	International Bureau of the World Intellectual Property Organization (WIPO)				
ID	Indonesia				
IE	Ireland				
IL	Israel				
IM	Isle of Man				
IN	India				
IQ	Iraq				
ID	Indonesia				
IE	Ireland				
IL	Israel				
IM	Isle of Man				
IN	India				
IQ	Iraq				
IR	Iran (Islamic Republic of)				
IS	Iceland				
IT	Italy				
JE	Jersey				
JM	Jamaica				
JO	Jordan				
JP	Japan				
KE	Kenya				
KG	Kyrgyzstan				
KH	Cambodia				
KI	Kiribati				
KM	Saint Kitts and Nevis				
KP	Democratic People's Republic of Korea				
KR	Republic of Korea				
KW	Kuwait				
KY	Cayman Islands				
KZ	Kazakhstan				
LA	Lao People's Democratic Republic				
LB	Lebanon				
LC	Saint Lucia				
LI	Liechtenstein				
LK	Sri Lanka				
LR	Liberia				
LS	Lesotho				
LT	Lithuania				
LU	Luxembourg				
LV	Latvia				
LY	Libyan Arab Jamahiriya				
MA	Morocco				
MC	Monaco				
MD	Republic of Moldova				
ME	Montenegro				
MG	Madagascar				
MK	The former Yugoslav Republic of Macedonia				
ML	Mali				
MM	Myanmar				
MN	Mongolia				
MO	Macao				
MP	Northern Mariana Islands				
MR	Mauritania				
MS	Montserrat				
MT	Malta				
MU	Mauritius				
MV	Maldives				
MW	Malawi				
MX	Mexico				
MY	Malaysia				
MZ	Mozambique				
NA	Namibia				
NE	Niger				
NG	Nigeria				
NI	Nicaragua				
NL	Netherlands				
NO	Norway				
NP	Nepal				
NR	Nauru				
NZ	New Zealand				
OA	African Intellectual Property Organization (OAPI)				
OM	Oman				
PA	Panama				
PE	Peru				
PG	Papua New Guinea				
PH	Philippines				
PK	Pakistan				
PL	Poland				
PT	Portugal				
PW	Palau				
PY	Paraguay				
QA	Qatar				
QZ	Community Plant Variety Office (European Community) (CPVO)				
RO	Romania				
RS	Serbia				
RU	Russian Federation				
RW	Rwanda				
SA	Saudi Arabia				
SB	Solomon Islands				
SC	Seychelles				
SD	Sudan				
SG	Singapore				
SH	Saint Helena				
SI	Slovenia				
SK	Slovakia				
SL	Sierra Leone				
SM	San Marino				
SN	Senegal				
SO	Somalia				
SR	Suriname				
ST	Sao Tome and Principe				
SV	El Salvador				
SY	Syrian Arab Republic				
SZ	Swaziland				
TC	Turks and Caicos Islands				
TD	Chad				
TG	Togo				
TH	Thailand				
TJ	Tajikistan				
TL	Timor-Leste				
TM	Turkmenistan				
TN	Tunisia				
TO	Tonga				
TR	Turkey				
SE	Sweden				
TT	Trinidad and Tobago				
TV	Tuvalu				
TW	Taiwan, Province of China				
TZ	United Republic of Tanzania				
UA	Ukraine				
UG	Uganda				
US	United States of America				
UY	Uruguay				
UZ	Uzbekistan				
VA	Holy See				
VC	Saint Vincent and the Grenadines				
VE	Venezuela				
VG	Virgin Islands (British)				
VN	Viet Nam				
VU	Vanuatu				
WO	World Intellectual Property Organization (WIPO)				
WS	Samoa				
XN	Nordic Patent Institute (NPI)				
YE	Yemen				
ZA	South Africa				
ZM	Zambia				
ZW	Zimbabwe				

**NATIONAL INTELLECTUAL PROPERTY CENTER OF GEORGIA
SAKPATENTI**

**OFFICIAL BULLETIN
OF THE INDUSTRIAL PROPERTY**

10(422)

**INVENTIONS
UTILITY MODELS
DESIGNS
TRADEMARKS**

DATE OF PUBLICATION

2015 05 25

CONTENTS

PUBLISHED TITLES OF PROTECTION	3
INVENTIONS	
▪ APPLICATIONS APPROVED FOR GRANTING PATENTS	4
▪ PATENTED INVENTIONS	8
UTILITY MODELS	
▪ APPLICATION APPROVED FOR GRANTING PATENT	10
▪ PATENTED UTILITY MODELS	11
DESIGNS	
▪ APPLICATIONS APPROVED FOR REGISTRATION	12
▪ DESIGNS REGISTERED WITH THE INTERNATIONAL BUREAU CLAIMING PRIORITY ON THE TERRITORY OF GEORGIA	15
TRADEMARKS	
▪ APPLICATIONS FILED UNDER THE NATIONAL PROCEDURE APPROVED FOR REGISTRATION	28
▪ REGISTERED TRADEMARKS	35
▪ TRADEMARKS REGISTERED ACCORDING TO THE ACCELERATED PROCEDURE	38
▪ INTERNATIONAL TRADEMARKS FOR WHICH A DECISION ON GRANTING PROTECTION IS TAKEN	40
▪ INTERNATIONAL TRADEMARKS PROTECTED IN GEORGIA	64
OFFICIAL NOTIFICATIONS	
INVENTIONS	
▪ RENEWAL OF A PATENTS	76
TRADEMARKS	
▪ RENEWAL OF REGISTRATIONS	77
▪ COMPLETE TRANSFER OF RIGHTS	83
▪ CHANGES IN NAMES AND/OR ADDRESSES OF OWNERS	84
CLASSIFICATION INDEXES	
INVENTIONS	85
UTILITY MODELS	86
DESIGNS	87
TRADEMARKS	88

PUBLISHED TITLES OF PROTECTION

INVENTIONS

- **APPLICATIONS APPROVED FOR GRANTING PATENTS:**
13011; 13171; 13180; 12441; 12377; 12820; 12886
- **PATENTED INVENTIONS:**
6287-6291

UTILITY MODELS

- **APPLICATION APPROVED FOR GRANTING PATENTS:**
13058
- **PATENTED UTILITY MODELS:**
1858, 1859

DESIGNS

- **APPLICATIONS APPROVED FOR REGISTRATION:**
817; 838; 837
- **DESIGNS REGISTERED WITH THE INTERNATIONAL BUREAU CLAIMING PRIORITY ON THE TERRITORY OF GEORGIA:**
84556-84559; 85921; 85935

TRADEMARKS

- **APPLICATIONS FILED UNDER THE NATIONAL PROCEDURE APPROVED FOR REGISTRATION:**
75088*; 76082; 76110; 76340; 76495; 76669; 76972; 77062; 77258; 77261; 77470; 77677; 77889; 77931; 77947; 77986, 77987; 78098; 78120; 78160; 78178; 78200-78202; 78212; 78240; 78379; 78524; 78532; 78581; 78596, 78597; 78750, 78751; 78755-78757; 78783, 78784; 78826; 78844, 78845; 78854; 78880; 78911, 78912; 79072; 79087; 79090; 79202
- **REGISTERED TRADEMARKS:**
25822-25846; 25854-25858
- **TRADEMARKS REGISTERED ACCORDING TO THE ACCELERATED PROCEDURE:**
25862-25866; 25890, 25891; 25910; 25919; 25921
- **INTERNATIONAL TRADEMARKS FOR WHICH A DECISION ON GRANTING PROTECTIONS IS TAKEN:**
74784*; 76286; 76291; 76345-76347; 76354; 76360; 77323; 77430; 77437, 77438; 77440, 77441; 77455; 77511; 77533-77535; 77593; 77596; 77825; 77829; 77831, 77832; 77834, 77835; 78031; 78183; 78328; 78332, 78333; 78364, 78365; 78367, 78368; 78370-78372; 78423-78425; 78427; 78429, 78430; 78432-78434; 78436; 78485, 78486; 78488-78490; 78492, 78493; 78497; 78628-78631; 78634, 78635; 78637; 78655, 78656; 78669; 78681
- **INTERNATIONAL TRADEMARKS PROTECTED IN GEORGIA:**
72796; 74427; 74443; 74641; 74731; 75386, 75387; 75398; 75432; 75434; 75513; 75521, 75522; 75524; 75550-75553; 75556; 75565; 75579; 75587; 75589, 75590; 75593-75596; 75598-75604; 75606, 75607; 75609; 75611, 75612; 75627; 75646; 75649; 75651; 75655-75661; 75663-75668; 75672, 75673; 75675; 75678-75680; 75682-75684; 75686; 75690; 75699; 75709, 75710; 75713, 75714; 75718; 75741; 75753; 75793; 75810; 75813, 75814; 75816, 75817; 75819-75827; 75832-75834; 75935-75938; 75941-75943; 75945-75952; 75999-76001; 76003; 76005; 76007, 76008; 76010, 76011; 76015; 76021, 76022; 76025; 76043; 76050, 76051; 76091, 76092; 76101, 76102; 76104; 76106-76108; 76118; 76163; 76185; 76278, 76279; 76318; 76510; 76512, 76513; 76519; 76530-76533; 76595-76597; 76600; 76605; 76607; 76612; 76614; 76619, 76620; 76622; 76654, 76655; 76930; 76954; 76993-76996

INVENTIONS

APPLICATIONS APPROVED FOR GRANTING PATENTS

The decision can be appealed at the Chamber of Appeal of Sakpatenti within 3 months from the publication or at the Mtskheta District Court Administrative Cases Board (Address: №17, Samkhedro str., Mtskheta), within 1 month following the publication.

PART A

A 61

(10) AP 2015 13011 A (51) Int. Cl. (2006)

A 61 K 9/16

(21) AP 2011 013011 (22) 2011 06 30

(31) 61/367,720; MI2010A001386

(32) 2010 07 26; 2010 07 27

(33) US; IT

(71) GNOSIS SPA (IT)

Piazza del Carmine, 4 I-20121 Milano

(MI) (IT)

(72) GIOVANNONE, Daniele (IT);

DE ANGELIS, Carlo (IT)

(74) Aleksandre Gegechkori

(85) 2013 02 26

(86) PCT/IB2011/052896, 2011 06 30

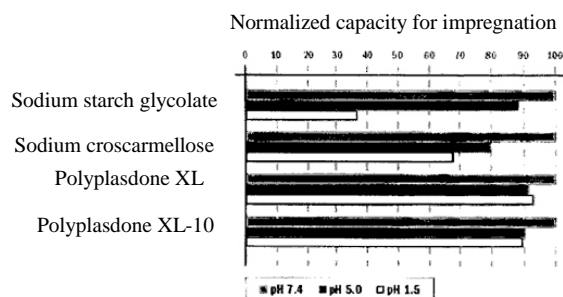
(54) **COMPOSITION COMPRISING SHELLAC AND/OR A SALT THEREOF AND SODIUM STARCH GLYCOLATE**

(57) Present invention relates to composition for coating containing shellac and/or salt thereof, sodium starch glycolate and as a minimum one physiologically acceptable excipient; the invention relates to processing method thereof, as well.

Claims: 4 independent

24 dependent

Fig.: 1



PART B

B 01

(10) AP 2015 13171 A (51) Int.Cl.(2006)

B 01 J 19/08

B 01 F 5/04

C 10 J 3/00

(21) AP 2011 013171 (22) 2011 08 11

(31) 201010617855.0

(32) 2010 12 31

(33) CN

(71) WUHAN KAIDI ENGINEERING

TECHNOLOGY RESEARCH

INSTITUTE CO., LTD. (CN)

T1 Jiangxia Avenue, Miaoshan Development

Zone Jiangxia District, Wuhan, Hubei

430212 (CN)

(72) CHEN, Yilong (CN);

ZHANG, Yanfeng (CN);

CAO, Minxia (CN);

LI, Hong (CN)

(74) Larisa Amirkhanyan

(85) 2013 07 22

(86) PCT/CN2011/078242, 2011 08 11

(54) **METHOD AND DEVICE FOR PREPARING HIGH TEMPERATURE WATER VAPOR RICH IN ACTIVE PARTICLES USING PLASMA**

(57) Disclosed a method and device for preparing a high temperature water vapor rich in active particles using plasma, the device comprising a plasma generator and a high temperature vapor generator wherein the middle of one end of the high temperature vapor generator is provided with a high temperature plasma inlet in communication with an outlet of the plasma generator; the plasma generator has an inlet for non-oxidizing gases; the high temperature plasma inlet is surrounded by an annular vapor inlet, which annular vapor inlet has rotary guide blades mounted therein. The casing of the high temperature vapor generator has a shape of stepped increasing stages divided into 1-4 stage(s), and an annular narrow orifice for vapor entrance is provided between two adjacent casing parts at each stage, with the annular narrow orifice connected to a vapor pressure feeding device. The method comprises the steps of: spraying the prepared vapor and the high temperature plasma working materials

ionized by the plasma generator into the high temperature vapor generator through their respective inlets, intensively mixing the high temperature vapor and the high temperature plasma, and heating and activating the vapor so as to form the vapor with active particles.

Claims: 2 independent

8 dependent

Fig.: 3

PART C

C 07

(10) AP 2015 13180 A (51) Int. Cl. (2006)

C 07 C 231/02

C 07 C 233/18

C 07 C 253/30

C 07 C 255/37

C 07 C 255/40

(21) AP 2012 013180 (22) 2012 01 04

(31) 11.00024

(32) 2011 01 05

(33) FR

(71) LES LABORATOIRES SERVIER (FR)

35, rue de Verdun F-92284 Suresnes

Cedex (FR)

(72) ZARD, Samir (FR);

SIRE, Béatrice (FR);

BOUMEDIENE, Mehdi (FR)

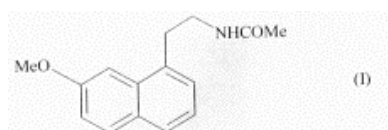
(74) Tamaz Shilakadze

(85) 2013 07 29

(86) PCT/FR2012/000005, 2012 01 04

(54) **NEW METHOD FOR AGOMELATINE SYNTHESIZES AND INTERMEDIATES**

(57) Present invention provides new manufacturing synthesizes method of agomelatine of formula (I).



Claims: 5 independent

15 dependent

(10) AP 2015 12441 A (51) Int. Cl. (2006)

C 07 C 317/22

C 07 C 323/20

A 61 K 8/46

A 61 Q 5/08

A 61 Q 19/02

A 61 Q 19/08

A 61 P 17/00

A 01 N 31/16

A 01 N 39/00

A 01 N 41/10

A 01 P 1/00

(21) AP 2010 012441 (22) 2010 04 08

(31) 0952289

(32) 2009 04 08

(33) FR

(71) PIERRE FABRE DERMO-COSMETIQUE (FR)

45, place Abel Gance F-92100 Boulogne-billancourt (FR)

(72) POIGNY, Stéphane (FR)

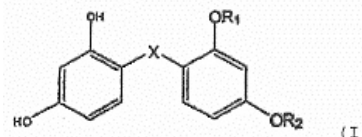
(74) Giorgi Meipariani

(85) 2011 11 04

(86) PCT/EP2010/054619, 2010 04 08

(54) **SULPHURATED DERIVATIVES OF RESORCINOL, PREPARATION OF SAME AND COSMETIC USES THEREOF**

(57) There is represented compound of formula (I),



wherein derivative X are S, SO, SO₂, and values R1 and R2 are provided in the claims and composition on basis thereof; application thereat the cosmetics and pharmacy.

Claims: 12 independent

7 dependent

Table: 6

C 10

(10) AP 2015 12377 A (51) Int. Cl. (2006)

C 10 G 9/00

C 10 G 1/04

E 21 B 43/00

(21) AP 2010 012377 (22) 2010 02 12

(31) 61/152,141

(32) 2009 02 12

(33) US

(71) RED LEAF RESOURCES, INC. (US)

200 W. Civic Center Drive, Suite 190 Sandy, UT 84070 (US)

(72) DANA, Todd (US);

PATTEN, James, W. (US)

(74) Shalva Gvaramadze

(85) 2011 09 12

(86) PCT/US2010/024142, 2010 02 12

(54) **CONVECTIVE HEAT SYSTEMS FOR RECOVERY OF HYDROCARBONS FROM ENCAPSULATED PERMEABILITY CONTROL INFRASTRUCTURES**

(57) A constructed permeability control infrastructure 100 can include a permeability control impoundment, which defines a substantially encapsulated volume. The infrastructure 100 can also

include a comminuted hydrocarbonaceous material within the encapsulated volume. The comminuted hydrocarbonaceous material can form a permeable body 120 of hydrocarbonaceous material. The infrastructure 100 can further include at least one convection driving conduit oriented in a lower portion of the permeable body 120 to generate bulk convective flow patterns throughout the permeable body 120. An associated method of recovering hydrocarbons from hydrocarbonaceous materials can include forming a constructed permeability control infrastructure 100, which defines a substantially encapsulated volume. A comminuted hydrocarbonaceous material can be introduced into the control infrastructure 100 to form a permeable body 120 of hydrocarbonaceous material. A heated fluid can be passed throughout the permeable body 120 in bulk convective flow patterns to remove hydrocarbons from the permeable body 120. Removed hydrocarbons can be collected for further processing and/or use.

Claims: 2 independent
24 dependent

Fig.: 6

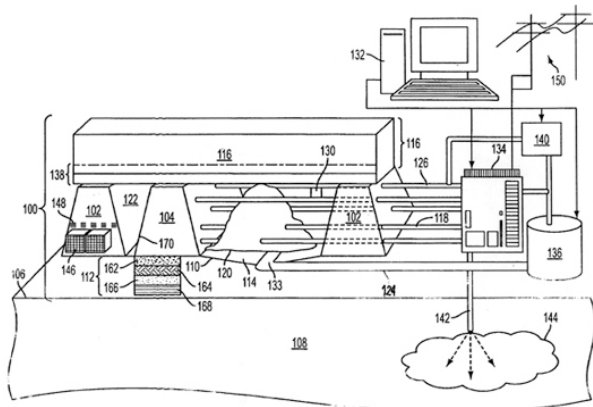


Fig. 1

(85) 2012 08 07

(86) PCT/GB2007/002140, 2007 06 11

(54) **METHOD AND APPARATUS OF**

RESONANCE ENHANCED DRILLING

(57) Present invention relates to drilling unit comprising a drill 1, an oscillator executed applicable for high-frequency axial racking load relative to the drill with a frequency up to 1 kHz, vibrating transmission division connecting drill to oscillator, insulation unit from vibration appropriated to connect drilling unit with drilling column, measuring transducer in descending borehole, oscillator control means by varying high-frequency axial racking load capable to reply on rock condition through which the drill is passed to establish and maintain resonance of oscillating system between oscillators, drill and rock, by establishing high-frequency axial racking load, enough for creating cracks in the rock. Present invention relates to control method of rotating device for drilling enforced with resonance and control device for method implementation, as well.

Claims: 3 independent
10 dependent

Fig.: 2

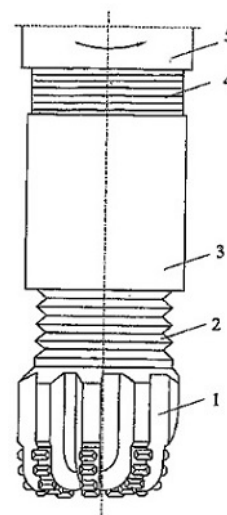


Fig. 1

PART E

E 21

(10) AP 2015 12820 A (51) Int. Cl. (2006)
E 21 B 7/00

(21) AP 2007 012820 (22) 2007 06 11

(62) AP 2007 11049, 2012 12 11 (GE)

(31) 0611559.6; 0708193.8

(32) 2006 06 09; 2007 04 26

(33) GB; GB

(71) UNIVERSITY COURT OF THE
UNIVERSITY OF ABERDEEN [GB/GB]
Research and Innovation, University Office,
Kings College, Aberdeen AB24 3FX (GB)

(72) WIERCIGROCH, Marian (GB)

(74) Liliana Darakhvelidze

PART F**F 03**

(10) AP 2015 12886 A (51) Int. Cl. (2006)

F 03 B 7/00

F 03 B 17/06

(21) AP 2012 012886 (22) 2012 10 31

(71) Guram Eristavi (GE)

Samgheretis q. 68, 0101 Tbilisi (GE)

(72) Guram Eristavi (GE)

(54) **TURBINE OF HYDROPOWER**

PLANT WITHOUT DAM

(57) There is represented a turbine including a shaft 1, couple of wheel-like means 2 and 3 and partially round fasteners 4 radially and symmetrically attached thereto; furthermore, the turbine includes the blades 5 attached onto wheel-like means and fasteners. Each blade has partially round shape like the fastener; at that, each blade is made of metallic plate so, that creates insulated chamber for appearing ejection force.

Claims: 1 independent

Fig.: 10

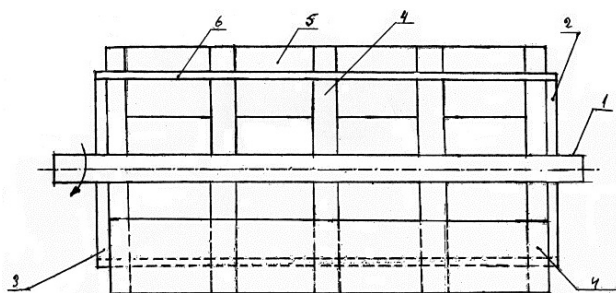


Fig. 1

PART C**C 07**

- (11) P 2015 6289 B (51) Int. Cl. (2006)
 C 07 D 487/04
 C 07 D 493/14
 C 07 D 495/14
 C 07 D 498/14
 A 61 K 31/517
 A 61 P 35/00
- (10) AP 2015 13008 A (44) 3(415)/2015
(21) AP 2011 013008
(22) 2011 07 22
(24) 2011 07 22
(31) 10170683.6
(32) 2010 07 23
(33) EP
(86) PCT/EP2011/062683, 2011 07 22
(73) BOEHRINGER INGELHEIM
INTERNATIONAL GMBH (DE)
Binger Strasse 173, 55216 Ingelheim
am Rhein (DE)
(72) TREU, Matthias (AT)
(74) Tamar Kochlamazashvili
(54) **NEW AMINOPYRAZOLOQUINAZO-
LINES**
-

PART F**F 16**

- (11) P 2015 6290 B (51) Int. Cl. (2006)
 F 16 C 7/04
- (10) AP 2015 13093 A (44) 3(415)/2015
(21) AP 2013 013093
(22) 2013 05 22
(24) 2013 05 22
(73) Givi Arabidze (GE)
Lisis Tbis Kveda Dasakhleba 7, 0177,
Tbilisi (GE)
(72) Givi Arabidze (GE)
(54) **INTERNAL COMBUSTION ENGINE
CONNECTING ROD**
-

UTILITY MODELS

APPLICATION APPROVED FOR GRANTING PATENT

The decision can be appealed at the Chamber of Appeal of Sakpatenti within 3 months from the publication or at the Mtskheta District Court Administrative Cases Board (Address: №17, Samkhedro str., Mtskheta), within 1 month following the publication.

PART B

B 28

(10) AU 2015 13058 U (51) Int. Cl. (2006)
B 28 B 1/00

(21) AU 2013 013058 (22) 2013 04 16

(71) Zhora Gabrichidze (GE)

Gldanis I mkr., korp. 4, b. 44, 0167, Tbilisi (GE);

Nani Mikava (GE)

Gldanis I mkr., korp. 4, b. 44, 0167, Tbilisi (GE);

Nata Gogokhia (GE)

Gldanis I mkr., korp. 4, b. 44, 0167, Tbilisi (GE)

(72) Zhora Gabrichidze (GE);

Nani Mikava (GE);

Nata Gogokhia (GE)

(54) **METHOD OF "QVEVRI" MECHANICAL
PRODUCTION**

(57) A method of "qvevri" production provides forming in "qvevri" wall outer surface casings, a knife fixed in three points rotatable around and rigidly concreted on vertical axle is executed to forming inner surface. After producing the parts, the connection thereof, rubbing place of their connection, smoothing and polishing inner surface are provided, and after clay hardening the "qvevri" is removed from the form.

Claims: 1 independent

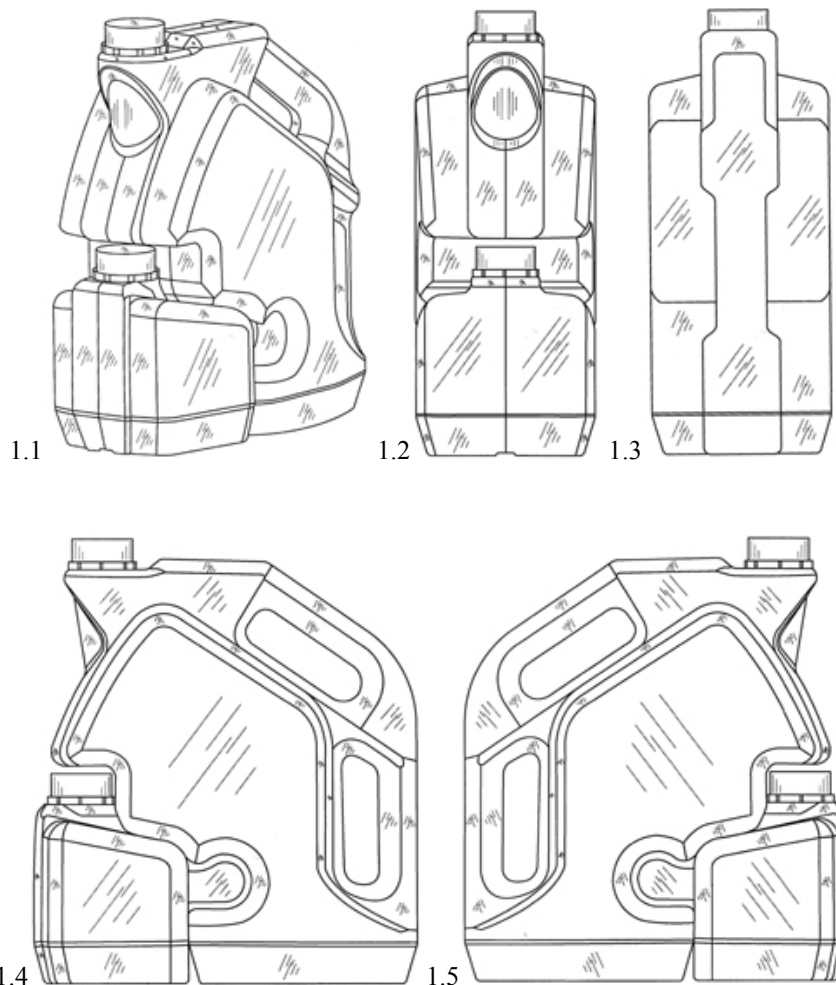
Fig.: 4

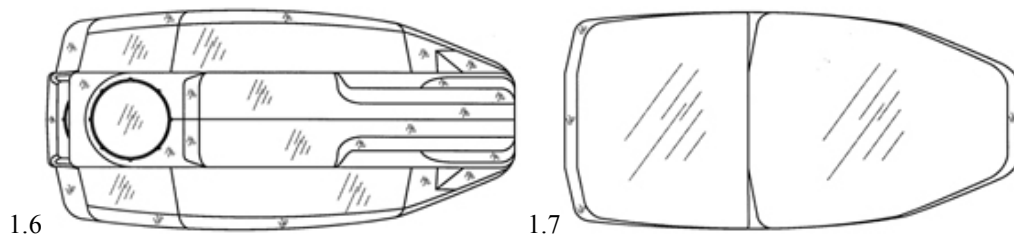
DESIGNS

APPLICATIONS APPROVED FOR REGISTRATION

The decision can be appealed at the Chamber of Appeal of Sakpatenti within 3 months from the publication or at the Mtskheta District Court Administrative Cases Board (Address: №17, Samkhedro str., Mtskheta), within 1 month following the publication.

- (10) **AD 2015 817 S** (51) **09-01**
(21) AD 2014 000817 (22) 2014 09 08
(28) 1
(23) 2014 03 20
(31) 29/485,644
(32) 2014 03 20
(33) US
(71) **MOTOSEL INDUSTRIAL GROUP INC. (CA)**
108-5910 No 6 Road, Richmond, BC V6V 1Z1 (CA)
(72) Arash Iranpour (CA)
(74) Nugzar Ksovreli
(54) **DOUBLE BOTTLE**
(55)





- (10) AD 2015 838 S (51) 19-08
 (21) AD 2015 000838 (22) 2015 02 20
 (28) 2
 (71) Tamara Zasukhina (GE)
 Marijanis q. 4, 0186, Tbilisi (GE)
 (72) Tamara Zasukhina (GE)
 (54) WINE LABEL
 (55)



- (10) AD 2015 837 S (51) 32-00
(21) AD 2015 000837 (22) 2015 02 20
(28) 2
(71) Tamara Zasukhina (GE)
Marijanis q. 4, 0186, Tbilisi (GE)
(72) Tamara Zasukhina (GE)
(54) LOGO
(55)



DESIGNS, WHICH HAVE BEEN REGISTERED WITH THE INTERNATIONAL BUREAU CLAIMING PRIORITY ON THE TERRITORY OF GEORGIA

The decision can be appealed at the Chamber of Appeal of Sakpatenti within 3 months from the publication or at the Mtskheta District Court Administrative Cases Board (Address: №17, Samkhedro Str., Mtskheta), within 1 month following the publication.

(11) DM/084556

(15) 2014 10 03

(22) 2014 10 03

(28) 2

(73) SWATCH AG (SWATCH SA) (SWATCH LTD)

Jakob-Stämpfli-Strasse 94, CH-2502 Biel/Bienne (CH)

(85) CH

(86) CH

(87) CH

(88) CH

(89) CH

(81) II. BZ, MA, III. AL, AM, AZ, BA, CH, EM, GE, KG, KR, LI, MC, MD, ME, MK, MN, NO, OM, SG, TN, TR, UA

(72) 1-2: Patrizio VITA

Via Congiunte Dx 30,04010 Latina (LT), Italie

(54) 1.-2. Wristwatches

(55)

(51) 10-02

(45) 2015/13 (2015 04 03)



(11) DM/084557

(51) 10-02

(15) 2014 10 03

(45) 2015/13 (2015 04 03)

(22) 2014 10 03

(28) 2

(73) SWATCH AG (SWATCH SA) (SWATCH LTD)

Jakob-Stämpfli-Strasse 94, CH-2502 Biel/ Bienne (CH)

(85) CH

(86) CH

(87) CH

(88) CH

(89) CH

(81) II. BZ, MA, III. AL, AM, AZ, BA, CH, EM, GE, KG, KR, LI, MC, MD, ME, MK, MN, NO, OM, SG, TN, TR, UA

(72) 1-2: Francesca ERRANI

Via Raimondi 34, 22020 Gironico (CO), Italie

(54) 1.-2. Wristwatches

(55)



(11) DM/084558

(15) 2014 10 03

(22) 2014 10 03

(28) 3

(73) SWATCH AG (SWATCH SA) (SWATCH LTD)

Jakob-Stämpfli-Strasse 94, CH-2502 Biel/ Bienne (CH)

(85) CH

(86) CH

(87) CH

(88) CH

(89) CH

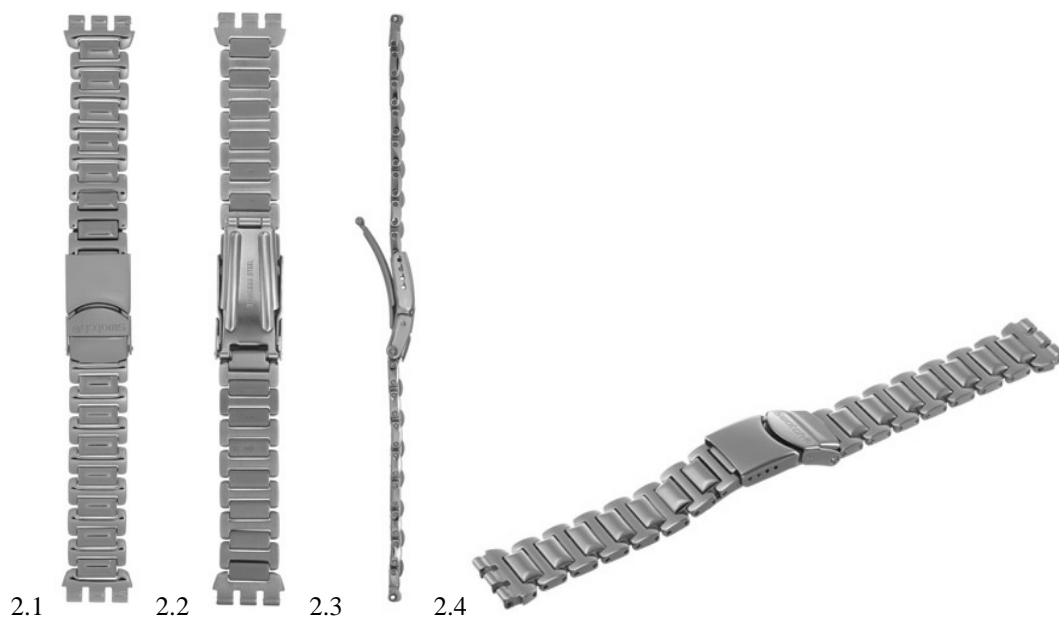
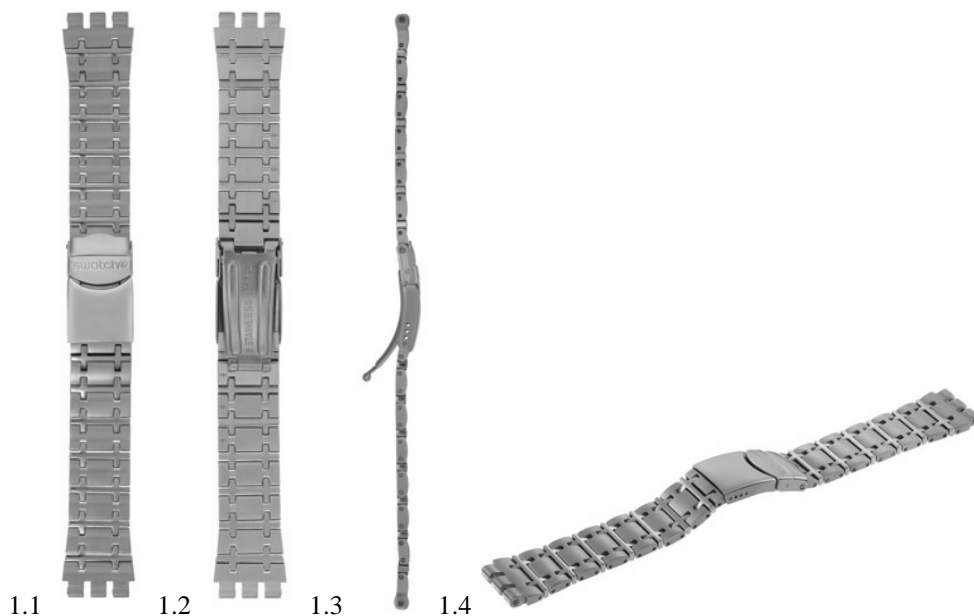
(81) II. BZ, MA. III. AL, AM, AZ, BA, CH, EM, GE, KG, KR, LI, MC, MD, ME, MK, MN, NO, OM, SG, TN, TR, UA

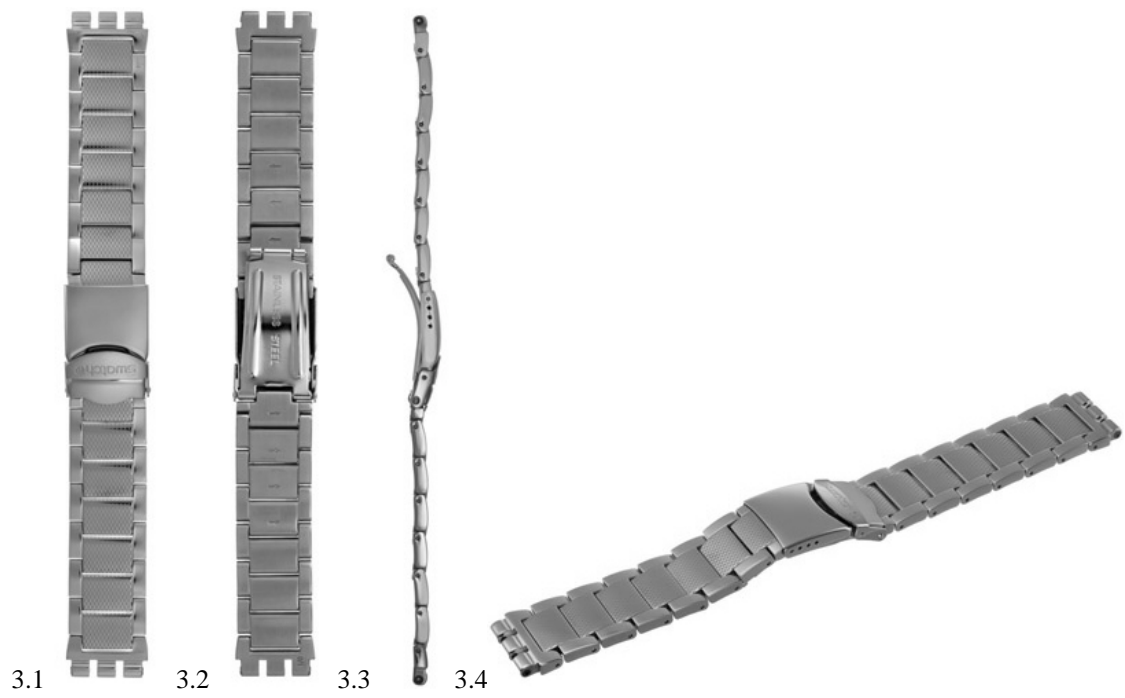
(72) 1-3: Min Kim

St. Alban-Ring 238,4052 Basel, Suisse

(54) 1.-3. Watch bracelets

(55)





(11) DM/084559**(51) 10-02, 07**

(15) 2014 10 03

(45) 2015/13 (2015 04 03)

(22) 2014 10 03

(28) 9

(73) SWATCH AG (SWATCH SA) (SWATCH LTD)

Jakob-Stämpfli-Strasse 94, CH-2502 Biel/Bienne (CH)

(85) CH

(86) CH

(87) CH

(88) CH

(89) CH

(81) II. BZ, MA. III. AL, AM, AZ, BA, CH, EM, GE, KG, KR, LI, MC, MD, ME, MK, MN, NO, OM, SG, TN, TR, UA

(72) 1: Anais Krebs

Rue de la Côte 21, 2000 Neuchâtel, Suisse;

2: Martin Norrlind

Birkagatan 35, 11339 Stockholm, Suède;

3, 5, 6: Min KIM

St. Alban-Ring 238, 4052 Basel, Suisse;

4: Margherita Taglia

Zahiringenstrasse 24, 8001 Zürich, Suisse;

7: Rossana Boffi

Via Donatori di Sangue 3, 20852 Villasanta, Italie;

8: Francesca Errani

Via Raimondi 34, 22020 Gironico, Italie;

9: Pedro Ranos Brinca

Rue Edmond-de-Menyer 2, 2000 Neuchâtel, Suisse

(54) 1.-5. Wristwatches; 6. Watch hand; 7.-9. Wristwatches

(55)



1.1



1.2



2.1



2.2



3.1



4.1



3.2



4.2





(11) DM/085921**(51) 19-08**

(15) 2015 02 17

(45) 2015/13 (2015 04 03)

(22) 2015 02 17

(28) 4

(73) BALEV EOOD

bul. Vladislav Varnenchik No.256, BG-9009 Varna (BG)

BALEV CORPORATION EOOD

bul. Vladislav Varnenchik No. 260, BG-9009 Varna (BG)

(85) BG, EM; BG, EM

(86) BG, EM; BG, EM

(87) BG, EM; BG, EM

(88) BG, EM; BG, EM

(89) BG; BG

(81) II. BJ, BZ, CI, GA, KP, MA, ML, NE, SN, SR. III. AL, AM, AZ, BA, BN, BW, CH, EG, EM, GE, GH, IS, KG, KR, LI, MC, MD, ME, MK, MN, NA, NO, OA, OM, RS, RW, SG, ST, TJ, TN, TR, UA

(72) 1-4: Dimitar Hristov Balev

Blvd. Vitosha No.137, apt. 17, 1408 Sofia, Bulgaria

(54) 1.-4. Labels for air-fresheners

(55)



(11) DM/085935

(51) 13-03

(15) 2015 03 18

(45) 2015/13 (2015 04 03)

(22) 2015 03 18

(28) 6

(73) MAKEL ELEKTRİK MALZEMELERİ SANAYİ VE TİCARET ANONİM ŞİRKETİ İSTİKLAL
MAH.MARESAL FEVZİ ÇAKMAK CAD.NO : 38 KIRAC, ESENYURT, İSTANBUL (TR)

(85) --

(86) --

(87) --

(88) TR

(89) TR

(81) III. AZ, BG, GE, KG, TJ, UA

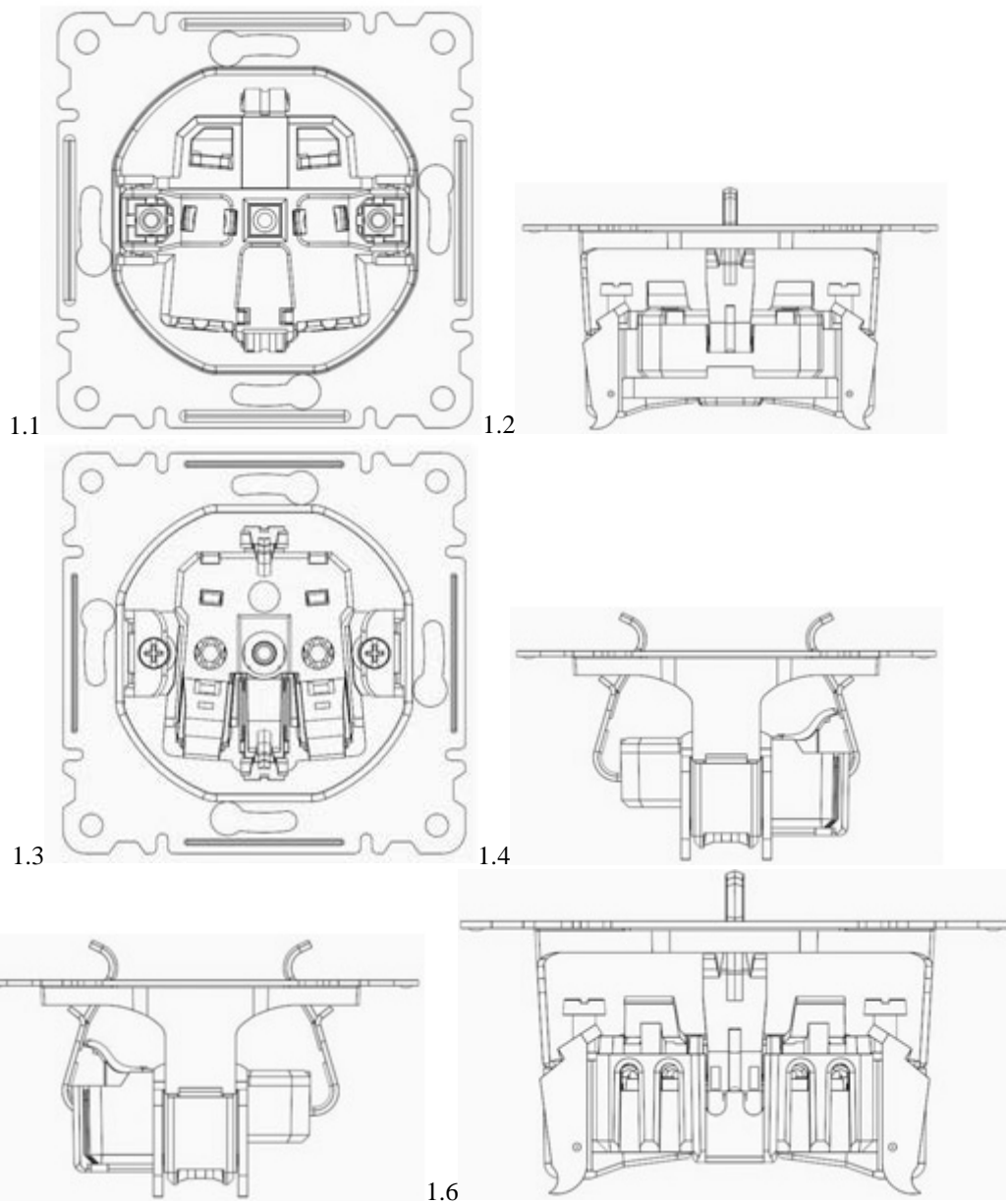
(72) ANIL YUCEL EPCİM İSTİKLAL

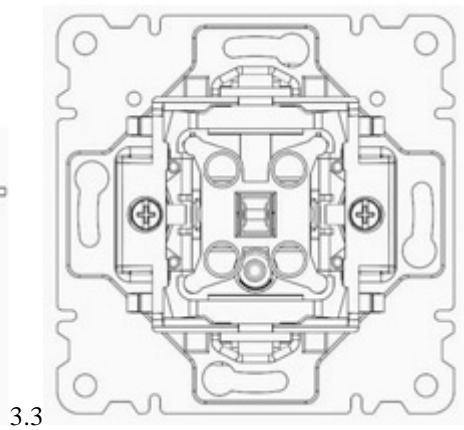
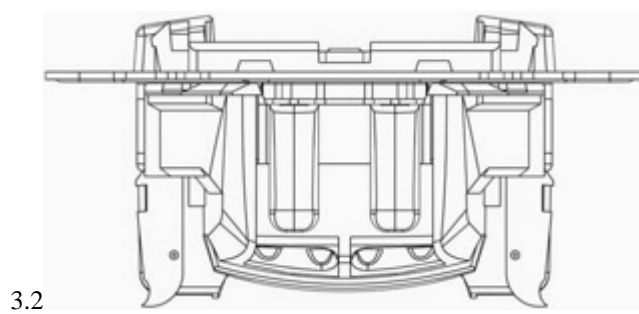
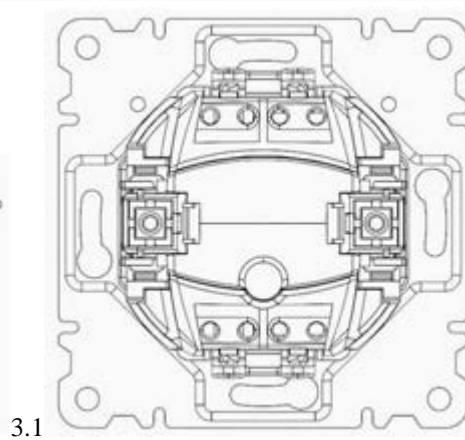
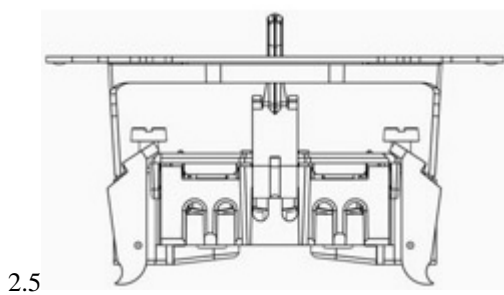
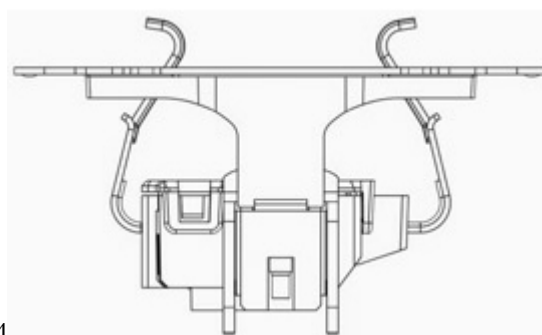
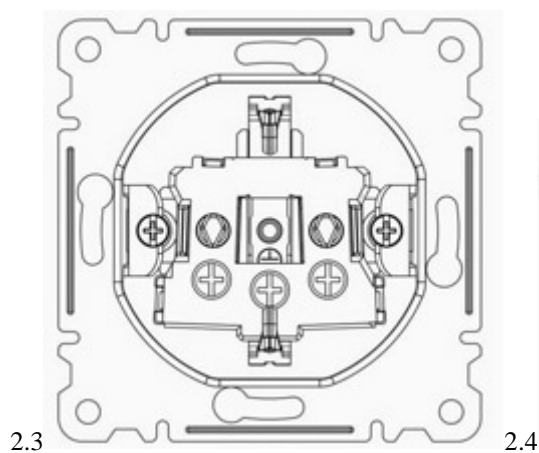
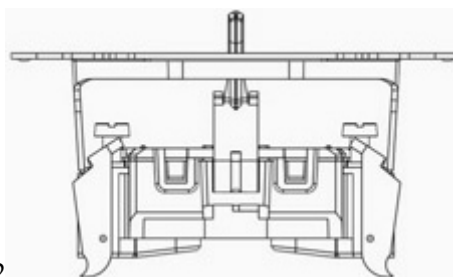
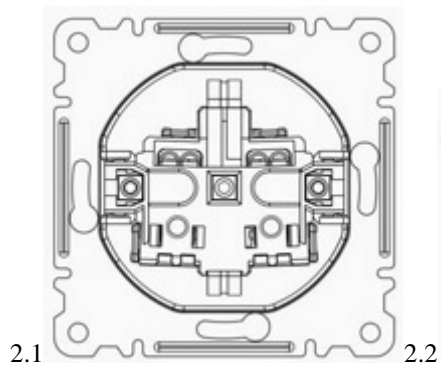
MAH. MARESAL FEVZİ ÇAKMAK CAD. NO: 38 KIRAC ESENYURT, İSTANBUL, Turkey

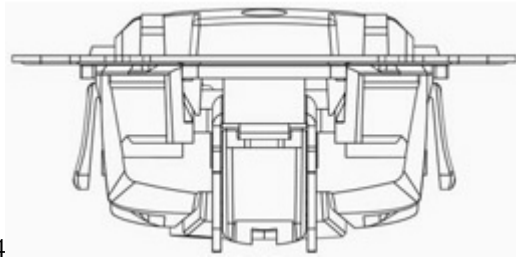
(54) 1. Grounded socket; 2. Grounded socket with switch; 3. Switch with screw;

4. Switch with screw and light; 5. Switch with socket; 6. Switch with socket and light

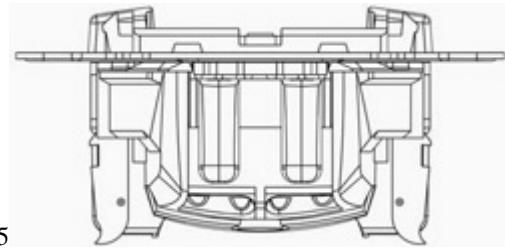
(55)



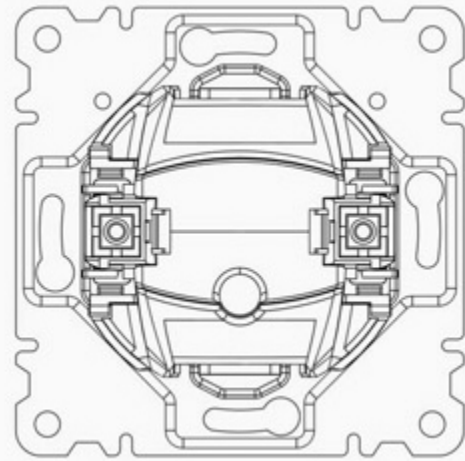




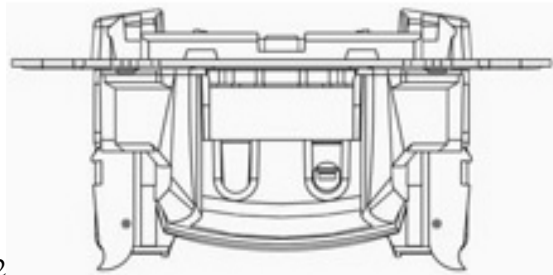
3.4



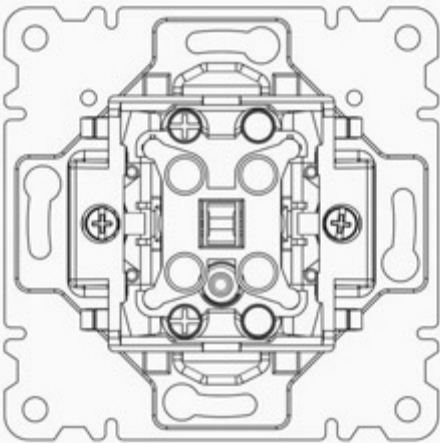
3.5



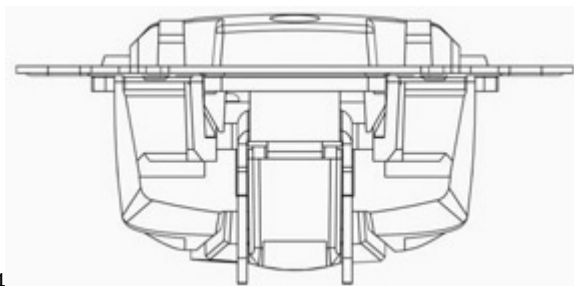
4.1



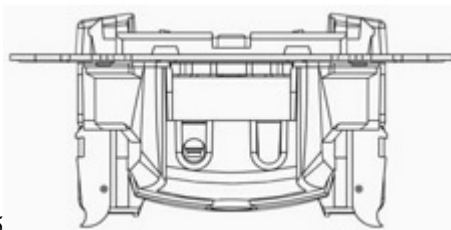
4.2



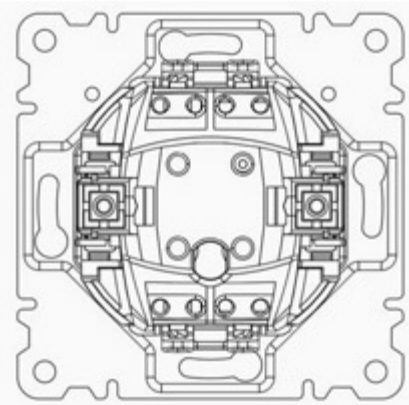
4.3



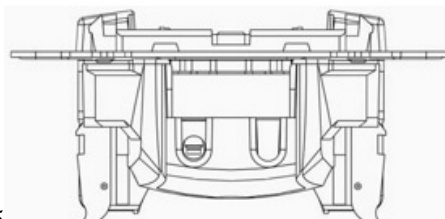
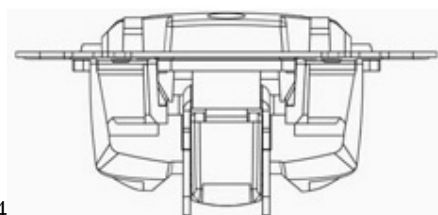
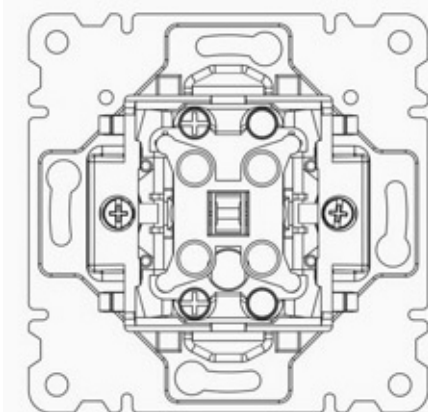
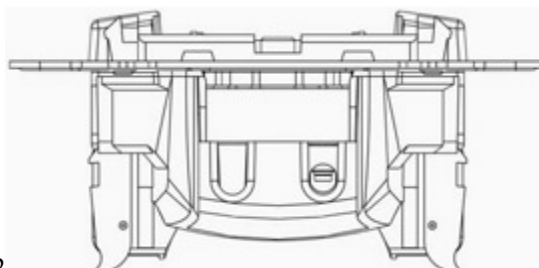
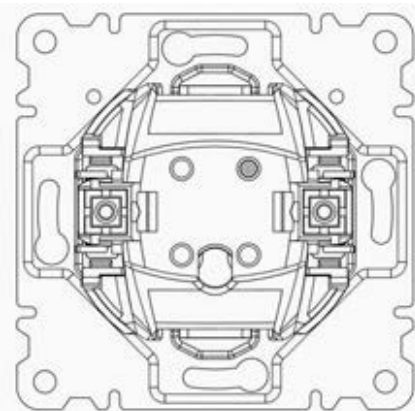
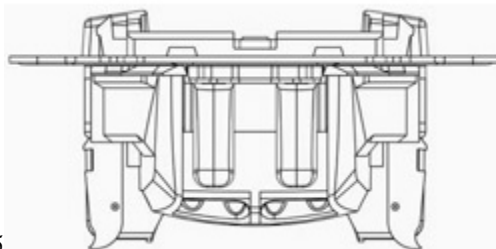
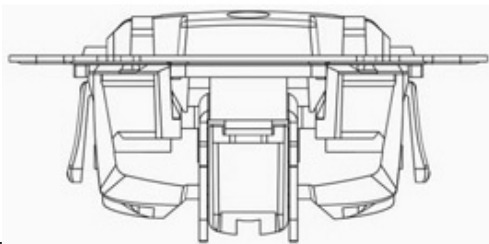
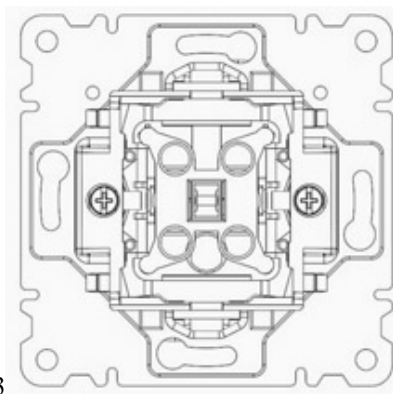
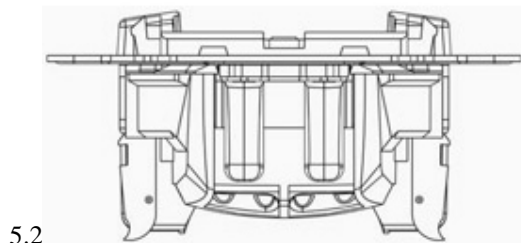
4.4



4.5



5.1



TRADEMARKS

APPLICATIONS FILED UNDER THE NATIONAL PROCEDURE APPROVED FOR REGISTRATION

The decision can be appealed at the Chamber of Appeal of Sakpatenti within 3 months from the publication or at the Mtskheta District Court Administrative Cases Board (Address: №17, Samkhedro St., Mtskheta), within 1 month following the publication.

(260) AM 2015 75088 A*
(210) AM 75088
(220) 2013 12 09
(731) LA PERLA GLOBAL MANAGEMENT
S.r.l.
Via Tortona 35, Milan, Italy

(740) Shalva Gvaramadze
(540)

LA PERLA
JUST PRECIOUS

(591) Black, white
(531) 27.05.10-27.05.15-
(511) 3

(260) AM 2015 76082 A
(210) AM 76082
(220) 2014 02 25
(731) ARIAN KIMYA TICARET VE SANAYI
ANONIM SIRKETI
em Otoyolu Üzeri , Tekstilkent Koza Plaza,
B Blok, Kat: 31 No:118 Esenler Istanbul,
Turkey

(740) Vakhtang Torotadze
(540)

RENEX

(511) 29, 30, 32

(260) AM 2015 76110 A
(210) AM 76110
(220) 2014 02 27
(731) ICON HEALTH & FITNESS, INC.
1500 South 1000 West, Logan, Utah 84321,
USA

(740) Giorgi Gvinjilia
(540)

iFIT

(511) 28, 41

(260) AM 2015 76340 A
(210) AM 76340
(220) 2014 03 20
(731) TYCO SAFETY PRODUCTS CANADA LTD.
3301 Langstaff Road, Concord, Ontario L4K
4L2, Canada

(740) Shalva Gvaramadze
(540)

DSC

(511) 9

(260) AM 2015 76495 A
(210) AM 76495
(220) 2014 03 31
(731) LTD "QALTA BEDNIEREBА"
Gamsakhurdia St. 7, 0171 Tbilisi,
Georgia

(740) Dodo Razmadze
(540)



(591) White and red
(531) 05.05.20, 28.19, 29.01.01
(511) 35

(260) AM 2015 76669 A
(210) AM 76669
(220) 2014 04 11
(310) UK00003029922
(320) 2013 11 08
(330) GB
(731) BRITISH AMERICAN TOBACCO
(BRANDS) INC. (a Delaware corporation).
2711 Centerville Road, Suite 300,
Wilmington, Delaware 19808, USA

(740) Tamar Kochlamazashvili
(540)

KENT TASTE iD

(511) 34

(260) AM 2015 76972 A
(210) AM 76972
(220) 2014 05 05
(731) LTD "EVERESTI 2010"
Eristavi St. 1, Tbilisi, Georgia
(740) Lasha Babuadze

(540)



(591) White, blue, green

(531) 26.04.07, 26.04.24, 26.11.11, 27.05.24,
29.01.03

(526) The trademark is protected as a whole. "PREMIUM QUALITY" and "®" shall not be subject to independent legal protection.

(511) 29

(260) AM 2015 77062 A

(210) AM 77062

(220) 2014 05 08

(731) JOHNSON & JOHNSON

One Johnson & Johnson Plaza,
New Brunswick, New Jersey 08933, USA

(740) Giorgi Taktakishvili

(540)

CLEAN & CLEAR

(511) 3, 5, 16, 21

(260) AM 2015 77258 A

(210) AM 77258

(220) 2014 05 23

(731) GILEAD SCIENCES IRELAND UC

IDA Business and Technology Park,
Carrigtohill, Co. Cork, Ireland

(740) Shalva Gvaramadze

(540)

ГАРВОНИ

(511) 5

(260) AM 2015 77261 A

(210) AM 77261

(220) 2014 05 23

(731) GIORGI ZAUTASHVILI

Dimitri Tavdadebuli St. 3, Kvareli, Georgia

(740) Khatuna Imnadze

(540)

ИЗЮМИНКА IZYUMINKA

(511) 33

(260) AM 2015 77470 A

(210) AM 77470

(220) 2014 06 09

(731) MAIA GIORGOBIANI

Chavchavadzis gamz. 34, Pikseli bld.
2nd fl., Tbilisi, Georgia

(740) Maia Giorgobiani

(540)



(591) White, black, carrot-red and silver

(531) 26.04.19, 26.04.06, 27.05.21, 29.01.13

(511) 41, 44

(260) AM 2015 77677 A

(210) AM 77677

(220) 2014 06 24

(731) THE PROCTER & GAMBLE COMPANY

One Procter & Gamble Plaza,
Cincinnati Ohio 45202, USA

(740) Shalva Gvaramadze

(540)

OLAY TOTAL EFFECTS

(511) 3

(260) AM 2015 77889 A

(210) AM 77889

(220) 2014 07 10

(731) Societe Nationale d'Exploitation

Industrielle des Tabacs et Allumettes, SASU
143 Boulevard Romain Rolland, 75014 Paris
France

(740) George Gvinjilia

(540)

VIVE LE MOMENT

(511) 34

(260) AM 2015 77931 A

(210) AM 77931

(220) 2014 07 14

(731) THE GILLETTE COMPANY

One Gillete Park, Boston, Massachusetts
02127, USA

(740) Shalva Gvaramadze

(540)

BLUE 3 ICE

(511) 8

(260) AM 2015 77947 A

(210) AM 77947

(220) 2014 07 14

(731) LTD "VALO-KRISTI"

Shavsheti St. 15, 6000, Batumi,
Georgia

(540)



(591) Green, red, white
 (531) 05.03.04, 05.03.16, 26.01.21, 28.05, 29.01.03
 (526) The trademark is protected as a whole. "Для консервации крышки" and "Лучшие качества" shall not be subject to independent legal protection.
 (511) 6

(260) AM 2015 77986 A
 (210) AM 77986
 (220) 2014 07 16
 (731) MERCK SHARP & DOHME CORP.
 One Merck Drive, Whitehouse Station,
 New Jersey, 08889, USA
 (740) Tamaz Shilakadze
 (540)

KEYTRUDA

(591) Black, white
 (531) 27.05.03, 14.05.01
 (511) 5

(260) AM 2015 77987 A
 (210) AM 77987
 (220) 2014 07 16
 (731) MERCK SHARP & DOHME CORP.
 One Merck Drive, Whitehouse Station,
 New Jersey, 08889, USA
 (740) Tamaz Shilakadze
 (540)



(591) Black, white
 (531) 26.11.08
 (511) 5

(260) AM 2015 78098 A
 (210) AM 78098
 (220) 2014 07 28
 (731) ZIH Corp.
 Swit 500, 475 Half Day Road
 Lincolnshire, IL 60069, USA
 (740) Tamaz Shilakadze
 (540)

ZEBRA

(511) 9, 35, 37, 38, 42

(260) AM 2015 78120 A
 (210) AM 78120
 (220) 2014 07 29
 (731) BAYER INTELLECTUAL PROPERTY
 GMBH.
 Alfred-Nobel-St. 10, 40789 Monheim am
 Rhein, Germany
 (740) Giorgi Kartvelishvili
 (540)

სპირობო კარლო

(511) 5

(260) AM 2015 78160 A
 (210) AM 78160
 (220) 2014 07 30
 (731) SOCIETE NATIONALE D'EXPLOITATION
 Industrielle des Tabacs et Allumettes, SASU,
 143 boulevard Romain Rolland, 75014 Paris,
 France
 (740) George Gvinjilia
 (540)

VOILA

(511) 34

(260) AM 2015 78178 A
 (210) AM 78178
 (220) 2014 07 31
 (731) Gocha Pipia
 Budapeshti St. 11, ap. 55, 0160, Tbilisi,
 Georgia
 (740) Alexander Kvernadze
 (540)



(591) Black, white
 (531) 05.07.10, 19.07.01, 19.07.09
 (511) 33

(260) AM 2015 78200 A
 (210) AM 78200
 (220) 2014 08 01
 (731) DD IP Holder LLC.
 130 Royall Street, Canton, Massachusetts
 02021, USA
 (740) Pavle Meipariani

(540)



(591) Black, white
 (531) 01.15.11, 11.03.02, 27.05.21
 (511) 30, 43

(260) AM 2015 78201 A
 (210) AM 78201
 (220) 2014 08 01
 (731) DD IP Holder LLC.
 130 Royall Street, Canton, Massachusetts
 02021, USA
 (740) Pavle Meipariani
 (540)

DUNKIN'
DONUTS

(591) Orange, pink, white
 (531) 27.05.15, 27.05.17, 29.01.12
 (526) The trademark is protected as a whole. "DONUTS" shall not be subject to independent legal protection.
 (511) 30, 32, 43

(260) AM 2015 78202 A
 (210) AM 78202
 (220) 2014 08 01
 (731) DD IP Holder LLC.
 130 Royall Street, Canton, Massachusetts
 02021, USA
 (740) Pavle Meipariani
 (540)



(591) Orange, pink, brown, white, black
 (531) 01.15.11, 11.03.02, 27.05.15, 24.17.09,
 27.05.17, 29.01.14
 (526) The trademark is protected as a whole. "COFFEE" and "DONUTS" shall not be subject to independent legal protection.
 (511) 43

(260) AM 2015 78212 A
 (210) AM 78212
 (220) 2014 08 01
 (731) LTD "J-M-P"
 Vil. Ponichala 65, Tbilisi, Georgia
 (740) Nugzar Ksovreli
 (540)

ბილექსი
БИЛЕКС
BILEX

(511) 5

(260) AM 2015 78240 A
 (210) AM 78240
 (220) 2014 08 07
 (731) LTD "GEOCELL"
 Gotua St. 3, Right Embankment of Mtkvari,
 0160, Tbilisi, Georgia
 (740) Mariam Ghubianuri
 (540)

ჯეო ლაბი
Geo lab
Джео лаб

(511) 16, 36, 38

(260) AM 2015 78379 A
 (210) AM 78379
 (220) 2014 08 25
 (310) TN/E/2014/00389
 (320) 2014 04 11
 (330) TN
 (731) ASTELLAS DEUTSCHLAND GMBH.
 Georg-Brauchle-Ring 64-66, Munich 80992,
 Germany
 (740) Tamaz Shilakadze
 (540)



(591) Red, white, blue
 (531) 29.01.13, 26.15.09
 (511) 5

(260) AM 2015 78524 A
 (210) AM 78524
 (220) 2014 09 05
 (731) LTD "SHUKRUTEQI"
 Tsabadze St., Hideland 20/43, Tbilisi,
 Georgia
 (740) Serhat Gezer

(540)



(591) Grey, black, white
 (531) 25.07.06, 26.01.02, 26.01.20, 26.01.24,
 27.05.24
 (511) 9

(260) AM 2015 78532 A
 (210) AM 78532
 (220) 2014 09 05
 (731) LTD "SHUKRUTEQI"
 Tsabadze St., Hideland 20/43, Tbilisi,
 Georgia
 (740) Serhat Gezer
 (540)



(591) Carrot-red, dark lilac, white
 (531) 26.01.02, 27.05.01, 26.01.20, 26.11.12,
 29.01.12
 (511) 9

(260) AM 2015 78581 A
 (210) AM 78581
 (220) 2014 09 09
 (731) SCHWEIZERISCHE
 EIDGENOSSENSCHAFT V.D
 armasuisse Eidgenössisches Departement
 für Verteidigung, Bevölkerungsschutz und
 Sport., Kasernenstrasse 19, CH-3003 Bern,
 Switzerland
 (740) Giorgi Meipariani
 (540)

SWISS MILITARY

(511) 14

(260) AM 2015 78596 A
 (210) AM 78596
 (220) 2014 09 10
 (731) DENSO CORPORATION
 1-1 Showa-cho, Kariya-city, Aichi-pref, Japan
 (740) Tamar Kochlamazashvili
 (540)

IRIDIUM POWER

(591) Black, white
 (531) 27.05.01, 27.05.17
 (526) The trademark is protected as a whole. "IRIDI-
 UM" shall not be subject to independent legal protec-
 tion.
 (511) 7

(260) AM 2015 78597 A
 (210) AM 78597
 (220) 2014 09 10
 (731) DENSO CORPORATION
 1-1 Showa-cho, Kariya-city, Aichi-pref, Japan
 (740) Tamar Kochlamazashvili
 (540)



(591) Black, white
 (531) 01.01.12, 27.05.21
 (511) 7

(260) AM 2015 78750 A
 (210) AM 78750
 (220) 2014 09 19
 (731) RANBAXY LABORATORIES LIMITED
 Plot No. 90: Sector-32, Gurgaon 122001,
 Haryana, India
 (740) Giorgi Taktakishvili
 (540)

TEVIR

(511) 5

(260) AM 2015 78751 A
 (210) AM 78751
 (220) 2014 09 19
 (731) RANBAXY LABORATORIES LIMITED
 Plot No. 90: Sector-32, Gurgaon 122001,
 Haryana, India
 (740) Giorgi Taktakishvili
 (540)

TENOLAM

(511) 5

(260) AM 2015 78755 A
 (210) AM 78755
 (220) 2014 09 19
 (731) DIAGEO NORTH AMERICA, INC.
 a Connecticut corporation
 801 Main Avenue, Norwalk CT 06851, USA
 (740) Tamar Kochlamazashvili
 (540)



(591) Black, white .
 (531) 26.01.18, 27.05.22
 (511) 33

(260) AM 2015 78756 A
 (210) AM 78756
 (220) 2014 09 19

(731) STARBUCKS CORPORATION
d/b/a Starbucks Coffee Company
(a Washington corporation)
2401 Utah Avenue South, Seattle, Washington
98134, USA

(740) Tamar Kochlamazashvili
(540)



(591) Green, white
(531) 02.03.01, 01.01.10, 29.01.12, 26.01.15
(511) 7, 9, 11, 14, 18, 21, 25, 28, 29, 32, 36, 38, 41

(260) AM 2015 78757 A
(210) AM 78757
(220) 2014 09 19
(731) STARBUCKS CORPORATION
d/b/a Starbucks Coffee Company
(a Washington corporation)
2401 Utah Avenue South, Seattle, Washington
98134, USA

(740) Tamar Kochlamazashvili
(540)



(591) Black, white
(531) 01.01.10, 02.03.01, 26.01.15
(511) 14, 18, 25, 28, 36, 41

(260) AM 2015 78783 A
(210) AM 78783
(220) 2014 09 23
(731) IRAKLI QIRIA
G. Dzotsenidze St. 5, ap. 29, 0183, Tbilisi,
Georgia
(740) Giorgi Taktakishvili
(540)

SHEMODGOMA

(511) 33

(260) AM 2015 78784 A
(210) AM 78784
(220) 2014 09 23
(731) IRAKLI QIRIA
G. Dzotsenidze St. 5, ap. 29, 0183, Tbilisi,
Georgia
(740) Giorgi Taktakishvili

(540)

ZAMTARI

(511) 33

(260) AM 2015 78826 A
(210) AM 78826
(220) 2014 09 26
(731) DIANATUS MANAGEMENT LIMITED
Arch. Makariu III, 69 Tlice Tower, 3fl,
office 301, 1070, Nicosia, Cyprus
(740) Vakhtang Torotadze
(540)



(531) 27.05.11, 27.05.24, 26.04.24
(511) 29, 30

(260) AM 2015 78844 A
(210) AM 78844
(220) 2014 09 29
(731) KENTUCKY FRIED CHICKEN
INTERNATIONAL HOLDINGS, INC.
1441 Gardiner Lane, Louisville, Kentucky
40213, USA
(740) Tamar Kochlamazashvili
(540)

BUCKET

(511) 29, 30

(260) AM 2015 78845 A
(210) AM 78845
(220) 2014 09 29
(731) KENTUCKY FRIED CHICKEN
INTERNATIONAL HOLDINGS, INC.
1441 Gardiner Lane, Louisville, Kentucky
40213, USA
(740) Tamar Kochlamazashvili
(540)

ბაჭყალი

(511) 29, 30

(260) AM 2015 78854 A
(210) AM 78854
(220) 2014 09 29
(731) KENTUCKY FRIED CHICKEN
INTERNATIONAL HOLDINGS, INC.
1441 Gardiner Lane, Louisville, Kentucky
40213, USA
(740) Tamar Kochlamazashvili

(540)

სტროქსი

(511) 29

(260) AM 2015 78880 A
 (210) AM 78880
 (220) 2014 09 30
 (731) LTD "AGROCONSORTIUM TSEROVANI"
 Vil. Tserovani, Mtskheta raioni, Georgia
 (740) Giorgi Taktakishvili
 (540)



(591) White, red
 (531) 03.07.07, 26.01.15, 29.01.12
 (511) 29, 35

(260) AM 2015 78911 A
 (210) AM 78911
 (220) 2014 10 01
 (731) EURO PARFUMS FZE
 P.O. Box 49138, Sharjah, United Arab
 Emirates
 (740) Larisa Amirkhanyan
 (540)

PARFUMS de MARLY

(591) Black, white
 (531) 27.05.03
 (526) The trademark is protected as a whole. "PAR-
 FUMS" shall not be subject to independent legal
 protection.
 (511) 3

(260) AM 2015 78912 A
 (210) AM 78912
 (220) 2014 10 01
 (731) LTD "OMEGA-2"
 P. Sarajishvili St. 13-15-17, 0159, Tbilisi,
 Georgia
 (740) Givi Akopashvili
 (540)



(591) Black, white, green
 (531) 26.04.24, 27.05.24, 28.19, 29.01.13
 (526) The trademark is protected as a whole. "SHOP"
 and „შოპი“ shall not be subject to independent legal
 protection.
 (511) 35

(260) AM 2015 79072 A
 (210) AM 79072
 (220) 2014 10 13
 (731) GOCHA FIFIA
 Budapeshti St. 11, ap. 55, 0160, Tbilisi, Georgia
 (740) Alexander Kvernadze
 (540)

ფურორი
Фурор
Furore

(511) 33

(260) AM 2015 79087 A
 (210) AM 79087
 (220) 2014 10 15
 (731) NOVARTIS AG
 4002 Basel, Switzerland
 (740) Shalva Gvaramadze
 (540)

PRIMI

(511) 5

(260) AM 2015 79090 A
 (210) AM 79090
 (220) 2014 10 15
 (731) NOVARTIS AG
 4002 Basel, Switzerland
 (740) Shalva Gvaramadze
 (540)

პრიმი

(591) Black-white
 (531) 28.19
 (511) 5

(260) AM 2015 79202 A
 (210) AM 79202
 (220) 2014 10 24
 (731) DISCOVERY COMMUNICATIONS, LLC.
 One Discovery Place, Silver Spring, Maryland
 20910, USA
 (740) Tamaz Shilakadze
 (540)

Discovery
SHOWCASE HD

(591) Black, white
 (531) 27.05.08, 01.05.01, 27.01.05
 (511) 9, 38, 41

REGISTERED TRADEMARKS

(111) M 2015 25822 R
 (151) 2015 04 28
 (181) 2025 04 28
 (260) AM 2014 75249 A
 (220) 2013 12 24
 (732) TRIFTY RENT-A-CAR SYSTEM, INC.
 5330 East 31st Street, Tulsa, Oklahoma
 74135, USA

(111) M 2015 25823 R
 (151) 2015 04 28
 (181) 2025 04 28
 (260) AM 2014 75263 A
 (220) 2013 12 25
 (732) ABBOT POINT OF CARE INC.
 (A Corporation of the State of Delaware)
 400 Collage Road East, Princeton, New Jersey
 08540, USA

(111) M 2015 25824 R
 (151) 2015 04 28
 (181) 2025 04 28
 (260) AM 2014 75264 A
 (220) 2013 12 25
 (732) BRITISH AMERICAN TOBACCO
 (BRANDS) LIMITED
 Global House, 4 Temple Place, London
 WC2R 2 PG, United Kingdom

(111) M 2015 25825 R
 (151) 2015 04 28
 (181) 2025 04 28
 (260) AM 2014 75299 A
 (220) 2013 12 27
 (732) LABORATOIRE THÉRAMEX S.A.M.
 6, Avenue Albert II, 98000, Monaco

(111) M 2015 25826 R
 (151) 2015 04 28
 (181) 2025 04 28
 (260) AM 2014 75302 A
 (220) 2013 12 27
 (732) ANHUI FORKLIFT TRUCK GROUP CO.,
 LTD.,
 15 WANGJIANG WEST ROAD, HEFEI,
 ANHUI, China

(111) M 2015 25827 R
 (151) 2015 04 28
 (181) 2025 04 28

(260) AM 2014 75304 A
 (220) 2013 12 27
 (732) SHULTON, INC.
 One Procter & Gamble Plaza, Cincinnati OH
 45202, USA

(111) M 2015 25828 R
 (151) 2015 04 28
 (181) 2025 04 28
 (260) AM 2014 75305 A
 (220) 2013 12 27
 (732) TBL Licensing LLC
 200 Domain Drive, Stratham, New
 Hampshire 03885, USA

(111) M 2015 25829 R
 (151) 2015 04 28
 (181) 2025 04 28
 (260) AM 2014 75306 A
 (220) 2013 12 27
 (732) TBL Licensing LLC
 200 Domain Drive, Stratham, New Hampshire
 03885, USA

(111) M 2015 25830 R
 (151) 2015 04 28
 (181) 2025 04 28
 (260) AM 2014 75311 A
 (220) 2013 12 30
 (732) FEMAŞ METAL SANAYİ VE TİCARET
 ANONİM ŞİRKETİ
 Organize Sanayi Bölgesi, 9. Cadde No:17,
 Melikgazi – Kayseri, Turkey

(111) M 2015 25831 R
 (151) 2015 04 28
 (181) 2025 04 28
 (260) AM 2014 75323 A
 (220) 2013 12 30
 (732) WENDY'S INTERNATIONAL, INC.
 (an Ohio corporation)
 4288 West Dublin Granville Road, Dublin,
 Ohio 43017, USA

(111) M 2015 25832 R
 (151) 2015 04 28
 (181) 2025 04 28
 (260) AM 2014 75331 A
 (220) 2013 12 31

(732) Liana Rurua
Dolidze St., korp. 21, ap. 38, 0171, Tbilisi,
Georgia

(111) M 2015 25833 R
(151) 2015 04 28
(181) 2025 04 28
(260) AM 2014 75345 A
(220) 2014 01 03
(732) OLX B.V.

Taurusavenue 105, 2132 LS, Hoofddorp,
The Netherlands, Netherlands

(111) M 2015 25834 R
(151) 2015 04 28
(181) 2025 04 28
(260) AM 2014 75380 A
(220) 2014 01 09

(732) LTD "SAGA IMPEQSI"
Chachava St. 2-4-6-8-10, 0159, Tbilisi, Georgia

(111) M 2015 25835 R
(151) 2015 04 28
(181) 2025 04 28
(260) AM 2014 75415 A
(220) 2014 01 13

(732) CITGO PETROLEUM CORPORATION
1293 Eldridge Parkway, Houston, Texas
77077, USA

(111) M 2015 25836 R
(151) 2015 04 28
(181) 2025 04 28
(260) AM 2014 75416 A
(220) 2014 01 13

(732) GILEAD SCIENCES IRELAND UC
IDA Business and Technology Park,
Carrigtohill, Co. Cork, Ireland

(111) M 2015 25837 R
(151) 2015 04 28
(181) 2025 04 28
(260) AM 2014 75417 A
(220) 2014 01 13

(732) GILEAD SCIENCES IRELAND UC
IDA Business and Technology Park,
Carrigtohill, Co. Cork, Ireland

(111) M 2015 25838 R
(151) 2015 04 28
(181) 2025 04 28

(260) AM 2014 75418 A

(220) 2014 01 13

(732) GILEAD SCIENCES IRELAND UC
IDA Business and Technology Park,
Carrigtohill, Co. Cork, Ireland

(111) M 2015 25839 R
(151) 2015 04 28
(181) 2025 04 28
(260) AM 2014 75419 A
(220) 2014 01 13

(732) THRIFTY RENT-A-CAR SYSTEM, INC
5330 East 31st Street, Tulsa, Oklahoma
74135, USA

(111) M 2015 25840 R
(151) 2015 04 28
(181) 2025 04 28
(260) AM 2014 75465 A
(220) 2014 01 16

(732) MERCK SHARP & DOHME CORP.
One Merck Drive, Whitehouse Station,
New Jersey 08889, USA

(111) M 2015 25841 R
(151) 2015 04 28
(181) 2025 04 28
(260) AM 2014 75483 A
(220) 2014 01 17

(732) LTD "MEGHVINEOBA KHAREBA"
Davit Aghmashenebeli Alley, 6th km.,
0131, Tbilisi, Georgia

(111) M 2015 25842 R
(151) 2015 04 28
(181) 2025 04 28
(260) AM 2014 75485 A
(220) 2014 01 17

(732) BIOGEN IDEC MA INC.
A Massachusetts Corporation
14 Cambridge Center, Cambridge,
Massachusetts 02142, USA

(111) M 2015 25843 R
(151) 2015 04 28
(181) 2025 04 28
(260) AM 2014 75525 A
(220) 2014 01 20

(732) BRITISH AMERICAN TOBACCO
(BRANDS) INC. (a Delaware corporation)
2711 Centerville Road, Suite 300,
Wilmington, Delaware 19808, USA

(111) M 2015 25844 R
(151) 2015 04 28
(181) 2025 04 28
(260) AM 2014 75571 A
(220) 2014 01 21
(732) Ilya Pyaskorskiy
Krasnoarmeiskaya 26/2, fl. 26, Russian
Federation

(111) M 2015 25857 R
(151) 2015 04 30
(181) 2025 04 30
(260) AM 2014 74870 A
(220) 2013 11 25
(732) GENERAL MOTORS LLC
300 Renaissance Center, City of Detroit,
State of Michigan 48265-3000, USA

(111) M 2015 25845 R
(151) 2015 04 28
(181) 2025 04 28
(260) AM 2014 75644 A
(220) 2014 01 23
(732) LTD "EMEDICA"
Ksani St. 36, 0141, Tbilisi, Georgia

(111) M 2015 25858 R
(151) 2015 04 30
(181) 2025 04 30
(260) AM 2014 75056 A
(220) 2013 12 05
(732) LA SENZA CORPORATION
900-1959 Upper Water Street, Halifax, Nova
Scotia B3J 3 N2, Kanada

(111) M 2014 25846 R
(151) 2015 04 28
(181) 2025 04 28
(260) AM 2014 75346 A
(220) 2014 01 03
(732) OLX B.V.
Taurusavenue 105, 2132 LS, Hoofddorp,
The Netherlands, Netherlands

(111) M 2015 25854 R
(151) 2015 04 30
(181) 2025 04 30
(260) AM 2014 65156 A
(220) 2011 11 30
(732) LTD "PSP "
Zemo Vedzisi St. 103, 0177, Tbilisi, Georgia

(111) M 2015 25855 R
(151) 2015 04 30
(181) 2025 04 30
(260) AM 2014 74103 A
(220) 2013 09 30
(732) M7 TOBACCO TRADING FZCO
Plot N.S51302, Jebel Ali, Dubai
United Arab Emirates

(111) M 2015 25856 R
(151) 2015 04 30
(181) 2025 04 30
(260) AM 2014 74375 A
(220) 2014 06 03
(732) LTD "MORE is LOVE"
Gurieli St. 7, 0186, Tbilisi, Georgia

**TRADEMARKS REGISTERED ACCORDING TO THE
ACCELERATED PROCEDURE**

The decision can be appealed at the Chamber of Appeal of Sakpatenti within 3 months from the publication.

(111) M 2015 25862 R
(151) 2015 05 06
(181) 2025 05 06
(210) AM 81751
(220) 2015 04 22
(732) JSC "BIOCHEMPHARMA"
Gotua St. 3, 0160, Tbilisi, Georgia
(740) Davit Saralidze
(540)

სეპტაფაგი
SEPTAPHAGE
СЕПТАФАГ

(511) 5

(111) M 2015 25863 R
(151) 2015 05 07
(181) 2025 05 07
(210) AM 81816
(220) 2015 04 24
(732) LTD JORJIA INTERNESHENAL TURIZM
INVESTMENT GRUF KO. LTD
Adlias 1 shes. bld. 47, 6000, Batumi,
Georgia
(540)



(591) Blue, green, white, red
(531) 26.01.10, 26.03.11, 29.01.13, 07.03.02
(511) 39

(111) M 2015 25864 R
(151) 2015 05 08
(181) 2025 05 08
(210) AM 81785
(220) 2015 04 23
(732) LTD "SURQIT"
Amaghleba St. 12, ap. 69, Tbilisi, Georgia
(740) Vakhtang Torotadze
(540)

სიტი ავენუიზ ოტელი
CITY AVENUE HOTEL

(526) The trademark is protected as a whole. „ოტელ“ and "HOTEL" shall not be subject to independent legal protection.
(511) 43

(111) M 2015 25865 R
(151) 2015 05 11
(181) 2025 05 11
(210) AM 81760
(220) 2015 04 22
(732) BRITISH AMERICAN TOBACCO
(BRANDS) INC. (A Delaware corporation)
2711 Centerville Road, Suite 300,
Wilmington, Delaware 19808, USA
(740) Tamar Kochlamazashvili
(540)



(591) White, silver
(531) 25.07.15, 25.01.01, 25.07.20
(511) 34

(111) M 2015 25866 R
(151) 2015 05 11
(181) 2025 05 11
(210) AM 81761
(220) 2015 04 22
(732) BRITISH AMERICAN TOBACCO
(BRANDS) INC. (a Delaware corporation)
2711 Centerville Road, Suite 300,
Wilmington, Delaware 19808, USA
(740) Tamar Kochlamazashvili
(540)



(554) [X]
 (591) Silver, blue, white, black
 (531) 29.01.14, 10.01.05, 25.07.15
 (511) 34

(111) M 2015 25890 R
 (151) 2015 05 11
 (181) 2025 05 11
 (210) AM 81867
 (220) 2015 04 29
 (732) JAPAN TOBACCO INC.
 2-2-1 Toranomom Minato-ku, Tokyo, Japan
 (740) Shalva Gvaramadze
 (540)

MAGNA MIDI BLUE

(511) 34

(111) M 2015 25891 R
 (151) 2015 05 11
 (181) 2025 05 11
 (210) AM 81868
 (220) 2015 04 29
 (732) JAPAN TOBACCO INC.
 2-2-1 Toranomom Minato-ku, Tokyo, Japan
 (740) Shalva Gvaramadze
 (540)

MAGNA MIDI RED

(511) 34

(111) M 2015 25910 R
 (151) 2015 05 13
 (181) 2025 05 13
 (210) AM 81771
 (220) 2015 04 23
 (732) LTD "UNIMED GROUP CORP"
 Ad. Mitskevich St. 29, ap. 61, Tbilisi, Georgia
 (740) George Moniava
 (540)

უნიკაინი

UNICAIN

УНИКАИН

(511) 5

(111) M 2015 25919 R
 (151) 2015 05 14
 (181) 2025 05 14
 (210) AM 81790
 (220) 2015 04 24
 (732) LTD "UNIMED GROUP CORP"
 Ad. Mitskevich St. 29, ap. 61, Tbilisi, Georgia
 (740) George Moniava

(540)

ესენციალი
ESSENCIALE
ЕСЕНЦИАЛЕ

(511) 5

(111) M 2015 25921 R
 (151) 2015 05 19
 (181) 2025 05 19
 (210) AM 81934
 (220) 2015 05 05
 (732) LTD "SOFT DRINKS JORJIA"
 Meskhishvili 12/Avlabari turn 5,
 2 entrance, 5th floor, ap. 16, 0103, Tbilisi,
 Georgia
 (740) Edisher Khimshiashvili
 (540)

BAIHO

(511) 32

INTERNATIONAL TRADEMARKS FOR WHICH A DECISION ON GRANTING PROTECTIONS IS TAKEN

The decision can be appealed at the Chamber of Appeal of Sakpatenti within 3 months from the publication or at the Mtskheta District Court Administrative Cases Board (Address: №17, Samkhedro str., Mtskheta), within 1 month following the publication.

(260) AM 2015 74784 A*
 (800) 1180806
 (731) EGIS Gyógyszergyár Zrt.
 Keresztúri út 30-38, H-1106 Budapest,
 Hungary
 (540)

MACUNTIS

(591) Black, white
 (511)
 5 – Pharmaceutical preparations for human use.

(260) AM 2015 76286 A
 (800) 1066904
 (891) 2014 01 17
 (731) AS LIVIKO
 Masina 11, EE-10144 Tallinn, EE
 (540)



(591) Cream, deep red, deep brown, golden and orange
 (526) The trademark is protected as a whole. "Produced, blended and bottled in the heart of Tallinn"; "Authentic Estonian liqueur"; "Original Recipe"; "Superior quality", "TALLINN" shall not be subject to independent legal protection.
 (511)
 33 – Liqueurs; liqueur-based cocktails and mixed drinks.

(260) AM 2015 76291 A
 (800) 1177306
 (891) 2013 12 10
 (731) RECKITT BENCKISER N.V.
 Siriusdreef 14, NL-2132 WT Hoofddorp, NL
 (540)



(591) Purple, yellow, red, grey, white and orange
 (511)
 3 – Bleaching preparations; cleaning, polishing, scouring and abrasive preparations; detergents; decalcifying and descaling preparations for household purposes; limescale removers, rust removers, stain removers, grease removers; drain and sink unblocking preparations; preparations for prevention of limescale or grease; cleaning preparations for prevention of rust; all aforementioned goods with or without a disinfective component.

(260) AM 2015 76345 A
 (800) 1194116
 (891) 2013 07 16
 (731) SU INTERNATIONAL LLC.
 530 East 76 St., Suite 17/B, New York, US
 (540)



(591) Blue, orange, white
 (511)
 5 – Drugs for medical purposes, medicines for veterinary purposes, chemical preparations for medical purposes, chemico-pharmaceutical preparations, dietetic foods adapted for medical purposes, medical preparations for slimming purposes, food for babies, medicinal herbs, herbs for medicinal purposes, material for stopping teeth, dental wax; disinfectants; preparations for destroying noxious plants, materials for dressings, preparations for destroying vermin; fungicides, air purifying preparations, antiseptics.
 35 – Advertising, marketing and publicity services; organization of exhibitions and trade fairs for commercial or advertising purposes; office functions; advisory services for business management; business accounts management; import-export agencies; efficiency experts; auction and reverse auction services; the bringing together, for the benefit of others, drugs for medical purposes, medicines for veterinary purposes, chemical preparations for medical purposes, chemico-pharmaceutical preparations, dietetic foods adapted for medical purposes, medical preparations for slimming purposes, food for babies, medicinal herbs, herbs for medicinal purposes, material for stopping teeth, dental wax; disinfectants; preparations for destroying noxious plants, materials for dress-

sings, preparations for destroying vermin; fungicides, air purifying preparations, antiseptics of a variety of goods (excluding the transport thereof), enabling customers to conveniently view and purchase those goods from wholesale outlets, retail outlets and from a general merchandise catalogue by mail order or by means of telecommunications.

44 – Medical services; beauty care services, veterinary and other animal related services; agricultural, horticultural and forestry services.

(260) AM 2015 76346 A

(800) 1194125

(891) 2013 09 14

(731) MARINASUN CELLULOSE INDUSTRIES CO.

No:1, T floor, 3rd Building, Eskan Complex,
Mirdamad Blvd., Valie Asr Ave., Tehran, IR

(540)



(591) Blue and white

(511)

5 – Sanitary napkins, menstruation tampons, baby diapers of paper and cellulose.

16 – Napkins of paper, handkerchiefs of paper, toilet paper, towels of paper, scented paper.

(260) AM 2015 76347 A

(800) 1194133

(891) 2013 09 19

(731) KIKO S.P.A.

Via Giorgio e Guido Paglia, 1/D, I-24122
BERGAMO (BG), IT

(540)

[CLICS] system

(591) Black, white

(511)

3 – Cosmetics.

20 – Containers, not of metal, for cosmetics.

(260) AM 2015 76354 A

(800) 1194285

(891) 2013 07 02

(731) XIEON NETWORKS S.À.R.L.

7, rue Lou Hemmer, L-1748 Luxembourg-
Findel (LU), LU

(540)

CORIANT

(511)

9 – Computer software; software for telecommunication networks, switch control boxes; fibre optic

cables; fibre optic couplings, fibre optic panels, fibre optic periscopes, fibre optic receptors, fibre optic telecommunications apparatus, fibre optic terminals, fibre optic viewers (not for medical purposes), fibre optical elements, fibre optics, junction sleeves for fibre optics, optical fibre cables, optical fibre sensors, optical fibre temperature probes, other than for medical use, optical transmitters for use with fibre optic cables, sheaths for optical fibre cable; electric and electronic devices and apparatus as well as components for telecommunication and data net working; hardware for computer networks; devices for transporting, switching and aggregating voice, data and video communications across multiple network infrastructures and communications protocols; optical network products; switches, add/drop multiplexers, amplifiers, optical transporters, optoelectronic transceivers, communications hubs, optical waveguides and regenerators (amplifiers); telecommunications network hardware and software for interconnecting, managing, controlling and operating core, enterprise, metropolitan, local and wide area networks; optical transport hardware and computer software platforms for use in the transmission and routing of Internet, voice, video and data communications; optical network computer operating systems; optical link management software application suites for use in the transmission and routing of Internet, voice, video and data communications; scientific, optical and signalling apparatus and instruments; apparatus and instruments for conducting, switching, transforming, accumulating, regulating or controlling electricity; optical communication products; telecommunications and fibre optics installations, apparatus and instruments; telecommunications and fibre optics network management apparatus, and switching and interconnecting units for use therewith; computer hardware; identifying, prioritising and; routing switches; computer peripherals; digital communication network switches; ATM switches; optical fibres, optical amplifiers, optical wave guides, optical transmitters and optical receivers; multiplexers; apparatus and instruments for recordal, storage, processing, analysis, transmission, distribution and/or display of data; parts and fittings for all the aforesaid goods.

37 – Installation and repair of telecommunications networks (hardware); installation of integrated radio networks (hardware); installation of wireless telecommunications equipment and wireless local area networks (hardware); installation of communications network instruments; installation of computer networks (hardware); installation of data network apparatus; installation, maintenance and repair of telecommunications equipment and network systems; information, advice and consultancy in respect of all of the aforesaid services.

38 – Telecommunication services; fibre optic telecommunications services; consultancy in the field of

telecommunications; communication of data by means of telecommunications; data transmission services over telecommunications networks; data transmission and reception services via telecommunication means; digital network telecommunications services; hire of telecommunications installations; internet based telecommunication services; electronic communications services; providing access to electronic communications networks; providing access to wideband telecommunication networks; providing telecommunication connections to a global computer network or databases; provision of telecommunication access to databases and the Internet; communications services, namely telephone, facsimile, telex, message collection and transmission, radio paging and electronic mail services; satellite communication services; rental of electric and electronic apparatus and instruments as well as of systems composed thereof or parts thereof for utilization of all aforementioned services; advisory, information and consultancy services relating to all the aforementioned services, including via online information services.

41 – Computer training and conducting courses, classes, seminars and workshops for using, maintaining, monitoring and controlling software and hardware in the field of telecommunications systems; information, advice and consultancy in respect of all the aforesaid services.

42 – Development and design of software; programming of computer software for others; software development services, software engineering; software installation, software maintenance services, repair, maintenance, updating and upgrading of computer software, customization of computer software; debugging computer software for others; computer software installation; computer software integration; computer software technical support services, rental of computer software, software consulting services; rental of computer software; rental of software for telecommunication networks; leasing of computer software; engineering services; technical and support services in the field of network architecture planning; industrial analysis and design services for others; testing of telecommunication equipment; updating, installation and maintenance of computer software for interconnecting, managing, controlling and operating core, enterprise, metropolitan, local, and wide area networks; scientific and technological services and research and design relating thereto; industrial analysis and research services; design and development of computer hardware; information, advice and consultancy in respect of all the aforesaid services.

(260) AM 2015 76360 A
(800) 1194296
(891) 2013 09 13

(731) FEDONE S.R.L.
Piazza Carlo Alberto dalla Chiesa, 6 Frazione
Solomeo, I-06073 Corciano (PG), IT

(540)



(591) Black, white

(511)

3 – Bleaching preparations and other substances for laundry use; cleaning, polishing, scouring and abrasive preparations; soaps; perfumery, essential oils, cosmetics, hair lotions; dentifrices, namely, eau de cologne; toilet water; bases for flower perfumes; make-up; make-up powder; cosmetic creams; deodorants for human beings or for animals; extracts of flowers [perfumes]; lotions for cosmetic purposes; lip glosses; mascara; beauty masks; cosmetic pencils; decorative transfers for cosmetic purposes; cosmetic kits; oils for toilet purposes; oils for perfumes and scents; oils for cosmetic purposes; cosmetic preparations for skin care; perfumery; make-up preparations; toiletries; sachets for perfuming linen; make-up removing preparations; air fragrancing preparations; lipsticks; bath salts, not for medical purposes; cakes of soap.

9 – Scientific, nautical, surveying, photographic, cinematographic, optical, weighing, measuring, signalling, checking (supervision), life-saving and teaching apparatus and instruments; apparatus and instruments for conducting, switching, transforming, accumulating, regulating or controlling electricity; apparatus for recording, transmission or reproduction of sound or images; magnetic data carriers, recording discs; compact discs, DVDs and other digital recording media; mechanisms for coin-operated apparatus; cash registers, calculating machines, data processing equipment, computers; computer software; fire-extinguishing apparatus, namely, optical goods; containers for contact lenses; spectacle cases; usb flash drives; optical lenses; spectacle lenses; spectacle frames; sunglasses; goggles for sports; spectacles [optics].

18 – Leather and imitations of leather, and goods made of these materials and not included in other classes; animal skins, hides; trunks and travelling bags; umbrellas and parasols; walking sticks; whips, harness and saddlery, namely, key cases; vanity cases, not fitted; travelling trunks; bags for sports; chain mesh purses; purses; travelling sets [leatherware]; briefcases; school bags; leatherboard; coverings of skins [furs]; moleskin [imitation of leather];

umbrella covers; imitation leather; curried skins; chamois leather, other than for cleaning purposes; fur; card cases [notecases]; music cases; pocket wallets; furniture coverings of leather; haversacks; travelling bags; boxes of leather or leather board; hat boxes of leather; suitcases; attache cases; garment bags for travel; backpacks.

24 – Textiles and textile goods, not included in other classes, namely, bed covers; table covers; face towels of textile; towels of textile; bath linen, except clothing; household linen; bed linen; table linen, not of paper; diapered linen; brocades; calico; canvas for tapestry or embroidery; table mats, not of paper; travelling rugs (lap robes); curtain holders of textile material; dimity; damask; labels of cloth; handkerchiefs of textile; pillowcases; mattress covers; loose covers for furniture; covers for cushions; pillow shams; linings [textile]; flags, not of paper; gauze [cloth]; jersey [fabric]; chevots [cloth]; sheets [textile]; marabouts [cloth]; filtering materials of textile; plastic material [substitute for fabrics]; textile material; drugget; door curtains; furniture coverings of textile; cloth; woollen cloth; table runners; taffeta [cloth]; tablecloths, not of paper; moleskin [fabric]; hemp cloth; printed calico cloth; curtains of textile or plastic; hemp fabric; jute fabric; linen cloth; rayon fabric; ramie fabric; silk [cloth]; silk fabrics for printing patterns; elastic woven material; fabric of imitation animal skins; fibreglass fabrics for textile use; knitted fabric; non-woven textile fabrics; upholstery fabrics; fabric for footwear; lingerie fabric; fabrics for textile use; traced cloth for embroidery; chenille fabric; frieze [cloth]; place mats, not of paper; serviettes of textile; quilts; tulle; velvet.

25 – Clothing, footwear, headgear; clothing of imitations of leather; clothing of leather; motorists' clothing; cyclists' clothing; clothing for gymnastics; dresses; dressing gowns; bath robes; bandanas [neckerchiefs]; berets; underwear; smocks; boas (necklets); teddies [undergarments]; suspenders; galoshes; skull caps; footwear; boots for sports; stockings; slippers; socks; breeches for wear; shirts; coats; belts [clothing]; money belts [clothing]; tights; shoulder wraps; detachable collars; collar protectors; ear muffs [clothing]; layettes [clothing]; suits; beach clothes; neckties; bathing caps; headbands [clothing]; pocket squares; scarfs; jackets [clothing]; skirts; girdles; gloves [clothing]; waterproof clothing; ready-made clothing; knitwear [clothing]; jerseys [clothing]; leg warmers; singlets; hosiery; sweaters; muffs [clothing]; pelerines; mantillas; skorts; pants; bathing trunks; vests; trousers; parkas; pelisses; furs [clothing]; shirt yokes; pyjamas; cuffs; ponchos; pullovers; brassieres; sandals; gymnastic shoes; shawls; sashes for wear; underpants; topcoats; outerclothing; slips [undergarments]; half-boots; boots; fur stoles; tee-shirts; combinations [clothing]; veils [clothing].

35 – Advertising; business management; business administration; office functions, in particular, billposting; rental of advertising time on communication media; commercial administration of the licensing of the goods and services of others; shop window dressing; dissemination of advertising matter; distribution of samples; demonstration of goods; direct mail advertising; layout services for advertising purposes; rental of advertising space; marketing; publicity material rental; organization of exhibitions for commercial or advertising purposes; organization of trade fairs for commercial or advertising purposes; organization of fashion shows for promotional purposes; presentation of goods on communication media, for retail purposes; production of advertising films; sales promotion for others; publication of publicity texts; on-line advertising on a computer network; advertising by mail order; publicity columns preparation; radio advertising; television advertising; writing of publicity texts; public relations; sponsorship search; marketing studies; retail store services of soaps, perfumery, essential oils, cosmetics, optical articles, leather and imitations of leather articles, textiles and textile goods, articles of clothing, shoes and headgear.

(260) AM 2015 77323 A

(800) 1122593

(891) 2014 02 19

(731) MLE BRIJIT COHEN

Résidence Borely, 42 boulevard Joseph
Vernet, F-13008 MARSEILLE, FR
M. GEORGES COHEN
40 boulevard Emile Sicard, F-13008
MARSEILLE, FR

(540)

CROSSBY

(511)

25 – Clothing, footwear, headgear, shirts; leather or imitation leather clothing; belts (clothing); furs (clothing); gloves (clothing); scarves; neckties; hosiery; socks; slippers; beach, ski or sports footwear; underwear.

(260) AM 2015 77430 A

(800) 1204099

(891) 2014 02 12

(731) MAGNETI MARELLI AFTER MARKET

PARTS AND SERVICES S.p.A.
Viale Aldo Borletti, 61/63, Corbetta
(Milano), IT

(540)



(591) Black, white
(511)
37 – Machinery installation, maintenance and repair; motor vehicle maintenance and repair; vehicle service stations [refueling and maintenance]; anti-rust treatment for vehicles; retreading of tyres [tyres]; pump repair; rebuilding engines that have been worn or partially destroyed.

(260) AM 2015 77437 A
(800) 1204122
(891) 2014 02 28
(731) ASTEOS EOOD.
15 Trakia Str., BG-1527 Sofia, BG
(540)

ROD

(511)
34 – Tobacco; smokers' articles; matches.

(260) AM 2015 77438 A
(800) 1204167
(891) 2013 12 06
(731) Tovarystvo z obmezhenoiu vidpovidalnistiu
"BILOTSEKIVSKYI MOLOCHNYI
KOMBINAT"
vul. Uzynska, bud. 2, s. Tomylivka,
Bilotserkivskiyi raion, Kyivska obl. 09172, UA
(540)

MILKLIFE

(591) Black, white
(511)
5 – Dietetic beverages adapted for medical purposes; dietetic substances adapted for medical use; food for babies, including yoghurt for babies; yoghurt for babies with supplements; cheese curd for babies; cheese curd for babies with supplements; infant milk.

29 – Cream (dairy products); curd dessert with supplements; milk, including cow's milk, goat's milk; pasteurized milk without supplements; superpasteurized milk without supplements; sterilized milk; vitaminized milk; fortified milk; skim milk; milk products; whipped cream; yoghurt, including fruit yoghurt; yoghurt with vegetables; yoghurt with added cookies; yoghurt with supplements; kefir (milk beverage), including kefir without supplements, fruit kefir; kefir with bifido bacteria; bio kefir; kefir with vegetables; kefir with added cookies; kefir with supplements; koumiss (kumiss) (milk beverage); margarine; butter; peanut butter; cocoa butter; coconut butter; chocolate nut butter; milk beverages, milk predominating; sour milk beverages; ryazhenka (milk beverage); bio ryazhenka (milk beverage); hard pressed cheeses; processed cheeses; acid curd cheese with dried pitted and halved apricot; acid curd cheese with peanut; acid curd cheese with dried

plum; acid curd cheese with supplements; whey; sour cream; glazed sweet cheese curd; glazed cheese curd with supplements.

30 – Frozen yoghurt (confectionery ices), fruit yoghurt frozen; frozen yoghurt with vegetables; frozen yoghurt with cookies; frozen yoghurt with supplements; frozen kefir including frozen kefir fruit; frozen kefir with vegetables; frozen kefir with cookies; frozen kefir with supplements; coffee beverages with milk; cocoa with milk; tea with milk; chocolate beverages with milk; milk porridge food; ice cream; ice cream with supplements; fruit ice cream; mixture belonging to this class, for ice cream; mixture for milk cocktail; binding agents for ice cream (edible ices); powders for ice cream.

(260) AM 2015 77440 A
(800) 1204320
(891) 2013 08 14
(731) MEDYTOX INC.
78, Gangni 1-gil, Ochang-eup, Cheongwon-gun, Chungcheongbuk-do 363-885, KR
(540)

Aneuramis

(591) Black, white
(511)
5 – Pharmaceuticals, namely hyaluronate acid or modified hyaluronate acid for use as a soft tissue filler; medical devices, namely, self-contained ampoules for dispensing prepackaged hyaluronic acid and derivatives thereof alone, or in combination with other polysaccharide and with or without lidocaine; dermal filler kits comprising of a hyaluronic acid gel in a pre-filled syringe, injected under the skin, used to reduce or eliminate fine lines and wrinkles, fill scars and contour the lips and face; pre-filled syringes containing pharmaceutical preparations and prostheses, namely, hyaluronic acid or modified hyaluronic acid or one of its derivatives or salts or a substance having a skin tissue.

10 – Dermic implants, including visco-supplementation substances for medical use, intended for wrinkle filling or volume increasing.

(260) AM 2015 77441 A
(800) 1204365
(891) 2014 02 25
(731) AS A. Le Coq
Laulupeo pst 15, EE-50050 Tartu, EE
(540)



(591) Black, white, grey

(511)

32 – Beer; mineral and aerated waters and other non-alcoholic beverages; fruit juice beverages; syrups and other preparations for making beverages; vegetable juices (beverages); aerated juices; bitter lemon; smoothies; cocktails, non alcoholic; non-alcoholic fruit extracts; non-alcoholic fruit beverages; fruit-flavoured beverages; cider, non alcoholic; vegetable drinks; waters (beverages); table waters; bottled drinking waters; still water; mineral water beverage sparkling water; mineral waters, not for medical purposes; seltzer water; non-medicated beverages; part frozen slush drinks; non-alcoholic beverages; carbonated non-alcoholic drinks; lemonades; syrups for beverages; syrups for lemonade; energy drinks; energy drinks (not for medical purposes); beverages containing vitamins; non-alcoholic honey-based beverages; sports drinks; isotonic drinks; isotonic beverages (not for medical purposes); low-calorie soft drinks; non-alcoholic beer; beer-based cocktails.

33 – Alcoholic beverages (except beers); low alcoholic beverages; alcoholic energy drinks; alcopops; bitters; alcoholic fruit beverages; alcoholic beverages containing fruit; low alcoholic drinks; mead (hydromel); alcoholic fruit extracts; pre-mixed alcoholic beverages, other than beer-based; wine-based beverages; beverages containing wine (spritizers).

(260) AM 2015 77455 A

(800) 1103657

(891) 2014 05 05

(731) STAR TEXTIL, S.A.

Avenida President Companys, 16, E-08302
Mataró (Barcelona), ES

(540)



(591) Red, green, white, grey, black

(511)

25 – Shirts, short-sleeved shirts, blouses, blousons, sweatshirts, parkas, jackets, cloaks, shawls, coats, boas, trousers, gloves, socks, hose, underwear, pajamas, nightgowns, waistcoats, skirts, jerseys, sashes for wear, outfits, neckties, belts, suspenders, bathing suits, sportswear included in this class; caps, raincoats, anoraks; suits; footwear and headgear; ready-made knitwear; ready-made clothing.

35 – Advertising services; sales promotion for third parties (business services); export-import agency services of goods; business management; procurement services and retail sale in shops of all types of perfumery and cosmetics, jewelry, timekeeping

instruments, books, magazines, publications, bed and table linen, ready-made clothing, games and toys; organization of fairs and exhibitions for commercial or advertising purposes; rental of advertising space; assistance for the operation of commercial companies as franchises.

(260) AM 2015 77511 A

(800) 1204990

(891) 2014 02 05

(731) FASHIONTV.COM GMBH

Brienner Strasse 21, 80333 München, DE

(540)

Falconforce

(511)

3 – Bleaching preparations and other substances for laundry use; cleaning, polishing, scouring and abrasive preparations; soaps; perfumery, essential oils, cosmetics, hair lotions; dentifrices.

9 – Electrical engineering and electronic apparatus and instruments, included in this class; photographic, cinematographic and optical apparatus and instruments; electrical controlling, measuring, signalling, electrical checking (supervision), electrical regulating and switching apparatus; apparatus for recording, transmission or reproduction of sound or images; magnetic data carriers; sound and image recordings; exposed and cinematographic films; video tapes and cassettes; recording discs and pre-recorded magnetic tapes; data processing apparatus and computers; parts of the aforesaid goods (included in this class); glasses, sunglasses; computer programmes stored on data carriers, data carriers, included in this class; pre-recorded and unrecorded data carriers; computer hardware; computer software (recorded); CDs, DVDs, video games (computer games).

14 – Precious metals and their alloys and goods in precious metals or coated therewith, not included in other classes; jewellery, precious stones; horological and chronometric instruments.

16 – Paper, cardboard and goods made from these materials, not included in other classes; printed matter; book binding material; photographs; stationery; adhesives for stationery or household purposes; artists' materials; paint brushes; typewriters and office requisites (except furniture); instructional and teaching material (except apparatus); plastic materials for packaging (not included in other classes); printers' type; printing blocks.

25 – Clothing, footwear, headgear; belts (clothing).

32 – Beers; mineral and aerated waters and other non-alcoholic drinks; fruit drinks and fruit juices; syrups and other preparations for making beverages.

33 – Alcoholic beverages (except beers).

34 – Tobacco; smokers' articles; matches.

41 – Film production, motion picture rental, projection of films, broadcast and television entertainment; services in the field of education and entertainment (included in this class), musical, singing, theatre and dancing performances, live and via media; education via radio or TV; production of radio and TV programs, cultural activities; production, rental and performance of films (entertainment), educational and entertaining films, stored on recorded video carriers and CDs, CD ROMs and DVDs; organisation of award shows, organisation of fashion shows for entertainment purposes; providing of training.

42 – Clothing and fashion designing; design of fashion accessories; design of protective clothing.

43 – Services for providing food and drink and boarding and lodging services; catering.

(260) AM 2015 77533 A

(800) 1205079

(891) 2014 01 21

(731) GMG GRAND MEDICAL İLAÇLARI
LİMİTED ŞİRKETİ

Oruç Reis Mah. Tekstilkent, Cad. Koza Plaza
B Blok K. 7 D.60, ESENLER, İSTANBUL, TR

(540)

LEVADIDOZ
ЛЕВАДИДОЗ

(591) Black, white

(511)

5 – Medicines for human purposes, medicines for veterinary purposes, vitamin preparations, chemical preparations for medical purposes, dietetic substances adapted for medical use; dietetic foods adapted for medical purposes; baby foods, medicinal herbs, herbal beverages adapted for medical purposes, nutritional supplements, pollen dietary supplements, mineral food supplements, protein dietary supplements; dietary supplements for animals; fodder supplements for veterinary purposes; medicines for dental purposes, hygienic products for medical purposes including sanitary pads, breast-nursing pads and bunion pads, waddings for medical purposes, plasters for medical purposes, dressings for medical purposes, babies' napkins, preparations for destroying noxious plants, preparations for destroying noxious animals, fungicides, deodorants other than for human beings or for animals, air deodorising preparations, disinfectants for hygiene purposes, antiseptics, detergents for medical purposes.

(260) AM 2015 77534 A

(800) 1205080

(891) 2014 01 21

(731) GMG GRAND MEDICAL İLAÇLARI
LİMİTED ŞİRKETİ

Oruç Reis Mah. Tekstilkent, Cad. Koza Plaza
B Blok K.7 D.60, ESENLER, İSTANBUL, TR

(540)

MEDEFER
МЕДЕФЕР

(591) Black, white

(511)

5 – Medicines for human purposes, medicines for veterinary purposes, vitamin preparations, chemical preparations for medical purposes, dietetic substances adapted for medical use; dietetic foods adapted for medical purposes; baby foods, medicinal herbs, herbal beverages adapted for medical purposes, nutritional supplements, pollen dietary supplements, mineral food supplements, protein dietary supplements; dietary supplements for animals; fodder supplements for veterinary purposes; medicines for dental purposes, hygienic products for medical purposes including sanitary pads, breast-nursing pads and bunion pads, waddings for medical purposes, plasters for medical purposes, dressings for medical purposes, babies' napkins, preparations for destroying noxious plants, preparations for destroying noxious animals, fungicides, deodorants other than for human beings or for animals, air deodorising preparations, disinfectants for hygiene purposes, antiseptics, detergents for medical purposes.

(260) AM 2015 77535 A

(800) 1205081

(891) 2014 01 21

(731) GMG GRAND MEDICAL İLAÇLARI
LİMİTED ŞİRKETİ

Oruç Reis Mah. Tekstilkent, Cad. Koza Plaza
B Blok K.7 D.60, ESENLER, İSTANBUL, TR

(540)

LIVSELON
ЛИВСЕЛОН

(591) Black, white

(511)

5 – Medicines for human purposes, medicines for veterinary purposes, vitamin preparations, chemical preparations for medical purposes, dietetic substances adapted for medical use; dietetic foods adapted for medical purposes; baby foods, medicinal herbs, herbal beverages adapted for medical purposes, nutritional supplements, pollen dietary supplements, mineral food supplements, protein dietary supplements; dietary supplements for animals; fodder supplements for veterinary purposes; medicines for dental purposes, hygienic products for medical purposes.

poses including sanitary pads, breast-nursing pads and bunion pads, waddings for medical purposes, plasters for medical purposes, dressings for medical purposes, babies' napkins, preparations for destroying noxious plants, preparations for destroying noxious animals, fungicides, deodorants other than for human beings or for animals, air deodorising preparations, disinfectants for hygiene purposes, antiseptics, detergents for medical purposes.

(260) AM 2015 77593 A

(800) 1205629

(891) 2014 04 03

(731) Limited Liability Company

"INDUSTRIYA KRASOTY"

ul. Cherepakhina, 243/97, Rostov Region,

RU-344011 Rostov-on-Don, RU

(540)

Lin&Lo

(591) Black, white

(511)

3 – Lip glosses; toilet water; make-up; perfumes; perfumery; decorative transfers for cosmetic purposes; eyebrow pencils; cosmetic pencils; adhesives for affixing false eyelashes; creams for leather; cosmetic creams; skin whitening creams; nail polish; lotions for cosmetic purposes; beauty masks; cleansing milk for toilet purposes; cosmetic kits; nail art stickers; false nails; eau de cologne; cotton sticks for cosmetic purposes; pumice stone; lipsticks; pomades for cosmetic purposes; toiletries; lacquer-removing preparations; make-up removing preparations; nail care preparations; aloe vera preparations for cosmetic purposes; sunscreen preparations; make-up powder; false eyelashes; tissues impregnated with cosmetic lotions; eyebrow cosmetics; make-up preparations; sun-tanning preparations [cosmetics]; cosmetic preparations for eyelashes; depilatory preparations; cosmetic preparations for skin care; mascara.

21 – Brush goods, namely, brushware for make-up, cosmetic brushware.

35 – Arranging subscriptions to telecommunication services for others; import-export agencies; commercial information agencies; advertising agencies; cost price analysis; rental of advertising space; business auditing; employment agencies; computerized file management; book-keeping; invoicing; business efficiency expert services; demonstration of goods; transcription of communications [office functions]; opinion polling; marketing studies; business information; commercial information and advice for consumers [consumer advice shop]; business investigations; marketing research; business research; personnel recruitment; business management and organization consultancy; business organization consul-

tancy; business management consultancy; personnel management consultancy; professional business consultancy; layout services for advertising purposes; marketing; business management of performing artists; business management of sports people; news clipping services; updating of advertising material; word processing; organization of exhibitions for commercial or advertising purposes; arranging newspaper subscriptions for others; organization of fashion shows for promotional purposes; organization of trade fairs for commercial or advertising purposes; shop window dressing; business appraisals; payroll preparation; data search in computer files for others; sponsorship search; business management assistance; commercial or industrial management assistance; presentation of goods on communication media, for retail purposes; economic forecasting; auctioneering; sales promotion for others; production of advertising films; office machines and equipment rental; rental of advertising time on communication media; publicity material rental; rental of vending machines; rental of photocopying machines; publication of publicity texts; radio advertising; billposting; outdoor advertising; distribution of samples; dissemination of advertising matter; direct mail advertising; writing of publicity texts; advertising; on-line advertising on a computer network; advertising by mail order; television advertising; document reproduction; compilation of statistics; compilation of information into computer databases; business inquiries; systemization of information into computer databases; advisory services for business management; tax preparation; drawing up of statements of accounts; copywriting; telemarketing services; psychological testing for the selection of personnel; business management of hotels; commercial administration of the licensing of the goods and services of others; administrative processing of purchase orders; public relations; modelling for advertising or sales promotion; typing; relocation services for businesses; secretarial services; price comparison services; procurement services for others [purchasing goods and services for other businesses]; shorthand; outsourcing services [business assistance]; telephone answering for unavailable subscribers; photocopying services.

(260) AM 2015 77596 A

(800) 1205729

(891) 2013 07 17

(731) HYUNDAI WIA Corporation

153, Jeongdong-ro, Seongsan-gu, Changwon-si, Gyeongsangnam-do, KR

(540)



The logo consists of the word "HYUNDAI" in a blue, sans-serif font above the word "WIA" in a larger, bold, blue, sans-serif font. A small red square is positioned above the letter "A" in "WIA".

(591) Blue and Red

(511)

13 – Tanks (weapons); gun carriages (artillery); anti-aircraft artillery; machine guns; automatic guns; artillery guns [cannons]; rocket launchers; recoilless guns; mortars (firearms); launchers; firing platforms; ballistic missiles; cartridge loading apparatus; gun barrels; gun mounts; tank gun.

37 – Repair of machine tools; repair of machinery; repair of motive power machines; repair of robots; repair of machining centers; repair of automobile; repair of firearms.

(260) AM 2015 77825 A

(800) 1207028

(891) 2013 10 04

(731) MONCLER S.P.A.

Via Stendhal, 47, I-20144 MILANO, IT

(540)



(591) Black, white

(511)

9 – Eyeglasses; sunglasses; anti-glare glasses; goggles for sports; swimming goggles; eyeglass and sunglass cases; eyeglass and sunglass lenses; eyeglass and sunglass frames; eyeglass and sunglass chains; eyeglass and sunglass cords; pince-nez; pince-nez cases; pince-nez chains; pince-nez cords; pince-nez mountings; correcting lenses [optics]; holders for contact lenses; ski goggles; spectacle cases; optical lenses; optical apparatus and instruments; lanyards for mobile phones; mobile phone covers; mobile phone cases; mobile phones; smartphones; smartphone covers; portable telephones; telephone card cases; cordless telephones; cordless telephone holders; mobile phone straps; mobile phone battery chargers; mobile phone battery charger cases; in-ear headphones; headphones; headphone cases; compact discs [audio-video]; DVDs; holders and cases for compact discs and digital video discs; protective carrying cases for portable music players; music and video player cases; digital audio players; loudspeakers; compact disc players; CD player cases; DVD players; DVD player cases; portable MP3 players; portable MP3 player cases; cases for tablet computers; protective covers for tablet computers; personal computer cases; computer mice; mouse pads; cases for laptops; computer carrying cases; computers; tablet computers; bags adapted for laptops; docking

stations for laptops; sleeves for laptops; electronic pagers; carrying cases for radio pagers; radios; radio cases; camera cases; lanyards for cameras; photographic cameras; digital photo frames; exposed slide film cases; video cameras; binocular cases; credit card cases [fitted holders]; magnetically encoded key cards; hands free kits for phones; hand-held computers; hand-held computers cases; slides [photography]; video screens; prerecorded magnetic tapes, cartridges and disks; wrist rests for use with computers; electronic agendas; electronic agenda cases; walkie-talkies; antennas; audiovisual teaching apparatus; binoculars; telescopes; exposed films; electronic game software for hand-held electronic devices; computer game software; computer keyboards; computer printers; home theater projectors; musical juke boxes; magic lanterns; holograms; optical discs; prisms [optics]; time clocks [time recording devices]; protective helmets for sports; magnifying glasses; magnifying glass cases; transmitters of electronic signals; objectives [lenses] [optics]; navigation apparatus for vehicles [on-board computers]; televisions; downloadable electronic publications; interactive whiteboards; electronic book readers; protective cases for electronic book readers.

18 – Leather and imitations of leather, and goods made of these materials and not included in other classes; animal skins, hides; trunks and travelling bags; umbrellas and parasols; walking sticks; whips, harness and saddlery; cases, of leather or leatherboard; bags; handbags; shopping bags; shoulder bags; travelling bags; beach bags; clutch bags; attaché cases; school bags; bags for sports; garment bags for travel; purses; wallets; carrying cases for documents; leather straps; card cases [notecases]; hat boxes of leather; keycases; key wallets; key bags; backpacks; briefcases; pouches, of leather, for packaging; luggage; shoe bags for travel; all purpose sports bags; tote bags; knapsacks; rucksacks; suitcases; trunks [luggage]; vanity cases [beauty cases], not fitted; pouches for holding make-up, keys and other personal items; leather, unworked or semi-worked; moleskin [imitation of leather]; fur-skins; furniture coverings of leather; handbag frames; leather key cases; leather shoulder belts; leather pouches; duffel bags; leather shopping bags; boston bags; waist bags; evening handbags; pocket wallets; saddle bags; calling card cases; travelling cases of leather; gut for making sausages; collars for animals; nose bags [feed bags]; bridles [harness].

25 – Stuff jackets; down jackets; jackets [clothing]; fur jackets; fur coats; T-shirts; sweatshirts; suits; dresses; overcoats; blousons; coats; parkas; capes; anoraks; raincoats; cloaks; long jackets; pullovers; cardigans; jerseys; sweaters; skirts; jerkins; shirts; blouses; polo shirts; waistcoats; vests; track suits; jeans; trousers; pants; evening dresses; dress suits; dress shirts; tank tops; pinafores; tuxedos; rompers;

leotards; undershirts; gabardines; bermuda shorts; slacks; unitards; tunics; school uniforms; wedding dresses; breeches for wear; sweat pants; athletic uniforms; sport shirts; sport stockings; ski masks [clothing]; golf clothing, other than gloves; ski suits; ski jackets; ski pants; socks; stockings; tights; brassieres; singlets; corsets; petticoats; suspenders; leggings [leg warmers]; nightgowns; pyjamas; dressing gowns; panties; underpants; bath robes; bathing suits; swimsuits; bathing caps; bodices [lingerie]; hosiery; garters; gaiters; girdles; gloves [clothing]; muffs [clothing]; neckties; neckerchiefs; scarves; shawls; bandanas [neckerchiefs]; muffs; boas [necklets]; stoles; collars [clothing]; cuffs; pareus; babies' pants [clothing]; children's clothing; dance costumes; belts for clothing; sashes [clothing]; braces for clothing; sock suspenders; stocking suspenders; aprons [clothing]; overalls; shoes; sneakers; sports shoes; gymnastic shoes; ski boots; boots; lace boots; leather shoes; rain boots; mountaineering shoes; clogs; sandals; slippers; soles for footwear; berets; hoods [clothing]; hats; caps [headwear]; visors [headwear].

(260) AM 2015 77829 A

(800) 1207093

(891) 2014 04 14

(731) Economic Partnership "KILLFISH TRADEMARK"

ul. Vosstaniya, d. 30/7, zdanie liter A, pom. 6N, RU-195221 Saint-Petersburg, RU

(540)



(526) The trademark is protected as a whole. "ДИСКАУНТ БАР" shall not be subject to independent legal protection.

(511)

32 – Aperitifs, non-alcoholic; kvass [non-alcoholic beverage]; cocktails, non-alcoholic; lemonades; peanut milk [non-alcoholic beverage]; beverages, non-alcoholic; isotonic beverages; non-alcoholic honey-based beverages; whey beverages; non-alcoholic fruit juice beverages; milk of almonds [beverage]; fruit nectars, non-alcoholic; orgeat; beer; powders for effervescing beverages; sarsaparilla [non-alcoholic beverage]; syrups for lemonade; syrups for beverages; tomato juice [beverage]; cider, non-alcoholic; vegetable juices [beverages]; fruit juices; preparations for making aerated water; preparations for making liqueurs; preparations for making mineral water; preparations for making beverages; must; grape must, unfermented; beer wort; malt wort; pastilles for effervescing beverages; sherbets [beve-

rages]; non-alcoholic fruit extracts; extracts of hops for making beer; essences for making beverages.

33 – Aperitifs; arrack; brandy; wine; piquette; whiskey; vodka; gin; digesters [liqueurs and spirits]; cocktails; liqueurs; alcoholic beverages containing fruit; spirits [beverages]; distilled spirits; liquors [distilled]; mead [hydromel]; peppermint liqueurs; bitters; rum; sake; cider; rice alcohol; alcoholic extracts; fruit extracts, alcoholic; alcoholic essences; alcoholic beverages, except beer.

35 – Demonstration of goods; sales promotion for others.

43 – Snack-bars; cafés; cafeterias; restaurants; self-service restaurants; bar services; providing campground facilities; food and drink catering.

(260) AM 2015 77831 A

(800) 682707

(891) 2014 06 06

(731) S. Tous, S.L.

Ctra. de Vic, El Guix, 3, E-08243 MANRESA (Barcelona), ES

(540)

TOUS

(591) Black, white

(511)

14 – Precious metals and their alloys and goods in precious metals or coated therewith not included in other classes; jewellery, precious stones; timepieces and chronometric instruments.

(260) AM 2015 77832 A

(800) 737052

(891) 2014 06 05

(731) S. Tous, S.L.

Ctra. de Vic, El Guix, 3 E-08243 MANRESA (Barcelona), ES

(540)

TOUS

(591) Black, white

(511)

3 – Bleaching preparations and other substances for laundry use; cleaning, polishing, grease removing and abrasive preparations; soaps; perfumery, essential oils, cosmetics, hair lotions; dentifrices.

9 – Scientific, nautical, surveying, electric, photographic, cinematographic and optical, weighing, measuring, signalling, monitoring, emergency (life-saving) and teaching apparatus and instruments; apparatus for recording, transmitting and reproducing sound or images; magnetic recording media, sound recording disks; automatic vending machines and mechanisms for coin-operated apparatus; cash

registers, calculators, data processing devices and computers; fire extinguishers.

18 – Leather and imitation leather, goods made thereof not included in other classes; animal skins and hides; trunks and suitcases; umbrellas, parasols and walking sticks; whips and saddlery.

25 – Clothing, footwear, headgear.

(260) AM 2015 77834 A

(800) 1008239

(891) 2014 06 10

(731) S. TOUS, S.L.

Ctra. de Vic, El Guix, 3, E-08243 MANRESA (Barcelona), ES

(540)



(591) Black, white

(511)

18 – Leather and imitation leather, goods made of these materials not included in other classes; animal skins and hides; trunks and travelling bags; umbrellas, parasols and walking sticks; whips, harnesses and saddlery.

25 – Clothing, footwear, headgear.

(260) AM 2015 77835 A

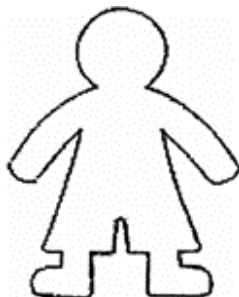
(800) 1051988

(891) 2014 06 10

(731) S. Tous, S.L.

Carretera de Vic, El Guix, 3, E-08243 MANRESA (Barcelona), ES

(540)



(591) Black, white

(511)

14 – Precious metals and their alloys and goods of precious metals or coated therewith, not included in other classes; jewelry, precious stones; horological and chronometric instruments.

18 – Leather and imitations of leather, and goods made of these materials and not included in other classes; animal skins; trunks and traveling bags; umbrellas, parasols and walking sticks; whips, harness and saddlery.

(260) AM 2015 78031 A

(800) 1209019

(891) 2014 04 15

(731) LTD "Fissman BioEcolistik"

str. 1, d. 11, 1-y Magistralny tupik,

RU-123290 Moscow, RU

(540)

FIMA

(591) Black, white

(511)

3 – Abrasives; scale removing preparations for household purposes; polishing stones; abrasive paper; polishing paper; polishing wax; windshield cleaning liquids; silicon carbide [abrasive]; carbides of metal [abrasives]; tripoli stone for polishing; corundum [abrasive]; polishing creams; cleaning chalk; soap; emery; abrasive cloth; glass cloth; grinding preparations; polishing preparations; rust removing preparations; cleaning preparations; shining preparations [polish]; scouring solutions; washing soda, for cleaning; degreasers other than for use in manufacturing processes; sandpaper.

8 – Table forks; sharpening instruments; ladles for wine; spoons; cheese slicers, non-electric; egg slicers, non-electric; pizza cutters, non-electric; scaling knives; can openers, non-electric; knives; scissors; vegetable slicers; table cutlery [knives, forks and spoons]; silver plate [knives, forks and spoons].

21 – Dishes; vases; cruets; cutting boards for the kitchen; containers for household or kitchen use; heat-insulated containers for beverages; thermally insulated containers for food; stew-pans; bread baskets, domestic; cauldrons; dish covers; pitchers; basting spoons, for kitchen use; mixing spoons [kitchen utensils]; bowls [basins]; cooking pot sets; trays for domestic purposes; pots; cooking pots; pressure cookers [autoclaves], non-electric; tableware, other than knives, forks and spoons; hot pots, not electrically heated; kitchen utensils; cooking utensils, non-electric; molds [kitchen utensils]; cake molds [moulds]; ice cube molds [moulds]; cookery molds [moulds]; deep fryers, non-electric; teapots; kettles, non-electric; frying pans.

(260) AM 2015 78183 A

(800) 1210467

(891) 2014 03 05

(731) ENI S.p.A.

Piazzale Enrico Mattei, 1, I-00144 ROMA, IT

(540)



(591) Black, red and yellow

(511)

1 – Chemicals used in industry, science and photography, as well as in agriculture, horticulture and forestry; unprocessed artificial resins, unprocessed plastics; manures; fire extinguishing compositions; tempering and soldering preparations; chemical substances for preserving foodstuffs; tanning substances; adhesives used in industry.

4 – Industrial oils and greases; lubricants; dust absorbing, wetting and binding compositions; fuels (including motor spirit) and illuminants; candles and wicks for lighting.

6 – Common metals and their alloys; metal building materials; transportable buildings of metal; materials of metal for railway tracks; non-electric cables and wires of common metal; ironmongery, small items of metal hardware; pipes and tubes of metal; safes; goods of common metal not included in other classes; ores.

9 – Scientific, nautical, surveying, photographic, cinematographic, optical, weighing, measuring, signalling, checking (supervision), life-saving and teaching apparatus and instruments; apparatus and instruments for conducting, switching, transforming, accumulating, regulating or controlling electricity; apparatus for recording, transmission or reproduction of sound or images; magnetic data carriers, recording discs; compact discs, DVDs and other digital recording media; mechanisms for coin-operated apparatus; cash registers, calculating machines, data processing equipment, computers, computer software; fire-extinguishing apparatus.

11 – Apparatus for lighting, heating, steam generating, cooking, refrigerating, drying, ventilating, water supply and sanitary purposes.

17 – Rubber, gutta-percha, gum, asbestos, mica and goods made from these materials and not included in other classes; plastics in extruded form for use in manufacture; packing, stopping and insulating materials; flexible pipes, not of metal.

19 – Building materials (non-metallic); non-metallic rigid pipes for building; asphalt, pitch and bitumen; non-metallic transportable buildings; monuments, not of metal.

25 – Clothing, footwear, headgear.

37 – Building construction; repair; installation services.

39 – Transport; packaging and storage of goods; travel arrangement.

40 – Treatment of materials.

42 – Scientific and technological services and research and design relating thereto; industrial analysis and research services; design and development of computer hardware and software.

(260) AM 2015 78328 A

(800) 1210981

(891) 2013 12 02

(731) CJSC "MYASNAYA GALEREYA"
ul. Poliny Osipenko, 41, RU-600009,
Vladimir, RU

(540)



(591) White, red-wine colored, green, golden, black and not uniform black, color with gaps

(526) The trademark is protected as a whole. "gotovye" shall not be subject to independent legal protection.

(511)

29 – Meat, fish, poultry and game; meat extracts; preserved, frozen, dried and cooked fruits and vegetables; jellies, jams, compotes; eggs; milk and milk products; edible oils and fats; ajvar [preserved peppers]; aloe vera prepared for human consumption; alginates for culinary purposes; anchovy; peanuts, processed; albumen for culinary purposes; white of eggs; beans, preserved; soya beans, preserved, for food; bouillon; ginger jam; ham; fatty substances for the manufacture of edible fats; toasted laver; edible birds' nests; peas, preserved; mushrooms, preserved; gelatine; meat jellies; jellies for food; fruit jellies; yolk of eggs; coconut fat; bone oil, edible; lard for food; suet for food; fruit-based snack food; charcuterie; raisins; caviar; processed fish spawn; yoghurt; sauerkraut; kefir [milk beverage]; isinglass for food; clams, not live; milk shakes; black pudding; meat, tinned; vegetables, tinned; fish, tinned; fruits, tinned; bouillon concentrates; gherkins; shrimps, not live; prawns, not live; buttercream; croquettes; silkworm chrysalis, for human consumption; kumys [kumyss] [milk beverage]; spiny lobsters, not live; lecithin for

culinary purposes; salmon; onions, preserved; margarine; piccalilli; marmalade; peanut butter; chocolate nut butter; colza oil for food; coconut butter; corn oil; sesame oil; flaxseed oil for culinary purposes; palm oil for food; palm kernel oil for food; sunflower oil for food; coconut oil; butter; shellfish, not live; almonds, ground; animal marrow for food; mussels, not live; albumin milk; soya milk [milk substitute]; fishmeal for human consumption; vegetable mousses; fish mousses; fruit pulp; meat, preserved; milk beverages, milk predominating; potato fritters; olives, preserved; lobsters, not live; coconut, desiccated; nuts, prepared; tomato purée; liver pâté; pectin for culinary purposes; liver; pickles; jams; powdered eggs; kimchi [fermented vegetable dish]; food products made from fish; prostokvasha [soured milk]; poultry, not live; pollen prepared as foodstuff; cranberry sauce [compote]; apple purée; crayfish, not live; crustaceans, not live; fish, preserved; salted fish; vegetable salads; fruit salads; bacon; sardines; pork; herrings; processed seeds; processed sunflower seeds; cream [dairy products]; whipped cream; fat-containing mixtures for bread slices; tomato juice for cooking; vegetable juices for cooking; salted meats; sausages; sausages in batter; preparations for making bouillon; preparations for making soup; tripe; soups; vegetable soup preparations; whey; cheese; tahini [sesame seed paste]; tofu; sea-cucumbers, not live; truffles, preserved; tuna fish; oysters, not live; milk ferments for culinary purposes; rennet; fish fillets; dates; crystallized fruits; frozen fruits; fruit preserved in alcohol; fruit, stewed; potato flakes; hummus [chickpea paste]; fruit peel; preserved garlic; lentils, preserved; potato chips; low-fat potato chips; fruit chips; non-alcoholic eggnog; seaweed extracts for food; snail eggs for consumption.

30 – Coffee; tea; cocoa; sugar; rice; tapioca; sago; artificial coffee; flour and preparations made from cereals; bread, pastry and confectionery; edible ices; sugar, honey, treacle; yeast, baking-powder; salt; mustard; vinegar, sauces [condiments]; spices; ice; aromatic preparations for food; flavorings [flavourings], other than essential oils, for cakes; flavorings [flavourings], other than essential oils, for beverages; coffee flavorings; flavorings, other than essential oils; star aniseed; high-protein cereal bars; pancakes; noodle-based prepared meals; buns; bread rolls; vanillin [vanilla substitute]; vanilla [flavoring]; waffles; vermicelli [noodles]; natural sweeteners; sausage binding materials; binding agents for edible ices; sea water for cooking; seaweed [condiment]; malt biscuits; cloves [spice]; cake frosting [icing]; glucose for culinary purposes; gluten additives for culinary purposes; yeast; thickening agents for cooking foodstuffs; leaven; rice-based snack food; cereal-based snack food; vegetal preparations for use as coffee substitutes; dressings for salad; fruit jellies [confectionery]; confectionery for decorating Christmas trees; cakes; pastries; peanut confectionery;

almond confectionery; farinaceous food pastes; pasties; ginger [spice]; frozen yoghurt [confectionery ices]; capers; caramels [candy]; curry [spice]; gruel, with a milk base, for food; quiches; gluten prepared as foodstuff; sweetmeats [candy]; liquorice [confectionery]; peppermint sweets; cinnamon [spice]; unroasted coffee; starch for food; crackers; custard; hominy grits; semolina; oatmeal; crushed barley; groats for human food; corn, milled; corn, roasted; meat pies; turmeric for food; couscous [semolina]; farinaceous foods; noodles; ice for refreshment; ice, natural or artificial; edible ices; candy; rice cakes; mayonnaise; macaroons [pastry]; macaroni; maltose; hominy; marinades; marzipan; honey; royal jelly; ice cream; bean meal; tapioca flour for food; potato flour for food; corn flour; wheat flour; soya flour; barley meal; dessert mousses [confectionery]; chocolate mousses; muesli; mint for confectionery; cocoa beverages with milk; coffee beverages with milk; coffee-based beverages; tea-based beverages; chocolate beverages with milk; chocolate-based beverages; cocoa-based beverages; infusions, not medicinal; crushed oats; husked oats; nutmegs; stick liquorice [confectionery]; soya bean paste [condiment]; lozenges [confectionery]; molasses for food; pepper; allspice; peppers [seasonings]; pesto; biscuits; petit-beurre biscuits; pies; pizzas; meat gravies; fondants [confectionery]; pop corn; powder for edible ices; mustard meal; pralines; condiments; meat tenderizers, for household purposes; cereal preparations; flour-milling products; oat-based food; bee glue; gingerbread; petits fours [cakes]; puddings; cake powder; fruit coulis [sauces]; ravioli; chewing gum; relish [condiment]; wheat germ for human consumption; spring rolls; aniseed; flaxseed for human consumption; golden syrup; cake paste; baking soda [bicarbonate of soda for cooking purposes]; malt for human consumption; salt for preserving foodstuffs; cooking salt; celery salt; sherbets [ices]; ham glaze; soya sauce; tomato sauce; spaghetti; seasonings; preparations for stiffening whipped cream; rusks; breadcrumbs; sushi; sandwiches; tabbouleh; tacos; cream of tartar for culinary purposes; tarts; almond paste; tortillas; garden herbs, preserved [seasonings]; vinegar; beer vinegar; ferments for pastes; halvah; bread; unleavened bread; chips [cereal products]; corn flakes; oat flakes; chicory [coffee substitute]; iced tea; chutneys.

43 – Services for providing food and drink; temporary accommodation; accommodation bureaux [hotels, boarding houses]; rental of temporary accommodation; rental of meeting rooms; tourist homes; hotel reservations; boarding house bookings; temporary accommodation reservations; hotels; retirement homes; snack-bars; cafés; cafeterias; motels; boarding houses; boarding for animals; rental of cooking apparatus; rental of chairs, tables, table linen, glassware; rental of tents; rental of transportable buildings; rental of drinking water dispensers;

restaurants; self-service restaurants; canteens; holiday camp services [lodging]; bar services; providing campground facilities; food and drink catering; day-nurseries [crèches].

(260) AM 2015 78332 A

(800) 1211050

(891) 2013 11 04

(731) Chipita Industrial and Commercial Company S.A. with the distinctive title Chipita S.A.
12 km National Road, Athens-Lamia, GR-144
52 Metamorphossi, GR

(540)



Bakery in a bag

(591) Red, dark red, white and black

(511)

29 – Preserved and dried vegetables and fruits (raisins, sultanas, currants), crystallized fruits (candied lemon and orange peel), dates, processed nuts, snack foods and prepared meals consisting primarily of potato, including chips, crisps, sticks, flakes, and fritters, low fat potato chips, frosted fruits, frozen fruits, fruit chips, fruit jellies, fruit-based snack food, jams, ginger jam, marmalade, peanut butter, compotes, dairy-based and nut-based spreads for bread slices, including hazelnut and vanilla flavoured spreads; milk and milk products, milk beverages, edible oils and fats.

30 – Coffee, tea, cocoa, vanilla, vanillin, cocoa products, namely candy made with cocoa, cocoa, cocoa and cocoa-based beverages, cocoa extracts for human consumption, cocoa mixes, cocoa powder, cocoa spreads, cocoa preparations for making alcoholic and non-alcoholic beverages; flour for food, wheat flour, flour and preparations made from cereals (except foodstuff for animals), flour-milling products, cereal bars, cereal-based snack food, cereals prepared for human consumption (oat flakes and those made from other cereals), husked barley, husked oats, maize flakes, corn flakes, popcorn, farinaceous foods, prepared baking mixtures for bread, cakes and small pastries, pancakes, cake paste, cake powder, candy decorations for cakes, rice cakes, rice-based snack food, flavorings for cakes other than essential oil, bread, gingerbread, bread rolls, rusks, breadcrumbs, snack foods consisting primarily of bread, namely breads, snacks made from breads, and crisp breads; sandwiches, chips, rolls, wafers, wafer rolls, Swiss rolls, buns, croissants, magdalenas, strudel, pizzas (including half-cooked for finishing, including as preserved food), rusks, pastry and confectionery, pastries, waffles, almond

confectionery, almond paste, honey, fondants, halvah, cookies, crackers, biscuits, malt biscuits, petit-beurre biscuits, petits fours, coffee beverages with milk, tea based beverages, confectionery with a cocoa or chocolate base, chocolate toppings, blocks of chocolate, and chocolate containing flavoured fillings; chocolate filled with nuts and/or cereal products and/or fruits and rice, pralines, nut confectionery, marzipan, puddings, liquorice, macaroons, peppermint sweets, sweetmeats, chocolate sweetmeats, fruit sweetmeats, caramels, chewing gums, gum sweetmeats, fruit and wine gums, royal jelly for human consumption, not for medical purposes, sauces (condiments); spices; spreads for bread slices (nougat based hazelnut or nougat based).

(260) AM 2015 78333 A

(800) 1211054

(891) 2013 12 30

(731) PIDEM RESTAURANT İŞLETMELERİ
GIDA TURİZM İNŞAAT TİCARET VE
SANAYİ ANONİM ŞİRKETİ
Ostim Mah. Uzayçağı Cad. Karacabey,
Kozanoğlu İş Merkezi No:62/2, Ostim
Yenimahalle, Ankara, TR

(540)



(591) Black, brown, red, orange, yellow, Beige

(511)

43 – Services for providing food and drink; temporary accommodation; day-nurseries (crèches); boarding for animals.

(260) AM 2015 78364 A

(800) 1211327

(891) 2014 04 07

(731) ZENTIVA GROUP, A.S.
U Kabelovny 130, CZ-102 37 Praha
10 – Dolní Měcholupy, CZ

(540)

JAVESE

(511)

5 – Pharmaceuticals, pharmaceutical preparations for human use.

(260) AM 2015 78365 A

(800) 1211328

(891) 2014 04 07

(731) Zentiva Group, a.s.
U Kabelovny 130, CZ-102 37 Praha
10 – Dolní Měcholupy, CZ

(540)

LEVIER

(511)

5 – Pharmaceuticals, pharmaceutical preparations for human use.

(260) AM 2015 78367 A

(800) 1211365

(891) 2014 03 17

(731) WORLD MEDICINE İLAÇ SANAYİ VE
TİCARET ANONİM ŞİRKETİ
Evren Mah. Camiyolu Cad. No:50 K:1 B,
Zemin 4-5-6 Güneşli Bağcılar, İstanbul, TR

(540)

**PEMLODİN
ПЕМЛОДИН**

(591) Black, white

(511)

5 – Medicines for human purposes, medicines for veterinary purposes, vitamin preparations, chemical preparations for medical purposes, dietetic substances adapted for medical use; dietetic foods adapted for medical purposes; baby foods, medicinal herbs, herbal beverages adapted for medical purposes, nutritional supplements, pollen dietary supplements, mineral food supplements, protein dietary supplements; dietary supplements for animals; fodder supplements for veterinary purposes; medicines for dental purposes, hygienic products for medical purposes including sanitary pads, breast-nursing pads and bunion pads, waddings for medical purposes, plasters for medical purposes, dressings for medical purposes, babies' napkins, preparations for destroying noxious plants, preparations for destroying noxious animals, fungicides, deodorants other than for human beings or for animals, air deodorising preparations, disinfectants for hygiene purposes, antiseptics, detergents for medical purposes.

(260) AM 2015 78368 A

(800) 1211419

(891) 2014 04 04

(731) ROLEX SA

3-5-7 rue François-Dussaud, CH-1211 Genève
26, CH

(540)

OYSTERFLEX

(511)

14 – Jewelry, jewelry products, timepieces, namely watches, wristwatches, component parts of timepieces and accessories for timepieces not included in other classes, clocks and other chronometric instruments, chronometers, chronographs (timepieces), sports timing apparatus, apparatus and instruments for measuring and marking time not included in

other classes; watch bands, dials (clock and watch-making), cases and presentation cases for timepieces and jewelry, watch movements and their parts.

(260) AM 2015 78370 A

(800) 1211446

(891) 2014 05 16

(731) BRITISH AMERICAN TOBACCO
(BRANDS) LIMITED

Globe House, 4 Temple Place, London
WC2R 2PG, GB

(540)

DOUBLE CLICK

(511)

34 – Cigarettes; tobacco; tobacco products; lighters; matches; smokers' articles.

(260) AM 2015 78371 A

(800) 1211459

(891) 2014 03 31

(731) IE Suhodoeva Olga Igorevna

Pobedy str., 4, k. 9, RU-620012

Ekaterinburg, RU

(540)

PROFMAX

(591) Black, white

(511)

25 – Bandanas [neckerchiefs]; underwear; sweat-absorbent underwear; overalls; stuff jackets [clothing]; boas [necklets]; teddies [undergarments]; half-boots; breeches for wear; trousers; football shoes; brassieres; collars [clothing]; detachable collars; shirt yokes; galoshes; neckties; ascots; leggings [leg warmers]; gaiters; vests; sports jerseys; hosiery; heels; long underwear; hoods [clothing]; pocket squares; pockets for clothing; visors [headwear]; tights; combinations [clothing]; wet suits for water-skiing; bodices [lingerie]; suits; bathing suits; beach clothes; jackets [clothing]; fishing vests; camisoles; cuffs; short-sleeve shirts; sleep masks; furs [clothing]; muffs [clothing]; footmuffs, not electrically heated; heelpieces for footwear; bibs, not of paper; fur stoles; ear muffs [clothing]; socks; bath sandals; beach shoes; sports shoes; footwear; paper clothing; outerclothing; ready-made clothing; motorists' clothing; cyclists' clothing; clothing for gymnastics; gabardines [clothing]; jerseys [clothing]; clothing of imitations of leather; clothing of leather; knitwear [clothing]; uniforms; clothing; fittings of metal for footwear; overcoats; swaddling clothes; pelerines; gloves [clothing]; pajamas (Am.); bathing trunks; scarfs; dresses; waterproof jackets; headbands [clothing]; garters; sock suspenders; stocking suspenders; ready-made linings [parts of clothing]; dress shields; soles for footwear; braces for clothing [suspenders]; lace boots; belts [clothing]; money belts [clothing];

layettes [clothing]; non-slipping devices for footwear; sweaters; heelpieces for stockings; welts for footwear; chasubles; shirts; wooden shoes; sandals; boots; saris; inner soles; underpants; gymnastic shoes; slippers; shoes; headgear for wear; aprons [clothing]; dressing gowns; tips for footwear; stockings; sweat-absorbent stockings; shawls; skull caps; bathing caps; sashes for wear; studs for football boots; babies' pants [clothing]; trouser straps; pelisses; skirts; petticoats.

35 – Import-export agencies; demonstration of goods; business information; commercial information and advice for consumers [consumer advice shop]; organization of exhibitions for commercial or advertising purposes; auctioneering; sales promotion for others; the bringing together, for the benefit of others, of a variety of goods, excluding the transport thereof, enabling customers to conveniently view and purchase those goods, in retail store; the bringing together, for the benefit of others, of a variety of goods, excluding the transport thereof, enabling customers to conveniently view and purchase those goods, in wholesale trade stores; the bringing together, for the benefit of others, of a variety of goods, excluding the transport thereof, enabling customers to conveniently view and purchase those goods, through catalogs, by mail order, or telecommunications, or through Internet websites; commercial administration of the licensing of the goods and services of others; modeling for advertising or sales promotion; procurement services for others [purchasing goods and services for other businesses].

(260) AM 2015 78372 A

(800) 1211461

(891) 2014 04 03

(731) MIRAGE GRANITO CERAMICO S.P.A.

Via Giardini Nord, 225, I-41026 Pavullo nel Frignano (Modena), IT

(540)

 CONTRACT
by MIRAGE

(591) Black, grey, white

(511)

19 – Ceramic materials, ceramic tiles; tiles of porcelain stoneware; ceramic slabs; porcelain stoneware slabs; building materials (non-metallic); non-metallic tiles; wall tiles not of metal; wall tiles for bathrooms, not of metal; wall tiles for kitchens, not of metal; tiles of porcelain stoneware, assembled and not assembled; all the aforesaid goods also with adhesive fibreglass mesh.

(260) AM 2015 78423 A

(800) 1211972

(891) 2014 01 14

(731) ERCOLI S.R.L.

Via Sant'Andrea, 53, I-63813 MONTE URANO (FM), IT

(540)

 POMME D'OR

(591) Black, white

(511)

18 – Leather and imitations of leather; bags; handbags; change purses; wallets; coin purses; rucksacks; all purpose sports bags; haversacks; beach bags; carrying cases for documents; shopping bags with wheels attached; textile shopping bags; handbags; school satchels; suitcases; sports bags; tote bags; shoulder bags; bum bags; cosmetic bags (empty); trunks and travelling bags; umbrellas and parasols; walking sticks; leads for animals.

25 – Shoes; boots; ankle boots; leather shoes; galoshes; rain boots; sports footwear; sandals; slippers; soles for footwear; heels; footwear uppers; clothing; sweaters; cardigans; waistcoats; dresses; trousers; shorts; jerseys; raincoats; leather clothing; woollen clothing; stockings; stocking suspenders; sock suspenders; wind resistant jackets; ski pants; fur coats; evening jackets; overcoats; skirts; suits; jackets; undershirts; T-shirts; clothing for gymnastics; ladies' shirts; collars; shirts; foulards; swimming costumes; tracksuits; wedding dresses; bath robes; underwear; brassieres; corsets; slips; underpants; briefs; nightshirts; housecoats; pyjamas; gloves; shawls; scarves; neckties; bow ties; belts [clothing]; braces; hats; caps.

(260) AM 2015 78424 A

(800) 1211997

(891) 2013 12 02

(731) CJSC "MYASNAYA GALEREYA"

ul. Poliny Osipenko, 41, RU-600009 Vladimir, RU

(540)

 ЦАРЕДВОРЬЕ

(591) White, red-wine colored, black and yellow

(511)

29 – Ajvar [preserved peppers]; albumen for culinary purposes; albumin milk; alginates for culinary purposes; almonds, ground; aloe vera prepared for human consumption; anchovy; animal marrow for food; apple puree; bacon; beans, preserved; black pudding [blood sausage]; bone oil, edible; bouillon; bouillon concentrates; broth; broth concentrates; butter; buttercream; caviar; charcuterie; cheese; clams, not live; cocoa butter; coconut butter; coconut, desiccated; coconut fat; coconut oil; colza oil for food; corn oil; cranberry sauce [compote]; cray-

fish, not live; cream [dairy products]; croquettes; crustaceans, not live; crystallized fruits; curd; dates; edible birds' nests; edible fats; edible oils; eggs; fat-containing mixtures for bread slices; fatty substances for the manufacture of edible fats; fish fillets; fish meal for human consumption; fish mousses; fish, not live; fish, preserved; fish, tinned [canned (Am.)]; foods made from fish; frozen fruits; fruit-based snack food; fruit chips; fruit jellies; fruit peel; fruit, preserved; fruit preserved in alcohol; fruit pulp; fruit salads; fruit, stewed; fruits, tinned [canned (Am.)]; game, not live; gelatine; gherkins; ginger jam; ham; herrings; hummus [chickpea paste]; isinglass for food; jams; jellies for food; kefir [milk beverage]; kimchi [fermented vegetable dish]; kumys [kumyss] [milk beverage]; lard; lecithin for culinary purposes; lentils, preserved; linseed oil for culinary purposes; liver; liver pâté; lobsters, not live; low-fat potato chips; margarine; marmalade; meat; meat extracts; meat jellies; meat, preserved; meat, tinned [canned (Am.)]; milk; milk beverages, milk predominating; milk ferments for culinary purposes; milk products; milk shakes; mushrooms, preserved; mussels, not live; non-alcoholic eggnog; nuts, prepared; olive oil for food; olives, preserved; onions, preserved; oysters, not live; palm kernel oil for food; palm oil for food; peanut butter; peanuts, prepared; peas, preserved; pectin for culinary purposes; piccalilli; pickles; pollen prepared as foodstuff; pork; potato chips; potato flakes; potato fritters; poultry, not live; powdered eggs; prawns, not live; preparations for making bouillon; preparations for making soup; preserved garlic; prostokvasha [soured milk]; raisins; rennet; salmon; salted fish; salted meats; sardines; sauerkraut; sausages; sausages in batter; sea-cucumbers, not live; seaweed extracts for food; sesame oil; shellfish, not live; shrimps, not live; silkworm chrysalis, for human consumption; snail eggs for consumption; soups; soya beans, preserved, for food; soya milk [milk substitute]; spiny lobsters, not live; suet for food; sunflower oil for food; tahini [sesame seed paste]; toasted laver; tofu; tomato juice for cooking; tomato paste; tripe; truffles, preserved; tuna fish; vegetable juices for cooking; vegetable mousses; vegetable salads; vegetables, cooked; vegetables, dried; vegetable soup preparations; vegetables, preserved; vegetables, tinned [canned (Am.)]; whey; whipped cream; white of eggs; yogurt; yolk of eggs.

30 – Allspice; almond confectionery; almond paste; aniseed; aromatic preparations for food; artificial coffee; baking powder; baking soda [bicarbonate of soda for cooking purposes]; barley meal; bean meal; beer vinegar; binding agents for ice cream [edible ices]; bread; breadcrumbs; bread rolls; buns; cake powder; cakes; candy; capers; caramels [candy]; celery salt; cereal-based snack food; cereal preparations; cheeseburgers [sandwiches]; chewing gum; chicory [coffee substitute]; chips [cereal products];

chocolate; chocolate-based beverages; chocolate beverages with milk; chocolate mousses; chow-chow [condiment]; chutneys [condiments]; cinnamon [spice]; cloves [spice]; cocoa; cocoa-based beverages; cocoa beverages with milk; coffee; coffee-based beverages; coffee beverages with milk; coffee flavorings; condiments; confectionery; confectionery for decorating Christmas trees; cookies; cooking salt; corn flakes; corn flour; corn, milled; corn, roasted; couscous [semolina]; crackers; cream of tartar for culinary purposes; crushed barley; crushed oats; curry [spice]; custard; dessert mousses [confectionery]; dressings for salad; edible ices; essences for foodstuffs, except etheric essences and essential oils; farinaceous foods; ferments for pastes; flavorings, other than essential oils, for beverages; flavorings, other than essential oils, for cakes; flavorings, other than essential oils; flour; flour-milling products; fondants [confectionery]; frozen yogurt [confectionery ices]; fruit coulis [sauces]; fruit jellies [confectionery]; garden herbs, preserved [seasonings]; gingerbread; ginger [spice]; glucose for culinary purposes; gluten additives for culinary purposes; gluten prepared as foodstuff; golden syrup; groats for human food; halvah; ham glaze; high-protein cereal bars; hominy; hominy grits; honey; husked barley; husked oats; ice cream; iced tea; ice for refreshment; ice, natural or artificial; infusions, not medicinal; ketchup [sauce]; leaven; linseed for human consumption; liquorice [confectionery]; macaroni; macarons [pastry]; malt biscuits; malt extract for food; malt for human consumption; maltose; marinades; marzipan; mayonnaise; meat gravies; meat pies; meat tenderizers, for household purposes; mint for confectionery; molasses for food; muesli; mustard; mustard meal; natural sweeteners; noodle-based prepared meals; noodles; nutmegs; oat-based food; oat flakes; oatmeal; pancakes; pasta; pasta sauce; pastilles [confectionery]; pastries; pastry dough; peanut confectionery; pepper; peppermint sweets; peppers [seasonings]; pesto [sauce]; petit-beurre biscuits; petits fours [cakes]; pies; pizzas; popcorn; potato flour for food; powders for ice cream; pralines; preparations for stiffening whipped cream; propolis; puddings; quiches; ravioli; relish [condiment]; rice; rice-based snack food; rice cakes; royal jelly; rusks; saffron [seasoning]; sago; salt for preserving foodstuffs; sandwiches; sauces [condiments]; sausage binding materials; seasonings; sea water for cooking; semolina; sorbets [ices]; soya bean paste [condiment]; soya flour; soya sauce; spaghetti; spices; spring rolls; star aniseed; starch for food; stick liquorice [confectionery]; sugar; sushi; sweetmeats [candy]; tabbouleh; tacos; tapioca; tapioca flour for food; tarts; tea; tea-based beverages; thickening agents for cooking foodstuffs; tomato sauce; tortillas; turmeric for food; unleavened bread; unroasted coffee; vanilla [flavoring]; vanillin [vanilla substitute]; vegetal preparations for use as coffee

substitutes; vermicelli [noodles]; vinegar; waffles; wheat flour; wheat germ for human consumption; yeast.

43 – Accommodation bureaux [hotels, boarding houses]; bar services; boarding for animals; boarding house bookings; boarding houses; cafes; cafeterias; canteens; day-nurseries [crèches]; food and drink catering; holiday camp services [lodging]; hotel reservations; hotels; motels; providing campground facilities; rental of chairs, tables, table linen, glassware; rental of cooking apparatus; rental of drinking water dispensers; rental of meeting rooms; rental of temporary accommodation; rental of tents; rental of transportable buildings; restaurants; retirement homes; self-service restaurants; snack-bars; temporary accommodation reservations; tourist homes.

(260) AM 2015 78425 A
(800) 1212039
(891) 2014 04 01
(731) KRAFT FOODS UK INTELLECTUAL
PROPERTY LIMITED
PO Box 12, Bournville, Birmingham B30
2LU, GB

(540)

DAIRYLEA

(511)
29 – Dairy products, dairy spreads; cream cheese, cheese, cheese-based products, cheese spreads; fromage frais; milk and milk products, milk beverages (milk predominating), yoghurt, milk shakes, whipped cream; desserts and preparations for making desserts made from milk products; jellies, trifles, spreads, edible oils and fats.

30 – Salad dressing, sauces (condiments); ice cream, frozen yoghurt, frozen confections; dessert mousses (confectionery), puddings, pastries, biscuits; mayonnaise, seasonings.

(260) AM 2015 78427 A
(800) 1212044
(891) 2014 04 07
(731) INTERNATIONAL TAEKWON-DO
FEDERATION-ITF
C/ Mercado, 5, E-03501 Benidorm, Alicante,
ES

(540)



(591) Yellow, green, blue, red and black

(511)

41 – Education and training services in the field of martial arts; practice, training, organization of cultural or sports events in the field of martial arts, organization of courses and seminars on martial arts, organizing and conducting of martial arts competitions.

(260) AM 2015 78429 A
(800) 1212081
(891) 2014 04 16
(731) ALMIRALL, S.A.
Ronda General Mitre, 151, E-08022
Barcelona, ES

(540)

Бримика

(591) Black, white

(511)

5 – Pharmaceutical products.

(260) AM 2015 78430 A
(800) 1212082
(891) 2014 04 29
(731) ALMIRALL, S.A.
Ronda General Mitre, 151, E-08022
BARCELONA, ES

(540)

МОНОВО

(591) Black, white

(511)

5 – Pharmaceutical products.

(260) AM 2015 78432 A
(800) 1212160
(891) 2014 05 27
(731) KRKA, tovarna zdravil, d.d.
Novo Mesto Šmarješka cesta 6, SI-8501 Novo
mesto, SI

(540)

ПРЕГАБИО

(511)

5 – Pharmaceutical preparations.

(260) AM 2015 78433 A
(800) 1212244
(891) 2014 05 28
(731) ŠKODA AUTO A.S.
Tř. Václava Klementa 869, CZ-293 60 Mladá
Boleslav, CZ

(540)

g-tec

(511)
12 – Automobiles and their parts, all included in this class.

(260) AM 2015 78434 A
(800) 581992
(891) 2014 05 19
(731) ANTICA ERBORISTERIA S.p.A.
Via Tiburtina, 1325, I-00131 Roma, IT
(540)



HERBATINT

(591) Black, white
(511)
3 – Bleaching preparations and other substances for laundry use; cleaning, polishing, scouring and abrasive preparations; soaps; perfumery, essential oils, cosmetics, hair lotions; dentifrices.

(260) AM 2015 78436 A
(800) 1043183
(891) 2014 07 21
(731) ELRINGKLINGER AG
Max-Eyth-Strasse 2, 72581 Dettingen, DE
(540)

Curil

(511)
17 – Sealing materials, in particular liquid sealing compounds.

(260) AM 2015 78485 A
(800) 586907
(891) 2014 04 24
(731) ELCO
40/48 rue Cambon, F-75001 PARIS, FR
(540)

DARPHIN

(511)
3 – Bleaching preparations and other substances for laundry use; cleaning, polishing, scouring and abrasive preparations; soaps; perfumery, essential oils, cosmetics, hair lotions; dentifrices.

(260) AM 2015 78486 A
(800) 780633
(891) 2014 05 22
(731) HAHN + KOLB Werkzeuge GmbH
Schlieffenstraße 40, 71636 Ludwigsburg, DE
(540)

Autostat

(511)
7 – Suspension devices for tools, particularly reels-balancers for balancing weights.

(260) AM 2015 78488 A
(800) 892249
(891) 2014 06 04
(731) FERSAN FERMANTASYON ÜRÜNLERİ
ŞANAYI TİCARET ANONİM ŞİRKETİ
Çınarköyü Kirovasi Mevkii TR-35170
Kemalpaşa, Izmir, TR
(540)

Fersan

(591) Black, white
(511)
30 – Coffee, cocoa, artificial coffee, mocha, coffee substitutes, coffee or cocoa-based beverages; tapioca, sago; macaroni, ravioli; home made vermicelli; bread, pizza, Turkish pizza; cookies, crackers, waffles, tarts, cakes; traditional Turkish dough-based desserts with sherbet (called baklava, sobiyet, tulumba tatlısi); puddings, caramelized puddings, rice pudding, Noah's pudding; honey, bee glue (propolis) for human consumption; flavorings, other than essential oils; ketchup, mayonnaise, mustard, sauces, salad dressings, vinegar, aromatic preparations for food, spices; yeast, baking-powder, vanillin; flour, semolina, starch for food, sugar, sugar in the form of cubes, powdered sugar; tea, ice-tea; confectionery, Turkish delight (a kind of traditional confectionery), halvah, frozen yoghurt, chocolate, chocolate products, chocolate and candy-covered products, confectionery and chocolates for decorating Christmas trees, chocolate predominating beverages, chewing-gum (not for medical purposes), ice creams, edible ice, refreshing ice; salt; rice, processed wheat, pounded wheat; malt extract for food; snacks made from flour and cereals, popcorn, corn flakes, oatmeal, crushed breakfast cereals; treacle.

(260) AM 2015 78489 A
(800) 1071147
(891) 2014 03 06
(731) "CAMCO" LTD
"Gen. Radko Dimitriev" Str. 1, BG-4000
PLOVDIV, BG
(540)



(591) Blue, black, grey and dark-blue
(511)
3 – Bleaching preparations and other substances for laundry use; cleaning, polishing, scouring and abrasive preparations; soaps; perfumery, essential oils, cosmetics, hair lotions; dentifrices.

5 – Pharmaceutical and veterinary preparations; sanitary preparations for medical purposes; dietetic substances adapted for medical use, food for babies; plasters, materials for dressings; material for stopping teeth, dental wax; disinfectants; preparations for destroying vermin; fungicides, herbicides.

28 – Games and playthings; gymnastic and sporting articles not included in other classes; decorations for Christmas trees.

(260) AM 2015 78490 A
(800) 1160308
(891) 2014 04 16
(731) LEGIO INTERNATIONAL NV
Legeweg 157D, B-8020 Oostkamp, BE
(540)

BALMANI

(511)
20 – Furniture for bathroom, mirrors for bathroom, cupboards for bathroom, towel closets (furniture), racks for bathroom.

(260) AM 2015 78492 A
(800) 1180724
(891) 2014 04 28
(731) OCTAPHARMA AG
Seidenstrasse 2, CH-8853 Lachen, CH
(540)

Nuwiq

(511)
5 – Pharmaceutical products, namely blood coagulation factors, particularly recombinant factors VIII.

(260) AM 2015 78493 A
(800) 1200972
(891) 2014 05 12
(731) Actavis Group PTC ehf
Reykjavikurvegi 76-78, IS-220 Hafnarfjordur, IS
(540)

HAIRY ORANGE

(511)
5 – Pharmaceutical preparations; dietetic food and substances adapted for medical use; dietary supplements; vitamins; mineral preparations; medicinal herbs.

32 – Mineral and vitamin waters; non-alcoholic beverages; energy drinks; beverages containing vitamins and herbs; fruit drinks and fruit juices; syrups for making beverages.

(260) AM 2015 78497 A
(800) 1213012
(891) 2014 03 28
(731) EGIS GYÓGYSZERGYÁR Zrt.
Kereszturi út 30-38, H-1106 Budapest, HU
(540)

ZODIDON

(511)
5 – Pharmaceutical preparations for human use; dietetic substances adapted for medical use; vitamin compositions, mineral food supplements, dietary supplements.

(260) AM 2015 78628 A
(800) 1214620
(891) 2014 07 24
(731) THE BENRIACH DISTILLERY COMPANY LTD
Lochend Industrial Estate, Queen Anne Drive, Newbridge, Edinburgh EH28 8PL, GB
(540)

JAMES MOIR

(511)
33 – Alcoholic beverages (except beer); whisky; malt whisky; blended whisky; scotch whisky, whisky based liqueurs.

(260) AM 2015 78629 A
(800) 1214627
(891) 2014 04 25
(731) Peter VANHECKE
Bogdana Khmelnytskogo, Street 80 app. 14, Kiev 01030, UA
(540)



(591) Black, white
(511)
3 – Bleaching preparations; cleaning, polishing, scouring and abrasive preparations; soap; perfumery, essential oils, cosmetics, hair lotions; dentifrices.
14 – Jewelry, including bracelets and necklaces, all made of leather or imitation leather.
18 – Leather and imitation leather; animal skins; trunks and suitcases; umbrellas, parasols and walking sticks; whips, harness and saddlery; bags, purses, briefcases, attaché cases, luggage tags, hat boxes, shopping bags, briefcases [leather], handbags,

wallets, shoulder straps, cases for credit cards, holders for credit cards, garment bags [holdalls], holders for credit cards, wallets for credit cards, key cases, sports bags, all of leather or composition leather.

25 – Clothing, footwear, headgear; belts [clothing].

35 – Advertisement; business management; business administration; retail services in the field of clothing, footwear and headgear; business intermediary services in the wholesale of clothing, footwear and headgear; business intermediary services in the sale (by electronic means such as the internet) of clothing, footwear and headgear.

(260) AM 2015 78630 A

(800) 1214631

(891) 2014 04 30

(731) Publichne aktsionerne tovarystvo
"KHARKIVSKA BISKVITNA FABRYKA"
vul. Lozivska, 8, Kharkiv 61017, UA

(540)

ВЫНОЧОК

(511)

30 – Pastry; sweets; confectionery.

(260) AM 2015 78631 A

(800) 1214632

(891) 2014 04 30

(731) Publichne aktsionerne tovarystvo
"KHARKIVSKA BISKVITNA FABRYKA"
vul. Lozivska, 8, Kharkiv 61017, UA

(540)

Сияющий мак

(511)

30 – Peanut confectionery; cereal bars; high-protein cereal bars; sponge cakes; pastries; buns; waffles; biscuits; fruit jellies [confectionery]; cocoa; cocoa-based ingredients for confectionery products; caramels (candy); lozenges (confectionery); confectionery; nougat confectionery; sugar confectionery; popcorn; confectionery for decorating Christmas trees; liquorice (confectionery); candy; custard; marzipan; macaroons [pastry]; almond confectionery; peppermint sweets; stick liquorice [confectionery]; pastilles (confectionery); cookies; pies; quiches; chips [cereal products]; oat flakes; corn flakes; fondants (confectionery); pralines; gingerbread; puddings; cake powder; sandwiches; malt biscuits; pastry dough; rusks; petit-beurre biscuits; tacos; petits fours (cakes); crackers; cakes; tarts; rice cakes; halvah; candy decorations for cakes; chocolate decorations for cakes; sweetmeats (candy); sugar; chocolate.

(260) AM 2015 78634 A

(800) 1214665

(891) 2014 04 30

(731) Publichne aktsionerne tovarystvo
"KHARKIVSKA BISKVITNA FABRYKA"
vul. Lozivska, 8, Kharkiv 61017, UA

(540)

Золотой венок

(511)

30 – Peanut confectionery; cereal bars; high-protein cereal bars; sponge cakes; pastries; buns; waffles; biscuits; fruit jellies (confectionery); cocoa; cocoa-based ingredients for confectionery products; caramels (candy); lozenges (confectionery); confectionery; nougat confectionery; sugar confectionery; popcorn; confectionery for decorating christmas trees; liquorice (confectionery); candy; custard; marzipan; macaroons [pastry]; almond confectionery; peppermint sweets; stick liquorice [confectionery]; pastilles (confectionery); cookies; pies; quiches; chips [cereal products]; oat flakes; corn flakes; fondants (confectionery); pralines; gingerbread; puddings; cake powder; sandwiches; malt biscuits; pastry dough; rusks; petit-beurre biscuits; tacos; petits fours (cakes); crackers; cakes; tarts; rice cakes; halvah; candy decorations for cakes; chocolate decorations for cakes; sweetmeats (candy); sugar; chocolate.

(260) AM 2015 78635 A

(800) 1214675

(891) 2013 12 20

(731) Limited Liability Company
"DEVELOPMENT COMPANY "LAND
INVEST"
80 Berezinska Street Dnipropetrovsk
49021, UA

(540)



(591) White, light orange, orange, light brown, black and yellow

(511)

3 – Cosmetic and perfumery hygienic preparations including tissues impregnated with cosmetic lotions; cleaning cloths impregnated with detergents.

16 – Paper, cardboard and goods made from these materials, not included in other classes; printed matter; bookbinding material; photographs; stationery; adhesives for stationery or household purposes; artists' materials; paint brushes; typewriters and office requisites (except furniture); instructional and teaching material (except apparatus); plastic materials for packaging (not included in other classes); printers' type; printing blocks; handkerchiefs of paper; face towels of paper; tissues and napkins of paper for removing make-up; table napkins of paper; bags, envelopes, pouches of paper or plastics, for pac-

kaging; garbage bags of paper or of plastics; waxed paper; bags for microwave cooking; paper bows; paper ribbons; parchment paper; tissues of paper and cellulose, disposable; tablecloths of paper; silver paper.

21 – Household or kitchen utensils and containers; combs and sponges; brushes (except paint brushes); brush-making materials; articles for cleaning purposes; steelwool; unworked or semi-worked glass (except glass used in building); glassware, porcelain and earthenware not included in other classes; abrasive pads for kitchen purposes; autoclaves (pressure cookers), non-electric; aerosol dispensers, not for medical purposes; cotton waste for cleaning; bottles; clothes-pins; clothes-pegs; earthenware; crockery; shaving brushes; stands for shaving brushes; eyebrow brushes; demijohns; fruit cups; vases, not of precious metals; bird baths; waffle irons, non-electric; epergnes; shoe horns; brushes for footwear; carpet beaters, not being machines; signboards of porcelain or glass; wine tasters (siphons); cookie cutters; tankards, not of precious metal; bottle openers; fitted picnic baskets, including dishes; buckets; pails; coal scuttles; brooms; stretchers for clothing; shirt stretchers; containers for household or kitchen use; boxes of metal, for dispensing paper towels; lunch boxes; soap dispensers; steel wool for cleaning; wool waste for cleaning; water apparatus for cleaning teeth and gums; hair for brushes; furniture dusters; cloth for washing floors; cloths for cleaning; buttonhooks; jugs; pitchers; feeding troughs; mangers for animals; heaters for feeding bottles, non-electric; pottery; indoor terrariums (plant cultivation); flower-pot covers, not of paper; pots; flower pots; decanters; combs; large-toothed combs for the hair; combs for animals; electric combs; comb cases; appliances for removing make-up, non-electric; sponge holders; sponges for household purposes; deodorizing apparatus for personal use; abrasive sponges for scrubbing the skin; smoke absorbers for household purposes; baby baths, portable; cutting boards for the kitchen; ironing boards; scrubbing brushes; chamois leather for cleaning; closures for pot lids; glass stoppers and caps; beaters, non-electric; whisks, non-electric, for household purposes; domestic grinders, mixers, and blenders, non-electric; cocktail shakers, non-electric; sprinkling devices; toothbrushes, electric; toothbrushes, electric; toothpicks; isothermic bags; coffeepots, non-electric; coffee grinders, hand-operated; coffee services; coffee percolators, non-electric; coffee filters, non-electric; cauldrons; mess-tins; earthenware saucepans; cruets; stew-pans; rolling pins, domestic; tar-brushes, long handled; goblets; mugs; ceramics for household purposes; carpet sweepers; glue-pots; cages for household pets; birdcages; cleaning tow; cocktail stirrers; insect traps; confectioners' decorating bags; horse brushes; shoe stretchers; troughs for livestock; boxes of glass; cosmetic utensils; baskets for do-

mestic use; tie presses; pipettes (wine-tasters); semi-worked fused silica, other than for building; crumb trays; crystal glassware; glass bowls; cooking utensils, non-electric; cookery molds; kitchen utensils; saucepan scourers of metal; cooking pot sets; kitchen containers; cooking skewers, of metal; lamp-glass brushes; polishing leather; polishing apparatus and machines, for household purposes, non-electric; polishing materials for making shiny, except preparations, paper and stone; apparatus for wax-polishing, non-electric; wax-polishing appliances, non-electric, for shoes; polishing gloves; plate glass (raw material); ice buckets; ice cube molds; funnels; liqueur sets; noodle machines, hand-operated; spatulas (kitchen utensils); scoops (tableware); pie servers; tart scoops; litter boxes for pets; majolica; butter dishes; menu card holders; soap holders; soap boxes; basins and bowls; dishwashing brushes; mouse traps; brooms; mills for domestic purposes, hand-operated; mosaics of glass, not for building; fly swatters; fly catchers; spice sets; services (dishes); covers for dishes including pot lids; butter-dish covers; drinking troughs; nozzles for watering cans; nozzles for sprinkler hose; sprinklers for watering flowers and plants; garbage cans, waste bins, dustbins, trash cans; nail brushes; chamber pots; knife rests for the table; pastry cutters; spouts; lye washtubs; carboys; vegetable dishes; clothes racks, for drying; buckskin for cleaning; cruet stands for oil and vinegar; opaline glass; opal glass; basting spoons, for kitchen use; piggy banks, not of metal; chopsticks; perfume burners; glove stretchers; paper plates; perfume vaporizers; rat traps; mixing spoons; pepper mills, hand-operated; pepper pots; cookie jars; beer mugs; dusting cloths; dusting apparatus, non-electric; dusting apparatus, non-electric; sprinklers; trivets (table utensils); coasters, not of paper and other than table linen; holders for flowers and plants; flat-iron stands; egg cups; feather-dusters; plates to prevent milk boiling over; flasks; bottle openers; busts of china, terra-cotta or glass; pads for cleaning; scouring pads; enamelled glass; rings for birds; poultry rings; nest eggs, artificial; watering cans; watering devices; buckets made of woven fabrics; porcelain ware; dishes; drinking vessels; ritual dishes; refrigerating bottles; vessels of metal for making ices and iced drinks; washing boards; ironing board covers; trouser presses; boot jacks; plungers for clearing blocked drains; cinder sifters; powder puffs; powder compacts; trays; sifters; grill supports; grills and griddles.

(260) AM 2015 78637 A
 (800) 1214701
 (891) 2014 03 12
 (731) CHROME HEARTS LLC
 915 N. Mansfield, Hollywood
 CA 90038, US

(540)



(591) Black, white

(511)

9 – Series of compact discs and audio cassette tapes featuring pop and rock music; phone accessories, namely, phone straps, phone pouches, phone cases, tablet cases and laptop cases; eyewear, namely, eyeglasses, sunglasses and their cases.

14 – Jewelry made wholly or in part of precious metal; namely, rings, earrings, necklaces, bracelets, cuff links, key rings, watches and tie fasteners; charms for phones.

18 – Leather bags, namely, handbags, back packs, tote bags, shoulder bags, wallets and luggage.

25 – Men's and women's clothing, namely, pants, shirts, tee shirts, sweaters, jackets, vests, chaps, skirts, belts, underwear, gloves, shoes and boots.

26 – Belt buckles.

(260) AM 2015 78655 A

(800) 1140448

(891) 2014 04 17

(731) ANTAR" Sp. Jawna Irena Groniecka – Tarnkowska, Andrzej Tarnkowski ul. Zawisłańska 43, PL-03-068 Warszawa, PL

(540)

ANTAR

(511)

5 – Dressings, medical; cooling-warming poultices.

10 – Orthopedic articles; artificial limbs; orthopedic bandages; surgical and medical apparatus and instruments.

(260) AM 2015 78656 A

(800) 1159963

(891) 2014 04 16

(731) LEGIO INTERNATIONAL NV Legeweg 157D, B-8020 Oostkamp, BE

(540)

(591) White, blue and black

(511)

20 – Bathroom furniture, more particularly benches, chairs, tables, washstands, (dressing tables); bathroom furniture accessories, not of metal; cabinet work; mirrored cabinets; picture frames; latches, not of metal; coathooks (not of metal); coat stands (furniture); cabinets (furniture); bins, not of metal; clothes hooks, not of metal; coat hangers; small furniture elements for bathrooms.

(260) AM 2015 78669 A

(800) 1214840

(891) 2014 03 31

(731) WORLD MEDICINE İLAÇ SANAYİ VE TİCARET ANONİM ŞİRKETİ Evren Mah. Camiyolu Cad. No:50 Kat 1 B, Zemin 4-5-6 Güneşli, Bağcılar, İstanbul, TR

(540)

PIRETİKOL ПІРЕТІКОЛ

(591) Black, white

(511)

5 – Medicines for human purposes, medicines for veterinary purposes, vitamin preparations, chemical preparations for medical purposes, dietetic substances adapted for medical use; dietetic foods adapted for medical purposes; baby foods, medicinal herbs, herbal beverages adapted for medical purposes, nutritional supplements, pollen dietary supplements, mineral food supplements, protein dietary supplements; dietary supplements for animals; fodder supplements for veterinary purposes; medicines for dental purposes, hygienic products for medical purposes including sanitary pads, breast-nursing pads and bunion pads, wadding for medical purposes, plasters for medical purposes, dressings for medical purposes, babies' napkins, preparations for destroying noxious plants, preparations for destroying noxious animals, fungicides, deodorants other than for human beings or for animals, air deodorising preparations, disinfectants for hygiene purposes, antiseptics, detergents for medical purposes.

(260) AM 2015 78681 A

(800) 1215000

(891) 2014 03 31

(731) WORLD MEDICINE İLAÇ SANAYİ VE TİCARET ANONİM ŞİRKETİ Evren Mah. Camiyolu Cad. No:50 Kat 1 B, Zemin 4-5-6 Güneşli, Bağcılar, İstanbul, TR

(540)

AMETSA AMETSA

(511)

5 – Medicines for human purposes, medicines for veterinary purposes, vitamin preparations, chemical preparations for medical purposes, dietetic substances adapted for medical use; dietetic foods adapted for medical purposes; baby foods, medicinal herbs, herbal beverages adapted for medical purposes, nutritional supplements, pollen dietary supplements, mineral food supplements, protein dietary supplements; dietary supplements for animals; fodder supplements for veterinary purposes; medicines for dental purposes, hygienic products for medical purposes including sanitary pads, breast-nursing pads and bunion pads, wadding for medical

purposes, plasters for medical purposes, dressings for medical purposes, babies' napkins, preparations for destroying noxious plants, preparations for destroying noxious animals, fungicides, deodorants other than for human beings or for animals, air deodorising preparations, disinfectants for hygiene purposes, antiseptics, detergents for medical purposes.

INTERNATIONAL TRADEMARKS PROTECTED IN GEORGIA

(260) AM 2015 72796 A
(800) 1056696
(151) 2010 10 01
(891) 2013 03 14
(181) 2020 10 01
(511) 30

(260) AM 2015 75398 A
(800) 1186294
(151) 2012 12 17
(181) 2022 12 17
(891) 2012 12 17
(511) 07, 08, 12

(260) AM 2015 74427 A
(800) 733058
(151) 2000 03 24
(891) 2013 07 23
(181) 2020 03 24
(511) 03

(260) AM 2014 75432 A
(800) 1186560
(151) 2013 08 23
(181) 2023 08 23
(891) 2013 08 23
(511) 09, 11, 21, 12

(260) AM 2015 74443 A
(800) 1177752
(151) 2013 03 19
(181) 2023 03 19
(511) 01, 05, 09, 10, 42

(260) AM 2014 75434 A
(800) 1186575
(151) 2013 09 04
(181) 2023 09 04
(891) 2013 09 04
(511) 41

(260) AM 2015 74641 A
(800) 1179795
(151) 2013 08 22
(181) 2023 08 22
(511) 30

(260) AM 2015 75513 A
(800) 1187326
(151) 2013 02 11
(181) 2023 02 11
(891) 2013 02 11
(511) 14, 16, 03, 18

(260) AM 2015 74731 A
(800) 1180596
(151) 2013 08 23
(181) 2023 08 23
(511) 04

(260) AM 2015 75521 A
(800) 1187421
(151) 2013 06 06
(181) 2023 06 06
(891) 2013 06 06
(511) 33

(260) AM 2015 75386 A
(800) 1038681
(151) 2010 04 16
(891) 2013 11 26
(511) 05, 16, 35

(260) AM 2015 75522 A
(800) 1187449
(151) 2013 10 17
(181) 2023 10 17
(891) 2013 10 17
(511) 02, 14, 40

(260) AM 2015 75387 A
(800) 1176410
(151) 2013 08 15
(181) 2023 08 15
(891) 2013 11 08
(511) 39

(260) AM 2015 75524 A
(800) 1187454
(151) 2013 11 07
(181) 2023 11 07
(891) 2013 11 07
(511) 01, 05, 42, 44

(260) AM 2015 75550 A
(800) 1187747
(151) 2013 10 21
(181) 2023 10 21
(891) 2013 10 21
(511) 05

(260) AM 2015 75551 A
(800) 1187751
(151) 2013 11 12
(181) 2023 11 12
(891) 2013 11 12
(511) 09

(260) AM 2015 75552 A
(800) 1187763
(151) 2013 11 15
(181) 2023 11 15
(891) 2013 11 15
(511) 03

(260) AM 2015 75553 A
(800) 1187771
(151) 2013 11 18
(181) 2023 11 18
(891) 2013 11 18
(511) 03

(260) AM 2015 75556 A
(800) 1187889
(151) 2013 05 30
(181) 2023 05 30
(891) 2013 05 30
(511) 12

(260) AM 2015 75565 A
(800) 1187986
(151) 2013 11 12
(181) 2023 11 12
(891) 2013 11 12
(511) 09, 12

(260) AM 2015 75579 A
(800) 1188178
(151) 2013 08 07
(181) 2023 08 07
(891) 2013 08 07
(511) 25

(260) AM 2015 75587 A
(800) 1188377
(151) 2013 11 07

(181) 2023 11 07
(891) 2013 11 07
(511) 01, 05, 42, 44

(260) AM 2015 75589 A
(800) 1188399
(151) 2013 07 15
(181) 2023 07 15
(891) 2013 07 15
(511) 05

(260) AM 2015 75590 A
(800) 1188411
(151) 2013 09 24
(181) 2023 09 24
(891) 2013 09 24
(511) 16

(260) AM 2015 75593 A
(800) 1188564
(151) 2013 11 12
(181) 2023 11 12
(891) 2013 11 12
(511) 29

(260) AM 2015 75594 A
(800) 1188574
(151) 2013 11 19
(181) 2023 11 19
(891) 2013 11 19
(511) 06

(260) AM 2015 75595 A
(800) 1188581
(151) 2013 12 04
(181) 2023 12 04
(891) 2013 12 04
(511) 05

(260) AM 2015 75596 A
(800) 1188585
(151) 2013 03 21
(181) 2023 03 21
(891) 2013 03 21
(511) 30

(260) AM 2015 75598 A
(800) 1188621
(151) 2013 08 06
(181) 2023 08 06
(891) 2013 08 06
(511) 05

(260) AM 2015 75599 A
 (800) 1188659
 (151) 2013 11 18
 (181) 2023 11 18
 (891) 2013 11 18
 (511) 02

(260) AM 2015 75600 A
 (800) 1188686
 (151) 2013 10 10
 (181) 2023 10 10
 (891) 2013 10 10
 (511) 39

(260) AM 2015 75601 A
 (800) 1188690
 (151) 2013 10 21
 (181) 2023 10 21
 (891) 2013 10 21
 (511) 03

(260) AM 2015 75602 A
 (800) 1188692
 (151) 2013 11 27
 (181) 2023 11 27
 (891) 2013 11 27
 (511) 30

(260) AM 2015 75603 A
 (800) 1188696
 (151) 2013 10 18
 (181) 2023 10 18
 (891) 2013 10 18
 (511) 35, 03

(260) AM 2015 75604 A
 (800) 1188729
 (151) 2013 11 15
 (181) 2023 11 15
 (891) 2013 11 15
 (511) 05

(260) AM 2015 75606 A
 (800) 686197
 (151) 1997 12 02
 (891) 2013 12 02
 (511) 03, 09, 14

(260) AM 2015 75607 A
 (800) 784962
 (151) 2002 07 02
 (891) 2013 11 15
 (511) 12

(260) AM 2015 75609 A
 (800) 865888
 (151) 2004 12 20
 (891) 2013 11 27
 (511) 05

(260) AM 2015 75611 A
 (800) 1037830
 (151) 2010 03 31
 (891) 2013 08 19
 (511) 03

(260) AM 2015 75612 A
 (800) 1093147
 (151) 2011 08 08
 (891) 2013 09 11
 (511) 29, 30

(260) AM 2014 75627 A
 (800) 1188959
 (151) 2013 09 06
 (181) 2023 09 06
 (891) 2013 09 06
 (511) 08

(260) AM 2015 75646 A
 (800) 1189119
 (151) 2013 07 17
 (181) 2023 07 17
 (891) 2013 07 17
 (511) 01, 08, 12

(260) AM 2015 75649 A
 (800) 1189181
 (151) 2013 11 28
 (181) 2023 11 28
 (891) 2013 11 28
 (511) 18, 25, 28

(260) AM 2015 75651 A
 (800) 1189204
 (151) 2013 12 02
 (181) 2023 12 02
 (891) 2013 12 02
 (511) 09

(260) AM 2015 75655 A
 (800) 861938
 (151) 2005 06 16
 (891) 2013 08 05
 (511) 05, 35

(260) AM 2015 75656 A
(800) 1064309
(151) 2010 03 04
(891) 2013 09 27
(511) 19, 01, 17

(260) AM 2015 75657 A
(800) 1160318
(151) 2013 05 01
(181) 2023 05 01
(891) 2013 10 25
(511) 34

(260) AM 2015 75658 A
(800) 1162992
(151) 2013 05 01
(181) 2023 05 01
(891) 2013 10 25
(511) 34

(260) AM 2015 75659 A
(800) 1166467
(151) 2013 05 22
(181) 2023 05 22
(891) 2013 12 06
(511) 05

(260) AM 2015 75660 A
(800) 1189222
(151) 2013 07 12
(181) 2023 07 12
(891) 2013 07 12
(511) 09

(260) AM 2015 75661 A
(800) 1189238
(151) 2013 12 06
(181) 2023 12 06
(891) 2013 12 06
(511) 09

(260) AM 2015 75663 A
(800) 1189269
(151) 2013 10 01
(181) 2023 10 01
(891) 2013 10 01
(511) 43

(260) AM 2015 75664 A
(800) 1189289
(151) 2013 11 28
(181) 2023 11 28

(891) 2013 11 28
(511) 14

(260) AM 2015 75665 A
(800) 1189328
(151) 2013 10 11
(181) 2023 10 11
(891) 2013 10 11
(511) 05

(260) AM 2015 75666 A
(800) 1189332
(151) 2013 11 21
(181) 2023 11 21
(891) 2013 11 21
(511) 34

(260) AM 2015 75667 A
(800) 1189337
(151) 2013 12 02
(181) 2023 12 02
(891) 2013 12 02
(511) 03

(260) AM 2015 75668 A
(800) 1189338
(151) 2013 12 02
(181) 2023 12 02
(891) 2013 12 02
(511) 41

(260) AM 2015 75672 A
(800) 1189354
(151) 2013 11 01
(181) 2023 11 01
(891) 2013 11 01
(511) 28

(260) AM 2015 75673 A
(800) 1189358
(151) 2013 12 06
(181) 2023 12 06
(891) 2013 12 06
(511) 09

(260) AM 2015 75675 A
(800) 1189407
(151) 2013 11 15
(181) 2023 11 15
(891) 2013 11 15
(511) 03

(260) AM 2015 75678 A
(800) 1189421
(151) 2013 11 15
(181) 2023 11 15
(891) 2013 11 15
(511) 03

(260) AM 2015 75679 A
(800) 1188669
(151) 2013 11 05
(181) 2023 11 05
(891) 2013 11 05
(511) 05

(260) AM 2015 75680 A
(800) 1189422
(151) 2013 11 15
(181) 2023 11 15
(891) 2013 11 15
(511) 03

(260) AM 2015 75682 A
(800) 1189477
(151) 2013 12 09
(181) 2023 12 09
(891) 2013 12 09
(511) 09, 11

(260) AM 2015 75683 A
(800) 657499
(151) 1996 02 23
(891) 2013 12 05
(511) 18

(260) AM 2015 75684 A
(800) 848589
(151) 2004 08 13
(891) 2013 12 10
(511) 03

(260) AM 2015 75686 A
(800) 1025497
(151) 2009 10 07
(891) 2013 12 18
(511) 05, 29, 30, 32

(260) AM 2015 75690 A
(800) 1115480
(151) 2012 04 11
(891) 2013 10 23
(511) 35

(260) AM 2015 75699 A
(800) 1189725
(151) 2013 04 08
(181) 2023 04 08
(891) 2013 04 08
(511) 39, 41, 43

(260) AM 2015 75709 A
(800) 1189769
(151) 2013 02 19
(181) 2023 02 19
(891) 2013 02 19
(511) 28, 09, 42, 41, 16, 38

(260) AM 2015 75710 A
(800) 1189771
(151) 2013 03 14
(181) 2023 03 14
(891) 2013 03 14
(511) 06, 07, 14, 18, 21, 08

(260) AM 2015 75713 A
(800) 1189820
(151) 2013 07 29
(181) 2023 07 29
(891) 2013 07 29
(511) 29

(260) AM 2015 75714 A
(800) 1189854
(151) 2013 11 28
(181) 2023 11 28
(891) 2013 11 28
(511) 09, 38

(260) AM 2015 75718 A
(800) 1189881
(151) 2013 04 16
(181) 2023 04 16
(891) 2013 04 16
(511) 10, 03, 29, 36, 39

(260) AM 2015 75741 A
(800) 977624
(151) 2008 05 16
(891) 2013 08 17
(511) 01, 02, 03, 05, 17

(260) AM 2015 75753 A
(800) 1190146
(151) 2013 08 06
(181) 2023 08 06

(891) 2013 08 06
(511) 05

(260) AM 2015 75793 A
(800) 1190413
(151) 2013 07 30
(181) 2023 07 30
(891) 2013 07 30
(511) 03

(260) AM 2015 75810 A
(800) 1190487
(151) 2013 11 29
(181) 2023 11 29
(891) 2013 11 29
(511) 12

(260) AM 2015 75813 A
(800) 1190504
(151) 2013 11 29
(181) 2023 11 29
(891) 2013 11 29
(511) 12

(260) AM 2015 75814 A
(800) 1190505
(151) 2013 11 29
(181) 2023 11 29
(891) 2013 11 29
(511) 12

(260) AM 2015 75816 A
(800) 1190527
(151) 2013 11 20
(181) 2023 11 20
(891) 2013 11 20
(511) 34

(260) AM 2015 75817 A
(800) 1190528
(151) 2013 11 21
(181) 2023 11 21
(891) 2013 11 21
(511) 34

(260) AM 2015 75819 A
(800) 1190532
(151) 2013 11 21
(181) 2023 11 21
(891) 2013 11 21
(511) 34

(260) AM 2015 75820 A
(800) 1190533
(151) 2013 11 21
(181) 2023 11 21
(891) 2013 11 21
(511) 34

(260) AM 2015 75821 A
(800) 1190534
(151) 2013 11 21
(181) 2023 11 21
(891) 2013 11 21
(511) 34

(260) AM 2015 75822 A
(800) 1190535
(151) 2013 11 21
(181) 2023 11 21
(891) 2013 11 21
(511) 34

(260) AM 2015 75823 A
(800) 1190551
(151) 2013 09 20
(181) 2023 09 20
(891) 2013 09 20
(511) 01, 17

(260) AM 2015 75824 A
(800) 1190554
(151) 2013 12 06
(181) 2023 12 06
(891) 2013 12 06
(511) 09

(260) AM 2015 75825 A
(800) 1190556
(151) 2013 12 06
(181) 2023 12 06
(891) 2013 12 06
(511) 09

(260) AM 2015 75826 A
(800) 1190557
(151) 2013 12 06
(181) 2023 12 06
(891) 2013 12 06
(511) 09

(260) AM 2015 75827 A
(800) 1190563
(151) 2013 08 09

(181) 2023 08 09
(891) 2013 08 09
(511) 16, 34, 35

(260) AM 2015 75832 A
(800) 1190593
(151) 2013 09 24
(181) 2023 09 24
(891) 2013 09 24
(511) 35, 32, 33

(260) AM 2015 75833 A
(800) 1190599
(151) 2013 09 20
(181) 2023 09 20
(891) 2013 09 20
(511) 17, 01

(260) AM 2015 75834 A
(800) 1190616
(151) 2013 12 06
(181) 2023 12 06
(891) 2013 12 06
(511) 09

(260) AM 2015 75935 A
(800) 1191137
(151) 2013 07 19
(181) 2023 07 19
(891) 2013 07 19
(511) 03, 35, 44

(260) AM 2015 75936 A
(800) 1191152
(151) 2013 09 08
(181) 2023 09 08
(891) 2013 09 08
(511) 05, 16

(260) AM 2015 75937 A
(800) 1191162
(151) 2013 10 09
(181) 2023 10 09
(891) 2013 10 09
(511) 30

(260) AM 2015 75938 A
(800) 1191173
(151) 2013 10 11
(181) 2023 10 11
(891) 2013 10 11
(511) 34

(260) AM 2015 75941 A
(800) 1191239
(151) 2013 12 16
(181) 2023 12 16
(891) 2013 12 16
(511) 32

(260) AM 2015 75942 A
(800) 1191273
(151) 2013 11 26
(181) 2023 11 26
(891) 2013 11 26
(511) 34

(260) AM 2015 75943 A
(800) 1191295
(151) 2012 12 18
(181) 2022 12 18
(891) 2012 12 18
(511) 07, 37, 40, 19, 11, 12, 01, 02, 03, 04, 09, 17

(260) AM 2015 75945 A
(800) 1191337
(151) 2013 12 11
(181) 2023 12 11
(891) 2013 12 11
(511) 34

(260) AM 2015 75946 A
(800) 1191352
(151) 2013 12 16
(181) 2023 12 16
(891) 2013 12 16
(511) 34

(260) AM 2015 75947 A
(800) 1191369
(151) 2013 11 08
(181) 2023 11 08
(891) 2013 11 08
(511) 05, 35, 41, 03, 42, 43

(260) AM 2015 75948 A
(800) 1191384
(151) 2013 10 02
(181) 2023 10 02
(891) 2013 10 02
(511) 12, 37, 39

(260) AM 2015 75949 A
(800) 1191406
(151) 2013 08 23
(181) 2023 08 23

(891) 2013 08 23
(511) 11, 41

(260) AM 2015 75950 A
(800) 1191408
(151) 2013 07 16
(181) 2023 07 16
(891) 2013 07 16
(511) 05

(260) AM 2015 75951 A
(800) 1191468
(151) 2013 11 04
(181) 2023 11 04
(891) 2013 11 04
(511) 12

(260) AM 2015 75952 A
(800) 1191472
(151) 2013 12 02
(181) 2023 12 02
(891) 2013 12 02
(511) 33

(260) AM 2015 75999 A
(800) 1192118
(151) 2013 11 28
(181) 2023 11 28
(891) 2013 11 28
(511) 32, 29, 30

(260) AM 2015 76000 A
(800) 1192161
(151) 2014 01 21
(181) 2024 01 21
(891) 2014 01 21
(511) 30

(260) AM 2015 76001 A
(800) 1192165
(151) 2013 09 06
(181) 2023 09 06
(891) 2013 09 06
(511) 35

(260) AM 2015 76003 A
(800) 1192210
(151) 2013 02 12
(181) 2023 02 12
(891) 2013 02 12
(511) 06, 09, 17, 37

(260) AM 2015 76005 A
(800) 1192240
(151) 2013 08 05
(181) 2023 08 05
(891) 2013 08 05
(511) 35, 37, 42, 08, 03, 09, 11, 12, 14, 16, 18, 20,
21, 24, 25, 26, 33, 34

(260) AM 2015 76007 A
(800) 1192259
(151) 2013 09 23
(181) 2023 09 23
(891) 2013 09 23
(511) 05

(260) AM 2015 76008 A
(800) 1192287
(151) 2013 11 21
(181) 2023 11 21
(891) 2013 11 21
(511) 03, 05

(260) AM 2015 76010 A
(800) 1192303
(151) 2013 10 14
(181) 2023 10 14
(891) 2013 10 14
(511) 30

(260) AM 2015 76011 A
(800) 1191248
(151) 2013 11 27
(181) 2023 11 27
(891) 2013 11 27
(511) 33

(260) AM 2015 76015 A
(800) 1192325
(151) 2013 12 26
(181) 2023 12 26
(891) 2013 12 26
(511) 07

(260) AM 2015 76021 A
(800) 685466
(151) 1997 09 01
(891) 2013 10 09
(511) 16

(260) AM 2015 76022 A
(800) 762377
(151) 2001 06 22

(891) 2014 01 14
(511) 30

(260) AM 2015 76025 A
(800) 818672
(151) 2003 09 24
(891) 2013 10 24
(511) 16

(260) AM 2015 76043 A
(800) 858440
(151) 2005 06 16
(891) 2014 01 09
(511) 09

(260) AM 2015 76050 A
(800) 1121032
(151) 2012 04 30
(891) 2013 12 17
(511) 14

(260) AM 2015 76051 A
(800) 1154870
(151) 2013 02 08
(181) 2023 02 08
(891) 2013 11 28
(511) 35

(260) AM 2015 76091 A
(800) 1192704
(151) 2013 10 15
(181) 2023 10 15
(891) 2013 10 15
(511) 06, 07, 20

(260) AM 2015 76092 A
(800) 1192705
(151) 2013 10 09
(181) 2023 10 09
(891) 2013 10 09
(511) 19

(260) AM 2015 76101 A
(800) 1192765
(151) 2013 10 23
(181) 2023 10 23
(891) 2013 10 23
(511) 09

(260) AM 2015 76102 A
(800) 1192787
(151) 2013 11 15
(181) 2023 11 15
(891) 2013 11 15
(511) 03

(260) AM 2015 76104 A
(800) 1192795
(151) 2013 11 21
(181) 2023 11 21
(891) 2013 11 21
(511) 35, 42, 44

(260) AM 2015 76106 A
(800) 1192803
(151) 2013 11 04
(181) 2023 11 04
(891) 2013 11 04
(511) 18, 28, 25, 12, 09

(260) AM 2015 76107 A
(800) 1192804
(151) 2013 11 25
(181) 2023 11 25
(891) 2013 11 25
(511) 32, 33

(260) AM 2015 76108 A
(800) 1192805
(151) 2013 11 22
(181) 2023 11 22
(891) 2013 11 22
(511) 03

(260) AM 2014 76118 A
(800) 1192958
(151) 2013 10 30
(181) 2023 10 30
(891) 2013 10 30
(511) 03

(260) AM 2015 76163 A
(800) 1177872
(151) 2013 07 30
(181) 2023 07 30
(891) 2013 12 13
(511) 04

(260) AM 2015 76185 A
(800) 1193324
(151) 2013 12 10
(181) 2023 12 10
(891) 2013 12 10
(511) 10, 09

(260) AM 2015 76278 A
(800) 557410
(151) 1990 04 20
(891) 2014 01 10
(511) 05

(260) AM 2015 76279 A
(800) 631719
(151) 1994 11 18
(891) 2013 11 14
(511) 42, 16, 28, 35, 38, 41

(260) AM 2015 76318 A
(800) 1193922
(151) 2013 09 09
(181) 2023 09 09
(891) 2013 09 09
(511) 36

(260) AM 2015 76510 A
(800) 1195656
(151) 2013 10 17
(181) 2023 10 17
(891) 2013 10 17
(511) 07, 08, 09, 11, 21, 35

(260) AM 2015 76512 A
(800) 1195709
(151) 2013 08 30
(181) 2023 08 30
(891) 2013 08 30
(511) 32

(260) AM 2015 76513 A
(800) 1195717
(151) 2013 10 04
(181) 2023 10 04
(891) 2013 10 04
(511) 05

(260) AM 2015 76519 A
(800) 1195783
(151) 2014 01 22
(181) 2024 01 22

(891) 2014 01 22
(511) 05

(260) AM 2015 76530 A
(800) 1195784
(151) 2014 01 13
(181) 2024 01 13
(891) 2014 01 13
(511) 05

(260) AM 2015 76531 A
(800) 1195794
(151) 2013 10 16
(181) 2023 10 16
(891) 2013 10 16
(511) 12

(260) AM 2015 76532 A
(800) 1195817
(151) 2013 10 17
(181) 2023 10 17
(891) 2013 10 17
(511) 29, 30, 05, 32

(260) AM 2015 76533 A
(800) 1195831
(151) 2013 10 17
(181) 2023 10 17
(891) 2013 10 17
(511) 29, 30, 05, 32

(260) AM 2015 76595 A
(800) 1196296
(151) 2013 12 10
(181) 2023 12 10
(891) 2013 12 10
(511) 05

(260) AM 2015 76596 A
(800) 1196297
(151) 2013 12 19
(181) 2023 12 19
(891) 2013 12 19
(511) 05

(260) AM 2015 76597 A
(800) 1196339
(151) 2013 12 03
(181) 2023 12 03
(891) 2013 12 03
(511) 09, 14

(260) AM 2015 76600 A
(800) 1196415
(151) 2013 12 19
(181) 2023 12 19
(891) 2013 12 19
(511) 25

(260) AM 2015 76605 A
(800) 1196459
(151) 2013 11 21
(181) 2023 11 21
(891) 2013 11 21
(511) 05

(260) AM 2015 76607 A
(800) 1196491
(151) 2013 12 19
(181) 2023 12 19
(891) 2013 12 19
(511) 24, 25

(260) AM 2015 76612 A
(800) 1196531
(151) 2013 10 04
(181) 2023 10 04
(891) 2013 10 04
(511) 05

(260) AM 2015 76614 A
(800) 1196533
(151) 2013 10 04
(181) 2023 10 04
(891) 2013 10 04
(511) 05

(260) AM 2015 76619 A
(800) 1196556
(151) 2013 11 18
(181) 2023 11 18
(891) 2013 11 18
(511) 34

(260) AM 2015 76620 A
(800) 1196557
(151) 2013 11 18
(181) 2023 11 18
(891) 2013 11 18
(511) 34

(260) AM 2015 76622 A
(800) 1196567
(151) 2013 10 17

(181) 2023 10 17
(891) 2013 10 17
(511) 29, 30, 32, 05

(260) AM 2015 76654 A
(800) 1113806
(151) 2011 11 30
(891) 2014 02 07
(511) 05

(260) AM 2015 76655 A
(800) 1117080
(151) 2012 02 23
(891) 2014 01 24
(511) 11

(260) AM 2015 76930 A
(800) 1199357
(151) 2014 01 24
(181) 2024 01 24
(891) 2014 01 24
(511) 40

(260) AM 2015 76954 A
(800) 1159878
(151) 2013 03 29
(891) 2014 02 18
(511) 01, 04

(260) AM 2015 76993 A
(800) 1199711
(151) 2013 11 14
(181) 2023 11 14
(891) 2013 11 14
(511) 25

(260) AM 2015 76994 A
(800) 1199744
(151) 2013 12 12
(181) 2023 12 12
(891) 2013 12 12
(511) 09

(260) AM 2015 76995 A
(800) 1199761
(151) 2014 01 27
(181) 2024 01 27
(891) 2014 01 27
(511) 30

(260) AM 2015 76996 A
(800) 1199766
(151) 2014 02 11
(181) 2024 02 11
(891) 2014 02 11
(511) 05

OFFICIAL NOTIFICATIONS

RENEWAL OF A PATENTS

INVENTIONS

(11) P 2014 6108 B

(73) LTD "MARJI" (GE)

(54) **COUNTERPULSATION THERAPY DEVICE**

DATE OF RENEWAL: 2015 05 25

(11) P 2007 4097 B

(73) GLAXO GROUP LIMITED (GB)

(54) **USE OF SPECIFIC DOSE OF FONDAPARINUX SODIUM FOR THE TREATMENT OF ACS**

DATE OF RENEWAL: 2015 05 25

TRADEMARKS

RENEWAL OF REGISTRATIONS

(111) M 1995 1029 R2
(156) 2015 09 25
(186) 2025 09 25
(732) Omega Pharma Innovation&Development NV
Veneccoweg 26, 9810 Nazareth, Belgium

(111) M 1995 1119 R2
(156) 2015 11 08
(186) 2025 11 08
(732) JAPAN TOBACCO INC.
2-2-1 Toranomom Minato-ku, Tokyo, Japan

(111) M 1995 1030 R2
(156) 2015 09 25
(186) 2025 09 25
(732) Omega Pharma Innovation&Development NV
Veneccoweg 26, 9810 Nazareth, Belgium

(111) M 1995 1122 R2
(156) 2015 11 08
(186) 2025 11 08
(732) JAPAN TOBACCO INC.
2-2-1 Toranomom Minato-ku, Tokyo, Japan

(111) M 1995 1037 R2
(156) 2015 09 26
(186) 2025 09 26
(732) JAPAN TOBACCO INC.
2-2-1 Toranomom Minato-ku, Tokyo, Japan

(111) M 1995 1123 R2
(156) 2015 11 08
(186) 2025 11 08
(732) JAPAN TOBACCO INC.
2-2-1 Toranomom Minato-ku, Tokyo, Japan

(111) M 1995 1056 R2
(156) 2015 09 26
(186) 2025 09 26
(732) 3M Company, a Delaware corporation
3M Center, 2501 Hadson Road, St. Paul,
Minnesota 55144, USA

(111) M 1995 1198 R2
(156) 2015 11 20
(186) 2025 11 20
(732) BSN MEDICAL LIMITED
Willerby, Hull, East Yorkshire HU10 6FE,
England, United Kingdom

(111) M 1995 1087 R2
(156) 2015 09 29
(186) 2025 09 29
(732) S.C. JOHNSON & SON, INC.
1525 Howe Street, Racine, Wisconsin
53403-2236, USA

(111) M 1995 1310 R2
(156) 2015 12 28
(186) 2025 12 28
(732) CATERPILLAR INC.
100 N.E. Adams Street, Peoria, Illinois
61629-6490, USA

(111) M 1995 1110 R2
(156) 2015 11 07
(186) 2025 11 07
(732) CHLOE S.A.S
5/7, Avenue Percier, 75008, Paris,
France

(111) M 1995 1312 R2
(156) 2015 12 28
(186) 2025 12 28
(732) CATERPILLAR INC.
100 N.E. Adams Street, Peoria, Illinois
61629-6490, USA

(111) M 1995 1114 R2
(156) 2015 11 08
(186) 2025 11 08
(732) JAPAN TOBACCO INC.
2-2-1 Toranomom Minato-ku, Tokyo, Japan

(111) M 2004 15665 R1
(156) 2015 03 12
(186) 2024 09 16
(732) GOSUDARSTVENNOE PREDPRIJATYE
"ARTEMSOL"
UL. CHKALOVA, 1A, G. SOLEDAR,
DONETSKAYA OBL., Ukraine

(111) M 2004 15767 R1
(156) 2015 05 13
(186) 2024 11 30
(732) LTD "BADAGONI"
Vil. Zemo Khodasheni, 0910, Akhmetis
raioni, Georgia

(111) M 2004 15774 R1
(156) 2015 03 19
(186) 2024 12 15
(732) CHIPITA INDUSTRIAL AND
COMMERCIAL COMPANY S.A.
(CHIPITA S.A.)
12 km National Road Athens-Lamia, 144
52 Metamorphosi, Attica, Greece

(111) M 2004 15775 R1
(156) 2015 03 19
(186) 2024 12 15
(732) CHIPITA INDUSTRIAL AND
COMMERCIAL COMPANY S.A.
(CHIPITA S.A.)
12 km National Road Athens-Lamia, 144
52 Metamorphosi, Attica, Greece

(111) M 2004 15805 R1
(156) 2014 12 15
(186) 2024 12 15
(732) Potomac Tobacco Company Ltd
Mill Mail, Suite 6, Wickhams Cay, P.O. Box
3085, Road Town, Tortola, United Kingdom

(111) M 2005 15883 R1
(156) 2015 03 02
(186) 2025 03 01
(732) CHANEL SARL.
Burgstrasse 26, CH-8750 GLARUS,
Switzerland

(111) M 2005 15884 R1
(156) 2015 03 02
(186) 2025 03 01
(732) SHANEL SARL
Burgstrasse 26, CH-8750 GLARUS,
Switzerland

(111) M 2005 15922 R1
(156) 2015 05 03
(186) 2025 05 03
(732) ZENTIVA GROUP, A.S.
U Kabelovny 130, 10237 Praha 10, Dolni
Mecholupy, Czech Republic

(111) M 2005 15923 R1
(156) 2015 05 03
(186) 2025 05 03
(732) ZENTIVA GROUP, A.S.
U Kabelovny 130, 10237 Praha 10, Dolni
Mecholupy, Czech Republic

(111) M 2005 15924 R1
(156) 2015 05 03
(186) 2025 05 03
(732) ZENTIVA GROUP, A.S.
U Kabelovny 130, 10237 Praha 10, Dolni
Mecholupy, Czech Republic

(111) M 2005 15929 R1
(156) 2015 05 03
(186) 2025 05 03
(732) BERLIN-CHEMIE AG
Glienicke Weg 125, D-12489, Berlin,
Germany

(111) M 2005 15930 R1
(156) 2015 05 03
(186) 2025 05 03
(732) BERLIN-CHEMIE AG
Glienicke Weg 125, D-12489, Berlin,
Germany

(111) M 2005 15938 R1
(156) 2015 05 11
(186) 2025 05 03
(732) LTD "AVERSI-PHARMA"
Davit Aghmashenebeli ave. 148/2, 0112,
Tbilisi, Georgia

(111) M 2005 15941 R1
(156) 2015 05 11
(186) 2025 05 03
(732) LTD "AVERSI-PHARMA"
Davit Aghmashenebeli ave. 148/2, 0112,
Tbilisi, Georgia

(111) M 2005 15961 R1
(156) 2015 05 19
(186) 2025 05 19
(732) JSC "LAGIDZE"
Tsinamdzghvrishvili St. 150, 0112, Tbilisi,
Georgia

(111) M 2005 15975 R1
(156) 2015 06 06
(186) 2025 06 06

(732) E.I. DU PONT de NEMOURS and
COMPANY
1007 Market Street, Wilmington, Delaware
19898, USA

(111) M 2005 15985 R1
(156) 2015 06 06
(186) 2025 06 06
(732) Schering-Plough Animal Health Corporation,
a Delaware corporation
1095 Morris Avenue, Union, State of New
Jersey 07083, USA

(111) M 2005 15997 R1
(156) 2015 06 13
(186) 2025 06 13
(732) PepsiCo, Inc., a North Carolina Corporation
700 Anderson Hill Road, Purchase, New
York 10577, USA

(111) M 2005 16006 R1
(156) 2015 06 13
(186) 2025 06 13
(732) COLGATE-PALMOLIVE COMPANY
300 Park Avenue, New York, NY 10022,
USA

(111) M 2005 16013 R1
(156) 2015 06 30
(186) 2025 06 30
(732) JFK INTERNATIONAL
Z-13, Hauz Khas, New Dheli, 110 016, India

(111) M 2005 16014 R1
(156) 2015 06 30
(186) 2025 06 30
(732) JFK INTERNATIONAL
Z-13, Hauz Khas, New Dheli, 110 016, India

(111) M 2005 16085 R1
(156) 2015 07 14
(186) 2025 07 14
(732) C.P.PHARMACEUTICALS
INTERNATIONAL C.V.
235 East 42nd Street, New York,
New York 10017, USA

(111) M 2005 16210 R1
(156) 2015 09 19
(186) 2025 09 19
(732) ACTAVIS GROUP PTC EHF
Reykjavikurvegi 76-78, 220 Hafnarfjordur,
Iceland

(111) M 2005 16319 R1
(156) 2015 11 02
(186) 2025 11 02
(732) LTD "CHOQOSVIS"
Abuseridze-Tbeli St. 13, 0120, Tbilisi,
Georgia

(111) M 2005 16381 R1
(156) 2015 12 16
(186) 2025 12 16
(732) JOHNSON & JOHNSON
One Johnson & Johnson Plaza, New
Brunswick, New Jersey 08933-7001, USA

(111) M 1996 3745 R2
(156) 2016 10 29
(186) 2026 10 29
(732) S.C. JOHNSON & SON, INC.
1525 Howe Street, Racine, Wisconsin
53403-2236, USA

(111) M 1995 539 R2
(156) 2015 02 10
(186) 2025 02 10
(732) AESCULAP AG
Am Aesculap-Platz, 78532 Tuttlingen,
Germany

(111) M 1995 549 R2
(156) 2015 04 27
(186) 2025 04 27
(732) CHIVAS HOLDINGS (IP) LIMITED
111/113 Renfrew Road, Paisley
Renfrewshire, PA3 4DY, Scotland, United
Kingdom

(111) M 1995 550 R2
(156) 2015 04 27
(186) 2025 04 27
(732) CARTIER INTERNATIONAL AG
(CARTIER INTERNATIONAL LTD),
(CARTIER INTERNATIONAL SA)
Hinterbergstrasse 22, Postfach 61, 6312
Steinhausen, Switzerland

(111) M 1995 551 R2
(156) 2015 04 27
(186) 2025 04 27
(732) CARTIER INTERNATIONAL AG
(CARTIER INTERNATIONAL LTD),
(CARTIER INTERNATIONAL SA)
Hinterbergstrasse 22, Postfach 61, 6312
Steinhausen, Switzerland

(111) M 1995 552 R2
 (156) 2015 04 27
 (186) 2025 04 27
 (732) CARTIER INTERNATIONAL AG
 (CARTIER INTERNATIONAL LTD),
 (CARTIER INTERNATIONAL SA)
 Hinterbergstrasse 22, Postfach 61,
 6312 Steinhausen, Switzerland

(111) M 1995 555 R2
 (156) 2015 04 27
 (186) 2025 04 27
 (732) REEBOK INTERNATIONAL LIMITED
 4th Flor, 11-12 Pall Mall, London SW1Y
 5LU, United Kingdom

(111) M 1995 564 R2
 (156) 2015 04 27
 (186) 2025 04 27
 (732) CARTIER INTERNATIONAL AG
 (CARTIER INTERNATIONAL LTD),
 (CARTIER INTERNATIONAL SA)
 Hinterbergstrasse 22, Postfach 61,
 6312 Steinhausen, Switzerland

(111) M 1995 577 R2
 (156) 2015 05 01
 (186) 2025 05 01
 (732) INTERNATIONAL BUSINESS
 MACHINES CORPORATION
 Old Orchard Road, Armonk, NY 10504, USA

(111) M 1995 580 R2
 (156) 2015 05 01
 (186) 2025 05 01
 (732) INTERNATIONAL BUSINESS
 MACHINES CORPORATION
 Old Orchard Road, Armonk, NY 10504, USA

(111) M 1995 581 R2
 (156) 2015 05 01
 (186) 2025 05 01
 (732) INTERNATIONAL BUSINESS
 MACHINES CORPORATION
 Old Orchard Road, Armonk, NY 10504, USA

(111) M 1995 618 R2
 (156) 2015 05 03
 (186) 2025 05 03
 (732) INTERNATIONAL BUSINESS
 MACHINES CORPORATION
 Old Orchard Road, Armonk, NY 10504, USA

(111) M 1995 629 R2
 (156) 2015 05 29
 (186) 2025 05 03
 (732) MITSUBISHI KAGAKU MEDIA CO. LTD.
 3-20, Kandaogawamachi, Chiyoda-ku,
 Tokyo, Japan

(111) M 1995 649 R2
 (156) 2015 06 01
 (186) 2025 06 01
 (732) Southern Comfort Properties, Inc.
 4040 Civic Center Drive, Suite 528, San
 Rafael, CA 94903, USA

(111) M 1995 655 R2
 (156) 2015 06 26
 (186) 2025 06 26
 (732) S.C. JOHNSON & SON, INC.
 1525 Howe Street, Racine, Wisconsin
 53403-2236, USA

(111) M 1995 663 R2
 (156) 2015 06 26
 (186) 2025 06 26
 (732) HERAEUS KULZER GMBH
 63450 Hanau, Germany

(111) M 1995 664 R2
 (156) 2015 06 26
 (186) 2025 06 26
 (732) BAYER AG
 D-51368 Leverkusen, Germany

(111) M 1995 690 R2
 (156) 2015 07 17
 (186) 2025 07 17
 (732) G.D.Searle LLC
 c/o The Corporation Trust Company,
 Corporation Trust Center, 1209 Orange
 Street, Wilmington, New Castle County,
 Delaware 19801, USA

(111) M 1995 694 R2
 (156) 2015 07 17
 (186) 2025 07 17
 (732) G.D.Searle LLC
 c/o The Corporation Trust Company,
 Corporation Trust Center, 1209 Orange
 Street, Wilmington, New Castle County,
 Delaware 19801, USA

(111) M 1995 696 R2
(156) 2015 07 17
(186) 2025 07 17
(732) G.D.Searle LLC
c/o The Corporation Trust Company,
Corporation Trust Center, 1209 Orange
Street, Wilmington, New Castle County,
Delaware 19801, USA

(111) M 1995 713 R2
(156) 2015 07 18
(186) 2025 07 18
(732) COLGATE-PALMOLIVE COMPANY,
a Delaware corporation
300 Park Avenue, New York, New York
10022, USA

(111) M 1995 731 R2
(156) 2015 07 21
(186) 2025 07 21
(732) BERLIN-CHEMIE AG
Glienicke Weg 125, D-12489, Berlin,
Germany

(111) M 1995 744 R2
(156) 2015 07 24
(186) 2025 07 24
(732) BAYER AG
D-51368 Leverkusen, Germany

(111) M 1995 753 R2
(156) 2015 07 26
(186) 2025 07 26
(732) JAPAN TOBACCO INC.
2-2-1 Toranomon Minato-ku, Tokyo, Japan

(111) M 1995 754 R2
(156) 2015 07 26
(186) 2025 07 26
(732) THE PROCTER & GAMBLE COMPANY
One Procter & Gamble Plaza, Cincinnati,
Ohio, USA

(111) M 1995 780 R2
(156) 2015 07 31
(186) 2025 07 31
(732) COMPAGNIE GERVAIS DANONE,
societe anonyme
17 Boulevard Haussmann, 75009 Paris,
France

(111) M 1995 810 R2
(156) 2015 08 08
(186) 2025 08 08
(732) BLUE CROSS AND BLUE SCHIELD
ASSOCIATION
225 North Michigan Avenue, Chicago,
Illinois 60601, USA

(111) M 1995 811 R2
(156) 2015 08 09
(186) 2025 08 09
(732) BLUE CROSS AND BLUE SCHIELD
ASSOCIATION
225 North Michigan Avenue, Chicago,
Illinois 60601, USA

(111) M 1995 812 R2
(156) 2015 08 09
(186) 2025 08 09
(732) BLUE CROSS AND BLUE SCHIELD
ASSOCIATION
225 North Michigan Avenue, Chicago,
Illinois 60601, USA

(111) M 1995 835 R2
(156) 2015 08 11
(186) 2025 08 11
(732) FEINTOOL INTERNATIONAL HOLDING AG
Industriering 8, 3250 Lyss, Switzerland

(111) M 1995 867 R2
(156) 2015 08 16
(186) 2025 08 16
(732) REEBOK INTERNATIONAL LIMITED
4th Flor, 11/12 Pall Mall, London
SW1Y 5LU, United Kingdom

(111) M 1995 875 R2
(156) 2015 08 16
(186) 2025 08 16
(732) KABUSHIKI KAISHA BARUDAN
20 aza-Tsukagoshi, ohaza-Jyosuiji,
Ichinomiya-shi, Aichi-Ken, Japan

(111) M 1995 879 R2
(156) 2015 08 16
(186) 2025 08 16
(732) SYNGENTA PARTICIPATIONS AG
Schwarzwaldallee 215, 4058 Basel,
Switzerland

(111) M 1995 883 R2
(156) 2015 08 16
(186) 2025 08 16
(732) SYNGENTA PARTICIPATIONS AG
Schwarzwaldallee 215, 4058 Basel,
Switzerland

(111) M 1995 991 R2
(156) 2015 09 22
(186) 2025 09 22
(732) GALLAHER LIMITED, MEMBERS
HILL, BROOKLANDS ROAD
Weybridge, Surrey, KT13 0QU, United
Kingdom

(111) M 1995 885 R2
(156) 2015 08 16
(186) 2025 08 16
(732) SYNGENTA PARTICIPATIONS AG
Schwarzwaldallee 215, 4058 Basel,
Switzerland

(111) M 1995 896 R2
(156) 2015 08 16
(186) 2025 08 16
(732) DUCK GLOBAL LICENSING AG
(DUCK GLOBAL LICENSING SA)
(DUCK GLOBAL LICENSING LTD)
c/o Ficher & Partner Schulhausstrasse 9,
6052 Hergiswil, Switzerland

(111) M 1995 923 R2
(156) 2015 08 17
(186) 2025 08 17
(732) THE PROCTER & GAMBLE COMPANY
One Procter & Gamble Plaza, Cincinnati,
Ohio, USA

(111) M 1995 926 R2
(156) 2015 08 18
(186) 2025 08 18
(732) Societe Civile Agricole CHATEAU
MARGAUX
Margaux (Gironde), France

(111) M 1995 936 R2
(156) 2015 08 18
(186) 2025 08 18
(732) GALLAHER LIMITED
Members Hill, Brooklands Road, Weybridge,
Surrey, KT13 0QU, United Kingdom

(111) M 1995 985 R2
(156) 2015 09 21
(186) 2025 09 21
(732) GALLAHER LIMITED
Members Hill, Brooklands Road, Weybridge,
Surrey, KT13 0QU, United Kingdom

COMPLETE TRANSFER OF RIGHTS

(111) M 2004 015774 R1
(732) VIVARTIA INDUSTRIAL AND
COMMERCIAL COMPANY OF FOOD
PRODUCTS AND CATERING SERVICES
S.A. (VIVARTIA S.A.)
10, Ziridi street, Amaroussio (Maroussi),
15123 Attica, Greece
(770) CHIPITA INTERNATIONAL S.A.
12 km National Road Athens-Lamia, 144 52
Metamorphosi, Attica, Greece
(580) 2015 05 14

(111) M 2004 015774 R1
(732) CHIPITA INDUSTRIAL AND
COMMERCIAL COMPANY S.A.
(CHIPITA S.A.)
12 km National Road Athens-Lamia, 144 52
Metamorphosi, Attica, Greece
(770) VIVARTIA INDUSTRIAL AND
COMMERCIAL COMPANY
OF FOOD PRODUCTS AND CATERING
SERVICES S.A. (VIVARTIA S.A.)
10, Ziridi street, Amaroussio (Maroussi),
15123 Attica, Greece
(580) 2015 05 14

(111) M 2004 015775 R1
(732) VIVARTIA INDUSTRIAL AND
COMMERCIAL COMPANY OF FOOD
PRODUCTS AND CATERING SERVICES
S.A. (VIVARTIA S.A.)
10, Ziridi street, Amaroussio (Maroussi),
15123 Attica, Greece
(770) CHIPITA INTERNATIONAL S.A.
12 km National Road Athens-Lamia, 144 52
Metamorphosi, Attica, Greece
(580) 2015 05 14

(111) M 2004 015775 R1
(732) CHIPITA INDUSTRIAL AND
COMMERCIAL COMPANY
S.A. (CHIPITA S.A.)
12 km National Road Athens-Lamia, 144 52
Metamorphosi, Attica, Greece
(770) VIVARTIA INDUSTRIAL AND
COMMERCIAL COMPANY OF FOOD
PRODUCTS AND CATERING SERVICES
S.A. (VIVARTIA S.A.)
10, Ziridi street, Amaroussio (Maroussi),
15123 Attica, Greece
(580) 2015 05 14

(111) M 2013 023413 R
(732) LTD "CRYSTALBET"
Vazha-Pshavela ave. 42-44, 0177,
Tbilisi, Georgia
(770) LTD "SUPERBETI 2014"
Baratashvili St. 2, 0105, Tbilisi, Georgia
(580) 2015 05 14

(111) M 2013 023413 R
(732) LTD "PLANETA-14"
Kavtaradze St. 5, 0186, Tbilisi, Georgia
(770) LTD "CRYSTALBET"
Vazha-Pshavela ave. 42-44, 0177,
Tbilisi, Georgia
(580) 2015 05 14

(111) M 2013 023477 R
(732) LTD "CRYSTALBET"
Vazha-Pshavela ave. 42-44, 0177,
Tbilisi, Georgia
(770) LTD "SUPERBET 2014"
Baratashvili St. 2, 0105, Tbilisi, Georgia
(580) 2015 05 14

(111) M 2013 023477 R
(732) LTD "PLANETA-14"
Kavtaradze St. 5, 0186, Tbilisi, Georgia
(770) LTD "CRYSTALBET"
Vazha-Pshavela ave. 42-44, 0177,
Tbilisi, Georgia
(580) 2015 05 14

CHANGES IN NAMES AND/OR ADDRESSES OF OWNERS

(111) M 1995 001110 R2
(732) CHLOE S.A.
54/56, Rue du Faubourg Saint-Honore,
75008, Paris, France
(770) CHLOE
71, Avenue Franklin, 75008, Paris, France
(580) 2015 05 14

(770) MITSUBISHI CHEMICAL MEDIA CO.
LTD.
6F, ANA Tamachi Building 31-19, Shiba 5
chome, Minato-ku, Tokyo 108-0014, USA
(580) 2015 05 14

(111) M 1995 001110 R2
(732) CHLOE S.A.S
5/7, Avenue Percier, 75008, Paris, France
(770) CHLOE S.A.
54/56, Rue du Faubourg Saint-Honore, 5008,
Paris, France
(580) 2015 05 14

(111) M 1995 001198 R2
(732) BSN MEDICAL LIMITED
Willerby, Hull, East Yorkshire HU10 6FE,
England, United Kingdom
(770) BSN MEDICAL LIMITED
Brierfield Mills, Brierfield Nelson, ankaire,
BB9 5NJ, United Kingdom
(580) 2015 05 14

(111) M 2004 015665 R1
(732) GOSUDARSTVENNOE PREDPRIJATYE
"ARTEMSOL"
UL. CHKALOVA, 1A, G. SOLEDAR,
DONETSKAYA OBL., Ukraine
(770) GOSUDARSTVENNOE PREDPRIJATYE
OBYEDINENIE "ARTEMSOL"
UL. CHKALOVA, 1A, G. SOLEDAR,
DONETSKAYA OBL., Ukraine
(580) 2015 05 06

(111) M 1995 000539 R2
(732) AESCULAP AG
Am Aesculap-Platz, 78532 Tuttlingen,
Germany
(770) AESCULAP AG & CO. KG
Am Aesculap-Platz, 78532 Tuttlingen,
Germany
(580) 2015 05 14

(111) M 1995 000629 R2
(732) MITSUBISHI KAGAKU MEDIA CO. LTD.
3-20, Kandaogawamachi, Chiyoda-ku,
Tokyo, Japan

CLASSIFICATION INDEXES

INVENTIONS

CONCORDANCE TABLE OF INTERNATIONAL CLASSIFICATION INDEX AND PUBLICATION NUMBERS

INTERNATIONAL CLASSIFICATION INDEXES (51)	NUMBER OF PUBLISHED APPLICATION (10)
A 61 K 9/16	AP 2015 13011 A
B 01 J 19/08; B 01 F 5/04; C 10 J 3/00	AP 2015 13171 A
C 07 C 231/02; C 07 C 233/18; C 07 C 253/30; C 07 C 255/37; C 07 C 255/40	AP 2015 13180 A
C 07 C 317/22; C 07 C 323/20; A 61 K 8/46; A 61 Q 5/08; A 61 Q 19/02; A 61 Q 19/08; A 61 P 17/00; A 01 N 31/16; A 01 N 39/00; A 01 N 41/10; A 01 P 1/00	AP 2015 12441 A
C 10 G 9/00; C 10 G 1/04; E 21 B 43/00	AP 2015 12377 A
E 21 B 7/00	AP 2015 12820 A
F 03 B 7/00; F 03 B 17/06	AP 2015 12886 A

CONCORDANCE TABLE OF PUBLICATION NUMBERS AND INTERNATIONAL CLASSIFICATION INDEX

NUMBER OF PUBLISHED APPLICATION (10)	INTERNATIONAL CLASSIFICATION INDEXES (51)
AP 2015 12377 A	C 10 G 9/00; C 10 G 1/04; E 21 B 43/00
AP 2015 12441 A	C 07 C 317/22; C 07 C 323/20; A 61 K 8/46; A 61 Q 5/08; A 61 Q 19/02; A 61 Q 19/08; A 61 P 17/00; A 01 N 31/16; A 01 N 39/00; A 01 N 41/10; A 01 P 1/00
AP 2015 12820 A	E 21 B 7/00
AP 2015 12886 A	F 03 B 7/00; F 03 B 17/06
AP 2015 13011 A	A 61 K 9/16
AP 2015 13171 A	B 01 J 19/08; B 01 F 5/04; C 10 J 3/00
AP 2015 13180 A	C 07 C 231/02; C 07 C 233/18; C 07 C 253/30; C 07 C 255/37; C 07 C 255/40

CONCORDANCE TABLE OF INTERNATIONAL CLASSIFICATION INDEX, PATENT NUMBERS AND PUBLICATION NUMBERS

INTERNATIONAL CLASSIFICATION INDEX (51)	NUMBER OF PATENT (11)	NUMBER OF PUBLISHED APPLICATION (10)
A 23 L 1/056; A 23 L 1/30; A 61 K 31/715; A 61 K 35/56	P 2015 6287 B	AP 2015 12609 A
A 61 K 31/4184; A 61 K 31/4745; A 61 K 39/395; A 61 K 45/06; A 61 K 35/00; A 61 P 35/02	P 2015 6288 B	AP 2015 12864 A
B 61 B 7/00; B 61 B 7/02	P 2015 6291 B	AP 2015 13410 A
C 07 D 487/04; C 07 D 493/14; C 07 D 495/14; C 07 D 498/14; A 61 K 31/517; A 61 P 35/00	P 2015 6289 B	AP 2015 13008 A
F 16 C 7/04	P 2015 6290 B	AP 2015 13093 A

**CONCORDANCE TABLE OF PATENT NUMBERS,
PUBLICATION NUMBERS AND INTERNATIONAL CLASSIFICATION INDEX**

NUMBER OF PATENT (11)	NUMBER OF PUBLISHED APPLICATION (10)	INTERNATIONAL CLASSIFICATION INDEX (51)
P 2015 6287 B	AP 2015 12609 A	A 23 L 1/056; A 23 L 1/30; A 61 K 31/715; A 61 K 35/56
P 2015 6288 B	AP 2015 12864 A	A 61 K 31/4184; A 61 K 31/4745; A 61 K 39/395; A 61 K 45/06; A 61 K 35/00; A 61 P 35/02
P 2015 6289 B	AP 2015 13008 A	C 07 D 487/04; C 07 D 493/14; C 07 D 495/14; C 07 D 498/14; A 61 K 31/517; A 61 P 35/00
P 2015 6290 B	AP 2015 13093 A	F 16 C 7/04
P 2015 6291 B	AP 2015 13410 A	B 61 B 7/00; B 61 B 7/02

**CONCORDANCE TABLE OF APPLICATION NUMBERS, PUBLICATION NUMBERS
AND PATENTS**

NUMBER OF APPLICATION (21)	NUMBER OF PUBLISHED APPLICATION (10)	NUMBER OF PATENT (11)
AP 2010 012609	AP 2015 12609 A	P 2015 6287 B
AP 2008 012864	AP 2015 12864 A	P 2015 6288 B
AP 2011 013008	AP 2015 13008 A	P 2015 6289 B
AP 2013 013093	AP 2015 13093 A	P 2015 6290 B
AP 2014 013410	AP 2015 13410 A	P 2015 6291 B

UTILITY MODELS

**CONCORDANCE TABLE OF INTERNATIONAL CLASSIFICATION INDEX
AND PUBLICATION NUMBERS**

INTERNATIONAL CLASSIFICATION INDEXES (51)	NUMBER OF PUBLISHED APPLICATION (10)
B 28 B 1/00	AU 2015 13058 U

**CONCORDANCE TABLE OF PUBLICATION NUMBERS
AND INTERNATIONAL CLASSIFICATION INDEX**

NUMBER OF PUBLISHED APPLICATION (10)	INTERNATIONAL CLASSIFICATION INDEXES (51)
AU 2015 13058 U	B 28 B 1/00

**CONCORDANCE TABLE OF INTERNATIONAL CLASSIFICATION INDEX,
PATENT NUMBERS AND PUBLICATION NUMBERS**

INTERNATIONAL CLASSIFICATION INDEX (51)	NUMBER OF PATENT (11)	NUMBER OF PUBLISHED APPLICATION (10)
B 21 F 27/06	U 2015 1858 Y	AU 2015 13416 U
G 03 B 27/00	U 2015 1859 Y	AU 2015 13455 U

**CONCORDANCE TABLE OF PATENT NUMBERS,
PUBLICATION NUMBERS AND INTERNATIONAL CLASSIFICATION INDEX**

NUMBER OF PATENT (11)	NUMBER OF PUBLISHED APPLICATION (10)	INTERNATIONAL CLASSIFICATION INDEX (51)
U 2015 1858 Y	AU 2015 13416 U	B 21 F 27/06
U 2015 1859 Y	AU 2015 13455 U	G 03 B 27/00

**CONCORDANCE TABLE OF APPLICATION NUMBERS, PUBLICATION NUMBERS
AND PATENTS**

NUMBER OF APPLICATION (21)	NUMBER OF PUBLISHED APPLICATION (10)	NUMBER OF PATENT (11)
AU 2014 013416	AU 2015 13416 U	U 2015 1858 Y
AU 2014 013455	AU 2015 13455 U	U 2015 1859 Y

DESIGNS

**CONCORDANCE TABLE OF INTERNATIONAL CLASSIFICATION INDEX
AND PUBLICATION NUMBERS**

INTERNATIONAL CLASSIFICATION INDEXES (51)	NUMBER OF PUBLISHED APPLICATION (10)
09-01	AD 2015 817 S
19-08	AD 2015 838 S
32-00	AD 2015 837 S

**CONCORDANCE TABLE OF PUBLICATION NUMBERS
AND INTERNATIONAL CLASSIFICATION INDEX**

NUMBER OF PUBLISHED APPLICATION (10)	INTERNATIONAL CLASSIFICATION INDEXES (51)
AD 2015 817 S	09-01
AD 2015 837 S	32-00
AD 2015 838 S	19-08

TRADEMARKS

CONCORDANCE TABLE OF REGISTRATION NUMBERS, APPLICATION NUMBERS, PUBLICATION NUMBERS AND BULLETIN NUMBERS

NUMBER OF REGISTRATION (111)	NUMBER OF APPLICATIONS (210)	NUMBER OF PUBLISHED APPLICATIONS (260)	NUMBER OF BULLETIN
1	2	3	4
M 2015 25822 R	AM 75249	AM 2014 75249 A	21(409) 2014
M 2015 25823 R	AM 75263	AM 2014 75263 A	22(410) 2014
M 2015 25824 R	AM 75264	AM 2014 75264 A	22(410) 2014
M 2015 25825 R	AM 75299	AM 2014 75299 A	22(410) 2014
M 2015 25826R	AM 75302	AM 2014 75302 A	19(407) 2014
M 2015 25827 R	AM 75304	AM 2014 75304 A	19(407) 2014
M 2015 25828 R	AM 75305	AM 2014 75305 A	21(409) 2014
M 2015 25829 R	AM 75306	AM 2014 75306 A	22(410) 2014
M 2015 25830 R	AM 75311	AM 2014 75311 A	22(410) 2014
M 2015 25831 R	AM 75323	AM 2014 75323 A	23(411) 2014
M 2015 25832 R	AM 75331	AM 2014 75331 A	19(407) 2014
M 2015 25833 R	AM 75345	AM 2014 75345 A	22(410) 2014
M 2015 25834 R	AM 75380	AM 2014 75380 A	21(409) 2014
M 2015 25835 R	AM 75415	AM 2014 75415 A	20(408) 2014
M 2015 25836 R	AM 75416	AM 2014 75416 A	19(407) 2014
M 2015 25837 R	AM 75417	AM 2014 75417 A	19(407) 2014
M 2015 25838 R	AM 75418	AM 2014 75418 A	19(407) 2014
M 2015 25839 R	AM 75419	AM 2014 75419 A	19(407) 2014
M 2015 25840 R	AM 75465	AM 2014 75465 A	24(412) 2014
M 2015 25841 R	AM 75483	AM 2014 75483 A	24(412) 2014
M 2015 25842 R	AM 75485	AM 2014 75485 A	19(407) 2014
M 2015 25843 R	AM 75525	AM 2014 75525 A	23(411) 2014
M 2015 25844 R	AM 75571	AM 2014 75571 A	19(407) 2014
M 2015 25845 R	AM 75644	AM 2014 75644 A	21(409) 2014
M 2015 25846 R	AM 75346	AM 2014 75346 A	22(410) 2014
M 2015 25854 R	AM 65156	AM 2014 65156 A	24(412) 2014
M 2015 25855 R	AM 74103	AM 2014 74103 A	20(408) 2014
M 2015 25856 R	AM 74375	AM 2014 74375 A	24(412) 2014
M 2015 25857 R	AM 74870	AM 2014 74870 A	23(411) 2014
M 2015 25858 R	AM 75056	AM 2014 75056 A	24(412) 2014
M 2015 25862 R	AM 81751	-	10(422) 2015
M 2015 25863 R	AM 81816	-	10(422) 2015
M 2015 25864 R	AM 81785	-	10(422) 2015
M 2015 25865 R	AM 81760	-	10(422) 2015
M 2015 25866 R	AM 81761	-	10(422) 2015
M 2015 25890 R	AM 81867	-	10(422) 2015
M 2015 25891 R	AM 81868	-	10(422) 2015
M 2015 25910 R	AM 81771	-	10(422) 2015
M 2015 25919 R	AM 81790	-	10(422) 2015
M 2015 25921 R	AM 81934	-	10(422) 2015

**CONCORDANCE TABLE OF PUBLICATION NUMBERS
AND APPLICATION NUMBERS**

NUMBER OF PUBLISHED APPLICATION (260)	NUMBER OF APPLICATION (210)	1	2
1	2		
AM 2015 75088 A*	AM 75088	AM 2015 78202 A	AM 78202
AM 2015 76082 A	AM 76082	AM 2015 78212 A	AM 78212
AM 2015 76110 A	AM 76110	AM 2015 78240 A	AM 78240
AM 2015 76340 A	AM 76340	AM 2015 78379 A	AM 78379
AM 2015 76495 A	AM 76495	AM 2015 78524 A	AM 78524
AM 2015 76669 A	AM 76669	AM 2015 78532 A	AM 78532
AM 2015 76972 A	AM 76972	AM 2015 78581 A	AM 78581
AM 2015 77062 A	AM 77062	AM 2015 78596 A	AM 78596
AM 2015 77258 A	AM 77258	AM 2015 78597 A	AM 78597
AM 2015 77261 A	AM 77261	AM 2015 78750 A	AM 78750
AM 2015 77470 A	AM 77470	AM 2015 78751 A	AM 78751
AM 2015 77677 A	AM 77677	AM 2015 78755 A	AM 78755
AM 2015 77889 A	AM 77889	AM 2015 78756 A	AM 78756
AM 2015 77931 A	AM 77931	AM 2015 78757 A	AM 78757
AM 2015 77947 A	AM 77947	AM 2015 78783 A	AM 78783
AM 2015 77986 A	AM 77986	AM 2015 78784 A	AM 78784
AM 2015 77987 A	AM 77987	AM 2015 78826 A	AM 78826
AM 2015 78098 A	AM 78098	AM 2015 78844 A	AM 78844
AM 2015 78120 A	AM 78120	AM 2015 78845 A	AM 78845
AM 2015 78160 A	AM 78160	AM 2015 78854 A	AM 78854
AM 2015 78178 A	AM 78178	AM 2015 78880 A	AM 78880
AM 2015 78200 A	AM 78200	AM 2015 78911 A	AM 78911
AM 2015 78201 A	AM 78201	AM 2015 78912 A	AM 78912
		AM 2015 79072 A	AM 79072
		AM 2015 79087 A	AM 79087
		AM 2015 79090 A	AM 79090
		AM 2015 79202 A	AM 79202

**CONCORDANCE TABLE OF INDEX OF GOODS AND/OR SERVICES
AND APPLICATION NUMBERS**

INDEX OF GOODS AND/OR SERVICES (511)	NUMBER OF PUBLISHED APPLICATIONS (260)	1	2
1	2	29	AM 2015 76972 A
3	AM 2015 75088 A*	29	AM 2015 78756 A
3	AM 2015 77062 A	29	AM 2015 78826 A
3	AM 2015 77677 A	29	AM 2015 78844 A
3	AM 2015 78911 A	29	AM 2015 78845 A
5	AM 2015 77062 A	29	AM 2015 78854 A
5	AM 2015 77258 A	29	AM 2015 78880 A
5	AM 2015 77986 A	30	AM 2015 76082 A
5	AM 2015 77987 A	30	AM 2015 78200 A
5	AM 2015 78120 A	30	AM 2015 78201 A
5	AM 2015 78212 A	30	AM 2015 78826 A
5	AM 2015 78379 A	30	AM 2015 78844 A
5	AM 2015 78750 A	30	AM 2015 78845 A
5	AM 2015 78751 A	30	AM 2015 78845 A
5	AM 2015 79087 A	32	AM 2015 76082 A
5	AM 2015 79090 A	32	AM 2015 78201 A
6	AM 2015 77947 A	32	AM 2015 78756 A
7	AM 2015 78596 A	32	AM 2015 77261 A
7	AM 2015 78597 A	33	AM 2015 78176 A
7	AM 2015 78756 A	33	AM 2015 78755 A
8	AM 2015 77931 A	33	AM 2015 78783 A
9	AM 2015 76340 A	33	AM 2015 78784 A
9	AM 2015 78098 A	33	AM 2015 79072 A
9	AM 2015 78524 A	34	AM 2015 76669 A
9	AM 2015 78532 A	34	AM 2015 77889 A
9	AM 2015 78756 A	34	AM 2015 78160 A
9	AM 2015 79202 A	35	AM 2015 76495 A
11	AM 2015 78756 A	35	AM 2015 78098 A
14	AM 2015 78581 A	35	AM 2015 78880 A
14	AM 2015 78756 A	35	AM 2015 78912 A
14	AM 2015 78757 A	36	AM 2015 78240 A
16	AM 2015 77062 A	36	AM 2015 78756 A
16	AM 2015 78240 A	36	AM 2015 78757 A
18	AM 2015 78756 A	36	AM 2015 78098 A
18	AM 2015 78757 A	37	AM 2015 78098 A
21	AM 2015 77062 A	38	AM 2015 78240 A
21	AM 2015 78756 A	38	AM 2015 78756 A
25	AM 2015 78756 A	38	AM 2015 79202 A
25	AM 2015 78757 A	41	AM 2015 76110 A
28	AM 2015 76110 A	41	AM 2015 77470 A
28	AM 2015 78756 A	41	AM 2015 78756 A
28	AM 2015 78757 A	41	AM 2015 78757 A
29	AM 2015 76082 A	41	AM 2015 79202 A
		42	AM 2015 78098 A
		43	AM 2015 78200 A
		43	AM 2015 78201 A
		43	AM 2015 78202 A
		44	AM 2015 77470 A

CONCORDANCE TABLE OF INDEX OF GOODS AND/OR SERVICES
AND NUMBERS OF TRADEMARKS REGISTERED ACCORDING
TO THE ACCELERATED PROCEDURE

INDEX OF GOODS AND/OR SERVICES (511)	NUMBERS OF REGISTERED ACCORDING TO THE ACCELERATED PROCEDURE (111)
5	M 2015 25862 R
5	M 2015 25910 R
5	M 2015 25919 R
32	M 2015 25921 R
34	M 2015 25865 R
34	M 2015 25866 R
34	M 2015 25890 R
34	M 2015 25891 R
39	M 2015 25863 R
43	M 2015 25864 R

OFFICIAL BULLETIN OF THE INDUSTRIAL PROPERTY

10(422)

EDITOR-IN-CHIEF: N. Bebrishvili

EDITORS-TRANSLATORS: E. Gabunia

PROOFREADER: A. Shikhashvili

COMPUTER LAYOUT: M. Ordenidze
K. Svanidze

www.sakpatenti.org.ge

E-mail: info@sakpatenti.org.ge