



**NATIONAL INTELLECTUAL PROPERTY CENTER OF GEORGIA  
SAKPATENTI**

**OFFICIAL BULLETIN  
OF THE INDUSTRIAL PROPERTY**

**10(470)**

**2017  
TBILISI**

# INID CODES FOR IDENTIFICATION OF BIBLIOGRAPHIC DATA

## INVENTIONS, UTILITY MODELS

- (10) Number of publication for application, which has been examined
- (11) Number of patent and kind of document
- (21) Serial number of application
- (22) Date of filing of the application
- (23) Date of exhibition or the date of the earlier filing and the number of application, if any
- (24) Date from which patent may have effect
- (31) Number of priority application
- (32) Date of filing of priority application
- (33) Code of the country or regional organization allotting priority application number
- (44) Date of publication of application not granted, but examined and number of bulletin
- (45) Date of publication of registered document
- (51) International Patent Classification Index
- (54) Title of the invention
- (57) Abstract
- (60) Number of examined patent document granted by foreign patent office, date from which patent has effect and country code
- (62) Number of the earlier application and in case of divided application, date of filing an application
- (71) Name, surname and address of applicant (country code)
- (72) Name, surname of inventor (country code)
- (73) Name, surname and address of patent owner (country code)
- (74) Name, surname of representative or patent attorney
- (85) Date of commencement of the national phase of International Application
- (86) Number and date of filing of international application
- (87) Number and date of publication of international application

## DESIGNS

- (10) Number of publication for application
- (11) Number of patent and kind of document or number of registration
- (15) Date of registration/Date of patent renewal
- (18) Expected expiration date of patent or registration
- (21) Serial number of application
- (22) Date of filing of the application
- (23) Date of exhibition or the date of the earlier filing and the number of application, if any
- (24) Date from which patent may have effect
- (28) Number of designs included in the application
- (30) Data relating to priority (number of application, date of filing of application, two-letter code identifying the authority with whom the priority application was made)
- (31) Number of priority application
- (32) Date of filing of priority application
- (33) Code of the country or regional organization allotting priority application number
- (34) Two-letter code according to WIPO St.3 identifying the authority with which the priority application was made
- (44) Date of publication of design and number of bulletin (the first publication)
- (45) Date of publication of design registered by WIPO and number of bulletin
- (51) International Classification for designs (class and subclass of the Locarno Classification)
- (54) Title of the invention
- (55) Reproduction of the design
- (57) Description of characteristic features of the design including indication of colors
- (58) Date of recording of any kind of amendment in the Register
- (62) Number of the earlier application, registration and document number and if available the date of filing an application in case of divided application
- (71) Name, surname and address of applicant (country code)
- (72) Name, surname of creator (country code)
- (73) Name, surname and address of patent owner (country code)
- (74) Name, surname of representative or patent attorney
- (81) Contracting states concerned
  - II designated contracting states according to the 1960 Act
  - III designated contracting states according to the 1999 Act
- (85) Owner's permanent address
- (86) Owner's nationality
- (87) Owner's residence
- (88) State in which the owner has a real and effective industrial or commercial establishment

## TRADEMARKS

- (111) - Number of registration
- (151) - Date of registration
- (156) - Date of the renewal
- (181) - Expected expiration date of registration
- (186) - Renewal expiration date of registration
- (141) - Date of cancel of duration of the mark
- (210) - Serial number of application
- (220) - Date of filing of the application
- (230) - Date concerning exhibition
- (260) - Number of application, for which favorable decision of examination about registration has been taken (publication number)
- (310) - Number of the first application
- (320) - Date of filing of the first application
- (330) - Code, identifying national or regional Office where the first application was made
- (511) - International Classification of Goods and Services for the purposes of registration of trade marks and/or list of goods and/or services classified according thereto
- (531) - Description of figurative elements of Trade Marks according to the International Classification of the Figurative Elements of Marks
- (540) - Reproduction of Trade Mark
- (550) - Nature and kind of Trade Mark
- (580) - Date of recording of any kind changes in respect of applications or registrations
- (591) - Information concerning colors claimed
- (731) - Name and address of the applicant
- (732) - Name and address of the holder of the registration
- (740) - Name and address of the representative
- (750) - Address for correspondence
- (770) - Name and address of the previous applicant or holder in case of change in ownership
- (771) - Previous name and address of the applicant or holder in case of change in ownership
- (791) - Name and address of the licensee
- (793) - Indication of conditions and/or restrictions under the license (Type of license, number of license agreement, data of license, data of validity of license)
- (800) - Certain data relating to the international registration of Trade Marks under the Protocol Relating to Madrid Agreement (International registration number)

## CODES FOR PUBLICATION IN BULLETIN

- (21) AP 0000 000000 - serial number of application for invention
- (10) AP 0000 0000 A - number of published application for invention (first publication)
- (11) P 0000 0000 B - number of patent for invention (second publication)
- (21) API 0000 000000 - number of application for imported patent
- (11) PI 0000 0000 A - number of imported patent (first publication)
- (21) AU 0000 000000 - serial number of application for utility model
- (10) AU 0000 000 U - number of published application for utility model (first publication)
- (11) U 0000 000 Y - number of patent for utility model (second publication)
- (21) AD 0000 000000 - serial number of application for design
- (10) AD 0000 000 S - number of published application for design (first publication)
- (11) D 0000 000 S - number of patent for design (second publication)

## INTERNATIONAL PATENT CLASSIFICATION FOR INVENTIONS AND UTILITY MODELS

- SECTION A - HUMAN NECESSITIES
- SECTION B - PERFORMING OPERATIONS; TRANSPORTING
- SECTION C - CHEMISTRY; METALLURGY
- SECTION D - TEXTILES; PAPER
- SECTION E - FIXED CONSTRUCTIONS
- SECTION F - MECHANICAL ENGINEERING; LIGHTING; HEATING; WEAPONS; BLASTING
- SECTION G - PHYSICS
- SECTION H - ELECTRICITY

- 
- M - Trade Mark
  - (210) AM 0000 000000 - Serial number of application;
  - (260) AAM 0000 00000 A - Publication number of application;
  - (111) M 0000 00000 R - Number of registration;
  - (111) MMM0000 00000 Rn - Number of renewals, in which n=1,2,3;
  - (111) M 0000 00000 R(P) - Number of registration under partial assignment of rights
-

**LIST OF CODES, IN ALPHABETIC SEQUENCE, AND THE CORRESPONDING (SHORT) NAMES OF STATES, OTHER ENTITIES AND INTERGOVERNMENTAL ORGANIZATIONS**  
(WIPO STANDARD ST.3)

AD	Andorra				
AE	United Arab Emirates				
AF	Afghanistan				
AG	Antigua and Barbuda				
AI	Anguilla				
AL	Albania				
AM	Armenia				
AN	Netherlands Antilles				
AO	Angola				
AP	African Regional Intellectual Property Organization (ARIPO)				
AR	Argentina				
AT	Austria				
AU	Australia				
AW	Aruba				
AZ	Azerbaijan				
BA	Bosnia and Herzegovina				
BB	Barbados				
BD	Bangladesh				
BE	Belgium				
BF	Burkina Faso				
BG	Bulgaria				
BH	Bahrain				
BI	Burundi				
BJ	Benin				
BM	Bermuda				
BN	Brunei Darussalam				
BO	Bolivia				
BR	Brazil				
BS	Bahamas				
BT	Bhutan				
BV	Bouvet Island				
BW	Botswana				
BX	Benelux Office for Intellectual Property (BOIP)				
BY	Belarus				
BZ	Belize				
CA	Canada				
CD	Democratic Republic of the Congo				
CF	Central African Republic				
CG	Congo				
CH	Switzerland				
CI	Cote d'Ivoire				
CK	Cook Islands				
CL	Chile				
CM	Cameroon				
CN	China				
CO	Colombia				
CR	Costa Rica				
CU	Cuba				
CV	Cape Verde				
CY	Cyprus				
CZ	Czech Republic				
DE	Germany				
DJ	Djibouti				
DM	Dominica				
DO	Dominican Republic				
DZ	Algeria				
EA	Eurasian Patent Organization (EAPO)				
EC	Ecuador				
EE	Estonia				
EG	Egypt				
EH	Western Sahara				
EM	Office for Harmonization in the Internal Market (Trademarks and Designs)(OHIM)				
EP	European Patent Office (EPO)				
ER	Eritrea				
ES	Spain				
ET	Ethiopia				
FI	Finland				
FJ	Fiji				
FK	Falkland Islands (Malvinas)				
FO	Faroe Islands				
FR	France				
GA	Gabon				
GB	United Kingdom				
GC	Patent Office of the Cooperation Council for the Arab States of the Gulf (GCC)				
GD	Grenada				
GG	Guernsey				
GH	Ghana				
GI	Gibraltar				
GT	Guatemala				
GW	Guinea- Bissau				
GY	Guyana				
HK	The Hong Kong Special Administrative Region of the People's Republic of China				
HN	Honduras				
HR	Croatia				
HT	Haiti				
HU	Hungary				
IB	International Bureau of the World Intellectual Property Organization (WIPO)				
ID	Indonesia				
IE	Ireland				
IL	Israel				
IM	Isle of Man				
IN	India				
IQ	Iraq				
ID	Indonesia				
IE	Ireland				
IL	Israel				
IM	Isle of Man				
IN	India				
IQ	Iraq				
IR	Iran (Islamic Republic of)				
IS	Iceland				
IT	Italy				
JE	Jersey				
JM	Jamaica				
JO	Jordan				
JP	Japan				
KE	Kenya				
KG	Kyrgyzstan				
KH	Cambodia				
KI	Kiribati				
KM	Saint Kitts and Nevis				
KP	Democratic People's Republic of Korea				
KR	Republic of Korea				
KW	Kuwait				
KY	Cayman Islands				
KZ	Kazakhstan				
LA	Lao People's Democratic Republic				
LB	Lebanon				
LC	Saint Lucia				
LI	Liechtenstein				
LK	Sri Lanka				
LR	Liberia				
LS	Lesotho				
LT	Lithuania				
LU	Luxembourg				
LV	Latvia				
LY	Libyan Arab Jamahiriya				
MA	Morocco				
MC	Monaco				
MD	Republic of Moldova				
ME	Montenegro				
MG	Madagascar				
MK	The former Yugoslav Republic of Macedonia				
ML	Mali				
MM	Myanmar				
MN	Mongolia				
MO	Macao				
MP	Northern Mariana Islands				
MR	Mauritania				
MS	Montserrat				
MT	Malta				
MU	Mauritius				
MV	Maldives				
MW	Malawi				
MX	Mexico				
MY	Malaysia				
MZ	Mozambique				
NA	Namibia				
NE	Niger				
NG	Nigeria				
NI	Nicaragua				
NL	Netherlands				
NO	Norway				
NP	Nepal				
NR	Nauru				
NZ	New Zealand				
OA	African Intellectual Property Organization (OAPI)				
OM	Oman				
PA	Panama				
PE	Peru				
PG	Papua New Guinea				
PH	Philippines				
PK	Pakistan				
PL	Poland				
PT	Portugal				
PW	Palau				
PY	Paraguay				
QA	Qatar				
QZ	Community Plant Variety Office (European Community) (CPVO)				
RO	Romania				
RS	Serbia				
RU	Russian Federation				
RW	Rwanda				
SA	Saudi Arabia				
SB	Solomon Islands				
SC	Seychelles				
SD	Sudan				
SG	Singapore				
SH	Saint Helena				
SI	Slovenia				
SK	Slovakia				
SL	Sierra Leone				
SM	San Marino				
SN	Senegal				
SO	Somalia				
SR	Suriname				
ST	Sao Tome and Principe				
SV	El Salvador				
SY	Syrian Arab Republic				
SZ	Swaziland				
TC	Turks and Caicos Islands				
TD	Chad				
TG	Togo				
TH	Thailand				
TJ	Tajikistan				
TL	Timor-Leste				
TM	Turkmenistan				
TN	Tunisia				
TO	Tonga				
TR	Turkey				
SE	Sweden				
TT	Trinidad and Tobago				
TV	Tuvalu				
TW	Taiwan, Province of China				
TZ	United Republic of Tanzania				
UA	Ukraine				
UG	Uganda				
US	United States of America				
UY	Uruguay				
UZ	Uzbekistan				
VA	Holy See				
VC	Saint Vincent and the Grenadines				
VE	Venezuela				
VG	Virgin Islands (British)				
VN	Viet Nam				
VU	Vanuatu				
WO	World Intellectual Property Organization (WIPO)				
WS	Samoa				
XN	Nordic Patent Institute (NPI)				
YE	Yemen				
ZA	South Africa				
ZM	Zambia				
ZW	Zimbabwe				

**NATIONAL INTELLECTUAL PROPERTY CENTER OF GEORGIA  
SAKPATENTI**

**OFFICIAL BULLETIN  
OF THE INDUSTRIAL PROPERTY**

**10(470)**

**INVENTIONS  
UTILITY MODELS  
TRADEMARKS**

**DATE OF PUBLICATION  
2017 05 25**

# CONTENTS

<b>PUBLISHED TITLES OF PROTECTION .....</b>	<b>2</b>
<b>INVENTIONS</b>	
▪ APPLICATIONS APPROVED FOR GRANTING PATENTS .....	4
▪ PATENTED INVENTIONS .....	8
<b>UTILITY MODELS</b>	
▪ APPLICATIONS APPROVED FOR GRANTING PATENTS .....	12
<b>TRADEMARKS</b>	
▪ APPLICATIONS FILED UNDER THE NATIONAL PROCEDURE APPROVED FOR REGISTRATION .....	14
▪ REGISTERED TRADEMARKS .....	22
▪ TRADEMARKS REGISTERED ACCORDING TO THE ACCELERATED PROCEDURE .....	26
▪ INTERNATIONAL TRADEMARKS FOR WHICH A DECISION ON GANTING PROTECTION IS TAKEN .....	27
▪ INTERNATIONAL TRADEMARKS PROTECTED IN GEORGIA .....	39
<b>OFFICIAL NOTIFICATIONS</b>	
<b>DESIGNS</b>	
▪ RENEWAL OF REGISTRATIONS .....	48
▪ TRANSFER OF RIGHTS .....	48
▪ CANCELLING OF REGISTRATIONS .....	49
▪ LICENSE AGREEMENTS .....	50
<b>TRADEMARKS</b>	
▪ RENEWAL OF REGISTRATIONS .....	51
▪ COMPLETE TRANSFER OF RIGHTS .....	62
▪ CHANGES IN NAMES AND/OR ADDRESSES OF OWNERS .....	64
▪ LICENSE AGREEMENTS .....	70
<b>CLASSIFICATION INDEXES</b>	
INVENTIONS .....	72
UTILITY MODELS .....	74
TRADEMARKS .....	75

## **PUBLISHED TITLES OF PROTECTION**

### **INVENTIONS**

- **APPLICATIONS APPROVED FOR GRANTING PATENTS:**  
13043; 14074; 13425; 13322; 13351; 12873
- **PATENTED INVENTIONS:**  
6666-6677

### **UTILITY MODELS**

- **APPLICATIONS APPROVED FOR GRANTING PATENTS:**  
14330; 14352

### **TRADEMARKS**

- **APPLICATIONS FILED UNDER THE NATIONAL PROCEDURE APPROVED FOR REGISTRATION:**  
78456; 86668; 88166; 88191; 88345; 88353; 88412; 88474; 88475; 88482; 88487, 88488; 88523; 88534; 88602; 88633; 88646; 88653; 88670; 88673; 88674; 88684; 88693; 88713; 88718; 88737; 88809; 88835; 89050; 89059, 89060; 89062; 89067; 89073; 89095, 89096; 89098, 89099; 89114; 89178, 89179; 89185; 89191; 89209-89211; 89216; 89218
- **REGISTERED TRADEMARKS:**  
28496-28533
- **TRADEMARKS REGISTERED ACCORDING TO THE ACCELERATED PROCEDURE:**  
28492-28495; 28534
- **INTERNATIONAL TRADEMARKS FOR WHICH A DECISION ON GRANTING PROTECTIONS IS TAKEN:**  
85817; 85919; 87927, 87928; 88033-88035; 88037, 88038; 88041; 88044, 88045; 88051; 88055; 88058; 88186; 88229-88233; 88287; 88398; 88400-88404; 88415, 88416
- **INTERNATIONAL TRADEMARKS PROTECTED IN GEORGIA:**  
81800; 85460; 85552; 85909; 85972; 86024; 86056; 86058; 86067; 86178; 86180; 86185; 86220; 86224, 86225; 86253; 86300; 86326; 86449; 86456; 86474-86476; 86480; 86485; 86489; 86493; 86499; 86501-86503; 86505; 86507, 86508; 86510, 86511; 86520; 86522; 86526; 86562; 86567; 86569, 86570; 86572-86574; 86580; 86616; 86619; 86621; 86627; 86630, 86631; 86700; 86702-86704; 86706, 86707; 86710-86712; 86714; 86791, 86792; 86803; 86810; 86816; 86819; 86917-86919; 86922; 86961; 86996; 86998; 87031; 87033-87040; 87042, 87043; 87046; 87053; 87055; 87057, 87058; 87060-87062; 87064; 87109; 87121; 87164, 87165; 87171, 87172; 87177-87183; 87197, 87198; 87200; 87226; 87307; 87309, 87310; 87312; 87451-87453; 87465-87467; 87473, 87474; 87477-87484

# INVENTIONS

## APPLICATIONS APPROVED FOR GRANTING PATENTS

The decision can be appealed at the Chamber of Appeal of Sakpatenti within 3 months from the publication or at the Mtskheta District Court Administrative Cases Board (Address: №17, Samkhedro str., Mtskheta), within 1 month following the publication.

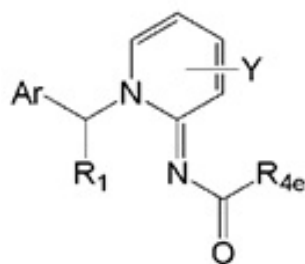
### PART A

#### A 01

(10) AP 2017 13043 A (51) Int. Cl. (2006)  
A 01 N 47/40  
A 01 N 37/18  
A 01 N 43/40  
A 01 N 43/54  
A 01 N 43/78  
A 01 N 47/04  
A 01 N 47/12  
A 01 N 47/28  
A 01 N 51/00  
A 01 N 57/32  
A 01 P 7/02  
A 01 P 7/04  
A 61 K 31/341  
A 61 K 31/381  
A 61 K 31/426  
A 61 K 31/44  
A 61 K 31/4427  
A 61 K 31/443  
A 61 K 31/4436  
A 61 K 31/4439  
A 61 K 31/50  
C 07 C 233/05  
C 07 C 233/12  
C 07 C 261/04  
C 07 C 271/12  
C 07 C 311/09  
C 07 D 213/36  
C 07 D 213/42  
C 07 D 237/12  
C 07 D 277/20  
C 07 D 277/32  
C 07 D 307/14  
C 07 D 333/20  
C 07 D 401/12  
C 07 D 405/12  
C 07 D 409/12  
C 07 D 417/12

(21) AP 2011 013043 (22) 2011 08 26  
(31) 2010-194584; PCT/JP2011/069352  
(32) 2010 08 31; 2011 08 26  
(33) JP; IB

- (71) MEIJI SEIKA PHARMA CO., LTD. (JP)  
4-16, Kyobashi 2-chome, Chuo-ku, Tokyo  
1048002 (JP)  
(72) KAGABU, Shinzo (JP);  
MITOMI, Masaaki (JP);  
KITSUDA, Shigeki (JP);  
HORIKOSHI, Ryo (JP);  
NOMURA, Masahiro (JP);  
ONOZAKI, Yasumichi (JP)  
(74) Tamar Kochlamazashvili  
(85) 2013 03 29  
(86) PCT/JP2011/069352, 2011 08 26  
(54) **NOXIOUS ORGANISM CONTROL  
AGENT**  
(57) Amine compound of formula (1e),



(1e)

wherein Ar' is pyridile or pyrimidile group, R<sub>1</sub> is hydrogen or C<sub>1</sub>-C<sub>6</sub> alkyl, and value of substitutes Y, R<sub>4e</sub> are provided in the claims, its salt and pest control means on basis thereof. Usage of said compound, their salts or pest control means.

Claims: 4 independent  
8 dependent

Table: 13  
Fig.: 8

## PART B

## B 64

(10) AP 2017 14074 A (51) Int. Cl. (2006)  
B 64 D 27/10  
F 02 K 3/077

(21) AP 2016 014074 (22) 2016 02 29

(71) Andro Maisuradze (GE)

M. Meskhis q. 18, 0101, Tbilisi (GE);

Lasha Maisuradze (GE)

V. Bagrationis q. 11, 0154, Tbilisi (GE)

(72) Andro Maisuradze (GE);

Lasha Maisuradze (GE)

(54) **THREE-FLOW TURBOJET ENGINE**

(57) An engine consists of a node 1 forming first and second flows (dual-flow turbojet engine) and a module 38 forming third flow; at that, the node 1 includes a case 2 of second flow, constitutive ring-type fan 3, low pressure compressor rotor 4, a post 5 connecting first and second flows cases, second flow flowing channel 6 and output 7, first flow flowing channel 8, high pressure compressor turbine 9 and a case 10, combustion chamber 11, high pressure turbine 12, low pressure turbine 13, first flow jet nozzle 14, a shaft 15 connecting low pressure turbine to compressor rotor, hollow shaft 16 connecting high pressure turbine to compressor rotor, electric coupling 18 and motor-generator 19. A module 38 forming third flow is detachable and hingedly connected to the node 1; at that, the module, in its turn, includes inner 32 and outer 33 cases and an airscrew 31 installed in outer case in front of inner case is equipped with blades installation angle control mechanism. Furthermore, said airscrew is executed with autonomous drive or is connected to the shaft connecting low pressure first flow turbine to compressor rotor.

Claims: 1 independent

6 dependent

Fig.: 14

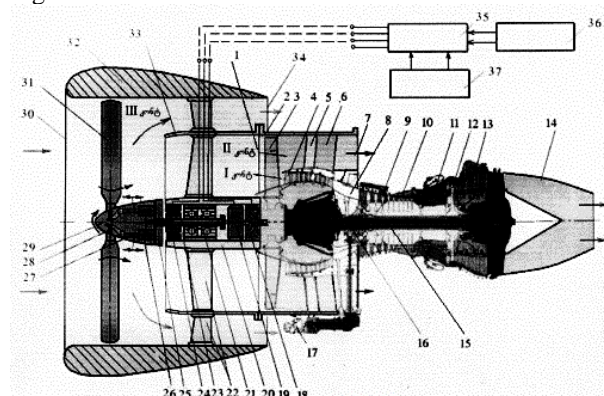


Fig. 6

## PART C

## C 07

(10) AP 2017 13425 A (51) Int. Cl. (2006)  
C 07 D 223/16  
C 07 D 233/38

(21) AP 2014 013425 (22) 2014 03 21

(31) 13.52741

(32) 2013 03 26

(33) FR

(71) LES LABORATOIRES SERVIER (FR)

35, rue de Verdun, 92284 Suresnes

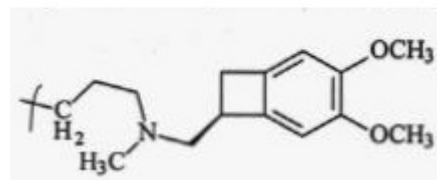
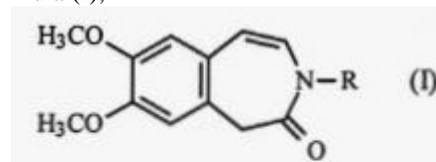
Cedex (FR)

(72) LE FLOHIC, Alexandre (FR)

(74) Tamaz Shilakadze

(54) **PROCESS FOR SYNTHESIS OF 7,8-DIMETHOXY-1,3-DIHYDRO-2H-3-BENAZEPIN-2-ONE COMPOUNDS AND APPLICATION THEREIN SYNTHESIS OF IVABRADINE**

(57) An invention relates to processing of compound of formula (I),



wherein R is group of para-methoxybenzyl (PMB) or said group, and usage of said compound in ivabradine synthesis, and additive pharmaceutical acceptable acids salts thereof.

Claims: 7 independent

3 dependent



## PART F

### F 25

(10) AP 2017 13322 A (51) Int. Cl. (2006)  
F 25 B 27/00  
F 25 B 30/06

(21) AP 2013 013322 (22) 2013 12 12

(71) Vazha Jamarjashvili (GE)  
Paliashvilis q. 50, b. 9, 0179,  
Tbilisi (GE);  
Merab Lortkipanidze (GE)  
Ir. Abashidzis q. 40, 0179, Tbilisi (GE);  
Aleksi Mirianashvili (GE)  
Tamarashvilis q. 4a, 0162, Tbilisi (GE);  
Endi Tumanishvili (GE)  
Paliashvilis q. 50, b. 9, 0179,  
Tbilisi (GE);  
Niko Chakhvashvili (GE)  
Gudauris q. 2, 0179, Tbilisi (GE)

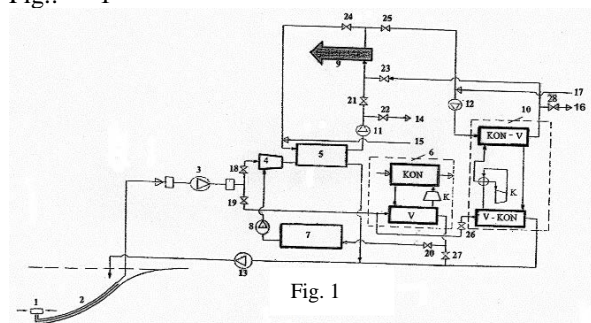
(72) Vazha Jamarjashvili (GE);  
Merab Lortkipanidze (GE);  
Aleksi Mirianashvili (GE);  
Endi Tumanishvili (GE);  
Niko Chakhvashvili (GE)

(54) **HEAT AND COOL SUPPLY  
ENERGY SAVING SYSTEM BASED ON  
LOW TEMPERATURE WATER USAGE**

(57) A system includes ocean, sea, lake and river deep-water supply pump unit 1, water purification primary and secondary filters 3, recuperative heat exchanger 5 cooling sweet water by deep-water, heat water supply pump 6, reverse heat pump 10, from which condenser water exit is supplied on fan coils and heaters 9, at heating season, water-jet ejector 4, deep-water accumulator 7 exits from heat water supply pump evaporator and a pump 8 disposed on its exit. Ejector active entrance is hydraulic connected to deep-water pump aggregate and passive – to accumulator exit. Ejector exit is connected to recuperative heat exchanger deep-water flow entrance.

Claims: 1 independent

Fig.: 1



## PART G

### G 01

(10) AP 2017 13351 A (51) Int. Cl. (2006)  
G 01 N 33/569  
A 23 L 1/30  
A 61 K 35/74

(21) AP 2012 013351 (22) 2012 07 20

(31) 61/572,742; 13/552, 686

(32) 2011 07 21; 2011 07 19

(33) US; US

(71) BIOGAIA AB (SE)  
Kungsbroplan 3A, P.O. Box 3242, S-103  
64 Stockholm (SE)

(72) VERSALOVIC, James (US);  
THOMAS, Carissa Michelle (US);  
CONNOLLY, Eamonn (GB)

(74) Shalva Gvaramadze

(85) 2014 01 16

(86) PCT/EP2012/064351, 2012 07 20

(54) **PRODUCTION AND USE OF  
BACTERIAL HISTAMINE**

(57) A method is provided of selecting specific probiotic lactic acid bacteria – Lactobacillus producing histamine and the use of such strains for beneficial effects for mammals. In particular the present invention relates to a method of selecting a lactic acid bacterial strain for use in the local production of histamine in a mammal, and products obtainable by said method for use at gastrointestinal tract inflammatory diseases treatment.

Claims: 3 independent

10 dependent

Fig.: 8

## PART H

### H 01

(10) AP 2017 12873 A (51) Int. Cl. (2006)  
H 01 Q 15/16  
H 01 Q 1/30

(21) AP 2012 012873 (22) 2012 10 19

(71) Leri Datashvili (GE)  
Javakhishvilis q. 21, 0102, Tbilisi (GE)

(72) Leri Datashvili (GE)

(74) Tina Chalauri

(54) **OPENING COSMIC REFLECTOR**

(57) Reflector supporting framework 1 includes couple of unfold contour polygonal rings 2 disposed in various planes, and consisting of bars 14, 9, 10 connected together and the bars 3 connecting rings together, on which ends the bits 11 are forced. The bits

are executed with the nozzles forced on bars and connecting a lug so, that longitudinal axes thereof are shifted relative to each other.

Claims: 1 independent

7 dependent

Fig.: 40

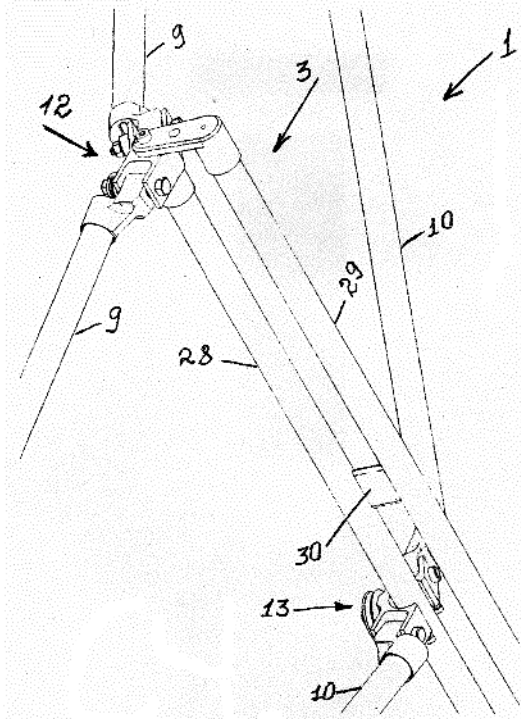


Fig. 22

## PATENTED INVENTIONS

### PART A

#### A 61

- (11) **P 2017 6672 B**      (51) **Int. Cl. (2006)**  
**A 61 K 9/00**  
**A 61 K 9/14**  
**A 61 K 31/40**  
**A 61 K 31/439**  
**A 61 K 31/4704**  
**A 61 K 31/33**
- (10) AP 2017 13715 A      (44) 3(463)/2017  
(21) AP 2013 013715  
(22) 2013 06 24  
(24) 2013 06 24  
(31) 2012/07842; 2012/10438; 2013/00194  
(32) 2012 07 05; 2012 09 12; 2013 01 07  
(33) TR; TR; TR  
(86) PCT/TR2013/000193, 2013 06 24  
(73) ARVEN ILAC SANAYI VE TICARET  
A.S. (TR)  
Balabandere Cad. Ilac Sanayi Yolu, No:14  
Istinye, 34460 Istanbul (TR)
- (72) CIFTER, Umit (TR);  
TURKYILMAZ, Ali (TR);  
MUTLU, Onur (TR);  
RAMAZANOGLU, Gaye (TR)
- (74) Shalva Gvaramadze
- (54) **DRY POWDER INHALER  
COMPOSITIONS COMPRISING LONG  
ACTING MUSCORINIC ANTAGONISTS**

- (11) **P 2017 6673 B**      (51) **Int. Cl. (2006)**  
**A 61 K 38/06**  
**A 61 K 38/48**  
**A 61 K 31/737**  
**C 08 B 37/00**  
**C 12 N 9/50**  
**C 12 P 13/12**  
**A 61 P 29/00**
- (10) AP 2017 13894 A      (44) 3(463)/2017  
(21) AP 2014 013894  
(22) 2014 01 23  
(24) 2014 01 23  
(31) MI2013A000117  
(32) 2013 01 25  
(33) IT  
(86) PCT/EP2014/051308, 2014 01 23  
(73) GNOSIS S.P.A. (IT)  
Piazza del Carmine 4, I-20121 Milano (IT)

- (72) MIRAGLIA, Niccolò (IT);  
ROSSINI, Mauro (IT);  
BIANCHI, Davide (IT);  
TRENTIN, Antonella (IT)
- (74) Shalva Gvaramadze
- (54) **COMPOSITIONS CONTAINING  
CHONDROITIN SULPHATE,  
PROTEOLYTIC ENZYMES AND  
SULPHYDRYL COMPOUNDS FOR  
IMPROVING THE BIOAVAILABILITY  
OF CHONDROITIN SULPHATE**
- 
- (11) **P 2017 6668 B**      (51) **Int. Cl. (2006)**  
**A 61 K 39/125**
- (10) AP 2017 13384 A      (44) 3(463)/2017  
(21) AP 2012 013384  
(22) 2012 07 11  
(24) 2012 07 11  
(31) 61/506,447  
(32) 2011 07 11  
(33) US  
(86) PCT/US2012/046222, 2012 07 11  
(73) TAKEDA VACCINES, INC (US)  
2155 Analysis Drive, Bozeman, Montana  
59718 (US)
- (72) RICHARDSON, Charles (US);  
BARGATZE, Robert, F. (US);  
MENDELMAN, Paul, M. (US)
- (74) Larisa Amirkhanyan
- (54) **PARENTERAL NOROVIRUS  
VACCINE FORMULATIONS**

**PART B****B 01**

- (11) P 2017 6676 B (51) Int. Cl. (2006)  
B 01 J 20/18  
C 02 F 1/28  
C 02 F 1/64
- (10) AP 2017 14026 A (44) 3(463)/2017  
(21) AP 2015 014026  
(22) 2015 12 28  
(24) 2015 12 28  
(73) Jemal Shengelia (GE)  
Nutsbidzis q. 2, b.9, 0186, Tbilisi (GE);  
Vakhtang Tediashvili (GE)  
Vazha-Pshavelas III kv., 24 korp., b. 1, 0186,  
Tbilisi (GE);  
Tamar Tkeshelashvili (GE)  
XV k., II chikhi 4, 1008, sop. Persati,  
Baghdatis r-ni (GE);  
Irakli Suladze (GE)  
Al. Kazbegis gamz. 49a, b. 15, 0177,  
Tbilisi (GE);  
Levan Beriashvili (GE)  
Vazisubani, Tsulukidzis III shes., korp. 9,  
b. 24, 0190, Tbilisi (GE);  
Shalva Kikabidze (GE)  
me-20 mkr, korp. 15, b. 96, 3700,  
Rustavi (GE)
- (72) Jemal Shengelia (GE);  
Vakhtang Tediashvili (GE);  
Tamar Tkeshelashvili (GE);  
Irakli Suladze (GE);  
Levan Beriashvili (GE);  
Shalva Kikabidze (GE)
- (54) **METHOD FOR RECEIVING  
FILTERING MATERIAL FOR MN<sup>+</sup>  
IONS REMOVAL FROM WATER**

**B 61**

- (11) P 2017 6669 B (51) Int. Cl. (2006)  
B 61 F 3/02
- (10) AP 2017 13515 A (44) 3(463)/2017  
(21) AP 2014 013515  
(22) 2014 07 04  
(24) 2014 07 04  
(73) Givi Kuprashvili (GE)  
V. Bochorishvilis q. 1, b. 39, 0171,  
Tbilisi (GE)
- (72) Givi Kuprashvili (GE)
- (54) **FRAMELESS TWO-AXLE BOGIE  
OF EXPRESS CARRIAGE**

**PART C****C 07**

- (11) P 2017 6674 B (51) Int. Cl. (2006)  
C 07 C 273/042  
B 01 J 19/24
- (10) AP 2017 13895 A (44) 3(463)/2017  
(21) AP 2013 013895  
(22) 2013 12 27  
(24) 2013 12 27  
(31) 12199631.8  
(32) 2012 12 28  
(33) EP  
(86) PCT/NL2013/050961, 2013 12 27  
(73) STAMICARBON B.V. (NL)  
Mercator 3, NL-6135 KW Sittard (NL)
- (72) BUITINK, Fredericus Henricus Maria (NL);  
DIELTJENS, Luc Louis Maria (NL)
- (74) Liliana Darakhvelidze
- (54) **UREA SYNTHESIS PROCESS AND  
PLANT**
- 
- (11) P 2017 6671 B (51) Int. Cl. (2006)  
C 07 D 471/04
- (10) AP 2017 13595 A (44) 3(463)/2017  
(21) AP 2013 013595  
(22) 2013 03 11  
(24) 2013 03 11  
(31) 288/KOL/2012  
(32) 2012 03 14  
(33) IN  
(86) PCT/IB2013/051908, 2013 03 11  
(73) LUPIN LIMITED (IN)  
159 CST Road, Kalina, Santacruz (East),  
State of Maharashtra, Mumbai 400 098 (IN)
- (72) DAVE, Bhavesh (IN);  
BANERJEE, Rakesh, Kumar (IN);  
PHUKAN, Samiron (IN);  
KHOJE, Abhijit, Datta (IN);  
HANGARGE, Rajkumar (IN);  
JADHAV, Jitendra, Sambhaji (IN);  
PALLE, Venkata, P. (IN);  
KAMBOJ, Rajender, Kumar (IN)
- (74) Larisa Amirkhanyan
- (54) **HETEROCYCLYL COMPOUNDS AS  
MEK INHIBITORS**

- (11) P 2017 6675 B**      **(51) Int. Cl. (2006)**  
**C 07 D 487/04**  
**A 61 K 31/53**  
**A 61 P 25/18**
- (10) AP 2017 13979 A      (44) 3(463)/2017  
(21) AP 2014 013979  
(22) 2014 04 23  
(24) 2014 04 23  
(31) 61/818,650  
(32) 2013 05 02  
(33) US  
(86) PCT/IB2014/060945, 2014 04 23  
(73) PFIZER INC. (US)  
235 East 42<sup>nd</sup> Str., New York, NY 10017 (US)  
(72) CHAPPIE, Thomas, Allen (US);  
HELAL, Christopher, John (US);  
KORMOS, Bethany, Lyn (US);  
TUTTLE, Jamison, Bryce (US);  
VERHOEST, Patrick, Robert (US)  
(74) Shalva Gvaramadze  
(54) **IMIDAZO-TRIAZINE DERIVATIVES**  
**AS PDE10 INHIBITORS**
- 

- (11) P 2017 6667 B**      **(51) Int. Cl. (2006)**  
**C 07 K 16/28**
- (10) AP 2017 13362 A      (44) 3(463)/2017  
(21) AP 2012 013362  
(22) 2012 06 28  
(24) 2012 06 28  
(31) 61/502,167; PCT/US2012/044451  
(32) 2011 06 28; 2012 06 27  
(33) US; US  
(86) PCT/US2012/044703, 2012 06 28  
(73) OXFORD BIOTHERAPEUTICS LTD. (GB)  
94a Milton Park, Arbingdon,  
Oxon OX14 4RY (GB)  
(72) ROHLFF, Christian (GB);  
TERRETT, Jonathan, Alexander (US)  
(74) Tamar Kochlamazashvili  
(54) **ANTIBODIES TO ADP-RIBOSYL**  
**CYCLASE 2**
- 

## PART E

### E 01

- (11) P 2017 6666 B**      **(51) Int. Cl. (2006)**  
**E 01 H 1/08**
- (10) AP 2017 13347 A      (44) 3(463)/2017  
(21) AP 2012 013347  
(22) 2012 12 19  
(24) 2012 12 19  
(86) PCT/EP2012/076170, 2012 12 19  
(73) CRYSTAL LAGOONS (CURACAO)  
B.V. (NL)  
Curacao Kaya W.F.G. (Jombi) Mensing 14,  
Curacao, Antilles Islands (NL)  
(72) FISCHMANN, Fernando Benjamin (CL)  
(74) Tamar Kochlamazashvili  
(54) **LOCALIZED DISINFECTION**  
**SYSTEM FOR LARGE WATER BODIES**
- 

### E 04

- (11) P 2017 6670 B**      **(51) Int. Cl. (2006)**  
**E 04 B 1/34**
- (10) AP 2017 13536 A      (44) 3(463)/2017  
(21) AP 2014 013536  
(22) 2014 07 25  
(24) 2014 07 25  
(73) Elguja Medzmariashvili (GE)  
M. Burdzglas q. 108, 0194, Tbilisi (GE);  
Nikoloz Medzmariashvili (GE)  
M. Burdzglas q. 108, 0194, Tbilisi (GE)  
(72) Elguja Medzmariashvili (GE);  
Nikoloz Medzmariashvili (GE)  
(74) Tina Chauri  
(54) **FLYING SAUCER-SHAPED**  
**CONSTRUCTION**
- 

## PART H

### H 02

- (11) P 2017 6677 B**      **(51) Int. Cl. (2006)**  
**H 02 P 27/00**
- (10) AP 2017 14037 A      (44) 3(463)/2017  
(21) AP 2016 014037  
(22) 2016 01 15  
(24) 2016 01 15  
(73) LEPL RAPHAEL DVALI INSTITUTE  
OF MASHINE MECHANICS (GE)  
Mindelis q. 10, 0186, Tbilisi (GE)

- (72) Tamaz Natriashvili (GE);  
Vladimer Kldiashvili (GE);  
Slava Mebonia (GE);  
Aleksandre Shermazanashvili (GE)
- (54) **FREQUENCY-CONTROLLED  
ASYNCHRONOUS MOTOR**
-

# UTILITY MODELS

## APPLICATIONS APPROVED FOR GRANTING PATENT

The decision can be appealed at the Chamber of Appeal of Sakpatenti within 3 months from the publication or at the Mtskheta District Court Administrative Cases Board (Address: №17, Samkhedro str., Mtskheta), within 1 month following the publication.

### PART B

#### B 41

(10) AU 2017 14330 U (51) Int. Cl. (2006)

B 41 F 17/00

(21) AU 2016 014330 (22) 2016 11 25

(71) Irine Ugrekhelidze (GE)

A. Khoravas q. 8, 0179, Tbilisi (GE);

Jumber Uplisashvili (GE)

Dighomi, Didgoris q. 201, 0113,

Tbilisi (GE);

Tea Baramashvili (GE)

Didi Kheivnis q. 75, 0114, Tbilisi (GE);

Giorgi Gabisonia (GE)

Gldani, mkr. V, korp. 3, b. 27, 0107,

Tbilisi (GE)

(72) Irine Ugrekhelidze (GE);

Jumber Uplisashvili (GE);

Tea Baramashvili (GE);

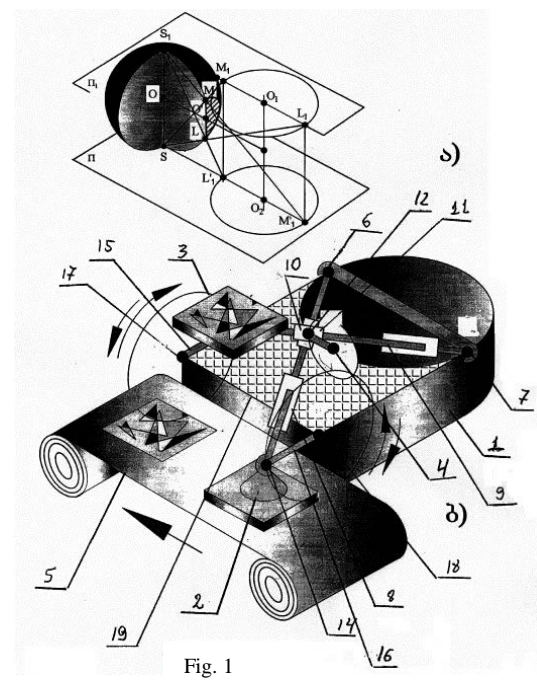
Giorgi Gabisonia (GE)

(54) **TAMPON PRINTING FACILITY**

(57) A facility includes a case 1, tampon bearings 2 and 3, their driver, an engine 4 and a unit 5 for printing disposition, executed as band conveyor; and the driver includes couple of telescopic levers 8 and 9 hingedly connecting one ends thereto the rests 6 and 7, crosswise installed onto each telescopic lever the sliders 10 and 11 hingedly connected together; at that, their other ends are connected with hinges to additional levers 15 and 16, which by their turn are connected to a rest 19 with hinges 17 and 18, as well. Furthermore, said engine is connected to the hinge connecting sliders, and each bearing is connected to the hinge connecting corresponding additional and telescopic levers.

Claims: 1 independent

Fig.: 2



### PART E

#### E 02

(10) AU 2017 14352 U (51) Int. Cl. (2006)

E 02 B 9/04

(21) AU 2016 014352 (22) 2016 12 16

(71) LEPL "GEORGIAN TECHNICAL

UNIVERSITY" (GE)

M. Kostavas q. 77, 0175, Tbilisi (GE);

Tarkhan Tevzadze (GE)

S. Chikovanis q. 27a, 0179, Tbilisi (GE);

Giorgi Omsarashvili (GE)

Didi Dighomi, Giorgi Brtskinvales q. 41,

b. 14, 0159, Tbilisi (GE)

(72) Tarkhan Tevzadze (GE);

Giorgi Omsarashvili (GE)

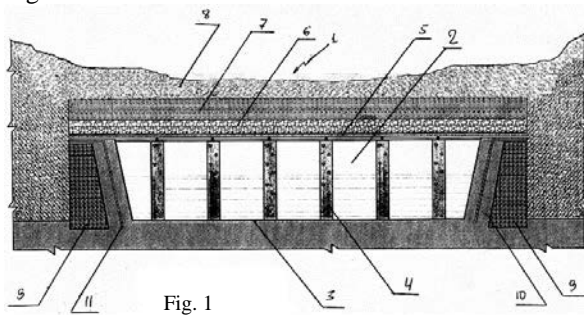
(54) **UNDERFLOW WATER INTAKE FACILITY**

(57) A facility is formed under a riverbed 1 and includes a gallery 2, which bottom is formed with water nonconducting clay layer 3. Gallery roof is executed as intake chamber, which is metal lattice 5

disposed on ferroconcrete skid 4 and three-layered structure disposed on the lattice. Structure first layer is executed with crushed rock 6, second one with sand and gravel 7, and third one with alluvial-proluvial deposits 8. Gallery side walls 9 are formed with gabions, where, adjacent with inner surfaces, at least of three side walls, the clay membrane 10 is formed, which central part is screened with elastic material 11. The facility includes additional perforated pipes 12, filtering component 13 is allocated in front of said pipe system, and is executed inside of gallery in front of outlet pipe 14.

Claims: 1 independent

Fig.: 2





---

# TRADEMARKS

## APPLICATIONS FILED UNDER THE NATIONAL PROCEDURE APPROVED FOR REGISTRATION

The decision can be appealed at the Chamber of Appeal of Sakpatenti within 3 months from the publication or at the Mtskheta District Court Administrative Cases Board (Address: №17, Samkhedro St., Mtskheta), within 1 month following the publication.

(260) AM 2017 78456 A  
(210) AM 78456  
(220) 2014 09 02  
(731) LTD "GEOPLANT"  
Sop. Rukhi, 2100, Tbilisi, Georgia  
(740) Vladimer Meskhi  
(540)



(591) Black, white  
(531) 02.01.01, 27.05.05, 28.05, 28.19  
(511) 5, 18, 29, 30, 31, 32, 33, 34, 35, 36, 43

---

(260) AM 2017 86668 A  
(210) AM 86668  
(220) 2016 03 18  
(731) LTD "STUDIO MAESTRO"  
Sop. Dighomi, Didgoris q. 68/22, 3305,  
Tbilisi, Georgia  
(740) Dimitri Dzumakashvili  
(540)

**მრავალფეროვანი  
საქართველო**

(526) The trademark is protected as a whole. "საქართველო" shall not be subject to independent legal protection.  
(511) 38, 41

---

(260) AM 2017 88166 A  
(210) AM 88166  
(220) 2016 08 04

(731) LTD "PUBLISHER CREATOR ANGEL"  
Rustavi, VII m/r 26, b. 43, Georgia  
(740) Salome Jeladze  
(540)

**Blue Tablecloth**

(511) 43

---

(260) AM 2017 88191 A  
(210) AM 88191  
(220) 2016 08 08  
(731) LTD "BEST TRAVEL"  
Iveriis q. 9, b. 8, 0105, Tbilisi, Georgia  
(740) Giorgi Ivanishvili  
(540)

**Check in travel  
ჩექ ინ ტრეველ  
Чек ин тревел**

(511) 39

---

(260) AM 2017 88345 A  
(210) AM 88345  
(220) 2016 08 19  
(310) 86/917008  
(320) 2016 02 23  
(330) US  
(731) AMGEN INC.  
One Amgen Center Drive, Thousand Oaks,  
California 91320-1799, USA  
(740) Shalva Gvaramadze  
(540)

**PUSHTRONEX**

(511) 10

---

(260) AM 2017 88353 A  
(210) AM 88353  
(220) 2016 08 22  
(731) LTD "BERN"  
Oniashvilis q.71. b.13, 0160, Tbilisi,  
Georgia  
(740) Nugzar Ksovreli

(540)



(591) Black, white  
 (531) 26.04.18, 26.11.08  
 (511) 29, 30, 31, 43

(260) AM 2017 88412 A  
 (210) AM 88412  
 (220) 2016 08 26  
 (731) LTD "TETRADA GEORGIA"  
 Stanislavskis q. 5, 0119, Tbilisi, Georgia  
 (740) Giorgi Taktakishvili  
 (540)

**ULCETID**  
**ულცეტიდი**  
**УЛЦЕТИД**

(511) 5

(260) AM 2017 88474 A  
 (210) AM 88474  
 (220) 2016 09 01  
 (731) LTD "Georgian Vine and Wine Company"  
 Z. Paliashvilis q. 66, b. 4, 0162,  
 Tbilisi, Georgia  
 (740) Jimsher Gurgenedze  
 (540)

**ოპერა**  
**ОПЕРА**  
**ORERA**

(511) 33

(260) AM 2017 88475 A  
 (210) AM 88475  
 (220) 2016 09 01  
 (731) LTD "Georgian Vine and Wine Company"  
 Z. Paliashvilis q. 66, b. 4, 0162,  
 Tbilisi, Georgia  
 (740) Jimsher Gurgenedze  
 (540)

**ალილო**  
**АЛИЛО**  
**ALILO**

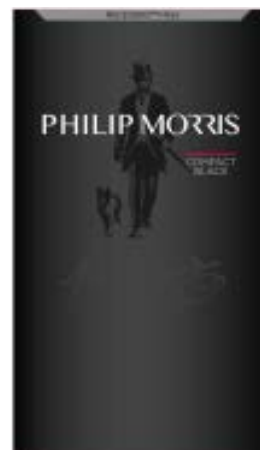
(511) 33

(260) AM 2017 88482 A  
 (210) AM 88482  
 (220) 2016 09 02  
 (731) LTD "KOPALA"  
 Chekhovis q. 8/10, 0103, Tbilisi, Georgia  
 (540)



(591) White, cornelian-red, black, golden  
 (531) 05.07.10, 27.05.08, 27.05.01, 28.19, 29.01.13  
 (511) 35, 43

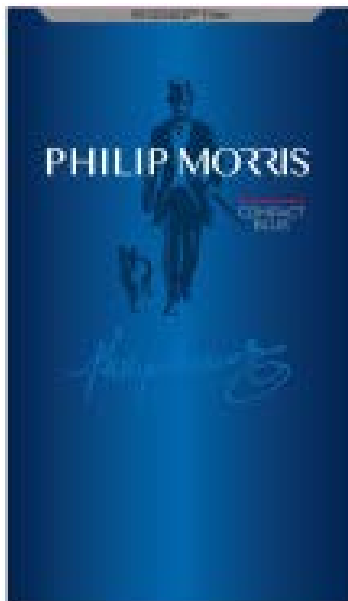
(260) AM 2017 88487 A  
 (210) AM 88487  
 (220) 2016 09 05  
 (731) PHILIP MORRIS BRANDS SÀRL  
 Quai Jeanrenaud 3, 2000 Neuchâtel,  
 Switzerland  
 (740) Shalva Gvaramadze  
 (540)



(591) Black, white, red, different tone grey  
 (531) 02.01.21, 03.01.08, 25.01.01, 27.05.24,  
 29.01.14  
 (511) 34

(260) AM 2017 88488 A  
 (210) AM 88488  
 (220) 2016 09 05  
 (731) PHILIP MORRIS BRANDS SÀRL  
 Quai Jeanrenaud 3, 2000 Neuchâtel,  
 Switzerland  
 (740) Shalva Gvaramadze

(540)



(591) Black, white, red, different tone sky-blue and grey  
 (531) 02.01.21, 03.01.08, 25.01.01, 27.05.24, 29.01.14  
 (511) 34

(260) AM 2017 88523 A  
 (210) AM 88523  
 (220) 2016 09 09  
 (731) LTD "SHATEAU AMIREJIBI"  
 Shota Rustavelis gamz. 71, Telavi,  
 Georgia  
 (740) Amiran Tsetskhladze  
 (540)



(591) White, golden  
 (531) 24.01.03, 24.09.01, 26.03.04, 27.05.02, 27.05.11, 29.01.02, 29.01.12  
 (511) 33

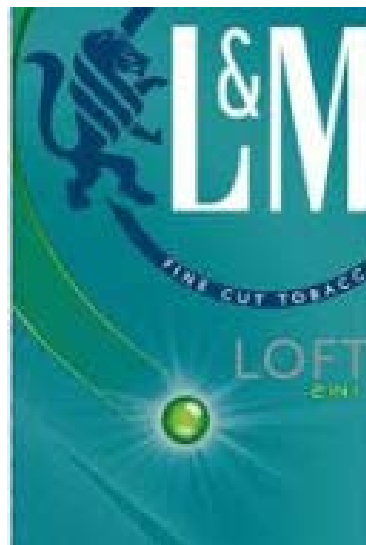
(260) AM 2017 88534 A  
 (210) AM 88534  
 (220) 2016 09 13  
 (731) APPLE INC.  
 Infinite Loop, Cupertino, California 95014,  
 USA  
 (740) Tamar Kochlamazashvili

(540)



(591) Black, white  
 (531) 05.07.13  
 (511) 2, 3, 6

(260) AM 2017 88602 A  
 (210) AM 88602  
 (220) 2016 09 15  
 (731) PHILIP MORRIS PRODUCTS S.A.  
 Quai Jeanrenaud 3, 2000 Neuchâtel,  
 Switzerland  
 (740) Shalva Gvaramadze  
 (540)



(591) White, different tone green and blue  
 (531) 01.03.15, 01.15.09, 03.01.02, 24.17.09, 25.01.01, 27.05.24, 29.01.13  
 (526) The trademark is protected as a whole. "FINE CUT TOBACCO" shall not be subject to Independent legal protection.  
 (511) 34

(260) AM 2017 88633 A  
 (210) AM 88633  
 (220) 2016 09 19  
 (731) BOSNALIJEK, PHARMACEUTICAL AND CHEMICAL INDUSTRY, JOINT STOCK COMPANY

71000 Sarajevo, Jukićeva 53, Bosnia and Herzegovina  
 (740) Davit Zurabishvili  
 (540)



(591) Grey, blue, white  
 (531) 29.01.13, 26.01.10, 26.02.01, 26.02.03, 27.05.01  
 (511) 5, 35

(260) AM 2017 88646 A  
 (210) AM 88646  
 (220) 2016 09 20  
 (731) LTD "NEW PHARM GROUP"  
 D. Aghmasheneblis kheiv. me-12 km korp. 2, b. 43, 0131 Tbilisi, Georgia  
 (740) Davit Chkopoia  
 (540)



(591) Black, white, lilac  
 (531) 26.03.23, 26.04.22, 26.11.08, 27.05.10, 27.05.19, 29.01.13  
 (511) 5, 35

(260) AM 2017 88653 A  
 (210) AM 88653  
 (220) 2016 09 21  
 (731) BAYER INTELLECTUAL PROPERTY GMBH  
 Alfred-Nobel-Str. 10, 40789 Monheim am Rhein, Germany  
 (740) Shalva Gvaramadze  
 (540)

**ALION**

(511) 5

(260) AM 2017 88670 A  
 (210) AM 88670  
 (220) 2016 09 23  
 (731) LTD "SAGA IMPEX"  
 A. Beliashvilis q. 145, 0159, Tbilisi, Georgia  
 (740) Mikheil Gaprindashvili

(540)



№1 კომპანია საქართველო - კონფიდენციალური სფეროში

(591) Red, blue, white  
 (531) 25.07.06, 26.01.06, 26.15.01, 27.05.10, 28.19, 29.01.13  
 (511) 11

(260) AM 2017 88673 A  
 (210) AM 88673  
 (220) 2016 09 23  
 (731) LTD "EURO CAUCASUS SUPLIES"  
 Samgoris chikhi 5, 0144, Tbilisi, Georgia  
 (740) Elene Khosroshvili  
 (540)



(591) Blue, white, red  
 (531) 03.09.16, 26.11.12, 26.11.13, 27.01.12, 29.01.13  
 (511) 29

(260) AM 2017 88674 A  
 (210) AM 88674  
 (220) 2016 09 23  
 (731) LTD "EURO CAUCASUS SUPLIES"  
 Samgoris chikhi 5, 0144, Tbilisi, Georgia  
 (740) Elene Khosroshvili  
 (540)



(591) White, red, green, light green  
 (531) 01.01.02, 01.01.10, 05.03.14, 27.05.11, 29.01.14  
 (511) 29, 30

(260) AM 2017 88684 A  
 (210) AM 88684  
 (220) 2016 09 26  
 (731) BRITISH AMERICAN TOBACCO (BRANDS) INC.

(a Delaware corporation)  
2711 Centerville Road, Suite 300,  
Wilmington, Delaware 19808, USA  
(740) Tamar Kochlamazashvili  
(540)



(591) White, sky-blue, blue, grey  
(531) 10.01.25, 25.01.01, 25.07.20, 26.11.12,  
27.05.24, 29.01.14  
(511) 34

(260) AM 2017 88693 A  
(210) AM 88693  
(220) 2016 09 27  
(731) LTD "GLAVSPIRTPROM"  
Lilos q. 51, 0198, Tbilisi, Georgia  
(740) Vasil Sikharulidze  
(540)



(591) Black, white  
(531) 25.01.10, 25.01.25, 26.01.20, 27.05.23  
(511) 33

(260) AM 2017 88713 A  
(210) AM 88713  
(220) 2016 09 28  
(731) LTD "AVERSI-PHARMA"  
D. Aghmasheneblis gamz. 148/2, 0112,  
Tbilisi, Georgia  
(540)

**ბონასეტი**  
**Бонасет**  
**Bonaset**

(511) 5

(260) AM 2017 88718 A  
(210) AM 88718  
(220) 2016 09 28  
(731) LTD "AVERSI-PHARMA"  
D. Aghmasheneblis gamz. 148/2, 0112,  
Tbilisi, Georgia  
(540)

**ლოპიდოქსი**  
**Лопидокс**  
**Lopidoqs**

(511) 5

(260) AM 2017 88737 A  
(210) AM 88737  
(220) 2016 09 28  
(731) LTD "AVERSI-PHARMA"  
D. Aghmasheneblis gamz. 148/2, 0112,  
Tbilisi, Georgia  
(540)

**მეტასეპტი**  
**Метасепт**  
**Metasept**

(511) 5

(260) AM 2017 88809 A  
(210) AM 88809  
(220) 2016 09 30  
(731) SWISS PHARMA INTERNATIONAL AG  
Waldmannstrasse 8, 8001 Zurich, Switzerland  
(740) Tamar Kochlamazashvili  
(540)

**КЕТИАП**

(511) 5

(260) AM 2017 88835 A  
(210) AM 88835  
(220) 2016 10 05  
(731) Aleksandre Babayan  
Tsitsishvili-Panaskertelis q., korp. 14, b. 39,  
0194, Tbilisi, Georgia  
(740) Aleksandre Babayan  
(540)

**Anilexe**  
**ანილექსე**  
**Анилексе**

(511) 14, 18, 20, 25, 35

(260) AM 2017 89050 A  
 (210) AM 89050  
 (220) 2016 10 17  
 (731) JSC "GEORGIAN BEER COMPANY"  
 Sop. Saguramo, 3311, Mtskheta, Georgia  
 (740) Aleksandre Mekhrishvili  
 (540)

## Legion ლეგიონი

(511) 32

(260) AM 2017 89059 A  
 (210) AM 89059  
 (220) 2016 10 18  
 (731) CAMEL GROUP CO., LTD.  
 83 Wudang Road, Shihua, Gucheng, Hubei,  
 China  
 (740) Vakhtang Torotadze  
 (540)



საქლემი

(591) White, black  
 (531) 03.02.13, 26.01.15, 28.19  
 (511) 9

(260) AM 2017 89060 A  
 (210) AM 89060  
 (220) 2016 10 18  
 (731) CAMEL GROUP CO., LTD.  
 83 Wudang Road, Shihua, Gucheng, Hubei,  
 China  
 (740) Vakhtang Torotadze  
 (540)



CAMEL

(591) White, black  
 (531) 03.02.13, 26.01.15  
 (511) 9

(260) AM 2017 89062 A  
 (210) AM 89062  
 (220) 2016 10 18  
 (731) CAMEL GROUP CO., LTD.  
 83 Wudang Road, Shihua, Gucheng, Hubei,  
 China  
 (740) Vakhtang Torotadze  
 (540)



ВЕРБЛЮД

(591) White, black  
 (531) 03.02.13, 26.01.15, 28.05  
 (511) 9

(260) AM 2017 89067 A  
 (210) AM 89067  
 (220) 2016 10 18  
 (731) MYLAN INSTITUTIONAL INC.  
 1718 Northrock Court Rockford, Illinois  
 61103, USA  
 (740) Tamar Kochlamazashvili  
 (540)

## FULPHILA

(511) 5

(260) AM 2017 89073 A  
 (210) AM 89073  
 (220) 2016 10 18  
 (731) Georgi Dekanozishvili  
 Chavchavadzis gamz. 5, b. 21, 0179, Tbilisi,  
 Georgia  
 (740) Georgi Dekanozishvili  
 (540)

## Dewino

დევინო  
Девино

(511) 33

(260) AM 2017 89095 A  
 (210) AM 89095  
 (220) 2016 10 21  
 (731) MONSTER ENERGY COMPANY  
 a Delaware corporation  
 1 Monster Way, Corona, California 92879, USA

(740) Shalva Gvaramadze  
(540)

## JAVA MONSTER

(511) 29, 30, 32, 33

---

(260) AM 2017 89096 A  
(210) AM 89096  
(220) 2016 10 21  
(731) MONSTER ENERGY COMPANY  
a Delaware corporation  
1 Monster Way, Corona, California 92879, USA

(740) Shalva Gvaramadze  
(540)

## UNLEASH THE BEAST!

(511) 33

---

(260) AM 2017 89098 A  
(210) AM 89098  
(220) 2016 10 21  
(731) ALTERA CORPORATION  
101 Inovation Drive, San-Xose, CA, 95134,  
USA

(740) Tamaz Shilakadze  
(540)

## QUARTUS

(511) 9

---

(260) AM 2017 89099 A  
(210) AM 89099  
(220) 2016 10 21  
(731) JSC "NOVA TECHNOLOGY"  
Uznadzis q. 37, 0102, Tbilisi, Georgia

(740) Tamar Jinchvelashvili  
(540)

## ოპპა OPPA

(511) 36, 42

---

(260) AM 2017 89114 A  
(210) AM 89114  
(220) 2016 10 25  
(731) Inga Grigolia  
Veris me-2 shes., I sad., b. 38, 0179, Tbilisi,  
Georgia

(740) Giorgi Meipariani  
(540)

## ინგა გრიგოლიას რეაქცია

(511) 38, 41

---

(260) AM 2017 89178 A  
(210) AM 89178  
(220) 2016 10 27  
(731) TURNER BROADCASTING SYSTEM, INC.  
a Georgia Corporation  
One CNN Center, Atlanta GA 30303, USA

(740) Giorgi Taktakishvili  
(540)

## ANGIE TRIBECA

(511) 9, 41

---

(260) AM 2017 89179 A  
(210) AM 89179  
(220) 2016 10 27  
(731) TURNER BROADCASTING SYSTEM, INC.  
a Georgia corporation  
One CNN Center, Atlanta GA 30303, USA

(740) Giorgi Taktakishvili  
(540)

## WRECKED

(511) 9, 41

---

(260) AM 2017 89185 A  
(210) AM 89185  
(220) 2016 10 27  
(731) Dinzler Kaffeerösterei AG  
Wendling 15, 83737 Irschenberg, Germany

(740) Shalva Gvaramadze  
(540)

## DINZLER

(511) 11, 30, 43

---

(260) AM 2017 89191 A  
(210) AM 89191  
(220) 2016 10 27  
(731) LTD "A-B-C PHARMACY"  
Sanapiros q. 10, Tbilisi, Georgia

(740) Salome Jeladze  
(540)

## TENERA ტიენერა

(511) 16

---

(260) AM 2017 89209 A  
(210) AM 89209  
(220) 2016 10 31  
(731) HYUNDAI MOBIS CO., LTD.  
203 Teheran-ro (Yeoksam-dong), Gangnam-gu,  
Seoul, Republic of Korea

(740) Merab Kvimsadze



(540)

**KRELL**

(591) Black, white

(531) 27.05.01

(511) 9

(260) AM 2017 89210 A

(210) AM 89210

(220) 2016 10 31

(731) LTD "FRUIT MASTER GROUP"

Varketili 3, 3a m/r., korp. 340, b.5, 0163,  
Tbilisi, Georgia

(540)

**Ham Cad**

(591) Red

(531) 28.05, 29.01.01

(511) 32

(260) AM 2017 89211 A

(210) AM 89211

(220) 2016 10 31

(731) OAKLEY INC.

One Icon, Foothill Ranch, CA 92610, USA

(740) Merab Kvimsadze

(540)

**OAKLEY**

(591) Black, white

(531) 27.05.17

(511) 9

(260) AM 2017 89216 A

(210) AM 89216

(220) 2016 10 31

(731) OAKLEY INC.

One Icon, Foothill Ranch, CA 92610, USA

(740) Merab Kvimsadze

(540)



(591) Black, white

(531) 26.01.02, 26.01.04

(511) 9

(260) AM 2017 89218 A

(210) AM 89218

(220) 2016 10 31

(731) ETİ GIDA SANAYİ VE TİCARET ANONİM

ŞİRKETİ

ORGANİZE SANAYİ BÖLGESİ 11. CADDE

ESKİŞEHİR, Turkey

(740) Merab Kvimsadze

(540)

(591) Blue, dark blue, white, red, black, yellow,  
dark yellow, brown, light brown, dark  
brown, purple(531) 05.11.19, 07.03.02, 08.01.03, 08.03.08,  
27.05.02, 27.05.03, 27.05.10, 29.01.15

(511) 30



## REGISTERED TRADEMARKS

(111) M 2017 28496 R

(151) 2017 05 17

(181) 2027 05 17

(260) AM 2016 78228 A

(220) 2014 08 07

(732) LTD "KAMARA EXSPRESS"

L. Asatianis q. 36a, Tbilisi, Georgia

(111) M 2017 28497 R

(151) 2017 05 17

(181) 2027 05 17

(260) AM 2016 78230 A

(220) 2014 08 07

(732) LTD "KAMARA EXSPRESS"

L. Asatianis q. 36a, Tbilisi, Georgia

(111) M 2017 28498 R

(151) 2017 05 17

(181) 2027 05 17

(260) AM 2017 86122 A

(220) 2016 02 10

(732) LTD "GLOBALPHARMI"

Almasianis q. 13a/Berbutis q.8, 0171, Tbilisi, Georgia

(111) M 2017 28499 R

(151) 2017 05 17

(181) 2027 05 17

(260) AM 2016 86134 A

(220) 2016 02 15

(732) G&W INTERNATIONAL CO. LTD.

Suite 602, East of Bld. 211, Tairan Industrial Zone, Futian District, Shenzhen, 518040 China

(111) M 2017 28500 R

(151) 2017 05 17

(181) 2027 05 17

(260) AM 2016 86161 A

(220) 2016 02 15

(732) ZURAB SHAMOYAN

Varketili 3, IIIa mkr., korp. 340, b. 8, 0163, Tbilisi, Georgia

(111) M 2017 28501 R

(151) 2017 05 17

(181) 2027 05 17

(260) AM 2017 86681 A

(220) 2016 03 21

(732) N(N)LE "GEORGIAN RUGBI UNITED"

I. Chavchavadzis gamz. 49a, 0179, Tbilisi, Georgia

(111) M 2017 28502 R

(151) 2017 05 17

(181) 2027 05 17

(260) AM 2016 86688 A

(220) 2016 03 22

(732) Teimuraz Gegeshidze

Dgebuadzis q. I, b. 15, 0102, Tbilisi, Georgia;  
Giorgi Kubaneishvili  
Vazha-Pshavelas gamz. 51, korp. 9, b. 23,  
Tbilisi, Georgia;  
Elmira Makhmutova  
Akiikis q., sakhli 12, b. 4, Alatau, Almaata,  
Kazakhstan

(111) M 2017 28503 R

(151) 2017 05 17

(181) 2027 05 17

(260) AM 2016 86693 A

(220) 2016 03 22

(732) OWNER HOOKS CO., LTD.

120, Tomita-cho, Nishiwaki-shi, Hyogo-ken,  
Japan

(111) M 2017 28504 R

(151) 2017 05 17

(181) 2027 05 17

(260) AM 2016 86767 A

(220) 2016 03 25

(732) LTD "GEOTURAN"

Kavtaradzis q. 25, korp. 3, b. 41, Tbilisi,  
Georgia

(111) M 2017 28505 R

(151) 2017 05 17

(181) 2027 05 17

(260) AM 2017 86857 A

(220) 2016 04 01

(732) BRIDGESTONE LICENSING SERVICES,  
INC.

(a Delaware corporation)  
535 Marriott Drive, Nashville, Tennessee  
37214, USA

(111) M 2017 28506 R

(151) 2017 05 17

(181) 2027 05 17

(260) AM 2016 86905 A

(220) 2016 04 07

(732) LTD "ASKANELI GROUP"

Kakhetis gzat. 110a, (nakv. 01/016), 0190,  
Tbilisi, Georgia

(111) M 2017 28507 R (151) 2017 05 17 (181) 2027 05 17 (260) AM 2016 86926 A (220) 2016 04 08 (732) NOBEL ILAC SANAYII VE TICARET ANONIM SIKRETI-is tsarmomadgenloba Georgiashi Yavisuflebis moedani 4, Tbilisi, Georgia	a limited liability company of the State of Iowa, 2105 SE Creekview Drive, Ankeny, Iowa 50021, USA
(111) M 2017 28508 R (151) 2017 05 17 (181) 2027 05 17 (260) AM 2017 86989 A (220) 2016 04 12 (732) ABDULKERİM ELÇEOĞLU ISTOC TICARET MERKEZI 15 ADA NO.93-95 MAHMUTBEY BAGCILAR, ISTANBUL, Turkey	(111) M 2017 28513 R (151) 2017 05 17 (181) 2027 05 17 (260) AM 2017 87399 A (220) 2016 05 27 (732) LTD "IPM RESEARCH" N. Baratashvilis q. 8, Tbilisi, Georgia
(111) M 2017 28509 R (151) 2017 05 17 (181) 2027 05 17 (260) AM 2016 87023 A (220) 2016 04 15 (732) EDUARD PUTKARADZE Sop. Dghvani, Shuakhevis r-ni., 6302, Georgia	(111) M 2017 28514 R (151) 2017 05 17 (181) 2027 05 17 (260) AM 2016 87412 A (220) 2016 05 27 (732) PROVIMI B.V. Veerlaan 17-23, 3072 AN Rotterdam, Netherlands
(111) M 2017 28510 R (151) 2017 05 17 (181) 2027 05 17 (260) AM 2017 87196 A (220) 2016 05 06 (732) TAREK NOHRA Jumeirah Village Circl Al Masaar Residence, Buil. 305, 96011, United Arab Emirates	(111) M 2017 28515 R (151) 2017 05 17 (181) 2027 05 17 (260) AM 2016 87428 A (220) 2016 05 30 (732) LTD "MATANAT-A" Saburtalos q. 38, 0160, Tbilisi, Georgia
(111) M 2017 28511 R (151) 2017 05 17 (181) 2027 05 17 (260) AM 2017 87367 A (220) 2016 05 24 (732) TIANJIN LOVOL HEAVY INDUSTRY GROUP CO., LTD. No.77, Gaoxin Road, Beichen Science and Technology Park, Tianjin, P.R. China	(111) M 2017 28516 R (151) 2017 05 17 (181) 2027 05 17 (260) AM 2016 87430 A (220) 2016 05 30 (732) LTD "MATANAT-A" Saburtalos q. 38, 0160, Tbilisi, Georgia
(111) M 2017 28512 R (151) 2017 05 17 (181) 2027 05 17 (260) AM 2017 87386 A (220) 2016 05 25 (732) EMBRIA HEALTH SCIENCES, LLC	(111) M 2017 28517 R (151) 2017 05 17 (181) 2027 05 17 (260) AM 2016 87431 A (220) 2016 05 30 (732) LTD "MATANAT-A" Saburtalos q. 38, 0160, Tbilisi, Georgia
	(111) M 2017 28518 R (151) 2017 05 17 (181) 2027 05 17 (260) AM 2016 87432 A (220) 2016 05 30 (732) LTD "MATANAT-A" Saburtalos q. 38, 0160, Tbilisi, Georgia

(111) M 2017 28519 R  
(151) 2017 05 17  
(181) 2027 05 17  
(260) AM 2016 87433 A  
(220) 2016 05 30  
(732) LTD "MATANAT-A"  
Saburtalos q. 38, 0160, Tbilisi, Georgia

---

(111) M 2017 28520 R  
(151) 2017 05 17  
(181) 2027 05 17  
(260) AM 2016 87434 A  
(220) 2016 05 30  
(732) LTD "MATANAT-A"  
Saburtalos q. 38, 0160, Tbilisi, Georgia

---

(111) M 2017 28521 R  
(151) 2017 05 17  
(181) 2027 05 17  
(260) AM 2016 87436 A  
(220) 2016 05 30  
(732) LTD "MATANAT-A"  
Saburtalos q. 38, 0160, Tbilisi, Georgia

---

(111) M 2017 28522 R  
(151) 2017 05 17  
(181) 2027 05 17  
(260) AM 2016 87437 A  
(220) 2016 05 30  
(732) LTD "MATANAT-A"  
Saburtalos q. 38, 0160, Tbilisi, Georgia

---

(111) M 2017 28523 R  
(151) 2017 05 17  
(181) 2027 05 17  
(260) AM 2016 87438 A  
(220) 2016 05 30  
(732) LTD "MATANAT-A"  
Saburtalos q. 38, 0160, Tbilisi, Georgia

---

(111) M 2017 28524 R  
(151) 2017 05 17  
(181) 2027 05 17  
(260) AM 2016 87439 A  
(220) 2016 05 30  
(732) LTD "MATANAT-A"  
Saburtalos q. 38, 0160, Tbilisi, Georgia

---

(111) M 2017 28525 R  
(151) 2017 05 17  
(181) 2027 05 17  
(260) AM 2016 87440 A  
(220) 2016 05 30

(732) LTD "MATANAT-A"  
Saburtalos q. 38, 0160, Tbilisi, Georgia

---

(111) M 2017 28526 R  
(151) 2017 05 17  
(181) 2027 05 17  
(260) AM 2016 87441 A  
(220) 2016 05 30  
(732) LTD "MATANAT-A"  
Saburtalos q. 38, 0160, Tbilisi, Georgia

---

(111) M 2017 28527 R  
(151) 2017 05 17  
(181) 2027 05 17  
(260) AM 2016 87443 A  
(220) 2016 05 30  
(732) LTD "MATANAT-A"  
Saburtalos q. 38, 0160, Tbilisi, Georgia

---

(111) M 2017 28528 R  
(151) 2017 05 17  
(181) 2027 05 17  
(260) AM 2016 87491 A  
(220) 2016 06 02  
(732) LTD "GEORGIAN BRAND COMPANY"  
Kakhetis gzat. 110a, 0198, Tbilisi,  
Georgia

---

(111) M 2017 28529 R  
(151) 2017 05 17  
(181) 2027 05 17  
(260) AM 2016 87590 A  
(220) 2016 06 13  
(732) JSC "HERITIJ HOLDINGZ"  
I. Chavchavdzis gamz. 74, 0162, Tbilisi,  
Georgia

---

(111) M 2017 28530 R  
(151) 2017 05 17  
(181) 2027 05 17  
(260) AM 2017 87617 A  
(220) 2016 06 16  
(732) SE PIN  
Sintzian province, Urumchi, Chang Chun  
Str. 616, China

---

(111) M 2017 28531 R  
(151) 2017 05 18  
(181) 2027 05 18  
(260) AM 2016 87618 A  
(220) 2016 06 16  
(732) SE PIN  
Sintzian province, Urumchi, Chang Chun  
Str. 616, China

---

(111) M 2017 28532 R  
(151) 2017 05 18  
(181) 2027 05 18  
(260) AM 2016 87619 A  
(220) 2016 06 16  
(732) SE PIN  
Sintszian province, Urumchi, Chang Chun  
Str. 616, China

---

(111) M 2017 28533 R  
(151) 2017 05 18  
(181) 2027 05 18  
(260) AM 2017 87622 A  
(220) 2016 06 16  
(732) APPLE, INC.  
1, Infinite Loop, Cupertino, California 95014,  
USA

---

## TRADEMARKS REGISTERED ACCORDING TO THE ACCELERATED PROCEDURE

The decision can be appealed at the Chamber of Appeal of Sakpatenti within 3 months from the publication.

(111) M 2017 28492 R  
(151) 2017 05 10  
(181) 2027 05 10  
(210) AM 91883  
(220) 2017 05 01  
(732) Tamaz Abashidze  
Ad. Mitskevichis q. 20, b. 29, 0194,  
Tbilisi, Georgia  
(540)

### AGRO TEZO

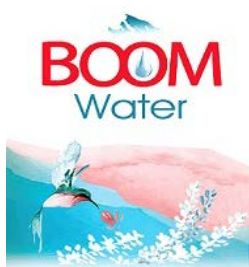
(591) Black, white  
(511) 1, 5

(111) M 2017 28493 R  
(151) 2017 05 16  
(181) 2027 05 16  
(210) AM 91876  
(220) 2017 04 28  
(732) Japan Tobacco Inc.  
2-2-1, Toranomom, Minato-cu, Tokio,  
Japan  
(740) Shalva Gvaramadze  
(540)

### WINSTON COMPACT PLUS

(591) Black, white  
(511) 34

(111) M 2017 28494 R  
(151) 2017 05 16  
(181) 2027 05 16  
(210) AM 91983  
(220) 2017 05 04  
(732) LTD "SAH & Co"  
T. Abuladzis q.32, b. 17, 0162, Tbilisi,  
Georgia  
(740) Besarion Urumashvili  
(540)



(591) Pink, sky-blue, red, dark blue, white  
(531) 03.07.13, 05.05.07, 06.01.01, 06.03.11,  
27.05.10  
(511) 32

(111) M 2017 28495 R  
(151) 2017 05 17  
(181) 2027 05 17  
(210) AM 91842  
(220) 2017 04 25  
(732) Mikheil Dabrundashvili  
Marjanishvilis q. 16, 0102, Tbilisi, Georgia  
(740) Maia Kartvelishvili  
(540)

### რედლაინი REDLINE

(511) 43

(111) M 2017 28534 R  
(151) 2017 05 22  
(181) 2027 05 22  
(210) AM 91941  
(220) 2017 05 03  
(732) Pakshu Industrial Group  
29 Secons Alej, Pakistanis q.,  
Behesht ave., Teheran, Iran  
(740) Irakli Gvilia  
(540)



(591) Blue, sky-blue, white, grey  
(531) 01.15.21, 27.07.02  
(511) 3

## INTERNATIONAL TRADEMARKS FOR WHICH A DECISION ON GRANTING PROTECTIONS IS TAKEN

The decision can be appealed at the Chamber of Appeal of Sakpatenti within 3 months from the publication or at the Mtskheta District Court Administrative Cases Board (Address: №17, Samkhedro str., Mtskheta), within 1 month following the publication.

(260) AM 2017 85817 A

(800) 1283581

(891) 2015 11 02

(731) ZUDOV OLEH VASYLOVYCH

vul. Haharina 1, s. Sofiivska Borshchagivka,  
Kyievo – Sviatoshynskiy raion, Kyivska  
oblast 02094, Ukraine

(540)



(591) Black, white

(511)

6 – Hardware of metal, small; pipes of metal; valves of metal, other than parts of machines; vats of metal; water – pipe valves of metal; containers of metal for liquid fuel; containers of metal for compressed gas or liquid air; reservoirs of metal; water – pipes of metal; chimney cowls of metal; drain pipes of metal; drain traps (valves) of metal; junctions of metal for pipes; pipe muffers of metal; buildings of metal; boxes of common metal; washers of metal; copper, unwrought or semi – wrought; penstock pipes of metal; nozzles of metal; steel pipes; ducts and pipes of metal for central heating installations; pipework of metal; ducts of metal for ventilating and air conditioning installations; fittings of metal for compressed air ducts; collars of metal for fastening pipes; reinforcing materials of metal for pipes; clips of metal for cables and pipes; manifolds of metal for pipelines; reels of metal, non – mechanical, for flexible hoses; winding spools of metal, non – mechanical, for flexible hoses; gutter pipes of metal.

11 – Apparatus for lighting, heating, steam generating, cooking, refrigerating, drying, ventilating water supply and sanitary purposes; heat accumulators; hot air apparatus; air deodorising apparatus; ionization apparatus for the treatment of air or water; hand drying apparatus for washrooms; air purifying apparatus and machines; petrol burners; laundry room boilers; fans (air – conditioning); fans (parts of air – conditioning installations); electric fans for personal use; ventilation (air – conditioning) installations for vehicles; ventilation (air – conditioning) installations and apparatus; ventilation hoods; water heaters (apparatus); gas lighters; gas burners; gas boilers; chim-

ney flues; humidifiers for central heating radiators; coils (parts of distilling, heating or cooling installations); air conditioning apparatus; air conditioners for vehicles; ice machines and apparatus; freezers; heating elements; hot plates; air reheaters; radiator caps; brackets for gas burners; stoves (heating apparatus); heating installations; heating installations (water); heating boilers; heating apparatus; heating apparatus, electric; heating apparatus for solid, liquid or gaseous fuels; radiators (heating); radiators, electric; central heating radiators; heat regenerators; refrigerators; expansion tanks for central heating installations; solar thermal collectors (heating); heat exchangers, not parts of machines; thermostatic valves (parts of heating installations); boiler pipes (tubes) for heating installations; pipes (parts of sanitary installations); steam generating installations; air conditioning installations; air cooling apparatus; air filtering installations; air sterilizers; air driers; filters for air conditioning; cooling installations and machines; cooling appliances and installations; refrigerating appliances and installations; refrigerating cabinets.

35 – Advertising; administrative processing of purchase orders; cost price analysis; demonstration of goods; economic forecasting; import – export agencies; commercial information and advice for consumers (consumer advice shop); marketing; marketing research; provision of an on – line marketplace for buyers and sellers of goods and services; rental of advertising time on communication media; writing of publicity texts; updating of advertising material; web site traffic optimisation; organization of exhibitions for commercial or advertising purposes; rental of advertising space; shop window dressing; layout services for advertising purposes, price comparison services; rental of billboards (advertising boards); office machines and equipment rental; publicity material rental; rental of sales stands; publication of publicity texts; radio advertising; advertising agencies; pay per click advertising; design of advertising materials; production of advertising films; television advertising; procurement services for others (purchasing goods and services for other businesses); presentation of goods on communication media, for retail purposes; distribution of samples; sales promotion for others.

37 – Repair; installation services; electric appliance installation and repair; heating equipment installation and repair; air conditioning apparatus installa-

tion and repair; freezing equipment installation and repair; rental of drainage pumps; pump repair; burner maintenance and repair; boiler cleaning and repair; repair information.

(260) AM 2017 85919 A

(800) 1284330

(891) 2015 09 08

(731) HARIBO GMBH & CO. KG

Hans – Riegel – Strasse 1, 53129 Bonn,  
Germany

(540)

**KIDS AND GROWN-UPS LOVE IT SO,  
THE HAPPY WORLD OF HARIBO**

(591) black and white

(511)

30 – Sugar confectionery, pastry and confectionery and non – medical chewing gum.

(260) AM 2017 87927 A

(800) 1301954

(891) 2014 09 17

(731) KIIKO ALVINA

vul. Televiziina, 12, kv. 38, m. Dnipropetrovsk  
49005, Ukraine

(540)



(591) White, gray and burgundy

(511)

6 – Valves of metal, other than parts of machines; reinforcing materials, of metal, for concrete; reinforcing materials of metal for pipes; reinforcing materials of metal for machine belts; white metal; beams of metal, non – luminous; vats of metal; beams of metal; bottles [metal containers] for compressed gas or liquid air; building or furniture fittings of nickel – silver; water – pipe valves of metal; vice benches of metal; signboards of metal; hardware of metal, small; water – pipes of metal; chimney shafts of metal; drain pipes of metal; clips of metal for cables and pipes; bungs of metal; wall plugs of metal; crampons of metal [cramps]; junctions of metal for pipes; pipe mufflers of metal; couplings of metal for chains; penstock pipes of metal; tension links; pipes of metal; ducts and pipes of metal for central heating installations; ducts of metal for ventilating and air conditioning installations.

11 – Water conduits installations; water heaters [apparatus]; water intake apparatus; water softening apparatus and installations; water heaters; water purification installations; water purifying apparatus and machines; water supply installations; water distribu-

tion installations; feeding apparatus for heating boilers; loading apparatus for furnaces; immersion heaters; coils [parts of distilling, heating or cooling installations]; mixer taps for water pipes; hot air ovens; level controlling valves in tanks; air valves for steam heating installations; fire bars; fireplaces, domestic; faucets for pipes (Am.); taps [faucets]; drip irrigation emitters [irrigation fittings]; heating elements; hot plates; air reheaters; heating plates; stoves [heating apparatus]; heating installations; heating installations [water]; heating apparatus; heating apparatus, electric; heating apparatus for solid, liquid or gaseous fuels; heating boilers; boilers, other than parts of machines; regulating and safety accessories for water apparatus; dampers [heating]; boiler pipes [tubes] for heating installations; pipes [parts of sanitary installations].

17 – Flexible hoses, not of metal; junctions, not of metal, for pipes; pipe jackets, not of metal.

19 – Drain pipes, not of metal; drain traps [valves], not of metal or plastic; penstock pipes, not of metal; ducts, not of metal, for ventilating and air – conditioning installations; rigid pipes, not of metal, for building; water – pipe valves, not of metal or plastic; water – pipes, not of metal; chimney shafts, not of metal; sandstone pipes.

(260) AM 2017 87928 A

(800) 1301964

(891) 2016 02 16

(731) PEPSICO, INC.

(a North Carolina corporation)

700 Anderson Hill Road, Purchase,  
NY 10577, USA

(540)



(591) Black, green, white, yellow, brown, light brown, dark brown, grey

(511)

29 – Vegetables, dried; vegetables, cooked; potato fritters; potato flakes; potato chips; low – fat potato chips.

(260) AM 2017 88033 A

(800) 1302479

(891) 2016 02 06

(731) APPLE INC.

1 Infinite Loop, Cupertino CA 95014,  
USA

(540)



(591) Black, white

(511)

9 – Computers; computer peripherals; computer hardware; wearable computer peripherals; wearable computer hardware; peripherals for mobile devices; computer cables and display screens; sound recording and reproducing apparatus; digital audio and video players and recorders; voice recording and voice recognition apparatus; radios, radio transmitters, and receivers; earphones, headphones; audio speakers; microphones; audio components and accessories; network communication apparatus; electronic communication equipment and instruments; telecommunications apparatus and instruments; telephones; mobile phones; wireless communication devices for voice, data or image transmission; cables, electric; apparatus and media for data storage; computer chips; cameras; batteries; digital audio and video players and recorders; televisions; television receivers; television monitors; set top boxes; global positioning system (GPS) devices; navigational instruments and devices; computer software; computer software for setting up, configuring, operating and controlling mobile devices, wearable devices, mobile phones, computers, and computer peripherals; computer software for creating, authoring, distributing, downloading, transmitting, receiving, playing, editing, extracting, encoding, decoding, displaying, storing and organizing text, data, graphics, images, audio, video, and multimedia content, electronic publications, and electronic games; computer software for accessing, monitoring, searching, displaying, reading, recommending, sharing, organizing, and annotating news, sports, weather, commentary, and other information, content from periodicals, blogs, and websites, and other text, data, graphics, images, audio, video, and multimedia content; remote control apparatus; electrical and electronic connectors, couplers, wires, cables, chargers, docks, docking stations, interfaces, and adapters for use with all of the aforesaid goods; covers, bags, cases, and stands adapted or shaped to contain computers, computer peripherals, computer hardware, hand held computers, tablet computers, laptop computers, mobile phones, and wearable computer peripherals; monitors and displays, namely, wearable activity trackers.

10 – Health, fitness, exercise, and wellness sensors for medical purposes; medical apparatus and devices.

14 – Horological and chronometric instruments; watches; clocks; timepieces; chronographs for use as timepieces; chronometers; watchstraps; watch bands; cases for watches, clocks, and horological and chronometric instruments; parts for watches, clocks, and horological and chronometric instruments; jewelry.

(260) AM 2017 88034 A

(800) 1303066

(891) 2016 04 18

(731) BOHNENKAMP AG

Dieselstraße 9 – 13, 49076 Osnabrück,  
Germany

(540)

## Bohnenkamp

(591) black and white

(511)

12 – Parts and fittings for vehicles; wheels; springs for vehicle suspension systems; pneumatic tires [tyres]; wheel rims; inner tubes for pneumatic tires [tyres]; axles for vehicles; jockey wheels for vehicles.

35 – Wholesale services in relation to the following goods, namely wheels, compressed air components, springs, tyres, solid, for vehicle wheels, wheels, wheel rims, tubes, axles, tow bars, stabilisers, flaps.

(260) AM 2017 88035 A

(800) 1303071

(891) 2016 04 20

(731) CELGENE CORPORATION

86 Morris Avenue, Summit NJ 07901, USA

(540)

## OZEVICA

(591) black and white

(511)

5 – Pharmaceutical preparations for use in the treatment of leukemia, autoinflammatory disease, autoimmune disease, blood disease, cancer, multiple sclerosis, ulcerative colitis, arthritis, musculoskeletal and skin diseases; pharmaceutical preparations, namely, cytokine inhibitory drugs; pharmaceutical preparations that modulate the immune system.

(260) AM 2017 88037 A

(800) 1303187

(891) 2016 06 02

(731) HALEWOOD INTERNATIONAL

STREAMS OF WHISKEY LIMITED

The Sovereign Distillery, Wilson Road,  
Huyton Business Park, Liverpool L36 6AD,  
United Kingdom



(540)

**THE POGUES**

(591) black and white

(511)

32 – Beers; mineral and aerated waters and other non – alcoholic beverages; fruit beverages and fruit juices; syrups and other preparations for making beverages.

33 – Alcoholic beverages (except beers); spirits; whiskey.

(260) AM 2017 88038 A

(800) 566236

(891) 2016 04 01

(731) MALU WILZ BEAUTÉ GMBH  
Gaußstrasse 13, 85757 Karlsfeld, Germany

(540)

**MALU WILZ**

(591) black and white

(511)

3 – Eaux de toilette, perfumes, soaps; cosmetics, also for decorative purposes, in particular aromas, essences, skin cleansing and skin care products, day and night creams, concentrates for beauty masks and facial care, lipsticks, nail polish, eye shadows, mascara, make – up, camouflage creams, shower gels, body lotions and creams, massage creams, depilatories; cosmetic sunscreen preparations, in particular sunscreen creams and milks, after – sun lotions.

(260) AM 2017 88041 A

(800) 880457

(891) 2016 06 23

(731) SSAB Technology AB  
Box 70 SE – 101, 21 Stockholm, Sweden

(540)

**ARMOX**

(591) black and white

(511)

6 – Armour plating; armour plates; reinforcing materials of metal for buildings; metal building materials; buildings of metal; frames of metal for buildings; band – iron; band – steel; iron strips; iron wire; iron, unwrought or semi – wrought; palings of metal; posts of metal for power lines; metal posts; pipes and tubes of metal; railway sleepers of metal; railway material of metal; sheets and plates of metal; steel buildings; steel masts; steel pipes; steel sheets; steel strips; steel tubes; steel wire; steel, unwrought or semi – wrought; tubing of metal.

(260) AM 2017 88044 A

(800) 1218388

(891) 2016 05 26

(731) DAESANG Corporation  
26, Cheonho – daero, Dongdaemun – gu,  
Seoul, Republic of Korea

(540)



(591) blue, blue – green, green, yellow – green, yellow, white and black

(511)

29 – Frozen beans; food products made from fruits; fruit – based snack food; kimchi [fermented vegetable dish]; jams; food products made from vegetables; vegetable juices for cooking; tofu; food products made from bean curds; frozen fruits; eggs; bacon; bouillon; samgyetang [korean ginseng chicken soup]; sausages; food products made from meat; dried beef; ham; food products made from milk; milk products; cheese; perilla oil for food; rice bran oil for food; maize oil for food; olive oil for food; edible oils and fats; soybean oil for food; edible oils; food products made from oil and fat; sesame oil; food products made from worm; fish and shellfish, not live, for food; tuna fish, not live; toasted laver; food products made from seaweed; fish sausages; fish cakes; food products made from fish and shellfish; smoked fish and shellfish; soups; jellies for food; meat; preserved, frozen, dried and cooked fruits and vegetables; food products made from sweet potato; meat – based sanjeok [korean shish kebab made from meat]; laver – based snack foods; fermented sand lance sauce; processed sea tangle; pork cutlets; food products made from bean, other than bean curds and their processed foodstuffs; meat rolled rice cakes; fermented anchovy sauce; processed edible brown seaweed; fermented shrimp sauce; fish cutlets; canola oil for food; grape seed oil for food; yogurt; chicken balls; canned tuna fish; processed green laver; meju [Korean – style fermented soybeans].

30 – Wheat flour; flour for fry; flour for food; starch for food; cereal – based processed products; naengmyun [korean buckwheat noodles]; instant noodles [ramyun]; mandu [Korean – style dumplings]; noodles; spaghetti; udon noodles; pizzas; hot dogs [sandwiches]; malt for human consumption; confectionery; macarons [pastry]; ice cream; waffles; candy; cakes; puddings; hoddeok [Chinese pancake stuffed with sugar]; sugar; sugar for food; natural sweeteners; rice cakes; injeolmi [glutinous rice cakes coated with powdered beans]; soya sauce; gochujang [fermented hot pepper paste]; doenjang [fermented

soybean paste]; jajang [black paste for noodle sauce]; soy sauce and soy bean paste; cheonggukjang [rice soybean paste]; chunjang [Chinese soybean paste]; chemical seasoning; mayonnaise; salad dressings; sauces (condiments); vinegar; ketchup [sauce]; mustard meal; hot pepper powder [spice]; ginger powder [spice]; wasabi powder; curry powder [spice]; spices; seasoned salt; salt for food; salt for preserving foodstuffs; barley tea; tea; coffee; tea – based beverages; edible ices; meat tenderizers, for household purposes; condiments; chocolate products; fructose; boiled rice served in soup; uncooked noodles; Chinese noodles [dangmyun]; polished cereals; pork rib sauce; topokki [stir – fried rice cake]; buckwheat soba; starch syrup for food; barbequed beef sauce; somen noodles [very thin wheat noodles]; cereal; rice – based taffy; ssamjang [a processed soybean paste mixed with red pepper paste]; corn tea; oligosaccharide; seasoning wine for cooking; juk [korean rice soup]; jjamppong rice [chinese – style rice with vegetable and seafood]; cup rice served with toppings; tarte; frying powder; pepper powder [spice].

32 – Extracts of hops for making beer; fruit juices; lemonades; soda drinks; smoothies; sikhye [rice punch]; powders used in the preparation of fruit – based drinks; vegetable or fruit processed beverages; soft drinks, non – carbonated; vegetable juice [beverages]; mineral water [beverages]; beer; non – alcoholic fruit extracts; non – alcoholic fruit juice beverages; non – alcoholic beverages; waters [beverages]; slush [beverages]; non – alcoholic beverages, namely, beverages made from vinegar; aerated water; red ginseng beverages.

(260) AM 2017 88045 A  
(800) 1228709  
(891) 2016 06 10  
(731) NOVARTIS AG  
CH - 4002 Basel, Switzerland  
(540)



(591) Light yellow, dark yellow and dark gray  
(511)  
5 – Pharmaceutical preparations.

(260) AM 2017 88051 A  
(800) 1278195  
(891) 2016 05 27  
(731) RESORT CO SA  
Mazagan Beach Resort, El Jadida, Morocco

(540)



(591) Pantone 10359 C and Pantone 431 C  
(511)  
43 – Services for providing food and drink; coffee house services and hotel services.

(260) AM 2017 88055 A  
(800) 1302530  
(891) 2016 03 15  
(731) SOCIÉTÉ AIR FRANCE, SOCIÉTÉ ANONYME  
45, rue de Paris, F - 95747 ROISSY - CHARLES - DE - GAULLE, France  
(540)



(591) Red, reference Pantone 186C with shading in its lower part  
(511)

43 – Services for providing food and drink, in – flight provision of food and drink, provision of food and drink on board airplanes, provision of food and drink in airports, temporary accommodation, rental or provision of meeting rooms, waiting rooms, recreation or relaxation areas particularly in airports, rental or provision of electric household appliances for cooking or provision of food and drink, rental of chairs, tables, furniture, table, toilet or bath linen, glassware, services provided by restaurants, self – service restaurants, bars, cafés, cafeterias, hotel services, bookings for hotels, restaurants, bars or cafés, self – service restaurants, information services regarding hotel or restaurant services, catering services, preparing and providing meals, beverages and foodstuffs particularly on board airplanes.

(260) AM 2017 88058 A  
(800) 1302650  
(891) 2016 04 14  
(731) KLASSIKA INTERNATIONAL LIMITED  
Office 203, 2nd Floor, Liliana building, 10 Kyriakou Matsi avenue, Agious Omologites, CY – 1082 Nicosia, Cyprus

(540)

**KREMLYOVSKAYA**

(591) Black, white

(511)

32 – Beers; mineral and aerated waters and other non – alcoholic beverages; fruit beverages and fruit juices; syrups and other preparations for making beverages, all aforesaid products of Russian origin.

33 – Alcoholic beverages (except beers) of Russian origin.

(260) AM 2017 88186 A

(800) 843333

(891) 2016 04 08

(731) NORITAKE CO., LIMITED

1 - 36, Noritake - Shinmachi 3 - chome,  
Nishi - ku, Nagoya - shi Aichi 451 - 8501,  
Japan

(540)

*Noritake*

(591) Black, white

(511)

10 – Medical apparatus and instruments; dental apparatus and instruments.

(260) AM 2017 88229 A

(800) 1304165

(891) 2016 04 19

(731) SHISEIDO COMPANY, LIMITED

7 - 5 - 5 Ginza, Chuo - ku, Tokyo 104 - 0061,  
Japan

(540)

**SHISEIDO**  
**Benefiance**  
**NutriPerfect**

(591) Black, white

(511)

3 – Soaps; cosmetics; perfumery; incenses and fragrances; dentifrices.

(260) AM 2017 88230 A

(800) 1304166

(891) 2016 04 19

(731) SHISEIDO COMPANY, LIMITED

7 - 5 - 5 Ginza, Chuo - ku, Tokyo 104 - 0061,  
Japan

(540)

**SHISEIDO**  
**Bio-Performance**

(591) Black, white

(511)

3 – Soaps; cosmetics; perfumery; incenses and fragrances; dentifrices.

(260) AM 2017 88231 A

(800) 1304172

(891) 2016 03 28

(731) LE SHI INTERNET INFORMATION &  
TECHNOLOGY (BEIJING)  
CORPORATION

Room 6184, 6th Floor, Building 19, No.68  
Xueyuan South Road, Haidian District,  
Beijing; China

(540)

乐视

(591) Black, white

(511)

35 – Advertising communication; advertising; rental of advertising space; advertising planning; on – line advertising on a computer network; business management and organization consultancy; business information; import – export agencies; business management of performing artists; compilation of information into computer databases.

(260) AM 2017 88232 A

(800) 1304333

(891) 2016 04 18

(731) SOCIETE BIC, société anonyme

14 rue Jeanne d'Asnières, F – 92110 Clichy,  
France

(540)



(591) Black, white

(554) Three-dimensional

(511)

34 – Smokers' articles; lighters.

(260) AM 2017 88233 A  
 (800) 1304367  
 (891) 2016 05 10  
 (731) MERCK KGaA  
 Frankfurter Strasse 250, 63293 Darmstadt,  
 Germany  
 (540)

## BAVENCIO

(511)  
 5 – Pharmaceuticals, medical and veterinary preparations; sanitary preparations for medical purposes; dietetic food and substances adapted for medical or veterinary use.

(260) AM 2017 88287 A  
 (800) 1305325  
 (891) 2016 02 09  
 (731) APPLE INC.  
 1 Infinite Loop, Cupertino CA 95014,  
 USA  
 (540)

## IPHONE

(511)  
 42 – Computer hardware and software consulting services; multimedia and audio – visual software consulting services; providing technical troubleshooting support for system software, application software and database software; diagnosing problems of computer systems; providing consultation services for developing computer systems, databases and applications; information relating to computer technology provided on – line from a global computer network or the Internet; providing search engines for obtaining data via communications networks; providing search engines for obtaining data on a global computer network; computer services, namely, creating computer network – based indexes of information, websites and resources; customized searching at the specific request of end users, allowing the end user to browse and retrieve information, sites, and other resources available on global computer networks; and consultation services relating to all the aforesaid.

(260) AM 2017 88398 A  
 (800) 1305872  
 (891) 2016 04 06  
 (731) NOVARTIS AG  
 CH - 4002 Basel, Switzerland  
 (540)



(591) Yellow, orange and red.

(511)  
 5 – Pharmaceutical preparations.

(260) AM 2017 88400 A  
 (800) 1305892  
 (891) 2016 02 18  
 (731) CALIDA AG  
 Bahnstrasse, CH - 6208 Oberkirch,  
 Switzerland  
 (540)

## CALIDA

(511)  
 3 – Soaps; perfumery, particularly deodorants, perfumes; cosmetics, particularly essential oils; cosmetics, particularly skin creams, skin lotions for cosmetic use, bronzing cream, cosmetic preparations for eyelashes, cosmetic preparations for eyebrows, lipsticks, nail polish, nail polish removers, shampoos, body lotions, make – up products, powder, cosmetics and make – up products.

9 – Optical apparatus and instruments, particularly spectacles, sunglasses.

14 – Precious metals and their alloys and goods made of these materials or coated therewith not included in other classes; jewelry, precious stones; timepieces and chronometric instruments.

18 – Leather and imitation leather, goods made of these materials not included in other classes; leather bags; leather handbags; beauty cases; trunks and suitcases; umbrellas and parasols.

24 – Fabrics and textiles; cloths for removing make – up or of textile; baby blankets; bath towels; bath linen except clothing; hooded towels; bed covers; duvet covers; bed linen; covers for cushions; shower curtains; flags, not of paper; terry towels; flannel (fabric); tenugui (Japanese cotton towels); upholstery fabrics; beach towels; table covers.

25 – Clothing, particularly underwear, briefs, brasieres, spaghetti straps, underpants, harem pants, jackets, tops, leggings, skirts, g – strings, thongs, bus-tiers, teddies, tee – shirts, bodysuits, tights, pajamas, bath robes, kimonos, shorts, one – size t – shirts, nightgowns, boxer shorts, shorties, sports shirts, bermuda shorts, bikini tops, bikini bottoms, tankinis, bathing suits, capri pants, pareos, tunics, dresses, bathing suits, socks, stockings, pantyhose, suspenders; clothing for yoga; footwear, particularly footwear for women and men, high heels, flip – flops, beach shoes, headgear for wear, particularly hats, caps, night caps, swimming caps, beach hats.

(260) AM 2017 88401 A  
 (800) 1305896  
 (891) 2016 02 26

(731) Union des Associations Européennes de Football (UEFA)  
Route de Genève 46, CH – 1260 Nyon,  
Switzerland

(540)



(591) Black, white, gray

(511)

25 – Clothing; shoes and footwear; headgear; shirts; knitwear (clothing); pullovers; slippers; tee – shirts; vests; singlets; sleeveless jerseys, dresses; skirts; underwear; swimsuits; bath robes; shorts; trousers; sweaters; caps (bonnets); caps; hats; sashes for wear; scarves, shawls; caps with visors; tracksuits; sweat-shirts; jackets, sports jackets, stadium jackets (chabubles); blazers; waterproof clothing; coats; uniforms; neckties; wrist bands; headbands (clothing); gloves (clothing); aprons; bibs (not of paper); pajamas; play suits for infants and children; socks and stockings; garters; belts (clothing); suspender.

38 – Telecommunication services; communication by mobile telephones; communication by telex; communication via electronic computer terminals linked to telecommunication networks, data banks and the Internet or via wireless electronic communication devices; communication by telegraphs; communication by telephones; communications by facsimile; paging services; telephone or video conferencing services; television program broadcasting; broadcasting of cable television programs; radio program broadcasting; radio and television broadcasting of sports and sporting events; news and press agency services; other message transmission services; rental of telephones, facsimile machines and other telecommunication apparatus; transmission of commercial Internet pages on – line or via wireless electronic communication devices; services for transmitting and broadcasting television and radio programs provided via the Internet or via any wireless electronic communication network; electronic transmission of messages; simultaneous broadcasting of film recordings and sound and video recordings; provision of access to telematic servers and real – time chat forums; computer – aided transmission of messages and images; telecommunication via fiber – optic networks; provision of access to a global computer network or interactive communication technologies for access to private and commercial purchasing and

ordering services; transmission of information and other data via websites and computers; transmission of information (including sites by telematic means) via telecommunication, computer programs and other data; transmission of information, computer programs and other data by telematic means; electronic mail services; provision of access via the Internet or on any wireless electronic communication network (telecommunication services); providing connections for telecommunications with a global computer network (the Internet) or data banks; provision of access to websites offering digital music on the Internet by means of a global computer network or via wireless electronic communication devices; rental of access time to MP3 websites on the Internet, via a global computer network or via wireless electronic communication devices; rental of access time to a database server center (telecommunication services); rental of access time to a computer database (telecommunication services); transmission of digital music by telecommunications; online transmission of electronic publications; digital music transmission via the Internet or on any wireless electronic communication network; digital music transmission via MP3 Internet sites; simultaneous broadcasting and/or netcasting of film recordings and sound and video recordings (telecommunications); simultaneous broadcasting and/or netcasting of interactive educational and entertainment products, interactive compact disks, CD – ROMs, computer programs and computer games (telecommunications); provision of access to blackboards (notice and advertisement boards) and chat rooms in real time via a global computer network; rental and provision of access time to blackboards (boards for displaying information and advertisements) and to chat rooms in real time by means of a global computer network (communication services); telecommunication services dedicated to retail sale by means of interactive communications with customers; multimedia telecommunication; videotext and teletext transmission services; information transmission via communication satellite, microwave or by electronic, digital or analog means; transmission of digital information by cable, wire or fiber; transmission of information by mobile telephones, telephones, facsimile and telex; telecommunication services for receiving and exchanging information, messages, images and data; telecommunication services for setting up discussion groups on the Internet and on any wireless electronic communication network; provision of access to search engines for obtaining data and information on global networks.

41 – Education; training; entertainment; organization of lotteries, raffles and competitions; betting and gaming services in connection with sports; hospitality services (sports, entertainment), namely providing entry tickets and information brochures for sports for VIPs, as well as guiding and gathering



VIPs during sports or entertainment events; hospitality services, namely customer reception services (entertainment services), including providing access tickets during sports or entertainment events; entertainment services relating to sporting events; entertainment services in the form of public gatherings during the retransmission of sports events; sports and cultural activities; organization of sporting and cultural events and activities; organization of sports competitions; organization of events in the field of football; sports camp services; provision of sports facilities; rental of video and audiovisual installations; production, presentation, distribution and/or rental of film recordings and sound and video recordings; presentation, distribution and/or rental of interactive educational and entertainment products, interactive compact disks, CD – ROMs, and computer games; coverage of radio broadcast and televised sports events; production services for radio, television programs and video films; ticket reservation services and information services for sports or entertainment events; sports events timing services; organization of beauty contests; interactive entertainment; on – line betting and gaming services on the Internet or on any wireless electronic communication network; information in the field of entertainment (including in the field of sports), provided on – line from a computer database or via the Internet or via any wireless electronic communication network; electronic game services transmitted via the Internet or on mobile telephones; editing of books; publication of books and electronic journals on – line; audio and video recording services; production of animated cartoons for the cinema, production of animated cartoons for television; rental of sound and image recordings for entertainment purposes; information in the field of education provided on – line from a computer database or via the Internet or any wireless electronic communication network; translation services; photography services; provision of entertainment infrastructure; ticket agencies in connection with sports events.

(260) AM 2017 88402 A

(800) 1305928

(891) 2016 03 30

(731) BIOFARMA

(SOCIETE PAR ACTIONS SIMPLIFIEE)  
50 RUE CARNOT, F – 92284 SURESNES  
CEDEX, France

(540)

**BISODUCTAL**

(591) Black, white

(511)

5 – Pharmaceutical preparations; veterinary preparations; sanitary products for medical purposes; dietetic substances for medical use; dietetic substances

for veterinary use; food for babies; food supplements and dietetic preparations; food supplements for animals; plasters, materials for dressings; teeth filling material; dental impression materials; disinfectants; products for destroying vermin; fungicides; herbicides.

(260) AM 2017 88403 A

(800) 1305975

(891) 2016 03 25

(731) LE HOLDINGS LTD.

Sertus Chambers, P.O. Box 2547, Cassia  
Court, Camana Bay Grand Cayman (KY),  
China

(540)



(591) Black, white

(511)

9 – Computers; computer software applications, downloadable; smartphones; navigation apparatus for vehicles [on – board computers]; modems; headphones; television apparatus; camcorders; projection apparatus; cameras [photography]; chips [integrated circuits]; video screens; remote control apparatus; eyeglasses; batteries, electric; chargers for electric batteries; cabinets for loudspeakers.

(260) AM 2017 88404 A

(800) 1306012

(891) 2016 03 18

(731) Otkrytoye aktsionernoye obshchestvo  
"EFIRNOE"

ul. Frunze 2, g. Alekseevka, RU – 309850  
Belgorodskaya obl., Russian Federation

(540)



(591) Yellow, light yellow, red, blue, white, orange, brown and black.

(526) The trademark is protected as a whole. "Выгодно КАЧЕСТВЕННО УДОБНО Витамин Е, Омега 6&9 ПОЛЗА ПРИРОДЫ НОВИНКА, Добавь, Заправь" shall not be subject to independent legal protection.

(511)

29 – Edible oils, namely sunflower oil for food.

35 – Advertising of edible oils, namely advertising of sunflower oil for food; sales promotion for others; retail and wholesale services for edible oils, namely retail and wholesale services for sunflower oil for food.

(260) AM 2017 88415 A

(800) 1306275

(891) 2016 02 26

(731) DC COMICS

2900 West Alameda Avenue, Burbank  
CA 91505, USA

(540)



(591) black and white

(511)

3 – Cosmetics, namely, lipstick, lip gloss and non – medicated lip balm; mascara; nail enamel; face powder, face cream, skin lotion and skin gel; body powder; bath oil, bath gel and non – medicated bath salts; hand cream and lotion; body cream and lotion; sunscreen preparation, namely, cream and lotion; shaving cream and after – shave lotion, skin cleanser and non – medicated body soaks; body deodorant, cologne and perfume; soaps, namely, liquid bath soap, gel soap and bar soap; detergent soap, namely, liquid and powder; fabric softener; deodorant soap, skin soap; and shampoo and shampoo conditioner.

9 – Motion picture films featuring comedy, drama, action, adventure and/or animation, and motion picture films for broadcast on television featuring comedy, drama, action, adventure and/or animation; audio – video discs, and digital versatile discs featuring music, comedy, drama, action, adventure, and/or animation; stereo headphones; batteries; cordless telephones; CD players; CD – ROM computer game discs; telephone and/or radio pagers; compact disc players; radios; mouse pads; eyeglasses, sunglasses and cases therefor; downloadable software for use in playing online computer games, downloadable computer game software; computer game software for use on mobile and cellular phones; video and computer game programs; video game cartridges;

computer and video game software; computer game software for gaming machines including slot machines; computer software or firmware for games of chance on any computerized platform, including dedicated gaming consoles, video based slot machines, reel based slot machines and video lottery terminals; CD – ROM and digital versatile computer game discs and computer programs, namely, software linking digitized video and audio media to a global computer information network; downloadable audio – visual media content in the field of entertainment featuring animated motion pictures, television series, comedies, and dramas; computer software, namely, computer software for streaming audio – visual media content via the Internet, computer software for streaming and storing audio – visual media content, downloadable audio and video players for media content with multimedia and interactive functions, video search and annotation software, content protection software, database management software, database synchronization software; computer programs for accessing, browsing and searching online databases, software that enables users to play and program entertainment – related audio, video, text and multi – media content; computer application software for streaming and storing audio – visual media content; computer application software for streaming audio – visual media content via the Internet; downloadable computer software for streaming audio – visual media content via the Internet; downloadable computer software for streaming and storing audio – visual media content; downloadable publications in the nature of books featuring characters from animated, action adventure, comedy and/or drama features, comic books, children's books, strategy guides, magazines featuring characters from animated, action adventure, comedy and/or drama features, coloring books, children's activity books and magazines in the field of entertainment; cellular telephone accessories, namely, hands – free accessories, cellular telephone covers and cellular telephone face covers; encoded magnetic cards, namely, phone cards, credit cards, cash cards, debit cards and magnetic key cards; and decorative magnets.

14 – Clocks; watches; jewelry; bracelets; ankle bracelets; brooches; chains; charms; cuff – links; earrings; lapel pins; necklaces; ornamental pins; pendants; rings; jewelry cases; beads for making jewelry; musical jewelry boxes; leather jewelry; leather key chains; imitation leather key chains.

16 – Printed matter and paper goods, namely, books featuring characters from animated, action adventure, comedy and/or drama features, comic books, children's books, strategy guides, magazines featuring characters from animated, action adventure, comedy and/or drama features, coloring books, children's activity books; stationery, writing paper, envelopes, notebooks, diaries, note cards, greeting cards,

trading cards; lithographs; pens, pencils, cases therefor, erasers, crayons, markers, colored pencils, painting sets, chalk and chalkboards; decals, heat transfers; posters; adhesive plastic film with removable paper for mounting images for decorative purposes; mounted and/or unmounted photographs; book covers, book marks, calendars, gift wrapping paper; paper party decorations, namely, paper napkins, paper place mats, crepe paper, invitations, paper table cloths, paper cake decorations; printed transfers for embroidery or fabric appliques; printed patterns for costumes, pajamas, sweatshirts and T – shirts.

18 – Athletic bags, baby backpacks, backpacks, beach bags, book bags, diaper bags, duffel bags, messenger bags, brief cases, gym bags, tote bags, coin purses, fanny packs, knapsacks, waist packs, shopping bags, reusable shopping bags; umbrellas; wallets; accessories made of leather, namely, wallets, handbags and shoulder belts.

25 – Clothing for men, women and children, namely, shirts, T – shirts, sweatshirts, jogging suits, trousers, pants, shorts, tank tops, rainwear, cloth baby bibs, skirts, blouses, dresses, suspenders, sweaters, jackets, coats, raincoats, snow suits, ties, robes, hats, caps, sun visors, gloves, belts, scarves, sleepwear, pajamas, lingerie, underwear, boots, shoes, sneakers, sandals, socks, booties, slipper socks, swimwear, masquerade and Halloween costumes; belts being articles of clothing.

28 – Toys and sporting goods, including games and playthings, namely, action figures and accessories therefor; playsets for action figures; toy furniture; plush toys; balloons; bathtub toys; ride – on toys; playing cards and card games; toy vehicles; dolls; flying discs; electronic hand – held game unit; game equipment sold as a unit for playing a board game, a card game, a manipulative game, a parlor game and an action type target game; stand alone video output game machines; slot machines; gaming equipment, namely, slot machines with or without video output; jigsaw and manipulative puzzles; paper face masks; skateboards; ice skates; water squirting toys; balls, namely, playground balls, soccer balls, baseballs, basketballs; baseball gloves; swimming floats for recreational use; kickboard flotation devices for recreational use; surfboards; swim boards for recreational use; swim fins; toy bakeware and toy cookware; toy sets; toy snow globes; paper party hats; Christmas tree ornaments; game equipment for playing parlor – type computer game; paper party favors; Halloween masks.

30 – Cookies, bases for making milk shakes in the nature of flavourings, other than essential oils, breakfast cereal, bubble gum, cake decorations made of candy, chewing gum, frozen confections, crackers, frozen yogurt, ice cream, pretzels, peanut butter confectionery chips, malt for food; soybean malt; malt

biscuits; sugar confectionery, namely, candy, candy bars, candy mints, candy coated and caramel popcorn, and candy decorations for cakes; edible decorations for cake; rice cakes; pastilles; pastries; biscuits and bread; coffee beverages with milk; cocoa beverages with milk, chocolate – based beverages, coffee and coffee – based beverages, cocoa and cocoa – based beverages; tea, namely, ginseng tea, black tea, green tea, oolong tea, barley and barley – leaf tea; meat tenderizers for household purposes; binding agents for ice – cream.

32 – Vegetable juice for beverages; sweet drinks prepared with rice and malt, fruit powder, fruit syrup, concentrated fruit juice; lemonades and syrup for lemonade; syrups for sweet carbonated drinks flavoured with cola nuts; powders for effervescing beverages; pastilles for effervescing beverages; non – alcoholic beverages, namely, soft drinks, fruit nectars; fruit juices, fruit drinks, fruit flavored soft drinks, non – alcoholic fruit punch, seltzer water, soda water, drinking water and sports drinks; preparations for making aerated water and juice; mineral and spring water.

41 – Entertainment services, namely, providing online video games, providing online computer games, providing temporary use of non – downloadable video games; video and computer game services provided on – line from a computer network; entertainment services in the nature of live – action, comedy, drama, animated, and reality television series; production of live – action, comedy, drama, animated and reality television series; distribution and display of live – action, comedy, drama and animated motion picture theatrical films; production of live – action, comedy, drama and animated motion picture theatrical films; theatrical performances both animated and live action; providing information via an electronic global computer network in the field of entertainment relating specifically to games, music, movies, and television; providing film clips, photographs and other multimedia materials for entertainment purposes via a web site; current events reporting and providing news about entertainment and information related to education and cultural events, via a global computer network; and providing information for and actual entertainment via an electronic global communications network in the nature of live – action, comedy, drama and animated programs and production of live – action, comedy, drama and animated motion picture films for distribution via a global computer network; providing a computer game that may be accessed by a telecommunications network; and electronic publishing services, namely, publication of text and graphic works of others on – line featuring articles, novelizations, scripts, comic books, strategy guides, photographs and visual materials; non – downloadable publications in the nature of books featuring characters from animated, action



adventure, comedy and/or drama features, comic books, children's books, strategy guides, magazines featuring characters from animated, action adventure, comedy and/or drama features, coloring books, children's activity books and magazines in the field of entertainment; amusement parks services; provision of amusement park rides; presentation of live or pre – recorded shows and/or movies; entertainment and/or recreation information; entertainment club services.

(260) AM 2017 88416 A

(800) 1306289

(891) 2016 03 29

(731) ZOOMLION HEAVY INDUSTRY SCIENCE AND TECHNOLOGY CO., LTD.

361 Yinpen Road (South), Changsha, Hunan Province, China

(540)



(591) Silver, gradient grey and green

(511)

7 – Agricultural machines; agricultural elevators; threshing machines; harvesting machines; grain husking machines; cultivators [machines]; tedding machines; chaff cutters; pulverisers [machines]; sowers [machines]; agricultural implements other than hand – operated; drilling machines; road rollers; mixing machines; concrete mixers [machines]; bitumen making machines; bulldozers; excavators; rail – laying machines; road making machines; diggers [machines]; rams [machines]; lifts, other than ski – lifts; elevators [lifts]; belt conveyors; hoists; elevating apparatus; lifting apparatus; handling apparatus for loading and unloading; derricks; cranes [lifting and hoisting apparatus]; elevator operating apparatus; lift operating apparatus; pumps [parts of machines, engines or motors]; pumps [machines]; belts for conveyors; road sweeping machines [self – propelled]; washing apparatus; machines and apparatus for cleaning, electric; garbage [waste] disposals; waste compacting machines; snow ploughs; shredders [machines] for industrial use; milking machines; hair clipping machines for animals; papermaking machines; printing machines; dyeing machines; grinding machines; brewing machines; cigarette machines for industrial purposes; leather – working machines; stitching machines; bicycle assembling machines; potters' wheels; engraving machines; cord making machines; wrapping machines; food processors, elec-

tric; washing machines [laundry]; disintegrators; embossing machines; glass – working machines; electromechanical machines for chemical industry; cutters [machines]; metalworking machines; steam engines; carburettors; wind turbines; machine tools; painting machines; motors, electric, other than for land vehicles; valves [parts of machines]; compressors [machines]; shaft couplings [machines]; axles for machines; bearings [parts of machines]; welding machines, electric; filter presses; curtain drawing devices, electrically operated; drums [parts of machines]; electroplating machines; transmissions for machines.

11 – Lamps; lighting apparatus for vehicles; lanterns for lighting; refrigerating appliances and installations; heating apparatus; heating installations; watering installations, automatic; sanitary apparatus and installations; disinfectant apparatus; polymerisation installations; cooling appliances and installations; drying apparatus; desiccating apparatus; forage drying apparatus; drying apparatus and installations; watering machines for agricultural purposes.

12 – Vehicles for locomotion by land, air, water or rail; lifting cars [lift cars]; lifting cars [lift cars]; sprinkling trucks; motor buses; motor coaches; trucks; trailers [vehicles]; hose carts; tractors; tilting – carts; cars; concrete mixing vehicles; couplings for land vehicles; automobile chassis; tipping bodies for lorries [trucks]; motors, electric, for land vehicles; axles for vehicles; engines for land vehicles; bodies for vehicles; aerial conveyors; handling carts; vehicle wheel tires [tyres]; aeronautical apparatus, machines and appliances; boats; dredgers [boats]; electric vehicles; air pumps [vehicle accessories]; vehicle chassis.

---

**INTERNATIONAL TRADEMARKS PROTECTED IN GEORGIA**

(260) AM 2017 81800 A  
(800) 604678  
(151) 1993 06 25  
(181) 2023 06 25  
(891) 2015 01 20  
(511) 09, 11, 30

---

(260) AM 2017 86058 A  
(800) 804217  
(151) 2003 05 09  
(181) 2023 05 09  
(891) 2015 12 01  
(511) 09

---

(260) AM 2017 85460 A  
(800) 1279826  
(151) 2015 07 01  
(181) 2025 07 01  
(891) 2015 07 01  
(511) 34

---

(260) AM 2017 86067 A  
(800) 1199848  
(151) 2013 11 20  
(181) 2023 11 20  
(891) 2015 07 24  
(511) 09, 10, 25

---

(260) AM 2017 85552 A  
(800) 1280657  
(151) 2015 09 03  
(181) 2025 09 03  
(891) 2015 09 03  
(511) 01, 03, 05, 16

---

(260) AM 2017 86178 A  
(800) 1286891  
(151) 2015 10 08  
(181) 2025 10 08  
(891) 2015 10 08  
(511) 33

---

(260) AM 2017 85909 A  
(800) 1284838  
(151) 2015 09 17  
(181) 2025 09 17  
(891) 2015 09 17  
(511) 05

---

(260) AM 2017 86180 A  
(800) 1286847  
(151) 2015 09 10  
(181) 2025 09 10  
(891) 2015 09 10  
(511) 03, 05

---

(260) AM 2017 85972 A  
(800) 315647  
(151) 1966 06 23  
(181) 2026 06 23  
(891) 2015 12 09  
(511) 32

---

(260) AM 2017 86185 A  
(800) 1286870  
(151) 2015 08 13  
(181) 2025 08 13  
(891) 2015 08 13  
(511) 09, 11, 16, 21, 35, 42

---

(260) AM 2017 86024 A  
(800) 1285343  
(151) 2015 07 10  
(181) 2025 07 10  
(891) 2015 07 10  
(511) 32, 35

---

(260) AM 2017 86220 A  
(800) 1287122  
(151) 2015 10 22  
(181) 2025 10 22  
(891) 2015 10 22  
(511) 25

---

(260) AM 2017 86056 A  
(800) 1286391  
(151) 2015 12 21  
(181) 2025 12 21  
(891) 2015 12 21  
(511) 33

---

(260) AM 2017 86224 A  
(800) 1287132  
(151) 2015 10 16  
(181) 2025 10 16  
(891) 2015 10 16  
(511) 39

---

(260) AM 2017 86225 A  
(800) 1287139  
(151) 2015 12 10  
(181) 2025 12 10  
(891) 2015 12 10  
(511) 07

---

(260) AM 2017 86253 A  
(800) 1288087  
(151) 2015 07 01  
(181) 2025 07 01  
(891) 2015 07 01  
(511) 29, 30

---

(260) AM 2017 86300 A  
(800) 1288646  
(151) 2015 10 15  
(181) 2025 10 15  
(891) 2015 10 15  
(511) 09, 11, 35, 42

---

(260) AM 2017 86326 A  
(800) 1288440  
(151) 2015 11 05  
(181) 2025 11 05  
(891) 2015 11 05  
(511) 30

---

(260) AM 2017 86449 A  
(800) 1289234  
(151) 2015 11 30  
(181) 2025 11 30  
(891) 2015 11 30  
(511) 09, 12, 21, 25, 28, 41

---

(260) AM 2017 86456 A  
(800) 1289400  
(151) 2015 12 10  
(181) 2025 12 10  
(891) 2015 12 10  
(511) 03

---

(260) AM 2017 86474 A  
(800) 1290746  
(151) 2015 11 16  
(181) 2025 11 16  
(891) 2015 11 16  
(511) 25, 35

---

(260) AM 2017 86475 A  
(800) 1290761  
(151) 2015 11 18  
(181) 2025 11 18

(891) 2015 11 18  
(511) 03

---

(260) AM 2017 86476 A  
(800) 1290778  
(151) 2015 12 14  
(181) 2025 12 14  
(891) 2015 12 14  
(511) 05, 29, 30

---

(260) AM 2017 86480 A  
(800) 1290029  
(151) 2016 01 22  
(181) 2026 01 22  
(891) 2016 01 22  
(511) 30

---

(260) AM 2017 86485 A  
(800) 1290132  
(151) 2016 02 04  
(181) 2026 02 04  
(891) 2016 02 04  
(511) 03, 05

---

(260) AM 2017 86489 A  
(800) 1290279  
(151) 2015 11 24  
(181) 2025 11 24  
(891) 2015 11 24  
(511) 30

---

(260) AM 2017 86493 A  
(800) 1290349  
(151) 2015 03 30  
(181) 2025 03 30  
(891) 2015 03 30  
(511) 35

---

(260) AM 2017 86499 A  
(800) 1290429  
(151) 2015 12 14  
(181) 2025 12 14  
(891) 2015 12 14  
(511) 35, 41

---

(260) AM 2017 86501 A  
(800) 1290493  
(151) 2016 01 08  
(181) 2026 01 08  
(891) 2016 01 08  
(511) 06

---

(260) AM 2017 86502 A  
(800) 1290550  
(151) 2015 12 04  
(181) 2025 12 04  
(891) 2015 12 04  
(511) 03

---

(260) AM 2017 86503 A  
(800) 1290552  
(151) 2015 12 04  
(181) 2025 12 04  
(891) 2015 12 04  
(511) 29, 30

---

(260) AM 2017 86505 A  
(800) 1290558  
(151) 2015 11 18  
(181) 2025 11 18  
(891) 2015 11 18  
(511) 25

---

(260) AM 2017 86507 A  
(800) 1290807  
(151) 2015 12 30  
(181) 2025 12 30  
(891) 2015 12 30  
(511) 06, 07, 09, 42

---

(260) AM 2017 86508 A  
(800) 1290564  
(151) 2016 01 29  
(181) 2026 01 29  
(891) 2016 01 29  
(511) 05, 10

---

(260) AM 2017 86510 A  
(800) 1290623  
(151) 2016 01 21  
(181) 2026 01 21  
(891) 2016 01 21  
(511) 03, 05, 35, 39

---

(260) AM 2017 86511 A  
(800) 1290822  
(151) 2015 12 23  
(181) 2025 12 23  
(891) 2015 12 23  
(511) 09, 35, 38, 42

---

(260) AM 2017 86520 A  
(800) 1290978  
(151) 2015 11 30  
(181) 2025 11 30

(891) 2015 11 30  
(511) 09, 12, 21, 25, 28, 41

---

(260) AM 2017 86522 A  
(800) 1291044  
(151) 2015 11 12  
(181) 2025 11 12  
(891) 2015 11 12  
(511) 18

---

(260) AM 2017 86526 A  
(800) 1207696  
(151) 2014 04 28  
(181) 2024 04 28  
(891) 2016 01 06  
(511) 35, 41, 43

---

(260) AM 2017 86562 A  
(800) 1291913  
(151) 2015 12 04  
(181) 2025 12 04  
(891) 2015 12 04  
(511) 38, 41

---

(260) AM 2017 86567 A  
(800) 1292026  
(151) 2015 10 14  
(181) 2025 10 14  
(891) 2015 10 14  
(511) 05

---

(260) AM 2017 86569 A  
(800) 1292040  
(151) 2015 11 23  
(181) 2025 11 23  
(891) 2015 11 23  
(511) 12

---

(260) AM 2017 86570 A  
(800) 1292087  
(151) 2016 01 22  
(181) 2026 01 22  
(891) 2016 01 22  
(511) 03, 05, 10

---

(260) AM 2017 86572 A  
(800) 1292103  
(151) 2015 12 28  
(181) 2025 12 28  
(891) 2015 12 28  
(511) 05

---

(260) AM 2017 86573 A  
(800) 1292110  
(151) 2016 01 06  
(181) 2026 01 06  
(891) 2016 01 06  
(511) 03

---

(260) AM 2017 86574 A  
(800) 659080  
(151) 1996 01 19  
(181) 2026 01 19  
(891) 2016 01 20  
(511) 09, 28, 36, 41, 42

---

(260) AM 2017 86580 A  
(800) 1272397  
(151) 2015 08 05  
(181) 2025 08 05  
(891) 2015 08 05  
(511) 06, 20, 21, 28, 37, 39, 40

---

(260) AM 2017 86616 A  
(800) 1291633  
(151) 2015 11 09  
(181) 2025 11 09  
(891) 2015 11 09  
(511) 29, 30

---

(260) AM 2017 86619 A  
(800) 1291638  
(151) 2015 11 09  
(181) 2025 11 09  
(891) 2015 11 09  
(511) 34

---

(260) AM 2017 86621 A  
(800) 1291438  
(151) 2015 10 15  
(181) 2025 10 15  
(891) 2015 10 15  
(511) 07, 08, 09, 11, 37, 42

---

(260) AM 2017 86627 A  
(800) 1291473  
(151) 2015 06 19  
(181) 2025 06 19  
(891) 2015 06 19  
(511) 36, 38, 39, 42, 45

---

(260) AM 2017 86630 A  
(800) 1291711  
(151) 2015 12 16  
(181) 2025 12 16

(891) 2015 12 16  
(511) 05

---

(260) AM 2017 86631 A  
(800) 1291506  
(151) 2015 12 30  
(181) 2025 12 30  
(891) 2015 12 30  
(511) 17, 19

---

(260) AM 2017 86700 A  
(800) 1292615  
(151) 2016 01 20  
(181) 2026 01 20  
(891) 2016 01 20  
(511) 12

---

(260) AM 2017 86702 A  
(800) 1292617  
(151) 2016 01 20  
(181) 2026 01 20  
(891) 2016 01 20  
(511) 12

---

(260) AM 2017 86703 A  
(800) 1292620  
(151) 2016 01 20  
(181) 2026 01 20  
(891) 2016 01 20  
(511) 12

---

(260) AM 2017 86704 A  
(800) 1293049  
(151) 2015 12 22  
(181) 2025 12 22  
(891) 2015 12 22  
(511) 30

---

(260) AM 2017 86706 A  
(800) 1292621  
(151) 2016 01 20  
(181) 2026 01 20  
(891) 2016 01 20  
(511) 12

---

(260) AM 2017 86707 A  
(800) 1293071  
(151) 2015 12 17  
(181) 2025 12 17  
(891) 2015 12 17  
(511) 16

---

(260) AM 2017 86710 A  
(800) 1292152  
(151) 2015 11 13  
(181) 2025 11 13  
(891) 2015 11 13  
(511) 09, 18, 20, 22, 25

---

(260) AM 2017 86711 A  
(800) 1292180  
(151) 2015 12 15  
(181) 2025 12 15  
(891) 2015 12 15  
(511) 05

---

(260) AM 2017 86712 A  
(800) 1292194  
(151) 2016 02 02  
(181) 2026 02 02  
(891) 2016 02 02  
(511) 03

---

(260) AM 2017 86714 A  
(800) 1292217  
(151) 2016 01 21  
(181) 2026 01 21  
(891) 2016 01 21  
(511) 30

---

(260) AM 2017 86791 A  
(800) 1294009  
(151) 2016 02 05  
(181) 2026 02 05  
(891) 2016 02 05  
(511) 12

---

(260) AM 2017 86792 A  
(800) 1294045  
(151) 2016 02 16  
(181) 2026 02 16  
(891) 2016 02 16  
(511) 18, 25

---

(260) AM 2017 86803 A  
(800) 1211677  
(151) 2014 03 27  
(181) 2024 03 27  
(891) 2016 03 07  
(511) 11

---

(260) AM 2017 86810 A  
(800) 1293604  
(151) 2015 12 31  
(181) 2025 12 31

(891) 2015 12 31  
(511) 09, 38, 41

---

(260) AM 2017 86816 A  
(800) 1293681  
(151) 2016 01 28  
(181) 2026 01 28  
(891) 2016 01 28  
(511) 05

---

(260) AM 2017 86819 A  
(800) 1293732  
(151) 2016 01 31  
(181) 2026 01 31  
(891) 2016 01 31  
(511) 36

---

(260) AM 2017 86917 A  
(800) 1294478  
(151) 2015 11 02  
(181) 2025 11 02  
(891) 2015 11 02  
(511) 11

---

(260) AM 2017 86918 A  
(800) 1294499  
(151) 2015 11 16  
(181) 2025 11 16  
(891) 2015 11 16  
(511) 32

---

(260) AM 2017 86919 A  
(800) 1294516  
(151) 2015 12 15  
(181) 2025 12 15  
(891) 2015 12 15  
(511) 20

---

(260) AM 2017 86922 A  
(800) 1294566  
(151) 2016 02 12  
(181) 2026 02 12  
(891) 2016 02 12  
(511) 09

---

(260) AM 2017 86961 A  
(800) 1294984  
(151) 2016 02 17  
(181) 2026 02 17  
(891) 2016 02 17  
(511) 33

---

(260) AM 2017 86996 A  
(800) 1295071  
(151) 2016 02 19  
(181) 2026 02 19  
(891) 2016 02 19  
(511) 30

---

(260) AM 2017 86998 A  
(800) 1295072  
(151) 2016 02 19  
(181) 2026 02 19  
(891) 2016 02 19  
(511) 30

---

(260) AM 2017 87031 A  
(800) 1295622  
(151) 2015 11 03  
(181) 2025 11 03  
(891) 2015 11 03  
(511) 04, 20, 21

---

(260) AM 2017 87033 A  
(800) 1295630  
(151) 2015 12 18  
(181) 2025 12 18  
(891) 2015 12 18  
(511) 05

---

(260) AM 2017 87034 A  
(800) 1295689  
(151) 2015 12 24  
(181) 2025 12 24  
(891) 2015 12 24  
(511) 12, 20, 28

---

(260) AM 2017 87035 A  
(800) 1295454  
(151) 2015 04 01  
(181) 2025 04 01  
(891) 2015 04 01  
(511) 16, 21

---

(260) AM 2017 87036 A  
(800) 1295162  
(151) 2016 01 08  
(181) 2026 01 08  
(891) 2016 01 08  
(511) 34, 35

---

(260) AM 2017 87037 A  
(800) 1295166  
(151) 2015 10 09  
(181) 2025 10 09

(891) 2015 10 09  
(511) 03, 05, 10

---

(260) AM 2017 87038 A  
(800) 1295456  
(151) 2015 06 05  
(181) 2025 06 05  
(891) 2015 06 05  
(511) 09, 16, 25, 28, 35, 38, 41, 42, 43, 45

---

(260) AM 2017 87039 A  
(800) 1295170  
(151) 2015 12 30  
(181) 2025 12 30  
(891) 2015 12 30  
(511) 32, 33

---

(260) AM 2017 87040 A  
(800) 1295458  
(151) 2015 11 09  
(181) 2025 11 09  
(891) 2015 11 09  
(511) 18, 25, 35

---

(260) AM 2017 87042 A  
(800) 1295182  
(151) 2015 12 31  
(181) 2025 12 31  
(891) 2015 12 31  
(511) 17, 35

---

(260) AM 2017 87043 A  
(800) 1295698  
(151) 2015 12 22  
(181) 2025 12 22  
(891) 2015 12 22  
(511) 06, 19

---

(260) AM 2017 87046 A  
(800) 1295272  
(151) 2016 02 12  
(181) 2026 02 12  
(891) 2016 02 12  
(511) 03

---

(260) AM 2017 87053 A  
(800) 1295322  
(151) 2016 01 20  
(181) 2026 01 20  
(891) 2016 01 20  
(511) 05, 10

---

(260) AM 2017 87055 A  
(800) 1295447  
(151) 2015 12 30  
(181) 2025 12 30  
(891) 2015 12 30  
(511) 09, 35, 36, 37, 38, 41, 42, 45

---

(260) AM 2017 87057 A  
(800) 1295478  
(151) 2015 11 17  
(181) 2025 11 17  
(891) 2015 11 17  
(511) 05, 09, 10, 35, 38, 42, 44

---

(260) AM 2017 87058 A  
(800) 1295505  
(151) 2016 01 21  
(181) 2026 01 21  
(891) 2016 01 21  
(511) 03, 05, 35, 39

---

(260) AM 2017 87060 A  
(800) 1209350  
(151) 2014 02 04  
(181) 2024 02 04  
(891) 2016 02 16  
(511) 03, 05

---

(260) AM 2017 87061 A  
(800) 1228599  
(151) 2014 09 18  
(181) 2024 09 18  
(891) 2016 02 16  
(511) 18, 22, 25

---

(260) AM 2017 87062 A  
(800) 1295506  
(151) 2015 11 04  
(181) 2025 11 04  
(891) 2015 11 04  
(511) 31

---

(260) AM 2017 87064 A  
(800) 1295510  
(151) 2015 12 30  
(181) 2025 12 30  
(891) 2015 12 30  
(511) 01, 04, 19, 35, 39

---

(260) AM 2017 87109 A  
(800) 1295988  
(151) 2016 01 27  
(181) 2026 01 27

(891) 2016 01 27  
(511) 09, 38, 39, 42, 45

---

(260) AM 2017 87121 A  
(800) 1295935  
(151) 2016 01 15  
(181) 2026 01 15  
(891) 2016 01 15  
(511) 09, 11, 20

---

(260) AM 2017 87164 A  
(800) 1296053  
(151) 2015 12 29  
(181) 2025 12 29  
(891) 2015 12 29  
(511) 01

---

(260) AM 2017 87165 A  
(800) 1296105  
(151) 2016 01 25  
(181) 2026 01 25  
(891) 2016 01 25  
(511) 01, 04, 07, 12

---

(260) AM 2017 87171 A  
(800) 1296178  
(151) 2015 11 02  
(181) 2025 11 02  
(891) 2015 11 02  
(511) 30

---

(260) AM 2017 87172 A  
(800) 1296199  
(151) 2016 02 16  
(181) 2026 02 16  
(891) 2016 02 16  
(511) 05

---

(260) AM 2017 87177 A  
(800) 1296397  
(151) 2016 02 02  
(181) 2026 02 02  
(891) 2016 02 02  
(511) 03, 05

---

(260) AM 2017 87178 A  
(800) 1296211  
(151) 2016 03 18  
(181) 2026 03 18  
(891) 2016 03 18  
(511) 05

---



(260) AM 2017 87179 A  
(800) 1296571  
(151) 2016 01 19  
(181) 2026 01 19  
(891) 2016 01 19  
(511) 16

---

(260) AM 2017 87180 A  
(800) 1296221  
(151) 2016 03 16  
(181) 2026 03 16  
(891) 2016 03 16  
(511) 10

---

(260) AM 2017 87181 A  
(800) 1296624  
(151) 2016 01 20  
(181) 2026 01 20  
(891) 2016 01 20  
(511) 05, 10

---

(260) AM 2017 87182 A  
(800) 1296721  
(151) 2016 03 15  
(181) 2026 03 15  
(891) 2016 03 15  
(511) 29

---

(260) AM 2017 87183 A  
(800) 1296255  
(151) 2015 08 19  
(181) 2025 08 19  
(891) 2015 08 19  
(511) 09, 28, 35, 36, 37, 38, 40, 41, 42

---

(260) AM 2017 87197 A  
(800) 1296740  
(151) 2016 03 17  
(181) 2026 03 17  
(891) 2016 03 17  
(511) 09

---

(260) AM 2017 87198 A  
(800) 1296742  
(151) 2016 03 21  
(181) 2026 03 21  
(891) 2016 03 21  
(511) 09

---

(260) AM 2017 87200 A  
(800) 1296510  
(151) 2016 02 08  
(181) 2026 02 08

(891) 2016 02 08  
(511) 09, 35, 36, 38, 41, 42, 45

---

(260) AM 2017 87226 A  
(800) 1296845  
(151) 2016 01 12  
(181) 2026 01 12  
(891) 2016 01 12  
(511) 09, 38, 39, 42, 45

---

(260) AM 2017 87307 A  
(800) 1130020  
(151) 2012 07 04  
(181) 2022 07 04  
(891) 2016 01 21  
(511) 18, 25

---

(260) AM 2017 87309 A  
(800) 1193860  
(151) 2014 02 07  
(181) 2024 02 07  
(891) 2016 02 18  
(511) 03, 05

---

(260) AM 2017 87310 A  
(800) 1218980  
(151) 2014 08 29  
(181) 2024 08 29  
(891) 2016 05 12  
(511) 29

---

(260) AM 2017 87312 A  
(800) 1297204  
(151) 2016 03 22  
(181) 2026 03 22  
(891) 2016 03 22  
(511) 03

---

(260) AM 2017 87451 A  
(800) 1297904  
(151) 2016 02 23  
(181) 2026 02 23  
(891) 2016 02 23  
(511) 05, 29, 30

---

(260) AM 2017 87452 A  
(800) 1297905  
(151) 2016 02 23  
(181) 2026 02 23  
(891) 2016 02 23  
(511) 05, 29, 30

---

(260) AM 2017 87453 A  
(800) 1297908  
(151) 2016 02 04  
(181) 2026 02 04  
(891) 2016 02 04  
(511) 30, 33, 34

---

(260) AM 2017 87465 A  
(800) 1298084  
(151) 2016 01 27  
(181) 2026 01 27  
(891) 2016 01 27  
(511) 05

---

(260) AM 2017 87466 A  
(800) 1298145  
(151) 2016 02 02  
(181) 2026 02 02  
(891) 2016 02 02  
(511) 03

---

(260) AM 2017 87467 A  
(800) 1298151  
(151) 2016 03 04  
(181) 2026 03 04  
(891) 2016 03 04  
(511) 09, 16, 40

---

(260) AM 2017 87473 A  
(800) 1298152  
(151) 2016 03 04  
(181) 2026 03 04  
(891) 2016 03 04  
(511) 01, 02, 19

---

(260) AM 2017 87474 A  
(800) 1298173  
(151) 2015 12 11  
(181) 2025 12 11  
(891) 2015 12 11  
(511) 19

---

(260) AM 2017 87477 A  
(800) 1298240  
(151) 2015 11 28  
(181) 2025 11 28  
(891) 2015 11 28  
(511) 10

---

(260) AM 2017 87478 A  
(800) 1298241  
(151) 2015 11 28  
(181) 2025 11 28

(891) 2015 11 28  
(511) 10

---

(260) AM 2017 87479 A  
(800) 1298242  
(151) 2015 11 28  
(181) 2025 11 28  
(891) 2015 11 28  
(511) 10

---

(260) AM 2017 87480 A  
(800) 1298274  
(151) 2016 02 03  
(181) 2026 02 03  
(891) 2016 02 03  
(511) 06, 07, 08, 09, 37

---

(260) AM 2017 87481 A  
(800) 1298287  
(151) 2015 12 03  
(181) 2025 12 03  
(891) 2015 12 03  
(511) 35, 38, 41, 42, 45

---

(260) AM 2017 87482 A  
(800) 576010  
(151) 1991 09 16  
(181) 2021 09 16  
(891) 2016 02 19  
(511) 03

---

(260) AM 2017 87483 A  
(800) 952423  
(151) 2007 11 07  
(181) 2027 11 07  
(891) 2016 02 25  
(511) 16, 35, 43

---

(260) AM 2017 87484 A  
(800) 1120996  
(151) 2012 03 09  
(181) 2022 03 09  
(891) 2015 12 28  
(511) 35

---

---

# OFFICIAL NOTIFICATIONS

## DESIGNS

### RENEWAL OF REGISTRATIONS

**(11) D 2010 436 S**

(73) Vakhtang Revia (GE)

Manjgaladzis q. 17, 0101, Tbilisi (GE)

(54) **1-CASK WITH TWO TAPS, 2-CASK WITH ONE TAP, 3-4-NETWORK WITH BOTTLE,  
5-6-KHURDJIN WITH CAPACITY FOR ALCOHOLIC LIQUID**

(28) 6

(24) 2010 01 21

(18) 2020 01 21

(58) 2017 03 23

---

**(11) D 2012 494 S**

(73) JSC "LOMISI" (GE)

Sop. Natakhtari, 3308, Mtskheta (GE)

(54) **BOTTLE**

(28) 1

(24) 2012 03 09

(18) 2022 03 09

(58) 2017 03 27

---

### TRANSFER OF RIGHT

**(11) D 2008 351 S**

New Owner:

JSC "ARGO" (GE)

Lilo, Lotchinis Khevi (Nakveti 05/001), 0151, Tbilisi (GE)

Last Owner:

LTD "CASTEL-GEORGIA" (GE)

A. Tseretlis gamz. 87, 0119, Tbilisi (GE)

(58) 2017 04 05

---

**(11) D 2008 352 S**

New Owner:

JSC "ARGO" (GE)

Lilo, Lotchinis Khevi (Nakveti 05/001), 0151, Tbilisi (GE)

Last Owner:

LTD "CASTEL-GEORGIA" (GE)

A. Tseretlis gamz. 87, 0119, Tbilisi (GE)

(58) 2017 04 05

---

**(11) D 2008 353 S**

New Owner:

JSC "ARGO" (GE)

Lilo, Lotchinis Khevi (Nakveti 05/001), 0151, Tbilisi (GE)

Last Owner:

LTD "CASTEL-GEORGIA" (GE)

A. Tseretlis gamz. 87, 0119, Tbilisi (GE)

(58) 2017 04 05

---

**(11) D 2014 600 S**

---

New Owner: JSC "ARGO" (GE)  
Lilo, Lotchinis Khevi (Nakveti 05/001), 0151, Tbilisi (GE)  
Last Owner: LTD "CASTEL-GEORGIA" (GE)  
A. Tseretlis gamz. 87, 0119, Tbilisi (GE)  
(58) 2017 04 05

---

## CANCELLATION OF REGISTRATION

Registration may be reinstated to the expiration of 6 months from the validity registration.

### (11) D 2012 510 S

(73) CJSC "EXPERIMENTAL CONFECTIONERY ASSOCIATION "VOLOGDA" (RU)  
Ul. Promishlennaya 12, Vologda, Vologodskaya oblast (RU)  
(54) **CAKE PACKAGE**  
(18) 2017 02 27  
(58) 2017 04 14  
GROUNDS: The patent further 5-year extension fee is not paid

---

### (11) D 2012 518 S

(73) Ia Bakhtadze (GE)  
Zh. Shartavas q.18, b.15, 0160, Tbilisi (GE)  
(54) **FOOD PRODUCTS PACKAGE**  
(18) 2017 03 15  
(58) 2017 04 18  
GROUNDS: The patent further 5-year extension fee is not paid

---

### (11) D 2012 522 S

(73) Jumber Uplisashvili (GE)  
Dighomi, Didgoris q. 201, 0113, Tbilisi (GE);  
Manana Kipshidze (GE)  
S. Chiqovanis q. 20, b. 3, 0160, Tbilisi (GE);  
Lali Mdzevashvili (GE)  
Moskovis gamz., V kvart., korp. 10, b. 9, 0145, Tbilisi (GE);  
Zh. Shartavas q. 18, b. 15, 0160, Tbilisi (GE)  
(54) **LOGO**  
(18) 2017 04 04  
(58) 2017 04 18  
GROUNDS: The patent further 5-year extension fee is not paid

---

### (11) D 2013 531 S

(73) Jumber Uplisashvili (GE)  
Dighomi, Didgoris q. 201, 0113, Tbilisi (GE);  
Manana Kipshidze (GE)  
S. Chiqovanis q. 20, b. 3, 0160, Tbilisi (GE);  
Lali Mdzevashvili (GE)  
Moskovis gamz., V kvart., korp. 10, b. 9, 0145, Tbilisi (GE);  
Zh. Shartavas q. 18, b. 15, 0160, Tbilisi (GE)  
(54) **DROP HOLDING NOZZLE**

(18) 2017 04 04

(58) 2017 04 18

REASONS: The patent further 5-year extension fee is not paid

---

## LICENSE AGREEMENTS

### **(11) D 2017 697 S**

Owner: LTD "Fruit Master Group" (GE)  
Varketili 3, 3A m/kr, korp. 340, b. 5, 0163, Tbilisi (GE)

Licensee: LTD "SUNTRADE"  
Varketili 3, 3A m/kr, korp. 340, b. 5, 0163, Tbilisi (GE)

Number of Registration License Agreement: 2017 006

Data of Registration License Agreement: 2017 04 04

Renewal of Registrations License Agreement: 2017 02 01 – 2022 12 31

License Form: Non-exclusive

License Area: Georgia

---

### **(11) D 2016 659 S**

Owner: LTD "Fruit Master Group" (GE)  
Varketili 3, 3A m/kr, korp. 340, b. 5, 0163, Tbilisi (GE)

Licensee: IE "Pilsner Distribution" (UA)  
I. Mazepas q. 10A, 01010, Kiyv, Ukraina

Number of Registration License Agreement: 2017 007

Data of Registration License Agreement: 2017 05 02

Renewal of Registrations License Agreement: 2017 01 16 – 2021 12 31

License Form: Non-exclusive

License Area: Georgia

---

## TRADEMARKS

### RENEWAL OF REGISTRATIONS

(111) M 2006 16867 R1  
 (156) 2017 04 07  
 (186) 2026 10 04  
 (732) LTD "AXIS"  
 Saburtalos q. 40, korp. 2, b. 31, 0194, Tbilisi,  
 Georgia

(111) M 2007 17378 R1  
 (156) 2017 03 26  
 (186) 2027 03 26  
 (732) LTD "AVERSI-PHARMA"  
 Davit Agmasheneblis gamz. 148/2, 0112,  
 Tbilisi, Georgia

(111) M 2007 17246 R1  
 (156) 2017 05 02  
 (186) 2027 01 30  
 (732) GEORGIAN RUGBY UNION  
 Chabua Amirejibis gzat. 6, nishnuli 6.00,  
 saopise parti 3, Tbilisi, Georgia

(111) M 2007 17379 R1  
 (156) 2017 03 26  
 (186) 2027 03 26  
 (732) LTD "AVERSI-PHARMA"  
 Davit Agmasheneblis gamz. 148/2, 0112,  
 Tbilisi, Georgia

(111) M 2007 17251 R1  
 (156) 2017 05 11  
 (186) 2027 01 30  
 (732) EGIS GYOGYSZERGYAR NYRT  
 30-38 Kereszturi Ut, Budapest, H-1106,  
 Hungary

(111) M 2007 17380 R1  
 (156) 2017 03 26  
 (186) 2027 03 26  
 (732) LTD "AVERSI-PHARMA"  
 Davit Agmasheneblis gamz. 148/2, 0112,  
 Tbilisi, Georgia

(111) M 2007 17337 R1  
 (156) 2017 03 24  
 (186) 2027 03 02  
 (732) Nugzar Mamuchadze  
 Gvetadzis q.6, b.17, 0154, Tbilisi, Georgia

(111) M 2007 17381 R1  
 (156) 2017 03 26  
 (186) 2027 03 26  
 (732) LTD "AVERSI-PHARMA"  
 Davit Agmasheneblis gamz. 148/2, 0112,  
 Tbilisi, Georgia

(111) M 2007 17372 R1  
 (156) 2017 03 30  
 (186) 2027 03 26  
 (732) LEK farmacevtska družba d.d.;  
 Verovškova 57, 1526, Ljubljana, Slovenia

(111) M 2007 17382 R1  
 (156) 2017 03 26  
 (186) 2027 03 26  
 (732) LTD "AVERSI-PHARMA"  
 Davit Agmasheneblis gamz. 148/2, 0112,  
 Tbilisi, Georgia

(111) M 2007 17376 R1  
 (156) 2017 03 26  
 (186) 2027 03 26  
 (732) LTD "AVERSI-PHARMA"  
 Davit Agmasheneblis gamz. 148/2, 0112,  
 Tbilisi, Georgia

(111) M 2007 17383 R1  
 (156) 2017 03 26  
 (186) 2027 03 26  
 (732) LTD "AVERSI-PHARMA"  
 Davit Agmasheneblis gamz. 148/2, 0112,  
 Tbilisi, Georgia

(111) M 2007 17377 R1  
 (156) 2017 03 26  
 (186) 2027 03 26  
 (732) LTD "AVERSI-PHARMA"  
 Davit Agmasheneblis gamz. 148/2, 0112,  
 Tbilisi, Georgia

(111) M 2007 17384 R1  
 (156) 2017 03 26  
 (186) 2027 03 26  
 (732) LTD "AVERSI-PHARMA"  
 Davit Agmasheneblis gamz. 148/2, 0112,  
 Tbilisi, Georgia

(111) M 2007 17385 R1  
 (156) 2017 03 26  
 (186) 2027 03 26  
 (732) LTD "AVERSI-PHARMA"  
 Davit Agmasheneblis gamz. 148/2, 0112,  
 Tbilisi, Georgia

(111) M 2007 17386 R1  
 (156) 2017 03 26  
 (186) 2027 03 26  
 (732) LTD "AVERSI-PHARMA"  
 Davit Agmasheneblis gamz. 148/2, 0112,  
 Tbilisi, Georgia

(111) M 2007 17387 R1  
 (156) 2017 03 26  
 (186) 2027 03 26  
 (732) LTD "AVERSI-PHARMA"  
 Davit Agmasheneblis gamz. 148/2, 0112,  
 Tbilisi, Georgia

(111) M 2007 17404 R1  
 (156) 2017 04 18  
 (186) 2027 04 13  
 (732) Schloss Kaltenberg Konigliche Holding und  
 Lizenz KG  
 Schlosstrasse 8, D-82269 Geltendorf,  
 Germany

(111) M 2007 17422 R1  
 (156) 2017 04 13  
 (186) 2027 04 13  
 (732) KIMBERLY-CLARK WORLDWIDE, INC.  
 NEENAH, WI 54956, USA

(111) M 2007 17435 R1  
 (156) 2017 04 25  
 (186) 2027 04 25  
 (732) CPT Holdings, Inc.  
 (a Delaware corporation)  
 10202 W. Washington Blvd., Culver City,  
 California 90232, USA

(111) M 2007 17451 R1  
 (156) 2017 04 25  
 (186) 2027 04 25  
 (732) ABDI İBRAHİM İLAÇ SANAYİ VE  
 TICARET ANONİM ŞİRKETİ  
 Reşitpaşa Mahallesi Eski Büyükdere Caddesi  
 No:4, 34467 Maslak-Sarıyer-İstanbul, Turkey

(111) M 2007 17453 R1  
 (156) 2017 04 25  
 (186) 2027 04 25  
 (732) ABDI İBRAHİM İLAÇ SANAYİ VE  
 TICARET ANONİM ŞİRKETİ  
 Reşitpaşa Mahallesi Eski Büyükdere Caddesi  
 No:4, 34467 Maslak-Sarıyer-İstanbul, Turkey

(111) M 2007 17454 R1  
 (156) 2017 04 25  
 (186) 2027 04 25  
 (732) ABDI İBRAHİM İLAÇ SANAYİ VE  
 TICARET ANONİM ŞİRKETİ  
 Reşitpaşa Mahallesi Eski Büyükdere Caddesi  
 No:4, 34467 Maslak-Sarıyer-İstanbul, Turkey

(111) M 2007 17455 R1  
 (156) 2017 04 25  
 (186) 2027 04 25  
 (732) ABDI İBRAHİM İLAÇ SANAYİ VE  
 TICARET ANONİM ŞİRKETİ  
 Reşitpaşa Mahallesi Eski Büyükdere Caddesi  
 No:4, 34467 Maslak-Sarıyer-İstanbul, Turkey

(111) M 2007 17456 R1  
 (156) 2017 04 25  
 (186) 2027 04 25  
 (732) ABDI İBRAHİM İLAÇ SANAYİ VE  
 TICARET ANONİM ŞİRKETİ  
 Reşitpaşa Mahallesi Eski Büyükdere Caddesi  
 No:4, 34467 Maslak-Sarıyer-İstanbul, Turkey

(111) M 2007 17457 R1  
 (156) 2017 04 25  
 (186) 2027 04 25  
 (732) ABDI İBRAHİM İLAÇ SANAYİ VE  
 TICARET ANONİM ŞİRKETİ  
 Reşitpaşa Mahallesi Eski Büyükdere Caddesi  
 No:4, 34467 Maslak-Sarıyer-İstanbul, Turkey

(111) M 2007 17458 R1  
 (156) 2017 04 25  
 (186) 2027 04 25  
 (732) ABDI İBRAHİM İLAÇ SANAYİ VE  
 TICARET ANONİM ŞİRKETİ  
 Reşitpaşa Mahallesi Eski Büyükdere Caddesi  
 No:4, 34467 Maslak-Sarıyer-İstanbul, Turkey

(111) M 2007 17459 R1  
 (156) 2017 04 25  
 (186) 2027 04 25

(732) ABDI İBRAHİM İLAÇ SANAYİ VE  
TİCARET ANONİM ŞİRKETİ  
Reşitpaşa Mahallesi Eski Büyükdere Caddesi  
No:4, 34467 Maslak-Sarıyer-İstanbul, Turkey

(111) M 2007 17460 R1  
(156) 2017 04 25  
(186) 2027 04 25

(732) ABDI İBRAHİM İLAÇ SANAYİ VE  
TİCARET ANONİM ŞİRKETİ  
Reşitpaşa Mahallesi Eski Büyükdere Caddesi  
No:4, 34467 Maslak-Sarıyer-İstanbul, Turkey

(111) M 2007 17461 R1  
(156) 2017 04 25  
(186) 2027 04 25

(732) ABDI İBRAHİM İLAÇ SANAYİ VE  
TİCARET ANONİM ŞİRKETİ  
Reşitpaşa Mahallesi Eski Büyükdere Caddesi  
No:4, 34467 Maslak-Sarıyer-İstanbul, Turkey

(111) M 2007 17463 R1  
(156) 2017 04 25  
(186) 2027 04 25

(732) ABDI İBRAHİM İLAÇ SANAYİ VE  
TİCARET ANONİM ŞİRKETİ  
Reşitpaşa Mahallesi Eski Büyükdere Caddesi  
No:4, 34467 Maslak-Sarıyer-İstanbul, Turkey

(111) M 2007 17465 R1  
(156) 2017 04 25  
(186) 2027 04 25

(732) ABDI İBRAHİM İLAÇ SANAYİ VE  
TİCARET ANONİM ŞİRKETİ  
Reşitpaşa Mahallesi Eski Büyükdere Caddesi  
No:4, 34467 Maslak-Sarıyer-İstanbul, Turkey

(111) M 2007 17466 R1  
(156) 2017 04 25  
(186) 2027 04 25

(732) ABDI İBRAHİM İLAÇ SANAYİ VE  
TİCARET ANONİM ŞİRKETİ  
Reşitpaşa Mahallesi Eski Büyükdere Caddesi  
No:4, 34467 Maslak-Sarıyer-İstanbul, Turkey

(111) M 2007 17467 R1  
(156) 2017 04 25  
(186) 2027 04 25

(732) ABDI İBRAHİM İLAÇ SANAYİ VE  
TİCARET ANONİM ŞİRKETİ  
Reşitpaşa Mahallesi Eski Büyükdere Caddesi  
No:4, 34467 Maslak-Sarıyer-İstanbul, Turkey

(111) M 2007 17468 R1  
(156) 2017 04 25  
(186) 2027 04 25

(732) ABDI İBRAHİM İLAÇ SANAYİ VE  
TİCARET ANONİM ŞİRKETİ  
Reşitpaşa Mahallesi Eski Büyükdere Caddesi  
No:4, 34467 Maslak-Sarıyer-İstanbul, Turkey

(111) M 2007 17469 R1  
(156) 2017 04 25  
(186) 2027 04 25

(732) ABDI İBRAHİM İLAÇ SANAYİ VE  
TİCARET ANONİM ŞİRKETİ  
Reşitpaşa Mahallesi Eski Büyükdere Caddesi  
No:4, 34467 Maslak-Sarıyer-İstanbul, Turkey

(111) M 2007 17470 R1  
(156) 2017 04 25  
(186) 2027 04 25

(732) ABDI İBRAHİM İLAÇ SANAYİ VE  
TİCARET ANONİM ŞİRKETİ  
Reşitpaşa Mahallesi Eski Büyükdere Caddesi  
No:4, 34467 Maslak-Sarıyer-İstanbul, Turkey

(111) M 2007 17493 R1  
(156) 2017 05 08  
(186) 2027 05 08

(732) THE COCA-COLA COMPANY  
a Corporate of the State of Delaware  
One Coca-Cola Plaza, Atlanta, Georgia  
30313, USA

(111) M 2007 17494 R1  
(156) 2017 05 08  
(186) 2027 05 08

(732) YAMAHA HATSUDOKI  
KABUSHIKI KAISHA  
2500 Shingai, Iwata-shi, Shizuoka-ken, Japan

(111) M 2007 17505 R1  
(156) 2017 05 08  
(186) 2027 05 08

(732) THE COCA-COLA COMPANY  
a Corporate of the State of Delaware  
One Coca-Cola Plaza, Atlanta, Georgia  
30313, USA

(111) M 2007 17523 R1  
(156) 2017 05 28  
(186) 2027 05 28

(732) STEINWAY & SONS  
a New York corporation  
Steinway Place, Long Island City,  
New York 11105, USA



(111) M 2007 17525 R1  
(156) 2017 05 28  
(186) 2027 05 28  
(732) JOHN PLAYER & SONS LIMITED  
21 Beckett Way, Park West, Nangor Road,  
Dublin 12, Ireland

---

(111) M 2007 17542 R1  
(156) 2017 06 11  
(186) 2027 06 11  
(732) BAYER CONSUMER CARE AG  
Peter Merian-Str. 84, 4052 Basel, Switzerland

---

(111) M 2007 17543 R1  
(156) 2017 06 11  
(186) 2027 06 11  
(732) BAYER CONSUMER CARE AG  
Peter Merian-Str. 84, 4052 Basel, Switzerland

---

(111) M 2007 17581 R1  
(156) 2017 06 15  
(186) 2027 06 15  
(732) JSC "WISSOL PETROLEUM GEORGIA"  
I. Chavchavadzis gamz. 74b, 0162, Tbilisi,  
Georgia

---

(111) M 2007 17582 R1  
(156) 2017 06 15  
(186) 2027 06 15  
(732) JSC "WISSOL PETROLEUM GEORGIA"  
I. Chavchavadzis gamz. 74b, 0162, Tbilisi,  
Georgia

---

(111) M 2007 17583 R1  
(156) 2017 06 15  
(186) 2027 06 15  
(732) JSC "WISSOL PETROLEUM GEORGIA"  
I. Chavchavadzis gamz. 74b, 0162, Tbilisi,  
Georgia

---

(111) M 2007 17635 R1  
(156) 2017 07 12  
(186) 2027 07 12  
(732) NOVARTIS AG  
Basel 4002, Switzerland

---

(111) M 2007 17636 R1  
(156) 2017 07 12  
(186) 2027 07 12  
(732) NOVARTIS AG  
Basel 4002, Switzerland

---

(111) M 2007 17642 R1  
(156) 2017 07 12  
(186) 2027 07 12  
(732) NOVARTIS AG  
4002 Basel, Switzerland

---

(111) M 2007 17647 R1  
(156) 2017 07 12  
(186) 2027 07 12  
(732) NOVARTIS AG  
4002 Basel, Switzerland

---

(111) M 2007 17649 R1  
(156) 2017 07 12  
(186) 2027 07 12  
(732) NOVARTIS AG  
4002 Basel, Switzerland

---

(111) M 2007 17674 R1  
(156) 2017 07 25  
(186) 2027 07 25  
(732) NOVARTIS AG  
Basel 4002, Switzerland

---

(111) M 2007 17675 R1  
(156) 2017 07 25  
(186) 2027 07 25  
(732) NOVARTIS AG  
Basel 4002, Switzerland

---

(111) M 2007 17711 R1  
(156) 2017 07 30  
(186) 2027 07 30  
(732) WILLIAM GRANT & SONS LIMITED  
The Glenfiddich Distillery, Dufftown,  
Banffshire, Scotland, United Kingdom

---

(111) M 2007 17712 R1  
(156) 2017 07 30  
(186) 2027 07 30  
(732) WILLIAM GRANT & SONS LIMITED  
The Glenfiddich Distillery, Dufftown,  
Banffshire, Scotland, United Kingdom

---

(111) M 2007 17713 R1  
(156) 2017 07 30  
(186) 2027 07 30  
(732) WILLIAM GRANT & SONS LIMITED  
The Glenfiddich Distillery, Dufftown,  
Banffshire, Scotland, United Kingdom

---

(111) M 2007 17764 R1  
 (156) 2017 09 18  
 (186) 2027 09 18  
 (732) NOVARTIS AG  
 CH-4002 Basel, Switzerland

(111) M 2007 17903 R1  
 (156) 2017 10 10  
 (186) 2027 10 10  
 (732) LABORATOIRE HRA PHARMA  
 15, rue Beranger, 75003 Paris, France

(111) M 2007 17806 R1  
 (156) 2017 09 18  
 (186) 2027 09 18  
 (732) "NOBEL ILAC SANAYII VE TICARET ANONIM SIRKETI" Representation in Georgia  
 Tavisuplebis moedani 4 , 0105, Tbilisi, Georgia

(111) M 2007 18097 R1  
 (156) 2017 11 30  
 (186) 2027 11 30  
 (732) N.V. NUTRICIA  
 Eerste Stationstraat 186-2712 HM  
 Zoetermeer, Netherlands

(111) M 2007 17807 R1  
 (156) 2017 09 18  
 (186) 2027 09 18  
 (732) "NOBEL ILAC SANAYII VE TICARET ANONIM SIRKETI" Representation in Georgia  
 Tavisuplebis moedani 4 , 0105, Tbilisi, Georgia

(111) M 1996 4226 R2  
 (156) 2016 12 17  
 (186) 2026 12 17  
 (732) COMPAGNIE DE SAINT-GOBAIN  
 18, avenue d'Alsace 92400 COURBEVOIE, France

(111) M 2007 17822 R1  
 (156) 2017 09 18  
 (186) 2027 09 18  
 (732) LTD "STANDARD TOBACCO INCORPORATED"  
 Abuseridze-Tbelis q.13, 0120, Tbilisi, Georgia

(111) M 1997 4352 R2  
 (156) 2017 01 16  
 (186) 2027 01 16  
 (732) ROCES - S.R.L.  
 Via Galileo Ferraris 36, Montebelluna (Treviso), Italy

(111) M 2007 17894 R1  
 (156) 2017 10 10  
 (186) 2027 10 10  
 (732) INDIVIOR UK LIMITED  
 103-105 Bath Road, Slough, SL 1 3UH, United Kingdom

(111) M 1997 4353 R2  
 (156) 2017 01 16  
 (186) 2027 01 16  
 (732) CHRISTIAN DIOR COUTURE  
 30 avenue Montaigne, 75008 Paris, France

(111) M 2007 17896 R1  
 (156) 2017 10 10  
 (186) 2027 10 10  
 (732) INDIVIOR UK LIMITED  
 103-105 Bath Road, Slough, SL 1 3UH, United Kingdom

(111) M 1997 4354 R2  
 (156) 2017 01 16  
 (186) 2027 01 16  
 (732) CHRISTIAN DIOR COUTURE  
 30 avenue Montaigne, 75008 Paris, France

(111) M 2007 17897 R1  
 (156) 2017 10 10  
 (186) 2027 10 10  
 (732) INDIVIOR UK LIMITED  
 103-105 Bath Road, Slough, SL 1 3UH, United Kingdom

(111) M 1997 4441 R2  
 (156) 2017 01 30  
 (186) 2027 01 30  
 (732) GlaxoSmithKline Consumer Healthcare (US) IP LLC Corporation Service Company  
 2711 Centerville Road, Suite 400, Wilmington, Delaware, 19808, USA

(111) M 1997 4548 R2  
 (156) 2017 02 06  
 (186) 2027 02 06  
 (732) ORFEVRERIE CHRISTOFLE  
 9 rue Royale, 75008 Paris, France

(111) M 1997 4611 R2  
 (156) 2017 02 12  
 (186) 2027 02 12  
 (732) YVES SAINT LAURENT PARFUMS S.A.S.  
 7 Avenue George V, 75008 Paris, France

---

(111) M 1997 4885 R2  
 (156) 2017 03 31  
 (186) 2027 03 31  
 (732) MERCK SANTE, SAS  
 37, rue St. Romain, 69008 Lyon, France

---

(111) M 1997 4812 R2  
 (156) 2017 03 27  
 (186) 2027 03 27  
 (732) SANSUI ACOUSTICS RESEARCH  
 CORPORATION  
 P.O. Box 957 Offshore Incorporations Centre,  
 Road Town, Tortola, British Virgin Islands

---

(111) M 1997 4891 R2  
 (156) 2017 04 01  
 (186) 2027 04 01  
 (732) KELLOGG COMPANY  
 One Kellogg Square, P.O. Box 3599 Battle  
 Creek, Michigan 49016-3599, USA

---

(111) M 1997 4825 R2  
 (156) 2017 03 27  
 (186) 2027 03 27  
 (732) KRAFT FUDS DANMARK  
 INTELLECTUAL PROPERTY APS  
 Sandre Ringvej 55, DK-2605 Brendby,  
 Denmark

---

(111) M 1997 4892 R2  
 (156) 2017 04 01  
 (186) 2027 04 01  
 (732) KELLOGG COMPANY  
 One Kellogg Square, P.O. Box 3599 Battle  
 Creek, Michigan 49016-3599, USA

---

(111) M 1997 4848 R2  
 (156) 2017 03 28  
 (186) 2027 03 28  
 (732) WWF-World Wide Fund For Nature  
 Avenue du Mont-Blanc, CH-1196 Gland,  
 Switzerland

---

(111) M 1997 4894 R2  
 (156) 2017 04 01  
 (186) 2027 04 01  
 (732) KELLOGG COMPANY  
 One Kellogg Square, P.O. Box 3599 Battle  
 Creek, Michigan 49016-3599, USA

---

(111) M 1997 4849 R2  
 (156) 2017 03 28  
 (186) 2027 03 28  
 (732) WWF-World Wide Fund For Nature  
 Avenue du Mont-Blanc, CH-1196 Gland,  
 Switzerland

---

(111) M 1997 4895 R2  
 (156) 2017 04 01  
 (186) 2027 04 01  
 (732) KELLOGG COMPANY  
 One Kellogg Square, P.O. Box 3599 Battle  
 Creek, Michigan 49016-3599, USA

---

(111) M 1997 4850 R2  
 (156) 2017 03 28  
 (186) 2027 03 28  
 (732) WWF-WORLD WIDE FUND FOR  
 NATURE (formerly World Wildlife Fund)  
 Avenue du Mont-Blanc, CH-1196 Gland,  
 Switzerland

---

(111) M 1997 4920 R2  
 (156) 2017 04 03  
 (186) 2027 04 03  
 (732) AMERICAN EXPRESS  
 MARKETING & DEVELOPMENT CORP.  
 200 Vesey St., 49-12, New York, N.Y.  
 10285, USA

---

(111) M 1997 4851 R2  
 (156) 2017 03 28  
 (186) 2027 03 28  
 (732) WWF-WORLD WIDE FUND FOR  
 NATURE (formerly World Wildlife Fund)  
 Avenue du Mont-Blanc, CH-1196 Gland,  
 Switzerland

---

(111) M 1997 4921 R2  
 (156) 2017 04 03  
 (186) 2027 04 03  
 (732) AMERICAN EXPRESS  
 MARKETING & DEVELOPMENT CORP.  
 200 Vesey St., 49-12, New York, N.Y.  
 10285, USA

---

(111) M 1997 4922 R2 (156) 2017 04 03 (186) 2027 04 03 (732) AMERICAN EXPRESS MARKETING & DEVELOPMENT CORP. 200 Vesey St., 49-12, New York, N.Y. 10285, USA	Marcel-Breuer-Straße 6, 80809 MUNCHEN, Germany
(111) M 1997 4923 R2 (156) 2017 04 03 (186) 2027 04 03 (732) AMERICAN EXPRESS MARKETING & DEVELOPMENT CORP. 200 Vesey St., 49-12, New York, N.Y. 10285, USA	(111) M 1997 4979 R2 (156) 2017 04 07 (186) 2027 04 07 (732) CECIL GMBH Satterstraße 10, 30916 Isernhagen-Kirchhorst, Germany
(111) M 1997 4931 R2 (156) 2017 04 03 (186) 2027 04 03 (732) GROUPE BRANDT 89/91 Boulevard Franklin-Roosevelt, F-92500 RUEIL-MALMAISON, France	(111) M 1997 5023 R2 (156) 2017 04 08 (186) 2027 04 08 (732) Wm. WRIGLEY Jr. Company 1132 West Blackhawk Street, Chicago, Illinois 60642, USA
(111) M 1997 4932 R2 (156) 2017 04 03 (186) 2027 04 03 (732) PHIVCO-2 LLC Crporation Service Company, 2711 Centerville Road, Suite 400, Wilmington, 19808, Delaware, USA	(111) M 1997 5113 R2 (156) 2017 04 16 (186) 2027 04 16 (732) Ansell Limited Level 3, 678 Victoria Street, Richmond Victoria 3121, Australia
(111) M 1997 4951 R2 (156) 2017 04 04 (186) 2027 04 04 (732) GLAXOSMITHKLINE TRADING SERVICES LIMITED Currabinny, Carrigaline, County Cork, Ireland	(111) M 1997 5156 R2 (156) 2017 04 18 (186) 2027 04 18 (732) TEFAL 15 Avenue des Alpes, Zae Rumilly Est, BR 89, 74150 Rumilly, France
(111) M 1997 4954 R2 (156) 2017 04 04 (186) 2027 04 04 (732) TOPRIGE PHARMA LIMITED Unit A, 11/F, Chung Pont Commercial Building, 300 Hennessy Road, Wanchai, The Hong Kong Special Administrative Region of the people's republic of China	(111) M 1997 5164 R2 (156) 2017 04 18 (186) 2027 04 18 (732) KONINKLIJKE DE KUYPER B.V. Buitenhavenweg 98, 3113 BE Schiedam, Netherlands
(111) M 1997 4968 R2 (156) 2017 04 04 (186) 2027 04 04 (732) OSRAM GmbH	(111) M 1997 5166 R2 (156) 2017 04 18 (186) 2027 04 18 (732) BOHEMIA REGENT, A.S. Trocnovské náměstí 124, 37 901 Třboň, Czech Republic
	(111) M 1997 5231 R2 (156) 2017 04 29 (186) 2027 04 29 (732) CHINA GREAT WALL COMPUTER (H.K. HOLDING LIMITED) 4th Floor, Block C, Seaview Estate, 2-8 Watson Road, North Point., The Hong Kong

---

Special Administrative Region of the people's republic of China	PUMA Way 1, 91074 Herzogenaurach, Germany
(111) M 1997 5283 R2 (156) 2017 05 06 (186) 2027 05 06 (732) Wm. WRIGLEY Jr. Company 1132 West Blackhawk Street, Chicago, Illinois 60642, USA	(111) M 1997 5392 R2 (156) 2017 05 28 (186) 2027 05 28 (732) THE COCA-COLA COMPANY One Coca-Cola Plaza, Atlanta, Georgia 30313, USA
(111) M 1997 5292 R2 (156) 2017 05 06 (186) 2027 05 06 (732) CEMOI CHOCOLATIER 2980 Avenue Julien Panchot, 66000 Perpignan, France	(111) M 1997 5440 R2 (156) 2017 06 04 (186) 2027 06 04 (732) THE GLENLIVET DISTILLERS LIMITED Chivas House, 72 Chancellors Road, London, W6 9RS, United Kingdom
(111) M 1997 5293 R2 (156) 2017 05 06 (186) 2027 05 06 (732) GORBATSCHOW WODKA KG Indira-Gandi-Straße 66-69, 13053 Berlin, Germany	(111) M 1997 5441 R2 (156) 2017 06 04 (186) 2027 06 04 (732) BRITISH AMERICAN TOBACCO (BRANDS) LIMITED Globe House, 4 Temple Place, London, WC2R 2PG, United Kingdom
(111) M 1997 5299 R2 (156) 2017 05 07 (186) 2027 05 07 (732) GLAXOSMITHKLINE TRADING SERVICES LIMITED Currabinny, Carrigaline, County Cork, Ireland	(111) M 1997 5499 R2 (156) 2017 06 09 (186) 2027 06 09 (732) BANANA REPUBLIC (ITM) INC. a California Corporation 2 Folsom Street, San Francisco, California 94105, USA
(111) M 1997 5300 R2 (156) 2017 05 07 (186) 2027 05 07 (732) GLAXOSMITHKLINE TRADING SERVICES LIMITED Currabinny, Carrigaline, County Cork, Ireland	(111) M 1997 5544 R2 (156) 2017 06 10 (186) 2027 06 10 (732) THE PROCTER & GAMBLE COMPANY One Procter & Gamble Plaza, Cincinnati, Ohio, USA
(111) M 1997 5303 R2 (156) 2017 05 07 (186) 2027 05 07 (732) GLAXOSMITHKLINE TRADING SERVICES LIMITED Currabinny, Carrigaline, County Cork, Ireland	(111) M 1997 5576 R2 (156) 2017 06 11 (186) 2027 06 11 (732) THE ABSOLUT COMPANY AKTIEBOLAG SE-117 97 Stockholm, Sweden
(111) M 1997 5354 R2 (156) 2017 05 28 (186) 2027 05 28 (732) PUMA SE	(111) M 1997 5627 R2 (156) 2017 06 13 (186) 2027 06 13 (732) DSM IP ASSETS B.V. Het Overloon 1, 6411 TE Heerlen, The Netherlands, Netherlands

---

(111) M 1997 5656 R2  
 (156) 2017 06 16  
 (186) 2027 06 16  
 (732) THE PROCTER & GAMBLE COMPANY  
 One Procter & Gamble Plaza, Cincinnati,  
 Ohio, USA

---

(111) M 1997 5672 R2  
 (156) 2017 06 19  
 (186) 2027 06 19  
 (732) BRITISH AMERICAN TOBACCO  
 (BRANDS) LIMITED  
 Globe House, 4 Temple Place, London,  
 WC2R 2PG, United Kingdom

---

(111) M 1997 5678 R2  
 (156) 2017 06 23  
 (186) 2027 06 23  
 (732) PROCTER & GAMBLE HOLDING GmbH  
 Sulzbacher Strasse 40, 65824 Schwalbach am  
 Taunus, Germany

---

(111) M 1997 5679 R2  
 (156) 2017 06 23  
 (186) 2027 06 23  
 (732) PROCTER & GAMBLE HOLDING GmbH  
 Sulzbacher Strasse 40, 65824 Schwalbach am  
 Taunus, Germany

---

(111) M 1997 5680 R2  
 (156) 2017 06 23  
 (186) 2027 06 23  
 (732) PROCTER & GAMBLE HOLDING GmbH  
 Sulzbacher Strasse 40, 65824 Schwalbach am  
 Taunus, Germany

---

(111) M 1997 5681 R2  
 (156) 2017 06 23  
 (186) 2027 06 23  
 (732) THE PROCTER & GAMBLE COMPANY  
 One Procter & Gamble Plaza, Cincinnati,  
 Ohio, USA

---

(111) M 1997 5691 R2  
 (156) 2017 06 23  
 (186) 2027 06 23  
 (732) THE CONCENTRATE MANUFACTU-  
 RING COMPANY OF IRELAND  
 Swan Building, 3th Floor, 26 Victoria Street,  
 Hamilton HM 12, Bermuda

---

(111) M 1997 5754 R2  
 (156) 2017 06 26  
 (186) 2027 06 26  
 (732) GTBAT International Co. Limited  
 29 th Floor Oxford House, Taikoo Place, 979  
 King's Road, Island East, The Hong Kong  
 Special Administrative Region of the people's  
 republic of China

---

(111) M 1997 5971 R2  
 (156) 2017 07 17  
 (186) 2027 07 17  
 (732) BRITISH AMERICAN TOBACCO  
 (BRANDS) LIMITED  
 Globe House, 4 Temple Place, London,  
 WC2R 2PG, United Kingdom

---

(111) M 1997 5985 R2  
 (156) 2017 07 18  
 (186) 2027 07 18  
 (732) THE CONCENTRATE MANUFAC-  
 TURING COMPANY OF IRELAND  
 Swan Building, 3th Floor, 26 Victoria Street,  
 Hamilton HM 12, Bermuda

---

(111) M 1997 6092 R2  
 (156) 2017 07 24  
 (186) 2027 07 24  
 (732) OLYMPUS CORPORATION  
 2951 Ishikawa-machi, Hachioji-shi,  
 Tokyo, Japan

---

(111) M 1997 6139 R2  
 (156) 2017 07 28  
 (186) 2027 07 28  
 (732) LOUIS VUITTON MALLETIER  
 2, rue du Pont-Neuf, 75008 Paris, France

---

(111) M 1997 6140 R2  
 (156) 2017 07 28  
 (186) 2027 07 28  
 (732) LOUIS VUITTON MALLETIER  
 2, rue du Pont-Neuf, 75008 Paris, France

---

(111) M 1997 6158 R2  
 (156) 2017 07 29  
 (186) 2027 07 29  
 (732) CANON KABUSHIKI KAISHA  
 30-2, 3-chome, shimomaruko, Ohta-ku,  
 Tokyo, Japan

---

(111) M 1997 6226 R2  
 (156) 2017 08 01  
 (186) 2027 08 01  
 (732) GLAXOSMITHKLINE TRADING  
 SERVICES LIMITED  
 Currabinny, Carrigaline, County Cork,  
 Ireland

(111) M 1997 6227 R2  
 (156) 2017 08 01  
 (186) 2027 08 01  
 (732) GLAXOSMITHKLINE TRADING  
 SERVICES LIMITED  
 Currabinny, Carrigaline, County Cork,  
 Ireland

(111) M 1997 6238 R2  
 (156) 2017 08 01  
 (186) 2027 08 01  
 (732) LOTUS BAKERIES N.V.  
 Gentstraat I-9971 Lembeke, Belgium

(111) M 1997 6246 R2  
 (156) 2017 08 01  
 (186) 2027 08 01  
 (732) THE GOODYEAR TIRE & RUBBER  
 COMPANY  
 200 Innovation Way, Akron, Ohio  
 44316-0001, USA

(111) M 1997 6288 R2  
 (156) 2017 08 06  
 (186) 2027 08 06  
 (732) NOVARTIS AG  
 4002 Basel, Switzerland

(111) M 1997 6289 R2  
 (156) 2017 08 06  
 (186) 2027 08 06  
 (732) NOVARTIS AG  
 4002 Basel, Switzerland

(111) M 1997 6350 R2  
 (156) 2017 08 13  
 (186) 2027 08 13  
 (732) SCHOTT AG  
 Hattenbergstrasse 10, 55122 Mainz,  
 Germany

(111) M 1997 6351 R2  
 (156) 2017 08 13  
 (186) 2027 08 13

(732) SCHOTT AG  
 Hattenbergstrasse 10, 55122 Mainz, Germany

(111) M 1997 6436 R2  
 (156) 2017 08 18  
 (186) 2027 08 18  
 (732) DR. NICOLAI VON FUNER, DR.  
 SERGEJ SLOBOSHANIN  
 Mariahilfplatz 2 & 3, 81541 Munchen,  
 Germany

(111) M 1997 6456 R2  
 (156) 2017 08 20  
 (186) 2027 08 20  
 (732) BRITISH AMERICAN TOBACCO  
 (BRANDS) LIMITED  
 Globe House, 4 Temple Place, London  
 WC2R 2PG, United Kingdom

(111) M 1997 6457 R2  
 (156) 2017 08 20  
 (186) 2027 08 20  
 (732) BRITISH AMERICAN TOBACCO  
 (BRANDS) LIMITED  
 Globe House, 4 Temple Place, London  
 WC2R 2PG, United Kingdom

(111) M 1997 6458 R2  
 (156) 2017 08 20  
 (186) 2027 08 20  
 (732) BRITISH AMERICAN TOBACCO  
 (BRANDS) LIMITED  
 Globe House, 4 Temple Place, London  
 WC2R 2PG, United Kingdom

(111) M 1997 6555 R2  
 (156) 2017 08 29  
 (186) 2027 08 29  
 (732) SOCIETE JAS HENESSY & CO.  
 rue de la Richonne, 16100 COGNAC, France

(111) M 1997 6731 R2  
 (156) 2017 09 10  
 (186) 2027 09 10  
 (732) BROOKSBURNETT INVESTMENTS LTD  
 Sofias Tsirou 9, TOULLA COURT 3, 2nd  
 Flat/Office 22, 3021, Limassol, Cyprus

(111) M 1997 6766 R2  
 (156) 2017 09 11  
 (186) 2027 09 11  
 (732) DAF TRUCKS N.V.

1, Hudo van der Goeslaan, NL-5643 TW  
EINDHOVEN, Netherlands

King's Road, Island East, The Hong Kong  
Special Administrative Region of the people's  
republic of China

(111) M 1997 6767 R2

(156) 2017 09 11

(186) 2027 09 11

(732) DAF TRUCKS N.V.

1, Hudo van der Goeslaan, NL-5643 TW  
EINDHOVEN, Netherlands

(111) M 1997 7608 R2

(156) 2017 11 19

(186) 2027 11 19

(732) ROTHMANS OF PALL MALL LIMITED

Zählerweg 4, Zug CH 6300, Switzerland

(111) M 1997 6945 R2

(156) 2017 09 25

(186) 2027 09 25

(732) ASSOCIAZIONE RADIO MARIA

Via Milano 12, 22036 Erba(CO), Italy

(111) M 1997 7822 R2

(156) 2017 12 11

(186) 2027 12 11

(732) TEFAL

15 Avenue des Alpes, Zae Rumilly Est,  
BR 89, 74150 Rumilly, France

(111) M 1997 7048 R2

(156) 2017 10 07

(186) 2027 10 07

(732) BRITISH AMERICAN TOBACCO

(BRANDS) LIMITED

Globe House,4 Temple Place,London  
WC2R 2PG England, United Kingdom

(111) M 1997 7823 R2

(156) 2017 12 11

(186) 2027 12 11

(732) TEFAL

15 Avenue des Alpes, Zae Rumilly Est,  
BR 89, 74150 Rumilly, France

(111) M 1997 7140 R2

(156) 2017 10 10

(186) 2027 10 10

(732) MARS, INCORPORATED

6885 ELM Street, McLean, Virginia  
22101-3883, USA

(111) M 1997 7141 R2

(156) 2017 10 10

(186) 2027 10 10

(732) MARS, INCORPORATED

6885 ELM Street, McLean, Virginia  
22101-3883, USA

(111) M 1997 7537 R2

(156) 2017 11 17

(186) 2027 11 17

(732) GTBAT INTERNATIONAL CO. LIMITED

29 th Floor Oxford House, Taikoo Place, 979  
King's Road, Island East, The Hong Kong  
Special Administrative Region of the people's  
republic of China

(111) M 1997 7579 R2

(156) 2017 11 18

(186) 2027 11 18

(732) GTBAT INTERNATIONAL CO. LIMITED

29 th Floor Oxford House, Taikoo Place, 979



## COMPLETE TRANSFER OF RIGHTS

- 
- (111) M 1998 010540 R1  
(732) SCA Hygiene Products AB  
SE-40503 Göteborg, Sweden  
(770) GEORGIA-PACIFIC S.a.r.l.  
25, route d'Esch, L-1470, Luxembourg  
(580) 2017 05 10
- 
- (111) M 1999 011971 R1  
(732) AUTOMOBILE CLUB DI BRESCIA  
Via Enzo Ferrari 4/6 - 25134 Brescia, Italy  
(770) ACI BRESCIA SERVICE S.R.L.  
Via Enzo Ferrari, 4/6 - 25121, Brescia, Italy  
(580) 2017 05 17
- 
- (111) M 1999 011972 R1  
(732) AUTOMOBILE CLUB DI BRESCIA  
Via Enzo Ferrari 4/6 - 25134 Brescia, Italy  
(770) ACI BRESCIA SERVICE S.R.L.  
Via Enzo Ferrari, 4/6 - 25121, Brescia, Italy  
(580) 2017 05 17
- 
- (111) M 1999 011973 R1  
(732) AUTOMOBILE CLUB DI BRESCIA  
Via Enzo Ferrari 4/6 - 25134 Brescia, Italy  
(770) ACI BRESCIA SERVICE S.R.L.  
Via Enzo Ferrari, 4/6 - 25121, Brescia, Italy  
(580) 2017 05 17
- 
- (111) M 1999 011974 R1  
(732) AUTOMOBILE CLUB DI BRESCIA  
Via Enzo Ferrari 4/6 - 25134 Brescia, Italy  
(770) ACI BRESCIA SERVICE S.R.L.  
Via Enzo Ferrari, 4/6 - 25121, Brescia, Italy  
(580) 2017 05 17
- 
- (111) M 2009 019987 R  
(732) QUALITY IS OUR RECIPE, LLC  
One Dave Thomas Boulevard, Dublin, Ohio  
43017, USA  
(770) WENDY'S INTERNATIONAL, LLC  
One Dave Thomas Boulevard, Dublin, Ohio  
43017, USA  
(580) 2017 05 17
- 
- (111) M 2009 019988 R  
(732) QUALITY IS OUR RECIPE, LLC  
One Dave Thomas Boulevard, Dublin, Ohio  
43017, USA  
(770) WENDY'S INTERNATIONAL, LLC
- One Dave Thomas Boulevard, Dublin, Ohio  
43017, USA  
(580) 2017 05 17
- 
- (111) M 2013 023974 R  
(732) CAPBRAN HOLDINGS, LLC  
(California limited Liability company)  
11601 Wilshire Blvd., Suite 2300, Los  
Angeles, CA 90025, USA  
(770) HOMELAND JOUSEWARES, LLC  
11755 Wilshire Blvd, Suite 1200, 90025 Los  
Angeles, California, USA  
(580) 2017 05 03
- 
- (111) M 2013 024185 R  
(732) QUALITY IS OUR RECIPE, LLC  
One Dave Thomas Boulevard, Dublin, Ohio  
43017, USA  
(770) WENDY'S INTERNATIONAL, LLC  
One Dave Thomas Boulevard, Dublin, Ohio  
43017, USA  
(580) 2017 05 17
- 
- (111) M 2013 024186 R  
(732) QUALITY IS OUR RECIPE, LLC  
One Dave Thomas Boulevard, Dublin, Ohio  
43017, USA  
(770) WENDY'S INTERNATIONAL, LLC,  
One Dave Thomas Boulevard, Dublin, Ohio  
43017, USA  
(580) 2017 05 17
- 
- (111) M 2013 024273 R  
(732) QUALITY IS OUR RECIPE, LLC  
One Dave Thomas Boulevard, Dublin, Ohio  
43017, USA  
(770) Wendy's International, LLC  
One Dave Thomas Boulevard, Dublin,  
Ohio 43017, USA  
(580) 2017 05 17
- 
- (111) M 2013 024274 R  
(732) QUALITY IS OUR RECIPE, LLC  
One Dave Thomas Boulevard, Dublin,  
Ohio 43017, USA  
(770) WENDY'S INTERNATIONAL, LLC  
One Dave Thomas Boulevard, Dublin,  
Ohio 43017, USA  
(580) 2017 05 17
-

(111) M 2013 024275 R  
(732) QUALITY IS OUR RECIPE, LLC  
One Dave Thomas Boulevard, Dublin,  
Ohio 43017, USA  
(770) WENDY'S INTERNATIONAL, LLC  
One Dave Thomas Boulevard, Dublin,  
Ohio 43017, USA  
(580) 2017 05 17

---

(111) M 2013 024276 R  
(732) QUALITY IS OUR RECIPE, LLC  
One Dave Thomas Boulevard, Dublin,  
Ohio 43017, USA  
(770) WENDY'S INTERNATIONAL, LLC  
One Dave Thomas Boulevard, Dublin,  
Ohio 43017, USA  
(580) 2017 05 17

---

(111) M 1997 007140 R2  
(732) MARS, INCORPORATED  
6885 ELM Street, McLean, Virginia  
22101-3883, USA  
(770) THE IAMS COMPANY  
315 Cool Springs Blvd., Franklin, Tennessee  
37067, USA  
(580) 2017 05 03

---

(111) M 1997 007141 R2  
(732) MARS, INCORPORATED  
6885 ELM Street, McLean, Virginia  
22101-3883, USA  
(770) THE IAMS COMPANY  
315 Cool Springs Blvd., Franklin, Tennessee  
37067, USA  
(580) 2017 05 03

---

(111) M 1997 007142 R2  
(732) MARS, INCORPORATED  
6885 ELM Street, McLean, Virginia  
22101-3883, USA  
(770) THE IAMS COMPANY  
315 Cool Springs Blvd., Franklin, Tennessee  
37067, USA  
(580) 2017 05 03

---

## CHANGES IN NAMES AND/OR ADDRESSES OF OWNERS

(111) M 2007 017246 R1  
 (732) GEORGIAN RUGBY UNION  
 Chabua Amirejibis gzat. 6, nishnuli 6.00,  
 saopise parti 3, Tbilisi, Georgia  
 (770) GEORGIAN RUGBY UNION  
 Ilia Chavchavadzis gamz. 49a, 0162, Tbilisi,  
 Georgia  
 (580) 2017 05 16

(111) M 2007 017251 R1  
 (732) EGIS GYOGYSZERGYAR NYRT  
 30-38 Kereszturi Ut , Budapest H-1106 ,  
 Hungary  
 (770) EGIS GYOGYSZERGYAR RT  
 30-38 Kereszturi ut, Budapest, H-1106,  
 Hungary  
 (580) 2017 05 17

(111) M 2007 017251 R1  
 (732) EGIS GYOGYSZERGYAR NYRT  
 30-38 Kereszturi Ut, Budapest, H-1106,  
 Hungary  
 (770) EGIS GYOGYSZERGYAR NYRT  
 30-38 Kereszturi Ut , Budapest H-1106 ,  
 Hungary  
 (580) 2017 05 17

(111) M 2007 017451 R1  
 (732) ABDI İBRAHİM İLAÇ SANAYI VE  
 TICARET ANONİM ŞİRKETİ  
 Reşitpaşa Mahallesi Eski Büyükdere Caddesi  
 No:4, 34467 Maslak-Sarıyer-İstanbul, Turkey  
 (770) ABDI İBRAHİM İLAÇ SANAYI VE  
 TICARET ANONİM ŞİRKETİ  
 Eski Büyükdere Cad. Ayazağa Yolu 34398  
 No:5 Maslak, İstanbul, Turkey  
 (580) 2017 05 03

(111) M 2007 017453 R1  
 (732) ABDI İBRAHİM İLAÇ SANAYI VE  
 TICARET ANONİM ŞİRKETİ  
 Reşitpaşa Mahallesi Eski Büyükdere Caddesi  
 No:4, 34467 Maslak-Sarıyer-İstanbul, Turkey  
 (770) ABDI İBRAHİM İLAÇ SANAYI VE  
 TICARET ANONİM ŞİRKETİ  
 Eski Büyükdere Cad. Ayazağa Yolu 34398  
 No:5 Maslak, İstanbul, Turkey  
 (580) 2017 05 03

(111) M 2007 017454 R1  
 (732) ABDI İBRAHİM İLAÇ SANAYI VE  
 TICARET ANONİM ŞİRKETİ  
 Reşitpaşa Mahallesi Eski Büyükdere Caddesi  
 No:4, 34467 Maslak-Sarıyer-İstanbul, Turkey  
 (770) ABDI İBRAHİM İLAÇ SANAYI VE  
 TICARET ANONİM ŞİRKETİ  
 Eski Büyükdere Cad. Ayazağa Yolu 34398  
 No:5 Maslak, İstanbul, Turkey  
 (580) 2017 05 03

(111) M 2007 017455 R1  
 (732) ABDI İBRAHİM İLAÇ SANAYI VE  
 TICARET ANONİM ŞİRKETİ  
 Reşitpaşa Mahallesi Eski Büyükdere Caddesi  
 No:4, 34467 Maslak-Sarıyer-İstanbul, Turkey  
 (770) ABDI İBRAHİM İLAÇ SANAYI VE  
 TICARET ANONİM ŞİRKETİ  
 Eski Büyükdere Cad. Ayazağa Yolu 34398  
 No:5 Maslak, İstanbul, Turkey  
 (580) 2017 05 03

(111) M 2007 017456 R1  
 (732) ABDI İBRAHİM İLAÇ SANAYI VE  
 TICARET ANONİM ŞİRKETİ  
 Reşitpaşa Mahallesi Eski Büyükdere Caddesi  
 No:4, 34467 Maslak-Sarıyer-İstanbul, Turkey  
 (770) ABDI İBRAHİM İLAÇ SANAYI VE  
 TICARET ANONİM ŞİRKETİ  
 Eski Büyükdere Cad. Ayazağa Yolu 34398  
 No:5 Maslak, İstanbul, Turkey  
 (580) 2017 05 03

(111) M 2007 017457 R1  
 (732) ABDI İBRAHİM İLAÇ SANAYI VE  
 TICARET ANONİM ŞİRKETİ  
 Reşitpaşa Mahallesi Eski Büyükdere Caddesi  
 No:4, 34467 Maslak-Sarıyer-İstanbul, Turkey  
 (770) ABDI İBRAHİM İLAÇ SANAYI VE  
 TICARET ANONİM ŞİRKETİ  
 Eski Büyükdere Cad. Ayazağa Yolu 34398  
 No:5 Maslak, İstanbul, Turkey  
 (580) 2017 05 03

(111) M 2007 017458 R1  
 (732) ABDI İBRAHİM İLAÇ SANAYI VE  
 TICARET ANONİM ŞİRKETİ  
 Reşitpaşa Mahallesi Eski Büyükdere Caddesi  
 No:4, 34467 Maslak-Sarıyer-İstanbul, Turkey  
 (770) ABDI İBRAHİM İLAÇ SANAYI VE  
 TICARET ANONİM ŞİRKETİ

Eski Büyükdere Cad. Ayazağa Yolu 34398  
No:5 Maslak, İstanbul, Turkey  
(580) 2017 05 03

TICARET ANONİM ŞİRKETİ  
Eski Büyükdere Cad. Ayazağa Yolu 34398  
No:5 Maslak, İstanbul, Turkey  
(580) 2017 05 03

(111) M 2007 017459 R1  
(732) ABDİ İBRAHİM İLAÇ SANAYİ VE  
TICARET ANONİM ŞİRKETİ  
Reşitpaşa Mahallesi Eski Büyükdere Caddesi  
No:4, 34467 Maslak-Sarıyer-İstanbul, Turkey  
(770) ABDİ İBRAHİM İLAÇ SANAYİ VE  
TICARET ANONİM ŞİRKETİ  
Eski Büyükdere Cad. Ayazağa Yolu 34398  
No:5 Maslak, İstanbul, Turkey  
(580) 2017 05 03

(111) M 2007 017466 R1  
(732) ABDİ İBRAHİM İLAÇ SANAYİ VE  
TICARET ANONİM ŞİRKETİ  
Reşitpaşa Mahallesi Eski Büyükdere Caddesi  
No:4, 34467 Maslak-Sarıyer-İstanbul, Turkey  
(770) ABDİ İBRAHİM İLAÇ SANAYİ VE  
TICARET ANONİM ŞİRKETİ  
Eski Büyükdere Cad. Ayazağa Yolu 34398  
No:5 Maslak, İstanbul, Turkey  
(580) 2017 05 03

(111) M 2007 017460 R1  
(732) ABDİ İBRAHİM İLAÇ SANAYİ VE  
TICARET ANONİM ŞİRKETİ  
Reşitpaşa Mahallesi Eski Büyükdere Caddesi  
No:4, 34467 Maslak-Sarıyer-İstanbul, Turkey  
(770) ABDİ İBRAHİM İLAÇ SANAYİ VE  
TICARET ANONİM ŞİRKETİ  
Eski Büyükdere Cad. Ayazağa Yolu 34398  
No:5 Maslak, İstanbul, Turkey  
(580) 2017 05 03

(111) M 2007 017467 R1  
(732) ABDİ İBRAHİM İLAÇ SANAYİ VE  
TICARET ANONİM ŞİRKETİ  
Reşitpaşa Mahallesi Eski Büyükdere Caddesi  
No:4, 34467 Maslak-Sarıyer-İstanbul, Turkey  
(770) ABDİ İBRAHİM İLAÇ SANAYİ VE  
TICARET ANONİM ŞİRKETİ  
Eski Büyükdere Cad. Ayazağa Yolu 34398  
No:5 Maslak, İstanbul, Turkey  
(580) 2017 05 03

(111) M 2007 017461 R1  
(732) ABDİ İBRAHİM İLAÇ SANAYİ VE  
TICARET ANONİM ŞİRKETİ  
Reşitpaşa Mahallesi Eski Büyükdere Caddesi  
No:4, 34467 Maslak-Sarıyer-İstanbul, Turkey  
(770) ABDİ İBRAHİM İLAÇ SANAYİ VE  
TICARET ANONİM ŞİRKETİ  
Eski Büyükdere Cad. Ayazağa Yolu 34398  
No:5 Maslak, İstanbul, Turkey  
(580) 2017 05 03

(111) M 2007 017468 R1  
(732) ABDİ İBRAHİM İLAÇ SANAYİ VE  
TICARET ANONİM ŞİRKETİ  
Reşitpaşa Mahallesi Eski Büyükdere Caddesi  
No:4, 34467 Maslak-Sarıyer-İstanbul, Turkey  
(770) ABDİ İBRAHİM İLAÇ SANAYİ VE  
TICARET ANONİM ŞİRKETİ  
Eski Büyükdere Cad. Ayazağa Yolu 34398  
No:5 Maslak, İstanbul, Turkey  
(580) 2017 05 03

(111) M 2007 017463 R1  
(732) ABDİ İBRAHİM İLAÇ SANAYİ VE  
TICARET ANONİM ŞİRKETİ  
Reşitpaşa Mahallesi Eski Büyükdere Caddesi  
No:4, 34467 Maslak-Sarıyer-İstanbul, Turkey  
(770) ABDİ İBRAHİM İLAÇ SANAYİ VE  
TICARET ANONİM ŞİRKETİ  
Eski Büyükdere Cad. Ayazağa Yolu 34398  
No:5 Maslak, İstanbul, Turkey  
(580) 2017 05 03

(111) M 2007 017469 R1  
(732) ABDİ İBRAHİM İLAÇ SANAYİ VE  
TICARET ANONİM ŞİRKETİ  
Reşitpaşa Mahallesi Eski Büyükdere Caddesi  
No:4, 34467 Maslak-Sarıyer-İstanbul, Turkey  
(770) ABDİ İBRAHİM İLAÇ SANAYİ VE  
TICARET ANONİM ŞİRKETİ  
Eski Büyükdere Cad. Ayazağa Yolu 34398  
No:5 Maslak, İstanbul, Turkey  
(580) 2017 05 03

(111) M 2007 017465 R1  
(732) ABDİ İBRAHİM İLAÇ SANAYİ VE  
TICARET ANONİM ŞİRKETİ  
Reşitpaşa Mahallesi Eski Büyükdere Caddesi  
No:4, 34467 Maslak-Sarıyer-İstanbul, Turkey  
(770) ABDİ İBRAHİM İLAÇ SANAYİ VE

(111) M 2007 017470 R1  
(732) ABDİ İBRAHİM İLAÇ SANAYİ VE  
TICARET ANONİM ŞİRKETİ  
Reşitpaşa Mahallesi Eski Büyükdere Caddesi  
No:4, 34467 Maslak-Sarıyer-İstanbul, Turkey

(770) ABDI IBRAHIM İLAÇ SANAYİ VE  
TİCARET ANONİM ŞİRKETİ  
Eski Büyükdere Cad. Ayazağa Yolu 34398  
No:5 Maslak, İstanbul, Turkey  
(580) 2017 05 03

---

(111) M 2007 017525 R1  
(732) JOHN PLAYER & SONS LIMITED  
21 Beckett Way, Park West, Nangor Road,  
Dublin 12, Ireland  
(770) JOHN PLAYER & SONS LIMITED  
56, Park West Road, Nangor Road,  
Dublin 12, Ireland  
(580) 2017 05 16

---

(111) M 2007 017894 R1  
(732) INDIVIOR UK LIMITED  
103-105 Bath Road, Slough, SL 1 3UH,  
United Kingdom  
(770) RB PHARMACEUTICALS LIMITED  
103-105 Bath Road, Slough, SL 1 3UH,  
United Kingdom  
(580) 2017 05 17

---

(111) M 2007 017896 R1  
(732) INDIVIOR UK LIMITED  
103-105 Bath Road, Slough, SL 1 3UH,  
United Kingdom  
(770) RB PHARMACEUTICALS LIMITED  
103-105 Bath Road, Slough, SL 1 3UH,  
United Kingdom  
(580) 2017 05 17

---

(111) M 2007 017897 R1  
(732) INDIVIOR UK LIMITED  
103-105 Bath Road, Slough, SL 1 3UH,  
United Kingdom  
(770) RB PHARMACEUTICALS LIMITED  
103-105 Bath Road, Slough, SL 1 3UH,  
United Kingdom  
(580) 2017 05 17

---

(111) M 2009 019987 R  
(732) WENDY'S INTERNATIONAL, LLC  
One Dave Thomas Boulevard, Dublin,  
Ohio 43017, USA  
(770) WENDY'S INTERNATIONAL, INC.  
4288 West Dublin Granville Road, Dublin,  
Ohio 43017, USA  
(580) 2017 05 17

---

(111) M 2009 019988 R  
(732) WENDY'S INTERNATIONAL, LLC  
One Dave Thomas Boulevard, Dublin,  
Ohio 43017, USA  
(770) WENDY'S INTERNATIONAL, INC.  
4288 West Dublin Granville Road, Dublin,  
Ohio 43017, USA  
(580) 2017 05 17

---

(111) M 2011 021500 R  
(732) INDIVIOR UK LIMITED  
103-105 Bath Road, Slough, SL 1 3UH,  
United Kingdom  
(770) RB PHARMACEUTICALS LIMITED  
103-105 Bath Road, Slough, SL 1 3UH,  
United Kingdom  
(580) 2017 05 17

---

(111) M 2013 024185 R  
(732) WENDY'S INTERNATIONAL, LLC  
One Dave Thomas Boulevard, Dublin,  
Ohio 43017, USA  
(770) WENDY'S INTERNATIONAL, INC.  
(an Ohio corporation)  
4288 West Dublin Granville Road, Dublin,  
Ohio 43017, USA  
(580) 2017 05 17

---

(111) M 2013 024186 R  
(732) WENDY'S INTERNATIONAL, LLC  
One Dave Thomas Boulevard, Dublin,  
Ohio 43017, USA  
(770) WENDY'S INTERNATIONAL, INC.  
(an Ohio corporation)  
4288 West Dublin Granville Road, Dublin,  
Ohio 43017, USA  
(580) 2017 05 17

---

(111) M 2013 024273 R  
(732) WENDY'S INTERNATIONAL, LLC  
One Dave Thomas Boulevard, Dublin,  
Ohio 43017, USA  
(770) WENDY'S INTERNATIONAL, INC.  
(an Ohio corporation),  
4288 West Dublin Granville Road, Dublin,  
Ohio 43017, USA  
(580) 2017 05 17

---

(111) M 2013 024274 R  
(732) WENDY'S INTERNATIONAL, LLC  
One Dave Thomas Boulevard, Dublin,  
Ohio 43017, USA

(770) WENDY'S INTERNATIONAL, INC.  
 (an Ohio corporation),  
 4288 West Dublin Granville Road, Dublin,  
 Ohio 43017, USA  
 (580) 2017 05 17

25 Rue Vivienne, Place de la Bourse, 75002  
 Paris, France  
 (580) 2017 05 15

(111) M 2013 024275 R  
 (732) WENDY'S INTERNATIONAL, LLC  
 One Dave Thomas Boulevard, Dublin,  
 Ohio 43017, USA  
 (770) WENDY'S INTERNATIONAL, INC.  
 (an Ohio corporation)  
 4288 West Dublin Granville Road, Dublin,  
 Ohio 43017, USA  
 (580) 2017 05 17

(111) M 1997 004548 R2  
 (732) ORFEVRERIE CHRISTOFLE  
 9 rue Royale, 75008 Paris, France  
 (770) ORFEVRERIE CHRISTOFLE, S.A.  
 9 rue Royale, 75008 Paris, France  
 (580) 2017 05 03

(111) M 2013 024276 R  
 (732) WENDY'S INTERNATIONAL, LLC  
 One Dave Thomas Boulevard, Dublin,  
 Ohio 43017, USA  
 (770) WENDY'S INTERNATIONAL, INC.  
 (an Ohio corporation)  
 4288 West Dublin Granville Road, Dublin,  
 Ohio 43017, USA  
 (580) 2017 05 17

(111) M 1997 004611 R2  
 (732) YVES SAINT LAURENT PARFUMS S.A.S.  
 7 Avenue George V, 75008 Paris, France  
 (770) YVES SAINT LAURENT PARFUMS S.A.  
 28/34 Boulevard du Parc, 92521 Neuilly,  
 Cedex, France  
 (580) 2017 05 16

(111) M 2014 025530 R  
 (732) JSC "CREDO BANK"  
 Asatianis q. 9, 0177 Tbilisi, Georgia  
 (770) LTD "MIKROFINANCIAL ORGANI-  
 ZATION CREDO"  
 Asatianis q. 9, 0177, Tbilisi, Georgia  
 (580) 2017 05 16

(111) M 1997 004825 R2  
 (732) Kraft Fuds Danmark Intellectual  
 Property ApS  
 Roskildevej 161, DK-2620 Albertslund,  
 Denmark  
 (770) DANDY A/S  
 Hjulmagervej 4B, 7100 Vejle, Denmark  
 (580) 2017 05 17

(111) M 2014 025531 R  
 (732) JSC "CREDO BANK"  
 Asatianis q. 9, 0177 Tbilisi, Georgia  
 (770) LTD "MIKROFINANCIAL ORGANI-  
 ZATION CREDO"  
 Asatianis q. 9, 0177, Tbilisi, Georgia  
 (580) 2017 05 16

(111) M 1997 004825 R2  
 (732) Kraft Fuds Danmark Intellectual Property  
 ApS  
 Sandre Ringvej 55, DK-2605 Brendby,  
 Denmark  
 (770) Kraft Fuds Danmark Intellectual Property  
 ApS  
 Roskildevej 161, DK-2620 Albertslund,  
 Denmark  
 (580) 2017 05 17

(111) M 1996 003035 R2  
 (732) CLUB MED  
 11 rue de Cambrai, 75019 Paris, France  
 (770) CLUB MEDITERRANEE  
 25 Rue Vivienne, 75002 PARIS, France  
 (580) 2017 05 15

(111) M 1997 004968 R2  
 (732) OSRAM GmbH  
 Marcel-Breuer-Straße 6, 80809 MUNCHEN,  
 Germany  
 (770) OSRAM GESELLSCHAFT MIT  
 BESCHRANKTER HAFTUNG  
 Hellabrunnerstrasse 1, Munchen, Germany  
 (580) 2017 05 16

(111) M 1996 003035 R2  
 (732) CLUB MED  
 11 rue de Cambrai, 75019 Paris, France  
 (770) CLUB MED

(111) M 1997 004979 R2  
 (732) CECIL GMBH  
 Satterstraße 10, 30916 Isernhagen-Kirchhorst,  
 Germany  
 (770) CECIL GMBH

Neue Wiesen 1, 30900 Wedemark-Elze,  
Germany  
(580) 2017 05 17

---

(111) M 1997 005023 R2  
(732) Wm. WRIGLEY Jr. Company  
1132 West Blackhawk Street, Chicago,  
Illinois 60642, USA  
(770) WM.WRIGLEY JR.COMPANY  
410 North Michigan Avenue, Chicago,  
Illinois 60611, USA  
(580) 2017 05 17

---

(111) M 1997 005156 R2  
(732) TEFAL  
15 Avenue des Alpes, Zae Rumilly Est,  
BR 89, 74150 Rumilly, France  
(770) TEFAL S.A.  
15 Avenue des Alpes, Zae Rumilly Est,  
BR 89, 74150, Rumilie, France  
(580) 2017 05 17

---

(111) M 1997 005256 R1  
(732) CLUB MED  
25 Rue Vivienne, Place de la Bourse, 75002  
Paris, France  
(770) CLUB MEDITERRANEE  
11 rue de Cambrai, 75019 Paris, France  
(580) 2017 05 15

---

(111) M 1997 005256 R1  
(732) CLUB MED  
11 rue de Cambrai, 75019 Paris, France  
(770) CLUB MED  
25 Rue Vivienne, Place de la Bourse, 75002  
Paris, France  
(580) 2017 05 15

---

(111) M 1997 005283 R2  
(732) Wm. WRIGLEY Jr. Company  
1132 West Blackhawk Street, Chicago,  
Illinois 60642, USA  
(770) WM. WRIGLEY JR. COMPANY  
410 North Michigan Avenue, Chicago,  
Illinois 60611, USA  
(580) 2017 05 16

---

(111) M 1997 005292 R2  
(732) CHOCOLATERIE CANTALOU  
Societe par actions simplifiee  
P.O.Box 2006, F-66011 Perpignan, France  
(770) CHOCOLATERIE CANTALOU  
P.O.Box 2006, F-66011 Perpignan, France  
(580) 2017 05 17

---

(111) M 1997 005292 R2  
(732) CEMOI CHOCOLATIER  
2980 Avenue Julien Panchot, 66000  
Perpignan, France  
(770) CHOCOLATERIE CANTALOU  
Societe par actions simplifiee  
P.O.Box 2006, F-66011 Perpignan, France  
(580) 2017 05 17

---

(111) M 1997 005293 R2  
(732) GORBATSCHOW WODKA KG  
Indira-Gandi-Straße 66-69, 13053 Berlin,  
Germany  
(770) GORBATSCHOW WODKA KG  
Kienhorstrasse 46-50, 13403 Berlin, Germany  
(580) 2017 05 03

---

(111) M 1997 006225 R1  
(732) EGIS GYOGYSZERGYAR NYRT.  
30-38 Kereszturi Ut , Budapest H-1106,  
Hungary  
(770) EGIS Gyógyszergyár Nyilvánosan Működő  
Részvénytársaság (EGIS Nyrt)  
Keresztúri út. 30-38, Budapest H-1106,  
Hungary  
(580) 2017 05 17

---

(111) M 1997 006225 R1  
(732) EGIS GYOGYSZERGYAR NYRT  
30-38 Kereszturi Ut, Budapest, H-1106,  
Hungary  
(770) EGIS GYOGYSZERGYAR NYRT.  
30-38 Kereszturi Ut , Budapest H-1106 ,  
Hungary  
(580) 2017 05 17

---

(111) M 1997 006945 R2  
(732) ASSOCIAZIONE RADIO MARIA  
Via Milano 12, 22036 Erba(CO), Italy  
(770) ASSOCIAZIONE RADIO MARIA  
Via Turati 7, 22036 Erba CO, Italy  
(580) 2017 05 17

---

(111) M 1997 007140 R2  
(732) THE IAMS COMPANY  
315 Cool Springs Blvd., Franklin, Tennessee  
37067, USA  
(770) THE IAMS COMPANY  
One Procter & Gamble Plaza, Cincinnati,  
Ohio 45202, USA  
(580) 2017 05 03

---

(111) M 1997 007141 R2  
(732) THE IAMS COMPANY  
315 Cool Springs Blvd., Franklin, Tennessee  
37067, USA  
(770) THE IAMS COMPANY  
One Procter & Gamble Plaza, Cincinnati,  
Ohio 45202, USA  
(580) 2017 05 03

---

(111) M 1997 007142 R2  
(732) THE IAMS COMPANY  
315 Cool Springs Blvd., Franklin, Tennessee  
37067, USA  
(770) THE IAMS COMPANY  
One Procter & Gamble Plaza, Cincinnati,  
Ohio 45202, USA  
(580) 2017 05 03

---

(111) M 1997 007822 R2  
(732) TEFAL  
15 Avenue des Alpes, Zae Rumilly Est,  
BR 89, 74150 Rumilly, France  
(770) TEFAL S.A.  
Rumilie, France  
(580) 2017 05 17

---

(111) M 1997 007823 R2  
(732) TEFAL  
15 Avenue des Alpes, Zae Rumilly Est,  
BR 89, 74150 Rumilly, France  
(770) TEFAL S.A.  
Rumilie, France  
(580) 2017 05 17

---



## LICENSE AGREEMENTS

(111) 11683  
 (732) OJSC "Petroleum Company LOOCOIL"  
 Sretenskis bulv. 11, Moscow, 101000,  
 Russian Federation  
 (791) LTD "LOOKOIL GEORGIA"  
 Right River Bank Mtkvari, Adjacent  
 Territory of Gotua str., Tbilisi, Georgia  
 (580) 2016 09 22  
 (793) Kind of License: Simple  
 (793) 1380  
 (793) 2016 09 22  
 (793) 2021 12 31  
 (511) 35, 37, 39, 42

(111) 18157  
 (732) SIX CONTINENTS HOTELS INC.  
 3 Ravinia Drive, Atlanta, Georgia 30346  
 USA  
 (791) A H G Hotels Limited  
 Broadwater Park, Denham, Bukingamshire  
 UB9 5 HR United Kingdom  
 (580) 2017 02 22  
 (793) Kind of License: Simple  
 (793) 1427  
 (793) 2013 12 01  
 (793) Term of validity of the mark  
 (511) 43

(111) 18158  
 (732) SIX CONTINENTS HOTELS INC.  
 3 Ravinia Drive, Atlanta, Georgia 30346  
 USA  
 (791) A H G Hotels Limited  
 Broadwater Park, Denham, Bukingamshire  
 UB9 5 HR United Kingdom  
 (580) 2017 02 22  
 (793) Kind of License: Simple  
 (793) 1422  
 (793) 2013 12 01  
 (793) Term of validity of the mark  
 (511) 43

(111) 18204  
 (732) SIX CONTINENTS HOTELS INC.  
 3 Ravinia Drive, Atlanta, Georgia 30346  
 USA  
 (791) A H G Hotels Limited  
 Broadwater Park, Denham, Bukingamshire  
 UB9 5 HR United Kingdom  
 (580) 2017 02 22  
 (793) Kind of License: Simple  
 (793) 1421

(793) 2013 12 01  
 (793) Term of validity of the mark  
 (511) 43

(111) 24384  
 (732) BEYAZ KAĞIT VE HİJYENİK  
 ÜRÜNLER TEMİZLİK İNŞAAT SANAYİ  
 TİCARET ANONİM ŞİRKETİ  
 Hacı Sabancı Organise Sanayi Bölgesi  
 Anavarza Caddesi No:3 Sarıçam – Adana,  
 Turkey  
 (791) LYD "LIBO GROUP"  
 II Kheivanis q., II Chikhi 21, Tbilisi, Georgia  
 (580) 2017 05 15  
 (793) Kind of License: Special  
 (793) 1498  
 (793) 2017 03 24  
 (793) 2017 07 01  
 (511) 3, 5, 16

(111) 24384  
 (732) BEYAZ KAĞIT VE HİJYENİK  
 ÜRÜNLER TEMİZLİK İNŞAAT SANAYİ  
 TİCARET ANONİM ŞİRKETİ  
 Hacı Sabancı Organise Sanayi Bölgesi  
 Anavarza Caddesi No:3 Sarıçam – Adana,  
 Turkey  
 (791) LYD "LIBO GROUP"  
 II Kheivanis q., II Chikhi 21, Tbilisi, Georgia  
 (580) 2017 04 10  
 (793) Kind of License: Special  
 (793) 1459  
 (793) 2017 02 13  
 (793) 2017 03 31  
 (511) 3, 5, 16

(111) 24576  
 (732) SIX CONTINENTS LIMITED  
 Broadwater Park, Denham, Bukingamshire  
 UB9 5 HR United Kingdom  
 (791) A H G Hotels Limited  
 Broadwater Park, Denham, Bukingamshire  
 UB9 5 HR United Kingdom  
 (580) 2017 02 22  
 (793) Kind of License: Simple  
 (793) 1428  
 (793) 2013 12 01  
 (793) Term of validity of the mark  
 (511) 35, 43

(111) 28059  
(732) HARRINGTON DEVELOPMENT INC.  
Elvira Mendez Street, Vallario Bldg,  
3rd floor, Panama, Panama  
(791) LTD "IBERIA-TV"  
Chubinashvili q. 41, Tbilisi, Georgia  
(580) 2017 04 12  
(793) Kind of License: Simple  
(793) 1460  
(793) 2017 02 07  
(793) Term of validity of the mark  
(511) 35, 38

---

# CLASSIFICATION INDEXES

## INVENTIONS

### CONCORDANCE TABLE OF INTERNATIONAL CLASSIFICATION INDEX AND PUBLICATION NUMBERS

INTERNATIONAL CLASSIFICATION INDEXES (51)	NUMBER OF PUBLISHED APPLICATION (10)
A 01 N 47/40; A 01 N 37/18; A 01 N 43/40; A 01 N 43/54; A 01 N 43/78; A 01 N 47/04; A 01 N 47/12; A 01 N 47/28; A 01 N 51/00; A 01 N 57/32; A 01 P 7/02; A 01 P 7/04; A 61 K 31/341; A 61 K 31/381; A 61 K 31/426; A 61 K 31/44; A 61 K 31/4427; A 61 K 31/443; A 61 K 31/4436; A 61 K 31/4439; A 61 K 31/50; C 07 C 233/05; C 07 C 233/12; C 07 C 261/04; C 07 C 271/12; C 07 C 311/09; C 07 D 213/36; C 07 D 213/42; C 07 D 237/12; C 07 D 277/20; C 07 D 277/32; C 07 D 307/14; C 07 D 333/20; C 07 D 401/12; C 07 D 405/12; C 07 D 409/12; C 07 D 417/12	AP 2017 13043 A
B 64 D 27/10; F 02 K 3/077	AP 2017 14074 A
C 07 D 223/16; C 07 D 233/38	AP 2017 13425 A
F 25 B 27/00; F 25 B 30/06	AP 2017 13322 A
G 01 N 33/569; A 23 L 1/30; A 61 K 35/74	AP 2017 13351 A
H 01 Q 15/16; H 01 Q 1/30	AP 2017 12873 A

### CONCORDANCE TABLE OF PUBLICATION NUMBERS AND INTERNATIONAL CLASSIFICATION INDEX

NUMBER OF PUBLISHED APPLICATION (10)	INTERNATIONAL CLASSIFICATION INDEXES (51)
AP 2017 12873 A	H 01 Q 15/16; H 01 Q 1/30
AP 2017 13043 A	A 01 N 47/40; A 01 N 37/18; A 01 N 43/40; A 01 N 43/54; A 01 N 43/78; A 01 N 47/04; A 01 N 47/12; A 01 N 47/28; A 01 N 51/00; A 01 N 57/32; A 01 P 7/02; A 01 P 7/04; A 61 K 31/341; A 61 K 31/381; A 61 K 31/426; A 61 K 31/44; A 61 K 31/4427; A 61 K 31/443; A 61 K 31/4436; A 61 K 31/4439; A 61 K 31/50; C 07 C 233/05; C 07 C 233/12; C 07 C 261/04; C 07 C 271/12; C 07 C 311/09; C 07 D 213/36; C 07 D 213/42; C 07 D 237/12; C 07 D 277/20; C 07 D 277/32; C 07 D 307/14; C 07 D 333/20; C 07 D 401/12; C 07 D 405/12; C 07 D 409/12; C 07 D 417/12
AP 2017 13322 A	F 25 B 27/00; F 25 B 30/06
AP 2017 13351 A	G 01 N 33/569; A 23 L 1/30; A 61 K 35/74
AP 2017 13425 A	C 07 D 223/16; C 07 D 233/38
AP 2017 14074 A	B 64 D 27/10; F 02 K 3/077

**CONCORDANCE TABLE OF INTERNATIONAL CLASSIFICATION INDEX,  
PATENT NUMBERS AND PUBLICATION NUMBERS**

INTERNATIONAL CLASSIFICATION INDEX (51)	NUMBER OF PATENT (11)	NUMBER OF PUBLISHED APPLICATION (10)
A 61 K 9/00; A 61 K 9/14; A 61 K 31/40; A 61 K 31/439; A 61 K 31/4704; A 61 K 31/33	P 2017 6672 B	AP 2017 13715 A
A 61 K 38/06; A 61 K 38/48; A 61 K 31/737; C 08 B 37/00; C 12 N 9/50; C 12 P 13/12; A 61 P 29/00	P 2017 6673 B	AP 2017 13894 A
A 61 K 39/125	P 2017 6668 B	AP 2017 13384 A
B 01 J 20/18; C 02 F 1/28; C 02 F 1/64	P 2017 6676 B	AP 2017 14026 A
B 61 F 3/02	P 2017 6669 B	AP 2017 13515 A
C 07 C 273/042; B 01 J 19/24	P 2017 6674 B	AP 2017 13895 A
C 07 D 471/04	P 2017 6671 B	AP 2017 13595 A
C 07 D 487/04; A 61 K 31/53; A 61 P 25/18	P 2017 6675 B	AP 2017 13979 A
C 07 K 16/28	P 2017 6667 B	AP 2017 13362 A
E 01 H 1/08	P 2017 6666 B	AP 2017 13347 A
E 04 B 1/34	P 2017 6670 B	AP 2017 13536 A
H 02 P 27/00	P 2017 6677 B	AP 2017 14037 A

**CONCORDANCE TABLE OF PATENT NUMBERS,  
PUBLICATION NUMBERS AND INTERNATIONAL CLASSIFICATION INDEX**

NUMBER OF PATENT (11)	NUMBER OF PUBLISHED APPLICATION (10)	INTERNATIONAL CLASSIFICATION INDEX (51)
P 2017 6666 B	AP 2017 13347 A	E 01 H 1/08
P 2017 6667 B	AP 2017 13362 A	C 07 K 16/28
P 2017 6668 B	AP 2017 13384 A	A 61 K 39/125
P 2017 6669 B	AP 2017 13515 A	B 61 F 3/02
P 2017 6670 B	AP 2017 13536 A	E 04 B 1/34
P 2017 6671 B	AP 2017 13595 A	C 07 D 471/04
P 2017 6672 B	AP 2017 13715 A	A 61 K 9/00; A 61 K 9/14; A 61 K 31/40; A 61 K 31/439; A 61 K 31/4704; A 61 K 31/33
P 2017 6673 B	AP 2017 13894 A	A 61 K 38/06; A 61 K 38/48; A 61 K 31/737; C 08 B 37/00; C 12 N 9/50; C 12 P 13/12; A 61 P 29/00
P 2017 6674 B	AP 2017 13895 A	C 07 C 273/042; B 01 J 19/24
P 2017 6675 B	AP 2017 13979 A	C 07 D 487/04; A 61 K 31/53; A 61 P 25/18
P 2017 6676 B	AP 2017 14026 A	B 01 J 20/18; C 02 F 1/28; C 02 F 1/64
P 2017 6677 B	AP 2017 14037 A	H 02 P 27/00

**CONCORDANCE TABLE OF APPLICATION NUMBERS, PUBLICATION NUMBERS  
AND PATENTS**

NUMBER OF APPLICATION (21)	NUMBER OF PUBLISHED APPLICATION (10)	NUMBER OF PATENT (11)
AP 2012 013347	AP 2017 13347 A	P 2017 6666 B
AP 2012 013362	AP 2017 13362 A	P 2017 6667 B
AP 2012 013384	AP 2017 13384 A	P 2017 6668 B
AP 2014 013515	AP 2017 13515 A	P 2017 6669 B
AP 2014 013536	AP 2017 13536 A	P 2017 6670 B
AP 2013 013595	AP 2017 13595 A	P 2017 6671 B
AP 2013 013715	AP 2017 13715 A	P 2017 6672 B
AP 2013 013895	AP 2017 13895 A	P 2017 6674 B
AP 2014 013894	AP 2017 13894 A	P 2017 6673 B
AP 2014 013979	AP 2017 13979 A	P 2017 6675 B
AP 2015 014026	AP 2017 14026 A	P 2017 6676 B
AP 2016 014037	AP 2017 14037 A	P 2017 6677 B

**UTILITY MODELS**

**CONCORDANCE TABLE OF INTERNATIONAL CLASSIFICATION INDEX  
AND PUBLICATION NUMBERS**

INTERNATIONAL CLASSIFICATION INDEXES (51)	NUMBER OF PUBLISHED APPLICATION (10)
B 41 F 17/00	AU 2017 14330 U
E 02 B 9/04	AU 2017 14352 U

**CONCORDANCE TABLE OF PUBLICATION NUMBERS  
AND INTERNATIONAL CLASSIFICATION INDEX**

NUMBER OF PUBLISHED APPLICATION (10)	INTERNATIONAL CLASSIFICATION INDEXES (51)
AU 2017 14330 U	B 41 F 17/00
AU 2017 14352 U	E 02 B 9/04

## TRADEMARKS

### CONCORDANCE TABLE OF REGISTRATION NUMBERS, APPLICATION NUMBERS, PUBLICATION NUMBERS AND BULLETIN NUMBERS

NUMBER OF REGISTRATION (111)	NUMBER OF APPLICATIONS (210)	NUMBER OF PUBLISHED APPLICATIONS (260)	NUMBER OF BULLETIN
M 2017 28492 R	AM 91883	-	10(4709)2017
M 2017 28493 R	AM 91876	-	10(4709)2017
M 2017 28494R	AM 91983	-	10(4709)2017
M 2017 28495 R	AM 91842	-	10(4709)2017
M 2017 28496 R	AM 78228	AM 2016 78228 A	8(444)2016
M 2017 28497 R	AM 78230	AM 2016 78230 A	8(444)2016
M 2017 28498 R	AM 86122	AM 2017 86122 A	2(462)2017
M 2017 28499 R	AM 86134	AM 2016 86134 A	20(456)2016
M 2017 28500 R	AM 86161	AM 2016 86161 A	23(459)2016
M 2017 28501 R	AM 86681	AM 2017 86681 A	3(463)2017
M 2017 28502 R	AM 86688	AM 2016 86688 A	23(459)2016
M 2017 28503 R	AM 86693	AM 2016 86693 A	22(458)2016
M 2017 28504 R	AM 86767	AM 2016 86767 A	22(458)2016
M 2017 28505 R	AM 86857	AM 2017 86857 A	2(462)2017
M 2017 28506 R	AM 86905	AM 2016 86905 A	21(457)2016
M 2017 28507 R	AM 86926	AM 2016 86926 A	23(459)2016
M 2017 28508 R	AM 86989	AM 2017 86989 A	2(462)2017
M 2017 28509 R	AM 87023	AM 2016 87023 A	23(459)2016
M 2017 28510 R	AM 87196	AM 2017 87196 A	2(462)2017
M 2017 28511 R	AM 87367	AM 2017 87367 A	2(462)2017
M 2017 28512 R	AM 87386	AM 2017 87386 A	2(462)2017
M 2017 28513 R	AM 87399	AM 2017 87399 A	2(462)2017
M 2017 28514 R	AM 87412	AM 2016 87412 A	1(461)2017
M 2017 28515 R	AM 87428	AM 2016 87428 A	1(461)2017
M 2017 28516 R	AM 87430	AM 2016 87430 A	1(461)2017
M 2017 28517 R	AM 87431	AM 2016 87431 A	1(461)2017
M 2017 28518 R	AM 87432	AM 2016 87432 A	1(461)2017
M 2017 28519 R	AM 87433	AM 2016 87433 A	1(461)2017
M 2017 28520 R	AM 87434	AM 2016 87434 A	1(461)2017
M 2017 28521 R	AM 87436	AM 2016 87436 A	1(461)2017
M 2017 28522 R	AM 87437	AM 2016 87437 A	1(461)2017
M 2017 28523 R	AM 87438	AM 2016 87438 A	1(461)2017
M 2017 28524 R	AM 87439	AM 2016 87439 A	1(461)2017
M 2017 28525 R	AM 87440	AM 2016 87440 A	1(461)2017
M 2017 28526 R	AM 87441	AM 2016 87441 A	1(461)2017
M 2017 28527 R	AM 87443	AM 2016 87443 A	1(461)2017
M 2017 28528 R	AM 87491	AM 2016 87491 A	1(461)2017
M 2017 28529 R	AM 87590	AM 2016 87590 A	1(461)2017
M 2017 28530 R	AM 87617	AM 2017 87617 A	2(462)2017
M 2017 28531 R	AM 87618	AM 2016 87618 A	1(461)2017
M 2017 28532 R	AM 87619	AM 2016 87619 A	1(461)2017
M 2017 28533 R	AM 87622	AM 2017 87622 A	2(462)2017
M 2017 28534 R	AM 91941	-	10(4709)2017
M 2017 28492 R	AM 91883	-	10(4709)2017
M 2017 28493 R	AM 91876	-	10(4709)2017
M 2017 28494R	AM 91983	-	10(4709)2017

**CONCORDANCE TABLE OF PUBLICATION NUMBERS  
AND APPLICATION NUMBERS**

NUMBER OF PUBLISHED APPLICATION (260)	NUMBER OF APPLICATION (210)	1	2
1	2		
AM 2017 78456 A	AM 78456 A	AM 2017 88693 A	AM 88693 A
AM 2017 86668 A	AM 86668 A	AM 2017 88713 A	AM 88713 A
AM 2017 88166 A	AM 88166 A	AM 2017 88718 A	AM 88718 A
AM 2017 88191 A	AM 88191 A	AM 2017 88737 A	AM 88737 A
AM 2017 88345 A	AM 88345 A	AM 2017 88809 A	AM 88809 A
AM 2017 88353 A	AM 88353 A	AM 2017 88835 A	AM 88835 A
AM 2017 88412 A	AM 88412 A	AM 2017 89050 A	AM 89050 A
AM 2017 88474 A	AM 88474 A	AM 2017 89059 A	AM 89059 A
AM 2017 88475 A	AM 88475 A	AM 2017 89060 A	AM 89060 A
AM 2017 88482 A	AM 88482 A	AM 2017 89062 A	AM 89062 A
AM 2017 88487 A	AM 88487 A	AM 2017 89067 A	AM 89067 A
AM 2017 88488 A	AM 88488 A	AM 2017 89073 A	AM 89073 A
AM 2017 88523 A	AM 88523 A	AM 2017 89095 A	AM 89095 A
AM 2017 88534 A	AM 88534 A	AM 2017 89096 A	AM 89096 A
AM 2017 88602 A	AM 88602 A	AM 2017 89098 A	AM 89098 A
AM 2017 88633 A	AM 88633 A	AM 2017 89099 A	AM 89099 A
AM 2017 88646 A	AM 88646 A	AM 2017 89114 A	AM 89114 A
AM 2017 88653 A	AM 88653 A	AM 2017 89178 A	AM 89178 A
AM 2017 88670 A	AM 88670 A	AM 2017 89179 A	AM 89179 A
AM 2017 88673 A	AM 88673 A	AM 2017 89185 A	AM 89185 A
AM 2017 88674 A	AM 88674 A	AM 2017 89191 A	AM 89191 A
AM 2017 88684 A	AM 88684 A	AM 2017 89209 A	AM 89209 A
		AM 2017 89210 A	AM 89210 A
		AM 2017 89211 A	AM 89211 A
		AM 2017 89216 A	AM 89216 A
		AM 2017 89218 A	AM 89218 A

**CONCORDANCE TABLE OF INDEX OF GOODS AND/OR SERVICES  
AND APPLICATION NUMBERS**

INDEX OF GOODS AND/OR SERVICES (511)	NUMBER OF PUBLISHED APPLICATIONS (26)	1	2
1	2		
2	AM 2017 88534 A	9	AM 2017 89059 A
3	AM 2017 88534 A	9	AM 2017 89060 A
5	AM 2017 78456 A	9	AM 2017 89062 A
5	AM 2017 88412 A	9	AM 2017 89098 A
5	AM 2017 88633 A	9	AM 2017 89178 A
5	AM 2017 88646 A	9	AM 2017 89179 A
5	AM 2017 88653 A	9	AM 2017 89209 A
5	AM 2017 88713 A	9	AM 2017 89211 A
5	AM 2017 88718 A	9	AM 2017 89216 A
5	AM 2017 88737 A	10	AM 2017 88345 A
5	AM 2017 88809 A	11	AM 2017 88670 A
5	AM 2017 89067 A	11	AM 2017 89185 A
6	AM 2017 88534 A	14	AM 2017 88835 A
		16	AM 2017 89191 A
		18	AM 2017 78456 A
		18	AM 2017 88835 A
		20	AM 2017 88835 A
		25	AM 2017 88835 A

1	2	1	2
29	AM 2017 78456 A	34	AM 2017 78456 A
29	AM 2017 88353 A	34	AM 2017 88487 A
29	AM 2017 88673 A	34	AM 2017 88488 A
29	AM 2017 88674 A	34	AM 2017 88602 A
29	AM 2017 89095 A	34	AM 2017 88684 A
30	AM 2017 78456 A	35	AM 2017 78456 A
30	AM 2017 88353 A	35	AM 2017 88482 A
30	AM 2017 88674 A	35	AM 2017 88633 A
30	AM 2017 89095 A	35	AM 2017 88646 A
30	AM 2017 89185 A	35	AM 2017 88835 A
30	AM 2017 89218 A	36	AM 2017 78456 A
31	AM 2017 78456 A	36	AM 2017 89099 A
31	AM 2017 88353 A	38	AM 2017 86668 A
32	AM 2017 78456 A	38	AM 2017 89114 A
32	AM 2017 89050 A	39	AM 2017 88191 A
32	AM 2017 89095 A	41	AM 2017 86668 A
32	AM 2017 89210 A	41	AM 2017 89114 A
33	AM 2017 78456 A	41	AM 2017 89178 A
33	AM 2017 88474 A	41	AM 2017 89179 A
33	AM 2017 88475 A	42	AM 2017 89099 A
33	AM 2017 88523 A	43	AM 2017 78456 A
33	AM 2017 88693 A	43	AM 2017 88166 A
33	AM 2017 89073 A	43	AM 2017 88353 A
33	AM 2017 89095 A	43	AM 2017 88482 A
33	AM 2017 89096 A	43	AM 2017 89185 A

**CONCORDANCE TABLE OF INDEX OF GOODS AND/OR SERVICES  
AND NUMBERS OF TRADEMARKS REGISTERED ACCORDING  
TO THE ACCELERATED PROCEDURE**

INDEX OF GOODS AND/OR SERVICES (511)	NUMBERS OF REGISTERED ACCORDING TO THE ACCELERATED PROCEDURE (111)
1	M 2017 28492 R
3	M 2017 28534 R
5	M 2017 28492 R
32	M 2017 28494 R
34	M 2017 28493 R
43	M 2017 28495 R



# OFFICIAL BULLETIN OF THE INDUSTRIAL PROPERTY

## 10(470)

EDITOR-IN-CHIEF: N. Bebrishvili

EDITORS-TRANSLATORS: E. Gabunia

PROOFREADER: A. Shikhashvili

COMPUTER LAYOUT: M. Ordenidze  
K. Svanidze

[www.sakpatenti.org.ge](http://www.sakpatenti.org.ge)

E-mail: [info@sakpatenti.org.ge](mailto:info@sakpatenti.org.ge)