



**NATIONAL INTELLECTUAL PROPERTY CENTER OF GEORGIA
SAKPATENTI**

**OFFICIAL BULLETIN
OF THE INDUSTRIAL PROPERTY**

11(423)

**2015
TBILISI**

INID CODES FOR IDENTIFICATION OF BIBLIOGRAPHIC DATA

INVENTIONS, UTILITY MODELS

- (10) Number of publication for application, which has been examined
- (11) Number of patent and kind of document
- (21) Serial number of application
- (22) Date of filing of the application
- (23) Date of exhibition or the date of the earlier filing and the number of application, if any
- (24) Date from which patent may have effect
- (31) Number of priority application
- (32) Date of filing of priority application
- (33) Code of the country or regional organization allotting priority application number
- (44) Date of publication of application not granted, but examined and number of bulletin
- (45) Date of publication of registered document
- (51) International Patent Classification Index
- (54) Title of the invention
- (57) Abstract
- (60) Number of examined patent document granted by foreign patent office, date from which patent has effect and country code
- (62) Number of the earlier application and in case of divided application, date of filing an application
- (71) Name, surname and address of applicant (country code)
- (72) Name, surname of inventor (country code)
- (73) Name, surname and address of patent owner (country code)
- (74) Name, surname of representative or patent attorney
- (85) Date of commencement of the national phase of International Application
- (86) Number and date of filing of international application
- (87) Number and date of publication of international application

DESIGNS

- (10) Number of publication for application
- (11) Number of patent and kind of document or number of registration
- (15) Date of registration/Date of patent renewal
- (18) Expected expiration date of patent or registration
- (21) Serial number of application
- (22) Date of filing of the application
- (23) Date of exhibition or the date of the earlier filing and the number of application, if any
- (24) Date from which patent may have effect
- (28) Number of designs included in the application
- (30) Data relating to priority (number of application, date of filing of application, two-letter code identifying the authority with whom the priority application was made)
- (31) Number of priority application
- (32) Date of filing of priority application
- (33) Code of the country or regional organization allotting priority application number
- (34) Two-letter code according to WIPO St.3 identifying the authority with which the priority application was made
- (44) Date of publication of design and number of bulletin (the first publication)
- (45) Date of publication of design registered by WIPO and number of bulletin
- (51) International Classification for designs (class and subclass of the Locarno Classification)
- (54) Title of the invention
- (55) Reproduction of the design
- (57) Description of characteristic features of the design including indication of colors
- (58) Date of recording of any kind of amendment in the Register
- (62) Number of the earlier application, registration and document number and if available the date of filing an application in case of divided application
- (71) Name, surname and address of applicant (country code)
- (72) Name, surname of creator (country code)
- (73) Name, surname and address of patent owner (country code)
- (74) Name, surname of representative or patent attorney
- (81) Contracting states concerned
 - II designated contracting states according to the 1960 Act
 - III designated contracting states according to the 1999 Act
- (85) Owner's permanent address
- (86) Owner's nationality
- (87) Owner's residence
- (88) State in which the owner has a real and effective industrial or commercial establishment

TRADEMARKS

- (111) – Number of registration
- (151) – Date of registration
- (156) – Date of the renewal
- (181) – Expected expiration date of registration
- (186) – Renewal expiration date of registration
- (141) – Date of cancel of duration of the mark
- (210) – Serial number of application
- (220) – Date of filing of the application
- (230) – Date concerning exhibition
- (260) – Number of application, for which favorable decision of examination about registration has been taken (publication number)
- (310) – Number of the first application
- (320) – Date of filing of the first application
- (330) – Code, identifying national or regional Office where the first application was made
- (511) – International Classification of Goods and Services for the purposes of registration of trade marks and/or list of goods and/or services classified according thereto
- (531) – Description of figurative elements of Trade Marks according to the International Classification of the Figurative Elements of Marks
- (540) – Reproduction of Trade Mark
- (550) – Nature and kind of Trade Mark
- (580) – Date of recording of any kind changes in respect of applications or registrations
- (591) – Information concerning colors claimed
- (731) – Name and address of the applicant
- (732) – Name and address of the holder of the registration
- (740) – Name and address of the representative
- (750) – Address for correspondence
- (770) – Name and address of the previous applicant or holder in case of change in ownership
- (771) – Previous name and address of the applicant or holder in case of change in ownership
- (791) – Name and address of the licensee
- (793) – Indication of conditions and/or restrictions under the license (Type of license, number of license agreement, data of license, data of validity of license)
- (800) – Certain data relating to the international registration of Trade Marks under the Protocol Relating to Madrid Agreement (International registration number)

CODES FOR PUBLICATION IN BULLETIN

- (21) AP 0000 000000 – serial number of application for invention
- (10) AP 0000 0000 A – number of published application for invention (first publication)
- (11) P 0000 0000 B – number of patent for invention (second publication)
- (21) API 0000 000000 – number of application for imported patent
- (11) PI 0000 0000 A – number of imported patent (first publication)
- (21) AU 0000 000000 – serial number of application for utility model
- (10) AU 0000 000 U – number of published application for utility model (first publication)
- (11) U 0000 000 Y – number of patent for utility model (second publication)
- (21) AD 0000 000000 – serial number of application for design
- (10) AD 0000 000 S – number of published application for design (first publication)
- (11) D 0000 000 S – number of patent for design (second publication)

INTERNATIONAL PATENT CLASSIFICATION FOR INVENTIONS AND UTILITY MODELS

- SECTION A – HUMAN NECESSITIES
- SECTION B – PERFORMING OPERATIONS; TRANSPORTING
- SECTION C – CHEMISTRY; METALLURGY
- SECTION D – TEXTILES; PAPER
- SECTION E – FIXED CONSTRUCTIONS
- SECTION F – MECHANICAL ENGINEERING; LIGHTING; HEATING; WEAPONS; BLASTING
- SECTION G – PHYSICS
- SECTION H – ELECTRICITY

-
- M – Trade Mark
 - (210) AM 0000 000000 – Serial number of application;
 - (260) AAM 0000 00000 A – Publication number of application;
 - (111) M 0000 00000 R – Number of registration;
 - (111) MMM0000 00000 Rn – Number of renewals, in which n=1,2,3;
 - (111) M 0000 00000 R(P) – Number of registration under partial assignment of rights
-

LIST OF CODES, IN ALPHABETIC SEQUENCE, AND THE CORRESPONDING (SHORT) NAMES OF STATES, OTHER ENTITIES AND INTERGOVERNMENTAL ORGANIZATIONS
(WIPO STANDARD ST.3)

AD	Andorra				
AE	United Arab Emirates				
AF	Afghanistan				
AG	Antigua and Barbuda				
AI	Anguilla				
AL	Albania				
AM	Armenia				
AN	Netherlands Antilles				
AO	Angola				
AP	African Regional Intellectual Property Organization (ARIPO)				
AR	Argentina				
AT	Austria				
AU	Australia				
AW	Aruba				
AZ	Azerbaijan				
BA	Bosnia and Herzegovina				
BB	Barbados				
BD	Bangladesh				
BE	Belgium				
BF	Burkina Faso				
BG	Bulgaria				
BH	Bahrain				
BI	Burundi				
BJ	Benin				
BM	Bermuda				
BN	Brunei Darussalam				
BO	Bolivia				
BR	Brazil				
BS	Bahamas				
BT	Bhutan				
BV	Bouvet Island				
BW	Botswana				
BX	Benelux Office for Intellectual Property (BOIP)				
BY	Belarus				
BZ	Belize				
CA	Canada				
CD	Democratic Republic of the Congo				
CF	Central African Republic				
CG	Congo				
CH	Switzerland				
CI	Cote d'Ivoire				
CK	Cook Islands				
CL	Chile				
CM	Cameroon				
CN	China				
CO	Colombia				
CR	Costa Rica				
CU	Cuba				
CV	Cape Verde				
CY	Cyprus				
CZ	Czech Republic				
DE	Germany				
DJ	Djibouti				
DM	Dominica				
DO	Dominican Republic				
DZ	Algeria				
EA	Eurasian Patent Organization (EAPO)				
EC	Ecuador				
EE	Estonia				
EG	Egypt				
EH	Western Sahara				
EM	Office for Harmonization in the Internal Market (Trademarks and Designs)(OHIM)				
EP	European Patent Office (EPO)				
ER	Eritrea				
ES	Spain				
ET	Ethiopia				
FI	Finland				
FJ	Fiji				
FK	Falkland Islands (Malvinas)				
FO	Faroe Islands				
FR	France				
GA	Gabon				
GB	United Kingdom				
GC	Patent Office of the Cooperation Council for the Arab States of the Gulf (GCC)				
GD	Grenada				
GG	Guernsey				
GH	Ghana				
GI	Gibraltar				
GT	Guatemala				
GW	Guinea- Bissau				
GY	Guyana				
HK	The Hong Kong Special Administrative Region of the People's Republic of China				
HN	Honduras				
HR	Croatia				
HT	Haiti				
HU	Hungary				
IB	International Bureau of the World Intellectual Property Organization (WIPO)				
ID	Indonesia				
IE	Ireland				
IL	Israel				
IM	Isle of Man				
IN	India				
IQ	Iraq				
ID	Indonesia				
IE	Ireland				
IL	Israel				
IM	Isle of Man				
IN	India				
IQ	Iraq				
IR	Iran (Islamic Republic of)				
IS	Iceland				
IT	Italy				
JE	Jersey				
JM	Jamaica				
JO	Jordan				
JP	Japan				
KE	Kenya				
KG	Kyrgyzstan				
KH	Cambodia				
KI	Kiribati				
KM	Saint Kitts and Nevis				
KP	Democratic People's Republic of Korea				
KR	Republic of Korea				
KW	Kuwait				
KY	Cayman Islands				
KZ	Kazakhstan				
LA	Lao People's Democratic Republic				
LB	Lebanon				
LC	Saint Lucia				
LI	Liechtenstein				
LK	Sri Lanka				
LR	Liberia				
LS	Lesotho				
LT	Lithuania				
LU	Luxembourg				
LV	Latvia				
LY	Libyan Arab Jamahiriya				
MA	Morocco				
MC	Monaco				
MD	Republic of Moldova				
ME	Montenegro				
MG	Madagascar				
MK	The former Yugoslav Republic of Macedonia				
ML	Mali				
MM	Myanmar				
MN	Mongolia				
MO	Macao				
MP	Northern Mariana Islands				
MR	Mauritania				
MS	Montserrat				
MT	Malta				
MU	Mauritius				
MV	Maldives				
MW	Malawi				
MX	Mexico				
MY	Malaysia				
MZ	Mozambique				
NA	Namibia				
NE	Niger				
NG	Nigeria				
NI	Nicaragua				
NL	Netherlands				
NO	Norway				
NP	Nepal				
NR	Nauru				
NZ	New Zealand				
OA	African Intellectual Property Organization (OAPI)				
OM	Oman				
PA	Panama				
PE	Peru				
PG	Papua New Guinea				
PH	Philippines				
PK	Pakistan				
PL	Poland				
PT	Portugal				
PW	Palau				
PY	Paraguay				
QA	Qatar				
QZ	Community Plant Variety Office (European Community) (CPVO)				
RO	Romania				
RS	Serbia				
RU	Russian Federation				
RW	Rwanda				
SA	Saudi Arabia				
SB	Solomon Islands				
SC	Seychelles				
SD	Sudan				
SG	Singapore				
SH	Saint Helena				
SI	Slovenia				
SK	Slovakia				
SL	Sierra Leone				
SM	San Marino				
SN	Senegal				
SO	Somalia				
SR	Suriname				
ST	Sao Tome and Principe				
SV	El Salvador				
SY	Syrian Arab Republic				
SZ	Swaziland				
TC	Turks and Caicos Islands				
TD	Chad				
TG	Togo				
TH	Thailand				
TJ	Tajikistan				
TL	Timor-Leste				
TM	Turkmenistan				
TN	Tunisia				
TO	Tonga				
TR	Turkey				
SE	Sweden				
TT	Trinidad and Tobago				
TV	Tuvalu				
TW	Taiwan, Province of China				
TZ	United Republic of Tanzania				
UA	Ukraine				
UG	Uganda				
US	United States of America				
UY	Uruguay				
UZ	Uzbekistan				
VA	Holy See				
VC	Saint Vincent and the Grenadines				
VE	Venezuela				
VG	Virgin Islands (British)				
VN	Viet Nam				
VU	Vanuatu				
WO	World Intellectual Property Organization (WIPO)				
WS	Samoa				
XN	Nordic Patent Institute (NPI)				
YE	Yemen				
ZA	South Africa				
ZM	Zambia				
ZW	Zimbabwe				

**NATIONAL INTELLECTUAL PROPERTY CENTER OF GEORGIA
SAKPATENTI**

**OFFICIAL BULLETIN
OF THE INDUSTRIAL PROPERTY**

11(423)

**INVENTIONS
UTILITY MODELS
DESIGNS
TRADEMARKS**

DATE OF PUBLICATION

2015 06 10

CONTENTS

PUBLISHED TITLES OF PROTECTION	3
INVENTIONS	
▪ APPLICATIONS APPROVED FOR GRANTING PATENTS	4
▪ PATENTED INVENTIONS	8
UTILITY MODELS	
▪ APPLICATIONS APPROVED FOR GRANTING PATENT	11
DESIGNS	
▪ REGISTERED DESIGN	13
▪ DESIGNS REGISTERED ACCORDING TO THE ACCELERATED PROCEDURE	14
▪ DESIGNS REGISTERED WITH THE INTERNATIONAL BUREAU CLAIMING PRIORITY ON THE TERRITORY OF GEORGIA	16
TRADEMARKS	
▪ APPLICATIONS FILED UNDER THE NATIONAL PROCEDURE APPROVED FOR REGISTRATION	57
▪ REGISTERED TRADEMARKS	61
▪ TRADEMARKS REGISTERED ACCORDING TO THE ACCELERATED PROCEDURE	66
▪ INTERNATIONAL TRADEMARKS FOR WHICH A DECISION ON GRANTING PROTECTION IS TAKEN	68
▪ INTERNATIONAL TRADEMARKS PROTECTED IN GEORGIA	87
OFFICIAL NOTIFICATIONS	
TRADEMARKS	
▪ COMPLETE TRANSFER OF RIGHTS	100
▪ CHANGES IN NAMES AND/OR ADDRESSES OF OWNERS	102
CLASSIFICATION INDEXES	
INVENTIONS	104
UTILITY MODELS	106
DESIGNS	106
TRADEMARKS	108

PUBLISHED TITLES OF PROTECTION

INVENTIONS

- **APPLICATIONS APPROVED FOR GRANTING PATENTS:**
12693; 12771; 13252; 13040; 13215; 13407; 12882; 13265
- **PATENTED INVENTIONS:**
6292-6299

UTILITY MODELS

- **APPLICATIONS APPROVED FOR GRANTING PATENTS:**
13380; 13588; 13637

DESIGNS

- **REGISTERED DESIGN:**
628
- **DESIGNS REGISTERED ACCORDING TO THE ACCELERATED PROCEDURE:**
627; 629
- **DESIGNS REGISTERED WITH THE INTERNATIONAL BUREAU CLAIMING PRIORITY ON THE TERRITORY OF GEORGIA:**
84522; 84524-84526; 84528; 84560, 84561; 84564, 84565; 84574; 84629; 84634, 84635; 84647-84651; 84670; 84728, 84729; 84732; 85101; 85951

TRADEMARKS

- **APPLICATIONS FILED UNDER THE NATIONAL PROCEDURE APPROVED FOR REGISTRATION:**
76615; 77193-77195; 77259; 77292; 77330, 77331; 77344; 77410; 77809-77812; 77948; 77950; 78375; 78453; 78558; 78562, 78563; 78773; 78788; 78981; 79044; 79049
- **REGISTERED TRADEMARKS:**
25849, 25850; 25860, 25861; 25867-25889; 25892-25909; 25911-25918; 25920
- **TRADEMARKS REGISTERED ACCORDING TO THE ACCELERATED PROCEDURE:**
25922-25926
- **INTERNATIONAL TRADEMARKS FOR WHICH A DECISION ON GRANTING PROTECTIONS IS TAKEN:**
76379; 78181; 78186; 78188; 78369; 78437-78442; 78444-78448; 78632, 78633; 78657; 78682; 78684, 78685; 78687, 78688; 78905; 78907; 78913; 78920
- **INTERNATIONAL TRADEMARKS PROTECTED IN GEORGIA:**
60858; 72336; 72708; 73350; 73352; 73494; 73517; 74142; 74677; 74688; 71877; 73196; 74232-74234; 74428; 74551; 74632; 74784; 74829; 75185; 75363; 75396; 75399; 75407; 75560, 75561; 75564; 75566; 75575; 75577; 75591, 75592; 75608; 75610; 75648; 75671; 75676, 75677; 75681; 75687; 75689; 75691; 75717; 75722-75733; 75737; 75754-75757; 75760, 75761; 75770-75775; 75777; 75780-75782; 75789; 75831; 75838-75850; 75853-75859; 75861-75864; 75887; 75896-75900; 75903, 75904; 75911, 75912; 75964; 75966, 75967; 75969; 75976, 75977; 75983-75987; 76020; 76103; 76148; 76234; 76236; 76243; 76511; 76514; 76537; 76539-76542; 76544, 76545; 76547, 76548; 76599; 76604; 76610; 76613; 76626; 76656-76659; 76661-76665; 76679, 76680; 76682, 76683; 76712; 76782, 76783; 76982, 76983; 76989-76991; 77063, 77064; 77066-77071; 77081; 77084-77087; 77272-77274; 77278-77283; 77629-77636

INVENTIONS

APPLICATIONS APPROVED FOR GRANTING PATENTS

The decision can be appealed at the Chamber of Appeal of Sakpatenti within 3 months from the publication or at the Mtskheta District Court Administrative Cases Board (Address: №17, Samkhedro str., Mtskheta), within 1 month following the publication.

PART A

A 61

(10) AP 2015 12693 A (51) Int. Cl. (2006)

A 61 K 31/54

(21) AP 2010 012693 (22) 2010 10 06

(31) 61/249,685; PCT/US2010/051553

(32) 2009 10 08; 2010 10 06

(33) US; WO

(71) MERCK SHARP & DOHME CORP. (US)

126 East Lincoln Ave., Rahway,

NJ 07065 (US)

(72) SKOTH, Jack D. (US);

STAMFORD, Andrew, W. (AU);

GILBERT, Eric, J. (US);

CUMMING, Jared, N. (US);

ISERLOH, Ulrich (DE);

MISIASZEK, Jeffrey, A. (US);

LI, Guoqing (CN)

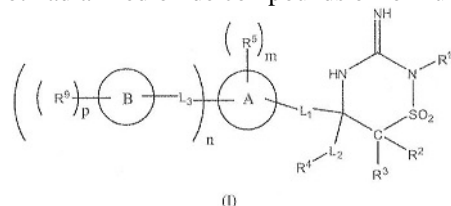
(74) Shalva Gvaramadze

(85) 2012 05 03

(86) PCT/US2010/051553, 2010 10 06

(54) **IMINOTHIADIAZINE DIOXIDE
COMPOUNDS AS BACE INHIBITORS,
COMPOSITIONS, AND THEIR USE**

(57) Present invention relates to iminothiadiiazinedioxide compounds of formula (I),



stereoisomers thereof, pharmaceutically acceptable salts of said compounds, and stereoisomers thereof and their content in pharmaceutical composition. The invention also relates to application thereat the treatment of β -amyloidosis pathologies, and Alzheimer's disease among them.

Claims: 17 independent

9 dependent

PART B

B 60

(10) AP 2015 12771 A (51) Int. Cl. (2006)

B 60 L 8/00

(21) AP 2010 012771 (22) 2010 12 02

(31) 2965/CHE/2009

(32) 2009 12 02

(33) IN

(71) ARUMUGAM, Rajendra Babu (IN).

No. 77a, P.T. Rajan Salay, c.c. Nagar, Chennai

600 078 (IN);

CHETTIAR, Kannappan (SG)

3 Anson Rd, N 06-01, Springleaf Tower,

Singapore 079909 (SG)

(72) ARUMUGAM, Rajendra Babu (IN);

CHETTIAR, Kannappan (SG)

(74) Khatuna Imnadze

(85) 2012 07 02

(86) PCT/IN2010/000780, 2010 12 02

(54) **WIND BASED LOAD ISOLATED
ELECTRICAL CHARGING SYSTEM**

(57) An invention relates to electrically operated vehicle with power supply system having wind based charging unit with load isolation. The power supply unit has one or more energy storage device with an inverter for supplying AC loads. Two such power supply units are used in an electric vehicle application for supplying the drive load. The power supply units when operated through an intermediate section and an output combiner, supplies to the load with complete isolation from the recharging unit of the system. Due to which, the energy storage devices serves for large distance range.

Claims: 7 independent

14 dependent

Fig.: 2

PART C

C 07

(10) AP 2015 13252 A (51) Int. Cl. (2006)
 C 07 C 55/10
 C 07 C 57/15
 C 07 C 69/86
 C 07 C 227/18
 C 07 C 229/12
 C 07 D 239/557
 A 61 K 31/616
 A 61 K 31/205
 A 61 K 31/197
 A 61 K 31/513
 A 61 P 9/00

(21) AP 2012 013252 (22) 2012 04 27
 (31) 11163839.1; 11163841.7; 11163840.9;
 11163872.2; 111613871.4

(32) 2011 04 27; 2011 04 27; 2011 04 27;
 2011 04 27; 2011 04 27

(33) EP; EP; EP; EP; EP

(71) GRINDEKS, A JOINT STOCK
 COMPANY (LV)
 53, Krustpils street LV-1057 Riga (LV)

(72) KALVINS, Ivars (LV);
 LIEPINS, Edgars (LV);
 LOZA, Einars (LV);
 DAMBROVA, Maija (LV);
 STONANS, Ilmars (LV);
 LOLA, Daina (LV);
 KUKA, Janis (LV);
 PUGOVICS, Osvalds (LV);
 VILSKERSTS, Reinis (LV);
 GRINBERGA, Solveiga (LV)

(74) Khatuna Imnadze

(85) 2013 10 03

(86) PCT/EP2012/057806, 2012 04 27

(54) USE OF 3-CARBOXY-N-ETHYL-N,N-
 DIMETHYLPROPAN-1-AMINIUM
 SALTS IN THE TREATMENT OF
 CARDIOVASCULAR DISEASE

(57) There are represented salts of 3-carboxy-N-ethyl-N,N-dimethylpropan-1-aminium, method of preparation thereof and usage therein the treatment of cardiovascular disease.

Claims: 6 independent

3 dependent

Table: 5

(10) AP 2015 13040 A (51) Int. Cl. (2006)
 C 07 C 215/08
 C 07 C 229/34
 C 07 C 255/43
 C 07 D 223/16

(21) AP 2013 013040 (22) 2013 03 25

(31) 12.52728

(32) 2012 03 27

(33) FR

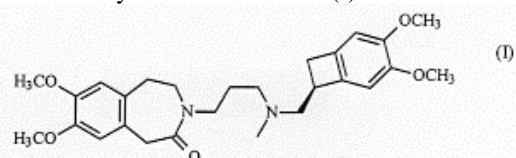
(71) LES LABORATOIRES SERVIER (FR)
 35, rue de Verdun, 92284 Suresnes
 Cedex (FR)

(72) LE FLOHIC, Alexandre (FR);
 GRANDJEAN, Mathieu (FR)

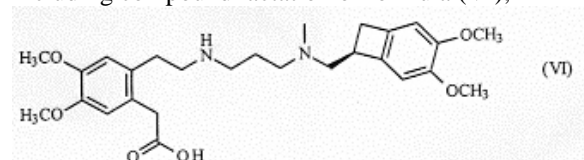
(74) Tamaz Shilakadze

(54) NEW PROCESS FOR SYNTHESIS
 OF IVABRADINE AND ADDITION
 SALTS THEREWITH PHARMACEUTI-
 CALLY ACCEPTABLE ACID

(57) There is represented a novel method of ivabradine synthesis of formula (I)



including compound lactation of formula (VI),



at the presence of binding component and base in organic solvent and opportunity of following transformation therein pharmaceutically acceptable ivabradine acidic-additive salt.

Claims: 7 independent

21 dependent

(10) AP 2015 13215 A (51) Int. Cl. (2006)
 C 07 D 213/64
 C 07 D 213/69
 C 07 D 401/04
 C 07 D 401/10
 C 07 D 405/04
 C 07 D 405/12
 C 07 D 413/10
 C 07 D 417/12
 A 61 P 31/00
 A 61 K 31/4412
 A 61 K 31/4427
 A 61 K 31/4439
 A 61 K 31/4433

(21) AP 2012 013215 (22) 2012 02 22

(31) 61/449,825

(32) 2011 03 07

(33) US

(71) PFIZER INC. (US)
 235 East 42nd Street New York, New York
 10017 (US)

(72) BROWN, Matthew Frank (US);
 CHE, Ye (CN);
 MELNICK, Michael Joseph (US);
 MONTGOMERY, Justin Ian (US);

PLUMMER, Mark Stephen (US);
PRICE, Loren Michael (US);
REILLY, Usa (GB)

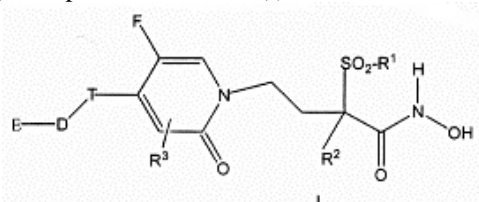
(74) Shalva Gvaramadze

(85) 2013 09 04

(86) PCT/IB2012/050812, 2012 02 22

(54) **FLUORO-PYRIDINONE
DERIVATIVES USEFUL AS
ANTIBACTERIAL AGENTS**

(57) Compound of formula (I),



pharmaceutical compositions on a basis thereof, and application thereof for the treatment of bacterial infections.

Claims: 7 independent

7 dependent

Table: 3

(10) **AP 2015 13407 A** (51) **Int. Cl. (2006)**

C 07 D 237/16

C 07 D 401/10

C 07 D 407/10

A 61 K 31/50

A 61 K 31/501

A 61 P 25/18

A 61 P 29/00

A 61 P 25/28

(21) AP 2012 013407 (22) 2012 08 21

(31) 1114399.7; 1118658.2; 1203533.3

(32) 2011 08 22; 2011 10 27; 2012 02 29

(33) GB; GB; GB

(71) TAKEDA PHARMACEUTICAL
COMPANY LIMITED (JP)

1-1, Doshomachi 4-chome Chuo-ku, Osaka-shi
Osaka 5410045 (JP)

(72) FARNABY, William (GB);
FIELDHOUSE, Charlotte (GB);

HAZEL, Katherine (GB);

KERR, Catrina (GB);

KINSELLA, Natasha (GB);

LIVERMORE, David (GB);

MERCHANT, Kevin (GB);

MILLER, David (GB)

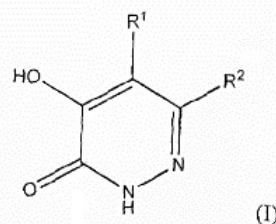
(74) Aleksandre Gegeckori

(85) 2014 03 05

(86) PCT/GB2012/000672, 2012 08 21

(54) **PYRIDAZINONE COMPOUNDS
AND THEIR USE AS DAAO INHIBITORS**

(57) Present invention relates to compounds of
formula (I),



preparation methods thereof, their pharmaceutical
compositions, and application thereof for schizophrenia
treatment.

Claims: 7 independent

9 dependent

(10) **AP 2015 12882 A** (51) **Int. Cl. (2006)**

C 07 D 401/06

A 61 K 31/4439

A 61 P 31/18

(21) AP 2011 012882 (22) 2011 03 28

(31) 61/318,824; 61/321,573

(32) 2010 03 30; 2010 04 07

(33) US; US

(71) MERCK CANADA INC. (CA)

16711 Trans-Canada Highway Kirkland,
Québec H9H 3L1 (CA)

(72) BURCH, Jason (CA);

COTE, Bernard (CA);

NGUYEN, Natalie (CA);

LI, Chun, Sing (CA);

ST-ONGE, Miguel (CA);

GAUVREAU, Danny (CA)

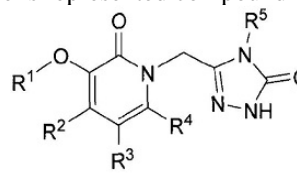
(74) Tamaz Shilakadze

(85) 2012 10 29

(86) PCT/CA2011/000320, 2011 03 28

(54) **NON-NUCLEOSIDE REVERSE
TRANSCRIPTASE INHIBITORS**

(57) There is represented compound of formula (I),



which values of substitutes R^1 , R^2 , R^3 , R^4 and R^5
are provided in the claims or pharmaceutically
acceptable salt and pharmaceutical composition on
a basis thereof; application of said compound or
pharmaceutically acceptable salt at the treatment of
infection caused by HIV and the treatment of
AIDS.

Claims: 8 independent

8 dependent

Table: 2

PART G**G 06**

(10) AP 2015 13265 A (51) Int. Cl. (2006)
G 06 Q 30/00

(21) AP 2013 013265 (22) 2013 10 18

(71) LTD "ANTRE 2008" (GE)

Janashias q. 28, b. 7, Tbilisi (GE)

(72) Evgeni Pichkhaia (GE)

(54) **SYSTEM AND METHOD FOR
TELECOMMUNICATION**

FOODSERVICE OPTIMIZATION

(57) There are represented a method and system for foodservice optimization. The method provides receiving food data from telecommunications network server, ordered by clients included in the same network; ordered food optimal serving by means of applied program on a basis of received data.

Claims: 2 independent

Fig.: 3

PATENTED INVENTIONS

PART A

A 01

- (11) P 2015 6292 B (51) Int. Cl. (2006)
 A 01 N 25/02
 A 01 N 43/90
 A 01 N 45/02
 A 01 N 43/56
 A 01 N 43/36
 A 01 N 47/30
 A 01 N 43/653
 A 01 N 43/70
 A 01 N 51/00
 A 01 N 43/54
 A 01 N 37/34
 A 01 N 35/10
 A 01 N 39/02
 A 01 P 3/00
 A 01 P 7/04
- (10) AP 2015 11738 A (44) 4(416)/2015
 (21) AP 2008 011738
 (22) 2008 08 13
 (24) 2008 08 13
 (31) 0716592.1
 (32) 2007 08 24
 (33) GB
 (86) PCT/GB2008/002730, 2008 08 13
 (73) SYNGENTA LIMITED (GB)
 European Regional Centre, Priestley Road,
 Surrey Research Park, Guildford, Surrey
 GU2 7YH (GB)
- (72) BELL, Gordon, Alastair (GB);
 HARRIS, Clair, Louise (GB);
 TOVEY, Ian, David (GB)
- (74) Tamar Kochlamazashvili
- (54) **IMPROVED ORGANIC COMPOSITION,
 PREPARATION METHOD THEREOF
 AND USAGE**

A 23

- (11) P 2015 6298 B (51) Int. Cl. (2006)
 A 23 L 2/00
- (10) AP 2015 13311 A (44) 4(416)/2015
 (21) AP 2013 013311
 (22) 2013 12 05
 (24) 2013 12 05
 (73) Zurab Dzneladze (GE)
 Metsniereba St. 9, b. 5, 3500, Ozurgeti (GE);
 Manuchar Mameishvili (GE)
 26 Maisi St. 30, 3500, Ozurgeti (GE)

- (72) Zurab Dzneladze (GE);
 Manuchar Mameishvili (GE)
- (54) **TONIC "BAKHMARO"**

A 61

- (11) P 2015 6293 B (51) Int. Cl. (2006)
 A 61 K 8/97
 A 61 Q 19/08
 A 61 K 8/92
 A 61 Q 19/00
 A 61 Q 17/00
- (10) AP 2015 12537 A (44) 4(416)/2015
 (21) AP 2010 012537
 (22) 2010 06 17
 (24) 2010 06 17
 (31) 0954235
 (32) 2009 06 22
 (33) FR
 (86) PCT/FR2010/051207, 2010 06 17
 (73) PIERRE FABRE DERMO-COSMETIQUE (FR)
 45, place Abel Gance F-92100 Boulogne
 Billancourt (FR)
- (72) MANDEAU, Anne (FR);
 DUPLAN, Hélène (FR)
- (74) Shalva Gvaramadze
- (54) **EXTRACT OF MORINGA SP. WHOLE
 SEEDS, AND USAGE THEREIN
 COSMETIC AND/OR DERMATOLOGICAL
 COMPOSITIONS**

PART B

B 62

- (11) P 2015 6297 B (51) Int. Cl. (2006)
 B 62 M 3/04
- (10) AP 2015 13248 A (44) 4(416)/2015
 (21) AP 2013 013248
 (22) 2013 09 30
 (24) 2013 09 30
 (73) Tamaz Jincharadze (GE)
 Zhordania St. 37, 6000, Batumi (GE);
 Teimuraz Mikeladze (GE)
 Gorgiladze St. 95/101, b. 21, 6000, Batumi (GE);
 Marina Mikeladze (GE)
 Khoshtariae St. 27/31, b. 13, 0108, Tbilisi (GE)

- (72) Tamaz Jincharadze (GE);
Teimuraz Mikeladze (GE);
Marina Mikeladze (GE)
(54) **BICYCLE**

PART C

C 07

- (11) **P 2015 6295 B** (51) **Int. Cl. (2006)**
C 07 D 267/10
C 07 D 413/04
C 07 D 413/06
C 07 D 413/10
C 07 D 413/12
C 07 D 413/14
C 07 D 417/06
C 07 D 417/14
- (10) AP 2015 13078 A (44) 4(416)/2015
(21) AP 2011 013078
(22) 2011 10 05
(24) 2011 10 05
(31) 2010-227864; 2011-175336
(32) 2010 10 07; 2011 08 10
(33) JP; JP
(86) PCT/JP2011/073745, 2011 10 05
(73) TAKEDA PHARMACEUTICAL COMPANY LIMITED (JP)
1-1, Doshomachi 4-chome, Chuo-ku,
Osaka-shi, Osaka 541-0045 (JP)
(72) ISHICHI, Yuji (JP);
YAMADA, Masami (US);
KAMEI, Taku (JP);
FUJIMORI, Ikuo (US);
NAKADA, Yoshihisa (JP);
YUKAWA, Tomoya (JP);
SAKAUCHI, Nobuki (JP);
OHBA, Yusuke (JP);
TSUKAMOTO, Tetsuya (JP)
(74) Shalva Gvaramadze
(54) **1,4-OXAZEPANE DERIVATIVES**

PART E

E 05

- (11) **P 2015 6294 B** (51) **Int. Cl. (2006)**
E 05 B 21/06
- (10) AP 2015 12747 A (44) 4(416)/2015
(21) AP 2010 012747
(22) 2010 12 08
(24) 2010 12 08
(31) 20105001
(32) 2010 01 04
(33) FI
(86) PCT/FI2010/051006, 2010 12 08
(73) ABLOY OY (FI)
Wahlforssinkatu 20 FI-80100 Joensuu (FI)
(72) KIISKI, Seppo (FI)
(74) Aleksandre Gegechkori
(54) **DISC TUMBLER CYLINDER LOCK AND KEY COMBINATION**

PART F

F 03

- (11) **P 2015 6296 B** (51) **Int. Cl. (2006)**
F 03 B 3/18
F 03 B 1/00
F 15 D 1/04
- (10) AP 2015 13220 A (44) 4(416)/2015
(21) AP 2012 013220
(22) 2012 01 17
(24) 2012 01 17
(31) 1150384
(32) 2011 01 18
(33) FR
(86) PCT/EP2012/050605, 2012 01 17
(73) ALSTOM RENEWABLE TECHNOLOGIES (FR)
82, Avenue Léon, Blum F-38100,
Grenoble (FR)
(72) FOGGIA, Théophane (FR);
HOUELINE, Jean-Bernard (FR)
(74) Larisa Amirkhanyan
(54) **CURVED CONDUIT PERTAINING TO HYDRAULIC MACHINE, DISTRIBUTION GROUP FOR PELTON TURBINE WHEEL, AND HYDRAULIC MACHINE**

- (11) P 2015 6299 B** **(51) Int. Cl. (2006)**
 F 03 D 3/00
 F 03 D 3/02
- (10) AP 2009 9957 A (44) 1(269)/2009
(21) AP 2007 009957
(22) 2007 04 02
(24) 2007 04 02
(73) Tamaz Shioshvili (GE)
 I. Abashidze St. 46, ap. 17, 0179, Tbilisi (GE)
(72) Tamaz Shioshvili (GE)
(54) **ROTORS OF THE WIND ENGINE AND
 DEVICE FOR RECEPTION OF WIND
 POWER**
-

UTILITY MODELS

APPLICATION APPROVED FOR GRANTING PATENT

The decision can be appealed at the Chamber of Appeal of Sakpatenti within 3 months from the publication or at the Mtskheta District Court Administrative Cases Board (Address: №17, Samkhedro str., Mtskheta), within 1 month following the publication.

PART A

A 61

(10) AU 2015 13380 U (51) Int. Cl. (2006)
A 61 K 36/80
B 01 D 11/02

(21) AU 2014 013380 (22) 2014 02 06

(71) Ketevan Ebralidze (GE)
Nutsubidzis perd. IV mkr., korp. 9, b. 7,
0186, Tbilisi (GE);
Mzia Tsitsagi (GE)
Dighmis Masivi III kv., korp. 16, b. 17,
Tbilisi (GE);
Mariam Chkhaidze (GE)
Vazha-Pshavelas VI kv., korp. 37, b. 58,
0186, Tbilisi (GE);
Miranda Khachidze (GE)
A. Kurdianis q. 6, 0113, Tbilisi (GE);
Badri Arziani (GE)
Gogiberidzis q. 3, 0102, Tbilisi (GE);
Manana Buzariashvili (GE)
Sakhalkhos q. 6/90, 0144, Tbilisi (GE)

(72) Ketevan Ebralidze (GE);

Mzia Tsitsagi (GE);
Mariam Chkhaidze (GE);
Miranda Khachidze (GE);
Badri Arziani (GE);
Manana Buzariashvili (GE)

(54) **METHOD FOR QUERCETIN
PREPARATION**

(57) A method for quercetin preparation provides supercritical extraction therefrom onion peel (*Allium cepa* L.) with CO₂ modified 6-7% acetone at the pressure 140-150 atm and temperature 40-50°C.
Claims: 1 independent

PART C

C 07

(10) AU 2015 13588 U (51) Int. Cl. (2006)
C 07 B 7/22

(21) AU 2014 013588 (22) 2014 10 02

(71) Davit Oniani (GE)
Al. Diumas q. 12, 0105, Tbilisi (GE);
Kandit Kvitsiani (GE)
Al. Diumas q. 12, 0105, Tbilisi (GE);
Giorgi Ghvedashvili (GE)
Al. Diumas q. 12, 0105, Tbilisi (GE);
Khatuna Oniani (GE)
Al. Diumas q. 12, 0105, Tbilisi (GE)

(72) Davit Oniani (GE);
Kandit Kvitsiani (GE);
Giorgi Ghvedashvili (GE);
Khatuna Oniani (GE)

(54) **BINDING MATERIAL**

(57) There is represented binding material containing burnt clay, lime, metallurgical slag, and for example, superplasticizer, as chemical additive, with following ratio of components, in mass%:

Burnt clay	20-40
Lime	40-60
Metallurgical slag	10-20
Superplasticizer	0.1-1.0

Claims: 1 independent

PART D

D 06

(10) AU 2015 13637 U (51) Int. Cl. (2006)
D 06 F 57/12

(21) AU 2014 013637 (22) 2014 11 17

(71) Lali Latsabidze (GE)

Choloqashvilis q. II kvart., korp. 5, b. 8, 0113,
Tbilisi (GE)

(72) Lali Latsabidze (GE)

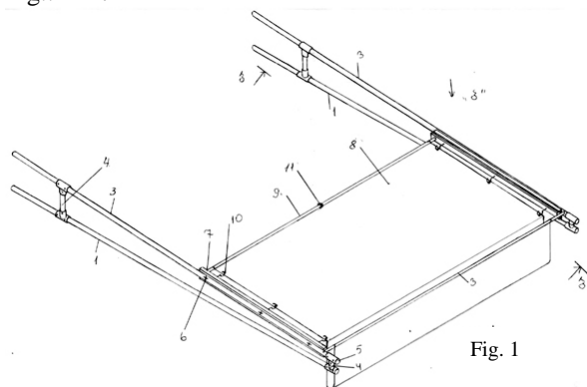
(74) Salome Kalandadze

(54) **DRYING ROOM FOR LINEN OR
CLOTHS WITH PROTECTIVE
OVERLAP**

(57) There is represented a drying room for linen or cloths including intended to be attached to building wall the couple of parallel supporting pipes 1 having transversally stretched between thereof the ropes 2 to hung thereon linen and cloths, fixed inclined above the ropes on the supporting pipes the frame, which longitudinal bars 3 are intended to be attached to building wall. From inner side of said bars the telescopic supporting bars 7 are attached, to which waterproof opening overlap 8 is attached.

Claims: 1 independent

Fig.: 7



DESIGNS

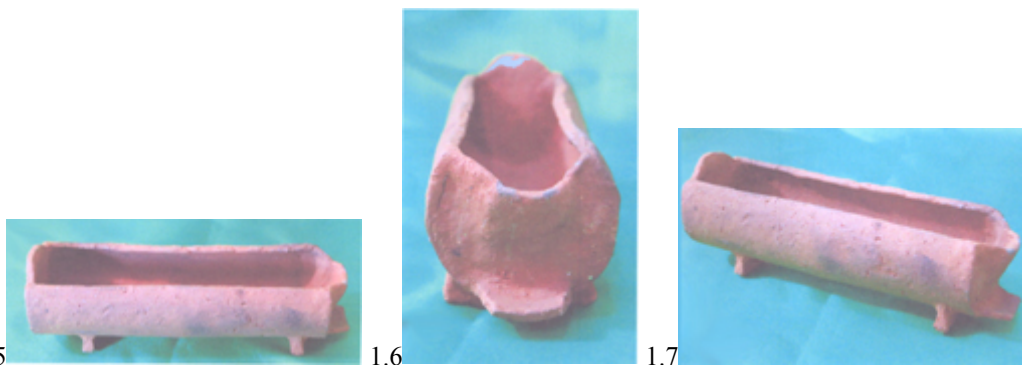
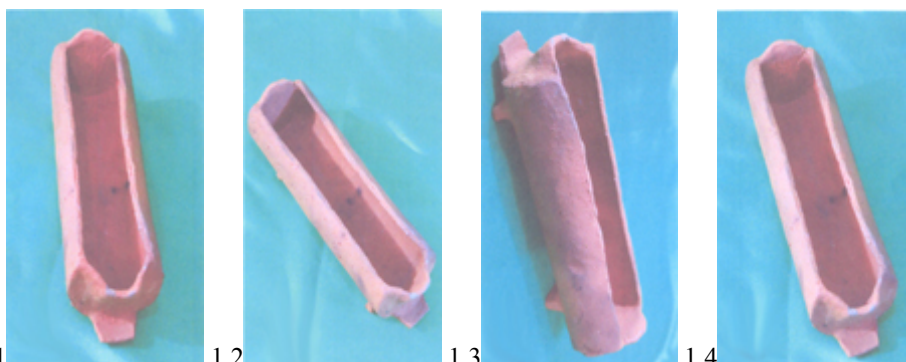
REGISTERED DESIGN

(11) **D 2015 628 S** (51) **32-00**
(10) AD 2015 815 S (44) 4(416)/2015
(21) AD 2014 000815
(22) 2014 08 26
(24) 2014 08 26
(28) 1
(18) 2019 08 26
(73) Lali Chumburidze (GE)
 Didi Dighomi, Televizorebis Karkhnis
 Mimdebared, I korp. b. 2, 0131, Tbilisi (GE)
(72) Lali Chumburidze (GE)
(54) **GRAPHIC SYMBOL**

DESIGNS REGISTERED ACCORDING TO THE ACCELERATED PROCEDURE

The decision can be appealed at the Chamber of Appeal of Sakpatenti within 3 months from the publication.

- (11) **D 2015 627 S** (51) **07-01**
(21) AD 2015 000851 (22) 2015 05 04
(24) 2015 05 04
(28) 1
(18) 2020 05 04
(73) Zaur Neparidze (GE)
Ninoshvilis q. 1b, 1200, Borjomi (GE)
(72) Zaur Neparidze (GE)
(74) Givi Akopashvili
(54) **CERAMIC JAR**
(55)





1.11

- (11) **D 2015 629 S** (51) **19-08**
 (21) AD 2015 000850 (22) 2015 04 27
 (24) 2015 04 27
 (28) 1
 (18) 2020 04 27
 (73) LTD "ABC PHARMACY" (GE)
 Sanapiros q. 10, 0108, Tbilisi (GE)
 (72) Enriko Beridze (GE)
 (74) Ani Bochorishvili
 (54) **SOCIAL PHARMACY DISCOUNT CARD**
 (55)



1.1



1.2

DESIGNS, WHICH HAVE BEEN REGISTERED WITH THE INTERNATIONAL BUREAU CLAIMING PRIORITY ON THE TERRITORY OF GEORGIA

The decision can be appealed at the Chamber of Appeal of Sakpatenti within 3 months from the publication or at the Mtskheta District Court Administrative Cases Board (Address: №17, Samkhedro Str., Mtskheta), within 1 month following the publication.

(11) DM/084522

(15) 2014 10 06

(22) 2014 10 06

(28) 4

(73) SWATCH AG (SWATCH SA) (SWATCH LTD.)

Jakob-Stämpfli-Strasse 94, CH-2502 Biel/Bienne (CH)

(85) CH

(86) CH

(87) CH

(88) CH

(89) CH

(81) II. BZ, MA. III. AL, AM, AZ, BA, CH, EM, GE, KG, KR, LI, MC, MD, ME, MK, MN, NO, OM, SG, TN, TR, UA

(72) 1, 3, 4: Rossana Boffi

Via Donatori di Sangue 3, 20852 Villasanta, Italie;

2: Francesca Errani

Via Raimondi 34, 22020 Gironico, Italie

(54) 1.-4. Wristwatches

(55)

(51) 10-02

(45) 2015/14 (2015 04 10)



(11) DM/084524

(15) 2014 10 06

(22) 2014 10 06

(28) 1

(73) SWATCH AG (SWATCH SA) (SWATCH LTD.)

Jakob-Stämpfli-Strasse 94, CH-2502 Biel/Bienne (CH)

(85) CH

(86) CH

(87) CH

(88) CH

(89) CH

(81) II. BZ, MA. III. AL, AM, AZ, BA, CH, EM, GE, KG, KR, LI, MC, MD, ME, MK, MN, NO, OM, SG, TN, TR, UA

(72) 1: Antonio FAZIO, "Ato"

Avenue de Cour 40, 1007 Lausanne, Suisse

(54) 1. Wristwatch

(55)

(51) 10-02

(45) 2015/14 (2015 04 10)



1.1



1.2

(11) DM/084525

(51) 10-02

(15) 2014 10 06

(45) 2015/14 (2015 04 10)

(22) 2014 10 06

(28) 1

(73) SWATCH AG (SWATCH SA) (SWATCH LTD.)

Jakob-Stämpfli-Strasse 94, CH-2502 Biel/Bienne (CH)

(85) CH

(86) CH

(87) CH

(88) CH

(89) CH

(81) II. BZ, MA. III. AL, AM, AZ, BA, CH, EM, GE, KG, KR, LI, MC, MD, ME, MK, MN, NO, OM, SG, TN, TR, UA

(72) Antonio FAZIO, "Ato"

Avenue de Cour 40, 1007 Lausanne, Suisse

(54) 1. Wristwatch

(55)

1.1



1.2



(11) DM/084526

(15) 2014 10 07

(22) 2014 10 07

(28) 1

(73) SWATCH AG (SWATCH SA) (SWATCH LTD.)

Jakob-Stämpfli-Strasse 94, CH-2502 Biel/Bienne (CH)

(85) CH

(86) CH

(87) CH

(88) CH

(89) CH

(81) II. BZ, MA. III. AL, AM, AZ, BA, CH, EM, GE, KG, KR, LI, MC, MD, ME, MK, MN, NO, OM, SG, TN, TR, UA

(72) 1: Margherita TAGLIA

Zahiringenstrasse 24, 8001 Zürich, Suisse

(54) 1. Wristwatch

(55)

(51) 10-02

(45) 2015/14 (2015 04 10)



1

(11) DM/084528

(15) 2014 10 07

(22) 2014 10 07

(28) 1

(73) SWATCH AG (SWATCH SA) (SWATCH LTD.)

Jakob-Stämpfli-Strasse 94, CH-2502 Biel/Bienne (CH)

(85) CH

(86) CH

(87) CH

(88) CH

(89) CH

(81) II. BZ, MA. III. AL, AM, AZ, BA, CH, EM, GE, KG, KR, LI, MC, MD, ME, MK, MN, NO, OM, SG, TN, TR, UA

(72) 1: Rossana Boffi

Via Donatori di Sangue 3, 20852 Villasanta, Italie

(54) 1. Wristwatch

(55)

(51) 10-02

(45) 2015/14 (2015 04 10)



(11) DM/084560

(15) 2014 10 06

(22) 2014 10 06

(28) 8

(73) SWATCH AG (SWATCH SA) (SWATCH LTD.)

Jakob-Stämpfli-Strasse 94, CH-2502 Biel/Bienne (CH)

(85) CH

(86) CH

(87) CH

(88) CH

(89) CH

(81) II. BZ, MA. III. AL, AM, AZ, BA, CH, EM, GE, KG, KR, LI, MC, MD, ME, MK, MN, NO, OM, SG, TN, TR, UA

(72) 1, 2, 7, 8: Min KIM

St. Alban-Ring 238, 4052 Basel, Suisse;

3: Danilo SALA

Via L. Muratori 9, 20050 Sovico, Italie;

4, 5, 6: Antonio FAZIO, "Ato"

Avenue de Cour 40, 1007 Lausanne, Suisse

(54) 1.-8. Wristwatches

(55)

(51) 10-02

(45) 2015/14 (2015 04 10)



1.1



1.2



2.1



2.2



3



4



5



6



7.1



7.2



8

(11) DM/084561

(51) 10-07

(15) 2014 10 07

(45) 2015/14 (2015 04 10)

(22) 2014 10 07

(28) 3

(73) SWATCH AG (SWATCH SA) (SWATCH LTD.)

Jakob-Stämpfli-Strasse 94, CH-2502 Biel/Bienne (CH)

(85) CH

(86) CH

(87) CH

(88) CH

(89) CH

(81) II. BZ, MA, III. AL, AM, AZ, BA, CH, EM, GE, KG, KR, LI, MC, MD, ME, MK, MN, NO, OM, SG, TN, TR, UA

(72) 3: Rossana Boffi

Via Donatori di sangue 3, 20852 Villasanta(MB), Italie;

1: Andrea Arrigoni

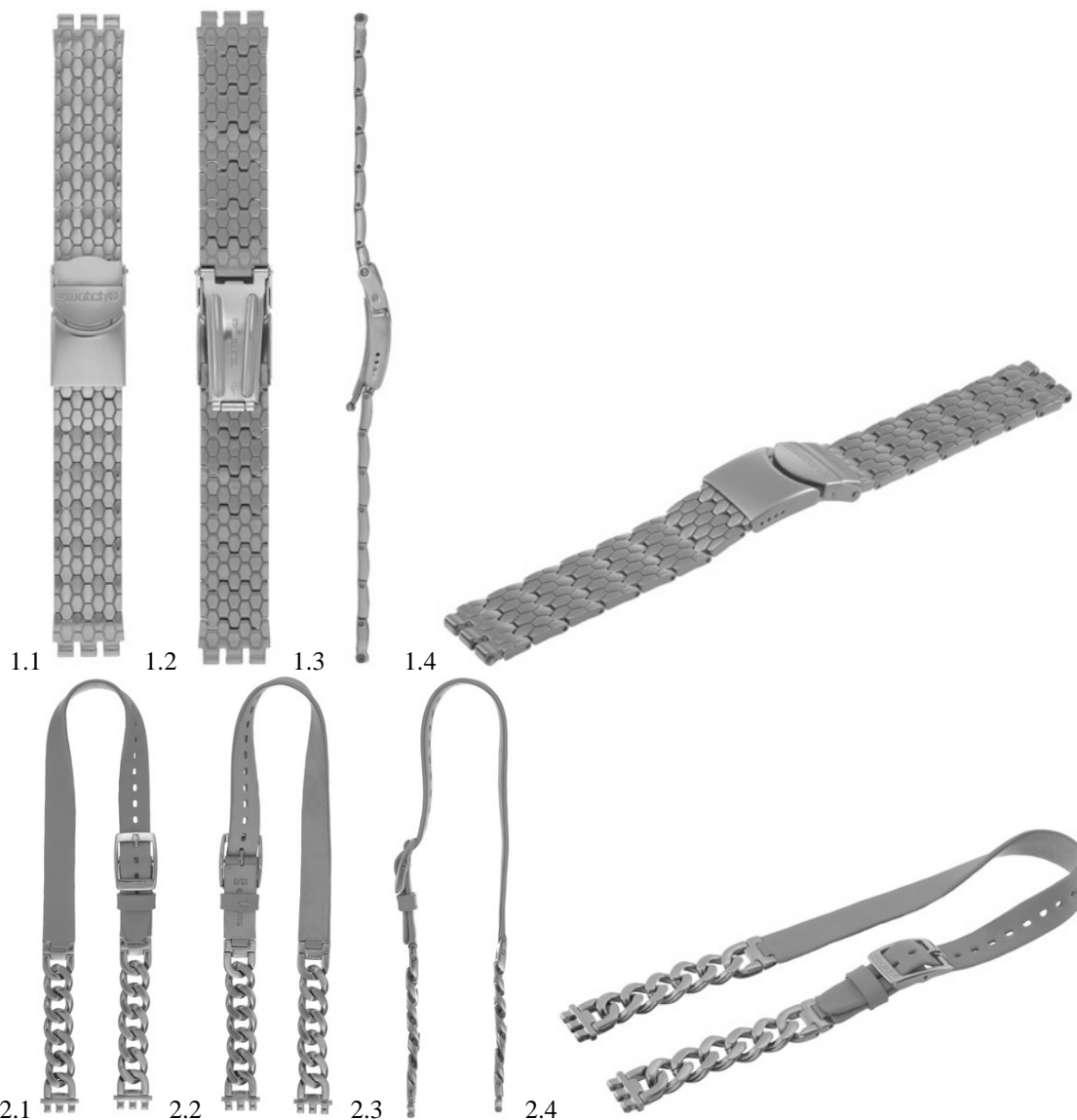
Via Ponte Seveso 39, 20125Milano, Italie;

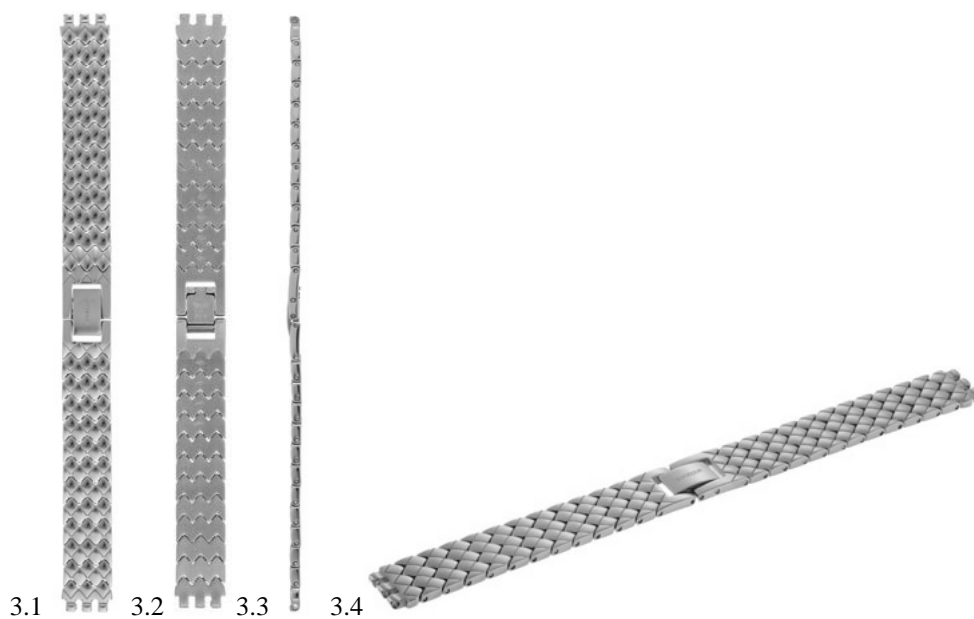
2: Min Kim

St. Alban-Ring 238,4052 Basel, Suisse

(54) 1.-3. Watch bracelets

(55)



**(11) DM/084564**

(15) 2014 10 07

(22) 2014 10 07

(28) 1

(73) SWATCH AG (SWATCH SA) (SWATCH LTD.)

Jakob-Stämpfli-Strasse 94, CH-2502 Biel/Bienne (CH)

(85) CH

(86) CH

(87) CH

(88) CH

(89) CH

(81) II. BZ, MA. III. AL, AM, AZ, BA, CH, EM, GE, KG, KR, LI, MC, MD, ME, MK, MN, NO, OM, SG, TN, TR, UA

(72) 1: Patrizio VITA

Via Congiunte Dx 30, 04010 Latina, Italie

(54) 1. Wristwatch

(55)

(51) 10-02

(45) 2015/14 (2015 04 10)



1

(11) DM/084565

(15) 2014 10 07

(22) 2014 10 07

(28) 2

(73) SWATCH AG (SWATCH SA) (SWATCH LTD.)

Jakob-Stämpfli-Strasse 94, CH-2502 Biel/Bienne (CH)

(85) CH

(86) CH

(87) CH

(88) CH

(89) CH

(81) II. BZ, MA, III. AL, AM, AZ, BA, CH, EM, GE, KG, KR, LI, MC, MD, ME, MK, MN, NO, OM, SG, TN, TR, UA

(72) 1-2: Rossana BOFFI

Via Donatori di sangue 3, 20852 Villasanta (MB), Italie

(54) 1.-2. Wristwatches

(55)

(51) 10-02

(45) 2015/14 (2015 04 10)



(11) DM/084574

(51) 03-01

(15) 2014 10 07

(45) 2015/14 (2015 04 10)

(22) 2014 10 07

(28) 1

(73) SWATCH AG (SWATCH SA) (SWATCH LTD.)

Jakob-Stämpfli-Strasse 94, CH-2502 Biel/Bienne (CH)

(85) CH

(86) CH

(87) CH

(88) CH

(89) CH

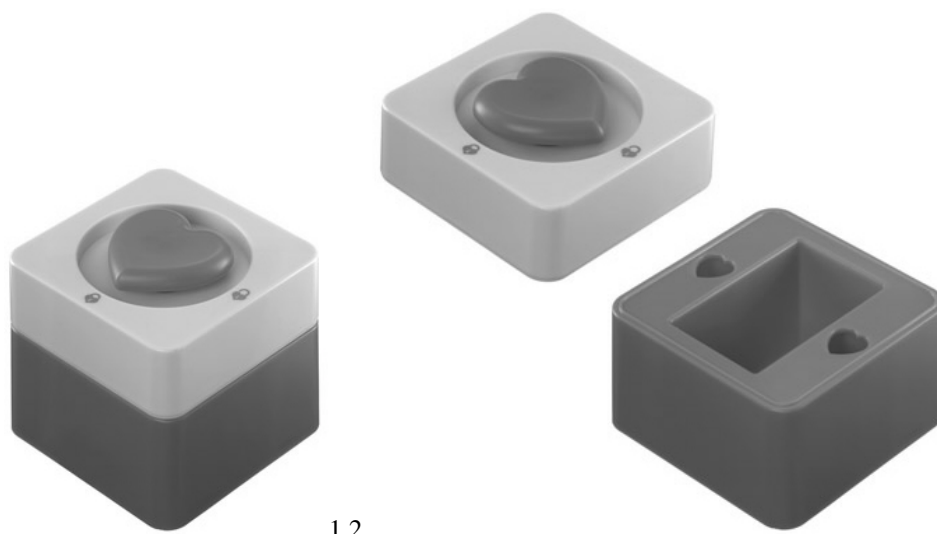
(81) II. BZ, MA. III. AL, AM, AZ, BA, CH, EM, GE, KG, KR, LI, MC, MD, ME, MK, MN, NO, OM, SG, TN, TR, UA

(72) 1: Min Kim

St. Alban-Ring 238, 4052 Basel, Suisse

(54) 1. Watch presentation case

(55)



(11) DM/084629

(51) 09-03

(15) 2014 10 06

(45) 2015/14 (2015 04 10)

(22) 2014 10 06

(28) 1

(30) 07.04.2014; f 2014 0117; RO

(73) CARNU ANDREI MARCEL

5 George Calinescu str., ap. 2, Sector 1, Bucharest (RO)

(85) –

(86) RO, EM

(87) RO, EM

(88) –

(89) RO

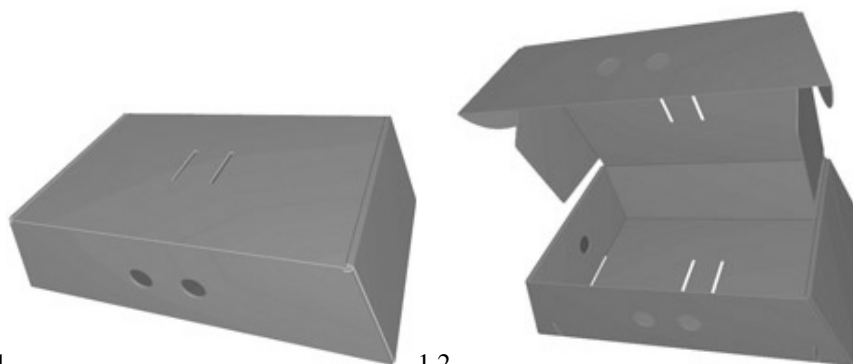
(81) II. MA. III. AL, AM, AZ, BA, CH, EE, EG, EM, GE, IS, KR, LI, LT, LV, MD, MK, NO, OA, OM, RS, SG, SI, TN, TR, UA

(72) 1: Carnu Andrei Marcel

5 George Calinescu str., ap. 2, Sector 1, Bucharest, Romania

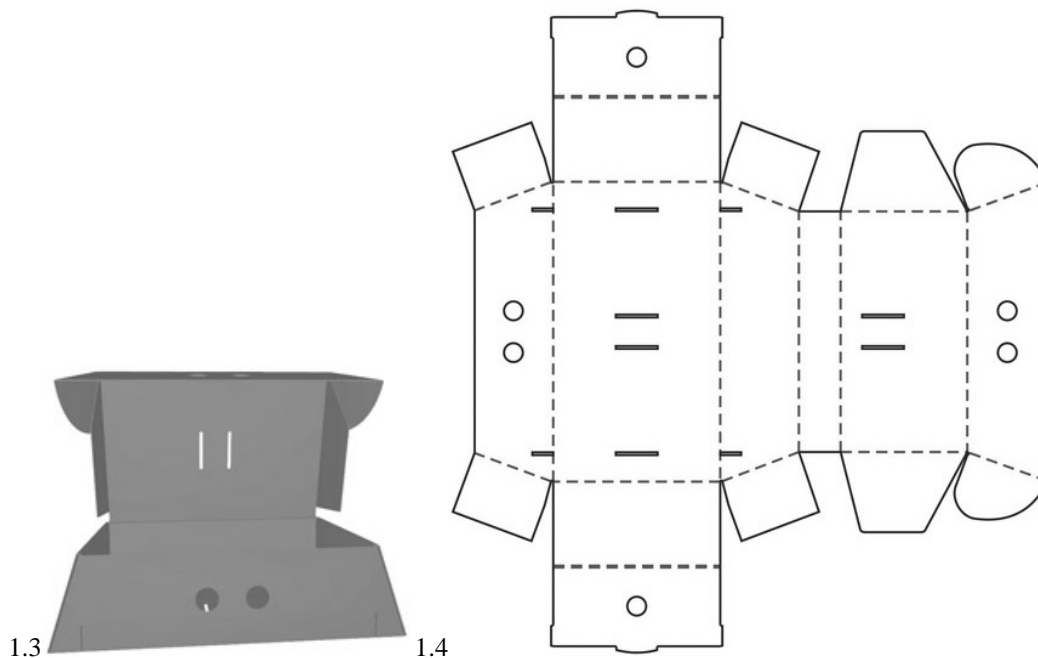
(54) 1. Box

(55)



1.1

1.2



1.3

1.4

(11) DM/084634**(51) 10-02**

(15) 2014 10 07

(45) 2015/14 (2015 04 10)

(22) 2014 10 07

(28) 14

(73) ETA SA MANUFACTURE HORLOGÈRE SUISSE

Schild-Rust-Strasse 17, CH-2540 Grenchen (CH)

(85) CH

(86) CH

(87) CH

(88) CH

(89) CH

(81) II. BZ, MA. III. AL, AM, AZ, BA, CH, EM, GE, KG, KR, LI, MC, MD, ME, MK, MN, NO, OM, SG, TN, TR, UA

(72) 1, 2, 3, 5, 6: Michaela KOCH

Albrecht-Achilles-Strasse 2, 10709 Berlin, Allemagne;

4, 7, 11, 12, 13, 14: Véronique STOLL

Chemin de la Marnière 14A, 2504 Biel/Bienne, Suisse;

9, 13, 14: Damien GOYET

45, rue Principale, 68480 Winkel, France;

8, 10: Chiara GALVAGNI

Via al Cristo 1, 38068 Rovereto (TN), Italie

(54) 1.-14. Wristwatches

(55)





(11) DM/084635

(15) 2014 10 08

(22) 2014 10 08

(28) 2

(73) SWATCH AG (SWATCH SA) (SWATCH LTD.)

Jakob-Stämpfli-Strasse 94, CH-2502 Biel/Bienne (CH)

(85) CH

(86) CH

(87) CH

(88) CH

(89) CH

(81) II. BZ, MA, III. AL, AM, AZ, BA, CH, EM, GE, KG, KR, LI, MC, MD, ME, MK, MN, NO, OM, SG, TN, TR, UA

(72) 1: Glauco Della Sciucca

Via del Convento 11, 66023 Francavilla al Mare, Italie;

2: Margherita TAGLIA

Zahiringenstrasse 24, 8001 Zürich, Suisse

(54) 1.-2. Wristwatches

(55)



1.1



1.2



2.1



2.2

(11) DM/084647

(15) 2014 10 07

(22) 2014 10 07

(28) 3

(73) SWATCH AG (SWATCH SA) (SWATCH LTD.)

Jakob-Stämpfli-Strasse 94, CH-2502 Biel/Bienne (CH)

(85) CH

(86) CH

(87) CH

(88) CH

(89) CH

(81) II. BZ, MA. III. AL, AM, AZ, BA, CH, EM, GE, KG, KR, LI, MC, MD, ME, MK, MN, NO, OM, SG, TN, TR, UA

(72) 1-3: Antonio FAZIO, "Ato"

Avenue de Cour 40, 1007 Lausanne, Suisse

(54) 1.-3. Wristwatches

(55)



**(11) DM/084648**

(15) 2014 10 07

(22) 2014 10 07

(28) 7

(73) SWATCH AG (SWATCH SA) (SWATCH LTD.)

Jakob-Stämpfli-Strasse 94, CH-2502 Biel/Bienne (CH)

(85) CH

(86) CH

(87) CH

(88) CH

(89) CH

(81) II. BZ, MA. III. AL, AM, AZ, BA, CH, EM, GE, KG, KR, LI, MC, MD, ME, MK, MN, NO, OM, SG, TN, TR, UA

(72) 1: Danilo SALA

Via L. Muratori 9, 20050 Sovico, Italie;

2: Claudia CARIERI

Via Enrico Toti 28, 20862 Arcore, Italie;

3: Rossana BOFFI

Via Donatori di sangue 3, 20852 Villasanta, Italie;

4: Ylenia AGATE

Via San Tomaso 96, 24121 Bergamo, Italie;

5: Andrea ARRIGONI

Via Ponte Seveso 39, 20125 Milano, Italie;

6: Satu Kontinen, "SATUKALA"

Vattuniemenkatu 22 a 19, 00210 Helsinki, Finlande;

7: Tarik Arnaoutovic

Stergade 52B, St 1, 2200 Copenhagen, Danemark

(54) 1.-7. Wristwatches

(51) 10-02

(45) 2015/14 (2015 04 10)

(55)



(11) DM/084649

(15) 2014 10 07

(22) 2014 10 07

(28) 1

(73) SWATCH AG (SWATCH SA) (SWATCH LTD.)

Jakob-Stämpfli-Strasse 94, CH-2502 Biel/Bienne (CH)

(85) CH

(86) CH

(87) CH

(88) CH

(89) CH

(81) II. BZ, MA. III. AL, AM, AZ, BA, CH, EM, GE, KG, KR, LI, MC, MD, ME, MK, MN, NO, OM, SG, TN, TR, UA

(72) 1: Antonio FAZIO, "Ato"

Avenue de Cour 40, 1007 Lausanne, Suisse

(54) 1. Wristwatch

(55)



(11) DM/084650

(51) 10-02

(15) 2014 10 07

(45) 2015/14 (2015 04 10)

(22) 2014 10 07

(28) 6

(73) SWATCH AG (SWATCH SA) (SWATCH LTD.)

Jakob-Stämpfli-Strasse 94, CH-2502 Biel/Bienne (CH)

(85) CH

(86) CH

(87) CH

(88) CH

(89) CH

(81) II. BZ, MA. III. AL, AM, AZ, BA, CH, EM, GE, KG, KR, LI, MC, MD, ME, MK, MN, NO, OM, SG, TN, TR, UA

(72) 1, 2, 3, 4, 6: Min Kim

St. Alban-Ring 238, 4052 Basel, Suisse;

5: Damien Goyet, Rue Principale 45, 68480 Winkel, France

(54) 1.-6. Wristwatches

(55)



1.1



1.2



2.1



2.2



3.1



3.2



4.1



4.2



5.1



5.2



6.1



6.2

(11) DM/084651**(51) 10-02**

(15) 2014 10 07

(45) 2015/14 (2015 04 10)

(22) 2014 10 07

(28) 9

(73) SWATCH AG (SWATCH SA) (SWATCH LTD.)

Jakob-Stämpfli-Strasse 94, CH-2502 Biel/Bienne (CH)

(85) CH

(86) CH

(87) CH

(88) CH

(89) CH

(81) II. BZ, MA, III. AL, AM, AZ, BA, CH, EM, GE, KG, KR, LI, MC, MD, ME, MK, MN, NO, OM, SG, TN, TR, UA

(72) 1, 2, 4: Antonio FAZIO, "Ato"

Avenue de Cour 40, 1007 Lausanne, Suisse;

3, 5: Danilo SALA

Via L. Muratori 9, 20050 Sovico, Italie;

6, 7: Andrea ARRIGONI

Via Ponte Seveso 39, 20125 Milano, Italie;

8: Min KIM

St. Alban-Ring 238, 4052 Basel, Suisse;

9: Rossana BOFFI

Via Donatori di Sangue 3, 20852 Villasanta, Italie

(54) 1.-9. Wristwatches

(55)



1.1



1.2



2.1

2.2



3.1



3.2



4.1



4.2



5.1



5.2



6.1







8.2

9

(11) DM/084670**(51) 10-02, 07**

(15) 2014 10 07

(45) 2015/14 (2015 04 10)

(22) 2014 10 07

(28) 11

(73) THE SWATCH GROUP MANAGEMENT SERVICES AG

(THE SWATCH GROUP MANAGEMENT SERVICES SA) (THE SWATCH GROUP MANAGEMENT SERVICES LTD.)

Seevorstadt 6, CH-2502 BIEL/BIENNE (CH)

(85) CH

(86) CH

(87) CH

(88) CH

(89) CH

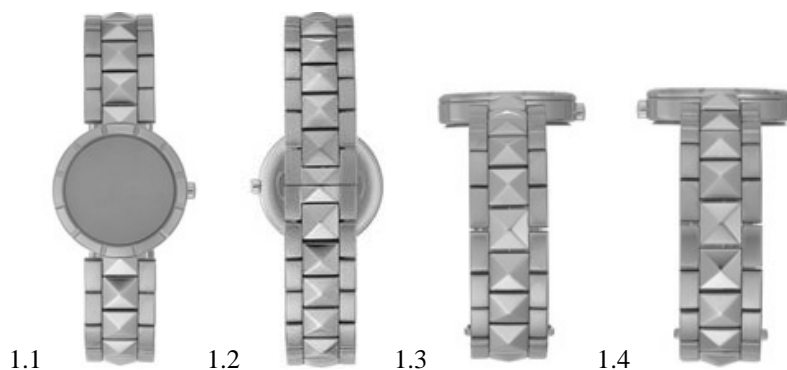
(81) II. BZ, MA. III. AL, AM, AZ, BA, CH, EM, GE, KG, KR, LI, MC, MD, ME, MK, MN, NO, OM, SG, TN, TR, UA

(72) 1-11: Fernando SOARES

5, rue Fleury, 2000 Neuchâtel, Switzerland

(54) 1.-5. Watch cases with bracelets; 6. Wristwatch; 7. Watch case; 8. Watch case with bracelet; 9. Watch case; 10. Watch; 11. Watch case with bracelet

(55)



1.1

1.2

1.3

1.4



1.5



1.6



1.7



1.8



2.1



2.2



2.3



2.4



2.5



2.6



2.7



3.1



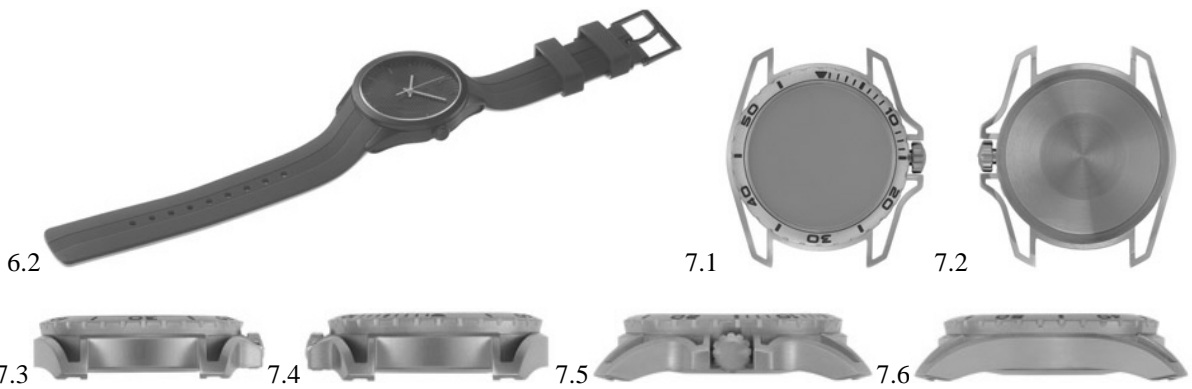
3.2

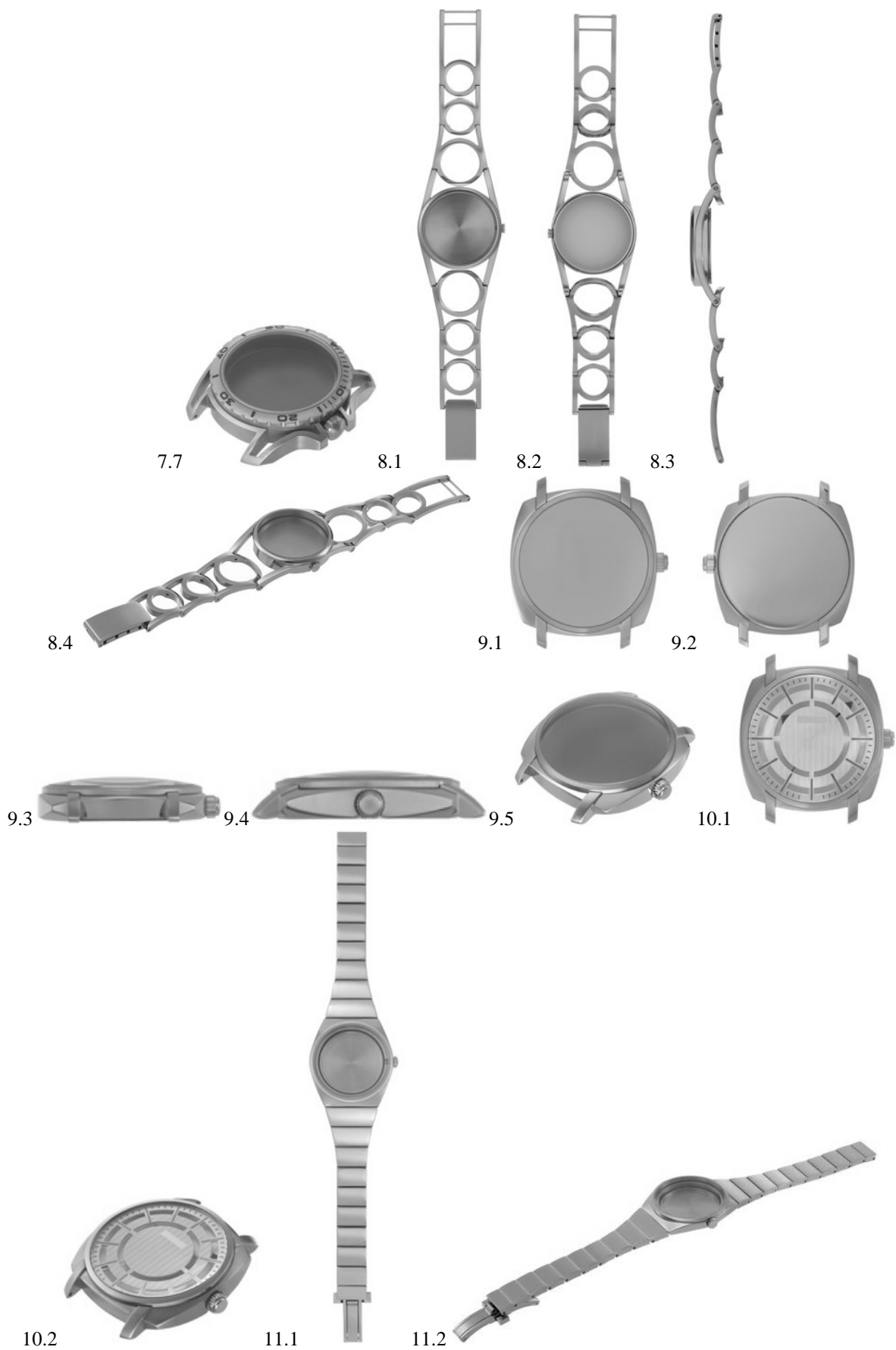


4.1



4.2





(11) DM/084728

(15) 2014 10 06

(22) 2014 10 06

(28) 7

(73) SWATCH AG (SWATCH SA) (SWATCH LTD.)

Jakob-Stämpfli-Strasse 94, CH-2502 Biel/Bienne (CH)

(85) CH

(86) CH

(87) CH

(88) CH

(89) CH

(81) II. BZ, MA. III. AL, AM, AZ, BA, CH, EM, GE, KG, KR, LI, MC, MD, ME, MK, MN, NO, OM, SG, TN, TR, UA

(72) 1, 3: Min KIM

St. Alban-Ring 238, 4052 Basel, Suisse;

2, 4, 5, 6: Antonio FAZIO, "Ato"

Avenue de Cour 40, 1007 Lausanne, Suisse

(54) 1.-6. Wristwatches

(55)



(11) DM/084729

(51) 20-02

(15) 2014 10 06

(45) 2015/14 (2015 04 10)

(22) 2014 10 06

(28) 4

(73) ETA SA MANUFACTURE HORLOGÈRE SUISSE

Schild-Rust-Strasse 17, CH-2540 Grenchen (CH)

(85) CH

(86) CH

(87) CH

(88) CH

(89) CH

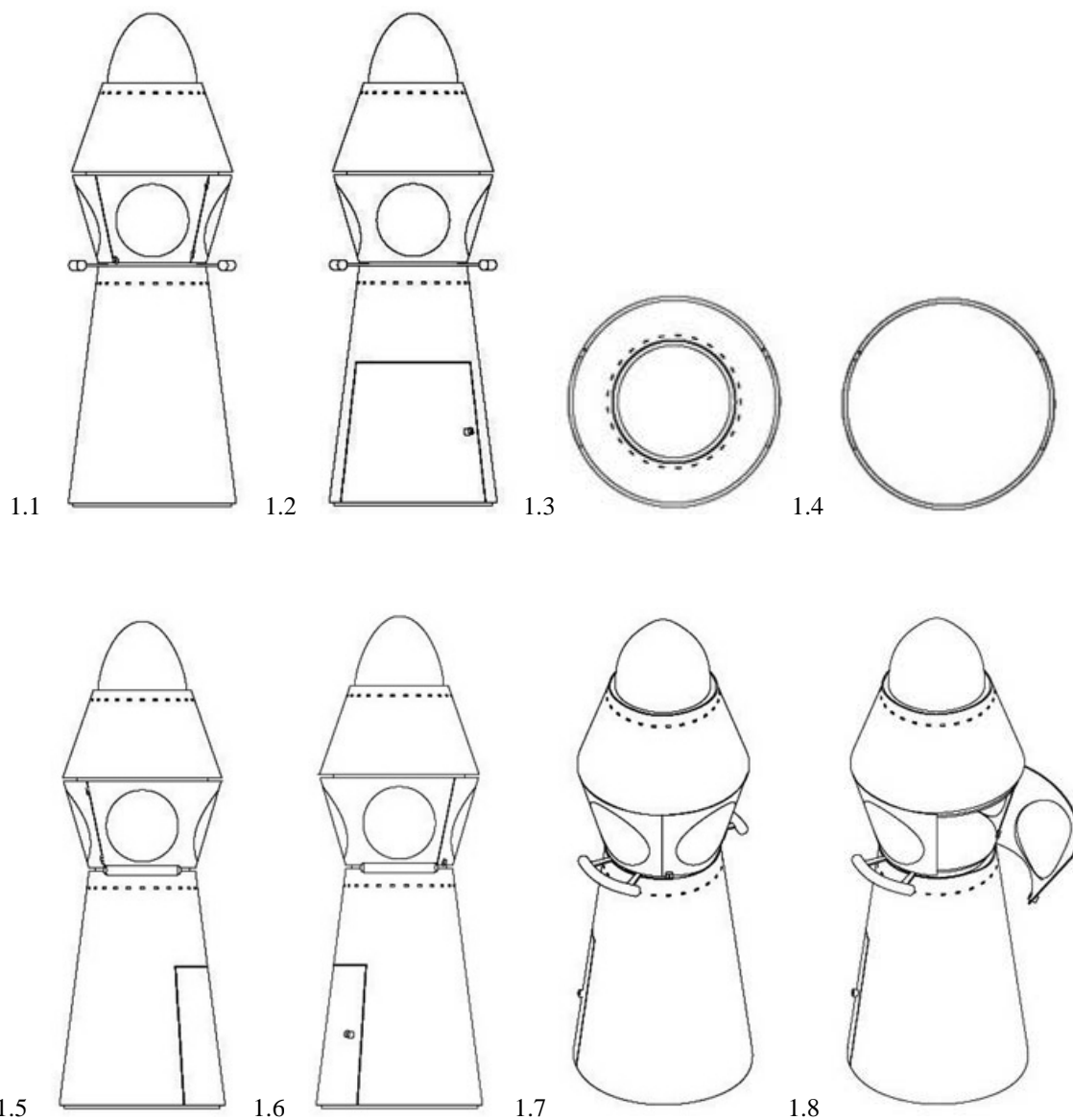
(81) II. BZ, MA, III. AL, AM, AZ, BA, CH, EM, GE, KG, KR, LI, MC, MD, ME, MK, MN, NO, OM, SG, TN, TR, UA

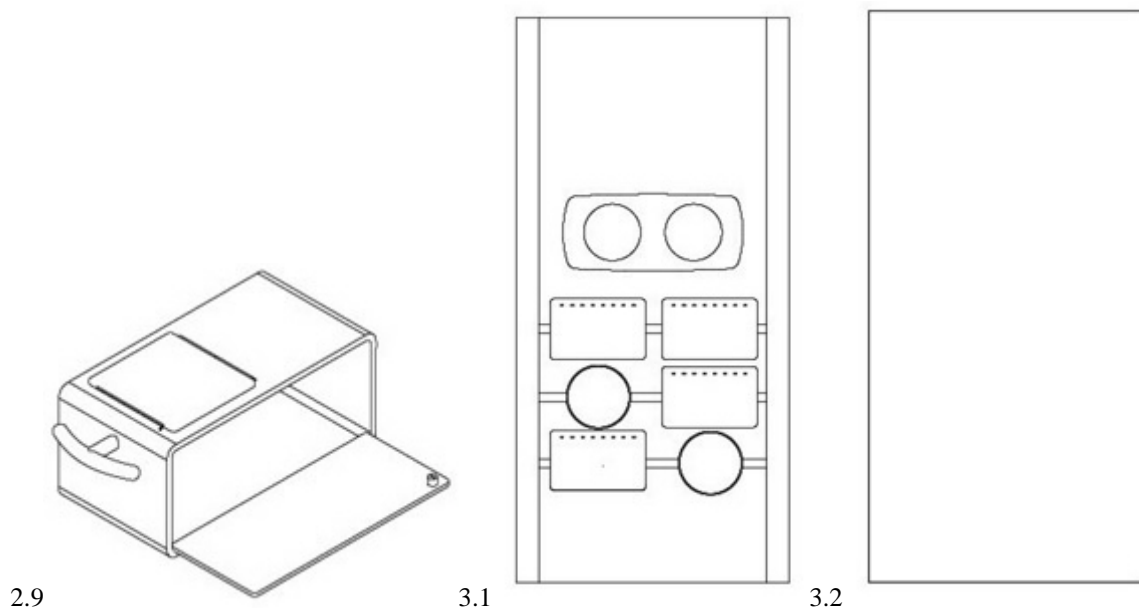
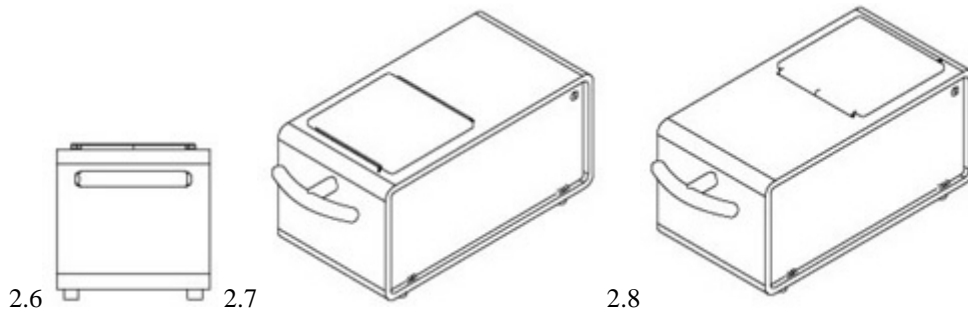
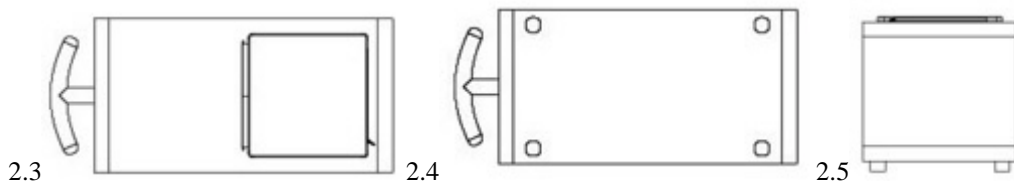
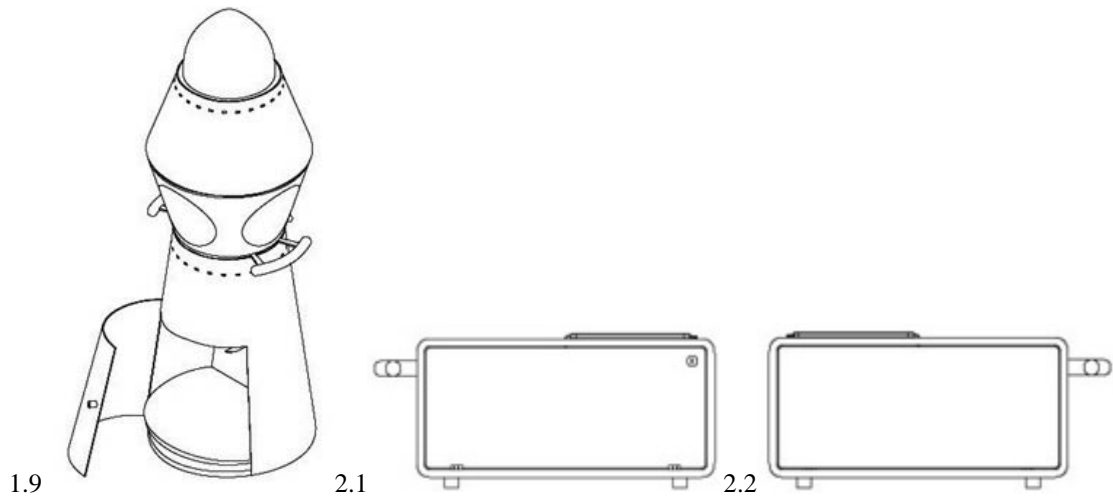
(72) 1-4: Daniel SCHÜRER

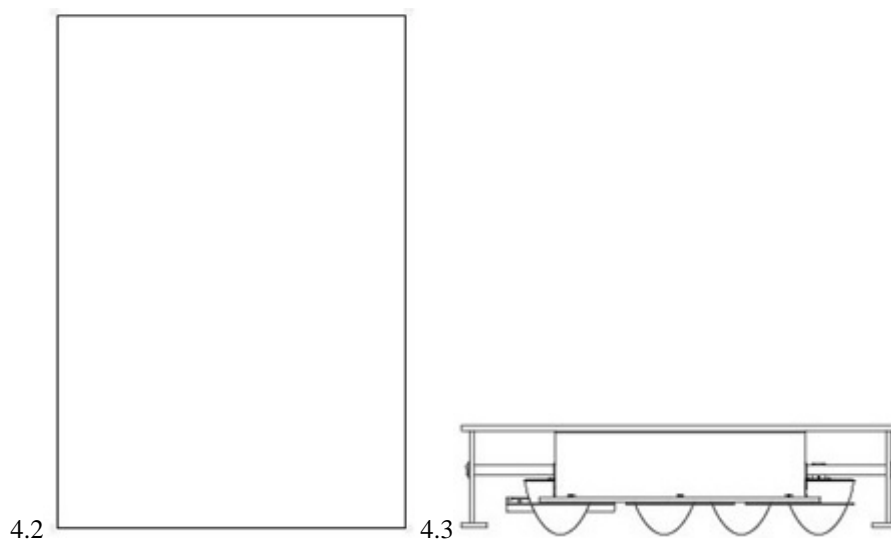
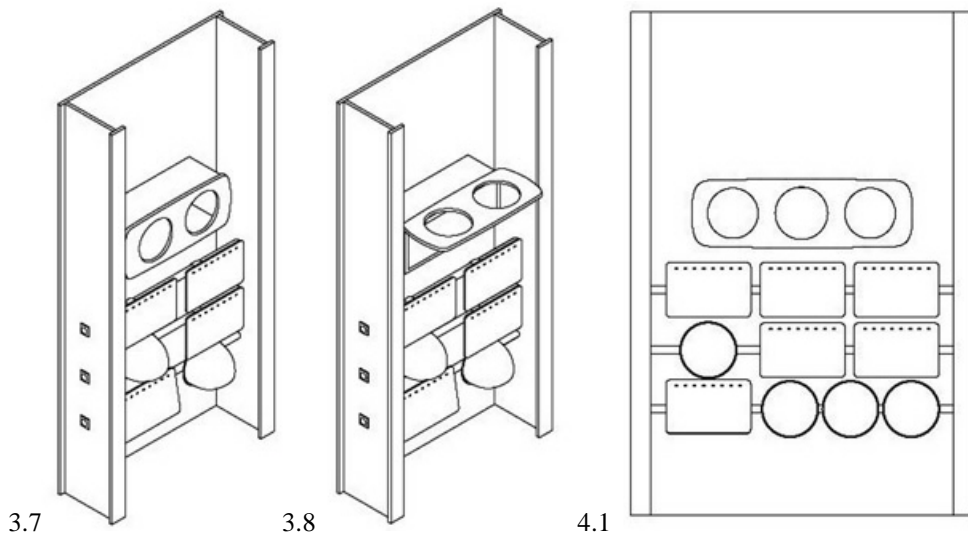
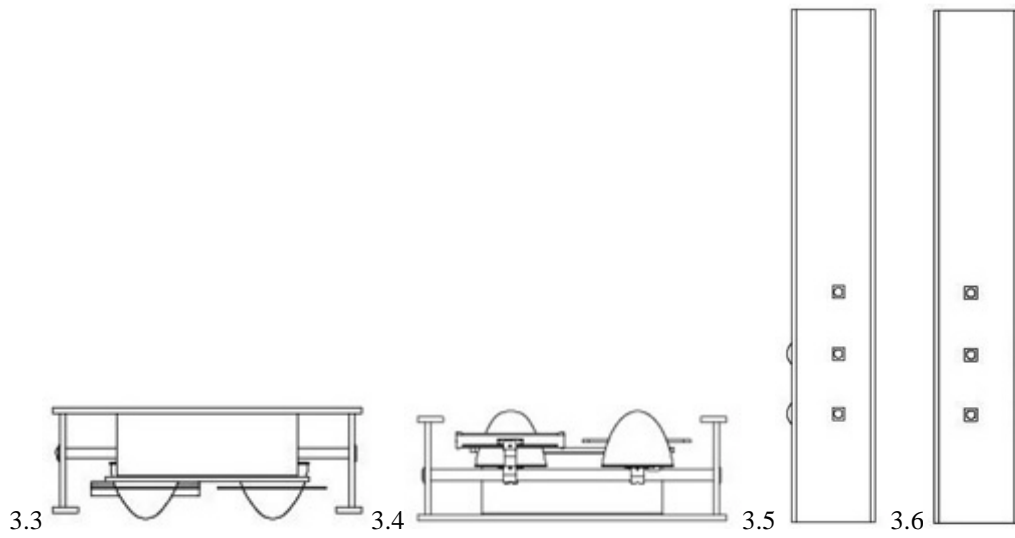
Avenue de Morges 109, 1004 Lausanne, Suisse

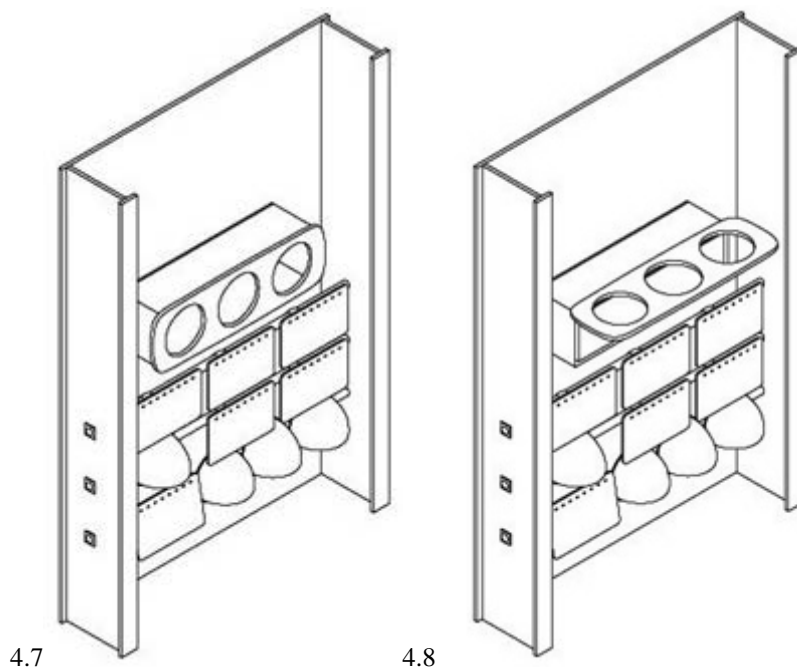
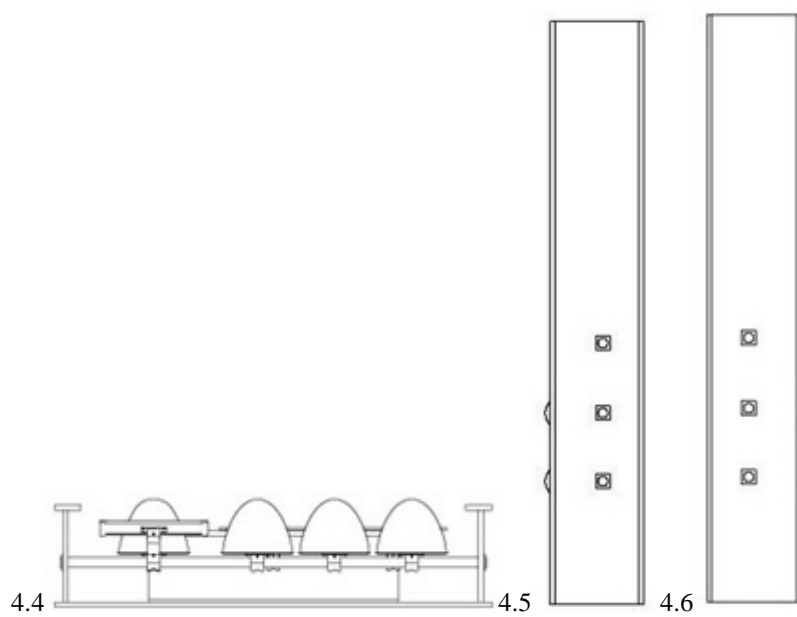
(54) 1.-4. Display units

(55)









(11) DM/084732

(51) 10-02

(15) 2014 10 06

(45) 2015/14 (2015 04 10)

(22) 2014 10 06

(28) 6

(73) SWATCH AG (SWATCH SA) (SWATCH LTD.)

Jakob-Stämpfli-Strasse 94, CH-2502 Biel/Bienne (CH)

(85) CH

(86) CH

(87) CH

(88) CH

(89) CH

(81) II. BZ, MA, III. AL, AM, AZ, BA, CH, EM, GE, KG, KR, LI, MC, MD, ME, MK, MN, NO, OM, SG, TN, TR, UA

(72) 1: Andrea ARRIGONI

Via Ponte Seveso 39, 20125 Milano, Italie;

2: Danilo SALA, Via L. Muratori 9, 20050 Sovico (MB), Italie;

3, 6: Antonio FAZIO, "Ato"

Avenue de Cour 40, 1007 Lausanne, Suisse; 4-5: Rossana BOFFI, Via Donatori di sangue 3, 20852

Villasanta (MB), Italie

(54) 1.-6. Wristwatches

(55)





(11) DM/085101

(51) 11-01

(15) 2014 10 07

(45) 2015/14 (2015 04 10)

(22) 2014 10 07

(28) 12

(73) THE SWATCH GROUP MANAGEMENT SERVICES AG

(THE SWATCH GROUP MANAGEMENT SERVICES SA) (THE SWATCH GROUP MANAGEMENT SERVICES LTD.) Seevorstadt 6, CH-2502 BIEL/BIENNE (CH)

(85) CH

(86) CH

(87) CH

(88) CH

(89) CH

(81) II. BZ, MA. III. AL, AM, AZ, BA, CH, EM, GE, KG, KR, LI, MC, MD, ME, MK, MN, NO, OM, SG, TN, TR, UA

(72) 1-4: Claire MCGILL

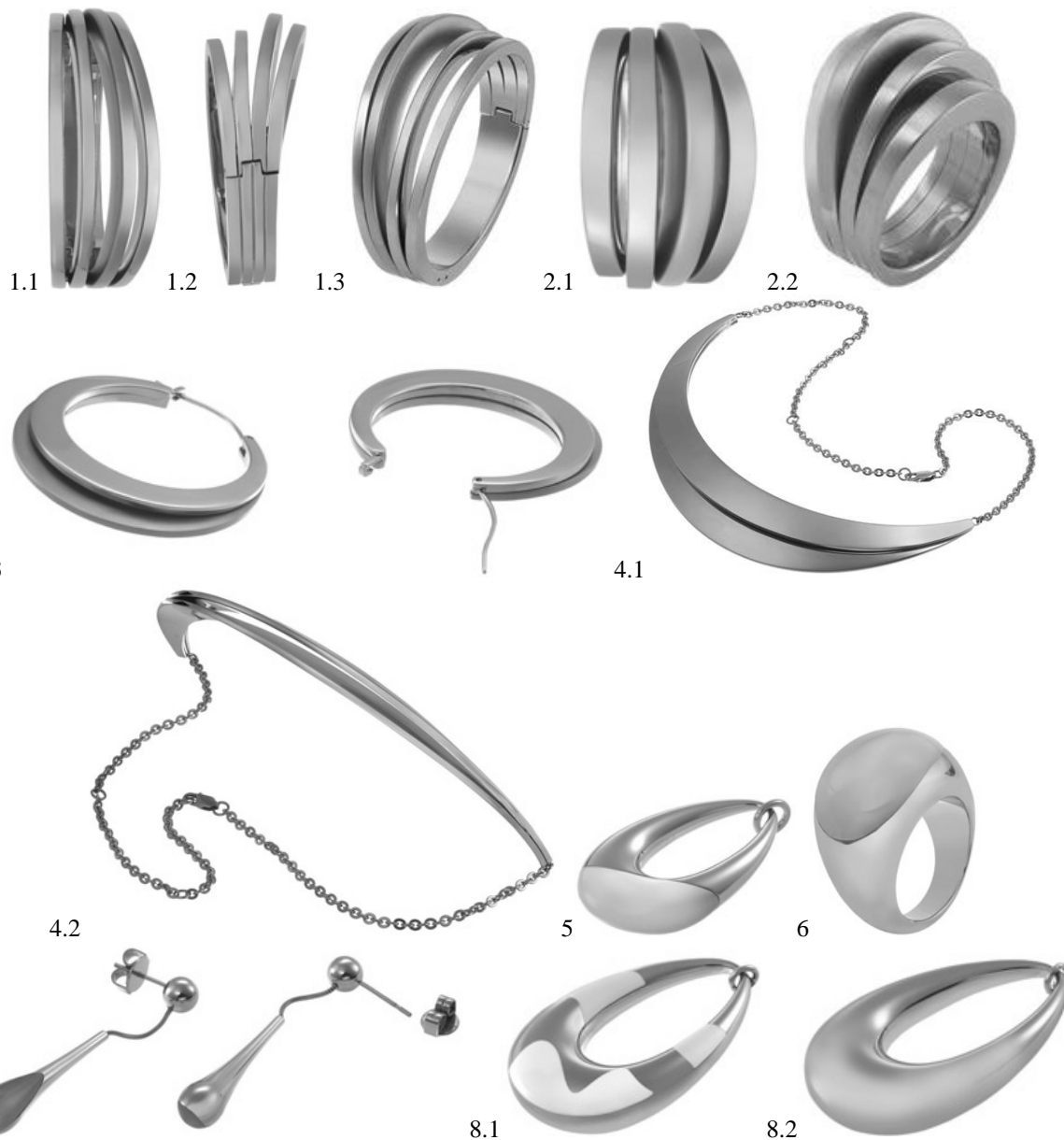
49, rue des Parcs, 2000 Neuchâtel, Switzerland;

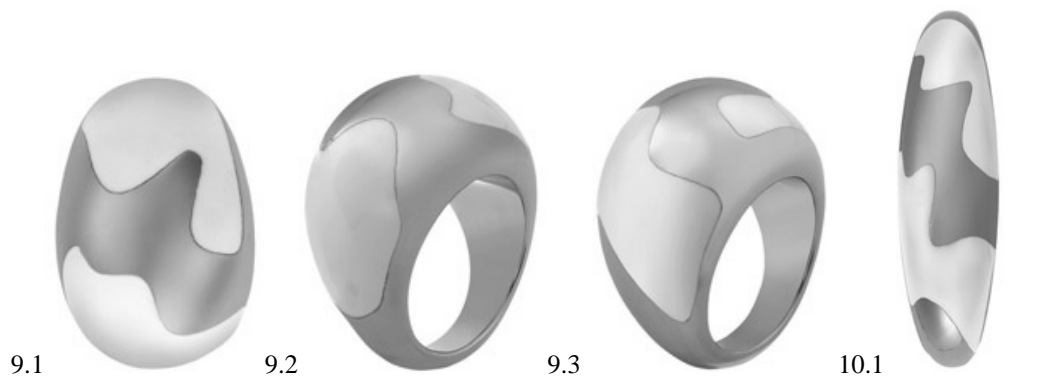
5-12: Emmanuel DIETRICH

Argeristrasse 66, 6300 Zug, Switzerland

(54) 1.-12. Articles of jewellery

(55)





(11) DM/085951

(51) 09-01

(15) 2015 03 24

(45) 2015/14 (2015 04 10)

(22) 2015 03 24

(28) 1

(30) 26.09.2014; 002546333-0001; EM

(73) BEAUTE PRESTIGE INTERNATIONAL

28-32 avenue Victor Hugo, F-75116 PARIS (FR)

(85) --

(86) FR, EM

(87) FR, EM

(88) --

(89) FR

(81) II. KP. III. AM, CH, EG, GE, KR, LI, ME, NO, RS, SG, TR, UA

(72) 1: Martin SZEKELY

117 rue des Pyrénées, 75020 Paris, France

(54) 1. Bottle with its cap

(55)



TRADEMARKS

APPLICATIONS FILED UNDER THE NATIONAL PROCEDURE APPROVED FOR REGISTRATION

The decision can be appealed at the Chamber of Appeal of Sakpatenti within 3 months from the publication or at the Mtskheta District Court Administrative Cases Board (Address: №17, Samkhedro St., Mtskheta), within 1 month following the publication.

(260) AM 2015 76615 A
(210) AM 76615
(220) 2014 04 08
(731) HELLENICA COSMETIC PRODUCTS
EXPLOITATION S.A.
7, Chimaras str. 151, 25 Maroussi, Athens,
Greece
(740) Ketevan Tsakadze
(540)



(591) Grey, white
(531) 26.04.24, 27.05.10, 27.05.24, 26.04.22
(526) The trademark is protected as a whole. "PARIS"
and "hair professionals" shall not be subject to inde-
pendent legal protection.
(511) 3

(260) AM 2015 77193 A
(210) AM 77193
(220) 2014 05 20
(310) 86192578
(320) 2014 02 13
(330) US
(731) AMGEN INC.
One Amgen Center Drive, Thousand-Ouks,
CA 91320-1799, USA
(740) Shalva Gvaramadze
(540)

DOSEALLY

(511) 10

(260) AM 2015 77194 A
(210) AM 77194
(220) 2014 05 20
(310) 86192600
(320) 2014 02 13
(330) US
(731) AMGEN INC.
One Amgen Center Drive, Thousand-Ouks,
CA 91320-1799, USA

(740) Shalva Gvaramadze
(540)

RELYTOUCH

(511) 10

(260) AM 2015 77195 A
(210) AM 77195
(220) 2014 05 20
(310) 86192607
(320) 2014 02 13
(330) US
(731) AMGEN INC.
One Amgen Center Drive, Thousand-Ouks,
CA 91320-1799, USA
(740) Shalva Gvaramadze
(540)

SECURETIME

(511) 10

(260) AM 2015 77259 A
(210) AM 77259
(220) 2014 05 23
(731) GILEAD SCIENCES IRELAND UC
IDA Business and Technology Park,
Carrigtohill, Co. Cork, Ireland
(740) Shalva Gvaramadze
(540)

ЗИДЕЛИГ

(511) 5

(260) AM 2015 77292 A
(210) AM 77292
(220) 2014 05 28
(731) THE GILLETTE COMPANY
One Gillette Park, Boston Massachusetts
02127, USA
(740) Shalva Gvaramadze
(540)

COSMO PINK

(511) 8

(260) AM 2015 77330 A
 (210) AM 77330
 (220) 2014 05 29
 (731) ABDI İBRAHİM İLAÇ SANAYİ VE
 TİCARET ANONİM ŞİRKETİ
 Reşitpaşa Mahallesi Eski Büyükdere Caddesi
 No:4 34467 Maslak-Sarıyer-İstanbul, Turkey
 (740) Tamaz Shilakadze
 (540)

ფიქსფლოუ

(511) 5

(260) AM 2015 77331 A
 (210) AM 77331
 (220) 2014 05 29
 (731) ABDI İBRAHİM İLAÇ SANAYİ VE
 TİCARET ANONİM ŞİRKETİ
 Reşitpaşa Mahallesi Eski Büyükdere Caddesi
 No:4 34467 Maslak-Sarıyer-İstanbul, Turkey
 (740) Tamaz Shilakadze
 (540)

FIXFLOW

(511) 5

(260) AM 2015 77344 A
 (210) AM 77344
 (220) 2014 05 30
 (731) LTD "SAAMO"
 Leselidzis q. 5/7, 0105, Tbilisi, Georgia
 (540)

КАХЕТИНСКОЕ ЧУДО

(526) The trademark is protected as a whole. "КАХЕТИНСКОЕ" shall not be subject to independent legal protection.

(511) 33

(260) AM 2015 77410 A
 (210) AM 77410
 (220) 2014 06 04
 (731) Giorgi Chirgadze
 Panaskertelis q. 17, b. 33, 0194, Tbilisi, Georgia
 (740) Giorgi Chirgadze
 (540)

ჭაშნაგირი
chashnagiri

(511) 43

(260) AM 2015 77809 A
 (210) AM 77809
 (220) 2014 07 04
 (731) BERLIN-CHEMIE AG
 Glienicker Weg 125 12489 Berlin, Germany
 (740) George Gvinjilia

(540)

ASTOMIN

(511) 3, 5, 10

(260) AM 2015 77810 A
 (210) AM 77810
 (220) 2014 07 04
 (731) BERLIN-CHEMIE AG
 Glienicker Weg 125 12489 Berlin, Germany
 (740) George Gvinjilia
 (540)

АСТОМИН

(511) 3, 5, 10

(260) AM 2015 77811 A
 (210) AM 77811
 (220) 2014 07 04
 (731) BERLIN-CHEMIE AG
 Glienicker Weg 125 12489 Berlin, Germany
 (740) George Gvinjilia
 (540)

ANAFTIN

(511) 3, 5, 10

(260) AM 2015 77812 A
 (210) AM 77812
 (220) 2014 07 04
 (731) BERLIN-CHEMIE AG
 Glienicker Weg 125 12489 Berlin, Germany
 (740) George Gvinjilia
 (540)

АНАФТИН

(511) 3, 5, 10

(260) AM 2015 77948 A
 (210) AM 77948
 (220) 2014 07 14
 (731) OLD NAVY (ITM) INC.
 2 Folsom Street, San Francisco, CA 94105,
 USA
 (740) Tamar Kochlamazashvili
 (540)

OLD NAVY

(511) 26

(260) AM 2015 77950 A
 (210) AM 77950
 (220) 2014 07 14
 (731) OLD NAVY (ITM) INC.
 2 Folsom Street, San Francisco, CA 94105,
 USA

(740) Tamar Kochlamazashvili
(540)

OLD NAVY

(511) 9

(260) AM 2015 78375 A
(210) AM 78375
(220) 2014 08 25
(731) RANBAXY LABORATORIES LIMITED
Plot No:90, Sector-32, Gurgaon 122001,
Haryana, India
(740) Giorgi Taktakishvili
(540)

РАНЕРПЕН RANERPEN

(511) 5

(260) AM 2015 78453 A
(210) AM 78453
(220) 2014 09 02
(731) LTD "AGRO TRADING GEORGIA"
Rustavis gzat. 68a, 0165, Tbilisi, Georgia
(740) Giorgi Kartvelishvili
(540)



(591) White, cornelian-red
(531) 03.07.03, 27.05.05, 29.01.12
(511) 31

(260) AM 2015 78558 A
(210) AM 78558
(220) 2014 09 08
(731) LEPL "UNITED NATIONAL ORGAN-
ACCREDITATION CENTER"
Al. Kazbegis gamz. 42^a, 0177, Tbilisi,
Georgia
(740) Levan Merkviladze
(540)



(591) Blue, silver
(531) 01.11.08, 20.01.01, 01.01.10, 27.05.23, 28.19,
29.01.12, 17.05.05, 17.05.07
(511) 42

(260) AM 2015 78562 A
(210) AM 78562
(220) 2014 09 08
(731) NOVARTIS AG
4002 Basel, Switzerland
(740) Shalva Gvaramadze
(540)

Приламид

(511) 5

(260) AM 2015 78563 A
(210) AM 78563
(220) 2014 09 08
(731) NISSAN JIDOSHA KABUSHIKI KAISHA
(also trading as Nissan Motor Co., Ltd.).
No:2, Takara-cho, Kanagawa-ku, Yokohama-
shi, Kanagawa-ken, Japan
(740) Shalva Gvaramadze
(540)

XTERRA

(511) 12

(260) AM 2015 78773 A
(210) AM 78773
(220) 2014 09 22
(731) PAUL International SA
Rue de Saint-Leger 2, c/o Paul Suisse SA,
1205 GENEVE, Switzerland
(740) Giorgi Taktakishvili
(540)

PAUL

(511) 30

(260) AM 2015 78788 A
(210) AM 78788
(220) 2014 09 24
(731) LTD "SAGA IMPEX"
Chachavas q. 2-4-6-8-10, 0159, Tbilisi,
Georgia
(540)

SAGA
საგა

(511) 37

(260) AM 2015 78981 A
(210) AM 78981
(220) 2014 10 06
(731) PIERRE BALMAIN S.A
44, rue Francois 1er, 75008 Paris, France
(740) Shalva Gvaramadze
(540)

PIERRE BALMAIN

(591) Black, white

(531) 27.05.02
(511) 18, 25

(260) AM 2015 79044 A
(210) AM 79044
(220) 2014 10 10
(731) NOVARTIS AG.
4002 Basel, Switzerland
(740) Pavle Meipariani
(540)

პარგლუსალ

(511) 5

(260) AM 2015 79049 A
(210) AM 79049
(220) 2014 10 10
(731) SHULTON, INC
One Procter & Gamble Plaza, Cincinnati OH
45202, USA
(740) Shalva Gvaramadze
(540)



(591) Black, white, light blue
(531) 27.05.14
(511) 3

REGISTERED TRADEMARKS

(111) M 2015 25849 R

(151) 2015 04 29

(181) 2025 04 29

(260) AM 75798 A

(220) 2014 02 06

(732) THE GILLETTE COMPANY

One Gillette Park, Boston, Massachusetts
02127, USA

(111) M 2015 25869 R

(151) 2015 05 11

(181) 2025 05 11

(260) AM 75705 A

(220) 2014 01 28

(732) ABBVIE INC.

(a Delaware corporation)

1 N. Waukegan Road, North Chicago, Illinois
60064, USA

(111) M 2015 25850 R

(151) 2015 04 29

(181) 2025 04 29

(260) AM 76151 A

(220) 2014 03 04

(732) LTD "BAZALT FAIBERS"

Gorgaslis q. 61, 0114, Tbilisi, Georgia

(111) M 2015 25870 R

(151) 2015 05 11

(181) 2025 05 11

(260) AM 75721 A

(220) 2014 01 29

(732) Qatar Airways (Q.C.S.C.)

P.O Box 22550, Doha, Qatar

(111) M 2015 25860 R

(151) 2015 05 01

(181) 2025 05 01

(260) AM 75669 A

(220) 2014 01 24

(732) LTD "OMEGA-2

Sarajishvilis q. 13-15-17, 0179 Tbilisi, Georgia

(111) M 2015 25871 R

(151) 2015 05 11

(181) 2025 05 11

(260) AM 75751 A

(220) 2014 01 31

(732) JFI GLOBAL PURCHASING LIMITED

2nd Floor, ITC Building, Warrens,
Saint Michael, Barbados

(111) M 2015 25861 R

(151) 2015 05 01

(181) 2025 05 01

(260) AM 75894 A

(220) 2014 02 13

(732) LTD "AGAVA"

Sandro Eulis q. 7, 0186, Tbilisi, Georgia

(111) M 2015 25872 R

(151) 2015 05 11

(181) 2025 05 11

(260) AM 75785 A

(220) 2014 02 05

(732) LTD "Tiflis's Wine Cellar"

Iumashevis q. 27, 0198, Tbilisi, Georgia

(111) M 2015 25867 R

(151) 2015 05 11

(181) 2025 05 11

(260) AM 75670 A

(220) 2014 01 24

(732) HARRINGTON DEVELOPMENT INC.

Elvira Mendez Street, Vallarino Bldg.,
3rd Floor, Panama

(111) M 2015 25873 R

(151) 2015 05 11

(181) 2025 05 11

(260) AM 75786 A

(220) 2014 02 05

(732) LTD "Tiflis's Wine Cellar"

Iumashevis q. 27, 0198, Tbilisi, Georgia

(111) M 2015 25868 R

(151) 2015 05 11

(181) 2025 05 11

(260) AM 75701 A

(220) 2014 01 28

(732) MERCK SHARP & DOHME CORP.

One Merck Drive, Whitehouse Station,
New Jersey, 08889, USA

(111) M 2015 25874 R

(151) 2015 05 11

(181) 2025 05 11

(260) AM 75794 A

(220) 2014 02 06

(732) NOVARTIS AG.

4002 Basel, Switzerland

(111) M 2015 25875 R
(151) 2015 05 11
(181) 2025 05 11
(260) AM 75795 A
(220) 2014 02 06
(732) NOVARTIS AG.
4002 Basel, Switzerland

(111) M 2015 25876 R
(151) 2015 05 11
(181) 2025 05 11
(260) AM 75796 A
(220) 2014 02 06
(732) NOVARTIS AG.
4002 Basel, Switzerland

(111) M 2015 25877 R
(151) 2015 05 11
(181) 2025 05 11
(260) AM 75916 A
(220) 2014 02 14
(732) COLLIERS INTERNATIONAL PROPERTY
CONSULTANTS, INC.
1209 Orange Street, Wilmington, Delaware
19801, USA

(111) M 2015 25878 R
(151) 2015 05 11
(181) 2025 05 11
(260) AM 75917 A
(220) 2014 02 14
(732) COLLIERS INTERNATIONAL PROPERTY
CONSULTANTS, INC.
1209 Orange Street, Wilmington, Delaware
19801, USA

(111) M 2015 25879 R
(151) 2015 05 11
(181) 2025 05 11
(260) AM 75918 A
(220) 2014 02 14
(732) COLLIERS INTERNATIONAL PROPERTY
CONSULTANTS, INC.
1209 Orange Street, Wilmington, Delaware
19801, USA

(111) M 2015 25880 R
(151) 2015 05 11
(181) 2025 05 11
(260) AM 75920 A
(220) 2014 02 14
(732) HYATT INTERNATIONAL CORPORATION
71 S. Wacker Drive, 14th Floor, Chicago,
IL 60606, USA

(111) M 2015 25881 R
(151) 2015 05 11
(181) 2025 05 11
(260) AM 75921 A
(220) 2014 02 14
(732) HYATT INTERNATIONAL CORPORATION
71 S. Wacker Drive, 14th Floor, Chicago,
IL 60606, USA

(111) M 2015 25882 R
(151) 2015 05 11
(181) 2025 05 11
(260) AM 75922 A
(220) 2014 02 14
(732) "DAW SE"
Rossoerfer Strasse 50, D-64372 Ober-
Ramstadt, Germany

(111) M 2015 25883 R
(151) 2015 05 11
(181) 2025 05 11
(260) AM 75923 A
(220) 2014 02 14
(732) "DAW SE"
Rossoerfer Strasse 50, D-64372 Ober-
Ramstadt, Germany

(111) M 2015 25884 R
(151) 2015 05 11
(181) 2025 05 11
(260) AM 76004 A
(220) 2014 02 20
(732) BAGLEY ARGENTINA S.A.
Marcelino Bernardi 18, Arroyito, Province of
Córdoba República Argentina

(111) M 2015 25885 R
(151) 2015 05 11
(181) 2025 05 11
(260) AM 76030 A
(220) 2014 02 24
(732) VISA INTERNATIONAL SERVICE
ASSOCIATION
900 Metro Center Boulevard, Foster City,
California 94404, USA

(111) M 2015 25886 R
(151) 2015 05 11
(181) 2025 05 11
(260) AM 76045 A
(220) 2014 02 24
(732) Wm. WRIGLEY Jr. Company
1132 West Blackhawk Street, Chicago, Illinois
60642, USA

(111) M 2015 25887 R
(151) 2015 05 11
(181) 2025 05 11
(260) AM 76058 A
(220) 2014 02 25
(732) CROSSCARE LIMITED
Broomhill Road, Tallaght, Dublin 24, Ireland

(111) M 2015 25888 R
(151) 2015 05 11
(181) 2025 05 11
(260) AM 76060 A
(220) 2014 02 25
(732) CROSSCARE LIMITED
Broomhill Road, Tallaght, Dublin 24, Ireland

(111) M 2015 25889 R
(151) 2015 05 11
(181) 2025 05 11
(260) AM 76128 A
(220) 2014 02 28
(732) GOOGLE INC.
1600 Amphitheatre Parkway, Mountain View,
CA 94043, USA

(111) M 2015 25892 R
(151) 2015 05 13
(181) 2025 05 13
(260) AM 76183 A
(220) 2014 03 07
(732) LEVAN ALAVIDZE
Khvichias q. 17, b. 12, 0160, Tbilisi, Georgia

(111) M 2015 25893 R
(151) 2015 05 13
(181) 2025 05 13
(260) AM 76260 A
(220) 2014 03 14
(732) HARRINGTON DEVELOPMENT INC.
Elivira Mendez Street, Vallarino Bldg,
3rd Floor, Panama, Panama

(111) M 2015 25894 R
(151) 2015 05 13
(181) 2025 05 13
(260) AM 76275 A
(220) 2014 03 11
(732) LONSDALE SPORTS LIMITED
Unit A, Brook Park East, Shirebrook NG20
8RY, United Kingdom

(111) M 2015 25895 R
(151) 2015 05 13
(181) 2025 05 13

(260) AM 76453 A
(220) 2014 03 27
(732) BEAUTE PRESTIGE INTERNATIONAL
28-32 avenue Victor Hugo, 75116 Paris,
France

(111) M 2015 25896 R
(151) 2015 05 13
(181) 2025 05 13
(260) AM 76553 A
(220) 2014 04 03
(732) LTD "TVS"
Vake-Saburtalos raioni, Zovretisa da
Mgaloblishvilis quchebis kutkheshi,
Tbilisi, Georgia

(111) M 2015 25897 R
(151) 2015 05 13
(181) 2025 05 13
(260) AM 76554 A
(220) 2014 04 03
(732) LTD "GEORGIAN PAPER PRODUCTION"
Mevelis chikhi 2, 0120 Tbilisi, Georgia

(111) M 2015 25898 R
(151) 2015 05 13
(181) 2025 05 13
(260) AM 76567 A
(220) 2014 04 03
(732) BRITISH AMERICAN TOBACCO
(BRANDS) INC. (a Delaware corporation)
2711 Centerville Road, Suite 300,
Wilmington, Delaware 19808, USA

(111) M 2015 25899 R
(151) 2015 05 13
(181) 2025 05 13
(260) AM 76584 A
(220) 2014 04 04
(732) POZNAŃSKIE ZAKŁADY ZIELARSKIE
HERBAPOL S.A.
ul. Towarowa 47/51, 61-896 poznan, Poland

(111) M 2015 25900 R
(151) 2015 05 13
(181) 2025 05 13
(260) AM 76802 A
(220) 2014 04 25
(732) MARK MEAUT MULLEN
Rustavelis gamz. 34, Tbilisi, Georgia

(111) M 2015 25901 R
(151) 2015 05 13
(181) 2025 05 13

(260) AM 76863 A
(220) 2014 04 29
(732) LTD "RESTORANI MAMA-PAPURI"
Shorapnis q. 23, 0144, Tbilisi, Georgia

(111) M 2015 25902 R
(151) 2015 05 13
(181) 2025 05 13
(260) AM 76986 A
(220) 2014 05 05
(732) LTD "SHTOLTSPHARM"
Sulkhan Tsintsadzis 12, sart. 4, 0160, Tbilisi,
Georgia

(111) M 2015 25903 R
(151) 2015 05 13
(181) 2025 05 13
(260) AM 76988 A
(220) 2014 05 05
(732) LTD "MACHAKHELA SAMIKITNO"
Saqartvelos Teqniki Universitetis shakhta,
laboratoriis mimdebarad, Tbilisi, Georgia

(111) M 2015 25904 R
(151) 2015 05 13
(181) 2025 05 13
(260) AM 77190 A
(220) 2014 05 19
(732) ASUSTEK COMPUTER INCORPORATION
4F, No:150, Li-Te Rd., Peitou, Taipei,
Taiwan, Taiwan, Province of China

(111) M 2015 25905 R
(151) 2015 05 13
(181) 2025 05 13
(260) AM 77277 A
(220) 2014 05 27
(732) EURODRAG LABORATORIES B.V.
Laan Copes van Cattenburch 74, 2585 GD
The Hague, The Netherlands

(111) M 2015 25906 R
(151) 2015 05 13
(181) 2025 05 13
(260) AM 77371 A
(220) 2014 06 02
(732) LTD "FLY VISTA"
Mosashvilis q. 2, b. 86, Tbilisi, Georgia

(111) M 2015 25907 R
(151) 2015 05 13
(181) 2025 05 13
(260) AM 76358 A

(220) 2014 03 21
(732) LTD "G-M-P"
Sop. Ponitchala №65, Tbilisi, Georgia

(111) M 2015 25908 R
(151) 2015 05 13
(181) 2025 05 13
(260) AM 71864 A
(220) 2013 04 15
(732) PIERRE BALMAIN S.A.
44, rue Francois 1er, 75008 Paris, France

(111) M 2015 25909 R
(151) 2015 05 13
(181) 2025 05 13
(260) AM 72223 A
(220) 2013 05 15
(732) BRITISH AMERICAN TOBACCO
(BRANDS) INC. (Delaware Corporation)
2711 Centerville Road, Suite 300,
Wilmington, DE 19808, USA

(111) M 2015 25911 R
(151) 2015 05 14
(181) 2025 05 14
(260) AM 72315 A
(220) 2013 05 22
(732) LTD "GEORGIAN BEIKERS"
Gorgaslis q. №115, 0114, Tbilisi, Georgia

(111) M 2015 25912 R
(151) 2015 05 14
(181) 2025 05 14
(260) AM 72745 A
(220) 2013 06 18
(732) LTD "ECOMIX"
Tvalchrelidzis q. 6, 0160 Tbilisi, Georgia

(111) M 2015 25913 R
(151) 2015 05 14
(181) 2025 05 14
(260) AM 73714 A
(220) 2013 08 27
(732) PANDA RESTAURANT GROUP, INC.
California Corporation, 1683 Walnut Grove
Ave., Rosemead, CA 91770, USA

(111) M 2015 25914 R
(151) 2015 05 14
(181) 2025 05 14
(260) AM 73715 A
(220) 2013 08 27

(732) PANDA RESTAURANT GROUP, INC.
California Corporation, 1683 Walnut Grove
Ave., Rosemead, CA 91770, USA

(111) M 2015 25915 R

(151) 2015 05 14

(181) 2025 05 14

(260) AM 73932 A

(220) 2013 09 16

(732) LTD GVINISA DA ALKOHOLURI
SASMELEBIS KOMPANIA SHAKRIANI
E. Akhvledianis q. 66, 2200, Telavi, Georgia

(111) M 2015 25916 R

(151) 2015 05 14

(181) 2025 05 14

(260) AM 74400 A

(220) 2013 10 21

(732) LTD "OMEGA-2"
Sarajishvilis q. 13-15-17, 0179, Tbilisi, Georgia

(111) M 2015 25917 R

(151) 2015 05 14

(181) 2025 05 14

(260) AM 74709 A

(220) 2014 02 10

(732) SNOWDON LIMITED
C/O HFI International
P.O.Box 118273, Office No. 83, 3rd Floor,
Oasis Center, Al Quoz 1, Sheikh Zayed
Road, Dubai, United Arab Emirates

(111) M 2015 25918 R

(151) 2015 05 14

(181) 2025 05 14

(260) AM 74710 A

(220) 2014 02 10

(732) SNOWDON LIMITED
C/O HFI International
P.O.Box 118273, Office No. 83, 3rd Floor,
Oasis Center, Al Quoz 1, Sheikh Zayed
Road, Dubai, United Arab Emirates

(111) M 2015 25920 R

(151) 2015 05 15

(181) 2025 05 15

(260) AM 76182 A

(220) 2014 03 07

(732) LTD "GEORGIAN WINE CORPORATION"
Simon Chikovanis q. 35, 0171, Tbilisi
Georgia

TRADEMARKS REGISTERED ACCORDING TO THE ACCELERATED PROCEDURE

The decision can be appealed at the Chamber of Appeal of Sakpatenti within 3 months from the publication.

(111) M 2015 25922 R

(151) 2015 05 20

(181) 2025 05 20

(210) AM 81936

(220) 2015 05 05

(732) TAMAR SIKHARULIDZE

Lilos dasakhleba, I mkr., korp. 2b, b. 50, 0198

Tbilisi, Georgia

(740) Tamar Sikharulidze

(540)



(591) Violet, sky-blue, orange, light green, yellow and dark green

(531) 27.03.02, 29.01.14

(526) The trademark is protected as a whole. "Orthopedic" shall not be subject to independent legal protection.

(511) 25, 35

(111) M 2015 25923 R

(151) 2015 05 20

(181) 2025 05 20

(210) AM 81826

(220) 2015 04 27

(732) LTD "VALO-KRISTI"

Shavshetis q. 15, 6000, Batumi, Georgia

(540)



(591) Green

(531) 25.01.05, 26.01.02, 26.01.20, 28.05, 29.01.03

(511) 6

(111) M 2015 25924 R

(151) 2015 05 22

(181) 2025 05 22

(210) AM 81837

(220) 2015 04 27

(732) LTD "VIVACEMENT"

Mayakovskis q. 9/7, Rustavi, Georgia

(740) Iliia Varamashvili

(540)



(554) [X]

(591) Green, black and grey

(531) 25.05.02, 28.19, 29.01.13, 19.03.24, 19.01.11

(526) The trademark is protected as a whole. Its included word "VIVACEMENT" as well as all the elements which indicates product type, quality, quantity characteristics, value, designation and other features description shall not be subject to independent legal protection.

(511) 19

(111) M 2015 25925 R

(151) 2015 05 28

(181) 2025 05 28

(210) AM 82029

(220) 2015 05 11

(732) LTD "PROFICOL+"

Tsabadsis q., korp. 3, Tbilisi, Georgia

(740) Vakhtang Torotadze

(540)

PROFICOLORI

(511) 2

(111) M 2015 25926 R

(151) 2015 05 28

(181) 2025 05 28

(210) AM 82032

(220) 2015 05 11

(732) LTD "PROPIKOL+"

Tsabadsis q., korp. 3, Tbilisi, Georgia

(740) Vakhtang Torotadze

(540)



(591) Green, white, black, yellow, tangerine color,
red, sky-blue, midnight black, dark purple

(531) 26.03.04, 26.03.07, 26.04.11

(511) 2

INTERNATIONAL TRADEMARKS FOR WHICH A DECISION ON GRANTING PROTECTIONS IS TAKEN

The decision can be appealed at the Chamber of Appeal of Sakpatenti within 3 months from the publication or at the Mtskheta District Court Administrative Cases Board (Address: №17, Samkhedro str., Mtskheta), within 1 month following the publication.

(260) AM 2015 76379 A

(800) 1194462

(891) 2014 01 09

(731) VOLODYMYR MYKOLAIOVYCH

SHANDRA

Vul. Zolotovoritska, 13, kv. 15/2, Kyiv 01034,

UA

(540)



(591) Blue, light-blue and black

(511)

17 – continuous basalt fiber, basalt roving, basalt roving (chopped), chopped basalt fiber, basalt cloth, basalt fabrics; basalt geonets included in 17 class; quilt insulation.

19 – Building materials (non-metallic); non-metallic rigid pipes for building; non-metallic transportable buildings; monuments, not of metal; continuous basalt fiber for building; basalt roving for building; basalt roving (chopped) for building; chopped basalt fiber for building; basalt cloth for building; basalt fabrics for building; basalt geonets for building.

(260) AM 2015 78181 A

(800) 1210444

(891) 2013 12 30

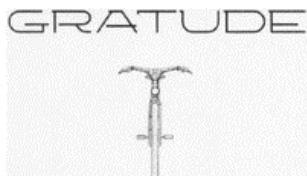
(731) GTD GLOBAL TEKSTİL SANAYİ VE DIŞ

TİCARET LİMİTED ŞİRKETİ

Oruç Reis Mahallesi, Tekstillkent A-01,

No:10, AU No:110, Esenler-İstanbul, TR

(540)



(591) Black, white

(511)

25 – Clothing, namely, trousers, jackets, overcoats, coats, skirts, suits, jerseys, waistcoats, shirts, ready-made leather linings (parts of clothing), T-shirts, sweatshirts, dresses, bermuda shorts, shorts, pajamas, pullovers, jeans, tracksuits, rainwear, beachwear, bathing suits, swimming suits; clothing for sports (for exclusive use for sports), clothing for ba-

bies, namely, shirts, pants, coats, dresses; underclothing, namely, boxer shorts, brassieres, briefs, pants, socks; footwear, namely shoes excluding orthopedic shoes, sandals, waterproof boots, walking boots, booties, sporting shoes, slippers; shoe parts namely heelpieces, insoles for footwear, footwear uppers; headgear, namely caps, skull caps, sports caps, hats, berets; gloves (clothing), stockings, belts (clothing), camisoles, sarongs, scarves, neck scarves, shawls, collars, neckties, ties, suspender belts.

35 – Advertising agencies services, marketing and publicity bureaus services including commercial or advertisement exhibition and trade fair organization services; providing office functions; secretarial services, document reproduction, photocopying, typing services, word processing, compilation of information into computer databases, systemization of information into computer databases, telephone answering services, arranging newspaper subscriptions, rental of office machines and equipment; business management; business administration; business management and organization consultancy, accounting; personnel recruitment; import and export agencies; business investigations, evaluations, expert business appraisals; auctioneering; the bringing together, for the benefit of others, of clothing, footwear and headgear (excluding the transport thereof), enabling customers to conveniently view and purchase those goods; all of the aforementioned retail services may be provided by retail stores, wholesale outlets, through mail order catalogues or by means of electronic media, including, through web sites or television shopping programmes.

(260) AM 2015 78186 A

(800) 1210524

(891) 2014 04 16

(731) Obshchestvo s ogranichennoy otvetstvennostyu "BUSINESS-ALIANCE" Pestovsky per., d. 10, str. 1, RU-109004 Moscow, RU

(540)



(591) Brown and beige

(511)

8 – Hand tools and implements (hand-operated); cutlery; sharpening instruments; blade sharpening instruments; oyster openers; ladles [hand tools]; hammers [hand tools]; cheese slicers, non-electric; egg slicers, non-electric; pizza cutters, non-electric; scaling knives; molding irons; can openers, non-electric; braiders [hand tools]; vegetable slicers; table cutlery [knives, forks and spoons]; vegetable choppers.

21 – Household or kitchen utensils and containers; pressure cookers [autoclaves], non-electric; whisks, non-electric, for household purposes; cutting boards for the kitchen; bread boards; strainers; containers for household or kitchen use; kitchen containers; heat-insulated containers for beverages; thermally insulated containers for food; frying pans; closures for pot lids; cabarets [trays]; stew-pans; hot pots, not electrically heated; bread baskets, domestic; coffee percolators, non-electric; coffeepots, non-electric; coffee grinders, hand-operated; dish covers; mixing spoons [kitchen utensils]; basting spoons, for kitchen use; scoops [tableware]; pie servers; spatulas [kitchen utensils]; butter dishes; pepper mills, hand-operated; mills for domestic purposes, hand-operated; bowls [basins]; cooking pot sets; cookie [biscuit] cutters; pastry cutters; knife rests for the table; egg cups; pots; cooking pots; tableware, other than knives, forks and spoons; spice sets; sieves [household utensils]; salt cellars; drinking glasses; table plates; graters for kitchen use; utensils for household purposes; kitchen utensils; cooking utensils, non-electric; molds [kitchen utensils]; cake molds [moulds]; ice cube molds [moulds]; cookery molds [moulds]; deep fryers, non-electric; garlic presses [kitchen utensils]; corkscrews, electric and non-electric.

(260) AM 2015 78188 A

(800) 532741

(891) 2014 05 12

(731) DÜSSELDORFER LÖWENSENF GMBH
Kieshecker Weg 240, 40468 Düsseldorf, DE

(540)

Löwensenf

(511)

30 – Mustard.

(260) AM 2015 78369 A

(800) 1211444

(891) 2014 04 28

(731) VOLCAST LIMITED

Limassol center, block B, flat/office 601,
6th floor, CY-3095 Limassol, CY

(540)

BALLU

(591) Black, white

(511)

35 – Import-export agencies; demonstration of goods; commercial information and advice for consumers [consumer advice shop]; marketing studies; business management and organization consultancy; shop window dressing; presentation of goods on communication media, for retail purposes; sales services via catalogues; sales promotion for others including via internet; retail services or wholesale services of goods included in classes 7 and 11; advertising; on-line advertising on a computer network; procurement services for others [purchasing goods and services for other businesses] including via internet.

(260) AM 2015 78437 A

(800) 1204373

(891) 2014 07 18

(731) LONZA AG (LONZA LTD.)

Lonzastrasse, CH-3930 Visp, CH

(540)



(591) Black, white

(511)

1 – Bacteria or bacterial fragments for use in food manufacture; bacteria or bacterial fragments for use in food products such as powdered beverages, dairy products, non-dairy substitutes, dairy analogs; bacteria or bacterial fragments for use in dietary supplements contained in capsules, sachets and tablets; bacteria or bacterial fragments for use in animal feed.

5 – Dietary and nutritional supplements for human and animal consumption; dietary food supplements; dietary and nutritionally fortified food products adapted for medical use; dietetic food products adapted for medical use; bacterial and bacteriological preparations for medical, pharmaceutical and veterinary purposes.

(260) AM 2015 78438 A

(800) 1212324

(891) 2013 12 10

(731) Zakritoe akcionerhoe obchtchestvo

"TWINS TEC"

Ryabinovaya street 65, building 1, RU-121471
Moscow, RU

(540)



(591) Yellow, white and blue

(511)

3 – Abrasives; amber [perfume]; scale removing preparations for household purposes; antistatic preparations for household purposes; breath freshening sprays; canned pressurized air for cleaning and dusting purposes; shaving stones [antiseptic]; polishing stones; abrasive paper; emery paper; polishing paper; petroleum jelly for cosmetic purposes; cotton wool for cosmetic purposes; cotton sticks for cosmetic purposes; swabs [toiletries]; aromatics [essential oils]; cake flavourings [essential oils]; flavorings [flavourings] for beverages [essential oils]; sachets for perfuming linen; scented water; potassium hypochloride; javelle water; lavender water; toilet water; laundry wax; floor wax; parquet floor wax; moustache wax; tailors' wax; polish for furniture and flooring; cobblers' wax; shoe wax; heliotropine; dental bleaching gels; geraniol; make-up; deodorants for personal use; scented wood; perfumes; non-slipping liquids for floors; windscreen cleaning liquids; greases for cosmetic purposes; volcanic ash for cleaning; perfumery; decorative transfers for cosmetic purposes; ionone [perfumery]; sunscreen preparations; hair colorants; neutralizers for permanent waving; cosmetic preparations for eyelashes; depilatories; depilatory wax; cosmetic preparations for skin care; boot cream; boot polish; cosmetics; cosmetics for animals; mascara; detergents other than for use in manufacturing operations and for medical purposes; degreasers other than for use in manufacturing processes; bleaching preparations [decolorants] for cosmetic purposes; antiperspirants [toiletries]; talcum powder, for toilet use; terpenes [essential oils]; shampoos; shampoos for pets; glass paper; sandpaper; soda lye; extracts of flowers [perfumes]; ethereal essences; badian essence; mint essence [essential oil].

5 – Acaricides; aconitine; alkaloids for medical purposes; algicides; aldehydes for pharmaceutical purposes; dental amalgams of gold; dental amalgams; amino acids for veterinary purposes; amino acids for medical purposes; antibiotics; aluminium acetate for pharmaceutical purposes; germicides; balms for medical purposes; bandages for dressings; biocides; bracelets for medical purposes; anti-rheumatism bracelets; bromine for pharmaceutical purposes; paper for mustard plasters; fly catching paper; mothproofing paper; petroleum jelly for medical purposes; vaccines; oxygen baths; antiseptic cotton; absorbent cotton; absorbent wadding; cotton for medical purposes; dietetic substances adapted for medical use; radiological contrast substances for medical purposes; nutritive substances for microorganisms; radioactive substances for medical purposes; bismuth subnitrate for pharmaceutical purposes; melissa water for pharmaceutical purposes; sea water for medicinal bathing; mineral water for medical purposes; thermal water;

dietary fiber; molding wax for dentists; gases for medical purposes; guaiacol for pharmaceutical purposes; haematogen; haemoglobin; hydrastine; hydrastinine; glycerine for medical purposes; glycerophosphates; glucose for medical purposes; gentian for pharmaceutical purposes; hormones for medical purposes; mustard for pharmaceutical purposes; mustard plasters; mud for baths; medicinal mud; gamboge for medical purposes; gurjun [gurjon, gurjan] balsam for medical purposes; deodorants, other than for human beings or for animals; diastase for medical purposes; digitalin; mineral food-supplements; nutritional supplements; yeast for pharmaceutical purposes; gelatine for medical purposes; cod liver oil; isotopes for medical purposes; insecticides; iodine for pharmaceutical purposes; iodides for pharmaceutical purposes; alkaline iodides for pharmaceutical purposes; iodoform; calomel; cream of tartar for pharmaceutical purposes; tartar for pharmaceutical purposes; camphor for medical purposes; capsules for medicines; cachets for pharmaceutical purposes; candy for medical purposes; lozenges for pharmaceutical purposes; haemostatic pencils; wart pencils; caustic pencils; carbolineum [parasiticide]; caustics for pharmaceutical purposes; cachou for pharmaceutical purposes; quassia for medical purposes; quebracho for medical purposes; gallic acid for pharmaceutical purposes; acids for pharmaceutical purposes; adhesives for dentures; adhesive bands for medical purposes; cocaine; collodion for pharmaceutical purposes; corn rings for the feet; anti-rheumatism rings; candy, medicated; angostura bark for medical purposes; barks for pharmaceutical purposes; cedar wood for use as an insect repellent; condurango bark for medical purposes; croton bark; mangrove bark for pharmaceutical purposes; myrobalan bark for pharmaceutical purposes; cinchona for medical purposes; medicinal roots; rhubarb roots for pharmaceutical purposes; lint for medical purposes; starch for dietetic or pharmaceutical purposes; creosote for pharmaceutical purposes; blood for medical purposes; cultures of microorganisms for medical and veterinary use; curare; dental lacquer; liquorice for pharmaceutical purposes; lactose for pharmaceutical purposes; adhesive plasters; medicines for alleviating constipation; lecithin for medical purposes; lotions for veterinary purposes; dog lotions; lotions for pharmaceutical purposes; lupulin for pharmaceutical purposes; magnesia for pharmaceutical purposes; liniments; ointments for pharmaceutical purposes; sunburn ointments; mercurial ointments; frostbite salve for pharmaceutical purposes; gauze for dressings; anti-horse-fly oils; medicinal oils; mustard oil for medical purposes; camphor oil for medical purposes; castor oil for medical purposes; oil of turpentine for pharmaceutical purposes; dill oil for medical purposes; dental mastics; dental abrasives; dental impression materials; teeth filling material; dressings, medical; surgical dressings; drugs for me-

dical purposes; medicines for veterinary purposes; serotherapeutic medicines; medicines for human purposes; medicines for dental purposes; menthol; medicinal drinks; moleskin for medical purposes; milk of almonds for pharmaceutical purposes; royal jelly for medical purposes; milk ferments for pharmaceutical purposes; irish moss for medical purposes; lacteal flour for babies; flour for pharmaceutical purposes; linseed meal for pharmaceutical purposes; fishmeal for pharmaceutical purposes; fly catching adhesives; mint for pharmaceutical purposes; first-aid boxes, filled; dietetic beverages adapted for medical purposes; malted milk beverages for medical purposes; narcotics; medicinal infusions; tincture of iodine; eucalyptol for pharmaceutical purposes; tinctures for medical purposes; opium; opodeldoc; decoctions for pharmaceutical purposes; antiparasitic collars for animals; stick liquorice for pharmaceutical purposes; sulphur sticks [disinfectants]; pants, absorbent, for incontinents; pectin for pharmaceutical purposes; napkins for incontinents; pepsins for pharmaceutical purposes; peptones for pharmaceutical purposes; hydrogen peroxide for medical purposes; pills for pharmaceutical purposes; leeches for medical purposes; blood plasma; sticking plasters for medical purposes; eyepatches for medical purposes; poultices; compresses; scapulars for surgical purposes; bunion pads; breast-nursing pads; pomades for medical purposes; powder of cantharides; pyrethrum powder; belts for sanitary napkins [towels]; anti-uric preparations; bacterial preparations for medical and veterinary use; bacteriological preparations for medical and veterinary use; balsamic preparations for medical purposes; albuminous preparations for medical purposes; biological preparations for veterinary purposes; biological preparations for medical purposes; veterinary preparations; bismuth preparations for pharmaceutical purposes; vitamin preparations; diagnostic preparations for medical purposes; therapeutic preparations for the bath; haemorrhoid preparations; preparations for callouses; preparations to facilitate teething; preparations for the treatment of burns; fumigation preparations for medical purposes; opotherapy preparations; air deodorising preparations; air purifying preparations; bronchodilating preparations; sterilising preparations; soil-sterilising preparations; corn remedies; pharmaceutical preparations for treating dandruff; preparations for destroying noxious animals; herbicides; preparations for destroying noxious plants; weedkillers; preparations for destroying dry rot fungus; larvae exterminating preparations; fly destroying preparations; preparations for destroying mice; slug exterminating preparations; vermin destroying preparations; pharmaceutical preparations for skin care; contact lens cleaning preparations; preparations of lime for pharmaceutical purposes; bath preparations, medicated; medicinal hair growth preparations; opiates; anticryptogamic preparations;

preparations of trace elements for human and animal use; sulphonamides [medicines]; pharmaceutical preparations; sunburn preparations for pharmaceutical purposes; enzyme preparations for veterinary purposes; enzyme preparations for medical purposes; chemico-pharmaceutical preparations; chemical preparations for veterinary purposes; chemical preparations for the diagnosis of pregnancy; chemical preparations for medical purposes; chemical preparations to treat wheat blight [smut]; vine disease treating chemicals; chemical preparations to treat mildew; chemical preparations for treating phylloxera; chemical preparations for pharmaceutical purposes; chilblain preparations; mothproofing preparations; eye-washes; goulard water; lead water; chemical conductors for electrocardiograph electrodes; albuminous foodstuffs for medical purposes; food for babies; dietetic foods adapted for medical purposes; by-products of the processing of cereals for medical purposes; menstruation bandages; panty liners [sanitary]; radium for medical purposes; hydrated chloral for pharmaceutical purposes; solvents for removing adhesive plasters; vaginal washes; solutions for use with contact lenses; chemical reagents for medical or veterinary purposes; gum for medical purposes; rubber for dental purposes; chewing gum for medical purposes; insect repellent incense; insect repellents; repellents for dogs; sanitary napkins; tissues impregnated with pharmaceutical lotions; sarsaparilla for medical purposes; sugar for medical purposes; asthmatic tea; fumigating pastilles; suppositories; linseed for pharmaceutical purposes; tobacco-free cigarettes for medical purposes; siccatives [drying agents] for medical purposes; syrups for pharmaceutical purposes; turpentine for pharmaceutical purposes; milking grease; greases for veterinary purposes; greases for medical purposes; soporifics; bicarbonate of soda for pharmaceutical purposes; salts for mineral water baths; bath salts for medical purposes; salts for medical purposes; potassium salts for medical purposes; sodium salts for medical purposes; smelling salts; mineral water salts; malt for pharmaceutical purposes; semen for artificial insemination; alcohol for pharmaceutical purposes; alloys of precious metals for dental purposes; ergot for pharmaceutical purposes; anaesthetics; antiseptics; analgesics; adjuvants for medical purposes; styptic preparations; anthelmintics; vermifuges; disinfectants for hygiene purposes; disinfectants for chemical toilets; appetite suppressants for medical purposes; medical preparations for slimming purposes; parasiticides; mouthwashes for medical purposes; febrifuges; depuratives; animal washes; detergents for medical purposes; cattle washes; dog washes; vesicants; articles for headache; remedies for perspiration; remedies for foot perspiration; chemical contraceptives; antiparasitic preparations; evacuants; laxatives; purgatives; tonics [medicines]; nervines; digestives for pharmaceutical purposes;

bouillons for bacteriological cultures; steroids; strychnine; serums; sal ammoniac lozenges; menstruation pads; vulnerary sponges; thymol for pharmaceutical purposes; surgical cloth [tissues]; smoking herbs for medical purposes; medicinal herbs; sedatives; tranquillizers; surgical implants [living tissues]; menstruation knickers; charcoal for pharmaceutical purposes; fennel for medical purposes; porcelain for dental prostheses; phenol for pharmaceutical purposes; enzymes for veterinary purposes; enzymes for medical purposes; ferments for pharmaceutical purposes; formic aldehyde for pharmaceutical purposes; phosphates for pharmaceutical purposes; fungicides; quinine for medical purposes; chinoline for medical purposes; diabetic bread adapted for medical use; chloroform; flowers of sulphur for pharmaceutical purposes; cement for animal hooves; bone cement for surgical and orthopaedic purposes; dental cements; herb teas for medicinal purposes; slimming tea for medical purposes; eucalyptus for pharmaceutical purposes; tobacco extracts [insecticides]; extracts of hops for pharmaceutical purposes; elixirs [pharmaceutical preparations]; ethers for pharmaceutical purposes; esters for pharmaceutical purposes; cellulose esters for pharmaceutical purposes; cellulose ethers for pharmaceutical purposes; jujube, medicated; rat poison; poisons; bacterial poisons; jalap.

35 – Import-export agencies; commercial information agencies; advertising agencies; cost price analysis; rental of advertising space; business auditing; employment agencies; computerized file management; accounting; book-keeping; invoicing; demonstration of goods; transcription; opinion polling; marketing studies; business information; commercial information and advice for consumers [consumer advice shop]; business investigations; marketing research; personnel recruitment; business management and organization consultancy; personnel management consultancy; business organization consultancy; business management consultancy; professional business consultancy; layout services for advertising purposes; business management of performing artists; news clipping services; updating of advertising material; word processing; organization of exhibitions for commercial or advertising purposes; organization of trade fairs for commercial or advertising purposes; shop window dressing; business appraisals; data search in computer files for others; business management assistance; commercial or industrial management assistance; presentation of goods on communication media, for retail purposes; economic forecasting; auctioneering; sales promotion for others; rental of advertising time on communication media; publicity material rental; rental of vending machines; publication of publicity texts; radio advertising; radio commercials; bill-posting; outdoor advertising; distribution of samples; dissemination of advertising matter; writing of publicity

texts; advertising; on-line advertising on a computer network; advertising by mail order; television advertising; television commercials; compilation of statistics; compilation of information into computer databases; business inquiries; systemization of information into computer databases; tax preparation; psychological testing for the selection of personnel; commercial administration of the licensing of the goods and services of others; administrative processing of purchase orders; modelling for advertising or sales promotion; price comparison services; procurement services for others [purchasing goods and services for other businesses]; outsourcing services [business assistance]; business efficiency expert services.

(260) AM 2015 78439 A

(800) 1212361

(891) 2014 04 25

(731) COMPAGNIE GERVAIS DANONE

17 boulevard Haussmann, F-75009 PARIS,
FR

(540)



(591) Black, white

(511)

29 – Milk, powdered milks, flavored jellified milks and whipped milk products; dairy products, namely milk desserts, yogurts, drinking yogurts, soft white cheese; beverages mainly consisting of milk or dairy products, milk beverages with milk predominating, milk beverages containing fruits; unflavored or flavored fermented dairy products.

30 – Biscuits and cookies; custard; chocolate mousses, dessert mousses [confectionery], confectionery, sweetmeats, chocolate, milk-based gruel for food, pastries, rice cakes, semolina puddings, cereal-based desserts, rice pudding, cocoa, coffee, chocolate or tea-based beverages; edible ices, edible ices mainly made from yogurts, ice creams, water ices (edible ices), frozen yogurts, flavored ices.

32 – Still or sparkling water (mineral or other); fruit or vegetable juices, beverages made with fruits or vegetables; lemonades, soda water, sherbets (beverages); preparations for making beverages, syrups for beverages, non-alcoholic fruit or vegetable extracts; non-alcoholic beverages.

(260) AM 2015 78440 A
 (800) 1212377
 (891) 2014 04 11
 (731) S.C. JOHNSON & SON, INC.
 1525 Howe Street, Racine, WI 53403-2236, US
 (540)



(591) Black, white
 (511)
 3 – Indoor or room perfumes; essential oils for room fragrancing; air fragrances; air fragrancing preparations; potpourris [fragrances]; incense; cleaning, polishing, degreasing and abrasive preparations; waxes; pipe cleaning products; soaps; detergents.
 4 – Candles (lighting); perfumed candles.
 5 – Air purifying products; air sanitizing preparations; odor neutralizing preparations; deodorants not for personal use; indoor or room deodorizers; carpet deodorizers; fabric deodorizers; germicidal products; liquid disinfectants and disinfectants for spraying.

(260) AM 2015 78441 A
 (800) 1212413
 (891) 2013 12 02
 (731) CHINA TOBACCO SHANDONG
 INDUSTRIAL CO., LTD.
 No:30 Jiefang Road, Lixia District, Jinan City,
 250014 Shandong Province, CN
 (540)



(591) Black, white
 (511)
 34 – Tobacco; cigars; cigarettes; tobacco thread; snuff; cigarette cases; cigar cutters; matches; lighters for smokers; acetate tow for cigarette filter rods.

(260) AM 2015 78442 A
 (800) 1212436
 (891) 2014 02 10
 (731) JADE SOFTWARE CORPORATION
 LIMITED
 5 Sir Gil Simpson Drive, Burnside,
 Christchurch 8053, NZ
 (540)



(591) Black, white
 (511)
 9 – Computer software and hardware; computer programs including computer operating systems, software development tools, software compilers, software text editors and word processors, software databases, software forms designers and spread sheets, software programming languages, software object oriented products, software quality tools, data modelling tools; computer programs including compilers, assemblers, visual development tools for use in creating applications and other programs for developing graphical user interfaces; program and application development tools for use in designing, developing, writing and implementing user-specific applications and general purpose application programs; object oriented and client/server programming developing software, tools and utilities; database, server database and database management software; development software, tools and utilities for use in designing and implementing programs for access to and use in connection with local area networks, enterprise networks, intranets, extranets, corporate information networks, wide area networks and globally interconnected computer networks, mobile networks, linked by common or diverse protocols; programming tools for use in developing, maintaining, enhancing and operating computer programs, computer systems and utilities programs; evaluation forms and publications in electronic format or contained on pre-recorded electronic storage media; apparatus for recording, transmission or reproduction of sound or images; software forms designers and spreadsheets; reporting software and software quality assurance tools; electronically retrievable computer storage media; software compilers; software text editors and forms designers; object-oriented software products and tools for development of solution programmes and systems, including mobile strategy and development, web development, and logistics, enterprise resource planning (ERP) software; software quality assurance tools and data modelling tools for development of enterprise solutions; software forms designers and spreadsheets; reporting software and software quality assurance tools; documentation and manuals in electronic form sold with the aforementioned goods; and related sales, marketing, promotion, demonstration and evaluation materials in electronic form or contained on CD-ROM; recorded computer discs; data processing equipment; data encryption devices.

38 – Leasing of access time to databases.

42 – Computer research, development and advisory services including services for software development; computer systems analysis; computer consultancy; design of computer hardware; computer programming; design, maintenance and updating of computer software; computer time-sharing; consultations

in the field of computer hardware; application software design and development services; computer equipment rental; computer monitoring services; remote computer monitoring services; data back-up services; services for computer equipment software, systems and installations, in this class, namely computer programming, information, advisory and consultancy services relating to computer hardware, software, computer peripherals, and computer database programs, computer and computer software rental, computer, database and software design and development, computer diagnostic services, computer disaster recovery planning, computer network design for others, computer project management services, computer security consultancy, data recovery services, research and design services, providing temporary use of non-downloadable computer software, services related to creation, design, installation, maintenance, and updating of computer software including database software, technical support services namely troubleshooting of computer hardware and software problems.

(260) AM 2015 78444 A

(800) 1212446

(891) 2014 02 26

(731) ÇELİK TEKSTİL VE GIDA ÜRÜNLERİ İTHALAT İHRACAT SANAYİ VE TİCARET LİMİTED ŞİRKETİ
M.Kemal Paşa Cd. Langa Bostan, Sk. No:18/5
Aksaray Fatih, İstanbul, TR

(540)

SELONYA

(591) Black, white

(511)

24 – Woven or non-woven textile fabrics; textile goods for household use, not included in other classes: curtains, bed covers, sheets (textile), pillowcases, blankets, quilts, towels; covers (terms too vague in the opinion of the International Bureau – Rule 13(2)(b) of the Common Regulations), flags, pennants, labels of textile.

(260) AM 2015 78445 A

(800) 1212452

(891) 2014 03 20

(731) 7265841 CANADA INC.
8484, Esplanade, H2P 2R7 Montreal, province
de Quebec, CA

(540)



(591) Black, white

(511)

25 – Clothing, footwear, headgear, including ski clothing, including headgear, ski anoraks, long un-

derwear; mittens; combinations [clothing]; bathing suits; skirts; Bermuda shorts; vests; jogging suits; fleece trousers for sports, sports shirts with short sleeves; trousers; shorts; jackets, winter jackets; tail coats; ski suits (clothing); belts [clothing]; children's headgear; caps [headwear]; mittens; gloves [clothing]; kepis, knit woolen caps, scarves and sashes for wear; pullovers and short-sleeve shirts; dresses; sweaters with "V"-shaped neckline; overalls; lounge wear; underwear; bodices [lingerie]; pajamas; fleece short-sleeve shirts; suspenders; nylon stockings; neckties; Ascots; socks; sandals; shoes; slippers; swaddling clothes; girdles [underwear].

(260) AM 2015 78446 A

(800) 1212468

(891) 2014 05 20

(731) Publichne aktsionerne tovarystvo
"KHARKIVSKA BISKVITNA FABRYKA"
vul. Lozivska, 8, Kharkiv 61017, UA

(540)

Добрая коровка

(511)

30 – Peanut confectionery; cereal bars; high-protein cereal bars; sponge cakes; pastries; buns; waffles; biscuits; fruit jellies (confectionery); cocoa; cocoa-based ingredients for confectionery products; caramels (candy); lozenges (confectionery); confectionery; nougat confectionery; sugar confectionery; popcorn; confectionery for decorating Christmas trees; liquorice (confectionery); candy; custard; marzipan; macaroons (pastry); almond confectionery; peppermint sweets; stick liquorice (confectionery); pastilles (confectionery); cookies; pies; quiches; chips (cereal products); oat flakes; corn flakes; fondants (confectionery); pralines; gingerbread; puddings; cake powder; sandwiches; malt biscuits; pastry dough; rusks; petit-beurre biscuits; tacos; petits fours (cakes); crackers; cakes; tarts; rice cakes; halvah; candy decorations for cakes; chocolate decorations for cakes; sweetmeats (candy); sugar; chocolate.

(260) AM 2015 78447 A

(800) 1212475

(891) 2014 06 27

(731) PALMERS TEXTIL
AKTIENGESELLSCHAFT
Palmerstraße 6-8, A-2351 Wiener Neudorf, AT

(540)



(591) Black, white

(526) The trademark is protected as a whole. "cosmetics" shall not be subject to independent legal protection.

(511)

3 – Perfumery, essential oils, cosmetics, hair lotions.

(260) AM 2015 78448 A

(800) 1212484

(891) 2014 06 12

(731) SANOFI

54 rue La Boétie, F-75008 Paris, FR

(540)

PRALUENT

(511)

5 – Pharmaceutical products.

(260) AM 2015 78632 A

(800) 1214661

(891) 2014 03 06

(731) BSH Bosch und Siemens Hausgeräte GmbH

Carl-Wery-Str. 34, 81739 München, DE

(540)

Serie | 8

(511)

7 – Electrical household and kitchen machines and apparatus (included in this class), in particular electrical kitchen machines and apparatus including grinders/crushers, mixing and kneading devices, fruit pressing machines, de-juicers, juice centrifuges, grinding machines, cutting devices, electrically powered tools, tin openers, knife sharpening devices and appliances and devices for making beverages and/or food, pumps for dispensing chilled beverages for use in combination with devices for chilling beverages; electric vending machines for beverages or foods, automatic vending machines; electrical apparatus for sealing plastics; electrical waste disposers, namely waste grinders and waste compacting machines; dishwashers; electric machines and devices for cleaning laundry and clothing (included in this class), including washing machines, spin dryers; ironing presses, ironing machines, included in this class; electric household cleaning equipment, including electric window cleaning equipment, electric shoe polishers and vacuum cleaners, wet and dry vacuuming apparatus; parts for all the aforesaid goods included in this class, in particular flexible tubes, pipes, dust filters, dust filter bags, all for vacuum cleaners.

9 – Kitchen scales, bathroom scales; remote operating, signalling and control apparatus (electric/electronic) for household or kitchen machines and utensils; recorded and unrecorded machine-readable data carriers for household equipment; data processing devices and data processing programmes for con-

rolling and operating household appliances; dosimeters; parts and auxiliary parts for all the aforesaid goods, included in this class.

11 – Apparatus for heating, steam generating and cooking, in particular stoves, baking, roasting, grilling, toasting, defrosting and heating devices, water heaters, immersion heaters, slow-cookers, microwave ovens, waffle irons (electric), egg-boilers, deep-fat fryers (electric); electrical tea and coffee makers, espresso coffee machines, automatic coffee machines (included in this class); refrigerating apparatus, in particular refrigerators, chest freezers, refrigerated cabinets, beverage-cooling apparatus, fridge-freezers, freezers, ice machines and apparatus; drying apparatus, in particular including tumble dryers, laundry drying machines, hand dryers, hair dryers; infrared lamps (other than for medical use); heating pads (not for medical purposes), electric blankets (not for medical purposes); ventilating apparatus, in particular fans, extractor hood filters, extractor hood equipment and covers for extractor hoods, air-conditioning apparatus and devices for improving air quality, air humidifiers, air deodorisers, fragrance dispensing apparatus (not for personal use); air purifying apparatus, apparatus for water supply and sanitary purposes, in particular including fittings for steam generating, ventilating and water supply installations; water heaters, storage water heaters and instantaneous water heaters; kitchen sinks; heat pumps; parts for all the aforesaid goods, included in this class; taps for dispensing cooled beverages, for use in combination with appliances for cooling of beverages.

(260) AM 2015 78633 A

(800) 1214662

(891) 2014 03 06

(731) BSH Bosch und Siemens Hausgeräte GmbH

Carl-Wery-Str. 34, 81739 München, DE

(540)

Serie | 4

(511)

7 – Electrical household and kitchen machines and apparatus (included in this class), in particular electrical kitchen machines and apparatus including grinders/crushers, mixing and kneading devices, fruit pressing machines, de-juicers, juice centrifuges, grinding machines, cutting devices, electrically powered tools, tin openers, knife sharpening devices and appliances and devices for making beverages and/or food, pumps for dispensing chilled beverages for use in combination with devices for chilling beverages; electric vending machines for beverages or foods, automatic vending machines; electrical apparatus for sealing plastics; electrical waste disposers, namely waste grinders and waste compacting machines; dishwashers; electric machines and devices for

cleaning laundry and clothing (included in this class), including washing machines, spin dryers; ironing presses, ironing machines, included in this class; electric household cleaning equipment, including electric window cleaning equipment, electric shoe polishers and vacuum cleaners, wet and dry vacuuming apparatus; parts for all the aforesaid goods included in this class, in particular flexible tubes, pipes, dust filters, dust filter bags, all for vacuum cleaners.

9 – Kitchen scales, bathroom scales; remote operating, signalling and control apparatus (electric/electronic) for household or kitchen machines and utensils; recorded and unrecorded machine-readable data carriers for household equipment; data processing devices and data processing programmes for controlling and operating household appliances; dosimeters; parts and auxiliary parts for all the aforesaid goods, included in this class.

11 – Apparatus for heating, steam generating and cooking, in particular stoves, baking, roasting, grilling, toasting, defrosting and heating devices, water heaters, immersion heaters, slow-cookers, microwave ovens, waffle irons (electric), egg-boilers, deep-fat fryers (electric); electrical tea and coffee makers, espresso coffee machines, automatic coffee machines (included in this class); refrigerating apparatus, in particular refrigerators, chest freezers, refrigerated cabinets, beverage-cooling apparatus, fridge-freezers, freezers, ice machines and apparatus; drying apparatus, in particular including tumble dryers, laundry drying machines, hand dryers, hair dryers; infrared lamps (other than for medical use); heating pads (not for medical purposes), electric blankets (not for medical purposes); ventilating apparatus, in particular fans, extractor hood filters, extractor hood equipment and covers for extractor hoods, air-conditioning apparatus and devices for improving air quality, air humidifiers, air deodorisers, fragrance dispensing apparatus (not for personal use); air purifying apparatus, apparatus for water supply and sanitary purposes, in particular including fittings for steam generating, ventilating and water supply installations; water heaters, storage water heaters and instantaneous water heaters; kitchen sinks; heat pumps; parts for all the aforesaid goods, included in this class; taps for dispensing cooled beverages, for use in combination with appliances for cooling of beverages.

(260) AM 2015 78657 A

(800) 1160614

(891) 2014 04 16

(731) LEGIO INTERNATIONAL NV

Legeweg 157D, B-8020 Oostkamp,
BE

(540)

LUCA VARESS

(511)

11 – Steam facial apparatus (saunas); baths and bathing equipment; bath installations; bath tubs; bath tubs for sitz baths; bath linings; heaters for baths; bidets; Jacuzzi equipment; spa baths; shower enclosures; shower bases; water taps; manual or automatic hot/cold water mixer taps; lavatories; spray nozzles and holders for spray nozzles; toilet seats; toilet bowls; urinals, non-slip devices for baths, showers and bathroom floors; bathroom fittings, including for baths, showers, washbasins and WCs.

(260) AM 2015 78682 A

(800) 1215012

(891) 2014 03 06

(731) BSH Bosch und Siemens Hausgeräte GmbH
Carl-Wery-Str. 34 81739 München, DE

(540)

Serie | 6

(511)

7 – Electrical household and kitchen machines and apparatus (included in this class), in particular electrical kitchen machines and apparatus including grinders/crushers, mixing and kneading devices, fruit pressing machines, de-juicers, juice centrifuges, grinding machines, cutting devices, electrically powered tools, tin openers, knife sharpening devices and appliances and devices for making beverages and/or food, pumps for dispensing chilled beverages for use in combination with devices for chilling beverages; electric vending machines for beverages or foods, automatic vending machines; electric welding devices for wrapping; electrical waste disposers, namely waste grinders and waste compacting machines; dishwashers; electric machines and devices for cleaning laundry and clothing (included in this class), including washing machines, spin dryers; ironing presses, ironing machines, included in this class; electric household cleaning equipment, including electric window cleaning equipment, electric shoe polishers and vacuum cleaners, wet and dry vacuuming apparatus; parts for all the aforesaid goods included in this class, in particular flexible tubes, pipes, dust filters, dust filter bags, all for vacuum cleaners.

9 – Kitchen scales, bathroom scales; remote operating, signalling and control apparatus (electric/electronic) for household or kitchen machines and utensils; recorded and unrecorded machine-readable data carriers for household equipment; data processing devices and data processing programmes for controlling and operating household appliances; dosimeters; parts and auxiliary parts for all the aforesaid goods, included in this class.

11 – Apparatus for heating, steam generating and cooking, in particular stoves, baking, roasting, grilling, toasting, defrosting and heating devices, water heaters, immersion heaters, slow-cookers, microwave ovens, waffle irons (electric), egg-boilers, deep-fat fryers (electric); electrical tea and coffee makers, espresso coffee machines, automatic coffee machines (included in this class); refrigerating apparatus, in particular refrigerators, chest freezers, refrigerated cabinets, beverage-cooling apparatus, fridge-freezers, freezers, ice machines and apparatus; drying apparatus, in particular including tumble dryers, laundry drying machines, hand dryers, hair dryers; infrared lamps (other than for medical use); heating pads (not for medical purposes), electric blankets (not for medical purposes); ventilating apparatus, in particular fans, extractor hood filters, extractor hood equipment and covers for extractor hoods, air-conditioning apparatus and devices for improving air quality, air humidifiers, air deodorisers, fragrance dispensing apparatus (not for personal use); air purifying apparatus, apparatus for water supply and sanitary purposes, in particular including fittings for steam generating, ventilating and water supply installations; water heaters, storage water heaters and instantaneous water heaters; kitchen sinks; heat pumps; parts for all the aforesaid goods, included in this class; taps for dispensing cooled beverages, for use in combination with appliances for cooling of beverages.

(260) AM 2015 78684 A

(800) 1215025

(891) 2014 03 25

(731) CERMAQ GROUP AS

Postboks 144 Sentrum, N-0102 Oslo, NO

(540)

CERMAQ

(511)

29 – Fish and shellfish (not live); fish and shellfish products, including fish fillets, preserved fish and shellfish, fishmeal, sea urchin products; ready-made food consisting of fish and shellfish.

31 – Live fish and shellfish; sea urchin; live fish in the nature of smolt; fertilized fish eggs; fish sperm; foodstuffs for animals.

44 – Fish and shellfish farming; veterinarian services related to aqua culture, fish- and shellfish farming.

(260) AM 2015 78685 A

(800) 1215054

(891) 2014 03 27

(731) Limited Liability Company

"PREMIUM STYLE"

1-st Magistralnyi stumped, 5A, RU-123290

Moscow, RU

(540)



(591) White, light green

(511)

5 – Pharmaceutical and veterinary preparations; sanitary preparations for medical purposes; dietetic substances adapted for medical use, food for babies; plasters, materials for dressings; material for stopping teeth, dental wax; disinfectants; preparations for destroying vermin; dental abrasives; absorbent cotton; acaricides; acetates for pharmaceutical purposes; acids for pharmaceutical purposes; aconitine; adhesive tapes for medical purposes; fly catching adhesives; adjuvants for medical purposes; air deodorising preparations; air purifying preparations; albumin dietary supplements; albuminous foodstuffs for medical purposes; albuminous preparations for medical purposes; aldehydes for pharmaceutical purposes; algicides; alginate dietary supplements; alginates for pharmaceutical purposes; alkaline iodides for pharmaceutical purposes; alkaloids for medical purposes; milk of almonds for pharmaceutical purposes; aloe vera preparations for pharmaceutical purposes; aluminium acetate for pharmaceutical purposes; dental amalgams; amino acids for medical purposes; amino acids for veterinary purposes; anaesthetics; analgesics; angostura bark for medical purposes; animal washes; antibiotics; anticryptogamic preparations; antioxidant pills; antiparasitic preparations; anti-rheumatism bracelets; antiseptic cotton; antiseptics; anti-uric preparations; appetite suppressant pills; appetite suppressants for medical purposes; aseptic cotton; asthmatic tea; bacterial poisons; bacterial preparations for medical and veterinary use; bacteriological preparations for medical and veterinary use; balms for medical purposes; balsamic preparations for medical purposes; bandages for dressings; bandages for skin wounds; adhesive bands for medical purposes; barks for pharmaceutical purposes; bath preparations, medicated; bath salts for medical purposes; therapeutic preparations for the bath; oxygen baths; salts for mineral water baths; belts for sanitary napkins [towels]; bicarbonate of soda for pharmaceutical purposes; biocides; biological preparations for medical purposes; biological preparations for veterinary purposes; biological tissue cultures for medical purposes; biological tissue cultures for veterinary purposes; bismuth preparations for pharmaceutical purposes; bismuth subnitrate for pharmaceutical purposes; blood for medical purposes; bone cement for surgical and orthopaedic purposes; bracelets for medical purposes; bromine for pharmaceutical purposes; bronchodilating preparations; preparations for the treatment of

burns; by-products of the processing of cereals for dietetic or medical purposes; cachets for pharmaceutical purposes; cachou for pharmaceutical purposes; preparations for callouses; calomel; camphor for medical purposes; camphor oil for medical purposes; candy for medical purposes; candy, medicated; capsules for medicines; carbolineum [parasiticide]; casein dietary supplements; castor oil for medical purposes; cattle washes; caustic pencils; caustics for pharmaceutical purposes; cedar wood for use as an insect repellent; cellulose esters for pharmaceutical purposes; cellulose ethers for pharmaceutical purposes; charcoal for pharmaceutical purposes; chemical preparations for medical purposes; chemical preparations for pharmaceutical purposes; chemical preparations for veterinary purposes; chemico-pharmaceutical preparations; chewing gum for medical purposes; chilblain preparations; chinoline for medical purposes; chloroform; deodorants for clothing and textiles; cocaine; antiparasitic collars for animals; collodion for pharmaceutical purposes; collyrium; compresses; chemical conductors for electrocardiograph electrodes; condurango bark for medical purposes; medicines for alleviating constipation; contact lens cleaning preparations; chemical contraceptives; cooling sprays for medical purposes; corn remedies; corn rings for the feet; cotton for medical purposes; adhesive plasters; cream of tartar for pharmaceutical purposes; creosote for pharmaceutical purposes; croton bark; curare; pharmaceutical preparations for treating dandruff; decoctions for pharmaceutical purposes; dental cements; dental impression materials; adhesives for dentures; deodorants, other than for human beings or for animals; depuratives; detergents for medical purposes; diabetic bread adapted for medical use; diagnostic preparations for medical purposes; babies' diaper-pants; diapers [babies' napkins]; diastase for medical purposes; dietary supplements for animals; dietetic beverages adapted for medical purposes; dietetic foods adapted for medical purposes; dietetic substances adapted for medical use; digestives for pharmaceutical purposes; dill oil for medical purposes; disinfectants for chemical toilets; disinfectants for hygiene purposes; dog lotions; dog washes; douching preparations for medical purposes; dressings, medical; drugs for medical purposes; preparations for destroying dry rot fungus; elixirs [pharmaceutical preparations]; enzyme dietary supplements; enzyme preparations for medical purposes; enzyme preparations for veterinary purposes; enzymes for medical purposes; enzymes for veterinary purposes; ergot for pharmaceutical purposes; esters for pharmaceutical purposes; ethers for pharmaceutical purposes; eucalyptol for pharmaceutical purposes; eucalyptus for pharmaceutical purposes; eyepatches for medical purposes; eye-washes; febrifuges; fennel for medical purposes; ferments for pharmaceutical purposes; dietary fibre; first-aid boxes, filled; fish meal for pharmaceutical purposes;

flour for pharmaceutical purposes; flowers of sulphur for pharmaceutical purposes; fly catching paper; fly destroying preparations; food for babies; formic aldehyde for pharmaceutical purposes; frostbite salve for pharmaceutical purposes; fumigation preparations for medical purposes; fungicides; gallic acid for pharmaceutical purposes; gamboge for medical purposes; gases for medical purposes; gauze for dressings; gelatine for medical purposes; gentian for pharmaceutical purposes; germicides; glucose dietary supplements; glucose for medical purposes; glycerine for medical purposes; glycerophosphates; dental amalgams of gold; greases for medical purposes; greases for veterinary purposes; guaiacol for pharmaceutical purposes; gum for medical purposes; gurjun [gurjon, gurjan] balsam for medical purposes; articles for headache; headache pencils; hematogen; hemoglobin; hemorrhoid preparations; hemostatic pencils; herbal teas for medicinal purposes; herbicides; cement for animal hooves; extracts of hops for pharmaceutical purposes; hormones for medical purposes; hydrastine; hydrastinine; hydrated chloral for pharmaceutical purposes; hydrogen peroxide for medical purposes; insect repellent incense; insect repellents; insecticides; iodides for pharmaceutical purposes; iodine for pharmaceutical purposes; iodoform; isotopes for medical purposes; jalap; jujube, medicated; dental lacquer; lacteal flour for babies; lactose for pharmaceutical purposes; larvae exterminating preparations; laxatives; lead water; lecithin dietary supplements; lecithin for medical purposes; leeches for medical purposes; preparations of lime for pharmaceutical purposes; liniments; linseed dietary supplements; linseed for pharmaceutical purposes; linseed meal for pharmaceutical purposes; linseed oil dietary supplements; lint for medical purposes; liquorice for pharmaceutical purposes; lotions for pharmaceutical purposes; lotions for veterinary purposes; tissues impregnated with pharmaceutical lotions; lupulin for pharmaceutical purposes; magnesia for pharmaceutical purposes; malt for pharmaceutical purposes; malted milk beverages for medical purposes; mangrove bark for pharmaceutical purposes; dental mastics; media for bacteriological cultures; medicinal alcohol; medicinal drinks; medicinal hair growth preparations; medicinal herbs; medicinal infusions; medicinal tea; medicine cases, portable, filled; medicines for dental purposes; medicines for human purposes; medicines for veterinary purposes; melissa water for pharmaceutical purposes; menthol; mercurial ointments; preparations for destroying mice; cultures of microorganisms for medical and veterinary use; nutritive substances for microorganisms; chemical preparations to treat mildew; milk ferments for pharmaceutical purposes; milking grease; mineral food supplements; mint for pharmaceutical purposes; molding wax for dentists; moleskin for medical purposes; irish moss for medical purposes; mothproofing preparations; mouthwas-

hes for medical purposes; mud for baths; medicinal mud; mustard for pharmaceutical purposes; mustard oil for medical purposes; myrobalan bark for pharmaceutical purposes; babies' napkin-pants; babies' napkins [diapers]; napkins for incontinents; narcotics; nervines; preparations for destroying noxious animals; nutritional supplements; cod liver oil; oil of turpentine for pharmaceutical purposes; medicinal oils; ointments for pharmaceutical purposes; opiates; opium; opodeldoc; opotherapy preparations; oxygen for medical purposes; breast-nursing pads; bunion pads; sanitary panties; pants, absorbent, for incontinents; panty liners [sanitary]; paper for mustard plasters; mothproof paper; parasiticides; pastilles for pharmaceutical purposes; pearl powder for medical purposes; pectin for pharmaceutical purposes; pepsins for pharmaceutical purposes; peptones for pharmaceutical purposes; personal sexual lubricants; petroleum jelly for medical purposes; pharmaceutical preparations; phenol for pharmaceutical purposes; phosphates for pharmaceutical purposes; chemical preparations for treating phylloxera; blood plasma; medical plasters; mustard plasters; poisons; pollen dietary supplements; pomades for medical purposes; porcelain for dental prostheses; potassium salts for medical purposes; poultices; powder of cantharides; chemical preparations for the diagnosis of pregnancy; propolis dietary supplements; propolis for pharmaceutical purposes; protein dietary supplements; protein supplements for animals; purgatives; pyrethrum powder; quassia for medical purposes; quebracho for medical purposes; quinine for medical purposes; quinquina for medical purposes; radioactive substances for medical purposes; radiological contrast substances for medical purposes; radium for medical purposes; rat poison; chemical reagents for medical or veterinary purposes; preparations for reducing sexual activity; remedies for foot perspiration; remedies for perspiration; repellents for dogs; rhubarb roots for pharmaceutical purposes; anti-rheumatism rings; medicinal roots; royal jelly dietary supplements; royal jelly for pharmaceutical purposes; rubber for dental purposes; salts for medical purposes; mineral water salts; sanitary pads; sanitary tampons; sarsaparilla for medical purposes; scapulars for surgical purposes; sedatives; semen for artificial insemination; serotherapeutic medicines; serums; siccatives [drying agents] for medical purposes; pharmaceutical preparations for skin care; slimming pills; medical preparations for slimming purposes; slug exterminating preparations; smelling salts; smoking herbs for medical purposes; sodium salts for medical purposes; soil-sterilising preparations; solutions for contact lenses; solvents for removing adhesive plasters; soporifics; vulnerary sponges; starch for dietetic or pharmaceutical purposes; stem cells for medical purposes; stem cells for veterinary purposes; sterilising preparations; steroids; stick liquorice for pharmaceutical purposes;

sticking plasters; fumigating sticks; sulphur sticks [disinfectants]; strychnine; styptic preparations; sugar for medical purposes; sulphonamides [medicines]; sunburn ointments; sunburn preparations for pharmaceutical purposes; suppositories; surgical cloth [tissues]; surgical dressings; surgical implants [living tissues]; syrups for pharmaceutical purposes; tanning pills; tartar for pharmaceutical purposes; teeth filling material; preparations to facilitate teething; thermal water; thymol for pharmaceutical purposes; tincture of iodine; tinctures for medical purposes; tobacco extracts [insecticides]; tobacco-free cigarettes for medical purposes; tonics [medicines]; sanitary towels; preparations of trace elements for human and animal use; turpentine for pharmaceutical purposes; vaccines; vaginal washes; vermifuges; vesicants; veterinary preparations; vine disease treating chemicals; vitamin preparations; wadding for medical purposes; wart pencils; sea water for medicinal bathing; mineral waters for medical purposes; wheat germ dietary supplements; chemical preparations to treat wheat smut; yeast for pharmaceutical purposes.

29 – Meat, fish, poultry and game; meat extracts; preserved, frozen, dried and cooked fruits and vegetables; jellies, jams, compotes; eggs, milk and milk products; edible oils and fats; ajvar [preserved peppers]; albumen for culinary purposes; alginates for culinary purposes; almonds, ground; aloe vera prepared for human consumption; anchovy; apple puree; bacon; beans, preserved; bone oil, edible; bouillon; bouillon concentrates; preparations for making bouillon; butter; cocoa butter; coconut butter; peanut butter; buttercream; caviar; charcuterie; cheese; fruit chips; clams, not live; coconut, desiccated; coconut oil; colza oil for food; corn oil; cranberry sauce [compote]; crayfish, not live; cream [dairy products]; whipped cream; potato crisps; croquettes; crustaceans, not live; curd; dates; edible birds' nests; edible fats; edible oils; non-alcoholic eggnog; eggs; powdered eggs; snail eggs for consumption; coconut fat; fat-containing mixtures for bread slices; fatty substances for the manufacture of edible fats; kimchi [fermented vegetable dish]; milk ferments for culinary purposes; fish fillets; food products made from fish; fish meal for human consumption; fish, not live; fish, preserved; salted fish; fish roe, prepared; fish, tinned [canned (am.)]; foods made from fish; frozen fruits; fruit jellies; fruit, preserved; fruit preserved in alcohol; fruit pulp; fruit, stewed; crystallized fruits; fruits, tinned [canned (am.)]; game, not live; preserved garlic; gelatine; gherkins; ginger jam; ham; herrings; hummus [chickpea paste]; isinglass for food; jams; jellies for food; vegetable juices for cooking; kephir [milk beverage]; kumys [kumyss] [milk beverage]; lard; toasted laver; lecithin for culinary purposes; lentils, preserved; linseed oil for culinary purposes; liver; lobsters, not live; low-fat potato chips; margarine; marmalade; animal marrow

for food; meat; meat jellies; meat, preserved; meat, tinned [canned (am.)]; milk; albumin milk; milk beverages, milk predominating; milk products; milk shakes; fish mousses; vegetable mousses; mushrooms, preserved; mussels, not live; nuts, prepared; olive oil for food; olives, preserved; onions, preserved; oysters, not live; palm kernel oil for food; palm oil for food; liver pastes; liver pâté; peanuts, processed; peas, preserved; pectin for culinary purposes; fruit peel; piccalilli; pickles; pollen prepared as foodstuff; pork; potato chips; potato flakes; potato fritters; poultry, not live; prawns, not live; black pudding [blood sausage]; raisins; rennet; fruit salads; vegetable salads; salmon; salted meats; sardines; sauerkraut; sausages; sausages in batter; sea-cucumbers, not live; seeds, prepared; processed sunflower seeds; sesame oil; shellfish, not live; shrimps, not live; silkworm chrysalis, for human consumption; fruit-based snack food; preparations for making soup; vegetable soup preparations; soups; soya beans, preserved, for food; soya milk [milk substitute]; spiny lobsters, not live; suet for food; sunflower oil for food; tahini [sesame seed paste]; tofu; tomato juice for cooking; tomato puree; tripe; truffles, preserved; tuna fish; vegetables, cooked; vegetables, dried; vegetables, preserved; vegetables, tinned [canned (am.)]; seaweed extracts for food; whey; white of eggs; yogurt; yolk of eggs.

30 – Coffee, tea, cocoa, sugar, rice, tapioca, sago, flour and preparations made from cereals, bread, pastry and confectionery, ices; honey, treacle; yeast, baking-powder; salt; mustard; vinegar, sauces (condiments); spices; ice; allspice; almond confectionery; aniseed; aromatic preparations for food; artificial coffee; baking powder; baking soda [bicarbonate of soda for cooking purposes]; crushed barley; barley meal; bean meal; bee glue; beer vinegar; flavorings [flavourings], other than essential oils, for beverages; binding agents for ice cream [edible ices]; bread; bread rolls; breadcrumbs; buns; cake dough; cakes; flavorings [flavourings], other than essential oils, for cakes; candy; capers; caramels [candy]; celery salt; cereal preparations; cheeseburgers [sandwiches]; chewing gum; chicory [coffee substitute]; chips [cereal products]; chocolate; chocolate beverages with milk; chocolate-based beverages; chowchow [condiment]; confectionery for decorating christmas trees; chutneys [condiments]; cinnamon [spice]; cloves [spice]; cocoa; cocoa beverages with milk; cocoa-based ingredients for confectionery products; cocoa-based beverages; coffee; coffee beverages with milk; coffee flavorings [flavourings]; unroasted coffee; coffee-based beverages; condiments; confectionery; cookies; corn flour; corn, milled; corn, roasted; fruit coulis [sauces]; couscous [semolina]; crackers; ice cream; cream of tartar for culinary purposes; curry [spice]; custard; ferments for pastes; corn flakes; flavorings, other than essential oils; flour; flour-milling products; fondants [confectionery];

farinaceous foods; essences for foodstuffs, except etheric essences and essential oils; cake frosting [icing]; frozen yogurt [confectionery ices]; garden herbs, preserved [seasonings]; ginger [spice]; gingerbread; glucose for culinary purposes; gluten additives for culinary purposes; gluten prepared as foodstuff; golden syrup; meat gravies; groats for human food; gruel, with a milk base, for food; halvah; ham glaze; high-protein cereal bars; hominy; hominy grits; honey; husked barley; husked oats; ice for refreshment; ice, natural or artificial; iced tea; edible ices; infusions, not medicinal; fruit jellies [confectionery]; ketchup [sauce]; leaven; linseed for human consumption; liquorice [confectionery]; macaroni; macaroons [pastry]; malt biscuits; malt extract for food; malt for human consumption; maltose; marinades; marzipan; mayonnaise; meat pies; meat tenderizers, for household purposes; mint for confectionery; molasses for food; chocolate mousses; dessert mousses [confectionery]; muesli; mustard; mustard meal; noodle-based prepared meals; noodles; nutmegs; oat flakes; oat-based food; oatmeal; crushed oats; pancakes; pasta; almond paste; soya bean paste [condiment]; pasties; pastilles [confectionery]; pastries; peanut confectionery; pepper; peppers [seasonings]; pesto [sauce]; petit-beurre biscuits; petits fours [cakes]; pies; pizzas; popcorn; potato flour for food; cake powder; powders for ice cream; pralines; puddings; quiches; ravioli; relish [condiment]; rice; rice cakes; royal jelly; rusks; saffron [seasoning]; sago; dressings for salad; cooking salt; salt for preserving foodstuffs; sandwiches; tomato sauce; sauces [condiments]; sausage binding materials; seasonings; semolina; cereal-based snack food; rice-based snack food; sorbets [ices]; soya flour; soya sauce; spaghetti; spring rolls; star aniseed; starch for food; stick liquorice [confectionery]; sugar; sushi; natural sweeteners; sweetmeats [candy]; peppermint sweets; tabbouleh; tacos; tapioca; tapioca flour for food; tarts; tea; tea-based beverages; thickening agents for cooking foodstuffs; tortillas; turmeric for food; unleavened bread; vanilla [flavoring] [flavouring]; vanillin [vanilla substitute]; vegetal preparations for use as coffee substitutes; vermicelli [noodles]; vinegar; waffles; sea water for cooking; seaweed [condiment]; wheat flour; wheat germ for human consumption; preparations for stiffening whipped cream; yeast.

32 – Beers; mineral and aerated waters and other non-alcoholic beverages; fruit beverages and fruit juices; syrups and other preparations for making beverages; aerated water; preparations for making aerated water; aloe vera drinks, non-alcoholic; aperitifs, non-alcoholic; beer wort; beer-based cocktails; non-alcoholic beverages; preparations for making beverages; cider, non-alcoholic; cocktails, non-alcoholic; essences for making beverages; extracts of hops for making beer; non-alcoholic fruit extracts; non-alcoholic fruit juice beverages; fruit juices; fruit

nectars, non-alcoholic; ginger ale; grape must, unfermented; non-alcoholic honey-based beverages; isotonic beverages; kvass [non-alcoholic beverage]; lemonades; preparations for making liqueurs; lithia water; malt beer; malt wort; milk of almonds [beverage]; mineral water [beverages]; preparations for making mineral water; must; orgeat; pastilles for effervescing beverages; peanut milk [non-alcoholic beverage]; powders for effervescing beverages; sarsaparilla [non-alcoholic beverage]; seltzer water; sorbets [beverages]; smoothies; soda water; syrups for beverages; syrups for lemonade; table waters; tomato juice [beverage]; vegetable juices [beverages]; waters [beverages]; whey beverages.

(260) AM 2015 78687 A
(800) 1215069
(891) 2014 02 10
(731) SIEMENS AKTIENGESELLSCHAFT
Wittelsbacherplatz 2, 80333 München, DE
(540)

100% Railability

(511)
12 – Rail vehicles and parts therefor (included in this class); drive gears for rail vehicles, included in this class.

37 – Assembly, maintenance and repair of installations, devices and apparatus, in particular in the field of railway technology and railway traffic technology.

42 – Technical planning, research and technical development of installations, devices and apparatus, in particular in the field of railway technology and railway traffic technology; technical consultancy and technical expertise in the field of railway technology and railway traffic technology; consultancy services relating to the rental of programs for data processing and process technology; technical project management in the field of railway technology and railway traffic technology; design and development of computer hardware and software; engineering consultancy services; technical project studies; technical project management in the field of electronic data processing; computer programming; maintenance and installation of software.

(260) AM 2015 78688 A
(800) 1215082
(891) 2014 03 31
(731) WORLD MEDICINE İLAÇ SANAYİ VE
TİCARET ANONİM ŞİRKETİ
Evren Mah. Camiyolu Cad. No:50 Kat 1,
B Zemin 4-5-6 Güneşli, Bağcılar/Istanbul, TR
(540)

PAFESAN
ΠΑΦΕΣΑΝ

(591) Black, white
(511)

5 – Medicines for human purposes, medicines for veterinary purposes, vitamin preparations, chemical preparations for medical purposes, dietetic substances adapted for medical use; dietetic foods adapted for medical purposes; baby foods, medicinal herbs, herbal beverages adapted for medical purposes, nutritional supplements, pollen dietary supplements, mineral food supplements, protein dietary supplements; dietary supplements for animals; fodder supplements for veterinary purposes; medicines for dental purposes, hygienic products for medical purposes including sanitary pads, breast-nursing pads and bunion pads, waddings for medical purposes, plasters for medical purposes, dressings for medical purposes, babies' napkins, preparations for destroying noxious plants, preparations for destroying noxious animals, fungicides, deodorants other than for human beings or for animals, air deodorising preparations, disinfectants for hygiene purposes, antiseptics, detergents for medical purposes.

(260) AM 2015 78905 A
(800) 1216724
(891) 2014 03 03
(731) ZAO "OBNINSKORGSIINTEZ"
57, Kievskoye Shosse, RU-249032 Obninsk,
Kaluga region, RU
(540)

TRUCKBLUE

(511)
1 – Acetate of cellulose, unprocessed; acetates [chemicals]; acetic anhydride; acetone; acetylene tetrachloride; acetylene; acid proof chemical compositions; acids; acidulated water for recharging accumulators; acrylic resins, unprocessed; actinium; activated carbon; additives, chemical, to drilling muds; additives, chemical, to fungicides; additives, chemical, to insecticides; additives, chemical, to motor fuel; adhesive preparations for surgical bandages; adhesives for billposting; adhesives for industrial purposes; adhesives for wall tiles; adhesives for wallpaper; agar-agar; agglutinants for concrete; albumin [animal or vegetable, raw material]; agricultural chemicals, except fungicides, herbicides, insecticides and parasitocides; albuminized paper; alcohol; aldehydes; alginates for industrial purposes; alginates for the food industry; alkalies; alkaline iodides for industrial purposes; alkaline metals; alkaline-earth metals; alkaloids; alum; alumina; aluminium acetate; aluminium alum; aluminium chloride; aluminium hydrate; aluminium iodide; aluminium silicate; americium; ammonia [volatile alkali] for industrial purposes; ammonia alum; ammonia; ammoniacal salts; ammonium aldehyde; amyl acetate; amyl alcohol; anhydrides; anhydrous ammonia; animal albumen [raw ma-

terial]; animal carbon preparations; animal carbon; animal charcoal; anthranilic acid; anti-boil preparations for engine coolants; antifreeze; anti-frothing solutions for accumulators; anti-incrustants; anti-knock substances for internal combustion engines; antimony oxide; antimony sulfide; antimony; anti-sprouting preparations for vegetables; antistatic preparations, other than for household purposes; anti-tarnishing chemicals for windows; argon; arsenic; arsenious acid; artificial resins, unprocessed; artificial sweeteners [chemical preparations]; astatine; auxiliary fluids for use with abrasives; bacterial preparations other than for medical and veterinary use; bacteriological preparations for acetification; bacteriological preparations other than for medical and veterinary use; balm of gurjun [gurjon, gurjan] for making varnish; barium compounds; barium sulfate; barium; baryta paper; baryta; barytes; bases [chemical preparations]; basic gallate of bismuth; bate for dressing skins; bauxite; beer preserving agents; beer-clarifying and preserving agents; bentonite; benzene derivatives; benzene-based acids; benzoic acid; benzoic sulfimide; berkelium; bicarbonate of soda for chemical purposes; bichloride of tin; bichromate of potassium; bichromate of soda; biochemical catalysts; biological preparations, other than for medical or veterinary purposes; biological tissue cultures other than for medical or veterinary purposes; birdlime; bismuth subnitrate for chemical purposes; bismuth; bleaching preparations [decolorants] for industrial purposes; blood charcoal; blue vitriol; blueprint cloth; blueprint paper; bone charcoal; borax; boric acid for industrial purposes; brake fluid; brazing fluxes; brazing preparations; brickwork preservatives, except paints and oils; bromine for chemical purposes; by-products of the processing of cereals for industrial purposes; caesium; calcined soda; calcium carbide; calcium cyanamide [fertilizer]; calcium salts; californium; camphor, for industrial purposes; carbide; carbolineum for the protection of plants; carbon black for industrial purposes; carbon disulfide; carbon for filters; carbon tetrachloride; carbon; carbonates; carbonic acid; carbonic hydrates; casein for industrial purposes; casein for the food industry; catalysts; catechu; caustic alkali; caustic soda for industrial purposes; caustics for industrial purposes; cellulose derivatives [chemicals]; cellulose esters for industrial purposes; cellulose ethers for industrial purposes; cellulose; cement [metallurgy]; cement for footwear; cement for mending broken articles; cement for pneumatic tires [tyres]; cement preservatives, except paints and oils; cement-waterproofing chemicals, except paints; ceramic compositions for sintering [granules and powders]; ceramic glazings; ceramic materials in particulate form, for use as filtering media; cerium; chemical additives for oils; chemical condensation preparations; chemical intensifiers for paper; chemical intensifiers for rubber; chemical preparations for

facilitating the alloying of metals; chemical preparations for protection against wheat blight [smut]; chemical preparations for scientific purposes, other than for medical or veterinary use; chemical preparations for smoking meat; chemical preparations for use in photography; chemical preparations to prevent mildew; chemical preparations, except pigments, for the manufacture of enamel; chemical reagents, other than for medical or veterinary purposes; chemical substances for analyses in laboratories, other than for medical or veterinary purposes; chemical substances for preserving foodstuffs; chemicals for the manufacture of paints; chemicals for use in forestry, except fungicides, herbicides, insecticides and parasiticides; chimney cleaners, chemical; chlorates; chlorides; chlorine; cholic acid; chromates; chrome alum; chrome salts; chromic acid; chromic salts; chromium oxide; cinematographic films, sensitized but not exposed; citric acid for industrial purposes; coal saving preparations; cobalt oxide for industrial purposes; collodion; color- [colour-] brightening chemicals for industrial purposes; combusting preparations [chemical additives to motor fuel]; compositions for repairing inner tubes of tires [tyres]; compositions for repairing tires [tyres]; compositions for the manufacture of phonograph records; compositions for the manufacture of technical ceramics; compositions for threading; compost; concrete preservatives, except paints and oils; concrete-aeration chemicals; condensation-preventing chemicals; coolants for vehicle engines; corrosive preparations; cream of tartar for chemical purposes; cream of tartar for the food industry; creosote for chemical purposes; crotonic aldehyde; cryogenic preparations; cultures of microorganisms, other than for medical and veterinary use; curium; currying preparations for leather; currying preparations for skins; cyanides [prussiates]; cymene; damp-proofing chemicals, except paints, for masonry; defoliants; degreasing preparations for use in manufacturing processes; degumming preparations; dehydrating preparations for industrial purposes; detergent additives to gasoline [petrol]; detergents for use in manufacturing processes; dextrin [size]; diagnostic preparations, other than for medical or veterinary purposes; diastase for industrial purposes; diatomaceous earth; diazo paper; disincrustants; dispersions of plastics; distilled water; dolomite for industrial purposes; drilling muds; dry ice [carbon dioxide]; dysprosium; earth for growing; electrophoresis gels, other than for medical or veterinary purposes; emollients for industrial purposes; emulsifiers; enamel-staining chemicals; engine-decarbonising chemicals; enzyme preparations for industrial purposes; enzyme preparations for the food industry; enzymes for industrial purposes; enzymes for the food industry; epoxy resins, unprocessed; erbium; esters; ethane; ethers; ethyl alcohol; ethyl ether; europium; expanded clay

for hydroponic plant growing [substrate]; fat-bleaching chemicals; fatty acids; fermium; ferrocyanides; ferrotype plates [photography]; fertilizers; fertilizing preparations; fillers for automobile bodies; filtering materials [chemical preparations]; filtering materials [mineral substances]; filtering materials [unprocessed plastics]; filtering materials [vegetable substances]; filtering preparations for the beverages industry; finishing preparations for use in the manufacture of steel; fire extinguishing compositions; fireproofing preparations; fish meal fertilizers; fissionable chemical elements; fissionable material for nuclear energy; fixing baths [photography]; fixing solutions [photography]; flashlight preparations; flocculants; flour for industrial purposes; flower preservatives; flowers of sulfur for chemical purposes; fluids for hydraulic circuits; fluorine; fluorospar compounds; formic acid; formic aldehyde for chemical purposes; foundry binding substances; foundry molding [moulding] preparations; foundry sand; francium; fuel for atomic piles; fuel-saving preparations; fuller's earth for use in the textile industry; fulling preparations for use in the textile industry; fulling preparations; gadolinium; gallic acid for the manufacture of ink; gallium; gallnuts; gallotannic acid; galvanizing baths; galvanizing preparations; gambier; gas purifying preparations; gelatine for industrial purposes; gelatine for photographic purposes; genes of seeds for agricultural production; getters [chemically active substances]; glass-frosting chemicals; glass-staining chemicals; glaziers' putty; glucose for industrial purposes; glucose for the food industry; glucosides; glue for industrial purposes; gluten [glue], other than for stationery or household purposes; gluten for industrial purposes; gluten for the food industry; glutinous tree-grafting preparations; glycerides; glycerine for industrial purposes; glycol ether; glycol; gold salts; grafting mastic for trees; grafting wax for trees; graphite for industrial purposes; guano; gum arabic for industrial purposes; gum tragacanth for industrial purposes; gums [adhesives], other than for stationery or household purposes; heavy water; helium; holmium; hormones for hastening the ripening of fruit; horticultural chemicals, except fungicides, herbicides, insecticides and parasiticides; humus top dressing; humus; hydrates; hydrazine; hydrochlorates; hydrofluoric acid; hydrogen peroxide; hydrogen; hypochlorite of soda; hyposulfites; industrial chemicals; iodic acid; iodine for chemical purposes; iodine for industrial purposes; iodised albumen; iodised salts; ion exchangers [chemicals]; iron salts; isinglass other than for stationery, household or alimentary purposes; isotopes for industrial purposes; kainite; kaolin; ketones; kieselgur; krypton; lactic acid; lactose [raw material]; lactose for industrial purposes; lactose for the food industry; lamp black for industrial purposes; lanthanum; lead acetate; lead arsenate; lead oxide; leather glues; leather-dressing chemi-

cal; leather-impregnating chemicals; leather-reno-vating chemicals; leather-waterproofing chemicals; lecithin [raw material]; lecithin for industrial purposes; lecithin for the food industry; lime acetate; lime carbonate; lime chloride; limestone hardening substances; liquids for removing sulfates from accumulators; lithia [lithium oxide]; lithium; litmus paper; loam; lutetium [cassiopium]; magnesite; magnesium carbonate; magnesium chloride; magnetic fluid for industrial purposes; malt albumen; manganate; manganese dioxide; mangrove bark for industrial purposes; masonry preservatives, except paints and oils; mastic for leather; meat tenderizers for industrial purposes; mercuric oxide; mercury salts; mercury; metal hardening preparations; metal tempering preparations; metalloids; methane; methyl benzene; methyl benzol; methyl ether; milk ferments for chemical purposes; milk ferments for industrial purposes; milk ferments for the food industry; mineral acids; moderating materials for nuclear reactors; moistening [wetting] preparations for use in bleaching; moistening [wetting] preparations for use in dyeing; moistening [wetting] preparations for use in the textile industry; mold-release compounds; mordants for metals; must-finishing preparations; naphthalene; neodymium; neon; neptunium; nitrate of uranium; nitrate paper; nitrates; nitric acid; nitrogen; nitrogenous fertilisers; nitrous oxide; oenological bactericides [chemical preparations for use in wine making]; oil cement [putty]; oil dispersants; oil-bleaching chemicals; oil-purifying chemicals; oils for currying leather; oils for preparing leather in the course of manufacture; oils for tanning leather; oils for the preservation of food; oil-separating chemicals; oleic acid; olivine [silicate mineral]; opacifiers for enamel or glass; opacifiers for enamel; opacifiers for glass; oxalates; oxalic acid; oxygen; palladium chloride; paper pulp; peat [fertiliser]; peat pots for horticulture; pectin [photography]; pectin for industrial purposes; pectin for the food industry; perborate of soda; percarbonates; perchlorates; persulfates; persulfuric acid; petroleum dispersants; phenol for industrial purposes; phosphates [fertilisers]; phosphatides; phosphoric acid; phosphorus; photographic developers; photographic emulsions; photographic paper; photographic sensitizers; photometric paper; photosensitive plates; picric acid; plant growth regulating preparations; plasticizers; plastics, unprocessed; plastisols; plutonium; polish removing substances; polonium; potash water; potash; potassium di-oxalate; potassium; potato flour for industrial purposes; power steering fluid; praseodymium; preparations for preventing the tarnishing of glass; preparations for preventing the tarnishing of lenses; preparations for stimulating cooking for industrial purposes; preparations for the separation of greases; preparations of the distillation of wood alcohol; preparations of trace elements for plants; preservatives for pharmaceutical preparations; preservatives for

tiles, except paints and oils; promethium; propellant gases for aerosols; protactinium; protective gases for welding; protein [raw material]; purification preparations; pyrogallol acid; quebracho for industrial purposes; radiator flushing chemicals; radioactive elements for scientific purposes; radium for scientific purposes; radon; rare earths; reagent paper, other than for medical or veterinary purposes; reducing agents for use in photography; refrigerants; renovating preparations for phonograph records; rhenium; rock salt; rubber preservatives; rubidium; saccharin; sal ammoniac spirits; sal ammoniac; Salicylic acid; salt for preserving, other than for foodstuffs; salt, raw; saltpeter; salts [chemical preparations]; salts [fertilisers]; salts for coloring [colouring] metal; salts for galvanic cells; salts for industrial purposes; salts from rare earth metals; salts of alkaline metals; salts of precious metals for industrial purposes; samarium; sauce for preparing tobacco; scale removing preparations, other than for household purposes; seawater for industrial purposes; seaweeds [fertilizers]; sebacic acid; seed preserving substances; selenium; self-toning paper [photography]; sensitized cloth for photography; sensitized films, unexposed; sensitized paper; sensitized photographic plates; sensitized plates for offset printing; separating and unsticking [ungluing] preparations; silicates; silicon; silicones; silver nitrate; silver salt solutions for silvering; size for finishing and priming; sizing preparations; slag [fertilisers]; soap [metallic] for industrial purposes; soda ash; sodium salts [chemical compounds]; sodium; soil conditioning preparations; soldering fluxes; solidified gases for industrial purposes; solutions for cyanotyping; solvents for varnishes; soot for industrial or agricultural purposes; sorrel salt; spinel [oxide mineral]; spirits of salt; spirits of vinegar [dilute acetic acid]; stain-preventing chemicals for use on fabrics; starch for industrial purposes; starch paste [adhesive], other than for stationery or household purposes; starch size [chemical preparations]; starch-liquifying chemicals [ungluing agents]; stearic acid; stem cells other than for medical or veterinary purposes; strontium; substances for preventing runs in stockings; substrates for soil-free growing [agriculture]; sulfates; sulfides; sulfonic acids; sulfur; sulfuric acid; sulfuric ether; sulfurous acid; sumac for use in tanning; superphosphates [fertilisers]; surface-active chemical agents; synthetic materials for absorbing oil; synthetic resins, unprocessed; talc [magnesium silicate]; tan; tannic acid; tannin; tanning substances; tan-wood; tapioca flour for industrial purposes; tartar other than for pharmaceutical purposes; tartaric acid; technetium; tellurium; terbium; test paper, chemical; tetrachlorides; textile-brightening chemicals; textile-impregnating chemicals; textile-waterproofing chemicals; thallium; thiocarbonyl; thorium; thulium; titanium dioxide for industrial purposes; toluene; toning baths [photograp-

hy]; toning salts [photography]; toxic gas neutralizers; transmission fluid; tree cavity fillers [forestry]; tungstic acid; uranium oxide; uranium; vine disease preventing chemicals; vinic alcohol; viscose; vulcanisation accelerators; vulcanising preparations; wallpaper removing preparations; water glass [soluble glass]; water-purifying chemicals; water-softening preparations; wax-bleaching chemicals; welding chemicals; wine finings; witherite; wood alcohol; wood pulp; wood vinegar [pyrolygineous acid]; xenon; X-ray films, sensitized but not exposed; ytterbium; yttrium; zirconia.

(260) AM 2015 78907 A

(800) 1216765

(891) 2013 12 11

(731) ORTHOPHARM EUROPE KFT. (CO. LTD.).

Naplás u. 24., H-2142 Nagytarcsa, HU

(540)

ARTHROVISC

(511)

5 – Pharmaceutical and veterinary preparations; sanitary preparations for medical purposes; dietetic food and substances adapted for medical or veterinary use, food for babies; dietary supplements for humans and animals; plasters, materials for dressings; material for stopping teeth, dental wax; disinfectants; preparations for destroying vermin; fungicides, herbicides; elixirs [pharmaceutical preparations]; tonics [medicines]; chilblain preparations; frostbite salve for pharmaceutical purposes; analgetics; decoctions for pharmaceutical purposes; salts for mineral water baths; bath salts for medical purposes; medical preparations for slimming purposes; sugar for medical purposes; adjuvants for medical purposes; medicinal drinks; medicines for human purposes; bath preparations, medicated; medicinal infusions; pharmaceutical preparations; chemico-pharmaceutical preparations; medicinal tea; nervines; mud for baths; medicinal mud; ointments for pharmaceutical purposes; therapeutic preparations for the bath; medicinal oils; surgical implants [living tissues]; surgical cloth [tissues]; salts for medical purposes; nutritional supplements; thermal water; chemical preparations for medical purposes; chemical reagents for medical or veterinary purposes; chemical preparations for pharmaceutical purposes; greases for medical purposes; pharmaceutical compositions for the treatment of diseases of joints; pharmaceutical compositions for the treatment of diseases of articulation; pharmaceutical compositions for the treatment of diseases of arthritis; pharmaceutical compositions for the treatment of diseases of arthritis; compositions for medical purposes for treatment of diseases of joints; compositions for medical purposes for treatment of diseases of articulation; compositions for medical purposes for treatment of diseases of arthritis; compositions

for medical purposes for treatment of diseases of arthritis; compositions of dietary supplements for treatment of diseases of joints; compositions of dietary supplements for treatment of articulation; compositions of dietary supplements for treatment of arthritis; compositions of dietary supplements for treatment of arthritis.

44 – Medical services; veterinary services; hygienic and beauty care for human beings or animals; agriculture, horticulture and forestry services; nursing, medical; health care; physiotherapy; health spa services; pharmacists' services to make up prescriptions; hospitals; massage; medical clinic services; medical assistance; telemedicine services; therapy services; prophylactic and/or curative treatment and therapy of diseases of joints; prophylactic and/or curative treatment and therapy of diseases of articulation; prophylactic and/or curative treatment and therapy of diseases of arthritis, prophylactic and/or curative treatment and therapy of diseases of arthritis; restoration, defence of joints; restoration, defence of articulation.

(260) AM 2015 78913 A

(800) 1216774

(891) 2013 12 23

(731) Товариство з обмеженою відповідальністю "PHARMA START"

bulv. I. Lipse. 8, Kyiv 03124, UA

(540)

PHARMASTART

(511)

5 – Pharmaceutical and veterinary preparations; sanitary preparations for medical purposes; dietetic food and substances adapted for medical or veterinary use, food for babies; dietary supplements for humans and animals; plasters, materials for dressings; material for stopping teeth, dental wax; disinfectants; preparations for destroying vermin, fungicides, herbicides; biologically active additives; analgesics; anaesthetics; antibiotics; appetite suppressants for medical purposes; first-aid boxes, filled; tonics (medicines); germicides; bacterial preparations for medical and veterinary use; balms for medical purposes; balsamic preparations for medical purposes; biological preparations for medical purposes; bracelets for medical purposes; vaccines; decoctions for pharmaceutical purposes; vitamin preparations; anthelmintics; vermifuges; homeopathic preparations; hormones for medical purposes; diagnostic preparations for medical purposes; dietary supplements for humans; elixirs (pharmaceutical preparations); chewing gum for medical purposes; nervines; articles for headache; medical preparations against heartache; adjuvants for medical purposes; immunobiological preparations for medical purposes; immunomodulatory preparations for medical purposes; capsules

for medicines; depuratives; styptic preparations; medicines for humans; medicines for alleviating constipation; cosmetic preparations for medical purposes; mineral waters for medical purposes; medicinal oils; medicinal infusions; tinctures for medical purposes; medicinal tea; liniments; lotions for pharmaceutical purposes; candy for medical purposes; magnesia for pharmaceutical purposes; ointments for pharmaceutical purposes; medicinal drinks; vesicants; fumigation preparations for medical purposes; fumigating sticks and pastilles; cooling sprays for medical purposes; antioxidant pills; eyepatches for medical purposes; pomades for medical purposes; laxatives; regenerative preparations for medical purposes; aloe vera preparations for pharmaceutical purposes; preparations with nutriment for humans; cultures of microorganisms for medical use; preparations for reducing sexual activity; corn remedies; chilblain preparations; preparations for the treatment of burns; mouthwashes for medical purposes; preparations to facilitate teething; pharmaceutical preparations to improve memory and attention; pharmaceutical preparations stimulating nervous system; medical preparations against metabolism disorders; medical preparations normalizing cholesterol level; haemorrhoid preparations; preparations for the treatment of various diseases; preventive medical preparations; medical preparations normalizing blood pressure; medical preparations for the prevention and treatment of cardiovascular diseases; organotherapy preparations; antiviral medical preparations; antifungal medical preparations; febrifuges; anti-inflammatory preparations; chemical contraceptives; antiseptics; antiparasitic preparations; antineoplastic pharmaceutical preparations; anti-uric preparations; digestives for pharmaceutical purposes; solutions for infusions; suppositories; sedatives; tranquillizers; tissues impregnated with pharmaceutical lotions; serums; syrups for pharmaceutical purposes; soporifics; salts for medical purposes; douching preparations for medical purposes; steroids; pastilles for pharmaceutical purposes; medicines for the treatment of the diseases of nervous system; enzyme preparations for medical purposes; phyto-preparations for medical purposes; chemico-pharmaceutical preparations; chemical preparations for medical purposes; candy, medicated.

35 – Advertising; business management; business administration; office functions; commercial information agencies; administrative processing of purchase orders; marketing studies; organization of exhibitions or trade fairs for commercial or advertising purposes; organization of various events, campaigns, opinion polls, presentations for commercial or advertising purposes; demonstration of various pharmaceutical preparations, medical products, preparations for the prevention and treatment of various diseases, skin care products, dietary supplements; business information; business inquiries; assistance to customers in choosing and acquisition of goods,

namely, pharmaceutical preparations, medical products, preparations for the prevention and treatment of various diseases, medicines, vitamin preparations, dietary supplements; compilation of information into computer databases; import and export of various goods, namely, pharmaceutical preparations, medical products, preparations for the prevention and treatment of various diseases, medicines, vitamin preparations, dietary supplements; on-line advertising on a computer network; commercial information and advice for consumers (consumer advice shop); professional business consultancy; marketing; marketing research in pharmaceuticals; business management; procurement services for others (purchasing goods and services for other businesses); retail or wholesale services for pharmaceutical, veterinary and sanitary preparations and medical supplies; sponsorship search; presentation of goods on communication media, for retail purposes; professional business consultancy and advice in the field of pharmacy management; dissemination of advertising matter; distribution of samples; the bringing together for the benefit of others, of a variety of goods (excluding the transport thereof), namely, pharmaceutical preparations, medical products, preparations for the prevention and treatment of various diseases, medicines, vitamin preparations, dietary supplements, that allows customers to conveniently view, order and purchase these goods at pharmacy, Internet pharmacy or by means of electronic devices; providing business information about the goods and services on the Internet, on web sites and on web pages that allow customers to conveniently view, order, and purchase these goods and services from web sites and web pages on the Internet and to get required information about these goods and services; sales promotion for others.

(260) AM 2015 78920 A

(800) 1216813

(891) 2014 05 05

(731) EGIS GYÓGYSZERGYÁR ZRT.

Keresztúri út 30-38, H-1106 Budapest, HU

(540)

КРУОВИТ

(591) Black, white

(511)

5 – Pharmaceutical preparations for human use.

INTERNATIONAL TRADEMARKS PROTECTED IN GEORGIA

(260) AM 2014 60858 A
(800) 1059579
(151) 2010 10 01
(181) 2020 10 01
(511) 05

(260) AM 2014 72336 A
(800) 1157976
(151) 2013 02 19
(181) 2023 02 19
(511) 29, 30

(260) AM 2014 72708 A
(800) 1161274
(151) 2013 02 07
(181) 2023 02 07
(511)

7 – Eclectic kitchen machines for chopping, grinding, crushing, mixing and mincing foodstuff, washing machines, laundry washing machines, dishwashers, spin driers (not heated), electric cleaning machines for cleaning floors, carpets or floorings, vacuum cleaners and parts thereof.

11, 35

(260) AM 2014 73350 A
(800) 1168012
(151) 2013 06 17
(181) 2023 06 17
(511) 05, 30, 35

(260) AM 2014 73352 A
(800) 1168104
(151) 2013 02 21
(181) 2023 02 21
(511) 35

(260) AM 2014 73494 A
(800) 1169531
(151) 2013 03 27
(181) 2023 03 27
(511) 01, 02, 19

(260) AM 2014 73517 A
(800) 1169806
(151) 2013 07 09
(181) 2023 07 09
(511) 05, 09, 10, 16, 44

(260) AM 2014 74142 A
(800) 1175133
(151) 2013 05 03
(181) 2023 05 03
(511) 01, 03, 04, 05, 16, 19, 21, 24, 35, 38, 39, 41, 42, 44

(260) AM 2014 74677 A
(800) 1180255
(151) 2013 01 18
(181) 2023 01 18
(511) 01, 02, 03, 04, 05, 06, 07, 08, 09, 10, 11, 12, 14, 16, 17, 18, 20, 21, 22, 24, 25, 26, 27, 28, 30, 35, 37, 38, 40, 41, 42, 43, 44, 45

(260) AM 2014 74688 A
(800) 1180322
(151) 2013 07 04
(181) 2023 07 04
(511) 42

(260) AM 2015 71877 A
(800) 1153445
(151) 2012 09 27
(181) 2022 09 27
(511) 43

(260) AM 2015 73196 A
(800) 1165948
(151) 2013 05 22
(181) 2023 05 22
(511) 14

(260) AM 2015 74232 A
(800) 1175993
(151) 2013 06 14
(181) 2023 06 14
(511) 05

(260) AM 2015 74233 A
(800) 1175994
(151) 2013 06 14
(181) 2023 06 14
(511) 05

(260) AM 2015 74234 A
(800) 1175995
(151) 2013 06 14
(181) 2023 06 14
(511) 05

(260) AM 2015 74428 A
(800) 1131351
(151) 2012 06 11
(891) 2013 05 28
(181) 2022 06 11
(511) 01, 02

(260) AM 2015 74551 A
(800) 1178830
(151) 2013 08 29
(181) 2023 08 29
(511)

35 – Retail services, rendered also on-line, featuring bath salts, scissors, nail files, tweezers, manicure and pedicure sets, manicure implements, pedicure implements, nail nippers, nail polishers, nail clippers, electric or non-electric, razors, shaving brushes, nail brushes, toilet sponges, toilet brushes, combs, storage canisters, foam toe separators for use in pedicures, spectacles, sunglasses, frames for spectacles, cases and chains for spectacles, eyeglass lenses, jewellery, costume jewellery and watches, excluding services related to goods for infants and children up to 11 years old.

(260) AM 2015 74632 A
(800) 1179759
(151) 2013 08 12
(181) 2023 08 12
(511) 05

(260) AM 2015 74784 A
(800) 1180806
(151) 2013 08 23
(891) 2013 08 26
(181) 2023 08 23
(511) 05

(260) AM 2015 74829 A
(800) 828824
(151) 2004 05 06
(891) 2013 06 11
(181) 2014 05 06
(511) 42

(260) AM 2015 75185 A
(800) 1184480
(151) 2013 11 15

(181) 2023 11 15
(891) 2013 11 15
(511) 34

(260) AM 2015 75363 A
(800) 1186072
(151) 2013 11 01
(181) 2023 11 01
(891) 2013 11 01
(511) 33

(260) AM 2015 75396 A
(800) 1186270
(151) 2013 07 25
(181) 2023 07 25
(891) 2013 07 25
(511) 05, 29, 30, 32

(260) AM 2015 75399 A
(800) 1186342
(151) 2013 10 03
(181) 2023 10 03
(891) 2013 10 03
(511) 35

(260) AM 2015 75407 A
(800) 1186398
(151) 2013 09 20
(181) 2023 09 20
(891) 2013 09 20
(511) 05

(260) AM 2015 75560 A
(800) 1187901
(151) 2012 07 13
(181) 2022 07 13
(891) 2012 07 13
(511) 42, 02, 01, 07, 09, 35, 37

(260) AM 2015 75561 A
(800) 1187916
(151) 2013 05 14
(181) 2023 05 14
(891) 2013 05 14
(511) 29

(260) AM 2015 75564 A
(800) 1187985
(151) 2013 11 12
(181) 2023 11 12
(891) 2013 11 12
(511) 07, 12

(260) AM 2015 75566 A
(800) 1188038
(151) 2013 11 07
(181) 2023 11 07
(891) 2013 11 07
(511) 44, 01, 05, 42

(260) AM 2015 75575 A
(800) 1188085
(151) 2013 08 12
(181) 2023 08 12
(891) 2013 08 12
(511) 18, 25, 35

(260) AM 2015 75577 A
(800) 1188142
(151) 2013 04 12
(181) 2023 04 12
(891) 2013 04 12
(511) 30

(260) AM 2015 75591 A
(800) 1188444
(151) 2013 08 02
(181) 2023 08 02
(891) 2013 08 02
(511) 29

(260) AM 2015 75592 A
(800) 1188480
(151) 2013 09 11
(181) 2023 09 11
(891) 2013 09 11
(511) 25

(260) AM 2015 75608 A
(800) 789598
(151) 2002 09 18
(891) 2013 11 04
(511) 30, 29

(260) AM 2015 75610 A
(800) 1019099
(151) 2009 08 25
(891) 2013 10 02
(511) 02, 06, 40

(260) AM 2015 75648 A
(800) 1189158
(151) 2013 11 22
(181) 2023 11 22
(891) 2013 11 22
(511) 08, 09, 11, 21

(260) AM 2015 75671 A
(800) 1189351
(151) 2013 11 26
(181) 2023 11 26
(891) 2013 11 26
(511) 11, 09

(260) AM 2015 75676 A
(800) 1189408
(151) 2013 11 15
(181) 2023 11 15
(891) 2013 11 15
(511) 03

(260) AM 2015 75677 A
(800) 1189415
(151) 2013 11 18
(181) 2023 11 18
(891) 2013 11 18
(511) 03

(260) AM 2015 75681 A
(800) 1189423
(151) 2013 11 15
(181) 2023 11 15
(891) 2013 11 15
(511) 03

(260) AM 2015 75687 A
(800) 1095525
(151) 2011 08 01
(891) 2013 12 06
(511) 10, 05, 42, 44

(260) AM 2015 75689 A
(800) 1103348
(151) 2011 08 01
(891) 2013 12 06
(511) 44, 05, 10, 42

(260) AM 2015 75691 A
(800) 1185040
(151) 2013 07 11
(181) 2023 07 11
(891) 2013 12 11
(511) 03, 05, 08, 09, 10, 21, 24, 25, 44

(260) AM 2015 75717 A
(800) 1189877
(151) 2013 12 11
(181) 2023 12 11
(891) 2013 12 11
(511) 03

(260) AM 2015 75722 A
(800) 1189910
(151) 2013 12 03
(181) 2023 12 03
(891) 2013 12 03
(511) 01, 05

(260) AM 2015 75723 A
(800) 1189948
(151) 2013 08 29
(181) 2023 08 29
(891) 2013 08 29
(511) 18

(260) AM 2015 75724 A
(800) 1189989
(151) 2013 11 22
(181) 2023 11 22
(891) 2013 11 22
(511) 36, 35, 42, 41

(260) AM 2015 75725 A
(800) 1189998
(151) 2013 11 05
(181) 2023 11 05
(891) 2013 11 05
(511) 12, 06

(260) AM 2015 75726 A
(800) 1190004
(151) 2013 11 15
(181) 2023 11 15
(891) 2013 11 15
(511) 19

(260) AM 2015 75727 A
(800) 1190014
(151) 2013 11 08
(181) 2023 11 08
(891) 2013 11 08
(511) 03, 05, 35, 41, 42, 44

(260) AM 2015 75728 A
(800) 1190022
(151) 2013 05 02
(181) 2023 05 02
(891) 2013 05 02
(511) 03, 08, 18, 21

(260) AM 2015 75729 A
(800) 1190060
(151) 2013 08 08

(181) 2023 08 08
(891) 2013 08 08
(511) 07, 12, 37

(260) AM 2015 75730 A
(800) 1190085
(151) 2013 10 10
(181) 2023 10 10
(891) 2013 10 10
(511) 44

(260) AM 2015 75731 A
(800) 1190092
(151) 2013 10 28
(181) 2023 10 28
(891) 2013 10 28
(511) 27

(260) AM 2015 75732 A
(800) 1190094
(151) 2013 11 22
(181) 2023 11 22
(891) 2013 11 22
(511) 05

(260) AM 2015 75733 A
(800) 1190122
(151) 2013 12 13
(181) 2023 12 13
(891) 2013 12 13
(511) 35

(260) AM 2015 75737 A
(800) 765640
(151) 2001 09 10
(891) 2013 11 27
(511) 03, 05, 16

(260) AM 2015 75754 A
(800) 1190182
(151) 2013 10 21
(181) 2023 10 21
(891) 2013 10 21
(511) 09, 35, 38, 42

(260) AM 2015 75755 A
(800) 1190189
(151) 2013 12 06
(181) 2023 12 06
(891) 2013 12 06
(511) 09

(260) AM 2015 75756 A
(800) 1190218
(151) 2013 07 31
(181) 2023 07 31
(891) 2013 07 31
(511) 01, 09, 16, 17

(260) AM 2015 75757 A
(800) 1190226
(151) 2013 07 29
(181) 2023 07 29
(891) 2013 07 29
(511) 30

(260) AM 2015 75760 A
(800) 1190229
(151) 2013 08 09
(181) 2023 08 09
(891) 2013 08 09
(511) 30

(260) AM 2015 75761 A
(800) 1190245
(151) 2013 08 26
(181) 2023 08 26
(891) 2013 08 26
(511) 35

(260) AM 2015 75770 A
(800) 1190264
(151) 2013 10 31
(181) 2023 10 31
(891) 2013 10 31
(511) 03

(260) AM 2015 75771 A
(800) 1190273
(151) 2013 11 01
(181) 2023 11 01
(891) 2013 11 01
(511) 14

(260) AM 2015 75772 A
(800) 1190281
(151) 2013 10 03
(181) 2023 10 03
(891) 2013 10 03
(511) 30

(260) AM 2015 75773 A
(800) 1190282
(151) 2013 09 24

(181) 2023 09 24
(891) 2013 09 24
(511) 30

(260) AM 2015 75774 A
(800) 1190330
(151) 2013 12 06
(181) 2023 12 06
(891) 2013 12 06
(511) 09

(260) AM 2015 75775 A
(800) 1190333
(151) 2013 11 28
(181) 2023 11 28
(891) 2013 11 28
(511) 05, 02, 01, 03, 04

(260) AM 2015 75777 A
(800) 1190358
(151) 2013 11 22
(181) 2023 11 22
(891) 2013 11 22
(511) 29

(260) AM 2015 75780 A
(800) 1190380
(151) 2013 09 06
(181) 2023 09 06
(891) 2013 09 06
(511) 09, 42, 45

(260) AM 2015 75781 A
(800) 1190386
(151) 2013 11 27
(181) 2023 11 27
(891) 2013 11 27
(511) 30

(260) AM 2015 75782 A
(800) 1190388
(151) 2013 11 04
(181) 2023 11 04
(891) 2013 11 04
(511) 01

(260) AM 2015 75789 A
(800) 1190404
(151) 2013 06 03
(181) 2023 06 03
(891) 2013 06 03
(511) 25

(260) AM 2015 75831 A
(800) 1190591
(151) 2013 10 08
(181) 2023 10 08
(891) 2013 10 08
(511) 30

(260) AM 2015 75838 A
(800) 1190617
(151) 2013 12 06
(181) 2023 12 06
(891) 2013 12 06
(511) 09

(260) AM 2015 75839 A
(800) 1190621
(151) 2013 12 06
(181) 2023 12 06
(891) 2013 12 06
(511) 09

(260) AM 2015 75840 A
(800) 1190631
(151) 2013 12 06
(181) 2023 12 06
(891) 2013 12 06
(511) 09

(260) AM 2015 75841 A
(800) 1190649
(151) 2013 11 26
(181) 2023 11 26
(891) 2013 11 26
(511) 34

(260) AM 2015 75842 A
(800) 1190650
(151) 2013 11 29
(181) 2023 11 29
(891) 2013 11 29
(511) 12

(260) AM 2015 75843 A
(800) 1190651
(151) 2013 11 29
(181) 2023 11 29
(891) 2013 11 29
(511) 12

(260) AM 2015 75844 A
(800) 1190659
(151) 2013 04 03

(181) 2023 04 03
(891) 2013 04 03
(511) 07, 11, 21

(260) AM 2015 75845 A
(800) 1190695
(151) 2013 09 23
(181) 2023 09 23
(891) 2013 09 23
(511) 16, 29, 30, 32, 33, 35, 43

(260) AM 2015 75846 A
(800) 1190700
(151) 2013 10 11
(181) 2023 10 11
(891) 2013 10 11
(511) 17, 19, 06

(260) AM 2015 75847 A
(800) 1190708
(151) 2013 09 24
(181) 2023 09 24
(891) 2013 09 24
(511) 32, 33

(260) AM 2015 75848 A
(800) 1190723
(151) 2013 11 07
(181) 2023 11 07
(891) 2013 11 07
(511) 10, 05

(260) AM 2015 75849 A
(800) 1190756
(151) 2013 12 03
(181) 2023 12 03
(891) 2013 12 03
(511) 12

(260) AM 2015 75850 A
(800) 1190797
(151) 2013 07 04
(181) 2023 07 04
(891) 2013 07 04
(511) 09, 37, 42

(260) AM 2015 75853 A
(800) 1190871
(151) 2013 11 27
(181) 2023 11 27
(891) 2013 11 27
(511) 30

(260) AM 2015 75854 A
(800) 1190896
(151) 2013 12 02
(181) 2023 12 02
(891) 2013 12 02
(511) 29

(260) AM 2015 75855 A
(800) 1190902
(151) 2013 11 22
(181) 2023 11 22
(891) 2013 11 22
(511) 29

(260) AM 2015 75856 A
(800) 481049
(151) 1983 10 18
(891) 2013 12 19
(511) 05

(260) AM 2015 75857 A
(800) 637535
(151) 1995 05 29
(891) 2013 12 19
(511) 05

(260) AM 2015 75858 A
(800) 694822
(151) 1998 06 15
(891) 2013 10 30
(511) 42

(260) AM 2015 75859 A
(800) 794860
(151) 2002 12 13
(891) 2013 06 25
(511) 03, 14, 18, 20, 21, 24, 25, 28

(260) AM 2015 75861 A
(800) 852272
(151) 2005 02 16
(891) 2013 10 31
(511) 09, 14

(260) AM 2015 75862 A
(800) 913597
(151) 2006 12 14
(891) 2013 06 24
(511) 17

(260) AM 2015 75863 A
(800) 946603
(151) 2007 11 02
(891) 2013 10 22
(511) 32

(260) AM 2015 75864 A
(800) 1027206
(151) 2009 12 23
(891) 2013 12 31
(511) 09, 11

(260) AM 2015 75887 A
(800) 1133985
(151) 2012 09 21
(891) 2013 12 16
(511) 05

(260) AM 2015 75896 A
(800) 1190926
(151) 2013 07 11
(181) 2023 07 11
(891) 2013 07 11
(511) 17, 19

(260) AM 2015 75897 A
(800) 1190932
(151) 2013 08 09
(181) 2023 08 09
(891) 2013 08 09
(511) 12

(260) AM 2015 75898 A
(800) 1190950
(151) 2013 11 11
(181) 2023 11 11
(891) 2013 11 11
(511) 05

(260) AM 2015 75899 A
(800) 1190973
(151) 2013 06 27
(181) 2023 06 27
(891) 2013 06 27
(511) 11, 09

(260) AM 2015 75900 A
(800) 1190978
(151) 2013 07 24
(181) 2023 07 24
(891) 2013 07 24
(511) 35

(260) AM 2015 75903 A
(800) 1191028
(151) 2013 11 07
(181) 2023 11 07
(891) 2013 11 07
(511) 18, 09, 35

(260) AM 2015 75904 A
(800) 1191034
(151) 2013 11 19
(181) 2023 11 19
(891) 2013 11 19
(511) 14

(260) AM 2015 75911 A
(800) 1191049
(151) 2013 10 24
(181) 2023 10 24
(891) 2013 10 24
(511) 05

(260) AM 2015 75912 A
(800) 1191050
(151) 2013 11 18
(181) 2023 11 18
(891) 2013 11 18
(511) 35

(260) AM 2015 75964 A
(800) 1018126
(151) 2009 10 05
(891) 2013 11 07
(511) 03

(260) AM 2015 75966 A
(800) 1121627
(151) 2012 02 14
(891) 2013 12 23
(511) 05

(260) AM 2015 75967 A
(800) 1133426
(151) 2012 08 30
(891) 2013 12 30
(511) 11

(260) AM 2015 75969 A
(800) 1161913
(151) 2013 05 06
(891) 2014 01 07
(511) 05

(260) AM 2015 75976 A
(800) 1191682
(151) 2013 12 16
(181) 2023 12 16
(891) 2013 12 16
(511) 32

(260) AM 2015 75977 A
(800) 1191683
(151) 2013 12 16
(181) 2023 12 16
(891) 2013 12 16
(511) 32

(260) AM 2015 75983 A
(800) 1191869
(151) 2013 08 09
(181) 2023 08 09
(891) 2013 08 09
(511) 34, 35, 16

(260) AM 2015 75984 A
(800) 1191871
(151) 2013 08 09
(181) 2023 08 09
(891) 2013 08 09
(511) 16, 34, 35

(260) AM 2015 75985 A
(800) 1191872
(151) 2013 08 09
(181) 2023 08 09
(891) 2013 08 09
(511) 16, 34, 35

(260) AM 2015 75986 A
(800) 1191873
(151) 2013 08 09
(181) 2023 08 09
(891) 2013 08 09
(511) 35, 16, 34

(260) AM 2015 75987 A
(800) 1191874
(151) 2013 08 09
(181) 2023 08 09
(891) 2013 08 09
(511) 34, 35, 16

(260) AM 2015 76020 A
(800) 614872
(151) 1994 02 02

(891) 2014 02 03
(511) 25

(260) AM 2015 76103 A
(800) 1192792
(151) 2013 11 28
(181) 2023 11 28
(891) 2013 11 28
(511) 32, 29, 30

(260) AM 2015 76148 A
(800) 1061256
(151) 2010 11 11
(891) 2014 01 16
(511) 11, 20

(260) AM 2015 76234 A
(800) 1193536
(151) 2013 08 23
(181) 2023 08 23
(891) 2013 08 23
(511) 05

(260) AM 2015 76236 A
(800) 1193542
(151) 2013 10 30
(181) 2023 10 30
(891) 2013 10 30
(511) 03

(260) AM 2015 76243 A
(800) 1193585
(151) 2013 12 10
(181) 2023 12 10
(891) 2013 12 10
(511) 09, 10

(260) AM 2015 76511 A
(800) 1195673
(151) 2013 07 16
(181) 2023 07 16
(891) 2013 07 16
(511) 09, 16, 35, 41, 42

(260) AM 2015 76514 A
(800) 1195719
(151) 2013 10 04
(181) 2023 10 04
(891) 2013 10 04
(511) 05

(260) AM 2015 76537 A
(800) 1195849
(151) 2014 02 10
(181) 2024 02 10
(891) 2014 02 10
(511) 03

(260) AM 2015 76539 A
(800) 1195868
(151) 2013 10 18
(181) 2023 10 18
(891) 2013 10 18
(511) 07

(260) AM 2015 76540 A
(800) 1195906
(151) 2013 11 11
(181) 2023 11 11
(891) 2013 11 11
(511) 33

(260) AM 2015 76541 A
(800) 1195908
(151) 2013 11 21
(181) 2023 11 21
(891) 2013 11 21
(511) 09, 14

(260) AM 2015 76542 A
(800) 1195961
(151) 2013 12 27
(181) 2023 12 27
(891) 2013 12 27
(511) 07, 06, 11, 12

(260) AM 2015 76544 A
(800) 1195996
(151) 2014 02 10
(181) 2024 02 10
(891) 2014 02 10
(511) 05

(260) AM 2015 76545 A
(800) 1196049
(151) 2013 10 29
(181) 2023 10 29
(891) 2013 10 29
(511) 21, 22, 24, 25, 35, 06, 08, 18, 20

(260) AM 2015 76547 A
(800) 1196051
(151) 2013 11 06

(181) 2023 11 06
 (891) 2013 11 06
 (511) 07, 09, 45

(260) AM 2015 76548 A
 (800) 1196070
 (151) 2013 11 25
 (181) 2023 11 25
 (891) 2013 11 25
 (511) 17, 20, 22, 24, 35

(260) AM 2015 76599 A
 (800) 1196414
 (151) 2013 12 04
 (181) 2023 12 04
 (891) 2013 12 04
 (511) 03

(260) AM 2015 76604 A
 (800) 1196449
 (151) 2013 08 09
 (181) 2023 08 09
 (891) 2013 08 09
 (511) 01,04, 06, 07, 08, 09, 11, 12, 16, 17, 18
 19, 20, 22, 24, 25, 28, 35, 37, 40, 41, 42

(260) AM 2015 76610 A
 (800) 1196496
 (151) 2013 12 06
 (181) 2023 12 06
 (891) 2013 12 06
 (511) 25, 35

(260) AM 2015 76613 A
 (800) 1196532
 (151) 2013 10 04
 (181) 2023 10 04
 (891) 2013 10 04
 (511) 05

(260) AM 2015 76626 A
 (800) 1196626
 (151) 2013 10 10
 (181) 2023 10 10
 (891) 2013 10 10
 (511) 30

(260) AM 2015 76656 A
 (800) 1120645
 (151) 2012 04 12
 (891) 2014 01 30
 (511) 32

(260) AM 2015 76657 A
 (800) 1141125
 (151) 2012 11 16
 (891) 2014 02 04
 (511) 05

(260) AM 2015 76658 A
 (800) 1141127
 (151) 2012 11 16
 (891) 2014 02 04
 (511) 05

(260) AM 2015 76659 A
 (800) 1156323
 (151) 2013 02 12
 (891) 2014 02 01
 (511) 05

(260) AM 2015 76661 A
 (800) 1175621
 (151) 2013 08 26
 (891) 2014 02 19
 (511) 05

(260) AM 2015 76662 A
 (800) 1175622
 (151) 2013 08 26
 (891) 2014 02 19
 (511) 05

(260) AM 2015 76663 A
 (800) 1175623
 (151) 2013 08 26
 (891) 2014 02 19
 (511) 05

(260) AM 2015 76664 A
 (800) 1175625
 (151) 2013 08 26
 (891) 2014 02 19
 (511) 05

(260) AM 2015 76665 A
 (800) 1175626
 (151) 2013 08 26
 (891) 2014 02 19
 (511) 05

(260) AM 2015 76679 A
 (800) 1197003
 (151) 2013 12 10

(181) 2023 12 10
(891) 2013 12 10
(511) 36

(260) AM 2015 76680 A
(800) 1197025
(151) 2013 11 20
(181) 2023 11 20
(891) 2013 11 20
(511) 09, 11, 14, 18, 20, 21, 24, 27, 35

(260) AM 2015 76682 A
(800) 1197036
(151) 2013 11 04
(181) 2023 11 04
(891) 2013 11 04
(511) 14

(260) AM 2015 76683 A
(800) 1197072
(151) 2013 11 06
(181) 2023 11 06
(891) 2013 11 06
(511) 09

(260) AM 2015 76712 A
(800) 1197316
(151) 2013 11 21
(181) 2023 11 21
(891) 2013 11 21
(511) 05

(260) AM 2015 76782 A
(800) 1197913
(151) 2014 01 16
(181) 2024 01 16
(891) 2014 01 16
(511) 03, 05

(260) AM 2015 76783 A
(800) 1197933
(151) 2014 02 05
(181) 2024 02 05
(891) 2014 02 05
(511) 33

(260) AM 2015 76982 A
(800) 1199653
(151) 2014 02 03
(181) 2024 02 03
(891) 2014 02 03
(511) 29

(260) AM 2015 76983 A
(800) 1199656
(151) 2014 03 15
(181) 2024 03 15
(891) 2014 03 15
(511) 12

(260) AM 2015 76989 A
(800) 1199659
(151) 2014 01 06
(181) 2024 01 06
(891) 2014 01 06
(511) 39

(260) AM 2015 76990 A
(800) 1199661
(151) 2014 02 06
(181) 2024 02 06
(891) 2014 02 06
(511) 09

(260) AM 2015 76991 A
(800) 1199668
(151) 2013 09 18
(181) 2023 09 18
(891) 2013 09 18
(511) 02, 17, 35, 01

(260) AM 2015 77063 A
(800) 1200511
(151) 2014 01 27
(181) 2024 01 27
(891) 2014 01 27
(511) 25

(260) AM 2015 77064 A
(800) 1200521
(151) 2014 02 13
(181) 2024 02 13
(891) 2014 02 13
(511) 05

(260) AM 2015 77066 A
(800) 1200635
(151) 2014 03 07
(181) 2024 03 07
(891) 2014 03 07
(511) 44, 05

(260) AM 2015 77067 A
(800) 1200556
(151) 2013 11 18

(181) 2023 11 18
 (891) 2013 11 18
 (511) 07, 09, 42

(260) AM 2015 77068 A
 (800) 1200574
 (151) 2014 01 31
 (181) 2024 01 31
 (891) 2014 01 31
 (511) 25

(260) AM 2015 77069 A
 (800) 1200609
 (151) 2014 02 05
 (181) 2024 02 05
 (891) 2014 02 05
 (511) 16

(260) AM 2015 77070 A
 (800) 1200628
 (151) 2014 03 11
 (181) 2024 03 11
 (891) 2014 03 11
 (511) 05

(260) AM 2015 77071 A
 (800) 1200677
 (151) 2014 02 26
 (181) 2024 02 26
 (891) 2014 02 26
 (511) 05

(260) AM 2015 77081 A
 (800) 1200702
 (151) 2014 03 13
 (181) 2024 03 13
 (891) 2014 03 13
 (511) 33

(260) AM 2015 77084 A
 (800) 1200769
 (151) 2013 10 23
 (181) 2023 10 23
 (891) 2013 10 23
 (511) 05

(260) AM 2015 77085 A
 (800) 1200792
 (151) 2013 11 12
 (181) 2023 11 12
 (891) 2013 11 12
 (511) 35

(260) AM 2015 77086 A
 (800) 1200804
 (151) 2014 01 31
 (181) 2024 01 31
 (891) 2014 01 31
 (511) 01

(260) AM 2015 77087 A
 (800) 1200805
 (151) 2014 01 31
 (181) 2024 01 31
 (891) 2014 01 31
 (511) 01

(260) AM 2015 77272 A
 (800) 1202443
 (151) 2013 10 04
 (181) 2023 10 04
 (891) 2013 10 04
 (511) 05

(260) AM 2015 77273 A
 (800) 1202452
 (151) 2013 09 11
 (181) 2023 09 11
 (891) 2013 09 11
 (511) 01, 04, 35, 36, 37, 39, 40, 42

(260) AM 2015 77274 A
 (800) 1202467
 (151) 2014 02 25
 (181) 2024 02 25
 (891) 2014 02 25
 (511) 05

(260) AM 2015 77278 A
 (800) 1202482
 (151) 2014 02 18
 (181) 2024 02 18
 (891) 2014 02 18
 (511) 11

(260) AM 2015 77279 A
 (800) 1202488
 (151) 2014 02 28
 (181) 2024 02 29
 (891) 2014 02 28
 (511) 09

(260) AM 2015 77280 A
 (800) 1202521
 (151) 2013 12 09

(181) 2023 12 09
(891) 2013 12 09
(511) 25, 35, 37, 40, 42, 43, 44, 45

(260) AM 2015 77281 A
(800) 1202524
(151) 2013 10 28
(181) 2023 10 28
(891) 2013 10 28
(511) 32

(260) AM 2015 77282 A
(800) 1202558
(151) 2014 01 16
(181) 2024 01 16
(891) 2014 01 16
(511) 35, 36, 42, 45

(260) AM 2015 77283 A
(800) 1202584
(151) 2014 02 25
(181) 2024 02 25
(891) 2014 02 25
(511) 25

(260) AM 2015 77629 A
(800) 1034296
(151) 2010 03 01
(891) 2014 03 21
(511) 14, 18, 25

(260) AM 2015 77630 A
(800) 1045133
(151) 2010 06 28
(891) 2014 03 14
(511) 17, 16

(260) AM 2015 77631 A
(800) 1051925
(151) 2010 08 27
(891) 2014 04 02
(511) 05

(260) AM 2015 77632 A
(800) 1054299
(151) 2010 08 13
(891) 2014 04 07
(511) 05

(260) AM 2015 77633 A
(800) 1111426
(151) 2012 02 07

(891) 2014 04 03
(511) 05

(260) AM 2015 77634 A
(800) 1115300
(151) 2012 02 29
(891) 2014 04 03
(511) 05

(260) AM 2015 77635 A
(800) 1156020
(151) 2013 01 30
(891) 2014 02 14
(511) 32, 33

(260) AM 2015 77636 A
(800) 1168380
(151) 2013 02 06
(891) 2014 04 14
(511) 29, 30

OFFICIAL NOTIFICATIONS

TRADEMARKS

COMPLETE TRANSFER OF RIGHTS

(111) M 2000 013450 R1
(732) HARRINGTON DEVELOPMENT INC.
Elvira Mendez Street, Vallarino bldg.,
3rd Floor, Panama, Panama
(770) LTD "MATRIX"
Sarajishvilis q. 13-15-17, Vashlijvaris
dasakhleba, 0159, Tbilisi, Georgia
(580) 2015 05 27

(111) M 2002 014287 R1
(732) HARRINGTON DEVELOPMENT INC.
Elvira Mendez Street, Vallarino bldg.,
3rd Floor, Panama, Panama
(770) LTD "MATRIX"
Sarajishvilis q. 13-15-17, Vashlijvaris
dasakhleba, 0159, Tbilisi, Georgia
(580) 2015 05 27

(111) M 2002 014355 R1
(732) HARRINGTON DEVELOPMENT INC.
Elvira Mendez Street, Vallarino bldg.,
3rd Floor, Panama, Panama
(770) LTD "MATRIX"
Sarajishvilis q. 13-15-17, Vashlijvaris
dasakhleba, 0159, Tbilisi, Georgia
(580) 2015 05 27

(111) M 2002 014401 R1
(732) HARRINGTON DEVELOPMENT INC.
Elvira Mendez Street, Vallarino bldg.,
3rd Floor, Panama, Panama
(770) LTD "MATRIX"
Sarajishvilis q. 13-15-17, Vashlijvaris
dasakhleba, 0159, Tbilisi, Georgia
(580) 2015 05 27

(111) M 2002 014402 R1
(732) HARRINGTON DEVELOPMENT INC.
Elvira Mendez Street, Vallarino bldg.,
3rd Floor, Panama, Panama
(770) LTD "MATRIX"
Sarajishvilis q. 13-15-17, Vashlijvaris
dasakhleba, 0159, Tbilisi, Georgia
(580) 2015 05 27

(111) M 2002 014404 R1
(732) HARRINGTON DEVELOPMENT INC.
Elvira Mendez Street, Vallarino bldg.,
3rd Floor, Panama, Panama
(770) LTD "MATRIX"
Sarajishvilis q. 13-15-17, Vashlijvaris
dasakhleba, 0159, Tbilisi, Georgia
(580) 2015 05 27

(111) M 2002 014685 R1
(732) HARRINGTON DEVELOPMENT INC.
Elvira Mendez Street, Vallarino bldg.,
3rd Floor, Panama, Panama
(770) LTD "MATRIX"
Sarajishvilis q. 13-15-17, Vashlijvaris
dasakhleba, 0159, Tbilisi, Georgia
(580) 2015 05 27

(111) M 2002 014686 R1
(732) HARRINGTON DEVELOPMENT INC.
Elvira Mendez Street, Vallarino bldg.,
3rd Floor, Panama, Panama
(770) LTD "MATRIX"
Sarajishvilis q. 13-15-17, Vashlijvaris
dasakhleba, 0159, Tbilisi, Georgia
(580) 2015 05 27

(111) M 2010 020930 R
(732) HARRINGTON DEVELOPMENT INC.
Elvira Mendez Street, Vallarino bldg.,
3rd Floor, Panama, Panama
(770) LTD "MATRIX"
Sarajishvilis q. 13-15-17, Vashlijvaris
dasakhleba, 0159, Tbilisi, Georgia
(580) 2015 05 27

(111) M 2011 021433 R
(732) HARRINGTON DEVELOPMENT INC.
Elvira Mendez Street, Vallarino bldg.,
3rd Floor, Panama, Panama
(770) LTD "MATRIX"
Sarajishvilis q. 13-15-17, Vashlijvaris
dasakhleba, 0159, Tbilisi, Georgia
(580) 2015 05 27

(111) M 2011 021434 R
 (732) HARRINGTON DEVELOPMENT INC.
 Elvira Mendez Street, Vallarino bldg.,
 3rd Floor, Panama, Panama
 (770) LTD "MATRIX"
 Sarajishvilis q. 13-15-17, Vashlijvaris
 dasakhleba, 0159, Tbilisi, Georgia
 (580) 2015 05 27

(111) M 2013 023855 R
 (732) HARRINGTON DEVELOPMENT INC.
 Elvira Mendez Street, Vallarino bldg.,
 3rd Floor, Panama, Panama
 (770) LTD "MATRIX"
 Sarajishvilis q. 13-15-17, Vashlijvaris
 dasakhleba, 0159, Tbilisi, Georgia
 (580) 2015 05 27

(111) M 2011 021458 R
 (732) HARRINGTON DEVELOPMENT INC.
 Elvira Mendez Street, Vallarino bldg.,
 3rd Floor, Panama, Panama
 (770) LTD "MATRIX"
 Sarajishvilis q. 13-15-17, Vashlijvaris
 dasakhleba, 0159, Tbilisi, Georgia
 (580) 2015 05 27

(111) M 2013 024294 R
 (732) HARRINGTON DEVELOPMENT INC.
 Elvira Mendez Street, Vallarino bldg.,
 3rd Floor, Panama, Panama
 (770) LTD "MATRIX"
 Sarajishvilis q. 13-15-17, Vashlijvaris
 dasakhleba, 0159, Tbilisi, Georgia
 (580) 2015 05 27

(111) M 2011 021459 R
 (732) HARRINGTON DEVELOPMENT INC.
 Elvira Mendez Street, Vallarino bldg.,
 3rd Floor, Panama, Panama
 (770) LTD "MATRIX"
 Sarajishvilis q. 13-15-17, Vashlijvaris
 dasakhleba, 0159, Tbilisi, Georgia
 (580) 2015 05 27

(111) M 2014 025094 R
 (732) HARRINGTON DEVELOPMENT INC.
 Elvira Mendez Street, Vallarino bldg.,
 3rd Floor, Panama, Panama
 (770) LTD "MATRIX"
 Sarajishvilis q. 13-15-17, Vashlijvaris
 dasakhleba, 0159, Tbilisi, Georgia
 (580) 2015 05 27

(111) M 2011 021730 R
 (732) HARRINGTON DEVELOPMENT INC.
 Elvira Mendez Street, Vallarino bldg.,
 3rd Floor, Panama, Panama
 (770) LTD "MATRIX"
 Sarajishvilis q. 13-15-17, Vashlijvaris
 dasakhleba, 0159, Tbilisi, Georgia
 (580) 2015 05 27

(111) M 1997 006900 R1
 (732) Bronson Investments Spolka Z.O.O., S.K.A.
 AL Jerozolimskie 56C, 00-803 Warszawa,
 Poland
 (770) PZ CUSSONS POLSKA S.A.
 ul. Chocimska 17, 00-791, Warszawa, Poland
 (580) 2015 05 25

(111) M 2012 022218 R
 (732) HARRINGTON DEVELOPMENT INC.
 Elvira Mendez Street, Vallarino bldg.,
 3rd Floor, Panama, Panama
 (770) LTD "MATRIX"
 Sarajishvilis q. 13-15-17, Vashlijvaris
 dasakhleba, 0159, Tbilisi, Georgia
 (580) 2015 05 27

(111) M 1997 006900 R1
 (732) PZ CUSSONS (INTERNATIONAL)
 LIMITED
 3500 Aviator Way, Manchester Business
 Park, Manchester M22 5TG, United Kingdom
 (770) Bronson Investments Spolka Z.O.O., S.K.A.
 AL Jerozolimskie 56C, 00-803 Warszawa,
 Poland
 (580) 2015 05 25

(111) M 2012 022219 R
 (732) HARRINGTON DEVELOPMENT INC.
 Elvira Mendez Street, Vallarino bldg.,
 3rd Floor, Panama, Panama
 (770) LTD "MATRIX"
 Sarajishvilis q. 13-15-17, Vashlijvaris
 dasakhleba, 0159, Tbilisi, Georgia
 (580) 2015 05 27

(111) M 1997 006900 R1
 (732) HENKEL AG & Co. KGaA
 Henkelstrasse 67, 40589 Dusseldorf, Germany
 (770) PZ Cussons (International) Limited
 3500 Aviator Way, Manchester Business
 Park, Manchester M22 5TG, United Kingdom
 (580) 2015 05 25

CHANGES IN NAMES AND/OR ADDRESSES OF OWNERS

(111) M 2000 013450 R1
(732) LTD "MATRIX"
Sarajishvili q. 13-15-17, Vashlijvaris
dasakhleba, 0159, Tbilisi, Georgia
(770) LTD "MATRIX"
E. Takaishvili q. 80, 6000, Batumi, Georgia
(580) 2015 05 27

(111) M 2002 014287 R1
(732) LTD "MATRIX"
Sarajishvili q. 13-15-17, Vashlijvaris
dasakhleba, 0159, Tbilisi, Georgia
(770) LTD "MATRIX"
E. Takaishvili q. 80, 6000, Batumi, Georgia
(580) 2015 05 27

(111) M 2002 014355 R1
(732) LTD "MATRIX"
Sarajishvili q. 13-15-17, Vashlijvaris
dasakhleba, 0159, Tbilisi, Georgia
(770) LTD "MATRIX"
E. Takaishvili q. 80, 6000, Batumi, Georgia
(580) 2015 05 27

(111) M 2002 014401 R1
(732) LTD "MATRIX"
Sarajishvili q. 13-15-17, Vashlijvaris
dasakhleba, 0159, Tbilisi, Georgia
(770) LTD "MATRIX"
E. Takaishvili q. 80, 6000, Batumi, Georgia
(580) 2015 05 27

(111) M 2002 014402 R1
(732) LTD "MATRIX"
Sarajishvili q. 13-15-17, Vashlijvaris
dasakhleba, 0159, Tbilisi, Georgia
(770) LTD "MATRIX"
E. Takaishvili q. 80, 6000, Batumi, Georgia
(580) 2015 05 27

(111) M 2002 014404 R1
(732) LTD "MATRIX"
Sarajishvili q. 13-15-17, Vashlijvaris
dasakhleba, 0159, Tbilisi, Georgia
(770) LTD "MATRIX"
E. Takaishvili q. 80, 6000, Batumi, Georgia
(580) 2015 05 27

(111) M 2002 014685 R1
(732) LTD "MATRIX"
Sarajishvili q. 13-15-17, Vashlijvaris
dasakhleba, 0159, Tbilisi, Georgia
(770) LTD "MATRIX"
E. Takaishvili q. 80, 6000, Batumi, Georgia
(580) 2015 05 27

(111) M 2002 014686 R1
(732) LTD "MATRIX"
Sarajishvili q. 13-15-17, Vashlijvaris
dasakhleba, 0159, Tbilisi, Georgia
(770) LTD "MATRIX"
E. Takaishvili q. 80, 6000, Batumi, Georgia
(580) 2015 05 27

(111) M 2005 015940 R1
(732) ORION CORPORATION
13, Baekbeom-ro 90 da-gil, Yongsan-gu,
Seoul, Republic of Korea
(770) ORION Corporation
30-10, Munbae-Dong, Yongsan-Ku, Seoul,
Republic of Korea
(580) 2015 05 29

(111) M 2009 020021 R
(732) LTD "MAKNATUNA"
Gugunavas q.13 (nakv.N4-3/2), 4600,
Kutaisi, Georgia
(770) LTD "MAKNATUNA"
Ninoshvili I shes. 6, 4600, Kutaisi,
Georgia
(580) 2015 05 25

(111) M 2010 020930 R
(732) LTD "MATRIX"
Sarajishvili q. 13-15-17, Vashlijvaris
dasakhleba, 0159, Tbilisi, Georgia
(770) LTD "MATRIX",
E. Takaishvili q. 80, 6000, Batumi, Georgia
(580) 2015 05 27

(111) M 2011 021433 R
(732) LTD "MATRIX"
Sarajishvili q. 13-15-17, Vashlijvaris
dasakhleba, 0159, Tbilisi, Georgia
(770) LTD "MATRIX"
E. Takaishvili q. 80, 6000, Batumi, Georgia
(580) 2015 05 27

(111) M 2011 021434 R
(732) LTD "MATRIX"
Sarajishvili q. 13-15-17, Vashlijvaris
dasakhleba, 0159, Tbilisi, Georgia
(770) LTD "MATRIX"
E. Takaishvili q. 80, 6000, Batumi, Georgia
(580) 2015 05 27

(111) M 2011 021458 R
(732) LTD "MATRIX"
Sarajishvili q. 13-15-17, Vashlijvaris
dasakhleba, 0159, Tbilisi, Georgia
(770) LTD "MATRIX"
E. Takaishvili q. 80, 6000, Batumi, Georgia
(580) 2015 05 27

(111) M 2011 021459 R
(732) LTD "MATRIX"
Sarajishvili q. 13-15-17, Vashlijvaris
dasakhleba, 0159, Tbilisi, Georgia
(770) LTD "MATRIX"
E. Takaishvili q. 80, 6000, Batumi, Georgia
(580) 2015 05 27

(111) M 2011 021730 R
(732) LTD "MATRIX"
Sarajishvili q. 13-15-17, Vashlijvaris
dasakhleba, 0159, Tbilisi, Georgia
(770) LTD "MATRIX",
Takaishvili q. 80, 6000, Batumi, Georgia
(580) 2015 05 27

(111) M 2011 022179 R
(732) LTD "MAKNATUNA"
Gugunavas q. 13 (nakv.N4-3/2), 4600,
Kutaisi, Georgia
(770) LTD "MAKNATUNA"
Ninoshvili I shes. 6, 4600, Kutaisi,
Georgia
(580) 2015 05 25

(111) M 2012 022218 R
(732) LTD "MATRIX"
Sarajishvili q. 13-15-17, Vashlijvaris
dasakhleba, 0159, Tbilisi, Georgia
(770) LTD "MATRIX"
E. Takaishvili q. 80, 6000, Batumi,
Georgia
(580) 2015 05 27

(111) M 2012 022219 R
(732) LTD "MATRIX"
Sarajishvili q. 13-15-17, Vashlijvaris
dasakhleba, 0159, Tbilisi, Georgia

(770) LTD "MATRIX"
E. Takaishvili q. 80, 6000, Batumi, Georgia
(580) 2015 05 27

(111) M 2012 022972 R
(732) LTD "MAKNATUNA"
Gugunavas q.13 (nakv.N4-3/2), 4600,
Kutaisi, Georgia
(770) LTD "MAKNATUNA"
Ninoshvili I shes. 6, 4600, Kutaisi,
Georgia
(580) 2015 05 25

(111) M 2013 023855 R
(732) LTD "MATRIX"
Sarajishvili q. 13-15-17, Vashlijvaris
dasakhleba, 0159, Tbilisi, Georgia
(770) LTD "MATRIX"
E. Takaishvili q. 80, 6000, Batumi, Georgia
(580) 2015 05 27

(111) M 2013 023884 R
(732) LTD "MATRIX"
Sarajishvili q. 13-15-17, Vashlijvaris
dasakhleba, 0159, Tbilisi, Georgia
(770) LTD "MATRIX"
E. Takaishvili q. 80, 6000, Batumi, Georgia
(580) 2015 05 27

(111) M 2013 024294 R
(732) LTD "MATRIX"
Sarajishvili q. 13-15-17, Vashlijvaris
dasakhleba, 0159, Tbilisi, Georgia
(770) LTD "MATRIX"
Takaishvili q.80, 6000, Batumi, Georgia
(580) 2015 05 27

(111) M 2014 025094 R
(732) LTD "MATRIX"
Sarajishvili q. 13-15-17, Vashlijvaris
dasakhleba, 0159, Tbilisi, Georgia
(770) LTD "MATRIX"
E. Takaishvili q. 80, 6000, Batumi, Georgia
(580) 2015 05 27

CLASSIFICATION INDEXES

INVENTIONS

CONCORDANCE TABLE OF INTERNATIONAL CLASSIFICATION INDEX AND PUBLICATION NUMBERS

INTERNATIONAL CLASSIFICATION INDEXES (51)	NUMBER OF PUBLISHED APPLICATION (10)
A 61 K 31/54	AP 2015 12693 A
B 60 L 8/00	AP 2015 12771 A
C 07 C 55/10; C 07 C 57/15; C 07 C 69/86; C 07 C 227/18; C 07 C 229/12; C 07 D 239/557; A 61 K 31/616; A 61 K 31/205; A 61 K 31/197; A 61 K 31/513; A 61 P 9/00	AP 2015 13252 A
C 07 C 215/08; C 07 C 229/34; C 07 C 255/43; C 07 D 223/16	AP 2015 13040 A
C 07 D 213/64; C 07 D 213/69; C 07 D 401/04; C 07 D 401/10; C 07 D 405/04; C 07 D 405/12; C 07 D 413/10; C 07 D 417/12; A 61 P 31/00; A 61 K 31/4412; A 61 K 31/4427; A 61 K 31/4439; A 61 K 31/4433	AP 2015 13215 A
C 07 D 237/16; C 07 D 401/10; C 07 D 407/10; A 61 K 31/50; A 61 K 31/501; A 61 P 25/18; A 61 P 29/00; A 61 P 25/28	AP 2015 13407 A
C 07 D 401/06; A 61 K 31/4439; A 61 P 31/18	AP 2015 12882 A
G 06 Q 30/00	AP 2015 13265 A

CONCORDANCE TABLE OF PUBLICATION NUMBERS AND INTERNATIONAL CLASSIFICATION INDEX

NUMBER OF PUBLISHED APPLICATION (10)	INTERNATIONAL CLASSIFICATION INDEXES (51)
AP 2015 12693 A	A 61 K 31/54
AP 2015 12771 A	B 60 L 8/00
AP 2015 12882 A	C 07 D 401/06; A 61 K 31/4439; A 61 P 31/18
AP 2015 13040 A	C 07 C 215/08; C 07 C 229/34; C 07 C 255/43; C 07 D 223/16
AP 2015 13215 A	C 07 D 213/64; C 07 D 213/69; C 07 D 401/04; C 07 D 401/10; C 07 D 405/04; C 07 D 405/12; C 07 D 413/10; C 07 D 417/12; A 61 P 31/00; A 61 K 31/4412; A 61 K 31/4427; A 61 K 31/4439; A 61 K 31/4433
AP 2015 13252 A	C 07 C 55/10; C 07 C 57/15; C 07 C 69/86; C 07 C 227/18; C 07 C 229/12; C 07 D 239/557; A 61 K 31/616; A 61 K 31/205; A 61 K 31/197; A 61 K 31/513; A 61 P 9/00
AP 2015 13265 A	G 06 Q 30/00
AP 2015 13407 A	C 07 D 237/16; C 07 D 401/10; C 07 D 407/10; A 61 K 31/50; A 61 K 31/501; A 61 P 25/18; A 61 P 29/00; A 61 P 25/28

**CONCORDANCE TABLE OF INTERNATIONAL CLASSIFICATION INDEX,
PATENT NUMBERS AND PUBLICATION NUMBERS**

INTERNATIONAL CLASSIFICATION INDEX (51)	NUMBER OF PATENT (11)	NUMBER OF PUBLISHED APPLICATION (10)
A 01 N 25/02; A 01 N 43/90; A 01 N 45/02; A 01 N 43/56; A 01 N 43/36; A 01 N 47/30; A 01 N 43/653; A 01 N 43/70; A 01 N 51/00; A 01 N 43/54; A 01 N 37/34; A 01 N 35/10; A 01 N 39/02; A 01 P 3/00; A 01 P 7/04	P 2015 6292 B	AP 2015 11738 A
A 23 L 2/00	P 2015 6298 B	AP 2015 13311 A
A 61 K 8/97; A 61 Q 19/08; A 61 K 8/92; A 61 Q 19/00; A 61 Q 17/00	P 2015 6293 B	AP 2015 12537 A
B 62 M 3/04	P 2015 6297 B	AP 2015 13248 A
C 07 D 267/10; C 07 D 413/04; C 07 D 413/06; C 07 D 413/10; C 07 D 413/12; C 07 D 413/14; C 07 D 417/06; C 07 D 417/14	P 2015 6295 B	AP 2015 13078 A
E 05 B 21/06	P 2015 6294 B	AP 2015 12747 A
F 03 B 3/18; F 03 B 1/00; F 15 D 1/04	P 2015 6296 B	AP 2015 13220 A
F 03 D 3/00; F 03 D 3/02	P 2009 6299 B	AP 2009 9957 A

**CONCORDANCE TABLE OF PATENT NUMBERS,
PUBLICATION NUMBERS AND INTERNATIONAL CLASSIFICATION INDEX**

NUMBER OF PATENT (11)	NUMBER OF PUBLISHED APPLICATION (10)	INTERNATIONAL CLASSIFICATION INDEX (51)
P 2015 6292 B	AP 2015 11738 A	A 01 N 25/02; A 01 N 43/90; A 01 N 45/02; A 01 N 43/56; A 01 N 43/36; A 01 N 47/30; A 01 N 43/653; A 01 N 43/70; A 01 N 51/00; A 01 N 43/54; A 01 N 37/34; A 01 N 35/10; A 01 N 39/02; A 01 P 3/00; A 01 P 7/04
P 2015 6293 B	AP 2015 12537 A	A 61 K 8/97; A 61 Q 19/08; A 61 K 8/92; A 61 Q 19/00; A 61 Q 17/00
P 2015 6294 B	AP 2015 12747 A	E 05 B 21/06
P 2015 6295 B	AP 2015 13078 A	C 07 D 267/10; C 07 D 413/04; C 07 D 413/06; C 07 D 413/10; C 07 D 413/12; C 07 D 413/14; C 07 D 417/06; C 07 D 417/14
P 2015 6296 B	AP 2015 13220 A	F 03 B 3/18; F 03 B 1/00; F 15 D 1/04
P 2015 6297 B	AP 2015 13248 A	B 62 M 3/04
P 2015 6298 B	AP 2015 13311 A	A 23 L 2/00
P 2009 6299 B	AP 2009 9957 A	F 03 D 3/00; F 03 D 3/02

**CONCORDANCE TABLE OF APPLICATION NUMBERS, PUBLICATION NUMBERS
AND PATENTS**

NUMBER OF APPLICATION (21)	NUMBER OF PUBLISHED APPLICATION (10)	NUMBER OF PATENT (11)
AP 2007 009957	AP 2009 9957 A	P 2009 6299 B
AP 2008 011738	AP 2015 11738 A	P 2015 6292 B
AP 2010 012537	AP 2015 12537 A	P 2015 6293 B
AP 2010 012747	AP 2015 12747 A	P 2015 6294 B
AP 2011 013078	AP 2015 13078 A	P 2015 6295 B
AP 2012 013220	AP 2015 13220 A	P 2015 6296 B
AP 2013 013248	AP 2015 13248 A	P 2015 6297 B
AP 2013 013311	AP 2015 13311 A	P 2015 6298 B

UTILITY MODELS

**CONCORDANCE TABLE OF INTERNATIONAL CLASSIFICATION INDEX
AND PUBLICATION NUMBERS**

INTERNATIONAL CLASSIFICATION INDEXES (51)	NUMBER OF PUBLISHED APPLICATION (10)
A 61 K 36/80; B 01 D 11/02	AU 2015 13380 U
C 07 B 7/22	AU 2015 13588 U
D 06 F 57/12	AU 2015 13637 U

**CONCORDANCE TABLE OF PUBLICATION NUMBERS
AND INTERNATIONAL CLASSIFICATION INDEX**

NUMBER OF PUBLISHED APPLICATION (10)	INTERNATIONAL CLASSIFICATION INDEXES (51)
AU 2015 13380 U	A 61 K 36/80; B 01 D 11/02
AU 2015 13588 U	C 07 B 7/22
AU 2015 13637 U	D 06 F 57/12

DESIGNS

**CONCORDANCE TABLE OF INTERNATIONAL CLASSIFICATION INDEX,
PATENT NUMBERS AND PUBLICATION NUMBERS**

INTERNATIONAL CLASSIFICATION INDEX (51)	NUMBER OF PATENT (11)	NUMBER OF PUBLISHED APPLICATION (10)
32-00	D 2015 628 S	AD 2015 815 S

**CONCORDANCE TABLE OF PATENT NUMBERS,
PUBLICATION NUMBERS AND INTERNATIONAL CLASSIFICATION INDEX**

NUMBER OF PATENT (11)	NUMBER OF PUBLISHED APPLICATION (10)	INTERNATIONAL CLASSIFICATION INDEX (51)
D 2015 628 S	AD 2015 815 S	32-00

**CONCORDANCE TABLE OF APPLICATION NUMBERS, PUBLICATION NUMBERS
AND PATENTS**

NUMBER OF APPLICATION (21)	NUMBER OF PUBLISHED APPLICATION (10)	NUMBER OF PATENT (11)
AD 2014 000815	AD 2015 815 S	D 2015 628 S

**DESIGN REGISTERED ACCORDING TO THE
ACCELERATED PROCEDURE**

**CONCORDANCE TABLE OF INTERNATIONAL CLASSIFICATION INDEX
AND PATENTS NUMBERS**

INTERNATIONAL CLASSIFICATION INDEX (51)	NUMBER OF PATENT (11)
07-01	D 2015 627 S
19-08	D 2015 629 S

**CONCORDANCE TABLE OF PATENT NUMBERS AND INTERNATIONAL
CLASSIFICATION INDEX**

NUMBER OF PATENT (11)	INTERNATIONAL CLASSIFICATION INDEX (51)
D 2015 627 S	07-01
D 2015 629 S	19-08

**CONCORDANCE TABLE OF APPLICATION NUMBERS
AND PATENT NUMBERS**

NUMBER OF APPLICATION (21)	NUMBER OF PATENT (11)
AD 2015 000850	D 2015 629 S
AD 2015 000851	D 2015 627 S

TRADEMARKS

CONCORDANCE TABLE OF REGISTRATION NUMBERS, APPLICATION NUMBERS, PUBLICATION NUMBERS AND BULLETIN NUMBERS

NUMBER OF REGISTRATION (111)	NUMBER OF APPLICATIONS (210)	NUMBER OF PUBLISHED APPLICATIONS (260)	NUMBER OF BULLETIN
1	2	3	4
M 2015 25849 R	AM 75798	AM 2014 75798 A	19(407) 2014
M 2015 25850 R	AM 76151	AM 2014 76151 A	23(411) 2014
M 2015 25860 R	AM 75669	AM 2014 75669 A	21(409) 2014
M 2015 25861 R	AM 75894	AM 2014 75894 A	23(411) 2014
M 2015 25867 R	AM 75670	AM 2014 75670 A	21(409) 2014
M 2015 25868 R	AM 75701	AM 2014 75701 A	23(411) 2014
M 2015 25869 R	AM 75705	AM 2014 75705 A	19(407) 2014
M 2015 25870 R	AM 75721	AM 2014 75721 A	22(410) 2014
M 2015 25871 R	AM 75751	AM 2014 75751 A	21(409) 2014
M 2015 25872 R	AM 75785	AM 2014 75785 A	24(412) 2014
M 2015 25873 R	AM 75786	AM 2014 75786 A	24(412) 2014
M 2015 25874 R	AM 75794	AM 2014 75794 A	22(410) 2014
M 2015 25875 R	AM 75795	AM 2014 75795 A	22(410) 2014
M 2015 25876 R	AM 75796	AM 2014 75796 A	22(410) 2014
M 2015 25877 R	AM 75916	AM 2014 75916 A	23(411) 2014
M 2015 25878 R	AM 75917	AM 2014 75917 A	23(411) 2014
M 2015 25879 R	AM 75918	AM 2014 75918 A	23(411) 2014
M 2015 25880 R	AM 75920	AM 2014 75920 A	21(409) 2014
M 2015 25881 R	AM 75921	AM 2014 75921 A	21(409) 2014
M 2015 25882 R	AM 75922	AM 2014 75922 A	21(409) 2014
M 2015 25883 R	AM 75923	AM 2014 75923 A	21(409) 2014
M 2015 25884 R	AM 76004	AM 2014 76004 A	22(410) 2014
M 2015 25885 R	AM 76030	AM 2014 76030 A	24(412) 2014
M 2015 25886 R	AM 76045	AM 2014 76045 A	21(409) 2014
M 2015 25887 R	AM 76058	AM 2014 76058 A	24(412) 2014
M 2015 25888 R	AM 76060	AM 2014 76060 A	24(412) 2014
M 2015 25889 R	AM 76128	AM 2014 76128 A	22(410) 2014
M 2015 25892 R	AM 76183	AM 2014 76183 A	23(411) 2014
M 2015 25893 R	AM 76260	AM 2014 76260 A	22(410) 2014
M 2015 25894 R	AM 76275	AM 2014 76275 A	23(411) 2014
M 2015 25895 R	AM 76453	AM 2014 76453 A	22(410) 2014
M 2015 25896 R	AM 76553	AM 2015 76553 A	2(414) 2015
M 2015 25897 R	AM 76554	AM 2014 76554 A	21(409) 2014
M 2015 25898 R	AM 76567	AM 2014 76567 A	23(411) 2014
M 2015 25899 R	AM 76584	AM 2014 76584 A	24(412) 2014
M 2015 25900 R	AM 76802	AM 2015 76802 A	3(415) 2015
M 2015 25901 R	AM 76863	AM 2014 76863 A	24(412) 2014
M 2015 25902 R	AM 76986	AM 2014 76986 A	23(411) 2014
M 2015 25903 R	AM 76988	AM 2015 76988 A	2(414) 2015
M 2015 25904 R	AM 77190	AM 2014 77190 A	23(411) 2014
M 2015 25905 R	AM 77277	AM 2014 77277 A	23(411) 2014
M 2015 25906 R	AM 77371	AM 2015 77371 A	4(416) 2015
M 2015 25907 R	AM 76358	AM 2015 76358 A	2(414) 2015
M 2015 25908 R	AM 71864	AM 2014 71864 A	22(410) 2014

1	2	3	4
M 2015 25909 R	AM 72223	AM 2014 72223 A	4(392) 2014
M 2015 25911 R	AM 72315	AM 2015 72315 A	1(413) 2015
M 2015 25912 R	AM 72745	AM 2014 72745 A	4(392) 2014
M 2015 25913 R	AM 73714	AM 2014 73714 A	11(399) 2014
M 2015 25914 R	AM 73715	AM 2014 73715 A	11(399) 2014
M 2015 25915 R	AM 73932	AM 2014 73932 A	22(410) 2014
M 2015 25916 R	AM 74400	AM 2015 74400 A	1(413) 2015
M 2015 25917 R	AM 74709	AM 2014 74709 A	22(410) 2014
M 2015 25918 R	AM 74710	AM 2014 74710 A	22(410) 2014
M 2015 25920 R	AM 76182	AM 2014 76182 A	24(412) 2014
M 2015 25922 R	AM 81936	-	11(423) 2015
M 2015 25923 R	AM 81826	-	11(423) 2015
M 2015 25924 R	AM 81837	-	11(423) 2015
M 2015 25925 R	AM 82029	-	11(423) 2015
M 2015 25926 R	AM 82032	-	11(423) 2015

**CONCORDANCE TABLE OF PUBLICATION NUMBERS
AND APPLICATION NUMBERS**

NUMBER OF PUBLISHED APPLICATION (260)	NUMBER OF APPLICATION (210)	1	2
1	2		
AM 2015 76615 A	AM 76615	AM 2015 77810 A	AM 77810
AM 2015 77193 A	AM 77193	AM 2015 77811 A	AM 77811
AM 2015 77194 A	AM 77194	AM 2015 77812 A	AM 77812
AM 2015 77195 A	AM 77195	AM 2015 77948 A	AM 77948
AM 2015 77259 A	AM 77259	AM 2015 77950 A	AM 77950
AM 2015 77292 A	AM 77292	AM 2015 78375 A	AM 78375
AM 2015 77330 A	AM 77330	AM 2015 78453 A	AM 78453
AM 2015 77331 A	AM 77331	AM 2015 78558 A	AM 78558
AM 2015 77344 A	AM 77344	AM 2015 78562 A	AM 78562
AM 2015 77410 A	AM 77410	AM 2015 78563 A	AM 78563
AM 2015 77809 A	AM 77809	AM 2015 78773 A	AM 78773
		AM 2015 78788 A	AM 78788
		AM 2015 78981 A	AM 78981
		AM 2015 79044 A	AM 79044
		AM 2015 79049 A	AM 79049

**CONCORDANCE TABLE OF INDEX OF GOODS AND/OR SERVICES
AND APPLICATION NUMBERS**

INDEX OF GOODS AND/OR SERVICES (511)	NUMBER OF PUBLISHED APPLICATIONS (260)	1	2
1	2	5	AM 2015 79044 A
3	AM 2015 76615 A	8	AM 2015 77292 A
3	AM 2015 77809 A	9	AM 2015 77950 A
3	AM 2015 77810 A	10	AM 2015 77193 A
3	AM 2015 77811 A	10	AM 2015 77194 A
3	AM 2015 77812 A	10	AM 2015 77195 A
3	AM 2015 79049 A	10	AM 2015 77809 A
5	AM 2015 77259 A	10	AM 2015 77810 A
5	AM 2015 77330 A	10	AM 2015 77811 A
5	AM 2015 77331 A	10	AM 2015 77812 A
5	AM 2015 77809 A	12	AM 2015 78563 A
5	AM 2015 77810 A	18	AM 2015 78981 A
5	AM 2015 77811 A	25	AM 2015 78981 A
5	AM 2015 77812 A	26	AM 2015 77948 A
5	AM 2015 78375 A	30	AM 2015 78773 A
5	AM 2015 78562 A	31	AM 2015 78453 A
		33	AM 2015 77344 A
		37	AM 2015 78788 A
		42	AM 2015 78558 A
		43	AM 2015 77410 A

**CONCORDANCE TABLE OF INDEX OF GOODS AND/OR SERVICES
AND NUMBERS OF TRADEMARKS REGISTERED ACCORDING
TO THE ACCELERATED PROCEDURE**

INDEX OF GOODS AND/OR SERVICES (511)	NUMBERS OF REGISTERED ACCORDING TO THE ACCELERATED PROCEDURE (111)
2	M 2015 25925 R
2	M 2015 25926 R
6	M 2015 25923 R
19	M 2015 25924 R
25	M 2015 25922 R
35	M 2015 25922 R

OFFICIAL BULLETIN OF THE INDUSTRIAL PROPERTY

11(423)

EDITOR-IN-CHIEF: N. Bebrishvili

EDITORS-TRANSLATORS: E. Gabunia

PROOFREADER: A. Shikhashvili

COMPUTER LAYOUT: M. Ordenidze
K. Svanidze

www.sakpatenti.org.ge

E-mail: info@sakpatenti.org.ge