



**NATIONAL INTELLECTUAL PROPERTY CENTER OF GEORGIA  
SAKPATENTI**

**OFFICIAL BULLETIN  
OF THE INDUSTRIAL PROPERTY**

**12(424)**

**2015  
TBILISI**

# INID CODES FOR IDENTIFICATION OF BIBLIOGRAPHIC DATA

## INVENTIONS, UTILITY MODELS

- (10) Number of publication for application, which has been examined
- (11) Number of patent and kind of document
- (21) Serial number of application
- (22) Date of filing of the application
- (23) Date of exhibition or the date of the earlier filing and the number of application, if any
- (24) Date from which patent may have effect
- (31) Number of priority application
- (32) Date of filing of priority application
- (33) Code of the country or regional organization allotting priority application number
- (44) Date of publication of application not granted, but examined and number of bulletin
- (45) Date of publication of registered document
- (51) International Patent Classification Index
- (54) Title of the invention
- (57) Abstract
- (60) Number of examined patent document granted by foreign patent office, date from which patent has effect and country code
- (62) Number of the earlier application and in case of divided application, date of filing an application
- (71) Name, surname and address of applicant (country code)
- (72) Name, surname of inventor (country code)
- (73) Name, surname and address of patent owner (country code)
- (74) Name, surname of representative or patent attorney
- (85) Date of commencement of the national phase of International Application
- (86) Number and date of filing of international application
- (87) Number and date of publication of international application

## DESIGNS

- (10) Number of publication for application
- (11) Number of patent and kind of document or number of registration
- (15) Date of registration/Date of patent renewal
- (18) Expected expiration date of patent or registration
- (21) Serial number of application
- (22) Date of filing of the application
- (23) Date of exhibition or the date of the earlier filing and the number of application, if any
- (24) Date from which patent may have effect
- (28) Number of designs included in the application
- (30) Data relating to priority (number of application, date of filing of application, two-letter code identifying the authority with whom the priority application was made)
- (31) Number of priority application
- (32) Date of filing of priority application
- (33) Code of the country or regional organization allotting priority application number
- (34) Two-letter code according to WIPO St.3 identifying the authority with which the priority application was made
- (44) Date of publication of design and number of bulletin (the first publication)
- (45) Date of publication of design registered by WIPO and number of bulletin
- (51) International Classification for designs (class and subclass of the Locarno Classification)
- (54) Title of the invention
- (55) Reproduction of the design
- (57) Description of characteristic features of the design including indication of colors
- (58) Date of recording of any kind of amendment in the Register
- (62) Number of the earlier application, registration and document number and if available the date of filing an application in case of divided application
- (71) Name, surname and address of applicant (country code)
- (72) Name, surname of creator (country code)
- (73) Name, surname and address of patent owner (country code)
- (74) Name, surname of representative or patent attorney
- (81) Contracting states concerned
  - II designated contracting states according to the 1960 Act
  - III designated contracting states according to the 1999 Act
- (85) Owner's permanent address
- (86) Owner's nationality
- (87) Owner's residence
- (88) State in which the owner has a real and effective industrial or commercial establishment

## TRADEMARKS

- (111) – Number of registration
- (151) – Date of registration
- (156) – Date of the renewal
- (181) – Expected expiration date of registration
- (186) – Renewal expiration date of registration
- (141) – Date of cancel of duration of the mark
- (210) – Serial number of application
- (220) – Date of filing of the application
- (230) – Date concerning exhibition
- (260) – Number of application, for which favorable decision of examination about registration has been taken (publication number)
- (310) – Number of the first application
- (320) – Date of filing of the first application
- (330) – Code, identifying national or regional Office where the first application was made
- (511) – International Classification of Goods and Services for the purposes of registration of trade marks and/or list of goods and/or services classified according thereto
- (531) – Description of figurative elements of Trade Marks according to the International Classification of the Figurative Elements of Marks
- (540) – Reproduction of Trade Mark
- (550) – Nature and kind of Trade Mark
- (580) – Date of recording of any kind changes in respect of applications or registrations
- (591) – Information concerning colors claimed
- (731) – Name and address of the applicant
- (732) – Name and address of the holder of the registration
- (740) – Name and address of the representative
- (750) – Address for correspondence
- (770) – Name and address of the previous applicant or holder in case of change in ownership
- (771) – Previous name and address of the applicant or holder in case of change in ownership
- (791) – Name and address of the licensee
- (793) – Indication of conditions and/or restrictions under the license (Type of license, number of license agreement, data of license, data of validity of license)
- (800) – Certain data relating to the international registration of Trade Marks under the Protocol Relating to Madrid Agreement (International registration number)

## CODES FOR PUBLICATION IN BULLETIN

- (21) AP 0000 000000 – serial number of application for invention
- (10) AP 0000 0000 A – number of published application for invention (first publication)
- (11) P 0000 0000 B – number of patent for invention (second publication)
- (21) API 0000 000000 – number of application for imported patent
- (11) PI 0000 0000 A – number of imported patent (first publication)
- (21) AU 0000 000000 – serial number of application for utility model
- (10) AU 0000 000 U – number of published application for utility model (first publication)
- (11) U 0000 000 Y – number of patent for utility model (second publication)
- (21) AD 0000 000000 – serial number of application for design
- (10) AD 0000 000 S – number of published application for design (first publication)
- (11) D 0000 000 S – number of patent for design (second publication)

## INTERNATIONAL PATENT CLASSIFICATION FOR INVENTIONS AND UTILITY MODELS

- SECTION A – HUMAN NECESSITIES
- SECTION B – PERFORMING OPERATIONS; TRANSPORTING
- SECTION C – CHEMISTRY; METALLURGY
- SECTION D – TEXTILES; PAPER
- SECTION E – FIXED CONSTRUCTIONS
- SECTION F – MECHANICAL ENGINEERING; LIGHTING; HEATING; WEAPONS; BLASTING
- SECTION G – PHYSICS
- SECTION H – ELECTRICITY

- 
- M – Trade Mark
  - (210) AM 0000 000000 – Serial number of application;
  - (260) AAM 0000 00000 A – Publication number of application;
  - (111) M 0000 00000 R – Number of registration;
  - (111) MMM0000 00000 Rn – Number of renewals, in which n=1,2,3;
  - (111) M 0000 00000 R(P) – Number of registration under partial assignment of rights
-

**LIST OF CODES, IN ALPHABETIC SEQUENCE, AND THE CORRESPONDING (SHORT) NAMES OF STATES, OTHER ENTITIES AND INTERGOVERNMENTAL ORGANIZATIONS**  
(WIPO STANDARD ST.3)

AD	Andorra				
AE	United Arab Emirates				
AF	Afghanistan				
AG	Antigua and Barbuda				
AI	Anguilla				
AL	Albania				
AM	Armenia				
AN	Netherlands Antilles				
AO	Angola				
AP	African Regional Intellectual Property Organization (ARIPO)				
AR	Argentina				
AT	Austria				
AU	Australia				
AW	Aruba				
AZ	Azerbaijan				
BA	Bosnia and Herzegovina				
BB	Barbados				
BD	Bangladesh				
BE	Belgium				
BF	Burkina Faso				
BG	Bulgaria				
BH	Bahrain				
BI	Burundi				
BJ	Benin				
BM	Bermuda				
BN	Brunei Darussalam				
BO	Bolivia				
BR	Brazil				
BS	Bahamas				
BT	Bhutan				
BV	Bouvet Island				
BW	Botswana				
BX	Benelux Office for Intellectual Property (BOIP)				
BY	Belarus				
BZ	Belize				
CA	Canada				
CD	Democratic Republic of the Congo				
CF	Central African Republic				
CG	Congo				
CH	Switzerland				
CI	Cote d'Ivoire				
CK	Cook Islands				
CL	Chile				
CM	Cameroon				
CN	China				
CO	Colombia				
CR	Costa Rica				
CU	Cuba				
CV	Cape Verde				
CY	Cyprus				
CZ	Czech Republic				
DE	Germany				
DJ	Djibouti				
DM	Dominica				
DO	Dominican Republic				
DZ	Algeria				
EA	Eurasian Patent Organization (EAPO)				
EC	Ecuador				
EE	Estonia				
EG	Egypt				
EH	Western Sahara				
EM	Office for Harmonization in the Internal Market (Trademarks and Designs)(OHIM)				
EP	European Patent Office (EPO)				
ER	Eritrea				
ES	Spain				
ET	Ethiopia				
FI	Finland				
FJ	Fiji				
FK	Falkland Islands (Malvinas)				
FO	Faroe Islands				
FR	France				
GA	Gabon				
GB	United Kingdom				
GC	Patent Office of the Cooperation Council				
			for the Arab States of the Gulf (GCC)		
		GD	Grenada		
		GG	Guernsey		
		GH	Ghana		
		GI	Gibraltar		
		GT	Guatemala		
		GW	Guinea- Bissau		
		GY	Guyana		
		HK	The Hong Kong Special Administrative Region of the People's Republic of China		
		HN	Honduras		
		HR	Croatia		
		HT	Haiti		
		HU	Hungary		
		IB	International Bureau of the World Intellectual Property Organization (WIPO)		
		ID	Indonesia		
		IE	Ireland		
		IL	Israel		
		IM	Isle of Man		
		IN	India		
		IQ	Iraq		
		ID	Indonesia		
		IE	Ireland		
		IL	Israel		
		IM	Isle of Man		
		IN	India		
		IQ	Iraq		
		IR	Iran (Islamic Republic of)		
		IS	Iceland		
		IT	Italy		
		JE	Jersey		
		JM	Jamaica		
		JO	Jordan		
		JP	Japan		
		KE	Kenya		
		KG	Kyrgyzstan		
		KH	Cambodia		
		KI	Kiribati		
		KM	Saint Kitts and Nevis		
		KP	Democratic People's Republic of Korea		
		KR	Republic of Korea		
		KW	Kuwait		
		KY	Cayman Islands		
		KZ	Kazakhstan		
		LA	Lao People's Democratic Republic		
		LB	Lebanon		
		LC	Saint Lucia		
		LI	Liechtenstein		
		LK	Sri Lanka		
		LR	Liberia		
		LS	Lesotho		
		LT	Lithuania		
		LU	Luxembourg		
		LV	Latvia		
		LY	Libyan Arab Jamahiriya		
		MA	Morocco		
		MC	Monaco		
		MD	Republic of Moldova		
		ME	Montenegro		
		MG	Madagascar		
		MK	The former Yugoslav Republic of Macedonia		
		ML	Mali		
		MM	Myanmar		
		MN	Mongolia		
		MO	Macao		
		MP	Northern Mariana Islands		
		MR	Mauritania		
		MS	Montserrat		
		MT	Malta		
		MU	Mauritius		
		MV	Maldives		
		MW	Malawi		
		MX	Mexico		
		MY	Malaysia		
		MZ	Mozambique		
		NA	Namibia		
				NE	Niger
				NG	Nigeria
				NI	Nicaragua
				NL	Netherlands
				NO	Norway
				NP	Nepal
				NR	Nauru
				NZ	New Zealand
				OA	African Intellectual Property Organization (OAPI)
				OM	Oman
				PA	Panama
				PE	Peru
				PG	Papua New Guinea
				PH	Philippines
				PK	Pakistan
				PL	Poland
				PT	Portugal
				PW	Palau
				PY	Paraguay
				QA	Qatar
				QZ	Community Plant Variety Office (European Community) (CPVO)
				RO	Romania
				RS	Serbia
				RU	Russian Federation
				RW	Rwanda
				SA	Saudi Arabia
				SB	Solomon Islands
				SC	Seychelles
				SD	Sudan
				SG	Singapore
				SH	Saint Helena
				SI	Slovenia
				SK	Slovakia
				SL	Sierra Leone
				SM	San Marino
				SN	Senegal
				SO	Somalia
				SR	Suriname
				ST	Sao Tome and Principe
				SV	El Salvador
				SY	Syrian Arab Republic
				SZ	Swaziland
				TC	Turks and Caicos Islands
				TD	Chad
				TG	Togo
				TH	Thailand
				TJ	Tajikistan
				TL	Timor-Leste
				TM	Turkmenistan
				TN	Tunisia
				TO	Tonga
				TR	Turkey
				SE	Sweden
				TT	Trinidad and Tobago
				TV	Tuvalu
				TW	Taiwan, Province of China
				TZ	United Republic of Tanzania
				UA	Ukraine
				UG	Uganda
				US	United States of America
				UY	Uruguay
				UZ	Uzbekistan
				VA	Holy See
				VC	Saint Vincent and the Grenadines
				VE	Venezuela
				VG	Virgin Islands (British)
				VN	Viet Nam
				VU	Vanuatu
				WO	World Intellectual Property Organization (WIPO)
				WS	Samoa
				XN	Nordic Patent Institute (NPI)
				YE	Yemen
				ZA	South Africa
				ZM	Zambia
				ZW	Zimbabwe

**NATIONAL INTELLECTUAL PROPERTY CENTER OF GEORGIA  
SAKPATENTI**

**OFFICIAL BULLETIN  
OF THE INDUSTRIAL PROPERTY**

**12(424)**

**INVENTIONS  
UTILITY MODELS  
DESIGNS  
TRADEMARKS**

DATE OF PUBLICATION

2015 06 25

# CONTENTS

<b>PUBLISHED TITLES OF PROTECTION</b> .....	3
<b>INVENTIONS</b>	
▪ APPLICATIONS APPROVED FOR GRANTING PATENTS .....	4
▪ PATENTED INVENTIONS .....	10
<b>UTILITY MODELS</b>	
▪ APPLICATIONS APPROVED FOR GRANTING PATENT .....	13
<b>DESIGNS</b>	
▪ DESIGNS REGISTERED ACCORDING TO THE ACCELERATED PROCEDURE .....	14
<b>TRADEMARKS</b>	
▪ APPLICATIONS FILED UNDER THE NATIONAL PROCEDURE APPROVED FOR REGISTRATION .....	15
▪ REGISTERED TRADEMARKS .....	21
▪ TRADEMARKS REGISTERED ACCORDING TO THE ACCELERATED PROCEDURE .....	25
▪ INTERNATIONAL TRADEMARKS FOR WHICH A DECISION ON GRANTING PROTECTION IS TAKEN .....	27
▪ INTERNATIONAL TRADEMARKS PROTECTED IN GEORGIA .....	74
<b>OFFICIAL NOTIFICATIONS</b>	
<b>TRADEMARKS</b>	
▪ RENEWAL OF REGISTRATIONS .....	84
▪ COMPLETE TRANSFER OF RIGHTS .....	86
▪ CHANGES IN NAMES AND/OR ADDRESSES OF OWNERS .....	88
▪ CORRECTION OF PUBLISHED INFORMATIONS .....	91
<b>CLASSIFICATION INDEXES</b>	
INVENTIONS .....	92
UTILITY MODELS .....	94
DESIGNS .....	94
TRADEMARKS .....	96

## **PUBLISHED TITLES OF PROTECTION**

### **INVENTIONS**

- **APPLICATIONS APPROVED FOR GRANTING PATENTS:**  
13257; 12999; 12263; 12798; 13683; 12634; 13372; 13509; 13467; 13320; 13284; 13422
- **PATENTED INVENTIONS:**  
6300-6308

### **UTILITY MODELS**

- **APPLICATIONS APPROVED FOR GRANTING PATENTS:**  
13417

### **DESIGNS**

- **DESIGNS REGISTERED ACCORDING TO THE ACCELERATED PROCEDURE:**  
630

### **TRADEMARKS**

- **APPLICATIONS FILED UNDER THE NATIONAL PROCEDURE APPROVED FOR REGISTRATION:**  
75413; 76830-76834; 77496; 77602; 77675; 77679; 77691; 77945; 78279, 78280; 78662; 78703; 78808-78810; 78814; 78838; 78858; 78898; 79046; 79120-79122; 79192, 79193; 79195; 79198; 79351; 79545; 79743-79746
- **REGISTERED TRADEMARKS:**  
25932-25969
- **TRADEMARKS REGISTERED ACCORDING TO THE ACCELERATED PROCEDURE:**  
25927-25931; 25970
- **INTERNATIONAL TRADEMARKS FOR WHICH A DECISION ON GRANTING PROTECTIONS IS TAKEN:**  
73495\*; 75742\*; 76273; 76385\*; 76853; 77192; 77196; 77286; 77288, 77289; 77294-77296; 77298; 77349, 77350; 77452; 77469; 77536-77540; 77543-77545; 77589; 77997; 78001, 78002; 78004; 78006; 78079; 78087; 78109, 78110; 78112; 78114; 78116, 78117; 78119; 78122-78128; 78177; 78179; 78182; 78184; 78196; 78310, 78311; 78318-78323; 78443; 78499, 78500; 78504; 78550; 78636; 78641; 78647, 78648; 78671; 78906; 78908; 78914-78916; 78921; 78923, 78924; 78929-78934; 78936, 78937; 79170-79176; 79178, 79179; 79181-79184; 79200, 79201
- **INTERNATIONAL TRADEMARKS PROTECTED IN GEORGIA:**  
75562; 75605; 75901; 75905, 75906; 75913; 75928; 75930, 75931; 75953-75955; 75957-75961; 75967, 75968; 75970-75974; 75978-75982; 75988, 75989; 75992-75994; 75998; 76055; 76057; 76059; 76062; 76065-76070; 76073; 76076; 76079; 76081; 76090; 76140-76142; 76145-76147; 76162; 76220; 76237; 76241; 76242; 76245; 76248; 76252, 76253; 76255-76257; 76259; 76265; 76270; 76277; 76323-76327; 76420; 76509; 76535; 76538; 76558, 76559; 76606; 76623; 76631-76633; 76681; 76722; 76724; 76727-76729; 76784; 76799, 76800; 76807, 76808; 76811-76813; 76878; 76880-76882; 76896; 77028; 77030; 77032-77034; 77088-77090; 77092- 77095; 77253; 77299, 77300; 77495; 77504; 77512, 77513; 77515, 77516; 77519-77521; 77527-77529; 77532; 77595; 77597; 77605; 77628; 77942, 77943; 77953; 77957; 77959; 77961, 77962; 80056

---

# INVENTIONS

## APPLICATIONS APPROVED FOR GRANTING PATENTS

The decision can be appealed at the Chamber of Appeal of Sakpatenti within 3 months from the publication or at the Mtskheta District Court Administrative Cases Board (Address: №17, Samkhedro str., Mtskheta), within 1 month following the publication.

### PART A

#### A 01

(10) AP 2015 13257 A (51) Int. Cl. (2006)

A 01 G 7/04

(21) AP 2013 013257 (22) 2013 11 06

(71) LTD "GEOMAX INTERNATIONAL" (GE)  
Pirosmanis q. 4, 6010, Batumi (GE)

(72) Viktoria Partsvania (GE);

Gulnara Verulidze (GE);

Dali Surmanidze (GE)

(74) Ekaterine Kotrikadze

(54) **METHOD FOR BLUEBERRY**

**MICROPLANT GROW STIMULATION**

(57) A method provides having one or two buds blueberry stem segments washing, surface sterilization and allocation thereon sterile nutrient medium of Anderson or Lloyd-McCoun; and beaming of sterile buds with low-intensity infrared laser beams, which length of waves is 850-930 nm, frequency of beaming is 2000 or 2500 Hz, and exposition time is 60 sec. after 48-56 h-s of allocation thereon nutrient medium.

Claims: 1 independent

Table: 1

Fig.: 2

---

(10) AP 2015 12999 A (51) Int. Cl. (2006)

A 01 N 25/08

A 01 N 25/12

A 01 N 39/02

A 01 N 43/40

A 01 N 43/76

A 01 N 43/90

A 01 N 47/36

A 01 P 13/00

(21) AP 2011 012999 (22) 2011 07 14

(31) 61/364,615

(32) 2010 07 15

(33) US

(71) DOW AGROSCIENCES LLC (US)

9330 Zionsville Road Indianapolis,

IN 46268 (US)

(72) DAVE, Hiteshkumar (IN);

LIU, Lei (US);

BOUCHER, Raymond (US);

OUSE, David (US);

MANN, Richard (US);

GIFFORD, James (US);

HUANG, Yi-hsiou (TW);

MCVEIGH-NELSON, Andrea (US);

LOGAN, Martin C. (US);

BATRA, Ashish (IN)

(74) Shalva Gvaramadze

(85) 2013 02 12

(86) PCT/US2011/043929, 2011 07 14

(54) **SOLID HERBICIDE COMPOSITIONS  
WITH BUILT-IN ADJUVANT**

(57) There are represented stable herbicidal solid compositions containing enzyme inhibitors ACC or ALS as active ingredients; it additionally contains built-in adjuvant, solid carbohydrate and polymer soluble in water; at that, the total amount of solid carbohydrate and polymer provides improved herbicidal efficacy of composition.

Claims: 5 independent

24 dependent

---

#### A 61

(10) AP 2015 12263 A (51) Int. Cl. (2006)

A 61 K 36/899

A 61 K 8/97

A 61 Q 19/08

A 61 P 17/06

A 61 P 17/10

(21) AP 2009 012263 (22) 2009 09 15

(31) 0857757

(32) 2008 11 14

(33) FR

(71) PIERRE FABRE Dermo-Cosmetique (FR)

45, place Abel Gance F-92100

Boulogne-Billancourt (FR)

(72) MANDEAU, Anne (FR);

FABRE, Bernard (FR);

ARIES, Marie-Françoise (FR)

(74) Giorgi Meipariani

(85) 2011 06 13

(86) PCT/EP2009/061972, 2009 09 15

(54) **EXTRACT OF AERIAL PARTS OF  
OATS HARVESTED BEFORE EAR  
EMERGENCE**

(57) There are represented application of preparation as immunomodulatory and anti-inflammatory drug; extraction of oats overground parts, except

seeds; and dermatologic and cosmetic composition on a basis of extraction.  
 Claims: 3 independent  
 12 dependent

## PART B

### B 01

(10) AP 2015 12798 A (51) Int. Cl. (2006)  
 B 01 D 53/02  
 B 01 D 53/26

(21) AP 2010 012798 (22) 2010 12 16  
 (31) 61/286,900  
 (32) 2009 12 16  
 (33) US  
 (71) RED LEAF RESOURCES, INC. (US)  
 200 West Civic Center Drive, Suite 190  
 Sandy, UT 84070 (US)  
 (72) PATTEN, James, W. (US)  
 (74) Shalva Gvaramadze  
 (85) 2012 07 16  
 (86) PCT/US2010/060854, 2010 12 16  
 (54) **METHOD FOR VAPOR REMOVAL  
 AND CONDENSATION**

(57) Provided a method for vapor removal and condensation from closed space. Closed space is surrounded with insulated permeable layer having lowering temperature gradient between inner and outer surfaces. Heating material creates vapors at availability of positive pressure in closed space. The vapors are passing through insulated permeable layer inner surface contacting with permeable materials and are condensed at lowering temperature in insulated layer. Condensed liquid is passing down through insulated layer to be collected. Positive pressure in heated closed space, condensation, and lowering pressure and temperature in insulated space serve for additional vapors removal from closed space in insulated layer to be condensed and collected.

Claims: 1 independent  
 12 dependent

Fig.: 2

### B 22

(10) AP 2015 13683 A (51) Int. Cl. (2006)  
 B 22 F 9/08

(21) AP 2014 013683 (22) 2014 12 26  
 (71) Davit Sakhvadze (GE)  
 Saiatnovas q. 1, 0105, Tbilisi (GE);  
 Gigo Jandieri (GE)  
 Vazisubani, I mkr., korp. 3, b. 36,  
 0152, Tbilisi (GE);

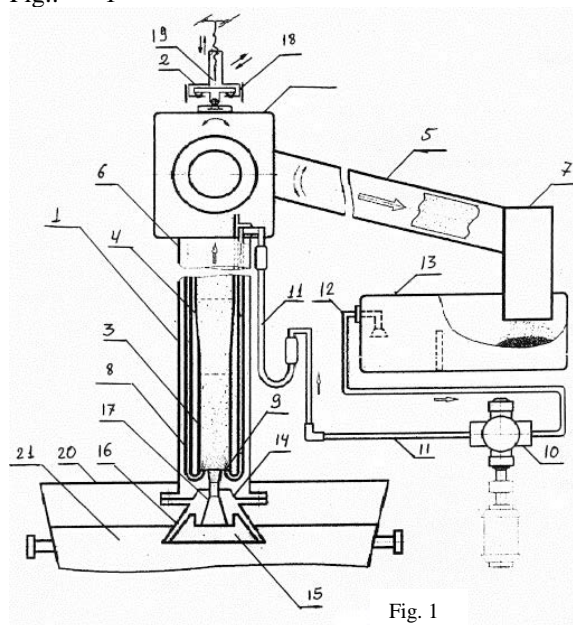
Teimuraz Tsirekidze (GE)  
 Keburias q. 46, 0101, Tbilisi (GE);  
 Ivan Gorbenko (UA)  
 Gmirta gamz., korp. 3, Dnepropetrovsk (UA)  
 (72) Davit Sakhvadze (GE);  
 Gigo Jandieri (GE);  
 Teimuraz Tsirekidze (GE);  
 Ivan Gorbenko (UA)

(54) **DEVICE FOR PRODUCING  
 METALLIC POWDER FROM MELT**

(57) There is represented a device comprising cylindrical case 1 with support 2 and spray chamber 3. The chamber has diffusive part 4, and a pipe venturi is connected thereto. A system of guide pipes 5, 6 and 7 are connected to the pipe venturi, wherefrom at least one is executed as a pipe with a hinge. A channel system 8 is allocated around the spray chamber and connected from one side to toroidal-shape nozzle 9 executed in chamber bottom part, and from another side – to a node of water supplement under pressure. The device is equipped with a cap 14 connected to the case releasable. The cap has a cavity 15 opposite of connection to the case, which is formed with a skirt 16 having inclination under sharp angle relative to vertical plane. Said cavity is connected to spray chamber by means of convergent-diffuser passage-way 17; at that, convergent part is formed in the cap, and the diffuser – in the case. The support is executed as suspension mechanism 18.

Claims: 1 independent  
 8 dependent

Fig.: 1





**B 62**

**(10) AP 2015 12634 A (51) Int. Cl. (2006) B 62 M 9/00**

- (21) AP 2012 012634 (22) 2012 03 20
- (71) Revaz Varsimashvili (GE)  
Vazha-Pshavelas Gamz., V kvart., korp. 4, b. 82, 0186, Tbilisi (GE);  
Mertsia Chirakadze (GE)  
Vazha-Pshavelas Gamz., V kvart., korp. 4, b. 82, 0186, Tbilisi (GE);  
Tsiala Varsimashvili (GE)  
Tabidzis q. 39, 4600, Kutaisi (GE);  
Zurab Varsimashvili (GE)  
Mtskhetis q. 20, b. 34, 0179, Tbilisi (GE);  
ZazaVarsimashvili (GE)  
Vazha-Pshavelas Gamz., V kvart., korp. 4, b. 82, 0186, Tbilisi (GE)

- (72) Revaz Varsimashvili (GE);  
Mertsia Chirakadze (GE);  
Tsiala Varsimashvili (GE);  
Zurab Varsimashvili (GE);  
ZazaVarsimashvili (GE)

**(54) BICYCLE VARIABLE SPEED DRIVE**

(57) There is represented bicycle variable speed drive including noncircular, circular-noncircular or eccentric stars with chain gear, and one or three step reducer.

Claims: 1 independent  
4 dependent

Fig.: 12

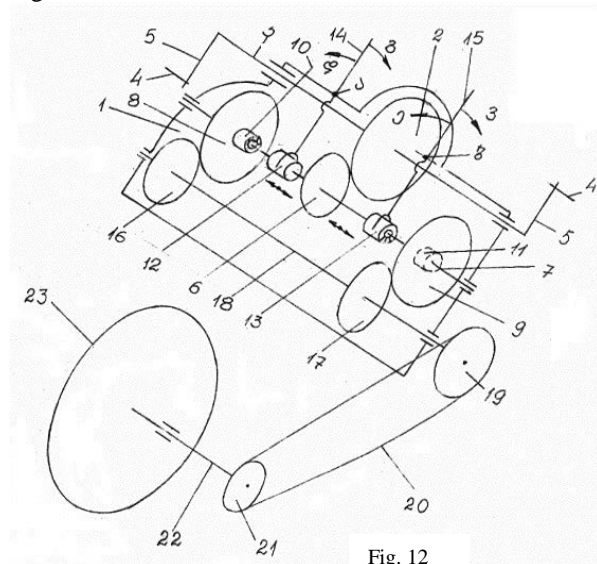


Fig. 12

**B 66**

**(10) AP 2015 13372 A (51) Int. Cl. (2006) B 66 F 9/06**

- (21) AP 2014 013372 (22) 2014 01 31
- (71) Vazha Gogadze (GE)  
9 Aprilis Kheivani 15/57, 4400, Poti (GE);

- Mamuka Gogadze (GE)  
9 Aprilis Kheivani 15/57, 4400, Poti (GE);  
Butkhuz Pachkoria (GE)  
Sop. Akhalsopeli, 4100, Senaki (GE)
- (72) Vazha Gogadze (GE);  
Mamuka Gogadze (GE);  
Butkhuz Pachkoria (GE)

**(54) FORKLIFT OPERATING EQUIPMENT**

(57) There is represented operating equipment including forks 1 connected to a frame 2 with hydrocylinders 3; and it is connected to cross axle hinge 4 with vertical axle hinge 5; at that, the hydrocylinders are disposed on both sides of vertical axle hinge; they are fixed on forklift operating equipment frame with one ends, and with another – on forklift forks, by means of spherical hinges.

Claims: 1 independent

Fig.: 2

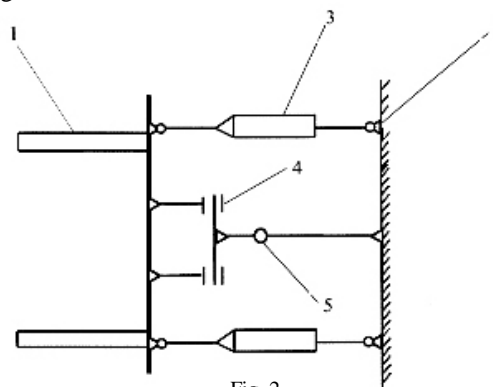


Fig. 2

**PART C****C 07**

(10) AP 2015 13509 A (51) Int. Cl. (2006)  
C 07 D 413/12  
A 61 P 31/04  
A 61 P 13/00  
A 61 P 15/02

(21) AP 2012 013509 (22) 2012 11 16

(31) 11195767.6

(32) 2011 12 27

(33) EP

(71) POLICHEM S.A. (LU)

50, Val Fleuri L-1526 Luxembourg (LU)

(72) GAGLIARDI, Stefania (IT);

CONSONNI, Alessandra (IT);

RONZONI, Silvano (IT);

BULGHERONI, Anna (IT);

CERIANI, Daniela (IT)

(74) Aleksandre Gegechkori

(85) 2014 06 26

(86) PCT/EP2012/072856, 2012 11 16

(54) **NIFURATEL SULFOXIDE FOR USE  
IN THE TREATMENT OF BACTERIAL  
INFECTIONS**

(57) Present invention relates to nifuratel sulfoxide, physiologically acceptable salt thereof and co-crystal, and their application at the treatment of bacterial infections, particularly, infections caused by varieties Atopobium and Gardnerella.

Claims: 4 independent

13 dependent

**C 10**

(10) AP 2015 13467 A (51) Int. Cl. (2006)  
C 10 M 125/30  
C 10 M 125/10  
C 10 M 103/06  
C 10 N 30/06

(21) AP 2014 013467 (22) 2014 05 14

(71) Avtandil Berechikidze (GE)

Vazha-Pshavelas Gamz., 51 korp. 8, b. 28,  
0177, Tbilisi (GE)

(72) Avtandil Berechikidze (GE)

(54) **METHOD FOR ANTI-WEAR  
ADDITIVES PREPARATION**

(57) There is represented a method for antiwear additive preparation providing grounded onto 1,6-3,15 mcm the 4,8-5,2 mass% quantity gumbrin addition into oil as geomodifier.

Claims: 1 independent

**PART F****F 01**

(10) AP 2015 13320 A (51) Int. Cl. (2006)  
F 01 C 1/077  
F 02 B 53/00

(21) AP 2013 013320 (22) 2013 12 11

(71) Revaz Varsimashvili (GE)

Vazha-Pshavelas Gamz., V kvart., korp. 4,  
b. 82, 0186, Tbilisi (GE);

Mariam Varsimashvili (GE)

Vazha-Pshavelas Gamz., V kvart., korp. 4,  
b. 82, 0186, Tbilisi (GE);

Luka Varsimashvili (GE)

Mtskhetis q. 20, b. 34, 0179, Tbilisi (GE);

ZazaVarsimashvili (GE)

Vazha-Pshavelas Gamz., V kvart., korp. 4,  
b. 82, 0186, Tbilisi (GE);

Mertsia Chirakadze (GE)

Vazha-Pshavelas Gamz., V kvart., korp. 4,  
b. 82, 0186, Tbilisi (GE);

Tsiala Varsimashvili (GE)

Vazha-Pshavelas Gamz., V kvart., korp. 4,  
b. 82, 0186, Tbilisi (GE);

(72) Revaz Varsimashvili (GE);

Mariam Varsimashvili (GE);

Luka Varsimashvili (GE);

ZazaVarsimashvili (GE);

Mertsia Chirakadze (GE);

Tsiala Varsimashvili (GE)

(54) **ROTOR INTERNAL COMBUSTION  
ENGINE**

(57) There is represented an engine comprising a case 1, 2; rotatable and turnable relative to each other the rotor pistons 8 and 9 set on common axle and separating case working cavity onto four chambers; a spark-plug 15; means for mix input executed as a valve 40 having opening-closing mechanism executed as noncircular wheel gear 46 rigid onto a camshaft 42 and engaged therewith cylindrical gear 47 set on a pusher 50 rotatable; at that, wheel gear and gear have straight, oblique, chevron or arched teeth corresponding each other. The mechanism is equipped with compression spring 53, and kinematic connection between a shaft 16 and rotor pistons 8 and 9 is executed as wheelworks comprising engaged cylindrical circular 20, 21, 24, 25, 61, 62, 65 and 66 and noncircular 17, 18, 58 and 59 gears.

Claims: 1 independent

Fig.: 4

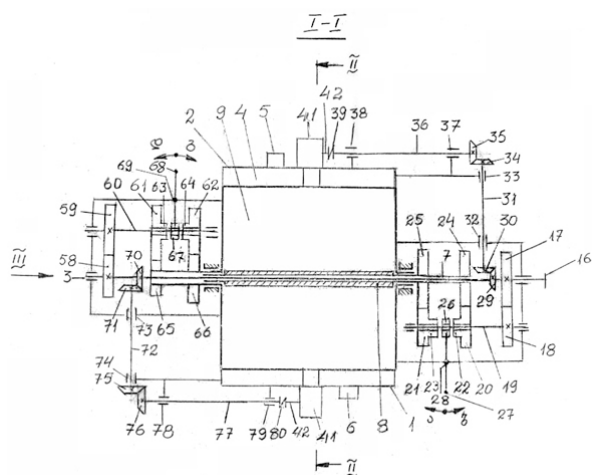


Fig. 1

(10) AP 2015 13284 A (51) Int. Cl. (2006)  
F 01 L 1/02

(21) AP 2013 013284 (22) 2013 11 05

(71) Revaz Varsimashvili (GE)

Vazha-Pshavelas Gamz., V kvart., korp. 4,  
b. 82, 0186, Tbilisi (GE);

Mariam Varsimashvili (GE)

Vazha-Pshavelas Gamz., V kvart., korp. 4,  
b. 82, 0186, Tbilisi (GE);

Luka Varsimashvili (GE)

Mtskhetis q. 20, b. 34, 0179, Tbilisi (GE);

Zaza Varsimashvili (GE)

Vazha-Pshavelas Gamz., V kvart., korp. 4,  
b. 82, 0186, Tbilisi (GE);

Zurab Varsimashvili (GE)

Mtskhetis q. 20, b. 34, 0179, Tbilisi (GE);

Mertsia Chirakadze (GE)

Vazha-Pshavelas Gamz., V kvart., korp. 4,  
b. 82, 0186, Tbilisi (GE);

Tsiala Varsimashvili (GE)

Vazha-Pshavelas Gamz., V kvart., korp. 4,  
b. 82, 0186, Tbilisi (GE);

(72) Revaz Varsimashvili (GE);

Mariam Varsimashvili (GE);

Luka Varsimashvili (GE);

Zaza Varsimashvili (GE);

Zurab Varsimashvili (GE);

Mertsia Chirakadze (GE);

Tsiala Varsimashvili (GE)

(54) **MECHANISM FOR OPENING AND  
CLOSING INTERNAL COMBUSTION  
ENGINE VALVES**

(57) There is represented a mechanism comprising pushers 12, 13, which drive means is executed as noncircular gearwheels 4, 5 rigid on camshaft 1. The gearwheels are capable to be engaged with gears 6, 7 installed freely rotatable on the pushers; at that, the gearwheels and gears have straight, oblique, chevron or arched teeth correspondent to each other. The mechanism also comprises

compression springs 18, 19 for interaction of pushers and drive means.

Claims: 1 independent

Fig.: 5

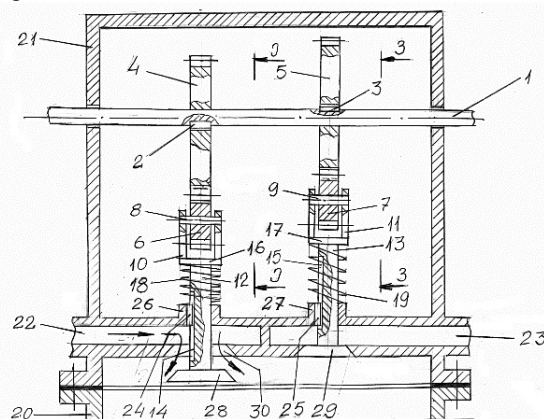


Fig. 1

## F 24

(10) AP 2015 13422 A (51) Int. Cl. (2006)  
F 24 D 3/10

(21) AP 2012 013422 (22) 2012 09 03

(31) 10 2011 113 028.8

(32) 2011 09 10

(33) DE

(71) WINKELMANN SP. Z O.O. (PL)

ul. Jaworzynska 277 PL-59-220 Legnica (PL)

(72) MÜLLER, Frank (DE);

SCHMITZ, Egon (DE);

ÜNAL, Besim (DE)

(74) Shalva Gvaramadze

(85) 2014 03 20

(86) PCT/EP2012/067052, 2012 09 03

(54) **DIAPHRAGM PRESSURE  
EXPANSION VESSEL**

(57) A diaphragm pressure expansion vessel 1 which is intended to be connected to a line system having two vessel parts 2, 3 which are connected to one another in a pressure-tight and fluid-tight manner in a peripheral connecting region 4, wherein the closed vessel interior 10 which is formed by the two vessel parts 2, 3 is separated into a water chamber 6 and a gas chamber by a diaphragm 5, wherein the water chamber 6 can be connected to the line system via a connection piece 7, wherein the diaphragm 5 is formed from an at least single-layered plastic and is in the form of a bubble, should be developed further such that the risk of fracture of the plastic diaphragm when subjected to loading during replacement is considerably reduced. This is achieved in that the gas chamber is formed by the diaphragm interior 9 and by the vessel interior 10 between that side of the diaphragm 5 which is averted from the water chamber 6 and the adjoining vessel part, wherein

that side of the diaphragm 5 which is averted from the water chamber is provided with perforations 8.

Claims: 1 independent

6 dependent

Fig.: 2

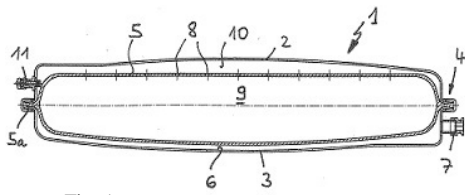


Fig. 1

## PATENTED INVENTIONS

### PART A

#### A 61

**(11) P 2015 6306 B** (51) **Int. Cl. (2006)**  
**A 61 K 9/20**  
**A 61 K 31/4188**

(10) AP 2015 13270 A (44) 5(417)/2015  
 (21) AP 2012 013270  
 (22) 2012 03 29  
 (24) 2012 03 29  
 (31) 2011-082301  
 (32) 2011 04 01  
 (33) JP  
 (86) PCT/JP2012/059276, 2012 03 29  
 (73) TAKEDA PHARMACEUTICAL  
 COMPANY LIMITED (JP)  
 1-1, Doshomachi 4-chome, Chuo-ku,  
 Osaka-shi, Osaka 5410045 (JP)  
 (72) HOSHINA, Wataru (JP);  
 MISAKI, Masafumi (JP)  
 (74) Shalva Gvaramadze  
 (54) **SOLID PREPARATION**

**(11) P 2015 6304 B** (51) **Int. Cl. (2006)**  
**A 61 K 31/4411**  
**A 61 K 31/41**  
**A 61 K 9/16**  
**A 61 P 9/00**

(10) AP 2015 13130 A (44) 5(417)/2015  
 (21) AP 2011 013130  
 (22) 2011 12 07  
 (24) 2011 12 07  
 (31) 10-2010-0125804  
 (32) 2010 12 09  
 (33) KR  
 (86) PCT/KR2011/009413, 2011 12 07  
 (73) LG LIFE SCIENCES LTD. (KR)  
 LG Gwanghwamun Bldg., 92, Sinmunno 2-ga,  
 Jongno-gu, Seoul 110-062 (KR)  
 (72) CHUNG, Young Sik (KR);  
 PARK, Soo Ah (KR);  
 KIM, Ree Sun (KR);  
 KIM, Sung Il (KR);  
 JUHN, Jae Hyeon (KR);  
 KIM, Dong Kyu (US);  
 KIM, Yoo Rin (KR);  
 PARK, Hee Dong (KR);  
 PARK, Seong Jae (KR);  
 LEE, Sung Hack (KR);  
 KIM, Ju Hyun (KR);  
 JUNG, Min Young (KR)  
 (74) Shalva Gvaramadze

(54) **COMPLEX FORMULATION**  
**COMPRISING LERCANIDIPINE**  
**HYDROCHLORIDE AND VALSARTAN**  
**AND METHOD FOR THE PREPARATION**  
**THEREOF**

**(11) P 2015 6305 B** (51) **Int. Cl. (2006)**  
**A 61 K 35/60**  
**A 61 K 36/00**  
**A 61 P 1/10**

(10) AP 2015 13243 A (44) 5(417)/2015  
 (21) AP 2013 013243  
 (22) 2013 09 26  
 (24) 2013 09 26  
 (73) Eter Kemertelidze (GE)  
 Pekinis Gamz. 33a, b. 40, 0160, Tbilisi (GE);  
 Pavel Javich (GE)  
 Machablis q. 16, 0105, Tbilisi (GE);  
 Luiza Churadze (GE)  
 Vazha-Pshavelas VII kvart., korp. 19, b. 17,  
 0186, Tbilisi (GE)  
 (72) Eter Kemertelidze (GE);  
 Pavel Javich (GE);  
 Luiza Churadze (GE)  
 (54) **DRUG FOR PATIENT**  
**PREPARATION FOR PROCTOSCOPY**

### PART C

#### C 04

**(11) P 2015 6303 B** (51) **Int. Cl. (2006)**  
**C 04 B 14/38**  
**C 04 B 16/06**  
**C 04 B 32/02**  
**E 04 C 5/07**

(10) AP 2015 13092 A (44) 5(417)/2015  
 (21) AP 2011 013092  
 (22) 2011 10 21  
 (24) 2011 10 21  
 (31) 20101485  
 (32) 2010 10 21  
 (33) NO  
 (86) PCT/NO2011/000300, 2011 10 21  
 (73) REFORCETECH LTD. (IE)  
 Palmdohlen House Dooradoyle Road  
 Limerick (IE)  
 (72) STANDAL, Per, Cato (NO);  
 MILLER, Leonard, W. (NO)  
 (74) Liliana Darakhvelidze

(54) **REINFORCEMENT BAR AND METHOD FOR MANUFACTURING SAME**

---

## C 07

- (11) P 2015 6301 B (51) Int. Cl. (2006)  
 C 07 D 215/48  
 C 07 D 401/12  
 C 07 D 407/12  
 C 07 D 409/12  
 C 07 D 413/12  
 C 07 D 417/12  
 A 61 K 31/4709  
 A 61 P 31/10
- (10) AP 2015 12810 A (44) 5(417)/2015  
 (21) AP 2010 012810  
 (22) 2010 12 28  
 (24) 2010 12 28  
 (31) 09180899.8  
 (32) 2009 12 29  
 (33) EP  
 (86) PCT/EP2010/070791, 2010 12 28  
 (73) POLICHEM S.A. (LU)  
 50, Val Fleuri, L-1526 Luxembourg (LU)  
 (72) GAGLIARDI, Stefania (IT);  
 DEL SORDO, Simone (IT);  
 MAILLAND, Federico (IT);  
 LEGORA, Michela (IT)  
 (74) Aleksandre Gegechkori  
 (54) **SECONDARY 8-HYDROXYQUINO-  
 LINE-7-CARBOXAMIDE DERIVATIVES  
 FOR USE AS ANTIFUNGAL AGENTS**

- (11) P 2015 6308 B (51) Int. Cl. (2006)  
 C 07 D 405/12  
 C 07 D 223/16  
 A 61 P 9/10  
 A 61 P 9/08  
 A 61 P 9/06  
 A 61 K 31/55
- (10) AP 2015 13282 A (44) 5(417)/2015  
 (21) AP 2013 013282  
 (22) 2013 11 05  
 (24) 2013 11 05  
 (31) 12.60576  
 (32) 2012 11 08  
 (33) FR  
 (73) LES LABORATOIRES SERVIER (FR)  
 35, rue de Verdun, 92284 Suresnes  
 Cedex (FR)  
 (72) CARRANZA, Maria del Pilar (ES);  
 GARCIA ARANDA, Maria Isabel (ES);  
 GONZALEZ, Jose Lorenzo (ES);  
 SANCHEZ, Frederic (ES)  
 (74) Tamaz Shilakadze

(54) **NEW PROCESS FOR SYNTHESIS OF (2E)-3-(3,4-DIMETHOXYPHENYL) PROP-2-ENENITRILE, AND APPLICATION IN SYNTHESIS OF IVABRADINE AND ADDITION SALTS THEREWITH PHARMACEUTICALLY ACCEPTABLE ACID**

---

## C 12

- (11) P 2015 6300 B (51) Int. Cl. (2006)  
 C 12 N 5/06
- (10) AP 2015 12040 A (44) 5(417)/2015  
 (21) AP 2009 012040  
 (22) 2009 05 20  
 (24) 2009 05 20  
 (31) 61/054,785; 61/102,913; 61/179,674  
 (32) 2008 05 20; 2008 10 06; 2009 05 19  
 (33) US; US; US  
 (86) PCT/US2009/044736, 2009 05 20  
 (73) INCURON, LLC (RU)  
 6 Stolovyi Pereulok, Moscow 121069 (RU);  
 HEALTH RESEARCH INC. (US)  
 Elm Carlton streets, buffalo, NY 14263 (US)  
 (72) GUDKOV, Andrei, V. (US);  
 GUROVA, Katerina (RU);  
 NEZNANOV, Nickolay (US)  
 (74) Tamaz Shilakadze  
 (54) **INDUCING CELL DEATH BY  
 INHIBITING ADAPTIVE HEAT SHOCK  
 RESPONSE**

---

## PART E

### E 01

- (11) P 2015 6302 B (51) Int. Cl. (2006)  
 E 01 F 8/00  
 E 04 B 1/24
- (10) AP 2015 13023 A (44) 5(417)/2015  
 (21) AP 2010 013023  
 (22) 2010 08 06  
 (24) 2010 08 06  
 (86) PCT/IT2010/000359, 2010 08 06  
 (73) URBANTECH S.R.L. (IT)  
 Via Lombardia n. 26, Zona Industriale  
 Gello I-56025 Pontedera (PI) (IT)  
 (72) TIZZONI, Giampaolo (IT)  
 (74) Aleksandre Gegechkori  
 (54) **ANTI-NOISE BARRIER AND  
 ASSEMBLY METHOD THEREOF**

## **PART G**

### **G 05**

(11) P 2015 6307 B (51) Int. Cl. (2006)

G 05 F 3/16

H 05 B 33/08

(10) AP 2015 13373 A (44) 5(417)/2015

(21) AP 2012 013373

(22) 2012 06 22

(24) 2012 06 22

(31) 1111359.4; 1210561.5

(32) 2011 07 04; 2012 06 14

(33) GB; GB

(86) PCT/GB2012/051448, 2012 06 22

(73) ACCURIC LTD (GB)

1 Conference Grove Crowle Worcester

Worcestershire WR7 4SF (GB)

(72) BANNISTER, Dave (GB)

(74) Aleksandre Gegechkori

(54) **CURRENT REGULATOR**

---

---

# UTILITY MODELS

## APPLICATION APPROVED FOR GRANTING PATENT

The decision can be appealed at the Chamber of Appeal of Sakpatenti within 3 months from the publication or at the Mtskheta District Court Administrative Cases Board (Address: №17, Samkhedro str., Mtskheta), within 1 month following the publication.

### PART A

#### A 61

(10) AU 2015 13417 U (51) Int. Cl. (2006)  
B 21 F 27/06  
B 25 C 11/02

(21) AU 2014 013417 (22) 2014 03 11

(71) Mamuka Tsinadze (GE)

Ioselianis q. 7, 4600, Kutaisi (GE)

(72) Mamuka Tsinadze (GE)

(74) Archil Geguchadze

(54) **TOOL FOR WIRES MUTUAL CURL  
AT WEAVING LATTICE PANELS  
THEREFROM**

(57) There is represented a tool having hollow cylinder shaped labor part 1 whereon two cavities are executed in parallel and disposed symmetrically to each other; at that the cavities are executes as grooves 3 and 4 having rounded edges. Furthermore, transverse rod is placed in labor part hollowing; at that, groove length is no more than distance between edge and said rod.

Claims: 1 independent

Fig.: 4

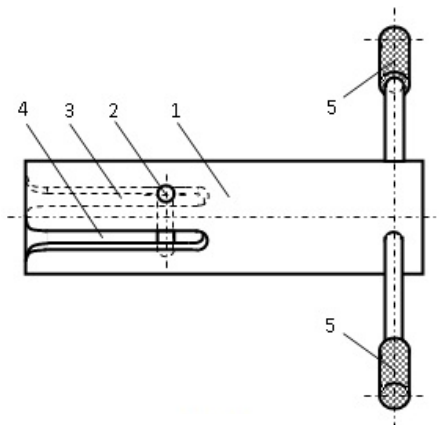


Fig. 2



---

# DESIGNS

## DESIGN REGISTERED ACCORDING TO THE ACCELERATED PROCEDURE

The decision can be appealed at the Chamber of Appeal of Sakpatenti within 3 months from the publication.

- (11) **D 2015 630 S**      (51) **09-05**  
(21) AD 2015 000853    (22) 2015 05 27  
(24) 2015 05 27  
(28) 3  
(18) 2020 05 27  
(73) ROYAL ARMENIA LTD. (AM)  
26/38, Davidashen 2, 0054 Yerevan (AM)  
(72) D. Akopyan, Alujas (AM)  
(74) Davit Zurabishvili  
(54) **COFFEE PACKAGING**  
(55)



---

# TRADEMARKS

## APPLICATIONS FILED UNDER THE NATIONAL PROCEDURE APPROVED FOR REGISTRATION

The decision can be appealed at the Chamber of Appeal of Sakpatenti within 3 months from the publication or at the Mtskheta District Court Administrative Cases Board (Address: №17, Samkhedro St., Mtskheta), within 1 month following the publication.

(260) AM 2015 75413 A  
(210) AM 75413  
(220) 2014 01 13  
(731) LTD "Georgian Bitumen"  
Tevdore Mghvdlis q. 48, Tbilisi, Georgia  
(540)



(591) Black, white  
(531) 24.13.01, 26.03.04, 26.03.06, 27.05.01  
(511) 19, 35

---

(260) AM 2015 76830 A  
(210) AM 76830  
(220) 2014 04 25  
(731) DISNEY ENTERPRISES, INC.  
a Delaware corporation  
500 South Buena Vista Street, Burbank,  
California 91521, USA  
(740) Shalva Gvaramadze  
(540)

### DISNEY Самолёты

(511) 3, 5, 9, 10, 12, 14, 16, 18, 20, 21, 24, 25, 27,  
28, 29, 30, 32, 38, 41

---

(260) AM 2015 76831 A  
(210) AM 76831  
(220) 2014 04 25  
(731) DISNEY ENTERPRISES, INC.  
a Delaware corporation  
500 South Buena Vista Street, Burbank,  
California 91521, USA  
(740) Shalva Gvaramadze  
(540)



(591) White, green, sky-blue, yellow, grey  
(531) 05.03.14, 27.05.01, 28.05, 29.01.04

(511) 3, 5, 9, 10, 12, 14, 16, 18, 20, 21, 24, 25, 27,  
28, 29, 30, 32, 38, 41

---

(260) AM 2015 76832 A  
(210) AM 76832  
(220) 2014 04 25  
(731) DISNEY ENTERPRISES, INC.  
a Delaware corporation  
500 South Buena Vista Street, Burbank,  
California 91521, USA  
(740) Shalva Gvaramadze  
(540)



(591) White, red, grey, black  
(531) 26.04.16, 26.04.24, 03.07.17, 27.05.01, 28.05,  
29.01.14  
(511) 3, 5, 9, 10, 12, 14, 16, 18, 20, 21, 24, 25, 27,  
28, 29, 30, 32, 38, 41

---

(260) AM 2015 76833 A  
(210) AM 76833  
(220) 2014 04 25  
(731) DISNEY ENTERPRISES, INC.  
a Delaware corporation  
500 South Buena Vista Street, Burbank,  
California 91521, USA  
(740) Shalva Gvaramadze  
(540)

### DISNEY Принцесса

(511) 3, 5, 9, 10, 12, 14, 16, 18, 20, 21, 24, 25, 27,  
28, 29, 30, 32, 38, 41

---

(260) AM 2015 76834 A  
(210) AM 76834  
(220) 2014 04 25  
(731) DISNEY ENTERPRISES, INC.  
a Delaware corporation  
500 South Buena Vista Street, Burbank,  
California 91521, USA  
(740) Shalva Gvaramadze

(540)



(591) White, cherry red, grey, sky-blue  
 (531) 26.01.02, 26.01.21, 27.05.01, 28.05, 29.01.13  
 (511) 3, 5, 9, 10, 12, 14, 16, 18, 20, 21, 24, 25, 27, 28, 29, 30, 32, 38, 41

(260) AM 2015 77496 A  
 (210) AM 77496  
 (220) 2014 06 11  
 (731) TOYOTA JIDOSHA KABUSHIKI KAISHA  
 (also trading as Toyota Motor Corporation)  
 1, Toyota-cho, Toyota-shi, Aichi-ken, Japan  
 (740) Tamar Kochlamazashvili  
 (540)

**LX450d**

(591) Black, white  
 (511) 12

(260) AM 2015 77602 A  
 (210) AM 77602  
 (220) 2014 06 18  
 (731) LTD "ASPHARMA GEORGIA  
 PHARMACEUTICAL COMPANY"  
 Mtskhethis q. 8, Tbilisi, Georgia  
 (740) Maia Samadashvili  
 (540)

**Asmir**  
**ასმირო**  
**Асмип**

(511) 5

(260) AM 2015 77675 A  
 (210) AM 77675  
 (220) 2014 06 24  
 (731) THE PROCTER & GAMBLE COMPANY  
 One Procter & Gamble Plaza, Cincinnati  
 Ohio 45202, USA  
 (740) Shalva Gvaramadze  
 (540)

**REGENERIST**

(511) 3

(260) AM 2015 77679 A  
 (210) AM 77679  
 (220) 2014 06 24  
 (731) RECKITT & COLMAN (OVERSEAS)  
 LIMITED  
 Dansom Lane, Hull, HU8 7DS, England,  
 United Kingdom  
 (740) Liliana Darakhvelidze  
 (540)

**ACTIMIST**

(511) 3, 5

(260) AM 2015 77691 A  
 (210) AM 77691  
 (220) 2014 06 25  
 (731) THE COCA-COLA COMPANY  
 One Coca-Cola Plaza, Atlanta, Georgia  
 30313, USA  
 (740) Giorgi Taktakishvili  
 (540)



(591) Black, white  
 (531) 27.01.13, 26.11.13, 28.03  
 (526) The trademark is protected as a whole. "GEORGIA" and "since 1975" shall not be subject to independent legal protection.  
 (511) 30, 32

(260) AM 2015 77945 A  
 (210) AM 77945  
 (220) 2014 07 14  
 (731) OLD NAVY (ITM) INC.  
 2 Folsom Street, San Francisco,  
 CA 94105, USA  
 (740) Tamar Kochlamazashvili  
 (540)

**OLD NAVY**

(511) 3

(260) AM 2015 78279 A  
 (210) AM 78279  
 (220) 2014 08 14  
 (731) N(N)LE "ASSOCIATION IDS BORJOMI"  
 Toris g. 39, Tbilisi, Georgia

(540)



(554) THREE-DIMENCIONAL  
 (551) COLLECTIVE  
 (591) Sky-blue, white, green, red, blue  
 (531) 19.07.16, 27.05.05, 29.01.15, 02.09.04,  
 06.01.02, 19.07.01, 06.07.25  
 (511) 5, 32, 35

(260) AM 2015 78280 A  
 (210) AM 78280  
 (220) 2014 08 14  
 (731) N(N)LE "ASSOTIATION IDS BORJOMI"  
 Toris g. 39, Tbilisi, Georgia  
 (540)

## ბაკურიანი

(551) COLLECTIVE  
 (511) 5, 32, 35

(260) AM 2015 78662 A  
 (210) AM 78662  
 (220) 2014 09 12  
 (731) LTD "GEORGIAN BRANDS COMPANY"  
 Kakhetis Gzatketsili 110a, Georgia  
 (740) Khatia Khatiashvili  
 (540)

## 300 არაგველი 300 АРАГВЕЛИ 300 ARAGVELI

(511) 33

(260) AM 2015 78703 A  
 (210) AM 78703  
 (220) 2014 09 16  
 (731) ANCHOR ALLIED FACTORY - L.L.C P. O.  
 Box: 21152, Sharjah, United Arab Emirates  
 (740) Larisa Amirkhanyan

(540)



(591) Black, white  
 (531) 27.05.04, 01.01.10, 26.01.05, 01.01.05,  
 26.01.19, 26.11.08  
 (511) 2, 17

(260) AM 2015 78808 A  
 (210) AM 78808  
 (220) 2014 09 26  
 (731) SOCIÉTÉ DES PRODUITS NESTLÉ S.A.  
 CH-1800 Vevey, Switzerland  
 (740) Tamaz Shilakadze  
 (540)

## ХРУТКА

(511) 30

(260) AM 2015 78809 A  
 (210) AM 78809  
 (220) 2014 09 26  
 (731) SOCIÉTÉ DES PRODUITS NESTLÉ S.A.  
 CH-1800 Vevey, Switzerland  
 (740) Tamaz Shilakadze  
 (540)

## FITNESS

(511) 30

(260) AM 2015 78810 A  
 (210) AM 78810  
 (220) 2014 09 26  
 (731) SOCIÉTÉ DES PRODUITS NESTLÉ S.A.  
 CH-1800 Vevey, Switzerland  
 (740) Tamaz Shilakadze  
 (540)

## ФИТНЕС

(511) 30

(260) AM 2015 78814 A  
 (210) AM 78814  
 (220) 2014 09 26  
 (731) Gocha PiPi  
 Budapeshtis q, 11, b. 55, 0160 Tbilisi,  
 Georgia  
 (740) Alexander Kvernadze  
 (540)

## დალოცვილი Dalotsvili Далоцвили

(511) 32, 33

(260) AM 2015 78838 A  
 (210) AM 78838  
 (220) 2014 09 29  
 (731) KENTUCKY FRIED CHICKEN  
 INTERNATIONAL HOLDINGS, INC.  
 1441 Gardiner Lane, Louisville, Kentucky  
 40213, USA  
 (740) Tamar Kochlamazashvili  
 (540)

ბაიოსი

(511) 29

(260) AM 2015 78858 A  
 (210) AM 78858  
 (220) 2014 09 29  
 (731) Eldar Iukuridze  
 Ul. Zhukovskogo 19, kv.9, Odessa, 65026,  
 Ukraine  
 (740) Giorgi Meipariani  
 (540)



(591) Black, white  
 (531) 26.01.22, 26.04.22, 26.07.05  
 (526) The trademark is protected as a whole. "Проба  
 N1", "ВИНОГРАДНА ВІДКА", "ДІАМАНТОВА  
 ФІЛЬТРАЦІЯ" shall not be subject to independent  
 legal protection.  
 (511) 33

(260) AM 2015 78898 A  
 (210) AM 78898  
 (220) 2014 09 30  
 (731) T.C. DEBICA S.A.  
 ul. 1-go Maja 1, 39-200 Debica, Poland  
 (740) Tamaz Shilakadze  
 (540)

FRIGO

(511) 12

(260) AM 2015 79046 A  
 (210) AM 79046  
 (220) 2014 10 10  
 (731) NOVARTIS AG  
 4002 Basel, Switzerland  
 (740) Shalva Gvaramadze

(540)

ЭРФЛЮСАЛ

(531) 28.05  
 (511) 5

(260) AM 2015 79120 A  
 (210) AM 79120  
 (220) 2014 10 16  
 (731) CHINA TOBACCO GUANGXI  
 INDUSTRIAL CO., LTD.  
 No:28 Beihu South Road, Xixiangtang  
 District, Nanning Guangxi, China  
 (740) Tamar Kochlamazashvili  
 (540)



(591) Black, white  
 (531) 28.03  
 (511) 34

(260) AM 2015 79121 A  
 (210) AM 79121  
 (220) 2014 10 16  
 (731) LTD The Joint Ukrainian-English The  
 Enterprise With Foreign Investment  
 "SOLOMIA"  
 03150, ul. Krasnoarmeiskaya, 143/2, Kiyiv,  
 Ukraina  
 (740) Davit Dzamukashvili  
 (540)

ASKOLD

(511) 30, 35

(260) AM 2015 79122 A  
 (210) AM 79122  
 (220) 2014 10 16  
 (731) LTD The Joint Ukrainian-English The  
 Enterprise With Foreign Investment  
 "SOLOMIA"  
 03150, ul. Krasnoarmeiskaya, 143/2, Kiyiv,  
 Ukraina  
 (740) Davit Dzamukashvili  
 (540)

Небесная пагода

(511) 30, 35

(260) AM 2015 79192 A  
 (210) AM 79192  
 (220) 2014 10 22  
 (731) SWISS PHARMA INTERNATIONAL AG  
 Waldmannstrasse 8, 8001 Zurich, Switzerland

(740) Shalva Gvaramadze  
(540)

## PROFILAKTIN

(511) 5

(260) AM 2015 79193 A  
(210) AM 79193  
(220) 2014 10 22  
(731) SWISS PHARMA INTERNATIONAL AG  
Waldmannstrasse 8, 8001 Zurich, Switzerland  
(740) Shalva Gvaramadze  
(540)

## ПРОФИЛАКТИН

(511) 5

(260) AM 2015 79195 A  
(210) AM 79195  
(220) 2014 10 24  
(731) KONSTANTINE ABZIANIDZE  
Kekelidzis q. 16, b. 24a, Tbilisi, Georgia  
(740) Konstantine Abzianidze  
(540)



ჩვენს ეკონომიკაში თქვენს სარგებლობაში

(591) Green and black  
(531) 05.01.03, 05.11.02, 27.05.11, 29.01.12  
(511) 1, 11, 31, 35, 44

(260) AM 2015 79198 A  
(210) AM 79198  
(220) 2014 10 24  
(731) NOVARTIS AG  
4002 Basel, Switzerland  
(740) Shalva Gvaramadze  
(540)

## Джозалид

(511) 5

(260) AM 2015 79351 A  
(210) AM 79351  
(220) 2014 11 04  
(731) LTD "AUTOMAXX"  
B. Khmel'nitsk'is g. 153a, b. 60, Tbilisi,  
Georgia  
(740) Nugzar Ksovreli

(540)

## MASSA

(511) 12

(260) AM 2015 79545 A  
(210) AM 79545  
(220) 2014 11 19  
(731) BRF S.A.  
Rua Jorge Tzachel, 475 Fazenda, City of  
Itajaí, State of Santa Catarina, Brazil  
(740) Shalva Gvaramadze  
(540)

## PERDIGÃO

(511) 29, 30

(260) AM 2015 79743 A  
(210) AM 79743  
(220) 2014 12 02  
(731) LTD "NPF" MATEREIA MEDICA  
HOLDING"  
3<sup>rd</sup> Samotyochnyi pereulok 9, Moscow,  
127473, Russian Federation  
(740) Tamaz Shilakadze  
(540)

## მატერია მედიკა

(511) 5

(260) AM 2015 79744 A  
(210) AM 79744  
(220) 2014 12 02  
(731) LTD "NPF" MATEREIA MEDICA  
HOLDING"  
3<sup>rd</sup> Samotyochnyi pereulok 9, Moscow,  
127473, Russian Federation  
(740) Tamaz Shilakadze  
(540)

## ერგოფერონი

(511) 5

(260) AM 2015 79745 A  
(210) AM 79745  
(220) 2014 12 02  
(731) LTD "NPF" MATEREIA MEDICA  
HOLDING"  
3<sup>rd</sup> Samotyochnyi pereulok 9, Moscow,  
127473, Russian Federation  
(740) Tamaz Shilakadze  
(540)

## ავია-მორე

(511) 5

(260) AM 2015 79746 A

(210) AM 79746

(220) 2014 12 02

(731) LTD "NPF" MATEREIA MEDICA  
HOLDING"

3<sup>rd</sup> Samotyochnyi pereulok 9, Moscow,  
127473, Russian Federation

(740) Tamaz Shilakadze

(540)

**მულტიფორტი**

(511) 5

---

---

**REGISTERED TRADEMARKS**

(111) 2015 25932 R  
 (151) 2015 06 09  
 (181) 2025 06 09  
 (260) AM 2014 75232 A  
 (220) 2013 12 23  
 (732) LOEWE SA.

Calle Goya 4, Madrid 28001, Spain

---

(111) 2015 25933 R  
 (151) 2015 06 09  
 (181) 2025 06 09  
 (260) AM 2014 75233 A  
 (220) 2013 12 23  
 (732) LOEWE SA.

Calle Goya 4, Madrid 28001, Spain

---

(111) 2015 25934 R  
 (151) 2015 06 09  
 (181) 2025 06 09  
 (260) AM 2014 75277 A  
 (220) 2013 12 26  
 (732) AUTUMNPAPER LIMITED  
 5th Floor Rear Suite, Oakfield House, 35  
 Perrymount Road, Haywards Heath, West  
 Sussex RH16 3BW, United Kingdom

---

(111) 2015 25935 R  
 (151) 2015 06 09  
 (181) 2025 06 09  
 (260) AM 2014 75300 A  
 (220) 2013 12 27  
 (732) TRAMONTINA S.A CUTELARIA  
 Av. 25 de Setembro, 1024, Bairro Triangulo,  
 CEP: 95185-000, Carlos Barbosa, RS, Brazil

---

(111) 2015 25936 R  
 (151) 2015 06 09  
 (181) 2025 06 09  
 (260) AM 2014 75320 A  
 (220) 2013 12 30  
 (732) OJSC "ROSSPIRTPROM"  
 Kutuzoskiy pr-t, d. 34, str. 21, Moscow,  
 121170, Russian Federation

---

(111) 2015 25937 R  
 (151) 2015 06 09  
 (181) 2025 06 09  
 (260) AM 2014 75321 A  
 (220) 2013 12 30  
 (732) OJSC "ROSSPIRTPROM"  
 Kutuzoskiy pr-t, d. 34, str. 21, Moscow,  
 121170, Russian Federation

---

(111) 2015 25938 R  
 (151) 2015 06 09  
 (181) 2025 06 09  
 (260) AM 2014 75325 A  
 (220) 2013 12 30  
 (732) Nugzar Kumelashvili  
 Temqis das. me-11 m/r, kv. 3, korp. 56 b.  
 b. 60, Tbilisi, Georgia

---

(111) 2015 25939 R  
 (151) 2015 06 09  
 (181) 2025 06 09  
 (260) AM 2014 75373 A  
 (220) 2014 01 08  
 (732) Karen Vardanyan  
 Baironi str. 3, ap. 36, Yerevan, Armenia

---

(111) 2015 25940 R  
 (151) 2015 06 09  
 (181) 2025 06 09  
 (260) AM 2014 75374 A  
 (220) 2014 01 08  
 (732) Karen Vardanyan  
 Baironi str. 3, ap. 36, Yerevan, Armenia

---

(111) 2015 25941 R  
 (151) 2015 06 09  
 (181) 2025 06 09  
 (260) AM 2014 75375 A  
 (220) 2014 01 08  
 (732) Karen Vardanyan  
 Baironi str. 3, ap. 36, Yerevan, Armenia

---

(111) 2015 25942 R  
 (151) 2015 06 09  
 (181) 2025 06 09  
 (260) AM 2014 75376 A  
 (220) 2014 01 08  
 (732) KAREN VARDANYAN  
 Baironi str. 3, ap. 36, Yerevan, Armenia

---

(111) 2015 25943 R  
 (151) 2015 06 09  
 (181) 2025 06 09  
 (260) AM 2014 75377 A  
 (220) 2014 01 08  
 (732) Karen Vardanyan  
 Baironi str. 3, ap. 36, Yerevan, Armenia

---

(111) 2015 25944 R  
 (151) 2015 06 09  
 (181) 2025 06 09  
 (260) AM 2014 75414 A

---



(220) 2014 01 13  
 (732) NATIONAL BISCUITS &  
 CONFECTIONERY CO. LTD.  
 Jeddah, Industrial Area-Fourth Phase, P.O.  
 Box , Jeddah 21492, Saudi Arabia

---

(111) 2015 25945 R  
 (151) 2015 06 09  
 (181) 2025 06 09  
 (260) AM 2014 75461 A  
 (220) 2014 01 16  
 (732) Zurab Chokheli  
 Digmis masivi, V kvart, I korp, b. 51, 0159,  
 Tbilisi, Georgia

---

(111) 2015 25946 R  
 (151) 2015 06 09  
 (181) 2025 06 09  
 (260) AM 2014 75702 A  
 (220) 2014 01 28  
 (732) ONE MERCK SHARP & DOHME CORP.  
 One Merck Drive, Whitehouse Station, New  
 Jersey, 08889, USA

---

(111) 2015 25947 R  
 (151) 2015 06 11  
 (181) 2025 06 11  
 (260) AM 2014 75243 A  
 (220) 2013 12 24  
 (732) LTD "GOA AND COMPANY"  
 Marjanishvilis q. 18, 0102, Tbilisi, Georgia

---

(111) 2015 25948 R  
 (151) 2015 06 11  
 (181) 2025 06 11  
 (260) AM 2014 77553 A  
 (220) 2014 06 13  
 (732) LTD "SAH&Co"  
 T. Abuladzis q. 32, b. 17, Tbilisi, Georgia

---

(111) 2015 25949 R  
 (151) 2015 06 11  
 (181) 2025 06 11  
 (260) AM 2014 77872 A  
 (220) 2014 07 08  
 (732) LTD "EKOMETRI"  
 Besikis q. 4 (mimdebare), Tbilisi, Georgia

---

(111) 2015 25950 R  
 (151) 2015 06 12  
 (181) 2025 06 12  
 (260) AM 2014 76184 A  
 (220) 2014 03 07

(732) Levan Alavidze  
 Khvichias q. 17, b. 12, 0160, Tbilisi, Georgia

---

(111) 2015 25951 R  
 (151) 2015 06 12  
 (181) 2025 06 12  
 (260) AM 2014 75748 A  
 (220) 2014 01 31  
 (732) TOYOTA JIDOSHA KABUSHIKI KAISHA  
 (also trading as TOYOTA MOTOR  
 CORPORATION)  
 1, Toyota-Cho, Toyota-Shi, Aichi-Ken, Japan

---

(111) 2015 25952 R  
 (151) 2015 06 12  
 (181) 2025 06 12  
 (260) AM 2014 75776 A  
 (220) 2014 02 05  
 (732) PPG INDUSTRIES OHIO, INC.  
 3800 West 143rd Street, Cleveland, State of  
 Ohio 44111, USA

---

(111) 2015 25953 R  
 (151) 2015 06 12  
 (181) 2025 06 12  
 (260) AM 2014 75762 A  
 (220) 2014 02 03  
 (732) Majid Al Futtaim Retail LLC  
 P.O. Box 124441, Dubai, United Arab  
 Emirates

---

(111) 2015 25954 R  
 (151) 2015 06 12  
 (181) 2025 06 12  
 (260) AM 2014 75778 A  
 (220) 2014 02 05  
 (732) PPG INDUSTRIES OHIO, INC.  
 3800 West 143rd Street, Cleveland, State of  
 Ohio 44111, USA

---

(111) 2015 25955 R  
 (151) 2015 06 12  
 (181) 2025 06 12  
 (260) AM 2014 75790 A  
 (220) 2014 02 06  
 (732) Gelodi Kobaladze  
 Ushangi Ghambashidzis q. 2, 0179, Tbilisi,  
 Georgia

---

(111) 2015 25956 R  
 (151) 2015 06 12  
 (181) 2025 06 12  
 (260) AM 2014 75791 A

(220) 2014 02 06  
(732) FREMANTLE MEDIA LIMITED  
1 Stephen Street, London W1T 1AL, United Kingdom

---

(111) 2015 25957 R  
(151) 2015 06 12  
(181) 2025 06 12  
(260) AM 2014 75792 A  
(220) 2014 02 06  
(732) FREMANTLE MEDIA LIMITED  
1 Stephen Street, London W1T 1AL, United Kingdom

---

(111) 2015 25958 R  
(151) 2015 06 12  
(181) 2025 06 12  
(260) AM 2014 75802 A  
(220) 2014 02 07  
(732) LTD "PALAVANI"  
Shindisis gzat. 19, 1400, Gori, Georgia

---

(111) 2015 25959 R  
(151) 2015 06 12  
(181) 2025 06 12  
(260) AM 2014 75806 A  
(220) 2014 02 07  
(732) LTD "LOMASI"  
Samtreidiis q. 6 korpusi, b. 24, 0119, Tbilisi, Georgia

---

(111) 2015 25960 R  
(151) 2015 06 12  
(181) 2025 06 12  
(260) AM 2014 75807 A  
(220) 2014 02 07  
(732) LTD "LOMASI"  
Samtreidiis q. 6 korpusi, b. 24, 0119, Tbilisi, Georgia

---

(111) 2015 25961 R  
(151) 2015 06 12  
(181) 2025 06 12  
(260) AM 2014 75835 A  
(220) 2014 02 10  
(732) BITBURGER BRAUGRUPPE GMBH  
Romermauer 3, 54634 Bitburg, Germany

---

(111) 2015 25962 R  
(151) 2015 06 12  
(181) 2025 06 12  
(260) AM 2014 75852 A  
(220) 2014 02 11

(732) Shota Jvania  
Sichinavas q. 45, 2100, Zugdidi, Georgia

---

(111) 2015 25963 R  
(151) 2015 06 12  
(181) 2025 06 12  
(260) AM 2014 75868 A  
(220) 2014 02 12  
(732) LTD "NOVATOR PHARMA"  
Sop. Irganchai, 1707, Dmanisi, Georgia

---

(111) 2015 25964 R  
(151) 2015 06 12  
(181) 2025 06 12  
(260) AM 2014 75869 A  
(220) 2014 02 12  
(732) LTD "NOVATOR PHARMA"  
Sop. Irganchai, 1707, Dmanisi, Georgia

---

(111) 2015 25965 R  
(151) 2015 06 12  
(181) 2025 06 12  
(260) AM 2014 75870 A  
(220) 2014 02 12  
(732) LTD "ORNADO MEDICINE"  
Sop. Irganchai, 1707, Dmanisi, Georgia

---

(111) 2015 25966 R  
(151) 2015 06 12  
(181) 2025 06 12  
(260) AM 2014 75895 A  
(220) 2014 02 13  
(732) NOXELL CORPORATION  
11050 York Road, Hunt Valley, Maryland  
21030-2098, USA

---

(111) 2015 25967 R  
(151) 2015 06 12  
(181) 2025 06 12  
(260) AM 2014 75909 A  
(220) 2014 02 14  
(732) LTD "QAHVEJI PARKETI"  
A. Tseretlis gamz. 74, korp. 6, 0119, Tbilisi, Georgia

---

(111) 2015 25968 R  
(151) 2015 06 12  
(181) 2025 06 12  
(260) AM 2014 75910 A  
(220) 2014 02 14  
(732) LTD "QAHVEJI PARKETI"  
A. Tseretlis gamz. 74, korp. 6, 0119, Tbilisi, Georgia

---

(111) 2015 25969 R

(151) 2015 06 12

(181) 2025 06 12

(260) AM 2014 75919 A

(220) 2014 02 14

(732) Malkhaz Beridze

Sop. Kokotauri, Kedis raioni, Adzharian  
Autonomous Republic, Georgia

---

## TRADEMARKS REGISTERED ACCORDING TO THE ACCELERATED PROCEDURE

The decision can be appealed at the Chamber of Appeal of Sakpatenti within 3 months from the publication.

(111) M 2015 25927 R  
(151) 2015 06 03  
(181) 2025 06 03  
(210) AM 82202  
(220) 2015 05 20  
(732) Nino Ugrekheldze  
E. Cherghezishvilis q. 13, Tbilisi, Georgia  
(740) Nino Ugrekheldze  
(540)



(591) Black, yellow  
(531) 26.04.22, 27.05.01, 29.01.12  
(511) 14, 25, 35

(111) M 2015 25928 R  
(151) 2015 06 04  
(181) 2025 06 04  
(210) AM 81697  
(220) 2015 04 20  
(732) JSC "BANK OF GEORGIA"  
Gagarinis q. 29a, 0160, Tbilisi, Georgia  
(740) Giorgi Taktakishvili  
(540)



(591) White, orange, black  
(531) 27.05.05, 28.19, 29.01.13, 26.01.18  
(511) 9, 35, 36

(111) M 2015 25929 R  
(151) 2015 06 04  
(181) 2025 06 04  
(210) AM 82232  
(220) 2015 04 20  
(732) JSC "BANK OF GEORGIA"  
Gagarinis q. 29a, 0160, Tbilisi, Georgia  
(740) Giorgi Taktakishvili  
(540)



(591) White, orange, black

(531) 26.01.18, 27.05.05, 28.19, 29.01.13  
(511) 9, 35, 36

(111) M 2015 25930 R  
(151) 2015 06 05  
(181) 2025 06 05  
(210) AM 82026  
(220) 2015 05 11  
(731) N(N)LE "ASSOTIATION IDS BORJOMI"  
Toris g. 39, Tbilisi, Georgia  
(540)



(591) Sky-blue, white, blue, red, violet  
(531) 01.15.17, 28.19, 06.01.01  
(526) The trademark is protected as a whole. „ბაკურიანი“ shall not be subject to independent legal protection.  
(511) 32, 35

(111) M 2015 25931 R  
(151) 2015 06 09  
(181) 2025 06 09  
(210) AM 82316  
(220) 2015 06 01  
(732) LTD "GO SERVICES"  
Sh. Nutsbidzis q. 46, 1 korp., b. 8a, 0177,  
Tbilisi, Georgia  
(740) Davit Kavtaradze  
(540)



(591) Black, white and golden  
(531) 03.07.17, 27.05.05, 27.05.08, 29.01.13  
(526) The trademark is protected as a whole. "TAXI" shall not be subject to independent legal protection.  
(511) 39

(111) M 2015 25970 R

(151) 2015 06 16

(181) 2025 06 16

(210) AM 82197

(220) 2015 05 20

(732) LTD "ORBI-REAL ESTATE PROTECTION"

Tsinamdzhvrishvilis q. 198, b. 10, 0107,

Tbilisi, Georgia

(540)

**ORBI**

**ОРБИ**

**ორბი**

(511) 45

---

## INTERNATIONAL TRADEMARKS FOR WHICH A DECISION ON GRANTING PROTECTIONS IS TAKEN

The decision can be appealed at the Chamber of Appeal of Sakpatenti within 3 months from the publication or at the Mtskheta District Court Administrative Cases Board (Address: №17, Samkhedro str., Mtskheta), within 1 month following the publication.

(260) AM 2015 73495 A\*

(800) 1169551

(731) CONSORZIO DI TUTELA DELLA DENOMINAZIONE DI ORIGINE CONTROLLATA PROSECCO  
Piazza Filodrammatici, 3, I-31100 Treviso  
(TV), Italy

(540)



(591) Black, white

(511)

33 – Wines and sparkling wines.

(260) AM 2015 75742 A\*

(800) 1014129

(891) 2013 11 22

(731) Otkrytoe aktsionernoe obshchestvo  
"NIZHEGORODSKY KHIMIKO-FARMA-  
TSEVTISHESKY ZAVOD"  
7 Salganskaya St., GSP-459, RU-603950  
Nizhny Novgorod, RU

(540)

**ХОНДРОКСИД**

(511)

5 – Nutritional additives for medical purposes; biological preparations for medical purposes; pharmaceutical preparations; dietetic foods adapted for medical purposes.

35 – Advertising.

39 – Delivery of goods; storage of goods.

(260) AM 2015 76273 A

(800) 1193850

(891) 2013 12 19

(731) Obshchestvo S Ogranichennoi  
Otvettvennostyu "ALEKSANDROVY  
POGREBA"

Altufyevskoye shosse, d. 79 "A", str. 25,

RU-127410 Moscow, RU

(540)



(591) White, beige, light brown, brown, green, dark green, light blue, grey-blue, blue, light grey, grey and black

(511)

32 – Beer; mineral and aerated waters and other non-alcoholic beverages; fruit beverages and fruit juices; syrups and other preparations for making beverages.

33 – Alcoholic beverages (except beers).

(260) AM 2015 76385 A\*

(800) 340871A

(891) 2013 12 17

(731) FRILAB S.A.

Rue des Pierres-du-Niton 17, CH-1207

Genève, CH

(540)

**RIBATRAN**

(511)

5 – Pharmaceutical, veterinary and dietetic products; pharmaceutical sanitary products; plasters, materials for dressings; disinfectants.

(260) AM 2015 76853 A

(800) 1198406

(891) 2013 11 20

(731) SEBAPHARMA GMBH & Co. KG

Binger Strasse 80, 56154 Boppard, DE

(540)

**Baby sebamed**

(511)

3 – Bleaching preparations and other substances for laundry use; cleaning, polishing, scouring and abrasive preparations; soaps; perfumery; cosmetics; essential oils; oils for cosmetic purposes; hair lotions; dentifrices; shampoos; cosmetic preparations for cleansing and care of the skin, the hair, the lips; cosmetic preparations for the external application for skin impurities; tissues impregnated with cosmetic lotions; products for baby care and children care, namely cleansing bars, foam baths, care baths, skin creams, skin care oils, tissues impregnated with cosmetic oils, moist tissues, shampoos, powder and creams; tissues impregnated with cosmetic oils and moist tissues being cosmetics; preparations for cleansing and care of the body; facial tonics, facial cleansers and facial care products in liquid and solid form, in form of foams, lotions, creams and gels, aqueous and alcoholic solutions; bactericidal facial cleansers and facial care products for cosmetic purposes having an effect on spots; deodorants for personal use; cosmetic shower baths; cosmetic shower oils; bath extracts for cosmetic purposes; bath extracts on the basis of officinal plants and/or herbs for cosmetic purposes; preparations for foot care; preparations for sun protection and skin care in form of lotions, creams and gels, after sun skin balms, after sun sprays; cosmetic sun-tanning preparations; cosmetic preparations for slimming purposes; anti-perspirants (toiletary preparations) and deodorants.

5 – Medicines; pharmaceutical and veterinary preparations; products and preparations for healthcare purposes, included in this class; pharmaceutical drugs; sanitary preparations for medical purposes; chemical, pharmaceutical and veterinary preparations for medicinal purposes, healthcare and hygiene purposes; pharmaceutical preparations for skin diseases, in particular skin cleansers being pharmaceutical preparations for skin diseases in the form of special products for seborrhoeic conditions and microbial dermatoses (in particular solid, liquid, being lotions, creams, shampoos, sprays, gels, foams); bactericidal facial cleansers and facial care products for pharmaceutical purposes having an effect on spots; medicinal creams for children; tissues impregnated with pharmaceutical lotions; bath extracts for pharmaceutical purposes; bath extracts on the basis of officinal plants and/or herbs for pharmaceutical purposes; food for babies; dietetic preparations for medical use; food supplements for medical purposes; food supplements for medical purposes adding vitamins, mineral nutrients, trace elements, proteins, either single or combined; medicinal drinks; dietetic beverages adapted for medical purposes; pharmaceutical tonics; slimming preparations for medical purposes; tea for medical purposes; slimming tea for medical purposes; dietetic milk products for medical purposes; glucose for medical purposes; pepsins for pharmaceutical purposes;

pepsin wine for medical purposes; linseed and pumpkin seeds for medical purposes; oils for medical purposes; fennel honey for medical purposes; syrups for medical purposes; cod liver oil; candy, medicated; pharmaceutical sun-tanning preparations; dietetic preparations for medical use and food supplements for medical purposes and products and preparations for healthcare purposes, included in this class, based on soya or soya products including agents of soya or soya products, included in this class; plasters; material for dressings, medical and surgical dressings; plasters and dressings in the form of spray dressings; haemostatic plasters; haemostatic sprays; medical dressings; medical spray dressings; disinfectants; preparations for destroying vermin; fungicides; herbicides; medical products, included in this class; diagnostic preparations for medical or veterinary purposes; cholesterol tests; early pregnancy tests; ovulation tests; menopause tests; chemical preparations for the diagnosis of pregnancy; chemical contraceptives; materials impregnated with medicines; materials impregnated with pharmaceutical agents; materials impregnated with preparations for healthcare; medicated plasters; plasters impregnated with medicines, pharmaceutical agents or preparations for healthcare; material for dressings, medical and surgical dressings impregnated with medicines, pharmaceutical agents or preparations for healthcare; bracelets for medical purposes; deodorants, other than for human beings or for animals; mineral food supplements; vitamin preparations; test strips for medical purposes.

(260) AM 2015 77192 A

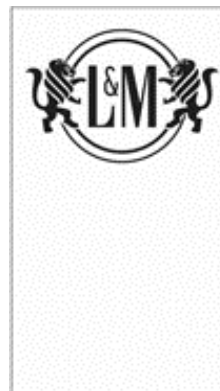
(800) 1201604

(891) 2014 02 04

(731) PHILIP MORRIS PRODUCTS S.A.

Quai Jeanrenaud 3, CH-2000 Neuchâtel, CH

(540)



(591) Black, white

(511)

34 – Tobacco, raw or manufactured; tobacco products, including cigars, cigarettes, cigarillos, tobacco for roll-your-own cigarettes, pipe tobacco, chewing tobacco, snuff tobacco, kretek; snus; tobacco substitutes (not for medical purposes); smokers' articles,

including cigarette paper and tubes, cigarette filters, tobacco tins, cigarette cases and ashtrays, pipes, pocket apparatus for rolling cigarettes, lighters; matches.

(260) AM 2015 77196 A  
 (800) 1201605  
 (891) 2014 02 13  
 (731) SOCIÉTÉ DES PRODUITS NESTLÉ S.A.  
 CH-1800 Vevey, CH  
 (540)

## MOBILIS

(511)  
 5 – Dietetic substances and food for medical and clinical use; formula milk, food and food substances for babies; foodstuffs and food substances for medical use for children and patients; food and food substances for pregnant women and nursing mothers, for medical use; nutritional and dietetic supplements for medical use; vitamin preparations, mineral-based preparations; protein food supplements.

(260) AM 2015 77286 A  
 (800) 1202618  
 (891) 2014 02 25  
 (731) Obshchestvo s ogranichennoy  
 otvetstvennostyu "MIR OFISA"  
 ul. Okruzhnaya, d. 6A, RU-440031 Penza, RU  
 (540)



(591) Black, blue, cyan, red  
 (526) The trademark is protected as a whole. "Ca" shall not be subject to independent legal protection.  
 (511)  
 5 – Pharmaceutical preparations; medicinal preparations; dietary supplements; balms for medical purposes; mineral waters for medical purposes; thermal water; dietary fiber; hormones for medical purposes; mustard for pharmaceutical purposes; mineral food supplements; nutritional supplements; capsules for medicines; cachets for pharmaceutical purposes; candy for medical purposes; candy, medicated; medicinal roots; medicines for alleviating constipation; medicinal oils; drugs for medical purposes; medicines for human purposes; royal jelly for pharmaceutical purposes; milk ferments for pharmaceutical

purposes; lacteal flour for babies; mint for pharmaceutical purposes; linseed meal for pharmaceutical purposes; medicinal infusions; tinctures for medical purposes; opium; opodeldoc; decoctions for pharmaceutical purposes; pills for pharmaceutical purposes; leeches for medical purposes; vitamin preparations; ootherapy preparations; bath preparations, medicated; medicinal hair growth preparations; chemico-pharmaceutical preparations; albuminous foodstuffs for medical purposes; dietetic foods adapted for medical purposes; food for babies; by-products of the processing of cereals for dietetic or medical purposes; linseed for pharmaceutical purposes; syrups for pharmaceutical purposes; soporifics; styptic preparations; vermifuges; appetite suppressants for medical purposes; medical preparations for slimming purposes; parasiticides; mouthwashes for medical purposes; febrifuges; depuratives; laxatives; tonics [medicines]; nervines; digestives for pharmaceutical purposes; medicinal herbs; fennel for medical purposes; diabetic bread adapted for medical use; chloroform; herbal teas for medicinal purposes; slimming tea for medical purposes; extracts of hops for pharmaceutical purposes; elixirs [pharmaceutical preparations]; ethers for pharmaceutical purposes; esters for pharmaceutical purposes.

(260) AM 2015 77288 A  
 (800) 1202647  
 (891) 2014 03 20  
 (731) CHINA RESOURCES SNOW BREWERIES  
 COMPANY LTD.  
 Room 306 China Resources Building, No:8  
 Jianguomen North Avenue, Dongcheng  
 District, 100005 Beijing, CN  
 (540)



(591) Black, white  
 (511)  
 32 – Beer; ginger ale; ginger beer; malt beer; beer wort; extracts of hops for making beer; malt wort.

(260) AM 2015 77289 A  
 (800) 1202711  
 (891) 2013 12 03  
 (731) FÉDÉRATION INTERNATIONALE DE  
 FOOTBALL ASSOCIATION (FIFA)  
 FIFA-Strasse 20, CH-8044 Zürich, CH



(540)



(591) Black, white

(511)

9 – Spectacles, sunglasses, diving and swimming goggles, cords for diving and swimming goggles, cases and cords for sunglasses and spectacles; binoculars; magnets and decorative magnets; directional compasses; apparatus for recording, transmission, editing, mixing and reproduction of images and sound; radios; television apparatus; flat screens; liquid crystal display screens; high-definition and plasma screens; home cinema system apparatus; video recorders; compact disc players; personal CD players; DVD drives; MP3 players; players containing music in digital format; cassette players; personal cassette players; mini disk players; portable radio sets; loudspeakers; headphones; earphones; microphones; remote controls, voice-activated remote controls; navigation apparatus; personal digital assistants (PDAs); computers; data processing apparatus; computer keyboards; computer screens; modems; computer carrying cases; computer mice; mouse pads; electronic pocket translators; dictating apparatus; electronic notebooks and agendas; scanners; printers; photocopiers; facsimile machines; telephone apparatus; telephone answering machines; video telephones; cellular telephones; cases for cellular telephones; hands-free telephone apparatus; earphones and headsets for cellular telephones; keyboards for cellular telephones; cellular telephone straps; special bags for carrying cellular telephones; photographic cameras and video cameras integrated into cellular telephones; calculating machines; card readers for credit cards; cash exchanging machines; automated teller machines; video cameras, portable video cameras with built-in videocassette recorders (camcorders); photographic equipment, photographic cameras, cameras (cinematographic apparatus), flood lights, exposed films, slides, flash bulbs (photography), special straps and cases for photographic cameras and instruments, electric cells and batteries; apparatus and programs for karaoke; video game cassettes; video game disks; voice-activated or hand-operated game controllers; software (recorded computer programs), including software for games; computer programs; data banks (computer software); screensaver software; magnetic, digital or analog recording media, recorded or not, for sounds or images; video disks, video tapes, magnetic tapes, magnetic disks, DVDs, floppy disks, optical disks, com-

compact disks, mini-disks, CD-ROMs, all the aforesaid goods are blank or pre-recorded with music, sound or images (which may be animated); holograms; magnetic cards (encoded); memory adapters (computer equipment); memory cards; memory keys; integrated circuit cards (smart cards); magnetic or chip-based credit cards, magnetic or chip-based telephone cards, magnetic or chip-based cards for cash dispensers, magnetic or chip-based cards for automated teller machines and currency converters, prepaid magnetic or chip-based cards for mobile telephones, magnetic or chip-based travel and show admission cards, magnetic or chip-based check guarantee cards and magnetic or chip-based debit cards; non-magnetic credit cards; alarms (instruments); wind socks (for indicating wind direction); photovoltaic cells and solar electric panels; distance measuring apparatus; speed measurement and indication equipment; tire pressure sensors; tire pressure gauges; electronic publications supplied by CD-ROM, databases and the Internet; downloadable electronic road maps; audio receivers, sound amplifiers; television tubes; cathode ray tubes; decoders, namely, computer software and hardware for converting, supplying and transmitting audio and video data; disk drives for computers; protected semiconductors; integrated circuits containing programs for audio, video or computer data processing; rechargeable batteries; audio and video data processors and converters; cables for data transmission; payment apparatus for electronic commerce; protective helmets for sports; magnetic encoded identification bracelets; electronic tickets; tickets in the form of magnetic cards; contact lenses, receptacles for cleaning and storing contact lenses.

12 – Bicycles, motorcycles, motor scooters, automobiles, trucks, vans, motor homes, motor buses, refrigerated vehicles, airplanes and boats; air balloons, dirigible balloons [airships]; tires, inner tubes for pneumatic tires, rubber reinforcements for retreading tires, equipment and kits for repairing tires and inner tubes; adhesive patches for repairing tires and inner tubes, valves for tires, apparatus for inflating tires, anti-skid devices for vehicle tires such as spikes and chains; wheels, wheel rims, spacers for wheel rims, hubcaps; solid tires for vehicle wheels; vehicle wheel spokes; vehicle accessories, namely sun screens, luggage racks, ski racks, hubcaps for wheels, seat covers, vehicle covers; baby carriages, strollers; safety seats for babies and children (for vehicles); engines and motors for land vehicles; rearview mirror covers.

16 – Money clips for banknotes, metal money clips for banknotes; tablecloths of paper; paper napkins; paper bags; invitation cards; greeting cards; gift-wrapping paper; glass or bottle mats of paper, place mats and table mats of paper, garbage bags of paper or plastic; food storage wrappers; coffee filters of

paper; labels (not of textile), hand-towels of paper; moist hand towels, toilet paper; tissues of paper for removing make-up; boxed tissues; tissues of paper; writing materials and school supplies (except apparatus); typewriters; typewriter paper; copy paper (stationery articles), envelopes, themed pads of paper, notepads, exercise books; note paper; writing paper, scribble pads; binders, archiving boxes; document folders, book covers; bookmarks; lithographs; framed or unframed paintings (pictures); painting pads, drawing pads, books of games, crosswords and puzzles; luminous paper; self-adhesive labels, not of textile; crêpe paper; tissue paper, staples, flags of paper; pennants (flags) of paper; writing instruments; pens; pencils; pens; pen sets; pencil sets; felt pens, felt-tip pens; ballpoint pens; felt-tip markers; ink; ink pads, rubber stamps; paint boxes; coloring and drawing pencils; chalks; decorations for pencils (stationery articles); printing blocks; magazines; newspapers; books and journals, particularly concerning athletes and sports events; printed teaching material; schedules (for recording results); event programs; event albums; photograph albums; autograph books; address books; diaries; diaries (personal journals), road maps; entry tickets; tickets; checks; printed timetables; circulars and pamphlets; comic strips; collectable trading cards in the field of sports; bumper stickers; stickers; sticker albums; calendars; posters; photographs; postcards; postage stamps, commemorative stamp sheets; advertising panels, banners and material of paper or cardboard; transfers [decalcomanias]; non-textile iron-on labels, office requisites (except furniture); correcting fluids; rubber erasers; pencil sharpeners; stands for pens and pencils; paper clips; thumbtacks; drawing rulers, adhesive tapes for stationery; adhesive tape dispensers; staplers; stencils; stencil plates; clipboards; notepad holders; bookends; stamps (seals); telephone, ATM, travel and entertainment, check guarantee and account cards made of paper or cardboard, credit cards (not encoded) of paper or cardboard; luggage tags; identity card holders.

18 – Leather and imitation leather; thongs [straps] of leather; umbrellas, parasols; sports bags (other than those adapted for products they are designed to contain); leisure bags; travel bags, backpacks; carrier bags, school bags; belt bags, handbags, bags of leather; ball-shaped bags of leather; beach bags, garment bags; suitcases; belts for suitcases; travel bags; briefcases (leather goods); toiletry cases (vanity cases) (empty); toiletry sets; key cases (leather goods); document holders; wallets; purses (coin purses); check holders; clothing, collars and leashes for pets.

24 – Sheets; duvets; bed covers; pillowcases; curtains, shower curtains; curtain fabrics; linen; bath linen, dish cloths, blankets; handkerchiefs of textile, wall hangings, flags; flags; flags for motor cars; stre-

amers; pennants; table linen not of paper; labels of cloth.

25 – Clothing; footwear; headgear; shirts; knitwear (clothing); pullovers, sleeveless pullovers; tee-shirts; singlets; sleeveless jerseys, dresses; skirts; underwear; swimsuits, two-piece swimsuits (bikinis); shorts; trousers; sweaters; caps; caps [headwear]; hats; sashes for wear; scarves, shawls; caps with visors; tracksuits; sweatshirts; jackets; sports jackets; stadium jackets; blazers; waterproof clothing; coats; uniforms; neckties; wrist bands; headbands; gloves; aprons; bibs (not of paper); pajamas; play suits for infants and children; socks and stockings; garters; belts; suspenders; sandals, flip-flops.

32 – Non-alcoholic beverages; concentrates, syrups and powders for making non-alcoholic beverages; mineral and aerated waters; other non-alcoholic beverages; energy drinks; isotonic beverages; hypertonic beverages; hypotonic beverages; fruit and vegetable beverages; fruit and vegetable juices; frozen fruit beverages; frozen, flavored, non-carbonated and non-alcoholic beverages; beverages enriched with added vitamins (not for medical purposes); beers; lagers and ales; non-alcoholic beers.

33 – Alcoholic beverages, except beers.

34 – Matches; lighters for smokers; cigarette cases, ashtrays, smokers' articles; cigarettes; tobacco.

35 – Employment agencies; personnel recruitment; advertising services; services provided by an agency publishing advertising texts; advertising agency services; advertising agency services on a global computer network (the Internet) or via wireless electronic communication devices; dissemination of advertisements; rental of advertising space; rental of advertising time in film credits; television advertising, radio advertising; advertising in the form of animated cartoons; promotion agency services, promotion agency services for sports and public relations; market study services; market research services; opinion polling services; organization of exhibitions for commercial or advertising purposes; organization of advertising for trade fairs; data bank management services; compilation of statistics; collection of data, statistics and other information on sports performances; consultancy relating to company management and organization; business consultancy for companies; organization of promotional competitions; provision of commercial information; advertising for sports events in the field of football; retail sale services in connection with articles made of common metals, machines and machine tools, tools and utensils, optical and audiovisual, magnetic, electric and electronic apparatus and equipment, medical apparatus and equipment, apparatus and equipment for lighting, heating, cooking, refrigerating, drying and ventilation, vehicles and their accessories, articles of precious metal, jewelry and

timepieces and chronometric instruments, badges and pins, musical instruments, articles of paper and cardboard, printed matter and stationery, tickets for sports events, articles of leather and imitation leather, luggage and bags, umbrellas, household articles, furniture, promotional and exhibition articles, textile goods, clothing, headgear and footwear, embroidery and ribbons, cords and derived goods, floor coverings, games, toys, sports articles, food and food products, alcoholic and non-alcoholic beverages, solvents, paraffin, wax, bitumen and petroleum, gasoline, oils and lubricants, transmission fluids, brake fluids, antifreeze solutions, coolants, hydraulic fluids, greases; retail sale services in a supermarket including the sale of foods and beverages; retail sale of beverages by means of vending machines; retail sale services in connection with service stations and stores at service stations; the bringing together, for the benefit of others, of articles made of common metals, machines and machine tools, tools and utensils, optical and audiovisual, magnetic, electric and electronic apparatus and equipment, medical apparatus and equipment, apparatus and equipment for lighting, heating, cooking, refrigerating, drying and ventilation, vehicles and their accessories, articles of precious metal, jewelry and timepieces and chronometric instruments, badges and pins, musical instruments, articles of paper and cardboard, printed matter and stationery, tickets for sports events, articles of leather and imitation leather, luggage and bags, umbrellas, household articles, furniture, promotional and exhibition articles, textile goods, clothing, headgear and footwear, embroidery, ribbons, cords and derived goods, floor coverings, games, toys, sports articles, food and food products, alcoholic and non-alcoholic beverages, solvents, paraffin, wax, bitumen and petroleum, gasoline, oils and lubricants, transmission fluids, brake fluids, anti-freeze solution, coolants, hydraulic fluids, greases (excluding transport thereof), enabling customers to view and purchase these articles in stores or via the Internet or via wireless electronic communication; advertising and promotional services; advertising by sponsoring; information services in relation to advertising and promotion, commercial information agencies, all the aforesaid services provided online via a computer data bank or a global computer network (the Internet) or via wireless electronic communication devices; development of advertisements for use as web sites on a global computer network (the Internet) or via wireless electronic communication devices; provision of space on web sites, for advertising of goods and services; auctioneering on a global computer network (the Internet) or via wireless electronic communication devices; collection of directories for publication on the Internet and on a wireless electronic communication network; business administration services for processing commercial services on a global computer network (Internet)

or via wireless electronic communication devices; promotion of sales, namely creation of preferential programs for customers; ticket sale promotion services; customer loyalty services and customer club services for commercial, promotional and/or advertising purposes; issuance and distribution of loyalty cards for supporters (encoded), that may hold personal information about the identity of the cardholder and for controlling access to sports stadiums; compilation of data into a computer database, especially still or animated images; promotion of football-related sports events; promotion of the goods and services of others; company sponsorship research (sponsoring via advertising promotion) in relation to football competitions.

36 – Issuance and management of credit cards and travelers' checks; financial services; banking, credit and investment services; insurance underwriting; hire-purchase financing; financial sponsorship of sports events; information services related to finance and insurance, provided online from a computer database or the Internet or on wireless electronic communication networks; home banking services; banking services over the Internet or over wireless electronic communication networks; services of payment via mobile telephones; financial sponsorship search for football competitions; real estate consultancy; real estate management services.

37 – Service station services, namely cleaning, lubricating, maintenance and repair of vehicles; anti-rust treatment for vehicles; aircraft, land vehicle and trailer cleaning, polishing, greasing, lubricating, maintenance and repair; cleaning of motor vehicles; mounting and repair of tires for vehicles; service station services, particularly refueling; installation and maintenance of wireless electronic communication networks (hardware); computer installation services related to sports (hardware); real estate construction services; construction, installation and repair of sports grounds of natural or artificial turf; construction of power plants; construction and maintenance of pipelines; exploitation of oil and gas fields; installation of structures for the extraction of crude oil; installation of equipment for the extraction of crude oil; installation of solar panels; installation of wind power systems; installation of hydraulic power systems; mining extraction services.

38 – Telecommunication services, communications by mobile telephones; communication via electronic computer terminals linked to telecommunication networks, databases and the Internet or via wireless electronic communication devices; telephone communications; radio communications; facsimile communications; paging services; teleconferencing services; television broadcasting; broadcasting of cable television programs; broadcasting of radio programs; news and press agency services; rental of telephone apparatus, facsimile and other telecommunication

apparatus; transmission of commercial Internet pages online or via wireless electronic communication devices; services for transmitting and broadcasting television and radio programs over the Internet or any wireless communication networks; electronic transmission of messages; rental and provision of access time to electronic bulletin boards (information and notice boards) and to chat rooms in real time by means of a global computer network (communication services); provision of online chat rooms and electronic bulletin boards for registered users for transmission of messages, for managing and sharing photos, including the uploading, editing and organization thereof; provision of discussion areas online and electronic bulletin boards for registered users for contact networks; provision of access to Internet sites containing road maps, itinerary information and location coordinates; computer-aided transmission of messages and images; rental of access time to private and commercial purchasing and ordering services via computer, a global computer network and/or interactive communication technologies; electronic mail services; provision of access time to a global computer network (the Internet) or via wireless electronic communication devices; providing connections for telecommunications with a global computer network (the Internet) or data banks; provision of access to websites offering digital music on the Internet by means of a global computer network or wireless electronic communication devices; broadcasting of radio and television programs related to sports and sports events; provision of chat rooms for the transmission of messages among computer users; provision of connections to computer installations (telecommunication services); rental of access time to a centralized data bank computer; rental of access time to a centralized computer and to data banks; rental of access time on the Internet via a global computer network or via wireless electronic communication devices; leasing of access time to Web sites supplying digital music via a global computer network or via wireless electronic communication devices; rental of access time to MP3 websites on the Internet, via a global computer network or via wireless electronic communication devices; streaming of video and audio material from the Internet; streaming of digital music from mobile telephones; provision of access time to search engines for obtaining data and information on global networks.

39 – Travel agency services, namely arrangement of trips, reservation for trips; airplane, train, boat, bus and truck transportation services; air transport services comprising frequent flier bonus programs; boat excursion services; tour operation services; vehicle rental services; rental of parking spaces; taxi transport; delivery of goods; transport of goods by motor vehicles, trucks, trains, boats and airplanes; packaging of goods; transport and delivery of goods, na-

mely documents, packages, parcels and letters; postal, messenger and courier services, particularly newspaper, magazine and book delivery services; storage; distribution of water, heat, gas or electricity; distribution (delivery) of films and sound and image recordings; distribution of tickets; satellite-assisted navigation services; distribution (transport), delivery and storage of fuel, petroleum, hydrocarbons, gas, lubricants, solvents, paraffin, wax and bitumen; transmission and distribution of electricity; pipeline transport of oil and gas; transport and disposal of waste; consultancy relating to the delivery of power and electricity.

40 – Processing of cinematographic films; enlarging of photographs; printing of photographs, development of photographic films; rental of machines and apparatus for photographic developing, printing, enlarging and finishing, printing services, waste disposal; waste management services (recycling); fashion designer services (dressmaking); oil (petroleum) refining; used lubricant and oil treatment services; chemical transformation of oil and coal into gas; oil treatment services; professional consultancy in connection with electricity and energy generation.

41 – Education; training; providing of training courses; entertainment, organization of lotteries and competitions; leisure park services; health club (gym) services; betting and gaming services in connection with sports; entertainment services during or in connection with sports events; entertainment services in the form of public gatherings during the retransmission of sports events; sporting and cultural activities; organization of sports and cultural events and activities; organization of sports competitions; organization of sports events in the field of football, providing sports facilities; rental of audio and video equipment; production, presentation, publication and/or rental of films, of sound and video recordings; publication and/or rental of interactive educational and entertainment products, namely films and books; rental of interactive educational and entertainment products, namely interactive compact disks, DVDs, mini-disks, CD-ROMs and computer games; publication of interactive educational and entertainment products, namely compact disks, DVDs, mini-disks, CD-ROMs; publication of statistics; publication of statistics and other information on sports performances; radio and television coverage of sporting events; production and editing services for radio and television programs and videotapes; production of cartoons, production of animated television programs; booking of seats for shows and sports events; ticket reservation services for entertainment and sports events; timing of sports events; recording of sports events; organization of beauty contests; interactive entertainment; on-line game services; provision of games over a global

computer network (the Internet) or via wireless electronic communication devices; provision of raffle services; information relating to entertainment or education provided online from a computer data bank or over a global computer network (the Internet) or via wireless electronic communication devices; electronic game services provided via a global computer network (the Internet) or via wireless electronic communication devices (entertainment); provision of electronic publications online; book publishing; publication of electronic books and journals on-line; entertainment services in the form of chat rooms on a global computer network (the Internet) or via wireless electronic communication devices; entertainment services in the form of cinema performances; providing digital music via a global computer network (the Internet) or via wireless electronic communication devices; provision of digital music by means of MP3 websites over a global computer network (the Internet) or over wireless electronic communication devices; photographic, sound and video recording services; provision of information transmitted online from a computer database or via the Internet in connection with sports or sports events; interpreter services; provision of sports information related to statistical information; logging of sports records; provision of entertainment infrastructures, namely VIP lounges and sky boxes both on and off site; organization of computer game competitions; computer game competitions organized online; translation services; ticket agencies in connection with sports events.

42 – Rental of computer software; computer rental; computer consultancy services; data processing (programming); computer software development; design of websites or sites on wireless electronic communication networks; creation and maintenance of websites; installation and maintenance of computer software; creation and maintenance of websites and of wireless electronic communication networks; networking and/or rental of computer programs; compilation of websites in computer networks (particularly the Internet) or via wireless electronic communication devices; introduction of websites in computer networks (particularly the Internet) or via wireless electronic communication devices; hosting of websites or wireless electronic communication sites; provision of software; provision of Internet search engines; provision of downloadable software enabling users to create and share texts, documents, images, photos, videos, maps and road maps; development of computer systems, namely creation for registered users of virtual communities enabling the organization of groups and events, participation in discussions, and social, business and community networking; hosting of Web sites for the organization by others of colloquiums, events and interactive discussions via communication networks; application service provider (ASP) services, namely hosting software applications for others; provision of soft-

ware enabling or facilitating uploading, downloading, streaming, posting, display, creation and updating of personal Internet sites (blogs), display of links, sharing and use of other electronic media or information on communication networks; provision of access to customized platforms on the Internet as well as on mobile Internet, including user-generated content or specific content, personal profiles, sounds, videos, data images; provision of temporary use of non-downloadable software for use of social networks establishing a virtual community, and transmission of audio and video data, of photographic images, texts, graphics and data; provision of software via an Internet site with technology enabling online users to create personal profiles featuring information on social networking and to transfer and share such information on multiple websites; analysis services for exploration in the oil and gas industry; prospecting for the purpose of locating oil and gas; analysis services for exploiting oilfields; advisory services in the field of technology in connection with the oil industry; analysis, advisory, consultancy and design services related to technology in the oil, petroleum industries; technical consulting, design and planning of photovoltaic installations; technical consulting, design and planning of wind installations; advisory and consultancy services in relation to electronic control units for managing solar electric or wind installations; design of electric and energy systems; analysis in connection with the energy and power requirements of others; development of energy and electricity management systems; project study services and professional consulting relating to electricity and energy needs of others; design services for power plants.

43 – Restaurant services, fast-food restaurant services; hospitality and reception services, namely providing of food and drink for sporting or entertainment events; hospitality suites, namely provision of accommodation, food or drink, both on and off site sports facilities; food and drink catering; hotel services; provision of food and drink and accommodation, reservation of hotels and temporary accommodation.

(260) AM 2015 77294 A

(800) 1202737

(891) 2013 10 04

(731) WORLD MEDICINE İLAÇ SANAYİ VE  
TİCARET LİMİTED ŞİRKETİ  
Evren Mahallesi Cami Yolu, Caddesi No:50  
Kat 1 B Zemin 4-5-6, Güneşli Bağcılar  
İSTANBUL, TR

(540)

**MESELAK**  
**MECEJAK**

(591) Black, white

(511)

5 – Medicines for human purposes, medicines for veterinary purposes, vitamins, chemical preparations for medical purposes, dietetic substances adapted for medical use; dietetic foods adapted for medical purposes; aminoacids for medical purposes, nutritional supplements, pollen dietary substances, mineral food supplements, protein dietary supplements, baby foods, medicinal herbs, herbal beverages adapted for medical purposes; medicines for dental purposes, hygienic products for medical purposes including pads, waddings for medical purposes, plasters for medical purposes, dressings for medical purposes; preparations for destroying noxious plants, preparations for destroying noxious animals, fungicides; deodorants other than for human beings or for animals; air deodorising preparations; disinfectants for hygiene purposes, antiseptics, detergents for medical purposes.

(260) AM 2015 77295 A

(800) 1202769

(891) 2014 02 11

(731) Obschestvo s ogranichennoy otvetstvennostiu "PANORAMA"  
ul. Borisovskie prudy, 24/2, RU-115612  
Moscow, RU

(540)

**GREENBET**

(591) Black, white

(511)

36 – Reward payment services; Internet banking; electronic funds transfer.

41 – Operating lotteries; game betting services; providing amusement arcade services; providing casino facilities [gambling]; gaming; entertainment information; club services [entertainment or education]; night clubs; game services provided on-line from a computer network; practical training [demonstration]; organization of exhibitions for cultural or educational purposes; providing recreation facilities; arranging and conducting of workshops [training]; organization of competitions [education or entertainment]; holiday camp services [entertainment]; organization of sports competitions; rental of show scenery; rental of sports equipment, except vehicles; electronic desktop publishing; publication of electronic books and journals on-line; publication of texts, other than publicity texts; radio entertainment; entertainer services; entertainment; production of shows; services of bookmaker offices [gambling].

(260) AM 2015 77296 A

(800) 1202785

(891) 2014 02 06

(731) NECMEDDİN KARADEMİR

Bakircilar San Sit Merkez Mah, Hürriyet  
Cad No:8 Kaptan iş, Merkezi Kat:2, Yakuplu  
Beylikdüzü, Büyükçekmece İstanbul,  
(TR)

(540)



(591) Black, white

(511)

25 – Clothing, footwear, headgear.

(260) AM 2015 77298 A

(800) 1202844

(891) 2014 02 27

(731) AVON PRODUCTS, INC.

World Headquarters, 777 Third Avenue,  
New York NY 10017, US

(540)

**FAR AWAY BELLA SUNSET**

(511)

3 – Non-medicated toilet preparations; toiletries; skin care preparations; skin moisturizers; body and beauty care preparations; powders, creams and lotions, all for the face, hands and body; cosmetic suntan preparations; soaps; shower and bath preparations; beauty masks; talcum powder; nail polish; nail polish remover; enamel for nails; false nails; adhesives for cosmetic purposes; cosmetics; eye makeup remover, eye shadow, eye liner, mascara, lipstick, lip liner, lipgloss; make-up foundation; blusher; tissues impregnated with cosmetic lotions; cotton sticks for cosmetic purposes; cotton wool for cosmetic purposes; preparations for cleaning, moisturising, colouring and styling the hair; preparations for cleaning the teeth; shaving and aftershave preparations; perfumes, fragrances, toilet waters, eau de cologne; deodorants and anti-perspirants for personal use; essential oils (cosmetic).

(260) AM 2015 77349 A

(800) 1203389

(891) 2014 02 13

(731) PLZEŇSKÝ PRAZDROJ, A.S.

U Prazdroje 7, CZ-304 97 Plzeň, CZ

(540)



(591) Yellow, dark brown, white  
 (526) The trademark is protected as a whole. "CERNÉ" "PIVO" "CERNÝ" "zal 1874" shall not be subject to independent legal protection.  
 (511)  
 32 – Beers.

(260) AM 2015 77350 A  
 (800) 1203390  
 (891) 2014 02 13  
 (731) PLZEŇSKÝ PRAZDROJ, A.S.  
 U Prazdroje 7, CZ-304 97 Plzeň, CZ  
 (540)



(591) Yellow, brown, black, white  
 (526) The trademark is protected as a whole. "SVĚTLÉ", "PIVO", "SVELTLY", "zal 1874" shall not be subject to independent legal protection.  
 (511)  
 32 – Beers.

(260) AM 2015 77452 A  
 (800) 950042  
 (891) 2014 04 18  
 (731) CANPOL IP Sp. z.o.o.  
 ul. Graniczna 4, Słubica B, PL-96-321 Żabia Wola, PL  
 (540)



(591) Light blue, white, dark blue, black, red, yellow and purple  
 (526) The trademark is protected as a whole. "babies" shall not be subject to independent legal protection.  
 (511)  
 3 – Cosmetic preparations for babies, bath and shower preparations, baby oils; body, leg and foot creams, shampoos, lotions, massage gels, powder and liquid talcs, preparations for teeth cleaning.  
 5 – Sanitary articles for babies, baby cotton buds, baby changing mats, nasal aspirators, disposable breast pads.

8 – Scissors, clippers, metal cutlery, plastic cutlery.  
 9 – Anti-electric shock safety covers for electric sockets, electronic devices for supervising babies; thermometers not for medical purposes.  
 11 – Baby food warmers, steam sterilizers, bottle warmers, battery lamps.  
 16 – Paper and cellulose dry nappy liners.  
 18 – Baby accessory bags with insulated pockets, baby accessory travel bags.  
 21 – Hairbrushes, bottle brushes, teat brushes, toothbrushes, combs, sponges, melamine plastic utensils and containers for household purposes, glass and plastic baby bottles, cups, canteens, tumblers, food dispensers, household or kitchen thermo-insulated containers.  
 26 – Safety pins, in particular safety pins with protection.  
 27 – Bathroom and bath mats, anti-slip mats.  
 28 – Toys for infants and children not included in other classes.

(260) AM 2015 77469 A  
 (800) 1204457  
 (891) 2013 08 14  
 (731) ECZACIBASI HIJYEN URUNLERI  
 SANAYI VE TICARET ANONIM SİRKETİ  
 İstiklal Mah. Atatürk Cad. Ekin Sok. No:5,  
 Kirac/Istanbul, TR  
 (540)



(591) Blue, yellow, pink and green  
 (511)  
 3 – Bleaching and cleaning preparations; perfumery, cosmetics, deodorants for personal use; soaps; dentifrices; abrasives (abrasive cloth, abrasive paper, pumice stone, abrasive paste), polishing and care preparations (creams, polishes and wax for leather, vinyl, wood, etc); tissues impregnated with cosmetic lotions, impregnated hair bonnet impregnated with cleaning lotions, pads impregnated with lotions, cloths impregnated with lotions or cleaning preparations; make-up removing preparations; cotton pads and cotton wool for cosmetic purposes, swabs, cotton sticks for cosmetic purposes; shampoos, hair care products (hair lotion, hair colorant, hair spray, hair waving preparations); hand and body oils, creams, lotions, waxes, milk.  
 5 – Medicines for human purposes; medicines for veterinary purposes; chemical preparations and elements for medical and pharmaceutical use; dietetic

substances adapted for medical use, food for babies; medical preparations for slimming purposes; medicinal herbs, herbal medicinal drinks; preparations for dental use (except apparatus and devices); sanitary products, namely, sanitary pads, sanitary towels, sanitary panties, sanitary napkins; plasters, materials for dressing; preparations for destroying vermin; fungicides, herbicides; deodorants other than for personal use; disinfectants for hygiene purposes; disinfectants for general use; antiseptics; detergents for medical purposes; baby rash creams; pads, cotton wool and tissues impregnated with medical lotions; hair cleaning bonnets for medical purposes; babies' napkins and diapers.

10 – Furniture especially made for medical purposes, artificial body organs and prostheses, clothing for operating rooms, sterile sheets, condoms, sexual apparatus and materials, pacifiers, feeding bottle teats, teething rings for babies.

16 – Paper, cardboard and goods made from these materials; packaging and wrapping materials; printing and binding materials; office machines; paint brushes and rollers; paper tissues, paper towels, toilet paper, wet toilet paper.

21 – Non-electric cleaning apparatus and devices, namely, brushes except paint brushes, steel wool, sponges, wool waste for cleaning, cleaning and wiping cloths, gloves for household purposes, non-electric polishing machines, brooms, mops; tooth brushes, electric tooth brushes; floss for dental purposes; shaving brushes; hair brushes; combs; non-electric house and kitchen utensils; clothes pegs; glassware; earthenware; vases (including precious metal); drying racks for washing; clothes drying hangers; ironing boards, ironing board covers; pottery; cages and material for household pets; terrariums and aquariums; glass, porcelain, ceramic, pottery decoration items; mouse traps, insect traps; fly swatters; perfume burners, perfume sprayers; non-electric appliances for removing make-up; powder puffs; toilet cases; nozzle for sprinkler hose, nozzles for watering cans; watering cans; unworked or semi-worked glass; glass mosaics for decoration; powdered glass for decoration (except for construction); glass wool (except for insulation); cups for sporting events.

35 – Advertising; marketing and public relations (including organization of exhibitions and trade fairs for commercial or advertising purposes), office services, secretarial services, arranging newspaper subscriptions for others, compilation of statistics, rental of office machines, systemization of information into computer databases, telephone answering services, business management, business administration, consultancy, accounting services, personnel selection, recruitment and placement services, import-export agency services, business appraisals relating

to commercial and industrial products; auctioneering, demonstration of goods, presentation of goods for retail purposes namely, bleaching and cleaning preparations, perfumery, cosmetics, deodorants for personal use, soaps, dentifrices, abrasives (abrasive cloth, abrasive paper, pumice stone, abrasive paste), polishing and care preparations (creams, polishes and wax for leather, vinyl, wood, etc), tissues impregnated with cosmetic lotions, impregnated hair bonnet impregnated with cleaning lotions, pads impregnated with lotions, cloths impregnated with lotions or cleaning preparations, make-up removing preparations, cotton pads and cotton wool for cosmetic purposes, swabs, cotton sticks for cosmetic purposes, shampoos, hair care products (hair lotions, hair colorant, hair spray, hair waving preparations), hand and body oils, creams, lotions, waxes, milk, medicines for human purposes, medicines for veterinary purposes, chemical preparations and elements for medical and pharmaceutical use, dietetic substances adapted for medical use, food for babies, medical preparations for slimming purposes, medicinal herbs, herbal medicinal drinks, preparations for dental use (except apparatus and devices), sanitary products, namely, sanitary pads, sanitary towels, sanitary panties, sanitary napkins, plasters, materials for dressing, preparations for destroying vermin, fungicides, herbicides, deodorants other than for personal use, disinfectants for hygiene purposes, disinfectants for general use, antiseptics, detergents for medical purposes, baby rash cream, pads, cotton wool and tissues impregnated with medical lotions, hair cleaning bonnet for medical purposes, babies' napkins and diapers, surgical, medical, dental and veterinary apparatus and instruments, furniture especially made for medical purposes, artificial body organs and prostheses, medical orthopedic articles, clothing for operating rooms, sterile sheets, condoms, sexual apparatus and materials, pacifiers, feeding bottle teats, teething rings for babies, paper, cardboard and goods made from these materials, packing and wrapping materials, printing and binding materials, office machines, paint brushes and rollers, paper tissues, paper towels, toilet paper, wet toilet paper, non-electric cleaning apparatus and devices, namely, brushes except paint brushes, steel wool, sponges, wool waste for cleaning, cleaning and wiping cloth, gloves for household purposes, non-electric polishing machines, brooms, mops, tooth brushes, electric tooth brushes, floss for dental purposes, shaving brushes, hair brushes, combs, non-electric house and kitchen utensils, clothes pegs, glassware, earthenware, vases (including precious metal), drying racks for washing, clothes drying hangers, ironing boards, ironing board covers, pottery, cages and material for household pets, terrariums and aquariums, glass, porcelain, ceramic, pottery decoration items, mouse traps, insect traps, fly swatters, perfume burners, perfume sprayers, non-electric appliances for removing ma-



ke-up, powder puffs, toilet cases, nozzle for sprinkler hose, nozzles for watering cans, watering cans, unworked or semi-worked glass, glass mosaics for decoration, powdered glass for decoration (except for construction), glass wool (except for insulation), cups for sporting events.

(260) AM 2015 77536 A

(800) 1205086

(891) 2013 12 31

(731) GMG GRAND MEDICAL İLAÇLARI  
LİMİTED ŞİRKETİ

Oruc Reis Mah. Tekstilkent, Cad. Koza Plaza  
B Blok K. 7 D.60, ESENLER, İSTANBUL, TR

(540)

**SATURID**  
**САТУРИД**

(591) Black, white

(511)

5 – Medicines for human purposes, medicines for veterinary purposes, vitamin preparations, chemical preparations for medical purposes, dietetic substances adapted for medical use; dietetic foods adapted for medical purposes; baby foods, medicinal herbs, herbal beverages adapted for medical purposes, nutritional supplements, pollen dietary supplements, mineral food supplements, protein dietary supplements; dietary supplements for animals; fodder supplements for veterinary purposes; medicines for dental purposes, hygienic products for medical purposes including sanitary pads, breast-nursing pads and bunion pads, waddings for medical purposes, plasters for medical purposes, dressings for medical purposes, babies' napkins, preparations for destroying noxious plants, preparations for destroying noxious animals, fungicides, deodorants other than for human beings or for animals, air deodorising preparations, disinfectants for hygiene purposes, antiseptics, detergents for medical purposes.

(260) AM 2015 77537 A

(800) 1205087

(891) 2013 12 31

(731) GMG GRAND MEDICAL İLAÇLARI  
LİMİTED ŞİRKETİ

Oruc Reis Mah. Tekstilkent, Cad. Koza Plaza  
B Blok K. 7 D.60, ESENLER, İSTANBUL, TR

(540)

**ALMİBA**  
**АЛМИБА**

(591) Black, white

(511)

5 – Medicines for human purposes, medicines for veterinary purposes, vitamin preparations, chemical preparations for medical purposes, dietetic substan-

ces adapted for medical use; dietetic foods adapted for medical purposes; baby foods, medicinal herbs, herbal beverages adapted for medical purposes, nutritional supplements, pollen dietary supplements, mineral food supplements, protein dietary supplements; dietary supplements for animals; fodder supplements for veterinary purposes; medicines for dental purposes, hygienic products for medical purposes including sanitary pads, breast-nursing pads and bunion pads, waddings for medical purposes, plasters for medical purposes, dressings for medical purposes, babies' napkins, preparations for destroying noxious plants, preparations for destroying noxious animals, fungicides, deodorants other than for human beings or for animals, air deodorising preparations, disinfectants for hygiene purposes, antiseptics, detergents for medical purposes.

(260) AM 2015 77538 A

(800) 1205093

(891) 2013 08 23

(731) SMITHKLINE BEECHAM LIMITED

980 Great West Road, Brentford, Middlesex  
TW8 9GS, GB

(540)



(591) Orange, white

(511)

1 – Chemicals used in pharmaceutical industry; protein for food.

3 – Cleaning, polishing, scouring and abrasive preparations; soaps; perfumery; essential oils; cosmetics; shampoos for the scalp and hair; non-medicated skincare and cleansing preparations; skin creams, skin and hair lotions, gels, ointments, cold cream; skin preparations; preparations for sun protection; dentifrices and mouthwashes not for medical purposes; breath fresheners; dental gels; toothpaste; tooth bleaching preparations, tooth polishing preparations, tooth whitening preparations and accelerators, cosmetic tooth stain removal preparations; non-medicated toilet preparations; oral care preparations; medicated bleaching preparations; preparations for cleaning, washing, polishing, deodorizing and sterilizing dentures.

5 – Pharmaceutical and medicinal preparations and substances; therapeutic agents (medical); adhesive patches for medical purposes; adhesive patches for surgical purposes; adhesive patches incorporating a pharmaceutical preparation; vaccines; vitamins, minerals and food supplements; dietary preparations;

dietetic substances including foods and drinks adapted for medical use; foods for infants and invalids; weight loss preparations; medicated oral care preparations; medicated chewing gum and lozenges for dental hygiene; denture adhesives, denture fixatives, smoking cessation preparations.

9 – Scientific apparatus and instruments; computer software to enable healthcare professionals to access information on new products and services.

10 – Surgical and medical apparatus and instruments; dental care apparatus; dental trays; nasal dilators.

16 – Printed matter; periodicals, books, stationery; instructional and teaching materials (except apparatus); printed educational materials, namely, brochures, leaflets; booklets featuring information concerning pharmaceutical products, vaccines, medical diseases and disorders and related treatments; printed publications, magazines, newsletters, catalogues, instructional and teaching materials, advertising and promotional material for use in relation to fitness, athletes, sports and body building.

21 – Toothbrushes, electric toothbrushes, floss for dental purposes, toothpicks, toothpick holders (not of precious metal) and plastic containers for holding toothbrushes; drinking vessels, cups, food and drink shakers, food and drink containers and bottles.

29 – Preserved, frozen, dried and cooked fruits and vegetables and fruit and vegetable based products; jellies, jams, compotes; milk and milk products (including food preparations prepared from milk); edible oils and fats; soya and whey based products.

35 – Promotional and advertising services; provision of the aforementioned services on-line, via cable and/or the Internet; the provision of customer information on pharmaceutical, medical, healthcare and fitness products through an on-line computer network.

41 – Educational services relating to pharmaceutical, diagnostic, vaccines, proprietary medicines, health, medical, food, drink, toiletries and cosmetic industries; education, providing of training, entertainment, sporting and cultural activities relating to sporting events and personal sports training; educational services and providing of training in relation to smoking control and smoking cessation; educational services relating to weight loss, diet, nutrition and fitness; sporting and cultural activities.

42 – Scientific research for medical purposes.

44 – Medical, hygienic and beauty care; healthcare services; provision of medical information and services; information provided to patients and healthcare professionals concerning pharmaceutical products, vaccines, medical diseases and disorders and related treatments via the Internet; gene and cell

therapy; medical counselling services; medical and health care services.

---

(260) AM 2015 77539 A

(800) 1205106

(891) 2013 12 20

(731) PUIG FRANCE

65-67 Avenue des Champs Elysées, F-75008  
Paris, FR

(540)

## PIGALLE

(511)

3 – Soaps; perfumery, essential oils, cosmetics, hair lotions; cakes of toilet soap; antiperspirant soaps, deodorant soaps, medicated soaps, bath and shower gels, perfumery products, deodorants [perfumery], antiperspirants, eau de Cologne, scented water, toilet water, lavender water, eaux de parfum, perfumes, air fragrances, sachets for perfuming linen, aromatics [essential oils], oils for cosmetic use, oils for toilet use, oils for perfumes and scents, massage gels and oils other than for medical use, balms other than for medical use, cosmetics for eyelashes, eyebrow cosmetics, eye cosmetics, lip cosmetics, cosmetic products for skin care, cosmetic creams, beauty masks, lotions for cosmetic use, pencils for cosmetic use, cosmetic kits, cosmetic preparations for slimming, cosmetic preparations for baths, sun-tanning preparations, cosmetic preparations for skin tanning, decorative transfers for cosmetic use, cosmetic dyes, bleaching preparations [decolorants] for cosmetic use, astringents for cosmetic use, adhesives for cosmetic use, towels, tissues and cotton impregnated with cosmetic lotions or preparations, make-up, make-up powder, mascara, lipsticks, lip glosses, lip conditioners, make-up products, make-up removing products, toiletries, cleansing milk for toilet purposes, cosmetic milks, talcum powder for toilet use, shampoos, dry shampoos, hair lotions, hair sprays and hair gels, creams for the hair, sunscreen preparations, nail care products, nail varnish, nail polish, false nails, false eyelashes, nail art stickers, shaving products, shaving foam, shaving gels, after-shave lotions, after-shave balms, shaving soap, depilatories, wax for mustaches, salts, lotions and oils for the bath not for medical use, extracts of flowers [perfumery], incense, potpourris [fragrances].

---

(260) AM 2015 77540 A

(800) 1205146

(891) 2014 04 11

(731) NEMIROFF INTELLECTUAL PROPERTY  
ESTABLISHMENT

Städtle 31, FL-9490 Vaduz, LI

(540)



(591) White, red, lavender, gold, black, grey, green, brown and beige

(526) The trademark is protected as a whole. "SPICY STRAWBERRY" shall not be subject to independent legal protection.

(511)

33 – Alcoholic beverages, namely vodka (except beers).

35 – Advertising; business management; business administration; office functions; importation and exportation of alcoholic beverages; retail and wholesale services with alcoholic beverages.

(260) AM 2015 77543 A

(800) 1205160

(891) 2014 05 01

(731) Vergara, Sofia

3470 NW 82nd Ave Suite 670, c/o Latin  
World Entertainment, Doral FL 33122, US

(511)

3 – Fragrances and perfume; non-medicated skin care preparations, namely, body lotion, body wash, body spray, body oil, bath salts, bubble bath, bath oil; cosmetics; hair lotions; hair color; hair sprays; non-medicated hair treatment preparations for cosmetic purposes; skin and facial moisturizers; facial cleansers; facial toners; home fragrances.

(260) AM 2015 77544 A

(800) 772928

(891) 2014 05 14

(731) CONTINENTAL REIFEN DEUTSCHLAND  
GMBH

Vahrenwalder Str. 9, 30165 Hannover, DE

(540)

**Vanis**

(511)

12 – Pneumatic vehicle tires, solid tires, complete wheels, tubes therefor.

(260) AM 2015 77545 A

(800) 802158

(891) 2014 05 14

(731) CONTINENTAL REIFEN DEUTSCHLAND  
GMBH

Vahrenwalder Str. 9, 30165 Hannover, DE

(540)

**SNOVANIS**

(511)

12 – Tires for vehicles; solid tires; complete wheels; innertubes for the aforesaid goods.

(260) AM 2015 77589 A

(800) 1205593

(891) 2014 03 14

(731) Involvox SA

1, Rue Joseph Hackin, L-1746 Luxembourg, LU

(540)

*Lux Optical*

(591) Black, white

(511)

9 – Footwear for protection against accidents, irradiation and fire; protective goggles, safety goggles, corrective spectacles, spectacles for sports, sunglasses; optical apparatus.

25 – Clothing, footwear (excluding orthopedic footwear), headgear.

(260) AM 2015 77997 A

(800) 913987

(891) 2014 03 25

(731) GROUPE AUCHAN

40 avenue de Flandre, F-59170 CROIX, FR

(540)

**Awiah**

(591) Red Pantone 485C and green Pantone 355C

(511)

1 – Chemical products for use in industry, science, photography; chemical products for use in agriculture, horticulture and forestry (excluding fungicides, herbicides, insecticides and parasiticides); flower preservatives; chemical products for waterproofing leather and textile materials; scale removing preparations other than for household use; unprocessed artificial resins; unprocessed plastics; manure for agriculture; preparations of trace elements for plants; earth for growing, potting soil; fire extinguishing compositions; tempering and soldering preparations; chemical products used for preserving foodstuffs; tanning materials; adhesives (adhesive materials) for use in industry; glues (size for finishing and priming); glues for industrial purposes and for wallpa-

pers; solvents for varnishes; wood pulp; photographic paper; chemical additives to motor fuel; antifreeze; brake fluids; fuel-saving products; distilled water; acidulated water for recharging batteries; compositions for repairing tires; hydrogen peroxide.

2 – Colorants, paints and varnishes (excluding insulators), lacquers (paints); coatings (paints); printing inks; preservatives against rust and against deterioration of wood; thinners and binders for paints; dyes-tuffs; food dyes; dyes for footwear; mordants (neither for metals nor for seeds); raw natural resins; glaziers' putty; metals in foil and powder form for painters, decorators, printers and artists.

3 – Bleaching preparations and other substances for laundry use; cleaning, polishing, degreasing and abrasive preparations and products; paint stripping products; scale removing preparations for household use; Javelle water; stain removers; products to make leaves shiny; fabric softeners for laundry use; laundry dyes; floor waxes; shoe wax; scouring solutions; windshield-cleaning liquid; emery paper; rust removing products; soaps; perfumery products, toilet waters; essential oils; deodorants for personal use (perfumery); cosmetics, hair lotions; hair dyes; shampoos; dentifrices, mouth care products not for medical use; depilatories; make-up and make-up removing products; shaving products; shaving soaps; after-shave lotions; toiletries; cleansing milks and oils for toilet purposes; smoothing stones; cosmetic preparations for slimming; cosmetic preparations for baths, for skin tanning; decorative transfers for cosmetic use; preparations for polishing and cleaning dental prostheses; cotton sticks for cosmetic use; false eyelashes and nails; incense; potpourris [fragrances]; cotton wool for cosmetic use; tissues impregnated with cosmetic lotions; sun care products (cosmetic sun-tanning preparations); shampoos for pets.

4 – Industrial oils and greases, lubricants; dust absorbing, wetting and binding compositions, fuels (including motor spirit); carburants; non-chemical additives to motor fuel; lighting fuel, candles and wicks (lighting); perfumed candles; firelighters, combustible briquettes; methylated spirit; gas for lighting; charcoal (fuel); grease for leather, grease for arms (weapons), grease for footwear.

5 – Pharmaceutical products, veterinary products; sanitary products for medical use and for intimate hygiene; pharmaceutical products for skin care; dietetic substances, beverages and foodstuffs for medical use; medical preparations for slimming; medicinal infusions, medicinal herbs, herbal teas; vitamin preparations, preparations of trace elements for human and animal consumption; food and lacteal flour for babies; plasters, materials for dressings, material for dental fillings and dental impressions; antiseptics; disinfectants for medical or hygiene pur-

poses, other than soaps; products for destroying vermin; anti-insect products; insecticides; insect repellents; fungicides, herbicides; antiparasitic products, antiparasitic collars for animals; animal washes; sunburn ointments; antiseptic cotton, absorbent cotton; sanitary pads, napkins and panties; sanitary tampons; breast-nursing pads; sterilizing products; adhesives for dentures; deodorants other than for personal use; air purifying products; contact lens solutions.

6 – Common metals and their alloys; building materials of metal; transportable buildings of metal; non-transportable buildings of metal; railway material of metal; water pipes of metal; scaffolding of metal; metal partitions and fences; safes [strong boxes]; non-electric cables and wires of metal; non-electric locks of metal; small hardware of metal; tool handles of metal; nail products; pipes of metal; packaging containers of metal; boxes, cases, chests, baskets and containers of metal; aluminum foil; clothes hooks of metal; tent pegs of metal; broom handles of metal; wrapping or binding bands of metal; metal bottle caps and closing devices; chains of metal; hinges of metal; door and window frames of metal; doors and windows of metal; firedogs [andirons]; keys; small bells; letter boxes of metal, unfitted metal toolboxes; thread of metal for tying-up purposes; antenna wires; fixed dispensers for napkins; ladders of metal; non-mechanical reels (of metal) for flexible hoses; registration plates, of metal; monuments of metal for tombs; cabanas of metal; bells; ores; traps for wild animals; weather vanes or wind vanes; works of art of common metal.

7 – Machine tools; hand-held tools, other than hand-operated; motors and engines (other than for land vehicles); sparking plugs for internal combustion engines; alternators; fuel economizers for motors and engines; carburetors; non-electric couplings and transmission belts (except for land vehicles); jacks (machines); electric hand drills; compressed air pumps; blades (parts of machines); electric knives, shears and scissors; electric glue guns; spray guns for paint; gas blowpipes and welding irons; machines for printing; clippers (machines); lawnmowers (machines); mechanical reels for flexible hoses, agricultural instruments other than manually-operated ones; agricultural machines; incubators for eggs; electromechanical apparatus for preparing foodstuffs; electric food processors and machines; washing apparatus; washing installations for vehicles; laundry and dish washing machines; spin driers; vacuum cleaners; vacuum cleaner bags; electric parquet wax-polishers; electric shoe polishers; electric machines and apparatus for cleaning; construction and civil engineering machinery; machines for metalworking, for packaging and for working wood, leather or plastics; machines for the textile industry; sewing and knitting machines; bookbinding apparatus.

8 – Hand-operated hand tools and implements; non-electric cutlery; table forks; spoons, other than for fishing and for medicines; side arms, other than firearms; scissors; shears; saws, screwdrivers, pruning scissors, bill-hooks; hand-operated hand tools and implements for gardening; rakes, shovels, pickaxes, pliers, hammers, sharpening stones, lawn clippers (hand instruments); plant parasite killing apparatus; insecticide sprayers; mechanical tools for chopping and cutting foodstuffs; non-electric can openers; razors, razor blades; shaving cases; nail files and nail nippers, nail-clippers; manicure sets; electric and non-electric hair clippers for personal use; curling tongs; depilation appliances, electric and non-electric, hair-removing tweezers.

9 – Scientific (other than for medical use), nautical, surveying, photographic, cinematographic, optical, weighing, measuring, signaling, checking (supervision), rescue (life-saving) apparatus and instruments; teaching apparatus and instruments; apparatus and instruments for conducting, switching, transforming, accumulating, regulating or controlling electricity; materials for electricity mains (electric wires and cables), plugs, sockets and other contacts, fuses, socket covers; electric cells (batteries); batteries for lighting; electric couplings; electric soldering apparatus; apparatus for recording, transmission or reproduction of sound or images; magnetic recording media; acoustic, magnetic, optical disks, audio and video compact disks; digital versatile disk players (DVD players); video cameras; videotapes; facsimile machines; telephone apparatus; television sets, antennas; automatic vending machines and mechanisms for coin-operated apparatus; automated teller machines; cash registers, calculating machines, data processing equipment, computers, computer peripherals, disk drives (computing); software, floppy disks; electronic agendas; slides, projection apparatus and screens, dictating machines; flash bulbs (photography); exposed films; gaming apparatus for use only with a television set, an external display screen or monitor; video game cartridges; binoculars (optics), spectacles (optics), contact lenses, spectacle cases; integrated circuit cards [smart cards]; magnetic cards; credit and payment cards; payment gift cards; magnetic identity cards; telephone cards; electric irons; directional compasses; swimming belts, diving masks and wet suits; scales; protective helmets; protection devices for personal use against accidents; nets for protection against accidents; clothing for protection against accidents, irradiation and fire; barometers; alcohol meters; extinguishers; electric locks; electric door bells; alarms (instruments); anti-theft alarm devices.

10 – Surgical, medical, dental and veterinary apparatus and instruments; artificial limbs, eyes and teeth; inhalers; orthopedic articles and footwear; suture material; elastic bands, maternity belts; stockings for

varicose veins; belts for medical purposes, non-chemical contraceptives; condoms; feeding bottles, pacifiers; thermometers for medical use; draw-sheets for sick beds; incontinence sheets; ice bags for medical use, gloves for massage; corn knives; heart pacemakers; special furniture for medical use; medical apparatus for physical exercises, esthetic massage apparatus; soporific pillows for insomnia; hair prostheses.

11 – Apparatus for lighting, heating, steam generating, cooking, refrigerating, drying, ventilating, air conditioning, disinfecting and water distribution; sanitary installations; shower cubicles; bath tubs; air deodorizing and purification apparatus; solar collectors; ventilation hoods; air cooling and air conditioning apparatus; refrigerating cabinets; electric pressure cookers; electric heaters for feeding bottles; barbecues; ice boxes; cookers; freezers, refrigerators; gas lighters; electric toasters, coffee machines and deep fryers; ice apparatus; stoves; domestic fireplaces; hair driers; sauna bath installations, tanning apparatus; electric lamps and bulbs; headlights and lights for vehicles; filters for drinking water.

12 – Vehicles, apparatus for locomotion by land, air or water; boats, canoes; caravans; motorcycles, bicycles; tilt trucks; trucks; aerial conveyors; parachutes; pontoons; trailers (vehicles); motors and engines; shock absorbers, tires, hoods, bodies, chains, chassis, bumpers, sun-blinds adapted for automobiles; vehicle brakes, brake fittings and windshields; direction signals for vehicles; windshield wipers; rearview mirrors; air tubes and spikes for tires; solid tires for vehicle wheels; head restraints and safety belts for vehicle seats, children's safety seats for vehicles; bicycle kickstands, frames, nets, brakes, handlebars, saddles and pumps; strollers (push-chairs); vehicle covers, seat covers for vehicles; luggage carriers, bicycle racks, ski carriers for vehicles; strollers; anti-theft devices for vehicles, audible warning systems for vehicles; fork lift trucks, goods handling carts; shopping carts; golf carts; wheelbarrows.

13 – Firearms; ammunition and projectiles; explosives; fireworks; air pistols (weapons), rifles, guns, harpoon guns; gun cases; tear-gas weapons; sprays for personal defense; shoulder straps for weapons, cartridge pouches; component parts of firearms (excluding sights); signal rockets

14 – Precious metals and alloys thereof other than for dental use; jewelry; jewelry, precious stones; jewel cases of precious metal; timepieces and chronometric instruments; cuff links, tie pins, ornamental pins, lapel pins (jewelry); novelty key rings; purses of precious metal; watches and watch bands, sun dials; boxes of precious metal; candelabra of precious metal; ashtrays, of precious metal, for smokers; boxes and cases for cigars and cigarettes of precious

metals; coins; figurines (statuettes) of precious metal; works of art of precious metals or of precious stones; towel rails and rings of precious metal; household and kitchen utensils and containers of precious metal; tableware of precious metal.

15 – Musical instruments and parts of musical instruments; musical boxes; bridges for musical instruments; tuning forks; cases for musical instruments.

16 – Paper; cardboard (raw, semi-finished or for stationery); cardboard articles; all kinds of bags and film of paper or plastic for packaging; sheets (stationery); printed matter, printing type; bookbinding articles, photographs, printing blocks; stationery; adhesives (glues) for stationery or household purposes; artists' materials, paintbrushes; paint boxes (articles for use in school); typewriters and office requisites (except furniture); instructional or teaching material (except apparatus); school supplies; staples for offices, thumbtacks, pencil sharpeners, correcting fluids, paper cutters; pencils, pencil lead holders, rubber erasers; envelopes; files; albums, books, periodicals; almanacs, pamphlets, writing or drawing books, catalogs; calendars; lithographs, engravings; paintings (pictures); posters, geographic maps, newspapers; spools for inking ribbons; sealing machines; postage stamps; adhesive tape dispensers (stationery); tissues of paper for removing make-up; babies' diaper-pants of paper or cellulose; coffee filters of paper; transfers [decalcomanias]; garbage bags (of paper or of plastics); bags for microwave cooking; signboards of paper or cardboard; toilet paper; table linen of paper; hand towels, handkerchiefs of paper; greeting cards; postcards; patterns for dressmaking; rosaries; terrestrial globes; covers of paper for flower pots.

17 – Rubber, guttapercha, gum, asbestos, mica; sealing or insulating fittings; water-tight rings; plastics in extruded form for use in manufacture; packing, stopping and insulating materials; flexible pipes, not of metal; garden hoses; fiberglass for insulation; soundproofing materials; insulating gloves; insulating varnishes, papers, coatings, fabrics and paints; sealant compounds for joints; packaging bags, envelopes and pouches of rubber; rubber stoppers; elastic or plastic threads and yarns not for textile use.

18 – Leather and imitation leather; animal skins; trunks, carrying cases and suitcases; parasols, umbrellas; parasols and walking sticks; whips, harness and saddlery; harness articles; handbags; beach bags; travel bags, sets and trunks; unfitted vanity cases; kits for cosmetics; mesh bags and shopping bags; backpacks; bags for sports (excluding those adapted to the goods they are intended to contain); wheeled bags; garment bags (for travel); satchels, wallets; card cases (note cases), document holders; briefcases (leather goods); key cases (leather goods); coin purses not of precious metal; (empty) tool bags;

hat boxes of leather; bags and slings for carrying children; collars and clothing for animals.

19 – Building materials, not of metal; cement, concrete, coatings, plaster, stone; building timber, veneer; wood paneling; plywood; parquet floor boards; asphalt, pitch, bitumen, gravel; bricks, window panes; non-metallic rigid pipes for building; cladding (construction); tile floorings, not of metal; chimneys not of metal; scaffolding, staircases not of metal; doors and windows not of metal; outdoor blinds not of metal and not of textile; swimming pools; cabanas not of metal; water pipes, not of metal; non-metal drainage pipes; transportable buildings, not of metal; non-transportable buildings not of metal; aquariums (structures); monuments, not of metal; advertisement columns, not of metal.

20 – Furniture; display stands; mirrors; frames (excluding building frames); works of art made of wood, wax, plaster, cork, reed, cane, wicker, horn, bone, ivory, whalebone, shell, amber, mother-of-pearl, meerschaum, substitutes for all these materials or of plastic; baskets and trays not of metal, plastic packaging containers; boxes of wood or plastic; jewelry cases not of precious metal; shells; kennels and beds for household pets; display boards; work benches; embroidery frames; numberplates, not of metal; signboards of wood or plastic; locks, not made of metal and non-electric; towel dispensers, fixed, not of metal; playpens for babies, cradles; infant walkers; duckboards not of metal; bedding material, excluding linen; sleeping bags for camping; cushions, pillows, bed bases, mattresses; clothes hangers and covers; curtain rings, rods and hooks; door handles, not of metal; bottle racks; bottle stoppers; broom handles not of metal; costume stands; ladders of wood or plastics; hinges and pegs not of metal; decorations of plastic for foodstuffs; slatted indoor blinds; coffins; mannequins; non-electric fans for personal use.

21 – Non-electric household or kitchen utensils and containers (neither of precious metal, nor coated therewith); combs and sponges, brushes (except paint brushes); brooms, basins; brush-making materials; cleaning equipment, steel wool; gloves for household purposes, chamois leather for cleaning; unworked or semi-worked glass (except building glass); kitchen and tableware utensils of glass, porcelain and earthenware; cooking pot sets, thermally insulated containers for food and beverages, drinking flasks, non-electric portable coolers; tableware not of precious metal; vases not of precious metal; fitted picnic baskets, including dishes; disposable tableware; corkscrews; bottle openers; boxes of metal for dispensing paper towels; towel rails and rings not of precious metal; soap and toilet paper dispensers; toilet paper holders; chamber pots; drying racks for washing; clothes pegs; trash cans; ironing boards and ironing board covers; isothermal

bags; insect traps; flower pots; litter boxes [trays] for pets; litter trays for pets; birdcages; combs for animals; watering devices; gardening gloves; shaving brushes, toothbrushes, dental floss; soap boxes; toothpicks, cosmetic utensils, toilet cases; perfume sprayers; toothpicks; portable baby baths; money boxes not of metal; works of art made of porcelain, terracotta or glass.

22 – Cords (except rubber cords, racket strings or strings for musical instruments); strings; tents; tarpaulins (neither safety tarpaulins, nor pushchair covers); sails (rigging); bags and pouches for packaging made of textile; bags (sacks) for the transport and storage of materials in bulk; padding and stuffing materials (except of rubber or plastics); raw fibrous textile materials; nets; fishing nets, hammocks; thread, not of metal, for wrapping or binding.

23 – Yarns and threads for textile use; spun wool; elastic or plastic threads and yarns for textile use.

24 – Fabrics; adhesive fabric for application by heat; upholstery fabrics; bed and household linen; table linen (except paper table linen); sheets, pillowcases, bedspreads; bath linen (except clothing); table napkins and face towels of textile; billiard cloths; wall hangings of textile; curtains made of plastic or textile; tablecloths, oilcloths (tablecloths); sleeping bags (sheeting); napkins, of cloth, for removing make-up; mosquito nets; household linen; labels of cloth; covers [loose] for furniture; blinds of textile; handkerchiefs (of textile).

25 – Clothing; hosiery; underwear (lingerie); underwear; pajamas, dressing gowns, sweaters, skirts, dresses, trousers, jackets, coats, raincoats; shirts, layettes, babies' diapers of textile, babies' diaper pants; neckties, scarves, sashes for wear; belts, gloves (clothing); suspenders; headgear, hats, caps; footwear articles; socks, stockings, tights, footwear (except orthopedic footwear), slippers, boots; beach shoes, footwear for skiing; boots for sports; bathing trunks and bathing suits, clothing for sports (excluding diving clothing); sleep masks.

26 – Haberdashery articles (except thread); lace trimmings; lace and embroidery, ribbons and braid; buttons, hooks and eyes, pins and needles; snap fasteners; artificial flowers and fruit; lapel pins [jewelry]; hooks and fasteners for clothing; buckles (clothing accessories); ornamental novelty badges; hat ornaments not of precious metal; hair ornaments; hair bands and hairnets, hair pins and grips, hair slides; wigs; embroidery; zip fasteners; shoe laces; buckles for footwear; fastenings for suspenders; belt clasps; elastic ribbons; frills (lace trimming); heat adhesive patches for decoration or repair of textile articles (haberdashery); spangles for clothing; sewing boxes.

27 – Carpets, rugs, door mats, mats, linoleum; floor coverings (excluding floor tiling and paint); wall hangings, not of textile; carpets for automobiles; bath mats; gymnastic mats; non-slip mats; artificial turf.

28 – Games, toys; building games; parlor games; dolls; figurines (toys); plush toys; puppets; spinning tops (toys); marbles and counters [disks] for games; vehicles (toys); scooters [toys]; practical jokes (novelties); explosive bonbons (Christmas crackers); Christmas tree decorations (excluding illumination articles and confectionery); novelties for parties, dances (party favors), toy masks; kites; playing cards; gymnastic and sporting articles (excluding swimming articles, clothing, mats and footwear); rackets; balls and balloons for games; skis and ski bindings; flippers for swimmers; roller skates; skateboards; surfboards; fencing weapons; archery implements; boxing, baseball and golf gloves; fishing rods, fishing-rod reels, fish hooks; exercisers and body-building apparatus, stationary exercise bicycles; toys for pets; automatic games other than those designed to be used only with a television receiver, an separate display screen or a monitor; apparatus for electronic games other than those adapted for use only with a television receiver, a separate display screen or a monitor.

29 – Meat, fish, poultry and game; meat extracts; charcuterie; croquettes (food); preserved, dried and cooked fruits and vegetables; fruit pulp and fruit salads; vegetable salads; canned meat, fish, vegetables and fruit; jams, marmalades, compotes; pollen prepared as foodstuff; weed extracts for food; preserved soya beans for food; protein for human consumption; bouillon, broths, soups; vegetable juices for cooking; eggs, milk, butter, cream, yogurts, cheese and other dairy products; edible oils and fats; preparations for making bouillon, potato chips; cooked dishes based on the aforesaid goods.

30 – Coffee, tea, cocoa, chocolate; vegetable preparations for use as coffee substitutes; coffee substitutes; beverages made with coffee, tea, cocoa, chocolate; non-medicinal infusions; sugar, natural sweeteners; glucose for food; rice, tapioca, sago; pasta, semolina; flour and preparations made from cereals; cereal flakes; bread, pastries, cakes, buns, pancakes, confectionery, candy; edible ices, honey, treacle, royal jelly for human consumption not for medical use; aniseed; star aniseed; malt extract for food; flavorings other than essential oils; aromatic preparations for food; yeast, baking powder; salt; mustard; vinegar, sauces (condiments), dressings for salad; tomato ketchup; mayonnaise; seasonings; weeds (condiments); spices; ice for refreshment; cooked dishes based on the aforesaid goods.

31 – Agricultural, horticultural and forestry products (neither prepared nor processed); grains (seeds); natural turf; fresh fruits and vegetables; algae for human consumption; fresh mushrooms; fresh garden herbs; live crustaceans; fish eggs; seeds, natural plants and flowers; Christmas trees; foodstuffs for animals; litter products; malt, fishing bait (live); live animals.

32 – Beers, mineral and aerated waters and other non-alcoholic beverages; fruit beverages and fruit juices; tomato juice; vegetable juices; syrups for beverages; preparations for making beverages (excluding those based on tea, coffee or cocoa and milk beverages); pastilles and powders for effervescing beverages; essences for making beverages; preparations for making liqueurs.

33 – Alcoholic beverages (except beers); aperitifs, ciders, cocktails (alcohol-based), digesters (liqueurs and spirits), eau-de-vie (brandy), spirits, wines, whisky.

34 – Tobacco; smokers' articles not of precious metal; matches, cigarette lighters; cigar and cigarettes boxes, ashtrays not of precious metal; cigar cutters; cigarette paper; pipes; pipe cleaners for tobacco pipes.

35 – Advertising; publication of advertising texts; rental of advertising material; dissemination of advertising material (leaflets, prospectuses, printed matter, samples); rental of advertising space; bill-posting; advertising agencies; rental of advertising time on all communication media; modeling for advertising or sales promotion; business operation assistance to industrial or commercial companies; business management, business administration; business management assistance, business appraisals; business consultancy, information or inquiries; professional business consultancy; business management of performing artists; tax preparation; office functions, secretarial services; accounting; rental of machine and office apparatus (except rental of telecommunication apparatus and computer); rental of vending machines; arranging newspaper subscriptions; services for subscription to telecommunication services, to a global telecommunication network (the Internet) or to a private access network (Intranet), to a center providing access to a computer telecommunication or data transmission network, commercial administration and supervision (management) of telecommunication and multimedia networks; commercial assistance services for operation and monitoring of telecommunication networks; import-export agencies; business information agencies; cost price analysis; market studies; market research; opinion polling; price comparison services; compilation of statistics; public relations; auctions; shop-window dressing, demonstration of goods; presentation of products on all communication media, for re-

tail purposes; commercial information and advice for consumers [consumer advice shop]; administrative processing of purchase orders; organization of exhibitions and trade fairs for commercial or advertising purposes; business management of hotels; computerized file management; collection and systematization of data in a central file; data search in computer files (for others); document reproduction; employment agencies; personnel recruitment; personnel management consultancy; selection of personnel by means of psychological testing; services of retail, bulk, mail sale and sale by electronic means and via the Internet for the aforesaid goods; the bringing together for others (excluding transport thereof), enabling consumers to examine and buy them easily, of consumer goods in the fields of health, hygiene, food, clothing, jewelry, timepieces, leisure, gardening, do-it-yourself, tools, interior and exterior decoration, household fittings and equipment, beauty and care products, cleaning products, upkeep products for automobiles, sporting articles, games and toys, articles and utensils for kitchen and household use, leather goods, stationery, electric household appliances, office apparatus, computers, electric apparatus, hi-fi apparatus, televisions, furniture, telecommunication apparatus, textile products, haberdashery articles, vehicles, printed matter and fuel.

36 – Insurance underwriting; accident and fire insurance underwriting; life insurance underwriting; provident funds; banking, financial and monetary affairs; home banking; portfolio management; debt collection services; credit agencies; hire-purchase financing; financing and lending services; services for bank cards, credit cards, debit cards, direct debit cards and other cards or checks offering financial advantages; issuance of discount coupons; exchanging money; issuance of travelers' checks and letters of credit; check verification; safe deposit services; securities brokerage; raising and investing capital; financial analysis; fiscal valuations; consultancy in the field of finance and insurance; charitable fund raising; real estate affairs; real estate agencies; management, rental and valuation of real property, apartments and offices; rent collection; leasing of farms; leasing of real estate; real estate appraisal; appraisal of antiques, works of art, jewelry, stamps; numismatic appraisal; financial sponsorship.

37 – Construction; construction of buildings, factories, exhibition stands and shops; construction and repair information; cleaning of buildings [interior]; demolition of buildings; insulation services (building); extermination of vermin, other than for agricultural purposes; rat extermination, disinfection; repair of photographic apparatus; repair of locks; installation, maintenance and repair of air conditioning apparatus, office apparatus, computers, heating installations, boilers, refrigerating apparatus, electric apparatus, electric household appliances, machines,



furniture, elevators, telephones and warehouses; kitchen equipment installation; burglar and fire alarm installation and repair; rental of bulldozers, cranes (construction equipment), cleaning machines, construction equipment; artificial snow-making services; laundering and shoe repair; costume and clothing repair services; timepieces (maintenance and repair); interior and exterior painting, plastering, plumbing, wallpapering; masonry; window cleaning; cabinet making (repair); painting or repair of signs; sharpening of knives; retreading of tires; vulcanization of tires (repair); chimney sweeping; quarrying; vehicle service stations; maintenance, repair and washing of vehicles; vehicle breakdown repair services.

38 – Telecommunications; telecommunication information; press agencies (news); press agencies; communications by radio, by telegram; television broadcasting; broadcasting of radio and television programs; communications and telephone services; telegraphic services and communications; rental of telecommunication apparatus, message transmission apparatus, fax machines, telephones, modems; cellular telephone communication; message transmission; facsimile transmission; communications by computer terminals; communications by fiber-optic networks; computer-aided transmission of messages and images; transmission of information contained in databases or in a data transmission server; electronic mail or data communication; online or non-real time communication and transmission of messages, information and data, from data processing systems or computer network systems, including the global telecommunication network called the "Internet" and the global network called the "World Wide Web"; provision of access to telecommunication networks, to a global computer network, including the global network called the "Internet"; electronic bulletin board services (telecommunication services); teleconferencing services; rental of access time to a database server center; provision of access to databases; provision of telecommunication channels for electronic shopping services; provision of access to discussion forums on the Internet; secure transmission of data, particularly with access codes; information transmission services relating to telephone directory inquiries; provision of access to a mobile telephone network including a subscription or package deal; provision of access to computer or telematic databases and database server centers.

39 – Passenger or freight transport; storage of goods; franking of mail; warehousing, wrapping, packing and packaging of goods; distribution (delivery) of goods; freightage; shipbrokerage; towing; supply of water; boat transport; air transport; taxi transport; chauffeur services; ambulance transport; organization of tours, cruises and excursions; tourist agencies (excluding hotel and boarding house reservation); booking of seats for travel; escorting of travelers;

rental of warehouses, vehicles, motor vehicles, boats, horses, vehicle roof racks, garages, diving bells, wheelchairs, storage containers, parking spaces and refrigerators; transportation of valuables; assistance in case of vehicle breakdown (towing); furniture removal services; delivery of newspapers; transportation information; travel information; traffic information; physical storage of electronically-stored data or documents.

40 – Treatment of materials; metal treating; abrasion; soldering, chromium plating, metal casting, stripping finishes, gilding, tin plating, millworking, galvanization, engraving, laminating, planing (saw mill), refining services, sawing, welding; treatment of water; treatment of paper; air deodorizing and purification; custom assembling of materials (for others); production of energy; blacksmithing; material treatment information; waste treatment (transformation); incineration of waste; recycling of waste and trash; sorting of waste and recyclable material (transformation); slaughtering of animals; processing of petroleum; woodworking; timber felling and processing; pottery firing; saddlery work; fruit crushing; food smoking; flour milling; wine making; food and drink preservation; freezing of dishes; photographic film development and photographic printing; pattern printing; printing; lithographic printing; offset printing; photocomposition services; photogravure; silkscreen printing; framing of works of art; clothing alteration; dressmaking; embroidery; dyeing services; treatment of textiles; cloth cutting; leather and footwear staining; skin dressing; taxidermy; binding of documents; vulcanization; (treatment of materials); dental technician services; key cutting services; rental of knitting machines and generators.

41 – Education; services provided by educational institutions, academies (education); correspondence courses; training; practical training (demonstration); organization and conducting of training workshops; vocational guidance (education or training advice); boarding schools; entertainment; museum services (presentations, exhibitions); amusement parks; operation of zoological gardens; circuses; animal training; casino services (gambling); providing amusement arcade services; sporting activities; health club services (fitness training); physical education; operation of sports facilities; rental of tennis courts; operation of golf courses; organization of sports competitions; sports camp services; holiday camp services (entertainment); club services (entertainment or education); cultural activities; publication of books, magazines; publication of texts other than advertising texts; lending libraries; electronic desktop publishing; mobile library services; publication of electronic books and journals on-line; providing online electronic publications (not downloadable); game services provided online (from a computer

network); discotheque services; orchestra services; music composition services; organization of balls; show and film production; scriptwriting services; modeling agencies for artists; entertainer services; operation of movie theaters; movie studios; providing karaoke services; planning of receptions (entertainment); rental of motion pictures, video recorders, television sets, videotapes, records, sound recordings, audio apparatus, video cameras, radio and television sets, cinematographic projection apparatus, cinematographic apparatus and accessories, stage and show scenery; rental of sports equipment (except vehicles) and underwater diving equipment; organization of competitions concerning education or entertainment; organization and conducting of colloquiums, conferences, conventions; organization of exhibitions for cultural or educational purposes; booking of seats for shows; box office services (entertainment); operating lotteries; education or entertainment information; entertainment on radio and television; production of radio and television programs; digital imaging services; photography; photographic reporting; news reporters services; videotaping; videotape editing; microfilming; sign language interpretation; translation services.

42 – Chemical analyses; bacteriological research; chemistry services; chemical research; biological research; technical research; physics research; mechanical research; geological research; cosmetic research; underwater exploration; quality control; testing of materials; textile testing services; surveying (engineering work); engineering; technical project study; analysis for oil-field exploitation; oil-field surveys; oil-well testing; oil prospecting; geological surveys; vehicle roadworthiness testing; programming for computers; computer system design; software development (design), installation, updating and maintenance; rental of computers, of computer software; computer and software consultancy; technical consultancy in the field of computers; analysis for the installation of computer systems; recovery of computer data; creating and maintaining web sites for others; rental of Web servers; hosting of computer sites (websites); registration of domain names; duplication of computer programs; conversion of computer programs and data (other than physical conversion); conversion of data or documents from physical to electronic media; construction drafting; architecture, design of interior decor; land surveying; land surveys; calibration (measuring); urban planning; construction consultation; consultancy on environmental protection; consultancy in the field of energy-saving; meteorological information; research and development of new products for others; packaging design; dress designing; graphic arts designing; industrial design; styling (industrial design); copyright management; industrial property licensing; legal services; litigation services; arbitration services; legal or judicial research; authentication of

works of art; rental of access time to a computer for data handling.

43 – Restaurants; self-service restaurants; snack bars; restaurant, cafe and bar services; cafeterias, canteens; food and drink catering; temporary accommodation; accommodation agencies (hotels, boarding houses); hotel services; motel services; hotel, boarding house and temporary accommodation reservation services; holiday camp services (lodging); tourist homes; operation of campground facilities; day-nurseries [crèches]; retirement homes; boarding for animals; rental of chairs, tables, table linen and glassware; rental of transportable buildings; rental of temporary accommodation; rental of meeting rooms; rental of tents.

44 – Convalescent and rest homes; clinics; hospital services; health care services; medical care; health centers; hospices; chiropractic services; physical therapy; sanatoriums; nursing homes; blood bank services; medical nursing services; pharmacy advice; plastic surgery; hair implants; midwife services; in-vitro fertilization services; artificial insemination services; aromatherapy services; rehabilitation for substance abuse patients; tattooing; beauty salons, manicure services; hairdressing salons; hygiene and beauty care, massages; public baths for hygiene purposes; Turkish baths; providing sauna facilities, solariums; health spa services; rental of sanitation facilities; opticians' services; dentistry; services of a psychologist; veterinary services; pet grooming; animal grooming; animal breeding; agricultural services; vermin exterminating for agriculture, horticulture and forestry; weed killing; aerial and surface spreading of fertilizers and other agricultural chemicals; landscape gardening services; plant nurseries; horticulture; gardening; lawn maintenance services; flower arranging; tree surgery; rental of farming equipment.

45 – Escorting in society (chaperoning); adoption agency services; dating services; marriage agencies; organization of religious meetings; civil protection (guards); night guards; monitoring of burglar and security alarms; detective agencies; missing person investigations; personal body guarding; security consultancy; fire-fighting services; rental of fire extinguishers; opening of security locks; horoscope casting; rental of clothing, suits, evening dresses; undertaking; funerals; cremation services; baby sitting; pet sitting; lost property services.

(260) AM 2015 78001 A

(800) 978320

(891) 2014 03 12

(731) Zakrytoe Akcionerhoe Obchestvo

"DIELEKTRICHESKIE KABELNYE  
SISTEMY"

Bochkina str., 15, RU-117017 Tver, RU

(540)



(591) Red and white

(511)

9 – Electric apparatus for commutation; electric monitoring apparatus; clamps (electricity); electric cables; condensers [capacitors]; electric contacts; electric contacts of precious metal; electric boxes; electric junction sleeves; branch boxes (electricity); distribution boxes (electricity); electric converters; electric measuring apparatus; electric wires; electric conductors; distribution consoles (electricity); electric relays; electric couplings; electric resistances; transformers [electricity]; boards (electricity); distribution boards (electricity); electric soldering irons; electric ducts; switchboards; sockets, plugs and other contacts, connections; telephone answering machines; telephone apparatus; telephone transmitters; telephone wires; telephone receivers; sheaths for cables; identification sheaths for electric wires; magnets; magnetic wires; push buttons for bells; clamps (electricity); couplers (computer equipment); electric cables; electric coils; electromagnetic coils.

35 – Organization of exhibitions for commercial or advertising purposes; demonstration of products; market study; import-export agencies; commercial or industrial management assistance; professional business consultancy; business management of performing artists; business management assistance (development of projects, plans, compilations and estimates); advertising; sale of goods by means of intermediaries; organization of trade fairs for commercial or advertising purposes.

37 – Telephone installation and repair; installation and repair of electric apparatus.

38 – Communications by fiber-optic networks; telecommunication information; paging services (radio, telephone or other electronic means of communication); electronic messaging; cellular telephone communication; telex communication service; communications by computer terminals; satellite transmission; telephone communications.

42 – Research and development; study of the technical aspects of plans; technical project study; industrial design; development of new products for others; surveying (engineering work); professional consultancy (non-business) (terms too vague in the opinion of the International Bureau – rule 13.2.b) of the Regulations); testing of materials.

(260) AM 2015 78002 A

(800) 1029130

(891) 2014 04 24

(731) ADORE MOBILYA SANAYI VE DIS TICARET LIMITED SIRKETI

Konya Yolu 19. Km Ahibozy Mevkii Pk. 90,  
Golbasi/Ankara, TR

(540)



(591) Grey, white and orange

(511)

20 – Furniture, mirrors, picture frames; goods (not included in other classes) of wood, cork, reed, cane, wicker, horn, bone, ivory, whalebone, shell, amber, mother-of-pearl, meerschaum and substitutes for all these materials, or of plastics.

(260) AM 2015 78004 A

(800) 1156922

(891) 2014 04 10

(731) VROMAN

Oudenaardestraat 49, B-5870 Vichte, BE

(540)



(591) Yellow, grey and white

(511)

4 – Industrial oils and greases, including lubricating oils and greases, motor oils, dust absorbing, wetting and binding compositions; fuels (including motor fuels); non-chemical additives for motor fuels.

(260) AM 2015 78006 A

(800) 1174993

(891) 2014 06 13

(731) AEROPOSTALE PROCUREMENT COMPANY, INC.

112 W. 34th Street, 22nd Floor, New York  
NY 10120, US

(540)



(591) Black, white

(511)

18 – All-purpose athletic bags, backpacks, beach bags, handbags, messenger bags, shoulder bags, sport bags, tote bags, cosmetic bags sold empty and wallets.

25 – Clothing, namely, shirts, t-shirts, tank tops, knit shirts, yoga shirts, sweatshirts, hooded sweatshirts,

sweatpants, pants, yoga pants, tracksuits, shorts, socks, sleepwear, loungewear and underwear; footwear, namely, flip flops and slippers; and headgear, namely, hats and caps.

35 – Retail store services and on-line retail store services featuring all items of clothing and wearing apparel, footwear, headgear, personal care products, fragrance, cosmetics, jewelry, backpacks, bags and wallets.

(260) AM 2015 78079 A

(800) 1209550

(891) 2014 05 22

(731) TATYANA GERMANOVNA

GOROKHOVSKAYA

Krasnyi prospekt, d. 49, kv. 58, RU-630091

Novosibirsk, RU

(540)

## ENIGMA NATURE

(511)

3 – Adhesives for cosmetic purposes; after-shave lotions; almond milk for cosmetic purposes; aloe vera preparations for cosmetic purposes; amber [perfume]; antiperspirant soap; astringents for cosmetic purposes; balms other than for medical purposes; bath salts, not for medical purposes; beauty masks; breath freshening sprays; cakes of toilet soap; cleansing milk for toilet purposes; cosmetics; cosmetic creams; cosmetic dyes; cosmetic kits; cosmetic pencils; cosmetic preparations for baths; cosmetic preparations for eyelashes; cosmetic preparations for skin care; cosmetic preparations for slimming purposes; cotton sticks for cosmetic purposes; cotton wool for cosmetic purposes; decorative transfers for cosmetic purposes; dentifrices; deodorants for human beings or for animals; deodorant soap; depilatory preparations; douching preparations for personal sanitary or deodorant purposes [toiletries]; eau de Cologne; eyebrow cosmetics; fumigation preparations [perfumes]; greases for cosmetic purposes; hair dyes; hair lotions; hair spray; hair waving preparations; joss sticks; lip glosses; lipsticks; lotions for cosmetic purposes; make-up; make-up preparations; make-up powder; make-up removing preparations; mascara; massage gels other than for medical purposes; medicated soap; mouth washes, not for medical purposes; nail care preparations; nail polish; neutralizers for permanent waving; oils for cosmetic purposes; oils for perfumes and scents; oils for toilet purposes; perfumes; perfumery; pomades for cosmetic purposes; potpourris [fragrances]; scented water; scented wood; shampoos; skin whitening creams; soap; sunscreen preparations; sun-tanning preparations [cosmetics]; tissues impregnated with cosmetic lotions; toiletries; toilet water.

(260) AM 2015 78087 A

(800) 1209640

(891) 2014 04 16

(731) Closed Joint-Stock Company

"FABRIKA "RUSSKIY SHOKOLAD"

ul. Vereyskaya, d. 29, str. 143, RU-121357

Moscow, RU

(540)



(591) Yellow, dark yellow, light yellow, brown, dark brown

(526) The trademark is protected as a whole. "РУССКИЙ ШОКОЛАД" shall not be subject to independent legal protection.

(511)

30 – Confectionery made of sugar, namely chocolate.

(260) AM 2015 78109 A

(800) 1205883

(891) 2014 06 20

(731) AEROPOSTALE PROCUREMENT

COMPANY, INC.

112 W. 34th Street, 22nd Floor, New York

NY 10120, US

(540)

## 87

(511)

14 – Jewelry and watches.

18 – Wallets, tote bags, hand bags, shoulder bags, pocket books and messenger bags.

25 – Clothing, namely, sweatshirts, t-shirts, jackets, caps, pants and shorts.

(260) AM 2015 78110 A

(800) 1209774

(891) 2013 12 02

(731) Zakrytoe aktsionernoe obshchestvo

"MYASNAYA GALEREYA"

ul. Poliny Osipenko, 41RU-600009

Vladimir, RU

(540)



(591) Orange, green, white, yellow and light-blue

(511)

29 – Albumen for culinary purposes; albumin milk; alginates for culinary purposes; almonds, ground; anchovy; animal marrow for food; apple puree; bacon; beans, preserved; black pudding [blood sausage]; bone oil, edible; bouillon; bouillon concentrates; broth; broth concentrates; butter; buttercream; caviar; charcuterie; cheese; clams, not live; cocoa butter; coconut butter; coconut, desiccated; coconut fat; coconut oil; colza oil for food; corn oil; cranberry sauce [compote]; crayfish, not live; cream [dairy products]; croquettes; crustaceans, not live; crystallized fruits; curd; dates; edible birds' nests; edible fats; edible oils; eggs; fat-containing mixtures for bread slices; fatty substances for the manufacture of edible fats; fish fillets; fish meal for human consumption; fish, not live; fish, preserved; fish, tinned [canned (Am.)]; foods made from fish; frozen fruits; fruit-based snack food; fruit chips; fruit jellies; fruit peel; fruit, preserved; fruit preserved in alcohol; fruit pulp; fruit salads; fruit, stewed; fruits, tinned [canned (Am.)]; game, not live; gelatine; gherkins; ginger jam; ham; herrings; hummus [chickpea paste]; isinglass for food; jams; jellies for food; kephir [milk beverage]; kimchi [fermented vegetable dish]; kumys [kumyss] [milk beverage]; lard; lentils, preserved; linseed oil for culinary purposes; liver; liver pâté; lobsters, not live; low-fat potato chips; margarine; marmalade; meat; meat extracts; meat jellies; meat, preserved; meat, tinned [canned (Am.)]; milk; milk beverages, milk predominating; milk products; milk shakes; mushrooms, preserved; mussels, not live; non-alcoholic eggnog; nuts, prepared; olive oil for food; olives, preserved; onions, preserved; oysters, not live; palm kernel oil for food; palm oil for food; peanut butter; peanuts, prepared; peas, preserved; pectin for culinary purposes; piccalilli; pickles; pollen prepared as foodstuff; pork; potato chips; potato flakes; potato fritters; poultry, not live; powdered eggs; prawns, not live; preparations for making bouillon; preparations for making soup; preserved garlic; prostokvasha [soured milk]; raisins; rennet; salmon; salted fish; salted meats; sardines; sauerkraut; sausages in batter; sea-cucumbers, not live; seaweed extracts for food; sesame oil; shellfish, not live; shrimps, not live; silkworm chrysalis, for human consumption; snail eggs for consumption; soups; soya beans, preserved, for food; soya milk [milk substitute]; spiny lobsters, not live; suet for food; sunflower oil for food; tahini [sesame seed paste]; toasted laver; tofu; tomato juice for cooking; tomato paste; tripe; truffles, preserved; tuna fish; vegetable juices for cooking; vegetable salads; vegetables, cooked; vegetables, dried; vegetable soup preparations; vegetables, preserved; vegetables, tinned [canned (Am.)]; whey; whipped cream; white of eggs; yogurt; yolk of eggs.

30 – Allspice; almond confectionery; almond paste; aniseed; aromatic preparations for food; artificial

coffee; baking powder; baking soda [bicarbonate of soda for cooking purposes]; barley meal; bean meal; beer vinegar; binding agents for ice cream [edible ices]; bread; breadcrumbs; bread rolls; buns; cake powder; cakes; candy; capers; caramels [candy]; celery salt; cereal-based snack food; cereal preparations; chewing gum; chicory [coffee substitute]; chips [cereal products]; chocolate; chocolate-based beverages; chocolate beverages with milk; chowchow [condiment]; chutneys [condiments]; cinnamon [spice]; cloves [spice]; cocoa; cocoa-based beverages; cocoa beverages with milk; coffee; coffee-based beverages; coffee beverages with milk; coffee flavorings; condiments; confectionery; confectionery for decorating Christmas trees; cookies; cooking salt; corn flakes; corn flour; corn, milled; corn, roasted; couscous [semolina]; crackers; crushed barley; crushed oats; curry [spice]; custard; dressings for salad; edible ices; essences for foodstuffs, except etheric essences and essential oils; farinaceous foods; ferments for pastes; flavorings, other than essential oils, for beverages; flavorings, other than essential oils, for cakes; flavorings, other than essential oils; flour; flour-milling products; fondants [confectionery]; frozen yogurt [confectionery ices]; fruit jellies [confectionery]; garden herbs, preserved [seasonings]; gingerbread; ginger [spice]; glucose for culinary purposes; gluten prepared as foodstuff; golden syrup; groats for human food; halvah; hominy; hominy grits; honey; husked barley; husked oats; ice cream; iced tea; ice for refreshment; ice, natural or artificial; infusions, not medicinal; ketchup [sauce]; leaven; liquorice [confectionery]; macaroni; macaroons [pastry]; malt biscuits; malt extract for food; malt for human consumption; maltose; marinades; marzipan; mayonnaise; meat gravies; meat pies; meat tenderizers, for household purposes; mint for confectionery; molasses for food; muesli; mustard; mustard meal; natural sweeteners; noodles; nutmegs; oat-based food; oat flakes; oatmeal; pancakes; pasta; pastilles [confectionery]; pastries; pastry dough; peanut confectionery; pepper; peppermint sweets; peppers [seasonings]; petit-beurre biscuits; petits fours [cakes]; pies; pizzas; popcorn; potato flour; powders for ice cream; pralines; preparations for stiffening whipped cream; propolis; puddings; quiches; ravioli; relish [condiment]; rice; rice-based snack food; rice cakes; royal jelly; rusks; saffron [seasoning]; sago; salt for preserving foodstuffs; sandwiches; sauces [condiments]; sausage binding materials; seasonings; sea water for cooking; semolina; sorbets [ices]; soya bean paste [condiment]; soya flour; soya sauce; spaghetti; spices; spring rolls; star aniseed; starch for food; stick liquorice [confectionery]; sugar; sushi; sweetmeats [candy]; tabbouleh; tacos; tapioca; tapioca flour; tarts; tea; tea-based beverages; thickening agents for cooking foodstuffs; tomato sauce; tortillas; turmeric for food; unleavened bread; unroasted coffee; vanilla [flavoring]; va-

nillin [vanilla substitute]; vegetal preparations for use as coffee substitutes; vermicelli [noodles]; vinegar; waffles; wheat flour; yeast.

(260) AM 2015 78112 A

(800) 1209784

(891) 2014 031 2

(731) Limited Liability Company

"MARCHE PRIVATE"

Via Codignole, 45, Brescia, IT

(540)

# PROFF

(591) Black, white

(511)

16 – Address stamps; adhesive bands for stationery or household purposes; adhesive tapes for stationery or household purposes; advertisement boards of paper or cardboard; albums; architects' models; arithmetical tables; artists' watercolor [watercolour] saucers; atlases; bags [envelopes, pouches] of paper or plastics, for packaging; bags for microwave cooking; balls for ball-point pens; bibs of paper; binding strips [bookbinding]; blackboards; blotters; blueprints; bookbindings; bookbinding cords; bookbinding material; booklets; bookmarkers; books; bottle envelopes of cardboard or paper; bottle wrappers of cardboard or paper; boxes for pens; boxes of cardboard or paper; cabinets for stationery [office requisites]; calendars; canvas for painting; carbon paper; cardboard; cardboard tubes; cardboard articles; cards; cases for stamps [seals]; catalogues; chalk holders; chaplets; charcoal pencils; cigar bands; coffee filters of paper; clips for offices; compasses for drawing; conical paper bags; correcting fluids [office requisites]; correcting ink [heliography]; covers [stationery]; covers of paper for flower pots; cream containers of paper; decalcomanias; diagrams; document files [stationery]; drawing boards; drawing instruments; drawing materials; drawing pens; drawing pins; drawing sets; drawing squares; drawing t-squares; drawing pads; elastic bands for offices; electrocardiograph paper; envelope sealing machines, for offices; envelopes [stationery]; erasing products; erasing shields; fabrics for bookbinding; face towels of paper; figurines [statuettes] of papier mâché; files [office requisites]; filter paper; filtering materials [paper]; finger-stalls [office requisites]; flags of paper; folders for papers; forms, printed; fountain pens; franking machines for office use; french curves; garbage bags of paper or of plastics; geographical maps; glue for stationery or household purposes; gluten [glue] for stationery or household purposes; graining combs; graphic prints; graphic representations; graphic reproductions; greeting cards; gummed tape [stationery]; gummed cloth for stationery purposes; gums [adhesives] for stationery or household purposes; handkerchiefs of paper; hand

labelling appliances; handbooks [manuals]; hand-rests for painters; handwriting specimens for copying; hat boxes of cardboard; holders for stamps [seals]; house painters' rollers; hygienic paper; index cards [stationery]; indexes; indian inks; ink; inking pads; inking ribbons; inking ribbons for computer printers; inking sheets for document reproducing machines; inkstands; inkwells; isinglass for stationery or household purposes; labels, not of textile; letter trays; luminous paper; manifolds [stationery]; marking chalk; mats for beer glasses; mimeograph apparatus and machines; modeling clay; modelling materials; modelling wax, not for dental purposes; moisteners [office requisites]; napkins of paper for removing make-up; nibs; nibs of gold; note books; numbering apparatus; office perforators; office requisites, except furniture; oleographs; packing paper; pads [stationery]; paint boxes [articles for use in school]; paintbrushes; painters' easels; paintings [pictures], framed or unframed; paint brushes; palettes for painters; pamphlets; pantographs [drawing instruments]; paper; paper clasps; paper for recording machines; paper knives [cutters] [office requisites]; paper ribbons; paper shredders for office use; paper tapes and cards for the recordal of computer programmes; paper-clips; paper sheets [stationery]; paperweights; parchment paper; pastels [crayons]; pen clips; pen wipers; pencil holders; pencil lead holders; pencil leads; pencil sharpeners, electric or non-electric; pencils; penholders; pens [office requisites]; paper mache; periodicals; photograph stands; photographs [printed]; pictures; placards of paper or cardboard; place mats of paper; plastic bubble packs for wrapping or packaging; plastic cling film, extensible, for palletization; plastic film for wrapping; plastics for modelling; portraits; postage stamps; postcards; posters; printed matter; printed publications; printed timetables; printers' reglets; printers' blankets, not of textile; printing blocks; printing sets, portable [office requisites]; prints [engravings]; prospectuses; punches [office requisites]; rollers for typewriters; rubber erasers; school supplies [stationery]; scrapers [erasers] for offices; sealing stamps; sealing wafers; sealing wax; self-adhesive tapes for stationery or household purposes; seals for office use; signboards of paper or cardboard; slate pencils; spools for inking ribbons; square rulers; stamp pads; stamp stands; stamps [seals]; stands for pens and pencils; stapling presses [office requisites]; starch paste [adhesive] for stationery or household purposes; steel pens; stencil cases; stencil plates; stencils; stickers [stationery]; table linen of paper; tablecloths of paper; tablemats of paper; tags for index cards; tailors' chalk; teaching materials [except apparatus]; terrestrial globes; towels of paper; tracing cloth; tracing paper; transparencies [stationery]; trays for sorting and counting money; typewriter keys; typewriters, electric or non-electric; viscose sheets for wrapping; watercolors [paintings]; wood pulp board

[stationery]; wood pulp paper; wristbands for the retention of writing instruments; writing cases [sets]; writing chalk; writing materials; writing or drawing books; writing paper; writing slates.

35 – Wholesale and retail store services for school writing materials and other stationery products.

(260) AM 2015 78114 A  
(800) 1209813  
(891) 2014 05 06  
(731) DONGYING FANGXING RUBBER CO., LTD.  
Dawang Economic Development Zone,  
Dongying City, 257000 Shandong Province, CN  
(540)



(591) Black, white  
(511)  
12 – Inner tubes for pneumatic tires; tires for bicycles and cycles; casings for pneumatic tires; treads for retreading tires; pneumatic tires; tires, solid, for vehicle wheels; vehicle wheel tires; automobile tires; tubeless tires for bicycles and cycles; tires for vehicle wheels.

(260) AM 2015 78116 A  
(800) 1209849  
(891) 2014 02 07  
(731) Zakrytoe aktsionernoe obshchestvo  
"MYASNAYA GALEREYA"  
ul. Poliny Osipenko, 41, RU-600009 Vladimir, RU  
(540)

**ЦАРЕДВОРЬЕ**

(591) Black, white  
(511)  
29 – Semi-finished products from meat; patties; meat-based mousses; beefsteak; semi-finished products from poultry.  
30 – Pancakes with meat; vareniki [stuffed dumplings]; flour-based dumplings; manty [dumplings]; pelmeni [meat stuffed dumplings]; dough, frozen; khinkali [oriental dumplings]; chebureki [traditional meat pastry]; ravioli.

(260) AM 2015 78117 A  
(800) 1209854  
(891) 2014 03 17  
(731) LIU RENCHAO

No:9, 6F, Unit 4 of Tower 7, No:20  
Wangjiang Road, Wujin Town, Xinjin  
County, Sichuan, CN

(540)



(591) Black, white  
(511)  
11 – Industrial graphite crucibles, other than for laboratory use; furnaces, other than for laboratory use; ovens, other than for laboratory use; industrial furnaces; hearths.

(260) AM 2015 78119 A  
(800) 1209869  
(891) 2014 03 17  
(731) ISMET ARSLAN  
Çobançesme Mah. Mithatpasa Cad., Yaprak  
Sok. No:5 Bahçelievler, TR-34196  
ISTANBUL, TR  
(540)



(591) Brown, yellow, white  
(511)  
3 – Bleaching preparations and other substances for laundry use cleaning, polishing, scouring and abrasive preparations soaps; perfumery, essential oils, cosmetics, hair lotions dentifrices.

(260) AM 2015 78122 A  
(800) 1209876  
(891) 2014 05 05  
(731) HERNON MANUFACTURING, INC.  
121 Tech Drive, Sanford FL 32771, US  
(540)

**HERNON**

(511)  
1 – Liquid polymer coatings for use in the manufacture of printed circuit boards; activators for curing acrylic adhesives; adhesives for general industrial purposes.

(260) AM 2015 78123 A  
(800) 1209909  
(891) 2014 04 04  
(731) Zakrytoe aktsionernoe obshchestvo "SHUPET"

d. 15, korp. 8, ul. Nagornaya, RU-117186  
Moscow, RU

(540)



(591) Black, white

(511)

35 – Advertising; business management; business administration; office functions; demonstration of goods; commercial information and advice for consumers [consumer advice shop]; presentation of goods on communication media, for retail purposes; auctioneering; sales promotion for others, including on-line retail and wholesale store service; distribution of samples; procurement services for others [purchasing goods and services for other businesses].

(260) AM 2015 78124 A

(800) 1209922

(891) 2014 04 24

(731) ENI S.p.A.

Piazzale Enrico Mattei, 1, Rome, IT

(540)

## ENI ROTRA

(511)

4 – Industrial oils and greases; lubricants; dust absorbing, wetting and binding compositions; fuels (including motor spirit) and illuminants; candles and wicks for lighting.

(260) AM 2015 78125 A

(800) 1209935

(891) 2014 03 25

(731) AVON PRODUCTS, INC.

World Headquarters, 777 Third Avenue,  
New York NY 10017, US

(540)

## TENDER MOMENTS

(511)

3 – Non-medicated toilet preparations; toiletries; skin care preparations; skin moisturizers; body and beauty care preparations; powders, creams and lotions, all for the face, hands and body; beauty masks; nail polish; nail polish remover; enamel for nails; false nails; adhesives for cosmetic purposes; cosmetics; eye makeup remover, eye shadow, eye liner, mascara, lipstick, lip liner, lip gloss; make-up foundation; blusher; tissues impregnated with cosmetic lotions; cotton sticks for cosmetic purposes; cotton wool for cosmetic purposes; preparations for cleaning the teeth; shaving and aftershave preparations; perfumes, fragrances, toilet waters, cologne; deodo-

rants for human beings; anti-perspirants for personal use (toiletries); essential oils (cosmetic).

(260) AM 2015 78126 A

(800) 1209937

(891) 2014 03 21

(731) EGIS Gyógyszergyár Zrt.

Keresztúri út 30-38, H-1106 Budapest, HU

(540)

## PTOSIN

(511)

5 – Pharmaceutical preparations for human use.

(260) AM 2015 78127 A

(800) 1209938

(891) 2014 03 21

(731) EGIS Gyógyszergyár Zrt.

Keresztúri út 30-38, H-1106 Budapest, HU

(540)

## RASIG

(511)

5 – Pharmaceutical preparations for human use.

(260) AM 2015 78128 A

(800) 1209940

(891) 21-03-2014

(731) EGIS Gyógyszergyár Zrt.

Keresztúri út 30-38, H-1106 Budapest, HU

(540)

## EVERPLANT

(511)

5 – Pharmaceutical preparations for human use.

(260) AM 2015 78177 A

(800) 1210407

(891) 2014 05 26

(731) NEMIROFF INTELLECTUAL PROPERTY  
ESTABLISHMENT

Städtle 31, FL-9490 Vaduz, LI

(540)





(591) Bordeaux, red, white, beige, black, grey, green and brown

(511)

33 – Alcoholic beverages (except beers).

35 – Advertising; business management; business administration; office functions; importation and exportation of alcoholic beverages; retail and wholesale services with alcoholic beverages.

(260) AM 2015 78179 A

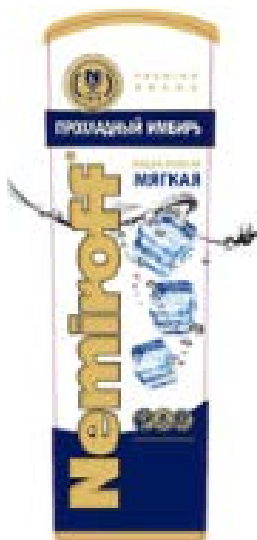
(800) 1210408

(891) 2014 05 26

(731) NEMIROFF INTELLECTUAL PROPERTY ESTABLISHMENT

Städtle 31, FL-9490 Vaduz, LI

(540)



(591) White, brown, gold, blue, grey, black and violet

(511)

33 – Alcoholic beverages (except beers).

35 – Advertising; business management; business administration; office functions; importation and exportation of alcoholic beverages; retail and wholesale services with alcoholic beverages.

(260) AM 2015 78182 A

(800) 1210465

(891) 2014 03 24

(731) WIKIMEDIA FOUNDATION, INC.

149 New Montgomery Street, 3rd Floor,

San Francisco CA 94105, US

(540)

## WIKIBOOKS

(511)

9 – Downloadable software providing access to collaboratively created, annotated, and maintained multilingual textbooks, manuals, and instructional

media of others; downloadable publications, namely, e-books in the nature of textbooks, manuals, and instructional media of others.

38 – Providing online forums where users can read, create, annotate, and publicly share online textbooks, manuals and instructional media of others.

41 – Providing collaboratively created, annotated, and maintained online multilingual textbooks, manuals, and instructional media of others; providing online publications on the creation, annotation, and publication of online textbooks, manuals, and instructional media of others; online electronic publishing and editing of textbooks, manuals and instructional media of others.

42 – Hosting a website featuring open source technology that enables users to read, create, annotate, and publicly share online multilingual textbooks, manuals, and instructional media of others; computer services, namely, maintaining a website that enables users to read, create, annotate, and publicly share online textbooks, manuals, and instructional media of others; providing a web-based service featuring technology that enables users to publish printed books, e-books, and related digital content.

(260) AM 2015 78184 A

(800) 1210468

(891) 2014 03 25

(731) WIKIMEDIA FOUNDATION, INC.

149 New Montgomery Street, 3rd Floor,

San Francisco CA 94105, US

(540)

## WIKIMEDIA INCUBATOR

(526) The trademark is protected as a whole. "INCUBATOR" shall not be subject to independent legal protection.

(511)

41 – Providing online publications on the use of and contribution to a website featuring information related to the development of online websites and databases of encyclopedic knowledge, books, news, media files, and other educational content.

42 – Hosting a website featuring an open source technology that enables users to create and discuss the development of online websites and databases of encyclopedic knowledge, books, news, media files, and other educational content; computer services, namely, design, creation, hosting, and maintenance of databases featuring user-defined information; providing information on the development of online websites and databases of encyclopedic knowledge, books, news, media files, and other educational content via a website.

(260) AM 2015 78196 A  
 (800) 1186460  
 (891) 2014 05 22  
 (731) GILEAD SCIENCES IRELAND UC  
 IDA Business and Technology Park,  
 Carrigtohill, Co. Cork, IE  
 (540)

## HARVONI

(511)  
 5 – Pharmaceuticals.

(260) AM 2015 78310 A  
 (800) 1210692  
 (891) 2013 12 02  
 (731) Zakrytoe aktsionernoe obshchestvo  
 "MYASNAYA GALEREYA"  
 ul. Poliny Osipenko, 41, RU-600009 Vladimir, RU  
 (540)



(591) Green, orange, golden-orange, yellow, white  
 and brown

(511)  
 29 – Ajvar [preserved peppers]; albumen for culinary purposes; albumin milk; alginates for culinary purposes; almonds, ground; aloe vera prepared for human consumption; anchovy; animal marrow for food; apple puree; bacon; beans, preserved; black pudding [blood sausage]; bone oil, edible; bouillon; bouillon concentrates; broth; broth concentrates; butter; buttercream; caviar; charcuterie; cheese; clams, not live; cocoa butter; coconut butter; coconut, desiccated; coconut fat; coconut oil; colza oil for food; corn oil; cranberry sauce [compote]; crayfish, not live; cream [dairy products]; croquettes; crustaceans, not live; crystallized fruits; curd; dates; edible birds' nests; edible fats; edible oils; eggs; fat-containing mixtures for bread slices; fatty substances for the manufacture of edible fats; fish fillets; fish meal for human consumption; fish mousses; fish, not live; fish, preserved; fish, tinned [canned (Am.)]; foods made from fish; frozen fruits; fruit-based snack food; fruit chips; fruit jellies; fruit peel; fruit, preserved; fruit preserved in alcohol; fruit pulp; fruit salads; fruit, stewed; fruits, tinned [canned (Am.)]; game, not live; gelatine; gherkins; ginger jam; ham; herrings; hummus [chickpea paste]; isinglass for food; jams; jellies for food; kefir [milk beverage]; kimchi [fermented vegetable dish]; kumys [kumyss] [milk beverage]; lard; lecithin for culinary purposes; lentils, preserved; linseed oil for culinary purposes; liver; liver pate; lobsters, not live; low-fat potato chips; margarine; marmalade; meat; meat extracts; meat jellies; meat, preserved; meat, tinned [canned

(Am.)]; milk; milk beverages, milk predominating; milk ferments for culinary purposes; milk products; milk shakes; mushrooms, preserved; mussels, not live; non-alcoholic eggnog; nuts, prepared; olive oil for food; olives, preserved; onions, preserved; oysters, not live; palm kernel oil for food; palm oil for food; peanut butter; peanuts, prepared; peas, preserved; pectin for culinary purposes; piccalilli; pickles; pollen prepared as foodstuff; pork; potato chips; potato flakes; potato fritters; poultry, not live; powdered eggs; prawns, not live; preparations for making bouillon; preparations for making soup; preserved garlic; prostokvasha [soured milk]; raisins; rennet; salmon; salted fish; salted meats; sardines; sauerkraut; sausages; sausages in batter; sea-cucumbers, not live; seaweed extracts for food; sesame oil; shellfish, not live; shrimps, not live; silkworm chrysalis, for human consumption; snail eggs for consumption; soups; soya beans, preserved, for food; soya milk [milk substitute]; spiny lobsters, not live; suet for food; sunflower oil for food; tahini [sesame seed paste]; toasted laver; tofu; tomato juice for cooking; tomato paste; tripe; truffles, preserved; tuna fish; vegetable juices for cooking; vegetable mousses; vegetable salads; vegetables, cooked; vegetables, dried; vegetable soup preparations; vegetables, preserved; vegetables, tinned [canned (Am.)]; whey; whipped cream; white of eggs; yogurt; yolk of eggs.

30 – Allspice; almond confectionery; almond paste; aniseed; aromatic preparations for food; artificial coffee; baking powder; baking soda [bicarbonate of soda for cooking purposes]; barley meal; bean meal; beer vinegar; binding agents for ice cream [edible ices]; bread; breadcrumbs; bread rolls; buns; cake powder; cakes; candy; capers; caramels [candy]; celery salt; cereal-based snack food; cereal preparations; cheeseburgers [sandwiches]; chewing gum; chicory [coffee substitute]; chips [cereal products]; chocolate; chocolate-based beverages; chocolate beverages with milk; chocolate mousses; chow-chow [condiment]; chutneys [condiments]; cinnamon [spice]; cloves [spice]; cocoa; cocoa-based beverages; cocoa beverages with milk; coffee; coffee-based beverages; coffee beverages with milk; coffee flavorings; condiments; confectionery; confectionery for decorating Christmas trees; cookies; cooking salt; corn flakes; corn flour; corn, milled; corn, roasted; couscous [semolina]; crackers; cream of tartar for culinary purposes; crushed barley; crushed oats; curry [spice]; custard; dessert mousses [confectionery]; dressings for salad; edible ices; essences for foodstuffs, except etheric essences and essential oils; farinaceous foods; ferments for pastes; flavorings, other than essential oils, for beverages; flavorings, other than essential oils, for cakes; flavorings, other than essential oils; flour; flour-milling products; fondants [confectionery]; frozen yogurt [confectionery ices]; fruit coulis [sauces]; fruit jellies [confectionery]; garden herbs, preserved [seasonings]; gingerb-

read; ginger [spice]; glucose for culinary purposes; gluten additives for culinary purposes; gluten prepared as foodstuff; golden syrup; groats for human food; halvah; ham glaze; high-protein cereal bars; hominy; hominy grits; honey; husked barley; husked oats; ice cream; iced tea; ice for refreshment; ice, natural or artificial; infusions, not medicinal; ketchup [sauce]; leaven; linseed for human consumption; liquorice [confectionery]; macaroni; macaroons [pastry]; malt biscuits; malt extract for food; malt for human consumption; maltose; marinades; marzipan; mayonnaise; meat gravies; meat pies; meat tenderizers, for household purposes; mint for confectionery; molasses for food; muesli; mustard; mustard meal; natural sweeteners; noodle-based prepared meals; noodles; nutmegs; oat-based food; oat flakes; oatmeal; pancakes; pasta; pasta sauce; pastilles [confectionery]; pastries; pastry dough; peanut confectionery; pepper; peppermint sweets; peppers [seasonings]; pesto [sauce]; petit-beurre biscuits; petits fours [cakes]; pies; pizzas; popcorn; potato flour for food, powders for ice cream; pralines; preparations for stiffening whipped cream; propolis; puddings; quiches; ravioli; relish [condiment]; rice; rice-based snack food; rice cakes; royal jelly; rusks; saffron [seasoning]; sago; salt for preserving foodstuffs; sandwiches; sauces [condiments]; sausage binding materials; seasonings; sea water for cooking; semolina; sorbets [ices]; soya bean paste [condiment]; soya flour; soya sauce; spaghetti; spices; spring rolls; star aniseed; starch for food; stick liquorice [confectionery]; sugar; sushi; sweetmeats [candy]; tabbouleh; tacos; tapioca; tapioca flour for food; tarts; tea; tea-based beverages; thickening agents for cooking foodstuffs; tomato sauce; tortillas; turmeric for food; unleavened bread; unroasted coffee; vanilla [flavoring]; vanillin [vanilla substitute]; vegetal preparations for use as coffee substitutes; vermicelli [noodles]; vinegar; waffles; wheat flour; wheat germ for human consumption; yeast.

43 – Accommodation bureaux [hotels, boarding houses]; bar services; boarding for animals; boarding house bookings; boarding houses; cafes; cafeterias; canteens; day-nurseries [creches]; food and drink catering; holiday camp services [lodging]; hotel reservations; hotels; motels; providing campground facilities; rental of chairs, tables, table linen, glassware; rental of cooking apparatus; rental of drinking water dispensers; rental of meeting rooms; rental of temporary accommodation; rental of tents; rental of transportable buildings; restaurants; retirement homes; self-service restaurants; snack-bars; temporary accommodation reservations; tourist homes.

(260) AM 2015 78311 A

(800) 1210693

(891) 2013 12 02

(731) Zakrytoe aktsionernoe obshchestvo

"MYASNAYA GALEREYA"

ul. Poliny Osipenko, 41, RU-600009 Vladimir, RU

(540)



(591) White and not uniform black color with gaps

(526) The trademark is protected as a whole. "®" shall not be subject to independent legal protection.

(511)

29 – Meat, fish, poultry and game; meat extracts; preserved, frozen, dried and cooked fruits and vegetables; jellies, jams, compotes; eggs; milk and milk products; edible oils and fats; ajvar [preserved peppers]; aloe vera prepared for human consumption; alginates for culinary purposes; anchovy; peanuts, processed; albumen for culinary purposes; white of eggs; beans, preserved; soya beans, preserved, for food; bouillon; ginger jam; ham; fatty substances for the manufacture of edible fats; toasted laver; edible birds' nests; peas, preserved; mushrooms, preserved; gelatine; meat jellies; jellies for food; fruit jellies; yolk of eggs; coconut fat; bone oil, edible; lard for food; suet for food; fruit-based snack food; charcuterie; raisins; caviar; processed fish spawn; yoghurt; sauerkraut; kefir [milk beverage]; isinglass for food; clams, not live; milk shakes; black pudding; meat, tinned; vegetables, tinned; fish, tinned; fruits, tinned; bouillon concentrates; gherkins; shrimps, not live; prawns, not live; buttercream; croquettes; silkworm chrysalis, for human consumption; kumys [kumyss] [milk beverage]; spiny lobsters, not live; lecithin for culinary purposes; salmon; onions, preserved; margarine; piccalilli; marmalade; peanut butter; chocolate nut butter; colza oil for food; coconut butter; corn oil; sesame oil; flaxseed oil for culinary purposes; palm oil for food; palm kernel oil for food; sunflower oil for food; coconut oil; butter; shellfish, not live; almonds, ground; animal marrow for food; mussels, not live; albumin milk; soya milk [milk substitute]; fishmeal for human consumption; vegetable mousses; fish mousses; fruit pulp; meat, preserved; milk beverages, milk predominating; potato fritters; olives, preserved; lobsters, not live; coconut, desiccated; nuts, prepared; tomato purée; liver pâté; pectin for culinary purposes; liver; pickles; jams; powdered eggs; kimchi [fermented vegetable dish]; food products made from fish; prostokvasha [soured milk]; poultry, not live; pollen prepared as foodstuff; cranberry sauce [compote]; apple purée; crayfish, not live; crustaceans, not live; fish, preserved; salted fish; vegetable salads; fruit salads; bacon; sardines; pork; herrings; processed seeds; processed sunflower seeds; cream [dairy products]; whipped cream; fat-containing mixtures for bread slices; tomato juice for cooking; vegetable juices for cooking; salted meats; sausages; sausages in batter; preparations for making

bouillon; preparations for making soup; tripe; soups; vegetable soup preparations; whey; cheese; tahini [sesame seed paste]; tofu; sea-cucumbers, not live; truffles, preserved; tuna fish; oysters, not live; milk ferments for culinary purposes; rennet; fish fillets; dates; crystallized fruits; frozen fruits; fruit preserved in alcohol; fruit, stewed; potato flakes; hummus [chickpea paste]; fruit peel; preserved garlic; lentils, preserved; potato chips; low-fat potato chips; fruit chips; non-alcoholic eggnog; seaweed extracts for food; snail eggs for consumption.

30 – Coffee; tea; cocoa; sugar; rice; tapioca; sago; artificial coffee; flour and preparations made from cereals; bread, pastry and confectionery; edible ices; sugar, honey, treacle; yeast, baking-powder; salt; mustard; vinegar, sauces [condiments]; spices; ice; aromatic preparations for food; flavorings [flavourings], other than essential oils, for cakes; flavorings [flavourings], other than essential oils, for beverages; coffee flavorings; flavoring, other than essential oils; star aniseed; high-protein cereal bars; pancakes; noodle-based prepared meals; buns; bread rolls; vanillin [vanilla substitute]; vanilla [flavoring]; waffles; vermicelli [noodles]; natural sweeteners; sausage binding materials; binding agents for edible ices; sea water for cooking; seaweed [condiment]; malt biscuits; cloves [spice]; cake frosting [icing]; glucose for culinary purposes; gluten additives for culinary purposes; yeast; thickening agents for cooking foodstuffs; leaven; rice-based snack food; cereal-based snack food; vegetal preparations for use as coffee substitutes; dressings for salad; fruit jellies [confectionery]; confectionery for decorating Christmas trees; cakes; pastries; peanut confectionery; almond confectionery; farinaceous food pastes; pasties; ginger [spice]; frozen yoghurt [confectionery ices]; capers; caramels [candy]; curry [spice]; gruel, with a milk base, for food; quiches; gluten prepared as foodstuff; sweetmeats [candy]; liquorice [confectionery]; peppermint sweets; cinnamon [spice]; unroasted coffee; starch for food; crackers; custard; hominy grits; semolina; oatmeal; crushed barley; groats for human food; corn, milled; corn, roasted; meat pies; turmeric for food; couscous [semolina]; farinaceous foods; noodles; ice for refreshment; ice, natural or artificial; edible ices; candy; rice cakes; mayonnaise; macaroons [pastry]; macaroni; maltose; hominy; marinades; marzipan; honey; royal jelly; ice cream; bean meal; tapioca flour for food; potato flour for food; corn flour; wheat flour; soya flour; barley meal; dessert mousses [confectionery]; chocolate mousses; muesli; mint for confectionery; cocoa beverages with milk; coffee beverages with milk; coffee-based beverages; tea-based beverages; chocolate beverages with milk; chocolate-based beverages; cocoa-based beverages; infusions, not medicinal; crushed oats; husked oats; nutmegs; stick liquorice [confectionery]; soya bean paste [condiment]; lozenges [confectionery]; molasses for food;

pepper; allspice; peppers [seasonings]; pesto; biscuits; petit-beurre biscuits; pies; pizzas; meat gravies; fondants [confectionery]; pop corn; powder for edible ices; mustard meal; pralines; condiments; meat tenderizers, for household purposes; cereal preparations; flour-milling products; oat-based food; bee glue; gingerbread; petits fours [cakes]; puddings; cake powder; fruit coulis [sauces]; ravioli; chewing gum; relish [condiment]; wheat germ for human consumption; spring rolls; aniseed; flaxseed for human consumption; golden syrup; cake paste; baking soda [bicarbonate of soda for cooking purposes]; malt for human consumption; salt for preserving foodstuffs; cooking salt; celery salt; sherbets [ices]; ham glaze; soya sauce; tomato sauce; spaghetti; seasonings; preparations for stiffening whipped cream; rusks; breadcrumbs; sushi; sandwiches; tabbouleh; tacos; cream of tartar for culinary purposes; tarts; almond paste; tortillas; garden herbs, preserved [seasonings]; vinegar; beer vinegar; ferments for pastes; halvah; bread; unleavened bread; chips [cereal products]; corn flakes; oat flakes; chicory [coffee substitute]; iced tea; chutneys.

43 – Services for providing food and drink; temporary accommodation; accommodation bureaux [hotels, boarding houses]; rental of temporary accommodation; rental of meeting rooms; tourist homes; hotel reservations; boarding house bookings; temporary accommodation reservations; hotels; retirement homes; snack-bars; cafés; cafeterias; motels; boarding houses; boarding for animals; rental of cooking apparatus; rental of chairs, tables, table linen, glassware; rental of tents; rental of transportable buildings; rental of drinking water dispensers; restaurants; self-service restaurants; canteens; holiday camp services [lodging]; bar services; providing campground facilities; food and drink catering; day-nurseries [crèches].

(260) AM 2015 78318 A

(800) 1210820

(891) 2014 03 26

(731) BEIQI FOTON MOTOR CO., LTD.

Laoniwan Village North, Shayang Road,  
Shahe Town, Changping District, 102206  
Beijing, CN

(540)



(591) Black, white

(511)

12 – Motor vehicles by land, air, water or rail; tip trucks; lifting vehicles; buses; cycle cars; cars; automobiles; concrete mixing vehicles; engines for land vehicles; automobile tires.

35 – Outdoor advertising; advertising; television advertising; advertising agencies; advertising by mail order; online advertising on a computer network; production of advertising films; layout services for advertising purposes; advertisement planning; commercial management consultancy; business appraisals; business investigations.

37 – Building construction supervision; construction information; rental of construction equipment; factory construction; drilling of wells; upholstery repair; air conditioner apparatus installation and repair; installation, maintenance and repair of computer hardware; installation and maintenance of illuminating apparatus; maintenance and repair of motor vehicles; vehicle washing services; vehicles lubricating services.

(260) AM 2015 78319 A

(800) 1210846

(891) 2014 02 28

(731) DAMIAN, GABRIEL, C

6510 E. Paseo Caballo, Anaheim CA 92807, US

(540)

**BLÜM**

(591) Black, white

(511)

5 – Adhesive bandages; adhesive bandages for skin wounds; adult diapers; babies' napkins; baby diapers; bandages for skin wounds; burn dressings; diapers for incontinence; disposable adult diapers; disposable diapers for incontinence; dressings for medical and surgical; gauze for dressings; incontinence diapers; inserts made of bamboo specially adapted for reusable babies' diapers; inserts made of microfiber specially adapted for reusable babies' diapers; inserts made of cloth specially adapted for reusable babies' diapers; medical and surgical dressings; medical dressings; menstruation bandages; menstruation pads; moleskin for use as a medical bandage; sanitary napkins; shoe deodorizers; surgical bandages; surgical dressings; wound dressings; wound dressings, namely, pledgets.

(260) AM 2015 78320 A

(800) 1210879

(891) 2014 03 21

(731) EGIS GYÓGYSZERGYÁR Zrt.

Keresztúri út 30-38, H-1106 Budapest, HU

(540)

**EVERESIST**

(511)

5 – Oncological and immunosuppressant human pharmaceutical preparations.

(260) AM 2015 78321 A

(800) 1210919

(891) 2014 06 11

(731) LINN MARKETING INC.

Belize Marina Towers, Suite 303, Newtown Barracks, Belize City, BZ

(540)

**ZOLOTOE ZERNO**

(511)

33 – Aperitifs; arrack [arak]; baijiu [Chinese distilled alcoholic beverage]; brandy; wine; piquette; whisky; vodka; anisette [liqueur]; kirsch; gin; digesters [liqueurs and spirits]; cocktails; curacao; anise [liqueur]; liqueurs; alcoholic beverages, except beer; pre-mixed alcoholic beverages, other than beer-based; alcoholic beverages containing fruit; distilled beverages; spirits [beverages]; mead [hydromell]; peppermint liqueurs; bitters; rum; sake; perry; cider; rice alcohol; alcoholic extracts; fruit extracts, alcoholic; alcoholic essences; nira [sugarcane-based alcoholic beverage].

(260) AM 2015 78322 A

(800) 1210944

(891) 2014 02 19

(731) FERRERO S.P.A.

Piazzale Pietro Ferrero, 1, I-12051 ALBA (CN), IT

(540)



(591) White, green, dark green, grey and dark grey

(511)

30 – Coffee, tea, cocoa and artificial coffee; rice; tapioca and sago; flour and preparations made from cereals; bread, pastry and confectionery, candy and chewing gum, candy and chewing gum without sugar; ices; sugar, honey, treacle; yeast, baking-powder; salt; mustard; vinegar, sauces (condiments); spices; ice.

(260) AM 2015 78323 A

(800) 1210956

(891) 2014 03 21

(731) EGIS GYÓGYSZERGYÁR Zrt.

Keresztúri út 30-38, H-1106 Budapest, HU

(540)

**EGIVERIN**

(511)

5 – Pharmaceutical preparations for human use, available on prescription.

(260) AM 2015 78443 A

(800) 1212439

(891) 2013 12 30

(731) KARTAL TEKSTİL SANAYİ VE TİCARET LİMİTED ŞİRKETİ

4. Organize Sanayi Bölgesi, 83407 Nolu  
Cadde, No:6, Gaziantep, TR

(540)



(591) Green and black

(511)

27 – Carpets, rugs, mats; prayer rugs of textile; linoleum for covering existing floors; other materials for covering existing floors, namely, rubber bath mats, rubber door mats, cork for use as a floor covering, cork mats, vinyl floor coverings, textile floor mats for use in the home; mats for gymnastics and wrestling; non-textile wall coverings, non-textile wall hangings, wall coverings of paper.

(260) AM 2015 78499 A

(800) 1213032

(891) 2014 05 06

(731) VIKTOR PETROVYCH SLOBODIANIUK

vul. Zhovtneva., 2, smt. Rudnytsia,  
Pishchanskyi r-n, Vinnyts'ka obl. 24723, UA

(540)



(591) Black, white

(511)

7 – Electric arc cutting apparatus; electric arc welding apparatus; electrodes for welding machines; soldering apparatus, electric; soldering irons, electric.

(260) AM 2015 78500 A

(800) 1213064

(891) 2013 12 20

(731) ROBERT KIRKMAN, LLC

8931 Ellis Avenue, North Tower, Floor 3,  
Los Angeles CA 90034, US

(540)

**THE WALKING DEAD**

(511)

9 – DVDs featuring an on-going fictional dramatic television program; video recordings featuring fictional dramatic television programming and music; sound recordings featuring fictional dramatic television programming and music; downloadable computer games; interactive video game programs; computer game cartridges and discs; downloadable computer game software for use with mobile telephones and personal computers; downloadable multimedia file containing artwork, text, audio, video, games, and internet web links relating to music and television; electronic game programs; electronic game software for cellular telephones; electronic game software for handheld electronic devices; electronic game software for wireless devices; video game cartridges and discs; video game software.

14 – Plastic key chains; non-metal and non-leather key chains.

16 – Books, poster books, coffee table books, bookends, posters, art prints, photographs, trading cards, calendars, stickers, bumper stickers, pencils, pens, greeting cards, paper party decorations, paperweights.

20 – Busts made of resins, plastics, polyresin, polystone, plaster, wax, wood or combinations of the aforesaid materials; statues made of resins, plastics, polyresin, polystone, plaster, wax, wood or combinations of the aforesaid materials; sculptures made of resins, plastics, polyresin, polystone, plaster, wax, wood or combinations of the aforesaid materials; figurines made of resins, plastics, polyresin, polystone, plaster, wax, wood or combinations of the aforesaid materials; picture frames.

25 – Clothing, tops, shirts, t-shirts, sweatshirts, jackets, bottoms, sleepwear, loungewear, bathrobes, beachwear, underwear, socks, infantwear, headwear, footwear, belts, wristbands, head wraps, Halloween costumes, masquerade costumes.

28 – Games, toys, parlour games, party games, tabletop games, tabletop hobby battle games in the nature of battle, war and skirmish games, and fantasy games, board games, card games, action skill games, target games, dart games, puzzle games, puzzles, action figures, toy figures, cases for action figures and toy figures, bobblehead dolls, amusement game machines, amusement apparatus incorporating a video monitor, amusement machines, namely, hand-held electronic game units adapted for use with an external display screen or monitor, arcade games, pinball and pinball-type games, amusement park rides, costume masks, lottery tickets, promotional game cards, promotional game materials, tal-

king toys, toy vehicles, toy weapons, toy model and replica weapons; slot machines; paper party favors.

41 – Fan club services in the nature of entertainment; entertainment services in the nature of an ongoing fictional dramatic television series; providing information about a television series via an on-line global computer network; providing online computer games.

(260) AM 2015 78504 A

(800) 1213105

(891) 2014 03 05

(731) DAQRI, LLC

1201 West 5th Street, Suite T800, Los Angeles CA 90017, US

(540)

## DAQRI

(511)

9 – Computer application software for mobile phones and handheld computers, namely, software for use in mixing physical objects with perspective based digital content; downloadable software for use in mixing physical objects with perspective based digital content; electroencephalography device featuring electrodes and wearable computing devices that create augmented reality images using brain waves.

42 – Providing on-line, non-downloadable software for use in mixing physical objects with perspective based digital content to create augmented reality applications and technology, for creating mobile web applications, for generating custom quick response codes, for creating coupons, contests, and games, for publishing 3D augmented reality graphics and animation and mobile web content, for use in creating customized marketing campaigns using such discovery methods as quick response codes, near field communication, and object recognition technologies; application service provider featuring software for use in mixing physical objects with perspective based digital content to create augmented reality applications and technology, for creating mobile web applications, for generating custom quick response codes, for creating coupons, contests, and games, for publishing 3D augmented reality graphics and animation and mobile web content, for use in creating customized marketing campaigns using such discovery methods as quick response codes, near field communication, and object recognition technologies; providing a web hosting platform for interactive printed materials for publishers and commercial printers; design and development of computer software.

(260) AM 2015 78550 A

(800) 1213657

(891) 2014 05 23

(731) BACARDI & COMPANY LIMITED

Aeulestrasse 5, FL-9490 Vaduz, LI

(540)



(591) Blue and grey

(511)

33 – Alcoholic beverages (except beers).

(260) AM 2015 78636 A

(800) 1214692

(891) 2014 01 22

(731) VALENTINO S.P.A.

Via Turati, 16/18, I-20121 MILANO, IT

(540)

## FEEL ROUGE

(511)

3 – Cosmetics, including night and day creams; face and body care and cleansing products, bath foam; shaving foam, aftershave; foundation cream; nail polish; deodorants for men and women; hand and body soaps; shampoos and hair rinses; hair spray; dentifrices; fragrances, namely, perfumes, eau de Cologne and essential oils for personal use for men and women.

9 – Optical apparatus and instruments, optical lenses, magnifying glasses, monocles, binoculars, opera glasses, goggles for sports, goggles for skiing, contact lenses, cases for contact lenses, spectacles, sunglasses, pince-nez; pince-nez mountings, cases for spectacles and sunglasses, cases for pince-nez, chains for spectacles and for sunglasses, frames for spectacles and sunglasses, eyeglass cords; telephone receivers, telephone apparatus, video telephones, mobile phones, antennas for mobile phones, batteries for mobile phones, chargers for mobile phones, cases for mobile phones, mobile phone straps, microphones for mobile phones, loudspeakers for mobile phones, earphones for mobile phones, hands-free kits for mobile phones; apparatus and instruments for recording, transmission or reproduction of sounds or images, magnetic data carriers, recording discs, sound recording discs, sound recording carriers, radios, television apparatus, recorded video discs, recorded video tapes, video recorders, compact discs, compact disc players, compact disc portable music players, portable music players, cases for portable music players; video cassettes, DVD players, DVD recorders; photographic and cinematographic apparatus and instruments, television cameras, digital cameras, video cameras; apparatus for recording, data processing and computer equipment, recorded computer software, downloadable computer programs, computers, floppy disks, computer keyboards, compact discs, computer peripheral devices, magnetic cards, monitors, optical discs, note-

book computers, mouse pads, computer game programs; chronographs, electronic agendas; protective helmets.

14 – Precious metals and their alloys and goods in precious metals or coated therewith, precious stones and their imitations, jewelry cases, boxes of precious metals, jewelry and imitation of jewelry, earrings, bracelets, trinkets, brooches, tie clips, pins, necklaces, rings, cuff links, key rings, shoe ornaments of precious metals, clocks and watches, chronometers, alarm clocks, wrist watches, table clocks, pocket watches, cases for watches, watch chains, watch bands and straps.

18 – Leather and imitations of leather, and goods made of these materials and not included in other classes; purses, school bags, school satchels, card cases, travelling trunks, backpacks, rucksacks, wallets, shopping bags, attaché cases, beach bags, bags, handbags, travelling bags, handbag frames, pouches, briefcases, cases of leather, vanity cases not fitted, leather key cases, suitcases, bags for sports, hat boxes of leather, garment bags for travel, leather shoulder belts, leather straps, fur, raw skins, dog collars, clothing for pets, umbrellas, walking sticks; whips, saddlery, harness fittings.

25 – Clothing, overalls, underwear, sweaters, shirts, jumpers, suits, ready-made clothing, trousers, outer clothing, knitwear, coats, skirts, petticoats, pullovers, overcoats, jackets, stuff jackets, ski jackets, ski pants, parkas, clothing of leather, T-shirts, blouses, pants, dressing gowns, formal dresses, vests, jerseys, pajamas, bathrobes, brassieres, camisoles, corselets, slippers, children's clothing, layettes, bathing caps, bathing suits, clothing for gymnastics, waterproof clothing, raincoats, masquerade costumes; footwear, slippers, bath slippers, boots, sport boots, horse-riding boots, galoshes, shoes, beach shoes, sandals, sport shoes, gymnastic shoes, overshoes; headgear, hats, caps, cap peaks; socks, sock suspenders, stockings, garters, gloves, mittens, muffs, shawls, ties, neckties, scarves and foulards (clothing article), veils, bandanas, furs (clothing), fur stoles; belts; wedding dresses.

(260) AM 2015 78641 A

(800) 1214745

(891) 2014 05 19

(731) BOUGHTSTUFF, INC.

1900 Embarcadero Road, Suite 204, Palo Alto  
CA 94306, US

(540)

**BoughtStuff**

(511)

9 – Downloadable mobile applications for retail consumer product support in the nature of providing links to user manuals, installation guides, how-to vi-

deos, manufacturer websites, repair services, warranty information and registration when consumers scan the bar codes of products; downloadable mobile applications for retail consumer product support in the nature of providing copies of receipts from purchases; downloadable mobile applications for retail consumer product support in the nature of software for personal inventory management; downloadable mobile applications for retail consumer product support, namely, software that provides personalized advertising and marketing promotions based on previous purchases.

(260) AM 2015 78647 A

(800) 925789

(891) 2014 05 23

(731) ÜNSALAN TEKSTİL SANAYİ VE  
TİCARET LİMİTED ŞİRKETİ

Mühürdar Eminpaşa Sokak İbnülemin,

Han N:50 Mercan, Eminönü, İstanbul, TR

(540)

**INTEGRAL**

(591) Black, white

(511)

25 – Clothing (outer clothing and underwear), underwear, athletic clothing, underpants, brassieres, underskirt, camisole, vests, garters, dressing gowns, nightgown, knitwear (clothing), jeans clothing, clothing of leather, overcoats, outerwear, raincoats, trench coat, jackets (clothing), trousers, skirts, clothings, waistcoats, shirts, tee-shirts, sweat-shirts, pullovers, cardigans, sweaters, blouses, shorts, overalls, smocks, casual wears, track suits, bathing suits, beach clothes, socks; footwears, shoes, boots, slippers, sports shoes, iron fittings for shoes, soles for footwear, heelpieces for boots and shoes, stockings, shoe uppers; headgear for wear, hats, berets, caps; scarfs, braces for clothing (suspenders), belts, neckties, bowties, gloves (clothing), shawls, collars (clothing), muffs, bandanas (neckerchiefs), wristbands (clothing).

(260) AM 2015 78648 A

(800) 953550

(891) 13-05-2014

(731) ALMIRALI, S.A.

Ronda General Mitre, 151, E-08022

Barcelona, ES

(540)

**GENSPIRE**

(511)

5 – Pharmaceutical products.

10 – Surgical and medical apparatus and instruments; inhalers.



(260) AM 2015 78671 A  
(800) 1214871  
(891) 2013 11 29

(731) KAR-DAĞ KARADENİZ GIDA DAĞITIM  
SANAYİ VE TİCARET ANONİM ŞİRKETİ  
Hançerli Mah. Çifte Hamam, Caddesi No:6/2,  
Samsun, TR

(540)



(591) Dark blue, white, red and pink  
(511)

5 – Pharmaceutical and veterinary preparations; sanitary preparations for medical purposes; dietetic food and substances adapted for medical or veterinary use, food for babies; dietary supplements for humans and animals; plasters, materials for dressings; material for stopping teeth, dental wax; disinfectants; preparations for destroying vermin; fungicides, herbicides.

35 – Advertising; business management; business administration; office functions.

(260) AM 2015 78906 A  
(800) 1216753  
(891) 2013 07 08  
(731) APPLE INC.

1 Infinite Loop, Cupertino CA 95014, US  
(540)



(591) Black, white  
(511)

9 – Computers; computer hardware; mobile digital electronic devices for sending and receiving of telephone calls, electronic mail, and for use as a handheld computer, digital audio and video player, personal digital assistant, electronic; organizer, electronic book reader, electronic notepad, electronic calendar, global positioning system (GPS) device, and camera; computer software for use in uploading, downloading, storing, backing up, transmitting, receiving, accessing, retrieving, managing, organizing, and synchronizing data, email, documents, images, audio, video multimedia content, electronic publications, computer files and other computer software; computer software for tracking the location of mobile digital electronic devices; computer software for use in accessing the Internet or other computer or communications networks; computer program for personal information management; electronic mail and messaging software; database synchronization software; database management software; computer

game software for use with or on personal computers, telephone, mobile telephones, of videophones; telephones; mobile telephones; videophones.

28 – Computer gaming machines, namely handheld units for playing electronic games for use with external display screen or monitor.

39 – Storage services for archiving electronic data (term considered too vague by the International Bureau – rule 13.2.b) of the Common Regulations); information and consultation therewith.

41 – Educational and entertainment services.

42 – Computer hardware and software consulting services; information relating to computer hardware or software provided on-line from global computer network or the Internet creating and maintaining Websites featuring technology that enables users to access stored data, images, audio, video and documents; hosting Website of others featuring technology that enables users to access stored data, images, audio, videos, and documents; providing search engines for obtaining data via communications networks; creating indexes of computer network-based information, sites, and other resources available on global computer networks for others; application service provider (ASP) services featuring computer software to enable uploading, posting, showing, displaying, sharing or otherwise providing electronic media or information over the Internet or other communications network; application service provider (ASP) services featuring software for authoring, downloading, transmitting, receiving, editing, extracting, encoding, decoding, displaying, reviewing, storing and organizing text, graphics, images, audio files, video files, electronic games and electronic publications; application service provider (ASP) services featuring software for use in connection with online music subscription service; information, advisory, and consultancy services relating to all the aforesaid; electronic storage of data, text, images, audio and video.

(260) AM 2015 78908 A  
(800) 1216766  
(891) 2013 11 18

(731) VIGOSS TEKSTİL KONFEKSİYON  
SANAYİ VE TİCARET LIMITED ŞİRKETİ  
Evren Mahallesi Gülbahar Caddesi, Yeşiltepe  
Sokak No:5, Güneşli Bağcılar, İstanbul, TR

(540)



(591) Black, white and red

(511)

3 – Bleaching preparations and other substances for laundry use; cleaning, polishing, scouring and abrasive preparations; soaps; perfumery, essential oils, cosmetics, hair lotions; dentifrices; personal deodorants.

9 – Sunglasses; cases for eyeglasses; cases for sunglasses; cases for spectacles; eyeglasses; parts and accessories for eyeglasses; parts and accessories for spectacles; contact lenses.

14 – Precious metals and their alloys and goods in precious metals or coated therewith, not included in other classes; jewellery, precious stones; horological and chronometric instruments; imitation jewellery; tie pins; sculptures made of precious metal; statuettes of precious metal; cuff links; gold; jewels; watches; watch bands.

18 – Leather and imitations of leather, and goods made of these materials and not included in other classes; animal skins, hides; trunks and travelling bags; umbrellas and parasols; walking sticks; whips, harness and saddlery; all-purpose leather straps; leather unworked or semi-worked; key cases of leather and skins; cases of leather or leatherboard; boxes of leather or leatherboard; stirrups; saddle belts.

22 – Ropes, string, nets, tents, awnings, tarpaulins, sails, sacks and bags (not included in other classes); padding and stuffing materials (except of rubber or plastics); raw fibrous textile materials; rope ladders; cord; hammocks; fishing nets; sails; vehicle covers not fitted; packaging bags made of textile; synthetic fibers for textile use; glass fibers [fibres] for textile use.

23 – Yarns and threads, for textile use; sewing thread for textile use; elastic thread for textile use; embroidery thread; knitting yarn; cotton thread.

24 – Textiles and textile goods, not included in other classes; bed covers; table covers; woven or non-woven textile fabrics; household linen; curtains; linen [fabric]; bed linen; bed sheets; pillow cases; lap blankets; bed blankets; duvets; towels of textile; fabric flags; cloth pennants; textile labels.

25 – Clothing; footwear; headgear; underwear; socks.

26 – Lace and embroidery, ribbons and braid; buttons, hooks and eyes, pins and needles; artificial flowers; festoons [embroidery]; ribbons of textile; hair bands; hat bands; arm bands [clothing accessories]; numerals or letters for marking linen; bra pads for clothing; shoulder pads for clothing; buckles for clothing; zippers; shoe buckles; belt buckles; cords for clothing; pin and needle cushions; sewing needles; sewing machine needles; knitting needles; boxes for needles; artificial fruit; wigs; hair twisters [hair

accessories]; claw clips [hair accessories]; jaw clips [hair accessories]; snap clips [hair accessories]; tapes for curtain headings; rivet buttons.

35 – Advertising; business management; business administration; office functions; marketing services; public relations services; organisation of exhibitions for commercial or advertising purposes; organisation of trade fairs for commercial or advertising purposes; secretarial services; arranging newspaper subscriptions for others; compilation of business statistics and commercial information; office machines and equipment rental; compilation of information into computer databases; telephone answering for unavailable subscribers; business consultancy services; accounting services; job placement services; recruitment services; export-import agency services; business efficiency expert services; arranging and conducting auctions; the bringing together, for the benefit of others, of a variety of goods, including bleaching preparations and other substances for laundry use, cleaning, polishing, scouring and abrasive preparations, soaps, perfumery, essential oils, cosmetics, hair lotions, dentifrices, personal deodorants, sunglasses, cases for eyeglasses, cases for sunglasses, cases for spectacles, eyeglasses, parts and accessories for eyeglasses, parts and accessories for spectacles, contact lenses, precious metals and their alloys and goods in precious metals or coated therewith, included in class 14, jewellery, precious stones, horological and chronometric instruments, imitation jewellery, tie pins, sculptures made of precious metal, statuettes of precious metal, cuff links, gold, jewels, watches, watch bands, leather and imitations of leather, and goods made of these materials included in class 18, animal skins, hides, trunks and travelling bags, umbrellas and parasols, walking sticks, whips, harness and saddlery, all-purpose leather straps, leather unworked or semi-worked, key cases of leather and skins, cases of leather or leatherboard, boxes of leather or leatherboard, stirrups, saddle belts, ropes, string, nets, tents, awnings, tarpaulins, sails, sacks and bags (included in class 22), padding and stuffing materials (except of rubber or plastics), raw fibrous textile materials, rope ladders, cord, hammocks, fishing nets, sails, vehicle covers not fitted, packaging-bags made of textile, synthetic fibers for textile use, glass fibers [fibres] for textile use, yarns and threads, for textile use, sewing-thread for textile use, elastic thread for textile use, embroidery thread, knitting yarn, cotton thread, textiles and textile goods included in class 24, bed covers, table covers, woven or non-woven textile fabrics, household linen, curtains, linen [fabric], bed linen, bed sheets, pillow cases, lap blankets, bed blankets, duvets, towels of textile, fabric flags, cloth pennants, textile labels, clothing, footwear, headgear, underwear, socks, lace and embroidery, ribbons and braid, buttons, hooks and eyes, pins and needles, artificial flowers, festoons [embroidery], ribbons of textile, hair bands, hat bands, arm bands [clothing accessories], numerals or letters for mar-

king linen, bra pads for clothing, shoulder pads for clothing, buckles for clothing, zippers, shoe buckles, belt buckles, cords for clothing, pin and needle cushions, sewing needles, sewing machine needles, knitting needles, boxes for needles, artificial fruit, wigs, hair twisters [hair accessories], claw clips [hair accessories], jaw clips [hair accessories], snap clips [hair accessories], tapes for curtain headings, rivet buttons, excluding the transport thereof, enabling customers to conveniently view and purchase those goods.

(260) AM 2015 78914 A

(800) 1216785

(891) 2014 01 16

(731) SBM group FZCO

P.O. Box 26 11 41, Dubai, AE

(540)



(591) Orange, black and white

(511)

7 – Mechanically operated, electrically operated or motor-driven equipment or machines for agriculture, horticulture and forestry, for construction of machines, apparatus and vehicles as well as for civil engineering; machine tools; compressors (machines), engines and pumps (machines) for use in connection with the control of such tools and implements; household and kitchen machines and appliances, included in this class, including electric kitchen machines and appliances, including mixing, stirring and kneading devices, squeezing devices, electric juice extractors, juice centrifuges, grinding devices, cutting devices, motor-driven tools, can openers, knife grinding devices and machines and appliances for the preparation of beverages and/or food; electric garbage disposal devices, including garbage grinders and garbage compactors; dishwashing machines; electric machines and appliances for treating linen and clothes (except drying machines), including washing machines, spin driers, ironing presses, ironing machines; electric cleaning devices for the household including electric window cleaning devices and electric shoe cleaning devices and vacuum cleaners; parts of all the aforementioned goods, included in this class, including hoses, tubes, dust filters, dust filter bags, all of which are intended for vacuum cleaners; electric tool; electric hand drills; hand tools (other than hand-operated); guns for paint (hand tools); machines for polishing (electric); pumps (machines); centrifugal pumps; saws (machines); chain saws; electric glue guns; air brushes for applying colour; electric welding machines; air pumps (garage installations); automatic vending and distribution machines, in particular for beverages and food;

electrically operated sealing machines, in particular foil welding apparatus.

8 – Hand-operated tools and hand-operated implements for agriculture, horticulture and forestry, for construction of machines, apparatus and vehicles and for civil engineering; electric flat irons.

9 – Electric kitchen scales and scales for weighing persons; remote operating, signaling and controlling devices for household and kitchen machines and apparatus; pre-recorded and virgin machine-readable data carriers for household appliances; data processing devices and data processing programmes for the control and operation of household appliances; parts of all the aforementioned goods, as far as included in this class.

11 – Heating, steam generating and electric cooking devices, in particular heaters, furnaces (heating apparatus), cookers, stoves, apparatus for baking, roasting, grilling, toasting and thawing as well as hot plates, immersion heaters, self-heating cooking pots, microwave devices, electric tea and coffee machines; cooling or freezing apparatus, in particular refrigerators, freezer chests, combined cooling/freezing apparatus, ice making machines and apparatus; drying devices, including clothes driers, clothes drying apparatus, hand driers, hair drying devices; ventilation devices, in particular ventilators, vapour filtering installations, vapour extraction devices and cooker hoods, air conditioning apparatus, including devices for improving the quality of air, air humidifiers; water conducting devices, including sanitary apparatus, and also fittings for steam, air and water conduit systems, warm water devices, storage water heaters and flow heaters; dish washing basins; heat pumps; electric apparatus for making ice cream; parts of all the aforementioned goods, included in this class.

37 – Maintenance and repair of the equipment, machine tools and hand tools, machines, devices for household, agriculture, horticulture and forestry, for construction of machines, apparatus and vehicles as well as for civil engineering.

(260) AM 2015 78915 A

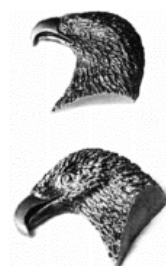
(800) 1216793

(891) 2014 02 05

(731) STEFANO RICCI S.P.A.

Via Faentina, 171, I-50010 FIESOLE (FI), IT

(540)



(591) Black, white

(554) [X]

(511)

3 – Soaps, shaving soaps, after-shave lotions, cosmetic preparations for baths, shampoos, perfumery, eau de toilette, essential oils, aromatics, hair lotions, balms other than for medical purposes, dentifrices, cosmetics.

9 – Eyeglasses, spectacle frames, eyeglass cases.

14 – Wristwatches, pocket watches, table clocks, clocks, horology cases for clock and watch making; chronometers; rings, bracelets, tie clips in precious metal, ornamental chains in precious metal, cuff links, jewellery namely brooches of precious metal, buttons in precious metal.

18 – Key cases (leather goods), canes, umbrella sticks, travelling trunks, bags, travelling bags (made of leather), reins, card cases (pocket wallets), briefcases (leather goods), coverings of skins (furs), briefcases, hides (animal skins), pocket wallets, purses; suitcases, attaché cases, travelling bags, rucksacks; saddlery, horse halters, horse collars, horse blankets, riding saddles, horseshoes, halters.

25 – Clothing, suits, bathrobes, bathing suits, bathing trunks, beach clothes, berets, body linen, underwear, blouses, suspenders, footwear, sports footwear, stockings, socks, dressing gowns, shirts, hats, overcoats, belts (clothing), layettes, ties, bow ties, pocket squares, silk squares, foulards (clothing articles), sashes for wear, sashes for smoking suits, coats, stuff jackets, duffle coats, gloves (clothing), raincoats, leather clothing, hosiery, singlets, turtleneck sweaters, sweaters, pullover, pelerines, trousers, slippers, pelisses, furs (clothing), pyjamas, sandals, shoes, scarves, half-boots, boots, T-shirts.

35 – Advertising; business management; business administration; office functions; services consisting of bringing together various items so that customers can view and purchase them; retail services, also for others, of perfumery, cosmetics, eyeglasses, jewellery, horological and chronometric instruments, leather goods, household goods, clothing articles, footwear, cutlery, lightening apparatus, vehicles, crafts, aircrafts, smokers' articles; retail services of perfumery, cosmetics, eyeglasses, jewellery, horological and chronometric instruments, leather goods, household goods, household linens and bed linens, clothing articles, footwear, cutlery, lightening apparatus, vehicles, crafts, aircrafts, smokers' articles.

(260) AM 2015 78916 A

(800) 1216794

(891) 2014 02 05

(731) STEFANO RICCI S.P.A.

Via Faentina, 171, I-50010  
FIESOLE (FI), IT

(540)



(591) Black, white

(511)

3 – Soaps, shaving soaps, after-shave lotions, cosmetic preparations for baths, shampoos, perfumery, eau de toilette, essential oils, aromatics, hair lotions, balms other than for medical purposes, dentifrices, cosmetics.

9 – Eyeglasses, spectacle frames, eyeglass cases.

14 – Wristwatches, pocket watches, table clocks, clocks, horology cases for clock and watch making; chronometers; rings, bracelets, tie clips in precious metal, ornamental chains in precious metal, cuff links, jewellery namely brooches of precious metal, buttons in precious metal.

18 – Key cases (leather goods), canes, umbrella sticks, travelling trunks, bags, travelling bags (made of leather), reins, card cases (pocket wallets), briefcases (leather goods), coverings of skins (furs), briefcases, hides (animal skins), pocket wallets, purses; suitcases, attaché cases, travelling bags, rucksacks; saddlery, horse halters, horse collars, horse blankets, riding saddles, horseshoes, halters.

25 – Clothing, suits, bathrobes, bathing suits, bathing trunks, beach clothes, berets, body linen, underwear, blouses, suspenders, footwear, sports footwear, stockings, socks, dressing gowns, shirts, hats, overcoats, belts (clothing), layettes, ties, bow ties, pocket squares, silk squares, foulards (clothing articles), sashes for wear, sashes for smoking suits, coats, stuff jackets, duffle coats, gloves (clothing), raincoats, leather clothing, hosiery, singlets, turtleneck sweaters, sweaters, pullover, pelerines, trousers, slippers, pelisses, furs (clothing), pyjamas, sandals, shoes, scarves, half-boots, boots, T-shirts.

35 – Advertising; business management; business administration; office functions; services consisting of bringing together various items so that customers can view and purchase them; retail services, also for others, of perfumery, cosmetics, eyeglasses, jewellery, horological and chronometric instruments, leather goods, household goods, clothing articles, footwear, cutlery, lightening apparatus, vehicles, crafts, aircrafts, smokers' articles; retail services of perfumery, cosmetics, eyeglasses, jewellery, horological and chronometric instruments, leather goods, household goods, household linens and bed linens, clothing articles, footwear, cutlery, lightening apparatus, vehicles, crafts, aircrafts, smokers' articles.

(260) AM 2015 78921 A  
 (800) 1216827  
 (891) 2014 06 12  
 (731) SERIZAWA JINTA  
 View Higts Ohno 403, 10-8, Saginomiya  
 1-chome, Nakano-ku, Tokyo 165-0032, JP  
 (540)



(591) Black, white, light brown  
 (511)  
 28 – Darts; game machines and apparatus.

(260) AM 2015 78923 A  
 (800) 1216844  
 (891) 2014 06 26  
 (731) ASK Chemicals GmbH  
 Reisholzstr. 16-18, 40721 Hilden, DE  
 (540)

## ISOVENTS

(511)  
 7 – Foundry machines and installations consisting thereof; machines and parts of machines for use in the manufacture of foundry cores; core box vents as parts of machines in the field of foundry engineering; core box vents as parts of machines for use in the manufacture of foundry cores for metal casting.

(260) AM 2015 78924 A  
 (800) 1216902  
 (891) 2014 03 31  
 (731) WORLD MEDICINE İLAÇ SANAYİ VE  
 TİCARET ANONİM ŞİRKETİ  
 Evren Mah., Camiyolu Cad. No:50 K.1  
 B Zemin 4-5-6, GÜNESLİ/BAGCILAR/İS-  
 TANBUL, TR  
 (540)

## APTURET АПТУРЕТ

(591) Black, white  
 (511)  
 5 – Medicines for human purposes, medicines for veterinary purposes, vitamin preparations, chemical preparations for medical purposes, dietetic substances adapted for medical use; dietetic foods adapted for medical purposes; baby foods, medicinal herbs, herbal beverages adapted for medical purposes, nutritional supplements, pollen dietary supplements, mineral food supplements, protein dietary supplements; dietary supplements for animals; fodder sup-

plements for veterinary purposes; medicines for dental purposes, hygienic products for medical purposes including sanitary pads, breast-nursing pads and bunion pads, waddings for medical purposes, plasters for medical purposes, dressings for medical purposes, babies' napkins, preparations for destroying noxious plants, preparations for destroying noxious animals, fungicides, deodorants other than for human beings or for animals, air deodorising preparations, disinfectants for hygiene purposes, antiseptics, detergents for medical purposes.

(260) AM 2015 78929 A  
 (800) 1216909  
 (891) 2014 04 21  
 (731) Obshchestvo s ogranichennoy  
 otvetstvennostju "LABORATORIYA  
 GEMOTEST"  
 21, bl. 2, Rojdestvenskiy boulevard,  
 RU-107031 Moscow, RU  
 (540)



(591) Green, yellow and grey  
 (511)  
 44 – Hospitals; nursing homes; medical clinic services; aromatherapy services; medical assistance services, including medical diagnostic services, medical diagnostic services [testing and analysis], medical examination services, physical therapy, pharmacy advice, blood bank services; nursing, medical; services of a psychologist.

(260) AM 2015 78930 A  
 (800) 1216911  
 (891) 2014 06 20  
 (731) Przedsiębiorstwo Wielobranżowe  
 "VET-AGRO"  
 Sp. z o.o. ul. Gliniana 32, PL-20-616  
 Lublin, PL  
 (540)

## marbovet

(511)  
 5 – Biocides, veterinary preparations.

(260) AM 2015 78931 A  
 (800) 1216912  
 (891) 2014 06 20  
 (731) Przedsiębiorstwo Wielobranżowe  
 "VET-AGRO"  
 Sp. z o.o. ul. Gliniana 32, PL-20-616  
 Lublin, PL

(540)

**vetamar**

(511)

5 – Biocides, veterinary preparations, medicines for veterinary purposes.

(260) AM 2015 78932 A

(800) 1216913

(891) 2014 07 07

(731) LODESTAR ANSTALT (a Liechtenstein company)

Lova-Center, PO Box 1150, FL-9490

Vaduz, LI

(540)

**MacWhisky**

(511)

33 – Scotch whisky; alcoholic beverages (except beer); distilled, spirits; rum; whiskey; vodka; gin; distilled beverages; liqueurs; cocktails.

(260) AM 2015 78933 A

(800) 1216918

(891) 2014 08 20

(731) MERCK KGAA

Frankfurter Str. 250, 64293 Darmstadt, DE

(540)

**KUVAN**

(511)

5 – Pharmaceutical preparations, namely pharmaceuticals comprising tetrahydrobiopterin (BH4) and related compounds for treatment of phenylketonuria.

(260) AM 2015 78934 A

(800) 1216923

(891) 2014 04 29

(731) CHANGZHOU TRINA SOLAR ENERGY CO.,LTD.

No:2 Trina Road, Trina PV Park, Xinbei

District, 213031 Changzhou, Jiangsu, CN

(540)



(591) Bright blue and red

(511)

4 – Electrical energy; atomic energy; energy produced by nuclear fusion; candles; tapers; lamp wicks; fuel gas; lubricating oil; motor fuel; fuel; petroleum, raw or refined.

9 – Galvanic cells; single crystal silicon wafers; polysilicon wafers; semiconductor apparatus; solar batteries; junction boxes (electricity); accumulators, electric; battery chargers; chips (integrated circuits);

inverters (electricity); cell switches (electricity); reducers (electricity); alternating current controllers; direct current controllers; thunder defending junction boxes; distribution boxes (electricity).

11 – Street lamps; standard lamps; solar thermal collectors (heating); solar water heaters; lighting apparatus and installations; water heaters; pocket warmers; solar furnaces; heating apparatus; lamp mantles; lamp casings.

19 – Roofing, not of metal, incorporating solar cells; luminous paving; lighting slabs; cement; building timber; lumber; posts, not of metal, for electric power lines; poles, not of metal, for electric power lines; felt for building; wooden floors.

(260) AM 2015 78936 A

(800) 1216963

(891) 2014 05 02

(731) IVOCLAR VIVADENT AG

Bendererstrasse 2, FL-9494 Schaan, LI

(540)

**e.matrix**

(511)

5 – Dental impression and filling materials of ceramics, composites or synthetic materials.

10 – Dental apparatus, namely mounting systems for dental milling blocks made of ceramics, composites or synthetic materials.

(260) AM 2015 78937 A

(800) 1216990

(891) 2014 05 14

(731) KARELIA TOBACCO COMPANY INC

Athinon Street, GR-241 00 Kalamata, GR

(540)

**ORIENTAL MIST**

(511)

34 – Tobacco; cigars, cigarettes, cigarillos; smokers' articles; ashtrays, cigarette cases, cigarette lighters, cigarette papers and matches.

(260) AM 2015 79170 A

(800) 275759

(891) 2014 06 17

(731) CHURCH &amp; DWIGHT CO., INC.

500 Charles Ewing Boulevard, Ewing NJ

08628, US

(540)

**FEMFRESH**

(511)

3 – Cosmetics.

5 – Pharmaceutical products.

---

(260) AM 2015 79171 A  
 (800) 618006  
 (891) 2014 05 13  
 (731) MAPED  
 530, route de Pringy, F-74370  
 ARGONAY, FR  
 (540)

## MAPED

(511)  
 8 – Hand-operated hand tools and implements; cutlery, knives with retractable blades (cutters), scissors, side arms (other than firearms), razors.

16 – Paper, cardboard and goods made of these materials not included in other classes; printing products; bookbinding material; photographs; stationery; adhesives (glues) for stationery or household purposes; artists' materials; paintbrushes; typewriters and office requisites (except furniture); bulldog clips, drawing pins, letter clips, map tacks, elastic bands for offices, stapling appliances, paper clips, staple removers, paper perforating apparatus, stamps, inking pads, telephone directories; instructional or teaching material (except apparatus); writing or drawing instruments, compasses, balustrading, rulers, squares, lettering stencils, pens, pencils, pencil sharpeners, ink, India ink, writing slates, sponges for drawing slates, geographical maps for drawing, rubber erasers, instruments for erasing ink.

---

(260) AM 2015 79172 A  
 (800) 624432  
 (891) 2014 09 02  
 (731) CHOPARD INTERNATIONAL SA  
 Route de Promenthoux CH-1197 Prangins,  
 CH  
 (540)

## CHOPARD

(511)  
 14 – Precious metals and their alloys and objects made of these materials or coated therewith; time-pieces, namely, mechanical hand-winded and self-winded watches, quartz watches, movements, boxes, dials, watch bracelets for watches, watchmaking materials, clocks, small clocks, quartz or hand-winded alarm clocks, all chronometric apparatus, dress watches and all other time-measuring apparatus; real and fake jewelry, precious stones, bracelets, rings, necklaces, pendants, earrings, cuff links, key rings, brooches, tie pins; all the aforementioned goods with or without precious stones and/or diamonds.

(260) AM 2015 79173 A  
 (800) 960283  
 (891) 2014 06 25  
 (731) SFERA JOVEN, S.A.  
 Hermosilla, 112, E-28009 MADRID, ES  
 (540)

( Sfera )

(591) Black, white  
 (511)  
 3 – Bleaching preparations and other substances for laundry use; cleaning, polishing, scouring and abrasive preparations; soaps; perfumery, essential oils, cosmetics, hair lotions; dentifrices.

14 – Precious metals and their alloys and goods in precious metals or coated therewith not included in other classes; jewellery, precious stones; horological and chronometric instruments.

18 – Leather and imitations of leather, and goods made of these materials and not included in other classes; animal skins, hides; umbrellas, parasols and walking sticks; whips, harness and saddlery, except suitcases and travel goods.

25 – Clothing, footwear and headgear.

28 – Games and playthings; gymnastic and sporting articles not included in other classes; decorations for Christmas trees.

---

(260) AM 2015 79174 A  
 (800) 961140  
 (891) 2014 06 25  
 (731) SFERA JOVEN, S.A.  
 Hermosilla, 112, E-28009 MADRID, ES  
 (540)

( Sfera )

(591) Black, white  
 (511)  
 35 – Retail sales exclusively from shops of bleaching preparations and other substances for laundry use, cleaning, polishing, scouring and abrasive preparations, soaps, perfumery, essential oils, cosmetics, hair lotions, dentifrices, precious metals and their alloys and products made from these materials or coated therewith, jewellery, precious stones, horological and chronometric instruments, leather and imitations of leather, goods made from these materials, animal skins, hides, umbrellas, parasols and walking sticks, whips, harness and saddlery, clothing, footwear and headgear.

(260) AM 2015 79175 A  
 (800) 1016749  
 (891) 2014 10 22  
 (731) MERZ PHARMA GMBH & CO. KGAA  
 Eckenheimer Landstrasse 100, 60318  
 Frankfurt, DE  
 (540)

## Belotero

(511)  
 3 – Cosmetics.  
 5 – Pharmaceutical preparations; sanitary preparations, medical products; medical dermatological preparations.

(260) AM 2015 79176 A  
 (800) 1043733  
 (891) 2014 06 26  
 (731) CITY SIGHTSEEING LIMITED  
 Unit 4 Pathlow Farm, Featherbed Lane,  
 Wilmcote, Stratford-Upon-Avon,  
 Warwickshire CV37 0ER, GB  
 (540)



(591) Dark pink; yellow  
 (511)  
 12 – Vehicles; open-top buses and coaches; closed-top buses and coaches.  
 35 – Advertising services; business management services.

(260) AM 2015 79178 A  
 (800) 1191557  
 (891) 2014 10 13  
 (731) AFS BORU SANAYİ ANONİM ŞİRKETİ  
 Kuşkondu Sokak, No:1, TR-06690 Çankaya –  
 Ankara, TR  
 (540)



(591) Blue  
 (511)  
 6 – Common metals and their alloys; metal building materials; transportable buildings of metal; materials of metal for railway tracks; non-electric cables and wires of common metal; ironmongery, small items of metal hardware; pipes and tubes of metal; safes; goods of common metal not included in other classes; ores.

(260) AM 2015 79179 A  
 (800) 1092983  
 (891) 2014 10 13  
 (731) Obshchestvo s ogranichennoy  
 otvetstvennostyu "TD SCARLET-21 VEK"  
 korp. 5, 9, ul. Akad. Koroleva, RU-129515  
 Moscow, RU  
 (540)

## Калейдоскоп kaleidoscope

(511)  
 3 – Cotton wool for cosmetic purposes, cotton sticks for cosmetic purposes, deodorants for personal use; perfumes; greases for cosmetic purposes; eyebrow pencils; cosmetic pencils; adhesives for affixing false eyelashes; adhesives for affixing false hair; cosmetic dyes; laundry starch; cosmetic creams; skin whitening creams; creams, waxes for leather; hair spray; nail polish; after-shave lotions; hair lotions; lotions for cosmetic purposes; beauty masks; oils for perfumes and scents; oils for cosmetic purposes; adhesives for cosmetic purposes; cleansing milk for toilet purposes; soap; disinfectant soap; deodorant soap; cakes of toilet soap; medicated soap; cosmetic kits; false nails; eau de cologne; lipsticks; pomades for cosmetic purposes; shaving preparations; cosmetic preparations for baths; toiletries; hair waving preparations; color-removing preparations; lacquer-removing preparations; nail care preparations; make-up powder; false eyelashes; tissues impregnated with cosmetic lotions; bath salts, not for medical purposes; astringents for cosmetic purposes; eyebrow cosmetics; sunscreen preparations; hair colorants; cosmetic preparations for eyelashes; depilatory preparations; cosmetic preparations for skin care; cosmetics; mascara; bleaching preparations [decolorants] for cosmetic purposes; antiperspirants [toiletries]; talcum powder, for toilet use; shampoos.

(260) AM 2015 79181 A  
 (800) 1122193  
 (891) 2014 06 06  
 (731) Zakrytoe aktsionernoe obshchestvo  
 "PHARMFIRMA "SOTEX"  
 d. 11, pos. Belikovo, Selskoe poselenie  
 Bereznyakovskoe, Sergievo-Posadsky  
 municipalny rayon, RU-141345  
 Moscovskaya obl., RU  
 (540)

## Neyroks

(511)  
 5 – Pharmaceutical preparations; veterinary preparations; sanitary preparations for medical purposes; dietetic substances adapted for medical purposes; plasters for medical purposes; dressings, medical; teeth filling material; dental impression materials; disinfectants for hygiene purposes.



(260) AM 2015 79182 A

(800) 1126634

(891) 2014 06 06

(731) Zakrytoe aktsionernoe obshchestvo  
"PHARMFIRMA "SOTEX"  
d. 11, pos. Belikovo, Selskoe poselenie  
Bereznjakovskoe, Sergievo-Posadsky  
municipalny rayon, RU-141345  
Moscovskaya obl., RU

(540)

## КомплигамВ KompligamВ

(591) Black, white

(511)

5 – Pharmaceutical preparations; veterinary preparations; dietetic substances adapted for medical use; plasters for medical purposes; amino acids for veterinary purposes; amino acids for medical purposes; antibiotics; germicides; balms for medical purposes; biocides; vaccines; dietetic substances adapted for medical use; radioactive substances for medical purposes; mineral water for medical purposes; haematogen; haemoglobin; glucose for medical purposes; hormones for medical purposes; mustard for pharmaceutical purposes; mustard plasters; mud for baths; medicinal mud; diastase for medical purposes; additives to fodder for medical purposes (terms too vague in the opinion of the International Bureau – Rule 13(2)(b) of the Common Regulations); mineral food-supplements; nutritional additives for medical purposes; yeast for pharmaceutical purposes; gelatin(e) for medical purposes; cod liver oil; camphor for medical purposes; capsules for medicines; cachets for pharmaceutical purposes; candy for medical purposes; acids for pharmaceutical purposes; adhesive bands for medical purposes; candy, medicated; medicinal roots; blood for medical purposes; cultures of microorganisms for medical and veterinary use; adhesive plaster; medicines for alleviating constipation; lecithin for medical purposes; lotions for veterinary purposes; lotions for pharmaceutical purposes; liniments; ointments for pharmaceutical purposes; medicinal oils; drugs for medical purposes; medicines for veterinary purposes; medicines for human purposes; medicines for dental purposes; medicinal drinks; flour for pharmaceutical purposes; fishmeal for pharmaceutical purposes; first-aid boxes, filled; dietetic beverages adapted for medical purposes; medicinal infusions; tinctures for medical purposes; decoctions for pharmaceutical purposes; pills for pharmaceutical purposes; eyepatches for medical purposes; bunion pads; pomades for medical purposes; anti-uric preparations; bacterial preparations for medical and veterinary use; balsamic preparations for medical purposes; vitamin preparations; therapeutic preparations for the bath; pharmaceutical preparations for skin care; contact lens clea-

ning preparations; bath preparations, medicated; albuminous foodstuffs for medical purposes; dietetic foods adapted for medical purposes; by-products of the processing of cereals for medical purposes; solvents for removing adhesive plasters; vaginal washes; solutions for use with contact lenses; chewing gum for medical purposes; tissues impregnated with pharmaceutical lotions; suppositories; tobacco-free cigarettes for medical purposes; syrups for pharmaceutical purposes; soporifics; anaesthetics; antiseptics; analgesics; adjuvants for medical purposes; styptic preparations; anthelmintics; disinfectants for hygiene purposes; appetite suppressants for medical purposes; medical preparations for slimming purposes; febrifuges; depuratives; articles for headache; remedies for perspiration; remedies for foot perspiration; tonics [medicines]; nervines; digestives for pharmaceutical purposes; serums; medicinal herbs; sedatives; diabetic bread; herbal teas for medicinal purposes; slimming tea for medical purposes; poisons.

(260) AM 2015 79183 A

(800) 1138152

(891) 2014 06 06

(731) Zakrytoe aktsionernoe obshchestvo  
"PHARMFIRMA "SOTEX"  
d.11, pos.Belikovo, selskoe poselenie,  
Bereznjakovskoe, Sergievo-Posadsky,  
municipalny rayon, RU-141345  
Moscovskaya obl., RU

(540)

## ИДРИНОЛ



## IDRINOL

(591) Black, white

(511)

5 – Pharmaceutical preparations; veterinary preparations; sanitary preparations for medical purposes; dietetic substances adapted for medical use; plasters for medical purposes; dressings, medical.

(260) AM 2015 79184 A

(800) 1164550

(891) 2014 09 18

(731) CHUGAI SEIYAKU KABUSHIKI KAISHA  
(Chugai Pharmaceutical Co., Ltd.)  
5-1, Ukima 5-chome, Kita-ku, Tokyo  
115-8543, JP

(540)

## ALECENSA

(511)

5 – Pharmaceutical preparations.

(260) AM 2015 79200 A  
 (260) AM 079200 A\*  
 (800) 1218885  
 (891) 21-03-2014  
 (731) EVAS EV ALETLERİ SANAYİ LİMİTED  
 ŞİRKETİ  
 Şehit Cevdet Çelenk Caddesi, Filiz Sokak,  
 Kurtköy Pendik, İSTANBUL (TR), TR  
 (540)



(591) Blue, pink  
 (511)  
 6 – Metal cylinders for liquefied petroleum gases, sold empty; empty metal containers for liquid fuel, liquefied petroleum gas storage tanks of metal for use in motor vehicles.

(260) AM 2015 79201 A  
 (800) 1218901  
 (891) 18-11-2013  
 (731) LIMITED LIABILITY COMPANY  
 "TWINS TEC-UKRAINE"  
 Vasilkovskaya street, 30, KYIV 03022, UA  
 (540)



(591) Black, white  
 (511)  
 3 – Bath and shower gels, not for medical purposes; gels for cosmetic use; massage gels other than for medical purposes; essential oils; disinfectant soap; deodorants for personal use; deodorant soap; depilatory creams; shampoos for pets; dentifrices; denture polishes; preparations for cleaning dentures; adhesives for cosmetic purposes; make-up for the face and body; cosmetics for animals; cosmetic powders, creams and lotions for the face, hands and body; beauty masks; cosmetic kits; cosmetic creams; cosmetic body creams; hand creams [for cosmetic use]; non-medicated foot creams; cakes of toilet soap; hair spray; nail polish; medicated soap; beauty lotions; tissues impregnated with cosmetic lotions; after-shave lotions; detergents other than for use in manufacturing operations and for medical purposes; soap; soap for foot perspiration; antiperspirant soap; cleansing milk for toilet purposes; neutralizers for permanent waving; nail care preparations; false nails; perfumery; perfumes; eau de Cologne; perfumery, fragrances and incense, other than perfumes for personal use; cosmetic pencils; oils for perfumes and scents; oils for cosmetic purposes; oils for toilet

purposes; hydrogen peroxide for cosmetic purposes; mouth washes, not for medical purposes; pomades for cosmetic purposes; dry-cleaning preparations; antiperspirants [toiletries]; sun-tanning preparations [cosmetics]; potpourris [fragrances]; talcum powder, for toilet use; all-purpose cotton sticks for personal use; terpenes [essential oils]; toilet water; mascara; cosmetic dyes; shampoos; cosmetic preparations for skin care.

5 – Dental abrasives; aconitine; acaricides; alkaloids for medical purposes; aluminium acetate for pharmaceutical purposes; algicides; aldehydes for pharmaceutical purposes; dental amalgams; amino acids for veterinary purposes; amino acids for medical purposes; analgesics; angostura bark for medical purposes; anaesthetics; antibiotics; appetite suppressants for medical purposes; first-aid boxes, filled; acetates for pharmaceutical purposes; cotton cloth for medical purposes; tonics [medicines]; bactericides; bacterial poisons; bacterial preparations for medical and veterinary use; media for bacteriological cultures; balms for medical purposes; balsamic preparations for medical purposes; bandages for dressings; belts for sanitary napkins [towels]; antiseptic cotton; tobacco-free cigarettes for medical purposes; dressings, medical; albuminous preparations for medical purposes; albuminous foodstuffs for medical purposes; biological preparations for veterinary purposes; biological preparations for medical purposes; biocides; bismuth preparations for pharmaceutical purposes; bismuth subnitrate for pharmaceutical purposes; wart pencils; flour for pharmaceutical purposes; bracelets for medical purposes; bromine for pharmaceutical purposes; bronchodilating preparations; douching preparations for medical purposes; chemical preparations for the diagnosis of pregnancy; petroleum jelly for medical purposes; vaccines; bath preparations, medicated; salts for mineral water baths; oxygen baths; therapeutic preparations for the bath; medicated bath salts; preparations of lime for pharmaceutical purposes; wadding for medical purposes; absorbent wadding; veterinary preparations; decoctions for pharmaceutical purposes; tartar for pharmaceutical purposes; vine disease treating chemicals; sea water for medicinal bathing; vitamin preparations; mineral waters for medical purposes; hydrated chloral for pharmaceutical purposes; dietary fibre; medicinal hair growth preparations; charcoal for pharmaceutical purposes; gases for medical purposes; gallic acid for pharmaceutical purposes; guaiacol for pharmaceutical purposes; fly destroying preparations; hematogen; hemoglobin; purgative preparations; herbicides for agricultural purposes; sanitary panties; sanitary towels; sanitizing wipes; hydrastine; hydrastinine; stick liquorice for pharmaceutical purposes; mustard for pharmaceutical purposes; mustard oil for medical purposes; mustard plasters; vermifuges; glycerine for medical purposes; glycerophosphates; glucose for medical purposes;

breast-nursing pads; articles for headache; headache pencils; hormones for medical purposes; preparations for destroying dry rot fungus; soil-sterilising preparations; mud for baths; medicinal mud; vulnerary sponges; rubber for dental purposes; gum for medical purposes; gurjun [gurjon, gurjan] balsam for medical purposes; disinfectants for hygiene purposes; disinfectants for chemical toilets; deodorants for clothing and textiles; deodorants, other than for human beings or for animals; digitalin; lacteal flour for babies; diabetic bread adapted for medical use; diagnostic preparations for medical purposes; diastase for medical purposes; dietetic beverages adapted for medical purposes; dietetic substances adapted for medical use; dietetic foods adapted for medical purposes; milking grease; medicated supplements for foodstuffs for animals; yeast for pharmaceutical purposes; eucalyptus for pharmaceutical purposes; eucalyptol for pharmaceutical purposes; chemical conductors for electrocardiograph electrodes; elixirs [pharmaceutical preparations]; esters for pharmaceutical purposes; ethers for pharmaceutical purposes; gelatine for medical purposes; cod liver oil; greases for veterinary purposes; greases for medical purposes; jujube, medicated; chewing gum for medical purposes; medicines for alleviating constipation; semen for artificial insemination; antipyretic drugs with sedative effect; chemical preparations to treat wheat blight [smut]; dental amalgams of gold; teeth filling material; dental impression materials; preparations to facilitate teething; dental lacquer; dental mastics; adhesives for dentures; dental cement; isotopes for medical purposes; pharmaceutical preparations for immunity adjustment; insect destroying preparations; Irish moss for medical purposes; caustic pencils; caustics for pharmaceutical purposes; iodine for pharmaceutical purposes; alkaline iodides for pharmaceutical purposes; iodides for pharmaceutical purposes; iodoform; potassium salts for medical purposes; calomel; camphor for medical purposes; gum for medical purposes; camphor oil for medical purposes; cachets for pharmaceutical purposes; capsules for medicines; parasiticides; castor oil for medical purposes; cachou for pharmaceutical purposes; quassia for medical purposes; quebracho for medical purposes; cedar wood for use as an insect repellent; oxygen for medical purposes; acids for pharmaceutical purposes; anti-rheumatism rings; bone cement for surgical and orthopaedic purposes; fly catching paper; cocaine; collodion for pharmaceutical purposes; insect repellent incense; preparations for repelling insects; medicated compresses; condurango bark for medical purposes; solutions for contact lenses; contact lens cleaning preparations; barks for pharmaceutical purposes; medicinal roots; rhubarb roots for pharmaceutical purposes; lint for medical purposes; creosote for pharmaceutical purposes; blood plasma; blood for medical purposes; depuratives; styptic pencils; styptic preparations; dill

oil for medical purposes; croton bark; starch for dietetic or pharmaceutical purposes; cultures of microorganisms for medical and veterinary use; curare; smoking herbs for medical purposes; lactose for pharmaceutical purposes; adhesive plasters; lecithin for medical purposes; adhesive tapes for medical purposes; larvae exterminating preparations; medicinal alcohol; first-aid boxes, filled; medicines for veterinary purposes; medicines; medicines for dental purposes; medicinal tea; medicinal herbs; remedies for foot perspiration; medicinal drinks; tinctures for medical purposes; medicinal oils; liniments; liquorice for pharmaceutical purposes; lotions for veterinary purposes; lotions for pharmaceutical purposes; pharmaceutical preparations for treating dandruff; extracts of hops for pharmaceutical purposes; candy for medical purposes; linseed meal for pharmaceutical purposes; linseed for pharmaceutical purposes; magnesia for pharmaceutical purposes; ointments for pharmaceutical purposes; mangrove bark for pharmaceutical purposes; gauze for dressings; royal jelly for pharmaceutical purposes; melissa water for pharmaceutical purposes; sanitary pads; sanitary panties; sanitary tampons; menthol; milk of almonds for pharmaceutical purposes; myrobalan bark for pharmaceutical purposes; preparations for destroying mice; preparations of trace elements for human and animal use; nutritive substances for microorganism cultures; cultures of microorganisms for medical and veterinary use; chemical preparations to treat mildew; mothproofing paper; mothproofing preparations; mineral water salts; mineral food supplements; corn remedies; preparations for callouses; corn pads; moleskin for medical purposes; milk ferments for pharmaceutical purposes; fly catching paper; powder of cantharides; mint for pharmaceutical purposes; scapulars for surgical purposes; vesicants; narcotics; tincture of iodine; sodium salts for medical purposes; antiparasitic collars for animals; smelling salts; fumigating sticks; fumigation preparations for medical purposes; frostbite salve for pharmaceutical purposes; chilblain preparations; turpentine for pharmaceutical purposes; opium; preparations for the treatment of burns; opodeldoc; opotherapy preparations; poisons; eyepatches for medical purposes; collyrium; cotton sticks for medical purposes; adult diapers; paper for mustard plasters; vermin destroying preparations; pectin for pharmaceutical purposes; incontinence garments; pepsins for pharmaceutical purposes; peptones for pharmaceutical purposes; materials for dressings; surgical dressings; surgical implants [living tissues]; hydrogen peroxide for medical purposes; pesticides; preparations for destroying noxious animals; pastilles for pharmaceutical purposes; pyrethrum powder; remedies for perspiration; air purifying preparations; nutritional supplements; gargles for medical purposes; pomades for medical purposes; porcelain for dental prostheses; laxatives; belts for sanitary nap-

kins [towels]; poultices; food for babies; by-products of the processing of cereals for dietetic or medical purposes; purgatives; asthmatic tea; anti-inflammatory preparations; chemical contraceptives; antiseptic cotton; antiseptic preparations; corn rings for the feet; anti-rheumatism bracelets; anti-uric preparations; fungicides; leeches for medical purposes; radium for medical purposes; radioactive substances for medical purposes; cement for animal hooves; chemical reagents for medical or veterinary purposes; radiological contrast substances for medical purposes; repellents for dogs; fish meal for pharmaceutical purposes; ergot for pharmaceutical purposes; tissues impregnated with pharmaceutical lotions; solvents for removing adhesive plasters; mercurial ointments; sarsaparilla for medical purposes; lead water; suppositories; serotherapeutic medicines; siccatives [drying agents] for medical purposes; serums; syrups for pharmaceutical purposes; turpentine for pharmaceutical purposes; slug exterminating preparations; soporifics; dog washes; dog lotions; bicarbonate of soda for pharmaceutical purposes; salts for medical purposes; malt for pharmaceutical purposes; malted milk beverages for medical purposes; sunburn ointments; sunburn preparations for pharmaceutical purposes; alloys of precious metals for dental purposes; sterilising preparations; steroids; strychnine; sulphonamides [medicines]; pastilles for pharmaceutical purposes; adhesive plasters; animal washes; thermal water; thymol for pharmaceutical purposes; gentian for pharmaceutical purposes; surgical cloth [tissues]; digestives for pharmaceutical purposes; herbal teas for medicinal purposes; panty liners [sanitary]; tobacco extracts [insecticides]; pharmaceutical preparations; phenol for pharmaceutical purposes; fennel for medical purposes; enzymes for veterinary purposes; enzymes for medical purposes; ferments for pharmaceutical purposes; enzyme preparations for veterinary purposes; enzyme preparations for medical purposes; chemical preparations for treating phylloxera; formic aldehyde for pharmaceutical purposes; moulding wax for dentists; phosphates for pharmaceutical purposes; fungicides; chemico-pharmaceutical preparations; chemical preparations for veterinary purposes; chemical preparations for medical purposes; chemical preparations for pharmaceutical purposes; quinine for medical purposes; chinoline for medical purposes; chloroform; extracts of hops for pharmaceutical purposes; tea for slimming purposes; medical preparations for slimming purposes; cattle washes; flowers of sulphur for pharmaceutical purposes; cellulose esters for pharmaceutical purposes; cellulose ethers for pharmaceutical purposes; candy, medicated; sugar for care; remedies for sunburn.

---

**INTERNATIONAL TRADEMARKS PROTECTED IN GEORGIA**

(260) AM 2015 75562 A  
(800) 1187930  
(151) 2013 07 16  
(181) 2023 07 16  
(891) 2013 07 16  
(511) 05, 10, 16, 27, 35, 41, 43, 44

---

(260) AM 2015 75930 A  
(800) 1191100  
(151) 2013 10 03  
(181) 2023 10 03  
(891) 2013 10 03  
(511) 34

---

(260) AM 2015 75605 A  
(800) 1188749  
(151) 2013 12 03  
(181) 2023 12 03  
(891) 2013 12 03  
(511) 05, 09, 10, 16, 44

---

(260) AM 2015 75931 A  
(800) 1191107  
(151) 2013 11 26  
(181) 2023 11 26  
(891) 2013 11 26  
(511) 34

---

(260) AM 2015 75901 A  
(800) 1190993  
(151) 2013 07 30  
(181) 2023 07 30  
(891) 2013 07 30  
(511) 41, 43

---

(260) AM 2015 75953 A  
(800) 1191518  
(151) 2013 11 25  
(181) 2023 11 25  
(891) 2013 11 25  
(511) 09

---

(260) AM 2015 75905 A  
(800) 1191038  
(151) 2013 11 21  
(181) 2023 11 21  
(891) 2013 11 21  
(511) 29, 30, 32, 35, 41, 43

---

(260) AM 2015 75954 A  
(800) 1191528  
(151) 2013 08 06  
(181) 2023 08 06  
(891) 2013 08 06  
(511) 05

---

(260) AM 2015 75906 A  
(800) 1191039  
(151) 2013 11 15  
(181) 2023 11 15  
(891) 2013 11 15  
(511) 14

---

(260) AM 2015 75955 A  
(800) 1191529  
(151) 2013 09 04  
(181) 2023 09 04  
(891) 2013 09 04  
(511) 05

---

(260) AM 2015 75913 A  
(800) 1191051  
(151) 2013 11 18  
(181) 2023 11 18  
(891) 2013 11 18  
(511) 29, 30

---

(260) AM 2015 75957 A  
(800) 1191547  
(151) 2013 11 18  
(181) 2023 11 18  
(891) 2013 11 18  
(511) 03

---

(260) AM 2015 75928 A  
(800) 1191054  
(151) 2013 11 11  
(181) 2023 11 11  
(891) 2013 11 11  
(511) 25

---

(260) AM 2015 75958 A  
(800) 738478  
(151) 2000 06 27  
(181) 2025 06 27  
(891) 2014 01 06  
(511) 34

---

(260) AM 2015 75959 A  
(800) 796825  
(151) 2003 01 24  
(181) 2023 01 24  
(891) 2013 10 18  
(511) 14

---

(260) AM 2015 75960 A  
(800) 833165  
(151) 2004 06 08  
(181) 2024 06 08  
(891) 2013 07 08  
(511) 09, 38

---

(260) AM 2015 75961 A  
(800) 875351  
(151) 2005 08 18  
(181) 2025 08 18  
(891) 2013 11 06  
(511) 04, 08, 16, 21, 26, 35

---

(260) AM 2015 75967 A  
(800) 1133426  
(151) 2012 08 30  
(181) 2022 08 30  
(891) 2013 12 30  
(511) 11

---

(260) AM 2015 75968 A  
(800) 1142694  
(151) 2012 11 16  
(181) 2022 11 16  
(891) 2013 11 18  
(511) 18, 25

---

(260) AM 2015 75970 A  
(800) 1191595  
(151) 2013 12 02  
(181) 2023 12 02  
(891) 2013 12 02  
(511) 03

---

(260) AM 2015 75971 A  
(800) 1191615  
(151) 2013 09 20  
(181) 2023 09 20  
(891) 2013 09 20  
(511) 09, 18, 25

---

(260) AM 2015 75972 A  
(800) 1191658  
(151) 2013 11 15

(181) 2023 11 15  
(891) 2013 11 15  
(511) 30, 31, 35

---

(260) AM 2015 75973 A  
(800) 1191660  
(151) 2013 11 28  
(181) 2023 11 28  
(891) 2013 11 28  
(511) 03, 05, 16

---

(260) AM 2015 75974 A  
(800) 1191664  
(151) 2013 10 30  
(181) 2023 10 30  
(891) 2013 10 30  
(511) 07, 09, 12

---

(260) AM 2015 75978 A  
(800) 1191687  
(151) 2013 11 01  
(181) 2023 11 01  
(891) 2013 11 01  
(511) 35

---

(260) AM 2015 75979 A  
(800) 1191781  
(151) 2013 11 28  
(181) 2023 11 28  
(891) 2013 11 28  
(511) 03, 21, 35

---

(260) AM 2015 75980 A  
(800) 1191782  
(151) 2013 11 13  
(181) 2023 11 13  
(891) 2013 11 13  
(511) 11

---

(260) AM 2015 75981 A  
(800) 1191786  
(151) 2013 12 05  
(181) 2023 12 05  
(891) 2013 12 05  
(511) 14

---

(260) AM 2015 75982 A  
(800) 1191845  
(151) 2013 11 14  
(181) 2023 11 14  
(891) 2013 11 14  
(511) 09, 16, 36

---

(260) AM 2015 75988 A  
(800) 1191886  
(151) 2013 05 29  
(181) 2023 05 29  
(891) 2013 0 529  
(511) 28

---

(260) AM 2015 75989 A  
(800) 1191934  
(151) 2013 09 02  
(181) 2023 09 02  
(891) 2013 09 02  
(511) 03, 05

---

(260) AM 2015 75992 A  
(800) 1191954  
(151) 2013 09 20  
(181) 2023 09 20  
(891) 2013 09 20  
(511) 01, 17

---

(260) AM 2015 75993 A  
(800) 1191964  
(151) 2013 11 25  
(181) 2023 11 25  
(891) 2013 11 25  
(511) 01, 04

---

(260) AM 2015 75994 A  
(800) 1192017  
(151) 2013 12 18  
(181) 2023 12 18  
(891) 2013 12 18  
(511) 43

---

(260) AM 2015 75998 A  
(800) 1192112  
(151) 2013 09 20  
(181) 2023 09 20  
(891) 2013 09 20  
(511) 07, 12

---

(260) AM 2015 76055 A  
(800) 1192345  
(151) 2013 08 30  
(181) 2023 08 30  
(891) 2013 08 30  
(511) 05

---

(260) AM 2015 76057 A  
(800) 1192353  
(151) 2013 11 06

(181) 2023 11 06  
(891) 2013 11 06  
(511) 14, 37

---

(260) AM 2015 76059 A  
(800) 1192404  
(151) 2013 09 02  
(181) 2023 09 02  
(891) 2013 09 02  
(511) 07, 09, 11, 38, 39, 42

---

(260) AM 2015 76062 A  
(800) 1192418  
(151) 2013 10 21  
(181) 2023 10 21  
(891) 2013 10 21  
(511) 09, 38, 42

---

(260) AM 2015 76065 A  
(800) 1192435  
(151) 2013 10 29  
(181) 2023 10 29  
(891) 2013 10 29  
(511) 29, 30, 43

---

(260) AM 2015 76066 A  
(800) 1192462  
(151) 2013 12 16  
(181) 2023 12 16  
(891) 2013 12 16  
(511) 25

---

(260) AM 2015 76067 A  
(800) 1192470  
(151) 2013 11 27  
(181) 2023 11 27  
(891) 2013 11 27  
(511) 32, 33

---

(260) AM 2015 76068 A  
(800) 1192478  
(151) 2013 11 28  
(181) 2023 11 28  
(891) 2013 11 28  
(511) 29, 30

---

(260) AM 2015 76069 A  
(800) 1192481  
(151) 2013 11 22  
(181) 2023 11 22  
(891) 2013 11 22  
(511) 32, 33

---

(260) AM 2015 76070 A  
(800) 1192483  
(151) 2013 11 12  
(181) 2023 11 12  
(891) 2013 11 12  
(511) 30, 35

---

(260) AM 2015 76073 A  
(800) 1192546  
(151) 2013 09 11  
(181) 2023 09 11  
(891) 2013 09 11  
(511) 05, 10, 35, 42

---

(260) AM 2015 76076 A  
(800) 1192563  
(151) 2013 08 29  
(181) 2023 08 29  
(891) 2013 08 29  
(511) 09

---

(260) AM 2015 76079 A  
(800) 1192604  
(151) 2013 11 25  
(181) 2023 11 25  
(891) 2013 11 25  
(511) 34

---

(260) AM 2015 76081 A  
(800) 1192628  
(151) 2013 11 28  
(181) 2023 11 28  
(891) 2013 11 28  
(511) 29, 30

---

(260) AM 2015 76090 A  
(800) 1192662  
(151) 2013 12 18  
(181) 2023 12 18  
(891) 2013 12 18  
(511) 08, 35

---

(260) AM 2015 76140 A  
(800) 861383  
(151) 2005 07 29  
(181) 2015 07 29  
(891) 2013 11 21  
(511) 16, 35, 45

---

(260) AM 2015 76141 A  
(800) 910024  
(151) 2006 05 31

(181) 2016 05 31  
(891) 2014 01 14  
(511) 25, 35, 42

---

(260) AM 2015 76142 A  
(800) 942429  
(151) 2007 09 19  
(181) 2017 09 19  
(891) 2013 11 22  
(511) 12, 39, 43

---

(260) AM 2015 76145 A  
(800) 962018  
(151) 2008 03 31  
(181) 2018 03 31  
(891) 2013 11 13  
(511) 01, 05, 29

---

(260) AM 2015 76146 A  
(800) 1039305  
(151) 2010 03 31  
(181) 2020 03 31  
(891) 2013 05 23  
(511) 05, 29, 30

---

(260) AM 2015 76147 A  
(800) 1046904  
(151) 2010 07 20  
(181) 2020 07 20  
(891) 2013 12 18  
(511) 25

---

(260) AM 2015 76162 A  
(800) 1177646  
(151) 2013 05 27  
(181) 2023 05 27  
(891) 2013 12 27  
(511) 10, 35

---

(260) AM 2015 76220 A  
(800) 1193445  
(151) 2013 12 18  
(181) 2023 12 18  
(891) 2013 12 18  
(511) 05

---

(260) AM 2015 76237 A  
(800) 1193546  
(151) 2013 09 27  
(181) 2023 09 27  
(891) 2013 09 27  
(511) 20, 24, 35

---



(260) AM 2015 76241 A  
(800) 1193549  
(151) 2013 10 17  
(181) 2023 10 17  
(891) 2013 10 17  
(511) 29

---

(260) AM 2015 76242 A  
(800) 1193550  
(151) 2013 10 17  
(181) 2023 10 17  
(891) 2013 10 17  
(511) 29

---

(260) AM 2015 76245 A  
(800) 1193598  
(151) 2013 11 29  
(181) 2023 11 29  
(891) 2013 11 29  
(511) 12

---

(260) AM 2015 76248 A  
(800) 1193610  
(151) 2013 12 05  
(181) 2023 12 05  
(891) 2013 12 05  
(511) 30

---

(260) AM 2015 76252 A  
(800) 1193653  
(151) 2013 07 02  
(181) 2023 07 02  
(891) 2013 07 02  
(511) 01, 06, 09, 11, 12

---

(260) AM 2015 76253 A  
(800) 1193656  
(151) 2013 08 12  
(181) 2023 08 12  
(891) 2013 08 12  
(511) 01, 04, 06, 07, 08, 09, 11, 12, 16, 17, 18, 19,  
20, 22, 24, 25, 28, 35, 37, 40, 41, 42

---

(260) AM 2015 76255 A  
(800) 1193707  
(151) 2013 07 05  
(181) 2023 07 05  
(891) 2013 07 05  
(511) 09, 11, 35

---

(260) AM 2015 76256 A  
(800) 1193710  
(151) 2013 10 09  
(181) 2023 10 09  
(891) 2013 10 09  
(511) 03, 05, 10

---

(260) AM 2015 76257 A  
(800) 1193736  
(151) 2013 07 05  
(181) 2023 07 05  
(891) 2013 07 05  
(511) 04, 06, 07, 09, 11, 12, 17, 35

---

(260) AM 2015 76259 A  
(800) 1193744  
(151) 2013 09 04  
(181) 2023 09 04  
(891) 2013 09 04  
(511) 05

---

(260) AM 2015 76265 A  
(800) 1193774  
(151) 2013 10 17  
(181) 2023 10 17  
(891) 2013 10 17  
(511) 29

---

(260) AM 2015 76270 A  
(800) 1193834  
(151) 2013 12 20  
(181) 2023 12 20  
(891) 2013 12 20  
(511) 33

---

(260) AM 2015 76277 A  
(800) 488547  
(151) 1984 07 06  
(181) 1994 07 06  
(891) 2013 11 25  
(511) 06, 09, 42

---

(260) AM 2015 76323 A  
(800) 1193936  
(151) 2013 10 17  
(181) 2023 10 17  
(891) 2013 10 17  
(511) 29

---

(260) AM 2015 76324 A  
(800) 1193943  
(151) 2013 12 16

---

(181) 2023 12 16  
(891) 2013 12 16  
(511) 43

---

---

(181) 2023 08 05  
(891) 2013 08 05  
(511) 21

---

---

(260) AM 2015 76325 A  
(800) 1193961  
(151) 2013 12 12  
(181) 2023 12 12  
(891) 2013 12 12  
(511) 05

---

---

(260) AM 2015 76558 A  
(800) 1129804  
(151) 2012 08 31  
(181) 2022 08 31  
(891) 2014 01 21  
(511) 05

---

---

(260) AM 2015 76326 A  
(800) 1193966  
(151) 2013 11 22  
(181) 2023 11 22  
(891) 2013 11 22  
(511) 03

---

---

(260) AM 2015 76559 A  
(800) 1175619  
(151) 2013 08 26  
(181) 2023 08 26  
(891) 2014 01 21  
(511) 05

---

---

(260) AM 2015 76327 A  
(800) 1193999  
(151) 2013 10 17  
(181) 2023 10 17  
(891) 2013 10 17  
(511) 29

---

---

(260) AM 2015 76606 A  
(800) 1196484  
(151) 2013 12 23  
(181) 2023 12 23  
(891) 2013 12 23  
(511) 09, 35, 38

---

---

(260) AM 2015 76420 A  
(800) 1194843  
(151) 2012 03 29  
(181) 2022 03 29  
(891) 2012 03 29  
(511) 01, 02, 03, 04, 05, 06, 07, 08, 09, 10, 11, 12,  
13, 14, 15, 16, 17, 18, 19, 20, 21, 22, 23, 24,  
25, 26, 27, 28, 29, 30, 31, 32, 33, 34, 35, 36,  
37, 38, 39, 40, 41, 42, 43, 44, 45

---

---

(260) AM 2015 76623 A  
(800) 1196568  
(151) 2013 12 18  
(181) 2023 12 18  
(891) 2013 12 18  
(511) 07, 09, 42

---

---

(260) AM 2015 76509 A  
(800) 1195641  
(151) 2013 09 17  
(181) 2023 09 17  
(891) 2013 09 17  
(511) 09, 42, 44

---

---

(260) AM 2015 76631 A  
(800) 1196643  
(151) 2013 12 19  
(181) 2023 12 19  
(891) 2013 12 19  
(511) 09, 35

---

---

(260) AM 2015 76535 A  
(800) 1195847  
(151) 2013 10 31  
(181) 2023 10 31  
(891) 2013 10 31  
(511) 12, 35, 37, 42, 45

---

---

(260) AM 2015 76632 A  
(800) 1196662  
(151) 2013 12 20  
(181) 2023 12 20  
(891) 2013 12 20  
(511) 01, 09, 35

---

---

(260) AM 2015 76538 A  
(800) 1195860  
(151) 2013 08 05

---

---

(260) AM 2015 76633 A  
(800) 1196680  
(151) 2013 12 10  
(181) 2023 12 10  
(891) 2013 12 10  
(511) 36

---

(260) AM 2015 76681 A  
(800) 1197027  
(151) 2014 01 29  
(181) 2024 01 29  
(891) 2014 01 29  
(511) 25

---

(260) AM 2015 76722 A  
(800) 1197317  
(151) 2013 11 21  
(181) 2023 11 21  
(891) 2013 11 21  
(511) 05

---

(260) AM 2015 76724 A  
(800) 1197335  
(151) 2013 12 30  
(181) 2023 12 30  
(891) 2013 12 30  
(511) 09, 16, 35, 41

---

(260) AM 2015 76727 A  
(800) 1197371  
(151) 2014 01 10  
(181) 2024 01 10  
(891) 2014 01 10  
(511) 10

---

(260) AM 2015 76728 A  
(800) 1197390  
(151) 2013 12 23  
(181) 2023 12 23  
(891) 2013 12 23  
(511) 09, 16, 35, 36, 38, 41, 42

---

(260) AM 2015 76729 A  
(800) 1197393  
(151) 2014 02 24  
(181) 2024 02 24  
(891) 2014 02 24  
(511) 04, 20, 24

---

(260) AM 2015 76784 A  
(800) 1197970  
(151) 2014 02 05  
(181) 2024 02 05  
(891) 2014 02 05  
(511) 09

---

(260) AM 2015 76799 A  
(800) 1198001  
(151) 2014 02 18

(181) 2024 02 18  
(891) 2014 02 18  
(511) 01

---

(260) AM 2015 76800 A  
(800) 1198038  
(151) 2013 10 10  
(181) 2023 10 10  
(891) 2013 10 10  
(511) 30

---

(260) AM 2015 76807 A  
(800) 1198062  
(151) 2013 11 11  
(181) 2023 11 11  
(891) 2013 11 11  
(511) 18

---

(260) AM 2015 76808 A  
(800) 1198070  
(151) 2014 01 13  
(181) 2024 01 13  
(891) 2014 01 13  
(511) 34

---

(260) AM 2015 76811 A  
(800) 1198083  
(151) 2013 12 20  
(181) 2023 12 20  
(891) 2013 12 20  
(511) 14

---

(260) AM 2015 76812 A  
(800) 1198110  
(151) 2013 12 10  
(181) 2023 12 10  
(891) 2013 12 10  
(511) 36

---

(260) AM 2015 76813 A  
(800) 1198119  
(151) 2013 12 24  
(181) 2023 12 24  
(891) 2013 12 24  
(511) 11

---

(260) AM 2015 76878 A  
(800) 1198671  
(151) 2013 09 14  
(181) 2023 09 14  
(891) 2013 09 14  
(511) 05, 16

---

(260) AM 2015 76880 A  
(800) 1198723  
(151) 2013 12 23  
(181) 2023 12 23  
(891) 2013 12 23  
(511) 05, 12, 20, 21, 25, 28

---

(260) AM 2015 76881 A  
(800) 1198743  
(151) 2013 12 24  
(181) 2023 12 24  
(891) 2013 12 24  
(511) 03, 05

---

(260) AM 2015 76882 A  
(800) 1198774  
(151) 2014 02 14  
(181) 2024 02 14  
(891) 2014 02 14  
(511) 32, 33

---

(260) AM 2015 76896 A  
(800) 1198999  
(151) 2013 11 11  
(181) 2023 11 11  
(891) 2013 11 11  
(511) 25

---

(260) AM 2015 77028 A  
(800) 1200131  
(151) 2014 01 26  
(181) 2024 01 26  
(891) 2014 01 26  
(511) 18, 25

---

(260) AM 2015 77030 A  
(800) 1200133  
(151) 2014 01 26  
(181) 2024 01 26  
(891) 2014 01 26  
(511) 18, 25

---

(260) AM 2015 77032 A  
(800) 1200135  
(151) 2014 01 27  
(181) 2024 01 27  
(891) 2014 01 27  
(511) 18

---

(260) AM 2015 77033 A  
(800) 1200137  
(151) 2014 01 27

(181) 2024 01 27  
(891) 2014 01 27  
(511) 18

---

(260) AM 2015 77034 A  
(800) 1200144  
(151) 2013 12 04  
(181) 2023 12 04  
(891) 2013 12 04  
(511) 12

---

(260) AM 2015 77088 A  
(800) 1200806  
(151) 2014 01 31  
(181) 2024 01 31  
(891) 2014 01 31  
(511) 01

---

(260) AM 2015 77089 A  
(800) 1200821  
(151) 2014 02 26  
(181) 2024 02 26  
(891) 2014 02 26  
(511) 05

---

(260) AM 2015 77090 A  
(800) 1200832  
(151) 2014 01 21  
(181) 2024 01 21  
(891) 2014 01 21  
(511) 09, 16, 28, 35, 38, 41, 42, 45

---

(260) AM 2015 77092 A  
(800) 1200834  
(151) 2014 01 23  
(181) 2024 01 23  
(891) 2014 01 23  
(511) 05

---

(260) AM 2015 77093 A  
(800) 1200840  
(151) 2014 02 18  
(181) 2024 02 18  
(891) 2014 02 18  
(511) 24

---

(260) AM 2015 77094 A  
(800) 1200879  
(151) 2014 03 20  
(181) 2024 03 20  
(891) 2014 03 20  
(511) 35

---

(260) AM 2015 77095 A  
(800) 1200887  
(151) 2014 03 26  
(181) 2024 03 26  
(891) 2014 03 26  
(511) 09

---

(260) AM 2015 77253 A  
(800) 1202350  
(151) 2014 03 03  
(181) 2024 03 03  
(891) 2014 03 03  
(511) 35, 39

---

(260) AM 2015 77299 A  
(800) 1202851  
(151) 2014 02 27  
(181) 2024 02 27  
(891) 2014 02 27  
(511) 09

---

(260) AM 2015 77300 A  
(800) 1202857  
(151) 2013 12 20  
(181) 2023 12 20  
(891) 2013 12 20  
(511) 02, 19, 27

---

(260) AM 2015 77495 A  
(800) 1204791  
(151) 2013 12 30  
(181) 2023 12 30  
(891) 2013 12 30  
(511) 11

---

(260) AM 2015 77504 A  
(800) 1204864  
(151) 2014 05 07  
(181) 2024 05 07  
(891) 2014 05 07  
(511) 05

---

(260) AM 2015 77512 A  
(800) 1205023  
(151) 2014 03 27  
(181) 2024 03 27  
(891) 2014 03 27  
(511) 35, 41

---

(260) AM 2015 77513 A  
(800) 1205032  
(151) 2014 03 27

(181) 2024 03 27  
(891) 2014 03 27  
(511) 35, 41

---

(260) AM 2015 77515 A  
(800) 1205034  
(151) 2014 04 02  
(181) 2024 04 02  
(891) 2014 04 02  
(511) 35, 41

---

(260) AM 2015 77516 A  
(800) 1205035  
(151) 2014 04 02  
(181) 2024 04 02  
(891) 2014 04 02  
(511) 35, 41

---

(260) AM 2015 77519 A  
(800) 1205046  
(151) 2014 03 07  
(181) 2024 03 07  
(891) 2014 03 07  
(511) 14

---

(260) AM 2015 77520 A  
(800) 1205053  
(151) 2014 05 05  
(181) 2024 05 05  
(891) 2014 05 05  
(511) 34

---

(260) AM 2015 77521 A  
(800) 1205058  
(151) 2014 05 07  
(181) 2024 05 07  
(891) 2014 05 07  
(511) 05

---

(260) AM 2015 77527 A  
(800) 1205074  
(151) 2013 12 31  
(181) 2023 12 31  
(891) 2013 12 31  
(511) 05

---

(260) AM 2015 77528 A  
(800) 1205075  
(151) 2014 02 18  
(181) 2024 02 18  
(891) 2014 02 18  
(511) 12

---

(260) AM 2015 77529 A  
(800) 1205076  
(151) 2014 02 06  
(181) 2024 02 06  
(891) 2014 02 06  
(511) 16, 25, 28

---

(260) AM 2015 77532 A  
(800) 1205078  
(151) 2013 12 31  
(181) 2023 12 31  
(891) 2013 12 31  
(511) 05

---

(260) AM 2015 77595 A  
(800) 1205693  
(151) 2014 03 07  
(181) 2024 03 07  
(891) 2014 03 07  
(511) 13, 25

---

(260) AM 2015 77597 A  
(800) 1205758  
(151) 2014 03 18  
(181) 2024 03 18  
(891) 2014 03 18  
(511) 16, 18, 21, 25

---

(260) AM 2015 77605 A  
(800) 725666  
(151) 1999 12 03  
(181) 2009 12 03  
(891) 2014 03 14  
(511) 01

---

(260) AM 2015 77628 A  
(800) 983376  
(151) 2008 08 30  
(181) 2018 08 30  
(891) 2014 05 13  
(511) 12, 19, 21

---

(260) AM 2015 77942 A  
(800) 1186292  
(151) 2013 01 29  
(181) 2023 01 29  
(891) 2013 06 02  
(511) 01

---

(260) AM 2015 77943 A  
(800) 1189326  
(151) 2013 10 14  
(181) 2023 10 14  
(891) 2014 06 04  
(511) 05

---

(260) AM 2015 77953 A  
(800) 1207919  
(151) 2014 02 28  
(181) 2024 02 29  
(891) 2014 02 28  
(511) 34

---

(260) AM 2015 77957 A  
(800) 1208012  
(151) 2014 01 30  
(181) 2024 01 30  
(891) 2014 01 30  
(511) 09

---

(260) AM 2015 77959 A  
(800) 1208122  
(151) 2014 06 04  
(181) 2024 06 04  
(891) 2014 06 04  
(511) 05

---

(260) AM 2015 77961 A  
(800) 1208161  
(151) 2014 01 14  
(181) 2024 01 14  
(891) 2014 01 14  
(511) 10

---

(260) AM 2015 77962 A  
(800) 1208162  
(151) 2014 01 14  
(181) 2024 01 14  
(891) 2014 01 14  
(511) 10

---

(260) AM 2015 80056 A  
(800) 639702  
(151) 1995 06 06  
(181) 2005 06 06  
(891) 2014 09 24  
(511) 01, 04

---

---

# TRADEMARKS

## RENEWAL OF REGISTRATIONS

(111) M 1995 1106 R2

(156) 2015 10 24

(186) 2025 10 24

(732) SCHWEPES INTERNATIONAL

LIMITED

7 Albemarle Street, London W1S 4HQ,

United Kingdom

---

(111) M 1995 1308 R2

(156) 2015 12 28

(186) 2025 12 28

(732) KUFNER HOLDING GMBH

Baierbrunner Str. 39, 81379 Munchen ,

Germany

---

(111) M 2004 15739 R1

(156) 2015 04 27

(186) 2024 11 30

(732) LTD "POULTRY-GEORGIA"

Sadguri Lilos dasakhleba, Meprinveleta q. 1,

0198, Tbilisi, Georgia

---

(111) M 2005 15925 R1

(156) 2015 05 03

(186) 2025 05 03

(732) JSC "SLAVYANKA PLUS"

309506, Belgorodskaya obl., g. Staryj Oskol,

ul. Pervoy Konnoy Armii 65, Russian

Federation

---

(111) M 2005 15940 R1

(156) 2015 05 03

(186) 2025 05 03

(732) "ORION CORPORATION"

13, Baekbeom-ro 90 da-gil, Yongsan-gu,

Seoul, Republic of Korea

---

(111) M 2005 1955 R1

(156) 2015 05 19

(186) 2025 05 19

(732) LTD "AVERSI-PHARMA"

Davit Agmasheneblis gamz. 148/2, 0112,

Tbilisi, Georgia

---

(111) M 2005 15956 R1

(156) 2015 05 19

(186) 2025 05 19

(732) LTD "AVERSI-PHARMA"

Davit Agmasheneblis gamz. 148/2, 0112,

Tbilisi, Georgia

---

(111) M 2005 15957 R1

(156) 2015 05 19

(186) 2025 05 19

(732) LTD "AVERSI-PHARMA"

Davit Agmasheneblis gamz. 148/2, 0112,

Tbilisi, Georgia

---

(111) M 2005 15958 R1

(156) 2015 05 19

(186) 2025 05 19

(732) LTD "AVERSI-PHARMA"

Davit Agmasheneblis gamz. 148/2, 0112,

Tbilisi, Georgia

---

(111) M 2005 15959 R1

(156) 2015 05 19

(186) 2025 05 19

(732) LTD "AVERSI-PHARMA"

Davit Agmasheneblis gamz. 148/2, 0112,

Tbilisi, Georgia

---

(111) M 2005 15960 R1

(156) 2015 05 19

(186) 2025 05 19

(732) LTD "AVERSI-PHARMA"

Davit Agmasheneblis gamz. 148/2, 0112,

Tbilisi, Georgia

---

(111) M 2005 16187 R1

(156) 2015 09 19

(186) 2025 09 19

(732) LTD "AVERSI-PHARMA"

Davit Agmasheneblis gamz. 148/2, 0112,

Tbilisi, Georgia

---

(111) M 2005 16315 R1

(156) 2015 11 02

(186) 2025 11 02

(732) Omega Pharma Innovation&Development NV

Venecoweg 26, 9810 Nazareth, Belgium

---

(111) M 2005 16388 R1  
(156) 2015 12 16  
(186) 2025 12 16  
(732) GEORGIA-PACIFIC CONSUMER  
PRODUCTS LP  
133 Peachtree Street, N.E., Atlanta, Georgia  
30303, USA

---

(111) M 1995 565 R2  
(156) 2015 04 27  
(186) 2025 04 27  
(732) CARTIER INTERNATIONAL AG  
(CARTIER INTERNATIONAL LTD),  
(CARTIER INTERNATIONAL SA);  
Hinterbergstrasse 22, Postfach 61, 6312  
Steinhausen, Switzerland

---

(111) M 1995 722 R2  
(156) 2015 07 19  
(186) 2025 07 19  
(732) NUPLEX RESINS BV  
Synthesebaan 1, 4612 RB Bergen op Zoom,  
Netherlands

---

(111) M 1995 734 R2  
(156) 2015 07 21  
(186) 2025 07 21  
(732) SCHWEPES INTERNATIONAL  
LIMITED  
7 Albemarle Street, London W1S 4HQ,  
United Kingdom

---

(111) M 1995 735 R2  
(156) 2015 07 21  
(186) 2025 07 21  
(732) SCHWEPES INTERNATIONAL  
LIMITED  
7 Albemarle Street, London W1S 4HQ,  
United Kingdom

---

(111) M 1995 792 R2  
(156) 2015 07 31  
(186) 2025 07 31  
(732) LANXESS ELASTOMERS B.V.  
Mijnweg 1, 6167 AC Geleen, Netherlands

---

(111) M 1995 842 R2  
(156) 2015 08 11  
(186) 2025 08 11  
(732) CARTIER INTERNATIONAL AG  
(CARTIER INTERNATIONAL LTD),  
(CARTIER INTERNATIONAL SA)  
Hinterbergstrasse 22, Postfach 61, 6312  
Steinhausen, Switzerland

---

(111) M 1995 870 R2  
(156) 2015 08 16  
(186) 2025 08 16  
(732) THE PROCTER & GAMBLE COMPANY  
One Procter & Gamble Plaza, Cincinnati,  
Ohio, USA

---

(111) M 1995 872 R2  
(156) 2015 08 16  
(186) 2025 08 16  
(732) WERZALIT GMBH + CO. KG  
Gronauer Strasse 70, 71720 Oberstenfeld,  
Germany

---

(111) M 1995 881 R2  
(156) 2015 08 16  
(186) 2025 08 16  
(732) BSN medical GmbH  
Quickbornstrasse 24, 20253 Hamburg,  
Germany

---

(111) M 1995 904 R2  
(156) 2015 08 17  
(186) 2025 08 17  
(732) ANHEUSER-BUSCH, LLC  
One Busch Place, St.Louis, Missouri, USA

---

(111) M 1995 909 R2  
(156) 2015 08 17  
(186) 2025 08 17  
(732) PEPSICO, INC.  
700 Anderson Hill road, Purchase, N.Y.  
10577-1444, USA

---



## COMPLETE TRANSFER OF RIGHTS

(111) M 1998 010443 R1  
(732) L' OREAL  
14 Rue Royale, 75008 Paris, France  
(770) ROGER & GALLET  
3/7 avenue Sainte Anne, 92600 Asnieres sur  
Seine, France  
(580) 2015 06 05

---

(111) M 1998 010444 R1  
(732) L' OREAL  
14 Rue Royale, 75008 Paris, France  
(770) ROGER & GALLET  
3/7 avenue Sainte Anne, 92600 Asnieres sur  
Seine, France  
(580) 2015 06 05

---

(111) M 1998 010858 R1  
(732) MACDERMID AGRICULTURAL  
SOLUTIONS HOLDINGS B.V.  
245 Freight Street, Waterbury, Connecticut  
06702, USA  
(770) CHEMTURA CORPORATION,  
DELAWARE CORPORATION  
199 Benson Road, Middlebury, Connecticut  
06749, USA  
(580) 2015 06 08

---

(111) M 1998 011148 R1  
(732) MACDERMID AGRICULTURAL  
SOLUTIONS HOLDINGS B.V.  
245 Freight Street, Waterbury, Connecticut  
06702, USA  
(770) CHEMTURA CORPORATION,  
DELAWARE CORPORATION  
199 Benson Road, Middlebury, Connecticut  
06749, USA  
(580) 2015 06 08

---

(111) M 2001 013818 R1  
(732) NATURE AMERICA, INC.,  
a New York USA Corporation  
75 Varick Street, New York, New York  
10013, USA  
(770) SCIENTIFIC AMERICAN, INC.,  
a Corporation of the State of Delaware  
75 Varick Street, City of New York, State of  
New York 10013-1917, USA  
(580) 2015 06 05

---

(111) M 2003 015303 R1  
(732) CARDIOME DEVELOPMENT AG  
Chamerstrasse 176, CH-6300, Zug,  
Switzerland  
(770) MERCK SHARP & DOHME CORP.  
One Merck Drive, Whitehouse Station, New  
Jersey 08889, USA  
(580) 2015 06 05

---

(111) M 2005 015928 P R1  
(732) ELDAR IUKURIDZE  
Zhukovskis q.19, bina 9, odesa, Ukraine  
(770) GIORGI IUKURIDZE  
Zhukovskis q.19, bina 9, odesa, Ukraine  
(580) 2015 06 02

---

(111) M 2005 016382 R  
(732) ARCELORMITTAL S.A.  
Avenue de la Liberte, 19-L2930  
Luxembourg, Luxembourg  
(770) MITTAL STEEL TECHNOLOGIES LIMITED  
IFS Court, 28, Cybercity, Ebene, Mauritius  
(580) 2015 06 02

---

(111) M 2006 016707 R  
(732) ARCELORMITTAL S.A.  
Avenue de la Liberte, 19-L2930  
Luxembourg, Luxembourg  
(770) MITTAL STEEL TECHNOLOGIES LIMITED  
IFS Court, 28, Cybercity, Ebene, Mauritius  
(580) 2015 06 02

---

(111) M 2006 016941 R  
(732) ARCELORMITTAL S.A.  
Avenue de la Liberte, 19-L2930  
Luxembourg, Luxembourg  
(770) MITTAL STEEL TECHNOLOGIES LIMITED  
IFS Court, 28, Cybercity, Ebene, Mauritius  
(580) 2015 06 02

---

(111) M 2006 016953 R  
(732) NOVARTIS TIERGESUNDHEIT AG  
Schwartzwaldallee 215, 4058 Basel,  
Switzerland  
(770) NOVARTIS AG  
4002 Basel, Switzerland  
(580) 2015 06 02

---

(111) M 2007 018129 R  
(732) FRANCHISE CONSORTIUM LIMITED  
International Trust Building, Road Town,  
Tortola, British Virgin Islands  
(770) EMIRATES GROUP HOLDING S.A.L.  
Rachid Karamah St., ibisa Center, 3rd floor,  
Beirut, Lebanon  
(580) 2015 06 05

---

(111) M 2007 018130 R  
(732) FRANCHISE CONSORTIUM LIMITED  
International Trust Building, Road Town,  
Tortola, British Virgin Islands  
(770) Emirates Group Holding S.A.L.,  
Rachid Karamah St., ibisa Center, 3rd floor,  
Beirut, Lebanon  
(580) 2015 06 05

---

(111) M 2008 018388 R  
(732) Eldar Iukuridze  
Zhukovskis q. 19, b. 9, Odesa, Ukraine  
(770) Giorgi Iukuridze  
Zhukovskis q. 19, b. 9, Odesa, Ukraine  
(580) 2015 06 02

---

(111) M 2008 018389 R  
(732) Eldar Iukuridze  
Zhukovskis q. 19, b. 9, Odesa, Ukraine  
(770) Giorgi Iukuridze  
Zhukovskis q. 19, b. 9, Odesa, Ukraine  
(580) 2015 06 02

---

(111) M 2009 019408 R  
(732) LTD jorjian beverij kompani,  
I. Chavchavadzis gamz. 75, kor. 3a, b.19,  
Georgia  
(770) NODAR GIGINEISHVILI  
Kakabadzis q. N 4a, Orkhevi, 0109, Tbilisi,  
Georgia  
(580) 2015 06 05

---

(111) M 2014 024819 R  
(732) TERAPIA S.A.  
Str. Fabricii no.124, Cluj-Napoca, Romania  
(770) RANBAXY LABORATORIES LIMITED  
Plot N 90, Sector-32, Gurgaon-122001,  
Haryana, India  
(580) 2015 06 11

---

(111) M 2014 024820 R  
(732) TERAPIA S.A.  
Str. Fabricii no.124, Cluj-Napoca, Romania  
(770) RANBAXY LABORATORIES LIMITED

Plot N 90, Sector-32, Gurgaon-122001,  
Haryana, India  
(580) 2015 06 11

---

(111) M 1997 007334 R1  
(732) THE SINGER COMPANY LIMITED,  
S.À.R.L.  
1, rue des Glacis, L-1628 Luxembourg,  
Luxembourg  
(770) THE SINGER COMPANY LIMITED  
Sixty Circular Road, 2d Floor, Douglas, Isle  
of Man (British)  
(580) 2015 06 05

---

(111) M 1997 007423 R1  
(732) THE SINGER COMPANY LIMITED,  
S.À.R.L.  
1, rue des Glacis, L-1628 Luxembourg,  
Luxembourg  
(770) THE SINGER COMPANY LIMITED  
Sixty Circular Road, 2d Floor, Douglas, Isle  
of Man (British)  
(580) 2015 06 05

---

(111) M 1997 007965 R1  
(732) CRIMSON INTERNATIONAL ASSETS  
LLC  
1001 US Route 202, Raritan, New Jersey  
08869-0606, USA  
(770) JOHNSON & JOHNSON  
One Johnson & Johnson Plaza, New  
Brunswick, New Jersey 08933, USA  
(580) 2015 06 05

---

## CHANGES IN NAMES AND/OR ADDRESSES OF OWNERS

(111) M 1998 010443 R1  
 (732) ROGER & GALLET  
 3/7 avenue Sainte Anne, 92600 Asnieres sur  
 Seine, France  
 (770) ROGER & GALLET, S.A.,  
 62, avenue d'Iena, F-75116 Paris, France  
 (580) 2015 06 05

(111) M 1998 010444 R1  
 (732) ROGER & GALLET  
 3/7 avenue Sainte Anne, 92600 Asnieres sur  
 Seine, France  
 (770) ROGER & GALLET, S.A.  
 62, avenue d'Iena, F-75116 Paris, France  
 (580) 2015 06 05

(111) M 1995 001055 R1  
 (732) HENKEL CONSUMER GOODS INC.  
 19001 North Scottsdale Road, Scottsdale,  
 Arizona 85255, USA  
 (770) HENKEL CONSUMER GOODS INC.  
 1) 615 South Du Pont Highway, the City of  
 Dover, County Kent, Delaware  
 2) 15501 North Dial Boulevard, Scottsdale,  
 Arizona  
 (580) 2015 06 11

(111) M 1995 001055 R1  
 (732) HENKEL CONSUMER GOODS INC.  
 7201 E. Henkel Way, Scottsdale, Arizona  
 85255, USA  
 (770) HENKEL CONSUMER GOODS INC.  
 19001 North Scottsdale Road, Scottsdale,  
 Arizona 85255, USA  
 (580) 2015 06 11

(111) M 1995 001153 R1  
 (732) VAN CLEEF & ARPELS SA  
 Route de Biches 8, CH-1752 Villars-sur-  
 Glane, Switzerland  
 (770) VAN CLEEF & ARPELS S.A  
 8 route de Chandolan, CH-1752 Villars-sur-  
 Glane, Switzerland  
 (580) 2015 06 11

(111) M 1999 012501 R1  
 (732) LTD "MATRIXS"  
 Sarajishvilis q. 13-15-17, vVshlijvaris  
 dasakhleba, 0159, Tbilisi, Georgia  
 (770) LTD "MATRIXS"  
 E. Takaishvilis q. 80, 6000, Batumi, Georgia  
 (580) 2015 06 11

(111) M 2000 013084 R1  
 (732) LTD "MATRIXS"  
 Sarajishvilis q. 13-15-17, Vashlijvaris  
 dasakhleba, 0159, Tbilisi, Georgia  
 (770) LTD "MATRIXS"  
 E. Takaishvilis q. 80, 6000, Batumi, Georgia  
 (580) 2015 06 11

(111) M 2000 013085 R1  
 (732) LTD "MATRIXS"  
 Sarajishvilis q. 13-15-17, Vashlijvaris  
 dasakhleba, 0159, Tbilisi, Georgia  
 (770) LTD "MATRIXS"  
 E. Takaishvilis q. 80, 6000, Batumi, Georgia  
 (580) 2015 06 11

(111) M 2000 013349 R1  
 (732) AVON PRODUCTS, INC.  
 777 Third Avenue, New York, New York  
 10017, USA  
 (770) AVON PRODUCTS, INC.  
 1345 Avenue of the Americas, New York,  
 NY, USA  
 (580) 2015 05 29

(111) M 2002 014682 R1  
 (732) LTD "MATRIXS"  
 Sarajishvilis q. 13-15-17, Vashlijvaris  
 dasakhleba, 0159, Tbilisi, Georgia  
 (770) LTD "MATRIXS"  
 E. Takaishvilis q. 80, 6000, Batumi, Georgia  
 (580) 2015 06 11

(111) M 2002 014683 R1  
 (732) LTD "MATRIXS"  
 Sarajishvilis q. 13-15-17, Vashlijvaris  
 dasakhleba, 0159, Tbilisi, Georgia  
 (770) LTD "MATRIXS"  
 E. Takaishvilis q. 80, 6000, Batumi, Georgia  
 (580) 2015 06 11

(111) M 2003 015203 R1  
 (732) LTD "MATRIXS"  
 Sarajishvilis q. 13-15-17, Vashlijvaris  
 dasakhleba, 0159, Tbilisi, Georgia  
 (770) LTD "MATRIXS"  
 E. Takaishvilis q. 80, 6000, Batumi, Georgia  
 (580) 2015 06 11

(111) M 2003 015300 R1  
(732) LTD "MATRIXS"  
Sarajishvilis q. 13-15-17, Vashlijvaris  
dasakhleba, 0159, Tbilisi, Georgia  
(770) LTD "MATRIXS"  
E. Takaishvilis q. 80, 6000, Batumi, Georgia  
(580) 2015 06 11

---

(111) M 2003 015303 R1  
(732) CARDIOME INTERNATIONAL AG  
Chamerstrasse 176, CH-6300, Zug,  
Switzerland  
(770) CARDIOME DEVELOPMENT AG  
Chamerstrasse 176, CH-6300, Zug,  
Switzerland  
(580) 2015 06 05

---

(111) M 2005 015925 R1  
(732) JSC "SLAVYANKA PLUS"  
309506, Belgorodskaya obl., Staryj Oskol,  
ul. Pervoy Konnoy Armii 65, Russian  
Federation  
(770) LTD "SLAVJANKA PLUS"  
309530, Belgorodskaya obl., Staryj Oskol,  
ul. Oktjabrskaya d. 20, Russian Federation  
(580) 2015 06 01

---

(111) M 1996 001680 R1  
(732) ROGER & GALLET  
3/7 avenue Sainte Anne, 92600 Asnieres sur  
Seine, France  
(770) ROGER & GALLET S.A.  
62, rue du Faubourg Saint-Honore, Paris,  
France  
(580) 2015 06 05

---

(111) M 2006 016854 R  
(732) LTD "MATRIXS"  
Sarajishvilis q. 13-15-17, Vashlijvaris  
dasakhleba, 0159, Tbilisi, Georgia  
(770) LTD "MATRIXS"  
E. Takaishvilis q. 80, 6000, Batumi, Georgia  
(580) 2015 06 11

---

(111) M 2006 017173 R  
(732) LTD "MATRIXS"  
Sarajishvilis q. 13-15-17, Vashlijvaris  
dasakhleba, 0159, Tbilisi, Georgia  
(770) LTD "MATRIXS"  
E. Takaishvilis q. 80, 6000, Batumi, Georgia  
(580) 2015 06 11

---

(111) M 2011 021329 R  
(732) LTD "MATRIXS"  
Sarajishvilis q. 13-15-17, Vashlijvaris  
dasakhleba, 0159, Tbilisi, Georgia  
(770) LTD "MATRIXS"  
E. Takaishvilis q. 80, 6000, Batumi, Georgia  
(580) 2015 06 11

---

(111) M 2012 022668 R  
(732) LTD "MATRIXS"  
Sarajishvilis q. 13-15-17, Vashlijvaris  
dasakhleba, 0159, Tbilisi, Georgia  
(770) LTD "MATRIXS"  
E. Takaishvilis q. 80, 6000, Batumi, Georgia  
(580) 2015 06 11

---

(111) M 2013 023337 R  
(732) LTD "MATRIXS"  
Sarajishvilis q. 13-15-17, Vashlijvaris  
dasakhleba, 0159, Tbilisi, Georgia  
(770) LTD "MATRIXS"  
E. Takaishvilis q. 80, 6000, Batumi, Georgia  
(580) 2015 06 11

---

(111) M 2013 023338 R  
(732) LTD "MATRIXS"  
Sarajishvilis q. 13-15-17, Vashlijvaris  
dasakhleba, 0159, Tbilisi, Georgia  
(770) LTD "MATRIXS"  
E. Takaishvilis q. 80, 6000, Batumi, Georgia  
(580) 2015 06 11

---

(111) M 2013 024073 R  
(732) LTD "MATRIXS"  
Sarajishvilis q. 13-15-17, Vashlijvaris  
dasakhleba, 0159, Tbilisi, Georgia  
(770) LTD "MATRIXS"  
E. Takaishvilis q. 80, 6000, Batumi, Georgia  
(580) 2015 06 11

---

(111) M 2013 024074 R  
(732) LTD "MATRIXS"  
Sarajishvilis q. 13-15-17, Vashlijvaris  
dasakhleba, 0159, Tbilisi, Georgia  
(770) LTD "MATRIXS"  
E. Takaishvilis q. 80, 6000, Batumi, Georgia  
(580) 2015 06 11

---

(111) M 2013 024084 R  
(732) LTD "MATRIXS"  
Sarajishvilis q. 13-15-17, Vashlijvaris  
dasakhleba, 0159, Tbilisi, Georgia

(770) LTD "MATRIXS"  
E. Takaishvilis q. 80, 6000, Batumi, Georgia  
(580) 2015 06 11

---

(111) M 2014 024674 R  
(732) LTD "MATRIXS"  
Sarajishvilis q. 13-15-17, Vashlijvaris  
dasakhleba, 0159, Tbilisi, Georgia  
(770) LTD "MATRIXS"  
E. Takaishvilis q. 80, 6000, Batumi, Georgia  
(580) 2015 06 11

---

(111) M 2014 025272 R  
(732) LTD "MATRIXS"  
Sarajishvilis q. 13-15-17, Vashlijvaris  
dasakhleba, 0159, Tbilisi, Georgia  
(770) LTD "MATRIXS"  
E. Takaishvilis q. 80, 6000, Batumi, Georgia  
(580) 2015 06 11

---

(111) M 2014 025273 R  
(732) LTD "MATRIXS"  
Sarajishvilis q. 13-15-17, Vashlijvaris  
dasakhleba, 0159, Tbilisi, Georgia  
(770) LTD "MATRIXS"  
E. Takaishvilis q. 80, 6000, Batumi, Georgia  
(580) 2015 06 11

---

(111) M 1994 000082 R2  
(732) "GAULME"  
325 rue Saint-Martin, 75003 Paris, France  
(770) "GAULME S.A."  
325 rue Saint-Martin, 75003 Paris, France  
(580) 2015 06 02

---

(111) M 1995 000872 R2  
(732) "WERZALIT GMBH + Co. KG"  
Gronauer Strasse 70, 71720 Oberstenfeld,  
Germany  
(770) "WERZALIT AG + Co. KG"  
Gronauer Strasse 70, 71720 Oberstenfeld,  
Germany  
(580) 2015 05 29

---

**CORRECTION OF PUBLISHED INFORMATIONS**

BULLETIN №	NUMBER OF APPLICATION (260)	PG.	COL.	INTERN. INDEX	PUBLISHED	MUST BE
11(423) 2015	77809	58	I	(731)	Berlin-Chemie AG Glienicke Weg 125, Germany	Berlin-Chemie AG Glienicke Weg 125, Berlin, Germany
	77810	58	II	(731)	Berlin-Chemie AG Glienicke Weg 125, Germany	Berlin-Chemie AG Glienicke Weg 125, Berlin, Germany
	77811	58	II	(731)	Berlin-Chemie AG Glienicke Weg 125, Germany	Berlin-Chemie AG Glienicke Weg 125, Berlin, Germany
	77812	58	II	(731)	Berlin-Chemie AG Glienicke Weg 125, Germany	Berlin-Chemie AG Glienicke Weg 125, Berlin, Germany

---

# CLASSIFICATION INDEXES

## INVENTIONS

### CONCORDANCE TABLE OF INTERNATIONAL CLASSIFICATION INDEX AND PUBLICATION NUMBERS

INTERNATIONAL CLASSIFICATION INDEXES (51)	NUMBER OF PUBLISHED APPLICATION (10)
A 01 G 7/04	AP 2015 13257 A
A 01 N 25/08; A 01 N 25/12; A 01 N 39/02; A 01 N 43/40; A 01 N 43/76; A 01 N 43/90; A 01 N 47/36; A 01 P 13/00	AP 2015 12999 A
A 61 K 36/899; A 61 K 8/97; A 61 Q 19/08; A 61 P 17/06; A 61 P 17/10	AP 2015 12263 A
B 01 D 53/02; B 01 D 53/26	AP 2015 12798 A
B 22 F 9/08	AP 2015 13683 A
B 62 M 9/00	AP 2015 12634 A
B 66 F 9/06	AP 2015 13372 A
C 07 D 413/12; A 61 P 31/04; A 61 P 13/00; A 61 P 15/02	AP 2015 13509 A
C 10 M 125/30, 125/10, 103/06; C 10 N 30/06	AP 2015 13467 A
F 01 C 1/077; F 02 B 53/00	AP 2015 13320 A
F 01 L 1/02	AP 2015 13284 A
F 24 D 3/10	AP 2015 13422 A

### CONCORDANCE TABLE OF PUBLICATION NUMBERS AND INTERNATIONAL CLASSIFICATION INDEX

NUMBER OF PUBLISHED APPLICATION (10)	INTERNATIONAL CLASSIFICATION INDEXES (51)
AP 2015 12263 A	B 01 D 53/02; B 01 D 53/26
AP 2015 12634 A	B 66 F 9/06
AP 2015 12798 A	B 22 F 9/08
AP 2015 12999 A	A 61 K 36/899; A 61 K 8/97; A 61 Q 19/08; A 61 P 17/06; A 61 P 17/10
AP 2015 13257 A	A 01 G 7/04
AP 2015 13284 A	F 24 D 3/10
AP 2015 13320 A	F 01 L 1/02
AP 2015 13372 A	C 07 D 413/12; A 61 P 31/04; A 61 P 13/00; A 61 P 15/02
AP 2015 13422 A	
AP 2015 13467 A	F 01 C 1/077; F 02 B 53/00
AP 2015 13509 A	C 10 M 125/30, 125/10, 103/06; C 10 N 30/06
AP 2015 13683 A	B 62 M 9/00

**CONCORDANCE TABLE OF INTERNATIONAL CLASSIFICATION INDEX,  
PATENT NUMBERS AND PUBLICATION NUMBERS**

INTERNATIONAL CLASSIFICATION INDEX (51)	NUMBER OF PATENT (11)	NUMBER OF PUBLISHED APPLICATION (10)
A 61 K 9/20; A 61 K 31/4188	P 2015 6306 B	AP 2015 13270 A
A 61 K 31/4411; A 61 K 31/41; A 61 K 9/16; A 61 P 9/00	P 2015 6304 B	AP 2015 13130 A
A 61 K 35/60, 36/00; A 61 P 1/10	P 2015 6305 B	AP 2015 13243 A
C 04 B 14/38; C 04 B 16/06; C 04 B 32/02; E 04 C 5/07	P 2015 6303 B	AP 2015 13092 A
C 07 D 215/48; C 07 D 401/12; C 07 D 407/12; C 07 D 409/12; C 07 D 413/12; C 07 D 417/12; A 61 K 31/4709; A 61 P 31/10	P 2015 6301 B	AP 2015 12810 A
C 07 D 405/12; C 07 D 223/16; A 61 P 9/10; A 61 P 9/08; A 61 P 9/06; A 61 K 31/55	P 2015 6308 B	AP 2015 13282 A
C 12 N 5/06	P 2015 6300 B	AP 2015 12040 A
E 01 F 8/00; E 04 B 1/24	P 2015 6302 B	AP 2015 13023 A
G 05 F 3/16; H 05 B 33/08	P 2015 6307 B	AP 2015 13373 A

**CONCORDANCE TABLE OF PATENT NUMBERS,  
PUBLICATION NUMBERS AND INTERNATIONAL CLASSIFICATION INDEX**

NUMBER OF PATENT (11)	NUMBER OF PUBLISHED APPLICATION (10)	INTERNATIONAL CLASSIFICATION INDEX (51)
P 2015 6300 B	AP 2015 12040 A	C 12 N 5/06
P 2015 6301 B	AP 2015 12810 A	C 07 D 215/48; C 07 D 401/12; C 07 D 407/12; C 07 D 409/12; C 07 D 413/12; C 07 D 417/12; A 61 K 31/4709; A 61 P 31/10
P 2015 6302 B	AP 2015 13023 A	E 01 F 8/00; E 04 B 1/24
P 2015 6303 B	AP 2015 13092 A	C 04 B 14/38; C 04 B 16/06; C 04 B 32/02; E 04 C 5/07
P 2015 6304 B	AP 2015 13130 A	A 61 K 31/4411; A 61 K 31/41; A 61 K 9/16; A 61 P 9/00
P 2015 6305 B	AP 2015 13243 A	A 61 K 35/60, 36/00; A 61 P 1/10
P 2015 6306 B	AP 2015 13270 A	A 61 K 9/20; A 61 K 31/4188
P 2015 6307 B	AP 2015 13373 A	G 05 F 3/16; H 05 B 33/08
P 2015 6308 B	AP 2015 13282 A	C 07 D 405/12; C 07 D 223/16; A 61 P 9/10; A 61 P 9/08; A 61 P 9/06; A 61 K 31/55



**CONCORDANCE TABLE OF APPLICATION NUMBERS, PUBLICATION NUMBERS  
AND PATENTS**

NUMBER OF APPLICATION (21)	NUMBER OF PUBLISHED APPLICATION (10)	NUMBER OF PATENT (11)
AP 2009 012040	AP 2015 12040 A	P 2015 6300 B
AP 2010 012810	AP 2015 12810 A	P 2015 6301 B
AP 2010 013023	AP 2015 13023 A	P 2015 6302 B
AP 2011 013092	AP 2015 13092 A	P 2015 6303 B
AP 2011 013130	AP 2015 13130 A	P 2015 6304 B
AP 2013 013243	AP 2015 13243 A	P 2015 6305 B
AP 2012 013270	AP 2015 13270 A	P 2015 6306 B
AP 2013 013282	AP 2015 13282 A	P 2015 6308 B
AP 2012 013373	AP 2015 13373 A	P 2015 6307 B

**UTILITY MODELS**

**CONCORDANCE TABLE OF INTERNATIONAL CLASSIFICATION INDEX  
AND PUBLICATION NUMBERS**

INTERNATIONAL CLASSIFICATION INDEXES (51)	NUMBER OF PUBLISHED APPLICATION (10)
B 21 F 27/06; B 25 C 11/02	AU 2015 13417 U

**CONCORDANCE TABLE OF PUBLICATION NUMBERS  
AND INTERNATIONAL CLASSIFICATION INDEX**

NUMBER OF PUBLISHED APPLICATION (10)	INTERNATIONAL CLASSIFICATION INDEXES (51)
AU 2015 13417 U	B 21 F 27/06; B 25 C 11/02

**DESIGNS**

**DESIGN REGISTERED ACCORDING TO THE  
ACCELERATED PROCEDURE**

**CONCORDANCE TABLE OF INTERNATIONAL CLASSIFICATION INDEX  
AND PATENTS NUMBERS**

INTERNATIONAL CLASSIFICATION INDEX (51)	NUMBER OF PATENT (11)
09-05	D 2015 630 S

---

CONCORDANCE TABLE OF PATENT NUMBERS AND INTERNATIONAL  
CLASSIFICATION INDEX

NUMBER OF PATENT (11)	INTERNATIONAL CLASSIFICATION INDEX (51)
D 2015 630 S	09-05

CONCORDANCE TABLE OF APPLICATION NUMBERS  
AND PATENT NUMBERS

NUMBER OF APPLICATION (21)	NUMBER OF PATENT (11)
AD 2015 000853	D 2015 630 S

## TRADEMARKS

### CONCORDANCE TABLE OF REGISTRATION NUMBERS, APPLICATION NUMBERS, PUBLICATION NUMBERS AND BULLETIN NUMBERS

NUMBER OF REGISTRATION (111)	NUMBER OF APPLICATIONS (210)	NUMBER OF PUBLISHED APPLICATIONS (260)	NUMBER OF BULLETIN
1	2	3	4
M 2015 25927 R	AM 82202	-	12(424) 2015
M 2015 25928 R	AM 81697	-	12(424) 2015
M 2015 25929 R	AM 82232	-	12(424) 2015
M 2015 25930 R	AM 82026	-	12(424) 2015
M 2015 25931 R	AM 82316	-	12(424) 2015
M 2015 25932 R	AM 75232	AM 2014 75232 A	22(410) 2014
M 2015 25933 R	AM 75233	AM 2014 75233 A	22(410) 2014
M 2015 25934 R	AM 75277	AM 2014 75277 A	22(410) 2014
M 2015 25935 R	AM 75300	AM 2014 75300 A	24(412) 2014
M 2015 25936 R	AM 75320	AM 2014 75320 A	19(407) 2014
M 2015 25937 R	AM 75321	AM 2014 75321 A	19(407) 2014
M 2015 25938 R	AM 75325	AM 2014 75325 A	22(410) 2014
M 2015 25939 R	AM 75373	AM 2014 75373 A	21(409) 2014
M 2015 25940 R	AM 75374	AM 2014 75374 A	21(409) 2014
M 2015 25941 R	AM 75375	AM 2014 75375 A	21(409) 2014
M 2015 25942 R	AM 75376	AM 2014 75376 A	21(409) 2014
M 2015 25943 R	AM 75377	AM 2014 75377 A	21(409) 2014
M 2015 25944 R	AM 75414	AM 2014 75414 A	23(411) 2014
M 2015 25945 R	AM 75461	AM 2014 75461 A	21(409) 2014
M 2015 25946 R	AM 75702	AM 2014 75702 A	23(411) 2014
M 2015 25947 R	AM 75243	AM 2014 75243 A	1(413) 2015
M 2015 25948 R	AM 77553	AM 2014 77553 A	4(416) 2015
M 2015 25949 R	AM 77872	AM 2014 77872 A	5(417) 2015
M 2015 25950 R	AM 76184	AM 2014 76184 A	4(416) 2015
M 2015 25951 R	AM 75748	AM 2014 75748 A	23(411) 2014
M 2015 25952 R	AM 75776	AM 2014 75776 A	21(409) 2014
M 2015 25953 R	AM 75762	AM 2014 75762 A	22(410) 2014
M 2015 25954 R	AM 75778	AM 2014 75778 A	23(411) 2014
M 2015 25955 R	AM 75790	AM 2014 75790 A	1(413) 2015
M 2015 25956 R	AM 75791	AM 2014 75791 A	1(413) 2015
M 2015 25957 R	AM 75792	AM 2014 75792 A	1(413) 2015
M 2015 25958 R	AM 75802	AM 2014 75802 A	24(412) 2014
M 2015 25959 R	AM 75806	AM 2014 75806 A	21(409) 2014
M 2015 25960 R	AM 75807	AM 2014 75807 A	21(409) 2014
M 2015 25961 R	AM 75835	AM 2014 75835 A	1(413) 2015
M 2015 25962 R	AM 75852	AM 2014 75852 A	21(409) 2014
M 2015 25963 R	AM 75868	AM 2014 75868 A	24(412) 2014
M 2015 25964 R	AM 75869	AM 2014 75869 A	24(412) 2014
M 2015 25965 R	AM 75870	AM 2014 75870 A	24(412) 2014
M 2015 25966 R	AM 75895	AM 2014 75895 A	1(413) 2015
M 2015 25967 R	AM 75909	AM 2014 75909 A	21(409) 2014
M 2015 25968 R	AM 75910	AM 2014 75910 A	21(409) 2014
M 2015 25969 R	AM 75919	AM 2014 75919 A	1(413) 2015
M 2015 25970 R	AM 82197	-	12(424) 2015

**CONCORDANCE TABLE OF PUBLICATION NUMBERS  
AND APPLICATION NUMBERS**

NUMBER OF PUBLISHED APPLICATION (260)	NUMBER OF APPLICATION (210)	1	2
		1	2
AM 2015 75413 A	AM 75413		
AM 2015 76830 A	AM 76830		
AM 2015 76831 A	AM 76831		
AM 2015 76832 A	AM 76832		
AM 2015 76833 A	AM 76833		
AM 2015 76834 A	AM 76834		
AM 2015 76835 A	AM 76835		
AM 2015 77496 A	AM 77496		
AM 2015 77602 A	AM 77602		
AM 2015 77675 A	AM 77675		
AM 2015 77679 A	AM 77679		
AM 2015 77691 A	AM 77691		
AM 2015 77945 A	AM 77945		
AM 2015 78279 A	AM 78279		
AM 2015 78280 A	AM 78280		
AM 2015 78662 A	AM 78662		
AM 2015 78703 A	AM 78703		
		AM 2015 78808 A	AM 78808
		AM 2015 78809 A	AM 78809
		AM 2015 78810 A	AM 78810
		AM 2015 78814 A	AM 78814
		AM 2015 78838 A	AM 78838
		AM 2015 78858 A	AM 78858
		AM 2015 78898 A	AM 78898
		AM 2015 79046 A	AM 79046
		AM 2015 79120 A	AM 79120
		AM 2015 79121 A	AM 79121
		AM 2015 79122 A	AM 79122
		AM 2015 79192 A	AM 79192
		AM 2015 79193 A	AM 79193
		AM 2015 79195 A	AM 79195
		AM 2015 79198 A	AM 79198
		AM 2015 79351 A	AM 79351
		AM 2015 79545 A	AM 79545
		AM 2015 79743 A	AM 79743
		AM 2015 79744 A	AM 79744
		AM 2015 79745 A	AM 79745
		AM 2015 79746 A	AM 79746

**CONCORDANCE TABLE OF INDEX OF GOODS AND/OR SERVICES  
AND APPLICATION NUMBERS**

INDEX OF GOODS AND/OR SERVICES (511)	NUMBER OF PUBLISHED APPLICATIONS (260)	1	2
		1	2
		5	AM 2015 79046 A
		5	AM 2015 79192 A
		5	AM 2015 79193 A
		5	AM 2015 79198 A
		5	AM 2015 79743 A
		5	AM 2015 79744 A
		5	AM 2015 79745 A
		5	AM 2015 79746 A
		9	AM 2015 76830 A
		9	AM 2015 76831 A
		9	AM 2015 76832 A
		9	AM 2015 76833 A
		9	AM 2015 76834 A
		10	AM 2015 76830 A
		10	AM 2015 76831 A
		10	AM 2015 76832 A
		10	AM 2015 76833 A
		10	AM 2015 76834 A
		11	AM 2015 79195 A
		12	AM 2015 76830 A
		12	AM 2015 76831 A
		12	AM 2015 76832 A
		12	AM 2015 76833 A
		12	AM 2015 76834 A
1	AM 2015 79195 A		
2	AM 2015 78703 A		
3	AM 2015 76830 A		
3	AM 2015 76831 A		
3	AM 2015 76832 A		
3	AM 2015 76833 A		
3	AM 2015 76834 A		
3	AM 2015 77675 A		
3	AM 2015 77679 A		
3	AM 2015 77945 A		
5	AM 2015 76830 A		
5	AM 2015 76831 A		
5	AM 2015 76832 A		
5	AM 2015 76833 A		
5	AM 2015 76834 A		
5	AM 2015 77602 A		
5	AM 2015 77679 A		
5	AM 2015 78279 A		
5	AM 2015 78280 A		

1	2	1	2
12	AM 2015 77496 A	29	AM 2015 76831 A
12	AM 2015 78898 A	29	AM 2015 76832 A
14	AM 2015 76830 A	29	AM 2015 76833 A
14	AM 2015 76831 A	29	AM 2015 76834 A
14	AM 2015 76832 A	29	AM 2015 78838 A
14	AM 2015 76833 A	29	AM 2015 79545 A
14	AM 2015 76834 A	30	AM 2015 76830 A
16	AM 2015 76830 A	30	AM 2015 76831 A
16	AM 2015 76831 A	30	AM 2015 76832 A
16	AM 2015 76832 A	30	AM 2015 76833 A
16	AM 2015 76833 A	30	AM 2015 76834 A
16	AM 2015 76834 A	30	AM 2015 77691 A
17	AM 2015 78703 A	30	AM 2015 78808 A
18	AM 2015 76830 A	30	AM 2015 78809 A
18	AM 2015 76831 A	30	AM 2015 78810 A
18	AM 2015 76832 A	30	AM 2015 79121 A
18	AM 2015 76833 A	30	AM 2015 79122 A
18	AM 2015 76834 A	30	AM 2015 79545 A
19	AM 2015 75413 A	31	AM 2015 79195 A
20	AM 2015 76830 A	32	AM 2015 76830 A
20	AM 2015 76831 A	32	AM 2015 76831 A
20	AM 2015 76832 A	32	AM 2015 76832 A
20	AM 2015 76833 A	32	AM 2015 76833 A
20	AM 2015 76834 A	32	AM 2015 76834 A
21	AM 2015 76830 A	32	AM 2015 77691 A
21	AM 2015 76831 A	32	AM 2015 78279 A
21	AM 2015 76832 A	32	AM 2015 78280 A
21	AM 2015 76833 A	32	AM 2015 78814 A
21	AM 2015 76834 A	33	AM 2015 78662 A
24	AM 2015 76830 A	33	AM 2015 78814 A
24	AM 2015 76831 A	33	AM 2015 78858 A
24	AM 2015 76832 A	34	AM 2015 79120 A
24	AM 2015 76833 A	35	AM 2015 75413 A
24	AM 2015 76834 A	35	AM 2015 78279 A
25	AM 2015 76830 A	35	AM 2015 78280 A
25	AM 2015 76831 A	35	AM 2015 79121 A
25	AM 2015 76832 A	35	AM 2015 79122 A
25	AM 2015 76833 A	35	AM 2015 79195 A
25	AM 2015 76834 A	38	AM 2015 76830 A
27	AM 2015 76830 A	38	AM 2015 76831 A
27	AM 2015 76831 A	38	AM 2015 76832 A
27	AM 2015 76832 A	38	AM 2015 76833 A
27	AM 2015 76833 A	38	AM 2015 76834 A
27	AM 2015 76834 A	41	AM 2015 76830 A
28	AM 2015 76830 A	41	AM 2015 76831 A
28	AM 2015 76831 A	41	AM 2015 76832 A
28	AM 2015 76832 A	41	AM 2015 76833 A
28	AM 2015 76833 A	41	AM 2015 76834 A
28	AM 2015 76834 A	44	AM 2015 79195 A
29	AM 2015 76830 A		

CONCORDANCE TABLE OF INDEX OF GOODS AND/OR SERVICES  
AND NUMBERS OF TRADEMARKS REGISTERED ACCORDING  
TO THE ACCELERATED PROCEDURE

INDEX OF GOODS AND/OR SERVICES (511)	NUMBERS OF REGISTERED ACCORDING TO THE ACCELERATED PROCEDURE (111)
9	M 2015 25928 R
9	M 2015 25929 R
14	M 2015 25927 R
25	M 2015 25927 R
32	M 2015 25930 R
35	M 2015 25927 R
35	M 2015 25928 R
35	M 2015 25929 R
35	M 2015 25930 R
36	M 2015 25928 R
36	M 2015 25929 R
39	M 2015 25931 R
45	M 2015 25970 R

# OFFICIAL BULLETIN OF THE INDUSTRIAL PROPERTY

## 12(424)

EDITOR-IN-CHIEF: N. Bebrishvili

EDITORS-TRANSLATORS: E. Gabunia

PROOFREADER: A. Shikhashvili

COMPUTER LAYOUT: M. Ordenidze  
K. Svanidze

[www.sakpatenti.org.ge](http://www.sakpatenti.org.ge)

E-mail: [info@sakpatenti.org.ge](mailto:info@sakpatenti.org.ge)