



საქართველოს ინტელექტუალური საკუთრების ეროვნული ცენტრი
NATIONAL INTELLECTUAL PROPERTY CENTER OF GEORGIA

საქპატენტი
SAKPATENTI

**OFFICIAL BULLETIN
OF THE INDUSTRIAL PROPERTY**

12(520)

2019
TBILISI

INID CODES FOR IDENTIFICATION OF BIBLIOGRAPHIC DATA

INVENTIONS, UTILITY MODELS

- (10) Number of publication for application, which has been examined
- (11) Number of patent and kind of document
- (21) Serial number of application
- (22) Date of filing of the application
- (23) Date of exhibition or the date of the earlier filing and the number of application, if any
- (24) Date from which patent may have effect
- (31) Number of priority application
- (32) Date of filing of priority application
- (33) Code of the country or regional organization allotting priority application number
- (44) Date of publication of application not granted, but examined and number of bulletin
- (45) Date of publication of registered document
- (51) International Patent Classification Index
- (54) Title of the invention
- (57) Abstract
- (60) Number of examined patent document granted by foreign patent office, date from which patent has effect and country code
- (62) Number of the earlier application and in case of divided application, date of filing an application
- (71) Name, surname and address of applicant (country code)
- (72) Name, surname of inventor (country code)
- (73) Name, surname and address of patent owner (country code)
- (74) Name, surname of representative or patent attorney
- (85) Date of commencement of the national phase of International Application
- (86) Number and date of filing of international application
- (87) Number and date of publication of international application

DESIGNS

- (10) Number of publication for application
- (11) Number of patent and kind of document or number of registration
- (15) Date of registration/Date of patent renewal
- (18) Expected expiration date of patent or registration
- (21) Serial number of application
- (22) Date of filing of the application
- (23) Date of exhibition or the date of the earlier filing and the number of application, if any
- (24) Date from which patent may have effect
- (28) Number of designs included in the application
- (30) Data relating to priority (number of application, date of filing of application, two-letter code identifying the authority with whom the priority application was made)
- (31) Number of priority application
- (32) Date of filing of priority application
- (33) Code of the country or regional organization allotting priority application number
- (34) Two-letter code according to WIPO St.3 identifying the authority with which the priority application was made
- (44) Date of publication of design and number of bulletin (the first publication)
- (45) Date of publication of design registered by WIPO and number of bulletin
- (51) International Classification for designs (class and subclass of the Locarno Classification)
- (54) Title of the invention
- (55) Reproduction of the design
- (57) Description of characteristic features of the design including indication of colors
- (58) Date of recording of any kind of amendment in the Register
- (62) Number of the earlier application, registration and document number and if available the date of filing an application in case of divided application
- (71) Name, surname and address of applicant (country code)
- (72) Name, surname of creator (country code)
- (73) Name, surname and address of patent owner (country code)
- (74) Name, surname of representative or patent attorney
- (81) Contracting states concerned
 - II designated contracting states according to the 1960 Act
 - III designated contracting states according to the 1999 Act
- (85) Owner's permanent address
- (86) Owner's nationality
- (87) Owner's residence
- (88) State in which the owner has a real and effective industrial or commercial establishment

TRADEMARKS

- (111) – Number of registration
- (151) – Date of registration
- (156) – Date of the renewal
- (181) – Expected expiration date of registration
- (186) – Renewal expiration date of registration
- (141) – Date of cancel of duration of the mark
- (210) – Serial number of application
- (220) – Date of filing of the application
- (230) – Date concerning exhibition
- (260) – Number of application, for which favorable decision of examination about registration has been taken (publication number)
- (310) – Number of the first application
- (320) – Date of filing of the first application
- (330) – Code, identifying national or regional Office where the first application was made
- (511) – International Classification of Goods and Services for the purposes of registration of trade marks and/or list of goods and/or services classified according thereto
- (531) – Description of figurative elements of Trade Marks according to the International Classification of the Figurative Elements of Marks
- (540) – Reproduction of Trade Mark
- (550) – Nature and kind of Trade Mark
- (580) – Date of recording of any kind changes in respect of applications or registrations
- (591) – Information concerning colors claimed
- (731) – Name and address of the applicant
- (732) – Name and address of the holder of the registration
- (740) – Name and address of the representative
- (750) – Address for correspondence
- (770) – Name and address of the previous applicant or holder in case of change in ownership
- (771) – Previous name and address of the applicant or holder in case of change in ownership
- (791) – Name and address of the licensee
- (793) – Indication of conditions and/or restrictions under the license (Type of license, number of license agreement, data of license, data of validity of license)
- (800) – Certain data relating to the international registration of Trade Marks under the Protocol Relating to Madrid Agreement (International registration number)

CODES FOR PUBLICATION IN BULLETIN

- (21) AP 0000 000000 – serial number of application for invention
- (10) AP 0000 0000 A – number of published application for invention (first publication)
- (11) P 0000 0000 B – number of patent for invention (second publication)
- (21) API 0000 000000 – number of application for imported patent
- (11) PI 0000 0000 A – number of imported patent (first publication)
- (21) AU 0000 000000 – serial number of application for utility model
- (10) AU 0000 000 U – number of published application for utility model (first publication)
- (11) U 0000 000 Y – number of patent for utility model (second publication)
- (21) AD 0000 000000 – serial number of application for design
- (10) AD 0000 000 S – number of published application for design (first publication)
- (11) D 0000 000 S – number of patent for design (second publication)

INTERNATIONAL PATENT CLASSIFICATION FOR INVENTIONS AND UTILITY MODELS

- SECTION A – HUMAN NECESSITIES
- SECTION B – PERFORMING OPERATIONS; TRANSPORTING
- SECTION C – CHEMISTRY; METALLURGY
- SECTION D – TEXTILES; PAPER
- SECTION E – FIXED CONSTRUCTIONS
- SECTION F – MECHANICAL ENGINEERING; LIGHTING; HEATING; WEAPONS; BLASTING
- SECTION G – PHYSICS
- SECTION H – ELECTRICITY

-
- M – Trade Mark
 - (210) AM 0000 000000 – Serial number of application;
 - (260) AAM 0000 00000 A – Publication number of application;
 - (111) M 0000 00000 R – Number of registration;
 - (111) MMM0000 00000 Rn – Number of renewals, in which n=1,2,3;
 - (111) M 0000 00000 R(P) – Number of registration under partial assignment of rights
-

LIST OF CODES, IN ALPHABETIC SEQUENCE, AND THE CORRESPONDING (SHORT) NAMES OF STATES, OTHER ENTITIES AND INTERGOVERNMENTAL ORGANIZATIONS
(WIPO STANDARD ST.3)

AD	Andorra				
AE	United Arab Emirates				
AF	Afghanistan				
AG	Antigua and Barbuda				
AI	Anguilla				
AL	Albania				
AM	Armenia				
AN	Netherlands Antilles				
AO	Angola				
AP	African Regional Intellectual Property Organization (ARIPO)				
AR	Argentina				
AT	Austria				
AU	Australia				
AW	Aruba				
AZ	Azerbaijan				
BA	Bosnia and Herzegovina				
BB	Barbados				
BD	Bangladesh				
BE	Belgium				
BF	Burkina Faso				
BG	Bulgaria				
BH	Bahrain				
BI	Burundi				
BJ	Benin				
BM	Bermuda				
BN	Brunei Darussalam				
BO	Bolivia				
BR	Brazil				
BS	Bahamas				
BT	Bhutan				
BV	Bouvet Island				
BW	Botswana				
BX	Benelux Office for Intellectual Property (BOIP)				
BY	Belarus				
BZ	Belize				
CA	Canada				
CD	Democratic Republic of the Congo				
CF	Central African Republic				
CG	Congo				
CH	Switzerland				
CI	Cote d'Ivoire				
CK	Cook Islands				
CL	Chile				
CM	Cameroon				
CN	China				
CO	Colombia				
CR	Costa Rica				
CU	Cuba				
CV	Cape Verde				
CY	Cyprus				
CZ	Czech Republic				
DE	Germany				
DJ	Djibouti				
DM	Dominica				
DO	Dominican Republic				
DZ	Algeria				
EA	Eurasian Patent Organization (EAPO)				
EC	Ecuador				
EE	Estonia				
EG	Egypt				
EH	Western Sahara				
EM	Office for Harmonization in the Internal Market (Trademarks and Designs)(OHIM)				
EP	European Patent Office (EPO)				
ER	Eritrea				
ES	Spain				
ET	Ethiopia				
FI	Finland				
FJ	Fiji				
FK	Falkland Islands (Malvinas)				
FO	Faroe Islands				
FR	France				
GA	Gabon				
GB	United Kingdom				
GC	Patent Office of the Cooperation Council for the Arab States of the Gulf (GCC)				
GD	Grenada				
GG	Guernsey				
GH	Ghana				
GI	Gibraltar				
GT	Guatemala				
GW	Guinea- Bissau				
GY	Guyana				
HK	The Hong Kong Special Administrative Region of the People's Republic of China				
HN	Honduras				
HR	Croatia				
HT	Haiti				
HU	Hungary				
IB	International Bureau of the World Intellectual Property Organization (WIPO)				
ID	Indonesia				
IE	Ireland				
IL	Israel				
IM	Isle of Man				
IN	India				
IQ	Iraq				
ID	Indonesia				
IE	Ireland				
IL	Israel				
IM	Isle of Man				
IN	India				
IQ	Iraq				
IR	Iran (Islamic Republic of)				
IS	Iceland				
IT	Italy				
JE	Jersey				
JM	Jamaica				
JO	Jordan				
JP	Japan				
KE	Kenya				
KG	Kyrgyzstan				
KH	Cambodia				
KI	Kiribati				
KM	Saint Kitts and Nevis				
KP	Democratic People's Republic of Korea				
KR	Republic of Korea				
KW	Kuwait				
KY	Cayman Islands				
KZ	Kazakhstan				
LA	Lao People's Democratic Republic				
LB	Lebanon				
LC	Saint Lucia				
LI	Liechtenstein				
LK	Sri Lanka				
LR	Liberia				
LS	Lesotho				
LT	Lithuania				
LU	Luxembourg				
LV	Latvia				
LY	Libyan Arab Jamahiriya				
MA	Morocco				
MC	Monaco				
MD	Republic of Moldova				
ME	Montenegro				
MG	Madagascar				
MK	The former Yugoslav Republic of Macedonia				
ML	Mali				
MM	Myanmar				
MN	Mongolia				
MO	Macao				
MP	Northern Mariana Islands				
MR	Mauritania				
MS	Montserrat				
MT	Malta				
MU	Mauritius				
MV	Maldives				
MW	Malawi				
MX	Mexico				
MY	Malaysia				
MZ	Mozambique				
NA	Namibia				
NE	Niger				
NG	Nigeria				
NI	Nicaragua				
NL	Netherlands				
NO	Norway				
NP	Nepal				
NR	Nauru				
NZ	New Zealand				
OA	African Intellectual Property Organization (OAPI)				
OM	Oman				
PA	Panama				
PE	Peru				
PG	Papua New Guinea				
PH	Philippines				
PK	Pakistan				
PL	Poland				
PT	Portugal				
PW	Palau				
PY	Paraguay				
QA	Qatar				
QZ	Community Plant Variety Office (European Community) (CPVO)				
RO	Romania				
RS	Serbia				
RU	Russian Federation				
RW	Rwanda				
SA	Saudi Arabia				
SB	Solomon Islands				
SC	Seychelles				
SD	Sudan				
SG	Singapore				
SH	Saint Helena				
SI	Slovenia				
SK	Slovakia				
SL	Sierra Leone				
SM	San Marino				
SN	Senegal				
SO	Somalia				
SR	Suriname				
ST	Sao Tome and Principe				
SV	El Salvador				
SY	Syrian Arab Republic				
SZ	Swaziland				
TC	Turks and Caicos Islands				
TD	Chad				
TG	Togo				
TH	Thailand				
TJ	Tajikistan				
TL	Timor-Leste				
TM	Turkmenistan				
TN	Tunisia				
TO	Tonga				
TR	Turkey				
SE	Sweden				
TT	Trinidad and Tobago				
TV	Tuvalu				
TW	Taiwan, Province of China				
TZ	United Republic of Tanzania				
UA	Ukraine				
UG	Uganda				
US	United States of America				
UY	Uruguay				
UZ	Uzbekistan				
VA	Holy See				
VC	Saint Vincent and the Grenadines				
VE	Venezuela				
VG	Virgin Islands (British)				
VN	Viet Nam				
VU	Vanuatu				
WO	World Intellectual Property Organization (WIPO)				
WS	Samoa				
XN	Nordic Patent Institute (NPI)				
YE	Yemen				
ZA	South Africa				
ZM	Zambia				
ZW	Zimbabwe				

**OFFICIAL BULLETIN
OF THE INDUSTRIAL PROPERTY**

12(520)

INVENTIONS

UTILITY MODELS

DESIGNS

TRADEMARKS

APPELLATIONS OF ORIGIN OF GOODS

DATE OF PUBLICATION

2019 06 25

CONTENTS

PUBLISHED TITLES OF PROTECTION	3
INVENTIONS	
▪ APPLICATIONS APPROVED FOR GRANTING PATENTS	4
▪ PATENTED INVENTIONS	7
UTILITY MODELS	
▪ APPLICATIONS APPROVED FOR GRANTING PATENTS	9
▪ PATENTED UTILITY MODELS	10
DESIGNS	
▪ APPLICATIONS APPROVED FOR REGISTRATION	11
▪ REGISTERED DESIGNS	21
TRADEMARKS	
▪ APPLICATIONS FILED UNDER THE NATIONAL PROCEDURE APPROVED FOR REGISTRATION	22
▪ REGISTERED TRADEMARKS	31
▪ TRADEMARKS REGISTERED ACCORDING TO THE ACCELERATED PROCEDURE	36
▪ INTERNATIONAL TRADEMARKS FOR WHICH A DECISION ON GANTING PROTECTION IS TAKEN	38
▪ INTERNATIONAL TRADEMARKS PROTECTED IN GEORGIA	84
APPELLATIONS OF ORIGIN OF GOODS	
▪ AMENDMENTS IN AOS REGISTRATION	92
▪ APPELLATIONS OF ORIGIN OF GOODS FILED IN GEORGIA FOR EXAMINATION UNDER LISBON AGREEMENT, ON THE BASIS OF THE INTERNATIONAL REGISTRATION	93
OFFICIAL NOTIFICATIONS	
INVENTIONS	
▪ RENEWAL OF PATENTS	95
▪ ABOLITION OF PATENTS WITH THE RIGHT TO RESTORE	95
▪ EXPIRATION OF TERM OF RESTORATION OF PATENTS	97
▪ ISSUING ADDITIONAL CERTIFICATE OF PROTECTION	99
UTILITY MODELS	
▪ RENEWAL OF PATENTS	99
▪ ABOLITION OF PATENTS WITH THE RIGHT TO RESTORE	99
▪ EXPIRATION OF TERM OF RESTORATION OF PATENTS	99
DESIGNS	
▪ RENEWAL OF REGISTRATIONS	100
TRADEMARKS	
▪ RENEWAL OF REGISTRATIONS	101
▪ COMPLET TRANSFER OF RIGHTS	104
▪ CHANGES OF NAMES AND/OR ADDRESSES OF OWNERS	105
▪ TERMINATION OF TRADEMARKS REGISTRATION	107
CLASSIFICATION INDEXES	
INVENTIONS	110
UTILITY MODELS	111
DESIGNS	112
TRADEMARKS	114

PUBLISHED TITLES OF PROTECTION

INVENTIONS

- **APPLICATION APPROVED FOR GRANTING PATENT:**
14772, 14773; 14099; 14637; 14745; 14392; 14851, 14852
- **PATENTED INVENTIONS:**
6981-6985

UTILITY MODELS

- **APPLICATIONS APPROVED FOR GRANTING PATENT:**
14890; 14893
- **PATENTED UTILITY MODELS:**
2011, 2012

DESIGNS

- **APPLICATIONS APPROVED FOR REGISTRATION:**
1076; 1072; 1074
- **REGISTERED DESIGNS:**
809-811

TRADEMARKS

- **APPLICATIONS FILED UNDER THE NATIONAL PROCEDURE APPROVED FOR REGISTRATION:**
100017; 100031; 100044; 100046; 100048; 100052; 100061; 100076; 100078; 100089; 100092; 100370; 100373; 100381; 100384-100386; 100402; 100405; 100424; 100439; 100442; 100445; 100448, 100449; 100453; 100455-100458; 100462; 100587; 100591, 100592; 100594; 100599; 100601; 100603; 100605, 100606; 100769, 100770; 100789; 100802; 96343; 99353; 99526; 99528, 99529; 99656; 99940; 99967, 99968; 99975; 99979-99984; 99987
- **REGISTERED TRADEMARKS:**
31314-31366
- **TRADEMARKS REGISTERED ACCORDING TO THE ACCELERATED PROCEDURE:**
31307-31313; 31367-31370
- **INTERNATIONAL TRADEMARKS FOR WHICH A DECISION ON GRANTING PROTECTIONS IS TAKEN:**
100203; 100205, 100206; 100211; 95387*; 97117*; 97574; 98132; 98360; 98476; 98602; 98826; 98843; 98870; 98876; 98928; 98945; 98948, 98949; 98957, 98958; 99013; 99015; 99032; 99088; 99095; 99097; 99108; 99110; 99113; 99115, 99116; 99128-99132; 99134-99138; 99201; 99214; 99223, 99224; 99231; 99241, 99242; 99246; 99262, 99263; 99265; 99268, 99269; 99273; 99275-99278; 99282; 99284; 99370; 99372; 99380, 99381; 99384; 99391; 99393; 99398; 99411, 99412; 99415; 99417; 99419, 99420; 99543; 99545; 99575; 99612; 99629; 99632; 99681-99683; 99743; 99844; 99848, 99849; 99851-99853; 99855-99857; 99859, 99860
- **INTERNATIONAL TRADEMARKS PROTECTED IN GEORGIA:**
91372; 93176; 93676; 94646; 95390; 95613, 95614; 96514; 97041; 97114; 97275; 97355; 97358; 97518; 97522; 97539; 97554; 97599-97605; 97607, 97608; 97618, 97619; 97621; 97626; 97631-97633; 97635; 97641; 97643; 97645-97648; 97650; 97658; 97660; 97676; 97711, 97712; 97723, 97724; 97726, 97727; 97729; 97735; 97751; 97754, 97755; 97841; 97864-97866; 97869-97873; 97907; 97909-97915; 97946, 97947; 97952-97955; 98017, 98018; 98023, 98024; 98031; 98033-98035; 98038; 98089; 98118-98125; 98127; 98130; 98139; 98143-98145; 98250; 98316; 98320; 98331; 98334; 98344-98346; 98356-98358; 98365; 98367, 98368

APPELLATIONS OF ORIGIN OF GOODS

- **AMENDMENTS IN AOS REGISTRATION:**
KHVANCHKARA
- **APPELLATIONS OF ORIGIN OF GOODS FILED IN GEORGIA FOR EXAMINATION UNDER LISBON AGREEMENT, ON THE BASIS OF THE INTERNATIONAL REGISTRATIONS:**
1545, 1546; 4722, 4723

INVENTIONS

APPLICATIONS APPROVED FOR GRANTING PATENTS

The decision can be appealed at the Chamber of Appeal of Sakpatenti within 3 months from the publication or at the Mtskheta District Court Administrative Cases Board (Address: №17, Samkhedro str., Mtskheta), within 1 month following the publication.

PART A

A 61

**(10) AP 2019 14772 A (51) Int. Cl. (2006)
A 61 K 35/76**

(21) AP 2018 14772 (22) 2018 05 02

(71) JSC "BIOPHARM" (GE)

Gotuas q. 3, 0160, Tbilisi (GE)

(72) Rati Golijashvili (GE);

Mariam Dzuliashvili (GE);

Irine Papuashvili (GE);

Aleksandre Golijashvili (GE)

(54) ANTIMICROBIAL COMPOSITION

AGAINST GASTROENTERAL

INFECTIONS AND USAGE THEREOF

(57) Antimicrobial composition contains bacteriophage strains sensitive to Shigella flexneri: DSM 32619 and DSM 32620, bacteriophage strains sensitive to Shigella sonnei: DSM 32621 and DSM 32622, bacteriophage strains sensitive to Salmonella cholerasuis – DSM 32625, bacteriophage strain sensitive to Salmonella newport – DSM 32624, bacteriophage strain sensitive to Salmonella paratyphi A – DSM 32623, bacteriophage strain sensitive to Salmonella typhimurium – DSM 32626, bacteriophage strain sensitive to Salmonella paratyphi B – DSM 32627, bacteriophage strain sensitive to Salmonella Heidelberg – DSM 32628, bacteriophage strains sensitive to Escherichia coli: DSM 32612, DSM 32611, DSM 32610, bacteriophage strains sensitive to Proteus vulgaris: DSM 32613, DSM 32614, DSM 32615, bacteriophage strains sensitive to Staphylococcus aureus: DSM 32631, DSM 32629, DSM 32630, bacteriophage strains sensitive to Pseudomonas aeruginosa: DSM 32616, DSM 32618, DSM 32617, bacteriophage strains sensitive to Enterococcus: DSM 32632 и DSM 32633, and optionally pharmaceutically acceptable excipient. At that, all said bacteriophages are deposited in the German Collection of Microorganisms and Cell Cultures (DSMZ). The composition is used at the treatment and/or as prevention of intestinal infections in people, animals and birds, as well.

Claims: 11 independent

5 dependent

Fig.: 35

**(10) AP 2019 14773 A (51) Int. Cl. (2006)
A 61 K 35/76**

(21) AP 2018 14773 (22) 2018 05 02

(71) JSC "BIOPHARM" (GE)

Gotuas q. 3, 0160, Tbilisi (GE)

(72) Aleksandre Golijashvili (GE);

Rati Golijashvili (GE);

Mariam Dzuliashvili (GE);

Irine Papuashvili (GE)

**(54) ANTIMICROBIAL COMPOSITION
AND USAGE THEREOF**

(57) Antimicrobial composition contains bacteriophage strains sensitive to Staphylococcus aureus: DSM 32631, DSM 32629, DSM 32630, bacteriophage strains sensitive to Streptococcus pyogenes: DSM 32634, DSM 32635, bacteriophage strains sensitive to Escherichia coli: DSM 32612, DSM 32611, DSM 32610, bacteriophage strains sensitive to Proteus vulgaris: DSM 32613, DSM 32614, DSM 32615, bacteriophage strains sensitive to Pseudomonas aeruginosa: DSM 32616, DSM 32618, DSM 32617 and optionally pharmaceutically acceptable excipient. At that, all said bacteriophages are deposited in the German Collection of Microorganisms and Cell Cultures (DSMZ). The composition is used at the treatment and/or as prevention of purulent-inflammatory in people, animals and birds, as well.

Claims: 7 independent

10 dependent

Fig.: 22

**(10) AP 2019 14099 A (51) Int. Cl. (2006)
A 61 K 39/00**

C 12 P 21/08

C 07 K 16/00

(21) AP 2014 14099 (22) 2014 08 20

(31) 13198859; 61/907,691; 61/869,528

(32) 2013 12 20; 2013 11 22; 2013 08 23

(33) EP; US; US

(71) MACROGENICS INC. (US)

9640 Medical Center Drive Rockville,
MD 20850 (US)

(72) MOORE, Paul, A. (US);

LI, Jonathan (US);

CHEN, Francine, Zhifen (US);

JOHNSON, Leslie, S. (US);

SHAH, Kalpana (US);

BONVINI, Ezio (US)

(74) Tamaz Shilakadze

(85) 2016 03 22

(86) PCT/US2014/051793, 2014 08 20

(54) **BI-SPECIFIC MONOVALENT DIABODIES THAT ARE CAPABLE OF BINDING TO GPA33 AND CD3, AND USES THEREOF**

(57) Present invention is directed to bi-specific diabodies which possess binding to epitope of CD3 on T-cells surface, and to epitope of GPA33 on tumor-cells surface. Said antibodies are used at the treatment of cancer related to expression GPA33.

Claims: 9 independent

8 dependent

Fig.: 15

PART B

B 60

(10) AP 2019 14637 A (51) Int. Cl. (2006)

B 60 L 9/00

B 61 C 3/00

(21) AP 2016 14637 (22) 2016 10 18

(31) 201510742981.1

(32) 2015 11 04

(33) CN

(71) Zhuzhou CCR Times Electric Co., LTD (CN)
№169 Shidai Road, Shifeng District Zhuzhou,
Hunan 412001 (CN)

(72) HE, Zhai (CN);

YANG, Wenzhao (CN);

ZHOU, Jian (CN);

XIN, Li (CN);

ZHANG, Qiuhong (CN);

WU, Yue (CN);

ZHENG, Gang (CN);

CHEN, Dong (CN);

RONG, Zhilin (CN)

(74) Giorgi Ghvinjilia

(85) 2017 12 01

(86) PCT/CN2016/102425, 2016 10 18

(54) **MOTOR TRAIN UNIT TRACTION SYSTEM AND ENERGY CONTROL METHOD**

(57) there are represented motor train unit traction system and energy control method. Traction system comprises high-speed circuit breaker (1Q02), connected to power supply grid; main/auxiliary inverter used for inverting a DC provided by the power supply grid into an AC; high-voltage detection box connected to the power supply grid, and used for detecting the voltage of the power supply grid; and a drive control unit (DCU), judging, on the basis of a detection result of the

high-voltage detection box, whether the voltage of the power supply grid is normal, and disconnecting the high-speed circuit breaker (1Q02) when the voltage of the power supply grid is over-high, so as to perform over-voltage protection on the main/auxiliary inverter.

Claims: 2 independent

13 dependent

Fig.: 2

B 64

(10) AP 2019 14745 A (51) Int. Cl. (2006)

B 64 D 27/10

F 02 K 3/077

(21) AP 2018 14745 (22) 2018 04 05

(71) Andro Maisuradze (GE)

M. Meskhis q. 18, 0101, Tbilisi (GE)

(72) Andro Maisuradze (GE)

(54) **TURBOJET WITH PROTECTIVE MODULE**

(57) An engine includes double contour base turbojet 1 and a module 30 protecting from foreign bodies and forming 3rd contour. Base engine includes: double contour case 2, uncontrolled ring-type fan 3, low-pressure compressor rotor 4, a post 5 connecting the case of first and second contours, high-pressure compressor rotor 9, first contour outer case 10, combustion chamber 11, high-pressure turbine 12, low-pressure turbine 13, first contour jet nozzle 14, high-pressure turbine and a shaft 15 connecting low-pressure turbine and with high-pressure compressor rotor, engine start air turbine 17. The module 30 protecting from foreign bodies and forming 3rd contour includes inner 20 and outer 32 cases. Magnetic clutch 18 is placed in inner case connecting base engine – in particular, the shaft 15 connecting low-pressure turbine and low-pressure compressor rotor or uncontrolled ring-type fan, through the engine – generator 19, with the propeller. Bearing unit 21, collector unit 24, a mechanism transferring propeller blades into arrow-type configuration, made as step motors 26 are placed in module inner case. Propeller blade rotation around vertical axis thereof, trasfering into arrow-type condition, and returning into initial position, as well is reached by means of step motors.

Claims: 1 independent

2 dependent

Fig.: 11

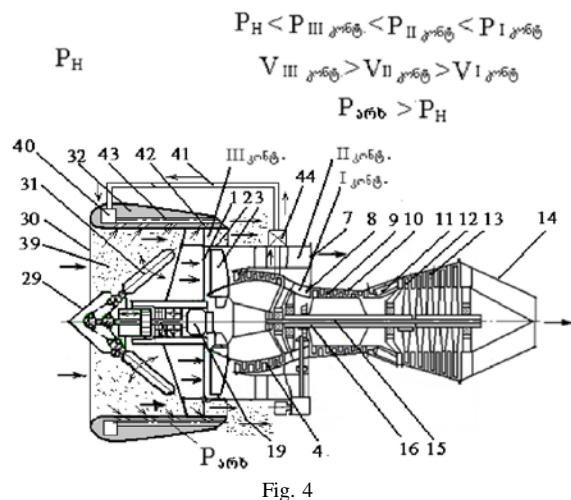


Fig. 4

PART C

C 07

(10) AP 2019 14392 A (51) Int. Cl. (2006) C 07 K 16/28

(21) AP 2015 014392 (22) 2015 06 19
 (31) 62/017,467
 (32) 2014 06 26
 (33) US

(71) MACROGENICS INC. (US)
 9704 Medical Center Drive Rockville,
 MD 20850 (US)

(72) BONVINI, Ezio (US);
 JOHNSON, Leslie, S. (US);
 SHAH, Kalpana (US);
 LA MOTTE-MOHS, Ross (US);
 MOORE, Paul, A. (US);
 KOENIG, Scott (US)

(74) Tamaz Shilakadze
 (85) 2017 01 23
 (86) PCT/US2015/036634, 2015 06 19

(54) **COVALENTLY BONDED DIABODIES HAVING IMMUNOREACTIVITY WITH PD-1 AND LAG-3, AND METHODS OF USE THEREOF**

(57) Present invention is directed to bi-specific diabodies that comprise 4 polypeptide chains and which possess at least one Epitope-Binding Sites that are immunospecific for an epitope of PD-1 and at least one Epitope-Binding Site that is immunospecific for an epitopes of PD-1 and LAG-3. Said diabodies are used at cancer treatment.

Claims: 6 independent
 13 dependent

Fig. 9

PART G

G 01

(10) AP 2019 14851 A (51) Int. Cl. (2006) G 01 R 35/00

(21) AP 2018 14851 (22) 2018 08 06
 (71) Archil Eliashvili Management Systems
 Institute of Georgian Technical
 University (GE)
 E. Mindelis q. 10, 0186, Tbilisi (GE)
 (72) Panaiot Stavrianidi (GE);
 Nugzar Kavlashvili (GE);
 Otar Labadze (GE);
 Levan Gvaramadze (GE)

(54) **METHOD FOR CALIBRATOR CURRENT STABILIZATION**

(57) There is represented calibrator current stabilization providing current regulation by usage of 3-phase force thyristor rectifier having a filter on output. In accordance with the method, in the purpose of increasing current accuracy on output at tempriture change, power network voltage and frequency the cut-off angle of thyristors is automatically corrected by means of load current by result of comparing current values in digital form on output and on calibrator input.

Claims: 1 independent

Fig.: 2

(10) AP 2019 14852 A (51) Int. Cl. (2006) G 01 R 35/00

(21) AP 2018 14852 (22) 2018 08 06
 (71) Archil Eliashvili Management Systems
 Institute of Georgian Technical
 University (GE)
 E. Mindelis q. 10, 0186, Tbilisi (GE)
 (72) Nugzar Qavlashvili (GE);
 Levan Gvaramadze (GE);
 Panaiot Stavrianidi (GE);
 Otar Labadze (GE)

(54) **CURRENT CALIBRATOR**

(57) Current calibrator includes input regiter, having a filter on output the 3-phase force rectifier switched to the network through the optothyristors, which LEDs inputs are switched through invertors to counters outputs in each 3-phase line. The calibrator additionally includes analog-digital transformer, digital comparator, cut-off angle execution correcting acounter, a component and/or impulses correction generator.

Claims: 1 independent

Fig.: 2

PATENTED INVENTIONS

PART A

A 61

(11) P 2019 6983 B (51) **Int. Cl. (2006)**
A 61 K 31/44
C 07 D 213/22
C 07 D 401/04

(10) AP 2019 14237 A (44) 4(512)/2019

(21) AP 2015 14237

(22) 2015 01 13

(24) 2015 01 13

(31) 62/054,742; 61/927,055

(32) 2014 01 14; 2014 01 14

(33) US; US

(86) PCT/US2015/011191, 2015 01 13

(73) Millennium Pharmaceuticals Inc. (US)
 40 Landsdowne Street Cambridge,
 Massachusetts 02139 (US)

(72) BHARATHAN, Indu T. (US);

BLACKBURN, Chris (US);

CIAVARRI, Jeffrey P. (US);

CHOUITAR, Jouhara (US);

CULLIS, Courtney A. (US);

D'AMORE, Natalie (US);

FLEMING, Paul E. (US);

GIGSTAD, Kenneth M. (US);

GIPSON, Krista E. (US);

GIRARD, Mario (US);

HU, Yongbo (US);

LEE, Janice (US);

LI, Gang (US);

REZAEI, Mansoureh (US);

SINTCHAK, Michael D. (US);

SOUCY, Francois (US);

STROUD, Stephen G. (US);

VOS, Tricia J. (US);

WONG, Tzu-Tshin (US);

XU, He (US);

XU, Tianlin (US);

YE, Yingchun (US)

(74) Shalva Gvaramadze

(54) **HETEROARYLS AND USES THEREOF**

(11) P 2019 6982 B (51) **Int. Cl. (2006)**
A 61 K 31/444
A 61 K 9/08
A 61 K 47/04
A 61 K 47/12
A 61 K 47/18
A 61 K 47/22
A 61 K 47/32

A 61 P 9/12

A 61 P 27/02

A 61 P 27/06

(10) AP 2019 14215 A (44) 4(512)/2019

(21) AP 2015 14215

(22) 2015 01 08

(24) 2015 01 08

(31) 2014-002810

(32) 2014 01 10

(33) JP

(86) PCT/JP2015/050334, 2015 01 08

(73) Santen Pharmaceutical CO., LTD (JP)
 Osaka-shi, Osaka 533-8651 (JP)

(72) ENDO, Yoko (JP)

(74) Shalva Gvaramadze

(54) **PHARMACEUTICAL COMPOSITION
 CONTAINING PYRIDYLAMINO
 ACETIC ACID COMPOUND**

(11) P 2019 6984 B (51) **Int. Cl. (2006)**
A 61 K 31/501
A 61 P 25/00
A 61 P 25/14

(10) AP 2019 14284 A (44) 4(512)/2019

(21) AP 2015 14284

(22) 2015 03 06

(24) 2015 03 06

(31) 1403944.0

(32) 2014 03 06

(33) GB

(86) PCT/GB2015/050654, 2015 03 06

(73) Takeda Pharmaceutical Company Limited (JP)
 1-1, Doshomachi 4-chome Chuo-ku,
 Osaka-shi, Osaka 541-0045 (JP)

(72) ALMOND, Sarah (JP)

(74) Aleksandre Gegechkori

(54) **PYRIDAZINE DERIVATIVES FOR
 USE IN THE PREVENTION OR
 TREATMENT OF AN ATAXIC
 DISORDER**

PART B

B 25

- (11) P 2019 6981 B (51) Int. Cl. (2006)
B 25 J 9/10
- (10) AP 2019 14568 A (44) 2(510)/2019
- (21) AP 2016 14568
- (22) 2016 03 07
- (24) 2016 03 07
- (31) 201510155279.5
- (32) 2015 04 02
- (33) CN
- (86) PCT/CN2016/075793, 2016 03 07
- (73) SUZHOU SHENYUN ROBOT CO.,
LTD (CN)
No.2 Xu Yang Road, Xuguan Industrial Zone
Suzhou City, Jiangsu, 215151 (CN)
- (72) LU, Pangen (CN);
GE, Wenlong (CN);
HU, Guoping (CN)
- (74) Liliana Darakhvelidze
- (54) **ROBOT BASED ON PARALLELOGRAM
PRINCIPLE**
-

PART E

E 02

- (11) P 2019 6985 B (51) Int. Cl. (2006)
E 02 B 3/16
E 02 B 3/10
E 00 B 3/12
- (10) AP 2018 14325 A (44) 24(508)/2018
- (21) AP 2015 14325
- (22) 2015 04 23
- (24) 2015 04 23
- (31) MI2014A000766
- (32) 2014 04 24
- (33) IT
- (86) PCT/EP2015/058788, 2015 04 23
- (73) CARPI TECH B.V. (NL)
Spoorhaven 88 NL-2651 AV Berkelen
Rodenrijs (NL)
- (72) SCUERO, Alberto, Maria (NL)
- (74) Liliana Darakhvelidze
- (54) **METHOD AND SYSTEM FOR ANCHO-
RING A WATERPROOFING LINER TO
CONCRETE CURBS OF A HYDRAULIC
STRUCTURE**
-

UTILITY MODELS

APPLICATIONS APPROVED FOR GRANTING PATENT

The decision can be appealed at the Chamber of Appeal of Sakpatenti within 3 months from the publication or at the Mtskheta District Court Administrative Cases Board (Address: №17, Samkhedro str., Mtskheta), within 1 month following the publication.

PART A

A 47

(10) AU 2019 14890 U (51) Int. Cl. (2006)
A 47 C 17/62

(21) AU 2018 14890 (22) 2018 10 02

(71) Sergo Jorbenadze (GE)
R. Tabukashvilis q. 46, b. 8, 0108,
Tbilisi (GE)

(72) Sergo Jorbenadze (GE)

(54) **TABLE-BED "SERMA"**

(57) A table-bed includes a frame 1, a couple of flat componentry 3 rotatable in vertical plane and executed capable to form a head of the bed or table surface; at that, flat componentry are equipped with the fixators 4 providing detachable joint between them, at table surface formation. Flat componentry are connected to the frame by means of posts creating a plate; and the frame is equipped with supporting rollers 6 and roll jealousies 7.

Claims: 1 independent

Fig.: 3

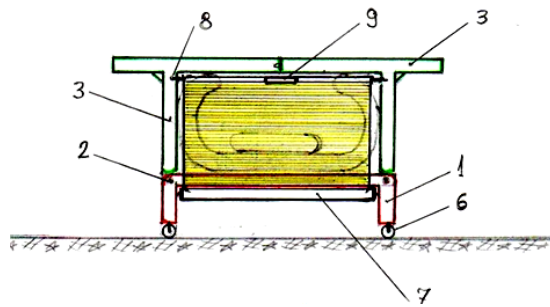


Fig. 1

PART C

C 12

(10) AU 2019 14893 U (51) Int. Cl. (2006)
C 12 G 3/00

(21) AU 2018 14893 (22) 2018 10 04

(71) Zurab Dzneladze (GE)
Metsnierebis q. 9, b. 5, 3500, Ozurgeti (GE)

(72) Zurab Dzneladze (GE)

(74) Nani Dzneladze

(54) **METHOD FOR STRONG ALCOHOLIC
BEVERAGES PRODUCTION HAVING
FEATURES OF HIGH-QUALITY WINES**

(57) A method provides wine material 96% spirit extraction with ethyl alcohol at 33 °C, at wine/spirit ratio 1:18; ripening of alcoholic infusion no less than 2 days, filtration, filtered wine having alcohol content of 65% treatment with alcoholic infusion by means of distillate received from the same wine material with a ratio 2:1, mixture filtration, ripening no less than 10 days, and aging in oak barrels no less than 4 months.

Claims: 1 independent

PATENTED UTILITY MODELS

PART A

A 61

- (11) U 2019 2011 Y (51) Int. Cl. (2006)
A 61 K 35/78
A 61 K 8/04
- (10) AU 2019 14814 U (44) 4(512)/2019
(21) AU 2018 14814
(22) 2018 06 15
(24) 2018 06 15
(73) Khatuna Zenaishvili (GE)
Nutsubidzis IV mkr., korp. 12, b. 62,
Tbilisi, 0183 (GE)
(72) Khatuna Zenaishvili (GE)
(54) **COSMETIC SLIMMING AND ANTI-
CELLULITE CREAM**
-

PART C

C 08

- (11) U 2019 2012 Y (51) Int. Cl. (2006)
C 08 L 63/00
- (10) AU 2019 14635 U (44) 3(511)/2019
(21) AU 2017 14635
(22) 2017 11 29
(24) 2017 11 29
(73) Omar Mukbaniani (GE)
Choportis q. 28, 0192, Tbilisi (GE);
Jimsher Aneli (GE)
Mukhianis IV kv., korp. 8, b. 142,
0172, Tbilisi (GE);
Eliza Markarashvili (GE)
S. Mirianashvilis IV chikhi, b.18, 0131,
Tbilisi (GE);
Tamar Tatrishvili (GE)
Sop. Dighomi, G. Atonelis q. 19,
3305, Tbilisi (GE)
(72) Omar Mukbaniani (GE);
Jimsher Aneli (GE);
Eliza Markarashvili (GE);
Tamar Tatrishvili (GE)
(54) **POLYMERIC COMPOSIT**
-

DESIGNS

APPLICATIONS APPROVED FOR REGISTRATIONS

The decision can be appealed at the Chamber of Appeal of Sakpatenti within 3 months from the publication or at the Mtskheta District Court Administrative Cases Board (Address: №17, Samkhedro str., Mtskheta), within 1 month following the publication.

(10) AD 2019 1076 S (51) 07-02

(21) AD 2019 1076 (22) 2019 02 11

(28) 3

(71) Arçelik anonym sirketi (TR)

E5 Ankara Asfalti Üzeri, Tuzla, 34950 Istanbul (TR)

(72) VANCI, Can Onur (TR);

ÇINAR, Ece (TR);

CAN SAĞIROSMANOĞLU, Doğaç (TR);

DURAN, Nihat (TR);

YÜKSEK, Tamer (TR);

KÖK GÜLTEKİN, Özlem (TR);

DURAKOĞLU EMRE, Gizem (TR);

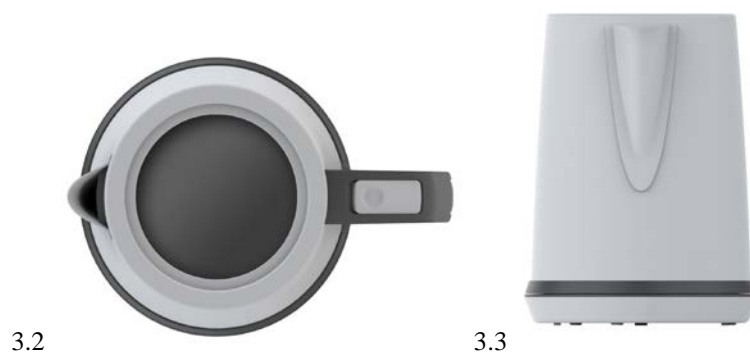
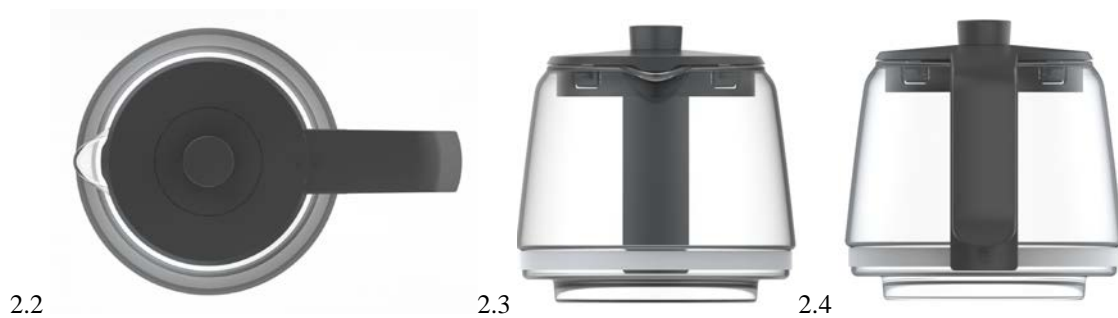
ÖKMEN, Asli (TR)

(74) Aleksandre Gegechkori (GE)

(54) 1. TEA PREPARATION APPARATUS; 2. TEAPOT FOR PUTTING TEA; 3. TEAPOT

(55)





- (10) AD 2019 1072 S (51) 09-01
 (21) AD 2019 1072 (22) 2019 01 05
 (28) 19
 (71) Giorgi Zautashvili (GE)
 D. Tavdadebulis q. 3, 4800, Qvareli (GE)
 (72) Giorgi Zautashvili (GE)
 (74) Giorgi Kartvelishvili (GE)
 (54) 1.-19. BOTTLES
 (55)



1.1



2.1



2.2



2.3



3.1



3.2



3.3



4.1



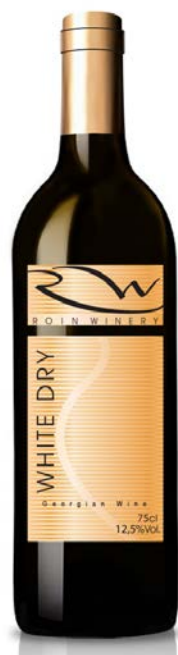
5.1



6.1



7.1



8.1



9.1



10.1



11.1



12.1



13.1



14.1



15.1



15.2



16.1



16.2



17.1



17.2



18.1



19.1

- (10) AD 2019 1074 S (51) 09-05
- (21) AD 2019 1074 (22) 2019 02 08
- (28) 24
- (71) LTD "G&A GROUP" (GE)
D. Tavdadebulis q. 29, 0131, Tbilisi (GE)
- (72) Tamar Birkadze (GE)
- (74) Gvantsa Jachvadze (GE)
- (54) 1-24. FOOD PACK
- (55)



1.1



2.1



3.1



4.1



5.1



6.1



7.1



8.1



9.1



10.1



11.1



12.1



13.1



14.1



15.1



16.1



ვარენიკი
კარტოფილით
VARENIKI WITH POTATO

მწარმოებელი:
ჩელი, ადამიანებს კარგად უნდათ უნდა, სხვი, სუნამოვანი კარტოფილი, სურსკი, ხვი-მსებრის ხაჩაპური.

წარმოების მეთოდი:

- 1. ახალი ჩელი, ხაჩაპური ხაჩაპური კარგად უნდა.
- 2. მოთხვეთ ხაჩაპური კარგად, ახალი ჩელი, კარგად უნდა, ხვი-მსებრის ხაჩაპური, ახალი ჩელი, კარგად უნდა, ხვი-მსებრის ხაჩაპური, ახალი ჩელი, კარგად უნდა, ხვი-მსებრის ხაჩაპური.
- 3. მოხდა კარგად.

კარტოფილი	111
ხვი-მსებრის ხაჩაპური	4
ჩელი	2
სურსკი	1
ხვი-მსებრის ხაჩაპური	35
ჩელი	1
სურსკი	1
ხვი-მსებრის ხაჩაპური	1

მწარმოების ტემპერატურა: 12°C - 18°C

ჩეჩე

დაზარალებული საქართველოში მწარმოებელი: შპს "G&A Group" დაუბრუნეთ თავდადებულნი 29. მისამართი, საქართველო.

სამართლიანი საქმიანობისთვის:

- ჩეჩე-ჩეჩე.ge
- +995 591 990055
- ჩეჩე-ჩეჩე
- www.cheche.ge

48860108581667

20-1

21.1

22.1

23.1

24.1

REGISTERED DESIGNS

(11) D 2019 810 S **(51) 06-03**
(10) AD 2019 1057 S (44) 2019 03 11 №5
(21) AD 2018 1057
(22) 2018 09 18
(24) 2018 09 18
(28) 1
(18) 2023 09 18
(73) Davit Abutidze (GE)
 Varketili 3, I mkr., korp. 25, b. 9, 0163,
 Tbilisi (GE)
(72) Davit Abutidze (GE)
(54) FOLDING TABLE

(11) D 2019 809 S **(51) 19-08**
(10) AD 2019 1056 S (44) 2019 03 11 №5
(21) AD 2018 1056
(22) 2018 09 10
(24) 2018 09 10
(28) 8
(18) 2023 09 10
(73) JSC "TELIANI VALLEY" (GE)
 Tbilisi Highway 3, 2200, Telavi (GE)
(72) Zakhar Mesropov (GE);
 Ruslan Beridze (GE)
(54) 1.-8. LABELS

(11) D 2019 811 S **(51) 21-01**
(10) AD 2019 1063 S (44) 2019 03 11 №5
(21) AD 2018 1063
(22) 2018 11 07
(24) 2018 11 07
(28) 5
(18) 2023 11 07
(73) LTD "ZARAPKHANA" (GE)
 Lublianas q. 15, 0159, Tbilisi (GE)
(72) Ketevan Chichiveishvili (GE);
 Tea Tetradze (GE)
(54) 1.-5. CHESS

TRADEMARKS

APPLICATIONS FILED UNDER THE NATIONAL PROCEDURE APPROVED FOR REGISTRATION

The decision can be appealed at the Chamber of Appeal of Sakpatenti within 3 months from the publication or at the Mtskheta District Court Administrative Cases Board (Address: №17, Samkhedro St., Mtskheta), within 1 month following the publication.

(260) AM 2019 100017 A
(210) AM 100017
(220) 2018 10 23
(731) LTD "AVERSI-PHARMA"
D. Aghmashenebli Av. 148/2, 0112,
Tbilisi, Georgia
(540)

კლარია
Клария
Claria

(591) Black-white
(511) 5

(260) AM 2019 100031 A
(210) AM 100031
(220) 2018 10 24
(731) LTD "IMPEXPHARM"
The river on the right bank of the river
Mtkvari, bacteriophage near the road to the
bacteriophage, 0160, Tbilisi, Georgia
(740) Nugzar Ksovrelidze
(540)



(591) White, yellow, purple
(531) 26.01.10; 26.01.11; 26.07.17; 28.19; 29.01.13
(511) 35

(260) AM 2019 100044 A
(210) AM 100044
(220) 2018 10 26
(731) Vrangler Eperel Corp.
3411 Silverside Road, Wilmington, State
Delaware 19810, USA
(740) Shalva Gvaramadze
(540)

INDIGOOD

(591) Black-white
(511) 25, 40

(260) AM 2019 100046 A
(210) AM 100046
(220) 2018 10 26
(731) Anzor Kardanov
Sovetskaya St. 162, Ap. 24, Karachi-
Cherkessk Republic, Stavropol region,
Russian Federation
(740) Davit Dzamukashvili
(540)

БИРИН БИРИН

(591) Black-white
(511) 5

(260) AM 2019 100048 A
(210) AM 100048
(220) 2018 10 29
(731) Agio Pharmaceuticals Ltd
38 Nandjiot, Ind. Esteit, Kurla-Andkheri
Roadd, Seifdpul, Mumbai 400 072, India
(740) Aleksandre Kvernadze
(540)

ZEMO ZEMO

(591) Black-white
(511) 5

(260) AM 2019 100052 A
(210) AM 100052
(220) 2018 10 30
(731) LTD "NANOWORLD"
V. Gorgasali St. 103, III Bl. 7a, 0114,
Tbilisi, Georgia
(540)



(591) White, sky-blue
 (531) 01.13.15; 26.04.01; 26.04.05; 26.04.13;
 26.04.16; 26.04.24; 27.05.24; 28.19; 29.01.12
 (511) 3, 5, 21

(260) AM 2019 100061 A
 (210) AM 100061
 (220) 2018 10 31
 (310) 74945
 (320) 04 05 2018
 (330) JM
 (731) Apple Inc.
 One Apple Park Way, California,
 Cupertino, 95014, USA
 (740) Tamar Kochlamazashvili
 (540)

AIRPODS

(591) Black-white
 (511) 10, 14, 28

(260) AM 2019 100076 A
 (210) AM 100076
 (220) 2018 11 05
 (731) LTD "NEOLET"
 Liziko Kavtaradze St. 1, Entrance 3, Block 3,
 Ap. 63, Vake District, 0179, Tbilisi,
 Georgia
 (540)

ncard

(591) Black-white
 (511) 36

(260) AM 2019 100078 A
 (210) AM 100078
 (220) 2018 11 06
 (731) LTD "DAISI+"
 Saknavti Settlement, plot 07/006,
 0198, Tbilisi, Georgia
 (540)

Unique
star

(591) Red, white
 (531) 27.05.09; 27.05.10; 29.01.01
 (511) 21

(260) AM 2019 100089 A
 (210) AM 100089
 (220) 2018 11 07
 (731) Regent Hospitality Worldwide Inc.
 Ugland House, P.O. Box 309, Grand
 Cayman, KY1-1104, Cayman Islands

(740) Tamaz Shilakadze
 (540)

REGENT

(591) Black-white
 (511) 35, 36, 43

(260) AM 2019 100092 A
 (210) AM 100092
 (220) 2018 11 07
 (731) Kalesan Sağlık ve Hijyen Ürünleri Sanayi
 ve Ticaret Limited Şirketi
 Organize Sanayi Bölgesi, Kamil Şerbetçi
 Bulvarı, No.46, Şehitkamil/Gaziantep,
 Turkey
 (740) Pavle Meipariani
 (540)

MAILA

(591) Black-white
 (511) 5

(260) AM 2019 100370 A
 (210) AM 100370
 (220) 2018 11 09
 (731) LTD "BERIKA"
 I. Chavchavadze Av. I Lane, Bl. 6, Ap. 80,
 0194, Tbilisi, Georgia
 (540)

ღვინის აგმარტი

gvinis agmarti

ГВИНИС АГМАРТИ

(591) Black-white
 (511) 33

(260) AM 2019 100373 A
 (210) AM 100373
 (220) 2018 11 09
 (731) Vladimer Chirgadze
 I. Gagarin St. 4/4, Entrance 2, Fl. 7,
 Ap. 56, 0160, Tbilisi, Georgia
 (540)



(591) Black, silver

(531) 03.03.01; 03.03.15; 24.01.09; 27.05.01;
27.05.24
(511) 12

(260) AM 2019 100381 A
(210) AM 100381
(220) 2018 11 12
(731) LTD "AGRO-CONSORTIUM TSEROVANI"
Village Tserovani, 3300 Mtskheta, Georgia
(740) Vakhtang Torotadze
(540)

ზაფხულის თვლიანი

(591) Black-white
(511) 29

(260) AM 2019 100384 A
(210) AM 100384
(220) 2018 11 12
(731) LTD "BERIKA"
I. Chavchavadze Av. I Lane, Bl. 6, Ap. 80,
0194, Tbilisi, Georgia
(540)

jardeli
ჯარდელი
джарели

(591) Black-white
(511) 33

(260) AM 2019 100385 A
(210) AM 100385
(220) 2018 11 12
(731) LTD "BERIKA"
I. Chavchavadze Av. I Lane, Bl. 6, Ap. 80,
0194, Tbilisi, Georgia
(540)

tabakoni
ტაბაკონი
табакони

(591) Black-white
(511) 33

(260) AM 2019 100386 A
(210) AM 100386
(220) 2018 11 12
(731) LTD "BERIKA"
I. Chavchavadze Av. I Lane, Bl. 6, Ap. 80,
0194, Tbilisi, Georgia

(540)

asperani
ასპერანი
асперани

(591) Black-white
(511) 33

(260) AM 2019 100402 A
(210) AM 100402
(220) 2018 11 14
(731) LTD "AGRONOM"
L. Gotua St. 12a, 0160, Tbilisi, Georgia
(540)

JAGUAR
იაგუარი
ЯГУАР

(591) Black-white
(511) 5

(260) AM 2019 100405 A
(210) AM 100405
(220) 2018 11 14
(731) LTD "Preference Hotel Network"
Demetre Tavidadze St., Laine 10,
Batumi, Georgia
(540)

PREFERENCE
HOTEL GROUP

(591) White, grey
(531) 26.04.02; 26.04.22; 26.04.24; 27.05.10;
27.05.24
(511) 35, 36, 41, 43

(260) AM 2019 100424 A
(210) AM 100424
(220) 2018 11 20
(731) LTD "TALISMANI"
N. Tskhvedadze St. 28, 0162, Tbilisi,
Georgia
(540)

Chateau Aragvi

(591) Black-white
(511) 33

(260) AM 2019 100439 A
 (210) AM 100439
 (220) 2018 11 21
 (731) Getz Pharma International FZ LLC
 Office No. 1307, 13th Floor, Al-Thuraya
 Tower 1, Dubai Media City, Dubai,
 United Arab Emirates
 (740) Merab Kvimsadze
 (450)

TAMIZET

(591) Black-white
 (531) 27.05.01
 (511) 5

(260) AM 2019 100442 A
 (210) AM 100442
 (220) 2018 11 21
 (731) Pharmacia & Upjohn Company LLC
 7000 Portage Road, Kalamazoo,
 MI 49001, USA
 (740) Shalva Gvaramadze
 (540)

UPJOHN

(591) Black-white
 (511) 10

(260) AM 2019 100445 A
 (210) AM 100445
 (220) 2018 11 22
 (731) INPHA LLP Representative office in Georgia
 Besiki St. 4 Nearby (plot 46/10), 0108,
 Tbilisi, Georgia
 (540)

**Анукури
 ანუკური
 Anucure**

(591) Black-white
 (511) 5

(260) AM 2019 100448 A
 (210) AM 100448
 (220) 2018 11 22
 (731) INPHA LLP Representative office in Georgia
 Besiki St. 4 Nearby (plot 46/10), 0108,
 Tbilisi, Georgia
 (540)

**Ардеиседон
 არდეისედონი
 Ardeisedon**

(591) Black-white
 (511) 5

(260) AM 2019 100449 A
 (210) AM 100449
 (220) 2018 11 22
 (731) INPHA LLP Representative office
 in Georgia
 Besiki St. 4 Nearby (plot 46/10), 0108,
 Tbilisi, Georgia
 (540)

**Кайностат
 კაინოსტატი
 Kaynostat**

(591) Black-white
 (511) 5

(260) AM 2019 100453 A
 (210) AM 100453
 (220) 2018 11 22
 (731) INPHA LLP Representative office
 in Georgia
 Besiki St. 4 Nearby (plot 46/10), 0108,
 Tbilisi, Georgia
 (540)

**Лактозим
 ლაქტოზიმი
 Lactozim**

(591) Black-white
 (511) 5

(260) AM 2019 100455 A
 (210) AM 100455
 (220) 2018 11 22
 (731) INPHA LLP Representative office
 in Georgia
 Besiki St. 4 Nearby (plot 46/10), 0108,
 Tbilisi, Georgia
 (540)

**Нодемокс
 ნოდემოქსი
 Nodemoks**

(591) Black-white
 (511) 5

(260) AM 2019 100456 A
 (210) AM 100456
 (220) 2018 11 22
 (731) INPHA LLP Representative office
 in Georgia
 Besiki St. 4 Nearby (plot 46/10), 0108,
 Tbilisi, Georgia

(540)

Офтамакс
ოფთამაქსი
Oftamaks

(591) Black-white
(511) 5

(260) AM 2019 100457 A

(210) AM 100457

(220) 2018 11 22

(731) INPHA LLP Representative office in Georgia
Besiki St. 4 Nearby (plot 46/10), 0108,
Tbilisi, Georgia

(540)

Офтасиал
ოფთასიალი
Oftassiale

(591) Black-white
(511) 5

(260) AM 2019 100458 A

(210) AM 100458

(220) 2018 11 22

(731) INPHA LLP Representative office in Georgia
Besiki St. 4 Nearby (plot 46/10), 0108,
Tbilisi, Georgia

(540)

Ретиновит
რეტინოვიტი
Retinovit

(591) Black-white
(511) 5

(260) AM 2019 100462 A

(210) AM 100462

(220) 2018 11 22

(731) INPHA LLP Representative office in Georgia
Besiki St. 4 Nearby (plot 46/10), 0108,
Tbilisi, Georgia

(540)

Сафлогин
საფლოგინი
Saflogin

(591) Black-white
(511) 5

(260) AM 2019 100587 A

(210) AM 100587

(220) 2018 11 26

(731) Vakhtang Yurievich Kasradze
Al. Mayakovskogo, d. 49, sq. M. 19, Omsk,
644010, Russian Federation

(740) Tamar Kochlamazashvili

(540)



(591) Black-white

(531) 01.15.05; 11.03.04; 14.05.02; 14.05.09;
15.07.01

(511) 30, 32, 35, 43

(260) AM 2019 100591 A

(210) AM 100591

(220) 2018 11 26

(731) Alibaba Group Holding Limited
Fourth Floor, One Capital Place, P. O. Box
847, George Town, Grand Cayman, Cayman
Islands

(740) Tamaz Shilakadze

(540)



(591) Black, white, grey

(531) 24.17.08; 27.05.01; 27.05.10; 27.05.22

(511) 9, 36, 42

(260) AM 2019 100592 A

(210) AM 100592

(220) 2018 11 26

(731) LTD "DAVUDI"
Sh. Rustaveli St. 8, Lane 1, Marneuli,
Georgia

(540)

ოცოო "მკლზ"



(591) Black-white

(531) 26.01.18; 27.05.01; 27.05.21; 28.05

(511) 11

(260) AM 2019 100594 A
 (210) AM 100594
 (220) 2018 11 27
 (731) The Gillette Company LLC
 One Gillette Park, Boston, Massachusetts
 02127, USA
 (740) Merab Kvimsadze
 (540)

PROSERIES

(591) Black-white
 (531) 27.05.01
 (511) 3

(260) AM 2019 100599 A
 (210) AM 100599
 (220) 2018 11 27
 (731) Nino Bakhtadze
 Zh. Shartava St. 18, Ap. 15, 0160, Tbilisi,
 Georgia
 (540)

I & B

(591) Black-white
 (511) 45

(260) AM 2019 100601 A
 (210) AM 100601
 (220) 2018 11 27
 (731) Toyota Jidosha Kabushiki Kaisha
 (also trading as Toyota Motor Corporation)
 1, Toyota-cho, Toyota-shi, Aichi-ken, Japan
 (740) Tamar Kochlamazashvili
 (540)

PROACE CITY

(591) Black-white
 (511) 12

(260) AM 2019 100603 A
 (210) AM 100603
 (220) 2018 11 29
 (731) Toyota Jidosha Kabushiki Kaisha
 (also trading as Toyota Motor Corporation)
 1, Toyota-cho, Toyota-shi, Aichi-ken, Japan
 (740) Tamar Kochlamazashvili
 (540)

YARIS CROSS

(591) Black-white
 (511) 12

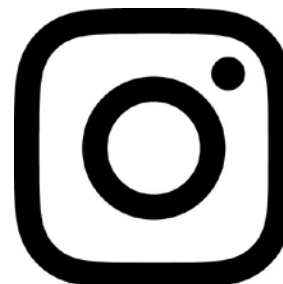
(260) AM 2019 100605 A
 (210) AM 100605
 (220) 2018 11 29

(731) Instagram LLC
 1601 Willow Road, Menlo Park, California,
 94025, USA
 (740) Tamar Kochlamazashvili
 (540)



(591) White, lilac, pink, yellow, orange
 (531) 26.01.06; 26.04.01; 26.04.04; 26.04.07;
 26.04.10; 29.01.14
 (511) 9, 35, 38, 41, 42, 45

(260) AM 2019 100606 A
 (210) AM 100606
 (220) 2018 11 29
 (731) Instagram LLC
 1601 Willow Road, Menlo Park, California,
 94025, USA
 (740) Tamar Kochlamazashvili
 (540)



(591) Black-white
 (531) 26.01.06; 26.04.01; 26.04.04; 26.04.10
 (511) 9, 35, 38, 41, 42, 45

(260) AM 2019 100769 A
 (210) AM 100769
 (220) 2018 12 08
 (731) LTD "United Tobacco Agency"
 Krtsanisi II Line 15, Bl. 2, Ap. 25,
 Tbilisi, Georgia
 (740) Giorgi Meipariani
 (540)



(591) Blue, white, red, dark gray, light gray
 (531) 01.01.04; 01.01.10; 24.01.03; 24.01.07;
 24.01.13; 26.04.02; 26.04.05; 26.04.16;
 26.04.22; 26.04.24; 26.11.11; 26.11.13;
 27.05.24; 29.01.15
 (511) 34

(260) AM 2019 100770 A
 (210) AM 100770
 (220) 2018 12 08
 (731) LTD "United Tobacco Agency"
 Krtsanisi II Line 15, Bl. 2, Ap. 25,
 Tbilisi, Georgia
 (740) Giorgi Meipariani
 (540)



(591) Blue, white, red, dark gray, light gray
 (531) 01.01.01; 01.01.04; 01.01.10; 24.01.03;
 24.01.07; 26.04.24; 26.13.25; 29.01.15
 (511) 34

(260) AM 2019 100789 A
 (210) AM 100789
 (220) 2018 12 14
 (731) Merab Abazadze
 Tsinamdzhvrishvili St. 60, Tbilisi,
 Georgia
 (540)



(591) Green, yellow, grey
 (531) 27.05.01; 27.05.19; 29.01.13
 (511) 19

(260) AM 2019 100802 A
 (210) AM 100802
 (220) 2018 12 18
 (731) LTD "Sanus Vita"
 The fall of Giorgi Saakadze 6,
 Commercial space 11, Vake-Saburtalo-
 LoDistrict, Tbilisi, Georgia

(740) Monika Kvaratskhelia
 (540)

NUCLEODIN НУКЛЕОДИН ნუკლეოდინი

(591) Black-white
 (511) 5

(260) AM 2019 96343 A
 (210) AM 96343
 (220) 2018 10 15
 (731) JSC "Bosnalijek, Pharmaceutical and
 Chemical Industry"
 Sarajevo, Jukićeva 53, Bosnia and
 Herzegovina
 (740) Giorgi Kankava
 (540)

LYSOBACT RINO

(591) Black-white
 (511) 5

(260) AM 2019 99353 A
 (210) AM 99353
 (220) 2018 09 13
 (731) LTD "ALPEN MILK"
 D. Aghmashenebeli St. 28/1,
 Akhalkalaki, Georgia
 (740) Shalva Gvaramadze
 (540)

Golden Javakheti

(591) Black-white
 (526) Javakheti
 (511) 29

(260) AM 2019 99526 A
 (210) AM 99526
 (220) 2018 09 26
 (731) OOO "Coordinating Distribution Center"
 EFKO-Cascade"
 Frunze St., Bl 4, Alekseevka, 309850,
 region Belgorodskaya, Russian Federation
 (740) Tamaz Shilakadze
 (540)

ნატურალიზი

(591) Black-white
 (511) 29, 30, 35

(260) AM 2019 99528 A
 (210) AM 99528
 (220) 2018 09 26

- (731) OOO "Coordinating Distribution Center"
EFKO-Cascade"
Frunze St., Bl 4, Alekseevka, 309850,
region Belgorodskaya, Russian Federation
(740) Tamaz Shilakadze
(540)

Naturalife

- (591) Black-white
(511) 29, 30, 35

- (260) AM 2019 99529 A
(210) AM 99529
(220) 2018 09 26
(731) OOO "Coordinating Distribution Center"
EFKO-Cascade"
Frunze St., Bl 4, Alekseevka, 309850,
region Belgorodskaya, Russian Federation
(740) Tamaz Shilakadze
(540)

Натуралайф

- (591) Black-white
(511) 29, 30, 35

- (260) AM 2019 99656 A
(210) AM 99656
(220) 2018 10 02
(731) LTD "Global Tobacco Partner"
Seasubani settlement III Third, I Quarter,
Bl. 70, Ap. 17, Nadzaladevi District,
0191, Tbilisi, Georgia
(740) Nazel Kloiyani
(540)



The logo for MILENIUM features a stylized 'M' in a red square followed by the word 'ILENIUM' in blue capital letters.

- (591) Red, white, sky-blue
(531) 26.04.18; 26.04.24; 27.05.01; 29.01.13
(511) 34

- (260) AM 2019 99940 A
(210) AM 99940
(220) 2018 10 20
(731) NOVA PRODUCTIONS
Z. Paliashvili St. 64, 0179, Tbilisi,
Georgia
(540)

იდეა, ფული და ერთი შანსი

- (591) Black-white
(511) 41

- (260) AM 2019 99967 A
(210) AM 99967
(220) 2018 10 22
(731) EMPRESA CUBANA DEL TABACO
(CUBATABACO)
Calle Nueva No. 75 e/ Universidad
y Pedroso, municipio Cerro, provincia La
Habana, Cuba
(740) Tamaz Shilakadze
(540)



- (591) Red, yellow, blue, green, light blue, brown,
black and white, purple
(531) 02.01.02; 02.01.04; 02.01.20; 02.01.21;
03.01.08; 03.02.01; 03.02.13; 03.03.01;
03.04.11; 24.07.01; 24.07.13; 27.05.01;
29.01.15
(511) 34

- (260) AM 2019 99968 A
(210) AM 99968
(220) 2018 10 22
(731) Mylan Institutional Inc.
1718 Northrock Court, Rockford, Illinois,
61103, USA
(740) Tamar Kochlamazashvili
(540)

OGIVRI

- (591) Black-white
(511) 5

- (260) AM 2019 99975 A
(210) AM 99975
(220) 2018 10 23
(731) Bayer Intellectual Property GmbH
Alfred-Nobel-Straße 10, 40789 Monheim
am Rhein, Germany
(740) Shalva Gvaramadze
(540)

FALCON

- (591) Black-white
(511) 5

(260) AM 2019 99979 A
(210) AM 99979
(220) 2018 10 23
(731) LTD "AVERSI-PHARMA"
D. Aghmashenebli Av. 148/2, 0112,
Tbilisi, Georgia
(540)

ურიტვისტი
Уритвист
Uritwist

(591) Black-white
(511) 5

(260) AM 2019 99980 A
(210) AM 99980
(220) 2018 10 23
(731) LTD "AVERSI-PHARMA"
D. Aghmashenebli Av. 148/2, 0112,
Tbilisi, Georgia
(540)

ინდიცელი
Индицел
Indicell

(591) Black-white
(511) 5

(260) AM 2019 99981 A
(210) AM 99981
(220) 2018 10 23
(731) LTD "AVERSI-PHARMA"
D. Aghmashenebli Av. 148/2, 0112,
Tbilisi, Georgia
(540)

ვერტუნა
Вертуна
Vertuna

(591) Black-white
(511) 5

(260) AM 2019 99982 A
(210) AM 99982
(220) 2018 10 23
(731) LTD "AVERSI-PHARMA"
D. Aghmashenebli Av. 148/2, 0112,
Tbilisi, Georgia

(540)

აპანიკი
Апаник
Aranic

(591) Black-white
(511) 5

(260) AM 2019 99983 A
(210) AM 99983
(220) 2018 10 23
(731) LTD "AVERSI-PHARMA"
D. Aghmashenebli Av. 148/2, 0112,
Tbilisi, Georgia
(540)

ჰერნიზონი
Гернизон
Hernizon

(511) 5

(260) AM 2019 99984 A
(210) AM 99984
(220) 2018 10 23
(731) LTD "AVERSI-PHARMA"
D. Aghmashenebli Av. 148/2, 0112,
Tbilisi, Georgia
(540)

ტარალიდი
Таралид
Taralid

(591) Black-white
(511) 5

(260) AM 2019 99987 A
(210) AM 99987
(220) 2018 10 23
(731) LTD "AVERSI-PHARMA"
D. Aghmashenebli Av. 148/2, 0112,
Tbilisi, Georgia
(540)

ბილიტენი
Билитен
Biliten

(591) Black-white
(511) 5

REGISTERED TRADEMARKS

<p>(111) M 2019 31314 R (151) 2019 06 17 (181) 2029 06 17 (260) AM 2016 89112 A (220) 2016 10 24 (732) HARRINGTON DEVELOPMENT INC Elvira Mendez Street, Vallarino Bldg, 3rd Floor, Panama, Republic of Panama</p>	<p>(111) M 2019 31319 R (151) 2019 06 17 (181) 2029 06 17 (260) AM 2018 96801 A (220) 2018 03 12 (732) HARRINGTON DEVELOPMENT INC. Elvira Mendesis Striti, Valarino bldg, me-3 Sart. Panama, Republic of Panama</p>
<p>(111) M 2019 31315 R (151) 2019 06 17 (181) 2029 06 17 (260) AM 2017 95215 A (220) 2017 11 28 (732) LTD "MAGNETIC" I. Noneshvilis q. 58, b. 7, 6000, Batumi, Georgia</p>	<p>(111) M 2019 31320 R (151) 2019 06 17 (181) 2029 06 17 (260) AM 2018 97222 A (220) 2018 04 12 (732) LTD "AGROTAO" Vakhtang Gorgaslis q. 15, 4200, Tsnori, Sighnaghi, Georgia</p>
<p>(111) M 2019 31316 R (151) 2019 06 17 (181) 2029 06 17 (260) AM 2017 95527 A (220) 2017 12 15 (732) SİNERJİ PROJE YÖNETİMİ ELEKTRİK ELEKTRONİK VE SAĞLIK TEKNOLOJİLERİ DIŞ TİCARET LİMİTED ŞİRKETİ İuqari Dudullu Mahallesi, Vuslat Soqaaq, N4-1, İumranie/stambuli, Turkey</p>	<p>(111) M 2019 31321 R (151) 2019 06 17 (181) 2029 06 17 (260) AM 2018 97365 A (220) 2018 04 17 (732) DIMITRI TABAGHUA Sh. Nutsubidzis q. 77a, b.10, 0177, Tbilisi, Georgia</p>
<p>(111) M 2019 31317 R (151) 2019 06 17 (181) 2029 06 17 (260) AM 2018 96215 A (220) 2018 02 02 (732) Tinatin Gakhokidze İloris q. 23, 0153, Tbilisi, Georgia</p>	<p>(111) M 2019 31322 R (151) 2019 06 17 (181) 2029 06 17 (260) AM 2018 97403 A (220) 2018 04 25 (732) OUSAMA KAFA Kiev region, Kyiv-Svyatoshinsky district, village Petropavlivska Borshagivka, st. Vishnevaya 45, 08130, Ukraine</p>
<p>(111) M 2019 31318 R (151) 2019 06 17 (181) 2029 06 17 (260) AM 2018 96312 A (220) 2018 08 10 (732) AKADEMI SEMPOA & MENTAL ARITMETIK U C MAS SDN. BHD. BO3-A-11, Level 11, Butik-ofis 3, Menara 3 A, NO. 3 Jalan Bangsar, Kl Eko Siti, KUALA LUMPUR, 59200, Malaysia</p>	<p>(111) M 2019 31323 R (151) 2019 06 17 (181) 2029 06 17 (260) AM 2018 97411 A (220) 2018 04 26 (732) I/E Mikhail Kipiani Nutsubidzis Plato, III mkr., kvart. II, korp. 9, b. 16, 0183, Tbilisi, Georgia</p>
	<p>(111) M 2019 31324 R (151) 2019 06 17 (181) 2029 06 17 (260) AM 2018 97464 A</p>

(220) 2018 05 07
(732) SENSO VITA PHARMACY
N. Kipshidzis q. 12b, b. 51, Vake-
Saburtalos r-ni, Tbilisi, Georgia

(111) M 2019 31325 R
(151) 2019 06 17
(181) 2029 06 17
(260) AM 2018 97710 A
(220) 2018 05 18
(732) MEDAK GEZELSHAFT FIUR KLINISHE
SPECIALPREPARATE MBH
Theaterstraße 6, 22880 Wedel, Germany

(111) M 2019 31326 R
(151) 2019 06 17
(181) 2029 06 17
(260) AM 2018 97768 A
(220) 2018 05 21
(732) LTD "SPORT NUTRITION"
Sop. Ubisa, Kharagauli, Georgia

(111) M 2019 31327 R
(151) 2019 06 17
(181) 2029 06 17
(260) AM 2018 97876 A
(220) 2018 05 25
(732) (731) UAB ECOPHOTONAS
Gedemino Av. 47A-7, 01109 Vilnius,
Lithuania

(111) M 2019 31328 R
(151) 2019 06 17
(181) 2029 06 17
(260) AM 2018 97957 A
(220) 2018 06 01
(732) LTD "IVERIA PHARMA"
Daba Tskneti, Zone "B", Cottage 7, 0181,
Tbilisi, Georgia

(111) M 2019 31329 R
(151) 2019 06 17
(181) 2029 06 17
(260) AM 2018 97959 A
(220) 2018 06 03
(732) LTD "ISSI ROYALT"
Ryabinovaya Str., House 26, building 1,
7th floor, room 4, 121417 Moscow,
Russian Federation

(111) M 2019 31330 R
(151) 2019 06 17
(181) 2029 06 17

(260) AM 2018 98164 A
(220) 2018 06 19
(732) SHALVA KHARGELIA
Isakadzis q. 12, b. 44, Tbilisi, Georgia

(111) M 2019 31331 R
(151) 2019 06 17
(181) 2029 06 17
(260) AM 2018 98201 A
(220) 2018 06 25
(732) LTD "GRAND ROYAL"
Al. Kazbegis gamz. 28, 0177, Tbilisi,
Georgia

(111) M 2019 31332 R
(151) 2019 06 17
(181) 2029 06 17
(260) AM 2018 98202 A
(220) 2018 06 25
(732) LTD "GRAND ROYAL"
Al. Kazbegis gamz. 28, 0177, Tbilisi,
Georgia

(111) M 2019 31333 R
(151) 2019 06 17
(181) 2029 06 17
(260) AM 2018 98204 A
(220) 2018 06 25
(732) CAINIAO SMART LOGISTICS HOLDING
LIMITED
Fourth Floor, One Capital Place, P.O. Box 847,
Grand Cayman, KY1-1103, Cayman Islands

(111) M 2019 31334 R
(151) 2019 06 17
(181) 2029 06 17
(260) AM 2018 98205 A
(220) 2018 06 25
(732) CAINIAO SMART LOGISTICS HOLDING
LIMITED
Fourth Floor, One Capital Place, P.O. Box 847,
Grand Cayman, KY1-1103, Cayman Islands

(111) M 2019 31335 R
(151) 2019 06 17
(181) 2029 06 17
(260) AM 2018 98209 A
(220) 2018 06 26
(732) N(N)LE Georgian Farmers Association
Ak. Khoravas q.4, Dzveli Tbilisis raionshi,
Tbilisi, Georgia

(111) M 2019 31336 R
 (151) 2019 06 17
 (181) 2029 06 17
 (260) AM 2018 98212 A
 (220) 2018 06 26
 (732) LTD "ASKANELI BROTHERS"
 Kakhetis Gzatk. 110a, 0198, Tbilisi, Georgia

(111) M 2019 31337 R
 (151) 2019 06 17
 (181) 2029 06 17
 (260) AM 2018 98238 A
 (220) 2018 06 29
 (732) MONSTER ENERGY COMPANY
 a Delaware corporation
 1 Monster Way, Corona, California 92879,
 USA

(111) M 2019 31338 R
 (151) 2019 06 17
 (181) 2029 06 17
 (260) AM 2018 98245 A
 (220) 2018 07 02
 (732) FACEBOOK INC.
 (a Delaware corporation)
 1601 Willow Road, Menlo Park, California,
 94025, USA

(111) M 2019 31339 R
 (151) 2019 06 17
 (181) 2029 06 17
 (260) AM 2018 98249 A
 (220) 2018 07 02
 (732) MCDONALD'S INTERNATIONAL
 PROPERTY COMPANY, LTD.
 A corporation organized and existing under
 the laws of the State of Delaware 110 North
 arpenster Street, Chicago, Illinois 60607, USA

(111) M 2019 31340 R
 (151) 2019 06 17
 (181) 2029 06 17
 (260) AM 2018 98390 A
 (220) 2018 07 05
 (732) DRUSTRVO ZA MARKETINSKI,
 PROMOTIVNI I PRODUKCISKI USLUGI
 EEMM GROUP DOOEL SKOPJE
 Ul. Naum Naumovski Borche Br. 50-11,
 Skopje, Macedonia (the former Yugoslav
 Republic)

(111) M 2019 31341 R
 (151) 2019 06 17
 (181) 2029 06 17

(260) AM 2018 98393 A
 (220) 2018 07 06
 (732) FACEBOOK INC. (a Delaware corporation)
 1601 Willow Road, Menlo Park, California,
 94025, USA

(111) M 2019 31342 R
 (151) 2019 06 17
 (181) 2029 06 17
 (260) AM 2018 98417 A
 (220) 2018 07 11
 (732) EFL INC.
 One Apple Park Way, California, Cupertino,
 95014, USA

(111) M 2019 31343 R
 (151) 2019 06 17
 (181) 2029 06 17
 (260) AM 2018 98442 A
 (220) 2018 07 16
 (732) SIX CONTINENTS LIMITED
 Broadwater Park, Denham, Buckinghamshire
 UB9 5HR, United Kingdom

(111) M 2019 31344 R
 (151) 2019 06 17
 (181) 2029 06 17
 (260) AM 2018 98697 A
 (220) 2018 07 27
 (732) GIORGI TSIRAMUA
 University St. 19, 0186, Tbilisi, Georgia

(111) M 2019 31345 R
 (151) 2019 06 17
 (181) 2029 06 17
 (260) AM 2018 99050 A
 (220) 2018 08 17
 (732) LTD "SITUATIONIST"
 Adam Mitskevich St. 6, Ap. 27, Saburtalo
 District, Tbilisi, Georgia

(111) M 2019 31346 R
 (151) 2019 06 17
 (181) 2029 06 17
 (260) AM 2019 101233 A
 (220) 2019 01 15
 (732) COAST RESEARCH LLC
 1209 Orange Street, Wilmington DE 19801,
 USA

(111) M 2019 31347 R

(151) 2019 06 17
(181) 2029 06 17
(260) AM 2015 82231 A
(220) 2015 05 23
(732) LTD "COFFEESTA"
9 April St. 3, 0118, Tbilisi, Georgia;
MIKHEIL PARULAVA
Beliashvili St. 2, Tbilisi, Georgia

(111) M 2019 31353 R
(151) 2019 06 17
(181) 2029 06 17
(260) AM 2018 97801 A
(220) 2018 05 23
(732) ZUFA LLC
6650 South Torrey Pines Drive, Las Vegas,
Nevada 89118, USA

(111) M 2019 31348 R
(151) 2019 06 17
(181) 2029 06 17
(260) AM 2018 97018 A
(220) 2018 03 27
(732) LTD "BRAVO AIR"
Aeroportis dasakh. 42, b. 20, 0182, Tbilisi,
Georgia

(111) M 2019 31354 R
(151) 2019 06 17
(181) 2029 06 17
(260) AM 2018 97802 A
(220) 2018 05 23
(732) ZUFA LLC
6650 South Torrey Pines Drive, Las Vegas,
Nevada 89118, USA

(111) M 2019 31349 R
(151) 2019 06 17
(181) 2029 06 17
(260) AM 2018 97797 A
(220) 2018 05 23
(732) ZUFA LLC
6650 South Torrey Pines Drive, Las Vegas,
Nevada 89118, USA

(111) M 2019 31355 R
(151) 2019 06 17
(181) 2029 06 17
(260) AM 2018 97803 A
(220) 2018 05 23
(732) ZUFA LLC
6650 South Torrey Pines Drive, Las Vegas,
Nevada 89118, USA

(111) M 2019 31350 R
(151) 2019 06 17
(181) 2029 06 17
(260) AM 2018 97798 A
(220) 2018 05 23
(732) ZUFA LLC
6650 South Torrey Pines Drive, Las Vegas,
Nevada 89118, USA

(111) M 2019 31356 R
(151) 2019 06 18
(181) 2029 06 18
(260) AM 2018 97904 A
(220) 2018 05 31
(732) LTD "MULTI COLOR"
V. Janjghava St., Second entry 10,
Gldani-Nadzaladevi district, 0153, Tbilisi,
Georgia

(111) M 2019 31351 R
(151) 2019 06 17
(181) 2029 06 17
(260) AM 2018 97799 A
(220) 2018 05 23
(732) ZUFA LLC
6650 South Torrey Pines Drive, Las Vegas,
Nevada 89118, USA

(111) M 2019 31357 R
(151) 2019 06 18
(181) 2029 06 18
(260) AM 2018 97996 A
(220) 2018 06 08
(732) ZUFA LLC
6650 South Torrey Pines Drive, Las Vegas,
Nevada 89118, USA

(111) M 2019 31352 R
(151) 2019 06 17
(181) 2029 06 17
(260) AM 2018 97800 A
(220) 2018 05 23
(732) ZUFA LLC
6650 South Torrey Pines Drive, Las Vegas,
Nevada 89118, USA

(111) M 2019 31358 R
(151) 2019 06 18
(181) 2029 06 18
(260) AM 2018 98015 A
(220) 2018 06 13
(732) ILLYCAFFE S.P.A.
Via Flavia, 110, 34147 Trieste (TS), Italy

(111) M 2019 31359 R
(151) 2019 06 18
(181) 2029 06 18
(260) AM 2018 98186 A
(220) 2018 06 22

(732) SHELL BRANDS INTERNATIONAL AG
Baarermatte, 6340 Baar, Switzerland

(111) M 2019 31360 R
(151) 2019 06 18
(181) 2029 06 18
(260) AM 2018 98187 A
(220) 2018 06 22

(732) SHELL BRANDS INTERNATIONAL AG
Baarermatte, 6340 Baar, Switzerland

(111) M 2019 31361 R
(151) 2019 06 18
(181) 2029 06 18
(260) AM 2018 98188 A
(220) 2018 06 22

(732) SHELL BRANDS INTERNATIONAL AG
Baarermatte, 6340 Baar, Switzerland

(111) M 2019 31362 R
(151) 2019 06 18
(181) 2029 06 18
(260) AM 2018 98189 A
(220) 2018 06 22

(732) SHELL BRANDS INTERNATIONAL AG
Baarermatte, 6340 Baar, Switzerland

(111) M 2019 31363 R
(151) 2019 06 18
(181) 2029 06 18
(260) AM 2018 98210 A
(220) 2018 06 26

(732) LTD "AQUA GEO"
Village Misaktsieli, 3308, Mtskheta,
Georgia

(111) M 2019 31364 R
(151) 2019 06 18
(181) 2029 06 18
(260) AM 2018 98232 A
(220) 2018 06 28

(732) SHELL BRANDS INTERNATIONAL AG
Baarermatte, 6340 Baar, Switzerland

(111) M 2019 31365 R
(151) 2019 06 18
(181) 2029 06 18
(260) AM 2018 98574 A

(220) 2018 07 19

(732) EURODRAG LABORATORYES AP. V.
Regulusveg 11, 2516 AC, Hague, Netherlands

(111) M 2019 31366 R

(151) 2019 06 18
(181) 2029 06 18
(260) AM 2018 98575 A

(220) 2018 07 19

(732) YILDIZ HOLDİNG ANONİM ŞİRKETİ
Kısıklı Mahallesi, Çeşme Çıkması Sokak
No:6/1 Üsküdar İstanbul, Turkey

TRADEMARKS REGISTERED ACCORDING TO THE ACCELERATED PROCEDURE

The decision can be appealed at the Chamber of Appeal of Sakpatenti within 3 months from the publication.

(111) M 2019 31233 R
(111) M 2019 31307 R
(151) 2019 06 06
(181) 2029 06 06
(210) AM 102934
(220) 2019 05 03
(732) LTD "BORAN LIGHT"
Marneuli St. 44, 0165, Ponitchala,
Tbilisi, Georgia
(540)



(591) Red, white
(531) 27.05.01; 27.05.17; 29.01.01
(511) 7, 8

(111) M 2019 31308 R
(151) 2019 06 07
(181) 2029 06 07
(210) AM 103010
(220) 2019 05 06
(732) LTD "APO TRADING"
Kipshidze St. 49a, Ap. 22, Tbilisi,
Georgia
(540)



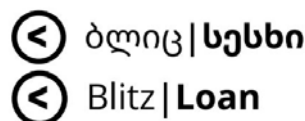
(591) Black, green, white
(531) 26.03.23; 26.11.03; 26.11.06; 26.11.08;
26.13.25; 27.05.09; 27.05.10; 29.01.12
(511) 4

(111) M 2019 31309 R
(151) 2019 06 11
(181) 2029 06 11
(210) AM 103024
(220) 2019 05 08
(732) LTD "POLIMETRIA"
Vazha-Pshavela Av., Block 2, Area 5, Vake-
Saburtalo District, 0186, Tbilisi, Georgia
(740) Shalva Gvaramadze
(540)

PHYTOMETRIA

(591) Black-white
(511) 3, 5, 10, 35, 42, 44

(111) M 2019 31310 R
(151) 2019 06 11
(181) 2029 06 11
(210) AM 102556
(220) 2019 04 10
(732) JSC "PASHA BANK GEORGIA"
G. Tabidze St. 1/ G. Leonidze St. 2, 0105,
Tbilisi, Georgia
(540)



(591) Black-white
(531) 26.01.01; 26.01.06; 26.01.10; 26.01.16;
26.11.07; 27.05.01
(511) 36

(111) M 2019 31311 R
(151) 2019 06 13
(181) 2029 06 13
(210) AM 103480
(220) 2019 06 06
(732) LTD "Instawine"
S. Tsintsadze St. 59 b. 41, 0160, Tbilisi,
Georgia
(540)



(591) White, lilac
(531) 26.04.02; 26.04.22; 26.04.24; 27.05.01;
27.05.19; 27.05.24; 29.01.13
(511) 33

(111) M 2019 31312 R
(151) 2019 06 13
(181) 2029 06 13
(210) AM 103180
(220) 2019 05 20
(732) JSC "INTOURIST XO CASINO BATUMI"
Khulo District 5, I Deadlock 1, 6000,
Tabakhmela, Georgia
(540)



(591) Golden, black
 (531) 26.04.02; 26.04.22; 26.04.24; 26.11.08;
 27.05.01; 27.05.09; 27.05.10; 27.05.11;
 27.05.24; 29.01.12

(526) BATUMI
 (511) 28, 41

(111) M 2019 31313 R
 (151) 2019 06 14
 (181) 2029 06 14
 (210) AM 103463
 (220) 2019 06 04
 (732) Elizbar Ajaliev
 Vil. Sartichala, Gardabani District, Georgia
 (540)

AŞ MEDTAL

(591) Black-white
 (511) 12

(111) M 2019 31367 R
 (151) 2019 06 18
 (181) 2029 06 18
 (210) AM 103558
 (220) 2019 06 07
 (732) LTD "Formula Proesco Production" LLC
 Mitskevich St. 29 (plot 15/39), the mansard,
 0194, Tbilisi, Georgia
 (540)



(591) Black, red, yellow, orange
 (531) 23.01.01; 26.01.01; 26.01.03; 26.01.12;
 26.01.16; 26.01.20; 26.04.02; 26.04.10;
 26.04.24; 28.19; 29.01.14
 (511) 41

(111) M 2019 31368 R
 (151) 2019 06 18
 (181) 2029 06 18
 (210) AM 103433
 (220) 2019 06 03
 (732) Giorgi Kukhianidze
 Besiki St. 14, Tbilisi, Georgia
 (540)



(591) Red, white
 (531) 26.01.03; 26.01.22; 26.01.24; 28.19; 29.01.12
 (511) 36, 37

(111) M 2019 31369 R
 (151) 2019 06 18
 (181) 2029 06 18
 (210) AM 103434
 (220) 2019 06 03
 (732) Giorgi Kukhianidze
 Besiki St. 14, Tbilisi, Georgia
 (540)



(591) Red, white
 (531) 26.01.01; 26.01.03; 26.01.22; 26.01.24;
 27.05.24; 29.01.12
 (511) 36, 37

(111) M 2019 31370 R
 (151) 2019 06 19
 (181) 2029 06 19
 (210) AM 102163
 (220) 2019 03 13
 (732) LTD "Tiflisski Vinni Pogreb"
 Iumashev St. 27, 0198, Tbilisi, Georgia
 (740) Shalva Gvaramadze
 (540)

Дом Руставели Rustaveli House

სახლი რუსთაველზე

(591) Black-white
 (526) Руставели, Rustaveli, რუსთაველი
 (511) 33

INTERNATIONAL TRADEMARKS FOR WHICH A DECISION ON GRANTING PROTECTIONS IS TAKEN

The decision can be appealed at the Chamber of Appeal of Sakpatenti within 3 months from the publication or at the Mtskheta District Court Administrative Cases Board (Address: №17, Samkhedro str., Mtskheta), within 1 month following the publication.

(260) AM 2019 100203 A

(800) 1430767

(151) 2018 09 13

(891) 2018 09 13

(731) VALIO LTD

Meijeritie 6, FI-00370 Helsinki, Finland

(540)

CARBO

(591) Black, white

(511)

29 – Meat, fish, poultry and game; meat extracts; preserved, frozen, dried and cooked fruits and vegetables; jellies, jams, compotes; eggs; milk and milk products; yoghurt; cream; sour cream; whipped cream; milk drinks; milk-based beverages containing mainly milk; milkshakes; soured milk; kephir, koumiss; whey; cottage cheese; cheese; cheese products; cheese spreads; milk powder; dried whey products; whey powders; butter; margarine; dairy spreads.

42 – Scientific and technological services and research and design relating thereto; industrial analysis and research services; industrial analysis and research in the agricultural sector; agricultural research; agricultural research services; agrochemical research services; research relating to agricultural technology; research relating to food production; agricultural quality control; quality control services relating to foodstuffs; testing on agriculture; testing of research relating to foodstuffs; biotechnological research relating to agriculture; biochemical research and analysis; research relating to cultivation in agriculture; chemical analysis of land; research relating to the analysis of waste, toxins, pesticides; providing of information relating to safety in the use of fertilisers, manures and chemicals used in agriculture; information, advisory and consultancy services relating to all the aforesaid services.

44 – Agriculture services; information services relating to the use of chemicals, fertilizers and manures in agriculture; cultivation advisory services relating to agriculture; agricultural services relating to environmental conservation; farming services; professional consultancy relating to agriculture; advisory and consultancy services relating to weed, pest and vermin control in agriculture; information services relating to the use of fertilizers used in agriculture; advisory and consultancy services relating to the use of non-chemical treatments for sustainable agriculture;

information services relating to the use of chemicals used in agriculture; information, advisory and consultancy services relating to all the aforesaid services.

(260) AM 2019 100205 A

(800) 1430791

(151) 2018 09 17

(891) 2018 09 17

(731) BIOGEN MA, INC.

225 Binney Street, Cambridge MA 02142, USA

(540)

ADUHELM

(591) Black, white

(511)

5 – Pharmaceutical preparations for the treatment of neurological disorders.

(260) AM 2019 100206 A

(800) 1430820

(151) 2018 05 28

(891) 2018 05 28

(731) REGNERBAU CALW GMBH

Industriestr. 19-29, 75382 Althengstett, Germany

(540)

PERROT

(591) Black, white

(511)

11 – Irrigation systems and their parts for horticulture, agriculture, sports facilities, dust suppression, deicing, industrial installations and equipment, in particular large-area sprinklers, slow-irrigation sprinklers, full- and part-circle sprinklers, spray nozzles, rain guns, pop-up sprinklers, mobile sprinklers, greenhouse and cold-frame box sprinklers, sprinklers for combating frost, long-range sprinklers, rotary sprinklers, sector sprinklers and rocker-arm sprinklers; mobile irrigation apparatus, in particular sprinkler systems for horticulture, agriculture, sports facilities, golf courses, riding facilities, race tracks, dust suppression, deicing, industrial installations and equipment; mobile irrigation apparatus, in particular watering machines for horticulture, agriculture, sports facilities, golf courses, riding facilities, race tracks,

dust suppression, deicing, industrial installations and equipment.

(260) AM 2019 100211 A

(800) 1430925

(151) 2018 09 10

(891) 2018 09 10

(731) VIVACITY ENGINEERING PTY LTD
3 Sefton Road, THORNLEIGH NSW 2120,
Australia

(540)

MEGAPOXY

(591) Black, white

(511)

1 – Adhesives and plastic additives for concrete and steel.

(260) AM 2019 95387 A*

(800) 1377953

(151) 2016 09 14

(891) 2016 09 14

(731) CONTER SRL
Viale Europa, 12 I-26855 LODI VECCHIO
(LO), Italy

(540)

VIDAL

(591) Black and white

(531) 27.05.17

(511)

5 – foodstuffs for children and sick persons; plasters; bandaging materials; preparations for destroying weeds and vermin; pesticides; fungicides;

(260) AM 2019 97117 A*

(800) 1395394

(151) 2017 12 12

(891) 2017 12 12

(731) ADP GAUSELMANN GMBH
Mercur-Allee 1-15; 32339 Espelkamp,
Germany

(540)

Gladiator

(591) Black, white

(511)

9 – electronic terminals for generating lottery tickets;

(260) AM 2019 97574 A

(800) 1358925

(151) 2016 02 26

(891) 2018 04 09

(731) COOPERATIVA CERAMICA D'IMOLA
S.C.

Via Vittorio Veneto, 13, I-40026 IMOLA
(BOLOGNA), Italy

(540)



EVOLUTIONSTILE

(591) Black, white

(531) 26.04.22; 26.04.24; 27.05.10; 27.05.22;
27.05.24

(511)

19 – Tiles, not of metal, for building; floor tiles, not of metal; parquet flooring and parquet slabs; floors, not of metal; building stone; mosaics for building; ceilings, not of metal; duckboards, not of metal; luminous paving blocks; partitions, not of metal; non-metal coverings; non-metal roof coverings; wood panelling; signalling panels, non-luminous and non-mechanical, not of metal; marble; stones; cement slabs; building materials and components, not of metal; tiles; fireproof tiles; translucent tiles (not of metal); ceramic tiles for flooring; ceramic tiles for paving; ceramic tiles for internal walls; ceramic tiles for external floors; ceiling tiles (non-metallic); tiles, not of metal, for building exteriors; building bricks, not of metal; facing bricks, not of metal; parquet flooring; parquet wood flooring; parquet floor boards; roofing tiles, not of metal; roof construction materials, not of metal; cladding panels, not of metal, for roofs; covering panels, not of metal, for roofs; non-metal roof coverings; non-metallic roofing plates; veneers; pavements; floorboards; flooring screeds; pavement screeds; flooring (non-metallic); paving cobblestones; paving blocks; paving stones; ceramic coverings for floor; non-metallic paving products; floors, not of metal; non-metallic flooring materials; paving blocks, not of metal; building panels, not of metal; wall panelling, not of metal; non-metallic cladding panels; non-metal floor panels; non-metallic interlocking panels for building; translucent building panels made from plastic materials; non-metallic waterproofing boards; signs, and information and advertising displays, non-metallic (terms too vague in the opinion of the International Bureau – Rule 13(2)(b) of the Common Regulations); non-metallic sidings; coatings (building materials); non-metallic facing bricks; cementitious waterproofing coatings; non-metallic wall claddings; wall panelling made of non-metallic materials; facing panels of non-metallic

materials; non-metallic building slabs; fire burrs; non-metallic ceiling tiles; non-metallic ceiling panels; non-metallic cladding for ceilings; non-metal coverings for ceilings; signs made of plastic (non-luminous and non-mechanical); partitions, not of metal; screed coatings; building glass; figurines, statuettes of stone, concrete or marble included in this class; marble for building.

39 – Transport of goods; packaging and storage of goods; delivery of goods; warehousing of products; delivery of goods; packing of goods.

(260) AM 2019 98132 A

(800) 1407560

(151) 2018 03 08

(891) 2018 03 08

(731) VIASAT, INC.

6155 El Camino Real, Carlsbad, CA 92009,
USA

(540)



The logo for Viasat, featuring the word "Viasat" in a bold, sans-serif font, followed by a stylized, black, wavy graphic element that resembles a signal or a satellite orbit.

(591) Black, white

(531) 24.17.02; 26.11.03; 26.11.11; 26.11.13;
27.05.01

(511)

9 – Communication terminal equipment, namely, modems, receivers, radios, simulators and networks for satellite and terrestrial communication terminals.

(260) AM 2019 98360 A

(800) 1129503

(151) 2012 05 29

(891) 2018 06 01

(731) DIDIS LTD.

Pravda Street 1, BG-9700 Shoumen, Bulgaria

(540)

LORELLI

(591) Black, white

(511)

10 – Babies' pacifiers (teats), teething rings; feeding bottles, feeding bottle valves, feeding bottle teats; spoons for administering medicine; breast pumps.

12 – Baby carriages, strollers; covers and hoods for baby carriages, covers and hoods for strollers; safety seats for children (for vehicles), infant car seats; children's bicycles, (for transport).

20 – Furniture, mirrors, picture frames; goods (not included in other classes) of wood, cork, reed, cane, wicker, horn, bone, ivory, whalebone, shell, amber, mother-of-pearl, meerschaum and substitutes for all these materials, or of plastics.

24 – Textiles and textile goods, not included in other classes; textile sheets, bed linen, towels of textile; bed and table covers.

28 – Games and playthings; gymnastic and sporting articles not included in other classes; decorations for Christmas trees.

(260) AM 2019 98476 A

(800) 1410823

(151) 2018 04 11

(891) 2018 04 11

(731) ROTO FRANK AG

Wilhelm-Frank-Platz 1, 70771 Leinfelden-
Echterdingen, Germany

(540)

Roto NX

(591) Black, white

(511)

6 – Turn and/or tilt fittings of metal for windows and window doors; parts of metal of turn and/or tilt fittings for windows and window doors, namely, hinges, corner pivot rests, tilting bearings, bearing blocks, night-vents, couplings and other devices for force transfer for opening and closing windows and window doors, connecting rods, coupling pieces for connecting rods, corner drives, stay arms, scissor stays, sliders, cover rails including face plates, guide rails, abutments, spacers, stops, mechanical gears, gearbox housings, gear wheels, toothed racks, escutcheons, covering caps, dead-bolts including flush bolts, locking pins, locking tongues, strikers including striker plates; the aforesaid goods excluding locks, lock cylinders, keys; fasteners of metal for turn and/or tilt fittings for windows and window doors, namely, screws, bolts, nuts, rivets, washers, dowels; window handles of metal, window door handles of metal.

7 – Electromotive drives for turn and/or tilt fittings for windows and window doors.

9 – Electric and electronic control and regulating apparatus; electric and electronic circuits and other electric and electronic elements for building technology; all the aforesaid goods for turn and/or tilt fittings for windows and window doors; electric, electronic, optical and acoustical control and signalling apparatus and devices for status monitoring of turn and/or tilt fittings for windows and window doors; electric, electronic, optical and acoustical indicators for turn and/or tilt fittings for windows and window doors.

20 – Turn and/or tilt fittings of plastics for windows and window doors; parts of plastics of turn and/or tilt fittings for windows and window doors, namely, hinges, corner pivot rests, tilting bearings, bearing blocks, night-vents, couplings and other devices for force transfer for opening and closing windows and

window doors, connecting rods, coupling pieces for connecting rods, corner drives, stay arms, scissor stays, sliders, cover rails including face plates, guide rails, abutments, spacers, stops, mechanical gears, gearbox housings, gear wheels, toothed racks, escutcheons, covering caps, dead-bolts including flush bolts, locking pins, locking tongues, strikers including striker plates; the aforesaid goods excluding locks, lock cylinders, keys; fasteners of plastics for turn and/or tilt fittings for windows and window doors, namely, screws, bolts, nuts, rivets, washers, dowels; window handles not of metal, window door handles not of metal.

(260) AM 2019 98602 A

(800) 1413029

(151) 2017 12 20

(891) 2017 12 20

(731) XIAOMI SINGAPORE PTE. LTD.

60 Paya Lebar Road, #08-28 Paya Lebar Square, Singapore 409051, Singapore

(540)

fotophone

(591) Black, white

(531) 27.05.01

(511)

35 – Advertisement and publicity services by television, radio, mail; advertisement for others on the Internet; advertising; advertising and promotional services; advertising and publicity services; advertising by mail order; advertising flyer distribution for others; advertising in periodicals, brochures and newspapers; advertising in the popular and professional press; advertising services; advertising through all public communication means; commercial information and advice for consumers [consumer advice shop]; commercial information; compilation of advertisements for use as web pages on the Internet; advertisement via mobile phone networks; commercial information services provided by access to a computer database; compilation and systemization of information into computer databases; compiling of information into computer databases; computer assisted business information; on-line advertising on a computer network; online advertising via a computer communications network; online promotion on a computer network; advertising by transmission of on-line publicity for third parties through electronic communications networks.

38 – Advisory services relating to telecommunications; advisory services relating to communications equipment; audio communications services; audiovisual communication services; cellular communications services; cellular telephone communication; communication by mobile telephone; communicati-

ons by cellular phones; communications by means of mobile phones; communications by mobile phones; communications consultancy; communications via fibre-optic networks; consultancy services relating to telecommunications; data communication by electronic means; data communication services; electronic communication services; electronic network communications; mobile radio communications; mobile radio telephone services; mobile telephone communication; mobile telephone communication services; mobile telephone services; mobile telephony; operation of cellular communications systems; provision of communications information; provision of electronic communications facilities; provision of information relating to communications; provision of private mobile radio communication services; rental of communications apparatus; rental of smartphones; car telephone communications services; cellular radio telephone services; communication between computers; communication by computer; communication by electronic computer terminals; communication of information by computer; communication services between computers; communication services over computer networks; communications by computer terminals; communications by telephone; computer aided transmission of images; computer aided transmission of information and images; computer aided transmission of messages; computer aided transmission of messages and images; computer bulletin board services; computer communication services; computer communications for the transmission of information; computer data transmission services; computer intercommunication; computer network communication services; computer telephony services; computer transmission of information accessed via a code or a terminal; computer transmission services; computer-aided transmission of messages; electronic communication service by means of computer; electronic transmission of data and documents via computer terminals and electronic devices; forwarding of messages by telephone; maritime radio-telephone network services; netcasting [broadcasting over a global computer network]; paging services [radio, telephone or other means of electronic communication]; pay telephone communication services; providing access to computer networks; providing access to computer software; providing access to online computer databases; providing multiple use access to global computer information networks for the transfer and dissemination of a wide range of information; providing on-line forums for transmission of messages among computer users; providing telecommunications connections to a global computer network; providing user access to a global computer network; providing user access to computer programmes in data networks; providing user access to global computer network and online sites containing information on a wide range of topics; providing user access to global computer net-

works; provision of access to a global computer network; provision of communications between computers; provision of communications by telephone; radio telephone communication services; radio/telephone paging services; rental of access time to global computer networks; rental of cellular telephones; rental of computer communication apparatus and instruments; rental of telecommunication equipment including telephones and facsimile apparatus; rental of telephone apparatus; rental of telephone circuits; rental of telephone lines; rental of telephones; secure telecommunications services [providing secure telecommunication connections and access including to computers and the global computer network]; telephone communication services; telephone communications; telephone paging services; telephone services; telephone voice messaging services; transmission of data by computer; transmission of information by computer; transmission of information by telephone; transmission of information on a wide range of topics, including online and over a global computer network; transmission of information via computers connected to the same telematic network; transmission of messages by computer; transmission of messages by telephone; transmission of telephone calls; video telephone services; web portal services [providing user access to global computer network]; wireless telephone services.

42 – Design and development of software in the field of mobile applications; design of mobile telephones; smartphone software design; unlocking of mobile phones; updating of smartphone software; advice relating to the design of computer hardware; advisory services relating to computer programming; advisory services relating to computer software; advisory services relating to computer system analysis; advisory services relating to computer system design; advisory services relating to the design and development of computer hardware; analytical services relating to computers; back-up of computer data; computer aided design of molds; computer aided graphic design; computer analysis; computer database design consultancy services; computer design; computer design services; computer disaster recovery services; computer engineering; computer firewall services; computer graphics design services; computer hardware design; computer hire; computer network configuration services; computer network design for others; computer network services; computer program advisory services; computer program maintenance services; computer program updating services; computer programming; computer programming consultancy; computer programming in the medical field; computer programming of computer games; computer programming of video games; computer programming services for commercial analysis and reporting; computer rental; computer research services; computer security consultancy; computer security engineering; computer security servi-

ces [design and development of secure computer hardware, software and systems]; computer security services [programming and software installation, repair and maintenance services]; computer security services [testing and risk assessment of computer networks]; computer security threat analysis for protecting data; computer services in the nature of hosting web sites for others; computer site design; computer software advisory services; computer software consultancy; computer software consulting; computer software design; computer software development; computer software programming services; computer software rental; computer software development; computer software programming services; computer software rental; computer system analysis; computer system design; computer system integration services; computer systems analysis; computer systems design; computer systems integration services; computer technology consultancy; computer time-sharing; computer virus protection services; computer website design; configuration of computer software; consultancy in the design and development of computer hardware; consultancy in the field of computer security; consultancy in the field of computer software; consultation services relating to computer software; conversion of computer programs and data, other than physical conversion; copying of computer software; creating of computer programs; creating of home pages for computer networks; data conversion of computer programs and data, not physical conversion; debugging computer software for others; design and development of computer game software; design and development of computer hardware; design and development of computer hardware and software; design and development of computer hardware for the manufacturing industries; design and development of computer software; design and development of wireless computer networks; design and maintenance of computer sites for third parties; design and writing of computer software; design of computer codes; design of computer databases; design of computer hardware; design of computer languages; design of computer programs; design of computer software; design of computers; design of computers for others; design of mobile telephones; design of telephones; design, maintenance, development and updating of computer software; design, maintenance, rental and updating of computer software; designing computer software for controlling self-service terminals; developing computer programs for electronic cash register systems; developing computer software; development and creation of computer programmes for data processing; development of computer based networks; development of computer codes; development of computer hardware for computer games; development of computer programmes; development of computer software; development of computer software application solutions; development of computer system; diagnosis of faults

in computer software; digital compression of computer data; document data transfer from one computer format to another; duplication of computer programs; engineering services relating to computer programming; engineering services relating to computers; hosting computer sites [web sites]; installation and maintenance of computer software; installation of computer software; installation, maintenance and repair of computer software; installation, maintenance and repair of software for computer systems; installation, repair and maintenance of computer software; installing computer programs; rental of computers in a cafe environment; leasing of computer apparatus; leasing of computer programs; leasing of computers; maintenance and updating of computer software; maintenance and upgrading of computer software; maintenance of computer programs; maintenance of computer programs; maintenance of computer software; maintenance of computer software relating to computer security and prevention of computer risks; maintenance of computer software used for operating filling apparatus and machines; modifying of computer programs; monitoring of computer systems by remote access; monitoring of computer systems for detecting unauthorized access or data breach; monitoring of computer systems to detect breakdowns; personal computer hire; preparation of reports relating to computer programs; preparation of reports relating to computers; professional consultancy relating to computer security; providing information on computer technology and programming via a web site; providing information, including online, about design and development of computer hardware and software; provision of information relating to computer programming; provision of information relating to computer programs; remote computer backup services; rental and maintenance of computer software; rental of computer apparatus; rental of computer equipment; rental of computer firmware; rental of computer hardware; rental of computer hardware and computer peripherals; rental of computer hardware and computer software; rental of computer hardware and software; rental of computer middleware; rental of computer programs; rental of computer software; rental of computer software and programs; rental of computers; renting computer software; repair of computer software; repair of damaged computer programs; research and development of computer software; research relating to computer programming; research relating to computers; research, development, design and upgrading of computer software; scientific computer programming services; security assessment services for computer networks; security risk assessment services relating to computer systems; services for maintenance of computer software; services for renting computers; services for reproducing computer programs; services for updating computer software; technical advice relating to operation of computers; tes-

ting of computer installations; testing of computer programs; testing of computer software; testing of computers; updating of computer software; updating of computer programs; updating of computer programs for third parties; updating of computer software; updating of computer software relating to computer security and prevention of computer risks; updating of home pages for computer networks; updating of computer programs for memory banks of computer systems; upgrading of computer software; writing and updating computer software; writing of computer programs; writing of computer software; recovery of computer data; development of computer programs recorded on data media (software) designed for use in construction and automated manufacturing (cad/cam); computer software design for others.

(260) AM 2019 98826 A

(800) 1415665

(151) 2018 03 30

(891) 2018 03 30

(731) DAIICHI SANKYO COMPANY, LIMITED
3-5-1, Nihonbashi Honcho, Chuo-ku, Tokyo
103-8426, Japan

(540)

Амлифенд

(591) Black, white

(531) 28.05

(511)

5 – Pharmaceutical preparations and substances.

(260) AM 2019 98843 A

(800) 1415991

(151) 2018 05 21

(891) 2018 05 21

(731) Gesellschaft mit beschränkter Haftung
"EHRMANN"
pos. RAOS, 15, Ramenskiy r-n, RU-140126
Moscow Region, Russian Federation

(540)



(591) Blue, white, green

(531) 05.03.13; 05.03.15; 20.05.21; 26.04.05;
26.04.15; 26.04.22; 26.04.24; 26.11.14;
27.05.07; 27.05.24; 29.01.13

(511)

29 – Milk and milk products.

(260) AM 2019 98870 A

(800) 1416405

(151) 2018 04 20

(891) 2018 04 20

(731) SWISS KRONO Tec GmbH
Friedrichstraße 94, 10117 Berlin,
Germany

(540)

KRONOPOL

(591) Black, white

(511)

20 – Furniture, including goods for furniture decorating and interior decorating, namely coated, lacquered, and printed chipboards, MDF boards, LDF boards, HDF boards and CDF boards as furniture parts, shelves [furniture parts], countertops [furniture parts]; boards and moulded bodies being parts of furniture, the above-mentioned goods also with a melamine surface; furniture consisting of biomaterial including, but not limited to, organic raw materials of biological origin, such as wood, wood fibres, grasses, or plastics including, but not limited to, bioplastics or biomaterial-plastic composite materials or biomaterial-plastic material mixes, the above-mentioned materials with or without the addition of mineral or other fillers; work counters [furniture]; wooden shelving [furniture]; edge beadings, corner protectors, edgings, edge borders, decorative edging strips [furniture parts] consisting of biomaterial including, but not limited to, organic raw materials of biological origin, such as wood, wood fibres, grasses, or plastics including, but not limited to, bioplastics or biomaterial-plastic composite materials or biomaterial-plastic material mixes, the above-mentioned materials with or without the addition of mineral or other fillers; extruded plastics edge beadings for furniture; corner protectors of plastics; edgings of plastic for furniture; plastic edging materials for shelving; decorative edging strips of wood for use with furniture; decorative edging strips of plastic for use with fitted furniture; crates and pallets, non-metallic; furniture panels, also furniture panels consisting of biomaterial including, but not limited to, organic raw materials of biological origin, such as wood, wood fibres, grasses, or plastics including, but not limited to, bioplastics or biomaterial-plastic composite materials or biomaterial-plastic material mixes, the above-mentioned materials with or without the addition of mineral or other fillers; containers, not of metal, for storage and transport.

27 – Carpets; door mats; mats.

35 – Product sampling for the purpose of presentation and sale to third parties; retail and wholesale services in relation furniture and goods for interior and exterior decorating.

(260) AM 2019 98876 A

(800) 1065074

(151) 2010 11 16

(891) 2018 06 26

(731) BORA CREATIONS S.L.

Calle Velázquez, (Pto. de Andratx), 11,
E-07157 Andratx Baleares, Spain

(540)



(591) Black, white

(531) 26.01.18; 26.15.01; 27.05.21

(511)

3 – Hair dyes and colorants, soaps, perfumery, essential oils, cosmetics, hair lotions, preparations for the cleaning, care and beautification of the skin, the scalp and the nails, cosmetics for decorative purposes, false eyelashes, nail care preparations (included in this class), nail varnish, nail varnish removing preparations, preparations for modeling and shaping false nails (included in this class).

4 – Candles, perfumed candles (included in this class).

8 – Hand-operated apparatus and instruments for the cosmetic and decorative care of the fingernails and toenails, in particular, emery boards for nails; nail scissors; tweezers.

14 – Paste jewellery.

16 – Paper stationery, paper, cardboard and goods made from these materials, not included in other classes.

21 – Combs and brushes (except paint brushes), sponges for cosmetic purposes, brushes for cosmetic purposes.

25 – Clothing, footwear, headgear.

26 – Hair ornaments, in particular, hair pins, hair bands and elastic hair bands and hair beads.

35 – Wholesaling, retailing, in-store sales, catalog sales and sales via computer networks of cosmetic goods.

(260) AM 2019 98928 A

(800) 1416724

(151) 2018 03 09

(891) 2018 03 09

(731) NOKIA CORPORATION

Karaportti 3, FI-02610 Espoo, Finland

(540)

NOKIA

(591) Black, white

(531) 27.05.17

(511)

11 – Apparatus for lighting, heating, steam generating, cooking, refrigerating, drying, ventilating, water supply and sanitary purposes; air conditioning installations and apparatus; air filtering installations, apparatus and machines; cooling installations, appliances and machines; filters for ventilation apparatus [parts of household or industrial tallations]; heating installations; lamps; light bulbs; lighting installations; nuclear reactors; atomic piles; refrigerating appliances and installations; sanitary installations; sauna and spa bath installations; steam generating installations; tanning apparatus [sun beds]; ventilation [air-conditioning] installations; water distribution installations; watering installations, automatic; watering machines for agricultural purposes; parts, fittings and accessories of all the aforementioned goods.

35 – Advertising; business management; business administration; office functions; publicity; rental of advertising space; arranging subscriptions to telecommunication services for others; auctioneering; accounting; providing business and commercial information; commercial or industrial management assistance; commercial information and advice for consumers [consumer advice shop]; commercial administration of the licensing of the goods and services of others; collection, compilation, processing, management, updating and maintenance of data in computer databases; compilation of statistics; cost price analysis; data search in computer files for others; demonstration of goods; distribution of samples; document reproduction; economic forecasting; import-export agency services; computerized file management; market studies; marketing; office machines and equipment rental; provision of an on-line marketplace for buyers and sellers of goods and services; arranging and conducting of commercial, trade and business conferences, shows and exhibitions; outsourcing services [business assistance]; personnel management consultancy; presentation of goods on communication media, for retail purposes; procurement services for others; public relations; search engine optimization for sales promotion; sponsorship search; telemarketing services; telephone answering for unavailable subscribers; rental of vending machines; web site traffic optimization; wholesale, retail and online store services in the field

of telecommunication devices, equipment, systems, software and solutions comprised of telecommunication devices and software; wholesale, retail and online store services in the field of phones, computers, computer hardware and computer software; wholesale, retail and online store services in the field of handheld mobile digital electronic devices for capturing, receiving, collecting, recording, reading, displaying, organizing, editing, transmitting, sharing, manipulating and reviewing data, text, maps, images and sounds; wholesale, retail and online store services in the field of entertainment apparatus and equipment for recording, capturing, storing, processing, editing, displaying, transmission or reproduction and play back of sound, images or video and for playing video and software games; wholesale, retail and online store services in the field of multimedia apparatus and equipment; wholesale, retail and online store services in the field of telecommunication devices, sensors, printers, energy management systems, home automation systems, security systems, computing devices, fitness and health-monitoring equipment and apparatus; wholesale, retail and online store services in the field of horological and chronometric instruments, household and kitchen utensils, clothing, footwear and headgear, games and playthings, machine tools, digital maps, musical instruments, optical goods, location tracking devices, computing devices enabling the user to obtain location-related and contextually relevant information and carrying cases for such products; wholesale, retail and online store services in the field of medical apparatus and instruments, pharmaceuticals, veterinary and sanitary preparations, physical therapy and sporting equipment; wholesale, retail and online store services in the field of white goods, heating, cooking, cooling and lighting apparatus and equipment, household appliances, sanitary installations, wearable computing devices, navigation devices, Global Positioning System [GPS] apparatus, audio-visual equipment, information technology equipment; retail and wholesale services in the field of machine to machine (M2M) communications equipment and devices; data processing services; collecting and processing of business data in computer databases; administration of consumer loyalty programs; arranging and conducting incentive rewards programs to promote the sale of goods and services; compilation of business data regarding the purchase and sale of a wide variety of products and services of others in computer databases; customer experience management (CEM) services; predictive business analytics services; information, advisory and consultancy services relating to all the aforesaid services.

(260) AM 2019 98945 A

(800) 1417277

(151) 2018 03 19

(891) 2018 03 19
 (731) GRUPO ALVIC FR MOBILIARIO, S.L.
 Ctra. Alcalá la Real, s/n., E-23660
 ALCAUDETE (Jaén), Spain
 (540)



(591) Black, white
 (531) 25.05.02; 26.04.07; 26.04.18; 27.05.09;
 27.05.10
 (511)
 19 – Wooden boards; boards not of metal for building; laminated particleboards; laminates not of metal.
 20 – Furniture, kitchen furniture, furniture for bathroom use; office furniture: table tops; panels for furniture.

(260) AM 2019 98948 A
 (800) 1417319
 (151) 2018 04 13
 (891) 2018 04 13
 (731) Closed Joint Stock Company "BOBRUYSK BREWERY"
 ul. Nakhimova, 1-1, Bobrujsk, Mogilevskaya obl, Belarus
 (540)



(591) Blue, dark blue, white and grey
 (531) 03.07.07; 03.07.16; 03.07.24; 26.01.01;
 26.01.15; 26.04.06; 26.04.07; 26.04.18;
 26.04.24; 28.05; 29.01.13
 (511)
 32 – Beers.

(260) AM 2019 98949 A
 (800) 1417341
 (151) 2018 04 03

(891) 2018 04 03
 (731) COMPUTER BETTING COMPANY GMBH
 Fuchselbachstraße 7, A-4060 Leonding,
 Austria
 (540)



(591) Red and yellow
 (531) 04.05.03; 26.04.04; 26.04.05; 26.04.22;
 27.03.02; 27.05.02; 27.05.24; 29.01.14
 (511)
 9 – Computer software; software.
 41 – Entertainment.
 42 – Computer programming and software development; design of computer software; design of computer hardware.

(260) AM 2019 98957 A
 (800) 1289401
 (151) 2015 12 04
 (891) 2018 06 28
 (731) LTD "VALENTA-INTELLEKT"
 str. 2, d. 18, ul. Generala Dorokhova,
 RU-119530 Moscow, Russian Federation
 (540)



(591) Green, red, white, black
 (531) 09.01.01; 09.01.06; 09.03.01; 19.13.21; 28.05;
 29.01.13
 (526) ®, Грамицидин С 1,5 МГ лечит больное горло 20 таблеток для рассасывания
 (511)
 5 – Antibiotics; germicides; veterinary preparations; pharmaceutical preparations for human purposes; drugs for medical purposes; medicines for human purposes; medicines for veterinary purposes; pharmaceutical preparations.

(260) AM 2019 98958 A
 (800) 1296502
 (151) 2016 01 29
 (891) 2018 06 22

(731) SHANGHAI UNITED IMAGING
HEALTHCARE CO., LTD.
No.2258 Chengbei Rd., Jiading District,
Shanghai, China

(540)
**UNITED
IMAGING** 

(591) Black, white

(531) 24.01.03; 27.05.01

(511)

10 – Medical apparatus and instruments; diagnostic apparatus for medical purposes; beds, specially made for medical purposes; medical X-ray apparatus; protection devices against X-rays, for medical purposes; apparatus and installations for the production of X-rays, for medical purposes; radiological apparatus for medical purposes; radiotherapy apparatus; medical ultrasound apparatus; isotope facilities used for medical diagnose/treatment.

(260) AM 2019 99013 A

(800) 1417844

(151) 2018 06 12

(891) 2018 06 12

(731) RESPONSIBLE GOLD OPERATIONS LTD.
109 North Post Oak Lane, Suite 435,
Houston TX 77024, USA

(540)

EMERGENT TECHNOLOGY

(591) Black, white

(511)

36 – Providing an on-line exchange for trading in virtual currency and electronic money; brokerage services in the nature of virtual currency and electronic money trading; electronic funds transfer services; financial services, namely, providing a virtual currency for use by and transfer among members of an on-line community via a global computer network; currency trading services; currency transfer services; virtual currency exchange transaction services for transferable electronic cash equivalent units having specified cash value; provision of prepaid tokens, namely, processing electronic payments made through prepaid purchase tokens; money transfer services; currency dealing services; brokerage of currency; electronic cash transactions; issuance of virtual currency tokens; virtual money exchange services; commodity trading services.

(260) AM 2019 99015 A

(800) 1417955

(151) 2018 06 12

(891) 2018 06 12

(731) EMERGENT PAYMENTS, INC.
2445 Augustine Dr., Suite 460, Santa
Clara CA 95054, USA

(540)

EMERGENT PAYMENTS

(591) Black, white

(526) PAYMENTS

(511)

36 – Accepting, processing, and reconciling financial and payment transactions; financial transaction services, namely, providing secure commercial transactions and payment and funds transfer options; tax calculation, collection, remittance and payment processing services.

(260) AM 2019 99032 A

(800) 1418241

(151) 2018 06 19

(891) 2018 06 19

(731) NV Biscuits Delacre SA

Avenue Emile van Becelaere 2; B-1170

Watermael-Boitsfort, Belgium

(540)

BIARRITZ

(591) Black, white

(511)

30 – Biscuits and cookies, cakes, pastry, confectionery, chocolate and chocolate-based products.

(260) AM 2019 99088 A

(800) 1418619

(151) 2018 04 13

(891) 2018 04 13

(731) The Heat Company Aktivwärme- und

Aktivkühlprodukte GmbH

Ennsparck 20, A-5541 Altenmarkt im Pongau,
Austria

(540)

THE HEAT COMPANY

(591) Black, white

(511)

10 – Heating pads for therapeutic purposes.

11 – Heating pads for warming other than for medical purposes.

25 – Clothing; gloves [clothing].

(260) AM 2019 99095 A

(800) 1419000

(151) 2017 04 03

(891) 2017 04 03

(731) INITIATIVES FOR DEVELOPMENT OF
ARMENIA Charity Foundation

2/2 Melik-Adamyanyan, 0010 Yerevan, Armenia

(540)

Aurora Humanitarian Initiative

(591) Black, white

(511)

41 – Education; providing of training; entertainment; sporting and cultural activities.

(260) AM 2019 99097 A

(800) 1419012

(151) 2018 03 21

(891) 2018 03 21

(731) PALITRUMLAB LIMITED LIABILITY COMPANY

Nobelya 7, pom. 47, territory of, the Skolkovo Innovation Center, RU-143026 Moscow, Russian Federation

(540)



(591) Gray, blue and green

(531) 26.01.02; 26.01.03; 26.01.24; 27.05.17; 27.05.22; 29.01.14

(511)

9 – Monitors [computer programs]; computer software, recorded; computer programs, recorded; computer programs [downloadable software]; computer operating programs, recorded; electronic publications, downloadable; data processing apparatus.

35 – Opinion polling; market studies; business investigations; business research; marketing research; data search in computer files for others; publication of publicity texts; on-line advertising on a computer network; compilation of information into computer databases; systemization of information into computer databases; public relations.

38 – Providing access to databases; transmission of digital files.

42 – Installation of computer software; computer software consultancy; information technology [IT] consultancy; scientific research; software as a service [SaaS]; maintenance of computer software; providing search engines for the internet; computer system design; rental of computer software; computer software design; computer programming.

(260) AM 2019 99108 A

(800) 1419296

(151) 2018 04 20

(891) 2018 04 20

(731) SWISS KRONO Tec GmbH

Friedrichstraße 94, 10117 Berlin, Germany

(540)



BY SWISS KRONO GROUP

(591) Black, white

(531) 24.13.01; 24.13.05; 24.13.22; 24.13.26; 26.01.03; 26.01.18; 26.01.24; 27.05.09; 27.05.10

(511)

20 – Furniture, including goods for furniture decorating and interior decorating, namely coated, lacquered, and printed chipboards, MDF boards, LDF boards, HDF boards and CDF boards as furniture parts, shelves [furniture parts], countertops [furniture parts]; boards and moulded bodies being parts of furniture, the above-mentioned goods also with a melamine surface; furniture consisting of biomaterial including, but not limited to, organic raw materials of biological origin, such as wood, wood fibres, grasses, or plastics including, but not limited to, bioplastics or biomaterial-plastic composite materials or biomaterial-plastic material mixes, the above-mentioned materials with or without the addition of mineral or other fillers; work counters [furniture]; wooden shelving [furniture]; edge beadings, corner protectors, edgings, edge borders, decorative edging strips [furniture parts] consisting of biomaterial including, but not limited to, organic raw materials of biological origin, such as wood, wood fibres, grasses, or plastics including, but not limited to, bioplastics or biomaterial-plastic composite materials or biomaterial-plastic material mixes, the above-mentioned materials with or without the addition of mineral or other fillers; extruded plastics edge beadings for furniture; corner protectors of plastics; edgings of plastic for furniture; plastic edging materials for shelving; decorative edging strips of wood for use with furniture; decorative edging strips of plastic for use with fitted furniture; crates and pallets, non-metallic; furniture panels, also furniture panels consisting of biomaterial including, but not limited to, organic raw materials of biological origin, such as wood, wood fibres, grasses, or plastics including, but not limited to, bioplastics or biomaterial-plastic composite materials or biomaterial-plastic material mixes, the above-mentioned materials with or without the addition of mineral or other fillers; containers, not of metal, for storage and transport.

27 – Carpets; door mats; mats.

35 – Product sampling for the purpose of presentation and sale to third parties; retail and wholesale services in relation furniture and goods for interior and exterior decorating.

(260) AM 2019 99110 A

(800) 1419304

(151) 2018 04 20

(891) 2018 04 20

(731) SWISS KRONO Tec GmbH

Friedrichstraße 94, 10117 Berlin, Germany

(540)



BY SWISS KRONO GROUP

(591) Red, grey and white

(531) 24.13.01; 24.13.05; 24.13.22; 24.13.26;

26.01.03; 26.01.18; 26.01.24; 27.05.09;

27.05.10; 29.01.13

(511)

20 – Furniture, including goods for furniture decorating and interior decorating, namely coated, lacquered, and printed chipboards, MDF boards, LDF boards, HDF boards and CDF boards as furniture parts, shelves [furniture parts], countertops [furniture parts]; boards and moulded bodies being parts of furniture, the above-mentioned goods also with a melamine surface; furniture consisting of biomaterial including, but not limited to, organic raw materials of biological origin, such as wood, wood fibres, grasses, or plastics including, but not limited to, bioplastics or biomaterial-plastic composite materials or biomaterial-plastic material mixes, the above-mentioned materials with or without the addition of mineral or other fillers; work counters [furniture]; wooden shelving [furniture]; edge beadings, corner protectors, edgings, edge borders, decorative edging strips [furniture parts] consisting of biomaterial including, but not limited to, organic raw materials of biological origin, such as wood, wood fibres, grasses, or plastics including, but not limited to, bioplastics or biomaterial-plastic composite materials or biomaterial-plastic material mixes, the above-mentioned materials with or without the addition of mineral or other fillers; extruded plastics edge beadings for furniture; corner protectors of plastics; edgings of plastic for furniture; plastic edging materials for shelving; decorative edging strips of wood for use with furniture; decorative edging strips of plastic for use with fitted furniture; crates and pallets, non-metallic; furniture panels, also furniture panels consisting of biomaterial including, but not limited to, organic raw materials of biological origin, such as wood, wood fibres, grasses, or plastics including, but not limited to, bioplastics or biomaterial-plastic composite materials or biomaterial-plastic material mixes, the above-mentioned materials with or without the addition of mineral or other fillers; containers, not of metal, for storage and transport.

27 – Carpets; door mats; mats.

35 – Product sampling for the purpose of presentation and sale to third parties; retail and wholesale

services in relation furniture and goods for interior and exterior decorating.

(260) AM 2019 99113 A

(800) 1419426

(151) 2018 05 16

(891) 2018 05 16

(731) TURKIYE CUMHURİYETİ ZIRAAT

BANKASI ANONİM ŞİRKETİ

Doganbey M. Ataturk Blv. N:8, ULUS

ALTINDAG, ANKARA, Turkey

(540)



(591) Red.

(531) 27.05.10; 29.01.01

(511)

9 – Measurement apparatus and equipment including those for scientific, nautical, topographic, meteorologic, industrial and laboratory purposes, thermometers, not for medical purposes, barometers, ammeters, voltmeters, hygrometers, testing apparatus not for medical purposes, telescopes, periscopes, direct transmission or reproduction of sound or images, cameras, photographic cameras, television apparatus, video recorders, CD and DVD players and recorders, MP3 players, computers, desktop computers, tablet computers, wearable technological devices (smart watches, wristbands, head-mounted devices) microphones, loudspeakers, earphones, telecommunications apparatus, apparatus for the reproduction of sound or images, computer peripheral devices, cell phones, covers for cell phones, telephone apparatus, computer printers, scanners [data processing equipment], photocopiers; magnetic and optic data carriers and computer software and programmes recorded there-to, downloadable and recordable electronic publications, encoded magnetic and optic cards, movies, tv series and video music clips recorded on magnetic, optical and electronic media; antennas, satellite antennas, amplifiers for antennas, parts of the aforementioned goods; ticket dispensers, automatic teller machines (ATM); electronic components used in the electronic parts of machines and apparatus, semi-conductors, electronic circuits, integrated circuits, chips [integrated circuits], diodes, transistors [electronic], magnetic heads for electronic apparatus, electronic locks, photocells, remote control apparatus for opening and closing doors, optical sensors; counters and quantity indicators for measuring the quantity of consumption, automatic time switches; clothing for protection against accidents, irradiation and fire, safety vests and life-saving apparatus and equipment; eyeglasses, sunglasses, optical lenses and cases, containers, parts and components thereof; apparatus and instruments for conducting, transforming, accumula-

ting or controlling electricity, electric plugs, junction boxes [electricity], electric switches, circuit breakers, fuses, lighting ballasts, battery starter cables, electrical circuit boards, electric resistances, electric sockets, transformers [electricity], electrical adapters, battery chargers, electric door bells, electric and electronic cables, batteries, electric accumulators, solar panels for production of electricity; alarms and anti-theft alarms, other than for vehicles, electric bells; signalling apparatus and instruments, luminous or mechanical signs for traffic use; fire extinguishing apparatus, fire engines, fire hose and fire hose nozzles; radar apparatus, sonars, night vision apparatus and instruments; decorative magnets; metronomes.

36 – Insurance services; financial and monetary affairs; real estate brokers, real estate agencies and real estate management; customs brokerage services.

(260) AM 2019 99115 A

(800) 1419536

(151) 2017 12 21

(891) 2017 12 21

(731) BAYER AKTIENGESELLSCHAFT
Kaiser-Wilhelm-Allee, 51373 Leverkusen,
Germany

(540)



(591) Bright Green, Bright Blue and Dark Blue

(531) 24.13.05; 24.13.22; 24.13.25; 26.01.03;
26.01.18; 29.01.13

(511)

1 – Chemicals used in industry, science and photography, as well as in agriculture, horticulture and forestry; unprocessed artificial resins, unprocessed plastics; manures; fire extinguishing compositions; tempering and soldering preparations; chemical substances for preserving foodstuffs; tanning substances; adhesives used in industry; growing media, fertilisers and chemicals for use in agriculture, horticulture and forestry; chemicals for use in aquaculture; chemical preparations for the treatment of seeds; chemical substances, chemical materials and chemical preparations, and natural fertilisers; plant growth regulating preparations.

3 – Bleaching preparations and other substances for laundry use; cleaning, polishing, scouring and abrasive preparations; non-medicated soaps; perfumery,

essential oils, non-medicated cosmetics, non-medicated hair lotions; non-medicated dentifrices.

5 – Medical preparations; veterinary preparations; pharmaceutical preparations; pharmaceuticals and natural remedies; dietary supplements and dietetic preparations; dietary supplements for humans and animals; dietetic food and substances adapted for medical or veterinary use, food for babies; sanitary preparations and articles; disinfectants and antiseptics; preparations for destroying vermin; fungicides; herbicides; medicated and sanitising soaps and detergents; medical dressings, coverings and applicators; pest control preparations and articles; plasters, materials for dressings; material for stopping teeth, dental wax.

9 – Scientific, nautical, surveying, photographic, cinematographic, optical, weighing, measuring, signalling, checking (supervision), life-saving and teaching apparatus and instruments; recorded content; magnetic data carriers, recording discs; software; computer software; application software; information technology and audio-visual, multimedia and photographic devices; apparatus for recording, transmission or reproduction of sound or images; optical devices, enhancers and correctors; scientific research and laboratory apparatus, educational apparatus and simulators; data processing equipment; computers.

10 – Surgical, medical, dental and veterinary apparatus and instruments; medical and veterinary apparatus and instruments; prosthetics and artificial implants; artificial limbs, eyes and teeth; orthopedic articles; orthopedic and mobility aids; therapeutic and assistive devices adapted for the disabled; physical therapy equipment; massage apparatus; apparatus, devices and articles for nursing infants.

31 – Raw and unprocessed agricultural, aquacultural, horticultural and forestry products; raw and unprocessed grains and seeds; fresh fruits and vegetables, fresh herbs; natural plants and flowers; bulbs, seedlings and seeds for planting; foodstuffs and beverages for animals; agricultural and aquacultural crops, horticulture and forestry products; foodstuffs and fodder for animals; fodder; animal foodstuffs.

35 – Advertising, marketing and promotional consultancy, advisory and assistance services; business administration; business management; business advice; business consulting; business assistance, management and administrative services; business analysis, research and information services; advertising and promotion services and related consulting; provision of an on-line marketplace for buyers and sellers of goods and services; sales promotions for others; retail and wholesale services in relation to medical preparations, veterinary preparations, pharmaceutical preparations, pharmaceuticals and natural remedies, dietary supplements and dietetic preparations, dietary supplements for humans and animals,

dietetic food and substances adapted for medical or veterinary use, food for babies, sanitary preparations and articles, disinfectants and antiseptics, preparations for destroying vermin, fungicides, herbicides, medicated and sanitising soaps and detergents, medical dressings, coverings and applicators, pest control preparations and articles, plasters, materials for dressings, material for stopping teeth, dental wax.

41 – Education; providing of training; entertainment; sporting and cultural activities; publishing and reporting; entertainment, education and instruction services.

42 – Scientific and technological services and research and design relating thereto; industrial analysis and research services; design and development of computer hardware and software; science and technology services; information technology [IT] consulting services; software development, programming and implementation; software research; design, development and implementation of software.

44 – Medical services; veterinary services; hygienic and beauty care for human beings; hygienic and beauty care for animals; agriculture, aquaculture, horticulture and forestry services; human healthcare services; animal healthcare services.

(260) AM 2019 99116 A

(800) 1419617

(151) 2018 04 20

(891) 2018 04 20

(731) SWISS KRONO Tec GmbH

Friedrichstraße 94, 10117 Berlin, Germany

(540)

KRONOTEX

(591) Black, white

(511)

20 – Furniture, including goods for furniture decorating and interior decorating, namely coated, lacquered, and printed chipboards, MDF boards, LDF boards, HDF boards and CDF boards as furniture parts, shelves [furniture parts], countertops [furniture parts]; boards and moulded bodies being parts of furniture, the above-mentioned goods also with a melamine surface; furniture consisting of biomaterial including, but not limited to, organic raw materials of biological origin, such as wood, wood fibres, grasses, or plastics including, but not limited to, bioplastics or biomaterial-plastic composite materials or biomaterial-plastic material mixes, the above-mentioned materials with or without the addition of mineral or other fillers; work counters [furniture]; wooden shelving [furniture]; edge beadings, corner protectors, edgings, edge borders, decorative edging strips [furniture parts] consisting of biomaterial including, but not limited to, organic raw materials of biological origin, such as wood, wood fibres, grasses,

or plastics including, but not limited to, bioplastics or biomaterial-plastic composite materials or biomaterial-plastic material mixes, the above-mentioned materials with or without the addition of mineral or other fillers; extruded plastics edge beadings for furniture; corner protectors of plastics; edgings of plastic for furniture; plastic edging materials for shelving; decorative edging strips of wood for use with furniture; decorative edging strips of plastic for use with fitted furniture; crates and pallets, non-metallic; furniture panels, also furniture panels consisting of biomaterial including, but not limited to, organic raw materials of biological origin, such as wood, wood fibres, grasses, or plastics including, but not limited to, bioplastics or biomaterial-plastic composite materials or biomaterial-plastic material mixes, the above-mentioned materials with or without the addition of mineral or other fillers; containers, not of metal, for storage and transport.

27 – carpets; door mats; mats.

35 – Product sampling for the purpose of presentation and sale to third parties; retail and wholesale services in relation to furniture and goods for interior and exterior decorating.

(260) AM 2019 99128 A

(800) 1419955

(151) 2018 04 20

(891) 2018 04 20

(731) SWISS KRONO Tec GmbH

Friedrichstraße 94, 10117 Berlin, Germany

(540)

 **KRONOPOL**

(591) Black, white

(531) 24.13.01; 24.13.05; 24.13.22; 24.13.26;
26.01.03; 26.01.18; 26.01.24; 27.05.09;
27.05.10

(511)

20 – Furniture, including goods for furniture decorating and interior decorating, namely coated, lacquered, and printed chipboards, MDF boards, LDF boards, HDF boards and CDF boards as furniture parts, shelves [furniture parts], countertops [furniture parts]; boards and moulded bodies being parts of furniture, the above-mentioned goods also with a melamine surface; furniture consisting of biomaterial including, but not limited to, organic raw materials of biological origin, such as wood, wood fibres, grasses, or plastics including, but not limited to, bioplastics or biomaterial-plastic composite materials or biomaterial-plastic material mixes, the above-mentioned materials with or without the addition of mineral or other fillers; work counters [furniture]; wooden shelving [furniture]; edge beadings, corner protectors, edgings, edge borders, decorative edging

strips [furniture parts] consisting of biomaterial including, but not limited to, organic raw materials of biological origin, such as wood, wood fibres, grasses, or plastics including, but not limited to, bioplastics or biomaterial-plastic composite materials or biomaterial-plastic material mixes, the above-mentioned materials with or without the addition of mineral or other fillers; extruded plastics edge beadings for furniture; corner protectors of plastics; edgings of plastic for furniture; plastic edging materials for shelving; decorative edging strips of wood for use with furniture; decorative edging strips of plastic for use with fitted furniture; crates and pallets, non-metallic; furniture panels, also furniture panels consisting of biomaterial including, but not limited to, organic raw materials of biological origin, such as wood, wood fibres, grasses, or plastics including, but not limited to, bioplastics or biomaterial-plastic composite materials or biomaterial-plastic material mixes, the above-mentioned materials with or without the addition of mineral or other fillers; containers, not of metal, for storage and transport.

27 – Carpets; door mats; mats.

35 – Product sampling for the purpose of presentation and sale to third parties; retail and wholesale services in relation furniture and goods for interior and exterior decorating.

(260) AM 2019 99129 A

(800) 1419963

(151) 2018 01 18

(891) 2018 01 18

(731) ESPT GO LIMITED

9 Vasili Michaelides Street, CY-3026

Limassol, Cyprus

(540)



(591) Red and white

(531) 25.07.03; 26.04.02; 26.04.22; 26.04.24;

26.07.25; 26.15.09; 29.01.12

(511)

9 – Software; games software; process controlling software; cloud computing software; file sharing software; video game software; financial management software; computer software packages; electronic game software; computer telephony software; instant messaging software; data communications software; software for computers; network management software; embedded operating software; operating system software; computer software platforms; interactive entertainment software; children's educational software; application software for televisions; soft-

ware for online messaging; computer video game software; software for mobile phones; computer software applications, downloadable; computer e-commerce software; computer programs [downloadable software]; programs (computer -) [downloadable software]; smartphone software applications, downloadable; virtual reality games software; downloadable computer software applications; application software for mobile phones; application software for smart phones; electronic mail and messaging software; software for optical character recognition; computer software for business purposes; augmented reality software for creating maps; computer software downloaded from the internet; computer software for wireless network communications; software for processing images, graphics and text; communication software for connecting computer network users; software for the processing of business transactions; software for the analysis of business data; software applications for use with mobile devices; computer programmes; illuminated advertising signs; computer software for advertising; software for embedding online advertising on websites; data storage devices; data storage discs; data loggers and recorders; digital data recording media; optical data storage drives; data protection backup units; computer software for creating searchable databases of information and data; memories for data processing equipment; computer networking and data communications equipment; computer software for database management; electronic databases recorded on computer media; electrical and electronic apparatus for logging data; electrical and electronic instruments for storing data; computer software to enable retrieval of data; data processing equipment and accessories (electrical and mechanical); computer software for application and database integration; data carriers for computers having software recorded thereon; computer software for authorising access to data bases; computer software to enable the searching of data; memory devices for use with data processing apparatus; downloadable computer software for the management of data; downloadable computer software for the transmission of data; computer software to enable searching and retrieval of data; computer programs for accessing, browsing and searching online databases; central processing units for processing information, data, sound or images.

35 – Marketing; targeted marketing; direct marketing consulting; advertising and marketing; marketing advisory services; marketing consultation services; marketing research and analysis; search engine marketing services; providing business marketing information; estimations for marketing purposes; design of marketing surveys; analysis of marketing trends; conducting of marketing studies; advertising, marketing and promotional services; providing marketing information via websites; advice relating to marketing management; market research and marke-

ting studies; advertising, marketing and promotion services; marketing (business advice relating to -); provision of information relating to marketing; distribution of advertising, marketing and promotional material; marketing the goods and services of others; video recordings for marketing purposes (production of -); business advice relating to marketing management consultations; consulting services in the field of internet marketing; advertising, marketing and promotional consultancy, advisory and assistance services; rental of all publicity and marketing presentation materials; marketing services provided by means of digital networks; marketing the goods and services of others by distributing coupons; advertising and marketing services provided by means of blogging; advertising; advertising research services; publicity and advertising; mail-order advertising; press advertising consultancy; classified advertising services; updating advertising material; advertising for others; production of advertising matter; design of advertising logos; consultancy relating to advertising; advertising and marketing consultancy; pay per click advertising; advertising and promotion services; radio and television advertising; advertising via the internet; advertising and marketing services; production of advertising films; advertising, including on-line advertising on a computer network; advertising services of a radio and television advertising agency; providing searchable online advertising guides; intermediary services relating to advertising; advisory services relating to advertising; arranging advertising contracts for others; production of visual advertising matter; provision of information relating to advertising; advertising on the internet for others; advertising in periodicals, brochures and newspapers; modelling for advertising or sales promotion; arranging of presentations for advertising purposes; online advertising on a computer network; advertising services provided over the internet; compilation of statistics relating to advertising; provision of advertising space on electronic media; rental of advertising space on web sites; on-line advertising on computer networks; provision of advertising space, time and media; on-line advertising via a computer communications network; preparation of mailing lists for direct mail advertising services [other than selling]; advertising services to promote public awareness of the benefits of shopping locally; direct mail advertising to attract new customers and to maintain the existing customer base; consultancy regarding public relations communication strategies; rental of advertising time on communication media; data processing; data management; data entry and data processing; business management services relating to data processing; data file administration; administrative data processing; computerised data management; analysis of business data stored in computer databases; computer data processing; computerised data-base management; database management servi-

ces; computer database management; data processing for businesses; compilation of business data; provision of business data; management of computer databases; analysis of market research data; preparation of business statistical data; data processing for the collection of data for business purposes; collection and systematization of business data; provision of computerised business information data; advertising services relating to data bases; computer databases (compilation of information into -); data search in computer files for others; provision of computerised data relating to business; services comprising the transcription of statistical data; services comprising the composition of statistical data; compilation and input of information into computer databases.

38 – Communications consultancy; radio communications; communications services; communication by computer; interactive communication services; electronic communication services; audiovisual communication services; electronic network communications; wireless communication services; computer communication and internet access; data communication services accessible by password; data communication services by electronic means; transmission of data by communications satellite; electronic communications services for the transmission of data; communication services for the transmission of information; communication of data by means of radio; data communication services accessible by access code; advisory and consultancy services relating to wireless communications and wireless communications equipment; provision of information relating to communications; transmission of messages, data and content via the internet and other communications networks; provision of communications facilities for the interchange of digital data; communication services for the transmission of information by electronic means; providing high speed access to computer and communication networks; data transmission and data broadcasting; transmission of data; e-mail data services; data bank interconnection services; electronic data interchange services; digital transmission of data; electronic transmission of data; transfer of data by radio; voice and data transmission services; data communication by electronic means; computer-aided transmission of data; data transmission by electronic mail; providing telecommunications connections to databases; packet transmission of data and images; consultancy services relating to data communications; arranging access to a computer database; provision of access to computer databases; electronic transmission of instant messages and data; leasing access time to a computer database; transmission of computerised data by means of cable; transmission of data, sound and images via satellites; cable transmission of sounds, images, signals and data; providing access to electronic communications networks and electronic databases; providing

telecommunications connections to a global computer network or databases; provision of telecommunications links to computer databases and websites on the internet; transmission of data or audio visual images via a global computer network or the internet; transmission of data, audio, video and multimedia files, including downloadable files and files streamed over a global computer network.

41 – Entertainment provided via a global communication network; game services provided by means of communications by computer terminals or mobile telephone; provision of audio and visual media via communications networks; training in communication techniques; electronic data processing training; educational services relating to data processing; library services related to data stored and retrieved by electronic means.

42 – Programming of software for online advertising; designing websites for advertising purposes; hosting electronic memory space on the internet for advertising goods and services; development of software for communication systems; maintenance and updating of software for communication systems; online data storage; maintenance of database software; data security services; data migration services; data duplication and conversion services, data coding services; recovery of computer data; electronic data storage services; data back-up services; rental of data processing apparatus; design of data storage systems; creating programmes for data processing; rental of computer database software; research relating to data processing; design and development of databases; design services relating to data processors; computer programming services for data warehousing; computer services concerning electronic data storage; development of programmes for data processing; engineering consultancy relating to data processing; reconstruction of database systems for others; installation and maintenance of database software; programming of software for database management; temporary electronic storage of information and data; software engineering services for data processing programs; preparation of computer programs for data processing; design and development of computer database software; development of systems for the transmission of data; hosting of computerized data, files, applications and information; design and development of software for database management; design of software for data and multimedia content conversion from and to different protocols; design and development of computer software for evaluation and calculation of data; design and development of computer software for reading, transmitting and organising data; development of software for data and multimedia content conversion from and to different protocols; software creation; software design; computer software installation; software consultancy

services; software engineering services; software development services; updating of software; software installation; computer software development; software as a service; software design and development; smartphone software design; computer software design; design of software; computer software maintenance; update of computer software; software (rental of computer -); leasing of computer software; installation of computer software; software development, programming and implementation; programming of video game software; software as a service [SaaS]; computer programming and software design; hosting services and software as a service and rental of software; computer and software consultancy services; rental of software for inventory management; updating and design of computer software; programming of software for internet platforms; support and maintenance services for computer software; services for the leasing of computer software; design of software for audio and video operators; consultancy and advice on computer software and the design and development of computer hardware; installation, maintenance, updating and upgrading of computer software; development of software solutions for internet providers and internet users; rental of computer software, data processing equipment and computer peripheral devices; analytical services relating to computer programmes; development and creation of computer programmes for data processing; services for the updating of computer programmes; duplicating computer programmes; installation of computer programmes.

(260) AM 2019 99130 A

(800) 1419969

(151) 2018 06 07

(891) 2018 06 07

(731) APPLE INC.

One Apple Park Way, Cupertino CA 95014,
USA

(540)

TEXTURE

(591) Black, white

(511)

9 – Downloadable on-line magazine featuring information in the corporate, high technology, entertainment and tourism industries.

(260) AM 2019 99131 A

(800) 1419982

(151) 2018 01 18

(891) 2018 01 18

(731) ESPT GO LIMITED

9 Vasili Michaelides Street, CY-3026
Limassol, Cyprus

(540)



(591) Black, white

(531) 26.04.18; 26.15.09; 27.05.15

(511)

9 – Software; games software; process controlling software; cloud computing software; file sharing software; video game software; financial management software; computer software packages; electronic game software; computer telephony software; instant messaging software; data communications software; software for computers; network management software; embedded operating software; operating system software; computer software platforms; interactive entertainment software; children's educational software; application software for televisions; software for online messaging; computer video game software; software for mobile phones; computer software applications, downloadable; computer e-commerce software; computer programs [downloadable software]; programs (computer -) [downloadable software]; smartphone software applications, downloadable; virtual reality games software; downloadable computer software applications; application software for mobile phones; application software for smart phones; electronic mail and messaging software; software for optical character recognition; computer software for business purposes; augmented reality software for creating maps; computer software downloaded from the internet; computer software for wireless network communications; software for processing images, graphics and text; communication software for connecting computer network users; software for the processing of business transactions; software for the analysis of business data; software applications for use with mobile devices; computer programmes; illuminated advertising signs; computer software for advertising; software for embedding online advertising on websites; data storage devices; data storage discs; data loggers and recorders; digital data recording media; optical data storage drives; data protection backup units; computer software for creating searchable databases of information and data; memories for data processing equipment; computer networking and data communications equipment; computer software for database management; electronic databases recorded on computer media; electrical and electronic apparatus for logging data; electrical and electronic instruments for storing data; computer software to enable retrieval of data; data

processing equipment and accessories (electrical and mechanical); computer software for application and database integration; data carriers for computers having software recorded thereon; computer software for authorising access to data bases; computer software to enable the searching of data; memory devices for use with data processing apparatus; downloadable computer software for the management of data; downloadable computer software for the transmission of data; computer software to enable searching and retrieval of data; computer programs for accessing, browsing and searching online databases; central processing units for processing information, data, sound or images.

35 – Marketing; targeted marketing; direct marketing consulting; advertising and marketing; marketing advisory services; marketing consultation services; marketing research and analysis; search engine marketing services; providing business marketing information; estimations for marketing purposes; design of marketing surveys; analysis of marketing trends; conducting of marketing studies; advertising, marketing and promotional services; providing marketing information via websites; advice relating to marketing management; market research and marketing studies; advertising, marketing and promotion services; marketing (business advice relating to -); provision of information relating to marketing; distribution of advertising, marketing and promotional material; marketing the goods and services of others; video recordings for marketing purposes (production of -); business advice relating to marketing management consultations; consulting services in the field of internet marketing; advertising, marketing and promotional consultancy, advisory and assistance services; rental of all publicity and marketing presentation materials; marketing services provided by means of digital networks; marketing the goods and services of others by distributing coupons; advertising and marketing services provided by means of blogging; advertising; advertising research services; publicity and advertising; mail-order advertising; press advertising consultancy; classified advertising services; updating advertising material; advertising for others; production of advertising matter; design of advertising logos; consultancy relating to advertising; advertising and marketing consultancy; pay per click advertising; advertising and promotion services; radio and television advertising; advertising via the internet; advertising and marketing services; production of advertising films; advertising, including on-line advertising on a computer network; advertising services of a radio and television advertising agency; providing searchable online advertising guides; intermediary services relating to advertising; advisory services relating to advertising; arranging advertising contracts for others; production of visual advertising matter; provision of information relating to advertising; advertising on the internet for others;

advertising in periodicals, brochures and newspapers; modelling for advertising or sales promotion; arranging of presentations for advertising purposes; online advertising on a computer network; advertising services provided over the internet; compilation of statistics relating to advertising; provision of advertising space on electronic media; rental of advertising space on web sites; on-line advertising on computer networks; provision of advertising space, time and media; on-line advertising via a computer communications network; preparation of mailing lists for direct mail advertising services [other than selling]; advertising services to promote public awareness of the benefits of shopping locally; direct mail advertising to attract new customers and to maintain the existing customer base; consultancy regarding public relations communication strategies; rental of advertising time on communication media; data processing; data management; data entry and data processing; business management services relating to data processing; data file administration; administrative data processing; computerised data management; analysis of business data stored in computer databases; computer data processing; computerised data-base management; database management services; computer database management; data processing for businesses; compilation of business data; provision of business data; management of computer databases; analysis of market research data; preparation of business statistical data; data processing for the collection of data for business purposes; collection and systematization of business data; provision of computerised business information data; advertising services relating to data bases; computer databases (compilation of information into -); data search in computer files for others; provision of computerised data relating to business; services comprising the transcription of statistical data; services comprising the composition of statistical data; compilation and input of information into computer databases.

38 – Communications consultancy; radio communications; communications services; communication by computer; interactive communication services; electronic communication services; audiovisual communication services; electronic network communications; wireless communication services; computer communication and internet access; data communication services accessible by password; data communication services by electronic means; transmission of data by communications satellite; electronic communications services for the transmission of data; communication services for the transmission of information; communication of data by means of radio; data communication services accessible by access code; advisory and consultancy services relating to wireless communications and wireless communications equipment; provision of information relating to communications; transmission of messages, data

and content via the internet and other communications networks; provision of communications facilities for the interchange of digital data; communication services for the transmission of information by electronic means; providing high speed access to computer and communication networks; data transmission and data broadcasting; transmission of data; e-mail data services; data bank interconnection services; electronic data interchange services; digital transmission of data; electronic transmission of data; transfer of data by radio; voice and data transmission services; data communication by electronic means; computer-aided transmission of data; data transmission by electronic mail; providing telecommunications connections to databases; packet transmission of data and images; consultancy services relating to data communications; arranging access to a computer database; provision of access to computer databases; electronic transmission of instant messages and data; leasing access time to a computer database; transmission of computerised data by means of cable; transmission of data, sound and images via satellites; cable transmission of sounds, images, signals and data; providing access to electronic communications networks and electronic databases; providing telecommunications connections to a global computer network or databases; provision of telecommunications links to computer databases and websites on the internet; transmission of data or audio visual images via a global computer network or the internet; transmission of data, audio, video and multimedia files, including downloadable files and files streamed over a global computer network.

41 – Entertainment provided via a global communication network; game services provided by means of communications by computer terminals or mobile telephone; provision of audio and visual media via communications networks; training in communication techniques; electronic data processing training; educational services relating to data processing; library services related to data stored and retrieved by electronic means.

42 – Programming of software for online advertising; designing websites for advertising purposes; hosting electronic memory space on the Internet for advertising goods and services; development of software for communication systems; maintenance and updating of software for communication systems; online data storage; maintenance of database software; data security services; data migration services; data duplication and conversion services, data coding services; recovery of computer data; electronic data storage services; data back-up services; rental of data processing apparatus; design of data storage systems; creating programmes for data processing; rental of computer database software; research relating to data processing; design and development of databases; design services relating to data proces-

sors; computer programming services for data warehousing; computer services concerning electronic data storage; development of programmes for data processing; engineering consultancy relating to data-processing; reconstruction of database systems for others; installation and maintenance of database software; programming of software for database management; temporary electronic storage of information and data; software engineering services for data processing programs; preparation of computer programs for data processing; design and development of computer database software; development of systems for the transmission of data; hosting of computerized data, files, applications and information; design and development of software for database management; design of software for data and multimedia content conversion from and to different protocols; design and development of computer software for evaluation and calculation of data; design and development of computer software for reading, transmitting and organising data; development of software for data and multimedia content conversion from and to different protocols; software creation; software design; computer software installation; software consultancy services; software engineering services; software development services; updating of software; software installation; computer software development; software as a service; software design and development; smartphone software design; computer software design; design of software; computer software maintenance; update of computer software; software (rental of computer -); leasing of computer software; installation of computer software; software development, programming and implementation; programming of video game software; software as a service [SaaS]; computer programming and software design; hosting services and software as a service and rental of software; computer and software consultancy services; rental of software for inventory management; updating and design of computer software; programming of software for internet platforms; support and maintenance services for computer software; services for the leasing of computer software; design of software for audio and video operators; consultancy and advice on computer software and the design and development of computer hardware; installation, maintenance, updating and upgrading of computer software; development of software solutions for internet providers and internet users; rental of computer software, data processing equipment and computer peripheral devices; analytical services relating to computer programmes; development and creation of computer programmes for data processing; services for the updating of computer programmes; duplicating computer programmes; installation of computer programmes.

(260) AM 2019 99132 A

(800) 1419995

(151) 2018 04 20

(891) 2018 04 20

(731) SWISS KRONO Tec GmbH

Friedrichstraße 94, 10117 Berlin, Germany

(540)



(591) Black, white

(531) 24.13.01; 24.13.05; 24.13.22; 24.13.26;

26.01.03; 26.01.18; 26.01.24; 27.05.09;

27.05.10

(511)

20 – Furniture, including goods for furniture decorating and interior decorating, namely coated, lacquered, and printed chipboards, MDF boards, LDF boards, HDF boards and CDF boards as furniture parts, shelves [furniture parts], countertops [furniture parts]; boards and moulded bodies being parts of furniture, the above-mentioned goods also with a melamine surface; furniture consisting of biomaterial including, but not limited to, organic raw materials of biological origin, such as wood, wood fibres, grasses, or plastics including, but not limited to, bioplastics or biomaterial-plastic composite materials or biomaterial-plastic material mixes, the above-mentioned materials with or without the addition of mineral or other fillers; work counters [furniture]; wooden shelving [furniture]; edge beadings, corner protectors, edgings, edge borders, decorative edging strips [furniture parts] consisting of biomaterial including, but not limited to, organic raw materials of biological origin, such as wood, wood fibres, grasses, or plastics including, but not limited to, bioplastics or biomaterial-plastic composite materials or biomaterial-plastic material mixes, the above-mentioned materials with or without the addition of mineral or other fillers; extruded plastics edge beadings for furniture; corner protectors of plastics; edgings of plastic for furniture; plastic edging materials for shelving; decorative edging strips of wood for use with furniture; decorative edging strips of plastic for use with fitted furniture; crates and pallets, non-metallic; furniture panels, also furniture panels consisting of biomaterial including, but not limited to, organic raw materials of biological origin, such as wood, wood fibres, grasses, or plastics including, but not limited to, bioplastics or biomaterial-plastic composite materials or biomaterial-plastic material mixes, the above-mentioned materials with or without the addition of mineral or other fillers; containers, not of metal, for storage and transport.

27 – carpets; door mats; mats.

35 – Product sampling for the purpose of presentation and sale to third parties; retail and wholesale

services in relation to furniture and goods for interior and exterior decorating.

(260) AM 2019 99134 A

(800) 1420009

(151) 2018 04 24

(891) 2018 04 24

(731) Pryvatne aktsionerne tovarystvo
"KHARKIVSKA BISKVITNA FABRYKA"
vul. Lozivska, 8, Kharkiv 61017, Ukraine

(540)

КРЕКЕР
БУКОВКИ

(591) Black, white

(531) 28.05

(526) Kreker

(511)

30 – Biscuits.

(260) AM 2019 99135 A

(800) 1420012

(151) 2018 01 18

(891) 2018 01 18

(731) ESPT GO LIMITED
9 Vasili Michaelides Street, CY-3026
Limassol, Cyprus

(540)



(591) Red and white

(531) 26.04.18; 26.04.24; 26.15.09; 27.05.15;
29.01.12

(511)

9 – Software; games software; process controlling software; cloud computing software; file sharing software; video game software; financial management software; computer software packages; electronic game software; computer telephony software; instant messaging software; data communications software; software for computers; network management software; embedded operating software; operating system software; computer software platforms; interactive entertainment software; children's educational software; application software for televisions; software for online messaging; computer video game

software; software for mobile phones; computer software applications, downloadable; computer e-commerce software; computer programs [downloadable software]; programs (computer -) [downloadable software]; smartphone software applications, downloadable; virtual reality games software; downloadable computer software applications; application software for mobile phones; application software for smart phones; electronic mail and messaging software; software for optical character recognition; computer software for business purposes; augmented reality software for creating maps; computer software downloaded from the internet; computer software for wireless network communications; software for processing images, graphics and text; communication software for connecting computer network users; software for the processing of business transactions; software for the analysis of business data; software applications for use with mobile devices; computer programmes; illuminated advertising signs; computer software for advertising; software for embedding online advertising on websites; data storage devices; data storage discs; data loggers and recorders; digital data recording media; optical data storage drives; data protection backup units; computer software for creating searchable databases of information and data; memories for data processing equipment; computer networking and data communications equipment; computer software for database management; electronic databases recorded on computer media; electrical and electronic apparatus for logging data; electrical and electronic instruments for storing data; computer software to enable retrieval of data; data processing equipment and accessories (electrical and mechanical); computer software for application and database integration; data carriers for computers having software recorded thereon; computer software for authorising access to data bases; computer software to enable the searching of data; memory devices for use with data processing apparatus; downloadable computer software for the management of data; downloadable computer software for the transmission of data; computer software to enable searching and retrieval of data; computer programs for accessing, browsing and searching online databases; central processing units for processing information, data, sound or images.

35 – Marketing; targeted marketing; direct marketing consulting; advertising and marketing; marketing advisory services; marketing consultation services; marketing research and analysis; search engine marketing services; providing business marketing information; estimations for marketing purposes; design of marketing surveys; analysis of marketing trends; conducting of marketing studies; advertising, marketing and promotional services; providing marketing information via websites; advice relating to marketing management; market research and marketing studies; advertising, marketing and promotion

services; marketing (business advice relating to -); provision of information relating to marketing; distribution of advertising, marketing and promotional material; marketing the goods and services of others; video recordings for marketing purposes (production of -); business advice relating to marketing management consultations; consulting services in the field of internet marketing; advertising, marketing and promotional consultancy, advisory and assistance services; rental of all publicity and marketing presentation materials; marketing services provided by means of digital networks; marketing the goods and services of others by distributing coupons; advertising and marketing services provided by means of blogging; advertising; advertising research services; publicity and advertising; mail-order advertising; press advertising consultancy; classified advertising services; updating advertising material; advertising for others; production of advertising matter; design of advertising logos; consultancy relating to advertising; advertising and marketing consultancy; pay per click advertising; advertising and promotion services; radio and television advertising; advertising via the internet; advertising and marketing services; production of advertising films; advertising, including on-line advertising on a computer network; advertising services of a radio and television advertising agency; providing searchable online advertising guides; intermediary services relating to advertising; advisory services relating to advertising; arranging advertising contracts for others; production of visual advertising matter; provision of information relating to advertising; advertising on the internet for others; advertising in periodicals, brochures and newspapers; modelling for advertising or sales promotion; arranging of presentations for advertising purposes; online advertising on a computer network; advertising services provided over the internet; compilation of statistics relating to advertising; provision of advertising space on electronic media; rental of advertising space on web sites; on-line advertising on computer networks; provision of advertising space, time and media; on-line advertising via a computer communications network; preparation of mailing lists for direct mail advertising services [other than selling]; advertising services to promote public awareness of the benefits of shopping locally; direct mail advertising to attract new customers and to maintain the existing customer base; consultancy regarding public relations communication strategies; rental of advertising time on communication media; data processing; data management; data entry and data processing; business management services relating to data processing; data file administration; administrative data processing; computerised data management; analysis of business data stored in computer databases; computer data processing; computerised data-base management; database management services; computer database management; data proce-

ssing for businesses; compilation of business data; provision of business data; management of computer databases; analysis of market research data; preparation of business statistical data; data processing for the collection of data for business purposes; collection and systematization of business data; provision of computerised business information data; advertising services relating to data bases; computer databases (compilation of information into -); data search in computer files for others; provision of computerised data relating to business; services comprising the transcription of statistical data; services comprising the composition of statistical data; compilation and input of information into computer databases.

38 – Communications consultancy; radio communications; communications services; communication by computer; interactive communication services; electronic communication services; audiovisual communication services; electronic network communications; wireless communication services; computer communication and internet access; data communication services accessible by password; data communication services by electronic means; transmission of data by communications satellite; electronic communications services for the transmission of data; communication services for the transmission of information; communication of data by means of radio; data communication services accessible by access code; advisory and consultancy services relating to wireless communications and wireless communications equipment; provision of information relating to communications; transmission of messages, data and content via the internet and other communications networks; provision of communications facilities for the interchange of digital data; communication services for the transmission of information by electronic means; providing high speed access to computer and communication networks; data transmission and data broadcasting; transmission of data; e-mail data services; data bank interconnection services; electronic data interchange services; digital transmission of data; electronic transmission of data; transfer of data by radio; voice and data transmission services; data communication by electronic means; computer-aided transmission of data; data transmission by electronic mail; providing telecommunications connections to databases; packet transmission of data and images; consultancy services relating to data communications; arranging access to a computer database; provision of access to computer databases; electronic transmission of instant messages and data; leasing access time to a computer database; transmission of computerised data by means of cable; transmission of data, sound and images via satellites; cable transmission of sounds, images, signals and data; providing access to electronic communications networks and electronic databases; providing telecommunications connections to a global compu-

ter network or databases; provision of telecommunications links to computer databases and websites on the internet; transmission of data or audio visual images via a global computer network or the internet; transmission of data, audio, video and multimedia files, including downloadable files and files streamed over a global computer network.

41 – Entertainment provided via a global communication network; game services provided by means of communications by computer terminals or mobile telephone; provision of audio and visual media via communications networks; training in communication techniques; electronic data processing training; educational services relating to data processing; library services related to data stored and retrieved by electronic means.

42 – Programming of software for online advertising; designing websites for advertising purposes; hosting electronic memory space on the internet for advertising goods and services; development of software for communication systems; maintenance and updating of software for communication systems; online data storage; maintenance of database software; data security services; data migration services; data duplication and conversion services, data coding services; recovery of computer data; electronic data storage services; data back-up services; rental of data processing apparatus; design of data storage systems; creating programmes for data processing; rental of computer database software; research relating to data processing; design and development of databases; design services relating to data processors; computer programming services for data warehousing; computer services concerning electronic data storage; development of programmes for data processing; engineering consultancy relating to data-processing; reconstruction of database systems for others; installation and maintenance of database software; programming of software for database management; temporary electronic storage of information and data; software engineering services for data processing programs; preparation of computer programs for data processing; design and development of computer database software; development of systems for the transmission of data; hosting of computerized data, files, applications and information; design and development of software for database management; design of software for data and multimedia content conversion from and to different protocols; design and development of computer software for evaluation and calculation of data; design and development of computer software for reading, transmitting and organising data; development of software for data and multimedia content conversion from and to different protocols; software creation; software design; computer software installation; software consultancy services; software engineering services; software development services; updating of

software; software installation; computer software development; software as a service; software design and development; smartphone software design; computer software design; design of software; computer software maintenance; update of computer software; software (rental of computer -); leasing of computer software; installation of computer software; software development, programming and implementation; programming of video game software; software as a service [SaaS]; computer programming and software design; hosting services and software as a service and rental of software; computer and software consultancy services; rental of software for inventory management; updating and design of computer software; programming of software for internet platforms; support and maintenance services for computer software; services for the leasing of computer software; design of software for audio and video operators; consultancy and advice on computer software and the design and development of computer hardware; installation, maintenance, updating and upgrading of computer software; development of software solutions for internet providers and internet users; rental of computer software, data processing equipment and computer peripheral devices; analytical services relating to computer programmes; development and creation of computer programmes for data processing; services for the updating of computer programmes; duplicating computer programmes; installation of computer programmes.

(260) AM 2019 99136 A

(800) 1420042

(151) 2018 01 23

(891) 2018 01 23

(731) Euro Games Technology Ltd.

"Maritsa" Str. 4, "Vranya-Lozen-Triugulnika",
BG-1151 Sofia, Bulgaria

(540)

100 BURNING HOT

(591) Green and brown

(531) 27.05.02; 27.05.03; 27.07.11; 29.01.12

(511)

9 – Apparatus for recording, transmission or reproduction of sound or image, computer software, recorded, monitors, computer hardware.

28 – Games that are not included in other classes, gaming machines operating with coins, banknotes and cards; gaming machines for gambling.

(260) AM 2019 99137 A

(800) 1420043

(151) 2018 04 20

(891) 2018 04 20

(731) SWISS KRONO Tec GmbH

Friedrichstraße 94, 10117 Berlin, Germany

(540)



(591) Black, white

(531) 24.13.01; 24.13.05; 24.13.22; 24.13.26;
26.01.03; 26.01.18; 26.01.24; 27.05.09;
27.05.10

(511)

20 – Furniture, including goods for furniture decorating and interior decorating, namely coated, lacquered, and printed chipboards, MDF boards, LDF boards, HDF boards and CDF boards as furniture parts, shelves [furniture parts], countertops [furniture parts]; boards and moulded bodies being parts of furniture, the above-mentioned goods also with a melamine surface; furniture consisting of biomaterial including, but not limited to, organic raw materials of biological origin, such as wood, wood fibres, grasses, or plastics including, but not limited to, bioplastics or biomaterial-plastic composite materials or biomaterial-plastic material mixes, the above-mentioned materials with or without the addition of mineral or other fillers; work counters [furniture]; wooden shelving [furniture]; edge beadings, corner protectors, edgings, edge borders, decorative edging strips [furniture parts] consisting of biomaterial including, but not limited to, organic raw materials of biological origin, such as wood, wood fibres, grasses, or plastics including, but not limited to, bioplastics or biomaterial-plastic composite materials or biomaterial-plastic material mixes, the above-mentioned materials with or without the addition of mineral or other fillers; extruded plastics edge beadings for furniture; corner protectors of plastics; edgings of plastic for furniture; plastic edging materials for shelving; decorative edging strips of wood for use with furniture; decorative edging strips of plastic for use with fitted furniture; crates and pallets, non-metallic; furniture panels, also furniture panels consisting of biomaterial including, but not limited to, organic raw materials of biological origin, such as wood, wood fibres, grasses, or plastics including, but not limited to, bioplastics or biomaterial-plastic composite materials or biomaterial-plastic material mixes, the above-mentioned materials with or without the addition of mineral or other fillers; containers, not of metal, for storage and transport.

27 – carpets; door mats; mats.

35 – Product sampling for the purpose of presentation and sale to third parties; retail and wholesale services in relation to furniture and goods for interior and exterior decorating.

(260) AM 2019 99138 A

(800) 1420105

(151) 2018 04 20

(891) 2018 04 20

(731) SWISS KRONO Tec GmbH

Friedrichstraße 94, 10117 Berlin, Germany

(540)



BY SWISS KRONO GROUP

(591) Red, blue, light blue, grey, white

(531) 24.13.01; 24.13.05; 24.13.22; 24.13.26;
26.01.03; 26.01.18; 26.01.24; 27.05.09;
27.05.10; 29.01.14

(511)

20 – Furniture, including goods for furniture decorating and interior decorating, namely coated, lacquered, and printed chipboards, MDF boards, LDF boards, HDF boards and CDF boards as furniture parts, shelves [furniture parts], countertops [furniture parts]; boards and moulded bodies being parts of furniture, the above-mentioned goods also with a melamine surface; furniture consisting of biomaterial including, but not limited to, organic raw materials of biological origin, such as wood, wood fibres, grasses, or plastics including, but not limited to, bioplastics or biomaterial-plastic composite materials or biomaterial-plastic material mixes, the above-mentioned materials with or without the addition of mineral or other fillers; work counters [furniture]; wooden shelving [furniture]; edge beadings, corner protectors, edgings, edge borders, decorative edging strips [furniture parts] consisting of biomaterial including, but not limited to, organic raw materials of biological origin, such as wood, wood fibres, grasses, or plastics including, but not limited to, bioplastics or biomaterial-plastic composite materials or biomaterial-plastic material mixes, the above-mentioned materials with or without the addition of mineral or other fillers; extruded plastics edge beadings for furniture; corner protectors of plastics; edgings of plastic for furniture; plastic edging materials for shelving; decorative edging strips of wood for use with furniture; decorative edging strips of plastic for use with fitted furniture; crates and pallets, non-metallic; furniture panels, also furniture panels consisting of biomaterial including, but not limited to, organic raw materials of biological origin, such as wood, wood fibres, grasses, or plastics including, but not limited to, bioplastics or biomaterial-plastic composite materials or biomaterial-plastic material mixes, the above-mentioned materials with or without the addition of mineral or other fillers; containers, not of metal, for storage and transport.

27 – carpets; door mats; mats.

35 – Product sampling for the purpose of presentation and sale to third parties; retail and wholesale services in relation to furniture and goods for interior and exterior decorating.

(260) AM 2019 99201 A
 (800) 1420121
 (151) 2018 01 23
 (891) 2018 01 23
 (731) Euro Games Technology Ltd.
 "Maritsa" Str. 4, "Vranya-Lozen-Triugulnika",
 BG-1151 Sofia, Bulgaria
 (540)



(591) Yellow, red, green, purple, blue, black
 (531) 27.05.02; 27.05.03; 27.07.11; 29.01.15
 (511)
 9 – Apparatus for recording, transmission or reproduction of sound or image, computer software, recorded, monitors, computer hardware.
 28 – Games, gaming machines operating with coins, banknotes and cards; gaming machines for gambling.

(260) AM 2019 99214 A
 (800) 1420373
 (151) 2018 03 19
 (891) 2018 03 19
 (731) WEICHAI POWER CO., LTD.
 197, Section A, Fu Shou East Street,
 High Technology Industrial, Development
 Zone, Weifang, 261061 Shandong, China
 (540)

WEICHAI

(591) Black, white
 (531) 27.05.17
 (511)
 4 – Lubricating oil; industrial oil; motor oil; gear oil; fuel; mineral fuel; industrial wax; candles; dust removing preparations; electricity.
 7 – Hydraulic controls for machines, motors and engines; hydraulic pressure coupling ware; steam engines; agricultural machines; net hauling machines [fishing]; elevating apparatus; metalworking machines; foundry machines; igniting devices for internal combustion engines; fuel conversion apparatus for internal combustion engines; internal combustion engine; generators of electricity; pistons [parts of machines or engines]; pumps [parts of machines, engines or motors]; bearings [parts of machines]; transmissions for machines; bulldozers; hydroelectric power generating equipment; electron industry equipment; extractors for mines.
 12 – Lorries; vehicle wheel tires; boats; aerial conveyors; electric vehicles; vehicles for locomotion by

land, air, water or rail; engines for land vehicles; driving motors for land vehicles; transmissions, for land vehicles; transmission shafts for land vehicles; yachts; brake shoes for vehicles.

37 – Building construction supervision; construction; mining extraction; upholstering; heating equipment installation and repair; machinery installation, maintenance and repair; motor vehicle maintenance and repair; shipbuilding; painting services; vulcanization of tires [repair].

(260) AM 2019 99223 A
 (800) 1420588
 (151) 2018 05 16
 (891) 2018 05 16
 (731) OLIP ITALIA S.P.A.
 Via Confine, 13, FRAZ. COLA' LAZISE
 (VR), Italy
 (540)

HIGHWAY

(591) Black, white
 (511)
 25 – Footwear; belts [clothing]; slippers; sandals; bath sandals; shoes; gymnastic shoes; half-boots; boots; ankle boots; wooden shoes; pumps [footwear]; moccasins.

(260) AM 2019 99224 A
 (800) 1420605
 (151) 2018 07 30
 (891) 2018 07 30
 (731) PIVOVAROV ANDREY
 ALEKSANDROVICH
 ul. Vybornaya, 130/1, kv. 5, RU-630126
 Novosibirsk, Russian Federation
 (540)

PASSIM

(591) Black, white
 (511)
 30 – Vanilla flavorings for culinary purposes; flavorings, other than essential oils, for cakes; flavorings, other than essential oils, for beverages; coffee flavorings; food flavorings, other than essential oils; star aniseed; cereal bars; high-protein cereal bars; pancakes; noodle-based prepared meals; freeze-dried dishes with the main ingredient being pasta; freeze-dried dishes with the main ingredient being rice; buns; bread rolls; edible rice paper; burritos; vanillin [vanilla substitute]; vareniki [stuffed dumplings]; waffles; vermicelli [noodles]; natural sweeteners; sausage binding materials; binding agents for ice cream; sea water for cooking; seaweed [condiment]; malt biscuits; cloves [spice]; mirror icing [mirror glaze]; cake frosting [icing]; glucose for culinary purposes; mustard; gluten additives for culinary purposes;

yeast; thickening agents for cooking foodstuffs; leaven; rice-based snack food; cereal-based snack food; artificial coffee; vegetal preparations for use as coffee substitutes; dressings for salad; fruit jellies [confectionery]; candy decorations for cakes; confectionery for decorating Christmas trees; cakes; pastries; peanut confectionery; almond confectionery; pasta; ginger [spice]; frozen yogurt [confectionery ices]; cocoa; cream of tartar for culinary purposes; capers; caramels [candy]; curry [spice]; ketchup [sauce]; quiches; gluten prepared as foodstuff; flour-based dumplings; sweetmeats [candy]; liquorice [confectionery]; peppermint sweets; dulce de leche; cinnamon [spice]; coffee; unroasted coffee; starch for food; crackers; custard; hominy grits; semolina; oatmeal; crushed barley; groats for human food; ice cubes; corn, milled; corn, roasted; meat pies; turmeric; couscous [semolina]; noodles; ice for refreshment; ice, natural or artificial; edible ices; candy; rice cakes; mayonnaise; macaroons [pastry]; macaroni; maltose; hominy; piccalilli; marinades; marzipan; honey; soya bean paste [condiment]; royal jelly; ice cream; bean meal; tapioca flour; potato flour; corn flour; nut flours; flour; wheat flour; soya flour; barley meal; dessert mousses [confectionery]; chocolate mousses; muesli; mint for confectionery; cocoa beverages with milk; coffee beverages with milk; coffee-based beverages; cocoa-based beverages; chamomile-based beverages; tea-based beverages; chocolate beverages with milk; chocolate-based beverages; infusions, not medicinal; crushed oats; husked oats; nutmegs; chocolate-coated nuts; stick liquorice [confectionery]; pastilles [confectionery]; molasses for food; pâtés en croûte; pelmeni [dumplings stuffed with meat]; pepper; allspice; peppers [seasonings]; pesto [sauce]; cookies; petit-beurre biscuits; pies; pizzas; meat gravies; fondants [confectionery]; popcorn; powders for making ice cream; baking powder; mustard meal; pralines; condiments; meat tenderizers for household purposes; cereal preparations; oat-based food; propolis; gingerbread; spices; petits fours [cakes]; rice puddings; puddings; cake powder; fruit coulis [sauces]; ravioli; chewing gum; relish [condiment]; rice; instant rice; wheat germ for human consumption; spring rolls; sago; palm sugar; sugar; sesame seeds [seasonings]; linseed for culinary purposes [seasoning]; processed seeds for use as a seasoning; aniseed; agave syrup [natural sweetener]; golden syrup; confectionery; baking soda [bicarbonate of soda for cooking purposes]; malt for human consumption; salt for preserving foodstuffs; cooking salt; celery salt; sherbets [ices]; ham glaze; soya sauce; tomato sauce; sauces [condiments]; pasta sauce; spaghetti; seasonings; chocolate-based spreads; chocolate spreads containing nuts; preparations for stiffening whipped cream; rusks; breadcrumbs; sushi; sandwiches; tabbouleh; tacos; tapioca; tarts; dough; pastry dough; almond paste; rice pulp for culinary purposes; cake dough; garden herbs, preserved [sea-

sonings]; chocolate decorations for cakes; vinegar; beer vinegar; ferments for pastes; halvah; bread; unleavened bread; chips [cereal products]; corn flakes; oat flakes; hot dog sandwiches; flowers or leaves for use as tea substitutes; chicory [coffee substitute]; tea; iced tea; chutneys [condiments]; minced garlic [condiment]; cheeseburgers [sandwiches]; chowchow [condiment]; saffron [seasoning]; chocolate; malt extract for food; essences for foodstuffs, except etheric essences and essential oils; husked barley.

(260) AM 2019 99231 A

(800) 1339032

(151) 2016 11 30

(891) 2018 08 03

(731) AYDINLAR YEDEK PARÇA SANAYİ VE
TİCARET ANONİM ŞİRKETİ
Konya Org. Sanayi Böl., İhsandede Cd. No:7,
Selçuklu Konya, Turkey

(540)



(591) Yellow and purple

(531) 03.01.01; 03.01.26; 27.05.11; 27.05.24;
29.01.13

(511)

35 – Advertising, marketing and public relations; organization of exhibitions and trade fairs for commercial or advertising purposes; office functions; secretarial services; arranging newspaper subscriptions for others; compilation of statistics; rental of office machines; systemization of information into computer databases; telephone answering for unavailable subscribers; business management, business administration and business consultancy; accounting; commercial consultancy services; personnel placement; employment agencies; personnel recruitment; import-export agencies; business appraisal services for commercial or industrial products; auctioneering.

(260) AM 2019 99241 A

(800) 1420923

(151) 2018 06 25

(891) 2018 06 25

(731) Ranova GbR (vertretungsberechtigter
Gesellschafter: Dr. Bertram Braun, 59199
Bönen)
Holbeinstraße 10a, 59423 Unna, Germany

(540)

Blikk

(591) Black, white

(511)

42 – Scientific and technological services and research and design relating thereto; industrial analysis and research services; design and development of computer hardware and software; research relating to medicine; scientific investigations for medical purposes; provision of information and data relating to medical research and development; advise, consultancy and information for the aforesaid services, included in this class.

44 – Medical services; veterinary services; hygienic and beauty care for human beings or animals; agriculture, horticulture and forestry services; medical examinations; services of a doctor; services of a radiologist; services of a radiology practice; medical consultations; medical screening; medical analysis services for cancer diagnosis and prognosis; medical analysis for the diagnosis and treatment of persons; medical diagnostic services (carrying out tests and analysis); x-ray examinations for medical purposes; advise, consultancy and information for the aforesaid services, included in this class; medical analysis services relating to the treatment of persons provided by a medical laboratory.

(260) AM 2019 99242 A

(800) 1420935

(151) 2018 06 18

(891) 2018 06 18

(731) IVOCLAR VIVADENT AG

Bendererstrasse 2, FL-9494 Schaan,
Liechtenstein

(540)

Tetric PowerFill

(591) Black, white

(511)

5 – Materials for use in dentistry; materials and auxiliary materials for the manufacture of dental impressions, models, crowns, bridges, inlays, prostheses, artificial teeth; materials for the characterization of teeth; dental filling materials; materials for relining teeth; materials for root canal filling; core build-up materials for use in dentistry; dental luting materials; materials for cosmetic restoration of damaged teeth; dental composites; dental cements; color stains for use in dentistry; materials for repairing damaged teeth; opaque materials for dental use.

(260) AM 2019 99246 A

(800) 1421038

(151) 2018 04 24

(891) 2018 04 24

(731) Pryvatne aktsionerne tovarystvo

"KHARKIVSKA BISKVITNA FABRYKA"

vul. Lozivska, 8, Kharkiv 61017, Ukraine

(540)

ГРАФИНЯ ВИШЕНКА

(591) Black, white

(531) 28.05

(511)

30 – Sponge cakes; cookies; buns; wafers; confectionery; pastries; confectionery for decorating Christmas trees; fruit jelly [confectionery]; cakes; peanut confectionery; almond confectionery; pies; cocoa; cocoa-based ingredients for confectionery products; caramels [candy]; candy; liquorice [confectionery]; peppermint sweets; petit-beurre biscuits; sugar candy; marzipan; custard; pastilles [confectionery]; lozenges [confectionery]; petits fours [cakes]; biscuits; pies; fondants [confectionery]; corn flakes; pralines; gingerbread; puddings; cake powder; sugar; pastry dough; rusks; sandwiches; tarts; candy decorations for cakes; halvah; chips [cereal products]; chocolate.

(260) AM 2019 99262 A

(800) 1421420

(151) 2018 08 08

(891) 2018 08 08

(731) JANSSEN PHARMACEUTICA NV

Turnhoutseweg 30, Beerse, B-2340, Belgium

(540)

RYDEXTO

(591) Black, white

(511)

5 – Human pharmaceutical preparations.

(260) AM 2019 99263 A

(800) 1421499

(151) 2018 01 11

(891) 2018 01 11

(731) MENZEL JÜRGEN

Fasanenweg 7, 74254 Offenau, Germany

(540)

FALCON

(591) Black, white

(511)

11 – Luminaires; lighting apparatus; lighting apparatus made of LED (lighting emitted diodes); lamps; lamps in form of LED (lighting emitted diodes); flat panel lighting apparatus; lighting installations; lighting fittings; lighting fittings made of LED (lighting emitted diodes); electric lamps; electric light fittings; electric light fittings in form of LED (lighting emitted diodes); computer-controlled lighting apparatus; computer-controlled lighting apparatus with LED (lighting emitted diodes); industrial lighting fixtures; industrial LED lighting fixtures; LED lighting insta-

llations; electrical lighting fixtures; electrical lighting fixtures with LED (light emitted diodes); electric LED track lighting systems; electric track lighting units; lighting and lighting reflectors; lamp reflectors; LED lamp reflectors; filters for use with lighting apparatus; lighting fixtures for household use; lighting devices for showcases; LED lighting devices for showcases; luminous tubes for lighting purposes; LED luminous tubes for lighting purposes; lighting for display purposes; LED lighting for display purposes; film stage lighting apparatus; LED lighting apparatus for film stages; color filters for lighting apparatus; LED light bulbs; LED luminaires; LED light strips; LED safety lamps; LED candles; lighting devices for light-emitting diodes (LEDs); lighting equipment; color filters for lighting equipment; color filters for lighting devices with LED (light emitting diodes).

42 – Engineering research; engineering services, in particular services of an electrical engineer; engineering consultancy services; technological engineering analysis; technical engineering; engineering technology and computer-aided engineering services; engineering services relating to energy supply systems; engineering services relating to lighting equipment; engineering services relating to LED lighting equipment; engineering services in the field of energy technology; research in the field of science provided by engineers, in particular in the field of energy supply and lighting; research in the field of science provided by engineers; research in the field of technology provided by engineers; research and development services in the field of engineering; engineering services relating to the design of lighting installations; engineering services relating to the design of energy-saving lighting plans and lighting installations.

(260) AM 2019 99265 A

(800) 1421533

(151) 2018 05 03

(891) 2018 05 03

(731) KİLİM MOBİLYA ANONİM ŞİRKETİ

Organize Sanayi Bölgesi 43. Cadde, No:27
Melikgazi, Kayseri, Turkey

(540)



(591) White, red and dark grey

(531) 26.03.23; 26.04.05; 26.04.12; 26.04.18;
26.04.24; 27.05.24; 29.01.13

(511)

20 – Furniture, made of any kind of material, mattresses, pillows, air mattresses and cushions, not for medical purposes, water beds, not for medical purposes, mirrors, beehives, artificial honeycombs and sections of wood for honeycombs, bouncing chairs for babies, playpens for babies, cradles, infant walkers, display boards, frames for pictures and paintings, identification plates, identification tags, nameplates, identification labels made of wood or synthetic materials, packaging containers of wood or plastics, casks for use in transportation or storage, barrels, storage drums, tanks, boxes, storage containers, transportation containers, chests, loading pallets and closures for the aforementioned goods, of wood or plastics, drapery hardware, namely, traverse rods, poles, curtain hooks, curtain rods and finials of wood or synthetic materials, furniture fittings, of wood or synthetic materials, wood knobs or plastic knobs, ornaments and decorative goods of wood, cork, reed, cane, wicker, horn, bone, ivory, whalebone, shell, amber, mother-of-pearl, meerschaum, beeswax, plastic or plaster, included in this class, namely figurines and holiday ornaments for walls and sculptures all made of wood, baskets made of wood, fishing baskets, kennels, nesting boxes and beds for household pets, portable ladders and mobile boarding stairs of wood or synthetic materials, bamboo curtains, roller indoor blinds [for interiors], slatted indoor blinds, stripped indoor blinds, bead curtains for decoration, curtain hooks, curtain rings, curtain tie-backs, curtain rods, non-metal wheel chocks.

35 – Advertising, marketing and public relations, organization of exhibitions and trade fairs for commercial or advertising purposes, office functions, secretarial services, arranging newspaper subscriptions for others, compilation of statistics, rental of office machines, systemization of information into computer databases, telephone answering for unavailable subscribers, business management, business administration and business consultancy, accounting, commercial consultancy services, personnel recruitment, personnel placement, employment agencies, import-export agencies, temporary personnel placement services, auctioneering, the bringing together, for the benefit of others, of furniture, made of any kind of material, mattresses, pillows, air mattresses and cushions, not for medical purposes, water beds, not for medical purposes, mirrors, beehives, artificial honeycombs and sections of wood for honeycombs, bouncing chairs for babies, playpens for babies, cradles, infant walkers, display boards, frames for pictures and paintings, identification plates, identification tags, nameplates, identification labels made of wood or synthetic materials, packaging containers of wood or plastics, casks for use in transportation or storage, barrels, storage drums, tanks, boxes, storage containers, transportation containers, chests, loading pallets and closures for the aforementioned goods, of

wood or plastics, small hardware goods of wood or synthetic materials, furniture fittings, of wood or synthetic materials, opening and closing mechanisms of wood or synthetic materials, ornaments and decorative goods of wood, cork, reed, cane, wicker, horn, bone, ivory, whalebone, shell, amber, mother-of-pearl, meerschaum, beeswax, plastic or plaster, namely figurines and holiday ornaments for walls and sculptures all made of wood, baskets made of wood, fishing baskets, kennels, nesting boxes and beds for household pets, portable ladders and mobile boarding stairs of wood or synthetic materials, bamboo curtains, roller indoor blinds [for interiors], slatted indoor blinds, strip curtains, bead curtains for decoration, curtain hooks, curtain rings, curtain tie-backs, curtain rods, non-metal wheel chocks, enabling customers to conveniently view and purchase those goods, such services may be provided by retail stores, wholesale outlets, by means of electronic media or through mail order catalogues.

(260) AM 2019 99268 A

(800) 1421560

(151) 2018 04 30

(891) 2018 04 30

(731) ANHUI TIANYU AUTO PARTS
MANUFACTURING CO., LTD
EAST ROAD, NO.1471, LANGYA
DISTRICT OF CHUZHOU, 239000 ANHUI,
China

(540)



(591) Black, white

(531) 27.01.01

(511)

12 – Connecting rods for land vehicles, other than parts of motors and engines; brake pads for automobiles; shock absorbers for automobiles; torsion bars for vehicles; transmissions for land vehicles; transmission shafts for land vehicles; steering wheels for vehicles; small motor vehicle; cars / motor cars / automobiles; torque converters for land vehicles.

(260) AM 2019 99269 A

(800) 1421565

(151) 2018 06 06

(891) 2018 06 06

(731) JIANGSU DONGCHENG POWER TOOLS
CO., LTD.
Tianfen Town, Qidong City, 226244 Jiangsu,
China

(540)

Dong Cheng

(591) Black, white

(511)

9 – Measures, namely, carpenters' rules, marking gauge for joinery purposes, angle gauges, vernier calipers; micrometers gauges; tripods for cameras; surveying apparatus and instruments, namely, laser levels, surveyors' levels, line lasers, laser rangefinders, laser direction instruments, bevels, levels, distance measuring apparatus, altimeters, clinometers; electric wires; electric cables; armatures for use in electrical apparatus; protection devices for personal use against accidents namely, protective helmets, protective masks, safety belts other than for vehicle seat and sports equipments, dust protective goggles and masks, safety goggles, clothing for protection against accidents, irradiation and fire; eyeglasses; electric accumulators; battery chargers.

(260) AM 2019 99273 A

(800) 1421632

(151) 2018 02 26

(891) 2018 02 26

(731) LAPINA YELYZAVETA VALERIIVNA
vul. Nova, 27, s. Novooleksandrivka,
Dniprovskiy r-n, Dnipropetrovska obl. 52070,
Ukraine

(540)

SUBJ:

(591) Black, white

(511)

35 – Opinion polling; arranging newspaper subscriptions for others; arranging subscriptions to telecommunication services for others; business management of performing artists; business management of hotels; business management of sports people; business management of reimbursement programmes for others; typing; provision of an on-line marketplace for buyers and sellers of goods and services; writing of curriculum vitae for others; commercial intermediation services; procurement services for others [purchasing goods and services for other businesses]; photocopying services; secretarial services; public relations; data search in computer files for others; presentation of goods on communication media, for retail purposes; telephone answering for unavailable subscribers; office machines and equipment rental; rental of photocopying machines; direct mail advertising; psychological testing for the selection of personnel; publication of publicity texts; radio advertising; registration of written communications and data; advertising; pay per click advertising; billposting; advertising by mail order; on-line advertising on a computer network; document reproduction;

sales promotion for others; shorthand; transcription of communications [office functions]; television advertising; telemarketing services; negotiation and conclusion of commercial transactions for third parties; professional business consultancy; the bringing together for the benefit of others, of a variety of goods for cosmetic, cosmetological, medical and hygienic purposes [excluding the transport thereof], enabling customers to conveniently view and purchase those goods in retail stores, wholesale outlets, through vending machines, mail order catalogues or by means of electronic media, for example, through web sites or television shopping programmes.

41 – Academies [education]; educational services; videotaping; arranging and conducting of congresses; arranging and conducting of colloquiums; arranging and conducting of conferences; arranging and conducting of concerts; arranging and conducting of in-person educational forums; arranging and conducting of workshops [training]; arranging and conducting of seminars; arranging and conducting of symposiums; arranging of beauty contests; electronic desktop publishing; nursery schools; educational examination; providing on-line videos, not downloadable; providing on-line electronic publications, not downloadable; providing on-line music, not downloadable; providing television programmes, not downloadable, via video-on-demand transmission services; providing films, not downloadable, via video-on-demand transmission services; correspondence courses; education information; training services provided via simulators; tutoring; scriptwriting, other than for advertising purposes; organization of balls; organization of exhibitions for cultural or educational purposes; organization of competitions [education or entertainment]; organization of fashion shows for entertainment purposes; educational services provided by schools; party planning [entertainment]; coaching [training]; club services [entertainment or education]; health club services [health and fitness training]; translation; ticket agency services [entertainment]; photographic reporting; practical training [demonstration]; vocational retraining; vocational guidance [education or training advice]; on-line publication of electronic books and journals; publication of books; publication of texts, other than publicity texts; theatre productions.

(260) AM 2019 99275 A

(800) 1421716

(151) 2018 05 16

(891) 2018 05 16

(731) WILO SE

Nortkirchenstr. 100, 44263 Dortmund,
Germany

(540)

Flumen

(591) Black, white

(511)

7 – Pumps; pump installations; pumps (parts of machines); pumps for heating installations; pumps for pressure increase; electrical pumps (machines); pumps (parts of machines, engines or motors); self-regulating pumps (other than for the delivery of fuel at filling stations); base plate mounted pumps; glanded pumps; glandless pumps; multi-stage centrifugal pumps; well pumps; insulation jackets being parts of pumps; pump diaphragms; mixers; elevating apparatus (machines); condensate lifting units; mechanical lifting apparatus for waste water and excrements; motors (other than for land vehicles); crankcases for machines, motors and engines; compressors for refrigerators; sewage pulverizers; water supply machines (pumps); pneumatic pumps; pump-motor assemblies; automated assembly machines; parts and fittings for all the aforesaid goods, included in this class.

9 – Apparatus, instruments and cables for electricity; optical devices, enhancers and correctors; measuring, detecting and monitoring instruments, indicators and controllers; scientific research and laboratory apparatus, educational apparatus and simulators; devices and apparatus for the analysis of water; devices for dosing of water; solenoid dosing valves; electric control apparatus; electrotechnical components; electric loss indicators; electric installations for the remote control of electric operations; electric apparatus for commutation; regulating apparatus (electric); distribution consoles (electricity); control panels (electricity); electro-dynamic apparatus for the remote control of signals; electric coils; junction boxes (electricity); sprinkler systems and water systems for fire protection; laboratory devices for the measuring and evaluation of water quality (included in this class); testing apparatus, not for medical purposes; electric installations for the remote control of industrial operations; apparatus and instruments for physics; electric sensors; heat regulating apparatus; thermometers, not for medical purposes; thermostats; temperature sensors; temperature switches; parts and fittings for all the aforesaid goods, included in this class.

11 – Water softening apparatus and installations; water conditioning apparatus and installations; sewage treatment (purification) installations; HVAC systems (heating, ventilation and air conditioning); sewage disposal plants; hot water heating installations; heating elements; heating apparatus; heating boilers; heat pumps; heat accumulators; heat exchangers, not part of machines; solar thermal collectors (heating); water heaters; water conduits installations; water distribution installations; pressure water tanks; humidifiers; cooling installations and machines; water cooling systems, namely open or closed circuit cooling towers, refrigerating appliances and installa-

tions; waste water treatment installations; water supply installations, in particular water collection systems and installations for water recovery; installations for water treatment (included in this class); water purification installations; sewage purification installations; parts and fittings for all the aforesaid goods, included in this class; waste water purification installations.

(260) AM 2019 99276 A

(800) 1421734

(151) 2018 03 06

(891) 2018 03 06

(731) Tovarichtchestvo s ogranitchennoy otvetstvennostyu "DOROMARINE" ul. Satpayeva, dom 29D, Bostandykskiy raion, 050000 g. Almaty, Kazakhstan

(540)



(591) Blue, dark blue, light blue, sky blue, green, light green, lime green, yellow, brown, light brown, red, purple, violet, pink, black, lilac, magenta and orange

(531) 01.03.02; 01.03.20; 01.15.24; 02.05.08; 02.05.22; 02.05.23; 27.03.12; 27.05.02; 27.05.08; 27.05.10; 29.01.15

(511)

5 – Acaricides; aconitine; alkaloids for medical purposes; alginates for pharmaceutical purposes; algicides; aldehydes for pharmaceutical purposes; dental amalgams of gold; dental amalgams; amino acids for veterinary purposes; amino acids for medical purposes; analgesics; anaesthetics; antibiotics; antiseptics; medicine cases, portable, filled; first-aid boxes, filled; aluminium acetate for pharmaceutical purposes; acetates for pharmaceutical purposes; germicides; balms for medical purposes; bandages for dressings; biocides; bromine for pharmaceutical purposes; paper for mustard plasters; fly catching paper; reagent paper for medical or veterinary purposes; mothproofing paper; petroleum jelly for medical purposes; vaccines; oxygen baths; antiseptic cotton; aseptic cotton; absorbent cotton; wadding for medical purposes; cotton for medical purposes; dietetic substances adapted for medical use; radiological contrast substances for medical purposes; nutritive substances for microorganisms; radioactive substances for medical purposes; melissa water for pharmaceutical purposes; sea water for medicinal bathing; mineral waters for medical purposes; thermal water; dietary fiber; molding wax for dentists; gases for medical purposes; guaiacol for pharmaceutical purposes; hematogen; hemoglobin; hydrastine; hydrastinine; glycerine for medical purposes; glycerophosphates; glucose for medical purposes; gentian for pharma-

ceutical purposes; hormones for medical purposes; mustard for pharmaceutical purposes; mustard plasters; mud for baths; medicinal mud; gamboge for medical purposes; gurgun balsam for medical purposes; air deodorising preparations; deodorants, other than for human beings or for animals; deodorants for clothing and textiles; diastase for medical purposes; digitalin; mineral food supplements; nutritional supplements; albumin dietary supplements; dietary supplements for animals; alginate dietary supplements; glucose dietary supplements; casein dietary supplements; lecithin dietary supplements; linseed oil dietary supplements; propolis dietary supplements; protein dietary supplements; protein supplements for animals; royal jelly dietary supplements; pollen dietary supplements; wheat germ dietary supplements; linseed dietary supplements; enzyme dietary supplements; yeast for pharmaceutical purposes; gelatine for medical purposes; cod liver oil; isotopes for medical purposes; insecticides; iodine for pharmaceutical purposes; iodides for pharmaceutical purposes; alkaline iodides for pharmaceutical purposes; iodoform; calomel [fungicide]; tartar for pharmaceutical purposes; camphor for medical purposes; capsules for medicines; cachets for pharmaceutical purposes; hemostatic pencils; wart pencils; caustic pencils; carbolineum [parasiticide]; caustics for pharmaceutical purposes; cachou for pharmaceutical purposes; quassia for medical purposes; quebracho for medical purposes; oxygen for medical purposes; gallic acid for pharmaceutical purposes; acids for pharmaceutical purposes; adhesives for dentures; stem cells for veterinary purposes; stem cells for medical purposes; cocaine; collodion for pharmaceutical purposes; corn rings for the feet; candy, medicated; angostura bark for medical purposes; barks for pharmaceutical purposes; cedar wood for use as an insect repellent; condurango bark for medical purposes; croton bark; mangrove bark for pharmaceutical purposes; myrobalan bark for pharmaceutical purposes; quinquina for medical purposes; medicinal roots; rhubarb roots for pharmaceutical purposes; lint for medical purposes; starch for dietetic or pharmaceutical purposes; creosote for pharmaceutical purposes; blood for medical purposes; cultures of microorganisms for medical or veterinary use; curare; dental lacquer; liquorice for pharmaceutical purposes; lactose for pharmaceutical purposes; candy for medical purposes; adhesive plasters; medicines for alleviating constipation; adhesive tapes for medical purposes; lecithin for medical purposes; lotions for veterinary purposes; lotions for pharmaceutical purposes; personal sexual lubricants; lupulin for pharmaceutical purposes; magnesia for pharmaceutical purposes; liniments; ointments for pharmaceutical purposes; sunburn ointments; mercurial ointments; frostbite salve for pharmaceutical purposes; gauze for dressings; medicinal oils; mustard oil for medical purposes; camphor oil for medical purposes; castor

oil for medical purposes; oil of turpentine for pharmaceutical purposes; dill oil for medical purposes; dental mastics; dental abrasives; dental impression materials; teeth filling material; dressings, medical; surgical dressings; drugs for medical purposes; medicines for veterinary purposes; serotherapeutic medicines; medicines for human purposes; medicines for dental purposes; menthol; medicinal drinks; moleskin for medical purposes; almond milk for pharmaceutical purposes; royal jelly for pharmaceutical purposes; milk ferments for pharmaceutical purposes; Irish moss for medical purposes; flour for pharmaceutical purposes; linseed meal for pharmaceutical purposes; fish meal for pharmaceutical purposes; fly glue; mint for pharmaceutical purposes; dietetic beverages adapted for medical purposes; malted milk beverages for medical purposes; narcotics; medicinal infusions; tincture of iodine; eucalyptol for pharmaceutical purposes; tinctures for medical purposes; opium; opodeldoc; decoctions for pharmaceutical purposes; antiparasitic collars for animals; stick liquorice for pharmaceutical purposes; sulfur sticks [disinfectants]; pastilles for pharmaceutical purposes; pectin for pharmaceutical purposes; pepsins for pharmaceutical purposes; peptones for pharmaceutical purposes; hydrogen peroxide for medical purposes; pesticides; food for babies; leeches for medical purposes; blood plasma; eyepatches for medical purposes; poultices; compresses; scapulars for surgical purposes; babies' diapers; diapers for pets; bunion pads; breast-nursing pads; pomades for medical purposes; powder of cantharides; pyrethrum powder; anti-uric preparations; bacterial preparations for medical and veterinary use; bacteriological preparations for medical and veterinary use; balsamic preparations for medical purposes; albuminous preparations for medical purposes; biological preparations for veterinary purposes; biological preparations for medical purposes; veterinary preparations; bismuth preparations for pharmaceutical purposes; vitamin preparations; diagnostic preparations for medical purposes; therapeutic preparations for the bath; hemorrhoid preparations; preparations for callouses; preparations to facilitate teething; preparations for the treatment of burns; fumigation preparations for medical purposes; ophotherapy preparations; air purifying preparations; medicated eye-washes; bronchodilating preparations; preparations for reducing sexual activity; sterilising preparations; soil-sterilising preparations; corn remedies; pharmaceutical preparations for treating dandruff; preparations for destroying noxious animals; herbicides; preparations for destroying dry rot fungus; larvae exterminating preparations; fly destroying preparations; preparations for destroying mice; slug exterminating preparations; vermin destroying preparations; pharmaceutical preparations for skin care; contact lens cleaning preparations; lime-based pharmaceutical preparations; medicinal hair growth preparations; opiates; anti-

cryptogamic preparations; aloe vera preparations for pharmaceutical purposes; preparations of trace elements for human and animal use; sulfonamides [medicines]; pharmaceutical preparations; pharmaceutical preparations for treating sunburn; enzyme preparations for veterinary purposes; enzyme preparations for medical purposes; chemico-pharmaceutical preparations; chemical preparations for veterinary purposes; chemical preparations for the diagnosis of pregnancy; chemical preparations for medical purposes; chemical preparations to treat wheat blight; vine disease treating chemicals; chemical preparations to treat mildew; chemical preparations for treating phylloxera; chemical preparations for pharmaceutical purposes; chilblain preparations; mothproofing preparations; collyrium; lead water; chemical conductors for electrocardiograph electrodes; albuminous foodstuffs for medical purposes; dietetic foods adapted for medical purposes; by-products of the processing of cereals for dietetic or medical purposes; sanitary towels; panty liners [sanitary]; propolis for pharmaceutical purposes; pearl powder for medical purposes; radium for medical purposes; hydrated chloral for pharmaceutical purposes; solvents for removing adhesive plasters; vaginal washes for medical purposes; solutions for contact lenses; chemical reagents for medical or veterinary purposes; gum for medical purposes; rubber for dental purposes; chewing gum for medical purposes; insect repellents; insect repellent incense; repellents for dogs; tissues impregnated with pharmaceutical lotions; sarsaparilla for medical purposes; sugar for medical purposes; asthmatic tea; fumigating sticks; linseed for pharmaceutical purposes; tobacco-free cigarettes for medical purposes; siccatives [drying agents] for medical purposes; syrups for pharmaceutical purposes; turpentine for pharmaceutical purposes; milking grease; greases for veterinary purposes; greases for medical purposes; lacteal flour for babies; soporifics; bicarbonate of soda for pharmaceutical purposes; bath salts for medical purposes; salts for mineral water baths; salts for medical purposes; potassium salts for medical purposes; sodium salts for medical purposes; smelling salts; mineral water salts; malt for pharmaceutical purposes; semen for artificial insemination; alcohol for pharmaceutical purposes; medicinal alcohol; alloys of precious metals for dental purposes; ergot for pharmaceutical purposes; cooling sprays for medical purposes; adjuvants for medical purposes; styptic preparations; vermifuges; disinfectants for hygiene purposes; disinfectants for chemical toilets; douching preparations for medical purposes; appetite suppressants for medical purposes; medical preparations for slimming purposes; parasitocides; mouthwashes for medical purposes; febrifuges; depuratives; animal washes [insecticides]; detergents for medical purposes; cattle washes [insecticides]; dog washes [insecticides]; vesicants; purgatives; remedies for perspiration; remedies for foot

perspiration; chemical contraceptives; antiparasitic preparations; sedatives; laxatives; tonics [medicines]; nervines; digestives for pharmaceutical purposes; media for bacteriological cultures; steroids; strychnine; suppositories; serums; tanning pills; appetite suppressant pills; slimming pills; antioxidant pills; sanitary tampons; vulnerary sponges; thymol for pharmaceutical purposes; biological tissue cultures for veterinary purposes; biological tissue cultures for medical purposes; smoking herbs for medical purposes; medicinal herbs; surgical implants comprised of living tissues; pants, absorbent, for incontinents; sanitary panties; babies' diaper-pants; charcoal for pharmaceutical purposes; fennel for medical purposes; porcelain for dental prostheses; phenol for pharmaceutical purposes; enzymes for veterinary purposes; enzymes for medical purposes; ferments for pharmaceutical purposes; formic aldehyde for pharmaceutical purposes; phosphates for pharmaceutical purposes; fungicides; quinine for medical purposes; chinoline for medical purposes; diabetic bread adapted for medical use; chloroform; flowers of sulfur for pharmaceutical purposes; cement for animal hooves; bone cement for surgical and orthopaedic purposes; dental cements; medicinal tea; herbal teas for medicinal purposes; eucalyptus for pharmaceutical purposes; tobacco extracts [insecticides]; extracts of hops for pharmaceutical purposes; elixirs [pharmaceutical preparations]; ethers for pharmaceutical purposes; esters for pharmaceutical purposes; cellulose esters for pharmaceutical purposes; cellulose ethers for pharmaceutical purposes; jujube, medicated; jujube, medicated; rat poison; poisons; bacterial poisons; jalap; bath preparations for medical purposes; belts for sanitary napkins [towels]; cream of tartar for pharmaceutical purposes.

29 – Ajvar [preserved peppers]; aloe vera prepared for human consumption; alginates for culinary purposes; anchovy, not live; peanuts, prepared; albumen for culinary purposes; white of eggs; beans, preserved; soya beans, preserved, for food; bouillon; ginger jam; ham; fatty substances for the manufacture of edible fats; edible birds' nests; peas, preserved; mushrooms, preserved; game, not live; gelatine; meat jellies; jellies for food; fruit jellies; yolk of eggs; coconut fat; bone oil for food; lard; suet for food; edible fats; fruit-based snack food; charcuterie; raisins; caviar; fish roe, processed; yogurt; sauerkraut; kephir [milk beverage]; isinglass for food; clams, not live; milk shakes; black pudding; compotes; meat, tinned; vegetables, tinned; fish, tinned; fruits, tinned; bouillon concentrates; gherkins; shrimps, not live; prawns, not live; buttercream; croquettes; silkworm chrysalis for human consumption; kumys [milk beverage]; spiny lobsters, not live; lecithin for culinary purposes; salmon, not live; onions, preserved; margarine; marmalade; oils for food; peanut butter; cocoa butter for food; coconut oil for food; coconut butter; corn oil for food; sesame oil for food; olive

oil for food; palm oil for food; palm kernel oil for food; sunflower oil for food; colza oil for food; butter; shellfish, not live; almonds, ground; animal marrow for food; mussels, not live; milk; condensed milk; albumin milk; soya milk; fish meal for human consumption; vegetable mousses; fish mousses; fruit pulp; meat; meat, preserved; milk beverages, milk predominating; vegetables, preserved; vegetables, dried; vegetables, cooked; potato fritters; olives, preserved; lobsters, not live; coconut, desiccated; nuts, prepared; tomato puree; liver pâté; pectin for culinary purposes; liver; pickles; jams; powdered eggs; milk products; kimchi [fermented vegetable dish]; fish-based foodstuffs; prostokvasha [soured milk]; poultry, not live; pollen prepared as foodstuff; cranberry compote; apple puree; crayfish, not live; crustaceans, not live; fish, preserved; fish, not live; salted fish; ryazhenka [fermented baked milk]; vegetable salads; fruit salads; bacon; sardines, not live; pork; herrings, not live; seeds, prepared; sunflower seeds, prepared; cream [dairy products]; whipped cream; fat-containing mixtures for bread slices; smetana [sour cream]; tomato juice for cooking; vegetable juices for cooking; salted meats; sausages; sausages in batter; preparations for making bouillon; preparations for making soup; tripe; soups; vegetable soup preparations; whey; cheese; tahini [sesame seed paste]; tofu; sea-cucumbers, not live; sea-cucumbers, not live; truffles, preserved; tuna, not live; oysters, not live; milk ferments for culinary purposes; rennet; fish fillets; dates; crystallized fruits; frozen fruits; fruit, preserved; fruit preserved in alcohol; fruit, stewed; potato flakes; hummus [chickpea paste]; fruit peel; preserved garlic; lentils, preserved; potato chips; low-fat potato chips; fruit chips; non-alcoholic eggnog; seaweed extracts for food; meat extracts; snail eggs for consumption; eggs; curd; flaxseed oil for culinary purposes; marmalade; piccalilli; toasted laver.

31 – Algarovilla for animal consumption; oranges, fresh; peanuts, fresh; draff; beans, fresh; wreaths of natural flowers; grapes, fresh; algae, unprocessed, for human or animal consumption; fruit residue [marc]; dog biscuits; peas, fresh; mushroom spawn for propagation; mushrooms, fresh; trees; palm trees; turf, natural; unsawn timber; undressed timber; yeast for animal consumption; Christmas trees; edible chews for animals; live animals; menagerie animals; peanut cake for animals; oil cake; maize cake for cattle; rape cake for cattle; bagasses of cane [raw material]; cereal seeds, unprocessed; grains [cereals]; grains for animal consumption; lime for animal forage; fish spawn; cocoa beans, raw; potatoes, fresh; chestnuts, fresh; copra; raw barks; rough cork; animal foodstuffs; pet food; stall food for animals; bird food; strengthening animal forage; chicory roots; roots for animal consumption; nettles; groats for poultry; maize; edible sesame, unprocessed; shrubs; rose bushes; spiny lobsters, live; lemons,

fresh; vine plants; onions, fresh; flower bulbs; leeks, fresh; olives, fresh; bran mash for animal consumption; shellfish, live; almonds [fruits]; mussels, live; peanut meal for animals; linseed meal for animal consumption; meal for animals; flax meal [fodder]; rice meal for forage; fish meal for animal consumption; straw mulch; beverages for pets; oats; vegetables, fresh; cucumbers, fresh; lobsters, live; nuts [fruits]; coconuts; kola nuts; bran; distillery waste for animal consumption; residue in a still after distillation; palms [leaves of the palm tree]; cuttle bone for birds; peppers [plants]; aromatic sand [litter] for pets; locust beans, raw; locust beans, raw; locust beans, raw; citrus fruit, fresh; mash for fattening livestock; animal fattening preparations; preparations for egg laying poultry; fishing bait, live; by-products of the processing of cereals, for animal consumption; seed germ for botanical purposes; poultry, live; wheat; pollen [raw material]; crayfish, live; crustaceans, live; seedlings; plants; aloe vera plants; plants, dried, for decoration; rhubarb, fresh; rice, unprocessed; rye; wheat germ for animal consumption; fish, live; lettuce, fresh; beet, fresh; linseed for animal consumption; hay; coconut shell; bred stock; sanded paper [litter] for pets; malt for brewing and distilling; straw [forage]; straw litter; salt for cattle; trunks of trees; wood chips for the manufacture of wood pulp; litter peat; garden herbs, fresh; sea-cucumbers, live; sugarcane; truffles, fresh; squashes, fresh; oysters, live; fruit, fresh; hazelnuts, fresh; fodder; hops; flowers, natural; flowers, dried, for decoration; lentils, fresh; pine cones; hop cones; spinach, fresh; juniper berries; eggs for hatching, fertilized; silkworm eggs; barley; berries, fresh; silkworms; chicory; sea-cucumbers, live; seeds; litter for animals.

(260) AM 2019 99277 A

(800) 1421797

(151) 2018 05 24

(891) 2018 05 24

(731) Zakrytoe aktsionerное obshchestvo
"STAVROPOLSKY BRLR"
Broylernaya zona N1, Broylernaya,
promyshlennaya zona, Shpakovsky r-n,
RU-355026 Stavropolsky krai, Russian
Federation

(540)

URUSSA

(591) Red

(531) 27.05.17; 29.01.01

(511)

29 – Meat, fish, poultry and game; meat extracts; preserved, dried and cooked fruits and vegetables;

jellies, jams, compotes; eggs; milk and milk products; oils and fats for food.

(260) AM 2019 99278 A

(800) 1421805

(151) 2018 06 12

(891) 2018 06 12

(731) H. Lundbeck A/S

Ottiliavej 9, DK-2500 Valby, Denmark

(540)

ITUIDY

(591) Black, white

(511)

5 – Pharmaceuticals and medical preparations and substances; vaccines; pharmaceutical preparations and substances for the prevention and treatment of disorders and diseases in, generated by or acting on the central nervous system; pharmaceutical preparations and substances acting on the central nervous system; central nervous system stimulants; pharmaceutical preparations and substances for the prevention and treatment of psychiatric and neurological disorders and diseases; pharmaceutical preparations and substances for the prevention and treatment of dementia, Alzheimer's disease and disorder, dizziness, seizures, stroke, depression, cognitive impairment, cognitive disorders and diseases, mood disorders, psychosis, anxiety, apathy, epilepsy, Lennox-Gastaut syndrome (LGS), sclerosis, porphyria, Huntington's disease and disorder, insomnia, Parkinson's disease and disorder, falls, movement disorders and diseases, tremor, schizophrenia, bipolar disorder and disease, mania, ADHD, PTSD, agitation, aggression, autism, melancholy, OCD, Tourette's syndrome, PSP, restlessness, akathisia, fatigue, somnolence, nausea, cancer, migraine, pain, alcoholism and dependency; preparations, substances, reagents and agents for diagnostic and medical purposes.

(260) AM 2019 99282 A

(800) 1421861

(151) 2018 05 17

(891) 2018 05 17

(731) Limited Liability Company "WIMM-BILL-DANN FOODS"

Dmitrovskoe shosse, d. 108, RU-127591

Moscow, Russian Federation

(540)



(591) Light green, green, lilac, white, light grey, grey, dark grey, red, yellow, orange, blue, pink, dark brown, brown, beige and black
 (531) 03.07.06; 03.07.24; 03.07.25; 05.07.08; 24.13.01; 24.17.05; 25.05.01; 28.05; 29.01.15

(511)
 5 – Food for babies; babies' diapers; infant formula; lacteal flour for babies.

29 – Bouillon; meat jellies; jellies for food; fruit jellies; edible fats; fruit-based snack food; yogurt; kephir [milk beverage]; milk shakes; compotes; meat, tinned; vegetables, tinned; fish, tinned; fruits, tinned; buttercream; croquettes; kumys [milk beverage]; marmalade; oils for food; butter; milk; rice milk; condensed milk; soya milk; albumin milk; powdered milk; vegetable mousses; fish mousses; fruit pulp; milk beverages, milk predominating; vegetables, preserved; vegetables, cooked; vegetables, dried; potato fritters; jams; milk products; curd; prostokvasha [soured milk]; cranberry compote; apple purée; ryazhenka [fermented baked milk]; vegetable salads; fruit salads; bacon; whipped cream; cream [dairy products]; fat-containing mixtures for bread slices; smetana [sour cream]; vegetable juices for cooking; tomato juice for cooking; soups; vegetable soup preparations; whey; cheese; tofu; milk ferments for culinary purposes; rennet; crystallized fruits; frozen fruits; fruit, preserved; fruit, stewed; potato flakes; fruit peel; potato chips; low-fat potato chips; berries, preserved; eggs.

32 – Aerated water; mineral water [beverages]; waters [beverages]; table waters; kvass [non-alcoholic beverage]; cocktails, non-alcoholic; lemonades; non-alcoholic beverages; whey beverages; non-alcoholic fruit juice beverages; fruit nectars, non-alcoholic; sarsaparilla [non-alcoholic beverage]; smoothies; vegetable juices [beverages]; fruit juices; tomato juice [beverage]; cider, non-alcoholic; preparations for making aerated water; preparations for making beverages; non-alcoholic fruit extracts.

(260) AM 2019 99284 A
 (800) 1421881
 (151) 2018 01 23
 (891) 2018 01 23
 (731) Euro Games Technology Ltd.
 "Maritsa" Str. 4, "Vranya-Lozen-Triugulnika",
 BG-1151 Sofia, Bulgaria



(591) Yellow, red, brown, light yellow and black.
 (531) 27.05.02; 27.05.03; 27.07.11; 29.01.12
 (511)
 9 – Apparatus for recording, transmission or reproduction of sound or image, computer software, recorded, monitors, computer hardware.

28 – Games that are not included in other classes, gaming machines operating with coins, banknotes and cards; gaming machines for gambling.

(260) AM 2019 99370 A
 (800) 1422024
 (151) 2018 07 06
 (891) 2018 07 06
 (731) Public Joint-Stock Company "KRASNYYJ OCTYABR"
 ul. Malaya Krasnoselskaya, d. 7, str. 24,
 RU-107140 Moscow, Russian Federation



(591) White, brown, orange, dark yellow, green, light green, dark brown, black, yellow and pink
 (531) 03.04.02; 05.05.04; 27.05.02; 28.05; 29.01.13
 (511)
 35 – Sales promotion for others; organization of trade fairs for commercial or advertising purposes; demonstration of goods; advertising.

(260) AM 2019 99372 A
 (800) 1422160
 (151) 2018 02 27
 (891) 2018 02 27
 (731) GRYGOROVYCH SVITLANA
 ANATOLIIVNA
 vul. Shepeleva 4, kv. 1, Kyiv 03061, Ukraine

(540)

KODI STYLE STUDIO

(591) Black, white
 (511)
 41 – Academies [education]; teaching; videotaping; arranging and conducting of conferences; arranging and conducting of concerts; arranging and conducting of congresses; arranging and conducting of in-person educational forums; arranging and conducting of seminars, arranging and conducting of symposiums; arranging and conducting of workshops [training]; arranging of beauty contests; electronic desktop publishing; nursery schools; animal training; dubbing; educational examination; providing on-line electronic publications, not downloadable; providing on-line videos, not downloadable; correspondence

courses; education information; tutoring; organization of exhibitions for cultural or educational purposes; organization of fashion shows for entertainment purposes; organization of competitions [education or entertainment]; educational services provided by schools; practical training [demonstration].

44 – Hairdressing; visagists' services; beauty salon services; manicuring.

(260) AM 2019 99380 A
(800) 1422307
(151) 2018 05 29
(891) 2018 05 29
(731) TIANJIN AULION HEAVY INDUSTRIES CO., LTD.
NO.77, GAOXIN ROAD, BEICHEN
SCIENCE AND TECHNOLOGY PARK,
TIANJIN, China

(540)

LOVOL

(591) Black, white

(531) 27.05.02

(511)

7 – Harvesting machines; handling apparatus for loading and unloading; excavators; cutting machines; dynamos; trussing apparatus for hay; diesel engines other than for land vehicles; gear boxes other than for land vehicles; agricultural machines; earth moving machines; loader; machines, namely seed sowers.

12 – Tractors; cars; electric motorcycles; automobiles; engines for land vehicles; tractors; electric tricycles; motor tricycles; vehicles, namely vans; fork lift trucks; motorcycles; electric bicycles.

(260) AM 2019 99381 A
(800) 1422321
(151) 2018 07 12
(891) 2018 07 12
(731) Riedel Communications International GmbH
Uellendahler Str. 353, 42109 Wuppertal,
Germany

(540)

DEFINID

(591) Black, white

(511)

9 – Studio engineering apparatus, namely apparatus for recording, playing and storing audio data; software, in particular application software for mobile terminals; telecommunications equipment, signalling and checking (supervision) apparatus and instruments, apparatus for recording, transmission or rep-

roduction of sound or images; data processing apparatus and computers, network data processing apparatus and network computers, all for use on audio, video and telecommunications networks; audio, video and/or telecommunications networks and components therefor.

(260) AM 2019 99384 A
(800) 1422405
(151) 2018 05 23
(891) 2018 05 23
(731) ION MOS S.R.L.
Str. Rovine nr. 3, bl. 65, Sc. A, parter, Ap. 4,
sector 2, Bucuresti, Romania

(540)



(591) Red (Pantone 185)

(531) 11.01.20; 11.01.25; 27.03.15; 27.05.01;
27.05.08; 29.01.01

(511)

30 – Coffee, tea, cocoa and artificial coffee; rice, tapioca and sago; flour and preparations made from cereals; bread, pastries and confectionery; edible ices; sugar, honey, treacle; yeast, baking-powder; salt; mustard; vinegar, sauces (condiments); spices; ice (frozen water).

(260) AM 2019 99391 A
(800) 1422674
(151) 2018 04 09
(891) 2018 04 09
(731) QUANZHOU HUMTTO OUTDOOR PRODUCTS, CO., LTD.
No.8 Hebin East Road, Shuanggou, Meiling
Street, Jinjiang, Quanzhong City, Fujian
Province, China

(540)



(591) Black, white

(531) 26.03.18; 26.03.23; 27.05.01; 27.05.09;
27.05.10; 27.05.22

(511)
25 – Clothing; ready-made clothing; bathing suits; waterproof clothing; shoes; hats; hosiery; gloves [clothing]; scarfs; leather belt (clothing).

(260) AM 2019 99393 A
(800) 1422754
(151) 2018 08 17
(891) 2018 08 17
(731) JANSSEN PHARMACEUTICA NV
Turnhoutseweg 30, B-2340 Beerse, Belgium
(540)

FLOCLARIS

(591) Black, white
(511)
5 – Human pharmaceutical preparations.

(260) AM 2019 99398 A
(800) 1422963
(151) 2018 04 16
(891) 2018 04 16
(731) PUZZLEPOWER – UNIPESSOAL, LDA.
Avenida Barros e Soares, EN 101,
Edifício Bmcar, P-4715-214 Braga,
Portugal
(540)



GIANNI KAVANAGH

(591) Black, white
(531) 05.05.04; 05.05.19; 05.05.20; 05.05.21
(511)
25 – Clothing.

(260) AM 2019 99411 A
(800) 1423228
(151) 2018 04 09
(891) 2018 04 09
(731) Bahram GHLIGGHANLO
Ataköy 7-8-9-10 Kisim Mah., Yüzücü Talat
Yüzmen Sokak No:4J/86, Bakirköy,
İSTANBUL, Turkey
(540)

PRESTON

(591) Black, white
(531) 27.05.17
(511)
34 – Tobacco, chewing tobacco, cigarettes, cigars; smokers' articles including those made of precious

metals; pipes, mouthpieces for cigars and cigarettes, ashtrays, tobacco boxes, pocket apparatus for rolling cigarettes, cigarette paper, tobacco pipes, firestones, lighters for smokers; matches.

(260) AM 2019 99412 A
(800) 1423266
(151) 2018 01 25
(891) 2018 01 25
(731) Euro Games Technology Ltd.
"Maritsa" Str. 4, "Vranya-Lozen-Triugulnika",
BG-1151 Sofia, Bulgaria
(540)



(591) Yellow, blue and brown
(531) 26.04.04; 26.04.08; 26.04.09; 26.04.18;
27.05.02; 27.07.02; 29.01.13
(511)
9 – Apparatus for recording, transmission or reproduction of sound or images, computer software/recorded, monitors, computer hardware.
28 – Games, that are not included in other classes, gaming machines operating with coins, banknotes and cards; gaming machines for gambling.

(260) AM 2019 99415 A
(800) 1423337
(151) 2017 11 14
(891) 2017 11 14
(731) MERAN OTO İNŞ. MOBİLYA KIRT.
ELEKTRONİK MADEN PETROL ENERJİ
HİZM. SAN VE TİC. A.Ş.
Merkez Mah. Prof. Dr. Nurettin, Mazhar Öktel
Cad. No:8/6, Şişli, İstanbul, Turkey
(540)



(591) Black, white and orange
(531) 26.13.25; 27.05.01; 27.05.24; 29.01.13
(511)
20 – Furniture, made of any kind of material, mattresses; pillows; air mattresses and cushions, not for medical purposes, water beds, mirrors, beehives, artificial honeycombs and sections of wood for honeycombs, bouncing chairs for babies, playpens for babies, cradles, infant walkers, display boards, fra-

mes for pictures and paintings, identification plates, identification tags, nameplates, identification labels made of wood or synthetic materials, packaging containers of wood or plastics, casks for use in transportation or storage, barrels, storage drums, tanks, boxes, storage containers, transportation containers, chests, loading pallets and closures for the aforementioned goods, of wood or plastics, small hardware goods of wood or synthetic materials included in this class, furniture fittings, of wood or synthetic materials, opening and closing mechanisms of wood or synthetic materials, ornaments and decorative goods of wood, cork, reed, cane, wicker, horn, bone, ivory, whalebone, shell, amber, mother-of-pearl, meerschaum, beeswax, plastic or plaster namely figurines, holiday ornaments for walls, sculptures, trophies of plastic, baskets, not of metal, fishing baskets, kennels, nesting boxes and beds for household pets, portable ladders and mobile boarding stairs of wood or synthetic materials, bamboo curtains, roller indoor blinds [for interiors], slatted indoor blinds, bead curtains for decoration, bead curtains for decoration, curtain hooks, curtain rings, curtain tie-backs, curtain rods, non-metal wheel chocks.

35 – Advertising, marketing and public relations; organization of exhibitions and trade fairs for commercial or advertising purposes; design of advertising materials; provision of an online marketplace for buyers and sellers of goods and services, office functions; secretarial services; arranging newspaper subscriptions for others; compilation of statistics; rental of office machines; systemization of information into computer databases; telephone answering for unavailable subscribers, business management, business administration and business consultancy; accounting; commercial consultancy services; personnel recruitment, personnel placement, employment agencies, import-export agencies; temporary personnel placement services, auctioneering, the bringing together, for the benefit of others, of furniture, made of any kind of material, mattresses, pillows, air mattresses and cushions, not for medical purposes, water beds, mirrors, beehives, artificial honeycombs and sections of wood for honeycombs, bouncing chairs for babies, playpens for babies, cradles, infant walkers, display boards, frames for pictures and paintings, identification plates, identification tags, nameplates, identification labels made of wood or synthetic materials, packaging containers of wood or plastics, casks for use in transportation or storage, barrels, storage drums, tanks, boxes, storage containers, transportation containers, chests, loading pallets and closures for the aforementioned goods, of wood or plastics, small hardware goods of wood or synthetic materials included in this class, furniture fittings, of wood or synthetic materials, opening and closing mechanisms of wood or synthetic materials, ornaments and decorative goods of wood, cork, reed,

cane, wicker, horn, bone, ivory, whalebone, shell, amber, mother-of-pearl, meerschaum, beeswax, plastic or plaster namely figurines, holiday ornaments for walls, sculptures, trophies, baskets, fishing baskets, kennels, nesting boxes and beds for household pets, portable ladders and mobile boarding stairs of wood or synthetic materials, bamboo curtains, roller indoor blinds [for interiors], slatted indoor blinds, trip curtains, bead curtains for decoration, curtain hooks, curtain rings, curtain tie-backs, curtain rods, non-metal wheel chocks, enabling customers to conveniently view and purchase those goods, such services may be provided by retail stores, wholesale outlets, by means of electronic media or through mail order catalogues.

(260) AM 2019 99417 A

(800) 1423372

(151) 2018 04 25

(891) 2018 04 25

(731) HUAWEI TECHNOLOGIES CO., LTD.

Administration Building, Huawei Technologies Co., Ltd., Bantian, Longgang District, Shenzhen, China

(540)



(591) Black, white

(531) 27.05.01; 27.05.21; 27.07.01; 27.07.11

(511)

9 – Smartphones; smartwatches; smartglasses; wearable activity trackers; protective films adapted for smartphones; cases for smartphones; covers for smartphones; cabinets for loudspeakers; digital photo frames; network communication apparatus; selfie sticks (hand-held monopods); modems; microphones; sleeves for laptops; electric batteries; tablet computers; battery chargers; mobile power source (rechargeable batteries); laptop computers; headphones; virtual reality headsets; loudspeakers; set-top boxes; notebook computers; digital video recorders for cars; earphones; portable media players; humanoid robots with artificial intelligence; computer software applications, downloadable; sound transmitting apparatus; computer programs, recorded; camcorders; cameras (photography); smart rings; downloadable graphics for mobile phones; wearable computers; personal digital assistants (PDAs); audio interfaces; security surveillance robots; selfie sticks adapted for mobile phones; wearable video display monitors; selfie lenses; telecommunication apparatus in the form of jewelry; USB cables.

(260) AM 2019 99419 A
(800) 988602
(151) 2008 12 02
(891) 2018 12 03
(731) YOUNG LIFE

Legal Department, 420 N. Cascade Avenue,
Colorado Springs CO 80903, USA

(540)



(591) Black, white
(531) 26.03.23; 27.05.10; 27.05.22
(511)

25 – Clothing, namely, men's and women's shirts, tee shirts, golf shirts, polo-style shirts, jackets, vests, sweat shirts, hooded sweat shirts, shorts, baseball-style caps, beanies, visors.

45 – Evangelistic and Christian ministerial services directed towards middle school, high school, and college students.

(260) AM 2019 99420 A
(800) 1064336
(151) 2010 10 28
(891) 2018 07 31

(731) ALEXANDRA MELANIE GLADEN
Klingäckerstr. 35, 72766 Reutlingen, Germany

(540)

GLADEN

(591) Black, white
(511)

9 – Speakers and compiled from this speaker systems, speaker boxes, accessories for above mentioned speaker systems (included in this class), especially crossovers, power amplifiers and voltage stabilizers.

(260) AM 2019 99543 A
(800) 1423682
(151) 2018 07 17
(891) 2018 07 17
(731) LIPSY LIMITED

Desford Road, Enderby, Leicester LE19 4AT,
United Kingdom

(540)



(591) Black, white
(531) 02.09.01; 27.05.21
(511)

25 – Clothing; footwear; headgear; belts for clothing; sleep masks.

(260) AM 2019 99545 A
(800) 1423702
(151) 2017 12 14
(891) 2017 12 14

(731) WORLD MEDICINE İLAÇ SANAYİ VE
TİCARET ANONİM ŞİRKETİ
Evren Mah. Camiyolu, Cad. No.50 Kat 1 B,
Zemin 4-5-6 Güneşli, Bağcılar, İstanbul,
Turkey

(540)

SAXAPARIN
САКСАПАРИН

(591) Black, white
(531) 28.05
(511)

5 – Medicines for human purposes, medicines for veterinary purposes, vitamin preparations, chemical preparations for medical purposes, dietetic substances adapted for medical use, dietetic foods adapted for medical purposes, baby foods, medicinal herbs, herbal beverages adapted for medical purposes, nutritional supplements, pollen dietary supplements, mineral food supplements, protein dietary supplements, dietary supplements for animals, fodder supplements for veterinary purposes, medicines for dental purposes, hygienic products for medical purposes including sanitary pads, breast-nursing pads and bunion pads, waddings for medical purposes, plasters for medical purposes, dressings for medical purposes, babies' napkins, preparations for destroying noxious plants, preparations for destroying noxious animals, fungicides, deodorants other than for human beings or for animals, air deodorising preparations, disinfectants for hygiene purposes, antiseptics, detergents for medical purposes.

(260) AM 2019 99575 A
(800) 1424279
(151) 2018 05 03
(891) 2018 05 03
(731) APPLE INC.

One Apple Park Way, Cupertino CA 95014,
USA

(540)



(591) Blue, white and black
(531) 26.01.12; 26.01.18; 26.11.12; 27.05.01;
29.01.13

(511)
42 – Design and development of computer hardware and software for video and music recognition; electronic data storage; providing computer hardware or software information online; computer software services, namely technical support services for video and music recognition software; providing on-line non-downloadable software for sound, video, and music recognition; providing online non-downloadable software enabling discovery, interaction with, and sharing of audio, video, printed, multimedia, or augmented reality content.

45 – Online social networking services.

(260) AM 2019 99612 A
(800) 1425377
(151) 2018 05 24
(891) 2018 05 24
(731) Obshchestvo s ogranichennoy otvetstvennostyu "DREHSLER IMMO-SERVIS"
Zagorodnoye sh., 10, korp. 4, RU-117152
Moscow, Russian Federation
(540)



(591) Red, beige and white
(531) 04.05.05; 25.01.15; 27.01.12; 27.05.01; 28.05;
29.01.13

(511)
29 – Bouillon; broth; fatty substances for the manufacture of edible fats; peas, preserved; mushrooms, preserved; gelatin; jellies for food; yolk of eggs; edible fats; bouillon concentrates; broth concentrates; shrimps, not live; onions, preserved; vegetable oils for food; shellfish, not live; mussels, not live; fish meal for human consumption; fruit pulp; meat; vegetables, dried; nuts, prepared; tomato paste; powdered eggs; milk products; fish-based foodstuffs; cranberry compote; apple purée; fat-containing mixtures for bread slices; preparations for making bouillon; preparations for making soup; tripe; soups; vegetable soup preparations; tuna, not live; oysters, not live; frozen fruits; potato flakes; lentils, preserved; potato chips; potato crisps; fruit chips; seaweed extracts for food; meat extracts.

30 – Food flavorings, other than essential oils; food flavourings, other than essential oils; vanillin [vanilla substitute]; vermicelli [noodles]; natural sweete-

ners; glucose for culinary purposes; mustard; thickening agents for cooking foodstuffs; pasta; cocoa; gruel, with a milk base, for food; gluten prepared as foodstuff; starch for food; groats for human food; corn, milled; maize, milled; pastries; noodles; ribbon vermicelli; flour; meal; muesli; coffee-based beverages; tea-based beverages; chocolate-based beverages; cocoa-based beverages; nutmegs; pepper; pizzas; popcorn; powders for making ice cream; condiments; oat-based food; rice; sugar; confectionery; sugar confectionery; cooking salt; spaghetti; seasonings; rusks; vinegar; ferments for pastes; chicory [coffee substitute]; tea; essences for foodstuffs, except etheric essences and essential oils.

31 – Peanuts, fresh; beans, fresh; fruit residue [marc]; marc; peas, fresh; mushrooms, fresh; potatoes, fresh; chestnuts, fresh; maize; nuts [fruits].

(260) AM 2019 99629 A
(800) 1248378
(151) 2014 10 09
(891) 2018 09 11
(731) MERZ PHARMA GMBH & CO. KGAA
Eckenheimer Landstr. 100, 60318 Frankfurt
am Main, Germany
(540)



(591) Light green, dark green and white
(531) 02.09.12; 29.01.12
(511)
3 – Cosmetics.

5 – Pharmaceutical products, food supplements.

(260) AM 2019 99632 A
(800) 1367221
(151) 2017 07 05
(891) 2018 08 16
(731) Obshchestvo s ogranichennoy otvetstvennostyu "STRATFORD GLOBAL"
ul. Belkinskaya, d. 25, podiezd 5, pom. 1,
Obninsk, RU-249034 Kaluzhskaya obli.,
Russian Federation
(540)

SURF

(591) Black, white
(531) 27.05.17

(511)
43 – Café services.

(260) AM 2019 99681 A

(800) 1425572

(151) 2018 02 12

(891) 2018 02 12

(731) EDMARK INDUSTRIES SDN BHD
No.20, Jalan BK 1/13, Kinrara Industrial
Park, Selangor Darul Ehsan, 47180 Puchong,
Malaysia

(540)

EDMARK®

(591) Blue, white and red.

(531) 27.05.01; 29.01; 29.01.12

(511)

3 – Skin care preparations; skin care cosmetics; skin lotions, skin creams, skin care oils; facial wash; household cleaning preparations; polishing and scouring preparations; toothpastes; hair shampoos; body shampoos; cleansing preparations for personal use; essential oils; aromatic oils; aromatherapy preparations; feminine wash, soap (terms considered too vague by the International Bureau – rule 13 (2) (b) of the Common Regulations).

5 – Food supplements, nutritional supplements, dietary supplements, health supplement (term considered too vague by the International Bureau – rule 13 (2) (b) of the Common Regulations); medicinal ointments; medicinal oils; protein dietary supplements; pharmaceuticals; pharmaceutical preparations.

30 – Coffee, tea and cocoa; coffee mixtures; instant coffee; chocolate coffee; chocolate-based drinks; chocolate beverages; tea-based drinks; protein-enriched chocolate drinks; cereals; cereal bars and energy bars; cereal-based snacks; chocolate bars; wafers; wafer biscuits.

32 – Non-alcoholic beverages; preparations for making beverages; beverages containing chlorophyll (terms considered too vague by the International Bureau – rule 13 (2) (b) of the Common Regulations); beverages containing spirulina (terms considered too vague by the International Bureau – rule 13 (2) (b) of the Common Regulations); protein-enriched drinks (terms considered too vague by the International Bureau – rule 13 (2) (b) of the Common Regulations); sports drinks; energy drinks; soft drinks; fruit beverages; vegetable-based beverages; plant beverages (terms considered too vague by the International Bureau – rule 13 (2) (b) of the Common Regulations); plant extract preparations (terms considered too vague by the International Bureau – rule 13 (2) (b) of the Common Regulations); soya-based beverages, other than milk substitutes.

35 – Retail and wholesale services of various goods namely food supplements, beverages, cereals, energy bars, skin care products, personal care, cosmetics, household products, kitchenware, tableware, utensils and household cleaning products; electronic commerce services (terms considered too vague by the International Bureau – rule 13 (2) (b) of the Common Regulations); provision of business opportunity, technical assistance, training and management relating to network marketing (terms considered too vague by the International Bureau – rule 13 (2) (b) of the Common Regulations); direct distribution (terms considered too vague by the International Bureau – rule 13 (2) (b) of the Common Regulations); network marketing and multi-level marketing services; direct sale (terms considered too vague by the International Bureau – rule 13 (2) (b) of the Common Regulations); business management advice and assistance; business marketing, online marketing, product marketing services; product merchandising services; display services for merchandise; online advertising services; online business networking services; business networking.

(260) AM 2019 99682 A

(800) 1425600

(151) 2018 07 03

(891) 2018 07 03

(731) BITFURY GROUP LIMITED
c/o Harneys Services (Cayman) Limited,
4th Floor, Harbour Place, 103 South Church
Street, PO Box 10240, KY1-1002 George
Town, Cayman Islands

(540)



(591) Black, white

(531) 26.13.25

(511)

9 – Downloadable computer software frameworks for creating, designing, developing and implementing private and public blockchains; downloadable computer software for enabling encrypted, verifiable, and immutable records of transactions and documents; downloadable computer software for enabling encrypted, verifiable, and immutable records of transactions and documents in the fields of logistics, finance, virtual currency, legal agreements, and digital rights management; downloadable computer software for managing, validating, authenticating, securing and transmitting encrypted data; downloadable computer software for use in the design and imple-

mentation of blockchains and blockchain-based computer applications; downloadable electronic databases for use in the design and implementation of blockchains and blockchain-based computer applications.

42 – Data encryption and decryption; coding and decoding of data; database design; computer programming, namely, developing blockchains for use by others; non-downloadable computer software frameworks for creating, designing, developing and implementing private and public blockchains; non-downloadable computer software for enabling encrypted, verifiable, and immutable records of transactions and documents; non-downloadable computer software for enabling encrypted, verifiable, and immutable records of transactions and documents in the fields of logistics, finance, virtual currency, legal agreements, and digital rights management; non-downloadable computer software for managing, validating, authenticating, securing and transmitting encrypted data; non-downloadable computer software for use in the design and implementation of blockchains and blockchain-based computer applications; non-downloadable electronic databases for use in the design and implementation of blockchains and blockchain-based computer applications; advice and consultancy relating to all of the foregoing.

(260) AM 2019 99683 A

(800) 1425661

(151) 2018 04 10

(891) 2018 04 10

(731) IPQ IP Specialists AB

Mailbox 550, SE-114 11 Stockholm, Sweden

(540)

ITSAPARK

(591) Black, white

(511)

35 – Retail services in relation to hand soaps, body soaps, shampoos, conditioners, body lotions, hair creams, hair masks, non-medical skin lotions, hand balms, body scrubs, washing detergent, washing up liquid, sunglasses, headphones, mobile phone cases, jewelry, watches, table mats (paper), table cloths (paper), paper napkins, notebooks, pencils, pens, crayons, paper clips, erasers, tape (for office use), books, magazines (periodical); retail services in relation to paper, erasers, bags, trunks, rucksacks, computer bags, wallets, belts, umbrellas; retail services in relation to clothing, underwear, swimwear, footwear, headgear; marketing services.

(260) AM 2019 99743 A

(800) 1189859

(151) 2013 11 01

(891) 2018 08 21

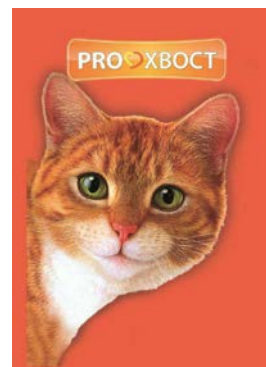
(731) Obschestvo s ogranichennoy otvetstvennostju "WELLCORM"

Centralnaya str. 46, office 205, Murino,

Vsevolozhsky district, RU-188661 Leningrad

Region, Russian Federation

(540)



(591) Orange, white, brown, pink, black, green, yellow and red

(531) 03.01.06; 03.01.16; 27.05.11; 29.01.13

(511)

5 – Animal feed supplements for veterinary purposes; dietary supplements for animals; dietetic animal foodstuffs for medical purposes; medicated animal feed.

31 – Animal foodstuffs, namely foodstuffs for cats; pet food, namely foods for cats; strengthening animal forage, namely strengthening forage for cats; animal fattening preparations.

35 – Import-export agencies; marketing analysis services; analysis of response to advertising; demonstration of goods; demonstration of goods for animals for advertising purposes; arranging contracts for the buying and selling of goods for animals; arranging advertising and promotional contracts for others; commercial information and advice for consumers [consumer advice shop]; marketing research; procurement of contracts for others relating to the sale of goods for animals; marketing; organization of exhibitions for commercial or advertising purposes; arranging and conducting of promotional and marketing events; organization and management of customer loyalty programs; organization of events, exhibitions, fairs and shows for commercial, promotional and advertising purposes; organization, operation and supervision of sales and promotional incentive schemes; organization, operation and supervision of loyalty and incentive schemes; presentation of goods for animals on communication media, for retail purposes; sales promotion for others; conducting marketing studies and market analysis; promoting the goods and services of others; telemarketing services; procurement services for others [purchasing goods and services for other businesses]; services on wholesale and retail of goods for animals; services on wholesale and retail of forages for animals; services in delivery sale of goods for animals; services of shops in retail of goods for animals.

(260) AM 2019 99844 A
 (800) 1428244
 (151) 2018 08 27
 (891) 2018 08 27
 (731) Closed Joint Stock Company "SOTEX"
 PHARMFIRM"
 pos. Belikovo, d.11, selskoe poselenie,
 Bereznyakovskoe, Sergievo-Posadsky,
 municipal district, RU-141345 Moscow
 region, Russian Federation

(540)

CALMIREX

(591) Black, white
 (511)
 5 – Analgesics; anaesthetics; antibiotics; antiseptics;
 balms for medical purposes; first-aid boxes, filled;
 hematogen; dietetic foods adapted for medical pur-
 poses; dietetic substances adapted for medical use;
 dietary supplements for animals; nutritional supple-
 ments; capsules for medicines; cachets for pharma-
 ceutical purposes; candy, medicated; candy for me-
 dical purposes; adhesive plasters; liniments; oint-
 ments for pharmaceutical purposes; medicinal oils;
 drugs for medical purposes; pharmaceutical prepa-
 rations; chemico-pharmaceutical preparations; mus-
 tard plasters; vaccines; vitamin preparations.

(260) AM 2019 99848 A
 (800) 1428335
 (151) 2018 07 10
 (891) 2018 07 10
 (731) Limited Liability Company "Meat processing
 plant REMIT"
 Khudozhestvenny pr-d, 2D, Podolsk,
 RU-142111 Moscow region, Russian
 Federation

(540)



(591) Orange, dark blue, golden, yellow and white
 (531) 19.03.24; 25.01.15; 25.01.19; 26.13.25;
 27.05.09; 27.05.11; 29.01.14
 (526) EXTRA EXCLUSIVE, EASY OPEN,
 OTBORNOE MYASO, AROMATNYE SPETSII,
 OTMENNYI VKUS, ®
 (511)
 29 – Charcuterie; blood sausage; sausages; sausages
 in batter; hot dog sausages; corn dogs.

(260) AM 2019 99849 A
 (800) 1428339
 (151) 2018 08 14
 (891) 2018 08 14
 (731) BENEFIT COSMETICS LLC
 225 Bush Street, 20th Floor, San Francisco
 CA 94104, USA

(540)

BENEFIT

(591) Black, white
 (511)
 3 – Cosmetics, namely, skin cleansing creams; night
 creams; facial creams; skin fresheners; beauty masks
 or facial packs; bath oils; perfumed bath oils; cologne-
 nes; eye shadow; mascara; lipstick; lip gloss; rouge;
 liquid rouge; body lotions; sun tan lotion and sun tan
 ultraviolet block; skin cleansers, cream, lotion,
 masks, moisturizer, concealers, scrubs; non-medica-
 ted lip balm; body cream, oil, and scrubs; make-up;
 eye make-up; blush; cosmetic pencils; sun block;
 self-tanning skin preparations; facial cleaners, cre-
 ams, masks and scrubs; perfume; cologne; scented
 body spray; make-up remover.

(260) AM 2019 99851 A
 (800) 952634
 (151) 2008 01 22
 (891) 2018 09 24
 (731) T.M. LEWIN & SONS LTD
 6-7 St Cross St Courtyard, London EC1N
 8UA, United Kingdom

(540)

T.M. LEWIN

(591) Black, white
 (531) 27.05.01; 27.05.17
 (511)
 25 – Clothing; footwear; headgear.

(260) AM 2019 99852 A
 (800) 1277018
 (151) 2014 08 20
 (891) 2018 05 25
 (731) Sergio TEGON
 Via del Giardinier, 1, I-30030
 MARTELLAGO (VE), Italy

(540)

SERGIO TEGON

(591) Black, white
 (511)
 3 – Almond soap; soap; shaving soap; hair lotions;
 cleansing milk for toilet purposes; shampoos; soap
 for foot perspiration; deodorant soap; cakes of toilet
 soap; antiperspirant soap; bath salts, not for medical
 purposes; dry shampoo; shampoo; ointments for

cosmetic use; conditioning balsam; hair conditioner; facial cleansing milk; bath lotion; cosmetic bath salts; non-medicated hand lotions; lacquer-removing preparations; creams for leather; leather preserving polishes; almond oil; badian essence; bergamot oil; essential oils of cedarwood; essential oils of lemon; ethereal essences; essential oils; extracts of flowers [perfumes]; flower bases for perfumes; fumigation preparations [perfumes]; gaultheria oil; geraniol; heliotropine; jasmine oil; lavender oil; oils for perfumes and scents; rose oil; mint essence [essential oil]; mint for perfumery; musk [perfumery]; perfumery; terpenes [essential oils]; aromatics [essential oils]; cosmetic oils; perfumes for industrial purposes; scented soaps; oils for perfumes and scents; amber [perfume]; cosmetic preparations for baths; lipsticks; cotton sticks for cosmetic purposes; beauty masks; skin whitening creams; nail polish; make-up preparations; hair dyes; hair waving preparations; false eyelashes; cosmetic preparations for eyelashes; eau de Cologne; cosmetic kits; cosmetics; cotton wool for cosmetic purposes; cosmetic pencils; cosmetic creams; make-up removing preparations; lavender water; scented water; depilatory preparations; depilatory wax; make-up; petroleum jelly for cosmetic purposes; greases for cosmetic purposes; hydrogen peroxide for cosmetic purposes; toiletries; eyebrow cosmetics; neutralizers for permanent waving; perfumes; false nails; nail care preparations; cosmetic preparations for skin care; pomades for cosmetic purposes; make-up powder; shaving preparations; eyebrow pencils; cosmetic dyes; antiperspirants [toiletries]; almond milk for cosmetic purposes; sunscreen preparations; sun-tanning preparations [cosmetics]; beard dyes; cosmetic preparations for slimming purposes; deodorants for human beings; decorative transfers for cosmetic purposes; astringents for cosmetic purposes; bleaching preparations [decolorants] for cosmetic purposes; tissues impregnated with cosmetic lotions; after-shave lotions; hair spray; mascara; anti-wrinkle cream; eye shadow; hair colorants; hair tonic; hair dyeing preparations; dentifrices; preparations for cleaning dentures; breath freshening sprays; dental bleaching gels; scented wood; incense; sachets for perfuming linen; potpourris [fragrances]; cosmetics for animals; air fragrance preparations.

9 – Optical lenses; optical goods; eyeglass chains; eyeglass cases; spectacle glasses; eyeglass frames; pince-nez; eyeglasses; sunglasses.

14 – Precious metals, unwrought or semiwrought; alloys of precious metal; boxes of precious metal; jewelry cases [caskets]; bracelets [jewellery]; charms [jewellery]; trinkets [jewellery]; brooches [jewellery]; chains [jewellery]; necklaces [jewellery]; tie clips; diamonds; jewellery; ornamental pins; semi-precious stones; precious stones; statues of precious metal; paste jewellery [costume jewellery];

rings [jewellery]; earrings; cuff links; figurines [statuettes] of precious metal; tie pins; key rings [trinkets or fobs]; clocks; wristwatches; watch bands; watch chains; chronographs [watches]; chronometers; clock cases; watches; watch glasses; movements for clocks and watches; alarm clocks; watch cases; stopwatches.

18 – Leather, unworked or semi-worked; imitation leather; purses; card cases [notecases]; hat boxes of leather; backpacks; rucksacks; pocket wallets; shopping bags; attaché cases; handbags; travelling bags; briefcases; travelling sets [leatherware]; cases, of leather or leatherboard; vanity cases, not fitted; key cases; imitation leather cases; cheque wallets made of leather; passport wallets of leather; umbrellas; parasols; walking sticks; leather leashes.

25 – Overalls; shoulder wraps; camisoles; underclothing; dressing gowns; sweaters; shirts; short-sleeve shirts; clothing; furs [clothing]; tights; combinations [clothing]; corselets; suits; ready-made clothing; trousers; outerclothing; knitwear [clothing]; corsets [underclothing]; waistcoats; coats; jerseys [clothing]; skirts; sports jerseys; singlets; cuffs; pelisses; beach clothes; pyjamas; dresses; underpants; brassieres; overcoats; jackets [clothing]; bath-robos; parkas; pe-tticoats; slips [undergarments]; clothing of imitations of leather; clothing of leather; tee-shirts; leggings [leg warmers]; wind jackets; down jackets; children's clothing; babies' pants [clothing]; layettes [clothing]; clothing for gymnastics; waterproof clothing; raincoats; dance clothing; footwear; bath slippers; boots; half-boots; gaiters; slippers; sandals; shoes; heels; berets; caps [headwear]; hats; headgear for wear; ear muffs [clothing]; headbands [clothing]; stockings; hosiery; socks; garters; leggings; ankle socks; gloves [clothing]; shawls; neckties; scarves; fur stoles; bandanas [neckerchiefs]; ascots; bow tie; belts [clothing]; girdles; leather belts [clothing]; chasubles; sashes for wear; wimples; maniples; shower caps; sleep masks; wedding dresses.

35 – Advertising; business management; business administration; office functions; franchising, namely consultation and assistance in business management, organization and promotion; wholesale and retail sale services of bleaching preparations and other substances for laundry use, cleaning, polishing, scouring and abrasive preparations, soaps, perfumery, essential oils, cosmetics, hair lotions, dentifrices, scientific, nautical, surveying, photographic, cinematographic, optical, weighing, measuring, signalling, checking (supervision), life-saving and teaching apparatus and instruments, apparatus and instruments for conducting, switching, transforming, accumulating, regulating or controlling electricity, apparatus for recording, transmission or reproduction of sound or images, magnetic data carriers, recording discs, compact discs, DVDs and other digital recording media, mechanisms for coin-operated apparatus,

cash registers, calculating machines, data processing equipment, computers, computer software, fire-extinguishing apparatus, precious metals and their alloys and goods in precious metals or coated therewith, jewellery, precious stones, horological and chronometric instruments, leather and imitations of leather, and goods made of these materials, animal skins, hides, trunks and travelling bags, umbrellas and parasols, walking sticks, whips, harness and saddlery, clothing, footwear, headgear.

(260) AM 2019 99853 A
 (800) 1315086
 (151) 2016 05 16
 (891) 2018 08 31
 (731) FUJIAN SBS ZIPPER SCIENCE & TECHNOLOGY CO., LTD.
 Shenhui Wulou Goudong Industry Zone,
 Jinjiang, 362246 Fujian, China

(540)

SBS

(591) Black, white
 (531) 27.05.17; 27.05.23
 (511)

26 – Hat ornaments, not of precious metal; shoe ornaments, not of precious metal; trimmings for clothing; shoe buckles; dress fastenings; buttons; snap fasteners; zip fasteners for bags; buckles.

(260) AM 2019 99855 A
 (800) 1375724
 (151) 2017 09 18
 (891) 2018 06 21
 (731) HUNAN SINOBROOM HEAVY INDUSTRY CO., LTD.
 No.128, East Jinzhou Avenue, Ningxiang
 High-tech Industrial Park, Changsha, Hunan,
 China

(540)

SINOBROOM

(591) Black, white
 (531) 26.13.25; 27.05.01; 27.05.21
 (511)

7 – Lifts, other than ski-lifts; elevating apparatus; lifting apparatus; lift operating apparatus; hoists; handling apparatus for loading and unloading; belt conveyors; bulldozers; extractors for mines; mixers [machines].

(260) AM 2019 99856 A
 (800) 1388620
 (151) 2017 11 20

(891) 2018 08 30
 (731) MA HUANHUAN
 No.808, Tower A, Taipingyang Dasha,
 No.176, Heishui Road, Kuancheng District,
 Changchun City, Jilin Province, China

(540)

YOYOSO

(591) Black, white
 (531) 27.05.01
 (511)

35 – Sales promotion for others; procurement services for others [purchasing goods and services for other businesses]; marketing; telemarketing services; business information; personnel management consultancy; business auditing; provision of an on-line marketplace for buyers and sellers of goods and services.

(260) AM 2019 99857 A
 (800) 1394654
 (151) 2017 12 14
 (891) 2018 05 18
 (731) SPECIALES GILLARDEAU
 Baie de Sinche, F-17560 BOURCEFRANC-
 LE-CHAPUS, France

(540)



(591) Black, white
 (531) 26.01.01; 26.01.04; 26.01.18; 26.01.24; 27.05;
 27.05.21; 27.05.24

(511)
 29 – Fish; canned fish; preserved fish; salted fish; shellfish, not live; crustaceans, not live; oysters, not live; fish meal for human consumption; foods prepared from fish; seaweed extracts for food.

31 – Live fish; live shellfish; live crustaceans; live oysters; fish spawn; algae for human or animal consumption.

35 – Retail services for fish, canned fish, preserved fish, salted fish, shellfish (not live), crustaceans (not live), oysters (not live), fish meal for human consumption, foods prepared from fish, seaweed extracts for food, live fish, live shellfish, live crustaceans, live oysters, fish roe, algae for human or animal consumption.

(260) AM 2019 99859 A

(800) 1407663

(151) 2018 02 20

(891) 2018 07 24

(731) OLEG KONSTANTINOVICH

MIKHAYLYUKOV

Solnechnaya ul., d. 7/1, der. Pozdnyakovo,

Krasnogorskiy r-n, RU-143421 Moscovskaya

obl., Russian Federation

(540)

POLUS

(591) Black, white

(531) 27.05.01; 27.05.17

(511)

34 – Matches; tips of yellow amber for cigar and cigarette holders; tobacco; tobacco pouches; cigarette tips; cigarette filters; lighters for smokers; gas containers for cigar lighters; tobacco pipes; books of cigarette papers; absorbent paper for tobacco pipes; chewing tobacco; cigars; cigar cutters; cigar cases; cigarette cases; cigar holders; cigarettes containing tobacco substitutes, not for medical purposes; cigarettes; pocket machines for rolling cigarettes; cigarette holders; mouthpieces for cigarette holders; cigarette paper; cigarillos; pipe cleaners for tobacco pipes; firestones; herbs for smoking; pipe racks for tobacco pipes; match holders; tobacco jars; snuff; snuff boxes; matchboxes; ashtrays for smokers; spittoons for tobacco users; humidors; liquid solutions for use in electronic cigarettes; oral vaporizers for smokers; flavorings, other than essential oils, for tobacco; flavorings, other than essential oils, for use in electronic cigarettes.

(511)

5 – Pharmaceutical products, medical and veterinary preparations; sanitary products for medical purposes; dietetic food and substances for medical or veterinary use, food for babies; food supplements for humans and animals; plasters, materials for dressings; material for dental fillings and dental impressions; disinfectants; products for destroying vermin; fungicides, herbicides.

(260) AM 2019 99860 A

(800) 1425948

(151) 2018 06 05

(891) 2018 09 24

(731) ALPEN PHARMA AG

Casinoplatz 2, CH-3011 Bern, Switzerland

(540)



(591) Black, white

(531) 26.04.03; 26.04.04; 26.04.09; 26.04.22;
26.04.24; 26.11.14; 27.05.24

INTERNATIONAL TRADEMARKS PROTECTED IN GEORGIA

(260) AM 2019 91372 A
(800) 1255373
(151) 2015 04 08
(181) 2025 04 08
(891) 2017 01 17

(260) AM 2019 93176 A
(800) 1352295
(151) 2017 04 13
(181) 2027 04 13
(891) 2017 04 13
(511) 03, 05, 29, 30, 32

(260) AM 2019 93676 A
(800) 1358268
(151) 2017 05 04
(181) 2027 05 04
(891) 2017 05 04

(260) AM 2019 94646 A
(800) 1232715
(151) 2014 11 13
(181) 2024 11 13
(891) 2017 09 27
(551) Collective

(260) AM 2019 95390 A
(800) 801821
(151) 2003 04 14
(181) 2023 04 14
(891) 2017 11 09
(511) 25

(260) AM 2019 95613 A
(800) 1378788
(151) 2017 06 07
(181) 2027 06 07
(891) 2017 06 07
(511) 02, 06, 09, 14, 16, 18, 26, 28, 35, 36, 38, 40,
41, 42, 44, 45

(260) AM 2019 95614 A
(800) 1378789
(151) 2017 06 07
(181) 2027 06 07
(891) 2017 06 07
(511) 02, 06, 09, 14, 16, 18, 26, 28, 35, 36, 38, 40,
41, 42, 44, 45

(260) AM 2019 96514 A
(800) 1387847
(151) 2017 11 24
(181) 2027 11 24
(891) 2017 11 24
(511) 03

(260) AM 2019 97041 A
(800) 1394580
(151) 2017 06 28
(181) 2027 06 28
(891) 2017 06 28
(511) 07, 09, 35, 38, 41, 42, 45

(260) AM 2019 97114 A
(800) 1395378
(151) 2017 11 30
(181) 2027 11 30
(891) 2017 11 30
(511) 31

(260) AM 2019 97275 A
(800) 1230520
(151) 2014 06 16
(181) 2024 06 16
(891) 2018 02 20
(511) 25, 28, 41

(260) AM 2019 97355 A
(800) 963147
(151) 2008 03 27
(181) 2028 03 27
(891) 2018 03 28
(511) 07, 09

(260) AM 2019 97358 A
(800) 1227460
(151) 2014 09 24
(181) 2024 09 24
(891) 2017 10 25
(511) 05

(260) AM 2019 97518 A
(800) 1398168
(151) 2017 12 27
(181) 2027 12 27
(891) 2017 12 27
(511) 09, 16, 41

(260) AM 2019 97522 A
(800) 1398322
(151) 2017 12 04
(181) 2027 12 04
(891) 2017 12 04
(511) 09

(260) AM 2019 97539 A
(800) 1398874
(151) 2018 02 12
(181) 2028 02 12
(891) 2018 02 12
(511) 12

(260) AM 2019 97554 A
(800) 1399171
(151) 2018 01 12
(181) 2028 01 12
(891) 2018 01 12
(511) 03

(260) AM 2019 97599 A
(800) 1399819
(151) 2017 09 18
(181) 2027 09 18
(891) 2017 09 18
(511) 09, 36

(260) AM 2019 97600 A
(800) 1399832
(151) 2017 09 19
(181) 2027 09 19
(891) 2017 09 19
(511) 29, 30, 35

(260) AM 2019 97601 A
(800) 1399845
(151) 2017 11 08
(181) 2027 11 08
(891) 2017 11 08
(511) 03

(260) AM 2019 97602 A
(800) 1399880
(151) 2017 12 11
(181) 2027 12 11
(891) 2017 12 11
(511) 07, 19, 20, 37, 42

(260) AM 2019 97603 A
(800) 1399897
(151) 2017 11 30
(181) 2027 11 30

(891) 2017 11 30
(511) 19

(260) AM 2019 97604 A
(800) 1399918
(151) 2018 01 10
(181) 2028 01 10
(891) 2018 01 10
(511) 11, 35

(260) AM 2019 97605 A
(800) 1399919
(151) 2018 01 10
(181) 2028 01 10
(891) 2018 01 10
(511) 12

(260) AM 2019 97607 A
(800) 1399985
(151) 2018 01 31
(181) 2028 01 31
(891) 2018 01 31
(511) 30

(260) AM 2019 97608 A
(800) 1399994
(151) 2018 01 09
(181) 2028 01 09
(891) 2018 01 09
(511) 03, 05, 35, 44

(260) AM 2019 97618 A
(800) 206412
(151) 1958 01 13
(181) 2028 01 13
(891) 2018 03 28
(511) 06

(260) AM 2019 97619 A
(800) 1104934
(151) 2011 04 20
(181) 2021 04 20
(891) 2017 11 09
(511) 01, 04

(260) AM 2019 97621 A
(800) 1186494
(151) 2013 10 29
(181) 2023 10 29
(891) 2018 03 20
(511) 09, 25

(260) AM 2019 97626 A
(800) 1400365
(151) 2017 07 06
(181) 2027 07 06
(891) 2017 07 06
(511) 07, 09, 11, 12

(260) AM 2019 97631 A
(800) 1400423
(151) 2018 02 02
(181) 2028 02 02
(891) 2018 02 02
(511) 09, 28

(260) AM 2019 97632 A
(800) 1400424
(151) 2018 02 01
(181) 2028 02 01
(891) 2018 02 01
(511) 09, 28

(260) AM 2019 97633 A
(800) 1400428
(151) 2018 02 20
(181) 2028 02 20
(891) 2018 02 20
(511) 09, 28

(260) AM 2019 97635 A
(800) 1400460
(151) 2017 12 26
(181) 2027 12 26
(891) 2017 12 26
(511) 09, 28

(260) AM 2019 97641 A
(800) 1400687
(151) 2018 01 25
(181) 2028 01 25
(891) 2018 01 25
(511) 09, 22, 24, 25

(260) AM 2019 97643 A
(800) 1400759
(151) 2017 11 14
(181) 2027 11 14
(891) 2017 11 14
(511) 06, 11, 17

(260) AM 2019 97645 A
(800) 1400815
(151) 2017 12 14
(181) 2027 12 14

(891) 2017 12 14
(511) 38, 41, 44

(260) AM 2019 97646 A
(800) 1400843
(151) 2017 10 26
(181) 2027 10 26
(891) 2017 10 26
(511) 03, 08, 18, 21, 26, 35

(260) AM 2019 97647 A
(800) 1400903
(151) 2018 02 06
(181) 2028 02 06
(891) 2018 02 06
(511) 29

(260) AM 2019 97648 A
(800) 1400907
(151) 2018 01 16
(181) 2028 01 16
(891) 2018 01 16
(511) 09, 35, 42

(260) AM 2019 97650 A
(800) 1401017
(151) 2017 11 06
(181) 2027 11 06
(891) 2017 11 06
(511) 10

(260) AM 2019 97658 A
(800) 1401288
(151) 2017 10 16
(181) 2027 10 16
(891) 2017 10 16
(511) 07, 35

(260) AM 2019 97660 A
(800) 1401370
(151) 2018 01 09
(181) 2028 01 09
(891) 2018 01 09
(511) 32

(260) AM 2019 97676 A
(800) 1384587
(151) 2017 09 06
(181) 2027 09 06
(891) 2018 03 29
(511) 05

(260) AM 2019 97711 A
(800) 1401520
(151) 2018 01 08
(181) 2028 01 08
(891) 2018 01 08
(511) 29, 30

(260) AM 2019 97712 A
(800) 1401549
(151) 2017 12 07
(181) 2027 12 07
(891) 2017 12 07
(511) 19

(260) AM 2019 97723 A
(800) 1401782
(151) 2018 02 14
(181) 2028 02 14
(891) 2018 02 14
(511) 09, 10

(260) AM 2019 97724 A
(800) 1401859
(151) 2018 03 16
(181) 2028 03 16
(891) 2018 03 16
(511) 05

(260) AM 2019 97726 A
(800) 1401949
(151) 2018 03 23
(181) 2028 03 23
(891) 2018 03 23
(511) 33

(260) AM 2019 97727 A
(800) 1402040
(151) 2017 12 14
(181) 2027 12 14
(891) 2017 12 14
(511) 05

(260) AM 2019 97729 A
(800) 1402083
(151) 2018 04 11
(181) 2028 04 11
(891) 2018 04 11
(511) 12

(260) AM 2019 97735 A
(800) 1402315
(151) 2017 10 16
(181) 2027 10 16

(891) 2017 10 16
(511) 30, 35

(260) AM 2019 97751 A
(800) 1148843
(151) 2012 12 27
(181) 2022 12 27
(891) 2018 05 02
(511) 05

(260) AM 2019 97754 A
(800) 1344919
(151) 2017 01 20
(181) 2027 01 20
(891) 2018 05 03
(511) 18, 25, 35

(260) AM 2019 97755 A
(800) 1386677
(151) 2017 08 09
(181) 2027 08 09
(891) 2018 04 26
(511) 18, 28, 37, 41

(260) AM 2019 97841 A
(800) 1403259
(151) 2017 06 26
(181) 2027 06 26
(891) 2017 06 26
(511) 08, 16, 22, 23, 24, 26, 28

(260) AM 2019 97864 A
(800) 1403763
(151) 2018 04 16
(181) 2028 04 16
(891) 2018 04 16
(511) 05

(260) AM 2019 97865 A
(800) 1403873
(151) 2017 10 20
(181) 2027 10 20
(891) 2017 10 20
(511) 09, 38, 41

(260) AM 2019 97866 A
(800) 1403892
(151) 2017 12 27
(181) 2027 12 27
(891) 2017 12 27
(511) 30, 32, 43

(260) AM 2019 97869 A
(800) 836751
(151) 2004 04 09
(181) 2024 04 09
(891) 2018 03 30
(511) 09

(260) AM 2019 97870 A
(800) 1073487
(151) 2011 03 08
(181) 2021 03 08
(891) 2018 05 08
(511) 16

(260) AM 2019 97871 A
(800) 1074202
(151) 2011 03 08
(181) 2021 03 08
(891) 2018 05 08
(511) 16

(260) AM 2019 97872 A
(800) 1329101
(151) 2016 05 09
(181) 2026 05 09
(891) 2018 02 12
(511) 03, 05, 35

(260) AM 2019 97873 A
(800) 1378095
(151) 2017 10 06
(181) 2027 10 06
(891) 2018 04 23
(511) 30

(260) AM 2019 97907 A
(800) 1403964
(151) 2017 11 14
(181) 2027 11 14
(891) 2017 11 14
(511) 06, 09, 25

(260) AM 2019 97909 A
(800) 1403991
(151) 2018 03 19
(181) 2028 03 19
(891) 2018 03 19
(511) 05

(260) AM 2019 97910 A
(800) 1404001
(151) 2017 02 10
(181) 2027 02 10

(891) 2017 02 10
(511) 01, 04, 06, 07, 09, 11, 12, 17

(260) AM 2019 97911 A
(800) 1404006
(151) 2017 05 10
(181) 2027 05 10
(891) 2017 05 10
(511) 03, 05, 10, 16, 24, 25

(260) AM 2019 97912 A
(800) 1404028
(151) 2017 09 25
(181) 2027 09 25
(891) 2017 09 25
(511) 16, 41

(260) AM 2019 97913 A
(800) 1404037
(151) 2017 11 15
(181) 2027 11 15
(891) 2017 11 15
(511) 09, 25, 41

(260) AM 2019 97914 A
(800) 1404043
(151) 2017 12 01
(181) 2027 12 01
(891) 2017 12 01
(511) 05, 16, 29, 30, 43, 44

(260) AM 2019 97915 A
(800) 1404078
(151) 2017 11 10
(181) 2027 11 10
(891) 2017 11 10
(511) 25

(260) AM 2019 97946 A
(800) 1125979
(151) 2012 06 06
(181) 2022 06 06
(891) 2018 04 09
(511) 01, 02, 16, 17

(260) AM 2019 97947 A
(800) 1159822
(151) 2013 02 06
(181) 2023 02 06
(891) 2018 05 15
(511) 30, 35, 39, 41, 42, 44

(260) AM 2019 97952 A
(800) 1213842
(151) 2014 06 13
(181) 2024 06 13
(891) 2018 05 08
(511) 03

(260) AM 2019 97953 A
(800) 1314275
(151) 2016 05 18
(181) 2026 05 18
(891) 2018 05 03
(511) 03

(260) AM 2019 97954 A
(800) 1379687
(151) 2017 10 24
(181) 2027 10 24
(891) 2018 04 26
(511) 03

(260) AM 2019 97955 A
(800) 1399844
(151) 2017 11 01
(181) 2027 11 01
(891) 2018 05 11
(511) 01, 04, 37, 39, 42

(260) AM 2019 98017 A
(800) 1405169
(151) 2017 12 22
(181) 2027 12 22
(891) 2017 12 22
(511) 30

(260) AM 2019 98018 A
(800) 1405174
(151) 2018 02 07
(181) 2028 02 07
(891) 2018 02 07
(511) 36

(260) AM 2019 98023 A
(800) 1405324
(151) 2018 03 05
(181) 2028 03 05
(891) 2018 03 05
(511) 09

(260) AM 2019 98024 A
(800) 1405339
(151) 2018 04 17
(181) 2028 04 17

(891) 2018 04 17
(511) 01

(260) AM 2019 98031 A
(800) 1405501
(151) 2017 12 08
(181) 2027 12 08
(891) 2017 12 08
(511) 09

(260) AM 2019 98033 A
(800) 1405532
(151) 2017 11 27
(181) 2027 11 27
(891) 2017 11 27
(511) 09

(260) AM 2019 98034 A
(800) 1405583
(151) 2018 02 21
(181) 2028 02 21
(891) 2018 02 21
(511) 09, 35, 36, 38, 39, 41, 42, 43, 45

(260) AM 2019 98035 A
(800) 1405591
(151) 2017 11 22
(181) 2027 11 22
(891) 2017 11 22
(511) 34

(260) AM 2019 98038 A
(800) 1405639
(151) 2018 01 31
(181) 2028 01 31
(891) 2018 01 31
(511) 36

(260) AM 2019 98089 A
(800) 1406637
(151) 2017 12 21
(181) 2027 12 21
(891) 2017 12 21
(511) 35

(260) AM 2019 98118 A
(800) 1407100
(151) 2018 03 12
(181) 2028 03 12
(891) 2018 03 12
(511) 01, 35

(260) AM 2019 98119 A
 (800) 1407122
 (151) 2018 03 08
 (181) 2028 03 08
 (891) 2018 03 08
 (511) 09, 38

(260) AM 2019 98127 A
 (800) 1407439
 (151) 2017 12 21
 (181) 2027 12 21
 (891) 2017 12 21
 (511) 09, 10, 28

(260) AM 2019 98120 A
 (800) 1407126
 (151) 2018 02 23
 (181) 2028 02 23
 (891) 2018 02 23
 (511) 09

(260) AM 2019 98130 A
 (800) 1407467
 (151) 2018 02 21
 (181) 2028 02 21
 (891) 2018 02 21
 (511) 09

(260) AM 2019 98121 A
 (800) 1407141
 (151) 2018 03 13
 (181) 2028 03 13
 (891) 2018 03 13
 (511) 03

(260) AM 2019 98139 A
 (800) 1203376
 (151) 2014 03 26
 (181) 2024 03 26
 (891) 2018 05 30
 (511) 29, 30, 32

(260) AM 2019 98122 A
 (800) 1407182
 (151) 2018 02 23
 (181) 2028 02 23
 (891) 2018 02 23
 (511) 35, 42

(260) AM 2019 98143 A
 (800) 1337606
 (151) 2017 01 23
 (181) 2027 01 23
 (891) 2018 04 25
 (511) 25

(260) AM 2019 98123 A
 (800) 1407216
 (151) 2017 11 27
 (181) 2027 11 27
 (891) 2017 11 27
 (511) 09

(260) AM 2019 98144 A
 (800) 1381315
 (151) 2017 09 20
 (181) 2027 09 20
 (891) 2018 04 27
 (511) 05

(260) AM 2019 98124 A
 (800) 1407245
 (151) 2017 11 17
 (181) 2027 11 17
 (891) 2017 11 17
 (511) 01, 03, 09, 11, 12, 14, 25, 28, 29, 32, 35, 36,
 38, 39, 41, 43

(260) AM 2019 98145 A
 (800) 1390094
 (151) 2018 01 05
 (181) 2028 01 05
 (891) 2018 04 26
 (511) 05

(260) AM 2019 98125 A
 (800) 1407357
 (151) 2018 03 29
 (181) 2028 03 29
 (891) 2018 03 29
 (511) 05

(260) AM 2019 98250 A
 (800) 1407613
 (151) 2018 04 09
 (181) 2028 04 09
 (891) 2018 04 09
 (511) 03, 05

(260) AM 2019 98316 A
 (800) 1409020
 (151) 2018 03 22

(181) 2028 03 22
(891) 2018 03 22
(511) 30

(260) AM 2019 98320 A
(800) 1409104
(151) 2018 03 19
(181) 2028 03 19
(891) 2018 03 19
(511) 05

(260) AM 2019 98331 A
(800) 1409672
(151) 2018 02 27
(181) 2028 02 27
(891) 2018 02 27
(511) 25, 35

(260) AM 2019 98334 A
(800) 1409709
(151) 2018 04 18
(181) 2028 04 18
(891) 2018 04 18
(511) 14

(260) AM 2019 98344 A
(800) 1409885
(151) 2018 02 15
(181) 2028 02 15
(891) 2018 02 15
(511) 35, 38, 41

(260) AM 2019 98345 A
(800) 1409917
(151) 2017 12 20
(181) 2027 12 20
(891) 2017 12 20
(511) 03

(260) AM 2019 98346 A
(800) 1409948
(151) 2018 02 20
(181) 2028 02 20
(891) 2018 02 20
(511) 03, 07, 08

(260) AM 2019 98356 A
(800) 1410151
(151) 2018 03 13
(181) 2028 03 13

(891) 2018 03 13
(511) 07, 37

(260) AM 2019 98357 A
(800) 1410152
(151) 2018 03 02
(181) 2028 03 02
(891) 2018 03 02
(511) 25

(260) AM 2019 98358 A
(800) 675962
(151) 1997 07 14
(181) 2027 07 14
(891) 2017 07 17
(511) 06, 20

(260) AM 2019 98365 A
(800) 1234372
(151) 2014 07 31
(181) 2024 07 31
(891) 2018 02 14
(511) 25

(260) AM 2019 98367 A
(800) 1310362
(151) 2016 05 20
(181) 2026 05 20
(891) 2018 05 15
(511) 05

(260) AM 2019 98368 A
(800) 1331354
(151) 2016 10 26
(181) 2026 10 26
(891) 2018 05 15
(511) 05

APPELLATIONS OF ORIGIN OF GOODS

AMENDMENTS IN AOS REGISTRATION

KHVANCHKARA

(Reg. №1, Date: 14 07 2005)

In accordance of Order No. 52106/06 19.06.2019 of Deputy of Chief of the Department of GIs and Designs of LEPL National Intellectual Property Centre of Georgia – SAKPATENTI was made amendments in the specification of AO wine KHVANCHKARA registered at SAKPATENTI – IP National Centre of Georgia.

Regarding of said, accordingly Law of Georgia about AOs and GIs of Goods, information is published in Industrial Property Official Bulletin of Georgia. Within three months from data publication the remarks and additional information represented in SAKPATENTI is sent to Ministry of corresponding field to be researched. If no information will be arrived in SAKPATENTI within three months, published data about KHVANCHKARA specification amendments will be reflected in corresponding register.

PARAGRAPH 15 SHALL BE ADDED TO THE SPECIFICATION WITH FOLLOWING REDACTION:

"15. Transitional provisions

Regardless of Paragraph 9 of the Specification, grape processing and wine production is permitted out of the borders of the micro-zone Khvanchkara too, in the territory of Georgia, until December, 2020"

**APPELLATIONS OF ORIGIN OF GOODS FILED IN GEORGIA FOR EXAMINATION
UNDER LISBON AGREEMENT, ON THE BASIS OF THE INTERNATIONAL
REGISTRATION**

The decision can be appealed at the Chamber of Appeal of Sakpatenti within 3 months from the publication or at the Mtskheta District Court Administrative Cases Board (Address: №17, Samkhedro str., Mtskheta), within 1 month after publication.

Number of Identification: 1545
 Number of International Registration: 1111
 Data of International Registration: 2018 04 15
 Application Filing Date: 2018 06 09
 Appellation of Origin of Good: ABGINEH TEHRAN
 The Goods for which the Registration of Appellation of Origin is Required: 21 – Glassware.
 Name and Address of Applicant: Producer or groups of producers benefiting from the appellation of origin concerned: The Institute of Crafts Artists and Craftsmen Association./Shahre Rey (City of Rey) of Tehran Province./, Iran

Number of Identification: 1546
 Number of International Registration: 1112
 Data of International Registration: 2018 05 12
 Application Filing Date: 2018 06 09
 Appellation of Origin of Good: YAHUALICA
 The Goods for which the Registration of Appellation of Origin is Required: 31 – Chili.
 Name and Address of Applicant: The Mexican State shall be the holder of the Appellation of Origin "YAHUALICA" and the latter may only be used by means of authorization issued by the Mexican Institute of Industrial Property to natural or legal persons meeting the requirements established in Article 169 of the Law of Industrial Property. / The region for the Yahualica Appellation of Origin is made up of 11 municipalities, 9 of which are located in the Los Altos region of the State of Jalisco and correspond to Yahualica de González Gallo, Mexticacán, Teocaltiche, Cañadas de Obregón, Jalostotitlán, Encarnación de Díaz, Villa Hidalgo, Cuquío and Ixtlahuacán del Río, and 2 municipalities in the State of Zacatecas, Nochistlán de Mejía and Apulco. /, Mexico

Number of Identification: 4722
Number of International Registration: 1113
Data of International Registration: 2018 06 19
Application Filing Date: 2018 10 23
Appellation of Origin of Good: GAZZ E ISFAHAN E IRAN
The Goods for which the Registration of Appellation of Origin is Required: 30 – Gaz (Persian Nougat).
Name and Address of Applicant: Producer or groups of producers benefiting from the appellation of origin concerned. Institute of the Union for the production and sale of Gaz and confectionery in Isfahan. /
Region of Isfahan city, Iran

Number of Identification: 4723
Number of International Registration: 1114
Data of International Registration: 2018 06 19
Application Filing Date: 2018 10 23
Appellation of Origin of Good: TERAVERTAN E MAHALLAT
The Goods for which the Registration of Appellation of Origin is Required: 1 – Travertine.
Name and Address of Applicant: Producer or groups of producers benefiting from the appellation of origin concerned. Industrial Estates Corporation of Markazi Province.
Region of Mahallat County., Iran

OFFICIAL NOTIFICATION

INVENTIONS

RENEWALL OF PATENTS

(21) AP 2013 13532

(11) P 2017 6767 B

(73) Chiesi Farmaceutici S.P.A.

(54) **DRY POWDER FORMULATION COMPRISING A CORTICOSTEROID AND A BETA-ADRENERGIC FOR ADMINISTRATION BY INHALATION**

DATE OF CANCELLATION OF PATENT: 2019 01 23

DATE OF RESTORATION OF PATENT: 2019 06 25

(21) AP 2015 14335

(11) P 2018 6888 B

(73) JSC "OLAINPHARM"

(54) **PHARMACEUTICAL COMPOSITION FOR THE PREVENTION AND TREATMENT OF DISEASES ASSOCIATED WITH ELEVATED INDUCIBLE NITRIC**

DATE OF CANCELLATION OF PATENT: 2019 05 14

DATE OF RESTORATION OF PATENT: 2019 06 25

ABOLITION OF PATENTS WITH THE RIGHT TO RESTORE

(21) AP 2007 10111

(11) P 2009 4643 B

(73) Devi Vasadze

(54) **REMOTELY OPERATED COMPLEX SYSTEM OF CABLE COMMUNICATION**

DATE OF CANCELLATION OF PATENT: 2019 06 05

THE TERM OF RESTORATION OF PATENT VALIDITY HAS EXPIRED: 2020 06 05

(21) AP 2010 11815

(11) P 2013 5759 B

(73) Anzor Getsadze;

Leila Getsadze

(54) **COLLECTION TREATING GASTRITIS, COLITIS AND CATARRH**

DATE OF CANCELLATION OF PATENT: 2019 05 28

THE TERM OF RESTORATION OF PATENT VALIDITY HAS EXPIRED: 2020 05 28

(21) AP 2010 11816

(11) P 2013 5760 B

(73) Anzor Getsadze;

Leila Getsadze;

Tamar Machitidze;

natali samxaradze

(54) **DRUG TREATING HIGHMORITIS AND FRONTITIS**

DATE OF CANCELLATION OF PATENT: 2019 05 28

THE TERM OF RESTORATION OF PATENT VALIDITY HAS EXPIRED: 2020 05 28

(21) AP 2010 11817

(11) P 2013 5761 B

(73) Anzor Getsadze;
Leila Getsadze

(54) **VEGETABLE COLLECTION TREATING BRONCHITIS (ACUTE, HRONIC)
AND BRONCHIAL ASTHMA**

DATE OF CANCELLATION OF PATENT: 2019 05 28

THE TERM OF RESTORATION OF PATENT VALIDITY HAS EXPIRED: 2020 05 28

(21) AP 2010 11818

(11) P 2013 5762 B

(73) Anzor Getsadze;
Leila Getsadze

(54) **COLLECTION TREATING HEMORRHOID**

DATE OF CANCELLATION OF PATENT: 2019 05 28

THE TERM OF RESTORATION OF PATENT VALIDITY HAS EXPIRED: 2020 05 28

(21) AP 2010 12510

(11) P 2014 6190 B

(73) H. Lundbeck A/S

(54) **PREPARATION OF NALMEFENE HYDROCHLORIDE FROM NALTREXONE**

DATE OF CANCELLATION OF PATENT: 2019 05 21

THE TERM OF RESTORATION OF PATENT VALIDITY HAS EXPIRED: 2020 05 21

(21) AP 2013 13108

(11) P 2015 6272 B

(73) Levan Nikoladze;
Viacheslav Zagaruichenko

(54) **SCREW TURBINE**

DATE OF CANCELLATION OF PATENT: 2019 06 05

THE TERM OF RESTORATION OF PATENT VALIDITY HAS EXPIRED: 2020 06 05

(21) AP 2012 13332

(11) P 2016 6529 B

(73) AKZO NOBEL CHEMICALS INTERNATIONAL B.V.

(54) **DEICING COMPOSITION**

DATE OF CANCELLATION OF PATENT: 2019 06 05

THE TERM OF RESTORATION OF PATENT VALIDITY HAS EXPIRED: 2020 06 05

(21) AP 2012 13333

(11) P 2016 6530 B

(73) AKZO NOBEL CHEMICALS INTERNATIONAL B.V.

(54) **DEICING COMPOSITION**

DATE OF CANCELLATION OF PATENT: 2019 06 05

THE TERM OF RESTORATION OF PATENT VALIDITY HAS EXPIRED: 2020 06 05

(21) AP 2014 13487

(11) P 2016 6427 B

(73) Nikoloz Margiani;
Zurab Adamia
Revaz Kokhraidze;
Giorgi Mumladze;

Natela Papunashvili;
Dali Dzanashvili

(54) **HIGH-TEMPERATURE SUPERCONDUCTING CERAMICS**

DATE OF CANCELLATION OF PATENT: 2019 06 05

THE TERM OF RESTORATION OF PATENT VALIDITY HAS EXPIRED: 2020 06 05

(21) AP 2014 13488

(11) P 2016 6428 B

(73) Nikoloz Margiani;

Zurab Adamia

Revaz Kokhreidze;

Giorgi Mumladze;

Natela Papunashvili;

Dali Dzanashvili

(54) **HIGH-TEMPERATURE SUPERCONDUCTING CERAMICS**

DATE OF CANCELLATION OF PATENT: 2019 06 05

THE TERM OF RESTORATION OF PATENT VALIDITY HAS EXPIRED: 2020 06 05

(21) AP 2016 14155

(11) P 2018 6814 B

(73) Georgian Technical University

(54) **CRITICAL METEOROLOGICAL SITUATION MONITORING, DETECTION AND NOTIFICATION SYSTEM**

DATE OF CANCELLATION OF PATENT: 2019 05 24

THE TERM OF RESTORATION OF PATENT VALIDITY HAS EXPIRED: 2020 05 24

(21) AP 2015 14338

(11) P 2018 6922 B

(73) CHIESI FARMACEUTICI S.P.A.

(54) **AMINOESTER DERIVATIVES**

DATE OF CANCELLATION OF PATENT: 2019 06 03

THE TERM OF RESTORATION OF PATENT VALIDITY HAS EXPIRED: 2020 06 03

(21) AP 2005 9723

(11) P 2011 5316 B

(73) Interdigital Technology Corporation

(54) **METHOD AND DEVICE FOR SUPPORTING SHORT MESSAGE SERVICE**

DATE OF CANCELLATION OF PATENT: 2019 05 25

THE TERM OF RESTORATION OF PATENT VALIDITY HAS EXPIRED: 2020 05 25

EXPIRATION OF TERM OF RESTORATION OF PATENTS

(21) AP 2007 10102

(11) P 2008 4429 B

(73) Giorgi Gureshidze

(54) **DEVICE FOR WEAVING LATERAL AND FACE MESH PANELS OF THE SPACE CARCASE**

DATE OF CANCELLATION OF PATENT: 2018 05 29

THE TERM OF RESTORATION OF PATENT VALIDITY HAS EXPIRED: 2019 05 29

(21) AP 2006 10483

(11) P 2009 4787 B

(73) Aziende Chimiche Riunite Angelini Francesco A.C.R.A.F. S.p.A.

(54) **PHARMACEUTICAL COMPOSITION COMPRISING A 1-(3-CHLORO-PHENYL)-3-ALKYL PIPERAZINE FOR TREATING APPETITE DISORDER**

DATE OF CANCELLATION OF PATENT: 2018 06 02

THE TERM OF RESTORATION OF PATENT VALIDITY HAS EXPIRED: 2019 06 02

(21) AP 2008 11569

(11) P 2012 5582 B

(73) NOVARTIS AG

(54) **EXTENDED-RELEASE COMPOSITION COMPRISING SOMATOSTATIN DERIVATIVE IN MICROPARTICLES**

DATE OF CANCELLATION OF PATENT: 2018 05 23

THE TERM OF RESTORATION OF PATENT VALIDITY HAS EXPIRED: 2019 05 23

(21) AP 2010 12512

(11) P 2015 6223 B

(73) Intermune Inc.

(54) **IMPROVED METHOD FOR SYNTHESIZING PIRFENIDONE**

DATE OF CANCELLATION OF PATENT: 2018 06 02

THE TERM OF RESTORATION OF PATENT VALIDITY HAS EXPIRED: 2019 06 02

(21) AP 2016 14157

(11) P 2017 6806 B

(73) Goga Chakhaya;

Levan Tsulukidze;

Robert Diakonidze;

Nugzar Kvashilava;

Shorena Kupreishvili;

Irina Khubulava

(54) **LATTICE-TYPE CONSTRUCTION PROTECTING FROM MUD FLOW**

DATE OF CANCELLATION OF PATENT: 2018 05 27

THE TERM OF RESTORATION OF PATENT VALIDITY HAS EXPIRED: 2019 05 27

(21) AP 2016 14158

(11) P 2017 6807 B

(73) Goga Chakhaya;

Levan Tsulukidze;

Robert Diakonidze;

Nugzar Kvashilava;

Shorena Kupreishvili;

Irina Khubulava

(54) **INTERFACE CONSTRUCTION PROTECTING FROM MUD FLOW**

DATE OF CANCELLATION OF PATENT: 2018 05 27

THE TERM OF RESTORATION OF PATENT VALIDITY HAS EXPIRED: 2019 05 27

ISSUING ADDITIONAL CERTIFICATE OF PROTECTION

(11) **P 2012 5522 B**
(10) AP 2011 11599 A
(21) AP 2008 11599
(22) 2008 05 13
(54) **NOVEL PIPERAZINE SALTS AS D3/D2 ANTAGONISTS**
Estimated term of patent validity: 2033 05 13

UTILITY MODELS

RENEWAL OF PATENT

(21) AP 2007 10102
(11) **P 2008 4429 B**
(73) Giorgi Gureshidze
(54) **DEVICE FOR WEAVING LATERAL AND FACE MESH PANELS OF THE SPACE CARCASE**
DATE OF CANCELLATION OF PATENT: 2018 05 29
DATE OF RESTORATION OF PATENT: 2019 05 29

ABOLITION OF PATENT WITH THE RIGHT TO RESTORE

(21) AU 2013 13112
(11) **U 2014 1825 Y**
(73) Elguja Shapakidze;
Vladimir Miruashvili
(54) **DEVICE REELING THREAD FROM COCOON**
DATE OF CANCELLATION OF PATENT: 2019 06 06
MODEL RESTORATION IS AVAILABLE: 2020 06 06

EXPIRATION OF TERM OF RESTORATION OF PATENT

(21) AU 2015 13851
(11) **U 2017 1933 Y**
(73) Tamar Kuchava
(54) **INSTRUMENT FOR HAIRCUTTING**
DATE OF CANCELLATION OF PATENT: 2018 06 09
THE TERM OF RESTORATION OF PATENT VALIDITY HAS EXPIRED: 2019 06 09

DESIGNS

CANCELLATION OF REGISTRATION

(11) D 2014 574 S

(73) Ministry of Internal Affairs of Georgia (GE)

C. Gulua str. 10, 0114, Tbilisi, Georgia (GE)

(54) **ATTRIBUTES OF PATROL POLICE SERVANTS UNIFORM OF MINISTRY OF INTERNAL AFFAIRS: INSIGNIA, EMBLEMS, AND ARM SIGN; ATTRIBUTES OF DISTRICT INSPECTOR UNIFORM OF MINISTRY OF INTERNAL AFFAIRS: INSIGNIA, EMBLEMS, ARM SIGN, AND BADGE; EMBLEMS OF SPECIAL EMERGENCY SITUATIONS CENTER SERVANTS UNIFORM OF MINISTRY OF INTERNAL AFFAIRS; BANNER OF LEPL SECURITY POLICY DEPARTMENT, AND ATTRIBUTES OF SERVANTS UNIFORM: INSIGNIA, EMBLEMS, ARM SIGN, BADGE, AND LOGO; LOGO AND EMBLEMS OF SERVANTS UNIFORM OF LEPL SERVICE AGENCY; BANNER OF LEPL "112" AND ATTRIBUTES OF SERVANTS UNIFORM: INSIGNIA, EMBLEMS, ARM SIGN, BADGE, AND BREASTPLATE; LOGO OF PERSONNEL MAIN DIVISION OF MINISTRY OF INTERNAL AFFAIRS; BANNER OF MINISTRY OF INTERNAL AFFAIRS; ARMS COAT OF MINISTRY OF INTERNAL AFFAIRS.**

(18) 2018 11 22

(58) 2019 06 13

(11) D 2014 575 S

(73) Ministry of Internal Affairs of Georgia (GE)

C. Gulua str. 10, 0114, Tbilisi, Georgia (GE)

(54) **UNIFORM OF PATROL POLICE SERVANTS OF MINISTRY OF INTERNAL AFFAIRS; UNIFORM OF PATROL POLICE SERVANTS OF MINISTRY OF INTERNAL AFFAIRS; UNIFORM OF DISTRICT INSPECTORS OF MINISTRY OF INTERNAL AFFAIRS; UNIFORM OF SPECIAL AND EMERGENCY SITUATIONS CENTER SERVANTS OF MINISTRY OF INTERNAL AFFAIRS; UNIFORM OF GENERAL INSPECTION OF MINISTRY OF INTERNAL AFFAIRS; UNIFORM OF LEPL SECURITY POLICY DEPARTMENT SERVANTS; UNIFORM OF LEPL SERVICE AGENCY SERVANTS; OUTERWEAR OF LEPL ACADEMY SERVANTS; UNIFORM OF LEPL "112" SERVANTS; UNIFORM OF EXPERTISE-CRIMINALISTICS MAIN DIVISION SERVANTS OF MINISTRY OF INTERNAL AFFAIRS; UNIFORM OF PERSONNEL MAIN DIVISION SERVANTS OF MINISTRY OF INTERNAL AFFAIRS; UNIFORM OF PROTECTION OF HUMAN RIGHTS AND MONITORING MAIN DIVISION SERVANTS OF MINISTRY OF INTERNAL AFFAIRS**

(18) 2018 11 22

(58) 2019 06 13

(11) D 2014 582 S

(73) Giorgi Gakaria (GE)

Delisi II St. 24, 0177, Tbilisi, Georgia (GE)

(54) **CONSTRUCTION WITH MONITOR FOR ADVERTISING**

(18) 2018 12 11

(58) 2019 06 13

TRADEMARKS

RENEWAL OF REGISTRATIONS

<p>(111) M 1999 11462 R2 (156) 1999 02 10 (186) 2029 02 10 (732) RED BULL GMBH Am Brunnen 1, A-5330 Fuschl am See, Austria</p>	<p>235 East 42 nd Street, New York, NY 10017, USA</p>
<p>(111) M 1999 11463 R2 (156) 1999 02 10 (186) 2029 02 10 (732) RED BULL GMBH Am Brunnen 1, A-5330 Fuschl am See, Austria</p>	<p>(111) M 1999 12493 R2 (156) 1999 07 12 (186) 2029 07 12 (732) BRIDGESTONE CORPORATION 1-1, Kyobashi 3-Chome, Chuo-ku, Tokyo, Japan</p>
<p>(111) M 1999 11464 R2 (156) 1999 02 10 (186) 2029 02 10 (732) RED BULL GMBH Am Brunnen 1, A-5330 Fuschl am See, Austria</p>	<p>(111) M 1999 12627 R2 (156) 1999 08 24 (186) 2029 08 24 (732) TOYOTA JIDOSHA KABUSHIKI KAISHA (also trading as TOYOTA MOTOR CORPORATION) 1, Toyota-cho, Toyota-shi, Aichi-ken, Japan</p>
<p>(111) M 1999 11893 R2 (156) 1999 04 26 (186) 2029 04 26 (732) DR. THEISS NATURWAREN GmbH Michelinstrasse 10, 66424 Homburg, Germany</p>	<p>(111) M 2008 18828 R1 (156) 2008 11 03 (186) 2028 11 03 (732) JSC "Corporation KINDZMARAU LI" I. Chavchavadzis q. 55, 4800, Kvareli, Georgia</p>
<p>(111) M 1999 11894 R2 (156) 1999 04 26 (186) 2029 04 26 (732) DR. THEISS NATURWAREN GmbH Michelinstrasse 10, 66424 Homburg, Germany</p>	<p>(111) M 2009 19094 R1 (156) 2009 02 13 (186) 2029 02 13 (732) LTD "T.B.T. GROUP" Gamsakhurdias gamz. 24a, b. 18, 0194, Tbilisi, Georgia</p>
<p>(111) M 1999 11895 R2 (156) 1999 04 26 (186) 2029 04 26 (732) DR. THEISS NATURWAREN GmbH Michelinstrasse 10, 66424 Homburg, Germany</p>	<p>(111) M 1999 12522 R2 (156) 1999 07 12 (186) 2029 07 12 (732) NISSAN JIDOSHA KABUSHIKI KAISHA (also trading as Nissan Motor Co., LTD) 2 Takaracho, Kanagawa-ku, Yokohama-shi, Kanagawa-ken, Japan</p>
<p>(111) M 1999 12660 R2 (156) 1999 08 24 (186) 2029 08 24 (732) WYETH LLC</p>	<p>(111) M 2008 18885 R1 (156) 2008 11 17 (186) 2028 11 17 (732) JSC "ARGO" Lilo, lochinis Khevi (nakv.05/001), 0151, Tbilisi, Georgia</p>

(111) M 2008 18886 R1

(156) 2008 11 17

(186) 2028 11 17

(732) JSC "ARGO"

Lilo, lochinis Khevi (nakv.05/001), 0151,
Tbilisi, Georgia

(111) M 2008 18990 R1

(156) 2008 12 15

(186) 2028 12 15

(732) SIMMONS & SIMMONS LLP

City Point, One Ropemaker Street, London,
EC2Y 9SS, United Kingdom

(111) M 1999 12094 R2

(156) 1999 05 10

(186) 2029 05 10

(732) KUTEQS, INK.

One New York Plaza, NEW YORK, NY
10004, USA

(111) M 2009 19159 R1

(156) 2009 03 30

(186) 2029 03 30

(732) JSC "Corporation KINDZMARAULI"

I. Chavchavadzis q. 55, 4800, Kvareli,
Georgia

(111) M 2009 19294 R1

(156) 2009 05 15

(186) 2029 05 15

(732) JSC "Corporation KINDZMARAULI"

I. Chavchavadzis q. 55, 4800, Kvareli,
Georgia

(111) M 2009 19295 R1

(156) 2009 05 15

(186) 2029 05 15

(732) JSC "Corporation KINDZMARAULI"

I. Chavchavadzis q. 55, 4800, Kvareli,
Georgia

(111) M 2009 19252 R1

(156) 2009 04 29

(186) 2029 04 29

(732) SRI LANKA TEA BOARD

Tii Promoushen Daivijeni, 574/1 Gale Roudi,
Kolombo 3, Sri Lanka

(111) M 2009 19246 R1

(156) 2009 04 21

(186) 2029 04 21

(732) ESSITY HYGIENE AND HEALTH

AKTIEBOLAG

SE-40503 Göteborg, Sweden

(111) M 2009 19345 R1

(156) 2009 05 15

(186) 2029 05 15

(732) GYM-MARK, INC., a California Corporation

71 Stevenson Street, Suite 2200, San-
Francisco, CA 94105, USA

(111) M 2009 19531 R1

(156) 2009 07 13

(186) 2029 07 13

(732) NGK SPARK PLUG CO., LTD

14-18, Takatsuji-cho, Mizuho-ku, Nagoya
City, 467-8525, Japan

(111) M 2009 19532 R1

(156) 2009 07 13

(186) 2029 07 13

(732) NGK SPARK PLUG CO., LTD

14-18, Takatsuji-cho, Mizuho-ku, Nagoya
City, 467-8525, Japan

(111) M 2009 19580 R1

(156) 2009 07 24

(186) 2029 07 24

(732) PANASONIC CORPORATION

1006, Oaza Kadoma, Kadoma-Shi, Osaka
571-8501, Japan

(111) M 2009 19867 R1

(156) 2009 10 16

(186) 2029 10 16

(732) LTD "STRATEGY"

Ul. Bolshaya Pushkarskaya 20, Litera A,
Office 5-311, 199155, Sankt-Petersburg,
Russian Federation

(111) M 2009 19868 R1

(156) 2009 10 16

(186) 2029 10 16

(732) LTD "STRATEGY"

Ul. Bolshaya Pushkarskaya 20, Litera A,
Office 5-311, 199155, Sankt-Petersburg,
Russian Federation

(111) M 2009 19785 R1

(156) 2009 09 11

(186) 2029 09 11

(732) ASTEX PHARMACEUTICALS INC.

4420 Rosewood Drive, Suite 200 Pleasanton,
California 94588, USA

(111) M 1999 12853 R2

(156) 1999 10 22

(186) 2029 10 22

(732) ATOMIC AUSTRIA G.m.b.H.

Atomic Straße 1, 5541 Altenmarkt im Pongau,
Austria

(111) M 1999 11715 R2

(156) 1999 03 16

(186) 2029 03 16

(732) REEMTSMA CIGARETTENFABRIKEN
GMBH

Max-Born-Strasse 4, D-22761 Hamburg,
Germany

(111) M 1999 12170 R2

(156) 1999 05 12

(186) 2029 05 12

(732) THE YOKOHAMA RUBBER CO., LTD

36-11, Shimbashi 5-chome, Minato-ku, Tokio,
Japan

(111) M 1999 12112 R2

(156) 1999 05 10

(186) 2029 05 10

(732) IVECO S.p.A.

Via Puglia 35, Turin, P/C 10156, Italy

(111) M 1999 12147 R2

(156) 1999 05 12

(186) 2029 05 12

(732) DR. THEISS NATURWAREN GmbH

Michelinstrasse 10, 66424 Homburg,
Germany

(111) M 1999 12114 R2

(156) 1999 05 10

(186) 2029 05 10

(732) DIESEL S.P.A.

Via dell' Industria 4-6, 36042 Breganze (VI),
Italy

(111) M 1999 12088 R2

(156) 1999 05 10

(186) 2029 05 10

(732) EUROPCAR INTERNATIONAL (S.A.S.U.)

3 Avenue du Centre, Guyancourt 78280, France

(111) M 1999 12318 R2

(156) 1999 05 27

(186) 2029 05 27

(732) RHEINMETALL AUTOMOTIVE AG

Karl-Schmidt-Strasse 2-8, 74172 Neckarsulm,
Germany

(111) M 1999 12274 R2

(156) 1999 05 17

(186) 2029 05 17

(732) JOHNSON & JOHNSON

One Johnson & Johnson Plaza, New
Brunswick, New Jersey 08933, USA

(111) M 1999 12476 R2

(156) 1999 07 09

(186) 2029 07 09

(732) SEIKO HOLDINGS KABUSHIKI

KAISHA (trading as SEIKO HOLDINGS
CORPORATION)

5-11, Ginza, 4-Chome, Chuo-ku, Tokyo,
Japan

COMPLETE TRANSFER OF RIGHTS

(111) M 1997 6302 R
(732) BYK-CHEMIE GMBH
Abelstrasse 45, 46483 Wesel, Germany
(770) POLYAD SERVICES GMBH
Stubenwald-Allee 21, 64625 Bensheim,
Germany
(580) 07 05 2019

(111) M 1997 6061 R
(732) BYK-CHEMIE GMBH
Abelstrasse 45, 46483 Wesel, Germany
(770) POLYAD SERVICES GMBH
Stubenwald-Allee 21, 64625 Bensheim,
Germany
(580) 07 05 2019

(111) M 1997 6062 R
(732) BYK-CHEMIE GMBH
Abelstrasse 45, 46483 Wesel, Germany
(770) POLYAD SERVICES GMBH
Stubenwald-Allee 21, 64625 Bensheim,
Germany
(580) 07 05 2019

(111) M 2007 18017 R
(732) KIA MOTORS CORPORATION
12, Heolleung-ro, Seocho-gu, Seuli, Republic
of Korea
(770) HYUNDAI CORPORATION
226, Shinmunro-1ka, Jongno-gu, Seoul,
Republic of Korea
(580) 27 05 2019

(111) M 1999 12094 R
(732) KUTEQS, INK.
One New York Plaza, NEW YORK, NY
10004, USA
(770) REVLON CONSUMER PRODUCTS
CORPORATION, a Corporation of the state
of Delaware
One New York Plaza, NEW YORK, NY
10004, USA
(580) 13 05 2019

(111) M 2009 19867 R
(732) LTD "STRATEGY"
Ul. Bolshaya Pushkarskaya 20, Litera A,
Office 5-311, 199155, Sankt-Petersburg,
Russian Federation

(770) LTD "BIOTEKH"
Ul. Uralskaya, Dom 17, Korpus 3, Liter E,
199155, Sankt-Petersburg, Russian Federation
(580) 27 05 2019

(111) M 2009 19868 R
(732) LTD "STRATEGY"
Ul. Bolshaya Pushkarskaya 20, Litera A,
Office 5-311, 199155, Sankt-Petersburg,
Russian Federation
(770) LTD "BIOTEKH"
Ul. Uralskaya, Dom 17, Korpus 3, Liter E,
199155, Sankt-Petersburg, Russian
Federation
(580) 27 05 2019

(111) M 2014 24459 R
(732) LTD "ARQI PROMOUSHEN"
Kipshidzis q. Shesakhvevi 15,
Vake-saburtalos Raioni, Tbilisi, Georgia
(770) LTD "ARQI"
Gamrekelis q. 19, 0160, Tbilisi Georgia
(580) 29 05 2019

(111) M 1997 4390 R
(732) THE BLACK & DECKER CORPORATION
701 East Joppa Road, Towson, Maryland
21286, Georgia
(770) IRWIN INDUSTRIAL TOOL COMPANY
701 East Joppa Road, Towson, Maryland
21286, USA
(580) 07 06 2019

CHANGES OF NAMES AND/OR ADDRESS OF OWNERS

-
- (111) M 2019 30854 R
 (732) BADRI BAGHATELIA
 Ir. Abashidzis q. 70, B. 76, 0162, Tbilisi,
 Georgia
 (770) BADRI BAGATELIA
 Irakli Abashidzis q. 24, b. 26, 0179, Tbilisi,
 Georgia
 (580) 06 05 2019
-
- (111) M 1999 12660 R
 (732) WYETH LLC
 235 East 42 nd Street, New York, NY 10017,
 USA
 (770) WYETH LLC
 Five Giralda Farms, Madison, New Jersey,
 07940, USA
 (580) 22 05 2019
-
- (111) M 1999 12623 R
 (732) E.I. DU PONT de NEMOURS and
 COMPANY
 Chestnut Run Plaza, 974 Centre Road,
 Wilmington, DE 19805, USA
 (770) E.I. DU PONT de NEMOURS and
 COMPANY
 1007 Market Street, Wilmington, Delaware
 19898, USA
 (580) 03 06 2019
-
- (111) M 2007 17791 R
 (732) BRISTOL-MYERS SQUIBB HOLDINGS
 IRELAND UNLIMITED COMPANY
 Hinterbergstrasse 16, 6312 Steinhausen,
 Switzerland
 (770) BRISTOL-MYERS SQUIBB HOLDINGS
 IRELAND
 Hinterbergstrasse 16, 6312 Steinhausen,
 Switzerland
 (580) 07 06 2019
-
- (111) M 2007 17792 R
 (732) BRISTOL-MYERS SQUIBB HOLDINGS
 IRELAND UNLIMITED COMPANY
 Hinterbergstrasse 16, 6312 Steinhausen,
 Switzerland
 (770) BRISTOL-MYERS SQUIBB HOLDINGS
 IRELAND
 Hinterbergstrasse 16, 6312 Steinhausen,
 Switzerland
 (580) 07 06 2019
-
- (111) M 1999 12094 R
 (732) REVLON CONSUMER PRODUCTS
 CORPORATION
 a Corporation of the state of Delaware
 One New York Plaza, NEW YORK, NY
 10004, USA
 (770) REVLON CONSUMER PRODUCTS
 CORPORATION, a Corporation of the state
 of Delaware
 237 Park Avenue, New York, New York
 10017, USA
 (580) 13 05 2019
-
- (111) M 2009 19345 R
 (732) GYM-MARK, INC.
 a California Corporation
 71 Stevenson Street, Suite 2200, San
 Francisco, CA 94105, USA
 (770) GYM-MARK, INC.
 a California Corporation
 500 Howard Street, San-Francisco, CA 94105,
 USA
 (580) 14 05 2019
-
- (111) M 2009 19867 R
 (732) LTD "BIOTEKH"
 Ul. Uralskaya, Dom 17, Korpus 3, Liter E,
 199155, Sankt-Petersburg, Russian Federation
 (770) LTD "BIOTEKH"
 V.O. Sredniy Pr., dom. 41, kvart. 208, 199004,
 Sankt-Petersburg, Russian Federation
 (580) 27 05 2019
-
- (111) M 2009 19868 R
 (732) LTD "BIOTEKH"
 Ul. Uralskaya, Dom 17, Korpus 3, Liter E,
 199155, Sankt-Petersburg, Russian Federation
 (770) LTD "BIOTEKH"
 V.O. Sredniy Pr., dom. 41, kvart. 208, 199004,
 Sankt-Petersburg, Russian Federation
 (580) 27 05 2019
-
- (111) M 2009 19602 R
 (732) "G-M-P" LTD
 Sop. Ponitchala 65, 0165, Tbilisi, Georgia
 (770) "G-M-P" LTD
 Zemo Vedzisi Str. 103, 0160, Tbilisi, Georgia
 (580) 14 05 2019
-

(111) M 2009 19603 R
(732) "G-M-P" LTD
Sop. Ponitchala 65, 0165, Tbilisi, Georgia
(770) "G-M-P" LTD
Zemo Vedzisi Str. 103, 0160, Tbilisi Georgia
(580) 14 05 2019

(111) M 2009 19604 R
(732) "G-M-P" LTD
Sop. Ponitchala 65, 0165, Tbilisi, Georgia
(770) "G-M-P" LTD
Zemo Vedzisi Str. 103, 0160, Tbilisi Georgia
(580) 14 05 2019

(111) M 2009 19605 R
(732) "G-M-P" LTD
Sop. Ponitchala 65, 0165, Tbilisi, Georgia
(770) "G-M-P" LTD
Zemo Vedzisi Str. 103, 0160, Tbilisi Georgia
(580) 14 05 2019

(111) M 2009 20076 R
(732) "G-M-P" LTD
Sop. Ponitchala 65, 0165, Tbilisi, Georgia
(770) "G-M-P" LTD
Zemo Vedzisi Str. 103, 0160, Tbilisi Georgia
(580) 14 05 2019

(111) M 2009 19785 R
(732) ASTEX PHARMACEUTICALS, INC.
4420 Rosewood Drive, Suite 200 Plessanton,
California 94588, USA
(770) ASTEX PHARMACEUTICALS, INC.
4140 Dublin Blvd., Suite 200, Dublin,
California 94568, USA
(580) 07 05 2019

(111) M 2009 19785 R
(732) ASTEX PHARMACEUTICALS, INC.
4140 Dublin Blvd., Suite 200, Dublin,
California 94568, USA
(770) SUPERGEN, INC.
4140 Dublin Blvd., Suite 200, Dublin,
California 94568, USA
(580) 07 05 2019

(111) M 2009 19859 R
(732) "G-M-P" LTD
Sop. Ponitchala 65, 0165, Tbilisi, Georgia
(770) "G-M-P" LTD
Zemo Vedzisi Str. 103, 0160, Tbilisi Georgia
(580) 14 05 2019

(111) M 1999 12114 R
(732) DIESEL S.P.A.
Via dell' Industria 4-6, 36042 Breganze (VI),
Italy
(770) DIESEL S.P.A.
7, via dell' Industria, I-36060 Molvena, Italy
(580) 22 04 2019

(111) M 2015 26363 R
(732) ALTRA LLC
1500 South 1000 West, Logan UT 84321,
USA
(770) ICON - ALTRA LLC, Utah Limited Liability
Company
1500 South 1000 West, Logan UT 84321,
USA
(580) 07 06 2019

(111) M 1997 4390 R
(732) IRWIN INDUSTRIAL TOOL COMPANY
701 East Joppa Road, Towson, Maryland
21286, USA
(770) IRWIN INDUSTRIAL TOOL COMPANY
29 East Stephenson Street, Freeport, Illinois
61032, USA
(580) 07 06 2019

TERMINATION OF TRADEMARKS REGISTRATION

(111) M 1998 11151 R (151) 1998 11 27 (732) NSE Products, Inc. 75 West Center Street, Provo, Utah 84601, USA	Marshal Gelovani Av .2, Fl. 5, 0159, Tbilisi, Georgia
(111) M 1998 11155 R (151) 1998 11 27 (732) NSE Products, Inc. 75 West Center Street, Provo, Utah 84601, USA	(111) M 2008 18921 R (151) 2008 11 28 (732) LTD "Hotels and Restaurants Management Group - M/GROUP" Marshal Gelovani Av .2, Fl. 5, 0159, Tbilisi, Georgia
(111) M 1998 11219 R (151) 1998 12 09 (732) CONSTRUCTION INDUSTRIELES DE LA MEDITERRANEE CNIM 35, rue Bassano, 75008 PARIS, France	(111) M 2008 18922 R (151) 2008 11 28 (732) LTD "Hotels and Restaurants Management Group - M/GROUP" Marshal Gelovani Av .2, Fl. 5, 0159, Tbilisi, Georgia
(111) M 1998 11221 R (151) 1998 12 09 (732) MULTOS LIMITED St. Andrews House, Kelvin Close, The Links, Birchwood, Warrington, Cheshire, WA3 7PB, United Kingdom	(111) M 2008 18923 R (151) 2008 11 28 (732) LTD "Hotels and Restaurants Management Group - M/GROUP" Marshal Gelovani Av .2, Fl. 5, 0159, Tbilisi, Georgia
(111) M 1998 11190 R (151) 1998 12 02 (732) JAPAN TOBACCO INC. 2-2-1, Toranomom, Minato-ku, Tokyo, Japan	(111) M 2008 18925 R (151) 2008 11 28 (732) LTD "Hotels and Restaurants Management Group - M/GROUP" Marshal Gelovani Av .2, Fl. 5, 0159, Tbilisi, Georgia
(111) M 1998 11244 R (151) 1998 12 09 (732) WYETH LLC Five Giralda Farms, Madison, New Jersey, 07940, USA	(111) M 2008 18926 R (151) 2008 11 28 (732) LTD "Hotels and Restaurants Management Group - M/GROUP" Marshal Gelovani Av .2, Fl. 5, 0159, Tbilisi, Georgia
(111) M 2008 18919 R (151) 2008 11 28 (732) LTD "Hotels and Restaurants Management Group - M/GROUP" Marshal Gelovani Av .2, Fl. 5, 0159, Tbilisi, Georgia	(111) M 2008 18928 R (151) 2008 11 28 (732) TAMBOUR LIMITED Industrial Zone, Akko, Israel
(111) M 2008 18920 R (151) 2008 11 28 (732) LTD "Hotels and Restaurants Management Group - M/GROUP"	(111) M 2008 18929 R (151) 2008 11 28 (732) LTD "ZHORZHOLIANI TRADING" Zh. Shartavas q. 43, 0160, Tbilisi, Georgia

(111) M 2008 18931 R
(151) 2008 11 28
(732) VAN NELLE TABAK NEDERLAND BV
Slachtedyk 28 A, 8501 ZA Joure, Netherlands

(111) M 1998 11101 R
(151) 1998 11 25
(732) AUTOMOBILES PEUGEOT
75 Avenue de la Grande-Armee, F-75116
Paris, France

(111) M 2008 18932 R
(151) 2008 11 28
(732) IOSEB KIRTSKHALIA
Zemo Vakis (R. Japaridzis) q. 9, 0179,
Tbilisi, Georgia

(111) M 2008 18933 R
(151) 2008 11 28
(732) IOSEB KIRTSKHALIA
Zemo Vakis (R. Japaridzis) q. 9, 0179,
Tbilisi, Georgia

(111) M 2008 18934 R
(151) 2008 11 28
(732) LTD "ZHORZHOLIANI TRADING"
Zh. Shartavas q. 43, 0160, Tbilisi, Georgia

(111) M 2008 18936 R
(151) 2008 11 28
(732) IOSEB KIRTSKHALIA
Zemo Vakis (R. Japaridzis) q. 9, 0179,
Tbilisi, Georgia

(111) M 2008 18937 R
(151) 2008 11 28
(732) IOSEB KIRTSKHALIA
Zemo Vakis (R. Japaridzis) q. 9, 0179,
Tbilisi, Georgia

(111) M 2008 18938 R
(151) 2008 11 28
(732) IOSEB KIRTSKHALIA
Zemo Vakis (R. Japaridzis) q. 9, 0179,
Tbilisi, Georgia

(111) M 2008 18941 R
(151) 2008 11 28
(732) LTD "PEOPLE'S PHARMACY"
D. Bakradzis q. 6, 0119, Tbilisi, Georgia

(111) M 2008 18942 R
(151) 2008 11 28
(732) EGIS Gyógyszergyár Nyilvánosan Működő
Részvénytársaság
30-38, Keresztúri út. Budapest, H-1106,
Hungary

(111) M 1999 12133 R
(151) 1999 05 12
(732) MARS INCORPORATED
6885 ELM Street, McLean, Virginia
22101-3883, USA

(111) M 2008 18943 R
(151) 2008 11 28
(732) LTD "GPC"
Marjanishvilis q. 26, 0102, Tbilisi, Georgia

(111) M 2008 18944 R
(151) 2008 11 28
(732) KAREN VARDANYAN
Baironis q. 3, b. 36, Erevani, Armenia

(111) M 2008 18945 R
(151) 2008 11 28
(732) KAREN VARDANYAN
Baironis q. 3, b. 36, Erevani, Armenia

(111) M 2008 18953 R
(151) 2008 11 28
(732) ROTAPHARM LIMITED
48 Queen Anne Street, London W1G9JJ,
United Kingdom

(111) M 2008 18963 R
(151) 2008 11 28
(732) JSC "GEORGIAN STEEL"
Gagarinis q. 12, Rustavi, 3077, Georgia

(111) M 2008 18964 R
(151) 2008 11 28
(732) JSC "GEORGIAN STEEL"
Gagarinis q. 12, Rustavi, 3077, Georgia

(111) M 2008 18966 R
(151) 2008 11 28
(732) JSC "GEORGIAN STEEL"
Gagarinis q. 12, Rustavi, 3077, Georgia

(111) M 2008 18967 R
(151) 2008 11 28
(732) LTD "NATURPHARM"
Varketili 3, 3 mkr., korp. 303, 0163, Tbilisi,
Georgia

(111) M 2008 18968 R
(151) 2008 11 28
(732) JSC "WISSOL PETROLEUM GEORGIA"
I. Chavchavadze Av. 74 b. 0162, Tbilisi,
Georgia

(111) M 2008 18969 R
(151) 2008 11 28
(732) JSC "WISSOL PETROLEUM GEORGIA"
I. Chavchavadze Av. 74 b. 0162, Tbilisi,
Georgia

(111) M 1998 11165 R
(151) 1998 11 30
(732) INTERPARFUMS S.A.
4 Rond Point des Champs Elysee, 75008
Paris, France

(111) M 1998 11138 R
(151) 1998 11 27
(732) HENKEL KOMMANDITGESELLSCHAFT
AUF AKTIEN
Hehkelstrasse 67, D-40191 Düsseldorf,
Germany

(111) M 1998 11203 R
(151) 1998 12 02
(732) CORNING INCORPORATED
One Riverfront Plaza, Corning, State of New
York 14831, USA

(111) M 1998 11139 R
(151) 1998 11 27
(732) JET MARQUES
23, rue Raspail, 94200 Ivry-Sur-Seine, France

(111) M 1998 11145 R
(151) 1998 11 27
(732) IROKO PHARMACEUTICALS LLC
One Crescent Drive, Suite 400, Philadelphia,
Pennsylvania 19112, USA

(111) M 1998 11207 R
(151) 1998 12 02
(732) RHODIA

110 Esplanade Charles de Gaulle, Immeuble
Coeur
Defenswe, Tour A-92400 Courbevoie, France

(111) M 2018 30018 R
(151) 2018 08 13
(732) "G-M-P" LTD
Sop. Ponitchala 65, 0165, Tbilisi, Georgia

(111) M 1998 11233 R
(151) 1998 12 09
(732) MARS, INCORPORATED, a Delaware
Corporation
6885 Elm Street, McLean, Virginia
22101-3883, USA

(111) M 1998 11236 R
(151) 1998 12 09
(732) INTERPARFUMS S.A.
4 Rond Point des Champs Elysee, 75008
Paris, France

CLASSIFICATION INDEXES

INVENTIONS

CONCORDANCE TABLE OF INTERNATIONAL CLASSIFICATION INDEX AND PUBLICATION NUMBERS

INTERNATIONAL CLASSIFICATION INDEXES (51)	NUMBER OF PUBLISHED APPLICATION (10)
A 61 K 35/76	AP 2019 14772 A
A 61 K 35/76	AP 2019 14773 A
A 61 K 39/00; C 12 P 21/08; C 07 K 16/00	AP 2019 14099 A
B 60 L 9/00; B 61 C 3/00	AP 2019 14637 A
B 64 D 27/10; F 02 K 3/077	AP 2019 14745 A
C 07 K 16/28	AP 2019 14392 A
G 01 R 35/00	AP 2019 14851 A
G 01 R 35/00	AP 2019 14852 A

CONCORDANCE TABLE OF PUBLICATION NUMBERS AND INTERNATIONAL CLASSIFICATION INDEX

NUMBER OF PUBLISHED APPLICATION (10)	INTERNATIONAL CLASSIFICATION INDEXES (51)
AP 2019 14099 A	A 61 K 39/00; C 12 P 21/08; C 07 K 16/00
AP 2019 14392 A	C 07 K 16/28
AP 2019 14637 A	B 60 L 9/00; B 61 C 3/00
AP 2019 14745 A	B 64 D 27/10; F 02 K 3/077
AP 2019 14772 A	A 61 K 35/76
AP 2019 14773 A	A 61 K 35/76
AP 2019 14851 A	G 01 R 35/00
AP 2019 14852 A	G 01 R 35/00

CONCORDANCE TABLE OF INTERNATIONAL CLASSIFICATION INDEX, PATENT NUMBERS AND PUBLICATION NUMBERS

INTERNATIONAL CLASSIFICATION INDEX (51)	NUMBER OF PATENT (11)	NUMBER OF PUBLISHED APPLICATION (10)
A 61 K 31/44; C 07 D 213/22; C 07 D 401/04	P 2019 6983 B	AP 2019 14237 A
A 61 K 31/444; A 61 K 9/08; A 61 K 47/04; A 61 K 47/12; A 61 K 47/18; A 61 K 47/22; A 61 K 47/32; A 61 P 9/12; A 61 P 27/02; A 61 P 27/06	P 2019 6982 B	AP 2019 14215 A
A 61 K 31/501; A 61 P 25/00; A 61 P 25/14	P 2019 6984 B	AP 2019 14284 A
B 25 J 9/10	P 2019 6981 B	AP 2019 14568 A
E 02 B 3/16; E 02 B 3/10; E 00 B 3/12	P 2019 6985 B	AP 2018 14325 A

**CONCORDANCE TABLE OF PATENT NUMBERS,
PUBLICATION NUMBERS AND INTERNATIONAL CLASSIFICATION INDEX**

NUMBER OF PATENT (11)	NUMBER OF PUBLISHED APPLICATION (10)	INTERNATIONAL CLASSIFICATION INDEX (51)
P 2019 6981 B	AP 2019 14568 A	B 25 J 9/10
P 2019 6982 B	AP 2019 14215 A	A 61 K 31/444; A 61 K 9/08; A 61 K 47/04; A 61 K 47/12; A 61 K 47/18; A 61 K 47/22; A 61 K 47/32; A 61 P 9/12; A 61 P 27/02; A 61 P 27/06
P 2019 6983 B	AP 2019 14237 A	A 61 K 31/44; C 07 D 213/22; C 07 D 401/04
P 2019 6984 B	AP 2019 14284 A	A 61 K 31/501; A 61 P 25/00; A 61 P 25/14
P 2019 6985 B	AP 2018 14325 A	E 02 B 3/16; E 02 B 3/10; E 00 B 3/12

**CONCORDANCE TABLE OF APPLICATION NUMBERS, PUBLICATION NUMBERS
AND PATENTS**

NUMBER OF APPLICATION (21)	NUMBER OF PUBLISHED APPLICATION (10)	NUMBER OF PATENT (11)
AP 2015 14215	AP 2019 14215 A	P 2019 6982 B
AP 2015 14237	AP 2019 14237 A	P 2019 6983 B
AP 2015 14284	AP 2019 14284 A	P 2019 6984 B
AP 2015 14325	AP 2018 14325 A	P 2019 6985 B
AP 2016 14568	AP 2019 14568 A	P 2019 6981 B

UTILITY MODELS

**CONCORDANCE TABLE OF INTERNATIONAL CLASSIFICATION INDEX
AND PUBLICATION NUMBERS**

INTERNATIONAL CLASSIFICATION INDEXES (51)	NUMBER OF PUBLISHED APPLICATION (10)
A 47 C 17/62	AU 2019 14890 Y
C 12 G 3/00	AU 2019 14893 Y

**CONCORDANCE TABLE OF PUBLICATION NUMBERS
AND INTERNATIONAL CLASSIFICATION INDEX**

NUMBER OF PUBLISHED APPLICATION (10)	INTERNATIONAL CLASSIFICATION INDEXES (51)
AU 2019 14890 Y	A 47 C 17/62
AU 2019 14893 Y	C 12 G 3/00

**CONCORDANCE TABLE OF INTERNATIONAL CLASSIFICATION INDEX,
PATENT NUMBERS AND PUBLICATION NUMBERS**

INTERNATIONAL CLASSIFICATION INDEX (51)	NUMBER OF PATENT (11)	NUMBER OF PUBLISHED APPLICATION (10)
A 61 K 35/78; A 61 K 8/04	U 2019 2011 Y	AU 2019 14814 U
C 08 L 63/00	U 2019 2012 Y	AU 2019 14635 U

**CONCORDANCE TABLE OF PATENT NUMBERS,
PUBLICATION NUMBERS AND INTERNATIONAL CLASSIFICATION INDEX**

NUMBER OF PATENT (11)	NUMBER OF PUBLISHED APPLICATION (10)	INTERNATIONAL CLASSIFICATION INDEX (51)
U 2019 2011 Y	AU 2019 14814 U	A 61 K 35/78; A 61 K 8/04
U 2019 2012 Y	AU 2019 14635 U	C 08 L 63/00

**CONCORDANCE TABLE OF APPLICATION NUMBERS, PUBLICATION NUMBERS
AND PATENTS**

NUMBER OF APPLICATION (21)	NUMBER OF PUBLISHED APPLICATION (10)	NUMBER OF PATENT (11)
AU 2017 14635	AU 2019 14635 U	U 2019 2012 Y
AU 2018 14814	AU 2019 14814 U	U 2019 2011 Y

DESIGNS

**CONCORDANCE TABLE OF INTERNATIONAL CLASSIFICATION INDEX
AND PUBLICATION NUMBERS**

INTERNATIONAL CLASSIFICATION INDEXES (51)	NUMBER OF PUBLISHED APPLICATION (10)
07-02	AD 2019 1076 S
09-01	AD 2019 1072 S
09-05	AD 2019 1074 S

**CONCORDANCE TABLE OF PUBLICATION NUMBERS
AND INTERNATIONAL CLASSIFICATION INDEX**

NUMBER OF PUBLISHED APPLICATION (10)	INTERNATIONAL CLASSIFICATION INDEXES (51)
AD 2019 1072 S	09-01
AD 2019 1074 S	09-05
AD 2019 1076 S	07-02

**CONCORDANCE TABLE OF INTERNATIONAL CLASSIFICATION INDEX,
REGISTRATION NUMBERS AND PUBLICATION NUMBERS**

INTERNATIONAL CLASSIFICATION INDEX (51)	NUMBER OF REGISTRATION (11)	NUMBER OF PUBLISHED APPLICATION (10)
06-03	D 2019 810 S	AD 2019 1057 S
19-08	D 2019 809 S	AD 2019 1056 S
21-01	D 2019 811 S	AD 2019 1063 S

**CONCORDANCE TABLE OF REGISTRATION NUMBERS,
PUBLICATION NUMBERS AND INTERNATIONAL CLASSIFICATION INDEX**

NUMBER OF REGISTRATION (11)	NUMBER OF PUBLISHED APPLICATION (10)	INTERNATIONAL CLASSIFICATION INDEX (51)
D 2019 809 S	AD 2019 1056 S	19-08
D 2019 810 S	AD 2019 1057 S	06-03
D 2019 811 S	AD 2019 1063 S	21-01

**CONCORDANCE TABLE OF APPLICATION NUMBERS, PUBLICATION NUMBERS
AND REGISTRATION NUMBERS**

NUMBER OF APPLICATION (21)	NUMBER OF PUBLISHED APPLICATION (10)	NUMBER OF REGISTRATION (11)
AD 2018 1056	AD 2019 1056 S	D 2019 809 S
AD 2018 1057	AD 2019 1057 S	D 2019 810 S
AD 2018 1063	AD 2019 1063 S	D 2019 811 S

TRADEMARKS

CONCORDANCE TABLE OF REGISTRATION NUMBERS, APPLICATION NUMBERS, PUBLICATION NUMBERS AND BULLETIN NUMBERS

NUMBER OF REGISTRATION (111)	NUMBER OF APPLICATIONS (210)	NUMBER OF PUBLISHED APPLICATIONS (260)	NUMBER OF BULLETIN
M 2019 31307 R	AM 102934	-	12(520)2019
M 2019 31308 R	AM 103010	-	12(520)2019
M 2019 31309 R	AM 103024	-	12(520)2019
M 2019 31310 R	AM 102556	-	12(520)2019
M 2019 31311 R	AM 103480	-	12(520)2019
M 2019 31312 R	AM 103180	-	12(520)2019
M 2019 31313 R	AM 103463	-	12(520)2019
M 2019 31314 R	AM 89112	AM 2016 89112 A	12(472) 2017
M 2019 31315 R	AM 95215	AM 2018 95215 A	16(500)2018
M 2019 31316 R	AM 95527	AM 2019 95527 A	2(510)2019
M 2019 31317 R	AM 96215	AM 2018 96215 A	16(500)2018
M 2019 31318 R	AM 96312	AM 2019 96312 A	4(512)2019
M 2019 31319 R	AM 96801	AM 2018 96801 A	22(506)2018
M 2019 31320 R	AM 97222	AM 2018 97222 A	22(506)2018
M 2019 31321 R	AM 97365	AM 2018 97365 A	22(506)2018
M 2019 31322 R	AM 97403	AM 2018 97403 A	22(506)2018
M 2019 31323 R	AM 97411	AM 2019 97411 A	1(509)2019
M 2019 31324 R	AM 97464	AM 2018 97464 A	24(508)2018
M 2019 31325 R	AM 97710	AM 2018 97710 A	24(508)2018
M 2019 31326 R	AM 97768	AM 2018 97768 A	24(508)2018
M 2019 31327 R	AM 97876	AM 2019 97876 A	1(509)2019
M 2019 31328 R	AM 97957	AM 2019 97957 A	2(510)2019
M 2019 31329 R	AM 97959	AM 2019 97959 A	2(510)2019
M 2019 31330 R	AM 98164	AM 2019 98164 A	3(511)2019
M 2019 31331 R	AM 98201	AM 2019 98201 A	3(511)2019
M 2019 31332 R	AM 98202	AM 2019 98202 A	3(511)2019
M 2019 31333 R	AM 98204	AM 2019 98204 A	3(511)2019
M 2019 31334 R	AM 98205	AM 2019 98205 A	3(511)2019
M 2019 31335 R	AM 98209	AM 2019 98209 A	4(512)2019
M 2019 31336 R	AM 98212	AM 2019 98212 A	3(511)2019
M 2019 31337 R	AM 98238	AM 2019 98238 A	3(511)2019
M 2019 31338 R	AM 98245	AM 2019 98245 A	3(511)2019
M 2019 31339 R	AM 98249	AM 2019 98249 A	4(512)2019
M 2019 31340 R	AM 98390	AM 2019 98390 A	4(512)2019
M 2019 31341 R	AM 98393	AM 2019 98393 A	3(511)2019
M 2019 31342 R	AM 98417	AM 2019 98417 A	4(512)2019
M 2019 31343 R	AM 98442	AM 2019 98442 A	4(512)2019
M 2019 31344 R	AM 98697	AM 2019 98697 A	4(512)2019
M 2019 31345 R	AM 99050	AM 2019 99050 A	5(513)2019
M 2019 31346 R	AM 101233	AM 2019 101233 A	2(510)2019
M 2019 31347 R	AM 82231	AM 2015 82231 A	12(472)2017
M 2019 31348 R	AM 97018	AM 2018 97018 A	22(506)2018
M 2019 31349 R	AM 97797	AM 2018 97797 A	23(507)2018
M 2019 31350 R	AM 97798	AM 2018 97798 A	23(507)2018
M 2019 31351 R	AM 97799	AM 2018 97799 A	23(507)2018
M 2019 31352 R	AM 97800	AM 2018 97800 A	23(507)2018
M 2019 31353 R	AM 97801	AM 2018 97801 A	23(507)2018

1	2	3	4
M 2019 31354 R	AM 97802	AM 2018 97802 A	23(507)2018
M 2019 31355 R	AM 97803	AM 2018 97803 A	23(507)2018
M 2019 31356 R	AM 97904	AM 2019 97904 A	2(510)2019
M 2019 31357 R	AM 97996	AM 2019 97996 A	2(510)2019
M 2019 31358 R	AM 98015	AM 2019 98015 A	1(509)2019
M 2019 31359 R	AM 98186	AM 2019 98186 A	4(512)2019
M 2019 31360 R	AM 98187	AM 2019 98187 A	4(512)2019
M 2019 31361 R	AM 98188	AM 2019 98188 A	4(512)2019
M 2019 31362 R	AM 98189	AM 2019 98189 A	4(512)2019
M 2019 31363 R	AM 98210	AM 2019 98210 A	5(513)2019
M 2019 31364 R	AM 98232	AM 2019 98232 A	3(511)2019
M 2019 31365 R	AM 98574	AM 2019 98574 A	4(512)2019
M 2019 31366 R	AM 98575	AM 2019 98575 A	4(512)2019
M 2019 31367 R	AM 103558	-	12(520)2019
M 2019 31368 R	AM 103433	-	12(520)2019
M 2019 31369 R	AM 103434	-	12(520)2019
M 2019 31370 R	AM 102163	-	12(520)2019

**CONCORDANCE TABLE OF PUBLICATION NUMBERS
AND APPLICATION NUMBERS**

NUMBER OF PUBLISHED APPLICATION (260)	NUMBER OF APPLICATION (210)	1	2
		1	2
AM 2019 100017 A	AM 100017	AM 2019 100457 A	AM 100457
AM 2019 100031 A	AM 100031	AM 2019 100458 A	AM 100458
AM 2019 100044 A	AM 100044	AM 2019 100462 A	AM 100462
AM 2019 100046 A	AM 100046	AM 2019 100587 A	AM 100587
AM 2019 100048 A	AM 100048	AM 2019 100591 A	AM 100591
AM 2019 100052 A	AM 100052	AM 2019 100592 A	AM 100592
AM 2019 100061 A	AM 100061	AM 2019 100594 A	AM 100594
AM 2019 100076 A	AM 100076	AM 2019 100599 A	AM 100599
AM 2019 100078 A	AM 100078	AM 2019 100601 A	AM 100601
AM 2019 100089 A	AM 100089	AM 2019 100603 A	AM 100603
AM 2019 100092 A	AM 100092	AM 2019 100605 A	AM 100605
AM 2019 100370 A	AM 100370	AM 2019 100606 A	AM 100606
AM 2019 100373 A	AM 100373	AM 2019 100769 A	AM 100769
AM 2019 100381 A	AM 100381	AM 2019 100770 A	AM 100770
AM 2019 100384 A	AM 100384	AM 2019 100789 A	AM 100789
AM 2019 100385 A	AM 100385	AM 2019 100802 A	AM 100802
AM 2019 100386 A	AM 100386	AM 2019 96343 A	AM 96343
AM 2019 100402 A	AM 100402	AM 2019 99353 A	AM 99353
AM 2019 100405 A	AM 100405	AM 2019 99526 A	AM 99526
AM 2019 100424 A	AM 100424	AM 2019 99528 A	AM 99528
AM 2019 100439 A	AM 100439	AM 2019 99529 A	AM 99529
AM 2019 100442 A	AM 100442	AM 2019 99656 A	AM 99656
AM 2019 100445 A	AM 100445	AM 2019 99940 A	AM 99940
AM 2019 100448 A	AM 100448	AM 2019 99967 A	AM 99967
AM 2019 100449 A	AM 100449	AM 2019 99968 A	AM 99968
AM 2019 100453 A	AM 100453	AM 2019 99975 A	AM 99975
AM 2019 100455 A	AM 100455	AM 2019 99979 A	AM 99979
AM 2019 100456 A	AM 100456	AM 2019 99980 A	AM 99980
		AM 2019 99981 A	AM 99981
		AM 2019 99982 A	AM 99982
		AM 2019 99983 A	AM 99983
		AM 2019 99984 A	AM 99984
		AM 2019 99987 A	AM 99987

CONCORDANCE TABLE OF INDEX OF GOODS AND/OR SERVICES
AND APPLICATION NUMBERS

INDEX OF GOODS AND/OR SERVICES (511)	NUMBER OF PUBLISHED APPLICATIONS (26)	1	2
1	2	29	AM 2019 100381 A
3	AM 2019 100052 A	29	AM 2019 99353 A
3	AM 2019 100594 A	29	AM 2019 99526 A
5	AM 2019 100017 A	29	AM 2019 99528 A
5	AM 2019 100046 A	29	AM 2019 99529 A
5	AM 2019 100048 A	30	AM 2019 100587 A
5	AM 2019 100052 A	30	AM 2019 99526 A
5	AM 2019 100092 A	30	AM 2019 99528 A
5	AM 2019 100402 A	30	AM 2019 99529 A
5	AM 2019 100439 A	32	AM 2019 100587 A
5	AM 2019 100445 A	33	AM 2019 100370 A
5	AM 2019 100448 A	33	AM 2019 100384 A
5	AM 2019 100449 A	33	AM 2019 100385 A
5	AM 2019 100453 A	33	AM 2019 100386 A
5	AM 2019 100455 A	33	AM 2019 100424 A
5	AM 2019 100456 A	34	AM 2019 100769 A
5	AM 2019 100457 A	34	AM 2019 100770 A
5	AM 2019 100458 A	34	AM 2019 99656 A
5	AM 2019 100462 A	34	AM 2019 99967 A
5	AM 2019 100802 A	35	AM 2019 100031 A
5	AM 2019 96343 A	35	AM 2019 100089 A
5	AM 2019 99968 A	35	AM 2019 100405 A
5	AM 2019 99975 A	35	AM 2019 100587 A
5	AM 2019 99979 A	35	AM 2019 100605 A
5	AM 2019 99980 A	35	AM 2019 100606 A
5	AM 2019 99981 A	35	AM 2019 99526 A
5	AM 2019 99982 A	35	AM 2019 99528 A
5	AM 2019 99983 A	35	AM 2019 99529 A
5	AM 2019 99984 A	36	AM 2019 100076 A
5	AM 2019 99987 A	36	AM 2019 100089 A
9	AM 2019 100591 A	36	AM 2019 100405 A
9	AM 2019 100605 A	36	AM 2019 100591 A
9	AM 2019 100606 A	38	AM 2019 100605 A
10	AM 2019 100061 A	38	AM 2019 100606 A
10	AM 2019 100442 A	40	AM 2019 100044 A
11	AM 2019 100592 A	41	AM 2019 100405 A
12	AM 2019 100373 A	41	AM 2019 100605 A
12	AM 2019 100601 A	41	AM 2019 100606 A
12	AM 2019 100603 A	41	AM 2019 99940 A
14	AM 2019 100061 A	42	AM 2019 100591 A
19	AM 2019 100789 A	42	AM 2019 100605 A
21	AM 2019 100052 A	42	AM 2019 100606 A
21	AM 2019 100078 A	43	AM 2019 100089 A
25	AM 2019 100044 A	43	AM 2019 100405 A
28	AM 2019 100061 A	43	AM 2019 100587 A
		45	AM 2019 100599 A
		45	AM 2019 100605 A
		45	AM 2019 100606 A

CONCORDANCE TABLE OF INDEX OF GOODS AND/OR SERVICES
AND NUMBERS OF TRADEMARKS REGISTERED ACCORDING
TO THE ACCELERATED PROCEDURE

INDEX OF GOODS AND/OR SERVICES (511)	NUMBERS OF REGISTERED ACCORDING TO THE ACCELERATED PROCEDURE (111)
3	M 2019 31309 R
4	M 2019 31308 R
5	M 2019 31309 R
7	M 2019 31307 R
8	M 2019 31307 R
10	M 2019 31309 R
12	M 2019 31313 R
28	M 2019 31312 R
33	M 2019 31311 R
33	M 2019 31370 R
35	M 2019 31309 R
36	M 2019 31310 R
36	M 2019 31368 R
36	M 2019 31369 R
37	M 2019 31368 R
37	M 2019 31369 R
41	M 2019 31312 R
41	M 2019 31367 R
42	M 2019 31309 R
44	M 2019 31309 R

OFFICIAL BULLETIN OF THE INDUSTRIAL PROPERTY

INVENTIONS
UTILITY MODELS
DESIGNS
TRADEMARKS
APPELLATIONS OF ORIGIN OF GOODS

12(520)

EDITOR-IN-CHIEF: N. Bebrishvili

EDITOR-TRANSLATOR: E. Gabunia

PROOFREADER: A. Shikhashvili

COMPUTER LAYOUT: M. Ordenidze
K. Svanidze

www.sakpatenti.gov.ge

E-mail: info@sakpatenti.org.ge