



**NATIONAL INTELLECTUAL PROPERTY CENTER OF GEORGIA  
SAKPATENTI**

**OFFICIAL BULLETIN  
OF THE INDUSTRIAL PROPERTY**

**14(498)**

**2018  
TBILISI**

# INID CODES FOR IDENTIFICATION OF BIBLIOGRAPHIC DATA

## INVENTIONS, UTILITY MODELS

- (10) Number of publication for application, which has been examined
- (11) Number of patent and kind of document
- (21) Serial number of application
- (22) Date of filing of the application
- (23) Date of exhibition or the date of the earlier filing and the number of application, if any
- (24) Date from which patent may have effect
- (31) Number of priority application
- (32) Date of filing of priority application
- (33) Code of the country or regional organization allotting priority application number
- (44) Date of publication of application not granted, but examined and number of bulletin
- (45) Date of publication of registered document
- (51) International Patent Classification Index
- (54) Title of the invention
- (57) Abstract
- (60) Number of examined patent document granted by foreign patent office, date from which patent has effect and country code
- (62) Number of the earlier application and in case of divided application, date of filing an application
- (71) Name, surname and address of applicant (country code)
- (72) Name, surname of inventor (country code)
- (73) Name, surname and address of patent owner (country code)
- (74) Name, surname of representative or patent attorney
- (85) Date of commencement of the national phase of International Application
- (86) Number and date of filing of international application
- (87) Number and date of publication of international application

## DESIGNS

- (10) Number of publication for application
- (11) Number of patent and kind of document or number of registration
- (15) Date of registration/Date of patent renewal
- (18) Expected expiration date of patent or registration
- (21) Serial number of application
- (22) Date of filing of the application
- (23) Date of exhibition or the date of the earlier filing and the number of application, if any
- (24) Date from which patent may have effect
- (28) Number of designs included in the application
- (30) Data relating to priority (number of application, date of filing of application, two-letter code identifying the authority with whom the priority application was made)
- (31) Number of priority application
- (32) Date of filing of priority application
- (33) Code of the country or regional organization allotting priority application number
- (34) Two-letter code according to WIPO St.3 identifying the authority with which the priority application was made
- (44) Date of publication of design and number of bulletin (the first publication)
- (45) Date of publication of design registered by WIPO and number of bulletin
- (51) International Classification for designs (class and subclass of the Locarno Classification)
- (54) Title of the invention
- (55) Reproduction of the design
- (57) Description of characteristic features of the design including indication of colors
- (58) Date of recording of any kind of amendment in the Register
- (62) Number of the earlier application, registration and document number and if available the date of filing an application in case of divided application
- (71) Name, surname and address of applicant (country code)
- (72) Name, surname of creator (country code)
- (73) Name, surname and address of patent owner (country code)
- (74) Name, surname of representative or patent attorney
- (81) Contracting states concerned
  - II designated contracting states according to the 1960 Act
  - III designated contracting states according to the 1999 Act
- (85) Owner's permanent address
- (86) Owner's nationality
- (87) Owner's residence
- (88) State in which the owner has a real and effective industrial or commercial establishment

## TRADEMARKS

- (111) - Number of registration
- (151) - Date of registration
- (156) - Date of the renewal
- (181) - Expected expiration date of registration
- (186) - Renewal expiration date of registration
- (141) - Date of cancel of duration of the mark
- (210) - Serial number of application
- (220) - Date of filing of the application
- (230) - Date concerning exhibition
- (260) - Number of application, for which favorable decision of examination about registration has been taken (publication number)
- (310) - Number of the first application
- (320) - Date of filing of the first application
- (330) - Code, identifying national or regional Office where the first application was made
- (511) - International Classification of Goods and Services for the purposes of registration of trade marks and/or list of goods and/or services classified according thereto
- (531) - Description of figurative elements of Trade Marks according to the International Classification of the Figurative Elements of Marks
- (540) - Reproduction of Trade Mark
- (550) - Nature and kind of Trade Mark
- (580) - Date of recording of any kind changes in respect of applications or registrations
- (591) - Information concerning colors claimed
- (731) - Name and address of the applicant
- (732) - Name and address of the holder of the registration
- (740) - Name and address of the representative
- (750) - Address for correspondence
- (770) - Name and address of the previous applicant or holder in case of change in ownership
- (771) - Previous name and address of the applicant or holder in case of change in ownership
- (791) - Name and address of the licensee
- (793) - Indication of conditions and/or restrictions under the license (Type of license, number of license agreement, data of license, data of validity of license)
- (800) - Certain data relating to the international registration of Trade Marks under the Protocol Relating to Madrid Agreement (International registration number)

## CODES FOR PUBLICATION IN BULLETIN

- (21) AP 0000 000000 - serial number of application for invention
- (10) AP 0000 0000 A - number of published application for invention (first publication)
- (11) P 0000 0000 B - number of patent for invention (second publication)
- (21) API 0000 000000 - number of application for imported patent
- (11) PI 0000 0000 A - number of imported patent (first publication)
- (21) AU 0000 000000 - serial number of application for utility model
- (10) AU 0000 000 U - number of published application for utility model (first publication)
- (11) U 0000 000 Y - number of patent for utility model (second publication)
- (21) AD 0000 000000 - serial number of application for design
- (10) AD 0000 000 S - number of published application for design (first publication)
- (11) D 0000 000 S - number of patent for design (second publication)

## INTERNATIONAL PATENT CLASSIFICATION FOR INVENTIONS AND UTILITY MODELS

- SECTION A - HUMAN NECESSITIES
- SECTION B - PERFORMING OPERATIONS; TRANSPORTING
- SECTION C - CHEMISTRY; METALLURGY
- SECTION D - TEXTILES; PAPER
- SECTION E - FIXED CONSTRUCTIONS
- SECTION F - MECHANICAL ENGINEERING; LIGHTING; HEATING; WEAPONS; BLASTING
- SECTION G - PHYSICS
- SECTION H - ELECTRICITY

- 
- M - Trade Mark
  - (210) AM 0000 000000 - Serial number of application;
  - (260) AAM 0000 00000 A - Publication number of application;
  - (111) M 0000 00000 R - Number of registration;
  - (111) MMM0000 00000 Rn - Number of renewals, in which n=1,2,3;
  - (111) M 0000 00000 R(P) - Number of registration under partial assignment of rights
-

**LIST OF CODES, IN ALPHABETIC SEQUENCE, AND THE CORRESPONDING (SHORT) NAMES OF STATES, OTHER ENTITIES AND INTERGOVERNMENTAL ORGANIZATIONS**  
(WIPO STANDARD ST.3)

AD	Andorra				
AE	United Arab Emirates				
AF	Afghanistan				
AG	Antigua and Barbuda				
AI	Anguilla				
AL	Albania				
AM	Armenia				
AN	Netherlands Antilles				
AO	Angola				
AP	African Regional Intellectual Property Organization (ARIPO)				
AR	Argentina				
AT	Austria				
AU	Australia				
AW	Aruba				
AZ	Azerbaijan				
BA	Bosnia and Herzegovina				
BB	Barbados				
BD	Bangladesh				
BE	Belgium				
BF	Burkina Faso				
BG	Bulgaria				
BH	Bahrain				
BI	Burundi				
BJ	Benin				
BM	Bermuda				
BN	Brunei Darussalam				
BO	Bolivia				
BR	Brazil				
BS	Bahamas				
BT	Bhutan				
BV	Bouvet Island				
BW	Botswana				
BX	Benelux Office for Intellectual Property (BOIP)				
BY	Belarus				
BZ	Belize				
CA	Canada				
CD	Democratic Republic of the Congo				
CF	Central African Republic				
CG	Congo				
CH	Switzerland				
CI	Cote d'Ivoire				
CK	Cook Islands				
CL	Chile				
CM	Cameroon				
CN	China				
CO	Colombia				
CR	Costa Rica				
CU	Cuba				
CV	Cape Verde				
CY	Cyprus				
CZ	Czech Republic				
DE	Germany				
DJ	Djibouti				
DM	Dominica				
DO	Dominican Republic				
DZ	Algeria				
EA	Eurasian Patent Organization (EAPO)				
EC	Ecuador				
EE	Estonia				
EG	Egypt				
EH	Western Sahara				
EM	Office for Harmonization in the Internal Market (Trademarks and Designs)(OHIM)				
EP	European Patent Office (EPO)				
ER	Eritrea				
ES	Spain				
ET	Ethiopia				
FI	Finland				
FJ	Fiji				
FK	Falkland Islands (Malvinas)				
FO	Faroe Islands				
FR	France				
GA	Gabon				
GB	United Kingdom				
GC	Patent Office of the Cooperation Council for the Arab States of the Gulf (GCC)				
GD	Grenada				
GG	Guernsey				
GH	Ghana				
GI	Gibraltar				
GT	Guatemala				
GW	Guinea- Bissau				
GY	Guyana				
HK	The Hong Kong Special Administrative Region of the People's Republic of China				
HN	Honduras				
HR	Croatia				
HT	Haiti				
HU	Hungary				
IB	International Bureau of the World Intellectual Property Organization (WIPO)				
ID	Indonesia				
IE	Ireland				
IL	Israel				
IM	Isle of Man				
IN	India				
IQ	Iraq				
ID	Indonesia				
IE	Ireland				
IL	Israel				
IM	Isle of Man				
IN	India				
IQ	Iraq				
IR	Iran (Islamic Republic of)				
IS	Iceland				
IT	Italy				
JE	Jersey				
JM	Jamaica				
JO	Jordan				
JP	Japan				
KE	Kenya				
KG	Kyrgyzstan				
KH	Cambodia				
KI	Kiribati				
KM	Saint Kitts and Nevis				
KP	Democratic People's Republic of Korea				
KR	Republic of Korea				
KW	Kuwait				
KY	Cayman Islands				
KZ	Kazakhstan				
LA	Lao People's Democratic Republic				
LB	Lebanon				
LC	Saint Lucia				
LI	Liechtenstein				
LK	Sri Lanka				
LR	Liberia				
LS	Lesotho				
LT	Lithuania				
LU	Luxembourg				
LV	Latvia				
LY	Libyan Arab Jamahiriya				
MA	Morocco				
MC	Monaco				
MD	Republic of Moldova				
ME	Montenegro				
MG	Madagascar				
MK	The former Yugoslav Republic of Macedonia				
ML	Mali				
MM	Myanmar				
MN	Mongolia				
MO	Macao				
MP	Northern Mariana Islands				
MR	Mauritania				
MS	Montserrat				
MT	Malta				
MU	Mauritius				
MV	Maldives				
MW	Malawi				
MX	Mexico				
MY	Malaysia				
MZ	Mozambique				
NA	Namibia				
NE	Niger				
NG	Nigeria				
NI	Nicaragua				
NL	Netherlands				
NO	Norway				
NP	Nepal				
NR	Nauru				
NZ	New Zealand				
OA	African Intellectual Property Organization (OAPI)				
OM	Oman				
PA	Panama				
PE	Peru				
PG	Papua New Guinea				
PH	Philippines				
PK	Pakistan				
PL	Poland				
PT	Portugal				
PW	Palau				
PY	Paraguay				
QA	Qatar				
QZ	Community Plant Variety Office (European Community) (CPVO)				
RO	Romania				
RS	Serbia				
RU	Russian Federation				
RW	Rwanda				
SA	Saudi Arabia				
SB	Solomon Islands				
SC	Seychelles				
SD	Sudan				
SG	Singapore				
SH	Saint Helena				
SI	Slovenia				
SK	Slovakia				
SL	Sierra Leone				
SM	San Marino				
SN	Senegal				
SO	Somalia				
SR	Suriname				
ST	Sao Tome and Principe				
SV	El Salvador				
SY	Syrian Arab Republic				
SZ	Swaziland				
TC	Turks and Caicos Islands				
TD	Chad				
TG	Togo				
TH	Thailand				
TJ	Tajikistan				
TL	Timor-Leste				
TM	Turkmenistan				
TN	Tunisia				
TO	Tonga				
TR	Turkey				
SE	Sweden				
TT	Trinidad and Tobago				
TV	Tuvalu				
TW	Taiwan, Province of China				
TZ	United Republic of Tanzania				
UA	Ukraine				
UG	Uganda				
US	United States of America				
UY	Uruguay				
UZ	Uzbekistan				
VA	Holy See				
VC	Saint Vincent and the Grenadines				
VE	Venezuela				
VG	Virgin Islands (British)				
VN	Viet Nam				
VU	Vanuatu				
WO	World Intellectual Property Organization (WIPO)				
WS	Samoa				
XN	Nordic Patent Institute (NPI)				
YE	Yemen				
ZA	South Africa				
ZM	Zambia				
ZW	Zimbabwe				

**NATIONAL INTELLECTUAL PROPERTY CENTER OF GEORGIA  
SAKPATENTI**

**OFFICIAL BULLETIN  
OF THE INDUSTRIAL PROPERTY**

**14(498)**

**INVENTIONS  
UTILITY MODELS  
DESIGNS  
TRADEMARKS**

**DATE OF PUBLICATION  
2018 07 25**

# CONTENTS

<b>PUBLISHED TITLES OF PROTECTION</b> .....	3
<b>INVENTIONS</b>	
▪ APPLICATIONS APPROVED FOR GRANTING PATENTS .....	4
▪ PATENTED INVENTIONS .....	7
<b>UTILITY MODELS</b>	
▪ APPLICATIONS APPROVED FOR GRANTING PATENT .....	9
▪ PATENTED UTILITY MODELS .....	12
<b>DESIGNS</b>	
▪ APPLICATIONS APPROVED FOR REGISTRATION .....	14
▪ REGISTERED DESIGNS .....	18
<b>TRADEMARKS</b>	
▪ APPLICATIONS FILED UNDER THE NATIONAL PROCEDURE APPROVED FOR REGISTRATION .....	19
▪ TRADEMARKS REGISTERED ACCORDING TO THE ACCELERATED PROCEDURE .....	39
▪ INTERNATIONAL TRADEMARKS FOR WHICH A DECISION ON GRANTING PROTECTION IS TAKEN .....	41
▪ INTERNATIONAL TRADEMARKS PROTECTED IN GEORGIA .....	159
<b>OFFICIAL NOTIFICATIONS</b>	
<b>INVENTIONS</b>	
▪ RENEWAL OF PATENTS .....	168
▪ CANCELLATION OF PATENTS .....	169
<b>UTILITY MODELS</b>	
▪ RENEWAL OF PATENT .....	170
▪ CANCELLATION OF PATENT .....	170
<b>DESIGNS</b>	
▪ RENEWAL OF REGISTRATION .....	171
▪ TRANSFER OF RIGHT .....	171
<b>CLASSIFICATION INDEXES</b>	
INVENTIONS .....	172
UTILITY MODELS .....	173
DESIGNS .....	174
TRADEMARKS .....	176

# PUBLISHED TITLES OF PROTECTION

## INVENTIONS

- **APPLICATIONS APPROVED FOR GRANTING PATENT:**  
1426; 14239; 14338; 14361; 14322; 14344
- **PATENTED INVENTIONS:**  
6880-6884

## UTILITY MODELS

- **APPLICATION APPROVED FOR GRANTING PATENTS:**  
14168; 14170; 14550; 14614; 14590
- **PATENTED UTILITY MODELS:**  
1972-1976

## DESIGNS

- **APPLICATIONS APPROVED FOR REGISTRATION:**  
1019; 1002; 1018; 1014; 1030
- **REGISTERED DESIGNS:**  
767-769

## TRADEMARKS

- **APPLICATIONS FILED UNDER THE NATIONAL PROCEDURE APPROVED FOR REGISTRATION:**  
91638; 91867; 91996; 93588; 93680, 93681; 94080; 94165; 94270; 94323; 94360, 94361; 94399, 94400; 94456; 94466, 94467; 94472; 94536; 94549; 94559; 94602, 94603; 94664; 94717; 94743, 94744; 94794; 94832; 94891; 94927; 95007, 95008; 95010; 95032; 95037; 95101; 95107, 95108; 95137, 95138; 95216--95221; 95235; 95318, 95319; 95332-95335; 95338; 95341; 95351; 95355; 95361; 95363; 95405; 95409-95415; 95429; 95431-95433; 95446; 95449; 95452; 95454; 95456; 95458; 95467; 95505; 95507; 95517, 95518; 95520-95522; 95527, 95528; 95530, 95531; 95533; 95536; 95541-95544; 95546, 95547; 95560-95562; 95566, 95567; 95569; 95579-95581; 95583; 95585; 95587; 95656, 95657; 95662; 95665-95667; 95673; 95716-95718; 95847; 95858; 95927; 95929
- **TRADEMARKS REGISTERED ACCORDING TO THE ACCELERATED PROCEDURE:**  
29898-29906; 29918, 29919
- **INTERNATIONAL TRADEMARKS FOR WHICH A DECISION ON GRANTING PROTECTIONS IS TAKEN:**  
90916; 91125; 91929; 92001; 92041; 92086; 92216; 92285; 92522; 92651; 92922; 93258; 93461; 93732; 93742, 93743; 93763; 93789; 93802; 93859; 93882; 93886-93888; 93890; 93892; 93894; 93896, 93897; 93919; 93997; 93999; 94038, 94039; 94096-94102; 94104-94108; 94110-94112; 94116; 94124; 94130-94137; 94139-94149; 94151-94161; 94198-94200; 94203; 94206-94208; 94210; 94212; 94214; 94228; 94233, 94234; 94236-94239; 94243-94245; 94248-94252; 94272; 94274-94277; 94279-94282; 94285-94288; 94290-94293; 94295; 94307, 94308; 94354, 94355; 94357; 94365; 94368-94370; 94373-94377; 94381-94383; 94387; 94390-94393; 94395; 94397; 94404-94415; 94417, 94418; 94420, 94421; 94423, 94424; 94426-94428; 94430, 94431; 94434; 94436; 94444-94446; 94448-94450; 94501, 94502; 94507-94510; 94516-94518; 94520; 94522; 94668-94670; 94672, 94673; 94675, 94676; 94678; 94683; 94685; 94747; 94762; 94768; 94837; 94851; 94853, 94854; 94859-94864; 94866-94868; 94870; 94903; 94907; 94934-94936; 94938, 94939; 94941; 95015; 95022; 95044; 95046; 95062; 95243, 95244; 95246-95248; 95250; 95266, 95267; 95269; 95273; 95275; 95398; 95416; 95441; 95459
- **INTERNATIONAL TRADEMARKS PROTECTED IN GEORGIA:**  
90622; 90835; 91299; 91656; 91665; 91670; 91915; 91999; 92129; 92149; 92209; 92221; 92229; 92234; 92239; 92304; 92317; 92322; 92326; 92392; 92408; 92413; 92418; 92422; 92424, 92425; 92446; 92572; 92679; 92692; 92695, 92696; 92728; 92734, 92735; 92740-92744; 92746, 92747; 92812, 92813; 92815-92817; 92819; 92845; 92857; 92860; 92863; 92889; 92956; 92960; 92962; 92965; 92972-92975; 92978; 92980, 92981; 92998; 93000; 93002, 93003; 93005-93007; 93009; 93032; 93076; 93079, 93080; 93086; 93093-93095; 93097-93099; 93102-93104; 93108, 93109; 93111, 93112; 93135-93138; 93140; 93142; 93144, 93145; 93147, 93148; 93150; 93152-93155; 93185; 93214; 93216; 93229; 93231, 93232; 93235, 93236; 93241; 93243; 93277; 93411-93415; 93417; 93450; 93599; 93610; 93613; 93615, 93616

---

# INVENTIONS

## APPLICATIONS APPROVED FOR GRANTING PATENTS

The decision can be appealed at the Chamber of Appeal of Sakpatenti within 3 months from the publication or at the Mtskheta District Court Administrative Cases Board (Address: №17, Samkhedro str., Mtskheta), within 1 month following the publication.

### PART A

#### A 61

(10) AP 2018 14216 A (51) Int. Cl. (2006)  
A 61 K 31/444  
A 61 K 9/08  
A 61 K 47/04  
A 61 K 47/12  
A 61 K 47/18  
A 61 K 47/34  
A 61 P 27/02  
A 61 P 27/06

(21) AP 2015 014216 (22) 2015 01 08

(31) 2014-002809

(32) 2014 01 10

(33) JP

(71) SANTEN PHARMACEUTICAL CO.,  
LTD (JP)  
9-19, Shimoshinjo 3-chome, Higashiyodo-  
gawa-ku, Osaka-shi, Osaka 5338651 (JP)

(72) ENDO, Yoko (JP)

(74) Shalva Gvaramadze

(85) 2016 07 22

(86) PCT/JP2015/050333, 2015 01 08

(54) PYRIDYLAMINOACETIC ACID  
COMPOUND AND POLYOXYETHYLE-  
NE CASTOR OIL-CONTAINING  
PHARMACEUTICAL COMPOSITION

(57) Pharmaceutical composition contains (6-[[4-(pyrazol-1-yl)benzyl](pyridine-3-ylsulfonyl)aminomethyl] pyridine-2-ylamino)isopropyl acetate or a salt thereof; and polyoxyethylene castor oil.

Claims: 8 independent

13 dependent

Table: 6

---

(10) AP 2018 14239 A (51) Int. Cl. (2006)  
A 61 K 31/444  
A 61 P 27/02  
A 61 P 27/06

(21) AP 2015 014239 (22) 2015 01 08

(31) 61/925,882

(32) 2014 01 10

(33) US

(71) SANTEN PHARMACEUTICAL CO.,  
LTD (JP)

9-19, Shimoshinjo 3-chome, Higashiyodo-  
gawa-ku, Osaka-shi, Osaka 5338651 (JP)

(72) SHAMS, Naveed (US);

KROON, Henk-Andre (US);

KAWATA Hisashi (JP);

KAWABATA Noriko (JP)

(74) Tamar Kochlamazashvili

(85) 2016 08 10

(86) PCT/JP2015/050366, 2015 01 08

(54) PHARMACEUTICAL PREPARATION  
INCLUDING PYRIDYLAMINO ACETIC  
ACID COMPOUND

(57) Pharmaceutical preparation for treating or preventing glaucoma or ocular hypertension, containing 0.0003-0.01% (w/v) of (6-[[4-(pyrazol-1-yl)benzyl](pyridin-3-ylsulfonyl)aminomethyl]pyridin-2-yl amino) isopropyl acetate or a salt thereof.

Claims: 2 independent

16 dependent

Table: 4

---

### PART C

#### C 07

(10) AP 2018 14338 A (51) Int. Cl. (2006)  
C 07 D 409/14  
C 07 D 453/02  
A 61 K 31/439  
A 61 P 11/00

(21) AP 2015 014338 (22) 2015 06 03

(31) 14171266.1

(32) 2014 06 05

(33) EP

(71) CHIESI FARMACEUTICI S.P.A. (IT)  
Via Palermo, 26/A I-43100 Parma (IT)

(72) ARMANI, Elisabetta (IT);

AMARI, Gabriele (IT);

CAPALDI, Carmelida (IT);

BLACKABY, Wesley (IT);

LINNEY, Ian (IT);

VAN DE PÖEL, Hervé (IT);

BAKER-GLENN, Charles (IT);

TRIVEDI, Naimisha (IT)

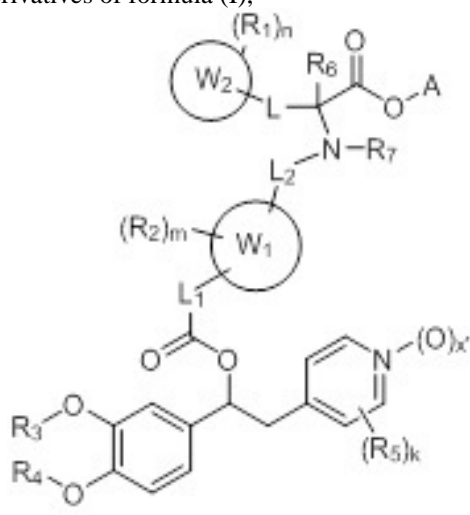
(74) Shalva Gvaramadze

(85) 2016 12 02

(86) PCT/EP2015/062417, 2015 06 03

(54) **AMINOESTER DERIVATIVES**

(57) An invention relates to novel aminoester derivatives of formula (I),



(I)

which are inhibitors of phosphodiesterase 4 (PDE4) enzymes and muscarine M3 receptors antagonists; and compositions containing them, and usage thereof respiratory tracts diseases treatment, as well.

Claims: 4 independent

11 dependent

(10) **AP 2018 14361 A** (51) **Int. Cl. (2006)****C 07 D 417/12****A 61 K 31/506****A 61 P 35/00**

(21) AP 2015 014361 (22) 2015 05 26

(31) P1400264

(32) 2014 05 26

(33) HU

(71) EGIS GYÓGYSZERGYÁR ZRT. (HU)  
Keresztúri út 30-38. 1106 Budapest (HU)

(72) MÁRVÁNYOS, Ede László (HU);

VIRÁG, Attila (HU);

GREGOR, Tamás (HU);

VOLK, Balázs (HU);

TÓTHNÉ LAURITZ, Mária (HU);

PONGÓ, László (HU);

PEREGI, Balázs (HU);

LUKÁCS, Gyula (HU);

VARGA, Zoltán (HU);

DANCSÓ, András (HU)

(74) Shalva Gvaramadze

(85) 2016 12 23

(86) PCT/HU2015/000049, 2015 05 26

(54) **DASATINIB SALTS**

(57) Dasatinib- and cyclamic acidic salts, preparation method thereof, pharmaceutical compositions

on a basis thereof, and their usage at cancer treatment.

Claims: 6 independent

7 dependent

Table: 8

Fig.: 8

(10) **AP 2018 14322 A** (51) **Int. Cl. (2006)****C 07 D 471/04****C 07 D 487/04****A 61 K 31/4162****A 61 P 35/00**

(21) AP 2015 014322 (22) 2015 04 30

(31) 61/993,138

(32) 2014 05 14

(33) US

(71) PFIZER INC. (US)

235 East 42<sup>nd</sup> Street New York, NY 10017 (US)

(72) COE, Jotham Wadsworth (US);

DEHNHARDT, Christoph Martin (CA);

JONES, Peter (GB);

SABNIS, Yogesh Anil (IN);

STROHBACH, Joseph Walter (US);

WAKENHUT, Florian Michel (DE);

WHITLOCK, Gavin Alistair (GB)

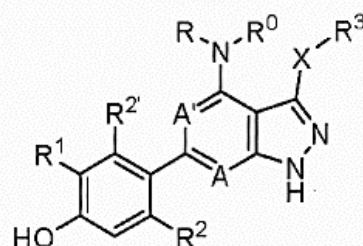
(74) Tamar Kochlamazashvili

(85) 2016 11 14

(86) PCT/IB2015/053174, 2015 04 30

(54) **PYRAZOLOPYRIDINES AND  
PYRAZOLOPYRIMIDINES**

(57) An invention relates to pyrazolopyridines and pyrazolopyrimidines compounds of formula (I),



(I)

pharmaceutically acceptable salts thereof, and compositions containing them; furthermore, usage thereof various diseases, particularly asthma and COPD treatment, as well.

Claims: 7 independent

6 dependent



## PART G

### G 09

(10) AP 2018 14344 A (51) Int. Cl. (2006)

G 09 B 5/00

B 42 D 3/12

(21) AP 2016 014344 (22) 2016 12 09

(71) Elizbar Arsenashvili (GE)

Gotuas q. 20, b. 44, 0160, Tbilisi (GE)

(72) Elizbar Arsenashvili (GE)

(54) **SET OF LEARNERS' MANUALS  
AND LEARNING SYSTEM WITH  
USAGE THEREOF**

(57) There is represented set of manuals comprising learning material – plurality of printed pages between front and back covers, means of portative computer attachment disposed on inner side of back cover. The computer is equipped with especial software by means of which the learning material is represented to learner or student in electronic format. Learning system including set of said manual, electronic terminal with software for teacher or lector, on which monitor the information about learners' or students' jobs is available, providing to rate executed job, settling and sending thereto the set of manuals is provided, as well.

Claims: 2 independent

6 dependent

Fig.: 5

---

# PATENTED INVENTIONS

## PART A

### A 61

- (11) P 2018 6881 B** (51) **Int. Cl. (2006)**  
**A 61 K 47/30**  
**A 61 K 9/20**  
**C 07 C 231/00**
- (10) AP 2018 13784 A (44) 6(490)/2018  
 (21) AP 2013 013784  
 (22) 2013 09 11  
 (24) 2013 09 11  
 (31) 12/59064; PCT/CN2012/081250  
 (32) 2012 09 26; 2012 09 11  
 (33) FR; CN  
 (86) PCT/EP2013/068792, 2013 09 11  
 (73) LES LABORATOIRES SERVIER (FR)  
 35 rue de Verdun F-92284 Suresnes (FR);  
 SHANGHAI INSTITUTE OF  
 PHARMACEUTICAL INDUSTRY (CN)  
 1320 West Beijing Road Jing'an District  
 Shanghai, 200040 (CN)  
 (72) LAFARGUE, David (FR);  
 LYNCH, Michael (FR);  
 POIRIER, Cécile (FR);  
 LETELLIER, Philippe (FR);  
 PEAN, Jean-Manuel (FR);  
 LUO, Ying (CN);  
 SHAN, Hanbin (CN);  
 SHEN, Yuhui (CN)  
 (74) Tamaz Shilakadze  
 (54) **STABILISED AMORPHOUS FORM OF  
 AGOMELATINE, A PROCESS FOR ITS  
 PREPARATION AND PHARMACEUTI-  
 CAL COMPOSITIONS CONTAINING IT**

- (11) P 2018 6884 B** (51) **Int. Cl. (2006)**  
**A 61 K 9/28**  
**A 61 K 31/7076**
- (10) AP 2018 14177 A (44) 6(490)/2018  
 (21) AP 2014 014177  
 (22) 2014 11 06  
 (24) 2014 11 06  
 (31) 61/989,645; MI2013A001906  
 (32) 2014 05 07; 2013 11 18  
 (33) US; IT  
 (86) PCT/IB2014/065852, 2014 11 06  
 (71) GNOSIS SPA (IT)  
 Piazza del Carmine, 4 I-20121 Milano (MI) (IT)  
 (72) GIOVANNONE, Daniele (IT);  
 MIRAGLIA, Niccolò (IT);  
 BERNA, Marco (IT)  
 (74) Aleksandre Gegechkori

## (54) SLOW-RELEASE SOLID ORAL COMPOSITIONS

## PART B

### B 23

- (11) P 2018 6882 B** (51) **Int. Cl. (2006)**  
**B 23 P 17/04**  
**A 61 M 5/31**
- (10) AP 2018 14039 A (44) 6(490)/2018  
 (21) AP 2014 014039  
 (22) 2014 06 20  
 (24) 2014 06 20  
 (31) 61/881,214; 61/840,969; 61/837,421  
 (32) 2013 09 23; 2013 06 28; 2013 06 20  
 (33) US; US; US  
 (86) PCT/US2014/043517, 2014 06 20  
 (73) BAXALTA INCORPORATED (US)  
 1200 Lakeside Drive Bannockburn, Illinois  
 60015 (US);  
 BAXALTA GMBH (CH)  
 Thurgauerstrasse 130 CH-8152 Glattpark  
 (Opfikon) (CH)  
 (72) LOEW-BASELLI, Alexandra (AT);  
 SPOTTS, Gerald Dickey (US);  
 OH, MyungShin (US)  
 (74) Shalva Gvaramadze  
 (85) 2016 01 15  
 (86) PCT/US2014/043517, 2014 06 20  
 (54) **PROVIDING A PHARMACOKINETIC  
 DRUG DOSING REGIME**

## PART C

### C 07

- (11) P 2018 6880 B** (51) **Int. Cl. (2006)**  
**C 07 D 401/14**  
**C 07 D 401/12**  
**A 61 K 31/497**  
**A 61 P 11/00**
- (10) AP 2018 13485 A (44) 7(491)/2018  
 (21) AP 2012 013485  
 (22) 2012 10 29  
 (24) 2012 10 29  
 (31) 11187553.0  
 (32) 2011 11 02  
 (33) EP

- (86) PCT/EP2012/071352, 2012 10 29
- (73) BOEHRINGER INGELHEIM  
INTERNATIONAL GMBH (DE)  
Binger Str. 173 55216 Ingelheim am  
Rhein (DE)
- (72) HECKEL, Armin (DE);  
FRATTINI, Sara (DE);  
HAMPRECHT, Dieter (DE);  
KLEY, Joerg (DE)
- (74) Tamar Kochlamazashvili
- (54) **HETEROCYCLIC COMPOUNDS,  
MEDICAMENTS CONTAINING SAID  
COMPOUNDS, USE THEREOF AND  
PROCESSES FOR THE PREPARATION  
THEREOF**
- 

## PART F

### F 26

- (11) P 2018 6883 B**          **(51) Int. Cl. (2006)**  
**F 26 B 3/00**
- (10) AP 2017 14211 A      (44) 23(483)/2017
- (21) AP 2016 014211
- (22) 2016 07 19
- (24) 2016 07 19
- (73) LEPL "SCIENTIFIC-RESEARCH CENTER  
OF AGRICULTUR" (GE)  
Marshal Gelovanis gamz. 6, 0159, Tbilisi (GE)
- (72) Vladimer Miruashvili (GE);  
Nazi Melanashvili (GE)
- (54) **FRUIT AND VEGETABLE DRYING  
EQUIPMENT**
-

# UTILITY MODELS

## APPLICATIONS APPROVED FOR GRANTING PATENTS

The decision can be appealed at the Chamber of Appeal of Sakpatenti within 3 months from the publication or at the Mtskheta District Court Administrative Cases Board (Address: №17, Samkhedro str., Mtskheta), within 1 month following the publication.

### PART A

#### A 47

(10) AU 2018 14168 U (51) Int. Cl. (2006)  
A 47 K 10/40

(21) AU 2014 014168 (22) 2014 11 17

(31) 2013/13357

(32) 2013 11 18

(33) TR

(71) İPEK KAĞIT SANAYİ VE TİCARET  
ANONİM ŞİRKETİ (TR)  
Tokmak Köyü Kavak Mevkii 77700  
Karamürsel/Yalova (TR)

(72) ŞİMŞİR Boğaç (TR)

(74) Larisa Amirkhanyan

(85) 2016 06 06

(86) PCT/TR2014/000435, 2014 11 17

(54) **DISPENSER COMPRISING A  
PRODUCT LOADING AND  
UNLOADING MECHANISM**

(57) A dispenser is designed for usage therein product made of paper and winded around core tube 4, and comprises a cover 5, dispenser main body 7, dispenser inner receptacle 6 for placing the product 1, the legs 3, one wherefrom is positioned on both, right (R) and left (L) sides thereof capable of shifting on side direction under pressure and pushing on their surface at product placement into the dispenser and at core tube removing therefrom after the product is finished. At that, the legs have parabolic-shaped surface and comprising having the angles and quadrangular construction 8 executed on their surface in middle part and in vertical direction, avoiding product shifting in vertical direction. The device includes protecting componentry 2 for legs, acting as receiver componentry for legs.

Claims: 1 independent

2 dependent

Fig.: 9

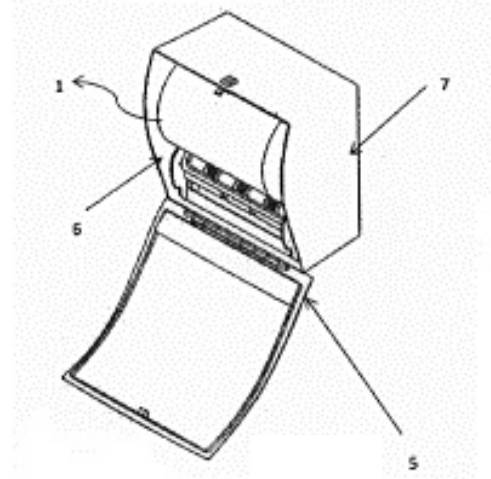


Fig. 1

(10) AU 2018 14170 U (51) Int. Cl. (2006)  
A 47 K 10/38

(21) AU 2014 014170 (22) 2014 11 17

(31) 2013/13362

(32) 2013 11 18

(33) TR

(71) İPEK KAĞIT SANAYİ VE TİCARET  
ANONİM ŞİRKETİ (TR)  
Tokmak Köyü Kavak Mevkii 77700  
Karamürsel/Yalova (TR)

(72) ŞİMŞİR Boğaç (TR)

(74) Larisa Amirkhanyan

(85) 2016 06 06

(86) PCT/TR2014/000436, 2014 11 17

(54) **DISPENSER ENABLING THE  
PRODUCT LEVEL REMAINING  
THEREIN TO BE SEEN**

(57) A dispenser is designed for usage of products made of paper and comprises a body 3, a cover 4 and inner receptacle 5 for placing the product 2 therein. At that, additionally it comprises a transparent concave lens 1 positioned on the upper portion thereof, on vertical axis of placed product therein, wherein said lens has concave construction and acts as concave lens enabling the product placed inside the dispenser to be seen from outside.

Claims: 1 independent

Fig.: 2

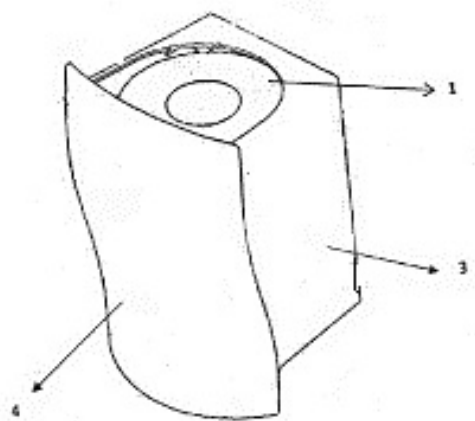


Fig. 1

## PART B

### B 23

(10) AU 2018 14550 U (51) Int. Cl. (2006)

B 23 K 9/18

(21) AU 2017 14550 (22) 2017 07 21

(71) Giorgi Kutelia (GE)

Nostes q. 7, 0101, Tbilisi, Georgia (GE)

(72) Giorgi Kutelia (GE)

(54) **DEVICE FOR DETAL RESTORATION BY MEANS OF ELECTRIC-ARC WELDING UNDER FLUX**

(57) A device for detal restoration by means of electric-arc welding under flux includes a guide 1, movable carriage 3 with a drive disposed thereon, stationary table 10 to fix restorable detal, and fixed onto carriage the electrode 4 holder 6, and additional cutter 8; at that the cutter 8 is disposed far from the electrode so, that the last is capable to remove welding excesses to smooth surface restored part from detal main surface.

Claims: 1 independent

Fig.: 1

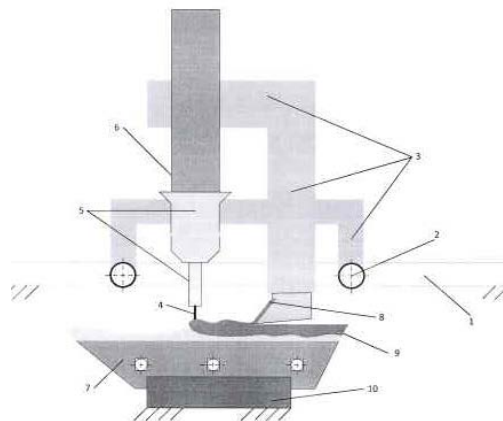


Fig. 1

## PART E

### E 05

(10) AU 2018 14614 U (51) Int. Cl. (2006)  
E 05 F 13/04

(21) AU 2017 14614 (22) 2017 10 25

(71) Mamuka Abralava (GE)

me-11 q. 19, Sop. Lia, 5205, Tsalenjikhis r-ni (GE)

(72) Mamuka Abralava (GE)

(74) Valeri Abralava

(54) **DEVICE FOR GATE OPENING AND CLOSING IN DISTANCE**

(57) A device includes disposed from gate both sides the opening 2 and closing 3 means of gate blades 1 installed in a case rotatable around an axis 4 by means of the cables 8 and 9 connected to spring-loaded pedal 7 by means of spring 6, in gate close position, correspondingly connected to drive mechanism 14 of fastening lug 16 fixing lock 13, and spring-loaded springs 23 by means 22 of rotation around gate blades axis executed as a ledge so, that it provides gate opening and closing as a result of motion with a delay of vehicle by means thereof.

Claims: 1 independent

3 dependent

Fig.: 2

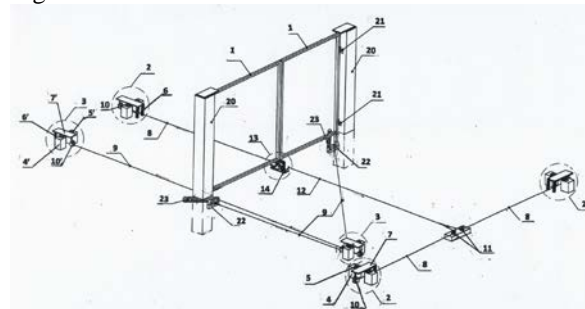


Fig. 1

## PART H

## H 02

(10) AU 2018 14590 U (51) Int. Cl. (2006)  
H 02 J 13/00

(21) AU 2017 14590 (22) 2017 09 18

(71) Revaz Arveladze (GE)

Ir. Abashidzis q. 21, b. 7, 0179,

Tbilisi (GE);

Mikheil Gverdtsiteli (GE)

K. Tsintsadzis q. 6/7, 0105, Tbilisi (GE);

Pavle Gverdtsiteli (GE)

Bulachauris q. 7, b. 16a, 0160, Tbilisi (GE)

(72) Revaz Arveladze (GE);

Mikheil Gverdtsiteli (GE);

Pavle Gverdtsiteli (GE)

(54) **CONTROL DEVICE FOR DEMANDING  
AND MANAGING ELECTRIC ENERGY**

(57) A device includes connected to abonents' electronic counters electricity the ADCs, the units forming informational signal, a processor, a MUX, and transmitter/receiver module equipped with antenna, and unit formig on/off signal of abonent. Transmitter/receiver module passes the signal onto control center server, and from distributing-sales company server it receives signal about abonent on/off, on which answer signal forming unit forms control signal for passing on abonent on/off device.

Claims: 1 independent

Fig.: 1

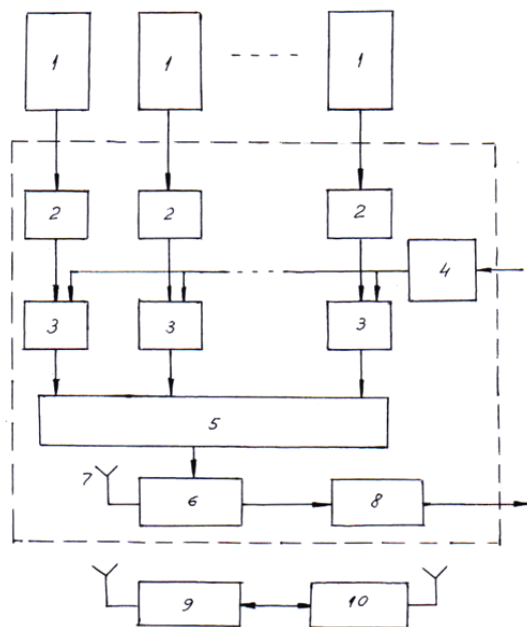


Fig. 1

## PATENTED UTILITY MODELS

### PART A

#### A 61

- (11) U 2018 1972 Y (51) Int. Cl. (2006)  
A 61 K 35/76**
- (10) AU 2018 14533 U (44) 6(490)/2018  
(21) AU 2017 14533  
(22) 2017 06 30  
(24) 2017 06 30  
(73) Taras Gabisonia (GE)  
I. Chavchavadzis gamz. 39b, Tbilisi (GE);  
Nana Topuria-Nakaidze (GE)  
Z. Paliashvilis q. 72, b. 30, 0179, Tbilisi (GE);  
Lia Tkemaladze (GE)  
Tashkentis q. 31, 0160, Tbilisi (GE);  
Inga Giorgadze (GE)  
I. Nikoladzis q. 7, 0179, Tbilisi (GE)
- (72) Taras Gabisonia (GE);  
Nana Topuria-Nakaidze (GE);  
Lia Tkemaladze (GE);  
Inga Giorgadze (GE)
- (54) METHOD FOR BACTERIOPHAGE  
DRUG "ENCO" PREPARATION**

- 
- (11) U 2018 1973 Y (51) Int. Cl. (2006)  
A 61 K 35/76**
- (10) AU 2018 14531 U (44) 6(490)/2018  
(21) AU 2017 14531  
(22) 2017 06 30  
(24) 2017 06 30  
(73) Lia Tkemaladze (GE)  
Tashkentis q. 31, 0160, Tbilisi (GE);  
Nana Topuria-Nakaidze (GE)  
Z. Paliashvilis q. 72, b. 30, 0179, Tbilisi (GE);  
Inga Giorgadze (GE)  
I. Nikoladzis q. 7, 0179, Tbilisi (GE)
- (72) Lia Tkemaladze (GE);  
Nana Topuria-Nakaidze (GE);  
Inga Giorgadze (GE)
- (54) OINTMENT CONTAINING  
BACTERIOPHAGE**

- 
- (11) U 2018 1974 Y (51) Int. Cl. (2006)  
A 61 K 35/76**
- (10) AU 2018 14534 U (44) 6(490)/2018  
(21) AU 2017 14534  
(22) 2017 06 30  
(24) 2017 06 30  
(73) Lia Tkemaladze (GE)

- Tashkentis q. 31, 0160, Tbilisi (GE);  
Nana Topuria-Nakaidze (GE)  
Z. Paliashvilis q. 72, b. 30, 0179, Tbilisi (GE);  
Taras Gabisonia (GE)  
I. Chavchavadzis gamz. 39b, Tbilisi (GE);  
Inga Giorgadze (GE)  
I. Nikoladzis q. 7, 0179, Tbilisi (GE)
- (72) Lia Tkemaladze (GE);  
Nana Topuria-Nakaidze (GE);  
Taras Gabisonia (GE);  
Inga Giorgadze (GE)
- (54) METHOD FOR BACTERIOPHAGE  
DRUG "FERSIS" PREPARATION**

- 
- (11) U 2018 1975 Y (51) Int. Cl. (2006)  
A 61 K 35/76**
- (10) AU 2018 14535 U (44) 6 (490) 2018  
(21) AU 2017 14535  
(22) 2017 06 30  
(24) 2017 06 30  
(73) Inga Giorgadze (GE)  
I. Nikoladzis q. 7, 0179, Tbilisi (GE);  
Taras Gabisonia (GE)  
I. Chavchavadzis gamz. 39b, Tbilisi (GE);  
Nana Topuria-Nakaidze (GE)  
Z. Paliashvilis q. 72, b. 30, 0179, Tbilisi (GE);  
Lia Tkemaladze (GE)  
Tashkentis q. 31, 0160, Tbilisi (GE)
- (72) Inga Giorgadze (GE);  
Taras Gabisonia (GE);  
Nana Topuria-Nakaidze (GE);  
Lia Tkemaladze (GE)
- (54) METHOD FOR BACTERIOPHAGE  
DRUG "SES" PREPARATION**

### PART G

#### G 06

- (11) U 2018 1976 Y (51) Int. Cl. (2006)  
G 06 Q 50/34**
- (10) AU 2018 14505 U (44) 6(490)/2018  
(21) AU 2017 14505  
(22) 2017 05 24  
(24) 2017 05 24  
(73) ) LTD "ODREX SOFTWARE" (GE)  
Ghrmagheles q. 3, Gldani-Nadzaladevis r-ni,  
Tbilisi (GE)

- (72) Luka Kapanadze (GE);  
Leri Dzhakhutashvili (GE)
- (74) Giorgi Taktakishvili
- (54) **ONLAIN SYSTEM FOR PLACING  
STAKE ON RESULTS OF SPORTIVE  
ACTIVITIES**
-



---

# DESIGNS

## APPLICATIONS APPROVED FOR REGISTRATION

The decision can be appealed at the Chamber of Appeal of Sakpatenti within 3 months from the publication or at the Mtskheta District Court Administrative Cases Board (Address: №17, Samkhedro str., Mtskheta), within 1 month following the publication.

(10) AD 2018 1019 S      (51) 02-03  
(21) AD 2018 1019      (22) 2018 01 31  
(28) 1  
(71) Tamar Zautashvili (GE)  
T. Tabidzis q. 39, b. 18, 0162, Tbilisi (GE)  
(72) Tamar Zautashvili (GE)  
(54) CAP  
(55)



**(10) AD 2018 1002 S**

(21) AD 2017 1002

(28) 1

(31) 2017502318

(32) 2017 05 19

(33) RU

(71) PJSC (Public Joint-Stock Company) "OIL COMPANY LUKOIL" (RU)

Sretensky Blvd. 11, 101000, Moscow (RU)

(72) Sergey Ivashkin (RU)

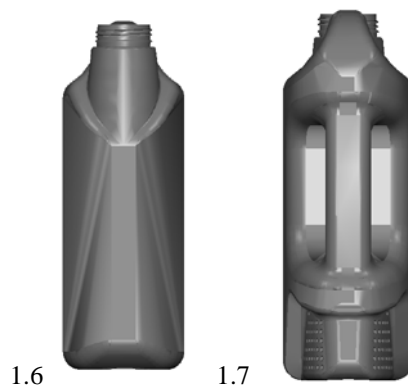
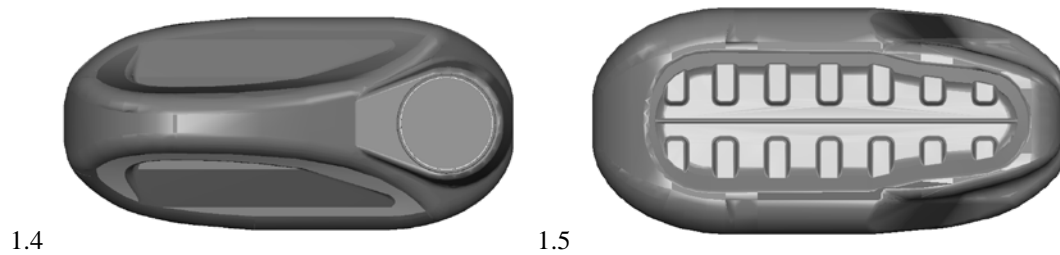
(74) Irakli Gvilia (GE)

(54) CAN

(55)

**(51) 09-02**

(22) 2017 11 09



**(10) AD 2018 1018 S**      **(51) 11-01**  
(21) AD 2018 1018      (22) 2018 01 31  
(28) 1  
(71) Tamar Zautashvili (GE)  
T. Tabidzis q. 39, b. 18, 0162, Tbilisi (GE)  
(72) Tamar Zautashvili (GE)  
(54) **EARRING**  
(55)



1.1

---

**(10) AD 2018 1014 S**      **(51) 13-03**  
(21) AD 2018 1014      (22) 2018 01 14  
(28) 1  
(71) Ekaterine Demetrashvili (GE)  
Vazha Pshavelas V kv., korp. I, b. 88, 0186, Tbilisi (GE)  
(72) Ekaterine Demetrashvili (GE)  
(54) **PARABOLIC MIRRORS FOLLOWING SUN RAYS AXES DISPOSITION**  
(55)



1.1



1.2



1.3

**(10) AD 2018 1030 S**

(21) AD 2018 1030

(28) 3

(71) Vadim Evgenievich Pravednikov (RU)

Ul. Vorovskogo d. 4, b. 23, 354000, Sochi, Krasnodarsky Krai (RU);

Irakli Tchapanidze (GE)

J. Rapava q. 37, 2100, Zugdidi (GE);

Nikolay Genadovich Spesivtsev (RU)

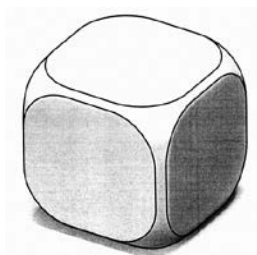
Ul. Alpiyskaya d.70, 354000, Sochi, Krasnodarsky Krai (RU)

(72) Vadim Evgenievich Pravednikov (RU)

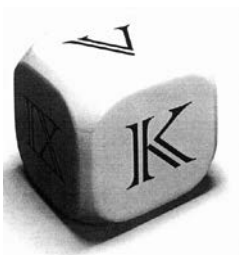
(74) Shalva Gvaramadze (GE)

(54) 1.-3. DICE

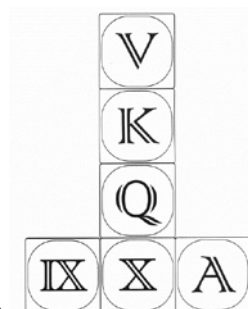
(55)



1.1



2.1



2.2



3.1



3.2

## REGISTERED DESIGNS

**(11) D 2018 769 S (51) 02-04**  
(10) AD 2018 1012 S (44) 7(491)/2018  
(21) AD 2017 1012  
(22) 2017 12 08  
(24) 2017 12 08  
(28) 1  
(18) 2022 12 08  
(73) Ketevan Medzmariashvili (GE)  
Tchiladzis q. 166, 0160, Tbilisi,  
Georgia (GE)  
(72) Ketevan Medzmariashvili (GE)  
(54) **HEEL PROTECTION ACCESSORY**

---

**(11) D 2018 767 S (51) 07-01**  
(10) AD 2018 990 S (44) 6(490)/2018  
(21) AD 2017 990  
(22) 2017 09 18  
(24) 2017 09 18  
(28) 1  
(18) 2022 09 18  
(73) LTD "HONEY AND COMPANY IRINOLA" (GE)  
Z. Paliashvilis q. 41, b.1a, 0179, Tbilisi,  
Georgia (GE)  
(72) Maia Gabadadze (GE)  
(54) **CERAMIC HONEY POT**

---

**(11) D 2018 768 S (51) 11-04**  
(10) AD 2018 997 S (44) 7(491)/2018  
(21) AD 2017 997  
(22) 2017 10 16  
(24) 2017 10 16  
(28) 1  
(18) 2022 10 16  
(73) Nana Omanadze (GE)  
Vashlijvari, korp. 14a, b. 26, 0159, Tbilisi,  
Georgia (GE)  
(72) Nana Omanadze (GE)  
(54) **LAMINATED VINE LEAF FOR WINE  
BOTTLE**

---

# TRADEMARKS

## APPLICATIONS FILED UNDER THE NATIONAL PROCEDURE APPROVED FOR REGISTRATION

The decision can be appealed at the Chamber of Appeal of Sakpatenti within 3 months from the publication or at the Mtskheta District Court Administrative Cases Board (Address: №17, Samkhedro St., Mtskheta), within 1 month following the publication.

(260) AM 2018 91638 A

(210) AM 91638

(220) 2017 12 29

(731) Davit Oshkhereli

Dighmis mas., V kv., korp. 16, b. 65 , 0159,

Tbilisi, Georgia;

Irakli Inashvili

Ir. Abashidzis q. 62, b. 3, 0162, Tbilisi,

Georgia

Zaza Metreveli

Mikatadzis q. 16b, 0101, Tbilisi, Georgia

(740) Irakli Inashvili

(540)



(591) Red and blue

(531) 24.13.13; 27.07.01; 28.19; 29.01.13

(511) 35, 44

(260) AM 2018 91867 A

(210) AM 91867

(220) 2017 11 06

(731) LTD "ARIK"

S. Tsintsadzis q. 12, sart. 3, 0160, Tbilisi,

Georgia

(740) Tea Iosava

(540)

**Vinichio Valley**  
**ვინიჩიო ველი**

(591) Black-white

(511) 29, 31, 32, 33, 35, 39, 41, 42, 43, 44

(260) AM 2018 91996 A

(210) AM 91996

(220) 2017 05 05

(731) LTD "Vazisubani Estate"

K. Marjanishvilis q. 7, Old Tbilisi d-ct,

0102, Tbilisi, Georgia

(540)



(591) Black, brown, golden

(531) 06.19.07; 07.01.01; 07.01.08; 27.05.01;

27.05.05;

27.05.19; 29.01.07

(526) VAZISUBANI

(511) 33

(260) AM 2018 93588 A

(210) AM 93588

(220) 2017 08 01

(731) Harrington Development Inc.

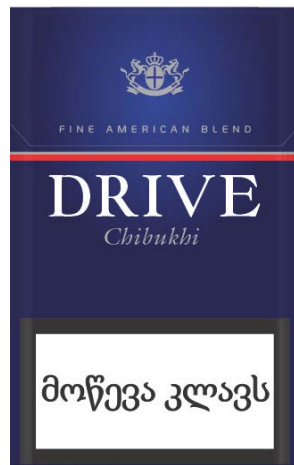
Elvira Mendez Street, Vallarino Bldg, 3rd

Floor, Panama, Republic of Panama,

Republic of Panama

(740) Givi Akopashvili

(540)



(591) Blue, silver, red, white  
 (531) 24.01.03; 25.01.01; 27.05.24; 29.01.14  
 (511) 34

(260) AM 2018 93680 A  
 (210) AM 93680  
 (220) 2017 08 08  
 (731) LTD "AISI"

I. Evdoshvilis q. 37, 1500, Gurjaani, Georgia  
 (740) Eter Mdivani  
 (540)



(591) Sky-blue, pink, white  
 (531) 01.01.05; 01.01.10; 25.01.18; 25.07.25; 28.19;  
 29.01.13  
 (526) The trademark is protected as a whole.  
 "გურჯაანი" shall not be subject to independent  
 legal protection.  
 (511) 30

(260) AM 2018 93681 A  
 (210) AM 93681  
 (220) 2017 08 08  
 (731) LTD "AISI"

I. Evdoshvilis q. 37, 1500, Gurjaani, Georgia  
 (740) Eter Mdivani  
 (540)



(591) Yellow, brown, red, sky-blue  
 (531) 01.15.24; 08.01.18; 25.01.18; 25.07.20;  
 25.07.23; 25.07.25; 28.19; 29.01.15  
 (526) The trademark is protected as a whole.  
 "გურჯაანი" shall not be subject to inde-  
 pendent legal protection.  
 (511) 30

(260) AM 2018 94080 A  
 (210) AM 94080  
 (220) 2017 09 07  
 (731) Pakshoo Industrial Group Co.  
 N31, Second Alley, Pakistan Street, Shahid  
 Beheshti avenue, Tehran, Iran (Islamic  
 Republic)  
 (740) Shalva Gvaramadze  
 (540)

**Softlan**

(591) Dark blue, white  
 (531) 27.05.17; 29.01.04  
 (511) 5

(260) AM 2018 94165 A  
 (210) AM 94165  
 (220) 2017 09 12  
 (731) FremantleMedia Limited  
 1 Stephen Street, London W1T 1AL,  
 United Kingdom  
 (740) Tamaz Shilakadze  
 (540)

**ჩვენ ვარსკვლავები ვართ**

(591) Black-white  
 (511) 38, 41

(260) AM 2018 94270 A  
 (210) AM 94270  
 (220) 2017 09 22  
 (731) CJSC "CANONPHARMA PRODUCTION"  
 Ul. Zarechnaya 105, 141100, Shelkovo,  
 M/O, Russian Federation  
 (740) Davit Chkopoia  
 (540)

**რექტიკამო**  
**RECTICAM**  
**РЕКТИКАМ**

(511) 5

(260) AM 2018 94323 A  
 (210) AM 94323  
 (220) 2017 09 27  
 (731) Abbott Point of Care Inc.  
 (a corporation of the State of Delaware)  
 400 College Road East, New Jersey,  
 Princeton, 08540, USA  
 (740) Tamar Kochlamazashvili  
 (540)

**TNINXG**

(591) Black-white  
 (511) 5

- (260) AM 2018 94360 A  
 (210) AM 94360  
 (220) 2017 09 29  
 (731) Jazira Eirveiz Kompani, Qei.es.si  
 International Airport, Block (1),  
 Plot (800010), Kuwait  
 (740) Merab Kvimsadze  
 (540)

الجزيرة  
**Jazeera.**

- (591) Black-white  
 (531) 24.17.02; 26.04.03; 27.05.17; 28.01  
 (511) 39

- (260) AM 2018 94361 A  
 (210) AM 94361  
 (220) 2017 09 29  
 (731) Jazira Eirveiz Kompani, Qei.es.si  
 International Airport, Block (1),  
 Plot (800010), Kuwait  
 (740) Merab Kvimsadze  
 (540)

**Jazeera Airways**

- (591) Black-white  
 (531) 27.05.05  
 (511) 9

- (260) AM 2018 94399 A  
 (210) AM 94399  
 (220) 2017 10 02  
 (731) Harrington Development Inc.  
 Elvira Mendez Street, Vallarino Bldg, 3rd  
 Floor, Panama, Republic of Panama,  
 Republic of Panama  
 (740) Givi Akopashvili  
 (540)



- (591) Blue, white, red, silver  
 (531) 03.07.17; 19.03.24; 29.01.13  
 (511) 34

- (260) AM 2018 94400 A  
 (210) AM 94400  
 (220) 2017 10 02  
 (731) Harrington Development Inc.  
 Elvira Mendez Street, Vallarino Bldg, 3rd  
 Floor, Panama, Republic of Panama,  
 Republic of Panama  
 (740) Givi Akopashvili



- (591) Sky-blue, white, red, silver  
 (531) 03.07.17; 19.03.24; 29.01.14  
 (511) 34

- (260) AM 2018 94456 A  
 (210) AM 94456  
 (220) 2017 10 05  
 (731) Abbott Point of Care Inc.  
 (a corporation of the State of Delaware)  
 400 College Road East, New Jersey,  
 Princeton, 08540, USA  
 (740) Tamar Kochlamazashvili  
 (540)

**TNINXG**

- (591) Black-white  
 (511) 1, 5

- (260) AM 2018 94466 A  
 (210) AM 94466  
 (220) 2017 10 06  
 (310) 2017-296  
 (320) 2017 04 18  
 (330) LI



(731) Apple Inc.  
1, Infinite Loop, California, Cupertino,  
95014, USA  
(740) Tamar Kochlamazashvili  
(540)

## ANIMOJI

(591) Black-white  
(511) 9

(260) AM 2018 94467 A  
(210) AM 94467  
(220) 2017 10 06  
(310) 2017-458  
(320) 2017 06 13  
(330) LI

(731) Apple Inc.  
1, Infinite Loop, California, Cupertino,  
95014, USA  
(740) Tamar Kochlamazashvili  
(540)

## ANIMOJI

(591) Black-white  
(511) 28, 42

(260) AM 2018 94472 A  
(210) AM 94472  
(220) 2017 10 06  
(731) Evren Armutju

Iesil Tepes dasakhleba, Zia Gokakpis q.,  
b. 18, Antalia, Turkey  
(740) Rusudan Khmaladze  
(540)

## Atlas/ატლასი

(591) Black-white  
(511) 44

(260) AM 2018 94536 A  
(210) AM 94536  
(220) 2017 10 09

(731) LTD "WINE COMPANY SHUMI"  
Sop. Tsinandali, 2200, Telavis r-ni, Georgia  
(740) Tamuna Veshapidze  
(540)

## GENESIS ГЕНЕЗИС ჯენეზისი

(591) Black-white  
(511) 33

(260) AM 2018 94549 A  
(210) AM 94549  
(220) 2017 10 10  
(310) 72257  
(320) 2017 04 10  
(330) JM  
(731) Apple Inc.

1, Infinite Loop, California, Cupertino,  
95014, USA  
(740) Tamar Kochlamazashvili  
(540)

## APPLE MUSIC

(591) Black-white  
(511) 25

(260) AM 2018 94559 A  
(210) AM 94559  
(220) 2017 10 11  
(731) Koba Jangveladze

Iosebidsis q. 53, b. 54, 0160, Tbilisi,  
Georgia  
(740) Zurab Tomadze  
(540)



(591) Yellow, orange  
(531) 03.07.24; 25.07.17; 26.04.15; 26.04.24;  
27.05.24; 29.01.12  
(511) 21, 29, 30, 31, 32, 43

(260) AM 2018 94602 A  
(210) AM 94602  
(220) 2017 10 13  
(731) Jim Beam Brands Co.

222 W. Merchandise Mart Plaza,  
Suite 1600.Chicago, Illinois, 60654, USA  
(740) Shalva Gvaramadze  
(540)

## DEVIL'S CUT

(591) Black-white  
(511) 33

(260) AM 2018 94603 A  
 (210) AM 94603  
 (220) 2017 10 13  
 (731) Cooley Distillery  
 Riverstaun, Dandelq, Qaunti Louts, Ireland,  
 Ireland  
 (740) Shalva Gvaramadze  
 (540)

## CONNEMARA

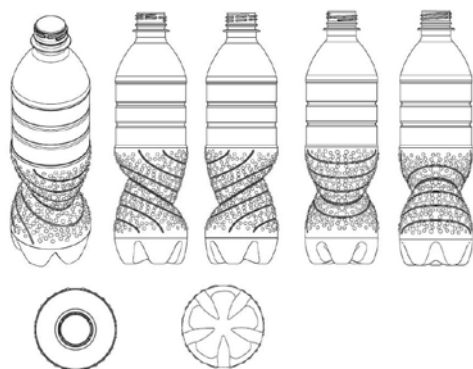
(591) Black-white  
 (511) 33

(260) AM 2018 94664 A  
 (210) AM 94664  
 (220) 2017 10 17  
 (731) Philip Morris Products S.A.  
 Quai Jeanrenaud 3, 2000 Neuchâtel,  
 Switzerland  
 (740) Shalva Gvaramadze  
 (540)

## TUNED

(591) Black-white  
 (511) 34

(260) AM 2018 94717 A  
 (210) AM 94717  
 (220) 2017 10 20  
 (731) The Coca-Cola Company  
 One Coca-Cola Plaza, Atlanta, Georgia  
 30313, USA  
 (740) Giorgi Taktakishvili  
 (540)



(554) Three-dimensional  
 (591) Black-white  
 (531) 19.07.16; 19.07.23  
 (511) 21, 29, 30, 32

(260) AM 2018 94743 A  
 (210) AM 94743  
 (220) 2017 10 24  
 (731) Vazha Ghvaladze

G. Brtskinvales q., korp. 21, b. 26,  
 Didi Dighomi, 0131, Tbilisi, Georgia  
 (540)

## მოსიანო Mosiani

(511) 33

(260) AM 2018 94744 A  
 (210) AM 94744  
 (220) 2017 10 24  
 (731) Vazha Ghvaladze  
 G. Brtskinvales q., korp. 21, b. 26,  
 Didi Dighomi, 0131, Tbilisi, Georgia  
 (540)

## ლამიანო Lamiani

(511) 33

(260) AM 2018 94794 A  
 (210) AM 94794  
 (220) 2017 10 30  
 (731) KALESAN SAĞLIK VE HİJYEN  
 ÜRÜNLERİ SANAYİ VE TİCARET  
 LİMİTED ŞİRKETİ  
 3. ORGANİZE SANAYİ BÖLGESİ KAMİL  
 ŞERBETÇİ BULVARI NO.46, Şehitkamil,  
 Gaziantep, Turkey  
 (740) Giorgi Kartvelishvili  
 (540)



(591) Yellow, purple, green, sky-blue  
 (531) 26.11.12; 27.05.01; 27.05.02; 29.01.14  
 (511) 3

(260) AM 2018 94832 A  
 (210) AM 94832  
 (220) 2017 10 31  
 (731) LTD "S.V.G"  
 Moskovis gamz. 37, b. 2, 0137, Tbilisi,  
 Georgia  
 (540)

## RED LEVEL

(591) Black-white  
(511) 33

(260) AM 2018 94891 A  
(210) AM 94891  
(220) 2017 11 02  
(731) LTD "Heritage Wine Georgia"  
D. Aghmasheneblis q. 2, chikhi 5, 0159,  
Sop. Dighomi, Tbilisi, Georgia

(540)



(591) Golden  
(531) 27.05.01; 27.05.19; 29.01.02  
(511) 33

(260) AM 2018 94927 A  
(210) AM 94927  
(220) 2017 11 06  
(731) Vakhtang Okrotsvaridze  
Tsknetis q. 14, b. 40, 0162, Tbilisi,  
Georgia

(540)

ადამისჟმური  
**adamiszhmuri**

(591) Black-white  
(511) 33

(260) AM 2018 95007 A  
(210) AM 95007  
(220) 2017 11 08  
(731) LTD "MARNISKARI"  
Sh. Askuravas q. 17, Tbilisi, Georgia

(740) Davit Gogidze  
(540)



(591) Red, golden, black  
(531) 07.01.03; 25.01.19; 29.01.13  
(526) "ჯვარი" and Cross Monastery Image  
(511) 33

(260) AM 2018 95008 A  
(210) AM 95008  
(220) 2017 11 08  
(731) LTD "MARNISKARI"  
Sh. Askuravas q. 17, Tbilisi, Georgia  
(740) Davit Gogidze  
(540)

**Chin Chila**

(591) Black-white  
(511) 33

(260) AM 2018 95010 A  
(210) AM 95010  
(220) 2017 11 08  
(731) LTD "MARNISKARI"  
Sh. Askuravas q. 17, Tbilisi, Georgia  
(740) Davit Gogidze  
(540)

ნეკრესელი  
**Nekreseli**

(591) Black-white  
(511) 33

(260) AM 2018 95032 A  
(210) AM 95032  
(220) 2017 11 10  
(310) 42017007484  
(320) 2017 05 16  
(330) PH  
(731) Rothmans of Pall Mall Limited  
Rut De Frans 17, Boncourt, 2926,  
Switzerland  
(740) Tamar Kochlamazashvili  
(540)



(591) Grey, red, blue  
(531) 24.01.15; 25.01.01; 25.07.15; 27.05.01;  
27.05.10; 27.05.19; 29.01.14  
(511) 34

(260) AM 2018 95037 A  
 (210) AM 95037  
 (220) 2017 11 10  
 (731) LTD "DIAMOND GROUP"  
 Mukhiani, II mkr, korp. 22, b. 52, 0172,  
 Tbilisi, Georgia

(540)



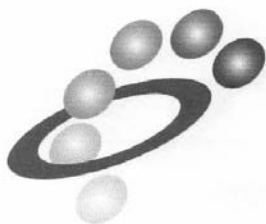
(591) Red, blue, purple, black  
 (531) 01.01.09; 01.01.12; 26.03.23; 26.03.24;  
 27.05.17; 29.01.14  
 (511) 9, 21

(260) AM 2018 95101 A  
 (210) AM 95101  
 (220) 2017 11 16  
 (731) El-jei-es-si Kepital Rielti  
 Lvovo str. 25, 16th floor, Small sail, Vilnius,  
 LT09320, Lithuania  
 (740) Aleksandre Gegechkori  
 (540)



(591) Black-white  
 (531) 07.01.24; 25.05.02; 26.04.04; 26.04.16;  
 26.04.24;  
 27.05.24  
 (511) 36

(260) AM 2018 95107 A  
 (210) AM 95107  
 (220) 2017 11 16  
 (731) KUMIAI CHEMICAL INDUSTRY CO., LTD  
 4-26, Ikenohata 1-chome, Taito-ku, Tokio  
 110-8782, Japan  
 (740) Tamaz Shilakadze  
 (540)



(591) Black-white  
 (531) 26.01.01; 26.01.02; 26.01.04; 26.01.06;  
 26.15.01  
 (511) 5

(260) AM 2018 95108 A  
 (210) AM 95108  
 (220) 2017 11 16  
 (731) LTD "WINE COMPANY SHUMI"  
 Lionidzis q. 33, 2200, Telavi, Georgia  
 (740) Tamuna Veshapidze  
 (540)

**LAZARE**  
**ლაზარე**  
**ЛАЗАРЕ**

(591) Black-white  
 (511) 33

(260) AM 2018 95137 A  
 (210) AM 95137  
 (220) 2017 11 20  
 (731) LTD "GEORGIAN OLIVE"  
 Vazisubani, II mkr., korp. 19, b. 41, 0152,  
 Tbilisi, Georgia  
 (740) Vazha Chubinashvili  
 (540)

**GEOLIVE**  
**ჯეოლივი**

(591) Black-white  
 (511) 29

(260) AM 2018 95138 A  
 (210) AM 95138  
 (220) 2017 11 20  
 (731) BIAL – Portela & Ca ., S.A.  
 E Avenida Da Siderurgia Nacional,  
 4745-457, Koronado (s. Romao E S.  
 Mamede), Portugal  
 (740) Shalva Gvaramadze  
 (540)

**BIAL**

(591) Black-white  
 (511) 5, 35

(260) AM 2018 95216 A  
 (210) AM 95216  
 (220) 2017 11 28  
 (731) Getz Pharma International FZ LLC  
 Office No. 1307, 13th Floor, Al-Thuraya  
 Tower 1, Dubai Media City, Dubai, United  
 Arab Emirates

(740) Merab Kvimsadze  
(540)

## GETINO

(591) Black-white  
(531) 27.05.01  
(511) 5

(260) AM 2018 95217 A  
(210) AM 95217  
(220) 2017 11 28

(731) Getz Pharma International FZ LLC  
Office No. 1307, 13th Floor, Al-Thuraya  
Tower 1, Dubai Media City, Dubai, United  
Arab Emirates

(740) Merab Kvimsadze  
(540)

## MOXIGET

(591) Black-white  
(531) 27.05.01  
(511) 5

(260) AM 2018 95218 A  
(210) AM 95218  
(220) 2017 11 28

(731) Getz Pharma International FZ LLC  
Office No. 1307, 13th Floor, Al-Thuraya  
Tower 1, Dubai Media City, Dubai, United  
Arab Emirates

(740) Merab Kvimsadze  
(540)

## SALTROL

(591) Black-white  
(531) 27.05.01  
(511) 5

(260) AM 2018 95219 A  
(210) AM 95219  
(220) 2017 11 28

(731) Getz Pharma International FZ LLC  
Office No. 1307, 13th Floor, Al-Thuraya  
Tower 1, Dubai Media City, Dubai, United  
Arab Emirates

(740) Merab Kvimsadze  
(540)

## GONADIL

(591) Black-white  
(531) 27.05.01  
(511) 5

(260) AM 2018 95220 A  
(210) AM 95220  
(220) 2017 11 28  
(731) Getz Pharma International FZ LLC

Office No. 1307, 13th Floor, Al-Thuraya  
Tower 1, Dubai Media City, Dubai, United  
Arab Emirates

(740) Merab Kvimsadze  
(540)

## CARTIGEN

(591) Black-white  
(531) 27.05.01  
(511) 5

(260) AM 2018 95221 A  
(210) AM 95221  
(220) 2017 11 28

(731) Getz Pharma International FZ LLC  
Office No. 1307, 13th Floor, Al-Thuraya  
Tower 1, Dubai Media City, Dubai, United  
Arab Emirates

(740) Merab Kvimsadze  
(540)

## OSAM

(591) Black-white  
(531) 27.05.01  
(511) 5

(260) AM 2018 95235 A  
(210) AM 95235  
(220) 2017 11 29

(731) LTD "INFINIT"  
Besikis q. 4, officei 203, 0108, Tbilisi,  
Georgia

(740) Levan Nikoladze  
(540)

## casino jewel

(511) 28, 41

(260) AM 2018 95318 A  
(210) AM 95318  
(220) 2017 12 01

(731) AstraZeneca AB  
SE-151 85 Södertälje, Sweden

(740) Tamaz Shilakadze  
(540)

## IMFINZI

(591) Black-white  
(511) 5

(260) AM 2018 95319 A  
(210) AM 95319  
(220) 2017 12 01

(731) JSC "Tskali Margebeli"  
Sop. Nabeghlavi, 4900, Chokhatauris r-ni  
Georgia

(540)



(591) Blue, white  
 (531) 01.15.23; 28.19; 29.01.04  
 (511) 29, 30, 32, 33

(260) AM 2018 95332 A  
 (210) AM 95332  
 (220) 2017 12 01  
 (731) LTD "ROOM DESIGN GALLERY"  
 Pekinis gamz. 39, 0160, Tbilisi,  
 Georgia

(540)

## გალერეა რუმ დიზაინი ROOM DESIGN GALLERY

(591) Black-white  
 (511) 25

(260) AM 2018 95333 A  
 (210) AM 95333  
 (220) 2017 12 01  
 (310) UK00003239563  
 (320) 2017 06 26  
 (330) GB  
 (731) Dunhill Tobacco of London Limited  
 Globe House, 4 Temple Place,  
 London WC2R 2PG, WC2R 2PG,  
 United Kingdom  
 (740) Tamar Kochlamazashvili  
 (540)



(591) Black, white, grey, silver  
 (531) 07.05.10; 10.01.25; 25.01.01; 25.05.02;  
 25.07.03; 25.07.15; 27.05.01; 27.05.19  
 (511) 34

(260) AM 2018 95334 A  
 (210) AM 95334  
 (220) 2017 12 02  
 (310) 72626  
 (320) 2017 06 02  
 (330) JM  
 (731) Apple Inc.

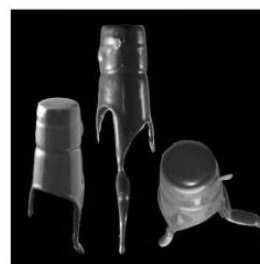
1, Infinite Loop, California, Cupertino,  
 95014, USA

(740) Tamar Kochlamazashvili  
 (540)

## HOMEPOD

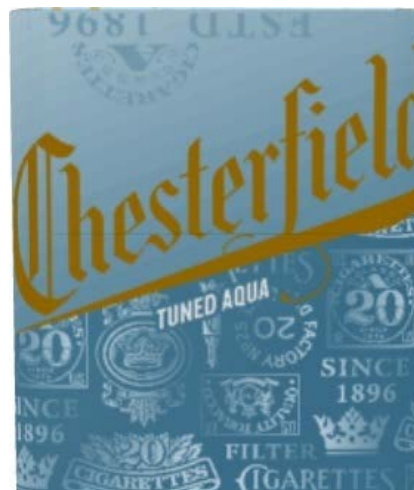
(591) Black-white  
 (511) 28, 37, 42

(260) AM 2018 95335 A  
 (210) AM 95335  
 (220) 2017 12 04  
 (731) Maker's Mark Distillery, Inc.  
 6200 Dutchman's Lane Suite 103, Louisville,  
 Kentucky 40205, 40205, USA  
 (740) Shalva Gvaramadze  
 (540)



(591) Black-white  
 (531) 19.08.02; 19.08.07  
 (511) 33

(260) AM 2018 95338 A  
 (210) AM 95338  
 (220) 2017 12 04  
 (731) Philip Morris Products S.A.  
 Ke Janreno 3, Neuchatel, 2000, Switzerland  
 (740) Shalva Gvaramadze  
 (540)



(591) White, golden and different tons of blue  
 (531) 05.03.16; 24.09.12; 25.07.25; 27.05.04;  
 29.01.12  
 (511) 34

(260) AM 2018 95341 A  
 (210) AM 95341  
 (220) 2017 12 04  
 (310) 87477932  
 (320) 2017 06 06  
 (330) US  
 (731) Apple Inc  
 1, Infinite Loop, California, Cupertino,  
 95014, USA  
 (740) Tamar Kochlamazashvili  
 (540)



(591) White, purple, pink, blue, green  
 (531) 26.01.12; 26.04.03; 26.04.09; 26.04.10;  
 29.01.15  
 (511) 9, 42

(260) AM 2018 95351 A  
 (210) AM 95351  
 (220) 2017 12 04  
 (731) LTD "G-M-P"  
 Sop. Ponitchala 65, 0165, Tbilisi,  
 Georgia  
 (740) Nugzar Ksovreli  
 (540)

ბრილოსანი  
 БРИЛОСАН  
 BRILOSAN

(511) 5

(260) AM 2018 95355 A  
 (210) AM 95355  
 (220) 2017 12 05  
 (731) N(N)LE "Georgian Glass and Mineral Water"  
 Sop. Kvibisi, N2 Taping factory, Borjomi,  
 Georgia  
 (540)



(551) Collective  
 (591) Light gray, dark gray, dark blue, golden, red,  
 dark golden  
 (531) 03.04.07; 25.01.19; 25.05.02; 25.07.15;  
 27.05.02; 29.01.14  
 (511) 5, 32, 35

(260) AM 2018 95361 A  
 (210) AM 95361  
 (220) 2017 12 05  
 (731) Amazon Europe Core S.à r.l.  
 5, Rue Plaetis, L-2338, Luxembourg  
 (740) Tamaz Shilakadze  
 (540)

**ALEXA**

(591) Black-white  
 (511) 35, 41, 45

(260) AM 2018 95363 A  
 (210) AM 95363  
 (220) 2017 12 05  
 (731) LTD "KARTVELI"  
 Kakhetis gzatk. 110a, 0151, Tbilisi,  
 Georgia  
 (740) Davit Dzamukashvili  
 (540)

**MARJANI**

(591) Black-white  
 (511) 33

(260) AM 2018 95405 A  
 (210) AM 95405  
 (220) 2017 12 06  
 (731) Elementos Trade Limited  
 Avlonos, 1 Maria House, Nicosia, 1075,  
 Cyprus  
 (740) Vakhtang Torotadze  
 (540)

**HROOM!**

(591) Black-white  
 (531) 24.17.04; 27.05.02  
 (511) 30

(260) AM 2018 95409 A  
 (210) AM 95409  
 (220) 2017 12 07  
 (731) LTD "COFFEETO"  
 Rustavelis q. 80, 5700, Khashuri,  
 Georgia

(540)



(591) Black-white

(531) 17.01.01; 17.01.19; 27.05.24; 28.19

(511) 43

(260) AM 2018 95410 A

(210) AM 95410

(220) 2017 12 07

(731) Ivybridge Ventures Limited

Lampousas 1, Nicosia, 1095, Cyprus

(740) Tamar Kochlamazashvili

(540)

**ЧесноЧек**

(591) Black-white

(511) 6, 8, 16, 21,24, 35

(260) AM 2018 95411 A

(210) AM 95411

(220) 2017 12 07

(731) VEON Amsterdam BV

Claude Debussylaan 88, 1082 MD

Amsterdam, Netherlands

(740) Giorgi Taktakishvili

(540)



(591) Yellow, black

(531) 27.05.10; 27.05.21; 29.01.12

(511) 9, 35, 36, 38, 41, 42, 45

(260) AM 2018 95412 A

(210) AM 95412

(220) 2017 12 07

(731) VEON Amsterdam BV

Claude Debussylaan 88, 1082 MD

Amsterdam, Netherlands

(740) Giorgi Taktakishvili

(540)



(591) Yellow, black

(531) 27.05.10; 27.05.21; 29.01.12

(511) 9, 35, 36, 38, 41, 42, 45

(260) AM 2018 95413 A

(210) AM 95413

(220) 2017 12 07

(310) 017207457

(320) 2017 09 13

(330) EUIPO

(731) VEON Amsterdam BV

Claude Debussylaan 88, 1082 MD

Amsterdam, Netherlands

(740) Giorgi Taktakishvili

(540)

**VEON Be Free**

(591) Black-white

(511) 9, 35, 36, 38, 41, 42, 45

(260) AM 2018 95414 A

(210) AM 95414

(220) 2017 12 07

(731) LTD "MILD GROUP"

Beliashvili q. (Near the Morphology institute), 0159, Tbilisi, Georgia

(740) Anri Gugeshashvili

(540)

**არტქა**

(511) 43

(260) AM 2018 95415 A

(210) AM 95415

(220) 2017 12 07

(731) V.G.M. Holding

105 Avenue Charles de Gaulle, Valleroy,

54910, France

(740) Shalva Gvaramadze

(540)

**შაუსკვა**

(511) 18, 25



(260) AM 2018 95429 A  
 (210) AM 95429  
 (220) 2017 12 08  
 (731) Sopio Jincharadze  
 Nutsubidzis Plato II, Kvart. II, korp. I,  
 b. 28, 0183, Tbilisi, Georgia  
 (540)



(591) Black-white  
 (531) 26.01.02; 26.01.18; 26.01.19; 27.05.01;  
 27.05.17  
 (511) 18, 25

(260) AM 2018 95431 A  
 (210) AM 95431  
 (220) 2017 12 08  
 (731) AstraZeneca AB  
 SE-151 85 Södertälje, Sweden  
 (740) Tamaz Shilakadze  
 (540)

## FIDURSI

(591) Black-white  
 (511) 5

(260) AM 2018 95432 A  
 (210) AM 95432  
 (220) 2017 12 08  
 Södertälje, Sweden  
 (740) Tamaz Shilakadze  
 (540)

## BYTIVITI

(591) Black-white  
 (511) 5

(260) AM 2018 95433 A  
 (210) AM 95433  
 (220) 2017 12 08  
 Södertälje, Sweden  
 (740) Tamaz Shilakadze  
 (540)

## IMJUDO

(591) Black-white  
 (511) 5

(260) AM 2018 95446 A  
 (210) AM 95446  
 (220) 2017 12 11

(731) Bilim Ilaj Sanai Ve Tijaret Anonim Shirqeti  
 Qaftanfasha Mahalesi, Zinjirliqiuu Jadesi,  
 No:184 Beioglu, Istanbul, Turkey  
 (740) Giorgi Kartvelishvili  
 (540)

## FLATIN

(591) Black-white  
 (511) 5

(260) AM 2018 95449 A  
 (210) AM 95449  
 (220) 2017 12 11  
 (731) Bilim Ilaj Sanai Ve Tijaret Anonim Shirqeti  
 Qaftanfasha Mahalesi, Zinjirliqiuu Jadesi,  
 No:184 Beioglu, Istanbul, Turkey  
 (740) Giorgi Kartvelishvili  
 (540)

## AMETAZON

(591) Black-white  
 (511) 5

(260) AM 2018 95452 A  
 (210) AM 95452  
 (220) 2017 12 11  
 (731) Bilim Ilaj Sanai Ve Tijaret Anonim Shirqeti  
 Qaftanfasha Mahalesi, Zinjirliqiuu Jadesi,  
 No:184 Beioglu, Istanbul, Turkey  
 (740) Giorgi Kartvelishvili  
 (540)

## METSIM

(591) Black-white  
 (511) 5

(260) AM 2018 95454 A  
 (210) AM 95454  
 (220) 2017 12 11  
 (731) Bilim Ilaj Sanai Ve Tijaret Anonim Shirqeti  
 Qaftanfasha Mahalesi, Zinjirliqiuu Jadesi,  
 No:184 Beioglu, Istanbul, Turkey  
 (740) Giorgi Kartvelishvili  
 (540)

## VAGINAKS

(591) Black-white  
 (511) 5

(260) AM 2018 95456 A  
 (210) AM 95456  
 (220) 2017 12 11  
 (731) Bilim Ilaj Sanai Ve Tijaret Anonim Shirqeti

Qaftanfasha Mahalesi, Zinjirliqiu Jadesi,  
No:184 Beioglu, Istanbul, Turkey  
(740) Giorgi Kartvelishvili  
(540)

**ALLEDERMIN**

(591) Black-white  
(511) 5

(260) AM 2018 95458 A  
(210) AM 95458  
(220) 2017 12 11  
(731) Xi'an Cool chat Intelligent Technology Co. Ltd  
Rm 108, 1/F, Building No.15, Xibuyungu,  
Fengxi Xincheng, Xixian new Area, Shanxi  
Prov, China  
(740) Merab Kvimsadze  
(540)



Cool chat

(591) Black-white  
(531) 02.05.22; 05.03.13; 05.03.16  
(511) 9, 35, 36, 38, 39, 41, 43

(260) AM 2018 95467 A  
(210) AM 95467  
(220) 2017 12 11  
(731) Nika Goletiani  
Bakhtrionis q. 60, 2200, Telavi, Georgia  
(740) Nika Goletiani  
(540)

**trio**  
**Трио**  
**ტრიო**

(511) 33

(260) AM 2018 95505 A  
(210) AM 95505  
(220) 2017 12 12  
(731) FGX International Inc.  
500 George Washington Highway,  
Smithfield, Rhode Island 02917, USA  
(740) Merab Kvimsadze

(540)  
**FOSTER GRANT**  
(591) Black-white  
(531) 27.05.01; 27.05.05  
(511) 9

(260) AM 2018 95507 A  
(210) AM 95507  
(220) 2017 12 12  
(731) LTD "GEOMOT"  
Melashvilis q./Mazniashvilis q. 12/8, 6000,  
Batumi, Georgia  
(540)

**FERM**

(531) 27.05.17  
(511) 9, 35, 36, 38, 41, 42

(260) AM 2018 95517 A  
(210) AM 95517  
(220) 2017 12 12  
(731) LTD "ZEARIS"  
Richars Holbrukis q. 13, Tbilisi, Georgia  
(740) Aleksandre Kvernadze  
(540)

**ქართული საიდუმლო**  
**Georgian Secret**  
**Грузинский Секрет**

(511) 33

(260) AM 2018 95518 A  
(210) AM 95518  
(220) 2017 12 13  
(310) 87620730  
(320) 2017 09 25  
(330) US  
(731) Marriott International Inc.  
10400 Fernwood Road, Bethesda, Maryland  
20817, USA  
(740) Tamaz Shilakadze  
(540)

**PLAY ON**

(591) Black-white  
(511) 43

(260) AM 2018 95520 A  
(210) AM 95520  
(220) 2017 12 13  
(731) Unimax Stationery

Plot No. D-8 & D-9, Mahatma Gandhi  
Udyog Nagar, O.I.D.C, Dabhel, Nani  
Daman-396210, India

(740) Merab Kvimsadze  
(540)



(591) Red, orange, white, black  
(531) 01.03.01; 26.01.19; 26.01.24; 26.04.02;  
26.04.10;  
26.04.24; 27.05.17; 27.05.24; 29.01.13  
(511) 16

(260) AM 2018 95521 A  
(210) AM 95521  
(220) 2017 12 13  
(731) Guangzhou Jibei Biotechnology Co. Ltd  
Rum 1613, Iun Cheng Uest Roud 888, Baiun  
Distriqti, Guanjou, China  
(740) Giorgi Meipariani  
(540)



BEAUTY  
SCENES

(591) Black-white  
(531) 27.05.15; 27.05.22  
(511) 3

(260) AM 2018 95522 A  
(210) AM 95522  
(220) 2017 12 13  
(731) TIENS GROUP CO. LTD  
Wu Qing Development Zone, Tianjin New  
Tech Industrial Park, 301700, Tianjin, China  
(740) Giorgi Meipariani  
(540)



(591) Black-white  
(531) 27.05.19; 27.05.22  
(511) 3

(260) AM 2018 95527 A  
(210) AM 95527  
(220) 2017 12 15  
(731) SİNERJİ PROJE YÖNETİMİ ELEKTRİK  
ELEKTRONİK VE SAĞLIK  
TEKNOLOJİLERİ DIŞ TİCARET LİMİTED  
ŞİRKETİ  
İuqari Dudullu Mahallesi, Vuslat Soqaq,  
N4-1, Iumranie/stambuli, Turkey

(740) Vakhtang Torotadze  
(540)



(591) Blue, dark red, white  
(531) 26.04.01; 26.04.03; 26.04.08; 27.05.17;  
29.01.13  
(511) 9

(260) AM 2018 95528 A  
(210) AM 95528  
(220) 2017 12 15  
(731) Obschestvo s ogranichennoi otvetstvennostyu  
"NAUCHNO-PROIZVODSTVENNAYA  
FIRMA "MATERIA MEDICA HOLDING"  
Trety Samotechny pereulok, 9, RU-127473  
Moscow, Russian Federation  
(740) Tamaz Shilakadze  
(540)



(591) Black-white  
(511) 5

(260) AM 2018 95530 A  
(210) AM 95530  
(220) 2017 12 15  
(731) Sopio Jintcharadze  
Nutsubidzis II mkr., II kvart., korp. I, b. 28,  
0183, Tbilisi, Georgia  
(540)



(591) White, blue, yellow, green, orange and black  
(531) 01.03.17; 01.15.17; 05.03.16; 26.04.01;  
26.04.04; 26.04.17; 27.07.17; 29.01.15  
(511) 18, 25

(260) AM 2018 95531 A  
 (210) AM 95531  
 (220) 2017 12 16  
 (731) LTD "ZEARIS"  
 Richars Holbrukis q. 13, Tbilisi, Georgia  
 (740) Aleksandre Kvernadze  
 (540)

**ორბი**  
**ORBI**  
**ОРБИ**

(511) 33

(260) AM 2018 95533 A  
 (210) AM 95533  
 (220) 2017 12 16  
 (731) LTD "ZEARIS"  
 Richard Jolbrukis q. 13, Tbilisi, Georgia  
 (740) Aleksandre Kvernadze  
 (540)

**ორი ნაბიჯი**  
**TWO STEPS**

(511) 33

(260) AM 2018 95536 A  
 (210) AM 95536  
 (220) 2017 12 18  
 (731) Vakhtang Okrotsvaridze  
 Tsknetis q. 14, b. 40, 0162, Tbilisi,  
 Georgia  
 (540)

**Antediluvian**

(511) 33

(260) AM 2018 95541 A  
 (210) AM 95541  
 (220) 2017 12 18  
 (731) LTD "VITE VERA"  
 Z. Paliashvilis q. 33a, 0179, Tbilisi,  
 Georgia  
 (540)



(531) 27.05.01; 28.19  
 (511) 33

(260) AM 2018 95542 A  
 (210) AM 95542  
 (220) 2017 12 18  
 (731) LTD "Aversi-Pharma"  
 D. Aghmasheneblis gamz. 148/2, 0112,  
 Tbilisi, Georgia  
 (540)

**ცერუკალი**  
**Церукал**  
**Cerucal**

(591) Black-white  
 (511) 5

(260) AM 2018 95543 A  
 (210) AM 95543  
 (220) 2017 12 18  
 (731) LTD "Aversi-Pharma"  
 D. Aghmasheneblis gamz. 148/2, 0112,  
 Tbilisi, Georgia  
 (540)

**ფინლექსინი**  
**Финлепсин**  
**Finlepsin**

(591) Black-white  
 (511) 5

(260) AM 2018 95544 A  
 (210) AM 95544  
 (220) 2017 12 18  
 (731) LTD "Aversi-Pharma"  
 D. Aghmasheneblis gamz. 148/2, 0112,  
 Tbilisi, Georgia  
 (540)

**სუმამედი**  
**Сумамед**  
**Sumamed**

(591) Black-white  
 (511) 5

(260) AM 2018 95546 A  
 (210) AM 95546  
 (220) 2017 12 18  
 (731) LTD "Aversi-Pharma"

D. Aghmasheneblis gamz. 148/2, 0112,  
Tbilisi, Georgia  
(540)

**კორინფარო**  
**Коринфар**  
**Corinfar**

(591) Black-white  
(511) 5

(260) AM 2018 95547 A  
(210) AM 95547  
(220) 2017 12 18  
(731) LTD "VITE VERA"  
Z. Paliashvilis q. 33a, 0179, Tbilisi,  
Georgia  
(540)



(591) Black-white  
(531) 27.05.01; 28.19  
(511) 33

(260) AM 2018 95560 A  
(210) AM 95560  
(220) 2017 12 19  
(731) Hankook Tire Co., Ltd  
133, Teheran-ro (Yeoksam-dong), Gangnam-gu,  
Seoul, Republic of Korea  
(740) Merab Kvimsadze  
(540)

**Aqua Pine**

(591) Black-white  
(531) 27.05.01  
(511) 12

(260) AM 2018 95561 A  
(210) AM 95561  
(220) 2017 12 19  
(731) E. I. du Pont de Nemours and Company  
Chestnut Run Plaza, 974 Centre Road,  
Wilmington, DE 19805, USA  
(740) Tamaz Shilakadze  
(540)

**CORTEVA**

(591) Black-white  
(511) 1, 5, 31

(260) AM 2018 95562 A  
(210) AM 95562  
(220) 2017 12 19  
(731) E. I. du Pont de Nemours and Company  
Chestnut Run Plaza, 974 Centre Road,  
Wilmington, DE 19805, USA  
(740) Tamaz Shilakadze  
(540)

**CORTEVA**  
**AGRISCIENCE**

(591) Black-white  
(511) 1, 5, 31

(260) AM 2018 95566 A  
(210) AM 95566  
(220) 2017 12 20  
(731) Mars, Incorporated  
a Delaware corporation  
6885 Elm Street, Virginia, McLean,  
22101, USA  
(740) Tamar Kochlamazashvili  
(540)



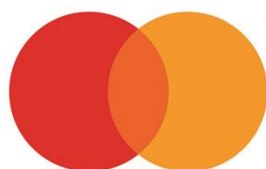
(591) Yellow, brown, white  
(531) 24.17.09; 27.05.17; 27.05.22; 29.01.13  
(511) 30

(260) AM 2018 95567 A  
(210) AM 95567  
(220) 2017 12 20  
(731) Fitbit, Inc.  
a Delaware corporation  
199 Fremont Street, 14th Floor, California,  
San-Francisco, 94105, USA  
(740) Tamar Kochlamazashvili  
(540)

**FITBIT**

(591) Black-white  
(511) 9

(260) AM 2018 95569 A  
 (210) AM 95569  
 (220) 2017 12 20  
 (731) Mastercard International Incorporated  
 2000 Purchase Street, Purchase, New York,  
 10577, USA  
 (740) Tamar Kochlamazashvili  
 (540)



mastercard

მასტერქარდი

(591) Red, orange, yellow, black  
 (531) 26.01.06; 29.01.12  
 (511) 9, 35, 36, 38, 42

(260) AM 2018 95579 A  
 (210) AM 95579  
 (220) 2017 12 21  
 (731) ETİ GIDA SANAYİ VE TİCARET  
 ANONİM ŞİRKETİ  
 ORGANİZE SANAYİ BÖLGESİ 11.  
 CADDE ESKİŞEHİR, Turkey  
 (740) Merab Kvimsadze  
 (540)



(591) Black, white, red, light yellow, yellow,  
 dark yellow, orange, brown  
 (531) 05.07.02; 07.03.02; 27.05.02; 29.01.14  
 (511) 30

(260) AM 2018 95580 A  
 (210) AM 95580  
 (220) 2017 12 21  
 (731) ETİ GIDA SANAYİ VE TİCARET  
 ANONİM ŞİRKETİ  
 ORGANİZE SANAYİ BÖLGESİ 11.  
 CADDE ESKİŞEHİR, Turkey  
 (740) Merab Kvimsadze

(540)



(591) Black, white, red, blue, blue  
 (531) 07.03.02; 26.11.12; 27.05.02; 29.01.14  
 (511) 30

(260) AM 2018 95581 A  
 (210) AM 95581  
 (220) 2017 12 21  
 (731) ETİ GIDA SANAYİ VE TİCARET  
 ANONİM ŞİRKETİ  
 ORGANİZE SANAYİ BÖLGESİ 11.  
 CADDE ESKİŞEHİR, Turkey  
 (740) Merab Kvimsadze  
 (540)



(591) Black, white, dark pink, red, purple,  
 blue, yellow, orange, light orange,  
 dark orange  
 (531) 01.03.01; 01.03.15; 05.11.19; 07.03.02;  
 27.05.02;  
 29.01.15  
 (511) 30

(260) AM 2018 95583 A  
 (210) AM 95583  
 (220) 2017 12 21  
 (731) ETİ GIDA SANAYİ VE TİCARET

ANONİM ŞİRKETİ  
ORGANİZE SANAYİ BÖLGESİ 11.  
CADDE ESKİŞEHİR, Turkey

(740) Merab Kvimsadze  
(540)



(591) Black, white, red, yellow, brown  
(531) 05.11.19; 07.03.02; 27.05.02; 27.05.17;  
27.05.21; 29.01.15  
(511) 30

(260) AM 2018 95585 A  
(210) AM 95585  
(220) 2017 12 21  
(731) ETİ GIDA SANAYİ VE TİCARET  
ANONİM ŞİRKETİ  
ORGANİZE SANAYİ BÖLGESİ 11.  
CADDE ESKİŞEHİR, Turkey  
(740) Merab Kvimsadze  
(540)



(591) Red, dark red, light red, black, white,  
brown, dark brown, light brown, gray,  
orange, yellow, dark yellow, light yellow,  
blue, green, dark green, light green,  
dark pink, beige  
(531) 03.01.01; 03.01.08; 03.01.14; 03.02.01;  
05.01.16; 05.05.20; 07.03.02; 27.05.01;  
27.05.02; 27.05.24; 29.01.15  
(511) 30

(260) AM 2018 95587 A  
(210) AM 95587  
(220) 2017 12 21  
(731) ETİ GIDA SANAYİ VE TİCARET  
ANONİM ŞİRKETİ

ORGANİZE SANAYİ BÖLGESİ 11.  
CADDE ESKİŞEHİR, Turkey

(740) Merab Kvimsadze  
(540)



(591) Black, white, red, dark pink, light green  
(531) 05.11.19; 07.03.02; 27.05.02; 27.05.11;  
27.05.17; 29.01.14  
(511) 30

(260) AM 2018 95656 A  
(210) AM 95656  
(220) 2017 12 25  
(731) FCA US LLC  
1000 Chrysler Drive, City of Auburn Hills,  
State of Michigan 48326, USA  
(740) Giorgi Taktakishvili  
(540)

**SAHARA**

(591) Black-white  
(511) 12

(260) AM 2018 95657 A  
(210) AM 95657  
(220) 2017 12 25  
(731) LTD "NIKIFORE"  
Rachis q. 14a, 0104, Tbilisi, Georgia  
(540)



(591) Yellow, black, white

(531) 02.01.01; 02.03.01; 26.11.09; 29.01.13  
(511) 33, 35, 43

(260) AM 2018 95662 A  
(210) AM 95662  
(220) 2017 12 25  
(731) Quality Is Our Recipe LLC  
One Dave Thomas Boulevard Dublin, Ohio  
43017, USA  
(740) Tamaz Shilakadze  
(540)



(591) Black-white  
(531) 02.05.01; 02.05.03; 26.01.14  
(511) 29, 43

(260) AM 2018 95665 A  
(210) AM 95665  
(220) 2017 12 25  
(731) Quality Is Our Recipe LLC  
One Dave Thomas Boulevard Dublin, Ohio  
43017, USA  
(740) Tamaz Shilakadze  
(540)

**Wendy's**

(591) Black-white  
(531) 27.05.01  
(511) 29, 43

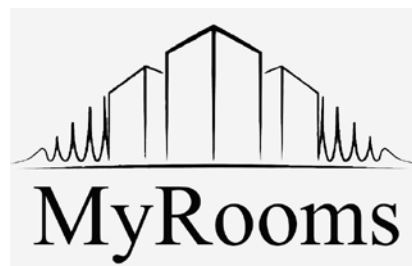
(260) AM 2018 95666 A  
(210) AM 95666  
(220) 2017 12 25  
(731) Monster Energy Company  
a Delaware corporation  
1 Monster Way, California, Corona, 92879,  
USA  
(740) Shalva Gvaramadze  
(540)

**PREDATOR**

(511) 32

(260) AM 2018 95667 A

(210) AM 95667  
(220) 2017 12 26  
(731) Milan Sarkisyan  
M. Toidzis q. 10, Tbilisi, Georgia  
(740) Shalva Gvaramadze  
(540)



(591) Black-white  
(531) 07.01.24; 27.05.11  
(511) 43

(260) AM 2018 95673 A  
(210) AM 95673  
(220) 2017 12 27  
(731) Ilo Khobelia  
S. Chikovanis q. 4/6/8/10, b. 73, Tbilisi,  
Georgia  
(740) Shorena Alania  
(540)



(591) Black-white  
(531) 05.07.06; 27.05.11; 28.19  
(511) 29, 31, 32, 33, 35, 43

(260) AM 2018 95716 A  
(210) AM 95716  
(220) 2017 12 29  
(731) JSC "PROBUS CAPITAL"  
Amaghlebis q. 36, 0105, Tbilisi, Georgia  
(740) Zakaria Shvelidze  
(540)

**ჰაშგრაფი**  
**Hashgraph**

(591) Black-white  
(511) 36

(260) AM 2018 95717 A



(210) AM 95717  
 (220) 2017 12 29  
 (731) JSC "PROBUS CAPITAL"  
 Amaghlebis q. 36, 0105, Tbilisi, Georgia  
 (740) Zakaria Shvelidze  
 (540)

**Probus**  
**პრობუსი**

(591) Black-white  
 (511) 35, 36

(260) AM 2018 95718 A  
 (210) AM 95718  
 (220) 2017 12 29  
 (731) JSC "Spirit and Vodka Company Gomi"  
 Village Gomi, Khashuri district, Georgia  
 (740) Dimitri Dzamukashvili  
 (540)

**გომი**  
**Gomi**

(591) Black-white  
 (511) 33

(260) AM 2018 95847 A  
 (210) AM 95847  
 (220) 2018 01 08  
 (731) LTD "TEGETA MOTORS"  
 D. Aghmashenebeli Alley 12th km. 5, 0131,  
 Tbilisi, Georgia  
 (740) Zurab Sakvarelidze  
 (540)

**თეგეტა**  
**TEGETA**

(511) 35

(260) AM 2018 95858 A  
 (210) AM 2018 95858  
 (220) 2018 01 08  
 (731) ADIDAS 2015  
 Todrias q. II chikhi, korp. 7, b. 34, 3700,  
 Rustavi, Georgia  
 (540)



(591) Black-white

(531) 03.06.03; 27.05.17  
 (511) 25, 35

(260) AM 2018 95927 A  
 (210) AM95927  
 (220) 2018 01 10  
 (310) 87/525,413  
 (320) 2017 07 12  
 (330) US  
 (731) Exelixis, Inc. a Delaware corporation  
 210 East Grand Avenue, South  
 San Francisco, California 9408, USA  
 (740) Tamaz Shilakadze  
 (540)

**EXELIXIS**

(591) Black-white  
 (531) 27.03.02; 27.05.17  
 (511) 5, 42

(260) AM 2018 95929 A  
 (210) AM 2018 95929  
 (220) 2018 01 10  
 (731) Norwood Industries Inc.  
 2667 15/16 Side Road East, Oro-Medonte,  
 Ontario L0L 1T0, Canada  
 (740) Giorgi Taktakishvili  
 (540)

**NORWOOD**

(591) Black-white  
 (511) 7, 8

## TRADEMARKS REGISTERED ACCORDING TO THE ACCELERATED PROCEDURE

The decision can be appealed at the Chamber of Appeal of Sakpatenti within 3 months from the publication.

(111) M 2018 29898 R  
(151) 2018 07 10  
(181) 2028 07 10  
(210) AM 97902  
(220) 2018 05 31  
(732) "CITY LOFT" LLC  
26 Maisis sakhelobis moedani, 0171,  
Tbilisi, Georgia  
(740) Giorgi Taktakishvili  
(540)

**ავიატორი**  
**Aviator**

(591) Black-white  
(511) 39, 41, 43

(111) M 2018 29899 R  
(151) 2018 07 10  
(181) 2028 07 10  
(210) AM 98183  
(220) 2018 06 22  
(732) LTD "TMI"  
Gorgiladzis q. 68a, b. 23, 6000, Batumi,  
Georgia  
(540)



(591) White, blue, lilac  
(531) 25.01.25; 26.01.01; 26.01.03; 26.01.18;  
27.05.01; 28.19; 29.01.04; 29.01.12  
(526) "კვარიალი", "kvartali"  
(511) 43

(111) M 2018 29900 R  
(151) 2018 07 10  
(181) 2028 07 10  
(210) AM 98167  
(220) 2018 06 19  
(732) LTD "Georgian Wiine House"  
Sop. Zegaani, 1500, Gurjaanis r-ni, Georgia

(740) Sopio Vacheishvili  
(540)

**ვაინ ენდ დაინ**  
**Вайн энд Дайн**  
**Wine and Dine**

(511) 35, 43

(111) M 2018 29901 R  
(151) 2018 07 10  
(181) 2028 07 10  
(210) AM 98016  
(220) 2018 06 13  
(732) LLC "Georgian Wines and Spirits Company"  
Sop. Achinebuli, 2200, Telavi, Georgia  
(740) Sopio Vacheishvili  
(540)

**ანშია**  
**ANSHIYA**  
**Аншия**

(591) Black-white  
(511) 33

(111) M 2018 29902 R  
(151) 2018 07 10  
(181) 2028 07 10  
(210) AM 98200  
(220) 2018 06 25  
(732) LLC "Georgian Wines and Spirits Company"  
Sop. Achinebuli, 2200, Telavi, Georgia  
(540)

**ტიფლისური ძველებური**

(591) Black  
(526) ტიფლისური  
(511) 33

(111) M 2018 29903 R  
(151) 2018 07 12  
(181) 2028 07 12  
(210) AM 97775  
(220) 2018 05 22  
(732) LEPL "Public Broadcaster"  
M. Kostavas q. 68, 0171, Tbilisi, Georgia

(540)

**საქართველოს ტელევიზია**  
**Georgian Television**

(591) Black-white  
(526) Georgia, Georgia  
(511) 16

(111) M 2018 29904 R  
(151) 2018 07 12  
(181) 2028 07 12  
(210) AM 97774  
(220) 2018 05 22  
(732) LEPL "Public Broadcaster"  
M. Kostavas q. 68, 0171, Tbilisi, Georgia  
(540)

**საქართველოს რადიო**  
**Georgian Radio**

(591) Black-white  
(526) Georgia, Georgia  
(511) 16

(111) M 2018 29905 R  
(151) 2018 07 12  
(181) 2028 07 12  
(210) AM 98231  
(220) 2018 06 28  
(732) JSC "TBC INSURANCE"  
Al. Kazbegis gamz. 24b, sart. 3, 0177,  
Tbilisi, Georgia  
(540)



(591) Gray, white, sharp violet  
(531) 26.03.03; 26.03.04; 27.05.01; 28.19; 29.01.12  
(511) 36

(111) M 2018 29906 R  
(151) 2018 07 12  
(181) 2028 07 12  
(210) AM 98230  
(220) 2018 06 28  
(732) JSC "TBC INSURANCE"  
Al. Kazbegis gamz. 24b, sart. 3, 0177,  
Tbilisi, Georgia  
(540)



(591) Lighter, sharp violet, sharp turquoise  
(531) 26.01.04; 27.05.01; 27.05.21; 28.19; 29.01.13  
(511) 36

(111) M 2018 29918 R  
(151) 2018 07 18  
(181) 2028 07 18  
(210) AM 97465  
(220) 2018 05 07  
(732) LTD "BARAKONI"  
V. Petriashvilis q. 3, 0179, Tbilisi, Georgia  
(540)



(591) Blue  
(531) 26.04.11; 26.07.15; 27.05.01; 27.05.10;  
27.05.15  
(511) 43

(111) M 2018 29919 R  
(151) 2018 07 19  
(181) 2028 07 19  
(210) AM 98389  
(220) 2018 07 05  
(732) LTD Scientific-Production Company "SHELF"  
Exhibition 1b, 08321, Kyiv, Borispolis region,  
village Chubinskoe, Ukraine  
(740) Alla Krasnorutskaya  
(540)



(591) Blue and white  
(531) 26.01.18; 27.05.09; 27.05.10; 29.01.04  
(511) 7, 12

## INTERNATIONAL TRADEMARKS FOR WHICH A DECISION ON GRANTING PROTECTIONS IS TAKEN

The decision can be appealed at the Chamber of Appeal of Sakpatenti within 3 months from the publication or at the Mtskheta District Court Administrative Cases Board (Address: №17, Samkhedro str., Mtskheta), within 1 month following the publication.

(260) AM 2018 90916 A

(800) 1330828

(151) 2016 04 22

(891) 2016 04 22

(731) RAINBOW S.R.L.

Via Brece snc, I-60025 LORETO (AN), Italy

(540)



(591) Black and white

(531) 05.09.14; 27.05.02

(511)

9 – Tablet computers; electronic agendas; notebook computers; computer keyboards; computer mice; mouse pads; headphones; MP3 players; USB flash drives; hand-held computers; DVDs; video game cartridges; joysticks for computers; audio books; sunglasses; eyeglass cases; spectacle lenses; optical apparatus and instruments; DVD cases; animated cartoons; decorative magnets; microphones; personal digital assistants [PDAs]; video recordings; smartphones; cellular phones; telephone apparatus; ear buds; cases for telephones; cases adapted for cellular phones; cell phone straps; lanyards [straps] for cellular phones; holders for mobile telephones; batteries; electronic notepads; electronic notebooks; notebook computers; monitors; apparatus for recording, transmission or reproduction of sound or images; audio and video-receivers; laptop computers; CD-ROMs; blank discs; pre-recorded audio and video DVDs and CD-ROMs; audio-video compact discs featuring music entertainment films, animation and computer games; recorded DVD-ROMs featuring musical entertainment films, animation and computer games; recorded tapes; prerecorded videotapes; recorded video discs and tapes featuring musical entertainment films, animation and computer games; cinematographic film, exposed; games software; videogame discs; downloadable video game programs; software programs for video games; electronic games software; game software for PCs; joy sticks; digital books downloadable from the Internet; electronic publi-

cations, downloadable; digital book readers; eyeglasses; eyeglass cords; eyeglass frames; binoculars; telescopes; bags and cases adapted or shaped to contain tablet computers, notebook computers, and hand held computers; covers for tablet computers; covers (shaped-) for computers; cases for electronic diaries; bags for cameras; cases adapted for photographic equipment; eyewear cases; compact disc cases; chips containing musical recordings; graduated rulers for office; karaoke equipment; modems (as part of a computer); cinematographic films; headsets for mobile telephones; telephone earpieces; display screen protectors in the nature of films for mobile phones; covers for mobile phones; phone covers [specifically adapted]; flip covers for smart phones; protective covers for mobile phones; charging appliances for rechargeable equipment.

16 – Pocket diaries; drawing pads; albums; writing or drawing books; printed tickets; envelopes [stationery]; wrapping paper; folders for papers; folders of paper; calendars; drawing paper; writing paper; paintbrushes; drawing instruments; pencils; book-markers; paperweights; photograph stands; newspapers; books; printing fonts; paper and cardboard; printed matter; stationery; stationery cases; diaries and agendas; note pads; writing tablets; gift cards; ring binders; adhesives [glues] for stationery or household purposes; stickers [decalcomanias]; collector trading cards; artists' materials; pens; pencil toppers; photographs [printed]; periodicals; sticker activity books; typewriters and office requisites [except furniture]; instructional and teaching material [except apparatus]; plastic materials for packaging; bookbinding material.

18 – Travelling trunks; bags; beach bags; bags for sports; leather purses [handbags]; shoulder straps; rucksacks; leather; hip bags; bags [envelopes, pouches] of leather, for packaging; pocket wallets; music cases; animal skins; parasols; boxes of leather or leatherboard; walking sticks; cosmetic cases sold empty; vanity cases sold empty; handbags; shoulder bags; evening handbags; travelling sets [leatherware]; school satchels; carrying cases for documents; textile shopping bags; attaché cases; valises; travel garment covers; business card cases; credit-card holders; key cases of imitation leather; luggage tags of leather; umbrellas; beach bags; all-purpose athletic bags; leather purses; briefcases [leather goods]; key-cases of

leather and skins; credit card holders made of leather; leather and imitation leather; clothing for pets.

21 – Combs and sponges; brushes; bowls [basins]; brooms; cake molds [moulds]; candle extinguishers; cookie jars; cookie [biscuit] cutters; corkscrews, electric and non-electric; cups; flower pots; hair for brushes; hair combs; heat-insulated containers; lunch boxes; napkin rings; oven mitts; paper cups; paper plates; pie servers; plastic cups; table plates; soap holders; toothbrushes; trivets [table utensils]; insulating flasks; drinking straws; household or kitchen utensils and containers; material for brush-making; materials for cleaning purposes; steel wool; unworked or semi-worked glass (except glass used in building); glassware, porcelainware, earthenware; beverage ware; drinking glasses; cake servers; candle holders not of precious metal; canteens; figurines made of terra cotta; coasters, not of paper other than table linen; collapsible boxes for household use; decorating bags for confectioners; decorative crystal prisms; decorative glass; decorative plates; tableware; statuettes of china, crystal, earthenware, glass or porcelain; insulating sleeve holders for beverage containers; mugs; napkin rings, not of precious metal; pie pans; plastic water bottles; tea kettles; tea services [tableware]; thermally insulated containers for food and drink; meal trays; containers for garbage; candle snuffers of precious metal; candelabra (candlesticks) of precious metal; pot holders; bird houses.

25 – Bandanas [neckerchiefs]; beach clothes; bikinis; blazers; boots; bow ties; small hats; cloth bibs; coats; albs; ear muffs [clothing]; gloves [clothing]; polo shirts; headbands [clothing]; hosiery; clothing for babies; jackets [clothing]; jeans; neckerchiefs; leotards; leggings [leg warmers]; neckties; nightgowns; overalls; pajamas; boxer shorts; ponchos; sandals; scarfs; shirts; shoes; skirts; socks; stockings; sweaters; sweatshirts; bathing suits; tank tops; Tee-shirts; vests; clothing, footwear, headgear; belts [clothing]; boots for sports; baseball caps; beach cover-ups; bibs; brassieres; chaps; halloween costumes; jerseys; mitts [clothing]; nighties; tights; waterproof outer clothing; bathrobes; trouser shorts; slacks; slippers; nightwear; sweatpants; underwear; wrist warmers; bolo ties with precious metal tips.

28 – Playing cards; board games; play balloons; baseball bats; basketballs; baseballs; bowling balls; chess games; Christmas stockings; decorations for Christmas trees; dolls; playsets for dolls; electric action toys; fishing tackle; golf balls; golf gloves; inflatable toys; jigsaw puzzles; skipping ropes; kites; marbles for games; manipulative games; mechanical toys; musical toys; parlor games; plush toys; punching bags; puppets; roller skates; rubber balls; skateboards; snow globes; American footballs; spinning tops [toys]; stuffed toys; tables for table tennis; target games; teddy bears; tennis balls; toy furniture;

toy vehicles; scooters [toys]; toy cars; toy figures; yo-yos; paper party hats; games and playthings; gymnastic and sporting articles; skill and action games; action figures and action figure accessories; children's multiple activity toy; badminton sets; bathtub toys; beach balls; bean bag dolls; learning blocks; bubble making wand and solution sets; catcher's mitts; children's play cosmetics; collectable toy figures; decorative crib mobiles; crib toys; disc-type toss toys; dolls' clothes; doll accessories; equipment sold as a unit for playing card games; golf ball markers; hand held unit for playing electronic games; hockey pucks; magic tricks; music box toys; party favors in the nature of small toys; snowboards; soft toys; toy action figures; toy bucket and shovel sets; toy model hobbycraft kits; toys incorporating money boxes; toy lorries; toy clocks and watches; water squirting toys; wind-up toys; paper party favours.

41 – Entertainment services; cinema presentations; providing waterpark services; entertainment information; theatre productions; sporting and cultural activities; organization of training courses; entertainment in the form of films; producing, distribution and rental of motion pictures, television and radio programmes, sound recordings and videos; live entertainment production services; presentation of recitals; television entertainment in the nature of live-action, comedy, drama, and/or animated television programmes; rental of videotapes; production of computer programs (software) for multimedia entertainment; providing online electronic publications (not downloadable); education and entertainment services provided via a global computer network; providing of films available online on the Internet (non-downloadable); Internet games (not downloadable); publishing of books, magazines and electronic publications in relation to cinema, music and video games; information about the gaming industry, music services and movie services provided online (non-downloadable); booking of entertainment halls; provision of entertainment facilities; holiday camp amusement centre services; amusement parks; amusement parks and arcades; theme park services; zoological garden services; amusement park services; entertainment services in the nature of an amusement park show; organisation of entertainment, sporting, recreational, cultural and artistic events; organisation of group recreational activities; ticket agency services; ticketing and event booking services; booking of seats for shows and booking of theatre tickets; booking agency services for cinema tickets; providing information on entertainment through computer networks; providing entertainment events in the form of live music shows; rental of amusement machines and apparatus; conferences, seminars and presentations; arranging of contests; organization of competitions; providing recreation facilities; education and training; workshops for training pur-

poses; production of training videos; conducting of instructional seminars; provision of information relating to training; recreation and training services; provision of training facilities; instruction in group exercise; publication of printed matter and printed publications; publication of books, magazines, almanacs and journals; providing on-line publications.

(260) AM 2018 91125 A

(800) 1333034

(151) 2016 07 07

(891) 2016 07 07

(731) Master-Sport-Automobiltechnik (MS) GmbH  
Leopoldstr. 244, 80807 München, Germany

(540)



(591) Red

(531) 27.05.17; 27.05.23; 29.01.01

(511)

4 – Electrical energy; dust controlling compositions; fuels and illuminants; lubricants and industrial greases, waxes and fluids; chain oil; shock absorbing oils; oils for use with machine tools; mineral oils and greases for industrial purposes [not for fuel]; lubricating oils and greases; industrial oils and greases, lubricants; isolating oils; lubricating oil for motor vehicle engines; lubricating oils containing additives which protect metal against wear by friction; lubricating oils for petrol engines; lubricating oils for automotive apparatus; lubricating fluids; automotive greases; mold releasing oils; waterproofing preparations in the form of oils for motor car ignition systems; lubricants being gear oils; lubricants; automotive greases; lubricants for aircraft engines; lubricants for industrial apparatus; lubricants for use in industrial processes; all purpose lubricants; lubricants in the nature of oils; engine starting sprays.

7 – Machines and machine tools for treatment of materials and for manufacturing; agricultural, earthmoving, construction, oil and gas extraction and mining equipment; pumps, compressors and fans; robots; engines, powertrains, and generic machine parts; moving and handling equipment; dispensing machines; current generators; sweeping, cleaning, washing and laundering machines; engine mounts of rubber for watercraft; engine mounts of synthetic rubber for watercraft.

9 – Apparatus, instruments and cables for electricity; magnets, magnetizers and demagnetizers; measuring, detecting and monitoring instruments, indicators and controllers; diving equipment; scientific research and laboratory apparatus, educational apparatus

and simulators; electric measuring devices; electrical measuring devices; electric current control devices; battery charge devices; navigation, guidance, tracking, targeting and map making devices; optical devices, enhancers and correctors; apparatus and instruments for accumulating and storing electricity; batteries for vehicles; batteries for electric vehicles; apparatus and instruments for accumulating electricity; car batteries; electric batteries for vehicles; battery charging devices for motor vehicles; electrical cells and batteries; rechargeable electric batteries; fuel cell electrodes; grids for batteries; power units [batteries]; information technology and audiovisual equipment; safety, security, protection and signalling devices; recorded content.

11 – Regulating and safety accessories for water and gas installations; filters for industrial and household use; wastewater treatment installations; refrigerating and freezing equipment; heating, ventilating, and air conditioning and purification equipment (ambient); drying installations; sanitary installations, water supply and sanitation equipment; nuclear installations; lighting and lighting reflectors; burners, boilers and heaters; flues and installations for conveying exhaust gases; food and beverage cooking, heating, cooling and treatment equipment; personal heating and drying implements; sun tanning appliances; igniters.

12 – Vehicles and conveyances; parts and fittings for vehicles; land vehicles and conveyances; water vehicles; air and space vehicles; amphibious vehicles; unmanned conveying vehicles; drone; cable transport installations; conveying installations [ski lifts]; passenger motor vehicles; air cushion vehicles; vehicles; unmanned vehicles; vehicles for locomotion by land, air, water or rail; passenger carrying vehicles; vehicles for animal transport; vehicles adapted for the disabled; electric vehicles; automatic guided vehicles; wheeled vehicles; wind powered vehicles; rocket-propelled vehicles; freight carrying vehicles; vehicles adapted for military purposes; self-loading vehicles; aerial conveyors; self-propelled electric vehicle; cars; self-propelled loading vehicles; cable transport apparatus and installations; cars for cable transport installations; military vehicles for transport; chairlifts; ski lifts; external load carriers for vehicles; bicycles; electric bicycles; unicycles; folding bikes; cycle saddles; delivery bicycles; bicycle carriers; delivery tricycles; fitted bicycle covers; self balancing unicycles; motorised bicycles; bicycle racks for vehicles.

39 – Distribution by pipeline and cable; packaging and storage of goods; parking and vehicle storage, mooring; transport; supply of electricity; subdividing and repackaging of goods; warehouse storage; warehousing of parts; storage of vehicle parts; bonded warehousing; storage of liquids; storage of electricity; storage of cargo before transportation; freight

warehousing; storage of cargo; storage of goods; storage of goods in warehouses; storage of goods in transit; storage of freight; rental of loading-unloading machines and apparatus; rental of warehouse space.

42 – Testing, authentication and quality control; scientific and technological services; design services; information technology [IT] consultancy services; diagnostic testing for industrial lubricants; research relating to design; computer design research; engineering consultancy relating to design; design feasibility studies; surveying and exploration; engineering services; computer aided scientific analysis services; energy auditing; technological analysis relating to energy and power needs of others; electrical safety research; research relating to industrial machinery; research in engine construction; technical research; scientific and industrial research; research relating to technology; mechanical research; research to develop new products; technical advice relating to safety testing; development of vehicles; development of new products; preparation of technical studies; component development for internal combustion engines; condition monitoring relating to oils; machine condition monitoring; condition monitoring relating to greases; development of engines; technical project studies; development of industrial processes; development of energy and power management systems; product research; conducting industrial experiments; design and development of energy distribution networks; design and development of regenerative energy generation systems; professional consultancy relating to the conservation of energy; professional consultancy relating to fluid dynamics; professional consultancy relating to technology; research and development of new products; research and development of new products for others; research and development of new products for third parties in the field of plastic materials; preparation of scientific reports; preparation of technological reports; preparation of engineering drawings; conducting industrial tests; scientific research services; tyre research services; technological analysis and research services relating to automobile tires; industrial analysis and research services in the field of chemistry; provision of information relating to technological research; consultancy services in the field of technological development; advisory services in the field of research relating to vehicle noise reduction; advisory services relating to energy efficiency; research and development services; research and development services relating to automobile tires; advisory services relating to technological research; technological services and research relating thereto; scientific services and design relating thereto; scientific services and research relating thereto; consultancy services relating to quality control; consultancy services relating to technological research;

calibration services relating to electronic apparatus; safety technological testing services relating to land vehicles.

---

(260) AM 2018 91929 A  
 (800) 1236991  
 (151) 2014 08 06  
 (891) 2017 03 31  
 (731) MIPA SE  
 Am Oberen Moos 1 84051 Essenbach,  
 Germany  
 (540)

## MIPA

(591) Black, white  
 (511)  
 1 – Fillers for automobile bodies.

2 – Paints, anti-fouling paints, mordants, binding agents for paints, binding agents for lacquers, thickeners for paints, thickeners for lacquers, colorants, dyes, varnishes (lacquers), fixatives (varnishes), priming paints, priming lacquers, primers, wood coatings (paints), wood stains, wood preservatives, anti-corrosive preparations, lacquers, particularly automotive paints, preservative preparations for metal, anti-rust preparations, siccatives for paints, siccatives for lacquers, undersealing for vehicle chassis, thinners for paints, thinners for lacquers.

---

(260) AM 2018 92001 A  
 (800) 1341216  
 (151) 2016 10 21  
 (891) 2016 10 21  
 (731) Obshchestvo s ogranichennoy  
 tvetstvennostyu "AROMAT EKSTRA"  
 3-yi Nizhnelikhoborskiy pr-d, d. 3, str. 6,  
 RU-127238 Moscow, Russian Federation  
 (540)

## WILLIAMS

(591) Black and white  
 (531) 27.05.17  
 (511)  
 30 – Chicory (coffee substitute); tea-based beverages; coffee; iced tea; coffee flavorings; tea; vegetal preparations for use as coffee substitutes; coffee-based beverages; unroasted coffee; coffee beverages with milk; artificial coffee.

---

(260) AM 2018 92041 A  
 (800) 1341290  
 (151) 2017 01 24  
 (891) 2017 01 24  
 (731) PALMERS TEXTIL  
 AKTIENGESELLSCHAFT  
 Ares Tower, Donau-City-Straße 11 A-1220  
 Wien, Austria

(540)

**PALMERS PRIVEE**

(591) Black and white

(511)

3 – Toiletries.

25 – Clothing; bathing suits; bathing trunks; bathrobes; bandanas [neckerchiefs]; boas [necklets]; teddies [undergarments]; brassieres; ladies' dresses; scarfs; gloves [clothing]; slippers [underclothing]; shirts; trousers; girdles; jerseys [clothing]; camisoles; corsets; collars [clothing]; underwear; corselets; robes; combinations [clothing]; pyjamas; neck scarfs [mufflers]; nighties; sleep masks; veils [clothing]; panties; underpants; socks; sock suspenders; stoles; beach clothes; garters; stockings; heelpieces for stockings; stocking suspenders; tights; undergarments; pants; underwear; hosiery; headgear; bathing caps; caps [headwear]; headbands [clothing]; footwear; bath sandals; bath shoes; slippers; mules; beach shoes.

28 – Masks [playthings], costume masks.

(260) AM 2018 92086 A

(800) 1064658

(151) 2010 08 06

(891) 2017 02 20

(731) Expertise &amp; Solutions en Télécommunications Benelux S.A.

149, avenue de Luxembourg, L-4940

Bascharage, Luxembourg

(540)



(591) Black and red

(531) 26.01.06; 26.11.08; 27.05.10; 27.05.11; 29.01.12

(511)

9 – Optical transceivers (components) for telecommunication products for the Telecom and Datacom industry.

(260) AM 2018 92216 A

(800) 1343294

(151) 2016 12 12

(891) 2016 12 12

(731) PHILIP MORRIS PRODUCTS S.A.

Quai Jeanrenaud 3 CH-2000 Neuchâtel, Switzerland

(540)

**THIS CHANGES EVERYTHING**

(591) Black and white

(511)

34 – Wired vaporizers for electronic cigarettes and electronic smoking devices; tobacco, raw or manufactured; tobacco products, including cigars, cigarettes, cigarillos, tobacco for roll-your-own cigarettes, pipe tobacco, chewing tobacco, snuff tobacco, kretek; snus; tobacco substitutes (not for medical purposes); smokers' articles, including cigarette paper and tubes, cigarette filters, tobacco tins, cigarette cases and ashtrays, pipes, pocket apparatus for rolling cigarettes, lighters; matches; tobacco sticks, tobacco products for the purpose of being heated, electronic devices and their parts for the purpose of heating cigarettes or tobacco in order to release nicotine-containing aerosol for inhalation; liquid nicotine solutions for use in electronic cigarettes; electronic smoking devices; electronic cigarettes; electronic cigarettes as substitute for traditional cigarettes; electronic devices for the inhalation of nicotine-containing aerosol; oral vaporizing devices for use by smokers, tobacco products and tobacco substitutes; smokers' articles for electronic cigarettes; parts and fittings for the aforesaid products included in this class; extinguishers for heated cigarettes and cigars as well as heated tobacco sticks; electronic rechargeable cigarette cases.

(260) AM 2018 92285 A

(800) 1091420

(151) 2011 08 23

(891) 2017 03 27

(731) NOVARTIS AG

CH-4002 Basel, Switzerland

(540)

**SIMBRINZA**

(591) Black, white

(511)

5 – Ophthalmic preparations.

(260) AM 2018 92522 A

(800) 1345617

(151) 2016 11 23

(891) 2016 11 23

(731) LA PERLA GLOBAL MANAGEMENT

(UK) LIMITED

39 St. James's Street LONDON SW1A 1JD, United Kingdom

(540)

**LA PERLA**

(591) Black and white

(511)

9 – Eyewear; spectacles and sunglasses; frames for spectacles and sunglasses; cases and cords for spectacles and for sunglasses; parts and fittings for all the



aforesaid goods; electronic publications; computer software applications.

14 – Precious metals and their alloys, not included in other classes; jewellery made of precious metal, diamonds, rubies, sapphires and/or emeralds; precious stones, namely, diamonds, rubies, sapphires and emeralds; horological and chronometric instruments made of metal or precious metal; amulets, brooches, bracelets, chains, charms, cufflinks, earrings, lockets, necklaces, tie pins, jewellery hat pins, tie clips, rings, costume jewellery, imitation jewellery, all made of precious metal, diamonds, rubies, sapphires and/or emeralds; key rings made of metal or precious metal; clocks and watches made of metal or precious metal; chains, bands, bracelets and straps for watches, all made of metal or precious metal, leather or plastic; cases, boxes and caskets for jewellery and watches, all made from metal, precious metal, leather and/or wood.

18 – Leather and imitations of leather; wallets; purses; bags; handbags; clutch bags; evening bags; shoulder bags; satchels; rucksacks; backpacks; duffel bags; garment bags for travel, tote bags, shoulder bags and backpacks; shopping bags made of textile; carry-on bags; beach bags; bags for sports; trunks; travelling bags; luggage; suitcases; cosmetic and toiletry bags sold empty; vanity cases; business card cases; key cases; attaché cases; umbrellas, parasols and walking sticks.

24 – Textiles and textile goods, not included in other classes; bed and table covers; bed linen, duvet covers, bed sheets, mattress and pillow covers, pillowcases, cushion covers, valances; duvets, eiderdowns, bedspreads, blankets, quilts; curtains; fabrics for blinds; towels, shower curtains, facecloths; table linen, tablecloths, fabric table napkins, fabric table mats; throws, place mats of textile and travelling rugs.

25 – Clothing, footwear, headgear; lingerie; underwear; hosiery; loungewear; swimwear; beachwear; bathing suit cover-ups; corsetry; sleepwear; bathrobes, dressing gowns; bustiers, tops [clothing], bodysuits, jackets, coats, skirts, dresses, trousers, shorts; shoes; belts; gloves and scarves.

35 – Retail services relating to perfumery, soaps, essential oils, cosmetics, hair lotions, dentifrices, cosmetics, eye makeup, eye shadows, eye powders, eye creams, mascaras, eye liners, eye pencils, eyebrow pencils; retail services relating to face make-up, foundations, concealers, powders, pressed powders, loose powders, blushers, bronzers, nail varnish, nail polish, highlighters, face glitter, make-up for lips, lipsticks, lip glosses, lip liners, lip balms, eau-de-cologne, toilet water; retail services relating to essential oils, massage oils, aromatherapy oils, pre-shave and aftershave preparations, shaving creams, depilatories, deodorants, anti-perspirants, toiletries,

non-medicated toilet preparations; retail services relating to skincare products, facecare products, hair-care products, nailcare products, handcare products, moisturisers, toners, cleansers, make-up removers, face masks, face packs, preparations, creams and lotions for the hair, face and skin; retail services relating to hair lotions, shampoos, conditioners, serums, hair conditioning masks, hair sprays, hair gels, hair mousses, preparations, creams, lotions, sprays and mousses for tanning and/or for protection against the sun, after-sun lotions, creams and sprays; retail services relating to cotton wool, talcum powder, pot-pourri, joss sticks, bath salts, dentifrices, toothpaste, mouthwash, false eyelashes, false nails, tissues impregnated with cosmetic lotions, teeth whitening preparations; retail services relating to eyewear, spectacles and sunglasses, frames for spectacles and sunglasses, cases and cords for spectacles and for sunglasses, parts and fittings for all the aforesaid goods, electronic publications, computer software applications; retail services relating to precious metals and their alloys, jewellery, precious stones, horological and chronometric instruments; retail services relating to amulets, brooches, bracelets, chains, charms, clocks, cufflinks, earrings, key rings, lockets, necklaces, tie pins, jewellery hat pins, tie clips, rings, watches, chains, bands, bracelets and straps for watches, costume jewellery, imitation jewellery, cases, boxes and caskets for jewellery and watches; retail services relating to leather and imitations of leather, wallets, purses, bags, handbags, clutch bags, evening bags, shoulder bags, satchels, rucksacks, backpacks, duffel bags, garment bags for travel, tote bags, shoulder bags and backpacks, shopping bags made of textile, carry-on bags; retail services relating to beach bags, bags for sports, trunks, travelling bags, luggage, suitcases, cosmetic and toiletry bags sold empty, vanity cases, business card cases, key cases, attaché cases, umbrellas, parasols and walking sticks; retail services relating to textiles and textile goods, bed and table covers, bed linen, duvet covers, bed sheets, mattress and pillow covers, pillowcases, cushion covers, valances, duvets, eiderdowns; retail services relating to bedspreads, blankets, quilts, curtains, fabrics for blinds, towels, bath mats, shower curtains, facecloths, table linen, tablecloths, fabric table napkins, fabric table mats, throws, place mats of textile and travelling rugs; retail services relating to clothing, footwear, headgear, lingerie, underwear, hosiery, loungewear, swimwear, beachwear, bathing suit cover-ups, corsetry, sleepwear, bathrobes, dressing gowns, bustiers, tops [clothing], bodysuits, jackets, coats, skirts, dresses, trousers, shorts, shoes, belts, gloves and scarves; mail order and on-line retail services relating to perfumery, soaps, essential oils, cosmetics, hair lotions, dentifrices, cosmetics, eye makeup, eye shadows, eye powders, eye creams, mascaras, eye liners, eye pencils, eyebrow pencils; mail order and on-line re-

tail services relating to face make-up, foundations, concealers, powders, pressed powders, loose powders, blushers, bronzers, nail varnish, nail polish, highlighters, face glitter, make-up for lips, lip sticks, lip glosses, lip liners, lip balms, eau-de-cologne, toilet water; mail order and on-line retail services relating essential oils, massage oils, aromatherapy oils, pre-shave and aftershave preparations, shaving creams, depilatories, deodorants, anti-perspirants, toiletries, non-medicated toilet preparations; mail order and on-line retail services relating to skincare products, facecare products, haircare products, nailcare products, handcare products, moisturisers, toners, cleansers, make-up removers, face masks, face packs, preparations, creams and lotions for the hair, face and skin; mail order and on-line retail services relating to hair lotions, shampoos, conditioners, serums, hair conditioning masks, hair sprays, hair gels, hair mousses, preparations, creams, lotions, sprays and mousses for tanning and/or for protection against the sun, after-sun lotions, creams and sprays; mail order and on-line retail services relating to cotton wool, talcum powder, pot-pourri, joss sticks, bath salts, dentifrices, toothpaste, mouthwash, false eyelashes, false nails, tissues impregnated with cosmetic lotions, teeth whitening preparations; mail order and on-line retail services relating to eyewear, spectacles and sunglasses, frames for spectacles and sunglasses, cases and cords for spectacles and for sunglasses, parts and fittings for all the aforesaid goods, electronic publications, computer software applications; mail order and on-line retail services relating to precious metals and their alloys, jewellery, precious stones, horological and chronometric instruments; mail order and on-line retail services relating to amulets, brooches, bracelets, chains, charms, clocks, cufflinks, earrings, key rings, lockets, necklaces, tie pins, jewellery hat pins, tie clips, rings, watches, chains, bands, bracelets and straps for watches, costume jewellery, imitation jewellery, cases, boxes and caskets for jewellery and watches; mail order and on-line retail services relating to leather and imitations of leather, wallets, purses, bags, handbags, clutch bags, evening bags, shoulder bags, satchels, rucksacks, backpacks, duffel bags, garment bags for travel, tote bags, shoulder bags and backpacks, shopping bags made of textile, carry-on bags; mail order and on-line retail services relating to beach bags, bags for sports, trunks, travelling bags, luggage, suitcases, cosmetic and toiletry bags sold empty, vanity cases, business card cases, key cases, attaché cases, umbrellas, parasols and walking sticks; mail order and on-line retail services relating to textiles and textile goods, bed and table covers, bed linen, duvet covers, bed sheets, mattress and pillow covers, pillowcases, cushion covers, valances, duvets, eiderdowns; mail order and on-line retail services relating to bedspreads, blankets, quilts, curtains, fabrics for blinds, towels, bath mats, shower

curtains, facecloths, table linen, tablecloths, fabric table napkins, fabric table mats, throws, place mats of textile and travelling rugs; mail order and on-line retail services relating clothing, footwear, headgear, lingerie, underwear, hosiery, loungewear, swimwear, beachwear, bathing suit cover-ups, corsetry, sleepwear, bathrobes, dressing gowns, bustiers, tops [clothing], bodysuits, jackets, coats, skirts, dresses, trousers, shorts, shoes, belts, gloves and scarves; information, advice and consultancy services relating to the aforesaid; advertising, promotion and co-promotion services; promotion of featured products and services of others.

---

(260) AM 2018 92651 A

(800) 1348100

(151) 2017 04 28

(891) 2017 04 28

(731) ACINO PHARMA AG

Birsweg 2 CH-4253 Liesberg, Switzerland

(540)

## Neurelia

(591) Black and white

(511)

5 – Pharmaceutical products.

---

(260) AM 2018 92922 A

(800) 1349957

(151) 2016 10 19

(891) 2016 10 19

(731) Aymakoop Sanayi Sitesi

A7 Blok No:43 Ikitelli Basaksehir Istanbul;

Aymakoop Sanayi Sitesi

A7 Blok No:43, Ikitelli Basaksehir Istanbul,

Turkey

(540)



(591) Black, Orange

(531) 26.04.22; 26.04.24; 27.05.10; 27.05.17;  
29.01.12

(511)

10 – Medical orthopaedic articles: corsets for medical purposes, orthopaedic shoes, elastic bandages and supportive bandages.

25 – Clothing, including underwear and outer-clothing, other than special purpose protective clothing; socks, mufflers [clothing], shawls, bandanas, scarves, belts [clothing]; footwear, shoes, slippers, sandals; headgear, hats, caps with visors, berets, caps [headwear], skull caps.

35 – Advertising, marketing and public relations; organization of exhibitions and trade fairs for commercial or advertising purposes; office functions; secretarial services; arranging newspaper subscriptions for others; compilation of statistics; rental of office machines; systemization of information into computer databases; telephone answering for unavailable subscribers; business management, business administration and business consultancy; accounting; commercial consultancy services; personnel recruitment, personnel placement, employment agencies, import-export agencies; temporary personnel placement services; auctioneering; the bringing together, for the benefit of others, of a variety of goods, namely, medical orthopaedic articles: corsets for medical purposes, orthopaedic shoes, elastic bandages and supportive bandages, clothing, including underwear and outerclothing, other than special purpose protective clothing, socks, mufflers [clothing], shawls, bandanas, scarves, belts [clothing], footwear, shoes, slippers, sandals, headgear, hats, caps with visors, berets, caps [headwear], skull caps, enabling customers to conveniently view and purchase those goods, such services may be provided by retail stores, wholesale outlets, by means of electronic media or through mail order catalogues.

(260) AM 2018 93258 A  
(800) 1353842  
(151) 2017 05 18  
(891) 2017 05 18  
(731) TURNER BROADCASTING SYSTEM, INC.  
One CNN Center, Atlanta GA 30303, USA  
(540)

## THE LAST O.G.

(591) Black, white  
(511)  
9 – Audio visual recordings in all media, featuring entertainment in the nature of an on-going television series in the field of comedy, action, drama, reality and adventure; downloadable television programming featuring comedy, action, drama, reality and adventure distributed via the Internet and wireless communications.

41 – Entertainment services, namely, a multimedia program series featuring comedy, action, drama and adventure distributed via various platforms across multiple forms of transmission media; providing online computer games.

(260) AM 2018 93461 A  
(800) 1356838  
(151) 2016 07 01  
(891) 2016 07 01  
(731) SÖĞÜT PLASTİK VE KALIP SANAYİ VE  
TİCARET ANONİM ŞİRKETİ

Organize Sanayi Bölgesi 3, Cadde No:20,  
Yukarı Dudullu, ÜMRANIYE-İSTANBUL  
(TR), Turkey

(540)

# SPK

(591) Black, white  
(531) 27.05.17; 27.05.23  
(511)

7 – Welding machine made of plastic, test pressure pumps for installations.

8 – Hand-operated non-electric hand tools included in this class for the repair of machines, apparatus and vehicles and for use in construction, agriculture, horticultural and forestry, none of them being power tools, welding socket for pipes, pipe sharpener, pipe cutter made of plastic.

11 – Sanitary installations, sanitary ware; water softening apparatus, water purification apparatus, water purification installations, waste water purification installations; faucets made of metal and plastic used for water and gas installations; thermostatic valves as parts of heating installations, level controlling valves in tanks, regulators, automatic watering installations, shower installations, water-pipes and reservoirs for sanitary installations, parts of fittings for reservoirs, plastic bellow siphons, bath traps of plastic.

17 – Flexible pipes made from rubber and plastic; hoses made of plastic and rubber, including those used for vehicles; junctions for pipes of plastic and rubber; pipe jackets of plastic and rubber; hoses of textile material; junctions for pipes, not of metal; pipe jackets, not of metal; connecting hose for vehicle radiators, pipe seals, adapter seals, plastic pipe clamps.

19 – Plumbing pipe and fittings, clean and waste water pipes and their fittings, plastic coated pipes, spiral pipes, floor heating pipes.

20 – Plastic valves, ball valves containing plastic and metal.

(260) AM 2018 93732 A  
(800) 1359884  
(151) 2017 06 01  
(891) 2017 06 01  
(731) CHAOZHOU JIAHAO PORCELAIN  
SANITARY WARE INDUSTRIAL  
CO., LTD.  
Yuanlaoxi, Huxia Village, Fengxi District,  
Chaozhou City 521000 Guangdong Province,  
China

(540)  
**VOVO**

(591) Black, white

(531) 27.05.17

(511)

11 – Toilet bowls; bath tubs for sitz baths; level controlling valves in tanks; sanitary apparatus and installations; toilets; urinals [sanitary fixtures]; bath fittings; toilet seats; hand drying apparatus for washrooms.

(260) AM 2018 93742 A

(800) 1359212

(151) 2017 06 14

(891) 2027 06 14

(731) JANSSEN PHARMACEUTICA NV  
Turnhoutseweg 30 B-2340 BEERSE,  
Belgium

(540)

**INTREEF**

(591) Black and white

(511)

5 – Human pharmaceutical preparations for the prevention and treatment of viral diseases, auto-immune and inflammatory diseases, cardiovascular diseases, central nervous system diseases, pain, dermatologic diseases, gastro-intestinal diseases, infectious-related diseases, metabolic diseases, oncologic diseases, ophthalmic diseases, and respiratory diseases.

(260) AM 2018 93743 A

(800) 1359227

(151) 2016 12 02

(891) 2016 12 02

(731) NUROL HOLDİNG ANONİM ŞİRKETİ  
Arjantin Caddesi, No:7, G.O.P. Çankaya  
Ankara, Turkey

(540)



(591) Dark blue

(531) 26.01.01; 26.01.03; 26.01.24; 26.11.03;  
27.05.01; 29.01.04

(511)

9 – Measurement apparatus and equipment including those for scientific, nautical, topographic, meteorological, industrial and laboratory purposes, thermo-

meters, not for medical purposes, barometers, ammeters, voltmeters, hygrometers, testing apparatus not for medical purposes, telescopes, periscopes, directional compasses, speed indicators, laboratory apparatus, microscopes, magnifying glasses, stills, ovens and furnaces for laboratory experiments; encoded magnetic and optical cards; antennas, satellite antennas, amplifiers for antennas, parts of the aforementioned goods; counters and quantity indicators for measuring the quantity of consumption, automatic time switches; clothing for protection against accidents, irradiation and fire, safety vests and life-saving apparatus and equipment; eyeglasses, sunglasses, optical lenses and cases, containers, parts and components thereof; apparatus and instruments for conducting, transforming, accumulating or controlling electricity, electric plugs, junction boxes [electricity], electric switches, circuit breakers, fuses, lighting ballasts, battery starter cables, electrical circuit boards, electric resistances, electric sockets, transformers [electricity], electrical adapters, battery chargers, electric door bells, electric and electronic cables, batteries, electric accumulators; alarms and anti-theft alarms, other than for vehicles, electric bells; signalling apparatus and instruments, luminous or mechanical signs for traffic use; radar apparatus, sonars, night vision apparatus and instruments.

12 – Motor land vehicles, motorcycles, mopeds; engines and motors for land vehicles; clutches for land vehicles; transmissions, transmission belts and transmission chains for land vehicles; gearing for land vehicles; brakes, brake discs and brake linings for land vehicles; vehicle chassis, automobile bonnets, vehicle suspension springs, shock absorbers for automobiles, gearboxes for land vehicles, steering wheels for vehicles, rims for vehicle wheels; bicycles and their bodies; handlebars and mudguards for bicycles; vehicle bodies; tipping bodies for trucks; trailers for tractors; frigorific bodies for land vehicles; trailer hitches for vehicles; vehicle seats; head-rests for vehicle seats; safety seats for children, for vehicles; seat covers for vehicles; vehicle covers (shaped); sun-blinds adapted for vehicles; direction signals and arms for direction signals for vehicles; windscreen wipers and wiper arms for vehicles; inner and outer tires for vehicle wheels; tubeless tires; tire-fixing sets comprised of tire patches and tire valves for vehicles; windows for vehicles, safety windows for vehicles, rearview mirrors and wing mirrors for vehicles; anti-skid chains for vehicles; luggage carriers for vehicles; bicycle and ski carriers for cars; saddles for bicycles or motorcycles; air pumps for vehicles, for inflating tires; anti-theft alarms for vehicles, horns for vehicles; safety belts for vehicle seats, air bags (safety devices for automobiles); baby carriages, wheelchairs, pushchairs; wheelbarrows; shopping carts; single or multi-wheeled wheelbarrows; shopping trolleys; grocery carts; handling carts; rail vehicles: locomotives; trains; trams; wagons; cable

cars; chairlifts; vehicles for locomotion by water and their parts, other than their motors and engines; vehicles for locomotion by air and their parts, other than their motors and engines.

37 – Construction services, rental of construction machines and equipment; cleaning services for buildings (interior and exterior), public areas, industrial premises; disinfecting, vermin exterminating services, other than for agriculture, rental of cleaning machines and equipment; vehicles service stations for land vehicles, maintenance, repair and refueling of land vehicles; vehicle service stations for marine vehicles, maintenance, repair and refueling of marine vehicles; repair and maintenance of air vehicles; upholstery, repair and restoration of furniture; installation, maintenance and repair of heating, cooling and sanitary installations; cleaning, care and repair of clothing; installation, maintenance and repair of industrial machines and equipment, office machines and equipment, communication apparatus, electric and electronic appliances; repair and maintenance of lifts; clock and watch repair; mining services and mining extraction; repair of shoes, bags and belts.

(260) AM 2018 93763 A

(800) 1360047

(151) 2017 06 12

(891) 2017 06 12

(731) OLEINA SA

Route de Florissant 13, CH-1206 Genève,  
Switzerland

(540)



(591) Black, white

(531) 01.15.15; 05.05.04; 26.01.02; 26.01.20; 28.05

(511)

29 – Edible oils and fats; fatty substances for the manufacture of edible fats; olive oil; margarine; butter; buttercream; peanut butter; cocoa butter; coconut butter; coconut fat and oil; colza oil for food; palm kernel oil for food; edible bone oil; olive oil, corn oil, palm oil, palm kernel oil, sesame oil, sunflower oil, fat-containing mixtures for bread slices.

30 – Sauces (condiments), mayonnaise, salad dressings, flavorings other than essential oils, aromatic preparations for food, seasonings.

(260) AM 2018 93789 A

(800) 1359453

(151) 2017 01 17

(891) 2017 01 17

(731) GENERAL CONFERENCE CORPORATION  
OF SEVENTH-DAY ADVENTISTS, THE  
12501 Old Columbia Pike, Silver Spring MD  
20904-6600, USA

(540)



(591) Black, white

(531) 01.15.05; 20.07.01; 20.07.02; 24.13.01

(511)

16 – Religious books, magazines, pamphlets, newsletters, brochures, encyclopedias; dictionaries, fliers, bulletins, yearbooks, booklets, all in the field of religion; bibles; and bulletins, books, booklets, magazines, newsletters and pamphlets in the field of health and medical care.

45 – Ministerial services; missionary services, namely, the provision of clothing and shoes to needy people [charitable services].

(260) AM 2018 93802 A

(800) 1359740

(151) 2017 03 03

(891) 2017 03 03

(731) Obshchestvo s ogranichennoy otvetstvennostyu  
"ODIN DOM"

Gagarin street, bld. 21, selo Polyushko,  
RU-299814, Russian Federation

(540)



(591) White, light beige, beige, yellowish- beige, brown, chocolate, dark brown, light golden yellow, black.  
 (531) 02.07.12; 02.07.14; 05.03.04; 05.07.10; 25.01.15; 28.05; 29.01.15  
 (511)  
 35 – Import-export agency services; organization of exhibitions for commercial or advertising purposes; organization of trade fairs for commercial or advertising purposes; administrative processing of purchase orders; commercial administration of the licensing of the goods and services of others; arranging and conducting of promotional and marketing events; sales promotion for others; business management assistance; commercial or industrial management assistance; on-line advertising on a computer network; commercial intermediation services; negotiation and conclusion of commercial transactions for third parties; administration of consumer loyalty programs; providing business information via a web site.

(260) AM 2018 93859 A  
 (800) 910373  
 (151) 2006 03 09  
 (891) 2017 06 07  
 (731) POKKA SAPPORO FOOD & BEVERAGE LTD  
 2-29, Sakae 4-chome, Naka-ku, Nagoya-shi  
 Aichi 460-8415 (JP), Japan

(540)

**POKKA** 

(591) Black, white  
 (531) 27.05.02; 27.05.17; 27.05.21; 27.05.24  
 (511)  
 32 – Beer; carbonated drinks (refreshing beverages), non-alcoholic fruit juice beverages; extracts of hops for making beer; whey beverages; vegetable juices (beverages).

(260) AM 2018 93882 A  
 (800) 1360343  
 (151) 2017 07 11  
 (891) 2017 07 11  
 (731) C NOTE VODKA LLC  
 327 NE 20TH ST, Cape Coral FL 33909,  
 USA

(540)

**C NOTE VODKA**

(591) Black, white  
 (526) VODKA  
 (511)  
 33 – Alcoholic beverages except beers.

(260) AM 2018 93886 A  
 (800) 1360511  
 (151) 2017 01 27  
 (891) 2017 01 27  
 (731) GROUPE CANAL +  
 1 Place du Spectacle, F-92130 ISSY LES  
 MOULINEAUX, France

(540)

**WATCH+**

(591) Black, white  
 (531) 24.13.01; 24.17.05; 24.17.07; 27.05.01  
 (511)

9 – Transmitters of electronic signals for editing cinematographic films; apparatus and instruments for the recording, transmission, dissemination, reading, distribution, reproduction, storage, encryption, decryption, transformation and processing of sound, images or data; telecommunication apparatus and instruments; interactive audio and video servers; computer servers; equipment for data processing and computers; connection hardware for computer equipment (namely modems); audiovisual, telecommunication, telematic apparatus and instruments; decoders, encoders; access devices and access control devices for data processing apparatus; authentication devices for telecommunications networks; apparatus for scrambling and descrambling signals and for retransmission; apparatus for downloading audio and video, particularly films, television films, musical scores, broadcasting of events, purchasing of reproduction rights and long-distance transmission; digital terminal; exposed films; sound and video recordings; magnetic tapes, videotapes, (audio and video) compact discs, optical discs, recording discs, magnetic discs, digital video discs; CD-ROM; digital video discs; mini-disks; video cartridges; electronic media for game consoles, handsets, television sets, mobile telephones; magnetic recording media; recorded carriers for sounds and images; television sets; digital recording media for the storage and reproduction of sound or images; magnetic or optical data media; magnetic cards; encoded or magnetic identity cards; chip cards; electronic chip cards; USB flash drives; electronic cash media; integrated circuits and micro circuits; card readers; monitors for receiving data on a global computer network; data communications servers; mechanisms for coin-operated apparatus; satellites for telecommunication and scientific use; simultaneous programming and television channel selection devices; electronic guide for television and radio programs; apparatus and instruments for programming and for selection of television programs; apparatus and instruments for interactive television; apparatus and instruments for the selection of audio and video works, production of audio and video-on-demand programs; interactive customization apparatus for audio and video prog-

rams; television screens; software for access to a computer network or data transmission network, particularly to a global communication network (Internet) or a private or reserved access network (intranet); downloadable electronic publications; downloadable computer software applications; downloadable music files or images; software [recorded programs]; software (recorded or downloadable) for loading of music, sounds, images and texts; game software; downloadable interactive entertainment software for playing computer games or video games; interactive multimedia software for education and entertainment purposes (downloadable); telecommunication software (recorded and downloadable); search engine software (recorded and downloadable); devices and software for the transmission and reception of television programs and audiovisual data in a telecommunications network and on telephones, computers, digital tablets and mobile devices; devices and software for streaming audio, video or multimedia; computer programs [downloadable software]; computer programs for interactive television; entertainment software (recorded and downloadable); interactive entertainment software intended for use with a computer, a tablet, a mobile device, a television; computer programs for transmission and reception of data, sound or images; interface devices or interface programs for computers, monitors, telephones and mobile devices; recorded content; media content.

16 – Paper and cardboard (raw, semi-finished or for stationery or printing); exercise books, scrapbooks, folders for papers, files; printing products, prints, printed matter; bookbinding material, newspapers, periodicals, magazines, catalogs; writing materials; paper or cardboard stands for photographs; photographs [printed]; printed publications; adhesives for stationery or household purposes; artists' materials; paintbrushes; typewriters and office requisites (except furniture); instructional or teaching material (except apparatus); bags, small bags and pouches of plastic for packaging; plastic cling film (stretchable or extensible) for palletization; non-magnetic season tickets or passes, credit cards (non magnetic); printing type; printing blocks; pens, note pads, writing pads, business cards, checkbooks, holders for checkbooks; agendas, wall calendars; postcards; guides for television and radio programs.

28 – Balls for games; play balloons; playing cards, card games; counters [discs] for games; chips for gambling; arcade video game machines; parlor games; games; apparatus for games; amusement machines, automatic and coin-operated; machines for gambling; video game machines; arcade video games; toys; video games for use with television screens, external display screens or monitors; surfboards; sailboards; skateboards; snowboards; toy vehicles; remote-controlled toy vehicles.

35 – Advertising; rental of advertising space; dissemination of advertisements and advertising mail; dissemination of advertising material (leaflets, prospectuses, printed matter, samples); subscription services to private access audiovisual programs, video recordings, newspapers for others, transmission services for audio, video or multimedia streaming content; arranging subscriptions to telecommunication services for others; subscription services for video-on-demand; subscription to television or radio programs, video or sound recordings and audiovisual media; publication of advertising texts; radio and television advertising; interactive advertising; commercial business management; commercial administration; distribution of prospectuses, of samples; document reproduction; computer file management; data entry and processing services, rental of computer files; organization of exhibitions for commercial or advertising purposes; display, sales promotion for others; telepromotion; organization of events for commercial purposes; administrative management of exhibition venues for commercial or advertising purposes; the bringing together, for the benefit of others, of various audiovisual and computing products, clothing and sports products (excluding the transport thereof) enabling customers to conveniently view and purchase those products in exhibition areas; telematic subscriptions; subscriptions to database servers; subscriptions to a center providing access to a computer or data transmission network, especially for global communication (Internet) or to a private or restricted network (intranet), telephone subscription services for consulting information offered on online networks; organization, operation and supervision of customer loyalty programs; compilation of information into computer databases; compilation of statistics; commercial information via websites; data search in computer files for others; news clipping services; administrative management of exhibition sites; administrative management of exhibition venues for commercial or advertising purposes.

36 – Banking services; on-line banking services; insurance services; financial affairs; monetary affairs; home banking; issuing of travelers' checks or credit cards; financing services; financial analysis; raising or investing capital; financial consultancy; financial evaluation (insurance, banking, real estate); fund investment; remote payment services; financial transaction remote transmission services; financial information; insurance information; financial information via websites; insurance underwriting.

38 – Telecommunication; interactive broadcasting services for the presentation of goods; information (news) agencies; communications by radio, telegraph, telephone or videophone, television, broadcasting; information transmission by telematic means; computer-assisted transmission of messages and images; transmission of data by teleprinter; trans-

mission of data, audio, video and multimedia files, including downloadable files and files streamed over a global computer network; television broadcasting; dissemination of streaming or non-streaming audio, video and multimedia content, particularly via computer networks, radio, television, cable, satellite and fiber; rental of message transmission apparatus; communication by computer terminals; communications (transmissions) on an open or closed global computer network; services for the transmission of television programs and selection of channels; providing access to a computer network; downloading of video games, of digitized data; supply of connections to a computer network for viewing, choosing and then purchasing products in a catalog or on a website, by placing an order via mail order or by using telecommunications; dissemination services and provision of access by means of telecommunication to video, audio and multimedia content provided via a video-on-demand service online; streaming of audio, visual and audiovisual content via a global computer network; mobile radiotelephony services, connection by telecommunications to a computer network; transmission of information by telematic means accessible by access codes or terminals, transmission of information by secured messaging systems; broadcasting of videos on mobile telephones, computers, digital tablets and mobile devices; provision of access via the global computer network to audio, video and multimedia works, particularly films, television films, musical scores, retransmission of events by acquisition of reproduction rights; rental of access time to database server centers; downloading services for video games, digital data and videos, namely transfer services for programs or data by means of a data communication network; electronic bulletin board services [telecommunications services]; provision of chat rooms on the Internet; provision of on-line forums; provision of user access to global computer networks; provision of access to databases; transmission of digital files; streaming data transmission; transmission of video-on-demand footage; computer-aided transmission of messages and images; television broadcasting; cable television broadcasting; television broadcasting via websites; simultaneous broadcasting on global communication networks, the Internet and wireless networks; interactive television broadcasting services.

41 – Education; training; entertainment; radio or television entertainment; sporting and cultural activities; publishing of books, magazines; book lending; production of shows, films, television films, televised broadcasts, reports, debates, video recordings and sound recordings; presentation and rental of video recordings and audio recordings, films, phonographic recordings, sound recordings, video tapes, cinema projection apparatus, decoders, encoders, theater sets and accessories thereof; organization of

competitions, lotteries and games for educational or entertainment purposes; editing of programs, broadcasts, debates, reports; organization of and conducting of colloquiums, conferences, congresses; organization of exhibitions for cultural or educational purposes; organization of seminars, practical training (demonstration); booking of seats for shows; rental of devices (apparatus) for access to interactive audiovisual programs; news reporters services; videotaping; consultancy relating to the production of audiovisual programs and broadcasting; television and movie screenplay writing; editing and publication of texts, sound, visual or multimedia carriers; editing services for multimedia programs (conversion into computerized formats of texts and/or images, fixed or animated, and/or sounds (musical or not)) for interactive use or not; editing or recording of sounds and images; publishing and recording services in the field of music; digital video, audio and multimedia entertainment publishing services; editing of electronic publications intended for customers online; entertainment information services; game services provided on-line from a computer network; gambling services; providing non-downloadable audio, video and multimedia content online; provision of non-downloadable online electronic publications.

42 – Hosting of multimedia and interactive applications; hosting of computer sites; creation, design, hosting and maintenance of websites; designing, updating, renting and maintaining of computer programs and software; design and development of computer software for the reading and transmission of audio, video, and multimedia content; development, maintenance and updating of search engine software for telecommunication networks; non-downloadable software rental; research and development of new products for others; technical research; technical advice for developing remote payment, teleshopping; surveying (engineering work); computer security consultancy; rental of computer game programs; design (development) of encryption, decryption and access control systems for television and broadcast programs, as well as all types of information transmission; design (development) of interactive programs and apparatus; electronic storage of data, documents, videograms, images, photographs; technical standards services (standardization); research and development of electronic, computer and audiovisual, scrambling and access control systems in the field of television, computing, telecommunications and the audiovisual sector; authentication of electronic messages (origin search); certification (quality and origin control) services; evaluation, appraisal and research in the field of computing; technical project study; information technology consulting; information technology consultancy services; telecommunication technology consultancy services; IT consulting.



45 – Legal administration of licenses; application of intellectual property rights [legal services]; concession or granting of intellectual property licensing; concession or granting of software licensing [legal services]; advice relating to industrial property; negotiation and concession of licensing and other forms of exploitation of ancillary rights for creating audio and video (for others); online social networking services; monitoring of intellectual property rights for legal advisory purposes; legal services relating to the exploitation of industrial property rights and copyrights.

(260) AM 2018 93887 A  
 (800) 1360521  
 (151) 2017 05 11  
 (891) 2017 05 11  
 (731) GEBERIT INTERNATIONAL AG  
 Schachenstrasse 77, CH-8645 Jona,  
 Switzerland

(540)

## ABALONA

(591) Black, white  
 (511)

11 – Apparatus for water distribution and sanitary installations; sanitary fittings and installations; toilets, floor-mounted toilets, wall-mounted toilets, shower toilets, toilet bowls, urinals, bidets; toilet seats (WC), toilet covers; water flushing installations, flushing devices for toilets and urinals, water flushing installations, fitted flushing apparatus; installations and component parts comprising coverings and casings for parts of sanitary installations, sanitary ducts and/or heating ducts, water flushing installations and parts of sanitary installations; sanitary modules, systems and installation casings for sanitary equipment, fittings and supports for systems and installation casings; water flushing buttons and plates; washbasins, double washbasins, sinks, holders and stands for washbasins; kitchen sinks and utility sinks; baths, spa baths, bath installations and fittings; showers, shower pans, shower cabinets, shower cubicles, shower screens for bathtubs; water distribution and ducts, installations, pipes, valves and fittings for sanitary installations; taps and mixer taps; mixer taps for washbasins, sinks, bath tubs and showers; lamps for mirrors and furniture; electrically heated towel rails and radiators; air dryers and air filtering installations, apparatus for purifying and deodorizing the air; distributors and dispensers for cleaning and disinfectant substances for toilets and flushing apparatus; parts and components of all the aforesaid goods.

20 – Bathroom furniture; cabinets and shelving units for bathrooms, wall cabinets, side cabinets, upper cabinets, basic cabinets with drawers and connected panels, cupboards, storage units; mirrors, mirror ca-

binets; frames for mirrors and picture frames; mirror supports; liners, door handles, hooks, poles; legs for furniture; sliding doors; parts and components of all the aforesaid goods.

21 – Brushes and holders for toilet brushes; soap dishes, baskets, bowls, soap dispensers; paper dispensers and holders, toilet roll holders, napkin holders, towel rails, towel rings; toothbrush holders, toothbrush mug holders, glasses for toothbrushes; parts and fittings for the aforementioned products.

(260) AM 2018 93888 A  
 (800) 1360527  
 (151) 2016 12 09  
 (891) 2016 12 09  
 (731) PHILIPP PLEIN  
 Via Dufour 20, CH-6900 Lugano, Switzerland  
 (540)



(591) Black, white  
 (531) 03.01.04; 03.01.16; 03.01.21; 03.06.03;  
 26.11.09; 27.05.21

(511)  
 3 – Soaps; perfumery, essential oils, cosmetics, hair lotions; dentifrices.

9 – Parts and accessories for portable and handheld digital electronic apparatus, particularly pouches for computers and tablet computers, sleeves for computers and tablet computers; parts and accessories for mobile telephones, particularly pouches and sleeves for mobile telephones; soft cases for cell phones; cases for mobile telephones; cases of leather or imitation leather for mobile telephones; bags of fabric or textile for mobile telephones; smartphones; smartwatches; electronic tablets; spectacles [optics]; sunglasses; frames for spectacles and sunglasses; cases for spectacles and sunglasses; small chains for spectacles and sunglasses; strings for spectacles and sunglasses.

14 – Precious metals and their alloys and goods made of these materials or coated therewith not included in other classes; jewelry; precious stones; timepieces and chronometric instruments; clocks and watches; key rings (jewelry and costume jewelry).

18 – Leather and imitations of leather not included in other classes; animal skins; everyday bags; backpacks; travel bags and other luggage; handbags; trunks and suitcases; attaché cases, briefcases and pocket wallets; purses; leather cases; key cases; key

cases; cases for business cards and credit cards; sports bags; satchels; toiletry bags, empty; umbrellas; parasols; walking sticks; whips; saddlery.

25 – Clothing, footwear, headgear.

26 – Brooches [clothing accessories]; feathers [clothing accessories]; buckles [clothing accessories]; brassards; birds' feathers [clothing accessories]; ostrich feathers [clothing accessories]; belt buckles [clothing accessories]; buckles of precious metal [clothing accessories]; haberdashery and trimming articles for garments; badges (for wear) not of precious metal; ornamental novelty badges; expanding bands for holding sleeves; brassards; cords for clothing; hair bands; buttons for clothing; patches of fabric for clothing; zip fasteners; edgings for clothing; clasps for clothing; sewing kits and decorative haberdashery textile articles.

28 – Appliances for gymnastics; gymnastic and sporting articles; games, toys; accessories for dolls.

35 – Wholesale and retail sale services, also on the Internet, namely for the sale of soaps, perfumery, essential oils, cosmetics, hair lotions, dentifrices, parts and accessories for portable and handheld digital electronic apparatus, particularly pouches for computers and tablet computers, sleeves for computers and tablet computers, parts and accessories for mobile telephones, particularly pouches and sleeves for mobile telephones, soft cases for cellular telephones, cases for mobile telephones, leather or imitation leather cases for portable telephones, fabric or textile bags for mobile telephones, smartphones, smartwatches, electronic tablets, spectacles (optics), sunglasses, frames for spectacles and sunglasses, cases for spectacles and sunglasses, chains for spectacles and sunglasses, strings for spectacles and sunglasses, precious metals and their alloys and products of these materials or those coated therewith and not included for other classes, fine jewelry, jewelry, precious stones, timepieces and chronometric instruments, clocks and watches, key rings (jewelry and costume jewelry), leather and imitations of leather not included in other classes, animal skins, everyday bags, backpacks, travel bags and other luggage, handbags, trunks and suitcases, attaché cases, briefcases and pocket wallets, purses, leather cases, cases for keys, key holder cases, business card and credit card cases, sports bags, school bags, empty toiletry bags, umbrellas, parasols, walking sticks, whips, saddlery, furniture, particularly home furniture, kitchen furniture, mirrors (silvered glass), frames, utensils and receptacles for household or kitchen use, combs and sponges, glassware, porcelain and earthenware not included in other classes, fabrics and textile products, not included in other classes, bed and table covers, clothing, footwear, headgear, brooches (clothing accessories), articles for dolls, feathers (clothing accessories), buckles (clothing accessories), armbands,

birds' feathers (clothing accessories), ostrich feathers (clothing accessories), belt buckles (clothing accessories), buckles made out of precious metals (clothing accessories), haberdashery and trimming articles for clothing, badges made out of non-precious metals, ornamental badges, expanding bands for holding sleeves, armbands, cords for clothing, hair bands, buttons for clothing, patches of fabric for clothing, zip fasteners, edgings for clothing, clasps for clothing, sewing kits and decorative haberdashery textile articles, gymnastics apparatus, gymnastic and sports articles, games, toys, clothing accessories, food supplements, mineral substances and mineral solutions, bathroom towels, terry towels, fitness towels, bath towels, energy beverages, fitness beverages, protein fitness beverages, beers, mineral and aerated waters and other non-alcoholic beverages, fruit beverages and fruit juices, syrups and other preparations for making beverages; organization of fashion shows for advertising purposes; organization of fashion shows for commercial purposes.

(260) AM 2018 93890 A

(800) 1360533

(151) 2017 05 18

(891) 2017 05 18

(731) ALBERT KOCH AG

Gschwendlistrasse 9, CH-9108 Jakobsbad,  
Switzerland

(540)

# LediBelle

APPENZELL NATURAL COSMETICS

(591) Black, white

(531) 27.05.10; 27.05.17

(511)

3 – Bleaching preparations and other substances for laundry use; cleaning, polishing, degreasing and abrasive preparations; non-medicated soaps, perfumery products, essential oils, non-medicated cosmetics, non-medicated lotions for hair; non-medicated dentifrices; all the aforesaid goods are of Swiss origin.

(260) AM 2018 93892 A

(800) 1360605

(151) 2017 12 09

(891) 2016 12 09

(731) PHILIPP PLEIN

Via Dufour 20, CH-6900 Lugano, Switzerland

(540)

# Plein Sport

(591) Black, white

(511)

3 – Soaps; perfumery, essential oils, cosmetics, hair lotions; dentifrices.

9 – Parts and accessories for portable and handheld digital electronic apparatus, particularly pouches for computers and tablet computers, sleeves for computers and tablet computers; parts and accessories for mobile telephones, particularly pouches and sleeves for mobile telephones; soft cases for cell phones; cases for mobile telephones; cases of leather or imitation leather for mobile telephones; bags of fabric or textile for mobile telephones; smartphones; smartwatches; electronic tablets; spectacles [optics]; sunglasses; frames for spectacles and sunglasses; cases for spectacles and sunglasses; small chains for spectacles and sunglasses; strings for spectacles and sunglasses.

14 – Precious metals and their alloys and goods made of these materials or coated therewith not included in other classes; jewelry; precious stones; timepieces and chronometric instruments; clocks and watches; key rings (jewelry and costume jewelry).

18 – Leather and imitations of leather not included in other classes; animal skins; everyday bags; backpacks; travel bags and other luggage; handbags; trunks and suitcases; attaché cases, briefcases and pocket wallets; purses; leather cases; key cases; key cases; cases for business cards and credit cards; sports bags; satchels; toiletry bags, empty; umbrellas; parasols; walking sticks; whips; saddlery.

24 – Towels of textile; terry towels, fitness towels, bath towels; bed and table covers; fabrics and textile goods not included in other classes.

25 – Clothing, footwear, headgear.

26 – Brooches [clothing accessories]; feathers [clothing accessories]; buckles [clothing accessories]; brassards; birds' feathers [clothing accessories]; ostrich feathers [clothing accessories]; belt buckles [clothing accessories]; buckles of precious metal [clothing accessories]; haberdashery and trimming articles for garments; badges (for wear) not of precious metal; ornamental novelty badges; expanding bands for holding sleeves; brassards; cords for clothing; hair bands; buttons for clothing; patches of fabric for clothing; zip fasteners; edgings for clothing; clasps for clothing; sewing kits and decorative haberdashery textile articles.

28 – Appliances for gymnastics; gymnastic and sporting articles; games, toys; accessories for dolls, dolls' clothes.

32 – Energy drinks; isotonic beverages; protein-enriched sports beverages; protein fitness beverages; beers; mineral and aerated waters and other non-alcoholic beverages; fruit drinks and fruit juices; syrups and other preparations for making beverages.

35 – Wholesale and retail sale services, also on the Internet, namely for the sale of soaps, perfumery, essential oils, cosmetics, hair lotions, dentifrices, parts

and accessories for portable and handheld digital electronic apparatus, particularly pouches for computers and tablet computers, sleeves for computers and tablet computers, parts and accessories for mobile telephones, particularly pouches and sleeves for mobile telephones, soft cases for cellular telephones, cases for mobile telephones, leather or imitation leather cases for portable telephones, fabric or textile bags for mobile telephones, smartphones, smartwatches, electronic tablets, spectacles (optics), sunglasses, frames for spectacles and sunglasses, cases for spectacles and sunglasses, chains for spectacles and sunglasses, strings for spectacles and sunglasses, precious metals and their alloys and products of these materials or those coated therewith and not included for other classes, fine jewelry, jewelry, precious stones, timepieces and chronometric instruments, clocks and watches, key rings (jewelry and costume jewelry), leather and imitations of leather not included in other classes, animal skins, everyday bags, backpacks, travel bags and other luggage, handbags, trunks and suitcases, attaché cases, briefcases and pocket wallets, purses, leather cases, cases for keys, key holder cases, business card and credit card cases, sports bags, school bags, empty toiletry bags, umbrellas, parasols, walking sticks, whips, saddlery, furniture, particularly home furniture, kitchen furniture, mirrors (silvered glass), frames, utensils and receptacles for household or kitchen use, combs and sponges, glassware, porcelain and earthenware not included in other classes, fabrics and textile products, not included in other classes, bed and table covers, clothing, footwear, headgear, brooches (clothing accessories), articles for dolls, feathers (clothing accessories), buckles (clothing accessories), armbands, birds' feathers (clothing accessories), ostrich feathers (clothing accessories), belt buckles (clothing accessories), buckles made out of precious metals (clothing accessories), haberdashery and trimming articles for clothing, badges made out of non-precious metals, ornamental badges, expanding bands for holding sleeves, armbands, cords for clothing, hair bands, buttons for clothing, patches of fabric for clothing, zip fasteners, edgings for clothing, clasps for clothing, sewing kits and decorative haberdashery textile articles, gymnastics apparatus, gymnastic and sports articles, games, toys, clothing accessories, food supplements, mineral substances and mineral solutions, bathroom towels, terry towels, fitness towels, bath towels, energy beverages, fitness beverages, protein fitness beverages, beers, mineral and aerated waters and other non-alcoholic beverages, fruit beverages and fruit juices, syrups and other preparations for making beverages; organization of fashion shows for advertising purposes; organization of fashion shows for commercial purposes

---

(260) AM 2018 93894 A

(800) 1360619

(151) 2017 06 07

(891) 2017 06 07

(731) MONTRES CHOURIET SA

Place de la Fusterie 7, CH-1204 Genève,  
Switzerland

(540)

**EMILE CHOURIET**

(591) Black, white

(511)

14 – Precious metals and their alloys; jewelry, precious stones; timepieces and chronometric instruments; watches; watch parts; watch movements; mechanical watches; small clocks; cases for watches; watch dials; watch straps; watch cases; watch hands; chronographs (watches); watch clasps.

(260) AM 2018 93896 A

(800) 1360679

(151) 2017 05 19

(891) 2017 05 19

(731) SHISEIDO AMERICAS CORPORATION

301 Route 17 North, 10th Floor, Rutherford  
NJ 07070, USA

(540)



(591) Black, white

(531) 27.05.22

(511)

3 – Cosmetics, cosmetic preparations, non-medicated skin care preparations, sun block preparations, sunscreen preparations, perfume.

21 – Cosmetic brushes.

(260) AM 2018 93897 A

(800) 1360732

(151) 2017 06 26

(891) 2017 06 26

(731) AMERICAN AIR FILTER COMPANY, INC.

Suite 2200, 9920 Corporate Campus Drive,  
Louisville KY 40223, USA

(540)

**BRINGING CLEAN AIR  
TO LIFE**

(591) Black, white

(511)

7 – Dust separators; air pollution control equipment, apparatus, and installations for commercial and in-

dustrial use in commercial and industrial installations, namely, dust collectors being parts of dust collecting machines for air cleaning purposes, dust collecting machines that remove particulate matter from air by passing the air through a liquid medium, centrifugal dust separators, centrifugal dust collecting machines, cyclone dust separators, cyclone dust collecting machines; air filters for motors and engines; filters for cleaning cooling air, for engines; air filters for agricultural, commercial, industrial, power generation, and residential facilities and installations, namely, air filters for mechanical purposes; air filters for residential and commercial uses, namely, air filters for motors and engines.

11 – Air filters for agricultural facilities and installations; air filters for commercial facilities and installations; air filters for industrial facilities and installations; air filters for power generation facilities and installations; air filters for residential facilities and installations; air filtration machines for agricultural, commercial, industrial, power generation, and residential facilities and installations; air pollution control equipment, apparatus, and installations for commercial and industrial use in commercial and industrial installations, namely, cartridge dust collectors in the nature of filter cartridges for industrial dust collection systems for use in pulse-jet cleaning, cartridge air filters for industrial installations, air filters for industrial installations that use fabric bags to collect dust, baghouse air filters for industrial installations that use fabric to filter air, mist collectors in the nature of air purifiers for the cleaning and purification of air, mist collectors in the nature of gas purification machines for the cleaning and purification of gases, collectors in the nature of air purifiers for capturing oil mist generated by industrial operations for the cleaning and purification of air, collectors in the nature of gas purification machines for capturing oil mist generated by industrial operations for the cleaning and purification of gases, side access filter housings specially adapted for use with air purifiers and gas purification machines, filter housings specially adapted for use with air purifiers and gas purification machines, replacement cartridge air filters for industrial installations, replacement air filter cartridges for industrial installations, replacement air filter bags for industrial installations, replacement fabric air filters for industrial installations and replacement air filters for industrial installations; filters and filtering media for industrial and commercial use in the purification of air and other industrial fluids, namely, air filters and filtering media for industrial installations; air filters for residential and commercial uses, namely, air filters for domestic use and industrial installations; filters and filtering media for removal of contaminant gases and particulates for industrial, agricultural and commercial purposes, namely, air filters and filtering media for industrial, agricultural and commercial installations; air filtering installations; air

filters for domestic use; industrial air filter machines; air filters for industrial and domestic installations; air cleaning housings, namely, housings containing air handling units, air filtration units, air scrubber units and combinations thereof; environmental control systems, namely, air filtration systems comprising filters, filter housings, test housing, housing transitions, isolation dampers, fans and parts therefor.

37 – Servicing, namely maintenance and repair, of environmental control systems, namely, air filtration systems and installations and parts therefor; servicing, namely maintenance and repair, of environmental control systems, namely, dust collection and control systems and installations and parts therefor.

(260) AM 2018 93919 A

(800) 1132174

(151) 2012 04 30

(891) 2017 05 19

(731) "PETROCOLL ANONIMI  
VIOMICLANIKI & EMPORIKI ETERIA  
PARAGOGIS & EMPORIAS CHIMIKON  
PROIODON", TRADING AS "PETROCOLL  
A.B.E.E."  
77, Solomou Str., GR-121 33 Peristeri, Greece

(540)



(591) Yellow, black and white. The word "BAUER" is in white capital letters into a black background; to the up and down side of the frame there are two stripes in yellow color.

(531) 26.04.22; 26.04.24; 27.05.17; 27.05.24; 29.01.13

(511)

1 – Chemicals for industrial and scientific purposes, adhesives for industrial purposes.

2 – Paints, varnishes, lacquers, preservatives against rust and against deterioration of wood, mordants, resins.

17 – Plastics, packing, stopping and insulating materials.

(260) AM 2018 93997 A

(800) 1362202

(151) 2017 03 16

(891) 2017 03 16

(731) ZORLUTEKS TEKSTİL TİCARET VE  
SANAYİ ANONİM ŞİRKETİ

Levent 199 Büyükdere Caddesi No:199  
TR-34394 Şişli İstanbul, Turkey

(540)



Bianca Luna

H O M E

(591) Black and white

(531) 05.03.04; 27.05.01; 27.05.10

(511)

8 – Forks, spoons, knives and non-electric cutters, slicers, peelers for kitchen use.

20 – Pillows.

21 – Non-electric household or kitchen utensils, included in this class, clothes-pegs, pots and pans, including those made of precious metals, dinnerware sets, bottle openers, hand-operated non-electric cooking utensils, ironing boards and shaped covers therefor, drying racks for washing, clothes drying hangers, indoor aquariums, terrariums and vivariums for animal and plant cultivation, ornaments and decorative goods of glass, porcelain, earthenware or clay, included in this class, namely statues, figurines and vases, all made of glass, porcelain, earthenware or clay, perfume burners, perfume sprayers, perfume vaporizers, unworked or semi-worked glass, except building glass, mosaics of glass and powdered glass for decoration, except for building, glass wool other than for insulation or textile use, coupes as rewards for sports events.

27 – Rugs, mats.

(260) AM 2018 93999 A

(800) 1362273

(151) 2017 05 22

(891) 2017 05 22

(731) MAR-KO FLEISCHWAREN GMBH & Co. KG  
Waldecker Straße 15 99444 Blankenhain,  
Germany

(540)



(591) Black, white and orange

(531) 27.05.02; 27.05.03; 27.05.09; 27.05.10; 29.01.14

(511)

29 – Meat, fish, poultry and game, including ham; all aforementioned goods also further processed into charcuterie, also in preserved form; meat products, meatballs, sausages, charcuterie, uncooked charcuterie.

rie, also to be stored unrefrigerated; long-life charcuterie; salami in various forms, in particular mini salami; snacks made from the aforementioned products; beef-based snack products; meat extracts.

30 – Ready-made pastry rolls and/or dumplings and/or pita bread, filled and/or topped with meat and/or charcuterie and/or ham and/or vegetables and/or sauces; ready-baked pastry rolls made of wheat flour dough filled with salami or salami-like sausage; snacks based on pasta products.

---

(260) AM 2018 94038 A  
 (800) 1324695  
 (151) 2016 09 01  
 (891) 2017 06 09  
 (731) AVON PRODUCTS, INC.  
 601 Midland Avenue, Rye NY 10580, USA  
 (540)

## AVON BEAUTY FOR A PURPOSE

(591) Black, white  
 (511)

41 – Entertainment and educational services, namely, providing entertainment and educational information and advice, blogs, and non-downloadable publications in the nature of articles all in the field of women's interest topics, namely, business training and leadership development training, via a global computer network and other global communications networks, via a website.

42 – Hosting online web facilities for others for the purposes of sharing information and content with others regarding information in the field of women's interest topics, health, lifestyle, beauty, celebrities, business training, job training, marketing, leadership, women's empowerment and fashion.

---

(260) AM 2018 94039 A  
 (800) 1347215  
 (151) 2017 01 19  
 (891) 2017 06 19  
 (731) ADP GAUSELMANN GMBH  
 Merkur-Allee 1-15, 32339 Espelkamp,  
 Germany  
 (540)

## Vampire

(591) Black, white  
 (511)

9 – Programs for commercial operating coin-operated electric and electronic apparatus for games, amusement and/or entertainment purposes; computer software for automatic lottery machines; computer software for computer games on the Internet; online games (software), in particular for online betting ga-

mes, online prize games, online gambling games, online games of skill and online casino games; computer hardware and software for casino and amusement arcade games, for gaming machines, slot machines or video lottery gaming machines or games of chance via the Internet.

---

(260) AM 2018 94096 A  
 (800) 1363623  
 (151) 2017 07 04  
 (891) 2017 07 04  
 (731) JOH. WILH. VON EICKEN GMBH  
 Drechslerstrasse 1-3, 23556 Lübeck, Germany  
 (540)

## Chapman

(591) Black, white  
 (511)

34 – Tobacco; tobacco products, especially cigars, cigarettes, cigarillos, smoking tobacco, chewing tobacco, snuff; cigarette-paper, smoker's articles as far as included in this class.

---

(260) AM 2018 94097 A  
 (800) 426208  
 (151) 1976 11 12  
 (891) 2017 07 19  
 (731) FRESENIUS KABI AG  
 Else-Kröner-Str. 1, 61352 Bad Homburg,  
 Germany  
 (540)

## Ketosteril

(591) Black, white  
 (511)

5 – Pharmaceutical products as well as chemicals for sanitary purposes; dietetic goods for children and the sick, for medical purposes, disinfectants, the aforementioned goods except dermatological products.

---

(260) AM 2018 94098 A  
 (800) 1363630  
 (151) 2017 07 03  
 (891) 2017 07 03  
 (731) MESSE MÜNCHEN GMBH  
 Am Messesee 2, 81829 München, Germany  
 (540)

## EM POWER

(591) Black, white  
 (511)

35 – Organisation of exhibitions and trade fairs for commercial and advertising purposes; publication and issuance of advertising texts.

(260) AM 2018 94099 A  
 (800) 1363642  
 (151) 2017 05 18  
 (891) 2017 05 18  
 (731) BEATS ELECTRONICS, LLC  
 8600 Hayden Place, Culver City CA 90232,  
 United Kingdom  
 (540)

## BEATS PRO

(591) Black, white  
 (511)  
 9 – Headphones; personal headphones for use with  
 sound transmitting systems.

(260) AM 2018 94100 A  
 (800) 1363665  
 (151) 2017 05 18  
 (891) 2017 05 18  
 (731) ID GROUP  
 162 boulevard de Fourmies, F-59100  
 ROUBAIX, France  
 (540)



(591) Black, white  
 (531) 24.09.02; 24.09.09; 27.05.21  
 (511)  
 20 – Furniture, mirrors, picture frames; goods, not  
 included in other classes, of wood, cork, reed, cane,  
 wicker, horn, bone, ivory, whalebone, shell, amber,  
 mother-of-pearl, meerschaum, substitutes for all these  
 materials or of plastics namely boxes, stoppers  
 not of metal, cases, coat hangers, baskets not of  
 metal, figurines [statuettes], playpens for babies,  
 walkers for children, hooks for clothing not of metal,  
 chests of drawers, drinking straws, ladders, table  
 tops, umbrella stands, magazine racks, shelves, pac-  
 kaging containers, slatted indoor blinds; interior  
 textile window blinds; cribs, cradles; playpens;  
 changing furniture and mattresses; coat racks; toilet  
 baskets; toy chests; easy chairs, high chairs for ba-  
 bies.

24 – Fabrics for textile use; household linen, diape-  
 red linen, table runners, coasters (table linen), table  
 linen of textile materials; table cloths, place mats,  
 table mats, napkins and table covers of textile ma-  
 terials; oilcloth for use as tablecloths; bed and table  
 covers; sheets; lingerie fabric; mattress covers; ticks  
 [mattress covers]; bed linen; bed clothes (linen); sle-

eping bags; bed covers (bedspreads), eiderdowns  
 (down coverlets); coverlets [bedspreads]; bedspre-  
 ads; pillow cases and covers; covers for cushions;  
 hand towels of textile; bath linen (except clothing);  
 beach towels; handkerchiefs and make-up remover  
 pads of textile materials; face towels and washing  
 mitts of textile materials; glass cloths; upholstery  
 fabrics; curtain holders of textile material; fabrics  
 and cloths for furniture; loose covers for furniture;  
 upholstery for furniture of plastic or textiles; door  
 curtains; net curtains; curtains of plastic materials;  
 shower curtains of textile or plastic; wall hangings of  
 textile; banners; calicoes; flags and pennants (not of  
 paper); labels of cloth; hat linings; traveling rugs  
 [lap robes]; lap robes; canvas for tapestry or emb-  
 roidery; traced cloths for embroidery; gummed cloth  
 (other than for stationery); non-woven textiles; knit-  
 ted fabrics; fabrics of wool, linen and jute; cotton  
 fabrics; silk fabrics; crepe (fabric), crepon; woolen  
 cloths; linings (textile); moleskin (fabric), flannel  
 (fabric), jersey (fabric), taffeta (cloth); tulle; velvet;  
 damask (fabric); frieze (cloth); plastic materials  
 (fabric substitutes); elastic fabrics; fiberglass fabrics  
 for textile use; fabrics of imitation animal skins.

(260) AM 2018 94101 A  
 (800) 1363704  
 (151) 2017 03 01  
 (891) 2017 03 01  
 (731) TCL CORPORATION  
 No.19 Zone, Zhongkai High Technology  
 Development Zone, Huizhou Guangdong  
 (CN), China

(540)



(591) Black, white  
 (531) 27.05.01  
 (511)  
 7 – Machines for treatment of materials and for  
 manufacturing and machine tools; motors and engi-  
 nes (except for land vehicles); machine coupling and  
 transmission components (except for land vehicles);  
 food preparation machines, electromechanical; food  
 processors, electric; fruit presses, electric, for house-  
 hold purposes; ironing machines; dishwashers; kit-  
 chen machines, electric; kitchen grinders, electric;  
 crushers for kitchen use, electric; blenders, electric,  
 for household purposes; mills for household purpo-  
 ses, other than hand-operated; whisks, electric, for  
 household purposes; washing apparatus; washing  
 machines [laundry]; spin driers [not heated]; filters  
 for cleaning cooling air, for engines; compressors for  
 refrigerators or air conditioners; machines and appa-  
 ratus for cleaning, electric; vacuum cleaners; 3D  
 printers; dry cleaning machines; electromechanical  
 beverage preparation machines; coffee grinders, ot-

her than hand-operated; compressors (machines); shoe polishers, electric; agricultural machines; elevating apparatus; apparatus for dressing; hand-held tools, other than hand-operated; generators of electricity; control mechanisms for machines, engines or motors; propulsion mechanisms other than for land vehicles; waste disposers [machines]; parts and fittings for all above-mentioned goods.

9 – Scientific, photographic, cinematographic, signalling, and teaching apparatus and instruments; compact discs, DVDs and other digital recording media; mechanisms for coin-operated apparatus; computers; laptop computers; notebook computers; tablet computers; electronic book readers; computer memory devices; computer peripheral devices; computer hardware; computer software; computer software, recorded; computer software applications, downloadable; computer game software; computer programmes, recorded; computer operating programs, recorded; computer programs [downloadable software]; navigational instruments; apparatus for receiving, recording, transmission or reproduction of sound or images; cameras [photography]; cases especially made for photographic apparatus and instruments; digital photo frames; photocopiers [photographic, electrostatic, thermic]; facsimile machines; television apparatus; video screens; video telephones; video baby monitors; compact disc players; DVD players; portable media players; record players; cordless telephones; mobile telephones; radiotelephony sets; telephone apparatus; telephone wires; smartphones; smartwatches; network communication apparatus; headphones; audiovisual teaching apparatus; electronic notice boards; apparatus and instruments for conducting, switching, transforming, accumulating, distributing, regulating or controlling electricity; materials for electricity mains [wires, cables]; switches, electric; sockets, plugs and other contacts [electric connections]; circuit breakers; electric relays; electric converters; set of electric checking and testing apparatus; light-emitting diodes [LED]; integrated circuits; smart cards [integrated circuit cards]; remote control apparatus; alarms; anti-theft warning apparatus; spectacles [optics], in particular 3D spectacles; batteries, electric; galvanic batteries; solar batteries; battery chargers; LCD screen; LED screen; amplifiers; speakers; personal stereos; DVD recorders; MP3 players; set top boxes; camcorders; scanners; walkie-talkies; program-controlled telephone exchange apparatus; switchboards; intercommunication apparatus; video door phone; monitors [computer hardware]; modems; data processing apparatus; downloadable electronic publications; optical apparatus and instruments; oxygen transvasing apparatus; electric locks; parts and fittings of the above-mentioned goods.

11 – Apparatus for lighting, heating, steam generating, cooking, refrigerating, drying, ventilating, wa-

ter supply and sanitary purposes; cooling installations and machines; air conditioning apparatus and installations; air filtering installations; air purifying apparatus and machines; air sterilisers; air deodorising apparatus; fans [air-conditioning]; ventilation [air-conditioning] installations and apparatus; filters for air conditioning; ionization apparatus for the treatment of air or water; coffee machines, electric; coffee percolators, electric; kettles, electric; lighting apparatus and installations; lighting apparatus for vehicles; light-emitting diodes [LED] lighting apparatus; cooking utensils, electric; cooking apparatus and installations; microwave ovens [cooking apparatus]; bread toasters; toasters; bread baking machines; bread-making machines; gas burners; furnaces, ovens, other than for laboratory use; induction cookers; pressure cooking saucepans, electric; roasting apparatus; griddles [cooking appliances]; grills [cooking appliances]; autoclaves [electric pressure cookers]; pressure cookers [autoclaves], electric; automatic rice cooker; refrigerating apparatus and machines; refrigerating appliances and installations; refrigerators; freezers; ice machines and apparatus; hair driers [dryers]; hair driers; hair dryers; extractor hoods for kitchens; laundry dryers, electric; fabric steamers; hand drying apparatus for washrooms; heating apparatus and installations; heating boilers; heating apparatus, electric; heaters for baths; showers; hot air apparatus; air dryers; drying apparatus and installations; humidifiers; dehumidifier; sterilizers; water purification installations; water purifying apparatus and machines; water filtering apparatus; water sterilizers; water softening apparatus and installations; filters for drinking water; toilet seats; toilets [water-closets]; water closets; electric hot water bottles; kitchen ranges [ovens]; beverages cooling apparatus; ice cream making machines; electric fans for personal use; electric laundry dryers; air drying apparatus; water dispenser; disinfectant apparatus; pocket warmers; sanitary apparatus and installations; garment steamers; parts and fittings for the above-mentioned goods.

35 – Advertising and publicity; telemarketing services; television advertising; sales promotion for others; on-line advertising on a computer network; presentation of goods on communication media, for retail purposes; advertising by mail order; production of advertising films; bill-posting; outdoor advertising; updating of advertising material; demonstration of goods; dissemination of advertising matter; distribution of samples; public relations; provision of an on-line marketplace for buyers and sellers of goods and services; organization of exhibitions and trade fairs for commercial or advertising purposes; marketing research; cost price analysis; marketing; commercial information and advice for consumers [consumer advice shop]; compilation or systemization of information into computer databases; updating and maintenance of data in computer databases;



business appraisals; business consultancy; business management consultancy; business research; business information; personnel management consultancy; book-keeping; accounting; import-export agencies; procurement services for others [purchasing goods and services for other business]; employment agencies; relocation services for businesses; office machines and equipment rental; rental of vending machines.

(260) AM 2018 94102 A

(800) 492773

(151) 1985 03 28

(891) 2017 08 04

(731) BONALDO S.P.A.

via Straelle 3, I-35010 VILLANOVA DI  
CAMPOSAMPIERO, Padova, Italy

(540)

## BONALDO

(591) Black, white

(511)

20 – Furniture of all materials, including metal furniture; mattresses; spring mattresses; mirrors, frames, picture frames, as well as rods, battens or mouldings for picture frames, capsules, furniture and door fittings of cork, reed, cane, wicker, horn, bone, ivory, whalebone, tortoiseshell, amber, mother of pearl, meerschaum, celluloid and substitutes for all these materials, or of plastics.

(260) AM 2018 94104 A

(800) 1363714

(151) 2017 03 21

(891) 2017 03 21

(731) OSRAM GmbH

Marcel-Breuer-Straße 6, 80807 München,  
Germany

(540)

## LIGHT IS OSRAM

(591) Black, white

(511)

11 – Lighting apparatus, especially electric lamps and luminaires; lighting apparatus and lighting system consisting thereof, especially on the basis of LEDs (also organic LEDs); LED lamps and LED luminaires (included in this class) and their parts; lighting lamps and apparatus and devices and systems consisting thereof as well as their parts (included in this class) on basis of LED; lighting modules, namely based on LEDs (also based on organic LEDs) with light functions for lighting purposes.

(260) AM 2018 94105 A

(800) 1210697

(151) 2013 12 23

(891) 2017 07 24

(731) ROUSSEAU Eric Pierre Bernard

11/13, rue Louis Aurégli, MC-98000  
Monaco, Monaco

(540)

## ALEX SIMONE

(591) Black, white

(511)

3 – Toiletries; soaps; perfumery products; perfumes; air fragrances; essential oils, cosmetics; scented wood; incense sticks; cosmetic pencils; cosmetic creams; deodorants [perfumery]; eau de Cologne; lavender water; scented water; toilet water; extracts of flowers [perfumes]; almond oil; lavender oil; oils for cosmetic use; oils for toilet use; oils for perfumes and scents; cleansing milk for toilet purposes; sachets for perfuming linen; cosmetic kits; lotions for cosmetic use; make-up products; beauty masks; potpourris [fragrances].

4 – Perfumed candles; wicks for candles; candles [lighting], tapers, church candles.

5 – Deodorants for clothing or textile materials; deodorants; air fresheners.

(260) AM 2018 94106 A

(800) 1222539

(151) 2014 02 20

(891) 2017 07 12

(731) TREFL TOYS Sp. z o.o. SP.K.

Al. Niepodleglosci 809, A PL-81-810 Sopot,  
Poland

(540)



(591) White, yellow and red

(531) 05.03.06; 05.03.13; 26.04.02; 26.04.15;

26.04.22; 27.05.03; 29.01.13

(511)

16 – Goods of paper and cardboard, not included in other classes; printed publications, books, pamphlets, prospectuses, handbooks (manuals), other printed material and teaching aids, magazines, periodicals, almanacs, albums, handbooks (manuals), posters, leaflets, instruction manuals; folders, catalogues, reference manuals, note books, calendars, bookmarks; charts; forms with tokens, cards; packaging paper and cardboard; stationery; writing or drawing books, colouring books; stationery; information and teaching materials on transparencies.

28 – Toys; manual toys, mobile toys, electronic toys, toys with sound and/or image playing, transmission and reproduction apparatus, remote control toys, educational toys; rattles; toy building bricks; manipulative puzzles; games; board games, electronic games, games, other than those adapted for use with a television set, educational games, instructional games, parlour games, card games; jigsaw puzzles; playing cards; boards, counters, figurines, cards and other accessories for games and toys.

(260) AM 2018 94107 A

(800) 1363733

(151) 2017 04 24

(891) 2017 04 24

(731) OBSHCHESTVO S OGRANICHENNOY OTVETSTVENNOSTJU "MOLOCHNOE DELO"

ul. Krasnosolnechnaya, dom 5A, RU-111622 Moscow, Russian Federation

(540)



(591) White, beige, yellow, hazel, brown, umber, black

(531) 08.01.19; 08.01.21; 28.05; 29.01.12

(526) С Ванілью

(511)

29 – Dairy products, namely, cottage cheese sticks, covered with chocolate icing.

(260) AM 2018 94108 A

(800) 1222540

(151) 2017 02 20

(891) 2017 07 12

(731) TREFL TOYS Sp. z o.o. SP.K.

Al. Niepodleglosci 809 A, PL-81-810 Sopot, Poland

(540)

**TREFL**

(591) Black, white

(511)

16 – Goods of paper and cardboard, not included in other classes; printed publications, books, pamphlets, prospectuses, handbooks (manuals), other printed material and teaching aids, magazines, periodicals, almanacs, albums, handbooks (manuals), posters, leaflets, instruction manuals; folders, catalogues,

reference manuals, note books, calendars, bookmarks; charts; forms with tokens, cards; packaging paper and cardboard; stationery; writing or drawing books, colouring books; stationery; information and teaching materials on transparencies.

28 – Toys; manual toys, mobile toys, electronic toys, toys with sound and/or image playing, transmission and reproduction apparatus, remote control toys, educational toys; rattles; toy building bricks; manipulative puzzles; games; board games, electronic games, games, other than those adapted for use with a television set, educational games, instructional games, parlour games, card games; jigsaw puzzles; playing cards; boards, counters, figurines, cards and other accessories for games and toys.

(260) AM 2018 94110 A

(800) 1242844

(151) 2014 12 11

(891) 2017 03 21

(731) SERGII VOLOSHYN

vul. Akademika Tupoleva, 17, kv. 27 Kyiv 04128, Ukraine

(540)



(591) Black, white

(531) 01.15.15; 02.03.01; 02.03.02; 27.05.03; 27.05.08

(511)

3 – Balms other than for medical purposes; eyebrow cosmetics; eyebrow pencils; cosmetic preparations for eyelashes; hair colorants; hair lotions; waving preparations for the hair; make-up preparations; disinfectant soap; deodorant soap; extracts of flowers [perfumes]; cosmetics; make-up powder; beauty masks; cosmetic kits; cosmetic creams; hair spray; lotions for cosmetic purposes; neutralizers for permanent waving; cosmetic pencils; perfumery; aloe vera preparations for cosmetic purposes; dry shampoos; cosmetic dyes; shampoos; cosmetic preparations for skin care.

5 – Balms for medical purposes; biological preparations for medical purposes; decoctions for pharmaceutical purposes; vitamin preparations; medicinal hair growth preparations; dietetic foods adapted for medical purposes; elixirs [pharmaceutical preparations]; drugs for medical purposes; medicinal infusions; lotions for pharmaceutical purposes; pharmaceutical preparations for treating dandruff; ointments for pharmaceutical purposes; pharmaceutical preparations; pharmaceutical preparations for skin care.

(260) AM 2018 94111 A

(800) 1363755

(151) 2017 06 12

(891) 2017 06 12

(731) MARCUS SCHMIEKE

Darritzer Str. 6, 16818 Kränzlin, Germany

(540)

## TIMEWAVER

(591) Black, white

(511)

9 – Instruments for scientific research; computer software; computer peripheral devices; computers; testing apparatus not for medical purposes.

10 – Analysers for medical purposes; medical apparatus and instruments.

44 – Medical services, medical diagnosis and treatment; hygienic and beauty care.

(260) AM 2018 94112 A

(800) 1363758

(151) 2017 06 09

(891) 2017 06 09

(731) WEIMA AGRICULTURAL MACHINERY CO., LTD.

B Zone, Luohuang Industry, Jiangjin District Chongqing, China

(540)

威 马

(591) Black, white

(531) 28.03

(511)

7 – Agricultural machines; mowing and reaping machines; crank shafts.

(260) AM 2018 94116 A

(800) 1322356

(151) 2016 06 27

(891) 2017 07 31

(731) BLUFIN S.p.A.

Via Galileo Ferraris, 13/15, A I-41012 CARPI (Modena), Italy

(540)

*Blumarine*  
DANGE-ROSE

(591) Black, white

(531) 27.05.01; 27.05.10

(511)

3 – Soaps bar soap perfume air fragrancing preparations perfumery essential oils cosmetics hair care

lotions cosmetic preparations for the hair and scalp dentifrices.

(260) AM 2018 94124 A

(800) 1363997

(151) 2017 03 13

(891) 2017 03 13

(731) ILCHENKO OLEKSANDR

prosp. Heroiv Stalinhrada, 42B, kv. 2, Kyiv 04210, Ukraine;

ANDRII ZBARANSKYI

urochyshche Bukaievytisia, 3, s. Stari Petrivtsi, Vyshhorodskiyi r-n Kyivska obl. 07353, Ukraine

(540)

## ENERLIGHT

(591) Black, white

(531) 27.05.17

(511)

9 – 3D spectacles; abacuses; accelerometers; accumulators, electric; acid hydrometers; acidimeters for batteries; acoustic alarms; acoustic conduits; acoustic couplers; actinometers; adding machines; aerials; aerometers; air analysis apparatus; alarm bells, electric; alarms; alcoholmeters; alidades; altimeters; ammeters; amplifiers; amplifying tubes; anemometers; animated cartoons; anode batteries; anodes; answering machines; anticathodes; anti-dazzle shades; anti-glare glasses; anti-interference devices [electricity]; anti-theft warning apparatus; apertometers [optics]; apparatus and installations for the production of X-rays, not for medical purposes; apparatus and instruments for astronomy; apparatus and instruments for physics; apparatus for changing record player needles; apparatus for fermentation [laboratory apparatus]; apparatus for measuring the thickness of skins; apparatus to check franking; appliances for measuring the thickness of leather; armatures [electricity]; asbestos clothing for protection against fire; asbestos gloves for protection against accidents; asbestos screens for firemen; audio- and video-receivers; audiovisual teaching apparatus; automated teller machines [ATM]; automatic indicators of low pressure in vehicle tires [tyres]; azimuth instruments; baby monitors; baby scales; bags adapted for laptops; balances [steelyards]; balancing apparatus; bar code readers; barometers; bathroom scales; batteries for electronic cigarettes; batteries for lighting; batteries, electric; batteries, electric, for vehicles; battery boxes; battery chargers; battery jars; beacons, luminous; bells [warning devices]; betatrons; binoculars; blueprint apparatus; boiler control instruments; branch boxes [electricity]; breathing apparatus for underwater swimming; breathing apparatus, except for artificial respiration; bullet-proof clothing; bullet-proof waistcoats [vests (Am.)]; buzzers; cabinets for loudspeakers; cables, electric; calculating machi-

nes; calibrating rings; calipers; calorimeters; camcorders; cameras [photography]; capillary tubes; carpenters' rules; carriers for dark plates [photography]; cases especially made for photographic apparatus and instruments; cases for smartphones; cash registers; cassette players; cathodes; cathodic anti-corrosion apparatus; cell phone straps; cell switches [electricity]; centering apparatus for photographic transparencies; chargers for electric batteries; chargers for electronic cigarettes; chemistry apparatus and instruments; chips [integrated circuits]; choking coils [impedance]; chromatography apparatus for laboratory use; chronographs [time recording apparatus]; cinematographic cameras; cinematographic film, exposed; circuit breakers; circuit closers; circular slide rules; cleaning apparatus for phonograph records; close-up lenses; clothing especially made for laboratories; clothing for protection against accidents, irradiation and fire; clothing for protection against fire; coaxial cables; coils, electric; coin-operated mechanisms for television sets; collectors, electric; commutators; compact disc players; compact discs [audio-video]; compact discs [read-only memory]; comparators; compasses for measuring; computer game software; computer hardware; computer keyboards; computer memory devices; computer operating programs, recorded; computer peripheral devices; computer programmes [programs], recorded; computer programs [downloadable software]; computer software applications, downloadable; computer software, recorded; computers; condensers [capacitors]; conductors, electric; connected bracelets [measuring instruments]; connections for electric lines; connectors [electricity]; contact lenses; contacts, electric; containers for contact lenses; containers for microscope slides; control panels [electricity]; converters, electric; copper wire, insulated; cordless telephones; correcting lenses [optics]; cosmographic instruments; counterfeit [false] coin detectors; counters; couplers [data processing equipment]; couplings, electric; covers for electric outlets; covers for smartphones; crash test dummies; crucibles [laboratory]; current rectifiers; cyclotrons; darkroom lamps [photography]; darkrooms [photography]; data processing apparatus; decompression chambers; decorative magnets; demagnetizing apparatus for magnetic tapes; densimeters; densitometers; detectors; diagnostic apparatus, not for medical purposes; diaphragms [acoustics]; diaphragms [photography]; diaphragms for scientific apparatus; dictating machines; diffraction apparatus [microscopy]; digital photo frames; digital signs; directional compasses; discharge tubes, electric, other than for lighting; disk drives for computers; disks, magnetic; distance measuring apparatus; distance recording apparatus; distillation apparatus for scientific purposes; distribution boards [electricity]; distribution boxes [electricity]; distribution consoles [electricity]; divers' masks; diving suits; DNA chips; dog whistles;

dosage dispensers; downloadable image files; downloadable music files; downloadable ring tones for mobile phones; drainers for use in photography; dressmakers' measures; drying apparatus for photographic prints; drying racks [photography]; ducts [electricity]; DVD players; dynamometers; ear plugs for divers; editing appliances for cinematographic films; egg timers [sandglasses]; egg-candlers; electric apparatus for commutation; electric door bells; electric installations for the remote control of industrial operations; electric loss indicators; electrical adapters; electricity conduits; electrified fences; electrified rails for mounting spot lights; electro-dynamic apparatus for the remote control of railway points; electro-dynamic apparatus for the remote control of signals; electrolyzers; electromagnetic coils; electronic agendas; electronic book readers; electronic collars to train animals; electronic interactive whiteboards; electronic key fobs being remote control apparatus; electronic notice boards; electronic pens [visual display units]; electronic pocket translators; electronic publications, downloadable; electronic sheet music, downloadable; electronic tags for goods; encoded identification bracelets, magnetic; encoded key cards; encoded magnetic cards; enlarging apparatus [photography]; epidiascopes; ergometers; exposure meters [light meters]; eyepieces; facsimile machines; fibre [fiber (Am.)] optic cables; film cutting apparatus; films, exposed; filters [photography]; filters for respiratory masks; filters for ultraviolet rays, for photography; fire alarms; fire beaters; fire blankets; fire boats; fire engines; fire escapes; fire extinguishers; fire extinguishing apparatus; fire hose; fire hose nozzles; fire pumps; flash-bulbs [photography]; flashing lights [luminous signals]; flashlights [photography]; floppy disks; flowmeters; fluorescent screens; fog signals, non-explosive; food analysis apparatus; frames for photographic transparencies; frequency meters; furnaces for laboratory use; furniture especially made for laboratories; fuse wire; fuses; galena crystals [detectors]; galvanic batteries; galvanic cells; galvanometers; gas testing instruments; gasoline gauges; gasometers [measuring instruments]; gauges; glazing apparatus for photographic prints; global positioning system [GPS] apparatus; gloves for divers; gloves for protection against accidents; gloves for protection against X-rays for industrial purposes; goggles for sports; grids for batteries; hands-free kits for telephones; head cleaning tapes [recording]; head guards for sports; headphones; heat regulating apparatus; heliographic apparatus; hemline markers; high-frequency apparatus; holders for electric coils; holograms; horns for loudspeakers; hydrometers; hygrometers; identification sheaths for electric wires; identification threads for electric wires; identity cards, magnetic; igniting apparatus, electric, for igniting at a distance; incubators for bacteria culture; inductors [electricity]; infrared detectors; instruments containing eyepieces; integrated

circuit cards [smart cards]; integrated circuits; inter-communication apparatus; interfaces for computers; inverters [electricity]; invoicing machines; ionization apparatus not for the treatment of air or water; jigs [measuring instruments]; joysticks for use with computers, other than for video games; juke boxes for computers; juke boxes, musical; junction boxes [electricity]; junction sleeves for electric cables; kneepads for workers; laboratory centrifuges; laboratory trays; lactodensimeters; lactometers; laptop computers; lasers, not for medical purposes; lens hoods; lenses for astrophotography; letter scales; levelling instruments; levelling staffs [surveying instruments]; levels [instruments for determining the horizontal]; life belts; life buoys; life jackets; life saving apparatus and equipment; life-saving capsules for natural disasters; life-saving rafts; light dimmers [regulators], electric; light-emitting diodes [LED]; light-emitting electronic pointers; lighting ballasts; lightning conductors [rods]; limiters [electricity]; locks, electric; logs [measuring instruments]; loudspeakers; magic lanterns; magnetic data media; magnetic encoders; magnetic tape units for computers; magnetic tapes; magnetic wires; magnets; magnifying glasses [optics]; marine compasses; marine depth finders; marking buoys; marking gauges [joinery]; masts for wireless aerials; material testing instruments and machines; materials for electricity mains [wires, cables]; mathematical instruments; measures; measuring apparatus; measuring devices, electric; measuring glassware; measuring instruments; measuring spoons; mechanical signs; mechanisms for coin-operated apparatus; mechanisms for counter-operated apparatus; megaphones; memory cards for video game machines; mercury levels; metal detectors for industrial or military purposes; meteorological balloons; meteorological instruments; metronomes; micrometer screws for optical instruments; micrometers; microphones; microprocessors; microscopes; microtomes; milage recorders for vehicles; mirrors [optics]; mirrors for inspecting work; mobile telephones; modems; money-counting and sorting machines; monitoring apparatus, electric; monitors [computer hardware]; monitors [computer programs]; mouse [computer peripheral]; mouse pads; mouth guards for sports; nautical apparatus and instruments; naval signalling apparatus; navigation apparatus for vehicles [on-board computers]; navigational instruments; needles for record players; neon signs; nets for protection against accidents; nose clips for divers and swimmers; notebook computers; objectives [lenses] [optics]; observation instruments; octants; ohmmeters; optical apparatus and instruments; optical character readers; optical condensers; optical data media; optical discs; optical fibers [fibres] [light conducting filaments]; optical glass; optical goods; optical lanterns; optical lenses; oscillographs; oxygen transvasing apparatus; ozonisers [ozonators]; parking meters; particle accelerators; pedometers;

peepholes [magnifying lenses] for doors; periscopes; personal stereos; petri dishes; phonograph records; photocopiers [photographic, electrostatic, thermic]; photometers; phototelegraphy apparatus; photovoltaic cells; pince-nez; pipettes; pitot tubes; plane tables [surveying instruments]; planimeters; plates for batteries; plotters; plumb bobs; plumb lines; pocket calculators; polarimeters; portable media players; precision balances; precision measuring apparatus; pressure gauges; pressure indicator plugs for valves; pressure indicators; pressure measuring apparatus; printed circuit boards; printed circuits; printers for use with computers; prisms [optics]; probes for scientific purposes; processors [central processing units]; projection apparatus; projection screens; protection devices against X-rays, not for medical purposes; protection devices for personal use against accidents; protective films adapted for computer screens; protective helmets; protective helmets for sports; protective masks; protective suits for aviators; protractors [measuring instruments]; punched card machines for offices; push buttons for bells; pyrometers; quantity indicators; radar apparatus; radio pagers; radiological apparatus for industrial purposes; radiology screens for industrial purposes; radios; radiotelegraphy sets; radiotelephony sets; railway traffic safety appliances; range finders; readers [data processing equipment]; record players; reflecting discs for wear, for the prevention of traffic accidents; reflective safety vests; refractometers; refractors; regulating apparatus, electric; relays, electric; remote control apparatus; resistances, electric; respirators for filtering air; respiratory masks, other than for artificial respiration; resuscitation mannequins [teaching apparatus]; retorts; retorts' stands; revolution counters; rheostats; riding helmets; road signs, luminous or mechanical; rods for water diviners; rulers [measuring instruments]; rules [measuring instruments]; saccharometers; safety nets; safety restraints, other than for vehicle seats and sports equipment; safety tarpaulins; salinometers; satellite navigational apparatus; satellites for scientific purposes; scales; scales with body mass analysers; scanners [data processing equipment]; screens [photography]; screens for photoengraving; screw-tapping gauges; selfie sticks [hand-held monopods]; semiconductors; sextants; sheaths for electric cables; shoes for protection against accidents, irradiation and fire; shutter releases [photography]; shutters [photography]; sighting telescopes for firearms; signal bells; signal lanterns; signalling buoys; signalling panels, luminous or mechanical; signalling whistles; signals, luminous or mechanical; signs, luminous; simulators for the steering and control of vehicles; sirens; sleeves for laptops; slide calipers; slide projectors; slide-rules; slope indicators; smartglasses; smartphones; smartwatches; smoke detectors; sockets, plugs and other contacts [electric connections]; solar batteries; solar panels for the pro-

duction of electricity; solderers' helmets; solenoid valves [electromagnetic switches]; sonars; sound locating instruments; sound recording apparatus; sound recording carriers; sound recording strips; sound reproduction apparatus; sound transmitting apparatus; sounding apparatus and machines; sounding leads; sounding lines; spark-guards; speaking tubes; spectacle cases; spectacle chains; spectacle cords; spectacle frames; spectacle lenses; spectacles; spectrograph apparatus; spectroscopes; speed checking apparatus for vehicles; speed indicators; speed measuring apparatus [photography]; speed regulators for record players; spherometers; spirit levels; spools [photography]; sprinkler systems for fire protection; square rulers for measuring; squares for measuring; stage lighting regulators; stands for photographic apparatus; starter cables for motors; steering apparatus, automatic, for vehicles; step-up transformers; stereoscopes; stereoscopic apparatus; stills for laboratory experiments; stroboscopes; sulfimeters; sunglasses; surveying apparatus and instruments; surveying chains; surveying instruments; surveyors' levels; switchboards; switchboxes [electricity]; switches, electric; tablet computers; tachometers; tape recorders; taximeters; teaching apparatus; teeth protectors; telegraph wires; telegraphs [apparatus]; telephone apparatus; telephone receivers; telephone transmitters; telephone wires; teleprinters; teleprompters; telerupters; telescopes; telescopic sights for artillery; television apparatus; temperature indicator labels, not for medical purposes; temperature indicators; terminals [electricity]; test tubes; testing apparatus not for medical purposes; theft prevention installations, electric; theodolites; thermionic valves; thermo-hygrometers; thermometers, not for medical purposes; thermostats; thermostats for vehicles; thread counters; ticket dispensers; time clocks [time recording devices]; time recording apparatus; time switches, automatic; tone arms for record players; toner cartridges, unfilled, for printers and photocopiers; totalizers; traffic cones; traffic-light apparatus [signalling devices]; transformers [electricity]; transistors [electronic]; transmitters [telecommunication]; transmitters of electronic signals; transmitting sets [telecommunication]; transparencies [photography]; transponders; triodes; tripods for cameras; T-squares for measuring; urinometers; USB flash drives; vacuum gauges; vacuum tubes [radio]; variometers; vehicle breakdown warning triangles; vehicle radios; verniers; video baby monitors; video cassettes; video game cartridges; video recorders; video screens; video telephones; videotapes; viewfinders, photographic; viscosimeters; voltage regulators for vehicles; voltage surge protectors; voltmeters; voting machines; wafers for integrated circuits; walkie-talkies; washing trays [photography]; water level indicators; wavemeters; wearable activity trackers; weighbridges; weighing apparatus and instruments; weighing machines; weights; whistle alarms; wind

socks for indicating wind direction; wire connectors [electricity]; wires, electric; workmen's protective face-shields; wrist rests for use with computers; X-ray apparatus not for medical purposes; X-ray films, exposed; X-ray photographs, other than for medical purposes; X-ray tubes not for medical purposes.

11 – Acetylene burners; acetylene flares; acetylene generators; air conditioners for vehicles; air cooling apparatus; air deodorising apparatus; air driers [dryers]; air filtering installations; air purifying apparatus and machines; air reheaters; air sterilisers; air valves for steam heating installations; air-conditioning apparatus; air-conditioning installations; alcohol burners; anti-dazzle devices for automobiles [lamp fittings]; anti-glare devices for vehicles [lamp fittings]; anti-splash tap nozzles; apparatus for dehydrating food waste; aquarium filtration apparatus; aquarium heaters; aquarium lights; arc lamps; ash conveyor installations, automatic; autoclaves, electric, for cooking; bakers' ovens; barbecues; bath fittings; bath installations; bath tubs; bath tubs for sitz baths; bed warmers; beverage cooling apparatus; bicycle lights; bidets; blankets, electric, not for medical purposes; boiler pipes [tubes] for heating installations; boilers, other than parts of machines; book sterilization apparatus; brackets for gas burners; bread baking machines; bread toasters; bread-making machines; burners; burners for lamps; carbon for arc lamps; ceiling lights; central heating radiators; chandeliers; chimney blowers; chimney flues; Chinese lanterns; chromatography apparatus for industrial purposes; clean chambers [sanitary installations]; coffee machines, electric; coffee percolators, electric; coffee roasters; coils [parts of distilling, heating or cooling installations]; cooking apparatus and installations; cooking rings; cooking stoves; cooking utensils, electric; cool boxes, electric; coolers for furnaces; cooling appliances and installations; cooling installations and machines; cooling installations for liquids; cooling installations for tobacco; cooling installations for water; curling lamps; dampers [heating]; deep fryers, electric; defrosters for vehicles; dental ovens; deodorising apparatus, not for personal use; desalination plants; desiccating apparatus; discharge tubes, electric, for lighting; disinfectant apparatus; disinfectant apparatus for medical purposes; disinfectant dispensers for toilets; distillation apparatus; distillation columns; diving lights; drip irrigation emitters [irrigation fittings]; drying apparatus; drying apparatus and installations; drying apparatus for fodder and forage; electric appliances for making yogurt; electric fans for personal use; electric lamps; electric torches; electrically heated carpets; evaporators; expansion tanks for central heating installations; extractor hoods for kitchens; fabric steamers; fairy lights for festive decoration; fans [air-conditioning]; fans [parts of air-conditioning installations]; feeding apparatus for heating boilers; filaments for electric lamps; filters for air con-

ditioning; filters for drinking water; fireplaces, domestic; fittings, shaped, for furnaces; flaming torches; flare stacks for use in the oil industry; flues for heating boilers; flushing tanks; food steamers, electric; footmuffs, electrically heated; footwarmers, electric or non-electric; forges, portable; fountains; freezers; friction lighters for igniting gas; fruit roasters; fumigation apparatus, not for medical purposes; furnace ash boxes; furnace grates; furnaces, other than for laboratory use; gas boilers; gas burners; gas condensers, other than parts of machines; gas lamps; gas lighters; gas scrubbers [parts of gas installations]; gas scrubbing apparatus; germicidal burners; germicidal lamps for purifying air; glue-heating appliances; hair driers [dryers]; hand drying apparatus for washrooms; headlights for automobiles; hearths; heat accumulators; heat exchangers, other than parts of machines; heat pumps; heat regenerators; heated display cabinets; heaters for baths; heaters for heating irons; heaters for vehicles; heaters, electric, for feeding bottles; heating apparatus; heating apparatus for defrosting vehicle windows; heating apparatus for solid, liquid or gaseous fuels; heating apparatus, electric; heating boilers; heating cushions [pads], electric, not for medical purposes; heating elements; heating filaments, electric; heating installations; heating installations [water]; heating plates; hot air apparatus; hot air bath fittings; hot air ovens; hot plates; hot water bottles; humidifiers for central heating radiators; hydrants; hydromassage bath apparatus; ice machines and apparatus; immersion heaters; incandescent burners; incinerators; ionization apparatus for the treatment of air or water; kettles, electric; kiln furniture [supports]; kilns; kitchen ranges [ovens]; laboratory burners; laboratory lamps; lamp chimneys; lamp glasses; lamp globes; lamp mantles; lamp reflectors; lamp shades; lamps; lamps for directional signals of automobiles; lampshade holders; lanterns for lighting; laundry dryers, electric; laundry room boilers; lava rocks for use in barbecue grills; level controlling valves in tanks; light bulbs; light bulbs for directional signals for vehicles; light bulbs, electric; light diffusers; light-emitting diodes [LED] lighting apparatus; lighters; lighting apparatus and installations; lighting apparatus for vehicles; lighting installations for air vehicles; lights for automobiles; lights for vehicles; lights, electric, for Christmas trees; loading apparatus for furnaces; luminous house numbers; luminous tubes for lighting; magnesium filaments for lighting; malt roasters; microwave ovens [cooking apparatus]; microwave ovens for industrial purposes; milk cooling installations; miners' lamps; mixer taps for water pipes; motorcycle lights; multicookers; nuclear reactors; oil burners; oil lamps; oil-scrubbing apparatus; ornamental fountains; oven fittings made of fireclay; oxyhydrogen burners; pasteurisers; petrol burners; pipes [parts of sanitary installations]; plate warmers; pocket warmers; polymerisation installations; pres-

sure cooking saucepans, electric; pressure water tanks; processing installations for fuel and nuclear moderating material; purification installations for sewage; radiator caps; radiators [heating]; radiators, electric; refining towers for distillation; refrigerating apparatus and machines; refrigerating appliances and installations; refrigerating cabinets; refrigerating chambers; refrigerating containers; refrigerating display cabinets; refrigerators; regulating accessories for water or gas apparatus and pipes; regulating and safety accessories for gas apparatus; regulating and safety accessories for gas pipes; regulating and safety accessories for water apparatus; roasters; roasting apparatus; roasting jacks; roasting spits; rotisseries; safety accessories for water or gas apparatus and pipes; safety lamps; sanitary apparatus and installations; sauna bath installations; searchlights; shower cubicles [enclosures (Am.)]; showers; sinks; sockets for electric lights; solar furnaces; solar thermal collectors [heating]; spa baths [vessels]; steam accumulators; steam boilers, other than parts of machines; steam facial apparatus [saunas]; steam generating installations; sterilizers; stills; stoves [heating apparatus]; street lamps; structural plates for ovens; swimming pool chlorinating apparatus; tanning apparatus [sun beds]; taps [cocks, spigots] [faucets (Am.)] for pipes; taps [faucets]; thermostatic valves [parts of heating installations]; tobacco roasters; toilet bowls; toilet seats; toilets [water-closets]; toilets, portable; tortilla presses, electric; Turkish bath cabinets, portable; ultraviolet ray lamps, not for medical purposes; urinals [sanitary fixtures]; vehicle headlights; vehicle reflectors; ventilation [air-conditioning] installations and apparatus; ventilation [air-conditioning] installations for vehicles; ventilation hoods; ventilation hoods for laboratories; waffle irons, electric; warming pans; washers for water taps; wash-hand basins [parts of sanitary installations]; water conduits installations; water distribution installations; water filtering apparatus; water flushing installations; water heaters; water heaters [apparatus]; water intake apparatus; water purification installations; water purifying apparatus and machines; water softening apparatus and installations; water sterilizers; water supply installations; watering installations, automatic; watering machines for agricultural purposes; whirlpool-jet apparatus.

(260) AM 2018 94130 A

(800) 1364082

(151) 2017 03 15

(891) 2017 03 15

(731) Obshchestvo s ogranichennoy  
otvetstvennostyu "GAMMA"  
ul. Sr. Kalitnikovskaya, 28, str. 4 RU-109029  
Moscow, Russian Federation

(540)



(591) Black, white and orange.

(531) 26.04.04; 26.04.18; 26.04.24; 27.05.10;  
27.05.21; 27.05.24; 29.01.13

(526) TM

(511)

28 – Games, playthings; toy vehicles; swimming pools [play articles]; trampolines; novelties for dances [party favors, favours]; spinning tops [toys]; hang gliders; dolls' houses; kites; puzzles; mobiles [toys]; practical jokes [novelties]; board games; kaleidoscopes; playing cards; fairground ride apparatus; rocking horses; dolls' rooms; paintball guns [sports apparatus]; dolls' beds; building blocks [toys]; dolls; marionettes; targets; scale model vehicles; kite reels; ornaments for Christmas trees, except illumination articles and confectionery; paper party hats.

(260) AM 2018 94131 A

(800) 1363149

(151) 2017 04 07

(891) 2017 04 07

(731) Eagle Investment SICAV plc, acting on behalf of ITT FUND  
Alpine House, Naxxar Road SGN 9032 San Gwann, Malta

(540)

(591) Shades of red, light orange, dark orange,  
shades of brown, black and white

(531) 27.05.04; 29.01.15

(511)

9 – Games software; software programs for video games; interactive video game programs; cartridges for computer games [software]; cartridges for video games [software]; software; educational software; application software; community software; computer telephony software; interactive computer software; communication software; programs for computers; electronic components for gambling machines; games cartridges for use with electronic games apparatus; coin-operated musical automata [juke boxes]; automated teller machines [ATM].

28 – Games; sports games; manipulative games; mechanical games; musical games; electronic games; parlor games; board games; quiz games; apparatus

for games; arcade games; skill and action games; electronic hand-held game units; handheld computer games; lottery wheels; lottery tickets; slot machines [gaming machines]; automatic gaming machines; coin-operated amusement machines; bill-operated gaming equipment; LCD game machines; counters for games; amusement apparatus for use in arcades; arcade game machines.

41 – Gambling; operating lotteries; prize draws [lotteries]; organising and conducting lotteries; games equipment rental; casino services; providing casino facilities; leasing of casino games; providing casino facilities [gambling]; providing of casino and gaming facilities; casino, gaming and gambling services; providing amusement arcade services; video arcade services.

(260) AM 2018 94132 A

(800) 1364183

(151) 2017 02 24

(891) 2017 02 24

(731) FOREST STEWARDSHIP COUNCIL, A.C.  
Av. Hidalgo 502, Oaxaca 68000 Mexico,  
Mexico

(540)

## FSC

(591) Black, white

(511)

8 – Hand tools, parts of hand tools or hand-operated tools made of wood or containing wood, namely pliers, wrenches [hand tools], nail pullers [hand tools], cutlery, weeding forks [gardening tools], adzes, cutting bars, hand drills, twist drills [hand tools]; hunting knives, casting ladles, planes, sharpening grinders, slicers, pizza cutters (non-electric); spoons, ladles [hand tools]; knives, axes, masonry trowels, screwdrivers, thistle extractors [hand tools], cutting bars, reamers, hammers, chisels, emery boards, milling cutters [hand tools], scythes, gouges [hand tools], axes, vegetable cutting knives; blades for blacksmith's punches [hand tools], files [hand tools], machetes, saw holders, hammers [hand tools], mallets [hand tools], mortars, penknives, crowbars, shovels, [hand tools], meat chopping knives, picks [hand tools], pliers, drill chucks, bow saws, punches, spatulas [hand tools]; rakes [hand tools], punch pliers, priming irons [hand tools], hand drills, twist drills, pliers, table forks, scissors, weeding harrows [hand tools], hoes [manually operated farming tools]; blades [hand tools], picks, hammers, chisels, wooden kitchen utensils [cutlery items, forks and spoons].

15 – Musical instruments made from or containing wood, namely accordions, harmonicas, harps, squeeze boxes, conducting batons; music boxes, sitars, bugles, clarinets, bamboo flutes, concertinas, double basses and tuning forks, not made of metal; flutes,



guitars, harps, mandolins, chin rests for violins; oboes, hurdies, organs, drums, pianos, saxophones, drum kits, pianos, keyboards, kettledrums, trombones, trumpets, violas; violins, xylophones, albos, fagots, bagpipes, didgeridoos, pipe organs, panpipes, charangos, jaranas, tone blocks, maracas and shakers (musical instruments), drumsticks, noise generators (musical instruments), music stands; cases for musical instruments (non-metal).

41 – Publication services for standards (texts not for advertising purposes) relating to management of forests, forestry management, forestry, forestry products, environmental services and the wood processing industries; as well as publication services for standards for companies producing goods using wood; education and training services, including organizing and conducting training workshops live and on video.

(260) AM 2018 94133 A

(800) 1363155

(151) 2017 02 02

(891) 2017 02 02

(731) WEIFANG HUADONG RUBBER CO., LTD.  
TAITOU INDUSTRY ZONE, SHOUGUANG  
SHANDONG, China

(540)

**FRONWAY**

(591) Black and white

(531) 27.05.01

(511)

12 – Inner tubes for automobile; tires for vehicle; treads for vehicles (tractor type); bicycles tires; casings for pneumatic tires [tyres]; pneumatic (tires); solid tires for vehicles; automobile tires; inner tubes for bicycles, cycles.

(260) AM 2018 94134 A

(800) 1364240

(151) 2017 02 16

(891) 2017 02 16

(731) ASSAN GIDA SANAYİ VE TİCARET  
ANONİM ŞİRKETİ  
Nispetiye Caddesi, Akmerkez Alışveriş  
Merkezi, B Blok, Kat: 5 Etiler, Beşiktaş  
TR-34337 İstanbul, Turkey

(540)

**GUSTO VITA**

(591) Black, white

(511)

29 – Meat, fish, poultry and game; processed meat products; dried pulses; soups, bouillon; processed olives, olive paste; milk and milk products, butter; edible oils; dried, preserved, frozen, cooked, smoked

or salted fruits and vegetables; tomato paste; prepared nuts and dried fruits as snacks; hazelnut spreads and peanut butter; tahini (sesame seed paste); eggs and powdered eggs; potato chips.

30 – Coffee, cocoa; coffee or cocoa based beverages, chocolate based beverages; pasta, stuffed dumplings, noodles; bread, pastry and bakery products, namely, pies, cakes, donuts, muffins, tarts, pizzas, sandwiches, puddings, ready cake mixes, desserts, namely, bakery desserts, chocolate desserts, desserts [confectionery] and desserts made of flour; honey, bee glue for human consumption, propolis for food purposes; condiments for foodstuff, vanilla (flavoring), spices, sauces (condiments), tomato sauce; yeast, baking powder; flour, semolina, starch for food; sugar, cube sugar, powdered sugar; tea, iced tea; confectionery, chocolate, biscuits, crackers, wafers; chewing gums; ice-cream, edible ices; salt; cereal-based snack food, popcorn, crushed oats, corn chips, breakfast cereals, processed wheat for human consumption, crushed barley for human consumption, processed oats for human consumption, processed rye for human consumption, rice; molasses for food.

(260) AM 2018 94135 A

(800) 1363210

(151) 2017 06 06

(891) 2017 06 06

(731) BİLEŞİM KİMYA TEMİZLİK ÜRÜNLERİ  
SANAYİ VE TİCARET LİMİTED ŞİRKETİ  
Atatürk Mahallesi 2244.Sokak No.9 Esenyurt  
İstanbul, Turkey

(540)



(591) Red, blue, dark blue, white

(531) 01.15.15; 01.15.21; 26.03.06; 26.03.18;  
26.03.22; 27.05.02; 29.01.13

(511)

3 – Bleaching preparations and other substances for laundry use; cleaning, polishing, scouring and abrasive preparations; non-medicated soaps; perfumery, essential oils, non-medicated cosmetics, non-medicated hair lotions; non-medicated dentifrices.

(260) AM 2018 94136 A

(800) 1363243

(151) 2017 06 12

(891) 2017 06 12

(731) JAPAN TOBACCO INC.  
2-2-1 Toranomon, Minato-ku Tokyo, Japan  
(540)

## WINSTON

(591) Black and white  
(511)  
34 – Tobacco, raw or manufactured; smoking tobacco, pipe tobacco, rolling tobacco, chewing tobacco, snus; cigarettes, electronic cigarettes, cigars, cigaretillos; snuff; smokers' articles included in this class; cigarette paper, cigarette tubes and matches.

(260) AM 2018 94137 A  
(800) 1364247  
(151) 2017 02 17  
(891) 2017 02 17  
(731) CARLETTO DEUTSCHLAND GMBH  
Albert-Einstein-Straße 32, 63128 Dietzenbach,  
Germany  
(540)



(591) Black, white  
(531) 03.01.14; 26.01.15; 26.04.02; 26.04.04;  
26.04.24; 27.05.24  
(511)  
15 – Musical instruments; musical accessories; parts, fittings and accessories for all of the aforesaid goods, included in this class.  
20 – Furniture; mirrors [looking glasses]; bamboo; picture frames; bamboo curtains; flower-stands [furniture]; flower stands; letter boxes, not of metal or masonry; library shelves; dinner wagons [furniture]; containers, not of metal [storage, transport]; decorations of plastic for foodstuffs; boxes of wood or plastic; bottle racks; corks for bottles; bottle casings of wood; bottle closures, not of metal; hooks, not of metal, for clothes rails; coatstands; curtain hooks; curtain holders, not of textile material; curtain rings; curtain rollers; curtain rods; towel dispensers, fixed, not of metal; house numbers, not of metal, non-luminous; stools; garment covers [storage]; dog kennels; kennels for household pets; nameplates, not of metal; window blinds [indoor]; slatted indoor blinds; non-metal cable clamps; edgings of plastic for furniture; index cabinets; chests, not of metal; bolsters; high chairs for babies; infant walkers; cushions; cushions [furniture]; coat hangers; clothes hooks, not of metal; tailors' dummies; chests of drawers; pillows; coral; baskets, non-metallic; wickerwork; corks; dressing table mirrors; scratching posts for cats; works of art of wood, wax,

plaster or plastic; plastic key cards, not encoded and not magnetic; cabinet work; playpens for babies; lecterns; beds for household pets; easy chairs; air pillows, not for medical purposes; air cushions, not for medical purposes; air mattresses, not for medical purposes; mats for infant playpens; mattresses; meerschäum; furniture fittings, not of metal; furniture partitions of wood; doors for furniture; mobiles [decoration]; shells; nesting boxes for household pets; nesting boxes; fixed towel dispensers (non-metallic); screens [furniture]; bead curtains for decoration; mother-of-pearl, unworked or semi-worked; placards of wood or plastics; armchairs; picture frame moldings; curtain tie-backs; picture rods; rattan; racks [furniture]; hinges, not of metal; display racks; valves, not of metal, other than parts of machines; tortoiseshell; tortoiseshell imitation; umbrella stands; reeds [plaiting materials]; sleeping bag mats; locks, other than electric, not of metal; keyboards for hanging keys; costume stands; cupboards; screws, not of metal; nuts, not of metal; desks; lockers; school furniture; covers for clothing [wardrobe]; floating containers, not of metal; seats of metal; sofas; non-metal meat safes; mirror tiles; chests for toys; ladders of wood or plastics; removable mats for sinks; flower-pot pedestals; statues and statuettes of wood, wax, plaster or plastic; steps [ladders], not of metal; embroidery frames; straw plaits; seats; tanks, not of metal or masonry; containers, not of metal, for liquid fuel; bakers' bread baskets; stair rods; animal horns; animal hooves; animal claws; tables; table tops; dressing tables; door fittings, not of metal; door handles, not of metal; non-metal door bolts; packaging containers of plastic; stoppers, not of metal; silvered glass [mirrors]; showcases; pulleys of plastics for blinds; curtain rails; wax figures; trolleys for computers [furniture]; washstands [furniture]; hydrostatic [water] beds, not for medical purposes; inflatable publicity objects; bassinets; wind chimes [decoration]; drafting tables; magazine racks; newspaper display stands; tent pegs, not of metal; parts and accessories to all the aforementioned goods, included in this class.

28 – Games; toys; games; gymnastic and sporting articles (included in this class); decorations for christmas trees; sports equipment; christmas decorations and artificial Christmas trees; fairground and playground apparatus; toys and games; novelties fishing tackle; fish hooks; rods for fishing; reels for fishing; lines for fishing; practical jokes [novelties]; rattles [playthings]; baseball gloves; building games; building blocks [toys]; pool table cushions; skittles; chalk for billiard cues; billiard balls; billiard cues; billiard tables; coin-operated billiard tables; bingo cards; bite sensors [fishing tackle]; bob-sleighs; bodyboards; body-building apparatus; bows for archery; archery implements; boxing gloves; board games; christmas trees of synthetic material; christmas tree stands; checkers [games]; checkerboards; gut for

rackets; discuses for sports; divot repair tools [golf accessories]; dominoes; kites; scents (lures) for hunting and fishing; skating boots with skates attached; electronic targets; elbow guards [sports articles]; chest expanders [exercisers]; stationary exercise bicycles; scale model vehicles; paintball guns [sports apparatus]; costume masks; fencing gauntlets; fencing masks; fencing weapons; shuttlecocks; remote-controlled toy vehicles; foils for fencing; amusement machines, automatic and coin-operated; machines for physical exercises; conjuring apparatus; parlour games; weight lifting belts [sports articles]; paragliders; bells for christmas trees; golf gloves; golf clubs; golf bags, with or without wheels; appliances for gymnastics; gloves for games; hang gliders; barbells; harpoon guns [sports articles]; rosin used by athletes; kite reels; hockey sticks; horseshoe games; inline skates; fairground ride apparatus; counters [discs] for games; kaleidoscopes; playing cards; skittles [games]; candle holders for christmas trees; landing nets for anglers; climbers' harness; cosaques [toy fireworks]; knee guards [sports articles]; decoys for hunting or fishing; confetti; spinning tops [toys]; cricket bags; bait [artificial]; billiard cue tips; hunting game calls; bladders of balls for games; toy air pistols; mah-jong; puppets; bowling apparatus and machinery; masts for sailboards; mobiles [toys]; paintballs [ammunition for paintball guns] [sports apparatus]; marbles for games; nets for sports; piñatas; toy pistols; plush toys; quoits; punching bags; billiard markers; dolls; dolls' beds; dolls' feeding bottles; doll houses; dolls' clothes; doll rooms; jigsaw puzzles; creels [fishing traps]; surfboard leashes; ring games; slides [playthings]; rollers for stationary exercise bicycles; scooters [toys]; roller skates; roulette wheels; strings for rackets; chessboards; chess games; swings; rocking horses; shin guards [sports articles]; targets; batting gloves [accessories for games]; sleds [sports articles]; ice skates; butterfly nets; artificial snow for christmas trees; snow globes; snowshoes; snowboards; protective paddings [parts of sports suits]; swimming pools [play articles]; bite indicators [fishing tackle]; flippers for swimming; water wings; swimming belts; seal skins [coverings for skis]; sailboards, surfboards; soap bubbles [toys]; skateboards; snowboards; bags especially designed for skis; sole coverings for skis; ski bindings; skis; edges of skis; play balls and play balloons; apparatus for games; playing balls; indoor football tables; dice; toys for domestic pets; toy vehicles; rackets; sling shots [sports articles]; starting blocks for sports; twirling batons; camouflage screens [sports articles]; teddy bears; tennis ball throwing apparatus; tennis nets; theatrical masks; dart boxes and jockstraps (sporting articles); tables for table tennis; clay pigeons [targets]; clay pigeon traps; spring boards [sports articles]; spring boards [sporting articles]; harness for sailboards; backgammon games; hand held units for playing video games; vi-

deo game apparatus; waterskis; divot repair tools [golf accessories]; cups for dice; darts; flying discs [toys]; percussion caps [toys]; caps for pistols [toys]; percussion caps (playthings); parts and accessories for all the aforesaid goods, included in this class.

(260) AM 2018 94139 A

(800) 1363313

(151) 2017 06 08

(891) 2017 06 08

(731) ADALI OTELCİLİK TURİZM TİCARET A.Ş.

Güzeloba Mah. 2190 Sokak No.1-101

Muratpaşa/Antalya, Turkey

(540)



**SELECTUM**  
LUXURY RESORT

B E L E K

(591) Red, black

(531) 24.01.05; 24.01.15; 24.01.18; 24.01.25;

24.09.02; 24.09.09; 29.01.12

(511)

39 – Land, water and air transport services; rental of land, water or air vehicles; arranging of tours; travel reservation; issuing of tickets for travel; courier services (messages or merchandise); car parking; garage rental; boat storage; transport by pipeline; electricity distribution; water supplying; rescue operations for vehicles and goods; storage, wrapping and packaging of goods transport and storage of trash; transport and storage of waste.

41 – Education and training; arranging and conducting of conferences, congresses and seminars; sporting and cultural activities; entertainment; ticket reservation and booking services for entertainment, sporting and cultural events, including ticket reservation and booking services for theatres, cinemas, museums and concerts; publication and editing of printed matter, including magazines, books, newspapers, other than publicity texts; electronic publication services; production of movie films, radio and television programmes; news reporters services; photographic reporting services; photography; translation.

43 – Services for providing food and drink; temporary accommodation; day-nurseries (crèches); boarding for animals.

(260) AM 2018 94140 A

(800) 1364249

(151) 2017 02 07

(891) 2017 02 07

(731) "AMALGAMA LUXE", Ltd.

Gromodyanska, 119, of. 109 Mykolayiv  
54017, Ukraine

(540)



(591) White, black, gray and brown.

(531) 03.01.14

(511)

3 – Abrasive paper; abrasives; adhesives for affixing false hair; adhesives for affixing false eyelashes; adhesives for cosmetic purposes; after-shave lotions; air fragrancing preparations; almond soap; almond milk for cosmetic purposes; almond oil; aloe vera preparations for cosmetic purposes; alum stones [astringents]; amber [perfume]; ammonia [volatile alkali] [detergent]; antiperspirant soap; antiperspirants [toiletries]; antistatic preparations for household purposes; aromatics [essential oils]; astringents for cosmetic purposes; badian essence; balms other than for medical purposes; bases for flower perfumes; bath salts, not for medical purposes; beard dyes; beauty masks; bergamot oil; bleaching preparations [decolorants] for cosmetic purposes; bleaching salts; bleaching soda; breath freshening sprays; breath freshening strips; cake flavourings [essential oils]; cakes of toilet soap; canned pressurized air for cleaning and dusting purposes; carbides of metal [abrasives]; preparations for cleaning dentures; cleaning preparations; cleaning chalk; cleansing milk for toilet purposes; cloths impregnated with a detergent for cleaning; cobblers' wax; color- [colour-] brightening chemicals for household purposes [laundry]; colorants for toilet purposes; colour-removing preparations; corundum [abrasive]; cosmetic pencils; cosmetic preparations for eyelashes; cosmetic preparations for baths; cosmetic preparations for skin care; cosmetic dyes; cosmetic creams; cosmetic kits; cosmetic preparations for slimming purposes; cosmetics; cosmetics for animals; cotton swabs for cosmetic purposes; cotton wool for cosmetic purposes; creams for leather; decorative transfers for cosmetic purposes; degreasers other than for use in manufacturing processes; dental bleaching gels; dentifrices; denture polishes; deodorant soap; deodorants for human beings or for animals; deodorants for pets; depilatory preparations; depilatory wax; detergents other than for use in manufacturing operations and

for medical purposes; diamantine [abrasive]; disinfectant soap; douching preparations for personal sanitary or deodorant purposes [toiletries]; dry shampoos; dry-cleaning preparations; drying agents for dishwashing machines; eau de Cologne; emery paper; emery cloth; emery; essential oils of cedarwood; essential oils of citron; essential oils of lemon; ethereal essences; ethereal oils; extracts of flowers [perfumes]; eyebrow pencils; eyebrow cosmetics; fabric softeners for laundry use; false eyelashes; false nails; flavorings for beverages; floor wax removers [scouring preparations]; fumigation preparations [perfumes]; refurbishing preparations; gaultheria oil; geraniol; glass cloth; greases for cosmetic purposes; grinding preparations; hair lotions; hair dyes; hair waving preparations; hair spray; heliotropine; henna [cosmetic dye]; hydrogen peroxide for cosmetic purposes; incense; ionone [perfumery]; jasmine oil; Javelle water; joss sticks; lacquer-removing preparations; laundry bleach; laundry preparations; laundry blueing; laundry glaze; laundry wax; laundry soaking preparations; lavender water; lavender oil; leather bleaching preparations; leather preservatives [polishes]; lip glosses; lipsticks; lotions for cosmetic purposes; make-up preparations; make-up; mascara; massage gels other than for medical purposes; medicated soap; mint for perfumery; mint essence [essential oil]; moustache wax; mouth washes, not for medical purposes; musk [perfumery]; nail varnish; nail care preparations; nail art stickers; neutralizers for permanent waving; non-slipping wax for floors; non-slipping liquids for floors; oil of turpentine for degreasing; oils for cosmetic purposes; oils for toilet purposes; oils for perfumes and scents; oils for cleaning purposes; paint stripping preparations; parquet floor wax; pastes for razor strops; perfumery; perfumes; petroleum jelly for cosmetic purposes; polish for furniture and flooring; polishing preparations; polishing wax; polishing creams; polishing rouge; polishing stones; polishing paper; pomades for cosmetic purposes; potpourris [fragrances]; make-up powder; pumice stone; quillaia bark for washing; make-up removing preparations; rose oil; rust removing preparations; sachets for perfuming linen; safrol; sandcloth; scale removing preparations for household purposes; scented water; scented wood; scouring solutions; shampoos; shampoos for pets; shaving soap; shaving preparations; shaving stones [astringents]; shining preparations [polish]; preparations to make shiny the leaves of plants; shoe cream; shoe polish; shoe wax; shoemakers' wax; silicon carbide [abrasive]; skin whitening creams; smoothing preparations [starching]; smoothing stones; soap; soap for foot perspiration; soap for brightening textile; soda lye; stain removers; starch glaze for laundry purposes; starch for laundry purposes; sun-tanning preparations [cosmetics]; sunscreen preparations; tailors' wax; talcum powder, for toilet use; terpenes [essential oils]; tissues impregnated with cos-

metic lotions; toilet water; toiletries; Tripoli stone for polishing; turpentine, for degreasing; preparations for unblocking drain pipes; varnish-removing preparations; volcanic ash for cleaning; wallpaper cleaning preparations; washing soda, for cleaning; whitening; windscreen cleaning liquids.

5 – Acaricides; acetates for pharmaceutical purposes; acids for pharmaceutical purposes; acne treatment preparations; aconitine; adhesive plasters; adhesives for dentures; adhesive tapes for medical purposes; adjuvants for medical purposes; air deodorising preparations; air purifying preparations; albuminous foodstuffs for medical purposes; albuminous preparations for medical purposes; alcohol for pharmaceutical purposes; aldehydes for pharmaceutical purposes; algicides; alginate dietary supplements; alginates for pharmaceutical purposes; alkaline iodides for pharmaceutical purposes; alkaloids for medical purposes; alloys of precious metals for dental purposes; aloe vera preparations for pharmaceutical purposes; aluminium acetate for pharmaceutical purposes; amino acids for medical purposes; amino acids for veterinary purposes; anaesthetics; analeptics; analgesics; angostura bark for medical purposes; anhidrotics; animal washes; antibiotics; anticavity mouth rinses for medical purposes; anticryptogamic preparations; antioxidant pills; antiparasitic collars for animals; antiparasitic preparations; anti-rheumatism bracelets; anti-rheumatism rings; antiseptic cotton; antiseptic liquid bandages; antiseptic preparations; anti-uric preparations; appetite suppressant pills; appetite suppressants for medical purposes; aseptic cotton; asthmatic tea; babies' diapers [napkins]; babies' swim diapers; babies' napkin-pants [diaper-pants]; bactericides; bacterial poisons; bacterial preparations for medical and veterinary use; bacteriological preparations for medical and veterinary use; balms for medical purposes; balsamic preparations for medical purposes; bandages for dressings; barks for pharmaceutical purposes; bath preparations, medicated; belts for sanitary napkins (towels); bicarbonate of soda for pharmaceutical purposes; biocides; biological preparations for medical purposes; biological preparations for veterinary purposes; biological tissue cultures for medical purposes; biological tissue cultures for veterinary purposes; bismuth preparations for pharmaceutical purposes; bismuth subnitrate for pharmaceutical purposes; blood for medical purposes; blood plasma; bone cement for surgical and orthopaedic purposes; bowel evacuant preparations; bracelets for medical purposes; breast-nursing pads; bromine for pharmaceutical purposes; bronchodilating preparations; by-products of the processing of cereals for dietetic or medical purposes; cachets for pharmaceutical purposes; cachou for pharmaceutical purposes; calomel; camphor for medical purposes; camphor oil for medical purposes; candy for medical purposes; candy, medicated; capsules for medicines; carbolineum [parasiti-

cide]; casein dietary supplements; castor oil for medical purposes; cattle washes; caustic pencils; caustics for pharmaceutical purposes; cedar wood for use as an insect repellent; cellulose esters for pharmaceutical purposes; cellulose ethers for pharmaceutical purposes; cement for animal hooves; charcoal for pharmaceutical purposes; chemical conductors for electrocardiograph electrodes; chemical contraceptives; chemical preparations for medicinal purposes; chemical preparations for pharmaceutical purposes; chemical preparations for the diagnosis of pregnancy; chemical preparations for treating phylloxera; chemical preparations for veterinary purposes; chemical preparations to treat mildew; chemical preparations to treat wheat blight [smut]; chemical reagents for medical or veterinary purposes; chemico-pharmaceutical preparations; chewing gum for medical purposes; chinoline for medical purposes; chloroform; cocaine; cod liver oil; collodion for pharmaceutical purposes; collyrium; compresses; condurango bark for medical purposes; contact lens cleaning preparations; contact lens cleaning solutions; cooling sprays for medical purposes; corn pads; corn remedies; corn rings for the feet; cotton for medical purposes; cotton sticks for medical purposes; cotton wool for medical purposes; cream of tartar for pharmaceutical purposes; creosote for pharmaceutical purposes; croton bark; cultures of microorganisms for medical or veterinary use; curare; decoctions for pharmaceutical purposes; dental abrasives; dental amalgams; dental amalgams of gold; dental cements; dental lacquer; dental mastics; deodorants for clothing and textiles; deodorants, other than for human beings or for animals; detergents for medical purposes; diabetic bread adapted for medical use; diagnostic agents for medical purposes; diagnostic agents for veterinary purposes; diagnostic biomarker reagents for medical purposes; diapers for incontinents; diapers for pets; diastase for medical purposes; dietary fiber; dietary supplements for animals; dietetic beverages adapted for medical purposes; dietetic foods adapted for medical purposes; dietetic substances adapted for medical use; digestives for pharmaceutical purposes; digitalin; dill oil for medical purposes; disinfectants; disinfectants for chemical toilets; disinfectants for hygiene purposes; dog lotions; dog washes; douching preparations for medical purposes; dressings, medical; drugs for medical purposes; elixirs [pharmaceutical preparations]; enzyme dietary supplements; enzyme preparations for medical purposes; enzyme preparations for veterinary purposes; enzyme preparations for veterinary purposes; ergot for pharmaceutical purposes; esters for pharmaceutical purposes; ethers for pharmaceutical purposes; eucalyptol for pharmaceutical purposes; eucalyptus for pharmaceutical purposes; extracts of hops for pharmaceutical purposes; eye bandages for medical purposes; eye drops; febrifuges; fennel for medical purposes; ferments for pharmaceutical pur-

poses; first-aid boxes, filled; flowers of sulfur for pharmaceutical purposes; fish meal for pharmaceutical purposes; flour for pharmaceutical purposes; fly catching paper; fly destroying preparations; fly glue; food for babies; formic aldehyde for pharmaceutical purposes; frostbite salve for pharmaceutical purposes; fumigants; fumigating sticks; fumigation preparations for medical purposes; fungicides; gallic acid for pharmaceutical purposes; gamboge for medical purposes; gases for medical purposes; gauze for dressings; gelatine for medical purposes; gentian for pharmaceutical purposes; glucose dietary supplements; glucose for medical purposes; glycerine for medical purposes; glycerophosphates; greases for medical purposes; greases for veterinary purposes; guaiacol for pharmaceutical purposes; gum for medical purposes; gurjun [gurjon, gurjan] balsam for medical purposes; headache pencils; hematogen; hemoglobin; hemostatic pencils; hemostatics for medical purposes; herbal teas for medicinal purposes; herbicides; hormones for medical purposes; hydrastine; hydrastinine; hydrated chloral for pharmaceutical purposes; hydrogen peroxide for medical purposes; hypnotic sedatives; insecticides; insect repellents; insect repellent incense; iodides for pharmaceutical purposes; iodine for pharmaceutical purposes; iodoform; Irish moss for medical purposes; isotopes for medical purposes; jalap; jujube, medicated; lactose for pharmaceutical purposes; larvae exterminating preparations; laxatives; lead water; lecithin dietary supplements; lecithin for medical purposes; leeches for medical purposes; linseed dietary supplements; linseed for pharmaceutical purposes; linseed meal for pharmaceutical purposes; liniments; lining materials for dental purposes; linseed oil dietary supplements; lint for medical purposes; liquorice for pharmaceutical purposes; lotions for pharmaceutical purposes; lotions for veterinary purposes; lupulin for pharmaceutical purposes; magnesia for pharmaceutical purposes; malted milk beverages for medical purposes; malt for pharmaceutical purposes; mangrove bark for pharmaceutical purposes; materials for dental fillings; materials for dental impressions; medical preparations for slimming purposes; medicated animal feed; medicated bath salts; medicinal alcohol; medicinal drinks; medicinal hair growth preparations; medicinal herbs; medicinal infusions; medicinal mud; medicinal oils; medicinal roots; medicinal tea; medicine cases, portable, filled; medicines; medicines for alleviating constipation; medicines for dental purposes; medicines for human purposes; medicines for veterinary purposes; melissa water for pharmaceutical purposes; mercurial ointments; menthol; migraine treatment preparations; milk ferments for pharmaceutical purposes; milking grease; milk of almonds for pharmaceutical purposes; mineral food supplements; mineral water salts; mineral waters for medical purposes; mint for pharmaceutical purposes; molding wax for dentists; moleskin for medical pur-

poses; mothproofing paper; mothproofing preparations; mud for baths; mustard for pharmaceutical purposes; mustard plasters; myrobalan bark for pharmaceutical purposes; nervines; nutritional supplements; nutritive substances for microorganism cultures; nutritive substances for microorganisms; oil of turpentine for pharmaceutical purposes; ointments for pharmaceutical purposes; opiates; opium; opodeldoc; organotherapeutic preparations; oxygen baths; oxygen for medical purposes; pants, absorbent, for incontinents; panty liners [sanitary]; paper for mustard plasters; parasiticides; pastilles for pharmaceutical purposes; pearl powder for medical purposes; pectin for pharmaceutical purposes; pepsins for pharmaceutical purposes; peptones for pharmaceutical purposes; personal sexual lubricants; pesticides; petroleum jelly for medical purposes; pharmaceutical preparations; pharmaceutical preparations for skin care; pharmaceutical preparations for treating dandruff; pharmaceutical preparations for treating heatstroke; phenol for pharmaceutical purposes; phosphates for pharmaceutical purposes; pills for pharmaceutical purposes; poisons; pollen dietary supplements; pomades for medical purposes; porcelain for dental prostheses; potassium salts for medical purposes; poultices; powdered milk for babies; powder of cantharides; preparations for callouses; preparations for destroying dry rot fungus; preparations for destroying mice; preparations for destroying noxious animals; preparations for destroying parasites; preparations for reducing sexual activity; preparations for the treatment of burns; preparations for treating colds; preparations for treating hemorrhoids; preparations of microorganisms for medical or veterinary use; preparations of trace elements for human and animal use; preparations to facilitate teething; propolis dietary supplements; propolis for pharmaceutical purposes; protein dietary supplements; protein supplements for animals; pyrethrum powder; quassia for medical purposes; quebracho for medical purposes; quinine for medical purposes; quinquina for medical purposes; radioactive substances for medical purposes; radium for medical purposes; radiological contrast substances for medical purposes; rat poison; reagent paper for medical or veterinary purposes; remedies for foot perspiration; repellents for dogs; rhubarb roots for pharmaceutical purposes; royal jelly dietary supplements; royal jelly for pharmaceutical purposes; rubber for dental purposes; salts for medical purposes; salts for mineral water baths; sanitary panties; sanitary pads; sanitary towels; sanitary tampons; sanitizing wipes; scapulars for surgical purposes; sarsaparilla for medical purposes; sea water for medicinal bathing; sedatives; semen for artificial insemination; serums; serotherapeutic medicines; siccatives [drying agents] for medical purposes; slimming pills; slug exterminating preparations; smelling salts; smoking herbs for medical purposes; sodium salts for medical purposes;

soil-sterilising preparations; solvents for removing adhesive plasters; starch for dietetic or pharmaceutical purposes; stick liquorice for pharmaceutical purposes; stem cells for medical purposes; stem cells for veterinary purposes; sterilising preparations; steroids; strychnine; sugar for medical purposes; sulfonamides [medicines]; sulfur sticks [disinfectants]; sunburn ointments; suppositories; surgical dressings; surgical glues; surgical implants comprised of living tissues; syrups for pharmaceutical purposes; tampons for medical purposes; tanning pills; tartar for pharmaceutical purposes; therapeutic preparations for the bath; thermal water, thymol for pharmaceutical purposes; tincture of iodine; tinctures for medical purposes; tobacco extracts [insecticides]; tobacco-free cigarettes for medical purposes; tonics for medical purposes; turpentine for pharmaceutical purposes; vaccines; vaginal washes; vermifuges; vesicants; veterinary preparations; vine disease treating chemicals; vitamin preparations; wadding for medical purposes; wart pencils; wheat germ dietary supplements; yeast dietary supplements; yeast for pharmaceutical purposes.

(260) AM 2018 94141 A  
 (800) 1363323  
 (151) 2017 06 01  
 (891) 2017 06 01  
 (731) KERTEN UNLIMITED COMPANY  
 24/26 City Quay Dublin 2, Ireland  
 (540)

## FRIKADELL

(591) Black and white  
 (511)  
 43 – Services for providing food and drink; temporary accommodation; restaurants, diners, cafes, snack bars; kiosk and take away services; food and drink preparation services; restaurant services; catering services for providing food and drink; fast-food restaurant services; providing prepared meals; preparation of foodstuffs or meals for consumption on or off the premises; making reservations and bookings for restaurants; personal chef services; advisory services relating to all of the aforementioned services.

(260) AM 2018 94142 A  
 (800) 1364267  
 (151) 2016 10 03  
 (891) 2016 10 03  
 (731) C.I.B. UNIGAS S.P.A.  
 Via Galvani, 9, I-35011 CAMPODARSEGO  
 (PD), Italy  
 (540)



(591) Black, white  
 (531) 24.15.02; 24.15.13; 27.05.01; 27.05.08  
 (511)  
 9 – Boiler control instruments; control panels [electricity]; distribution boards [electricity]; distribution boxes [electricity]; distribution consoles [electricity]; remote control apparatus; electric installations for the remote control of industrial operations; electronic notice boards; heat regulating apparatus; water level indicators; pressure indicators; pressure measuring apparatus; resistances, electric; smart cards [integrated circuit cards]; smoke detectors; temperature indicators; thermostats; encoded magnetic cards; meters; gas meters; water meters; heat detectors; electrical and electronic control apparatus for use with apparatus or installations for heating; electric transformers; inverters [electricity]; galvanic cells; fuel cells; residual gas analyzers; safety systems and components thereof for sensing the presence of a flame, controlling fan operation, and ignition operation of burners; computers; collectors, electric; pressure indicator plugs for valves; thermometers, not for medical purposes; switches; alarms, alarms for the detection of inflammable gases; control panels for security alarms; fire detectors; gas alarms; gas leak alarm systems; keypads for security alarms; smoke alarms; encoded key cards; blinkers [signalling lights]; buzzers; emergency warning lights; whistle alarms; clothing for protection against accidents, irradiation and fire; eye protection; face-protection shields; apparatus for analysing gases; gas flow monitors; gas testing instruments; gasometers [measuring instruments]; controllers [regulators]; temperature gauges; sensors for determining temperature; thermocouples; electric control devices for heating management; regulating apparatus, electric; signs, luminous; gas sensors; fuel gauges; remote controls; electric cables; electrolyzers; fire alarms; electronic agendas; clothing and footwear for protection against accidents, irradiation and fire; ear plugs for divers; diving suits; nose clips for swimming; protective helmets for sports; protective masks; musical juke boxes; headphones; magic lanterns; holograms; optical discs; egg timers [sandglasses]; letter scales; wind socks for indicating wind direction; magnifying glasses; fluorescent screens; optical lamps; laboratory trays; printed circuits; plugs; radar apparatus; slide-rules; dosage dispensers; optical glass; electric locks; verniers; satellites for scientific purposes; electrified fences; neon signs; metronomes; speed indicators; sockets, plugs and other contacts [electric connections]; welding goggles; solar batteries; X-ray apparatus not for medical purposes; smoke alarm testers; prisms [optics]; graduated glassware; measuring spoons; time clocks [time recording devices]; photocopiers [photographic, electrostatic, thermic]; light conducting filaments [optical fibers [fibres]]; magnetically encoded key cards; digital organizers; protective eyewear; 3D

spectacles; filters for optical devices; eyewear; optical lenses; earphones; safety goggles; gloves for protection against accidents; safety harnesses, other than for vehicles or sports purposes; knee-pads for workers; solderers' helmets; filters for respiratory masks; goggles and masks for protection against dust; headsets; fire escapes; workmen's protective face-shields; anti-glare visors; socks, electrically heated; head guards for sports; mouth guards for sports use; signalling whistles; lens hoods; night vision goggles; safety tarpaulins; optical mirrors; optical shutters; card readers for credit cards; flash cards; graduated rulers; telescopes; view cameras; stereoscopes; protective films adapted for liquid crystal display screens [shaped]; portable telephones; compact discs [audio-video]; holders and cases for compact discs and digital video discs; carrying cases adapted for computers; protective covers for tablet computers; computer software, recorded; computer game software; electronic book readers; high-frequency apparatus; plotters; digital photo frames; in-ear headphones; hands free kits for phones; telephone wires; time switches, automatic; gauges; probes for scientific purposes; surveying instruments; cinematographic cameras; weighing machines; transmitters of electronic signals; speed checking apparatus for vehicles; teaching apparatus; sound reproduction apparatus; sound transmitting apparatus; sound recording apparatus; magnetic data carriers; sound recording discs; pre-recorded DVDs; portable media players; cash registers; calculating machines; data processing apparatus; tablet computers; money counting and sorting machines; apparatus to check stamping mail; ticket dispensers; dictating machines; rulers [measuring instruments]; traffic cones; monitoring apparatus, electric; cameras [photography]; ohmmeters; taximeters; measuring instruments; binoculars; lightning conductors [rods]; accumulator boxes; films, exposed; computer software applications, downloadable; smartphones; circular slide rules; close-up lenses; memory cards for video game machines; sulfimeters; toner cartridges, unfilled, for printers and photocopiers; baby monitors; mouse [computer peripheral]; electronic tags for goods; parking meters; blueprint apparatus; calipers; appliances for measuring the thickness of leather; measures; signals, luminous or mechanical; antennas; limiters [electricity]; telephone apparatus; walkie-talkies; magnetic tapes; videotapes; screens [photography]; air analysis apparatus; distance recording apparatus; automatic indicators of low pressure in vehicle tires; thermostats for vehicles; food analysis apparatus; densitometers; lasers, not for medical purposes; simulators for the steering and control of vehicles; microscopes; voltage surge protectors; igniting apparatus, electric, for igniting at a distance; radiological apparatus for industrial purposes; alarm bells, electric; accumulators, electric, for vehicles; abacuses; carpenters' rules; weighbridges; fire

pumps; satellites; ozonisers [ozonators]; photovoltaic cells; oscillators; electric door bells; CD players; computer firmware; personal digital assistants [PDAS]; dog whistles; pre-recorded music compact discs; CDs; audiovisual teaching apparatus; railway traffic safety appliances; mounting devices for cameras and monitors; theft prevention installations, electric; electronic keys; ovens for laboratory use; transponders; semiconductor testing apparatus; triodes; video imaging systems; home theater systems; emergency signal transmitters; ring buoys for use in water rescue; satellite navigation devices; augmented reality software for creating maps; vehicle tracking devices; personal security alarms; laboratory apparatus and instruments; batteries; battery chargers; couplings, electric; electrical power supplies; electronic power controllers; electronic power converters; accumulators [batteries]; ignition batteries; feeder cables; pressure gauges; amplifying tubes; vacuum tubes; switch boxes; wires, electric; wire connectors [electricity]; electric relays; detectors; flowmeters; pressure sensors; connections for electric lines; junction sleeves for electric cables; junction boxes [electricity]; printed circuit boards; cathodes; accumulators, electric; semi-conductors; integrated circuits; magnetic wires; amplifiers; demagnetizing apparatus for magnetic tapes; loudspeakers; audio recorders; sound mixers; paging equipment; navigation apparatus for vehicles [on-board computers]; video monitors; subwoofers; cases for portable media players; radio receivers; teleprinters; video telephones; televisions; projectors; video cameras; pocket calculators; electronic pens [visual display units]; light-emitting electronic pointers; objectives [lenses]; slides [photography]; balances [steelyards]; anti-theft warning apparatus; vehicle breakdown warning triangles; road signs, luminous or mechanical; altimeters; barometers; pipettes; DNA chips; sonars; scientific apparatus and instruments; nautical apparatus and instruments; surveying apparatus and instruments; photographic apparatus and instruments; cinematographic apparatus and instruments; optical apparatus and instruments; weighing apparatus and instruments; measuring apparatus and instruments; signalling apparatus and instruments; checking [supervision] apparatus and instruments; life saving apparatus and equipment; teaching apparatus and instruments; apparatus and instruments for conducting, switching, transforming, accumulating, regulating or controlling electricity; apparatus for recording, transmission or reproduction of sound or images; magnetic data carriers, recording discs; compact discs, DVDs and other digital recording media; mechanisms for coin-operated apparatus; cash registers, calculating machines, data processing equipment, computers; computer software; fire-extinguishing apparatus.

11 – Burners; gas burners; Diesel oil burners; fuel oil burners; gas and Diesel oil multi-fuel burners;



gas and fuel oil multi-fuel burners; industrial burners; gas and oil burners for household and industrial purposes; burners for heating for use in both gas and oil; acetylene burners; alcohol burners; burners for lamps; germicidal burners; incandescent burners; laboratory burners; oil burners; oxyhydrogen burners; petrol burners; brackets for gas burners; gas burners for industrial purposes; portable gas burners; dampers [heating]; heating apparatus; heating elements; heating furnaces; heating installations; heat regenerators; thermostatic valves [parts of heating installations]; heating apparatus for solid, liquid or gaseous fuels; heat exchangers, not parts of machines; electric space heating apparatus for household purposes; dosing valves [parts of heating or gas installations]; space heating apparatus for industrial use; boiler pipes [tubes] for heating installations; solar thermal collectors [heating]; heating furnaces for industrial use; heating filaments, electric; heating apparatus, electric; heaters for heating irons; heated display cabinets; flues for heating boilers; feeding apparatus for heating boilers; central heating boilers; gas boilers; heating boilers; industrial boilers; boilers, other than parts of machines; steam boilers, other than parts of machines; heat accumulators; solid fuel burning stoves; gas injectors for feeding gas to gas burners for domestic and industrial use and parts thereof; boilers for hot water production for domestic and industrial use; heat pumps; hot water heating installations; air reheaters; pipe line cocks [spigots]; regulating and safety accessories for gas pipes; gas scrubbers [parts of gas installations]; steam generating installations; expansion tanks for central heating installations; radiators [heating]; central heating radiators; electric radiators; heaters for baths; stoves; gas stoves for household purposes; stoves [heating apparatus]; electric cooking stoves for household purposes; portable stoves; safety accessories for water or gas apparatus and pipes; gas-fired water heaters for household use; installations for the purification of gas; gas water heaters; gas igniters for ovens; friction lighters for igniting gas; gas ovens; Bunsen burners for laboratory use; stove burner covers; friction lighters for igniting Bunsen burners; fireplace inserts in the nature of solid fuel burners; Bath boilers; electric boilers; boilers for heating installations; egg boilers, electric; laundry room boilers; hot water boilers; pipes for heating boilers; cooking installations; apparatus for lighting; ventilation installations; gas refrigerators; refrigerating apparatus; water supply installations; drying installations; pipes [parts of sanitary installations]; sanitary installations; combustion control devices for burners.

(260) AM 2018 94143 A  
(800) 1363324  
(151) 2017 06 08  
(891) 2017 06 08

(731) AIR BALTIC CORPORATION, AS  
Tehnikas iela 3, Lidosta Rīga LV-1053  
Mārupes novads, Latvia

(540)

## AIR BALTIC

(591) Black and white

(511)

39 – Transport, air transport, air cargo transport, air charter services, aircraft rental.

(260) AM 2018 94144 A

(800) 1363341

(151) 2017 03 21

(891) 2017 03 21

(731) EREN CELIK AHSAP VE METAL MOBLE  
SANAYI Ve TICARET LIMITED SIRKETI  
Yenidogan Mah. Eyup Sultan Cad. No:28  
Bayrampasa/Istanbul, Turkey

(540)



(591) Red, blue

(531) 26.05.02; 26.05.08; 26.05.22; 29.01.13

(511)

6 – Non-precious metal ores; common metals and their alloys and semi-manufactured products of common metals and their alloys; metal building products for sheltering, preserving, conserving, covering, girdling, warehousing (including metal ladders), metal floors, metal staircases, metal gates and fences, metal railings for fences, metal roofing, metal panels; goods and materials of common metal used for storage, wrapping, packaging, sheltering and building purposes, namely, metal window screens, drain traps (valves) of metal; metal doors and windows, metal rolling shutters, metal жалюси, metallic door handles, metallic window handles, metal panels of doors and windows; metal cables and wires not for electrical purposes; ironmongery (hardware) articles, small items of metal hardware, namely, screws, nails, bolts, nuts, metal chains, pulley; ducts of metal for ventilating and air conditioning and heating installations, metal roof vents for residential and commercial buildings, metal vent covers for HVAC ducts, drains and pitch pans, metal chimneys, chimney cowls of metal, metal manhole covers for drains, poles of metal for electric power lines, metal gratings; signs, non-luminous and non-mechanical, of metal; signaling panels, non-luminous and non-mechanical, of metal; identity plates of metal; metal pipes for liquid or gas transfer and their connection parts (including valves of metal, drilling pipes of metal); metal cash boxes; materials of metal for railway construction; metal bollards, metal mooring

buoys, anchors for sea vehicles; metallic moulds for metal casting; works of art made of common metals and their alloys; metal bottle caps; poles of metal; metal pallets, metal ropes for lifting, loading and transportation, metal wires, cords, columns, strips, bands and tapes for use in lifting and carrying loads.

(260) AM 2018 94145 A

(800) 1363363

(151) 2017 05 16

(891) 2017 05 16

(731) RAUCH Fruchtsäfte GmbH  
Langgasse 1 A-6830 Rankweil,  
Austria

(540)

## LIMESSA

(591) Black and white

(511)

30 – Coffee, tea, cocoa and artificial coffee; coffee-based beverages; tea drinks; drinking chocolate; cocoa-based beverages; coffee beverages with milk; coffee-based beverages with milk; cappuccino; macchiato; latte-macchiato; iced coffee; rice; tapioca and sago; flour and preparations made from cereals; farinaceous foods; bread, pastry and confectionery; sweet-products [confectionery]; pralines and confectionery; chocolate and chocolate products; edible ices; ice cream; sugar, honey, treacle; yeast, baking-powder; salt; mustard; vinegar, sauces (condiments); marinades; fruit sauces; tomato sauces; spices; ice; sandwiches; sushi; maki; iced tea; beverages based on tea, chocolate, cocoa or coffee; tea-based beverages with fruit flavoring or fruit flavourings; fruit teas; tea-based beverages.

32 – Beers; mixed drinks containing beer; minerals and aerated waters; non-alcoholic beverages; fruit beverages and fruit juices; nectars; fruit nectars; fruit nectar beverages; vegetable juice, vegetable beverages and vegetable juices [beverages]; syrups and other preparations for making beverages; energy drinks; lemonades; smoothies; water-based beverages; coconut juice; coconut water; tomato juice; fruit juice concentrates; cocktails, non-alcoholic; isotonic drinks; non-alcoholic beverages containing coffee or flavoured with coffee; must; whey beverages; non-alcoholic beverages with fruit flavouring; syrups for beverages; fruit syrups and other non-alcoholic fruit preparations for making non-alcoholic beverages; non-alcoholic sparkling wine; non-alcoholic beverages flavoured with tea; non-alcoholic beverages flavoured with coffee; non-alcoholic beverages containing tea or tea extracts.

(260) AM 2018 94146 A

(800) 1363382

(151) 2016 12 16

(891) 2016 12 16

(731) SELF-PORTRAIT

Suites 406-409, Fourth Floor, Three Pacific  
Place, 1 Queen's Road East HONG KONG,  
China

(540)

## SELF-PORTRAIT

(591) Black and white

(511)

3 – Cosmetics; non-medicated toiletries; make-up; foundation make-up; concealer make-up; make-up powder; blush make-up; bronze make-up; eye shadow; eye pencils; eye liners; mascara; lipstick; lip gloss; lip pencils; lip liner; lip balm; perfumes; fragrances; eau de parfum; eau de toilette; eau de cologne; aftershave; personal deodorants; body creams, lotions and oils; body mist; skin care creams, lotions and oils; soaps; hair shampoos, conditioners, sprays and gels; nail polish; nail cream; artificial nails; tanning, sun protection and after-sun creams, lotions and oils; make-up remover; shaving preparations; room fragrances; dentifrices; cosmetics for animals.

9 – Eyeglasses; sunglasses; sports goggles; cases for eyeglasses, sunglasses and sports goggles; mobile phones; smart phones; bags, cases, covers and holders for portable computers, MP3 players, mobile phones, smart phones, tablets and other handheld electronic devices; mouse mats, application software for computers, mobile phones, smart phones, tablets and other handheld electronic devices.

14 – Jewellery; costume jewellery; imitation jewellery; cufflinks; tie pins; watches; clocks; cases and holders for jewellery, cufflinks and watches; key rings [trinkets or fobs]; jewellery rolls.

18 – Leather; imitation leather; handbags; purses; clutch bags; tote bags; suitcases; travel bags; trunks; travel luggage; holdalls; luggage labels and tags; wallets; business card cases and holders; credit card cases and holders; key wallets; briefcases; attaché cases; portfolio cases; sports bags; shoulder bags; backpacks; rucksacks; satchels; messenger bags; reusable shopping bags; bags and cases for cosmetics and toiletries; vanity cases; leather pouches; pouches made of imitation leather; umbrellas; parasols; canes and walking sticks; clothing for pets and animals; collars for pets and animals; leashes for pets and animals; blankets for animals; riding whips, harnesses for horses, and saddler; covering of skins [furs]; leather trimmings for furniture; furniture coverings of leather; straps for skates; leather straps; leather thread; valves of leather; leather shoulder straps; leather, unworked or semi-worked; imitation of leather; animal skins; moleskin (imitation of leat-

her); fur; bands of leather; curried skins; gut for making sausages.

35 – Retail services, retail store services, and online retail store services connected with the sale of cosmetics, toiletries, make-up, perfumes, fragrances, body care products, skin care products, eyeglasses, sunglasses, jewellery, watches, handbags, purses, travel luggage, wallets, clothing, footwear and headwear; advertising; business management assistance; import-export agencies; sales promotion for others; personnel management consultancy; relocation services for businesses; administrative processing of purchase orders; book-keeping and accounting; rental of vending machines; sponsorship search; rental of sales stands; retail or wholesale services for pharmaceutical, veterinary and sanitary preparations and medical supplies; organisation of exhibitions for commercial or advertising purposes; organisation of fashion shows for promotional purposes.

(260) AM 2018 94147 A

(800) 1363448

(151) 2017 02 27

(891) 2017 02 27

(731) CHEN YONGREN

No.46, Qianlou Road, Xiahong Village,  
Yantou Town, Yongjia County, Wenzhou  
City Zhejiang, China

(540)

**RAGGIE**

(591) Black and white

(531) 27.05.01; 27.05.17

(511)

9 – Blinkers [signalling lights]; aerials; voltage stabilizing power supply; remote control apparatus; accumulators, electric; solar batteries; wires, electric; electronic control systems for automatic controls of power plants; electric door bells; electric apparatus for commutation; electronic agendas; phototelegraphy apparatus; camcorders; projection apparatus; measuring apparatus; audiovisual teaching apparatus; crystalline silicon wafers; integrated circuits; solar panels for electricity generation.

11 – Light-emitting diodes [LED] lighting apparatus; cooking utensils, electric; refrigerating appliances and installations; air conditioning apparatus; bath fittings; heating apparatus; radiators, electric; water purification installations; solar water heaters; watering installations, automatic.

(260) AM 2018 94148 A

(800) 1363470

(151) 2017 07 03

(891) 2017 07 03

(731) MESSE MÜNCHEN GMBH

Am Messesee 2 81829 München, Germany

(540)



(591) Orange, red, pink, violet and black

(531) 26.11.03; 26.11.13; 26.11.25; 27.05.10;  
29.01.13

(511)

35 – Organisation of exhibitions and trade fairs for commercial and advertising purposes; publication and issuance of advertising texts.

(260) AM 2018 94149 A

(800) 1363479

(151) 2017 07 19

(891) 2017 07 19

(731) ELTA MD, INC.

2055 Luna Road, Suite 126 Carrollton TX  
75006, USA

(540)

**elta**  
**md**

(591) Black and white

(531) 27.05.11; 27.05.17; 27.05.23

(511)

3 – Non-medicated skin care preparations.

5 – Medicated skin care preparations.

(260) AM 2018 94151 A

(800) 1363504

(151) 2016 12 23

(891) 2016 12 23

(731) Obshchestvo s ogranichennoy

otvetstvennostyu "WELLCORM"

ulitsa Centralnaya, dom 46, of. 205, pos.

Murino, Vsevolozhsky region RU-188661

Leningradskaya oblast, Russian Federation

(540)



(591) White, black, violet, green, yellow, red, blue

(531) 18.04.01; 18.04.11; 27.01.06; 27.03.15;  
29.01.15

(511)

5 – Dietetic pet foodstuffs for medical purposes; pet food additives in the form of vitamins and minerals.

31 – Pet food; strengthening pet forage; pet fattening preparations.

35 – Import-export agency services; marketing analysis; analysis of response to advertising; demonstration of goods for animals; demonstration of goods for animals for advertising purposes; arranging of contracts, for others, for the buying and selling of goods for animals, namely animal foodstuffs; arranging of advertising and promotion contracts for third parties; commercial information and advice for consumers [consumer advice shop]; marketing research; procurement of contracts for others relating to the sale of goods for animals; marketing; organization of exhibitions for commercial or advertising purposes; arranging and conducting of promotional and marketing events; organization and management of customer loyalty programs; organization of events, exhibitions, fairs and shows for commercial, promotional and advertising purposes; organization, operation and supervision of sales and promotional incentive schemes; presentation of goods for animals on communication media, for retail purposes; sales promotion for others; conducting of marketing studies and market analysis; promoting the goods and services of others; telemarketing services; retail or wholesale services for animal goods; retail services provided by animal goods' stores; procurement services for others [purchasing goods and services for other businesses]; retail or wholesale services for animal foodstuffs.

(260) AM 2018 94152 A

(800) 1363516

(151) 2017 05 30

(891) 2017 05 30

(731) GAGB LLC

3 Empire Blvd. South Hackensack NJ 07606,  
USA

(540)

**capelli SPORT**

(591) Black and white

(526) SPORT

(511)

41 – Amateur youth sports services, namely, organizing and providing youth sports activities; soccer camps; soccer instruction; sport camp services; arranging and conducting youth sports programs; entertainment in the nature of soccer games; instituting, regulating and awarding amateur athletic championships; organization of soccer games; providing via web site information on youth sports; providing information relating to sports and sporting events;

providing various facilities for an array of sporting events, sports and athletic competitions and awards programmes; provision of facilities for winter sports; rental of stadium facilities; rental of indoor recreational facilities for playing sports, sports training, and group recreation events.

(260) AM 2018 94153 A

(800) 1363524

(151) 2017 06 19

(891) 2017 06 19

(731) APPLE INC.

1 Infinite Loop Cupertino CA 95014, USA

(540)



(591) White, blue, purple, grey, pink and red

(531) 26.04.04; 26.15.01; 29.01.15

(511)

9 – Computer software used in developing other software applications; application development software.

(260) AM 2018 94154 A

(800) 1363551

(151) 2017 06 07

(891) 2017 06 07

(731) Joint-Stock Company "SYNERGY  
CAPITAL"

26, str. Pobedy, Krasnoznamenensk city  
RU-143090 Moscow Region, Russian  
Federation

(540)

**Царь Водка**

(591) Black and white

(531) 28.05

(511)

33 – Vodka.

(260) AM 2018 94155 A

(800) 1363552

(151) 2017 06 22

(891) 2017 06 22

(731) Obshchestvo s ogranichennoy  
otvetstvennostyu "PIK-FARMA"

Oruzheyniy pereulok, d. 25, str. 1,  
RU-125047 Moscow, Russian Federation

(540)



**ПИК·ФАРМА**

(591) Dark aquamarine; aquamarine; pale aquamarine; grey

(531) 26.13.25; 29.01.03

(511)

5 – Pharmaceutical preparations; veterinary preparations; hygiene preparations for medical purposes; vitamin preparations; dietetic substances adapted for medical use; medicines for human purposes; food for babies; dietetic foods adapted for medical purposes; dietary supplements.

32 – Non-alcoholic beverages; preparations for making non-alcoholic beverages.

35 – Production of advertising materials; rental of advertising materials; publication of advertising texts; direct mail advertising [prospectuses, brochures].

(260) AM 2018 94156 A

(800) 1363564

(151) 2017 07 14

(891) 2017 07 14

(731) AMERICAN AIR FILTER COMPANY, INC.  
Suite 2200, 9920 Corporate Campus Drive  
Louisville KY 40223, USA

(540)

## MAKING THE INVISIBLE VISIBLE

(591) Black and white

(511)

9 – Air quality measurement apparatus, namely, particle counters; air quality analyzing and monitoring apparatus and instruments, namely, electronic monitors and detectors for monitoring and detecting airborne particulates and for monitoring and measuring air speed, pressure drop, and humidity; air quality particulate measurement instruments, namely, particle counters.

(260) AM 2018 94157 A

(800) 1363584

(151) 2017 03 29

(891) 2017 03 29

(731) OPENMARK LIMITED

19 Waterfront Drive, PO Box 3540 Road  
Town, Tortola 1110, Virgin Islands (British)

(540)

## MILTON

(591) Black and white

(511)

34 – Loose, rolling and pipe tobacco; raw tobacco; tobacco; cigarette tobacco; cigarettes, cigars, cigarettos and other ready-for-use smoking articles; filter-tipped cigarettes; cigarettes containing tobacco substitutes; lighters for smokers; electronic cigarette boxes; cigarette tubes; tobacco pouches; tobacco containers and humidors; ashtrays; cigar cutters; pipe knives; cigarette cutters; smokers' articles of precious metal; smokers' articles, not of precious metal; cigarette filters; cigarette tips; tobacco filters; cigar filters; cigarette paper.

(260) AM 2018 94158 A

(800) 1363603

(151) 2017 06 23

(891) 2017 06 23

(731) DR. THEISS NATURWAREN GMBH  
Michelinstr. 10 66424 Homburg, Germany

(540)



(591) Black and white

(531) 26.11.02; 26.11.13; 27.05.01

(511)

3 – Bleaching preparations and other substances for laundry use; cleaning, polishing, scouring and abrasive preparations; soaps; perfumery, essential oils, cosmetics, including non-medical skin cleaning and care preparations, and hair care preparations; eyelashes (false -); hair lotions; dentifrices.

5 – Pharmaceutical and veterinary preparations; medicines for human or veterinary purposes; sanitary preparations for medical purposes; dietetic foodstuffs and substances adapted for medical use; nutritional supplements; vitamin preparations, including beauty capsules.

(260) AM 2018 94159 A

(800) 1363618

(151) 2017 07 03

(891) 2017 07 03

(731) KRKA, tovarna zdravil, d.d. Novo mesto  
Šmarješka cesta 6 SI-8000 Novo mesto,  
Slovenia

(540)

## RAMLADIO

(591) Black and white

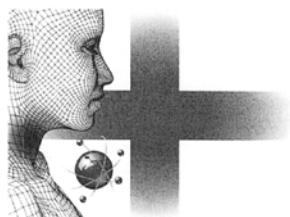
(511)  
5 – Pharmaceutical preparations.

(260) AM 2018 94160 A  
(800) 1363619  
(151) 2017 06 14  
(891) 2017 06 14  
(731) KRKA, tovarna zdravil, d.d. Novo mesto  
Šmarješka cesta 6 SI-8000 Novo mesto,  
Slovenia  
(540)

## TADILECTO

(591) Black and white  
(511)  
5 – Pharmaceutical preparations.

(260) AM 2018 94161 A  
(800) 1363622  
(151) 2017 05 30  
(891) 2017 05 30  
(731) KRKA, tovarna zdravil, d.d. Novo mesto  
Šmarješka cesta 6 SI-8000 Novo mesto,  
Slovenia  
(540)



(591) Black and white  
(531) 01.13.10; 01.13.15; 02.01.01; 02.03.01;  
02.03.02; 24.13.01  
(511)  
5 – Pharmaceutical preparations and substances; medicated confectionery; medicated candy.  
30 – Non-medicated confectionery.

(260) AM 2018 94198 A  
(800) 1365348  
(151) 2017 07 25  
(891) 2017 07 25  
(731) APPLE INC.  
1 Infinite Loop, Cupertino CA 95014, USA  
(540)

## iMac Pro

(591) Black, white  
(531) 27.05.05  
(511)  
9 – Computers; computer hardware; computer peripheral devices; computer keyboards; computer mice; sound recording and reproducing apparatus; audio speakers sold as component features of com-

puters; cameras sold as component features of computers; microphones sold as component features of computers; data storage apparatus; electrical and electronic connectors, wires, cables, chargers, and adapters for use with computers.

(260) AM 2018 94199 A  
(800) 1365393  
(151) 2017 06 15  
(891) 2017 06 15  
(731) Avinor Flysikring AS  
Postboks 150, N-2061 GARDERMOEN,  
Norway  
(540)

**ninox**  
Remote Towers

(591) Black, white  
(531) 27.05.10; 27.05.17  
(511)  
9 – Software and hardware for remotely operated air navigation services and air traffic control services; software and hardware for local flight information and alarm services rendered at a non-controlled landing ground and to aircrafts within the unit's area of responsibility (AFIS).

39 – Air navigation services and air traffic control services; remotely operated air navigation services and air traffic control services (multi and single operation towers); counselling services for remotely operated air navigation services and air traffic control services; operation and infrastructure of remotely operated air navigation and air traffic control services; air navigation services and air traffic control services using camera and sensor technology for transport services; local flight information and alarm services rendered at a non-controlled landing ground and to aircrafts within the unit's area of responsibility (AFIS).

42 – Development and design of software and hardware for remotely operated air navigation services and air traffic control services; development and design of software and hardware for local flight information and alarm services rendered at a non-controlled landing ground and to aircrafts within the unit's area of responsibility (AFIS).

(260) AM 2018 94200 A  
(800) 1365410  
(151) 2017 02 23  
(891) 2017 02 23  
(731) COMITATI OLIMPICI EUROPEI  
Via della Pallacanestro, 19 Rome, Italy  
(540)

## EYOF

(591) Black, white

(511)

9 – Scientific, nautical, surveying, photographic, cinematographic, optical, weighing, measuring, signalling, checking (supervision), life-saving and teaching apparatus and instruments; apparatus for recording, transmission or reproduction of sound or images; magnetic data carriers, recording discs; protective helmets for sports; spectacles, sports goggles, sunglasses; computer software, including computer software for video camera games; cameras; magnetic data carriers; data processing software and computer hardware; power supplies, namely batteries, portable digital electronic devices and software related thereto; portable electronic devices for wireless data reception and/or transmission, computer games software for mobile phone computers and smartphones; acoustic machines and apparatus, radio equipment, headset, headphones, microphones, laser disc players, video compact disc players, video CD software, DVD video players/recorders, telephones, mobile phones, smartphones, carrying cases for mobile phones, banking cards, debit cards; encoded magnetic cards, flashlights, integrated circuit chip cards; banking card, credit cards, debit cards including such cards having integrated circuits and microprocessors; memory boards.

25 – Clothing, footwear, headgear.

28 – Games and playthings; gymnastic and sporting articles not included in other classes; decorations for Christmas trees; playing cards, electric floats for fishing, apparatus for tying fishing lines to hooks, electronic apparatus for practicing golf, stationary exercise bicycles and rollers.

38 – Telecommunications; broadcasting of television programmes, television broadcasting (live or recorded); cellular telephone communication; communications by electronic computer terminals, databases and Internet related telecommunications networks; telephone and mobile telephone services; facsimile communication services; services of a press agency; other message transmission services; broadcasting of a commercial site on the Internet; radio and television broadcasting services provided via the Internet; electronic mail, provision of internet access services, electronic bulletin board services.

41 – Education; providing of training; entertainment; sporting and cultural activities; organization of exhibitions for cultural and educational purposes; organisation of lotteries and competitions; entertainment services provided at or relating to sports events; organisation of sporting and cultural events and activities; arranging real or virtual sports competitions; exploitation of sports facilities; rental services for audio and video equipment; radio and television production and broadcasting of sports and sporting events; production services for radio and

television programs and videotapes; production of animated movies; seat booking services for shows and sporting events; timing of sports events, provision of games over the Internet, providing on-line electronic publications, not downloadable; publication of books, journals, texts (except publicity texts) and periodicals; online publication of electronic books, journals, texts (except publicity texts) and periodicals; providing digital music from the Internet; making sporting results available; information services in relation to sport and sporting events; information relating to sporting events provided on-line from a computer database or the Internet.

(260) AM 2018 94203 A

(800) 577361A

(151) 1991 11 11

(891) 2017 08 29

(731) ASAHI EUROPE LTD

One Forge End, Woking, Surrey GU21 6DB,  
United Kingdom

(540)

**PERONI**

(591) Black, white

(511)

32 – Beer.

(260) AM 2018 94206 A

(800) 675875

(151) 1997 05 15

(891) 2017 05 16

(731) TISSOT S.A.

Chemin des Tourelles 17, CH-2400 Le Locle,  
Switzerland

(540)

**DIVERMATIC**

(591) Black, white

(511)

14 – Watches, watch parts, clock and watchmaking; chronometric instruments; jewelry.

(260) AM 2018 94207 A

(800) 988542

(151) 2008 07 25

(891) 2017 04 11

(731) "AZIMUT Hotels Company" Limited Liability  
Company

18/1, Olympiyskiy prospect Moscow  
RU-129110, Russian Federation

(540)

**A3ИМУТ**  
**AZIMUT**

(591) Black, white  
 (531) 27.05.05; 28.05  
 (511)

21 – Household or kitchen utensils and containers not of precious metal or coated therewith; combs and sponges; brushes except paint brushes; brush-making materials; articles for cleaning purposes; steelwool; unworked or semi-worked glass except glass used in building; glassware, porcelain and earthenware not included in other classes; deep fryers, non-electric; buckets; china ornaments; dishes, not of precious metal; paper plates; saucers, not of precious metal; goblets, not of precious metal; boxes for sweetmeats, not of precious metal; lunch boxes; bottles; carboys; busts of china, terra-cotta or glass; vases, not of precious metal; epergnes, not of precious metal; fruit cups; bird baths; baby baths (portable); plungers for clearing blocked drains; waffle irons, non-electric; ice pails; coal scuttles; buckets made of woven fabrics; cooking skewers, of metal; napkin holders, not of precious metal; trouser stretchers; clothing stretchers; shirt stretchers; hair brushes; birdcages; funnels; carpet beaters (hand instruments); signboards of porcelain or glass; candle extinguishers, not of precious metal; flower pots; chamber pots; glue-pots; cruets, not of precious metal; decanters; combs for the hair; combs for animals; abrasive sponges for scrubbing the skin; sponges for household purposes; toilet sponges; deodorising apparatus for personal use; sponge holders; toothpick holders, not of precious metal; dishes for soap; holders for flowers and plants (flower arranging); shaving brush stands; ironing boards; cutting boards for the kitchen; bread boards; washing boards; strainers, not of precious metal; smoke absorbers for household purposes; containers for household or kitchen use (except in precious metal); kitchen containers, not of precious metal; boxes of glass; glass jars (carboys); heat-insulated containers; thermally insulated containers for food; glass flasks (containers); frying pans; closures for pot lids; buckskin for cleaning; toothpicks; ceramics for household purposes; majolica; works of art, of porcelain, terra-cotta or glass; brush goods; cleaning instruments (hand-operated); stew-pans; flower-pot covers, not of paper; shaving brushes; cages for household pets; polishing leather; shoe trees (stretchers); napkin rings, not of precious metal; rings for birds; piggy banks, not of metal; bread baskets; baskets, for domestic use, not of precious metal; feeding troughs for animals; cookie jars; tea caddies, not of precious metal; lye washtubs; earthenware saucepans; mess-tins; cauldrons; coffee percolators, non-electric; coffee pots, non-electric, not of precious metal; coffee grinders, hand-operated; fused silica (semi-worked goods) other than for building; beer mugs; tankards, not of precious metal; rat traps; pot lids; butter-dish covers; covers for dishes; cheese-dish covers; buttonhooks; jugs, not of precious metal; perfume bur-

ners; portable coldboxes, non-electric; watering cans; insect traps; mixing spoons (kitchen utensils); basting spoons, for kitchen use; scoops (tableware); pie servers; spatulas (kitchen utensils); butter dishes; material for brush-making; polishing materials (for making shiny) (except preparations, paper and stone); noodle machines (hand-operated); polishing apparatus and machines, for household purposes, non-electric; pepper mills, hand-operated; feather-dusters; brooms; isothermic bags; confectioners' decorating bags (pastry bags); basins (bowls); mosaics of glass, not for building; saucepan scourers of metal; soap boxes; mouse traps; cooking pot sets; nozzles for watering cans; spouts; nozzles for sprinkler hose; fitted picnic baskets (including dishes); toilet cases; floss for dental purposes; fiberglass thread, not for textile use; cookie (biscuit) cutters; pastry cutters; sprinklers; sprinklers for watering flowers and plants; cotton waste for cleaning; wool waste for cleaning; cleaning tow; chopsticks; cocktail stirrers; pepper pots, not of precious metal; gloves for household purposes; polishing gloves; gardening gloves; plates to prevent milk boiling over; trays for domestic purposes, not of precious metal; trays for domestic purposes, of paper; lazy susans; vegetable dishes; cabarets (trays), not of precious metal; heaters for feeding bottles, non-electric; candelabra (candlesticks), not of precious metal; trivets (table utensils); coasters, not of paper and other than table linen; menu card holders; knife rests for the table; flat-iron stands; egg cups; gridiron supports; abrasive pads for kitchen purposes; pads for cleaning; drinking troughs; powdered glass for decoration; pottery; cooking pots; pressure cookers (autoclaves), non-electric; painted glassware; tableware (other than knives, forks and spoons) not of precious metal; porcelain ware; earthenware; crystal (glassware); cosmetic utensils; toilet utensils; trouser presses; cruet stands for oil and vinegar, not of precious metal; spice sets; appliances for removing make-up (non-electric); food cooling devices, containing heat exchange fluids, for household purposes; toilet paper holders; apparatus for wax-polishing, non-electric; bottle openers; glove stretchers; bootjacks; crumb trays; tie presses; clothes-pegs; glass stoppers; powder compacts, not of precious metal; perfume sprayers; powder puffs; dusting apparatus, non-electric; soap dispensers; electric combs; griddles (cooking utensils); sifters (household utensils); drinking horns; shoe horns; candle rings, not of precious metal; door-handles of porcelain; knobs of porcelain; salad bowls, not of precious metal; sugar bowls, not of precious metal; beaters, non-electric; whisks, non-electric, for household purposes; services (tableware), not of precious metal; coffee services, not of precious metal; liqueur sets; tea services, not of precious metal; cinder sifters (household utensils); tea strainers, not of precious metal; siphons for carbonated water; pipettes (wine-tasters); rolling pins



(domestic); hot pots (not electrically heated); steel wool for cleaning; currycombs; blenders, non-electric, for household purposes; fruit presses, non-electric, for household purposes; salt cellars, not of precious metal; drinking vessels; vessels of metal for making ices and iced drinks; refrigerating bottles; sacred vessels, not of precious metal; cups of paper or plastic; glass (receptacles); drinking glasses; statues of porcelain, terra-cotta or glass; figurines (statuettes) of porcelain, terra-cotta or glass; glass for vehicle windows (semi-finished product); plate glass (raw material); opal glass; glass incorporating fine electrical conductors; enamelled glass; glass wool other than for insulation; fiberglass other than for insulation or textile use; vitreous silica fibers (fibres), not for textile use; soup bowls, not of precious metal; drying racks for washing; basins (receptacles); table plates, not of precious metal; graters (household utensils); insulating flasks; indoor terrariums (plant cultivation); cloth for washing floors; cloths for cleaning; dusting cloths (rags); furniture dusters; litter boxes (trays) for pets; urns, not of precious metal; aerosol dispensers, not for medical purposes; water apparatus for cleaning teeth and gums; domestic grinders, non-electric; wax-polishing appliances, non-electric, for shoes; sprinkling devices; utensils for household purposes, not of precious metal; kitchen utensils, not of precious metal; cooking utensils, non-electric; strainers for household purposes; flasks, not of precious metal; bottle gourds; molds (kitchen utensils); ice cube molds (moulds); cookery molds (moulds); comb cases; bread bins; fly catchers (traps or whisks); teapots, not of precious metal; kettles, non-electric; cups, not of precious metal; garlic presses (kitchen utensils); ironing board covers (shaped); tea balls, not of precious metal; glass bowls; mops; mixers, manual (cocktail shakers); corkscrews; pig bristles; dishwashing brushes; brushes for cleaning tanks and containers; lamp-glass brushes; horse brushes; scrubbing brushes; toothbrushes; toothbrushes, electric; animal bristles (brushware); carpet sweepers; brushes for footwear; toilet brushes; brushes, electric (except parts of machines); brushes; eyebrow brushes; nail brushes; nest eggs (artificial); mangers for livestock; boxes of metal, for dispensing paper towels; dustbins.

30 – Coffee, tea, cocoa, sugar, rice, tapioca, sago, artificial coffee; flour and preparations made from cereals, bread, pastry and confectionery, ices; honey, treacle; yeast, baking-powder; salt, mustard; vinegar, sauces, condiments; spices; ice; aromatic preparations for food; flavorings, other than essential oils; star aniseed; cookies; pancakes; buns; bread rolls; vanillin (vanilla substitute); vanilla (flavoring) (flavouring); waffles; vermicelli (noodles); coffee flavorings (flavourings); natural sweeteners; sausage binding materials; binding agents for ice cream (edible ices); sea water (for cooking); weeds (condi-

ment); cloves (spice); glucose for food; thickening agents for cooking foodstuffs; confectionery for decorating christmas trees; cakes; pastries; peanut confectionery; almond confectionery; pasta; macaroni; pasty; frozen yoghurt (confectionery ices); cocoa products; capers; caramels (candy); gruel, with a milk base, for food; quiches; gluten for food; sweetmeats (candy); liquorice (confectionery); stick liquorice (confectionery); peppermint sweets; unroasted coffee; starch for food; crackers; groats for human food; husked barley; corn (milled); corn (roasted); corn flour; meat pies; turmeric for food; couscous (semolina); farinaceous foods; ribbon vermicelli; ice for refreshment; ice, natural or artificial; candy for food; rice cakes; maltose; fruit jellies (confectionery); marzipan; custard; royal jelly for human consumption (not for medical purposes); sorbets (ices); muesli; mint for confectionery; cocoa beverages with milk; coffee beverages with milk; coffee-based beverages; tea-based beverages; chocolate beverages with milk; chocolate-based beverages; cocoa-based beverages; infusions, not medicinal; crushed oats; husked oats; nutmegs; pastilles (confectionery); molasses for food; pepper; peppers (seasonings); petits fours (cakes); biscuits; malt biscuits; macaroons (pastry); petit-beurre biscuits; pies; pizzas; meat gravies; fondants (confectionery); popcorn; powders for ice cream; pralines; meat tenderizers, for household purposes; cereal preparations; flour-milling products; oat-based food; starch products for food; bee glue (propolis) for human consumption; gingerbread; puddings; cake powder; ravioli; chewing gum, not for medical purposes; spring rolls; aniseed; cake paste; confectionery; malt for human consumption; salt for preserving foodstuffs; cooking salt; celery salt; spaghetti; seasonings; saffron (seasoning); preparations for stiffening whipped cream; rusks; breadcrumbs; sushi; sandwiches; yeast in pill form, not for medical use; tabbouleh; tacos; almond paste; tortillas; tarts; edible decorations for cakes; vinegar; ferments for pastes; leaven; yeast; halvah; bread; unleavened bread; corn flakes; oat flakes; chips (cereal products); chicory (coffee substitute); iced tea; chocolate; malt extract for food; essences for foodstuffs (except etheric essences and essential oils).

35 – Business management of hotels.

37 – Drilling of wells; disinfecting; rat exterminating; mining extraction; knife sharpening; upholstering; rental of road sweeping machines; quarrying services; repair of security locks; umbrella repair; parasol repair; burner maintenance and repair; film projector repair and maintenance; airplane maintenance and repair; safe maintenance and repair; clock and watch repair; upholstery repair; photographic apparatus repair; furniture restoration; washing; laundering; shipbuilding; cleaning of buildings (interior); street cleaning; installation, maintenance and

repair of computer hardware; office machines and equipment installation, maintenance and repair; furniture maintenance; chimney sweeping; boiler cleaning and repair.

38 – Telecommunications; news agencies; television broadcasting; cable television broadcasting; electronic bulletin board services (telecommunications services); information about telecommunication; telecommunications routing and junction services; providing user access to a global computer network (service providers); providing telecommunications connections to a global computer network; message sending; computer aided transmission of messages and images; sending of telegrams; transmission of telegrams; electronic mail; rental of message sending apparatus; rental of modems; rental of telecommunication equipment; rental of telephones; rental of facsimile apparatus; radio broadcasting; communications by fiber (fibre) optic networks; cellular telephone communication; communications by computer terminals; satellite transmission; communications by telegrams; communications by telephone; facsimile transmission; paging services (radio, telephone or other means of electronic communication); teleconferencing services; telex services; telegraph services; telephone services.

39 – Booking of seats for travel; travel reservation; arranging of cruises; arranging of tours.

41 – Entertainment; sporting and cultural activities; modelling for artists; rental of tennis courts; booking of seats for shows; videotaping; discotheque services; dubbing; gaming; recreation information; entertainment information; movie studios; health club services; club services (entertainment or education); night clubs; microfilming; videotape editing; production of radio and television programmes; music-halls; game services provided on-line (from a computer network); organization of balls; organization of exhibitions for cultural or educational purposes; providing recreation facilities; arranging of beauty contests; organization of competitions (entertainment); operating lotteries; holiday camp services (entertainment); organization of shows (impresario services); organization of sports competitions; amusement parks; television entertainment; providing karaoke services; providing golf facilities; providing sports facilities; providing amusement arcade services; providing movie theatre facilities; presentation of live performances; theatre productions; timing of sports events; videotape film production; film production; rental of sound recordings; rental of audio equipment; rental of video cameras; rental of video cassette recorders; rental of videotapes; rental of show scenery; rental of movie projectors and accessories; rental of motion pictures; rental of stadium facilities; rental of lighting apparatus for theatrical sets or television studios; rental of radio and television sets; rental of skin diving equipment; rental of

sports equipment (except vehicles); rental of stage scenery; radio entertainment; entertainer services; zoological gardens; news reporters services; party planning (entertainment); music composition services; sport camp services; subtitling; providing casino facilities (gambling); providing museum facilities (presentation, exhibitions); orchestra services; translation; scriptwriting services; recording studio services; digital imaging services; photography; photographic reporting; circuses; production of shows.

43 – Services for providing food and drink; temporary accommodation; rental of temporary accommodation; rental of transportable buildings; rental of meeting rooms; tourist homes; hotel reservations, boarding house bookings, temporary accommodation reservations; hotels, snack-bars, cafes, cafeterias; motels; boarding houses; boarding for animals; rental of chairs, tables, table linen, glassware; rental of tents; restaurants, self-service restaurants; canteens; holiday camp services (lodging); bar services; providing campground facilities; food and drink catering; day-nurseries (creches).

45 – Marriage agencies; detective agencies; adoption agency services; undertaking; security consultancy; crematorium services; organization of religious meetings; opening of security locks; missing person investigations; fire-fighting; escorting in society (chaperoning); horoscope casting; dating services; funerals.

(260) AM 2018 94208 A

(800) 1004532

(151) 2009 01 16

(891) 2017 04 11

(731) "AZIMUT Hotels Company "Limited Liability Company  
18/1, Olympiyskiy prospect, Moscow,  
RU-129110, Russian Federation

(540)



**azimut**  
HOTELS

(591) White, black, orange, terracotta, brown, dark brown

(531) 01.05.01; 01.05.06; 01.05.23; 01.13.05;  
27.05.10; 29.01.13

(511)

35 – Business management of hotels.

39 – Travel arrangement, including: booking of seats for travel; travel reservation; arranging of cruises; arranging of tours.

41 – Providing of training, including: arranging and conducting of workshops (training), arranging and conducting of seminars; entertainment; sporting and cultural activities, including: rental of tennis courts, booking of seats for shows, discotheque services, gaming, recreation information, entertainment information, health club services, club services (entertainment or education), night clubs, music-halls, organization of balls, organization of exhibitions for cultural or educational purposes, providing recreation facilities, arranging and conducting of congresses, arranging and conducting of conferences, arranging and conducting of concerts, arranging and conducting of symposiums, arranging of beauty contests, organization of competitions (education or entertainment), holiday camp services (entertainment), organization of sports competitions, amusement parks, providing golf facilities, providing sports facilities, providing amusement arcade services, cinema presentations, presentation of live performances, timing of sports events, rental of skin diving equipment, rental of sports equipment, except vehicles, entertainer services, amusements, party planning (entertainment), providing casino facilities (gambing), translation, production of shows.

43 – Services for providing food and drink; temporary accommodation, including: accommodation bureaux (hotels, boarding houses), rental of temporary accommodation, rental of meeting rooms, tourist homes, hotel reservations, boarding house bookings, temporary accommodation reservations, hotels, snack-bars, cafes, cafeterias, motels, boarding houses, boarding for animals, rental of chairs, tables, table linen, glassware, rental of tents, rental of transportable buildings, restaurants, self-service restaurants, canteens, holiday camp services (lodging), bar services, providing campground facilities, food and drink catering.

(260) AM 2018 94210 A

(800) 1224736

(151) 2014 07 23

(891) 2017 04 12

(731) CANTINE SGARZI LUIGI S.R.L.

Via Bernarda, 1650, CASTEL SAN PIETRO  
TERME (BOLOGNA), Italy

(540)



(591) Black, white

(531) 05.07.10

(511)

33 – Wines.

(260) AM 2018 94212 A

(800) 1260509

(151) 2015 03 19

(891) 2017 07 28

(731) PİNKAR KİMYA SANAYİ VE TİCARET  
ANONİM ŞİRKETİ

Savas Sokak, No:101, Kurtulus, Sisli-Istanbul,  
Turkey

(540)

**PASTEL**  
**PROFASHION**

(591) Black and red

(531) 27.05.10; 29.01.12

(511)

3 – Bleaching and cleaning preparations; perfumery; cosmetics; fragrances; deodorants for personal use and animals; soaps; dental care preparations; abrasive preparations; emery cloth; sandpaper; pumice stone; abrasive pastes; polishing preparations for leather, vinyl, metal, wood.

(260) AM 2018 94214 A

(800) 1323709

(151) 2015 12 03

(891) 2017 07 24

(731) CHEN JIEXIONG

No.206, Yongjin Road, Houqu Village,  
Xiangzhu Town, Yongkang City, Zhejiang  
Province, China

(540)

**makute**

(591) Black, white

(531) 27.05.17

(511)

7 – Machine saws (terms considered too vague by the International Bureau – rule 13(2)(b) of the Common Regulations); welding machines, electric; generators of electricity; electric hammers; cutting machines; angle burnishing machines (terms considered too vague by the International Bureau – rule 13(2)(b) of the Common Regulations); hand-held tools, other than hand-operated; engraving machines; hand-held electric drills; cutting tools (terms considered too vague by the International Bureau – rule 13(2)(b) of the Common Regulations).

(260) AM 2018 94228 A  
 (800) 1365207  
 (151) 2017 03 07  
 (891) 2017 03 07  
 (731) VOLOSHYN SERGII  
 IP Law Agency Synergy, Limited Liability  
 Company P.O. Box 261 Kyiv 01030,  
 Ukraine  
 (540)



## FOLIXIDIL

(591) Black, white  
 (531) 01.15.15; 02.09.12; 24.15.02  
 (511)  
 3 – Balms, other than for medical purposes; eyebrow cosmetics; eyebrow pencils; cosmetic preparations for eyelashes; hair lotions; make-up preparations; extracts of flowers (perfumes); cosmetics; cosmetic kits; cosmetic creams; hair spray; lotions for cosmetic purposes; dry shampoos; shampoos.

(260) AM 2018 94233 A  
 (800) 1364754  
 (151) 2017 07 22  
 (891) 2017 07 22  
 (731) FOX LUGGAGE, INC.  
 5353 E. Slauson Avenue Commerce  
 CA 90040, USA  
 (540)

## ROCKLAND

(591) Black and white  
 (511)  
 18 – Backpacks; fanny packs; garment bags for travel; handbags; luggage; tote bags; shoulder bags; traveling bags.

(260) AM 2018 94234 A  
 (800) 1364820  
 (151) 2017 06 08  
 (891) 2017 06 08  
 (731) SYNGENTA PARTICIPATIONS AG  
 Schwarzwaldallee 215 CH-4058 Basel,  
 Switzerland  
 (540)

## SYNGENTA

(591) Black and white  
 (511)  
 1 – Chemical products for use in industry, science, photography, as well as in agriculture, horticulture and forestry; unprocessed artificial resins, unprocessed plastics; soil fertilizers; fire-extinguishing compositions; tempering and soldering preparations;

chemical substances for preserving foodstuffs; tanning materials; adhesives for use in industry.

5 – Veterinary products; disinfectants; preparations for destroying vermin; fungicides, herbicides.

31 – Agricultural, horticultural and forestry products and grains, not included in other classes; live animals; fresh fruits and vegetables; seeds, natural plants and flowers; foodstuffs for animals, malt.

44 – Medical, hygienic and beauty care; veterinary and agricultural services.

(260) AM 2018 94236 A  
 (800) 1364887  
 (151) 2017 04 07  
 (891) 2017 04 07  
 (731) Eagle Investment SICAV plc, acting on behalf of ITT FUND  
 Alpine House, Naxxar Road SGN 9032 San Gwann, Malta  
 (540)

## Gangster World

(591) Black and white  
 (511)  
 9 – Games software; software programs for video games; interactive video game programs; cartridges for computer games; software cartridges for video games; software; educational software; application software; groupware; computer telephony software; interactive computer software; communication software; programs for computers; electronic components for gambling machines; games cartridges for use with electronic games apparatus; coin-operated musical automata; automated teller machines.

28 – Games; sports games; manipulative games; mechanical games; musical games; electronic games; parlor games; board games; quiz games; apparatus for games; arcade games; skill and action games; electronic hand-held game units; handheld computer games; lottery wheels; lottery tickets; slot machines; automatic gaming machines; coin-operated amusement machines; bill-operated gaming equipment; LCD game machines; counters for games; amusement apparatus for use in arcades; arcade game machines.

41 – Gambling; operating lotteries; organising and conducting lotteries; games equipment rental; casino services; providing casino facilities; leasing of casino games; providing of casino and gaming facilities; gaming services; providing amusement arcade services; video arcade services.

(260) AM 2018 94237 A  
 (800) 1365267  
 (151) 2017 06 01

(891) 2017 06 01

(731) ADP GAUSELMANN GMBH

Merkur-Allee 1-15, 32339 Espelkamp,  
Germany

(540)

**Wild Supreme**

(591) Black, white

(511)

9 – Scientific, nautical, surveying, photographic, cinematographic, optical, weighing, measuring, signalling, checking (supervision), life-saving and teaching apparatus and instruments; apparatus and instruments for conducting, switching, transforming, accumulating, regulating or controlling electricity; apparatus for recording, transmission or reproduction of sound or images; magnetic data carriers, recording discs; compact discs, DVDs and other digital recording media; cash registers, calculating machines, data processing equipment, computers; computer software; fire-extinguishing apparatus; musical jukeboxes and parts for the aforesaid automatic machines; automatic cash dispensers, automatic money counting and money changing machines; coin-operated mechanisms; games software; games software for use on any computer platform, including electronic entertainment and games consoles; games programs for computers; video games (software); computer games provided through a global computer network or supplied by means of multimedia electronic broadcast or through telecommunications or electronic transmission or via the internet; computer games, leisure and recreational software, video games and computer software, all being provided in the form of storage media; programs for operating electric and electronic apparatus for games, amusement and/or entertainment purposes; automatic lottery machines; computer software for computer games on the internet; online games (software), in particular for online betting games, online prize games, online gambling games, online games of skill and online casino games; computer software in the form of an app for mobile devices and computers; calculating apparatus in coin-operated machines and parts for the aforesaid goods; apparatus for recording, transmission, processing or reproduction of data, including sound or images, including parts for all the aforesaid goods, except radio sets, television receivers, hi-fi systems, video recorders, telephone apparatus, fax machines and telephone answering machines; computer hardware and software for casino and amusement arcade games, for gaming machines, slot machines or video lottery gaming machines or games of chance via the internet; electric, electronic, optical or automatic apparatus, for identifying data carriers, identity cards and credit cards, bank notes and coins; electric, electronic or optical alarm and monitoring installations, including video cameras and apparatus for image transmission and image processing; data processing apparatus and computers,

including data processing apparatus and computers being components for data networks and parts facilitating data network communications; electric wiring harnesses; circuit boards, printed board assemblies (electronic components) and combinations thereof being assemblies and equipment parts, included in this class.

28 – Games; toys; gymnastic and sporting articles not included in other classes; decorations for Christmas trees; gaming apparatus (including coin-operated apparatus); coin-operated arcade games (machines); arcade games (included in this class); coin-operated arcade video game machines; video games apparatus adapted for use with external screens or monitors only; casino fittings, namely roulette tables, roulette wheels; coin-operated automatic gaming machines and gaming machines, in particular for gaming arcades, with or without a prize payout; electronic or electrotechnical gaming apparatus, automatic gaming machines, gaming machines, slot machines operated by coins, tokens, banknotes, tickets or by means of electronic, magnetic or biometric storage media, in particular for commercial use in casinos and amusement arcades, with or without a prize payout; automatic gaming machines and gaming machines, in particular for commercial use in casinos and gaming arcades, with or without a prize payout; coin-operated gaming machines and/or electronic money-based gaming apparatus (machines), with or without prizes; housings adapted for gaming machines, gaming apparatus and automatic gaming machines, operated by means of coins, tokens, tickets or by means of electronic, magnetic or biometric storage media, in particular for commercial use in casinos and gaming arcades, with or without a prize payout; electronic games; electronic game entertainment apparatus and parts thereof; arcade video games; drawing apparatus for prize games and lotteries, draws or raffles; housings of metal, plastic and/or wood for coin-operated automatic machines; apparatus for games (including video games), other than adapted for use with external screens or monitors only; electropneumatic and electric slot machines with pulling handles (gaming machines); gaming tables, in particular for table football, billiards, sliding games; flying discs (toys) and darts; gaming machines, namely, electric, electronic or electromechanical apparatus for bingo games, lotteries or video lottery games and for betting offices, connected or unconnected to a computer network; LCD games consoles; automatic gaming machines; apparatus and devices for accepting and storing money, being fittings for the aforesaid automatic machines, included in this class.

(260) AM 2018 94238 A

(800) 1364888

(151) 2017 04 07

(891) 2017 04 07

(731) Eagle Investment SICAV plc, acting on behalf of ITT FUND  
Alpine House, Naxxar Road SGN 9032  
San Gwann, Malta

(540)

## APOLLO GAMES

(591) Black and white

(511)

9 – Games software; software programs for video games; interactive video game programs; cartridges for computer games; cartridges for video games; educational software; application software; community software; computer telephony software; interactive computer software; communication software; programs for computers; software; electronic components for gambling machines; games cartridges for use with electronic games apparatus; automated teller machines; computers and computer hardware; communications servers [computer hardware]; virtual private network hardware; network access server hardware; local operating network hardware; computer networking hardware; computer hardware for use in computer-assisted software engineering; juke boxes.

28 – Games; sports games; manipulative games; mechanical games; musical games; electronic games; parlor games; board games; quiz games; apparatus for games; arcade games; skill and action games; electronic hand-held game units; handheld computer games; lottery wheels; lottery tickets; slot machines; automatic gaming machines; coin-operated amusement machines; bill-operated gaming equipment; LCD game machines; counters for games; amusement apparatus for use in arcades; arcade game machines.

35 – Retail services in relation to computer hardware; wholesale services in relation to computer hardware; wholesale services in relation to computer software; retail services in relation to computer software.

37 – Computer hardware and telecommunication apparatus installation, maintenance and repair; maintenance services relating to computer hardware.

41 – Gambling; operating lotteries; prize draws [lotteries]; organising and conducting lotteries; games equipment rental; casino services; providing casino facilities; leasing of casino games; providing casino facilities [gambling]; providing amusement arcade services; video arcade services; casino, gaming and gambling services; provision of instruction relating to computer programming.

42 – Software as a service [SaaS]; rental of software; computer software design; installation and maintenance of computer programs; updating of computer software; computer software research; troubles-

hooting of computer hardware and software problems; configuring computer hardware using software; design and development of video game software; platform as a service [PaaS]; design of computer hardware; consultancy in the field of computers; rental of computer hardware; computer hardware development; diagnosing computer hardware problems using software; software development, programming and implementation; providing information, advice and consultancy services in the field of computer software; research in the field of computer hardware; consultancy in the design and development of computer hardware.

(260) AM 2018 94239 A

(800) 1364993

(151) 2017 06 27

(891) 2017 06 27

(731) ANDRÉ GESKE

Mühlenkamp 11 32312 Lübbecke, Germany

(540)

## Satisfyer

(591) Black and white

(511)

10 – Vibrators, being adult sexual aids; electronic massaging apparatus; massaging apparatus for personal use.

(260) AM 2018 94243 A

(800) 1364914

(151) 2017 04 07

(891) 2017 04 07

(731) Eagle Investment SICAV plc, acting on behalf of ITT FUND

Alpine House, Naxxar Road SGN 9032 San Gwann, Malta

(540)



(591) Black, shades of grey, yellow, orange and shades of orange

(531) 01.01.02; 01.01.12; 26.04.02; 26.04.05; 26.04.24; 27.05.24; 29.01.13

(511)

9 – Games software; software programs for video games; interactive video game programs; cartridges for computer games; cartridges for video games; educational software; application software; community software; computer telephony software; interac-

tive computer software; communication software; programs for computers; software; electronic components for gambling machines; games cartridges for use with electronic games apparatus; automated teller machines; computers and computer hardware; communications servers [computer hardware]; virtual private network hardware; network access server hardware; local operating network hardware; computer networking hardware; computer hardware for use in computer-assisted software engineering; juke boxes.

28 – Games; sports games; manipulative games; mechanical games; musical games; electronic games; parlor games; board games; quiz games; apparatus for games; arcade games; skill and action games; electronic hand-held game units; handheld computer games; lottery wheels; lottery tickets; slot machines; automatic gaming machines; coin-operated amusement machines; bill-operated gaming equipment; LCD game machines; counters for games; amusement apparatus for use in arcades; arcade game machines.

35 – Retail services in relation to computer hardware; wholesale services in relation to computer hardware; wholesale services in relation to computer software; retail services in relation to computer software.

37 – Computer hardware and telecommunication apparatus installation, maintenance and repair; maintenance services relating to computer hardware.

41 – Gambling; operating lotteries; prize draws [lotteries]; organising and conducting lotteries; games equipment rental; casino services; providing casino facilities; leasing of casino games; providing casino facilities [gambling]; providing amusement arcade services; video arcade services; casino, gaming and gambling services; provision of instruction relating to computer programming.

42 – Software as a service [SaaS]; rental of software; computer software design; installation and maintenance of computer programs; updating of computer software; computer software research; troubleshooting of computer hardware and software problems; configuring computer hardware using software; design and development of video game software; platform as a service [PaaS]; design of computer hardware; consultancy in the field of computers; rental of computer hardware; computer hardware development; diagnosing computer hardware problems using software; software development, programming and implementation; providing information, advice and consultancy services in the field of computer software; research in the field of computer hardware; consultancy in the design and development of computer hardware.

(260) AM 2018 94244 A

(800) 1364926

(151) 2016 06 29

(891) 2016 06 29

(731) CONG TY CO PHAN TAP DOAN THUY  
SAN MINH PHU (also trading as MINH PHU  
SEAFOOD GROUP JOINT STOCK  
COMPANY)

Khu công nghiệp Phương 8, Thành phố Cà  
Mau Tỉnh Cà Mau, Việt Nam

(540)



(591) Yellow, red and dark blue

(531) 03.09.16; 03.09.24; 26.04.02; 26.04.22;  
27.05.10; 29.01.13

(526) SHARING GOOD FOOD

(511)

29 – Frozen or dried shrimp; frozen or dried fish; frozen or dried cuttlefish; meat; fish; poultry and game; meat extracts; preserved fruits; frozen fruits; dried fruits; cooked fruits; preserved vegetables; frozen vegetables; dried vegetables; cooked vegetables; jellies; jams; eggs; milk; edible oils and fats; soups; soup stocks; soup stocks in liquid, powdered, granule and cube form; instant soup mixes; bouillon; concentrated bouillon; broth; concentrated broth; dried meat; frozen meat; cooked meat; dried fish; frozen fish; cooked fish; dried shellfish; frozen shellfish; cooked shellfish; dried seafood; frozen seafood; cooked seafood; dried poultry; frozen poultry; cooked poultry; canned meat; canned vegetables; canned fish; yoghurt; cheese; butter; margarine; vegetable salads; processed nuts; seasoned nuts; tofu.

(260) AM 2018 94245 A

(800) 1364928

(151) 2017 01 25

(891) 2017 01 25

(731) AMARA DEVELOPMENT S.A.  
142/144, rue Albert Unden L-2652  
Luxembourg, Luxembourg

(540)



(591) Blue and beige  
 (531) 19.03.24; 26.01.02; 26.01.20; 26.01.21;  
 26.01.22; 26.01.24; 26.04.10; 26.11.13;  
 27.05.24; 29.01.12  
 (526) конфеты кокос  
 (511)  
 30 – Candies.

(260) AM 2018 94248 A  
 (800) 1364931  
 (151) 2017 04 07  
 (891) 2017 04 07  
 (731) Eagle Investment SICAV plc, acting on behalf  
 of ITT FUND  
 Alpine House, Naxxar Road SGN 9032 San  
 Gwann, Malta  
 (540)



(591) Shades of brown, shades of yellow and golden  
 (531) 15.07.01; 27.05.04; 29.01.12  
 (511)  
 9 – Games software; software programs for video  
 games; interactive video game programs; cartridges  
 for computer games; cartridges for video games;  
 software; educational software; application software;  
 community software; computer telephony software;  
 interactive computer software; communication soft-  
 ware; programs for computers; electronic compo-  
 nents for gambling machines; games cartridges for  
 use with electronic games apparatus; coin-operated  
 musical automata; automated teller machines.  
 28 – Games; sports games; manipulative games; me-  
 chanical games; musical games; electronic games;  
 parlor games; board games; quiz games; apparatus  
 for games; arcade games; skill and action games; el-  
 ectronic hand-held game units; handheld computer  
 games; lottery wheels; lottery tickets; slot machines;  
 automatic gaming machines; coin-operated amuse-  
 ment machines; bill-operated gaming equipment;  
 LCD game machines; counters for games; amuse-  
 ment apparatus for use in arcades; arcade game ma-  
 chines.  
 41 – Gambling; operating lotteries; prize draws; or-  
 ganizing and conducting lotteries; games equipment  
 rental; casino services; providing casino facilities;  
 leasing of casino games; providing of casino and  
 gaming facilities; casino, gaming and gambling ser-  
 vices; providing amusement arcade services; video  
 arcade services.

(260) AM 2018 94249 A  
 (800) 1365286  
 (151) 2017 05 12  
 (891) 2017 05 12  
 (731) JIANG TAI INSURANCE BROKERS CO.,  
 LTD.  
 Room A-0291, Building 3, No.20 Yong'an  
 Road, Shilong Economic Development Zone,  
 Mentougou District 102308 Beijing, China  
 (540)



(591) Black, white  
 (531) 26.03.04; 26.04.03; 26.07.15; 28.03  
 (511)  
 36 – Insurance brokerage; insurance underwriting;  
 insurance consultancy; insurance information; secu-  
 rities brokerage; fund investments; brokerage; fidu-  
 ciary.

(260) AM 2018 94250 A  
 (800) 1365046  
 (151) 2017 01 13  
 (891) 2017 01 13  
 (731) SUBWAY IP INC.  
 700 South Royal Poinciana Blvd. Ste 500  
 Miami Springs FL 33166, USA  
 (540)



(591) Yellow and green  
 (531) 24.15.02; 24.15.17; 27.05.08; 29.01.12  
 (511)  
 29 – Salads made with various ingredients, namely  
 fruit, garden and vegetable salads; milk; fruit; potato  
 chips; processed apples.  
 30 – Sandwiches and wraps for consumption on or  
 off the premises; baked goods for consumption on or  
 off the premises; snacks namely pretzels, corn chips,  
 tortilla chips, puffed corn curls, popped corn, cakes,  
 pastries, cookies; dressings for salads, salad dress-  
 ings used on salads, combination meals consisting  
 primarily of a sandwich, a snack for consumption on  
 or off the premises, coffee, tea, iced tea.  
 32 – Beverages (term too vague in the opinion of the  
 International Bureau – Rule 13(2)(b) of the Common  
 Regulations), fruit juices, vegetable juices, soft  
 drinks, bottled drinking water, tea flavored bever-  
 ages, coffee flavored beverages, for consumption on  
 or off the premises; soft drink.  
 35 – Consumer loyalty services for commercial, pro-  
 motional and advertising purposes, namely provid-  
 ing an incentive rewards programs for customers



through the issuance and processing of customer loyalty points and credits, and loyalty cards for the purchase of goods and services, and providing contests, sweepstakes, games and prizes; administration of an incentive rewards program enabling participants to obtain discounts and complimentary goods and services through membership; online ordering services in the field of restaurant take-out and delivery; retail services relating to food and drink.

43 – Restaurant services, namely providing of food and beverages for consumption on and off the premises; restaurant services featuring sandwiches; catering services; eat-in and take-out food restaurant services; restaurants featuring home delivery.

(260) AM 2018 94251 A

(800) 1365052

(151) 2017 02 02

(891) 2017 02 02

(731) CHINA UNIONPAY CO., LTD.

No.498 Guoshoujing Road, Pudong 201203  
Shanghai, China

(540)



(591) Red, blue and green

(531) 26.04.04; 26.04.09; 26.04.24; 27.05.24;  
29.01.14

(511)

9 – Counterfeit (false) coin detectors; facsimile machines; telephone apparatus; sound recording apparatus; measuring instruments; switches, electric; theft prevention installations, electric; eyeglasses; batteries, electric; electronic notice boards; mechanisms for coin-operated apparatus; electronic agendas; cash registers; optical discs (audio-video); cameras (photography); integrated circuits; animated cartoons; encoded magnetic cards; data processing apparatus; bar code readers; computer software (recorded); identity cards, magnetic; smart cards (integrated circuit cards); apparatus to check franking; electronic tags for goods; hemline markers; dictating machines; voting machines; electronic random number indicator equipment; weighing apparatus and instruments; gauges; optical apparatus and instruments; wires, electric; electric resistances; remote control apparatus; optical fibers (light conducting filaments); fire extinguishers; radiological apparatus for industrial purposes; protection devices for personal use against accidents; computer software applications, downloadable; encoded key cards; computer hardware; computers; computer peripheral devi-

ces; magnetic data media; microprocessors; monitors (computer hardware); electronic publications, downloadable; printers for use with computers; scanners (data processing equipment); pocket calculators; automated teller machines (ATM); money counting and sorting machines; cheque data storage devices.

36 – Electronic funds transfer; debit card services; financing services; financial information; financial consultancy; issuance of credit cards; credit card services; rent collection; banking; financial information investigation concerning credit cards; financial evaluation (insurance, banking, real estate); exchanging money; jewelry appraisal; brokerage; charitable fund raising; pawnbrokerage; insurance underwriting; providing financial information via a web site; insurance brokerage; issuing of travellers' cheques; cheque verification; online banking.

(260) AM 2018 94252 A

(800) 1365294

(151) 2017 06 08

(891) 2017 06 08

(731) KRKA, tovarna zdravil, d.d. Novo mesto  
Šmarješka cesta 6, SI-8000 Novo mesto,  
Slovenia

(540)

**LAMEGO**

(591) Black, white

(511)

5 – Pharmaceutical preparations.

(260) AM 2018 94272 A

(800) 680389

(151) 1997 08 21

(891) 2017 08 22

(731) Joh. Winklhofer Beteiligungs GmbH & Co.  
KG

Albert-Roßhaupter-Str. 53 81369 München,  
Germany

(540)



**EUROCHAIN**

(591) Black, white

(531) 27.05.01; 27.05.22

(511)

7 – Chains for use in industry, namely chains of all kinds as well as conveyor chains; parts of the chains mentioned above.

12 – Chains, particularly roller chains, bush chains and toothed chains for motor vehicles and car engines, for motorcycles and their motors and for bicycles; parts of the chains mentioned above.

(260) AM 2018 94274 A  
 (800) 1365503  
 (151) 2017 04 07  
 (891) 2017 04 07  
 (731) Eagle Investment SICAV plc, acting on behalf of ITT FUND  
 Alpine House, Naxxar Road SGN 9032  
 San Gwann, Malta

(540)



(591) Shades of red, shades of yellow, shades of blue, shades of grey, black and shades of orange

(531) 13.01.25; 15.01.25; 27.05.03; 27.05.12; 29.01.15

(511)

9 – Games software; software programs for video games; interactive video game programs; cartridges for computer games; cartridges for video games; software; educational software; application software; community software; computer telephony software; interactive computer software; communication software; programs for computers; electronic components for gambling machines; games cartridges for use with electronic games apparatus; coin-operated musical automata; automated teller machines.

28 – Games; sports games; manipulative games; mechanical games; musical games; electronic games; parlor games; board games; quiz games; apparatus for games; arcade games; skill and action games; electronic hand-held game units; handheld computer games; lottery wheels; lottery tickets; slot machines; automatic gaming machines; coin-operated amusement machines; bill-operated gaming equipment; LCD game machines; counters for games; amusement apparatus for use in arcades; arcade game machines.

41 – Gambling; operating lotteries; prize draws; organising and conducting lotteries; games equipment rental; casino services; providing casino facilities; leasing of casino games; providing of casino and gaming facilities; casino, gaming and gambling services; providing amusement arcade services; video arcade services.

(260) AM 2018 94275 A  
 (800) 1365551  
 (151) 2017 02 21  
 (891) 2017 02 21

(731) ÖMER TURHAN  
 Kranenbruch 4, 41366 Schwalmtal, Germany

(540)



(591) Red

(531) 27.05.17; 27.05.22; 29.01.01

(511)

30 – Coffee, tea, cocoa and artificial coffee; rice; tapioca and sago; flour, preparations made from cereals; bread, pastry and confectionery; ices; sugar, honey, treacle; yeast, baking-powder; salt, vinegar, sauces (condiments); spices; ice.

35 – Advertising; business management; business administration; office functions.

43 – Services for providing food and drink; temporary accommodation.

(260) AM 2018 94276 A  
 (800) 1365538  
 (151) 2017 02 23  
 (891) 2017 02 23  
 (731) ZHONGSHAN HONGXU DAILY PRODUCTS CO., LTD.  
 NO.148-152, GUANGCHENG ROAD, JIXI, XIAOLAN TOWN, ZHONGSHAN CITY  
 GUANGDONG PROVINCE, China

(540)



(591) Black, white

(531) 26.11.03; 26.11.13; 26.13.25; 27.05.01; 27.05.08

(511)

9 – Protection devices for personal use against accidents; protective helmets; gloves for protection against accidents; protective masks; protective helmets for sports; shoes for protection against accidents, irradiation and fire; eyeglasses; children's helmets.

25 – Clothing; motorists' clothing; motorcyclists' clothing; cyclists' clothing; shoes; boots; cyclists' shoes; motorcyclists' shoes; ski boots; ski gloves; gloves [clothing]; raincoat.

28 – Games; toys; golf bags, with or without wheels; body-building apparatus; machines for physical

exercises; gloves for games; protective paddings [parts of sports suits]; knee guards [sports articles]; sport girdle; skating boots with skates attached.

(260) AM 2018 94277 A

(800) 1051843

(151) 2010 08 02

(891) 2017 10 01

(731) SCHARPER S.P.A.

Via Manzoni, 45, I-20121 MILANO (MI),  
Italy

(540)

## SPASMOVAX

(591) Black, white

(511)

5 – Pharmaceutical and veterinary preparations; sanitary preparations for medical purposes; dietetic substances adapted for medical use, food for babies; plasters, materials for dressings; material for stopping teeth, dental wax; disinfectants; preparations for destroying vermin; fungicides, herbicides.

(260) AM 2018 94279 A

(800) 1365573

(151) 2016 12 30

(891) 2016 12 30

(731) PİM-MAK-SAN İŞ MAKİNELERİ  
OTOMOTİV İNŞAAT NAKLİYAT TURİZM  
SANAYİ VE TİCARET LİMİTED ŞİRKETİ  
1207.Sokak No:3 Ostim Yenimahalle,  
TR-06374 Ankara, Turkey

(540)



(591) Yellow, black and white.

(531) 26.11.01; 26.11.12; 29.01.12

(526) ®

(511)

7 – Machines, machine tools and industrial robots for processing and shaping wood, metals, glass, plastics and minerals, 3D printers; construction machines and robotic mechanisms (machines) for use in construction, bulldozers, diggers (machines), excavators, road construction and road paving machines, drilling machines, rock drilling machines, road sweeping machines; lifting, loading and transmission machines and robotic mechanisms (machines) for lifting, loading and transmission purposes: elevators, escalators and cranes; machines and robotic mechanisms (machines) for use in agriculture and animal breeding, machines and robotic mechanisms (machines) for processing cereals, fruits, vegetables and food; engines and motors, other than for land

vehicles, parts and fittings therefor, hydraulic and pneumatic controls for engines and motors, brakes other than for vehicles, brake linings for engines, crankshafts, transmission gears for machines, cylinders for engines, pistons for engines, turbines, not for land vehicles, filters for engines and motors, oil, air and fuel filters for land vehicle engines, exhausts for land vehicle engines, exhaust manifolds for land vehicle engines, engine cylinders for land vehicles, engine cylinder heads for land vehicles, pistons for land vehicle engines, carburetors for land vehicles, fuel conversion apparatus for land vehicle engines, injectors for land vehicle engines, fuel economisers for land vehicle engines, pumps for land vehicle engines, valves for land vehicle engines, starter motors for land vehicles, dynamos for land vehicle engines, sparking plugs for land vehicle engines; bearings (parts of machines), roller or ball bearings; machines for mounting and detaching tires; alternators, current generators, electric generators, current generators operated with solar energy; painting machines, automatic spray guns for paint, electric, hydraulic and pneumatic punching machines and guns, electric adhesive tape dispensers (machines), electric guns for compressed gas or liquid spraying machines, electric hand drills, electric hand saws, electric jigsaw machines, spiral machines, compressed air machines, compressors (machines), vehicle washing installations, robotic mechanisms (machines) with the abovementioned functions; electric and gas-operated welding apparatus, electric arc welding apparatus, electric soldering apparatus, electric arc cutting apparatus, electrodes for welding machines, Industrial robots (machines) with the abovementioned functions; printing machines; packaging machines, filling, plugging and sealing machines, labellers (machines), sorting machines, industrial robots (machines) with the abovementioned functions, electric packing machines for plugging and sealing of plastics; machines for textile processing, sewing machines, industrial robots (machines) with the abovementioned functions; pumps [machines], self-regulating fuel pumps; electric kitchen machines for chopping, grinding, crushing, mixing and mincing foodstuff, washing machines, laundry washing machines, dishwashers, spin driers (not heated), electric cleaning machines for cleaning floors, carpets or floorings, vacuum cleaners and parts thereof; automatic vending machines; galvanizing and electroplating machines; electric door openers and closers; joints (parts of engines); connecting rods for machines, motors and engines; brake segments other than for vehicles; piston segments; bearings for transmission shafts, being parts of machines; guides for machines; mechanical seals [machine parts]; metal engine gaskets for vehicles; non-metal engine gasket for vehicles; bushings for use as parts of machines; machine parts, namely, bearings and bushings; pumps as parts of machines, motors and engines; gear motors not for

land vehicles; air filters for gear drives; filters for motors and engines; planetary gear motors; valves being parts of machines; valves as machine components; brake linings for machines; brake pads other than for vehicles; brake segments other than for vehicles; brakes for machines; disc brakes for machines; universal joints [Cardan joints].

12 – Automobiles, trucks, buses, tow trucks, tractors, refrigerated vehicles, namely, trailers, trucks, concrete mixing and transporting vehicles, military vehicles for transport purposes, namely, boats, automobiles; ambulances, watering trucks, hose trucks, sports cars, motorized golf carts, garbage trucks, mobile funeral service vehicles, namely, hearses; trailers for transporting mobile kitchens, forklifts, namely, fork lift trucks, sewage trucks, automobile engines, automobile chassis, axles for land vehicles; automobile parts, namely, axletrees, connecting rods for land vehicles other than parts of motors and engines; transmissions gearboxes, clutches for land vehicles; motors for land vehicles; jet engines for use with land vehicles, transmission chains for land vehicles, gears for vehicles, land vehicle tires, wheel rims for vehicles, connecting pushrods for land vehicles, not being engine parts; automobile bodies, automobile bumpers, land vehicle doors, automobile hoods, automobile fenders, vehicle parts, namely shock absorbers; hydraulic, pneumatic, electric or mechanical suspension springs for motorcars, vehicle parts, namely cylinders and parts, namely, springs for shock absorbers for motor cars, brake cylinders; brakes for land vehicles, brake linings and shoes for land vehicles, fuel tanks for vehicles, namely, land vehicles, automobiles; bicycles and their bodies; handlebars and mudguards for bicycles; vehicle bodies; tipping bodies for trucks; trailers for tractors; frigorific bodies for land vehicles; trailer hitches for vehicles; vehicle seats; headrests for vehicle seats; safety seats for children, for vehicles; seat covers for vehicles; vehicle covers (shaped); sun-blinds adapted for vehicles; direction signals and arms for direction signals for vehicles; windscreen wipers and wiper arms for vehicles; inner and outer tires for vehicle wheels; tubeless tires; tire-fixing sets comprised of tire patches and tire valves for vehicles; windows for vehicles, safety windows for vehicles, rearview mirrors and wing mirrors for vehicles; anti-skid chains for vehicles; luggage carriers for vehicles; bicycle and ski carriers for cars; saddles for bicycles or motorcycles; air pumps for vehicles, for inflating tires; anti-theft alarms for vehicles, horns for vehicles; safety belts for vehicle seats, air bags (safety devices for automobiles); baby carriages, wheelchairs, pushchairs; wheelbarrows; shopping carts; single or multi-wheeled wheelbarrows; shopping trolleys; grocery carts; handling carts; rail vehicles; locomotives; trains; trams; waggons; cable cars; chairlifts; vehicles for locomotion by water and their parts, other than their

motors and engines; vehicles for locomotion by air and their parts, other than their motors and engines; brake segments for vehicles; lug nuts for vehicle wheels; automotive parts, namely, transmission seals; parts of motorcycles, namely, fork seals; axle bearings for land vehicles; land vehicle parts, namely, differentials; gear boxes for land vehicles; gear shifts; gear wheels for land vehicles; vehicle wheel hubs; cardan shaft for vehicles; shaft couplings for land vehicles; transmission shafts for land vehicles; brake discs; electric power steering system for land vehicles operated with steering torque sensors.

---

(260) AM 2018 94280 A  
 (800) 1070321  
 (151) 2011 02 09  
 (891) 2017 09 07  
 (731) Merck KGaA  
 Frankfurter Str. 250, 64293 Darmstadt,  
 Germany  
 (540)

## Acaroid

(591) Black, white  
 (511)  
 5 – Pharmaceutical and veterinary preparations; sanitary preparations for medical purposes; dietetic substances adapted for medical use.

---

(260) AM 2018 94281 A  
 (800) 1159316  
 (151) 2013 04 16  
 (891) 2017 07 12  
 (731) CONTINENTAL MATADOR RUBBER S.R.O.  
 Terézie Vansovej 1054, SK-020 01 Púchov,  
 Slovakia  
 (540)

## NORDICCA

(591) Black, white  
 (511)  
 12 – Tires.

---

(260) AM 2018 94282 A  
 (800) 1160473  
 (151) 2013 04 30  
 (891) 2017 07 12  
 (731) CONTINENTAL MATADOR RUBBER S.R.O.  
 Terézie Vansovej 1054, SK-020 01 Púchov,  
 Slovakia  
 (540)

## SIBIR

(591) Black, white  
 (511)  
 12 – Tires.

(260) AM 2018 94285 A  
 (800) 1365624  
 (151) 2017 07 12  
 (891) 2017 07 12  
 (731) XINGYUAN TIRE GROUP CO., LTD.  
 Xishui Industrial Zone, Dongying Shandong,  
 China

(540)  
**AMBERSTONE**

(591) Black, white  
 (531) 27.05.17  
 (511)  
 12 – Inner tubes for vehicles; vehicle tires; treads for vehicles, namely, roller belts; casings for pneumatic tires; treads for retreading tires; pneumatic tires; solid tires for vehicles; automobile tires; adhesive rubber patches for repairing inner tubes; repair outfits for inner tubes.

(260) AM 2018 94286 A  
 (800) 1365625  
 (151) 2017 07 12  
 (891) 2017 07 12  
 (731) XINGYUAN TIRE GROUP CO., LTD.  
 Xishui Industrial Zone, Dongying Shandong,  
 China

(540)  
**ANNAITE**

(591) Black, white  
 (531) 27.05.17  
 (511)  
 12 – Inner tubes for vehicles; vehicle tires; treads for vehicles, namely, roller belts; casings for pneumatic tires; treads for retreading tires; pneumatic tires; solid tires for vehicles; automobile tires; adhesive rubber patches for repairing inner tubes; repair outfits for inner tubes.

(260) AM 2018 94287 A  
 (800) 1365626  
 (151) 2017 07 12  
 (891) 2017 07 12  
 (731) XINGYUAN TIRE GROUP CO., LTD.  
 Xishui Industrial Zone, Dongying Shandong,  
 China

(540)  
**强威**  
**QIANGWEI**

(591) Black, white  
 (531) 27.05.01; 28.03  
 (511)  
 12 – Tires for vehicles; vehicle tires; inner tubes for vehicles; tires for bicycles; automobile tires; tires for


steamboat; treads for vehicles, namely, roller belts; casings for pneumatic tires; spikes for tires [tyres]; inner tubes for bicycles, tricycles.

(260) AM 2018 94288 A  
 (800) 1365673  
 (151) 2017 07 25  
 (891) 2017 07 25  
 (731) APPLE INC.  
 1 Infinite Loop, Cupertino CA 95014, USA

(540)  
**IMAC PRO**

(591) Black, white  
 (531) 27.05.17  
 (511)  
 9 – Computers; computer hardware; computer peripheral devices; computer keyboards; computer mice; sound recording and reproducing apparatus; audio speakers sold as component features of computers; cameras sold as component features of computers; microphones sold as component features of computers; data storage apparatus; electrical and electronic connectors, wires, cables, chargers, and adapters for use with computers.

(260) AM 2018 94290 A  
 (800) 1365694  
 (151) 2017 07 12  
 (891) 2017 07 12  
 (731) XINGYUAN TIRE GROUP CO., LTD.  
 Xishui Industrial Zone, Dongying, Shandong,  
 China

(540)  


(591) Black, white  
 (531) 26.01.02; 26.11.03; 26.11.12; 27.05.02;  
 27.05.25; 28.03  
 (511)  
 12 – Vehicles tires; car tires; inner tubes for vehicles; tires for vehicles; pneumatic tires; automobile tires; casings for pneumatic tires; treads for tractor type vehicles; treads for retreading tires; solid tires for vehicles.

(260) AM 2018 94291 A  
 (800) 1365736  
 (151) 2017 02 21

(891) 2017 02 21  
 (731) MASTER FOODEH FOOD INDUSTRIES  
 CO.  
 No.54, 29th Alley, Asad Abadi st., Yousef  
 Abad Tehran, Iran (Islamic Republic of)

(540)  
**Nature Dent**

نیچر دنت

(591) Black and white  
 (531) 27.05.01; 27.05.17; 28.01  
 (511)  
 5 – Chewing gum for medical purposes, chewing  
 gum containing medical substances to quit smoking.  
 30 – Chewing gum.

(260) AM 2018 94292 A  
 (800) 1365735  
 (151) 2017 02 01  
 (891) 2017 02 01  
 (731) QUANZHOU TIANQIN BAGS CO., LTD.  
 Xunmei Industrial area Chengdong Street,  
 Fengze District Quanzhou City 362000  
 Fujian Province, China

(540)  
**TINYAT**

(591) Black, white  
 (531) 27.05.01; 27.05.17  
 (511)  
 18 – Game bags (hunting tool) (terms considered too  
 vague by the International Bureau – rule 13(2)(b) of  
 the Common Regulations); school bags; back packs;  
 shopping bags; travelling bags; bags for sports; bri-  
 efcases; imitation leather; umbrellas; horse feed bags  
 (bags of fodder).

(260) AM 2018 94293 A  
 (800) 1365744  
 (151) 2017 03 14  
 (891) 2017 03 14  
 (731) KEMPINSKI AG  
 Maximilianstrasse 17 80539 München,  
 Germany

(540)  
**Lady in Red**

(591) Black and white  
 (511)  
 43 – Services for providing food and drink; tempo-  
 rary accommodation; provision of hotel, resort hotel

accommodation and restaurant services; provision of  
 event facilities, temporary office and meeting facili-  
 ties; reservation services for hotel accommodation  
 and other accommodation; provision of hospitality  
 services.

(260) AM 2018 94295 A  
 (800) 1365751  
 (151) 2017 03 22  
 (891) 2017 03 22  
 (731) "KONTI-RUS" JOINT STOCK COMPANY  
 ul. Zolotaia, 13 RU-305000 Kursk, Russian  
 Federation

(540)



(591) Black and white  
 (531) 03.04.02; 03.04.24; 03.04.25; 19.01.04  
 (511)  
 30 – Waffles; fruit jellies [confectionery]; pastries;  
 peanut confectionery; caramels [candy]; confection-  
 ery; sweetmeats [candy]; candy; marzipan; dessert  
 mousses [confectionery]; chocolate mousses; choco-  
 late-coated nuts; biscuits; petit-beurre biscuits; ca-  
 kes; fondants [confectionery]; pralines; gingerbread;  
 halvah; chocolate.

(260) AM 2018 94307 A  
 (800) 321778  
 (151) 1966 09 26  
 (891) 2017 07 18  
 (731) HEDOGA AG  
 Oberdorf 4 CH-9055 Bühler, Switzerland

(540)

**OSANIT**

(591) Black and white  
 (511)  
 3 – Perfumery, aromatic substances, essential oils,  
 soaps, cosmetic preparations.  
 5 – Pharmaceutical products of all types, pharmaceu-  
 tical drugs, sanitary preparations, dietetic products.  
 21 – Toilet utensils.

(260) AM 2018 94308 A  
 (800) 506510  
 (151) 1986 10 09

(891) 2017 09 07  
 (731) MERCK KGAA  
 Frankfurter Str. 250 64293 Darmstadt,  
 Germany  
 (540)

## Allergovit

(591) Black and white  
 (511)  
 5 – Pharmaceutical, veterinary and sanitary products; plasters, materials for dressings.

(260) AM 2018 94354 A  
 (800) 1367150  
 (151) 2017 07 12  
 (891) 2017 07 12  
 (731) E. REMY MARTIN & Co  
 20 rue de la Société Vinicole,  
 F-16100\Cognac, France  
 (540)

## ST-RÉMY

(591) Black, white  
 (531) 27.05.01  
 (511)  
 33 – Brandy.

(260) AM 2018 94355 A  
 (800) 1367213  
 (151) 2017 05 04  
 (891) 2017 05 04  
 (731) ADIUVO INVESTMENTS SPÓŁKA  
 AKCYJNA  
 Słomińskiego 15/509, PL-00-195 Warszawa,  
 Poland  
 (540)



(591) Grey (Pantone 423C), dark green (Pantone 377C) and light green (Pantone 375C).  
 (531) 01.15.23; 26.11.12; 29.01.13  
 (511)  
 5 – Nutraceuticals for use as a dietary supplement; food supplements; dietetic foodstuffs adapted for medical use; pharmaceutical sweets; pharmaceutical preparations; medicinal drinks; dietetic beverages adapted for medical purposes; beverages adapted for medicinal purposes; food for diabetics.

(260) AM 2018 94357 A  
 (800) 1367218  
 (151) 2017 06 28  
 (891) 2017 06 28

(731) "ANVILAB" Company Limited  
 Festivalnaya str. 10, Sergiev Posad, Urban  
 settlement Sergiev Posad, Sergiev-Posad  
 municipal district, RU-141302 Moscow  
 Region, Russian Federation

(540)  


(591) Black, white  
 (511)  
 5 – Amino acids for medical purposes; analgesics; anaesthetics; antibiotics; antiseptics; medicine cases, portable, filled; first-aid boxes, filled; germicides; balms for medical purposes; biocides; bromine for pharmaceutical purposes; vaccines; dietetic substances adapted for medical use; mineral food supplements; Nutritional supplements for medical purposes; capsules for medicines; cachets for pharmaceutical purposes; hemostatic pencils; acids for pharmaceutical purposes; candy, medicated; candy for medical purposes; adhesive plasters; lotions for pharmaceutical purposes; liniments; ointments for pharmaceutical purposes; medicinal oils; medicines for human purposes; medicinal drinks; dietetic beverages adapted for medical purposes; medicinal infusions; tinctures for medical purposes; pastilles for pharmaceutical purposes; compresses; pomades for medical purposes; vitamin preparations; bath preparations for medical purposes; sterilising preparations; pharmaceutical preparations for skin care; pharmaceutical preparations; chemico-pharmaceutical preparations; dietetic foods adapted for medical purposes; chewing gum for medical purposes; tissues impregnated with pharmaceutical lotions; suppositories; syrups for pharmaceutical purposes; greases for medical purposes; soporifics; salts for medical purposes; adjuvants for medical purposes; styp-tic preparations; febrifuges; sedatives; depurateves; tonics [medicines]; nervines; serums.

(260) AM 2018 94365 A  
 (800) 1367220  
 (151) 2017 07 04  
 (891) 2017 07 04  
 (731) Joint Stock Company "YASNAYA  
 POLYANA"  
 Odoyevskoye shosse, 83, RU-300036 g. Tula,  
 Russian Federation

(540)  


(591) Black, white  
 (511)  
 30 – Crackers; boiled sweets; sweetmeats [candy]; chocolate; pralines; gingerbread; cookies; bread rolls; malt biscuits; waffles; confectionery.

(260) AM 2018 94368 A

(800) 1367251

(151) 2017 07 21

(891) 2017 07 21

(731) Open-Type Joint Stock Company

"CONFECTIONARY CONCERN  
BABAYEVSKY"

ul. Malaya Krasnoselskaya, d. 7, RU-107140  
Moscow, Russian Federation

(540)

**ШАЛУНЬЯ**

(591) Black, white

(511)

30 – Confectionery.

(260) AM 2018 94369 A

(800) 1367252

(151) 2017 07 21

(891) 2017 07 21

(731) Open-Type Joint Stock Company

"ROT FRONT"

2-oy Novokuznetskiy pereulok, d. 13/15B  
RU-113184 Moscow, Russian Federation

(540)

**БУРАТИНО**

(591) Black, white

(511)

30 – Coffee; tea; cocoa; rice; sugar; tapioca; artificial coffee; flour and preparations made from cereals; confectionery; ice cream; honey; sugar, honey, treacle; yeast, baking-powder; salt; mustard; vinegar; sauces [condiments]; spices; edible ices.

(260) AM 2018 94370 A

(800) 1367253

(151) 2017 07 21

(891) 2017 07 21

(731) Open-Type Joint Stock Company

"ROT FRONT"

2-oy Novokuznetskiy pereulok, d. 13/15,  
RU-113184 Moscow, Russian Federation

(540)

**ПИЛОТ**

(591) Black, white

(511)

30 – Coffee; tea; cocoa; rice; sugar; tapioca; artificial coffee; flour and preparations made from cereals; bread, pastries and confectionery; ice cream; honey; sugar, honey, treacle; yeast, baking-powder; salt; mustard; vinegar; sauces [condiments]; spices; edible ices.

(260) AM 2018 94373 A

(800) 1366566

(151) 2017 07 28

(891) 2017 07 28

(731) AMERICAN AIR FILTER COMPANY, INC.

Suite 2200, 9920 Corporate Campus Drive,  
Louisville KY 40223, USA

(540)

**EXPERIENCE THE CLEAN AIR  
DIFFERENCE**

(591) Black, white

(531) 27.05.15

(511)

11 – Air filters for agricultural facilities and installations; air filters for commercial facilities and installations; air filters for industrial facilities and installations; air filters for power generation facilities and installations; air filters for residential facilities and installations; air filtration machines for agricultural, commercial, industrial, power generation, and residential facilities and installations; air pollution control equipment, apparatus, and installations for commercial and industrial use in commercial and industrial installations, namely, cartridge dust collectors in the nature of filter cartridges for industrial dust collection systems for use in pulse-jet cleaning, cartridge air filters for industrial installations, air filters for industrial installations that use fabric bags to collect dust, baghouse air filters for industrial installations that use fabric to filter air, mist collectors in the nature of air purifiers for the cleaning and purification of air, mist collectors in the nature of gas purification machines for the cleaning and purification of gases, collectors in the nature of air purifiers for capturing oil mist generated by industrial operations for the cleaning and purification of air, collectors in the nature of gas purification machines for capturing oil mist generated by industrial operations for the cleaning and purification of gases, side access filter housings specially adapted for use with air purifiers and gas purification machines, filter housings specially adapted for use with air purifiers and gas purification machines, replacement cartridge air filters for industrial installations, replacement air filter cartridges for industrial installations, replacement air filter bags for industrial installations, replacement fabric air filters for industrial installations and replacement air filters for industrial installations; filters and filtering media for industrial and commercial use in the purification of air and other industrial fluids, namely, air filters and filtering media for industrial installations; air filters for residential and commercial uses, namely, air filters for domestic use and industrial installations; filters and filtering media for removal of contaminant gases and particulates for industrial, agricultural and commercial purposes, namely, air filters and filtering media for industrial, agricultural and commercial installations; air filtering installations; air filters for domestic use; Industrial air filter machines; air filters for industrial and domestic installations; air cleaning housings, name-



ly, housings containing air handling units, air filtration units, air scrubber units and combinations thereof; environmental control systems, namely, air filtration systems comprising filters, filter housings, test housing, housing transitions, isolation dampers, fans and parts therefor.

(260) AM 2018 94374 A

(800) 1366605

(151) 2017 05 23

(891) 2017 05 23

(731) Limited Liability Company "BUNGE CIS"  
ul. Kozhevnickeskaya, 14, bld. 2 RU-115114  
Moscow, Russian Federation

(540)

**ЗАБАВА**

(591) Black, white

(531) 28.05

(511)

29 – Peanut butter; coconut oil for food; coconut butter; corn oil for food; sesame oil for food; vegetable oils for food; olive oil for food; palm oil for food; palm kernel oil for food; sunflower oil for food; rape oil for food; colza oil for food.

(260) AM 2018 94375 A

(800) 1366615

(151) 2017 07 22

(891) 2017 07 22

(731) JÜRGEN HRUSCHKA  
Kunigundenstrasse 49, 80805 München,  
Germany

(540)

**Necton**

(591) Black, white

(511)

12 – Vehicles, in particular motor vehicles and electric vehicles; apparatus for locomotion by land, air or water; engines for land vehicles; parts for motor vehicles and electric vehicles, as far as included in International Class 12.

(260) AM 2018 94376 A

(800) 1366651

(151) 2017 08 04

(891) 2017 08 04

(731) DR. THEISS NATURWAREN GMBH  
Michelinstr.10, 66424 Homburg, Germany

(540)



(591) Green and white

(531) 26.04.02; 26.04.05; 26.04.22; 26.04.24;  
27.05.10; 27.05.17; 27.05.24; 29.01.12

(511)

3 – Soaps; perfumery; essential oils; cosmetics; hair lotions; dentifrices.

5 – Pharmaceutical and veterinary preparations; sanitary preparations for medical purposes; dietetic substances adapted for medical use; plasters, materials for dressings.

(260) AM 2018 94377 A

(800) 1366036

(151) 2017 01 25

(891) 2017 01 25

(731) EDISON S.p.A.

Foro Buonaparte, 31 I-20121 MILANO, Italy

(540)

**EDISON**

(591) Black and white

(511)

7 – Alternators; exhausters, belts for motors and engines, bicycle dynamos, mixing machines, air compressors, machines for the compression, exhaustion and blowing of gas, centrifugal machines, power operated saws, motorised excavators, cutters, punching machines, apparatus for welding; extractors for mines, fuel pumps, fuel conversion pumps, fuel savers, gasifiers, belts for machines, bulldozers; centrifuges (machines); coalcutting machines; concrete mixers [machines]; condensing installations; control cables for machines, engines or motors; materials handling machines; crushing machines; notchers; derricks; drainage machines; drilling machines; dynamos; earth moving machines; electric hammers; elevator belts; elevators [lifts]; motors and engines (except for land vehicles); excavators; extractors for mines; filtering machines; foundry machines; fuel conversion apparatus for internal combustion engines; compressors for the compression, exhaustion and transport of gases; generators (current -); electrical generators; mincing machines; high pressure washers; hydraulic engines and motors; hydraulic turbines; ignition magnetos; machine tools; metal-working machines; milling machines; mine borders; molding machines; oil refining machines; ore treating machines; pneumatic hammers; machine presses; propulsion mechanisms other than for land vehicles; pulleys (parts of machines); pumps; robots (machines); roller bearings; separators; sewage pulverisers; steam/oil separators; stone working machines; transmission chains other than for land vehicles; pneumatic tube conveyors; hydraulic turbines; turbo-compressors; valves (parts of machines); compacting machines for waste; waste shredders; electrical generators using solar cells.

9 – Solar panels.

11 – Solar collectors for heating, heat accumulators, steam accumulators, atomic piles, nuclear reactors, autoclaves, electric pressure cooking saucepans, bath installations, bread-making machines; burners, flues, chromatography apparatus for industrial purposes, electric coffee makers, coffee filters, gas condensers, chilling apparatus and installations, apparatus for dehydrating food waste, desalination installations, extermination apparatus, distillation apparatus, drying devices, fuel economisers, heating apparatus and installations, fans for air conditioning, bathroom accessories, domestic fireplaces, flues, freezers; furnaces, not for laboratory use; gas boilers, heat pumps, humidifiers, hydrants, hydromassage apparatus, ice boxes, incinerators, ionisation apparatus for the treatment of air, dryers, boilers; treatment installations for fuel and nuclear material' installations for the processing of nuclear fuel and nuclear material; installations for the purification of waste water; electric radiators, refining towers for distillation, refrigerating apparatus and machines, refrigerators, heat regenerators, roasters, safety accessories' for water or gas apparatus and tubes, showers, washbasins, solar furnaces, solar thermal collectors for heating, steam boilers, installations for steam generating, sterilisers, stoves, installations for ventilating and air conditioning, taps (faucets), thermostat valves (parts of heating installations), toilets (water closets), projectors, thermal solar panels for heating, water conduits and installations, water distribution installations; water filtration apparatus, apparatus for water suction, regulating accessories for water or gas apparatus and pipes, safety accessories for water or gas apparatus and pipes, water purification installations, watering machines and for agricultural purposes, pipes and tubes for sanitary installations, thermal solar panels.

16 – Paper, cardboard and goods made from these materials, not included in other classes; printed matter; bookbinding material; photographs; stationery; adhesives for stationery or household purposes; artists' materials; paint brushes; typewriters and office requisites (except furniture); instructional and teaching material (except apparatus); printers' type; printing blocks.

35 – Import-export agencies in the field of energy; management support and consultancy in the energy sector.

36 – Insurance; financial affairs; monetary affairs; real estate affairs in relation to industrial installations.

41 – Education; organization of conferences as well as of seminars, workshops; providing recreation services; sporting and cultural activities.

42 – Research in the field of construction, repair and installation of industrial installations for the generation and distribution of electrical energy and of industrial installations for extraction, refinement and

distribution of fuels; prospecting for hydrocarbons, gas, petroleum and water.

(260) AM 2018 94381 A

(800) 1366128

(151) 2016 11 08

(891) 2016 11 08

(731) ENGELHART CTP HOLDING (UK)  
LIMITED

Berkeley Square House, 4-19 Berkeley  
Square London W1J 6BR, United Kingdom

(540)

## ECTP

(591) Black and white

(511)

35 – Purchasing and marketing of all commodities including chemicals, resins, plastics, adhesives, minerals, natural elements, oils, crude oil, fuels, coal, coke, gases, metals, base metals, alloys, cables, ores, fossilized carbon for others; business intermediary services in the field of selling of chemicals, resins, plastics, adhesives, minerals, natural elements, oils, crude oil, fuels, coal, coke, gases, metals, base metals, alloys, cables, ores, fossilized carbon, all being tradable commodities; purchasing and marketing of all commodities including precious metals and their alloys, precious stones, ropes, string, raw fibrous textile materials, raw cotton, goods made of textiles and fibres, raw textile fibres and substitutes, food, drinks, flavourings, grains, agricultural, horticultural and forestry products, fresh fruits and vegetables, seeds, natural plants and flowers for others; business intermediary services in the field of selling of precious metals and their alloys, precious stones, ropes, string, raw fibrous textile materials, raw cotton, goods made of textiles and fibres, raw textile fibres and substitutes, food, drinks, flavourings, grains, agricultural, horticultural and forestry products, fresh fruits and vegetables, seeds, natural plants and flowers, all being tradable commodities; business information, consultancy and advisory services relating to the aforesaid services; collecting and systematic ordering of information and data in computer databases; maintenance of data in computer databases; arranging commercial transactions, for others; arranging of contracts, for others, for the purchase and sale of goods and energy; arranging of contracts, for others, for the providing of services; business consulting services in the commodities field; preparation of business reports; commercial trading and consumer information services; business assistance, analysis, management and administrative services; business research services.

36 – Trading physical commodities; trading financial commodities; financial services; equity and bond trading; futures and options trading; derivatives trading; financial risk management and hedging; finan-

cial asset management; securities trade execution services; clearing services; asset management; providing financial information for prices, price ranges, volume data, and other market data on commodity contracts, equities, bonds and other assets; financial information services; automated trading of commodities; financial information management and financial analysis services; exchange and/or clearing services; provision of pricing information relating to commodities, futures and indices; trade matching and clearing services; financial services to balance demand and supply of electricity and gas to ensure the security and quality of supply; guarantee services; insurance services; electronic trading of commodities; brokerage services; dealing services; financing services; banking services; advisory services relating to the above; financial reports; carbon offset trading; environmental commodity trading; information, consultancy and advisory services relating to the aforesaid services.

39 – Storage of goods; consultation services related to distribution of commodities, namely electricity, gas, LNG, crude oil, refined fuel and gas providing fuel, energy, water and heat; commodity supply services for others in the nature of storage of commodities; transporting, storage and handling of goods; distributing of commodities, namely electricity, gas, LNG, crude oil, refined fuel and gas providing fuel, energy, water and heat; consultation services related to transport and storage of commodities; consultation services related to distribution of commodities, namely electricity, gas, LNG, crude oil, refined fuel and gas providing fuel, energy, water and heat; utility services in the nature of distribution of electricity, gas, LNG, crude oil, refined fuel and gas products and other energy related commodities; provision of warehousing services relating to physical commodities; information, consultancy and advisory services relating to the aforesaid services.

(260) AM 2018 94382 A

(800) 1366140

(151) 2017 01 26

(891) 2017 01 26

(731) Essity Hygiene and Health Aktiebolag  
SE-405 03 Göteborg, Sweden

(540)

## ESSITY

(591) Black and white

(511)

3 – Bleaching preparations; substances for laundry use; detergents; cleaning polishing, scouring and abrasive preparations; skin care products, namely washing creams, cleansing creams, moisturizers, skin lotions, barrier creams, zinc creams, hand-washing substances, soaps, cakes of soap; perfumery, essential oils; bath oils; shampoos and conditioners; hair

gels; after-shave lotions; toothpaste; deodorants; disposable impregnated paper and cotton articles (toilettries) for cleaning, personal sanitary and cosmetic purposes; cotton wool; cotton sticks; cleaning and polishing paper containing cellulose or not.

5 – Disposable paper and cotton articles impregnated with pharmaceutical lotions for cleaning and sanitary purposes; breast nursing pads; disposable diapers; diaper pants; disposable diapers, diaper pants and other absorbent articles; nappy liners; sanitary panty liners; tampons; sanitary napkins (towels) and other absorbent articles for sanitary purposes; ointments; diagnostic agents for pharmaceutical use; wound cleansing set composed of medical cleansers for wounds and wound dressings; plasters, dressings, wound dressings, medical strips, bandages for sanitary purposes (and/or medical purposes).

9 – Computer software in all forms containing information relating to all aspects of health care, personal care, incontinence care and geriatric care; computer software related to the measurement of patterns of urination; apparatus for the transmission of data; data storage devices; data processing equipment and accessories, communication equipment; sensors and detectors; software for analyzing business management and customer services for analyzing traffic and visitor data, consumption and stock levels; software for steering and optimizing operations, software for improvement of quality; software for providing information to customers and staff relating to traffic and visitor data, consumption and stock levels; software in form of apps; computer systems for automatic control of ventilating, air-purifying and air-freshening apparatus and installations, sanitary apparatus and installations, in particular toilets, urinals (sanitary fixtures), wash bowls, hand drying apparatus, towel dispensers, soap dispensers, toilet paper dispensers, aerosol containers; all mentioned except for software for data protection and software applications for data protection.

10 – Orthopedic support dressings and orthopedic bandages and hosiery; medical compression stockings, tights and socks, medical support stockings; casting tapes and bandages for orthopedic purposes; splints for surgical purposes; orthopedic articles; padding material for orthopedic purposes (included in this class); draw-sheets for sick beds.

16 – Paper; paper wipes containing cellulose or not, for wiping dry; paper products for household, hygienic, sanitary and cosmetic purposes, namely, tissue paper, kitchen rolls, toilet paper, paper handkerchiefs, cellulose wipes, paper hand towels, paper napkins, paper serviettes, paper washcloths, paper towels, paper tissues, babies bibs of paper, face towels of paper, facial tissues of paper; protective covers made of paper, namely bibs of paper, paper pads for changing nappies, paper table cloths; colour

prints, printed emblems, printed patterns, printed paper labels, graphic prints; printing paper, fine paper; writing paper, newsprint, paper for books, newspapers, catalogues, magazines and other printed matters; packagings made of paper or plastic; plastic material for packaging of soaps, degreasing agents, detergents; table linen of paper; absorbent paper.

20 – Non-metallic fixed stands (holders) and dispensers for products made of paper, namely towels, serviettes, kitchen rolls and toilet rolls; bins, bins for disposal of sanitary products.

21 – Household stands (holders), holders, containers and dispensers for paper, paper towels, liquid soap, air fresheners and other household, kitchen and toilet products; cleaning cloths; household and kitchen utensils and containers (not of precious metal or coated therewith).

24 – Woven fabrics and textile goods not included in other classes; bed and table linen, woven and non-woven; bed and table covers, under sheets.

35 – Business information services provided on-line from a computer database or the internet; distribution of samples; systematization of data in databases.

38 – Providing access to a compilation of information from computer databases matter in relation to health care, hygienic care and geriatric care; providing access to a global computer network for the transfer and dissemination of information.

41 – Education; education services relating to personal care, health care and geriatric care; arranging and conducting of educational seminars in relation to personal care, health care and geriatric care.

42 – Industrial analysis and research services in the field of the paper industry including area of paper and cotton products for household, hygienic, sanitary and cosmetic purposes; quality assurance consultancy; advice and analysis relating to improvement of quality in relation to analysis of traffic and visitor data, product consumption and stock levels.

44 – Healthcare; consulting services relating to health; individualised and group healthcare services provided through planning, organizing and monitoring, the aforementioned services also provided online or via the internet; hygienic and beauty care for human beings.

---

(260) AM 2018 94383 A

(800) 1366143

(151) 2017 01 04

(891) 2017 01 04

(731) WILH. WILHELMSSEN HOLDING ASA

Strandveien 20 N-1366 Lysaker, Norway

(540)

**WILHELMSSEN**

(591) Black and white

(511)

36 – Prospecting and conclusion of vessel and freight insurance for ship owners; dealing with monetary shipping formalities relating to customs, port, passport and health services; insurance services; insurance brokerage; insurance agency services; underwriting services (guarantee and insurance services); re-insurance services; loss assessment services; loss adjustment services; debt factoring; customs brokerage, customs clearance of cargo; information and consultancy related to all the aforementioned services.

41 – Education; providing of training; arranging and managing practical training; organizing and managing conferences, seminars, symposia and colloquiums; providing of training in the use and operation of safety equipment and installations; providing of training in the use and operation of gas equipment and installations; safety regulation training; information and consultancy related to all the aforementioned services.

42 – Scientific and technological services and research and development related thereto, including design and analysis; services for water, liquid, gas, chemical and oil analysis, on board ship and/or in laboratory; industrial analysis and research services; engineering services; design and development of computer hardware and software; information and consultancy related to all the aforementioned services.

---

(260) AM 2018 94387 A

(800) 1366233

(151) 2017 04 13

(891) 2017 04 13

(731) YINGCHANG GROUP CO., LTD.

DUQIAO, LINHAI, TAIZHOU CITY

ZHEJIANG, China

(540)

**Latemon**

(591) Black and white

(531) 27.05.01

(511)

9 – Spectacle frames; spectacle cases; spectacle lenses; eyeglass frames; contact lenses; sunglasses; eyeglasses; 3D spectacles; spectacles [optics].

---

(260) AM 2018 94390 A

(800) 1366319

(151) 2017 04 28

(891) 2017 04 28

(731) XIAOMI INC.

Floor 13, Rainbow City Shopping Mall

II of China Resources, NO.68, Qinghe

Middle Street, Haidian District Beijing,  
China

(540)

米家  
mija

(591) Black and white

(531) 27.05.01; 27.05.17; 28.03

(511)

16 – Wood pulp paper; paper tapes and cards for the recordal of computer programmes; towels of paper; advertisement boards of paper or cardboard; pamphlets; figurines [statuettes] of papier mâché; books; photograph stands; wrapping paper / packing paper; bookbinding material; clips for offices / staples for offices; ink; stamp pads; fountain pens; gummed tape [stationery]; drawing instruments; painters' easels; teaching materials [except apparatus]; tailors' chalk; modelling materials.

(260) AM 2018 94391 A

(800) 1366338

(151) 2017 06 15

(891) 2017 06 15

(731) AVINOR FLYSIKRING AS

Postboks 150 N-2061 GARDERMOEN,  
Norway

(540)

**NINOX**

(591) Black and white

(511)

9 – Software and hardware for remotely operated air navigation services and air traffic control services; software and hardware for local flight information and alarm services rendered at a non-controlled landing ground and to aircrafts within the unit's area of responsibility (AFIS).

39 – Air navigation services and air traffic control services; remotely operated air navigation services and air traffic control services (multi and single operation towers); counselling services for remotely operated air navigation services and air traffic control services; operation and infrastructure of remotely operated air navigation and air traffic control services; air navigation services and air traffic control services using camera and sensor technology for transport services; local flight information and alarm services rendered at a non-controlled landing ground and to aircrafts within the unit's area of responsibility (AFIS).

42 – Development and design of software and hardware for remotely operated air navigation services

and air traffic control services; development and design of software and hardware for local flight information and alarm services rendered at a non-controlled landing ground and to aircrafts within the unit's area of responsibility (AFIS).

(260) AM 2018 94392 A

(800) 1366341

(151) 2017 06 28

(891) 2017 06 28

(731) HUAWEI TECHNOLOGIES CO., LTD.

Administration Building Huawei Technologies  
Co., Ltd., Bantian, Longgang District  
Shenzhen, China

(540)

**For The Brave**

(591) Black and white

(531) 27.05.05

(511)

9 – Smartglasses; smartwatches; protective films adapted for computer screens; holograms; wearable activity trackers; covers for smartphones; cases for smartphones; protective films adapted for screens for mobile phones; selfie sticks (hand-held monopods); connected bracelets (measuring instruments); computer keyboards; magnetic encoded identification bracelets; tablet computers; mouse (computer peripheral); protective covers adapted for tablet computers; protective cases adapted for tablet computers; stands for tablet computers; pedometers; network communication equipment; modems; smartphones; routers; electric batteries for mobile phones; covers for telephones; cell phone straps; portable cabinets for loudspeakers; earphones; set-top boxes; digital photo frames; camcorders; sound transmitting apparatus; television apparatus; headphones; portable media players; electric monitoring apparatus; screens for mobile phones; wearable network communication equipment having the functions of answering phone calls, monitoring sleeping quality, recording and managing activities; wearable computers having the functions of answering phone calls, monitoring sleeping quality, recording and managing activities.

(260) AM 2018 94393 A

(800) 1367265

(151) 2017 08 04

(891) 2017 08 04

(731) Joint Stock Company

"YUZHURALKONDITER"

ul. Darvina, d. 12, RU-454087 Chelyabinsk,  
Russian Federation

(540)

**Merendinka kid – biskwit**

(591) Black, white  
(511)  
30 – Sponge cakes; cakes; pastries; cake dough; crackers; marzipan; petits fours [cakes]; cookies.

(260) AM 2018 94395 A  
(800) 1366372  
(151) 2017 06 30  
(891) 2017 06 30  
(731) LYKOS Pharma Ltd  
7, Sir William Reid Street GZR 1039 GZR  
1039 Gzira, Malta  
(540)

## ЭРМУЦИН

(591) Black and white  
(511)  
5 – Pharmaceutical preparations; veterinary preparations; sanitary preparations for medical purposes; dietetic substances adapted for medical use; food for babies; plasters, materials for dressings; material for stopping teeth; dental wax; disinfectants; preparations for destroying vermin; fungicides; herbicides; anti-cough drops; anti-tussive expectorants; compounds for treating correlated pulmonary syndromes; compounds for treating respiratory diseases; cough mixtures; cough pastilles for medical use; cough syrups; decongestants; elixirs for relieving colds; expectorants; inhaled pharmaceutical preparations for the treatment of respiratory diseases and disorders; pharmaceutical cough preparations; pharmaceutical preparations for the prevention of diseases of the respiratory system; pharmaceutical preparations for the prevention of disorders of the respiratory system; pharmaceutical preparations for treating allergic rhinitis; pharmaceutical preparations for treating respiratory diseases; pharmaceutical products for treating respiratory diseases; preparations for treating colds.

(260) AM 2018 94397 A  
(800) 1366412  
(151) 2017 02 15  
(891) 2017 02 15  
(731) SANLAS HOLDING GMBH  
Parkstraße 11 A-8010 Graz, Austria  
(540)



(591) Dark-green and blue  
(531) 05.03.07; 29.01.12  
(511)  
43 – Retirement home services.

44 – Medical clinic services; convalescent home services; nursing home services; sanatorium services.

(260) AM 2018 94404 A  
(800) 1366424  
(151) 2017 06 29  
(891) 2017 06 29  
(731) Otkrytoe aktsionernoe obshestvo  
"OSTANKINSKIY MYASOPERERA-  
BATYVAYUSHIY KOMBINAT"  
Ogorodniy proezd, 18 RU-127254 Moscow,  
Russian Federation  
(540)



(591) Dark red, yellow, dark yellow  
(531) 25.05.25; 26.04.02; 26.04.03; 26.04.04;  
26.04.08; 26.04.18; 26.04.24; 27.05.21;  
29.01.12  
(511)  
29 – Albumen for culinary purposes; albumin milk; alginates for culinary purposes; almonds, ground; animal marrow for food; apple puree; beans, preserved; black pudding; blood sausage; bone oil, edible; bouillon; bouillon concentrates; preparations for making bouillon; broth; broth concentrates; butter; cocoa butter; coconut butter; peanut butter; buttercream; caviar; charcuterie; cheese; fruit chips; potato chips; clams, not live; coconut, desiccated; coconut fat; coconut oil for food; colza oil for food; corn oil; cranberry sauce [compote]; crayfish, not live; cream [dairy products]; whipped cream; croquettes; crustaceans, not live; crystallized fruits; curd; dates; edible birds' nests; non-alcoholic egg nog; eggs; powdered eggs; snail eggs for consumption; fat-containing mixtures for bread slices; fatty substances for the manufacture of edible fats; kimchi [fermented vegetable dish]; milk ferments for culinary purposes; fish fillets; food products made from fish; fish meal for human consumption; fish, not live; fish, preserved; salted fish; fish roe, processed; fish, tinned [canned (am.)]; potato flakes; flaxseed oil for culinary purposes; frosted fruits; frozen fruits; fruit jellies; fruit peel; fruit, preserved; fruit preserved in alcohol; fruit pulp; fruit salads; fruit, stewed; fruit-based snack food; fruits, tinned [canned (am.)]; game, not live; preserved garlic; gherkins; ginger jam; ham; herrings, not live; hummus [chickpea paste]; isinglass for food; jams; jellies for food; vegetable juices for

cooking; kefir [milk beverage]; kephir [milk beverage]; koumiss [kumiss] [milk beverage]; kumys [kumys] [milk beverage]; lard for food; toasted laver; lecithin for culinary purposes; lentils, preserved; linseed oil for culinary purposes; liver; liver pâté; lobsters, not live; spiny lobsters, not live; low-fat potato chips; maize oil for food; margarine; marmalade; meat extracts; meat jellies; meat, preserved; meat, tinned [canned (am.)]; salted meats; milk; milk beverages, milk predominating; milk products; milk shakes; fish mousses; vegetable mousses; mushrooms, preserved; mussels, not live; nuts, prepared; olive oil for food; olives, preserved; onions, preserved; oysters, not live; palm kernel oil for food; palm oil for food; liver pastes; peanuts, prepared; peas, preserved; pectin for culinary purposes; pickles; pollen prepared as foodstuff; pork; potato crisps; potato fritters; poultry, not live; prawns, not live; protein milk; black pudding [blood sausage]; raisins; rape oil for food; rennet; vegetable salads; sardines, not live; sauerkraut; sausages; sausages in batter; sea-cucumbers, not live; seeds, prepared; sunflower seeds, prepared; sesame oil for food; shellfish, not live; shrimps, not live; silkworm chrysalis, for human consumption; preparations for making soup; vegetable soup preparations; soups; soya beans, preserved, for food; soya milk [milk substitute]; suet for food; sunflower oil for food; tahini [sesame seed paste]; tofu; tomato juice for cooking; tomato puree; tripe; truffles, preserved; tuna, not live; vegetables, cooked; vegetables, dried; vegetables, preserved; vegetables, tinned [canned (am.)]; seaweed extracts for food; whey; white of eggs; yolk of eggs.

30 – Allspice; almond confectionery; almond paste; aniseed; aromatic preparations for food; baking powder; baking soda [bicarbonate of soda for cooking purposes]; crushed barley; husked barley; barley meal; bean meal; bee glue; beer vinegar; chocolate-based beverages; cocoa-based beverages; coffee-based beverages; tea-based beverages; bicarbonate of soda for cooking purposes [baking soda]; biscuits; bread; bread rolls; breadcrumbs; cake dough; cake powder; cakes; candy; caramels [candy]; celery salt; cereal preparations; cereal-based snack food; cheeseburgers [sandwiches]; chewing gum; chicory [coffee substitute]; chips [cereal products]; chocolate; chocolate beverages with milk; chow-chow [condiment]; confectionery for decorating Christmas trees; chutneys [condiments]; cinnamon [spice]; cloves [spice]; cocoa beverages with milk; coffee; coffee beverages with milk; coffee flavorings [flavourings]; vegetal preparations for use as coffee substitutes; unroasted coffee; condiments; confectionery; cookies; cooking salt; corn flakes; corn flour; corn meal; corn, milled; corn, roasted; fruit coulis [sauces]; couscous [semolina]; crackers; ice cream; cream of tartar for culinary purposes; curry [spice]; custard; edible ices; essences for foodstuffs, except etheric essences and essential oils; ferments for pastes; mai-

ze flakes; oat flakes; food flavorings, other than essential oils; flavorings, other than essential oils, for beverages; flavorings, other than essential oils, for cakes; flaxseed for culinary purposes [seasoning]; flour; fondants [confectionery]; farinaceous foods; cake frosting [icing]; frozen yoghurt [confectionery ices]; frozen yogurt [confectionery ices]; fruit jellies [confectionery]; garden herbs, preserved [seasonings]; ginger [spice]; gingerbread; glucose for culinary purposes; gluten additives for culinary purposes; gluten prepared as foodstuff; golden syrup; meat gravies; groats for human food; halvah; ham glaze; high-protein cereal bars; hominy; hominy grits; honey; husked oats; binding agents for ice cream; ice for refreshment; ice, natural or artificial; iced tea; infusions, not medicinal; leaven; linseed for culinary purposes [seasoning]; liquorice [confectionery]; lozenges [confectionery]; macaroni; macaroons [pastry]; maize flour; maize meal; maize, milled; maize, roasted; malt biscuits; malt extract for food; malt for human consumption; maltose; marinades; marzipan; mayonnaise; meal; meat pies; meat tenderizers, for household purposes; mint for confectionery; molasses for food; chocolate mousses; dessert mousses [confectionery]; muesli; mustard; mustard meal; noodle-based prepared meals; noodles; nutmegs; oat-based food; oatmeal; crushed oats; pancakes; pasta; soya bean paste [condiment]; pastilles [confectionery]; pastries; pâtés en croûte; peanut confectionery; pepper; peppermint sweets; peppers [seasonings]; pesto [sauce]; petit-beurre biscuits; petits fours [cakes]; piccalilli; pies; pizzas; popcorn; potato flour for food; powders for making ice cream; pralines; salt for preserving foodstuffs; propolis; puddings; ravioli; relish [condiment]; ribbon vermicelli; rice; rice cakes; rice-based snack food; royal jelly; saffron [seasoning]; sandwiches; tomato sauce; sauces [condiments]; sausage binding materials; sea water for cooking; seasonings; semolina; sherbets [ices]; sorbets [ices]; soya flour; soya sauce; spaghetti; spices; spring rolls; star aniseed; starch for food; stick liquorice [confectionery]; preparations for stiffening whipped cream; sugar; sugar confectionery; sushi; natural sweeteners; sweetmeats [candy]; tabbouleh; tacos; tapioca; tapioca flour for food; tarts; tea; thickening agents for cooking foodstuffs; tortillas; turmeric for food; unleavened bread; vanilla flavorings for culinary purposes; vanillin [vanilla substitute]; vermicelli [noodles]; vinegar; waffles; seaweed [condiment]; wheat flour; wheat germ for human consumption; yeast.

(260) AM 2018 94405 A

(800) 1366447

(151) 2017 03 07

(891) 2017 03 07

(731) TRADE CORPORATION

INTERNATIONAL, S.A. UNIPERSONAL

Alcalá, 498, planta 2 E-28027 MADRID,  
Spain

(540)

**PH OPTI**

(591) Black and white

(511)

1 – Fertilizers and manures for soils.

(260) AM 2018 94406 A

(800) 1366662

(151) 2017 07 14

(891) 2017 07 14

(731) MARINA LUXURY S.r.l.

Via delle Mantellate, 8 I-50129 Firenze, Italy

(540)

**PONTE VECCHIO  
GIOIELLI**

(591) Black, white

(531) 07.11.01; 26.01.03; 26.01.18; 26.01.24;  
26.11.12; 27.05.24

(511)

14 – Amulets [jewelry]; bracelets [jewelry]; brooches [jewelry]; chains [jewelry]; cuff links of precious metal; diamonds; earrings of precious metal; gold thread [jewelry]; charms for jewelry; lockets [jewelry]; necklaces [jewelry]; rings [jewelry]; tie clips of precious metal; wristwatches.

(260) AM 2018 94407 A

(800) 1366479

(151) 2017 03 20

(891) 2017 03 20

(731) LABORATOIRE INNOTECH  
INTERNATIONAL22 avenue Aristide Briand F-94110 Arcueil,  
France

(540)

**INNOTEX  
Иннотекс**

(591) Black and white

(531) 27.05.05; 28.05

(511)

10 – Condoms.

(260) AM 2018 94408 A

(800) 1366480

(151) 2017 03 20

(891) 2017 03 20

(731) LABORATOIRE INNOTECH  
INTERNATIONAL22 avenue Aristide Briand F-94110 Arcueil,  
France

(540)

**HELMINTOX  
ГЕЛЬМИНТОКС**

(591) Black and white

(531) 27.05.05; 28.05

(511)

5 – Pharmaceutical products.

(260) AM 2018 94409 A

(800) 1366685

(151) 2017 08 07

(891) 2017 08 07

(731) NOVARTIS CONSUMER HEALTH S. A.

Route de l'Etraz, CH-1197 Prangins,  
Switzerland

(540)



(591) Blue, yellow and white

(531) 26.11.12; 26.11.21; 28.05; 29.01.13

(511)

5 – Pharmaceutical products.

(260) AM 2018 94410 A

(800) 1366521

(151) 2017 06 29

(891) 2017 06 29

(731) Otkrytoe aktsionernoe obshestvo  
"OSTANKINSKIY MYASOPERERABA-  
TYVAYUSHIY KOMBINAT"  
Ogorodniy proezd 18 RU-127254 Moscow,  
Russian Federation

(540)



(591) Dark red, dark yellow, lilac

(531) 21.03.13; 29.01.13

(511)

29 – Albumen for culinary purposes; albumin milk;  
alginate for culinary purposes; almonds, ground;



anchovy, not live; animal marrow for food; apple puree; bacon; beans, preserved; black pudding; black pudding [blood sausage]; blood sausage; bone oil, edible; bouillon; bouillon concentrates; broth; broth concentrates; butter; buttercream; caviar; charcuterie; cheese; clams, not live; cocoa butter; coconut butter; coconut fat; coconut oil for food; coconut, desiccated; colza oil for food; corn oil; cranberry sauce [compote]; crayfish, not live; cream [dairy products]; croquettes; crustaceans, not live; crystallized fruits; curd; dates; edible birds' nests; edible fats; eggs; fat-containing mixtures for bread slices; fatty substances for the manufacture of edible fats; fish fillets; fish meal for human consumption; fish mousses; fish roe, processed; fish, not live; fish, preserved; fish, tinned [canned (am.)]; flaxseed oil for culinary purposes; food products made from fish; frosted fruits; frozen fruits; fruit chips; fruit jellies; fruit peel; fruit preserved in alcohol; fruit pulp; fruit salads; fruit, preserved; fruit, stewed; fruit-based snack food; fruits, tinned [canned (am.)]; game, not live; gelatine; gherkins; ginger jam; ham; herrings, not live; hummus [chickpea paste]; isinglass for food; jams; jellies for food; kefir [milk beverage]; kephir [milk beverage]; kimchi [fermented vegetable dish]; koumiss [kumiss] [milk beverage]; kumys [kumyss] [milk beverage]; lard for food; lecithin for culinary purposes; lentils, preserved; linseed oil for culinary purposes; liver; liver pastes; liver pate; lobsters, not live; low-fat potato chips; maize oil for food; margarine; marmalade; meat; meat extracts; meat jellies; meat, preserved; meat, tinned [canned (am.)]; milk; milk beverages, milk predominating; milk ferments for culinary purposes; milk products; milk shakes; mushrooms, preserved; mussels, not live; non-alcoholic egg nog; nuts, prepared; olive oil for food; olives, preserved; onions, preserved; oysters, not live; palm kernel oil for food; palm oil for food; peanut butter; peanuts, prepared; peas, preserved; pectin for culinary purposes; pickles; pollen prepared as foodstuff; pork; potato chips; potato crisps; potato flakes; potato fritters; poultry, not live; powdered eggs; prawns, not live; preparations for making bouillon; preparations for making soup; preserved garlic; processed sunflower seeds; protein milk; raisins; rape oil for food; rennet; salmon, not live; salted fish; salted meats; sardines, not live; sauerkraut; sausages; sausages in batter; sea-cucumbers, not live; seaweed extracts for food; seeds, prepared; sesame oil for food; shellfish, not live; shrimps, not live; silkworm chrysalis, for human consumption; snail eggs for consumption; soups; soya beans, preserved, for food; soya milk [milk substitute]; spiny lobsters, not live; suet for food; sunflower oil for food; tahini [sesame seed paste]; toasted laver; tuna, not live; tomato juice for cooking; tomato puree; tripe; truffles, preserved; vegetable juices for cooking; vegetable mousses; vegetable salads; vegetable soup preparations; vegetab-

les, cooked; vegetables, dried; vegetables, preserved; vegetables, tinned [canned (am.)]; whey; whipped cream; white of eggs; yoghurt; yogurt; yolk of eggs.

30 – Allspice; almond confectionery; almond paste; aniseed; aromatic preparations for food; artificial coffee; baking powder; baking soda [bicarbonate of soda for cooking purposes]; crushed barley; husked barley; barley meal; bean meal; bee glue; beer vinegar; chocolate-based beverages; cocoa-based beverages; coffee-based beverages; tea-based beverages; bicarbonate of soda for cooking purposes [baking soda]; biscuits; bread; ginger bread; bread rolls; breadcrumbs; buns; cake dough; cake powder; cakes; candy; capers; caramels [candy]; celery salt; cereal preparations; cereal-based snack food; cheeseburgers [sandwiches]; chewing gum; chicory [coffee substitute]; chips [cereal products]; chocolate; chocolate beverages with milk; chow-chow [condiment]; confectionery for decorating Christmas trees; chutneys [condiments]; cinnamon [spice]; cloves [spice]; cocoa; cocoa beverages with milk; coffee; coffee beverages with milk; coffee flavorings [flavourings]; vegetal preparations for use as coffee substitutes; unroasted coffee; condiments; confectionery; cookies; cooking salt; corn flakes; corn flour; corn meal; corn, milled; corn, roasted; fruit coulis [sauces]; couscous [semolina]; crackers; ice cream; cream of tarar for culinary purposes; curry [spice]; custard; dressings for salad; edible ices; essences for foodstuffs, except etheric essences and essential oils; farinaceous foods; ferments for pastes; maize flakes; oat flakes; food flavorings, other than essential oils; flavorings, other than essential oils, for beverages; flavorings, other than essential oils, for cakes; flaxseed for culinary purposes [seasoning]; flour; fondants [confectionery]; cake frosting [icing]; frozen yoghurt [confectionery ices]; frozen yogurt [confectionery ices]; fruit jellies [confectionery]; garden herbs, preserved [seasonings]; ginger [spice]; gingerbread; glucose for culinary purposes; gluten additives for culinary purposes; gluten prepared as foodstuff; golden syrup; meat gravies; groats for human food; halvah; ham glaze; high-protein cereal bars; hominy; hominy grits; honey; husked oats; binding agents for ice cream; ice for refreshment; ice, natural or artificial; iced tea; infusions, not medicinal; ketchup [sauce]; leaven; linseed for culinary purposes [seasoning]; liquorice [confectionery]; lozenges [confectionery]; macaroni; macaroons [pastry]; maize flour; maize meal; maize, milled; maize, roasted; malt biscuits; malt extract for food; malt for human consumption; maltose; marinades; marzipan; mayonnaise; meal; meat pies; meat tenderizers, for household purposes; mint for confectionery; molasses for food; chocolate mousses; dessert mousses [confectionery]; muesli; mustard; mustard meal; noodle-based prepared meals; noodles; nutmegs; oat-based food; oatmeal; crushed oats; pancakes; pasta; soya bean paste [condiment]; pastilles [confectionery];

pastries; pâtés en croûte; peanut confectionery; pepper; peppermint sweets; peppers [seasonings]; pesto [sauce]; petit-beurre biscuits; petits fours [cakes]; piccalilli; pies; pizzas; popcorn; potato flour for food; powders for making ice cream; pralines; salt for preserving foodstuffs; propolis; puddings; quiches; ravioli; relish [condiment]; ribbon vermicelli; rice; rice cakes; rice-based snack food; royal jelly; rusks; saffron [seasoning]; sago; sandwiches; sauces [condiments]; sausage binding materials; sea water for cooking; seasonings; semolina; sherbets [ices]; sorbets [ices]; soya flour; soya sauce; spaghetti; spices; spring rolls; star aniseed; starch for food; stick liquorice [confectionery]; preparations for stiffening whipped cream; sugar; sugar confectionery; sushi; natural sweeteners; sweetmeats [candy]; tabbouleh; tacos; tapioca; tapioca flour for food; tarts; tea; thickening agents for cooking foodstuffs; tomato sauce; tortillas; turmeric for food; unleavened bread; vanilla flavorings for culinary purposes; vanillin [vanilla substitute]; vermicelli [noodles]; vinegar; waffles; seaweed [condiment]; wheat flour; wheat germ for human consumption; yeast.

(260) AM 2018 94411 A  
 (800) 1366556  
 (151) 2017 08 10  
 (891) 2017 08 10  
 (731) Zeller + Gmelin GmbH & Co. KG  
 Schloßstr. 20 73054 Eisingen, Germany  
 (540)



(591) White and red  
 (531) 26.04.18; 26.04.24; 27.05.22; 27.05.24;  
 29.01.12  
 (511)  
 1 – Chemicals used in industry, science and photography, as well as in agriculture, horticulture and forestry; unprocessed artificial resins, unprocessed plastics; manures; tempering and soldering preparations; tanning substances; adhesives used in Industry; bacteriological preparations for acetification; bacteriological preparations, other than for medical and veterinary use; fluids for hydraulic circuits; moulding compounds (foundry -); mould-release preparations.  
 2 – Paints, varnishes, lacquers; preservatives against rust and against deterioration of wood; colorants; mordants; raw natural resins; metals in foil and powder form for use in painting, decorating, printing and

art; agglutinants for paint; printing ink; protective preparations for metals; siccatives [drying agents] for paints; sumac for varnishes; paint thickeners; thinners for lacquers; thinners for colours; undercoating for vehicle chassis.

3 – Bleaching preparations and other substances for laundry use; cleaning, polishing, scouring and abrasive preparations.

4 – Industrial oils and greases; lubricants; dust absorbing, wetting and binding compositions; fuels (including motor spirit) and illuminants; candles and wicks for lighting; industrial wax.

(260) AM 2018 94412 A  
 (800) 1367268  
 (151) 2017 08 29  
 (891) 2017 08 29  
 (731) BARE ESCENTUALS BEAUTY, INC.  
 71 Stevenson Street, 22nd Floor, San  
 Francisco CA 94105, USA  
 (540)

## BUXOM

(591) Black, white  
 (511)  
 3 – Cosmetics; cosmetic preparations; non-medicated skin care preparations; make-up kits; sun care preparations.

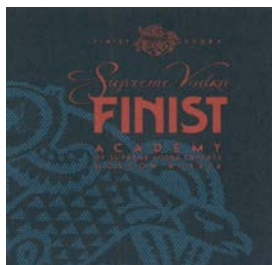
(260) AM 2018 94413 A  
 (800) 1367274  
 (151) 2017 07 17  
 (891) 2017 07 17  
 (731) MAXESPRESSO GOURMET COFFEE  
 601 Brickell Key Drive, Suite 700, MIAMI  
 FL 33131, USA  
 (540)



(591) Red, black, white  
 (531) 26.04.01; 26.04.04; 26.04.05; 26.04.18;  
 26.04.24; 27.05.01; 27.05.21; 27.05.24;  
 29.01.12  
 (511)  
 30 – Ground coffee; coffee capsules; whole-grain coffee; instant coffee; roasted coffee; unroasted coffee; decaffeinated coffee; coffee varieties; tea with various flavors; tea capsules; sugar.

(260) AM 2018 94414 A  
 (800) 1366702  
 (151) 2017 04 28  
 (891) 2017 04 28  
 (731) Limited Liability Company Academy of  
 supreme vodka experts  
 Aviamotornaya, 50-2, RU-111024 Moscow,  
 Russian Federation

(540)



(591) Dark blue, light blue, red  
 (531) 03.07.01; 03.07.16; 03.07.24; 25.01.19;  
 26.04.01; 26.04.24; 27.05.24; 29.01.13  
 (511)  
 33 – Alcoholic beverages, except beer; vodka; spirits  
 [beverages].

(260) AM 2018 94415 A  
 (800) 1366727  
 (151) 2017 05 19  
 (891) 2017 05 19  
 (731) XCELENS INTERNATIONAL SAGL  
 Via Soldini 22, CH-6830 Chiasso, Switzerland  
 (540)

## XCELENS

(591) Black, white  
 (511)  
 5 – Pharmaceutical preparations for cosmetic and  
 aesthetic purposes and for skin care; medical devices  
 in the form of medical injectable substances and gels  
 for cosmetic and aesthetic purposes and for skin care;  
 pharmaceutical gels with hyaluronic acid; medical  
 injectable gels for cosmetic or medical purposes;  
 medical devices in the form of filler gels based on  
 hyaluronic acid for intradermal and subcutaneous  
 injections, for purchase and use by doctors and pro-  
 fessionals in the medical or cosmetic field; medical  
 devices in the form of gels containing hyaluronic  
 acid; gel with injectable hyaluronic acid for the fill-  
 ing of the skin and for aesthetic purposes; pharma-  
 ceutical gels for the filling of the skin and for skin  
 care; pharmaceutical preparations and medical devi-  
 ces containing hyaluronic acid for intravenous or  
 intra-articular injections; pharmaceutical creams;  
 pharmaceutical oils and lotions for skin care; phar-  
 maceutical products for the treatment of cellulite;  
 pharmaceutical and veterinary products; hygienic  
 products for medical use; dietetic foods for medical  
 use and dietetic substances for medical use; food

supplements; biological preparations for medical  
 use; chemical preparations for medical, pharmaceu-  
 tical or veterinary purposes; depurative products; la-  
 xative products; adjuvants for medical use; food-  
 stuffs for children; plasters; materials for dressings;  
 material for dental fillings and dental impressions;  
 disinfectants; products for destroying vermin;  
 fungicides; herbicides.

(260) AM 2018 94417 A  
 (800) 1367342  
 (151) 2017 04 04  
 (891) 2017 04 04  
 (731) A.B. FASTFOOD SYSTEMS LIMITED  
 Poseidonos 1, Ledra Business Centre,  
 EgkomiB CY-2406 Nicosia, Cyprus  
 (540)

## ΠΥΖΑΤΑ ΧΑΤΑ

(591) Black, white  
 (511)  
 29 – Meat, fish, poultry and game; meat extracts;  
 preserved, frozen, dried and cooked fruits and vege-  
 tables; jellies, jams, compotes; eggs; milk and milk  
 products; edible oils and fats; ajvar [preserved pep-  
 pers]; aloe vera prepared for human consumption;  
 alginates for culinary purposes; anchovy; peanuts,  
 processed; peanut butter; bacon; albumen for culina-  
 ry purposes; albumin milk/protein milk; white of  
 eggs; beans, preserved; bouillon, broth; bouillon  
 concentrates; whipped cream; cream [dairy pro-  
 ducts]; nuts, prepared; peas, preserved; mushrooms,  
 preserved; hummus [chickpea paste]; potato fritters;  
 gelatine; meat jellies; bone oil, edible; coconut fat;  
 lard for food; suet for food; fatty substances for the  
 manufacture of edible fats; fat-containing mixtures  
 for bread slices; yolk of eggs; cranberry sauce [com-  
 pote]; salted fish; raisins; caviar; ginger jam; sea-  
 weed extracts for food; yoghurt; cocoa butter for  
 food; sauerkraut; potato flakes; potato chips, potato  
 crisps; kimchi [fermented vegetable dish]; kefir,  
 kephir [milk beverage], curd; animal marrow for  
 food; isinglass for food; clams [not live]; charcu-  
 terie; coconut oil; coconut butter; coconut, desi-  
 ccated; milk shakes; shrimps, not live; prawns, not  
 live; fruit chips; black pudding [blood sausage];  
 croquettes; corn oil, maize oil; koumiss [koumiss]  
 [milk beverage]; sesame oil; spiny lobsters, not live;  
 lecithin for culinary purposes; salmon; flaxseed  
 [linseed] oil for culinary purposes; margarine; mar-  
 malade; butter; buttercream; almonds, ground; mus-  
 sels, not live; milk beverages, milk predominating;  
 shellfish, not live; sea-cucumbers, not live; vegetable  
 mousses; fish mousses; fruit pulp; meat, tinned  
 [canned (am.)]; meat, preserved; salted meats; pro-  
 cessed seeds; processed sunflower seeds; vegetables,  
 tinned [canned (am.)]; vegetable salads; vegetable  
 juices for cooking; vegetable soup preparations; ve-

getables, cooked; gherkins; olives, preserved; olive oil for food; lobsters, not live; herrings; palm oil for food; palm kernel oil for food; liver pastes; peanut milk [non-alcoholic beverage]; pectin for culinary purposes; liver; pollen prepared as foodstuff; powdered eggs; poultry, not live; crayfish, not live; crustaceans, not live; fish, preserved; fish meal for human consumption; fish fillets; fish, tinned [canned (am.)]; foods prepared from fish; rape [colza] oil for food; fruit salads; bacon; sardines; pork; cheese; rennet; preparations for making bouillon; soya milk [milk substitute]; tofu; soya beans, preserved, for food; pickles; sunflower oil for food; sausages; sausages in batter; lentils, preserved; soups; preparations for making soup; salmon; tahini [sesame seed paste]; tripe; tomato puree; tomato juice for cooking; truffles, preserved; tuna fish; oysters, not live; milk ferments for culinary purposes; dates; crystallized [frosted] fruits; fruit preserved in alcohol; fruit peel; fruit jellies; fruit-based snack food; fruit, stewed; fruits, tinned [canned (am.)]; edible birds' nests; onions, preserved; preserved garlic; toasted laver; low-fat potato chips; ham; silkworm chrysalis, for human consumption; apple puree; non-alcoholic egg nog; snail eggs for consumption; linseed for human consumption; almond milk.

30 – Meat, fish, poultry and game; meat extracts; preserved, frozen, dried and cooked fruits and vegetables; jellies, jams, compotes; eggs; milk and milk products; edible oils and fats; ajvar [preserved peppers]; aloe vera prepared for human consumption; alginates for culinary purposes; anchovy; peanuts, processed; peanut butter; bacon; albumen for culinary purposes; albumin milk/protein milk; white of eggs; beans, preserved; bouillon, broth; bouillon concentrates; whipped cream; cream [dairy products]; nuts, prepared; peas, preserved; mushrooms, preserved; hummus [chickpea paste]; potato fritters; gelatine; meat jellies; bone oil, edible; coconut fat; lard for food; suet for food; fatty substances for the manufacture of edible fats; fat-containing mixtures for bread slices; yolk of eggs; cranberry sauce [compote]; salted fish; raisins; caviar; ginger jam; seaweed extracts for food; yoghurt; cocoa butter for food; sauerkraut; potato flakes; potato chips, potato crisps; kimchi [fermented vegetable dish]; kefir, kephir [milk beverage], curd; animal marrow for food; isinglass for food; clams [not live]; charcuterie; coconut oil; coconut butter; coconut, desiccated; milk shakes; shrimps, not live; prawns, not live; fruit chips; black pudding [blood sausage]; croquettes; corn oil, maize oil; koumiss [kumiss] [milk beverage]; sesame oil; spiny lobsters, not live; lecithin for culinary purposes; salmon; flaxseed [linseed] oil for culinary purposes; margarine; marmalade; butter; buttercream; almonds, ground; mussels, not live; milk beverages, milk predominating; shellfish, not live; sea-cucumbers, not live; vegetable mousses; fish mousses; fruit pulp; meat, tinned [canned

(am.)]; meat, preserved; salted meats; processed seeds; processed sunflower seeds; vegetables, tinned [canned (am.)]; vegetable salads; vegetable juices for cooking; vegetable soup preparations; vegetables, cooked; gherkins; olives, preserved; olive oil for food; lobsters, not live; herrings; palm oil for food; palm kernel oil for food; liver pastes; peanut milk [non-alcoholic beverage]; pectin for culinary purposes; liver; pollen prepared as foodstuff; powdered eggs; poultry, not live; crayfish, not live; crustaceans, not live; fish, preserved; fish meal for human consumption; fish fillets; fish, tinned [canned (am.)]; foods prepared from fish; rape [colza] oil for food; fruit salads; bacon; sardines; pork; cheese; rennet; preparations for making bouillon; soya milk [milk substitute]; tofu; soya beans, preserved, for food; pickles; sunflower oil for food; sausages; sausages in batter; lentils, preserved; soups; preparations for making soup; salmon; tahini [sesame seed paste]; tripe; tomato puree; tomato juice for cooking; truffles, preserved; tuna fish; oysters, not live; milk ferments for culinary purposes; dates; crystallized [frosted] fruits; fruit preserved in alcohol; fruit peel; fruit jellies; fruit-based snack food; fruit, stewed; fruits, tinned [canned (am.)]; edible birds' nests; onions, preserved; preserved garlic; toasted laver; low-fat potato chips; ham; silkworm chrysalis, for human consumption; apple puree; non-alcoholic egg nog; snail eggs for consumption; linseed for human consumption; almond milk.

32 – Beers; mineral and aerated waters and other non-alcoholic beverages; fruit beverages and fruit juices; syrups and other preparations for making beverages; aperitifs, non-alcoholic; non-alcoholic honey-based beverages; non-alcoholic fruit extracts; non-alcoholic fruit juice beverages; grape must, unfermented; seltzer water; lithia water; waters [beverages]; table waters; extracts of hops for making beer; essences for making beverages; isotonic beverages; ginger beer; kvass [non-alcoholic beverage]; cocktails, non-alcoholic; lemonades; whey beverages; aloe vera drinks, non-alcoholic; fruit nectars, non-alcoholic; vegetable juices [beverages]; orgeat; beer wort; powders for effervescing beverages; preparations for making aerated water; preparations for making liqueurs; preparations for making mineral water, sarsaparilla [non-alcoholic beverage]; syrups for lemonade; smoothies; soda water; malt beer; malt wort; must; pastilles for effervescing beverages; tomato juice [beverage]; sherbets [beverages]; cider, non-alcoholic; whey beverages.

35 – Advertising; business management; business administration; office functions; commercial information agencies; administrative processing of purchase orders; cost price analysis; auctioneering; accounting; preparation of publicity material; payroll preparation; marketing studies; opinion polling; psychological testing for the selection of personnel;

organization of exhibitions for commercial or advertising purposes; organization of fashion shows for promotional purposes; organization of trade fairs for commercial or advertising purposes; demonstration of goods; business research; business information; business appraisals; business investigations; business inquiries; business management assistance; commercial or industrial management assistance; advisory services for business management; marketing research; economic forecasting; business efficiency expert services; transcription; compilation of information into computer databases; compilation of statistics; import-export agencies; invoicing; on-line advertising on a computer network; computerized file management; business management of performing artists; business management of hotels; business management of sports people; commercial information and advice for consumers [consumer advice shop]; commercial administration of the licensing of the goods and services of others; personnel recruitment; business management consultancy; professional business consultancy; business organization consultancy; personnel management consultancy; layout services for advertising purposes; marketing; typing; document reproduction; writing of publicity texts; rental of photocopying machines; publicity material rental; rental of advertising time on communication media; rental of advertising space; office machines and equipment rental; rental of vending machines; word processing; updating of advertising material; shop window dressing; business auditing; arranging newspaper subscriptions for others; arranging subscriptions to telecommunication services for others; business management and organization consultancy; telephone answering for unavailable subscribers; modelling for advertising or sales promotion; news clipping services; price comparison services; procurement services for others [purchasing goods and services for other businesses]; outsourcing services [business assistance]; secretarial services; shorthand; public relations; relocation services for businesses; photocopying services; retail or wholesale services for pharmaceutical, veterinary and sanitary preparations and medical supplies; sponsorship search; presentation of goods on communication media, for retail purposes; publication of publicity texts; radio advertising; advertising by mail order; advertising agencies; bill-posting; distribution of samples; dissemination of advertising matter; direct mail advertising; tax preparation; drawing up of statements of accounts; employment agencies; sales promotion for others; production of advertising films; television advertising; telemarketing services; systemization of information into computer databases; data search in computer files for others; arrangement of one place for the benefit of others, the range of products that allows customers to conveniently view and purchase those goods in supermarkets, hypermarkets, depart-

ment stores, retail stores, shopping centers; arrangement of Internet web pages and websites range of information about various products and list of services, allowing buyers to conveniently review, order, buy these products and to order services from Web pages and Web sites on the Internet, and get the necessary information about the goods and services provided.

41 – Education; providing of training; entertainment; sporting and cultural activities; educational examination; publication of books; lending libraries; teaching; nursery schools; organization of balls; organization of shows [impresario services]; organization of exhibitions for cultural or educational purposes; organization of competitions [education or entertainment]; arranging and conducting of congresses; arranging and conducting of colloquiums; arranging and conducting of conferences; arranging and conducting of concerts; arranging and conducting of workshops [training]; arranging and conducting of seminars; arranging and conducting of symposiums; arranging of beauty contests; operating lotteries; organization of fashion shows for entertainment purposes; organization of sports competitions; holiday camp services [entertainment]; gymnastic instruction; production of radio and television programmes; electronic desktop publishing; club services [entertainment or education]; animal training; dubbing; providing amusement arcade services; providing golf facilities; providing sports facilities; correspondence courses; videotaping; game services provided on-line from a computer network; education information; recreation information; entertainment information; calligraphy services; providing karaoke services; movie studios; layout services, other than for advertising purposes; microfilming; videotape editing; providing museum facilities [presentation, exhibitions]; music-halls; academies [education]; practical training [demonstration]; religious education; providing on-line electronic publications, not downloadable; modelling for artists; rental of audio equipment; rental of camcorders; rental of video cassette recorders; rental of videotapes; rental of show scenery; rental of stage scenery; toy rental; games equipment rental; rental of sound recordings; rental of cine-films; rental of movie projectors and accessories; rental of stadium facilities; rental of lighting apparatus for theatrical sets or television studios; rental of skin diving equipment; rental of radio and television sets; rental of sports equipment, except vehicles; rental of sports grounds; rental of tennis courts; writing of texts, other than publicity texts; night clubs; providing recreation facilities; vocational guidance [education or training advice]; boarding schools; amusement parks; sign language interpretation; vocational retraining; party planning [entertainment]; booking of seats for shows; disc jockey services; discotheque services; zoological garden services; language interpreter services; coaching [trai-

ning]; cinema presentations; providing casino facilities [gambling]; orchestra services; sport camp services; health club services [health and fitness training]; recording studio services; scriptwriting services; personal trainer services [fitness training]; bookmobile services; translation; ticket agency services [entertainment]; gambling; music composition services; presentation of live performances; conducting fitness classes; publication of electronic books and journals on-line; publication of texts, other than publicity texts; radio entertainment; entertainer services; news reporters services; production of shows; videotape film production; production of music; film production, other than advertising films; subtitling; theatre productions; television entertainment; physical education; photography; photographic reporting; timing of sports events; circuses.

43 – Services for providing food and drink; temporary accommodation; tourist homes; retirement homes; hotels; accommodation bureaux [hotels, boarding houses]; temporary accommodation reservations; boarding house bookings; canteens; cafés; cafeterias; motels; holiday camp services [lodging]; rental of temporary accommodation; rental of drinking water dispensers; rental of chairs, tables, table linen, glassware; rental of transportable buildings; rental of cooking apparatus; rental of meeting rooms; rental of tents; boarding houses; boarding for animals; hotel reservations; providing campground facilities; bar services; food and drink catering; restaurants; self-service restaurants; snack-bars; day-nurseries [crèches].

(260) AM 2018 94418 A

(800) 1366792

(151) 2017 05 24

(891) 2017 05 24

(731) ALMIRALL, S.A.

Ronda General Mitre, 151, E-08022 Barcelona, Spain

(540)



(591) Green (PANTONE 2239) and blue (PANTONE 295).

(531) 26.13.25; 27.05.01; 29.01.12

(511)

3 – Bleaching preparations and other substances for laundry use; cleaning, polishing, degreasing and abrasive preparations; soaps; perfumery products, essential oils, cosmetics, hair lotions; dentifrices; shampoos; non-medicated skin care and cleansing preparations.

5 – Pharmaceutical products, preparations for medical and veterinary use; sanitary products for medical

use; dietetic food and substances for medical or veterinary use, food for babies; food supplements for humans or animals; plasters, material for dressings; teeth filling and dental impression materials; disinfectants; products for destroying vermin; fungicides, herbicides; pharmaceutical and sanitary products for dermatological use for the prevention and treatment of skin diseases and disorders; nutritional products and supplements for medical use; nutritional dietary supplements for medical use; vitamin supplements.

10 – Surgical, medical, dental and veterinary apparatus and instruments; artificial limbs, eyes and teeth; orthopedic articles; suture materials.

(260) AM 2018 94420 A

(800) 1366798

(151) 2017 08 21

(891) 2017 08 21

(731) BAYER AKTIENGESELLSCHAFT

Kaiser-Wilhelm-Allee, 51373 Leverkusen, Germany

(540)

## MEZOVITY

(591) Black, white

(511)

5 – Pharmaceutical preparations; pharmaceutical preparations for the treatment of cancer.

(260) AM 2018 94421 A

(800) 1366801

(151) 2017 01 13

(891) 2017 01 13

(731) SUBWAY IP INC.

700 South Royal Poinciana Blvd. Ste 500  
Miami Springs FL 33166, USA

(540)



(591) Black, white

(531) 24.15.02; 24.15.17

(511)

29 – Salads made with various ingredients, namely fruit, garden and vegetable salads; milk; fruit; potato chips; processed apples.

30 – Sandwiches and wraps for consumption on or off the premises; baked goods for consumption on or off the premises; snacks namely pretzels, corn chips, tortilla chips, puffed corn curls, popped corn, cakes, pastries, cookies; dressings for salads, salad dressings used on salads, combination meals consisting primarily of a sandwich, a snack and for consumption on or off the premises, coffee, tea, iced tea (term too vague in the opinion of the International Bureau – Rule 13(2)(b) of the Common Regulations).

32 – Beverages (term too vague in the opinion of the International Bureau – Rule 13(2)(b) of the Common Regulations), fruit juices, vegetable juices, soft drinks, bottled drinking water, tea flavored beverages, coffee flavored beverages, for consumption on or off the premises; soft drink.

35 – Consumer loyalty services for commercial, promotional and advertising purposes, namely providing an incentive rewards programs for customers through the issuance and processing of customer loyalty points and credits, and loyalty cards for the purchase of goods and services, and providing contests, sweepstakes, games and prizes; administration of an incentive rewards program enabling participants to obtain discounts and complimentary goods and services through membership; online ordering services in the field of restaurant take-out and delivery; retail services relating to food and drink.

43 – Restaurant services, namely providing of food and beverages for consumption on and off the premises; restaurant services featuring sandwiches; catering services; eat-in and take-out food restaurant services; restaurant featuring home delivery.

(260) AM 2018 94423 A

(800) 1367346

(151) 2017 04 25

(891) 2017 04 25

(731) HANS PRIES GMBH & CO. KG

Im Lekkerland 1, 27777 Ganderkesee,  
Germany

(540)

**HANS PRIES**  
**topran**  
**GERMANY**

(591) Black, white

(531) 27.05.10

(511)

6 – Common metals and their alloys; non-electric cables and wires of common metal; ironmongery, small items of metal hardware; pipes and tubes of metal; goods of common metal, not included in other classes, namely doors of metal, metal handles for doors, metal window pulleys.

7 – Machines for the automobile industry and machine tools; motors and engines [except for land vehicles]; machine coupling and transmission components [except for land vehicles].

9 – Scientific, nautical, surveying, photographic, cinematographic, optical, weighing, measuring, signalling, checking (supervision), life-saving and teaching apparatus and instruments; apparatus and instruments for conducting, switching, transforming, accumulating, regulating or controlling electricity; apparatus for recording, transmission or reproduc-

tion of sound or images; magnetic data carriers; compact discs, DVDs; digital recording media; data processing equipment; computers; computer software.

11 – Apparatus for lighting, heating, steam generating, refrigerating, drying, ventilating and water supply.

12 – Vehicles; vehicle parts as far as included in this class; apparatus for locomotion by land, air or water; transmission chains for land vehicles; transmission shafts for land vehicles; brake segments for vehicles; brake linings for vehicles; brakes for vehicles; brake shoes for vehicles; vehicle chassis; automobile chassis; chassis for vehicles; chassis for automobiles; direction signals for vehicles; bodies for vehicles; freewheels for land vehicles; crankcases for land vehicle components, other than for engines; horns for vehicles; hydraulic circuits for vehicles; automobile bodies; automobile chains; mudguards; couplings for land vehicles; hubs for vehicle wheels; bands for wheel hubs; connecting rods for land vehicles, other than parts of motors and engines; axles for vehicles; reversing alarms for vehicles; rearview mirrors; clutches for land vehicles; windshield wipers; suspension shock absorbers for vehicles; shock absorbers for automobiles; shock absorbing springs for vehicles; vehicle bumpers; bumpers for automobiles; caps for vehicle petrol [gas] tanks; torsion bars for vehicles; vehicle suspension springs; driving chains for land vehicles.

17 – Unprocessed and semi-processed rubber, gutta-percha, gum, asbestos and substitutes for all these materials; plastics in extruded form for use in manufacture; packing, stopping and insulating materials; flexible pipes [not of metal].

(260) AM 2018 94424 A

(800) 1366815

(151) 2017 04 24

(891) 2017 04 24

(731) SUNTORY HOLDINGS LIMITED

1-40, Dojimahama 2-chome, Kita-ku, Osaka-shi  
Osaka 530-8203, Japan

(540)



(591) Black, white, orange

(531) 26.05.01; 26.11.03; 26.11.08; 29.01.12

(511)

33 – Gin; awamori [distilled rice spirits]; sake substitute; Japanese white liquor (shochu); Japanese sweet rice-based mixed liquor (shiro-zake); sake; naoshi [Japanese liquor]; Japanese shochu-based liquor (mirin); western liquors (in general); alcoholic fruit beverages; Japanese shochu-based beverages (chuhai); beer-flavored alcoholic beverages containing neither malt nor oats; beer-flavored alcoholic beverages containing malt or oats (except beers and low malt beers); Chinese liquors (in general); flavored liquors.

(260) AM 2018 94426 A

(800) 1367436

(151) 2017 07 21

(891) 2017 07 21

(731) Joint Stock Company "KRASNYJ OCTYABR"

ul. Malaya Krasnoselskaya, d. 7, str. 24,  
RU-107140 Moscow, Russian Federation

(540)

# СУФЛЕТТО!

(591) Black, white

(511)

30 – Waffles; cakes; pastries; peanut confectionery; almond confectionery; cocoa; caramels [candy]; peppermint sweets; sweetmeats [candy]; crackers; candy; marzipan; pastilles [confectionery]; cookies; pralines; fondants [confectionery]; gingerbread; confectionery; fruit cakes; rusks; halvah; chocolate, waffle cake, marshmallow.

(260) AM 2018 94427 A

(800) 1366832

(151) 2017 08 08

(891) 2017 08 08

(731) ANDRITZ HYDRO GMBH

Eibesbrunnnergasse 20, A-1120 Wien, Austria

(540)

## DiOMera

(591) Black, white

(511)

9 – Data processing equipment; software; data processing apparatus; diagnostic apparatus, not for medical purposes; electric installations for the remote control of industrial operations; regulating apparatus, electric; measuring instruments; memories for data processing equipment; cloud servers; predictive maintenance software.

35 – Updating and maintenance of data in computer databases; compilation of statistics; collection and systematisation of information into computer databases.

37 – Machinery maintenance services; maintenance of industrial machinery; maintenance services for industrial plants; providing information relating to the repair or maintenance of power generators.

42 – Maintenance of software; maintenance and updating of computer software; computer software consultancy; consultancy in the field of energy-saving; information technology [IT] consultancy; cloud computing; computer system analysis; engineering services; electronic data storage; installation of software; outsource service providers in the field of information technology; quality control; server hosting; software as a service [SaaS]; technical project studies; technological consultancy.

(260) AM 2018 94428 A

(800) 778012

(151) 2001 12 03

(891) 2017 09 11

(731) WINTERHALTER GASTRONOM GMBH

Winterhalterstraße 2-12, 88074

Meckenbeuren, Germany

(540)

## WINTERHALTER

(591) Black, white

(511)

3 – Detergents; cleaning, polishing, scouring and abrasive preparations; soaps; bleaching preparations and other substances for laundry use.

7 – Rinsing machines, including dishwashers; lye cleaner as a part of dishwashers.

9 – Dosing units, including liquid dosing units and powder dosing units, measuring instruments for temperature, humidity, contents of chalk, dirt and detergent in the wash water.

11 – Water purifying equipment, namely water softeners; demineralization apparatus and instruments as well as units composed thereof, reverse osmosis apparatus and instruments as well as units composed thereof.

(260) AM 2018 94430 A

(800) 882808

(151) 2005 12 15

(891) 2017 09 11

(731) WINTERHALTER GASTRONOM GMBH

Winterhalterstrasse 2-12, 88074

Meckenbeuren, Germany

(540)

## winterhalter



(591) RAL5015 (dark-blue), RAL5012 (light-blue), black

(531) 26.11.06; 26.11.08; 27.05.01; 27.05.17; 29.01.12

(511)

3 – Detergents; cleaning, polishing, scouring and abrasive preparations; soaps; bleaching preparations and other substances for laundry use.

7 – Rinsing machines, including dishwashers; lye cleaners as a part of dishwashers.

9 – Dosing units, including liquid dosing units and powder dosing units, measuring instruments for temperature, humidity, contents of chalk, dirt and detergent in the wash water.

11 – Water purifying equipment, namely water softeners; demineralization apparatus and instruments as well as units composed thereof, reverse osmosis apparatus and instruments as well as units composed thereof.

(260) AM 2018 94431 A

(800) 917907

(151) 2007 03 13

(891) 2017 03 14

(731) Tovarystvo z obmezhenoiu vidpovidalnistiu "RYBNA KOMPANIJA "AKVAVIT"  
vul. Centralna, 1-E, s. Burlacha Balka,  
m. Illichivsk, Odeska obl. 68000, Ukraine

(540)



(591) Black, white

(531) 03.09.01; 03.09.24; 28.05

(511)

29 – Albumen for food; protein for human consumption; seaweed extracts for food; oysters (not live); salted fish; caviar; bouillon concentrates; shrimps (not live); prawns (not live); spiny lobsters (not live); salmon; edible mussels (not live); shellfish (not live); sea-cucumbers (not live); lobsters (not live); herrings; liver pâté; liver; crayfish (not live); crustaceans (not live); fish; preserved fish; fish meal for human consumption; fish fillets; canned fish; foods prepared from fish; sardines; preparations for making soup; salmon; tuna fish.

31 – Protein for animal consumption; algae for human or animal consumption; fish spawn; spiny lobsters (live); mussels (live); sea cucumbers (live); lobsters (live); crayfish (live); crustaceans (live); live fish; fish meal for animal consumption; oysters (live).

35 – Market study; organization of exhibitions for commercial or advertising purposes; organization of trade fairs for commercial or advertising purposes;

demonstration of goods; market research; dissemination (distribution) of samples; rental of advertising material; updating of advertising material; dissemination of advertisements; advertising; sales promotion (for others); television advertising.

(260) AM 2018 94434 A

(800) 925307

(151) 2007 04 04

(891) 2017 08 29

(731) Société des Produits Nestlé SA  
CH-1800 Vevey, Switzerland

(540)

## KIT KAT SENSES

(591) Black, white

(511)

30 – Chocolate, chocolate products, confectionery; bakery articles, pastries; biscuits, cakes, cookies, wafers, toffees.

(260) AM 2018 94436 A

(800) 935152

(151) 2007 07 13

(891) 2017 09 13

(731) GETRIEBEBAU NORD GMBH & Co. KG  
Rudolf-Diesel-Strasse 1, 22941 Bargeheide,  
Germany

(540)

## NORD

(591) Black, white

(511)

9 – Heavy current engineering apparatus for fields of conduction, namely frequency converters for electronic speed control and brake choppers.

(260) AM 2018 94444 A

(800) 1366876

(151) 2017 07 24

(891) 2017 07 24

(731) Shandong Chengwu Medical Products  
Factory  
South Section, Huxin Road, Chengwu County,  
HeZe City ShanDong Province, China

(540)



(591) Black, white

(531) 26.01.01; 26.01.03; 26.01.10; 26.01.12;  
26.01.24; 28.03

(511)

10 – Needles for medical purposes; nursing appliances; surgical apparatus and instruments; droppers for medical purposes; fleams; syringes for injections; urological apparatus and instruments; medical apparatus and instruments; vaginal syringes; catgut.

(260) AM 2018 94445 A

(800) 1366916

(151) 2017 08 01

(891) 2017 08 01

(731) Kreditanstalt für Wiederaufbau Anstalt des öffentlichen Rechts  
Palmengartenstr. 5-9 60325 Frankfurt a. Main,  
Germany

(540)

**KFW**

(591) Black, white

(511)

36 – Financial affairs; monetary affairs; real estate affairs; insurance.

(260) AM 2018 94446 A

(800) 1366952

(151) 2017 08 09

(891) 2017 08 09

(731) WORLD TRIATHLON CORPORATION  
3407 W. Dr. Martin Luther King Jr. Blvd,  
Suite 100 Tampa FL 33607, USA

(540)

**IRONMAN**

(591) Black, white

(531) 26.01.24; 27.05.07; 27.05.08; 27.05.17

(511)

41 – Entertainment services namely, presentation of athletic contests featuring running, swimming and biking.

(260) AM 2018 94448 A

(800) 1366995

(151) 2017 02 09

(891) 2017 02 09

(731) BARRY CALLEBAUT AG  
Westpark, Pfingstweidstrasse 60, CH-8005  
Zürich, Switzerland

(540)



**CALLEBAUT**

(591) Black, white

(531) 25.01.25; 26.01.12; 26.01.16; 27.05.01

(511)

9 – Software; software downloaded from the Internet; software provided via apps (electronic applications).

29 – Cocoa butter; milk and dairy products; mixed milk drinks, in particular flavored and caffeinated mixed milk drinks; fruit toppings and jellies; nut-based decorations for food; nut-based fillings.

30 – Cocoa, cocoa powder, cocoa-based products; beverages based on cocoa or mainly consisting of cocoa; chocolate; fondants; chocolate paste; chocolate coatings and toppings; dessert sauce; marzipan; chocolate-based decorations for food; sugar-based decorations for food; edible ices; chocolate-based fillings; sugar pastes.

41 – Training and further training services in the field of agri-food and catering services; practical teaching by means of tutorials provided to professionals in the field of restaurant and catering services; theoretical and practical training, namely basic and advanced training for human resources development; organization of competitions; all the aforesaid services particularly in connection with agricultural methods, cocoa bean production methods as well as the production and processing of chocolate and chocolate goods.

(260) AM 2018 94449 A

(800) 1367059

(151) 2017 06 29

(891) 2017 06 29

(731) Otkrytoe aktsionernoe obshestvo  
"Ostankinskiy myasopererabaryvayushiy  
kombinat  
Ogorodniy proezd, 18 RU-127254 Moscow,  
Russian Federation

(540)



(591) Dark red, yellow

(531) 26.04.03; 26.04.04; 26.04.18; 27.05.21;  
29.01.12

(511)

29 – Albumen for culinary purposes; albumin milk; alginates for culinary purposes; almonds, ground; animal marrow for food; apple puree; beans, preserved; black pudding; blood sausage; bone oil, edible;

bouillon; bouillon concentrates; preparations for making bouillon; broth; broth concentrates; butter; cocoa butter; coconut butter; peanut butter; buttercream; caviar; charcuterie; cheese; fruit chips; potato chips; clams, not live; coconut, desiccated; coconut fat; coconut oil for food; colza oil for food; corn oil; cranberry sauce [compote]; croquettes; crustaceans, not live; crystallized fruits; dates; edible birds' nests; eggs; powdered eggs; snail eggs for consumption; fat-containing mixtures for bread slices; fatty substances for the manufacture of edible fats; fish fillets; food products made from fish; fish meal for human consumption; fish, not live; fish, preserved; fish, tinned [canned (am.)]; potato flakes; frosted fruits; frozen fruits; fruit jellies; fruit peel; fruit, preserved; fruit preserved in alcohol; fruit pulp; fruit salads; fruit, stewed; fruit-based snack food; fruits, tinned [canned (am.)]; game, not live; gherkins; ginger jam; ham; herrings, not live; hummus [chickpea paste]; isinglass for food; jams; jellies for food; vegetable juices for cooking; lard for food; lentils, preserved; liver; liver pâté; lobsters, not live; spiny lobsters, not live; maize oil for food; margarine; marmalade; meat extracts; meat jellies; meat, preserved; meat, tinned [canned (am.)]; salted meats; milk; milk products; mushrooms, preserved; mussels, not live; nuts, prepared; olive oil for food; olives, preserved; onions, preserved; oysters, not live; palm kernel oil for food; palm oil for food; liver pastes; peanuts, prepared; peas, preserved; pectin for culinary purposes; pickles; pollen prepared as foodstuff; pork; potato crisps; potato fritters; poultry, not live; protein milk; black pudding [blood sausage]; raisins; rape oil for food; rennet; vegetable salads; sardines, not live; sauerkraut; sausages in batter; sea-cucumbers, not live; sesame oil for food; shellfish, not live; shrimps, not live; silkworm chrysalis, for human consumption; preparations for making soup; vegetable soup preparations; soups; soya beans, preserved, for food; suet for food; sunflower oil for food; tahini [sesame seed paste]; tofu; tomato juice for cooking; tomato puree; tripe; truffles, preserved; tuna, not live; vegetables, cooked; vegetables, dried; vegetables, preserved; vegetables, tinned [canned (am.)]; seaweed extracts for food; whipped cream; white of eggs; yolk of eggs.

30 – Almond confectionery; almond paste; aniseed; bee glue; beer vinegar; chocolate-based beverages; cocoa-based beverages; coffee-based beverages; tea-based beverages; biscuits; bread; bread rolls; bread-crumbs; cake dough; cake powder; cakes; candy; caramels [candy]; celery salt; cereal preparations; chewing gum; chicory [coffee substitute]; chips [cereal products]; chocolate; chocolate beverages with milk; confectionery for decorating Christmas trees; cocoa beverages with milk; coffee; artificial coffee; coffee beverages with milk; coffee flavorings [flavourings]; vegetal preparations for use as coffee substitutes; unroasted coffee; condiments; confectionery; cookies; cooking salt; corn, milled; pop corn; corn, roas-

ted; couscous [semolina]; crackers; ice cream; custard; edible ices; essences for foodstuffs, except etheric essences and essential oils; ferments for pastes; flour; fondants [confectionery]; farinaceous foods; frozen yoghurt [confectionery ices]; frozen yogurt [confectionery ices]; fruit jellies [confectionery]; garden herbs, preserved [seasonings]; gingerbread; glucose for culinary purposes; gluten prepared as foodstuff; golden syrup; groats for human food; halvah; honey; husked oats; binding agents for ice cream; ice for refreshment; ice, natural or artificial; iced tea; infusions, not medicinal; liquorice [confectionery]; lozenges [confectionery]; maize, milled; maize, roasted; malt extract for food; malt for human consumption; maltose; marzipan; meal; meat pies; meat tenderizers, for household purposes; mint for confectionery; molasses for food; muesli; mustard; noodles; nutmegs; oat-based food; crushed oats; pancakes; pasta; pastilles [confectionery]; pastries; pâtés en croûte; peanut confectionery; pepper; peppermint sweets; petits fours [cakes]; piccalilli; pies; pizzas; popcorn; powders for making ice cream; pralines; salt for preserving foodstuffs; propolis; puddings; quiches; ravioli; ribbon vermicelli; rice; rice cakes; royal jelly; rusks; sandwiches; sausage binding materials; sea water for cooking; seasonings; sherbets [ices]; sorbets [ices]; spaghetti; spices; spring rolls; star aniseed; starch for food; preparations for stiffening whipped cream; sugar; sugar confectionery; sushi; natural sweeteners; sweetmeats [candy]; tabbouleh; tacos; tapioca; tarts; tea; thickening agents for cooking foodstuffs; tortillas; turmeric for food; unleavened bread; vanilla flavorings for culinary purposes; vanillin [vanilla substitute]; vermicelli [noodles]; vinegar; waffles.

35 – Account auditing; drawing up of statements of accounts; commercial administration of the licensing of the goods and services of others; administrative processing of purchase orders; advertising; advertising agency services; advertising by mail order; updating of advertising material; dissemination of advertising matter; rental of advertising space; cost price analysis; telephone answering for unavailable subscribers; business appraisals; arranging newspaper subscriptions for others; arranging subscriptions to telecommunication services for others; business management of performing artists; business management assistance; auctioneering; business auditing; bill-posting; book-keeping; professional business consultancy; business information; business inquiries; business investigations; business management and organization consultancy; business management consultancy; business management of hotels; business organization consultancy; commercial or Industrial management assistance; presentation of goods on communication media, for retail purposes; price comparison services; compilation of statistics; compilation of information into computer databases; systemization of information into computer databa-

ses; commercial information and advice for consumers [consumer advice shop]; data search in computer files for others; demonstration of goods; distribution of samples; document reproduction; economic forecasting; business efficiency expert services; employment agency services; organization of exhibitions for commercial or advertising purposes; computerized file management; import-export agency services; commercial information agency services; invoicing; personnel management consultancy; marketing research; market studies; modelling for advertising or sales promotion; news clipping services; office machines and equipment rental; on-line advertising on a computer network; opinion polling; organization of trade fairs for commercial or advertising purposes; outdoor advertising; outsourcing services [business assistance]; payroll preparation; personnel recruitment; photocopying services; word processing; procurement services for others [purchasing goods and services for other businesses]; psychological testing for the selection of personnel; public relations; publication of publicity texts; publicity; publicity agency services; publicity material rental; writing of publicity texts; radio advertising; relocation services for businesses; rental of advertising time on communication media; rental of photocopying machines; rental of vending machines; sales promotion for others; secretarial services; shop window dressing; shorthand; sponsorship search; tax preparation; television advertising; transcription of communications [office functions]; typing.

(260) AM 2018 94450 A

(800) 1367135

(151) 2017 06 30

(891) 2017 06 30

(731) Public Joint Stock Company "RESEARCH AND PRODUCTION CORPORATION "UNITED WAGON COMPANY"  
Novokuznetskaya ul., 7/11, str. 1RU-115184  
Moscow, Russian Federation

(540)



(591) Black, white

(531) 26.05.04; 28.05

(511)

6 – Goods of common metal not included in other classes; materials of metal for railway tracks; cast steel; foundry molds [moulds] of metal; girders of metal; stops of metal; wheel clamps [boots]; braces of metal for handling loads; shims; joists of metal; platforms, prefabricated, of metal; packaging containers of metal; tanks of metal; straps of metal for

handling loads; slings of metal for handling loads; loading pallets of metal; partitions of metal.

12 – Rolling stock for railways; locomotives; trams; electric vehicles; refrigerated wagons [railroad vehicles]; sleeping cars; carriages [railways]; dining cars; tilt trucks; railway couplings; couplings for land vehicles; trailer hitches for vehicles; clutches for land vehicles; undercarriages for vehicles; tipping apparatus, parts of trucks and wagons; brake linings for vehicles; brake shoes for vehicles; funnels for locomotives; brake segments for vehicles; tailboard lifts [parts of land vehicles]; bogies for railway cars; waggons; buffers for railway rolling stock.

35 – Commercial intermediation services; sales promotion for others; procurement services for others [purchasing goods and services for other businesses]; administrative processing of purchase orders; negotiation and conclusion of commercial transactions for third parties.

37 – Repair; installation services; rustproofing; boiler cleaning and repair; vehicle lubrication [greasing]; vehicle washing; electric appliance installation and repair; heating equipment installation and repair; air conditioning apparatus installation and repair; furnace installation and repair; freezing equipment installation and repair; installation, maintenance and repair of computer hardware; machinery installation, maintenance and repair; vehicle polishing; re-tinning; riveting; anti-rust treatment for vehicles; vehicle service stations [refuelling and maintenance]; vehicle maintenance; vehicle cleaning; vehicle breakdown repair services; repair information; interference suppression in electrical apparatus; rebuilding engines that have been worn or partially destroyed; rebuilding machines that have been worn or partially destroyed; vehicle battery charging.

39 – Transport; car transport; hauling; railway transport.

(260) AM 2018 94501 A

(800) 1367604

(151) 2017 07 26

(891) 2017 07 26

(731) Avon Products Inc.

601 Midland Avenue Rye NY 10580, USA

(540)

## **ANew INFINITE EFFECTS**

(591) Black and white

(511)

3 – Non-medicated toilet preparations; toiletries; skin care preparations; skin moisturizers; body and beauty care preparations; powders, cleansers, creams and lotions, all for the face, hands and body; cosmetic suntan preparations; soaps; shower and bath preparations; beauty masks; talcum powder;

nail polish; nail polish remover; false nails; adhesives for cosmetic purposes; cosmetics; eye cream; eye gels; eye lotions; eye make-up remover; eye shadow; eye liner; mascara; lipstick; lip liner; lip-gloss; make-up foundation; blusher; tissues impregnated with cosmetic lotions; cotton sticks for cosmetic purposes; cotton wool for cosmetic purposes; preparations for cleaning, moisturising, colouring and styling the hair; preparations for cleaning the teeth; shaving and aftershave preparations; perfumes; fragrances; toilet waters; cologne; deodorants for human beings; anti-perspirants for personal use (toiletries); essential oils (cosmetic).

(260) AM 2018 94502 A  
 (800) 1367650  
 (151) 2017 06 19  
 (891) 2017 06 19  
 (731) De Grisogono SA  
 Chemin du Champ-des-Filles 39 CH-1228 Plan-les-Ouates, Switzerland  
 (540) ECCENTRICA  
 (591) Black and white  
 (526)  
 (511) 14 - Jewelry, precious stones; timepieces and chronometric instruments.

(260) AM 2018 94507 A  
 (800) 1367743  
 (151) 2017 06 27  
 (891) 2017 06 27  
 (731) Open-Type Joint Stock Company  
 "ROT FRONT"  
 2-oy Novokuznetskiy pereulok, d. 13/15  
 RU-115184 Moscow, Russian Federation  
 (540)



(591) Red, dark red, brown, dark brown, yellow, light yellow, white, pink and black  
 (531) 03.01.06; 19.03.01; 26.01.15; 28.05; 29.01.15  
 (511)  
 30 - High-protein cereal bars; sponge cakes; pancakes; bread rolls; waffles; malt biscuits; cake frosting [icing]; fruit jellies [confectionery]; confectionery for decorating Christmas trees; cakes; pastries; peanut confectionery; almond confectionery; liquorice [confectionery]; dessert mousses [confectione-

ry]; mint for confectionery; stick liquorice [confectionery]; pastilles [confectionery]; fondants [confectionery]; cake powder; pastry dough; frozen yogurt [confectionery ices]; cocoa; caramels [candy]; boiled sweets; sweetmeats [candy]; peppermint sweets; coffee; crackers; custard; ice, natural or artificial; edible ices; rice cakes; macaroons [pastry]; marzipan; honey; ice cream; chocolate mousses; muesli; cocoa beverages with milk; coffee beverages with milk; cookies; petit-beurre biscuits; pies; pralines; gingerbread; petits fours [cakes]; confectionery; rusks; almond paste; halvah; bread; tea; iced tea; chocolate.

(260) AM 2018 94508 A  
 (800) 1367794  
 (151) 2017 03 23  
 (891) 2017 03 23  
 (731) Union des Associations Européennes de Football (UEFA)  
 Route de Genève 46 CH-1260 Nyon, Switzerland  
 (540)

EURO 2020 

(591) Black and white  
 (531) 21.03.01; 27.07.01  
 (511)  
 16 - Coloring and drawing books; activity books; magazines; newspapers; books and journals, including those concerning sportsmen, sportswomen or sports events; bookmarks; printed teaching material; score sheets; event programs; albums for events; photograph albums; autograph books; printed time-tables; pamphlets; collectible photographs of players; bumper stickers, stickers, albums, sticker albums; posters; photographs; tablecloths of paper; napkins of paper; bags of paper; invitation cards; greeting cards; gift wrapping paper; coasters and place mats of paper; garbage bags of paper or of plastics; food wrapping paper; small bags for preserving foodstuffs; coffee filters of paper; labels (not of textile); hand towels of paper; wet hand-wipes of paper; toilet paper; napkins for removing make-up; handkerchief boxes of paper and cardboard; tissues of paper; stationery and instructional and teaching material (except apparatus); typewriter paper; copying paper; envelopes; notepads; folders for papers; tissue paper; writing books; paper sheets for note-taking; writing paper; binder paper; files; covering paper; luminous paper; adhesive paper for notes; paperweights; crêpe paper; tissue paper; badges or insignia of paper; flags of paper; pennants (flags) of paper; writing instruments; fountain pens; pencils; ballpoint pens; ballpoint pen and pencil sets; felt-tip pens (marking pens); fiber-tip pens and felt-tip pens; marking pens; ink, inking pads, rubber stamps; typewriters (electric or non-electric); lithograph prints,

lithographic works of art; paintings (pictures), framed or unframed; paint boxes, paints and colored pencils; chalks; pencil ornaments [stationery]; printing blocks; address books; diaries (planners); personal organizers of paper; road maps; tickets, entry tickets; checks; comic books; calendars; postcards; advertising boards, banners and material included in this class; transfers (decalcomanias); sticking labels; office requisites (except furniture); correction fluids; rubber erasers; pencil sharpeners; stands and containers for office articles; paper clips; thumbtacks; drawing rulers; adhesive tapes for stationery purposes, adhesive tape dispensers; staples; stencils; document holders (stationery); paper clips; holders for notepads; bookends; stamps (seals); postage stamps; credit cards, telephone cards, ATM cards, cards for traveling and for shows, check guarantee cards and debit cards, non-magnetic, and of paper or cardboard; baggage tags of paper; passport cases; travelers' checks; holders for checkbooks; money clips of metal; letter trays; all the aforesaid goods are from Europe.

28 – Games and toys; sports balls; play balloons; board games; tables for indoor football; dolls and plush toys; vehicles (toys); jigsaw puzzles; balloons; inflatable toys; play disks (pogs); playing cards; confetti; gymnastic and sporting articles; football equipment, namely balls for football, gloves, knee guards, elbow guards, shoulder guards, shin guards; football goals; sports bags and containers (adapted to objects) for carrying sports articles; party hats (toys); small electronic games designed for use with a television set; video game apparatus; game consoles; video game accessories; electronic games other than those designed to be used only with a television set; steering wheels for video games and mats for video games (for dancing upon); hands made of rubber or foam (toys); entertainment robots; appliances for gymnastics; kites; roller skates; scooters; skateboards; coin-operated video games for game halls (arcade games); electronic games with liquid crystal display; joysticks for video games, manually or voice-activated joysticks for video games; lottery tickets; scratch cards; all the aforesaid goods are from Europe; computer game joysticks; voice-activated or manually operated computer game joysticks.

(260) AM 2018 94509 A  
(800) 1367843  
(151) 2017 07 18  
(891) 2017 07 18  
(731) DOMAINE CLARENCE DILLON  
31 avenue Franklin D. Roosevelt F-75008  
PARIS, France

(540)

## **BIG FRENCH BOTTLE**

(591) Black and white

(511)

35 – Retail sale services for wines and alcoholic beverages; sales promotion for others; the bringing together, for the benefit of others, of wines and alcoholic beverages enabling customers to conveniently view and purchase those goods (excluding transport).

43 – Services for providing food and drink; bar services; catering services; hotel services; tasting of wines and alcoholic beverages (provision of beverages).

(260) AM 2018 94510 A

(800) 1368058

(151) 2017 07 28

(891) 2017 07 28

(731) MERCK KGAA

Frankfurter Strasse 250, 64293 Darmstadt,  
Germany

(540)

## **MC MEDIA PAD**

(591) Black, white

(511)

1 – Culture media for microorganisms, other than for medical and veterinary purposes.

9 – Scientific apparatus for counting colonies of microorganisms; scanners, cameras and software for use in microbiological laboratories.

(260) AM 2018 94516 A

(800) 1367900

(151) 2017 08 01

(891) 2017 08 01

(731) Kreditanstalt für Wiederaufbau Anstalt des  
öffentlichen Rechts  
Palmengartenstr. 5-9 60325 Frankfurt  
a. Main, Germany

(540)



(591) Black and white

(531) 27.05.17; 27.05.23

(511)

36 – Financial affairs; monetary affairs; real estate affairs; insurance.

(260) AM 2018 94517 A

(800) 1367904

(151) 2017 08 03

(891) 2017 08 03

(731) AVON PRODUCTS, INC.

601 Midland Avenue Rye, NY 10580, USA

(540)

AVON  
EVE  
DU/ET

(591) Black and white

(531) 27.05.01; 27.05.10; 27.05.11; 27.05.19

(511)

3 – Non-medicated toilet preparations; toiletries; skin care preparations; skin moisturizers; body and beauty care preparations; powders, cleansers, creams and lotions, all for the face, hands and body; cosmetic suntan preparations; soaps; shower and bath preparations; beauty masks; talcum powder; nail polish; nail polish remover; false nails; adhesives for cosmetic purposes; cosmetics; eye cream; eye gels; eye lotions; eye make-up remover; eye shadow; eye liner; mascara; lipstick; lip liner; lip-gloss; make-up foundation; blusher; tissues impregnated with cosmetic lotions; cotton sticks for cosmetic purposes; cotton wool for cosmetic purposes; preparations for cleaning, moisturising, colouring and styling the hair; preparations for cleaning the teeth; shaving and aftershave preparations; perfumes; fragrances; toilet waters; cologne; deodorants for human beings; anti-perspirants for personal use (toiletries); essential oils (cosmetic).

(260) AM 2018 94518 A

(800) 1367906

(151) 2017 08 21

(891) 2017 08 21

(731) BAYER AKTIENGESELLSCHAFT

Kaiser-Wilhelm-Allee 51373 Leverkusen,  
Germany

(540)

**MEZATARGA**

(591) Black and white

(511)

5 – Pharmaceutical preparations; pharmaceutical preparations for the treatment of cancer.

(260) AM 2018 94520 A

(800) 1367930

(151) 2017 05 23

(891) 2017 05 23

(731) DIMITAR HRISTOV BALEV

Blvd. Vitosha No.137, apt.17 BG-1408  
SOFIA, Bulgaria

(540)



(591) Black and white

(531) 15.07.07; 15.07.09; 18.01.21; 26.01.04;

26.01.21

(511)

3 – Soaps; perfumery; essential oils; aromatics [essential oils]; ionone [perfumery]; extracts of flowers [perfumes]; potpourris [fragrances]; air fragrancing preparations; fragrances for household purposes; fragrances for automobiles; sachets for perfuming linen; scented wood; scented water; joss sticks; tissues impregnated with cosmetic lotions; cloths impregnated with a detergent for cleaning; cloths impregnated with polishing preparations for cleaning; vehicle cleaning preparations; bath salts, not for medical purposes.

5 – Salts for mineral water baths; air purifying preparations; air deodorizers; deodorants for clothing and textiles; air deodorising preparations; automobile deodorizers; deodorants, other than for human beings or for animals; moist wipes impregnated with pharmaceutical lotion; disposable sanitizing wipes; sanitary napkins for household use.

(260) AM 2018 94522 A

(800) 1368175

(151) 2017 04 11

(891) 2017 04 11

(731) FERRERO S.P.A.

Piazzale Pietro Ferrero, 1,I-12051 ALBA,  
CUNEO, Italy

(540)



(591) Black, white

(531) 19.03.03; 19.03.25; 19.13.21

(511)  
30 – Confectionery, candies and chewing gums, candies and chewing gums without sugar.

(260) AM 2018 94668 A

(800) 1368734

(151) 2017 07 06

(891) 2017 07 06

(731) LU SHENG ZHONG

102# No.7, 1st Alley Wujiao Gate Western  
Dist., Gurao Town, Chaoyang Dist.,  
Shantou Guangdong, China

(540)

**aweil**

(591) Black, white

(531) 27.05.01; 27.05.17

(511)

9 – Computer memories; data processing apparatus; portable telephones; telephone set sheath; headphones; cabinets for loudspeakers; cameras [photography]; theft prevention installations, electric; batteries, electric; chargers for electric batteries.

(260) AM 2018 94669 A

(800) 1368833

(151) 2017 06 07

(891) 2017 06 07

(731) ADP GAUSELMANN GMBH

Merkur-Allee 1-15, 32339 Espelkamp,  
Germany

(540)

**Mysteries of Karnak**

(591) Black, white

(511)

9 – Scientific, nautical, surveying, photographic, cinematographic, optical, weighing, measuring, signalling, checking (supervision), life-saving and teaching apparatus and instruments; apparatus and instruments for conducting, switching, transforming, accumulating, regulating or controlling electricity; apparatus for recording, transmission or reproduction of sound or images; magnetic data carriers, recording discs; compact discs, dvds and other digital recording media; cash registers, calculating machines, data processing equipment, computers; computer software; fire-extinguishing apparatus; musical jukeboxes and parts for the aforesaid automatic machines; automatic cash dispensers, automatic money counting and money changing machines; coin-operated mechanisms; computer and video games; games software for use on any computer platform, including electronic entertainment and games consoles; computers game programs; video games (software); computer games provided through a global computer network or supplied by means of multi-media electronic broadcast or through telecommunications or

electronic transmission or via the internet; computer games, leisure and recreational software, video games and computer software, all being provided in the form of storage media; programs for operating electric and electronic apparatus for games, amusement and/or entertainment purposes; computer software for computer games on the internet; online games (software), in particular for online betting games, online prize games, online gambling games, online games of skill and online casino games; computer software in the form of an app for mobile devices and computers; calculating apparatus in coin-operated machines and parts for the aforesaid goods; apparatus for recording, transmission, processing or reproduction of data, including sound or images, including parts for all the aforesaid goods, except radio sets, television receivers, hi-fi systems, video recorders, telephone apparatus, fax machines and telephone answering machines; computer hardware and software for casino and amusement arcade games, for gaming machines, slot machines or video lottery gaming machines or games of chance via the internet; electric, electronic, optical or automatic apparatus, for identifying data carriers, identity cards and credit cards, bank notes and coins; electric, electronic or optical alarm and monitoring installations, including video cameras and apparatus for image transmission and image processing; data processing apparatus and computers, including data processing apparatus and computers being components for data networks and parts facilitating data network communications; electric wiring harnesses; circuit boards, printed circuit boards (electronic components) and combinations thereof being assemblies and parts for apparatus, included in class 9.

28 – Games; toys; gymnastic and sporting articles not included in other classes; decorations for christmas trees; gaming apparatus (including coin-operated apparatus); coin-operated arcade games (machines); games for amusement arcades (included in this class); coin-operated video gaming apparatus; video games apparatus adapted for use with external screens or monitors only; casino fittings, namely roulette tables, roulette wheels; coin-operated automatic gaming machines and gaming machines, in particular for gaming arcades, with or without a prize payout; electronic or electrotechnical gaming apparatus, automatic gaming machines, gaming machines, slot machines operated by coins, tokens, banknotes, tickets or by means of electronic, magnetic or biometric storage media, in particular for commercial use in casinos and amusement arcades, with or without a prize payout; automatic gaming machines and gaming machines, in particular for commercial use in casinos and gaming arcades, with or without a prize payout; coin-operated gaming machines and/or electronic money-based gaming apparatus (machines), with or without prizes; housings adapted for gaming machines, gaming apparatus and automatic



gaming machines, operated by means of coins, tokens, tickets or by means of electronic, magnetic or biometric storage media, in particular for commercial use in casinos and gaming arcades, with or without a prize payout; electronic games; electronic game entertainment apparatus and parts thereof; video output game machines; drawing apparatus for prize games and lotteries, draws or raffles; housings of metal, plastic and/or wood for coin-operated automatic machines; apparatus for games (including video games), other than adapted for use with external screens or monitors only; electropneumatic and electric slot machines with pulling handles (gaming machines); gaming tables, in particular for table football, billiards, sliding games; flying discs (toys) and darts; gaming machines, namely, electric, electronic or electromechanical apparatus for bingo games, lotteries or video lottery games and for betting offices, connected or unconnected to a computer network; LCD games consoles; automatic gaming machines; automatic lottery machines; all the aforesaid automatic gaming machines operating in networks; apparatus and devices for accepting and storing money, being fittings for the aforesaid automatic machines, included in this class.

(260) AM 2018 94670 A

(800) 1368845

(151) 2017 06 14

(891) 2017 06 14

(731) BSH HAUSGERÄTE GMBH

Carl-Wery-Str. 34 81739 München, Germany

(540)

 **VarioDrum**

(591) Black, white

(531) 26.01.06; 27.05.10

(511)

7 – Electric household and kitchen machines and apparatus, included in this class, in particular electric kitchen machines and apparatus, including grinders, beaters and kneading apparatus, fruit presses, juice extractors, juice centrifuges, mincing machines, cutting apparatus, electrically powered tools, tin openers, knife sharpening apparatus, and machines and apparatus for making beverages and/or preparing food, beverage pumps for dispensing chilled beverages; electric vending machines for beverages or foods, automatic vending machines; electrical apparatus for sealing plastics (packaging); electric waste disposal devices, including waste disposers and waste presses; dishwashers; electric machines and apparatus for treating laundry and clothing (included in this class), including washing machines, spin dryers; ironing presses, ironing machines, included in this class; electric household cleaning equipment, including electric window cleaning equipment, electric shoe polishers and vacuum cleaners, wet and dry va-

cuuming apparatus; robotic vacuum cleaners, robots for household chores; parts for all the aforesaid goods, included in this class; hoses, tubes, dust filters and dust filter bags, all for vacuum cleaners.

11 – Apparatus for heating, steam generating and cooking, in particular ovens, baking, roasting, grilling, toasting, defrosting and heating devices, water heaters, immersion heaters, slow-cookers, microwave ovens, waffle irons (electric), egg cookers, deep-fat fryers (electric); electric tea and coffee machines, espresso coffee machines, automatic coffee machines (included in this class); refrigerating apparatus, in particular refrigerators, chest freezers, refrigerated cabinets, beverage cooling apparatus, fridge-freezers, freezers, ice machines and apparatus; drying apparatus, in particular including tumble dryers, laundry drying machines, hand dryers, hair dryers; infrared lamps (other than for medical use); heated cushions, not for medical purposes; apparatus for ventilating, in particular fans; blankets, electric, not for medical purposes; extractor hood filters, extractor hood equipment and extractor hoods, air conditioning apparatus and devices for improving air quality, air humidifiers, air deodorising apparatus, fragrance dispensing apparatus (not for personal use); air purifying apparatus, apparatus for water supply and sanitary purposes, in particular including fittings for steam generating, ventilating and water supply installations; water heaters, storage water heaters and instantaneous water heaters; kitchen sinks; heat pumps; parts for all the aforesaid goods, included in this class; mechanical taps (dispensers) for dispensing chilled beverages for use in combination with apparatus for chilling beverages (other than vending machines).

(260) AM 2018 94672 A

(800) 1368846

(151) 2017 06 14

(891) 2017 06 14

(731) BSH HAUSGERÄTE GMBH

Carl-Wery-Str. 34, 81739 München, Germany

(540)

 **i-DOS**

(591) Black, white

(531) 01.15.15; 27.05.17

(511)

7 – Electric household and kitchen machines and apparatus, included in this class in particular electric kitchen machines and apparatus, including grinders, beaters and kneading apparatus, fruit presses, juice extractors, juice centrifuges, mincing machines, cutting apparatus, electrically powered tools, tin openers, knife sharpening apparatus, and machines and apparatus for making beverages and/or preparing food, beverage pumps for dispensing chilled bevera-

ges; electric vending machines for beverages or foods, automatic vending machines; electrical apparatus for sealing plastics (packaging); electric waste disposal devices, including waste disposers and waste presses; dishwashers; electric machines and apparatus for treating laundry and clothing (included in this class), including washing machines, spin dryers; ironing presses, ironing machines, included in this class; electric household cleaning equipment, including electric window cleaning equipment, electric shoe polishers and vacuum cleaners, wet and dry vacuuming apparatus; robotic vacuum cleaners, robots for household chores; parts for all the aforesaid goods, included in this class; hoses, tubes, dust filters and dust filter bags, all for vacuum cleaners.

11 – Apparatus for heating, steam generating and cooking, in particular ovens, baking, roasting, grilling, toasting, defrosting and heating devices, water heaters, immersion heaters, slow-cookers, microwave ovens, waffle irons (electric), egg cookers, deep-fat fryers (electric); electric tea and coffee machines, espresso coffee machines, automatic coffee machines (included in this class); refrigerating apparatus, in particular refrigerators, chest freezers, refrigerated cabinets, beverage cooling apparatus, fridge-freezers, freezers, ice machines and apparatus; drying apparatus, in particular including tumble dryers, laundry drying machines, hand dryers, hair dryers; infrared lamps (other than for medical use); heated cushions, not for medical purposes; blankets, electric, not for medical purposes; apparatus for ventilating, in particular fans; extractor hood filters, extractor hood equipment and extractor hoods, air conditioning apparatus and devices for improving air quality, air humidifiers, air deodorising apparatus, fragrance dispensing apparatus (not for personal use); air purifying apparatus, apparatus for water supply and sanitary purposes, in particular including fittings for steam generating, ventilating and water supply installations; water heaters, storage water heaters and instantaneous water heaters; kitchen sinks; heat pumps; parts for all the aforesaid goods, included in this class; mechanical taps (dispensers) for dispensing chilled beverages for use in combination with apparatus for chilling beverages (other than vending machines).

(260) AM 2018 94673 A

(800) 1368848

(151) 2017 06 14

(891) 2017 06 14

(731) BSH HAUSGERÄTE GMBH

Carl-Wery-Str. 34, 81739 München, Germany

(540)

 **PerfectAir**

(591) Black, white

(531) 15.01.13; 26.03.23; 27.05.01; 27.05.10;  
27.05.17

(511)

7 – Electric household and kitchen machines and apparatus, included in this class, in particular electric kitchen machines and apparatus, including grinders, beaters and kneading apparatus, fruit presses, juice extractors, juice centrifuges, mincing machines, cutting apparatus, electrically powered tools, tin openers, knife sharpening apparatus, and machines and apparatus for making beverages and/or preparing food, beverage pumps for dispensing chilled beverages; electric vending machines for beverages or foods, automatic vending machines; electrical apparatus for sealing plastics (packaging); electric waste disposal devices, including waste disposers and waste presses; dishwashers; electric machines and apparatus for treating laundry and clothing (included in this class), including washing machines, spin dryers; ironing presses, ironing machines, included in this class; electric household cleaning equipment, including electric window cleaning equipment, electric shoe polishers and vacuum cleaners, wet and dry vacuuming apparatus; robotic vacuum cleaners, robots for household chores; parts for all the aforesaid goods, included in this class; hoses, tubes, dust filters and dust filter bags, all for vacuum cleaners.

11 – Apparatus for heating, steam generating and cooking, in particular ovens, baking, roasting, grilling, toasting, defrosting and heating devices, water heaters, immersion heaters, slow-cookers, microwave ovens, waffle irons (electric), egg cookers, deep-fat fryers (electric); electric tea and coffee machines, espresso coffee machines, automatic coffee machines (included in this class); refrigerating apparatus, in particular refrigerators, chest freezers, refrigerated cabinets, beverage-cooling apparatus, fridge-freezers, freezers, ice machines and apparatus; drying apparatus, in particular including tumble dryers, laundry drying machines, hand dryers, hair dryers; infrared lamps (other than for medical use); heated cushions, not for medical purposes; blankets, electric, not for medical purposes; apparatus for ventilating, in particular fans; extractor hood filters, extractor hood equipment and extractor hoods, air conditioning apparatus and devices for improving air quality, air humidifiers, air deodorising apparatus, fragrance dispensing apparatus (not for personal use); air purifying apparatus, apparatus for water supply and sanitary purposes, in particular including fittings for steam generating, ventilating and water supply installations; water heaters, storage water heaters and instantaneous water heaters; kitchen sinks; heat pumps; parts for all the aforesaid goods, included in this class; mechanical taps (dispensers) for dispensing chilled beverages for use in combination with apparatus for chilling beverages (other than vending machines).

(260) AM 2018 94675 A  
 (800) 1368849  
 (151) 2017 06 14  
 (891) 2017 06 14  
 (731) BSH HAUSGERÄTE GMBH  
 Carl-Wery-Str. 34, 81739 München, Germany  
 (540)

 **PerfectFry**

(591) Black, white  
 (531) 11.03.18; 26.03.23; 27.05.01; 27.05.10  
 (511)  
 11 – Apparatus for heating, steam generating and cooking, in particular ovens, baking, roasting, grilling, toasting, defrosting and heating devices, water heaters, immersion heaters, slow-cookers, microwave ovens, waffle irons (electric), egg cookers, deep-fat fryers (electric); electric tea and coffee machines, espresso coffee machines, automatic coffee machines (included in class 11); refrigerating apparatus, in particular refrigerators, chest freezers, refrigerated cabinets, beverage-cooling apparatus, fridge-freezers, freezers, ice machines and apparatus; drying apparatus, in particular including tumble dryers, laundry drying machines, hand dryers, hair dryers; infrared lamps (other than for medical use); heated cushions, not for medical purposes; blankets, electric, not for medical purposes; apparatus for ventilating, in particular fans; extractor hood filters, extractor hood equipment and extractor hoods, air conditioning apparatus and devices for improving air quality, air humidifiers, air deodorising apparatus, fragrance dispensing apparatus (not for personal use); air purifying apparatus, apparatus for water supply and sanitary purposes, in particular including fittings for steam generating, ventilating and water supply installations; water heaters, storage water heaters and instantaneous water heaters; kitchen sinks; heat pumps; parts for all the aforesaid goods, included in this class; mechanical taps (dispensers) for dispensing chilled beverages for use in combination with apparatus for chilling beverages (other than vending machines).

(260) AM 2018 94676 A  
 (800) 1368850  
 (151) 2017 06 14  
 (891) 2017 06 14  
 (731) BSH HAUSGERÄTE GMBH  
 Carl-Wery-Str. 34, 81739 München,  
 Germany  
 (540)

 **PerfectRoast**

(591) Black, white  
 (531) 11.03.18; 26.03.23; 27.05.01; 27.05.10

(511)  
 11 – Apparatus for heating, steam generating and cooking, in particular ovens, baking, roasting, grilling, toasting, defrosting and heating devices, water heaters, immersion heaters, slow-cookers, microwave ovens, waffle irons (electric), egg cookers, deep-fat fryers (electric); electric tea and coffee machines, espresso coffee machines, automatic coffee machines (included in class 11); refrigerating apparatus, in particular refrigerators, chest freezers, refrigerated cabinets, beverage-cooling apparatus, fridge-freezers, freezers, ice machines and apparatus; drying apparatus, in particular including tumble dryers, laundry drying machines, hand dryers, hair dryers; infrared lamps (other than for medical use); heated cushions, not for medical purposes; blankets, electric, not for medical purposes; apparatus for ventilating, in particular fans; extractor hood filters, extractor hood equipment and extractor hoods, air conditioning apparatus and devices for improving air quality, air humidifiers, air deodorising apparatus, fragrance dispensing apparatus (not for personal use); air purifying apparatus, apparatus for water supply and sanitary purposes, in particular including fittings for steam generating, ventilating and water supply installations; water heaters, storage water heaters and instantaneous water heaters; kitchen sinks; heat pumps; parts for all the aforesaid goods, included in this class; mechanical taps (dispensers) for dispensing chilled beverages for use in combination with apparatus for chilling beverages (other than vending machines).

(260) AM 2018 94678 A  
 (800) 1368909  
 (151) 2017 07 28  
 (891) 2017 07 28  
 (731) APPLE INC.  
 1 INFINITE LOOP, CUPERTINO CA 95014,  
 USA  
 (540)

**IPOD NANO**

(591) Black, white  
 (511)  
 9 – Portable and handheld digital electronic devices for recording, organizing, transmitting, manipulating, and reviewing text, data, and audio files; computer software for use in organizing, transmitting, manipulating, and reviewing text, data, and audio files on portable and handheld digital electronic devices.

(260) AM 2018 94683 A  
 (800) 1369000  
 (151) 2017 07 27  
 (891) 2017 07 27

(731) Public Joint Stock Company  
 "INTER RAO UES"  
 ul. Bol'shaja Pirogovskaja, dom 27, str.2  
 RU-119435 Moskva, Russian Federation

(540)

## **ENERGY WITHOUT BORDERS**

(591) Black, white

(511)

4 – Industrial oil; lubricants; dust laying compositions; fuel; lighting fuel; candles; wicks for candles.

6 – Common metals and their alloys; metal building materials; transportable buildings of metal; materials of metal for railway tracks; non-electric cables and wires of common metal; ironmongery, small items of metal hardware; pipes and tubes of metal; safes; goods of common metal not included in other classes. ores.

7 – Machines and machine tools; motors and engines (except for land vehicles); machine coupling and transmission components, except for land vehicles; agricultural implements other than hand-operated; incubators for eggs.

9 – Apparatus and instruments for conducting, switching, transforming, accumulating, regulating or controlling electricity.

35 – Cost price analysis; employment agencies; computerized file management; accounting; efficiency experts; opinion polling; marketing studies; business information; business investigations; marketing research; personnel recruitment; business management and organization consultancy; personnel recruitment; professional business consultancy; news clipping services; arranging newspaper subscriptions for others; payroll preparation; business management assistance; commercial or industrial management assistance; office machines and equipment rental; systemization of information into computer databases; business inquiries; tax preparation.

36 – Credit bureaux; debt collection agencies; real estate agencies; brokerage; financial analysis; hire-purchase financing; issue of tokens of value; capital investment; insurance information; financial information; clearing, financial; insurance consultancy; financial consultancy; stock exchange quotations; financial management; factoring; financial evaluation [insurance, banking, real estate]; loans [financing]; pawnbrokerage; charitable fund raising; financial sponsorship; mortgage banking; actuarial services.

37 – Maintenance and repair of motors and engines, including turbine engines.

39 – Distribution of energy; electricity distribution.

42 – Engineering; quality control; styling [industrial design]; surveying.

(260) AM 2018 94685 A

(800) 1369001

(151) 2017 07 27

(891) 2017 07 27

(731) Public Joint Stock Company

"INTER RAO UES"

ul. Bol'shaja Pirogovskaja, dom 27, str. 2

RU-119435 Moskva, Russian Federation

(540)

## **energy beyond borders**

(591) Black, white

(511)

6 – Common metals and their alloys; metal building materials; transportable buildings of metal; materials of metal for railway tracks; non-electric cables and wires of common metal; ironmongery, small items of metal hardware; pipes and tubes of metal; safes.

7 – Machines and machine tools; motors and engines (except for land vehicles); machine coupling and transmission components (except for land vehicles); agricultural implements other than hand-operated; incubators for eggs.

9 – Apparatus and instruments for conducting, switching, transforming, accumulating, regulating or controlling electricity.

35 – Import-export agency services; commercial information agency services; cost price analysis; account auditing; employment agency services; computerized file management; book-keeping; business efficiency expert services; demonstration of goods; transcription of communications [office functions]; opinion polling; market studies; on-line advertising on a computer network; business information; compilation of statistics; business investigations; marketing research; personnel recruitment; business management and organization consultancy; personnel management consultancy; professional business consultancy; business management of performing artists; news clipping services; advertising; organization of exhibitions for commercial or advertising purposes; organization of trade fairs for commercial or advertising purposes; business appraisals; payroll preparation; data search in computer files for others; business management assistance; commercial or Industrial management assistance; economic forecasting; auctioneering; sales promotion for others; office machines and equipment rental; rental of advertising time on communication media; business inquiries; procurement services for others [purchasing goods and services for other businesses]; tax preparation; drawing up of statements of accounts; public relations.

36 – Credit bureaux; real estate agencies; financial analysis; hire-purchase financing; issuance of tokens of value; investment of funds; insurance information; financial information; clearing, financial; insurance consultancy; financial consultancy; stock ex-

change quotations; financial evaluation [insurance, banking, real estate]; loans [financing]; charitable fund raising; financial sponsorship; mortgage banking; real estate management.

37 – Maintenance and repair of motors and engines, including turbine engines.

39 – Distribution of energy; electricity distribution; transport services; arranging of travel tours.

40 – Energy production.

42 – Technical research; quality control; styling [industrial design]; conducting technical project studies; surveying; engineering.

45 – Legal services.

---

(260) AM 2018 94747 A

(800) 1371375

(151) 2017 07 10

(891) 2017 07 10

(731) LIMITED LIABILITY COMPANY

"PREMIORI"

vul. Levanevskogo, 91, m. Bila Tserkva,

Kyivska oblast 09100, Ukraine

(540)

**PREMIORI**  
 Via Maggiore 2 Plus

(591) Black, white

(531) 26.11.03; 26.11.06; 26.11.09; 27.05.01;  
 27.05.15; 27.05.17

(511)

12 – Automobile tires; casings for pneumatic tires; inner tubes for pneumatic tires; vehicle wheels; pneumatic tires; tires for vehicle wheels.

---

(260) AM 2018 94762 A

(800) 1370730

(151) 2017 01 24

(891) 2017 01 24

(731) FÉDÉRATION FRANÇAISE DE TENNIS,

Association constituée selon la loi du 1er juillet 1901, reconnue d'utilité publique par décret du 13 juillet 1923 Stade Roland Garros, 2, avenue Gordon Bennett, F-75016 PARIS, France

(540)



(591) Black and white

(531) 26.01.04; 26.01.18; 26.01.21; 27.05.22

(511)

3 – Perfumery products; Cologne and perfume, cosmetic products; cosmetic skin-tanning preparations; cosmetic preparations for protecting the skin from the sun; cosmetic preparations for application after exposure to the sun; cosmetic preparations for skin-tanning without exposure to the sun; toilet soaps; lotions for bath and grooming; lotions for beard and skin; after-shave lotions; salts, oils and gels for bath and grooming; essential oils; beauty products, powders, blush, nail polish, lipstick, talcum powders; shampoos; hair lotions; sanitary preparations for personal use, deodorants for personal use; dentifrices.

18 – Leather goods; handbags, traveling bags, in general, luggage trunks and suitcases, traveling sets, extra-flat carrying cases, briefcases, purses, wallets, money belts and card cases; umbrellas, parasols and walking sticks.

28 – Games including video game machines; video games, electronic games; toys, plush toys, playing cards, gymnastic and sporting articles including articles for practicing tennis, beach tennis, mini-tennis, paddle tennis and court tennis, rackets for tennis, beach tennis, mini-tennis, paddle tennis and court tennis, nets for tennis, mini-tennis, beach tennis, paddle tennis and court tennis, gut and strings for rackets, including balls for tennis, beach tennis, mini-tennis, paddle tennis and court tennis, knee guards [sports articles], elbow guards [sports articles], shin guards [sporting goods], protective paddings [parts of sports suits]; wristbands for sports (sporting items); men's athletic supporters; scooters, skateboards, roller skates, electric or non-electric.

35 – Organization of tennis promotional events, beach tennis, mini-tennis, court tennis or paddle tennis; advertising; advertising, including promoting the goods and services of others by means business partnership (sponsoring) and licenses; rental of advertising space; Production of films and of promotional films, dissemination of advertising matter; advertising mailing services; dissemination of advertising material (leaflets, prospectuses, printed matter, samples); publication of promotional and advertising texts; advertising and promotion on radio, television and the Internet; interactive advertising; advice and assistance in business management and organization in particular for sports clubs, professional business consultancy, efficiency experts, business information, business investigations, business research, business information, market studies, statistical information, organization of exhibitions for advertising promotion (sponsoring), organization of events for promotional purposes, administrative management of exhibition sites for advertising purposes; collection and compilation of press clippings and information relating to news, cultural and/or sports organization and management of incentive promotional activities

for tennis, beach tennis, mini-tennis, court tennis or paddle tennis including via the means of loyalty cards (financial sponsorship, advertising) team and player clubs, television advertising in connection with sports events; advertising sponsorship; radio, television and on the Internet, also in the form of sponsorship; advertising marketing or sponsorship of sports events; professional consultancy in the field of administrative management of advertising and sponsorship of sports events; rental of sales stands; reception services and host and hostess reception.

38 – Communication services especially via cable, satellite, radio relay, sound program channels, television, telephone, telegraph, data communication, by videophone, visiophone, video conference, telex, telegram and by all remote data processing means (including the Internet) by videotex, (in particular on terminals, computer peripheral devices or electronic and/or digital equipment) in particular, in the audio-visual and/or multimedia sectors; transmission and broadcasting of radio and television programs and more generally of multimedia programs for interactive or other use; interactive communication services, electronic transmission of digital data (images, sound, files); transmission of messages, images, sounds assisted by computer; communications by computer terminals; communications (transmission) on an open or closed global computer network; telecommunication services, namely, services for the transmission of interactive television program selection via televisions; rental of access time to a database; provision of access to a global computer network (such as the Internet) exhibitions and exhibition services; transmission of video-on-demand footage; news agency services; provision of chat rooms on the Internet; provision of on-line forums.

41 – Education services and training in tennis, beach tennis, mini-tennis, court tennis, paddle tennis and trades linked to the world of tennis, beach tennis, mini-tennis, paddle tennis and court tennis; organization of sports competitions, in particular, events between clubs or graduates; organization of contests; arranging of award ceremonies, rewards; entertainment services including television and radio entertainment; sporting and cultural activities; Sports leadership in clubs, information on education, entertainment, sports, sporting and cultural events, including online events; information and advisory services in the field of sports media and on all media including via a computer database or the Internet; publication of books, reviews, magazines, teaching manuals, educational cards in all media; book lending; Production of non-promotional films or telefilms, production of shows, television programs, reports, debates, video recordings, sound recordings; rental of video recordings, phonograph recordings, sound recordings, films and video tapes, audio tapes, cinematographic projection apparatus; electronic game servi-

ces provided from a computer database or over the Internet; audio and video equipment rental services; online publication of electronic books and magazines; publication of texts other than advertising texts, especially electronically; editing of programs, broadcasts, debates, reports; organization and conducting of colloquiums, conferences, congresses; organization of exhibitions for cultural, sporting or educational purposes; organization of seminars and practical training courses (demonstrations); booking of seats for shows; news reporters services; videotaping; photographic services, namely taking of photographs; photographic reporting; gambling services; club services, namely, entertainment; ticket-booking services for entertainment, sporting and cultural events; electronic library services for providing electronic information (including archive information) in the form of electronic texts, information and audio and/or video data, games and entertainment; electronic game services provided by means of the Internet; information and advisory services in the field of sports from a computer database or the Internet; arranging and conducting of seminars and workshops for tennis, mini-tennis, beach tennis, paddle tennis and court tennis; tennis courts, beach tennis, mini-tennis, paddle tennis and court tennis and certification courses provided by a tennis professor, beach tennis, mini-tennis, paddle tennis and court tennis; Athletic enhancement camps (training), holiday camps (entertainment), health clubs (physical training), physical education, correspondence courses, educational examination, practical training (demonstration), rental of tennis or court tennis courts, rental of stadium facilities, rental of sports equipment except vehicles; timing of sports events, providing sports facilities.

(260) AM 2018 94768 A

(800) 1370864

(151) 2017 09 13

(891) 2017 09 13

(731) IQ NUTRITION, LLC

400 Garden City Plaza, c/o Moritt Hock & Hamroff LLP Garden City NY 11530, USA

(540)

## **IQ NUTRITION**

(591) Black and white

(511)

5 – Food supplements; dietetic foods and beverages adapted for medical purposes; dietetic foods and beverages adapted for medical use; dietary and nutritional supplements; vitamin preparations; infant formula; food for babies.

29 – Dried fruits and vegetables; milk and milk products, excluding ice cream, ice milk and frozen yogurt.

30 – Processed cereal; cereal based snack food; breakfast cereals; ready-to-eat cereals.

(260) AM 2018 94837 A

(800) 476538

(151) 1983 03 25

(891) 2017 09 01

(731) VEKA AKTIENGESELLSCHAFT  
Dieselstrasse 8, 48324 SENDENHORST,  
Germany

(540)



(531) 26.04.03; 26.04.09; 26.04.22; 27.05.05

(511)

19 – Building materials; windows and roller shutters of plastic materials.

(260) AM 2018 94851 A

(800) 1342027

(151) 2016 12 15

(891) 2017 04 24

(731) Eagle Investment SICAV plc,  
acting on behalf of ITT FUND  
Alpine House, Naxxar Road, SGN 9032  
San Gwann, Malta

(540)

## CRYSTAL MINERS

(591) Black, white

(511)

9 – Games software; software programs for video games; interactive video game programs; games (cartridges for computer -) [software]; games (cartridges for video -) [software]; software; educational software; application software; community software; interactive computer software; programs for computers; electronic components for gambling machines; games cartridges for use with electronic games apparatus; coin-operated musical automata [juke boxes]; automated teller machines [ATM]; all of the aforementioned goods not in the field of computer software and/or computer hardware for analyzing and/or evaluating communication services.

28 – Games; sports games; manipulative games; mechanical games; musical games; electronic games; parlor games; board games; quiz games; apparatus for games; arcade games; skill and action

games; electronic hand-held game units; handheld computer games; lottery wheels; lottery tickets; slot machines [gaming machines]; automatic gaming machines; coin-operated amusement machines; bill-operated gaming equipment; LCD game machines; counters for games; amusement apparatus for use in arcades; arcade game machines.

41 – Gambling; operating lotteries; prize draws [lotteries]; organising and conducting lotteries; games equipment rental; casino services; providing casino facilities; leasing of casino games; providing casino facilities [gambling]; providing of casino and gaming facilities; casino, gaming and gambling services; providing amusement arcade services; video arcade services.

(260) AM 2018 94853 A

(800) 1347222

(151) 2017 01 30

(891) 2017 08 25

(731) adp Gauselmann GmbH  
Mercur-Allee 1-15, 32339 Espelkamp,  
Germany

(540)

## Hexenkessel

(591) Black, white

(526)

(511)

9 – Computer software; computer and video games software; games software for use on any computer platform, including electronic entertainment and games consoles; computer game programs; computer games; video games (software); computer games provided through a global computer network or supplied by means of multi-media electronic broadcast or through telecommunications or electronic transmission or via the internet; computer games, leisure and recreational software, video games software and computer software, all being provided in the form of storage media; programs for operating electric and electronic apparatus for games, amusement and/or entertainment purposes; computer software for automatic lottery machines; computer software for computer games on the internet; online games (software), in particular for online betting games, online prize games, online gambling games, online games of skill and online casino games; computer software in the form of an app for mobile devices and computers; computer software for casino and amusement arcade games, for gaming machines, slot machines or video lottery gaming machines or games of chance via the internet.

(260) AM 2018 94854 A  
 (800) 1371897  
 (151) 2017 09 20  
 (891) 2017 10 12  
 (731) NOVARTIS AG  
 CH-4002 Basel, Switzerland  
 (540)

## ZIEXTENZO

(591) Black, white  
 (511)  
 5 – Pharmaceutical preparations for human use.

(260) AM 2018 94859 A  
 (800) 1371460  
 (151) 2017 05 20  
 (891) 2017 05 20  
 (731) BEIERSDORF AG  
 Unnastrasse 48 20253 Hamburg, Germany  
 (540)

## URBAN SKIN

(591) Black and white  
 (511)  
 3 – Body and beauty care preparations for cosmetic purposes.

(260) AM 2018 94860 A  
 (800) 1371465  
 (151) 2017 08 04  
 (891) 2017 08 04  
 (731) Joint Stock Company  
 "YUZHURALKONDITER"  
 ul. Darvina, d. 12 RU-454087 Chelyabinsk,  
 Russian Federation  
 (540)

## Merendinka hit – biskwit

(591) Black and white  
 (511)  
 30 – Aromatic preparations for food; flavorings, other than essential oils, for cakes; star aniseed; sponge cakes; pancakes; buns; bread rolls; vanillin [vanilla substitute]; waffles; vermicelli [noodles]; coffee flavorings; natural sweeteners; sausage binding materials; sea water for cooking; glucose for culinary purposes; mustard; thickening agents for cooking foodstuffs; artificial coffee; vegetal preparations for use as coffee substitutes; confectionery for decorating Christmas trees; cakes; pastries; peanut confectionery; almond confectionery; pasta; frozen yogurt [confectionery ices]; cocoa; capers; caramels [candy]; gruel, with a milk base, for food; quiches; gluten prepared as foodstuff; sweetmeats [candy]; liquorice [confectionery]; peppermint sweets; coffee; unroasted coffee; starch for food; crackers; groats for human food; corn, milled; corn, roasted; meat pies; turmeric; couscous [semolina]; noodles;

ice for refreshment; ice, natural or artificial; edible ices; candy; rice cakes; maltose; marzipan; custard; honey; royal jelly for human consumption, not for medical purposes; ice cream; flour; muesli; mint for confectionery; cocoa beverages with milk; coffee beverages with milk; coffee-based beverages; tea-based beverages; chocolate beverages with milk; chocolate-based beverages; cocoa-based beverages; infusions, not medicinal; crushed oats; husked oats; nutmegs; pastilles [confectionery]; molasses for food; pepper; petits fours [cakes]; cookies; pies; pizzas; fondants [confectionery]; popcorn; powders for making ice cream; pralines; condiments; meat tenderizers for household purposes; cereal preparations; oat-based food; propolis; gingerbread; spices; puddings; cake powder; ravioli; chewing gum, not for medical purposes; rice; spring rolls; sugar; aniseed; pastry dough; confectionery; malt for human consumption; salt for preserving foodstuffs; cooking salt; celery salt; spaghetti; seasonings; preparations for stiffening whipped cream; rusks; breadcrumbs; sushi; sandwiches; tabbouleh; tacos; tapioca; almond paste; tortillas; fruit cakes; ferments for pastes; halvah; bread; unleavened bread; chips [cereal products]; chicory [coffee substitute]; tea; iced tea; chocolate; malt extract for food; essences for foodstuffs, except etheric essences and essential oils; vinegar.

(260) AM 2018 94861 A  
 (800) 1371481  
 (151) 2017 02 24  
 (891) 2017 02 24  
 (731) MANIFATTURA RIESE S.P.A.  
 Via S. Lodovico, 6 I-42010 RIO SALICETO  
 (Reggio Emilia), Italy  
 (540)



(591) Black and white  
 (531) 07.11.10; 18.03.21  
 (511)

25 – Ready-made clothing; blouses; waterproof clothing; clothing for sports; dresses; suits; pinafore dresses; chemises; bandanas [neckerchiefs]; underwear; boas [necklets]; teddies [undergarments]; corsets [underclothing]; boots for sports; stockings; socks; shirts; shirt yokes; shirt fronts; bodices [lingerie]; short-sleeve shirts; hats; coats; hoods [clothing]; tunics; blousons; belts [clothing]; tights; collars [clothing]; neck bands [parts of clothing]; bathing suits; panties; neckties; detachable collars; ready-made li-



nings [parts of clothing]; scarfs; gabardines [clothing]; sweatshirts; jackets [clothing]; skirts; gloves [clothing]; jerseys [clothing]; leggings [trousers]; knitwear [clothing]; maillots [jerseys]; sports jerseys; hosiery; sweaters; jumpers; muffs [clothing]; cloaks; sports skirts; skorts; trousers; short trousers; parkas; furs [clothing]; pyjamas; bath robes; cuffs; ponchos, sandals; saris; sarongs; neck warmers; arm warmers [clothing]; leggings [leg warmers]; shrugs [clothing]; shoes; shawls; sashes for wear; overcoats; outerclothing; petticoats; boots; fur stoles; T-shirts; polo shirts; bermuda shorts; combinations [clothing]; veils [clothing]; berets; caps with visors; bonnets; dressing gowns; slippers; clogs; clothing, footwear, headgear.

(260) AM 2018 94862 A

(800) 1371527

(151) 2017 04 07

(891) 2017 04 07

(731) SWAROVSKI AKTIENGESELLSCHAFT

Dröschstrasse 15 FL-9495 Triesen,

Liechtenstein

(540)

## **СВАРОВСКИ**

(591) Black and white

(511)

9 – Spectacles and spectacle frames, optical glasses, lenses of all kinds, sun glasses; earphones, headphones, audio speakers; handheld computers, tablet computers, laptop computers, personal digital assistants, electronic organizers, electronic note pads, mobile telephones, cameras, video cameras, USB flash drives, stylus pens for use with touch screens; optical measuring instruments, opto-electrical apparatus, fine mechanical parts for optical apparatus; binoculars; opera-glasses, telescopic sights, magnifying glasses, lensometers, optical apparatus of all kinds, collimators, rifle scopes, oculars; multifunctional electronic devices that enable the user to measure, track, analyze, display, upload and transmit data related to physical activity, fitness, general health, exercise and wellness; electronic clothing accessories that enable the user to measure, track, analyze, display, upload and transmit data related to physical activity, fitness, general health, exercise and wellness; wearable electronic accessories that enable the user to measure, track, analyze, display, upload and transmit data related to physical activity, fitness, general health, exercise and wellness; multifunctional electronic devices for receiving, storing and/or transmitting of data and messages; multifunctional electronic devices that enable the user to keep track of or manage personal information; wearable devices; global positioning system (GPS) devices; wearable activity trackers; smart watches; watchbands that communicate data to other electronic devices; smart glasses; smartbands; smart bracelets;

connected bracelets (measuring instruments); calorie meters; electronic heart rate recorders [other than for medical use]; pedometers; altimeters; USB-compatible data storage devices; battery chargers; solar battery chargers; accessories, parts, components, and bags, cases and covers for all of the foregoing goods; cases especially made for photographic apparatus and instruments; protective helmets for sports; warning triangles for vehicles, reflectors for road safety, in particular reflecting signalling boards and road signs, reflective bands and reflective clothing for pedestrian safety.

11 – Chandeliers and pendant chandelier, lighting units and apparatus, chandelier parts of glass or crystal, light panels, flat panel lighting apparatus; reflectors and lights for vehicles; bathroom and kitchen plumbing fittings.

14 – Goods in precious metals or coated therewith, namely, tiaras of precious metal, jewelry of precious metals, jewelry coated with precious metals; jewelry and imitation jewelry; horological and chronometric instruments; genuine and costume jewelry; jewelry ornaments; necklaces; earrings; bracelets; bangles; rings being jewelry; jewelry brooches; charms being jewelry; pendants; jewelry chains of precious metals; trinkets being jewelry; lockets; pins being jewelry; tie pins; cuff links and tie clips; medallions; key holders included in this class; key and bag rings [trinkets or fobs] of precious metal; key and bag tags [trinkets or fobs] of precious metal; key and bag chains of precious metal; jewelry cases; small items of jewelry of glass, natural or artificial precious stones, plastic, common or precious metal for personal use; watches and clocks; watches with wireless communication function; watches incorporating a memory function; watch bands; watch glasses; watch parts; cases adapted for holding watches and clocks; key chains; jewelry travel rolls.

16 – Paper, cardboard; printed matter; bookbinding material; photographs; stationery; adhesives for stationery or household purposes; artists' materials; paint brushes; typewriters and office requisites (except furniture); instructional and teaching material (except apparatus); plastic materials for packaging (not included in other classes); printers' type; printing blocks; packing paper; paper ribbons; bags, envelopes and pouches of paper for packaging; boxes of cardboard or paper; brochures, catalogues, manuals, books, prospectuses and greeting cards; packaging pouches, packaging wrappers and packaging bags of plastic; labels (not of textile); notebooks; scrapbooks; calendars; writing instruments, pens, pencils; pen cases; penholders; pencil holders; school supplies [stationery]; paperweights; passport holders.

20 – Furniture, mirrors, picture frames; goods (not included in other classes) of wood, cork, reed, cane,

wicker, horn, bone, ivory, whalebone, shell, amber, mother-of-pearl, meerschaum and substitutes for all these materials, or of plastics; chests, showcases, beds, sofas, armchairs, chairs, coat stands, shelves, serving trolleys; curtain rods, mirrors, room dividers and wind chimes, bead curtains for decoration; hand mirrors (cosmetic mirrors, dressing table mirrors); kennels for household pets; cushions; mobiles (decoration); bins, not of metal; book rests [furniture]; bottle caps, not of metal; bottle casings of wood; bottle closures, not of metal; bottle racks; boxes of wood or plastic; chests, not of metal; chests of drawers; clothes hooks, not of metal; coat hangers; coat hooks, not of metal; curtain holders, not of textile material; curtain hooks; curtain rails; curtain rings; door fittings, not of metal; door handles, not of metal; flower pot pedestals; flower-stands [furniture]; keyboards for hanging keys; knobs, not of metal; letter boxes, not of metal or masonry; magazine racks; nameplates, not of metal; number plates, not of metal.

25 – Clothing; footwear; headgear; braces for clothing [suspenders].

35 – Retail services and retail store services, wholesale services, online retail and wholesale services, retail store services provided via a global computer network, advertising; electronic advertising and promotional services including emails, on-line advertising on a computer network, opinion polling services, services related to business promotion activities of all kinds, including distribution of samples, advertising, telemarketing, promotional information campaigns, organization of exhibitions, fair trade organization, all connected with the sale of a variety of goods, including cosmetics, perfumes, wearable computer products, activity and fitness trackers, headphones and earphones, USB sticks, USB flash drives, USB compatible data storage devices, stylus pens for use with touch-screens, speakers and speaker systems, in particular portable loudspeakers, bags, cases and covers specifically designed for headphones, computers, digital assistants and mobile telephones, sunglasses, spectacles (optics), spectacle cases, field glasses, binoculars, telescopes, lamps, chandeliers, chandelier parts, lighting apparatus, gemstones, glass gemstones, cut glass stones, jewelry stones of faceted glass, genuine and costume jewelry, clocks and watches, stationery, writing instruments, bags, wallets, key chains, card holders, clothing, shoes, textile goods, furniture, mirrors, picture frames, decorative articles primarily made of glass, figurines, vases, glass bowls, glass candle holders and votives, drinking glasses, hair ornaments, decorations for Christmas trees, smokers' articles, business management and organisation consultancy; shop window dressing; organisation of fairs and exhibitions for commercial or advertising purposes; publicity, sales promotion for others; business con-

sultancy and assistance in relation to establishment, management and operation of retail stores and/or franchises; marketing research; marketing studies; production of advertising films; bringing together, for the benefit of others, a variety of goods/ including cosmetics, perfumes, wearable computer products, activity and fitness trackers, headphones and earphones, USB sticks, USB flash drives, USB compatible data storage devices, stylus pens for use with touch-screens, speakers and speaker systems, in particular portable loudspeakers, bags, cases and covers specifically designed for headphones, computers, digital assistants and mobile telephones, sunglasses, spectacles (optics), spectacle cases, field glasses, binoculars, telescopes, lamps, chandeliers, chandelier parts, lighting apparatus, gemstones, glass gemstones, cut glass stones, jewelry stones of faceted glass, genuine and costume jewelry, clocks and watches, stationery, writing instruments, bags, wallets, key chains, card holders, clothing, shoes, textile goods, furniture, mirrors, picture frames, decorative articles primarily made of glass, figurines, vases, glass bowls, glass candle holders and votives, drinking glasses, hair ornaments, decorations for Christmas trees, smokers' articles (excluding the transport thereof), enabling customers to conveniently view and purchase those goods; bringing together, for the benefit of others, a variety of goods, including cosmetics, perfumes, wearable computer products, activity and fitness trackers, headphones and earphones, USB sticks, USB flash drives, USB compatible data storage devices, stylus pens for use with touch-screens, speakers and speaker systems, in particular portable loudspeakers, bags, cases and covers specifically designed for headphones, computers, digital assistants and mobile telephones, sunglasses, spectacles (optics), spectacle cases, field glasses, binoculars, telescopes, lamps, chandeliers, chandelier parts, lighting apparatus, gemstones, glass gemstones, cut glass stones, jewelry stones of faceted glass, genuine and costume jewelry, clocks and watches, stationery, writing instruments, bags, wallets, key chains, card holders, clothing, shoes, textile goods, furniture, mirrors, picture frames, decorative articles primarily made of glass, figurines, vases, glass bowls, glass candle holders and votives, drinking glasses, hair ornaments, decorations for Christmas trees, smokers' articles (excluding the transport thereof), enabling customers to examine such products on a web site and purchase those goods conveniently.

37 – Installation, maintenance and repair services in this class; clock, watch and jewelry maintenance and repair; interior design (upholstery); upholstery repair; furniture maintenance; construction information, construction; mining extraction; property and real estate development (building and construction of); property development services, namely construction, maintenance and renovation of property;

maintenance of property, land, residential and commercial premises and other real estate for residential, commercial, industrial, recreational, resort and tourism purposes; construction, building, development, repair, renovation, maintenance and installation of commercial, industrial and residential properties, offices, houses, apartments, shopping centres, entertainment centres, leisure, resorts, sanitary installations and other facilities; consultancy, advice and information in relation to aforesaid services.

40 – Treatment of materials; processing of glass gemstones; custom manufacture of jewelry (for others).

(260) AM 2018 94863 A

(800) 1371528

(151) 2017 04 07

(891) 2017 04 07

(731) SWAROVSKI AKTIENGESELLSCHAFT

Dröschstrasse 15 FL-9495 Triesen,

Liechtenstein

(540)

**SWAROVSKI**

(591) Black and white

(511)

9 – Spectacles and spectacle frames, optical glasses, lenses of all kinds, sun glasses; earphones, headphones, audio speakers; handheld computers, tablet computers, laptop computers, personal digital assistants, electronic organizers, electronic note pads, mobile telephones, cameras, video cameras, USB flash drives, stylus pens for use with touch screens; optical measuring instruments, opto-electrical apparatus, fine mechanical parts for optical apparatus; binoculars; opera-glasses, telescopic sights, magnifying glasses, lensometers, optical apparatus of all kinds, collimators, rifle scopes, oculars; multifunctional electronic devices that enable the user to measure, track, analyze, display, upload and transmit data related to physical activity, fitness, general health, exercise and wellness; electronic clothing accessories that enable the user to measure, track, analyze, display, upload and transmit data related to physical activity, fitness, general health, exercise and wellness; wearable electronic accessories that enable the user to measure, track, analyze, display, upload and transmit data related to physical activity, fitness, general health, exercise and wellness; multifunctional electronic devices for receiving, storing and/or transmitting of data and messages; multifunctional electronic devices that enable the user to keep track of or manage personal information; wearable devices; global positioning system (GPS) devices; wearable activity trackers; smartwatches; watchbands that communicate data to other electronic devices; smart glasses; smartbands; smart bracelets; connected bracelets (measuring instruments);

calorie meters; electronic heart rate recorders [other than for medical use]; pedometers; altimeters; USB-compatible data storage devices; battery chargers; solar battery chargers; accessories, parts, components, and bags, cases and covers for all of the foregoing goods; cases especially made for photographic apparatus and instruments; protective helmets for sports; warning triangles for vehicles, reflectors for road safety, in particular reflecting signalling boards and road signs, reflective bands and reflective clothing for pedestrian safety.

(260) AM 2018 94864 A

(800) 1371533

(151) 2017 03 14

(891) 2017 03 14

(731) LTD "VALENTA-INTELLEKT"

ul. Generala Dorokhova, d. 18, str.

2 RU-119530 Moscow, Russian Federation

(540)

**НОРМОМЕД**

(591) Black and white

(511)

3 – Breath freshening sprays; balms other than for medical purposes; gum balms, not for medical purposes; gelling agents for oral care, not for medical purposes; creams for leather; cosmetic creams; lotions for cosmetic purposes; after-shave lotions; toothpastes; dentifrices; prophylactic toothpastes, not for medical purposes; preparations for cleaning teeth; mouth washes, not for medical purposes; dental rinses for gums; mouth rinses, not for medical purposes; preparations for the care of mouth, not for medical purposes; preparations for the care of teeth, not for medical purposes; preparations for the care of gums, not for medical purposes; elixir for gums, not for medical purposes; elixir for oral care, not for medical purposes; cosmetic preparations for skin care; cosmetics.

5 – Pharmaceuticals and veterinary preparations; sanitary preparations for medical purposes, including balms for medical purposes; lotions for veterinary purposes; dog lotions; lotions for pharmaceutical purposes; liniments; ointments for pharmaceutical purposes; pharmaceutical preparations for skin care; adjuvants for medical purposes; oral care preparations for medical purposes, including dentifrices, mouthwashes; medicated dentifrices; treatment and prophylactic toothpastes (medicated); elixirs [pharmaceutical preparations] including elixir for gums; elixir for oral care.

35 – Advertising; business management; business administration; office functions; demonstration of goods including the goods in classes 03, 05; market studies; organization of exhibitions for commercial or advertising purposes; organization of trade fairs

for commercial or advertising purposes; presentation of goods on communication media, for retail purposes; sales promotion for others, including relating to the goods in class 03, 05; distribution of samples; dissemination of advertising matter; procurement services for others [purchasing goods and services for other businesses], including relating to goods in class 03, 05.

(260) AM 2018 94866 A

(800) 1371542

(151) 2017 05 10

(891) 2017 05 10

(731) PROCREDIT HOLDING AG & CO. KGAA  
Rohmerplatz 33-37 60486 Frankfurt am  
Main, Germany

(540)



(591) Black and white

(531) 01.05.02; 27.05.01

(511)

9 – Information technology and audio-visual, multimedia and photographic devices, data storage devices, credit cards, encoded credit cards, magnetic credit cards, banking cards [encoded or magnetic], cash cards [encoded], cash cards [magnetic], software for facilitating secure credit card transactions; payment terminals, money dispensing and sorting devices, terminals for electronically processing credit card payments, automated teller machines [atm].

35 – Advertising; business management; business assistance, management and administrative services, business inquiries; administrative data processing, administrative services relating to credit card registration, business management consultancy, personnel management consultancy, business organization consultancy; business analysis, research and information services, business information, business data analysis services, analysis of business information, cost price analysis, economic information services for business purposes, economic forecasting, commercial information agencies, economic forecasting and analysis; business administration; clerical services.

36 – Financial and monetary services, and banking, currency trading and exchange services, currency trading and exchange services, financial transfers and transactions, and payment services, financial customs brokerage services, cash, check (cheque) and money order services, card services, cheque guarantee card services, bank cheque card services, processing of debit card payments, processing of credit card payments, financial information, data, advice and consultancy services, consultations relating to banking, online banking, securities and com-

modities trading services, clearing, financial, financial evaluation [insurance, banking, real estate], financing and fund management services, loan and credit, and lease-finance services, loans [financing], financial investment, fund investment services, provident fund services; insurance services; real estate affairs.

38 – Telecommunication services, telecommunication services in financial affairs, electronic communication services for preparing financial information, electronic communications services relating to credit card authorization, electronic communication services for banks; computer communication and internet access, providing user access to global computer networks, providing telecommunications connections to a global computer network.

42 – IT programming services, it consultancy, advisory and information services, advisory services relating to computer programming, providing information on computer technology and programming via a web site; consultancy and research services in the fields of science, engineering and information technology, provision of scientific information, advice and consultancy in relation to carbon offsetting; hosting services and software as a service and rental of software, cloud computing; software development, programming and implementation, design of information systems relating to finance, software design for other; computer system analysis; computer system design; data duplication and conversion services, data coding services; data encryption services; creating programmes for data processing; server hosting; electronic monitoring of credit card activity to detect fraud via the internet.

(260) AM 2018 94867 A

(800) 1371543

(151) 2017 05 10

(891) 2017 12 10

(731) PROCREDIT HOLDING AG & CO. KGAA  
Rohmerplatz 33-37 60486 Frankfurt am  
Main, Germany

(540)



(591) Red, blue, yellow, green, orange, violet

(531) 01.05.02; 27.05.01; 29.01.15

(511)

9 – Information technology and audio-visual, multimedia and photographic devices, data storage devices, credit cards, encoded credit cards, magnetic credit cards, banking cards [encoded or magnetic], cash cards [encoded], cash cards [magnetic], software for facilitating secure credit card transactions; payment terminals, money dispensing and sorting

devices, terminals for electronically processing credit card payments, automated teller machines [atm].

35 – Advertising; business management; business assistance, management and administrative services, business inquiries; administrative data processing, administrative services relating to credit card registration, business management consultancy, personnel management consultancy, business organization consultancy; business analysis, re-search and information services, business information, business data analysis services, analysis of business information, cost price analysis, economic information services for business purposes, economic forecasting, commercial information agencies, economic forecasting and analysis; business administration; clerical services.

36 – Financial and monetary services, and banking, currency trading and exchange services, currency trading and exchange services, financial transfers and transactions, and payment services, financial customs brokerage services, cash, check (cheque) and money order services, card services, cheque guarantee card services, bank cheque card services, processing of debit card payments, processing of credit card payments, financial information, data, advice and consultancy services, consultations relating to banking, online banking, securities and commodities trading services, clearing, financial, financial evaluation [insurance, banking, real estate], financing and fund management services, loan and credit, and lease-finance services, loans [financing], financial investment, fund investment services, provident fund services; insurance services; real estate affairs.

38 – Telecommunication services, telecommunications in financial affairs, electronic communication services for preparing financial information, electronic communications services relating to credit card authorization, electronic communication services for banks; computer communication and internet access, providing user access to global computer networks, providing telecommunications connections to a global computer network.

42 – IT programming services, it consultancy, advisory and information services, advisory services relating to computer programming, providing information on computer technology and programming via a web site; consultancy and research services in the fields of science, engineering and information technology, provision of scientific information, advice and consultancy in relation to carbon off-setting; hosting services and software as a service and rental of software, cloud computing; software development, programming and implementation, design of information systems relating to finance, software design for other; computer system analysis; computer system design; data duplication and conversion

services, data coding services; data encryption services; creating programmes for data processing; server hosting; electronic monitoring of credit card activity to detect fraud via the internet.

---

(260) AM 2018 94868 A

(800) 1371545

(151) 2017 06 01

(891) 2017 06 01

(731) APPLE INC.

1 Infinite Loop Cupertino CA 95014, USA

(540)

# SIRI

(591) Black and white

(531) 27.05.17

(511)

42 – Providing information in the fields of computer hardware and software development; application service provider (ASP) services featuring computer software and providing online non-downloadable software, namely, computer software for creating, authoring, distributing, downloading, transmitting, receiving, playing, editing, extracting, encoding, decoding, displaying, storing and organizing text, graphics, images, audio, video, and multimedia content, computer software for personal information management, database management software, database synchronization software, voice recognition software, speech to text conversion software, voice-enabled software applications, computer software for accessing, browsing and searching online databases, computer software for the redirection of messages, Internet e-mail, and/or other data to one or more electronic handheld devices from a data store on or associated with a personal computer or a server, computer software used to process voice commands and create audio responses to voice commands, computer software for dictation, computer software for scheduling appointments, reminders, and events on an electronic calendar, computer software for organizing and accessing phone numbers, addresses, and other personal contact information, computer software for providing travel directions, computer software for enabling hands-free use of a mobile phone through voice recognition, and computer software for making reservations at hotels and restaurants; providing search engines for obtaining data via the internet and other electronic communications networks; creating indexes of online information, sites and other resources available on global computer networks for others; providing information, news and commentary in the field of computer and information technology; computerized analysis of data, namely, searching and retrieving customized information at the user's specific request via the Internet.

---

(260) AM 2018 94870 A

(800) 1371554

(151) 2017 06 14

(891) 2017 06 14

(731) BSH Hausgeräte GmbH

Carl-Wery-Str. 34 81739 München,  
Germany

(540)



(591) Black and white

(531) 05.03.13; 05.03.15; 17.01.01; 27.05.10

(511)

7 – Electric household and kitchen machines and apparatus, included in this class, in particular electric kitchen machines and apparatus, including grinders, beaters and kneading apparatus, fruit presses, juice extractors, juice centrifuges, mincing machines, cutting apparatus, electrically powered tools, tin openers, knife sharpening apparatus, and machines and apparatus for making beverages and/or preparing food, beverage pumps for dispensing chilled beverages; electric vending machines for beverages or foods, automatic vending machines; electrical apparatus for sealing plastics (packaging); electric waste disposal devices, including waste disposers and waste presses; dishwashers; electric machines and apparatus for treating laundry and clothing (included in this class), including washing machines, spin dryers; ironing presses, ironing machines, included in this class; electric household cleaning equipment, including electric window cleaning equipment, electric shoe polishers and vacuum cleaners, wet and dry vacuuming apparatus; robotic vacuum cleaners, robots for household chores; parts for all the aforesaid goods, included in this class; hoses, tubes, dust filters and dust filter bags, all for vacuum cleaners.

11 – Apparatus for heating, steam generating and cooking, in particular ovens, baking, roasting, grilling, toasting, defrosting and heating devices, water heaters, immersion heaters, slow cookers, microwave ovens, waffle irons (electric), egg cookers, deep fat fryers (electric); electric tea and coffee machines, espresso coffee machines, automatic coffee machines (included in this class); refrigerating apparatus, in particular refrigerators, chest freezers, refrigerated cabinets, beverage-cooling apparatus, fridge-freezers, freezers, ice machines and apparatus; drying apparatus, in particular including tumble dryers, laundry drying machines, hand dryers, hair dryers; infrared lamps (other than for medical use); heated cushions, not for medical purposes; blankets, electric, not for medical purposes; apparatus for ventilating, in particular fans; extractor hood filters, extractor hood equipment and extractor hoods, air conditioning apparatus and devices for improving air quality, air humidifiers, air deodorising apparatus, fragrance dispensing apparatus (not for personal

use); air purifying apparatus, apparatus for water supply and sanitary purposes, in particular including fittings for steam generating, ventilating and water supply installations; water heaters, storage water heaters and instantaneous water heaters; kitchen sinks; heat pumps; parts for all the aforesaid goods, included in this class; mechanical taps (dispensers) for dispensing chilled beverages for use in combination with apparatus for chilling beverages (other than vending machines).

(260) AM 2018 94903 A

(800) 1371978

(151) 2017 07 13

(891) 2017 07 13

(731) "KONTI-RUS" JOINT STOCK COMPANY

ul. Zolotaia, 13, RU-305000 Kursk, Russian  
Federation

(540)



(591) Black, white

(531) 05.03.14; 05.05.20; 10.03.07; 26.04.04;  
27.05.01; 27.05.08; 27.05.19

(511)

30 – Buns; bread rolls; waffles; malt biscuits; fruit jellies [confectionery]; candy decorations for cakes; confectionery; confectionery for decorating Christmas trees; cakes; pastries; peanut confectionery; almond confectionery; caramels [candy]; sweetmeats [candy]; liquorice [confectionery]; peppermint sweets; crackers; candy; macaroons [pastry]; marzipan; dessert mousses [confectionery]; chocolate-coated nuts; stick liquorice [confectionery]; pastilles [confectionery]; cookies; biscuits; petit-beurre biscuits; pies; fondants [confectionery]; pralines; gingerbread; petits fours [cakes]; spring rolls; sugar confectionery; chocolate-based spreads; chocolate spreads containing nuts; rusks; tarts; pastry dough; almond paste; cake dough; chocolate decorations for cakes; halvah; chocolate.

(260) AM 2018 94907 A

(800) 1372043

(151) 2017 07 13

(891) 2017 07 13

(731) "KONTI-RUS" JOINT STOCK COMPANY

ul. Zolotaia, 13, RU-305000 Kursk, Russian  
Federation

(540)



(591) Blue, violet, purple, white

(531) 05.03.14; 05.05.20; 10.03.07; 26.04.04;  
27.05.01; 27.05.08; 27.05.19; 27.05.24;  
29.01.13

(511)

30 – Buns; bread rolls; waffles; malt biscuits; fruit jellies [confectionery]; candy decorations for cakes; confectionery; confectionery for decorating Christmas trees; cakes; pastries; peanut confectionery; almond confectionery; caramels [candy]; sweetmeats [candy]; liquorice [confectionery]; peppermint sweets; crackers; candy; macaroons [pastry]; marzipan; dessert mousses [confectionery]; chocolate-coated nuts; stick liquorice [confectionery]; pastilles [confectionery]; cookies; biscuits; petit-beurre biscuits; pies; fondants [confectionery]; pralines; gingerbread; petits fours [cakes]; spring rolls; sugar confectionery; chocolate-based spreads; chocolate spreads containing nuts; rusks; tarts; pastry dough; almond paste; cake dough; chocolate decorations for cakes; halvah; chocolate.

(260) AM 2018 94934 A

(800) 1373365

(151) 2017 11 07

(891) 2017 11 07

(731) APPLE INC.

1 Infinite Loop Cupertino CA 95014, USA

(540)

(591) Black and white

(531) 05.07.13; 27.05.05

(526) Pay Cash

(511)

36 – Electronic payment and funds transfer services.

(260) AM 2018 94935 A

(800) 1373372

(151) 2017 09 08

(891) 2017 09 08

(731) CHUBBY GORILLA, INC.

1407 N. Batavia St, Ste 111 Orange CA  
92867, USA

(540)

## CHUBBY GORILLA

(591) Black and white

(511)

10 – Reusable glass dropper bottles for administering medication sold empty; reusable plastic dropper bottles for administering medication sold empty.

21 – Reusable glass containers and vials for medication sold empty for personal use; reusable plastic containers and vials for medication sold empty for personal use; reusable glass bottles, sold empty, not for medical use, not for drinking purposes; reusable plastic bottles, sold empty, not for medical use, not for drinking purposes.

34 – Electronic cigarette liquid (e-liquid) comprised of flavorings in liquid form, other than essential oils, used to refill electronic cigarette cartridges; electronic cigarettes; electronic cigarettes for use as an alternative to traditional cigarettes; electronic hookahs; smokeless cigar vaporizer pipes; smokeless cigarette vaporizer pipe.

(260) AM 2018 94936 A

(800) 1373380

(151) 2017 09 11

(891) 2017 09 11

(731) APPLE INC.

1 Infinite Loop Cupertino CA 95014, USA

(540)

## LIVE TITLES

(591) Black and white

(511)

9 – Computer software for use in creating, editing, and adding animation, graphics, and special effects to video and multimedia content.

(260) AM 2018 94938 A

(800) 1373387

(151) 2017 09 12

(891) 2017 09 12

(731) MYOSA PTY LTD

44 Siganto Drive Helensvale QLD 4212,  
Australia

(540)

(591) Black and blue

(531) 27.05.01; 27.05.10; 29.01.04

(511)

10 – Intra-oral appliances and devices, including mandibular advancement splints (a medical device) and other intra-oral appliances and devices used to treat sleep disorders.

41 – Education and training services relating to snoring and sleep disorders including such services

associated with the use of medical devices for snoring and sleep disorders.

44 – Medical and medical assistance services including such services for the treatment of snoring and sleep disorders and use of medical devices for snoring and sleep disorders.

(260) AM 2018 94939 A

(800) 1373388

(151) 2017 09 12

(891) 2017 09 12

(731) MYOSA PTY LTD

44 Siganto Drive Helensvale QLD 4212,  
Australia

(540)



(591) Black and dark blue

(531) 27.05.01; 27.05.11; 27.05.17; 27.05.24;  
29.01.04

(511)

10 – Intra-oral appliances and devices, including mandibular advancement splints (a medical device) and other intra-oral appliances and devices used to treat sleep disorders.

41 – Education and training services relating to snoring and sleep disorders including such services associated with the use of medical devices for snoring and sleep disorders.

44 – Medical and medical assistance services including such services for the treatment of snoring and sleep disorders and use of medical devices for snoring and sleep disorders.

(260) AM 2018 94941 A

(800) 1372453

(151) 2017 08 17

(891) 2017 08 17

(731) SK BIOPHARMACEUTICALS CO., LTD.

221, Pangyoyeok-ro, Bundang-gu, Seongnam-si  
Gyeonggi-do, Republic of Korea

(540)



(591) Black, white

(531) 27.05.17

(511)

5 – Pharmaceutical and veterinary preparations; dietetic food and substances for medical or veterinary purposes; sanitary preparations for medical use; biological preparations for medical purposes; biochemical preparations for medical purposes; chemical preparations for pharmaceutical purposes; preparations of trace elements for human and animal use; ferments for pharmaceutical purposes; biotechnological

preparations for medical purposes; blood solvent; chemical preparations for medicinal purposes; chemical preparations for medical or veterinary purposes; chemical preparations for sanitary use; pharmaceutical preparations for immunity adjustment; vitamin preparations; vaccines; dietary supplements; therapeutic drugs and agents; chemico-pharmaceutical preparations; bacteriological preparations for medical and veterinary use.

(260) AM 2018 95015 A

(800) 1374284

(151) 2017 04 27

(891) 2017 04 27

(731) MARKEN LIMITED

Ground Floor, 107 Power Road Chiswick  
London W4 5PY, United Kingdom

(540)



(591) Black and white

(531) 26.05.04; 27.05.05; 27.05.21

(511)

35 – Mail sorting services.

39 – Transport; packaging and storage of goods; transportation logistics; distribution services; logistics and supply chain management services relating to storage, transportation and delivery of goods for others; packaging articles for transportation and delivery; delivery services; transportation routing; computerized tracking and tracing of packages in transit; warehousing and storage services; mail distribution services; courier services.

(260) AM 2018 95022 A

(800) 1374478

(151) 2017 08 12

(891) 2017 08 12

(731) CABANI AYAKKABI SANAYİ VE

TİCARET ANONİM ŞİRKETİ

Küçük Organize Sanayi Bölgesi Atatürk

Bulvarı No:82 Cabani İş Merkezi K:1

Başakşehir İstanbul, Turkey

(540)



(591) White and navy blue

(531) 26.04.22; 26.04.24; 26.13.25; 27.05.24;  
29.01.12

(511)

18 – Unworked or semi-worked leather and animal skins, imitations of leather, stout leather, leather



used for linings; goods made of leather, imitations of leather or other materials, designed for carrying items, included in this class; bags, wallets, boxes and trunks made of leather or stout leather; keycases, trunks [luggage], suitcases, umbrellas; parasols; sun umbrellas; walking sticks; whips; harness; saddlery; stirrups; straps of leather (saddlery).

25 – Clothing, including underwear and outerclot-  
hing, other than special purpose protective clothing;  
socks, mufflers [clothing]; shawls, bandanas, scar-  
ves, belts [clothing], footwear, shoes, slippers, san-  
dals; headgear, hats, caps with visors, berets, caps  
[headwear], skull caps.

(260) AM 2018 95044 A

(800) 1374627

(151) 2017 09 15

(891) 2017 09 15

(731) APPLE INC.

1 Infinite Loop Cupertino CA 95014, USA

(540)



(591) white, blue and purple

(531) 16.03.01; 26.01.01; 26.01.16; 26.04.01;  
26.04.04; 26.04.10; 29.01.13

(511)

9 – Computer software for use in creating, editing,  
importing, exporting, and sharing video and multi-  
media content, adding animation, graphics, music,  
sound effects, and special effects to video and multi-  
media content, and posting video and multimedia  
content to websites and social media platforms.

(260) AM 2018 95046 A

(800) 1374694

(151) 2017 09 21

(891) 2017 09 21

(731) TART OPTICAL ENTERPRISES LLC

23679 Calabasas Road #753 Calabasas  
CA 91302, USA

(540)



(591) Black and white

(531) 24.01.15

(511)

9 – Eyeglass frames; frames for spectacles and sun-  
glasses.

(260) AM 2018 95062 A

(800) 1344642

(151) 2016 09 28

(891) 2017 06 01

(731) Limited Liability Company "TATNAIL"

Orenburgsky Trakt ul., d. 128, Kazan

RU-420048 Republic of Tatarstan,

Russian Federation

(540)



(591) Black and white

(531) 27.05.10

(511)

3 – Bleaching preparations and other substances for  
laundry use; cleaning, polishing, scouring and ab-  
rasive preparations; soap; perfumery, essential oils,  
cosmetics, hair lotions; dentifrices; adhesives for  
cosmetic purposes; depilatory wax; mustache wax;  
creams for leather; adhesives for affixing false  
eyelashes; adhesives for affixing false hair; nail pol-  
ish; beauty masks; oils for cleaning purposes; oils  
for cosmetic purposes; nail art stickers; false nails;  
grinding preparations; lacquer-removing preparati-  
ons; make-up removing preparations; nail care  
preparations; false eyelashes; tissues impregnated  
with cosmetic lotions; tissues impregnated with  
make-up removing preparations; cosmetic preparati-  
ons for eyelashes; cosmetics; mascara; degreasers  
other than for use in manufacturing processes.

8 – Hand tools and implements, hand-operated; de-  
pilation appliances, electric and non-electric; shar-  
pening instruments; nail clippers, electric or non-  
electric; nail nippers; blades [hand tools]; manicure  
sets; manicure sets, electric; pedicure sets; nail files;  
nail files, electric; tweezers; hair-removing tweezers;  
fingernail polishers, electric or non-electric; cuticle  
tweezers; eyelash curlers.

11 – Apparatus for heating, drying; drying apparatus  
and installations; drying apparatus; ultraviolet ray  
lamps, not for medical purposes; disposable sterili-  
zation pouches; sterilizers.

14 – Precious metals and their alloys; jewelry, preci-  
ous stones; horological and chronometric instru-  
ments; paste jewellery.

16 – Paper and cardboard; printed matter; bookbin-  
ding material; photographs [printed]; stationery;  
adhesives [glues] for stationery or household pur-

poses; artists' materials; typewriters and office requisites [except furniture]; instructional and teaching material [except apparatus]; plastic materials for packaging; printing type; printing blocks; paintbrushes; tissues of paper for removing make-up; face towels of paper; stencil plates.

21 – Household or kitchen utensils and containers; combs and sponges; brushes, except paintbrushes; articles for cleaning purposes; steel wool; glass, unworked or semi-worked, except building glass; glassware, porcelain and earthenware; abrasive sponges for scrubbing the skin; make-up sponges; sponges for household purposes; toilet sponges; containers for household or kitchen use; material for brush-making; toilet cases; gloves for household purposes; cosmetic utensils; toilet utensils; make-up removing appliances; dusting apparatus, non-electric; cosmetic spatulas; brushes; eyebrow brushes; nail brushes.

35 – Advertising; business management; business administration; office functions; import-export agency services; demonstration of goods; commercial information and advice for consumers [consumer advice shop]; provision of an on-line marketplace for buyers and sellers of goods and services; presentation of goods on communication media, for retail purposes; auctioneering; sales promotion for others; procurement services for others [purchasing goods and services for other businesses].

44 – Medical services; hygienic and beauty care for human beings; depilatory waxing; manicuring; massage; hairdressing; beauty salon services; health counselling; tattooing; visagists' services; solarium services.

(260) AM 2018 95243 A

(800) 1374983

(151) 2017 04 14

(891) 2017 04 14

(731) Zakrytoe aktsionernoe obshchestvo  
"PharmFirma "SOTEX"  
d.11, pos. Belikovo, selskoe poselenie,  
Berezhnyakovskoe, Sergievo-Posadsky,  
municipalny rayon RU-141345 Moscovskaya  
obl., Russian Federation

(540)

## CEJAMEPEKC SELAMEREX

(591) Black, white

(531) 27.05.17; 28.05

(511)

5 – Pharmaceutical and veterinary preparations; sanitary preparations for medical purposes; dietetic substances adapted for medical use, food for babies; plasters, materials for dressings; material for stopping teeth, dental wax; disinfectants; preparations for destroying vermin; fungicides, herbicides.

(260) AM 2018 95244 A

(800) 1374993

(151) 2017 06 19

(891) 2017 06 19

(731) Joint-Stock Company

"OBNINSKORGSINTEZ"

57 Kievskoye Shosse, RU-249032 Obninsk,

Kaluga region, Russian Federation

(540)

## TURTLE RACE

(591) Black, white

(511)

1 – Acetate of cellulose, unprocessed; acetates [chemicals]; acetic anhydride; acetone; acetylene; acids; acidulated water for recharging accumulators; acrylic resins, unprocessed; actinium; additives, chemical, to drilling muds; additives, chemical, to fungicides; additives, chemical, to insecticides; additives, chemical, to motor fuel; adhesives for billposting; adhesives for industrial purposes; adhesives for wall tiles; adhesives for wallpaper; agar-agar; agglutinants for concrete; agricultural chemicals, except fungicides, herbicides, insecticides and parasiticides; albumin [animal or vegetable, raw material]; albuminized paper; alcohol; aldehydes; alginates for industrial purposes; alginates for the food industry; alkalies; alkaline iodides for industrial purposes; alkaline metals; alkaline-earth metals; alkaloids; alum; alumina; aluminium acetate; aluminium alum; aluminium hydrate; aluminium iodide; aluminium silicate; americium; ammonia [volatile alkali] for industrial purposes; ammonia alum; ammonia; ammonium aldehyde; amyl acetate; anhydrides; anhydrous ammonia; animal albumen [raw material]; animal carbon preparations; anthranilic acid; anti-boil preparations for engine coolants; anti-frothing solutions for accumulators; anti-knock substances for internal combustion engines; anti-tarnishing chemicals for windows; antifreeze; antimony oxide; antistatic preparations, other than for household purposes; argon; arsenic; arsenious acid; artificial resins, unprocessed; artificial sweeteners [chemical preparations]; astatine; auxiliary fluids for use with abrasives; bacterial preparations other than for medical and veterinary use; bacteriological preparations for acetification; bacteriological preparations other than for medical and veterinary use; balm of gurjun [gurjon, gurjan] for making varnish; barium; baryta paper; baryta; barytes; bases [chemical preparations]; basic gallate of bismuth; bate for dressing skins; baths for galvanizing; bauxite; beer preserving agents; beer-clarifying and preserving agents; bentonite; benzene derivatives; benzene-based acids; benzoic acid; berkelium; bicarbonate of soda for chemical purposes; bichloride of tin; bichromate of potassium; bichromate of soda; biochemical catalysts; biological preparations, other than for medical or veterinary purposes; birdlime; bismuth subnitrate for chemical purposes; bismuth; blue vitriol; blue-

print paper; borax; boric acid for industrial purposes; brake fluid; brazing preparations; brickwork preservatives, except paints and oils; bromine for chemical purposes; calcined soda; calcium carbide; californium; camphor, for industrial purposes; carbide; carbolineum for the protection of plants; carbon disulfide; carbon for filters; carbonates; carbonic acid; casein for industrial purposes; casein for the food industry; catalysts; catechu; caustic soda for Industrial purposes; caustics for industrial purposes; cement [metallurgy]; cement for mending broken articles; cement preservatives, except paints and oils; cement-waterproofing chemicals, except paints; ceramic compositions for sintering [granules and powders]; ceramic glazings; ceramic materials in particulate form, for use as filtering media; chemical additives for oils; chemical condensation preparations; chemical preparations for decarbonising engines; chemical preparations for facilitating the alloying of metals; chemical preparations for protection against wheat blight [smut]; chemical preparations for scientific purposes, other than for medical or veterinary use; chemical preparations for smoking meat; chemical preparations to prevent mildew; chemical preparations, except pigments, for the manufacture of enamel; chemical substances for analyses in laboratories, other than for medical or veterinary purposes; chemical substances for preserving foodstuffs; chemicals for the manufacture of paints; cholic acid; chrome alum; chromic acid; chromium oxide; cinematographic film, sensitized but not exposed; citric acid for industrial purposes; clarification preparations; coal saving preparations; cobalt oxide for industrial purposes; collodion; color- [colour-] brightening chemicals for industrial purposes; combusting preparations [chemical additives to motor fuel]; compositions for repairing inner tubes of tires [tyres]; compositions for repairing tires [tyres]; compost; concrete-aeration chemicals; condensation-preventing chemicals; corrosive preparations; creosote for chemical purposes; crotonic aldehyde; cryogenic preparations; curium; currying preparations for leather; currying preparations for skins; damp-proofing chemicals, except paints, for masonry; decolorants for industrial purposes; defoliant; degreasing preparations for use in manufacturing processes; degumming preparations; detergent additives to gasoline [petrol]; detergents for use in manufacturing processes; diagnostic preparations, other than for medical or veterinary purposes; diastase for industrial purposes; diatomaceous earth; diazo paper; dioxide of hydrogen; disincrustants; dispersions of plastics; distilled water; dolomite for industrial purposes; dry ice [carbon dioxide]; dysprosium; earth for growing; earth metals; electrophoresis gels, other than for medical or veterinary purposes; emulsifiers; enamel-staining chemicals; enzyme preparations for industrial purposes; epoxy resins, unprocessed; ethyl alcohol; europium; expanded-clay for hydroponic

plant growing [substrate]; fat-bleaching chemicals; fatty acids; ferrotype plates [photography]; fertilizers; fertilizing preparations; fillers for automobile bodies; filtering materials [chemical preparations]; filtering materials [mineral substances]; filtering materials [unprocessed plastics]; filtering materials [vegetable substances]; filtering preparations for the beverages industry; finishing preparations for use in the manufacture of steel; fire extinguishing compositions; fissionable material for nuclear energy; fixing baths [photography]; flashlight preparations; flocculants; flour for industrial purposes; flower preservatives; fluids for hydraulic circuits; formic acid; foundry binding substances; foundry moulding preparations; foundry sand; fuel-saving preparations; fuller's earth for use in the textile industry; fulling preparations for use in the textile industry; gadolinium; gallic acid for the manufacture of ink; gallium; gallnuts; gallotannic acid; galvanizing preparations; gambier; gas purifying preparations; gelatine for industrial purposes; gelatine for photographic purposes; genes of seeds for agricultural production; getters [chemically active substances]; glass-frosting chemicals; glass-staining chemicals; glaziers' putty; glucose for industrial purposes; glucose for the food industry; glucosides; gluten [glue], other than for stationery or household purposes; gluten for Industrial purposes; glycerides; glycerine for industrial purposes; glycol; grafting mastic for trees; grafting wax for trees; graphite for industrial purposes; guano; gum arabic for industrial purposes; gums [adhesives], other than for stationery or household purposes; heavy water; helium; holmium; hormones for hastening the ripening of fruit; horticultural chemicals, except fungicides, herbicides, insecticides and parasiticides; humus top dressing; humus; hydrates; hydrazine; hydrofluoric acid; hydrogen; hypochlorite of soda; hyposulfites; iodic acid; iodine for chemical purposes; iodine for industrial purposes; iodised albumen; ion exchangers [chemicals]; isinglass other than for stationery, household or alimentary purposes; isotopes for industrial purposes; kainite; kaolin; ketones; kieselgur; krypton; lactic acid; lactose [raw material]; lactose for industrial purposes; lactose for the food industry; lanthanum; lead arsenate; lead oxide; leather glues; leather-dressing chemicals; leather-impregnating chemicals; lecithin [raw material]; lecithin for industrial purposes; lecithin for the food industry; lime acetate; lime carbonate; lime chloride; limestone hardening substances; liquids for removing sulfates from accumulators; lithia [lithium oxide]; lithium; litmus paper; lutetium [cassiopium]; magnesite; magnesium carbonate; magnetic fluid for industrial purposes; malt albumen; manganate; manganese dioxide; mangrove bark for industrial purposes; masonry preservatives, except paints and oils; mastic for leather; mastic for tyres; meat tenderizers for industrial purposes; mercuric oxide; metal annealing preparations; metal hardening preparations;

metal tempering preparations; metalloids; methane; methyl benzol; mineral acids; moderating materials for nuclear reactors; moistening [wetting] preparations for use in bleaching; moistening [wetting] preparations for use in dyeing; moistening [wetting] preparations for use in the textile industry; mold-release preparations; mordants for metals; must-fining preparations; naphthalene; neodymium; neon; neptunium; nitrate of uranium; nitrate paper; nitrates; nitric acid; nitrogen; nitrogenous fertilisers; nitrous oxide; oenological bactericides [chemical preparations for use in wine making]; oil cement [putty]; oil dispersants; oil-bleaching chemicals; oil-purifying chemicals; oil-separating chemicals; oils for currying leather; oils for preparing leather in the course of manufacture; oils for tanning leather; oils for the preservation of food; oleic acid; olivine [silicate mineral]; opacifiers for enamel or glass; opacifiers for enamel; opacifiers for glass; oxalates; oxalic acid; oxygen; paper pulp; peat pots for horticulture; pectin [photography]; pectin for industrial purposes; pectin for the food industry; perborate of soda; percarbonates; perchlorates; persulfates; persulfuric acid; petroleum dispersants; phenol for industrial purposes; phosphoric acid; photometric paper; picric acid; plant growth regulating preparations; plasticizers; plastics, unprocessed; plastisols; plutonium; polish removing substances; polonium; potash water; potash; potassium dioxalate; potassium; potato flour for industrial purposes; power steering fluid; praseodymium; preparations for preventing the tarnishing of glass; preparations for preventing the tarnishing of lenses; preparations for stimulating cooking for industrial purposes; preparations for the separation of greases; preparations of microorganisms, other than for medical and veterinary use; preparations of the distillation of wood alcohol; preparations of trace elements for plants; preservatives for pharmaceutical preparations; preservatives for tiles, except paints and oils; propellant gases for aerosols; protective gases for welding; pyrogallol acid; quebracho for industrial purposes; radiator flushing chemicals; rare earths; reagent paper, other than for medical or veterinary purposes; reducing agents for use in photography; refrigerants; renovating preparations for phonograph records; rubber preservatives; sal ammoniac; salicylic acid; saltpeter; salts for galvanic cells; salts for industrial purposes; salts of precious metals for industrial purposes; scale removing preparations, other than for household purposes; seawater for industrial purposes; seaweeds [fertilizers]; sebacic acid; seed preserving substances; self-toning paper [photography]; sensitized paper; sensitized plates for offset printing; separating and unsticking [ungluing] preparations; silicates; silicon; silicones; silver nitrate; sizing preparations; soap [metallic] for industrial purposes; sodium; soldering chemicals; solidified gases for industrial purposes; solutions for cyanotyping; sol-

vents for varnishes; sorrel salt; spirits of salt; spirits of vinegar [dilute acetic acid]; stain-preventing chemicals for use on fabrics; starch for industrial purposes; starch paste [adhesive], other than for stationery or household purposes; starch size [chemical preparations]; starch-liquifying chemicals [ungluing agents]; stearic acid; stem cells other than for medical or veterinary purposes; substances for preventing runs in stockings; sulfuric acid; sulfurous acid; surface-active chemical agents; synthetic materials for absorbing oil; synthetic resins, unprocessed; tanwood; tan; tannic acid; tanning substances; tapioca flour for industrial purposes; tartar other than for pharmaceutical purposes; tartaric acid; test paper, chemical; textile-brightening chemicals; textile-impregnating chemicals; textile-waterproofing chemicals; titanium dioxide for industrial purposes; toxic gas neutralizers; transmission fluid; tree cavity fillers [forestry]; tungstic acid; uranium oxide; vine disease preventing chemicals; viscose; vulcanisation accelerators; vulcanising preparations; wallpaper removing preparations; water glass [soluble glass]; water-purifying chemicals; water-softening preparations; wax-bleaching chemicals; welding chemicals; wine finings; witherite; wood pulp; X-ray films, sensitized but not exposed; xenon; ytterbium; yttrium; zirconia.

3 – Abrasive cloth; abrasive paper; abrasives; adhesives for affixing false eyelashes; adhesives for affixing false hair; adhesives for cosmetic purposes; after-shave lotions; air fragranting preparations; almond milk for cosmetic purposes; almond oil; almond soap; aloe vera preparations for cosmetic purposes; alum stones [astringents]; amber [perfume]; ammonia [volatile alkali] [detergent]; antiperspirant soap; antiperspirants [toilettries]; antistatic preparations for household purposes; aromatics [essential oils]; astringents for cosmetic purposes; badian essence; balms other than for medical purposes; bases for flower perfumes; bath salts, not for medical purposes; beard dyes; beauty masks; bergamot oil; bleaching preparations [decolorants] for cosmetic purposes; bleaching salts; bleaching soda; breath freshening sprays; breath freshening strips; cake flavourings [essential oils]; cakes of toilet soap; canned pressurized air for cleaning and dusting purposes; carbides of metal [abrasives]; cleaning chalk; cleaning preparations; cleansing milk for toilet purposes; cloths impregnated with a detergent for cleaning; cobblers' wax; color- [colour-] brightening chemicals for household purposes [laundry]; color-removing preparations; colorants for toilet purposes; corundum [abrasive]; cosmetic creams; cosmetic dyes; cosmetic kits; cosmetic pencils; cosmetic preparations for baths; cosmetic preparations for eyelashes; cosmetic preparations for skin care; cosmetic preparations for slimming purposes; cosmetics for animals; cosmetics; cotton sticks for cosmetic purposes; cotton wool for cosmetic purposes; creams for leather; decorative transfers for cosmetic pur-

poses; degreasers other than for use in manufacturing processes; dental bleaching gels; dentifrices; denture polishes; deodorant soap; deodorants for pets; depilatories; depilatory wax; detergents other than for use in manufacturing operations and for medical purposes; diamantine [abrasive]; douching preparations for personal sanitary or deodorant purposes [toiletries]; dry shampoos; dry-cleaning preparations; drying agents for dishwashing machines; eau de Cologne; emery cloth; emery paper; emery; essential oils of cedarwood; essential oils of citron; essential oils of lemon; essential oils; ethereal essences; extracts of flowers [perfumes]; eyebrow cosmetics; eyebrow pencils; fabric softeners for laundry use; false eyelashes; false nails; flavorings [flavourings] for beverages [essential oils]; floor wax removers [scouring preparations]; floor wax; fumigation preparations [perfumes]; refurbishing preparations; gaultheria oil; geraniol; glass cloth; glass paper; greases for cosmetic purposes; hair colorants; hair lotions; hair spray; hair waving preparations; heliotropine; henna [cosmetic dye]; hydrogen peroxide for cosmetic purposes; incense; ionone [perfumery]; jasmine oil; Javelle water; joss sticks; lacquer-removing preparations; laundry bleaching preparations; laundry blueing; laundry glaze; laundry preparations; laundry soaking preparations; laundry starch; laundry wax; lavender oil; lavender water; leather bleaching preparations; lip glosses; lipsticks; lotions for cosmetic purposes; make-up powder; make-up preparations; make-up removing preparations; make-up; mascara; massage gels, other than for medical purposes; mint essence [essential oil]; mint for perfumery; mouth washes, not for medical purposes; musk [perfumery]; mustache wax; nail art stickers; nail care preparations; nail polish; neutralizers for permanent waving; non-slipping liquids for floors; non-slipping wax for floors; oil of turpentine for degreasing; oils for cleaning purposes; oils for cosmetic purposes; oils for perfumes and scents; oils for toilet purposes; paint stripping preparations; pastes for razor strops; perfumery; perfumes; petroleum jelly for cosmetic purposes; polish for furniture and flooring; polishing creams; polishing paper; polishing preparations; polishing rouge; polishing stones; polishing wax; pomades for cosmetic purposes; potpourris [fragrances]; preparations for cleaning dentures; preparations for unblocking drain pipes; preparations to make the leaves of plants shiny; preservatives for leather [polishes]; pumice stone; quillaia bark for washing; rose oil; sachets for perfuming linen; safrol; scale removing preparations for household purposes; scented water; scented wood; scouring solutions; shampoos for pets; shampoos; sharpening preparations; shaving preparations; shaving soap; shaving stones [astringents]; shining preparations [polish]; shoe cream; shoe polish; shoe wax; shoemakers' wax; silicon carbide [abrasive]; skin whitening creams; smoothing preparations

[starching]; smoothing stones; soap for brightening textile; soap for foot perspiration; soap; soda lye; stain removers; starch glaze for laundry purposes; sun-tanning preparations [cosmetics]; sunscreen preparations; tailors' wax; talcum powder, for toilet use; terpenes [essential oils]; tissues impregnated with cosmetic lotions; toilet water; toiletry preparations; tripoli stone for polishing; turpentine, for degreasing; varnish-removing preparations; volcanic ash for cleaning; wallpaper cleaning preparations; washing soda, for cleaning; waxes for leather; whitening; windscreen cleaning liquids.

(260) AM 2018 95246 A

(800) 1375038

(151) 2017 09 01

(891) 2017 09 01

(731) QUANZHOU JIYOU SHOES CO., LTD.

Huinan Industrial Zone (Zhangban), Huian County, Quanzhou 362000 Fujian, China

(540)



(591) Black, white

(531) 03.09.24

(511)

25 – Clothing; ready-made clothing; layettes (clothing); bathing suits; shoes; headgear for wear; hosiery; gloves (clothing); neckties; leather belts (clothing).

(260) AM 2018 95247 A

(800) 1375075

(151) 2017 07 12

(891) 2017 07 12

(731) PHILIP MORRIS PRODUCTS S.A.

Quai Jeanrenaud 3, CH-2000 Neuchâtel, Switzerland

(540)

## IQOS ORIGINAL

(591) Black, white

(511)

9 – Batteries for electronic cigarettes; batteries for electronic devices that are used for heating tobacco; chargers for electronic devices that are used for heating tobacco; USB chargers for electronic devices that are used for heating tobacco; car chargers for electronic cigarettes; car chargers for devices that are used for heating tobacco; battery chargers for electronic cigarettes; boxes for the aforementioned goods.

14 – Precious metals and their alloys and goods made of precious metals or coated therewith, not included in other classes; jewelry, precious stones; timepieces and chronometric instruments.

16 – Paper, cardboard and goods made from these materials, not included in other classes; printed matter, including magazines, books, brochures, calendars, catalogues; photographs; stationery; instructional and teaching material (except apparatus); paper, cardboard and plastic materials for wrapping and packaging, not included in other classes.

18 – Leather and imitations of leather, and goods made of these materials not included in other classes; skins and hides; multipurpose bags, briefcases, carrying cases, pocket wallets, purses, key cases, card cases, luggage tags, handbags; trunks, suitcases, traveling bags, garment bags for travel, rucksacks, backpacks, makeup bags; umbrellas, parasols and walking sticks.

25 – Clothing, footwear and headgear.

34 – Wired vaporizers for electronic cigarettes and electronic smoking devices; tobacco, raw or manufactured; tobacco products, including cigars, cigarettes, cigarillos, tobacco for roll-your-own cigarettes, pipe tobacco, chewing tobacco, snuff tobacco, kretek; snus; tobacco substitutes (not for medical purposes); smokers' articles, including cigarette paper and tubes, cigarette filters, tobacco tins, cigarette cases and ashtrays, pipes, pocket apparatus for rolling cigarettes, lighters; matches; tobacco sticks, tobacco products for the purpose of being heated, electronic devices and their parts for the purpose of heating cigarettes or tobacco in order to release nicotine-containing aerosol for inhalation; liquid nicotine solutions for use in electronic cigarettes; electronic smoking devices; electronic cigarettes; electronic cigarettes as substitute for traditional cigarettes; electronic devices for the inhalation of nicotine-containing aerosol; oral vaporizing devices for use by smokers, tobacco products and tobacco substitutes; smokers' articles for electronic cigarettes; parts and fittings for the aforesaid products included in class 34; devices for extinguishing heated cigarettes and cigars as well as heated tobacco sticks; electronic rechargeable cigarette cases; boxes for the aforementioned goods.

(260) AM 2018 95248 A

(800) 1375109

(151) 2017 01 19

(891) 2017 01 19

(731) BIOTA

VERWALTUNGSGESELLSCHAFT  
MBH

Königsallee 86, 40212 Düsseldorf,  
Germany

(540)

# Nutraxin

(591) Black, white

(511)

5 – Pharmaceuticals, medical and veterinary preparations; sanitary preparations for medical purposes; dietetic food and substances adapted for medical or veterinary use, food for babies, dietary supplements for humans and animals; plasters, materials for dressings; material for stopping teeth, dental wax; disinfectants; preparations for destroying vermin; fungicides, herbicides.

(260) AM 2018 95250 A

(800) 1375151

(151) 2016 10 20

(891) 2016 10 20

(731) Tovarichtchestvo s ogranichennoy

otvetstvennostyu "ASIA SU

KOMPANIYASY"

ul. Kunaeva, 1301, 050010 Almaty,

Kazakhstan

(540)



(591) Blue

(531) 06.01.01; 27.05.10; 27.05.11; 29.01.04

(526) PURE NATURAL; ULTRA PREMIUM

(511)

32 – Beers; mineral and aerated waters and other non-alcoholic drinks; fruit drinks and fruit juices; syrups and other preparations for making beverages, aperitifs, non-alcoholic; lithia water; seltzer water; soda water; waters [beverages]; aerated water; mineral water [beverages]; table waters; kvass [non-alcoholic beverage]; cocktails, non-alcoholic; lemonades; peanut milk [non-alcoholic beverage]; milk of almonds [beverage]; non-alcoholic beverages; isotonic beverages; non-alcoholic honey-based beverages; aloe vera drinks, non-alcoholic; whey beverages; non-alcoholic fruit juice beverages; fruit nectars, non-alcoholic; orgeat; beer; ginger beer; malt beer; powders for effervescing beverages; sarsaparilla [non-alcoholic beverage]; syrups for lemonade; syrups for beverages; smoothies; tomato juice [beverage]; cider, non-alcoholic; vegetable juices [beverages]; fruit juices; preparations for making aerated water; preparations for making liqueurs; preparations for making mineral water; preparations for making beverages; must; grape must, unfermented;

beer wort; malt wort; pastilles for effervescing beverages; sherbets [beverages]; non-alcoholic fruit extracts; extracts of hops for making beer; essences for making beverages.

(260) AM 2018 95266 A

(800) 1375838

(151) 2016 08 10

(891) 2016 08 10

(731) RAINBOW S.R.L.

Via Breccie snc I-60025 LORETO (AN), Italy

(540)



(591) Black and white

(531) 09.03.13; 27.05.02; 27.05.09; 27.05.10

(511)

3 – Children's play cosmetics, usable; cosmetics.

9 – Apparatus for recording, transmission or reproduction of sound or images; audio- and video-receivers; headphones; MP3 players; computer mice; mouse pads; computer hardware; notebook computers; electronic agendas; portable computers; tablet computers; keyboards for tablets; stands adapted for tablet computers; hand-held computers; software for tablet computers; DVDs; CD-ROMs; blank discs; pre-recorded audio and video DVDs and CD-ROMs; audio-video compact discs featuring music, entertainment, films, animation and computer games; recorded DVD-ROMs featuring musical entertainment films, animation and computer games; magnetic data carriers, recording discs; digital recording media; recorded tapes; prerecorded videotapes; recorded video discs and tapes featuring musical entertainment films, animation and computer games; computer games; video game discs; video game cartridges; computer games programs; downloadable video game programs; computer software; computer game software; electronic game software; computer video game software; joysticks; computer joysticks; decorative magnets; data storage devices; USB flash drives; audiovisual teaching apparatus; audio books; digital books downloadable from the Internet; electronic publications, downloadable; electronic publications; electronic publications recorded on computer media; electronic book readers; eyeglasses; sunglasses; eyeglass cases; eyeglass cords; eyeglass frames; spectacle lenses; binoculars; telescopes; optical apparatus and instruments; cellular phones; smartphones; telecommunication devices; portable telecommunications apparatus; broadcasting equipment; telephone earpieces; batteries for cellular phones;

battery chargers for cellular phones; mobile telephone covers made of cloth or textile materials; display screen protectors in the nature of films for mobile phones; software for mobile telephones; downloadable ring tones for mobile phones; cases adapted for cellular phones; cases for smartphones; cell phone straps; flip covers for tablet computers; computer carrying cases; fitted covers for computers; cases adapted for computers; cases for electronic diaries; compact disc cases; DVD cases; cases for compact discs; bags for cameras; cases adapted for photographic equipment; eyewear cases; mechanisms for coin-operated apparatus; cash registers, calculating machines; photographic instruments and apparatus; cameras for photography; camcorders; television cameras; helmet cameras; helmet camera mounts; protective helmets for sports; data gloves; cinematographic machines and apparatus; cine projectors; cinematographic cameras; cinematographic films; animated cartoons in the form of cinematographic films; cinematographic films; prerecorded motion picture videos; measuring apparatus; measuring rulers; instructional and teaching apparatus and instruments; karaoke equipment; electrical weighing apparatus; letter scales; baby scales; electronic scales; signalling whistles; vehicle breakdown warning lamps; inflatable life vests.

16 – Printed matter; stationery; stationery cases; diaries and agendas; pocket diaries; note pads; drawing pads; writing tablets; albums; writing or drawing books; printed tickets; gift cards; envelopes [stationery]; wrapping paper; folders for papers; folders of paper; ring binders; calendars; drawing paper; writing paper; adhesives [glues] for stationery or household purposes; transfers [decalcomanias]; collector trading cards; artists' materials; paintbrushes; drawing instruments; pens [office requisites]; pencils; pencil ornaments; bookmarkers; paperweights; photographs [printed]; photograph stands; printed publications; educational publications; newspapers; periodicals; strategy guide magazines for card games; computer game instruction manuals; pamphlets; cookery books; books; children's books; sticker activity books; children's books incorporating an audio component; printed publications; typewriters, electric or non-electric; office requisites, except furniture; instructional and teaching material [except apparatus]; plastic materials for packaging; printing fonts; bookbinding material; printing blocks; towels of paper; handkerchiefs of paper.

25 – Clothing; hosiery; sweaters; cardigans; waistcoats; dresses; trousers; shorts; jerseys; leather clothing; waterproof clothing; stockings; stocking suspenders; sock suspenders; wind resistant jackets; raincoats; ski pants; fur coats; evening coats; overcoats; skirts; suits; jackets; undershirts; T-shirts; clothing for gymnastics; collars; shirts; head scarves; neckerchiefs; swimming costumes; bikinis; sundres-

ses; tracksuits; sweat suits; wedding dresses; bath robes; beach robes; underwear; brassieres; corsets; slippers; underpants; briefs; nightshirts; housecoats; pyjamas; gloves (clothing); mittens; shawls; scarves; ties; bow ties; cassocks; layettes [clothing]; cloth bibs; babies' bibs of plastic; baby bunting [clothing]; aprons [clothing]; masquerade costumes; belts [clothing]; belts made from imitation leather; textile belts [clothing]; belts made from leather or skin; braces; headgear for wear; caps; ear muffs [clothing]; wrist warmers; headbands; shoes; boots; ankle boots; leather shoes; galoshes; rain boots; sports footwear; sandals; slippers; soles for footwear; heels; footwear uppers.

28 – Games and playthings; dolls; dolls' clothing; dolls' clothing accessories; dolls' houses; furniture for dolls' houses; bean bag dolls; carnival masks; toy figures; playsets for action figures; plush toys; marionettes; parlour games; toys adapted for educational purposes; electronic educational teaching games; toy clocks and watches; electronic toys; hand-held electronic video games; free-standing video games apparatus; electronic amusement apparatus incorporating a liquid crystal display; free-standing video games machines; protective carrying cases specially adapted for handheld video games; mechanical toys; building games; toy building blocks; jigsaw puzzles; action skill games; chess games; board games; clockwork toys; magic tricks; playing cards; toy figures; musical toys; toy musical boxes; toy record cassette players; children's play cosmetics of plastic, not usable; bathtub toys; infants' swings; multiple activity toys for babies; snow globes; marbles; spinning tops [toys]; toy money boxes; inflatable toys; bounciness castles; inflatable bath toys; stuffed toys; bubble making wand and solution sets; kites; toy buckets and spades; swimming rings; toy furniture; play tents; play mats incorporating infant toys [playthings]; toy bicycles; ride-on toy vehicles; scale model vehicles; toy scooters; toy cars; toy trucks; toy model hobby craft kits; water squirting toys; gymnastic and sporting articles; rubber balls; balloons; soccer balls; basketballs; baseballs; beach balls; bowling balls; tennis balls; tables for table tennis; golf balls; golf gloves; gloves for games; gloves made specifically for use in playing sports; baseball bats; hockey pucks; roller skates; scooters [toys]; skateboards; snowboards; wakeboards; bags especially designed for skis and surfboards; protectors for elbows for use when riding bicycles [sports articles]; skipping rope; targets; punching bags; shuttlecocks; flying discs [toys]; paper party favours; paper party hats; streamers [party novelties]; decorations for Christmas trees, except illumination articles and confectionery; Christmas stockings, accessories for games; fishing tackle; trivia cards; inflatable air mattresses for recreational use.

35 – The bringing together, for the benefit of others, of a variety of goods, excluding the transport thereof, namely, soap, perfumery, essential oils, cosmetics, hair lotions, dentifrices, bleaching preparations and other substances for laundry use, cleaning, polishing, scouring and abrasive preparations, apparatus for recording, transmission or reproduction of sound or images, headphones, computer mice, mouse pads, USB flash drives, computer hardware, tablet computers, stands adapted for tablet computers, hand-held computers, software for tablet computers, DVDs, CD-ROMs, blank discs, digital recording media, cinematographic film exposed, computer games, downloadable video game programs, helmet cameras, software, joysticks, decorative magnets, audio-visual teaching apparatus, downloadable electronic publications, eyeglasses, eyeglass cases, eyeglass cords, eyeglass frames, spectacle lenses, binoculars, telescopes, optical apparatus and instruments, cellular phones, smartphones, portable telecommunications apparatus, telephone earpieces, battery chargers for cellular phones, downloadable ring tones for mobile phones, cases adapted for cellular phones, cell phone straps, bags adapted for laptops, DVD cases, cases adapted for cameras, cases adapted for optical articles, mechanisms for coin-operated apparatus, protective helmets for sports, photographic apparatus and instruments, helmet camera mounts, data gloves, cinematographic machines and apparatus, measuring apparatus, instructional and teaching apparatus and instruments, electrical weighing apparatus enabling customers to conveniently view and purchase those goods; the bringing together, for the benefit of others, of a variety of goods, excluding the transport thereof, namely, vehicles, apparatus for locomotion by land, air or water, bicycles, precious metals and their alloys, goldware, jewellery, precious stones, horological and chronometric instruments, musical instruments, paper, cardboard, printed matter, bookbinding material, printed photographs, stationery, stationery cases, diaries, agendas, adhesives namely glues for stationery or household purposes, artists' materials, paintbrushes, typewriters and office requisites other than furniture, instructional and teaching material other than apparatus, plastic materials for packaging, printing fonts, printing blocks, trading cards, printed publications, towels of paper, handkerchiefs of paper enabling customers to conveniently view and purchase those goods; the bringing together, for the benefit of others, of a variety of goods, excluding the transport thereof, namely, leather and imitations of leather, bags, coin purses, wallets, credit card holders made of leather, keycases, keycases of leather and skins, rucksacks, haversacks, carrying cases for documents, business card cases, school satchels, suitcases, bum-bags, empty cosmetic bags, trunks and travelling bags, luggage tags of leather, clothing for pets, animal skins, umbrellas, parasols, walking sticks, whips, harness and saddlery



enabling customers to conveniently view and purchase those goods; the bringing together, for the benefit of others, of a variety of goods, excluding the transport thereof, namely, furniture, mirrors, picture frames, photograph frames, storage boxes, magazine racks, bathroom fittings in the nature of furniture, baskets, trays not of metal, sculptures of bone, clothes racks, umbrella stands, screens in the nature of furniture, trolleys in the nature of furniture, chairs, divans, book rests in the nature of furniture, beds, bed frames, bed bases, cradles, crib bumpers, babies' bouncing chairs, highchairs for babies, baby walkers, changing mats, mats for infant playpens, chests for toys, baby changing platforms, mattresses, cushions, playpens for babies, party ornaments of plastic, decorative action figures of plastic, household or kitchen utensils and containers, combs, sponges, brushes, articles for cleaning purposes, glassware for household purposes, porcelain ware, toilet utensils, towel rings and holders, household or kitchen utensils or containers, thermal insulated containers for food or beverage, napkin holders, baskets for domestic use, vases, scent sprays, room perfume diffusers, candelabra in the nature of candlesticks, drinking straws, figurines namely statuettes of porcelain, ceramic, earthenware or glass, decorative articles made of porcelain, porcelain flower pots enabling customers to conveniently view and purchase those goods; the bringing together, for the benefit of others, of a variety of goods, excluding the transport thereof, namely, textile goods and substitutes for textile goods, bed linen, bed warmer covers, bed covers, bath linen except clothing, towels of textile, table linen not of paper, table covers, furniture coverings of textile, curtains of textile or plastic, individual place mats made of textile, doilies of textile enabling customers to conveniently view and purchase those goods; the bringing together, for the benefit of others, of a variety of goods, excluding the transport thereof, namely, clothing items, shoes, headgear for wear, belts for clothing, lace and embroidery, ribbons and braids, buttons, hooks and eyes, brooches in the nature of clothing accessories, needles, artificial flowers, hair ornaments not of precious metal, pins, buckles in the nature of clothing accessories, games, toys, gymnastic and sporting articles, decorations for Christmas trees enabling customers to conveniently view and purchase those goods; the bringing together, for the benefit of others, of a variety of goods, excluding the transport thereof, namely, meat, fish, poultry, game, meat extracts, preserved, frozen, dried and cooked fruits and vegetables, jellies, jams, compotes, eggs, milk and milk products, edible oils and fats, coffee, tea, cocoa, artificial coffee, rice, tapioca, sago, flour, cereal preparations, bread, pastries, confectionery, ice cream, sugar, honey, golden syrup, yeast, baking-powder, salt, mustard, vinegar, sauces in the nature of condiments, spices, ice, beer, mineral and aerated waters and ot-

her non-alcoholic beverages, fruit beverages and fruit juices, syrups and other preparations for making beverages enabling customers to conveniently view and purchase those goods; on-line retail and wholesale store services featuring soap, perfumery, essential oils, cosmetics, hair lotions, dentifrices, bleaching preparations and other substances for laundry use, cleaning, polishing, scouring and abrasive preparations, apparatus for recording, transmission or reproduction of sound or images, headphones, computer mice, mouse pads, USB flash drives, computer hardware, tablet computers, stands adapted for tablet computers, hand-held computers, software for tablet computers, DVDs, CD-ROMs, blank discs, digital recording media, cinematographic film exposed, computer games, downloadable video game programs, helmet cameras, software, joysticks, decorative magnets, audiovisual teaching apparatus, downloadable electronic publications, eyeglasses, eyeglass cases, eyeglass cords, eyeglass frames, spectacle lenses, binoculars, telescopes, optical apparatus and instruments, cellular phones, smartphones, portable telecommunications apparatus, telephone earpieces, battery chargers for cellular phones, downloadable ring tones for mobile phones, cases adapted for cellular phones, cell phone straps, bags adapted for laptops, DVD cases, cases adapted for cameras, cases adapted for optical articles, mechanisms for coin-operated apparatus, protective helmets for sports, photographic apparatus and instruments, helmet camera mounts, data gloves, cinematographic machines and apparatus, measuring apparatus, instructional and teaching apparatus and instruments, electrical weighing apparatus; on-line retail and wholesale store services featuring vehicles, apparatus for locomotion by land, air or water, bicycles, precious metals and their alloys, goldware, jewellery, precious stones, horological and chronometric instruments, musical instruments, paper, cardboard, printed matter, book-binding material, printed photographs, stationery, stationery cases, diaries, agendas, adhesives namely glues for stationery or household purposes, artists' materials, paintbrushes, typewriters and office requisites other than furniture, instructional and teaching material other than apparatus, plastic materials for packaging, printing fonts, printing blocks, trading cards, printed publications, towels of paper, handkerchiefs of paper; on-line retail and wholesale store services featuring leather and imitations of leather, bags, coin purses, wallets, credit card holders made of leather, keycases, key-cases of leather and skins, rucksacks, haversacks, carrying cases for documents, business card cases, school satchels, suitcases, bum-bags, empty cosmetic bags, trunks and travelling bags, luggage tags of leather, clothing for pets, animal skins, umbrellas, parasols, walking sticks, whips, harness and saddlery; on-line retail and wholesale store services featuring furniture, mirrors, picture frames, photograph frames, storage boxes, ma-

gazine racks, bathroom fittings in the nature of furniture, baskets, trays not of metal, sculptures of bone, clothes racks, umbrella stands, screens in the nature of furniture, trolleys in the nature of furniture, chairs, divans, book rests in the nature of furniture, beds, bed frames, bed bases, cradles, crib bumpers, babies' bouncing chairs, highchairs for babies, baby walkers, changing mats, mats for infant playpens, chests for toys, baby changing platforms, mattresses, cushions, playpens for babies, party ornaments of plastic, decorative action figures of plastic, household or kitchen utensils and containers, combs, sponges, brushes, articles for cleaning purposes, glassware for household purposes, porcelain ware, toilet utensils, towel rings and holders, household or kitchen utensils or containers, thermal insulated containers for food or beverage, napkin holders, baskets for domestic use, vases, scent sprays, room perfume diffusers, candelabra in the nature of candlesticks, drinking straws, figurines namely statuettes of porcelain, ceramic, earthenware or glass, decorative articles made of porcelain, porcelain flower pots; on-line retail and wholesale store services featuring textile goods and substitutes for textile goods, bed linen, bed warmer covers, bed covers, bath linen except clothing, towels of textile, table linen not of paper, table covers, furniture coverings of textile, curtains of textile or plastic, individual place mats made of textile, doilies of textile; on-line retail and wholesale store services featuring clothing items, shoes, headgear for wear, belts for clothing, lace and embroidery, ribbons and braids, buttons, hooks and eyes, brooches in the nature of clothing accessories, needles, artificial flowers, hair ornaments not of precious metal, pins, buckles in the nature of clothing accessories, games, toys, gymnastic and sporting articles, decorations for Christmas trees; on-line retail and wholesale store services featuring meat, fish, poultry, game, meat extracts, preserved, frozen, dried and cooked fruits and vegetables, jellies, jams, compotes, eggs, milk and milk products, edible oils and fats, coffee, tea, cocoa, artificial coffee, rice, tapioca, sago, flour, cereal preparations, bread, pastries, confectionery, ice cream, sugar, honey, golden syrup, yeast, baking-powder, salt, mustard, vinegar, sauces in the nature of condiments, spices, ice, beer, mineral and aerated waters and other non-alcoholic beverages, fruit beverages and fruit juices, syrups and other preparations for making beverages; presentation of goods on communication media, for retail purposes; business merchandising display services; sales promotion for others; organization of events, exhibitions, fairs and shows for commercial, promotional and advertising purposes; advertising, including on-line advertising on a computer network; business administration; office functions; business management assistance; import-export agency services; personnel management consultancy; relocation services for businesses; secretarial services;

book-keeping; rental of vending machines; retail or wholesale services for pharmaceutical, veterinary and sanitary preparations and medical supplies.

41 – Entertainment services; entertainment in the form of films; producing, distribution and rental of motion pictures, television and radio programmes, sound recordings and videos; production of entertainment live performances; showing of cinematographic films; presentation of recital; television entertainment in the nature of live-action, comedy, drama, and/or animated television programmes; rental of videotapes; providing temporary use of non-downloadable game software, for multimedia entertainment; providing on-line electronic publications, not downloadable; television entertainment; education and entertainment services provided via a global computer network; providing non-downloadable films via the internet; provision of games on the internet, non-downloadable; publication of books, magazines and electronic publications on cinema, music and video games; information on services related to games, music and cinema services available on-line, not downloadable; booking of rooms for entertainment; provision of entertainment facilities; entertainment services for holiday camp; amusement parks; amusement parks and arcades; theme park services; zoological garden services; amusement park services; providing waterpark services; entertainment services in the nature of an amusement park show; organisation of entertainment, sporting, recreational, cultural and artistic events; organisation of group recreational activities; ticket agency services; ticket reservation and booking services for entertainment, sporting and cultural events; booking of seats for shows and booking of theatre tickets; ticket reservation and booking services for cinema presentations; entertainment information; providing information on entertainment through computer networks; providing entertainment events in the form of live music shows; rental of amusement machines and apparatus; conferences, exhibitions and seminars; arranging of contests; organization of competitions; theater productions; sporting and cultural activities; providing recreation facilities; teaching; providing of training; organization of training courses; workshops for training purposes; production of training videos; conducting of instructional seminars; provision of information relating to training; recreation and training services; provision of training facilities; instruction in group exercise; provision of instruction relating to nutrition; publishing printed matter and publications; publication of books, magazines, almanacs and journals; providing on-line publications; sporting and cultural activities.

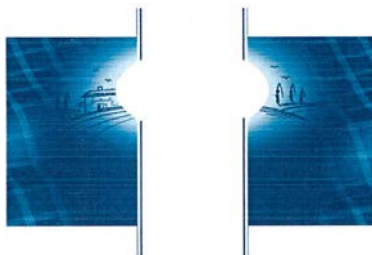
(260) AM 2018 95267 A  
(800) 1375841  
(151) 2016 10 20

(891) 2016 10 20

(731) EGIDIO GALBANI S.r.l.

Via Flavio Gioia, 8 I-20149 MILANO, Italy

(540)



(591) Blue, light blue and white

(531) 01.15.09; 03.07.16; 03.07.24; 05.01.01;

06.19.16; 25.01.01; 25.01.15; 25.05.01;

29.01.12

(511)

29 – Anchovy; ajvar [preserved, peppers]; while of eggs; albumen for culinary purposes; alginates for culinary purposes; salted meats; aloe vera prepared for human consumption; peanuts, prepared; spiny lobsters, not live; herrings, not live; bacon; milk beverages, milk predominating; bouillon; soups; fruit peel; bulgogi [Korean beef dish]; butler; peanut butter; cocoa butter for food; coconut butter; game, not live; artichokes, preserved; meat; meat, preserved; pork; caviar; gherkins; fish-based foodstuffs; onions, preserved; arrangements of processed fruit; cranberry sauce [compote]; compotes; bouillon concentrates; tomato paste; shellfish, not live; jams; preserved garlic; meat, tinned [canned (Am.)]; fruits, tinned [canned (Am.)]; vegetables, tinned [canned (Am.)]; fish, tinned [canned (Am.)]; mussels, not live; sauerkraut; buttercream; eggplant paste; vegetable marrow paste; silkworm chrysalis, for human consumption; croquettes; crustaceans, not live; dates; non-alcoholic eggnog; seaweed extracts for food; meat extracts; soya beans, preserved, for food; fish meal for human consumption; beans, preserved; liver; milk ferments for culinary purposes; fish fillets; potato flakes; cheese; potato fritters; milk shakes; fruit chips; frozen fruits; fruit, preserved; fruit preserved in alcohol; fruit, stewed; crystallized fruits; berries, preserved; mushrooms, preserved; shrimps, not live; prawns, not live; lobsters, not live; crayfish, not live; meat jellies; gelatine; jellies for food; fruit jellies; edible fats; coconut fat; hummus [chickpea paste]; isinglass for food; vegetable soup preparations; kefir [milk beverage]; kimchi [fermented vegetable dish]; kumys [kumyss] [milk beverage]; lard; milk; albumin milk; curd; condensed milk; peanut milk for culinary purposes; milk of almonds for culinary purposes; rice milk [milk substitute]; soya milk [milk substitute]; powdered milk; lecithin for culinary purposes; vegetables, preserved; vegetables, cooked; vegetables, dried; lentils, preserved; fruit salads; vegetable salads; almonds, ground; margarine; marmalade; fatty substances for the manufacture of edible fats; animal marrow for food; fat-containing mixtu-

res for bread slices; vegetable mousses; fish mousses; edible birds' nests; hazelnuts, prepared; flavored nuts; candied nuts; coconut, desiccated; nuts, prepared; edible oils; coconut oil; colza oil for food; sunflower oil for food; corn oil; palm kernel oil for food; bone oil, edible; palm oil for food; linseed oil for culinary purposes; sesame oil; olive oil for food; olives, preserved; sea-cucumbers, not live; oysters, not live; whipped cream; cream [dairy products]; tomato purée; liver pâté; potato chips; low-fat potato chips; pectin for culinary purposes; fish, not live; fish, preserved; salted fish; peas, preserved; poultry, not live; pollen prepared as foodstuff; fruit pulp; preparations for making bouillon; preparations for making soup; rennet; charcuterie; milk products; ham; prostokvasha [soured milk]; apple puree; ryazhenka [fermented baked milk]; salmon, not live; sausages; sausages in batter; black pudding [blood sausage]; sardines, not live; sunflower seeds, prepared; suet for food; seeds, prepared; whey; smetana [sour cream]; fruit-based snack food; pickles; piccalilli; vegetable juices for cooking; tomato juice for cooking; tahini [sesame seed paste]; truffles, preserved; tofu; tuna, not live; tripe; yolk of eggs; eggs; snail eggs for consumption; fish roe, prepared; powdered eggs; raisins; toasted laver; clams, not live; yakitori; yogurt; ginger jam.

30 – Vinegar; beer vinegar; sea water for cooking; gluten additives for culinary purposes; minced garlic [condiment]; seaweed [condiment]; oat-based food; starch for food; aniseed; star aniseed; seasonings; coffee flavorings; food flavorings, other than essential oils; vanilla flavorings for culinary purposes; flavorings, other than essential oils, for beverages; flavorings, other than essential oils, for cakes; crushed oats; husked oats; baozi [stuffed buns]; high-protein cereal bars; cereal bars; stick liquorice [confectionery]; cocoa-based beverages; coffee-based beverages; chocolate-based beverages; tea-based beverages; cocoa beverages with milk; chocolate beverages with milk; baking soda [bicarbonate of soda for cooking purposes]; cookies; malt biscuits; petit-beurre biscuits; sweetmeats [candy]; buns; puddings; rice pudding; burritos; cocoa; coffee; coffee beverages with milk; unroasted coffee; cinnamon [spice]; capers; caramels [candy]; peppermint sweets; edible paper; edible rice paper; cheeseburgers [sandwiches]; cloves [spice]; chow-chow [condiment]; chutneys [condiments]; waffles; chicory [coffee substitute]; chocolate; aromatic preparations for food; condiments; confectionery; peanut confectionery; almond confectionery; pralines; fruit coulis [sauces]; crackers; cream of tartar for culinary purposes; custard; pancakes; macaroons [pastry]; turmeric; curry [spice]; couscous [semolina]; chocolate decorations for cakes; cakes; natural sweeteners; confectionery for decorating Christmas trees; garden herbs, preserved [seasonings]; essences for foodstuffs, except etheric essences and essential oils; malt

extract for food; bean meal; wheat flour; corn flour; nut flours; barley meal; mustard meal; soya flour; tapioca flour; hominy; flour; potato flour; ferments for pastes; oat flakes; chips [cereal products]; corn flakes; groats for human food; flowers or leaves for use as tea substitutes; pies; fondants [confectionery]; ice cream; edible ices; fruit jellies [confectionery]; ham glaze; wheat germ for human consumption; ice, natural or artificial; ice for refreshment; gimbap [Korean rice dish]; cake frosting [icing]; glucose for culinary purposes; gluten prepared as foodstuff; chewing gum; corn, milled; corn, roasted; popcorn; halvah; dough; infusions, not medicinal; spring rolls; thickening agents for cooking foodstuffs; jiaozi [stuffed dumplings]; ketchup [sauce]; binding agents for ice cream [edible ices]; sausage binding materials; yeast; baking powder; leaven; liquorice [confectionery]; macaroni; mayonnaise; malt for human consumption; maltose; marinades; marzipan; molasses for food; mint for confectionery; honey; batter mixes for okonomiyaki [Japanese savory pancakes]; chocolate mousses; dessert mousses [confectionery]; muesli; allspice; chocolate-coated nuts; nutmegs; okonomiyaki [Japanese savory pancakes]; crushed barley; husked barley; bread; rusks; unleavened bread; breadcrumbs; bread rolls; gingerbread; royal jelly; almond paste; rice pulp for culinary purposes; soya bean paste [condiment]; pastry dough; cake dough; pasta; pastries; pastilles [confectionery]; petits fours [cakes]; meat pies; noodle-based prepared meals; pâtés en croûte; pelmeni [dumplings stuffed with meat]; pepper; pesto [sauce]; pizzas; cake powder; powders for making ice cream; cereal preparations; vegetal preparations for use as coffee substitutes; meat tenderizers, for household purposes; preparations for stiffening whipped cream; propolis; quiches; relish [condiment]; ramen [Japanese noodle-based dish]; ravioli; rice; sago; cooking salt; celery salt; salt for preserving foodstuffs; tomato sauce; soya sauce; sauces [condiments]; dressings for salad; pasta sauce; sandwiches; peppers [seasonings]; golden syrup; linseed for human consumption; oatmeal; semolina; hominy grits; mustard; cereal-based snack food; rice-based snack food; sherbets [ices]; spaghetti; spices; artificial coffee; meat gravies; sushi; tabbouleh; tacos; noodles; tapioca; tea; iced tea; tarts; rice cakes; tortillas; vanillin [vanilla substitute]; vareniki [stuffed dumplings]; vermicelli [noodles]; frozen yogurt [confectionery ices]; saffron [seasoning]; ginger [spice]; candy decorations for cakes; sugar; candy; palm sugar.

(260) AM 2018 95269 A

(800) 1375864

(151) 2017 01 13

(891) 2017 01 13

(731) PUTZMEISTER ENGINEERING GMBH

Max-Eyth-Strasse 10 72631 Aichtal, Germany

(540)



(591) Yellow and black

(531) 03.02.01; 03.02.24; 29.01.12

(511)

6 – Containers, and transportation and packaging articles, made of metal; building and construction materials and elements of metal; structures and transportable buildings of metal; storage containers, tanks and silos of metal; storage tanks of metal for thick matter and concrete; pipes, tubes and hoses, and fittings therefor, including valves, of metal; materials of metal for railway tracks; metal framing; metal stairs and ladders; pillars of metal; injection lances of metal; spare parts and accessories for all the aforesaid goods as far as included in class 6; injection lances for organic and inorganic substances for thermal use.

7 – Agricultural, earthmoving, construction, oil and gas extraction and mining equipment; pumps [machines]; compressors; robots; transporting machines; lifting and hoisting equipment; machines and mechanical apparatus and installations consisting thereof as well as their parts for the manufacture, processing, transport and application of raw materials, building materials, in particular roughcasting machines, continuous mixer, mortar pumps, pumps for concrete, mineworking machines, tunnel construction machines, transport facilities and transporters; mixers and mixing plants, in particular for the construction industry and construction materials industry; handling machines, automatic (manipulators); construction machines; hydraulic transmissions, other than for land vehicles; mechanical, hydraulic and pneumatic system control instruments; mechanical, pneumatic, hydraulic and electric construction equipment (other than hand-operated); stationary and mobile pumps for concrete, mortar and sludge; concrete spraying machines; concrete paving machines; concrete mixers (machines); concrete compressors; concrete spreader appliances; pumps for concrete; fuel dispensing pumps for service stations; transporters; staged and segmented conveyors; belt conveyors; belts for conveyors; archimedean screws; rotating screw conveyors; pneumatic transporters; continuous mixer; machines for backfilling, in particular of shuttering, earth drilling services, piled foundations; cavities in masonries; machines for grouting, in particular of frames and brickwork; injection pumps for cement-bound material; spray paint machines; machine tool holders for spray guns for paint; silo mixing machines; silo mixing pumps; silo conveyor

systems; feeders (machines); feeding machines; tubes being fitted parts of machines; feeders [parts of machines]; thick matter pumps; pressure pipes of metal (parts of machines); shredders (machines); processing machines; machines and apparatus for the damping of flow pulsation and/or pressure pulsation in pipelines (machines); mixing plant; mixing machines; mechanic mixing machines; automatic dispensing machines; filtering machines; combined skips and mixers for producing concrete; dedusting systems for mixing plants; sifters as parts for engines for material sorting; sieves [machines or parts of machines]; screening machines; earth moving machines; mineworking machines; mining machines; pipe-jacking machines; scalers (machines); truck mills (for mining purposes); mine borers [machines]; drills for the mining industry; extractors for mines; rock-drilling machines; lifting platforms; mobile platforms [lifting]; tunnelling machines; tunnel boring machines; machines and apparatus for the manufacture of formwork systems, in particular for the moulding and manufacturing of tunnel formwork elements; machines and mechanical apparatus and installations consisting thereof as well as their parts for parting, sorting, conveying, pressing and comminuting of fuel and raw material as well as of waste and garbage; electricity generators, emergency power generators; emergency power generators; electrical generators using solar cells; spare and make-up pieces for all aforementioned goods as far as included in this class; mobile mixing plants and pumping equipment for liquid and semi-solid materials, in particular screed, mortar, coating as well as undercarriages therefor; automatic distribution machines for liquid, concrete or loose building materials.

9 – Scientific, surveying, photographic, cinematographic, optical, weighing, measuring, signalling, checking (supervision), life-saving and teaching apparatus and instruments; electronic control apparatus, units and systems; apparatus and instruments for conducting, switching, transforming, accumulating, regulating or controlling electricity; apparatus and instruments for acquiring, recording, transmission, receiving and reproduction of sound, images or data; communications equipment, data processing equipment, computers; computer software; scales; information technology and audiovisual equipment; recorded content; security, safety, protective and signalling apparatus and equipment; navigation, guidance, positioning, tracking, targeting and mapping equipment; measuring, signaling and checking (supervision) instruments, equipment and devices, electric regulating apparatus; electric and electronic equipment, apparatus and installations composed thereof for telematics, telecommunications and data processing purposes; apparatus, instruments, software and hardware for tracking, monitoring, controlling, remotely controlling and carrying out technical inspections in respect of mechanical engineering and

electrical engineering products, structural engineering, civil engineering and mining products, Industrial installations, vehicles, equipment and machines; computer programs for the construction industry, for the construction machinery industry, for the mining industry; for the tunnel construction machinery industry; machine-readable data carriers prerecorded with computer programs for the construction industry, construction machinery industry, mining Industry and tunnel construction machinery industry; interface equipment; remote control devices for data processing equipment; apparatus for the transmission of data; electronic data storage devices; electronic devices for malfunction diagnostics as well as electronic data processing apparatus for construction machines, for mineworking machines and for tunnelling machines; testing and quality control devices; calibration testers; inspection machines and testing apparatus for building materials, in particular concrete, mortar, screed and coating; accumulators; chargers for electric batteries; electric apparatus for commutation and regulation apparatus; electric current meters; voltmeters; software for controlling and checking (supervision).

12 – Vehicles; land vehicles and conveyances; concrete mixing vehicles; concrete transport vehicle; automatic concrete pumps; vehicles and multipurpose vehicles for construction, mining and tunnelling; vehicles for the transport of apparatus, persons and materials; tankers (automotive vehicles); vehicles for lifting, loading and robbing; vehicles for spraying on materials; vehicles with lifting platforms; driverless cars [autonomous cars]; parts and additional parts for all aforementioned goods as far as included in this class.

17 – Flexible tubes (not of metal); goods made of latex (rubber), namely flexible ducting, tubes, pipes and connections; seals, sealants and fillers, insulation and barrier articles and materials and goods made of plastic substances (semi-processed).

19 – Building materials (non-metallic); rigid pipes, not of metal (building); shuttering (non-metallic).

37 – Construction; repair, namely repair of vehicles of machines and apparatus, in particular pumps, compressors, ventilating fans, robots, transportation devices, roughcasting machines, construction machines, mixers, mixing plants, spray paint machines, mineworking machines, tunnel construction machines, installations relating to the construction industry and construction materials industry, installations relating to mining, installations relating to tunnel construction, construction equipment, current generators, electrical power units, power generators, lighting apparatus; installation services, namely installation of vehicles, machines and apparatus, in particular pumps, compressors, ventilating fans, robots, transportation devices, roughcasting machines, cons-

truction machines, mixers, mixing plants, spray paint machines, mineworking machines, tunnel construction machines, installations relating to the construction industry and construction materials industry, installations relating to mining, installations relating to tunnel construction, construction equipment, electrical and generating machinery, power assemblies, electric generators, lighting apparatus; services for the hire of tools, construction machines, apparatus for building construction and demolition services, construction equipment, construction vehicles and construction site vehicles, machines and apparatus, in particular pumps, compressors, ventilating fans, robots, transportation devices, roughcasting machines, construction machines, mixers, mixing plants, spray paint machines, mineworking machines, tunnel construction machines, installations relating to the construction industry and construction materials industry, installations relating to mining, installations relating to tunnel construction, electricity generators, lighting apparatus for construction sites, mining and tunnel construction.

41 – Education, training, organizing, arranging and conducting of seminars, congresses, conferences, workshops and electronic desktop publishing (training); publication of texts, as far as included in this class; publication of printed matter, each time as far as included in this class, also in electronic form; providing of training and further training in the form of seminars, conferences and congresses, including via the Internet (e-learning).

(260) AM 2018 95273 A  
(800) 1376060  
(151) 2017 09 13  
(891) 2017 09 13  
(731) FOSHAN CITY FAENZA SANITARY WARE CO., LTD  
Sanzhou Park, East Zone, Cangjiang Ind. Zone, Gaoming District, Foshan City  
528511 Guangdong province, China  
(540)

**FAENZA**  
法恩莎

(591) Black and white  
(531) 27.05.01; 28.03  
(511)  
9 – Brick; non-metal tiles; terrazzo; non-metal wall tiles for buildings; ceramic tiles; glass mosaics.

(260) AM 2018 95274 A  
(800) 1376827  
(151) 2017 09 18  
(891) 2017 09 18  
(731) GRINDEKS, AS  
Krustpils iela 53, LV-1057 Rīga, Latvia

(540)

**DIMESTIL**  
**ДИМЕСТИЛ**

(591) Black, white  
(511)  
3 – Perfumery; body care and beauty care preparations; essential oils; non-medicated cosmetics and non-medicated hair care preparations; cosmetic creams and gels.

(260) AM 2018 95275 A  
(800) 1376114  
(151) 2017 05 03  
(891) 2017 05 03  
(731) ZHU SHUPING  
No.18, Building 31, Xingzhong residential quarters, Choucheng Street, Yiwu City  
Zhejiang, China

(540)

**Kuakua**

(591) Black and white  
(531) 05.03.14; 27.03.11  
(511)  
3 – Washing preparations; shampoos; wash hands paste; cleaning preparations; stain removers; toilet detergent; shoe cream; grinding preparations; perfumery; make-up; perfumes; toilet water; dentifrices; potpourris [fragrances]; cosmetics for animals; air fragrancing preparations.

5 – Sticking stuff (terms too vague in the opinion of the International Bureau (Rule 13 (2) (b) of the Common Regulations); sterilising preparations; medicines for human purposes; alcohol for pharmaceutical purposes; Chinese refreshing ointment; slimming tea for medical purposes; lotions for pharmaceutical purposes; dietetic substances adapted for medical use; powdered milk for babies; depuratives; toilet deodorizer; animal washes; preparations for destroying mice; pesticides; fly catching adhesives; mosquito-repellent incense; mothball; sanitary towels; antiseptic paper; dental lacquer.

(260) AM 2018 95398 A  
(800) 1297823  
(151) 2016 02 08  
(891) 2017 09 08  
(731) ROYCE' CONFECT CO., LTD.  
1-1, Ainosato 4-jo 9-chome, Kita-ku, Sapporo-shi  
Hokkaido 002-8074, Japan  
(540)

**ROYCE'**

(591) Black and white  
 (531) 24.17.01; 27.05.17  
 (511)  
 43 – Services for providing foods and drink; temporary accommodation.

(260) AM 2018 95416 A  
 (800) 1377190  
 (151) 2017 09 18  
 (891) 2017 09 18  
 (731) FUJIAN JINJIANG SHENHU DALI  
 CLOTHING AND KNITTING CO., LTD.  
 Dong'an Shenhui, Jinjiang, Quanzhou 362200  
 Fujian, China

(540)



(591) Black, white  
 (531) 26.11.09; 26.13.25  
 (511)  
 25 – Clothing; underpants; underwear; vests; shirts; hats; hosiery; neckties; clothing for children; trousers for infants.

(260) AM 2018 95441 A  
 (800) 1377547  
 (151) 2017 06 02  
 (891) 2017 06 02  
 (731) MICROSOFT CORPORATION  
 One Microsoft Way, Redmond WA 98052,  
 USA

(540)

**WINDOWS**

(591) Black, white  
 (511)  
 9 – Computers, tablets, laptops; computer software; software developer kits; portable electronic devices for receiving and reading text, images and sound through wireless internet access; computer software for use in connection with the transmission of voice and data; computer software used for controlling stand-alone voice controlled information devices, namely, cloud-connected and voice-controlled smart devices to monitor and control the functioning of household and electronic devices; voice and data transmitters and receivers; voice processing software, namely, software for the control of voice controlled information and communication devices; voice-activated software, namely, software for stand-alone voice controlled information devices comprised of cloud-connected and voice-controlled information

devices; voice-activated software, namely, software for stand-alone voice controlled information devices comprised of cloud-connected and voice controlled smart devices with virtual personal assistant capabilities; mixed-reality computing platforms; computer software for creating, uploading, and sharing 3D images and models; malware protection software; software for securing access to laptops, phones, and computers; facial recognition software; fingerprint recognition software; iris recognition software; software that enables a user to hand-write notes and text with a digital pen onto touch-enabled devices; software that interprets hand-written content on touch-enabled devices; digital drawing applications; software that allows for annotations to image via digital ink; software that allows a smartphone or tablet to attach to a monitor, mouse, and keyboard and project the desktop to the monitor.

38 – Broadcasting and transmission of voice, data, images, music, audio, video, multimedia, television, and radio; broadcast and transmission of streamed music, audio, video, and multimedia content; subscription and pay-per-view broadcasting and transmission services; telephone, electronic mail, electronic messaging, electronic data transmission, audioconferencing, and videoconferencing services; providing access to telecommunications networks, computer networks, the Internet, satellite communications, wireless communications networks, and cable; providing access to websites, databases, electronic bulletin boards, on-line forums, directories, music, and video and audio programs; communication by computer; information, advisory and consultancy services relating to all the aforesaid.

41 – Educational services; arranging, organizing, conducting, and presenting seminars, workshops, classes, webinars, conferences, online instruction, and distance learning programs; production, distribution, and presentation of radio programs, television programs, motion pictures, sound recordings; providing ongoing television, radio, audio, video, podcast, and webcast programs; providing entertainment, sports, music, informational, news, and current events programming by means of telecommunications networks, computer networks, the Internet, satellite, radio, wireless communications networks, television, and cable television; providing non-downloadable entertainment, sports, music, informational, news, and current events programming; providing educational, entertainment, sports, music, informational, news, current events, and arts and culture programming via websites and computer applications; providing information in the field of education, entertainment, music, sports, news, and arts and culture via websites and computer applications; providing non-downloadable computer games, electronic games, interactive games, and video games; providing books, periodicals, newspapers,

newsletters, manuals, blogs, journals, and other publications via websites and computer applications.

42 – Providing non-downloadable computer game programs; providing non-downloadable computer programs for monitoring automobile performance, for mapping and navigation, for electronic mail and wireless communications, for maintaining personal directories, contact lists, address and telephone number lists; providing non-downloadable computer programs for accessing global communication networks; providing non-downloadable computer programs for accessing global communication networks and displaying content therefrom; and providing a full line of non-downloadable business application programs; design and development of computer hardware and software; computer services, namely remote hosting of operating systems and computer applications; providing hosted operating systems and computer applications through the internet; rental of computing and data storage facilities of variable capacity; providing, developing and designing non-downloadable software accessible over a global computer network for managing computer applications; constructing an internet platform for electronic commerce; designing, managing and monitoring online forums for discussion; creating electronically stored web pages for online services and the internet; data warehousing; design, creation and maintenance of web sites for others; managing web sites for others; rental of web servers; web site maintenance, creation and hosting services; application service provider, namely, providing, hosting, managing, developing and maintaining applications, software, websites and databases in the fields of ecommerce, online payments, order queuing, website design, data storage, shared computing capacity scaling, messaging services and calculation of website ranking based on user traffic.

(260) AM 2018 95459 A

(800) 1377603

(151) 2017 07 14

(891) 2017 07 14

(731) COMITATI OLIMPICI EUROPEI

Via della Pallacanestro, 19, Rome, Italy

(540)



(591) Blue, yellow, black, green and red

(531) 05.13.25; 25.01.25; 26.13.25; 27.05.01;  
27.07.01; 29.01.15

(511)

9 – Scientific, nautical, surveying, photographic, cinematographic, optical, weighing, measuring, signalling, checking (supervision), life-saving and teaching apparatus and instruments; apparatus for recording, transmission or reproduction of sound or images; magnetic data carriers, recording discs; protective helmets for sports; spectacles, sports goggles, sunglasses; computer software, including computer software for video camera games; cameras; magnetic data carriers; data processing software and computer hardware; power supplies, namely batteries, rectifiers/voltage/current regulators and transformers; portable digital electronic devices and software related thereto; portable electronic devices for wireless data reception and/or transmission; computer software for resending of messages, email and/or other data from a personal computer or a server to one or more handheld electronic devices; computer game software for mobile phone computers; acoustic machines and apparatus, radio equipment; cassette tape recorders/players, cassette recorders incorporating radios, headset, headphones, microphones, car audio systems; laser disc players, video compact disc players, video CD software, DVD video players/recorders; telephones, mobile phones, carrying cases for mobile phones, answering machines, modem; encoded bank cards and debit cards; encoded magnetic cards, flashlights, integrated circuit chip cards; banking card, credit cards, debit cards including such cards having integrated circuits and microprocessors; memory boards.

25 – Clothing, footwear, headgear.

28 – Games and playthings; gymnastic and sporting articles not included in other classes; decorations for Christmas trees; playing cards, electric floats for fishing, stationary exercise bicycles and rollers.

38 – Telecommunications; broadcasting of television programmes, television broadcasting (live or recorded); cellular telephone communication; communications by electronic computer terminals, by databases and by telecommunication networks connected to the Internet; telephone and mobile telephone services; facsimile communication services; services of a press agency; other message transmission services; broadcasting of a commercial site on the Internet; radio and television broadcasting services provided via the Internet; electronic mail; provision of Internet access services; electronic bulletin board services.

41 – Education; providing of training; entertainment; sporting and cultural activities; organization of exhibitions for cultural and educational purposes; organization of lotteries and competitions; betting and gaming services relating to or in conjunction with sports; entertainment services provided at or relating



to sports events; organization of sporting and cultural events and activities; arranging real or virtual sports competitions; providing sports facilities; rental services for audio and video equipment; production and distribution of radio and television programmes relating to sports and sporting events; production services for radio and television programs and videotapes; production of animated movies; booking of seats for shows and sporting events; timing of sports events, provision of games over the Internet, providing on-line electronic publications, not downloadable; publication of books, journals, texts (except publicity texts) and periodicals; online publication of electronic books, journals, texts (except publicity texts) and periodicals; providing digital music from the Internet; providing digital music from MP3 Internet web sites; provision of sporting results; information services in relation to sport and sporting events; information relating to sporting events provided on-line from a computer database or the Internet.

---

---

**INTERNATIONAL TRADEMARKS PROTECTED IN GEORGIA**

(260) AM 2018 90622 A  
(800) 1329085  
(151) 2016 04 14  
(181) 2026 04 14  
(891) 2016 04 14  
(511) 03, 05, 10

---

(260) AM 2018 91999 A  
(800) 1341179  
(151) 2016 11 04  
(181) 2026 11 04  
(891) 2016 11 04  
(511) 09

---

(260) AM 2018 90835 A  
(800) 1330287  
(151) 2016 10 07  
(181) 2026 10 07  
(891) 2016 10 07  
(511) 30

---

(260) AM 2018 92129 A  
(800) 1342555  
(151) 2016 12 06  
(181) 2026 12 06  
(891) 2016 12 06  
(511) 30

---

(260) AM 2018 91299 A  
(800) 1334530  
(151) 2016 08 24  
(181) 2026 08 24  
(891) 2016 08 24  
(511) 01, 17, 19, 22, 29, 30, 31, 36, 39, 40, 44

---

(260) AM 2018 92149 A  
(800) 1342320  
(151) 2016 07 04  
(181) 2026 07 04  
(891) 2016 07 04  
(511) 29, 30

---

(260) AM 2018 91656 A  
(800) 1337511  
(151) 2017 01 19  
(181) 2027 01 19  
(891) 2017 01 19  
(511) 30

---

(260) AM 2018 92209 A  
(800) 1343212  
(151) 2016 08 29  
(181) 2026 08 29  
(891) 2016 08 29  
(511) 03, 05

---

(260) AM 2018 91665 A  
(800) 1337525  
(151) 2017 01 27  
(181) 2027 01 27  
(891) 2017 01 27  
(511) 30

---

(260) AM 2018 92221 A  
(800) 1344417  
(151) 2017 02 02  
(181) 2027 02 02  
(891) 2017 02 02  
(511) 35

---

(260) AM 2018 91670 A  
(800) 1337612  
(151) 2017 02 13  
(181) 2027 02 13  
(891) 2017 02 13  
(511) 30

---

(260) AM 2018 92229 A  
(800) 1343340  
(151) 2016 09 06  
(181) 2026 09 06  
(891) 2016 09 06  
(511) 24

---

(260) AM 2018 91915 A  
(800) 1340038  
(151) 2016 09 27  
(181) 2026 09 27  
(891) 2016 09 27  
(511) 03, 05, 30, 32, 35, 39

---

(260) AM 2018 92234 A  
(800) 1343436  
(151) 2016 11 12  
(181) 2026 11 12  
(891) 2016 11 12  
(511) 05, 10

---

(260) AM 2018 92239 A  
(800) 1344541  
(151) 2016 12 29  
(181) 2026 12 29  
(891) 2016 12 29  
(511) 11, 35, 37

---

(260) AM 2018 92304 A  
(800) 1344127  
(151) 2016 09 29  
(181) 2026 09 29  
(891) 2016 09 29  
(511) 29, 30, 32

---

(260) AM 2018 92317 A  
(800) 1344166  
(151) 2016 12 29  
(181) 2026 12 29  
(891) 2016 12 29  
(511) 11, 35, 37

---

(260) AM 2018 92322 A  
(800) 1344255  
(151) 2017 01 31  
(181) 2027 01 31  
(891) 2017 01 31  
(511) 43

---

(260) AM 2018 92326 A  
(800) 1344415  
(151) 2017 01 26  
(181) 2027 01 26  
(891) 2017 01 26  
(511) 05, 35

---

(260) AM 2018 92392 A  
(800) 1344656  
(151) 2017 01 12  
(181) 2027 01 12  
(891) 2017 01 12  
(511) 07

---

(260) AM 2018 92408 A  
(800) 1344997  
(151) 2016 10 27  
(181) 2026 10 27  
(891) 2016 10 27  
(511) 02, 09, 11, 16, 20

---

(260) AM 2018 92413 A  
(800) 1344783  
(151) 2016 08 25

(181) 2026 08 25  
(891) 2016 08 25  
(511) 31

---

(260) AM 2018 92418 A  
(800) 1345030  
(151) 2017 03 03  
(181) 2027 03 03  
(891) 2017 03 03  
(511) 34

---

(260) AM 2018 92422 A  
(800) 1345108  
(151) 2017 03 21  
(181) 2027 03 21  
(891) 2017 03 21  
(511) 33

---

(260) AM 2018 92424 A  
(800) 1345150  
(151) 2017 01 23  
(181) 2027 01 23  
(891) 2017 01 23  
(511) 35, 36

---

(260) AM 2018 92425 A  
(800) 1345409  
(151) 2017 01 25  
(181) 2027 01 25  
(891) 2017 01 25  
(511) 30

---

(260) AM 2018 92446 A  
(800) 1161719  
(151) 2012 12 07  
(181) 2022 12 07  
(891) 2017 03 31  
(511) 09, 14, 18, 25, 35

---

(260) AM 2018 92572 A  
(800) 1346185  
(151) 2017 03 02  
(181) 2027 03 02  
(891) 2017 03 02  
(511) 16

---

(260) AM 2018 92679 A  
(800) 937745  
(151) 2006 08 20  
(181) 2026 08 20  
(891) 2017 02 27  
(511) 07, 12

---

(260) AM 2018 92692 A  
(800) 1333453  
(151) 2016 09 21  
(181) 2026 09 21  
(891) 2017 04 14  
(511) 03, 28

---

(260) AM 2018 92695 A  
(800) 1347165  
(151) 2017 03 07  
(181) 2027 03 07  
(891) 2017 03 07  
(511) 05

---

(260) AM 2018 92696 A  
(800) 1347168  
(151) 2016 04 18  
(181) 2026 04 18  
(891) 2016 04 18  
(511) 12, 37

---

(260) AM 2018 92728 A  
(800) 1347347  
(151) 2017 03 02  
(181) 2027 03 02  
(891) 2017 03 02  
(511) 20, 35

---

(260) AM 2018 92734 A  
(800) 1347372  
(151) 2017 03 10  
(181) 2027 03 10  
(891) 2017 03 10  
(511) 34

---

(260) AM 2018 92735 A  
(800) 1347373  
(151) 2017 02 24  
(181) 2027 02 24  
(891) 2017 02 24  
(511) 11

---

(260) AM 2018 92740 A  
(800) 1347374  
(151) 2017 02 24  
(181) 2027 02 24  
(891) 2017 02 24  
(511) 11

---

(260) AM 2018 92741 A  
(800) 1347375  
(151) 2017 02 24  
(181) 2027 02 24

(891) 2017 02 24  
(511) 11

---

(260) AM 2018 92742 A  
(800) 1347376  
(151) 2017 02 24  
(181) 2027 02 24  
(891) 2017 02 24  
(511) 11

---

(260) AM 2018 92743 A  
(800) 1347377  
(151) 2017 02 24  
(181) 2027 02 24  
(891) 2017 02 24  
(511) 11

---

(260) AM 2018 92744 A  
(800) 1347378  
(151) 2017 02 24  
(181) 2027 02 24  
(891) 2017 02 24  
(511) 11

---

(260) AM 2018 92746 A  
(800) 1347390  
(151) 2016 04 29  
(181) 2026 04 29  
(891) 2016 04 29  
(511) 05

---

(260) AM 2018 92747 A  
(800) 1347416  
(151) 2016 11 23  
(181) 2026 11 23  
(891) 2016 11 23  
(511) 03

---

(260) AM 2018 92812 A  
(800) 1349108  
(151) 2017 04 03  
(181) 2027 04 03  
(891) 2017 04 03  
(511) 36

---

(260) AM 2018 92813 A  
(800) 1348424  
(151) 2017 03 08  
(181) 2027 03 08  
(891) 2018 03 08  
(511) 34

---

(260) AM 2018 92815 A  
(800) 1348503  
(151) 2017 02 28  
(181) 2027 02 28  
(891) 2017 02 28  
(511) 30

---

(260) AM 2018 92816 A  
(800) 1348505  
(151) 2017 03 02  
(181) 2027 03 02  
(891) 2017 03 02  
(511) 21

---

(260) AM 2018 92817 A  
(800) 1349113  
(151) 2016 11 02  
(181) 2026 11 02  
(891) 2016 11 02  
(511) 04, 09, 12, 14, 16, 18, 25, 28, 29, 30, 32, 35,  
36, 38, 39, 41, 43

---

(260) AM 2018 92819 A  
(800) 1349120  
(151) 2017 02 06  
(181) 2027 02 06  
(891) 2017 02 06  
(511) 05

---

(260) AM 2018 92845 A  
(800) 1349236  
(151) 2016 10 07  
(181) 2026 10 07  
(891) 2016 10 07  
(511) 09, 35, 38, 41, 42

---

(260) AM 2018 92857 A  
(800) 1349344  
(151) 2017 03 14  
(181) 2027 03 14  
(891) 2017 03 14  
(511) 03

---

(260) AM 2018 92860 A  
(800) 387945  
(151) 1972 04 08  
(181) 2022 04 08  
(891) 2017 01 30  
(511) 10

---

(260) AM 2018 92863 A  
(800) 1342509  
(151) 2016 12 24  
(181) 2026 12 24

(891) 2017 05 24  
(511) 16, 38, 42

---

(260) AM 2018 92889 A  
(800) 1348961  
(151) 2017 01 31  
(181) 2027 01 31  
(891) 2017 01 31  
(511) 25, 36, 42

---

(260) AM 2018 92956 A  
(800) 1345782  
(151) 2017 03 02  
(181) 2027 03 02  
(891) 2017 05 26  
(511) 17, 19

---

(260) AM 2018 92960 A  
(800) 1349459  
(151) 2016 11 02  
(181) 2026 11 02  
(891) 2016 11 02  
(511) 01, 02, 03, 05, 07, 09, 10, 11, 16, 17, 29, 30,  
32, 35, 40, 41, 42, 44

---

(260) AM 2018 92962 A  
(800) 1349531  
(151) 2017 02 23  
(181) 2027 02 23  
(891) 2017 02 23  
(511) 05

---

(260) AM 2018 92965 A  
(800) 1349533  
(151) 2017 03 08  
(181) 2027 03 08  
(891) 2017 03 08  
(511) 09, 11, 34

---

(260) AM 2018 92972 A  
(800) 1349642  
(151) 2016 12 29  
(181) 2026 12 29  
(891) 2016 12 29  
(511) 05

---

(260) AM 2018 92973 A  
(800) 1349690  
(151) 2017 03 22  
(181) 2027 03 22  
(891) 2017 03 22  
(511) 32

---

(260) AM 2018 92974 A  
(800) 1349712  
(151) 2017 04 10  
(181) 2027 04 10  
(891) 2017 04 10  
(511) 12, 37

---

(260) AM 2018 92975 A  
(800) 1349735  
(151) 2017 01 09  
(181) 2027 01 09  
(891) 2017 01 09  
(511) 05, 29, 30, 32

---

(260) AM 2018 92978 A  
(800) 1349833  
(151) 2017 02 16  
(181) 2027 02 16  
(891) 2017 02 16  
(511) 03

---

(260) AM 2018 92980 A  
(800) 1349878  
(151) 2016 11 29  
(181) 2026 11 29  
(891) 2016 11 29  
(511) 09, 10, 41, 42, 44, 45

---

(260) AM 2018 92981 A  
(800) 1349899  
(151) 2017 01 27  
(181) 2027 01 27  
(891) 2017 01 27  
(511) 01, 03, 05, 09, 10, 16, 35, 38, 39, 41, 42, 44

---

(260) AM 2018 92998 A  
(800) 1351349  
(151) 2016 12 14  
(181) 2026 12 14  
(891) 2016 12 14  
(511) 30

---

(260) AM 2018 93000 A  
(800) 1351350  
(151) 2016 12 14  
(181) 2026 12 14  
(891) 2016 12 14  
(511) 30

---

(260) AM 2018 93002 A  
(800) 1350438  
(151) 2017 03 03  
(181) 2027 03 03

(891) 2017 03 03  
(511) 09, 38, 39, 42

---

(260) AM 2018 93003 A  
(800) 1350440  
(151) 2016 08 19  
(181) 2027 08 19  
(891) 2016 08 19  
(511) 07, 21, 35, 37, 42

---

(260) AM 2018 93005 A  
(800) 1350444  
(151) 2016 11 13  
(181) 2026 11 13  
(891) 2016 11 13  
(511) 07, 08, 11, 21, 35

---

(260) AM 2018 93006 A  
(800) 1350504  
(151) 2017 04 25  
(181) 2027 04 25  
(891) 2017 04 25  
(511) 06, 07, 12

---

(260) AM 2018 93007 A  
(800) 1350518  
(151) 2016 11 27  
(181) 2029 11 27  
(891) 2016 11 27  
(511) 02

---

(260) AM 2018 93009 A  
(800) 1351414  
(151) 2017 04 03  
(181) 2027 04 03  
(891) 2017 04 03  
(511) 36

---

(260) AM 2018 93032 A  
(800) 1351563  
(151) 2016 12 06  
(181) 2026 12 06  
(891) 2016 12 06  
(511) 30

---

(260) AM 2018 93076 A  
(800) 1350968  
(151) 2016 09 19  
(181) 2026 09 19  
(891) 2016 09 19  
(511) 11, 35

---

(260) AM 2018 93079 A  
(800) 1351024  
(151) 2016 12 23  
(181) 2026 12 23  
(891) 2016 12 23  
(511) 05

---

(260) AM 2018 93080 A  
(800) 1351039  
(151) 2017 03 02  
(181) 2027 03 02  
(891) 2017 03 02  
(511) 25

---

(260) AM 2018 93086 A  
(800) 1351085  
(151) 2017 03 23  
(181) 2027 03 23  
(891) 2017 03 23  
(511) 43

---

(260) AM 2018 93093 A  
(800) 1351104  
(151) 2017 04 13  
(181) 2027 04 13  
(891) 2017 04 13  
(511) 32

---

(260) AM 2018 93094 A  
(800) 1351108  
(151) 2017 04 10  
(181) 2027 04 10  
(891) 2017 04 10  
(511) 36

---

(260) AM 2018 93095 A  
(800) 1351165  
(151) 2016 11 15  
(181) 2026 11 15  
(891) 2016 11 15  
(511) 36

---

(260) AM 2018 93097 A  
(800) 1351242  
(151) 2017 01 17  
(181) 2027 01 17  
(891) 2017 01 17  
(511) 09, 14

---

(260) AM 2018 93098 A  
(800) 1351263  
(151) 2016 10 24  
(181) 2026 10 24

(891) 2016 10 24  
(511) 05, 31, 35

---

(260) AM 2018 93099 A  
(800) 1351279  
(151) 2016 08 25  
(181) 2026 08 25  
(891) 2016 08 25  
(511) 09, 28, 41

---

(260) AM 2018 93102 A  
(800) 1351299  
(151) 2016 11 18  
(181) 2026 11 18  
(891) 2016 11 18  
(511) 09, 41

---

(260) AM 2018 93103 A  
(800) 1351334  
(151) 2016 11 16  
(181) 2026 11 18  
(891) 2016 11 16  
(511) 05

---

(260) AM 2018 93104 A  
(800) 1351338  
(151) 2016 12 02  
(181) 2026 12 02  
(891) 2016 12 02  
(511) 17, 19

---

(260) AM 2018 93108 A  
(800) 1352855  
(151) 2017 04 12  
(181) 2027 04 12  
(891) 2017 04 12  
(511) 05

---

(260) AM 2018 93109 A  
(800) 1352856  
(151) 2017 04 12  
(181) 2027 04 12  
(891) 2017 04 12  
(511) 05

---

(260) AM 2018 93111 A  
(800) 1352857  
(151) 2017 04 12  
(181) 2027 04 12  
(891) 2017 04 12  
(511) 05

---

(260) AM 2018 93112 A  
(800) 1352858  
(151) 2017 04 12  
(181) 2027 04 12  
(891) 2017 04 12  
(511) 05

---

(260) AM 2018 93135 A  
(800) 1351706  
(151) 2017 04 21  
(181) 2027 04 21  
(891) 2017 04 21  
(511) 10

---

(260) AM 2018 93136 A  
(800) 1351737  
(151) 2017 04 03  
(181) 2027 04 03  
(891) 2017 04 03  
(511) 09

---

(260) AM 2018 93137 A  
(800) 1351746  
(151) 2016 12 28  
(181) 2026 12 28  
(891) 2016 12 28  
(511) 09, 28

---

(260) AM 2018 93138 A  
(800) 1351770  
(151) 2017 03 31  
(181) 2027 03 31  
(891) 2017 03 31  
(511) 05

---

(260) AM 2018 93140 A  
(800) 1351787  
(151) 2017 04 04  
(181) 2027 04 04  
(891) 2017 04 04  
(511) 09

---

(260) AM 2018 93142 A  
(800) 1351876  
(151) 2016 09 09  
(181) 2026 09 09  
(891) 2016 09 09  
(511) 34

---

(260) AM 2018 93144 A  
(800) 1351932  
(151) 2017 04 19  
(181) 2027 04 19

(891) 2017 04 19  
(511) 05

---

(260) AM 2018 93145 A  
(800) 1351993  
(151) 2017 02 21  
(181) 2027 02 21  
(891) 2017 02 21  
(511) 41

---

(260) AM 2018 93147 A  
(800) 1352594  
(151) 2017 03 04  
(181) 2027 03 04  
(891) 2017 03 04  
(511) 10

---

(260) AM 2018 93148 A  
(800) 1351994  
(151) 2017 02 21  
(181) 2027 02 21  
(891) 2017 02 21  
(511) 41

---

(260) AM 2018 93150 A  
(800) 1352003  
(151) 2016 12 29  
(181) 2026 12 29  
(891) 2016 12 29  
(511) 05

---

(260) AM 2018 93152 A  
(800) 1352615  
(151) 2017 03 03  
(181) 2027 03 03  
(891) 2017 03 03  
(511) 01, 03

---

(260) AM 2018 93153 A  
(800) 1352087  
(151) 2017 03 23  
(181) 2027 03 23  
(891) 2017 03 23  
(511) 09, 11, 34

---

(260) AM 2018 93154 A  
(800) 1352138  
(151) 2017 04 27  
(181) 2027 04 27  
(891) 2017 04 27  
(511) 12

---



(260) AM 2018 93155 A  
(800) 1352140  
(151) 2017 04 27  
(181) 2027 04 27  
(891) 2017 04 27  
(511) 12

---

(260) AM 2018 93185 A  
(800) 1352646  
(151) 2017 04 20  
(181) 2027 04 20  
(891) 2017 04 20  
(511) 37, 41, 42

---

(260) AM 2018 93214 A  
(800) 1241901  
(151) 2015 02 05  
(181) 2025 02 05  
(891) 2017 03 20  
(511) 12

---

(260) AM 2018 93216 A  
(800) 1276929  
(151) 2015 08 19  
(181) 2025 08 19  
(891) 2017 04 12  
(511) 34

---

(260) AM 2018 93229 A  
(800) 1354291  
(151) 2017 02 24  
(181) 2027 02 24  
(891) 2017 02 24  
(511) 05

---

(260) AM 2018 93231 A  
(800) 1354313  
(151) 2017 03 10  
(181) 2027 03 10  
(891) 2017 03 10  
(511) 05

---

(260) AM 2018 93232 A  
(800) 1354341  
(151) 2017 04 05  
(181) 2027 04 05  
(891) 2017 04 05  
(511) 09, 24, 25

---

(260) AM 2018 93235 A  
(800) 1353583  
(151) 2017 05 15  
(181) 2027 05 15

(891) 2017 05 15  
(511) 03

---

(260) AM 2018 93236 A  
(800) 1353616  
(151) 2017 05 16  
(181) 2027 05 16  
(891) 2017 05 16  
(511) 12

---

(260) AM 2018 93241 A  
(800) 1353654  
(151) 2017 03 02  
(181) 2027 03 02  
(891) 2017 03 02  
(511) 05, 29, 30

---

(260) AM 2018 93243 A  
(800) 1353730  
(151) 2017 03 24  
(181) 2027 03 24  
(891) 2017 03 24  
(511) 29, 31, 35

---

(260) AM 2018 93277 A  
(800) 1353928  
(151) 2017 02 09  
(181) 2027 02 09  
(891) 2017 02 09  
(511) 09, 28

---

(260) AM 2018 93411 A  
(800) 1355623  
(151) 2016 12 12  
(181) 2026 12 12  
(891) 2016 12 12  
(511) 09, 14, 16, 18, 21, 25

---

(260) AM 2018 93412 A  
(800) 1355624  
(151) 2016 10 19  
(181) 2026 10 19  
(891) 2016 10 19  
(511) 25, 35

---

(260) AM 2018 93413 A  
(800) 1355641  
(151) 2016 11 15  
(181) 2026 11 15  
(891) 2016 11 15  
(511) 18, 25, 35

---

(260) AM 2018 93414 A  
(800) 1355667  
(151) 2017 02 01  
(181) 2027 02 01  
(891) 2017 02 01  
(511) 37, 42

---

(260) AM 2018 93415 A  
(800) 1355670  
(151) 2016 12 28  
(181) 2026 12 18  
(891) 2016 12 28  
(511) 09, 28

---

(260) AM 2018 93417 A  
(800) 1355722  
(151) 2017 01 17  
(181) 2027 01 17  
(891) 2017 01 17  
(511) 06, 07, 08, 09, 11, 21, 35, 37, 40, 41, 42

---

(260) AM 2018 93450 A  
(800) 1356742  
(151) 2017 04 21  
(181) 2027 04 21  
(891) 2017 04 21  
(511) 05

---

(260) AM 2018 93599 A  
(800) 1357714  
(151) 2017 03 23  
(181) 2027 03 23  
(891) 2017 03 23  
(511) 03

---

(260) AM 2018 93610 A  
(800) 1357750  
(151) 2017 02 20  
(181) 2027 02 20  
(891) 2017 02 20  
(511) 18, 25, 35

---

(260) AM 2018 93613 A  
(800) 1357771  
(151) 2017 03 22  
(181) 2027 03 22  
(891) 2017 03 22  
(511) 30

---

(260) AM 2018 93615 A  
(800) 1357816  
(151) 2017 04 25  
(181) 2027 04 25

(891) 2017 04 25  
(511) 06, 17

---

(260) AM 2018 93616 A  
(800) 1357869  
(151) 2027 05 19  
(181) 2027 05 19  
(891) 2017 05 19  
(511) 18

---

---

# OFFICIAL NOTIFICATION

## INVENTION

### RENEWAL OF PATENT

(21) AP 2012 12766

(11) P 2013 5987 B

(73) Sarkis Markaryan

(54) **METHOD OF WATER COMPLEX DEACTIVATION AND MODULE FOR EXECUTION THEREOF**

DATE OF PATENT CANCELLATION: 2018 06 27

DATE OF PATENT RENEWAL: 2018 07 25

---

(21) AP 2011 12850

(11) P 2017 6635 B

(73) GEOX S.P.A.

(54) **SHOE WITH WATERPROOF AND VAPOR-PERMEABLE UPPER AND SOLE**

DATE OF PATENT CANCELLATION: 2018 01 24

DATE OF PATENT RENEWAL: 2018 07 25

---

(21) AP 2014 13487

(11) P 2016 6427 B

(73) Dali Dzanashvili;

Natela Papunashvili;

Giorgi Mumladze;

Revaz Kokhreidze;

Zurab Adamia

Nikoloz Margiani

(54) **HIGH-TEMPERATURE SUPERCONDUCTING CERAMICS**

DATE OF PATENT CANCELLATION: 2018 06 05

DATE OF PATENT RENEWAL: 2018 07 25

---

(21) AP 2014 13488

(11) P 2016 6428 B

(73) Dali Dzanashvili;

Natela Papunashvili;

Giorgi Mumladze;

Revaz Kokhreidze;

Zurab Adamia

Nikoloz Margiani

(54) **HIGH-TEMPERATURE SUPERCONDUCTING CERAMICS**

DATE OF PATENT CANCELLATION: 2018 06 05

DATE OF PATENT RENEWAL: 2018 07 25

---

(21) AP 2002 6302

(11) P 2004 3314 B

(73) Orion Corporation

(54) **PHARMACEUTICAL COMPOSITION COMPRISING ENTACAPONE, LEVODOPA AND CARBIDOPA**

DATE OF PATENT CANCELLATION: 2018 06 29

DATE OF PATENT RENEWAL: 2018 07 25

---

## CANSELLATION OF PATENTS

(21) AP 2007 10965  
(11) P 2010 5103 B  
(73) NOVARTIS AG  
(54) **COMPOUNDS AND COMPOSITIONS AS HEDGEHOG PATHWAY MODULATORS**  
DATE OF PATENT CANCELLATION: 2018 05 04  
PATENT RESTORATION IS AVAILABLE: 2019 05 04

---

(21) AP 2014 14005  
(11) P 2017 6792 B  
(73) CADILA HEALTHCARE LIMITED  
(54) **SYNERGISTIC COMPOSITIONS**  
DATE OF PATENT CANCELLATION: 2018 07 04  
PATENT RESTORATION IS AVAILABLE: 2019 07 04

---

(21) AP 2014 14032  
(11) P 2018 6853 B  
(73) Chiesi Farmaceutici S.P.A.  
(54) **DRY POWDER FORMULATION COMPRISING ANTICHOLINERGIC, CORTICOSTEROID AND BETA-ADRENERGIC FOR ADMINISTRATION BY INHALATION**  
DATE OF PATENT CANCELLATION: 2018 07 10  
PATENT RESTORATION IS AVAILABLE: 2019 07 10

---

(21) AP 2003 6795  
(11) P 2004 3362 B  
(73) Les Laboratoires Servier  
(54) **NOVEL \$G(Y)\$CRYSTALLINE FORM OF PERINDOPRIL TERT- BUTYLAMINE SALT, PREPARATION METHOD, AND PHARMACEUTICAL COMPOSITIONS CONTAINING SAME**  
DATE OF PATENT CANCELLATION: 2018 07 06  
PATENT RESTORATION IS AVAILABLE: 2019 07 06

---

(21) AP 2003 6797  
(11) P 2004 3360 B  
(73) Les Laboratoires Servier  
(54) **NOVEL \$G(BETA)\$CRYSTALLINE FORM OF PERINDOPRIL TERT-BUTYLAMINE SALT, PREPARATION METHOD, AND PHARMACEUTICAL COMPOSITIONS CONTAINING SAME**  
DATE OF PATENT CANCELLATION: 2018 07 06  
PATENT RESTORATION IS AVAILABLE: 2019 07 06

---

(21) AP 2003 8594  
(11) P 2007 4212 B  
(73) Les Laboratoires Servier  
(54) **MEDICAL-PREVENTIVE FOOD COMBINATION AND FOODSTUFF ON ITS BASE**  
DATE OF PATENT CANCELLATION: 2018 06 24  
PATENT RESTORATION IS AVAILABLE: 2019 06 24

---

(21) AP 2004 9234

(11) P 2008 4343 B

(73) Aziende Chimiche Riunite Angelini Francesco A.C.R.A.F. S.p.A.

(54) **USE OF INDOLE DERIVATIVES FOR THE TREATMENT OF NEUROPATHIC PAIN**

DATE OF PATENT CANCELLATION: 2018 07 08

PATENT RESTORATION IS AVAILABLE: 2019 07 08

---

## UTILITY MODELS

### RENEWAL OF PATENT

(21) AU 2015 13763

(11) U 2016 1889 Y

(73) LEPL Shota Rustaveli National Science Foundation;

LEPL Ivane Javakhishvili Tbilisi state university;

Vera Maisuradze;

Marine Nadirashvili;

Murad Tkemaladze;

Ioseb Gedjadze;

Guram Nadareishvili;

Elena Shapakidze

(54) **POZZOLAN PORTLAND CEMENT CONTENT**

DATE OF PATENT CANCELLATION: 2018 03 13

DATE OF PATENT RENEWAL: 2018 07 25

---

### CANCELLATION OF PATENT

(21) AU 2013 13155

(11) U 2014 1819 Y

(73) Giorgi Bikov

(54) **POKER TYPE CARD GAME SYSTEM**

DATE OF PATENT CANCELLATION: 2018 07 08

MODEL RESTORATION IS AVAILABLE: 2019 07 08

---

---

## DESIGNS

### RENEWAL OF REGISTRATIONS

(11) D 1999 81 S

(73) Faisler Island Pharmaceutical Partnership among the following companies:

- a) c, v. Pharmaceuticals International The Compliant Partnership (Limited PASU), established and established by the Netherlands Law, which was established by its General Partnership Manager, a limited liability company under the laws of Delaware County and whose office is located at: 235 The 42st Estates, New York, New York, York City 10017, USA and Faisler Production Company, Limited Liability Company Organized by Delaware State Legislation and its office is located at 235 Isa 42st Street, New York, New York, 10017, USA;
- b) Faisler Ouvasz Pharmaceuticals, Privat Unrestricted Liability Company, is registered in Ireland (registration number 79355) and its registered office is located on the following address: Potter Road, To Lagode, Dublin District, Republic of Ireland (IE)

(54) **PHARMACEUTICAL PILLS**

(28) 1

(24) 1998 09 25

(18) 2023 09 25

(58) 2018 07 18

---

### TRANSFER OF RIGHTS

(11) D 2018 747 S

NEW PATENT OWNER AND ADDRESS: "GRAND CANDY" LLC (AM)

31 May St., Yerevan, 0061, Armenia (AM)

FORMER PATENT OWNER AND ADDRESS: Karen Vardanyan (AM)

Bairon St. 3, ap. 36, Yerevan, Armenia (AM)

(58) 2018 07 17

---

(11) D 2018 748 S

NEW PATENT OWNER AND ADDRESS: "GRAND CANDY" LLC (AM)

31 May St., Yerevan, 0061, Armenia (AM)

FORMER PATENT OWNER AND ADDRESS: Karen Vardanyan (AM)

Bairon St. 3, ap. 36, Yerevan, Armenia (AM)

(58) 2018 07 17

---

(11) D 2017 739 S

NEW PATENT OWNER AND ADDRESS: "GRAND CANDY" LLC (AM)

31 May St., Yerevan, 0061, Armenia (AM)

FORMER PATENT OWNER AND ADDRESS: Karen Vardanyan (AM)

Bairon St. 3, ap. 36, Yerevan, Armenia (AM)

(58) 2018 07 17

---

---

# CLASSIFICATION INDEXES

## INVENTIONS

### CONCORDANCE TABLE OF INTERNATIONAL CLASSIFICATION INDEX AND PUBLICATION NUMBERS

INTERNATIONAL CLASSIFICATION INDEXES (51)	NUMBER OF PUBLISHED APPLICATION (10)
A 61 K 31/444; A 61 K 9/08; A 61 K 47/04; A 61 K 47/12; A 61 K 47/18; A 61 K 47/34; A 61 P 27/02; A 61 P 27/06	AP 2018 14216 A
A 61 K 31/444; A 61 P 27/02; A 61 P 27/06	AP 2018 14239 A
C 07 D 409/14; C 07 D 453/02; A 61 K 31/439; A 61 P 11/00	AP 2018 14338 A
C 07 D 417/12; A 61 K 31/506; A 61 P 35/00	AP 2018 14361 A
C 07 D 471/04; C 07 D 487/04; A 61 K 31/4162; A 61 P 35/00	AP 2018 14322 A
G 09 B 5/00; B 42 D 3/12	AP 2018 14344 A

### CONCORDANCE TABLE OF PUBLICATION NUMBERS AND INTERNATIONAL CLASSIFICATION INDEX

NUMBER OF PUBLISHED APPLICATION (10)	INTERNATIONAL CLASSIFICATION INDEXES (51)
AP 2018 14216 A	A 61 K 31/444; A 61 K 9/08; A 61 K 47/04; A 61 K 47/12; A 61 K 47/18; A 61 K 47/34; A 61 P 27/02; A 61 P 27/06
AP 2018 14239 A	A 61 K 31/444; A 61 P 27/02; A 61 P 27/06
AP 2018 14322 A	C 07 D 471/04; C 07 D 487/04; A 61 K 31/4162; A 61 P 35/00
AP 2018 14338 A	C 07 D 409/14; C 07 D 453/02; A 61 K 31/439; A 61 P 11/00
AP 2018 14344 A	G 09 B 5/00; B 42 D 3/12
AP 2018 14361 A	C 07 D 417/12; A 61 K 31/506; A 61 P 35/00

### CONCORDANCE TABLE OF INTERNATIONAL CLASSIFICATION INDEX, PATENT NUMBERS AND PUBLICATION NUMBERS

INTERNATIONAL CLASSIFICATION INDEX (51)	NUMBER OF PATENT (11)	NUMBER OF PUBLISHED APPLICATION (10)
A 61 K 47/30; A 61 K 9/20; C 07 C 231/00	P 2018 6881 B	AP 2018 13784 A
A 61 K 9/28; A 61 K 31/7076	P 2018 6884 B	AP 2018 14177 A
B 23 P 17/04; A 61 M 5/31	P 2018 6882 B	AP 2018 14039 A
C 07 D 401/14; C 07 D 401/12; A 61 K 31/497; A 61 P 11/00	P 2018 6880 B	AP 2018 13485 A
F 26 B 3/00	P 2018 6883 B	AP 2017 14211 A

**CONCORDANCE TABLE OF PATENT NUMBERS,  
PUBLICATION NUMBERS AND INTERNATIONAL CLASSIFICATION INDEX**

NUMBER OF PATENT (11)	NUMBER OF PUBLISHED APPLICATION (10)	INTERNATIONAL CLASSIFICATION INDEX (51)
P 2018 6880 B	AP 2018 13485 A	C 07 D 401/14; C 07 D 401/12; A 61 K 31/497; A 61 P 11/00;
P 2018 6881 B	AP 2018 13784 A	A 61 K 47/30; A 61 K 9/20; C 07 C 231/00
P 2018 6883 B	AP 2017 14211 A	F 26 B 3/00
P 2018 6882 B	AP 2018 14039 A	B 23 P 17/04; A 61 M 5/31
P 2018 6884 B	AP 2018 14177 A	A 61 K 9/28; A 61 K 31/7076

**CONCORDANCE TABLE OF APPLICATION NUMBERS, PUBLICATION NUMBERS  
AND PATENTS**

NUMBER OF APPLICATION (21)	NUMBER OF PUBLISHED APPLICATION (10)	NUMBER OF PATENT (11)
AP 2012 013485	AP 2018 13485 A	P 2018 6880 B
AP 2013 013784	AP 2018 13784 A	P 2018 6881 B
AP 2014 014039	AP 2018 14039 A	P 2018 6882 B
AP 2014 014177	AP 2018 14177 A	P 2018 6884 B
AP 2016 014211	AP 2017 14211 A	P 2018 6883 B

## UTILITY MODEL

**CONCORDANCE TABLE OF INTERNATIONAL CLASSIFICATION INDEX  
AND PUBLICATION NUMBERS**

INTERNATIONAL CLASSIFICATION INDEXES (51)	NUMBER OF PUBLISHED APPLICATION (10)
A 47 K 10/40	AU 2018 14168 U
A 47 K 10/38	AU 2018 14170 U
B 23 K 9/18	AU 2018 14550 U
E 05 F 13/04	AU 2018 14614 U
H 02 J 13/00	AU 2018 14590 U

**CONCORDANCE TABLE OF PUBLICATION NUMBERS  
AND INTERNATIONAL CLASSIFICATION INDEX**

NUMBER OF PUBLISHED APPLICATION (10)	INTERNATIONAL CLASSIFICATION INDEXES (51)
AU 2018 14168 U	A 47 K 10/40
AU 2018 14170 U	A 47 K 10/38
AU 2018 14550 U	B 23 K 9/18
AU 2018 14590 U	H 02 J 13/00
AU 2018 14614 U	E 05 F 13/04



**CONCORDANCE TABLE OF INTERNATIONAL CLASSIFICATION INDEX,  
PATENT NUMBERS AND PUBLICATION NUMBERS**

INTERNATIONAL CLASSIFICATION INDEX (51)	NUMBER OF PATENT (11)	NUMBER OF PUBLISHED APPLICATION (10)
A 61 K 35/76	U 2018 1972 Y	AU 2018 14533 U
A 61 K 35/76	U 2018 1973 Y	AU 2018 14531 U
A 61 K 35/76	U 2018 1974 Y	AU 2018 14534 U
A 61 K 35/76	U 2018 1975 Y	AU 2018 14535 U
G 06 Q 50/34	U 2018 1976 Y	AU 2018 14505 U

**CONCORDANCE TABLE OF PATENT NUMBERS,  
PUBLICATION NUMBERS AND INTERNATIONAL CLASSIFICATION INDEX**

NUMBER OF PATENT (11)	NUMBER OF PUBLISHED APPLICATION (10)	INTERNATIONAL CLASSIFICATION INDEX (51)
U 2018 1972 Y	AU 2018 14533 U	A 61 K 35/76
U 2018 1973 Y	AU 2018 14531 U	A 61 K 35/76
U 2018 1974 Y	AU 2018 14534 U	A 61 K 35/76
U 2018 1975 Y	AU 2018 14535 U	A 61 K 35/76
U 2018 1976 Y	AU 2018 14505 U	G 06 Q 50/34

**CONCORDANCE TABLE OF APPLICATION NUMBERS, PUBLICATION NUMBERS  
AND PATENTS**

NUMBER OF APPLICATION (21)	NUMBER OF PUBLISHED APPLICATION (10)	NUMBER OF PATENT (11)
AU 2017 14505 U	AU 2018 14505 U	U 2018 1976 Y
AU 2017 14531 U	AU 2018 14531 U	U 2018 1973 Y
AU 2017 14533 U	AU 2018 14533 U	U 2018 1972 Y
AU 2017 14534 U	AU 2018 14534 U	U 2018 1974 Y
AU 2017 14535 U	AU 2018 14535 U	U 2018 1975 Y

## DESIGNS

**CONCORDANCE TABLE OF INTERNATIONAL CLASSIFICATION INDEX  
AND PUBLICATION NUMBERS**

INTERNATIONAL CLASSIFICATION INDEXES (51)	NUMBER OF PUBLISHED APPLICATION (10)
02-03	AD 2018 1019 S
09-02	AD 2018 1002 S
11-01	AD 2018 1018 S
13-03	AD 2018 1014 S
21-01	AD 2018 1030 S

**CONCORDANCE TABLE OF PUBLICATION NUMBERS  
AND INTERNATIONAL CLASSIFICATION INDEX**

NUMBER OF PUBLISHED APPLICATION (10)	INTERNATIONAL CLASSIFICATION INDEXES (51)
AD 2018 1002 S	09-02
AD 2018 1014 S	13-03
AD 2018 1018 S	11-01
AD 2018 1019 S	02-03
AD 2018 1030 S	21-01

**CONCORDANCE TABLE OF INTERNATIONAL CLASSIFICATION INDEX,  
PATENT NUMBERS AND PUBLICATION NUMBERS**

INTERNATIONAL CLASSIFICATION INDEX (51)	NUMBER OF PATENT (11)	NUMBER OF PUBLISHED APPLICATION (10)
02-04	D 2018 769 S	AD 2018 1012 S
07-01	D 2018 767 S	AD 2018 990 S
11-04	D 2018 768 S	AD 2018 997 S

**CONCORDANCE TABLE OF PATENT NUMBERS,  
PUBLICATION NUMBERS AND INTERNATIONAL CLASSIFICATION INDEX**

NUMBER OF PATENT (11)	NUMBER OF PUBLISHED APPLICATION (10)	INTERNATIONAL CLASSIFICATION INDEX (51)
D 2018 767 S	AD 2018 990 S	07-01
D 2018 768 S	AD 2018 997 S	11-04
D 2018 769 S	AD 2018 1012 S	02-04

**CONCORDANCE TABLE OF APPLICATION NUMBERS, PUBLICATION NUMBERS  
AND PATENTS**

NUMBER OF APPLICATION (21)	NUMBER OF PUBLISHED APPLICATION (10)	NUMBER OF PATENT (11)
AD 2017 990	AD 2018 990 S	D 2018 767 S
AD 2017 997	AD 2018 997 S	D 2018 768 S
AD 2017 1012	AD 2018 1012 S	D 2018 769 S

## TRADEMARKS

### CONCORDANCE TABLE OF REGISTRATION NUMBERS, APPLICATION NUMBERS, PUBLICATION NUMBERS AND BULLETIN NUMBERS

NUMBER OF REGISTRATION (111)	NUMBER OF APPLICATIONS (210)	NUMBER OF PUBLISHED APPLICATIONS (260)	NUMBER OF BULLETIN
M 2018 29898 R	AM 97902	–	14(498)2018
M 2018 29899 R	AM 98183	–	14(498)2018
M 2018 29900 R	AM 98167	–	14(498)2018
M 2018 29901 R	AM 98016	–	14(498)2018
M 2018 29902 R	AM 98200	–	14(498)2018
M 2018 29903 R	AM 97775	–	14(498)2018
M 2018 29904 R	AM 97774	–	14(498)2018
M 2018 29905 R	AM 98231	–	14(498)2018
M 2018 29906 R	AM 98230	–	14(498)2018
M 2018 29918 R	AM 97465	–	14(498)2018
M 2018 29919 R	AM 98389	–	14(498)2018

### CONCORDANCE TABLE OF PUBLICATION NUMBERS AND APPLICATION NUMBERS

NUMBER OF PUBLISHED APPLICATION (260)	NUMBER OF APPLICATION (210)	1	2
1	2		
AM 2018 91638 A	AM 91638 A	AM 2018 94743 A	AM 94743 A
AM 2018 91867 A	AM 91867 A	AM 2018 94744 A	AM 94744 A
AM 2018 91996 A	AM 91996 A	AM 2018 94794 A	AM 94794 A
AM 2018 93588 A	AM 93588 A	AM 2018 94832 A	AM 94832 A
AM 2018 93680 A	AM 93680 A	AM 2018 94891 A	AM 94891 A
AM 2018 93681 A	AM 93681 A	AM 2018 94927 A	AM 94927 A
AM 2018 94080 A	AM 94080 A	AM 2018 95007 A	AM 95007 A
AM 2018 94165 A	AM 94165 A	AM 2018 95008 A	AM 95008 A
AM 2018 94270 A	AM 94270 A	AM 2018 95010 A	AM 95010 A
AM 2018 94323 A	AM 94323 A	AM 2018 95032 A	AM 95032 A
AM 2018 94360 A	AM 94360 A	AM 2018 95037 A	AM 95037 A
AM 2018 94361 A	AM 94361 A	AM 2018 95101 A	AM 95101 A
AM 2018 94399 A	AM 94399 A	AM 2018 95107 A	AM 95107 A
AM 2018 94400 A	AM 94400 A	AM 2018 95108 A	AM 95108 A
AM 2018 94456 A	AM 94456 A	AM 2018 95137 A	AM 95137 A
AM 2018 94466 A	AM 94466 A	AM 2018 95138 A	AM 95138 A
AM 2018 94467 A	AM 94467 A	AM 2018 95216 A	AM 95216 A
AM 2018 94472 A	AM 94472 A	AM 2018 95217 A	AM 95217 A
AM 2018 94536 A	AM 94536 A	AM 2018 95218 A	AM 95218 A
AM 2018 94549 A	AM 94549 A	AM 2018 95219 A	AM 95219 A
AM 2018 94559 A	AM 94559 A	AM 2018 95220 A	AM 95220 A
AM 2018 94602 A	AM 94602 A	AM 2018 95221 A	AM 95221 A
AM 2018 94603 A	AM 94603 A	AM 2018 95235 A	AM 95235 A
AM 2018 94664 A	AM 94664 A	AM 2018 95318 A	AM 95318 A
AM 2018 94717 A	AM 94717 A	AM 2018 95319 A	AM 95319 A
		AM 2018 95332 A	AM 95332 A
		AM 2018 95333 A	AM 95333 A
		AM 2018 95334 A	AM 95334 A
		AM 2018 95335 A	AM 95335 A
		AM 2018 95338 A	AM 95338 A

1	2
AM 2018 95341 A	AM 95341 A
AM 2018 95351 A	AM 95351 A
AM 2018 95355 A	AM 95355 A
AM 2018 95361 A	AM 95361 A
AM 2018 95363 A	AM 95363 A
AM 2018 95405 A	AM 95405 A
AM 2018 95409 A	AM 95409 A
AM 2018 95410 A	AM 95410 A
AM 2018 95411 A	AM 95411 A
AM 2018 95412 A	AM 95412 A
AM 2018 95413 A	AM 95413 A
AM 2018 95414 A	AM 95414 A
AM 2018 95415 A	AM 95415 A
AM 2018 95429 A	AM 95429 A
AM 2018 95431 A	AM 95431 A
AM 2018 95432 A	AM 95432 A
AM 2018 95433 A	AM 95433 A
AM 2018 95446 A	AM 95446 A
AM 2018 95449 A	AM 95449 A
AM 2018 95452 A	AM 95452 A
AM 2018 95454 A	AM 95454 A
AM 2018 95456 A	AM 95456 A
AM 2018 95458 A	AM 95458 A
AM 2018 95467 A	AM 95467 A
AM 2018 95505 A	AM 95505 A
AM 2018 95507 A	AM 95507 A
AM 2018 95517 A	AM 95517 A
AM 2018 95518 A	AM 95518 A
AM 2018 95520 A	AM 95520 A
AM 2018 95521 A	AM 95521 A
AM 2018 95522 A	AM 95522 A
AM 2018 95527 A	AM 95527 A
AM 2018 95528 A	AM 95528 A
AM 2018 95530 A	AM 95530 A
AM 2018 95531 A	AM 95531 A

1	2
AM 2018 95533 A	AM 95533 A
AM 2018 95536 A	AM 95536 A
AM 2018 95541 A	AM 95541 A
AM 2018 95542 A	AM 95542 A
AM 2018 95543 A	AM 95543 A
AM 2018 95544 A	AM 95544 A
AM 2018 95546 A	AM 95546 A
AM 2018 95547 A	AM 95547 A
AM 2018 95560 A	AM 95560 A
AM 2018 95561 A	AM 95561 A
AM 2018 95562 A	AM 95562 A
AM 2018 95566 A	AM 95566 A
AM 2018 95567 A	AM 95567 A
AM 2018 95569 A	AM 95569 A
AM 2018 95579 A	AM 95579 A
AM 2018 95580 A	AM 95580 A
AM 2018 95581 A	AM 95581 A
AM 2018 95583 A	AM 95583 A
AM 2018 95585 A	AM 95585 A
AM 2018 95587 A	AM 95587 A
AM 2018 95656 A	AM 95656 A
AM 2018 95657 A	AM 95657 A
AM 2018 95662 A	AM 95662 A
AM 2018 95665 A	AM 95665 A
AM 2018 95666 A	AM 95666 A
AM 2018 95667 A	AM 95667 A
AM 2018 95673 A	AM 95673 A
AM 2018 95716 A	AM 95716 A
AM 2018 95717 A	AM 95717 A
AM 2018 95718 A	AM 95718 A
AM 2018 95847 A	AM 95847 A
AM 2018 95858 A	AM 95858 A
AM 2018 95927 A	AM 95927 A
AM 2018 95929 A	AM 95929 A

CONCORDANCE TABLE OF INDEX OF GOODS AND/OR SERVICES  
AND APPLICATION NUMBERS

INDEX OF GOODS AND/OR SERVICES (511)	NUMBER OF PUBLISHED APPLICATIONS (26)	1	2
1	2	9	AM 2018 95341 A
1	AM 2018 94456 A	9	AM 2018 95458 A
1	AM 2018 95561 A	9	AM 2018 95505 A
1	AM 2018 95562 A	9	AM 2018 95507 A
3	AM 2018 94794 A	9	AM 2018 95527 A
3	AM 2018 95521 A	9	AM 2018 95567 A
3	AM 2018 95522 A	9	AM 2018 95569 A
5	AM 2018 94080 A	12	AM 2018 95560 A
5	AM 2018 94270 A	12	AM 2018 95656 A
5	AM 2018 94323 A	16	AM 2018 95410 A
5	AM 2018 94456 A	16	AM 2018 95520 A
5	AM 2018 95107 A	18	AM 2018 95415 A
5	AM 2018 95138 A	18	AM 2018 95429 A
5	AM 2018 95216 A	18	AM 2018 95530 A
5	AM 2018 95217 A	21	AM 2018 94559 A
5	AM 2018 95218 A	21	AM 2018 94717 A
5	AM 2018 95219 A	21	AM 2018 95037 A
5	AM 2018 95220 A	21	AM 2018 95410 A
5	AM 2018 95221 A	24	AM 2018 95410 A
5	AM 2018 95318 A	25	AM 2018 94549 A
5	AM 2018 95351 A	25	AM 2018 95415 A
5	AM 2018 95355 A	25	AM 2018 95429 A
5	AM 2018 95431 A	25	AM 2018 95530 A
5	AM 2018 95432 A	25	AM 2018 95858 A
5	AM 2018 95433 A	25	AM 2018 95332 A
5	AM 2018 95446 A	25	AM 2018 95333 A
5	AM 2018 95449 A	28	AM 2018 94467 A
5	AM 2018 95452 A	28	AM 2018 95235 A
5	AM 2018 95454 A	28	AM 2018 95334 A
5	AM 2018 95456 A	28	AM 2018 95334 A
5	AM 2018 95528 A	29	AM 2018 91867 A
5	AM 2018 95542 A	29	AM 2018 94559 A
5	AM 2018 95543 A	29	AM 2018 94717 A
5	AM 2018 95544 A	29	AM 2018 95137 A
5	AM 2018 95546 A	29	AM 2018 95319 A
5	AM 2018 95561 A	29	AM 2018 95662 A
5	AM 2018 95562 A	29	AM 2018 95665 A
5	AM 2018 95927 A	29	AM 2018 95673 A
6	AM 2018 95410 A	30	AM 2018 93680 A
7	AM 2018 95929 A	30	AM 2018 93681 A
8	AM 2018 95410 A	30	AM 2018 94559 A
8	AM 2018 95929 A	30	AM 2018 94717 A
9	AM 2018 95411 A	30	AM 2018 95319 A
9	AM 2018 95412 A	30	AM 2018 95405 A
9	AM 2018 95413 A	30	AM 2018 95566 A
9	AM 2018 94361 A	30	AM 2018 95579 A
9	AM 2018 94466 A	30	AM 2018 95580 A
9	AM 2018 95037 A	30	AM 2018 95581 A
		30	AM 2018 95583 A
		30	AM 2018 95585 A
		30	AM 2018 95587 A
		31	AM 2018 91867 A
		31	AM 2018 94559 A

1	2
31	AM 2018 95561 A
31	AM 2018 95562 A
31	AM 2018 95673 A
32	AM 2018 91867 A
32	AM 2018 94559 A
32	AM 2018 94717 A
32	AM 2018 95319 A
32	AM 2018 95355 A
32	AM 2018 95673 A
32	AM 2018 95666 A
33	AM 2018 91867 A
33	AM 2018 91996 A
33	AM 2018 94536 A
33	AM 2018 94602 A
33	AM 2018 94603 A
33	AM 2018 94743 A
33	AM 2018 94744 A
33	AM 2018 94832 A
33	AM 2018 94891 A
33	AM 2018 94927 A
33	AM 2018 95007 A
33	AM 2018 95008 A
33	AM 2018 95010 A
33	AM 2018 95108 A
33	AM 2018 95319 A
33	AM 2018 95335 A
33	AM 2018 95363 A
33	AM 2018 95467 A
33	AM 2018 95517 A
33	AM 2018 95531 A
33	AM 2018 95533 A
33	AM 2018 95536 A
33	AM 2018 95541 A
33	AM 2018 95547 A
33	AM 2018 95657 A
33	AM 2018 95673 A
33	AM 2018 95718 A
34	AM 2018 93588 A
34	AM 2018 94399 A
34	AM 2018 94400 A
34	AM 2018 94664 A
34	AM 2018 95032 A
34	AM 2018 95333 A
34	AM 2018 95338 A
35	AM 2018 91638 A
35	AM 2018 91867 A
35	AM 2018 95138 A
35	AM 2018 95355 A
35	AM 2018 95361 A
35	AM 2018 95410 A
35	AM 2018 95411 A
35	AM 2018 95412 A
35	AM 2018 95413 A
35	AM 2018 95458 A
35	AM 2018 95507 A
35	AM 2018 95569 A

1	2
35	AM 2018 95657 A
35	AM 2018 95673 A
35	AM 2018 95717 A
35	AM 2018 95847 A
35	AM 2018 95858 A
36	AM 2018 95411 A
36	AM 2018 95412 A
36	AM 2018 95413 A
36	AM 2018 95458 A
36	AM 2018 95101 A
36	AM 2018 95507 A
36	AM 2018 95569 A
36	AM 2018 95716 A
36	AM 2018 95717 A
37	AM 2018 95334 A
38	AM 2018 95411 A
38	AM 2018 95412 A
38	AM 2018 95413 A
38	AM 2018 94165 A
38	AM 2018 95458 A
38	AM 2018 95507 A
38	AM 2018 95569 A
39	AM 2018 94360 A
39	AM 2018 91867 A
39	AM 2018 95458 A
41	AM 2018 91867 A
41	AM 2018 94165 A
41	AM 2018 95235 A
41	AM 2018 95361 A
41	AM 2018 95411 A
41	AM 2018 95412 A
41	AM 2018 95413 A
41	AM 2018 95458 A
41	AM 2018 95507 A
42	AM 2018 91867 A
42	AM 2018 94467 A
42	AM 2018 95334 A
42	AM 2018 95341 A
42	AM 2018 95507 A
42	AM 2018 95569 A
42	AM 2018 95927 A
42	AM 2018 95411 A
42	AM 2018 95412 A
42	AM 2018 95413 A
43	AM 2018 91867 A
43	AM 2018 95458 A
43	AM 2018 94559 A
43	AM 2018 95409 A
43	AM 2018 95414 A
43	AM 2018 95518 A
43	AM 2018 95657 A
43	AM 2018 95662 A
43	AM 2018 95665 A
43	AM 2018 95667 A
43	AM 2018 95673 A
44	AM 2018 91867 A

1	2	1	2
44	AM 2018 91638 A	45	AM 2018 95411 A
44	AM 2018 94472 A	45	AM 2018 95412 A
45	AM 2018 95361 A	45	AM 2018 95413 A

**CONCORDANCE TABLE OF INDEX OF GOODS AND/OR SERVICES  
AND NUMBERS OF TRADEMARKS REGISTERED ACCORDING  
TO THE ACCELERATED PROCEDURE**

INDEX OF GOODS AND/OR SERVICES (511)	NUMBERS OF REGISTERED ACCORDING TO THE ACCELERATED PROCEDURE (111)
1	2
7	M 2018 29919 R
12	M 2018 29919 R
16	M 2018 29903 R
16	M 2018 29904 R
33	M 2018 29901 R
33	M 2018 29902 R
35	M 2018 29900 R
36	M 2018 29905 R
36	M 2018 29906 R
39	M 2018 29898 R
41	M 2018 29898 R
43	M 2018 29898 R
43	M 2018 29899 R
43	M 2018 29900 R
43	M 2018 29918 R

# OFFICIAL BULLETIN OF THE INDUSTRIAL PROPERTY

INVENTIONS  
UTILITY MODELS  
DESIGNS  
TRADEMARKS

## 14(498)

EDITOR-IN-CHIEF: N. Bebrishvili

EDITOR-TRANSLATOR: E. Gabunia

PROOFREADER: A. Shikhashvili

COMPUTER LAYOUT: M. Ordenidze  
K. Svanidze

[www.sakpatenti.gov.ge](http://www.sakpatenti.gov.ge)

E-mail: [info@sakpatenti.org.ge](mailto:info@sakpatenti.org.ge)