



საქართველოს ინტელექტუალური საკუთრების ეროვნული ცენტრი
NATIONAL INTELLECTUAL PROPERTY CENTER OF GEORGIA

საქპატენტი
SAKPATENTI

**OFFICIAL BULLETIN
OF THE INDUSTRIAL PROPERTY**

14(522)

2019
TBILISI

INID CODES FOR IDENTIFICATION OF BIBLIOGRAPHIC DATA

INVENTIONS, UTILITY MODELS

- (10) Number of publication for application, which has been examined
- (11) Number of patent and kind of document
- (21) Serial number of application
- (22) Date of filing of the application
- (23) Date of exhibition or the date of the earlier filing and the number of application, if any
- (24) Date from which patent may have effect
- (31) Number of priority application
- (32) Date of filing of priority application
- (33) Code of the country or regional organization allotting priority application number
- (44) Date of publication of application not granted, but examined and number of bulletin
- (45) Date of publication of registered document
- (51) International Patent Classification Index
- (54) Title of the invention
- (57) Abstract
- (60) Number of examined patent document granted by foreign patent office, date from which patent has effect and country code
- (62) Number of the earlier application and in case of divided application, date of filing an application
- (71) Name, surname and address of applicant (country code)
- (72) Name, surname of inventor (country code)
- (73) Name, surname and address of patent owner (country code)
- (74) Name, surname of representative or patent attorney
- (85) Date of commencement of the national phase of International Application
- (86) Number and date of filing of international application
- (87) Number and date of publication of international application

DESIGNS

- (10) Number of publication for application
- (11) Number of patent and kind of document or number of registration
- (15) Date of registration/Date of patent renewal
- (18) Expected expiration date of patent or registration
- (21) Serial number of application
- (22) Date of filing of the application
- (23) Date of exhibition or the date of the earlier filing and the number of application, if any
- (24) Date from which patent may have effect
- (28) Number of designs included in the application
- (30) Data relating to priority (number of application, date of filing of application, two-letter code identifying the authority with whom the priority application was made)
- (31) Number of priority application
- (32) Date of filing of priority application
- (33) Code of the country or regional organization allotting priority application number
- (34) Two-letter code according to WIPO St.3 identifying the authority with which the priority application was made
- (44) Date of publication of design and number of bulletin (the first publication)
- (45) Date of publication of design registered by WIPO and number of bulletin
- (51) International Classification for designs (class and subclass of the Locarno Classification)
- (54) Title of the invention
- (55) Reproduction of the design
- (57) Description of characteristic features of the design including indication of colors
- (58) Date of recording of any kind of amendment in the Register
- (62) Number of the earlier application, registration and document number and if available the date of filing an application in case of divided application
- (71) Name, surname and address of applicant (country code)
- (72) Name, surname of creator (country code)
- (73) Name, surname and address of patent owner (country code)
- (74) Name, surname of representative or patent attorney
- (81) Contracting states concerned
 - II designated contracting states according to the 1960 Act
 - III designated contracting states according to the 1999 Act
- (85) Owner's permanent address
- (86) Owner's nationality
- (87) Owner's residence
- (88) State in which the owner has a real and effective industrial or commercial establishment

TRADEMARKS

- (111) – Number of registration
- (151) – Date of registration
- (156) – Date of the renewal
- (181) – Expected expiration date of registration
- (186) – Renewal expiration date of registration
- (141) – Date of cancel of duration of the mark
- (210) – Serial number of application
- (220) – Date of filing of the application
- (230) – Date concerning exhibition
- (260) – Number of application, for which favorable decision of examination about registration has been taken (publication number)
- (310) – Number of the first application
- (320) – Date of filing of the first application
- (330) – Code, identifying national or regional Office where the first application was made
- (511) – International Classification of Goods and Services for the purposes of registration of trade marks and/or list of goods and/or services classified according thereto
- (531) – Description of figurative elements of Trade Marks according to the International Classification of the Figurative Elements of Marks
- (540) – Reproduction of Trade Mark
- (550) – Nature and kind of Trade Mark
- (580) – Date of recording of any kind changes in respect of applications or registrations
- (591) – Information concerning colors claimed
- (731) – Name and address of the applicant
- (732) – Name and address of the holder of the registration
- (740) – Name and address of the representative
- (750) – Address for correspondence
- (770) – Name and address of the previous applicant or holder in case of change in ownership
- (771) – Previous name and address of the applicant or holder in case of change in ownership
- (791) – Name and address of the licensee
- (793) – Indication of conditions and/or restrictions under the license (Type of license, number of license agreement, data of license, data of validity of license)
- (800) – Certain data relating to the international registration of Trade Marks under the Protocol Relating to Madrid Agreement (International registration number)

CODES FOR PUBLICATION IN BULLETIN

- (21) AP 0000 000000 – serial number of application for invention
- (10) AP 0000 0000 A – number of published application for invention (first publication)
- (11) P 0000 0000 B – number of patent for invention (second publication)
- (21) API 0000 000000 – number of application for imported patent
- (11) PI 0000 0000 A – number of imported patent (first publication)
- (21) AU 0000 000000 – serial number of application for utility model
- (10) AU 0000 000 U – number of published application for utility model (first publication)
- (11) U 0000 000 Y – number of patent for utility model (second publication)
- (21) AD 0000 000000 – serial number of application for design
- (10) AD 0000 000 S – number of published application for design (first publication)
- (11) D 0000 000 S – number of patent for design (second publication)

INTERNATIONAL PATENT CLASSIFICATION FOR INVENTIONS AND UTILITY MODELS

- SECTION A – HUMAN NECESSITIES
- SECTION B – PERFORMING OPERATIONS; TRANSPORTING
- SECTION C – CHEMISTRY; METALLURGY
- SECTION D – TEXTILES; PAPER
- SECTION E – FIXED CONSTRUCTIONS
- SECTION F – MECHANICAL ENGINEERING; LIGHTING; HEATING; WEAPONS; BLASTING
- SECTION G – PHYSICS
- SECTION H – ELECTRICITY

-
- M – Trade Mark
 - (210) AM 0000 000000 – Serial number of application;
 - (260) AAM 0000 00000 A – Publication number of application;
 - (111) M 0000 00000 R – Number of registration;
 - (111) MMM0000 00000 Rn – Number of renewals, in which n=1,2,3;
 - (111) M 0000 00000 R(P) – Number of registration under partial assignment of rights
-

LIST OF CODES, IN ALPHABETIC SEQUENCE, AND THE CORRESPONDING (SHORT) NAMES OF STATES, OTHER ENTITIES AND INTERGOVERNMENTAL ORGANIZATIONS
(WIPO STANDARD ST.3)

AD	Andorra				
AE	United Arab Emirates				
AF	Afghanistan				
AG	Antigua and Barbuda				
AI	Anguilla				
AL	Albania				
AM	Armenia				
AN	Netherlands Antilles				
AO	Angola				
AP	African Regional Intellectual Property Organization (ARIPO)				
AR	Argentina				
AT	Austria				
AU	Australia				
AW	Aruba				
AZ	Azerbaijan				
BA	Bosnia and Herzegovina				
BB	Barbados				
BD	Bangladesh				
BE	Belgium				
BF	Burkina Faso				
BG	Bulgaria				
BH	Bahrain				
BI	Burundi				
BJ	Benin				
BM	Bermuda				
BN	Brunei Darussalam				
BO	Bolivia				
BR	Brazil				
BS	Bahamas				
BT	Bhutan				
BV	Bouvet Island				
BW	Botswana				
BX	Benelux Office for Intellectual Property (BOIP)				
BY	Belarus				
BZ	Belize				
CA	Canada				
CD	Democratic Republic of the Congo				
CF	Central African Republic				
CG	Congo				
CH	Switzerland				
CI	Cote d'Ivoire				
CK	Cook Islands				
CL	Chile				
CM	Cameroon				
CN	China				
CO	Colombia				
CR	Costa Rica				
CU	Cuba				
CV	Cape Verde				
CY	Cyprus				
CZ	Czech Republic				
DE	Germany				
DJ	Djibouti				
DM	Dominica				
DO	Dominican Republic				
DZ	Algeria				
EA	Eurasian Patent Organization (EAPO)				
EC	Ecuador				
EE	Estonia				
EG	Egypt				
EH	Western Sahara				
EM	Office for Harmonization in the Internal Market (Trademarks and Designs)(OHIM)				
EP	European Patent Office (EPO)				
ER	Eritrea				
ES	Spain				
ET	Ethiopia				
FI	Finland				
FJ	Fiji				
FK	Falkland Islands (Malvinas)				
FO	Faroe Islands				
FR	France				
GA	Gabon				
GB	United Kingdom				
GC	Patent Office of the Cooperation Council for the Arab States of the Gulf (GCC)				
GD	Grenada				
GG	Guernsey				
GH	Ghana				
GI	Gibraltar				
GT	Guatemala				
GW	Guinea- Bissau				
GY	Guyana				
HK	The Hong Kong Special Administrative Region of the People's Republic of China				
HN	Honduras				
HR	Croatia				
HT	Haiti				
HU	Hungary				
IB	International Bureau of the World Intellectual Property Organization (WIPO)				
ID	Indonesia				
IE	Ireland				
IL	Israel				
IM	Isle of Man				
IN	India				
IQ	Iraq				
ID	Indonesia				
IE	Ireland				
IL	Israel				
IM	Isle of Man				
IN	India				
IQ	Iraq				
IR	Iran (Islamic Republic of)				
IS	Iceland				
IT	Italy				
JE	Jersey				
JM	Jamaica				
JO	Jordan				
JP	Japan				
KE	Kenya				
KG	Kyrgyzstan				
KH	Cambodia				
KI	Kiribati				
KM	Saint Kitts and Nevis				
KP	Democratic People's Republic of Korea				
KR	Republic of Korea				
KW	Kuwait				
KY	Cayman Islands				
KZ	Kazakhstan				
LA	Lao People's Democratic Republic				
LB	Lebanon				
LC	Saint Lucia				
LI	Liechtenstein				
LK	Sri Lanka				
LR	Liberia				
LS	Lesotho				
LT	Lithuania				
LU	Luxembourg				
LV	Latvia				
LY	Libyan Arab Jamahiriya				
MA	Morocco				
MC	Monaco				
MD	Republic of Moldova				
ME	Montenegro				
MG	Madagascar				
MK	The former Yugoslav Republic of Macedonia				
ML	Mali				
MM	Myanmar				
MN	Mongolia				
MO	Macao				
MP	Northern Mariana Islands				
MR	Mauritania				
MS	Montserrat				
MT	Malta				
MU	Mauritius				
MV	Maldives				
MW	Malawi				
MX	Mexico				
MY	Malaysia				
MZ	Mozambique				
NA	Namibia				
NE	Niger				
NG	Nigeria				
NI	Nicaragua				
NL	Netherlands				
NO	Norway				
NP	Nepal				
NR	Nauru				
NZ	New Zealand				
OA	African Intellectual Property Organization (OAPI)				
OM	Oman				
PA	Panama				
PE	Peru				
PG	Papua New Guinea				
PH	Philippines				
PK	Pakistan				
PL	Poland				
PT	Portugal				
PW	Palau				
PY	Paraguay				
QA	Qatar				
QZ	Community Plant Variety Office (European Community) (CPVO)				
RO	Romania				
RS	Serbia				
RU	Russian Federation				
RW	Rwanda				
SA	Saudi Arabia				
SB	Solomon Islands				
SC	Seychelles				
SD	Sudan				
SG	Singapore				
SH	Saint Helena				
SI	Slovenia				
SK	Slovakia				
SL	Sierra Leone				
SM	San Marino				
SN	Senegal				
SO	Somalia				
SR	Suriname				
ST	Sao Tome and Principe				
SV	El Salvador				
SY	Syrian Arab Republic				
SZ	Swaziland				
TC	Turks and Caicos Islands				
TD	Chad				
TG	Togo				
TH	Thailand				
TJ	Tajikistan				
TL	Timor-Leste				
TM	Turkmenistan				
TN	Tunisia				
TO	Tonga				
TR	Turkey				
SE	Sweden				
TT	Trinidad and Tobago				
TV	Tuvalu				
TW	Taiwan, Province of China				
TZ	United Republic of Tanzania				
UA	Ukraine				
UG	Uganda				
US	United States of America				
UY	Uruguay				
UZ	Uzbekistan				
VA	Holy See				
VC	Saint Vincent and the Grenadines				
VE	Venezuela				
VG	Virgin Islands (British)				
VN	Viet Nam				
VU	Vanuatu				
WO	World Intellectual Property Organization (WIPO)				
WS	Samoa				
XN	Nordic Patent Institute (NPI)				
YE	Yemen				
ZA	South Africa				
ZM	Zambia				
ZW	Zimbabwe				

**OFFICIAL BULLETIN
OF THE INDUSTRIAL PROPERTY**

14(522)

INVENTIONS

UTILITY MODELS

DESIGNS

TRADEMARKS

APPELLATIONS OF ORIGIN OF GOODS

DATE OF PUBLICATION

2019 07 25

CONTENTS

PUBLISHED TITLES OF PROTECTION	3
INVENTIONS	
▪ APPLICATIONS APPROVED FOR GRANTING PATENTS	4
▪ PATENTED INVENTIONS	7
UTILITY MODELS	
▪ APPLICATIONS APPROVED FOR GRANTING PATENT	11
DESIGNS	
▪ APPLICATION APPROVED FOR REGISTRATION	13
▪ REGISTERED DESIGN	15
TRADEMARKS	
▪ APPLICATIONS FILED UNDER THE NATIONAL PROCEDURE APPROVED FOR REGISTRATION	16
▪ REGISTERED TRADEMARKS	24
▪ TRADEMARKS REGISTERED ACCORDING TO THE ACCELERATED PROCEDURE	29
▪ INTERNATIONAL TRADEMARKS FOR WHICH A DECISION ON GANTING PROTECTION IS TAKEN	31
▪ INTERNATIONAL TRADEMARKS PROTECTED IN GEORGIA	96
APPELLATIONS OF ORIGIN OF GOODS	
▪ APPELLATIONS OF ORIGIN OF GOODS FILED IN GEORGIA FOR EXAMINATION UNDER LISBON AGREEMENT, ON THE BASIS OF THE INTERNATIONAL REGISTRATION	109
OFFICIAL NOTIFICATIONS	
INVENTIONS	
▪ RENEWAL OF PATENTS	111
▪ ABOLITION OF PATENTS WITH THE RIGHT TO RESTORE	111
▪ EXPIRATION OF TERM OF RESTORATION OF PATENTS	112
UTILITY MODELS	
▪ RENEWAL OF PATENT	114
▪ ABOLITION OF PATENT WITH THE RIGHT TO RESTORE	114
▪ EXPIRATION OF TERM OF RESTORATION OF PATENTS	114
TRADEMARKS	
▪ RENEWAL OF REGISTRATIONS	115
▪ COMPLET TRANSFER OF RIGHTS	119
▪ CHANGES OF NAMES AND/OR ADDRESSES OF OWNERS	120
▪ TERMINATION OF TRADEMARKS REGISTRATION	122
▪ LICENSE AGREEMENT	124
CLASSIFICATION INDEXES	
INVENTIONS	125
UTILITY MODELS	127
DESIGNS	128
TRADEMARKS	129

PUBLISHED TITLES OF PROTECTION

INVENTIONS

- **APPLICATION APPROVED FOR GRANTING PATENT:**
14586; 14546; 14658; 14660; 14705
- **PATENTED INVENTIONS:**
6993-7008

UTILITY MODELS

- **APPLICATIONS APPROVED FOR GRANTING PATENT:**
14784; 14944; 14896; 14800; 14904

DESIGNS

- **APPLICATION APPROVED FOR REGISTRATION:**
1078
- **REGISTERED DESIGN:**
813

TRADEMARKS

- **APPLICATIONS FILED UNDER THE NATIONAL PROCEDURE APPROVED FOR REGISTRATION:**
100588; 100593; 100604; 100613, 100614; 100664, 100665; 100681; 100683, 100684; 100692, 100693; 100701; 100761-100763; 100772; 100790; 100865; 100871; 100876-100879; 100900; 100904; 100908; 100914-100916; 100929, 100930; 100932; 101221; 101231, 101232; 101289; 101370; 101407-101409; 74568; 80925**; 99318; 99869; 99910; 99966
- **REGISTERED TRADEMARKS:**
31426-31484
- **TRADEMARKS REGISTERED ACCORDING TO THE ACCELERATED PROCEDURE:**
31418-31425
- **INTERNATIONAL TRADEMARKS FOR WHICH A DECISION ON GRANTING PROTECTIONS IS TAKEN:**
100099; 100102, 100103; 100127, 100128; 100131-100134; 100138; 100141; 100152, 100153; 100155; 100157-100170; 100183; 100214; 100221, 100222; 100225, 100226; 100229; 100234; 100236; 100238; 100241; 100253; 100343-100345; 100347-100361; 100486; 100509; 100570-100578; 100617, 100618; 98838; 98943; 98951; 99283; 99375; 99390; 99400; 99554; 99562; 99570; 99585-99588; 99601; 99620; 99684-99692; 99694; 99707; 99714; 99717-99727; 99729-99732; 99734-99737; 99739; 99741; 99744-99749; 99798; 99800-99803; 99806, 99807; 99820; 99822- 99824; 99830-99832; 99835-99839; 99846
- **INTERNATIONAL TRADEMARKS PROTECTED IN GEORGIA:**
94946; 95894; 96492; 96873; 97505; 97719-97722; 97730; 97733; 97868; 97917-97925, 98020, 98021; 98037; 98040-98050; 98052-98058; 98065; 98069; 98071-98077; 98081-98083; 98088; 98092-98098; 98101; 98103; 98106; 98109-98111; 98115-98117; 98131; 98136, 98137; 98142; 98251- 98260; 98275-98314; 98317, 98318; 98323; 98325; 98337; 98341; 98343; 98347- 98352; 98354, 98355; 98453-98455; 98473; 98477, 98478; 98482, 98483; 98487; 98544-98546; 98587-98590; 98592, 98593; 98595, 98596; 98599, 98600; 98613; 98638-98640; 98643; 98645; 98647; 98649; 98658; 98698; 98701-98703; 98735, 98736; 98741-98743

APPELLATIONS OF ORIGIN OF GOODS

- **APPELLATIONS OF ORIGIN OF GOODS FILED IN GEORGIA FOR EXAMINATION UNDER LISBON AGREEMENT, ON THE BASIS OF THE INTERNATIONAL REGISTRATION:**
1115-1119; 1122-1130

INVENTIONS

APPLICATIONS APPROVED FOR GRANTING PATENTS

The decision can be appealed at the Chamber of Appeal of Sakpatenti within 3 months from the publication or at the Mtskheta District Court Administrative Cases Board (Address: №17, Samkhedro str., Mtskheta), within 1 month following the publication.

PART A

A 61

(10) AP 2019 14586 A (51) Int. Cl. (2006)

A 61 K 31/05
C 07 C 37/07
C 07 C 37/84
C 07 C 39/225
C 12 P 7/22

(21) AP 2016 14586 (22) 2016 03 18
(31) 102015000009450
(32) 2015 03 20
(33) IT
(71) GNOSIS S.P.A. (IT)
Piazza del Carmine, 4 20121 Milano (IT)
(72) MIRAGLIA, Niccolò (IT);
PONZONE, Cesare (IT);
TRENTIN, Antonella (IT);
BOLINI Franchecka (IT);
DALY, Simona (IT);
COLZANI, Federika (IT);
BIANCHI, Davide (IT)

(74) Shalva Gvaramadze
(85) 2017 09 15
(86) PCT/IB2016/051528, 2016 03 18
(54) **SOLID FORMS OF MENAQUINOLS**
(57) There is disclosed method for obtaining stabile crystal form of menaquinol by menaquinone renewal.

Claims: 1 independent
3 dependent

Fig.: 6

(10) AP 2019 14546 A (51) Int. Cl. (2006)

A 61 K 31/496
A 61 P 19/02
A 61 P 19/04
C 07 D 403/06

(21) AP 2015 14546 (22) 2015 12 18
(31) EP14307129.8
(32) 2014 12 22
(33) EP
(71) GALAPAGOS NV (BE)
Generaal De Wittelaan L11/A3 2800
Mechelen (BE);
LES LABORATOIRES SERVIER (FR)
35 rue de Verdun 92284 Suresnes (FR)

(72) POP-BOTEZ, Iuliana, Ecaterina (FR);
JARY, Helène, Marie (FR);
CEUNINCK, Frédéric, André (FR);
AMANTINI, David (FR);
GOSMINI, Romain, Luc, Marie (FR);
PEIXOTO, Christophe (FR);
VARIN, Marie, Laurence, Claire (FR);
ALVEY, Luke, Jonathan (FR);
BREBION, Franck, Laurent (FR);
DEPREZ, Pierre, Marc, Marie, Joseph (FR)

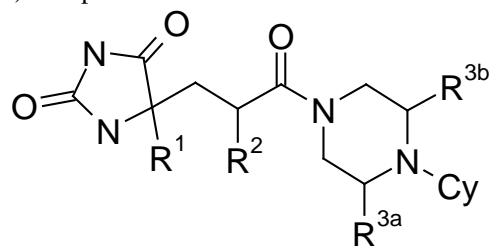
(74) Tamaz Shilakadze

(85) 2017 07 17

(86) PCT/EP2015/080430, 2015 12 18

(54) **5-[(PIPERAZIN-1-YL)-3-OXO-PROPYL]-
IMIDAZOLIDINE-2,4-DIONE DERIVA-
TIVES AS ADAMTS INHIBITORS FOR
THE TREATMENT OF
OSTEOARTHRITIS**

(57) Compound of formula I:



(I)
wherein R¹, R², R^{3a}, R^{3b} and Cy have value defined in the claims, or pharmaceutically acceptable salt thereof, pharmaceutical composition on a basis thereof, and usage therefor the prevention and/or treatment of conditions associated with cartilage degradation and/or cartilage homeostasis disorder.

Claims: 6 independent
14 dependent

Table: 14

PART B

B 21

(10) AP 2019 14658 A (51) Int. Cl. (2006)
B 21 B 5/00

(21) AP 2017 14658 (22) 2017 12 22

(71) LEPL RAPHIEL DVALI INSTITUTE
OF MASHINE MECHANICS (GE)
Mindelis q. 10, 0186, Tbilisi (GE)

(72) Slava Mebonia (GE);
Giorgi Chagelishvili (GE);
Tamaz Morchadze (GE)

(54) RADIAL-FORGING MACHINE FOR OBTAINING AXISYMMETRIC LONG-DIMENSIONAL ARTICLES

(57) A machine contains a bed 1, sliders 2, placed in inclined under 45° slots. A head 3 is fixed in lower part of each slider, and a link 4 is inserted in the middle part of rectangular groove. An eccentric of eccentric shaft 5 is passed into link cylindrical hole. Eccentric shaft 5 is located in eccentric sleeve 6. Eccentric sleeves 6 are mounted in the frame 1. Eccentric shafts 5 are connected to the gears 13 located in the housing 12 by means of clutches and cardan shafts 11. The gears 13 are engaged with intermediate drive gear 14 in turn connected to machine drive 18.

Claims: 1 independent

Fig.: 5

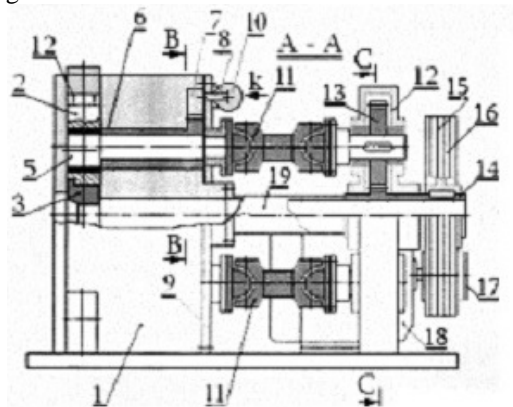


Fig. 1

PART C

C 03

(10) AP 2019 14660 A (51) Int. Cl. (2006)
C 03 B 5/237

C 03 B 5/235

F 27 D 17/00

(21) AP 2016 14660 (22) 2016 05 30

(31) 1555009

(32) 2015 06 02

(33) FR

(71) VERALLIA FRANCE (FR)

Tour CARPE DIEM Place des Corolles-
Esplanade Nord 92400 Courbevoie (FR);
SAINT-GOBAIN GLASS FRANCE (FR)
18 Avenue d'Alsace 92400 Courbevoie (FR)

(72) HAYAU, Frédéric (FR);
GARNIER, Laurent (FR)

(74) Tamaz Shilakadze

(85) 2017 12 27

(86) PCT/FR2016/051289, 2016 05 30

(54) SONIC INJECTION FURNACE

(57) The invention concerns a low-NOx end-fired furnace for melting glass provided with an overhead burner comprising a conduit for supplying oxidant comprising 15 to 30% oxygen in the upstream wall of same, a conduit for receiving combustion fumes in the upstream wall of same, and a sonic injection system comprising at least one injector for injecting a jet of a gas at a speed at least equal to 80% of the speed of sound, referred to as a sonic injector, opening in the upstream wall or opening in the conduit for receiving combustion fumes, said sonic injector injecting the gas of same, counter-current to the flow of combustion fumes travelling towards the conduit for receiving combustion fumes, and a method for preparing molten glass comprising the melting of glass in said furnace.

Claims: 2 independent

12 dependent

Fig.: 4

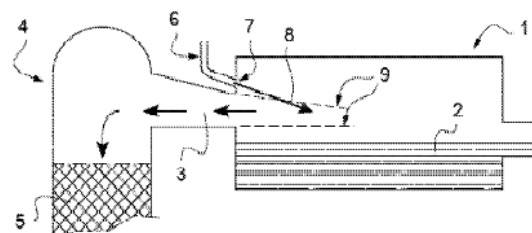


Fig. 1

PART F

F 27

(10) AP 2019 14705 A (51) Int. Cl. (2006)
F 27 B 14/08
F 27 B 14/06
F 27 D 27/00
F 27 D 11/06
F 27 D 1/04

(21) AP 2016 14705 (22) 2016 07 15
 (31) 2015/05066
 (32) 2015 07 15
 (33) ZA

(71) ENVIROSTEEL INC (US)
 614 Cambridge Road Blacksburg,
 VA 24060, (US)

(72) FOURIE, Louis Johannes (ZA)

(74) Shalva Gvaramadze

(85) 2018 02 14

(86) PCT/IB2016/054249, 2016 07 15

(54) **CHANNEL TYPE INDUCTION
 FURNACE**

(57) Channel type induction furnace provided with furnace floor that is inclined downwards from an operative (functional) rear of the furnace hearth towards an opposing operative (functional) front of the hearth with a wall at the front of hearth comprising a bottom section and a top section with the front wall bottom section extending further into the hearth than the front wall top section, and the front wall bottom section terminating in an upper edge in abutment with the front wall top section with a down-passage to an induction heater located proximate the front wall having an inlet in the floor at a location proximate the base of the front wall and the or each up-passage having an outlet in the floor at a location in abutment with the base of the front wall bottom section and with the front wall bottom section being provided with a vertical slot extending upwards above the or each up-passage through it and opening onto the upper edge of the bottom section; at that, induction heater is located near the front wall.

Claims: 3 independent

13 dependent

Fig.: 12

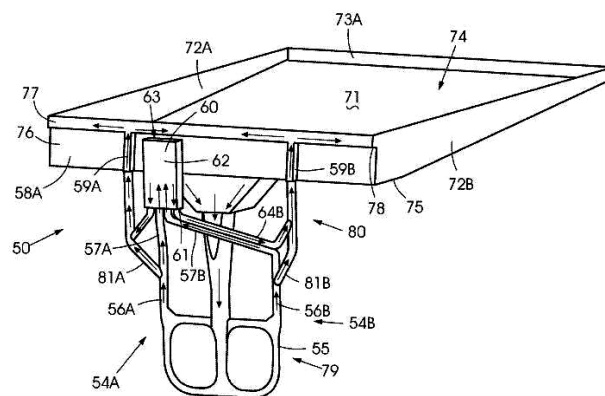


Fig. 3

PATENTED INVENTIONS

PART A

A 23

- (11) P 2019 6993 B** **(51) Int. Cl. (2006)**
A 23 N 5/00
 (10) AP 2019 14522 A (44) 5(513)/2019
 (21) AP 2017 14522
 (22) 2017 06 19
 (24) 2017 06 19
 (73) Nino Jorbenadze (GE)
 Tabukashvilis q. 46, 0108, Tbilisi (GE);
 Mariam Tsiskarishvili (GE)
 Nutsbidzis q. 17, b. 30, 0177, Tbilisi (GE)
 (72) Nino Jorbenadze (GE);
 Mariam Tsiskarishvili (GE)
(54) DEVICE FOR SPLITTING NUTS AND HAZELS

A 47

- (11) P 2019 6998 B** **(51) Int. Cl. (2006)**
A 47 K 10/38
 (10) AP 2019 14169 A (44) 7(515)/2019
 (21) AP 2014 14169
 (22) 2014 11 17
 (24) 2014 11 17
 (31) 2013/13358
 (32) 2013 11 18
 (33) TR
 (86) PCT/TR2014/000434, 2014 11 17
 (73) IPEK KAĞIT SANAYI VE TICARET ANONİM ŞİRKETİ (TR)
 Tokmak Köyü Kavak Mevkii 77700
 Karamürsel/Yalova (TR)
 (72) BOĞAÇ, Şimşir (TR)
 (74) Larisa Amirkhanyan
(54) A DISPENSER COMPRISING A SYSTEM FACILITATING THE PLACEMENT OF THE PRODUCT MADE OF PAPER INTO THE DISPENSER

- (11) P 2019 7008 B** **(51) Int. Cl. (2006)**
A 47 J 43/044
A 47 J 44/00
A 47 J 43/07
A 47 J 43/046
A 47 J 43/04
B 01 F 7/00
B 02 C 23/00
 (10) AP 2019 14582 A (44) 5(513)/2019
 (21) AP 2016 14582
 (22) 2016 11 11

- (24) 2016 11 11
 (31) 15/078,432
 (32) 2016 03 23
 (33) US
 (86) PCT/US2016/061683, 2016 11 11
 (73) CAPBRAN HOLDINGS LLC (US)
 11601 Wilshire Blvd, 23rd Floor, Los Angeles, CA, 90025 (US)
 (72) SAPIRE, Colin (US)
 (74) Tamar Kochlamazashvili
(54) FOOD PROCESSOR

A 61

- (11) P 2019 7005 B** **(51) Int. Cl. (2006)**
A 61 K 31/47
C 01 D 17/00
C 07 C 51/41
C 07 F 1/00
 (10) AP 2019 14626 A (44) 7(515)/2019
 (21) AP 2017 14626
 (22) 2017 11 17
 (24) 2017 11 17
 (73) Nodar Chigogidze (GE)
 Al. Kazbegis gamz. 4a, b. 47, 0160, Tbilisi (GE);
 Irakli Nadiradze (GE)
 Bakos q. 12, 0112, Tbilisi (GE)
 (72) Nodar Chigogidze (GE);
 Irakli Nadiradze (GE)
(54) PREPARATION OF NOVEL METASTASIS INHIBITORS FOR ONCOLOGICAL DISORDERS CHEMOTHERAPY

- (11) P 2019 7006 B** **(51) Int. Cl. (2006)**
A 61 K 31/265
A 61 K 9/16
 (10) AP 2019 14562 A (44) 7(515)/2019
 (21) AP 2015 14562
 (22) 2015 12 23
 (24) 2015 12 23
 (31) TO2015A000086
 (32) 2015 02 09
 (33) IT
 (86) PCT/EP2015/081187, 2015 12 23
 (73) RIVOPHARM SA (CH)
 Centro Insema 6928 Manno, LUGANO (CH)
 (72) PIAZZOLLA, Tommaso Roberto (CH);
 POLI, Piero (CH);
 FIORINO, Alessandro (CH)
 (74) Aleksandre Gegechkori
(54) PHARMACEUTICAL FORMULATION OF RACECADOTRIL

- (11) P 2019 7004 B** (51) **Int. Cl. (2006)**
A 61 K 31/295
A 61 K 31/7004
- (10) AP 2019 14478 A (44) 7(515)/2019
 (21) AP 2015 14478
 (22) 2015 07 28
 (24) 2015 07 28
 (31) 14386023.7
 (32) 2014 09 22
 (33) EP
 (86) PCT/EP2015/067216, 2015 07 28
 (73) 13 Pavlou Mela St., 145 61 Kifisia
 Attikis (GR)
 (72) TSETI, Ioulia (GR)
 (74) Tamar Kochlamazashvili
 (54) **IRON (III) HYDROXIDE COMPLEXES
 WITH ACTIVATED GLUCOSE SYRUPS
 AND PROCESS FOR PREPARING SAME**

- (11) P 2019 7007 B** (51) **Int. Cl. (2006)**
A 61 K 31/4439
A 61 P 25/16
A 61 P 25/00
A 61 P 25/28
- (10) AP 2019 14604 A (44) 4(512)/2019
 (21) AP 2016 14604
 (22) 2016 03 18
 (24) 2016 03 18
 (31) 055532/2015
 (32) 2015 03 19
 (33) JP
 (86) PCT/JP2016/059788, 2016 03 18
 (73) KYOWA HAKKO KIRIN CO., LTD. (JP)
 1-6-1, Ohtemachi, Chiyoda-ku, Tokyo
 100-8185 (JP)
 (72) HORITA, Takako (JP)
 (74) Shalva Gvaramadze
 (54) **THERAPEUTIC AGENT FOR
 FRONTAL LOBE DYSFUNCTION**

- (11) P 2019 6996 B** (51) **Int. Cl. (2006)**
A 61 L 15/44
A 61 K 9/00
A 61 K 47/34
A 61 K 9/70
A 61 K 31/355
A 61 L 15/26
- (10) AP 2019 14012 A (44) 3(511)/2019
 (21) AP 2014 14012
 (22) 2014 04 11
 (24) 2014 04 11
 (86) PCT/EP2014/ 000979, 2014 04 11
 (73) BIO.LO.GA. S.R.L. (IT)
 Via Giuseppe Lazzarin, 66 I-31015
 Conegliano (Treviso) (IT)
 (72) PANIN, Giorgio (IT)
 (74) Vakhtang Torotadze

- (54) **SHEET FOR CUTANEOUS
 APPLICATION CONTAINING VITAMIN
 E OR AN ESTER THEREOF**

PART E

C 04

- (11) P 2019 7001 B** (51) **Int. Cl. (2006)**
C 04 B 31/40
- (10) AP 2019 14403 A (44) 4(512)/2019
 (21) AP 2017 14403
 (22) 2017 02 02
 (24) 2017 02 02
 (73) LEPL Geirgian Technical University (GE)
 Kostava St. 77, 0175, Tbilisi (GE)
 (72) Razhden Skhvitaridze (GE);
 Malkhaz Turdzeladze (GE);
 Merab Abazadze (GE);
 Shalva Verulava (GE)
 (74) Givi Sibashvili
 (54) **METHOD FOR CONCRETE MIX
 PREPARATION**

C 07

- (11) P 2019 6995 B** (51) **Int. Cl. (2006)**
C 07 D 215/22
C 07 C 305/24
C 07 C 233/60
A 61 K 31/47
A 61 P 35/00
- (10) AP 2019 13960 A (44) 7(515)/2019
 (21) AP 2014 13960
 (22) 2014 03 17
 (24) 2014 03 17
 (31) 61/792,413
 (32) 2013 03 15
 (33) US
 (86) PCT/US2014/030524, 2014 03 17
 (73) EXELIXIS, INC. (US)
 210 East Grand Avenue South San Francisco,
 CA 94080 (US)
 (72) AFTAB, Dana, T. (US);
 NAGANATHAN, Sriram (US);
 XU, Wei (US);
 LACY, Steven (US);
 NGUYEN, Linh (US)
 (74) Tamar Kochlamazashvili
 (54) **METABOLITES OF N-(4-{[6,7-BIS
 (METHYLOXY)QUINOLIN-4-YL]
 OXY}PHENYL)-N'-(4-FLUOROPHENYL)
 CYCLOPROPANE-1,1-DICARBOXY-
 MIDE**

(11) P 2019 7003 B (51) **Int. Cl. (2006)**
C 07 D 401/14
C 07 D 405/14
C 07 D 403/14
C 07 D 487/08
C 07 D 519/00
A 61 K 31/506
A 61 P 35/00
A 61 P 37/00

(10) AP 2019 14430 A (44) 7(515)/2019
 (21) AP 2015 14430
 (22) 2015 08 07
 (24) 2015 08 07
 (31) 62/039,969
 (32) 2014 08 21
 (33) US
 (86) PCT/IB2015/056021, 2015 08 07
 (73) PFIZER INC. (US)
 235 East 42nd Street, New York,
 NY 10017 (US)
 (72) FENSOME, Andrew (US);
 GOPALSAMY, Ariamala (US);
 GERSTENBERGER, Brian S. (US);
 EFREMOV, Ivan Viktorovich (US);
 WAN, Zhao-Kui (US);
 PIERCE, Betsy (US);
 TELLIEZ, Jean-Baptiste (US);
 TRUJILLO, John I (US);
 ZHANG, Liying (US);
 XING, Li (US);
 SAIAH, Eddine (US)
 (74) Tamar Kochlamazashvili
 (54) **AMINOPYRIMIDINYL COMPOUNDS**
AS JAK INHIBITORS

(11) P 2019 6997 B (51) **Int. Cl. (2006)**
C 07 D 487/04
A 61 K 31/4985
A 61 P 31/14
A 61 P 31/16

(10) AP 2019 14114 A (44) 7(515)/2019
 (21) AP 2014 14114
 (22) 2014 09 10
 (24) 2014 09 10
 (31) 62/031,673; 61/011,784; 61/877,151
 (32) 2014 07 31; 2014 06 13; 2013 09 12
 (33) US; US; US
 (86) PCT/US2014/055012, 2014 09 10
 (73) ALIOS BIOPHARMA, INC. (US)
 260 E. Grand Avenue, 2nd Floor South
 San Francisco, CA 94080 (US)
 (72) BEIGELMAN, Leonid (US);
 SMITH, David, Bernard (US);
 STOYCHEVA, Antitsa, Dimitrova (US);
 HENDRICKS, Robert, Than (US)
 (74) Aleksandre Gegechkori
 (54) **AZA-PYRIDONE COMPOUNDS**
AND USES THEREOF

PART C

E 01

(11) P 2019 7002 B (51) **Int. Cl. (2006)**
E 01 C 7/36
C 04 B 7/26
C 04 B 7/28
C 04 B 11/00

(10) AP 2019 14405 A (44) 3(511)/2019
 (21) AP 2017 14405
 (22) 2017 02 02
 (24) 2017 02 02
 (73) LEPL Georgian Technical University (GE)
 M. Kostava Stq. 77, 0175, Tbilisi (GE)
 (72) Razhden Shvitaridze (GE);
 Malkhaz Turdzeladze (GE);
 Bela Keshelava (GE);
 Merab Abazadze (GE);
 Shalva Verulava (GE);
 Davit Bedukadze (GE)
 (74) Givi Sibashvili
 (54) **METHOD FOR BASES OF ROADS**
AND GROUND STRUCTURES BUILDING

(11) P 2019 6999 B (51) **Int. Cl. (2006)**
E 01 H 5/06

(10) AP 2019 14384 A (44) 7(515)/2019
 (21) AP 2017 14384
 (22) 2017 01 18
 (24) 2017 01 18
 (31) 1650405
 (32) 2001 01 19
 (33) FR
 (73) SOVIAR (FR)
 503 Ave de Marlioz 74190 Passy (FR)
 (72) BENEDETTI, Michel (FR);
 BOUZI, Frédéric (FR);
 DUCERF, Ludovic (FR)
 (74) Tamar Kochlamazashvili
 (54) **SNOW TRAILER**

PART F**F 03**

- (11) **P 2019 7000 B** (51) **Int. Cl. (2006)**
F 03 B 3/12
F 03 B 3/02
- (10) AP 2019 14386 A (44) 7(515)/2019
(21) AP 2015 14386
(22) 2015 04 30
(24) 2015 04 30
(31) 62/027,910
(32) 2014 07 23
(33) US
(86) PCT/CA2015/050367, 2015 04 30
(73) ANDRITZ HYDRO LTD. (CA)
6100 Trans-Canada Hwy. Pointe-Claire,
Québec H9R 1B9 (CA)
(72) VON FELLEBERG, Sven (CA)
(74) Tamar Kochlamazashvili
(54) **FRANCIS TURBINE WITH SHORT
BLADE AND SHORT BAND**
-

F 04

- (11) **P 2019 6994 B** (51) **Int. Cl. (2006)**
F 04 B 25/00
- (10) AP 2019 13247 A (44) 7(515)/2019
(21) AP 2013 13247
(22) 2013 09 27
(24) 2013 09 27
(73) Ivane Beroshvili (GE)
Dighmis mas., V kv., korp. 20, b. 73, 0159,
Tbilisi (GE);
Abesalom Beroshvili (GE)
Dighmis mas., V kv., korp. 20, b. 73, 0159,
Tbilisi (GE);
Teimuraz Kechiani (UA)
Prospekt Lenina 132, Ap. 5, Enakievo,
Donetskaya Oblast (UA)
(72) Ivane Beroshvili (GE);
Abesalom Beroshvili (GE);
Teimuraz Kechiani (UA)
(54) **METHOD FOR GAS INJECTION**
-

UTILITY MODELS

APPLICATIONS APPROVED FOR GRANTING PATENTS

The decision can be appealed at the Chamber of Appeal of Sakpatenti within 3 months from the publication or at the Mtskheta District Court Administrative Cases Board (Address: №17, Samkhedro str., Mtskheta), within 1 month following the publication.

PART A

A 47

(10) AU 2019 14784 U (51) Int. Cl. (2006)

A 47 K 10/38

(21) AU 2014 14784 (22) 2014 11 17

(62) AU 2014 14166 2014 11 17

(31) 2013/13360

(32) 2013 11 18

(33) TR

(71) Egzaji Basi Tuketim Urunleri

Sanayi Ve Ticaret Anonim Sirketi (TR)

Tokmak Koyu Kavak Mevkii Karamursel
77700 Yalova (TR)

(72) ŞİMŞİR, Boğaç (TR)

(74) Larisa Amirkhanyan

(54) **DISPENSER COMPRISING A**

PRODUCT LOADING MECHANISM

(57) A device contains main body (8), a lid (1) attached to main body (8) by means of hinge component (7), inner container (9) formed by the walls of main body (8), output plate (6) made in main body (8), and destined to accommodate products made of paper, outlet slit (4) executed in the wall of main body (8) and destined for outlet of product (2) open end; furthermore, the device additionally comprises receiving component (5) located on the lid (1) to place the product (2) and the fins (3) formed on the lid (1) to hold the product (2).

Fig.: 3

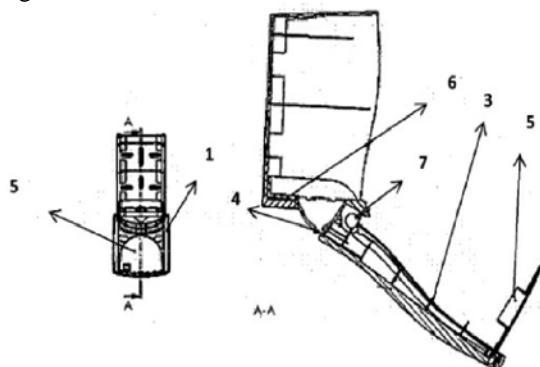


Fig. 2

PART B

B 21

(10) AU 2019 14944 U (51) Int. Cl. (2006)

B 21 F 1/04

(21) AU 2018 14944 (22) 2018 11 30

(71) Revaz Sikharulidze (GE)

Tkibulis q. 16, 0178, Tbilisi (GE)

(72) Revaz Sikharulidze (GE)

(54) **DEVICE FOR FLEXIBLE ROD**

(57) A device comprises a bed 1, guide frame 4 placed on the bed, guide system for the rod, an actuator, a system of hydraulic cylinders, folding mechanism, a means of holding the rod, and control mechanism. In addition to the mentioned above, the device also contains sliders, one therefrom is executed as slider 5, feeding and fixing the rod in folding zone, other two slider blocks are executed as carriages 6 and 7, second hydraulic cylinder 12 from the hydraulic cylinders system is installed on first therefrom, the rod thereof is attached to the slider 7, executed as second carriage. Folding mechanism also contains carriages executed as a hinge, pivotally connected to each sliders 6 and 7, couples of levers 12 and 13, and 14 and 15, the free ends thereof are also pivotally connected to at least one finger 16 mounted for motion in vertical guide, executed on the frame.

Claims: 1 independent

8 dependent

Fig.: 6

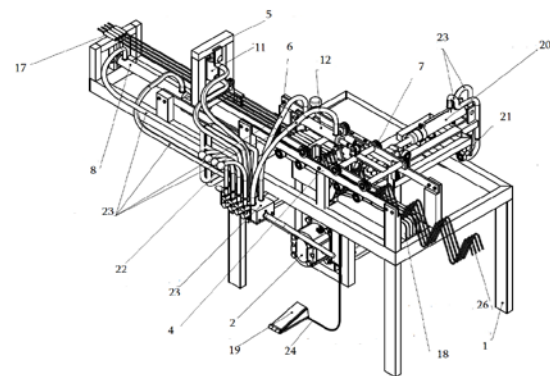


Fig. 1

PART C**C 02****(10) AU 2019 14896 U (51) Int. Cl. (2006)
C 02 F 3/32**

(21) AU 2018 14896 (22) 2018 10 08

(71) Liana Chokheli (GE)

Kandelakis q. 8a, b. 14, 0160, Tbilisi (GE);

Marine Pruidze (GE)

Gamsakhurdias gamz. 36, b. 44, 0160,

Tbilisi (GE);

Georgian Agrarian University (GE)

Davit Aghasheneblis kheivani 240,

Kakha Bendukidzis sauniversiteti

kampusi, 0159, Tbilisi (GE);

Maritsa Kurashvili (GE)

Vazha-Pshavelas gamz., II kvart., korp. 25,

b. 32, 0186, Tbilisi (GE);

Giorgi Gigolashvili (GE)

Didi Dighomi, Ioane Petritsis q. 8a,

b. 19, 0131, Tbilisi (GE);

Gia Khatisashvili (GE)

Didi Dighomi, III mkr., korp. 15, b. 222,

0131, Tbilisi (GE);

Giorgi Adamia (GE)

M. Tamarashvilis gamz. 15/52, 0177,

Tbilisi (GE);

Shota Rustaveli National Science Foundation
of Georgia (GE)

M. Aleksidzis q. 1, 0193, Tbilisi (GE);

Tamar Varazi (GE)

Pasteris q. 7, 0102, Tbilisi (GE)

(72) Liana Chokheli (GE);

Marine Pruidze (GE);

Maritsa Kurashvili (GE);

Giorgi Gigolashvili (GE);

Gia Khatisashvili (GE);

Giorgi Adamia (GE);

Tamar Varazi (GE)

**(54) METHOD FOR PURIFYING POLLUTED
DICHLORODIPHENYLTRICHLOROETHANE (DDT) WATERS BY USAGE
OF BLUE-GREEN ALGAE SPIRULIN**(57) High-quality removal of dichlorodiphenyltrichloroethane from polluted waters is executed by introducing an effective amount of blue-green algae spirulina (*Spirulina platensis*) into the water.

Claims: 1 independent

C 22**(10) AU 2019 14800 U (51) Int. Cl. (2006)
C 22 C 12/00**

(21) AU 2018 14800 (22) 2018 05 29

(71) Tatiana Gegechkori (GE)

Vazha-Pshavelas gamz., VI kvart.,

korp. 38, sad. I, b. 3, 0186, Tbilisi (GE);

Grigor Mamniashvili (GE)

Vazha-Pshavelas gamz., VI kvart.,

korp. 38, sad. I, b. 3, 0186, Tbilisi (GE);

Vakhtang Peikrishvili (GE)

Mtskhets q. 33, 0162, Tbilisi (GE),

Akaki Peikrishvili (GE)

Shartavas q. 16, b. 32, 0175, Tbilisi (GE);

Bagrat Godibadze (GE)

Nutsbidzis Plato IV mkr., korp. 10v.,

b. 60, 0183, Tbilisi (GE)

(72) Tatiana Gegechkori (GE);

Grigor Mamniashvili (GE);

Vakhtang Peikrishvili (GE);

Akaki Peikrishvili (GE);

Bagrat Godibadze (GE)

**(54) METHOD FOR SUPERCONDUCTING
COMPOSITE MgB_2 PREPARATION**(57) A method for obtaining superconducting composite MgB_2 , providing placing the powder material in an ampoule of appropriate shape, and compaction with shock waves, while compaction is carried out under a pressure of 5-10 gPa at 900-1000°C under the influence of liquid phase of magnesium.

Claims: 1 independent

C 25**(10) AU 2019 14904 U (51) Int. Cl. (2006)
C 25 D 03/00**

(21) AU 2018 14904 (22) 2018 10 15

(71) Davit Gogoli (GE)

Ana Politkovskayas q. 1a, korp. 8, b. 29,

0186, Tbilisi (GE)

(72) Olgha Tvaradze (GE);

Gigla Tsurtsumia (GE);

Davit Gogoli (GE)

**(54) ELECTROLYTE FOR PLATING OF
ZINC-BISMUTH-MANGANESE ALLOY
COATING**

(57) An electrolyte for plating of zinc-bismuth-manganese alloy coating contains zinc sulfate, manganese sulfate, sodium citrate, acid and distilled water; at that, additionally it contains bismuth nitrate, ammonium sulfate, and sulfuric acid as acid, in the following ratio of componentry, in g/l:

zinc sulfate $ZnSO_4 \cdot 7H_2O$ – 20-40;bismuth nitrate $Bi(NO_3)_3 \cdot 5H_2O$ – 2,0-3,5;manganese sulfate $MnSO_4 \cdot H_2O$ – 90-140;sodium citrate $Na_3C_6H_5O_7 \cdot 5,5H_2O$ – 70-110;ammonium sulfate $(NH_4)_2SO_4$ – 160-200;sulfuric acid H_2SO_4 – 30-50;

and the rest is distilled water.

Claims: 1 independent

Table: 1

DESIGN

APPLICATION APPROVED FOR REGISTRATION

The decision can be appealed at the Chamber of Appeal of Sakpatenti within 3 months from the publication or at the Mtskheta District Court Administrative Cases Board (Address: №17, Samkhedro str., Mtskheta), within 1 month following the publication.

- (10) AD 2019 1078 S (51) 09-03
(21) AD 2019 1078 (22) 2019 03 14
(28) 1
(71) Marsa Yag San. Ve Tic. A.S. (TR)
Ramazanoğlu Mah. Mahmut Bayram Caddesi No: 9 Şeyhli PENDİK,
İSTANBUL (TR)
(72) ÜLKER, Ali (TR)
(74) Tamaz Shilakadze (GE)
(54) **FOODSTUFF PACKAGING**
(55)



1.1



1.2



1.3



1.4

REGISTERED DESIGN

- (11) D 2019 813 S** **(51) 11-02**
(10) AD 2019 1066 S (44) 2019 04 10 №7
(21) AD 2018 1066
(22) 2018 11 22
(24) 2018 11 22
(28) 4
(18) 2023 11 22
(73) Zviad Tsikolia (GE)
 A. Kurdianis q. 6, b. 73, 0112, Tbilisi (GE)
(72) Zviad Tsikolia (GE)
(74) Shalva Gvaramadze (GE)
(54) **1.-4. ORNAMENTAL METAL
 FABRICATIONS**
-

TRADEMARKS

APPLICATIONS FILED UNDER THE NATIONAL PROCEDURE APPROVED FOR REGISTRATION

The decision can be appealed at the Chamber of Appeal of Sakpatenti within 3 months from the publication or at the Mtskheta District Court Administrative Cases Board (Address: №17, Samkhedro St., Mtskheta), within 1 month following the publication.

(260) AM 2019 100588 A

(210) AM 100588

(220) 2018 11 26

(731) Giorgi Salakaia

Gazapkhuli St. 15, Liter "1", Ap. 3, Tbilisi,
Georgia

(740) Tamar Machavariani

(540)



(591) Yellow, white

(531) 05.07.10; 27.05.04; 27.05.08; 27.05.09; 27.05.11;
27.05.21; 29.01.12

(511) 43

(260) AM 2019 100593 A

(210) AM 100593

(220) 2018 11 27

(731) INPHA LLP Representative Office in Georgia

Besiki St. 4, (Plot 46/10), 0108, Tbilisi, Georgia

(540)

Опторепар
ოპტორეპაირ
Optorepair

(591) Black-white

(511) 5

(260) AM 2019 100604 A

(210) AM 100604

(220) 2018 11 29

(731) JSC "BAZISI"

Mukhiani St. 2a, Gldani-Nadzaladevi District,
0141, Tbilisi, Georgia

(740) Mariam Gogitidze

(540)

ჯერარსი
Jerarsi

(591) Black-white

(511) 41, 42, 44

(260) AM 2019 100613 A

(210) AM 100613

(220) 2018 11 29

(731) JSC "LEKKHIM"

Shota Rustaveli St. 23, 01033, Kyiv, Ukraine

(740) Giorgi Meipariani

(540)

ENZECEF

(591) Black-white

(511) 5

(260) AM 2019 100614 A

(210) AM 100614

(220) 2018 11 29

(731) JSC "LEKKHIM"

Shota Rustaveli St. 23, 01033, Kyiv, Ukraine

(740) Giorgi Meipariani

(540)

ENZEKAM

(591) Black-white

(511) 5

(260) AM 2019 100664 A

(210) AM 100664

(220) 2018 11 30

(731) FRANK MAYER

Maler-Ernst-Strasse 1, 67098 Bad Dürkheim,
Germany

(740) Tamaz Shilakadze

(540)

I-CLIP

(591) Black-white

(511) 25

(260) AM 2019 100665 A
 (210) AM 100665
 (220) 2018 11 30
 (731) HangZhou JNBY Finery Co., LTD
 Room 18A01, Building 1, No. 39 Yile Road,
 Xihu District, Hangzhou, Zhejiang Province,
 China
 (740) Giorgi Meipariani
 (540)

JNBY HOME

(591) Black-white
 (531) 27.05.01
 (511) 25

(260) AM 2019 100681 A
 (210) AM 100681
 (220) 2018 12 04
 (731) Aleksandre Chalagashvili
 D. Guramishvili Av. 12, 0192, Tbilisi,
 Georgia
 (540)



(591) Green, Black-white, yellow
 (531) 05.03.15; 27.05.01; 28.19; 29.01.14
 (511) 30, 32, 33, 34

(260) AM 2019 100683 A
 (210) AM 100683
 (220) 2018 12 04
 (731) LTD "BERIKA"
 I. Chavchavadze first lane Building 6, Ap. 80,
 0179, Tbilisi, Georgia
 (540)

tabakoni
табакони
ტაბაკონი

(591) Black-white
 (511) 33

(260) AM 2019 100684 A
 (210) AM 100684
 (220) 2018 12 04
 (731) LTD "BERIKA"
 I. Chavchavadze first lane Building 6, Ap. 80,
 0179, Tbilisi, Georgia

(540)

jardeli
ჯარდელი
джардели

(591) Black-white
 (511) 33

(260) AM 2019 100692 A
 (210) AM 100692
 (220) 2018 12 05
 (731) Neicha Repablik Ko., LTD
 534, Teheran-ro, Gangnam-gu, Seoul, Republic
 of Korea
 (740) Merab Kvimsadze
 (540)

ნეიჩა რეპაბლიკ

(591) Black-white
 (531) 28.19
 (511) 3

(260) AM 2019 100693 A
 (210) AM 100693
 (220) 2018 12 05
 (731) Kia Motors Korporeishen
 12, Heolleung-ro, Seocho-gu, Seoul, Republic
 of Korea
 (740) Merab Kvimsadze
 (540)



(591) Black-white
 (531) 26.01.02; 26.01.04; 26.01.20; 27.05.23
 (511) 38

(260) AM 2019 100701 A
 (210) AM 100701
 (220) 2018 12 06
 (731) Nissan Chemical Corporation
 5-1 Nihonbashi 2-chome, Chuo-ku, Tokyo,
 Japan
 (740) Tamar Kochlamazashvili
 (540)

LEIMAY

(591) Black-white
 (511) 5

(260) AM 2019 100761 A
 (210) AM 100761
 (220) 2018 12 07
 (731) Pierre Balmain S.A.S.
 44, rue Francois 1er, 75008 Paris, France
 (740) Shalva Gvaramadze
 (540)

B

(591) Black-white
 (531) 27.05.22
 (511) 9, 14, 18, 25, 35

(260) AM 2019 100762 A
 (210) AM 100762
 (220) 2018 12 07
 (731) Balmain S.A.
 44, rue Francois 1er, 75008 Paris, France
 (740) Shalva Gvaramadze
 (540)

BALMAIN

(591) Black-white
 (531) 27.05.01
 (511) 3

(260) AM 2019 100763 A
 (210) AM 100763
 (220) 2018 12 07
 (731) Balmain S.A.
 44, rue Francois 1er, 75008 Paris, France
 (740) Shalva Gvaramadze
 (540)

B

(591) Black-white
 (531) 27.05.22
 (511) 3

(260) AM 2019 100772 A
 (210) AM 100772
 (220) 2018 12 10
 (731) Kia Motors Korporeishen
 12, Heolleung-ro, Seocho-gu, Seoul, Republic
 of Korea
 (740) Merab Kvimsadze
 (540)

Kia UVO Connected

(591) Black-white
 (531) 27.05.01
 (511) 38

(260) AM 2019 100790 A
 (210) AM 100790
 (220) 2018 12 14
 (731) Sundaram-Clayton Limited
 'Jaialakshmi Isteits' No. 29 (dzveli No. 8),
 Hedouz Roudi, Chenai 600 006, India
 (740) Tamaz Shilakadze
 (540)

TVS Apache RTR 160

(591) Black-white
 (531) 27.05.01; 27.05.09; 27.05.10
 (511) 12

(260) AM 2019 100865 A
 (210) AM 100865
 (220) 2018 12 21
 (731) LTD "BERIKA"
 I. Chavchavadze first lane Building 6, Ap. 80,
 0179, Tbilisi, Georgia
 (540)

vinoterra
ვინოტერა
ВИНОТЕРА

(591) Black-white
 (511) 33

(260) AM 2019 100871 A
 (210) AM 100871
 (220) 2018 12 24
 (731) INEBE
 Tamarashvili St. 13a, Entr. 1, Fl. 15, 0177,
 Tbilisi, Georgia
 (540)



(591) Green, white
 (531) 26.01.04; 26.01.06; 27.05.24; 28.19; 29.01.12
 (511) 30, 32, 43

(260) AM 2019 100876 A
 (210) AM 100876
 (220) 2018 12 25
 (731) Kia Motors Korporeishen
 12, Heolleung-ro, Seocho-gu, Seoul, Republic
 of Korea
 (740) Pavle Meipariani
 (540)

PICANTO

(591) Black-white
 (511) 12

(260) AM 2019 100877 A
 (210) AM 100877
 (220) 2018 12 25
 (731) Kia Motors Korporeishen
 12, Heolleung-ro, Seocho-gu, Seoul, Republic
 of Korea
 (740) Pavle Meipariani
 (540)

RIO

(591) Black-white
 (511) 12

(260) AM 2019 100878 A
 (210) AM 100878
 (220) 2018 12 25
 (731) Kia Motors Korporeishen
 12, Heolleung-ro, Seocho-gu, Seoul, Republic
 of Korea
 (740) Pavle Meipariani
 (540)

SORENTO

(591) Black-white
 (511) 12

(260) AM 2019 100879 A
 (210) AM 100879
 (220) 2018 12 25
 (731) Kia Motors Korporeishen
 12, Heolleung-ro, Seocho-gu, Seoul, Republic
 of Korea
 (740) Pavle Meipariani
 (540)

K2700

(591) Black-white
 (511) 12

(260) AM 2019 100900 A
 (210) AM 100900
 (220) 2018 12 28

(731) Irakli Makharadze
 Dighomi Training-Trial Farm
 Udabnos Monasteri St. 1, Tbilisi, Georgia
 (740) Tamar Machavariani
 (540)

ორი დედაქალაქის ისტორია-ოქროს გზა ოქროს ისტორიაში

(591) Black-white
 (511) 35, 39

(260) AM 2019 100904 A
 (210) AM 100904
 (220) 2018 12 28
 (731) LTD "Magticom"
 A. Politkovskaya St. 7, 0186, Tbilisi,
 Georgia
 (740) Irakli Sharabidze
 (540)



(591) Red, white
 (531) 26.03.02; 29.01.13
 (511) 38

(260) AM 2019 100908 A
 (210) AM 100908
 (220) 2018 12 28
 (731) Lijian Yuan
 No.1612, Shandong Road No. 18A, Shinan
 District, Qingdao Sity, Shandong Province,
 China
 (740) Giorgi Kartvelishvili
 (540)

SUPERHAWK

(591) White, grey
 (531) 27.05.01; 27.05.17
 (511) 12

(260) AM 2019 100914 A
 (210) AM 100914
 (220) 2019 01 03
 (731) Exxon Mobil Corporation
 5959 Colinas Boulevard, Irving, Texas,
 75039-2298, USA

(740) Shalva Gvaramadze
(540)

Mobil

(591) Black-white
(531) 27.01.12; 27.05.17
(511) 1, 4, 37

(260) AM 2019 100915 A

(210) AM 100915

(220) 2019 01 04

(731) LTD "SAKME.GE"

Iosebidge str. 49, (Plot 17/1) / Kutateli St. 3,
(Shchorsi St.), 0160, Vake-Saburtalo
District, Tbilisi, Georgia

(540)



(591) Blue, yellow, red, green, lilac, white
(531) 26.11.03; 26.11.05; 26.11.08; 29.01.15
(511) 9, 16, 35, 36, 38, 41, 42, 43, 45

(260) AM 2019 100916 A

(210) AM 100916

(220) 2019 01 04

(731) LTD "SAKME.GE"

Iosebidge str. 49, (Plot 17/1) / Kutateli St. 3,
(Shchorsi St.), 0160, Vake-Saburtalo
District, Tbilisi, Georgia

(540)



(591) Sky-blue, white
(531) 28.19; 29.01.12
(511) 9, 35, 36, 38, 41, 43, 45

(260) AM 2019 100929 A

(210) AM 100929

(220) 2019 01 09

(310) 2018/727

(320) 17 07 2018

(330) MK

(731) Philip Morris Brands Sàrl

Quai Jeanrenaud 3, 2000 Neuchâtel, Switzerland

(740) Shalva Gvaramadze

(540)



(591) Different tones of purple, black and white

(531) 01.03.01; 01.03.15; 01.05.02; 01.15.09; 24.01.07;
24.01.13; 25.01.01; 26.03.23; 26.11.09;
26.15.01; 27.05.10; 27.05.11; 27.05.24; 29.01.13

(511) 34

(260) AM 2019 100930 A

(210) AM 100930

(220) 2019 01 09

(310) 2018/731

(320) 17 07 2018

(330) MK

(731) Philip Morris Brands Sàrl

Quai Jeanrenaud 3, 2000 Neuchâtel, Switzerland

(740) Shalva Gvaramadze

(540)



(591) Different tones of blue, white, gray

(531) 01.05.02; 24.01.05; 24.01.07; 25.01.01; 26.03.23;
26.11.09; 27.05.10; 27.05.25; 29.01.13

(511) 34

(260) AM 2019 100932 A

(210) AM 100932

(220) 2019 01 09

(310) 2018/729

(320) 17 07 2018

(330) MK

(731) Philip Morris Brands Sàrl

Quai Jeanrenaud 3, 2000 Neuchâtel, Switzerland

(740) Shalva Gvaramadze

(540)



(591) Black, white, gray, different tones of blue, different tone sky-blue, red

(531) 01.05.02; 24.01.05; 24.01.07; 25.01.01; 26.03.23; 26.11.09; 27.05.10; 27.05.11; 29.01.13

(511) 34

(260) AM 2019 101221 A

(210) AM 101221

(220) 2019 01 11

(731) LTD "GLOBAL CBS"

Stanislabski St. 5, Office 401, 0119,
Tbilisi, Georgia

(540)



(591) Yellow, blue, pink, green, brown, white

(531) 02.05.02; 02.05.03; 02.05.08; 02.05.22; 02.05.23; 25.01.01; 27.05.01; 29.01.15

(511) 5

(260) AM 2019 101231 A

(210) AM 101231

(220) 2019 01 15

(731) LTD "MY HOUSE"

Digomi Training Trial Farming Area, Fl. 2, 0131,
Saburtalo District, Tbilisi, Georgia

(540)



(591) Red, black, white

(531) 12.01.09; 27.03.15; 28.19; 29.01.13

(511) 20, 35

(260) AM 2019 101232 A

(210) AM 101232

(220) 2019 01 15

(731) LTD "MY HOUSE"

Digomi Training Trial Farming Area, Fl. 2, 0131,
Saburtalo District, Tbilisi, Georgia

(540)



(591) Red, black, white

(531) 12.01.09; 27.03.15; 29.01.13

(511) 20, 35

(260) AM 2019 101289 A

(210) AM 101289

(220) 2019 01 18

(731) NNP "PROPAGANDA"

Pekin Ave., Ap. 67, Tbilisi,
Georgia

(540)



(591) Light green, green, white

(531) 26.01.04; 26.01.20; 29.01.12

(511) 41

(260) AM 2019 101370 A

(210) AM 101370

(220) 2019 01 25

(731) LTD "Free University of Tbilisi"

David Aghmashenebeli Alley 240, 0131,
Tbilisi, Georgia

(740) Sopiko Kizivadze

(540)

**კომპიუტერული
მეცნიერებისა და**

მათემატიკის სკოლა – MACS

(591) Black-white

(511) 41

(260) AM 2019 101407 A

(210) AM 101407

(220) 2019 01 30

(731) LTD "Universal Card Corporation"

Vazha-Pshavela Av. 71, Fl. 3, Tbilisi, Georgia

(740) Tamar Dididze

(540)



(591) Light green, white, orange, yellow

(531) 26.04.02; 26.04.04; 26.04.08; 26.04.09; 26.04.22;
26.04.24; 28.19; 29.01.14

(511) 9, 16, 35, 36

(260) AM 2019 101408 A

(210) AM 101408

(220) 2019 01 30

(731) LTD "Universal Card Corporation"

Vazha-Pshavela Av. 71, Fl. 3, Tbilisi, Georgia

(740) Tamar Dididze

(540) 9, 16, 35, 36



(591) Light green, white, orange, yellow

(531) 26.04.02; 26.04.04; 26.04.08; 26.04.09; 26.04.22;
26.04.24; 27.05.01; 27.05.24; 29.01.14

(511)

(260) AM 2019 101409 A

(210) AM 101409

(220) 2019 01 30

(731) DE' LONGHI APPLIANCES S.R.L.

Via L. Seitci, 47, Trevizo, 31100, Italy

(740) Giorgi Taktakishvili

(540)

დელონგი

(591) Black-white

(531) 28.19

(511) 7, 8, 11

(260) AM 2019 74568 A

(210) AM 74568

(220) 2013 11 01

(731) De Longhi Benelux S.A.

49, Boulevard Prince Henri, Grand Duchy
of Luxembourg, L-1724, Luxembourg

(740) Giorgi Meipariani

(540)

კენკულ

(591) Red, black, white

(531) 28.19.00; 29.01.12

(511) 7, 11

(260) AM 2019 80925 A**

(210) AM 80925

(220) 2015 02 20

(731) LTD "G-M-P"

Vil. Ponitchala 65, 0165, Tbilisi, Georgia

(740) Nugzar Ksovreli

(540)



(591) Black, red, white, blue, purple, blue

(531) 01.01.09; 25.03.05; 27.05.23; 29.01.14

(511) 5

(260) AM 2019 99318 A

(210) AM 99318

(220) 2018 09 11

(731) JOHNSON & JOHNSON

Uan Jonson & Jonson Plaza, Niu-branzuiki,
NEW JERSEY, 08933, USA

(740) Giorgi Taktakishvili

(540)

REVITALENS

(591) Black-white

(511) 5

(260) AM 2019 99869 A
 (210) AM 99869
 (220) 2018 10 15
 (731) Davit Ramishvili
 Vazha-Pshavela Av., Kvart. IV, Bl. 8, Ap. 39,
 0186, Tbilisi, Georgia
 (540)



(591) Black, blue, yellow, red
 (531) 26.04.17; 26.04.18; 26.04.24; 29.01.14
 (511) 9, 11, 16, 35, 38, 42

(260) AM 2019 99910 A
 (210) AM 99910
 (220) 2018 10 18
 (310) 017892483
 (320) 25 04 2018
 (330) EUIPO
 (731) Hellenic Fuels And Lubricants Industrial
 and Commercial S.A
 also trading as "EKO ABEE"
 8A Cheimarras street, 15125 Marousi, Greece
 (740) Tamaz Shilakadze
 (540)



(591) Red, blue
 (531) 01.15.05; 01.15.11; 07.11.10; 27.05.01; 27.05.10;
 29.01.12
 (511) 1, 4, 6, 7, 11, 35, 40, 42

(260) AM 2019 99966 A
 (210) AM 99966
 (220) 2018 10 22
 (731) EMPRESA CUBANA DEL TABACO
 (CUBATABACO)
 Calle Nueva No. 75 e/ Universidad y Pedroso,
 municipio Cerro, provincia La Habana, Cuba
 (740) Tamaz Shilakadze
 (540)



REGISTERED TRADEMARKS

(111) M 2019 31426 R
(151) 2019 07 15
(181) 2029 07 15
(260) AM 2016 88323 A
(220) 2016 08 17

(732) LEPL "Wine National Agency"
Marshal Gelovanis gamz. 6, 0159, Tbilisi,
Georgia

(111) M 2019 31432 R
(151) 2019 07 15
(181) 2029 07 15
(260) AM 2018 97695 A
(220) 2018 05 15

(732) JSC "AUGUST" INC.
142432, Moscow region, Chernogolovka,
Centralnaya street, 20A, Russian Federation

(111) M 2019 31427 R
(151) 2019 07 15
(181) 2029 07 15
(260) AM 2018 96893 A
(220) 2018 11 01

(732) LTD "HAIRLINE INTERNATIONAL"
P. Kavtaradzis q. 16, 0186, Tbilisi, Georgia

(111) M 2019 31433 R
(151) 2019 07 15
(181) 2029 07 15
(260) AM 2018 97696 A
(220) 2018 05 15

(732) JSC "AUGUST" INC.
142432, Moscow region, Chernogolovka,
Centralnaya street, 20A, Russian Federation

(111) M 2019 31428 R
(151) 2019 07 15
(181) 2029 07 15
(260) AM 2018 97232 A
(220) 2018 04 16

(732) LTD "MAKRATELI"
Stalinis shesak. 18, Tskneti, Tbilisi, Georgia

(111) M 2019 31434 R
(151) 2019 07 15
(181) 2029 07 15
(260) AM 2018 97697 A
(220) 2018 05 15

(732) JSC "AUGUST" INC.
142432, Moscow region, Chernogolovka,
Ul. Tsentralnaya, 20A, Russian Federation

(111) M 2019 31429 R
(151) 2019 07 15
(181) 2029 07 15
(260) AM 2018 97390 A
(220) 2018 04 24

(732) LTD "AGROLINX"
Al. Kazbegis gamz. 34, b. 12a, 0177, Tbilisi,
Georgia

(111) M 2019 31435 R
(151) 2019 07 15
(181) 2029 07 15
(260) AM 2018 97698 A
(220) 2018 05 15

(732) JSC Firm "AUGUST"
Ul. Tsentralnaya 20a, 142432, Moskow
district, Chernogolovka, Russian Federation

(111) M 2019 31430 R
(151) 2019 07 15
(181) 2029 07 15
(260) AM 2018 97394 A
(220) 2018 04 24

(732) HAKAN AGRO DMCC
P.O. Box 31489, Dubai, United Arab Emirates

(111) M 2019 31436 R
(151) 2019 07 15
(181) 2029 07 15
(260) AM 2018 97699 A
(220) 2018 05 15

(732) Guram Kakabadze
Diminiatsis q. 18, Kishinev, Republic Moldova

(111) M 2019 31431 R
(151) 2019 07 15
(181) 2029 07 15
(260) AM 2018 97694 A
(220) 2018 05 15

(732) JSC "AUGUST" INC.
142432, Moscow region, Chernogolovka,
Centralnaya street, 20A, Russian Federation

(111) M 2019 31437 R
(151) 2019 07 15
(181) 2029 07 15
(260) AM 2018 97708 A
(220) 2018 05 17

(732) LTD "RACHULI"
Chachashvilis q. 25, 3600, Oni, Georgia

(111) M 2019 31438 R
 (151) 2019 07 15
 (181) 2029 07 15
 (260) AM 2018 97795 A
 (220) 2018 05 23
 (732) GEORGIAN WINE HOUSE
 Sop. Zegaani, 0160, Gurjaanis r-ni, Georgia

(111) M 2019 31444 R
 (151) 2019 07 15
 (181) 2029 07 15
 (260) AM 2018 98233 A
 (220) 2018 06 28
 (732) LTD "VIONI GEORGIA"
 Bambis Rigi 8, 0105, Tbilisi, Georgia

(111) M 2019 31439 R
 (151) 2019 07 15
 (181) 2029 07 15
 (260) AM 2018 97956 A
 (220) 2018 06 01
 (732) LTD "4 BROS"
 Sop. Velistsikhe, I qucha 27, Gurjaani,
 Georgia

(111) M 2019 31445 R
 (151) 2019 07 15
 (181) 2029 07 15
 (260) AM 2018 98234 A
 (220) 2018 06 28
 (732) LTD "VIONI GEORGIA"
 Bambis Rigi 8, 0105, Tbilisi, Georgia

(111) M 2019 31440 R
 (151) 2019 07 15
 (181) 2029 07 15
 (260) AM 2018 97973 A
 (220) 2018 06 05
 (732) Steinwei & Sanz, New York Corporation
 Steinweis Place, Long Island City,
 New York 11105, United States

(111) M 2019 31446 R
 (151) 2019 07 15
 (181) 2029 07 15
 (260) AM 2018 98235 A
 (220) 2018 06 28
 (732) LTD "VIONI GEORGIA"
 Bambis Rigi 8, 0105, Tbilisi, Georgia

(111) M 2019 31441 R
 (151) 2019 07 15
 (181) 2029 07 15
 (260) AM 2018 97983 A
 (220) 2018 06 07
 (732) GRAS SAVOYE Société par Actions
 Simplifiée 33-34 Quai de Dion Bouton, 92800
 Puteaux, France

(111) M 2019 31447 R
 (151) 2019 07 15
 (181) 2029 07 15
 (260) AM 2018 98410 A
 (220) 2018 07 10
 (732) DECIEM BEAUTY GROUP INC.
 517 Richmond Street East, Toronto, Ontario
 M5A 1R4, Canada

(111) M 2019 31442 R
 (151) 2019 07 15
 (181) 2029 07 15
 (260) AM 2018 97984 A
 (220) 2018 06 07
 (732) GRAS SAVOYE Société par Actions
 Simplifiée 33-34 Quai de Dion Bouton, 92800
 Puteaux, France

(111) M 2019 31448 R
 (151) 2019 07 15
 (181) 2029 07 15
 (260) AM 2018 98421 A
 (220) 2018 07 12
 (732) GIORGI KAMASHIDZE
 Lermontov Str. 889, 6000, Batumi, Georgia

(111) M 2019 31443 R
 (151) 2019 07 15
 (181) 2029 07 15
 (260) AM 2018 98067 A
 (220) 2018 06 14
 (732) TOMN TRADING CO, LTD
 Al-Nuzha district, Abu Baker Al Sidiq St,
 Riyadh 11534, P.O. Box 55155, Saudi Arabia

(111) M 2019 31449 R
 (151) 2019 07 15
 (181) 2029 07 15
 (260) AM 2018 98695 A
 (220) 2018 07 27
 (732) LEPL REVENUE SERVICE
 Vakhtang Gorgasali Str. 16, 0105, Tbilisi,
 Georgia

(111) M 2019 31450 R
 (151) 2019 07 15
 (181) 2029 07 15

(260) AM 2018 98784 A
(220) 2018 08 03
(732) LTD "AVERSI-PHARMA"
Davit Aghmashenebli Av. 148/2, 0112,
Tbilisi, Georgia

(111) M 2019 31451 R
(151) 2019 07 15
(181) 2029 07 15
(260) AM 2018 98786 A
(220) 2018 08 03
(732) LTD "AVERSI-PHARMA"
Davit Aghmashenebli Av. 148/2, 0112,
Tbilisi, Georgia

(111) M 2019 31452 R
(151) 2019 07 15
(181) 2029 07 15
(260) AM 2018 98787 A
(220) 2018 08 03
(732) LTD "AVERSI-PHARMA"
Davit Aghmashenebli Av. 148/2, 0112,
Tbilisi, Georgia

(111) M 2019 31453 R
(151) 2019 07 15
(181) 2029 07 15
(260) AM 2018 98789 A
(220) 2018 08 03
(732) LTD "AVERSI-PHARMA"
Davit Aghmashenebli Av. 148/2, 0112,
Tbilisi, Georgia

(111) M 2019 31454 R
(151) 2019 07 15
(181) 2029 07 15
(260) AM 2018 98790 A
(220) 2018 08 03
(732) LTD "AVERSI-PHARMA"
Davit Aghmashenebli Av. 148/2, 0112,
Tbilisi, Georgia

(111) M 2019 31455 R
(151) 2019 07 15
(181) 2029 07 15
(260) AM 2018 98791 A
(220) 2018 08 03
(732) LTD "AVERSI-PHARMA"
Davit Aghmashenebli Av. 148/2, 0112,
Tbilisi, Georgia

(111) M 2019 31456 R
(151) 2019 07 15
(181) 2029 07 15

(260) AM 2018 98792 A
(220) 2018 08 03
(732) LTD "AVERSI-PHARMA"
Davit Aghmashenebli Av. 148/2, 0112,
Tbilisi, Georgia

(111) M 2019 31457 R
(151) 2019 07 15
(181) 2029 07 15
(260) AM 2018 98793 A
(220) 2018 08 03
(732) LTD "AVERSI-PHARMA"
Davit Aghmashenebli Av. 148/2, 0112,
Tbilisi, Georgia

(111) M 2019 31458 R
(151) 2019 07 15
(181) 2029 07 15
(260) AM 2018 98794 A
(220) 2018 08 03
(732) LTD "AVERSI-PHARMA"
Davit Aghmashenebli Av. 148/2, 0112,
Tbilisi, Georgia

(111) M 2019 31459 R
(151) 2019 07 15
(181) 2029 07 15
(260) AM 2018 98796 A
(220) 2018 08 03
(732) LTD "AVERSI-PHARMA"
Davit Aghmashenebli Av. 148/2, 0112,
Tbilisi, Georgia

(111) M 2019 31460 R
(151) 2019 07 15
(181) 2029 07 15
(260) AM 2018 98890 A
(220) 2018 08 04
(732) NEXTORCH INDUSTRIES CO., LTD
61 Yudong 1st Road, Dongcheng, Yangdong,
Yangjiang, 529931, Guangdong, China;
POWER SOURCE INDUSTRIES CO., LTD
61 Yudong 1st Road, Dongcheng, Yangdong,
Yangjiang, 529931, Guangdong, China

(111) M 2019 31461 R
(151) 2019 07 15
(181) 2029 07 15
(260) AM 2018 98905 A
(220) 2018 08 08
(732) LTD "GEORGIA"
Tsinanauris q. 26, 0162, Tbilisi, Georgia

(111) M 2019 31462 R
 (151) 2019 07 15
 (181) 2029 07 15
 (260) AM 2018 98990 A
 (220) 2018 08 15
 (732) GIORGI DAVLIANIDZE
 Sop. Betlevi, Ambrolauris r-ni, Georgia

(111) M 2019 31463 R
 (151) 2019 07 15
 (181) 2029 07 15
 (260) AM 2018 99061 A
 (220) 2018 08 22
 (732) JERMAL KURIDZE
 I. Chavchavadzis gamz. 62, 0162, Tbilisi,
 Georgia

(111) M 2019 31464 R
 (151) 2019 07 15
 (181) 2029 07 15
 (260) AM 2018 99154 A
 (220) 2018 08 24
 (732) R & A Bailey & Co.
 Nangor House Western Estate 12, Dublin,
 Ireland

(111) M 2019 31465 R
 (151) 2019 07 15
 (181) 2029 07 15
 (260) AM 2018 99174 A
 (220) 2018 08 31
 (732) AstraZeneca AB
 SE-151 85 Södertälje, Sweden

(111) M 2019 31466 R
 (151) 2019 07 15
 (181) 2029 07 15
 (260) AM 2018 99192 A
 (220) 2018 09 05
 (732) LTD "AISI"
 Varketili3, I mkr., korp. 28, b. 26, 0163,
 Tbilisi, Georgia

(111) M 2019 31467 R
 (151) 2019 07 15
 (181) 2029 07 15
 (260) AM 2018 99313 A
 (220) 2018 09 10
 (732) FORD MOTOR COMPANY
 Uan Amerikan Roudi, Dirborni, Michigani,
 48126, USA

(111) M 2019 31468 R
 (151) 2019 07 15
 (181) 2029 07 15

(260) AM 2018 99354 A
 (220) 2018 09 13
 (732) LTD "ALPEN MILK"
 D. Aghmasheneblis q. 28/1, Akhalkalaki,
 Georgia

(111) M 2019 31469 R
 (151) 2019 07 15
 (181) 2029 07 15
 (260) AM 2018 99356 A
 (220) 2018 09 13
 (732) LTD "ALPEN MILK"
 D. Aghmasheneblis q. 28/1, Akhalkalaki,
 Georgia

(111) M 2019 31470 R
 (151) 2019 07 16
 (181) 2029 07 16
 (260) AM 2018 97391 A
 (220) 2018 04 24
 (732) RK "NEKTARI-2016"
 G. Chkondidelis q. 66, 2100, Zugdidi, Georgia

(111) M 2019 31471 R
 (151) 2019 07 16
 (181) 2029 07 16
 (260) AM 2018 98148 A
 (220) 2018 06 14
 (732) RK "URTANAULI"
 Vil. Birkiani, 0911, Akhmeta, Georgia

(111) M 2019 31472 R
 (151) 2019 07 16
 (181) 2029 07 16
 (260) AM 2018 98149 A
 (220) 2018 06 14
 (732) I/E Gogia Jaadze
 Varketili 3, I mkr., korp. 3, b. 111, Isani-
 Samgoris raioni, 0163, Tbilisi, Georgia

(111) M 2019 31473 R
 (151) 2019 07 16
 (181) 2029 07 16
 (260) AM 2018 98377 A
 (220) 2018 07 04
 (732) ALEKSANDRE JOKHADZE
 Gamrekelis q.10, b.72, 0194, Tbilisi, Georgia

(111) M 2019 31474 R
 (151) 2019 07 16
 (181) 2029 07 16
 (260) AM 2018 98689 A
 (220) 2018 07 26
 (732) ALEKSANDRE JOKHADZE

D. Gamrekeli Str. 10, Ap. 72, 0194, Tbilisi, Georgia	(111) M 2019 31480 R (151) 2019 07 16 (181) 2029 07 16 (260) AM 2018 98985 A (220) 2018 08 15 (732) Abdi İbrahim İlaç Sanayi ve Ticaret Anonim Şirketi Reşitpaşa Mahallesi Eski Büyükdere Caddesi No:4 Maslak 34467 İstanbul, Turkey
(111) M 2019 31475 R (151) 2019 07 16 (181) 2029 07 16 (260) AM 2018 98967 A (220) 2018 08 13 (732) ALEKSANDRE JOKHADZE D. Gamrekelis q. 10, b.72, 0194, Tbilisi, Georgia	(111) M 2019 31481 R (151) 2019 07 16 (181) 2029 07 16 (260) AM 2018 98986 A (220) 2018 08 15 (732) Abdi İbrahim İlaç Sanayi ve Ticaret Anonim Şirketi Reşitpaşa Mahallesi Eski Büyükdere Caddesi No:4 Maslak 34467 İstanbul, Turkey
(111) M 2019 31476 R (151) 2019 07 16 (181) 2029 07 16 (260) AM 2018 98979 A (220) 2018 08 15 (732) Abdi İbrahim İlaç Sanayi ve Ticaret Anonim Şirketi Reşitpaşa Mahallesi Eski Büyükdere Caddesi No:4 Maslak 34467 İstanbul, Turkey	(111) M 2019 31482 R (151) 2019 07 16 (181) 2029 07 16 (260) AM 2018 98987 A (220) 2018 08 15 (732) Champion Products Europe Limited Suite 8, Plaza 212, Blanchardstown Corporate Park 2, Blanchardstown, Dublin 15, Ireland
(111) M 2019 31477 R (151) 2019 07 16 (181) 2029 07 16 (260) AM 2018 98980 A (220) 2018 08 15 (732) Abdi İbrahim İlaç Sanayi ve Ticaret Anonim Şirketi Reşitpaşa Mahallesi Eski Büyükdere Caddesi No:4 Maslak 34467 İstanbul, Turkey	(111) M 2019 31483 R (151) 2019 07 16 (181) 2029 07 16 (260) AM 2018 98988 A (220) 2018 08 15 (732) Champion Products Europe Limited Suite 8, Plaza 212, Blanchardstown Corporate Park 2, Blanchardstown, Dublin 15, Ireland
(111) M 2019 31478 R (151) 2019 07 16 (181) 2029 07 16 (260) AM 2018 98982 A (220) 2018 08 15 (732) Abdi İbrahim İlaç Sanayi ve Ticaret Anonim Şirketi Reşitpaşa Mahallesi Eski Büyükdere Caddesi No:4 Maslak 34467 İstanbul, Turkey	(111) M 2019 31484 R (151) 2019 07 16 (181) 2029 07 16 (260) AM 2018 98989 A (220) 2018 08 15 (732) HBI Branded Apparel Enterprises LLC 1000 Ist Heins Mil Roudi, Uinston-salemi, Chrdiloet Karolina 27105, USA
(111) M 2019 31479 R (151) 2019 07 16 (181) 2029 07 16 (260) AM 2018 98984 A (220) 2018 08 15 (732) Abdi İbrahim İlaç Sanayi ve Ticaret Anonim Şirketi Reşitpaşa Mahallesi Eski Büyükdere Caddesi No:4 Maslak 34467 İstanbul, Turkey	

TRADEMARKS REGISTERED ACCORDING TO THE ACCELERATED PROCEDURE

The decision can be appealed at the Chamber of Appeal of Sakpatenti within 3 months from the publication.

(111) M 2019 31418 R
(151) 2019 07 08
(181) 2029 07 08
(210) AM 103781
(220) 2019 06 26
(732) JT International SA
8 rue Kazem-Radjavi, 1202 Geneva,
Switzerland
(740) Shalva Gvaramadze
(540)

LOGIC

(591) Black-white
(511) 9, 34,

(111) M 2019 31421 R
(151) 2019 07 10
(181) 2029 07 10
(210) AM 103771
(220) 2019 06 25
(732) LTD "POLYMETRIA"
Vazha-Pshavela Av. 71, Block 2, Area 5,
Vake District, 0186, Tbilisi, Georgia
(740) Shalva Gvaramadze
(540)

DEMAR FORTE

(591) Black-white
(511) 5

(111) M 2019 31419 R
(151) 2019 07 10
(181) 2029 07 10
(210) AM 103557
(220) 2019 06 07
(732) LTD "NOVA"
R. Agladze St. 45, 0119, Tbilisi, Georgia
(540)



(591) Aegean blue
(531) 07.01.09; 26.03.01; 26.03.24; 27.05.11; 28.19;
29.01.04; 29.01.12
(511) 6, 20

(111) M 2019 31422 R
(151) 2019 07 10
(181) 2029 07 10
(210) AM 103772
(220) 2019 06 25
(732) LTD "POLYMETRIA"
Vazha-Pshavela Av. 71, Block 2, Area 5,
Vake District, 0186, Tbilisi, Georgia
(740) Shalva Gvaramadze
(540)

DEMAR

(591) Black-white
(511) 5

(111) M 2019 31420 R
(151) 2019 07 10
(181) 2029 07 10
(210) AM 103660
(220) 2019 06 17
(732) LTD "HERETI WINE CELLAR"
Vil. Baisubani, Lagodekhi, Georgia
(740) Shalva Gvaramadze
(540)



(591) Black-white
(531) 05.07.10; 25.01.05; 27.05.01; 27.05.24; 28.19;
29.01.12
(526) „ჰერეთი“, "HERETI"
(511) 33

(111) M 2019 31423 R
(151) 2019 07 11
(181) 2029 07 11
(210) AM 103569
(220) 2019 06 11
(732) LTD "SOLO"
D. Aghmashenebeli Av. 79, 0102, Tbilisi,
Georgia
(740) Giorgi Taktakishvili
(540)



(591) White, black, orange
(531) 26.01.18; 27.05.15; 29.01.13
(511) 35, 39, 43, 45

(111) M 2019 31424 R
(151) 2019 07 12
(181) 2029 07 12
(210) AM 103483
(220) 2019 06 06
(732) ADAGIO SAS
L'artua - Espas Pon De Flandr, 11 Riu De
Kambre, 75947 Parizi Sedeqs 19, France
(740) Shalva Gvaramadze
(540)



(591) Red, white
(531) 26.01.01; 26.01.04; 27.05.10; 29.01.01
(511) 36, 43

(111) M 2019 31425 R
(151) 2019 07 12
(181) 2029 07 12
(210) AM 103854
(220) 2019 07 01
(732) LTD "TASTE INSTITUTE"
Tbel Abuseridze St. 13a, Tbilisi, Georgia
(540)

გემოს ინსტიტუტი

(591) Black-white
(531) 28.19
(511) 29, 30, 32, 43

INTERNATIONAL TRADEMARKS FOR WHICH A DECISION ON GRANTING PROTECTIONS IS TAKEN

The decision can be appealed at the Chamber of Appeal of Sakpatenti within 3 months from the publication or at the Mtskheta District Court Administrative Cases Board (Address: №17, Samkhedro str., Mtskheta), within 1 month following the publication.

(260) AM 2019 100099 A

(800) 1428386

(151) 2018 07 02

(891) 2018 07 02

(731) CHENSHENG

Rm. 1201, Unit 2, Bldg 11, Zone A
Oujinghuayuan, Choujiang St. Yiwu,
Zhejiang, China

(540)

SKYLAWFIRM

(591) Black, white

(531) 27.05.01

(511)

35 – Advertising / publicity; commercial information agencies; business management consultancy; import-export agencies; personnel management consultancy; relocation services for businesses; computerized file management; book-keeping / accounting; sponsorship search; advisory services for business management.

(260) AM 2019 100102 A

(800) 1428457

(151) 2018 08 17

(891) 2018 08 17

(731) EUROPEAN CLOTHING COMPANY

Poppelsdorfer Allee 114, 53115 Bonn,
Germany

(540)

DRY MOTION

(591) Black, white

(511)

22 – Textile filaments; raw textile fibers and substitutes.

23 – Yarns and threads.

(260) AM 2019 100103 A

(800) 1428517

(151) 2018 07 02

(891) 2018 07 02

(731) GUANGZHOU PEARL RIVER PIANO

GROUP CO., LTD.
Yu Wei Xi Road, South Hua Di Da Dao,
Liwan District, Guangzhou, Guangdong,
China

(540)

PEARL RIVER

(591) Black, white

(531) 27.05.01

(511)

15 – Musical instruments; pianos; stringed musical instruments; double basses; guitars; violins; electronic musical instruments; violas; electronic organ; pegs for musical instruments.

(260) AM 2019 100127 A

(800) 1429171

(151) 2018 07 05

(891) 2018 07 05

(731) WALTER ARTHOFER

Ettalstr. 32, 81377 München (Bayern),
Germany

(540)

ad-roller

(591) Black, white

(511)

2 – Paints, varnishes, lacquers; preservatives against rust and against deterioration of wood; colorants; mordants; raw natural resins; metals in foil and powder form for painters, decorators, printers and artists.

17 – Rubber, gutta-percha, gum, asbestos, mica and goods made from these materials and not included in other classes; plastics in extruded form for use in manufacture; packing, stopping and insulating materials; flexible pipes, not of metal.

35 – Advertising; business management services; business administration; office functions.

(260) AM 2019 100128 A

(800) 1429173

(151) 2017 01 19

(891) 2017 01 19

(731) BIOTA VERWALTUNGSGESELLSCHAFT
MBH

Königsallee 86, 40212 Düsseldorf, Germany

(540)

Restorex Speed & Strong

(591) Black, white

(531) 27.05.02

(511)
3 – Bleaching preparations and other substances for laundry use; cleaning, polishing, scouring and abrasive preparations; soaps; perfumery, essential oils, cosmetics, hair lotions; dentifrices.

(260) AM 2019 100131 A
(800) 1429229
(151) 2018 08 14
(891) 2018 08 14
(731) HY-TECH THERMAL SOLUTIONS, LLC
159 Park Hill Boulevard, W. Melbourne FL
32904, USA



(591) The color(s) yellow, orange, red, blue, light blue, black, white and grey is/are claimed as a feature of the mark
(531) 24.15.01; 24.15.13; 26.01.12; 26.15.01; 27.05.10; 29.01.15
(526) THERMAL SOLUTIONS
(511)
1 – Chemical additives for paints and coatings excluding spray paint.
2 – Coatings in the nature of paints for rust prevention, heat insulation, soundproofing, sound deadening, termite repellent, fire proofing, radiant barriers, water vapor barriers and poison control excluding spray paints; paints excluding spray paints.

(260) AM 2019 100132 A
(800) 1429245
(151) 2018 03 27
(891) 2018 03 27
(731) "KONTI-RUS" JOINT STOCK COMPANY
ul. Zolotaia, 13, RU-305000 Kursk, Russian Federation



(591) Black, white
(531) 01.15.11; 02.05.02; 02.05.04; 02.05.23; 05.03.20; 07.01.01; 07.01.24; 25.01.06

(511)
30 – Waffles; fruit jellies [confectionery]; pastries; peanut confectionery; caramels [candy]; confectionery; sweetmeats [candy]; candy; marzipan; dessert mousses [confectionery]; chocolate mousses; chocolate-coated nuts; biscuits; cookies; petit-beurre biscuits; cakes; fondants [confectionery]; pralines; gingerbread; sugar confectionery; halvah; chocolate.

(260) AM 2019 100133 A
(800) 1429246
(151) 2018 06 06
(891) 2018 06 06
(731) GU ZHI PING
Industrial Park, Tianfen Town, 226244
Qidong City, Jiangsu, China



(591) Black, white
(511)
7 – Electric lawnmowers; woodworking machines; engraving machines; electric wood routers; electric food processors; polishing glass machines; concrete vibrators, machines; electric marble cutters; electric rotary hammers; metalworking machines; cutting machines; electric machines and apparatus for polishing; hand-held tools other than hand-operated; spray-paint machines; stators being parts of machines; electric motors, other than for land vehicles; carbon brushes being parts of machines; air compressors; gears other than for land vehicles; electric welding apparatus; electric cleaning machines & apparatus for garbage disposal.
8 – Hand-operated hand tools, namely, emery grinding wheels, bush hammers, pick hammers, wrenches, spanners, pliers, cutting tools, riveters, graving tools, drills, chisels, screwdrivers, files, knives, bits, shears, scissors; hand-operated lawn and garden tools, namely, cultivators, trowels.

(260) AM 2019 100134 A
(800) 1429250
(151) 2018 08 24
(891) 2018 08 24
(731) Limited Liability Company "Hendel"
Khlebozavodskiy proezd, h. 7, bld. 9, office X,
room 25G, RU-115230 Moscow, Russian Federation



(591) Black, white
(511)
3 – Balms, other than for medical purposes; petroleum jelly for cosmetic purposes; creams for leather;

waxes for leather; massage gels, other than for medical purposes; cosmetic creams; non-medicated creams for varicose veins; non-medicated foot creams; skin whitening creams; lotions for cosmetic purposes; beauty masks; oils for cosmetic purposes; cleansing milk for toilet purposes; cosmetic kits; tissues impregnated with cosmetic lotions; preservatives for leather [polishes]; astringents for cosmetic purposes; cosmetic preparations for skin care; cosmetics; toiletry preparations; phytocosmetic preparations; herbal extracts for cosmetic purposes; extracts of flowers [perfumes].

(260) AM 2019 100138 A

(800) 1429361

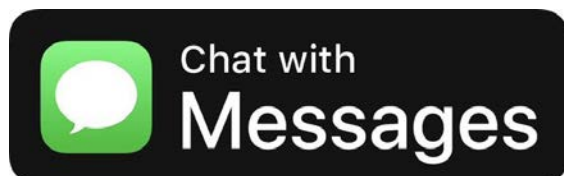
(151) 2018 08 15

(891) 2018 08 15

(731) APPLE INC.

One Apple Park Way, Cupertino CA 95014, USA

(540)



(591) The color(s) green, white and black is/are claimed as a feature of the mark

(531) 01.15.21; 26.04.07; 26.04.18; 26.04.24; 29.01.13

(511)

9 – Software for the transmission of text, data, images, audio, video and other digital content by wireless communication networks and the Internet; computer software for electronic messaging and wireless digital messaging.

(260) AM 2019 100141 A

(800) 1429370

(151) 2018 08 29

(891) 2018 08 29

(731) LASER-EXPORT CO. LTD.

ul. Vvedenskogo, d. 3, k. 8, etazh 2, komn. 1, RU-117342 Moscow, Russian Federation

(540)

ELANIK

(591) Black, white

(511)

9 – Laser analyzers (measuring apparatus).

(260) AM 2019 100152 A

(800) 1429695

(151) 2018 08 21

(891) 2018 08 21

(731) PHILIP MORRIS BRANDS SÀRL

Quai Jeanrenaud 3, CH-2000 Neuchâtel, Switzerland

(540)



(591) Black, white

(531) 02.01.01; 02.01.05; 02.01.16; 02.01.23; 09.07.25; 10.03.01

(511)

34 – Tobacco, raw or manufactured; tobacco products; cigars, cigarettes, cigarillos, tobacco for roll-your-own cigarettes, pipe tobacco, chewing tobacco, snuff tobacco, kretek; snus; tobacco substitutes (not for medical purposes); electronic cigarettes; tobacco products for the purpose of being heated; electronic devices and their parts for the purpose of heating cigarettes or tobacco in order to release nicotine-containing aerosol for inhalation; liquid nicotine solutions for use in electronic cigarettes; smokers' articles, cigarette paper, cigarette tubes, cigarette filters, tobacco tins, cigarette cases, ashtrays, pipes, pocket apparatus for rolling cigarettes, lighters, matches.

(260) AM 2019 100153 A

(800) 1429728

(151) 2018 04 13

(891) 2018 04 13

(731) Limited Liability Company "ASSOCIATION "SOYUZPICH SHEPROM"

pos. Melkombinat-2, uchastok 1, d. 37, RU-454080 Chelyabinsk, Russian Federation

(540)



(591) Green, light green and white

(531) 26.04.05; 26.04.22; 26.04.24; 26.13.01; 29.01.12

(511)

29 – Coconut milk; condensed milk; corn oil for food; kephir [milk beverage], including oat kephir;

kissel, including oat kissel; linseed oil for food; low-fat potato chips; milk products, including those with the addition of oats; milk substitutes; oat milk; oils for food; peanut milk; potato chips; powdered milk; rice milk for culinary purposes; rice milk; soya milk; sunflower oil for food; tofu; yogurt, including oat yogurt.

30 – Cereal bars; cereal preparations; cereal-based snack food; chips [cereal products]; corn flakes; crushed barley; crushed oats; dough; flour; groats for human food; high-protein cereal bars; hominy grits; husked oats; macaroni; muesli; noodles; oat flakes; oat-based food; oatmeal; pasta; pies; pizzas; rice; rice-based snack food; semolina; spaghetti; vermicelli [noodles]; wheat flour.

32 – Almond-based beverages, other than milk; cereal-based beverages; nut-based beverages; rice-based beverages, other than milk substitutes; soya-based beverages, other than milk substitutes.

(260) AM 2019 100155 A

(800) 912464

(151) 2006 10 20

(891) 2018 10 04

(731) MESSE FRANKFURT GMBH

Ludwig-Erhard-Anlage 1, 60327 Frankfurt
am Main, Germany

(540)



(591) Black, white

(531) 26.04.09; 27.05.01

(511)

16 – Printed matter, particularly newspapers, periodicals, magazines, cards, catalogues, pamphlets, handbooks, prospectuses, posters and photographs; instructional and teaching material (except apparatus).

35 – Advertising; marketing research; telemarketing; personnel management consultancy, employment agencies; organization and conducting of trade fairs, exhibitions, special shows and selling events for commercial or advertising purposes; business management, particularly in respect of organizing and conducting trade fairs, exhibitions, special shows and selling events; presentation of business companies and their products and services, also via the Internet; sales promotion for others; merchandising; demonstration of goods; arranging contacts between commercial partners in trade and industry, also via the Internet; providing and rental of advertising space and advertising material; management consultancy, particularly in respect of organizing and conducting trade fairs, exhibitions, special shows and selling events; compilation and administration of information in computer databases.

41 – Education; providing of training; entertainment; sporting and cultural activities; personnel consultancy with regard to education and training; vocational guidance; organization and conducting of exhibitions and special shows for cultural, educational or tuition purposes; organization and conducting of instructional shows, of congresses, seminars, conferences, symposia and workshops; arranging and conducting of colloquiums; production and organization of shows; organization and conducting of balls; organization and conducting of competitions; presentation of live performances; orchestra services; party planning; booking of seats for shows.

(260) AM 2019 100157 A

(800) 1429760

(151) 2018 08 23

(891) 2018 08 23

(731) RRI Financial, Inc.

7815 Walton Parkway, New Albany OH
43054, USA

(540)

**HOMETOWNE STUDIOS BY RED
ROOF**

(591) Black, white

(511)

43 – Hotel services; providing extended-stay hotels.

(260) AM 2019 100158 A

(800) 1429764

(151) 2018 07 02

(891) 2018 07 02

(731) BENSHANG LIFE (SHENZHEN)
TECHNOLOGY, CO., LTD.

2607, W. Tower of Nanshan Software Park,
10128 Shennan Ave., Nantou St., Nanshan,
Shenzhen, Guangdong, China

(540)



(591) Black, white

(531) 26.04.04; 26.04.18; 26.04.24; 26.07.20

(511)

24 – Felt; towels of textile; bath towels; bed linen; bath mitts; handkerchiefs of textile; cotton fabrics; cloth; non-woven textile fabrics; wall hangings of textile.

(260) AM 2019 100159 A

(800) 1429795

(151) 2018 08 03

(891) 2018 08 03

(731) BIOFARMA

50 rue Carnot, F-92284 Suresnes Cedex,
France

(540)

ДЕТРАПРОКТ

(591) Black, white

(531) 28.05

(511)

5 – Pharmaceutical products, medical and veterinary preparations; sanitary products for medical purposes; dietetic food and substances for medical or veterinary use, food for babies; food supplements for humans and animals; plasters, materials for dressings; material for dental fillings and dental impressions; disinfectants; products for destroying vermin; fungicides, herbicides.

(260) AM 2019 100160 A

(800) 1429832

(151) 2018 08 16

(891) 2018 08 16

(731) RIEKER HOLDING AG

Stockwiesenstrasse 1, CH-8240 Thayngen,
Switzerland

(540)

RIEKER

(591) Black, white

(511)

18 – Leather and imitations of leather; bags; handbags.

25 – Clothing, shoes, footwear, headgear, belts.

(260) AM 2019 100161 A

(800) 1429836

(151) 2018 08 31

(891) 2018 08 31

(731) MBDA FRANCE

1 avenue Réaumur, F-92350 LE PLESSIS-
ROBINSON, France

(540)

ИМПАКТ

(591) Black, white

(511)

13 – Armored turrets fitted on land vehicles; machine gun turrets.

(260) AM 2019 100162 A

(800) 1429863

(151) 2018 07 13

(891) 2018 07 13

(731) Limited Liability Company "GRIN-C"

Altufievskoe shosse, 56, RU-127549 Moscow,
Russian Federation

(540)



(591) Black, white

(531) 26.01.11; 26.01.18; 27.01.01; 27.05.01

(511)

11 – Devices for water distribution and sanitation, hand drying apparatus for washrooms; water purifying apparatus and machines; hydromassage bath apparatus; air deodorizing apparatus; drying apparatus; water heaters; flushing tanks; water flushing installations; bidets; bath tubs; spa baths [vessels]; bath tubs for sitz baths; showers; shower enclosures; Turkish bath cabinets, portable; mixer faucets for water pipes; heaters for baths; sauna bath installations; urinals [sanitary fixtures]; water intake apparatus; sanitary apparatus and installations; regulating and safety accessories for water apparatus; toilet seats; sinks; disinfectant dispensers for toilets; toilets, portable; wash-hand basins [parts of sanitary installations]; toilet bowls; water conduits installations; toilets [water-closets]; water distribution installations; regulating accessories for water or gas apparatus and pipes; bath installations.

20 – Furniture; bathroom furniture; curtain holders, not of textile material; pegs [pins], not of metal; mirrors [looking glasses]; furniture of metal; curtain hooks; clothes hooks, not of metal; removable mats or covers for sinks; racks [furniture]; furniture shelves; towel stands [furniture]; shelves for storage; towel dispensers, fixed, not of metal; seats of metal; tanks, not of metal nor of masonry; door handles, not of metal; washstands [furniture]; trolleys [furniture]; screens [furniture]; wardrobes.

(260) AM 2019 100163 A

(800) 1429880

(151) 2018 03 22

(891) 2018 03 22

(731) KOMAROV DMYTRO KOSTIANTYNOVYCH

Bratyslavka str. 26, ap 106, Kyiv 02156,
Ukraine

(540)



(591) Black, white
(531) 25.01.25; 28.05
(511)

35 – Dissemination of advertising matter; sponsorship search; on-line advertising on a computer network; television advertising; radio advertising; systemization of information into computer databases; business management of performing artists; commercial information and advice for consumers in the choice of products and services; organization of exhibitions for commercial or advertising purposes.

41 – Organization of shows [impresario services]; organization of exhibitions for cultural or educational purposes; organization of balls; arranging and conducting of concerts; arranging of beauty contests; organization of fashion shows for entertainment purposes; electronic desktop publishing; production of radio and television programmes; movie studio services; entertainment services; recording studio services; microfilming; videotape editing; providing on-line electronic publications, not downloadable; writing of texts; rental of lighting apparatus for theatrical sets or television studios; production of shows; presentation of live performances; music composition services; layout services, other than for advertising purposes; party planning [entertainment]; booking of seats for shows; on-line publication of electronic books and journals; publication of texts, other than publicity texts; entertainer services; radio entertainment; subtitling; theatre productions; television entertainment; photography.

(260) AM 2019 100164 A
(800) 1429881
(151) 2018 08 02
(891) 2018 08 02
(731) BONAITI SERRATURE S.P.A.
Via Fratelli Bonacina, 20, I-23801
Calolziocorte (LC), Italy
(540)



(591) Black, white
(531) 26.11.02; 26.11.13
(511)

6 – Metal handles; door handles of metal; door pulls of metal; door locks; locks of metal; spring locks; metal locksets; metal locks for doors; lock barrels of metal; locking gate hasps of metal; metal bump keys

for locksmithing; metal keys for locks; hinges of metal; keys of metal; split rings of common metal for keys; metal gate latches; door bolts of metal; window casement bolts; metal knockers; letter boxes of metal; metal nameplates and door nameplates; metal name plates; doorplates of metal; metal security lock cylinders.

9 – Electronic locks; locks, electric; locks [electric] with alarms; card operated electronic locks; electronic door locks; digital door locks; electronic lock assemblies; combination locks (non-metallic -) [electric]; radio operated door lock controls; identification strips [magnetic]; magnetic strip readers; magnetic coded card readers; mobile apps; downloadable software applications.

(260) AM 2019 100165 A
(800) 1429882
(151) 2018 08 02
(891) 2018 08 02
(731) BONAITI SERRATURE S.P.A.
Via Fratelli Bonacina, 20, I-23801
Calolziocorte (LC), Italy
(540)



(591) Black, white
(531) 26.04.12; 26.04.19; 26.04.24; 26.11.02;
26.11.13; 27.05.01; 27.05.21
(511)

6 – Metal handles; door handles of metal; door pulls of metal; door locks; locks of metal; spring locks; metal locksets; metal locks for doors; lock barrels of metal; locking gate hasps of metal; metal bump keys for locksmithing; metal keys for locks; hinges of metal; keys of metal; split rings of common metal for keys; metal gate latches; door bolts of metal; window casement bolts; metal knockers; letter boxes of metal; metal nameplates and door nameplates; metal name plates; doorplates of metal; metal security lock cylinders.

9 – Electronic locks; locks, electric; locks [electric] with alarms; card operated electronic locks; electronic door locks; digital door locks; electronic lock assemblies; combination locks (non-metallic -) [electric]; radio operated door lock controls; identification strips [magnetic]; magnetic strip readers; magnetic coded card readers; mobile apps; downloadable software applications.

(260) AM 2019 100166 A
 (800) 1429914
 (151) 2018 03 12
 (891) 2018 03 12
 (731) ZARATE CORPORATION N.V.
 Penstraat 35, Curaçao
 (540)

COSMOPOLITAN

(591) Black, white
 (511)
 34 – Tobacco; smokers' articles; matches.

(260) AM 2019 100167 A
 (800) 1429915
 (151) 2018 03 12
 (891) 2018 03 12
 (731) ZARATE CORPORATION N.V.
 Penstraat 35, Curaçao
 (540)

AMICA

(591) Black, white
 (511)
 34 – Tobacco; smokers' articles; matches.

(260) AM 2019 100168 A
 (800) 1429957
 (151) 2018 07 02
 (891) 2018 07 02
 (731) SHENZHEN OTOT ELECTRONIC GROUP
 CO., LTD.
 Floor 6, building B, Jiuwei the Third Industrial
 Zone, Xixiang Street, Baoan District,
 Shenzhen, Guangdong Province, China
 (540)



(591) Black, white
 (531) 01.15.23; 16.03.03; 26.01.03; 26.01.11;
 26.01.24; 26.04.03
 (511)
 9 – Cellular phones; smartphones; portable telepho-
 nes; radiotelephony sets; humanoid robots with arti-
 ficial intelligence; electro-dynamic apparatus for the
 remote control of signals; equipment for commu-
 nication network; anti-interference devices [electrici-
 ty]; network servers; computer software applicati-
 ons, downloadable.

(260) AM 2019 100169 A
 (800) 1429979
 (151) 2018 03 12
 (891) 2018 03 12
 (731) ZARATE CORPORATION N.V.
 Penstraat 35, Curaçao
 (540)

GENTLEMAN

(591) Black, white
 (511)
 34 – Tobacco; smokers' articles; matches.

(260) AM 2019 100170 A
 (800) 1429993
 (151) 2018 03 12
 (891) 2018 03 12
 (731) ZARATE CORPORATION N.V.
 Penstraat 35, Curaçao
 (540)

EXTE

(591) Black, white
 (511)
 34 – Tobacco; smokers' articles; matches.

(260) AM 2019 100183 A
 (800) 1430414
 (151) 2018 08 08
 (891) 2018 08 08
 (731) PEPINOVA AYTEN FUAD KIZI
 ul. Arkhitektora Vlasova, d. 8, kv. 248,
 RU-117335 Moscow, Russian Federation
 (540)



(591) Black, white
 (531) 01.03.01; 01.03.07; 01.03.16; 01.03.20;
 25.03.01; 25.03.07; 26.04.04; 26.04.06;
 26.04.13; 26.04.24; 27.05.24
 (511)
 1 – Ceramic glazings; ceramic compositions for sin-
 tering [granules and powders]; adhesives for wall
 tiles; solvents for varnishes; enamel-staining chemi-
 cals; chemicals, except pigments, for the manufactu-
 re of enamel.
 2 – Whites [colorants or paints]; white lead; glazes
 [paints, lacquers]; primers; carbonyl [wood preser-
 vative]; dyewood; aluminium paints; asbestos paints;
 wood stains; ceramic paints; distempers; fireproof
 paints; anti-fouling paints; enamels for painting;
 paints; bronzing lacquers; copal varnish; lacquers;

anti-corrosive bands; anti-rust oils; oils for the preservation of wood; mastic [natural resin]; lime wash; thickeners for paints; silver paste; pigments; gildings; coatings [paints]; coatings for roofing felt [paints]; wood coatings [paints]; aluminium powder for painting; bronze powder for painting; silvering powders; agglutinants for paints; anti-corrosive preparations; protective preparations for metals; thinners for paints; thinners for lacquers; whitewash; anti-rust greases; badigeon; anti-tarnishing preparations for metals; wood preservatives; sumac for varnishes; minium; turpentine [thinner for paints]; yellowwood [colorant]; dyewood extracts; enamels [varnishes]; dyes; fixatives [varnishes]; anti-rust preparations; siccatives [drying agents] for paints; sienna earth; metals in powder form for use in painting, decorating, printing and art; undercoating for vehicle chassis.

19 – Stained-glass windows; plaster; earth for bricks; clay; gravel; aquarium gravel; wood for making household utensils; veneer wood; moldable wood; limestone; lime; works of stonemasonry; stone; rubble; artificial stone; silver sand; cement slabs; wood paving; luminous paving blocks; macadam; bituminous coatings for roofing; statues of stone, concrete or marble; figurines [statuettes] of stone, concrete or marble; gypsum [building material]; works of art of stone, concrete or marble; wood pulp board for building; cement posts; tiles, not of metal, for building; floor tiles, not of metal; linings, not of metal, for building; fireproof cement coatings; paving blocks, not of metal; roof coverings, not of metal; sills, not of metal; agglomerated cork for building; shutters, not of metal; outdoor blinds, not of metal and not of textile.

(260) AM 2019 100214 A
(800) 848115
(151) 2005 03 11
(891) 2018 10 08
(731) MULTALER ET CIE
43 rue Victor Hugo, F-92700 Colombes,
France

(540)

(591) Black, white
(531) 27.05.01; 27.05.19; 27.05.22
(511)
3 – Perfumery and cosmetics.
44 – Beauty salon services.

(260) AM 2019 100221 A
(800) 1371993
(151) 2017 07 18
(891) 2018 09 21
(731) "A-TRADE" LTD CO
Partizanskaya street, 11AV, RU-195027
SAINT-PETERSBURG, Russian Federation

(540)



(591) Black-light and brown-white.
(531) 27.05.22; 29.01.13
(526) ®.
(511)
5 – Herbal teas for medicinal purposes; medicinal herbs.
30 – Artificial coffee; chicory [coffee substitute]; coffee; coffee-based beverages; tea; tea-based beverages.
35 – Sales promotion for others.

(260) AM 2019 100222 A
(800) 1430966
(151) 2018 03 22
(891) 2018 03 22
(731) WORLD MEDICINE İLAÇ SANAYİ VE
TİCARET ANONİM ŞİRKETİ
Evren Mah. Cami Yolu Cad. No:50, Güneşli,
Bağcılar, İstanbul, Turkey

(540)

NETILMED
НЕТИЛМЕД

(591) Black, white
(531) 28.05
(511)
5 – Medicines for human purposes, medicines for veterinary purposes, vitamin preparations, chemical preparations for medical purposes, dietetic substances adapted for medical use, dietetic foods adapted for medical purposes, baby foods, medicinal herbs, herbal beverages adapted for medical purposes, nutritional supplements, pollen dietary supplements, mineral food supplements, protein dietary supplements, dietary supplements for animals, fodder supplements for veterinary purposes, medicines for dental purposes, hygienic products for medical purposes including sanitary pads, breast-nursing pads and bunion pads, waddings for medical purposes, plasters

for medical purposes, dressings for medical purposes, babies' napkins, preparations for destroying noxious plants, preparations for destroying noxious animals, fungicides, deodorants other than for human beings or for animals, air deodorising preparations, disinfectants for hygiene purposes, antiseptics, detergents for medical purposes.

(260) AM 2019 100225 A

(800) 1431041

(151) 2018 05 16

(891) 2018 05 16

(731) KILIÇ TEKSTİL SANAYİ VE TİCARET LİMİTED ŞİRKETİ
Kemalpaşa Mah. Gençtürk Cadde No.7, Laleli
Fatih, İstanbul, Turkey

(540)

Pleasure
Home Style

(591) Black, white

(531) 27.05.01; 27.05.13; 27.05.19

(511)

24 – Textiles and substitutes for textile; household linen; curtains of textile or plastic.

(260) AM 2019 100226 A

(800) 1431049

(151) 2018 02 13

(891) 2018 02 13

(731) YIWU DINGQI HARDWARE FIRM
Number F4-19265, International Trade City,
China Commodity City, Yiwu, Zhejiang,
China

(540)


DINGQI
鼎 企

(591) Black, white

(531) 24.09.05; 26.13.25; 27.05.01

(511)

8 – Hand tools, hand-operated; abrading instruments [hand instruments]; agricultural implements, hand-operated; wrenches [hand tools]; daggers; guns, hand-operated, for the extrusion of mastics; hobby knives [scalpels]; table cutlery [knives, forks and spoons]; handy press tools, hand-operated; graving tools [hand tools].

(260) AM 2019 100229 A

(800) 1431104

(151) 2018 07 20

(891) 2018 07 20

(731) Joint-Stock Company "VORONEZHSKAYA
CONDITERSKAYA FABRIKA"
ul. Koltsovskaya, d. 40, RU-394030
Voronezh, Russian Federation

(540)

Попрыгунья-стрекоза

(591) Black, white

(531) 28.05

(511)

30 – Confectionery; sweetmeats [candy]; caramels [candy]; waffles; cookies.

(260) AM 2019 100234 A

(800) 1431200

(151) 2018 09 05

(891) 2018 09 05

(731) ZANOTELLI AG

St. Alban-Anlage 58; CH-4052 Basel, Switzerland

(540)



(591) Black, white

(531) 05.03.20; 27.05.01

(511)

29 – Olive oil from Spain.

(260) AM 2019 100236 A

(800) 1431236

(151) 2018 08 20

(891) 2018 08 20

(731) Limited liability company "AUTOMOBILE
PLANT "GAZ"
prospekt Ilycha, 5, RU-603004 Nizhny
Novgorod, Russian Federation

(540)

GAZELLE NEXT

(591) Black, white

(531) 27.05.01; 27.05.10

(511)

16 – Note books; pamphlets; booklets; wrapping paper; printed publications; calendars; paper tapes; graphic prints; plastic cling film, extensible, for palletization; greeting cards; paper bags; folders for papers; plastic film for wrapping; prospectuses; flags of paper; flyers; labels with the exception of tissue;

products of paper or plastics, for packaging; cardboard; envelopes [stationery]; boxes of paper or cardboard; stickers [stationery]; covers [stationery]; blueprints; shields [paper seals].

28 – Toy vehicles; toys; games; toy models; scale model kits [toys]; scale model vehicles; radio-controlled toy vehicles.

(260) AM 2019 100238 A

(800) 1431256

(151) 2018 05 22

(891) 2018 05 22

(731) "CHIMPHARM" JSC

ul. Rashidova, 81, 160019 g. Shymkent,
Kazakhstan

(540)

Мукалсан
MucalSAN

(591) Black, white

(531) 28.05

(511)

5 – Pharmaceutical preparations; dietary supplements for humans and animals.

35 – Retail or wholesale services for pharmaceutical, veterinary and sanitary preparations and medical supplies; market studies; marketing; presentation of goods on communication media, for retail purposes.

(260) AM 2019 100241 A

(800) 1431318

(151) 2017 05 16

(891) 2017 05 16

(731) ASOS plc

Greater London House, Hampstead Road,
London NW1 7FB, United Kingdom

(540)

ASOS

(591) Black, white

(511)

28 – Games and playthings; gymnastic and sporting articles; decorations for Christmas trees; action toys; action figure toys; American footballs; accessories for toy vehicles; accessories for toy trains; accessories for toy buildings; accessories for toy animals; accessories for dolls; accessories for action figure toys; apparatus for games; apparatus for performing magic tricks; artificial Christmas trees; articles of clothing for toys; baby dolls; badminton sets; bags adapted for use with sporting equipment; balls for games; balloons [party novelties]; balls for racket sports; balls for sports; bar-bells; bath toys; baseball gloves; beach balls; bean bag animals; beanbags being playthings; bells for Christmas trees; board games; body-building apparatus; boxing gloves; build-

ing blocks [toys]; building games; candle holders for Christmas trees; carnival masks; cat toys; checkerboards; checkers [games]; chessboards; Christmas crackers; Christmas dolls; Christmas stockings; Christmas tree ornaments and decorations; Christmas tree ornaments and decorations, except confectionery and electric Christmas tree lights; Christmas tree skirts; Christmas trees of synthetic material; clockwork toys; clothing for teddy bears; conjuring apparatus; controllers for game consoles; controllers for toys; costume masks; dart games; darts; dice; dice games; discuses for sports; dog toys; dolls; dolls' clothes; dominoes; drones [toys]; dumb-bells; educational toys; electronic action toys; electronic dart games; electronic games apparatus; electronic targets; electronic toys; exercise balls; explosive bonbons [Christmas crackers]; face masks for sports; fitness machines and apparatus; flippers for swimming; game consoles; game machines and apparatus; games; gloves for games; gymnastic and sporting articles; hand-held electronic games; hand-held game consoles; hoops for children; hoops for exercise; inflatable toys; jigsaw puzzles; kites; machines for physical exercises; marbles for games; masks [playthings]; mechanical action toys; mechanical toys; memory games; mobiles [toys]; musical Christmas tree ornaments; musical toys; nets for ball games; nets for sports; novelty face masks; novelty fake teeth; novelty masks; novelties for parties, dances [party favors, favours]; outdoor play equipment; outdoor toys; paper party hats; party poppers; plastic toy figurines; plastic toys; play balloons; playing balls; playing cards; pool tables; practical jokes [novelties]; punching bags; protective paddings [parts of sports suits]; puppets; puzzles; rackets; radio-controlled scale model vehicles; radio-controlled miniature aerial targets for sports; radio-controlled toys; radio-controlled toy vehicles; remote-controlled scale model vehicles; ride-on toy cars; ride-on toys; role playing games; rugby balls; scale model kits [toys]; scale models; scale model vehicles; skateboards; soccer balls; soft toys; sports equipment; sporting articles; stacking blocks; stacking boxes; stacking toys; stuffed toys; tables for table tennis; talking toys; targets; teddy bears; tennis equipment; theatrical masks; toy Christmas trees; toy figures; toy models; toy robots; toy racing sets; toys; toys for children; toys for domestic pets; toy vehicles; trampolines; trivia cards [games]; trivia games played with cards and game components; video game consoles; video game apparatus; water-squirting toys; wooden toys; quiz games; footballs [soccer]; soccer goals; soccer goal nets; soccer goalkeepers' gloves; shin guards for soccer; footballs [American football]; football pads; football body protectors; goals for American football; parts and fittings for the aforesaid goods; but none of the aforesaid goods relating to cycling.

(260) AM 2019 100253 A

(800) 1431478

(151) 2018 01 31

(891) 2018 01 31

(731) MRS VALERIE ANN INGRAM

Arion Business Centre, Harriet House,
118a High Street, Erdington BIRMINGHAM
B23 6BG, United Kingdom;

MR PAUL STUART INGRAM

Mr P S Ingram, Harriet House, 118a
High Street, Erdington BIRMINGHAM
B23 6BG, United Kingdom

(540)



(591) Black & Red

(531) 01.01.01; 01.01.10; 01.05.06; 01.05.11;
01.05.23; 01.11.08; 09.01.10; 09.03.17;
26.01.01; 26.01.16; 26.01.18; 27.01.12;
29.01.12

(511)

41 – Advisory services relating to the organisation of sporting events; advisory services relating to training; arrangement of sports competitions; arranging and conducting competitions; arranging and conducting conferences and seminars; arranging and conducting of sports competitions; arranging and conducting of sports events; arranging and conducting of training courses; arranging and conducting of training seminars; arranging of courses of instruction; arranging of seminars relating to training; arranging of sporting events; arranging of sports competitions; coaching in the field of sports; coaching services for sporting activities; competitions (organising of sports -); competitions (organization of sports -); organisation of sporting competitions; organisation of sporting competitions and sports events; organisation of sporting events; organisation of sporting events and competitions; organization of boxing matches; organization of competitions.

(260) AM 2019 100343 A

(800) 1433089

(151) 2018 07 12

(891) 2018 07 12

(731) Obshchestvo s ogranichennoy

tvetstvennostyu "KVADRAT-C"

2-y Irtyskiy proezd, 4B, kor. 5, RU-107143
Moscow, Russian Federation

(540)

ВИТАМИР

(591) Black, white

(531) 28.05

(511)

5 – Pharmaceutical and veterinary preparations; sanitary preparations for medical purposes; dietetic food and substances adapted for medical or veterinary use; dietary supplements for humans and animals; material for stopping teeth, dental wax; disinfectants; preparations for destroying noxious animals; fungicides, herbicides, including acaricides; aconitine; alkaloids for medical purposes; alginates for pharmaceutical purposes; algicides; aldehydes for pharmaceutical purposes; dental amalgams of gold; dental amalgams; amino acids for veterinary purposes; amino acids for medical purposes; analgesics; anaesthetics; antibiotics; antiseptics; medicine cases, portable, filled; first-aid boxes, filled; aluminium acetate for pharmaceutical purposes; acetates for pharmaceutical purposes; germicides; balms for medical purposes; bandages for dressings; biocides; bromine for pharmaceutical purposes; paper for mustard plasters; fly catching paper; mothproofing paper; petroleum jelly for medical purposes; vaccines; oxygen baths; antiseptic cotton; aseptic cotton; absorbent cotton; wadding for medical purposes; cotton for medical purposes; dietetic substances adapted for medical use; radiological contrast substances for medical purposes; nutritive substances for microorganisms; radioactive substances for medical purposes; bismuth subnitrate for pharmaceutical purposes; melissa water for pharmaceutical purposes; sea water for medicinal bathing; mineral waters for medical purposes; thermal water; dietary fiber; molding wax for dentists; gases for medical purposes; guaiaicol for pharmaceutical purposes; hematogen; hemoglobin; hydrastine; hydrastinine; glycerine for medical purposes; glycerophosphates; glucose for medical purposes; gentian for pharmaceutical purposes; hormones for medical purposes; mustard for pharmaceutical purposes; mustard plasters; mud for baths; medicinal mud; gamboge for medical purposes; gurjun balsam for medical purposes; air deodorizing preparations; deodorants, other than for human beings or for animals; deodorants for clothing and textiles; diastase for medical purposes; mineral food supplements; nutritional supplements; albumin dietary supplements; alginate dietary supplements; glucose dietary supplements; casein dietary supplements; lecithin dietary supplements; linseed oil dietary supplements; propolis dietary supplements; protein dietary supplements; protein supplements for animals; royal jelly dietary supplements; pollen dietary supplements; wheat germ dietary supplements; linseed dietary supplements; enzyme dietary supplements; yeast for pharmaceutical purposes; gelatine for medical purposes; cod liver oil; isotopes for me-

dical purposes; insecticides; iodine for pharmaceutical purposes; iodides for pharmaceutical purposes; alkaline iodides for pharmaceutical purposes; iodoform; calomel [fungicide]; cream of tartar for pharmaceutical purposes; tartar for pharmaceutical purposes; camphor for medical purposes; capsules for medicines; cachets for pharmaceutical purposes; hemostatic pencils; wart pencils; caustic pencils; carbolineum [parasiticide]; caustics for pharmaceutical purposes; cachou for pharmaceutical purposes; quassia for medical purposes; quebracho for medical purposes; oxygen for medical purposes; gallic acid for pharmaceutical purposes; acids for pharmaceutical purposes; adhesives for dentures; stem cells for veterinary purposes; stem cells for medical purposes; cocaine; collodion for pharmaceutical purposes; corn rings for the feet; candy, medicated; angostura bark for medical purposes; barks for pharmaceutical purposes; cedar wood for use as an insect repellent; condurango bark for medical purposes; croton bark; mangrove bark for pharmaceutical purposes; myrobalan bark for pharmaceutical purposes; quinquina for medical purposes; medicinal roots; rhubarb roots for pharmaceutical purposes; lint for medical purposes; starch for dietetic or pharmaceutical purposes; creosote for pharmaceutical purposes; blood for medical purposes; cultures of microorganisms for medical or veterinary use; curare; dental lacquer; liquorice for pharmaceutical purposes; lactose for pharmaceutical purposes; candy for medical purposes; adhesive plasters; medicines for alleviating constipation; adhesive tapes for medical purposes; lecithin for medical purposes; lotions for veterinary purposes; lotions for pharmaceutical purposes; personal sexual lubricants; lupulin for pharmaceutical purposes; magnesia for pharmaceutical purposes; liniments; ointments for pharmaceutical purposes; sunburn ointments; mercurial ointments; frostbite salve for pharmaceutical purposes; gauze for dressings; medicinal oils; mustard oil for medical purposes; camphor oil for medical purposes; castor oil for medical purposes; oil of turpentine for pharmaceutical purposes; dill oil for medical purposes; dental mastics; dental abrasives; dressings, medical; surgical dressings; drugs for medical purposes; medicines for veterinary purposes; serotherapeutic medicines; medicines for human purposes; medicines for dental purposes; menthol; medicinal drinks; moleskin for medical purposes; almond milk for pharmaceutical purposes; royal jelly for pharmaceutical purposes; milk ferments for pharmaceutical purposes; Irish moss for medical purposes; flour for pharmaceutical purposes; linseed meal for pharmaceutical purposes; fish meal for pharmaceutical purposes; fly glue; mint for pharmaceutical purposes; dietetic beverages adapted for medical purposes; malted milk beverages for medical purposes; narcotics; medicinal infusions; tincture of iodine; eucalyptol for pharmaceutical purposes; tinctures for medical purposes; opium; opo-

deldoc; detergents for medical purposes; antiparasitic collars for animals; stick liquorice for pharmaceutical purposes; sulfur sticks [disinfectants]; pastilles for pharmaceutical purposes; pectin for pharmaceutical purposes; pepsins for pharmaceutical purposes; peptones for pharmaceutical purposes; hydrogen peroxide for medical purposes; food for babies; leeches for medical purposes; blood plasma; plasters for medical purposes; eyepatches for medical purposes; poultices; compresses; scapulars for surgical purposes; babies' diapers; bunion pads; breast-nursing pads; pomades for medical purposes; powder of cantharides; pyrethrum powder; anti-uric preparations; bacterial preparations for medical and veterinary use; bacteriological preparations for medical and veterinary use; balsamic preparations for medical purposes; albuminous preparations for medical purposes; biological preparations for veterinary purposes; biological preparations for medical purposes; bismuth preparations for pharmaceutical purposes; vitamin preparations; diagnostic preparations for medical purposes; therapeutic preparations for the bath; hemorrhoid preparations; preparations for callouses; preparations to facilitate teething; preparations for the treatment of burns; fumigation preparations for medical purposes; opotherapy preparations; air purifying preparations; medicated eye-washes; bronchodilating preparations; preparations for reducing sexual activity; sterilising preparations; soil-sterilising preparations; corn remedies; pharmaceutical preparations for treating dandruff; preparations for destroying noxious plants; preparations for destroying dry rot fungus; larvae exterminating preparations; fly destroying preparations; preparations for destroying mice; slug exterminating preparations; vermin destroying preparations; pharmaceutical preparations for skin care; contact lens cleaning preparations; lime-based pharmaceutical preparations; medicinal hair growth preparations; opiates; anticryptogamic preparations; aloe vera preparations for pharmaceutical purposes; preparations of trace elements for human and animal use; sulfonamides [medicines]; pharmaceutical preparations for treating sunburn; enzyme preparations for veterinary purposes; enzyme preparations for medical purposes; chemico-pharmaceutical preparations; chemical preparations for veterinary purposes; chemical preparations for the diagnosis of pregnancy; chemical preparations for medical purposes; chemical preparations to treat wheat blight [smut]; vine disease treating chemicals; chemical preparations to treat mildew; chemical preparations for treating phylloxera; chemical preparations for pharmaceutical purposes; chilblain preparations; mothproofing preparations; collyrium; lead water; chemical conductors for electrocardiograph electrodes; albuminous foodstuffs for medical purposes; dietetic foods adapted for medical purposes; by-products of the processing of cereals for dietetic or medical purposes; sanitary towels; panty liners

[sanitary]; propolis for pharmaceutical purposes; pearl powder for medical purposes; radium for medical purposes; hydrated chloral for pharmaceutical purposes; solvents for removing adhesive plasters; vaginal washes for medical purposes; solutions for contact lenses; chemical reagents for medical or veterinary purposes; gum for medical purposes; rubber for dental purposes; chewing gum for medical purposes; insect repellents; insect repellent incense; repellents for dogs; tissues impregnated with pharmaceutical lotions; sarsaparilla for medical purposes; sugar for medical purposes; asthmatic tea; fumigating sticks; linseed for pharmaceutical purposes; tobacco-free cigarettes for medical purposes; siccatives [drying agents] for medical purposes; syrups for pharmaceutical purposes; turpentine for pharmaceutical purposes; milking grease; greases for veterinary purposes; greases for medical purposes; lacteal flour for babies; soporifics; bicarbonate of soda for pharmaceutical purposes; bath salts for medical purposes; salts for mineral water baths; salts for medical purposes; potassium salts for medical purposes; sodium salts for medical purposes; smelling salts; mineral water salts; malt for pharmaceutical purposes; semen for artificial insemination; medicinal alcohol; alloys of precious metals for dental purposes; ergot for pharmaceutical purposes; cooling sprays for medical purposes; adjuvants for medical purposes; astringents for medical purposes; vermifuges; disinfectants for hygiene purposes; disinfectants for chemical toilets; douching preparations for medical purposes; appetite suppressants for medical purposes; medical preparations for slimming purposes; parasiticides; mouthwashes for medical purposes; febrifuges; depuratives; animal washes [insecticides]; cattle washes [insecticides]; dog washes [insecticides]; vesicants; purgatives; remedies for perspiration; remedies for foot perspiration; chemical contraceptives; antiparasitic preparations; sedatives; laxatives; tonics [medicines]; nervines; digestives for pharmaceutical purposes; media for bacteriological cultures; steroids; strychnine; suppositories; serums; tanning pills; appetite suppressant pills; slimming pills; yeast dietary supplements; antioxidant pills; sanitary tampons; vulnerary sponges; thymol for pharmaceutical purposes; biological tissue cultures for veterinary purposes; biological tissue cultures for medical purposes; smoking herbs for medical purposes; medicinal herbs; surgical implants comprised of living tissues; pants, absorbent, for incontinents; sanitary panties; babies' diaper-pants; charcoal for pharmaceutical purposes; fennel for medical purposes; porcelain for dental prostheses; phenol for pharmaceutical purposes; enzymes for veterinary purposes; enzymes for medical purposes; ferments for pharmaceutical purposes; formic aldehyde for pharmaceutical purposes; phosphates for pharmaceutical purposes; quinine for medical purposes; chinoline for medical purposes; diabetic bread adapted for me-

dical use; chloroform; flowers of sulfur for pharmaceutical purposes; cement for animal hooves; bone cement for surgical and orthopaedic purposes; dental cements; medicinal tea; herbal teas for medicinal purposes; eucalyptus for pharmaceutical purposes; tobacco extracts [insecticides]; extracts of hops for pharmaceutical purposes; elixirs [pharmaceutical preparations]; ethers for pharmaceutical purposes; esters for pharmaceutical purposes; cellulose esters for pharmaceutical purposes; cellulose ethers for pharmaceutical purposes; jujube, medicated; rat poison; poisons; bacterial poisons; jalap.

(260) AM 2019 100344 A

(800) 1433111

(151) 2018 06 29

(891) 2018 06 29

(731) AB BUSINESS LTD

Suite 1, 5 Percy Street, Fitzrovia, London
W1T 1DG, United Kingdom

(540)



(591) Black, white

(531) 26.01.03; 26.01.18; 26.01.21; 27.05.22

(511)

18 – Valise; trunks [luggage]; curried skins; business card cases; boxes of vulcanised fibre; key cases; vanity cases, not filled; purses; chain mesh purses; shopping bags; wheeled shopping bags; travelling trunks; travelling bags; chamois leather, other than for cleaning purposes skins of chamois, other than for cleaning purposes; handbag frames; frames for umbrellas or parasols; pocket wallets; umbrella rings; valves of leather; boxes of leather or leatherboard; hat boxes of leather; butts [parts of hides]; kid; travelling sets [leatherware]; umbrellas; parasols; leather straps; shoulder belts [straps]; beach bags; briefcases; grips for holding shopping bags; suitcase handles; backpacks; bags for sports; bags [envelopes, pouches] of leather, for packaging; garment bags for travel; handbags; bags for campers; bags; canes; umbrella sticks; card cases; wallets; suitcases; suitcases with wheels; umbrella covers; school bags; imitation leather; leather, unworked or semi-worked; leatherboard; animal skins; pelts; cattle skins; leather laces.

25 – Bandanas; berets; underclothing; brassieres; camisoles; bath slippers; footwear; veils; leggings, leg warmers; spats; gymnastic shoes; ready-made clot-

hing; corselets; fittings of metal for footwear; underwear; detachable collars; galoshes; hats; slippers; tights; lingerie; neckties; sleep masks; heel pieces for footwear; ear muffs; headbands; headgear for wear; half-boots; waterproof clothing; tips for footwear; hosiery; stockings; paper clothing; paper hats; heels; garters; soles for footwear; suspenders; pajamas; bathing trunks; beach shoes; beach clothes; ponchos; belts; non-slipping devices for footwear; heel pieces for stockings; welts for footwear; gloves; sandals; bath sandals; sports shoes; knitwear; shoes; skull caps; inner soles; tee-shirts; bath robes; boot uppers; pocket squares; scarves; top hats; boots; lace boots; shawls; socks.

35 – Administrative processing of purchase orders; cost price analysis; negotiation of business contracts for others; market studies; invoicing; demonstration of goods; economic forecasting, marketing; marketing research; price comparison services; procurement services for others; sponsorship search.

(260) AM 2019 100345 A

(800) 1433272

(151) 2018 02 07

(891) 2018 02 07

(731) EGIS GYÓGYSZERGYÁR ZRT.

Keresztúri út 30-38., H-1106 Budapest,
Hungary

(540)

ЭГИСЕНТ

(591) Black, white

(531) 28.05

(511)

3 – Cosmetics, hygienic preparations for personal use, shampoos, mouth washes, cleaning preparations.

5 – Disinfectants, pharmaceutical preparations, food supplements, bandages (terms considered too vague by the International Bureau – Rule 13 (2) (b) of the Common Regulations), mouth washes for medical purposes, antibacterial hand cleaners, antibacterial soaps, iodine for pharmaceutical use, ointments for pharmaceutical use, solutions, liquids for pharmaceutical and veterinary purposes, sterilising preparations, pesticides; fungicides, herbicides, biocides.

10 – Surgical, medical and veterinary apparatus and instruments, medical aids, medical devices, nursing technical devices.

(260) AM 2019 100347 A

(800) 1433314

(151) 2018 08 02

(891) 2018 08 02

(731) CHINT ELECTRIC CO., LTD

3555 Sixian Road, Songjiang District,
201620 Shanghai, China

(540)

SHENTAI

(591) Black, white

(531) 01.15.03; 27.03.12

(511)

9 – Transformers [electricity]; distribution boards [electricity]; distribution boxes [electricity]; circuit breakers; condensers [capacitors]; semi-conductors; integrated circuits; remote control apparatus; lightning rods; electric apparatus for commutation; batteries, electric; materials for electricity mains [wires, cables]; alarms; computer software applications, downloadable; intercommunication apparatus; electronic surveillance apparatus; measuring instruments; voltage regulators for vehicles; eyeglasses.

(260) AM 2019 100348 A

(800) 1433329

(151) 2018 07 02

(891) 2018 07 02

(731) CHINA VANKE CO., LTD.

Vanke Center, No. 33 Huanmei Road,
Dameisha, Yantian District, Shenzhen,
Guangdong Province, China

(540)

vanke

(591) Black, white

(511)

36 – Rental of real estate; real estate agency services; real estate brokerage; real estate appraisal; real estate management; real estate services relating to the sale, purchase and leasing of real estate; brokerage; surety services; charitable fund raising; factoring; lending against security; insurance underwriting; capital investment; investment of funds; financing services; arranging finance for construction projects; art appraisal.

37 – Burglar alarm installation and repair; shoe repair; telephone installation and repair; knife sharpening; umbrella repair; electric appliance installation and repair; interference suppression in electrical apparatus; installation and repair medical equipment; motor vehicle maintenance and repair; airplane maintenance and repair; shipbuilding; photographic apparatus repair; clock and watch repair; safe maintenance and repair; rustproofing; artificial snow-making services; restoration of works of art; restoration of musical instruments; swimming-pool maintenance; rental of drainage pumps; repair of power lines; construction information; construction; commercial housing construction; mining extraction; upholstery repair; heating equipment installation and repair;

renovation of clothing; disinfecting; surgical equipment disinfection; elevator installation and repair; fire alarm installation and repair; pump repair.

(260) AM 2019 100349 A

(800) 1433355

(151) 2018 08 10

(891) 2018 08 10

(731) NANTONG MODERN SPORTS GOODS

CO., LTD.

Building 1, No.80 Waihuan East Road,

Nantong City, Jiangsu, China

(540)

MD Buddy

(591) Black, white

(531) 27.05.01; 27.05.10

(511)

28 – Playing balls; body rehabilitation apparatus; dumb-bells; spring exercisers; fitness balls; machines for physical exercises; weight lifting apparatus; sports ropes [skipping ropes, tug of war ropes]; boxing gloves; elbow guards [sports articles].

(260) AM 2019 100350 A

(800) 1433415

(151) 2018 04 27

(891) 2018 04 27

(731) PORCELANOSA, S.A.

Ctra. Nacional, 340, Km. 56.200, E-12540

VILLARREAL, CASTELLÓN, Spain

(540)

ISA

INTELLIGENT SURFACE ASSISTANT

PORCELANOSA Grupo

(591) Black, white

(531) 27.05.09; 27.05.10

(511)

9 – Computers, computer peripherals, computer terminals; software; software for virtual classes; virtual reality software; hardware; microprocessors, memory cards, keyboards, modems, printers, disk drives; data storage apparatus; hard drives; miniature hard drive storage drives; CD-ROMs; sound media and magnetic recording media; computer chips; memory devices; portable telephones and mobile telephones; facsimile machines, answering machines; camcorders; battery chargers; docking stations for MP3 players; digital, graphic and electronic tablets; electronic notebooks; electronic paging devices; devices [electric or electronic] for storing associated information; video telephones; voice recognition apparatus; digital voice recorders; wireless communication

devices for the transmission of voice, data or images; earphones; loudspeakers; voice recognition and transmission apparatus; voice identifiers; voice recognition devices; voice processors; computer programs for accessing, consulting and searching databases online; computer programs for use in controlling access to computers; downloadable electronic publications.

(260) AM 2019 100351 A

(800) 1433469

(151) 2018 04 12

(891) 2018 04 12

(731) IKILER OTOMOTIV FILTRE İTHALAT

İHRACAT SANAYİ VE TİCARET

LIMITED SİRKETİ

Sumer Mahallesi 3.Sanayi Sitesi 25., Cadde

No:63, Merkezefendi, Denizli, Turkey

(540)

FILTORQ
FILTER

(591) Black, white, green

(531) 26.04.19; 27.01.01; 29.01.12

(511)

7 – Oil, fuel and air filters, exhaust gas filters for land, sea, aircraft vehicles and construction machines (used for industrial purposes); all filters, including machinery and motor filters, high performance product recovery filters, liquid separator filters, dust cleaner filters being parts of machines or machinery installations; cartridge filters, paper filters, filter elements filters made from paper, cardboard, felt, plastic, ceramic, synthetic, fabric, fiber materials [machines part]; machines, machine tools and industrial robots for processing and shaping wood, metals, glass, plastics and minerals, 3D printers; construction machines and robotic mechanisms (machines) for use in construction: bulldozers, diggers (machines), excavators, road construction and road paving machines, drilling machines, rock drilling machines, road sweeping machines; lifting, loading and transmission machines and robotic mechanisms (machines) for lifting, loading and transmission purposes: elevators, escalators and cranes; machines and robotic mechanisms (machines) for use in agriculture and animal breeding, machines and robotic mechanisms (machines) for processing cereals, fruits, vegetables and food; engines and motors, other than for land vehicles, parts and fittings therefor: hydraulic and pneumatic controls for engines and motors, brakes other than for vehicles, brake linings for engines, crankshafts, gearboxes, other than for land vehicles, gearboxes, cylinders for engines, pistons for engines, turbines, not for land vehicles, filters for engines and motors, oil, air and fuel filters for land vehicle engines, exhausts for land vehicle engines, exhaust manifolds

for land vehicle engines, engine cylinders for land vehicles, engine cylinder heads for land vehicles, pistons for land vehicle engines, carburetors for land vehicles, fuel conversion apparatus for land vehicle engines, injectors for land vehicle engines, fuel economisers for land vehicle engines, pumps for land vehicle engines, valves for land vehicle engines, starter motors for land vehicles, dynamos for land vehicle engines, sparking plugs for land vehicle engines; bearings (parts of machines), roller or ball bearings; machines for mounting and detaching tires; alternators, current generators, electric generators, current generators operated with solar energy; painting machines, automatic spray guns for paint, electric, hydraulic and pneumatic punching machines and guns, electric adhesive tape dispensers (machines), electric guns for compressed gas or liquid spraying machines, electric hand drills, electric hand saws, electric jigsaw machines, spiral machines, compressed air machines, compressors (machines), vehicle washing installations, robotic mechanisms (machines) with the abovementioned functions; electric and gas-operated welding apparatus, electric arc welding apparatus, electric soldering apparatus, electric arc cutting apparatus, electrodes for welding machines, industrial robots (machines) with the abovementioned functions; printing machines; packaging machines, filling, plugging and sealing machines, labellers (machines), sorting machines, Industrial robots (machines) with the abovementioned functions, electric packing machines for plugging and sealing of plastics; machines for textile processing, sewing machines, industrial robots (machines) with the abovementioned functions; pumps, electric, fuel dispensing pumps for service stations, self-regulating fuel pumps; electric kitchen machines for chopping, grinding, crushing, mixing and mincing foodstuff, washing machines, laundry washing machines, dishwashers, spin driers (not heated), electric cleaning machines for cleaning floors, carpets or floorings, vacuum cleaners and parts thereof; automatic vending machines; galvanizing and electroplating machines; electric door openers and closers; gaskets for engines and motors.

11 – Air condition filters for land, sea, aircraft vehicles; vehicle cabin filter, active carbon filter for vehicle cabin filter use, pollen filter, air ventilation filter for industrial use, filter for purification plant use, aquarium filter, water purification filter, air drying filter, boiler filter; lighting installations; lights for vehicles and interior-exterior spaces; heating installations using solid, liquid or gas fuels or electricity, central heating boilers, boilers for heating installations, radiators [heating], heat exchangers, not parts of machines, stoves, kitchen stoves, solar thermal collectors [heating]; steam, gas and fog generators, steam boilers, other than parts of machines, acetylene generators, oxygen generators, nitrogen generators; installations for air-conditioning and

ventilating; cooling installations and freezers; electric and gas-powered devices, installations and apparatus for cooking, drying and boiling: cookers, electric cooking pots, electric water heaters, barbecues, electric laundry driers; hair driers; hand drying apparatus; sanitary installations, taps [faucets], shower installations, toilets [water-closets], shower and bathing cubicles, bath tubs, toilet seats, sinks, wash-hand basins [parts of sanitary installations]; water softening apparatus; water purification apparatus; water purification installations; waste water purification installations; electric bed warmers and electric blankets, not for medical use; electric pillow warmers; electric or non-electric footwarmers; hot water bottles; industrial type installations for cooking, drying and cooling purposes; pasteurizers and sterilizers.

35 – Advertising, marketing and public relations; organization of exhibitions and trade fairs for commercial or advertising purposes; office functions; secretarial services; arranging newspaper subscriptions for others; compilation of statistics; rental of office machines; systemization of information into computer databases; telephone answering for unavailable subscribers; business management, business administration and business consultancy; accounting; commercial consultancy services; personnel recruitment, personnel placement, employment agencies, import-export agencies; temporary personnel placement services; auctioneering; the bringing together, for the benefit of others, of a variety of goods, namely, oil, fuel and air filters, exhaust gas filters for land, sea, aircraft vehicles and construction machines, used for industrial purposes, all filters, including machinery and motor filters, high performance product recovery filters, liquid separator filters, dust cleaner filters, etc., which are part of machinery and / or machinery installations, cartridge filters, paper filters, filter elements filters made from paper, cardboard, felt, plastic, ceramic, synthetic, fabric, fiber materials, machines, machine tools and industrial robots for processing and shaping wood, metals, glass, plastics and minerals, 3D printers, construction machines and robotic mechanisms (machines) for use in construction: bulldozers, diggers (machines), excavators, road construction and road paving machines, drilling machines, rock drilling machines, road sweeping machines, lifting, loading and transmission machines and robotic mechanisms (machines) for lifting, loading and transmission purposes: elevators, escalators and cranes, machines and robotic mechanisms (machines) for use in agriculture and animal breeding, machines and robotic mechanisms (machines) for processing cereals, fruits, vegetables and food, engines and motors, other than for land vehicles, parts and fittings therefor: hydraulic and pneumatic controls for engines and motors, brakes other than for vehicles, brake linings for engines, crankshafts, gearboxes, other than for land vehicles,

gearboxes, cylinders for engines, pistons for engines, turbines, not for land vehicles, filters for engines and motors, oil, air and fuel filters for land vehicle engines, exhausts for land vehicle engines, exhaust manifolds for land vehicle engines, engine cylinders for land vehicles, engine cylinder heads for land vehicles, pistons for land vehicle engines, carburetors for land vehicles, fuel conversion apparatus for land vehicle engines, injectors for land vehicle engines, fuel economisers for land vehicle engines, pumps for land vehicle engines, valves for land vehicle engines, starter motors for land vehicles, dynamos for land vehicle engines, sparking plugs for land vehicle engines, bearings (parts of machines), roller or ball bearings, machines for mounting and detaching tires, alternators, current generators, electric generators, current generators operated with solar energy, painting machines, automatic spray guns for paint, electric, hydraulic and pneumatic punching machines and guns, electric adhesive tape dispensers (machines), electric guns for compressed gas or liquid spraying machines, electric hand drills, electric hand saws, electric jigsaw machines, spiral machines, compressed air machines, compressors (machines), vehicle washing installations, robotic mechanisms (machines) with the abovementioned functions, electric and gas-operated welding apparatus, electric arc welding apparatus, electric soldering apparatus, electric arc cutting apparatus, electrodes for welding machines, industrial robots (machines) with the abovementioned functions, printing machines, packaging machines, filling, plugging and sealing machines, labellers (machines), sorting machines, Industrial robots (machines) with the abovementioned functions, electric packing machines for plugging and scaling of plastics, machines for textile processing, sewing machines, industrial robots (machines) with the abovementioned functions, pumps other than parts of machines or engines, fuel dispensing pumps for service stations, self-regulating fuel pumps, electric kitchen machines for chopping, grinding, crushing, mixing and mincing foodstuff, washing machines, laundry washing machines, dishwashers, spin driers (not heated), electric cleaning machines for cleaning floors, carpets or floorings, vacuum cleaners and parts thereof, automatic vending machines, galvanizing and electroplating machines, electric door openers and closers, gaskets for engines and motors, air condition filters for land, sea, aircraft vehicles, vehicle cabin filter, active carbon filter for vehicle cabin filter use, pollen filter, air ventilation filter for industrial use, filter for purification plant use, aquarium filter, water purification filter, air drying filter, boiler filter, particulate filter, lighting installations, lights for vehicles and interior-exterior spaces, heating installations using solid, liquid or gas fuels or electricity, central heating boilers, boilers for heating installations, radiators (heating), heat exchangers, not parts of machines, stoves, kitchen

stoves, solar thermal collectors (heating), steam, gas and fog generators, steam boilers, other than parts of machines, acetylene generators, oxygen generators, nitrogen generators, installations for air-conditioning and ventilating, cooling installations and freezers, electric and gas-powered devices, installations and apparatus for cooking, drying and boiling: cookers, electric cooking pots, electric water heaters, barbecues, electric laundry driers, hair driers, hand drying apparatus, sanitary installations, taps (faucets), shower installations, toilets (water-closets), shower and bathing cubicles, bath tubs, toilet seats, sinks, wash-hand basins (parts of sanitary installations), water softening apparatus, water purification apparatus, water purification installations, waste water purification installations, electric bed warmers and electric blankets, not for medical use, electric pillow warmers, electric or non-electric footwarmers, hot water bottles, industrial type installations for cooking, drying and cooling purposes, pasteurizers and sterilizers enabling customers to conveniently view and purchase those goods, such services may be provided by retail stores, wholesale outlets, by means of electronic media or through mail order catalogues.

(260) AM 2019 100352 A

(800) 1433476

(151) 2018 03 27

(891) 2018 03 27

(731) Trading Unitary Enterprise "AUTOMATED BUSINESS CONTROL SYSTEMS"
Rokossovskogo av.136A, room 2, 220101
Minsk, Belarus

(540)

pereni 

(591) Black, white

(531) 01.15.24; 01.15.25; 24.17.25; 26.11.22;
27.03.15; 27.05.01

(511)

6 – Water-pipe valves of metal; drain traps [valves] of metal.

9 – Measuring, signalling, checking [supervision] apparatus and instruments; apparatus and instruments for conducting, switching, transforming, accumulating, regulating or controlling electricity; monitoring apparatus, other than for medical purposes; electric apparatus for commutation; control panels [electricity]; distribution consoles [electricity]; relays, electric; time switches, automatic; relays for radio stations; solenoid valves [electromagnetic switches]; pressure indicator plugs for valves; camcorders; temperature sensors, motion sensors, sound sensors, light sensors, water leakage sensors, gas leak sensors, smoke sensors; electricity meters, gas

meters, heat meters, water meters; vacuum tubes [radio]; darkroom lamps [photography]; thermionic tubes; amplifying tubes; flashlights [photography].

11 – Fans [air-conditioning]; fans [parts of air-conditioning installations]; electric fans for personal use; level controlling valves in tanks; thermostatic valves [parts of heating installations]; air valves for steam heating installations; acetylene flares; safety lamps; gas lamps; curling lamps; germicidal lamps for purifying air; light bulbs for directional signals for automobiles; light bulbs for directional signals for vehicles; arc lamps; laboratory lamps; oil lamps; ultraviolet ray lamps, not for medical purposes; miners' lamps; electric lamps.

35 – Retail and wholesale services for water-pipe valves of metal, drain traps [valves] of metal, measuring, signalling, checking [supervision] apparatus and instruments, apparatus and instruments for conducting, switching, transforming, accumulating, regulating or controlling electricity, monitoring apparatus, other than for medical purposes, electric apparatus for commutation, control panels [electricity], distribution consoles [electricity], relays, electric, time switches, automatic, relays for radio stations, solenoid valves [electromagnetic switches], pressure indicator plugs for valves, camcorders, temperature sensors, motion sensors, sound sensors, light sensors, water leakage sensors, gas leak sensors, smoke sensors, electricity meters, gas meters, heat meters, water meters, vacuum tubes [radio], darkroom lamps [photography], thermionic tubes, amplifying tubes, flashlights [photography], fans [air-conditioning], fans [parts of air-conditioning installations], electric fans for personal use, level controlling valves in tanks, thermostatic valves [parts of heating installations], air valves for steam heating installations, acetylene flares, safety lamps, gas lamps, curling lamps, germicidal lamps for purifying air, light bulbs for directional signals for automobiles, light bulbs for directional signals for vehicles, arc lamps, laboratory lamps, oil lamps, ultraviolet ray lamps, not for medical purposes, miners' lamps, electric lamps; commercial information and advice for consumers; opinion polling; organization of exhibitions for commercial or advertising purposes; organization of trade fairs for commercial or advertising purposes; sales promotion for others; presentation of goods on communication media, for retail purposes; administrative processing of purchase orders; advertising, including on-line advertising on a computer network.

(260) AM 2019 100353 A

(800) 1433482

(151) 2018 08 17

(891) 2018 08 17

(731) FUN GENERATION LTD

Tverskoy bulvar, 13, str. 1, RU-123104
Moskva, Russian Federation

(540)



(591) Black, white

(531) 26.01.03; 26.01.18; 27.05.01

(511)

14 – Agates; diamonds; amulets [jewelry]; anchors [clock- and watchmaking]; barrels [clock- and watchmaking]; bracelets [jewelry]; bracelets made of embroidered textile [jewelry]; watch bands; charms for key chains; charms for jewelry; brooches [jewelry]; alarm clocks; pins [jewelry]; ornamental pins; tie pins; beads for making jewelry; pearls made of ambroid [pressed amber]; busts of precious metal; jewelry rolls; jet, unwrought or semi-wrought; jewelry findings; key chains [split rings with trinket or decorative fob]; pearls [jewelry]; copper tokens; tie clips; cuff links; clasps for jewelry; badges of precious metal; gold, unwrought or beaten; cloisonné jewelry; works of art of precious metal; jewelry; ivory jewelry; jewelry of yellow amber; iridium; cabochons; precious stones; semi-precious stones; spun silver [silver wire]; necklaces [jewelry]; split rings of precious metal for keys; rings [jewelry]; boxes of precious metal; presentation boxes for jewelry; watch cases [parts of watches]; clock cases; pendulums [clock- and watchmaking]; medals; locket [jewelry]; precious metals, unwrought or semi-wrought; movements for clocks and watches; clock-works; misbaha [prayer beads]; coins; gold thread [jewelry]; threads of precious metal [jewelry]; silver thread [jewelry]; osmium; palladium; platinum [metal]; chronometric instruments; watch springs; rhodium; ruthenium; stopwatches; silver, unwrought or beaten; earrings; ingots of precious metals; alloys of precious metal; statues of precious metal; statuettes of precious metal; watch glasses; paste jewellery; watch hands; clock hands; ornaments of jet; shoe jewelry; hat jewelry; presentation boxes for watches; chronographs [watches]; chronometers; chronoscopes; chains [jewelry]; watch chains; dials [clock- and watchmaking]; atomic clocks; watches; sundials; clocks and watches, electric; control clocks [master clocks]; clocks; wristwatches; chaplets; jewelry boxes; spinel [precious stones].

35 – Arranging subscriptions to telecommunication services for others; import-export agency services; commercial information agency services; advertising agencies; cost price analysis; rental of advertising space; business auditing; business services intermediary for the selection of potential private investors and entrepreneurs in need of financing; employment agency services; computerized file management; book-keeping; invoicing; demonstration of goods; trans-

scription of communications [office functions]; opinion polling; market studies; business information; business investigations; business research; marketing research; personnel recruitment; business management and organization consultancy; business organization consultancy; business management consultancy; personnel management consultancy; professional business consultancy; consultancy regarding public relations communication strategies; consultancy regarding advertising communication strategies; layout services for advertising purposes; marketing; business management of performing artists; business management of sports people; writing of résumés for others; scriptwriting for advertising purposes; news clipping services; updating and maintenance of information in registries; updating and maintenance of data in computer databases; updating of advertising material; word processing; organization of exhibitions for commercial or advertising purposes; arranging newspaper subscriptions for others; organization of fashion shows for promotional purposes; organization of trade fairs for commercial or advertising purposes; shop window dressing; design of advertising materials; business appraisals; payroll preparation; data search in computer files for others; sponsorship search; business management assistance; commercial or industrial management assistance; commercial intermediation services; providing business information via a web site; provision of commercial and business contact information; provision of an on-line marketplace for buyers and sellers of goods and services; web indexing for commercial or advertising purposes; presentation of goods on communication media, for retail purposes; economic forecasting; auctioneering; sales promotion for others; production of teleshopping programs; production of advertising films; office machines and equipment rental; rental of advertising time on communication media; publicity material rental; rental of billboards [advertising boards]; rental of vending machines; rental of sales stands; rental of photocopying machines; publication of publicity texts; radio advertising; distribution of samples; dissemination of advertising matter; direct mail advertising; registration of written communications and data; writing of publicity texts; advertising; on-line advertising on a computer network; advertising by mail order; television advertising; document reproduction; compilation of statistics; compilation of information into computer databases; business inquiries; systemization of information into computer databases; advisory services for business management; negotiation of business contracts for others; negotiation and conclusion of commercial transactions for third parties; compiling indexes of information for commercial or advertising purposes; tax preparation; drawing up of statements of accounts; telemarketing services; psychological testing for the selection of personnel; outsourced administrative management for companies;

business management of hotels; business management for freelance service providers; business project management services for construction projects; commercial administration of the licensing of the goods and services of others; business management of reimbursement programs for others; administration of consumer loyalty programs; administration of frequent flyer programs; administrative processing of purchase orders; public relations; modelling for advertising or sales promotion; typing; appointment reminder services [office functions]; web site traffic optimization; relocation services for businesses; tax filing services; search engine optimization for sales promotion; appointment scheduling services [office functions]; price comparison services; pay per click advertising; secretarial services; procurement services for others [purchasing goods and services for other businesses]; shorthand; outsourcing services [business assistance]; telephone answering for unavailable subscribers; photocopying services; business efficiency expert services.

36 – Credit bureau services; debt collection agency services; real estate agency services; financial analysis; rental of apartments; rental of offices for co-working; rental of real estate; rental of offices [real estate]; rental of farms; lease-purchase financing; savings bank services; accommodation bureau services [apartments]; rent collection; issuance of travellers' cheques; issuance of credit cards; issuance of tokens of value; capital investment; insurance information; financial information; clearing, financial; insurance consultancy; financial consultancy; debt advisory services; stock exchange quotations; lending against security; business liquidation services, financial; brokerage; financial management; exchanging money; online banking; processing of debit card payments; processing of credit card payments; factoring; organization of collections; arranging finance for construction projects; antique appraisal; jewelry appraisal; financial evaluation of standing timber; stamp appraisal; real estate appraisal; numismatic appraisal; art appraisal; financial evaluation of wool; financial evaluation [insurance, banking, real estate]; repair costs evaluation [financial appraisal]; electronic funds transfer; surety services; securities brokerage; real estate brokerage; brokerage of carbon credits; insurance brokerage; providing rebates at participating establishments of others through use of a membership card; loans [financing]; pawnbrokerage; providing financial information via a web site; cheque verification; investment of funds; charitable fund raising; stocks and bonds brokerage; financial sponsorship; mortgage banking; instalment loans; life insurance underwriting; health insurance underwriting; accident insurance underwriting; marine insurance underwriting; fire insurance underwriting; apartment house management; real estate management; financial management of reimbursement payments for others; actuarial services; banking; stock brokerage

services; retirement payment services; bail-bonding; trusteeship; provident fund services; financial customs brokerage services; mutual funds; financing services; safe deposit services; deposits of valuables; fiscal valuation.

38 – News agency services; wireless broadcasting; television broadcasting; cable television broadcasting; electronic bulletin board services [telecommunications services]; information about telecommunication; providing user access to global computer networks; providing access to databases; providing internet chatrooms; providing telecommunications connections to a global computer network; providing telecommunication channels for teleshopping services; video-on-demand transmission; transmission of greeting cards online; message sending; computer aided transmission of messages and images; transmission of telegrams; transmission of digital files; providing online forums; videoconferencing services; rental of message sending apparatus; rental of access time to global computer networks; rental of modems; rental of telecommunication equipment; rental of telephones; rental of facsimile apparatus; radio broadcasting; radio communications; transmission of electronic mail; communications by fiber optic networks; communications by cellular phones; communications by computer terminals; satellite transmission; communications by telegrams; communications by telephone; facsimile transmission; paging services [radio, telephone or other means of electronic communication]; teleconferencing services; telex services; voice mail services; telecommunications routing and junction services; streaming of data; telegraph services; telephone services.

41 – Modelling for artists; academies [education]; rental of indoor aquaria; rental of artwork; rental of sports grounds; rental of tennis courts; lending library services; booking of seats for shows; videotaping; physical education; production of music; discotheque services; animal training; dubbing; gambling services; publication of books; education information; recreation information; entertainment information; movie studio services; health club services [health and fitness training]; nightclub services [entertainment]; layout services, other than for advertising purposes; microfilming; videotape editing; production of radio and television programmes; screenplay writing; game services provided on-line from a computer network; providing on-line electronic publications, not downloadable; religious education; aikido instruction; gymnastic instruction; correspondence courses; practical training [demonstration]; training services provided via simulators; organization of balls; organization of exhibitions for cultural or educational purposes; providing recreation facilities; arranging and conducting of colloquiums; arranging and conducting of congresses; arranging and conducting of conferences; arranging and conduc-

ting of concerts; arranging and conducting of workshops [training]; arranging and conducting of in-person educational forums; arranging and conducting of seminars; arranging and conducting of symposiums; organization of competitions [education or entertainment]; arranging of beauty contests; organization of lotteries; organization of fashion shows for entertainment purposes; organization of shows [impresario services]; organization of sports competitions; vocational guidance [education or training advice]; amusement park services; sign language interpretation; television entertainment; mobile library services; vocational retraining; providing on-line videos, not downloadable; providing on-line music, not downloadable; providing television programs, not downloadable, via video-on-demand services; providing films, not downloadable, via video-on-demand services; providing golf facilities; providing sports facilities; providing amusement arcade services; movie theatre presentations; presentation of circus performances; presentation of variety shows; presentation of live performances; theatre productions; conducting fitness classes; educational examination; film production, other than advertising films; rental of audio equipment; rental of camcorders; rental of video cassette recorders; rental of videotapes; rental of show scenery; rental of sound recordings; toy rental; rental of cinematographic apparatus; rental of motion pictures; games equipment rental; rental of stadium facilities; rental of lighting apparatus for theatrical sets or television studios; rental of radio and television sets; rental of skin diving equipment; rental of sports equipment, except vehicles; rental of stage scenery; electronic desktop publishing; on-line publication of electronic books and journals; publication of texts, other than publicity texts; radio entertainment; entertainer services; writing of texts; sado instruction [tea ceremony instruction]; zoological garden services; news reporters services; party planning [entertainment]; music composition services; subtitling; tutoring; holiday camp services [entertainment]; conducting guided tours; disc jockey services; personal trainer services [fitness training]; providing casino facilities [gambling]; calligraphy services; karaoke services; club services [entertainment or education]; songwriting; providing museum facilities [presentation, exhibitions]; educational services; educational services provided by schools; orchestra services; translation; scriptwriting, other than for advertising purposes; ticket agency services [entertainment]; coaching [training]; sport camp services; recording studio services; language interpreter services; nursery schools; photography; photographic reporting; timing of sports events; boarding school education.

(260) AM 2019 100354 A

(800) 1433505

(151) 2018 05 09

(891) 2018 05 09

(731) ICEWARP LTD.

Georgiou Gennadiou 43, CY-3041 Limassol,
Cyprus

(540)

IceWarp

(591) Black, white

(531) 27.05.09

(511)

9 – Recorded content, particularly computer programs, data and information; computer software; application software; downloadable applications for use with mobile devices; downloadable cloud computing software; computer software, recorded; computer programs [downloadable software]; computer software applications, downloadable; computer programs for project management; software for processing images, graphics and text; instant messaging software; telecommunications software; computer software for document management; computer software for database management; electronic mail and messaging software; software for online messaging; on-premises management software; computer operating systems; computer programs for editing images, sound and video; computer programs for connecting remotely to computers or computer networks; computer software for use in providing multiple user access to a global computer information network; downloadable computer software for the management of data; downloadable computer software for the transmission of data; interfaces for computers; downloadable cloud-based software for storing and managing electronic data and editing digital photos; downloadable mobile applications for sharing photos and location, and chatting, via a mobile device; computer programs for word processing; computer software platforms for use in integrating email, calendars, contacts, instant messaging history, email encryption and email translations; computer software platforms for use in synchronizing email, appointments, contacts, tasks, notes, distribution lists and public folders by an email and scheduling software; computer software platforms for use in synchronizing files with a cloud-based drive; computer software for use as a spreadsheet; computer software for use in creating slide presentations; computer software for use in creating, viewing and editing documents in conjunction with email, calendar and contacts lists; computer software for use in instant messaging, sharing files, scheduling appointments and organizing web conferences; computer software programs for spreadsheet management.

38 – Transmission of electronic mail; providing online chatrooms for social networking; providing on-

line forums; transmission of digital files; computer-aided transmission of messages and images; electronic bulletin board services [telecommunications services]; streaming of data; electronic transmission of mail and messages; electronic exchange of data stored in databases accessible via telecommunication networks; electronic transmission of messages; electronic transmission of data; communication by electronic mail systems; communications services provided via the Internet; computer communications services for the transmission of information; electronic mail; electronic messaging; electronic mail and mailbox services; instant messaging services; electronic transmission of e-mail.

42 – Cloud computing; server hosting; rental of computer software; rental of web servers; software as a service [SaaS]; electronic data storage; off-site data backup; electronic storage of documents and archived e-mail; hosting on-line web facilities for others; hosting platforms on the Internet; providing temporary use of on-line non-downloadable operating software for accessing and using a cloud computing network; providing temporary use of on-line non-downloadable software for importing and managing data; providing temporary use of non-downloadable software applications accessible via a web site; rental of computer software and programs; electronic storage services for archiving databases; providing temporary use of on-line non-downloadable software for the transmission of information; rental of operating software for accessing and using a cloud computing network; rental of memory space on servers for hosting electronic bulletin boards; providing online non-downloadable software for word processing; rental of software for data processing; rental of software for importing and managing data; rental of database management software; hosting web sites; remote computer backup services; rental of application software; rental of operating software for computer networks and servers; providing temporary use of on-line non-downloadable software for database management; providing temporary use of web-based applications; electronic storage services for archiving electronic data; file sharing services, namely hosting a website featuring technology enabling users to upload and download electronic files; providing temporary use of on-line non-downloadable cloud computing software for use in electronic storage of data.

(260) AM 2019 100355 A

(800) 1433509

(151) 2018 05 11

(891) 2018 05 11

(731) ASSAN GIDA SANAYİ VE TİCARET
ANONİM ŞİRKETİ

Nispetiye Caddesi, Akmerkez A1/Şişli/Beşiktaş, İstanbul, Turkey
B Blok, Kat. 5, Etiler, Beşiktaş, İstanbul, Turkey

(540)


 The logo for ASSANFOODS features the word "ASSAN" in red and "FOODS" in green. A red tomato slice is positioned below the letter "O" in "FOODS".

(591) Red, green and white

(531) 01.15.15; 27.05.01; 29.01.13

(526) The Applicant wishes to disclaim protection for item "foods" apart from the trademark.

(511)

29 – Dried, preserved, frozen, cooked, smoked or salted fruits and vegetables; tomato paste; hazelnut spreads and peanut butter; tahini (sesame seed paste).

30 – Condiments for foodstuff, vanilla (flavoring), spices, sauces (condiments), tomato-based sauces, tomato sauce, tomato ketchup.

32 – Fruit and vegetable juices, fruit and vegetable concentrates and extracts for making beverages, tomato juice beverages, non-alcoholic soft drinks.

(260) AM 2019 100356 A

(800) 1433520

(151) 2018 05 02

(891) 2018 05 02

(731) EM RESEARCH ORGANIZATION, INC.

1478 Kishaba, Kitanakagusuku-Son, Nakagami-Gun, Okinawa 901-2311, Japan

(540)



(591) Black, white

(531) 26.01.06; 26.01.18; 26.01.24; 27.05.24

(511)

1 – Preparations of microorganisms, other than for medical and veterinary use; soil improving agents; soil conditioners for agricultural purposes; soil conditioners for horticultural purposes; plant growth regulators; plant growth stimulants; plant rearing preparations; fertilizers; organic fertilizers; compost; water quality purifying preparations; water purifying agents; antioxidant agents; microorganisms for use in odor elimination; microorganisms for use in water purifying; soil improving agents using microorganisms; fertilizers using microorganisms; compost using microorganisms; microorganisms for use in industrial deodorizing; microbial activators for the treatment of food waste, night soil and waste water using microorganisms; chemicals for the treatment of food waste, night soil and waste water using microbes; chemicals for use in industry and science.

31 – Grains [cereals]; live mammals, live fish [not for food], live birds and live insects; live animals; live edible aquatic animals; live fish for human consumption; fresh fruits and vegetables; seeds and bulbs; natural plants and flowers; seedling plants; saplings; natural turf; pasture grass; foodstuffs for animals; malt; edible seaweeds; protein-enriched feed for animal consumption.

(260) AM 2019 100357 A

(800) 1433582

(151) 2018 08 10

(891) 2018 08 10

(731) MIHOYO CO., LTD.

Room 1104-6, No.100 Qinzhou Rd., Xuhui District, 200235 Shanghai, China

(540)


 The logo for miHoYo features the brand name in a stylized, rounded, lowercase font. The letters are black with a white outline, giving it a 3D or embossed appearance.

(591) Black, white

(531) 04.05.15; 27.03.03; 27.05.01; 27.05.19

(511)

9 – Scales; signalling whistles; transmitters of electronic signals; telephone apparatus; video telephones; cell phone straps; time recording apparatus; sound recording carriers; cameras [photography]; riding helmets; protective helmets for sports; clothing for protection against accidents, irradiation and fire; acoustic alarms; spectacles; spectacle cords; animated cartoons; sound transmitting apparatus; electro-dynamic apparatus for the remote control of signals; 3D spectacles; tablet computers; computers; computer peripheral devices; computer software, recorded; magnetic encoders; optical discs; electronic pocket translators; notebook computers; video game cartridges; computer programs [downloadable software]; mouse pads; computer game software; electronic publications, downloadable; wrist rests for use with computers; encoded identification bracelets, magnetic; downloadable ring tones for mobile phones; downloadable music files; downloadable image files; USB flash drives; laptop computers; bags adapted for laptops; pedometers; counters; electronic agendas.

41 – Academies [education]; nursery schools; organization of competitions [education or entertainment]; providing on-line electronic publications, not downloadable; television entertainment; amusement park services; providing recreation facilities; game services provided on-line from a computer network; games equipment rental; toy rental; providing museum facilities [presentation, exhibitions]; cinema presentations; club services [entertainment or education]; videotape editing; production of radio and television programmes; rental of motion pictures; production of shows; microfilming; entertainment infor-

mation; entertainer services; providing golf facilities; health club services [health and fitness training].

42 – Packaging design; design of interior decor; dress designing; computer software design; consultancy in the design and development of computer hardware; rental of computer software; maintenance of computer software; creating and maintaining web sites for others; rental of web servers; providing search engines for the Internet; web site design consultancy; information technology [IT] consultancy; software as a service [SaaS].

(260) AM 2019 100358 A

(800) 227097

(151) 1959 12 28

(891) 2018 09 26

(731) HENKEL AG & CO. KGAA

Henkelstraße 67, 40589 Düsseldorf, Germany

(540)

BARNÄNGEN

(591) Black, white

(531) 27.05.01; 27.05.17

(511)

3 – Perfumery products, eau-de-Cologne, cosmetics, bath oils, cosmetic creams and oils, face, hair, beard, hand and foot care products; dentifrice products, essential oils, soaps, bleaching substances, colorant for laundry, stain-removing materials, cleaning and polishing materials (except for leather), washing substances; bath salts.

(260) AM 2019 100359 A

(800) 508966

(151) 1986 12 19

(891) 2018 10 19

(731) EGIS GYÓGYSZERGYÁR ZRT.

Keresztúri út 30-38, H-1106 Budapest, Hungary

(540)

DULODET

(591) Black, white

(531) 27.05.17

(511)

5 – Pharmaceutical, veterinary and hygienic products; dietetic products adapted for medical use, food for babies; disinfectants; preparations for destroying vermin, fungicides, herbicides.

(260) AM 2019 100360 A

(800) 539003

(151) 1989 06 07

(891) 2018 10 18

(731) ROCHE DIAGNOSTICS GMBH

Sandhofer Straße 116, 68305 Mannheim, Germany

(540)

ACCUTREND

(591) Black, white

(531) 27.05.17

(511)

5 – In-vitro diagnostic products for medical use.

10 – Apparatus for conducting examinations for in-vitro diagnostics in the medical fields.

(260) AM 2019 100361 A

(800) 635479

(151) 1995 03 30

(891) 2018 10 18

(731) ROCHE DIAGNOSTICS GMBH

Sandhofer Straße 116, 68305 Mannheim, Germany

(540)

ELECSYS

(591) Black, white

(531) 27.05.17

(511)

5 – In-vitro diagnostic products for medical use.

10 – Automated analysis devices for medical use.

(260) AM 2019 100486 A

(800) 1434180

(151) 2018 04 17

(891) 2018 04 17

(731) NISSAN CHEMICAL CORPORATION

5-1, Nihonbashi 2-Chome, Chuo-ku, Tokyo 103-6119, Japan

(540)



(591) Light teal and dark teal

(531) 26.04.09; 27.05.08; 27.05.21; 29.01.04

(511)

1 – Chemicals; chemicals used in industry, science and photography; chemical reagents, other than for medical or veterinary purposes; glue and adhesives for industrial purposes; plant growth regulating preparations; fertilizers; reagent paper [not for medical purposes]; chemical compositions for developing photographs; unprocessed plastics [plastics in prima-

ry form]; agricultural chemicals, except fungicides, herbicides, insecticides and parasiticides; active chemical ingredients for use in the manufacture of pharmaceuticals.

5 – Pharmaceutical preparations; reagent paper for medical purposes; fumigants [only for agricultural purposes]; fungicides [only for agricultural purposes]; rodenticides [only for agricultural purposes]; insecticides [only for agricultural purposes]; herbicides [weedkillers]; insect-repellents [only for agricultural purposes]; antiseptics [only for agricultural purposes]; gauze for dressings; empty capsules for pharmaceuticals; eyepatches for medical purposes; ear bandages; menstruation bandages; menstruation tampons; sanitary napkins; sanitary panties; absorbent cotton; adhesive plasters; bandages for dressings; liquid bandages; breast-nursing pads; cotton swabs for medical purposes; dental materials; mothproofing paper; dietary supplements for humans; nutritional supplements for animal foodstuffs; medicines for veterinary purposes; chemical reagents for medical or veterinary purposes; diagnostic test reagents for medical or veterinary purposes.

(260) AM 2019 100509 A

(800) 1281944

(151) 2015 07 14

(891) 2018 10 12

(731) VILLAGER D.O.O.

Tržaška cesta 515, SI-1351 Brezovica pri Ljubljani, Slovenia

(540)

VILLAGER

(591) Black, white

(511)

7 – Machine tools; motors and engines (except for land vehicles); machine coupling and transmission components (except for land vehicles); agricultural machinery and tools other than hand-operated; egg incubators; vending machines, pumps, air blowing machines for leaves, agricultural machines of all types, cutters (machines), including cutters for grass and trees, chainsaws, agricultural and forestry attachments for tractors, snow cutting machines; string trimmers for garden use.

9 – Scientific, nautical, surveying, photographic, cinematographic, optical, weighing, measuring, signaling, checking (supervision), life-saving and teaching apparatus and instruments; apparatus and instruments for conducting, switching, transforming, accumulating, regulating or controlling electricity; apparatus for recording, transmission or reproduction of sound or images; magnetic data carriers, recording discs; CDs; DVDs and other digital recording media; mechanisms for coinoperated apparatus; cash registers, calculating machines, data processing equipment, computers; computer software; fire extin-

guishing apparatus; protective equipment, protective gloves for working with saws, protective shoes, protective ear plugs, protective knee pads, helmets for forestry and protective helmets, protective clothing and protective masks for work and/or leisure activities.

12 – Tractors, small tractor machines (horticultural tractors), snow vehicles (snowmobiles).

25 – Clothing, footwear, headgear.

(260) AM 2019 100570 A

(800) 1436010

(151) 2018 08 23

(891) 2018 08 23

(731) MOVADO GROUP UK LIMITED

Meadway House, Meadway, Haslemere, Surrey GU27 1NN, United Kingdom

(540)

OLIVIA BURTON

(591) Black, white

(511)

14 – Precious metals and their alloys, goods and precious metal coated therewith, namely, amulets, bracelets, necklaces, body jewellery, body piercing rings, body piercing studs, charms, brooches, medals, crosses, crucifixes, earrings, engagement rings, eternity rings, facial jewellery, friendship rings and bracelets, hat jewellery, identification bracelets, necklace charms, ornamental pins, ornamental clips, shoe jewellery and signet rings; jewelry, precious stones, imitation jewelry, cuff links, tie pins, tie clips; horological and chronometric instruments; and component parts for any of the foregoing.

18 – Women's handbags, attache cases, brief cases, shopping bags, purses, umbrellas, parasols and walking sticks.

(260) AM 2019 100571 A

(800) 1436046

(151) 2018 03 01

(891) 2018 03 01

(731) HNC HEALTHY NUTRITION COMPANY GMBH

Senefelderstr. 44, 51469 Bergisch-Gladbach, Germany

(540)

shameless smoothies

(591) Black, white

(511)

21 – Household or kitchen utensils; household or kitchen containers; shakers; manual mixers; drinking bottles; drinking vessels; bottles; flasks; vacuum flasks; sports bottles; water bottles containing a water filter; insulated water bottles; insulated sports

bottles; cups; insulated drinking cups; insulated coffee cups, insulated tea cups; travel cups; hydration systems, consisting of a drink reservoir, a drinking tube and a mouthpiece; dish holders for use in backpacks; resealable paper cups; paper cups with lids; resealable drinking bottles; resealable drinking cups; resealable insulated drinking bottles; resealable insulated drinking cups.

29 – Processed fruits; dried fruit; prepared fruit; preserved fruit; frozen fruit; cooked fruit; fruit salads; fruit snacks; fruit bars; fruit purée; fruit pulp; fruit chips; fruit pastes; fruit jellies; fruit peel; fruit desserts; fruit concentrates; snack bars, consisting wholly or predominantly of fruit, fruit concentrates or dried fruit; fruit powder; processed vegetables; dried vegetables; prepared vegetables; preserved vegetables; frozen vegetables; cooked vegetables; vegetable snacks; vegetable bars; vegetable purée; vegetable pulp; vegetable chips; vegetable pastes; vegetable powder; vegetable jellies; vegetable peel; vegetable concentrates; snack bars, consisting wholly or predominantly of vegetables, vegetable concentrates or dried vegetables; milk and milk products; milk beverages, yoghurt beverages, buttermilk beverages, kefir (milk beverage) or mixed milk beverages, milk predominating, including with fruit, vegetables, singly or in combination; yoghurt; kefir (milk beverage); spreads consisting predominantly of eggs and vegetables; fat-containing mixtures for bread slices; fruit-based spreads; vegetable-based spreads, nut-based spreads, jams; jam preparations; albuminous milk and protein milk; meat extracts for use in sports nutrition, consisting predominantly of proteins; prepared nuts; seaweed extracts for food.

30 – Porridge; muesli; muesli desserts; muesli and cereal-based energy bars, high-protein energy bars; cereal-based bars; muesli-based snacks; cereal-based snacks; preparations made from cereals; carbohydrate-based foodstuffs, namely bread and buns; cereal preparations; extracts other than essential oils, for flavoring foodstuffs, for use in sports nutrition, consisting predominantly of carbohydrates; seaweed (condiment); coffee, tea, milk, cocoa or chocolate, including packaged in individual portions, in particular in capsule form or pad form; tea; tea mixtures; tea-based beverages; cold tea-based beverages; iced tea; fruit tea; infusions, not medicinal; fruit sauces; fructose; fruit bread; ice; ice cream; edible ices, refreshing boiled sweets; ice confectionery; ice cream preparations; coffee; coffee mixtures; coffee-based beverages; iced coffee; cold coffee-based beverages; frozen yoghurt; chocolate; chocolate mixtures; chocolate-based beverages; drinking chocolate; cocoa and cocoa substitutes; cocoa mixtures; cocoa-based beverages; cold cocoa-based beverages; chocolate-based spreads; honey; chocolate-based spreads; chocolate-based spreads containing nuts; starch syrup for culinary purposes; treacle; single-use beverage

capsules for making coffee-based beverages, in particular cold coffee-based beverages, iced coffee, tea-based beverages, in particular cold tea-based beverages, iced tea, fruit tea-based beverages, in particular cold fruit tea-based beverages, cocoa-based beverages, in particular cold cocoa-based beverages, drinking chocolate, tea and cocoa, in particular cold drinking chocolate, single-use beverage concentrate capsules for making coffee-based beverages, in particular cold coffee-based beverages, iced coffee, tea-based beverages, in particular cold tea-based beverages, iced tea, fruit tea-based beverages, in particular cold fruit tea-based beverages, cocoa-based beverages, in particular cold cocoa-based beverages, drinking chocolate, beverages containing caffeine, tea and cocoa, in particular cold drinking chocolate.

(260) AM 2019 100572 A
(800) 1436072
(151) 2018 02 07
(891) 2018 02 07
(731) EGIS GYÓGYSZERGYÁR ZRT.
Keresztúri út 30-38. H-1106 Budapest,
Hungary
(540)

EGISEPT

(591) Black, white
(511)
3 – Cosmetics, hygienic preparations for personal use, shampoos, mouth washes, cleaning preparations.
5 – Disinfectants, pharmaceutical preparations, food supplements, bandages, mouth washes for medical purposes, antibacterial hand cleaners, antibacterial soaps, iodine for pharmaceutical use, ointments for pharmaceutical use, solutions, liquids for pharmaceutical and veterinary purposes, sterilising preparations, pesticides; fungicides, herbicides, biocides.
10 – Surgical, medical and veterinary apparatus and instruments, medical aids, medical devices, nursing technical devices.

(260) AM 2019 100573 A
(800) 1436142
(151) 2018 09 20
(891) 2018 09 20
(731) SYLENCO GMBH
Baumwall 7, 20459 Hamburg, Germany
(540)

Sylen

(591) Black, white
(511)
1 – Soil additives [fertilizer]; chlorine-free fertilizer; fertilizer; fertilizer for potted plants; fertilizer in solid form; fertilizer in liquid form; fertilizing prepara-

tions; artificial fertilizers; plant nutrition [fertilizer]; synthetic fertilizer.

(260) AM 2019 100574 A

(800) 1436181

(151) 2018 10 04

(891) 2018 10 04

(731) Joint-Stock Company "ARTISTIC PAINTS PLANT "NEVSKAYA PALITRA"
Serdobolskaya ulitsa, 68, liter F, pomeshenie
17, RU-197342 Saint-Petersburg, Russian
Federation

(540)

WHITE NIGHTS

(591) Black, white

(511)

2 – Coatings [paints]; colorants; dyes; enamels [varnishes]; fixatives [varnishes]; fixatives for watercolors; glazes [paints, lacquers]; lacquers; paints; paper for dyeing Easter eggs; pigments; primers; thinners for lacquers; thinners for paints; varnishes; watercolors [paints].

16 – Artists' and drawing materials; canvas for painting; hand-rests for painters; paint boxes [articles for use in school]; painters' brushes; palettes for painters; pastels [crayons]; pencils.

(260) AM 2019 100575 A

(800) 1436185

(151) 2018 06 11

(891) 2018 06 11

(731) FABBRI COSMETICA S.R.L.
Via Liguria, 2/2-3-4, I-40064 Ozzano
DlI'Emilia (Bo), Italy

(540)

FABBRIMARINE

(591) Black, white

(531) 27.05.01

(511)

3 – Cosmetics and cosmetic and beauty preparations; make-up sets and kits, perfumes, soaps, cosmetic bath preparations, cosmetic removing preparations, hair lotions, essential oils, cosmetic preparations for skin pigmentation, cosmetic sun tanning preparations and sun screen preparations, cosmetic preparations for slimming purposes.

10 – Electrostimulators for passive face/body exercise, electrostimulators for the treatment of cellulite; nebulisers; beds for medical purposes; pressure therapy apparatus, pneumatic massagers; heat therapy apparatus, skin diagnosis apparatus; iontophoresis and electrophoresis apparatus; apparatus for applying active treatments to the skin.

11 – Vaporisers.

(260) AM 2019 100576 A

(800) 1436249

(151) 2018 05 22

(891) 2018 05 22

(731) MLS Co., LTD.

No.1 MuLinSen Avenue, Xiaolan, Zhongshan
City, Guangdong Province, China

(540)

MLS

(591) Black, white

(531) 27.05.17; 27.05.23

(511)

9 – Switches, electric; time switches, automatic; cell switches [electricity]; plugs, sockets and other contacts [electric connections]; semiconductors; integrated circuits; electronic chips for the manufacture of integrated circuits; condensers [capacitors]; emission tube; printed circuit boards; coils, electric; magnetic material and devices; distribution boxes [electricity]; regulating apparatus, electric; connectors [electricity]; electrical adapters; high voltage switchboards; life saving apparatus and equipment; theft prevention installations, electric; electric door bells; locks, electric; accumulators, electric; power bank; slides [photography]; optical lamps; optical apparatus and instruments; wires, electric; fibre [fiber (Am.)] optic cables; electric installations for the remote control of industrial operations; lightning arresters; electrolyzers; fire extinguishing apparatus; radiological apparatus for industrial purposes; slide projectors; flashbulbs [photography]; teaching projectors; measuring apparatus; voltage regulators for vehicles; pressure measuring apparatus; audiovisual teaching apparatus; chemistry apparatus and instruments; inductors [electricity]; satellites for scientific purposes; signal lanterns; traffic lights; aerials; electro-dynamic apparatus for the remote control of signals; smartphones; network communication equipment; monitoring apparatus, electric; camcorders; portable media players; audio- and video-receivers; pedometers; quantity indicators; apparatus to check stamping mail; mechanisms for coin-operated apparatus; holograms; data processing apparatus; computer peripheral devices; couplers [data processing equipment]; electronic publications, downloadable; computer programs [downloadable software]; tablet computers; smartwatches; video game cartridges; CD driver for computer.

11 – Light-emitting diodes [LED] lighting apparatus; lamps; lights for vehicles; germicidal lamps for purifying air; lanterns for lighting; microwave ovens [cooking apparatus]; refrigerating apparatus and machines; air-conditioning installations; heating apparatus; heating installations; bathroom heat lamp fixture; disinfectant apparatus; radiators, electric; lights; acetylene flares; gas lamps; oil lamps; cooking

utensils, electric; electric pressure cooker; solar cooker; freezers; extractor hoods for kitchens; air cooling apparatus; light bulbs; arc lamps; chandeliers; discharge tubes, electric, for lighting; magnesium filaments for lighting; filaments for electric lamps; bicycle lights; motorcycle lights; ultraviolet ray lamps, not for medical purposes; heat accumulators; heating filaments, electric; floor drain; central heating radiators; solar thermal collectors [heating]; water purifying apparatus and machines; sterilization cabinets; installations for processing nuclear fuel and nuclear moderating material.

(260) AM 2019 100577 A
 (800) 692501
 (151) 1998 03 26
 (891) 2018 11 08
 (731) AUGUST STORCK KG
 Waldstrasse 27, 13403 Berlin, Germany
 (540)



(591) Brown, beige
 (531) 08.01.19; 29.01.07
 (554) Three-dimensional
 (511)
 30 – Confectionery, including chewing gum for non medical purposes, chocolate, chocolate products including pralines, pastries, all aforementioned goods also manufactured with wine and spirits.

(260) AM 2019 100578 A
 (800) 833473
 (151) 2004 08 20
 (891) 2018 11 02
 (731) MACDONALD & MUIR LIMITED
 The Cube, 45 Leith Street, Edinburgh
 EH1 3AT, United Kingdom
 (540)

GLENMORANGIE

(591) Black, white
 (531) 27.05.01
 (511)
 33 – Whisky.

(260) AM 2019 100617 A
 (800) 1436310
 (151) 2018 08 09

(891) 2018 08 09
 (731) FORMULA ONE LICENSING B.V.
 Beursplein 37, NL-3011 AA Rotterdam,
 Netherlands
 (540)

F1

(591) Black, white
 (511)
 3 – Soaps; eau-de-cologne; astringents for cosmetic purposes; cleaning chalk; hair conditioners; cosmetic creams; shaving creams, shaving gels; facial cleansing creams; shower gels and creams; skin care creams, beauty creams, moisturising creams; shoe waxes; polishing creams; deodorants and anti-perspirants for personal use; incense; cosmetic pencils; sun care lotions; pre-shave and after-shave lotions; hair lotions, hair gels, hair creams, hair spray; decorative transfers for cosmetic purposes; essential oils; eye shadows; perfumes; face powders; cosmetic preparations for baths; cleaning, polishing, scouring and abrasive preparations for household use, not being preparations for washing automobiles; make-up preparations; washing preparations; cleaning preparations; make-up removing preparations; oral care products, particularly including dentifrices, mouthwashes; cleansing products for the body, particularly including cleansing lotions, beauty masks, cleansing foam, cleansing creams, cleansing gels and cleansing milk; cleaning products; liquid soaps.

6 – Ironmongery; common metals and their alloys; ores; goods of common metal, namely rings of common metal for keys, chains of metal and pins (hardware); small items of metal hardware; towel dispensers, fixed, of metal; metal distributors of hand towels, paper napkins, kitchen paper; badges of metal for vehicles; statuettes of common metal; figurines (statuettes) of common metal; plates, trophies and sheets, all made of common metals.

8 – Hand tools and implements (hand-operated); cutlery, forks and spoons; razor blades; knives; electric or non-electric razors; tweezers; scissors.

11 – Apparatus for lighting, heating, steam generating, cooking, refrigerating, drying, ventilating, water supply and sanitary purposes; lamps; air conditioning apparatus; water filtering apparatus; electric hair dryers; electric laundry dryers; drying apparatus; barbecues; light bulbs; stoves; electric kettles; electric coffee machines; freezers; electric cookers; gas stoves; kitchen ranges (ovens); drinking water fountains; microwave ovens; ovens, other than for experimental purposes; electric deep fryers; grills (cooking appliances); table lamps; incandescent lamps; pocket searchlights; lanterns for lighting; lighting fixtures; decorative lamps; bicycle lights; lamp shades; solar collectors for heating; refrigerators; toilet seats; electric toasters; flashlights; electric fans for personal use.

20 – Furniture, mirrors, picture frames; containers, not of metal, for storage or transport; unworked or semi-worked bone, horn, whalebone or mother of pearl; shells; meerschaum; yellow amber; air pillows, not for medical purposes; air cushions, not for medical purposes; air mattresses, not for medical purposes; air beds, not for medical purposes; bag hangers, not of metal; bedding, except linen; beds for household pets; beds; benches [furniture]; bins, not of metal chests, not of metal; bottle racks; bottle closures, not of metal / bottle fasteners, not of metal; bottle casings of wood; boxes of wood or plastic; busts of wood, wax, plaster or plastic; cabinet work; camping mattresses; cask stands, not of metal; casks of wood for decanting wine; casks, not of metal; console tables; containers, not of metal, for liquid fuel containers, not of metal [storage, transport]; counters [tables]; covers for clothing [wardrobe]; crates; cushions; deck chairs; desks; dinner wagons [furniture]; display boards; display stands; fans for personal use, non-electric; filing cabinets; furniture; furniture of metal, furniture shelves; garment covers [storage]; hampers [baskets] for the transport of items; hand-held mirrors [toilet mirrors]; hand-held flagpoles, not of metal; high chairs for babies; identification bracelets, not of metal; index cabinets [furniture]; inflatable publicity objects; inflatable furniture; jewellery organizer displays / jewelry organizer displays; keyboards for hanging keys; labels of plastic; lockers; locks, not of metal, for vehicles locks, other than electric, not of metal; mattresses; mirror tiles; mirrors [looking glasses]; mobile boarding stairs, not of metal, for passengers; mobiles [decoration]; nameplates, not of metal / identity plates, not of metal; newspaper display stands; number plates, not of metal / registration plates, not of metal; office furniture; packaging containers of plastic; picture frames; picture frame brackets / picture rods [frames]; pillows; placards of wood or plastics; plastic key cards, not encoded and not magnetic; plastic keys; plastic ramps for use with vehicles; plugs, not of metal / bungs, not of metal; poles, not of metal; racks [furniture]; seats / chairs [seats]; seats of metal; sleeping pads / sleeping mats; split rings, not of metal, for keys; stools; table tops; tables; tables of metal; tent pegs, not of metal; tool boxes, not of metal, empty; tool chests, not of metal, empty; transport pallets, not of metal; trays, not of metal; vats, not of metal; wind chimes [decoration].

21 – Glassware, porcelain and earthenware for household purposes; articles for cleaning purposes; brush-making materials; combs and sponges; brushes [except paintbrushes]; household or kitchen utensils and containers (not of precious metal or coated therewith); unworked or semi-worked glass, except building glass; bottles; insulating bottles; drying racks for washing; mixers, manual (shakers); mixing spoons (kitchen utensils); glass flasks (containers); decorative boxes of non-precious metals;

metal boxes for dispensing paper towels; containers for food and beverages; crystal [glassware]; coolers (ice pails); decanters; bottle openers; coasters; statues of porcelain, terra-cotta or glass; clothes racks (for drying); figurines (statuettes) of porcelain, terra-cotta or glass; dental floss; cages for household pets; ice buckets; tankards; beer mugs; glass (receptacles); drinking glasses; gloves for household purposes; fruit presses, non-electric, for household use; feeding troughs for animals; fitted picnic baskets (including dishes); waste paper baskets; combs; cutting boards for the kitchen; toothbrushes; hairbrushes; containers for household or kitchen use; non-electric coolers for food and drinks; coasters, not of paper or textile; trays; decorative glass trays; trays for domestic use; saucers; sugar bowls; cups; tea pots; corkscrews; kitchen utensils; utensils for household purposes; commemorative plates.

29 – Meat; fish; poultry; game; meat extracts; cooked fruits and vegetables; canned fruits and vegetables; frozen fruits and vegetables; frozen meat, fish and poultry; edible oils and fats; potato chips; french fries; processed nuts; jams; jellies; fish and meat preserves; milk, milk drink products; yoghurt drinks; milk shakes; dairy products; cheese; soya milk (milk substitute).

30 – Spices; salt; mustard; vinegar, sauces (condiments); snacks based on corn; rice; cookies; cocoa; coffee; cereals; confectionery; chocolate confectionery; crackers; candies; soya flour; flour; corn flakes; ice cream; yeast; honey; molasses; bread; corn, roasted; pastries; cakes; preparations made from cereals; artificial coffee; sugar; tea; chocolate.

37 – Building construction; vehicle repair; vehicle maintenance; motor vehicle maintenance and repair; repair and maintenance of aircraft; vehicle polishing; vehicle service stations (refuelling and maintenance); mining extraction; vehicle greasing; installation, maintenance and repair of computer hardware; installation of wind power systems; installation of solar power systems; installation of hydropower systems; pipeline construction and maintenance; installation and maintenance of network systems (hardware); machinery installation maintenance and repair; installations and repair of systems of gas; vehicle lubrication; maintenance and repair of power stations; maintenance and repair of vehicle tires; maintenance and repair for the oil industry; vehicle cleaning; drilling of wells; refuelling; retreading of tires; motor vehicle washing; repair of materials and sports equipment; repair and maintenance of automobiles, tractor trailer (tractors) and other utility vehicles; repair and assembly relating to the installation or dismantling and maintenance of tires for vehicle wheels; repair or maintenance of machines and measuring instruments and test equipment or apparatus in relation to the distribution of power or control of power; service station services; installation, mainte-

nance and repair services of equipment, apparatus, devices and installations in the field of electronics, computing, communications and telecommunications; construction, repair, restoration, maintenance and installation services for industrial equipments; drilling services for oil and gas extraction; repair services of tires for vehicle wheels; services related to exploitation and production of oil, namely rental of drilling rigs; building construction supervision; anti-rust treatment for vehicles; vulcanization of tires (repair).

42 – Design and development of computers and software; scientific and technological services and research and design relating thereto; industrial analysis and research services; leasing of computers and computer software; installation, research and update of computer software for the electronic exchange of data and telecommunication networks for third parties; creation and maintenance of database software and applications; creating, maintaining and hosting internet web sites and of wireless electronic communication networks; electronic storage of data; electronic storage; installing and maintenance of computer software; providing temporary use of non-downloadable computer software to enable users to create and share text, documents, images, photos, videos, maps and roadmaps; temporary provision of non-downloadable computer software online; temporary provision of non-downloadable computer software online allowing users to access programs with audio content, video, text and other multimedia content, including music, concerts, videos, radio, television, news, sports, games, cultural events, and programs in connection with entertainment; recovery of computer data; services of a computer software consultant; computer software design and development services; graphic arts designing; computer services that provide online web pages created according to customer needs and that offer user-specific information, including search engines and online web connections with news, information on sports; computer services that provide online web pages created according to the needs of customers and providing certain information to the user, including search engines and online web links to news, weather information, sports; computer services, namely, creating websites featuring an on-line community for registered users to participate in discussions, get feedback, form virtual communities, and engage in social networking on-line; services provided by an application service provider (asp) featuring computer software for use in connection with subscription services for online music, software allowing users to play and program music and audio, video, text and multimedia content in connection with entertainment, and computer software featuring recordings of musical sounds, text, audio, video and multimedia content in connection with entertainment.

43 – Services for providing food and drink; providing hotel accommodation; cafés; cafeterias; canteens; tourist homes; information on hotel bookings; temporary accommodation reservation; hotel reservation; food and drink catering; restaurants; self-service restaurants; snack-bars; providing catering services for hospitality suites in relation to the provision of food and drink for sporting or entertainment events, both on- and off -site sports facilities; bar services; fast food restaurant services; services provided by restaurant.

(260) AM 2019 100618 A
 (800) 1436361
 (151) 2018 08 14
 (891) 2018 08 14
 (731) Nemiroff Intellectual Property Establishment
 Städtle 31, FL-9490 Vaduz, Liechtenstein
 (540)



(591) Black, white
 (531) 26.01.19; 27.05.01; 27.05.08
 (511)
 33 – Vodka.

35 – Advertising; business management; business administration; demonstration of goods; design of advertising materials; dissemination of advertising matter; marketing; marketing research; office functions; on-line advertising on a computer network; organization of exhibitions for commercial or advertising purposes; organization of trade fairs for commercial or advertising purposes; outdoor advertising; production of advertising films; publicity material rental; promotion of goods and services through sponsorship of sports events; publication of publicity texts; radio advertising; rental of billboards [advertising boards]; rental of advertising space; rental of sales stands; telemarketing services; television advertising.

(260) AM 2019 98838 A
 (800) 1415883
 (151) 2018 01 29
 (891) 2018 01 29
 (731) WP German Med CARE AG
 Hausener Weg 29, 60489 Frankfurt, Germany
 (540)



(591) Grey, white, red, yellow, blue.

(531) 26.04.04; 26.04.12; 26.04.16; 26.04.24;
26.11.13; 27.05.01; 29.01.15

(511)

5 – Medicine; pharmaceuticals; medical and veterinary preparations; sanitary preparations for medical purposes; dietetic food and substances adapted for medical or veterinary use, food for babies; dietary supplements for humans and animals; plasters, materials for dressings; material for stopping teeth, dental wax; disinfectants; preparations for destroying vermin; fungicides, herbicides.

10 – Surgical, medical, dental and veterinary apparatus and instruments; artificial limbs, eyes and teeth; orthopedic articles; suture materials; therapeutic and assistive devices adapted for the disabled; massage apparatus; apparatus, devices and articles for nursing infants; sexual activity apparatus, devices and articles.

35 – Advertising, marketing and promotional services; provision of business assistance; business assistance, management and administrative services; administrative management of medical centers and hospitals; business management of medical centers and hospitals; office functions; professional business consultancy, analysis, research and information services; arranging of business contacts; negotiations of business contracts for others and commercial intermediation services; procurement services for others; administrative consultancy in the field of pharmacy and medical technology; wholesale and retail services as well as import and export agency services, also provided via the Internet, in the fields of: drugstore products, cosmetics and household goods, nutritional supplements, goods for the health sector, pharmaceuticals, orthopedic articles, medical devices, remedies, physical therapy equipment, medical apparatus and instruments, electric goods and electronic goods, sound carriers and data carriers, printed matter, office requisites, clothing articles, shoes, textiles, sporting articles; rental and leasing of objects in connection with the providing of the aforesaid services, included in this class; consultancy and information in relation to the aforesaid services, included in this class.

38 – Telecommunication; telecommunication services provided via Internet platforms; providing access to platforms and portals on the Internet; consultancy and information in relation to the aforesaid services, included in this class.

44 – Medical services; veterinary services; hygienic and beauty care for human beings and animals; consultancy in the fields of pharmacy and medical technology; telemedicine services; medical consultancy; individual medical consultancy services provided for patients; consultancy and information services relating to medical and pharmaceutical pro-

ducts; consulting services relating to health care; medical assistance consultancy provided by doctors and other specialized medical personnel; hospital services; medical clinic services; convalescent home services; providing physical and mental rehabilitation facilities; rental and leasing of objects in connection with the providing of the aforesaid services, included in this class; consultancy and information in relation to the aforesaid services, included in this class.

(260) AM 2019 98943 A

(800) 1417193

(151) 2018 05 18

(891) 2018 05 18

(731) E. REMY MARTIN & C°

20 rue de la Société Vinicole, F-16100
COGNAC, France

(540)



(591) Black, gold, gray, silver, red, white, blue

(531) 03.01.02; 19.07.01; 19.07.10; 25.01.15;
27.05.10; 29.01.14

(526) "EXTRA OLD", "XO", "FRENCH BRANDY FRANCAIS"

(511)

33 – Brandy of French origin or made in France.

(260) AM 2019 98951 A

(800) 1417379

(151) 2018 05 29

(891) 2018 05 29

(731) BIOFARMA

50 rue Carnot, F-92284 Suresnes Cedex, France

(540)



(591) Green Pantone 333 – green Pantone 335 The logo consists of a square with rounded corners; the background depicts a succession of green triangles Pantone 333 and 335; The square is crossed by a broken white horizontal line

(531) 20.05.07; 26.04.04; 26.04.12; 26.04.24; 26.11.01; 26.11.13; 29.01.12

(511)

38 – Electronic bulletin services (telecommunication services); provision of telecommunication access to video and audio content and information on the Internet; provision of online discussion forums; provision of access to newsletters and blogs (electronic magazines) on the Internet; provision of access to chat rooms on the Internet; provision of online forums; provision of discussion forums and newsletter services for transmission among users; radio and television broadcasting services provided via the Internet or other communication networks.

41 – Education and training services, organization and conducting of seminars, courses, workshops and conferences.

44 – Medical services; advice relating to health, consulting relating to pharmacy.

(260) AM 2019 99283 A

(800) 1421873

(151) 2018 03 21

(891) 2018 03 21

(731) Društvo za proizvodstvo, trgovija i uslugi ZENITH INTERNATIONAL DOOEL Skopje ul. "Orce Nikolov" br. 75, 1000 Skopje, The former Yugoslav Republic of Macedonia

(540)



(591) Red, white and black

(531) 26.01.12; 26.01.18; 26.11.08; 27.05.01; 27.05.09; 27.05.10; 29.01.13

(511)

37 – Heating equipment installation and repair.

(260) AM 2019 99375 A

(800) 1422225

(151) 2018 07 13

(891) 2018 07 13

(731) CHANEL SARL

Quai du Général-Guisan 24, CH-1204 Genève, Switzerland

(540)

MONSIEUR PRIVE

(591) Black, white

(511)

3 – Preparations for cosmetic use for skin, scalp, hair or nail care; preparations for cosmetic use for application on the skin, scalp, hair or nails; soaps; perfumery products; perfumes; eau de Cologne; eau de toilette; after-shave lotions; shaving soap; shaving products; essential oils; make-up products; cosmetics; toiletries for non-medical use; talcum powder for toilet use; deodorants and antiperspirants for personal use; artificial nails for cosmetic use; nail art stickers; adhesives for affixing artificial nails; temporary tattoos for cosmetic use; perfumed sprays for indoor use; air fragrances; potpourris [fragrances].

(260) AM 2019 99390 A

(800) 1422578

(151) 2018 05 28

(891) 2018 05 28

(731) NEXUS AUTOMOTIVE INTERNATIONAL SA

Chemin du Château-Bloch 11, CH-1219 Le Lignon – Geneva, Switzerland

(540)



(591) Anthracite (PANTONE 425), orange (PANTONE 144)

(531) 27.05.10; 29.01.12

(511)

12 – Motors and engines for land vehicles; coupling and transmission components for land vehicles; hydraulic circuits for automobiles; turbines for land vehicles; vehicle bodies; vehicle parts and interior and exterior accessories for vehicles.

35 – Providing on-line sale spaces for buyers and sellers of parts of vehicles and accessories; commercial intermediary services; administrative processing of purchase orders of parts of vehicles and accessories; online advertising on a computer network; commercial information via websites; organization of exhibitions and fairs for commercial or advertising purposes.

(260) AM 2019 99400 A

(800) 1422999

(151) 2018 04 05

(891) 2018 04 05

(731) WILO SE

Nortkirchenstr. 100, 44263 Dortmund, Germany

(540)

Nexus

(591) Black, white

(511)

9 – Optical devices, enhancers and correctors; measuring, detecting and monitoring instruments, indicators and controllers; devices and apparatus for the analysis of water; devices for dosing of water; solenoid dosing valves; electric control apparatus, in particular for the controlling of pump systems; electrotechnical components; electric loss indicators; electric installations for the remote control of electric operations; electric apparatus for commutation; regulating apparatus (electric); distribution consoles (electricity); control panels (electricity); electro-dynamic apparatus for the remote control of signals; sprinkler systems and water systems for fire protection; devices for the measuring and evaluation of water quality (included in class 9); testing apparatus, not for medical purposes; electric installations for the remote control of industrial operations; apparatus and instruments for physics; electric sensors; parts and fittings for all the aforesaid goods, included in this class; all aforementioned goods exclusively with relation to pumps and pump systems.

11 – Water softening apparatus and installations; water conditioning apparatus and installations; sewage treatment (purification) installations; sewage disposal plants; water conduits installations; water distribution installations; pressure water tanks; waste water treatment installations systems; water supply installations; installations for the recycling (purification) of waste water; water purification installations; purification installations for sewage; parts and fittings for all the aforesaid goods, included in this class; stirring units (machines) for waste water treatment.

(260) AM 2019 99554 A

(800) 1423953

(151) 2018 07 03

(891) 2018 07 03

(731) VALVOLINE LICENSING AND
INTELLECTUAL PROPERTY LLC
100 Valvoline Way, Lexington KY
40509, USA

(540)

TECTYL

(591) Black, white

(511)

4 – Lubricants.

17 – Insulating coatings; insulation paints; sound absorbing materials.

40 – Treatment of metal to prevent rust and corrosion; treatment of metal (sound dampening).

(260) AM 2019 99562 A

(800) 1424132

(151) 2018 06 06

(891) 2018 06 06

(731) YIWU FINDER IMPORT & EXPORT CO.,
LTD.
Rm 802, Unit 2, No. 3 Bldg. of Hetangyaju,
Yiwu, Jinhua, Zhejiang, China

(540)

FINDER

(591) Black, white

(531) 27.05.11; 27.05.17

(511)

9 – Levels [instruments for determining the horizontal]; gloves for protection against accidents; carpenters' rules; measures; rulers [measuring instruments]; plumb bobs; measuring instruments; acid-resistant overcoat and apron; scales; protection devices for personal use against accidents.

(260) AM 2019 99570 A

(800) 1318812

(151) 2016 06 24

(891) 2018 09 04

(731) CHRISTOPH GESKES

Gustav-Heinemann-Ufer 74b, 50968 Köln,
Germany

(540)

The Munich

(591) Black, white

(531) 27.05.01

(511)

35 – Updating and maintenance of data in computer databases; updating of advertising material; temporary personnel services; cost price analysis; business inquiries; business management and organization consultancy; business management consulting; personnel management consulting; providing business information via a web site; procurement services for others [purchasing goods and services for other businesses]; import-export agencies; professional business consulting; business project management services for construction projects; accounting; computerised file management; advertising agencies; preparation of business organisation reports relating to building projects; auctioneering services; relocation services for businesses; development of professional business concepts for real estate; business investigation; compilation of statistics; drawing up of statement of accounts (office functions); expert opinion on business efficiency; business efficiency expert services; drawing up statements of account; tax preparation; economic forecasting; consumers (commercial information and advice for -) [consumer advice shop]; commercial information agencies; invoicing; television advertising; photocopying services; promotion, with regard to organisational matters, of research and teaching; business management of per-

forming artists; business management for freelance service providers; business management of sports people; business management of hotels; commercial or industrial management assistance; business information; commercial administration of the licensing of the goods and services of others; direct mail advertising to attract new customers and to maintain the existing customer base (mail advertising); layout services for advertising purposes; payroll preparation; modelling for advertising or sales promotion; marketing services; market research; marketing studies; opinion polling; data search in computer files for others; business research; public relations services; on-line advertising on a computer network; web site traffic optimisation; search engine optimisation; arranging and conducting of advertising events; arranging and conducting of fashion shows for advertising and sales promotion purposes; exhibitions and fairs for commercial or advertising purposes; fashion shows for promotional purposes (organization of -); business organisation consulting; business organisation consultancy; organizational project management in the field of electronic data processing; outsourcing services [business assistance]; pay per click advertising; employment agencies; personnel recruitment; personnel selection using psychological testing; services of a temporary employment services; bill-posting; planning and monitoring of business developments with regard to organisational matters; planning services for advertising; assistance in management of business activities; presentation of companies on the internet and other media; presentation of goods on communication media, for retail purposes; price comparison services; production of advertising films; publication of printed matter (including in electronic form), for advertising purposes; publication of mail order catalogues; radio advertising; news clipping services; shop window dressing; word processing; typing services; secretarial services; sponsorship search; advertising including promotion of products and services of third parties through sponsoring arrangements; shorthand; systemization of information into computer databases; telephone answering for unavailable subscribers; telephone billing; telemarketing services; transcription of communications [office functions]; placement of temporary personnel; business consultancy and advisory services; organisation of trade fairs for commercial or advertising purposes; consumer consultancy services; dissemination of advertising matter; writing of publicity texts; sales promotion for others; office machines and equipment rental; rental of photocopying machines; rental of vending machines; rental of sales stands; rental of advertising space; rental of advertising space on the internet; publicity material rental; rental of advertising time on communication media; negotiation and conclusion of commercial transactions for third parties; arranging subscriptions to telecommunication services for ot-

hers; providing of addresses for advertising purposes; arranging of trading and economic contacts, also over the internet; arranging commercial transactions for third parties, also within the framework of e-commerce; provision of commercial and business contact information; arranging mobile radio contracts (for others); arranging of contracts, for others, for the buying and selling of goods; arranging of contracts, for others, for the providing of services; arranging of contracts with electricity suppliers for others; arranging advertising contracts for others; temporary personnel services; arranging newspaper subscriptions for others; commercial intermediation services; advertising by mail order; sample distribution; direct mail advertising [tracts, brochures, printed matter, samples]; dissemination of advertising matter; document reproduction; administrative order processing; demonstration of goods for advertising services; goods and services presentations; advertisement for others on the internet; business appraisal; business auditing; compilation of information into computer databases; collection of goods, for others, for presentation and sales purposes; organisational, personal and professional business consultancy with regard to business; publication of publicity texts; business management for business groups, in particular in the field of insurance underwriting and reinsurance underwriting; administration of insurance and reinsurance business; promotion services with regard to medical matters (research and teaching).

36 – Credit card and payment card services; issuance of debit cards; issuance of vouchers and tokens of value; issuance of credit cards; issuance of travelers' checks; banking; banking in the form of online banking; pawnbrokerage; lending against security; providing financial information via a web site; stock exchange quotations; clearing-houses, financial; brokerage of carbon credits; deposit of valuables; actuarial services; building, namely the financial preparation of building projects; stockbroking; real estate and insurance brokerage; brokerage; stocks and bonds brokerage; retirement payment services; savings bank services; provident fund services; stocks and bonds brokerage; debt collection; rent collection; electronic transfer of funds; financial services in the field of development of usage concepts for real estate; acquisition, handling and hedging of futures; fiscal assessments; insurance information; financial information; factoring; fire protection and fire insurance underwriting; financial analysis; financial consulting; financial sponsorship; financial services relating to promotion of research and teaching; financial services relating to promotion through calling for tenders for scientific prizes; valuation of standing timber (financial -); financial evaluation of wool; evaluation (financial -) [insurance, banking, real estate]; financial sponsorship; financing and funding services; financial consultancy (loan advice); apartment house management; currency trading

and exchange services; business liquidation services, financial; installment loans; liability insurance underwriting; real estate management; real estate agency; property (real estate -) management; contents insurance; fund investments; insurance of motor vehicles; health insurance; credit agencies; credit leasing; life insurance underwriting; mortgage banking; mergers and acquisitions, namely financial consultancy with regard to the purchase or sale of businesses and business investments; numismatic appraisal; online banking; arranging finance for construction projects; reinsurance; legal protection insurance; organisation of collections; charitable fund raising; stamp appraisal; jewellery appraisal; antique appraisal; real-estate valuations; art appraisal; evaluation (repair costs -) [financial appraisal]; verification (check [cheque] -); debt advisory services; technical insurance; marine insurance underwriting; surety services; accident insurance underwriting; loans [financing]; rental of offices; rental of apartments; mutual funds; insurance brokerage; financial management; trusteeships; arranging letting of real estate; leasing of farms; insurance consultancy; safe deposit services; accommodation (leasing of -) [apartments]; customs brokerage; technical insurance services for insurance of all kinds; insurance and reinsurance brokerage; insurance and reinsurance actuarial services; processing of insurance and reinsurance claims; consultancy in the fields of insurance underwriting and reinsurance underwriting; consultancy in the fields of property insurance, liability insurance, reinsurance, legal expenses insurance, reinsurance policies, life insurance, fire insurance, accident insurance and health insurance, and in the field of managing insurance and reinsurance claims; rental and leasing of real estate (facility management); insurance services in the context of insurance underwriting and reinsurance underwriting; insurance and reinsurance information services.

44 – Out-patient services; aromatherapy services; tree surgery; pharmacy advice; health spa services; public baths for hygiene purposes; hospices; sauna services; solarium services; animal grooming; turkish baths; landscape architecture; alternative medicine services; blood bank services; midwife services; health clinic services; pharmacy services; medical assistance; blood-donation services; chiropractics; floral design; hair salon services; landscape gardening; gardening services; services of a non-medical practitioner; hospitals; speech therapy services; medical laboratory services, other than research; opticians' services; psychologist (services of a -); medical services; animal healthcare services; dentistry; aquaculture services; plant nurseries; convalescent homes; health centers; nursing homes; medical clinic services; sanatoriums; beauty salons; visagists' services; aerial and surface spreading of fertilizers and other agricultural chemicals; medical and clinical examinations; massage; conducting therapies; reha-

bilitation of substance abuse patients; dietetic advisory services; gardening; horticulture; advisory services relating to health; maintenance of domestic green spaces (caretaker services); depilatory waxing; hair implantation; in-vitro fertilisation; orthodontic services; medical nursing; wreath making; artificial insemination services; landscape design; manicuring; medical counseling; tree planting for carbon offsetting purposes; physical therapy; plastic surgery; psychosocial care; lawn care; vermin exterminating (for agriculture); medical and nursing services for the elderly; tattooing; telemedicine services; therapeutic support and medical care; therapy services; animal care; farming (animals); weed killing; farming equipment rental; medical equipment rental; rental of medical devices; rental of sanitary apparatus; pharmacists' services to make up prescriptions.

(260) AM 2019 99585 A

(800) 1424581

(151) 2018 07 05

(891) 2018 07 05

(731) RAVAGO S.A.

76-78, rue de Merl, L-2146 Luxembourg,
Luxembourg

(540)

RAVAPANEL

(591) Black, white

(511)

6 – Aluminum foil; metal building boards having insulating properties; metal building materials in the form of panels; building panels of metal; ceilings of metal; cladding of metal for construction and building; cladding panels of metal for roofing; common metals and their alloys; dividing wall panels of metal; door panels of metal; doors of metal; metal double glazing panels incorporating insulating glass; metal double skinned heat insulated facade constructions; duckboards of metal; fire partitions, walls, palings, doors, panels, ceilings and floors of metal; framework of metal; goods of common metal not included in other classes; grids and screens of metal; roof gutters of metal; hinge bands of metal; insulated metal cladding panels for walls; insulated metal panels for buildings; ironmongery, small items of metal hardware; joists of metal; materials of metal for railway tracks; metal building materials; metal building panels; metal framing; metal panels; metal profiles for thermal insulation purposes; metal roofing; metal roofing materials; metal roofing panels; metal roofing tiles; metallic floor tiles; non-electric cables and wires of common metal; ores; panel boards of metal; paneling of metal; partitions of metal; pilings of metal; reinforcing materials of metal for building; roof components of metal; roof coverings of metal; roof flashings of metal; roofing boards of metal; roofing membranes of metal; roofing of metal, incorporating solar cells; roofing panels of metal; roofing

plate of metal; roofing sheets of metal; roofing tiles of metal; roofs of metal; roofs of metal for structures; sheet metal for roofing; shelters made of prefabricated metal insulated materials; shoring struts of metal, metal props; steel alloys; steel structures; tiles of metal for building; transportable buildings of metal; wainscoting of metal; wall claddings of metal (building).

7 – Agricultural implements other than hand-operated; heat insulated metal piping elements [parts of machines]; machine coupling and transmission components (except for land vehicles); machines and machine tools for treatment of materials and for manufacturing; motors and engines (except for land vehicles); non-metallic pre-insulated bonded pipes [parts of machines, or fitted parts of machines].

12 – Apparatus for locomotion by land, air or water; insulated vehicle body panels; roof panels for land vehicles; vehicles.

17 – Acoustic insulating boards; acoustic insulating panels; acoustic insulating panels made from non-metallic materials; insulating acrylic resins; adhesive sealing strip for roofing joints; asbestos; asbestos coverings; asbestos felt; asbestos safety curtains; composite panels having insulating properties; compositions to prevent the radiation of heat; draught excluder strips, weather-stripping; electrical insulators; fiberglass for insulation; fire resistant insulated panels; flexible elastomeric thermal insulation; flexible pipes, not of metal; gels for insulating; glass fibers, for insulation; glass wool for insulation; heat-insulating foam; industrial coatings [insulating]; insulating adhesives; insulating boards; insulating cladding; insulating coatings; insulating foils; insulating lacquers; insulating mastics; insulating materials; insulating mats; insulating oils; insulating paint; insulating paints; insulating paints for roofs; insulating panels; insulating paper; insulating plates; insulating refractory materials; insulating sheets; insulating substances; insulating tapes; insulating varnish; insulation material for roofing; insulation sheets; insulators; metal foil for insulation; mica electrical insulators; mineral wool (insulator); non-conducting materials for retaining heat; non-metallic insulated pipe jacket muffers; non-metallic insulated pipe jackets; packing and stuffing materials of rubber or plastic, padding of rubber or of plastic, packing materials of rubber or of plastic; packing, stopping and insulating materials; plastic fibers not for textile use; plastics in extruded form for use in manufacture; plastics insulating materials; polystyrene panels for insulating purposes; pre-insulated bonded flexible hoses (non-metallic -); pre-insulated bonded flexible hoses (non-metallic -) for use in vehicle engines; refractory insulating materials, insulating materials, fireproof materials for fire partitions, walls, palings, doors, panels, roofs, ceilings and floors; rubber, gutta-percha, gum, asbestos, mica and goods made from

these materials and not included in other classes; sealant compounds for joints; slag wool (insulating materials), rock wool (insulating materials); thermal insulating articles; thermal insulation material; thermally conductive insulators; thermally insulated pipes made of plastic; waterproof packings; sound insulating structures of metal.

(260) AM 2019 99586 A

(800) 1424641

(151) 2018 07 27

(891) 2018 07 27

(731) RJ Watches SA

Grand-Rue 29-31, CH-1204 Genève, Switzerland

(540)

RJ ARRAW

(591) Black, white

(511)

14 – Jewelry; jewelry products, precious stones; timepieces and chronometric instruments; cases, straps, dials, chains, glasses for watches; cases or presentation cases for timepieces; works of art of precious metal; jewelry cases [caskets]; boxes of precious metal; key rings [trinkets or fobs]; statues or figurines (statuettes) of precious metals; medals; cuff links; tie pins; pins.

(260) AM 2019 99587 A

(800) 1424730

(151) 2018 07 30

(891) 2018 07 30

(731) YOUNG LIFE

420 N. Cascade Ave, Legal Department,
Colorado Springs CO 80903, USA

(540)

Young Life

(591) Black, white

(511)

25 – Baseball caps; beanies; coats for men and women; golf shirts; hooded sweat shirts; infant and toddler one piece clothing; jackets; knit shirts; long-sleeved shirts; polo shirts; shirts; short-sleeved or long-sleeved t-shirts; shorts; sweat shirts; T-shirts; vests; visors.

45 – Evangelistic and ministerial services.

(260) AM 2019 99588 A

(800) 1424745

(151) 2018 03 22

(891) 2018 03 22

(731) Zakrytoe aktsyonernoe obshchestvo
"KHIMIK"

ul. Khimicheskaya, 64, g. Labinsk, RU-352506
Krasnodarskiy kray, Russian Federation

(540)



(591) Yellow and white

(531) 01.15.09; 17.02.01; 17.02.02; 24.09.02;

24.09.05; 27.03.15; 27.05.01; 29.01.12

(511)

2 – Annatto [dyestuff]; auramine; Canada balsam; white lead; paper for dyeing Easter eggs; dyes; binding preparations for paints; agglutinants for paints; glazes [paints, lacquers]; litharge; orange lead; primers; gamboge for painting; gum-lac; shellac; titanium dioxide [pigment]; repositionable paint patches; indigo [colorant]; gum resins; colophony; caramel [food colorant]; carbonyl [wood preservative]; cochineal carmine; toner cartridges, filled, for printers and photocopiers; copal; alizarine dyes; aniline dyes; ink for leather; colorants for liqueurs; colorants for beverages; shoe dyes; colorants for beer; colorants for butter; ink for skin-dressing; dyewood; dye-wood; malt colorants; food dyes; food colorants; colorants; dyestuffs; toner [ink] for photocopiers; ink [toner] for photocopiers; watercolour paints for use in art; aluminium paints; asbestos paints; bactericidal paints; wood stains; ceramic paints; marking ink for animals; distempers; oil paints for use in art; fireproof paints; printing ink; engraving ink; enamel paints; paints; creosote for wood preservation; turmeric [colorant]; black japan; bitumen varnish; bronzing lacquers; copal varnish; anti-corrosive bands; anti-rust oils; oils for the preservation of wood; mastic [natural resin]; lime wash; cobalt oxide [colorant]; zinc oxide [pigment]; silver paste; printers' pastes [ink]; pigments; coatings [paints]; coatings for tarred felt [paints]; wood coatings [paints]; undercoating for vehicle chassis; anti-fouling paints; varnishes; aluminium powder for painting; bronze powder for painting; silvering powders; metals in powder form for use in painting, decorating, printing and art; anti-corrosive preparations; protective preparations for metals; wood mordants; mordants for leather; mordants; thinners for paints; thinners for lacquers; whitewash; soot [colorant]; carbon black [pigment]; lamp black [pigment]; sandarac; thickeners for paints; sienna earth; siccatives [drying agents] for paints; anti-rust greases; natural resins, raw; malt caramel [food colorant]; badigeon; anti-tarnishing preparations for metals; anti-rust preparations; wood preservatives; sumac for varnishes; minium; red lead; turpentine [thinner for paints]; fixatives [varnishes]; fixatives for watercolours; metal foil for use in painting, decorating, printing and art; yellowwood [colorant]; edible inks; saffron [colorant]; dyewood extracts; wood dyestuffs; enamels [varnishes]; silver emulsions [pigments].

(260) AM 2019 99601 A

(800) 1425149

(151) 2018 02 26

(891) 2018 02 26

(731) ARKRAY, Inc.

57, Nishi Aketa-cho, Higashi-kujo, Minami-ku, Kyoto-shi, Kyoto 601-8045, Japan

(540)

SiLL-Ha

(591) Black, white

(511)

1 – Diagnostic reagents for scientific or research use; diagnostic reagents for scientific or research use in oral testing; diagnostic reagents for scientific or research use in salivary testing; reagent paper, other than for medical or veterinary purposes; diagnostic reagent paper for scientific or research use; diagnostic reagent paper for scientific or research use in salivary testing; diagnostic reagent paper for scientific or research use in oral testing.

5 – Pharmaceutical preparations; medicated mouth care preparations; medicinal preparations for the mouth; pharmaceutical preparations for dental purposes; medicated mouth treatment preparations; medical diagnostic reagents for use in oral testing; medical diagnostic reagents for use in salivary testing; veterinary preparations; mouth and dental materials; materials for use in dentistry; plastic materials for mouth and dentistry; patchy materials for mouth and dentistry; resin materials for mouth and dentistry; metals and metal alloys for mouth and dentistry; veneers for mouth and dentistry; synthetic resins for mouth and dental care; mouth and dental restoration compounds; mouth and dental etching compounds; mouth and dental cements; mouth and dental impression materials; mouth and dental composite materials; fixing materials for mouth and dental purposes; materials for mouth and dental fillings.

9 – Measuring or testing machines and instruments; laboratory apparatus and instruments; salivary testing apparatus and instruments for scientific or research use; oral testing apparatus and instruments for scientific or research use; computer software; electronic publications.

10 – Medical apparatus and instruments, other than walking aids, and crutches; dental apparatus; dental instruments; oral testing apparatus and instruments for medical purposes; salivary testing apparatus and instruments for medical purposes; veterinary apparatus and instruments.

35 – Retail services or wholesale services for diagnostic reagents for mouth and dentistry for scientific or research use; retail services or wholesale services for diagnostic reagents for scientific or research use in oral testing; retail services or wholesale services for diagnostic reagents for scientific or research use

in salivary testing; retail services or wholesale services for reagent paper for mouth and dentistry, other than for medical or veterinary purposes; retail services or wholesale services for diagnostic reagent paper for mouth and dentistry for scientific or research use; retail services or wholesale services for diagnostic reagent paper for scientific or research use in salivary testing; retail services or wholesale services for diagnostic reagent paper for scientific or research use in oral testing; retail services or wholesale services for pharmaceutical preparations for mouth and dentistry; retail services or wholesale services for medicated mouth care preparations; retail services or wholesale services for medicinal preparations for the mouth; retail services or wholesale services for pharmaceutical preparations for dental purposes; retail services or wholesale services for medicated mouth treatment preparations; retail services or wholesale services for medical diagnostic reagents for use in oral testing; retail services or wholesale services for medical diagnostic reagents for use in salivary testing; retail services or wholesale services for veterinary preparations for mouth and dentistry; retail services or wholesale services for mouth and dental materials; retail services or wholesale services for measuring or testing machines and instruments for mouth and dentistry; retail services or wholesale services for laboratory apparatus and instruments for mouth and dentistry; retail services or wholesale services for salivary testing apparatus and instruments for scientific or research use; retail services or wholesale services for oral testing apparatus and instruments for scientific or research use; retail services or wholesale services for computer software relating to mouth and dental treatment; retail services or wholesale services for electronic publications relating to mouth and dental treatment; retail services or wholesale services for medical apparatus and instruments for mouth and dentistry; retail services or wholesale services for dental apparatus; retail services or wholesale services for dental instruments; retail services or wholesale services for oral testing apparatus and instruments for medical purposes; retail services or wholesale services for salivary testing apparatus and instruments for medical purposes; retail services or wholesale services for veterinary apparatus and instruments for mouth and dentistry.

37 – Repair or maintenance of measuring and testing machines and instruments; repair or maintenance of laboratory apparatus and instruments; repair or maintenance of medical machines and apparatus; repair or maintenance of dental apparatus and instruments; repair or maintenance of oral testing apparatus and instruments for medical purposes; repair or maintenance of salivary testing apparatus and instruments for medical purposes; repair or maintenance of veterinary apparatus and instruments.

41 – Educational and training services relating to mouth and dentistry; educational and training servi-

ces relating to mouth treatment; educational and training services relating to mouth care; educational and training services relating to dental treatment; educational and training services relating to dental care; educational and training services relating to esthetic mouth; educational and training services relating to esthetic dentistry; arranging, conducting and organization of seminars in the field of mouth and dentistry; arranging, conducting and organization of seminars in the field of mouth treatment; arranging, conducting and organization of seminars in the field of mouth care; arranging, conducting and organization of seminars in the field of dental treatment; arranging, conducting and organization of seminars in the field of dental care; arranging, conducting and organization of seminars in the field of esthetic mouth; arranging, conducting and organization of seminars in the field of esthetic dentistry; providing electronic publications in the field of mouth and dentistry; providing electronic publications in the field of mouth treatment; providing electronic publications in the field of mouth care; providing electronic publications in the field of dental treatment; providing electronic publications in the field of dental care; providing electronic publications in the field of esthetic mouth; providing electronic publications in the field of esthetic dentistry; providing or editing of electronic publications.

42 – Computer software design, computer programming, or maintenance of computer software relating to mouth and dentistry; computer software design, computer programming, or maintenance of computer software for patient data management in connection with mouth and dental treatment; computer software design, computer programming, or maintenance of computer software for data management in connection with diagnostic reagents for scientific or research use in oral testing, diagnostic reagents for scientific or research use in salivary testing, diagnostic reagent paper for mouth and dentistry for scientific or research use, diagnostic reagent paper for scientific or research use in salivary testing, diagnostic reagent paper for scientific or research use in oral testing, pharmaceutical preparations for mouth and dentistry, medicated mouth care preparations, medicinal preparations for the mouth, pharmaceutical preparations for dental purposes, medicated mouth treatment preparations, medical diagnostic reagents for use in oral testing, medical diagnostic reagents for use in salivary testing, veterinary preparations for mouth and dentistry, mouth and dental materials, measuring or testing machines and instruments for mouth and dentistry, laboratory apparatus and instruments for mouth and dentistry, salivary testing apparatus and instruments for scientific or research use, oral testing apparatus and instruments for scientific or research use, electronic publications relating to mouth and dental treatment, medical apparatus and instruments for mouth and dentistry, dental ap-

paratus, dental instruments, oral testing apparatus and instruments for medical purposes, salivary testing apparatus and instruments for medical purposes, and veterinary apparatus and instruments for mouth and dentistry; computer software design, computer programming, or maintenance of computer software for user information management in connection with diagnostic reagents for scientific or research use in oral testing, diagnostic reagents for scientific or research use in salivary testing, diagnostic reagent paper for mouth and dentistry for scientific or research use, diagnostic reagent paper for scientific or research use in salivary testing, diagnostic reagent paper for scientific or research use in oral testing, mouth care preparations for scientific or research use, diagnostic preparations for the mouth for scientific or research use, pharmaceutical preparations for mouth and dentistry, medicated mouth care preparations, medicinal preparations for the mouth, pharmaceutical preparations for dental purposes, medicated mouth treatment preparations, medical diagnostic reagents for use in oral testing, medical diagnostic reagents for use in salivary testing, veterinary preparations for mouth and dentistry, mouth and dental materials, measuring or testing machines and instruments for mouth and dentistry, laboratory apparatus and instruments for mouth and dentistry, salivary testing apparatus and instruments for scientific or research use, oral testing apparatus and instruments for scientific or research use, electronic publications relating to mouth and dental treatment, medical apparatus and instruments for mouth and dentistry, dental apparatus, dental instruments, oral testing apparatus and instruments for medical purposes, salivary testing apparatus and instruments for medical purposes, and veterinary apparatus and instruments for mouth and dentistry; computer software design, computer programming, or maintenance of computer software for management of data obtained from measuring or testing machines and instruments for mouth and dentistry, laboratory apparatus and instruments for mouth and dentistry, salivary testing apparatus and instruments for scientific or research use, oral testing apparatus and instruments for scientific or research use, electronic publications relating to mouth and dental treatment, medical apparatus and instruments, dental apparatus, dental instruments, oral testing apparatus and instruments for medical purposes, salivary testing apparatus and instruments for medical purposes, and veterinary apparatus and instruments for mouth and dentistry; creating or maintaining web sites for others relating to mouth and dentistry; creating or maintaining web sites for others relating to mouth treatment; creating or maintaining web sites for others relating to mouth care; creating or maintaining web sites for others relating to dental treatment; creating or maintaining web sites for others relating to dental care; creating or maintaining web sites for others relating to esthetic

mouth; creating or maintaining web sites for others relating to esthetic dentistry; providing computer programs relating to mouth and dentistry; providing computer programs for patient data management in connection with mouth and dental treatment; providing computer programs for data management in connection with diagnostic reagents for scientific or research use in oral testing, diagnostic reagents for scientific or research use in salivary testing, diagnostic reagent paper for mouth and dentistry for scientific or research use, diagnostic reagent paper for scientific or research use in salivary testing, diagnostic reagent paper for scientific or research use in oral testing, mouth care preparations for scientific or research use, diagnostic preparations for the mouth for scientific or research use, pharmaceutical preparations for mouth and dentistry, medicated mouth care preparations, medicinal preparations for the mouth, pharmaceutical preparations for dental purposes, medicated mouth treatment preparations, medical diagnostic reagents for use in oral testing, medical diagnostic reagents for use in salivary testing, veterinary preparations for mouth and dentistry, mouth and dental materials, measuring or testing machines and instruments for mouth and dentistry, laboratory apparatus and instruments for mouth and dentistry, salivary testing apparatus and instruments for scientific or research use, oral testing apparatus and instruments for scientific or research use, electronic publications relating to mouth and dental treatment, medical apparatus and instruments for mouth and dentistry, dental apparatus, dental instruments, oral testing apparatus and instruments for medical purposes, salivary testing apparatus and instruments for medical purposes, and veterinary apparatus and instruments for mouth and dentistry; providing computer programs for user information management in connection with diagnostic reagents for scientific or research use in oral testing, diagnostic reagents for scientific or research use in salivary testing, diagnostic reagent paper for mouth and dentistry for scientific or research use, diagnostic reagent paper for scientific or research use in salivary testing, diagnostic reagent paper for scientific or research use in oral testing, mouth care preparations for scientific or research use, diagnostic preparations for the mouth for scientific or research use, pharmaceutical preparations for mouth and dentistry, medicated mouth care preparations, medicinal preparations for the mouth, pharmaceutical preparations for dental purposes, medicated mouth treatment preparations, medical diagnostic reagents for use in oral testing, medical diagnostic reagents for use in salivary testing, veterinary preparations for mouth and dentistry, mouth and dental materials, measuring or testing machines and instruments for mouth and dentistry, laboratory apparatus and instruments for mouth and dentistry, salivary testing apparatus and instruments for scientific or research use, oral testing apparatus

and instruments for scientific or research use, electronic publications relating to mouth and dental treatment, medical apparatus and instruments for mouth and dentistry, dental apparatus, dental instruments, oral testing apparatus and instruments for medical purposes, salivary testing apparatus and instruments for medical purposes, and veterinary apparatus and instruments for mouth and dentistry; providing computer programs for management of data obtained from measuring or testing machines and instruments for mouth and dentistry, laboratory apparatus and instruments for mouth and dentistry, salivary testing apparatus and instruments for scientific or research use, oral testing apparatus and instruments for scientific or research use, electronic publications relating to mouth and dental treatment, medical apparatus and instruments, dental apparatus, dental instruments, oral testing apparatus and instruments for medical purposes, salivary testing apparatus and instruments for medical purposes, and veterinary apparatus and instruments for mouth and dentistry; repair or maintenance of computer software.

44 – Dentistry services; medical services; hygienic and beauty care for human beings; providing mouth and dental information via the Internet; providing mouth treatment information via the Internet; providing mouth care information via the Internet; providing dental treatment information via the Internet; providing dental care information via the Internet; providing esthetic mouth information via the Internet; providing esthetic dentistry information via the Internet.

(260) AM 2019 99620 A

(800) 528754

(151) 1988 08 06

(891) 2018 08 07

(731) BK Giulini GmbH

Giulinistraße 2, 67065 Ludwigshafen,
Germany

(540)

TAROMA

(591) Black, white

(531) 27.05.17

(511)

1 – Chemical products for industrial use, namely for use as aids and additives for the production and treatment of food products, additives for improving the taste of food products (included in this class), chemical substances for preserving foodstuffs, mixtures of the aforesaid goods.

30 – Spices, aromatic substances, salts for cooking, curing or salting mixed with the chemical products mentioned in class 1.

(260) AM 2019 99684 A

(800) 1425668

(151) 2017 12 22

(891) 2017 12 22

(731) SNAM S.P.A.

Piazza Santa Barbara, 07, I-20097 San
Donato Milanese (MI), Italy

(540)

SNAM

(591) Black, white

(511)

1 – Solidified gases for industrial purposes; gases for use as blowing agents; test gases; gases for industrial purposes; industrial gases for use in electronics; inert gases for industrial use; gas in dissolved form for industrial use; gas in liquid form for industrial use; oxidising gases; gases for industrial purposes; gases for use in refrigeration systems; gases for industrial purposes; rare gases other than for medical use; synthetic gas for industrial use; solidified gases for industrial purposes; gaseous hydrocarbons; gas mixtures for use in industry; chemicals for use in the gas industry.

4 – Fuel gas; butane gas for use as a fuel; fuel gas; fuel gas; gas for lighting; oil-gas; coal gas; landfill gas; liquefied petroleum gas; liquefied petroleum gases to be used for domestic purposes; liquefied petroleum gases to be used for industrial purposes; liquefied natural gas; liquefied gas; liquefied gas; liquefied natural gas; natural gas; gas oil for domestic heating; gas oil for industrial heating; gas for lighting; gases for use in cooking; gases for use in heating; gases for flame heating; fuel gas; gas for lighting; producer gas; propane gas sold in cylinders for use in torches; synthetic gas [fuel]; solidified gases [fuel]; solidified gases [fuel]; gas for lighting; gas mixtures; combustible substances for use in heating apparatus.

6 – Steel cylinders for compressed gas; metal bottles for compressed gas; pressure gas cylinders made of metal; pressure gas cylinders made of metal; cylinders of metal for use with compressed gas; cylinders of metal for gas; metal cylinders for compressed gas or liquids [empty]; ducts made of metal for trunking conduits for gases; ducts made of metal for trunking pipes for gases; containers of metal for liquid gas; containers made of metal for use in the storage of gases; seals of metal for preventing leakage of gases; pressure gas cylinders made of metal; elbows of metal for connecting gas piping to gas appliances; metal gas pipe parts; containers of metal for compressed gas or liquid air; tanks of metal for the transportation of compressed gases; tanks of metal for the transportation of liquefied gases; tanks of metal for the storage of liquefied gases; tanks of metal for the storage of compressed gases; gas storage tanks of metal; metal pipes for liquid and gas trans-

fer; metal tubes for gas; metal valves for controlling the flow of gases in pipelines.

7 – Electric soldering apparatus; compressors for gases; gas converters; filters for gases [machines]; aerators; inert gas generators [machines]; gas welding machines; pumps for the extraction of gases [machines]; gas-operated soldering irons; blowing machines for the compression, exhaustion and transport of gases; fuel economisers for motors and engines.

9 – Recorded computer software; protection devices for personal use against accidents.

11 – Friction lighters for igniting gas; gas lighters; regulating and safety accessories for gas apparatus; regulating and safety accessories for gas pipes; regulating accessories for water or gas apparatus and pipes; safety accessories for water or gas apparatus and pipes; feeding apparatus for heating boilers; gas operated apparatus for cooking; gas pre-heating apparatus for industrial use; regulating apparatus for gas pipe installations; gas operated apparatus for heating; gas space heaters; heating apparatus for gaseous fuels; gas recovery apparatus; gas cleaners and purifiers; gas cleaners and purifiers; gas boilers; gas boilers [other than parts of machines]; gas fired boilers for producing domestic hot water; gas condensers, other than parts of machines; flues and installations for conveying exhaust gases; gas scrubbers [parts of gas installations]; gas operated devices used in cooling; pressure controllers [regulators] for gas pipes; gas regulators; regulating apparatus for gas apparatus; pressure supervision apparatus [safety apparatus for gas apparatus]; gas operated devices used in boiling; gas operated devices used in drying; gas cleaners and purifiers; gas cleaners and purifiers; filters for gas extractors; filters for gases [household or industrial installations]; gas fired furnaces; gas fires; gas ovens; gas heat generators; cooling installations for gas; heating installations for use with gaseous fuels; gas fired heating installations; gas fired space heating apparatus; gas fuelled central heating installations; gas fired heating installations; installations for the burning off of gases; installations for controlling the flow of gases; processing installations for fuel and nuclear moderating material; gas cleaners and purifiers; gas cleaners and purifiers; installations for the collection of gases; gas purification installations; electrostatic precipitators for cleaning gases; gas cleaners and purifiers; gas operated apparatus for heating; reactors for gas-gas reactions; reactors for gas-solids reactions; taps [cocks, spigots] faucets [Am.] for pipes; boiler pipes [tubes] for heating installations.

35 – Gas meter reading for billing purposes.

37 – Construction of structures for the storage of natural gas; construction of structures for the transportation of natural gas; construction of structures for the production of natural gas; extraction of gas; ma-

chinery installation, maintenance and repair; installation of gas supply and distribution apparatus; installation of gas and water pipelines; installation of pipe systems for conducting of gases; beneath ground construction work relating to gas supply mains; beneath ground construction work relating to gas supply pipes; plumbing and gas and water installation; maintenance and repair of gas turbines; rental of gas or air compressors; boiler cleaning and repair; grout reinforcement for gas platforms; emergency servicing of gas supply apparatus; repair of gas cylinders; repair of gas supply systems; maintenance and repair of gas and electricity installations; repair or maintenance of gas water heaters; natural gas refuelling service for motor vehicles; drilling of deep oil or gas wells; gas drilling; oil and gas drilling.

39 – Storage of gaseous fuels; electricity distribution; distribution of energy; distribution of gas; gas supplying [distribution]; gas storage services; gas storage services; distribution of gas; storage of liquefied natural gas on ships; pipeline transport of gases; transport of liquefied natural gas by sea; transportation of dry gas; transport and distribution of natural gas and liquefied gas; marine transport of liquefied natural gas.

40 – Filtration of gases; incineration of gases; petroleum gas liquefaction; energy production; generation of gas and electricity; purification of gases; refining of gas; recovery of hydrocarbons from gas; recycling of chlorofluorocarbon (CFC) containing gases; recycling of insulating gases from freezers; recycling of insulating gases from refrigerators; recycling of insulating gases from air conditioning plant; gas compression services; gas production services; natural gas liquefaction services; gas production services; chemical treatment of exhaust gases from fossil fuel combustion; processing of gas and oil; gas production services; treatment of hazardous gases; processing of dry gas.

42 – Conducting feasibility studies relative to gas exploitation; exploration and searching of oil and gas; geophysical exploration for the oil, gas and mining industries; monitoring of contaminated land for gas; technical design and planning of pipelines for gas, water and waste water; exploration of gas and oil; geophysical exploration for the gas industry; exploration services to locate gas; gas exploration; engineering services relating to gas transport and supply systems; engineering services in the field of electrical power and natural gas production; engineering services for the gas industry; research in relation to energy sources of all kinds.

(260) AM 2019 99685 A

(800) 1425705

(151) 2018 07 11

(891) 2018 07 11

(731) FB VISION S.R.L.
Via Piceno Aprutina, 47, I-63100 Ascoli
Piceno (AP), Italy

(540)



(591) Black, white
(531) 01.01.01; 01.01.09; 01.01.12; 27.03.12;
27.05.01

(511)
5 – Collyrium.

(260) AM 2019 99686 A

(800) 1425720

(151) 2018 06 11

(891) 2018 06 11

(731) ASLANLAR AYAKKABI SANAYİ
TİCARET LİMİTED ŞİRKETİ
Söğütlüçeşme Mahallesi, 1.Fevzi Çakmak
Caddesi No:14, Sefaköy Küçükçekmece,
İstanbul, Turkey

(540)



(591) Blue, red, white
(531) 26.04.09; 26.04.16; 26.04.18; 26.04.24;
26.13.25; 27.05.24; 29.01.13

(511)
18 – Leather and imitations of leather, animal skins
and hides; luggage and carrying bags, umbrellas and
parasols; walking sticks.

25 – Clothing, footwear, headgear.

35 – Bringing together, for benefit of others, of a va-
riety of leather and imitations of leather, animal
skins, hides, trunks and travelling bags, umbrellas
and parasols, walking sticks, clothing, footwear, he-
adgear, enabling customers to conveniently view and
purchase those goods.

(260) AM 2019 99687 A

(800) 1425729

(151) 2018 07 11

(891) 2018 07 11

(731) EGE EFE YATIRIM TİCARET ANONİM
ŞİRKETİ
Kemalpaşa Organize Sanayi, Mahallesi 16 Sk.
No: 2, Ulucak – Kemalpaşa TR-35730
İZMİR, Turkmenistan

(540)



(591) Red and black
(531) 10.01.12; 26.01.18; 27.03.15; 27.05.01;
29.01.12

(511)
34 – Tobacco and tobacco products (including subs-
titutes); articles for use with tobacco; flavourings, ot-
her than essential oils, for tobacco; flavorings, other
than essential oils, for tobacco substitutes; tobacco
free cigarettes, other than for medical purposes; ci-
garettes containing tobacco substitutes, not for me-
dical purposes.

(260) AM 2019 99688 A

(800) 1425775

(151) 2018 03 15

(891) 2018 03 15

(731) NANOSHINE LTD

Room 1501 B2 Grand Millennium Plaza
(Lower Block), 181 Queen's Road, Central,
Hong Kong, China

(540)



(591) Black, white, magenta
(531) 26.04.22; 26.04.24; 27.05.22; 29.01.13

(511)
2 – Dyes; binding preparations for paints; glazes
[paints, lacquers]; primers; paints; lacquers; coatings
[paints]; undercoating for vehicle chassis; anti-fou-
ling paints; anti-corrosive preparations; protective
preparations for metals; anti-tarnishing preparations
for metals; enamels [varnishes].

17 – Plastic film, other than for wrapping; plastic
film for protecting paint and glass.

35 – Import-export agency services; invoicing; de-
monstration of goods; opinion polling; market stu-
dies; marketing research; layout services for adver-
tising purposes; marketing; organization of exhibiti-
ons for commercial or advertising purposes; organi-

zation of trade fairs for commercial or advertising purposes; commercial intermediation services; presentation of goods on communication media, for retail purposes; auctioneering; sales promotion for others; publicity material rental; rental of sales stands; radio advertising; bill-posting; distribution of samples; dissemination of advertising matter; direct mail advertising; advertising by mail order; television advertising; telemarketing services; administrative processing of purchase orders; pay per click advertising.

(260) AM 2019 99689 A

(800) 1425776

(151) 2018 05 08

(891) 2018 05 08

(731) AKTSIONERNOYE OBSHCHESTVO

"YUZHMOREYBFL0T"

ul. Zavodskaya, 16, p. Yuzhno-Morskoy,
g. Nakhodka, RU-692954 Primorsky kray,
Russian Federation

(540)



ДОБРОФЛОТ

(591) Black, white and pale brown.

(531) 18.03.23; 26.11.02; 26.11.08; 28.05; 29.01.13

(511)

29 – Anchovy, not live; processed laver; caviar; fish roe, prepared; calamari, not live; fish and seafood, tinned; crabmeat sticks; shrimps, not live; prawns, not live; spiny lobsters, not live; salmon, not live; shellfish, not live; mussels, not live; seafood, processed; sea laver, processed for food; fish meal for human consumption; fish mousses; lobsters, not live; fish paste; food products made from fish; crayfish, not live; crustaceans, not live; fish, preserved; fish, not live; salted fish; sardines, not live; herrings, not live; mackerel, not live; sea-cucumbers, not live; tuna, not live; fish fillets; trout, not live; smoked and dried fish and seafood products; seaweed extracts for food.

(260) AM 2019 99690 A

(800) 1425777

(151) 2018 08 02

(891) 2018 08 02

(731) EMMANKO AG

Poststrasse 24, CH-6300 Zoug, Switzerland

(540)

CarFlexi

(591) Black, white

(511)

39 – Rental car reservation services; travel organization; reservation services for vehicle rental; vehicle

rental services; provision of on-line information in the field of travel.

(260) AM 2019 99691 A

(800) 1425789

(151) 2017 11 21

(891) 2017 11 21

(731) ZIMENKOV VADYM STANISLAVOVYCH

vul. Chykyrysova, 3, kv. 1, m. Makiivka,
Donetska obl. 86123, Ukraine;

DOVZHENKO VOLODYMYR MYKHAILOVYCH

663 kvartal, 1/16, m. Makiivka, Donetska obl.
86115, Ukraine;

VALTER EDUARD VOLODYMYROVYCH

vul. Maiakovskoho, 2/25, s. Dzerzhynskoho;
m. Makiivka, Donetska obl. 86123, Ukraine

(540)



(591) Red, white and black.

(531) 25.01.18; 26.01.02; 26.01.20; 26.07.05; 28.05;
29.01.13

(511)

29 – Meat, fish, poultry and game; meat extracts; preserved, frozen, dried and cooked fruits and vegetables; jellies, jams, compotes; eggs, milk and milk products; edible oils and fats; bacon; beans, preserved; bryndza (goat's milk cheese); bouillon; bouillon concentrates; jams; whipped cream; cream (dairy products); peas, preserved; prepared meals consisting primarily of meat, fish, poultry or vegetables; mushrooms, dried; mushrooms, processed; mushrooms, preserved; nuts, prepared; roasted nuts; chicken breast fillets; hummus (chickpea paste); liver; potato fritters; gelatine; meat jellies; fish jellies; fat-containing mixtures for bread slices; cranberry sauce (compote); frozen meals consisting primarily of meat, fish, poultry or vegetables; packaged meals consisting primarily of meat, fish, poultry or vegetables; frozen fruits, berries and vegetables; frozen fruit and berry and vegetable mixes; frozen fish and seafood; frozen semi-finished meat and fish products, including small sausages, patties, minced sausage, meat and fish, meatballs, steaks, goulash, beef stroganoffs, cabbage rolls, stuffed peppers, rolls; candied fruits, berries and nuts; yogurt; raisins; caviar; fish roe, prepared; vegetable marrow paste; eggplant, pumpkin and vegetable paste; cocoa butter for food; potato chips; beans, canned; kimchi (fermented vegetable dish); kephir (milk beverage); fermented

milk; charcuterie; smoked meat; pork loin; pork cutlets; fish cakes; chicken croquettes; hamburger patties; crabs, not live; crab sticks; shrimps, not live; croquettes; black pudding; sweet corn, canned; spiny lobsters, not live; lecsó (stew of Hungarian cuisine containing peppers, tomato and onions); canned olives; fruit pulp; processed meat products; meat pastes; meat, tinned; meat-based snack foods; salted meats; dried meat; grilled meat marinated in soy sauce; poultry extracts; tinned poultry; margarine; marmalade; butter; chocolate butter; buttercream; mussels, not live; milk beverages, milk predominating; desserts made primarily from milk products; shellfish, not live; seafood, processed; chicken nuggets; seeds, prepared, including salted and fried seeds; vegetables, cooked; fruit and vegetable salads; vegetables, tinned; fruits, tinned; ham; olives, preserved; lobsters, not live; pectin for culinary purposes; liver pâté; candied nuts; crystallized fruits and berries; crayfish, not live; crustaceans, not live; food products made from fish; fish, tinned; fish fillets; vegetable oils for food; ryazhenka (fermented baked milk); sausages; cheese; rennet; smetana (sour cream); sour cream substitutes; pickles; sausages in batter; lentils, preserved; soups; instant miso soup; preparations for making soup; vegetable juices for cooking; dried fruit mixes; dried berries; powdered milk; tahini (sesame seed paste); tripe; tomato paste; tomato juice for cooking; oysters, not live; dates; pistachios, prepared; fruit and berry jellies; fruit and berry compotes; vegetable, fruit and potato chips; fruit peel; shish kebabs; ham; powdered eggs.

30 – Coffee, tea, cocoa and artificial coffee; rice; tapioca and sago; flour and preparations made from cereals; bread, pastries and confectionery; ice cream; honey; golden syrup; yeast, baking-powder; salt; mustard; vinegar, sauces (condiments); spices; edible ices; aniseed; peanut confectionery; baguettes (French loaves); propolis; baking soda (bicarbonate of soda for cooking purposes); sponge cakes; pastries; buns; jam buns; sandwiches; vareniki (stuffed dumplings); waffles; waffle tarts; ready-rolled pastry dough; oat flakes; oat-based food; seaweed (condiment); hot dog sandwiches; cloves (spice); caramels (candy); piccalilli; spices; chocolate desserts; jelly beans; Danish pastries; yeast; essences for foodstuffs, except etheric essences and essential oils; fruit and berry jellies (confectionery); fruit jelly candy; chewing gum; custard; leaven; cereal-based snack food; rice-based snack food; frozen yogurt (confectionery ices); frozen cookie dough; aromatic preparations for food; food flavorings, other than essential oils; flavorings, other than essential oils, for beverages; flavorings, other than essential oils, for cakes; thickening agents for cooking foodstuffs; cereal-based snacks; marshmallows; ginger (spice); coffee-based and cocoa-based beverages; coffee beverages with milk; cocoa beverages with milk; capers; curry (spice); gruel; instant porridge; cupcakes; ketchup

(sauce); gluten-free cereal products; peanut brittle; confectionery; tortillas; cinnamon (spice); crackers; starch for food; croissants; groats for human food; corn, roasted; corn chips; corn flakes; confectionery for decorating Christmas trees; liquorice (confectionery); noodles; candy made with caramel; mayonnaise; pasta; maltose; hominy; marinades; marzipan; royal jelly; almond confectionery; pancakes; dessert mousses (confectionery); nutmegs; muesli; meat tenderizers for household purposes; meat gravies; mint for confectionery; tea-based beverages; chocolate-based beverages; infusions, not medicinal; doughnuts; soya bean paste (condiment); pastilles (confectionery); baking powder; pelmeni (dumplings stuffed with meat); pepper; peppers (seasonings); allspice; cookies; chocolate chip cookies; pies; natural sweeteners; pizzas; chips (cereal products); fondants (confectionery); popcorn; powders for making ice cream; pralines; condiments; seasonings; gingerbread; puddings; Turkish delight; preparations for stiffening whipped cream; rice cakes; bagels; baking powder; bread rolls; garden herbs, preserved (seasonings); sweetmeats (candy); soya sauce; malt for human consumption; malt extract for food; sauces (condiments); caramel sauce; spaghetti; cookie mixes; dessert souffles; rusks; petit-beurre biscuits; dry seasoning mixes for stews; sushi; cakes; tarts; tomato sauce; fruit, citrus and berry teas; fruit, citrus and berry ices; halvah; chocolate decorations for cakes; pastries; frozen confectionery; candy; iced tea; instant tea; tea-based beverages; chutneys (condiments); grain-based chips; saffron (seasoning); chocolate; chocolate desserts; chocolate paste; chocolate beverages with milk.

(260) AM 2019 99692 A

(800) 1425790

(151) 2018 07 20

(891) 2018 07 20

(731) APPLE INC.

One Apple Park Way, Cupertino CA 95014,
USA

(540)



(591) Purple and white.

(531) 04.05.05; 26.04.04; 26.11.22; 29.01.12

(511)

9 – Computer software for use in searching, browsing, purchasing, subscribing to, downloading, stream-

ming, listening to, storing, organizing, sharing, creating playlists of, reviewing, and rating podcasts and other audio, video, and multimedia content; downloadable podcasts featuring audio, video, and other downloadable multimedia broadcasts in the fields of music, television, film, books, news, concerts, radio, sports, games, cultural event, and entertainment-related and educational programs.

(260) AM 2019 99694 A

(800) 1425860

(151) 2018 06 12

(891) 2018 06 12

(731) Private Joint-Stock Company "KYIV CARDBOARD AND PAPER MILL"
vul. Kyivska, 130, m. Obukhiv, Kyivska obl.
08700, Ukraine

(540)

Soffione ChefAssist

(591) Black, white

(511)

16 – Fountain pens; albums; almanacs; banknotes; drawing pads; pamphlets; booklets; signboards of paper or cardboard; toilet paper; printed matter; printed publications; labels, not of textile; magazines (periodicals); bookmarkers; note books; pads (stationery); calendars; tracing paper; office requisites, except furniture; stationery; wood pulp board (stationery); cardboard; cardboard tubes; adhesive tapes for stationery or household purposes; conical paper bags; carbon paper; copying paper (stationery); boxes of paper or cardboard; cases for stamps (seals); absorbent sheets of paper or plastic for foodstuff packaging; humidity control sheets of paper or plastic for foodstuff packaging; flyers; bags (envelopes, pouches) of paper or plastics, for packaging; garbage bags of paper or of plastics; stuffing of paper or cardboard; waxed paper; handkerchiefs of paper; covers (stationery); printers' blankets, not of textile; cream containers of paper; packing (cushioning, stuffing) materials of paper or cardboard; paper tapes; paper sheets (stationery); packing paper; paper for recording machines; wood pulp paper; paper; document files (stationery); folders for papers; writing materials (sets); writing paper; writing cases (stationery); coasters of paper; tablemats of paper; bottle wrappers of cardboard or paper; bottle envelopes of cardboard or paper; flags of paper; blotters; towels of paper; luminous paper; face towels of paper; tissues of paper for removing make-up; tablecloths of paper; loose-leaf binders; table linen of paper; table napkins of paper; tablemats of paper; placards of paper or cardboard.

(260) AM 2019 99707 A

(800) 1426182

(151) 2018 06 22

(891) 2018 06 22

(731) "Adriatic Marinas" D.O.O.

Obala bb, Tivat, 85320 Crna Gora,
Montenegro

(540)

Porto Montenegro Yacht Club

(591) Black, white

(531) 27.05.01

(511)

36 – Insurance; financial affairs; monetary affairs; real estate affairs.

39 – Transport; packaging and storage of goods; travel arrangement.

41 – Education; providing of training; entertainment; sporting and cultural activities.

43 – Services for providing food and drink; temporary accommodation.

44 – Medical services; veterinary services; hygienic and beauty care for human beings or animals; agriculture, horticulture and forestry services.

(260) AM 2019 99714 A

(800) 1426198

(151) 2018 06 22

(891) 2018 06 22

(731) "Adriatic Marinas" D.O.O.

Obala bb, Tivat, 85320 Crna Gora,
Montenegro

(540)

Porto Montenegro Sailing Club

(591) Black, white

(531) 27.05.01

(511)

36 – Insurance; financial affairs; monetary affairs; real estate affairs.

39 – Transport; packaging and storage of goods; travel arrangement.

41 – Education; providing of training; entertainment; sporting and cultural activities.

43 – Services for providing food and drink; temporary accommodation.

44 – Medical services; veterinary services; hygienic and beauty care for human beings or animals; agriculture, horticulture and forestry services.

(260) AM 2019 99717 A

(800) 1426215

(151) 2018 06 22

(891) 2018 06 22

(731) "Adriatic Marinas" D.O.O.

Obala bb, Tivat, 85320 Crna Gora, Montenegro

(540)

Porto Montenegro Golf Club

(591) Black, white

(531) 27.05.01

(511)

36 – Insurance; financial affairs; monetary affairs; real estate affairs.

39 – Transport; packaging and storage of goods; travel arrangement.

41 – Education; providing of training; entertainment; sporting and cultural activities.

43 – Services for providing food and drink; temporary accommodation.

44 – Medical services; veterinary services; hygienic and beauty care for human beings or animals; agriculture, horticulture and forestry services.

(260) AM 2019 99718 A

(800) 1426266

(151) 2018 07 20

(891) 2018 07 20

(731) MASSIMO MENEGHETTI

Via Ca' Dolfin, 241, I-36061 Bassano del Grappa (VI), Italy

(540)



(591) Black, white

(531) 26.13.25; 27.05.01

(511)

9 – Electronic components for gambling machines; electronic indicator panels; score recorders [electronic]; battery chargers; computer application software featuring games and gaming.

20 – Counters [tables]; tables [furniture]; coffee tables; seat cushions; chair pads; seats; stools; furniture fittings, not of metal; furniture; textile covers [shaped] for furniture; multi-purpose stands [furniture].

24 – Fabric for gaming tables.

28 – Board games; roulette tables; card games; chips for gambling; card shuffling machines; gaming machines for gambling; playing card shuffling device; automatic gaming machines.

42 – Industrial and graphic art design; design services for furniture.

(260) AM 2019 99719 A

(800) 1426270

(151) 2018 04 11

(891) 2018 04 11

(731) ŠKODA AUTO a.s.

tř. Václava Klementa 869, Mladá Boleslav II, CZ-293 01 Mladá Boleslav, Czech Republic

(540)

KAMIQ

(591) Black, white

(511)

12 – Automobiles, vehicle seats, steering wheels, rear-view mirrors, axles, motors for land vehicles, bodies for automobiles, clutches for land vehicles, couplings for land vehicles.

(260) AM 2019 99720 A

(800) 1426309

(151) 2018 01 12

(891) 2018 01 12

(731) Tovarichtchestvo s ogranitchenoy otvetstvennostyu "GLOBALINK"

Transportation and Logistics Worldwide
ul. Kabanbay batyra, ug. ul. Kurmangalieva,
dom 52/1, 050010 g. Almaty, Kazakhstan

(540)

(591) Orange and grey

(531) 27.05.10; 27.05.15; 29.01.12

(526) LOGISTICS

(511)

35 – Arranging subscriptions to telecommunication services for others; import-export agency services; commercial information agency services; advertising agency services; business administration; cost price analysis; rental of advertising space; business auditing; business intermediary services relating to the matching of potential private investors with entrepreneurs needing funding; employment agency services; computerized file management; book-keeping; invoicing; demonstration of goods; transcription of communications [office functions]; opinion polling; market studies; business information; commercial information and advice for consumers [consumer advice shop]; business investigations; business research; marketing research; personnel recruitment; business management and organization consultancy; business organization consultancy; consultancy regarding public relations communication strategies; business management consultancy; personnel management consultancy; professional business consultancy; layout services for advertising purposes; marketing; business management of performing artists; business management of sports people; business ma-

nagement; writing of resumes for others; scriptwriting for advertising purposes; news clipping services; updating and maintenance of information in registries; updating and maintenance of data in computer databases; updating of advertising material; word processing; organization of exhibitions for commercial or advertising purposes; arranging newspaper subscriptions for others; organization of fashion shows for promotional purposes; organization of trade fairs for commercial or advertising purposes; office functions; shop window dressing; design of advertising materials; business appraisals; payroll preparation; data search in computer files for others; sponsorship search; business management assistance; commercial or industrial management assistance; commercial intermediation services; providing business information via a web site; provision of commercial and business contact information; provision of an on-line marketplace for buyers and sellers of goods and services; web indexing for commercial or advertising purposes; presentation of goods on communication media, for retail purposes; economic forecasting; auctioneering; sales promotion for others; production of teleshopping programmes; production of advertising films; office machines and equipment rental; rental of advertising time on communication media; publicity material rental; rental of vending machines; rental of sales stands; rental of photocopying machines; publication of publicity texts; radio advertising; the bringing together, for the benefit of others, of a variety of goods [excluding the transport thereof] and services, enabling customers to conveniently view and purchase those goods and services; bill-posting/outdoor advertising; distribution of samples; dissemination of advertising matter; direct mail advertising; retail and wholesale services; registration of written communications and data; writing of publicity texts; on-line advertising on a computer network; advertising by mail order; television advertising; document reproduction; compilation of statistics; compilation of information into computer databases; business inquiries; systemization of information into computer databases; advisory services for business management; negotiation of business contracts for others; negotiation and conclusion of commercial transactions for third parties; compiling indexes of information for commercial or advertising purposes; tax preparation; drawing up of statements of accounts; telemarketing services; psychological testing for the selection of personnel; outsourced administrative management for companies; business management of hotels; business management for freelance service providers; business project management services for construction projects; commercial administration of the licensing of the goods and services of others; business management of reimbursement programs for others; administration of consumer loyalty programs; administration of frequent flyer programs; administrative processing of pur-

chase orders; public relations; modelling for advertising or sales promotion; typing; appointment reminder services [office functions]; web site traffic optimization; relocation services for businesses; tax filing services; search engine optimization for sales promotion; appointment scheduling services [office functions]; price comparison services; pay per click advertising; secretarial services; procurement services for others [purchasing goods and services for other businesses]; shorthand; outsourcing services [business assistance]; telephone answering for unavailable subscribers; photocopying services; business efficiency expert services; consultancy regarding advertising communications strategy; retail or wholesale services for pharmaceutical, veterinary and sanitary preparations and medical supplies; sales promotion for others; rental of billboards [advertising boards]; advertising and publicity services.

36 – Credit bureau services; debt collection agency services; real estate agency services; financial analysis; rental of apartments; rental of offices for co-working; rental of offices for co-working; rental of real estate; rental of offices [real estate]; lease-purchase financing; savings bank services; accommodation bureau services [apartments]; rent collection; issuance of travelers' checks; issuance of credit cards; issuance of tokens of value; capital investment; insurance information; financial information; clearing, financial; insurance consultancy; financial consultancy; debt advisory services; stock exchange quotations; lending against security; monetary affairs; business liquidation services, financial; brokerage; financial management; exchanging money; on-line banking; processing of debit card payments; processing of credit card payments; factoring; organization of collections; arranging finance for construction projects; antique appraisal; jewelry appraisal; financial evaluation of standing timber; stamp appraisal; real estate appraisal; numismatic appraisal; art appraisal; financial evaluation of wool; financial evaluation [insurance, banking, real estate]; repair costs evaluation [financial appraisal]; real estate affairs; electronic funds transfer; surety services; securities brokerage; real estate brokerage; brokerage of carbon credits; insurance brokerage; providing rebates at participating establishments of others through use of a membership card; loans [financing]; pawnbrokerage; providing financial information via a web site; check verification; investment of funds; charitable fund raising; stocks and bonds brokerage; financial sponsorship; mortgage banking; instalment loans; insurance underwriting; life insurance underwriting; health insurance underwriting; accident insurance underwriting; marine insurance underwriting; fire insurance underwriting; apartment house management; real estate management; financial management of reimbursement payments for others; actuarial services; banking; stock brokerage services; retirement payment services; bail-bonding; trus-

teeship; provident fund services; provident fund services; financial customs brokerage services; mutual funds; financing services; financial affairs; safe deposit services; deposits of valuables; fiscal valuation; rental of farms.

39 – Air transport; motor coach rental; boat rental; garage rental; rental of vehicle roof racks; aircraft rental; parking place rental; rental of warehouses; rental of tractors; booking of seats for travel; travel reservation; transport reservation; towing; vehicle breakdown towing services; bottling services; bottling services; water distribution; delivery of newspapers; message delivery; parcel delivery; delivery of goods; delivery of goods by mail order; flower delivery; launching of satellites for others; traffic information; transportation information; storage information; transportation logistics; rescue operations [transport]; arranging of cruises; travel arrangement; armored-car transport; hauling; carting; transport and storage of trash; transporting furniture; lightertage services; ferry-boat transport; removal services; transport of travellers; guarded transport of valuables; bus transport; car transport; barge transport; boat transport; railway transport; marine transport; passenger transport; river transport; ambulance transport; streetcar transport; portage; refloating of ships; cash replenishment of automated teller machines; shipbrokerage; transport brokerage; freight brokerage [forwarding (Am.)]; providing driving directions for travel purposes; car rental; railway truck rental; rental of diving bells; rental of diving suits; railway coach rental; rental of wheelchairs; rental of storage containers; horse rental; rental of freezers; rental of navigational systems; refrigerator rental; vehicle rental; rental of electric wine cellars; stevedoring; unloading cargo; electricity distribution; distribution of energy; packaging of goods; collection of recyclable goods [transport]; ice-breaking; piloting; water supplying; escorting of travellers; transport; transport by pipeline; wrapping of goods; operating canal locks; car parking; chauffeur services; pleasure boat transport; car sharing services; courier services [messages or merchandise]; salvaging; salvage of ships; underwater salvage; taxi transport; transport; transport services for sightseeing tours; franking of mail; freight [shipping of goods]; freighting; physical storage of electronically stored data or documents; boat storage; storage of goods; storage; freight forwarding; gift wrapping.

(260) AM 2019 99721 A

(800) 1426350

(151) 2018 08 01

(891) 2018 08 01

(731) BDF NATURAL INGREDIENTS, S.L.

C. Les Serres, 22, E-17244 CASS GIRONA,
Spain

(540)

BDF PROBIND

(591) Black, white

(511)

1 – Enzyme preparations for the food industry; enzyme preparations for industrial use; enzymes for the food industry; refined enzymes for industrial use; enzymes derived from biotechnological processes for industrial use; enzymes in liquid form for industrial use; enzymes for treating textiles; enzymes for use in agglutination; enzymes for scientific use; enzymes for industrial use; enzymes for technical use; enzymes [other than for medical or veterinary use]; enzyme preparations for use in the flour milling industry; casein for the food industry; protein for the food industry; proteins for foods for human consumption (raw material); milk ferments for the food industry; milk ferments for industrial use; adhesives for industrial purposes; enzyme preparations for use in the alcohol industry; wheat protein [raw material]; wheat proteins for use in industry; unprocessed proteins; proteins as raw materials for use in manufacturing; proteins as raw materials for use in industry; proteins for human foods which form emulsions as part of the manufacturing process; protein for human foods, in the form of gels as part of the manufacturing process; proteins for manufacturing processes; proteins for use in industry; proteins for use in fermentation technology; proteins for use in the manufacture of beverages; proteins for use in manufacture; casein for industrial use; casein for the food industry; lactic ferments [bacterial preparations] for use in food manufacturing; milk ferments for the food industry; milk ferments for industrial use.

(260) AM 2019 99722 A

(800) 1426407

(151) 2018 07 11

(891) 2018 07 11

(731) UNISOL AG

Etzelstrasse 102, CH-8808 Pfäffikon,
Switzerland

(540)



(591) Green and blue

(531) 02.09.23; 02.09.25; 27.05.10; 29.01.12

(511)

9 – Software; recorded game software; software (recorded programs); computer software platforms; ap-

plication software for mobile telephones; application software; computer operating system software; educational software for children; software.

41 – Consultancy in the field of education, training and further training, and entertainment provided via telephone call centers and hotlines; educational services provided by schools; training services by means of simulators; information relating to education; education, training and entertainment services; education, teaching and training; providing on-line information about education, training, entertainment, sporting and cultural activities; provision of online training; preparation, conducting and organization of training workshops; dissemination of educational material; preparation and hosting of conferences, congresses, seminars and workshops for training; conducting of instructional, educational and training courses for young people and adults; conducting training seminars.

(260) AM 2019 99723 A

(800) 1426418

(151) 2018 07 30

(891) 2018 07 30

(731) Obshchestvo s ogranichennoi
otvetstvennost'yu "LABORATORIYA SO-
VREMENNOGO, ZDOROV'YA"
ul. Khimzavodskaya, 11/20, Berdsk,
RU-633004 Novosibirskaya oblast', Russian
Federation

(540)


 The logo for CoreNRG features the word "Core" in a blue sans-serif font, followed by "NRG" in a white sans-serif font inside a blue circle.

(591) White and blue.

(531) 26.01.03; 26.01.18; 27.05.10; 29.01.12

(511)

5 – Acne treatment preparations; adhesive plasters; albumin dietary supplements; albuminous foodstuffs for medical purposes; albuminous preparations for medical purposes; alginate dietary supplements; aloe vera preparations for pharmaceutical purposes; amino acids for medical purposes; antibacterial hand-washes; antibacterial soap; antiseptics; antiseptic cotton; antioxidant pills; anti-uric preparations; appetite suppressant pills; appetite suppressants for medical purposes; asthmatic tea; barks for pharmaceutical purposes; bath salts for medical purposes; biological preparations for medical purposes; candy for medical purposes; candy, medicated; casein dietary supplements; chemico-pharmaceutical preparations; chewing gum for medical purposes; chilblain preparations; cod liver oil; collyrium; decoctions for pharmaceutical purposes; depuratives; dietetic beverages adapted for medical purposes; dietetic foods adapted for medical purposes; dietetic substances adapted for

medical use; dietary fiber; digestives for pharmaceutical purposes; disinfectants for hygiene purposes; elixirs [pharmaceutical preparations]; enzyme dietary supplements; enzyme preparations for medical purposes; eucalyptus for pharmaceutical purposes; febrifuges; ferments for pharmaceutical purposes; flour for pharmaceutical purposes; frostbite salve for pharmaceutical purposes; food for babies; gauze for dressings; gelatine for medical purposes; glucose dietary supplements; glucose for medical purposes; hematogen; herbal teas for medicinal purposes; homogenized food adapted for medical purposes; immunostimulants; infant formula; lactose for pharmaceutical purposes; lacteal flour for babies; lecithin dietary supplements; liniments; linseed dietary supplements; linseed for pharmaceutical purposes; linseed oil dietary supplements; lotions for pharmaceutical purposes; lyophilized food adapted for medical purposes; medical preparations for slimming purposes; medicated after-shave lotions; medicated dentifrices; medicated dry shampoos; medicated hair lotions; medicated shampoos; medicated soap; medicated toiletry preparations; medicinal drinks; medicinal herbs; medicinal infusions; medicinal mud; medicinal oils; medicinal roots; medicinal tea; medicines for human purposes; milk ferments for pharmaceutical purposes; mineral food supplements; mineral waters for medical purposes; mouthwashes for medical purposes; mud for baths; mustard plasters; nervines; nutraceutical preparations for therapeutic or medical purposes; nutritional supplements; ointments for pharmaceutical purposes; pastilles for pharmaceutical purposes; pearl powder for medical purposes; petroleum jelly for medical purposes; pharmaceuticals; pharmaceutical preparations; pharmaceutical preparations for skin care; pharmaceutical preparations for treating sunburn; phytotherapy preparations for medical purposes; plant extracts for pharmaceutical purposes; pollen dietary supplements; pomades for medical purposes; powdered milk for babies; preparations for the treatment of burns; preparations of trace elements for human and animal use; propolis dietary supplements; propolis for pharmaceutical purposes; protein dietary supplements; purgatives; remedies for perspiration; royal jelly dietary supplements; royal jelly for pharmaceutical purposes; sea water for medicinal bathing; salts for medical purposes; salts for mineral water baths; serums; slimming pills; sugar for medical purposes; sunburn ointments; syrups for pharmaceutical purposes; tanning pills; therapeutic preparations for the bath; thermal water; tinctures for medical purposes; tissues impregnated with pharmaceutical lotions; tonics [medicines]; vitamin preparations; wadding for medical purposes; wheat germ dietary supplements; yeast dietary supplements; yeast for pharmaceutical purposes.

(260) AM 2019 99724 A
 (800) 1426464
 (151) 2018 07 23
 (891) 2018 07 23
 (731) ALPEN PHARMA AG
 Casinoplatz 2, CH-3011 Bern, Switzerland
 (540)



(591) Black, white
 (531) 01.03.01; 01.03.02; 01.03.16; 27.05.01;
 27.05.17
 (511)
 5 – Pharmaceutical products, medical and veterinary preparations; sanitary products for medical purposes; dietetic food and substances for medical or veterinary use, food for babies; food supplements for humans and animals; plasters, materials for dressings; material for dental fillings and dental impressions; disinfectants; products for destroying vermin; fungicides, herbicides.

(260) AM 2019 99725 A
 (800) 1426483
 (151) 2018 06 26
 (891) 2018 06 26
 (731) GLOBAL FUNCTIONAL DRINKS AG
 Dammstrasse 19, CH-6301 Zug, Switzerland
 (540)



(591) Light gray, white, red, orange and yellow
 (531) 01.15.15; 01.15.19; 01.15.21; 05.07.11;
 05.07.22; 25.01.15; 27.05.03; 27.05.09;
 27.05.24; 29.01.15
 (511)
 32 – Non-alcoholic beverages, non-alcoholic aperitifs, non-alcoholic cocktails, syrups for beverages, vegetable juices (beverages), fruit juices; non-alcoholic fruit beverages, essences for making beverages, energy drinks.

(260) AM 2019 99726 A
 (800) 1426497
 (151) 2018 07 03
 (891) 2018 07 03
 (731) APPLE INC.
 One Apple Park Way, Cupertino CA 95014,
 USA
 (540)

CLASSKIT

(591) Black, white
 (511)
 9 – Computer software used in developing other software applications; application development software.

(260) AM 2019 99727 A
 (800) 1426499
 (151) 2018 07 18
 (891) 2018 07 18
 (731) Rieker Holding AG
 Stockwiesenstrasse 1, CH-8240 Thayngen,
 Switzerland
 (540)



(591) Black, white
 (531) 05.05.02; 05.05.20; 05.05.21; 26.01.01;
 26.01.15; 26.01.18; 27.05.24
 (511)
 18 – Leather and imitations of leather; bags; handbags.
 25 – Clothing, shoes, footwear, headgear, waist belts.

(260) AM 2019 99729 A
 (800) 1426538
 (151) 2018 07 07
 (891) 2018 07 07
 (731) B.R.A.H.M.S GmbH
 Neuendorfstrasse 25, 16761 Hennigsdorf,
 Germany
 (540)

B.R.A.H.M.S Copeptin proAVP

(591) Black, white

(511)

1 – Chemical products for use in science, namely diagnostic reagents [other than for medical or veterinary use].

5 – Pharmaceutical and veterinary preparations, namely diagnostic reagents.

(260) AM 2019 99730 A

(800) 1426558

(151) 2018 01 26

(891) 2018 01 26

(731) CAURI LTD

102 Hamilton House, 1 Temple Avenue,
London EC4Y 0HA, United Kingdom

(540)



(591) light green, white

(531) 03.09.16; 26.13.25; 27.05.10; 29.01.04

(511)

36 – Payment administration services; payment and receipt of money as agents; payment processing; payment processing services; payment services provided via wireless telecommunications apparatus and devices; payment transaction card services.

(260) AM 2019 99731 A

(800) 1426632

(151) 2018 03 23

(891) 2018 03 23

(731) MARUNI INDUSTRY CO., LTD.

11-1, 3-chome, Shariji, Ikuno-ku, Osaka-shi,
Osaka 544-0022, Japan

(540)



(591) Black, white

(531) 27.05.19

(511)

1 – Chemicals; glue and adhesives for industrial purposes; tire puncture sealants; compositions for repairing inner tubes of tires; tire repairing compositions; tire sealing compounds; sealants for preventing air leaks of tires; sealants for preventing blowout of tires; rubber cements for industrial purposes; vulcanizing adhesives for tires and tubes; cements for pneumatic tires; cements for mending broken articles; mastic for tires; diluting solvents for adhesive; ungluing preparations.

4 – Lubricants; lubricants for tire fitting; solid lubricants; industrial wax.

7 – Repairing or fixing machines and apparatus; rubber vulcanizing apparatus; tire changer; tire spreader for repairing tires; repairing or fixing machines and apparatus, their parts and fittings for tires and tubes of land vehicles; electric drills for processing rubbers, which are adapted for repairing tire puncture of automobiles; electric rubber cutting tools adapted for repairing tire puncture of automobiles; electric drills for processing rubbers, which are adapted for repairing tire puncture of bicycles; electric rubber cutting tools adapted for repairing tire puncture of bicycles; automatic tire removing and installing devices; air compressors; power jacks for land vehicles; hydraulic jacks; compressed air injection apparatus for attaching and detaching tires and wheels.

8 – Hand tools [other than "carpenters" inkpots and their accessories, razor strops, sharpening steels and whetstones"]; hand operated implements; hand tools, hand-operated; hand-operated automotive repair tools; hand tools for repair and maintenance of bicycles; tire levers; tire repairing tools for inserting sealants and rubber materials; tire repairing tools for adjusting hole of tire puncture; bladed or pointed hand tools and swords; reamers; cutters; awls; lifting jacks, hand-operated; scrapers (hand-operated); pressure rollers for repairing tire patches and rubbers (hand tools); nippers; cutting pliers; compressed air injection tools (hand tools) for attaching and detaching tires and wheels.

12 – Adhesive rubber patches for repairing tubes or tires; rubber strips for repairing tires; tire repairing rubber plugs used for sealing and filling tire punctures; tire repairing rubber plugs combined with rubber patches used for sealing and filling tire punctures; repairing rubber patches in the form of bars used for sealing and filling damages to rubber parts and fittings (such as tire and tubes) of vehicles; balance weights for two-wheeled motor vehicles and bicycles; air pumps for two-wheeled motor vehicles and bicycles; valves for tires of two-wheeled motor vehicles and bicycles; repair kits for tire of automobiles; repair kits for tires of bicycles; repair outfits for inner tubes; patches for repairing vehicle tires.

17 – Weatherstripping compositions; adhesive sealant compounds; adhesive caulking compounds; chemical compositions for repairing leaks; adhesive rubber patches for repairing conveyor belts; sealants for preventing blowout of automobile tires; rubber sealants; rubber materials for repairing tires; rubber materials in the form of sheet for repairing tires.

(260) AM 2019 99732 A

(800) 1426704

(151) 2018 07 18

(891) 2018 07 18
 (731) AUDEMARS PIGUET HOLDING SA
 Route de France 16, CH-1348 Le Brassus,
 Switzerland

(540)


 by AUDEMARS PIGUET

(591) Black, White
 (531) 27.05.09; 27.05.10; 27.05.15; 27.07.01;
 27.07.11
 (511)
 14 – Jewelry, jewelry articles, timepieces and chro-
 nometric instruments, watches, precious metals and
 their alloys, watch bands, presentation cases for wat-
 ches.

(260) AM 2019 99734 A
 (800) 1426734
 (151) 2018 07 10
 (891) 2018 07 10
 (731) NEXUS AUTOMOTIVE INTERNATIONAL
 SA
 Chemin de Château Bloch 11, CH-1219 Le
 Lignon – Genève, Switzerland

(540)


 A PROGRESSIVE AUTOMOTIVE COMMUNITY

(591) Black and orange
 (531) 24.17.04; 26.11.01; 26.11.07; 27.05.10;
 29.01.12
 (511)
 12 – Motors and engines for land vehicles; coupling
 and transmission components for land vehicles; hyd-
 raulic circuits for automobiles; turbines for land ve-
 hicles; vehicle bodies; vehicle parts and interior and
 exterior accessories.
 35 – Consultancy services relating to company acqui-
 sitions and mergers; commercial intermediary servi-
 ces in the context of linking potential private inves-
 tors with entrepreneurs who need financing; negotia-
 tion and conclusion of commercial transactions for
 spare parts distributors; provision of on-line sales
 areas for sellers and buyers of goods and services;
 the bringing together, for the benefit of others, of a
 variety of goods, excluding the transport thereof,
 enabling customers to conveniently view and pur-
 chase those goods; these services may be provided
 by retail stores, wholesale outlets or through electro-
 nic media, for example through websites.
 37 – Garage services for maintenance and repair of
 motor vehicles, information regarding repair, recons-
 truction of used or partially destroyed engines, servi-

ce stations (refueling and maintenance), wheel ba-
 lancing, vehicle washing and cleaning; retreading of
 tires.

41 – Services provided by consultants and informa-
 tion relating to preparation, hosting and organization
 of training workshops; preparation and conducting
 of conferences, conventions, training workshops,
 seminars, lectures, exhibitions and educational clas-
 ses.

(260) AM 2019 99735 A
 (800) 1426834
 (151) 2018 04 17
 (891) 2018 04 17
 (731) HENKEL AG & CO. KGAA
 Henkelstr. 67, 40589 Düsseldorf, Germany
 (540)



(591) Black, white and yellow
 (531) 07.01.09; 25.05.25; 26.04.12; 29.01.13
 (511)
 1 – Adhesives for industrial use; tile adhesives.
 16 – Adhesives for stationery and household purpo-
 ses.
 17 – Insulating tapes, adhesive caulking compounds;
 adhesive tapes, strips, bands and films, other than
 stationery and not for medical or household purpo-
 ses; adhesive bands other than stationery and not for
 household purposes; self-adhesive tapes other than
 for stationery and not for household purposes; ad-
 hesive tapes for industrial purposes; adhesive sealant
 and caulking compound; insulating materials; sea-
 lant compounds for joints; expansion joint fillers;
 insulating materials for building; insulating materials
 made of polyurethane foam; insulating plaster; insu-
 lating tapes; insulating varnish; packing, stopping
 and insulating materials, sealants; silicone sealants;
 seals, sealants and fillers.

(260) AM 2019 99736 A
 (800) 1426838
 (151) 2018 02 20
 (891) 2018 02 20
 (731) TWINSET S.p.A.
 Via Del Commercio, 32, I-41012 Carpi
 (Modena), Italy

(540)

TWINSET

(591) Black, white

(511)

14 – Costume jewellery; jewellery; precious stones; rings (jewellery); rings (costume jewellery); necklaces; bracelets; brooches all in precious metals or coated therewith; watches; key rings in precious metals or coated therewith; jewellery boxes, jewellery boxes of precious metal or coated therewith; boxes for watches; tie clips of precious metal; cuff links; decorative boxes in precious metal; statuettes of precious metal.

20 – Furniture, mirrors, picture frames; beds; sofas; armchairs; tables; chairs; pillows; chests of drawers; bamboo curtains; cribs; shelves; display stands; file cabinets; garment covers (storage); hand fans; pillows; dividing screens (furniture); wooden or plastic boxes; toy boxes; serving trolleys (furniture); wine racks; non-metallic baskets; objects of art in wood, wax, plaster or plastic materials; umbrella stands; cots for babies; clothes and hats hangers; wardrobes; stools; baby walkers; seats for children; pet houses and kennels for household pets.

(260) AM 2019 99737 A

(800) 1426859

(151) 2018 05 03

(891) 2018 05 03

(731) APPLE INC.

One Apple Park Way, Cupertino CA 95014,
USA

(540)

SHAZAM

(591) Black, white

(511)

9 – Software for video, image, audio, and music recognition and identification; databases containing downloadable recorded music files; downloadable audio, video and multimedia content; application development software; computer game software featuring music quizzes; user interfaces for on-board motor vehicle computers and electronic devices, namely electronic control panels, monitors, touchscreens, remote controls, docking stations, connectors, switches, and voice activated controls; computer software enabling viewer of radio, television or streaming programs, films, or audiovisual entertainment or information content to access, online or via mobile phone or computer, interactive audio and visual entertainment or information content, offers or competitions or retail service providers; software for accessing information relating to music and audio and visual content; software enabling discovery, interaction with, and sharing of audio, video, printed, multimedia or augmented reality content.

38 – Messaging services; broadcasting and transmission of voice data, images, music audio, video, multimedia, television and radio by means of telecommunications networks, computer networks, the Internet, satellite, radio, wireless communications networks, television and cable; matching users for the transfer of music, audio, video, and multimedia by means of telecommunications networks, computer networks, the Internet, satellite, radio, wireless communications networks, television and cable; providing access to websites, databases, electronic bulletin boards, on-line forums, directories, music and video and audio programs.

41 – Arranging, organizing, conducting and presenting concerts, live performances, entertainment special events, arts and cultural events, festivals, and sporting events; production, distribution, and presentation of radio programs, music, television programs, motion pictures and sound recordings; providing via websites entertainment and music; providing information, schedules, reviews and personalized recommendations of entertainment, motion pictures, concerts, live performances, competitions, fairs, festivals, exhibitions, expositions and sporting events; publication and presentation of reviews, surveys, posting and sharing of reviews, survey and ratings relating to entertainment, concerts, live performances, competitions, fairs, festivals, and exhibitions and ratings, provided via interactive websites and computer applications; providing online interactive information in the field of music, entertainment and films.

(260) AM 2019 99739 A

(800) 1427000

(151) 2016 11 22

(891) 2016 11 22

(731) TELECOM ITALIA S.P.A.

Via Gaetano Negri, 1, I-20123 MILANO, Italy

(540)



(591) Blue and red

(531) 26.11.03; 26.11.08; 27.01.02; 29.01.12

(511)

38 – Telecommunication services, namely, providing connectivity services in the nature of international telecommunication voice, data and mobile data services; global fixed network and mobile network telephony communication services; international IP telephony services; providing connections to a global computer network, namely, IP connectivity services to a global computer network; telematic sending of information; telematic services, namely, telematics transmission of information, short messages data and documents via computer terminal in the nature of wholesale SMS/MMS global service; inte-

grated multimedia messaging services consisting of international wholesale services of SMS, MMS; connectivity services, namely, electronic transmission of voice, mobile data and Internet protocol bulk connectivity as well as value-added network (VAN) services, these services also provided by software applications for mobile devices, including, but without limitation to, smartphones and tablets; providing telecommunication connectivity services via a wide area network (wan); providing telecommunication connectivity services via a local area network (lan); providing telecommunication connectivity services via a metropolitan area network (man); providing telecommunication connectivity services integrated with data storage solutions featuring data management and security services; providing telecommunication connectivity services integrated with data storage solutions in physical spaces on hardware platforms with a security infrastructure, administrative access services and dedicated IP addresses; providing telecommunication connectivity services integrated with data storage solutions in virtual spaces on platforms with monitoring, security infrastructures, operating systems and applications management; providing telecommunication connectivity services integrated with security services solutions to receive sensitive data and to ensure the continuity of the access to the data in case of breakdown; providing telecommunication connectivity services with infrastructure in a virtual space supporting the users of the connectivity solutions; providing telecommunication connectivity services with authentication through mobile connection to access reserved web areas; providing telecommunication connectivity services on single and integrated virtual platform for the storage and management of data; rental of access time to a database server; Internet service provider services; telecommunications consultancy; telecommunications; technical advice and consultation services in the field of telecommunications; leasing of access time to databases for data processing.

42 – Computer rental; cloud computing; technical advice and consultation services in the field of information technology; creation and developing computer software; creating, operating and maintaining databases, Intranets and web sites; management of research, design and development projects; infrastructure as a Service [IaaS]; installation and maintenance of computer programs; leasing of computers for data processing; rental of software; platform as a Service [PaaS]; design and development of computer systems and of telecommunications systems and equipment; computer programming; authentication services through mobile network for accessing reserved web areas; electronic storage of data; computerised data storage, computer project management in the field of electronic data processing, data security services; electronic data storage on hardware platforms featuring security infrastructures, adminis-

trative access services and dedicated IP addresses; electronic data storage in virtual spaces, data storage services in virtual spaces including security infrastructures, programming of Internet security programmes, provision of security services for computer networks, computer access and computerised transactions; IT security services to provide protection of data, recovery of data and business continuity in case of breakdown and/or external interference; consultancy and information services relating to information technology architecture and infrastructure and relating to computer networks and data transmission networks; services of virtual platform for storage and management of data; research, design and development services relating to computers, computer programs, computer systems, software application solutions, data processing systems, data management, computerized information processing systems, communication services, communications solutions, communication applications, communication systems and network interfaces; software as a service [SaaS]; development of software application solutions and information technology [IT] engineering; scientific and technological services and research and design relating thereto; providing temporary use of on-line software; rental of web servers; rental of a database server (to third parties); hosting of servers; data recovery services; computer disaster recovery planning services for data communications systems.

(260) AM 2019 99741 A

(800) 869565

(151) 2005 09 28

(891) 2018 09 19

(731) DR. KURT WOLFF GMBH & CO. KG

Johanneswerkstrasse 34-36, 33611 Bielefeld,
Germany

(540)



(591) Red and white.

(531) 25.03.01; 27.05.01; 27.05.24; 29.01.12

(511)

3 – Perfumery, cosmetics, toilet soap, non-medical hair care products and non-medical hair tonic.

5 – Medical hair care products and medical hair tonic.

(260) AM 2019 99744 A
 (800) 1237948
 (151) 2014 10 24
 (891) 2018 06 06
 (731) ESSA GRUP DIŞ TİCARET LİMİTED
 ŞİRKETİ
 Istoç Ticaret Merkezi 12. Ada, No:18-20-22-
 24, Bağcılar İstanbul, Turkey

(540)



(591) Black, white
 (531) 27.05.01; 27.05.22
 (511)
 14 – Horological and chronometric instruments and parts and accessories thereof, namely, chronometers, wrist watches, pocket watches, jewelry watches, wall clocks, table clocks, watch bands, watch straps, watch bracelets, watch chains, cases for watches and clocks, and replacement parts for watches and clocks.

(260) AM 2019 99745 A
 (800) 1248192
 (151) 2015 03 24
 (891) 2018 09 06
 (731) HENKEL AG & CO. KGAA
 Henkelstrasse 67, 40589 Düsseldorf, Germany

(5400)

got2b



(591) Black, white, gray and red
 (531) 24.17.07; 26.04.02; 26.04.07; 26.04.22;
 26.04.24; 27.05.10; 29.01.14
 (511)
 3 – Preparations for caring, cleaning, tinting, coloring, bleaching, fixing, styling and waving of hair.

(260) AM 2019 99746 A
 (800) 1263784
 (151) 2015 05 20
 (891) 2018 09 06
 (731) MEINL BANK AKTIENGESELLSCHAFT
 Bauernmarkt 2, A-1010 Wien, Austria

(540)



MEINL BANK

AKTIENGESELLSCHAFT

(591) Black, white
 (531) 18.03.07; 18.03.23; 27.05.01; 27.05.10
 (511)
 35 – Advertising; business management; business administration; office functions; payroll preparation, cost price analysis, commercial information agencies, business management and organisation consultancy, book-keeping, auditing, computerized file management, systemisation and compilation of information into computer databases, business appraisals, business efficiency experts services, marketing, marketing studies, economic forecasting; commercial and consumer information services, especially commercial information agencies as well as commercial information and advice for consumers (consumer advice shop); franchising, especially services of a franchisor, namely assistance with business management and organisation of commercial or industrial businesses; retails services in connection with objects of art and antiques; market analysis concerning availability and sale of objects of art and antiques.

36 – Insurance; financial affairs; monetary affairs; banking; financial clearing, home banking, financial information, financial consultancy and sponsoring, financial evaluation, mutual funds, capital investments, electronic funds transfer, financial management and trusteeship; real estate affairs, especially real estate appraisal, rental and leasing of real estate, real estate agencies and real estate management, rent collection; art and antiques appraisal.

(260) AM 2019 99747 A
 (800) 1269842
 (151) 2015 08 12
 (891) 2018 08 09
 (731) SHANTOU QINCAI COSMETICS CO., LTD.
 5/F, Chengxing Industrial Bldg., Jieyang
 Road, Jinyuan Industrial Zone, Shantou
 City, Guangdong Province, China

(540)

Music Flower

(591) Black, white
 (531) 27.05.17
 (511)
 3 – Lipsticks; rouge; cosmetics; cosmetic creams; wash face milk; eye shadow; nail polish; make-up

powder; cosmetic preparations for eyelashes; perfumes.

(260) AM 2019 99748 A

(800) 1286741

(151) 2015 12 15

(891) 2018 09 18

(731) ASEGUA THERAPEUTICS LLC

333 Lakeside Drive, Foster City CA 94404,

Ireland

(540)

ASEGUA

(591) Black, white

(511)

5 – Pharmaceutical preparations.

(260) AM 2019 99749 A

(800) 1337806

(151) 2016 01 22

(891) 2018 08 28

(731) ULADZIMIR ALISEIKA

kv. 19, d.11, per. Tretiy Oktyabrskiy, 212030

Mogilev, Belarus

(540)

HIT

(591) Black, white

(531) 27.05.17; 27.05.19; 27.05.22

(511)

7 – Kitchen blenders, electric for household purposes; crushers for kitchen use, electric; kitchen grinders, electric; can openers, electric; coffee grinders, other than hand-operated; hair clipping machines for animals; peeling machines; bread cutting machines; kitchen machines, electric; wringing machines for laundry; dishwashers for household purposes; washing machines [laundry]; spin driers [not heated]; sewing machines; mills for household purposes, other than hand-operated; blenders, electric, for household purposes; vacuum cleaner bags; kitchen mixers electric for household purposes; meat grinders [machines]; knives, electric; cleaning appliances utilizing steam; food processors, electric; vacuum cleaners, for household purposes; robots [machines]; whisks, electric, for household purposes; snow ploughs; fruit presses, electric, for household purposes; sharpening machines; washing installations for vehicles; washing apparatus; beverage preparation machines, electromechanical; food preparation machines, electromechanical.

8 – Razors, electric or non-electric; lawn clippers [hand instruments]; cutlery; depilation appliances, electric and non-electric; razor blades; beard clip-

pers; hair clippers for personal use, electric and non-electric; hair clippers for animals [hand instruments]; meat choppers [hand tools]; manicure sets; manicure sets, electric; pedicure sets; knives; vegetable slicers; nail files, electric; tableware [knives, forks and spoons]; hand implements for hair curling; vegetable choppers; fingernail polishers, electric or non-electric; flat irons; hair curling tongs, electric; hair straightening tongs, electric; choppers [knives].

9 – Balances [steelyards]; scales; hygrometers; calculating machines; electronic book readers; electronic agendas.

11 – Apparatus for lighting, steam generating, cooking, refrigerating, drying, ventilating; hydromassage bath apparatus; air deodorising apparatus; ionization apparatus for the treatment of air or water; fruit roasters; freezers; boilers, other than parts of machines; waffle irons, electric; electric fans for personal use; water heaters; extractor hoods for kitchens; hot water bottles; footwarmers, electric or non-electric; bedwarmers; grills [cooking appliances]; lighters; evaporators; shower cubicles; fireplaces, domestic; pressure cooking saucepans, electric; air conditioning apparatus; coffee machines, electric; gas lamps; electric lamps; bread baking machines; multicookers; electric heaters; infrared heating panels; fabric steamers; food steamers, electric; kitchen ranges [ovens]; microwave ovens [cooking apparatus]; cookers; heaters, electric, for feeding bottles; water filtering apparatus; air purifying apparatus and machines; cooking apparatus and installations; cooking rings; plate warmers; electric appliances for making yogurt; radiators, electric; hair dryers; pressure cookers, electric; fan heaters for personal use; thermo pots (home appliance using for boiling water and maintaining predetermined temperature); bread toasters; air humidifiers; air cooling apparatus; air filtering installations; cooking utensils, electric; filters for drinking water; deep fryers, electric; refrigerators; kettles, electric.

(260) AM 2019 99798 A

(800) 1427022

(151) 2018 06 26

(891) 2018 06 26

(731) DORÇE PREFABRİK YAPI VE İNŞAAT

SANAYİİ TİCARET ANONİM ŞİRKETİ

Aşağı Öveçler Mahallesi 1325., Sokak

No.6; Ankara, Çankaya, Turkey

(540)

DORÇE

(591) Orange and navy blue

(531) 26.04.04; 26.04.12; 27.05.01; 27.05.11; 29.01.12

(511)

6 – Goods and materials of common metal used for storage, wrapping, packaging and sheltering purposes, containers of metal (storage, transport), buildings of metal, frames of metal for building, poles of metal for building, metal boxes, packaging containers of metal, aluminium foil, fences made of metal, guard barriers of metal, metal tubes, storage containers of metal, metal containers for the transportation of goods, ladders of metal.

19 – Building materials (as finished products) made of concrete, gypsum, clay, potters' clay, stone, marble, wood, plastics and synthetic materials for building, construction, road construction purposes, included in this class; non-metallic buildings, non-metallic building materials, poles not of metal for power lines, barriers not of metal; natural and synthetic coatings in the form of panels and sheets, being building materials; bitumen cardboard coatings for roofing; bitumen coating for roofing; doors and windows of wood and synthetic materials.

37 – Construction services, rental of construction machines and equipment; installation, maintenance and repair of heating, cooling and sanitary installations.

(260) AM 2019 99800 A

(800) 1427073

(151) 2018 07 02

(891) 2018 07 02

(731) SHANDONG COCREA TYRE CO., LTD.

No.1, Zhongchuang Road, Yinan Economic Development Zone, Linyi City, Shandong Province, China

(540)



(591) Black, white

(531) 26.11.12; 27.05.17

(511)

12 – Pneumatic tires; inner tubes for pneumatic tires [tyres]; casings for pneumatic tires [tyres]; automobile tires [tyres]; tires, solid, for vehicle wheels; tires for vehicle wheels; repair outfits for inner tubes; bicycle tyres.

(260) AM 2019 99801 A

(800) 1427110

(151) 2018 06 22

(891) 2018 06 22

(731) Limited Liability Company "LAKVIR"

Frunze st., vlad. 9/14, Stupino, RU-142803
Moskovskaya oblast, Russian Federation

(540)

САНФОР
SANFOR

(591) Black, white

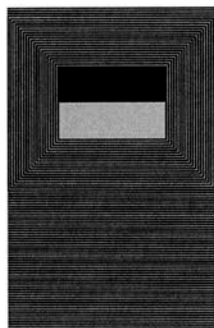
(531) 28.05

(511)

3 – Bleaching preparations and other substances for laundry use; cleaning, polishing, scouring and abrasive preparations; soap; perfumery, essential oils, cosmetics, hair lotions; non-medicated dentifrices; amber [perfume]; descaling preparations for household purposes; antistatic preparations for household purposes; breath freshening sprays; petroleum jelly for cosmetic purposes; sachets for perfuming linen; scented water; Javelle water; lavender water; toilet water; floor wax; mustache wax; tailors' wax; polish for furniture and flooring; perfumes; windshield cleaning liquids; greases for cosmetic purposes; perfumery; eyebrow pencils; cosmetic pencils; colorants for toilet purposes; cosmetic dyes; cosmetic creams; skin whitening creams; nail polish; shaving lotions; hair lotions; lotions for cosmetic purposes; beauty masks; oils for cosmetic purposes; oils for toilet purposes; essential oils; essential oils of cedarwood; essential oils of lemon; oils for cleaning purposes; bergamot oil; gaultheria oil; jasmine oil; lavender oil; almond oil; rose oil; oil of turpentine for degreasing; whitening; cleaning chalk; almond milk for cosmetic purposes; musk [perfumery]; deodorant soap; shaving soap; soap for brightening textile; antiperspirant soap; soap for foot perspiration; almond soap; mint for perfumery; cosmetic kits; false nails; eau de Cologne; bases for flower perfumes; hydrogen peroxide for cosmetic purposes; lipsticks; pomades for cosmetic purposes; shaving preparations; cosmetic preparations for baths; hair waving preparations; laundry soaking preparations; leather bleaching preparations; denture polishes; cosmetic preparations for slimming purposes; starch glaze for laundry purposes; fabric softeners for laundry use; laundry bleach; dry-cleaning preparations; paint stripping preparations; lacquer-removing preparations; rust removing preparations; nail care preparations; cleaning preparations; preparations for cleaning dentures; wallpaper cleaning preparations; preparations for unblocking drain pipes; color-brightening chemicals for household purposes [laundry]; scouring solutions; tissues impregnated with cosmetic lotions; turpentine for degreasing; potpourris [fragrances]; bleaching soda; washing soda, for cleaning; bleaching salts; ammonia [volatile alkali] [detergent]; astringents for cosmetic purposes; eyebrow cosmetics; sun-tanning preparations [cosmetics]; hair dyes; neutralizers for permanent waving; cosmetic preparations for eyelashes; cosmetic preparations for skin

care; cosmetics; cosmetics for animals; mascara; terpenes [essential oils]; shampoos; shampoos for pets; soda lye; ethereal essences; cotton sticks for cosmetic purposes; aromatics [essential oils]; laundry glaze; shoemakers' wax; deodorants and antiperspirants for personal use; creams for leather; hair spray; aromatic oils; adhesives for cosmetic purposes; cleansing milk for toilet purposes; cakes of toilet soap; dentifrices; non-medicated toiletries; cosmetic preparations; smoothing preparations [starching]; polishing preparations; mouthwashes, not for medical purposes; make-up removing preparations; floor wax removers [scouring preparations]; bath salts, not for medical purposes; preservatives for leather [polishes]; scouring preparations; depilatory preparations; shoe cream; shoe polish; detergents, other than for use in manufacturing operations and for medical purposes; degreasers, other than for use in manufacturing processes; bleaching preparations [decolorants] for cosmetic purposes; antiperspirants [toiletries]; extracts of flowers [perfumes].

(260) AM 2019 99802 A
 (800) 1427115
 (151) 2018 07 10
 (891) 2018 07 10
 (731) "INTERNATIONAL MASIS TABAK" LLC
 10, Gortsaranayin street, Industrial sector,
 0802 Masis, Ararat Region, Armenia
 (540)



(591) Black, white
 (531) 25.07.20; 26.04.08; 26.04.09; 26.04.24
 (511)
 34 – Tobacco, smoking articles, matches, gas containers for cigar lighters; absorbent paper for tobacco pipes; cigarette papers; humidors; lighters for smokers; tobacco pouches; books of cigarette papers; tobacco pipes; match holders; firestones; cigar cutters; tips of yellow amber for cigar and cigarette holders; ashtrays for smokers; tobacco jars; cigar holders; cigarette holders; spittoons for tobacco users; pipes; mouthpieces for cigarette holders; cigarette filters; pipe cleaners for tobacco pipes; cigarettes; cigarette tips; cigarillos; cigars; pipe racks for tobacco pipes; match boxes; chewing tobacco; snuff; pocket machines for rolling cigarettes; cigarette and tobacco cases; cigar cases.

(260) AM 2019 99803 A
 (800) 1427131
 (151) 2017 12 27
 (891) 2017 12 27
 (731) Tovarystvo z obmezhenoiu vidpovidalnistiu
 "POLIKOLOR"
 Vul. Skhidna, 2 A, m. Kamianske,
 Dnipropetrovska obl. 51909, Ukraine
 (540)



Colorina

(591) Green, blue, grey, yellow, red, brown and lime green
 (531) 02.01.16; 02.03.16; 05.03.16; 29.01.15
 (511)
 2 – Asbestos paints; watercolour paints for use in art; alizarine dyes; aluminium powder for painting; aluminium paints; aniline dyes; annatto [dyestuff]; anti-corrosive preparations; anti-corrosive bands; auramine; bactericidal paints; shoe dyes; ink for skin-dressing; dyewood; dyes; dyewood extracts; bitumen varnish; bronze powder for painting; lime wash; fire-proof paints; glazes [paints, lacquers]; primers; gamboge for painting; gum-lac; titanium dioxide [pigment]; printers' pastes [ink]; printing ink; enamels [varnishes]; enamels for painting; silver emulsions [pigments]; colorants for liqueurs; colorants for butter; colorants for beverages; colorants for beer; colorants; thickeners for paints; undercoating for vehicle chassis; protective preparations for metals; binding preparations for paints; indigo [colorant]; edible inks; gum resins; Canada balsam; colophony; caramel [food colorant]; carbonyl [wood preservative]; edible ink cartridges, filled, for printers; ceramic paints; badigeon; wood preservatives; copal; copal varnish; cochineal carmine; creosote for wood preservation; turmeric [colorant]; bronzing lacquers; varnishes; marking ink for animals; anti-rust oils; mastic [natural resin]; anti-rust greases; metal foil for use in painting, decorating, printing and art; metals in powder form for use in painting, decorating, printing and art; wood stains; anti-fouling paints; cobalt oxide [colorant]; zinc oxide [pigment]; oils for the preservation of wood; oil paints for use in art; paper for dyeing Easter eggs; pigments; coatings [paints]; wood coatings [paints]; coatings for roofing felt [paints]; lacquers; silvering powders; anti-rust preparations; anti-tarnishing preparations for metals; stains for leather; wood mordants; mordants; thinners for lacquers; thinners for paints; whitewash; soot [colorant]; carbon black [pigment]; lamp black

[pigment]; sandarac; white lead; orange lead; red lead; siccatives [drying agents] for paints; sienna earth; turpentine [thinner for paints]; natural resins, raw; malt caramel [food colorant]; malt colorants; silver paste; sumac for varnishes; distempers; toners [ink] for photocopiers; toner cartridges, filled, for printers and photocopiers; ink for leather; engraving ink; paints; repositionable paint patches; fixatives [varnishes]; fixatives for watercolors [watercolours]; yellowwood [colorant]; food dyes; saffron [colorant]; black Japan.

(260) AM 2019 99806 A

(800) 1427237

(151) 2018 07 16

(891) 2018 07 16

(731) RICHTER GEDEON NYRT.

Gyömrői út 19-21, H-1103 Budapest, Hungary

(540)

ГАНДИВА

(591) Black, white

(531) 28.05

(511)

5 – Pharmaceutical preparations.

(260) AM 2019 99807 A

(800) 1427240

(151) 2018 07 16

(891) 2018 07 16

(731) RICHTER GEDEON NYRT.

Gyömrői út 19-21, H-1103 Budapest, Hungary

(540)

GANDIVA

(591) Black, white

(511)

5 – Pharmaceutical preparations.

(260) AM 2019 99820 A

(800) 1427619

(151) 2018 04 25

(891) 2018 04 25

(731) PEARSON EDUCATION LIMITED

80 Strand, London WC2R 0RL, United Kingdom

(540)

EDEXCEL

(591) Black, white

(511)

9 – Apparatus and instruments for recording, reproducing, carrying, storing, processing, manipulating, transmitting, broadcasting and retrieving publications, text, signals, software, information, data, code, sound and images; data processing equipment and

computers; educational, teaching, instruction or research apparatus and instruments; electronic apparatus and instruments for teaching, instruction, training, research, education, testing, examination and assessment purposes; media bearing electronic publications and data; electronic publications; electronic publications (downloadable) provided on-line from a database or the Internet; downloadable sounds, downloadable images, downloadable text and information provided electronically, by telecommunications networks, by online delivery, by way of the Internet or world wide web; electronic databases; information stored in electronic, digital and magnetic form; audio and video recordings; audio visual teaching apparatus; optical, electronic, digital, analogue and magnetic data storage devices; films and video films; compact discs; floppy discs; CD-ROMs; DVDs; DVD-ROMS; cassette tapes, video tapes, records, cinematographic films, slide films and recorded video discs; magnetic, optical and other discs; magnetic tape and other media for electronically recording data or software, hardware and firmware; computer software, hardware and firmware; computer software, hardware and firmware for the provision of teaching, instruction, training, research, education, testing, examination and assessments including software for operation over computer networks or by remote computer access; software, for the creation, management, updating and operating of databases.

16 – Printed matter; printed publications; educational materials; examination papers; syllabi; diplomas, academic and vocational certificates; printed examination regulations; books; magazines; periodicals; journals; publications; textbooks; exercise books and notebooks; newspapers; catalogues, handbooks and manuals; study guides; instructional or teaching materials; stationery; posters; photographs and pictures.

41 – Provision of training, teaching, academic, education, instruction, educational examination, educational testing and educational assessment services; provision of training, teaching, academic, education, instruction, educational examination, educational testing and educational assessment services electronically, by means of telecommunications networks, by online delivery, by way of the Internet or world wide web; provision of information relating to training, teaching, education, instruction, educational examination, educational testing and educational assessment via computers; information relating to training, teaching, academic, education, instruction, educational examination, educational testing and educational assessment provided on-line from a computer database or a global communication network; production and publication of instructional, teaching, training and educational materials; production and publication of instructional, teaching, training and educational materials provided electroni-

cally, by means of a computer database, by means of telecommunications networks, by online delivery, by way of the Internet or world wide web; publishing services; educational publishing services; publication of texts, books, textbooks, brochures, syllabi, examination papers, assessments, magazines, journals and newspapers; electronic publishing; online publication of electronic texts, books, textbooks, brochures, syllabi, examination papers, assessments, magazines, journals and newspapers; publication of electronic texts, books, textbooks, brochures, syllabi, examination papers, assessments, magazines, journals and newspapers, all being downloadable from an on-line database or from a global computer network; educational examination services; educational assessment services; providing recognition and incentives by the way of certificates to individuals; educational services, namely, providing training, education, educational examinations and assessment for certification purposes; providing recognition and incentives by the way of degrees to demonstrate excellence, rental of educational apparatus and instruments; distance learning; organisation and provision of distance learning courses, teaching, training, examinations and assessment for education purposes; organisation and provision of distance learning courses, teaching, training, examinations and assessment for education purposes provided electronically, by means of a computer database, by telecommunications networks, by online delivery, by way of the Internet or world wide web; preparing, conducting, administering and analyzing of educational examinations, assessments and tests; educational research services; production, presentation and distribution of educational films, television programmes and video recordings; provision of correspondence courses; correspondence courses provided electronically, by means of a computer database, by telecommunications networks, by online delivery, by way of the Internet or world wide web; providing recognition and incentives by the way of certificates, awards, degrees, diplomas and qualifications to demonstrate excellence; arranging, organising and conducting courses, seminars, symposiums, conferences, congresses and exhibitions; careers counselling; translation services; information, advisory and consultancy services relating to all of the aforesaid services.

42 – Computer-based information services relating to research; research and development for others; provision of information relating to research and development for others; technical research services, consultancy and research services relating to the application of quality control standards conducted on training, teaching, academic, education, instruction, examination, testing and assessment services; computer programming services; programming of educational software, hardware and firmware; design and development of computer software, hardware and firmware; computer services, namely, designing,

managing and hosting the web sites for discussion in the field of training, teaching, academic, education, instruction, examination, testing and assessment; design, creation, hosting and maintenance of web pages; design, creation, hosting and maintenance of web pages relating to training, teaching, academic, education, instruction, examination, testing and assessment services; information, advisory and consultancy relating to all of the aforesaid services.

(260) AM 2019 99822 A

(800) 1427650

(151) 2018 04 02

(891) 2018 04 02

(731) Limited liability company "MARTIN"
Tsentralnaya str., 109, Elektrougli, Noginsk district, RU-142455 Moscow region, Russian Federation

(540)



(591) White, red and golden-bronze

(531) 05.03.20; 25.03.01; 28.05; 29.01.14

(511)

29 – Sunflower seeds, prepared.

(260) AM 2019 99823 A

(800) 1427698

(151) 2018 05 23

(891) 2018 05 23

(731) STULZ GMBH

Holsteiner Chaussee 283, 22457 Hamburg, Germany

(540)



(591) White and red

(531) 25.05.02; 26.11.08; 27.05.24; 29.01.12

(511)

9 – Electric switch cabinets consisting of metal and/or plastic, for use in industry; scientific, measuring, signalling, teaching and checking (supervision) apparatus and instruments; apparatus and instru-

ments for conducting, switching, transforming, accumulating, regulating or controlling electricity; data processing equipment; computers; computer software; checking (supervision), controlling and measuring apparatus and instruments for heating, steam generating, refrigerating, drying, humidifying and ventilating apparatuses; controllers (hardware); computer software for controlling and monitoring of apparatus for heating, steam generating, refrigerating, drying, humidifying and ventilating apparatus.

11 – Heating, steam generating, refrigerating, drying, humidifying, dehumidifying and ventilating apparatus; water heaters [apparatus] and water coolers [apparatus]; ventilation and air conditioning apparatus; heat recovery apparatus; air conditioning installations; refrigerating cold water dispensers; apparatus for ventilating, heating and air conditioning (air handlers); air to air heat pumps; air to water heat pumps.

37 – Construction of buildings; construction management for the construction of data or communications locations; repair, installation and assembly in relation to scientific, measuring, signalling, teaching and checking (supervision) apparatus and instruments, apparatus and instruments for conducting, switching, transforming, accumulating, regulating or controlling electricity, data processing equipment, computers, computer software, checking (supervision), controlling and measuring apparatus and instruments for heating, steam generating, refrigerating, drying, humidifying and ventilating apparatus, controllers (hardware), computer software for control and monitoring of apparatus for heating, steam generating, refrigerating, drying, humidifying and ventilating apparatus, heating, steam generating, refrigerating, drying, humidifying, dehumidifying and ventilating apparatus, apparatus for producing hot and cold water, fresh air supply apparatus (air conditioning, ventilation), heat recovery apparatus, air conditioning installations, chilled water units (refrigeration apparatus), apparatus for ventilating, heating and air conditioning (air handlers, air-to-air heat pumps and/or air-to-water heat pumps).

42 – Scientific and technological services and research and design relating thereto; industrial analysis and research services; technical support in relation to apparatus for heating, steam generating, refrigerating, drying, humidifying and ventilating apparatus.

(260) AM 2019 99824 A
(800) 1427716
(151) 2018 05 18
(891) 2018 05 18

(731) CHENGDU KANGHONG
PHARMACEUTICALS GROUP CO., LTD.
NO.36, SHUXI RD., JINNIU DISTRICT,
CHENGDU, SICHUAN, China

(540)

松齡

(591) Black, white

(531) 28.03

(511)

5 – Tonics [medicines]; medicines for human purposes; medicinal drinks; slimming tea for medical purposes; capsules for medicines; pharmaceutical preparations; chemical preparations for pharmaceutical purposes; medicinal tea; crude drugs; prepared Chinese medicine; biochemical medicines; medicinal liquor; radioactive medicines; gases for medical purposes; disinfectants; solutions for contact lenses; nutritive substances for microorganisms; dietetic substances adapted for medical use; disinfectants for chemical toilets; medicines for veterinary purposes; preparations for destroying noxious animals; sanitary towels; dressings, medical; teeth filling material.

(260) AM 2019 99830 A

(800) 1427993

(151) 2018 09 13

(891) 2018 09 13

(731) EPIC GAMES, INC.

620 Crossroads Boulevard, Cary NC 27518,
USA

(540)

FORTNITE

(591) Black, white

(511)

25 – Hats; headwear; hooded pullovers; hooded sweat shirts; t-shirts.

(260) AM 2019 99831 A

(800) 1427995

(151) 2018 09 13

(891) 2018 09 13

(731) EPIC GAMES, INC.

620 Crossroads Boulevard, Cary NC 27518,
USA

(540)

FORTNITE

(591) Black, white

(511)

25 – Hats; headwear; hooded pullovers; hooded sweat shirts; t-shirts.

(260) AM 2019 99832 A

(800) 1427996

(151) 2018 09 13

(891) 2018 09 13

(731) EPIC GAMES, INC.
620 Crossroads Boulevard, Cary NC 27518,
USA

(540)

FORTNITE

(591) Black, white

(511)

9 – Video game software.

(260) AM 2019 99835 A

(800) 1428006

(151) 2018 05 11

(891) 2018 05 11

(731) LUNADIS GmbH + Co. KG

Balcke-Dürr-Allee 3, 40882 Ratingen,
Germany

(540)



(591) Yellow, grey, white, black.

(531) 26.01.18; 26.15.01; 29.01.13

(511)

9 – Computer programs (recorded or downloadable) for freight transport, freight logistics as well as vehicle management; magnetic cards, magnetic identification cards, memory cards and microprocessor cards; electronic global positioning systems; systems consisting of sensors and computer software for geolocation and position recognition or for recognition of passages; electronic satellite apparatus and instruments for geolocation, known as GPS or GPS-GPRS; telematic (data transmission) and GPS-vehicle locating systems for the localisation of vehicles in real time and for the transmission of data for vehicle use and vehicle handling; non-voice telecommunication apparatus and instruments for the transmission of data over short distances between road systems and mobile units; data cards for third generation cellular telephone networks; GSM (Global System for Mobile Communication) data cards compatible with the broadband wireless telephone standard GPRS (General Packet Radio Services); apparatus for recording, transmission and reproduction of sound and images; computer software and software for the traffic management on roads and motorways, for the toll management and for the creation of road itineraries/routes; computer software; measuring, detecting and monitoring instruments and devices; acceleration sensors for the measurement of the speed-up behaviour and braking characteristics, also independently of the respective geoposition.

12 – Vehicle parts, parts and accessories for vehicles as far as not included in other classes.

35 – Services of a filling station and its sales and service businesses, namely computer-based preparation and balancing of invoices of fees for frontier-clearance (office functions); computer-based preparation of invoices of freight and freight brokerage costs (office functions); border clearance and ferry services, namely procurement of contracts for others for the assignment of access authorizations for toll lanes and tunnels through procuring contracts on the purchase and sale of vignettes and the input of data in data processing equipment (office functions); computer-based preparation of invoices of tunnel fees (office functions); computer-based preparation of invoices for repair services (office functions); computer-based preparation of invoices for fuels (office functions); processing of foreign mineral oil tax reimbursements (office functions); business management; business administration; office functions; accounting services; book-keeping; advertising; recording of personal- and vehicle-related data (office functions); office functions, namely computer-aided order planning; provision of commercial and business contact information; vehicle fleet business management for others, namely organisational vehicle fleet management of motor vehicles and lorries; compilation of commercial information; advertising in the field of toll collection and transport infrastructure; procurement of contracts relating to the rental of motor vehicles and lorries; business information services, in particular processed online via a hotline; all afore-mentioned services with the help of global or local computer networks and/or via the Internet; office functions, namely computer-based compilation and processing by preparing statistics and statistical analysis of vehicle master data, of tank data invoices, of motor vehicle costs and revenues; office functions, namely computer-based order planning including the systematic update of data in computer data bases for the organisational and business planning of the availability of motor vehicles; payroll advisory services; business advisory services provided to determine pay and grading structures-, declaration of minimum wages in certain EU-countries-, assistance, advisory services and consultancy with regard to the submission of documents at authorities according to the regulation 96/71/EC; preparation of invoices (within the scope of cashless payment transactions) in the field of goods and passenger transport; price comparison services, in particular provision of information relating to the price of fuels at home and abroad; procurement of contracts for others for the towing of vehicles; preparation of reports in the field of national and international industrial freight and passenger transport businesses, namely preparation and evaluation of reports and statistics concerning the localisation of

vehicles in real time and of data concerning the use and driving behaviour of vehicles (for example travel time, speed, speed-up); computer-aided preparation of accounts (within the scope of cashless payment transactions) for fuels, ferry-fees, road and motorway tolls and/or value-added tax in the field of industrial freight and passenger transport business; procurement of contracts for others for the provision of replacement vehicles; statistical evaluation of geositions of vehicles by comparing them with geositions of the maps used.

36 – Issue of service cards with legitimation function to industrial freight and passenger transport businesses for the cashless in-transit supplying of automobiles, heavy trucks, busses and their drivers; computer-based settlement of financial transactions, monetary transactions, namely by using service cards with legitimation functions; electronic handling of payment services concerning foreign value-added tax reimbursements; conducting cashless payment transactions in the field of payment of road toll fees and other road fees; services for payment processing via service cards, in particular concluding acceptance contracts with toll plazas; customs clearance for others; frontier clearance and ferry services, namely brokerage of access authorizations to toll roads and tunnels (customs clearance for others); collecting utilization fees by issuing vignettes; issuance of vignettes; preparation of financial damage reports; insurance services for the provision of emergency cash.

37 – Services of a motor vehicle repair workshop; services of a service station and its sales and services areas, namely cleaning of motor vehicles, repair of motor vehicles; breakdown assistance, namely repair of motor vehicles on site and at motor vehicle repair shops; maintenance of motor vehicles; repair of tyres and motor vehicle cooling systems; maintenance of tyres and motor vehicle cooling systems; installation of toll logging and toll billing equipment; maintenance of toll logging and toll billing equipment; installation and maintenance of units equipped with a system for geolocalisation and position recognition or for recognition of passages; installation and maintenance of electronic satellite geotracking apparatus and instruments, known as GPS or GPS-GPRS; installation and maintenance of telematic (data transmission) and GPS-vehicle locating systems for the localisation of vehicles in real time and for the transmission of data for vehicle use and vehicle behaviour; installation and maintenance of non-voice telecommunication apparatus and instruments for the transmission of data over short distances between road systems and mobile units; installation and maintenance of apparatus for recording, transmission and reproduction of sound and images.

38 – Telecommunications (telecommunications services) including radio services, namely radio guidan-

ce of motor vehicles in road haulage; provision of mobile cellular services; provision of multilingual breakdown services, namely providing access to technical expert knowledge of motor vehicle specialists via telecommunication lines on the Internet; telecommunication services for nationally and internationally operating industrial freight and commercial passenger transport services, namely the transmission of information about road condition, traffic situation, the location of service stations, the location of vehicles, technical vehicle matters, the price of fuel at home and abroad via the Internet by radio services; transmission of information via computer servers, freely accessible telematics services; transmission and exchange of information via multimedia carriers; access providing services to a worldwide computer network; providing connection by telecommunication to a worldwide computer network; delivery (transmission) of automated reports; providing access to online data in computer networks; telephone services for hotlines.

39 – Breakdown assistance, namely vehicle towing and rescue services; rental services, namely rental of motor vehicles, trucks, busses, vehicles for the freight forwarding sector; rental services, namely rental of construction vehicles and other special-purpose vehicles; rental of vehicle accessories, particularly luggage carriers, car safety seats for children, trailers (for vehicles), snow chains; transport of motor vehicles by rail; rolling road (intermodal transportation), namely transport systems whether or not accompanied for the combined railway traffic, namely transport of complete trucks or semi-tractor trailers by rail; packaging of goods; storage of goods; travel arrangement; transshipment of transport goods; information services for the nationally and internationally operating industrial freight and commercial passenger transport services, namely providing information via the Internet and radio on road condition, traffic situation, the location of service stations, the location of vehicles, technical vehicle data; tracking of broken-down goods vehicles with computers through computer-aided map systems; routing using mobile communications, namely controlling of fleet vehicles using electronic navigational apparatus as well as via radio services; transport services, in particular freight forwarding, except the customs clearance of goods; provision and operation of an online reservation system; tracking of passenger or freight vehicles by computers or via GPS (transport information); telephone consultancy via callcenters concerning the processing of contracts for the rental of motor vehicles and trucks; consultancy in the field of transport services via hotlines.

41 – Provision of multilingual breakdown services, namely interpreting services.

42 – Installation and maintenance of software for toll registration and toll invoicing devices as well as for

systems for the global positioning and position recognition or recognition of passages, for electronic satellite geotracking apparatus and instruments; creating, updating and maintenance of computer software and programs for the data processing; technical development of magnetic and chip cards and other computer-aided verifications; electronic data storage; design of internet sites and homepages; creation of internet sites and homepages; drawing up of technical damage reports; IT services, namely installation of notification functions for the delivery of automated reports.

43 – Consultancy via hotlines concerning temporary accommodations.

45 – Legal consulting on taxation; legal consultancy services in the field of security, namely with respect to data protection, data security, data access, data archiving services, certification services; consultancy and advisory services relating to legal questions concerning road safety; consulting in the field of workplace safety, namely concerning the setting of minimum standards of working conditions for employees who are sent from employers abroad for the transnational provision of services according to the regulation 96/71/EC.

(260) AM 2019 99836 A

(800) 1428050

(151) 2018 04 24

(891) 2018 04 24

(731) LOUDER.ME SA

c/o Frédéric Neukomm, Lenz & Staehelin,
Route de Chêne 30, CH-1207 Genève,
Switzerland

(540)

LOUDER.ME

(591) Black, white

(511)

9 – Software; downloadable software in the nature of mobile software applications enabling users to upload, download, share, review, filter, display and reproduce sound, digital music, media, data, images, works of art, podcasts, audio and video contents; software and non-downloadable software applications for uploading, downloading, streaming, displaying, storing, sharing, reviewing, promoting, distributing and reproducing audio and video contents generated by users, sound, digital music, media, data, photographs, images and works of art by users; audio and/or video files downloadable on the Internet; downloadable software in the nature of mobile software applications enabling users to participate in music competitions; downloadable music and image files; downloadable contents, podcasts and media containing works of art, texts, audio and/or video contents relating to music, music news and musical entertainment.

35 – Advertising and sales promotion; conducting public surveys on musical preferences; public relations; market analyses; providing web space for on-line advertising of goods and services; collection and compilation of statistical data in the field of music; commercial administration of the licensing of the goods and services of others; business management for others.

36 – Royalty claiming services on behalf of the owners of copyrights and/or related rights on music, texts, works of art, audio and video works, and royalty payment processing services to owners of copyrights and/or related rights on music, texts, works of art, audio and video works.

38 – Broadcasting services; transmission of music, sound, audio, video and/or audiovisual works on the Internet; providing on-line forums for transmission of messages among users in the field of general interest of music; on-line broadcasting; online chat services by providing on-line forums for transmission of messages among users; streaming of data, audio and audio-visual works; transmission of video-on-demand footage; communication services, namely, transmission of audio, video and/or audiovisual works in the field of music via streaming and/or transmission of video-on-demand footage on the Internet.

41 – Entertainment services, namely, online providing of audio and video podcasts in the field of music; organization of on-line music competitions and award ceremonies; organization of concerts and entertainment programs; organization of artistic performances; organization of online and offline musical events; production and publishing of music; providing online non-downloadable audio and/or video files; providing online non-downloadable audio and/or video files by means of video-on-demand footage transmission services; providing information in the field of music.

42 – Creation, hosting and maintenance of Websites and Web pages with user-generated contents, namely, music, video, audio and audio-visual works as well as podcasts, graphics, images and/or photos; providing temporary use of non-downloadable computer software enabling users to participate in music competitions; providing temporary use of non-downloadable computer software in the context of online music services; creation and maintenance of Web sites with a technology enabling users to participate in music competitions; providing temporary use of on-line non-downloadable software for uploading, downloading, displaying, streaming and sharing information, podcasts, data, sound, images, music, photos, graphics, works of art, audio and video contents by users for entertainment purposes; providing temporary use of non-downloadable software for uploading, downloading and reproducing audio and au-

divisual works, podcasts, music, data, sound, images, photos and graphics and artistic works; design, development, maintenance and updating of mobile software applications enabling users to upload, download, share, review, filter, display and reproduce sound, digital music, media, data, images, works of art, podcasts, audio and video contents; creation of Web sites enabling users to participate in music competitions.

45 – Online social networking services; intellectual property licensing; exploitation of industrial property rights and copyrights by licensing.

(260) AM 2019 99837 A

(800) 1428060

(151) 2018 08 03

(891) 2018 08 03

(731) BIOFARMA

50 rue Carnot, F-92284 Suresnes Cedex,
France

(540)

DETRAPROCT

(591) Black, white

(531) 27.05.01

(511)

5 – Pharmaceutical products, medical and veterinary preparations; sanitary products for medical purposes; dietetic food and substances for medical or veterinary use, food for babies; food supplements for humans and animals; plasters, materials for dressings; material for dental fillings and dental impressions; disinfectants; products for destroying vermin; fungicides, herbicides.

(260) AM 2019 99838 A

(800) 1428079

(151) 2018 08 29

(891) 2018 08 29

(731) MBDA FRANCE

1 avenue Réaumur, F-92350 LE PLESSIS-
ROBINSON, France

(540)

MICA

(591) Black, white

(511)

13 – Missiles and weapon systems therefor.

(260) AM 2019 99839 A

(800) 1428085

(151) 2017 02 27

(891) 2017 02 27

(731) ZAO BALTIYSKAYA

PROMISHLENNAYA KOMPANIYA
ul. Salova, 37, lit. A, RU-192102 Saint-
Petersburg, Russian Federation

(540)

F.O.R.T.

Force **Opportunities** Russian Technologies

(591) Black, red

(531) 15.07.09; 26.05.01; 27.01.04; 27.03.01;
27.03.15; 29.01.13

(511)

7 – Metal working machines.

(260) AM 2019 99846 A

(800) 1428308

(151) 2018 08 20

(891) 2018 08 20

(731) Limited liability company "AUTOMOBILE
PLANT "GAZ"

prospekt Ilycha, 5, RU-603004 Nizhny
Novgorod, Russian Federation

(540)

ГАЗель Next Citiline

(591) Black, white

(531) 28.05

(511)

12 – Motor buses; motor coaches; motor homes; cars; sports cars; concrete mixing vehicles; refrigerated vehicles; caravans; shock absorbers for automobiles; suspension shock absorbers for vehicles; ski carriers for cars; luggage carriers for vehicles; bumpers for automobiles; vehicle bumpers; tires for vehicle wheels; brake shoes for vehicles; tailboard lifts [parts of land vehicles]; armored vehicles; mobile canteens [cars]; transmission shafts for land vehicles; bicycles; valves for vehicle tires; automobile hoods; hoods for vehicles; trucks; horns for vehicles; treads for vehicles [tractor type]; doors for vehicles; engines for land vehicles; driving motors for land vehicles; screw-propellers; brake discs for vehicles; adhesive rubber patches for repairing inner tubes; rearview mirrors; inner tubes for pneumatic tires; hoods for vehicle engines; crankcases for land vehicle components, other than for engines; bicycle wheels; vehicle wheels; casters for trolleys [vehicles]; brake pads for automobiles; hub caps; brake linings for vehicles; gear boxes for land vehicles; bands for wheel hubs; caps for vehicle fuel tanks; automobile bodies; tipping bodies for trucks; bodies for vehicles; treads for retreading tires; locomobile; sprinkling trucks; propulsion mechanisms for land vehicles; freewheels for land vehicles; clutches for land vehicles; repair outfits for inner tubes; air pumps [vehicle accessories]; upholstery for vehicles; rims for bicycle wheels; rims for vehicle wheels; windows for vehicles; engine mounts for land vehicles; axles for vehicles; headlight wipers; gearing for land vehicles; head-rests for vehicle seats; vehicle

running boards; air bags [safety devices for automobiles]; casings for pneumatic tires [tyres]; sleeping berths for vehicles; torque converters for land vehicles; cigar lighters for automobiles; non-skid devices for vehicle tires; anti-glare devices for vehicles; anti-theft devices for vehicles; sun-blinds adapted for automobiles; balance weights for vehicle wheels; shock absorbing springs for vehicles; reduction gears for land vehicles; safety belts for vehicle seats; security harness for vehicle seats; vehicle suspension springs; rudders; brake segments for vehicles; luggage nets for vehicles; anti-theft alarms for vehicles; reversing alarms for vehicles; safety seats for children, for vehicles; vehicle seats; hydraulic circuits for vehicles; vehicle wheel spokes; spoilers for vehicles; vehicles for locomotion by land, air, water or rail; ambulances; remote control vehicles, other than toys; electric vehicles; delivery tricycles; windscreens; windshield wipers; hubs for vehicle wheels; trailer hitches for vehicles; couplings for land vehicles; brakes for vehicles; torsion bars for vehicles; tractors; transmissions for land vehicles; military vehicles for transport; trailers [vehicles]; spoke clips for wheels; vans [vehicles]; automobile chains; driving chains for land vehicles; anti-skid chains; transmission chains for land vehicles; spare wheel covers; covers for vehicle steering wheels; seat covers for vehicles; vehicle covers [shaped]; automobile chassis; vehicle chassis; connecting rods for land vehicles, other than parts of motors and engines; axle journals; automobile tires; tires for land vehicles; pneumatic tires; mudguards; motors, electric, for land vehicles; steering wheels for vehicles; direction signals for vehicles; undercarriages for vehicles.

16 – Fountain pens; albums; almanacs; posters; tickets; forms, printed; announcement cards [stationery]; note books; pads [stationery]; loose-leaf binders; wristbands for the retention of writing instruments; pamphlets; booklets; wrapping paper; filter paper; newsletters; signboards of paper or cardboard; newspapers; document holders [stationery]; pencil holders; page holders; holders for cheque books; advertisement boards of paper or cardboard; magazines [periodicals]; money clips; tags for index cards; pen clips; bookmarkers; printed publications; graphic representations; calendars; tracing patterns; pencils; pencil lead holders; pictures; transfers [decalcomanias]; paintings [pictures], framed or unframed; cards; trading cards, other than for games; catalogues; paintbrushes; printing blocks; books; manifolds [stationery]; comic books; envelopes [stationery]; gummed tape [stationery]; adhesive bands for stationery or household purposes; self-adhesive tapes for stationery or household purposes; flyers; humidity control sheets of paper or plastic for foodstuff packaging; viscose sheets for wrapping; sheets of reclaimed cellulose for wrapping; plastic bubble packs for wrapping or packaging; lithographs; postage stamps; graphic prints; teaching materials [except

apparatus]; sealing compounds for stationery purposes; packing [cushioning, stuffing] materials of paper or cardboard; filtering materials [paper]; bags [envelopes, pouches] of paper or plastics, for packaging; stickers [stationery]; covers [stationery]; plastic cling film, extensible, for palletization; greeting cards; etchings; conical paper bags; folders for papers; pen cases; seals [stamps]; sealing stamps; clipboards; plastic film for wrapping; mats for beer glasses; stands for pens and pencils; paperweights; writing cases [sets]; writing materials; printed matter; prospectuses; rubber erasers; graphic reproductions; penholders; marking pens [stationery]; placards of paper or cardboard; writing or drawing books; fabrics for bookbinding; transparencies [stationery]; stencil plates; manuals [handbooks]; flags of paper; photo-engravings; photographs [printed]; stencil cases; blueprints; stencils; shields [paper seals]; labels, not of textile; boxes of paper or cardboard; bottle envelopes of paper or cardboard; desk mats; bottle wrappers of paper or cardboard.

35 – Arranging subscriptions to telecommunication services for others; rental of advertising space; book-keeping; demonstration of goods; organization of exhibitions for commercial or advertising purposes; organization of trade fairs for commercial or advertising purposes; shop window dressing; design of advertising materials; provision of an on-line marketplace for buyers and sellers of goods and services; sales promotion for others; production of advertising films; rental of billboards; bill-posting; distribution of samples; dissemination of advertising matter; direct mail advertising; advertising; on-line advertising on a computer network; television advertising; commercial administration of the licensing of the goods and services of others; procurement services for others [purchasing goods and services for other businesses]; presentation of goods on communication media, for retail purposes.

INTERNATIONAL TRADEMARKS PROTECTED IN GEORGIA

(260) AM 2019 94946 A
(800) 1373509
(151) 2016 08 19
(181) 2026 08 19
(891) 2016 08 19
(511) 01, 04, 06, 07, 08, 09, 11, 12, 16, 17, 20, 21,
28, 35, 37, 38, 41, 42

(260) AM 2019 95894 A
(800) 1382315
(151) 2017 09 08
(181) 2027 09 08
(891) 2017 09 08

(260) AM 2019 96492 A
(800) 1347384
(151) 2017 04 07
(181) 2027 04 07
(891) 2018 01 03
(511) 11

(260) AM 2019 96873 A
(800) 1392432
(151) 2017 09 12
(181) 2027 09 12
(891) 2017 09 12
(511) 05

(260) AM 2019 97505 A
(800) 1398078
(151) 2017 12 07
(181) 2027 12 07
(891) 2017 12 07
(511) 32

(260) AM 2019 97719 A
(800) 1401692
(151) 2018 03 29
(181) 2028 03 29
(891) 2018 03 29
(511) 05, 31, 44

(260) AM 2019 97720 A
(800) 1401714
(151) 2018 03 16
(181) 2028 03 16
(891) 2018 03 16
(511) 39

(260) AM 2019 97721 A
(800) 1401737
(151) 2017 12 01
(181) 2027 12 01
(891) 2017 12 01
(511) 30

(260) AM 2019 97722 A
(800) 1401781
(151) 2018 02 07
(181) 2028 02 07
(891) 2018 02 07
(511) 09, 10

(260) AM 2019 97730 A
(800) 1402097
(151) 2018 01 31
(181) 2028 01 31
(891) 2018 01 31
(511) 03

(260) AM 2019 97733 A
(800) 1402248
(151) 2017 12 27
(181) 2027 12 27
(891) 2017 12 27
(511) 21, 30, 32, 43

(260) AM 2019 97868 A
(800) 1403932
(151) 2018 01 29
(181) 2028 01 29
(891) 2018 01 29
(511) 35, 43

(260) AM 2019 97917 A
(800) 1404119
(151) 2018 04 09
(181) 2028 04 09
(891) 2018 04 09
(511) 05

(260) AM 2019 97918 A
(800) 1404120
(151) 2018 04 09
(181) 2028 04 09
(891) 2018 04 09
(511) 05

(260) AM 2019 97919 A
(800) 1404136
(151) 2018 02 12
(181) 2028 02 12
(891) 2018 02 12
(511) 03, 04, 05

(260) AM 2019 97920 A
(800) 1404218
(151) 2018 01 19
(181) 2028 01 19
(891) 2018 01 19
(511) 05

(260) AM 2019 97921 A
(800) 1404230
(151) 2018 01 24
(181) 2028 01 24
(891) 2018 01 24
(511) 07, 09, 11

(260) AM 2019 97922 A
(800) 1404343
(151) 2017 12 25
(181) 2027 12 25
(891) 2017 12 25
(511) 09, 35, 36, 41, 42, 45

(260) AM 2019 97923 A
(800) 1404406
(151) 2017 12 12
(181) 2027 12 12
(891) 2017 12 12
(511) 09, 22, 24, 25

(260) AM 2019 97924 A
(800) 1404426
(151) 2017 12 08
(181) 2027 12 08
(891) 2017 12 08
(511) 30

(260) AM 2019 97925 A
(800) 1404443
(151) 2018 02 14
(181) 2028 02 14
(891) 2018 02 14
(511) 12

(260) AM 2019 98020 A
(800) 1405229
(151) 2018 02 22
(181) 2028 02 22

(891) 2018 02 22
(511) 19

(260) AM 2019 98021 A
(800) 1405243
(151) 2018 02 28
(181) 2028 02 28
(891) 2018 02 28
(511) 05, 10, 44

(260) AM 2019 98037 A
(800) 1405631
(151) 2018 03 02
(181) 2028 03 02
(891) 2018 03 02
(511) 33

(260) AM 2019 98040 A
(800) 1405683
(151) 2017 12 05
(181) 2027 12 05
(891) 2017 12 05
(511) 29, 30, 31, 32, 33, 35, 43

(260) AM 2019 98041 A
(800) 1405717
(151) 2018 02 15
(181) 2028 02 15
(891) 2018 02 15
(511) 29, 30

(260) AM 2019 98042 A
(800) 1405718
(151) 2018 01 24
(181) 2028 01 24
(891) 2018 01 24
(511) 25

(260) AM 2019 98043 A
(800) 1405753
(151) 2018 02 27
(181) 2028 02 27
(891) 2018 02 27
(511) 09, 35, 37, 41, 42, 44

(260) AM 2019 98044 A
(800) 1405780
(151) 2018 02 09
(181) 2028 02 09
(891) 2018 02 09
(511) 09, 14, 35, 36

(260) AM 2019 98045 A
(800) 1405784
(151) 2018 02 22
(181) 2028 02 22
(891) 2018 02 22
(511) 01, 05, 35

(260) AM 2019 98046 A
(800) 1405809
(151) 2018 04 05
(181) 2028 04 05
(891) 2018 04 05
(511) 32, 33

(260) AM 2019 98047 A
(800) 1405816
(151) 2018 01 25
(181) 2028 01 25
(891) 2018 01 25
(511) 30

(260) AM 2019 98048 A
(800) 1405879
(151) 2017 10 25
(181) 2027 10 25
(891) 2017 10 25
(511) 09, 42

(260) AM 2019 98049 A
(800) 1405968
(151) 2018 03 12
(181) 2028 03 12
(891) 2018 03 12
(511) 12

(260) AM 2019 98050 A
(800) 1406010
(151) 2018 01 26
(181) 2028 01 26
(891) 2018 01 26
(511) 28, 30

(260) AM 2019 98052 A
(800) 1406013
(151) 2017 12 27
(181) 2027 12 27
(891) 2017 12 27
(511) 02

(260) AM 2019 98053 A
(800) 1406050
(151) 2018 02 28
(181) 2028 02 28

(891) 2018 02 28
(511) 05

(260) AM 2019 98054 A
(800) 1406061
(151) 2018 03 09
(181) 2028 03 09
(891) 2018 03 09
(511) 41

(260) AM 2019 98055 A
(800) 1406086
(151) 2018 03 22
(181) 2028 03 22
(891) 2018 03 22
(511) 29

(260) AM 2019 98056 A
(800) 1406088
(151) 2018 04 12
(181) 2028 04 12
(891) 2018 04 12
(511) 07, 11, 42

(260) AM 2019 98057 A
(800) 1406124
(151) 2018 02 27
(181) 2028 02 27
(891) 2018 02 27
(511) 29, 30

(260) AM 2019 98058 A
(800) 1406141
(151) 2018 05 10
(181) 2028 05 10
(891) 2018 05 10
(511) 33

(260) AM 2019 98065 A
(800) 1406292
(151) 2017 12 29
(181) 2027 12 29
(891) 2017 12 29
(511) 29, 30

(260) AM 2019 98069 A
(800) 836919
(151) 2004 08 27
(181) 2024 08 27
(891) 2018 05 18
(511) 33

(260) AM 2019 98071 A
(800) 1209164
(151) 2014 03 28
(181) 2024 03 28
(891) 2018 05 23
(511) 05, 29, 30, 32

(260) AM 2019 98072 A
(800) 1272218
(151) 2015 10 07
(181) 2025 10 07
(891) 2018 05 17
(511) 05

(260) AM 2019 98073 A
(800) 1294757
(151) 2015 09 17
(181) 2025 09 17
(891) 2017 12 26
(511) 30

(260) AM 2019 98074 A
(800) 1365180
(151) 2017 03 13
(181) 2027 03 13
(891) 2018 05 23
(511) 05, 29, 30, 31, 32

(260) AM 2019 98075 A
(800) 1388778
(151) 2017 07 10
(181) 2027 07 10
(891) 2018 04 27
(511) 09, 15

(260) AM 2019 98076 A
(800) 1406357
(151) 2018 01 31
(181) 2028 01 31
(891) 2018 01 31
(511) 03, 05

(260) AM 2019 98077 A
(800) 1406374
(151) 2018 01 31
(181) 2028 01 31
(891) 2018 01 31
(511) 03

(260) AM 2019 98081 A
(800) 1406469
(151) 2018 02 21
(181) 2028 02 21

(891) 2018 02 21
(511) 05

(260) AM 2019 98082 A
(800) 1406470
(151) 2018 02 15
(181) 2028 02 15
(891) 2018 02 15
(511) 30

(260) AM 2019 98083 A
(800) 1406471
(151) 2018 02 15
(181) 2028 02 15
(891) 2018 02 15
(511) 30

(260) AM 2019 98088 A
(800) 1406636
(151) 2018 05 14
(181) 2028 05 14
(891) 2018 05 14
(511) 05

(260) AM 2019 98092 A
(800) 1406691
(151) 2018 02 15
(181) 2028 02 15
(891) 2018 02 15
(511) 05, 29, 32

(260) AM 2019 98093 A
(800) 1406723
(151) 2018 02 19
(181) 2028 02 19
(891) 2018 02 19
(511) 05, 41

(260) AM 2019 98094 A
(800) 1406724
(151) 2018 02 19
(181) 2028 02 19
(891) 2018 02 19
(511) 05, 41

(260) AM 2019 98095 A
(800) 1406725
(151) 2018 02 19
(181) 2028 02 19
(891) 2018 02 19
(511) 05, 41

(260) AM 2019 98096 A
(800) 1406750
(151) 2018 03 14
(181) 2028 03 14
(891) 2018 03 14
(511) 03

(260) AM 2019 98097 A
(800) 1406800
(151) 2018 01 15
(181) 2028 01 15
(891) 2018 01 15
(511) 29, 30

(260) AM 2019 98098 A
(800) 1406801
(151) 2018 01 17
(181) 2028 01 17
(891) 2018 01 17
(511) 05, 29, 30, 32

(260) AM 2019 98101 A
(800) 1406862
(151) 2017 12 25
(181) 2027 12 25
(891) 2017 12 25
(511) 30, 35

(260) AM 2019 98103 A
(800) 1406864
(151) 2018 03 02
(181) 2028 03 02
(891) 2018 03 02
(511) 03

(260) AM 2019 98106 A
(800) 1406900
(151) 2018 01 24
(181) 2028 01 24
(891) 2018 01 24
(511) 12

(260) AM 2019 98109 A
(800) 1406985
(151) 2017 09 19
(181) 2027 09 19
(891) 2017 09 19
(511) 07

(260) AM 2019 98110 A
(800) 1406990
(151) 2017 11 27
(181) 2027 11 27

(891) 2017 11 27
(511) 25, 35

(260) AM 2019 98111 A
(800) 1406992
(151) 2017 11 30
(181) 2027 11 30
(891) 2017 11 30
(511) 01, 09, 35

(260) AM 2019 98115 A
(800) 1407022
(151) 2018 02 16
(181) 2028 02 16
(891) 2018 02 16
(511) 35, 43

(260) AM 2019 98116 A
(800) 1407045
(151) 2018 03 13
(181) 2028 03 13
(891) 2018 03 13
(511) 29, 30

(260) AM 2019 98117 A
(800) 1407059
(151) 2018 03 29
(181) 2028 03 29
(891) 2018 03 29
(511) 05

(260) AM 2019 98131 A
(800) 1407525
(151) 2018 01 15
(181) 2028 01 15
(891) 2018 01 15
(511) 29, 30

(260) AM 2019 98136 A
(800) 890509
(151) 2006 04 26
(181) 2026 04 26
(891) 2018 05 30
(511) 03

(260) AM 2019 98137 A
(800) 1117327
(151) 2011 11 04
(181) 2021 11 04
(891) 2018 04 05
(511) 07, 08, 09

(260) AM 2019 98142 A
(800) 1264487
(151) 2015 04 28
(181) 2025 04 28
(891) 2017 11 30
(511) 03, 05, 32

(260) AM 2019 98251 A
(800) 1407670
(151) 2018 04 30
(181) 2028 04 30
(891) 2018 04 30
(511) 25

(260) AM 2019 98252 A
(800) 1407679
(151) 2018 04 10
(181) 2028 04 10
(891) 2018 04 10
(511) 09, 10

(260) AM 2019 98253 A
(800) 1407690
(151) 2017 12 14
(181) 2027 12 14
(891) 2017 12 14
(511) 03, 09, 14, 18, 25, 35

(260) AM 2019 98254 A
(800) 1407767
(151) 2018 02 07
(181) 2028 02 07
(891) 2018 02 07
(511) 18, 25

(260) AM 2019 98255 A
(800) 1407770
(151) 2017 03 30
(181) 2027 03 30
(891) 2017 03 30
(511) 02

(260) AM 2019 98256 A
(800) 1407781
(151) 2018 01 17
(181) 2028 01 17
(891) 2018 01 17
(511) 16, 29, 30

(260) AM 2019 98257 A
(800) 1407782
(151) 2018 01 10
(181) 2028 01 10

(891) 2018 01 10
(511) 02, 37

(260) AM 2019 98258 A
(800) 1407792
(151) 2018 03 16
(181) 2028 03 16
(891) 2018 03 16
(511) 29, 30

(260) AM 2019 98259 A
(800) 1407793
(151) 2018 02 01
(181) 2028 02 01
(891) 2018 02 01
(511) 30

(260) AM 2019 98260 A
(800) 1407845
(151) 2017 07 18
(181) 2027 07 18
(891) 2017 07 18
(511) 07, 11

(260) AM 2019 98275 A
(800) 1408320
(151) 2018 01 29
(181) 2028 01 29
(891) 2018 01 29
(511) 30, 35, 43

(260) AM 2019 98276 A
(800) 1408341
(151) 2017 09 14
(181) 2027 09 14
(891) 2017 09 14
(511) 14, 18, 24, 25, 35

(260) AM 2019 98277 A
(800) 1408362
(151) 2018 02 22
(181) 2028 02 22
(891) 2018 02 22
(511) 35

(260) AM 2019 98278 A
(800) 1408411
(151) 2017 12 26
(181) 2027 12 26
(891) 2017 12 26
(511) 29, 30, 31

(260) AM 2019 98279 A
(800) 1408420
(151) 2018 03 16
(181) 2028 03 16
(891) 2018 03 16
(511) 34

(260) AM 2019 98280 A
(800) 1408424
(151) 2018 05 16
(181) 2028 05 16
(891) 2018 05 16
(511) 30

(260) AM 2019 98281 A
(800) 1408435
(151) 2018 05 23
(181) 2028 05 23
(891) 2018 05 23
(511) 07

(260) AM 2019 98282 A
(800) 1408457
(151) 2017 12 26
(181) 2027 12 26
(891) 2017 12 26
(511) 09

(260) AM 2019 98283 A
(800) 1408461
(151) 2017 10 13
(181) 2027 10 13
(891) 2017 10 13
(511) 02, 03, 19

(260) AM 2019 98284 A
(800) 1408487
(151) 2017 12 20
(181) 2027 12 20
(891) 2017 12 20
(511) 30

(260) AM 2019 98285 A
(800) 1408661
(151) 2018 02 22
(181) 2028 02 22
(891) 2018 02 22
(511) 03, 09, 14, 18, 24, 25

(260) AM 2019 98286 A
(800) 1408665
(151) 2018 05 18
(181) 2028 05 18

(891) 2018 05 18
(511) 30

(260) AM 2019 98287 A
(800) 1408700
(151) 2017 11 14
(181) 2027 11 14
(891) 2017 11 14
(511) 20, 35

(260) AM 2019 98288 A
(800) 1408780
(151) 2017 12 27
(181) 2027 12 27
(891) 2017 12 27
(511) 30

(260) AM 2019 98289 A
(800) 1408784
(151) 2018 04 10
(181) 2028 04 10
(891) 2018 04 10
(511) 09, 10

(260) AM 2019 98290 A
(800) 1408867
(151) 2018 04 10
(181) 2028 04 10
(891) 2018 04 10
(511) 09, 10

(260) AM 2019 98291 A
(800) 1408873
(151) 2018 03 19
(181) 2028 03 19
(891) 2018 03 19
(511) 09, 35, 41

(260) AM 2019 98292 A
(800) 869856
(151) 2005 06 21
(181) 2025 06 21
(891) 2018 05 15
(511) 07

(260) AM 2019 98293 A
(800) 1006229
(151) 2009 05 12
(181) 2019 05 12
(891) 2018 04 09
(511) 12

(260) AM 2019 98294 A
(800) 1040888
(151) 2010 05 12
(181) 2020 05 12
(891) 2018 06 01
(511) 29, 31, 43

(260) AM 2019 98295 A
(800) 1130815
(151) 2012 05 24
(181) 2022 05 24
(891) 2018 04 23
(511) 05

(260) AM 2019 98296 A
(800) 1252787
(151) 2015 03 24
(181) 2025 03 24
(891) 2018 06 07
(511) 05

(260) AM 2019 98297 A
(800) 1252856
(151) 2014 11 19
(181) 2024 11 19
(891) 2018 05 16
(511) 29, 30, 31

(260) AM 2019 98298 A
(800) 1255020
(151) 2014 11 12
(181) 2024 11 12
(891) 2018 05 16
(511) 29, 30, 31

(260) AM 2019 98299 A
(800) 1275200
(151) 2015 04 09
(181) 2025 04 09
(891) 2018 05 17
(511) 06, 35, 40

(260) AM 2019 98300 A
(800) 1281974
(151) 2015 05 08
(181) 2025 05 08
(891) 2018 05 17
(511) 06, 35, 40

(260) AM 2019 98301 A
(800) 1292888
(151) 2016 01 29
(181) 2026 01 29

(891) 2018 05 23
(511) 03

(260) AM 2019 98302 A
(800) 1347011
(151) 2017 02 03
(181) 2027 02 03
(891) 2018 06 06
(511) 30, 35, 43

(260) AM 2019 98303 A
(800) 1373313
(151) 2017 07 05
(181) 2027 07 05
(891) 2018 04 09
(511) 03, 09

(260) AM 2019 98304 A
(800) 1379398
(151) 2017 08 09
(181) 2027 08 09
(891) 2018 05 09
(511) 23, 24, 27, 35, 42

(260) AM 2019 98305 A
(800) 1408903
(151) 2018 03 19
(181) 2028 03 19
(891) 2018 03 19
(511) 05

(260) AM 2019 98306 A
(800) 1408904
(151) 2018 03 19
(181) 2028 03 19
(891) 2018 03 19
(511) 05

(260) AM 2019 98307 A
(800) 1408905
(151) 2018 03 19
(181) 2028 03 19
(891) 2018 03 19
(511) 05

(260) AM 2019 98308 A
(800) 1408906
(151) 2018 03 19
(181) 2028 03 19
(891) 2018 03 19
(511) 05

(260) AM 2019 98309 A
(800) 1408913
(151) 2018 04 17
(181) 2028 04 17
(891) 2018 04 17
(511) 05

(260) AM 2019 98310 A
(800) 1408914
(151) 2018 04 17
(181) 2028 04 17
(891) 2018 04 17
(511) 05

(260) AM 2019 98311 A
(800) 1408969
(151) 2018 03 19
(181) 2028 03 19
(891) 2018 03 19
(511) 05

(260) AM 2019 98312 A
(800) 1408974
(151) 2018 03 19
(181) 2028 03 19
(891) 2018 03 19
(511) 05

(260) AM 2019 98313 A
(800) 1408978
(151) 2018 03 19
(181) 2028 03 19
(891) 2018 03 19
(511) 05

(260) AM 2019 98314 A
(800) 1408989
(151) 2018 03 19
(181) 2028 03 19
(891) 2018 03 19
(511) 05

(260) AM 2019 98317 A
(800) 1409058
(151) 2018 03 20
(181) 2028 03 20
(891) 2018 03 20
(511) 33

(260) AM 2019 98318 A
(800) 1409074
(151) 2018 03 22
(181) 2028 03 22

(891) 2018 03 22
(511) 30

(260) AM 2019 98323 A
(800) 1409416
(151) 2018 04 12
(181) 2028 04 12
(891) 2018 04 12
(511) 12

(260) AM 2019 98325 A
(800) 1409455
(151) 2017 12 27
(181) 2027 12 27
(891) 2017 12 27
(511) 17

(260) AM 2019 98337 A
(800) 1409736
(151) 2018 01 26
(181) 2028 01 26
(891) 2018 01 26
(511) 25

(260) AM 2019 98341 A
(800) 1409852
(151) 2017 10 16
(181) 2027 10 16
(891) 2017 10 16
(511) 38, 41

(260) AM 2019 98343 A
(800) 1409877
(151) 2018 05 10
(181) 2028 05 10
(891) 2018 05 10
(511) 05

(260) AM 2019 98347 A
(800) 1409953
(151) 2018 01 23
(181) 2028 01 23
(891) 2018 01 23
(511) 03

(260) AM 2019 98348 A
(800) 1409957
(151) 2018 04 16
(181) 2028 04 16
(891) 2018 04 16
(511) 05, 35

(260) AM 2019 98349 A
(800) 1409970
(151) 2018 02 08
(181) 2028 02 08
(891) 2018 02 08
(511) 05, 35

(260) AM 2019 98350 A
(800) 1409994
(151) 2018 02 28
(181) 2028 02 28
(891) 2018 02 28
(511) 03, 44

(260) AM 2019 98351 A
(800) 1410012
(151) 2017 12 05
(181) 2027 12 05
(891) 2017 12 05
(511) 05

(260) AM 2019 98352 A
(800) 1410051
(151) 2017 12 11
(181) 2027 12 11
(891) 2017 12 11
(511) 29, 30, 32

(260) AM 2019 98354 A
(800) 1410083
(151) 2018 04 16
(181) 2028 04 16
(891) 2018 04 16
(511) 05, 35

(260) AM 2019 98355 A
(800) 1410111
(151) 2018 03 12
(181) 2028 03 12
(891) 2018 03 12
(511) 30, 31, 44

(260) AM 2019 98453 A
(800) 1410187
(151) 2018 04 19
(181) 2028 04 19
(891) 2018 04 19
(511) 09

(260) AM 2019 98454 A
(800) 1410199
(151) 2018 02 14
(181) 2028 02 14

(891) 2018 02 14
(511) 25

(260) AM 2019 98455 A
(800) 1410200
(151) 2018 03 01
(181) 2028 03 01
(891) 2018 03 01
(511) 18, 25

(260) AM 2019 98473 A
(800) 1410756
(151) 2018 04 02
(181) 2028 04 02
(891) 2018 04 02
(511) 12, 17, 35

(260) AM 2019 98477 A
(800) 1410837
(151) 2017 12 06
(181) 2027 12 06
(891) 2017 12 06
(511) 09

(260) AM 2019 98478 A
(800) 1410859
(151) 2018 03 06
(181) 2028 03 06
(891) 2018 03 06
(511) 42

(260) AM 2019 98482 A
(800) 1411000
(151) 2018 03 29
(181) 2028 03 29
(891) 2018 03 29
(511) 35

(260) AM 2019 98483 A
(800) 1411062
(151) 2018 05 01
(181) 2028 05 01
(891) 2018 05 01
(511) 05, 42

(260) AM 2019 98487 A
(800) 1411122
(151) 2018 01 18
(181) 2028 01 18
(891) 2018 01 18
(511) 09

(260) AM 2019 98544 A
(800) 1384566
(151) 2017 11 10
(181) 2027 11 10
(891) 2018 06 26
(511) 25

(260) AM 2019 98545 A
(800) 1390649
(151) 2017 11 17
(181) 2027 11 17
(891) 2018 06 13
(511) 33

(260) AM 2019 98546 A
(800) 1407487
(151) 2018 03 15
(181) 2028 03 15
(891) 2018 06 09
(511) 05

(260) AM 2019 98587 A
(800) 1412677
(151) 2018 01 31
(181) 2028 01 31
(891) 2018 01 31
(511) 29, 30, 32, 43

(260) AM 2019 98588 A
(800) 1412737
(151) 2018 03 22
(181) 2028 03 22
(891) 2018 03 22
(511) 36

(260) AM 2019 98589 A
(800) 1412779
(151) 2018 06 05
(181) 2028 06 05
(891) 2018 06 05
(511) 05

(260) AM 2019 98590 A
(800) 1412802
(151) 2018 03 20
(181) 2028 03 20
(891) 2018 03 20
(511) 12, 35, 36, 37, 38, 39

(260) AM 2019 98592 A
(800) 1412844
(151) 2018 02 02
(181) 2028 02 02

(891) 2018 02 02
(511) 30

(260) AM 2019 98593 A
(800) 1412861
(151) 2018 02 15
(181) 2028 02 15
(891) 2018 02 15
(511) 05, 09, 21, 35

(260) AM 2019 98595 A
(800) 1412911
(151) 2018 03 30
(181) 2028 03 30
(891) 2018 03 30
(511) 36

(260) AM 2019 98596 A
(800) 1412951
(151) 2018 05 30
(181) 2028 05 30
(891) 2018 05 30
(511) 01, 04, 12

(260) AM 2019 98599 A
(800) 1412969
(151) 2018 02 23
(181) 2028 02 23
(891) 2018 02 23
(511) 09

(260) AM 2019 98600 A
(800) 1412975
(151) 2017 12 11
(181) 2027 12 11
(891) 2017 12 11
(511) 11

(260) AM 2019 98613 A
(800) 1413214
(151) 2018 04 13
(181) 2028 04 13
(891) 2018 04 13
(511) 02

(260) AM 2019 98638 A
(800) 1413847
(151) 2018 04 24
(181) 2028 04 24
(891) 2018 04 24
(511) 09

(260) AM 2019 98639 A
(800) 1413853
(151) 2018 04 12
(181) 2028 04 12
(891) 2018 04 12
(511) 09

(260) AM 2019 98640 A
(800) 1413861
(151) 2018 04 13
(181) 2028 04 13
(891) 2018 04 13
(511) 01, 05, 29, 35

(260) AM 2019 98643 A
(800) 1413971
(151) 2018 03 08
(181) 2028 03 08
(891) 2018 03 08
(511) 07, 09

(260) AM 2019 98645 A
(800) 1414086
(151) 2018 04 13
(181) 2028 04 13
(891) 2018 04 13
(511) 07, 08, 09

(260) AM 2019 98647 A
(800) 801789
(151) 2003 03 12
(181) 2023 03 12
(891) 2018 05 07
(511) 03

(260) AM 2019 98649 A
(800) 1237302
(151) 2014 11 05
(181) 2024 11 05
(891) 2018 06 06
(511) 03

(260) AM 2019 98658 A
(800) 1411224
(151) 2018 02 09
(181) 2028 02 09
(891) 2018 06 22
(511) 05

(260) AM 2019 98698 A
(800) 1414181
(151) 2017 12 14
(181) 2027 12 14

(891) 2017 12 14
(511) 09

(260) AM 2019 98701 A
(800) 1414235
(151) 2018 03 23
(181) 2028 03 23
(891) 2018 03 23
(511) 05, 10, 44

(260) AM 2019 98702 A
(800) 1414250
(151) 2017 12 29
(181) 2027 12 29
(891) 2017 12 29
(511) 04, 37

(260) AM 2019 98703 A
(800) 1414271
(151) 2018 05 17
(181) 2028 05 17
(891) 2018 05 17
(511) 25

(260) AM 2019 98735 A
(800) 1415006
(151) 2018 06 28
(181) 2028 06 28
(891) 2018 06 28
(511) 33

(260) AM 2019 98736 A
(800) 1415041
(151) 2018 05 17
(181) 2028 05 17
(891) 2018 05 17
(511) 05

(260) AM 2019 98741 A
(800) 1415181
(151) 2018 04 13
(181) 2028 04 13
(891) 2018 04 13
(511) 16, 29, 30, 32, 35, 43

(260) AM 2019 98742 A
(800) 1415182
(151) 2018 04 24
(181) 2028 04 24
(891) 2018 04 24
(511) 09

(260) AM 2019 98743 A
(800) 1415184
(151) 2018 05 22
(181) 2028 05 22
(891) 2018 05 22
(511) 20

APPELLATIONS OF ORIGIN OF GOODS

APPELLATIONS OF ORIGIN OF GOODS FILED IN GEORGIA FOR EXAMINATION UNDER LISBON AGREEMENT, ON THE BASIS OF THE INTERNATIONAL REGISTRATION

The decision can be appealed at the Chamber of Appeal of Sakpatenti within 3 months from the publication or at the Mtskheta District Court Administrative Cases Board (Address: №17, Samkhedro str., Mtskheta), within 1 month after publication.

(800) 1115
(151) 2018 06 19
(210) 4724
(731) Producer or groups of producers benefiting from the appellation of origin concerned.
Bandar-e Kong Fishing cooperative.
Region of Bandar-e Kong city, Iran

(540)
Morvarid e Khalij e Fars

(511)
14 – Pearl.

(800) 1116
(151) 2018 06 19
(210) 4725
(731) Producer or groups of producers benefiting from the appellation of origin concerned.
Union of gaz manufacturers of Boldaji.
Region of Boldaji city, Iran

(540)
Gaz e Boldaji e Iran

(511)
30 – Gaz (Persian Nougat).

(800) 1117
(151) 2018 06 19
(210) 4726
(731) Producer or groups of producers benefiting from the appellation of origin concerned.
Estahban county fig association.
Region of Estahban county, Iran

(540)
Anjeer e Estahban e Iran

(511)
31 – Fig.

(800) 1118
(151) 2018 06 19
(210) 4720
(731) Union of Agricultural Cooperatives of barberry growers, gardeners and saffron

growers of South Khorasan.
Region of Ghayenat County, Iran

Tarvand saffron ghaen company
Region of Ghayenat County, Iran

(540)
Zaferan e Ghayenat e Iran

(511)
30 – Saffron.

(800) 1119
(151) 2018 06 19
(210) 4721
(731) Producer or groups of producers benefiting from the appellation of origin concerned.
Association of Malayer Raisin Producers and Exporters.
Region of Malayer County, Iran

(540)
Keshmesh e Malayer e Iran

(511)
31 – Raisin.

(800) 1122
(151) 2018 07 30
(210) 4730
(731) Udruženje proizvođača "Romanijski skorup – kajmak"
Borička b.b., 73220 Rogatica, Bosnia and Herzegovina, Bosnia and Herzegovina

(540)
Romanijski skorup - kajmak

(511)
29 – Cream (dairy products).

(800) 1123
(151) 2018 07 31
(210) 4731
(731) Producer or groups of producers benefiting from the appellation of origin concerned.
Union of the crafts of Isfahan.
Region of Isfahan, Iran

(540)

Mina ie Isfahan

(511)

2 – Enamel.

(800) 1124

(151) 2018 07 31

(210) 4732

(731) Producer or groups of producers benefiting from the appellation of origin concerned.
Cooperative of Firouzeh handmade carpet of Samangan of Sirjan.
Region of Sirjan, Iran

(540)

Kilim e Shirakipich e Sirjan

(511)

27 – Kilim

(800) 1125

(151) 2018-07-31

(210) 4733

(731) Producer or groups of producers benefiting from the appellation of origin concerned.
The Association for the Conservation and Revival of Meybod Zilu.
Meybod City, Iran

(540)

Zilu e Merbod

(511)

27 – Carpet.

(800) 1126

(151) 2018 07 31

(210) 4734

(731) Producer or groups of producers benefiting from the appellation of origin concerned.
Moghan Zarin Art Cooperative.
Region of Ardabil, Iran

(540)

Varni e Mogan

(511)

27 – Weaving products, kilim.

(800) 1127

(151) 2018 07 31

(210) 4735

(731) Producer or groups of producers benefiting from the appellation of origin concerned.
Cooperatives Union for Handicrafts of Kurdistan Province.
City of Sanandaj, Iran

(540)

nazuk kari e sanandaj

(511)

19 – Joinery.

(800) 1128

(151) 2018 10 09

(210) 4729

(731) Consorzio Volontario per la Tutela dei Vini Colli Euganei
Piazzetta Martiri 10 – 35030 Vo' (Padova), Italy

(540)

FIOR D'ARANCIO COLLI EUGANEI

(511)

33 – Wine.

(800) 1129

(151) 2018 11 05

(210) 4736

(731) Consorzio Volontario di Tutela dei Vini "Lugana" D.O.C.
Via Marconi, 2 – Sirmione (BS), Italy

(540)

LUGANA

(511)

33 – Wine.

(800) 1130

(151) 2018 12 30

(210) 4737

(731) Producer or groups of producers benefiting from the appellation of origin concerned.
Cooperative of Kilim weaving of Harsin
Region of Harsin, Iran

(540)

Kilim e Harsin

(511)

27 – Kilim.

OFFICIAL NOTIFICATION

INVENTIONS

RENEWALL OF PATENTS

(21) AP 2013 13108

(11) P 2015 6272 B

(73) Levan Nikoladze;

Vyacheslav Zagoruychenko

(54) **SCREW TURBINE**

DATE OF CANCELLATION OF PATENT: 2019 06 05

DATE OF RESTORATION OF PATENT: 2019 07 25

(21) AP 2013 13132

(11) P 2015 6273 B

(73) Levan Nikoladze;

Vyacheslav Zagoruychenko

(54) **WIND BELT INSTALLATION WITH SELF-INSTALLING BETWEEN BELT BLADES**

DATE OF CANCELLATION OF PATENT: 2019 06 21

DATE OF RESTORATION OF PATENT: 2019 07 25

(21) AP 2016 14155

(11) P 2018 6814 B

(73) GEORGIAN TECHNICAL UNIVERSITY

(54) **CRITICAL METEOROLOGICAL SITUATION MONITORING, DETECTION AND NOTIFICATION SYSTEM**

DATE OF CANCELLATION OF PATENT: 2019 05 24

DATE OF RESTORATION OF PATENT: 2019 07 25

ABOLITION OF PATENTS WITH THE RIGHT TO RESTORE

(21) AP 2011 12986

(11) P 2014 6049 B

(73) NOVARTIS AG

(54) **PHARMACEUTICAL COMPOSITIONS COMPRISING 4-AMINO-5-FLUORO-3-[6-(4-METHYLPIPERAZIN-1-YL)-1H-BENZIMIDAZOL-2-YL]-1H-QUINOLIN- 2-ONE LACTATE MONOHYDRATE**

DATE OF CANCELLATION OF PATENT: 2019 06 29

PATENT RESTORATION IS AVAILABLE: 2020 06 29

(21) AP 2013 13132

(11) P 2015 6273 B

(73) Levan Nikoladze

Vyacheslav Zagoruychenko

(54) **WIND BELT INSTALLATION WITH SELF-INSTALLING BETWEEN BELT BLADES**

DATE OF CANCELLATION OF PATENT: 2019 06 21

PATENT RESTORATION IS AVAILABLE: 2020 06 21

(21) AP 2013 14033

(11) P 2018 6859 B

(73) KNAUF GIPS KG

(54) **GYPSUM PLASTERBOARD PRODUCTION PLANT AND METHOD FOR PRODUCING A GYPSUM PLASTERBOARD**

DATE OF CANCELLATION OF PATENT: 2019 06 26

PATENT RESTORATION IS AVAILABLE: 2020 06 26

(21) AP 2016 14189

(11) P 2019 6958 B

(73) Archil Geguchadze;

Jondo Noselidze;

Shorena Mtsvelidze;

Darejan Kaladze;

Giorgi Noselidze;

Sergi Kurashvili;

Tamar Kamkamidze

(54) **HYDROGEN GAS DIFFUSION ANODE ARRANGEMENT PRODUCING HCL**

DATE OF CANCELLATION OF PATENT: 2019 06 24

PATENT RESTORATION IS AVAILABLE: 2020 06 24

(21) AP 2003 8456

(11) P 2006 3988 B

(73) INTERDIGITAL TECHNOLOGY CORPORATION

(54) **RADIO NETWORK CONTROLLER EXCHANGE OF USER EQUIPMENT MEASUREMENT INFORMATION**

DATE OF CANCELLATION OF PATENT: 2019 06 25

PATENT RESTORATION IS AVAILABLE: 2020 06 25

(21) AP 2003 9269

(11) P 2009 4678 B

(73) INTERDIGITAL TECHNOLOGY CORPORATION

(54) **RADIO NETWORK CONTROLLER EXCHANGE OF EQUIPMENT INFORMATION**

DATE OF CANCELLATION OF PATENT: 2019 06 25

PATENT RESTORATION IS AVAILABLE: 2020 06 25

EXPIRATION OF TERM OF RESTORATION OF PATENTS

(21) AP 2007 11074

(11) P 2012 5464 B

(73) PIERRE FABRE MEDICAMENT

(54) **DHA ESTERS AND USE THEREOF IN TREATMENT AND PREVENTION OF CARDIOVASCULAR DISEASE**

DATE OF CANCELLATION OF PATENT: 2018 06 22

THE TERM OF RESTORATION OF PATENT VALIDITY HAS EXPIRED: 2019 06 22

(21) AP 2012 13352

(11) P 2016 6475 B

(73) TAKEDA PHARMACEUTICAL COMPANY LIMITED

(54) **CRYSTAL OF FUSED HETEROCYCLIC COMPOUND**

DATE OF CANCELLATION OF PATENT: 2018 06 21

THE TERM OF RESTORATION OF PATENT VALIDITY HAS EXPIRED: 2019 06 21

(21) AP 2013 13941
(11) P 2017 6663 B
(73) CADILA HEALTHCARE LIMITED
(54) **NOVEL COMPOSITION FOR NONALCOHOLIC FATTY LIVER DISEASE (NAFLD)**
DATE OF CANCELLATION OF PATENT: 2018 06 25
THE TERM OF RESTORATION OF PATENT VALIDITY HAS EXPIRED: 2019 06 25

(21) AP 2016 14188
(11) P 2017 6744 B
(73) Simon Bitsadze;
Rusudan Bitsadze
(54) **MAGNETO HYDRAULIC TAPPET**
DATE OF CANCELLATION OF PATENT: 2018 06 23
THE TERM OF RESTORATION OF PATENT VALIDITY HAS EXPIRED: 2019 06 23

(21) AP 1999 4873
(11) P 2000 2256 B
(73) Giorgi Aleksidze
(54) **MEDICINAL PREPARATION**
DATE OF CANCELLATION OF PATENT: 2018 06 29
THE TERM OF RESTORATION OF PATENT VALIDITY HAS EXPIRED: 2019 06 29

(21) AP 2003 8594
(11) P 2007 4212 B
(73) LES LABORATOIRES SERVIER
(54) **MICROCAPSULES FOR THE DELAYED, CONTROLLED RELEASE OF PERINDOPRIL**
DATE OF CANCELLATION OF PATENT: 2018 06 24
THE TERM OF RESTORATION OF PATENT VALIDITY HAS EXPIRED: 2019 06 24

(21) AP 2005 9837
(11) P 2009 4694 B
(73) MERCK SHARP & DOHME CORP.
(54) **CETP INHIBITORS**
DATE OF CANCELLATION OF PATENT: 2018 07 01
THE TERM OF RESTORATION OF PATENT VALIDITY HAS EXPIRED: 2019 07 01

UTILITY MODELS

RENEWAL OF PATENT

(21) AU 2016 14209
(11) U 2017 1932 Y
(73) Omar Marsagishvili
(54) **EQUIPMENT FOR FORMING "KHINKALI"**
DATE OF CANCELLATION OF PATENT: 2018 07 18
DATE OF RESTORATION OF PATENT: 2019 07 25

ABOLITION OF PATENTS WITH THE RIGHT TO RESTORE

(21) AU 2015 13868
(11) U 2016 1896 Y
(73) Giorgi Chechelashvili;
Ivane Chkhaidze
(54) **WINDOW**
DATE OF CANCELLATION OF PATENT: 2019 06 25
MODEL RESTORATION IS AVAILABLE: 2020 06 25

(21) AU 2016 14187
(11) U 2017 1936 Y
(73) Vakhtang Ghlonti;
Nino Ghlonti
(54) **BEEHIVE**
DATE OF CANCELLATION OF PATENT: 2019 06 23
MODEL RESTORATION IS AVAILABLE: 2020 06 23

EXPIRATION OF TERM OF RESTORATION OF PATENT

(21) AU 2014 13507
(11) U 2015 1881 Y
(73) LTD "ULEVI GROUP"
(54) **ARTIFICIAL SOIL**
DATE OF CANCELLATION OF PATENT: 2018 06 24
THE TERM OF RESTORATION OF PATENT VALIDITY HAS EXPIRED: 2019 06 24

TRADEMARKS

RENEWAL OF REGISTRATIONS

(111) M 1999 12182 R2
 (156) 1999 05 12
 (186) 2029 05 12
 (732) VITKOVICE A.S.
 Vitkovice 3020, 703 00 Ostrava, Czech
 Republic

(111) M 1999 12444 R2
 (156) 1999 07 02
 (186) 2029 07 02
 (732) AZIENDE CHIMICHE RIUNITE ANGELINI
 FRANCESCO A.C.R.A.F. S.p.A.
 Viale Amelia 70, 00181 Roma, Italy

(111) M 1998 11318 R2
 (156) 1998 12 16
 (186) 2028 12 16
 (732) PASSI AG
 Industrieweg 14, 4852 Rothrist, Switzerland

(111) M 1999 12445 R2
 (156) 1999 07 02
 (186) 2029 07 02
 (732) AZIENDE CHIMICHE RIUNITE ANGELINI
 FRANCESCO A.C.R.A.F. S.p.A.
 Viale Amelia 70, 00181 Roma, Italy

(111) M 1998 11298 R2
 (156) 1998 12 14
 (186) 2028 12 14
 (732) G.I.E. CRISTALINE
 70 Avenue des Sources - 03270 SAINT-
 YORRE, France

(111) M 1999 12638 R2
 (156) 1999 08 24
 (186) 2029 08 24
 (732) SOCIÉTÉ DES PRODUITS NESTLÉ S.A.
 CH-1800 Vevey, Switzerland

(111) M 1998 11299 R2
 (156) 1998 12 14
 (186) 2028 12 14
 (732) Shell Brands International AG
 Baarermatte, 6340 Baar, Switzerland

(111) M 1999 12509 R2
 (156) 1999 07 12
 (186) 2029 07 12
 (732) Bank of America Corporation
 Delaware State Corporation
 101 Sauz Train Strat Charlotte, North
 Karolina 28255, USA

(111) M 1999 11388 R2
 (156) 1999 01 26
 (186) 2029 01 26
 (732) JAGUAR LAND ROVER LIMITED
 Abbey Road, Whitley, Coventry CV3 4LF,
 United Kingdom

(111) M 1999 12820 R2
 (156) 1999 09 27
 (186) 2029 09 27
 (732) ELI LILLY AND COMPANY
 Lilly Corporate Center, Indianapolis,
 Indiana, USA

(111) M 1999 12392 R2
 (156) 1999 06 15
 (186) 2029 06 15
 (732) FERRING B.V.
 Polarisavenue 144, 2132 JX Hoofddorp,
 Netherlands

(111) M 1999 12824 R2
 (156) 1999 09 27
 (186) 2029 09 27
 (732) ELI LILLY AND COMPANY
 Lilly Corporate Center, Indianapolis,
 Indiana, USA

(111) M 1999 12750 R2
 (156) 1999 09 23
 (186) 2029 09 23
 (732) Wyeth LLC
 235 East 42 nd Street, New York,
 NY 10017, USA

(111) M 1999 12498 R2
 (156) 1999 07 12
 (186) 2029 07 12
 (732) UNILEVER N.V.
 Weena 455, 3013 AL Rotterdam, Netherlands

(111) M 1999 12797 R2
 (156) 1999 09 27
 (186) 2029 09 27
 (732) WYETH LLC
 235 East 42 nd Street, New York,
 NY 10017, USA

(111) M 1999 12741 R2
 (156) 1999 09 23
 (186) 2029 09 23
 (732) WYETH LLC
 235 East 42 nd Street, New York,
 NY 10017, USA

(111) M 1999 12740 R2
 (156) 1999 09 23
 (186) 2029 09 23
 (732) WYETH LLC
 235 East 42 nd Street, New York,
 NY 10017, USA

(111) M 1999 12736 R2
 (156) 1999 09 23
 (186) 2029 09 23
 (732) WYETH HOLDINGS LLC
 235 East 42 nd Street, New York,
 NY 10017, USA

(111) M 1999 12837 R2
 (156) 1999 09 27
 (186) 2029 09 27
 (732) WYETH HOLDINGS LLC
 235 East 42 nd Street, New York,
 NY 10017, USA

(111) M 1999 12679 R2
 (156) 1999 08 24
 (186) 2029 08 24
 (732) SOCIÉTÉ DES PRODUITS NESTLÉ S.A.
 1800 Vevei, Switzerland

(111) M 1999 12684 R2
 (156) 1999 08 24
 (186) 2029 08 24
 (732) SOCIÉTÉ DES PRODUITS NESTLÉ S.A.
 1800 Vevei, Switzerland

(111) M 1999 12685 R2
 (156) 1999 08 24
 (186) 2029 08 24
 (732) SOCIÉTÉ DES PRODUITS NESTLÉ S.A.
 1800 Vevei, Switzerland

(111) M 1999 12686 R2
 (156) 1999 08 24
 (186) 2029 08 24
 (732) SOCIÉTÉ DES PRODUITS NESTLÉ S.A.
 1800 Vevei, Switzerland

(111) M 1999 12687 R2
 (156) 1999 08 24
 (186) 2029 08 24
 (732) SOCIÉTÉ DES PRODUITS NESTLÉ S.A.
 1800 Vevei, Switzerland

(111) M 1999 12688 R2
 (156) 1999 08 24
 (186) 2029 08 24
 (732) SOCIÉTÉ DES PRODUITS NESTLÉ S.A.
 1800 Vevei, Switzerland

(111) M 1999 12690 R2
 (156) 1999 08 24
 (186) 2029 08 24
 (732) SOCIÉTÉ DES PRODUITS NESTLÉ S.A.
 1800 Vevei, Switzerland

(111) M 1999 11699 R2
 (156) 1999 03 16
 (186) 2029 03 16
 (732) MOTOROLA TRADEMARK HOLDINGS LLC
 222 W. Marchandise Mart Plaza, Suite 1800,
 Chicago, IL 60654, USA

(111) M 2008 18823 R1
 (156) 2008 11 03
 (186) 2028 11 03
 (732) LTD "CAUCASUS UNIVERSITY"
 Ilia Chavchavadzis gamz. I chikhi 5, 0179,
 Tbilisi, Georgia

(111) M 2008 18825 R1
 (156) 2008 11 03
 (186) 2028 11 03
 (732) LTD "CAUCASUS UNIVERSITY"
 Ilia Chavchavadzis gamz. I chikhi 5, 0179,
 Tbilisi, Georgia

(111) M 2008 18935 R1
 (156) 2008 11 28
 (186) 2028 11 28
 (732) LTD "ZHORZHOLIANI TRADING"
 Zhiuli Shartavas q. 43, 0160, Tbilisi, Georgia

(111) M 2009 19107 R1
(156) 2009 03 02
(186) 2029 03 02
(732) LENOVO PC INTERNATIONAL LIMITED
23/F Linkoln House, Taikoo Place, 979 King's
Road, Quarry Bay, Hong Kong

(111) M 2009 19454 R1
(156) 2009 06 29
(186) 2029 06 29
(732) JSC "TELAVIS GVINIS MARANI"
Sopf. Kurdghelauri, Telavi, 2200, Georgia

(111) M 2009 19378 R1
(156) 2009 05 27
(186) 2029 05 27
(732) JOHNSON & JOHNSON, a New Jersey
Corporation
One Johnson & Johnson Plaza, New
Brunswick, New Jersey, 08933-7001, USA

(111) M 2009 19379 R1
(156) 2009 05 27
(186) 2029 05 27
(732) JOHNSON & JOHNSON, a New Jersey
Corporation
One Johnson & Johnson Plaza, New
Brunswick, New Jersey, 08933-7001,
USA

(111) M 2009 19525 R1
(156) 2009 07 13
(186) 2029 07 13
(732) MEDY-TOX INC.
641-4, Gag-ri, Ochang-meyon, Cheongwon-
gun, Chungcheongbuk-do, 363-883, Republic
of Korea

(111) M 2009 19489 R1
(156) 2009 06 29
(186) 2029 06 29
(732) LTD "AVERSI-FARMA"
Davit Agmasheneblis gamz. 148/2, 0112,
Tbilisi, Georgia

(111) M 2009 19544 R1
(156) 2009 07 13
(186) 2029 07 13
(732) BRACCO SUISSE S.A.
Via Ponteggia 23-6814 CADEMPINO,
Switzerland

(111) M 2009 19545 R1
(156) 2009 07 13
(186) 2029 07 13
(732) BRACCO SUISSE S.A.
Via Ponteggia 23-6814 CADEMPINO,
Switzerland

(111) M 2009 19817 R1
(156) 2009 09 30
(186) 2029 09 30
(732) HAVANA CLUB HOLDING S.A.
5, rue Eugene Ruppert, 2453 Luxembourg,
Luxembourg

(111) M 2009 19439 R1
(156) 2009 06 16
(186) 2029 06 16
(732) LTD "AVERSI-FARMA"
Davit Aghmashenebli Av. 148/2, 0112,
Tbilisi, Georgia

(111) M 2009 19759 R1
(156) 2009 09 11
(186) 2029 09 11
(732) RAMADA INTERNATIONAL, INC.
22 Sylvan Way, Parsippany NJ 07054, USA

(111) M 2009 19760 R1
(156) 2009 09 11
(186) 2029 09 11
(732) RAMADA INTERNATIONAL, INC.
22 Sylvan Way, Parsippany NJ 07054, USA

(111) M 2009 19769 R1
(156) 2009 09 11
(186) 2029 09 11
(732) WYETH LLC
235 East 42 nd Street, New York,
NY 10017, USA

(111) M 2009 20087 R1
(156) 2009 12 15
(186) 2029 12 15
(732) FESTINA LOTUS, S.A.
Calle Velazquez 150, Planta 3, Puerta 1,
28002 Madrid, Spain

(111) M 2009 19796 R1
(156) 2009 09 11
(186) 2029 09 11
(732) NOVARTIS AG
4002 Basel, Switzerland

(111) M 1999 12000 R2
(156) 1999 05 10
(186) 2029 05 10
(732) Adamed Pharma S.A.
Pieńków, Ul. Mariana Adamkiewicza 6A
05-152 Czosnów, Poland

(111) M 1999 12118 R2
(156) 1999 05 10
(186) 2029 05 10
(732) BRACCO S.P.A.
50, via Egidio Folli, I-20134 Milano, Italy

(111) M 1999 12019 R2
(156) 1999 05 10
(186) 2029 05 10
(732) BRACCO S.P.A.
50, via Egidio Folli, I-20134 Milano, Italy

(111) M 1999 12020 R2
(156) 1999 05 10
(186) 2029 05 10
(732) BRACCO IMAGING S.p.A.
50, via Egidio Folli, I-20134 Milano, Italy

(111) M 1999 12615 R2
(156) 1999 08 24
(186) 2029 08 24
(732) AKTIEBOLAGET SKF
41550 Goeteborg, Sweden

(111) M 1999 12898 R2
(156) 1999 11 03
(186) 2029 11 03
(732) DIAGEO BRANDS B.V.
Molenwerf 10-12, 1014 BG Amsterdam,
Netherlands

(111) M 1999 12457 R2
(156) 1999 07 05
(186) 2029 07 05
(732) TETRA LAVAL HOLDINGS & FINANCE
S.A.
Avenue General-Guisan 70, CH-1009 Pully,
Switzerland

(111) M 1999 11813 R2
(156) 1999 04 19
(186) 2029 04 19
(732) BASF AGRO TRADEMARKS GMBH
Carl-Bosch-Strasse 38, Ludwigshafen am
Rhein, Germany

COMPLETE TRANSFER OF RIGHTS

- (111) M 1998 9691 R
(732) TRULY ELECTRONICS
MANUFACTURING LIMITED
2nd Floor, Chung Shun Knitting Centre,
1-3 Wing Yip Street Kwai Chung, New
Territories, Hong Kong
(770) TRULY OPTO-ELECTRONICS LIMITED
13 Floor, Chung Shun Knitting Centre,
1-3 Wing Yip Street Kwai Chung, New
Territories, Hong Kong
(580) 27 06 2019
-
- (770) TELEGRAM MESSENGER LLP
71-75 Shelton Street, Covent Garden,
London, WC2H 9JQ, United Kingdom
(580) 27 06 2019
-

- (111) M 2009 19811 R
(732) LTD "VEISMARK"
S. Tsintsadzis q.12, sar. 4, 0160, Tbilisi,
Georgia
(770) LTD "SHTOLCFARMA"
S. Tsincadzis q.12, sar. 4, 0160, Tbilisi, Georgia
(580) 05 07 2019
-

- (111) M 2009 19834 R
(732) LTD "WASESMARK"
S. Tsintsadzis q. 12, sart. 4, 0160, Tbilisi,
Georgia
(770) LTD "SHTOLCPHARMA"
S. Tsintsadzis q. 12, sart. 4, 0160, Tbilisi,
Georgia
(580) 05 07 2019
-

- (111) M 2010 20872 R
(732) MUNSMANN S.A.R.L.
6c Rue Gabriel Lippmann, L-5365 Munsbach,
Luxembourg
(770) WALLY YACHTS S.A.
9, Rue Pierre d'Aspelt, L-1142, Luxembourg
(580) 21 06 2019
-

- (111) M 2010 20872 R
(732) SEA LION S.R.L.
7, via Giovanni Ansaldo, Forli, Italy
(770) MUNSMANN S.A.R.L.
6C rue Gabriel Lippmann, L-5365 Munsbach,
Luxembourg
(580) 21 06 2019
-

- (111) M 2017 28382 R
(732) TELEGRAM SYSTEMS LLP
8 Kean Street, London, WC2B 4AS,
United Kingdom

CHANGES OF NAMES AND/OR ADDRESS OF OWNERS

-
- (111) M 1999 12182 R
(732) VITKOVICE A.S.
Vitkovice 3020, 703 00 Ostrava,
Czech Republic
(770) VITKOVICE A.S.
Ostrava-Vitkovice, Czech Republic
(580) 13 05 2019
-
- (111) M 1999 12750 R
(732) Wyeth LLC
235 East 42 nd Street, New York, NY 10017,
USA
(770) Wyeth LLC
Five Giralda Farms, Madison, New Jersey,
07940, USA
(580) 26 06 2019
-
- (111) M 1999 12797 R
(732) Wyeth LLC
235 East 42 nd Street, New York, NY 10017,
USA
(770) Wyeth LLC
Five Giralda Farms, Madison, New Jersey,
07940, USA
(580) 26 06 2019
-
- (111) M 1999 12741 R
(732) Wyeth LLC
235 East 42 nd Street, New York, NY 10017,
USA
(770) Wyeth LLC
Five Giralda Farms, Madison, New Jersey,
07940, USA
(580) 26 06 2019
-
- (111) M 1999 12740 R
(732) Wyeth LLC
235 East 42 nd Street, New York, NY 10017,
USA
(770) Wyeth LLC
Five Giralda Farms, Madison, New Jersey,
07940, USA
(580) 26 06 2019
-
- (111) M 1999 12736 R
(732) Wyeth Holdings LLC
235 East 42 nd Street, New York, NY 10017,
USA
(770) Wyeth Holdings LLC
Five Giralda Farms, Madison, New Jersey,
07940-0874, USA
(580) 24 06 2019
-
- (111) M 1999 12837 R
(732) Wyeth Holdings LLC
235 East 42 nd Street, New York, NY 10017,
USA
(770) Wyeth Holdings LLC
Five Giralda Farms, Madison, New Jersey
07940-0874, USA
(580) 24 06 2019
-
- (111) M 2000 13179 R
(732) TDK KABUSHIKI KAISHA
(TDK CORPORATION)
2-5-1 Nihonbashi, Chuo-ku, Tokyo, Japan
(770) TDK KABUSHIKI KAISHA
(TDK CORPORATION)
3-9-1, Shibaura, Minato-ku, Tokyo, Japan
(580) 27 06 2019
-
- (111) M 2009 19769 R
(732) Wyeth LLC
235 East 42 nd Street, New York,
NY 10017, USA
(770) Wyeth LLC
Five Giralda Farms, Madison, New Jersey,
07940, USA
(580) 26 06 2019
-
- (111) M 2009 20087 R
(732) FESTINA LOTUS, S.A.
Calle Velazquez 150, Planta 3, Puerta 1, 28002
Madrid, Spain
(770) FESTINA LOTUS, S.A.
Plaza Isabel II, 5, 1, Madrid, Spain
(580) 01 07 2019
-
- (111) M 1999 12045 R
(732) BEROL CORPORATION
6655 Peachtree Dunwoody Road, Atlanta,
GA 30328, USA
(770) BEROL CORPORATION
3 Glenlake Parkway, Atlanta GA 30328, USA
(580) 25 06 2019
-
- (111) M 2010 20872 R
(732) WALLY YACHTS S.A.
9, Rue Pierre d'Aspelt, L-1142, Luxembourg
-

(770) WALLY YACHTS S.A.
5, Avenue Gaston Diederich, L-1420,
Luxembourg
(580) 21 06 2019

(111) M 2011 21676 R
(732) ASTELLAS PHARMA INC.
5-1, Nihonbashi-Honcho 2-Chome, Chuo-ku,
Tokyo 103-8411, Japan
(770) ASTELLAS PHARMA INC.
3-11, Nihonbashi-Honcho, 2-Chome, Chuo-ku,
Tokyo, Japan
(580) 05 07 2019

(111) M 2016 27881 R
(732) FACEBOOK TECHNOLOGIES, LLC
1601 Willow Road, Menlo Park, California
94025, USA
(770) OCULUS VR, LLC
1601 Willow Road, Menlo Park, California
94025, USA
(580) 28 01 2019

TERMINATION OF TRADEMARKS REGISTRATION

(111) M 1998 11349 R
(151) 1998 12 21
(732) S.C. JOHNSON&SON INC.
1525 Howe Street, Racine, Wisconsin
53403-2236, USA

(111) M 1998 11350 R
(151) 1998 12 22
(732) S.C. JOHNSON & SON, INC.
1525 Howe Street, Racine, Wisconsin
53403-2236, USA

(111) M 1998 11341 R
(151) 1998 12 18
(732) MERCK SHARP & DOHME B.V
Waarderweg 39, 2031 BN Haarlem,
Netherlands

(111) M 1998 11343 R
(151) 1998 12 18
(732) FUJIFILM CORPORATION
26-30, Nishiazabu 2-chome, Minato-ku,
Tokyo, Japan

(111) M 1998 11344 R
(732) KAO KABUSHIKI KAISHA (also trading as
Kao Corporation)
14-10, Nihonbashi Kayaba-cho 1-chome,
Chuo-ku, Tokyo, Japan

(111) M 2008 19018 R
(151) 2008 12 29
(732) LTD "IBERIAN PONTOMARIN
AQUACALCHE"
Memed Abashidzis q. 56, b. 21, Georgia

(111) M 2008 18822 R
(151) 2008 11 03
(732) LTD "CAUCASUS UNIVERSITY"
Ilia Chavchavadzis gamz., I chikhi 5, 0179,
Tbilisi, Georgia

(111) M 2008 18824 R
(151) 2008 11 03
(732) LTD "CAUCASUS UNIVERSITY"
Ilia Chavchavadzis gamz., I chikhi 5, 0179,
Tbilisi, Georgia
(141) 2019 07 12

(111) M 2008 19020 R
(151) 2008 12 29
(732) BINATONE INDUSTRIES LIMITED
P.O. Box 127, Mandara, North Ridge, Grand
Turk, Turks and Caicos Islands

(111) M 2008 19019 R
(151) 2008 12 29
(732) LTD "MEZON GRIZ"
Ul. Esperanto, Dom 35/98, 420059, Kazan,
Republic of Tatarstan, Russian Federation

(111) M 2008 19021 R
(151) 2008 12 29
(732) NEMIROFF INTELLECTUAL PROPERTY
ESTABLISHMENT
Haus Rechsteiner, P.O. Box 634/Stadtle 31,
LI-9490 Vaduz, Liechtenstein

(111) M 2008 19022 R
(151) 2008 12 29
(732) NEMIROFF INTELLECTUAL PROPERTY
ESTABLISHMENT
Haus Rechsteiner, P.O. Box 634/Stadtle 31,
LI-9490 Vaduz, Liechtenstein

(111) M 2008 19023 R
(151) 2008 12 29
(732) NEMIROFF INTELLECTUAL PROPERTY
ESTABLISHMENT
Haus Rechsteiner, P.O. Box 634/Stadtle 31,
LI-9490 Vaduz, Liechtenstein

(111) M 2008 19024 R
(151) 2008 12 29
(732) NEMIROFF INTELLECTUAL PROPERTY
ESTABLISHMENT
Haus Rechsteiner, P.O. Box 634/Stadtle 31,
LI-9490 Vaduz, Liechtenstein

(111) M 2008 19025 R
(151) 2008 12 29
(732) NEMIROFF INTELLECTUAL PROPERTY
ESTABLISHMENT
Haus Rechsteiner, P.O. Box 634/Stadtle 31,
LI-9490 Vaduz, Liechtenstein

(111) M 2008 19026 R
(151) 2008 12 29
(732) NEMIROFF INTELLECTUAL PROPERTY
ESTABLISHMENT
Haus Rechsteiner, P.O. Box 634/Stadtle 31,
LI-9490 Vaduz, Liechtenstein

(111) M 2008 19027 R
(151) 2008 12 29
(732) NEMIROFF INTELLECTUAL PROPERTY
ESTABLISHMENT
Haus Rechsteiner, P.O. Box 634/Stadtle 31,
LI-9490 Vaduz, Liechtenstein

(111) M 2008 19028 R
(151) 2008 12 29
(732) NEMIROFF INTELLECTUAL PROPERTY
ESTABLISHMENT
Haus Rechsteiner, P.O. Box 634/Stadtle 31,
LI-9490 Vaduz, Liechtenstein

(111) M 2008 19029 R
(151) 2008 12 29
(732) NEMIROFF INTELLECTUAL PROPERTY
ESTABLISHMENT
Haus Rechsteiner, P.O. Box 634/Stadtle 31,
LI-9490 Vaduz, Liechtenstein

(111) M 2008 18999 R
(151) 2008 12 15
(732) LTD "NEW-WAY"
R. Laghidzis q. 21, 0190, Tbilisi, Georgia

LICENSE AGREEMENT

(800) 1017226

(791) LTD "Dimex Georgia"

Mukhiani, I mkr., bl. 7, ap. 22, Gldani-
Nadzaladevi district, Tbilisi, Georgia

(793) 1583

(793) Simple

(793)) 25 11 2018 – 24 08 2019

(511)

39 – Message delivery; delivery of messages
(courier).

CLASSIFICATION INDEXES

INVENTIONS

CONCORDANCE TABLE OF INTERNATIONAL CLASSIFICATION INDEX AND PUBLICATION NUMBERS

INTERNATIONAL CLASSIFICATION INDEXES (51)	NUMBER OF PUBLISHED APPLICATION (10)
A 61 K 31/05; C 07 C 37/07; C 07 C 37/84; C 07 C 39/225; C 12 P 7/22	AP 2019 14586 A
A 61 K 31/496; A 61 P 19/02; A 61 P 19/04; C 07 D 403/06	AP 2019 14546 A
B 21 B 5/00	AP 2019 14658 A
C 03 B 5/237; C 03 B 5/235; F 27 D 17/00	AP 2019 14660 A
F 27 B 14/08; F 27 B 14/06; F 27 D 27/00; F 27 D 11/06; F 27 D 1/04	AP 2019 14705 A

CONCORDANCE TABLE OF PUBLICATION NUMBERS AND INTERNATIONAL CLASSIFICATION INDEX

NUMBER OF PUBLISHED APPLICATION (10)	INTERNATIONAL CLASSIFICATION INDEXES (51)
AP 2019 14546 A	A 61 K 31/496; A 61 P 19/02; A 61 P 19/04; C 07 D 403/06
AP 2019 14586 A	A 61 K 31/05; C 07 C 37/07; C 07 C 37/84; C 07 C 39/225; C 12 P 7/22
AP 2019 14658 A	B 21 B 5/00
AP 2019 14660 A	C 03 B 5/237; C 03 B 5/235; F 27 D 17/00
AP 2019 14705 A	F 27 B 14/08; F 27 B 14/06; F 27 D 27/00; F 27 D 11/06; F 27 D 1/04

CONCORDANCE TABLE OF INTERNATIONAL CLASSIFICATION INDEX, PATENT NUMBERS AND PUBLICATION NUMBERS

INTERNATIONAL CLASSIFICATION INDEX (51)	NUMBER OF PATENT (11)	NUMBER OF PUBLISHED APPLICATION (10)
1	2	3
A 23 N 5/00	P 2019 6993 B	AP 2019 14522 A
A 47 K 10/38	P 2019 6998 B	AP 2019 14169 A
A 47 J 43/044; A 47 J 44/00; A 47 J 43/07; A 47 J 43/046; A 47 J 43/04; B 01 F 7/00; B 02 C 23/00	P 2019 7008 B	AP 2019 14582 A
A 61 K 31/47; C 01 D 17/00; C 07 C 51/41 C 07 F 1/00	P 2019 7005 B	AP 2019 14626 A
A 61 K 31/265; A 61 K 9/16	P 2019 7006 B	AP 2019 14562 A
A 61 K 31/295; A 61 K 31/7004	P 2019 7004 B	AP 2019 14478 A
A 61 K 31/4439; A 61 P 25/16; A 61 P 25/00; A 61 P 25/28	P 2019 7007 B	AP 2019 14604 A
A 61 L 15/44; A 61 K 9/00; A 61 K 47/34; A 61 K 9/70; A 61 K 31/355; A 61 L 15/26	P 2019 6996 B	AP 2019 14012 A
C 04 B 31/40	P 2019 7001 B	AP 2019 14403 A

1	2	3
C 07 D 215/22; C 07 C 305/24; C 07 C 233/60; A 61 K 31/47; A 61 P 35/00	P 2019 6995 B	AP 2019 13960 A
C 07 D 401/14; C 07 D 405/14; C 07 D 403/14; C 07 D 487/08; C 07 D 519/00; A 61 K 31/506; A 61 P 35/00; A 61 P 37/00	P 2019 7003 B	AP 2019 14430 A
C 07 D 487/04; A 61 K 31/4985; A 61 P 31/14; A 61 P 31/16	P 2019 6997 B	AP 2019 14114 A
E 01 C 7/36; C 04 B 7/26; C 04 B 7/28; C 04 B 11/00	P 2019 7002 B	AP 2019 14405 A
E 01 H 5/06	P 2019 6999 B	AP 2019 14384 A
F 03 B 3/12; F 03 B 3/02	P 2019 7000 B	AP 2019 14386 A
F 04 B 25/00	P 2019 6994 B	AP 2019 13247 A

**CONCORDANCE TABLE OF PATENT NUMBERS,
PUBLICATION NUMBERS AND INTERNATIONAL CLASSIFICATION INDEX**

NUMBER OF PATENT (11)	NUMBER OF PUBLISHED APPLICATION (10)	INTERNATIONAL CLASSIFICATION INDEX (51)
P 2019 6993 B	AP 2019 14522 A	A 23 N 5/00
P 2019 6994 B	AP 2019 13247 A	F 04 B 25/00
P 2019 6995 B	AP 2019 13960 A	C 07 D 215/22; C 07 C 305/24; C 07 C 233/60; A 61 K 31/47; A 61 P 35/00
P 2019 6996 B	AP 2019 14012 A	A 61 L 15/44; A 61 K 9/00; A 61 K 47/34; A 61 K 9/70; A 61 K 31/355; A 61 L 15/26
P 2019 6997 B	AP 2019 14114 A	C 07 D 487/04; A 61 K 31/4985; A 61 P 31/14; A 61 P 31/16
P 2019 6998 B	AP 2019 14169 A	A 47 K 10/38
P 2019 6999 B	AP 2019 14384 A	E 01 H 5/06
P 2019 7000 B	AP 2019 14386 A	F 03 B 3/12; F 03 B 3/02
P 2019 7001 B	AP 2019 14403 A	C 04 B 31/40
P 2019 7002 B	AP 2019 14405 A	E 01 C 7/36; C 04 B 7/26; C 04 B 7/28; C 04 B 11/00
P 2019 7003 B	AP 2019 14430 A	C 07 D 401/14; C 07 D 405/14; C 07 D 403/14; C 07 D 487/08; C 07 D 519/00; A 61 K 31/506; A 61 P 35/00; A 61 P 37/00
P 2019 7004 B	AP 2019 14478 A	A 61 K 31/295; A 61 K 31/7004
P 2019 7005 B	AP 2019 14626 A	A 61 K 31/47; C 01 D 17/00; C 07 C 51/41 C 07 F 1/00
P 2019 7006 B	AP 2019 14562 A	A 61 K 31/265; A 61 K 9/16
P 2019 7007 B	AP 2019 14604 A	A 61 K 31/4439; A 61 P 25/16; A 61 P 25/00; A 61 P 25/28
P 2019 7008 B	AP 2019 14582 A	A 47 J 43/044; A 47 J 44/00; A 47 J 43/07; A 47 J 43/046; A 47 J 43/04; B 01 F 7/00; B 02 C 23/00

**CONCORDANCE TABLE OF APPLICATION NUMBERS, PUBLICATION NUMBERS
AND PATENTS**

NUMBER OF APPLICATION (21)	NUMBER OF PUBLISHED APPLICATION (10)	NUMBER OF PATENT (11)
AP 2013 13247	AP 2019 13247 A	P 2019 6994 B
AP 2014 13960	AP 2019 13960 A	P 2019 6995 B
AP 2014 14012	AP 2019 14012 A	P 2019 6996 B
AP 2014 14114	AP 2019 14114 A	P 2019 6997 B
AP 2014 14169	AP 2019 14169 A	P 2019 6998 B
AP 2017 14384	AP 2019 14384 A	P 2019 6999 B
AP 2015 14386	AP 2019 14386 A	P 2019 7000 B
AP 2017 14403	AP 2019 14403 A	P 2019 7001 B
AP 2017 14405	AP 2019 14405 A	P 2019 7002 B
AP 2015 14430	AP 2019 14430 A	P 2019 7003 B
AP 2015 14478	AP 2019 14478 A	P 2019 7004 B
AP 2017 14522	AP 2019 14522 A	P 2019 6993 B
AP 2015 14562	AP 2019 14562 A	P 2019 7006 B
AP 2016 14582	AP 2019 14582 A	P 2019 7008 B
AP 2016 14604	AP 2019 14604 A	P 2019 7007 B
AP 2017 14626	AP 2019 14626 A	P 2019 7005 B

UTILITY MODELS

**CONCORDANCE TABLE OF INTERNATIONAL CLASSIFICATION INDEX
AND PUBLICATION NUMBERS**

INTERNATIONAL CLASSIFICATION INDEXES (51)	NUMBER OF PUBLISHED APPLICATION (10)
A 47 K 10/38	AU 2019 14784 U
B 21 F 1/04	AU 2019 14944 U
C 02 F 3/32	AU 2019 14896 U
C 22 C 12/00	AU 2019 14800 U
C 25 D 03/00	AU 2019 14904 U

**CONCORDANCE TABLE OF PUBLICATION NUMBERS
AND INTERNATIONAL CLASSIFICATION INDEX**

NUMBER OF PUBLISHED APPLICATION (10)	INTERNATIONAL CLASSIFICATION INDEXES (51)
AU 2019 14784 U	A 47 K 10/38
AU 2019 14800 U	C 22 C 12/00
AU 2019 14896 U	C 02 F 3/32
AU 2019 14904 U	C 25 D 03/00
AU 2019 14944 U	B 21 F 1/04

DESIGNS**CONCORDANCE TABLE OF INTERNATIONAL CLASSIFICATION INDEX
AND PUBLICATION NUMBERS**

INTERNATIONAL CLASSIFICATION INDEXES (51)	NUMBER OF PUBLISHED APPLICATION (10)
09-03	AD 2019 1078 S

**CONCORDANCE TABLE OF PUBLICATION NUMBERS
AND INTERNATIONAL CLASSIFICATION INDEX**

NUMBER OF PUBLISHED APPLICATION (10)	INTERNATIONAL CLASSIFICATION INDEXES (51)
AD 2019 1078 S	09-03

**CONCORDANCE TABLE OF INTERNATIONAL CLASSIFICATION INDEX,
REGISTRATION NUMBERS AND PUBLICATION NUMBERS**

INTERNATIONAL CLASSIFICATION INDEX (51)	NUMBER OF REGISTRATION (11)	NUMBER OF PUBLISHED APPLICATION (10)
11-02	D 2019 813 S	AD 2019 1066 S

**CONCORDANCE TABLE OF REGISTRATION NUMBERS,
PUBLICATION NUMBERS AND INTERNATIONAL CLASSIFICATION INDEX**

NUMBER OF REGISTRATION (11)	NUMBER OF PUBLISHED APPLICATION (10)	INTERNATIONAL CLASSIFICATION INDEX (51)
D 2019 813 S	AD 2019 1066 S	11-02

**CONCORDANCE TABLE OF APPLICATION NUMBERS, PUBLICATION NUMBERS
AND REGISTRATION NUMBERS**

NUMBER OF APPLICATION (21)	NUMBER OF PUBLISHED APPLICATION (10)	NUMBER OF REGISTRATION (11)
AD 2018 1066	AD 2019 1066 S	D 2019 813 S

TRADEMARKS

CONCORDANCE TABLE OF REGISTRATION NUMBERS, APPLICATION NUMBERS, PUBLICATION NUMBERS AND BULLETIN NUMBERS

NUMBER OF REGISTRATION (111)	NUMBER OF APPLICATIONS (210)	NUMBER OF PUBLISHED APPLICATIONS (260)	NUMBER OF BULLETIN
M 2019 31418 R		-	14(522)2019
M 2019 31419 R		-	14(522)2019
M 2019 31420 R		-	14(522)2019
M 2019 31421 R		-	14(522)2019
M 2019 31422 R		-	14(522)2019
M 2019 31423 R		-	14(522)2019
M 2019 31424 R		-	14(522)2019
M 2019 31425 R		-	14(522)2019
M 2019 31426 R	AM 88323	AM 2019 88323 A	6(514)2019
M 2019 31427 R	AM 96893	AM 2019 96893 A	6(514)2019
M 2019 31428 R	AM 97232	AM 2018 97232 A	23(507)2018
M 2019 31429 R	AM 97390	AM 2018 97390 A	22(506)2018
M 2019 31430 R	AM 97394	AM 2018 97394 A	24(508)2018
M 2019 31431 R	AM 97694	AM 2018 97694 A	24(508)2018
M 2019 31432 R	AM 97695	AM 2018 97695 A	24(508)2018
M 2019 31433 R	AM 97696	AM 2018 97696 A	24(508)2018
M 2019 31434 R	AM 97697	AM 2018 97697 A	24(508)2018
M 2019 31435 R	AM 97698	AM 2019 97698 A	1(509)2019
M 2019 31436 R	AM 97699	AM 2019 97699 A	1(509)2019
M 2019 31437 R	AM 97708	AM 2019 97708 A	1(509)2019
M 2019 31438 R	AM 97795	AM 2018 97795 A	24(508)2018
M 2019 31439 R	AM 97956	AM 2019 97956 A	1(509)2019
M 2019 31440 R	AM 97973	AM 2019 97973 A	1(509)2019
M 2019 31441 R	AM 97983	AM 2019 97983 A	3(511)2019
M 2019 31442 R	AM 97984	AM 2019 97984 A	3(511)2019
M 2019 31443 R	AM 98067	AM 2019 98067 A	2(510)2019
M 2019 31444 R	AM 98233	AM 2019 98233 A	2(510)2019
M 2019 31445 R	AM 98234	AM 2019 98234 A	2(510)2019
M 2019 31446 R	AM 98235	AM 2019 98235 A	2(510)2019
M 2019 31447 R	AM 98410	AM 2019 98410 A	4(512)2019
M 2019 31448 R	AM 98421	AM 2019 98421 A	4(512)2019
M 2019 31449 R	AM 98695	AM 2019 98695 A	4(512)2019
M 2019 31450 R	AM 98784	AM 2019 98784 A	6(514)2019
M 2019 31451 R	AM 98786	AM 2019 98786 A	6(514)2019
M 2019 31452 R	AM 98787	AM 2019 98787 A	6(514)2019
M 2019 31453 R	AM 98789	AM 2019 98789 A	6(514)2019
M 2019 31454 R	AM 98790	AM 2019 98790 A	6(514)2019
M 2019 31455 R	AM 98791	AM 2019 98791 A	6(514)2019
M 2019 31456 R	AM 98792	AM 2019 98792 A	6(514)2019
M 2019 31457 R	AM 98793	AM 2019 98793 A	6(514)2019
M 2019 31458 R	AM 98794	AM 2019 98794 A	6(514)2019
M 2019 31459 R	AM 98796	AM 2019 98796 A	6(514)2019
M 2019 31460 R	AM 98890	AM 2019 98890 A	6(514)2019
M 2019 31461 R	AM 98905	AM 2019 98905 A	6(514)2019
M 2019 31462 R	AM 98990	AM 2019 98990 A	6(514)2019
M 2019 31463 R	AM 99061	AM 2019 99061 A	6(514)2019
M 2019 31464 R	AM 99154	AM 2019 99154 A	6(514)2019

1	2	3	4
M 2019 31465 R	AM 99174	AM 2019 99174 A	6(514)2019
M 2019 31466 R	AM 99192	AM 2019 99192 A	6(514)2019
M 2019 31467 R	AM 99313	AM 2019 99313 A	6(514)2019
M 2019 31468 R	AM 99354	AM 2019 99354 A	6(514)2019
M 2019 31469 R	AM 99356	AM 2019 99356 A	6(514)2019
M 2019 31470 R	AM 97391	AM 2018 97391 A	24(508)2018
M 2019 31471 R	AM 98148	AM 2019 98148 A	2(510)2019
M 2019 31472 R	AM 98149	AM 2019 98149 A	3(511)2019
M 2019 31473 R	AM 98377	AM 2019 98377 A	3(511)2019
M 2019 31474 R	AM 98689	AM 2019 98689 A	5(513)2019
M 2019 31475 R	AM 98967	AM 2019 98967 A	6(514)2019
M 2019 31476 R	AM 98979	AM 2019 98979 A	6(514)2019
M 2019 31477 R	AM 98980	AM 2019 98980 A	6(514)2019
M 2019 31478 R	AM 98982	AM 2019 98982 A	6(514)2019
M 2019 31479 R	AM 98984	AM 2019 98984 A	6(514)2019
M 2019 31480 R	AM 98985	AM 2019 98985 A	6(514)2019
M 2019 31481 R	AM 98986	AM 2019 98986 A	6(514)2019
M 2019 31482 R	AM 98987	AM 2019 98987 A	6(514)2019
M 2019 31483 R	AM 98988	AM 2019 98988 A	6(514)2019
M 2019 31484 R	AM 98989	AM 2019 98989 A	6(514)2019

CONCORDANCE TABLE OF PUBLICATION NUMBERS
AND APPLICATION NUMBERS

NUMBER OF PUBLISHED APPLICATION (260)	NUMBER OF APPLICATION (210)	1	2
		1	2
AM 2019 100588 A	AM 100588	AM 2019 100877 A	AM 100877
AM 2019 100593 A	AM 100593	AM 2019 100878 A	AM 100878
AM 2019 100604 A	AM 100604	AM 2019 100879 A	AM 100879
AM 2019 100613 A	AM 100613	AM 2019 100900 A	AM 100900
AM 2019 100614 A	AM 100614	AM 2019 100904 A	AM 100904
AM 2019 100664 A	AM 100664	AM 2019 100908 A	AM 100908
AM 2019 100665 A	AM 100665	AM 2019 100914 A	AM 100914
AM 2019 100681 A	AM 100681	AM 2019 100915 A	AM 100915
AM 2019 100683 A	AM 100683	AM 2019 100916 A	AM 100916
AM 2019 100684 A	AM 100684	AM 2019 100929 A	AM 100929
AM 2019 100692 A	AM 100692	AM 2019 100930 A	AM 100930
AM 2019 100693 A	AM 100693	AM 2019 100932 A	AM 100932
AM 2019 100701 A	AM 100701	AM 2019 101221 A	AM 101221
AM 2019 100761 A	AM 100761	AM 2019 101231 A	AM 101231
AM 2019 100762 A	AM 100762	AM 2019 101232 A	AM 101232
AM 2019 100763 A	AM 100763	AM 2019 101289 A	AM 101289
AM 2019 100772 A	AM 100772	AM 2019 101370 A	AM 101370
AM 2019 100790 A	AM 100790	AM 2019 101407 A	AM 101407
AM 2019 100865 A	AM 100865	AM 2019 101408 A	AM 101408
AM 2019 100871 A	AM 100871	AM 2019 101409 A	AM 101409
AM 2019 100876 A	AM 100876	AM 2019 74568 A	AM 74568
		AM 2019 80925 A**	AM 80925
		AM 2019 99318 A	AM 99318
		AM 2019 99869 A	AM 99869
		AM 2019 99910 A	AM 99910
		AM 2019 99966 A	AM 99966

CONCORDANCE TABLE OF INDEX OF GOODS AND/OR SERVICES
AND APPLICATION NUMBERS

INDEX OF GOODS AND/OR SERVICES (511)	NUMBER OF PUBLISHED APPLICATIONS (26)	1	2
1	2		
1	AM 2019 100914 A	30	AM 2019 100871 A
1	AM 2019 99910 A	32	AM 2019 100681 A
3	AM 2019 100692 A	32	AM 2019 100871 A
3	AM 2019 100762 A	33	AM 2019 100681 A
3	AM 2019 100763 A	33	AM 2019 100683 A
4	AM 2019 100914 A	33	AM 2019 100684 A
4	AM 2019 99910 A	33	AM 2019 100865 A
5	AM 2019 100593 A	34	AM 2019 100681 A
5	AM 2019 100613 A	34	AM 2019 100929 A
5	AM 2019 100614 A	34	AM 2019 100930 A
5	AM 2019 100701 A	34	AM 2019 100932 A
5	AM 2019 101221 A	34	AM 2019 99966 A
5	AM 2019 80925 A**	35	AM 2019 100761 A
5	AM 2019 99318 A	35	AM 2019 100900 A
6	AM 2019 99910 A	35	AM 2019 100915 A
7	AM 2019 101409 A	35	AM 2019 100916 A
7	AM 2019 74568 A	35	AM 2019 101231 A
7	AM 2019 99910 A	35	AM 2019 101232 A
8	AM 2019 101409 A	35	AM 2019 101407 A
9	AM 2019 100761 A	35	AM 2019 101408 A
9	AM 2019 100915 A	35	AM 2019 99869 A
9	AM 2019 100916 A	35	AM 2019 99910 A
9	AM 2019 101407 A	36	AM 2019 100915 A
9	AM 2019 101408 A	36	AM 2019 100916 A
9	AM 2019 99869 A	36	AM 2019 101407 A
11	AM 2019 101409 A	36	AM 2019 101408 A
11	AM 2019 74568 A	37	AM 2019 100914 A
11	AM 2019 99869 A	38	AM 2019 100693 A
11	AM 2019 99910 A	38	AM 2019 100772 A
12	AM 2019 100790 A	38	AM 2019 100904 A
12	AM 2019 100876 A	38	AM 2019 100915 A
12	AM 2019 100877 A	38	AM 2019 100916 A
12	AM 2019 100878 A	38	AM 2019 99869 A
12	AM 2019 100879 A	39	AM 2019 100900 A
12	AM 2019 100908 A	40	AM 2019 99910 A
14	AM 2019 100761 A	41	AM 2019 100604 A
16	AM 2019 100915 A	41	AM 2019 100915 A
16	AM 2019 101407 A	41	AM 2019 100916 A
16	AM 2019 101408 A	41	AM 2019 101289 A
16	AM 2019 99869 A	41	AM 2019 101370 A
18	AM 2019 100761 A	42	AM 2019 100604 A
20	AM 2019 101231 A	42	AM 2019 100915 A
20	AM 2019 101232 A	42	AM 2019 99869 A
25	AM 2019 100664 A	42	AM 2019 99910 A
25	AM 2019 100665 A	43	AM 2019 100588 A
25	AM 2019 100761 A	43	AM 2019 100871 A
30	AM 2019 100681 A	43	AM 2019 100915 A
		43	AM 2019 100916 A
		44	AM 2019 100604 A
		45	AM 2019 100915 A
		45	AM 2019 100916 A

CONCORDANCE TABLE OF INDEX OF GOODS AND/OR SERVICES
AND NUMBERS OF TRADEMARKS REGISTERED ACCORDING
TO THE ACCELERATED PROCEDURE

INDEX OF GOODS AND/OR SERVICES (511)	NUMBERS OF REGISTERED ACCORDING TO THE ACCELERATED PROCEDURE (111)
5	M 2019 31421 R
5	M 2019 31422 R
6	M 2019 31419 R
9	M 2019 31418 R
20	M 2019 31419 R
29	M 2019 31425 R
30	M 2019 31425 R
32	M 2019 31425 R
33	M 2019 31420 R
34	M 2019 31418 R
35	M 2019 31423 R
36	M 2019 31424 R
39	M 2019 31423 R
43	M 2019 31423 R
43	M 2019 31424 R
43	M 2019 31425 R
45	M 2019 31423 R

OFFICIAL BULLETIN OF THE INDUSTRIAL PROPERTY

INVENTIONS
UTILITY MODELS
DESIGNS
TRADEMARKS
APPELLATIONS OF ORIGIN OF GOODS

14(522)

EDITOR-IN-CHIEF: N. Bebrishvili

EDITOR-TRANSLATOR: E. Gabunia

PROOFREADER: A. Shikhashvili

COMPUTER LAYOUT: M. Ordenidze
K. Svanidze

www.sakpatenti.gov.ge

E-mail: info@sakpatenti.org.ge