



**NATIONAL INTELLECTUAL PROPERTY CENTER OF GEORGIA
SAKPATENTI**

**OFFICIAL BULLETIN
OF THE INDUSTRIAL PROPERTY**

15(475)

**2017
TBILISI**

INID CODES FOR IDENTIFICATION OF BIBLIOGRAPHIC DATA

INVENTIONS, UTILITY MODELS

- (10) Number of publication for application, which has been examined
- (11) Number of patent and kind of document
- (21) Serial number of application
- (22) Date of filing of the application
- (23) Date of exhibition or the date of the earlier filing and the number of application, if any
- (24) Date from which patent may have effect
- (31) Number of priority application
- (32) Date of filing of priority application
- (33) Code of the country or regional organization allotting priority application number
- (44) Date of publication of application not granted, but examined and number of bulletin
- (45) Date of publication of registered document
- (51) International Patent Classification Index
- (54) Title of the invention
- (57) Abstract
- (60) Number of examined patent document granted by foreign patent office, date from which patent has effect and country code
- (62) Number of the earlier application and in case of divided application, date of filing an application
- (71) Name, surname and address of applicant (country code)
- (72) Name, surname of inventor (country code)
- (73) Name, surname and address of patent owner (country code)
- (74) Name, surname of representative or patent attorney
- (85) Date of commencement of the national phase of International Application
- (86) Number and date of filing of international application
- (87) Number and date of publication of international application

DESIGNS

- (10) Number of publication for application
- (11) Number of patent and kind of document or number of registration
- (15) Date of registration/Date of patent renewal
- (18) Expected expiration date of patent or registration
- (21) Serial number of application
- (22) Date of filing of the application
- (23) Date of exhibition or the date of the earlier filing and the number of application, if any
- (24) Date from which patent may have effect
- (28) Number of designs included in the application
- (30) Data relating to priority (number of application, date of filing of application, two-letter code identifying the authority with whom the priority application was made)
- (31) Number of priority application
- (32) Date of filing of priority application
- (33) Code of the country or regional organization allotting priority application number
- (34) Two-letter code according to WIPO St.3 identifying the authority with which the priority application was made
- (44) Date of publication of design and number of bulletin (the first publication)
- (45) Date of publication of design registered by WIPO and number of bulletin
- (51) International Classification for designs (class and subclass of the Locarno Classification)
- (54) Title of the invention
- (55) Reproduction of the design
- (57) Description of characteristic features of the design including indication of colors
- (58) Date of recording of any kind of amendment in the Register
- (62) Number of the earlier application, registration and document number and if available the date of filing an application in case of divided application
- (71) Name, surname and address of applicant (country code)
- (72) Name, surname of creator (country code)
- (73) Name, surname and address of patent owner (country code)
- (74) Name, surname of representative or patent attorney
- (81) Contracting states concerned
 - II designated contracting states according to the 1960 Act
 - III designated contracting states according to the 1999 Act
- (85) Owner's permanent address
- (86) Owner's nationality
- (87) Owner's residence
- (88) State in which the owner has a real and effective industrial or commercial establishment

TRADEMARKS

- (111) – Number of registration
- (151) – Date of registration
- (156) – Date of the renewal
- (181) – Expected expiration date of registration
- (186) – Renewal expiration date of registration
- (141) – Date of cancel of duration of the mark
- (210) – Serial number of application
- (220) – Date of filing of the application
- (230) – Date concerning exhibition
- (260) – Number of application, for which favorable decision of examination about registration has been taken (publication number)
- (310) – Number of the first application
- (320) – Date of filing of the first application
- (330) – Code, identifying national or regional Office where the first application was made
- (511) – International Classification of Goods and Services for the purposes of registration of trade marks and/or list of goods and/or services classified according thereto
- (531) – Description of figurative elements of Trade Marks according to the International Classification of the Figurative Elements of Marks
- (540) – Reproduction of Trade Mark
- (550) – Nature and kind of Trade Mark
- (580) – Date of recording of any kind changes in respect of applications or registrations
- (591) – Information concerning colors claimed
- (731) – Name and address of the applicant
- (732) – Name and address of the holder of the registration
- (740) – Name and address of the representative
- (750) – Address for correspondence
- (770) – Name and address of the previous applicant or holder in case of change in ownership
- (771) – Previous name and address of the applicant or holder in case of change in ownership
- (791) – Name and address of the licensee
- (793) – Indication of conditions and/or restrictions under the license (Type of license, number of license agreement, data of license, data of validity of license)
- (800) – Certain data relating to the international registration of Trade Marks under the Protocol Relating to Madrid Agreement (International registration number)

CODES FOR PUBLICATION IN BULLETIN

- (21) AP 0000 000000 – serial number of application for invention
- (10) AP 0000 0000 A – number of published application for invention (first publication)
- (11) P 0000 0000 B – number of patent for invention (second publication)
- (21) API 0000 000000 – number of application for imported patent
- (11) PI 0000 0000 A – number of imported patent (first publication)
- (21) AU 0000 000000 – serial number of application for utility model
- (10) AU 0000 000 U – number of published application for utility model (first publication)
- (11) U 0000 000 Y – number of patent for utility model (second publication)
- (21) AD 0000 000000 – serial number of application for design
- (10) AD 0000 000 S – number of published application for design (first publication)
- (11) D 0000 000 S – number of patent for design (second publication)

INTERNATIONAL PATENT CLASSIFICATION FOR INVENTIONS AND UTILITY MODELS

- SECTION A – HUMAN NECESSITIES
- SECTION B – PERFORMING OPERATIONS; TRANSPORTING
- SECTION C – CHEMISTRY; METALLURGY
- SECTION D – TEXTILES; PAPER
- SECTION E – FIXED CONSTRUCTIONS
- SECTION F – MECHANICAL ENGINEERING; LIGHTING; HEATING; WEAPONS; BLASTING
- SECTION G – PHYSICS
- SECTION H – ELECTRICITY

-
- M – Trade Mark
 - (210) AM 0000 000000 – Serial number of application;
 - (260) AAM 0000 00000 A – Publication number of application;
 - (111) M 0000 00000 R – Number of registration;
 - (111) MMM0000 00000 Rn – Number of renewals, in which n=1,2,3;
 - (111) M 0000 00000 R(P) – Number of registration under partial assignment of rights
-

LIST OF CODES, IN ALPHABETIC SEQUENCE, AND THE CORRESPONDING (SHORT) NAMES OF STATES, OTHER ENTITIES AND INTERGOVERNMENTAL ORGANIZATIONS
(WIPO STANDARD ST.3)

AD	Andorra				
AE	United Arab Emirates				
AF	Afghanistan				
AG	Antigua and Barbuda				
AI	Anguilla				
AL	Albania				
AM	Armenia				
AN	Netherlands Antilles				
AO	Angola				
AP	African Regional Intellectual Property Organization (ARIPO)				
AR	Argentina				
AT	Austria				
AU	Australia				
AW	Aruba				
AZ	Azerbaijan				
BA	Bosnia and Herzegovina				
BB	Barbados				
BD	Bangladesh				
BE	Belgium				
BF	Burkina Faso				
BG	Bulgaria				
BH	Bahrain				
BI	Burundi				
BJ	Benin				
BM	Bermuda				
BN	Brunei Darussalam				
BO	Bolivia				
BR	Brazil				
BS	Bahamas				
BT	Bhutan				
BV	Bouvet Island				
BW	Botswana				
BX	Benelux Office for Intellectual Property (BOIP)				
BY	Belarus				
BZ	Belize				
CA	Canada				
CD	Democratic Republic of the Congo				
CF	Central African Republic				
CG	Congo				
CH	Switzerland				
CI	Cote d'Ivoire				
CK	Cook Islands				
CL	Chile				
CM	Cameroon				
CN	China				
CO	Colombia				
CR	Costa Rica				
CU	Cuba				
CV	Cape Verde				
CY	Cyprus				
CZ	Czech Republic				
DE	Germany				
DJ	Djibouti				
DM	Dominica				
DO	Dominican Republic				
DZ	Algeria				
EA	Eurasian Patent Organization (EAPO)				
EC	Ecuador				
EE	Estonia				
EG	Egypt				
EH	Western Sahara				
EM	Office for Harmonization in the Internal Market (Trademarks and Designs)(OHIM)				
EP	European Patent Office (EPO)				
ER	Eritrea				
ES	Spain				
ET	Ethiopia				
FI	Finland				
FJ	Fiji				
FK	Falkland Islands (Malvinas)				
FO	Faroe Islands				
FR	France				
GA	Gabon				
GB	United Kingdom				
GC	Patent Office of the Cooperation Council for the Arab States of the Gulf (GCC)				
GD	Grenada				
GG	Guernsey				
GH	Ghana				
GI	Gibraltar				
GT	Guatemala				
GW	Guinea- Bissau				
GY	Guyana				
HK	The Hong Kong Special Administrative Region of the People's Republic of China				
HN	Honduras				
HR	Croatia				
HT	Haiti				
HU	Hungary				
IB	International Bureau of the World Intellectual Property Organization (WIPO)				
ID	Indonesia				
IE	Ireland				
IL	Israel				
IM	Isle of Man				
IN	India				
IQ	Iraq				
ID	Indonesia				
IE	Ireland				
IL	Israel				
IM	Isle of Man				
IN	India				
IQ	Iraq				
IR	Iran (Islamic Republic of)				
IS	Iceland				
IT	Italy				
JE	Jersey				
JM	Jamaica				
JO	Jordan				
JP	Japan				
KE	Kenya				
KG	Kyrgyzstan				
KH	Cambodia				
KI	Kiribati				
KM	Saint Kitts and Nevis				
KP	Democratic People's Republic of Korea				
KR	Republic of Korea				
KW	Kuwait				
KY	Cayman Islands				
KZ	Kazakhstan				
LA	Lao People's Democratic Republic				
LB	Lebanon				
LC	Saint Lucia				
LI	Liechtenstein				
LK	Sri Lanka				
LR	Liberia				
LS	Lesotho				
LT	Lithuania				
LU	Luxembourg				
LV	Latvia				
LY	Libyan Arab Jamahiriya				
MA	Morocco				
MC	Monaco				
MD	Republic of Moldova				
ME	Montenegro				
MG	Madagascar				
MK	The former Yugoslav Republic of Macedonia				
ML	Mali				
MM	Myanmar				
MN	Mongolia				
MO	Macao				
MP	Northern Mariana Islands				
MR	Mauritania				
MS	Montserrat				
MT	Malta				
MU	Mauritius				
MV	Maldives				
MW	Malawi				
MX	Mexico				
MY	Malaysia				
MZ	Mozambique				
NA	Namibia				
NE	Niger				
NG	Nigeria				
NI	Nicaragua				
NL	Netherlands				
NO	Norway				
NP	Nepal				
NR	Nauru				
NZ	New Zealand				
OA	African Intellectual Property Organization (OAPI)				
OM	Oman				
PA	Panama				
PE	Peru				
PG	Papua New Guinea				
PH	Philippines				
PK	Pakistan				
PL	Poland				
PT	Portugal				
PW	Palau				
PY	Paraguay				
QA	Qatar				
QZ	Community Plant Variety Office (European Community) (CPVO)				
RO	Romania				
RS	Serbia				
RU	Russian Federation				
RW	Rwanda				
SA	Saudi Arabia				
SB	Solomon Islands				
SC	Seychelles				
SD	Sudan				
SG	Singapore				
SH	Saint Helena				
SI	Slovenia				
SK	Slovakia				
SL	Sierra Leone				
SM	San Marino				
SN	Senegal				
SO	Somalia				
SR	Suriname				
ST	Sao Tome and Principe				
SV	El Salvador				
SY	Syrian Arab Republic				
SZ	Swaziland				
TC	Turks and Caicos Islands				
TD	Chad				
TG	Togo				
TH	Thailand				
TJ	Tajikistan				
TL	Timor-Leste				
TM	Turkmenistan				
TN	Tunisia				
TO	Tonga				
TR	Turkey				
SE	Sweden				
TT	Trinidad and Tobago				
TV	Tuvalu				
TW	Taiwan, Province of China				
TZ	United Republic of Tanzania				
UA	Ukraine				
UG	Uganda				
US	United States of America				
UY	Uruguay				
UZ	Uzbekistan				
VA	Holy See				
VC	Saint Vincent and the Grenadines				
VE	Venezuela				
VG	Virgin Islands (British)				
VN	Viet Nam				
VU	Vanuatu				
WO	World Intellectual Property Organization (WIPO)				
WS	Samoa				
XN	Nordic Patent Institute (NPI)				
YE	Yemen				
ZA	South Africa				
ZM	Zambia				
ZW	Zimbabwe				

**NATIONAL INTELLECTUAL PROPERTY CENTER OF GEORGIA
SAKPATENTI**

**OFFICIAL BULLETIN
OF THE INDUSTRIAL PROPERTY**

15(475)

**INVENTIONS
UTILITY MODELS
DESIGNS
TRADEMARKS**

DATE OF PUBLICATION

2017 08 10

CONTENTS

PUBLISHED TITLES OF PROTECTION	2
INVENTIONS	
▪ APPLICATIONS APPROVED FOR GRANTING PATENTS	4
▪ PATENTED INVENTIONS	11
UTILITY MODELS	
▪ PATENTED UTILITY MODEL	13
DESIGNS	
▪ APPLICATION APPROVED FOR REGISTRATION	14
▪ DESIGN REGISTERED ACCORDING TO THE ACCELERATED PROCEDURE	16
▪ DESIGNS REGISTERED WITH THE INTERNATIONAL BUREAU CLAIMING PRIORITY ON THE TERRITORY OF GEORGIA	17
TRADEMARKS	
▪ APPLICATIONS FILED UNDER THE NATIONAL PROCEDURE APPROVED FOR REGISTRATION	40
▪ REGISTERED TRADEMARKS	53
▪ TRADEMARKS REGISTERED ACCORDING TO THE ACCELERATED PROCEDURE	58
▪ INTERNATIONAL TRADEMARKS FOR WHICH A DECISION ON GANTING PROTECTION IS TAKEN	59
▪ INTERNATIONAL TRADEMARKS PROTECTED IN GEORGIA	139
OFFICIAL NOTIFICATIONS	
TRADEMARKS	
▪ RENEWAL OF REGISTRATIONS	145
▪ COMPLETE TRANSFER OF RIGHTS	157
▪ CHANGES IN NAMES AND/OR ADDRESSES OF OWNERS	158
▪ INVALIDATION OF TRADEMARKS REGISTRATION	160
▪ CANCELLING OF TRADEMARKS REGISTRATION	164
▪ CORRECTION OF PUBLISHED MATERIAL	164
CLASSIFICATION INDEXES	
INVENTIONS	165
UTILITY MODELS	167
DESIGNS	167
TRADEMARKS	169

PUBLISHED TITLES OF PROTECTION

INVENTIONS

- **APPLICATIONS APPROVED FOR GRANTING PATENTS:**
14089; 13969; 13567; 13442; 13752; 13956; 13953; 14210; 13596; 13959; 13583; 13744; 14241; 13663; 14139; 14217; 13843
- **PATENTED INVENTIONS:**
6715-6718

UTILITY MODELS

- **PATENTED UTILITY MODEL:**
1943

DESIGNS

- **APPLICATION APPROVED FOR REGISTRATION:**
948
- **DESIGNS REGISTERED ACCORDING TO THE ACCELERATED PROCEDURE:**
719
- **DESIGNS REGISTERED WITH THE INTERNATIONAL BUREAU CLAIMING PRIORITY ON THE TERRITORY OF GEORGIA:**
93660; 96079; 93755; 93771; 93845; 96158; 96230, 96231; 96236

TRADEMARKS

- **APPLICATIONS FILED UNDER THE NATIONAL PROCEDURE APPROVED FOR REGISTRATION:**
87070-87072; 87074; 87080; 87488; 87801*; 88769; 89207; 89321; 89340; 89456, 89457; 89599; 89603; 89615; 89673; 89791; 89814; 89824; 89880; 89884; 89981-89983; 89988; 89991-89994; 89998; 90006; 90011; 90031; 90033; 90038, 90039; 90048; 90051-90053; 90097; 90099-90101; 90104, 90105; 90120, 90121; 90123; 90125-90137; 90139; 90148, 90149; 90151; 90154-90156; 90331; 90350; 90357; 90359, 90360; 90362-90366; 90372, 90373; 90384; 90424
- **REGISTERED TRADEMARKS:**
28735-28782
- **TRADEMARKS REGISTERED ACCORDING TO THE ACCELERATED PROCEDURE:**
28783-28786
- **INTERNATIONAL TRADEMARKS FOR WHICH A DECISION ON GRANTING PROTECTIONS IS TAKEN:**
86417; 87947; 88091; 88284; 88293; 88528; 88594; 88601; 88609; 88616; 88620-88622; 88745; 88747; 88751, 88752; 88827; 88829; 88850; 88865; 88868; 88872; 88874; 88879; 88881; 88885-88887; 88897; 88899; 88901; 88917, 88918; 88922-88926; 88933, 88934; 88937; 88939-88941; 89024; 89026, 89027; 89030; 89043; 89051; 89057, 89058; 89070; 89079; 89119; 89122; 89125; 89127; 89137-89140; 89142, 89143; 89147; 89153; 89180-89182; 89187-89190; 89192, 89193; 89198-89201; 89205, 89206; 89222, 89223; 89225-89227; 89229-89234; 89237-89240; 89244, 89245; 89272; 89274-89278; 89335; 89345; 89347, 89348; 89352; 89597; 89626; 89629; 89758; 89762; 89766-89771; 89773-89777; 89779
- **INTERNATIONAL TRADEMARKS PROTECTED IN GEORGIA:**
85967; 86292; 86821; 87520, 87521; 87548; 87555; 87558-87562; 87564; 87598-87601; 87615, 87616; 87641, 87642; 87646; 87682; 87685; 87699-87701; 87714, 87715; 87718; 87720-87724; 87726-87733; 87746, 87747; 87749; 87760, 87761; 87763; 87817; 87820-87823; 87858-87860; 87863, 87864; 87866; 87868, 87869; 87871; 88046, 88047; 88049, 88050; 88052; 88056; 88152-88155; 88160; 88169

INVENTIONS

APPLICATIONS APPROVED FOR GRANTING PATENTS

The decision can be appealed at the Chamber of Appeal of Sakpatenti within 3 months from the publication or at the Mtskheta District Court Administrative Cases Board (Address: №17, Samkhedro str., Mtskheta), within 1 month following the publication.

PART A

A 01

(10) AP 2017 14089 A (51) Int. Cl. (2006)

A 01 G 31/00

(21) AP 2014 014089 (22) 2014 08 11

(31) 2013-169317

(32) 2013 08 19

(33) JP

(71) MEBIOL INC. (JP)

1-25-8 Nakahara, Hiratsuka-shi, Kanagawa
2540075 (JP)

(72) YOSHIOKA, Hiroshi (JP);

MORI, Yuichi (JP);

OKAMOTO, Akihiro (JP);

MIURA, Shigeki (JP);

MIZUTANI, Tomoyoshi (JP)

(74) Shalva Gvaramadze

(85) 2016 03 15

(86) PCT/JP2014/071141, 2014 08 11

(54) **PLANT CULTIVATION SYSTEM AND
PLANT CULTIVATION METHOD**

(57) Plant cultivation system includes polyvinyl alcohol film (PVA), nutrient liquid retention means in connection with film (PVA) from lower face and nutrient liquid feed means from film (PVA) lower face. System provides longterm and effective plant cultivation keeping film resistance.

Claims: 2 independent

5 dependent

Fig.: 1

(10) AP 2017 13969 A (51) Int. Cl. (2006)

A 01 K 93/02

(21) AP 2015 013969 (22) 2015 10 21

(71) Merab Kiknavelidze (GE)

Sh. Nutsubidzis perd., me-5 mkr., korp. 6,
b. 4, 0183, Tbilisi (GE)

(72) Merab Kiknavelidze (GE)

(54) **DEVICE FOR PISCATION**

(57) Piscation device includes a float 1 and an alarm 11. Located in float case 2 the radio paging 5 is actuated with a device 7 placed therein, which is electrocontact 8 with unstainable metal, for example silver sphere 9 of high conductivity placed in

glass bulb. Radio paging is switched to radio signal receiver 13 switched to power supply 14 switched in its turn to a loudspeaker and a lamp 16 placed on case outer surface.

Claims: 1 independent

Fig.: 2

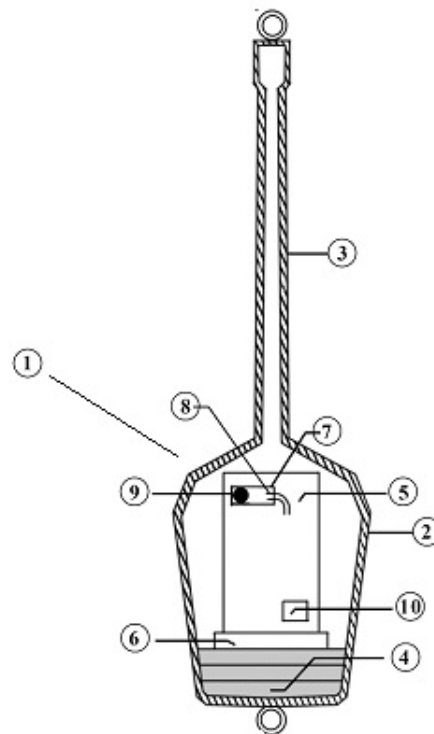


Fig. 1

A 61

(10) AP 2017 13567 A (51) Int. Cl. (2006)

A 61 K 31/422

A 61 P 33/00

(21) AP 2013 013567 (22) 2013 01 31

(31) 61/595,463

(32) 2012 02 06

(33) US

(71) Merial Inc. (US)

3239 Satellite Blvd., Bldg. 500, Duluth,
GA 30096 (US)

(72) SOLL, Mark, D. (US);

LARSEN, Diane (US);

CADY, Susan, Mancini (US);

CHEIFETZ, Peter (US);
GALESKA, Izabela (US);
GONG, Saijun (US)

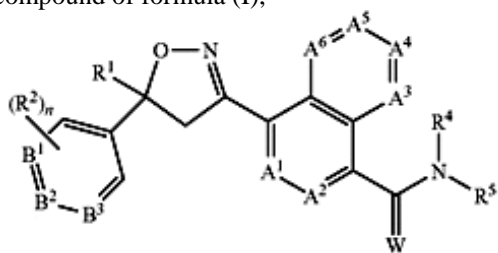
(74) Liliana Darakhvelidze

(85) 2014 09 05

(86) PCT/US2013/023969, 2013 01 31

(54) **PARASITICIDAL ORAL VETERINARY COMPOSITIONS COMPRISING SYSTEMICALLY-ACTING ACTIVE AGENTS, METHODS AND USES THEREOF**

(57) An invention relates to soft chewing veterinary compositions for animal parasitic infection control. These compositions include i) isoxazoline active compound of formula (I),



(I)

and pharmaceutically acceptable carrier or ii) combination, at least of one active compound of isoxazoline, and at least one systemic acting active compound.

Claims: 3 independent

40 dependent

(10) **AP 2017 13442 A** (51) **Int. Cl. (2006)**
A 61 K 31/517

(21) AP 2012 013442 (22) 2012 09 13

(31) 61/534,081

(32) 2011 09 13

(33) US

(71) RONINSON, Igor (US)

225 Porth Circle, Lexington, South
Carolina 29072 (US)

(72) RONINSON, Igor (US)

(74) Larisa Amirkhanyan

(85) 2014 04 11

(86) PCT/US2012/055064, 2012 09 13

(54) **TREATMENT OF DISEASE OR DISORDERS CAUSED BY INDUCED NFkB TRANSCRIPTIONAL ACTIVITY**

(57) An invention relates to quinoline derivatives selectively inhibiting CDK8 or CDK19 for treating inflammatory diseases or cancer induced by transcriptional activity of nuclear factor kappa B (NFkB).

Claims: 1 independent

2 dependent

Fig.: 10

(10) **AP 2017 13752 A** (51) **Int. Cl. (2006)**

A 61 K 45/06

A 61 K 31/27

A 61 K 31/4045

A 61 K 31/445

A 61 K 31/55

A 61 P 25/28

(21) AP 2013 013752 (22) 2013 09 06

(31) 61/782,084; 61/698,664

(32) 2013 03 14; 2012 09 09

(33) US; US

(71) H. LUNDBECK A/S (DK)

Ottiliavej 9 DK-2500 Valby (DK)

(72) SCHMIDT, Ellen (DK);

AREBERG, Johan (SE)

(74) Shalva Gvaramadze

(85) 2015 03 05

(86) PCT/EP2013/068516, 2013 09 06

(54) **METHODS OF TREATING ALZHEIMER'S DISEASE AND PHARMACEUTICAL COMPOSITIONS THEREOF**

(57) Introduction of effective daily dosage of N-(2-(6-fluorine-1H-indol-3-yl))ethyl-3-(2,2,3,3-tetrafluoride propoxy) benzylamine for improvement and strengthen effect of acetylcholinesterase inhibitor.

Claims: 4 independent

11 dependent

Fig.: 13

Table: 3

PART C

C 07

(10) **AP 2017 13956 A** (51) **Int. Cl. (2006)**
C 07 D 277/593

(21) AP 2014 013956 (22) 2014 03 06

(31) 61/779,091

(32) 2013 03 13

(33) US

(71) THERAVANCE BIOPHARMA

ANTIBIOTICS IP, LLC (US)

901 Gateway Boulevard South San Francisco,
California 94080 (US)

(72) ZHANG, Weijiang (US);

TRACEY, Michael R. (US);

LEE, Junning (US)

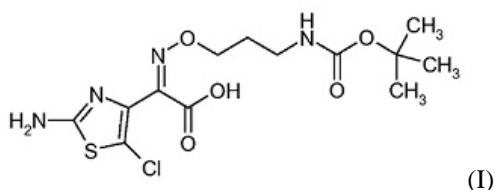
(74) Tamaz Shilakadze

(85) 2015 10 12

(86) PCT/US2014/021080, 2014 03 06

(54) **CRYSTALLINE FORM OF A SUBSTITUTED THIAZOLYLACETIC ACID TRIETHYLAMINE SALT**

(57) An invention relates to crystal form of trimethylamine salt (2Z)-2-(2-amino-5-chlorothiazol-4-yl)-2-(3-N-tret-butoksi carbonyl amino propxy imino) acetic acid and preparation methods thereof.



Claims: 4 independent
8 dependent
Fig.: 5

(10) AP 2017 13953 A (51) **Int. Cl. (2006)**
C 07 D 401/14
C 07 D 401/04
C 07 D 403/14
A 61 K 31/4725
A 61 P 35/00

(21) AP 2014 013953 (22) 2014 03 10
(31) 61/776,445
(32) 2013 03 11
(33) US

(71) TAKEDA PHARMACEUTICAL
COMPANY LIMITED (JP)
1-1, Doshomachi 4-chome, Chuo-ku
Osaka-shi, Osaka 541-0045 (JP)

(72) LAWSON, John David (US);
SABAT, Mark (US);
SCORAH, Nicholas (US);
SMITH, Christopher (US);
VU, Phong H. (US);
WANG, Haixia (US)

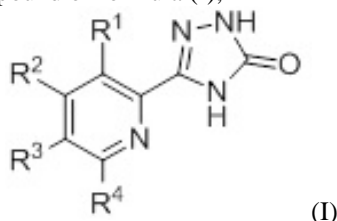
(74) Aleksandre Gegechkori

(85) 2015 10 08

(86) PCT/US2014/022801, 2014 03 10

(54) **PYRIDINYL AND FUSED PYRIDINYL
TRIAZOLONE DERIVATIVES**

(57) Compound of formula (I),



wherein values of substituents R^1 , R^2 , R^3 and R^4 are provided in the claims or tautomers or pharmaceutically acceptable salt thereof; pharmaceutical composition on basis thereof, and usage of said composition thereas medicine for the treatment of disorders related to BTK, such as autoimmune or inflammatory disorders, cancer, etc.

Claims: 4 independent
40 dependent

(10) AP 2017 14210 A (51) **Int. Cl. (2006)**
C 07 D 471/04

(21) AP 2014 014210 (22) 2014 12 19
(31) 61/919,661
(32) 2013 12 20
(33) US

(71) TAKEDA PHARMACEUTICAL
COMPANY LIMITED (JP)
1-1, Doshomachi 4-chome Chuo-ku Osaka-shi,
Osaka 541-0045 (JP)

(72) BROWN, Jason (US);
HITCHCOCK, Stephen (US);
HOPKINS, Maria (US);
KIKUCHI, Shota (US);
MONENSCHN, Holger (US);
REICHARD, Holly (US);
SCHLEICHER, Kristin (US);
SUN, Hukai (US);
MACKLIN, Todd (US)

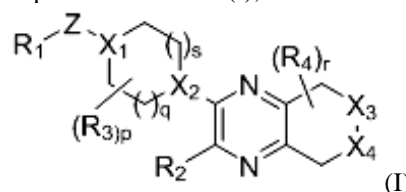
(74) Aleksandre Gegechkori

(85) 2016 07 19

(86) PCT/US2014/071543, 2014 12 19

(54) **TETRAHYDROPYRIDOPYRAZINES
MODULATORS OF GPR6**

(57) Compound of formula (I),



wherein values of substituents R_1 , R_2 , R_3 , R_4 , Z , X_1 , X_2 , X_3 , X_4 and variables q , s , p , r are provided in the claims or pharmaceutically acceptable salt thereof; pharmaceutical composition on basis thereof, and usage of said composition or pharmaceutically acceptable salt thereas medicine.

Claims: 2 independent

10 dependent

Table: 3

(10) AP 2017 13596 A (51) **Int. Cl. (2006)**
C 07 D 471/04

(21) AP 2013 013596 (22) 2013 03 11
(31) 288/KOL/2012
(32) 2012 03 14
(33) IN

(71) LUPIN LIMITED (IN)
159 CST Road, Kalina Santacruz (East),
State of Maharashtra, India.
Mumbai 400 098 (IN)

(72) DAVE, Bhavesh (IN);
BANERJEE, Rakesh, Kumar (IN);
PHUKAN, Samiron (IN);
KHOJE, Abhijit, Datta (IN);
HANGARGE, Rajkumar (IN);
JADHAV, Jitendra, Sambhaji (IN);
PALLE, Venkata, P. (IN);

KAMBOJ, Rajender, Kumar (IN)

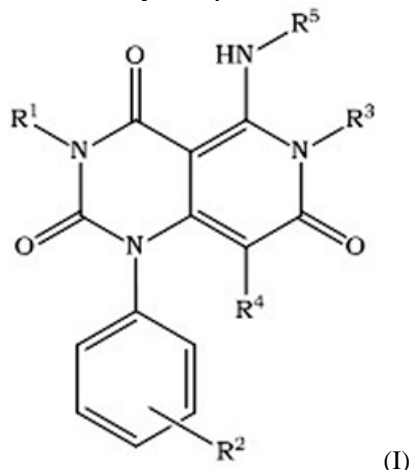
(74) Larisa Amirkhanyan

(85) 2014 10 13

(86) PCT/IB2013/051915, 2013 03 11

(54) **HETEROCYCLYL COMPOUNDS**

(57) An invention relates to pyrido [4,3-d] pyrimidine heteroaryl compounds of formula (I),



(I)

tautomers, pharmaceutically acceptable salts, combinations and pharmaceutical compositions thereof. The invention includes said compound preparation method, as well.

Claims: 2 independent

15 dependent

(10) AP 2017 13959 A (51) Int. Cl. (2006)

C 07 D 471/08

A 61 K 31/439

A 61 P 11/00

A 61 P 17/00

A 61 P 27/00

A 61 P 15/00

A 61 P 37/00

A 61 P 35/00

A 61 P 31/00

(21) AP 2014 013959 (22) 2014 03 12

(31) 13159240.4; 13170005.6

(32) 2013 03 14; 2013 05 31

(33) EP; EP

(71) BOEHRINGER INGELHEIM
INTERNATIONAL GMBH (DE)
Binger Str. 173 55216 Ingelheim
Am Rhein (DE)

(72) ANDERSKEWITZ, Ralf (DE);
GRAUERT, Matthias (DE);
GRUNDL, Marc (DE);
HAEBEL, Peter, Wilhelm (DE);
OOST, Thorsten; (DE);
PAUTSCH, Alexander (DE);
PETERS, Stefan (DE);
BINDER, Florian (DE);
VINTONYAK, Viktor (DE)

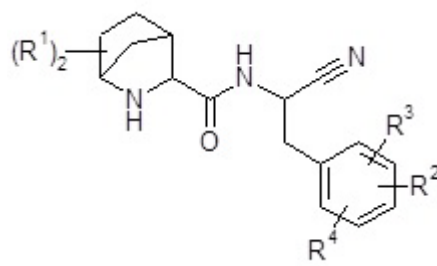
(74) Tamar Kochlamazashvili

(85) 2015 10 13

(86) PCT/EP2014/054794, 2014 03 12

(54) **SUBSTITUTED 2-AZA-BICYCLO
[2.2.1]HEPTANE-3-CARBOXYLIC ACID
(BENZYL-CYANO-METHYL)-AMIDES
INHIBITORS OF CATHEPSIN C**

(57) Compound of formula (I),



(I)

wherein values of substituents R¹, R², R³ and R⁴ are provided in the claims or salt or pharmaceutical composition on basis thereof; and their usage as medicine for the treatment of such diseases as asthma or allergic diseases, gastrointestinal inflammatory diseases, etc.

Claims: 5 independent

14 dependent

Table: 107

(10) AP 2017 13583 A (51) Int. Cl. (2006)
C 07 K 16/28

(21) AP 2013 013583 (22) 2013 02 25

(31) 61/603,622

(32) 2012 02 27

(33) US

(71) BOEHRINGER INGELHEIM
INTERNATIONAL GMBH (DE)
Binger Strasse 173 55216 Ingelheim
am Rhein (DE)

(72) SINGH, Sanjaya (US);
WATERMAN, Alisa K. (US);
DEPLA, Erik (BE);
LAEREMANS, Toon (BE);
VAN HOORICK, Diane (BE);
VERVERKEN, Cedric Jozef Néotère (BE)

(74) Tamar Kochlamazashvili

(85) 2014 09 26

(86) PCT/US2013/027580, 2013 02 25

(54) **CX3CR1-BINDING POLYPEPTIDES**

(57) An invention provides CX3CR1-binding polypeptides, in particular, containing concrete immunoglobulin domains. The invention provides nucleic acids, coding said polypeptides; methods for said polypeptides preparation; host-cells expressing or capable expressing said polypeptides; compositions containing said polypeptides; usage polypeptides or their compositions, in particular with profilactic, therapeutic and diagnostic purposes.

Claims: 23 independent

24 dependent

C 12

(10) **AP 2017 13744 A** (51) **Int. Cl. (2006)**
C 12 B 1/225
C 12 Q 1/02
C 12 N 1/20

(21) AP 2013 013744 (22) 2013 09 03

(31) 61/696,277

(32) 2012 09 03

(33) US

(71) BIOGAIA AB (SE)

Kungsbroplan 3A, P.O. Box 3242,
 S-103 64 Stockholm (SE)

(72) CONNOLLY, Eamonn (SE);

KUNZE, Wolfgang (CA);

BIENENSTOCK, John (CA)

(74) Shalva Gvaramadze

(85) 2015 02 25

(86) PCT/EP2013/068202, 2013 09 03

(54) **METHOD FOR SELECTION OF AGENTS INFLUENCING INTESTINAL MOTILITY DISORDERS AND PAIN**

(57) There is represented a method for evaluating agents for the treatment of intestinal motility disorders providing effect of said agents: a) on gastrointestinal motility; and b) on mesenteric afferent nerve firing; at that, said agents are probiotic bacterial strains of Lactobacillus genus.

Claims: 5 independent

10 dependent

Fig.: 8

PART E**E 02**

(10) **AP 2017 14241 A** (51) **Int. Cl. (2006)**
E 02 B 3/06

(21) AP 2016 014241 (22) 2016 08 10

(71) Zaur Tsikhelashvili (GE)

Dighmis mas., V kvart., korp. 20, b. 42,
 0159, Tbilisi (GE);

Ioseb Tsikhelashvili (GE)

Dighmis mas., V kvart., korp. 20, b. 42,
 0159, Tbilisi (GE);

Shota Tsikhelashvili (GE)

Dighmis mas., V kvart., korp. 20, b. 42,
 0159, Tbilisi (GE);

Paata Giorgadze (GE)

Bakhtrionis q. 26, b. 48, 0184, Tbilisi (GE)

(72) Zaur Tsikhelashvili (GE);

Ioseb Tsikhelashvili (GE);

Shota Tsikhelashvili (GE);

Paata Giorgadze (GE)

(54) **FLOATING BANK PROTECTION CONSTRUCTION**

(57) Floating bank protection construction includes float componentry 1 connected to a fasteners installed on a bottom. Incoming wave energy dissipation means 2 are located on each float component surfaces, and caused by waves the underwater head dissipation means 3 are located on the bottom. Said means are triangular prism shaped and have equal configuration as on float component surfaces as on the bottom.

Claims: 1 independent

2 dependent

Fig.: 3

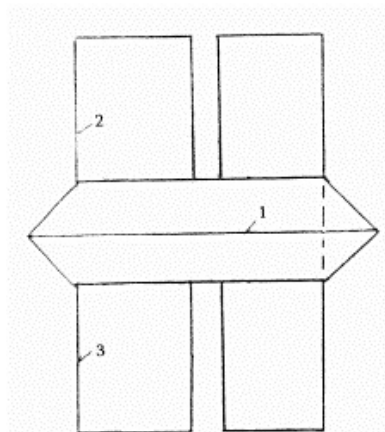


Fig. 2

E 21

(10) **AP 2017 13663 A** (51) **Int. Cl. (2006)**
E 21 B 43/30
E 21 B 43/16
E 21 B 43/34

(21) AP 2013 013663 (22) 2013 06 13

(31) 61/659,252

(32) 2012 06 13

(33) US

(71) RED LEAF RESOURCES, INC. (US)

10808 South River Front Parkway, Suite 200,
 South Jordan, UT 84095 (US)

(72) PATTEN, James, W. (US)

(74) Shalva Gvaramadze

(85) 2014 12 12

(86) PCT/US2013/045621, 2013 06 13

(54) **METHODS OF OPERATION FOR REDUCED RESIDUAL HYDROCARBON ACCUMULATION IN OIL SHALE PROCESSING**

(57) A method of reducing residual hydrocarbon accumulation during processing can comprise forming permeable body 608 of comminuted hydro carbonaceous material within an enclosure 602. A primary liquid collection system 610 is located in lower portion of the permeable body, and has an upper surface for collecting and removing liquids. Comminuted hydro carbonaceous material below

the primary liquid collection system forms non-production zone 616. At least a portion of permeable body is heated to bulk temperature above production temperature sufficient to remove hydrocarbons therefrom within production zone, where conditions in non-production zone are maintained below the production temperature.

Claims: 2 independent

23 dependent

Fig.: 7

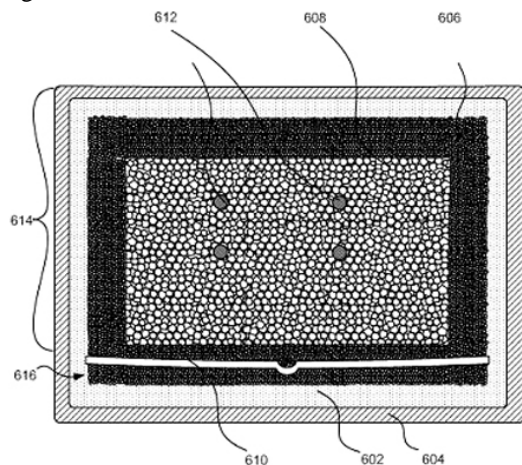


Fig. 5

PART G

G 07

(10) AP 2017 14139 A (51) Int. Cl. (2006)
G 07 D 7/12

(21) AP 2014 014139 (22) 2014 10 10

(31) 61/889,779

(32) 2013 10 11

(33) US

(71) SICPA HOLDING SA (CH)

Avenue de Florissant 41 CH-1008 Prilly (CH)

(72) HEUSCH, Guillaume (CH)

(74) Larisa Amirkhanyan

(85) 2016 05 10

(86) PCT/EP2014/071765, 2014 10 10

(54) **HAND-HELD DEVICE AND METHOD FOR AUTHENTICATING A MARKING**

(57) A hand-held device is described for authenticating a marking on an object, said marking exhibiting a viewing-angle dependent light reflection spectrum, said device comprising: - an imager for receiving light from said object and generating image data that include spectrum information, - a marking detector for detecting marking image data associated with said marking in said image data, - a parameter evaluator for determining a value of a predetermined spectrum parameter based on

spectrum information of at least a part of said marking image data, - an angle estimator for determining a value of a viewing angle between said imager and said marking associated with a determined value of said spectrum parameter, and - an authenticator arranged for making an authentication decision based on at least two spectrum parameter values and their associated viewing angle values.

Claims: 3 independent

13 dependent

Fig.: 4

PART H

H 01

(10) AP 2017 14217 A (51) Int. Cl. (2006)
H 01 C 7/00

(21) AP 2016 014217 (22) 2016 07 22

(71) LEPL RAPHAEL DVALI INSTITUTE OF MASHINE MECHANICS (GE)

Mindelis q. 10, 0186, Tbilisi (GE)

(72) Jimsher Aneli (GE);

Lana Shamanauri (GE)

(54) **RESISTANCE COMPOSITION**

(57) Resistance composition contains polymer, hardener and carbon. Poli dimetil vinil dimetil siloksan is used as polymer, dicumyl peroxide - DCP is used as hardener, and mix of technical carbons P-803 and P357E is used as carbon. Correlation of components causing temperature depending jumping electric resistance is provided.

Claims: 1 independent

Fig.: 2

(10) AP 2017 13843 A (51) Int. Cl. (2006)
H 01 Q 15/16
B 64 G 1/22

(21) AP 2013 013843 (22) 2013 11 04

(31) 13159073.9; 12425177.8

(32) 2013 03 13; 2012 11 05

(33) EP; EP

(71) THALES ALENIA SPACE ITALIA S.P.A. CON UNICO SOCIO (IT)

Via Saccomuro, 24, I-Roma (IT)

(72) MESCHINI, Alberto (IT);

RIGATO, Riccardo (IT);

SCAROZZA, Davide (IT)

(74) Shalva Gvaramadze

(85) 2015 06 01

(86) PCT/IB2013/059894, 2013 11 04

(54) **LARGE DEPLOYABLE REFLECTOR FOR SATELLITE ANTENNA**

(57) Large deployable reflector 1 for an antenna suitable for being installed on board a satellite 2 and provided with support structure 6, a parabolic mirror 5a carried by the support structure 6 and connection arm 7 for mounting the support structure 6 on the satellite; the support structure 6 being jointed reticulate structure that is able to assume compact inoperative stowed configuration and operative deployed configuration and is composed of 'n' elements 13 articulated to form tetrahedrons 8 having respective triangular bases 9, which are connected to each other at axial ends of respective first sides 9a and have respective external vertices 11, which are opposite to said respective first sides 9a and, when the reflector 1 is arranged in deployed configuration, ideally lie on a cone tangent to parabolic mirror 5a.

Claims: 1 independent

11 dependent

Fig.: 38

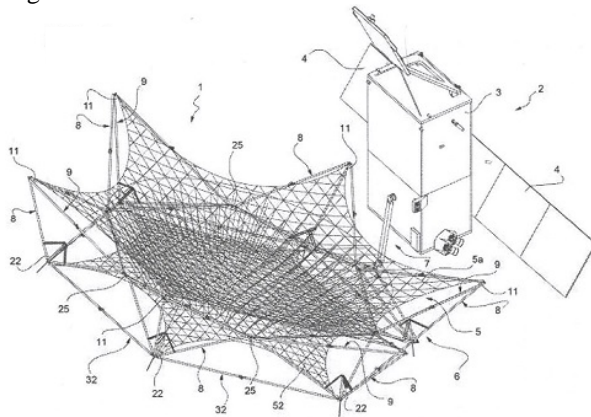


Fig. 1

PATENTED INVENTIONS

PART A

A 61

- (11) P 2017 6715 B** **(51) Int. Cl. (2006)**
A 61 F 13/02
- (10) AP 2017 13325 A (44) 8(468)/2017
(21) AP 2012 013325
(22) 2012 05 24
(24) 2012 05 24
(31) 11167379.4
(32) 2012 05 24
(33) EP
(86) PCT/DK2012/050178, 2012 05 24
(73) TAKEDA NYCOMED AS (NO)
Drammensveien 852, 1383 Asker, 0220 (NO)
(72) SCHÖNHOFER, Wolfgang (AT);
PEDERSEN, Pernille, Dybendal (DK);
BERTELSEN, Poul (DK);
BRÆNDER, Henrik (DK);
BLANKA, Ingrid (AT);
LARSEN, Henrik, Neuschäfer (DK)
(74) Tamaz Shilakadze
(54) **ROLLED COLLAGEN CARRIER**

- (11) P 2017 6717 B** **(51) Int. Cl. (2006)**
A 61 K 38/48
A 61 P 29/00
- (10) AP 2017 13832 A (44) 8(468)/2017
(21) AP 2013 013832
(22) 2013 11 06
(24) 2013 11 06
(31) MI2012AQ001997
(32) 2012 11 23
(33) IT
(86) PCT/EP2013/073160, 2013 11 06
(73) VELLEJA RESEARCH S.R.L. (IT)
Via G. Natta, 28, I-29010,
Pontenure (PC) (IT);
GNOSIS S.P.A. (IT)
Piazza Del Carmine, 4, I-20121,
Milano (IT)
(72) DI PIERRO, Francesco (IT)
(74) Tamar Kochlamazashvili
(54) **FIBRINOLYTIC COMPOSITIONS**
COMPRISES BROMELAIN AND
NATTOKINASE FOR PREVENTION AND
TREATMENT OF PHLEBOTHROMBOTIC
STATES

- (11) P 2017 6716 B** **(51) Int. Cl. (2006)**
A 61 K 47/48
- (10) AP 2017 13632 A (44) 8(468)/2017
(21) AP 2013 013632
(22) 2013 04 16
(24) 2013 04 16
(31) 1214985.2; 1213712.1; 1206628.8
(32) 2012 08 22; 2012 08 01; 2012 04 16
(33) GB; GB; GB
(86) PCT/EP2013/057928, 2013 04 16
(73) CANTAB BIOPHARMACEUTICALS
PATENTS LIMITED (MT)
Palazzo Pietro Stiges, 103 Strait Street, Valetta
VLT1436 (MT)
(72) HENRY, William (GB);
WOLF-GARRAWAY, Richard (GB);
MAYO, John Charles (GB);
EARL, Michael James (GB)
(74) Shalva Gvaramadze
(54) **OPTIMISED SUBCUTANEOUS**
THERAPEUTIC AGENTS

PART C

C 07

- (11) P 2017 6718 B** **(51) Int. Cl. (2006)**
C 07 D 401/06
C 07 D 401/14
C 07 D 413/14
C 07 D 403/14
C 07 D 407/14
C 07 D 413/06
C 07 D 471/04
- (10) AP 2017 13863 A (44) 8(468)/2017
(21) AP 2013 013863
(22) 2013 12 05
(24) 2013 12 05
(31) 61/740,596
(32) 2012 12 21
(33) US
(86) PCT/IB2013/060682, 2013 12 05
(73) PFIZER INC. (US)
235 East 42nd Street, New York,
NY 10017 (US)
(72) EDWARDS, Martin Paul (GB);
KUMPF, Robert Arnold (US);
KUNG, Pei-Pei (US);
MCALPINE, Indrawan James (US);

NINKOVIC, Sacha (CA);
RUI, Eugene Yuanjin (US);
SUTTON, Scott Channing (US);
TATLOCK, John Howard (US);
WYTHES, Martin James (GB);
ZEHNDER, Luke Raymond (US)

(74) Shalva Gvaramadze

(54) **ARYL AND HETEROARYL FUSED
LACTAMS**

UTILITY MODELS

PATENTED UTILITY MODEL

PART E

E 06

- (11) U 2017 1943 Y (51) Int. Cl. (2006)**
E 06 B 1/00
- (10) AU 2017 14183 U (44) 8(468)/2017
(21) AU 2016 014183
(22) 2016 06 17
(24) 2016 06 17
(73) Geronti Meskhi (GE)
Guramishvilis Gamz. 80, b. 42, 0141,
Tbilisi (GE)
(72) Geronti Meskhi (GE)
(54) **STEEL PROTECTIVE CASING FOR
PLASTIC DOOR FRAME BASE**
-

DESIGNS

APPLICATION APPROVED FOR REGISTRATIONS

The decision can be appealed at the Chamber of Appeal of Sakpatenti within 3 months from the publication or at the Mtskheta District Court Administrative Cases Board (Address: №17, Samkhedro str., Mtskheta), within 1 month following the publication.

- (10) **AD 2017 948 S** (51) **27-02**
(21) AD 2017 000948 (22) 2017 03 09
(28) 1
(71) Kakhaber Janiashvili (GE)
 Vazha-Pshavelas gamz. 8, b. 20, 0160, Tbilisi (GE);
 Ucha Nemsadze (GE)
 M. Asatianis q. 12, 0177, Tbilisi (GE)
(72) Kakhaber Janiashvili (GE);
 Ucha Nemsadze (GE)
(54) **TOBACCO SMOKING FACILITY**
(55)



1.6



1.7



DESIGN REGISTERED ACCORDING TO THE ACCELERATED PROCEDURE

The decision can be appealed at the Chamber of Appeal of Sakpatenti within 3 months from the publication.

- (11) **GE D 2017 719 S** (51) **32-00**
(21) AD 2017 969 (22) 2017 06 28
(24) 2017 06 28
(28) 1
(18) 2022 06 28
(73) LTD "PUSHKIN" (GE)
Botchormis q. 3, 0144, Tbilisi (GE)
(72) Tengiz Rzgo (RU)
(74) Aleksandre Kvernadze (GE)
(54) **GRAPHIC SYMBOL**
(55)



1.1

DESIGNS, WHICH HAVE BEEN REGISTERED WITH THE INTERNATIONAL BUREAU CLAIMING PRIORITY ON THE TERRITORY OF GEORGIA

The decision can be appealed at the Chamber of Appeal of Sakpatenti within 3 months from the publication or at the Mtskheta District Court Administrative Cases Board (Address: №17, Samkhedro Str., Mtskheta), within 1 month following the publication.

(11) DM/093660

(51) 10-07

(15) 2016 11 29

(45) 2017/21 (2017 06 02)

(22) 2016 11 29

(28) 1

(73) OMEGA SA (OMEGA AG) (OMEGA LTD.)

Jakob-Stämpfli-Strasse 96, CH-2502 Biel/Bienne (CH)

(85) CH

(86) CH

(87) CH

(88) CH

(89) CH

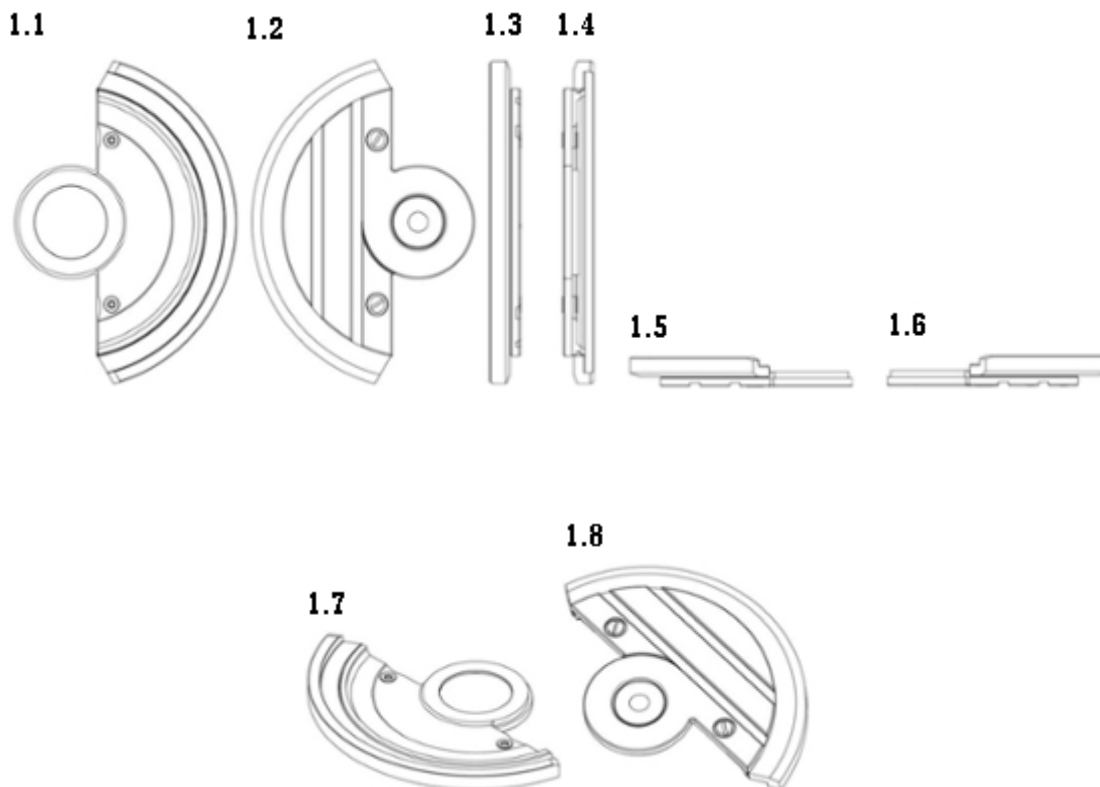
(81) II. BZ, MA III. AL, AM, AZ, BA, CH, EM, GE, KG, LI, MC, MD, ME, MK, MN, NO, OM, SG, TN, TR, UA

(72) Jean-Claude Monachon

Rue Alice-de-Chambrier 1, 2022 Bevaix, Suisse

(54) 1. Oscillating weight

(55)



(11) DM/096079

(51) 06-01

(15) 2017 04 04

(45) 2017/21 (2017 06 02)

(22) 2017 04 04

(28) 3

(73) PROSTORIA D.O.O.

Pustodol Zacretski 19 G, HR-49223 Sveti Kriz Zacretje (HR)

(85) –

(86) HR, EM

(87) –

(88) –

(89) HR

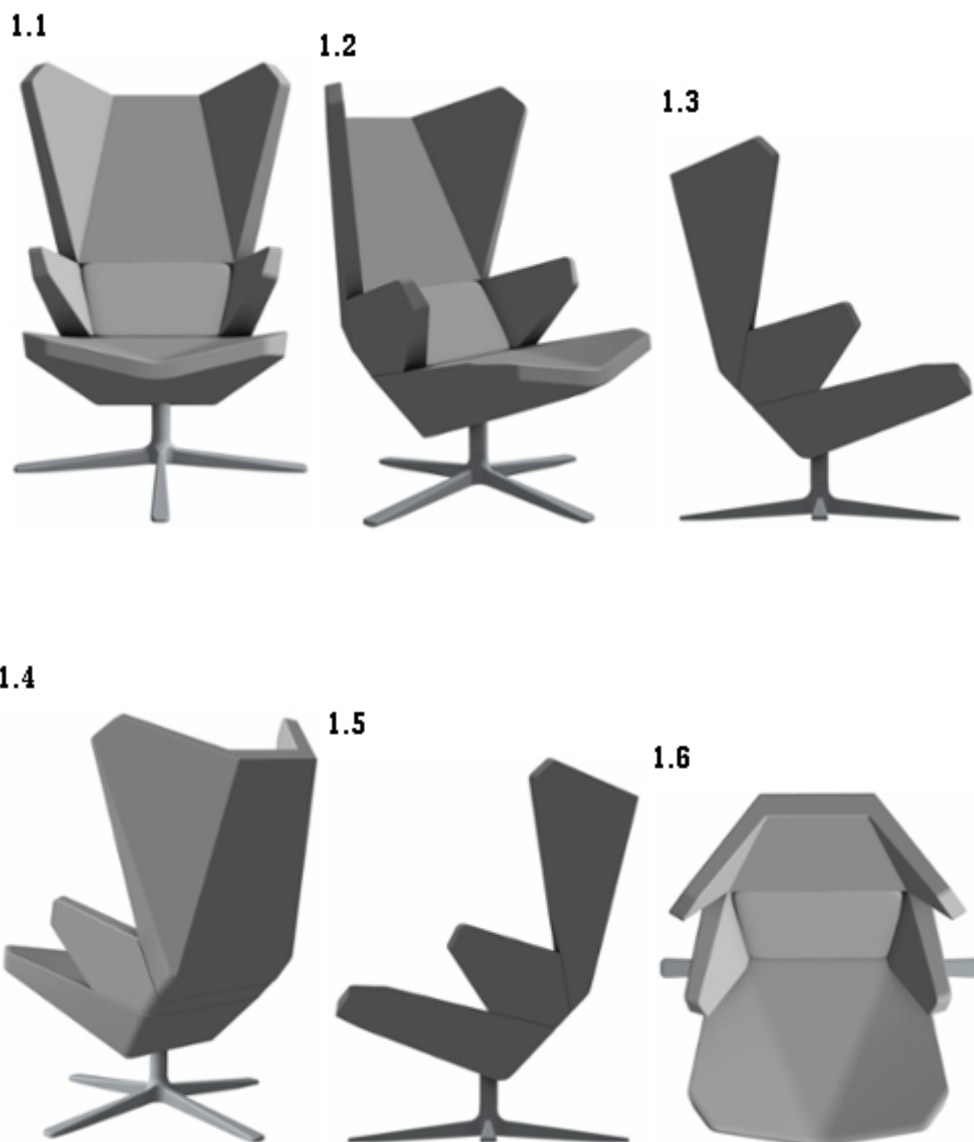
(81) IL, BZ, CI, GA, MA, NE, SN, SR III, AL, AM, AZ, BA, CH, EG, EM, GE, GH, IS, JP, KP, KR, LI, MC, MD, ME, MK, NA, NO, OA, OM, RS, SG, TN, TR, UA, US

(72) Sven Jonke

Trg Bana Jelacica 3, 10000 Zagreb, Croatia

(54) 1.-3. Armchairs

(55)



2.1



2.2



2.3



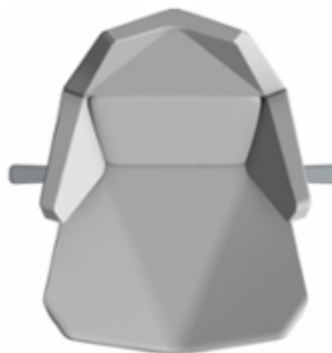
2.4



2.5



2.6



3.1

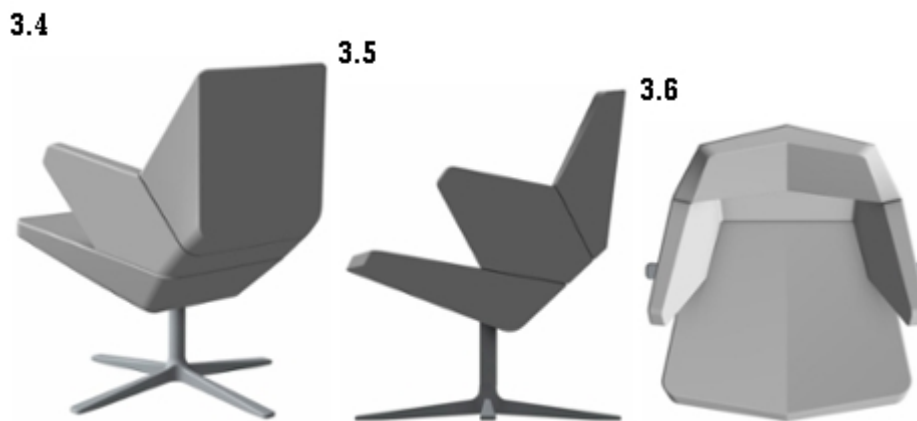


3.2

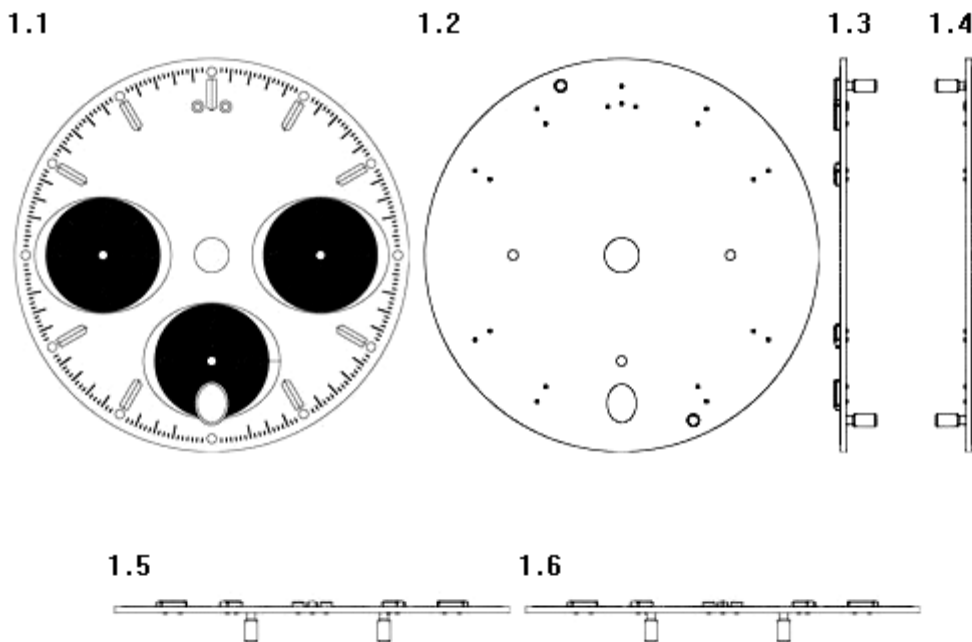


3.3

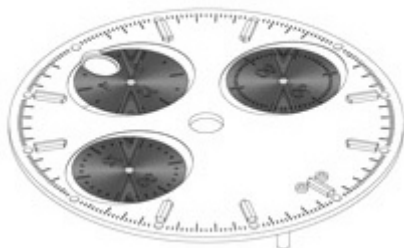




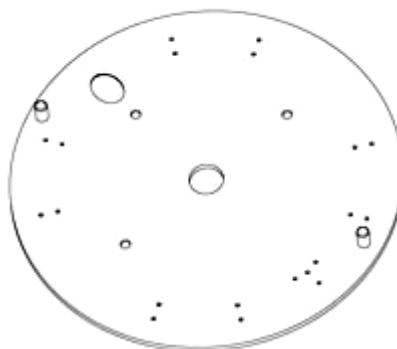
- (11) DM/093755 (51) 10-07
 (15) 2016 12 05 (45) 2017/22 (2017 06 09)
 (22) 2016 12 05
 (28) 4
 (73) OMEGA SA (OMEGA AG) (OMEGA LTD.)
 Jakob-Stämpfli-Strasse 96, CH-2502 Biel/Bienne (CH)
 (85) CH
 (86) CH
 (87) CH
 (88) CH
 (89) CH
 (81) II. BZ, MA III. AL, AM, AZ, BA, CH, EM, GE, KG, LI, MC, MD, ME, MK, MN, NO, OM, SG, TN,
 TR, UA
 (72) Jean-Claude Monachon
 Rue Alice-de-Chambrier 1, 2022 Bevaix, Suisse
 (54) 1.-2. Dials; 3.-4. Watch cases
 (55)



1.7



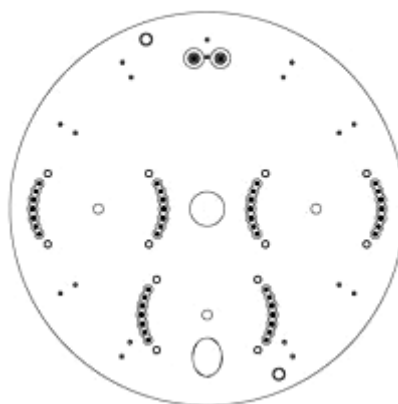
1.8



2.1



2.2



2.3



2.4



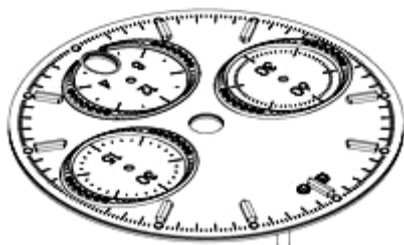
2.5



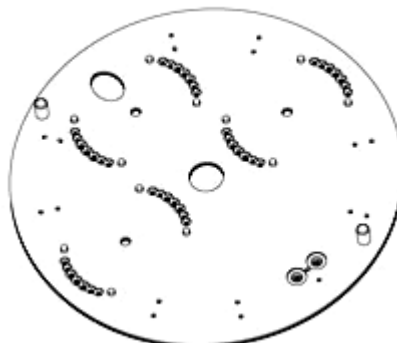
2.6



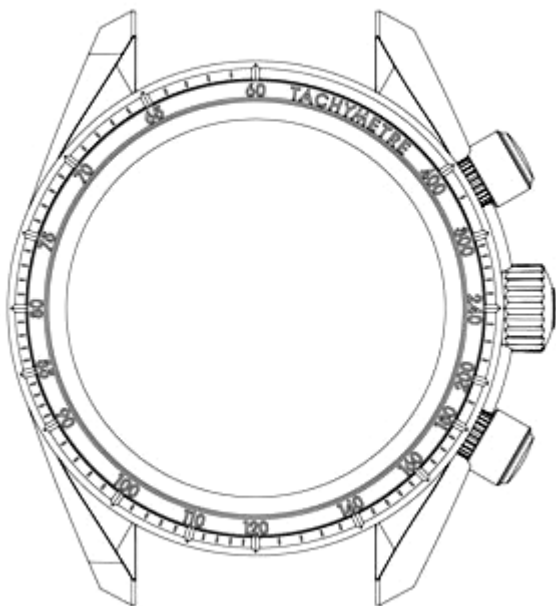
2.7



2.8



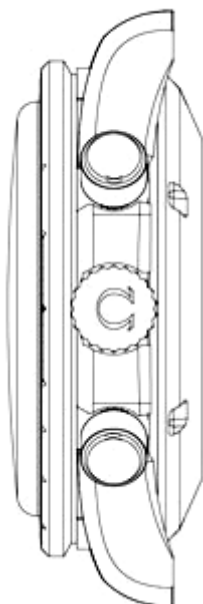
3.1



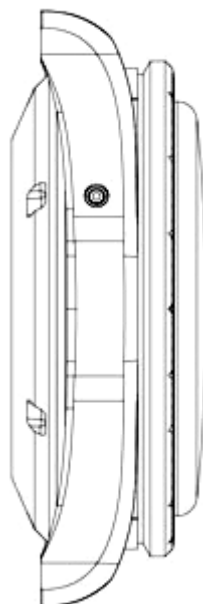
3.2



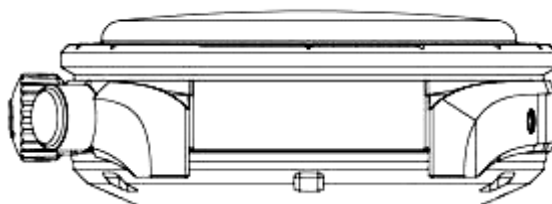
3.3



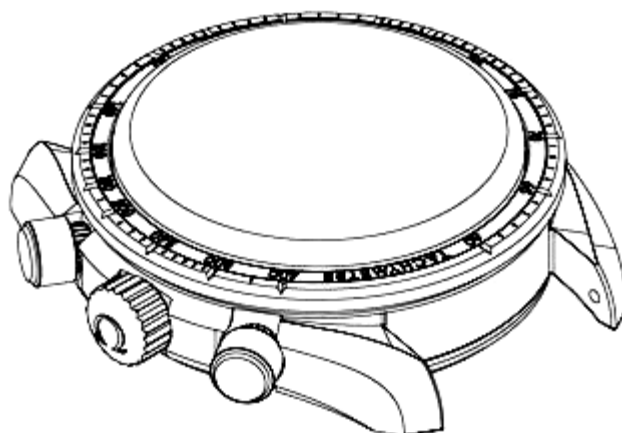
3.4



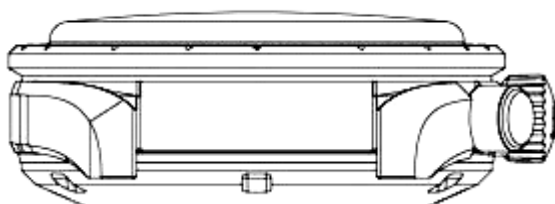
3.5



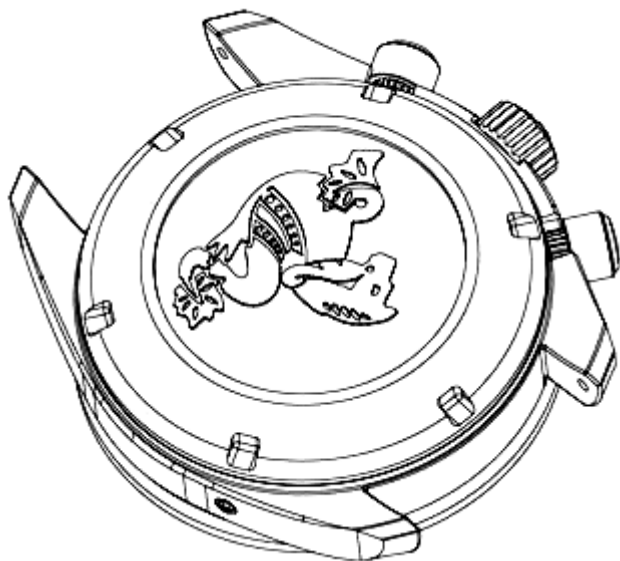
3.7



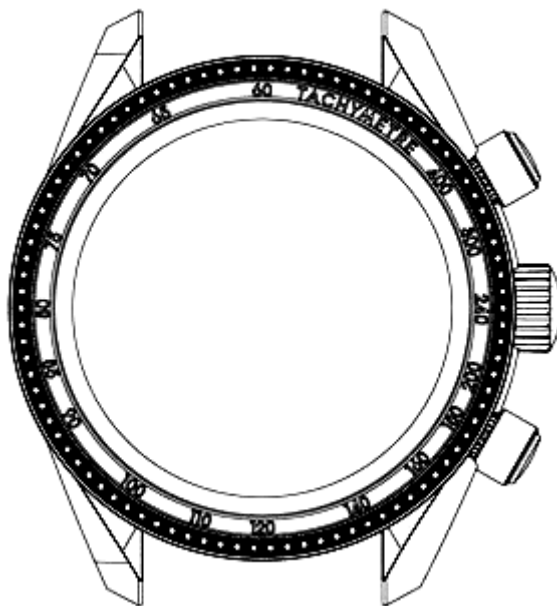
3.6



3.8



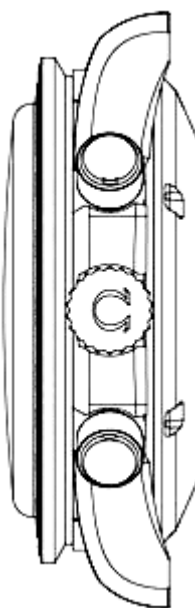
4.1



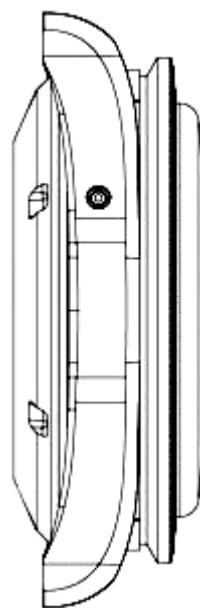
4.2



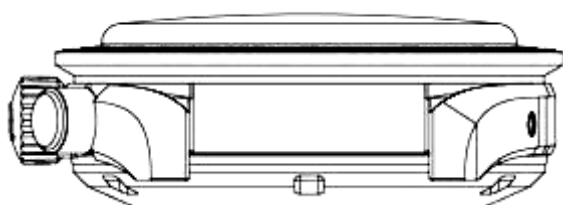
4.3



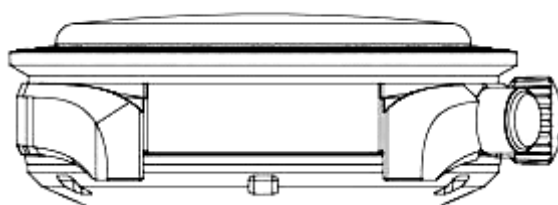
4.4



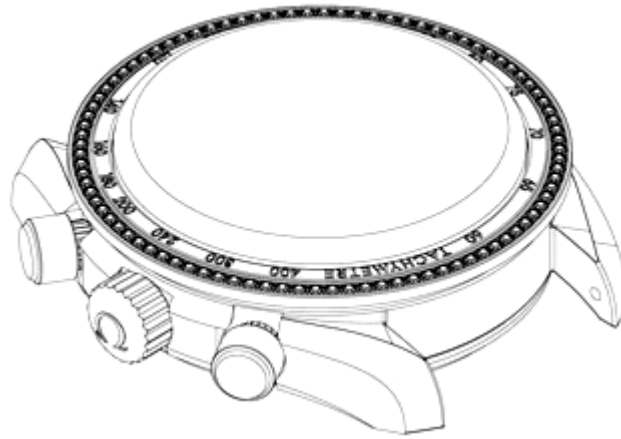
4.5



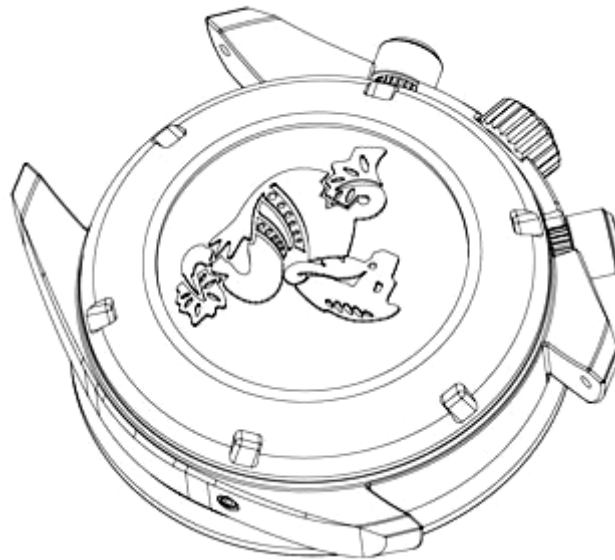
4.6



4.7



4.8



(11) DM/093771

(15) 2016 12 06

(22) 2016 12 06

(28) 2

(73) OMEGA SA (OMEGA AG) (OMEGA LTD.)

Jakob-Stämpfli-Strasse 96, CH-2502 Biel/Bienne (CH)

(85) CH

(86) CH

(87) CH

(88) CH

(89) CH

(81) IL, BZ, MA III, AL, AM, AZ, BA, CH, EM, GE, KG, LI, MC, MD, ME, MK, MN, NO, OM, SG, TN, TR, UA

(72) Jean-Claude Monachon

Rue Alice-de-Chambrier 1, 2022 Bevaix, Suisse

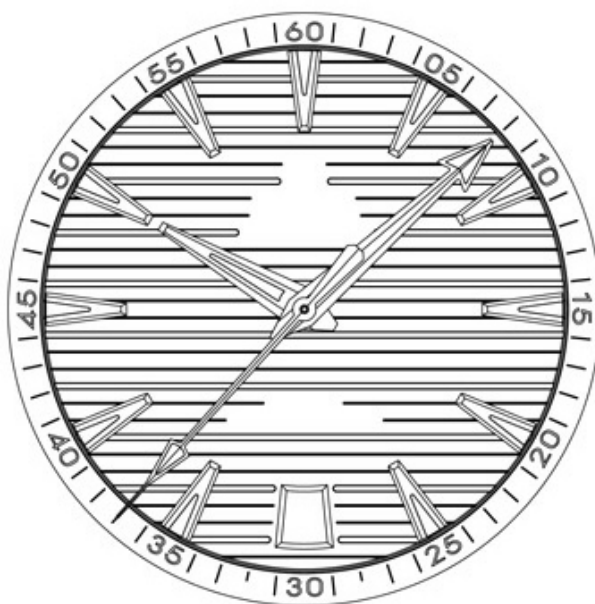
(54) 1. Dial; 2. Watch case

(55)

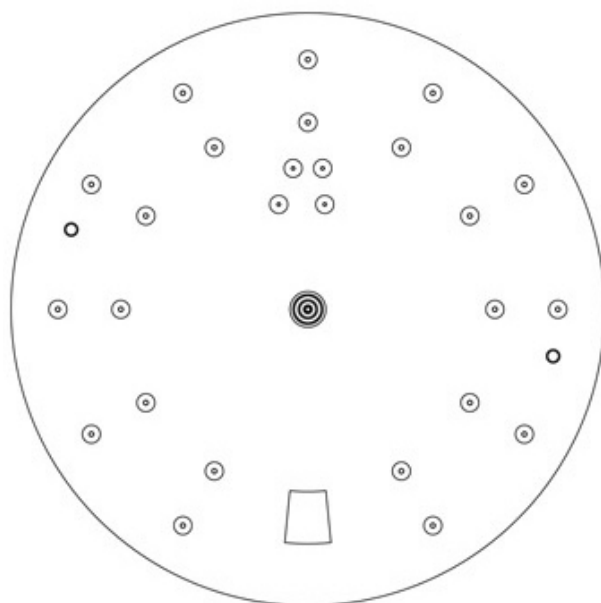
(51) 10-07

(45) 2017/22 (2017 06 09)

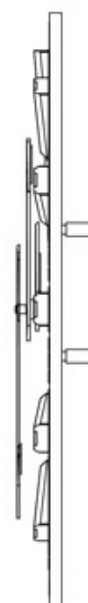
1.1



1.2



1.3



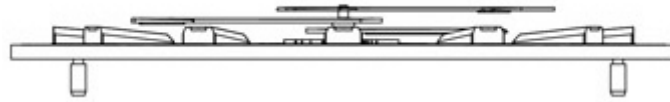
1.4



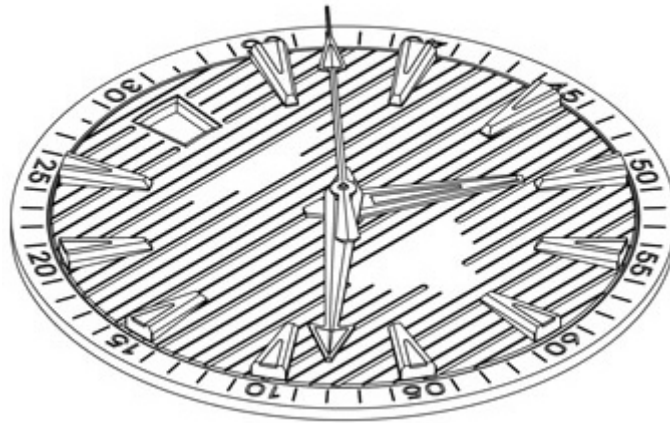
1.5



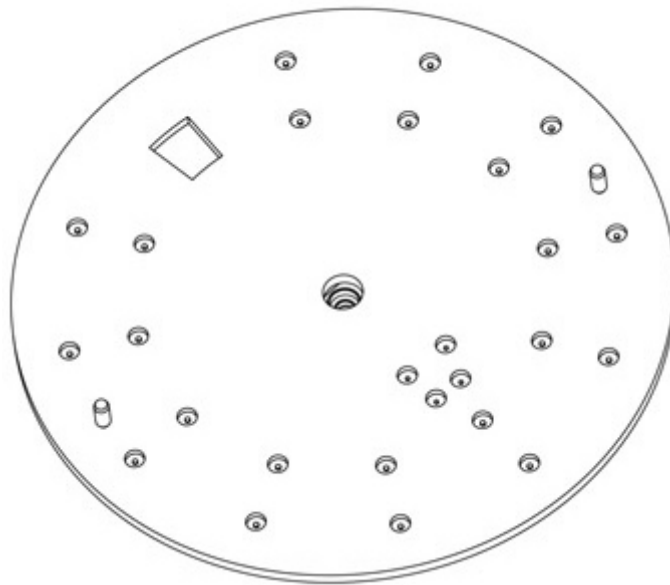
1.6



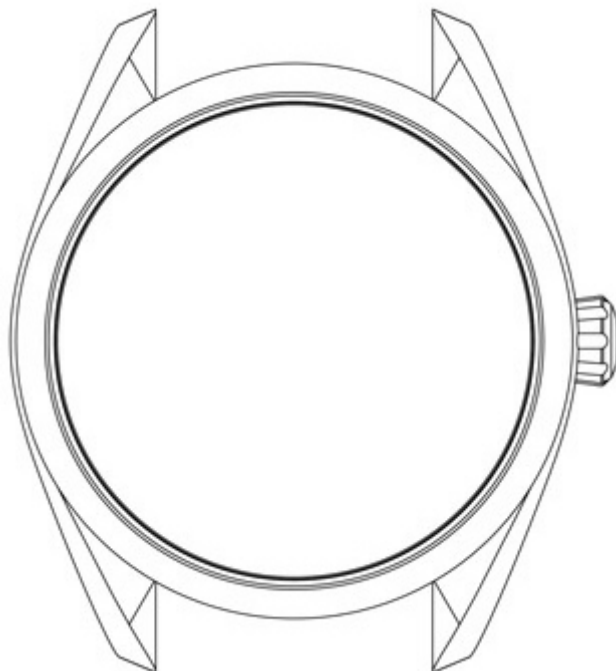
1.7



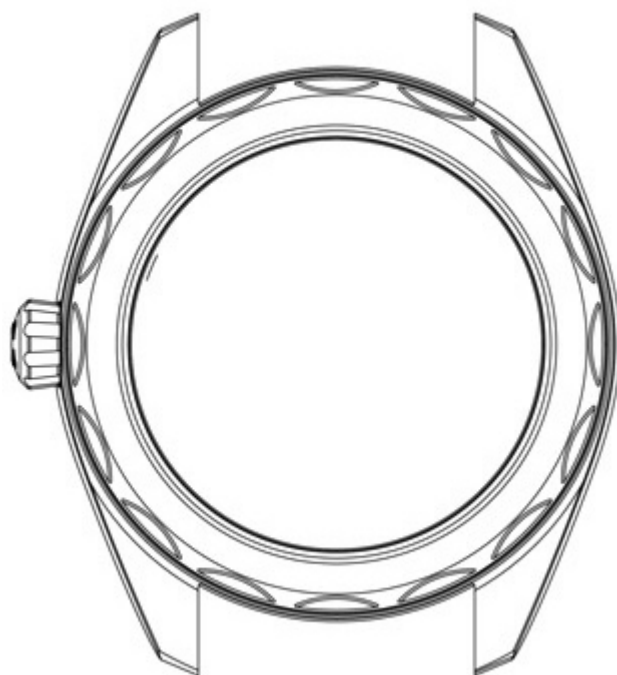
1.8



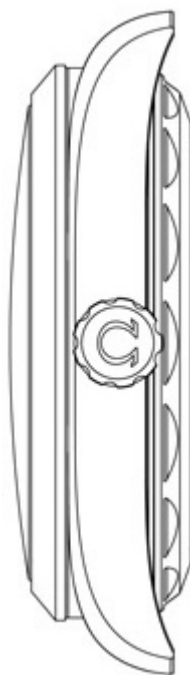
2.1



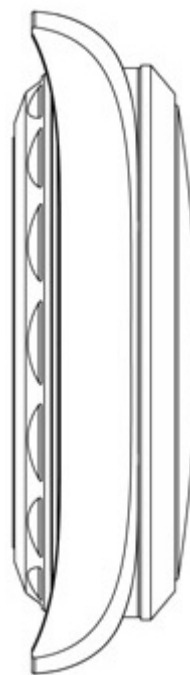
2.2



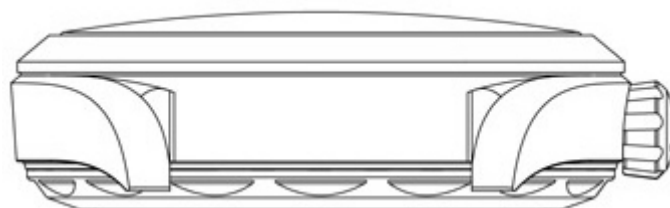
2.3



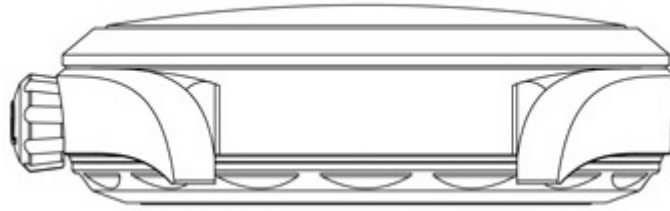
2.4



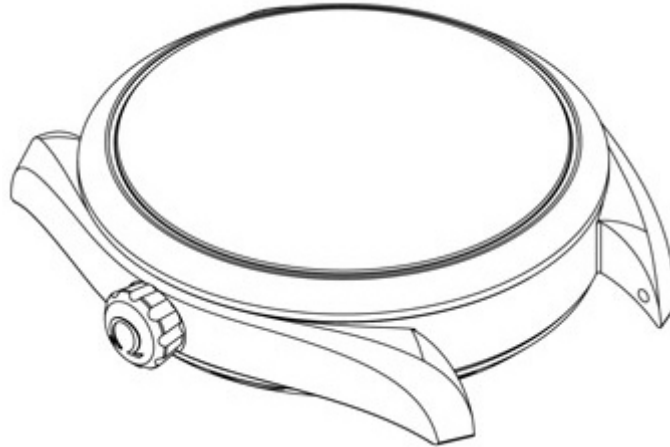
2.5



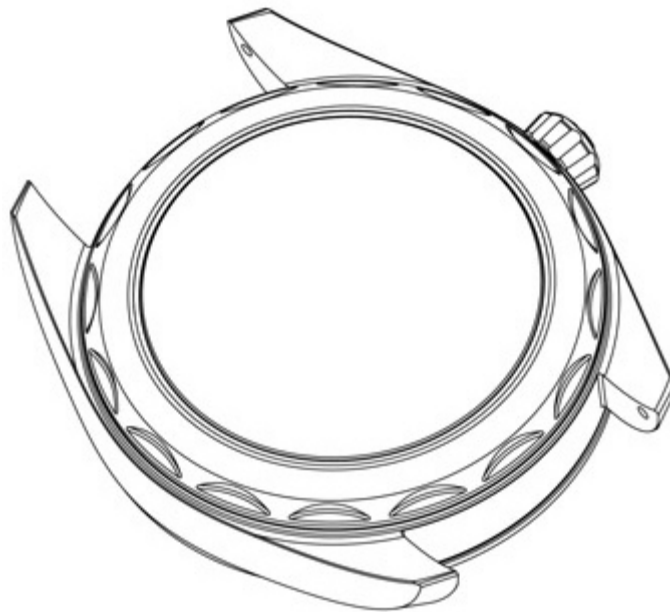
2.6



2.7



2.8



(11) DM/093845**(51) 10-07**

(15) 2016 12 09

(45) 2017/22 (2017 06 09)

(22) 2016 12 09

(28) 2

(73) MONTRES JAQUET DROZ SA (MONTRES JAQUET DROZ AG) (MONTRES JAQUET DROZ LTD)
Allée du Tourbillon 2, CH-2300 La Chaux-de-Fonds (CH)

(85) CH

(86) CH

(87) CH

(88) CH

(89) CH

(81) II. BZ, MA III. AL, AM, AZ, BA, CH, EM, GE, KG, LI, MC, MD, ME, MK, MN, NO, OM, SG, TN,
TR, UA

(72) Christian LATTMANN

Chemin de Château-Neuf 17, 1125 Monnaz, Suisse; Yann LEIGGENER, Avenue Léopold-Robert 11,
2300 La Chaux-de-Fonds, Suisse

(54) 1. Oscillating weight; 2. Dial

(55)

1.1**1.2****1.3****2.1****2.2**

(11) DM/096158

(51) 02-04

(15) 2017 05 17

(45) 2017/22 (2017 06 09)

(22) 2017 05 17

(28) 2

(73) VALENTINO S.P.A.

Via Turati, 16/18, I-20121 MILANO (IT)

(85) -

(86) EM, IT

(87) EM, IT

(88) EM, IT

(89) EM

(81) III. AZ, EM, GE, JP, KG, KR, TJ, TR, UA

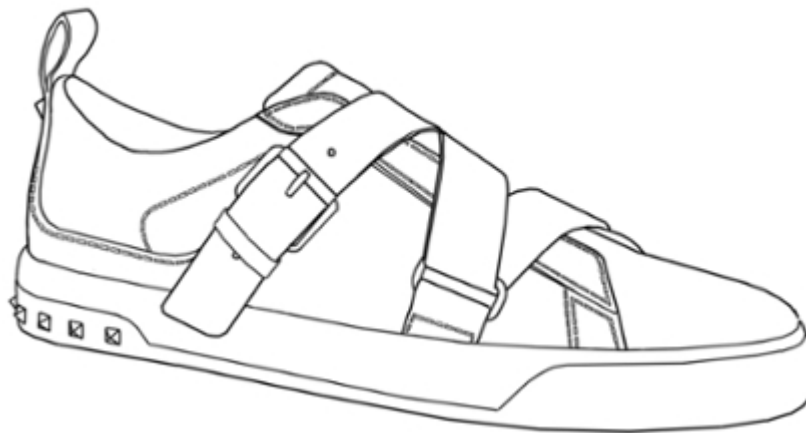
(72) SASSI Stefano

c/o VALENTINO S.p.A., Via Turati, 16/18, I-20121 Milano, Italy

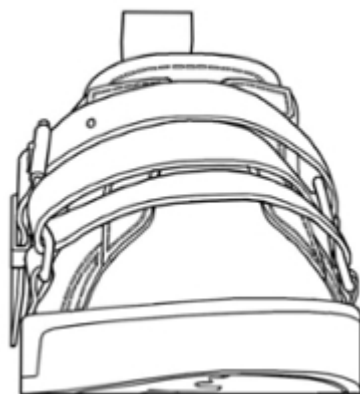
(54) 1.-2. Shoes

(55)

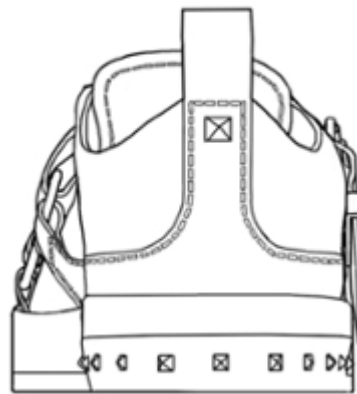
1.1



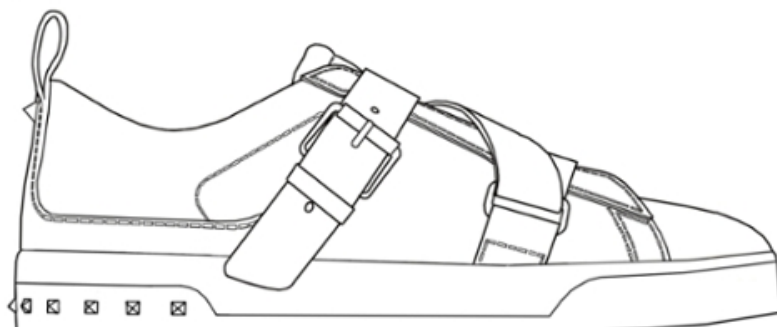
1.2



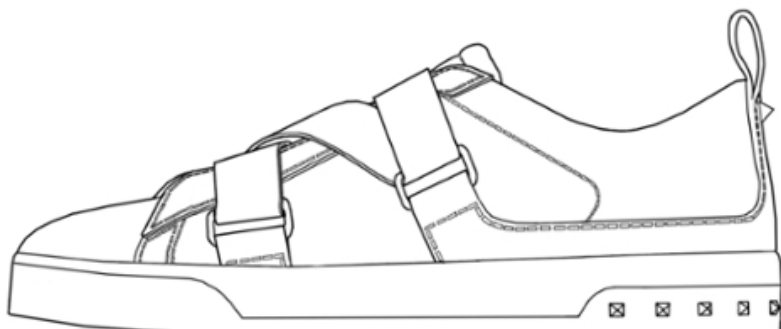
1.3



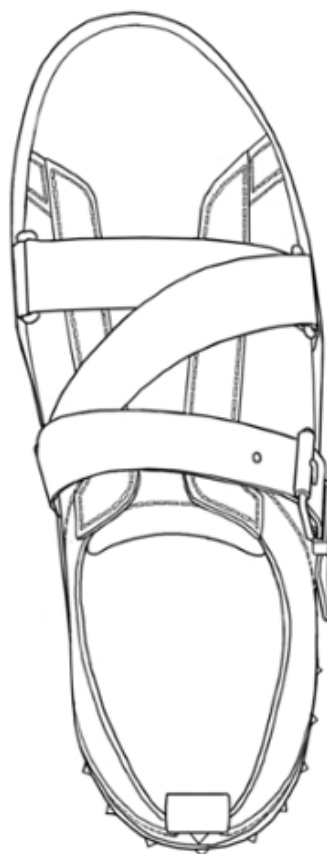
1.4



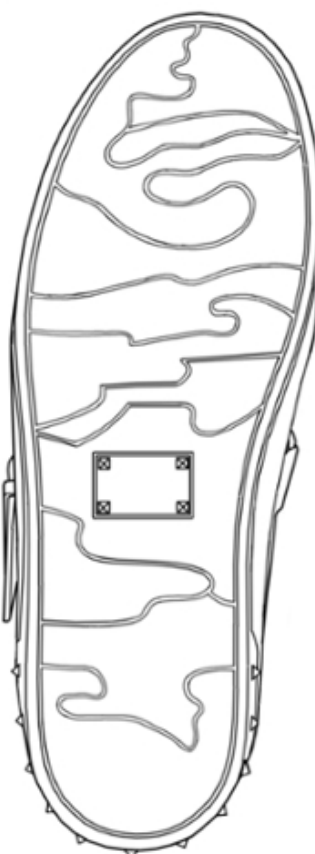
1.5



1.6



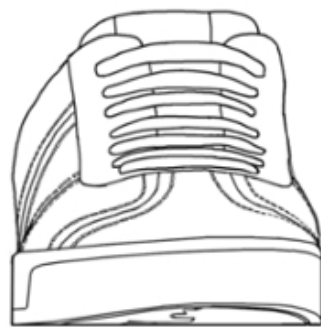
1.7



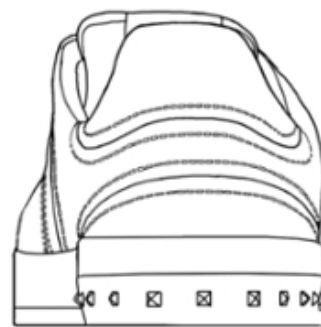
2.1



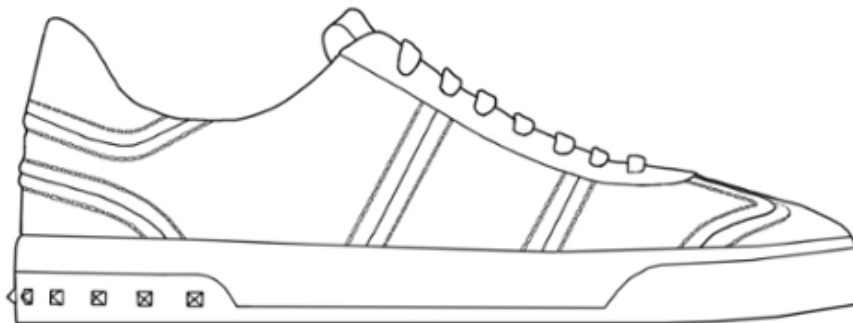
2.2



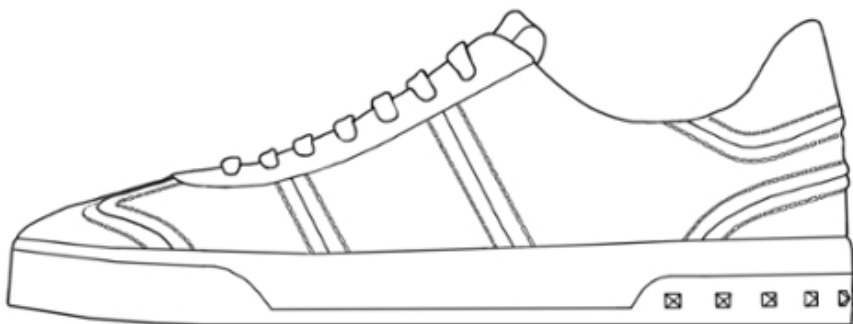
2.3



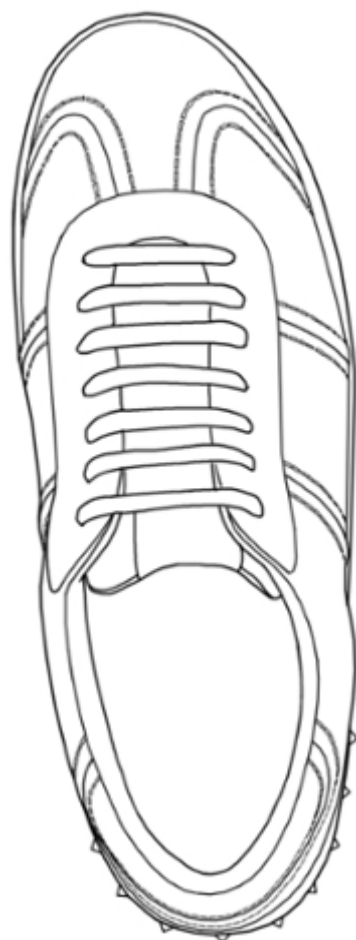
2.4



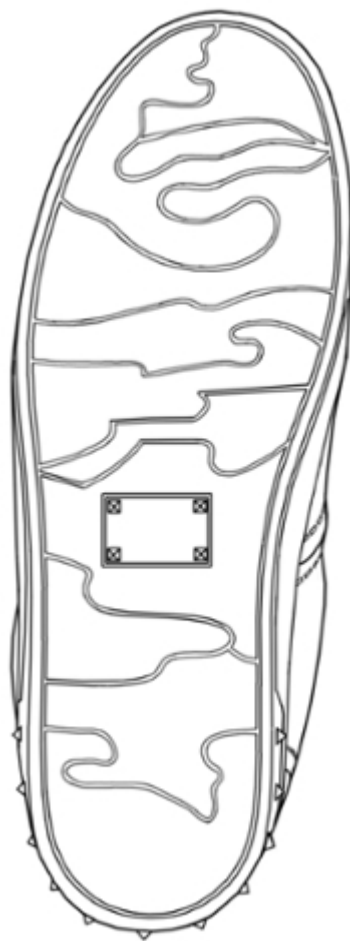
2.5



2.6



2.7



(11) DM/096230

(15) 2017 02 24

(22) 2017 02 24

(28) 2

(73) PEUGEOT CITROËN AUTOMOBILES SA

Route de Gisy, F-78140 VELIZY-VILLACOUBLAY (FR)

(85) FR, EM

(86) FR, EM

(87) FR, EM

(88) FR, EM

(89) FR

(81) II. BJ, BX, BZ, CI, GA, GR, IT, MA, ML, NE, SN, SR III. AL, AM, AZ, BA, BG, BN, BW, CH, DE, DK, EE, EG, ES, FI, FR, GE, GH, HR, HU, IS, JP, KG, KP, KR, LI, LT, LV, MC, MD, ME, MK, MN, NA, NO, OA, OM, PL, RO, RS, RW, SG, SI, ST, SY, TJ, TM, TN, TR, UA

(72) Jean-Pierre Ploué

Route de Gisy, 78140 VELIZY-VILLACOUBLAY, France

(54) 1.-2. Motor vehicles

(55)

(51) 12-08

(45) 2017/22 (2017 06 09)

1.1



1.2



1.3



1.4



2.1



2.2



2.3



(11) DM/096231

(15) 2017 02 24

(22) 2017 02 24

(28) 2

(73) PEUGEOT CITROËN AUTOMOBILES SA

Route de Gisy, F-78140 VELIZY-VILLACOUBLAY (FR)

(85) FR, EM

(86) FR, EM

(87) FR, EM

(88) FR, EM

(89) FR

(81) II. BJ, BX, BZ, CI, GA, GR, IT, MA, ML, NE, SN, SR III. AL, AM, AZ, BA, BG, BN, BW, CH, DE, DK, EE, EG, ES, FI, FR, GE, GH, HR, HU, IS, JP, KG, KP, KR, LI, LT, LV, MC, MD, ME, MK, MN, NA, NO, OA, OM, PL, RO, RS, RW, SG, SI, ST, SY, TJ, TM, TN, TR, UA

(72) Jean-Pierre Ploué

Route de Gisy, 78140 VELIZY-VILLACOUBLAY, France

(54) 1.-2. Motor vehicles

(55)

(51) 12-08

(45) 2017/22 (2017 06 09)

1.1



1.2



1.3



1.4



2.1



2.2



2.3



2.4



(11) DM/096236

(51) 26-06

(15) 2017 02 24

(45) 2017/22 (2017 06 09)

(22) 2017 02 24

(28) 4

(73) PEUGEOT CITROËN AUTOMOBILES SA

Route de Gisy, F-78140 VELIZY-VILLACOUBLAY (FR)

(85) FR, EM

(86) FR, EM

(87) FR, EM

(88) FR, EM

(89) FR

(81) II. BJ, BX, BZ, CI, GA, GR, IT, MA, ML, NE, SN, SR III. AL, AM, AZ, BA, BG, BN, BW, CH, DE, DK, EE, EG, ES, FI, FR, GE, GH, HR, HU, IS, JP, KG, KP, KR, LI, LT, LV, MC, MD, ME, MK, MN, NA, NO, OA, OM, PL, RO, RS, RW, SG, SI, ST, SY, TJ, TM, TN, TR, UA

(72) Jean-Pierre Ploué

Route de Gisy, 78140 VELIZY-VILLACOUBLAY, France

(54) 1.-2. Taillights for motor vehicles; 3.-4. Vehicle headlights

(55)



3.2



4.1



4.2



TRADEMARKS

APPLICATIONS FILED UNDER THE NATIONAL PROCEDURE APPROVED FOR REGISTRATION

The decision can be appealed at the Chamber of Appeal of Sakpatenti within 3 months from the publication or at the Mtskheta District Court Administrative Cases Board (Address: №17, Samkhedro St., Mtskheta), within 1 month following the publication.

(260) AM 2017 87070 A

(210) AM 87070

(220) 2016 04 19

(731) LTD "IVERIA GROUP"

Republic Square, Old Tbilisi, 0108, Tbilisi,
Georgia

(540)



(591) Golden, black

(531) 03.04.11, 03.04.13, 22.05.19, 27.05.22,
29.01.12

(526) The trademark is protected as a whole.
"IVERIA" shall not be subject to independent legal
protection.

(511) 41, 43

(260) AM 2017 87071 A

(210) AM 87071

(220) 2016 04 19

(731) LTD "IVERIA GROUP"

Republic Square, Old Tbilisi, 0108, Tbilisi,
Georgia

(540)



(591) Grey, light green, black

(531) 26.11.12, 27.05.10, 28.19, 29.01.13

(526) The trademark is protected as a whole.
"IVERIA" shall not be subject to independent legal
protection.

(511) 35

(260) AM 2017 87072 A

(210) AM 87072

(220) 2016 04 19

(731) LTD "IVERIA GROUP"

Republic Square, Old Tbilisi, 0108, Tbilisi,
Georgia

(540)



(591) Yellow, green, sky-blue, blue

(531) 01.03.01, 26.11.08, 26.11.13, 27.05.10,
27.05.11, 29.01.13

(526) The trademark is protected as a whole.
"IVERIA" shall not be subject to independent legal
protection.

(511) 43

(260) AM 2017 87074 A

(210) AM 87074

(220) 2016 04 19

(731) LTD "IVERIA GROUP"

Republic Square, Old Tbilisi, 0108, Tbilisi,
Georgia

(540)



(591) Blue, sky-blue, black
 (531) 26.11.12, 27.05.10, 28.19, 29.01.13
 (526) The trademark is protected as a whole.
 "IVERIA" shall not be subject to independent legal
 protection.
 (511) 43

(260) AM 2017 87080 A
 (210) AM 87080
 (220) 2016 04 20
 (731) LTD "IVERIA GROUP"
 Republic Square, Old Tbilisi, 0108, Tbilisi,
 Georgia
 (540)

Club **IVERIA**

(591) Grey, golden
 (531) 27.05.01, 27.05.17, 29.01.12
 (526) The trademark is protected as a whole.
 "IVERIA" shall not be subject to independent legal
 protection.
 (511) 35, 39

(260) AM 2017 87488 A
 (210) AM 87488
 (220) 2016 06 02
 (731) LTD "INVINO"
 M. Lebanidzis q. 17, Tbilisi, Georgia
 (540)

საკვარელო
Sakvarelo
Сакварело

(511) 29, 33

(260) AM 2017 87801* A
 (210) AM 87801
 (220) 2016 07 01
 (731) Grund & Mobil Verwaltungs AG
 Untermüli 7, Postfach 4440, CH-6304 Zug,
 Switzerland
 (740) Tamaz Shilakadze
 (540)

RIEDEL

(511) 21

(260) AM 2017 88769 A
 (210) AM 88769
 (220) 2016 09 29
 (731) LTD "VILASET"
 Ts. Dadianis q. 87, 0101, Tbilisi, Georgia

(540)

ქართლის მარანი

(526) The trademark is protected as a whole.
 "ქართლო" shall not be subject to independent legal
 protection.
 (511) 43

(260) AM 2017 89207 A
 (210) AM 89207
 (220) 2016 05 05
 (731) LTD "ZHORZHOLIANI TRADING"
 Nutsubidzis II m/r, I kvart., korp. 6,
 b. 6, 0183, Tbilisi, Georgia
 (540)

ეღეგი
 #THESIGNATUREHOMEGROWN

(591) Red, blue
 (531) 29.01.13, 28.19
 (511) 29, 30, 31, 33, 35, 43

(260) AM 2017 89321 A
 (210) AM 89321
 (220) 2016 11 06
 (731) LTD "SOLO PALACE"
 I. Chavchavadzis gamz. 2/2, b. 54, Tbilisi,
 Georgia
 (740) Shota Metreveli
 (540)

Gallery Palace
გალერეი პალასი

(526) Unprotected part of the words – "Gallery" and
 "Palace", according to "Galer" and "Palae", trade-
 mark protection must be extended to the words com-
 bined in unity – Latin alphabet – "Gallery Palace"
 and Georgian writer "Galerie Palace".
 (511) 43

(260) AM 2017 89340 A
 (210) AM 89340
 (220) 2016 11 08
 (731) LTD "MONASTERY GIFT"
 Sop. Ude, 0308, Adigenis r-ni, Georgia
 (540)

მონასტრის ნობათი

(511) 29, 35

(260) AM 2017 89456 A
 (210) AM 89456
 (220) 2016 11 15

(310) 015540735
 (320) 2016 06 14
 (330) EUIPO
 (731) British American Tobacco (Brands) Inc.
 (a Delaware corporation)
 2711 Centerville Road, Suite 300,
 Wilmington, Delaware 19808, USA
 (740) Tamar Kochlamazashvili
 (540)



(591) Black, white
 (531) 26.11.09
 (511) 34

(260) AM 2017 89457 A
 (210) AM 89457
 (220) 2016 11 15
 (310) 15486145
 (320) 2016 05 27
 (330) EUIPO
 (731) British American Tobacco (Brands) Inc.
 (a Delaware corporation)
 2711 Centerville Road, Suite 300,
 Wilmington, Delaware 19808, USA
 (740) Tamar Kochlamazashvili
 (540)



(591) Sky-blue, blue, white
 (531) 01.15.09, 26.11.09, 29.01.13
 (511) 34

(260) AM 2017 89599 A
 (210) AM 89599
 (220) 2016 11 22
 (731) LTD "KAKHETIAN TRADITIONAL
 WINEMAKING"
 S. Tsintsadzis q. 12, Arasackhovrebeli parti
 3-6, sart. 3, 0160, Tbilisi, Georgia
 (740) Ekaterine Gogoladze

(540)



(591) Bordeaux, white, cream, green, brown,
 red, terracota, orange, hemp, light cream,
 black, light red
 (531) 02.01.18, 25.01.19, 26.01.02, 26.01.24,
 27.05.24, 29.01.15
 (526) The trademark is protected as a whole.
 "PATARDZEULI" shall not be subject to
 independent legal protection.
 (511) 33

(260) AM 2017 89603 A
 (210) AM 89603
 (220) 2016 11 22
 (731) LTD "KAKHETIAN TRADITIONAL
 WINEMAKING"
 S. Tsintsadzis q. 12, Arasackhovrebeli parti
 3-6, sart. 3, 0160, Tbilisi, Georgi
 (740) Ekaterine Gogoladze
 (540)



(591) Hemp, Bordeaux, light brick-red,
 red, black, yellow, green, dark blue,
 orange, sky-blue, brown
 (531) 02.01.18, 25.01.19, 26.01.02, 26.01.20,
 27.05.24, 29.01.15

(526) The trademark is protected as a whole.
"PATARDZEULI" shall not be subject to
independent legal protection.
(511) 33

(591) Blue, sky-blue, white
(531) 25.07.03, 25.07.04, 26.04.09, 27.05.17, 28.19,
29.01.14
(511) 37

(260) AM 2017 89615 A
(210) AM 89615
(220) 2016 11 24
(731) JSC "INSURNCE COMPANY TAO"
Pushkinis q. 3, Old Tbilisi, 0105, Tbilisi,
Georgia
(740) Gorad Surguladze
(540)

(260) AM 2017 89814 A
(210) AM 89814
(220) 2016 12 06
(731) Tinatin Aladashvili
Nutsubidzis II m/r, kvart. IV, korp. 3,
b. 51, 0183, Tbilisi, Georgia
(740) Tinatin Aladashvili
(540)



(591) Green and black
(531) 26.13.25, 29.01.12
(511) 36



(591) Black, blue, silver, white
(531) 02.03.08, 26.01.14, 27.05.24, 28.19,
29.01.14
(511) 41, 43

(260) AM 2017 89673 A
(210) AM 89673
(220) 2016 11 29
(731) HIGER BUS COMPANY LIMITED
288 Suhong East Road, Suzhou Industrial
Park, Suzhou, Jiangsu Province,
China (CN)
(740) Merab Kvimsadze
(540)

(260) AM 2017 89824 A
(210) AM 89824
(220) 2016 12 06
(731) LTD "ALTER SOCKS"
I. Abashidzis q. 22, b. 19, 0179, Tbilisi,
Georgia
(540)

HIBUS

(591) Black-white
(531) 27.05.17
(511) 12, 37

ALTER SOCKS

(591) Black-white
(531) 03.07.17, 26.03.23, 27.05.05
(511) 25, 35

(260) AM 2017 89791 A
(210) AM 89791
(220) 2016 12 05
(731) LTD "JD BUSINESS GROUP"
Dighmis mas., VI l'vart., korp. 11 b. 57,
Tbilisi, Georgia
(740) Kakha Chkonia
(540)

(260) AM 2017 89880 A
(210) AM 89880
(220) 2016 12 08
(310) 070796
(320) 2016 08 29
(330) JM
(731) Western Digital Technologies, Inc.
Delaware corporation, 3355 Michelson Drive,
Suite 100, Irvine California 92612, USA
(740) Tamar Kochlamazashvili
(540)



PRECISIVE

(511) 9, 42

(260) AM 2017 89884 A
 (210) AM 89884
 (220) 2016 12 09
 (310) 40-2016-0102601
 (320) 2016 11 22
 (330) KR
 (731) CELLTRION, INC.
 Principal Business Place: 23, Academy-ro,
 Yeonsu-gu, Incheon, Republic of Korea
 (740) Shalva Gvaramadze
 (540)

Труксима

(591) Black-white
 (531) 28.05
 (511) 5

(260) AM 2017 89981 A
 (210) AM 89981
 (220) 2016 12 14
 (731) Universal City Studios LLC
 100 Universal City Plaza, Universal City,
 California 91608, USA
 (740) Shalva Gvaramadze
 (540)

UNIVERSAL

(511) 38

(260) AM 2017 89982 A
 (210) AM 89982
 (220) 2016 12 14
 (731) NBC Universal Media, LLC
 30 Rockefeller Plaza, New York,
 10112, USA
 (740) Shalva Gvaramadze
 (540)

NBC

(511) 9, 38, 41

(260) AM 2017 89983 A
 (210) AM 89983
 (220) 2016 12 14
 (731) NBC Universal Media, LLC
 30 Rockefeller Plaza, New York,
 10112, USA
 (740) Shalva Gvaramadze
 (540)



(591) Black-white
 (531) 10.03.07
 (511) 9, 38, 41

(260) AM 2017 89988 A
 (210) AM 89988
 (220) 2016 12 15
 (731) LTD "SIBEL"
 Gldanis Khevi, korp. 2, b. 23, Tbilisi,
 Georgia
 (740) Lasha Bolkvadze
 (540)

SIBEL PLASTIC

სიბელ პლასტიკი

(511) 19

(260) AM 2017 89991 A
 (210) AM 89991
 (220) 2016 12 15
 (731) LTD "DELUX GROUP"
 Ts. Dadianis q. 34, korp. 3, b. 34, 0180,
 Tbilisi, Georgia
 (540)



(591) Red, blue, green and white
 (531) 04.01.02, 26.01.02, 26.01.20, 27.05.03,
 29.01.14
 (511) 16

(260) AM 2017 89992 A
 (210) AM 89992
 (220) 2016 12 15
 (731) CJSC "TECHNONIKOL"
 Krimskiy Val 8, 119049, Moscow,
 Russian Federation
 (740) Shalva Gvaramadze
 (540)

ECOBASE

ЭКОБЕЙЗ

(591) Black-white
 (531) 27.05.05, 28.05
 (511) 17, 19, 37

(260) AM 2017 89993 A
 (210) AM 89993
 (220) 2016 12 15
 (731) CJSC "TECHNONIKOL"
 Krimskiy Val 8, 119049, Moscow,
 Russian Federation
 (740) Shalva Gvaramadze
 (540)

LOGICBASE
ЛОДЖИКБЕЙЗ

(591) Black-white
 (531) 27.05.05, 28.05
 (511) 17, 19, 37

(260) AM 2017 89994 A
 (210) AM 89994
 (220) 2016 12 15
 (731) PETRU ATMAN
 2060 Ul Belgrad 60A, Kishinev, Moldova
 Republic
 (740) Shalva Gvaramadze
 (540)

Кинтаური
Kintauri
კინტაური

(591) Black-white
 (531) 27.05.01, 28.05, 28.19
 (511) 33

(260) AM 2017 89998 A
 (210) AM 89998
 (220) 2016 12 15
 (731) CJSC "DOMINANTA-SERVICE"
 Ul. Komsomolskaya, d. 1, Podolsk,
 142100, Moskovskaya Oblast,
 Russian Federation
 (740) Nino Bakhtadze
 (540)

КРЯ КРЯ

(511) 3, 5, 35

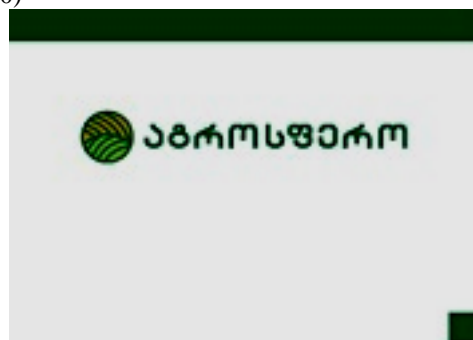
(260) AM 2017 90006 A
 (210) AM 90006
 (220) 2016 12 16
 (731) LTD "MODEL HOUSE MATERIA"
 Leselidzis q. 22, Tbilisi, Georgia

(740) Natia Gogadze
 (540)



(591) Black, gree, cream
 (531) 26.11.07, 26.11.09, 27.05.17, 27.05.21,
 27.05.24, 28.19, 29.01.13
 (511) 25, 35

(260) AM 2017 90011 A
 (210) AM 90011
 (220) 2016 12 19
 (731) LTD "NOBLEX"
 Shanidzis q. 8, 0179, Tbilisi, Georgia
 (740) Mikheil Gagunashvili
 (540)



(591) Green, orange
 (531) 26.01.12, 26.04.01, 26.11.08, 29.01.12
 (511) 35

(260) AM 2017 90031 A
 (210) AM 90031
 (220) 2016 12 20
 (731) LTD "EUROPHARMA GEORGIA"
 Machabelis q. 5, 0114, Tbilisi,
 Georgia
 (740) Nia Masiukovich
 (540)

კრილომაქსი
КрилоМакс
KriloMax

(511) 5, 35

(260) AM 2017 90033 A
 (210) AM 90033
 (220) 2016 12 20
 (731) LTD "EUROPHARMA GEORGIA"
 Machabelis q. 5, 0114, Tbilisi, Georgia
 (740) Nia Masiukovich
 (540)

ნორმოფოლი
НормоФол
NormoFol

(511) 5, 35

(260) AM 2017 90038 A
 (210) AM 90038
 (220) 2016 12 21
 (731) LTD "IVERCO"
 T. Tabidzis q. I shes. 10, Vake-Saburtalos
 r-ni, Tbilisi, Georgia
 (740) Salome Jeladze
 (540)

ივერკო
IVERCO

(511) 35

(260) AM 2017 90039 A
 (210) AM 90039
 (220) 2016 12 21
 (731) LTD "IVERCO"
 T. Tabidzis q. I shes. 10, Vake-Saburtalos
 r-ni, Tbilisi, Georgia
 (740) Salome Jeladze
 (540)



(591) Golden, black
 (531) 03.07.24, 29.01.12
 (511) 35

(260) AM 2017 90048 A
 (210) AM 90048
 (220) 2016 12 22
 (731) Levan Tsaguria
 Sop. Shalauri, Telavis r-ni, Georgia
 (740) Levan Tsaguria

(540)



(591) Yellow, black and white
 (531) 24.09.09, 26.01.18, 26.01.21, 27.05.21,
 29.01.12
 (526) "Artisan Cheese"
 (511) 29

(260) AM 2017 90051 A
 (210) AM 90051
 (220) 2016 12 22
 (731) JSC "I ARSI"
 M. Mamardashvili q. 54, Didube-Chughu-
 retis r-ni, Tbilisi, Georgia
 (740) Salome Jeladze
 (540)



(591) Yellow, black
 (531) 01.15.21, 16.01.11, 26.11.12, 26.04.18,
 27.05.23, 29.01.12
 (511) 9

(260) AM 2017 90052 A
 (210) AM 90052
 (220) 2016 12 22
 (731) JSC "I ARSI"
 M. Mamardashvili q. 54, Didube-Chughu-
 retis r-ni, Tbilisi, Georgia
 (740) Salome Jeladze
 (540)

YP.GE

(511) 9, 35

(260) AM 2017 90053 A
 (210) AM 90053
 (220) 2016 12 22
 (731) JSC "I ARSI"
 M. Mamardashvili q. 54, Didube-Chughu-
 retis r-ni, Tbilisi, Georgia
 (740) Salome Jeladze

(540)

i-SOUND.GE

(511) 9, 35

(260) AM 2017 90097 A

(210) AM 90097

(220) 2016 12 23

(731) Indevco Limited

Akara Bldg., 24 De Castro Street,
Wickhams Cay 1, Road Town, Tortola,
British Virgin Islands, GB

(740) Giorgi Taktakishvili

(540)

The word "Happies" is written in a bold, rounded, sans-serif font with a thick outline.

(591) White, grey, black

(531) 27.05.02

(511) 3, 5, 16

(260) AM 2017 90099 A

(210) AM 90099

(220) 2016 12 23

(731) Indevco Limited

Akara Bldg., 24 De Castro Street,
Wickhams Cay 1, Road Town, Tortola,
British Virgin Islands, GB

(740) Giorgi Taktakishvili

(540)

The word "private" is written in a lowercase, italicized, serif font. A small butterfly icon is positioned above the letter 'i'.

(591) Black-white

(531) 03.13.01, 27.05.07

(511) 3, 5, 16

(260) AM 2017 90100 A

(210) AM 90100

(220) 2016 12 23

(731) Indevco Limited

Akara Bldg., 24 De Castro Street,
Wickhams Cay 1, Road Town, Tortola,
British Virgin Islands, GB

(740) Giorgi Taktakishvili

(540)

The word "Freshdays" is written in a cursive, script font. A small butterfly icon is positioned above the letter 'd'.

(591) Black-white

(531) 26.11.13, 27.05.19

(511) 3, 5

(260) AM 2017 90101 A

(210) AM 90101

(220) 2016 12 23

(731) Indevco Limited

Akara Bldg., 24 De Castro Street,
Wickhams Cay 1, Road Town, Tortola,
British Virgin Islands, GB

(740) Giorgi Taktakishvili

(540)

The word "Bouquet" is written in a cursive, script font. A small butterfly icon is positioned above the letter 't'.

(591) Black-white

(531) 05.05.20, 26.04.22, 26.04.24, 27.05.08,
27.05.24

(511) 3, 16

(260) AM 2017 90104 A

(210) AM 90104

(220) 2016 12 23

(731) Indevco Limited

Akara Bldg., 24 De Castro Street,
Wickhams Cay 1, Road Town, Tortola,
British Virgin Islands, GB

(740) Giorgi Taktakishvili

(540)

The word "Gipoy" is written in a bold, stylized, sans-serif font. A small butterfly icon is positioned above the letter 'i'.

(591) Black-white

(531) 09.07.17, 27.05.08

(511) 3, 16

(260) AM 2017 90105 A

(210) AM 90105

(220) 2016 12 23

(731) Indevco Limited

Akara Bldg., 24 De Castro Street,
Wickhams Cay 1, Road Town, Tortola,
British Virgin Islands, GB

(740) Giorgi Taktakishvili

(540)



(591) Black-white
(531) 02.05.01, 27.03.02
(511) 3,5

(260) AM 2017 90120 A
(210) AM 90120
(220) 2016 12 26
(731) Carabao Tawandang Company Limited
393 Silom Building, 7th-10th Floor,
393 Silom Road, Silom, Bangrak, Bangkok
10500, Thailand
(740) Tamaz Shilakadze
(540)



(591) Black, white, yellow, red
(531) 01.03.08, 01.15.07, 03.04.13, 03.07.16,
26.01.15, 27.05.02, 29.01.14
(511) 29, 30, 32, 33, 43

(260) AM 2017 90121 A
(210) AM 90121
(220) 2016 12 26
(731) Viriyapattana Company Limited
Sukhumvit Road, Bangna, Bangkok,
10260, Thailand
(740) Tamaz Shilakadze
(540)



(591) Black-white
(531) 26.04.24, 27.05.24
(511) 29

(260) AM 2017 90123 A
(210) AM 90123
(220) 2016 12 26
(731) AstraZeneca UK Limited

Cambridge Biomedical Campus, 1 Francis
Crick Avenue, Cambridge, CB2 0AA,
Thailand

(740) Tamaz Shilakadze
(540)

არმიდექსი

(511) 5

(260) AM 2017 90125 A
(210) AM 90125
(220) 2016 12 26
(731) AstraZeneca AB
SE-151 85 Södertälje, Sweden
(740) Tamaz Shilakadze
(540)

ატაკანდი

(511) 5

(260) AM 2017 90126 A
(210) AM 90126
(220) 2016 12 26
(731) AstraZeneca AB
SE-151 85 Södertälje, Sweden
(740) Tamaz Shilakadze
(540)

Atacand

(511) 5

(260) AM 2017 90127 A
(210) AM 90127
(220) 2016 12 26
(731) AstraZeneca UK Limited
Cambridge Biomedical Campus, 1 Francis
Crick Avenue, Cambridge, CB2 0AA,
United Kingdom
(740) Tamaz Shilakadze
(540)

Arimidex

(511) 5

(260) AM 2017 90128 A
(210) AM 90128
(220) 2016 12 26
(731) AstraZeneca AB
SE-151 85 Södertälje, Sweden
(740) Tamaz Shilakadze
(540)

ბეტალოკი

(511) 5

(260) AM 2017 90129 A
 (210) AM 90129
 (220) 2016 12 26
 (731) AstraZeneca AB
 SE-151 85 Södertälje, Sweden
 (740) Tamaz Shilakadze
 (540)

ბრილინტა

(511) 5

(260) AM 2017 90130 A
 (210) AM 90130
 (220) 2016 12 26
 (731) AstraZeneca UK Limited
 Cambridge Biomedical Campus, 1 Francis
 Crick Avenue, Cambridge, CB2 0AA,
 United Kingdom
 (740) Tamaz Shilakadze
 (540)

კასოდექსი

(511) 5

(260) AM 2017 90131 A
 (210) AM 90131
 (220) 2016 12 26
 (731) IPR Pharmaceuticals, Inc.
 Road 188, Lot 17, San Isidro Industrial
 Park, Canovanas, PR 00729, Puerto Rico
 (740) Tamaz Shilakadze
 (540)

კრესტორი

(511) 5

(260) AM 2017 90132 A
 (210) AM 90132
 (220) 2016 12 26
 (731) AstraZeneca UK Limited
 Cambridge Biomedical Campus, 1 Francis
 Crick Avenue, Cambridge, CB2 0AA,
 United Kingdom
 (740) Tamaz Shilakadze
 (540)

ფასლოდექსი

(511) 5

(260) AM 2017 90133 A
 (210) AM 90133
 (220) 2016 12 26
 (731) AstraZeneca AB
 SE-151 85 Södertälje, Sweden
 (740) Tamaz Shilakadze

(540)

ფორქსიგა

(511) 5

(260) AM 2017 90134 A
 (210) AM 90134
 (220) 2016 12 26
 (731) AstraZeneca AB
 SE-151 85 Södertälje, Sweden
 (740) Tamaz Shilakadze
 (540)

ნექსიუმი

(511) 5

(260) AM 2017 90135 A
 (210) AM 90135
 (220) 2016 12 26
 (731) AstraZeneca AB
 SE-151 85 Södertälje, Sweden
 (740) Tamaz Shilakadze
 (540)

პულმიკორტი

(511) 5

(260) AM 2017 90136 A
 (210) AM 90136
 (220) 2016 12 26
 (731) AstraZeneca AB
 SE-151 85 Södertälje, Sweden
 (740) Tamaz Shilakadze
 (540)

სიმბიკორტი ტურბუკალერი

(511) 5

(260) AM 2017 90137 A
 (210) AM 90137
 (220) 2016 12 26
 (731) AstraZeneca AB
 SE-151 85 Södertälje, Sweden
 (740) Tamaz Shilakadze
 (540)

Symbicort

(511) 5

(260) AM 2017 90139 A
 (210) AM 90139
 (220) 2016 12 26

(731) Abbott Laboratories
100 Abbott Park Road, Abbott Park,
Illinois, 60064, USA
(740) Tamar Kochlamazashvili
(540)

ALINITY

(511) 1, 5, 9, 10, 37, 42, 44

(260) AM 2017 90148 A
(210) AM 90148
(220) 2016 12 27
(731) Koba Latsabidze
Sanzona, korp. 3s, b. 37, Tbilisi, Georgia
(740) Koba Latsabidze
(540)



(591) Red
(531) 26.11.07, 27.05.23, 28.19, 29.01.12
(511) 35, 36

(260) AM 2017 90149 A
(210) AM 90149
(220) 2016 12 28
(731) Belorussko-Germanskoe Sovmestnoe
Predpriyatie "Santa Bremor" Obschestvo
S Ogranichennoy Otvetstvennostyu
ul. Katin Bori, 106, q. Bresti, 224025,
Belorusiis respublika, Belarus
(740) Giorgi Taktakishvili
(540)

Stolichnaya

(511) 29

(260) AM 2017 90151 A
(210) AM 90151
(220) 2016 12 28
(731) LTD "SHOP.GE"
Topurias q. 12, 0186, Tbilisi, Georgia
(740) Sandro Samadbegiashvili
(540)



(591) Red, white, light grey and black
(531) 10.03.11, 27.05.17
(511) 35

(260) AM 2017 90154 A
(210) AM 90154
(220) 2016 12 28
(731) JSC "NOVA TECHNOLOGY"
Uznadzis q. 37, 0102, Tbilisi, Georgia
(740) Tamar Jinchvelashvili
(540)

ნოვა ტექნოლოჯი

(591) Black-white
(531) 28.19
(511) 9, 36, 42

(260) AM 2017 90155 A
(210) AM 90155
(220) 2016 12 28
(731) LTD "DIPLOMAT GEORGIA"
T. Chantladzis q. I shes. 10, Tbilisi, Georgia
(740) Giorgi Sarajishvili
(540)



(591) Blue, red
(531) 26.11.12, 28.19, 29.01.13
(526) The trademark is protected as a whole.
"ჯორჯია" shall not be subject to independent legal
protection.
(511) 35

(260) AM 2017 90156 A
(210) AM 90156
(220) 2016 12 28
(731) JSC "NOVA TECHNOLOGY"
Uznadzis q. 37, 0102, Tbilisi, Georgia
(740) Tamar Jinchvelashvili
(540)



(591) Black and white
(531) 01.07.06, 27.01.06
(511) 9, 36, 42

(260) AM 2017 90331 A
(210) AM 90331
(220) 2017 01 09
(731) Amazon Europe Core S.à r.l.
5, Rue Plaetis, L-2338 Luxembourg
(740) Tamaz Shilakadze

(540)

FIRE

(511) 9, 38, 41, 42

(260) AM 2017 90350 A

(210) AM 90350

(220) 2017 01 10

(731) LTD "ZETI"

Tsknetis gzat. 39, b. 99, 0162, Tbilisi,
Georgia

(740) Giorgi Gvazava

(540)

**Narratoria**

(591) Black-white

(531) 24.15.07, 24.15.11, 27.05.17

(511) 35, 36, 38, 41, 42, 45

(260) AM 2017 90357 A

(210) AM 90357

(220) 2017 01 10

(731) Dubai Aviation Corporation

(Trading as Flydubai)

Flydubai Headquarters Terminal 2,

P.O. Box 353, Dubai, United Arab Emirates

(740) Pavle Meipariani

(540)

Open, rewards by flydubai

(511) 35, 39

(260) AM 2017 90359 A

(210) AM 90359

(220) 2017 01 10

(731) NOVARTIS AG

4002, Basel, Switzerland

(740) Pavle Meipariani

(540)

КОКСИТОР

(591) Black-white

(531) 28.05

(511) 5

(260) AM 2017 90360 A

(210) AM 90360

(220) 2017 01 10

(731) NOVARTIS AG

4002, Basel, Switzerland

(740) Pavle Meipariani

(540)

კოქსიტორი

(511) 5

(260) AM 2017 90362 A

(210) AM 90362

(220) 2017 01 10

(731) NOVARTIS AG

4002, Basel, Switzerland

(740) Pavle Meipariani

(540)

COXITOR

(511) 5

(260) AM 2017 90363 A

(210) AM 90363

(220) 2017 01 10

(731) NOVARTIS AG

4002, Basel, Switzerland

(740) Pavle Meipariani

(540)

კოსტაროქსი

(511) 5

(260) AM 2017 90364 A

(210) AM 90364

(220) 2017 01 10

(731) NOVARTIS AG

4002, Basel, Switzerland

(740) Pavle Meipariani

(540)

Костарокс

(511) 5

(260) AM 2017 90365 A

(210) AM 90365

(220) 2017 01 10

(731) NOVARTIS AG

4002, Basel, Switzerland

(740) Pavle Meipariani

(540)

KOSTAROX

(511) 5

(260) AM 2017 90366 A

(210) AM 90366

(220) 2017 01 10

(731) LTD "INGAPHARM"

Ul. Generala Dorokhogo, d. 18, str. 2,
119530, Moskow, Russian Federtion

(740) Nino Bakhtadze
(540)

Ингавирин



(591) Black-white
(531) 26.01.18, 28.05
(511) 5

(260) AM 2017 90372 A
(210) AM 90372
(220) 2017 01 11
(731) Kraft Foods Schweiz Holding GmbH
Chollerstrasse 4, Zug 6301, Switzerland
(740) Giorgi Taktakishvili
(540)



(591) White, lilac
(531) 26.04.22, 26.04.24, 27.05.19, 27.05.24, 28.05,
29.01.12
(511) 30

(260) AM 2017 90373 A
(210) AM 90373
(220) 2017 01 11
(731) LTD "BORAN CONSTRUCTION"
Kandelakis q. 8, b. 56, 0160, Tbilisi,
Georgia
(740) Nino Kaplanishvili
(540)



(591) Black
(531) 26.01.10, 26.01.18, 26.03.04
(511) 1, 5, 9, 12, 14, 30, 32, 33, 35, 37, 44

(260) AM 2017 90384 A
(210) AM 90384
(220) 2017 01 11
(731) Mamuka Nakopia
Meunargias q. 9, Zugdidi, Georgia
(740) Mamuka Nakopia
(540)

ღიარობი

(511) 43

(260) AM 2017 90424 A
(210) AM 90424
(220) 2017 01 14
(731) Ketevan Kherkheulidze
A. Shengelas q. 6A, Tbilisi, Georgia
(740) Ketevan Kherkheulidze
(540)

MUZARADI

(511) 25

REGISTERED TRADEMARK

(111) M 2017 28735 R
 (151) 2017 07 21
 (181) 2027 07 21
 (260) AM 2017 84179 A
 (220) 2015 10 12
 (732) HP Hewlett Packard Group LLC
 11445 Compaq Center Drive West,
 Houston, Texas 77070, USA

(111) M 2017 28741 R
 (151) 2017 07 23
 (181) 2027 07 23
 (260) AM 2017 86754 A
 (220) 2016 03 24
 (732) LTD "Georgian Beverages Company"
 I. Chavchavadzis gamz. 7/5, korp. 3a, b. 19,
 0179, Tbilisi, Georgia

(111) M 2017 28736 R
 (151) 2017 07 21
 (181) 2027 07 21
 (260) AM 2017 85124 A
 (220) 2015 12 11
 (732) Philip Morris Products S.A.
 Quai Jeanrenaud 3, 2000 Neuchâtel,
 Switzerland

(111) M 2017 28742 R
 (151) 2017 07 23
 (181) 2027 07 23
 (260) AM 2017 86895 A
 (220) 2016 04 05
 (732) LTD "PASANAURI 2016"
 26 Maisis Moedani 2, 0171, Tbilisi, Georgia

(111) M 2017 28737 R
 (151) 2017 07 21
 (181) 2027 07 21
 (260) AM 2016 86076 A
 (220) 2016 02 09
 (732) LTD "SOLIUSID"
 P. Iashvilis q. 9, 0105, Tbilisi, Georgia

(111) M 2017 28743 R
 (151) 2017 07 23
 (181) 2027 07 23
 (260) AM 2017 87001 A
 (220) 2016 04 13
 (732) MOTUL
 119, Boulevard Félix Faure, 93300
 AUBERVILLIERS, FRANCE

(111) M 2017 28738 R
 (151) 2017 07 22
 (181) 2027 07 22
 (260) AM 2016 86472 A
 (220) 2016 03 07
 (732) LTD "NILI INC"
 Akhundovis q. 5/12, b. 4, 0105, Tbilisi,
 Georgia

(111) M 2017 28744 R
 (151) 2017 07 23
 (181) 2027 07 23
 (260) AM 2017 87128 A
 (220) 2016 04 27
 (732) LTD "AVTANDIL ART AND VINE"
 I. Chavchavadzis gamz. 11, Art Studio 80,
 0179, Tbilisi, Georgia

(111) M 2017 28739 R
 (151) 2017 07 22
 (181) 2027 07 22
 (260) AM 2016 86477 A
 (220) 2016 03 07
 (732) Gela Mikadze
 Lalionis shes. 5, 0101, Tbilisi, Georgia

(111) M 2017 28745 R
 (151) 2017 07 23
 (181) 2027 07 23
 (260) AM 2017 87133 A
 (220) 2016 04 28
 (732) LTD "Madam K"
 9 Dzma Kherkheulidzis q. 17, Daba Kojori,
 Sop. Kiketi, Didgoris r-ni, 1318, Tbilisi,
 Georgia

(111) M 2017 28740 R
 (151) 2017 07 22
 (181) 2027 07 22
 (260) AM 2016 86639 A
 (220) 2016 03 17
 (732) The Coca-Cola Company
 One Coca-Cola Plaza, Atlanta, Georgia ,
 30313, USA

(111) M 2017 28746 R
 (151) 2017 07 23
 (181) 2027 07 23
 (260) AM 2017 87159 A
 (220) 2016 05 04

(732) IONGGANG CHEN
Avtomsheneblis q. 88, 4600, Kutaisi,
Georgia

(220) 2016 05 19
(732) LTD "ELECTROPLAST"
T. Eristavis q. 5, 0192, Tbilisi, Georgia

(111) M 2017 28747 R
(151) 2017 07 23
(181) 2027 07 23
(260) AM 2017 87193 A
(220) 2016 05 06
(732) "AG Telekom"'s Agency in Georgia
Tsinamdzhvrishvilis q. 57, b. 38, Tbilisi,
Georgia

(111) M 2017 28754 R
(151) 2017 07 23
(181) 2027 07 23
(260) AM 2017 87331 A
(220) 2016 05 19
(732) LTD "ELECTROPLAST"
T. Eristavis q. 5, 0192, Tbilisi, Georgia

(111) M 2017 28748 R
(151) 2017 07 23
(181) 2027 07 23
(260) AM 2017 87210 A
(220) 2016 05 10
(732) Lasha Gogvadze
Bakhtrionis q. 13, b. 68, 0194, Tbilisi,
Georgia

(111) M 2017 28755 R
(151) 2017 07 23
(181) 2027 07 23
(260) AM 2016 87333 A
(220) 2016 05 19
(732) Santa Farma İlaç Sanayii Anonim Şirketi
Okmeydanı, Boru Çiçeği Sk. No.16 Kat:4,
34382 Şişli İstanbul, Turkey

(111) M 2017 28749 R
(151) 2017 07 23
(181) 2027 07 23
(260) AM 2017 87238 A
(220) 2016 05 16
(732) Mon'delez Rus LLC
Ul. Frantsa Shtolverka 10, Vladimirskaya
Oblast, Petushinskiy Rayon, Pokrov, 601123,
Russian Federation

(111) M 2017 28756 R
(151) 2017 07 23
(181) 2027 07 23
(260) AM 2016 87337 A
(220) 2016 05 19
(732) Santa Farma İlaç Sanayii Anonim Şirketi
Okmeydanı, Boru Çiçeği Sk. No.16 Kat:4,
34382 Şişli İstanbul, Turkey

(111) M 2017 28750 R
(151) 2017 07 23
(181) 2027 07 23
(260) AM 2017 87242 A
(220) 2016 05 16
(732) Merck KGaA
Frankfurter Strasse 250, 64293 Darmstadt,
Germany

(111) M 2017 28757 R
(151) 2017 07 23
(181) 2027 07 23
(260) AM 2017 87390 A
(220) 2016 05 25
(732) British American Tobacco (Brands) Inc.
(a Delaware corporation).
2711 Centerville Road, Suite 300,
Wilmington, Delaware 19808, USA

(111) M 2017 28752 R
(151) 2017 07 23
(181) 2027 07 23
(260) AM 2016 87308 A
(220) 2016 05 18
(732) LLC "Doctor Burnovskiy Center"
M. Kostavas q. 74, b. 66, 0171, Tbilisi,
Georgia

(111) M 2017 28758 R
(151) 2017 07 23
(181) 2027 07 23
(260) AM 2017 87442 A
(220) 2016 05 30
(732) LTD "Vine and Wine Group"
A. Tseretlis gamz. 142a, 0119, Tbilisi,
Georgia

(111) M 2017 28753 R
(151) 2017 07 23
(181) 2027 07 23
(260) AM 2017 87330 A

(111) M 2017 28759 R
(151) 2017 07 23
(181) 2027 07 23
(260) AM 2017 87497 A

(220) 2016 06 03
(732) Nodar Chichashvili
Gvirabis q. 36, 2200, Telavi, Georgia

(111) M 2017 28760 R
(151) 2017 07 23
(181) 2027 07 23
(260) AM 2017 87547 A
(220) 2016 06 08
(732) Jim Beam Brands Co.
510 Lake Cook Road, Deerfield, Illinois
60015, USA

(111) M 2017 28761 R
(151) 2017 07 23
(181) 2027 07 23
(260) AM 2017 87657 A
(220) 2016 06 21
(732) Sidela SA
Av. 18 de Julio 1117, Montevideo,
Uruguay

(111) M 2017 28762 R
(151) 2017 07 23
(181) 2027 07 23
(260) AM 2017 87658 A
(220) 2016 06 21
(732) Sidela SA
Av. 18 de Julio 1117, Montevideo,
Uruguay

(111) M 2017 28763 R
(151) 2017 07 23
(181) 2027 07 23
(260) AM 2017 87659 A
(220) 2016 06 21
(732) Sidela SA
Av. 18 de Julio 1117, Montevideo,
Uruguay

(111) M 2017 28764 R
(151) 2017 07 23
(181) 2027 07 23
(260) AM 2017 87660 A
(220) 2016 06 21
(732) Sidela SA
Av. 18 de Julio 1117, Montevideo,
Uruguay

(111) M 2017 28765 R
(151) 2017 07 23
(181) 2027 07 23
(260) AM 2017 87667 A

(220) 2016 06 21
(732) LTD "Idea Design Group"
Shindisis q. 4/2, 0105, Tbilisi, Georgia

(111) M 2017 28766 R
(151) 2017 07 23
(181) 2027 07 23
(260) AM 2017 87672 A
(220) 2016 06 22
(732) LLC "MILANIA HOME"
Ul. Shkolnaya, dom 20, Kislovodsk,
357748, Stavropolskiy Kray, Russian
Federation

(111) M 2017 28767 R
(151) 2017 07 23
(181) 2027 07 23
(260) AM 2017 87673 A
(220) 2016 06 22
(732) LLC "MILANIA HOME"
Ul. Shkolnaya, dom 20, Kislovodsk,
357748, Stavropolskiy Kray, Russian
Federation

(111) M 2017 28768 R
(151) 2017 07 23
(181) 2027 07 23
(260) AM 2017 87674 A
(220) 2016 06 22
(732) LLC "MILANIA HOME"
Ul. Shkolnaya, dom 20, Kislovodsk,
357748, Stavropolskiy Kray, Russian
Federation

(111) M 2017 28769 R
(151) 2017 07 23
(181) 2027 07 23
(260) AM 2017 87675 A
(220) 2016 06 22
(732) LLC "MILANIA HOME"
Ul. Shkolnaya, dom 20, Kislovodsk,
357748, Stavropolskiy Kray, Russian
Federation

(111) M 2017 28770 R
(151) 2017 07 23
(181) 2027 07 23
(260) AM 2017 87695 A
(220) 2016 06 24
(732) RNA Intellectual Property Limited
Wickham's Cay, Road Town, Tortola,
(British Virgin Islands)

(111) M 2017 28771 R (151) 2017 07 23 (181) 2027 07 23 (260) AM 2017 87903 A (220) 2016 07 11 (732) Sidela SA Av. 18 de Julio 1117, Montevideo, Uruguay	Al. Chavchavadzis q., II shesakhvevi, sakhli 4, Daba Tskneti, 0181, Tbilisi, Georgia
(111) M 2017 28772 R (151) 2017 07 23 (181) 2027 07 23 (260) AM 2017 87904 A (220) 2016 07 11 (732) Sidela SA Av. 18 de Julio 1117, Montevideo, Uruguay	(111) M 2017 28777 R (151) 2017 07 23 (181) 2027 07 23 (260) AM 2017 88064 A (220) 2016 07 26 (732) HELLENIC FUELS S.A. 8A Cheimarras street, 15125, Marousi, Greece; "HELLENIC FUELS AND LUBRICANTS INDUSTRIAL AND COMMERCIAL S.A." Also trading as "EKO ABEE" 8A Cheimarras street, 15125, Marousi, Greece
(111) M 2017 28773 R (151) 2017 07 23 (181) 2027 07 23 (260) AM 2017 87969 A (220) 2016 07 15 (732) LTD "MIRA HOTELS" N. Kipshidzis q. 20, b. 4, Tbilisi, Georgia	(111) M 2017 28778 R (151) 2017 07 23 (181) 2027 07 23 (260) AM 2017 88093 A (220) 2016 07 28 (732) LTD "Alpine Cheese Products ADIGENT" L. Gudiashvilis Moedani 4, Tbilisi, Georgia
(111) M 2017 28774 R (151) 2017 07 23 (181) 2027 07 23 (260) AM 2017 87981 A (220) 2016 07 19 (732) CHINA UNIONPAY CO., LTD No. 498 Guoshoujing Road, Pudong, 201203, Shanghai, China	(111) M 2017 28779 R (151) 2017 07 23 (181) 2027 07 23 (260) AM 2017 88222 A (220) 2016 08 10 (732) LTD "BARAMBO" Sop. Natakhtari, 3308, Mtskheta, Georgia
(111) M 2017 28775 R (151) 2017 07 23 (181) 2027 07 23 (260) AM 2017 87997 A (220) 2016 07 21 (732) Irakli Shioshvili Al. Chavchavadzis q., II shesakhvevi, sakhli 4, Daba Tskneti, 0181, Tbilisi, Georgia	(111) M 2017 28780 R (151) 2017 07 23 (181) 2027 07 23 (260) AM 2017 88484 A (220) 2016 09 02 (732) Morrison Bowmore Distillers Limited Springburn Bond, Carlisle Street, Glasgow G21 1EQ, United Kingdom
(111) M 2017 28776 R (151) 2017 07 23 (181) 2027 07 23 (260) AM 2017 87998 A (220) 2016 07 21 (732) Irakli Shioshvili	(111) M 2017 28781 R (151) 2017 07 23 (181) 2027 07 23 (260) AM 2017 88530 A (220) 2016 09 13 (732) Energy Beverages LLC 2390 Anselmo Drive, Corona, California 92879, USA

(111) M 2017 28782 R
(151) 2017 07 23
(181) 2027 07 23
(260) AM 2017 88531 A
(220) 2016 09 13
(732) Philip Morris Brands Sàrl
 Quai Jeanrenaud 3, 2000 Neuchâtel,
 Switzerland

TRADEMARKS REGISTERED ACCORDING TO THE ACCELERATED PROCEDURE

The decision can be appealed at the Chamber of Appeal of Sakpatenti within 3 months from the publication.

(111) M 2017 28783 R
(151) 2017 07 24
(181) 2027 07 24
(210) AM 93045
(220) 2017 06 28
(732) Zurab Marjanishvili
I. Abashidzis q. 29, 0179, Tbilisi, Georgia
(540)



(591) White, black, grey, red
(531) 25.05.25; 26.04.04; 26.04.18; 27.05.11;
29.01.13
(526) The trademark is protected as a whole. "SPIN"
shall not be subject to independent legal protection.
(511) 41

(111) M 2017 28784 R
(151) 2017 07 24
(181) 2027 07 24
(210) AM 93278
(220) 2017 07 11
(732) LTD "IARA Investment Company"
San-Zona, korp. 10a, b. 16, 0192, Tbilisi,
Georgia
(740) Ana Davitadze
(540)



(591) Blue, white, yellow and green
(531) 20.01.05; 26.01.16; 26.11.03; 26.11.13;
27.05.01; 27.05.24; 28.01; 29.01.14
(511) 31

(111) M 2017 28785 R
(151) 2017 07 31
(181) 2027 07 31
(210) AM 93326
(220) 2017 07 12
(732) LTD "NEXSTRA GROUP"
Ir. Evdoshvilis q. 18, 2 fl., Saopise parti 3,
Didube-Chughuretis r-ni, 0154, Tbilisi,
Georgia

(541)

ნიუკოქსი
Newcox
Ньюкокс

(511) 5

(111) M 2017 28786 R
(151) 2017 08 01
(181) 2027 08 01
(210) AM 93027
(220) 2017 06 28
(732) JSC "TBC BANK"
K. Marjanishvilis q. 7, 0102, Tbilisi, Georgia
(740) Archil Gabatashvili
(540)



სტატუსი
STATUS

(591) Sponge
(531) 26.03.04; 27.05.01; 28.19; 29.01.04
(511) 36

INTERNATIONAL TRADEMARKS FOR WHICH A DECISION ON GRANTING PROTECTIONS IS TAKEN

The decision can be appealed at the Chamber of Appeal of Sakpatenti within 3 months from the publication or at the Mtskheta District Court Administrative Cases Board (Address: №17, Samkhedro str., Mtskheta), within 1 month following the publication.

(260) AM 2017 86417 A

(800) 909544

(891) 2016 02 09

(731) LITTLE DOCTOR INTERNATIONAL (S)

Pte Ltd

35 Selegie Road, N09-02 Parklane Shopping Mall, Singapore 188307; Singapore

(540)



(591) Black, white

(511)

10 – Apparatus for artificial respiration; blood testing apparatus; apparatus for the treatment of deafness; stockings for varices; vaginal syringes; vibromassage apparatus; gastroscopes; heating cushions, electric, for medical purposes; acupuncture needles; needles for medical purposes; cannulae; droppers for medical purposes; catheters; quartz for medical purposes; ultraviolet ray lamps for medical purposes; lamps for medical purposes; enema apparatus for medical purposes; fleams; lasers for medical purposes; masks for use by medical personnel; medical apparatus and instruments, including penlight; urinals (vessels); finger guards for medical purposes; gloves for massage; clothing especially for operating rooms; ophthalmometers; gloves for medical purposes; arterial blood pressure measuring apparatus; massage apparatus; belts for medical purposes; belts, electric, for medical purposes; condoms; contraceptives, non-chemical; ice bags for medical purposes; dropper bottles for medical purposes; hearing aids for the deaf; ear trumpets; hearing protectors; babies pacifiers (teats); feeding bottle teats; spirometers (medical apparatus); stethoscopes; cases filled for medical instruments; thermometers for medical purposes; physiotherapy apparatus; syringes for medical purposes; syringes for injections; hypodermic syringes; electrocardiographs.

35 – Advertising; marketing studies; business investigations; import-export agencies; procurement services for others (purchasing goods in classes 5 and 10 and services for other businesses); systematization of information into computer databases; business management assistance.

(260) AM 2017 87947 A

(800) 1301309

(891) 2016 03 15

(731) EFES VITANTA MOLDOVA

BREWERY S.A. întreprindere mixtă

Str. Uzinelor nr. 167, MD-2023 Chişinău;

Republic of Moldova

(540)

Goldleaf

(511)

32 – mineral and aerated waters and other non-alcoholic beverages; fruit beverages and fruit juices; syrups and other preparations for making beverages.

(260) AM 2017 88091 A

(800) 1303411

(891) 2016 05 10

(731) Vital Images, Inc.

5850 Opus Parkway, Suite 300, Minnetonka MN 55343-4414; USA

(540)

VITALITY XT

(511)

9 – Computer software, namely, software that provides access to and integration of business intelligence in the field of medical imaging by combining information from various databases and presenting it in an easy-to-understand user interface.

(260) AM 2017 88284 A

(800) 1305243

(891) 2016 04 27

(731) FERRER INTERNACIONAL, S.A.

Gran Vía de Carlos III, 94, E-08028

BARCELONA; Spain

(540)



(591) Black ("Pantone: black 100");
blue ("Pantone: 320c"); green ("Pantone: 376C").

(511)

5 – Pharmaceutical and veterinary products, hygienic and sanitary products for medical use; dietetic substances and foodstuffs for medical or veterinary use, food for babies, food supplements for human beings or animals, nutraceutical products for therapeutic use and as a dietary supplements; plasters, material for dressings; disinfectants; products for destroying vermin; fungicides.

42 – Medical and pharmaceutical research services; research and development services in the field of bacteriology; scientific research services for medical purposes; agrochemical research; chemical research and analysis; advisory services relating to pharmaceutical research; technical project study; medical research laboratory services.

(260) AM 2017 88293 A

(800) 1304949

(891) 2016 04 07

(731) ÇAY İŞLETMELERİ GENEL
MÜDÜRLÜĞÜ

Müftü Mah. RİZE; Turkey

(540)

Didi Soğuk Çay

(591) Black and white

(526) – The trademark is protected as a whole. "Soğuk Çay" shall not be subject to independent legal protection.

(511)

32 – Beers; preparations for making beer; mineral water; spring water; table water; soda water; fruit and vegetable juices; fruit and vegetable concentrates and extracts for making beverages; non-alcoholic soft drinks.

(260) AM 2017 88528 A

(800) 1308254

(891) 2016 03 08

(731) SHARKOON Technologies GmbH
Siemensstr. 38, 35440 Linden; Germany

(540)

Sharkoon

(511)

9 – Computer, computer peripheral equipment, computer hardware, computer software, computer program.

(260) AM 2017 88594 A

(800) 1307962

(891) 2016 05 31

(731) C.F.E.B. SISLEY

16, avenue George V, F-75008 PARIS; France

(540)

HAIR RITUEL BY SISLEY

(511)

3 – Shampoos, hair lotions, hair oils, hair mousses, hair balms, hair masks.

(260) AM 2017 88601 A

(800) 1308132

(891) 2016 08 02

(731) BEDGEAR, LLC

110 BI-COUNTY BOULEVARD,
FARMINGDALE NY 11735; USA

(540)

PERFORMANCE MATTRESS

(526) MATTRESS

(511)

20 – Mattresses.

(260) AM 2017 88609 A

(800) 1221605

(891) 2016 05 30

(731) FREICARE SWISS GMBH

Neugasse 55, CH-9000 St. Gallen;
Switzerland

(540)



(591) Black-white

(511)

5 – First-aid boxes, filled; tonics (medicines); germicides; bacteriological preparations for medical use; balms for medical purposes; cotton for medical purposes; hygienic bandages; menstruation bandages; aseptic cotton; bandages for dressings; bicarbonate of soda for pharmaceutical purposes; albuminous foodstuffs for medical purposes; biological preparations for medical purposes; bracelets for medical purposes; bromine for pharmaceutical purposes; petroleum jelly for medical purposes; vaccines; chemical preparations for the diagnosis of pregnancy; bath salts for medical purposes; preparations of lime for pharmaceutical purposes; wadding for medical purposes; absorbent cotton; preparations for reducing sexual activity; vitamin preparations; hydrated chloral for pharmaceutical purposes; charcoal for pharmaceutical purposes; hematogen; sanitary tampons;

sanitary knickers; menstruation bandages; sanitary towels, napkins; mustard for pharmaceutical purposes; mustard plasters; anthelmintics; glycerine for medical purposes; glucose for medical purposes; breast-nursing pads; hormones for medical purposes; disinfectants for hygiene purposes; disinfectants for chemical toilets; deodorants for clothing and textiles; deodorants, other than for human beings or for animals; air deodorising preparations; babies' napkin-pants (diaper-pants); diagnostic preparations for medical purposes; dietetic beverages adapted for medical purposes; eucalyptus for pharmaceutical purposes; elixirs (pharmaceutical preparations); gelatine for medical purposes; cod liver oil; greases for medical purposes; chewing gum for medical purposes; vulnerary sponges; nervines; tranquilizers; personal sexual lubricants; analgesics; anaesthetics; iodine for pharmaceutical purposes; iodoform; potassium salts for medical purposes; camphor for medical purposes; castor oil for medical purposes; anti-rheumatism rings; compresses; solutions for contact lenses; contact lens cleaning preparations; medicinal roots; styptic preparations; adhesive plasters; adhesive tapes for medical purposes; medicinal alcohol; medicine cases, portable, filled; medical tea for slimming purposes; herbs for medical purposes; medicinal tea; medicinal infusions; medicinal oils; lotions for medical purposes; mint for pharmaceutical purposes; magnesia for pharmaceutical purposes; gauze for dressings; menthol; medicinal drinks; vesicants; tincture of iodine; sodium salts for medical purposes; sal ammoniac pastilles for pharmaceutical purposes; cachets for pharmaceutical purposes; diapers (babies' napkins); leeches for medical purposes; dressings, medical; surgical dressings; plasters for medical purposes; adhesive plaster; air purifying preparations; mouthwashes for medical purposes; pomades for medical purposes; poultices; purgatives; febrifuges; chemical contraceptives; antiseptic cotton; antiparasitic preparations; anti-uric preparations; radiological contrast substances for medical purposes; solvents for removing adhesive plasters; mercurial ointments; tissues impregnated with pharmaceutical lotions; tissues impregnated with disinfectant lotions for medical purposes; suppositories; turpentine for pharmaceutical purposes; soporifics; sterilising preparations; strychnine; sulphonamides (medicines); blood glucose test strips for blood glucose monitors (glucometers); control solutions for blood glucose test strips; test strips for pregnancy diagnosis; test strips for ovulation diagnosis; thymol for pharmaceutical purposes; medicinal herbs; panty liners (sanitary); pharmaceutical preparations; phenol for pharmaceutical purposes; formic aldehyde for pharmaceutical purposes; phosphates for pharmaceutical purposes; quinine for tissues; chloroform; antiseptics.

10 – Aerosol dispensers for medical purposes; obstetric apparatus; forceps; anaesthetic apparatus; anaesthetic masks; hernia bandages; bandages, elastic; cupping glasses; disposable shoe covers for medical purposes; dental burs; vaginal syringes; orthopedic footwear; hot air vibrators for medical purposes; vibromassage apparatus; erotic vibrating rings (sex vibrating rings); ear picks; galvanic belts for medical purposes; babies' pacifiers (teats); gastroscopes; bed pans; plaster bandages for orthopaedic purposes; feeding bottle teats; needles for medical purposes; suture needles; needles for injection pens for medical purposes; surgical sponges; mirrors for dentists; mirrors for surgeons; diagnostic apparatus for medical purposes; drainage tubes for medical purposes; stockings for varices; elastic stockings for surgical purposes; electrocardiographs; heating cushions (pads), electric, for medical purposes; clips, surgical; probes for medical purposes; corn knives; dental apparatus and instruments; teething rings; injectors for medical purposes; inhalers, nebulizers; peak flow meters; cannulae; heart pacemakers; catheters; quartz lamps for medical purposes; enema apparatus for medical purposes; thermo-electric compresses (surgery); corsets for medical purposes; abdominal corsets; esthetic massage apparatus; droppers for medical purposes; lamps for medical purposes; lasers for medical purposes; lancets; lanceolate devices; medical apparatus and instruments; spoons for administering medicine; massage apparatus; gloves for massage; masks for use by medical personnel; uterine syringes; crutches; breast pumps; air cushions for medical purposes; instrument cases for use by surgeons and doctors; nasal aspirators; tips for crutches for invalids; finger guards for medical purposes; thread, surgical; scissors for surgery; knives for surgical purposes; disposable clothes for medical purposes; orthopedic articles; arch supports for footwear; knee bandages, orthopedic; orthopedic soles; orthopedic belts; orthoses (fixators) for fingers and toes for medical purposes; ophthalmometers; ophthalmoscopes; gloves for medical purposes; pessaries; saws for surgical purposes; sprayers for medical purposes; draw-sheets for sick beds; hypodermic syringes; babies' bottles; dropper bottles for medical purposes; slings (supporting bandages); suspensory bandages; bandages for joints, anatomical; soporific pillows for insomnia; cushions for medical purposes; pads (pouches) for preventing pressure sores on patient bodies; abdominal pads; orthopedic pads; childbirth mattresses; maternity belts; belts, electric, for medical purposes; belts for medical purposes; condoms; arterial blood pressure measuring apparatus; pulse meters; contraceptives, non-chemical; umbilical belts; radiological apparatus for medical purposes; body rehabilitation apparatus for medical purposes; resuscitation apparatus; X-ray apparatus for medical purposes; respirators for

artificial respiration; examination gloves for medical purposes; surgical gloves; urinals (vessels); scalpels; hearing aids for the deaf; teats; clothing especially for operating rooms; spirometers (medical apparatus); stethoscopes; dental apparatus, electric; thermometers for medical purposes; urethral probes; urethral syringes; urological apparatus and instruments; surgical apparatus and instruments; surgical implants; splints, surgical; syringes for injections; syringes for medical purposes; insulin syringes for medical purposes; injection pens for medical purposes; blood glucose meters (glucometers); posture correctors for medical purposes.

(260) AM 2017 88616 A
 (800) 1309259
 (891) 2016 05 13
 (731) Oy Karl Fazer Ab
 Fazerintie 6, FI-01230 Vantaa; Finland
 (540)

Geisha

(591) Black, white
 (511)
 30 – Coffee, tea, cocoa and artificial coffee; rice; tapioca and sago; flour and preparations made from cereals; bread, pastry and confectionery; edible ices; sugar, honey, treacle; yeast, baking-powder; salt; mustard; vinegar, sauces (condiments); spices; ice; chocolate; caramels; cookies; biscuits; buns; pastilles; chewing gum; sal ammoniac liquorice sweets; pies; lollipops; cakes.

(260) AM 2017 88620 A
 (800) 1308537
 (891) 2015 09 30
 (731) Public Joint-Stock Company "AVTOVAZ"
 Yuzhnoe shosse, 36, RU-445024 Togliatti,
 Samarskaya oblast; Russian Federation
 (540)

LADA
VESTA

(591) Black and white
 (511)
 12 – Motor cars; sports cars.

(260) AM 2017 88621 A
 (800) 1309272
 (891) 2016 04 03
 (731) TAIZHOU JINTAI KITCHENWARE &
 SANITARYWARE CO., LTD
 No. 888, Haifeng Road, Taizhou, 318000
 Zhejiang; China
 (540)

BELEZZO

(511)
 11 – Taps [faucets]; radiator [heating]; floor drain; lamps; water conduits installations; pipe accessory for hot-water heating device; water-pipes for sanitary installations; heating radiator; toilet bowls; bath fittings.

(260) AM 2017 88622 A
 (800) 1308541
 (891) 2015 12 18
 (731) JV INVESTMENTS, SIA
 Ūdens iela 12-118, LV-1007 Rīga; Latvia
 (540)

place365

(591) Dark grey and olive green
 (511)
 9 – Data processing equipment; computers; computer software; all computer programs and software regardless of recording media or means of dissemination, that is, software recorded on magnetic media or downloaded from remote computer network.
 35 – Advertising; business management; business administration; office functions; market research; sales promotion for others, product demonstration; retail services for computer software.
 37 – Installation and repair of computer hardware and communication equipment.
 42 – IT consultancy, advisory and information services; scientific and technological services, research and design in these areas; design and development of computer hardware and software; professional advice relating to computer software and computer system design.

(260) AM 2017 88745 A
 (800) 1310185
 (891) 2016 03 25
 (731) NEXTEV CO., LTD
 Suite 115, 569 Anchi Road, Anting Town,
 Jiading District, 201805 Shanghai; China

(540)



(591) Black, white, light blue

(511)

12 – Sport cars; cars; motors for land vehicles; tires for vehicle wheels; steering wheels for vehicles.

37 – Motor vehicle maintenance and repair; car washing; anti-rust treatment for vehicles; vehicle breakdown assistance [repair]; vehicle battery changing.

(260) AM 2017 88747 A

(800) 1310221

(891) 2016 05 04

(731) Medytox Inc.

78, Gangni 1-gil, Ochang-eup,
Cheongwon-gu, Cheongju-si,
Chungcheongbuk-do; Republic of Korea

(540)

Articul One

(511)

5 – Pharmaceutical and veterinary preparations; drugs for medical purposes; pharmaceutical drugs; medical preparations made of solutions of hyaluronic acid or modified hyaluronic acid; medical hyaluronic acid or modified hyaluronic acid in the form of pre-filled syringes; medical hyaluronic acid or modified hyaluronic acid used for treatment or prevention of arthritis or osteoarthritis in the form of injection to inject into joints; preparations for treating arthritis; preparations for treating osteoarthritis; improving preparations for articular function (medical purposes).

10 – Medical filler syringes; syringes for injection of medical substances; syringes for medical purposes and for injections; injection device for pharmaceuticals; medical apparatus and instruments other than for dental purposes; joint prostheses; injection devices for pharmaceuticals, used to inject hyaluronic acid for treatment or prevention of arthritis or osteoarthritis.

(260) AM 2017 88751 A

(800) 1310292

(891) 2016 04 22

(731) GUCCIO GUCCI S.P.A.

Via Tornabuoni, 73/R, I-50123 FIRENZE;
Italy

(540)



(591) Black, white

(511)

18 – Leather and imitations of leather; animal skins, hides; trunks and travelling bags; umbrellas and parasols; walking sticks; whips, harness and saddlery; bags; shoulder bags; handbags; boston bags; waist packs; sling bags for carrying infants; shopping bags; duffle bags; tote bags; evening handbags; clutch bags; wallets; purses; leather credit card cases and holders; business card cases; travelling cases of leather; shoe bags for travel; briefcases; attaché cases; pouches of leather; carrying cases made of leather; school bags and satchels; suitcases; sports bags; bags and holdalls for sports clothing; key cases made of leather; backpacks; rucksacks; carry-on bags; vanity cases sold empty; shaving bags sold empty; beach bags.

25 – Clothing, footwear, headgear.

(260) AM 2017 88752 A

(800) 1310320

(891) 2016 05 24

(731) Schwartauer Werke GmbH & Co. KGaA

Lübecker Str. 49-55, 23611 Bad Schwartau;
Germany

(540)

CORNY SLIM

(511)

32 – Smoothies [non-alcoholic fruit drinks].

(260) AM 2017 88827 A

(800) 1310786

(891) 2016 05 12

(731) F.LLI POLACCO DI GIUSEPPE & ELIO
S.N.C.Via Camporosolo, 198, I-37047
SAN BONIFACIO (VR); Italy

(540)

PAKELO

(511)

4 – Industrial oils and greases; lubricants; dust absorbing, wetting and binding compositions; fuels

(including motor spirit) and illuminants; candles and wicks for lighting.

35 – Advertising; business management; business administration; office functions.

(260) AM 2017 88829 A

(800) 1310798

(891) 2016 03 23

(731) Philipp Plein

Via Dufour 20, CH-6900 Lugano; Switzerland

(540)



(591) Black and white

(511)

9 – Parts and accessories for portable and handheld digital electronic apparatus, particularly pouches for computers and tablet computers, sleeves for computers and tablet computers; parts and accessories for mobile telephones, particularly pouches and sleeves for mobile telephones; soft cases for cell phones; cases for mobile telephones; cases of leather or imitation leather for mobile telephones; bags of fabric or textile for mobile telephones; smartphones; smartwatches; electronic tablets; spectacles [optics]; sunglasses; frames for spectacles and sunglasses; cases for spectacles and sunglasses; chains for spectacles and sunglasses; strings for spectacles and sunglasses.

18 – Leather and imitations of leather not included in other classes; animal skins; everyday bags; backpacks; travel bags and other luggage; handbags; trunks and suitcases; attaché cases, briefcases and pocket wallets; purses; cases of leather or leatherboard and bags [envelopes, pouches] for packaging; card cases; sports bags; satchels; toiletry bags, empty; umbrellas; parasols; walking sticks; whips; saddlery.

26 – Brooches [clothing accessories]; feathers [clothing accessories]; buckles [clothing accessories]; brassards; birds' feathers [clothing accessories]; ostrich feathers [clothing accessories]; belt buckles [clothing accessories]; buckles of precious metal [clothing accessories]; badges (for wear) not of precious metal; ornamental novelty badges; appliqués [haberdashery]; expanding bands for holding sleeves; ribbons of textile for wrapping; ribbons [haberdashery]; cords for clothing; lace for edgings; trimmings for clothing; brooches [clothing accessories]; chenille [passementerie]; mage [buns

for Japanese hair styles]; ornamental novelty pins, other than jewelry; heat adhesive patches for decoration of textile articles [haberdashery]; snap fasteners; removable push-up silicone pads for bras; removable reshaping silicone pads for buttocks; elastic ribbons; elastic hair bands; mitten clips; ornamental feathers [trimmings for clothing]; festoons [embroidery]; whalebones for corsets; heat adhesive patches for repairing textile articles; patches for repairing textile articles; fringes; hair twist ties; embroidered patches for clothing; embroidered emblems; mica spangles; gold embroidery; gold embroidery for clothing; belt clasps; hair bands; scrunchies [elastic ornaments for hair]; hair clips; hair grips; waving pins for the hair; hair pins; hair nets; motoyui [strings with tassels for Japanese hair styles]; bows for the hair; hair ornaments; brooches for the hair; hair barrettes; hair extensions; tresses of hair; hooks [haberdashery]; hooks and eyes; shirt buttons; binding needles; pant leg cuff straps; fastenings for suspenders; hat ribbons; hat pins for securing hats; hat ornaments [not of precious metal]; frills [lacework]; edgings for clothing; hooks for clothing [fastenings]; eyelets for clothing; frills for clothing; fastenings for clothing; clasps for clothing; skirt flounces; hook and eye fastening tape; hook and pile fastening tapes; buttons; buttons for clothing; buttons, hooks and eyes, pins and needles; chokers [cords]; collar supports; wreaths of artificial flowers; artificial flowers for attaching to clothing; artificial flowers; beads other than for making jewelry; haberdashery, except yarns; hair curl clips; metal fasteners for footwear; ornamental novelty buttons; novelty buttons; needles; spangles for clothing; wigs; ponytail rubber bands; top-knots (pompoms); zipper pulls; zip fasteners; slide locks for bags; zippers and parts thereof; rosettes [haberdashery]; flexible buckles for clothing; hooks for corsets; saddlers' needles; decorative cloth patches; decorative ribbons of textile; decorative bows of textile; buckles for clothing; shoe laces; bodkins; shoe hooks; shoe eyelets; shoe buckles; shoe fasteners; shoe ornaments [not of precious metal]; shoulder pads for clothing; safety pins; silver embroidery for clothing; obi-dome [special fasteners for Japanese sashes]; lace and embroidery, ribbons and braid; appliqués of fabric [haberdashery]; patches of fabric for clothing; ribbons of textile materials; bows of textile for wrapping; toupees; braids; numerals or letters for marking linen; decorative ribbons [haberdashery]; marugushi [ornamental combs for Japanese hair styles].

35 – Wholesale and retail sale services, also on the Internet, namely, the sale of soaps, perfumery, essential oils, cosmetics, hair lotions, dentifrices, parts and accessories for portable and handheld digital electronic apparatus, particularly pouches for computers and tablet computers, sleeves for

computers and tablet computers, parts and accessories for mobile telephones, particularly pouches and sleeves for mobile telephones, soft cases for cell phones, cases for mobile telephones, cases of leather or imitation leather for mobile telephones, bags of fabric or textile for mobile telephones, smartphones, smartwatches, electronic tablets, spectacles [optics], sunglasses, frames for spectacles and sunglasses, cases for spectacles and sunglasses, chains for spectacles and sunglasses, strings for spectacles and sunglasses, precious metals and their alloys and goods of these materials or coated therewith, not included in other classes, fine jewelry, jewelry, precious stones, timepieces and chronometric instruments, clocks and watches, key rings [jewelry and costume jewelry], leather and imitations of leather not included in other classes, animal skins, everyday bags, backpacks, travel bags and other luggage, handbags, trunks and suitcases, attaché cases, briefcases and pocket wallets, purses and wallets, cases, card cases, sports bags, school bags, toiletry bags, umbrellas, parasols, walking sticks, whips, saddlery, furniture, particularly home furniture, kitchen furniture, mirrors [silvered glass], frames, utensils and containers for household or kitchen use, combs and sponges, glassware, porcelain and earthenware not included in other classes, fabrics and textile goods, not included in other classes, bed and table covers, clothing, footwear, headgear, brooches [clothing accessories], articles for dolls, feathers [clothing accessories], buckles [clothing accessories], armbands, birds' feathers [clothing accessories], ostrich feathers [clothing accessories], belt buckles [clothing accessories], buckles of precious metal [clothing accessories], clothing accessories, sewing articles and decorative articles of textile, gymnastics apparatus, gymnastic and sports articles, games, toys, clothing accessories; organization of fashion shows for advertising purposes; organization of fashion shows for commercial purposes.

41 – Entertainment services; organization of fashion shows for entertainment purposes; sports and cultural activities; organization of contests; organization of beauty contests; organization and conducting of parties; production and conducting of shows ..

(260) AM 2017 88850 A
 (800) 1311034
 (891) 2016 05 26
 (731) Obshchestvo s Ogranichennoy
 Otvetstvennostyu "Kapus Kosmetiks"
 Volokolamskoe chosse, str. 1-1, komn. 18,
 RU-125080 Moskva;
 Russian Federation

(540)

Lagel

(540) Lagel

(591) Black and white

(511)

3 – Nail polish; false nails; lacquer-removing preparations; nail care preparations, namely base, primer, restorative, protective coatings.

35 – Advertising; sales promotion for others, namely goods of class 3.

(260) AM 2017 88865 A

(800) 1311200

(891) 2016 06 02

(731) Bayerische Motoren Werke Aktiengesellschaft
 Petuelring 130, 80809 Munich; Germany

(540)



(591) Gray, black and white

(511)

4 – Industrial oils and greases; lubricants; engine oils; gear oils; petrol additives; additives for fuels for vehicles; fuel for vehicles.

(260) AM 2017 88868 A

(800) 1311323

(891) 2016 05 17

(731) Bayer Intellectual Property GmbH
 Alfred-Nobel-Str. 10, 40789 Monheim am

Rhein; Germany

(540)

Breelib

(591) Black, white

(511)

5 – Pharmaceutical preparations, preparations for treating pulmonary hypertension via inhalation.

10 – Medical instruments, inhalers for treating pulmonary hypertension.

(260) AM 2017 88872 A

(800) 1311351

(891) 2016 06 10

(731) IPSEN PHARMA S.A.S
65 Quai Georges Gorse F-92100
BOULOGNE BILLANCOURT;
France

(540)



(591) Dark blue, white, yellow and orange

(511)

5 – Pharmaceutical preparations; dietetic foods for medical use; dietetic substances for medical use; food for babies; probiotic bacterial formulations for medical use; food supplements; nutritional supplements; plasters.

41 – Education and training services; publication of books and magazines; multimedia publishing of printed matter; multimedia publishing of journals, specialized journals and newspapers; provision of non-downloadable online electronic publications; organization of seminars, working groups, research groups and conventions in the field of medicine; organization of conferences and symposiums in the field of medical science; organization and conducting of colloquiums, conferences or congresses; provision of non-downloadable electronic publications.

44 – Medical information services; advisory services concerning medical services; medical services.

(260) AM 2017 88874 A

(800) 1311357

(891) 2016 05 18

(731) SANTA FARMA İLAÇ SANAYİİ

ANONİM ŞİRKETİ

Okmeydani, BoruÇiçeği Sk. No. 16 Kat:4

Şişli, TR-34382 ISTANBUL (TR); Turkey

(540)

NAZOSTER

(591) Black, white

(511)

5 – Pharmaceuticals.

(260) AM 2017 88879 A

(800) 1311625

(891) 2016 03 12

(731) VICTORY 2000 EOOD G.S.

Rakovski Str. 32, BG-5250 SVISHTOV;
Bulgaria

(540)



(591) Black, white

(511)

3 – Perfumery; cosmetics; air fragancing preparations; aromatic essential oils; scented wood; scented water; oils for cleaning purpose; aromatic water not for medical use; sachets for perfuming linen; toilet water; tissues impregnated with cosmetic lotions; ethereal essences; extracts of flowers (perfumes); canned pressurized air for cleaning and dusting purposes; windscreen cleaning liquids windshield cleaning liquids; preparation for air fragancing, not included in other classes.

5 – Deodorants, other than for human beings or for animals; air fragancing; odour neutralizing preparation for clothing; deodorants for clothing and textiles; air deodorizing preparations for car and automobiles; shoe deodorizers.

(260) AM 2017 88881 A

(800) 1311671

(891) 2016 03 23

(731) Izabella Raufovna Potemkina

Bolshaya Tul'skaya street, bld. 54, apt. 54,

RU-115191 Moscow; Russian Federation

(540)

BELLA POTEKINA



(591) Black, white

(511)

18 – Mountaineering sticks; pocket wallets; business card cases; reins; harness fittings; parts of rubber for stirrups; chamois leather, other than for cleaning purposes; umbrellas; parasols; saddlery; frames for umbrellas or parasols; handbag frames; cases of leather or leatherboard; valves of leather; whips; imitation leather; leather, unworked or semi-worked;

leatherboard; casings, of leather, for springs; umbrella rings; boxes of leather or leatherboard; boxes of vulcanised fibre; chain mesh purses; purses; fastenings for saddles; butts [parts of hides]; saddle trees; bags [envelopes, pouches] of leather, for packaging; moleskin [imitation of leather]; travelling sets [leatherware]; knee-pads for horses; muzzles; halters; vanity cases, not fitted; leather thread; furniture coverings of leather; gut for making sausages; clothing for pets; trimmings of leather for furniture; collars for animals; music cases; slings for carrying infants; goldbeaters' skin; cat o' nine tails; leather leashes; pads for horse saddles; horseshoes; girths of leather; coverings of skins [furs]; horse blankets; shoulder belts [straps] of leather; briefcases; traces [harness]; fur; haversacks; leather straps; straps for soldiers' equipment; harness straps; straps for skates; straps of leather [saddlery]; chin straps, of leather; stirrup leathers; umbrella handles; walking stick handles; suitcase handles; rucksacks; travelling bags; riding saddles; net bags for shopping; umbrella or parasol ribs; stirrups; bags; bags for climbers; sling bags for carrying infants; garment bags for travel; valises; handbags; tool bags, empty; beach bags; bags for sports; bags for campers; shopping bags; wheeled shopping bags; school satchels; pouch baby carriers; travelling trunks; nose bags [feed bags]; bridoons; walking sticks; umbrella sticks; walking stick seats; bits for animals [harness]; bridles [harness]; harness for animals; key cases; horse collars; trunks [luggage]; suitcases; attaché cases of leather; covers for horse saddles; umbrella covers; kid; curried skins; animal skins; cattle skins; leather laces; blinkers [harness]; game bags [hunting accessories].

25 – Wimples; bandanas [neckerchiefs]; underwear; sweat-absorbent underwear; berets; overalls; boas [necklets]; teddies [undergarments]; boots; ski boots; boots for sports; breeches for wear; trousers; football boots; brassieres; detachable collars; collars [clothing]; shirt yokes; veils [clothing]; gabardines [clothing]; galoshes; neckties; ascots; leggings [leg warmers]; gaiters; boot uppers; corselets; jerseys [clothing]; vests; sports jerseys; hosiery; heels; long underwear; hoods [clothing]; hat frames [skeletons]; pockets for clothing; neck scarfs [mufflers]; visors [headwear]; cap peaks; tights; slips [undergarments]; combinations [clothing]; wet suits for water-skiing; bodices [lingerie]; corsets [underclothing]; suits; bathing suits; masquerade costumes; beach clothes; jackets [clothing]; stuff jackets [clothing]; fishing vests; leggings [pants]; liveries; camisoles; cuffs; short-sleeve shirts; mantillas; coats; sleep masks; furs [clothing]; mittens; miters [hats]; muffs [clothing]; socks; beach shoes; sports shoes; footwear; paper clothing; outerclothing; ready-made clothing; motorists' clothing; cyclists' clothing; clothing for gymnastics; clothing of imitations of leather; clothing of leather; uniforms; clothing;

fittings of metal for footwear; maniples; overcoats; parkas; pelerines; gloves [clothing]; ski gloves; pajamas; bathing trunks; shirt fronts; scarfs; pocket squares; dresses; waterproof raincoats; headbands [clothing]; garters; sock suspenders; stocking suspenders; ready-made linings [parts of clothing]; dress shields; soles for footwear; braces for clothing [suspenders]; lace boots; ponchos; girdles; belts [clothing]; money belts [clothing]; layettes [clothing]; non-slipping devices for footwear; heelpieces for stockings; welts for footwear; chasubles; shirts; wooden shoes; sandals; bath sandals; boots; sarongs; jumper dresses; saris; sweaters; footwear uppers; inner soles; bath slippers; togas; knitwear [clothing]; underpants; shoes; gymnastic shoes; slippers; skull caps; turbans; headgear for wear; aprons [clothing]; tee-shirts; dressing gowns; bath robes; top hats; tips for footwear; stockings; sweat-absorbent stockings; shawls; caps [headwear]; paper hats [clothing]; shower caps; bathing caps; sashes for wear; studs for football boots; hats; babies' pants [underwear]; trouser straps; pelisses; esparto shoes or sandals; skirts; petticoats; skorts.

35 – Import-export agency services; commercial information agency services; advertising agency services; rental of advertising space; business auditing; book-keeping; demonstration of goods; opinion polling; market studies; business information; commercial information and advice for consumers [consumer advice shop]; business investigations; business research; marketing research; business management and organization consultancy; business organization consultancy; business management consultancy; professional business consultancy; layout services for advertising purposes; marketing; business management of performing artists; business management of sports people; news clipping services; updating of advertising material; word processing; organization of exhibitions for commercial or advertising purposes; organization of fashion shows for promotional purposes; organization of trade fairs for commercial or advertising purposes; shop window dressing; business appraisals; payroll preparation; data search in computer files for others; business management assistance; commercial or industrial management assistance; presentation of goods on communication media, for retail purposes; economic forecasting; auctioneering; retail or wholesale services for pharmaceutical, veterinary and sanitary preparations and medical supplies; sales promotion for others; production of advertising films; office machines and equipment rental; rental of advertising time on communication media; publicity material rental; rental of vending machines; publication of publicity texts; radio advertising; bill-posting; distribution of samples; dissemination of advertising matter; direct mail advertising; writing of publicity texts; adverti-

sing; on-line advertising on a computer network; advertising by mail order; television advertising; document reproduction; compilation of statistics; compilation of information into computer databases; business inquiries; systemization of information into computer databases; advisory services for business management; telemarketing services; business management of hotels; commercial administration of the licensing of the goods and services of others; administrative processing of purchase orders; modelling for advertising or sales promotion; typing; relocation services for businesses; price comparison services; secretarial services; procurement services for others [purchasing goods and services for other businesses]; telephone answering for unavailable subscribers; outsourcing services [business assistance]; business efficiency expert services.

40 – Embroidering; material treatment information; leather staining; fur dyeing; shoe staining; textile dyeing; cloth dyeing; leather working; cloth edging; fur conditioning; fur mothproofing; fabric waterproofing; crease-resistant treatment for clothing; cloth fireproofing; textile treating; stripping finishes; wool treating; fabric bleaching; clothing alteration; dressmaking; cloth cutting; fur satining; cloth pre-shrinking; dyeing services; custom tailoring; custom fashioning of fur.

42 – Graphic arts design; dress designing; styling [industrial design].

(260) AM 2017 88885 A

(800) 1311821

(891) 2016 06 08

(731) Ironwood Pharmaceuticals, Inc.
301 Binney Street, Cambridge, MA 02142;
USA

(540)



(591) Black, white

(511)

5 – Pharmaceutical preparations for use in the treatment of digestive and gastrointestinal related disorders and diseases.

42 – Research and development of pharmaceuticals for others.

(260) AM 2017 88886 A

(800) 1311834

(891) 2016 04 27

(731) Joint Stock Company "BIOCAD"
Svyazi st., bld. 34, liter A, p. Strelna,
RU-198515 Saint Petersburg; Russian
Federation

(540)

BIORIMAB

(591) Black, white

(511)

5 – Pharmaceutical preparations; sanitary preparations for medical purposes; dietetic food and substances adapted for medical use.

(260) AM 2017 88887 A

(800) 1311849

(891) 2016 05 30

(731) Unilever N.V.
Weena 455, NL-3013 AL Rotterdam;
Netherlands

(540)



(591) Black, white

(511)

3 – Soap; medicated soap; cleaning preparations; perfumery; essential oils; deodorants and anti-perspirants for personal use; hair care preparations; shampoos and hair conditioners; hair colorants; hair styling products; non-medicated toilet preparations; cosmetic bath and shower preparations; cosmetic skin care preparations; cosmetic oils, creams and lotions for the skin; shaving preparations; pre-shave and aftershave preparations; cologne; depilatory preparations; cosmetic sun-tanning and sun protection preparations; cosmetics; make-up and make-up removing preparations; petroleum jelly for cosmetic purposes; cosmetic lip care preparations; talcum powder for cosmetic use; cotton wool for cosmetic purposes; cotton sticks for cosmetic purposes; tissues, pads or wipes impregnated or pre-moistened with personal cleansing or other cosmetic lotions; beauty masks and cosmetic facial packs.

(260) AM 2017 88897 A

(800) 1311972

(891) 2016 07 26

(731) L&O Hunting Group GmbH
Ziegelstadel 1, 88316 Isny; Germany

(540)

Apollon

(511)

8 – Hand tools and implements (hand-operated) used in agriculture, horticulture and forestry, for the

construction of machines, apparatus and vehicles, and for structural engineering; cutlery goods, forks and spoons; side arms; hunting knives; pocket knives; parts and fittings for all the aforesaid goods included in this class.

13 – Firearms; ammunition and projectiles; explosives; accessories for the aforesaid goods, namely gun bags, gun cases, cartridge belts, gun slings, cartridge cases.

(260) AM 2017 88899 A

(800) 1056631

(891) 2016 06 09

(731) Chocoladefabriken Lindt & Sprüngli AG
Seestrasse 204 CH-8802 Kilchberg;
Switzerland

(540)

LINDT CREATION

(511)

30 – Cocoa; extracts of cocoa and cocoa powder for consumption; chocolate masses, especially chocolates for making pralines, dips, chocolate fillings and decorations; toppings; chocolate for cooking, especially chocolate chips for cooking; cooking mixes, especially mixes for cakes, muffins and biscuits; chocolates; chocolate bars (filled and hollow); chocolate bars; chocolate cakes; pralines, also filled with liquids, especially with wines and spirits; chocolate truffles; hollow and filled chocolate shapes; chocolate such as Christmas-tree decorations; chocolate beverages, chocolate sauces and chocolate syrups; chocolate for spreads; pastry and confectionery; cakes; biscuits; marzipan; marzipan substitutes; edible ices; powder for edible ices; confectionery; candy, also filled with liquid; coffee; coffee beverages; coffee beans; ground coffee.

(260) AM 2017 88901 A

(800) 1095932

(891) 2016 09 14

(731) MARCHESINI GROUP S.P.A.
Via Nazionale, 100, I-40065 PIANORO (BO);
Italy

(540)



(591) Black, white

(511)

7 – Automatic machines and apparatus for the packaging of pharmaceuticals, foodstuffs and cosmetics articles; filling machines, selecting machines, cartoning machines, capping machines, piping machines, labeling machines, sealing machines, all for pharmaceuticals, foodstuffs and cosmetics articles; automatic machines and apparatus used in the making and assembling of the bottles and the containers for pharmaceuticals, foodstuffs and cosmetics articles; microprocessor based automatic machines and apparatus for the packaging of pharmaceuticals, foodstuffs and cosmetics articles; microprocessor based machines, namely filling machines, selecting machines, cartoning machines, capping machines, piping machines, labeling machines, sealing machines, all for pharmaceuticals, foodstuffs and cosmetics articles; microprocessor based automatic machines and apparatus used in the making and the assembling of the bottles and the containers of pharmaceuticals, foodstuffs and cosmetics articles.

9 – Counting machines for pharmaceuticals, foodstuffs and cosmetic articles; measuring machines for pharmaceuticals, foodstuffs and cosmetic articles.

37 – Technical assistance for the repair and maintenance of machines; maintenance services, repair and revision of: automatic machines and apparatus, microprocessor based automatic machines and apparatus, all for the packaging of pharmaceuticals, foodstuffs and cosmetics articles, filling machines, counting machines, measuring machines, selecting machines, cartoning machines, capping machines, piping machines, labeling machines, sealing machines, also the microprocessor based ones, for pharmaceuticals, foodstuffs and cosmetics articles, automatic machines and apparatus, microprocessor operated automatic machines and apparatus, all used in the making and the assembling of the bottles and the containers of pharmaceuticals, foodstuffs and cosmetics articles.

(260) AM 2017 88917 A

(800) 1312859

(891) 2016 06 07

(731) Limited Liability Company "ProFIT
Solutions Engineering"
Kamennoostrovsky prospect, 26/28, pom.
66-N RU-197101 Saint Petersburg; Russian
Federation

(540)



(591) Brown and white
 (511) 19 – Vinyl windows; windows, not of metal; wooden double glazed windows; wood blocks; wooden doors; doors, not of metal; building panels of wood; window frames of wood; wooden door frames; window frames, sashes and casements made of wood.

20 – Goods, not included in other classes, of wood, namely wooden furniture.

(260) AM 2017 88918 A
 (800) 1312905
 (891) 2016 07 04
 (731) SOKLEY S.A. P.O.
 Box 958, Pasea Estate, Road Town, Tortola;
 British Virgin Islands
 (540)



(591) Black, white
 (511) 1 – Fertilizers; synthetic resins, unprocessed; tempering and soldering preparations; fire extinguishing compositions; tanning substances; adhesives for industrial purposes; plastics, unprocessed; epoxy resins, unprocessed; preparations for the separation of greases; water-softening preparations; glue for industrial purposes; birdlime; scale removing preparations, other than for household purposes; degreasing preparations for use in manufacturing processes; anti-incrustants; chemical preparations for scientific purposes, other than for medical or veterinary use; chemical substances for preserving foodstuffs.

2 – Paints; fireproof paints; wood stains; colorants; lacquers; enamels [varnishes]; coatings [paints]; varnishes; primers; oils for the preservation of wood; protective preparations for metals; anti-rust oils; anti-corrosive preparations; thinners for paints; thinners for lacquers.

3 – Polish for furniture and flooring; windshield cleaning liquids; soap; laundry soaking preparations; laundry bleach; cleaning preparations; polishing preparations; starch glaze for laundry purposes; fabric softeners for laundry use; refurbishing preparations; preparations for unblocking drain pipes; laundry preparations; shining preparations [polish]; stain removers; detergents other than for use in manufacturing operations and for medical purposes; degreasers other than for use in manufacturing processes.

5 – Disinfectants for hygiene purposes.

(260) AM 2017 88922 A
 (800) 1313041
 (891) 2016 04 14
 (731) Xiaomi Singapore Pte. Ltd.
 12 Marina View, N23-01 Asia Square Tower
 2, Singapore 018961; Singapore



(591) Black, white
 (511) 7 – Draining machines; grinders (machines); milking machines; animal shearing machines; sawing machines; paper machines; printing machines; machines for the textile industry; dyeing machines; tea processing machines; electric food preparation machines; cigarette machines for industrial purposes; leather tanning machines; leather paring machines; ironing machines; bicycle assembling machines; machines for the making of pottery; engraving machine; battery operated spraying machines; mechanical rope reels; machines for coiling ropes; pulleys of metal for use with rope (parts of machines); rope making machines; machines for packaging; mixers (machines); dishwashers; soybean reaping cutters (machines); industrial washing machines; washing machines for household purposes; washing machines incorporating drying facilities; machines for glass working; glassware manufacturing machines; electromechanical machines for chemical industry; cutting machines; apparatus for use in drilling; apparatus for lifting; machine tools for use in the maintenance of electric installations; die-casting machines; steam engines; carburetors; wind turbines; industrial sewing machines; knives (parts of machines); industrial robots; electric scissors; bicycle dynamos; machines for cleaning cooling air filters in engines; centrifuges; pressure controllers (regulators) being parts of machines; pressure controllers (valves) being parts of machines; air compressors; door closers, electric; electric gas bearing; electric welding machines; instruments (machines) for cleaning the exterior of vehicles; instruments (machines) for cleaning the interior of vehicles; cleaning machines for industrial installations; cleaning machines for pipe-lines; cleaning machines for machine tools; electric cleaning machines; apparatus for the removal of dust from buildings; electric dust removing (cleaning) apparatus; dust removing installations for cleaning purposes; dust separators; apparatus (machines) for filtering; curtain drawing devices, electrically operated; electric shoe cleaning (polishing) machines; electroplating machines.

11 – Electric lamps; lighting lamps; lighting apparatus and installations; lighting devices for showcases; lampshades; flashlights; apparatus for the lighting of vehicle; germicidal lamps for air purification; electric cookers; cooking apparatus and

installations; kitchen stoves; cooking ovens; electric pressure cookers; electric kettles; water heaters; refrigerators; refrigeration installations; refrigeration units; air filtering apparatus; air conditioning apparatus; air filtration installations; air dryers; clothes dryers; dryers for the hands using a warm air drying stream; drying apparatus; air conditioning fans; electric cooling fans; ventilation (air-conditioning) installations and apparatus; apparatus for ventilating vehicles; electric fans; electric hair dryers; hot water heaters; electric heating apparatus; installations for heating consisting of halogen heating devices; heaters for heating irons; electric heaters; apparatus for water supply purposes; fireplaces, domestic; tap water faucets; apparatus for heating; temperature control apparatus (valves) for central heating radiators; automatic watering installations; bath installations; bath fittings; sanitary apparatus and installations; toilets [water-closets]; apparatus for disinfection; apparatus for water purification; apparatus for water filtering; machines for the processing (purification) of sewage; water softeners (apparatus); disposable sterilization pouches; portable electric heaters; lighters.

18 – Fur; bags; travel box; backpack; purse (wallet); shopping bag; handbags; travel bag; luggage; rucksack; suitcases; sport bags; packaging bottle bags [envelopes, pouches] of leather; furniture upholstery leather; leather for furniture; leather strap, umbrella, umbrella cover; alpenstock; stick.

(260) AM 2017 88923 A
(800) 1313079
(891) 2016 07 08
(731) LESAFFRE ET COMPAGNIE
41, rue Etienne Marcel F-75001 Paris; France
(540)

KINGAIN

(591) Black, white
(511)
30 – Bread; yeast; baking powder; leaven, ferments for pastes.

(260) AM 2017 88924 A
(800) 1313080
(891) 2016 07 08
(731) LESAFFRE ET COMPAGNIE
41, rue Etienne Marcel F-75001 Paris; France
(540)

FORISE

(591) Black, white
(511)
30 – Bread; yeast; baking powder; leaven, ferments for pastes.

(260) AM 2017 88925 A
(800) 146657A
(891) 2016 06 29
(731) H. Lundbeck A/S
Ottiliavej 9, DK-2500 Valby; Denmark
(540)



(591) Black, white
(511)
5 – Special or non-special pharmaceutical products, objects for dressings and disinfectants, veterinary and sanitary products.

(260) AM 2017 88926 A
(800) 166985
(891) 2016 06 07
(731) Società Italo Britannica L. Manetti –
H. Roberts & C. p.A.
Via Pellicceria, 8, I-50123 Firenze;
Italy
(540)

SANOGYL

(511)
3 – Non-pharmaceutical hygienic preparations for the care and the treatment of the mouth and the teeth; dentifrices of any kind; dental bleaching products; mouth wash.
5 – Pharmaceutical preparations for the care and the treatment of the mouth and the teeth; medicated dental bleaching products; mouth wash.
21 – Toothbrushes.

(260) AM 2017 88933 A
(800) 985415
(891) 2016 07 05
(731) CARDIVA, S.L.
Calle General Eguia, 48, E-48013 Bilbao;
Spain
(540)

Cover Pack

(591) Black, white
(511)
10 – Surgical, medical, dental and veterinary apparatus and instruments, artificial limbs, eyes and teeth; orthopedic articles; suture materials, except orthopaedic bandages and tapes, as well as compression stockings.

(260) AM 2017 88934 A
 (800) 1141758
 (891) 2016 06 17
 (731) FOREST s.r.l.
 Via Friuli, 13 Frazione Padernello, I-31038
 Paese (TV); Italy

(540)



(591) Orange and black
 (511)
 25 – Clothing, footwear, headgear; underwear.

(260) AM 2017 88937 A
 (800) 1174324
 (891) 2016 09 13
 (731) KIMAR S.R.L.
 Piazza Euclide, n. 47, I-00197 ROMA (RM);
 Italy

(540)

NIYO & CO.

(511)
 3 – Bleaching preparations and other substances for laundry use, cleaning, polishing, scouring and abrasive preparations; soaps; perfumery, essential oils, cosmetics, hair lotions; dentifrices.

35 – Advertising; business management; business administration, office functions.

(260) AM 2017 88939 A
 (800) 1222275
 (891) 2016 09 20
 (731) I.C.O.N. EUROPE, S.L.
 RÚA AMOR RUIBAL, N° 11 ENTLO.
 E-36203 VIGO (PONTEVEDRA); Spain

(540)



(591) Pink and black
 (511)
 3 – Hair lotions; essential oils only intended for hair care; cosmetics only intended for hair care.

(260) AM 2017 88940 A
 (800) 1246980
 (891) 2016 07 07
 (731) ACCOR
 82 rue Henri Farman, F-92130
 Issy-les-Moulineaux; France

(540)



(591) Dark blue
 (511)
 43 – Hotels; hotel services; services for providing food and drink; restaurants; cafeteria, tea room and bar services (with the exception of clubs); temporary accommodation; tourist homes; hotel room reservation services for travelers; booking services for temporary accommodation; consulting and advice (unrelated to business operation) in connection with hotels and restaurants; rental of rooms for conferences and meetings; provision of facilities for exhibitions, conferences and meetings; hotel and restaurant reservation services; provision of information on-line relating to hotel and restaurant reservations.

(260) AM 2017 88941 A
 (800) 1312013
 (891) 2016 07 26
 (731) Arysta LifeScience S.A.S.
 Route d'Artix, B.P. 80, F-64150 NOGUERES;
 France

(540)

Bagira

(511)
 1 – Chemicals used in industry, science and photography, as well as in agriculture, horticulture and forestry; unprocessed artificial resins, unprocessed plastics; manures; fire extinguishing compositions; tempering and soldering preparations; chemical substances for preserving foodstuffs; tanning substances; adhesives used in industry; fertilizers; plant growth regulators; biostimulants; bionutrients; agricultural biologicals; chemicals for the manufacture of pharmaceuticals, agrochemicals and/or agricultural biologicals; chemicals for making mixtures for end-use applications in agriculture, horticulture, silviculture, turf and ornamental care, and/or home and garden.

5 – Pharmaceuticals, medical and veterinary preparations; sanitary preparations for medical purposes; dietetic food and substances adapted for medical or veterinary use, food for babies; dietary supplements for humans and animals; plasters, materials for dressings; material for stopping teeth, dental wax; disinfectants; preparations for destroying vermin; fungicides, herbicides; fumigants for use in agriculture, horticulture and home and garden; herbicides, fungicides, insecticides, pesticides, biologicals for biocontrol applications, and preparations for destroying vermin, each for use in agriculture, horticulture, silviculture, turf and ornamental care, and/or home and garden.

(260) AM 2017 89024 A

(800) 1314041

(891) 2016 07 25

(731) XPO Logistics, Inc.

Five Greenwich Office Park, Greenwich CT 06931; USA

(540)

RESULTS MATTER

(511)

39 – Logistics and supply chain services, namely, storage, transportation and delivery of goods for others by air, ship or truck; transportation and delivery services by air, road and sea; freight and transport brokerage services.

(260) AM 2017 89026 A

(800) 1314047

(891) 2016 03 11

(731) National System of Payment Cards

Joint-stock Company

Leninsky prospekt, 1, build. 2, RU-119991 Moscow; Russian Federation

(540)



(591) Gray, white, green, blue and light blue

(511)

7 – 3D printers; distribution machines, automatic; welding machines, electric; welding apparatus, gas-operated; vulcanisation apparatus; acetylene cleaning apparatus; high pressure washers; apparatus for drawing up beer under pressure; apparatus for aerating water; apparatus for aerating beverages; electrical apparatus for sealing plastics [packaging]; electric arc cutting apparatus; electric arc welding

apparatus; electric welding apparatus; inking apparatus for printing machines; soldering apparatus, electric; fittings for engine boilers; expansion tanks [parts of machines]; drums [parts of machines]; reels, mechanical, for flexible hoses; brake shoes other than for vehicles; concrete mixers [machines]; reels [parts of machines]; bobbins for weaving looms; harrows; journal boxes [parts of machines]; bulldozers; hoppers [mechanical discharging]; mine borers; truck lifts; rolling mill cylinders; crank shafts; printing rollers for machines; transmission shafts, other than for land vehicles; valves [parts of machines]; fans for motors and engines; saw benches [parts of machines]; winnowers; vibrators [machines] for industrial use; bearings [parts of machines]; water heaters [parts of machines]; bellows [parts of machines]; agitators; exhausts for motors and engines; drilling rigs, floating or non-floating; lawnmowers [machines]; card clothing [parts of carding machines]; emergency power generators; alternators; dynamos; bicycle dynamos; current generators; generators of electricity; hydraulic controls for machines, motors and engines; silencers for motors and engines; drilling heads [parts of machines]; drilling bits [parts of machines]; cylinder heads for engines; soldering blow pipes, gas-operated; gas-operated blow torches; raking machines; stalk separators [machines]; sieves [machines or parts of machines]; mud catchers and collectors [machines]; tarring machines; hydraulic engines and motors; aeronautical engines; aeroplane engines; engines for air cushion vehicles; compressed air engines; jet engines other than for land vehicles; engines for boats; driving motors other than for land vehicles; motors, other than for land vehicles; propulsion mechanisms other than for land vehicles; de-aerators for feedwater; disintegrators; tympan [parts of printing presses]; holding devices for machine tools; turf removing ploughs; pump diaphragms; chisels for machines; jacks [machines]; rack and pinion jacks; moving pavements [sidewalks]; electric hand drills; crushers for kitchen use, electric; flues for engine boilers; reapers; reapers and binders; millstones; rakes for raking machines; kitchen grinders, electric; shredders [machines] for industrial use; injectors for engines; incubators for eggs; tools [parts of machines]; hand-held tools, other than hand-operated; air condensers; control cables for machines, engines or motors; capstans; calenders; rotary steam presses, portable, for fabrics; ditchers [ploughs]; carburettors; carriages for knitting machines; crankcases for machines, motors and engines; steamrollers; pressure valves [parts of machines]; clack valves [parts of machines]; pressure reducers [parts of machines]; can openers, electric; cowlings [parts of machines]; machine wheels; freewheels other than for land vehicles; scale collectors for machine boilers; shoe lasts [parts

of machines]; brake pads other than for vehicles; piston segments; grease rings [parts of machines]; reapers and threshers; coal-cutting machines; compressors [machines]; air pumps [garage installations]; compressors for refrigerators; conveyors [machines]; belt conveyors; converters for steelworks; steam condensers [parts of machines]; aerocondensers; diggers [machines]; rams [machines]; thermic lances [machines]; mechanized livestock feeders; boxes for matrices [printing]; gear boxes other than for land vehicles; grease boxes [parts of machines]; housings [parts of machines]; harvesting machines; steam engine boilers; coffee grinders, other than hand-operated; taps [parts of machines, engines or motors]; cranes [lifting and hoisting apparatus]; roller bridges; water separators; spray guns for paint; cranks [parts of machines]; potters' wheels; grindstones [parts of machines]; cultivators [machines]; soldering lamps; winches; ploughshares; belts for conveyors; lubricators [parts of machines]; igniting magnetos; handling machines, automatic [manipulators]; churns; matrices for use in printing; machine fly-wheels; hair clipping machines for animals; paper machines; blowing machines; knitting machines; galvanizing machines; bending machines; ironing machines; mineworking machines; blowing machines for the compression, exhaustion and transport of gases; blowing machines or fans for the compression, sucking and carrying of grain; net hauling machines [fishing]; electroplating machines; bottle sealing machines; sealing machines for industrial purposes; embossing machines; engraving machines; finishing machines; garbage [waste] disposals; blade sharpening [stropping] machines; earth moving machines; cord making machines; lace making machines; butter machines; cigarette machines for industrial purposes; sausage machines; stereotype machines; hosiery looms; grinding machines; dyeing machines; bottle washing machines; dishwashers; bottle filling machines; racket stringing machines; leather-working machines; dairy machines; glass-working machines; tobacco processing machines; grain husking machines; painting machines; oil refining machines; peeling machines; machines for processing plastics; ore treating machines; printing machines for use on sheet metal; brewing machines; whitewashing machines; road sweeping machines [self-propelled]; leather paring machines; bitumen making machines; papermaking machines; machines for making pasta; machines for the production of sugar; weeding machines; sifting machines; cinder sifters [machines]; puddling machines; notchers [machine tools]; bread cutting machines; road making machines; railroad constructing machines; machines for the textile industry; rail-laying machines; bottle capping machines; bottle stoppering machines; packaging machines; waste compacting machines;

die-stamping machines; stamping machines; darning machines; milking machines; drainage machines; wrapping machines; grain separators; bookbinding apparatus and machines for industrial purposes; machines and apparatus for cleaning, electric; machines and apparatus for carpet shampooing, electric; machines and apparatus for polishing [electric]; sizing machines; punching machines; riveting machines; kitchen machines, electric; foundry machines; smoothing presses; fleshing machines; rinsing machines; flour mill machines; typesetting machines [printing]; hemming machines; grating machines for vegetables; braiding machines; wringing machines for laundry; cutting machines; steam engines; printing machines; rotary printing presses; compressed air machines; trimming machines; spinning machines; filling machines; friezing machines; cutters [machines]; satinizing machines; agricultural machines; mixing machines; sorting machines for industry; stitching machines; washing machines [laundry]; coin-operated washing machines; clippers [machines]; spinning frames; spin driers [not heated]; looms; kneading machines; typographic machines; type-setting machines [photocomposition]; beating machines; beaters, electric; packing machines; filtering machines; molding machines; carding machines; sewing machines; typecasting machines; electromechanical machines for chemical industry; labellers [machines]; mills [machines]; mills for household purposes, other than hand-operated; pepper mills other than hand-operated; centrifugal mills; machine wheelwork; feeders [parts of machines]; forge bellows; mixers [machines]; blenders, electric, for household purposes; vacuum cleaner bags; threshing machines; pneumatic hammers; hammers [parts of machines]; tilt hammers; power hammers; reeling apparatus, mechanical; motorized cultivators; motors for boats; clutches other than for land vehicles; meat choppers [machines]; superchargers; brake linings other than for vehicles; guides for machines; vacuum cleaner attachments for disseminating perfumes and disinfectants; pumps [machines]; pumps [parts of machines, engines or motors]; aerating pumps for aquaria; vacuum pumps [machines]; compressed air pumps; pumps for heating installations; beer pumps; lubricating pumps; self-regulating fuel pumps; fuel dispensing pumps for service stations; centrifugal pumps; blades [parts of machines]; knives for mowing machines; chaff cutter blades; knives, electric; shears, electric; scissors, electric; engine mounts other than for land vehicles; bearing brackets for machines; pulverisers [machines]; agricultural implements other than hand-operated; axles for machines; steam traps; chucks [parts of machines]; drill chucks [parts of machines]; exhaust manifold for engines; soldering irons, gas-operated; soldering irons, electric; superheaters; gears, other than for land vehicles; reduction gears other than for land

vehicles; drilling machines; saws [machines]; chain saws; guns [tools using explosives]; glue guns, electric; compressed air guns for the extrusion of mastics; carburetter feeders; feeding apparatus for engine boilers; loading ramps; ploughs; pneumatic transporters; pneumatic controls for machines, motors and engines; hangers [parts of machines]; anti-friction bearings for machines; roller bearings; self-oiling bearings; bearings for transmission shafts; ball-bearings; elevators [lifts]; hoists; lifts, other than ski-lifts; pulleys; saw blades [parts of machines]; pistons [parts of machines or engines]; shock absorber plungers [parts of machines]; pistons for engines; pistons for cylinders; catalytic converters; torque converters other than for land vehicles; fuel conversion apparatus for internal combustion engines; presses [machines for industrial purposes]; wine presses; basket presses; fodder presses; printing presses; typographic presses; swaging machines; pedal drives for sewing machines; cleaning appliances utilizing steam; food processors, electric; springs [parts of machines]; spinning wheels; punches for punching machines; vacuum cleaners; tambours for embroidery machines; radiators [cooling] for motors and engines; sewage pulverizers; air brushes for applying colour; regulators [parts of machines]; pressure regulators [parts of machines]; speed governors for machines, engines and motors; knives [parts of machines]; cutting blow pipes, gas-operated; blade holders [parts of machines]; loom shafts; gears for weaving looms; belts for machines; elevator belts; fan belts for motors and engines; dynamo belts; belts for motors and engines; adhesive bands for pulleys; robots [machines]; kick starters for motorcycles; stuffing boxes [parts of machines]; paper feeders [printing]; whisks, electric, for household purposes; sparking plugs for internal combustion engines; glow plugs for Diesel engines; brake segments other than for vehicles; tedding machines; separators; steam/oil separators; cream/milk separators; ball rings for bearings; sowers [machines]; snow ploughs; sheaf-binding machines; shaft couplings [machines]; fruit presses, electric, for household purposes; chaff cutters; teat cups [suction cups] for milking machines; stands for machines; machine tools; die-cutting and tapping machines; woodworking machines; sharpening machines; bicycle assembling machines; mortising machines; stone-working machines; metalworking machines; threading machines; planing machines; lathes [machine tools]; milling machines; trueing machines; metal drawing machines; rolling mills; starters for motors and engines; stators [parts of machines]; glaziers' diamonds [parts of machines]; tables for machines; derricks; slide rests [parts of machines]; couplings other than for land vehicles; boiler tubes [parts of machines]; wind turbines; hydraulic turbines; turbines other than for land

vehicles; turbocompressors; connecting rods for machines, motors and engines; joints [parts of engines]; central vacuum cleaning installations; suction machines for industrial purposes; washing installations for vehicles; degreasers [machines]; dust exhausting installations for cleaning purposes; machines for the production of mineral water; sifting installations; pneumatic tube conveyors; dust removing installations for cleaning purposes; condensing installations; lifting apparatus; air suction machines; dividing machines; igniting devices for internal combustion engines; door closers, electric; washing apparatus; binding apparatus for hay; extractors for mines; window openers, electric; window closers, electric; window openers, hydraulic; window closers, hydraulic; window openers, pneumatic; window closers, pneumatic; door closers, hydraulic; door closers, pneumatic; door openers, electric; door openers, hydraulic; door openers, pneumatic; curtain drawing devices, electrically operated; adhesive tape dispensers [machines]; anti-pollution devices for motors and engines; beverage preparation machines, electromechanical; food preparation machines, electromechanical; elevator operating apparatus; control mechanisms for machines, engines or motors; shoe polishers, electric; machines and apparatus for wax-polishing, electric; air cushion devices for moving loads; handling apparatus for loading and unloading; elevating apparatus; aprons [parts of machines]; filter presses; filters [parts of machines or engines]; filters for cleaning cooling air, for engines; molds [parts of machines]; printing plates; journals [parts of machines]; centrifugal machines; elevator chains [parts of machines]; driving chains other than for land vehicles; transmission chains other than for land vehicles; cylinders for motors and engines; cylinders for machines; printing cylinders; pneumatic jacks; shuttles [parts of machines]; universal joints [cardan joints]; pulleys [parts of machines]; vacuum cleaner hoses; brushes [parts of machines]; dynamo brushes; brushes, electrically operated [parts of machines]; carbon brushes [electricity]; ejectors; fuel economisers for motors and engines; excavators; shovels, mechanical; agricultural elevators; motors, electric, other than for land vehicles; electrodes for welding machines; electric hammers; parquet wax-polishers, electric; cartridges for filtering machines; moving staircases [escalators]; automatic grapnels for marine purposes.

9 – DVD players; 3D spectacles; ticket dispensers; coin-operated musical automata [juke boxes]; fire engines; answering machines; electrical adapters; accumulators, electric; accumulators, electric, for vehicles; accelerometers; actinometers; alidades; altimeters; ammeters; anemometers; anodes; antennas; anticathodes; apertometers [optics]; high-frequency apparatus; testing apparatus not for

medical purposes; remote control apparatus; electro-dynamic apparatus for the remote control of railway points; electro-dynamic apparatus for the remote control of signals; monitoring apparatus, electric; sound recording apparatus; Global Positioning System [GPS] apparatus; distillation apparatus for scientific purposes; diffraction apparatus [microscopy]; air analysis apparatus; apparatus to check franking; sound transmitting apparatus; apparatus for fermentation [laboratory apparatus]; breathing apparatus for underwater swimming; breathing apparatus, except for artificial respiration; apparatus and installations for the production of X-rays, not for medical purposes; cash registers; electric apparatus for commutation; intercommunication apparatus; stills for laboratory experiments; projection apparatus; radiological apparatus for industrial purposes; X-ray apparatus not for medical purposes; blueprint apparatus; flashing lights [luminous signals]; stereoscopic apparatus; telephone apparatus; facsimile machines; phototelegraphy apparatus; igniting apparatus, electric, for igniting at a distance; acid hydrometers; salinometers; acidimeters for batteries; aerometers; beacons, luminous; battery jars; barometers; anode batteries; galvanic batteries; batteries for lighting; solar batteries; solar panels for the production of electricity; batteries, electric; balances [steelyards]; betatrons; binoculars; electronic tags for goods; lens hoods; magnetic tape units for computers; computer memory devices; fire hose nozzles; encoded identification bracelets, magnetic; safety tarpaulins; bullet-proof clothing; signalling buoys; life buoys; marking buoys; directional compasses; vacuum gauges; electrolyzers; variometers; verniers; scales; letter scales; weighbridges; precision balances; levelling staffs [surveying instruments]; camcorders; video baby monitors; video cassettes; video telephones; video screens; viewfinders, photographic; sockets, plugs and other contacts [electric connections]; micrometer screws for optical instruments; viscosimeters; circuit closers; wavemeters; voltmeters; mechanical signs; signs, luminous; switchboxes [electricity]; current rectifiers; gas testing instruments; gasometers [measuring instruments]; galvanometers; hands free kits for phones; heliographic apparatus; hygrometers; hydrometers; weights; peepholes [magnifying lenses] for doors; holograms; plotters; loudspeakers; sounding leads; plumb bobs; range finders; densimeters; densitometers; optical goods; detectors; smoke detectors; counterfeit [false] coin detectors; transparencies [photography]; slide projectors; diaphragms [photography]; dictating machines; dynamometers; light-emitting diodes [LED]; floppy disks; sound recording discs; disks, magnetic; optical discs; circular slide rules; disk drives for computers; juke boxes for computers; DNA chips; electronic notice boards; bullet-proof waistcoats; life

jackets; identification threads for electric wires; nose clips for divers and swimmers; locks, electric; bells [warning devices]; alarm bells, electric; electric door bells; signal bells; acoustic conduits; mirrors for inspecting work; road signs, luminous or mechanical; marine depth finders; probes for scientific purposes; buzzers; needles for record players; measures; pressure measuring apparatus; simulators for the steering and control of vehicles; inverters [electricity]; pressure indicators; temperature indicators; incubators for bacteria culture; measuring instruments; cosmographic instruments; mathematical instruments; levelling instruments; instruments containing eyepieces; surveying instruments; azimuth instruments; interfaces for computers; ionization apparatus not for the treatment of air or water; spark-guards; coaxial cables; fibre [fiber (Am.)] optic cables; cables, electric; calipers; slide calipers; screw-tapping gauges; calculating machines; pocket calculators; decompression chambers; cinematographic cameras; life-saving capsules for natural disasters; electronic pens [visual display units]; holders for electric coils; identity cards, magnetic; video game cartridges; toner cartridges, unfilled, for printers and photocopiers; memory cards for video game machines; encoded magnetic cards; riding helmets; protective helmets; carriers for dark plates [photography]; automated teller machines [ATM]; cathodes; spools [photography]; choking coils [impedance]; coils, electric; electromagnetic coils; cinematographic film, exposed; computer keyboards; solenoid valves [electromagnetic switches]; wire connectors [electricity]; encoded key cards; electronic book readers; electronic agendas; push buttons for bells; mouse pads; magnetic encoders; anti-glare visors; collectors, electric; calibrating rings; protective suits for aviators; commutators; compact discs [audio-video]; compact discs [read-only memory]; comparators; marine compasses; computers; laptop computers; tablet computers; notebook computers; condensers [capacitors]; contacts, electric; wind socks for indicating wind direction; traffic cones; branch boxes [electricity]; distribution boxes [electricity]; junction boxes [electricity]; battery boxes; cabinets for loudspeakers; diving suits; galena crystals [detectors]; reflecting discs for wear, for the prevention of traffic accidents; covers for electric outlets; logs [measuring instruments]; lasers, not for medical purposes; lactodensimeters; lactometers; vacuum tubes [radio]; darkroom lamps [photography]; thermionic tubes; amplifying tubes; flashlights [photography]; head cleaning tapes [recording]; magnetic tapes; videotapes; surveying chains; fire escapes; rulers [measuring instruments]; slide-rules; contact lenses; correcting lenses [optics]; optical lenses; optical condensers; sounding lines; electricity conduits; measuring spoons; magnifying glasses [optics]; thread counters; magnets;

decorative magnets; close-up lenses; crash test dummies; resuscitation mannequins [teaching apparatus]; mouse [computer peripheral]; pressure gauges; divers' masks; solderers' helmets; protective masks; materials for electricity mains [wires, cables]; voting machines; money counting and sorting machines; material testing instruments and machines; furniture especially made for laboratories; megaphones; portable media players; diaphragms [acoustics]; diaphragms for scientific apparatus; metal detectors for industrial or military purposes; metronomes; rules [measuring instruments]; carpenters' rules; dressmakers' measures; mechanisms for coin-operated apparatus; mechanisms for counter-operated apparatus; coin-operated mechanisms for television sets; shutter releases [photography]; micrometers; microprocessors; microscopes; microtomes; microphones; modems; lightning conductors [rods]; monitors [computer hardware]; monitors [computer programs]; terminals [electricity]; junction sleeves for electric cables; teeth protectors; temperature indicator labels, not for medical purposes; knee-pads for workers; headphones; surveyors' levels; sound recording carriers; magnetic data media; optical data media; socks, electrically heated; computer software, recorded; sheaths for electric cables; identification sheaths for electric wires; weighing machines; computer hardware; punched card machines for offices; life saving apparatus and equipment; shoes for protection against accidents, irradiation and fire; objectives [lenses] [optics]; lenses for astrophotography; egg-candlers; fire extinguishers; electrified fences; limiters [electricity]; clothing for protection against accidents, irradiation and fire; garments for protection against fire; asbestos clothing for protection against fire; clothing especially made for laboratories; ozonisers [ozonators]; octants; eyepieces; ohmmeters; wrist rests for use with computers; spectacle frames; eyeglass frames; oscillographs; plumb lines; mirrors [optics]; spectacles [optics]; sunglasses; goggles for sports; signalling panels, luminous or mechanical; radio pagers; pince-nez; electronic pocket translators; transmitters [telecommunication]; telephone transmitters; transmitters of electronic signals; switches, electric; periscopes; gloves for divers; gloves for protection against accidents; gloves for protection against X-rays for industrial purposes; asbestos gloves for protection against accidents; furnaces for laboratory use; pipettes; pyrometers; planimeters; plane tables [surveying instruments]; plates for batteries; wafers for integrated circuits; printed circuit boards; compact disc players; cassette players; sound recording strips; X-ray films, exposed; films, exposed; life-saving rafts; laboratory trays; digital signs; semi-conductors; polarimeters; fire pumps; measuring glassware; life belts; fuses; circuit breakers; converters, electric; telerupters;

food analysis apparatus; diagnostic apparatus, not for medical purposes; distance recording apparatus; distance measuring apparatus; speed measuring apparatus [photography]; appliances for measuring the thickness of leather; apparatus for measuring the thickness of skins; speed checking apparatus for vehicles; teaching apparatus; time recording apparatus; apparatus and instruments for astronomy; surveying apparatus and instruments; weighing apparatus and instruments; nautical apparatus and instruments; navigational instruments; optical apparatus and instruments; apparatus and instruments for physics; chemistry apparatus and instruments; measuring apparatus; measuring devices, electric; boiler control instruments; meteorological instruments; naval signalling apparatus; observation instruments; navigation apparatus for vehicles [on-board computers]; satellite navigational apparatus; regulating apparatus, electric; precision measuring apparatus; audio- and video-receivers; prisms [optics]; printers for use with computers; hemline markers; retorts' stands; apparatus for changing record player needles; drainers for use in photography; cleaning apparatus for sound recording discs; fire beaters; sighting telescopes for firearms; telescopic sights for artillery; test tubes; pressure indicator plugs for valves; magnetic wires; telegraph wires; telephone wires; wires, electric; conductors, electric; copper wire, insulated; fuse wire; computer programmes [programs], recorded; computer game software; computer programs [downloadable software]; computer operating programs, recorded; record players; processors [central processing units]; rods for water diviners; electronic publications, downloadable; distribution consoles [electricity]; control panels [electricity]; radar apparatus; baby monitors; masts for wireless aerials; transmitting sets [telecommunication]; radios; vehicle radios; sprinkler systems for fire protection; frames for photographic transparencies; screens for photoengraving; walkie-talkies; voltage surge protectors; voltage regulators for vehicles; stage lighting regulators; light dimmers [regulators], electric; speed regulators for record players; cell switches [electricity]; washing trays [photography]; marking gauges [joinery]; time switches, automatic; relays, electric; safety restraints, other than for vehicle seats and sports equipment; X-ray photographs, other than for medical purposes; rheostats; respirators for filtering air; respiratory masks, other than for artificial respiration; retorts; refractometers; refractors; grids for batteries; speaking tubes; horns for loudspeakers; saccharometers; optical fibers [fibres] [light conducting filaments]; traffic-light apparatus [signalling devices]; dog whistles; signalling whistles; sextants; inductors [electricity]; safety nets; nets for protection against accidents; fire alarms; signals, luminous or mechanical; sirens; scanners [data processing equipment]; smartphones;

integrated circuit cards [smart cards]; connections for electric lines; couplings, electric; connectors [electricity]; sonars; sound locating instruments; lighting ballasts; resistances, electric; spectrograph apparatus; spectrosopes; speed indicators; alcoholmeters; satellites for scientific purposes; protection devices for personal use against accidents; audiovisual teaching apparatus; radiotelegraphy sets; radiotelephony sets; spectacle lenses; anti-glare glasses; optical glass; personal stereos; stereoscopes; stands for photographic apparatus; stroboscopes; fire boats; sulfimeters; bags adapted for laptops; drying racks [photography]; spherometers; integrated circuits; printed circuits; counters; parking meters; kilometer recorders for vehicles; revolution counters; abacuses; egg timers [sandglasses]; taximeters; ear plugs for divers; tachometers; television apparatus; telegraphs [apparatus]; telescopes; teleprompters; teleprinters; mobile telephones; cordless telephones; theodolites; thermometers, not for medical purposes; thermostats; thermostats for vehicles; crucibles [laboratory]; tone arms for record players; totalizers; transistors [electronic]; transponders; protractors [measuring instruments]; transformers [electricity]; step-up transformers; vehicle breakdown warning triangles; triodes; starter cables for motors; discharge tubes, electric, other than for lighting; capillary tubes; neon signs; Pitot tubes; X-ray tubes not for medical purposes; telephone receivers; gauges; quantity indicators; automatic indicators of low pressure in vehicle tires [tyres]; gasoline gauges; water level indicators; electric loss indicators; light-emitting electronic pointers; slope indicators; levels [instruments for determining the horizontal]; mercury levels; spirit levels; urinometers; amplifiers; particle accelerators; electric installations for the remote control of industrial operations; steering apparatus, automatic, for vehicles; balancing apparatus; video recorders; sound reproduction apparatus; invoicing machines; tape recorders; protection devices against X-rays, not for medical purposes; railway traffic safety appliances; data processing apparatus; oxygen transvasing apparatus; theft prevention installations, electric; film cutting apparatus; drying apparatus for photographic prints; optical character readers; centering apparatus for photographic transparencies; dosage dispensers; battery chargers; chargers for electric batteries; acoustic [sound] alarms; sounding apparatus and machines; editing appliances for cinematographic films; cathodic anti-corrosion apparatus; couplers [data processing equipment]; anti-theft warning apparatus; computer peripheral devices; anti-interference devices [electricity]; demagnetizing apparatus for magnetic tapes; acoustic couplers; alarms; fog signals, non-explosive; whistle alarms; adding machines; readers [data processing equipment]; heat regulating apparatus; photocopiers

[photographic, electrostatic, thermic]; bar code readers; computer software applications, downloadable; downloadable ring tones for mobile phones; downloadable image files; downloadable music files; animated cartoons; filters [photography]; filters for respiratory masks; filters for ultraviolet rays, for photography; USB flash drives; magic lanterns; optical lamps; signal lanterns; cameras [photography]; glazing apparatus for photographic prints; shutters [photography]; darkrooms [photography]; photometers; flash-bulbs [photography]; digital photo frames; enlarging apparatus [photography]; photovoltaic cells; containers for contact lenses; spectacle cases; pince-nez cases; containers for microscope slides; cases especially made for photographic apparatus and instruments; chromatography apparatus for laboratory use; chronographs [time recording apparatus]; laboratory centrifuges; eyeglass chains; cyclotrons; compasses [measuring instruments]; frequency meters; time clocks [time recording devices]; Petri dishes; sleeves for laptops; fire blankets; chips [integrated circuits]; jigs [measuring instruments]; pedometers; meteorological balloons; electrified rails for mounting spot lights; asbestos screens for firemen; fire hose; protective helmets for sports; cell phone straps; eyeglass cords; tripods for cameras; switchboards; distribution boards [electricity]; screens [photography]; workmen's protective face-shields; projection screens; radiology screens for industrial purposes; fluorescent screens; exposure meters [light meters]; ducts [electricity]; galvanic cells; epidiascopes; ergometers; armatures [electricity].

14 – Agates; diamonds; amulets [jewellery, jewelry (Am.)]; anchors [clock and watch making]; barrels [clock and watch making]; bracelets [jewellery, jewelry (Am.)]; watch straps; charms [jewellery, jewelry (Am.)]; key rings [trinkets or fobs]; brooches [jewellery, jewelry (Am.)]; alarm clocks; pins [jewellery, jewelry (Am.)]; ornamental pins; tie pins; beads for making jewelry; pearls made of ambroid [pressed amber]; busts of precious metal; jewellery rolls; jet, unwrought or semi-wrought; jewelry findings; pearls [jewellery, jewelry (Am.)]; copper tokens; tie clips; cuff links; clasps for jewelry; badges of precious metal; gold, unwrought or beaten; cloisonné jewellery [jewelry (Am.)]; hat ornaments of precious metal; ivory jewelry; works of art of precious metal; jewelry; jewelry of yellow amber; iridium; precious stones; semi-precious stones; spun silver [silver wire]; necklaces [jewellery, jewelry (Am.)]; rings [jewellery, jewelry (Am.)]; boxes of precious metal; watch cases; clock cases; pendulums [clock and watch making]; medals; lockets [jewellery, jewelry (Am.)]; precious metals, unwrought or semi-wrought; movements for clocks and watches; clockworks; coins; gold thread [jewellery, jewelry (Am.)]; threads of precious metal

[jewellery, jewelry (Am.)]; silver thread [jewellery, jewelry (Am.)]; olivine [gems]; peridot; osmium; palladium; platinum [metal]; chronometric instruments; watch springs; rhodium; ruthenium; stopwatches; silver, unwrought or beaten; earrings; ingots of precious metals; alloys of precious metal; statues of precious metal; figurines [statuettes] of precious metal; watch glasses; paste jewellery [costume jewelry (Am.)]; clock hands [clock and watch making]; shoe ornaments of precious metal; ornaments of jet; ornaments [jewellery, jewelry (Am.)]; cases for watches [presentation]; cases for clock- and watchmaking; chronographs [watches]; chronometers; chronoscopes; chains [jewellery, jewelry (Am.)]; watch chains; dials [clock and watch making]; atomic clocks; watches; sundials; clocks and watches, electric; control clocks [master clocks]; clocks; wristwatches; jewelry boxes; spinel [precious stones].

16 – Fountain pens; aquarelles; albums; almanacs; document laminators for office use; mimeograph apparatus and machines; atlases; posters; paper bows; table linen of paper; tickets; forms, printed; announcement cards [stationery]; note books; pads [stationery]; drawing pads; loose-leaf binders; wristbands for the retention of writing instruments; pamphlets; booklets; paper sheets [stationery]; waxed paper; paper for recording machines; paper for radiograms; electrocardiograph paper; drawer liners of paper, perfumed or not; wood pulp paper; carbon paper; copying paper [stationery]; parchment paper; writing paper; luminous paper; Xuan paper for Chinese painting and calligraphy; toilet paper; wrapping paper; filter paper; paper; blotters; newsletters; rollers for typewriters; house painters' rollers; composing sticks; modelling wax, not for dental purposes; signboards of paper or cardboard; sewing patterns; newspapers; electrotypes; hectographs; modelling clay; polymer modelling clay; terrestrial globes; drawing sets; engravings; slate pencils; pencil leads; document holders [stationery]; pencil holders; chalk holders; page holders; holders for checkbooks [cheque books]; holders for stamps [seals]; diagrams; engraving plates; writing slates; blackboards; galley racks [printing]; drawing boards; advertisement boards of paper or cardboard; duplicators; punches [office requisites]; cream containers of paper; magazines [periodicals]; money clips; tags for index cards; pen clips; bookmarkers; etching needles; tracing needles for drawing purposes; periodicals; printed publications; paper shredders for office use; graphic representations; credit card imprinters, non-electric; graining combs; drawing instruments; calendars; tracing paper; tracing cloth; tracing patterns; gums [adhesives] for stationery or household purposes; lithographic stones; ink stones [ink reservoirs]; pencils; pencil lead holders; charcoal pencils; pictures; transfers [decalcomanias]; paintings

[pictures], framed or unframed; wood pulp board [stationery]; cardboard; hat boxes of cardboard; files [office requisites]; cards; index cards [stationery]; geographical maps; paper tapes and cards for the recordal of computer programmes; trading cards other than for games; perforated cards for Jacquard looms; catalogues; spools for inking ribbons; covers of paper for flower pots; paintbrushes; painters' brushes; writing brushes; typewriter keys; glue for stationery or household purposes; isinglass for stationery or household purposes; gluten [glue] for stationery or household purposes; starch paste [adhesive] for stationery or household purposes; printing blocks; books; manifolds [stationery]; comic books; drawing pins; cigar bands; envelopes [stationery]; cases for stamps [seals]; boxes of cardboard or paper; paint boxes [articles for use in school]; correcting fluids [office requisites]; stencils [stationery]; French curves; paper ribbons; typewriter ribbons; gummed tape [stationery]; adhesive bands for stationery or household purposes; correcting tapes [office requisites]; inking ribbons; inking ribbons for computer printers; adhesive tapes for stationery or household purposes; self-adhesive tapes for stationery or household purposes; drawing rulers; square rulers; flyers; absorbent sheets of paper or plastic for foodstuff packaging; humidity control sheets of paper or plastic for foodstuff packaging; viscose sheets for wrapping; sheets of reclaimed cellulose for wrapping; plastic bubble packs for wrapping or packaging; steel letters; type [numerals and letters]; lithographs; paint trays; architects' models; postage stamps; plastics for modelling; graphic prints; modelling materials; teaching materials [except apparatus]; sealing compounds for stationery purposes; adhesives [glues] for stationery or household purposes; stuffing of paper or cardboard; bookbinding material; packaging material made of starches; packing [cushioning, stuffing] materials of paper or cardboard; filtering materials [paper]; addressing machines; pencil sharpening machines, electric or non-electric; bookbinding apparatus and machines [office equipment]; typewriters, electric or non-electric; folders [stationery]; franking machines for office use; chalk for lithography; writing chalk; tailors' chalk; marking chalk; bags [envelopes, pouches] of paper or plastics, for packaging; garbage bags of paper or of plastics; painters' easels; hand-rests for painters; printing sets, portable [office requisites]; bibs of paper; stickers [stationery]; finger-stalls [office requisites]; writing cases [stationery]; cords for bookbinding; paper knives [cutters] [office requisites]; numbering apparatus; bottle envelopes of cardboard or paper; sealing wafers; covers [stationery]; passport holders; plastic cling film, extensible, for palletization; embroidery designs [patterns]; handwriting specimens for copying; oleographs; musical greeting cards;

greeting cards; postcards; etchings; conical paper bags; bags for microwave cooking; palettes for painters; ink sticks; pantographs [drawing instruments]; folders for papers; papier mâché; pastels [crayons]; modelling paste; pen cases; bookbindings; pen wipers; office perforators; pens [office requisites]; nibs of gold; nibs; steel pens; drawing pens; song books; seals [stamps]; sealing stamps; clipboards; address plates for addressing machines; handkerchiefs of paper; plastic film for wrapping; desk mats; letter trays; trays for sorting and counting money; coasters of paper; bookends; stamp stands; mats for beer glasses; stands for pens and pencils; photograph stands; obliterating stamps; inking pads; stamp pads; binding strips [bookbinding]; towels of paper; inking sheets for document reproducing machines; inking sheets for duplicators; bookbinding cloth; gummed cloth for stationery purposes; printers' blankets, not of textile; portraits; paperweights; writing cases [sets]; inkstands; office requisites, except furniture; writing materials; writing instruments; drawing materials; school supplies [stationery]; adhesive tape dispensers [office requisites]; hand labelling appliances; printed matter; lithographic works of art; prospectuses; printed timetables; ledgers [books]; printers' galleys; indexes; rubber erasers; elastic bands for offices; drawing T-squares; graphic reproductions; penholders; marking pens [stationery]; tissues of paper for removing make-up; face towels of paper; table napkins of paper; place mats of paper; tablemats of paper; tablecloths of paper; paper clasps; document files [stationery]; scrapers [erasers] for offices; paper clips; staples for offices; erasing products; biological samples for use in microscopy [teaching materials]; histological sections for teaching purposes; steatite [tailor's chalk]; writing board erasers; composing frames [printing]; sealing wax; arithmetical tables; placards of paper or cardboard; writing or drawing books; fabrics for bookbinding; stationery; pencil sharpeners, electric or non-electric; transparencies [stationery]; stencil plates; cardboard tubes; Indian inks; moisteners [office requisites]; moisteners for gummed surfaces [office requisites]; drawing squares; chart pointers, non-electronic; bottle wrappers of cardboard or paper; envelope sealing machines, for offices; sealing machines for offices; vignetting apparatus; apparatus for mounting photographs; stapling presses [office requisites]; manuals [handbooks]; figurines [statuettes] of papier mâché; paper coffee filters; flags of paper; silver paper; molds for modelling clays [artists' materials]; photo-engravings; photographs [printed]; stencil cases; canvas for painting; chromolithographs [chromos]; compasses for drawing; numbers [type]; watercolor [watercolour] saucers for artists; ink; correcting ink [heliography]; inkwells; blueprints; rosaries; stencils; erasing shields; balls for ball-point

pens; cabinets for stationery [office requisites]; printing type; address stamps; stamps [seals]; shields [paper seals]; prints [engravings]; labels, not of textile.

20 – Picture frame brackets; reels, not of metal, non-mechanical, for flexible hoses; pulleys of plastics for blinds; bolts, not of metal; casks of wood for decanting wine; mooring buoys, not of metal; casks, not of metal; barrels, not of metal; identification bracelets, not of metal; sideboards; busts of wood, wax, plaster or plastic; costume stands; bolsters; fans for personal use, non-electric; work benches; vice benches, not of metal; coat hangers; coatstands; shoulder poles [yokes]; screws, not of metal; display stands; showcases [furniture]; newspaper display stands; jewellery organizer displays; collars, not of metal, for fastening pipes; comb foundations for beehives; signboards of wood or plastics; loading gauge rods, not of metal, for railway waggons [wagons]; nuts, not of metal; covers for clothing [wardrobe]; nesting boxes; coffins; doors for furniture; curtain holders, not of textile material; pegs [pins], not of metal; divans; kennels for household pets; keyboards for hanging keys; display boards; flagpoles; plugs [dowels], not of metal; containers, not of metal, for liquid fuel; troughs, not of metal, for mixing mortar; packaging containers of plastic; flower-stands [furniture]; curtain tie-backs; clips, not of metal, for cables and pipes; binding screws, not of metal, for cables; rivets, not of metal; tortoiseshell imitation; locks, not of metal, for vehicles; locks, other than electric, not of metal; bead curtains for decoration; door bolts, not of metal; bottle closures, not of metal; closures, not of metal, for containers; latches, not of metal; mirrors [looking glasses]; hand-held mirrors [toilet mirrors]; bamboo; scratching posts for cats; animal claws; animal hooves; coral; meerschaum; whalebone, unworked or semi-worked; stag antlers; tortoiseshell; shells; horn, unworked or semi-worked; animal horns; rattan; ivory, unworked or semi-worked; corozo; plaited straw, except matting; wickerwork; hampers [baskets]; works of art of wood, wax, plaster or plastic; cabinet work; reeds [plaiting materials]; settees; curtain rods; index cabinets [furniture]; reels of wood for yarn, silk, cord; drain traps [valves] of plastic; water-pipe valves of plastic; valves, not of metal, other than parts of machines; staves of wood; plastic key cards, not encoded and not magnetic; mats for infant playpens; sleeping pads; saw horses; bed casters, not of metal; furniture casters, not of metal; brush mountings; chopping blocks [tables]; wind chimes [decoration]; door bells, not of metal, non-electric; bottle caps, not of metal; cradles; tent pegs, not of metal; curtain rings; rings, not of metal, for keys; chests of drawers; containers, not of metal [storage, transport]; floating containers, not of metal; lecterns; dog kennels; bakers' bread baskets; baskets, not of

metal; bottle casings of wood; taps for casks, not of metal; armchairs; hairdressers' chairs; deck chairs; hospital beds; bedsteads of wood; beds; edgings of plastic for furniture; screw tops, not of metal, for bottles; table tops; hooks, not of metal, for clothes rails; curtain hooks; clothes hooks, not of metal; beds for household pets; nesting boxes for household pets; ladders of wood or plastics; playpens for babies; mannequins; air mattresses, not for medical purposes; mattresses; hydrostatic [water] beds, not for medical purposes; furniture of metal; inflatable furniture; office furniture; school furniture; sleeping bags for camping; mobiles [decoration]; door knockers, not of metal; curtain rails; house numbers, not of metal, non-luminous; barrel hoops, not of metal; furniture; moldings [mouldings] for picture frames; bed bases; furniture partitions of wood; freestanding partitions [furniture]; mother-of-pearl, unworked or semi-worked; mirror tiles; ambroid plates; registration plates, not of metal; identity plates, not of metal; loading pallets, not of metal; handling pallets, not of metal; transport pallets, not of metal; head-rests [furniture]; trays, not of metal; stakes for plants or trees; trestles [furniture]; magazine racks; book rests [furniture]; stands for calculating machines; flower-pot pedestals; baby changing mats; pet cushions; pillows; cushions; air cushions, not for medical purposes; air pillows, not for medical purposes; removable mats or covers for sinks; racks [furniture]; library shelves; shelves for filing-cabinets [furniture]; furniture shelves; shelves for storage; wood ribbon; straw edgings; towel stands [furniture]; hat stands; bathtub grab bars, not of metal; cask stands, not of metal; inflatable publicity objects; counters [tables]; bedding, except linen; corks for bottles; corks; stoppers, not of metal; stair rods; standing desks; embroidery frames; towel dispensers, fixed, not of metal; picture frames; sections of wood for beehives; tanks, not of metal nor of masonry; fodder racks; curtain rollers; tool handles, not of metal; knife handles, not of metal; door handles, not of metal; scythe handles, not of metal; broom handles, not of metal; knobs, not of metal; fishing baskets; writing desks; seats of metal; benches [furniture]; vats, not of metal; honeycombs; sofas; bungs, not of metal; statues of wood, wax, plaster or plastic; figurines [statuettes] of wood, wax, plaster or plastic; oyster shells; silvered glass [mirrors]; ambroid bars; umbrella stands; gun racks; carts for computers [furniture]; dressing tables; washstands [furniture]; typing desks; drafting tables; massage tables; tables of metal; wall-mounted diaper [napkin] changing platforms; saw benches [furniture]; desks; tea carts; dinner wagons [furniture]; tables; steps [ladders], not of metal; step stools, not of metal; chairs [seats]; high chairs for babies; chests, not of metal; placards of wood or plastics; stools; crates; trolleys [furniture]; straw plaits; mobile boarding stairs, not of metal, for

passengers; straw mattresses; decorations of plastic for foodstuffs; beehives; funerary urns; winding spools, not of metal, non-mechanical, for flexible hoses; door fittings, not of metal; coffin fittings, not of metal; bed fittings, not of metal; furniture fittings, not of metal; window fittings, not of metal; infant walkers; garment covers [storage]; stuffed animals; stuffed birds; hinges, not of metal; easy chairs; poles, not of metal; screens [furniture]; cupboards; filing cabinets; medicine cabinets; meat chests, not of metal; plate racks; bamboo curtains; paper blinds; slatted indoor blinds; woven timber blinds [furniture]; indoor window blinds [shades] [furniture]; interior textile window blinds; screens for fireplaces [furniture]; yellow amber; lockers; boxes of wood or plastic; chests for toys; letter boxes, not of metal or masonry; bottle racks.

21 – Autoclaves [pressure cookers], non-electric; indoor aquaria; cookie jars; candle jars [holders]; china ornaments; dishes; paper plates; vegetable dishes; saucers; mugs; candy boxes; bottles; demijohns; busts of porcelain, ceramic, earthenware or glass; vases; epergnes; fruit cups; bird baths; baby baths, portable; plungers for clearing blocked drains; waffle irons, non-electric; buckets; coolers [ice pails]; buckets made of woven fabrics; whisks, non-electric, for household purposes; cooking skewers of metal; cooking pins of metal; towel rails and rings; clothing stretchers; hair for brushes; birdcages; funnels; carpet beaters [hand instruments]; signboards of porcelain or glass; candle extinguishers; flower pots; chamber pots; glue-pots; cruets; decanters; large-toothed combs for the hair; combs for animals; tea cosies; abrasive sponges for scrubbing the skin; make-up sponges; sponges for household purposes; toilet sponges; sponge holders; toothpick holders; soap holders; napkin holders; holders for flowers and plants [flower arranging]; shaving brush stands; toilet paper holders; soap dispensers; toilet paper dispensers; ironing boards; cutting boards for the kitchen; bread boards; washing boards; crushers for kitchen use, non-electric; strainers; smoke absorbers for household purposes; containers for household or kitchen use; kitchen containers; glass jars [carboys]; heat-insulated containers; heat-insulated containers for beverages; thermally insulated containers for food; glass flasks [containers]; closures for pot lids; chamois leather for cleaning; toothpicks; ceramics for household purposes; majolica; works of art of porcelain, ceramic, earthenware or glass; brush goods; kitchen grinders, non-electric; cleaning instruments, hand-operated; cabarets [trays]; stew-pans; covers, not of paper, for flower pots; shaving brushes; basting brushes; cages for household pets; baking mats; polishing leather; hot pots, not electrically heated; glass bulbs [receptacles]; boot trees [stretchers]; shoe trees [stretchers]; napkin rings; poultry rings; rings for birds; piggy banks;

bread baskets, domestic; baskets for domestic use; waste paper baskets; feeding troughs; mangers for animals; lunch boxes; tea caddies; washtubs; earthenware saucepans; mess-tins; cauldrons; coffee percolators, non-electric; coffeepots, non-electric; coffee grinders, hand-operated; fused silica [semi-worked product], other than for building; beer mugs; tankards; rat traps; pot lids; aquarium hoods; butter-dish covers; dish covers; cheese-dish covers; buttonhooks; pitchers; perfume burners; non-electric portable coldboxes; watering cans; fly traps; insect traps; mixing spoons [kitchen utensils]; basting spoons [cooking utensils]; scoops [tableware]; pie servers; spatulas [kitchen utensils]; butter dishes; material for brush-making; polishing materials for making shiny, except preparations, paper and stone; noodle machines, hand-operated; polishing apparatus and machines, for household purposes, non-electric; pepper mills, hand-operated; mills for domestic purposes, hand-operated; feather-dusters; brooms; isothermic bags; confectioners' decorating bags [pastry bags]; bowls [basins]; mosaics of glass, not for building; saucepan scourers of metal; soap boxes; mouse traps; cooking pot sets; nozzles for watering cans; spouts; nozzles for watering hose; fitted picnic baskets, including dishes; toilet cases; floss for dental purposes; fiberglass thread, not for textile use; cookie [biscuit] cutters; pastry cutters; sprinklers; syringes for watering flowers and plants; cotton waste for cleaning; wool waste for cleaning; cleaning tow; chopsticks; cocktail stirrers; food steamers, non-electric; pepper pots; oven mitts; kitchen mitts; gloves for household purposes; car washing mitts; polishing gloves; gardening gloves; plates to prevent milk boiling over; dripping pans; trays for domestic purposes; trays for domestic purposes, of paper; lazy susans; heaters for feeding bottles, non-electric; candelabra [candlesticks]; trivets [table utensils]; coasters, not of paper and other than table linen; grill supports; gridiron supports; menu card holders; knife rests for the table; flat-iron stands; egg cups; abrasive pads for kitchen purposes; scouring pads; drinking troughs; powdered glass for decoration; pottery; pots; cooking pots; painted glassware; tableware, other than knives, forks and spoons; porcelain ware; earthenware; crystal [glassware]; cosmetic utensils; toilet utensils; trouser presses; deodorising apparatus for personal use; cruet sets for oil and vinegar; make-up removing appliances; spice sets; apparatus for wax-polishing, non-electric; bottle openers, electric and non-electric; glove stretchers; boot jacks; crumb trays; tie presses; potholders; clothes-pegs; glass stoppers; powder compacts; perfume vaporizers; powder puffs; dusting apparatus, non-electric; combs; electric combs; grills [cooking utensils]; sifters [household utensils]; drinking horns; shoe horns; candle rings; salad bowls; sugar bowls; beaters, non-electric; services [dishes]; coffee

services [tableware]; liqueur sets; tea services [tableware]; sieves [household utensils]; cinder sifters [household utensils]; tea strainers; pipettes [wine-tasters]; siphon bottles for carbonated water; rolling pins, domestic; steel wool for cleaning; currycombs; blenders, non-electric, for household purposes; fruit presses, non-electric, for household purposes; salt cellars; drinking vessels; vessels of metal for making ices and iced drinks; refrigerating bottles; bulb basters; cups of paper or plastic; glasses [receptacles]; drinking glasses; statues of porcelain, ceramic, earthenware or glass; figurines [statuettes] of porcelain, ceramic, earthenware or glass; glass for vehicle windows [semi-finished product]; plate glass [raw material]; opal glass; glass, unworked or semi-worked, except building glass; opaline glass; glass incorporating fine electrical conductors; enamelled glass; glass wool other than for insulation; vitreous silica fibers [fibres], not for textile use; fiberglass other than for insulation or textile use; soup bowls; drying racks for laundry; basins [receptacles]; table plates; disposable table plates; graters for kitchen use; insulating flasks; indoor terrariums [plant cultivation]; indoor terrariums [vivariums]; straws for drinking; cloth for washing floors; cloths for cleaning; dusting cloths [rags]; furniture dusters; litter boxes [trays] for pets; urns; aerosol dispensers, not for medical purposes; wax-polishing appliances, non-electric, for shoes; water apparatus for cleaning teeth and gums; electric devices for attracting and killing insects; watering devices; utensils for household purposes; kitchen utensils; cooking utensils, non-electric; strainers for household purposes; coffee filters, non-electric; flasks; hip flasks; drinking bottles for sports; molds [kitchen utensils]; cake molds [moulds]; ice cube molds [moulds]; cookery molds [moulds]; deep fryers, non-electric; comb cases; bread bins; fly swatters; teapots; kettles, non-electric; cups; garlic presses [kitchen utensils]; ironing board covers, shaped; tea infusers; glass bowls; mops; mop wringers; cocktail shakers; cosmetic spatulas; corkscrews, electric and non-electric; animal bristles [brushware]; pig bristles; dishwashing brushes; brushes for cleaning tanks and containers; lamp-glass brushes; horse brushes; scrubbing brushes; toothbrushes; toothbrushes, electric; carpet sweepers; brushes for footwear; tar-brushes, long handled; toilet brushes; electric brushes, except parts of machines; brushes; eyebrow brushes; nail brushes; nest eggs, artificial; boxes for dispensing paper towels; trash cans; window-boxes; boxes of glass.

25 – Wimples; bandanas [neckerchiefs]; underwear; sweat-absorbent underclothing; berets; overalls; boas [necklets]; teddies [undergarments]; half-boots; ski boots; boots for sports; breeches for wear; trousers; football shoes; brassieres; valenki [felted boots]; collars [clothing]; detachable collars; shirt yokes; veils [clothing]; gabardines [clothing]; galoshes;

neckties; ascots; leggings [leg warmers]; spats; boot uppers; corselets; jerseys [clothing]; vests; sports jerseys; hosiery; heels; boxer shorts; hoods [clothing]; hat frames [skeletons]; pockets for clothing; neck scarves [mufflers]; visors [headwear]; cap peaks; tights; slips [undergarments]; combinations [clothing]; wet suits for water-skiing; bodices [lingerie]; corsets [underclothing]; suits; bathing suits; masquerade costumes; beach clothes; jackets [clothing]; stuff jackets [clothing]; fishing vests; leggings [trousers]; liveries; camisoles; sports singlets; cuffs; short-sleeve shirts; mantillas; coats; sleep masks; furs [clothing]; mittens; miters [hats]; muffs [clothing]; footmuffs, not electrically heated; heelpieces for footwear; bibs, not of paper; fur stoles; ear muffs [clothing]; socks; beach shoes; sports shoes; footwear; paper clothing; outerclothing; ready-made clothing; motorists' clothing; cyclists' clothing; clothing for gymnastics; clothing of imitations of leather; clothing of leather; uniforms; clothing; fittings of metal for footwear; maniples; overcoats; knickers; parkas; pelerines; gloves [clothing]; ski gloves; pyjamas; bathing trunks; shirt fronts; scarfs; pocket squares; dresses; waterproof clothing; headbands [clothing]; garters; sock suspenders; stocking suspenders; ready-made linings [parts of clothing]; dress shields; soles for footwear; braces for clothing [suspenders]; lace boots; ponchos; girdles; belts [clothing]; money belts [clothing]; layettes [clothing]; non-slipping devices for footwear; jumpers [pullovers]; sweaters; heelpieces for stockings; welts for footwear; chasubles; shirts; wooden shoes; sandals; bath sandals; boots; jumper dresses; saris; sarongs; footwear uppers; inner soles; albs; bath slippers; togas; knitwear [clothing]; underpants; gymnastic shoes; slippers; shoes; skull caps; turbans; headgear for wear; aprons [clothing]; tee-shirts; dressing gowns; bath robes; top hats; tips for footwear; stockings; sweat-absorbent stockings; shawls; caps [headwear]; paper hats [clothing]; shower caps; bathing caps; sashes for wear; studs for football boots; hats; babies' pants [clothing]; trouser straps; pelisses; esparto shoes or sandals; skirts; skorts.

35 – Arranging subscriptions to telecommunication services for others; import-export agencies; commercial information agencies; advertising agencies; cost price analysis; rental of advertising space; business auditing; employment agencies; computerized file management; book-keeping; invoicing; demonstration of goods; transcription of communications [office functions]; opinion polling; marketing studies; business information; commercial information and advice for consumers [consumer advice shop]; business investigations; business research; marketing research; personnel recruitment; business management and organization consultancy; business organization consultancy; business management consultancy; personnel management

consultancy; professional business consultancy; layout services for advertising purposes; marketing; business management of performing artists; business management of sports people; writing of curriculum vitae for others; news clipping services; updating of advertising material; updating and maintenance of data in computer databases; word processing; organization of exhibitions for commercial or advertising purposes; arranging newspaper subscriptions for others; organization of fashion shows for promotional purposes; organization of trade fairs for commercial or advertising purposes; shop window dressing; design of advertising materials; business appraisals; payroll preparation; data search in computer files for others; sponsorship search; business management assistance; commercial or industrial management assistance; commercial intermediation services; provision of commercial and business contact information; providing business information via a web site; provision of an on-line marketplace for buyers and sellers of goods and services; presentation of goods on communication media, for retail purposes; economic forecasting; auctioneering; retail or wholesale services for pharmaceutical, veterinary and sanitary preparations and medical supplies; sales promotion for others; production of advertising films; office machines and equipment rental; rental of advertising time on communication media; publicity material rental; rental of billboards [advertising boards]; rental of vending machines; rental of sales stands; rental of photocopying machines; publication of publicity texts; radio advertising; bill-posting; outdoor advertising; distribution of samples; dissemination of advertising matter; direct mail advertising; writing of publicity texts; advertising; on-line advertising on a computer network; advertising by mail order; television advertising; document reproduction; compilation of statistics; compilation of information into computer databases; business inquiries; systemization of information into computer databases; advisory services for business management; negotiation and conclusion of commercial transactions for third parties; tax preparation; drawing up of statements of accounts; telemarketing services; psychological testing for the selection of personnel; outsourced administrative management for companies; business management of hotels; business management for freelance service providers; commercial administration of the licensing of the goods and services of others; business management of reimbursement programs for others; business project management services for construction projects; administrative processing of purchase orders; public relations; modelling for advertising or sales promotion; typing; relocation services for businesses; tax filing services; search engine optimisation; web site traffic optimisation; price comparison services; pay per

click advertising; secretarial services; procurement services for others [purchasing goods and services for other businesses]; shorthand; outsourcing services [business assistance]; telephone answering for unavailable subscribers; photocopying services; business efficiency expert services.

36 – Credit bureaux; debt collection agencies; real estate agencies; financial analysis; rental of apartments; leasing of real estate; rental of offices [real estate]; leasing of farms; hire-purchase financing; savings bank services; accommodation bureaux [apartments]; rent collection; issuance of travelers' checks; issuance of credit cards; issuance of tokens of value; capital investment; insurance information; financial information; clearing, financial; insurance consultancy; financial consultancy; debt advisory services; stock exchange quotations; lending against security; business liquidation services, financial; brokerage; financial management; exchanging money; online banking; debit card services; credit card services; factoring; organization of collections; arranging finance for construction projects; antique appraisal; jewellery [jewelry (Am.)] appraisal; financial evaluation of standing timber; stamp appraisal; real estate appraisal; numismatic appraisal; art appraisal; financial evaluation of wool; financial evaluation [insurance, banking, real estate]; repair costs evaluation [financial appraisal]; electronic funds transfer; surety services; securities brokerage; real estate brokerage; brokerage of carbon credits; insurance brokerage; loans [financing]; pawnbrokerage; providing financial information via a web site; check [cheque] verification; investment of funds; charitable fund raising; stocks and bonds brokerage; financial sponsorship; mortgage banking; instalment loans; insurance underwriting; life insurance underwriting; health insurance underwriting; accident insurance underwriting; marine insurance underwriting; fire insurance underwriting; apartment house management; real estate management; financial management of reimbursement payments for others; actuarial services; banking; stock brokerage services; retirement payment services; trusteeship; provident fund services; customs brokerage; mutual funds; financing services; safe deposit services; deposits of valuables; fiscal assessments.

42 – Water analysis; computer system analysis; handwriting analysis [graphology]; chemical analysis; energy auditing; recovery of computer data; industrial design; graphic arts design; computer virus protection services; technical project studies; oil-field surveys; geological surveys; engineering; installation of computer software; meteorological information; clinical trials; material testing; textile testing; bacteriological research; biological research; geological research; research in the field of

environmental protection; cosmetic research; mechanical research; chemical research; research and development of new products for others; scientific research; analysis for oil-field exploitation; underwater exploration; technical research; calibration [measuring]; web site design consultancy; information technology [IT] consultancy; consultancy in the design and development of computer hardware; architectural consultation; computer software consultancy; technological consultancy; oil-well testing; quality control; vehicle road-worthiness testing; land surveying; dress designing; updating of computer software; monitoring of computer systems by remote access; software as a service [SaaS]; maintenance of computer software; authenticating works of art; design of interior decor; quality evaluation of standing timber; quality evaluation of wool; digitization of documents [scanning]; conversion of data or documents from physical to electronic media; urban planning; providing information on computer technology and programming via a web site; provision of scientific information, advice and consultancy in relation to carbon offsetting; providing search engines for the internet; data conversion of computer programs and data [not physical conversion]; computer system design; rental of web servers; computer rental; rental of computer software; geological prospecting; oil prospecting; hosting computer sites [web sites]; server hosting; construction drafting; computer software design; cloud seeding; consultancy in the field of energy-saving; creating and maintaining web sites for others; computer programming; duplication of computer programs; architectural services; chemistry services; outsource service providers in the field of information technology; packaging design; off-site data backup; computer technology consultancy; telecommunications technology consultancy; scientific laboratory services; cloud computing services; weather forecasting; styling [industrial design]; cartography services; physics [research]; electronic data storage; surveying.

45 – Marriage agencies; detective agencies; night guard services; adoption agency services; arbitration services; rental of safes; embalming services; funerary undertaking; lost property return; releasing doves for special occasions; genealogical research; legal research; security consultancy; intellectual property consultancy; monitoring intellectual property rights for legal advisory purposes; monitoring of burglar and security alarms; crematorium services; licensing of intellectual property; licensing of computer software [legal services]; organization of religious meetings; opening of security locks; guard services; planning and arranging of wedding ceremonies; missing person investigations; litigation services; baby sitting; pet sitting; baggage inspection for security purposes; inspection of factories for safety purposes; evening dress rental; rental of fire

extinguishers; clothing rental; rental of fire alarms; registration of domain names [legal services]; personal background investigations; fire-fighting; escorting in society [chaperoning]; horoscope casting; copyright management; legal administration of licences; dating services; alternative dispute resolution services; tracking of stolen property; legal document preparation services; house sitting; mediation; funerals; on-line social networking services; personal body guarding.

(260) AM 2017 89027 A

(800) 1314048

(891) 2016 03 11

(731) National System of Payment Cards

Joint-stock Company

Leninsky prospekt, 1, build. 2, RU-119991

Moscow, Russian Federation

(540)



(591) Gray, white, green, blue and light blue

(511)

7 – 3D printers; distribution machines, automatic; welding machines, electric; welding apparatus, gas-operated; vulcanisation apparatus; acetylene cleaning apparatus; high pressure washers; apparatus for drawing up beer under pressure; apparatus for aerating water; apparatus for aerating beverages; electrical apparatus for sealing plastics [packaging]; electric arc cutting apparatus; electric arc welding apparatus; electric welding apparatus; inking apparatus for printing machines; soldering apparatus, electric; fittings for engine boilers; expansion tanks [parts of machines]; drums [parts of machines]; reels, mechanical, for flexible hoses; brake shoes other than for vehicles; concrete mixers [machines]; reels [parts of machines]; bobbins for weaving looms; harrows; journal boxes [parts of machines]; bulldozers; hoppers [mechanical discharging]; mine borers; truck lifts; rolling mill cylinders; crank shafts; printing rollers for machines; transmission shafts, other than for land vehicles; valves [parts of machines]; fans for motors and engines; saw benches [parts of machines]; winnowers; vibrators [machines] for industrial use; bearings [parts of machines]; water heaters [parts of machines]; bellows [parts of machines]; agitators; exhausts for motors and engines; drilling rigs, floating or non-floating; lawnmowers [machines]; card clothing [parts of carding machines]; emergency power generators; alternators; dynamos; bicycle dynamos;

current generators; generators of electricity; hydraulic controls for machines, motors and engines; silencers for motors and engines; drilling heads [parts of machines]; drilling bits [parts of machines]; cylinder heads for engines; soldering blow pipes, gas-operated; gas-operated blow torches; raking machines; stalk separators [machines]; sieves [machines or parts of machines]; mud catchers and collectors [machines]; tarring machines; hydraulic engines and motors; aeronautical engines; aeroplane engines; engines for air cushion vehicles; compressed air engines; jet engines other than for land vehicles; engines for boats; driving motors other than for land vehicles; motors, other than for land vehicles; propulsion mechanisms other than for land vehicles; de-aerators for feedwater; disintegrators; tympan [parts of printing presses]; holding devices for machine tools; turf removing ploughs; pump diaphragms; chisels for machines; jacks [machines]; rack and pinion jacks; moving pavements [sidewalks]; electric hand drills; crushers for kitchen use, electric; flues for engine boilers; reapers; reapers and binders; millstones; rakes for raking machines; kitchen grinders, electric; shredders [machines] for industrial use; injectors for engines; incubators for eggs; tools [parts of machines]; hand-held tools, other than hand-operated; air condensers; control cables for machines, engines or motors; capstans; calenders; rotary steam presses, portable, for fabrics; ditchers [ploughs]; carburettors; carriages for knitting machines; crankcases for machines, motors and engines; steamrollers; pressure valves [parts of machines]; clack valves [parts of machines]; pressure reducers [parts of machines]; can openers, electric; cowlings [parts of machines]; machine wheels; freewheels other than for land vehicles; scale collectors for machine boilers; shoe lasts [parts of machines]; brake pads other than for vehicles; piston segments; grease rings [parts of machines]; reapers and threshers; coal-cutting machines; compressors [machines]; air pumps [garage installations]; compressors for refrigerators; conveyors [machines]; belt conveyors; converters for steelworks; steam condensers [parts of machines]; aerocondensers; diggers [machines]; rams [machines]; thermic lances [machines]; mechanized livestock feeders; boxes for matrices [printing]; gear boxes other than for land vehicles; grease boxes [parts of machines]; housings [parts of machines]; harvesting machines; steam engine boilers; coffee grinders, other than hand-operated; taps [parts of machines, engines or motors]; cranes [lifting and hoisting apparatus]; roller bridges; water separators; spray guns for paint; cranks [parts of machines]; potters' wheels; grindstones [parts of machines]; cultivators [machines]; soldering lamps; winches; ploughshares; belts for conveyors; lubricators [parts of machines]; igniting magnetos; handling machines, automatic [manipulators];

churns; matrices for use in printing; machine fly-wheels; hair clipping machines for animals; paper machines; blowing machines; knitting machines; galvanizing machines; bending machines; ironing machines; mineworking machines; blowing machines for the compression, exhaustion and transport of gases; blowing machines or fans for the compression, sucking and carrying of grain; net hauling machines [fishing]; electroplating machines; bottle sealing machines; sealing machines for industrial purposes; embossing machines; engraving machines; finishing machines; garbage [waste] disposals; blade sharpening [stropping] machines; earth moving machines; cord making machines; lace making machines; butter machines; cigarette machines for industrial purposes; sausage machines; stereotype machines; hosiery looms; grinding machines; dyeing machines; bottle washing machines; dishwashers; bottle filling machines; racket stringing machines; leather-working machines; dairy machines; glass-working machines; tobacco processing machines; grain husking machines; painting machines; oil refining machines; peeling machines; machines for processing plastics; ore treating machines; printing machines for use on sheet metal; brewing machines; whitewashing machines; road sweeping machines [self-propelled]; leather paring machines; bitumen making machines; papermaking machines; machines for making pasta; machines for the production of sugar; weeding machines; sifting machines; cinder sifters [machines]; puddling machines; notchers [machine tools]; bread cutting machines; road making machines; railroad constructing machines; machines for the textile industry; rail-laying machines; bottle capping machines; bottle stoppering machines; packaging machines; waste compacting machines; die-stamping machines; stamping machines; darning machines; milking machines; drainage machines; wrapping machines; grain separators; bookbinding apparatus and machines for industrial purposes; machines and apparatus for cleaning, electric; machines and apparatus for carpet shampooing, electric; machines and apparatus for polishing [electric]; sizing machines; punching machines; riveting machines; kitchen machines, electric; foundry machines; smoothing presses; fleshing machines; rinsing machines; flour mill machines; type-setting machines [printing]; hemming machines; grating machines for vegetables; braiding machines; wringing machines for laundry; cutting machines; steam engines; printing machines; rotary printing presses; compressed air machines; trimming machines; spinning machines; filling machines; friezing machines; cutters [machines]; satinizing machines; agricultural machines; mixing machines; sorting machines for industry; stitching machines; washing machines [laundry]; coin-operated washing machines; clippers [machines]; spinning frames;

spin driers [not heated]; looms; kneading machines; typographic machines; type-setting machines [photocomposition]; beating machines; beaters, electric; packing machines; filtering machines; molding machines; carding machines; sewing machines; typecasting machines; electromechanical machines for chemical industry; labellers [machines]; mills [machines]; mills for household purposes, other than hand-operated; pepper mills other than hand-operated; centrifugal mills; machine wheelwork; feeders [parts of machines]; forge bellows; mixers [machines]; blenders, electric, for household purposes; vacuum cleaner bags; threshing machines; pneumatic hammers; hammers [parts of machines]; tilt hammers; power hammers; reeling apparatus, mechanical; motorized cultivators; motors for boats; clutches other than for land vehicles; meat choppers [machines]; superchargers; brake linings other than for vehicles; guides for machines; vacuum cleaner attachments for disseminating perfumes and disinfectants; pumps [machines]; pumps [parts of machines, engines or motors]; aerating pumps for aquaria; vacuum pumps [machines]; compressed air pumps; pumps for heating installations; beer pumps; lubricating pumps; self-regulating fuel pumps; fuel dispensing pumps for service stations; centrifugal pumps; blades [parts of machines]; knives for mowing machines; chaff cutter blades; knives, electric; shears, electric; scissors, electric; engine mounts other than for land vehicles; bearing brackets for machines; pulverisers [machines]; agricultural implements other than hand-operated; axles for machines; steam traps; chucks [parts of machines]; drill chucks [parts of machines]; exhaust manifold for engines; soldering irons, gas-operated; soldering irons, electric; superheaters; gears, other than for land vehicles; reduction gears other than for land vehicles; drilling machines; saws [machines]; chain saws; guns [tools using explosives]; glue guns, electric; compressed air guns for the extrusion of mastics; carburetter feeders; feeding apparatus for engine boilers; loading ramps; ploughs; pneumatic transporters; pneumatic controls for machines, motors and engines; hangers [parts of machines]; anti-friction bearings for machines; roller bearings; self-oiling bearings; bearings for transmission shafts; ball-bearings; elevators [lifts]; hoists; lifts, other than ski-lifts; pulleys; saw blades [parts of machines]; pistons [parts of machines or engines]; shock absorber plungers [parts of machines]; pistons for engines; pistons for cylinders; catalytic converters; torque converters other than for land vehicles; fuel conversion apparatus for internal combustion engines; presses [machines for industrial purposes]; wine presses; basket presses; fodder presses; printing presses; typographic presses; swaging machines; pedal drives for sewing machines; cleaning appliances utilizing steam; food processors, electric; springs [parts of machines];

spinning wheels; punches for punching machines; vacuum cleaners; tambours for embroidery machines; radiators [cooling] for motors and engines; sewage pulverizers; air brushes for applying colour; regulators [parts of machines]; pressure regulators [parts of machines]; speed governors for machines, engines and motors; knives [parts of machines]; cutting blow pipes, gas-operated; blade holders [parts of machines]; loom shafts; gears for weaving looms; belts for machines; elevator belts; fan belts for motors and engines; dynamo belts; belts for motors and engines; adhesive bands for pulleys; robots [machines]; kick starters for motorcycles; stuffing boxes [parts of machines]; paper feeders [printing]; whisks, electric, for household purposes; sparking plugs for internal combustion engines; glow plugs for diesel engines; brake segments other than for vehicles; tedding machines; separators; steam/oil separators; cream/milk separators; ball rings for bearings; sowers [machines]; snow ploughs; sheaf-binding machines; shaft couplings [machines]; fruit presses, electric, for household purposes; chaff cutters; teat cups [suction cups] for milking machines; stands for machines; machine tools; die-cutting and tapping machines; woodworking machines; sharpening machines; bicycle assembling machines; mortising machines; stone-working machines; metalworking machines; threading machines; planing machines; lathes [machine tools]; milling machines; trueing machines; metal drawing machines; rolling mills; starters for motors and engines; stators [parts of machines]; glaziers' diamonds [parts of machines]; tables for machines; derricks; slide rests [parts of machines]; couplings other than for land vehicles; boiler tubes [parts of machines]; wind turbines; hydraulic turbines; turbines other than for land vehicles; turbocompressors; connecting rods for machines, motors and engines; joints [parts of engines]; central vacuum cleaning installations; suction machines for industrial purposes; washing installations for vehicles; degreasers [machines]; dust exhausting installations for cleaning purposes; machines for the production of mineral water; sifting installations; pneumatic tube conveyors; dust removing installations for cleaning purposes; condensing installations; lifting apparatus; air suction machines; dividing machines; igniting devices for internal combustion engines; door closers, electric; washing apparatus; binding apparatus for hay; extractors for mines; window openers, electric; window closers, electric; window openers, hydraulic; window closers, hydraulic; window openers, pneumatic; window closers, pneumatic; door closers, hydraulic; door closers, pneumatic; door openers, electric; door openers, hydraulic; door openers, pneumatic; curtain drawing devices, electrically operated; adhesive tape dispensers [machines]; anti-pollution devices for

motors and engines; beverage preparation machines, electromechanical; food preparation machines, electromechanical; elevator operating apparatus; control mechanisms for machines, engines or motors; shoe polishers, electric; machines and apparatus for wax-polishing, electric; air cushion devices for moving loads; handling apparatus for loading and unloading; elevating apparatus; aprons [parts of machines]; filter presses; filters [parts of machines or engines]; filters for cleaning cooling air, for engines; molds [parts of machines]; printing plates; journals [parts of machines]; centrifugal machines; elevator chains [parts of machines]; driving chains other than for land vehicles; transmission chains other than for land vehicles; cylinders for motors and engines; cylinders for machines; printing cylinders; pneumatic jacks; shuttles [parts of machines]; universal joints [cardan joints]; pulleys [parts of machines]; vacuum cleaner hoses; brushes [parts of machines]; dynamo brushes; brushes, electrically operated [parts of machines]; carbon brushes [electricity]; ejectors; fuel economisers for motors and engines; excavators; shovels, mechanical; agricultural elevators; motors, electric, other than for land vehicles; electrodes for welding machines; electric hammers; parquet wax-polishers, electric; cartridges for filtering machines; moving staircases [escalators]; automatic grapnels for marine purposes.

9 – DVD players; 3D spectacles; ticket dispensers; coin-operated musical automata [juke boxes]; fire engines; answering machines; electrical adapters; accumulators, electric; accumulators, electric, for vehicles; accelerometers; actinometers; alidades; altimeters; ammeters; anemometers; anodes; antennas; anticathodes; apertometers [optics]; high-frequency apparatus; testing apparatus not for medical purposes; remote control apparatus; electro-dynamic apparatus for the remote control of railway points; electro-dynamic apparatus for the remote control of signals; monitoring apparatus, electric; sound recording apparatus; Global Positioning System [GPS] apparatus; distillation apparatus for scientific purposes; diffraction apparatus [microscopy]; air analysis apparatus; apparatus to check franking; sound transmitting apparatus; apparatus for fermentation [laboratory apparatus]; breathing apparatus for underwater swimming; breathing apparatus, except for artificial respiration; apparatus and installations for the production of X-rays, not for medical purposes; cash registers; electric apparatus for commutation; intercommunication apparatus; stills for laboratory experiments; projection apparatus; radiological apparatus for industrial purposes; X-ray apparatus not for medical purposes; blueprint apparatus; flashing lights [luminous signals]; stereoscopic apparatus; telephone apparatus; facsimile machines; phototelegraphy apparatus; igniting apparatus, electric, for igniting at

a distance; acid hydrometers; salinometers; acidimeters for batteries; aerometers; beacons, luminous; battery jars; barometers; anode batteries; galvanic batteries; batteries for lighting; solar batteries; solar panels for the production of electricity; batteries, electric; balances [steelyards]; betatrons; binoculars; electronic tags for goods; lens hoods; magnetic tape units for computers; computer memory devices; fire hose nozzles; encoded identification bracelets, magnetic; safety tarpaulins; bullet-proof clothing; signalling buoys; life buoys; marking buoys; directional compasses; vacuum gauges; electrolyzers; variometers; verniers; scales; letter scales; weighbridges; precision balances; levelling staffs [surveying instruments]; camcorders; video baby monitors; video cassettes; video telephones; video screens; viewfinders, photographic; sockets, plugs and other contacts [electric connections]; micrometer screws for optical instruments; viscosimeters; circuit closers; wavemeters; voltmeters; mechanical signs; signs, luminous; switchboxes [electricity]; current rectifiers; gas testing instruments; gasometers [measuring instruments]; galvanometers; hands free kits for phones; heliographic apparatus; hygrometers; hydrometers; weights; peepholes [magnifying lenses] for doors; holograms; plotters; loudspeakers; sounding leads; plumb bobs; range finders; densimeters; densitometers; optical goods; detectors; smoke detectors; counterfeit [false] coin detectors; transparencies [photography]; slide projectors; diaphragms [photography]; dictating machines; dynamometers; light-emitting diodes [LED]; floppy disks; sound recording discs; disks, magnetic; optical discs; circular slide rules; disk drives for computers; juke boxes for computers; DNA chips; electronic notice boards; bullet-proof waistcoats; life jackets; identification threads for electric wires; nose clips for divers and swimmers; locks, electric; bells [warning devices]; alarm bells, electric; electric door bells; signal bells; acoustic conduits; mirrors for inspecting work; road signs, luminous or mechanical; marine depth finders; probes for scientific purposes; buzzers; needles for record players; measures; pressure measuring apparatus; simulators for the steering and control of vehicles; inverters [electricity]; pressure indicators; temperature indicators; incubators for bacteria culture; measuring instruments; cosmographic instruments; mathematical instruments; levelling instruments; instruments containing eyepieces; surveying instruments; azimuth instruments; interfaces for computers; ionization apparatus not for the treatment of air or water; spark-guards; coaxial cables; fibre [fiber (Am.)] optic cables; cables, electric; calipers; slide calipers; screw-tapping gauges; calculating machines; pocket calculators; decompression chambers; cinematographic cameras; life-saving capsules for natural disasters; electronic pens [visual display

units]; holders for electric coils; identity cards, magnetic; video game cartridges; toner cartridges, unfilled, for printers and photocopiers; memory cards for video game machines; encoded magnetic cards; riding helmets; protective helmets; carriers for dark plates [photography]; automated teller machines [ATM]; cathodes; spools [photography]; choking coils [impedance]; coils, electric; electromagnetic coils; cinematographic film, exposed; computer keyboards; solenoid valves [electromagnetic switches]; wire connectors [electricity]; encoded key cards; electronic book readers; electronic agendas; push buttons for bells; mouse pads; magnetic encoders; anti-glare visors; collectors, electric; calibrating rings; protective suits for aviators; commutators; compact discs [audio-video]; compact discs [read-only memory]; comparators; marine compasses; computers; laptop computers; tablet computers; notebook computers; condensers [capacitors]; contacts, electric; wind socks for indicating wind direction; traffic cones; branch boxes [electricity]; distribution boxes [electricity]; junction boxes [electricity]; battery boxes; cabinets for loudspeakers; diving suits; galena crystals [detectors]; reflecting discs for wear, for the prevention of traffic accidents; covers for electric outlets; logs [measuring instruments]; lasers, not for medical purposes; lactodensimeters; lactometers; vacuum tubes [radio]; darkroom lamps [photography]; thermionic tubes; amplifying tubes; flashlights [photography]; head cleaning tapes [recording]; magnetic tapes; videotapes; surveying chains; fire escapes; rulers [measuring instruments]; slide-rules; contact lenses; correcting lenses [optics]; optical lenses; optical condensers; sounding lines; electricity conduits; measuring spoons; magnifying glasses [optics]; thread counters; magnets; decorative magnets; close-up lenses; crash test dummies; resuscitation mannequins [teaching apparatus]; mouse [computer peripheral]; pressure gauges; divers' masks; solderers' helmets; protective masks; materials for electricity mains [wires, cables]; voting machines; money counting and sorting machines; material testing instruments and machines; furniture especially made for laboratories; megaphones; portable media players; diaphragms [acoustics]; diaphragms for scientific apparatus; metal detectors for industrial or military purposes; metronomes; rules [measuring instruments]; carpenters' rules; dressmakers' measures; mechanisms for coin-operated apparatus; mechanisms for counter-operated apparatus; coin-operated mechanisms for television sets; shutter releases [photography]; micrometers; microprocessors; microscopes; microtomes; microphones; modems; lightning conductors [rods]; monitors [computer hardware]; monitors [computer programs]; terminals [electricity]; junction sleeves for electric cables; teeth protectors; temperature indicator labels, not for medical

purposes; knee-pads for workers; headphones; surveyors' levels; sound recording carriers; magnetic data media; optical data media; socks, electrically heated; computer software, recorded; sheaths for electric cables; identification sheaths for electric wires; weighing machines; computer hardware; punched card machines for offices; life saving apparatus and equipment; shoes for protection against accidents, irradiation and fire; objectives [lenses] [optics]; lenses for astrophotography; egg-candlers; fire extinguishers; electrified fences; limiters [electricity]; clothing for protection against accidents, irradiation and fire; garments for protection against fire; asbestos clothing for protection against fire; clothing especially made for laboratories; ozonisers [ozonators]; octants; eyepieces; ohmmeters; wrist rests for use with computers; spectacle frames; eyeglass frames; oscillographs; plumb lines; mirrors [optics]; spectacles [optics]; sunglasses; goggles for sports; signalling panels, luminous or mechanical; radio pagers; pince-nez; electronic pocket translators; transmitters [telecommunication]; telephone transmitters; transmitters of electronic signals; switches, electric; periscopes; gloves for divers; gloves for protection against accidents; gloves for protection against X-rays for industrial purposes; asbestos gloves for protection against accidents; furnaces for laboratory use; pipettes; pyrometers; planimeters; plane tables [surveying instruments]; plates for batteries; wafers for integrated circuits; printed circuit boards; compact disc players; cassette players; sound recording strips; X-ray films, exposed; films, exposed; life-saving rafts; laboratory trays; digital signs; semi-conductors; polarimeters; fire pumps; measuring glassware; life belts; fuses; circuit breakers; converters, electric; telerupters; food analysis apparatus; diagnostic apparatus, not for medical purposes; distance recording apparatus; distance measuring apparatus; speed measuring apparatus [photography]; appliances for measuring the thickness of leather; apparatus for measuring the thickness of skins; speed checking apparatus for vehicles; teaching apparatus; time recording apparatus; apparatus and instruments for astronomy; surveying apparatus and instruments; weighing apparatus and instruments; nautical apparatus and instruments; navigational instruments; optical apparatus and instruments; apparatus and instruments for physics; chemistry apparatus and instruments; measuring apparatus; measuring devices, electric; boiler control instruments; meteorological instruments; naval signalling apparatus; observation instruments; navigation apparatus for vehicles [on-board computers]; satellite navigational apparatus; regulating apparatus, electric; precision measuring apparatus; audio- and video-receivers; prisms [optics]; printers for use with computers; hemline markers; retorts'

stands; apparatus for changing record player needles; drainers for use in photography; cleaning apparatus for sound recording discs; fire beaters; sighting telescopes for firearms; telescopic sights for artillery; test tubes; pressure indicator plugs for valves; magnetic wires; telegraph wires; telephone wires; wires, electric; conductors, electric; copper wire, insulated; fuse wire; computer programmes [programs], recorded; computer game software; computer programs [downloadable software]; computer operating programs, recorded; record players; processors [central processing units]; rods for water diviners; electronic publications, downloadable; distribution consoles [electricity]; control panels [electricity]; radar apparatus; baby monitors; masts for wireless aerials; transmitting sets [telecommunication]; radios; vehicle radios; sprinkler systems for fire protection; frames for photographic transparencies; screens for photo-engraving; walkie-talkies; voltage surge protectors; voltage regulators for vehicles; stage lighting regulators; light dimmers [regulators], electric; speed regulators for record players; cell switches [electricity]; washing trays [photography]; marking gauges [joinery]; time switches, automatic; relays, electric; safety restraints, other than for vehicle seats and sports equipment; X-ray photographs, other than for medical purposes; rheostats; respirators for filtering air; respiratory masks, other than for artificial respiration; retorts; refractometers; refractors; grids for batteries; speaking tubes; horns for loudspeakers; saccharometers; optical fibers [fibres] [light conducting filaments]; traffic-light apparatus [signalling devices]; dog whistles; signalling whistles; sextants; inductors [electricity]; safety nets; nets for protection against accidents; fire alarms; signals, luminous or mechanical; sirens; scanners [data processing equipment]; smartphones; integrated circuit cards [smart cards]; connections for electric lines; couplings, electric; connectors [electricity]; sonars; sound locating instruments; lighting ballasts; resistances, electric; spectrograph apparatus; spectroscopes; speed indicators; alcoholmeters; satellites for scientific purposes; protection devices for personal use against accidents; audiovisual teaching apparatus; radiotelegraphy sets; radiotelephony sets; spectacle lenses; anti-glare glasses; optical glass; personal stereos; stereoscopes; stands for photographic apparatus; stroboscopes; fire boats; sulfitometers; bags adapted for laptops; drying racks [photography]; spherometers; integrated circuits; printed circuits; counters; parking meters; kilometer recorders for vehicles; revolution counters; abacuses; egg timers [sandglasses]; taximeters; ear plugs for divers; tachometers; television apparatus; telegraphs [apparatus]; telescopes; teleprompters; teleprinters; mobile telephones; cordless telephones; theodolites; thermometers, not for medical purposes;

thermostats; thermostats for vehicles; crucibles [laboratory]; tone arms for record players; totalizators; transistors [electronic]; transponders; protractors [measuring instruments]; transformers [electricity]; step-up transformers; vehicle breakdown warning triangles; triodes; starter cables for motors; discharge tubes, electric, other than for lighting; capillary tubes; neon signs; Pitot tubes; X-ray tubes not for medical purposes; telephone receivers; gauges; quantity indicators; automatic indicators of low pressure in vehicle tires [tyres]; gasoline gauges; water level indicators; electric loss indicators; light-emitting electronic pointers; slope indicators; levels [instruments for determining the horizontal]; mercury levels; spirit levels; urinometers; amplifiers; particle accelerators; electric installations for the remote control of industrial operations; steering apparatus, automatic, for vehicles; balancing apparatus; video recorders; sound reproduction apparatus; invoicing machines; tape recorders; protection devices against X-rays, not for medical purposes; railway traffic safety appliances; data processing apparatus; oxygen transvasing apparatus; theft prevention installations, electric; film cutting apparatus; drying apparatus for photographic prints; optical character readers; centering apparatus for photographic transparencies; dosage dispensers; battery chargers; chargers for electric batteries; acoustic [sound] alarms; sounding apparatus and machines; editing appliances for cinematographic films; cathodic anti-corrosion apparatus; couplers [data processing equipment]; anti-theft warning apparatus; computer peripheral devices; anti-interference devices [electricity]; demagnetizing apparatus for magnetic tapes; acoustic couplers; alarms; fog signals, non-explosive; whistle alarms; adding machines; readers [data processing equipment]; heat regulating apparatus; photocopiers [photographic, electrostatic, thermic]; bar code readers; computer software applications, downloadable; downloadable ring tones for mobile phones; downloadable image files; downloadable music files; animated cartoons; filters [photography]; filters for respiratory masks; filters for ultraviolet rays, for photography; USB flash drives; magic lanterns; optical lamps; signal lanterns; cameras [photography]; glazing apparatus for photographic prints; shutters [photography]; darkrooms [photography]; photometers; flash-bulbs [photography]; digital photo frames; enlarging apparatus [photography]; photovoltaic cells; containers for contact lenses; spectacle cases; pince-nez cases; containers for microscope slides; cases especially made for photographic apparatus and instruments; chromatography apparatus for laboratory use; chronographs [time recording apparatus]; laboratory centrifuges; eyeglass chains; cyclotrons; compasses [measuring instruments]; frequency meters; time clocks [time recording

devices]; Petri dishes; sleeves for laptops; fire blankets; chips [integrated circuits]; jigs [measuring instruments]; pedometers; meteorological balloons; electrified rails for mounting spot lights; asbestos screens for firemen; fire hose; protective helmets for sports; cell phone straps; eyeglass cords; tripods for cameras; switchboards; distribution boards [electricity]; screens [photography]; workmen's protective face-shields; projection screens; radiology screens for industrial purposes; fluorescent screens; exposure meters [light meters]; ducts [electricity]; galvanic cells; epidiascopes; ergometers; armatures [electricity].

14 – Agates; diamonds; amulets [jewellery, jewelry (Am.)]; anchors [clock and watch making]; barrels [clock and watch making]; bracelets [jewellery, jewelry (Am.)]; watch straps; charms [jewellery, jewelry (Am.)]; key rings [trinkets or fobs]; brooches [jewellery, jewelry (Am.)]; alarm clocks; pins [jewellery, jewelry (Am.)]; ornamental pins; tie pins; beads for making jewelry; pearls made of ambroid [pressed amber]; busts of precious metal; jewellery rolls; jet, unwrought or semi-wrought; jewelry findings; pearls [jewellery, jewelry (Am.)]; copper tokens; tie clips; cuff links; clasps for jewelry; badges of precious metal; gold, unwrought or beaten; cloisonné jewellery [jewelry (Am.)]; hat ornaments of precious metal; ivory jewelry; works of art of precious metal; jewelry; jewelry of yellow amber; iridium; precious stones; semi-precious stones; spun silver [silver wire]; necklaces [jewellery, jewelry (Am.)]; rings [jewellery, jewelry (Am.)]; boxes of precious metal; watch cases; clock cases; pendulums [clock and watch making]; medals; lockets [jewellery, jewelry (Am.)]; precious metals, unwrought or semi-wrought; movements for clocks and watches; clockworks; coins; gold thread [jewellery, jewelry (Am.)]; threads of precious metal [jewellery, jewelry (Am.)]; silver thread [jewellery, jewelry (Am.)]; olivine [gems]; peridot; osmium; palladium; platinum [metal]; chronometric instruments; watch springs; rhodium; ruthenium; stopwatches; silver, unwrought or beaten; earrings; ingots of precious metals; alloys of precious metal; statues of precious metal; figurines [statuettes] of precious metal; watch glasses; paste jewellery [costume jewelry (Am.)]; clock hands [clock and watch making]; shoe ornaments of precious metal; ornaments of jet; ornaments [jewellery, jewelry (Am.)]; cases for watches [presentation]; cases for clock- and watchmaking; chronographs [watches]; chronometers; chronoscopes; chains [jewellery, jewelry (Am.)]; watch chains; dials [clock and watch making]; atomic clocks; watches; sundials; clocks and watches, electric; control clocks [master clocks]; clocks; wristwatches; jewelry boxes; spinel [precious stones].

16 – Fountain pens; aquarelles; albums; almanacs;

document laminators for office use; mimeograph apparatus and machines; atlases; posters; paper bows; table linen of paper; tickets; forms, printed; announcement cards [stationery]; note books; pads [stationery]; drawing pads; loose-leaf binders; wristbands for the retention of writing instruments; pamphlets; booklets; paper sheets [stationery]; waxed paper; paper for recording machines; paper for radiograms; electrocardiograph paper; drawer liners of paper, perfumed or not; wood pulp paper; carbon paper; copying paper [stationery]; parchment paper; writing paper; luminous paper; Xuan paper for Chinese painting and calligraphy; toilet paper; wrapping paper; filter paper; paper; blotters; newsletters; rollers for typewriters; house painters' rollers; composing sticks; modelling wax, not for dental purposes; signboards of paper or cardboard; sewing patterns; newspapers; electrotypes; hectographs; modelling clay; polymer modelling clay; terrestrial globes; drawing sets; engravings; slate pencils; pencil leads; document holders [stationery]; pencil holders; chalk holders; page holders; holders for checkbooks [cheque books]; holders for stamps [seals]; diagrams; engraving plates; writing slates; blackboards; galley racks [printing]; drawing boards; advertisement boards of paper or cardboard; duplicators; punches [office requisites]; cream containers of paper; magazines [periodicals]; money clips; tags for index cards; pen clips; bookmarkers; etching needles; tracing needles for drawing purposes; periodicals; printed publications; paper shredders for office use; graphic representations; credit card imprinters, non-electric; graining combs; drawing instruments; calendars; tracing paper; tracing cloth; tracing patterns; gums [adhesives] for stationery or household purposes; lithographic stones; ink stones [ink reservoirs]; pencils; pencil lead holders; charcoal pencils; pictures; transfers [decalcomanias]; paintings [pictures], framed or unframed; wood pulp board [stationery]; cardboard; hat boxes of cardboard; files [office requisites]; cards; index cards [stationery]; geographical maps; paper tapes and cards for the recordal of computer programmes; trading cards other than for games; perforated cards for Jacquard looms; catalogues; spools for inking ribbons; covers of paper for flower pots; paintbrushes; painters' brushes; writing brushes; typewriter keys; glue for stationery or household purposes; isinglass for stationery or household purposes; gluten [glue] for stationery or household purposes; starch paste [adhesive] for stationery or household purposes; printing blocks; books; manifolds [stationery]; comic books; drawing pins; cigar bands; envelopes [stationery]; cases for stamps [seals]; boxes of cardboard or paper; paint boxes [articles for use in school]; correcting fluids [office requisites]; stencils [stationery]; French curves; paper ribbons; typewriter ribbons; gummed tape [stationery];

adhesive bands for stationery or household purposes; correcting tapes [office requisites]; inking ribbons; inking ribbons for computer printers; adhesive tapes for stationery or household purposes; self-adhesive tapes for stationery or household purposes; drawing rulers; square rulers; flyers; absorbent sheets of paper or plastic for foodstuff packaging; humidity control sheets of paper or plastic for foodstuff packaging; viscose sheets for wrapping; sheets of reclaimed cellulose for wrapping; plastic bubble packs for wrapping or packaging; steel letters; type [numerals and letters]; lithographs; paint trays; architects' models; postage stamps; plastics for modelling; graphic prints; modelling materials; teaching materials [except apparatus]; sealing compounds for stationery purposes; adhesives [glues] for stationery or household purposes; stuffing of paper or cardboard; bookbinding material; packaging material made of starches; packing [cushioning, stuffing] materials of paper or cardboard; filtering materials [paper]; addressing machines; pencil sharpening machines, electric or non-electric; bookbinding apparatus and machines [office equipment]; typewriters, electric or non-electric; folders [stationery]; franking machines for office use; chalk for lithography; writing chalk; tailors' chalk; marking chalk; bags [envelopes, pouches] of paper or plastics, for packaging; garbage bags of paper or of plastics; painters' easels; hand-rests for painters; printing sets, portable [office requisites]; bibs of paper; stickers [stationery]; finger-stalls [office requisites]; writing cases [stationery]; cords for bookbinding; paper knives [cutters] [office requisites]; numbering apparatus; bottle envelopes of cardboard or paper; sealing wafers; covers [stationery]; passport holders; plastic cling film, extensible, for palletization; embroidery designs [patterns]; handwriting specimens for copying; oleographs; musical greeting cards; greeting cards; postcards; etchings; conical paper bags; bags for microwave cooking; palettes for painters; ink sticks; pantographs [drawing instruments]; folders for papers; papier mâché; pastels [crayons]; modelling paste; pen cases; bookbindings; pen wipers; office perforators; pens [office requisites]; nibs of gold; nibs; steel pens; drawing pens; song books; seals [stamps]; sealing stamps; clipboards; address plates for addressing machines; handkerchiefs of paper; plastic film for wrapping; desk mats; letter trays; trays for sorting and counting money; coasters of paper; bookends; stamp stands; mats for beer glasses; stands for pens and pencils; photograph stands; obliterating stamps; inking pads; stamp pads; binding strips [bookbinding]; towels of paper; inking sheets for document reproducing machines; inking sheets for duplicators; bookbinding cloth; gummed cloth for stationery purposes; printers' blankets, not of textile; portraits; paperweights; writing cases [sets];

inkstands; office requisites, except furniture; writing materials; writing instruments; drawing materials; school supplies [stationery]; adhesive tape dispensers [office requisites]; hand labelling appliances; printed matter; lithographic works of art; prospectuses; printed timetables; ledgers [books]; printers' galleys; indexes; rubber erasers; elastic bands for offices; drawing T-squares; graphic reproductions; penholders; marking pens [stationery]; tissues of paper for removing make-up; face towels of paper; table napkins of paper; place mats of paper; tablemats of paper; tablecloths of paper; paper clasps; document files [stationery]; scrapers [erasers] for offices; paper clips; staples for offices; erasing products; biological samples for use in microscopy [teaching materials]; histological sections for teaching purposes; steatite [tailor's chalk]; writing board erasers; composing frames [printing]; sealing wax; arithmetical tables; placards of paper or cardboard; writing or drawing books; fabrics for bookbinding; stationery; pencil sharpeners, electric or non-electric; transparencies [stationery]; stencil plates; cardboard tubes; Indian inks; moisteners [office requisites]; moisteners for gummed surfaces [office requisites]; drawing squares; chart pointers, non-electronic; bottle wrappers of cardboard or paper; envelope sealing machines, for offices; sealing machines for offices; vignetting apparatus; apparatus for mounting photographs; stapling presses [office requisites]; manuals [handbooks]; figurines [statuettes] of papier mâché; paper coffee filters; flags of paper; silver paper; molds for modelling clays [artists' materials]; photo-engravings; photographs [printed]; stencil cases; canvas for painting; chromolithographs [chromos]; compasses for drawing; numbers [type]; watercolor [watercolour] saucers for artists; ink; correcting ink [heliography]; inkwells; blueprints; rosaries; stencils; erasing shields; balls for ball-point pens; cabinets for stationery [office requisites]; printing type; address stamps; stamps [seals]; shields [paper seals]; prints [engravings]; labels, not of textile.

20 – Picture frame brackets; reels, not of metal, non-mechanical, for flexible hoses; pulleys of plastics for blinds; bolts, not of metal; casks of wood for decanting wine; mooring buoys, not of metal; casks, not of metal; barrels, not of metal; identification bracelets, not of metal; sideboards; busts of wood, wax, plaster or plastic; costume stands; bolsters; fans for personal use, non-electric; work benches; vice benches, not of metal; coat hangers; coatstands; shoulder poles [yokes]; screws, not of metal; display stands; showcases [furniture]; newspaper display stands; jewellery organizer displays; collars, not of metal, for fastening pipes; comb foundations for beehives; signboards of wood or plastics; loading gauge rods, not of metal, for railway waggons [wagons]; nuts, not of metal; covers for clothing

[wardrobe]; nesting boxes; coffins; doors for furniture; curtain holders, not of textile material; pegs [pins], not of metal; divans; kennels for household pets; keyboards for hanging keys; display boards; flagpoles; plugs [dowels], not of metal; containers, not of metal, for liquid fuel; troughs, not of metal, for mixing mortar; packaging containers of plastic; flower-stands [furniture]; curtain tie-backs; clips, not of metal, for cables and pipes; binding screws, not of metal, for cables; rivets, not of metal; tortoiseshell imitation; locks, not of metal, for vehicles; locks, other than electric, not of metal; bead curtains for decoration; door bolts, not of metal; bottle closures, not of metal; closures, not of metal, for containers; latches, not of metal; mirrors [looking glasses]; hand-held mirrors [toilet mirrors]; bamboo; scratching posts for cats; animal claws; animal hooves; coral; meerschaum; whalebone, unworked or semi-worked; stag antlers; tortoiseshell; shells; horn, unworked or semi-worked; animal horns; rattan; ivory, unworked or semi-worked; corozo; plaited straw, except matting; wickerwork; hampers [baskets]; works of art of wood, wax, plaster or plastic; cabinet work; reeds [plaiting materials]; settees; curtain rods; index cabinets [furniture]; reels of wood for yarn, silk, cord; drain traps [valves] of plastic; water-pipe valves of plastic; valves, not of metal, other than parts of machines; staves of wood; plastic key cards, not encoded and not magnetic; mats for infant playpens; sleeping pads; saw horses; bed casters, not of metal; furniture casters, not of metal; brush mountings; chopping blocks [tables]; wind chimes [decoration]; door bells, not of metal, non-electric; bottle caps, not of metal; cradles; tent pegs, not of metal; curtain rings; rings, not of metal, for keys; chests of drawers; containers, not of metal [storage, transport]; floating containers, not of metal; lecterns; dog kennels; bakers' bread baskets; baskets, not of metal; bottle casings of wood; taps for casks, not of metal; armchairs; hairdressers' chairs; deck chairs; hospital beds; bedsteads of wood; beds; edgings of plastic for furniture; screw tops, not of metal, for bottles; table tops; hooks, not of metal, for clothes rails; curtain hooks; clothes hooks, not of metal; beds for household pets; nesting boxes for household pets; ladders of wood or plastics; playpens for babies; mannequins; air mattresses, not for medical purposes; mattresses; hydrostatic [water] beds, not for medical purposes; furniture of metal; inflatable furniture; office furniture; school furniture; sleeping bags for camping; mobiles [decoration]; door knockers, not of metal; curtain rails; house numbers, not of metal, non-luminous; barrel hoops, not of metal; furniture; moldings [mouldings] for picture frames; bed bases; furniture partitions of wood; freestanding partitions [furniture]; mother-of-pearl, unworked or semi-worked; mirror tiles; ambroid plates; registration plates, not of metal; identity

plates, not of metal; loading pallets, not of metal; handling pallets, not of metal; transport pallets, not of metal; head-rests [furniture]; trays, not of metal; stakes for plants or trees; trestles [furniture]; magazine racks; book rests [furniture]; stands for calculating machines; flower-pot pedestals; baby changing mats; pet cushions; pillows; cushions; air cushions, not for medical purposes; air pillows, not for medical purposes; removable mats or covers for sinks; racks [furniture]; library shelves; shelves for filing-cabinets [furniture]; furniture shelves; shelves for storage; wood ribbon; straw edgings; towel stands [furniture]; hat stands; bathtub grab bars, not of metal; cask stands, not of metal; inflatable publicity objects; counters [tables]; bedding, except linen; corks for bottles; corks; stoppers, not of metal; stair rods; standing desks; embroidery frames; towel dispensers, fixed, not of metal; picture frames; sections of wood for beehives; tanks, not of metal nor of masonry; fodder racks; curtain rollers; tool handles, not of metal; knife handles, not of metal; door handles, not of metal; scythe handles, not of metal; broom handles, not of metal; knobs, not of metal; fishing baskets; writing desks; seats of metal; benches [furniture]; vats, not of metal; honeycombs; sofas; bungs, not of metal; statues of wood, wax, plaster or plastic; figurines [statuettes] of wood, wax, plaster or plastic; oyster shells; silvered glass [mirrors]; ambroid bars; umbrella stands; gun racks; carts for computers [furniture]; dressing tables; washstands [furniture]; typing desks; drafting tables; massage tables; tables of metal; wall-mounted diaper [napkin] changing platforms; saw benches [furniture]; desks; tea carts; dinner wagons [furniture]; tables; steps [ladders], not of metal; step stools, not of metal; chairs [seats]; high chairs for babies; chests, not of metal; placards of wood or plastics; stools; crates; trolleys [furniture]; straw plaits; mobile boarding stairs, not of metal, for passengers; straw mattresses; decorations of plastic for foodstuffs; beehives; funerary urns; winding spools, not of metal, non-mechanical, for flexible hoses; door fittings, not of metal; coffin fittings, not of metal; bed fittings, not of metal; furniture fittings, not of metal; window fittings, not of metal; infant walkers; garment covers [storage]; stuffed animals; stuffed birds; hinges, not of metal; easy chairs; poles, not of metal; screens [furniture]; cupboards; filing cabinets; medicine cabinets; meat chests, not of metal; plate racks; bamboo curtains; paper blinds; slatted indoor blinds; woven timber blinds [furniture]; indoor window blinds [shades] [furniture]; interior textile window blinds; screens for fireplaces [furniture]; yellow amber; lockers; boxes of wood or plastic; chests for toys; letter boxes, not of metal or masonry; bottle racks.

21 – Autoclaves [pressure cookers], non-electric; indoor aquaria; cookie jars; candle jars [holders]; china ornaments; dishes; paper plates; vegetable

dishes; saucers; mugs; candy boxes; bottles; demijohns; busts of porcelain, ceramic, earthenware or glass; vases; epergnes; fruit cups; bird baths; baby baths, portable; plungers for clearing blocked drains; waffle irons, non-electric; buckets; coolers [ice pails]; buckets made of woven fabrics; whisks, non-electric, for household purposes; cooking skewers of metal; cooking pins of metal; towel rails and rings; clothing stretchers; hair for brushes; birdcages; funnels; carpet beaters [hand instruments]; signboards of porcelain or glass; candle extinguishers; flower pots; chamber pots; glue-pots; cruets; decanters; large-toothed combs for the hair; combs for animals; tea cosies; abrasive sponges for scrubbing the skin; make-up sponges; sponges for household purposes; toilet sponges; sponge holders; toothpick holders; soap holders; napkin holders; holders for flowers and plants [flower arranging]; shaving brush stands; toilet paper holders; soap dispensers; toilet paper dispensers; ironing boards; cutting boards for the kitchen; bread boards; washing boards; crushers for kitchen use, non-electric; strainers; smoke absorbers for household purposes; containers for household or kitchen use; kitchen containers; glass jars [carboys]; heat-insulated containers; heat-insulated containers for beverages; thermally insulated containers for food; glass flasks [containers]; closures for pot lids; chamois leather for cleaning; toothpicks; ceramics for household purposes; majolica; works of art of porcelain, ceramic, earthenware or glass; brush goods; kitchen grinders, non-electric; cleaning instruments, hand-operated; cabarets [trays]; stew-pans; covers, not of paper, for flower pots; shaving brushes; basting brushes; cages for household pets; baking mats; polishing leather; hot pots, not electrically heated; glass bulbs [receptacles]; boot trees [stretchers]; shoe trees [stretchers]; napkin rings; poultry rings; rings for birds; piggy banks; bread baskets, domestic; baskets for domestic use; waste paper baskets; feeding troughs; mangers for animals; lunch boxes; tea caddies; washtubs; earthenware saucepans; mess-tins; cauldrons; coffee percolators, non-electric; coffeepots, non-electric; coffee grinders, hand-operated; fused silica [semi-worked product], other than for building; beer mugs; tankards; rat traps; pot lids; aquarium hoods; butter-dish covers; dish covers; cheese-dish covers; buttonhooks; pitchers; perfume burners; non-electric portable coldboxes; watering cans; fly traps; insect traps; mixing spoons [kitchen utensils]; basting spoons [cooking utensils]; scoops [tableware]; pie servers; spatulas [kitchen utensils]; butter dishes; material for brush-making; polishing materials for making shiny, except preparations, paper and stone; noodle machines, hand-operated; polishing apparatus and machines, for household purposes, non-electric; pepper mills, hand-operated; mills for domestic purposes, hand-operated; feather-dusters;

brooms; isothermic bags; confectioners' decorating bags [pastry bags]; bowls [basins]; mosaics of glass, not for building; saucepan scourers of metal; soap boxes; mouse traps; cooking pot sets; nozzles for watering cans; spouts; nozzles for watering hose; fitted picnic baskets, including dishes; toilet cases; floss for dental purposes; fiberglass thread, not for textile use; cookie [biscuit] cutters; pastry cutters; sprinklers; syringes for watering flowers and plants; cotton waste for cleaning; wool waste for cleaning; cleaning tow; chopsticks; cocktail stirrers; food steamers, non-electric; pepper pots; oven mitts; kitchen mitts; gloves for household purposes; car washing mitts; polishing gloves; gardening gloves; plates to prevent milk boiling over; dripping pans; trays for domestic purposes; trays for domestic purposes, of paper; lazy susans; heaters for feeding bottles, non-electric; candelabra [candlesticks]; trivets [table utensils]; coasters, not of paper and other than table linen; grill supports; gridiron supports; menu card holders; knife rests for the table; flat-iron stands; egg cups; abrasive pads for kitchen purposes; scouring pads; drinking troughs; powdered glass for decoration; pottery; pots; cooking pots; painted glassware; tableware, other than knives, forks and spoons; porcelain ware; earthenware; crystal [glassware]; cosmetic utensils; toilet utensils; trouser presses; deodorising apparatus for personal use; cruet sets for oil and vinegar; make-up removing appliances; spice sets; apparatus for wax-polishing, non-electric; bottle openers, electric and non-electric; glove stretchers; boot jacks; crumb trays; tie presses; potholders; clothes-pegs; glass stoppers; powder compacts; perfume vaporizers; powder puffs; dusting apparatus, non-electric; combs; electric combs; grills [cooking utensils]; sifters [household utensils]; drinking horns; shoe horns; candle rings; salad bowls; sugar bowls; beaters, non-electric; services [dishes]; coffee services [tableware]; liqueur sets; tea services [tableware]; sieves [household utensils]; cinder sifters [household utensils]; tea strainers; pipettes [wine-tasters]; siphon bottles for carbonated water; rolling pins, domestic; steel wool for cleaning; currycombs; blenders, non-electric, for household purposes; fruit presses, non-electric, for household purposes; salt cellars; drinking vessels; vessels of metal for making ices and iced drinks; refrigerating bottles; bulb basters; cups of paper or plastic; glasses [receptacles]; drinking glasses; statues of porcelain, ceramic, earthenware or glass; figurines [statuettes] of porcelain, ceramic, earthenware or glass; glass for vehicle windows [semi-finished product]; plate glass [raw material]; opal glass; glass, unworked or semi-worked, except building glass; opaline glass; glass incorporating fine electrical conductors; enamelled glass; glass wool other than for insulation; vitreous silica fibers [fibres], not for textile use; fiberglass other than for insulation or textile use; soup bowls;

drying racks for laundry; basins [receptacles]; table plates; disposable table plates; graters for kitchen use; insulating flasks; indoor terrariums [plant cultivation]; indoor terrariums [vivariums]; straws for drinking; cloth for washing floors; cloths for cleaning; dusting cloths [rags]; furniture dusters; litter boxes [trays] for pets; urns; aerosol dispensers, not for medical purposes; wax-polishing appliances, non-electric, for shoes; water apparatus for cleaning teeth and gums; electric devices for attracting and killing insects; watering devices; utensils for household purposes; kitchen utensils; cooking utensils, non-electric; strainers for household purposes; coffee filters, non-electric; flasks; hip flasks; drinking bottles for sports; molds [kitchen utensils]; cake molds [moulds]; ice cube molds [moulds]; cookery molds [moulds]; deep fryers, non-electric; comb cases; bread bins; fly swatters; teapots; kettles, non-electric; cups; garlic presses [kitchen utensils]; ironing board covers, shaped; tea infusers; glass bowls; mops; mop wringers; cocktail shakers; cosmetic spatulas; corkscrews, electric and non-electric; animal bristles [brushware]; pig bristles; dishwashing brushes; brushes for cleaning tanks and containers; lamp-glass brushes; horse brushes; scrubbing brushes; toothbrushes; toothbrushes, electric; carpet sweepers; brushes for footwear; tar-brushes, long handled; toilet brushes; electric brushes, except parts of machines; brushes; eyebrow brushes; nail brushes; nest eggs, artificial; boxes for dispensing paper towels; trash cans; window-boxes; boxes of glass.

25 – Wimples; bandanas [neckerchiefs]; underwear; sweat-absorbent underclothing; berets; overalls; boas [necklets]; teddies [undergarments]; half-boots; ski boots; boots for sports; breeches for wear; trousers; football shoes; brassieres; valenki [felted boots]; collars [clothing]; detachable collars; shirt yokes; veils [clothing]; gabardines [clothing]; galoshes; neckties; ascots; leggings [leg warmers]; spats; boot uppers; corselets; jerseys [clothing]; vests; sports jerseys; hosiery; heels; boxer shorts; hoods [clothing]; hat frames [skeletons]; pockets for clothing; neck scarves [mufflers]; visors [headwear]; cap peaks; tights; slips [undergarments]; combinations [clothing]; wet suits for water-skiing; bodices [lingerie]; corsets [underclothing]; suits; bathing suits; masquerade costumes; beach clothes; jackets [clothing]; stuff jackets [clothing]; fishing vests; leggings [trousers]; liveries; camisoles; sports singlets; cuffs; short-sleeve shirts; mantillas; coats; sleep masks; furs [clothing]; mittens; miters [hats]; muffs [clothing]; footmuffs, not electrically heated; heelpieces for footwear; bibs, not of paper; fur stoles; ear muffs [clothing]; socks; beach shoes; sports shoes; footwear; paper clothing; outer-clothing; ready-made clothing; motorists' clothing; cyclists' clothing; clothing for gymnastics; clothing of imitations of leather; clothing of leather;

uniforms; clothing; fittings of metal for footwear; maniples; overcoats; knickers; parkas; pelerines; gloves [clothing]; ski gloves; pyjamas; bathing trunks; shirt fronts; scarfs; pocket squares; dresses; waterproof clothing; headbands [clothing]; garters; sock suspenders; stocking suspenders; ready-made linings [parts of clothing]; dress shields; soles for footwear; braces for clothing [suspenders]; lace boots; ponchos; girdles; belts [clothing]; money belts [clothing]; layettes [clothing]; non-slipping devices for footwear; jumpers [pullover]; sweaters; heelpieces for stockings; welts for footwear; chasubles; shirts; wooden shoes; sandals; bath sandals; boots; jumper dresses; saris; sarongs; footwear uppers; inner soles; albs; bath slippers; togas; knitwear [clothing]; underpants; gymnastic shoes; slippers; shoes; skull caps; turbans; headgear for wear; aprons [clothing]; tee-shirts; dressing gowns; bath robes; top hats; tips for footwear; stockings; sweat-absorbent stockings; shawls; caps [headwear]; paper hats [clothing]; shower caps; bathing caps; sashes for wear; studs for football boots; hats; babies' pants [clothing]; trouser straps; pelisses; esparto shoes or sandals; skirts; skorts.

35 – Arranging subscriptions to telecommunication services for others; import-export agencies; commercial information agencies; advertising agencies; cost price analysis; rental of advertising space; business auditing; employment agencies; computerized file management; book-keeping; invoicing; demonstration of goods; transcription of communications [office functions]; opinion polling; marketing studies; business information; commercial information and advice for consumers [consumer advice shop]; business investigations; business research; marketing research; personnel recruitment; business management and organization consultancy; business organization consultancy; business management consultancy; personnel management consultancy; professional business consultancy; layout services for advertising purposes; marketing; business management of performing artists; business management of sports people; writing of curriculum vitae for others; news clipping services; updating of advertising material; updating and maintenance of data in computer databases; word processing; organization of exhibitions for commercial or advertising purposes; arranging newspaper subscriptions for others; organization of fashion shows for promotional purposes; organization of trade fairs for commercial or advertising purposes; shop window dressing; design of advertising materials; business appraisals; payroll preparation; data search in computer files for others; sponsorship search; business management assistance; commercial or industrial management assistance; commercial intermediation services; provision of commercial and business contact information; providing business information via a web site;

provision of an on-line marketplace for buyers and sellers of goods and services; presentation of goods on communication media, for retail purposes; economic forecasting; auctioneering; retail or wholesale services for pharmaceutical, veterinary and sanitary preparations and medical supplies; sales promotion for others; production of advertising films; office machines and equipment rental; rental of advertising time on communication media; publicity material rental; rental of billboards [advertising boards]; rental of vending machines; rental of sales stands; rental of photocopying machines; publication of publicity texts; radio advertising; bill-posting; outdoor advertising; distribution of samples; dissemination of advertising matter; direct mail advertising; writing of publicity texts; advertising; on-line advertising on a computer network; advertising by mail order; television advertising; document reproduction; compilation of statistics; compilation of information into computer databases; business inquiries; systemization of information into computer databases; advisory services for business management; negotiation and conclusion of commercial transactions for third parties; tax preparation; drawing up of statements of accounts; telemarketing services; psychological testing for the selection of personnel; outsourced administrative management for companies; business management of hotels; business management for freelance service providers; commercial administration of the licensing of the goods and services of others; business management of reimbursement programs for others; business project management services for construction projects; administrative processing of purchase orders; public relations; modelling for advertising or sales promotion; typing; relocation services for businesses; tax filing services; search engine optimisation; web site traffic optimisation; price comparison services; pay per click advertising; secretarial services; procurement services for others [purchasing goods and services for other businesses]; shorthand; outsourcing services [business assistance]; telephone answering for unavailable subscribers; photocopying services; business efficiency expert services.

36 – Credit bureaux; debt collection agencies; real estate agencies; financial analysis; rental of apartments; leasing of real estate; rental of offices [real estate]; leasing of farms; hire-purchase financing; savings bank services; accommodation bureaux [apartments]; rent collection; issuance of travelers' checks; issuance of credit cards; issuance of tokens of value; capital investment; insurance information; financial information; clearing, financial; insurance consultancy; financial consultancy; debt advisory services; stock exchange quotations; lending against security; business liquidation services, financial; brokerage; financial

management; exchanging money; online banking; debit card services; credit card services; factoring; organization of collections; arranging finance for construction projects; antique appraisal; jewellery [jewelry (Am.)] appraisal; financial evaluation of standing timber; stamp appraisal; real estate appraisal; numismatic appraisal; art appraisal; financial evaluation of wool; financial evaluation [insurance, banking, real estate]; repair costs evaluation [financial appraisal]; electronic funds transfer; surety services; securities brokerage; real estate brokerage; brokerage of carbon credits; insurance brokerage; loans [financing]; pawnbrokerage; providing financial information via a web site; check [cheque] verification; investment of funds; charitable fund raising; stocks and bonds brokerage; financial sponsorship; mortgage banking; instalment loans; insurance underwriting; life insurance underwriting; health insurance underwriting; accident insurance underwriting; marine insurance underwriting; fire insurance underwriting; apartment house management; real estate management; financial management of reimbursement payments for others; actuarial services; banking; stock brokerage services; retirement payment services; trusteeship; provident fund services; customs brokerage; mutual funds; financing services; safe deposit services; deposits of valuables; fiscal assessments.

42 – Water analysis; computer system analysis; handwriting analysis [graphology]; chemical analysis; energy auditing; recovery of computer data; industrial design; graphic arts design; computer virus protection services; technical project studies; oil-field surveys; geological surveys; engineering; installation of computer software; meteorological information; clinical trials; material testing; textile testing; bacteriological research; biological research; geological research; research in the field of environmental protection; cosmetic research; mechanical research; chemical research; research and development of new products for others; scientific research; analysis for oil-field exploitation; underwater exploration; technical research; calibration [measuring]; web site design consultancy; information technology [IT] consultancy; consultancy in the design and development of computer hardware; architectural consultation; computer software consultancy; technological consultancy; oil-well testing; quality control; vehicle roadworthiness testing; land surveying; dress designing; updating of computer software; monitoring of computer systems by remote access; software as a service [SaaS]; maintenance of computer software; authenticating works of art; design of interior decor; quality evaluation of standing timber; quality evaluation of wool; digitization of documents [scanning]; conversion of data or documents from physical to electronic

media; urban planning; providing information on computer technology and programming via a web site; provision of scientific information, advice and consultancy in relation to carbon offsetting; providing search engines for the internet; data conversion of computer programs and data [not physical conversion]; computer system design; rental of web servers; computer rental; rental of computer software; geological prospecting; oil prospecting; hosting computer sites [web sites]; server hosting; construction drafting; computer software design; cloud seeding; consultancy in the field of energy-saving; creating and maintaining web sites for others; computer programming; duplication of computer programs; architectural services; chemistry services; outsource service providers in the field of information technology; packaging design; off-site data backup; computer technology consultancy; telecommunications technology consultancy; scientific laboratory services; cloud computing services; weather forecasting; styling [industrial design]; cartography services; physics [research]; electronic data storage; surveying.

45 – Marriage agencies; detective agencies; night guard services; adoption agency services; arbitration services; rental of safes; embalming services; funerary undertaking; lost property return; releasing doves for special occasions; genealogical research; legal research; security consultancy; intellectual property consultancy; monitoring intellectual property rights for legal advisory purposes; monitoring of burglar and security alarms; crematorium services; licensing of intellectual property; licensing of computer software [legal services]; organization of religious meetings; opening of security locks; guard services; planning and arranging of wedding ceremonies; missing person investigations; litigation services; baby sitting; pet sitting; baggage inspection for security purposes; inspection of factories for safety purposes; evening dress rental; rental of fire extinguishers; clothing rental; rental of fire alarms; registration of domain names [legal services]; personal background investigations; fire-fighting; escorting in society [chaperoning]; horoscope casting; copyright management; legal administration of licences; dating services; alternative dispute resolution services; tracking of stolen property; legal document preparation services; house sitting; mediation; funerals; on-line social networking services; personal body guarding.

(260) AM 2017 89030 A

(800) 1314136

(891) 2016 05 18

(731) Koninklijke Douwe Egberts B.V.

Oosterdoksstraat 80, Amsterdam NL-1011
DK ; Netherlands

(540)

**WHY PURSUE ANYTHING
LESS THAN GOLD**

(511)

29 – Milk and milk products; milk beverages, milk predominating; milk powder; creamers for beverages; dairy products and dairy substitutes.

30 – Coffee; coffee in filter packing; portioned coffee; instant coffee; coffee-based beverages; coffee substitutes; iced coffee; coffee extracts; coffee essences; coffee flavourings; tea; instant tea; tea-based beverages; tea substitutes; tea extracts; tea essences; tea flavourings; iced tea; herbal infusions, other than for medicinal use; infusions consisting of tea, herbs, fruits, spices or flavourings or a combination of these products, other than for medicinal use; cocoa; cocoa-based beverages; chocolate-based beverages; sugar; honey; natural sweeteners; edible ices, ice.

(260) AM 2017 89043 A

(800) 988064

(891) 2016 07 05

(731) CARDIVA, S.L.

Calle General Eguia, 48, E-48013 Bilbao;
Spain

(540)

Cover Line

(591) Black and white

(511)

5 – Medicinal alcohol; cotton for medical purposes; aseptic cotton; aseptic cotton; dental amalgams; medical dressings; analgesics; adhesive bands and tapes for medical purposes; sticking plasters; anti-rheumatism bracelets and bracelets for medical purposes; poultices; corn remedies; dental cement; adhesive tapes; compresses; chemical conductors for electrocardiograph electrodes; plasters; medicine cases, portable, filled; dental lacquers; liniments; mud for baths; dental mastics; teeth filling material; napkins for incontinents; preparations for callouses; chilblain preparations; tissues impregnated with pharmaceutical lotions; alkaline iodides for pharmaceutical purposes.

10 – Surgical, medical, dental and veterinary apparatus and instruments, artificial limbs, eyes and teeth; orthopaedic articles; suture materials, except orthopaedic bandages and tapes, as well as compression stockings.

(260) AM 2017 89051 A

(800) 1313105

(891) 2015 12 23

(731) SEGAFREDO ZANETTI ESPRESSO

WORLDWIDE S.A.

Rue du Rhône 67, CH-1207 Geneva;

Switzerland

(540)



(591) Black, white

(511)

35 – Commercial administration; commercial business management; provision of professional business know-how (franchising) relating to the operation of restaurants, coffee shops, cafeterias and snack bars; retail sale of coffee, tea, cocoa, ready-made food, food and beverages to take away; provision of advice relating to the operation of franchises for coffee shops, cafeterias, bars and other structures which provide food and beverages ready for consumption; provision of advice relating to the operation of franchises for automatic vending machine services; retail sale, via the Internet or not, of coffee machines, coffee percolators, coffee, coffee extracts and preparations based on coffee, tea, cocoa and artificial coffee; advertising including advertising by sponsorship (sponsoring) of recreational, sporting and cultural activities.

43 – Restaurant services [meals], bars, cafeterias, Chinese fondue restaurants; food and drink catering; coffee provision services for offices; contracts for meal provision services; food preparation; preparation of dishes and beverages to take away; services provided by restaurants, bars, cafeterias, snack bars or other structures which provide prepared dishes and beverages ready for consumption.

(260) AM 2017 89057 A

(800) 1313405

(891) 2016 06 01

(731) Kunming Fuchen Power Equipment Limited

7-1 Floor 4, Building 4, Zhujiashan-
gyu, Yanchangxian Beijing Road, Panlong
District, Kunming City, Yunnan; China

(540)

(591) Black,white
 (511)
 7 – Alternators; dynamo belts; dynamos; generators of electricity; emergency power generators; disintegrators; saw benches [parts of machines]; rinsing machines; drilling machines; mine borers.

(260) AM 2017 89058 A
 (800) 1313420
 (891) 2016 05 18
 (731) Tapetenfabrik Gebr. Rasch GmbH & Co. KG
 Raschplatz 1, 49565 Bramsche; Germany

(540)
 27 985 713 T 18617/27 Wz

WALTON

(591) Black,white
 (511)
 27 – Wall hangings (included in this class).

(260) AM 2017 89070 A
 (800) 1313708
 (891) 2016 07 08
 (731) LESAFFRE ET COMPAGNIE
 (Société Anonyme)
 41 rue Etienne Marcel, F-75001 Paris; France

(540)
SUNGAIN

(591) Black,white
 (511)
 30 – Bread; yeast; baking powder; leaven, ferments for pastes.

(260) AM 2017 89079 A
 (800) 1313831
 (891) 2015 12 25
 (731) KONYA ŞEKER SANAYİ VE
 TİCARET ANONİM ŞİRKETİ
 Beyşehir Yolu Üzeri, Merkez, Konya; Turkey

(540)


(591) Red, white, grey, dark brown and light brown.
 (511)
 29 – Meat; meat, preserved; fish meal for human consumption; fish, not live; fish, tinned; foods made

from fish; poultry, not live; nuts, prepared; chocolate nut butter; soups; preparations for making soup; bouillon; olives, preserved; olive oil for food; milk; milk beverages, milk predominating; condensed milk; milk products; vegetables, dried; vegetables, cooked; vegetables, preserved; vegetables, tinned; frozen fruits; fruit jellies; fruit peel; fruit, stewed; fruit-based snack food; fruits, tinned; peanut butter; peanuts, prepared; tahini [sesame seed paste]; eggs; powdered eggs; potato chips; potato crisps; potato flakes; edible oils.

30 – Coffee; cocoa; tea; coffee-based beverages; cocoa-based beverages; chocolate-based beverages; pasta; ravioli; noodles; bread; bagels; pastries; pastry dough; puddings; rice pudding; custard; honey; royal jelly; propolis; seasonings; condiments; sauces [condiments]; baking powder; flour; yeast; yeast extracts for human consumption; starch for food; semolina; sugar; granulated sugar; cube sugar; powdered sugar; tea; iced tea; confectionery made of sugar; candy; chocolate; chocolate confections; biscuits; petit-beurre biscuits; crackers; waffles; chewing gum; edible ices; cooking salt; processed wheat for human consumption, crushed barley for human consumption, processed oats for human consumption, processed grains for human consumption; molasses for food.

32 – Beer; beer wort; mineral water [beverages]; aerated mineral waters; carbonated mineral waters; soda water; table waters; spring water; fruit beverages and fruit juices; fruit-flavored beverages; non-alcoholic fruit juice beverages; vegetable juice beverages, non-alcoholic; vegetable juice drinks, non-alcoholic; soft drinks; non-carbonated soft drinks; non-alcoholic vegetable juice beverages; non-alcoholic vegetable juice drinks; fruit juices; fruit nectars, non-alcoholic; isotonic beverages; lemonades.

(260) AM 2017 89119 A
 (800) 581364
 (891) 2016 06 28
 (731) Eisbär Sportmoden GmbH
 Hauptstrasse 15, A-4101 Feldkirchen/D;
 Austria

(540)


(591) Black and white
 (511)
 9 – Sports goggles.

18 – Carrier bags, sports bags, rucksacks.

25 – Clothing, headwear, headbands, scarves, gloves, shoes.

(260) AM 2017 89122 A

(800) 876429

(891) 2016 08 15

(731) Tsvetan Stefanov Lukanov

J.k. "Sever", bl. 210, floor 3, app. 22,

BG-2161 Pravets; Bulgaria

(540)



(591) Black and white

(511)

7 – Beaters, electric; beverage preparation machines, electro-mechanical; blenders, electric, for household purposes; bread cutting machines; compressors for refrigerators; built-in dishwashers; washing machines; built-in washing machines; drying machines; fleshing machines; food processors, electric; fruit presses, electric, for household purposes; mills (grinders), electric, for household purposes; scissors, electric; sewing machines; waste disposers (machines); built-in waste disposers; drilling machines, electric.

11 – Extractor hoods for kitchens; built-in extractor hoods for kitchens; built-in hot-plates, gaseous and electric; ventilation installations for vehicles; coffee machines, electric; heating equipment; radiators (heating), electric; frying pans, electric; toasters; built-in baker's ovens; built-in freezers; built-in ovens, gas with grills, electric, or gas grills; barbecues; built-in barbecues, electric; frying vessels, electric, boilers, electric and gas; pressure cookers (autoclaves), electric; household appliances for baking, electric; cookers, electric; microwave ovens; built-in microwave ovens; refrigerating apparatus and machines; built-in refrigerating apparatus and machines; built-in refrigerating appliances and installations; built-in refrigerator-freezers; built-in kitchen sinks; cooker plates; hair dryers; coffee roasters; fruit roasters; mixer taps for water pipes.

(260) AM 2017 89125 A

(800) 917245

(891) 2016 09 27

(731) MELLOW YELLOW (SINGAPORE)

PTE. LTD

51A Neil Road Singapore, Singapore 088829;

Singapore

(540)

Mellow Yellow

(591) Black and white

(511)

18 – Leather and imitation leather; animal skins and hides; trunks and suitcases; umbrellas, parasols and walking sticks; whips and saddlery; wallets; purses not of precious metal; handbags, backpacks, wheeled

bags; bags for climbers, bags for campers, traveling bags, beach bags, school bags; unfitted vanity cases; collars and clothing for animals; shopping nets or bags; bags or small bags (sleeves, pouches) for packaging (of leather).

25 – Clothing, footwear, headgear; shirts; clothing made of leather or imitation leather; belts (clothing); furs (clothing); gloves (clothing); scarves; neckties; hosiery; socks; slippers; beach, ski or sports footwear; babies' diapers of textile; underwear.

(260) AM 2017 89127 A

(800) 928002

(891) 2016 06 08

(731) ITALIA INDEPENDENT S.p.A.

Corso XI Febbraio, 19, I-10152 TORINO

(TO); Italy

(540)

(591) Black and white

(511)

14 – Watches; watch bands; table clocks; wall clocks; alarm clocks; chronographs [watches]; chronometers; cases for clocks and watches and for other chronometric instruments; jewelry and imitation of jewelry; jewelry holder in precious metals; earrings; bangles; necklaces [jewellery]; rings [jewellery]; charms [jewellery]; pins [jewellery]; jewelry chains; medals; locket [jewellery]; cuff links; tie clips; decorative boxes of precious metal; precious metals and their alloys; ornaments [jewellery]; precious stones; semi-precious stones; paste jewellery [costume jewelry]; pearls [jewellery]; closures; pendants; amulets [jewellery]; ornamental pins.

(260) AM 2017 89137 A

(800) 1239438

(891) 2016 08 11

(731) UAB "CRAFT BEARINGS"

Draugystės g.19, LT-51230 Kaunas; Lithuania

(540)



Quality Minded

(591) Orange, black and white

(511)

7 – Bearings (parts of machines); bearings for transmission shafts; journal, boxes (parts of machines).

12 – Parts of vehicles, apparatus for locomotion by land, air or water.

(260) AM 2017 89138 A
 (800) 1245013
 (891) 2016 07 08
 (731) AQUA NRG INVESTMENTS LIMITED
 Lampousas 1, CY-1095 Nicosia; Cyprus
 (540)



(591) Black and white
 (511)

32 – Aperitifs, non-alcoholic; peanut milk [soft drink]; non-alcoholic beverages; non-alcoholic honey-based beverages; non-alcoholic fruit extracts; non-alcoholic fruit juice beverages; powders for effervescing beverages; pastilles for effervescing beverages; grape must, unfermented; seltzer water; lithia water; waters [beverages]; table waters; aerated waters; preparations for making aerated water; essences for making beverages; isotonic beverages; ginger beer; kvass [non-alcoholic beverages]; cocktails, non-alcoholic; lemonades; preparations for making liqueurs; milk of almonds [beverage]; preparations for making mineral water; mineral waters [beverages]; whey beverages; preparations for making beverages; fruit nectars, non-alcoholic; vegetable juices [beverages]; orgeat; beer wort; beers; sarsaparilla [soft drink]; cider, non-alcoholic; syrups for beverages; syrups for lemonade; soda water; fruit beverages; malt beer; malt wort; must; tomato juice [beverage]; extracts of hops for making beer; sherbets [beverages].

33 – Alcoholic beverages, except beer; aperitifs; arak [arrack]; brandy; wine; whisky; anisette [liqueur]; anise [liqueur]; hydromel [mead]; vodka; kirsch; perry; gin; cocktails; curacao; liqueurs; peppermint liqueurs; distilled beverages; alcoholic beverages containing fruit; bitters; piquette; rice alcohol; rum; sake; cider; spirits [beverages]; alcoholic extracts; alcoholic essences; digesters [liqueurs and spirits]; fruit extracts, alcoholic.

(260) AM 2017 89139 A
 (800) 1286946
 (891) 2016 07 18
 (731) Instytut Badawczo-Rozwojowy BIOGENED
 Sp. z o.o.
 ul. Pojezierska 99, PL-91-342 Łódź; Poland
 (540)

DERMEDIC

(591) Black and white

(511)
 3 – Cosmetics; preparations for protection, care and beautification of the skin of the face, body, hands and feet, lips and nails; soaps and cleaning preparations; perfumery goods; essential oils; hair washing, styling, care, beautification and colouring preparations; dentifrices and mouthwashes.

5 – Pharmaceutical and sanitary products; oral preparations containing microelements and/or macroelements and/or vitamins and/or substances aiding metabolic processes in the bodies of humans; medicinal dermocosmetics; dietetic substances adapted for medical use; plasters and materials for dressings; disinfectant and antiseptic preparations.

(260) AM 2017 89140 A
 (800) 1300470
 (891) 2016 06 29
 (731) Sumitomo Rubber Industries, Ltd.
 6-9, Wakinocho 3-chome, Chuo-ku
 Kobe-shi, Hyogo 651-0072; Japan
 (540)

OHTSU

(591) Black and white
 (511)

12 – Aircraft and their parts and fittings; automobiles and their parts and fittings; two-wheeled motor vehicles, bicycles and their parts and fittings; tires for wheels of aircraft; tires for automobiles; tires for two-wheeled motor vehicles; tires for bicycles.

(260) AM 2017 89142 A
 (800) 1300861
 (891) 2016 09 27
 (731) NOVARTIS AG
 CH-4002 Basel; Switzerland
 (540)

VOYAGER

(511)
 10 – Surgical apparatus and instruments for ophthalmic surgery.

(260) AM 2017 89143 A
 (800) 1305484
 (891) 2016 08 18
 (731) BIOFARMA, Société par actions simplifiée
 50 rue Carnot, F-92284 SURESNES CEDEX;
 France
 (540)

PRESYMLO

(591) Black and white

(511)
5 – Pharmaceutical preparations; veterinary preparations; sanitary products for medical purposes; implants for pharmaceutical use; implantable medicines; dietetic substances for medical use; dietetic substances for veterinary use; food for babies; dietetic preparations and food supplements; food supplements for animals; plasters, materials for dressings; teeth filling material; dental impression materials; disinfectants; products for destroying vermin; fungicides; herbicides.

(260) AM 2017 89147 A
(800) 1314307
(891) 2016 02 03
(731) ROTAPHARM İLAÇLARI LİMİTED
ŞİRKETİ
Evren Mah. Camiyolu Cad. No. 50 K.2,
GÜNEŞLİ BAĞCILAR İSTANBUL; Turkey

(540)
SOFOSBIN
СОФОСБИН

(591) Black,white
(511)
5 – Medicines for human purposes, medicines for veterinary purposes, vitamin preparations, chemical preparations for medical purposes, dietetic substances adapted for medical use; dietetic foods adapted for medical purposes, baby foods, medicinal herbs, herbal beverages adapted for medical purposes, nutritional supplements, pollen dietary supplements, mineral food supplements, protein dietary supplements; dietary supplements for animals, fodder supplements for veterinary purposes; medicines for dental purposes, hygienic products for medical purposes including sanitary pads, breast-nursing pads and bunion pads, waddings for medical purposes, plasters for medical purposes, dressings for medical purposes, babies' napkins, preparations for destroying noxious plants, preparations for destroying noxious animals, fungicides, deodorants other than for human beings or for animals, air deodorising preparations, disinfectants for hygiene purposes, antiseptics, detergents for medical purposes.

(260) AM 2017 89153 A
(800) 1314317
(891) 2016 07 11
(731) Polfarmex IP Sp. z o.o.
ul. Kościuszki 61, PL-38-200 Jasło; Poland

(540)
diuresin

(591) Black,white
(511)
5 – Pharmaceutical preparations.

(260) AM 2017 89180 A
(800) 1314335
(891) 2016 05 06
(731) Apple Inc.
1 Infinite Loop, Cupertino CA 95014; USA

(540)
IPHONE

(591) Black,white
(511)
39 – Physical storage of electronically stored digital content consisting of text, photographs, images, video, and audio files; information and consultation in connection therewith.

(260) AM 2017 89181 A
(800) 1314347
(891) 2015 12 25
(731) KONYA ŞEKER SANAYİ VE TİCARET
ANONİM ŞİRKETİ
Beşşehir Yolu Üzeri, Merkez, Konya; Turkey

(540)
Torku 4x4

(591) Black,white
(511)
29 – Meat; meat, preserved; fish meal for human consumption; fish, not live; fish, tinned; foods made from fish; poultry, not live; nuts, prepared; chocolate nut butter; soups; preparations for making soup; bouillon; olives, preserved; olive oil for food; milk; milk beverages, milk predominating; condensed milk; milk products; vegetables, dried; vegetables, cooked; vegetables, preserved; vegetables, tinned; frozen fruits; fruit jellies; fruit peel; fruit, stewed; fruit-based snack food; fruits, tinned; peanut butter; peanuts, prepared; tahini [sesame seed paste]; eggs; powdered eggs; potato chips; potato crisps; potato flakes; edible oils.

30 – Coffee; cocoa; tea; coffee-based beverages; cocoa-based beverages; chocolate-based beverages; pasta; ravioli; noodles; bread; bagels; pastries; pastry dough; puddings; rice pudding; custard; honey; seasonings; condiments; sauces [condiments]; baking powder; flour; yeast; yeast extracts for human consumption; starch for food; sugar; granulated sugar; cube sugar; powdered sugar; tea; iced tea; confectionery made of sugar; candy; chocolate; chocolate confections; biscuits; petit-beurre biscuits; crackers; waffles; chewing gum; edible ices; cooking salt; cereal bars; popcorn; crushed oats; corn chips; breakfast cereals;

processed wheat for human consumption; crushed barley for human consumption; processed oats for human consumption; processed grains for human consumption; rice; molasses for food.

32 – Beer; beer wort; mineral water [beverages]; aerated mineral waters; carbonated mineral waters; soda water; table waters; spring water; fruit beverages and fruit juices; fruit-flavored beverages; non-alcoholic fruit juice beverages; vegetable juice beverages, non-alcoholic; vegetable juice drinks, non-alcoholic; soft drinks; non-carbonated soft drinks; soft drinks, non-carbonated; non-alcoholic vegetable juice beverages; non-alcoholic vegetable juice drinks; fruit juices; fruit nectars, non-alcoholic; isotonic beverages; lemonades; non-alcoholic energy drinks.

(260) AM 2017 89182 A

(800) 1314386

(891) 2016 03 21

(731) Philipp Plein

Via Dufour 20 CH-6900 Lugano; Switzerland

(540)

Philipp Plein

(591) Black, white

(511)

3 – Soaps; perfumery, essential oils, cosmetics, hair lotions; dentifrices.

9 – Parts and accessories for portable and handheld digital electronic apparatus, particularly pouches for computers and tablet computers, sleeves for computers and tablet computers; parts and accessories for mobile telephones, particularly pouches and sleeves for mobile telephones; soft cases for cell phones; cases for mobile telephones; cases of leather or imitation leather for mobile telephones; bags of fabric or textile for mobile telephones; smartphones; smartwatches; electronic tablets; spectacles [optics]; sunglasses; frames for spectacles and sunglasses; cases for spectacles and sunglasses; chains for spectacles and sunglasses; strings for spectacles and sunglasses.

14 – Precious metals and their alloys and goods made of these materials or coated therewith not included in other classes; jewelry; precious stones; timepieces and chronometric instruments; clocks and watches; key rings (jewelry and costume jewelry).

18 – Leather and imitations of leather not included in other classes; animal skins; everyday bags; backpacks; travel bags and other luggage; handbags; trunks and suitcases; attaché cases, briefcases and pocket wallets; purses; cases of leather or leatherboard and bags [envelopes, pouches] for packaging; card cases; sports bags; satchels; toiletry

bags, empty; umbrellas; parasols; walking sticks; whips; saddlery.

25 – Clothing, footwear, headgear.

26 – Brooches [clothing accessories]; feathers [clothing accessories]; buckles [clothing accessories]; brassards; birds' feathers [clothing accessories]; ostrich feathers [clothing accessories]; belt buckles [clothing accessories]; buckles of precious metal [clothing accessories]; badges (for wear) not of precious metal; ornamental novelty badges; appliquéés [haberdashery]; expanding bands for holding sleeves; ribbons of textile for wrapping; ribbons [haberdashery]; cords for clothing; lace for edgings; trimmings for clothing; brooches [clothing accessories]; chenille [passementerie]; mage [buns for Japanese hair styles]; ornamental novelty pins, other than jewelry; heat adhesive patches for decoration of textile articles [haberdashery]; snap fasteners; removable push-up silicone pads for bras; removable reshaping silicone pads for buttocks; elastic ribbons; elastic hair bands; mitten clips; ornamental feathers [trimmings for clothing]; festoons [embroidery]; whalebones for corsets; heat adhesive patches for repairing textile articles; patches for repairing textile articles; fringes; hair twist ties; embroidered patches for clothing; embroidered emblems; mica spangles; gold embroidery; gold embroidery for clothing; belt clasps; hair bands; scrunchies [elastic ornaments for hair]; hair clips; hair grips; waving pins for the hair; hair pins; hair nets; motoyui [strings with tassels for Japanese hair styles]; bows for the hair; hair ornaments; brooches for the hair; hair barrettes; hair extensions; tresses of hair; hooks [haberdashery]; hooks and eyes; shirt buttons; binding needles; pant leg cuff straps; fastenings for suspenders; hat ribbons; hat pins for securing hats; hat ornaments [not of precious metal]; frills [lacework]; edgings for clothing; hooks for clothing [fastenings]; eyelets for clothing; frills for clothing; fastenings for clothing; clasps for clothing; skirt flounces; hook and eye fastening tape; hook and pile fastening tapes; buttons; buttons for clothing; buttons, hooks and eyes, pins and needles; chokers [cords]; collar supports; wreaths of artificial flowers; artificial flowers for attaching to clothing; artificial flowers; beads other than for making jewelry; haberdashery, except yarns; hair curl clips; metal fasteners for footwear; ornamental novelty buttons; novelty buttons; needles; spangles for clothing; wigs; ponytail rubber bands; top-knots (pompoms); zipper pulls; zip fasteners; slide locks for bags; zippers and parts thereof; rosettes [haberdashery]; flexible buckles for clothing; hooks for corsets; saddlers' needles; decorative cloth patches; decorative ribbons of textile; decorative bows of textile; buckles for clothing; shoe laces; bodkins; shoe hooks; shoe eyelets; shoe buckles; shoe fasteners; shoe

ornaments [not of precious metal]; shoulder pads for clothing; safety pins; silver embroidery for clothing; obi-dome [special fasteners for Japanese sashes]; lace and embroidery, ribbons and braid; appliques of fabric [haberdashery]; patches of fabric for clothing; ribbons of textile materials; bows of textile for wrapping; toupees; braids; numerals or letters for marking linen; decorative ribbons [haberdashery]; marugushi [ornamental combs for Japanese hair styles].

35 – Wholesale and retail sale services, also on the Internet, namely, the sale of soaps, perfumery, essential oils, cosmetics, hair lotions, dentifrices, parts and accessories for portable and handheld digital electronic apparatus, particularly pouches for computers and tablet computers, sleeves for computers and tablet computers, parts and accessories for mobile telephones, particularly pouches and sleeves for mobile telephones, soft cases for cell phones, cases for mobile telephones, cases of leather or imitation leather for mobile telephones, bags of fabric or textile for mobile telephones, smartphones, smartwatches, electronic tablets, spectacles (optics), sunglasses, frames for spectacles and sunglasses, cases for spectacles and sunglasses, chains for spectacles and sunglasses, strings for spectacles and sunglasses, precious metals and their alloys and goods of these materials or coated therewith, not included in other classes, fine jewelry, jewelry, precious stones, timepieces and chronometric instruments, clocks and watches, key rings (jewelry and costume jewelry), leather and imitations of leather not included in other classes, animal skins, everyday bags, backpacks, travel bags and other luggage, handbags, trunks and suitcases, attaché cases, briefcases and pocket wallets, purses, cases, card cases, sports bags, school bags, toiletry bags, umbrellas, parasols, walking sticks, whips, saddlery, furniture, particularly home furniture, kitchen furniture, mirrors (silvered glass), frames, utensils and containers for household or kitchen use, combs and sponges, glassware, porcelain and earthenware not included in other classes, fabrics and textile goods, not included in other classes, bed and table covers, clothing, footwear, headgear, brooches (clothing accessories), articles for dolls, feathers (clothing accessories), buckles (clothing accessories), armbands, birds' feathers (clothing accessories), ostrich feathers (clothing accessories), belt buckles (clothing accessories), buckles of precious metal (clothing accessories), clothing accessories, sewing articles and decorative articles of textile, gymnastics apparatus, gymnastic and sports articles, games, toys, clothing accessories; Organization of fashion shows for advertising purposes; organization of fashion shows for commercial purposes.

41 – Entertainment services; organization of fashion shows for entertainment purposes; sports and cultural activities; organization of contests; organization of beauty contests; organization and conducting of parties; production and conducting of shows.

(260) AM 2017 89187 A

(800) 1314429

(891) 2016 04 05

(731) Dolce & Gabbana Trademarks S.r.l.

Via Goldoni, 10 I-20129 MILANO; Italy

(540)

DOLCISSIMO DOLCE & GABBANA

(591) Black,white

(511)

3 – Cosmetics including perfumes, solid perfumes, deodorants for personal use, soaps, liquid soaps, bars of soap, bubble bath, dentifrices, shampoos, essential oils, hair lotions, permanent waving and setting preparations for the hair, hair gels, hair dyes, face creams, mascara, eye liner, eye shadows, make-up pencils, face packs in the nature of beauty masks, lipsticks, foundation cream, body creams, nail polish, nail strengtheners, sun tanning oils and lotions.

(260) AM 2017 89188 A

(800) 1314438

(891) 2016 04 06

(731) NINGBO MYWAY INTELLIGENT TECHNOLOGY CO., LTD

22-1 Xianfeng Development Zone,

Daqi Beilun, 315806 Ningbo; China

(540)

iNOKiM

(591) Black,white

(511)

12 – Apparatus for locomotion by land, air or water, namely, automobiles, airplanes, locomotives, ships and boats; land vehicles, namely, automobiles; bicycles; electrically operated bicycles; bicycle parts, namely, bottom bracket sets; wheelchairs; dollies, namely, luggage carts, bellman carts; tires for vehicles; ships and boats; air pumps for vehicles.

(260) AM 2017 89189 A

(800) 1314441

(891) 2016 05 18

(731) DAW SE

Roßdörfer Str. 50, 64372 Ober-Ramstadt;
Germany

(540)

Meldorfer

(591) Black,white

(511)

1 – Chemicals used in industry; unprocessed artificial and synthetic resins, unprocessed plastic (in power, granule, liquid or paste form); solvents for paints, lacquers, varnishes; adhesives used in industry; adhesives used in building construction.

6 – Metal building material, expanded metal, wire gauze; metal profiles and brackets, in particular edging profiles; adjusting and levelling parts of metal for building construction; screws, pins, bolts (being all of metal); spacers of metal for building; fixing anchor for building, of metal; slabs for floors; cantilevers and building parts for cantilevers (provided that they belong to this class).

17 – Thermal insulating materials, insulating panels; grid mats of glass fibre fabric for heat insulating bonded system.

19 – Building materials (non-metallic); natural and artificial stones; building stone, in particular facing stone; wall and surface claddings (not of metal); plaster; paving slabs; mortar; coatings; wall and ceiling panels (non-metallic, for building), expansion joint profiles of glass fibre fabric (all being for thermal insulation combined systems).

(260) AM 2017 89190 A

(800) 1314445

(891) 2016 05 02

(731) CERVA GROUP a.s.

Průmyslová 483,CZ-252 61 Jeneč; Czech Republic

(540)

CERVA GROUP

(591) Black,white

(511)

9 – Protection devices for personal use against accidents, protective gloves for industrial use, gloves dipped in PVC against acids and alkalis, gloves dipped in PVC with nitril, natural latex gloves dipped in nitril, asbestos gloves, dielectric gloves, gloves from highly resistant stainless steel rings, two-layer and three-layer gloves for protection against contact with high temperatures, gloves with a combination of pig split leather, cow split leather, goat skin, fine cowhide, cotton fabric, and other materials; protective goggles for industrial purposes, welding goggles, anti-glare goggles, protective goggles for use over dioptric glasses, all accessories for all protective goggles, glasses with UV filter, sunglasses; helmets, shields and masks to protect head and face, protective respirators; protective clothing for industrial use, against accident, against cold, against non-toxic chemicals, asbestos clothing,

fireproof clothing, high-visibility clothing, clothing with retroreflective elements; reflecting discs for wear (for the prevention of traffic accidents); shoes for protection against injuries, accidents, irradiation and fire; protective equipment for work at height, safety and rescue harnesses, fall protection equipment; knee-pads for workers, knee protectors; headphones and accessories; electric and electronic components and units included in this class; road signs, luminous or mechanical; nets for protection against accidents; sound recording apparatus, sound transmission apparatus, sound reproduction apparatus, personal stereos, portable media players, radios, hearing protectors with integrated stereo receiver, hearing protectors with integrated input for MP3 player, hearing protectors with integrated input for mobile/cell phone, hearing protectors with electronic regulation of noise and speech levels, hearing protectors with access to communication systems, electronic communication devices, parts and accessories for hearing protectors in this class.

10 – Hearing protectors and accessories; earplugs.

21 – Gloves for household use, for polishing, gardening, cleaning, clearing; boxes for dispensing paper towels, soap dispensers, clearing and cleaning supplies, rags for clearing and cleaning, cleaning clothes, brooms, brushes and dustpans.

25 – Work wear; ear protection against cold, ear muffs; headgear; textile gloves, leather gloves, combined gloves; clothing, protective clothing against dirt, rain, water, thermally insulated and non-thermally insulated, jackets, trousers, vests, overalls, coats of leather, of leather imitation, high visibility clothing, clothing with retro-reflective elements; footwear; work footwear of leather, of rubber, waterproof, thermally insulated and non-thermally insulated, with steel reinforcement; clothing for sports, footwear for sports, headgear for sports [other than helmets], headbands, sun visors, gloves, socks, shawls, bandanas, collar protectors for sports.

(260) AM 2017 89192 A

(800) 1314480

(891) 2016 06 07

(731) The Bahrain Petroleum Company B.S.C
Closed Building 245, Road 4511, Block 945,
Awali; Bahrain

(540)

BAPbase

(591) Black,white

(511)

4 – Industrial oils and greases; lubricants; dust absorbing, wetting and binding compositions; fuels (including motor spirit) and illuminants; candles and wicks for lighting.

(260) AM 2017 89193 A
 (800) 1314597
 (891) 2016 07 11
 (731) Polfarmex S.A.
 ul. Józefów 9, PL-99-300 Kutno; Poland

(540)

astmodil

(591) Black,white
 (511) 5 – Pharmaceutical preparations.

(260) AM 2017 89198 A
 (800) 1314694
 (891) 2016 04 08
 (731) ZTO EXPRESS CO., LTD
 Building 1, No. 1685 Huazhi Road, HuaXin
 Town, Qingpu District, Shanghai; China

(540)



(591) Black,white
 (511)
 39 – Delivery of goods; truck hauling; car transport;
 air transport; car rental; storage of goods; parcel
 delivery; delivery of messages by courier; travel
 information.

(260) AM 2017 89199 A
 (800) 1314743
 (891) 2016 06 22
 (731) YILDIZ HOLDİNG ANONİM ŞİRKETİ
 Kisikli Mah. Çeşme Çikmazi, Sokak No:6/1,
 Üsküdar, İstanbul; Turkey

(540)

ÜLKER PEKİ

(591) Black,white
 (511)
 30 – Confectionery, chocolate, biscuits, crackers,
 wafers, cakes.

(260) AM 2017 89200 A
 (800) 1314762
 (891) 2016 06 08
 (731) YILDIZ HOLDİNG ANONİM ŞİRKETİ
 Kisikli Mah. Çeşme Çikmazi, Sokak No:6/1,
 Üsküdar, İstanbul; Turkey

(540)

CHOCOWHEELS

(591) Black,white
 (511)
 30 – Confectionery, chocolate, biscuits, crackers,
 wafers.

(260) AM 2017 89201 A
 (800) 1314763
 (891) 2016 06 17
 (731) TOYBOX GIDA PAZARLAMA
 SANAYİ VE TİCARET LIMITED SİRKETİ
 Örtaköy Merkez Mahallesi, İtler Bulvarı
 Harput Is Merkezi No: 15/A Silivri –
 İSTANBUL; Turkey

(540)



(591) Black, white, yellow, Blue, light blue, orange,
 red, purple, light green, light brown

(511)
 28 – Games and playthings; gymnastic and sporting
 articles; decorations for Christmas trees.

30 – Coffee, tea, cocoa and artificial coffee; rice;
 tapioca and sago; flour and preparations made from
 cereals; bread, pastry and confectionery; ices; sugar,
 honey, treacle; yeast, baking-powder; salt; mustard;
 vinegar, sauces (condiments); spices; ice.

(260) AM 2017 89205 A
 (800) 1314788
 (891) 2016 07 06
 (731) WEST GROUP" LLC
 dom 29, ul. Natasha Kovshova, RU-119361
 g. Moskva; Russian Federation

(540)



(591) Black,white
 (511)
 33 – Alcoholic beverages (except beer).

(260) AM 2017 89206 A
 (800) 1314810
 (891) 2016 04 27
 (731) MUSTAFA NEVZAT İLAÇ SANAYİİ
 ANONİM ŞİRKETİ
 Prof. Dr. Bülent Tarcan Sok., Pak İş Merkezi
 No: 5/1, Gayrettepe Beşiktaş, TR-34349 İSTANBUL;
 Turkey

(540)

ZOLENAT

(591) Black,white

(511)

5 – Pharmaceutical and veterinary preparations for medical purposes; chemical preparations and element for medical purposes; dietary supplements for pharmaceutical purposes; medical preparations for slimming purposes; food for babies; herbs and herbal beverages adapted for medicinal purposes; dental preparations and articles; sanitary preparations for medical use; hygienic pads; hygienic tampons; plasters; materials for dressings; preparations for destroying vermin; fungicides, herbicides; deodorants, other than for human beings or for animals; air deodorizing preparations; disinfectants; antiseptics; detergents for medical purposes.

(260) AM 2017 89222 A

(800) 1314879

(891) 2016 04 27

(731) Krewel Meuselbach GmbH

Krewelstraße 2, 53783 Eitorf; Germany

(540)

KrewelMeuselbach[™]

(591) Green CMYK 35 0 100 0; blue CMYK 50 0 020; black CMYK 00090

(511)

3 – Soaps, perfumery, essential oils, body and beauty care preparations, hair lotions, dentifrices.

5 – Medicines, pharmaceutical and veterinary preparations; preparations for healthcare; medical devices (as far as included in this class), namely, substances and preparations of substances for the purpose of diagnosis, prevention, monitoring, treatment or alleviation of disease, injury or disability; dietetic substances adapted for medical use; food supplements for humans; food for babies; plasters; materials for dressings; disinfectants; preparations for destroying vermin, fungicides, herbicides.

16 – Printed matter and publications, magazines and newspapers, manuals, books, instructional and teaching material (except apparatus) in the field of medicine, lifestyle and health care.

40 – Custom manufacture of pharmaceuticals.

41 – Education and training in the field of medicine, lifestyle and health care; publication of books, manuals, magazines, newspapers and other printed material and corresponding electronic media (including CD-ROMs) in the field of health care, lifestyle and medicine (except for advertising purposes); arranging and conducting of congresses,

conferences and seminars in the field of health care, lifestyle and medicine.

42 – Scientific and technological services and research and design relating thereto; industrial analysis and research services.

(260) AM 2017 89223 A

(800) 1314885

(891) 2016 05 23

(731) Telia Company AB

Stjärntorget 1, SE-169 79 Solna; Sweden

(540)



(591) White and violet "(pantone 527 C)". A purple ovoid with two white curved bands across it followed by text in purple

(511)

9 – Answering machines; communications equipment; data processing equipment and accessories (electrical and mechanical); signal cables for it, av and telecommunication; encoding and decoding apparatus and instruments; digital input and output scanners; prerecorded data carriers for use with computers; electronic encryption units; signal decoders; receiving terminals for signals; digital signal processing apparatus; software for commerce over a global communications network; computer software packages; games software; downloadable software; computer telephony software; cell phones; holders adapted for mobile phones; radiotelephones; mobile telephone batteries; mobile data communications apparatus; portable telecommunications apparatus; mobile data apparatus; mobile data receivers; computer application software for mobile telephones; downloadable ring tones for mobile phones; downloadable ring tones for mobile phones; downloadable graphics for mobile phones; computer game software for use on mobile and cellular phones; application software for mobile phones; computer software to enable the transmission of photographs to mobile telephones; telecommunications apparatus for use with mobile networks; smart cards.

35 – Business management; business administration; computerised office management; computerised file management; computerised file management; computerised file management; retail services in relation to audio-visual equipment; retail services in relation to information technology equipment; retail services in relation to computer software; retail services in relation to smartphones; retail services in relation to smartwatches; retail services in relation to

downloadable music files; retail services in relation to downloadable electronic publications; retail services in relation to wearable computers; wholesale services in relation to computer software; telephone answering for unavailable subscribers; publicity services; rental of advertising time on communication media; rental of advertising space on-line; rental of advertising space on the internet; provision of advertising space by electronic means and global information networks; advertising by transmission of on-line publicity for third parties through electronic communications networks.

36 – Services for debiting and crediting financial accounts; accounts payable debiting services; electronic debit transactions; loan and credit, and lease-finance services; insurance services for mobile telephones; monetary affairs; issue of phone card services; financial lending services for personal purposes; financial loan services; financing of purchases; financing and loan services; credit financing; credit services; lending and loans services; corporate lending.

37 – Assembly, installation servicing, servicing, servicing and repair of installations and equipment in the field of data and telecommunications and communications networks; troubleshooting and maintenance for complex technical electronic equipment and measuring system equipment; computer hardware and telecommunication apparatus installation, maintenance and repair; advisory services relating to the installation of security and safety equipment; repair of electrical equipment and electrotechnical installations; construction of telecommunication towers; installation of communications network instruments; installing of electronic communications networks; mobile vehicle tuning services; installation of cellular communications systems.

38 – Email services; transmission and reception (transmission) of database information via the telecommunications network; communications by fiber optic networks; automatic transfer of digital data using telecommunications channels; high bit-rate data transmission services for telecommunication network operators; data transmission services over telecommunications networks; information, consultancy and advisory services relating to telecommunications; providing video conferencing services; video communication services; providing facilities and equipment for video conferencing; teleconferencing and video conferencing services; telecommunications services provided via fiber optic, wireless and cable networks; leasing of cellular communications equipment; rental of telecommunications apparatus and installations; rental of computer communication apparatus and instruments; rental of communication apparatus and implements; rental of telecommunication equipment

including telephones and facsimile apparatus; computer communication and internet access; provision and rental of telecommunications facilities and equipment; operating of electronic communications networks; operation of wide-band telecommunications networks; operating of electronic communications systems; operation of a telecommunications network; transmission of information by electronic communications networks; providing access to electronic communications networks; provision of central switching services for electronic communications networks; providing high speed access to computer and communication networks; providing telecommunications connections to a global communication network or databases; providing access to the internet and other communications networks; simulcasting broadcast television over global communication networks, the internet and wireless networks; transmission of messages, data and content via the internet and other communications networks; providing access to websites on the internet or any other communications network; leasing of cellular communications equipment; television broadcasting services for mobile phones; transmission of short messages [sms], images, speech, sound, music and text communications between mobile telecommunications devices; satellite transmission; communication services by satellite; communication services by satellite; radio communication; information about telecommunication.

41 – Entertainment; leasing of recordings of sound and images; leasing of radio and television programmes; online information relating to entertainment, electronic games and competitions via international networks; entertainment provided via a global communication network; games services provided via computer networks and global communication networks; providing interactive multi-player computer games via the internet and electronic communication networks.

42 – Scientific and industrial research; computer programming; technical research; IT security services in the nature of protection and recovery of computer data; technological research services; providing search engines for obtaining data via communications networks; computer systems integration services; configuration of computer software; rental of software; computer software design; diagnosis of faults in computer software; computer software design; computer software research; repair of computer software; updating of computer software; hosting services and software as a service and rental of software; data duplication and conversion services, data coding services; computer programming for data processing and communication systems; computer programming for telecommunications; computer programming in the medical

field; analytical services relating to computer programmes; IT consultancy, advisory and information services; software development, programming and implementation; rental of computer hardware and facilities; administration of user rights in computer networks.

45 – Security guard services; security services for the protection of property and individuals; security services for buildings.

(260) AM 2017 89225 A
 (800) 1314908
 (891) 2016 04 29
 (731) Péter SZÖLLÖSI
 Törökbálinti út 36, H-1112 Budapest; Hungary
 (540)

BiOptimum by OF

(511)
 34 – Tobacco, smokers' articles, matches.

(260) AM 2017 89226 A
 (800) 1314952
 (891) 2016 06 03
 (731) ILKO ILAC SANAYI VE TICARET
 ANONIM SIRKETI
 Veysel Karani Mah., Colakoglu Sok. No:10,
 Kat:7-8-9, Sancaktepe, ISTANBUL; Turkey
 (540)

PANTACİD

(591) Black, white
 (511)
 5 – Pharmaceutical and veterinary preparations for medical purposes; chemical preparations for medical and veterinary purposes.

(260) AM 2017 89227 A
 (800) 1314953
 (891) 2016 06 03
 (731) ILKO ILAC SANAYI VE TICARET
 ANONIM SIRKETI
 Veysel Karani Mah., Colakoglu Sok. No:10,
 Kat:7-8-9, Sancaktepe, ISTANBUL; Turkey
 (540)

Livercol

(591) Black, white
 (511)
 5 – Pharmaceutical and veterinary preparations for medical purposes; chemical preparations for medical and veterinary purposes.

(260) AM 2017 89229 A
 (800) 1315015
 (891) 2016 09 28
 (731) Janssen Pharmaceutica NV
 Turnhoutseweg 30, B-2340 BEERSE;
 Belgium
 (540)

ERLEADA

(511)
 5 – Human pharmaceutical preparations.

(260) AM 2017 89230 A
 (800) 1315016
 (891) 2016 09 28
 (731) Janssen Pharmaceutica NV
 Turnhoutseweg 30, B-2340 BEERSE;
 Belgium
 (540)

VALIVAND

(511) 5 – Human pharmaceutical preparations.

(260) AM 2017 89231 A
 (800) 1315017
 (891) 2016 09 28
 (731) Janssen Pharmaceutica NV
 Turnhoutseweg 30, B-2340 BEERSE;
 Belgium
 (540)

ORLUTA

(511) 5 – Human pharmaceutical preparations.

(260) AM 2017 89232 A
 (800) 1315020
 (891) 2016 09 08
 (731) Janssen Pharmaceutica NV
 Turnhoutseweg 30, B-2340 BEERSE;
 Belgium
 (540)

ТОЛТИЛВИ

(511)
 5 – Human pharmaceutical preparations.

(260) AM 2017 89233 A
 (800) 1315023
 (891) 2016 09 28
 (731) Heineken Brouwerijen B.V.
 Tweede Weteringplantsoen 21, NL-1017 ZD
 Amsterdam; Netherlands

(540)



(591) Grey, red, green and white

(511) 32 – Beers.

(260) AM 2017 89234 A

(800) 1315025

(891) 2016 09 28

(731) Janssen Pharmaceutica NV
Turnhoutseweg 30, B-2340 BEERSE;
Belgium

(540)

BEACAND

(511) 5 – Human pharmaceutical preparations.

(260) AM 2017 89237 A

(800) 1316410

(891) 2016 04 26

(731) B Medical Systems S.à r.l.
17, op der Hei L-9809 Hosingen; Luxembourg

(540)

2BH

(511) 9 – Information technology apparatus and instruments for conducting, switching, transforming, accumulating, regulating, monitoring, measuring, signaling and controlling temperatures and information for the storage and transport of sensitive medical, pharmaceutical and laboratory items such as vaccines, blood and blood components, temperature-sensitive pharmaceuticals, tissues, biological samples, DNAs, cells, organs and food and beverages; electrical sensors; optical and electro-optical sensors; sensors for the determination of temperatures, positions and distances; battery charging equipment; computer software; application software; biological safety cabinets; radio-frequency identification (RFID) tags, readers and systems; apparatus and instruments for tele- and radio-communication systems and data processing; converters and inverters for electrical energy; centrifuges for laboratory use.

10 – Medical apparatus and instruments; active and passive transport boxes for medical purposes; incubators for temperature sensitive medical, pharmaceutical and laboratory items such as vaccines, blood and blood components, temperature-sensitive pharmaceuticals, tissues, biological samples, DNAs, cells, organs and for temperature

sensitive goods including food and beverages; safety cabinets; platelet agitators.

11 – Apparatus for heating, ventilating and air conditioning and purification equipment; cool boxes (electric-); portable active and passive cold boxes (electric-); electric refrigerators; freezers (electric-); lamps; fans; ice machines and apparatus; refrigerators, freezers and ultralow freezers; refrigerators, freezers and ultralow freezers for medical purposes.

(260) AM 2017 89238 A

(800) 1316421

(891) 2016 04 01

(731) TV Entertainment Reality Network B.V.
Arendstraat 11, NL-1223 RE Hilversum;
Netherlands

(540)



(591) Black, white

(511)

9 – Software, including software for use in processing, transmitting, receiving, organizing, manipulating, playing, reviewing, reproducing and streaming audio, video and multimedia content including text, data, image, audio, video and audio visual files, also in interactive high definition (hd) quality and ultra high definition (uhd) quality; downloadable mobile software applications (apps) for use in the delivery and distribution of audio, video and multimedia entertainment content including text, data, images, audio, video and audio visual files, also in interactive high definition (hd) quality and ultra high definition (uhd) quality; software for streaming audio visual and multimedia content via the internet, satellite and global communications networks, also in interactive high definition (hd) quality and ultra high definition (uhd) quality; software for streaming audio visual and multimedia content to mobile digital electronic devices, also in interactive high definition (hd) quality and ultra high definition (uhd) quality; software for searching, organizing, and recommending multimedia content; computer games entertainment software; electronic game programs; apparatus and instruments for transmitting and receiving audio and visual content; hardware for streaming audio visual and multimedia content via

the internet and global communications networks, namely, mobile phones; digital media streaming devices, digital video recorders, dvd and high definition video disc players, home theatre systems comprised of audio and video receivers and disc players; televisions, and television set-top boxes; telecommunications apparatus; film production apparatus; video, data and sound carriers; pre-recorded audio visual recordings, audiotapes, videotapes, video discs, compact discs, dvds and multimedia software recorded on cd-rom; electronic learning games in the nature of electronic game software for educational purposes; computer game discs; electronic publications including those sold and distributed online; electronic publications (downloadable); protective cases for laptop computers, tablet computers, smart phones and other portable electronic devices, media players, personal digital assistants and mobile phones; protective coverings for laptop computers, tablet computers, smart phones and other portable electronic devices, media players, personal digital assistants and mobile phones; headphones, earphones, ear buds; sunglasses.

16 – Printed matter; manuals [handbooks]; manuals for instructional purposes; guide books; strategy guidebooks for video games; photographic albums; photo albums and collectors' albums; instructional and teaching material (except apparatus); posters; postcards; personal organizers; diaries; pens; pencils; pencil cases; pen cases; drawing rulers; bookmarks; book plates; book covers; notebooks; colouring books; note pads; trading cards; books; graphic art books; song books; musical score books; comic books; magazines; periodicals.

35 – Advertising; advertisement and promotion of television services, entertainment, movies, television programmes, previews of entertainment, trailers relating to entertainment; the bringing together, for the benefit of others of a variety of media products; the bringing together of a variety of service providers enabling the customers to select, view and purchase sound, images, audio visual content; preparing and supplying printed and electronic catalogues, directories, magazines, newsletters, guides, books and bulletins for advertising and business information purposes; office functions, namely creating indexes of information, sites and other resources available on a global communications network; on-line retail store services featuring entertainment and educational content; talent agency services.

38 – Communications services, namely, streaming of audio visual and multimedia content via the internet, cable networks, wireless networks, satellite, or interactive multimedia networks; transmission and delivery of audio visual and multimedia content via the internet, cable networks, wireless networks,

satellite, or interactive multimedia networks; broadcasting services, including broadcast of television programmes, data broadcasting services, information services relating to broadcasting, music broadcasting, news broadcasting, radio broadcasting, satellite broadcasting services, podcasting services and webcasting services; mobile media services in the nature of electronic transmission of entertainment media content; video-on-demand transmission services; providing on-line chat rooms and electronic bulletin boards for transmission of messages among users in the field of general interest; news agency services, namely providing news feed programs and raw footage in the field of news and information; all of the afore mentioned services also in interactive high definition (hd) quality and ultra high definition (uhd) quality.

41 – Education; entertainment; providing of training; sporting and cultural activities; educational and entertainment services, including production of programmes for television, cable television, radio, online broadcasting, interactive services, multimedia programs, all distributed via various platforms across multiple forms of transmission media, including via the internet, satellite, electronic communications networks, computer networks and wireless communications networks and also in interactive high definition (hd) quality and ultra high definition (uhd) quality; production of television programs; production of multimedia programs; production of audio and/or video recordings; film production; publication of magazines; providing facilities for movies, television shows, movies, and multimedia entertainment content, as well as information, reviews, and recommendations regarding television shows, movies, and multimedia entertainment content, also in interactive high definition (hd) quality and ultra high definition (uhd) quality; radio entertainment; television entertainment; cinema entertainment; theatre entertainment; game shows; organizing sporting activities; organization of sports competitions.

(260) AM 2017 89239 A

(800) 1316528

(891) 2016 07 19

(731) ZERO EDGE TECHNOLOGY, LLC
1172 CONGRESS CT NE MARIETTA GA
30068; USA

(540)

Z-EDGE

(591) Black, white

(511)

9 – Cell phone auxiliary cables; cell phone battery chargers; cell phone battery chargers for use in vehicles; cell phone cases; cell phone covers; digital video cameras; digital video recorders; digital audio

and video recorders and players; light emitting diode (LED) displays; portable LED safety lighting devices for personal use for safety purposes; bags and cases specially adapted for holding or carrying portable telephones and telephone equipment and accessories; carrying cases for cell phones; earphone accessories, namely, earphone cushions, earphone pads, cord management systems, earphone cases, and earphone extension cords; mobile telephone accessories, namely, belt clips; portable LED safety lighting devices for personal use for safety purposes.

11 – Battery-operated night lights; battery-operated tap lights; LED (light emitting diode) lighting fixtures; LED light apparatus that clips on to a handbag, used to illuminate a handbag; LED light bulbs; LED light strips for decorative purposes; LED lighting fixtures for indoor and outdoor lighting applications; LED and HID light fixtures.

(260) AM 2017 89240 A
(800) 1316543
(891) 2016 06 05
(731) SHENGLI XINDA INDUSTRIAL GROUP CO., LTD.
No. 59, Beiyi Road, Dongying District,
Dongying City 257000 Shandong Province;
China

(540)



(591) Black, white
(511) 20 – Containers, not of metal, for liquid fuel; containers, not of metal [storage, transport]; floating containers, not of metal; packaging containers of plastic; reservoirs, not of metal nor of masonry; tanks, not of metal nor of masonry; troughs, not of metal, for mixing mortar; bins, not of metal; baskets, not of metal; fiberglass containers.

(260) AM 2017 89244 A
(800) 1316466
(891) 2016 04 30
(731) Shandong Covpress Machinery
Technology Co., Ltd.
North of Nanyi Road, West of Guihua Si
Road, Economic and Technological
Development Zone of Dongying City
Shandong Province; China

(540)



(591) Black, white
(511) 12 – Vehicles for locomotion by land, air, water or rail; gear boxes for land vehicles; cars; automobile chassis; automobile bodies; automobile wheel; hand cars; repair outfits for inner tubes; vehicle wheel tires [tyres]; upholstery for vehicles.

(260) AM 2017 89245 A
(800) 1316548
(891) 2016 06 12
(731) SNS PNEUMATIC CO., LTD
No. 186 Weiliu Road, Yueqing Economic
Development Zone 325604 Zhejiang; China

(540)

SNS

(591) Black, white
(511) 7 – Hydraulic filter, pneumatic components, valve (machine parts), regulating valve, hydraulic components, pressure valve (machine parts), steam traps, air compressor, air pumps (garage installations), vacuum pumps (machines).

(260) AM 2017 89272 A
(800) 1315438
(891) 2016 07 01
(731) BIOFARMA, Société par actions simplifiée
50 rue Carnot, F-92284 SURESNES CEDEX;
France

(540)

PRESTAMIDE

(591) Black and white
(511) 5 – Pharmaceutical preparations; veterinary preparations; sanitary products for medical purposes; dietetic substances for medical use; dietetic substances for veterinary use; food for babies; dietetic preparations and food supplements; food supplements for animals; plasters, materials for dressings; teeth filling material; dental impression materials; disinfectants; products for destroying vermin; fungicides; herbicides.

(260) AM 2017 89274 A
(800) 1315453
(891) 2016 07 08

(731) IPSEN PHARMA S.A.S.
Société par Actions Simplifiée
65 quai Georges Gorse, F-92100
BOULOGNE-BILLANCOURT; France

(540)



(591) navy and golden
(511) 5 – Pharmaceutical preparations; veterinary preparations; dietetic substances and foods for medical and veterinary use; food for babies; food supplements, nutritional supplements; dietary supplements; probiotic bacterial formulations for medical use; plasters.

(260) AM 2017 89275 A
(800) 1315454
(891) 2016 07 08
(731) IPSEN PHARMA S.A.S.
Société par Actions Simplifiée
65 quai Georges Gorse, F-92100
BOULOGNE-BILLANCOURT; France

(540)



(591) Navy, blue and golden
(511) 5 – Pharmaceutical preparations; veterinary preparations; dietetic substances and foods for medical and veterinary use; food for babies; food supplements; nutritional supplements; dietary supplements; probiotic bacterial formulations for medical use; plasters.

(260) AM 2017 89276 A
(800) 472665
(891) 2016 07 27
(731) CONSORZIO CASALASCO DEL
POMODORO SOCIETA' AGRICOLA
COOPERATIVA
Strada Provinciale 32, I-26036 RIVAROLO
DEL RE ED UNITI (CR); Italy

(540)

POMI'

(511)
29 – Canned fruit and vegetables, including canned tomatoes and preserved tomatoes.
30 – Sauces, including tomato sauce.

(260) AM 2017 89277 A
(800) 1315455
(891) 2016 07 08
(731) IPSEN PHARMA S.A.S.
Société par Actions Simplifiée
65 quai Georges Gorse, F-92100
BOULOGNE-BILLANCOURT; France

(540)

smecta



(591) Navy and golden
(511) 5 – Pharmaceutical preparations; veterinary preparations; dietetic substances and foods for medical and veterinary use; food for babies; food supplements; nutritional supplements; dietary supplements; probiotic bacterial formulations for medical use; plasters.

(260) AM 2017 89278 A
(800) 1315506
(891) 2016 07 18
(731) Private Joint Stock Company "ALEF-VINAL"
Sobinova street, 1, Dnipropetrovsk 49000;
Ukraine

(540)

INKI

(511)
33 – Rice alcohol; alcoholic beverages, except beer; alcoholic essences; alcoholic extracts; anise [liqueur]; anisette [liqueur]; aperitifs; arak [arrack]; alcoholic beverages containing fruit; distilled beverages; bitters; brandy; cider; cocktails; curacao; digesters [liqueurs and spirits]; distilled beverages; fruit extracts, alcoholic; gin; hydromel [mead]; kirsch; liqueurs; mead [hydromel]; peppermint liqueurs; perry; piquette; rice alcohol; rum; sake; spirits [beverages]; vodka; whisky; wine.

(260) AM 2017 89335 A
(800) 1198231
(891) 2016 02 09
(731) Obshchestvo s ogranichennoy

otvetstvennostyu "Pervak"
ul. Shornaya, d. 20, pom. 7N, 220004 Minsk;
Belarus

(540)

Золотой урожай

(511)

32 – Beers; mineral and aerated waters and other non-alcoholic beverages; fruit beverages and fruit juices; syrups and other preparations for making beverages.

33 – Alcoholic beverages (except beers).

35 – Services related to wholesale and retail trade in alcoholic and non-alcoholic beverages; bringing together, for the benefit of others, of a variety of goods (excluding the transport thereof), enabling customers to conveniently view and purchase those goods; sales promotion for others; procurement services for others [purchasing goods and services for other businesses].

43 – Services for providing food and drink.

(260) AM 2017 89345 A

(800) 1317270

(891) 2015 10 21

(731) Sturm Handels GmbH

Graf-Bentzel-Str. 85, 72108 Rottenburg;
Germany

(540)

MIL-TEC

(511)

3 – Adhesives for affixing false hair, smoothing stones, grinding preparations, sharpening preparations, shaving stones [astringents], almond oil, almond soap, amber [perfume], starch glaze for laundry purposes, starch for laundry purposes, laundry starch, polishing rouge, jewellers' rouge, soap, soap for brightening textile, laundry blueing, badian essence, cosmetic preparations for baths, shaving soap, lipsticks, cotton swabs for cosmetic purposes, cotton sticks for cosmetic purposes, beauty masks, bergamot oil, whitening, skin whitening creams, cream for whitening the skin, leather bleaching preparations, bleaching salts, bleaching soda, laundry bleach, laundry bleaching preparations, laundry glaze, scented wood, mouthwashes, not for medical purposes, nail varnish, nail polish, make-up preparations, hair lotions, carbides of metal [abrasives], silicon carbide [abrasive], essential oils of cedarwood, volcanic ash for cleaning, shoe cream, hair dyes, hair colorants, hair waving preparations, waving preparations for the hair, false eyelashes, cosmetic preparations for eyelashes, refurbishing preparations, polishing preparations, shoe wax, polish for furniture and flooring, shining preparations [polish], shoemakers' wax, cobblers'

wax, laundry wax, moustache wax, mustache wax, parquet floor wax, floor wax, polishing wax, tailors' wax, essential oils of lemon, eau de Cologne, colorants for toilet purposes, leather preservatives [polishes], preservatives for leather [polishes], corundum [abrasive], cosmetics for animals, cosmetic kits, cosmetics, cotton wool for cosmetic purposes, cleaning chalk, stain removers, cosmetic pencils, polishing creams, cosmetic creams, washing soda, for cleaning, pastes for razor strops, creams for leather, waxes for leather, detergents other than for use in manufacturing operations and for medical purposes, scouring solutions, degreasers other than for use in manufacturing processes, make-up removing preparations, dentifrices, disinfectant soap, scale removing preparations for household purposes, diamantine [abrasive], antistatic preparations for household purposes, emery paper, lacquer-removing preparations, emery cloth, colour-removing preparations, color-removing preparations, varnish-removing preparations, Javelle water, potassium hypochloride, lavender water, scented water, toilet water, quillaia bark for washing, emery, incense, depilatory preparations, depilatories, depilatory wax, laundry soaking preparations, preparations for soaking laundry, ethereal essences, ethereal oils, essential oils, extracts of flowers [perfumes], make-up, cleaning preparations, bases for flower perfumes, fumigation preparations [perfumes], cake flavourings [essential oils], cake flavorings [essential oils], gaultheria oil, petroleum jelly for cosmetic purposes, geraniol, greases for cosmetic purposes, hydrogen peroxide for cosmetic purposes, heliotropine, oils for cosmetic purposes, jasmine oil, lavender oil, oils for cleaning purposes, oils for perfumes and scents, rose oil, oils for toilet purposes, ionone [perfumery], lotions for cosmetic purposes, cleansing milk for toilet purposes, laundry preparations, toiletries, windscreen cleaning liquids, windshield cleaning liquids, smoothing preparations [starching], mint essence [essential oil], mint for perfumery, medicated soap, eyebrow cosmetics, musk [perfumery], neutralizers for permanent waving, shampoos, perfumes, false nails, nail care preparations, wallpaper cleaning preparations, polishing paper, sandpaper, glass paper, perfumery, cosmetic preparations for skin care, soap for foot perspiration, polishing stones, pumice stone, pomades for cosmetic purposes, make-up powder, shaving preparations, deodorant soap, sachets for perfuming linen, safrol, cakes of toilet soap, cakes of soap, soda lye, eyebrow pencils, talcum powder, for toilet use, cosmetic dyes, turpentine, for degreasing, oil of turpentine for degreasing, terpenes [essential oils], sandcloth, abrasive cloth, glass cloth, antiperspirants [toiletries], antiperspirant soap, tripoli stone for polishing, abrasives, abrasive paper, ammonia [volatile alkali] [detergent], volatile alkali [ammonia] [detergent], alum stones [astringents],

almond milk for cosmetic purposes, rust removing preparations, sun-tanning preparations [cosmetics], aromatics [essential oils], flavourings for beverages [essential oils], flavorings for beverages [essential oils], color- [colour-] brightening chemicals for household purposes [laundry], color-brightening chemicals for household purposes [laundry], colour-brightening chemicals for household purposes [laundry], bath salts, not for medical purposes, beard dyes, cosmetic preparations for slimming purposes, adhesives for affixing false eyelashes, paint stripping preparations, deodorants for human beings or for animals, decorative transfers for cosmetic purposes, astringents for cosmetic purposes, bleaching preparations [decolorants] for cosmetic purposes, fabric softeners for laundry use, preparations for cleaning dentures, preparations for unblocking drain pipes, shampoos for pets, tissues impregnated with cosmetic lotions, denture polishes, adhesives for cosmetic purposes, after-shave lotions, hair spray, mascara, potpourris [fragrances], breath freshening sprays, dry-cleaning preparations, floor wax removers [scouring preparations], non-slipping wax for floors, non-slipping liquids for floors, canned pressurized air for cleaning and dusting purposes, dental bleaching gels, cloths impregnated with a detergent for cleaning, preparations to make shiny the leaves of plants, preparations to make the leaves of plants shiny, joss sticks, drying agents for dishwashing machines, air fragrancing preparations, breath freshening strips, deodorants for pets, douching preparations for personal sanitary or deodorant purposes [toiletries], aloe vera preparations for cosmetic purposes, massage gels other than for medical purposes, lip glosses, balms other than for medical purposes, dry shampoos, nail art stickers, sunscreen preparations, essential oils of citron, henna [cosmetic dye], shoe polish, lipstick cases, bath preparations, not for medical purposes, hair conditioners, hair straightening preparations, tissues impregnated with make-up removing preparations, collagen preparations for cosmetic purposes, teeth whitening strips, food flavourings [essential oils], food flavorings [essential oils], camouflage make-up, toiletries and washing preparations for personal use.

4 – Beeswax, methylated spirit, alcohol [fuel], fuel with an alcoholic base, paper spills for lighting, wood spills for lighting, firelighters, anthracite, non-slipping preparations for belts, Christmas tree candles, grease for arms [weapons], dust binding compositions for sweeping, firewood, charcoal [fuel], candles, tapers, coal briquettes, peat briquettes [fuel], blocks of peat [fuel], wood briquettes, combustible briquettes, vaporized fuel mixtures, carnauba wax, ceresine, coal, peat [fuel], fuel, grease for footwear, wax [raw material], belting wax, illuminating wax, industrial wax, coke, mineral fuel, grease for belts, grease for leather, industrial grease,

oils for releasing form work [building], tallow, dust removing preparations, illuminating grease, gas for lighting, lighting fuel, lubricating oil, petrol, petroleum ether, ligroin, wicks for candles, petroleum jelly for industrial purposes, diesel oil, gas oil, fuel gas, oil-gas, gasoline, lubricating graphite, coal tar oil, coal naphtha, oil for the preservation of masonry, moistening oil, fish oil, not edible, soya bean oil preparations for non-stick treatment of cooking utensils, kerosene, lubricating grease, lamp wicks, lignite, lubricants, mazut, rape oil for industrial purposes, naphtha, bone oil for industrial purposes, oleine, ozocerite [ozokerite], paraffin, petroleum, raw or refined, coal dust [fuel], stearine, wool grease, lanolin, sunflower oil for industrial purposes, nightlights [candles], xylol, xylene, dust laying compositions, textile oil, carburants, motor fuel, benzene, benzol, fuel oil, combustible oil, additives, non-chemical, to motor fuel, preservatives for leather [oils and greases], industrial oil, solidified gases [fuel], castor oil for industrial purposes, oil for the preservation of leather, cutting fluids, oils for paints, producer gas, motor oil, perfumed candles, electrical energy, ethanol [fuel], tinder, dust absorbing, compositions, benzine, biomass fuel, fuel; combustible torch heads, welding heads, burner heads, heater heads, magnesium starters, ignition aid made of magnesium integrated firestone (included in this class) (terms too vague in the opinion of the International Bureau – Rule 13(2)(b) of the Common Regulations).

5 – Dental abrasives, aconitine, adhesives for dentures, air purifying preparations, albuminous foodstuffs for medical purposes, albuminous preparations for medical purposes, medicinal alcohol, aldehydes for pharmaceutical purposes, alloys of precious metals for dental purposes, dental amalgams, starch for dietetic or pharmaceutical purposes, anti-rheumatism bracelets, anti-rheumatism rings, anaesthetics, dill oil for medical purposes, adhesive plasters, sticking plasters, angostura bark for medical purposes, preparations for destroying noxious animals, asthmatic tea, frostbite salve for pharmaceutical purposes, haemorrhoid preparations, hemorrhoid preparations, preparations for destroying dry rot fungus, mothproofing preparations, antiparasitic preparations, antiseptics, antiseptic cotton, anti-uric preparations, wart pencils, aseptic cotton, fly catching paper, bouillons for bacteriological cultures, media for bacteriological cultures, bacteriological culture mediums, bacteriological preparations for medical and veterinary use, bacterial poisons, bacterial preparations for medical and veterinary use, corn rings for the feet, bath preparations for medical purposes, salts for mineral water baths, oxygen baths, sea water for medicinal bathing, therapeutic preparations for the bath, balsamic preparations for medical purposes, bandages for dressings, balms for

medical purposes, cattle washes, biocides, bismuth preparations for pharmaceutical purposes, lead water, goulard water, insecticides, charcoal for pharmaceutical purposes, candy, medicated, medicinal mud, medicinal sediment [mud], mud for baths, bracelets for medical purposes, preparations for the treatment of burns, cachou for pharmaceutical purposes, preparations for callouses, calomel, powder of cantharides, rubber for dental purposes, syrups for pharmaceutical purposes, capsules for medicines, pharmaceutical preparations, poultices, belts for sanitary napkins [towels], wadding for medical purposes, lint for medical purposes, lime-based pharmaceutical preparations, dog washes, repellents for dogs, chemico-pharmaceutical preparations, hydrated chloral for pharmaceutical purposes, chloroform, tobacco-free cigarettes for medical purposes, dental cements, cement for animal hooves, moulding wax for dentists, molding wax for dentists, fumigating sticks, fumigating pastilles, cocaine, antiparasitic collars for animals, collyrium, compresses, vitamin preparations, chemical conductors for electrocardiograph electrodes, condurango bark for medical purposes, medicines for alleviating constipation, solutions for contact lenses, solutions for use with contact lenses, chemical contraceptives, radiological contrast substances for medical purposes, corn remedies, cotton for medical purposes, pharmaceutical preparations for treating sunburn, headache pencils, caustic pencils, chilblain preparations, haemostatic pencils, hemostatic pencils, croton bark, curare, vaccines, detergents for medical purposes, decoctions for pharmaceutical purposes, teeth filling material, dental impression materials, dental lacquer, dental mastics, dressings, medical, porcelain for dental prostheses, preparations to facilitate teething, depuratives, disinfectants for hygiene purposes, deodorants, other than for human beings or for animals, preparations for destroying mice, diabetic bread adapted for medical use, digestives for pharmaceutical purposes, digitalin, analgesics, drugs for medical purposes, medicine cases, portable, filled, magnesia for pharmaceutical purposes, melissa water for pharmaceutical purposes, mineral waters for medical purposes, mineral water salts, thermal water, barks for pharmaceutical purposes, elixirs [pharmaceutical preparations], solvents for removing adhesive plasters, anticryptogamic preparations, vulnerary sponges, salts for medical purposes, esters for pharmaceutical purposes, ethers for pharmaceutical purposes, surgical dressings, eucalyptol for pharmaceutical purposes, eucalyptus for pharmaceutical purposes, purgatives, evacuants, flour for pharmaceutical purposes, meal for pharmaceutical purposes, lacteal flour for babies, febrifuges, fennel for medical purposes, medicinal infusions, medicinal tea, cod liver oil, fungicides, nervines, guaiacol for pharmaceutical purposes,

vermifuges, anthelmintics, gauze for dressings, laxatives, gelatine for medical purposes, gentian for pharmaceutical purposes, germicides, glycerophosphates, gum for medical purposes, linseed for pharmaceutical purposes, flaxseed for pharmaceutical purposes, greases for medical purposes, greases for veterinary purposes, milking grease, chemical preparations for the diagnosis of pregnancy, medicinal oils, haematogen, hematogen, haemoglobin, hemoglobin, medicinal herbs, hormones for medical purposes, mustard oil for medical purposes, hydrastine, hydrastinine, absorbent cotton, absorbent wadding, semen for artificial insemination, insect repellents, tincture of iodine, peptones for pharmaceutical purposes, iodoform, irish moss for medical purposes, jalap, jujube, medicated, liquorice for pharmaceutical purposes, tobacco extracts [insecticides], milk ferments for pharmaceutical purposes, malted milk beverages for medical purposes, animal washes, linseed meal for pharmaceutical purposes, flaxseed meal for pharmaceutical purposes, lotions for pharmaceutical purposes, milk sugar for pharmaceutical purposes, lactose for pharmaceutical purposes, larvae exterminating preparations, yeast for pharmaceutical purposes, slug exterminating preparations, liniments, lupulin for pharmaceutical purposes, chewing gum for medical purposes, mangrove bark for pharmaceutical purposes, sanitary panties, menstruation knickers, sanitary knickers, sanitary pants, mint for pharmaceutical purposes, chemical preparations to treat mildew, malt for pharmaceutical purposes, herbicides, weedkillers, preparations for destroying noxious plants, sulfur sticks [disinfectants], pomades for medical purposes, tinctures for medical purposes, serums, menthol, mercurial ointments, nutritive substances for microorganisms, cultures of microorganisms for medical or veterinary use, pastilles for pharmaceutical purposes, lozenges for pharmaceutical purposes, rat poison, fly glue, fly catching adhesives, fly destroying preparations, mustard for pharmaceutical purposes, lotions for veterinary purposes, myrobalan bark for pharmaceutical purposes, chemical preparations to treat wheat blight [smut], chemical preparations to treat wheat smut, narcotics, smelling salts, ointments for pharmaceutical purposes, opiates, opium, opodeldoc, opotherapy preparations, organotherapy preparations, dental amalgams of gold, pectin for pharmaceutical purposes, sanitary tampons, menstruation tampons, menstruation bandages, sanitary pads, sanitary towels, sanitary napkins, phenol for pharmaceutical purposes, paper for mustard plasters, paper for mustard poultices, parasiticides, pharmaceutical preparations for skin care, herbal teas for medicinal purposes, pharmaceutical preparations for treating dandruff, pepsins for pharmaceutical purposes, cachets for pharmaceutical purposes, first-aid boxes,

filled, phosphates for pharmaceutical purposes, chemical preparations for treating phylloxera, remedies for foot perspiration, blood plasma, poisons, potassium salts for medical purposes, pyrethrum powder, quebracho for medical purposes, quassia for medical purposes, quinquina for medical purposes, cinchona for medical purposes, quinine for medical purposes, chinoline for medical purposes, radioactive substances for medical purposes, radium for medical purposes, medicinal roots, rhubarb roots for pharmaceutical purposes, tonics [medicines], bismuth subnitrate for pharmaceutical purposes, sarsaparilla for medical purposes, blood for medical purposes, leeches for medical purposes, scapulars for surgical purposes, sedatives, tranquillizers, ergot for pharmaceutical purposes, serotherapeutic medicines, mustard plasters, mustard poultices, soil-sterilising preparations, soporifics, sodium salts for medical purposes, sterilising preparations, strychnine, styptic preparations, sugar for medical purposes, sulfonamides [medicines], suppositories, tartar for pharmaceutical purposes, turpentine for pharmaceutical purposes, oil of turpentine for pharmaceutical purposes, thymol for pharmaceutical purposes, remedies for perspiration, mothproofing paper, mothproof paper, veterinary preparations, vine disease treating chemicals, vermin destroying preparations, vesicants, acetates for pharmaceutical purposes, acids for pharmaceutical purposes, adhesive tapes for medical purposes, adhesive bands for medical purposes, alkaloids for medical purposes, dietetic foods adapted for medical purposes, food for babies, aluminium acetate for pharmaceutical purposes, milk of almonds for pharmaceutical purposes, sunburn ointments, bath salts for medical purposes, stick liquorice for pharmaceutical purposes, bicarbonate of soda for pharmaceutical purposes, biological preparations for medical purposes, bromine for pharmaceutical purposes, dietetic beverages adapted for medical purposes, camphor oil for medical purposes, camphor for medical purposes, candy for medical purposes, carbolineum [parasiticide], algicides, lecithin for medical purposes, gases for medical purposes, panty liners [sanitary], royal jelly for pharmaceutical purposes, medical preparations for slimming purposes, cellulose esters for pharmaceutical purposes, caustics for pharmaceutical purposes, cellulose ethers for pharmaceutical purposes, by-products of the processing of cereals for dietetic or medical purposes, dog lotions, chemical preparations for pharmaceutical purposes, collodion for pharmaceutical purposes, cream of tartar for pharmaceutical purposes, creosote for pharmaceutical purposes, medicines for dental purposes, medicines for human purposes, medicines for veterinary purposes, diagnostic preparations for medical purposes, glycerine for medical purposes, medicinal drinks, ferments for pharmaceutical purposes, flowers of

sulfur for pharmaceutical purposes, formic aldehyde for pharmaceutical purposes, smoking herbs for medical purposes, fumigation preparations for medical purposes, gallic acid for pharmaceutical purposes, petroleum jelly for medical purposes, glucose for medical purposes, gamboge for medical purposes, gurjun [gurjon, gurjan] balsam for medical purposes, extracts of hops for pharmaceutical purposes, castor oil for medical purposes, hydrogen peroxide for medical purposes, iodine for pharmaceutical purposes, iodides for pharmaceutical purposes, alkaline iodides for pharmaceutical purposes, isotopes for medical purposes, dietetic substances adapted for medical use, napkins for incontinents, diapers for incontinents, biological preparations for veterinary purposes, chemical preparations for medical purposes, chemical preparations for veterinary purposes, chemical reagents for medical or veterinary purposes, contact lens cleaning preparations, diastase for medical purposes, dietary fibre, dietary fiber, enzymes for medical purposes, enzymes for veterinary purposes, enzyme preparations for medical purposes, enzyme preparations for veterinary purposes, pants, absorbent, for incontinents, siccatives [drying agents] for medical purposes, tissues impregnated with pharmaceutical lotions, preparations of trace elements for human and animal use, amino acids for medical purposes, amino acids for veterinary purposes, breast-nursing pads, cedar wood for use as an insect repellent, disinfectants for chemical toilets, fish meal for pharmaceutical purposes, mineral food supplements, mouthwashes for medical purposes, nutritional supplements, bone cement for surgical and orthopaedic purposes, insect repellent incense, acaricides, antibiotics, appetite suppressants for medical purposes, bronchodilating preparations, bunion pads, moleskin for medical purposes, vaginal washes, medicinal hair growth preparations, steroids, adjuvants for medical purposes, surgical implants comprised of living tissues, eyepatches for medical purposes, oxygen for medical purposes, deodorants for clothing and textiles, air deodorising preparations, douching preparations for medical purposes, stem cells for medical purposes, stem cells for veterinary purposes, biological tissue cultures for medical purposes, biological tissue cultures for veterinary purposes, cooling sprays for medical purposes, personal sexual lubricants, aloe vera preparations for pharmaceutical purposes, pearl powder for medical purposes, preparations for reducing sexual activity, babies' diapers [napkins], babies' napkins [diapers], babies' napkin-pants [diaper-pants], babies' diaper-pants, babies' napkin-pants, eye-washes, appetite suppressant pills, slimming pills, tanning pills, antioxidant pills, dietary supplements for animals, albumin dietary supplements, linseed dietary supplements, flaxseed dietary supplements, linseed oil dietary supplements,

flaxseed oil dietary supplements, wheat germ dietary supplements, yeast dietary supplements, royal jelly dietary supplements, propolis for pharmaceutical purposes, propolis dietary supplements, pollen dietary supplements, enzyme dietary supplements, glucose dietary supplements, lecithin dietary supplements, alginate dietary supplements, alginates for pharmaceutical purposes, casein dietary supplements, protein dietary supplements, protein supplements for animals, reagent paper for medical or veterinary purposes, alcohol for pharmaceutical purposes, pesticides, diapers for pets, disinfectants, surgical glues, diagnostic biomarker reagents for medical purposes, acne treatment preparations, medicated animal feed, diagnostic preparations for veterinary purposes, cotton swabs for medical purposes, cotton sticks for medical purposes, infant formula, powdered milk for babies, transplants extracts for pharmaceutical purposes, pharmaceuticals, preparations of microorganisms for medical or veterinary use, dressing material [medical], bandages for dressings, materials for dressings, first-aid boxes, filled, first aid kits, filled first-aid boxes; finger stalls; insect repelling tags; mosquito repellents.

6 – Steel, unwrought or semi-wrought, steel alloys, steel strip, hoop steel, steel wire, cast steel, steel masts, roller blinds of steel, steel sheets, steel tubes, steel pipes, machine belt fasteners of metal, railway points, railway switches, nozzles of metal, building or furniture fittings of nickel-silver, nickel-silver, aluminium, bronze, aluminium wire, anchor plates, tie plates, jets of metal, latch bars of metal, masts of metal, poles of metal, traps for wild animals, braces of metal for handling loads, harness of metal for handling loads, braces of metal for load handling, harness of metal for load handling, anti-friction metal, tree protectors of metal, cashboxes of metal, silver solder, German silver, silver-plated tin alloys, reinforcing materials, of metal, for concrete, safes [strong boxes], window stops of metal, door stops of metal, washers of metal, rings of metal, stop collars of metal, strap-hinges of metal, floor tiles of metal, barbed wire, bars for metal railings, beryllium [glucinium], glucinium [beryllium], cattle chains, beak-irons [bick-irons], white metal, armour-plating, armor-plating, box fasteners of metal, bolts of metal, bottles [metal containers] for compressed gas or liquid air, identification bracelets of metal, iron slabs, brazing alloys, flanges of metal [collars], bronzes for tombstones, monuments of bronze for tombs, bronzes [works of art], telfer cables, rope thimbles of metal, cable joints of metal, non-electric, cable linkages of metal, non-electric, cadmium, padlocks, shims, ferrules of metal for walking sticks, containers of metal for storing acids, safety cashboxes, celtium [hafnium], hafnium [celtium], chains of metal, safety chains of metal, couplings of metal for chains, frames of metal for building,

window pulleys, sash pulleys, ducts of metal, for central heating installations, pipes of metal, for central heating installations, ducts and pipes of metal for central heating installations, horseshoe nails, pegs of metal, chromium, chrome iron, chrome ores, cotter pins of metal, keys, nails, tacks [nails], brads, wall plugs of metal, cobalt, raw, railway material of metal, pillars of metal for building, water-pipes of metal, sleeves [metal hardware], preserving boxes of metal, preserve tins, tin cans, containers of metal [storage, transport], guard rails of metal, chill-moulds [foundry], chill-molds [foundry], anvils, roof flashing of metal, elbows of metal for pipes, doors of metal, belt stretchers of metal, cramps of metal [crampons], crampons of metal [cramps], pot hooks of metal, window casement bolts, hooks [metal hardware], ironwork for windows, wire of common metal, copper, unwrought or semi-wrought, copper rings, tubing of metal, containers of metal for compressed gas or liquid air, door scrapers, foot scrapers, drain pipes of metal, iron, unwrought or semi-wrought, fish plates [rails], screws of metal, tinplate packings, letter boxes of metal, door bells of metal, non-electric, spurs, brackets of metal for building, staircases of metal, window fasteners of metal, tubes of metal, pipes of metal, rails of metal, fittings of metal for windows, iron strip, hoop iron, iron wire, cast iron, unwrought or semi-wrought, iron ores, door closers, non-electric, door springs, non-electric, molybdenum iron, silicon iron, titanium iron, ferrotitanium, tungsten iron, fittings of metal for building, pins [hardware], eye bolts, screw rings, locks of metal, other than electric, galena [ore], lead seals, germanium, weather- or wind-vanes of metal, weather vanes of metal, wind vanes of metal, crampons [climbing irons], ice moulds of metal, grease nipples, gratings of metal, grilles of metal, spring locks, indium, badges of metal for vehicles, jalousies of metal, brass, unwrought or semi-wrought, outdoor blinds of metal, rocket launching platforms of metal, laths of metal, filings of metal, stringers [parts of staircases] of metal, limonite, ingots of common metal, lintels of metal, bed casters of metal, latches of metal, blooms [metallurgy], magnesium, buildings, transportable, of metal, tool handles of metal, ferrules of metal for handles, pipe muffs of metal, manganese, handling pallets of metal, transport pallets of metal, steps [ladders] of metal, porches [structures] of metal, door knockers of metal, handcuffs, common metals, unwrought or semi-wrought, ores of metal, wire cloth, wire gauze, pyrophoric metals, furniture casters of metal, sheet piles of metal, pilings of metal, molybdenum, monuments of metal, vice claws of metal, wall claddings of metal for building, nickel, niobium, flashing of metal, for building, house numbers of metal, non-luminous, shutters of metal, palings of metal, baskets of metal, signalling panels, non-luminous and non-mechanical, of metal, wall linings

of metal for building, clothes hooks of metal, skating rinks [structures] of metal, lock bolts, posts of metal, springs [metal hardware], pulleys of metal, other than for machines, tent pegs of metal, ceilings of metal, floors of metal, linings of metal for building, turntables [railways], roofing tiles of metal, lead, unwrought or semi-wrought, diving boards of metal, door handles of metal, rivets of metal, gates of metal, door panels of metal, door bolts of metal, split rings of common metal for keys, telegraph posts of metal, zinc, beams of metal, girders of metal, joists of metal, platforms, prefabricated, of metal, ironmongery, hardware of metal, small, road signs, non-luminous and non-mechanical, of metal, junctions of metal for pipes, wire stretchers [tension links], packaging containers of metal, tanks of metal, reservoirs of metal, sills of metal, signs, non-luminous and non-mechanical, of metal, greenhouses of metal, transportable, locks of metal for vehicles, stops of metal, silos of metal, bells for animals, bells, soldering wire of metal, valves of metal, other than parts of machines, statues of common metal, railway sleepers of metal, railroad ties of metal, tantalum [metal], bolts, flat, anvils [portable], tension links, titanium, roofing of metal, tombac, tombs of metal, turnstiles of metal, latticework of metal, trellis of metal, tungsten, pipework of metal, vanadium, casement windows of metal, ferrules of metal, aviaries [structures] of metal, zirconium, balls of steel, steel buildings, fittings of metal for compressed air lines, wire of common metal alloys, except fuse wire, alloys of common metal, aluminium foil, mooring bollards of metal, floating docks of metal, for mooring boats, anchors, wainscotting of metal, reinforcing materials of metal for pipes, reinforcing materials of metal for building, reinforcing materials of metal for machine belts, works of art of common metal, troughs of metal for mixing mortar, bird baths [structures of metal], broom handles of metal, beacons of metal, non-luminous, vice benches of metal, stretchers for iron bands [tension links], bands of metal for tying-up purposes, wrapping or binding bands of metal, thread of metal for tying-up purposes, barrels of metal, barrel hoops of metal, casks of metal, swimming pools [structures] of metal, building materials of metal, shuttering of metal for concrete, bicycle parking installations of metal, paving blocks of metal, boxes of common metal, plugs of metal, bungs of metal, sealing caps of metal, buckles of common metal [hardware], bottle caps of metal, capsules of metal for bottles, sealing caps of metal for bottles, bottle closures of metal, bottle fasteners of metal, knobs of metal, rods of metal for brazing, rods of metal for brazing and welding, rods of metal for welding, straps of metal for handling loads, belts of metal for handling loads, straps of metal for load handling, slings of metal for handling loads, busts of common metal, cabanas of metal, booths of metal

for spraying paint, booths of metal for spraying paint, cables of metal, non-electric, collars of metal for fastening pipes, clips of metal for cables and pipes, binding screws of metal for cables, window frames of metal, greenhouse frames of metal, duckboards of metal, chimney cowls of metal, binding thread of metal for agricultural purposes, door openers, non-electric, tiles of metal for building, tile floorings of metal, burial vaults of metal, fittings of metal for coffins, loading pallets of metal, loading gauge rods of metal for railway waggons, loading gauge rods, of metal, for railway wagons, hinges of metal, framework of metal for building, door frames of metal, door casings of metal, materials of metal for funicular railway permanent ways, chimney pots of metal, roof gutters of metal, drain traps [valves] of metal, partitions of metal, casings of metal for oilwells, containers of metal for liquid fuel, buildings of metal, floating containers of metal, ropes of metal, knife handles of metal, cornices of metal, mouldings of metal for cornices, moldings of metal for cornices, angle irons, windows of metal, ironwork for doors, runners of metal for sliding doors, manhole covers of metal, roof coverings of metal, hooks of metal for roofing slates, hooks of metal for clothes rails, copper wire, not insulated, vats of metal, stair treads [steps] of metal, gutter pipes of metal, reels of metal, non-mechanical, for flexible hoses, towel dispensers, fixed, of metal, water-pipe valves of metal, scaffolding of metal, ladders of metal, mobile boarding stairs of metal for passengers, bindings of metal, nuts of metal, posts of metal for power lines, poles of metal for power lines, branching pipes of metal, enclosures of metal for tombs, fences of metal, winding spools of metal, non-mechanical, for flexible hoses, signboards of metal, props of metal, tin, tinplate, tinfoil, sheets and plates of metal, scythe handles of metal, locks of metal for bags, fittings of metal for furniture, building boards of metal, building panels of metal, figurines [statuettes] of common metal, statuettes of common metal, stretchers for metal bands [tension links], foundry molds [moulds] of metal, grave slabs of metal, tomb slabs of metal, monuments of metal for tombs, tombstone plaques of metal, tombstone stelae of metal, memorial plates of metal, memorial plaques of metal, furnace fireguards of metal, cask stands of metal, chests of metal for food, meat safes of metal, fittings of metal for beds, door fittings of metal, closures of metal for containers, sheaf binders of metal, crash barriers of metal for roads, chests of metal, bins of metal, identity plates of metal, registration plates of metal, numberplates of metal, cermets, taps of metal for casks, advertisement columns of metal, mooring buoys of metal, chimneys of metal, chimney shafts of metal, ducts of metal for ventilating and air conditioning installations, foils of metal for wrapping and

packaging, gold solder, hoppers of metal, non-mechanical, letters and numerals of common metal, except type, manifolds of metal for pipelines, penstock pipes of metal, telephone booths of metal, telephone boxes of metal, tool boxes of metal, empty, tool chests of metal, empty, chicken-houses of metal, wheel clamps [boots], wire rope, insect screens of metal, pitons of metal, fire dogs [andirons], wind-driven bird-repelling devices made of metal, metal cages for wild animals, metals in powder form, refractory construction materials of metal, arbours [structures] of metal, stables of metal, pigsties of metal, prefabricated houses [kits] of metal, trays of metal, street gutters of metal, screw tops of metal for bottles, window openers, non-electric, window closers, non-electric, wall tiles of metal, paving slabs of metal, slabs of metal for building, step stools of metal, roofing of metal, incorporating solar cells, armoured doors of metal, armored doors of metal, bathtub grab bars of metal, dispensers for dog waste bags, fixed, of metal, metals in foil or powder form for 3D printers, sash fasteners of metal for windows, door fasteners of metal, pantiles of metal, balustrades of metal, cladding of metal for building, padlocks, non-electric metal locks, non-electric metal interlocks, boxes, crates, cases, bins and coffers, and hatches, all made from metal material, transport boxes made from metal material, tent stakes, tent pegs, all made from metal material, bracelets, handcuffs, manacles made from metal and non-metal material, karabiners; metal dog tags, identification tags of metal.

8 – Abrading instruments [hand instruments], sharpening stones, needle-threaders, needle files, leather strops, awls, cutter bars [hand tools], reamers, reamer sockets, extension pieces for braces for screw taps, palette knives, spatulas [hand tools], punch rings [knuckle dusters], knuckle dusters, bits [parts of hand tools], squares [hand tools], instruments and tools for skinning animals, annular screw plates, bow saws, side arms, other than firearms, nail extractors, hand-operated, nail pullers, hand-operated, lifting jacks, hand-operated, bayonets, beard clippers, hand drills, hand-operated, mortise chisels, holing axes, mortise axes, livestock marking tools, cattle marking tools, cattle shearers, nail drawers [hand tools], pickhammers, bushhammers, sharpening steels, knife steels, riveting hammers [hand tools], paring irons [hand tools], scissors, tweezers, graving tools [hand tools], pickaxes, caulking irons, penknives, stone hammers, jig-saws, drawing knives, nail punches, fullers [hand tools], fulling tools [hand tools], hunting knives, frames for handsaws, saws [hand tools], lasts [shoemakers' hand tools], curling tongs, table cutlery [knives, forks and spoons], tableware [knives, forks and spoons], shears, shear blades, perforating tools [hand tools], tap wrenches, spanners [hand tools],

wrenches [hand tools], ratchets [hand tools], dies [hand tools], screw stocks [hand tools], screw-thread cutters [hand tools], borers, whetstone holders, axes, table forks, planes, hand tools, hand-operated, vegetable slicers, vegetable knives, vegetable shredders, nail nippers, tube cutters [hand tools], cutters, cleavers, cutlery, fruit pickers [hand tools], spoons, ladles [hand tools], razor strops, earth rammers [hand tools], stamping-out tools [hand tools], stamps [hand tools], milling cutters [hand tools], trowels [gardening], trowels, apparatus for destroying plant parasites, hand-operated, glaziers' diamonds [parts of hand tools], expanders [hand tools], stropping instruments, sharpening instruments, blade sharpening instruments, scaling knives, thistle extirpators [hand tools], pruning scissors, secateurs, pruning shears, budding knives, tree pruners, cuticle tweezers, cuticle nippers, hair-removing tweezers, marline spikes, carpenters' augers, embossers [hand tools], pedicure sets, razor cases, hollowing bits [parts of hand tools], rakes [hand tools], shovels [hand tools], spades [hand tools], border shears, scythes, scythe rings, scythe stones, whetstones, irons [non-electric hand tools], goffering irons, polishing irons [glazing tools], glazing irons, blades for planes, moulding irons, molding irons, crimping irons, branding irons, gimlets [hand tools], sword scabbards, hand implements for hair curling, lawn clippers [hand instruments], ice picks, gouges [hand tools], truncheons, bludgeons, police batons, engraving needles, farriers' knives, paring knives, grafting tools [hand tools], rabbeting planes, vegetable choppers, hatchets, choppers [knives], hoop cutters [hand tools], harpoons, adzes [tools], mattocks, oyster openers, insecticide vaporizers [hand tools], insecticide atomizers [hand tools], insecticide sprayers [hand tools], garden tools, hand-operated, pruning knives, clamps for carpenters or coopers, razor blades, blades [hand tools], blades [weapons], saw blades [parts of hand tools], levers, machetes, mallets [hand instruments], hammers [hand tools], sledgehammers, masons' hammers, chisels, metal band stretchers [hand tools], braiders [hand tools], money scoops, mortars for pounding, wick trimmers [scissors], shaving cases, numbering punches, nail files, can openers, non-electric, tin openers, non-electric, harpoons for fishing, picks [hand tools], rammers [hand tools], pestles for pounding, sugar tongs, guns [hand tools], centre punches [hand tools], foundry ladles [hand tools], plane irons, rasps [hand tools], razors, electric or non-electric, pin punches, fire irons, riveters [hand tools], hainault scythes, weeding forks [hand tools], hoes [hand tools], saw holders, hackles [hand tools], bill-hooks, sickles, implements for decanting liquids [hand tools], edge tools [hand tools], taps [hand tools], augers [hand tools], screwdrivers, priming irons [hand tools], bits [hand tools], tube cutting

instruments, breast drills, agricultural implements, hand-operated, grindstones [hand tools], sharpening wheels [hand tools], syringes for spraying insecticides, silver plate [knives, forks and spoons], diggers [hand tools], knives, pliers, pincers, nippers, tongs, swords, sabres, rams [hand tools], instruments for punching tickets, nail files, electric, fingernail polishers, electric or non-electric, nail buffers, electric or non-electric, nutcrackers, drill holders [hand tools], hair clippers for personal use, electric and non-electric, agricultural forks [hand tools], nail clippers, electric or non-electric, hair clippers for animals [hand instruments], shearers [hand instruments], flat irons, emery grinding wheels, files [tools], punch pliers [hand tools], punches [hand tools], cutting tools [hand tools], manicure sets, guns, hand-operated, for the extrusion of mastics, ditchers [hand tools], scrapers [hand tools], mincing knives [hand tools], fleshing knives [hand tools], meat choppers [hand tools], scraping tools [hand tools], ear-piercing apparatus, depilation appliances, electric and non-electric, manicure sets, electric, vices, vises, hand pumps, daggers, tool belts [holders], cheese slicers, non-electric, pizza cutters, non-electric, crow bars, egg slicers, non-electric, eyelash curlers, mitre [miter (Am.)] boxes [hand tools], sand trap rakes, fireplace bellows [hand tools], apparatus for tattooing, emery files, fish tapes [hand tools], draw wires [hand tools], wire strippers [hand tools], ladles for wine, bench vices [hand implements], non-electric caulking guns, metal wire stretchers [hand tools], hobby knives [scalpels], air pumps, hand-operated, ceramic knives, emery boards, ski edge sharpening tools, hand-operated, manual tools and equipment for agricultural, gardening and forestry purposes and for common outdoor purposes, spades, shovels, scoops, axes, hatchets, camping axes, knives, machetes, bush hooks, bayonets, cutleries, clasp knives, pocket knives, Swiss army knives, hunting knives, skinners, combat knives, car knives, auto knives, outdoor knives, boot knives, one-hand knives, single-hand knives, folding knives, forks, spoons, cutlery, flatware, knives and forks, swords, sabers, strip sabers, daggers, dirks, poniards, snickersnee, skeans, batons, knobkerrie, truncheons, side arms, cutting and stabbing arms, cut and thrust weapon, manually operated blade sharpener, knife sharpeners, can openers, tin openers (non electrical).

9 – Coils, electric, particle accelerators, reflecting discs for wear, for the prevention of traffic accidents, protection devices for personal use against accidents, clothing for protection against accidents, irradiation and fire, batteries, electric, for vehicles, accumulators, electric, for vehicles, battery jars, accumulator jars, battery boxes, accumulator boxes, acidimeters for batteries, hydrometers, plates for batteries, whistle alarms, acoustic [sound] alarms, sound alarms, acoustic conduits, phonograph

records, sound recording discs, speaking tubes, actinometers, adding machines, aerometers, enlarging apparatus [photography], electro-dynamic apparatus for the remote control of railway points, magnets, electromagnetic coils, air analysis apparatus, alarms, alcoholmeters, alidades, food analysis apparatus, igniting apparatus, electric, for igniting at a distance, electric apparatus for remote ignition, batteries for lighting, altimeters, asbestos gloves for protection against accidents, asbestos clothing for protection against fire, ammeters, amplifiers, amplifying tubes, amplifying valves, anemometers, calibrating rings, fire extinguishers, anodes, anode batteries, high tension batteries, aerials, antennas, anti-glare glasses, anti-dazzle shades, anti-glare visors, anti-interference devices [electricity], transformers [electricity], apertometers [optics], money counting and sorting machines, distribution boxes [electricity], surveying instruments, surveying chains, lenses for astrophotography, thermionic valves, thermionic tubes, audiovisual teaching apparatus, juke boxes, musical, coin-operated musical automata [juke boxes], mechanisms for coin-operated apparatus, mechanisms for counter-operated apparatus, calipers, comparators, fire alarms, automatic indicators of low pressure in vehicle tires [tyres], automatic indicators of low pressure in vehicle tyres, automatic indicators of low pressure in vehicle tyres, protective suits for aviators, alarm bells, electric, rods for water diviners, life-saving rafts, scales, meteorological balloons, demagnetizing apparatus for magnetic tapes, tape recorders, magnetic tapes, barometers, weighing machines, weighbridges, fire beaters, chargers for electric batteries, betatrons, ticket dispensers, cabinets for loudspeakers, close-up lenses, terminals [electricity], pressure indicator plugs for valves, galvanometers, push buttons for bells, branch boxes [electricity], tone arms for record players, spirit levels, punched card machines for offices, sheaths for electric cables, frames for photographic transparencies, circular slide rules, slide-rules, calculating machines, slide calipers, jigs [measuring instruments], blueprint apparatus, cinematographic cameras, capillary tubes, sound recording carriers, protective helmets, respiratory masks, other than for artificial respiration, respirators, other than for artificial respiration, solderers' helmets, spectacle chains, eyeglass chains, heat regulating apparatus, darkrooms [photography], boiler control instruments, socks, electrically heated, drying racks [photography], editing appliances for cinematographic films, apparatus for editing cinematographic film, printed circuits, flashing lights [luminous signals], blinkers [signalling lights], signal bells, containers for microscope slides, collectors, electric, electric installations for the remote control of industrial operations, switchboxes [electricity], commutators, marine compasses,

eyepieces, thread counters, waling glasses, pedometers, counters, meters, metronomes, condensers [capacitors], capacitors, conductors, electric, electricity conduits, circuit closers, connectors [electricity], junction boxes [electricity], switchboards, contacts, electric, apparatus to check franking, apparatus to check stamping mail, regulating apparatus, electric, monitoring apparatus, electric, speed checking apparatus for vehicles, converters, electric, photocopiers [photographic, electrostatic, thermic], spectacle cords, eyeglass cords, retorts, retorts' stands, correcting lenses [optics], objectives [lenses] [optics], cosmographic instruments, diving suits, electric apparatus for commutation, switches, electric, limiters [electricity], sockets, plugs and other contacts [electric connections], plugs, sockets and other contacts [electric connections], current rectifiers, cell switches [electricity], reducers [electricity], dressmakers' measures, crucibles [laboratory], cupels [laboratory], appliances for measuring the thickness of leather, cyclotrons, counterfeit [false] coin detectors, false coin detectors, shutter releases [photography], densimeters, animated cartoons, laboratory trays, metal detectors for industrial or military purposes, sonars, detectors, shutters [photography], diaphragms [acoustics], centering apparatus for photographic transparencies, cameras [photography], transparencies [photography], slides [photography], slide projectors, transparency projection apparatus, distance measuring apparatus, dictating machines, diffraction apparatus [microscopy], loudspeakers, circuit breakers, record players, microscopes, distance recording apparatus, apparatus for recording distance, range finders, telemeters, distribution boards [electricity], distribution consoles [electricity], compasses [measuring instruments], measures, measuring apparatus, dynamometers, water level indicators, fire escapes, flash-bulbs [photography], telephone receivers, fluorescent screens, projection screens, workmen's protective face-shields, screens [photography], drainers for use in photography, photographic racks, electric loss indicators, measuring devices, electric, cables, electric, ducts [electricity], control panels [electricity], galvanic cells, connections for electric lines, couplings, electric, connections, electric, relays, electric, electrolyzers, transmitters of electronic signals, transmitting sets [telecommunication], cleaning apparatus for phonograph records, cleaning apparatus for sound recording discs, sound recording strips, milage recorders for vehicles, kilometer recorders for vehicles, spools [photography], mechanical signs, epidiascopes, test tubes, balancing apparatus, thermostats, ergometers, material testing instruments and machines, egg-candlers, gauges, gasoline gauges, petrol gauges, spark-guards, cases especially made for photographic apparatus and instruments, testing apparatus not for medical purposes,

refractometers, exposure meters [light meters], invoicing machines, apparatus for fermentation [laboratory apparatus], railway traffic safety appliances, wires, electric, magnetic wires, plumb bobs, plumb lines, nets for protection against accidents, safety nets, life nets, safety tarpaulins, film cutting apparatus, filters for respiratory masks, filters [photography], battery chargers, high-frequency apparatus, frequency meters, fuses, radios, galena crystals [detectors], galvanic batteries, gloves for protection against accidents, gloves for divers, gloves for protection against X-rays for industrial purposes, gas testing instruments, gasometers [measuring instruments], surveying apparatus and instruments, levelling staffs [surveying instruments], rods [surveying instruments], drying apparatus for photographic prints, glazing apparatus for photographic prints, rulers [measuring instruments], measuring glassware, graduated glassware, screens for photoengraving, grids for batteries, clothing for protection against fire, garments for protection against fire, audio- and video-receivers, heliographic apparatus, holograms, hygrometers, identification threads for electric wires, identification sheaths for electric wires, life saving apparatus and equipment, fire hose nozzles, fire engines, fire pumps, slope indicators, clinometers, gradient indicators, inclinometers, taximeters, quantity indicators, vacuum gauges, speed indicators, inductors [electricity], armatures [electricity], data processing apparatus, mirrors for inspecting work, intercommunication apparatus, carriers for dark plates [photography], inverters [electricity], ionization apparatus not for the treatment of air or water, peepholes [magnifying lenses] for doors, hemline markers, furniture especially made for laboratories, lactodensimeters, lactometers, darkroom lamps [photography], optical lanterns, optical lamps, magic lanterns, signal lanterns, lasers, not for medical purposes, optical lenses, letter scales, logs [measuring instruments], sounding lines, magnifying glasses [optics], signs, luminous, neon signs, spectacles [optics], eyeglasses, instruments containing eyepieces, surveyors' levels, spectacle lenses, optical goods, pressure gauges, manometers, periscopes, protective masks, mathematical instruments, coin-operated mechanisms for television sets, megaphones, computer memory devices, carpenters' rules, mercury levels, speed measuring apparatus [photography], precision measuring apparatus, measuring instruments, meteorological instruments, rules [measuring instruments], micrometer screws for optical instruments, microphones, microtomes, time switches, automatic, mirrors [optics], breathing apparatus for underwater swimming, nautical apparatus and instruments, naval signalling apparatus, navigational instruments, spectacle frames, eyeglass frames, batteries, electric, accumulators, electric, levels [instruments for determining the horizontal], levelling instruments,

prisms [optics], observation instruments, octants, ohmmeters, wavemeters, optical apparatus and instruments, optical glass, computers, computer programmes [programs], recorded, oscillographs, oxygen transvasing apparatus, ozonisers [ozonators], micrometers, micrometer gauges, signalling panels, luminous or mechanical, lightning conductors [rods], lightning arresters, lightning conductors, parking meters, apparatus and instruments for astronomy, apparatus for measuring the thickness of skins, acid hydrometers, weighing apparatus and instruments, salinometers, washing trays [photography], stands for photographic apparatus, viewfinders, photographic, photometers, phototelegraphy apparatus, apparatus and instruments for physics, steering apparatus, automatic, for vehicles, pince-nez, pipettes, plane tables [surveying instruments], planimeters, ear plugs for divers, bells [warning devices], weights, polarimeters, radiotelephony sets, radiotelegraphy sets, pressure measuring apparatus, pressure indicators, projection apparatus, cathodic anti-corrosion apparatus, teeth protectors, pyrometers, radar apparatus, vehicle radios, radiological apparatus for industrial purposes, protractors [measuring instruments], apparatus and installations for the production of X-rays, not for medical purposes, X-ray tubes not for medical purposes, protection devices against X-rays, not for medical purposes, telephone apparatus, refractors, X-ray apparatus not for medical purposes, spectrosopes, resistances, electric, thermometers, not for medical purposes, respirators for filtering air, breathing apparatus, except for artificial respiration, rheostats, balances [steelyards], lever scales [steelyards], steelyards [lever scales], signals, luminous or mechanical, saccharometers, probes for scientific purposes, satellites for scientific purposes, diaphragms for scientific apparatus, teaching apparatus, choking coils [impedance], wire connectors [electricity], locks, electric, sextants, signalling whistles, vehicle breakdown warning triangles, electro-dynamic apparatus for the remote control of signals, simulators for the steering and control of vehicles, sirens, sound transmitting apparatus, sound recording apparatus, sound reproduction apparatus, sounding apparatus and machines, sounding leads, sound locating instruments, spectrograph apparatus, spherometers, stereoscopes, stereoscopic apparatus, needles for record players, styli for record players, sulfimeters, teleprinters, teletypewriters, tachometers, screw-tapping gauges, telegraphs [apparatus], television apparatus, telegraph wires, remote control apparatus, masts for wireless aerials, teleprompters, telephone transmitters, telerupters, binoculars, telescopes, temperature indicators, time recording apparatus, theodolites, thermostats for vehicles, totalizers, revolution counters, speed regulators for record players, transmitters [telecommunication], precision balances, marking

gauges [joinery], vacuum tubes [radio], urinometers, variometers, verniers, videotapes, viscosimeters, theft prevention installations, electric, voltage regulators for vehicles, voting machines, voltmeters, apparatus for changing record player needles, stills for laboratory experiments, fuse wire, wires of metal alloys [fuse wire], anticathodes, dog whistles, sighting telescopes for firearms, telescopic sights for firearms, anti-theft warning apparatus, azimuth instruments, beacons, luminous, holders for electric coils, films, exposed, road signs, luminous or mechanical, life buoys, signalling buoys, buzzers, directional compasses, fog signals, non-explosive, cash registers, radiology screens for industrial purposes, identity cards, magnetic, photovoltaic cells, densitometers, disks, magnetic, floppy disks, head cleaning tapes [recording], video recorders, computer keyboards, integrated circuits, semiconductors, chips [integrated circuits], cathodes, life jackets, life belts, chemistry apparatus and instruments, cinematographic film, exposed, materials for electricity mains [wires, cables], contact lenses, containers for contact lenses, incubators for bacteria culture, solar batteries, copper wire, insulated, discharge tubes, electric, other than for lighting, electric discharge tubes, other than for lighting, diaphragms [photography], distillation apparatus for scientific purposes, dosage dispensers, dosimeters, electric door bells, spectacle cases, eyeglass cases, furnaces for laboratory use, ovens for laboratory use, optical fibers [fibres] [light conducting filaments], light conducting filaments [optical fibers [fibres]], telephone wires, X-ray films, exposed, filters for ultraviolet rays, for photography, horns for loudspeakers, tripods for cameras, bar code readers, bullet-proof waistcoats [vests (Am.)], bullet-proof vests (Am.), bullet-proof waistcoats, marking buoys, wafers for integrated circuits, chromatography apparatus for laboratory use, chronographs [time recording apparatus], compact discs [audio-video], compact discs [read-only memory], computer operating programs, recorded, computer peripheral devices, computer software, recorded, optical condensers, acoustic couplers, couplers [data processing equipment], decompression chambers, plotters, divers' masks, electronic pens [visual display units], encoded magnetic cards, facsimile machines, fire boats, interfaces for computers, juke boxes for computers, knee-pads for workers, light dimmers [regulators], electric, light regulators [dimmers], electric, magnetic data media, magnetic encoders, magnetic tape units for computers, microprocessors, modems, monitors [computer hardware], monitors [computer programs], mouse [computer peripheral], optical character readers, optical data media, optical discs, printers for use with computers, processors [central processing units], central processing units [processors], readers [data processing equipment],

safety restraints, other than for vehicle seats and sports equipment, scanners [data processing equipment], smoke detectors, transistors [electronic], X-ray photographs, other than for medical purposes, junction sleeves for electric cables, abacuses, electronic agendas, answering machines, camcorders, cassette players, compact disc players, diagnostic apparatus, not for medical purposes, disk drives for computers, electrified rails for mounting spot lights, electronic pocket translators, electronic tags for goods, fire blankets, flashlights [photography], integrated circuit cards [smart cards], smart cards [integrated circuit cards], measuring spoons, notebook computers, electronic notice boards, pocket calculators, shoes for protection against accidents, irradiation and fire, sprinkler systems for fire protection, starter cables for motors, sunglasses, time clocks [time recording devices], video cassettes, video game cartridges, video screens, video telephones, goggles for sports, nose clips for divers and swimmers, protective helmets for sports, electronic publications, downloadable, computer programs [downloadable software], navigation apparatus for vehicles [on-board computers], decorative magnets, cordless telephones, mouse pads, personal stereos, wrist rests for use with computers, coaxial cables, fibre [fiber (Am.)] optic cables, covers for electric outlets, marine depth finders, electrified fences, computer game software, headphones, lighting ballasts, radio pagers, satellite navigational apparatus, solenoid valves [electromagnetic switches], voltage surge protectors, walkie-talkies, wind socks for indicating wind direction, light-emitting electronic pointers, resuscitation mannequins [teaching apparatus], stage lighting regulators, egg timers [sandglasses], hourglasses, DNA chips, DVD players, automated teller machines [ATM], traffic-light apparatus [signalling devices], hands-free kits for telephones, asbestos screens for firemen, riding helmets, clothing especially made for laboratories, encoded identification bracelets, magnetic, transponders, downloadable ring tones for mobile phones, downloadable music files, downloadable image files, crash test dummies, laboratory centrifuges, printed circuit boards, USB flash drives, Global Positioning System [GPS] apparatus, portable media players, cell phone straps, light-emitting diodes [LED], triodes, step-up transformers, laptop computers, fire hose, bags adapted for laptops, sleeves for laptops, digital photo frames, Petri dishes, Pitot tubes, stroboscopes, traffic cones, temperature indicator labels, not for medical purposes, computer software applications, downloadable, electronic book readers, smartphones, toner cartridges, unfilled, for printers and photocopiers, baby monitors, video baby monitors, lens hoods, tablet computers, encoded key cards, 3D spectacles, memory cards for video game machines, bullet-proof clothing, accelerometers,

electrical adapters, life-saving capsules for natural disasters, computer hardware, solar panels for the production of electricity, mobile telephones, cell phones, cellular phones, telescopic sights for artillery, digital signs, wearable activity trackers, chargers for electronic cigarettes, connected bracelets [measuring instruments], covers for smartphones, cases for smartphones, selfie sticks [hand-held monopods], calorimeters, flowmeters, reflective safety vests, electronic collars to train animals, joysticks for use with computers, other than for video games, smartglasses, smartwatches, fire extinguishing apparatus, protective films adapted for computer screens, mouth guards for sports, head guards for sports, glasses, spectacles, eyeglasses, protective glasses, goggles, safety glasses, sun glasses, sports glasses, sports goggles, compasses, binoculars, spyglasses, monoculars, night vision goggles, helmets, safety helmets, crash helmets, protective masks, protection masks, whistles, whistle alarms, sirens, hooters, diaphones, knee pads for workers, protective elbow protectors for use against accidents [other than sports articles], batteries, swimming face masks, face protection shields, shields for protecting the body against injury; couplers, helmets; electronic tags, electronic security tags, electronic tags for goods; tags for identifying electric cables, tags for identifying electric conductors, tags for identifying electric wire (terms too vague in the opinion of the International Bureau – Rule 13(2)(b) of the Common Regulations).

11 – Watering installations, automatic, heat accumulators, acetylene burners, acetylene generators, acetylene flares, ventilation hoods, lighting installations for air vehicles, hot air ovens, air deodorising apparatus, air cooling apparatus, filters for air conditioning, air reheaters, air driers [dryers], air driers, air dryers, air conditioning installations, installations for conditioning air, air filtering installations, hot air apparatus, hot air bath fittings, friction lighters for igniting gas, gas lighters, lighters, light bulbs, light bulbs, electric, arc lamps, electric lamps, structural plates for ovens, framework of metal for ovens, refrigerating cabinets, lights for vehicles, pressure cooking saucepans, electric, anti-dazzle devices for automobiles [lamp fittings], headlights for automobiles, coolers for furnaces, cooling vats for furnaces, bath tubs, bath tubs for sitz baths, Turkish bath cabinets, portable, bath fittings, heaters for baths, bath installations, bath plumbing fixtures, lamps, lanterns for lighting, lamp mantles, lamp casings, incandescent burners, burners for lamps, bicycle lights, bidets, boilers, other than parts of machines, kilns, hydrants, radiator caps, pocket torches, electric, pocket searchlights, water heaters, bakers' ovens, anti-splash tap nozzles, roasting jacks, roasting spits, laboratory burners, flare stacks for use in the oil industry, burners, germicidal burners, laundry room boilers,

washing coppers, toilets, portable, fans [air-conditioning], coffee roasters, heating apparatus, taps [cocks, spigots] [faucets (Am.)] for pipes, faucets for pipes (Am.), pipe line cocks [spigots], heat regenerators, oven fittings made of fireclay, light bulbs for directional signals for vehicles, carbon for arc lamps, heating installations, loading apparatus for furnaces, flushing tanks, heating installations [water], hot water heating installations, heating boilers, boiler pipes [tubes] for heating installations, air conditioners for vehicles, heating apparatus for solid, liquid or gaseous fuels, heaters for vehicles, heating apparatus, electric, central heating radiators, humidifiers for central heating radiators, heating elements, heaters for heating irons, footwarmers, electric or non-electric, footmuffs, electrically heated, plate warmers, immersion heaters, lamp glasses, lamp chimneys, chimney flues, chimney blowers, hair driers [dryers], hair driers, hair dryers, water distribution installations, drying apparatus, air conditioning apparatus, glue-heating appliances, distillation columns, fuel economisers, fuel economizers, pipes [parts of sanitary installations], water-pipes for sanitary installations, water conduits installations, toilets [water-closets], water closets, freezers, cooking utensils, electric, cookers, cooking apparatus and installations, motorcycle lights, discharge tubes, electric, for lighting, defrosters for vehicles, disinfectant dispensers for toilets, disinfectant distributors for toilets, disinfectant apparatus, desalination plants, desiccating apparatus, light diffusers, beverage cooling apparatus, distillation apparatus, showers, sockets for electric lights, water purification installations, water filtering apparatus, cooling installations for water, fountains, pressure water tanks, water sterilizers, heat exchangers, not parts of machines, lighting apparatus and installations, chandeliers, purification installations for sewage, ceiling lights, radiators, electric, gas scrubbing apparatus, stoves, drying apparatus for fodder and forage, forage drying apparatus, evaporators, stoves [heating apparatus], filaments for electric lamps, filters for drinking water, flares, forges, portable, furnaces, other than for laboratory use, ovens, other than for laboratory use, fittings, shaped, for furnaces, fittings, shaped, for ovens, shaped fittings for furnaces, shaped fittings for ovens, furnace grates, fire bars, hearths, furnace ash boxes, ash pits for furnaces, refrigerating apparatus and machines, refrigerating chambers, walk-in refrigerators, refrigerating containers, curling lamps, fruit roasters, gas scrubbers [parts of gas installations], scrubbers [parts of gas installations], gas burners, gas boilers, gas lamps, steam boilers, other than parts of machines, germicidal lamps for purifying air, ice machines and apparatus, ice boxes, ice chests, lamp globes, globes for lamps, hot plates, bread toasters, toasters, roasting apparatus, griddles

[cooking appliances], grills [cooking appliances], incinerators, ionization apparatus for the treatment of air or water, ornamental fountains, laboratory lamps, milk cooling installations, pasteurisers, oil lamps, ultraviolet ray lamps, not for medical purposes, safety lamps, lamp reflectors, Chinese lanterns, fairy lights for festive decoration, wash-hand basins [parts of sanitary installations], wash-hand bowls [parts of sanitary installations], cooling installations for liquids, luminous tubes for lighting, magnesium filaments for lighting, malt roasters, miners' lamps, processing installations for fuel and nuclear moderating material, installations for processing nuclear fuel and nuclear moderating material, level controlling valves in tanks, lights, electric, for Christmas trees, electric lights for Christmas trees, luminous house numbers, oxyhydrogen burners, radiators [heating], oil burners, vehicle headlights, heating plates, torches for lighting, flashlights [torches], searchlights, polymerisation installations, kitchen ranges [ovens], air valves for steam heating installations, water purifying apparatus and machines, air purifying apparatus and machines, refining towers for distillation, cooling installations and machines, cooking rings, water heaters [apparatus], vehicle reflectors, refrigerating appliances and installations, cooling appliances and installations, dampers [heating], regulating accessories for water or gas apparatus and pipes, safety accessories for water or gas apparatus and pipes, taps [faucets], washers for water taps, rotisseries, sanitary apparatus and installations, drying apparatus and installations, hand drying apparatus for washrooms, coils [parts of distilling, heating or cooling installations], fans [parts of air-conditioning installations], sterilizers, cooling installations for tobacco, tobacco roasters, lighting apparatus for vehicles, roasters, ash conveyor installations, automatic, steam generating installations, ventilation [air-conditioning] installations and apparatus, ventilation [air-conditioning] installations for vehicles, toilet bowls, toilet seats, lamp shades, lampshade holders, mixer taps for water pipes, regulating and safety accessories for gas pipes, regulating and safety accessories for water apparatus, steam accumulators, water softening apparatus and installations, ventilation hoods for laboratories, air sterilisers, stills, alcohol burners, petrol burners, anti-glare devices for vehicles [lamp fittings], anti-dazzle devices for vehicles [lamp fittings], heating apparatus for defrosting windows of vehicles, brackets for gas burners, water supply installations, nuclear reactors, atomic piles, autoclaves [electric pressure cookers], pressure cookers [autoclaves], electric, lamps for directional signals of automobiles, lights for automobiles, automobile lights, heaters, electric, for feeding bottles, waffle irons, electric, regulating and safety accessories for gas apparatus, coffee percolators,

electric, coffee machines, electric, street lamps, standard lamps, flues for heating boilers, barbecues, deep fryers, electric, fireplaces, domestic, heat pumps, solar thermal collectors [heating], solar furnaces, tanning apparatus [sun beds], water flushing installations, flushing apparatus, feeding apparatus for heating boilers, refrigerators, deodorising apparatus, not for personal use, water intake apparatus, oil-scrubbing apparatus, fumigation apparatus, not for medical purposes, kiln furniture [supports], pocket warmers, spa baths [vessels], chromatography apparatus for industrial purposes, heating filaments, electric, gas condensers, other than parts of machines, heating cushions [pads], electric, not for medical purposes, heating pads [cushions], electric, not for medical purposes, sauna bath installations, shower cubicles [enclosures (Am.)], sinks, steam facial apparatus [saunas], urinals [sanitary fixtures], hot water bottles, kettles, electric, bed warmers, blankets, electric, not for medical purposes, warming pans, aquarium filtration apparatus, aquarium heaters, aquarium lights, electrically heated carpets, dental ovens, electric appliances for making yogurt, expansion tanks for central heating installations, extractor hoods for kitchens, electric fans for personal use, laundry dryers, electric, microwave ovens [cooking apparatus], swimming pool chlorinating apparatus, thermostatic valves [parts of heating installations], whirlpool-jet apparatus, apparatus for dehydrating food waste, diving lights, drip irrigation emitters [irrigation fittings], disposable sterilization pouches, clean chambers [sanitary installations], lava rocks for use in barbecue grills, watering machines for agricultural purposes, microwave ovens for industrial purposes, bread baking machines, refrigerating display cabinets, fabric steamers, bread-making machines, light-emitting diodes [LED] lighting apparatus, hydromassage bath apparatus, heated display cabinets, multicookers, food steamers, electric, tortilla presses, electric, book sterilization apparatus, lamps, lights, camping lights, torches, flashlights, pocket lamps, petroleum lamps, paraffin lamps, kerosine lamps, lanterns, hand lanterns, storm lamps, headlamps, inspection lamps, electric torches, portable spotlight, glow sticks, chemlights, snaplights/flints, cookers, stoves, electric cookers, electric kettles; stoves (not electric); combustible torch heads, welding heads, burner heads, heater heads, magnesium starters, ignition aid made of magnesium integrated firestone (included in this class) (terms too vague in the opinion of the International Bureau – Rule 13(2)(b) of the Common Regulations); hand warmers, electric.

14 – Agates, clock hands, ingots of precious metals, jewellery of yellow amber, jewelry of yellow amber, pearls made of ambroid [pressed amber], amulets [jewellery, jewelry (Am.)], spun silver [silver wire], silver thread [jewellery, jewelry (Am.)], clocks,

pendulums [clock- and watchmaking], barrels [clock- and watchmaking], bracelets [jewellery, jewelry (Am.)], wristwatches, watch bands, straps for wristwatches, watch straps, charms [jewellery, jewelry (Am.)], trinkets [jewellery, jewelry (Am.)], brooches [jewellery, jewelry (Am.)], dials [clock- and watchmaking], sundials, clockworks, chains [jewellery, jewelry (Am.)], watch chains, chronographs [watches], chronometers, chronoscopes, chronometric instruments, necklaces [jewellery, jewelry (Am.)], clocks and watches, electric, tie clips, coins, diamonds, threads of precious metal [jewellery, jewelry (Am.)], wire of precious metal [jewellery, jewelry (Am.)], atomic clocks, control clocks [master clocks], master clocks, clock cases, iridium, ivory jewellery, ivory jewelry, ornaments of jet, jet, unwrought or semi-wrought, copper tokens, jewellery, jewelry, lockets [jewellery, jewelry (Am.)], medals, precious metals, unwrought or semi-wrought, watches, watch springs, watch glasses, watch crystals, movements for clocks and watches, olivine [gems], peridot, gold, unwrought or beaten, gold thread [jewellery, jewelry (Am.)], osmium, palladium, ornaments [jewellery, jewelry (Am.)], ornamental pins, pearls [jewellery, jewelry (Am.)], semi-precious stones, precious stones, platinum [metal], alarm clocks, rhodium, ruthenium, spinel [precious stones], statues of precious metal, paste jewellery [costume jewelry (Am.)], paste jewellery, paste jewelry [costume jewelry], alloys of precious metal, anchors [clock- and watchmaking], rings [jewellery, jewelry (Am.)], works of art of precious metal, boxes of precious metal, hat ornaments of precious metal, earrings, shoe ornaments of precious metal, cuff links, busts of precious metal, watch cases [parts of watches], presentation boxes for watches, figurines [statuettes] of precious metal, statuettes of precious metal, pins [jewellery, jewelry (Am.)], tie pins, badges of precious metal, key rings [trinkets or fobs], key chains [trinkets or fobs], silver, unwrought or beaten, stopwatches, cloisonné jewellery [jewelry (Am.)], jewellery boxes, jewelry boxes, beads for making jewellery, beads for making jewelry, clasps for jewellery, clasps for jewelry, jewellery findings, jewelry findings, jewellery rolls, jewelry rolls, cabochons for making jewellery, cabochons for making jewelry, split rings of precious metal for keys, presentation boxes for jewellery, presentation boxes for jewelry, watch hands, jewelry, false jewelry, fashion jewelry, costume jewelry, necklaces, necklets, bracelets, arm chain, chains, rings, watches, clocks, chronometers, watchstraps, watch bracelets, watchband, key rings, key fobs, key chains, badges of precious metal, insignias of precious metal, key tags [trinkets or fobs]; key tags of common metal.

16 – Steel letters, steel pens, adhesive tape dispensers [office requisites], address stamps, addressing machines, paper, posters, advertisement

boards of paper or cardboard, franking machines for office use, postage meters for office use, clips for offices, staples for offices, pen clips, stapling presses [office requisites], albums, scrapbooks, pictures, prints [engravings], cigar bands, pencil sharpening machines, electric or non-electric, bookends, hand-rests for painters, aquarelles, watercolors [paintings], watercolours [paintings], architects' models, document files [stationery], writing slates, slate pencils, silver paper, modelling clay, arithmetical tables, calculating tables, engravings, lithographic works of art, paintings [pictures], framed or unframed, pencils, newspapers, periodicals, atlases, loose-leaf binders, gummed tape [stationery], mats for beer glasses, tickets, biological samples for use in microscopy [teaching materials], printing blocks, drawing pads, pads [stationery], spools for inking ribbons, wristbands for the retention of writing instruments, pamphlets, embroidery designs [patterns], drawing pins, thumbtacks, moisteners [office requisites], painters' brushes, blotters, stamps [seals], sealing stamps, inking pads, sealing wax, sealing machines for offices, sealing compounds for stationery purposes, writing or drawing books, trays for sorting and counting money, tracing patterns, tracing paper, tracing cloth, finger-stalls [office requisites], printing type, carbon paper, paper for recording machines, note books, square rulers, cards, charts, teaching materials [except apparatus], index cards [stationery], paper sheets [stationery], cardboard, hat boxes of cardboard, perforated cards for Jacquard looms, cardboard tubes, catalogues, tags for index cards, song books, rosaries, chaplets, composing frames [printing], folders for papers, jackets for papers, painters' easels, numbers [type], Indian inks, chromolithographs [chromos], chromos, modelling wax, not for dental purposes, files [office requisites], office perforators, toilet paper, hygienic paper, books, compasses for drawing, type [numerals and letters], letters [type], composing sticks, letter trays, conical paper bags, correcting fluids [office requisites], correcting ink [heliography], pencil leads, histological sections for teaching purposes, French curves, covers [stationery], wrappers [stationery], writing chalk, chalk for lithography, tailors' chalk, chalk holders, pencil holders, pencil lead holders, cream containers of paper, paper clasps, rollers for typewriters, transfers [decalcomanias], decalcomanias, graphic prints, graining combs, drawing boards, drawing materials, drawing instruments, diagrams, envelopes [stationery], duplicators, etchings, wrapping paper, packing paper, nibs, typewriters, electric or non-electric, pen cases, boxes for pens, nibs of gold, erasing products, writing materials, shields [paper seals], erasing shields, rubber erasers, electrocardiograph paper, punches [office requisites], ink, inking ribbons, inkwells, envelope sealing machines, for offices, photographs [printed], pen wipers, seals

[stamps], fabrics for bookbinding, drawing sets, ledgers [books], indexes, figurines [statuettes] of papier mâché, filter paper, filtering materials [paper], forms, printed, office requisites, except furniture, charcoal pencils, stencils [stationery], galley racks [printing], electrotypes, geographical maps, terrestrial globes, artists' watercolor [watercolour] saucers, watercolor [watercolour] saucers for artists, artists' watercolor saucers, artists' watercolour saucers, graphic reproductions, graphic representations, scrapers [erasers] for offices, engraving plates, hectographs, printed timetables, moisteners for gummed surfaces [office requisites], postcards, printed matter, hand labelling appliances, printers' blankets, not of textile, printing sets, portable [office requisites], printed publications, manuals [handbooks], handbooks [manuals], writing paper, paperweights, tracing needles for drawing purposes, drawing pens, table linen of paper, lithographs, lithographic stones, booklets, luminous paper, papier mâché, manifolds [stationery], marking chalk, plastics for modelling, modelling materials, modelling paste, handkerchiefs of paper, inking sheets for duplicators, tablecloths of paper, blackboards, paper-clips, numbering apparatus, oleographs, binding strips [bookbinding], sealing wafers, palettes for painters, pantographs [drawing instruments], stationery, parchment paper, pastels [crayons], sewing patterns, stencil cases, house painters' rollers, canvas for painting, paint boxes [articles for use in school], plastic film for wrapping, apparatus for mounting photographs, photograph stands, photo-engravings, blueprints, plans, folders [stationery], fountain pens, stencil plates, stencils, portraits, flower-pot covers of paper, covers of paper for flower pots, mimeograph apparatus and machines, paper tapes and cards for the recordal of computer programmes, prospectuses, paper for radiograms, drawing rulers, printers' reglets, bookbinding material, bookbindings, cloth for bookbinding, bookbinding cloth, cords for bookbinding, bookbinding cords, inking sheets for document reproducing machines, pens [office requisites], magazines [periodicals], paper ribbons, typewriter ribbons, bags [envelopes, pouches] of paper or plastics, for packaging, stamp pads, school supplies [stationery], bookmarkers, greeting cards, steatite [tailor's chalk], balls for ball-point pens, tablemats of paper, desk mats, typewriter keys, holders for stamps [seals], cases for stamps [seals], postage stamps, stamp stands, transparencies [stationery], vignetting apparatus, gluten [glue] for stationery or household purposes, adhesives [glues] for stationery or household purposes, adhesive tapes for stationery or household purposes, adhesive bands for stationery or household purposes, address plates for addressing machines, almanacs, calendars, starch paste [adhesive] for stationery or household purposes, paintbrushes, self-adhesive tapes for

stationery or household purposes, elastic bands for offices, bibs of paper, wood pulp board [stationery], wood pulp paper, boxes of cardboard or paper, stands for pens and pencils, bottle envelopes of cardboard or paper, coasters of paper, announcement cards [stationery], plastic bubble packs for wrapping or packaging, flags of paper, paper shredders for office use, sheets of reclaimed cellulose for wrapping, cabinets for stationery [office requisites], glue for stationery or household purposes, pastes for stationery or household purposes, paper knives [cutters] [office requisites], paper cutters [office requisites], paper knives [office requisites], garbage bags of paper or of plastics, pencil sharpeners, electric or non-electric, tissues of paper for removing make-up, table napkins of paper, place mats of paper, drawing squares, drawing T-squares, penholders, writing cases [stationery], inkstands, writing cases [sets], handwriting specimens for copying, bottle wrappers of cardboard or paper, placards of paper or cardboard, towels of paper, face towels of paper, labels, not of textile, etching needles, viscose sheets for wrapping, gums [adhesives] for stationery or household purposes, gummed cloth for stationery purposes, isinglass for stationery or household purposes, bags for microwave cooking, paper coffee filters, plastic cling film, extensible, for palletization, inking ribbons for computer printers, signboards of paper or cardboard, stickers [stationery], bookbinding apparatus and machines [office equipment], comic books, copying paper [stationery], holders for checkbooks [cheque books], ink sticks, ink stones [ink reservoirs], musical greeting cards, newsletters, packaging material made of starches, waxed paper, passport holders, writing brushes, writing instruments, drawer liners of paper, perfumed or not, credit card imprinters, non-electric, document laminators for office use, Xuan paper for Chinese painting and calligraphy, writing board erasers, clipboards, chart pointers, non-electronic, paper bows, moulds for modelling clays [artists' materials], molds for modelling clays [artists' materials], money clips, trading cards other than for games, absorbent sheets of paper or plastic for foodstuff packaging, humidity control sheets of paper or plastic for foodstuff packaging, correcting tapes [office requisites], paint trays, marking pens [stationery], flyers, document holders [stationery], page holders, polymer modelling clay, obliterating stamps, packing [cushioning, stuffing] materials of paper or cardboard, stuffing of paper or cardboard, banknotes, spray chalk, printed coupons, rice paper, printing blocks, pads (stationery), sketch blocks, drawing pads, pens, pencils, stationery, office supplies, document folders, adhesive tapes; paper emblems, printed emblems, printed emblems (decalcomanias); paper tags, prices tags, gift tags,

paper gift tags, paper identification tags, tags for index cards, baggage tags of paper.

18 – Mountaineering sticks, alpenstocks, animal skins, pelts, umbrella rings, saddle trees, leather leashes, leather leads, fastenings for saddles, umbrella or parasol ribs, goldbeaters' skin, gut for making sausages, purses, bridoons, straps for soldiers' equipment, music cases, umbrella sticks, canes, walking sticks, walking stick seats, bits for animals [harness], frames for umbrellas or parasols, game bags [hunting accessories], school bags, school satchels, card cases [notecases], leatherboard, hat boxes of leather, horse collars, horse blankets, kid, muzzles, travelling trunks, collars for animals, leather laces, curried skins, harness straps, harness traces, straps of leather [saddlery], straps for skates, leather straps, leather thongs, butts [parts of hides], leather, unworked or semi-worked, leather twist, leather thread, trimmings of leather for furniture, leather trimmings for furniture, imitation leather, umbrellas, sling bags for carrying infants, parts of rubber for stirrups, stirrup leathers, tool bags, empty, whips, nose bags [feed bags], umbrella covers, casings, of leather, for springs, casings, of leather, for plate springs, knee-pads for horses, covers for animals, clothing for pets, harness for animals, blinkers [harness], blinders [harness], traces [harness], rucksacks, backpacks, halters, head-stalls, walking stick handles, walking cane handles, cat o' nine tails, chin straps, of leather, moleskin [imitation of leather], handbag frames, parasols, fur, fur-skins, umbrella handles, pocket wallets, wheeled shopping bags, shopping bags, reins, attaché cases, bags for climbers, bags for campers, beach bags, handbags, travelling bags, bags [envelopes, pouches] of leather, for packaging, envelopes, of leather, for packaging, pouches, of leather, for packaging, girths of leather, riding saddles, saddlery, briefcases, travelling sets [leatherware], valises, suitcase handles, valves of leather, cattle skins, boxes of leather or leatherboard, chain mesh purses, cases of leather or leatherboard, trunks [luggage], vanity cases, not fitted, chamois leather, other than for cleaning purposes, skins of chamois, other than for cleaning purposes, shoulder belts [straps] of leather, bandoliers, leather shoulder belts, leather shoulder straps, covers for horse saddles, boxes of vulcanised fibre, haversacks, garment bags for travel, bridles [harness], key cases, net bags for shopping, suitcases, furniture coverings of leather, pads for horse saddles, bags for sports, stirrups, harness fittings, horseshoes, slings for carrying infants, pouch baby carriers, bags, credit card cases [wallets], business card cases, randels [Japanese school satchels], luggage tags, saddlecloths for horses; luggage tags, luggage tags [leatherware]; luggage tags of paper, luggage tags of cardboard.

20 – Beehives, display boards, decorations of plastic

for foodstuffs, yellow amber, stuffed animals, beds for household pets, nesting boxes for household pets, kennels for household pets, animal claws, curtain rings, silvered glass [mirrors], cupboards, medicine cabinets, clips, not of metal, for cables and pipes, casks of wood for decanting wine, whalebone, unworked or semi-worked, bamboo, benches [furniture], fishing baskets, playpens for babies, cots, bassinets, cradles, library shelves, reels of wood for yarn, silk, cord, bedsteads of wood, wood ribbon, corks for bottles, corks, bottle racks, embroidery frames, brush mountings, sideboards, animal horns, desks, office furniture, costume stands, comb foundations for beehives, sections of wood for beehives, furniture, taps, not of metal, for casks, index cabinets [furniture], filing cabinets, tortoiseshell imitation, screens for fireplaces [furniture], coffins, coffin fittings, not of metal, stag antlers, seats, chairs [seats], easy chairs, head-rests [furniture], hat stands, loading pallets, not of metal, loading gauge rods, not of metal, for railway waggons [wagons], hinges, not of metal, display stands, dog kennels, coat hangers, clothes hangers, shelves for file cabinets, armchairs, tailors' dummies, dressmakers' dummies, mannequins, containers, not of metal, for liquid fuel, chests of drawers, counters [tables], containers, not of metal [storage, transport], floating containers, not of metal, tables, coral, trays, not of metal, horn, unworked or semi-worked, knife handles, not of metal, corozo, bedding, except linen, cushions, mattresses, coathooks, not of metal, hooks, not of metal, for clothes rails, vats, not of metal, tea trolleys, tea carts, drafting tables, towel dispensers, fixed, not of metal, towel dispensers, not of metal, fixed, divans, staves of wood, cabinet work, tortoiseshell, oyster shells, stakes for plants or trees, ladders of wood or plastics, mobile boarding stairs, not of metal, for passengers, school furniture, typing desks, shelves for typewriters, placards of wood or plastics, nuts, not of metal, meerschaum, mats, removable, for sinks, removable mats or covers for sinks, packaging containers of plastic, curtain holders, not of textile material, beds, reels, not of metal, non-mechanical, for flexible hoses, winding spools, not of metal, non-mechanical, for flexible hoses, stair rods, work benches, racks [furniture], nesting boxes, fans for personal use, non-electric, scythe handles, not of metal, closures, not of metal, for containers, furniture fittings, not of metal, flower-stands [furniture], flower-pot pedestals, fodder racks, gun racks, casks, not of metal, cask stands, not of metal, curtain rollers, meat chests, not of metal, window fittings, not of metal, bed fittings, not of metal, door fittings, not of metal, chopping blocks [tables], flagpoles, crates, covers for clothing [wardrobe], numberplates, not of metal, registration plates, not of metal, ivory, unworked or semi-worked, furniture of metal, rattan, newspaper display stands, magazine racks, slatted indoor blinds,

washstands [furniture], hospital beds, bed casters, not of metal, latches, not of metal, lecterns, tool handles, not of metal, hampers [baskets], coatstands, transport pallets, not of metal, handling pallets, not of metal, steps [ladders], not of metal, furniture partitions of wood, partitions of wood for furniture, furniture casters, not of metal, honeycombs, mobiles [decoration], standing desks, mother-of-pearl, unworked or semi-worked, nameplates, not of metal, identity plates, not of metal, house numbers, not of metal, non-luminous, stuffed birds, pillows, air pillows, not for medical purposes, straw mattresses, straw mattress, plaited straw, except matting, straw plaits, straw edgings, bakers' bread baskets, umbrella stands, screens [furniture], clothes hooks, not of metal, bead curtains for decoration, tent pegs, not of metal, table tops, doors for furniture, curtain rails, furniture shelves, edgings of plastic for furniture, reservoirs, not of metal nor of masonry, tanks, not of metal nor of masonry, curtain rods, curtain hooks, curtain tie-backs, reeds [plaiting materials], animal hooves, writing desks, locks, not of metal, for vehicles, seats of metal, sofas, settees, bed bases, valves, not of metal, other than parts of machines, statues of wood, wax, plaster or plastic, tables of metal, dressing tables, moldings [mouldings] for picture frames, moldings for picture frames, mouldings for picture frames, shelves for storage, lockers, mirrors [looking glasses], deck chairs, bolsters, trestles [furniture], keyboards for hanging keys, plate racks, wickerwork, showcases [furniture], air cushions, not for medical purposes, air mattresses, not for medical purposes, ambroid bars, ambroid plates, works of art of wood, wax, plaster or plastic, troughs, not of metal, for mixing mortar, bins, not of metal, chests, not of metal, broom handles, not of metal, vice benches, not of metal, barrels, not of metal, cask hoops, not of metal, barrel hoops, not of metal, stands for calculating machines, plugs, not of metal, bungs, not of metal, stoppers, not of metal, sealing caps, not of metal, screws, not of metal, rivets, not of metal, dowels, not of metal, pegs [pins], not of metal, pins [pegs], not of metal, bolts, not of metal, bottle caps, not of metal, bottle closures, not of metal, stoppers for bottles, not of glass, metal or rubber, identification bracelets, not of metal, dinner wagons [furniture], busts of wood, wax, plaster or plastic, binding screws, not of metal, for cables, picture frames, picture frame brackets, picture rods [frames], cases of wood or plastic, bins of wood or plastic, boxes of wood or plastic, massage tables, hydrostatic [water] beds, not for medical purposes, hydrostatic beds, not for medical purposes, water beds, not for medical purposes, drain traps [valves] of plastic, plugs [dowels], not of metal, wall plugs, not of metal, shells, sleeping bags for camping, footstools, stools, water-pipe valves of plastic, bottle casings of wood, figurines [statuettes] of wood, wax, plaster or plastic,

statuettes of wood, wax, plaster or plastic, locks, other than electric, not of metal, hairdressers' chairs, poles, not of metal, baskets, not of metal, letter boxes, not of metal or masonry, mooring buoys, not of metal, garment covers [storage], signboards of wood or plastics, trolleys [furniture], bamboo curtains, chests for toys, high chairs for babies, infant walkers, inflatable publicity objects, plastic key cards, not encoded and not magnetic, mirror tiles, pulleys of plastics for blinds, saw horses, scratching posts for cats, shoulder poles [yokes], trolleys for computers [furniture], carts for computers [furniture], funerary urns, wind chimes [decoration], woven timber blinds [furniture], book rests [furniture], pet cushions, indoor window blinds [shades] [furniture], indoor window shades [furniture], door handles, not of metal, hand-held mirrors [toilet mirrors], mats for infant playpens, towel stands [furniture], knobs, not of metal, wall-mounted baby changing platforms, baby changing mats, door bolts, not of metal, paper blinds, interior textile window blinds, door bells, not of metal, non-electric, freestanding partitions [furniture], screw tops, not of metal, for bottles, door knockers, not of metal, saw benches [furniture], inflatable furniture, step stools, not of metal, bathtub grab bars, not of metal, collars, not of metal, for fastening pipes, jewellery organizer displays, jewelry organizer displays, sleeping pads, sleeping mats, split rings, not of metal, for keys, dispensers for dog waste bags, fixed, not of metal, door stops, not of metal or rubber, window stops, not of metal or rubber, sash fasteners, not of metal, for windows, window fasteners, not of metal, door fasteners, not of metal, tool boxes, not of metal, empty, tool chests, not of metal, empty, shelving units, camping furniture, chairs, folding chairs, stools, camp beds, cots, folding tables, folding bunk, foldable loungers, folding bed air mattress, airbed, sleeping bags, badges, insignia, emblems, identifications tags (made not from precious metal), boxes, crates, cases (made not from metal), decorative items and objects, tent pegs (made not from precious metal), plastic figures, plastic statuettes, sleeping mats, thermal mats, sleeping pads, camping mats (for sleeping purposes); boxes, crates, cases, bins, coffers, and hutches, all made from non-metal material and plastics, transport boxes made from non-metal material and plastics, identification tags and badges made from non-metal material; non-metal dog tags, plastic ear tags for livestock, identification tags, not of metal; non-metal identification bracelets (not jewellery).

21 – Drinking troughs, feeding troughs, steel wool for cleaning, washing boards, thermally insulated containers for food, carpet beaters [hand instruments], glass bulbs [receptacles], glass vials [receptacles], animal bristles [brushware], poultry rings, nozzles for watering hose, watering devices,

sprinkling devices, brushes, sprinklers, watering cans, bread baskets, domestic, rings for birds, bird baths, brooms, carpet sweepers, glass flasks [containers], buckets, pails, basins [receptacles], cooking pot sets, spouts, currycombs, butter dishes, butter-dish covers, beer mugs, glass jars [carboys], drinking vessels, heat-insulated containers for beverages, boxes for dispensing paper towels, soap boxes, tea caddies, bowls [basins], basins [bowls], demijohns, carboys, boot jacks, glass stoppers, glass caps, corkscrews, electric and non-electric, glass bowls, bottles, insulating flasks, vacuum bottles, refrigerating bottles, bottle openers, electric and non-electric, cooking skewers of metal, cooking pins of metal, nail brushes, toilet brushes, lamp-glass brushes, brush goods, material for brush-making, hair for brushes, perfume burners, cruets, cabarets [trays], birdcages, sifters [household utensils], heat-insulated containers, decanters, menu card holders, stew-pans, saucepan scourers of metal, cinder sifters [household utensils], ceramics for household purposes, fly swatters, cauldrons, brushes for footwear, horse brushes, mangers for animals, combs for animals, combs, rags [cloth] for cleaning, cloths for cleaning, rags for cleaning, china ornaments, moulds [kitchen utensils], molds [kitchen utensils], apparatus for wax-polishing, non-electric, cocktail shakers, glue-pots, glasses [receptacles], drinking horns, cosmetic utensils, strainers for household purposes, fruit cups, knife rests for the table, closures for pot lids, pot lids, ironing board covers, shaped, tie presses, blenders, non-electric, for household purposes, sieves [household utensils], crystal [glassware], ice cube molds [moulds], ice cube molds, ice cube moulds, polishing leather, cooking pots, scoops [tableware], cookery molds [moulds], cleaning instruments, hand-operated, toothpicks, washtubs, plates to prevent milk boiling over, cutting boards for the kitchen, large-toothed combs for the hair, dusting apparatus, non-electric, flat-iron stands, powdered glass for decoration, toilet cases, fitted vanity cases, toilet paper dispensers, soap dispensers, siphon bottles for carbonated water, enamelled glass, not for building, shoe trees [stretchers], funnels, spice sets, toilet sponges, sponge holders, furniture dusters, drying racks for laundry, buckets made of woven fabrics, comb cases, earthenware, crockery, holders for flowers and plants [flower arranging], flower pots, whisks, non-electric, for household purposes, mops, frying pans, scrubbing brushes, fruit presses, non-electric, for household purposes, smoke absorbers for household purposes, mess-tins, glove stretchers, cake molds [moulds], plate glass [raw material], drinking bottles for sports, grills [cooking utensils], griddles [cooking utensils], grill supports, gridiron supports, tar-brushes, long handled, powder puffs, glass, unworked or semi-worked, except building glass, insect traps, glass wool other than for

insulation, pots, vegetable dishes, liqueur sets, basting spoons [cooking utensils], majolica, kitchen grinders, non-electric, utensils for household purposes, crumb trays, mosaics of glass, not for building, mills for domestic purposes, hand-operated, wool waste for cleaning, nest eggs, artificial, egg cups, opal glass, opaline glass, scouring pads, pads for cleaning, bread boards, fitted picnic baskets, including dishes, trouser presses, paper plates, strainers, rolling pins, domestic, electric combs, pie servers, tart scoops, pipettes [wine-tasters], wine tasters [siphons], ironing boards, trays for domestic purposes, of paper, earthenware saucepans, nozzles for watering cans, roses for watering cans, pepper mills, hand-operated, pepper pots, polishing apparatus and machines, for household purposes, non-electric, polishing materials for making shiny, except preparations, paper and stone, pig bristles, porcelain ware, vases, soap holders, dishes for soap, chamber pots, pottery, dustbins, garbage cans, refuse bins, trash cans, powder compacts, ice buckets, coolers [ice pails], ice pails, graters for kitchen use, rat traps, containers for household or kitchen use, napkin rings, salad bowls, salt cellars, salt shakers, syringes for watering flowers and plants, sprinklers for watering flowers and plants, services [dishes], dishes, tea services [tableware], napkin holders, vessels of metal for making ices and iced drinks, saucers, shoe horns, soup bowls, eyebrow brushes, mouse traps, statues of porcelain, ceramic, earthenware or glass, sugar bowls, epergnes, cups, clothing stretchers, stretchers for clothing, teapots, buttonhooks, piggy banks, toilet utensils, urns, tableware, other than knives, forks and spoons, perfume vaporizers, perfume sprayers, glass incorporating fine electrical conductors, painted glassware, glass for vehicle windows [semi-finished product], mugs, aerosol dispensers, not for medical purposes, works of art of porcelain, ceramic, earthenware or glass, table plates, autoclaves [pressure cookers], non-electric, pressure cookers [autoclaves], non-electric, beaters, non-electric, heaters for feeding bottles, non-electric, shaving brushes, shaving brush stands, stands for shaving brushes, candle rings, boxes of glass, candy boxes, boxes for sweetmeats, candelabra [candlesticks], candlesticks, kettles, non-electric, tea infusers, tea balls, toothbrushes, electric brushes, except parts of machines, busts of porcelain, ceramic, earthenware or glass, flower-pot covers, not of paper, covers, not of paper, for flower pots, coffee grinders, hand-operated, coffee services [tableware], coffee filters, non-electric, coffee percolators, non-electric, coasters, not of paper and other than table linen, abrasive pads for kitchen purposes, deep fryers, non-electric, non-electric portable coldboxes, non-electric portable coolers (Am.), water apparatus for cleaning teeth and gums, chamois leather for cleaning, buckskin for cleaning, skins of chamois for

cleaning, wax-polishing appliances, non-electric, for shoes, cheese-dish covers, baskets for domestic use, trays for domestic purposes, cotton waste for cleaning, dish covers, covers for dishes, trivets [table utensils], jugs, pitchers, kitchen containers, kitchen utensils, cooking utensils, non-electric, toothpick holders, toothbrushes, electric, deodorising apparatus for personal use, brushes for cleaning tanks and containers, signboards of porcelain or glass, sponges for household purposes, feather-dusters, dusting cloths [rags], vitreous silica fibers [fibres], not for textile use, fibreglass other than for insulation or textile use, fibreglass other than for insulation or textile use, figurines [statuettes] of porcelain, ceramic, earthenware or glass, statuettes of porcelain, ceramic, earthenware or glass, fibreglass thread, not for textile use, fibreglass thread, not for textile use, coffeepots, non-electric, tea strainers, flasks, gloves for household purposes, tankards, cruet sets for oil and vinegar, polishing gloves, candle extinguishers, baby baths, portable, cages for household pets, cloth for washing floors, dishwashing brushes, indoor terrariums [plant cultivation], litter boxes [trays] for pets, litter trays for pets, fused silica [semi-worked product], other than for building, waffle irons, non-electric, bread bins, chopsticks, cleaning tow, clothes-pegs, clothes-pins, cocktail stirrers, confectioners' decorating bags [pastry bags], cookie [biscuit] cutters, cookie jars, cups of paper or plastic, drinking glasses, floss for dental purposes, gardening gloves, hot pots, not electrically heated, isothermic bags, lazy susans, lunch boxes, mixing spoons [kitchen utensils], noodle machines, hand-operated, pastry cutters, plungers for clearing blocked drains, spatulas [kitchen utensils], abrasive sponges for scrubbing the skin, garlic presses [kitchen utensils], disposable table plates, towel rails and rings, rails and rings for towels, toilet paper holders, indoor aquaria, tanks [indoor aquaria], aquarium hoods, indoor terrariums [vivariums], mop wringers, waste paper baskets, window-boxes, straws for drinking, drinking straws, tea cosies, make-up removing appliances, electric devices for attracting and killing insects, baking mats, boot trees [stretchers], hip flasks, cosmetic spatulas, dripping pans, fly traps, candle jars [holders], food steamers, non-electric, make-up sponges, crushers for kitchen use, non-electric, potholders, oven mitts, kitchen mitts, barbecue mitts, basting brushes, bulb basters, car washing mitts, make-up brushes, mop wringer buckets, tortilla presses, non-electric [kitchen utensils], ski wax brushes, dishes, crockery, tableware, all for camping purposes, cookware, thermobottles, thermoses, canteens (flasks), water bottles, flasks, pressure cookers, mugs, cups, plates, dishes, pots, cans, jugs, pans, saucepans, cooking pots, household and kitchen utensils, household appliances, domestic cooking utensils, kitchen appliances, kitchen utensils

(manual and non-electric), cleaning devices, cleaning instruments, hand-operated, bottles, articles for use in cooking, cooking pans; hydration packs comprising a fluid reservoir and a delivery tube.

22 – Brattice cloth, tarpaulins, strips for tying-up vines, wood shavings, wood wool, sawdust, flock [stuffing], raw silk, nets for camouflage, raw fibrous textile, fishing nets, camel hair, hemp, tow, hemp bands, schappe [raw silk waste], silk waste, coconut fiber [fibre], coconut fiber, coconut fibre, cocoons, ropes, not of metal, ropes, whipcord, rope ladders, raw cotton, cotton tow, horsehair, down [feathers], eiderdown, padding materials, not of rubber, plastics, paper or cardboard, stuffing, not of rubber, plastics, paper or cardboard, packing [cushioning, stuffing] materials, not of rubber, plastics, paper or cardboard, packing string, upholstery wool [stuffing], string, fibrous gaskets for ships, vitreous silica fibers [fibres] for textile use, twine made of paper, twine for nets, silk flock, wool flock, sheaf-binding yarns, hammocks, grasses for upholstering, ladder tapes for venetian blinds, ladder tapes or webbing for venetian blinds, jute, kapok, snares [nets], network, raw or treated wool, carded wool, combed wool, liber, wax ends, raw linen [flax], feathers for bedding, awnings of textile, sails, wadding for filtering, wadding for padding and stuffing upholstery, straw for stuffing upholstery, feathers for stuffing upholstery, animal hair, ramie fibre, raffia, bags [sacks] for the transport and storage of materials in bulk, sacks [bags] of textile, for packaging, bags [envelopes, pouches] of textile, for packaging, esparto grass, tents, fleece wool, shorn wool, seaweed for stuffing, vehicle covers, not fitted, textile fibers [fibres], textile fibers, textile fibres, sisal, wrapping or binding bands, not of metal, thread, not of metal, for wrapping or binding, straw wrappers for bottles, bottle envelopes of straw, packing, of straw, for bottles, braces, not of metal, for handling loads, harness, not of metal, for handling loads, straps, not of metal, for handling loads, belts, not of metal, for handling loads, slings, not of metal, for handling loads, cables, not of metal, covers for camouflage, binding thread, not of metal, for agricultural purposes, carbon fibers [fibres] for textile use, sash cords, cords for hanging pictures, cotton waste [flock] for padding and stuffing, packing rope, plastic fibers [fibres] for textile use, glass fibers [fibres] for textile use, nets, linters, awnings of synthetic materials, car towing ropes, mail bags, sails for ski sailing, bags for washing hosiery, body bags, purse seines, net pens for fish farming, canvas for sails, outdoor blinds of textile, bindings, not of metal, tents, hammocks, tarpaulin, waterproof covering sheet, tarps, roof tarps, plastic tarps, network, nets, mesh bags for storage, camouflage net, ropes, tightropes, cords, straps for securing bundles, cords, strings; clotheslines, washing lines.

24 – Adhesive fabric for application by heat, fabric, impervious to gases, for aeronautical balloons, fabric of imitation animal skins, upholstery fabrics, bath linen, except clothing, banners, billiard cloth, fabric, bolting cloth, buckram, brocades, textile material, cloth, canvas for tapestry or embroidery, trellis [cloth], hemp fabric, hemp cloth, hat linings, of textile, in the piece, lining fabric for shoes, fabric for footwear, table runners, cheviots [cloth], oilcloth for use as tablecloths, velvet, felt, cotton fabrics, bed covers, bedspreads, coverlets [bedspreads], quilts, mattress covers, tick [linen], bed covers of paper, tablecloths, not of paper, travelling rugs [lap robes], crepe [fabric], crepon, damask, lingerie fabric, linings [textile], sheets [textile], shrouds, flags, not of paper, bunting, drugget, eiderdowns [down coverlets], elastic woven material, curtain holders of textile material, glass cloths [towels], traced cloths for embroidery, traced cloth for embroidery, flannel [fabric], sanitary flannel, frieze [cloth], cheese cloth, fustian, dimity, bath mitts, gauze [cloth], gummed cloth, other than for stationery, haircloth [sackcloth], covers [loose] for furniture, loose covers for furniture, silk fabrics for printing patterns, printed calico cloth, jersey [fabric], jute fabric, woollen cloth, woollen fabric, linen cloth, bed linen, diapered linen, table linen, not of paper, household linen, towels of textile, marabouts [cloth], ticks [mattress covers], furniture coverings of plastic, coverings of plastic for furniture, table napkins of textile, serviettes of textile, moleskin [fabric], handkerchiefs of textile, mosquito nets, pillowcases, plastic material [substitute for fabrics], door curtains, ramie fabric, rayon fabric, curtains of textile or plastic, face towels of textile, silk [cloth], tulle, esparto fabric, taffeta [cloth], knitted fabric, net curtains, zephyr [cloth], calico, coasters [table linen], tablemats, not of paper, non-woven textile fabrics, bed clothes, sleeping bag liners, cloths for removing makeup, labels of cloth, wall hangings of textile, tapestry [wall hangings], of textile, fibreglass fabrics for textile use, fibreglass fabrics, for textile use, filtering materials of textile, printers' blankets of textile, chenille fabric, pillow shams, place mats, not of paper, bed blankets, covers for cushions, fabrics for textile use, furniture coverings of textile, fitted toilet lid covers of fabric, shower curtains of textile or plastic, diaper changing cloths for babies, blankets for household pets, flags, banners, ensigns, helm covers, covers, blankets, quilts, bed covers, beddings, bed linen, mosquito nets, towels.

25 – Non-slipping devices for footwear, motorists' clothing, footwear, bath sandals, bath slippers, stockings, sweat-absorbent stockings, heelpieces for stockings, berets, overalls, smocks, boas [necklets], caps [headwear], hosiery, boots, half-boots, tips for footwear, dress shields, suspenders, braces for clothing [suspenders], lace boots, collars [clothing],

neck scarves [mufflers], neck scarfs [mufflers], mufflers [neck scarves], camisoles, boxer shorts, skull caps, bodices [lingerie], underwear, underclothing, hoods [clothing], hat frames [skeletons], cap peaks, belts [clothing], shawls, dressing gowns, sweaters, pullovers, jumpers [pullovers], chasubles, socks, sock suspenders, garters, stocking suspenders, boot uppers, inner soles, shirts, shirt fronts, short-sleeve shirts, clothing, hats, headgear for wear, fittings of metal for footwear, furs [clothing], detachable collars, tights, wet suits for water-skiing, combinations [clothing], sweat-absorbent underwear, sweat-absorbent underclothing, corselets, suits, ready-made clothing, babies' pants [underwear], ear muffs [clothing], neckties, footwear uppers, spats, gaiters, breeches for wear, trousers, pants (Am.), cyclists' clothing, outerclothing, gloves [clothing], ready-made linings [parts of clothing], scarves, scarfs, sashes for wear, knitwear [clothing], shirt yokes, esparto shoes or sandals, fur stoles, football shoes, football boots, top hats, gabardines [clothing], corsets [underclothing], girdles, galoshes, goloshes, waistcoats, vests, trouser straps, gaiter straps, wimples, gymnastic shoes, coats, waterproof clothing, leggings [leg warmers], leg warmers, jerseys [clothing], skirts, layettes [clothing], liveries, sports jerseys, cuffs, wristbands [clothing], aprons [clothing], muffs [clothing], maniples, mittens, mitres [hats], miters [hats], slippers, pelerines, pelisses, beach clothes, beach shoes, pockets for clothing, pyjamas, pajamas (Am.), dresses, wooden shoes, sandals, underpants, brassieres, overcoats, topcoats, heelpieces for footwear, togas, welts for footwear, uniforms, stuff jackets [clothing], jackets [clothing], paper clothing, veils [clothing], bathing caps, bathing trunks, bathing drawers, bathing suits, swimsuits, bath robes, bibs, not of paper, soles for footwear, shoes, heels, sports shoes, footmuffs, not electrically heated, studs for football boots, boots for sports, headbands [clothing], parkas, petticoats, ski boots, slips [undergarments], teddies [undergarments], bandanas [neckerchiefs], clothing for gymnastics, clothing of imitations of leather, clothing of leather, mantillas, masquerade costumes, saris, tee-shirts, turbans, ascots, shower caps, fishing vests, money belts [clothing], pocket squares, paper hats [clothing], sleep masks, skorts, ponchos, sarongs, ski gloves, leggings [trousers], jumper dresses, pinafore dresses, visors [headwear], knickers, panties, sports singlets, valenki [felted boots], albs, ankle boots, sweat-absorbent socks, clothing, garments, clothing in leather, leather jackets, leather coats, parkas, anoraks, coats, jackets, capes, cloaks, raincoats, weatherproof clothing, wet suits, weatherproof clothing for protection against rain, water, wetness, rain jackets, rain coats, rain trousers, rain pants, rain slickers, rain poncho, vests, waistcoats, pullovers, sweaters, cardigans, knit

jackets, fleece jackets, shirts, trousers, bermudas, tracksuits, sweat suits, sportswear, outfit, dresses, flying suits, combo clothing, clothes for hunting purposes, clothes for fishing purposes, battle dress uniforms, field dresses, camouflage suits, underwear, blouson, bomber jacket, solano blousons, half-zip sweaters, seaman sweater, sailer pullovers, shirts for service persons, boiler trousers, tactical vests, shirts, and trousers, chest rigs, ghillies, workwear, work clothing, field blouse, field shirts, woodcutter shirts, navy jackets, sailor shirts, navy shirts, navy trousers, field jacket, tactical jacket, field trousers, windshirts, flight jacket, vests for hunting and fishing, nightwear, sleepwear, T-Shirts, tank tops, jogging suits, gloves (clothing), scarves, shawls, bandanas, ties, neckties, stockings, socks, belts, waist belts, braces, suspenders, headgear, head covering, caps, hats, hats, baseball caps, hoods, head hoods, gaiters, footwear, shoes, insoles, boots, sandals, peaked caps, low shoes, high shoes, net scarves, knitted cap, knitted hat, shemagh, combat boots, winter caps, coldstore wear, thermal protective clothing, protective clothing against the cold, wetsuits, neoprene wetsuits, neopren clothing, clothing for camouflage purposes, clothing for camouflage in snow, tricots, functional shirts, polo shirts, head wraps, headgear, caps, hats and caps for the jungle, balaclava, skiing balaclava, storm hood, berets, mountain caps, boonie hats, forage caps, field caps, moleskin trousers.

26 – Shoe fasteners, needles, shoemakers' needles, sewing needles, needles for wool combing machines, binding needles, darning needles, saddlers' needles, knitting needles, fastenings for clothing, ostrich feathers [clothing accessories], corset busks, whalebones for corsets, hair bands, false beards, hair grips, bobby pins, hat ornaments, not of precious metal, edgings for clothing, lace for edgings, darning lasts, buttons, snap fasteners, expanding bands for holding sleeves, brassards, arm bands [clothing accessories], reins for guiding children, fastenings for suspenders, fastenings for braces, brooches [clothing accessories], embroidery, fancy goods [embroidery], belt clasps, monogram tabs for marking linen, numerals or letters for marking linen, shoe hooks, shoe laces, shoe ornaments, not of precious metal, shoe eyelets, chenille [passementerie], decorative articles for the hair, hair curling pins, hair barrettes, hair slides, hair pins, hair nets, false hair, plaited hair, tresses of hair, numerals for marking linen, collar supports, cords for clothing, blouse fasteners, dress body fasteners, sewing boxes, sewing thimbles, crochet hooks, crochet needles, hooks [haberdashery], zip fasteners, slide fasteners [zippers], zippers, pin cushions, false hems, festoons [embroidery], shuttles for making fishing nets, artificial flowers, fringes, artificial fruit, braids, tassels [haberdashery], trimmings for clothing, artificial garlands, frills [lacework], woollen laces,

lace trimmings, passementerie, letters for marking linen, haberdashery, except thread, mica spangles, false moustaches, eyelets for clothing, birds' feathers [clothing accessories], tinsels [trimmings for clothing], orsedew [trimmings for clothing], ribbons [haberdashery], spangles for clothing, needle cushions, wigs, picot [lace], heat adhesive patches for repairing textile articles, feathers [clothing accessories], top-knots [pompoms], skirt flounces, rosettes [haberdashery], frills for clothing, zippers for bags, zip fasteners for bags, shoe buckles, toupees, bodkins, needle cases, boxes for needles, silver embroidery, gold embroidery, elastic ribbons, cords for rimming, for clothing, buckles [clothing accessories], hooks for corsets, wreaths of artificial flowers, pins, other than jewellery [jewelry (Am.)], badges for wear, not of precious metal, heat adhesive patches for decoration of textile articles [haberdashery], competitors' numbers, ornamental novelty badges [buttons], bows for the hair, hair colouring caps, hair coloring caps, hook and pile fastening tapes, prize ribbons, shoulder pads for clothing, trouser clips for cyclists, tapes for curtain headings, hair curling papers, rug hooks, beads, other than for making jewellery, beads, other than for making jewelry, bobbins for retaining embroidery floss or wool [not parts of machines], hair extensions, human hair, hair curlers, other than hand implements, appliqués [haberdashery], artificial plants, sewing kits, entomological pins, embroidery needles, badges, insignias for wear, not of precious metal, sewing boxes, badges for wear (not of precious metal); laces; embroidered emblems.

34 – Matches, tips of yellow amber for cigar and cigarette holders, tobacco, tobacco pouches, cigarette tips, cigarette filters, lighters for smokers, gas containers for cigar lighters, tobacco pipes, books of cigarette papers, absorbent paper for tobacco pipes, chewing tobacco, cigars, cigar cutters, cigar cases, cigarette cases, cigar holders, cigarettes containing tobacco substitutes, not for medical purposes, cigarettes, pocket machines for rolling cigarettes, cigarette holders, mouthpieces for cigarette holders, cigarette paper, cigarillos, pipe cleaners for tobacco pipes, firestones, herbs for smoking*, pipe racks for tobacco pipes, match holders, tobacco jars, snuff, snuff boxes, matchboxes, ashtrays for smokers, spittoons for tobacco users, humidors, electronic cigarettes, liquid nicotine solutions for use in electronic cigarettes, oral vaporizers for smokers, flavourings, other than essential oils, for tobacco, flavorings, other than essential oils, for tobacco, flavourings, other than essential oils, for use in electronic cigarettes, flavorings, other than essential oils, for use in electronic cigarettes; flints, lighter flints.

35 – Business management assistance, business

inquiries, bill-posting, outdoor advertising, import-export agency services, commercial information agency services, cost price analysis, dissemination of advertising matter, photocopying services, employment agency services, office machines and equipment rental, book-keeping, accounting, drawing up of statements of accounts, business auditing, business management and organization consultancy, personnel management consultancy, business management consultancy, typing, demonstration of goods, direct mail advertising, commercial or industrial management assistance, document reproduction, updating of advertising material, distribution of samples, business efficiency expert services, auctioneering, market studies, business appraisals, business investigations, publicity material rental, business organization consultancy, publication of publicity texts, advertising, publicity, radio advertising, business research, public relations, shorthand, television advertising, transcription of communications [office functions], shop window dressing, advertising agency services, publicity agency services, advisory services for business management, modelling for advertising or sales promotion, marketing research, computerized file management, professional business consultancy, economic forecasting, organization of exhibitions for commercial or advertising purposes, business information, opinion polling, payroll preparation, personnel recruitment, relocation services for businesses, rental of advertising space, sales promotion for others, secretarial services, tax preparation, telephone answering for unavailable subscribers, word processing, arranging newspaper subscriptions for others, advertising by mail order, business management of hotels, business management of performing artists, compilation of information into computer databases, systemization of information into computer databases, organization of trade fairs for commercial or advertising purposes, rental of photocopying machines, on-line advertising on a computer network, procurement services for others [purchasing goods and services for other businesses], data search in computer files for others, rental of advertising time on communication media, news clipping services, rental of vending machines, psychological testing for the selection of personnel, price comparison services, presentation of goods on communication media, for retail purposes, commercial information and advice for consumers [consumer advice shop], arranging subscriptions to telecommunication services for others, administrative processing of purchase orders, commercial administration of the licensing of the goods and services of others, outsourcing services [business assistance], invoicing, writing of publicity texts, compilation of statistics, layout services for advertising purposes, sponsorship search, organiza-

tion of fashion shows for promotional purposes, production of advertising films, business management of sports people, marketing, telemarketing services, retail or wholesale services for pharmaceutical, veterinary and sanitary preparations and medical supplies, rental of sales stands, provision of commercial and business contact information, search engine optimization for sales promotion, search engine optimisation for sales promotion, web site traffic optimization, web site traffic optimisation, pay per click advertising, commercial intermediation services, business management for freelance service providers, negotiation and conclusion of commercial transactions for third parties, updating and maintenance of data in computer databases, business project management services for construction projects, providing business information via a web site, provision of an on-line marketplace for buyers and sellers of goods and services, design of advertising materials, outsourced administrative management for companies, tax filing services, business management of reimbursement programmes for others, business management of reimbursement programs for others, rental of billboards [advertising boards], writing of curriculum vitae for others, writing of résumés for others, web indexing for commercial or advertising purposes, administration of frequent flyer programs, appointment scheduling services [office functions], appointment reminder services [office functions], administration of consumer loyalty programs, scriptwriting for advertising purposes, services of the wholesale and retail, also via internet, especially with regard to the above mentioned goods.

(260) AM 2017 89347 A
 (800) 1317284
 (891) 2016 02 02
 (731) FxPro Financial Services Ltd
 Karyatidon 1, CY-4180 Ypsonas; Cyprus
 (540)



(591) Red, white
 (511)
 36 – Financial and monetary services; provision of financial advice; brokerage services via the internet; securities brokerage services; stock brokerage services; financial investment services; financial portfolio management services; information, advice

and consultancy in respect of each of the aforesaid services.

(260) AM 2017 89348 A
 (800) 1317293
 (891) 2016 02 08
 (731) UAB "TUTUTIS"
 Raudondvario pl. 101, LT-47184 Kaunas;
 Lithuania



(591) Grey and light green
 (511)
 12 – Baby carriages; stroller covers (pushchairs)/covers for baby carriages; safety seats for children, for vehicles; prams; pushchairs; pushchair hoods; pushchair covers; stroller covers; casters for trolleys (vehicles).

35 – Advertising; business management; business administration; office functions; the bringing together, for the benefit of others, of a variety of goods in relation to baby carriages, prams (excluding the transport thereof), enabling customers to conveniently view and purchase those goods.

(260) AM 2017 89352 A
 (800) 1317353
 (891) 2016 05 11
 (731) ARC HOLDINGS
 104 avenue du Général de Gaulle, F-62510
 ARQUES; France

(540)



(591) Black and pink
 (511)
 8 – Implements for food preparation, kitchen knives and cutlery.

21 – Unworked and semi-worked glass, for non-specific use; tableware, kitchen utensils and containers for household or kitchen use; statues, figurines, plaques and works of art, made of materials such as porcelain, terracotta or glass, included in the class; glasses, containers for liquids

and bar accessories; tumblers [containers for beverages]; glasses [drinking containers]; glasses [receptacles].

(260) AM 2017 89597 A

(800) 1318752

(891) 2016 04 27

(731) Biodue S.p.A.

Via Lorenzetti, 3/A, I-50028 Tavarnelle

Val di Pesa (FI); Italy

(540)

TAURETIN-A

(591) Black,white

(511)

5 – Dietetic food for medical purposes.

(260) AM 2017 89626 A

(800) 493685

(891) 2016 09 23

(731) BIOFARMA

50 rue Carnot, F-92284 SURESNES CEDEX;

France

(540)

DOLIM

(511)

5 – Pharmaceutical products, plasters, material for dressings; material for dental fillings and dental impressions; disinfectants; products for destroying vermin; fungicides, herbicides.

(260) AM 2017 89629 A

(800) 802675

(891) 2016 10 28

(731) Wörwag Pharma GmbH & Co. KG

Calwerstraße 7, 71034 Böblingen; Germany

(540)

Toragamma

(511)

3 – Cosmetics.

5 – Pharmaceutical and veterinary preparations, sanitary preparations; dietetic preparations for medical purposes, nutritional additives for medical purposes; nutritional additives for non-medical purposes, consisting of vitamins, minerals and trace elements and/or in combination with substances of animal and plant origin.

(260) AM 2017 89758 A

(800) 1319880

(891) 2016 08 01

(731) ENI S.p.A.

Piazzale Enrico Mattei, 1, I-00144 ROMA

(RM); Italy

(540)

АДЖИП

(591) Black,white

(511)

4 – Industrial oils and greases; lubricants; dust absorbing, wetting and binding compositions; fuels (including motor spirit) and illuminants; candles and wicks for lighting.

(260) AM 2017 89762 A

(800) 1320495

(891) 2016 02 22

(731) Ecolab Deutschland GmbH

Ecolab-Allee 1, 40789 Monheim; Germany

(540)

LIQUIDSENSE

(511)

1 – Chemicals used in industry, science and photography, as well as in agriculture, horticulture and forestry; unprocessed artificial resins; unprocessed plastics; manures; fire extinguishing compositions; tempering and soldering preparations; chemical substances for preserving foodstuffs; tanning substances; adhesives used in industry; degreasing preparations used in manufacturing processes.

3 – Washing agents; dishwashing detergents; floor cleaners; multi-surface cleaners; restroom cleaners; bleaching preparations and other substances for laundry use; cleaning, polishing, scouring and abrasive preparations; soaps.

5 – Pharmaceuticals; medical and veterinary preparations; sanitary preparations for medical purposes; dietetic food and substances adapted for medical or veterinary use; food for babies; dietary supplements for humans and animals; plasters; materials for dressings; material for stopping teeth; dental wax; disinfectants; preparations for destroying vermin; fungicides; herbicides.

9 – Scientific, nautical, surveying, photographic, cinematographic, optical, weighing, measuring, signalling, checking (supervision), life-saving and teaching apparatus and instruments; apparatus and instruments for conducting, switching, transforming, accumulating, regulating or controlling electricity; apparatus for recording, transmission or reproduction of sound or images; magnetic data carriers; recording discs; compact discs, DVDs and other digital recording media; mechanisms for coin-operated apparatus; cash registers; calculating machines; data processing equipment; computers; computer software; fire-extinguishing apparatus; dosing apparatus and instruments for cleaning agents and disinfectants.

(260) AM 2017 89766 A
 (800) 1320565
 (891) 2016 04 22
 (731) Obshchestvo s ogranichennoy
 otvetstvennostyu "Sigma"
 prospect Pobedy, 28, Cheljabinskaya oblast,
 RU-456604 Kopejsk; Russian Federation

(540)

KORONA IZOBILIYA

(511)
 29 – Edible fats; margarine; edible oils; coconut oil;
 corn oil; sesame oil; linseed oil for culinary
 purposes; olive oil for food; palm oil for food;
 sunflower oil for food; colza oil for food; sunflower
 seeds, prepared; fat-containing mixtures for bread
 slices.

(260) AM 2017 89767 A
 (800) 1319932
 (891) 2016 08 10
 (731) ARISTON THERMO S.p.A.
 Viale Aristide Merloni, 45 I-60044
 FABRIANO (ANCONA); Italy

(540)

ALTEAS

(511)
 11 – Heating apparatus; air conditioning apparatus;
 central heating boilers; heating boilers; electric
 heating boilers; water heaters; electric water heaters;
 heaters for baths.

(260) AM 2017 89768 A
 (800) 1319964
 (891) 2016 04 13
 (731) Yiwu Boneng Imp & Exp Co., Ltd.
 Room 4012, No. 222 Chengbei Road,
 Choucheng Street, Yiwu 322000 Zhejiang;
 China

(540)

SONIFER

(591) Black, white
 (511)
 7 – Electric kitchen machines; mixing machines;
 coffee grinders, other than hand-operated; whisks,
 electric, for household purposes; fruit presses,
 electric, for household purposes; washing machines;
 meat choppers [machines]; vacuum cleaners.
 8 – Razors, electric or non-electric; depilation
 appliances, electric and non-electric; crimping irons;
 hand implements for hair curling; table cutlery
 [knives, forks and spoons]; knives; flat irons; hair
 clippers for personal use, electric and non-electric;
 hand tools, hand-operated; beard clippers; vegetable
 slicer.

11 – Electric hair dryers; kettles, electric; coffee
 machines, electric; cooking utensils, electric; gas
 burners; hot plates; stoves for hot cakes; radiators,
 electric; electric fans for personal use; fabric
 steamers; electric soymilk maker.

21 – Cooking pots; porcelain for household use;
 tableware, other than knives, forks and spoons;
 cooking utensils, non-electric; drinking vessels;
 heat-insulated containers; cleaning instruments,
 hand-operated; toilet utensils; kitchen utensils;
 cosmetic utensils.

(260) AM 2017 89769 A
 (800) 1320005
 (891) 2016 08 19
 (731) Cayago GmbH
 Achenweg 16, A-6370 Kitzbühel; Austria

(540)

RAYBOB

(511)
 7 – Machine drive units; engines.

9 – Remote control mechanisms; accumulators.

12 – Water vehicles; motorised water sports
 apparatus, namely means of transport on and/or
 under water; boats; housing claddings for the
 aforesaid water sports apparatus for boats; transport
 devices, namely automobile trailers or transport
 vehicles for boats or water sports apparatus;
 replacement parts for boats or motorised water
 sports apparatus.

(260) AM 2017 89770 A
 (800) 1320012
 (891) 2016 08 09
 (731) PLASTIKA KRITIS S.A.
 FOINIKIA, IRAKLION; Greece

(540)

HITEC
BAG

(591) Green
 (511)
 17 – Plastic sheeting for agricultural purposes;
 plastic film, other than for wrapping.

(260) AM 2017 89771 A
 (800) 1320113
 (891) 2016 04 14
 (731) Open JSC "NTV Broadcasting Company"
 Tverskoy bulvar, d. 9, str. 1 RU-103104
 Moscow; Russian Federation
 (540)



(591) White, green and blue.
 (511)
 9 – Movies; tv films.

35 – Rental of advertising time on communication media; publication of publicity texts; dissemination of advertising matter; on-line advertising on a computer network; television advertising.

38 – Television broadcasting; cable television broadcasting; interactive television broadcasting, on the Internet and digital communication media.

41 – Videotape editing; production of radio and television programmes; production of television programmes; television entertainment; film production, other than advertising films; production of television features.

42 – Videotape editing; production of radio and television programmes; production of television programmes; television entertainment; film production, other than advertising films; production of television features.

(260) AM 2017 89773 A
 (800) 1320040
 (891) 2016 10 13
 (731) Lowtech Studios LLC
 4303 Choctaw Drive S.W. , Grandville
 MI 49418; USA
 (540)

SLITHER

(591) Black,white
 (511)
 9 – Computer game software.

(260) AM 2017 89774 A
 (800) 1320065
 (891) 2016 10 21
 (731) Mast-Jägermeister SE
 Jägermeisterstraße 7 – 15, 38302
 Wolfenbüttel; Germany

(540)

JägerLiga

(511)
 33 – Preparations for making alcoholic beverages; alcoholic beverages (except beer), in particular herbal spirits; pre-mixed alcoholic beverages.

38 – Telecommunication services; rental, hire and leasing in connection with the aforesaid, included in this class; advice, consultancy and information for the aforesaid, included in this class.

41 – Publishing and reporting; education, entertainment and sports; translation and interpretation; rental, hire and leasing in connection with the aforesaid, included in this class; advice, consultancy and information for the aforesaid, included in this class.

(260) AM 2017 89775 A
 (800) 1320082
 (891) 2016 02 03
 (731) MÜSİAD MÜSTAKİL SANAYİCİ VE
 İŞADAMLARI İKTİSADİİŞLETMESİ
 İmrahor Caddesi No:27 Beyoğlu, İstanbul;
 Turkey
 (540)

Ugik

(591) Black,white
 (511)

16 – Paper and cardboard; paper and cardboard for packaging and wrapping purposes, cardboard boxes; paper towels; toilet paper; paper napkins; plastic materials for packaging and wrapping purposes; printing blocks and types; bookbinding material; printed materials, namely, books, booklets, journals, prints, catalogs, index books, handbooks, magazines and newspapers all in the field of business, trade, commerce and education; posters, almanacs, calendars, agendas, note pads, notebooks; posters; photographs [printed]; paintings; stickers [stationery]; postage stamps; stationery, office stationery, instructional and teaching material [except furniture and apparatus]; writing and drawing implements; artists' materials; paper products for stationery purposes; adhesives for stationery purposes, pens, pencils, erasers, adhesive tapes for stationery purposes, cardboard cartons [artists' materials], writing paper, copying paper, paper rolls for cash registers, drawing materials, chalkboards, painting pencils, watercolors [paintings]; office requisites; paint rollers and paintbrushes for painting; rosaries.

35 – Advertising and advertisement services, marketing and publicity bureaus services; advertise-

ment and publicity services by television, radio, mail; dissemination of advertising matter, preparation of publicity materials, writing of publicity texts and organization of exhibitions for commercial or advertising purposes; organization of events and exhibitions for commercial, promotional and advertising purposes; publicity and sales promotion services; the bringing together, for the benefit of others, of a variety of goods, namely, printed materials, namely, books, booklets, journals, prints, catalogs, index books, handbooks, magazines and newspapers all in the field of business, trade, commerce and education, posters, almanacs, calendars, agendas, note pads, notebooks, posters, photographs [printed], paper products for stationery purposes, pens, pencils, erasers, writing paper, copying paper, office requisites, enabling customers to conveniently view and purchase those goods, such services may be provided by retail stores, wholesale outlets, by means of electronic media or through mail order catalogues.

41 – Education and training; organization of conferences, symposiums, seminars and congresses in the field of business, trade, commerce and education; sporting and cultural activities; entertainment; ticket reservation and booking services for entertainment, sporting and cultural events, including ticket reservation and booking services for theatres, cinemas, museums and concerts; publication of books, publication of periodicals, magazines, newspapers and newsletters; editing of printed matter containing pictures, other than for advertising purposes; publication of books, booklets, prints, catalogs, index books, handbooks; publication of periodicals, journals, magazines, newspapers and newsletters; production of movie films, radio and television programmes; news reporters services; photographic reporting services; photography; translation.

(260) AM 2017 89776 A
 (800) 1320114
 (891) 2016 05 26
 (731) Open-Type Joint Stock Company
 "Confectionary Concern Babayevsky"
 ul. Malaya Krasnoselskaya, d. 7, RU-107140
 Moscow; Russian Federation
 (540)



(591) Dark blue, gold.

(511)

30 – Buns; bread rolls; waffles; confectionery for decorating Christmas trees; cakes; peanut confectionery; almond confectionery; caramels [candy]; sweetmeats [candy]; crackers; farinaceous foods; biscuits; pies; gingerbread; halvah; bread; chocolate.

(260) AM 2017 89777 A

(800) 1320155

(891) 2016 07 27

(731) DAVINES S.p.A.

Via Ravasini, 9/A,I-43100 PARMA; Italy

(540)

MASK
with
VIBRACHROM

(591) Black, white

(511)

3 – Cosmetics; tints for the hair; hair dye; hair bleaching preparations; hair lighteners; hair bleaching preparations; activators for hair colouring; hair care creams, lotions and gels; shampoo; hair balm.

(260) AM 2017 89779 A

(800) 1320203

(891) 2016 09 23

(731) HYFLUX LTD

80 Bendemeer Road, Hyflux Innovation
 Centre, Singapore 339949; Singapore

(540)

ELO EYE

(591) Black, white

(511)

5 – Oxygen baths; therapeutic preparations for the bath; solutions for contact lenses; solutions for use with contact lenses; drugs for medical purposes; medicines for human purposes; contact lens cleaning preparations; eyepatches for medical purposes; oxygen for medical purposes; eye-washes; pharmaceuticals.

INTERNATIONAL TRADEMARKS PROTECTED IN GEORGIA

(260) AM 2017 85967 A
(800) 1284637
(151) 2015 09 10
(181) 2025 09 10
(891) 2015 09 10
(511) 09, 11, 16, 21, 37, 38

(260) AM 2017 87558 A
(800) 1298686
(151) 2016 02 23
(181) 2026 02 23
(891) 2016 02 23
(511) 35

(260) AM 2017 86292 A
(800) 1288291
(151) 2016 01 08
(181) 2026 01 08
(891) 2016 01 08
(511) 06, 20

(260) AM 2017 87559 A
(800) 1298703
(151) 2016 02 18
(181) 2026 02 18
(891) 2016 02 18
(511) 29

(260) AM 2017 86821 A
(800) 1293772
(151) 2015 07 29
(181) 2025 07 29
(891) 2015 07 29
(511) 35, 36, 39

(260) AM 2017 87560 A
(800) 1298710
(151) 2015 12 22
(181) 2025 12 22
(891) 2015 12 22
(511) 05, 10, 43, 44

(260) AM 2017 87520 A
(800) 1298878
(151) 2015 12 22
(181) 2025 12 22
(891) 2015 12 22
(511) 05, 10, 43, 44

(260) AM 2017 87561 A
(800) 1298761
(151) 2016 02 16
(181) 2026 02 16
(891) 2016 02 16
(511) 32, 33, 43

(260) AM 2017 87521 A
(800) 1298883
(151) 2016 02 22
(181) 2026 02 22
(891) 2016 02 22
(511) 34

(260) AM 2017 87562 A
(800) 1298775
(151) 2016 02 29
(181) 2026 02 28
(891) 2016 02 29
(511) 16, 41

(260) AM 2017 87548 A
(800) 1298598
(151) 2015 09 30
(181) 2025 09 30
(891) 2015 09 30
(511) 03, 25, 35

(260) AM 2017 87564 A
(800) 1298790
(151) 2016 03 15
(181) 2026 03 15
(891) 2016 03 15
(511) 03

(260) AM 2017 87555 A
(800) 1298792
(151) 2016 03 22
(181) 2026 03 22
(891) 2016 03 22
(511) 03

(260) AM 2017 87598 A
(800) 1299228
(151) 2016 03 10
(181) 2026 03 10
(891) 2016 03 10
(511) 09, 28

(260) AM 2017 87599 A
(800) 1299249
(151) 2016 03 25
(181) 2026 03 25
(891) 2016 03 25
(511) 09

(260) AM 2017 87600 A
(800) 847937
(151) 2004 11 30
(181) 2024 11 30
(891) 2016 03 09
(511) 39

(260) AM 2017 87601 A
(800) 1017351
(151) 2009 10 05
(181) 2019 10 05
(891) 2016 03 09
(511) 33

(260) AM 2017 87615 A
(800) 1299208
(151) 2016 01 26
(181) 2026 01 26
(891) 2016 01 26
(511) 03, 07, 08

(260) AM 2017 87616 A
(800) 1299215
(151) 2016 02 29
(181) 2026 02 28
(891) 2016 02 29
(511) 10

(260) AM 2017 87641 A
(800) 1299578
(151) 2015 09 23
(181) 2025 09 23
(891) 2015 09 23
(511) 01, 04, 06, 07, 08, 09, 11, 12, 14, 16, 17,
18, 20, 21, 25, 28, 34, 35, 36, 37, 38, 41, 42

(260) AM 2017 87642 A
(800) 1299581
(151) 2015 08 27
(181) 2025 08 27
(891) 2015 08 27
(511) 29, 30, 35, 43

(260) AM 2017 87646 A
(800) 694114
(151) 1998 05 11
(181) 2018 05 11
(891) 2015 12 02
(511) 09

(260) AM 2017 87682 A
(800) 1273582
(151) 2015 08 20
(181) 2025 08 20
(891) 2016 03 14
(511) 34

(260) AM 2017 87685 A
(800) 1287103
(151) 2015 11 17
(181) 2025 11 17
(891) 2016 03 25
(511) 33

(260) AM 2017 87699 A
(800) 1299688
(151) 2015 12 11
(181) 2025 12 11
(891) 2015 12 11
(511) 05

(260) AM 2017 87700 A
(800) 1299689
(151) 2015 12 11
(181) 2025 12 11
(891) 2015 12 11
(511) 05

(260) AM 2017 87701 A
(800) 1299704
(151) 2015 11 05
(181) 2025 11 05
(891) 2015 11 05
(511) 11

(260) AM 2017 87714 A
(800) 1300037
(151) 2016 02 08
(181) 2026 02 08
(891) 2016 02 08
(511) 03, 05

(260) AM 2017 87715 A
(800) 1159948
(151) 2012 11 20
(181) 2022 11 20
(891) 2016 06 20
(511) 03, 05, 10

(260) AM 2017 87718 A
(800) 1299803
(151) 2016 01 13
(181) 2026 01 13
(891) 2016 01 13
(511) 34

(260) AM 2017 87720 A
(800) 1299831
(151) 2016 04 11
(181) 2026 04 11
(891) 2016 04 11
(511) 09

(260) AM 2017 87721 A
(800) 1299880
(151) 2016 01 28
(181) 2026 01 28
(891) 2016 01 28
(511) 31

(260) AM 2017 87722 A
(800) 1299896
(151) 2016 02 08
(181) 2026 02 08
(891) 2016 02 08
(511) 01, 30

(260) AM 2017 87723 A
(800) 1299921
(151) 2015 12 11
(181) 2025 12 11
(891) 2015 12 11
(511) 05

(260) AM 2017 87724 A
(800) 1299922
(151) 2015 12 11
(181) 2025 12 11
(891) 2015 12 11
(511) 05

(260) AM 2017 87726 A
(800) 1299961
(151) 2016 01 29

(181) 2026 01 29
(891) 2016 01 29
(511) 33

(260) AM 2017 87727 A
(800) 1299985
(151) 2016 02 08
(181) 2026 02 08
(891) 2016 02 08
(511) 03, 05

(260) AM 2017 87728 A
(800) 1299986
(151) 2016 02 08
(181) 2026 02 08
(891) 2016 02 08
(511) 03, 05

(260) AM 2017 87729 A
(800) 379892
(151) 1971 05 28
(181) 2021 05 28
(891) 2016 04 08
(511) 05

(260) AM 2017 87730 A
(800) 385992
(151) 1972 02 09
(181) 2022 02 09
(891) 2016 04 11
(511) 05

(260) AM 2017 87731 A
(800) 1299988
(151) 2016 02 19
(181) 2026 02 19
(891) 2016 02 19
(511) 05

(260) AM 2017 87732 A
(800) 391731
(151) 1972 09 28
(181) 2022 09 28
(891) 2016 04 27
(511) 33

(260) AM 2017 87733 A
(800) 1160027
(151) 2013 04 05
(181) 2023 04 05

(891) 2016 04 07
(511) 05, 10, 41

(260) AM 2017 87746 A
(800) 957401
(151) 2008 03 11
(181) 2018 03 11
(891) 2016 04 01
(511) 07

(260) AM 2017 87747 A
(800) 1191172
(151) 2013 10 22
(181) 2023 10 22
(891) 2016 05 25
(511) 06, 07

(260) AM 2017 87749 A
(800) 975705
(151) 2008 01 24
(181) 2018 01 24
(891) 2016 03 29
(511) 25, 35, 39, 42

(260) AM 2017 87760 A
(800) 1035723
(151) 2010 03 09
(181) 2020 03 09
(891) 2016 03 21
(511) 01, 04

(260) AM 2017 87761 A
(800) 1043881
(151) 2010 05 20
(181) 2020 05 20
(891) 2016 03 07
(511) 09, 35, 38, 42

(260) AM 2017 87763 A
(800) 1064496
(151) 2010 10 21
(181) 2020 10 21
(891) 2016 05 12
(511) 16, 27

(260) AM 2017 87817 A
(800) 1151410
(151) 2013 01 24
(181) 2023 01 24
(891) 2016 03 18
(511) 09

(260) AM 2017 87820 A
(800) 1214465
(151) 2014 02 04
(181) 2024 02 04
(891) 2016 04 18
(511) 30, 35, 43

(260) AM 2017 87821 A
(800) 1162899
(151) 2013 04 12
(181) 2023 04 12
(891) 2016 03 23
(511) 12

(260) AM 2017 87822 A
(800) 1236780
(151) 2014 12 25
(181) 2024 12 25
(891) 2016 03 09
(511) 12

(260) AM 2017 87823 A
(800) 1251126
(151) 2015 04 16
(181) 2025 04 16
(891) 2016 03 16
(511) 33

(260) AM 2017 87858 A
(800) 1300258
(151) 2016 02 17
(181) 2026 02 17
(891) 2016 02 17
(511) 32, 35

(260) AM 2017 87859 A
(800) 1300260
(151) 2016 02 25
(181) 2026 02 25
(891) 2016 02 25
(511) 33

(260) AM 2017 87860 A
(800) 1300571
(151) 2016 02 22
(181) 2026 02 22
(891) 2016 02 22
(511) 05

(260) AM 2017 87863 A
(800) 1300361
(151) 2015 12 11

(181) 2025 12 11
(891) 2015 12 11
(511) 19

(260) AM 2017 87864 A
(800) 1300394
(151) 2016 02 29
(181) 2026 02 28
(891) 2016 02 29
(511) 09

(260) AM 2017 87866 A
(800) 1300398
(151) 2016 03 23
(181) 2026 03 23
(891) 2016 03 23
(511) 03

(260) AM 2017 87868 A
(800) 1300442
(151) 2016 02 12
(181) 2026 02 12
(891) 2016 02 12
(511) 35, 39, 43

(260) AM 2017 87869 A
(800) 1300584
(151) 2016 02 09
(181) 2026 02 09
(891) 2016 02 09
(511) 01, 05, 09, 10, 11

(260) AM 2017 87871 A
(800) 1300456
(151) 2016 02 29
(181) 2026 02 28
(891) 2016 02 29
(511) 35, 41, 44

(260) AM 2017 88046 A
(800) 1230572
(151) 2014 08 18
(181) 2024 08 18
(891) 2016 06 14
(511) 43

(260) AM 2017 88047 A
(800) 1232981
(151) 2014 10 02
(181) 2024 10 02

(891) 2016 04 14
(511) 05

(260) AM 2017 88049 A
(800) 1261093
(151) 2015 06 08
(181) 2025 06 08
(891) 2016 03 30
(511) 05

(260) AM 2017 88050 A
(800) 1294933
(151) 2016 02 05
(181) 2026 02 05
(891) 2016 06 24
(511) 05

(260) AM 2017 88052 A
(800) 1302521
(151) 2016 02 29
(181) 2026 02 28
(891) 2016 02 29
(511) 14, 25, 35

(260) AM 2017 88056 A
(800) 1302534
(151) 2016 02 10
(181) 2026 02 10
(891) 2016 02 10
(511) 31

(260) AM 2017 88152 A
(800) 1303913
(151) 2016 03 08
(181) 2026 03 08
(891) 2016 03 08
(511) 29, 30

(260) AM 2017 88153 A
(800) 1303914
(151) 2016 03 08
(181) 2026 03 08
(891) 2016 03 08
(511) 29, 30

(260) AM 2017 88154 A
(800) 1303927
(151) 2016 04 07
(181) 2026 04 07
(891) 2016 04 07
(511) 03, 05, 10

(260) AM 2017 88155 A
(800) 1303947
(151) 2016 04 26
(181) 2026 04 26
(891) 2016 04 26
(511) 05

(260) AM 2017 88160 A
(800) 1284896
(151) 2015 11 30
(181) 2025 11 30
(891) 2016 05 18
(511) 42, 45

(260) AM 2017 88169 A
(800) 1303870
(151) 2016 04 07
(181) 2026 04 07
(891) 2016 04 07
(511) 30

OFFICIAL NOTIFICATIONS

TRADEMARKS

RENEWAL OF REGISTRATIONS

(111) M 2007 17228 R1

(156) 2017 07 07

(186) 2027 01 16

(732) Chloride Group Plc

Ebury Gate, 23 Lower Belgrave Street,
London SW1W 0NR, United Kingdom

(111) M 2007 17241 R1

(156) 2017 07 21

(186) 2027 01 25

(732) JSC "Insurance Company ALDAGI"

A. Pushkinis q. 3, Old Tbilisi, Tbilisi,
Georgia

(111) M 2007 17242 R1

(156) 2017 07 21

(186) 2027 01 25

(732) JSC "Insurance Company ALDAGI"

A. Pushkinis q. 3, Old Tbilisi, Tbilisi,
Georgia

(111) M 2007 17243 R1

(156) 2017 07 21

(186) 2027 01 25

(732) JSC "Insurance Company ALDAGI"

A. Pushkinis q. 3, Old Tbilisi, Tbilisi,
Georgia

(111) M 2007 17245 R1

(156) 2017 07 21

(186) 2027 01 25

(732) JSC "Insurance Company ALDAGI"

A. Pushkinis q. 3, Old Tbilisi, Tbilisi,
Georgia

(111) M 2007 17285 R1

(156) 2017 02 13

(186) 2027 02 13

(732) CJSC "CONDOR"

N94 Dr. Beheshti Avenue, Teihran, Iran
Islamic Republic

(111) M 2007 17286 R1

(156) 2017 02 13

(186) 2027 02 13

(732) CJSC "CONDOR"

N94 Dr. Beheshti Avenue, Teihran, Iran
Islamic Republic

(111) M 2007 17287 R1

(156) 2017 02 13

(186) 2027 02 13

(732) CJSC "CONDOR"

N94 Dr. Beheshti Avenue, Teihran, Iran
Islamic Republic

(111) M 2007 17288 R1

(156) 2017 02 13

(186) 2027 02 13

(732) CJSC "CONDOR"

N94 Dr. Beheshti Avenue, Teihran, Iran
Islamic Republic

(111) M 2007 17289 R1

(156) 2017 02 13

(186) 2027 02 13

(732) CJSC "CONDOR"

N94 Dr. Beheshti Avenue, Teihran, Iran
Islamic Republic

(111) M 2007 17318 R1

(156) 2017 06 28

(186) 2027 02 27

(732) ALDEMON TECHNOLOGIES LIMITED

Arch. Makariou III, 2-4 Capital Center, 9th
floor, P.C. 1065, Nicosia, Cyprus

(111) M 2007 17449 R1

(156) 2017 07 10

(186) 2027 04 25

(732) LTD "PROGRES"

Mshvidobis q. 6, 3700, Rustavi, Georgia

(111) M 2007 17563 R1

(156) 2017 06 13

(186) 2027 06 11

(732) CJSC "TECHNONIKOL"

Krimskiy Val 8, 119049, Moscow,
Russian Federation

(111) M 2007 17567 R1
 (156) 2017 07 11
 (186) 2027 06 11
 (732) MoneyGram International, Inc.
 (a Delaware State Corporation)
 2828 North Harwood Street, Suite 1500,
 Dallas, Texas 75201, USA

(111) M 2007 17628 R1
 (156) 2017 07 12
 (186) 2027 07 12
 (732) HUAWEI TECHNOLOGIES CO., LTD
 Administration Building Huawei
 Technologies Co., Ltd., Bantian,
 Longgang District, Shenzhen, China

(111) M 2007 17576 R1
 (156) 2017 06 15
 (186) 2027 06 15
 (732) CJSC "TECHNONIKOL"
 Krimskiy Val 8, 119049, Moskow,
 Russian Federation

(111) M 2007 17652 R1
 (156) 2017 07 12
 (186) 2027 07 12
 (732) AVENTIS-PHARMA DEUTSCHLAND
 GmbH
 Brüningstrasse 50, 65926 Frankfurt am
 Main, Germany

(111) M 2007 17587 R1
 (156) 2017 07 04
 (186) 2027 06 28
 (732) LTD "VAZIANI COMPANY"
 Mshvidobis q. 42, 2200, Tlavi, Georgia

(111) M 2007 17704 R1
 (156) 2017 07 30
 (186) 2027 07 30
 (732) PHIVCO UK II Limited
 980 Great West Road, Brentford,
 Middlesex TW8 9GS, United Kingdom

(111) M 2007 17594 R1
 (156) 2017 06 28
 (186) 2027 06 28
 (732) Abdi İbrahim İlaç Sanayi ve Ticaret
 Anonim Şirketi
 Reşitpaşa Mahallesi Eski Büyükdere
 Caddesi No: 4 34467 Maslak Sartyer
 İstanbul, Turkey

(111) M 2007 17705 R1
 (156) 2017 07 30
 (186) 2027 07 30
 (732) Emami Limited
 "Stephen House", 6A, R.N. Mukherjee
 Road, Kolkata 700001, West Bengal, India

(111) M 2007 17595 R1
 (156) 2017 06 28
 (186) 2027 06 28
 (732) Abdi İbrahim İlaç Sanayi ve Ticaret
 Anonim Şirketi
 Reşitpaşa Mahallesi Eski Büyükdere
 Caddesi No: 4 34467 Maslak Sartyer
 İstanbul, Turkey

(111) M 2007 17706 R1
 (156) 2017 07 30
 (186) 2027 07 30
 (732) Emami Limited
 "Stephen House", 6A, R.N. Mukherjee
 Road, Kolkata 700001, West Bengal, India

(111) M 2007 17602 R1
 (156) 2017 06 28
 (186) 2027 06 28
 (732) LTD "BADAGONI"
 Sop. Zemo Khodasheni, 0910, Akhmetis r-ni,
 Georgia

(111) M 2007 17707 R1
 (156) 2017 07 30
 (186) 2027 07 30
 (732) Emami Limited
 "Stephen House", 6A, R.N. Mukherjee
 Road, Kolkata 700001, West Bengal, India

(111) M 2007 17611 R1
 (156) 2017 07 12
 (186) 2027 07 12
 (732) Hon Hai Precision Industry Co., Ltd
 No.2, Tzu Yu Street, Tu-Cheng City,
 Taipei Hsien, Taiwan, China

(111) M 2007 17708 R1
 (156) 2017 07 30
 (186) 2027 07 30
 (732) Double A (1991) Public Company Limited
 1 Moo 2, Thatoom, Srimahaphote,
 Prachinburi, Thailand

(111) M 2007 17733 R1
(156) 2017 09 18
(186) 2027 09 18
(732) RICOH COMPANY, LTD
3-6, 1-chome, Naka-Magome, Ohta-ku,
Tokyo, Japan

(111) M 2007 17767 R1
(156) 2017 09 18
(186) 2027 09 18
(732) DIVAPHARMA CHUR AG
Wiesentalstrasse 126, CH-7006 Chur,
Switzerland

(111) M 2007 17794 R1
(156) 2017 09 18
(186) 2027 09 18
(732) Abdi İbrahim İlaç Sanayi ve Ticaret
Anonim Şirketi
Reşitpaşa Mahallesi Eski Büyükdere
Caddesi No: 4 34467 Maslak Sarıyer
İstanbul, Turkey

(111) M 2007 17819 R1
(156) 2017 09 18
(186) 2027 09 18
(732) Bayer Consumer Care AG
Peter Merian-Str. 84, 4052 Basel,
Switzerland

(111) M 2007 17839 R1
(156) 2017 09 18
(186) 2027 09 18
(732) Bayer Consumer Care AG
Peter Merian-Str. 84, 4052 Basel,
Switzerland

(111) M 2007 17847 R1
(156) 2017 09 18
(186) 2027 09 18
(732) Bayer Intellectual Property GmbH
Alfred-Nobel-Strasse 10, 40789 Monheim
am Rhein, Germany

(111) M 2007 17849 R1
(156) 2017 09 18
(186) 2027 09 18
(732) LTD "GEOPHARM"
9, Ul. Zvenigorodskaya, 191119,
St-Peterburg, Russian Federation

(111) M 2007 17853 R1
(156) 2017 09 18
(186) 2027 09 18
(732) Reemtsma Cigarettenfabriken GmbH
Max-Born-Strasse 4, 22761 Hamburg,
Germany

(111) M 2007 17855 R1
(156) 2017 09 18
(186) 2027 09 18
(732) Reemtsma Cigarettenfabriken GmbH
Max-Born-Strasse 4, 22761 Hamburg,
Germany

(111) M 2007 17864 R1
(156) 2017 09 18
(186) 2027 09 18
(732) Bayer Consumer Care AG
Peter Merian-Str. 84, 4052 Basel,
Switzerland

(111) M 2007 17865 R1
(156) 2017 09 18
(186) 2027 09 18
(732) Bayer Consumer Care AG
Peter Merian-Str. 84, 4052 Basel,
Switzerland

(111) M 2007 17866 R1
(156) 2017 09 18
(186) 2027 09 18
(732) Bayer Consumer Care AG
Peter Merian-Str. 84, 4052 Basel,
Switzerland

(111) M 2007 17892 R1
(156) 2017 10 10
(186) 2027 10 10
(732) Vifor (International) AG
Vifor (International) Ltd
Vifor (International) Inc.
Rechenstrasse 37, 9014, St. Gall,
Switzerland

(111) M 2007 17993 R1
(156) 2017 11 13
(186) 2027 11 13
(732) KT & G Corporation
71, Beottkot-gil, Daedeok-Gu, Daejeon,
Republic of Korea

(111) M 2007 18002 R1
 (156) 2017 11 13
 (186) 2027 11 13
 (732) N.V. Sumatra Tobacco Trading Company
 Jalan Pattimura No. 3, Pematang Siantar,
 Sumatera Utara, Indonesia

(111) M 2007 18074 R1
 (156) 2017 11 30
 (186) 2027 11 30
 (732) WORLD-WIDE SIRES, LTD.
 11740 U.S. Tt. 42 Plain City, Ohio 43064,
 USA

(111) M 2008 18549 R1
 (156) 2018 06 16
 (186) 2028 06 16
 (732) INTRA COMMUNICATIONS, INC.
 3080 Bristol Street, Suite 610,
 Costa Mesa, CA 92626, USA

(111) M 1996 4007 R2
 (156) 2016 11 18
 (186) 2026 11 18
 (732) LTD "SHROSHANI"
 Iosebisdzis q. 53, sad. 3, b. 45, 0160,
 Tbilisi, Georgia

(111) M 1996 4008 R2
 (156) 2016 11 18
 (186) 2026 11 18
 (732) LTD "SHROSHANI"
 Iosebisdzis q. 53, sad. 3, b. 45, 0160,
 Tbilisi, Georgia

(111) M 1997 4313 R2
 (156) 2017 01 05
 (186) 2027 01 05
 (732) Beam Suntory Spain, S.L.
 Edif. Portico, Calle Mahonia, 2, 1 Planta,
 28043 Madrid, Spain

(111) M 1997 4898 R2
 (156) 2017 04 01
 (186) 2027 04 01
 (732) Panasonic Corporation
 1006, Oaza Kadoma, Kadoma-Shi, Osaka
 571-8501, Japan

(111) M 1997 4970 R2
 (156) 2017 04 04
 (186) 2027 04 04

(732) AT&T Intellectual Property II, L.P.
 645 East Plumb Lane, Reno, Nevada
 89502, USA

(111) M 1997 4971 R2
 (156) 2017 04 04
 (186) 2027 04 04
 (732) AT&T Intellectual Property II, L.P.
 645 East Plumb Lane, Reno, Nevada
 89502, USA

(111) M 1997 4988 R2
 (156) 2017 04 07
 (186) 2027 04 07
 (732) AT&T Intellectual Property II, L.P.
 645 East Plumb Lane, Reno, Nevada
 89502, USA

(111) M 1997 4997 R2
 (156) 2017 04 07
 (186) 2027 04 07
 (732) Shell Brands International AG
 Baareratte, 6340 Baar, Switzerland

(111) M 1997 4998 R2
 (156) 2017 04 07
 (186) 2027 04 07
 (732) Shell Brands International AG
 Baareratte, 6340 Baar, Switzerland

(111) M 1997 5000 R2
 (156) 2017 04 07
 (186) 2027 04 07
 (732) Shell Brands International AG
 Baareratte, 6340 Baar, Switzerland

(111) M 1997 5150 R2
 (156) 2017 04 18
 (186) 2027 04 18
 (732) The Armor All/STP Products Company
 44 Old Ridgebury Road, Danbury,
 Connecticut 06810, USA

(111) M 1997 5261 R2
 (156) 2017 05 01
 (186) 2027 05 01
 (732) HUDSON PRODUCTS CORPORATION
 (Texas corporation)
 9660 Grunwald Road, Beasley, Texas
 77417, USA

(111) M 1997 5263 R2
 (156) 2017 05 01
 (186) 2027 05 01
 (732) HUDSON PRODUCTS CORPORATION
 (Texas corporation)
 9660 Grunwald Road, Beasley, Texas
 77417, USA

(111) M 1997 5401 R2
 (156) 2017 05 29
 (186) 2027 05 29
 (732) Astellas Pharma Inc.
 3-11, Nihonbashi-Honcho, 2-Chome,
 Chuo-ku, Tokyo, Japan

(111) M 1997 5504 R2
 (156) 2017 06 09
 (186) 2027 06 09
 (732) SYNGENTA PARTICIPATIONS AG
 Schwarzwaldallee 215, 4058 Basel,
 Switzerland

(111) M 1997 5508 R2
 (156) 2017 06 09
 (186) 2027 06 09
 (732) SYNGENTA PARTICIPATIONS AG
 Schwarzwaldallee 215, 4058 Basel,
 Switzerland

(111) M 1997 5550 R2
 (156) 2017 06 11
 (186) 2027 06 11
 (732) Marker Völkl International GmbH
 (Marker Völkl International Sarl);
 (Marker Völkl International Llc);
 Ruessenstrasse 6, 6340 Baar, Switzerland

(111) M 1997 5551 R2
 (156) 2017 06 11
 (186) 2027 06 11
 (732) Marker Völkl International GmbH
 (Marker Völkl International Sarl);
 (Marker Völkl International Llc);
 Ruessenstrasse 6, 6340 Baar, Switzerland

(111) M 1997 5582 R2
 (156) 2017 06 11
 (186) 2027 06 11
 (732) SYNGENTA PARTICIPATIONS AG
 Schwarzwaldallee 215, 4058 Basel,
 Switzerland

(111) M 1997 5602 R2
 (156) 2017 06 12
 (186) 2027 06 12
 (732) SYNGENTA PARTICIPATIONS AG
 Schwarzwaldallee 215, 4058 Basel,
 Switzerland

(111) M 1997 5611 R2
 (156) 2017 06 12
 (186) 2027 06 12
 (732) SYNGENTA PARTICIPATIONS AG
 Schwarzwaldallee 215, 4058 Basel,
 Switzerland

(111) M 1997 5644 R2
 (156) 2017 06 13
 (186) 2027 06 13
 (732) THE CONDE NAST PUBLICATIONS LTD
 Vogue House, Hanover Square, London
 W1R 0AD, United Kingdom

(111) M 1997 5645 R2
 (156) 2017 06 13
 (186) 2027 06 13
 (732) SYNGENTA PARTICIPATIONS AG
 Schwarzwaldallee 215, 4058 Basel,
 Switzerland

(111) M 1997 5659 R2
 (156) 2017 06 16
 (186) 2027 06 16
 (732) LEO Pharma A/S
 Industriparken 55, DK-2750 Ballerup,
 Denmark

(111) M 1997 5715 R2
 (156) 2017 06 24
 (186) 2027 06 24
 (732) KARELIA TOBACCO COMPANY, INC.
 PO BOX 22, GR-24100 Kalamata, Greece

(111) M 1997 5722 R2
 (156) 2017 06 24
 (186) 2027 06 24
 (732) BARRY CALLEBAUT AG
 Westpark, Pfingstweidstrasse 60, 8005
 Zurich, Switzerland

(111) M 1997 5774 R2
 (156) 2017 06 30
 (186) 2027 06 30

(732) HI-TEC SPORTS INTERNATIONAL HOLDINGS B.V
Paasheuvelweg 22A, 1105 BJ
Amsterdam Zuidoost, Netherlands

(Texas corporation)
9660 Grunwald Road, Beasley, Texas
77417, USA

(111) M 1997 5796 R2
(156) 2017 07 03
(186) 2027 07 03
(732) Berlin-Chemie AG
Glienicke Weg 125, D-12489, Berlin,
Germany

(111) M 1997 5856 R2
(156) 2017 07 09
(186) 2027 07 09
(732) SANOFI
54, rue La Boétie, 75008 Paris, France

(111) M 1997 5810 R2
(156) 2017 07 03
(186) 2027 07 03
(732) Hyundai Motor Company
140-2, Kye-Dong, Jongro-ku, Seoul,
Republic of Korea

(111) M 1997 5867 R2
(156) 2017 07 09
(186) 2027 07 09
(732) SYNGENTA PARTICIPATIONS AG
Schwarzwaldallee 215, 4058 Basel,
Switzerland

(111) M 1997 5815 R2
(156) 2017 07 04
(186) 2027 07 04
(732) Hyundai Motor Company
140-2, Kye-Dong, Jongro-ku, Seoul,
Republic of Korea

(111) M 1997 5878 R2
(156) 2017 07 10
(186) 2027 07 10
(732) AVENTIS PHARMA S.A.
20, avenue Raymond Aron, 92160
Antony, France

(111) M 1997 5823 R2
(156) 2017 07 04
(186) 2027 07 04
(732) BRACCO IMAGING S.p.A.
50, via Egidio Folli, I-20134 Milano, Italy

(111) M 1997 5879 R2
(156) 2017 07 10
(186) 2027 07 10
(732) AVENTIS PHARMA S.A.
20, avenue Raymond Aron, 92160
Antony, France

(111) M 1997 5828 R2
(156) 2017 07 04
(186) 2027 07 04
(732) FRATELLI GUZZINI S.P.A.
60, C. da Mattonatta, Localita
S. Leopardo, I-62019, Recanati, Macerata,
Italy

(111) M 1997 5885 R2
(156) 2017 07 10
(186) 2027 07 10
(732) Peanuts Worldwide LLC
1450 Broadway, New York, New York
10018, USA

(111) M 1997 5834 R2
(156) 2017 07 07
(186) 2027 07 07
(732) Fisons Limited
RPR House, 50 Kings Hill Avenue, Kings
Hill, West Malling, Kent, ME19 4AH,
United Kingdom

(111) M 1997 5899 R2
(156) 2017 07 14
(186) 2027 07 14
(732) FROMAGERIES BEL S.A.
2, Allee de Longchamp, 92150 Suresnes,
France

(111) M 1997 5845 R2
(156) 2017 07 07
(186) 2027 07 07
(732) HUDSON PRODUCTS CORPORATION

(111) M 1997 5998 R2
(156) 2017 07 22
(186) 2027 07 22
(732) All Star C.V.
One Bowerman Drive, Beaverton, Oregon
97005, USA

(111) M 1997 6000 R2
(156) 2017 07 22
(186) 2027 07 22
(732) All Star C.V.
One Bowerman Drive, Beaverton, Oregon
97005, USA

(111) M 1997 6001 R2
(156) 2017 07 22
(186) 2027 07 22
(732) All Star C.V.
One Bowerman Drive, Beaverton, Oregon
97005, USA

(111) M 1997 6087 R2
(156) 2017 07 24
(186) 2027 07 24
(732) SYNGENTA PARTICIPATIONS AG
Schwarzwaldallee 215, 4058 Basel,
Switzerland

(111) M 1997 6099 R2
(156) 2017 07 25
(186) 2027 07 25
(732) SANOFI PASTEUR
2, avenue Pont Pasteur-69007, Lyons,
France

(111) M 1997 6136 R2
(156) 2017 07 28
(186) 2027 07 28
(732) Panasonic Corporation
1006, Oaza- Kadoma, Kadoma-shi, Osaka
571-8501, Japan

(111) M 1997 6142 R2
(156) 2017 07 28
(186) 2027 07 28
(732) PHARMACIA & UPJOHN COMPANY
7000 Portage Road, Kalamazoo, Michigan
49001, USA

(111) M 1997 6144 R2
(156) 2017 07 28
(186) 2027 07 28
(732) PHARMACIA & UPJOHN COMPANY
7000 Portage Road, Kalamazoo, Michigan
49001, USA

(111) M 1997 6187 R2
(156) 2017 07 30
(186) 2027 07 30

(732) MERCK SANTE, SAS
37, rue St. Romain, 69008 Lyon, France

(111) M 1997 6207 R2
(156) 2017 07 31
(186) 2027 07 31
(732) BRINK'S NETWORK, INCORPORATED
a Delaware corporation
1801 Bayberry Court, Richmond, Virginia
23226, USA

(111) M 1997 6210 R2
(156) 2017 07 31
(186) 2027 07 31
(732) GlaxoSmithKline Trading Services Limited
Currabinny, Carrigaline, County Cork,
Ireland

(111) M 1997 6217 R2
(156) 2017 07 31
(186) 2027 07 31
(732) HERMES INTERNATIONAL
SOCIETE EN COMMANDITE PAR
ACTIONS
24, rue du Faubourg Saint Honore,
F-75008 PARIS, France

(111) M 1997 6218 R2
(156) 2017 07 31
(186) 2027 07 31
(732) HERMES INTERNATIONAL
SOCIETE EN COMMANDITE PAR
ACTIONS
24, rue du Faubourg Saint Honore,
F-75008 PARIS, France

(111) M 1997 6220 R2
(156) 2017 08 01
(186) 2027 08 01
(732) Aventisub LLC
3711 Kennett Pike, Suite 200, Greenville,
Delaware 19807, USA

(111) M 1997 6221 R2
(156) 2017 08 01
(186) 2027 08 01
(732) Aventisub LLC
3711 Kennett Pike, Suite 200, Greenville,
Delaware 19807, USA

(111) M 1997 6236 R2
 (156) 2017 08 01
 (186) 2027 08 01
 (732) HERMES INTERNATIONAL
 SOCIETE EN COMMANDITE PAR
 ACTIONS
 24, rue du Faubourg Saint Honore,
 F-75008 PARIS, France

(111) M 1997 6237 R2
 (156) 2017 08 01
 (186) 2027 08 01
 (732) HERMES INTERNATIONAL
 SOCIETE EN COMMANDITE PAR
 ACTIONS
 24, rue du Faubourg Saint Honore,
 F-75008 PARIS, France

(111) M 1997 6242 R2
 (156) 2017 08 01
 (186) 2027 08 01
 (732) Merrill J. Fernando & Sons PVT. LTD
 52, Maligawatte Road, Colombo 10,
 Sri-Lanka

(111) M 1997 6243 R2
 (156) 2017 08 01
 (186) 2027 08 01
 (732) Merrill J. Fernando & Sons PVT. LTD
 52, Maligawatte Road, Colombo 10,
 Sri-Lanka

(111) M 1997 6255 R2
 (156) 2017 08 04
 (186) 2027 08 04
 (732) Samsomatic GmbH
 Weismüllerstrasse 3, 60314 Frankfurt,
 Germany

(111) M 1997 6264 R2
 (156) 2017 08 04
 (186) 2027 08 04
 (732) SPIRO INTERNATIONAL S.A.
 Industriestrasse 49, CH-3178 Boesingen,
 Switzerland

(111) M 1997 6267 R2
 (156) 2017 08 04
 (186) 2027 08 04
 (732) ASCO GROUP LIMITED
 Chancery Housem The Mall, Freeport,
 Bahamas

(111) M 1997 6268 R2
 (156) 2017 08 04
 (186) 2027 08 04
 (732) SOCIETE CIVILE DU CHATEAU
 D'UQUEM
 Chateau d'Yquem, 33118 Sauternes,
 France

(111) M 1997 6313 R2
 (156) 2017 08 11
 (186) 2027 08 11
 (732) Pizza Hut International LLC
 7100 Corporate Drive, Plano, Texas
 75024, USA

(111) M 1997 6322 R2
 (156) 2017 08 11
 (186) 2027 08 11
 (732) GENERAL MILLS MARKETING, INC.
 Number One General Mills Boulevard,
 Minneapolis, Minnesota 55426, USA

(111) M 1997 6328 R2
 (156) 2017 08 12
 (186) 2027 08 12
 (732) NOVARTIS AG
 4002 Basel, Switzerland

(111) M 1997 6329 R2
 (156) 2017 08 12
 (186) 2027 08 12
 (732) NOVARTIS AG
 4002 Basel, Switzerland

(111) M 1997 6331 R2
 (156) 2017 08 12
 (186) 2027 08 12
 (732) Pizza Hut International LLC
 7100 Corporate Drive, Plano, Texas
 75024, USA

(111) M 1997 6343 R2
 (156) 2017 08 12
 (186) 2027 08 12
 (732) Taco Bell Corporation
 1 Glen Bell Way, Irvine, California 92618,
 USA

(111) M 1997 6355 R2
 (156) 2017 08 13
 (186) 2027 08 13
 (732) MICROSOFT CORPORATION

One Microsoft Way, Redmond,
Washington 98052-6399, USA

(111) M 1997 6357 R2

(156) 2017 08 13

(186) 2027 08 13

(732) MICROSOFT CORPORATION

One Microsoft Way, Redmond,
Washington 98052-6399, USA

(111) M 1997 6358 R2

(156) 2017 08 13

(186) 2027 08 13

(732) MICROSOFT CORPORATION

One Microsoft Way, Redmond,
Washington 98052-6399, USA

(111) M 1997 6366 R2

(156) 2017 08 14

(186) 2027 08 14

(732) BACCARAT

F-54120 Baccarat, France

(111) M 1997 6367 R2

(156) 2017 08 14

(186) 2027 08 14

(732) BACCARAT

F-54120 Baccarat, France

(111) M 1997 6380 R2

(156) 2017 08 14

(186) 2027 08 14

(732) BEIERSDORF AG

Unnastrasse 48, D-20253 Hamburg,
Germany

(111) M 1997 6392 R2

(156) 2017 08 15

(186) 2027 08 15

(732) BACCARAT

F-54120 Baccarat, France

(111) M 1997 6399 R2

(156) 2017 08 15

(186) 2027 08 15

(732) FMC CORPORATION

(a Delaware State Corporation)
1735 Market Street, Philadelphia,
Pennsylvania 19103, USA

(111) M 1997 6402 R2

(156) 2017 08 15

(186) 2027 08 15

(732) FMC CORPORATION

(a Delaware State Corporation)
1735 Market Street, Philadelphia,
Pennsylvania 19103, USA

(111) M 1997 6420 R2

(156) 2017 08 18

(186) 2027 08 18

(732) Nike Innovate C.V.

One Bowerman Drive, Beaverton, Oregon
97005-6453, USA

(111) M 1997 6421 R2

(156) 2017 08 18

(186) 2027 08 18

(732) Nike Innovate C.V.

One Bowerman Drive, Beaverton, Oregon
97005-6453, USA

(111) M 1997 6425 R2

(156) 2017 08 18

(186) 2027 08 18

(732) Pfizer Products Inc.

a Connecticut corporation
Eastern Point Road, Groton, Connecticut
06340, USA

(111) M 1997 6426 R2

(156) 2017 08 18

(186) 2027 08 18

(732) Pfizer Products Inc.

a Connecticut corporation
Eastern Point Road, Groton, Connecticut
06340, USA

(111) M 1997 6427 R2

(156) 2017 08 18

(186) 2027 08 18

(732) Pfizer Products Inc.

a Connecticut corporation
Eastern Point Road, Groton, Connecticut
06340, USA

(111) M 1997 6428 R2

(156) 2017 08 18

(186) 2027 08 18

(732) Pfizer Products Inc.

a Connecticut corporation

Eastern Point Road, Groton, Connecticut 06340, USA	(111) M 1997 6535 R2 (156) 2017 08 26 (186) 2027 08 26 (732) SOCIETE DES PRODUITS NESTLE S.A. 1800 Vevey, Switzerland
(111) M 1997 6429 R2 (156) 2017 08 18 (186) 2027 08 18 (732) Pfizer Products Inc. a Connecticut corporation Eastern Point Road, Groton, Connecticut 06340, USA	(111) M 1997 6536 R2 (156) 2017 08 26 (186) 2027 08 26 (732) SOCIETE DES PRODUITS NESTLE S.A. 1800 Vevey, Switzerland
(111) M 1997 6435 R2 (156) 2017 08 18 (186) 2027 08 18 (732) BONICA ADVISORS LIMITED c/o Quijano & Associates (BVI) Limited P.O. Box 313 Road Town, Tortola, British Virgin Islands	(111) M 1997 6601 R2 (156) 2017 09 03 (186) 2027 09 03 (732) RICHTER GEDEON NYRT. Gyömrői út 9-21, H-1103 Budapest, Hungary
(111) M 1997 6454 R2 (156) 2017 08 18 (186) 2027 08 18 (732) Ajinomoto Co., Inc. 15-1, Kyobashi, 1-Chome, Chuo-ku, Tokyo, Japan	(111) M 1997 6655 R2 (156) 2017 09 04 (186) 2027 09 04 (732) BEROL CORPORATION 29 E. Stephenson Street, Freeport, IL 61032, USA
(111) M 1997 6455 R2 (156) 2017 08 18 (186) 2027 08 18 (732) Ajinomoto Co., Inc. 15-1, Kyobashi, 1-Chome, Chuo-ku, Tokyo, Japan	(111) M 1997 6689 R2 (156) 2017 09 08 (186) 2027 09 08 (732) SPEEDO HOLDINGS B.V. Claude Debussylaan 24, 1082 MD Amsterdam, Netherlands
(111) M 1997 6465 R2 (156) 2017 08 22 (186) 2027 08 22 (732) Pioneer Hi-Bred International Inc. 7100 N.W. 62nd Avenue, P.O. Box 1014, Johnston, IA 50131-1014, USA	(111) M 1997 6816 R2 (156) 2017 09 17 (186) 2027 09 17 (732) Lysoform Pharma GmbH & Co. Verwaltungs KG. Kaiser-Wilhelm-Strasse 133, 12247 Berlin, Germany
(111) M 1997 6490 R2 (156) 2017 08 22 (186) 2027 08 22 (732) SOCIETE DES PRODUITS NESTLE S.A. 1800 Vevey, Switzerland	(111) M 1997 6859 R2 (156) 2017 09 19 (186) 2027 09 19 (732) HFC Prestige International Holding Switzerland Sàrl Chemin Louis-Hubert 1-3, 1213 Petit-Lancy, Switzerland
(111) M 1997 6529 R2 (156) 2017 08 26 (186) 2027 08 26 (732) SOCIETE DES PRODUITS NESTLE S.A. 1800 Vevey, Switzerland	(111) M 1997 6864 R2 (156) 2017 09 19 (186) 2027 09 19

(732) HFC Prestige International Holding
Switzerland Sàrl
Chemin Louis-Hubert 1-3, 1213
Petit-Lancy, Switzerland

(111) M 1997 6866 R2

(156) 2017 09 19

(186) 2027 09 19

(732) HFC Prestige International Holding
Switzerland Sàrl
Chemin Louis-Hubert 1-3, 1213
Petit-Lancy, Switzerland

(111) M 1997 6867 R2

(156) 2017 09 19

(186) 2027 09 19

(732) HFC Prestige International Holding
Switzerland Sàrl
Chemin Louis-Hubert 1-3, 1213
Petit-Lancy, Switzerland

(111) M 1997 6869 R2

(156) 2017 09 19

(186) 2027 09 19

(732) HFC Prestige International Holding
Switzerland Sàrl
Chemin Louis-Hubert 1-3, 1213
Petit-Lancy, Switzerland

(111) M 1997 6870 R2

(156) 2017 09 19

(186) 2027 09 19

(732) HFC Prestige International Holding
Switzerland Sàrl
Chemin Louis-Hubert 1-3, 1213
Petit-Lancy, Switzerland

(111) M 1997 6940 R2

(156) 2017 09 25

(186) 2027 09 25

(732) JACOBS & TURNER LIMITED
Vermont House, 149 Vermont Street,
Kinning Park, Glasgow G41 1LU, United
Kingdom

(111) M 1997 7057 R2

(156) 2017 10 07

(186) 2027 10 07

(732) VICTORINOX AG
Schmidgasse 57, CH-6438 Ibach,
Switzerland

(111) M 1997 7090 R2

(156) 2017 10 08

(186) 2027 10 08

(732) SALOMON S.A.S.
Les Croiselets, 74370 METZ-TESSY,
France

(111) M 1997 7094 R2

(156) 2017 10 08

(186) 2027 10 08

(732) SALOMON S.A.S.
Les Croiselets, 74370 METZ-TESSY,
France

(111) M 1997 7095 R2

(156) 2017 10 08

(186) 2027 10 08

(732) SALOMON S.A.S.
Les Croiselets, 74370 METZ-TESSY,
France

(111) M 1997 7110 R2

(156) 2017 10 09

(186) 2027 10 09

(732) STAHL INTERNATIONAL B.V.
10, Sluisweg, 5145 PE Waalwijk,
Netherlands

(111) M 1997 7235 R2

(156) 2017 10 16

(186) 2027 10 16

(732) STAHL INTERNATIONAL B.V.
10, Sluisweg, 5145 PE Waalwijk,
Netherlands

(111) M 1997 7293 R2

(156) 2017 10 22

(186) 2027 10 22

(732) LAFARGE
61 rue des Belles Feuilles, 75116 Paris,
France

(111) M 1997 7414 R2

(156) 2017 11 07

(186) 2027 11 07

(732) VOLVO TRADEMARK HOLDING
AKTIEBOLAG
C/o AB VOLVO 405 08 Goteborg, Sweden

(111) M 1997 7415 R2

(156) 2017 11 07

(186) 2027 11 07

(732) VOLVO TRADEMARK HOLDING
AKTIEBOLAG
C/o AB VOLVO 405 08 Goteborg, Sweden

(111) M 1997 7825 R2
(156) 2017 12 11
(186) 2027 12 11
(732) Modelo MKT de Mexico, S.de R.L. de C.V.
Lago Alberto N156, Colonia Anahuac,
Mexico, D.F. 11320, Mexico

(111) M 1997 7888 R2
(156) 2017 12 17
(186) 2027 12 17
(732) Hershey Chocolate & Confectionary
Corporation
4860 Robb Street, Suite 204, Wheat Ridge,
Colorado, 80033, USA

(111) M 1997 7889 R2
(156) 2017 12 17
(186) 2027 12 17
(732) Hershey Chocolate & Confectionary
Corporation
4860 Robb Street, Suite 204, Wheat Ridge,
Colorado, 80033, USA

(111) M 1997 7891 R2
(156) 2017 12 18
(186) 2027 12 18
(732) Hershey Chocolate & Confectionary
Corporation
4860 Robb Street, Suite 204, Wheat Ridge,
Colorado, 80033, USA

(111) M 1997 7892 R2
(156) 2017 12 18
(186) 2027 12 18
(732) Hershey Chocolate & Confectionary
Corporation
4860 Robb Street, Suite 204, Wheat Ridge,
Colorado, 80033, USA

(111) M 1997 7893 R2
(156) 2017 12 18
(186) 2027 12 18
(732) Hershey Chocolate & Confectionary
Corporation
4860 Robb Street, Suite 204, Wheat Ridge,
Colorado, 80033, USA

(111) M 1997 7903 R2
(156) 2017 12 18
(186) 2027 12 18
(732) The Black & Decker Corporation
701, East Joppa road, Towson, State of
Maryland 21286, USA

COMPLETE TRANSFER OF RIGHTS

(111) M 1997 006859 R2
(732) HFC Prestige International Holding
Switzerland Sàrl
Chemin Louis-Hubert 1-3, 1213
Petit-Lancy, Switzerland
(770) Wella GmbH
Sulzbacher Strasse 40, 65824 Schwalbach
Am-Taunus, Germany
(580) 2017 06 28

(111) M 1997 006870 R2
(732) HFC Prestige International Holding
Switzerland Sàrl
Chemin Louis-Hubert 1-3, 1213
Petit-Lancy, Switzerland
(770) Wella GmbH
Sulzbacher Strasse 40, 65824 Schwalbach
Am-Taunus, Germany
(580) 2017 06 28

(111) M 1997 006864 R2
(732) HFC Prestige International Holding
Switzerland Sàrl
Chemin Louis-Hubert 1-3, 1213
Petit-Lancy, Switzerland
(770) Wella GmbH
Sulzbacher Strasse 40, 65824 Schwalbach
Am-Taunus, Germany
(580) 2017 06 28

(111) M 1997 006866 R2
(732) HFC Prestige International Holding
Switzerland Sàrl
Chemin Louis-Hubert 1-3, 1213
Petit-Lancy, Switzerland
(770) Wella GmbH
Sulzbacher Strasse 40, 65824 Schwalbach
Am-Taunus, Germany
(580) 2017 06 28

(111) M 1997 006867 R2
(732) HFC Prestige International Holding
Switzerland Sàrl
Chemin Louis-Hubert 1-3, 1213
Petit-Lancy, Switzerland
(770) Wella GmbH
Sulzbacher Strasse 40, 65824 Schwalbach
Am-Taunus, Germany
(580) 2017 06 28

(111) M 1997 006869 R2
(732) HFC Prestige International Holding
Switzerland Sàrl
Chemin Louis-Hubert 1-3, 1213
Petit-Lancy, Switzerland
(770) Wella GmbH
Sulzbacher Strasse 40, 65824 Schwalbach
Am-Taunus, Germany
(580) 2017 06 28

CHANGES IN NAMES AND/OR ADDRESSES OF OWNERS

(111) M 2007 017285 R1
 (732) CJSC "CONDOR"
 N94 Dr. Beheshti Avenue, Teihran, Iran
 Islamic Republic
 (770) CONDOR COMPANY
 N94 Dr. Beheshti Avenue, Teihran, Iran
 Islamic Republic
 (580) 2017 07 17

(111) M 2007 017286 R1
 (732) CJSC "CONDOR"
 N94 Dr. Beheshti Avenue, Teihran, Iran
 Islamic Republic
 (770) CONDOR COMPANY
 N94 Dr. Beheshti Avenue, Teihran, Iran
 Islamic Republic
 (580) 2017 07 13

(111) M 2007 017287 R1
 (732) CJSC "CONDOR"
 N94 Dr. Beheshti Avenue, Teihran, Iran
 Islamic Republic
 (770) CONDOR COMPANY
 N94 Dr. Beheshti Avenue, Teihran, Iran
 Islamic Republic
 (580) 2017 07 13

(111) M 2007 017288 R1
 (732) CJSC "CONDOR"
 N94 Dr. Beheshti Avenue, Teihran, Iran
 Islamic Republic
 (770) CONDOR COMPANY
 N94 Dr. Beheshti Avenue, Teihran, Iran
 Islamic Republic
 (580) 2017 07 13

(111) M 2007 017289 R1
 (732) CJSC "CONDOR"
 N94 Dr. Beheshti Avenue, Teihran, Iran
 Islamic Republic
 (770) CONDOR COMPANY
 N94 Dr. Beheshti Avenue, Teihran, Iran
 Islamic Republic
 (580) 2017 07 13

(111) M 2007 017567 R1
 (732) MoneyGram International, Inc.
 a Delaware corporation
 2828 North Harwood Street, Suite 1500,
 Dallas, Texas 75201, USA

(770) MoneyGram International, Inc.
 a Delaware corporation
 1550 Utica Avenue South, Minneapolis,
 Minnesota 55416, USA
 (580) 2017 07 25

(111) M 2007 017594 R1
 (732) Abdi İbrahim İlaç Sanayi ve Ticaret
 Anonim Şirketi
 Reşitpaşa Mahallesi Eski Büyükdere
 Caddesi No: 4 34467 Maslak Sarıyer
 İstanbul, Turkey
 (770) Abdi İbrahim İlaç Sanayi ve Ticaret
 Anonim Şirketi
 Eski Büyükdere Cad. Ayazağa Yolu 34398
 No: 5 Maslak, İstanbul, Turkey
 (580) 2017 07 25

(111) M 2007 017595 R1
 (732) Abdi İbrahim İlaç Sanayi ve Ticaret
 Anonim Şirketi
 Reşitpaşa Mahallesi Eski Büyükdere
 Caddesi No: 4 34467 Maslak Sarıyer
 İstanbul, Turkey
 (770) Abdi İbrahim İlaç Sanayi ve Ticaret
 Anonim Şirketi
 Eski Büyükdere Cad. Ayazağa Yolu 34398
 No: 5 Maslak, İstanbul, Turkey
 (580) 2017 07 25

(111) M 2007 017794 R1
 (732) Abdi İbrahim İlaç Sanayi ve Ticaret
 Anonim Şirketi
 Reşitpaşa Mahallesi Eski Büyükdere
 Caddesi No: 4 34467 Maslak Sarıyer
 İstanbul, Turkey
 (770) Abdi İbrahim İlaç Sanayi ve Ticaret
 Anonim Şirketi
 Eski Büyükdere Cad. Ayazağa Yolu 34398
 No: 5 Maslak, İstanbul, Turkey
 (580) 2017 07 25

(111) M 1994 000211 R2
 (732) LORRILLARD LICENSING
 COMPANY LLC
 327 Hillsborough Street, Raleigh,
 NC 27603 Wake, USA
 (770) LORRILLARD LICENSING
 COMPANY LLC
 1600 First Union Tower, 300 North
 Greene Street, City of Greensboro, State of

North Carolina 27401, USA
(580) 2017 07 07

(111) M 1994 000211 R2
(732) LORRILLARD LICENSING
COMPANY LLC
401 North Main Street, Winston-Salem,
North Carolina 27102, USA
(770) LORRILLARD LICENSING
COMPANY LLC
327 Hillsborough Street, Raleigh,
NC 27603 Wake, USA
(580) 2017 07 07

(111) M 1997 005659 R2
(732) LEO Pharma A/S
Industriparken 55, DK-2750 Ballerup,
Denmark
(770) Leo Pharmaceutical Products Ltd A/S
(Lovens Kemiske Fabrik
Produktionsaktieselskab)
Industriparken 55, DK-2750 Ballerup,
Denmark
(580) 2017 07 06

(111) M 1997 005845 R2
(732) HUDSON PRODUCTS CORPORATION
(Texas corporation)
Grunwald Road, Beasley, Texas 77417,
USA
(770) HUDSON PRODUCTS CORPORATION
(Texas corporation)
1307 Soldiers Field Drive, Sugar Land,
Texas 77479, USA
(580) 2017 07 25

(111) M 1997 007090 R2
(732) SALOMON S.A.S
Les Croiselets, 74370 METZ-TESSY,
France
(770) SALOMON S.A.
Les Croiselets, 74370 METZ-TESSY,
France
(580) 2017 07 06

(111) M 1997 007094 R2
(732) SALOMON S.A.S
Les Croiselets, 74370 METZ-TESSY,
France
(770) SALOMON S.A.
Les Croiselets, 74370 METZ-TESSY,
France
(580) 2017 07 06

(111) M 1997 007095 R2
(732) SALOMON S.A.S
Les Croiselets, 74370 METZ-TESSY,
France
(770) SALOMON S.A.
Les Croiselets, 74370 METZ-TESSY,
France
(580) 2017 07 06

INVALIDATION OF TRADEMARKS REGISTRATION

(111) M 2006 17206 R
(141) 2017 03 27, Not payment for prolongation
of registration on the following of 10 years
(732) IE "Giorgi Naneishvili - SANGI"
Vazha-Pshavelas gamz., II kvart, korp. 3,
b. 4, 0186, Tbilisi, Georgia

(111) M 2006 17210 R
(141) 2017 03 27, Not payment for prolongation
of registration on the following of 10 years
(732) LTD "ALMAZ-M"
Ul. Vokzalnaya, d. 53b, 143000, Odintsogo,
Moskovskaya Obl., Russian Federation

(111) M 2006 17212 R
(141) 2017 03 27, Not payment for prolongation
of registration on the following of 10 years
(732) British American Tobacco (Brands) Inc.
(A Delaware State Corporation)
2711 Centerville Road, Suite 300,
Wilmington, Delaware 19808, USA

(111) M 2006 17214 R
(141) 2017 03 27, Not payment for prolongation
of registration on the following of 10 years
(732) LTD "TEREMOK GROUP"
G. Tabidzis q. 23/23, Tbilisi, Georgia

(111) M 2006 17215 R
(141) 2017 03 27, Not payment for prolongation
of registration on the following of 10 years
(732) VLAKTOR TRADING LIMITED
Arch. Makariou III, 134, YIOTA COURT,
1 st floor, Flat/Office 102, P.C. 3021,
Limassol, CY

(111) M 2007 17219 R
(141) 2017 04 18, Not payment for prolongation
of registration on the following of 10 years
(732) Verizon Trademark Services LLC
a Limited Liability Company of Delaware
1320 North Court House Road, Arlington,
Virginia 22201, USA

(111) M 2007 17220 R
(141) 2017 04 18, Not payment for prolongation
of registration on the following of 10 years
(732) Verizon Trademark Services LLC

a Limited Liability Company of Delaware
1320 North Court House Road, Arlington,
Virginia 22201, USA

(111) M 2007 17223 R
(141) 2017 04 18, Not payment for prolongation
of registration on the following of 10 years
(732) Wyeth
Five Giralda Farms, Madison, New Jersey,
07940, USA

(111) M 2007 17225 R
(141) 2017 04 18, Not payment for prolongation
of registration on the following of 10 years
(732) UCB PHARMA, S.A.
Allee de la Recherche 60, B-1070
Bruxelles, BE

(111) M 2007 17240 R
(141) 2017 04 18, Not payment for prolongation
of registration on the following of 10 years
(732) British American Tobacco (Brands) Inc.
(A Delaware State Corporation)
2711 Centerville Road, Suite 300,
Wilmington, Delaware 19808, USA

(111) M 1996 4221 R1
(111) M 1996 4221 R1
(141) 2007 03 19, Not payment for prolongation
of registration on the following of 10 years
(732) Von Roll Holding AG
Bahnhofstrasse 22, 4563 Gerlafingen, CH

(111) M 1996 4223 R1
(141) 2007 03 19, Not payment for prolongation
of registration on the following of 10 years
(732) ALFRED DANHILL LIMITED
15 Hill Street, London W1J 5QT,
England, GB

(111) M 1996 4225 R1
(141) 2007 03 19, Not payment for prolongation
of registration on the following of 10 years
(732) SAINT-GOBAIN VETROTEX FRANCE S.A
130, Avenue des Follaz 73000,
Chambery, FR

(111) M 1996 4227 R1
(141) 2006 09 19, Not payment for prolongation
of registration on the following of 10 years
(732) PERNOD RICARD ITALIA S.p.A.
Corso Buenos Aires, 54, 20124 Milan, IT

(111) M 1996 4228 R1
(141) 2006 09 19, Not payment for prolongation
of registration on the following of 10 years
(732) PERNOD RICARD ITALIA S.p.A.
Corso Buenos Aires, 54, 20124 Milan, IT

(111) M 1996 4229 R1
(141) 2006 09 19, Not payment for prolongation
of registration on the following of 10 years
(732) PERNOD RICARD ITALIA S.p.A.
Corso Buenos Aires, 54, 20124 Milan, IT

(111) M 1996 4243 R1
(141) 2007 03 19, Not payment for prolongation
of registration on the following of 10 years
(732) British American Tobacco (Brands) Inc.
(A Delaware State Corporation)
2711 Centerville Road, Suite 300,
Wilmington, Delaware 19808, USA

(111) M 1996 4244 R1
(141) 2007 03 19, Not payment for prolongation
of registration on the following of 10 years
(732) British American Tobacco (Brands) Inc.
(A Delaware State Corporation)
2711 Centerville Road, Suite 300,
Wilmington, Delaware 19808, USA

(111) M 1996 4248 R1
(141) 2007 03 19, Not payment for prolongation
of registration on the following of 10 years
(732) BIZERBA GmbH & Co., KG
Wilhelm-Kraut-Strasse 65, 72336
Balingen, DE

(111) M 1996 4249 R1
(141) 2007 03 19, Not payment for prolongation
of registration on the following of 10 years
(732) MONARCH PHARMACEUTICALS
IRELAND LIMITED
Alexandra House, The Sweepstakes,
Ballsbridge, Dublin 4, IE

(111) M 1996 4250 R1
(141) 2007 03 19, Not payment for prolongation
of registration on the following of 10 years
(732) MONARCH PHARMACEUTICALS
IRELAND LIMITED
Alexandra House, The Sweepstakes,
Ballsbridge, Dublin 4, IE

(111) M 1996 4270 R1
(141) 2007 03 19, Not payment for prolongation
of registration on the following of 10 years
(732) PHILIP MORRIS PRODUCTS S. A.
Quai Jeanrenaud 3, CH-2000 Neuchatel, CH

(111) M 1996 4275 R1
(141) 2007 03 20, Not payment for prolongation
of registration on the following of 10 years
(732) EGRI Dohanygyar KFT
Torvenyhaz u.4, 3300 Eger, HU

(111) M 1996 4276 R1
(141) 2007 03 20, Not payment for prolongation
of registration on the following of 10 years
(732) EGRI Dohanygyar KFT
Torvenyhaz u.4, 3300 Eger, HU

(111) M 1996 4277 R1
(141) 2007 03 20, Not payment for prolongation
of registration on the following of 10 years
(732) EGRI Dohanygyar KFT
Torvenyhaz u.4, 3300 Eger, HU

(111) M 1996 4278 R1
(141) 2007 03 20, Not payment for prolongation
of registration on the following of 10 years
(732) PHILIP MORRIS MAGYARORSZAG
Cigarettagyarto Es Kereskedelmi Korlatolf
Felelossegu Tarsasag (Philip Morris Magya-
rorszag Kft.)
Torvenyhaz U. 4, 3300 Eger, HU

(111) M 1996 4281 R1
(141) 2007 03 20, Not payment for prolongation
of registration on the following of 10 years
(732) CAFEA GmbH
Am Sandtorkai 2, 20457 Hamburg, DE

(111) M 1996 4282 R1
(141) 2007 03 23, Not payment for prolongation
of registration on the following of 10 years

(732) CAFEA GmbH
Am Sandtorkai 2, 20457 Hamburg, DE

(111) M 1996 4283 R1
(141) 2007 03 23, Not payment for prolongation
of registration on the following of 10 years

(732) CAFEA GmbH
Am Sandtorkai 2, 20457 Hamburg, DE

(111) M 1997 4294 R1
(141) 2007 04 04, Not payment for prolongation
of registration on the following of 10 years
(732) SEMPERIT TECHNISCHE
PRODUKTE GESELLSCHAFT M.B.H.
22 Modecenterstrasse 22, A-1031 Wien, AT

(111) M 1997 4312 R1
(141) 2007 04 05, Not payment for prolongation
of registration on the following of 10 years
(732) LARIOS SPAIN S.L.
Paseo de la Castellana 216, 8a Planta,
28046 Madrid, ES

(111) M 1997 4319 R1
(141) 2007 04 10, Not payment for prolongation
of registration on the following of 10 years
(732) PERNOD RICARD ESPANA SA
Calle Cesar Vallejo 24, Poligono Industrial
Guadalhorce, 29002 Malaga, ES

(111) M 1997 4320 R1
(141) 2007 04 10, Not payment for prolongation
of registration on the following of 10 years
(732) PERNOD RICARD ESPANA SA
Calle Cesar Vallejo 24, Poligono Industrial
Guadalhorce, 29002 Malaga, ES

(111) M 1997 4322 R1
(141) 2006 10 09, Not payment for prolongation
of registration on the following of 10 years
(732) STUDIO PEYO S.A.
36, Chemin Frank-Thomas, 1208
Geneva, CH

(111) M 1997 4325 R1
(141) 2007 04 10, Not payment for prolongation
of registration on the following of 10 years
(732) BTICINO S.P.A.
Via Messina 38, 20154 Milano, IT

(111) M 1997 4330 R1
(141) 2007 04 10, Not payment for prolongation
of registration on the following of 10 years
(732) DUCA VISCONTI DI MODRONE S.P.A.
Corso di Porta Romana 3, 20122 Milano, IT

(111) M 1997 4331 R1
(141) 2007 04 10, Not payment for prolongation
of registration on the following of 10 years
(732) BTICINO S.P.A.
Via Messina 38, 20154 Milano, IT

(111) M 1997 4332 R1
(141) 2007 04 10, Not payment for prolongation
of registration on the following of 10 years
(732) PHILIP MORRIS PRODUCTS S.A.
Quai Jeanrenaud 3, 2000 NeuchateL, CH

(111) M 1997 4337 R1
(141) 2007 04 10, Not payment for prolongation
of registration on the following of 10 years
(732) PHILIP MORRIS PRODUCTS S.A.
Quai Jeanrenaud 3, 2000 NeuchateL, CH

(111) M 1997 4341 R1
(141) 2007 04 10, Not payment for prolongation
of registration on the following of 10 years
(732) PHILIP MORRIS PRODUCTS S.A.
Quai Jeanrenaud 3, 2000 NeuchateL, CH

(111) M 1997 4343 R1
(141) 2007 04 10, Not payment for prolongation
of registration on the following of 10 years
(732) BTICINO S.P.A.
Via Messina 38, 20154 Milano, IT

(111) M 1997 4345 R1
(141) 2007 04 10, Not payment for prolongation
of registration on the following of 10 years
(732) BTICINO S.P.A.
Via Messina 38, 20154 Milano, IT

(111) M 1997 4346 R1
(141) 2007 04 10, Not payment for prolongation
of registration on the following of 10 years
(732) BTICINO S.P.A.
Via Messina 38, 20154 Milano, IT

(111) M 1997 4347 R1
(141) 2007 04 10, Not payment for prolongation
of registration on the following of 10 years
(732) BTICINO S.P.A.
Via Messina 38, 20154 Milano, IT

(111) M 1997 4348 R1
(141) 2007 04 10, Not payment for prolongation
of registration on the following of 10 years
(732) BTICINO S.P.A.
Via Messina 38, 20154 Milano, IT

(111) M 1997 4349 R1
(141) 2007 04 10, Not payment for prolongation
of registration on the following of 10 years
(732) BTICINO S.P.A.
Via Messina 38, 20154 Milano, IT

(111) M 1997 4350 R1
(141) 2007 04 10, Not payment for prolongation
of registration on the following of 10 years
(732) DUCA VISCONTI DI MODRONE S.P.A.
Corso di Porta Romana 3, 20122 Milano, IT

(111) M 1997 4360 R1
(141) 2007 04 17, Not payment for prolongation
of registration on the following of 10 years
(732) JAPAN TOBACCO INC.
2-2-1, Toranomom, Minato-ku, Tokyo, JP

(111) M 1997 4363 R1
(141) 2007 04 17, Not payment for prolongation
of registration on the following of 10 years
(732) DOW AGROSCIENCES LLC
9330 Zionsville Road, Indianapolis,
Indiana 46268, USA

CANCELLING OF TRADEMARK REGISTRATION

(260) AM 2012 62470 A
 (800) 1073792
 (731) WYBOROWA S.A.
 ul. Komandoria 5, PL-61-023 Poznan, Poland
 (540)

ODDKA

(591) Black, white
 (511) 33
 (141) 2017 08 10

GROUND(S): Order №66 of Sakpatenti Chairman of 2017 07 27 for enforcement of the decision of October 18, 2016, of Tbilisi City Court Civil Cases Board (Case №2/14395–16).

CORRECTION OF PUBLISHED MATERIAL

Number of Bulletin	Number of Registration (111)	Pg.	Col.	PUBLISHED	NOTE
15(475)2017	M 2017 28751 R	54	I	(111) M 2017 28751 R (151) 2017 07 23 (181) 2027 07 23 (260) AM 2017 87258 A (220) 2016 05 18 (732) ORION CORPORATION 13, Baekbeom-ro 90da-gil, Yongsan-gu, Seoul, Republic of Korea	There was a publication due to a technical mistake

CLASSIFICATION INDEXES

INVENTIONS

CONCORDANCE TABLE OF INTERNATIONAL CLASSIFICATION INDEX AND PUBLICATION NUMBERS

INTERNATIONAL CLASSIFICATION INDEXES (51)	NUMBER OF PUBLISHED APPLICATION (10)
A 01 G 31/00	AP 2017 14089 A
A 01 K 93/02	AP 2017 13969 A
A 61 K 31/422; A 61 P 33/00	AP 2017 13567 A
A 61 K 31/517	AP 2017 13442 A
A 61 K 45/06; A 61 K 31/27; A 61 K 31/4045; A 61 K 31/445; A 61 K 31/55; A 61 P 25/28	AP 2017 13752 A
C 07 D 277/593	AP 2017 13956 A
C 07 D 401/14; C 07 D 401/04; C 07 D 403/14; A 61 K 31/4725; A 61 P 35/00	AP 2017 13953 A
C 07 D 471/04	AP 2017 14210 A
C 07 D 471/04	AP 2017 13596 A
C 07 D 471/08; A 61 K 31/439; A 61 P 11/00; A 61 P 17/00; A 61 P 27/00; A 61 P 15/00; A 61 P 37/00; A 61 P 35/00; A 61 P 31/00	AP 2017 13959 A
C 07 K 16/28	AP 2017 13583 A
C 12 B 1/225; C 12 Q 1/02; C 12 N 1/20	AP 2017 13744 A
E 02 B 3/06	AP 2017 14241 A
E 21 B 43/30; E 21 B 43/16; E 21 B 43/34	AP 2017 13663 A
G 07 D 7/12	AP 2017 14139 A
H 01 C 7/00	AP 2017 14217 A
H 01 Q 15/16; B 64 G 1/22	AP 2017 13843 A

CONCORDANCE TABLE OF PUBLICATION NUMBERS AND INTERNATIONAL CLASSIFICATION INDEX

NUMBER OF PUBLISHED APPLICATION (10)	INTERNATIONAL CLASSIFICATION INDEXES (51)
1	2
AP 2017 13442 A	A 61 K 31/517
AP 2017 13567 A	A 61 K 31/422; A 61 P 33/00
AP 2017 13583 A	C 07 K 16/28
AP 2017 13596 A	C 07 D 471/04
AP 2017 13663 A	E 21 B 43/30; E 21 B 43/16; E 21 B 43/34
AP 2017 13744 A	C 12 B 1/225; C 12 Q 1/02; C 12 N 1/20
AP 2017 13752 A	A 61 K 45/06; A 61 K 31/27; A 61 K 31/4045; A 61 K 31/445; A 61 K 31/55; A 61 P 25/28
AP 2017 13843 A	H 01 Q 15/16; B 64 G 1/22
AP 2017 13953 A	C 07 D 401/14; C 07 D 401/04; C 07 D 403/14; A 61 K 31/4725; A 61 P 35/00
AP 2017 13956 A	C 07 D 277/593
AP 2017 13959 A	C 07 D 471/08; A 61 K 31/439; A 61 P 11/00; A 61 P 17/00; A 61 P 27/00; A 61 P 15/00; A 61 P 37/00; A 61 P 35/00; A 61 P 31/00
AP 2017 13969 A	A 01 K 93/02

1	2
AP 2017 14089 A	A 01 G 31/00
AP 2017 14139 A	G 07 D 7/12
AP 2017 14210 A	C 07 D 471/04
AP 2017 14217 A	H 01 C 7/00
AP 2017 14241 A	E 02 B 3/06

**CONCORDANCE TABLE OF INTERNATIONAL CLASSIFICATION INDEX,
PATENT NUMBERS AND PUBLICATION NUMBERS**

INTERNATIONAL CLASSIFICATION INDEX (51)	NUMBER OF PATENT (11)	NUMBER OF PUBLISHED APPLICATION (10)
A 61 F 13/02	P 2017 6715 B	AP 2017 13325 A
A 61 K 38/48; A 61 P 29/00	P 2017 6717 B	AP 2017 13832 A
A 61 K 47/48	P 2017 6716 B	AP 2017 13632 A
C 07 D 401/06; C 07 D 401/14; C 07 D 413/14; C 07 D 403/14; C 07 D 407/14; C 07 D 413/06; C 07 D 471/04	P 2017 6718 B	AP 2017 13863 A

**CONCORDANCE TABLE OF PATENT NUMBERS,
PUBLICATION NUMBERS AND INTERNATIONAL CLASSIFICATION INDEX**

NUMBER OF PATENT (11)	NUMBER OF PUBLISHED APPLICATION (10)	INTERNATIONAL CLASSIFICATION INDEX (51)
P 2017 6715 B	AP 2017 13325 A	A 61 F 13/02
P 2017 6716 B	AP 2017 13632 A	A 61 K 47/48
P 2017 6717 B	AP 2017 13832 A	A 61 K 38/48; A 61 P 29/00
P 2017 6718 B	AP 2017 13863 A	C 07 D 401/06; C 07 D 401/14; C 07 D 413/14; C 07 D 403/14; C 07 D 407/14; C 07 D 413/06; C 07 D 471/04

**CONCORDANCE TABLE OF APPLICATION NUMBERS, PUBLICATION NUMBERS
AND PATENTS**

NUMBER OF APPLICATION (21)	NUMBER OF PUBLISHED APPLICATION (10)	NUMBER OF PATENT (11)
AP 2012 013325	AP 2017 13325 A	P 2017 6715 B
AP 2013 013632	AP 2017 13632 A	P 2017 6716 B
AP 2013 013832	AP 2017 13832 A	P 2017 6717 B
AP 2013 013863	AP 2017 13863 A	P 2017 6718 B

UTILITY MODELS

CONCORDANCE TABLE OF INTERNATIONAL CLASSIFICATION INDEX, PATENT NUMBERS AND PUBLICATION NUMBERS

INTERNATIONAL CLASSIFICATION INDEX (51)	NUMBER OF PATENT (11)	NUMBER OF PUBLISHED APPLICATION (10)
E 06 B 1/00	U 2017 1943 Y	AU 2017 14183 U

CONCORDANCE TABLE OF PATENT NUMBERS, PUBLICATION NUMBERS AND INTERNATIONAL CLASSIFICATION INDEX

NUMBER OF PATENT (11)	NUMBER OF PUBLISHED APPLICATION (10)	INTERNATIONAL CLASSIFICATION INDEX (51)
U 2017 1943 Y	AU 2017 14183 U	E 06 B 1/00

CONCORDANCE TABLE OF APPLICATION NUMBERS, PUBLICATION NUMBERS AND PATENTS

NUMBER OF APPLICATION (21)	NUMBER OF PUBLISHED APPLICATION (10)	NUMBER OF PATENT (11)
AU 2016 014183	AU 2017 14183 U	U 2017 1943 Y

DESIGNS

CONCORDANCE TABLE OF INTERNATIONAL CLASSIFICATION INDEX AND PUBLICATION NUMBERS

INTERNATIONAL CLASSIFICATION INDEXES (51)	NUMBER OF PUBLISHED APPLICATION (10)
27-02	AD 2017 948 S

CONCORDANCE TABLE OF PUBLICATION NUMBERS AND INTERNATIONAL CLASSIFICATION INDEX

NUMBER OF PUBLISHED APPLICATION (10)	INTERNATIONAL CLASSIFICATION INDEXES (51)
AD 2017 948 S	27-02

DESIGN REGISTERED ACCORDING TO THE ACCELERATED PROCEDURE

CONCORDANCE TABLE OF INTERNATIONAL CLASSIFICATION INDEX AND PUBLICATION NUMBERS

INTERNATIONAL CLASSIFICATION INDEXES (51)	NUMBER OF PUBLISHED APPLICATION (10)
32-00	D 2017 719 S

CONCORDANCE TABLE OF PUBLICATION NUMBERS AND INTERNATIONAL CLASSIFICATION INDEX

NUMBER OF PUBLISHED APPLICATION (11)	INTERNATIONAL CLASSIFICATION INDEXES (51)
D 2017 719 S	32-00

CONCORDANCE TABLE OF APPLICATION NUMBERS, PUBLICATION NUMBERS AND PATENTS

NUMBER OF APPLICATION (21)	NUMBER OF PATENT (11)
AD 2017 969	D 2017 719 S

TRADEMARKS

CONCORDANCE TABLE OF REGISTRATION NUMBERS, APPLICATION NUMBERS, PUBLICATION NUMBERS AND BULLETIN NUMBERS

NUMBER OF REGISTRATION (111)	NUMBER OF APPLICATIONS (210)	NUMBER OF PUBLISHED APPLICATIONS (260)	NUMBER OF BULLETIN
M 2017 28735 R	AM 84179	AM 2017 84179 A	6(466)2017
M 2017 28736 R	AM 85124	AM 2017 85124 A	4(464)2017
M 2017 28735 R	AM 86076	AM 2016 86076 A	24(460)2016
M 2017 28735 R	AM 86472	AM 2016 86472 A	22(458)2016
M 2017 28735 R	AM 86477	AM 2016 86477 A	22(458)2016
M 2017 28740 R	AM 86639	AM 2016 86639 A	22(458)2016
M 2017 28741 R	AM 86754	AM 2017 86754 A	5(465)2017
M 2017 28742 R	AM 86895	AM 2017 86895 A	3(463)2017
M 2017 28743 R	AM 87001	AM 2017 87001 A	2(462)2017
M 2017 28744 R	AM 87128	AM 2017 87128 A	5(465)2017
M 2017 28745 R	AM 87133	AM 2017 87133 A	6(466)2017
M 2017 28746 R	AM 87159	AM 2017 87159 A	3(463)2017
M 2017 28747 R	AM 87193	AM 2017 87193 A	1(461)2017
M 2017 28748 R	AM 87210	AM 2017 87210 A	1(461)2017
M 2017 28749 R	AM 87238	AM 2017 87238 A	2(462)2017
M 2017 28750 R	AM 87242	AM 2017 87242 A	2(462)2017
M 2017 28751 R	AM 87258	AM 2017 87258 A	2(462)2017
M 2017 28752 R	AM 87308	AM 2016 87308 A	1(461)2017
M 2017 28753 R	AM 87330	AM 2017 87330 A	5(465)2017
M 2017 28754 R	AM 87331	AM 2017 87331 A	5(465)2017
M 2017 28755 R	AM 87333	AM 2016 87333 A	1(461)2017
M 2017 28756 R	AM 87337	AM 2016 87337 A	1(461)2017
M 2017 28757 R	AM 87390	AM 2017 87390 A	6(466)2017
M 2017 28758 R	AM 87442	AM 2017 87442 A	5(465)2017
M 2017 28759 R	AM 87497	AM 2017 87497 A	4(464)2017
M 2017 28760 R	AM 87547	AM 2017 87547 A	4(464)2017
M 2017 28761 R	AM 87657	AM 2017 87657 A	2(462)2017
M 2017 28762 R	AM 87658	AM 2017 87658 A	2(462)2017
M 2017 28763 R	AM 87659	AM 2017 87659 A	2(462)2017
M 2017 28764 R	AM 87660	AM 2017 87660 A	2(462)2017
M 2017 28765 R	AM 87667	AM 2017 87667 A	6(466)2017
M 2017 28766 R	AM 87672	AM 2017 87672 A	4(464)2017
M 2017 28767 R	AM 87673	AM 2017 87673 A	4(464)2017
M 2017 28768 R	AM 87674	AM 2017 87674 A	4(464)2017
M 2017 28769 R	AM 87675	AM 2017 87675 A	4(464)2017
M 2017 28770 R	AM 87695	AM 2017 87695 A	4(464)2017
M 2017 28771 R	AM 87903	AM 2017 87903 A	5(465)2017
M 2017 28772 R	AM 87904	AM 2017 87904 A	5(465)2017
M 2017 28773 R	AM 87969	AM 2017 87969 A	6(466)2017
M 2017 28774 R	AM 87981	AM 2017 87981 A	5(465)2017
M 2017 28775 R	AM 87997	AM 2017 87997 A	5(465)2017
M 2017 28776 R	AM 87998	AM 2017 87998 A	5(465)2017
M 2017 28777 R	AM 88064	AM 2017 88064 A	5(465)2017
M 2017 28778 R	AM 88093	AM 2017 88093 A	7(467)2017

1	2	3	4
M 2017 28779 R	AM 88222	AM 2017 88222 A	6(466)2017
M 2017 28780 R	AM 88484	AM 2017 88484 A	6(466)2017
M 2017 28781 R	AM 88530	AM 2017 88530 A	6(466)2017
M 2017 28782 R	AM 88531	AM 2017 88531 A	6(466)2017
M 2017 28783 R	AM 93045	-	15(475)2017
M 2017 28784 R	AM 93278	-	15(475)2017
M 2017 28785 R	AM 93326	-	15(475)2017
M 2017 28786 R	AM 93027	-	15(475)2017

CONCORDANCE TABLE OF PUBLICATION NUMBERS
AND APPLICATION NUMBERS

NUMBER OF PUBLISHED APPLICATION (260)	NUMBER OF APPLICATION (210)	1	2
		1	2
AM 2017 87070 A	AM 2016 87070 A	AM 2017 90039 A	AM 2016 90039 A
AM 2017 87071 A	AM 2016 87071 A	AM 2017 90048 A	AM 2016 90048 A
AM 2017 87072 A	AM 2016 87072 A	AM 2017 90051 A	AM 2016 90051 A
AM 2017 87074 A	AM 2016 87074 A	AM 2017 90052 A	AM 2016 90052 A
AM 2017 87080 A	AM 2016 87080 A	AM 2017 90053 A	AM 2016 90053 A
AM 2017 87488 A	AM 2016 87488 A	AM 2017 90097 A	AM 2016 90097 A
AM 2017 87801* A	AM 2016 87801 A	AM 2017 90099 A	AM 2016 90099 A
AM 2017 88769 A	AM 2016 88769 A	AM 2017 90100 A	AM 2016 90100 A
AM 2017 89207 A	AM 2016 89207 A	AM 2017 90101 A	AM 2016 90101 A
AM 2017 89321 A	AM 2016 89321 A	AM 2017 90104 A	AM 2016 90104 A
AM 2017 89340 A	AM 2016 89340 A	AM 2017 90105 A	AM 2016 90105 A
AM 2017 89456 A	AM 2016 89456 A	AM 2017 90105 A	AM 2016 90105 A
AM 2017 89457 A	AM 2016 89457 A	AM 2017 90120 A	AM 2016 90120 A
AM 2017 89599 A	AM 2016 89599 A	AM 2017 90121 A	AM 2016 90121 A
AM 2017 89603 A	AM 2016 89603 A	AM 2017 90123 A	AM 2016 90123 A
AM 2017 89615 A	AM 2016 89615 A	AM 2017 90125 A	AM 2016 90125 A
AM 2017 89673 A	AM 2016 89673 A	AM 2017 90126 A	AM 2016 90126 A
AM 2017 89791 A	AM 2016 89791 A	AM 2017 90127 A	AM 2016 90127 A
AM 2017 89814 A	AM 2016 89814 A	AM 2017 90128 A	AM 2016 90128 A
AM 2017 89824 A	AM 2016 89824 A	AM 2017 90129 A	AM 2016 90129 A
AM 2017 89880 A	AM 2016 89880 A	AM 2017 90130 A	AM 2016 90130 A
AM 2017 89884 A	AM 2016 89884 A	AM 2017 90131 A	AM 2016 90131 A
AM 2017 89981 A	AM 2016 89981 A	AM 2017 90132 A	AM 2016 90132 A
AM 2017 89982 A	AM 2016 89982 A	AM 2017 90133 A	AM 2016 90133 A
AM 2017 89983 A	AM 2016 89983 A	AM 2017 90134 A	AM 2016 90134 A
AM 2017 89988 A	AM 2016 89988 A	AM 2017 90135 A	AM 2016 90135 A
AM 2017 89991 A	AM 2016 89991 A	AM 2017 90136 A	AM 2016 90136 A
AM 2017 89992 A	AM 2016 89992 A	AM 2017 90137 A	AM 2016 90137 A
AM 2017 89993 A	AM 2016 89993 A	AM 2017 90139 A	AM 2016 90139 A
AM 2017 89994 A	AM 2016 89994 A	AM 2017 90148 A	AM 2016 90148 A
AM 2017 89998 A	AM 2016 89998 A	AM 2017 90149 A	AM 2016 90149 A
AM 2017 90006 A	AM 2016 90006 A	AM 2017 90151 A	AM 2016 90151 A
AM 2017 90011 A	AM 2016 90011 A	AM 2017 90154 A	AM 2016 90154 A
AM 2017 90031 A	AM 2016 90031 A	AM 2017 90155 A	AM 2016 90155 A
AM 2017 90033 A	AM 2016 90033 A	AM 2017 90156 A	AM 2016 90156 A
AM 2017 90038 A	AM 2016 90038 A	AM 2017 90331 A	AM 2017 90331 A
		AM 2017 90350 A	AM 2017 90350 A
		AM 2017 90357 A	AM 2017 90357 A
		AM 2017 90359 A	AM 2017 90359 A
		AM 2017 90360 A	AM 2017 90360 A
		AM 2017 90362 A	AM 2017 90362 A
		AM 2017 90363 A	AM 2017 90363 A

1	2
AM 2017 90364 A	AM 2017 90364 A
AM 2017 90365 A	AM 2017 90365 A
AM 2017 90366 A	AM 2017 90366 A
AM 2017 90372 A	AM 2017 90372 A

1	2
AM 2017 90373 A	AM 2017 90373 A
AM 2017 90384 A	AM 2017 90384 A
AM 2017 90424 A	AM 2017 90424 A

**CONCORDANCE TABLE OF INDEX OF GOODS AND/OR SERVICES
AND APPLICATION NUMBERS**

INDEX OF GOODS AND/OR SERVICES (511)	NUMBER OF PUBLISHED APPLICATIONS (26)
1	2
1	AM 2017 90139 A
1	AM 2017 90373 A
3	AM 2017 89998 A
3	AM 2017 90097 A
3	AM 2017 90099 A
3	AM 2017 90100 A
3	AM 2017 90101 A
3	AM 2017 90104 A
3	AM 2017 90105 A
5	AM 2017 89884 A
5	AM 2017 89998 A
5	AM 2017 90031 A
5	AM 2017 90033 A
5	AM 2017 90097 A
5	AM 2017 90099 A
5	AM 2017 90100 A
5	AM 2017 90105 A
5	AM 2017 90123 A
5	AM 2017 90125 A
5	AM 2017 90126 A
5	AM 2017 90127 A
5	AM 2017 90128 A
5	AM 2017 90129 A
5	AM 2017 90130 A
5	AM 2017 90131 A
5	AM 2017 90132 A
5	AM 2017 90133 A
5	AM 2017 90134 A
5	AM 2017 90135 A
5	AM 2017 90136 A
5	AM 2017 90137 A
5	AM 2017 90139 A
5	AM 2017 90359 A
5	AM 2017 90360 A
5	AM 2017 90362 A
5	AM 2017 90363 A
5	AM 2017 90364 A
5	AM 2017 90365 A
5	AM 2017 90366 A
5	AM 2017 90373 A

1	2
9	AM 2017 89880 A
9	AM 2017 89982 A
9	AM 2017 89983 A
9	AM 2017 90051 A
9	AM 2017 90052 A
9	AM 2017 90053 A
9	AM 2017 90139 A
9	AM 2017 90154 A
9	AM 2017 90156 A
9	AM 2017 90331 A
9	AM 2017 90373 A
10	AM 2017 90139 A
12	AM 2017 89673 A
12	AM 2017 90373 A
14	AM 2017 90373 A
16	AM 2017 89991 A
16	AM 2017 90097 A
16	AM 2017 90101 A
16	AM 2017 90104 A
17	AM 2017 89992 A
17	AM 2017 89993 A
19	AM 2017 89988 A
19	AM 2017 89992 A
19	AM 2017 89993 A
21	AM 2017 87801* A
25	AM 2017 89824 A
25	AM 2017 90006 A
25	AM 2017 90424 A
29	AM 2017 87488 A
29	AM 2017 89207 A
29	AM 2017 89340 A
29	AM 2017 90048 A
29	AM 2017 90120 A
29	AM 2017 90121 A
29	AM 2017 90149 A
30	AM 2017 89207 A
30	AM 2017 90120 A
30	AM 2017 90372 A
30	AM 2017 90373 A
31	AM 2017 89207 A
32	AM 2017 90120 A
32	AM 2017 90373 A
33	AM 2017 87488 A
33	AM 2017 89207 A
33	AM 2017 89599 A

1	2	1	2
33	AM 2017 89603 A	37	AM 2017 89993 A
33	AM 2017 89994 A	37	AM 2017 90139 A
33	AM 2017 90120 A	37	AM 2017 90373 A
33	AM 2017 90373 A	38	AM 2017 89981 A
34	AM 2017 89456 A	38	AM 2017 89982 A
34	AM 2017 89457 A	38	AM 2017 89983 A
35	AM 2017 87071 A	38	AM 2017 90331 A
35	AM 2017 87080 A	38	AM 2017 90350 A
35	AM 2017 89207 A	39	AM 2017 87080 A
35	AM 2017 89340 A	39	AM 2017 90357 A
35	AM 2017 89824 A	41	AM 2017 87070 A
35	AM 2017 89998 A	41	AM 2017 89814 A
35	AM 2017 90006 A	41	AM 2017 89982 A
35	AM 2017 90011 A	41	AM 2017 89983 A
35	AM 2017 90031 A	41	AM 2017 90331 A
35	AM 2017 90033 A	41	AM 2017 90350 A
35	AM 2017 90038 A	42	AM 2017 89880 A
35	AM 2017 90039 A	42	AM 2017 90139 A
35	AM 2017 90052 A	42	AM 2017 90154 A
35	AM 2017 90053 A	42	AM 2017 90156 A
35	AM 2017 90148 A	42	AM 2017 90331 A
35	AM 2017 90151 A	42	AM 2017 90350 A
35	AM 2017 90155 A	43	AM 2017 87070 A
35	AM 2017 90350 A	43	AM 2017 87072 A
35	AM 2017 90357 A	43	AM 2017 87074 A
35	AM 2017 90373 A	43	AM 2017 88769 A
36	AM 2017 89615 A	43	AM 2017 89207 A
36	AM 2017 90148 A	43	AM 2017 89321 A
36	AM 2017 90154 A	43	AM 2017 89814 A
36	AM 2017 90156 A	43	AM 2017 90120 A
36	AM 2017 90350 A	43	AM 2017 90384 A
37	AM 2017 89673 A	44	AM 2017 90139 A
37	AM 2017 89791 A	44	AM 2017 90373 A
37	AM 2017 89992 A	45	AM 2017 90350 A

CONCORDANCE TABLE OF INDEX OF GOODS AND/OR SERVICES
AND NUMBERS OF TRADEMARKS REGISTERED ACCORDING
TO THE ACCELERATED PROCEDURE

INDEX OF GOODS AND/OR SERVICES (511)	NUMBERS OF REGISTERED ACCORDING TO THE ACCELERATED PROCEDURE (111)
5	M 2017 28785 R
31	M 2017 28784 R
36	M 2017 28786 R
41	M 2017 28783 R

OFFICIAL BULLETIN OF THE INDUSTRIAL PROPERTY

15(475)

EDITOR-IN-CHIEF: N. Bebrishvili

EDITORS-TRANSLATORS: E. Gabunia

PROOFREADER: A. Shikhashvili

COMPUTER LAYOUT: M. Ordenidze

www.sakpatenti.org.ge

E-mail: info@sakpatenti.org.ge