



**NATIONAL INTELLECTUAL PROPERTY CENTER OF GEORGIA  
SAKPATENTI**

**OFFICIAL BULLETIN  
OF THE INDUSTRIAL PROPERTY**

**17(429)**

**2015  
TBILISI**

**NATIONAL INTELLECTUAL PROPERTY CENTER OF GEORGIA  
SAKPATENTI**

**OFFICIAL BULLETIN  
OF THE INDUSTRIAL PROPERTY**

**17(429)**

**INVENTIONS**

**DESIGNS**

**TRADEMARKS**

**GEOGRAPHICAL INDICATIONS**

DATE OF PUBLICATION

2015 09 10

# INID CODES FOR IDENTIFICATION OF BIBLIOGRAPHIC DATA

## INVENTIONS, UTILITY MODELS

- (10) Number of publication for application, which has been examined
- (11) Number of patent and kind of document
- (21) Serial number of application
- (22) Date of filing of the application
- (23) Date of exhibition or the date of the earlier filing and the number of application, if any
- (24) Date from which patent may have effect
- (31) Number of priority application
- (32) Date of filing of priority application
- (33) Code of the country or regional organization allotting priority application number
- (44) Date of publication of application not granted, but examined and number of bulletin
- (45) Date of publication of registered document
- (51) International Patent Classification Index
- (54) Title of the invention
- (57) Abstract
- (60) Number of examined patent document granted by foreign patent office, date from which patent has effect and country code
- (62) Number of the earlier application and in case of divided application, date of filing an application
- (71) Name, surname and address of applicant (country code)
- (72) Name, surname of inventor (country code)
- (73) Name, surname and address of patent owner (country code)
- (74) Name, surname of representative or patent attorney
- (85) Date of commencement of the national phase of International Application
- (86) Number and date of filing of international application
- (87) Number and date of publication of international application

## DESIGNS

- (10) Number of publication for application
- (11) Number of patent and kind of document or number of registration
- (15) Date of registration/Date of patent renewal
- (18) Expected expiration date of patent or registration
- (21) Serial number of application
- (22) Date of filing of the application
- (23) Date of exhibition or the date of the earlier filing and the number of application, if any
- (24) Date from which patent may have effect
- (28) Number of designs included in the application
- (30) Data relating to priority (number of application, date of filing of application, two-letter code identifying the authority with whom the priority application was made)
- (31) Number of priority application
- (32) Date of filing of priority application
- (33) Code of the country or regional organization allotting priority application number
- (34) Two-letter code according to WIPO St.3 identifying the authority with which the priority application was made
- (44) Date of publication of design and number of bulletin (the first publication)
- (45) Date of publication of design registered by WIPO and number of bulletin
- (51) International Classification for designs (class and subclass of the Locarno Classification)
- (54) Title of the invention
- (55) Reproduction of the design
- (57) Description of characteristic features of the design including indication of colors
- (58) Date of recording of any kind of amendment in the Register
- (62) Number of the earlier application, registration and document number and if available the date of filing an application in case of divided application
- (71) Name, surname and address of applicant (country code)
- (72) Name, surname of creator (country code)
- (73) Name, surname and address of patent owner (country code)
- (74) Name, surname of representative or patent attorney
- (81) Contracting states concerned
  - II designated contracting states according to the 1960 Act
  - III designated contracting states according to the 1999 Act
- (85) Owner's permanent address
- (86) Owner's nationality
- (87) Owner's residence
- (88) State in which the owner has a real and effective industrial or commercial establishment

## TRADEMARKS

- (111) – Number of registration
- (151) – Date of registration
- (156) – Date of the renewal
- (181) – Expected expiration date of registration
- (186) – Renewal expiration date of registration
- (141) – Date of cancel of duration of the mark
- (210) – Serial number of application
- (220) – Date of filing of the application
- (230) – Date concerning exhibition
- (260) – Number of application, for which favorable decision of examination about registration has been taken (publication number)
- (310) – Number of the first application
- (320) – Date of filing of the first application
- (330) – Code, identifying national or regional Office where the first application was made
- (511) – International Classification of Goods and Services for the purposes of registration of trade marks and/or list of goods and/or services classified according thereto
- (531) – Description of figurative elements of Trade Marks according to the International Classification of the Figurative Elements of Marks
- (540) – Reproduction of Trade Mark
- (550) – Nature and kind of Trade Mark
- (580) – Date of recording of any kind changes in respect of applications or registrations
- (591) – Information concerning colors claimed
- (731) – Name and address of the applicant
- (732) – Name and address of the holder of the registration
- (740) – Name and address of the representative
- (750) – Address for correspondence
- (770) – Name and address of the previous applicant or holder in case of change in ownership
- (771) – Previous name and address of the applicant or holder in case of change in ownership
- (791) – Name and address of the licensee
- (793) – Indication of conditions and/or restrictions under the license (Type of license, number of license agreement, data of license, data of validity of license)
- (800) – Certain data relating to the international registration of Trade Marks under the Protocol Relating to Madrid Agreement (International registration number)

## CODES FOR PUBLICATION IN BULLETIN

- (21) AP 0000 000000 – serial number of application for invention
- (10) AP 0000 0000 A – number of published application for invention (first publication)
- (11) P 0000 0000 B – number of patent for invention (second publication)
- (21) API 0000 000000 – number of application for imported patent
- (11) PI 0000 0000 A – number of imported patent (first publication)
- (21) AU 0000 000000 – serial number of application for utility model
- (10) AU 0000 000 U – number of published application for utility model (first publication)
- (11) U 0000 000 Y – number of patent for utility model (second publication)
- (21) AD 0000 000000 – serial number of application for design
- (10) AD 0000 000 S – number of published application for design (first publication)
- (11) D 0000 000 S – number of patent for design (second publication)

## INTERNATIONAL PATENT CLASSIFICATION FOR INVENTIONS AND UTILITY MODELS

- SECTION A – HUMAN NECESSITIES
- SECTION B – PERFORMING OPERATIONS; TRANSPORTING
- SECTION C – CHEMISTRY; METALLURGY
- SECTION D – TEXTILES; PAPER
- SECTION E – FIXED CONSTRUCTIONS
- SECTION F – MECHANICAL ENGINEERING; LIGHTING; HEATING; WEAPONS; BLASTING
- SECTION G – PHYSICS
- SECTION H – ELECTRICITY

- 
- M – Trade Mark
  - (210) AM 0000 000000 – Serial number of application;
  - (260) AAM 0000 00000 A – Publication number of application;
  - (111) M 0000 00000 R – Number of registration;
  - (111) MMM0000 00000 Rn – Number of renewals, in which n=1,2,3;
  - (111) M 0000 00000 R(P) – Number of registration under partial assignment of rights
-

**LIST OF CODES, IN ALPHABETIC SEQUENCE, AND THE CORRESPONDING (SHORT) NAMES OF STATES, OTHER ENTITIES AND INTERGOVERNMENTAL ORGANIZATIONS**  
(WIPO STANDARD ST.3)

AD	Andorra				
AE	United Arab Emirates				
AF	Afghanistan				
AG	Antigua and Barbuda				
AI	Anguilla				
AL	Albania				
AM	Armenia				
AN	Netherlands Antilles				
AO	Angola				
AP	African Regional Intellectual Property Organization (ARIPO)				
AR	Argentina				
AT	Austria				
AU	Australia				
AW	Aruba				
AZ	Azerbaijan				
BA	Bosnia and Herzegovina				
BB	Barbados				
BD	Bangladesh				
BE	Belgium				
BF	Burkina Faso				
BG	Bulgaria				
BH	Bahrain				
BI	Burundi				
BJ	Benin				
BM	Bermuda				
BN	Brunei Darussalam				
BO	Bolivia				
BR	Brazil				
BS	Bahamas				
BT	Bhutan				
BV	Bouvet Island				
BW	Botswana				
BX	Benelux Office for Intellectual Property (BOIP)				
BY	Belarus				
BZ	Belize				
CA	Canada				
CD	Democratic Republic of the Congo				
CF	Central African Republic				
CG	Congo				
CH	Switzerland				
CI	Cote d'Ivoire				
CK	Cook Islands				
CL	Chile				
CM	Cameroon				
CN	China				
CO	Colombia				
CR	Costa Rica				
CU	Cuba				
CV	Cape Verde				
CY	Cyprus				
CZ	Czech Republic				
DE	Germany				
DJ	Djibouti				
DM	Dominica				
DO	Dominican Republic				
DZ	Algeria				
EA	Eurasian Patent Organization (EAPO)				
EC	Ecuador				
EE	Estonia				
EG	Egypt				
EH	Western Sahara				
EM	Office for Harmonization in the Internal Market (Trademarks and Designs)(OHIM)				
EP	European Patent Office (EPO)				
ER	Eritrea				
ES	Spain				
ET	Ethiopia				
FI	Finland				
FJ	Fiji				
FK	Falkland Islands (Malvinas)				
FO	Faroe Islands				
FR	France				
GA	Gabon				
GB	United Kingdom				
GC	Patent Office of the Cooperation Council for the Arab States of the Gulf (GCC)				
GD	Grenada				
GG	Guernsey				
GH	Ghana				
GI	Gibraltar				
GT	Guatemala				
GW	Guinea- Bissau				
GY	Guyana				
HK	The Hong Kong Special Administrative Region of the People's Republic of China				
HN	Honduras				
HR	Croatia				
HT	Haiti				
HU	Hungary				
IB	International Bureau of the World Intellectual Property Organization (WIPO)				
ID	Indonesia				
IE	Ireland				
IL	Israel				
IM	Isle of Man				
IN	India				
IQ	Iraq				
ID	Indonesia				
IE	Ireland				
IL	Israel				
IM	Isle of Man				
IN	India				
IQ	Iraq				
IR	Iran (Islamic Republic of)				
IS	Iceland				
IT	Italy				
JE	Jersey				
JM	Jamaica				
JO	Jordan				
JP	Japan				
KE	Kenya				
KG	Kyrgyzstan				
KH	Cambodia				
KI	Kiribati				
KM	Saint Kitts and Nevis				
KP	Democratic People's Republic of Korea				
KR	Republic of Korea				
KW	Kuwait				
KY	Cayman Islands				
KZ	Kazakhstan				
LA	Lao People's Democratic Republic				
LB	Lebanon				
LC	Saint Lucia				
LI	Liechtenstein				
LK	Sri Lanka				
LR	Liberia				
LS	Lesotho				
LT	Lithuania				
LU	Luxembourg				
LV	Latvia				
LY	Libyan Arab Jamahiriya				
MA	Morocco				
MC	Monaco				
MD	Republic of Moldova				
ME	Montenegro				
MG	Madagascar				
MK	The former Yugoslav Republic of Macedonia				
ML	Mali				
MM	Myanmar				
MN	Mongolia				
MO	Macao				
MP	Northern Mariana Islands				
MR	Mauritania				
MS	Montserrat				
MT	Malta				
MU	Mauritius				
MV	Maldives				
MW	Malawi				
MX	Mexico				
MY	Malaysia				
MZ	Mozambique				
NA	Namibia				
NE	Niger				
NG	Nigeria				
NI	Nicaragua				
NL	Netherlands				
NO	Norway				
NP	Nepal				
NR	Nauru				
NZ	New Zealand				
OA	African Intellectual Property Organization (OAPI)				
OM	Oman				
PA	Panama				
PE	Peru				
PG	Papua New Guinea				
PH	Philippines				
PK	Pakistan				
PL	Poland				
PT	Portugal				
PW	Palau				
PY	Paraguay				
QA	Qatar				
QZ	Community Plant Variety Office (European Community) (CPVO)				
RO	Romania				
RS	Serbia				
RU	Russian Federation				
RW	Rwanda				
SA	Saudi Arabia				
SB	Solomon Islands				
SC	Seychelles				
SD	Sudan				
SG	Singapore				
SH	Saint Helena				
SI	Slovenia				
SK	Slovakia				
SL	Sierra Leone				
SM	San Marino				
SN	Senegal				
SO	Somalia				
SR	Suriname				
ST	Sao Tome and Principe				
SV	El Salvador				
SY	Syrian Arab Republic				
SZ	Swaziland				
TC	Turks and Caicos Islands				
TD	Chad				
TG	Togo				
TH	Thailand				
TJ	Tajikistan				
TL	Timor-Leste				
TM	Turkmenistan				
TN	Tunisia				
TO	Tonga				
TR	Turkey				
SE	Sweden				
TT	Trinidad and Tobago				
TV	Tuvalu				
TW	Taiwan, Province of China				
TZ	United Republic of Tanzania				
UA	Ukraine				
UG	Uganda				
US	United States of America				
UY	Uruguay				
UZ	Uzbekistan				
VA	Holy See				
VC	Saint Vincent and the Grenadines				
VE	Venezuela				
VG	Virgin Islands (British)				
VN	Viet Nam				
VU	Vanuatu				
WO	World Intellectual Property Organization (WIPO)				
WS	Samoa				
XN	Nordic Patent Institute (NPI)				
YE	Yemen				
ZA	South Africa				
ZM	Zambia				
ZW	Zimbabwe				

# CONTENTS

<b>PUBLISHED TITLES OF PROTECTION</b> .....	3
<b>INVENTIONS</b>	
▪ PATENTED INVENTIONS .....	4
<b>DESIGNS</b>	
▪ APPLICATION APPROVED FOR REGISTRATION .....	6
▪ REGISTERED DESIGNS .....	7
▪ DESIGNS REGISTERED ACCORDING TO THE ACCELERATED PROCEDURE .....	8
▪ DESIGNS REGISTERED WITH THE INTERNATIONAL BUREAU CLAIMING PRIORITY ON THE TERRITORY OF GEORGIA .....	10
<b>TRADEMARKS</b>	
▪ APPLICATIONS FILED UNDER THE NATIONAL PROCEDURE APPROVED FOR REGISTRATION .....	35
▪ REGISTERED TRADEMARKS .....	42
▪ TRADEMARKS REGISTERED ACCORDING TO THE ACCELERATED PROCEDURE .....	47
▪ INTERNATIONAL TRADEMARKS FOR WHICH A DECISION ON GRANTING PROTECTION IS TAKEN .....	49
▪ INTERNATIONAL TRADEMARKS PROTECTED IN GEORGIA .....	105
<b>GEOGRAPHICAL INDICATIONS</b>	
▪ APPLICATIONS APPROVED FOR REGISTRATION .....	110
<b>OFFICIAL NOTIFICATIONS</b>	
<b>TRADEMARKS</b>	
▪ RENEWAL OF REGISTRATIONS .....	120
▪ CHANGES IN NAMES AND/OR ADDRESSES OF OWNERS .....	125
<b>CLASSIFICATION INDEXES</b>	
INVENTIONS .....	126
DESIGNS .....	127
TRADEMARKS .....	129

## **PUBLISHED TITLES OF PROTECTION**

### **INVENTIONS**

- **PATENTED INVENTIONS:**  
6359-6365

### **DESIGNS**

- **APPLICATION APPROVED FOR REGISTRATION:**  
857
- **REGISTERED DESIGNS:**  
637-644
- **DESIGNS REGISTERED ACCORDING TO THE ACCELERATED PROCEDURE:**  
640, 641
- **DESIGNS REGISTERED WITH THE INTERNATIONAL BUREAU CLAIMING PRIORITY ON THE TERRITORY OF GEORGIA:**  
84523; 84527; 84562; 84566; 85139; 86513; 85164; 85206; 85208; 85959; 86014; 86588; 86602; 86706, 86707; 86731

### **TRADEMARKS**

- **APPLICATIONS FILED UNDER THE NATIONAL PROCEDURE APPROVED FOR REGISTRATION:**  
78254; 78350\*; 78453\*; 78579; 78816; 78956; 79069; 79112-79114; 79118; 79164; 79188; 79359; 79581; 79695; 79752; 79786-79788; 79802, 79803; 79809; 79819; 79825; 79845, 79846; 79879, 79880; 79884; 79924; 79926, 79927; 79929; 79939; 79944; 79949, 79950; 79952; 79957-79959; 79966; 79985; 79988; 80437; 80497; 80502; 80561
- **REGISTERED TRADEMARKS:**  
26193-26236; 26240-26245
- **TRADEMARKS REGISTERED ACCORDING TO THE ACCELERATED PROCEDURE:**  
26237-26239; 26246-26249
- **INTERNATIONAL TRADEMARKS FOR WHICH A DECISION ON GRANTING PROTECTIONS IS TAKEN:**  
74701\*; 76399\*; 76951\*; 77175\*; 77463; 77476; 77489; 78621; 78674; 78679; 78709; 78815; 78942, 78943; 79076; 79078; 79105; 79130; 79132; 79134; 79141, 79142; 79220, 79221; 79223; 79227-79232; 79237; 79239-79241; 79243-79245; 79250-79255; 79281; 79283; 79287; 79289; 79295; 79300; 79303-79306; 79318, 79319; 79328-79335; 79339; 79399-79405; 79408; 79410-79413; 79465; 79473; 79496; 79499; 79504; 79507; 79509, 79510; 79680-79682; 79684, 79685; 79687; 79690; 79692, 79693; 79697; 79699-79702; 79706; 79824; 79848; 79851-79853; 79855-79861; 79877; 79885; 80028-80032; 80034, 80035; 80037; 80040; 80044, 80045; 80053; 80182; 80198; 80324
- **INTERNATIONAL TRADEMARKS PROTECTED IN GEORGIA:**  
76286; 76291; 76345-76347; 76354; 76360; 76963; 77323; 77430; 77437, 77438; 77440, 77441; 77455; 77511; 77533-77535; 77593; 77596; 77825; 77829; 77831, 77832; 77834, 77835; 78031; 78183; 78327, 78328; 78332, 78333; 78364, 78365; 78367, 78368; 78370-78372; 78423-78425; 78427; 78429, 78430; 78432-78434; 78436; 78485, 78486; 78488-78490; 78492, 78493; 78497; 78628-78631; 78634, 78635; 78637; 78655, 78656; 78669; 78681

### **GEOGRAPHICAL INDICATIONS**

- **APPLICATIONS APPROVED FOR REGISTRATION:**  
4713-4716

---

# INVENTIONS

## PATENTED INVENTIONS

### PART A

#### A 61

- (11) P 2015 6363 B (51) Int. Cl. (2006)  
A 61 K 9/16
- (10) AP 2015 13011 A (44) 10(422)/2015  
(21) AP 2011 013011  
(22) 2011 06 30  
(24) 2011 06 30  
(31) 61/367,720; MI2010A001386  
(32) 2010 07 26; 2010 07 27  
(33) US; IT  
(86) PCT/IB2011/052896, 2011 06 30  
(73) GNOSIS S.P.A. (IT)  
Piazza del Carmine, 4 I-20121  
Milano (MI) (IT)  
(72) GIOVANNONE, Daniele (IT);  
DE ANGELIS, Carlo (IT)  
(74) Aleksandre Gegechkori  
(54) COMPOSITION COMPRISING  
SHELLAC AND/OR A SALT THEREOF  
AND SODIUM STARCH GLYCOLATE
- 

### PART B

#### B 01

- (11) P 2015 6364 B (51) Int. Cl. (2006)  
B 01 J 19/08  
B 01 F 5/04  
C 10 J 3/00
- (10) AP 2015 13171 A (44) 10(422)/2015  
(21) AP 2011 013171  
(22) 2011 08 11  
(24) 2011 08 11  
(31) 201010617855.0  
(32) 2010 12 31  
(33) CN  
(86) PCT/CN2011/078242, 2011 08 11  
(73) WUHAN KAIDI ENGINEERING  
TECHNOLOGY RESEARCH  
INSTITUTE CO., LTD. (CN)  
T1 Jiangxia Avenue, Miaoshan Development  
Zone Jiangxia District, Wuhan, Hubei  
430212 (CN)  
(72) CHEN, Yilong (CN);  
ZHANG, Yanfeng (CN);  
CAO, Minxia (CN);  
LI, Hong (CN)

- (74) Larisa Amirkhanyan  
(54) METHOD AND DEVICE FOR  
PREPARING HIGH TEMPERATURE  
WATER VAPOR RICH IN ACTIVE  
PARTICLES USING PLASMA
- 

### PART C

#### C 07

- (11) P 2015 6365 B (51) Int. Cl. (2006)  
C 07 C 231/02  
C 07 C 233/18  
C 07 C 253/30  
C 07 C 255/37  
C 07 C 255/40
- (10) AP 2015 13180 A (44) 10(422)/2015  
(21) AP 2012 013180  
(22) 2012 01 04  
(24) 2012 01 04  
(31) 11.00024  
(32) 2011 01 05  
(33) FR  
(86) PCT/FR2012/000005, 2012 01 04  
(73) LES LABORATOIRES SERVIER (FR)  
35, rue de Verdun F-92284 Suresnes  
Cedex (FR)  
(72) ZARD, Samir (FR);  
SIRE, Béatrice (FR);  
BOUMEDIENE, Mehdi (FR)  
(74) Tamaz Shilakadze  
(54) NEW METHOD FOR  
AGOMELATINE SYNTHESIZES AND  
INTERMEDIATES
- 

- (11) P 2015 6360 B (51) Int. Cl. (2006)  
C 07 C 317/22  
C 07 C 323/20  
A 61 K 8/46  
A 61 Q 5/08  
A 61 Q 19/02  
A 61 Q 19/08  
A 61 P 17/00  
A 01 N 31/16  
A 01 N 39/00  
A 01 N 41/10  
A 01 P 1/00
- (10) AP 2015 12441 A (44) 10(422)/2015  
(21) AP 2010 012441

- (22) 2010 04 08  
 (24) 2010 04 08  
 (31) 0952289  
 (32) 2009 04 08  
 (33) FR  
 (86) PCT/EP2010/054619, 2010 04 08  
 (73) PIERRE FABRE DERMO-COSMETIQUE (FR)  
 45, place Abel Gance F-92100 Boulogne-  
 billancourt (FR)  
 (72) POIGNY, Stéphane (FR)  
 (74) Giorgi Meipariani  
 (54) **SULPHURATED DERIVATIVES OF  
 RESORCINOL, PREPARATION OF  
 SAME AND COSMETIC USES  
 THEREOF**

---

## C 10

- (11) **P 2015 6359 B** (51) **Int. Cl. (2006)  
 C 10 G 9/00  
 C 10 G 1/04  
 E 21 B 43/00**  
 (10) AP 2015 12377 A (44) 10(422)/2015  
 (21) AP 2010 012377  
 (22) 2010 02 12  
 (24) 2010 02 12  
 (31) 61/152,141  
 (32) 2009 02 12  
 (33) US  
 (86) PCT/US2010/024142, 2010 02 12  
 (73) RED LEAF RESOURCES, INC. (US)  
 200 W. Civic Center Drive, Suite 190 Sandy,  
 UT 84070 (US)  
 (72) DANA, Todd (US);  
 PATTEN, James, W. (US)  
 (74) Shalva Gvaramadze  
 (54) **CONVECTIVE HEAT SYSTEMS  
 FOR RECOVERY OF HYDROCARBONS  
 FROM ENCAPSULATED PERMEABI-  
 LITY CONTROL INFRASTRUCTURES**

## PART E

### E 21

- (11) **P 2015 6361 B** (51) **Int. Cl. (2006)  
 E 21 B 7/00**  
 (10) AP 2015 12820 A (44) 10(422)/2015  
 (21) AP 2007 012820  
 (22) 2007 06 11  
 (24) 2007 06 11  
 (62) 0611559.6 2006 06 09 (GB);  
 0708193.8 2007 04 26 (GB)  
 (31) 0611559.6; 0708193.8  
 (32) 2006 06 09; 2007 04 26  
 (33) GB; GB  
 (86) PCT/GB2007/002140, 2007 06 11  
 (73) UNIVERSITY COURT OF THE  
 UNIVERSITY OF ABERDEEN [GB/GB]  
 Research and Innovation, University Office,  
 Kings College, Aberdeen AB24 3FX (GB)  
 (72) WIERCIGROCH, Marian (GB)  
 (74) Liliana Darakhvelidze  
 (54) **METHOD AND APPARATUS OF  
 RESONANCE ENHANCED DRILLING**

---

## PART F

### F 03

- (11) **P 2015 6362 B** (51) **Int. Cl. (2006)  
 F 03 B 7/00  
 F 03 B 17/06**  
 (10) AP 2015 12886 A (44) 10(422)/2015  
 (21) AP 2012 012886  
 (22) 2012 10 31  
 (24) 2012 10 31  
 (73) Guram Eristavi (GE)  
 Samgheretis q. 68, 0101 Tbilisi (GE)  
 (72) Guram Eristavi (GE)  
 (54) **TURBINE OF HYDROPOWER  
 PLANT WITHOUT DAM**



---

# DESIGNS

## APPLICATION APPROVED FOR REGISTRATION

The decision can be appealed at the Chamber of Appeal of Sakpatenti within 3 months from the publication or at the Mtskheta District Court Administrative Cases Board (Address: №17, Samkhedro str., Mtskheta), within 1 month following the publication.

- (10) **AD 2015 857 S**      (51) **25-01**  
(21) AD 2015 000857      (22) 2015 06 23  
(28) 1  
(71) Leonid Ezik (GE)  
     Sop. Khutsubani (LTD "LEGI"), 6200, Kobuleti (GE)  
(72) Leonid Ezik (GE)  
(54) **FACING CONCRETE TILE**  
(55)



## REGISTERED DESIGNS

**(11) D 2015 644 S**      **(51) 09-01**  
 (10) AD 2015 817 S      (44) 10(422)/2015  
 (21) AD 2014 000817      (22) 2014 09 08  
 (24) 2014 09 08  
 (28) 1  
 (18) 2019 09 08  
 (31) 29/485,644  
 (32) 2014 03 20  
 (33) US  
 (73) MOTOSEL INDUSTRIAL  
 GROUP INC. (CA)  
 108-5910 No 6 Road, Richmond, BC V6V  
 1Z1 (CA)  
 (72) Arash Iranpour (CA)  
 (74) Nugzar Ksovreli  
 (54) **DOUBLE BOTTLE**

(18) 2020 02 20  
 (73) Tamar Zasukhina (GE)  
 Marijanis q. 4, 0186, Tbilisi (GE)  
 (72) Tamar Zasukhina (GE)  
 (54) **WINE LABEL**

**(11) D 2015 638 S**      **(51) 09-03**  
 (10) AD 2015 840 S      (44) 9(421)/2015  
 (21) AD 2015 000840      (22) 2015 02 23  
 (24) 2015 02 23  
 (28) 2  
 (18) 2020 02 23  
 (31) RU2014504808  
 (32) 2014 12 08  
 (33) RU  
 (73) IE Karina Irekovna Boguslavskaya (RU)  
 Ul. Bogataya 1, Matushino, Lyashevskiy  
 Municipality, 422824, Republic of  
 Tatarstan (RU)  
 (72) Karina Irekovna Boguslavskaya (RU)  
 (74) Tamaz Shilakadze  
 (54) **PACKAGING FOR WASHING  
 AGENT**

**(11) D 2015 639 S**      **(51) 26-04**  
 (10) AD 2015 841 S      (44) 9(421)/2015  
 (21) AD 2015 000841      (22) 2015 02 24  
 (24) 2015 02 24  
 (28) 2  
 (18) 2020 02 24  
 (73) Nodar Chalelishvili (GE)  
 Vardisubani str. 1, ap. 15, 0141, Tbilisi (GE)  
 (72) Nodar Chalelishvili (GE)  
 (54) **FESTIVAL CANDLE**

**(11) D 2015 643 S**      **(51) 32-00**  
 (10) AD 2015 837 S      (44) 10(422)/2015  
 (21) AD 2015 000837      (22) 2015 02 20  
 (24) 2015 02 20  
 (28) 2  
 (18) 2020 02 20  
 (73) Tamar Zasukhina (GE)  
 Marijanis q. 4, 0186, Tbilisi (GE)  
 (72) Tamar Zasukhina (GE)  
 (54) **LOGO**

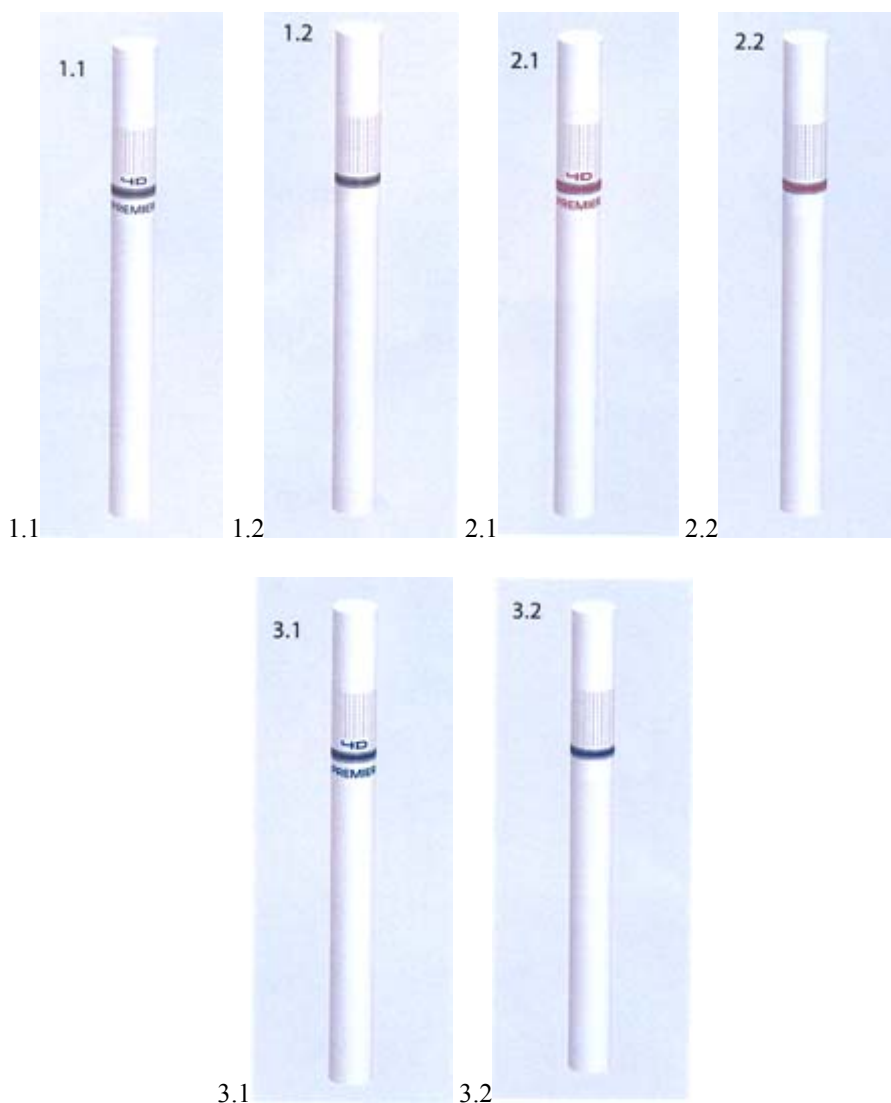
**(11) D 2015 637 S**      **(51) 14-02**  
 (10) AD 2015 836 S      (44) 9(421)/2015  
 (21) AD 2015 000836      (22) 2015 02 16  
 (24) 2015 02 16  
 (28) 1  
 (18) 2020 02 16  
 (73) JSC "LIBERTY BANK"  
 I. Chavchavadze Ave. 74, 0162, Tbilisi (GE)  
 (72) Nino Tavadze (GE)  
 (54) **EASYPAY TERMINAL**

**(11) D 2015 642 S**      **(51) 19-08**  
 (10) AD 2015 838 S      (44) 10(422)/2015  
 (21) AD 2015 000838      (22) 2015 02 20  
 (24) 2015 02 20  
 (28) 2

## DESIGNS REGISTERED ACCORDING TO THE ACCELERATED PROCEDURE

The decision can be appealed at the Chamber of Appeal of Sakpatenti within 3 months from the publication.

- (11) D 2015 640 S (51) 27-01  
(21) AD 2015 000872 (22) 2015 07 29  
(24) 2015 07 29  
(28) 3  
(18) 2020 07 29  
(73) HARRINGTON DEVELOPMENT INC. (PA)  
Elvira Mendez St., Valerino bldg, 3<sup>rd</sup> floor, Panama (PA)  
(72) Ketevan Chkheidze (GE)  
(74) Givi Akopashvili  
(54) CIGARETTES  
(55)



(11) D 2015 641 S (51) 32-00  
 (21) AD 2015 000873 (22) 2015 07 29  
 (24) 2015 07 29  
 (28) 4  
 (18) 2020 07 29  
 (73) Khatia Khatishvili (GE)  
 Atenis q. 6/8, 0101, Tbilisi (GE)  
 (72) Khatia Khatishvili (GE)  
 (54) GRAPHICAL SYMBOL  
 (55)



1



2

3



4



**DESIGNS, WHICH HAVE BEEN REGISTERED WITH THE INTERNATIONAL BUREAU CLAIMING PRIORITY ON THE TERRITORY OF GEORGIA**

The decision can be appealed at the Chamber of Appeal of Sakpatenti within 3 months from the publication or at the Mtskheta District Court Administrative Cases Board (Address: №17, Samkhedro Str., Mtskheta), within 1 month following the publication.

**(11) DM/084523**

**(51) 10-02**

(15) 2014 10 06

(45) 2015/23 (2015 06 12)

(22) 2014 10 06

(28) 6

(73) SWATCH AG (SWATCH SA) (SWATCH LTD.)

Jakob-Stämpfli-Strasse 94, CH-2502 Biel/Bienne (CH)

(85) CH

(86) CH

(87) CH

(88) CH

(89) CH

(81) II. BZ, MA. III. AL, AM, AZ, BA, CH, EM, GE, KG, KR, LI, MD, ME, MK, MN, OM, TN, TR

(72) 1,2: Claudia CARIERI

Via Enrico Toti 28, 20862 Arcore, Italie;

3,5: Patrizio VITA

Via Congiunte Dx 30, 04010 Latina, Italie;

4,6: Antonio FAZIO

"Ato", Avenue de Cour 40, 1007 Lausanne, Suisse

(54) 1.-6. Wristwatches

(55)





2.1

2.2



2.3



3.1



3.2



(11) DM/084527

(15) 2014 10 07

(22) 2014 10 07

(28) 1

(30) 07.06.2015

(73) SWATCH AG (SWATCH SA) (SWATCH LTD.)

Jakob-Stämpfli-Strasse 94, CH-2502 Biel/Bienne (CH)

(85) CH

(86) CH

(87) CH

(88) CH

(89) CH

(81) II. BZ, MA. III. AL, AM, AZ, BA, CH, EM, GE, KG, KR, LI, MD, ME, MK, MN, OM, TN, TR

(72) 1: Margherita TAGLIA

Zahiringenstrasse 24, 8001 Zürich, Suisse

(54) 1. Wristwatch

(55)

(51) 10-02

(45) 2015/23 (2015 06 12)



1



(11) DM/084562

(51) 10-02

(15) 2014 10 07

(45) 2015/23 (2015 06 12)

(22) 2014 10 07

(28) 3

(73) SWATCH AG (SWATCH SA) (SWATCH LTD.)

Jakob-Stämpfli-Strasse 94, CH-2502 Biel/Bienne (CH)

(85) CH

(86) CH

(87) CH

(88) CH

(89) CH

(81) II. BZ, MA, III. AL, AM, AZ, BA, CH, EM, GE, KG, KR, LI, MD, ME, MK, MN, OM, TN, TR

(72) 1: Ylenia AGATE

Via San Tomaso 96, 24121 Bergamo, Italie;

2: Michelangelo PELLEGRINO

Via Friuli 75, 20135 Milano, Italie;

3: Patrizio VITA

Via Congiunte Dx 30, 04010 Latina, Italie

(54) 1.-3. Wristwatches

(55)



(11) DM/084566

(51) 10-02

(15) 2014 10 07

(45) 2015/23 (2015 06 12)

(22) 2014 10 07

(28) 2

(73) SWATCH AG (SWATCH SA) (SWATCH LTD.)

Jakob-Stämpfli-Strasse 94, CH-2502 Biel/Bienne (CH)

(85) CH

(86) CH

(87) CH

(88) CH

(89) CH

(81) II. BZ, MA. III. AL, AM, AZ, BA, CH, EM, GE, KG, KR, LI, MD, ME, MK, MN, OM, TN, TR

(72) 1: Andrea ARRIGONI

Via Ponte Seveso 39, 20125 Milano, Italie;

2: Danilo SALA

Via L. Muratori 9, 20050 Sovico, Italie

(54) 1.-2. Wristwatches

(55)



(11) DM/085139

(51) 10-02

(15) 2014 12 12

(45) 2015/23 (2015 06 12)

(22) 2014 12 12

(28) 1

(73) SWATCH AG (SWATCH SA) (SWATCH LTD.)

Jakob-Stämpfli-Strasse 94, CH-2502 Biel/Bienne (CH)

(85) CH

(86) CH

(87) CH

(88) CH

(89) CH

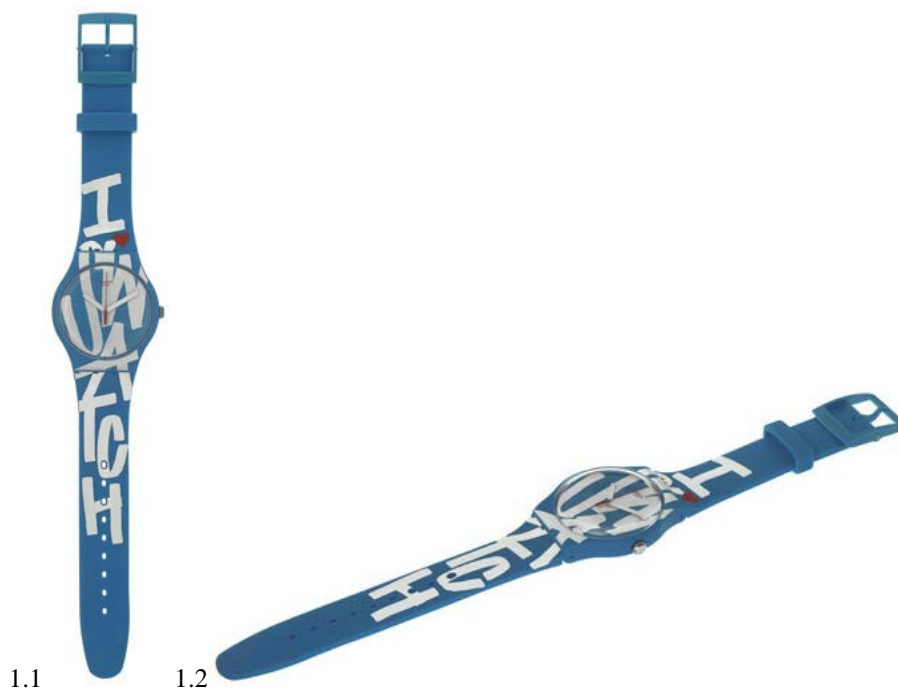
(81) II. BZ, MA. III. AL, AM, AZ, BA, CH, EM, GE, KG, KR, LI, MC, MD, ME, MK, MN, NO, OM, SG, TN, TR, UA

(72) 1: Anais KREBS

Rue de la Cote 21, 2000 Neuchâtel, Suisse

(54) 1. Wristwatch

(55)



(11) DM/086513

(51) 32-00

(15) 2015 03 16

(45) 2015/23 (2015 06 12)

(22) 2015 03 16

(28) 2

(73) PROCREDIT HOLDING AG & CO. KGAA

Rohmerplatz 33-37, 60486 Frankfurt (DE)

(85) DE, EM

(86) DE, EM

(87) DE, EM

(88) DE, EM (89) DE

(81) III. AL, BA, EM, GE, MD, MK, RS, UA

(72) 1-2: Danijela Montibeler

Auf dem Graben 30, 55218 Ingelheim, Germany

(54) 1.-2. Logos

(55)



(11) DM/085164

(51) 10-02

(15) 2014 12 16

(45) 2015/24 (2015 06 19)

(22) 2014 12 16

(28) 2

(73) RADO UHREN AG (RADO WATCH CO. LTD.) (MONTRES RADO SA) (MONTRES RADO SA)  
Bielstrasse 45, CH-2543 Lengnau (CH)

(85) CH

(86) CH

(87) CH

(88) CH

(89) CH

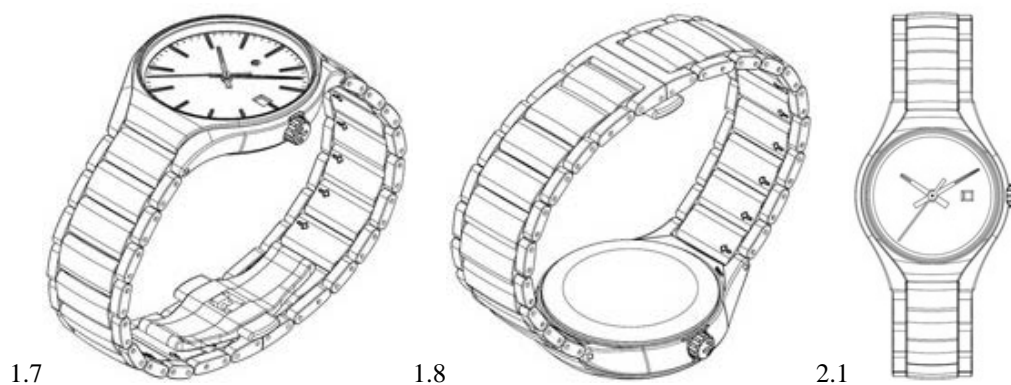
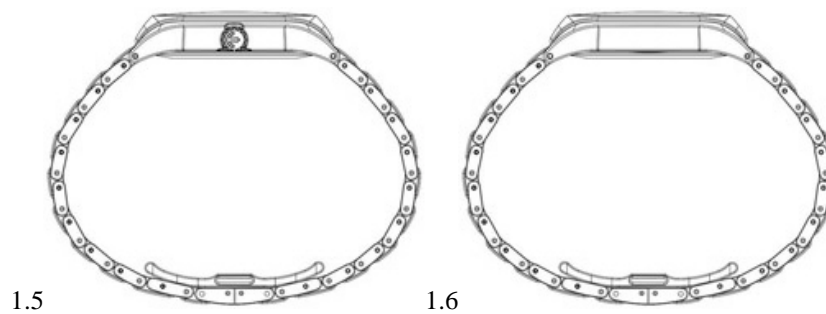
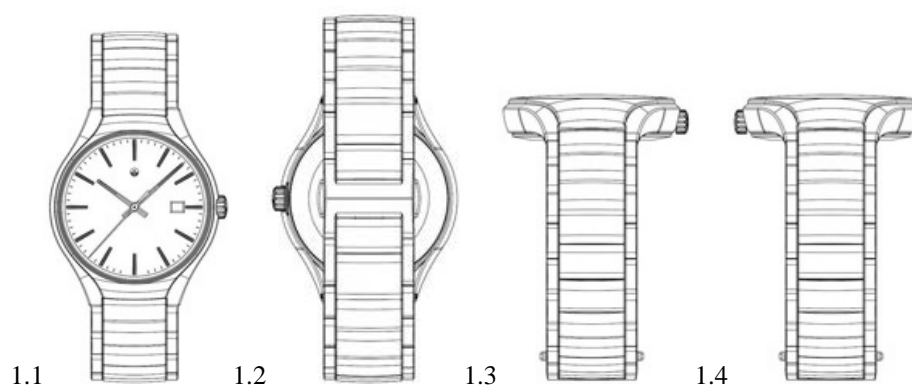
(81) II. BZ, MA. III. AL, AM, BA, CH, EM, GE, KG, KR, LI, MC, MD, ME, MK, MN, NO, OM, SG, TN,  
TR, UA

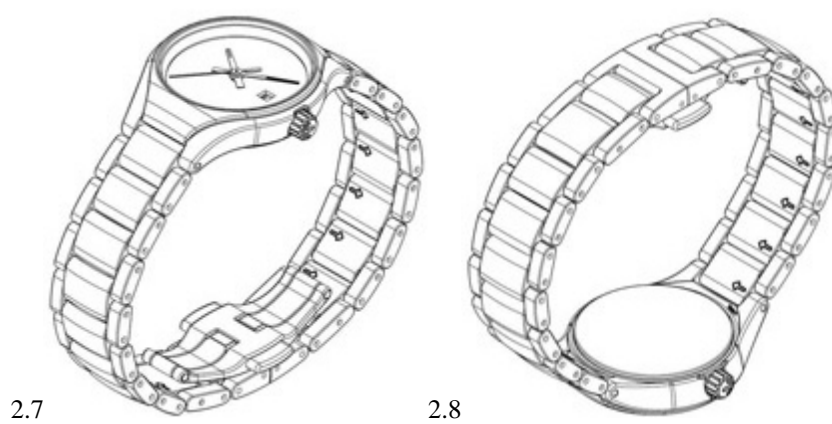
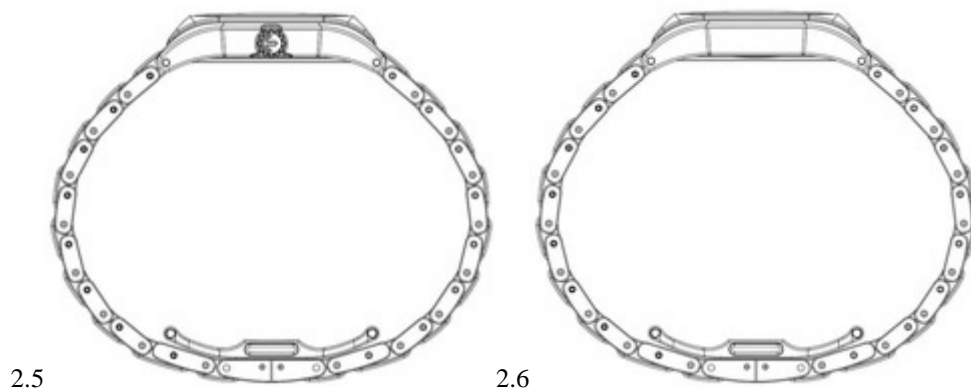
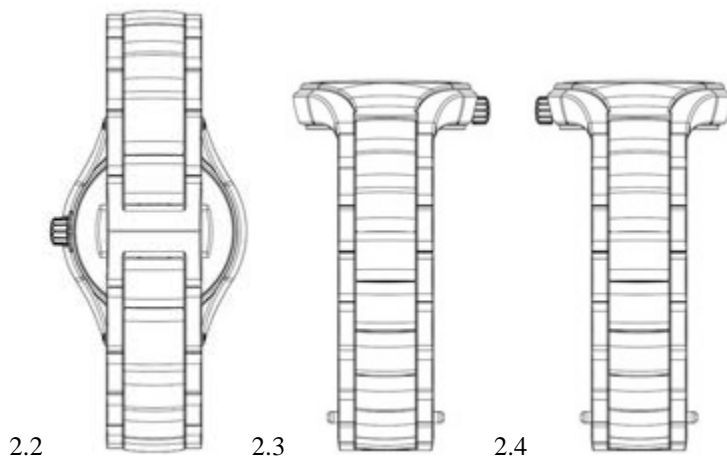
(72) 1-2: Fernando SOARES

Rue Fleury 5, 2000 Neuchâtel, Suisse

(54) 1.-2. Wristwatches

(55)





(11) DM/085206

(51) 32-00

(15) 2014 12 17

(45) 2015/24 (2015 06 19)

(22) 2014 12 17

(28) 3

(73) JAPAN TOBACCO INC.

2-2-1 Toranomom, Minato-ku, Tokyo (JP)

(85) --

(86) -

(87) -

(88) CH

(89) CH

(81) III. AL, AM, AZ, BA, CH, EM, GE, HR, MD, ME, MK, OM, SG, TN, TR, UA

(54) 1.-3. Ornamentation

(55)



1



2



3

**(11) DM/085208****(51) 10-02**

(15) 2014 12 17

(45) 2015/24 (2015 06 19)

(22) 2014 12 17

(28) 1

(73) RADO UHREN AG (RADO WATCH CO. LTD.) (MONTRES RADO SA)

Bielstrasse 45, CH-2543 Lengnau (CH)

(85) CH

(86) CH

(87) CH

(88) CH

(89) CH

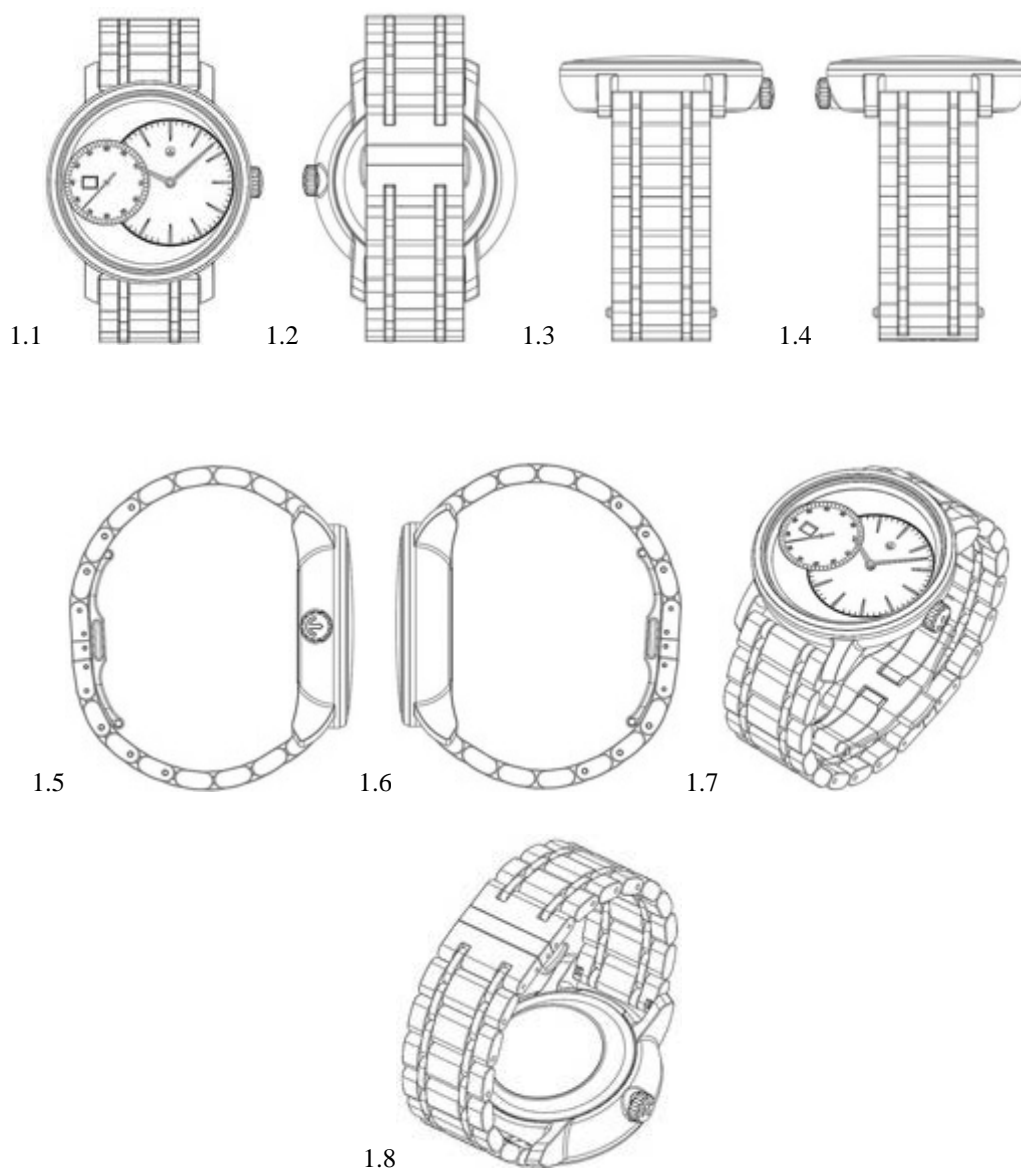
(81) II. BZ, MA. III. AL, AM, BA, CH, EM, GE, KG, KR, LI, MC, MD, ME, MK, MN, NO, OM, SG, TN, TR, UA

(72) 1: Fabrice Duport

Avenue de la Gare 4, 2000 Neuchâtel, Suisse

(54) 1. Wristwatch

(55)





**(11) DM/085959**

(15) 2014 12 19

(22) 2014 12 19

(28) 1

(73) YORULMAZER

RAFET EREN Askerocagi Caddesi No:15 Suzer Plaza Kat:30/31, Sisli Istanbul (TR)

(85) --

(86) TR

(87) -

(88) -

(89) TR

(81) III. AL, AM, AZ, BA, BN, BW, CH, EG, EM, GE, GH, IS, KG, KR, LI, MC, MD, ME, MK, MN, NA, NO, OA, OM, RS, RW, SG, ST, TJ, TN, UA

(72) YORULMAZER

Rafet Eren, Askerocagi Caddesi No:15 Suzer Plaza Kat:30/31 Sisli ISTANBUL TURKEY, ISTANBUL, Turkey

(54) 1. Trestle table

(55)

**(51) 06-03**

(45) 2015/24 (2015 06 19)



1

---

**(11) DM/086014**

(15) 2014 12 19

(22) 2014 12 19

(28) 1

(73) YORULMAZER

RAFET EREN Askerocagi Caddesi No:15 Suzer Plaza Kat:30/31, Sisli Istanbul (TR)

(85) --

(86) TR

(87) -

(88) -

(89) TR

(81) III. AL, AM, AZ, BA, BN, BW, CH, EG, EM, GE, GH, IS, KG, KR, LI, MC, MD, ME, MK, MN, NA, NO, OA, OM, RS, RW, SG, ST, TJ, TN, UA

(72) YORULMAZER

Rafet Eren, Askerocagi Caddesi No:15, Suzer Plaza Kat:30/31, Sisli ISTANBUL, TURKEY

(54) 1. Chandelier

(55)

**(51) 26-05**

(45) 2015/24 (2015 06 19)



1

---

**(11) DM/086588****(51) 24-01**

(15) 2015 03 26

(45) 2015/24 (2015 06 19)

(22) 2015 03 26

(28) 1

(30) 29.09.2014; 29/503769; US

(73) KB MEDICAL SA

Chemin de la Raye 13, CH-1024 Ecublens (CH)

(85) CH

(86) CH

(87) CH

(88) CH

(89) CH

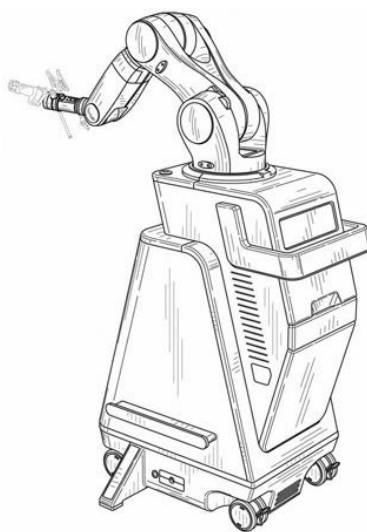
(81) II. BJ, BZ, GA, KP, MA, SR. III. AL, AM, AZ, BA, BN, BW, CH, EG, EM, GE, GH, IS, KG, KR, MC, MD, ME, MK, MN, NA, NO, OA, OM, RW, SG, ST, SY, TJ, TN, TR, UA

(72) 1: Szymon KOSTRZEWSKI

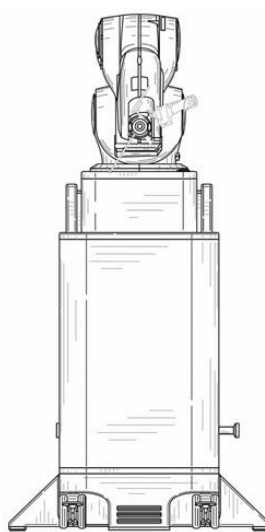
Rue de Maupas 33, 1004 Lausanne, Switzerland

(54) 1. Surgical robot arm on patient side cart

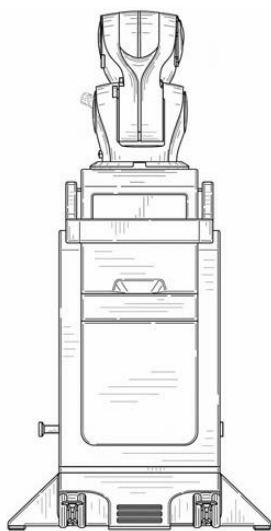
(55)



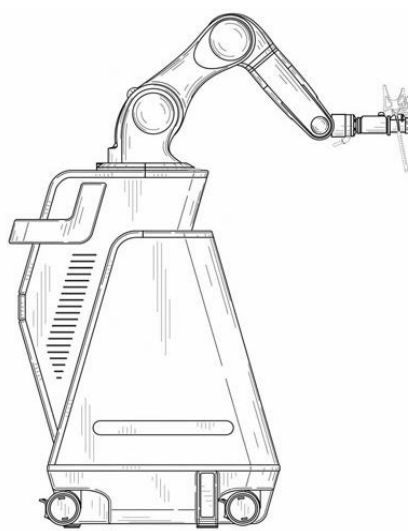
1.1



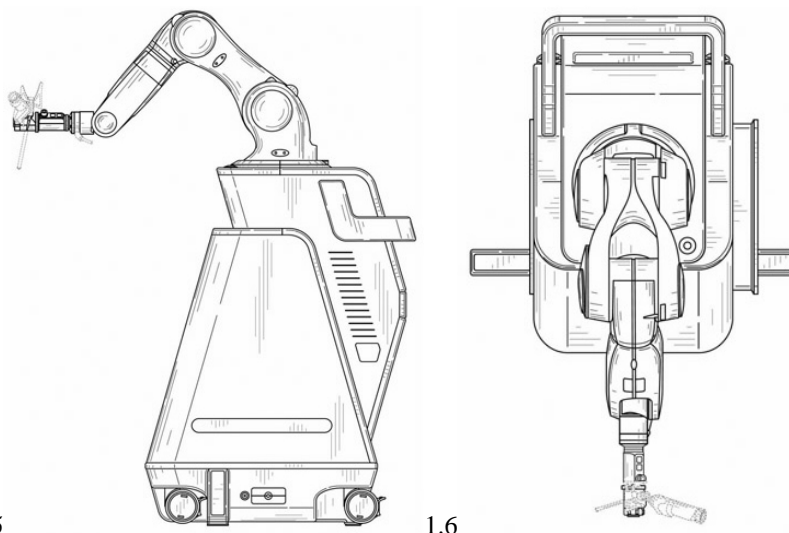
1.2



1.3



1.4



1.5

1.6

(11) DM/086602

(51) 12-05

(15) 2015 06 02

(45) 2015/24 (2015 06 19)

(22) 2015 06 02

(28) 3

(30) for designs No(s) 1, 2, 3: 18.12.2014; 402014101232.6; DE

(73) COLUMBUS MCKINNON INDUSTRIAL PRODUCTS GMBH

Yale-Allee 30, 42329 Wuppertal (DE)

(85) DE, EM

(86) DE, EM

(87) DE, EM

(88) DE, EM

(89) DE

(81) II. KP, MA. III. AM, AZ, BA, CH, EG, EM, GE, IS, JP, KR, LI, ME, MK, NO, OM, RS, SG, SY, TN, TR, UA, US

(72) 1,2,3: Dipl.-Des. Hannes Mayer

Dorotheenstr. 12, 42105 Wuppertal, Germany

(54) 1.-3. Ratchet lever hoists

(55)

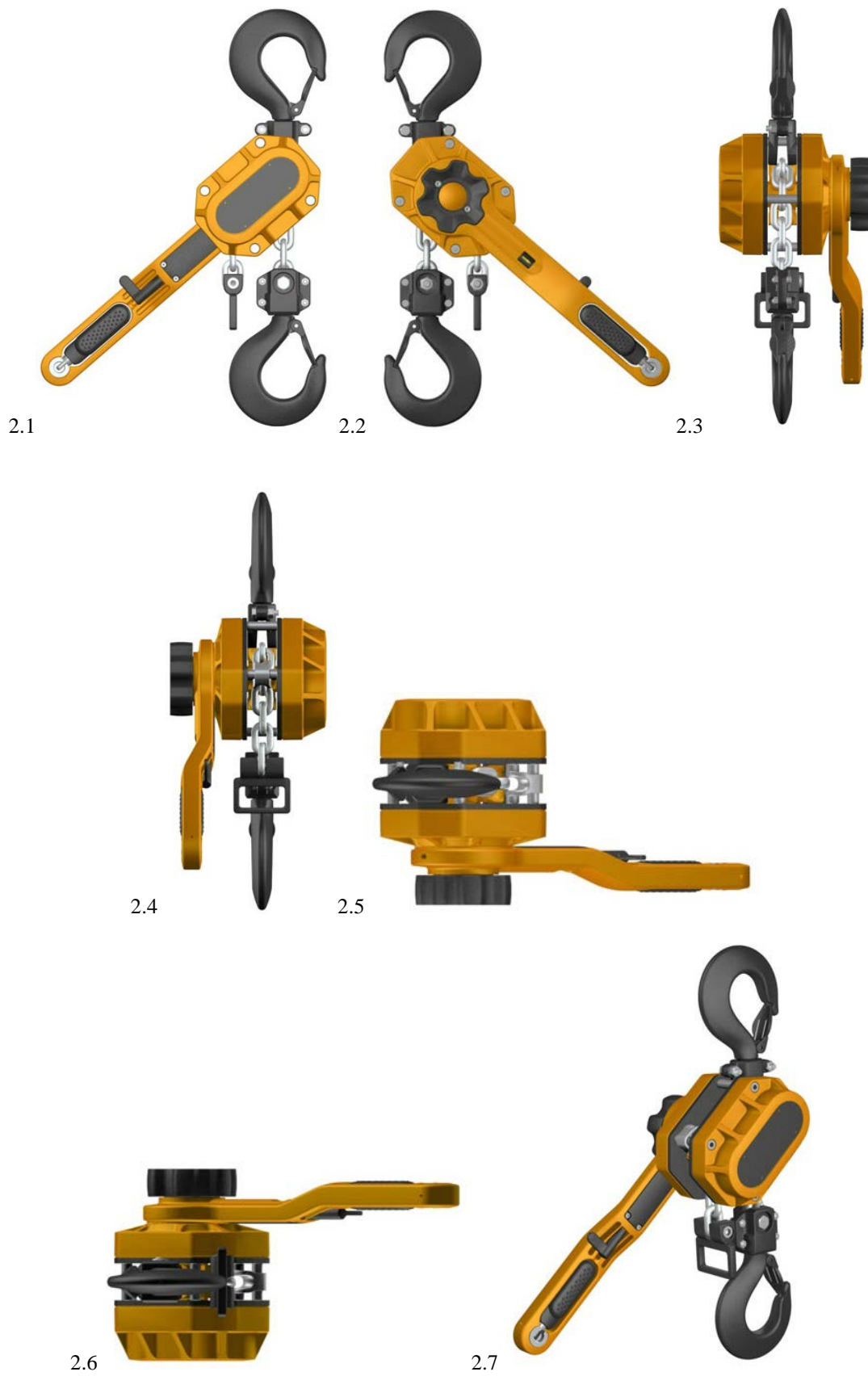


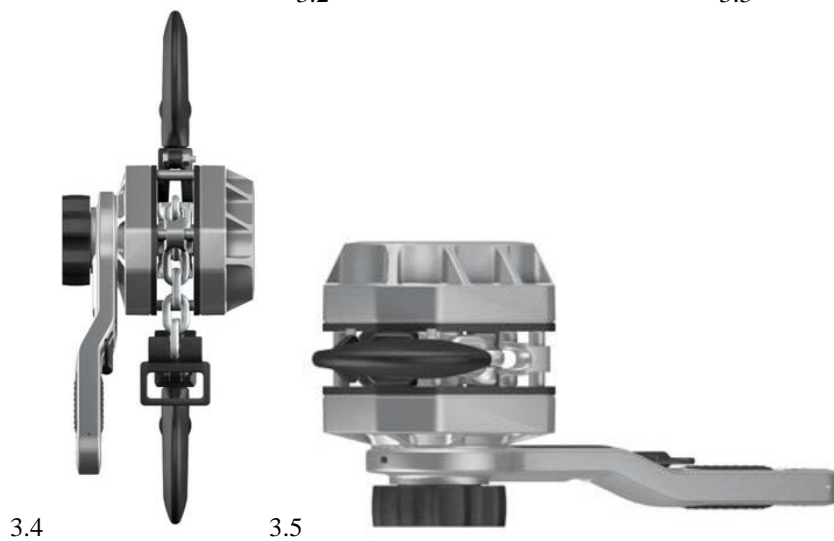
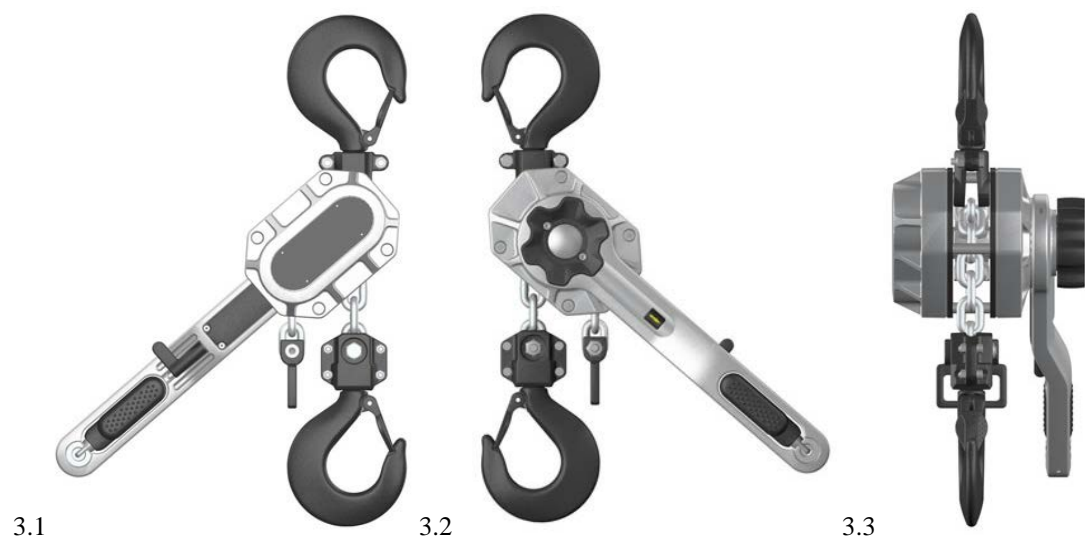
1.1

1.2

1.3









3.6



3.7



3.8



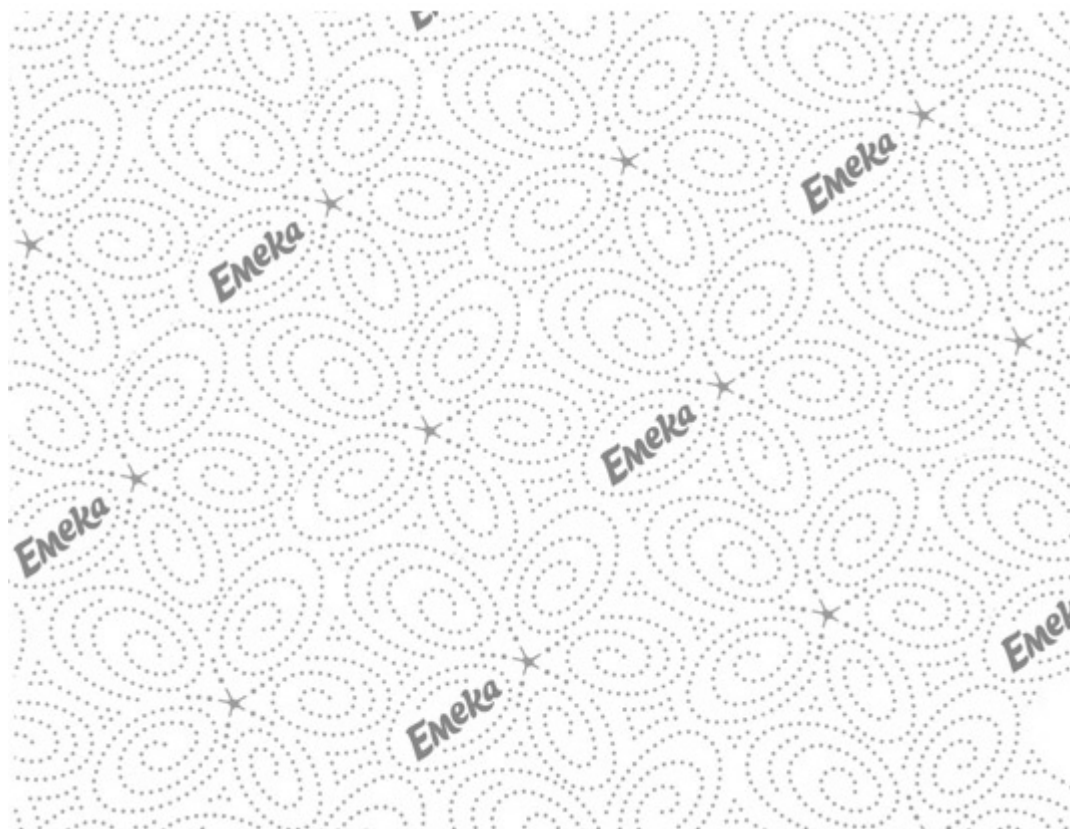
3.9



3.10



- (11) **DM/086706** (51) **32-00**  
(15) 2015 05 13 (45) 2015/26 (2015 07 03)  
(22) 2015 05 13  
(28) 1  
(73) FICOSOTA LTD  
Madara Blvd. 48, BG-9700 Shumen (BG)  
(85) --  
(86) BG, EM  
(87) BG, EM  
(88) BG, EM  
(89) BG  
(81) III. AM, EM, GE, MD, MK, RS, TR, UA  
(72) 1: Elena Hraburova Budinova  
20 Oboriste street, 1000 Sofia, Bulgaria  
(54) 1. Decorative pattern for surfaces  
(55)



1



- (11) DM/086707 (51) 09-05  
 (15) 2015 05 13 (45) 2015/26 (2015 07 03)  
 (22) 2015 05 13  
 (28) 6  
 (73) FICOSOTA LTD  
 Madara Blvd. 48, BG-9700 Shumen (BG)  
 (85) --  
 (86) BG, EM  
 (87) BG, EM  
 (88) BG, EM  
 (89) BG  
 (81) III. AM, EM, GE, MD, MK, RS, TR, UA  
 (72) 1-6: Elena Hraburova Budinova  
 20 Oboriste street, 1000 Sofia, Bulgaria  
 (54) 1.-2. Packages for absorbent articles; 3.-6. Packages  
 (55)



1.1



1.2



1.3



2.1



2.2



2.3



3.1



3.2



3.3



3.4



3.5



4.1



4.2



4.3



4.4



4.5





5.1



5.2



5.3



5.4



5.5



6.1



6.2



6.3

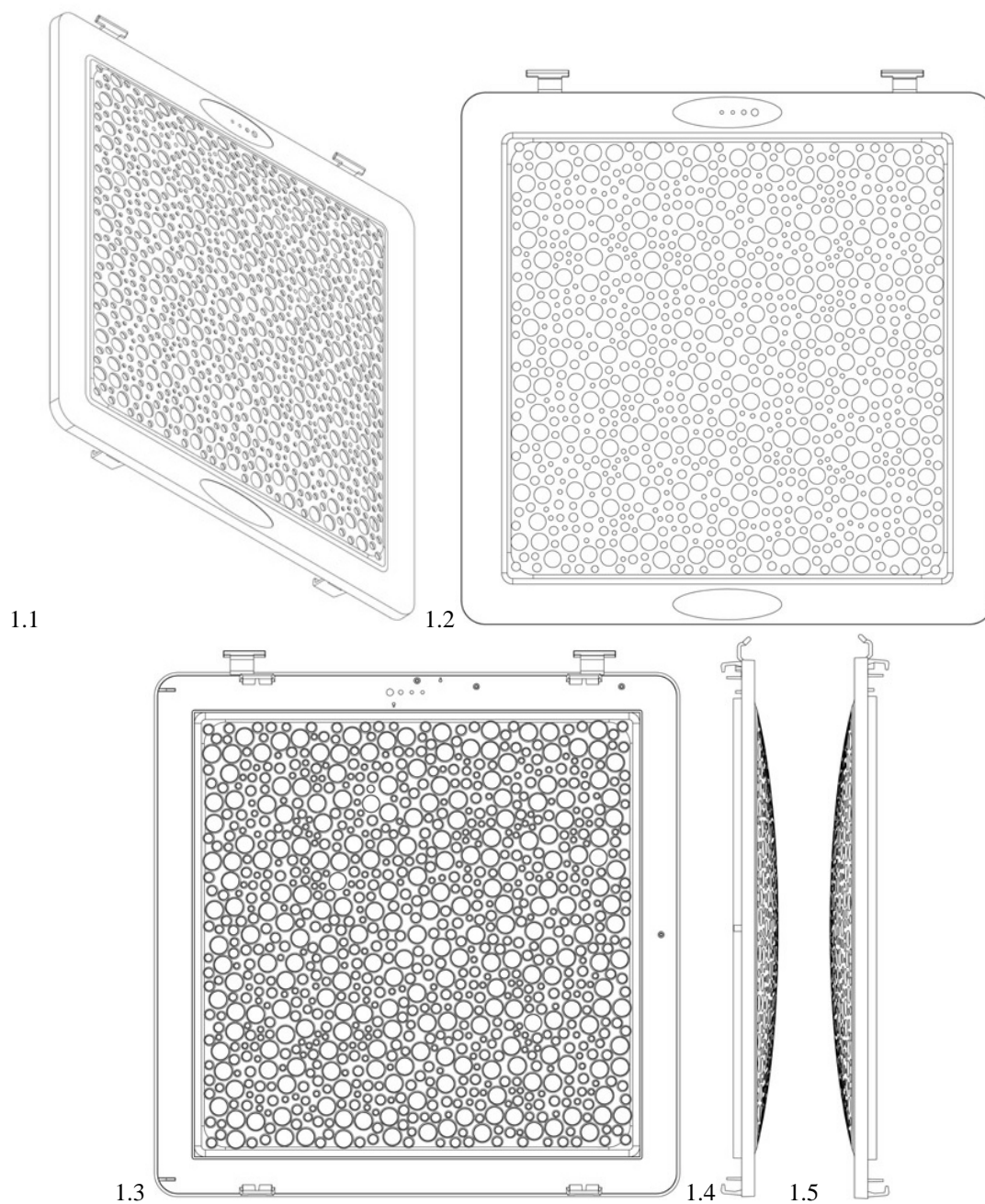


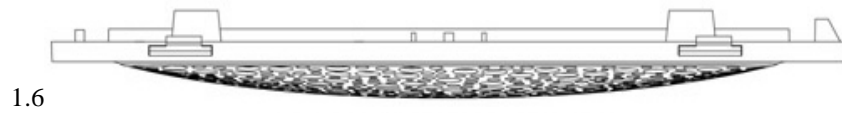
6.4



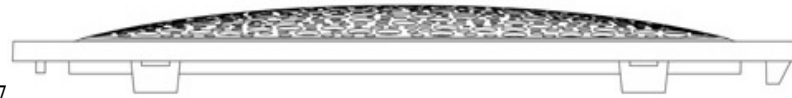
6.5

- (11) **DM/086731** (51) **23-04**  
(15) 2015 06 18 (45) 2015/26 (2015 07 03)  
(22) 2015 06 18  
(28) 2  
(73) FROST ITALY SRL  
Via Largo di Trasimeno, 46, I-36015 SCHIO (VI) (IT)  
(85) --  
(86) IT, EM  
(87) IT, EM  
(88) IT, EM  
(89) EM  
(81) III. AM, AZ, CH, EG, EM, GE, NO, RS, SY, TR, UA  
(72) 1-2: **Ciro Francesco PISTILLO**  
Via Biella, 43, 36015 Schio, Italy  
(54) 1.-2. Parts of air conditioning apparatus  
(55)

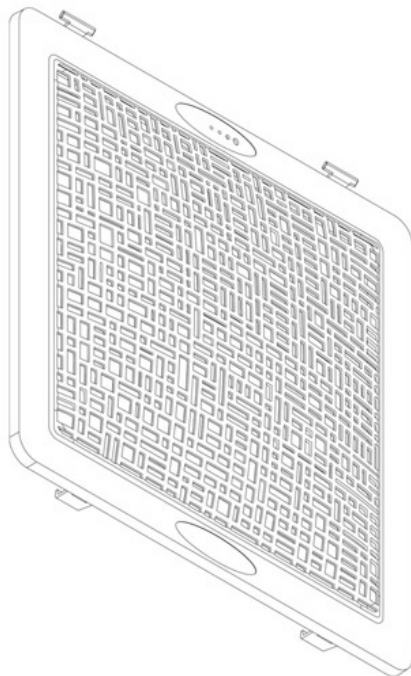




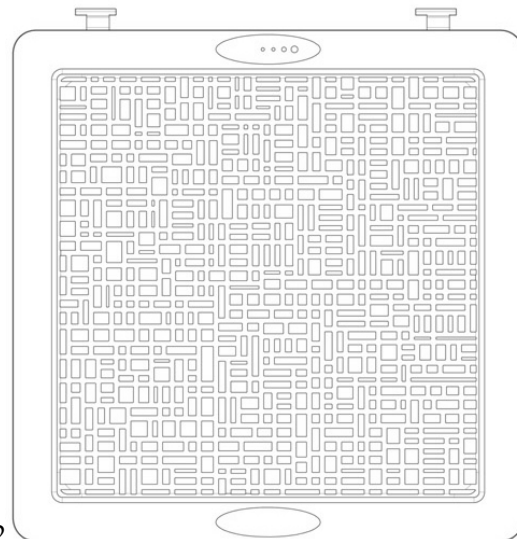
1.6



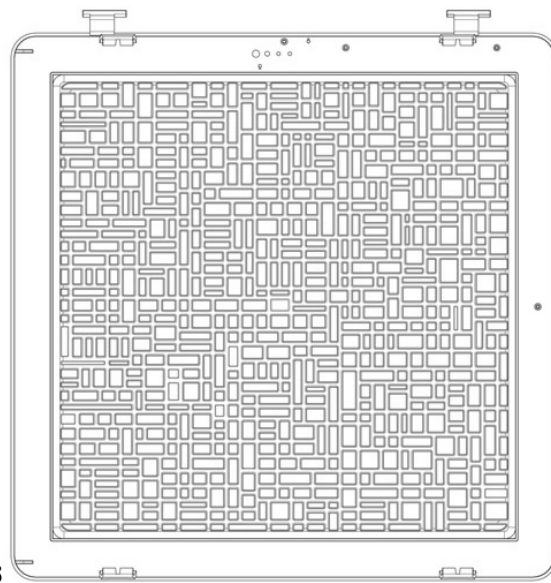
1.7



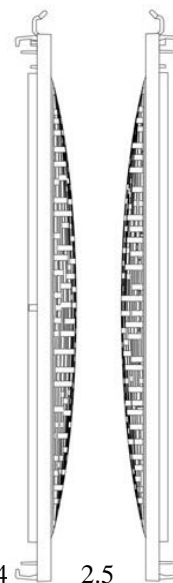
2.1



2.2

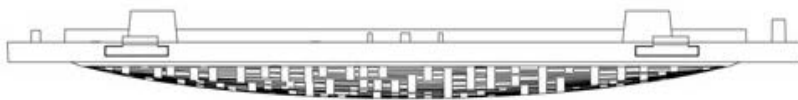


2.3



2.4

2.5



2.6



2.7



---

# TRADEMARKS

## APPLICATIONS FILED UNDER THE NATIONAL PROCEDURE APPROVED FOR REGISTRATION

The decision can be appealed at the Chamber of Appeal of Sakpatenti within 3 months from the publication or at the Mtskheta District Court Administrative Cases Board (Address: №17, Samkhedro St., Mtskheta), within 1 month following the publication.

(260) AM 2015 78254 A  
(210) AM 78254  
(220) 2014 08 09  
(731) HANKOOK TIRE WORLDWIDE CO. LTD  
133, Teheran-ro (Yeoksam-dong), Gangnam-  
gu, Seoul, 135-723, Republic of Korea  
(740) Larisa Amirkhanyan  
(540)

**Laufenn**

(591) Black, white  
(531) 27.05.19, 27.05.17  
(511) 12

---

(260) AM 2015 78350 A\*  
(210) AM 78350  
(220) 2014 08 22  
(310) 2014705941  
(320) 2014 02 26  
(330) RU  
(731) MUCOS EMULSIONSGESELLSCHAFT  
MBH CHEMISCH-PHARMAZEUTISCHE  
BETRIEBE  
Miraustraße 17, Berlin, Germany  
(740) Liliana Darakhvelidze  
(540)

**ВОБЭНЗИМ**

(511) 5

---

(260) AM 2015 78453 A\*  
(210) AM 78453  
(220) 2014 09 02  
(731) LTD "AGRO TRADING GEORGIA"  
Rustavis gzatk. 68a, 0165, Tbilisi, Georgia  
(740) Giorgi Kartvelishvili  
(540)



(591) White, cornel-red  
(531) 03.07.03, 27.05.05, 29.01.12  
(511) 31

---

(260) AM 2015 78579 A  
(210) AM 78579  
(220) 2014 09 09  
(731) SAMSONITE IP HOLDINGS S.À.R.L.  
13-15 Avenue de la Liberté, Luxembourg  
1931, Luxembourg  
(740) Giorgi Kartvelishvili  
(540)



(591) Black, white  
(531) 26.11.11, 27.05.12  
(511) 18

---

(260) AM 2015 78816 A  
(210) AM 78816  
(220) 2014 09 26  
(731) JSC "TBILGHVINO"  
Sarajishvilis gamz. 2, 0153, Tbilisi, Georgia  
(740) Giorgi Taktakishvili  
(540)

**Georgian Ornament**  
**ქართული ორნამენტი**  
**Грузинский Орнамент**

(511) 33

---

(260) AM 2015 78956 A  
(210) AM 78956  
(220) 2014 10 03  
(731) HANWHA CORPORATION  
86 Cheonggyecheon-ro, Jung-gu, Seoul  
100-797, Republic of Korea  
(740) Liliana Darakhvelidze  
(540)



(591) White, black, red and light red  
(531) 27.05.01, 26.01.06, 29.01.14  
(511) 1

---

- (260) AM 2015 79069 A  
 (210) AM 79069  
 (220) 2014 10 13  
 (731) AKTSIONERNO DROUJESTVO  
 "BULGARTABAC HOLDING"  
 1000 Sofia, Bulgaria, 62 Graf Ignatiev Str.,  
 Bulgaria  
 (740) Liliana Darakhvelidze  
 (540)



- (591) Black, white, grey  
 (531) 10.01.16, 19.03.03, 26.04.18, 27.05.05,  
 27.05.21  
 (511) 34

- (260) AM 2015 79112 A  
 (210) AM 79112  
 (220) 2014 10 16  
 (731) WESTIN HOTEL MANAGEMENT, L.P.  
 One StarPoint, Stamford, Connecticut 06902,  
 USA  
 (740) Shalva Gvaramadze  
 (540)

**WESTIN**

- (511) 41, 44, 45

- (260) AM 2015 79113 A  
 (210) AM 79113  
 (220) 2014 10 16  
 (731) Nona Tordia  
 Tseretlis gamz. 12a, b. 35, Tbilisi, Georgia  
 (740) Nona Tordia  
 (540)



- (591) Blue, white, silver  
 (531) 03.09.13, 05.05.20, 11.01.05, 11.03.09,  
 25.01.10, 29.01.04  
 (511) 21, 29, 30, 31, 32, 33, 35, 43

- (260) AM 2015 79114 A  
 (210) AM 79114  
 (220) 2014 10 16

- (731) Nona Tordia  
 Tseretlis gamz. 12a, b. 35, Tbilisi, Georgia  
 (740) Nona Tordia  
 (540)



- (591) Blue, white and silver  
 (531) 03.09.13, 05.05.20, 11.01.05, 11.03.09,  
 25.01.10, 28.19, 29.01.04  
 (511) 21, 29, 30, 31, 32, 33, 35, 43

- (260) AM 2015 79118 A  
 (210) AM 79118  
 (220) 2014 10 16  
 (731) CHINA TOBACCO GUANGXI  
 INDUSTRIAL CO., LTD.  
 No.28 Beihu South Road, Xixiangtang  
 District, Nanning Guangxi, China  
 (740) Tamar Kochlamazashvili  
 (540)

*Zhenlong*

- (591) Black, white  
 (531) 27.05.01  
 (511) 34

- (260) AM 2015 79164 A  
 (210) AM 79164  
 (220) 2014 10 21  
 (310) 012887006  
 (320) 2014 05 19  
 (330) EM  
 (731) ORANGE BRAND SERVICES LIMITED  
 3 More London Riverside, London, SE1 2AQ,  
 United Kingdom  
 (740) Tamar Kochlamazashvili  
 (540)

**ORANGE ALLIANCE**

- (511) 9, 35, 36, 38, 41, 42

- (260) AM 2015 79188 A  
 (210) AM 79188  
 (220) 2014 10 22  
 (731) JSC "PROFITINVEST"  
 Sverdlovskaya obl., Ekaterinburg,  
 Ul. Frolova 27, of. 10, 620028, RU  
 (740) Giorgi Gvinjilia  
 (540)

**HEKTAP KOJIOCKA**

- (511) 33

(260) AM 2015 79359 A  
 (210) AM 79359  
 (220) 2014 11 05  
 (731) LTD "JANI"  
 Ghambashidzis q. 3, 0179, Tbilisi, Georgia  
 (740) Alexander Borokhovich  
 (540)



(591) White, black, lemon  
 (531) 05.07.10, 26.04.15, 28.19, 29.01.13  
 (511) 35

(260) AM 2015 79581 A  
 (210) AM 79581  
 (220) 2014 11 20  
 (731) LTD "HERBAL PREPARATION"  
 Balanchivadzis q. 43, 0171, Tbilisi, Georgia  
 (540)

**TOURMALINE**  
**თურმალინი**  
**ТУРМАЛИН**

(511) 5, 35

(260) AM 2015 79695 A  
 (210) AM 79695  
 (220) 2014 11 28  
 (731) LTD "SMILE"  
 Al. Kazbegis gamz. 24, 3800, Tbilisi,  
 Georgia  
 (740) Ketevan Antidze  
 (540)



(591) Yellow, black  
 (531) 02.05.23, 28.19, 29.01.12, 02.05.01  
 (511) 9, 11

(260) AM 2015 79752 A  
 (210) AM 79752  
 (220) 2014 12 02  
 (731) LTD "G-M-P"  
 Sop. Ponichala 65, 0165, Tbilisi, Georgia  
 (740) Nugzar Ksovreli  
 (540)

**ტურბომიკრონი G**  
**ТУРБОМИКРОН G**  
**TURBOMICRON G**

(511) 5

(260) AM 2015 79786 A  
 (210) AM 79786  
 (220) 2014 12 04  
 (731) Giorgi Tvildiani  
 Egnate Ninoshvilis q. 4, 4600, Kutaisi, Georgia  
 (740) Giorgi Tvildiani  
 (540)

**ჩაიცივი ძაღა**

(511) 18, 25, 35

(260) AM 2015 79787 A  
 (210) AM 79787  
 (220) 2014 12 04  
 (731) Giorgi Tvildiani  
 Egnate Ninoshvilis q. 4, 4600, Kutaisi, Georgia  
 (740) Giorgi Tvildiani  
 (540)

**NITRO**  
**GLISSERIN**  
 PUT ON THE POWER

(591) Black, white  
 (531) 27.05.10, 27.05.01  
 (511) 18, 25, 35

(260) AM 2015 79788 A  
 (210) AM 79788  
 (220) 2014 12 04  
 (731) Giorgi Tvildiani  
 Egnate Ninoshvilis q. 4, 4600, Kutaisi, Georgia  
 (740) Giorgi Tvildiani  
 (540)



(591) Black, white

(531) 23.03.17  
 (511) 18, 25, 35

(260) AM 2015 79802 A  
 (210) AM 79802  
 (220) 2014 12 05  
 (731) AGIO PHARMACEUTICALS LTD  
 A-38, Nandjyot Ind. Estate,  
 Kurla Andheri Road, Safedpool,  
 Mumbai 400 072, India  
 (740) Aleksandre Kvernadze  
 (540)

**Ectazin**

(511) 5



(260) AM 2015 79803 A  
 (210) AM 79803  
 (220) 2014 12 05  
 (731) AGIO PHARMACEUTICALS LTD  
 A-38, Nandjyot Ind. Estate,  
 Kurla Andheri Road, Safedpool,  
 Mumbai 400 072, India  
 (740) Aleksandre Kvernadze  
 (540)

## Perteid

(511) 5

(260) AM 2015 79809 A  
 (210) AM 79809  
 (220) 2014 12 05  
 (731) NICHIIHA CORPORATION  
 12, Shiodome-cho, Minato-ku, Nagoya-shi,  
 Aichi, 455-8550, Japan  
 (740) Shalva Gvaramadze  
 (540)



(591) White, green, blue  
 (531) 26.04.02, 26.11.07, 26.11.12, 27.05.17,  
 29.01.12  
 (511) 6, 19

(260) AM 2015 79819 A  
 (210) AM 79819  
 (220) 2014 12 05  
 (731) Mega Yalitim Pazarlama ve Diş Ticaret  
 Anonim Şirketi  
 Organize Sanayi Bölgesi, 3. Kısım, 1. Parsel,  
 279 Ada No:1 - Elazığ / Turkey  
 (740) Vakhtang Torotadze  
 (540)



(591) Alizarin red, iron-grey, white  
 (531) 27.05.05, 29.01.12, 26.11.13  
 (511) 17, 19, 35

(260) AM 2015 79825 A  
 (210) AM 79825  
 (220) 2014 12 05  
 (731) ARM LIMITED  
 110 Fulbourn Road, Cambridge CB1 9NJ,  
 United Kingdom

(740) Vakhtang Torotadze  
 (540)

## ARM

(511) 9, 16, 42

(260) AM 2015 79845 A  
 (210) AM 79845  
 (220) 2014 12 08  
 (731) KENTUCKY FRIED CHICKEN  
 INTERNATIONAL HOLDINGS, INC.  
 1441 Gardiner Lane, Louisville, Kentucky  
 40213, USA  
 (740) Tamar Kochlamazashvili  
 (540)

## OPENING HORIZONS

(511) 36, 41

(260) AM 2015 79846 A  
 (210) AM 79846  
 (220) 2014 12 08  
 (731) KENTUCKY FRIED CHICKEN  
 INTERNATIONAL HOLDINGS, INC.  
 1441 Gardiner Lane, Louisville, Kentucky  
 40213, USA  
 (740) Tamar Kochlamazashvili  
 (540)

## პორიზონტს მიღმა

(511) 36, 41

(260) AM 2015 79879 A  
 (210) AM 79879  
 (220) 2014 12 10  
 (731) LLC "AXA MEDICAL"  
 D. Agmasheneblis gamz. 150, 0112, Tbilisi,  
 Georgia  
 (740) Nugzar Ksovreli  
 (540)



(591) Grey, light blue-green  
 (531) 27.05.05, 27.05.22, 28.19, 29.01.12  
 (511) 35, 36, 44

(260) AM 2015 79880 A  
 (210) AM 79880  
 (220) 2014 12 10  
 (731) LLC "AXA MEDICAL"  
 D. Agmasheneblis gamz. 150, 0112, Tbilisi,  
 Georgia  
 (740) Nugzar Ksovreli

(540)



(591) Grey, light blue-green

(531) 29.01.12, 27.05.22

(511) 35, 36, 44

(260) AM 2015 79884 A

(210) AM 79884

(220) 2014 12 11

(731) LTD "SAIRME MINERAL WATERS"

Health Resort Sairme, 1000, Baghdatis raioni,  
Georgia

(740) Agnesa Bartaia

(540)



(591) Black, white

(531) 03.04.07, 06.01.01, 28.19

(511) 32

(260) AM 2015 79924 A

(210) AM 79924

(220) 2014 12 12

(731) RATIONAL INTELLECTUAL HOLDINGS  
LIMITEDDouglas Bay Complex, King Edward Road,  
IM3 1DZ Onchan, Isle of Man (British)

(740) Tamaz Shilakadze

(540)

**POKERSTARS**

(511) 9, 41, 42

(260) AM 2015 79926 A

(210) AM 79926

(220) 2014 12 12

(731) RATIONAL INTELLECTUAL HOLDINGS  
LIMITEDDouglas Bay Complex, King Edward Road,  
IM3 1DZ Onchan, Isle of Man (British)

(740) Tamaz Shilakadze

(540)



(591) Black, white, red

(531) 01.01.10, 01.01.02, 29.01.13, 21.01.02

(511) 9, 41, 42

(260) AM 2015 79927 A

(210) AM 79927

(220) 2014 12 12

(310) 86369203

(320) 2014 08 18

(330) US

(731) RATIONAL INTELLECTUAL HOLDINGS  
LIMITEDDouglas Bay Complex, King Edward Road,  
IM3 1DZ Onchan, Isle of Man (British)

(740) Tamaz Shilakadze

(540)

**PokerStars**

(591) Black-white

(531) 27.03.15, 01.01.02, 01.01.10, 21.01.02,

(511) 9, 41

(260) AM 2015 79929 A

(210) AM 79929

(220) 2014 12 12

(731) FORD MOTOR COMPANY

One American Road, Dearborn, Michigan  
48126, USA

(740) Shalva Gvaramadze

(540)

**MOTORCRAFT**

(511) 4

(260) AM 2015 79939 A

(210) AM 79939

(220) 2014 12 15

(731) NORDMARK ARZNEIMITTEL GMBH &  
CO. KG

Pinnauallee 4, 25436 Uetersen, Germany

(740) Merab Kvimsadze

(540)

**Prohepar**

(511) 3, 5

(260) AM 2015 79944 A

(210) AM 79944

(220) 2014 12 16

(731) Manana Korkotadze

Vazha-Pshavelas gamz. 39, b. 4, 0177, Tbilisi,  
Georgia

(740) Manana Korkotadze

(540)

**ზღაპარი****ZGHAPARI**

(511) 43

(260) AM 2015 79949 A

(210) AM 79949

(220) 2014 12 16

(731) VIACOM OVERSEAS HOLDINGS C.V.  
Landhuis Joonchi, Kaya Richard J. Beaujon  
Z/N, Curacao  
(740) Tamaz Shilakadze  
(540)

**TMNT**

(511) 18, 25, 28, 30, 41

(260) AM 2015 79950 A  
(210) AM 79950  
(220) 2014 12 16  
(731) VIACOM OVERSEAS HOLDINGS C.V.  
Landhuis Joonchi, Kaya Richard J. Beaujon  
Z/N, Curacao  
(740) Tamaz Shilakadze  
(540)

**TEENAGE MUTANT NINJA  
TURTLE**

(511) 18, 25, 28, 30, 41

(260) AM 2015 79952 A  
(210) AM 79952  
(220) 2014 12 16  
(731) VIACOM INTERNATIONAL INC.  
1515 Broadway, New York, New York  
10036, USA  
(740) Tamaz Shilakadze  
(540)

**SPONGEBOB SQUAREPANTS**

(511) 18, 25, 28, 30, 41

(260) AM 2015 79957 A  
(210) AM 79957  
(220) 2014 12 18  
(731) TIGRE BLANC (LUXEMBOURG) SARL  
75 Parc d'Activités, L-8308 Mamer, Capellen,  
Luxembourg  
(740) Tamaz Shilakadze  
(540)



(591) Black-white  
(531) 03.01.04, 03.06.11, 25.07.25  
(511) 33

(260) AM 2015 79958 A  
(210) AM 79958  
(220) 2014 12 18  
(731) TIGRE BLANC (LUXEMBOURG) SARL  
75 Parc d'Activités, L-8308 Mamer, Capellen,  
Luxembourg  
(740) Tamaz Shilakadze  
(540)

**TIGRE BLANC**

(511) 33

(260) AM 2015 79959 A  
(210) AM 79959  
(220) 2014 12 18  
(731) TIGRE BLANC (LUXEMBOURG) SARL  
75 Parc d'Activités, L-8308 Mamer, Capellen,  
Luxembourg  
(740) Tamaz Shilakadze  
(540)



(591) Black-white  
(531) 19.07.23, 25.07.25, 03.01.04, 03.06.11  
(511) 33

(260) AM 2015 79966 A  
(210) AM 79966  
(220) 2014 12 19  
(731) SURA BANGYIKHAN COMPANY  
LIMITED  
82 Moo 3 Tambol Bangkuwat, Amphur  
Muang Pathumthani, Pathumthani Province  
12000, Thailand  
(740) Liliana Darakhvelidze  
(540)



(591) Black-white  
(531) 25.01.25, 25.03.03, 27.05.01  
(511) 25, 33

(260) AM 2015 79985 A  
 (210) AM 79985  
 (220) 2014 12 23  
 (731) QINGDAO NINE-ALLIANCE GROUP CO.,  
 LTD.  
 Shanghai Western Road, Laixi City, Qingdao,  
 China

(740) Davit Zurabishvili  
 (540)

## Nine Alliance

(511) 29

---

(260) AM 2015 79988 A  
 (210) AM 79988  
 (220) 2014 12 23  
 (731) LTD "G-M-P"  
 Sop. Ponichala 65, 0165, Tbilisi, Georgia

(740) Nugzar Ksovreli  
 (540)

## ბ ბლოკი G Б Блок G B Block G

(511) 5

---

(260) AM 2015 80437 A  
 (210) AM 80437  
 (220) 2015 01 23  
 (731) CONSTELLATION BRANDS U.S.  
 OPERATIONS, INC.  
 235 North Bloomfield Road, Canandaigua,  
 New York 14424, USA

(740) Shalva Gvaramadze  
 (540)

## MONDAVI

(511) 33

---

(260) AM 2015 80497 A  
 (210) AM 80497  
 (220) 2015 01 27  
 (731) SWIFT BRANDS COMPANY  
 1770 Promontory Circle, Greeley, Colorado  
 80634, USA

(740) Shalva Gvaramadze  
 (540)

## SWIFT

(511) 29

---

(260) AM 2015 80502 A  
 (210) AM 80502  
 (220) 2015 01 27  
 (731) KIMBERLY-CLARK WORLDWIDE, INC.  
 Neenah, Wisconsin 54956, USA

(740) Shalva Gvaramadze  
 (540)

## WYPALL

(511) 16, 21

---

(260) AM 2015 80561 A  
 (210) AM 80561  
 (220) 2015 01 30  
 (731) ANAVID AGRICULTURAL SOCIETY LTD.  
 Kibbutz Kiryat Anavim, Israel  
 (740) Giorgi Taktakishvili  
 (540)

## VIDOFLEX

(511) 17

---

---

**REGISTERED TRADEMARKS**

(111) M 2015 26193 R  
(151) 2015 08 25  
(181) 2025 08 25  
(260) AM 2015 75720 A  
(220) 2014 01 29  
(732) LTD "LTB"

Tornike Eristavis q. 2, 0192, Tbilisi, Georgia

---

(111) M 2015 26194 R  
(151) 2015 08 25  
(181) 2025 08 25  
(260) AM 2015 75759 A  
(220) 2014 02 03  
(732) GENERAL MOTORS LLC.

300 Renaissance Center, City of Detroit, State of Michigan 48265-3000, USA

---

(111) M 2015 26195 R  
(151) 2015 08 25  
(181) 2025 08 25  
(260) AM 2015 75764 A  
(220) 2014 02 03  
(732) AMGEN INC.

One Amgen Center Drive, Thousand Oaks, California 91320-1799, USA

---

(111) M 2015 26196 R  
(151) 2015 08 25  
(181) 2025 08 25  
(260) AM 2014 75788 A  
(220) 2014 02 06  
(732) Eldar Iukuridze

Zhukovskis q. 19, b. 9, Odessa, Ukraine

---

(111) M 2015 26197 R  
(151) 2015 08 25  
(181) 2025 08 25  
(260) AM 2015 76072 A  
(220) 2014 02 25

(732) LTD "GEORGIAN COFFEE COMPANY"  
Samtrediis q., kor. 4a, b. 9, Didube-Chughureti, Tbilisi, Georgia

---

(111) M 2015 26198 R  
(151) 2015 08 25  
(181) 2025 08 25  
(260) AM 2015 76223 A  
(220) 2014 03 11

(732) ROTHMANS OF PALL MALL LIMITED  
Zaehlerweg 4, Zug, CH 6300, Switzerland

---

(111) M 2015 26199 R  
(151) 2015 08 25  
(181) 2025 08 25  
(260) AM 2015 76723 A  
(220) 2014 04 16

(732) CARNEGIE MELLON UNIVERSITY  
5000 Forbes Avenue Pittsburgh, PA 15213-3890, USA

---

(111) M 2015 26200 R  
(151) 2015 08 25  
(181) 2025 08 25  
(260) AM 2015 76827 A  
(220) 2014 04 25

(732) DISNEY ENTERPRISES, INC.  
a Delaware corporation  
500 South Buena Vista Street, Burbank, California 91521, USA

---

(111) M 2015 26201 R  
(151) 2015 08 25  
(181) 2025 08 25  
(260) –  
(220) 2015 01 14

(732) APPLE INC.  
1, Infinite Loop, Cupertino, California 9501, USA

---

(111) M 2015 26202 R  
(151) 2015 08 25  
(181) 2025 08 25  
(260) –  
(220) 2015 01 14

(732) APPLE INC.  
1, Infinite Loop, Cupertino, California 9501, USA

---

(111) M 2015 26203 R  
(151) 2015 08 25  
(181) 2025 08 25  
(260) AM 2014 75787 A  
(220) 2014 02 05

(732) Eldar Iukuridze  
Zhukovskis q.19, b. 9, Odessa, Ukraine;  
LTD "Shabo-Georgia"  
I. Chavchavadzis gamz. 29/31/33, 0179, Tbilisi, Georgia

---

(111) M 2015 26204 R  
(151) 2015 08 25  
(181) 2025 08 25  
(260) AM 2015 76474 A

(220) 2014 03 28  
 (732) ACORDA THERAPEUTICS, INC.  
 a Delaware corporation  
 420 Saw Mill River Road, Ardsley, New York  
 10502, USA

(111) M 2015 26205 R  
 (151) 2015 08 25  
 (181) 2025 08 25  
 (260) AM 2015 76828 A  
 (220) 2014 04 25  
 (732) DISNEY ENTERPRISES, INC.  
 a Delaware corporation  
 500 South Buena Vista Street, Burbank,  
 California 91521, USA

(111) M 2015 26206 R  
 (151) 2015 08 25  
 (181) 2025 08 25  
 (260) AM 2015 77445 A  
 (220) 2014 06 06  
 (732) HOYU KABUSHIKI KAISHA  
 (also trading as Hoyu Co., Ltd.)  
 501, TOKUGAWA 1-CHOME, HIGASHI-  
 KU, NAGOYA-SHI, AICHI-KEN, Japan

(111) M 2015 26207 R  
 (151) 2015 08 25  
 (181) 2025 08 25  
 (260) AM 2015 77454 A  
 (220) 2014 06 06  
 (732) NGK SPARK PLUG CO., LTD.  
 a Japanese corporation; 14-18 Takatsuji-cho,  
 Mizuho ku, Nagoya City, 467-8525, Japan

(111) M 2015 26208 R  
 (151) 2015 08 26  
 (181) 2025 08 26  
 (260) AM 2015 77622 A  
 (220) 2014 06 19  
 (732) NEW PRODUCTS LLC  
 Sportivna ploscha 3, 01033 Kyiv, Ukraine

(111) M 2015 26209 R  
 (151) 2015 08 26  
 (181) 2025 08 26  
 (260) AM 2015 77697 A  
 (220) 2014 06 25  
 (732) LTD "STARI"  
 D. Agmasheneblis gamz. 108, 0164, Tbilisi,  
 Georgia

(111) M 2015 26210 R  
 (151) 2015 08 26  
 (181) 2025 08 26

(260) AM 2015 77720 A  
 (220) 2014 06 26  
 (732) SOCIETE NATIONALE D'EXPLOITATION  
 INDUSTRIAL DE TOBA E ALAMUT  
 SASU  
 143 boulevard Romen Rolan, France

(111) M 2015 26211 R  
 (151) 2015 08 26  
 (181) 2025 08 26  
 (260) AM 2015 77859 A  
 (220) 2014 07 08  
 (732) LTD "A-B-C PHARMACY"  
 Sanapiros q. 10, 0108, Tbilisi, Georgia

(111) M 2015 26212 R  
 (151) 2015 08 26  
 (181) 2025 08 26  
 (260) AM 2015 77862 A  
 (220) 2014 07 08  
 (732) LTD "GEOFERT"  
 Ilia Tchavtchavadzis gamz., 39a, Georgia

(111) M 2015 26213 R  
 (151) 2015 08 26  
 (181) 2025 08 26  
 (260) AM 2015 77998 A  
 (220) 2014 07 18  
 (732) LTD "GUFruit"  
 Sop. Parizi, 1105, Bolnisi, Georgia

(111) M 2015 26214 R  
 (151) 2015 08 26  
 (181) 2025 08 26  
 (260) AM 2015 78009 A  
 (220) 2014 07 18  
 (732) LTD "SANIMA GROUP"  
 Ip. Khvichias q. 16, b. 9, 0160, Tbilisi, Georgia

(111) M 2015 26215 R  
 (151) 2015 08 26  
 (181) 2025 08 26  
 (260) AM 2015 78023 A  
 (220) 2014 07 21  
 (732) LTD "LARKI"  
 Iumashevis q. 8, 1051, Tbilisi, Georgia

(111) M 2015 26216 R  
 (151) 2015 08 26  
 (181) 2025 08 26  
 (260) AM 2015 78024 A  
 (220) 2014 07 21  
 (732) LTD "LARKI"  
 Iumashevis q. 8, 1051, Tbilisi, Georgia

(111) M 2015 26217 R  
(151) 2015 08 26  
(181) 2025 08 26  
(260) AM 2015 78027 A  
(220) 2014 07 21  
(732) SOCIETE NATIONALE D'EXPLOITATION  
INDUSTRIAL DE TOBA E ALAMUT  
SASU  
143 boulevard Romen Rolan, France

---

(111) M 2015 26218 R  
(151) 2015 08 26  
(181) 2025 08 26  
(260) AM 2015 78111 A  
(220) 2014 07 29  
(732) SFERA JOVEN, S.A.  
Hermosilla, 112. 28009 Madrid, Spain

---

(111) M 2015 26219 R  
(151) 2015 08 26  
(181) 2025 08 26  
(260) AM 2015 78157 A  
(220) 2014 07 30  
(732) SOCIÉTÉ DES PRODUITS NESTLÉ S.A.  
CH-1800 Vevey, Switzerland

---

(111) M 2015 26220 R  
(151) 2015 08 26  
(181) 2025 08 26  
(260) AM 2015 78174 A  
(220) 2014 07 31  
(732) HANKOOK TIRE CO., LTD.  
133, Teheran-ro (Yeoksam-dong), Gangnam-  
gu, Seoul, 135-723, Republic of Korea

---

(111) M 2015 26221 R  
(151) 2015 08 26  
(181) 2025 08 26  
(260) AM 2015 78212 A  
(220) 2014 08 01  
(732) LTD "G-M-P"  
Sop. Ponitchala 65, Georgia

---

(111) M 2015 26222 R  
(151) 2015 08 26  
(181) 2025 08 26  
(260) AM 2015 78232 A  
(220) 2014 08 07  
(732) LTD "BELLA XXI"  
I. Vekuas q.12, 0167, Tbilisi, Georgia

---

(111) M 2015 26223 R  
(151) 2015 08 26  
(181) 2025 08 26

(260) AM 2015 78247 A  
(220) 2014 08 08  
(732) P.P.U.H. WOSEBA SPOLKA Z  
OGRANICZONA DPOWIEDZIALNOSCIA  
Ul. Kroszynska 150, 63 – 430 Odolanow,  
Poland

---

(111) M 2015 26224 R  
(151) 2015 08 26  
(181) 2025 08 26  
(260) AM 2015 78248 A  
(220) 2014 08 08  
(732) P.P.U.H. WOSEBA SPOLKA Z  
OGRANICZONA DPOWIEDZIALNOSCIA  
Ul. Kroszynska 150, 63 – 430 Odolanow,  
Poland

---

(111) M 2015 26225 R  
(151) 2015 08 26  
(181) 2025 08 26  
(260) AM 2015 78249 A  
(220) 2014 08 08  
(732) P.P.U.H. WOSEBA SPOLKA Z  
OGRANICZONA DPOWIEDZIALNOSCIA  
Ul. Kroszynska 150, 63 – 430 Odolanow,  
Poland

---

(111) M 2015 26226 R  
(151) 2015 08 26  
(181) 2025 08 26  
(260) AM 2015 78250 A  
(220) 2014 08 08  
(732) P.P.U.H. WOSEBA SPOLKA Z  
OGRANICZONA DPOWIEDZIALNOSCIA  
Ul. Kroszynska 150, 63 – 430 Odolanow,  
Poland

---

(111) M 2015 26227 R  
(151) 2015 08 26  
(181) 2025 08 26  
(260) AM 2015 78262 A  
(220) 2014 08 11  
(732) JK TYRE & INDUSTRIES LIMITED  
Jaykaygram, PO-Tyre Factory, Kankroli-313  
342, Rajasthan, India

---

(111) M 2015 26228 R  
(151) 2015 08 26  
(181) 2025 08 26  
(260) AM 2015 78275 A  
(220) 2014 08 12  
(732) LTD "KANO INVESTI"  
Vashlijvari, korp.6, b.27, Tbilisi, Georgia

---

(111) M 2015 26229 R  
 (151) 2015 08 26  
 (181) 2025 08 26  
 (260) AM 2015 78281 A  
 (220) 2014 08 14  
 (732) P.P.U.H. WOSEBA SPOLKA Z  
 OGRANICZONA DPOWIEDZIALNOSCIA  
 Ul. Kroszynska 150, 63 – 430 Odolanow,  
 Poland

(111) M 2015 26235 R  
 (151) 2015 08 26  
 (181) 2025 08 26  
 (260) AM 2015 78851 A  
 (220) 2014 09 29  
 (732) KENTUCKY FRIED CHICKEN  
 INTERNATIONAL HOLDINGS, INC.  
 1441 Gardiner Lane, Louisville, Kentucky  
 40213, USA

(111) M 2015 26230 R  
 (151) 2015 08 26  
 (181) 2025 08 26  
 (260) AM 2015 78384 A  
 (220) 2014 08 25  
 (732) LTD "GEORGIAN WINE HOUSE"  
 Sop. Zegaani, 1415, Gurjaani, Georgia

(111) M 2015 26236 R  
 (151) 2015 08 26  
 (181) 2025 08 26  
 (260) AM 2015 78852 A  
 (220) 2014 09 29  
 (732) KENTUCKY FRIED CHICKEN  
 INTERNATIONAL HOLDINGS, INC.  
 1441 Gardiner Lane, Louisville, Kentucky  
 40213, USA

(111) M 2015 26231 R  
 (151) 2015 08 26  
 (181) 2025 08 26  
 (260) AM 2015 78524 A  
 (220) 2014 09 05  
 (732) LTD "SHUKRUTECH"  
 Tsabadzis q. 8-b, 0112, Tbilisi, Georgia

(111) M 2015 26240 R  
 (151) 2015 09 01  
 (181) 2025 09 01  
 (260) AM 2015 69810 A  
 (220) 2013 06 25  
 (732) PT. Multistrada Arah Sarana, TBK  
 Jalan Raya Lemahabang Km 58.3,  
 Desa Karangsari, Kecamatan Cikarang  
 Timiur, Kabupaten Bekasi 17550, Indonesia

(111) M 2015 26232 R  
 (151) 2015 08 26  
 (181) 2025 08 26  
 (260) AM 2015 78532 A  
 (220) 2014 09 05  
 (732) LTD "SHUKRUTECH"  
 Tsabadzis q. 8-b, 0112, Tbilisi, Georgia

(111) M 2015 26241 R  
 (151) 2015 09 01  
 (181) 2025 09 01  
 (260) AM 2015 72645 A  
 (220) 2013 06 12  
 (732) LTD "VAINMEN SHPS"  
 Gudiasvilis q. 11, 0105, Tbilisi, Georgia

(111) M 2015 26233 R  
 (151) 2015 08 26  
 (181) 2025 08 26  
 (260) AM 2015 78802 A  
 (220) 2014 09 25  
 (732) SOUTHERN COMFORT PROPERTIES,  
 INC.  
 4040 Civic Center Drive, Suite 528,  
 SAN RAFAEL, CA 94903, USA

(111) M 2015 26242 R  
 (151) 2015 09 01  
 (181) 2025 09 01  
 (260) AM 2015 74099 A  
 (220) 2013 09 30  
 (732) INTEX ENTERPRISES PRIVATE LIMITED  
 D-18/2, Okhla Industrial Area, Phase-II,  
 New Delhi-110 020, India

(111) M 2015 26234 R  
 (151) 2015 08 26  
 (181) 2025 08 26  
 (260) AM 2015 78803 A  
 (220) 2014 09 25  
 (732) THE GILLETTE COMPANY.  
 One Gillete Park, Boston, Massachusetts  
 02127, USA

(111) M 2015 26243 R  
 (151) 2015 09 01  
 (181) 2025 09 01  
 (260) AM 2015 75101 A  
 (220) 2014 02 20  
 (732) BAYADERA MANAGEMENT LIMITED  
 Karpenisiou, 30, P.C. 1660 Nicosia, Cyprus



(111) M 2015 26244 R  
(151) 2015 09 01  
(181) 2025 09 01  
(260) AM 2015 74373 A  
(220) 2013 10 18  
(732) OJSC "TMK"  
40 bldg. 2a, Pokrovka Str., Moscow, 105062,  
Russian Federation

---

(111) M 2015026245 R  
(151) 2015 09 01  
(181) 2025 09 01  
(260) AM 2015 74374 A  
(220) 2013 10 18  
(732) OJSC "TMK"  
40 bldg. 2a, Pokrovka Str., Moscow, 105062,  
Russian Federation

---

## TRADEMARKS REGISTERED ACCORDING TO THE ACCELERATED PROCEDURE

The decision can be appealed at the Chamber of Appeal of Sakpatenti within 3 months from the publication.

(111) M 2015 26237 R  
(151) 2015 08 26  
(181) 2025 08 26  
(210) AM 83232  
(220) 2015 07 30  
(732) LTD "I-M-G DEVELOPMENT"  
Akaki Shanidzis q. (Kalandadze Str. in past) 2,  
Melikishvilis gamz. 16, 4<sup>th</sup> Fl, 0179, Tbilisi,  
Georgia  
(740) Revaz Sokhadze  
(540)



(591) Black-white  
(531) 26.04.24, 26.11.08, 26.11.12, 27.05.11,  
27.05.24  
(511) 37

(111) M 2015 26238 R  
(151) 2015 08 27  
(181) 2025 08 27  
(210) AM 83350  
(220) 2015 08 12  
(732) Irakli Kverghelidze  
Sop. Gurianta, 3508, Ozurgeti, Georgia  
(740) Gela Makharadze  
(540)



(591) White, green  
(531) 27.05.24, 29.01.12, 26.15.11  
(511) 35, 37

(111) M 2015 26239 R  
(151) 2015 08 27  
(181) 2025 08 27  
(210) AM 83431  
(220) 2015 08 19

(732) LTD "INTERMETAL GEORGIA"  
Free Industrial Zone (former zone of  
extensive development of boat station),  
Plot 545, internal number of an earth site 286,  
Poti, Georgia  
(740) Giorgi Taktakishvili  
(540)

### TETTOAMANTE

(511) 6

(111) M 2015 26246 R  
(151) 2015 09 03  
(181) 2025 09 03  
(210) AM 83424  
(220) 2015 08 18  
(732) LTD "GEORGIAN ALYANS"  
G. Nadareishvilis q. 4 (Last Samgori blind  
alley), 0137, Tbilisi, Georgia  
(540)

### SHOKOLAND შოკოლედი შოკოლეტი

(511) 30

(111) M 2015 26247 R  
(151) 2015 09 04  
(181) 2025 09 04  
(210) AM 83340  
(220) 2015 08 10  
(732) LTD "SSG COMPANY"  
L. Sharashidze Str. 5, Old Tbilisi district,  
0179, Tbilisi, Georgia  
(740) Davit Maisuradze  
(540)



(591) Red, white, green and golden  
(531) 27.05.21, 27.05.24, 29.01.14, 27.05.11,  
25.01.01, 25.01.05, 25.07.01, 26.01.17,  
26.01.21

(526) The trademark is protected as a whole.  
"CAMPIONE" and "BATUMI" shall not be subject  
to independent legal protection.

(511) 41

---

(111) M 2015 26248 R

(151) 2015 09 04

(181) 2025 09 04

(210) AM 83391

(220) 2015 08 17

(732) JAPAN TOBACCO INC.

2-2-1 Toranomom, Minato-ku, Tokyo, Japan

(740) Shalva Gvaramadze

(540)

## **CAMEL COMPACT**

(526) The trademark is protected as a whole.  
"COMPACT" shall not be subject to independent  
legal protection.

(511) 34

---

(111) M 2015 26249 R

(151) 2015 09 04

(181) 2025 09 04

(210) AM 83393

(220) 2015 08 17

(732) JAPAN TOBACCO INC.

2-2-1 Toranomom, Minato-ku, Tokyo, Japan

(740) Shalva Gvaramadze

(540)

## **CAMEL ORIGINAL**

(526) The trademark is protected as a whole.  
"ORIGINAL" shall not be subject to independent  
legal protection.

(511) 34

---

## INTERNATIONAL TRADEMARKS FOR WHICH A DECISION ON GRANTING PROTECTIONS IS TAKEN

The decision can be appealed at the Chamber of Appeal of Sakpatenti within 3 months from the publication or at the Mtskheta District Court Administrative Cases Board (Address: №17, Samkhedro str., Mtskheta), within 1 month following the publication.

(260) AM 74701 A\*  
(800) 894182  
(731) GLASHÜTTER UHRENBETRIEB GMBH  
Altenberger Str. 1, 01768 Glashütte, Germany  
(540)

*Glashütte*  
ORIGINAL

(591) Black, white  
(511)  
14 – Clocks and watches, in particular wristwatches, clock parts, movements for clocks and watches, chronometers, chronometric instruments, escapements for clocks and watches and models for escapements; cases for clocks and watches, microchronometers for clocks; precious metals and their alloys and goods in precious metals or coated therewith (included in this class); jewellery, precious stones.

(260) AM 2015 76399 A\*  
(800) 1194593  
(891) 2013 12 20  
(731) Fashion One Television LLC  
246 West Broadway, New York, NY 10013, USA  
(540)



(591) Black, white  
(511)  
38 – Television broadcasting.

(260) AM 2015 76951 A\*  
(800) 1107706  
(891) 2014 03 13  
(731) AMNEAL PHARMACEUTICALS, LLC  
1 New England Avenue Piscataway NJ 08854, USA  
(540)

**AMNEAL**

(591) Black, white  
(511)  
5 – Full line of prescription and over-the-counter pharmaceutical preparations for humans.

(260) AM 2015 77175 A\*  
(800) 1201486  
(891) 2014 03 03  
(731) BRAUN GMBH  
Frankfurter Str. 145, 61476 Kronberg im Taunus, Germany  
(540)

**SYNCROSONIC**

(511)  
8 – Razors and razor blades; hair clippers; depilation appliances for personal use; cases, holders, parts and fittings for the aforesaid goods.

(260) AM 2015 77463 A  
(800) 1204410  
(891) 2014 03 11  
(731) PHILIP MORRIS PRODUCTS S.A.  
Quai Jeanrenaud 3, CH-2000 Neuchâtel, Switzerland  
(540)



(591) Black, white  
(511)  
34 – Tobacco, raw or manufactured; tobacco products, including cigars, cigarettes, cigarillos, tobacco for roll-your-own cigarettes, pipe tobacco, chewing tobacco, snuff tobacco, kretek; snus; tobacco substitutes (not for medical purposes); smokers' articles, including cigarette paper and tubes, cigarette filters, tobacco tins, cigarette cases and ashtrays, pipes, pocket apparatus for rolling cigarettes, lighters; matches.

(260) AM 2015 77476 A  
(800) 1204517  
(891) 2014 03 14

(731) KAESER KOMPRESSOREN SE  
Carl-Kaese-Straße 26, 96450 COBURG,  
Germany

(540)

## Omega Profil

(511)

7 – Machines and mechanical apparatus for the generation of compressed air, vacuum and air flow, included in class 7; compressors being machines; blowers for the compression, exhaustion and transport of gases; blowing machines; air suction machines; machine housings; parts of the aforesaid goods (included in class 7), including central screw compressor units or central reciprocating compressor units.

(260) AM 2015 77489 A

(800) 1204703

(891) 2014 03 10

(731) ASTEOS EOOD.

15 Trakia Str., BG-1527 Sofia, Bulgaria

(540)



(591) White, golden yellow, blue and light blue

(526) The trademark is protected as a whole. "ADVANCED FILTER SYSTEM" shall not be subject to independent legal protection.

(511)

34 – Tobacco; cigarettes; cigars; cigarillos.

(260) AM 2015 78621 A

(800) 1214449

(891) 2014 04 20

(731) SORTER Spółka Jawna Konrad Grzeszczyk,  
Michał Ziomek

ul. Gdyńska 32, PL-26-600 Radom, Poland

(540)



(591) Black, red and white

(511)

6 – Signboards of metal; identity plates of metal.

7 – Sorting machines for industry; agricultural machines; packaging machines; spin driers [machines]; handling machines; automatic handling machines [manipulators]; vegetable washers [machines]; filling machines; peeling machines; feeders [parts of machines]; jacks [machines]; conveyers; robots [machines].

37 – Machinery installation, maintenance and repair.

(260) AM 2015 78674 A

(800) 1214910

(891) 2014 07 14

(731) BIOFARMA

50 rue Carnot, F-92284 SURESNES CEDEX,  
France

(540)

## APRESTIUM

(511)

5 – Pharmaceutical products used for treating and/or preventing cardiovascular diseases.

(260) AM 2015 78679 A

(800) 1214994

(891) 2013 07 25

(731) CONTINENTAL REIFEN DEUTSCHLAND  
GMBH

Vahrenwalder Str. 9, 30165 Hannover,  
Germany

(540)

## THE FUTURE IN MOTION

(511)

6 – Common metals and their alloys; metal building materials; transportable constructions of metal; metal building materials for railway tracks; metal cables and wires (not for electrical purposes); ironmongery and small items of metal hardware; metal pipes and flexible tubing; metal hose and pipe connectors; metal manifolds, couplings and adapters; metal hose and pipe couplings, mountings as far as included in this class; metal pipes and tubes for ventilation and air-conditioning systems; metal molds; metal pressure frames; metal goods as far as included in this class.

7 – Machines used in metal, timber, rubber and plastics processing, for the manufacture, repair and disassembly of land and sea vehicles, for the chemical, agricultural, mining, textile, food and beverage, construction and packaging industry; machine tools; printing machines; printing plates; machines used in the manufacture of printing plates; printing plates [not light-sensitive]; pressure casting molds [machine components]; lithographic printing plates for printing machines; motors and engines (except for land vehicles); components for motors and engines of all types, including electric motors and their com-

ponents (except for land vehicles); control units for motors and engines; electric starters for motors and engines; motor driven electric generators; main cylinders; electric motors (except for land vehicles) and pumps (machines); engine actuators (throttle valves, idle governors, linear actuators, air control valves, air flap actuators, exhaust gas recirculation valves); injection valves, injection nozzles for engines; fuel pumps, fuel lines; fuel injection systems; spark plugs for combustion engines; glow plugs for diesel engines; air filters for engines; catalytic converters; chargers [turbochargers]; turbocompressors; control units for machines; controlled adjusting devices for vehicle parts such as seats, windows, mirrors, sliding roofs, throttle valves, camshafts; machine coupling and transmission components including shift clutches (except for land vehicles); drive belts, transmission belts, V-belts, V-ribbed belts, variator belts, timing belts, synchronous belts, nubbed belts, double-sided timing belts, flat belts, fit belts (machine components), conveyor belts; machine components, such as springs, shock absorber pistons, vibration dampers; molded parts made from rubber and rubber-metal bondings for vibration control as far as included in this class (machine parts); engine mounts, hydro mounts, torsional vibration dampers, actuators; valves (machine components); conveyor belts, parts and accessories for conveyor belts; passenger conveyors not included in other classes; (compressed air) spray guns for water, oil, gas, paint and other gaseous or liquid substances; metal fittings (accessories for spray guns or sprayers); mechanical vehicle jacks; lawn mowers (machines); non hand-operated agricultural equipment; vending machines; electrical opening and closing devices for motor vehicles, including control units, controls and electric motors; ignition coils.

9 – Scientific, nautical, surveying, electric, photographic, cinematographic, optical, weighing, measuring, signaling, checking (supervision), life-saving and teaching apparatus and instruments as far as included in this class; measuring devices and instruments; electric control and regulating systems including their processors and sensors for the steering and controlling of vehicles, for improved driving safety, driving stability, and cushioning and noise comfort; electric control and regulating systems including their processors and sensors for regulation and control of brakes, accelerator pedals, transmissions, chassis and suspensions and emissions; voltage regulators for vehicles; automatic control systems for vehicles; electrical and electrohydraulic power steering systems; ammeters, voltmeters, ohmmeters, manometers, thermometers, tachometers; compasses, acidimeters, water level indicators, scales; thermostats; engine management systems, idle speed controls for engines; data management and processing devices; measuring, warning and display devices and instruments for distance, axle load moni-

toring, acceleration, speed, engine speed, torque, turn rate, pressure, fill level, fluid supply (particularly fuel and washer fluid supply), altitude, coolant temperature, charge pressure, power, air quality, air mass, oil level, oil pressure, position, rudder position, temperature, travel, travel distance, wind and water depth; distance warning and controlling devices and display instruments; radar devices, reversing monitoring equipment; automatic parking assist; optical, acoustic and haptic drowsiness and speed warning devices and display instruments; tire pressure gauge, tire inflating equipment; service indicator devices, wear indicator devices, consumption measurement devices, maintenance indicator devices, workshop test equipment; time recording units; accident data recorders; apparatus and instruments for conducting, switching, converting, storing, regulating and monitoring electricity; electrical fuses, electrical relays, transponders, sensors, actuators (as far as included in this class); detectors; pressure switches; controllers; brake fluid testers; diagnostic apparatus [not for medical purposes]; monitoring and diagnostic systems for vehicle engines and drive systems; warning lamps for vehicles; solenoid valves; lasers, not for medical purposes; electric batteries and their components, rechargeable batteries and their components, solar batteries; fuel cells and their components, chargers for electric batteries; alarm equipment; burglar alarms, burglary detection equipment; central locking systems; electronic immobilizers for motor vehicles; remote control devices; remote operation systems for central locking systems; position finding, course tracking and traffic routing devices; navigation instruments; navigation devices for vehicles; GPS; data processing devices, computers including electronic calendar, fax machines, monitors, computer I/O devices, calculators, saved computer programs and software; electrical, electronic, opto-electronic and mechanical analog and digital display devices and instruments; image transmission and reproduction devices; electrical or electronic display devices; display equipment, display modules, display elements, display panels, displays, monitors, screens, LCDs, devices with LCDs, flat screens, video screens and monitors; touch screens; devices for recording, receiving, transmitting and reproducing analog and/or digital signals, as well as images and sound, antenna, radios, televisions, telephones including video telephones; hands-free equipment for telephones; rescue equipment, such as life rafts, rescue ladders, rescue nets, rescue tarpaulins, life belts, life buoys, life jackets, fire extinguishing equipment; contact lenses, glasses, glasses cases, binoculars, magnifying glasses, sunglasses, hazard warning triangles for vehicles; projectors, film cameras, cameras, photocopiers, electronic translators, electronic pocket translators, exposed films, magnetic, electronic and optical recording media, with the exception of non-exposed film, recording

disks including magnetic cards, cards with integrated circuitry (smart cards), telephone cards, mechanisms for coin-operated apparatus including automatic dispensers, cash machines; cash registers, computing machines; photovoltaic elements; photo cells; presence monitoring devices; combination display instruments, instrument panels, center consoles.

11 – Apparatus for lighting, heating, steam generating, cooking, refrigerating, drying, blowing, ventilation, air-conditioning and water supply and sanitary purposes; accessories for water supply equipment for adjusting and changing the water flow volume; water pipe end-caps; heating and air-conditioning systems for vehicles; fans and ventilation modules for vehicles; heating, cooling, air-conditioning and ventilation systems in vehicles; vehicle headlights; bicycle lights; vehicle tail lamps.

12 – Vehicles; apparatus for locomotion by land, air or water; parts and accessories for vehicles for transportation on land and/or on water as far as included in this class; engines for land vehicles; land vehicle cockpits; tires, inner tubes for tires, wheels, wheel rims, treads for the retreading of tires, hub caps, rim strips, materials and kits for repairing tires and inner tubes not included in other classes; valves for vehicle tires; chassis and parts thereof included in this class; controlled and non-controlled chassis and suspensions; electronic, hydraulic, electromechanical, electrohydraulic and mechanical brakes for vehicles; parts and accessories for electronic, hydraulic, electromechanical, electrohydraulic and mechanical brakes for vehicles; brake cylinders, brake pads, brake calipers, brake disks, brake linings, brake hoses; regulated and unregulated electromechanical and electrohydraulic steering systems and their components, hydraulic power steering, steering columns, steering gear; electrical, electronic and mechanical actuators, drive shafts and electric motors; safety equipment for motor vehicles as far as included in this class; airbags, belt tensioners and their parts and accessories as far as included in this class; shaft couplings and transmission mechanism, including shift clutches for land vehicles; active and passive, regulated and unregulated dampers and springs for vehicles, wheels and their parts, particularly air pressure springs and gas springs; air supply units for air spring systems; shock absorbers and suspension struts for vehicles; shock absorber springs for vehicles, suspension springs for vehicles; vibration dampers and torsional vibration dampers (except components of land vehicle engines) for vehicles; vehicle engines, steering apparatus; vehicle cabins and driver seats; hydro mounts as vehicle components as far as included in this class; axles and axle modules, axle boots, diaphragms for vehicle fuel supplying systems; drive belts, transmission belts not included in other classes; cooling, heating, brake, fuel, charge air, oil, hydraulic hoses as vehi-

le components and accessories as far as included in this class; vehicle interiors lining; airbag covers; paneling for dashboards; interior upholstery for vehicles; motor vehicle seats; cigarette lighters for automobiles; cockpit cross beams; driver cockpits, driver cabins; window and headlight cleaning systems for motor vehicles as well as the associated containers, nozzles, hoses, hose couplings, pumps, heaters and valves; windshield and headlight cleaning systems; window lift and window positioning systems for vehicles; controllers and drives for convertible soft tops, sliding roofs and sun protection devices for vehicles; rubber or plastic concertina walls for trains and articulated buses; fuel tank systems for motor vehicles.

16 – Paper, cardboard and goods made from these materials, not included in other classes; printed matter; bookbinding material; photographs; stationery; adhesives for stationery or household purposes; artists' materials; paint brushes; typewriters and office requisites (except furniture); instructional and teaching material (except apparatus), including textbooks, specialist books, magazines, repair and/or user instructions on automotive parts; plastic materials for packaging (not included in other classes); printer's type; printing blocks; printing materials, non-textile printing blankets, components and accessories for same, not included in other classes; atlases, calendars, geographic maps, publications (written); ball pens and pencils, bookbinding articles; forms, printed forms, print material rolls and diagram plates for use in tachographs.

17 – Rubber, gutta-percha, gum, asbestos, mica and goods made from these materials and not included in other classes; plastic goods (semifinished products); sealing, packing and insulating materials; flexible pipes (not made from metal); flexible pipe junctions (not made from metal); insulators for cables (not made from metal); rubber compensators for insulation, isolation and vibration absorbing purposes; line seals; sealing sleeves, sealing rings, membranes (not included in other classes); natural rubber (liquid); sub-ballast mats made from rubber and rubber substitutes for vibration and shock damping in track construction; oil-absorbent mats made of rubber and rubber substitutes; rubber valves; soft top, door, window, engine compartment seals; upholstery materials of rubber or plastic; plastic sheeting (except for packaging purposes), including sheeting for sealing and insulating purposes; roof and pond sheeting; passageway bellows of rubber or plastic for airport passenger bridges; parts and accessories for all aforementioned goods not included in other classes; rubber for retreading tires.

25 – Clothing, footwear, headgear including trousers, t-shirts, polo shirts, coats, jackets, overalls, caps, gloves (clothing), shoes, ties, scarves.

35 – Advertising, business management, business administration; office functions; recruitment, personnel management consultancy, commercial consultancy, public relations, radio and television advertising, organization of exhibitions and fairs for commercial and advertising purposes, marketing, sales research, market research; retail (including online retail) services in the following areas: vehicles and vehicle accessories, tires, brakes, rubber and plastic goods, chemical products, fuels and propellants, machines, tools and metal goods, building articles, electrical and electronic goods, sound and data media, print shop products, stationery, office equipment, articles of clothing, shoes and textile goods, toys, sports equipment; wholesale services (including online wholesale services) in the following areas: vehicles and vehicle accessories, tires, brakes, rubber and plastic goods, chemical products, fuels and propellants, machines, tools and metal goods, building articles, electrical and electronic goods, sound and data media, print shop products, stationery, office equipment, articles of clothing, shoes and textile goods, toys, sports equipment; organizational advice on the granting of usage rights for mobility systems.

37 – Building construction, installation services, automotive workshop services, conversion, repair, servicing, assembly, dismantling, maintenance, care, cleaning and paint work for vehicles, engines brakes, tires and their parts; repair of vehicles as part of breakdown assistance; retreading of tires; maintenance, assembly, repair of evaluation instruments for diagram plates, tachographs, accident data recorder, electronic vehicle logs, test and diagnostic apparatus and instruments; installation, maintenance and repair of machines and machine components; installation, maintenance and repair of conveyor belts and systems; installation, maintenance and repair of data systems (hardware).

(260) AM 2015 78709 A

(800) 1215484

(891) 2014 06 12

(731) Nemiroff Intellectual Property Establishment  
Staedtler 31, FL-9490 Vaduz, Liechtenstein

(540)

**ВОДОЧНОЙ МАСТЕРЬ**

(591) Black, white

(511)

33 – Alcoholic beverages (except beers).

35 – Advertising; business management; business administration; office functions; import and export agencies of alcoholic beverages; retail and wholesale services with alcoholic beverages.

(260) AM 2015 78815 A

(800) 1215958

(891) 2014 01 17

(731) ORTHOPHARM EUROPE KFT. (CO. LTD.)

Naplás u. 24, H-2142 Nagytarcsa, Hungary

(540)

**ARTHROVISC**

(591) Blue

(511)

5 – Pharmaceutical and veterinary preparations; sanitary preparations for medical purposes; dietetic food and substances adapted for medical or veterinary use, food for babies; dietary supplements for humans and animals; plasters, materials for dressings; material for stopping teeth, dental wax; disinfectants; preparations for destroying vermin; fungicides, herbicides; elixirs [pharmaceutical preparations]; tonics [medicines]; chilblain preparations; frostbite salve for pharmaceutical purposes; analgetics; decoctions for pharmaceutical purposes; salts for mineral water baths; bath salts for medical purposes; medical preparations for slimming purposes; sugar for medical purposes; adjuvants for medical purposes; medicinal drinks; medicines for human purposes; bath preparations, medicated; medicinal infusions; pharmaceutical preparations; chemico-pharmaceutical preparations; medicinal tea; nervines; mud for baths; medicinal mud; ointments for pharmaceutical purposes; therapeutic preparations for the bath; medicinal oils; surgical implants [living tissues]; surgical cloth [tissues]; salts for medical purposes; nutritional supplements; thermal water; chemical preparations for medical purposes; chemical reagents for medical or veterinary purposes; chemical preparations for pharmaceutical purposes; greases for medical purposes; pharmaceutical compositions for the treatment of diseases of joints; pharmaceutical compositions for the treatment of diseases of articulation; pharmaceutical compositions for the treatment of diseases of arthritis; pharmaceutical compositions for the treatment of diseases of arthritis; compositions for medical purposes for treatment of diseases of joints; compositions for medical purposes for treatment of diseases of articulation; compositions for medical purposes for treatment of diseases of arthritis; compositions for medical purposes for treatment of diseases of arthritis; compositions of dietary supplements for treatment of diseases of joints; compositions of dietary supplements for treatment of articulation; compositions of dietary supplements for treatment of arthritis; compositions of dietary supplements for treatment of arthritis.

44 – Medical services; veterinary services; hygienic and beauty care for human beings or animals; agriculture, horticulture and forestry services; nursing, medical; health care; physiotherapy; health spa services; pharmacists' services to make up prescriptions; hospitals; massage; medical clinic services; medical assistance; telemedicine services; therapy services; prophylactic and/or curative treatment and



therapy of diseases of joints; prophylactic and/or curative treatment and therapy of diseases of articulation; prophylactic and/or curative treatment and therapy of diseases of arthritis, prophylactic and/or curative treatment and therapy of diseases of arthritis; restoration, defence of joints; restoration, defence of articulation.

(260) AM 2015 78942 A

(800) 1134425

(891) 2014 05 27

(731) BIOFARMA

50 rue Carnot, F-92284 SURESNES CEDEX,  
France

(540)

**COSYREL**

(511)

5 – Pharmaceutical and veterinary products; sanitary products for medical purposes; dietetic food and substances for medical or veterinary use; food for babies; dietary supplements for humans and animals; plasters, materials for dressings; material for dental fillings and dental impressions; disinfectants; pesticides; fungicides, herbicides; medicated bath preparations; chemical preparations for medical or pharmaceutical use; medicinal herbs; herbal teas; parasiticides; alloys of precious metals for dental use.

(260) AM 2015 78943 A

(800) 1168846

(891) 2014 05 26

(731) "PHARMAGATE LTD. "

Suite N:36, The Brentano Suite, Solar House,  
915 High Road, London N12 8QJ, United  
Kingdom

(540)



(591) Black, white and green

(511)

35 – Accounting; drawing up of statements of accounts; commercial administration of the licensing of the goods and services of others; administrative processing of purchase orders; advertising; advertising agencies; advertising by mail order; updating of advertising material; dissemination of advertising matter; rental of advertising space; commercial information and advice for consumers [consumer advice shop]; cost price analysis; business appraisals; business management assistance; auctioneering; auditing; professional business consultancy; business

information; business inquiries; business investigations; business management and organization consultancy; business management consultancy; business organization consultancy; business research; commercial information agencies; commercial or industrial management assistance; presentation of goods on communication media, for retail purposes; price comparison services; compilation of information into computer databases; compilation of statistics; systemization of information into computer databases; data search in computer files for others; demonstration of goods; direct mail advertising; distribution of samples; economic forecasting; efficiency experts; employment agencies; organization of exhibitions for commercial or advertising purposes; computerized file management; import-export agencies; invoicing; layout services for advertising purposes; advisory services for business management; personnel management consultancy; marketing research; marketing studies; news clipping services; on-line advertising on a computer network; opinion polling; organization of trade fairs for commercial or advertising purposes; outsourcing services [business assistance]; payroll preparation; personnel recruitment; word processing; psychological testing for the selection of personnel; public relations; publication of publicity texts; publicity columns preparation; publicity material rental; writing of publicity texts; radio advertising; rental of advertising time on communication media; sales promotion for others; sponsorship search; tax preparation; television advertising; transcription.

41 – Academies [education]; animal training; arranging and conducting of colloquiums; arranging and conducting of conferences; arranging and conducting of congresses; arranging and conducting of seminars; arranging and conducting of symposiums; arranging and conducting of workshops [training]; arranging of beauty contests; boarding schools; bookmobile services; publication of books; club services [entertainment or education]; organization of sports competitions; organization of competitions [education or entertainment]; correspondence courses; religious education; education information; educational examination; educational services; electronic desktop publishing; organization of exhibitions for cultural or educational purposes; vocational guidance [education or training advice]; gymnastic instruction; health club services [health and fitness training]; sign language interpretation; lending libraries; operating lotteries; microfilming; news reporters services; nursery schools; physical education; practical training [demonstration]; videotape film production; production of radio and television programmes; providing on-line electronic publications, not downloadable; publication of electronic books and journals on-line; publication of texts, other than publicity texts; rental of videotapes; writing of texts, other than publicity texts; translation.

44 – Academies [education]; animal training; arranging and conducting of colloquiums; arranging and conducting of conferences; arranging and conducting of congresses; arranging and conducting of seminars; arranging and conducting of symposiums; arranging and conducting of workshops [training]; arranging of beauty contests; boarding schools; bookmobile services; publication of books; club services [entertainment or education]; organization of sports competitions; organization of competitions [education or entertainment]; correspondence courses; religious education; education information; educational examination; educational services; electronic desktop publishing; organization of exhibitions for cultural or educational purposes; vocational guidance [education or training advice]; gymnastic instruction; health club services [health and fitness training]; sign language interpretation; lending libraries; operating lotteries; microfilming; news reporters services; nursery schools; physical education; practical training [demonstration]; videotape film production; production of radio and television programmes; providing on-line electronic publications, not downloadable; publication of electronic books and journals on-line; publication of texts, other than publicity texts; rental of videotapes; writing of texts, other than publicity texts; translation.

(260) AM 2015 79076 A  
 (800) 1218096  
 (891) 2014 07 14  
 (731) Zakrytoe akcionerhoe obshchestvo  
 "KLASSIK"  
 ul. Shvetsova, 12, korp 2, lit. B, RU-198095  
 Sankt-Peterburg, Russian Federation  
 (540)



(591) White, pink, violet, dark-violet, brown, purple-brown  
 (511)  
 30 – Tea; tea-based beverages; infusions, not medicinal; flowers or leaves for use as tea substitutes.

(260) AM 2015 79078 A  
 (800) 1218131  
 (891) 2014 06 13  
 (731) Rodinný pivovar BERNARD a.s.  
 5. května 1, CZ-396 01 Humpolec, Czech Republic  
 (540)

**CERNÁ LAVINA**

(511)  
 32 – Beers.

(260) AM 2015 79105 A  
 (800) 1218434  
 (891) 2014 07 03  
 (731) Limited Liability Company  
 "TRUSTINVESTSTROI"  
 Fruit and vegetable base, Warehouse No:30,  
 Ramensky district, Kuznetsovo village,  
 RU-140192 Moscow region, Russian  
 Federation  
 (540)

**FUNNY BUNNY**

(591) Black, white  
 (511)  
 30 – Aromatic preparations for food; flavorings [flavourings], other than essential oils, for cakes; star aniseed; cookies; pancakes; buns; bread rolls; vanillin [vanilla substitute]; vanilla [flavoring] [flavouring]; waffles; vermicelli [noodles]; coffee flavorings [flavourings]; natural sweeteners; sausage binding materials; binding agents for ice cream [edible ices]; edible ices; sea water for cooking; glucose for culinary purposes; mustard; yeast; thickening agents for cooking foodstuffs; rice-based snack food; cereal-based snack food; artificial coffee; vegetal preparations for use as coffee substitutes; pastries; confectionery for decorating Christmas trees; fruit jellies [confectionery]; cakes; peanut confectionery; almond confectionery; pasta; pasties; frozen yogurt [confectionery ices]; cocoa; capers; caramels [candy]; gruel, with a milk base, for food; quiches; gluten prepared as foodstuff; sweetmeats [candy]; liquorice [confectionery]; peppermint sweets; coffee; unroasted coffee; starch for food; crackers; hominy grits; groats for human food; corn, milled; corn, roasted; meat pies; turmeric for food; couscous [semolina]; farinaceous foods; noodles; ice for refreshment; ice, natural or artificial; candy; rice cakes; maltose; hominy; marzipan; custard; honey; royal jelly; ice cream; sorbets [ices]; bean meal; tapioca flour for food; potato flour for food; corn flour; flour; wheat flour; soya flour; barley meal; muesli; mint for confectionery; cocoa beverages with milk; coffee beverages with milk; coffee-based beverages; tea-based beverages; chocolate beverages with milk; chocolate-based beverages; cocoa-based beverages; infusions, not medicinal; crushed oats; husked oats; nutmegs; pastilles [confectionery]; molasses for food; pepper; petits fours [cakes]; malt biscuits; macarons [pastry]; petit-beurre biscuits; pies; pizzas; fondants [confectionery]; popcorn; powders for ice cream; pralines; condiments; ketchup [sauce]; sauces [condiments]; chow-chow [condiment]; relish [condiment]; tomato sauce; mayonnaise; soya sauce; chutneys [condiments]; dressings for salad; meat gravies; meat tenderizers, for household purposes; cereal preparations; flour-milling products; oat-based food; propolis; gingerbread; cinnamon [spice]; cloves [spice]; spices; allspice; ginger [spice]; puddings; cake powder; ravioli; chewing gum; rice;

spring rolls; sugar; aniseed; cake paste; confectionery; baking soda [bicarbonate of soda for cooking purposes]; tapioca; malt for human consumption; salt for preserving foodstuffs; cooking salt; celery salt; spaghetti; seasonings; peppers [seasonings]; saffron [seasoning]; preparations for stiffening whipped cream; rusks; breadcrumbs; sushi; sandwiches; tacos; soya bean paste [condiment]; almond paste; tortillas; tarts; garden herbs, preserved [seasonings]; vinegar; ferments for pastes; halvah; bread; unleavened bread; chips [cereal products]; chicory [coffee substitute]; tea; iced tea; chocolate; malt extract for food; essences for foodstuffs, except etheric essences and essential oils.

(260) AM 2015 79130 A  
(800) 1218494  
(891) 2014 08 26  
(731) Janssen Pharmaceutica NV  
Turnhoutseweg 30, B-2340 BEERSE,  
Belgium

(540)

**DARSPONDA**

(511)  
5 – Human pharmaceutical preparations.

(260) AM 2015 79132 A  
(800) 1218495  
(891) 2014 08 26  
(731) Janssen Pharmaceutica NV  
Turnhoutseweg 30, B-2340 BEERSE,  
Belgium

(540)

**DALINVI**

(511)  
5 – Human pharmaceutical preparations.

(260) AM 2015 79134 A  
(800) 1218496  
(891) 2014 08 27  
(731) Janssen Pharmaceutica NV  
Turnhoutseweg 30, B-2340 BEERSE,  
Belgium

(540)

**LONVYDEL**

(511)  
5 – Human pharmaceutical preparations.

(260) AM 2015 79141 A  
(800) 1218499  
(891) 2014 08 26  
(731) Janssen Pharmaceutica NV  
Turnhoutseweg 30, B-2340 BEERSE,  
Belgium

(540)

**STIMZADA**

(511)  
5 – Human pharmaceutical preparations.

(260) AM 2015 79142 A  
(800) 1218505  
(891) 2014 08 07  
(731) BAYER INTELLECTUAL PROPERTY  
GMBH  
40789 Monheim am Rhein, Germany

(540)

**ZIVRINT**

(511)  
5 – Pharmaceutical preparations.

(260) AM 2015 79220 A  
(800) 1219156  
(891) 2014 03 31  
(731) WORLD MEDICINE İLAÇ SANAYİ VE  
TİCARET ANONİM ŞİRKETİ  
Evren Mah., Camiyolu Cad. No:50 K:1 B,  
Zemin 4-5-6, Güneşli Bağcılar, İstanbul,  
Turkey

(540)

**EKSDELAN****ЭКСДЕЛАН**

(591) Black, white

(511)

5 – Medicines for human purposes, medicines for veterinary purposes, vitamin preparations, chemical preparations for medical purposes, dietetic substances adapted for medical use; dietetic foods adapted for medical purposes; baby foods, medicinal herbs, herbal beverages adapted for medical purposes, nutritional supplements, pollen dietary supplements, mineral food supplements, protein dietary supplements; dietary supplements for animals; fodder supplements for veterinary purposes; medicines for dental purposes, hygienic products for medical purposes including sanitary pads, breast-nursing pads and bunion pads, waddings for medical purposes, plasters for medical purposes, dressings for medical purposes, babies' napkins, preparations for destroying noxious plants, preparations for destroying noxious animals, fungicides, deodorants other than for human beings or for animals, air deodorising preparations, disinfectants for hygiene purposes, antiseptics, detergents for medical purposes.

(260) AM 2015 79221 A  
(800) 1219157  
(891) 2014 03 31

(731) WORLD MEDICINE İLAÇ SANAYİ VE  
TİCARET ANONİM ŞİRKETİ  
Evren Mah., Camiyolu Cad. No:50 K:1 B,  
Zemin 4-5-6, Güneşli Bağcılar, İstanbul,  
Turkey

(540)

**SERAMOL**  
**СЕРАМОЛ**

(591) Black, white

(511)

5 – Medicines for human purposes, medicines for veterinary purposes, vitamin preparations, chemical preparations for medical purposes, dietetic substances adapted for medical use; dietetic foods adapted for medical purposes; baby foods, medicinal herbs, herbal beverages adapted for medical purposes, nutritional supplements, pollen dietary supplements, mineral food supplements, protein dietary supplements; dietary supplements for animals; fodder supplements for veterinary purposes; medicines for dental purposes, hygienic products for medical purposes including sanitary pads, breast-nursing pads and bunion pads, waddings for medical purposes, plasters for medical purposes, dressings for medical purposes, babies' napkins, preparations for destroying noxious plants, preparations for destroying noxious animals, fungicides, deodorants other than for human beings or for animals, air deodorising preparations, disinfectants for hygiene purposes, antiseptics, detergents for medical purposes.

(260) AM 2015 79223 A

(800) 1219158

(891) 2014 03 31

(731) WORLD MEDICINE İLAÇ SANAYİ VE  
TİCARET ANONİM ŞİRKETİ  
Evren Mah. Camiyolu Cad., No:50 K:1 B,  
Zemin 4-5-6, Güneşli Bağcılar, İstanbul,  
Turkey

(540)

**SIRUMEK**  
**СИРУМЕК**

(591) Black, white

(511)

5 – Medicines for human purposes, medicines for veterinary purposes, vitamin preparations, chemical preparations for medical purposes, dietetic substances adapted for medical use; dietetic foods adapted for medical purposes; baby foods, medicinal herbs, herbal beverages adapted for medical purposes, nutritional supplements, pollen dietary supplements, mineral food supplements, protein dietary supplements; dietary supplements for animals; fodder

supplements for veterinary purposes; medicines for dental purposes, hygienic products for medical purposes including sanitary pads, breast-nursing pads and bunion pads, waddings for medical purposes, plasters for medical purposes, dressings for medical purposes, babies' napkins, preparations for destroying noxious plants, preparations for destroying noxious animals, fungicides, deodorants other than for human beings or for animals, air deodorising preparations, disinfectants for hygiene purposes, antiseptics, detergents for medical purposes.

(260) AM 2015 79227 A

(800) 1219238

(891) 2014 06 24

(731) E. REMY MARTIN & C°

20, rue de la Soci  t   Vinicole, F-16100

Cognac, France

(540)



(591) Black, gold and red (Pantone 186C)

(526) VSOP

(511)

33 – Alcoholic beverages (except beers).

(260) AM 2015 79228 A

(800) 1219267

(891) 2014 06 19

(731) MACHINING CENTERS

MANUFACTURING S.P.A.

Viale F. e G. Celaschi, 19, I-29020

VIGOLZONE (PC), Italy

(540)



(591) Black, white

(511)

7 – Numerically controlled machine tools, machining centres, machining stations, manufacturing cells for metalworking and for manufacturing; tool holders, tool spindles, tool monitoring devices, tool magazines and automatic tool changers for use in/with numerically controlled machine tools, machining centres, machining stations and manufac-

turing cells; work-piece clamping devices, work-piece tables, work-piece slides, work-piece feed devices, work-piece positioning devices, work-piece indexing devices, palletizing systems, pallet changing devices, robots for transferring work-pieces, robots for feeding work-pieces, robots with articulated arms for manipulating work-pieces for use in/with numerically controlled machine tools, machining centres, machining stations and manufacturing cells.

9 – Computer software and computer programmes for production planning and management, for controlling machine tools, machining centres, machining stations and manufacturing cells for metalworking and for manufacturing.

42 – Computer programming, computer software design, installation, maintenance, updating of computer software for controlling machine tools, machining centres, machining stations and manufacturing cells for metalworking and for manufacturing.

(260) AM 2015 79229 A

(800) 1219338

(891) 2014 09 08

(731) PRIMVITAL AG

Freigutstrasse 7, CH-8002 Zurich, Switzerland

(540)

**PRIMVITAL**

(511)

5 – Pharmaceutical and veterinary preparations; Sanitary preparations for medical purposes; Dietetic food and substances adapted for medical or veterinary use, food for babies; Dietary supplements for humans and animals; Plasters, materials for dressings; Material for stopping teeth, dental wax; Disinfectants; Preparations for destroying vermin; Fungicides, herbicides.

31 – Grains and agricultural, horticultural and forestry products not included in other classes; Live animals; Fresh fruits and vegetables; Seeds; Natural plants and flowers; Foodstuffs for animals; Malt.

(260) AM 2015 79230 A

(800) 1219358

(891) 2014 04 30

(731) VIZIO, INC.

39 Tesla, Irvine CA 92618, USA

(540)



(591) Black, white

(511)

9 – Televisions and monitors; liquid crystal display televisions; DVD players; Blu-ray players; portable media players; digital media streaming devices; electronic docking stations; audio speakers; home theater systems comprising of audio and video receivers and audio speakers; home theater systems, namely, sound bars containing audio speakers; batteries and battery chargers; computers; notebook computers; computer peripheral devices; handheld computers; personal computers; laptops; cameras; digital cameras; tablet computers; accessories for tablet computers; personal digital assistants (PDAs); electronic book readers; portable and handheld digital electronic devices for recording, organizing, transmitting, manipulating, and reviewing text, data and audio files; computer software for use in organizing, transmitting, manipulating, and reviewing text, data and audio files on portable and handheld digital electronic devices; portable listening devices, namely, MP3 players; wireless communication devices for voice, data or image transmission; audio speakers, USB cables, microphones and earphones; wireless routers; remote controls for televisions and audio equipment; stereoscopic lenses for 3D content viewing, namely, active 3D glasses, passive 3D glasses, and virtual reality glasses; high definition multimedia interface (HDMI) cables; stereo headphones; computer-gaming software; downloadable software for playing video and audio internet content; set top boxes; power charger kit; computer hardware and software for converting, supplying and transmitting of data and information; software that may be downloaded via global computer networks and electronic communication networks, namely, gaming software, and software for playing video and audio internet content; electronic device for playing games and for playing video and audio internet content on a television; downloadable films and television programs featuring comedy, action, drama, and documentaries provided via a video-on-demand service.

(260) AM 2015 79231 A

(800) 1219363

(891) 2014 05 07

(731) Union des Associations Européennes de

Football (UEFA)

Route de Genève 46, CH-1260 Nyon,

Switzerland

(540)

**EURO FOR EUROPE** 

(591) Black, white

(511)

3 – Cosmetic products; soaps; cosmetic preparations for baths; perfumes, eaux de Cologne; pre-shave and after-shave lotions; shaving creams; shampoos, conditioners; dentifrices, dental rinses (mouthwashes);

deodorants and antiperspirants for personal use; care creams, cosmetic creams; make-up removing creams for the face; make-up removing preparations; sun care lotions; hair lotions, hair sprays; toiletry creams; make-up products, eye shadows, face powders, cosmetic pencils; decorative transfers for cosmetic use; cleaning, polishing, degreasing and abrasive preparations for household use; laundry powder detergents; synthetic cleaning products; shoe waxes and creams; leather care products.

4 – Lubricants; engine oils and fuels, including gasoline, diesel oil, gases and bio-fuels; candles; waxes; greases; natural gas; liquid gases; industrial oils and greases; lubricating oils and greases; carburants; liquefied petroleum gas; non-chemical additives for fuel, lubricants and greases; dust absorbing, wetting and binding compositions; lighting fuel; lubricants, oils and greases, and lubricating preparations for industrial use; cutting oils for industrial purposes; milling oils.

9 – Exposed films, slides, video game disks; software (recorded programs), including game software; computer databases and programs; recorded or downloaded sounds, images or data; videotapes, magnetic tapes, magnetic disks, DVDs, mini-disks, diskettes, optical discs, compact discs, CD-ROMs, videodiscs, memory cards, USB flash drives, blank or prerecorded with music, sound or images (possibly including animated cartoons); holograms; electronic publications provided by means of CD-ROMs, databases and the Internet; spectacles, sunglasses, diving and swimming goggles; cases, cords and chains for sunglasses and spectacles; binoculars; magnets and decorative magnets; directional compasses; apparatus for the recording, transmission and reproduction of sound and images; satellite dishes; decoders, namely electronic software and hardware capable of converting, supplying and transmitting audio and video data; television sets; flat screens, liquid crystal display screens, high-definition screens and plasma screens; radios; home cinema systems; video recorders; CD players; DVD drives; MP3 players; cassette players; mini disk players; digital music players; loudspeakers; headphones, earphones; computers, including laptop computers and electronic tablets; karaoke systems; systems for editing sounds and for mixing sounds; systems for editing and mixing video images; apparatus for computer data processing; computer keyboards; computer screens; modems; accessories for computers included in this class; computer mice, mouse pads; navigation apparatus; personal digital assistants (PDAs); electronic pocket translators; dictating machines; electronic agendas; scanners; printers; photocopiers; facsimile machines; telephones; answering machines; video telephones; cellular telephones; accessories for cellular telephones, included in this class, namely cases for cellular telephones,

hands-free kits for cellular telephones, earphones and headsets for cellular telephones, keypads for cellular telephones, lanyards for cellular telephones, special cases for carrying cellular telephones, photographic cameras and video cameras integrated in cellular telephones; remote controls for television sets and video systems; teleconferencing systems; calculating machines; card readers for credit cards; currency converting machines; automated teller machines; video cameras, portable video cameras with built-in videocassette recorders (camcorders); photographic equipment, photographic apparatus, cameras (cinematographic apparatus), projectors, flash lamps, special cases and cords for photographic apparatus and instruments, electric cells and batteries; screen saver programs for computers; magnetic, digital or analog recording media, recorded or not, for sounds or images; magnetic cards (encoded); memory cards; integrated circuit cards (smart cards); microchip or magnetic credit cards, microchip or magnetic telephone cards, microchip or magnetic cards for cash dispensers, microchip or magnetic cards for automated teller machines and money exchange machines, prepaid microchip or magnetic cards for cellular telephones, microchip or magnetic travel and show admission cards, microchip or magnetic check guarantee cards and microchip or magnetic debit cards; alarms; wind socks (for indicating wind direction); distance measuring equipment; equipment for measuring and displaying speed; gloves for protection; audio receivers, sound amplifiers; television tubes; cathode ray tubes; decoders, namely computer software and hardware capable of converting, supplying and transmitting audio and video data; disk drives for computers; protected semi-conductors; integrated circuits containing programs for processing audio, visual or computer data; rechargeable batteries; audio and video data processors and converters; cables for data transmission; payment apparatus for electronic commerce; protective helmets for sports; magnetic encoded identification bracelets; electronic instrument assemblies; fuel/air coefficient analyzers; remote controls for locking cars; photovoltaic cells; video game cassettes.

12 – Bicycles, motorcycles, motor cars, trucks, vans, utility vehicles, buses, camper vans, refrigerated vehicles; airplanes and boats; air balloons, dirigible balloons [airships]; vehicle accessories, namely sun visors, pneumatic tires, tire covers, luggage racks, ski racks, rims and hub caps for wheels; seat linings, vehicle covers, baby carriages, strollers, safety seats for infants and children (for vehicles); engines and motors for land vehicles; safari bars; headlamp covers; steering wheels for vehicles; trailers.

14 – Jewelry, necklaces; jewelry products; watches; wristwatches, clocks; chronographs; wall clocks; medallions, pendants, brooches; bracelets; pins (jewelry); lapel pins (jewelry); tie clips and tie pins;



cuff links; commemorative medals of precious metal; prize cups, commemorative plates, trophies, statues, sculptures, all of precious metal; decorative hat pins, key rings (trinkets or fobs), printed metal disks for collection purposes (pogs), all made of precious metal; decorative key holders; coins; medals for clothing; cases for watches; badges of precious metal; alarm clocks; badges and pins (jewelry); leather bracelets; bracelets made of plastic; ornamental key rings of plastic materials.

16 – Coloring and drawing books; activity books; magazines; newspapers; books and journals, including those concerning sportsmen, sportswomen or sports events; bookmarks; printed teaching material; score sheets; event programs; albums for events; photograph albums; autograph books; printed timetables; pamphlets; collectible photographs of players; bumper stickers, stickers, albums, sticker albums; posters; photographs; tablecloths of paper; paper napkins; paper bags; invitation cards; greeting cards; gift wrapping paper; coasters and place mats of paper; garbage bags of paper or of plastics; food wrapping paper; small bags for preserving foodstuffs; coffee filters of paper; labels (not of textile); towels of paper; wet hand-wipes of paper; toilet paper; napkins for removing make-up; handkerchief boxes of paper and cardboard; tissues of paper; stationery and instructional and teaching material (except apparatus); typewriter paper; copying paper; envelopes; notepads; folders for papers; tissue paper; writing books; paper sheets for note-taking; writing paper; binder paper; files; covering paper; luminous paper; adhesive paper for notes; paperweights; crêpe paper; tissue paper; badges or insignia of paper; flags of paper; pennants (flags) of paper; writing instruments; fountain pens; pencils; ballpoint pens; ball-point pen and pencil sets; felt-tip pens (marking pens); fiber-tip pens and felt-tip pens; marking pens; ink, inking pads, rubber stamps; typewriters (electric or non-electric); lithograph prints, lithographic works of art; paintings (pictures), framed or unframed; paint boxes, paints and colored pencils; chalks; pencil ornaments [stationery]; printing blocks; address books; diaries (planners); personal organizers of paper; road maps; tickets, entry tickets; checks; comic books; calendars; postcards; advertising boards, banners and material included in this class; transfers [decalcomanias]; sticking labels; office requisites (except furniture); correction fluids; rubber erasers; pencil sharpeners; paper clips; thumbtacks; rulers; adhesive tapes for stationery purposes, adhesive tape dispensers; staples; stencils; document holders (stationery); paper-clips; holders for notepads; bookends; stamps (seals); postage stamps; credit cards, telephone cards, ATM cards, cards for traveling and for shows, check guarantee cards and debit cards, non-magnetic, and of paper or cardboard; baggage tags of paper; passport cases; travelers'

checks; holders for checkbooks; money clips of metal; letter trays; identity card holders.

18 – Leathers and imitation leathers; thongs [straps] of leather; umbrellas, parasols; sports bags (other than those adapted for products they are designed to contain); leisure bags; travel bags, backpacks; school bags; bags for hanging on belts; handbags, leather bags; beach bags; garment bags; suitcases; document holders; belts for suitcases; briefcases (leather goods); cases for toiletry articles known as vanity cases (not fitted); toiletry sets; key cases (leather goods); wallets; purses (coin purses); whips; collars for animals; leather luggage tag holders; business card cases.

25 – Clothing; shoes and footwear; headgear; shirts; knitwear (clothing); pullovers; slipovers; Tee shirts; vests; singlets; sleeveless jerseys, dresses; skirts; underwear; swimsuits; bath robes; shorts; trousers; sweaters; caps (bonnets); caps; hats; sashes for wear; scarves, shawls; caps with visors; tracksuits; sweatshirts; jackets, sports jackets, stadium jackets (bibs); blazers; waterproof clothing; coats; uniforms; neckties; wrist bands; headbands; gloves; aprons; bibs (not of paper); pajamas; play suits for infants and children; socks and stockings; garters; belts; suspenders.

28 – Games and toys; sports balls; play balloons; board games; tables for indoor football; dolls and plush toys; vehicles (toys); jigsaw puzzles; balloons; inflatable toys; play disks (pogs); playing cards; confetti; articles for gymnastics and sports; football equipment, namely balls for football, gloves, knee guards, elbow guards, shoulder guards, shin guards; football goals; sports bags and containers (adapted to objects) for carrying sports articles; party hats (toys); small electronic games designed for use with a television set; apparatus for video games; game consoles; video game apparatus; electronic games other than those designed to be used only with a television set; steering wheels for video games and mats for video games (for dancing upon); hands made of rubber or foam (toys); entertainment robots; appliances for gymnastics; kites; roller skates; scooters [toys]; skateboards; coin-operated video games for game halls (arcade games); electronic games with liquid crystal display; joysticks, voice-activated or manually operated joysticks; lottery tickets; scratch cards; joysticks, voice-activated or manually operated joysticks.

32 – Non-alcoholic beverages; syrups and powders for making non-alcoholic beverages; mineral and aerated waters; isotonic beverages; fruit and vegetable beverages; fruit and vegetable juices; frozen fruit beverages; beers; strong dark beers; lagers and ales; non-alcoholic or low-alcohol beers.

35 – Employment agencies; personnel recruitment; advertising services; services provided by an agency

publishing advertising texts; advertising agency services; advertising agency services on a global computer network (the Internet) or via wireless electronic communication devices; dissemination of advertisements; rental of advertising space; rental of advertising time in film credits; television advertising, radio advertising; advertising in the form of animated cartoons; promotion agency services, promotion agency services for sports and public relations; promotion of football events; market study services; market research services; opinion polling services; organization of exhibitions for commercial or advertising purposes; organization of advertising for trade fairs; compilation and systematization of data in data banks; data bank management services; compilation of statistics; advertising for sports events in the field of football; retail sale services for and bringing together of various goods for the benefit of others (excluding the transport thereof), namely clothing, footwear, headgear, sports articles, stationery, apparatus for recording, transmission and reproduction of sound and images, books, newspapers, magazines, publications, video games, toys, dolls, badges of all kinds, key rings, tickets, watches and jewelry, souvenir items in connection with football, bags, luggage, briefcases, umbrellas, flags and pennants, alcoholic and non-alcoholic beverages, confectionery, medical apparatus and instruments, vehicles and accessories for motor cars; retail sale services for solvents, paraffin, waxes, bitumen and petroleum; collection of goods on behalf of third parties (except transport) enabling customers to examine such products and to buy them conveniently in a store or on the Internet or using wireless electronic communications devices, namely, clothing, footwear, headgear, sports articles, stationery, apparatus for recording, transmission or reproduction of sound or images, books, newspapers, magazines, publications, video games, toys, dolls, badges and insignia, key rings, tickets, watches and jewelry articles, souvenirs in connection with football, bags, luggage, briefcases, umbrellas, flags and pennants, non-alcoholic and alcoholic beverages, confectionery products, medical apparatus and instruments, vehicles and accessories for motor cars; advertising and promotion services, information services with regard to advertising and promotion, commercial information agencies, all the aforesaid services provided on-line from a computer database or via a global computer network (the Internet) or via wireless electronic communication devices; design and compilation of advertisements for use as a web site on a global computer network (the Internet) or via wireless electronic communication devices; provision of space on web sites, for advertising of goods and services; auctioneering on a global computer network (the Internet) or via wireless electronic communication devices; collection of directories for publication on the Internet and on a wireless electronic communication

network; business administration services for processing commercial services on a global computer network (Internet) or via wireless electronic communication devices; compilation, creation and management of databases, namely collection of domain names in a register; promotion of sales, namely creation of preferential programs for customers; implementation of bonus programs for customers in stadiums by distributing encoded loyalty and membership cards able to contain the personal data of the user; development, launch and administration of loyalty programs, namely issuing loyalty cards to fans, containing personal information on the identity of the card holder; electronic commerce (e-commerce) services, namely provision of information on goods via telecommunication networks for advertising or sales purposes; compilation of data into a computer database, especially still or animated images; e-commerce services, namely online services for providing contracts for the purchase and sale of goods on behalf of others; promotion of football-related sports events; promotion of the goods and services of others, through contractual agreements, particularly partnership (sponsoring) and licensing agreements, providing them with increased notoriety and enhanced image derived from cultural and sporting events, particularly international events; compilation and recording of data and information on sporting performances; provision of personnel, particularly for selling beverages and foods; promotion of football events; retail sale of interactive educational and entertainment products, interactive compact disks, CD-ROMs and computer games; retail sale services, particularly on a global computer network, for interactive educational and entertainment products, interactive compact disks, CD-ROMs and computer games; presentation of computer programs for retail sale purposes; procurement services for others [purchasing goods and services for other businesses]; procurement services for others [purchasing goods and services for other businesses] for sports events or entertainment; promotion of the goods and services of others, through contractual agreements, particularly partnership (sponsoring) and licensing agreements, providing them with increased notoriety and/or enhanced image and/or affinity derived from cultural and sporting events, particularly international events; financial sponsorship search for football competitions.

36 – Issuance and management of credit cards and travelers' checks; financial services; banking, credit and investment services; insurance underwriting; hire-purchase financing; hire-purchase services; financial sponsorship of sports events; information services related to finance and insurance, provided online from a computer database or the Internet or on wireless electronic communication networks; home banking services; banking services over the Internet or over wireless electronic communication



networks; payment services, including services provided on-line from a computer database or via the Internet or via mobile telephones; safe deposit services; issue of vouchers, namely issue of loyalty cards to fans, which contain personal data on the identity of the cardholder and are used for access control at sports stadiums; financial promotion of in the field of football; financial payment services for electronic commerce, namely transfer of funds, all via electronic communication networks; financial payment services for electronic commerce in connection with the purchase of goods and services provided by others, all via electronic communication networks, and clearing and settlement of financial transactions via electronic communication networks; issue of vouchers in the form of travel vouchers.

37 – Installation and maintenance of wireless electronic communication networks (hardware); computer connection installation services related to sports; installation and repair of sports grounds with natural or artificial turf; vehicle cleaning and washing; vehicle lubrication; vehicle maintenance (servicing); vehicle repair; overhaul, lubrication, maintenance and repair of vehicles, engines and machinery; anti-rust treatment for vehicles; tire trim fitting and tire puncture repair; construction of electric power plants; construction and maintenance of pipelines; extraction of gas and petroleum; construction of structures for the production of crude oil; installation of apparatus for the production of oil; installation of solar power systems; installation of wind power systems; installation of hydraulic power systems; mining extraction services.

38 – Telecommunication services; communication by mobile telephones; communication by telex; communication via electronic computer terminals linked to telecommunication networks, data banks and the Internet or via wireless electronic communication devices; communication by telegraphs; communication by telephones; communications by facsimile; paging services; telephone or video conferencing services; television program broadcasting; broadcasting of cable television programs; radio program broadcasting; radio and television broadcasting of sports and sporting events; news and press agency services; other message transmission services; rental of telephones, facsimile machines and other telecommunication apparatus; transmission of commercial Internet pages online or via wireless electronic communication devices; services for transmitting and broadcasting television and radio programs provided via the Internet or via any wireless electronic communication network; electronic transmission of messages; simultaneous broadcasting of film recordings and sound and video recordings; provision of access to telematic servers and real-time chat forums; computer-aided transmission of messages and images; telecommunication via fiber-optic

networks; provision of access to a global computer network or interactive communication technologies for access to private and commercial purchasing and ordering services; transmission of information and other data via websites and computers; transmission of information (including sites by telematic means) via telecommunication, computer programs and other data; transmission of information, computer programs and other data by telematic means; electronic mail services; provision of access via the Internet or on any wireless electronic communication network (telecommunication services); providing connections for telecommunications with a global computer network (the Internet) or data banks; provision of access to websites offering digital music on the Internet by means of a global computer network or via wireless electronic communication devices; rental of access time to MP3 websites on the Internet, via a global computer network or via wireless electronic communication devices; rental of access time to a database server center (telecommunication services); rental of access time to a computer database (telecommunication services); transmission of digital music by telecommunications; online transmission of electronic publications; digital music transmission via the Internet or on any wireless electronic communication network; digital music transmission via MP3 Internet sites; simultaneous broadcasting and/or netcasting of film recordings and sound and video recordings (telecommunications); simultaneous broadcasting and/or netcasting of interactive educational and entertainment products, interactive compact disks, CD-ROMs, computer programs and computer games (telecommunications); provision of access to blackboards (notice and advertisement boards) and chat rooms in real time via a global computer network; rental and provision of access time to blackboards (boards for displaying information and advertisements) and to chat rooms in real time by means of a global computer network (communication services); telecommunication services dedicated to retail sale by means of interactive communications with customers; multimedia telecommunication; videotext and teletext transmission services; information transmission via communication satellite, microwave or by electronic, digital or analog means; transmission of digital information by cable, wire or fiber; transmission of information by mobile telephones, telephones, facsimile and telex; telecommunication services for receiving and exchanging information, messages, images and data; telecommunication services for setting up discussion groups on the Internet and on any wireless electronic communication network; provision of access to search engines for obtaining data and information on global networks.

39 – Operating travel agencies, namely travel arrangement and reservations; ticket reservation and information services for travel; transport by airplane,

railway, bus and truck; boat transport; boat travel services; tourist travel services; vehicle rental; rental of parking spaces; taxi services; boat transport services for goods; distribution of water, heat, gas or electricity; distribution of newspapers, magazines and books; postal services, mail delivery and courier services; storage of goods; delivery of solvents, paraffins, waxes, bitumens and oil products, excluding liquid gas; distribution (delivery) of films and sound and image recordings; distribution (delivery) of interactive educational and entertainment products, interactive compact disks, CD-ROMs, computer programs and computer games; advice relating to power and electricity distribution.

41 – Education; training; entertainment; organization of lotteries, raffles and competitions; betting and gaming services in connection with sports; hospitality services (sports, entertainment), namely providing entry tickets and information brochures for sports for VIPs, as well as guiding and gathering VIPs during sports or entertainment events; hospitality services, namely customer reception services (entertainment services), including providing access tickets during sports or entertainment events; entertainment services relating to sporting events; entertainment services in the form of public gatherings during the retransmission of sports events; sporting and cultural activities; organization of sporting and cultural events and activities; organization of sports competitions; organization of events in the field of football; sports camp services; operation of sports facilities; rental of video and audiovisual installations; production, presentation, distribution and/or rental of film recordings and sound and video recordings; presentation, distribution and/or rental of interactive educational and entertainment products, interactive compact disks, CD-ROMs, and computer games; radio and television coverage of sporting events; production services for radio, television programs and video films; ticket reservation services and information services for sports or entertainment events; sports events timing services; organization of beauty contests; interactive entertainment; on-line betting and gaming services on the Internet or on any wireless electronic communication network; information in the field of entertainment (including in the field of sports), provided on-line from a computer database or via the Internet or via any wireless electronic communication network; electronic game services transmitted via the Internet or on mobile telephones; book publishing; publication of books and electronic journals on-line; audio and video recording services; production of animated cartoons for movies, production of animated cartoons for television; rental of sound and image recordings for entertainment purposes; information in the field of education provided on-line from a computer database or via the Internet or any wireless electronic communication network; translation services; photo-

graphy services; provision of entertainment infrastructure; ticket agencies in connection with sports events.

42 – Computer consultancy services; data processing (programming); provision or rental of computer software; computer rental; compilation of websites in computer networks (particularly the Internet) or via wireless electronic communication devices; introduction of websites in computer networks (particularly the Internet) or via wireless electronic communication devices; provision of search engines for obtaining data and information on global networks; hosting services for Internet sites or wireless electronic communication sites; creation and maintenance of websites and of wireless electronic communication networks; networking and/or rental of computer programs; installation and maintenance of computer software; computer software development; calibration; provision of Internet search engines; analysis, testing and monitoring (supervision) of oils, coolants, greases and lubricants; analysis and diagnosis of degrees of wear, faults and breakdown on motors, engines and machines; advice relating to the aforesaid fields and provided on the basis of results from the aforesaid analysis and diagnosis; quality control services in connection with overhaul, lubrication, maintenance and repair of vehicles, motors, engines and machinery; programming of computer programs; design and development of computer programs; technical development of discussion forums on the Internet or on any wireless electronic communication network; testing services relating to prospecting in the oil and gas industry; prospecting to locate oil and gas; analyses services for exploitation of oil deposits; assistance services related to technology in the oil industry; analysis, advice, assistance and design services related to technology in the oil industry; advice on technology and services for the technical development, technical design and technical planning of photovoltaic facilities; advice on technology and services for the technical development, technical design and technical planning of wind power facilities; advisory services relating to electronic control devices for the monitoring of solar and/or wind-powered electric systems; design of energy and electricity systems; analysis of the energy requirements of others; development of energy and electricity management systems; project study and technical advice and development services, all in connection with the needs of others for electricity and energy; technical design services for electrical installations; technical developments relating to energy and electricity distribution; technical developments relating to energy and electricity production; electronic calibration services for motors, engines and transmissions.

43 – Providing food and drink, snack-bars; hospitality services, namely providing of food and drink;

food and drink catering; hotel services; providing accommodation and food and drink, booking hotels and temporary accommodation; hospitality services, namely providing food and drink during sports or entertainment events.

---

(260) AM 2015 79232 A

(800) 1219367

(891) 2014 05 07

(731) Union des Associations Européennes de Football (UEFA)  
Route de Genève 46, CH-1260 Nyon,  
Switzerland

(540)

## **UEFA EURO 2020 EURO for EUROPE**

(526) The trademark is protected as a whole. "EURO", "2020", "EUROPE" shall not be subject to independent legal protection.

(511)

3 – Cosmetic products; soaps; cosmetic preparations for baths; perfumes, eaux de Cologne; pre-shave and after-shave lotions; shaving creams; shampoos, conditioners; dentifrices, dental rinses (mouthwashes); deodorants and antiperspirants for personal use; care creams, cosmetic creams; make-up removing creams for the face; make-up removing preparations; sun care lotions; hair lotions, hair sprays; toiletry creams; make-up products, eye shadows, face powders, cosmetic pencils; decorative transfers for cosmetic use; cleaning, polishing, degreasing and abrasive preparations for household use; laundry powder detergents; synthetic cleaning products; shoe waxes and creams; leather care products.

4 – Lubricants; engine oils and fuels, including gasoline, diesel oil, gases and bio-fuels; candles; waxes; greases; natural gas; liquid gases; industrial oils and greases; lubricating oils and greases; carburants; liquefied petroleum gas; non-chemical additives for fuel, lubricants and greases; dust absorbing, wetting and binding compositions; lighting fuel; lubricants, oils and greases, and lubricating preparations for industrial use; cutting oils for industrial purposes; milling oils.

9 – Exposed films, slides, video game disks; software (recorded programs), including game software; computer databases and programs; recorded or downloaded sounds, images or data; videotapes, magnetic tapes, magnetic disks, DVDs, mini-disks, diskettes, optical discs, compact discs, CD-ROMs, videodiscs, memory cards, USB flash drives, blank or prerecorded with music, sound or images (possibly including animated cartoons); holograms; electronic publications provided by means of CD-ROMs, databases and the Internet; spectacles, sunglasses, diving and swimming goggles; cases, cords

and chains for sunglasses and spectacles; binoculars; magnets and decorative magnets; directional compasses; apparatus for the recording, transmission and reproduction of sound and images; satellite dishes; decoders, namely electronic software and hardware capable of converting, supplying and transmitting audio and video data; television sets; flat screens, liquid crystal display screens, high-definition screens and plasma screens; radios; home cinema systems; video recorders; cD players; dVD drives; mP3 players; cassette players; mini disk players; digital music players; loudspeakers; headphones, earphones; computers, including laptop computers and electronic tablets; karaoke systems; systems for editing sounds and for mixing sounds; systems for editing and mixing video images; apparatus for computer data processing; computer keyboards; computer screens; modems; accessories for computers included in this class; computer mice, mouse pads; navigation apparatus; personal digital assistants (PDAs); electronic pocket translators; dictating machines; electronic agendas; scanners; printers; photocopiers; facsimile machines; telephones; answering machines; video telephones; cellular telephones; accessories for cellular telephones, included in this class, namely cases for cellular telephones, hands-free kits for cellular telephones, earphones and headsets for cellular telephones, keypads for cellular telephones, lanyards for cellular telephones, special cases for carrying cellular telephones, photographic cameras and video cameras integrated in cellular telephones; remote controls for television sets and video systems; teleconferencing systems; calculating machines; card readers for credit cards; currency converting machines; automated teller machines; video cameras, portable video cameras with built-in videocassette recorders (camcorders); photographic equipment, photographic apparatus, cameras (cinematographic apparatus), projectors, flash lamps, special cases and cords for photographic apparatus and instruments, electric cells and batteries; screen saver programs for computers; magnetic, digital or analog recording media, recorded or not, for sounds or images; magnetic cards (encoded); memory cards; integrated circuit cards (smart cards); microchip or magnetic credit cards, microchip or magnetic telephone cards, microchip or magnetic cards for cash dispensers, microchip or magnetic cards for automated teller machines and money exchange machines, prepaid microchip or magnetic cards for cellular telephones, microchip or magnetic travel and show admission cards, microchip or magnetic check guarantee cards and microchip or magnetic debit cards; alarms; wind socks (for indicating wind direction); distance measuring equipment; equipment for measuring and displaying speed; gloves for protection; audio receivers, sound amplifiers; television tubes; cathode ray tubes; decoders, namely computer software and hardware capable of converting, supplying

and transmitting audio and video data; disk drives for computers; protected semi-conductors; integrated circuits containing programs for processing audio, visual or computer data; rechargeable batteries; audio and video data processors and converters; cables for data transmission; payment apparatus for electronic commerce; protective helmets for sports; magnetic encoded identification bracelets; electronic instrument assemblies; fuel/air coefficient analyzers; remote controls for locking cars; photovoltaic cells; video game cassettes.

12 – Bicycles, motorcycles, motor cars, trucks, vans, utility vehicles, buses, camper vans, refrigerated vehicles; airplanes and boats; air balloons, dirigible balloons [airships]; vehicle accessories, namely sun visors, pneumatic tires, tire covers, luggage racks, ski racks, rims and hub caps for wheels; seat linings, vehicle covers, baby carriages, strollers, safety seats for infants and children (for vehicles); engines and motors for land vehicles; safari bars; headlamp covers; steering wheels for vehicles; trailers.

14 – Jewelry, necklaces; jewelry products; watches; wristwatches, clocks; chronographs; wall clocks; medallions, pendants, brooches; bracelets; pins (jewelry); lapel pins (jewelry); tie clips and tie pins; cuff links; commemorative medals of precious metal; prize cups, commemorative plates, trophies, statues, sculptures, all of precious metal; decorative hat pins, key rings (trinkets or fobs), printed metal disks for collection purposes (pogs), all made of precious metal; decorative key holders; coins; medals for clothing; cases for watches; badges of precious metal; alarm clocks; badges and pins (jewelry); leather bracelets; bracelets made of plastic; ornamental key rings of plastic materials.

16 – Coloring and drawing books; activity books; magazines; newspapers; books and journals, including those concerning sportsmen, sportswomen or sports events; bookmarks; printed teaching material; score sheets; event programs; albums for events; photograph albums; autograph books; printed time-tables; pamphlets; collectible photographs of players; bumper stickers, stickers, albums, sticker albums; posters; photographs; tablecloths of paper; paper napkins; paper bags; invitation cards; greeting cards; gift wrapping paper; coasters and place mats of paper; garbage bags of paper or of plastics; food wrapping paper; small bags for preserving food-stuffs; coffee filters of paper; labels (not of textile); towels of paper; wet hand-wipes of paper; toilet paper; napkins for removing make-up; handkerchief boxes of paper and cardboard; tissues of paper; stationery and instructional and teaching material (except apparatus); typewriter paper; copying paper; envelopes; notepads; folders for papers; tissue paper; writing books; paper sheets for note-taking; writing paper; binder paper; files; covering paper; luminous paper; adhesive paper for notes; paperweights; crêpe

paper; tissue paper; badges or insignia of paper; flags of paper; pennants (flags) of paper; writing instruments; fountain pens; pencils; ballpoint pens; ball-point pen and pencil sets; felt-tip pens (marking pens); fiber-tip pens and felt-tip pens; marking pens; ink, inking pads, rubber stamps; typewriters (electric or non-electric); lithograph prints, lithographic works of art; paintings (pictures), framed or unframed; paint boxes, paints and colored pencils; chalks; pencil ornaments [stationery]; printing blocks; address books; diaries (planners); personal organizers of paper; road maps; tickets, entry tickets; checks; comic books; calendars; postcards; advertising boards, banners and material included in this class; transfers [decalcomanias]; sticking labels; office requisites (except furniture); correction fluids; rubber erasers; pencil sharpeners; paper clips; thumbtacks; rulers; adhesive tapes for stationery purposes, adhesive tape dispensers; staples; stencils; document holders (stationery); paper-clips; holders for notepads; bookends; stamps (seals); postage stamps; credit cards, telephone cards, ATM cards, cards for traveling and for shows, check guarantee cards and debit cards, non-magnetic, and of paper or cardboard; baggage tags of paper; passport cases; travelers' checks; holders for checkbooks; money clips of metal; letter trays; identity card holders.

18 – Leathers and imitation leathers; thongs [straps] of leather; umbrellas, parasols; sports bags (other than those adapted for products they are designed to contain); leisure bags; travel bags, backpacks; school bags; bags for hanging on belts; handbags, leather bags; beach bags; garment bags; suitcases; document holders; belts for suitcases; briefcases (leather goods); cases for toiletry articles known as vanity cases (not fitted); toiletry sets; key cases (leather goods); wallets; purses (coin purses); whips; collars for animals; leather luggage tag holders; business card cases.

25 – Clothing; shoes and footwear; headgear; shirts; knitwear (clothing); pullovers; slipovers; Tee shirts; vests; singlets; sleeveless jerseys, dresses; skirts; underwear; swimsuits; bath robes; shorts; trousers; sweaters; caps (bonnets); caps; hats; sashes for wear; scarves, shawls; caps with visors; tracksuits; sweat-shirts; jackets, sports jackets, stadium jackets (bibs); blazers; waterproof clothing; coats; uniforms; neckties; wrist bands; headbands; gloves; aprons; bibs (not of paper); pajamas; play suits for infants and children; socks and stockings; garters; belts; suspenders.

28 – Games and toys; sports balls; play balloons; board games; tables for indoor football; dolls and plush toys; vehicles (toys); jigsaw puzzles; balloons; inflatable toys; play disks (pogs); playing cards; confetti; articles for gymnastics and sports; football equipment, namely balls for football, gloves, knee guards, elbow guards, shoulder guards, shin guards;

football goals; sports bags and containers (adapted to objects) for carrying sports articles; party hats (toys); small electronic games designed for use with a television set; apparatus for video games; game consoles; video game apparatus; electronic games other than those designed to be used only with a television set; steering wheels for video games and mats for video games (for dancing upon); hands made of rubber or foam (toys); entertainment robots; appliances for gymnastics; kites; roller skates; scooters [toys]; skateboards; coin-operated video games for game halls (arcade games); electronic games with liquid crystal display; joysticks, voice-activated or manually operated joysticks; lottery tickets; scratch cards; joysticks, voice-activated or manually operated joysticks.

32 – Non-alcoholic beverages; syrups and powders for making non-alcoholic beverages; mineral and aerated waters; isotonic beverages; fruit and vegetable beverages; fruit and vegetable juices; frozen fruit beverages; beers; strong dark beers; lagers and ales; non-alcoholic or low-alcohol beers.

35 – Employment agencies; personnel recruitment; advertising services; services provided by an agency publishing advertising texts; advertising agency services; advertising agency services on a global computer network (the Internet) or via wireless electronic communication devices; dissemination of advertisements; rental of advertising space; rental of advertising time in film credits; television advertising, radio advertising; advertising in the form of animated cartoons; promotion agency services, promotion agency services for sports and public relations; promotion of football events; market study services; market research services; opinion polling services; organization of exhibitions for commercial or advertising purposes; organization of advertising for trade fairs; compilation and systematization of data in data banks; data bank management services; compilation of statistics; advertising for sports events in the field of football; retail sale services for and bringing together of various goods for the benefit of others (excluding the transport thereof), namely clothing, footwear, headgear, sports articles, stationery, apparatus for recording, transmission and reproduction of sound and images, books, newspapers, magazines, publications, video games, toys, dolls, badges of all kinds, key rings, tickets, watches and jewelry, souvenir items in connection with football, bags, luggage, briefcases, umbrellas, flags and pennants, alcoholic and non-alcoholic beverages, confectionery, medical apparatus and instruments, vehicles and accessories for motor cars; retail sale services for solvents, paraffin, waxes, bitumen and petroleum; collection of goods on behalf of third parties (except transport) enabling customers to examine such products and to buy them conveniently in a store or on the Internet or using wireless electronic

communications devices, namely, clothing, footwear, headgear, sports articles, stationery, apparatus for recording, transmission or reproduction of sound or images, books, newspapers, magazines, publications, video games, toys, dolls, badges and insignia, key rings, tickets, watches and jewelry articles, souvenirs in connection with football, bags, luggage, briefcases, umbrellas, flags and pennants, non-alcoholic and alcoholic beverages, confectionery products, medical apparatus and instruments, vehicles and accessories for motor cars; advertising and promotion services, information services with regard to advertising and promotion, commercial information agencies, all the aforesaid services provided on-line from a computer database or via a global computer network (the Internet) or via wireless electronic communication devices; design and compilation of advertisements for use as a web site on a global computer network (the Internet) or via wireless electronic communication devices; provision of space on web sites, for advertising of goods and services; auctioneering on a global computer network (the Internet) or via wireless electronic communication devices; collection of directories for publication on the Internet and on a wireless electronic communication network; business administration services for processing commercial services on a global computer network (Internet) or via wireless electronic communication devices; compilation, creation and management of databases, namely collection of domain names in a register; promotion of sales, namely creation of preferential programs for customers; implementation of bonus programs for customers in stadiums by distributing encoded loyalty and membership cards able to contain the personal data of the user; development, launch and administration of loyalty programs, namely issuing loyalty cards to fans, containing personal information on the identity of the card holder; electronic commerce (e-commerce) services, namely provision of information on goods via telecommunication networks for advertising or sales purposes; compilation of data into a computer database, especially still or animated images; e-commerce services, namely online services for providing contracts for the purchase and sale of goods on behalf of others; promotion of football-related sports events; promotion of the goods and services of others, through contractual agreements, particularly partnership (sponsoring) and licensing agreements, providing them with increased notoriety and enhanced image derived from cultural and sporting events, particularly international events; compilation and recording of data and information on sporting performances; provision of personnel, particularly for selling beverages and foods; promotion of football events; retail sale of interactive educational and entertainment products, interactive compact disks, CD-ROMs and computer games; retail sale services, particularly on a global computer net-

work, for interactive educational and entertainment products, interactive compact disks, CD-ROMs and computer games; presentation of computer programs for retail sale purposes; procurement services for others [purchasing goods and services for other businesses]; procurement services for others [purchasing goods and services for other businesses] for sports events or entertainment; promotion of the goods and services of others, through contractual agreements, particularly partnership (sponsoring) and licensing agreements, providing them with increased notoriety and/or enhanced image and/or affinity derived from cultural and sporting events, particularly international events; financial sponsorship search for football competitions.

36 – Issuance and management of credit cards and travelers' checks; financial services; banking, credit and investment services; insurance underwriting; hire-purchase financing; hire-purchase services; financial sponsorship of sports events; information services related to finance and insurance, provided online from a computer database or the Internet or on wireless electronic communication networks; home banking services; banking services over the Internet or over wireless electronic communication networks; payment services, including services provided on-line from a computer database or via the Internet or via mobile telephones; safe deposit services; issue of vouchers, namely issue of loyalty cards to fans, which contain personal data on the identity of the cardholder and are used for access control at sports stadiums; financial promotion of in the field of football; financial payment services for electronic commerce, namely transfer of funds, all via electronic communication networks; financial payment services for electronic commerce in connection with the purchase of goods and services provided by others, all via electronic communication networks, and clearing and settlement of financial transactions via electronic communication networks; issue of vouchers in the form of travel vouchers.

37 – Installation and maintenance of wireless electronic communication networks (hardware); computer connection installation services related to sports; installation and repair of sports grounds with natural or artificial turf; vehicle cleaning and washing; vehicle lubrication; vehicle maintenance (servicing); vehicle repair; overhaul, lubrication, maintenance and repair of vehicles, engines and machinery; anti-rust treatment for vehicles; tire trim fitting and tire puncture repair; construction of electric power plants; construction and maintenance of pipelines; extraction of gas and petroleum; construction of structures for the production of crude oil; installation of apparatus for the production of oil; installation of solar power systems; installation of wind power systems; installation of hydraulic power systems; mining extraction services.

38 – Telecommunication services; communication by mobile telephones; communication by telex; communication via electronic computer terminals linked to telecommunication networks, data banks and the Internet or via wireless electronic communication devices; communication by telegraphs; communication by telephones; communications by facsimile; paging services; telephone or video conferencing services; television program broadcasting; broadcasting of cable television programs; radio program broadcasting; radio and television broadcasting of sports and sporting events; news and press agency services; other message transmission services; rental of telephones, facsimile machines and other telecommunication apparatus; transmission of commercial Internet pages online or via wireless electronic communication devices; services for transmitting and broadcasting television and radio programs provided via the Internet or via any wireless electronic communication network; electronic transmission of messages; simultaneous broadcasting of film recordings and sound and video recordings; provision of access to telematic servers and real-time chat forums; computer-aided transmission of messages and images; telecommunication via fiber-optic networks; provision of access to a global computer network or interactive communication technologies for access to private and commercial purchasing and ordering services; transmission of information and other data via websites and computers; transmission of information (including sites by telematic means) via telecommunication, computer programs and other data; transmission of information, computer programs and other data by telematic means; electronic mail services; provision of access via the Internet or on any wireless electronic communication network (telecommunication services); providing connections for telecommunications with a global computer network (the Internet) or data banks; provision of access to websites offering digital music on the Internet by means of a global computer network or via wireless electronic communication devices; rental of access time to MP3 websites on the Internet, via a global computer network or via wireless electronic communication devices; rental of access time to a database server center (telecommunication services); rental of access time to a computer database (telecommunication services); transmission of digital music by telecommunications; online transmission of electronic publications; digital music transmission via the Internet or on any wireless electronic communication network; digital music transmission via MP3 Internet sites; simultaneous broadcasting and/or netcasting of film recordings and sound and video recordings (telecommunications); simultaneous broadcasting and/or netcasting of interactive educational and entertainment products, interactive compact disks, CD-ROMs, computer programs and computer games (telecommunications); provision of access to black-

boards (notice and advertisement boards) and chat rooms in real time via a global computer network; rental and provision of access time to blackboards (boards for displaying information and advertisements) and to chat rooms in real time by means of a global computer network (communication services); telecommunication services dedicated to retail sale by means of interactive communications with customers; multimedia telecommunication; videotext and teletext transmission services; information transmission via communication satellite, microwave or by electronic, digital or analog means; transmission of digital information by cable, wire or fiber; transmission of information by mobile telephones, telephones, facsimile and telex; telecommunication services for receiving and exchanging information, messages, images and data; telecommunication services for setting up discussion groups on the Internet and on any wireless electronic communication network; provision of access to search engines for obtaining data and information on global networks.

39 – Operating travel agencies, namely travel arrangement and reservations; ticket reservation and information services for travel; transport by airplane, railway, bus and truck; boat transport; boat travel services; tourist travel services; vehicle rental; rental of parking spaces; taxi services; boat transport services for goods; distribution of water, heat, gas or electricity; distribution of newspapers, magazines and books; postal services, mail delivery and courier services; storage of goods; delivery of solvents, paraffins, waxes, bitumens and oil products, excluding liquid gas; distribution (delivery) of films and sound and image recordings; distribution (delivery) of interactive educational and entertainment products, interactive compact disks, CD-ROMs, computer programs and computer games; advice relating to power and electricity distribution.

41 – Education; training; entertainment; organization of lotteries, raffles and competitions; betting and gaming services in connection with sports; hospitality services (sports, entertainment), namely providing entry tickets and information brochures for sports for VIPs, as well as guiding and gathering VIPs during sports or entertainment events; hospitality services, namely customer reception services (entertainment services), including providing access tickets during sports or entertainment events; entertainment services relating to sporting events; entertainment services in the form of public gatherings during the retransmission of sports events; sporting and cultural activities; organization of sporting and cultural events and activities; organization of sports competitions; organization of events in the field of football; sports camp services; operation of sports facilities; rental of video and audiovisual installations; production, presentation, distribution and/or rental of film recordings and sound and video recordings; presentation,

distribution and/or rental of interactive educational and entertainment products, interactive compact disks, CD-ROMs, and computer games; radio and television coverage of sporting events; production services for radio, television programs and video films; ticket reservation services and information services for sports or entertainment events; sports events timing services; organization of beauty contests; interactive entertainment; on-line betting and gaming services on the Internet or on any wireless electronic communication network; information in the field of entertainment (including in the field of sports), provided on-line from a computer database or via the Internet or via any wireless electronic communication network; electronic game services transmitted via the Internet or on mobile telephones; book publishing; publication of books and electronic journals on-line; audio and video recording services; production of animated cartoons for movies, production of animated cartoons for television; rental of sound and image recordings for entertainment purposes; information in the field of education provided on-line from a computer database or via the Internet or any wireless electronic communication network; translation services; photography services; provision of entertainment infrastructure; ticket agencies in connection with sports events.

42 – Computer consultancy services; data processing (programming); provision or rental of computer software; computer rental; compilation of websites in computer networks (particularly the Internet) or via wireless electronic communication devices; introduction of websites in computer networks (particularly the Internet) or via wireless electronic communication devices; provision of search engines for obtaining data and information on global networks; hosting services for Internet sites or wireless electronic communication sites; creation and maintenance of websites and of wireless electronic communication networks; networking and/or rental of computer programs; installation and maintenance of computer software; computer software development; calibration; provision of Internet search engines; analysis, testing and monitoring (supervision) of oils, coolants, greases and lubricants; analysis and diagnosis of degrees of wear, faults and breakdown on motors, engines and machines; advice relating to the aforesaid fields and provided on the basis of results from the aforesaid analysis and diagnosis; quality control services in connection with overhaul, lubrication, maintenance and repair of vehicles, motors, engines and machinery; programming of computer programs; design and development of computer programs; technical development of discussion forums on the Internet or on any wireless electronic communication network; testing services relating to prospecting in the oil and gas industry; prospecting to locate oil and gas; analyses services for exploitation of oil deposits; assistance services related to



technology in the oil industry; analysis, advice, assistance and design services related to technology in the oil industry; advice on technology and services for the technical development, technical design and technical planning of photovoltaic facilities; advice on technology and services for the technical development, technical design and technical planning of wind power facilities; advisory services relating to electronic control devices for the monitoring of solar and/or wind-powered electric systems; design of energy and electricity systems; analysis of the energy requirements of others; development of energy and electricity management systems; project study and technical advice and development services, all in connection with the needs of others for electricity and energy; technical design services for electrical installations; technical developments relating to energy and electricity distribution; technical developments relating to energy and electricity production; electronic calibration services for motors, engines and transmissions.

43 – Providing food and drink, snack-bars; hospitality services, namely providing of food and drink; food and drink catering; hotel services; providing accommodation and food and drink, booking hotels and temporary accommodation; hospitality services, namely providing food and drink during sports or entertainment events.

(260) AM 2015 79237 A  
(800) 1219388  
(891) 2014 06 25  
(731) IRONFX GLOBAL LIMITED  
17 Gr. Xenopoulou, CY-3106 Limassol,  
Cyprus  
(540)

## IronMarkets

(511)  
36 – Financial services, namely foreign exchange transactions on currency pairs; providing information on foreign exchange transactions online via a global communication network.

(260) AM 2015 79239 A  
(800) 1219396  
(891) 2014 07 16  
(731) SHU XUECHANG  
Shihe Road, Chenlinzi Zhen Jiedao, Gushi  
County, Henan Province, China  
(540)



(591) Black, white  
(511)  
30 – Tea.

(260) AM 2015 79240 A  
(800) 1219415  
(891) 2014 08 04  
(731) NEMIROFF INTELLECTUAL PROPERTY  
ESTABLISHMENT  
Städtle 31, FL-9490 Vaduz, Liechtenstein  
(540)



(591) White, brown, beige, green, grey, blue and yellow  
(526) The trademark is protected as a whole. "УКРАЇНСЬКА", "БЕРЕЗОВА ОСОБЛИВА", "ГОРІЛКА ОСОБЛИВА" shall not be subject to independent legal protection.  
(511)  
33 – Alcoholic beverages (except beers).

35 – Advertising; business management; business administration; office functions; importation and exportation of alcoholic beverages; retail and wholesale services with alcoholic beverages.

(260) AM 2015 79241 A  
(800) 1219496  
(891) 2014 06 16  
(731) MABXIENCE, S.A.  
Yaguaron 1407, 11100 Montevideo, Uruguay  
(540)

## NOVEX

(511)  
5 – Pharmaceutical products for the treatment of onco-hematological and immune system diseases.

(260) AM 2015 79243 A  
(800) 1219530  
(891) 2014 03 18  
(731) AGIO PHARMACEUTICALS LIMITED  
a-38, nandjyot indl. estate, kurla-andheri road,  
safedpool, 400 072 Mumbai, India

(540)



(591) Black, white

(511)

5 – Pharmaceutical, medicinal and veterinary preparations; sanitary preparations for medical purposes; dietetic food and substances adapted for medical or veterinary use, baby products and food for babies; diapers; dietary supplements for humans and animals; material for stopping teeth, dental wax; disinfectants; preparations for destroying vermin; fungicides, herbicides, pesticides, insecticides, herbs medicines, candy for medical purposes, lozenges for pharmaceutical purposes included in class 5.

10 – Nasal aspirators; artificial breasts, breast pumps, surgical, medical, dental and veterinary apparatus and instruments and disposables; artificial limbs, eyes and teeth; orthopedic articles; suture materials being goods included in class 10.

30 – Confectionery products, chocolates, toffees, candies, non medicated confectionery being goods included in class 30.

(260) AM 2015 79244 A

(800) 1219533

(891) 2014 04 11

(731) LE GRAND TRAVEL BUREAU S.A.

122, Ethnikis Antistaseos Avenue, GR-713 06  
Heraklion-Crete, Greece

(540)



(591) Red pantone 485C, blue pantone 292C and  
yellow pantone 123C

(511)

35 – Advertisement.

39 – Travel tour operating and organising.

41 – Entertainment, sporting and cultural activities.

43 – Temporary accommodation.

(260) AM 2015 79245 A

(800) 1219550

(891) 2014 04 08

(731) UPL Limited

uniphos house, madhu park, 11th road,  
khar (west), 400052 Mumbai, India

(540)

UPL

(591) Black, white

(511)

1 – Fertilizer and chemical products for use in agriculture, organic plant growth nutrient, additive chemical to fungicides, additive chemical to insecticides, flower preservatives, chemicals for forestry, phosphorus; artificial sweeteners.

5 – Pesticides, insecticides, fungicides, herbicides, vermicides, rodenticides, weedicides, preparations for killing weeds and destroying vermins.

31 – Seeds, seedlings, agricultural, horticultural and forestry products and grains not included in other classes, fresh fruits and vegetable seeds, natural plants and flowers.

44 – Aerial and surface spreading services of fertilizers and other agricultural chemicals; vermin exterminating services for agriculture, horticulture and forestry.

(260) AM 2015 79250 A

(800) 1219565

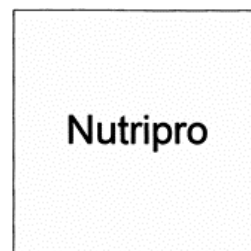
(891) 2014 05 13

(731) MONTERO GIDA SANAYİ VE TİCARET  
ANONİM ŞİRKETİ

İstinye Balabandere, Caddesi No:14,

TR-34460 SARIYER / İSTANBUL, Turkey

(540)



(591) Black, white

(511)

5 – Pharmaceutical and veterinary preparations; sanitary preparations for medical purposes; dietetic food and substances adapted for medical or veterinary use, food for babies; dietary supplements for humans and animals; plasters, materials for dressings; material for stopping teeth, dental wax; disinfectants; preparations for destroying vermin; fungicides, herbicides.

16 – Paper, cardboard and goods made from these materials, not included in other classes; bookbinding material; paint brushes; typewriters and office requisites (except furniture); plastic materials for packaging (not included in other classes).

(260) AM 2015 79251 A  
 (800) 1219572  
 (891) 2014 05 30  
 (731) KEWPIE KABUSHIKI KAISHA  
 (also trading as Kewpie Corporation)  
 4-13, Shibuya 1-Chome, Shibuya-Ku,  
 Tokyo 150-0002, Japan

(540)

## KEWPIE

(591) Black, white

(511)

29 – Edible fats; edible oils; margarine; butter; milk; milk products; tuna in oil; anchovy paste; processed seafood; pickled vegetables; pre-cut vegetables; vegetable salads; potato salads; fruit salads; pickles; boiled potato; processed fruit; jams; marmalade; peanut butter; processed fruit; tahini [sesame seed paste]; processed vegetables; dried, frozen, smoked and liquid eggs; dried egg whites and dried egg yolks; frozen egg whites and frozen egg yolks; liquid egg whites and liquid egg yolks; boiled egg; eggs sunny side up; rolled egg; omelet; scotch egg; steamed egg hotchpotch; clam chowder; minestrone soup; soup consisting mainly of meat, tuna, egg, cheese, potato, vegetable; spreads for bread consisting mainly of meat; spreads for bread consisting mainly of tuna; spreads for bread consisting mainly of eggs; spreads for bread consisting mainly of cheese; spreads for bread consisting mainly of potato; spreads for bread consisting mainly of vegetables; spreads for bread consisting mainly of fruits; edible fat-based spreads for bread.

30 – Coffee; cocoa; sandwiches; pizza; hamburgers; confectionery; buns; bread; mayonnaise; white sauce; vinegar; tomato sauce; teriyaki sauce; tartar sauce; sukiyaki sauce (Japanese-style soy-based sauce); soya sauce; sesame sauce; salsa; salad dressing; ponzu sauce (citrus-based sauce); pizza sauce; oyster sauce; salad cream; mayonnaise-based spreads; mayonnaise and ketchup-based spreads; ketchup; demi-glace sauce; chili sauce; barbecue sauce; salt; seasonings; spices; mustard; curry powder; crouton; noodles; pasta; rice porridge; ravioli; cooked rice; pasta sauce; pasta sauce containing meat; curry sauce.

(260) AM 2015 79252 A  
 (800) 1219595  
 (891) 2014 07 04  
 (731) BOURJOIS  
 12-14, rue Victor Noir, F-92200 NEUILLY-  
 SUR-SEINE, France

(540)

## SILK EDITION

(511)

3 – Perfumes, eaux de Cologne, toilet water; soaps, soaps for the face and toiletry soaps; shower gels, deodorants and antiperspirants; nourishing creams; make-up removing creams and milks for the face and for toiletry use, moisturizing creams, regenerating day creams and night creams for the face; cos-

metics, namely lipstick, gloss, mascara, eyeliner, foundation, concealer, eye shadow, blush, nail polish.

(260) AM 2015 79253 A  
 (800) 1219626  
 (891) 2014 07 24  
 (731) AZIENDE CHIMICHE RIUNITE  
 ANGELINI FRANCESCO A.C.R.A.F. S.p.A.  
 Viale Amelia, 70, I-00181 ROMA, Italy

(540)

## MOMENTASK

(511)

5 – Pharmaceutical and veterinary preparations; sanitary preparations for medical purposes; dietetic food and substances adapted for medical or veterinary use, food for babies; dietary supplements for humans and animals; plasters, materials for dressings; material for stopping teeth, dental wax; disinfectants; preparations for destroying vermin; fungicides, herbicides.

(260) AM 2015 79254 A  
 (800) 1219630  
 (891) 2014 09 18  
 (731) RICHEMONT INTERNATIONAL SA  
 Route des Biches 10, CH-1752 Villars-sur-  
 Glâne, Switzerland

(540)



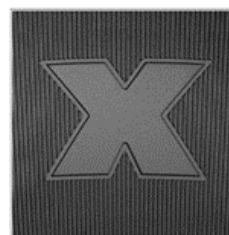
(591) Black, white

(511)

14 – Cuff links, tie clips, rings, bracelets, earrings, necklaces, brooches, key holders, watches, chronometers, clocks; watchbands, boxes of precious metal for watches and jewelry; alarm clocks.

(260) AM 2015 79255 A  
 (800) 1219634  
 (891) 2014 07 15  
 (731) COMPAGNIE GENERALE DES  
 ETABLISSEMENTS MICHELIN  
 12 Cours Sablon, F-63000 CLERMONT  
 FERRAND, France

(540)



(591) Black, white  
 (511)  
 12 – Pneumatic tires and inner tubes for vehicle wheels; treads for retreading tires; tracks for track vehicles.

(260) AM 2015 79281 A  
 (800) 1219833  
 (891) 2014 06 26  
 (731) Zakrytoe aktsionernoe obshchestvo  
 "VOSTOK-SERVIS-SPETSKOMPLEKT"  
 Rabochaya ul., d.46-a, Noginsk, Noginsky  
 r-n, RU-142400 Moskovskaya obl., Russian  
 Federation

(540)



(591) Blue  
 (511)  
 9 – Safety tarpaulins; bullet-proof waistcoats [vests (Am.)]; life jackets; protective helmets; anti-glare visors; protective suits for aviators; solderers' helmets; protective masks; headphones; shoes for protection against accidents, irradiation and fire; clothing for protection against accidents, irradiation and fire; asbestos clothing for protection against fire; spectacles [optics]; gloves for protection against accidents; asbestos gloves for protection against accidents; gloves for protection against X-rays for industrial purposes; life belts; respirators for filtering air; respiratory masks, other than for artificial respiration; filters for respiratory masks.

(260) AM 2015 79283 A  
 (800) 1219870  
 (891) 2014 06 30  
 (731) SOCIÉTÉ JAS HENNESSY & CO.  
 rue de la Richonne, F-16100 Cognac, France  
 (540)



(591) Black, white  
 (511)  
 33 – Alcoholic beverages (except beers); alcoholic cocktails.

(260) AM 2015 79287 A  
 (800) 1219944  
 (891) 2014 05 08

(731) LEO Pharma A/S  
 Industriparken 55, DK-2750 Ballerup,  
 Denmark

(540)

## EXPERITY

(511)  
 3 – Non-medicated skin and hair care preparations; cosmetic preparations, including, preparations for the reconditioning of hair and skin after medicinal treatments; medicated soaps; medicated shampoos; talcum powders; artificial fingernails for medical use.

5 – Pharmaceutical preparations for the treatment of cancer and dermatological, hematological, renal and endocrine disorders; powders, creams, lotions, gels, foundation and lip balm for the treatment of dermatological disorders, cancer and skin infections; glues for medical use; medical and wound dressings; dressings for the treatment, of dermatological disorders, cancer and skin infections.

10 – Medical apparatus and instruments, including, medical devices for applying pharmaceutical preparations and for introducing pharmaceutical preparations into the human body medical and non-medical devices for the treatment of cancer and dermatological, hematological, renal and endocrine disorders, medical apparatus and units for dosage, measuring and monitoring, including, drug introducing devices and systems; medical devices, including, devices for measuring body surface area affected by disease; medical devices for the treatment of cancer, dermatological, hematological, renal and endocrine disorders, including biofeedback sensors; micro needles for medical use; containers specially for medical waste and storage of drugs.

(260) AM 2015 79289 A  
 (800) 1219970  
 (891) 2014 04 28  
 (731) ORTOFLORA di MILETI ANGELO  
 Contrada Lamascopone, S.N., I-72015  
 FASANO (BR), Italy  
 (540)



(591) Green, white, dark green, red, black, brown,  
 yellow and blue  
 (526) Bio organic fresh herbs  
 (511)  
 30 – Spices.

31 – Fresh culinary herbs, potted fresh herbs; natural edible plants (unprocessed), mint (fresh), basil

(fresh), sage (fresh), rosemary (fresh), marjoram, parsley, oregano.

(260) AM 2015 79295 A

(800) 1219979

(891) 2014 05 30

(731) Otkrytoe aktsionernoe obshchestvo

"KERAMIN"

ul. Serova 22, 220204 Minsk, Belarus

(540)



(591) Black, white

(511)

11 – Bidets; bath tubs; bath linings; bath fittings; water flushing installations, namely of ceramic materials; flushing tanks; apparatus of ceramic materials for air deodorizing; ornamental fountains of ceramic materials; faucets of ceramic materials; toilet seats; toilet bowls; wash hand basins; bath installations; shaped fitting for furnaces; oven fittings made of fireclay; fireplaces [domestic].

19 – Potters' clay for ceramics, grog; bricks including fire burrs; fireclay; fireproof coatings; works of art of stone, concrete, marble or ceramic; mosaics for building; sandstone tubes; wall claddings not of metal for building; floor tiles, not of metal, particularly of ceramic materials; pantiles, particularly of ceramic materials.

20 – Works of plastic for bath and toilet rooms; works of art of wood, wax, plaster or plastic.

35 – Sales promotion (for others) for building works and materials and sanitary ware, included in classes 11, 19, 20.

(260) AM 2015 79300 A

(800) 1220038

(891) 2014 01 20

(731) CORPORACION HABANOS, S.A.

Carretera Vieja de Guanabacoa, y Línea del Ferrocarril Final, Guanabacoa, La Habana, Cuba

(540)



(591) Green, black, silver and gold

(511)

34 – Tobacco, including: cigars, cigarettes, small cigars, fine-cut tobacco for pipes; smokers' articles, ashtrays, cigar cutters, match holders, cigar cases and matches.

(260) AM 2015 79303 A

(800) 1220051

(891) 2014 03 31

(731) WORLD MEDICINE İLAÇ SANAYİ VE TİCARET ANONİM ŞİRKETİ

Evren Mah. Camiyolu Cad. No:50 K:1 B, Zemin 4-5-6, Güneşli Bağcılar, İstanbul, Turkey

(540)

**DAVERIS**  
**ДАВЕРИС**

(591) Black, white

(511)

5 – Medicines for human purposes, medicines for veterinary purposes, vitamin preparations, chemical preparations for medical purposes, dietetic substances adapted for medical use; dietetic foods adapted for medical purposes; baby foods, medicinal herbs, herbal beverages adapted for medical purposes, nutritional supplements, pollen dietary supplements, mineral food supplements, protein dietary supplements; dietary supplements for animals; fodder supplements for veterinary purposes; medicines for dental purposes, hygienic products for medical purposes including sanitary pads, breast-nursing pads and bunion pads, waddings for medical purposes, plasters for medical purposes, dressings for medical purposes, babies' napkins, preparations for destroying noxious plants, preparations for destroying noxious animals, fungicides, deodorants other than for human beings or for animals, air deodorising preparations, disinfectants for hygiene purposes, antiseptics, detergents for medical purposes.

(260) AM 2015 79304 A

(800) 1220087

(891) 2014 07 17

(731) EGIS GYÓGYSZERGYÁR ZRT.

Keresztúri út 30-38, H-1106 Budapest, Hungary

(540)

**GYNOFUNG**

(511)

5 – Pharmaceutical preparations for human use.

(260) AM 2015 79305 A

(800) 1220088

(891) 2014 07 17

(731) EGIS GYÓGYSZERGYÁR ZRT.  
Keresztúri út 30-38, H-1106 Budapest,  
Hungary

(540)

## FEMIFUNGIS

(511)

5 – Pharmaceutical preparations for human use.

(260) AM 2015 79306 A

(800) 1220089

(891) 2014 07 17

(731) EGIS GYÓGYSZERGYÁR ZRT.  
Keresztúri út 30-38, H-1106 Budapest,  
Hungary

(540)

## ROMUS

(511)

5 – Pharmaceutical preparations for human use.

(260) AM 2015 79318 A

(800) 1220335

(891) 2014 06 16

(731) REHAU AG + Co.  
Rheniumhaus, 95111 Rehau, Germany

(540)

## SYNEGO

(511)

17 – Plastics in extruded form for use in manufacture of door and window frames, window sashes, posts, sash profiles, dummy posts, house entrance doors, levelling profiles, glazing bar profiles, glass strips, door and window frame extensions, cover profiles, window drips, corner posts, bay window profiles, window sills, coupling profiles, connector profiles, lining profiles, reinforcing profiles, expansion joint profiles, angle profiles, cover strips, connecting profiles, window drip profiles, groove profiles, roller shutter profiles, roller shutter guide profiles, traverse profiles, outer panels, inner panels, lintel profiles, floor profiles, revision profiles, door profiles, frame panels, guide strips, compensation strips, terminal strips, structural posts, sealing profiles, filler profiles, blow bar profiles, transport support profiles, air links, glazing rebate extensions, extension profiles, decorative profiles, angle end rods, folding shutter profiles, adapter profiles; non-metallic weather seals for windows; plastics materials in the form of sections [semi-finished products]; plastics materials in the form of rods [semi-finished products]; plastics materials in the form of strips [semi-finished products]; plastic material in extruded form for use in production; plastics in extruded form for use in manufacture; plastics in the form of sheets, films, blocks, rods and tubes; synthetic resins in rod form for use in manufacture; plastics, partly processed, for use in the manufacture of door and

window frames, window sashes, posts, sash profiles, dummy posts, house entrance doors, levelling profiles, glazing bar profiles, glass strips, door and window frame extensions, cover profiles, window drips, corner posts, bay window profiles, window sills, coupling profiles, connector profiles, lining profiles, reinforcing profiles, expansion joint profiles, angle profiles, cover strips, connecting profiles, window drip profiles, groove profiles, roller shutter profiles, roller shutter guide profiles, traverse profiles, outer panels, inner panels, lintel profiles, floor profiles, revision profiles, door profiles, frame panels, guide strips, compensation strips, terminal strips, structural posts, sealing profiles, filler profiles, blow bar profiles, transport support profiles, air links, glazing rebate extensions, extension profiles, decorative profiles, angle end rods, folding shutter profiles, adapter profiles; all goods included in this class.

19 – Construction elements of plastic; construction elements, not of metal, for use in building construction, building materials of fibre-reinforced plastic; building materials of plastics material; building and construction materials and elements, not of metal; non-metallic building sections; non-metallic building materials, namely door and window frames, window sashes, posts, sash profiles, dummy posts, house entrance doors, levelling profiles, glazing bar profiles, glass strips, door and window frame extensions, cover profiles, window drips, corner posts, bay window profiles, window sills, coupling profiles, connector profiles, lining profiles, reinforcing profiles, expansion joint profiles, angle profiles, cover strips, connecting profiles, window drip profiles, groove profiles, roller shutter profiles, roller shutter guide profiles, traverse profiles, outer panels, inner panels, lintel profiles, floor profiles, revision profiles, door profiles, frame panels, guide strips, compensation strips, terminal strips, structural posts, sealing profiles, filler profiles, blow bar profiles, transport support profiles, air links, glazing rebate extensions, extension profiles, decorative profiles, angle end rods, folding shutter profiles, adapter profiles; outdoor blinds, not of metal and not of textile; glazing bars, window frames, shutters, casements, window facades, window sills, windows, casement windows, folding doors, none of the aforesaid goods being of metal; non-metal window frames for use as building materials for door and window frames, window sashes, posts, sash profiles, dummy posts, house entrance doors, levelling profiles, glazing bar profiles, glass strips, door and window frame extensions, cover profiles, window drips, corner posts, bay window profiles, window sills, coupling profiles, connector profiles, lining profiles, reinforcing profiles, expansion joint profiles, angle profiles, cover strips, connecting profiles, window drip profiles, groove profiles, roller shutter profiles, roller shutter guide profiles, traverse profiles, outer panels, inner panels, lintel profiles, floor profiles, revision profi-



les, door profiles, frame panels, guide strips, compensation strips, terminal strips, structural posts, sealing profiles, filler profiles, blow bar profiles, transport support profiles, air links, glazing rebate extensions, extension profiles, decorative profiles, angle end rods, folding shutter profiles, adapter profiles; jalousies, not of metal; non-metallic frames for glazed windows; mouldings, not of metal, for building; non-metallic frames for skylights; non-metallic frames for glazed doors; non-metallic shutters for windows; doors, not of metal; door panels, not of metal; door casings, not of metal; all goods included in this class.

42 – Technical measuring and testing; chemistry services; engineering services; chemical analysis; technical testing; material testing.

(260) AM 2015 79319 A

(800) 1220341

(891) 2014 03 28

(731) MARIA CLEMENTINE MARTIN  
KLOSTERFRAU  
VERTRIEBSGESELLSCHAFT M.B.H.  
Gereonsmühlengasse 1/11, 50670 Köln,  
Germany

(540)

## Herbasolvan

(511)

5 – Pharmaceutical and veterinary preparations; sanitary preparations for medical purposes; dietetic food and substances adapted for medical or veterinary use, food for babies; dietary supplements for humans and animals; plasters, materials for dressings; material for stopping teeth, dental wax; disinfectants; preparations for destroying vermin; fungicides, herbicides; dental wax; laxatives; medical preparations for slimming purposes; slimming pills; adjuvants for medical purposes; acaricides; aconitine; aldehydes for pharmaceutical purposes; algicides; alginates for pharmaceutical purposes; alkaline iodides for pharmaceutical purposes; alkaloids for medical purposes; medicinal alcohol; aloe vera preparations for pharmaceutical purposes; dental amalgams; amino acids for medical purposes; amino acids for veterinary purposes; analgesics; anaesthetics; angostura bark for medical purposes; antibiotics; anti-rheumatism bracelets; anti-rheumatism rings; antiseptics; antiseptic cotton; appetite suppressants for medical purposes; appetite suppressant pills; bracelets for medical purposes; medicines for human purposes; medicines for veterinary purposes; medicines for dental purposes; medicines for alleviating constipation; aseptic cotton; ethers for pharmaceutical purposes; caustics for pharmaceutical purposes; caustic pencils; eye-washes; eyepatches for medical purposes; acetates for pharmaceutical purposes; babies' diaper-pants; food for babies; bath salts for medical

purposes; bath preparations for medical purposes; therapeutic preparations for the bath; bacterial poisons; bacterial preparations for medical and veterinary use; bacteriological preparations for medical and veterinary use; dietary fibre; balms for medical purposes; balsamic preparations for medical purposes; bandages for dressings; barks for pharmaceutical purposes; cotton for medical purposes; tranquilizers; biological tissue cultures for medical purposes; biological tissue cultures for veterinary purposes; biological preparations for medical purposes; biological preparations for veterinary purposes; biocides; goulard water; blood for medical purposes; haematogen; leeches for medical purposes; blood plasma; laxatives; lozenges for pharmaceutical purposes; tanning pills; bromine for pharmaceutical purposes; powder of cantharides; chemical preparations to treat wheat smut; chemical preparations for treating phyloxera; vine disease treating chemicals; chemico-pharmaceutical preparations; chemical contraceptives; chemical conductors for electrocardiograph electrodes; chemical preparations to treat mildew; chemical preparations for the diagnosis of pregnancy; chemical preparations for medical purposes; chemical preparations for pharmaceutical purposes; chemical preparations for veterinary purposes; chemical reagents for medical or veterinary purposes; quinquina for medical purposes; chinoline for medical purposes; surgical tissues; surgical implants [living tissues]; hydrated chloral for pharmaceutical purposes; chloroform; condurango bark for medical purposes; curare; menstruation bandages; decoctions for pharmaceutical purposes; dental mastics; deodorants, other than for human beings or for animals; deodorants for clothing and textiles; disinfectants for chemical toilets; disinfectants for hygiene purposes; detergents for medical purposes; diabetic bread adapted for medical use; diagnostic preparations for medical purposes; diastase for medical purposes; dietetic beverages adapted for medical purposes; dietetic substances adapted for medical use; dietetic foods adapted for medical purposes; digitalin; dill oil for medical purposes; drugs for medical purposes; alloys of precious metals for dental purposes; albuminous preparations for medical purposes; elixirs [pharmaceutical preparations]; gentian for pharmaceutical purposes; enzymes for medical purposes; enzymes for veterinary purposes; enzyme preparations for medical purposes; enzyme preparations for veterinary purposes; aluminium acetate for pharmaceutical purposes; esters for pharmaceutical purposes; eucalyptol for pharmaceutical purposes; eucalyptus for pharmaceutical purposes; fennel for medical purposes; ferments for pharmaceutical purposes; greases for medical purposes; greases for veterinary purposes; febrifuges; fish meal for pharmaceutical purposes; fly catching paper; fly catching adhesives; fly destroying preparations; formic aldehyde for pharmaceutical purposes; chilblain prepa-



rations; frostbite salve for pharmaceutical purposes; fungicides; gallic acid for pharmaceutical purposes; gases for medical purposes; gelatine for medical purposes; royal jelly for pharmaceutical purposes; poisons; glycerine for medical purposes; glycerophosphates; dental amalgams of gold; guaiacol for pharmaceutical purposes; gum for medical purposes; gamboge for medical purposes; gurjun [gurjon, gurjan] balsam for medical purposes; belts for sanitary napkins [towels]; haemostatic pencils; adhesives for dentures; haemoglobin; haemorrhoid preparations; preparations for destroying dry rot fungus; yeast for pharmaceutical purposes; plasters; remedies for foot perspiration; remedies for perspiration; charcoal for pharmaceutical purposes; extracts of hops for pharmaceutical purposes; hormones for medical purposes; cement for animal hooves; corn remedies; corn rings for the feet; repellents for dogs; dog lotions; dog washes; hydrastine; hydrastinine; vaccines; pants, absorbent, for incontinents; insecticides; insect repellents; personal sexual lubricants; irish moss for medical purposes; isotopes for medical purposes; jalap; iodine for pharmaceutical purposes; iodides for pharmaceutical purposes; iodoform; tincture of iodine; jujube, medicated; potassium salts for medical purposes; preparations of lime for pharmaceutical purposes; calomel; cooling sprays for medical purposes; camphor for medical purposes; camphor oil for medical purposes; candy for medical purposes; capsules for medicines; cachets for pharmaceutical purposes; carbolineum [parasiticide]; poultices; cachou for pharmaceutical purposes; chewing gum for medical purposes; rubber for dental purposes; germicides; adhesive bands for medical purposes; bone cement for surgical and orthopaedic purposes; cocaine; collodion for pharmaceutical purposes; eye-washes; compresses; headache pencils; smoking herbs for medical purposes; creosote for pharmaceutical purposes; croton bark; cultures of microorganisms for medical and veterinary use; liquorice for pharmaceutical purposes; larvae exterminating preparations; laxatives; cod liver oil; flaxseed for pharmaceutical purposes; flaxseed meal for pharmaceutical purposes; lecithin for medical purposes; liniments; solutions for contact lenses; solvents for removing adhesive plasters; lotions for pharmaceutical purposes; lotions for veterinary purposes; air purifying preparations; lupulin for pharmaceutical purposes; magnesia for pharmaceutical purposes; malt for pharmaceutical purposes; malted milk beverages for medical purposes; milk of almonds for pharmaceutical purposes; mangrove bark for pharmaceutical purposes; preparations for destroying mice; medicinal herbs; medicinal hair growth preparations; sea water for medicinal bathing; flour for pharmaceutical purposes; melissa water for pharmaceutical purposes; milking grease; menthol; articles for headache; milk ferments for pharmaceutical purposes; milk sugar for pharmaceutical purposes; mineral

food supplements; mineral waters for medical purposes; mineral water salts; preparations for the treatment of burns; soil-sterilising preparations; anti-uric preparations; preparations for callouses; air deodorising preparations; preparations to facilitate teething; douching preparations for medical purposes; preparations for reducing sexual activity; moulding wax for dentists; moleskin for medical purposes; menstruation bandages; sanitary pants; mud for baths; medicinal mud; mothproofing preparations; mothproof paper; mouthwashes for medical purposes; ergot for pharmaceutical purposes; myrobalan bark for pharmaceutical purposes; bacteriological culture mediums; lacteal flour for babies; albuminous foodstuffs for medical purposes; nutritive substances for microorganisms; nutritional supplements; albumin dietary supplements; alginate dietary supplements; enzyme dietary supplements; royal jelly dietary supplements; glucose dietary supplements; yeast dietary supplements; casein dietary supplements; flaxseed dietary supplements; flaxseed oil dietary supplements; lecithin dietary supplements; pollen dietary supplements; propolis dietary supplements; protein dietary supplements; wheat germ dietary supplements; dietary supplements for animals; narcotics; bicarbonate of soda for pharmaceutical purposes; sodium salts for medical purposes; by-products of the processing of cereals for dietetic or medical purposes; nervines; medicinal oils; opiates; opium; opodeldoc; organotherapy preparations; antioxidant pills; paper for mustard poultices; antiparasitic collars for animals; antiparasitic preparations; parasitocides; lozenges for pharmaceutical purposes; pectin for pharmaceutical purposes; pepsins for pharmaceutical purposes; pepsines for pharmaceutical purposes; pearl powder for medical purposes; pesticides; mint for pharmaceutical purposes; corn rings for the feet; pharmaceutical preparations; pharmaceutical preparations for treating dandruff; pharmaceutical preparations for skin care; phenol for pharmaceutical purposes; phosphates for pharmaceutical purposes; anticryptogamic preparations; pomades for medical purposes; porcelain for dental prostheses; bronchodilating preparations; preparations of trace elements for human and animal use; sterilising preparations; propolis for pharmaceutical purposes; protein supplements for animals; pyrethrum powder; quassia for medical purposes; quebracho for medical purposes; mercurial ointments; radioactive substances for medical purposes; radium for medical purposes; rat poison; fumigating pastilles; fumigation preparations for medical purposes; reagent paper for medical or veterinary purposes; contact lens cleaning preparations; medicine cases, portable, filled; rhubarb roots for pharmaceutical purposes; smelling salts; castor oil for medical purposes; radiological contrast substances for medical purposes; ointments for pharmaceutical purposes; salts for medical purposes; salts for mineral water baths; sarsaparilla for medical purposes; oxy-

gen for medical purposes; oxygen baths; acids for pharmaceutical purposes; lint for medical purposes; soporifics; dental abrasives; slug exterminating preparations; flowers of sulfur for pharmaceutical purposes; sulfur sticks [disinfectants]; mustard for pharmaceutical purposes; mustard oil for medical purposes; mustard poultices; serums; serotherapeutic medicines; siccatives [drying agents] for medical purposes; syrups for pharmaceutical purposes; scapulars for surgical purposes; sanitary pants; sunburn ointments; sunburn preparations for pharmaceutical purposes; semen for artificial insemination; stem cells for medical purposes; stem cells for veterinary purposes; starch for dietetic or pharmaceutical purposes; steroids; breast-nursing pads; strychnine; styptic preparations; sulfonamides [medicines]; suppositories; tobacco extracts [insecticides]; tobacco-free cigarettes for medical purposes; tampons; turpentine for pharmaceutical purposes; oil of turpentine for pharmaceutical purposes; thermal water; thymol for pharmaceutical purposes; animal washes; tinctures for medical purposes; tonics [medicines]; glucose for medical purposes; tissues impregnated with pharmaceutical lotions; vermin destroying preparations; herbicides; vaginal washes; petroleum jelly for medical purposes; gauze for dressings; first-aid boxes, filled; dressings, medical; surgical dressings; absorbent wadding; digestives for pharmaceutical purposes; vesicants; veterinary preparations; cattle washes; vitamin preparations; wart pencils; hydrogen peroxide for medical purposes; cotton for medical purposes; insect repellent incense; tartar for pharmaceutical purposes; diapers for pets; incontinence pads; bismuth preparations for pharmaceutical purposes; bismuth subnitrate for pharmaceutical purposes; vulnerary sponges; anthelmintics; medicinal roots; material for stopping teeth; dental mastics; dental lacquer; cedar wood for use as an insect repellent; cellulose ethers for pharmaceutical purposes; cellulose esters for pharmaceutical purposes; sugar for medical purposes.

29 – Meat, fish, poultry and game; meat extracts; preserved, frozen, dried and cooked fruits and vegetables; jellies, jams, compotes; eggs; milk and milk products; edible oils and fats; ajvar [preserved peppers]; albumin milk; seaweed extracts for food; alginates for culinary purposes; non-alcoholic egg nog; apple purée; oysters, not live; black pudding; beans, preserved; broth; fat-containing mixtures for bread slices; butter; buttercream; dates; curd; eggs; yolk of eggs; powdered eggs; albumen for culinary purposes; white of eggs; peas, preserved; peanut butter; peanuts, processed; gherkins; low-fat potato chips; fatty substances for the manufacture of edible fats; salted fish; fish, preserved; fish, not live; fish fillets; foods prepared from fish; fish, tinned [canned (Am.)]; isinglass for food; fish meal for human consumption; fish mousses; processed fish spawn; meat; meat, preserved; broth concentrates; meat extracts;

meat jellies; meat, tinned [canned (Am.)]; salted meats; fruit chips; fruit preserved in alcohol; fruit jellies; fruit pulp; fruit-based snack food; jellies for food; prawns, not live; poultry, not live; gelatine; vegetables, cooked; vegetables, dried; vegetables, preserved; vegetables, tinned [canned (Am.)]; vegetable mousses; vegetable salads; toasted laver; herrings; lobsters, not live; ginger jam; yogurt; vegetable soup preparations; cocoa butter; tripe; frosted fruits; potato chips; potato flakes; potato fritters; cheese; caviar; kefir [milk beverage]; hummus [chickpea paste]; kimchi [fermented vegetable dish]; animal marrow for food; bone oil, edible; coconut butter; coconut fat; coconut, desiccated; coconut oil; compotes; condensed milk; jams; preserved garlic; soups; crayfish, not live; croquettes; crustaceans, not live; kumys [kumyss] [milk beverage]; rennet; salmon; spiny lobsters, not live; liver; liver pâté; lined oil for culinary purposes; lecithin for culinary purposes; lentils, preserved; corn oil; almonds, ground; margarine; marmalade; milk; milk ferments for culinary purposes; milk beverages, milk predominating; milk products; milk shakes; whey; mussels, not live; nuts, prepared; fruit, stewed; fruit, preserved; frozen fruits; fruits, tinned [canned (Am.)]; fruit salads; edible oils; olives, preserved; olive oil for food; palm kernel oil for food; palm oil for food; pectin for culinary purposes; vegetable juices for cooking; piccalilli; pickles; mushrooms, preserved; pollen prepared as foodstuff; cranberry sauce [compote]; prostokvasha [soured milk]; rape oil for food; ryazhenka [fermented baked milk]; raisins; cream [dairy products]; processed seeds; anchovy; sardines; sauerkraut; fruit peel; shellfish, not live; ham; whipped cream; snail eggs for consumption; pork; lard for food; sea-cucumbers, not live; silkworm chrysalis, for human consumption; sesame oil; tahini [sesame seed paste]; shrimps, not live; smetana [sour cream]; soya beans, preserved, for food; soya milk [milk substitute]; processed sunflower seeds; sunflower oil for food; bacon; edible fats; suet for food; preparations for making soup; tuna fish; tofu; tomato purée; tomato juice for cooking; truffles, preserved; clams [not live]; aloe vera prepared for human consumption; edible birds' nests; game, not live; sausages; sausages in batter; charcuterie; preparations for making bouillon; onions, preserved.

30 – Coffee, cocoa and artificial coffee; rice; tapioca and sago; flour and preparations made from cereals; bread, pastry and confectionery; edible ices; sugar, honey, treacle; yeast, baking-powder; salt; mustard; vinegar, sauces (condiments); spices; ice; dried herbs for culinary purposes; aniseed; flavourings, other than essential oils, for beverages; flavourings, other than essential oils; wheat flour; flavourings, other than essential oils, for cakes; baking powder; cake dough; beer vinegar; thickening agents for cooking foodstuffs; binding agents for ice cream; bean meal; candy; buns; bread; unleavened bread; sand-

wiches; petit-beurre biscuits; cheeseburgers [sandwiches]; chow-chow [condiment]; chutneys [condiments]; couscous [semolina]; curry [spice]; custard; dessert mousses [confectionery]; ices and ice creams; peanut confectionery; essences for foodstuffs, except etheric essences and essential oils; vinegar; ribbon vermicelli; meat tenderizers, for household purposes; meat pies; meat gravies; fondants; fruit sauces; spring rolls; royal jelly; fruit jellies [confectionery]; grits; husked barley; barley meal; crushed barley; chips [cereal products]; processed cereals; cereal bars; cereal-based snack food; spices; condiments; cloves [spice]; glucose for culinary purposes; gluten additives for culinary purposes; semolina; groats for human food; crushed oats; halvah; yeast; honey; ginger [spice]; frozen yoghurt [confectionery ices]; coffee; artificial coffee; vegetal preparations for use as coffee substitutes; coffee flavorings [flavourings]; coffee based drinks; cocoa; cocoa-based beverages; candy; capers; caramels; potato flour; bubble gum; cake dough; ketchup [sauce]; cooking salt; salt for preserving foodstuffs; crackers; cake dough; cake frosting; garden herbs, preserved [seasonings]; cake mixtures; cake dough; ice; turmeric; liquorice [confectionery]; stick liquorice [confectionery]; flaxseed for human consumption; maize, milled; maize, roasted; maize flakes; grits; maize flour; macaroni; macaroons [pastry]; maltose; malt for human consumption; cake dough; malt for human consumption; almond confectionery; marinades; marzipan; almond paste; mayonnaise; sea water for cooking; flour; farinaceous foods; topping syrups and treacle; gruel, with a milk base, for food; coffee beverages with milk; cocoa beverages with milk; chocolate beverages with milk; ham glaze; flour-milling products; nutmeg; muesli; oat-based food; noodle-based prepared meals; ribbon vermicelli; palm sugar; breadcrumbs; sauces for use with pasta; pasties; pies; lozenges [confectionery]; pesto [sauce]; petits fours [cakes]; pancakes; pepper; gingerbread; mint for confectionery; candy mints; peppers [seasonings]; pizza; bee glue; high-protein cereal bars; puddings; popcorn; quiches; ravioli; rice; rice cakes; rice-based snack food; relish; ice, natural or artificial; unroasted coffee; saffron [seasoning]; sago; preparations for stiffening whipped cream; dressings for salad; leaven; chocolate, chocolate-based beverages; chocolate mousses; allspice; celery salt; baps; mustard; mustard meal; soya bean paste [condiment]; soya flour; soya sauce; sherbets [ices]; sauces [condiments]; spaghetti; edible ices; powders for ice cream; baking soda [bicarbonate of soda for baking purposes]; starch for food; star aniseed; sushi; natural sweeteners; tabbouleh; tacos; tapioca; tapioca flour; dough; ferments for pastes; farinaceous food pastes; tomato sauce; cake dough; tortillas; vanilla [flavoring] [flavouring]; vanillin [vanilla substitute]; waffles; cream of tartar for culinary purposes; wheat germ for human consumption; sausage binding ma-

terials; spices; aromatic preparations for food; chicory [coffee substitute]; cinnamon [spice]; gluten prepared as foodstuff; sugar; pralines; confectionery for decorating christmas trees; candy; rusks.

---

(260) AM 2015 79328 A  
 (800) 149420  
 (891) 2014 07 09  
 (731) ALPINA WATCH INTERNATIONAL SA  
 Chemin du Champs des Filles 32, CH-1228  
 Plan-les-Ouates, Switzerland  
 (540)

## ALPINA

(511)  
 14 – Watches, watch parts, pendulum clocks, pendul-  
 ettes, regulators and clocks, straps.

---

(260) AM 2015 79329 A  
 (800) 380082  
 (891) 2014 06 13  
 (731) BAYER INTELLECTUAL PROPERTY GMBH  
 Alfred-Nobel-Straße 10, 40789 Monheim am  
 Rhein, Germany  
 (540)

## Sencor

(511)  
 5 – Pesticides and herbicides.

---

(260) AM 2015 79330 A  
 (800) 767239  
 (891) 2014 06 20  
 (731) BRANDBREW S.A.  
 5, rue Gabriel Lippmann, L-5365 Munsbach,  
 Luxembourg  
 (540)

## BODDINGTONS

(511)  
 32 – Beers.

---

(260) AM 2015 79331 A  
 (800) 862344  
 (891) 2014 06 25  
 (731) DIWISA Distillerie Willisau SA  
 Menznauerstrasse 23, CH-6130 Willisau,  
 Switzerland  
 (540)

## TROJKA

(511)  
 32 – Beers; mineral and aerated waters and other  
 non-alcoholic drinks; fruit drinks and fruit juices;  
 syrups and other preparations for making beverages.  
 33 – Alcoholic beverages (except beers).

---

(260) AM 2015 79332 A  
 (800) 1008709  
 (891) 2014 07 04  
 (731) CORTEFIEL, S.A.  
 Avda. del Llano Castellano, 51, E-28034  
 Madrid, Spain

(540)  
**SPRINGFIELD**

(591) Black, white  
 (511)  
 35 – Retail sale services in shops or via global communication networks.

(260) AM 2015 79333 A  
 (800) 1008780  
 (891) 2014 07 04  
 (731) CORTEFIEL, S.A.  
 Avda. del Llano Castellano, 51, E-28034  
 MADRID, Spain

(540)  
**men'secret**

(591) Black  
 (511)  
 25 – Clothing, footwear (except orthopedic footwear) and headgear.

(260) AM 2015 79334 A  
 (800) 1038541  
 (891) 2014 07 10  
 (731) GRAFF DIAMONDS LIMITED  
 29 Albemarle Street, London W1S 4JA,  
 United Kingdom

(540)  
**GRAFF**

(511)  
 35 – Retailing of perfumes, cosmetic pomades, optical goods, precious stones, jewels, horological goods, writing instruments and articles for smokers; retail sales over global computer networks (Internet) of perfumes, cosmetics, optical goods, precious stones, jewels, horological goods, writing instruments and articles for smokers.

(260) AM 2015 79335 A  
 (800) 1058142  
 (891) 2014 07 08  
 (731) LELEU Guillaume  
 46 rue Manin, F-75019 PARIS,  
 France

(540)  
**THEODOR**

(511)  
 3 – Cosmetic preparations for baths, soaps, perfumes, essential oils, cosmetics, hair lotions, beauty

masks, cosmetic kits, scented water, extracts of flowers, oils for cosmetic purposes, oils for perfumes and scents, washing preparations, sachets for perfuming linen, shampoos, toiletries.

4 – Candles, perfumed candles, firewood, wicks for lighting, tallow candles, tapers, oils for paints.

11 – Tea machines; electric tea makers; electric kettles and electric and non-electric tea dispensers; electric and electronic apparatus for preparing hot and cold beverages; electric coffee- and tea-making machines; electric coffee machines; coffee percolators, electric; coffee machines, electric; heating and cooking apparatus.

21 – Non-electric utensils and containers for household or kitchen use, porcelain and earthenware, works of art made of porcelain, terra cotta or glass, statues or figurines of porcelain, terra-cotta or glass, drinking and tea glasses and tableware; tea caddies, tea infusers, tea services, teapots, utensils for tea, tea filters, tea strainers.

29 – Crystallized fruits, jams, marmalade, jellies, fruit peel, fruit peel.

30 – Tea, coffee, cocoa, sugar, pastries, confectionery, honey, spices, cookies and biscuits, cakes, rusks, sugar confectionery, chocolate, beverages made with cocoa, coffee, chocolate or tea, infusions, not medicinal, cake flavourings, vanilla, iced teas.

32 – Non-alcoholic beverages, fruit drinks and fruit juices, syrups for beverages, lemonades, non-alcoholic fruit extracts, essences for making beverages and mineral water.

35 – Import-export agency, sales promotion for others, business management assistance, business management and organization consultancy, shop-window dressing, distribution of samples, efficiency experts, publication of advertising texts, rental of advertising material.

43 – Services for providing food and drink, catering services, tea-shops.

(260) AM 2015 79339 A  
 (800) 1090577  
 (891) 2014 07 09  
 (731) FREDERIQUE CONSTANT HOLDING N.V.  
 Binnenweg 15, Curaçao, Curaçao

(540)  
**FREDERIQUE CONSTANT**

(511)  
 14 – Precious metals and their alloys and goods in precious metals or coated therewith, not included in other classes; jewellery, precious stones; horological and chronometric instruments.

(260) AM 2015 79399 A  
 (800) 1221174  
 (891) 2014 06 19  
 (731) MACHINING CENTERS  
 MANUFACTURING S.P.A.  
 Viale F. e G. Celaschi, 19, I-29020  
 VIGOLZONE (PC), Italy

(540)



(591) Black, white

(511)

9 – Computer software and computer programmes for production planning and management, for controlling machine tools, machining centres, machining stations and manufacturing cells for metalworking and for manufacturing.

(260) AM 2015 79400 A  
 (800) 822763  
 (891) 2014 06 17  
 (731) ALIS SRL  
 Via Paletti, 1 I-41051 CASTELNUOVO  
 RANGONE (MODENA), Italy

(540)



(591) Black, white

(511)

29 – Meat; fish; poultry; game; meat extracts; preserved, dried and cooked fruits and vegetables; peeled tomatoes; vegetables in oil, in vinegar and grilled vegetables; jellies; jams; eggs; milk; dairy products; vegetable oils and edible fats; preserves of the products included in this class; tomato purees; foodstuffs in brine.

30 – Coffee; tea; cocoa; sugar; rice; flours and cereals; bread; pasta; cookies and biscuits; pastries; confectionery; ices; honey; yeast; salt; mustard; pepper, vinegar, balsamic vinegar; sauces; spices and seasonings.

(260) AM 2015 79401 A  
 (800) 1011050  
 (891) 2014 07 22  
 (731) GRAFF DIAMONDS LIMITED  
 29 Albemarle Street London W1S 4JA,  
 United Kingdom

(540)

## GRAFFSTAR

(511)

14 – Precious metals and their alloys; boxes made of precious metal, statuettes made of precious metal; jewelry, precious stones; timepieces and chronometric instruments, presentation cases for watches.

(260) AM 2015 79402 A  
 (800) 1011052  
 (891) 2014 07 18  
 (731) GRAFF DIAMONDS LIMITED  
 29 Albemarle Street London W1S 4JA,  
 United Kingdom

(540)

## MASTERGRAFF

(511)

14 – Precious metals and their alloys; boxes made of precious metal, statuettes made of precious metal; jewelry, precious stones; timepieces and chronometric instruments, presentation cases for watches.

(260) AM 2015 79403 A  
 (800) 1011053  
 (891) 2014 07 22  
 (731) GRAFF DIAMONDS LIMITED  
 29 Albemarle Street London W1S 4JA,  
 United Kingdom

(540)

## BABYGRAFF

(511)

14 – Precious metals and their alloys; boxes of precious metal; statuettes of precious metal; jewelry, precious stones; timepieces and chronometric instruments, presentation cases for watches.

(260) AM 2015 79404 A  
 (800) 1018373  
 (891) 2014 07 21  
 (731) Zakrytoe Aktsionernoe Obshchestvo  
 "Minsky Zavod Vinogradnykh Vin"  
 ul. Kazintsa k. 23, d. 52a, 220099 Minsk,  
 Belarus

(540)

## Сваяк Svayak

(591) Black, white

(511)

33 – Alcoholic beverages (except beer).

(260) AM 2015 79405 A  
 (800) 1049847  
 (891) 2014 07 22  
 (731) CALZEDONIA S.p.A.  
 Via Portici Umberto I, 5, I-37018 Malcesine  
 (Verona), Italy  
 (540)

## CALZEDONIA

(511)  
 3 – Bleaching preparations and other substances for laundry use; cleaning, polishing, scouring and abrasive preparations; soaps; perfumery, essential oils, cosmetics, hair lotions; dentifrices.

9 – Scientific, nautical, surveying, photographic, cinematographic, optical, weighing, measuring, signalling, checking (supervision), life-saving and teaching apparatus and instruments; apparatus and instruments for conducting, switching, transforming, accumulating, regulating or controlling electricity; apparatus for recording, transmission or reproduction of sound or images; magnetic data carriers, recording discs; automatic vending machines and mechanisms for coin-operated apparatus; cash registers, calculating machines, data processing equipment and computers; fire-extinguishing apparatus.

14 – Precious metals and their alloys and goods in precious metals or coated therewith, not included in other classes; jewellery, precious stones; horological and chronometric instruments.

18 – Leather and imitations of leather, and goods made of these materials and not included in other classes; animal skins, hides; trunks and travelling bags; umbrellas, parasols and walking sticks; whips, harness and saddlery.

24 – Textiles and textile goods, not included in other classes; bed and table covers.

28 – Games and playthings; gymnastic and sporting articles not included in other classes; decorations for Christmas trees.

---

(260) AM 2015 79408 A  
 (800) 1075612  
 (891) 2014 07 28  
 (731) IPSEN PHARMA S.A.S.  
 65 quai Georges Gorse, F-92100  
 BOULOGNE BILLANCOURT, France  
 (540)

## IZINOVA

(511)  
 5 – Pharmaceutical products.

---

(260) AM 2015 79410 A  
 (800) 1086846  
 (891) 2014 07 18

(731) GRAFF DIAMONDS LIMITED  
 29 Albemarle Street London W1S 4JA,  
 United Kingdom  
 (540)

## SCUBAGRAFF

(511)  
 14 – Diving watches.

---

(260) AM 2015 79411 A  
 (800) 1129764  
 (891) 2014 07 25  
 (731) GRAFF DIAMONDS LIMITED  
 29 Albemarle Street London W1S 4JA,  
 United Kingdom  
 (540)

## GRAFF BUTTERFLY

(511)  
 14 – Jewelry products, precious stones; timepieces and chronometric instruments.

---

(260) AM 2015 79412 A  
 (800) 1150722  
 (891) 2014 10 13  
 (731) SOCIÉTÉ DES PRODUITS NESTLÉ S.A.  
 CH-1800 Vevey, Switzerland  
 (540)

## RED MUG

(511)  
 11 – Heating and cooking apparatus; apparatus for heating and foaming milk; apparatus and machines for making beverages including coffee, tea, chocolate, cappuccino and/or cocoa-based beverages; electric percolators, coffeepots and coffee machines; parts and component parts for all the aforesaid goods; electric machines for preparing all types of beverages; refills, cartridges and spare parts for these machines; electric coffee filters.

29 – Milk, cream, butter, cheese and dairy products; milk substitutes; milk beverages, milk predominating; desserts made of milk and desserts made of cream; yogurt; soya milk (milk substitute), preserved soya beans for human consumption; edible oils and fats; protein preparations for human consumption; coffee and/or tea whiteners (cream substitutes); beverages based on milk ferments.

30 – Coffee, coffee extracts, coffee-based beverages and preparations; iced coffee; artificial coffee, artificial coffee extracts, artificial coffee-based beverages and preparations; chicory (coffee substitute); tea, tea extracts, tea-based beverages and preparations; iced tea; malt-based preparations for human consumption; cocoa and cocoa-based beverages and preparations; chocolate, chocolate products, chocolate-based beverages and preparations; confectionery, sugar confectionery, candy; sugar; chewing gum not for

medical use; natural sweeteners; bakery products, bread, yeast, pastries; biscuits, cakes, cookies, wafers, caramels, desserts (included in this class), puddings; edible ices, water ices, sherbets, frozen confectionery, frozen cakes, ice cream, frozen desserts, frozen yogurts, powders and binding agents (included in this class) for making edible ices and/or water ices and/or sherbets and/or frozen confectionery and/or frozen cakes and/or ice cream and/or frozen desserts and/or frozen yogurts; breakfast cereals, muesli, corn flakes, cereal bars, ready-to-eat cereals; cereal preparations.

32 – Preparations for making non-alcoholic beverages (excluding essential oils); soya-based beverages; malt-based beverages; all aforementioned goods expressly excluding carbonated soft drinks.

(260) AM 2015 79413 A

(800) 1197643

(891) 2014 07 10

(731) MONCLER S.P.A.

Via Stendhal, 47 I-20144 MILANO, Italy

(540)



(591) Black, white

(511)

9 – Eyeglasses; sunglasses; anti-glare glasses, goggles for sports, swimming goggles, eyeglass and sunglass cases, eyeglass and sunglass lenses; eyeglass and sunglass frames; eyeglass and sunglass chains; eyeglass and sunglass cords; pince-nez; pince-nez cases; pince-nez chains; pince-nez cords; pince-nez mountings; correcting lenses [optics]; cases for electronic apparatus; scientific, nautical, surveying, photographic, cinematographic, optical, weighing, measuring, signalling, checking [supervision], life-saving and teaching apparatus and instruments; apparatus and instruments for conducting, switching, transforming, accumulating, regulating or controlling electricity; apparatus for recording, transmission or reproduction of sound or images; magnetic data carriers, recording discs; compact discs, DVDs and other digital recording media; mechanisms for coin-operated apparatus; cash registers, calculating machines, data processing equipment, computers; computer software; fire-extinguishing apparatus; ski goggles; spectacle cases; holders for contact lenses; optical lenses; lanyards for mobile phones; mobile phone covers; mobile phone cases; mobile phones; smartphones; smartphone covers; portable telephones; telephone card cases; cordless telephones;

cordless telephone holders; mobile phone straps; mobile phone battery chargers; mobile phone battery charger cases; in-ear headphones; headphones; headphone cases; compact discs [audio-video]; DVDs; holders and cases for compact discs and digital video discs; protective carrying cases for portable music players; music and video player cases; digital audio players; loudspeakers; compact disc players; CD player cases; DVD players; DVD player cases; portable MP3 players; portable MP3 player cases; cases for tablet computers; protective covers for tablet computers; personal computer cases; computer mice; mouse pads; cases for laptops; computer carrying cases; computers; tablet computers; bags adapted for laptops; docking stations for laptops; sleeves for laptops; electronic pagers; carrying cases for radio pagers; radios; radio cases; camera cases; lanyards for cameras; photographic cameras; digital photo frames; exposed slide film cases; video cameras; binocular cases; credit card cases [fitted holders]; magnetically encoded key cards; hands free kits for phones; hand-held computers; hand-held computers cases; slides [photography]; video screens; prerecorded magnetic tapes, cartridges and disks; wrist rests for use with computers; pocket calculators; electronic agendas; electronic agenda cases; walkie-talkies; antennas; audiovisual teaching apparatus; binoculars; telescopes; microscopes; exposed films; electronic game software for hand-held electronic devices; computer game software; computer keyboards; computer printers; home theater projectors; musical juke boxes; letter scales; rulers [measuring instruments]; decorative magnets; magic lanterns; holograms; optical discs; prisms [optics]; time clocks [time recording devices]; egg timers [sandglasses]; metronomes; protective masks; protective helmets for sports; magnifying glasses; magnifying glass cases; gloves for protection against accidents, irradiation and fire; footwear for protection against accidents, irradiation and fire; life jackets; knee and elbow pads and guards for protection against accidents; ear plugs for divers; ear plugs holders; road signs, luminous or mechanical; transmitters of electronic signals; balances [steelyards]; measures; vehicle breakdown warning triangles; reflecting discs for wear, for the prevention of traffic accidents; objectives [lenses] [optics]; altimeters; magnetic compasses for surveying; graduated glassware; petri dishes; magnetic wires; converters, electric; switches, electric; fuses; amplifiers; printed circuits; electric light regulators; remote controls; lightning conductors; igniting apparatus, electric, for igniting at a distance; electrolyzers; fire alarms; radiological apparatus for industrial purposes; safety nets; electric plugs; life buoys; safety tarpaulins; fire extinguishers; batteries, electric; magnets; teleprinters; anodes; fire engines; electric call bells; counters; electric cables; radar; sonars; automatic ticket dispensers; automated cash machines; electrical power



supplies; stroboscopes; traffic cones; temperature indicator labels, not for medical purposes; pitot tubes; navigation apparatus for vehicles [on-board computers]; televisions; barometers; downloadable electronic publications; anti-theft warning apparatus; interactive whiteboards; electronic book readers; protective cases for electronic book readers.

(260) AM 2015 79465 A

(800) 928432

(891) 2014 07 08

(731) INDUSTRIA DE DISEÑO TEXTIL, S.A.  
(INDITEX, S.A.)

Avda. de la Diputación, "Edificio Inditex",  
E-15142 Arteixo (A CORUÑA), Spain

(540)

## BERSHKA

(511)

26 – Lace and embroidery, ribbons and braid; buttons, hooks and eyes, pins and needles; artificial flowers; tinsels (trimmings for clothing); pin cushions; hat and shoe ornaments (not of precious metals); hair ornaments; haberdashery articles (except thread); hair bands; bracelets; reins for guiding children; brooches (clothing accessories); sewing kit boxes; belt clasps; shoe laces; artificial garlands and crowns of flowers tea cosies; ornamental badges; sewing thimbles; diadems; needle cases, not of precious metal; boxes for needles, not of precious metal; buckles (clothing accessories); shoe buckles; shoulder pads for clothing; hairpins; badges, not of precious metal; clothing sequins; numerals or letters for marking linen; bodkins; hairclips; lace trimmings; feathers (clothing accessories); pompons; zip fasteners (haberdashery); competitors' numbers; whalebones for corsets; false hair; wigs; artificial fruit; darning eggs.

(260) AM 2015 79473 A

(800) 1187273

(891) 2014 07 21

(731) GSH TRADEMARKS LIMITED

Afroditis, 25 2nd floor, office 204, Nicosia,  
Cyprus

(540)

## LEAF

(511)

33 – Vodka.

(260) AM 2015 79496 A

(800) 1221892

(891) 2014 07 22

(731) JOINT STOCK COMPANY GAZPROM  
NEFT

Galernaya ul, 5, lit A RU-190000  
St-Petersburg, Russian Federation

(540)



(591) Light orange, dark orange, black, light gray  
and dark gray

(511)

1 – Agar-agar; nitrogen; actinium; alkaloids; alginates for the food industry; alginates for industrial purposes; crotonic aldehyde; ammonium aldehyde; aldehydes; americium; amyl acetate; ammonia [volatile alkali] for industrial purposes; anhydrous ammonia; ammonia; acetic anhydride; anhydrides; anti-knock substances for internal combustion engines; disincrustants; antistatic preparations, other than for household purposes; antifreeze; starch size [chemical preparations]; argon; lead arsenate; astatine; aluminium acetate; lime acetate; lead acetate; acetate of cellulose, unprocessed; acetates [chemicals]; acetylene; acetone; oenological bactericides [chemical preparations for use in wine making]; balm of gurjun [gurjon, gurjan] for making varnish; barium; barytes; albumin [animal or vegetable, raw material]; animal albumen [raw material]; iodised albumen; malt albumen; bentonite; berkelium; bicarbonate of soda for chemical purposes; potassium dioxalate; bichromate of potassium; bichromate of soda; bauxite; bromine for chemical purposes; albuminized paper; baryta paper; diazo paper; blueprint paper; test paper, chemical; litmus paper; self-toning paper [photography]; nitrate paper; sensitized paper; photometric paper; borax; agglutinants for concrete; gas purifying preparations; preservatives for pharmaceutical preparations; polish removing substances; preparations for the separation of greases; substances for preventing runs in stockings; water-softening preparations; limestone hardening substances; tanning substances; adhesives for industrial purposes; surface-active chemical agents; foundry binding substances; concrete-aeration chemicals; leather-dressing chemicals; chemicals for the manufacture of paints; chemical substances for preserving foodstuffs; starch-liquifying chemicals [ungluing agents]; flower preservatives; seed preserving substances; viscose; bismuth; bismuth subnitrate for chemical purposes; witherite; distilled water; seawater for industrial purposes; acidulated water for recharging accumulators; heavy water; hydrogen; seaweeds [fertilizers]; gadolinium; getters [chemically active substances]; protective gases for welding; solidified gases for industrial purposes; basic gallate of bismuth; gallium; gambier; helium; electrophoresis gels, other than for medical or veterinary purposes; genes of seeds for agricultural production; aluminium hydrate; hydrates; hyposulfites; ceramic glazings; glycol; expanded clay for hydroponic plant growing [substrate]; kaolin; alumina; glycerides; glycerine for industrial purposes; glucose for the food industry; glucose for indus-

trial purposes; glucosides; gluten for the food Industry; gluten for industrial purposes; holmium; hormones for hastening the ripening of fruit; peat pots for horticulture; graphite for industrial purposes; guano; humus; dextrin [size]; detergents for use in manufacturing processes; defoliants; hydrazine; diastase for industrial purposes; kieselgur; manganese dioxide; titanium dioxide for industrial purposes; zirconia; oil dispersants; petroleum dispersants; dispersions of plastics; dysprosium; bichloride of tin; detergent additives to gasoline [petrol]; ceramic compositions for sintering [granules and powders]; additives, chemical, to drilling muds; additives, chemical, to insecticides; chemical additives for oils; additives, chemical, to motor fuel; additives, chemical, to fungicides; dolomite for industrial purposes; tan-wood; europium; gelatine for photographic purposes; gelatine for industrial purposes; auxiliary fluids for use with abrasives; fluids for hydraulic circuits; liquids for removing sulfates from accumulators; power steering fluid; brake fluid; magnetic fluid for industrial purposes; transmission fluid; grafting wax for trees; tree cavity fillers [forestry]; glaziers' putty; moderating materials for nuclear reactors; rare earths; alkaline-earth metals; diatomaceous earth; fuller's earth for use in the textile industry; lime chloride; isotopes for industrial purposes; ion exchangers [chemicals]; ytterbium; yttrium; iodine for industrial purposes; iodine for chemical purposes; aluminium iodide; alkaline iodides for industrial purposes; casein for the food industry; casein for industrial purposes; kainite; potassium sorrel salt; californium; gum arabic for industrial purposes; tartar other than for pharmaceutical purposes; camphor, for industrial purposes; calcium carbide; carbide; lime carbonate; magnesium carbonate; carbonates; cement [metallurgy]; lutetium [casioptium]; catalysts; biochemical catalysts; catechu; caustics for industrial purposes; alum; ammonia alum; aluminium alum; chrome alum; quebracho for industrial purposes; ketones; cinematographic films, sensitized but not exposed; oxygen; nitric acid; anthranilic acid; benzoic acid; boric acid for industrial purposes; tartaric acid; tungstic acid; gallic acid for the manufacture of ink; gallotannic acid; tannic acid; iodic acid; phenol for industrial purposes; citric acid for industrial purposes; lactic acid; formic acid; persulfuric acid; oleic acid; picric acid; pyrogallic acid; salicylic acid; sebacic acid; sulfuric acid; sulfurous acid; spirits of salt; stearic acid; carbonic acid; spirits of vinegar [dilute acetic acid]; phosphoric acid; hydrofluoric acid; cholic acid; chromic acid; oxalic acid; acids; benzene-based acids; fatty acids; mineral acids; arsenious acid; adhesives for billposting; leather glues; adhesives for wall tiles; adhesives for wallpaper; glue for industrial purposes; cement for mending broken articles; gums [adhesives], other than for stationery or household purposes; birdlime; isinglass other than for stationery, household

or alimentary purposes; stem cells other than for medical or veterinary purposes; flocculants; collodion; compost; beer preserving agents; mangrove bark for industrial purposes; tan; starch for industrial purposes; silicon; creosote for chemical purposes; krypton; xenon; curium; lactose [raw material]; lactose for the food industry; lactose for industrial purposes; lanthanum; dry ice [carbon dioxide]; lecithin [raw material]; lecithin for the food industry; lecithin for industrial purposes; lithium; magnesite; manganate; oils for tanning leather; oils for currying leather; oils for preparing leather in the course of manufacture; oils for the preservation of food; carbolineum for the protection of plants; paper pulp; wood pulp; grafting mastic for trees; mastic for leather; cement for pneumatic tires [tyres]; fillers for automobile bodies; oil cement [putty]; synthetic materials for absorbing oil; ceramic materials in particulate form, for use as filtering media; filtering materials [unprocessed plastics]; filtering materials [mineral substances]; filtering materials [vegetable substances]; filtering materials [chemical preparations]; blue vitriol; metalloids; alkaline metals; methane; methyl benzene; methyl benzol; flour for industrial purposes; tapioca flour for industrial purposes; potato flour for industrial purposes; soap [metallic] for industrial purposes; arsenic; emollients for industrial purposes; sodium; hypochlorite of soda; naphthalene; sal ammoniac; toxic gas neutralizers; neodymium; neon; neptunium; nitrate of uranium; nitrates; combusting preparations [chemical additives to motor fuel]; nitrous oxide; baryta; uranium oxide; oxalates; lithia [lithium oxide]; lead oxide; antimony oxide; chromium oxide; cobalt oxide for industrial purposes; mercuric oxide; gallnuts; purification preparations; wine finings; textile-brightening chemicals; beer-clarifying and preserving agents; must-finishing preparations; reducing agents for use in photography; bases [chemical preparations]; wax-bleaching chemicals; fat-bleaching chemicals; pectin for the food industry; pectin for industrial purposes; pectin [photography]; perborate of soda; humus top dressing; percarbonates; hydrogen peroxide; persulfates; perchlorates; foundry sand; plastisols; ferrotype plates [photography]; plasticizers; plastics, unprocessed; X-ray films, sensitized but not exposed; plutonium; polonium; potash; potash water; earth for growing; praseodymium; rubber preservatives; masonry preservatives, except paints and oils; brickwork preservatives, except paints and oils; cement preservatives, except paints and oils; preservatives for tiles, except paints and oils; bacteriological preparations for acetification; vulcanising preparations; renovating preparations for phonograph records; currying preparations for leather; currying preparations for skins; metal hardening preparations; fixing baths [photography]; opacifiers for glass; opacifiers for enamel or glass; opacifiers for enamel; separating and unsticking [ungluing] preparations; preparations for

preventing the tarnishing of lenses; preparations for preventing the tarnishing of glass; cement-waterproofing chemicals, except paints; plant growth regulating preparations; wallpaper removing preparations; anti-boil preparations for engine coolants; fulling preparations for use in the textile industry; scale removing preparations, other than for household purposes; flashlight preparations; galvanizing preparations; finishing preparations for use in the manufacture of steel; sizing preparations; animal carbon preparations; corrosive preparations; cryogenic preparations; dehydrating preparations for industrial purposes; degreasing preparations for use in manufacturing processes; degumming preparations; oil-bleaching chemicals; bleaching preparations [decolorants] for industrial purposes; meat tenderizers for industrial purposes; preparations for stimulating cooking for industrial purposes; anti-incrustants; preparations of trace elements for plants; moistening [wetting] preparations for use in the textile industry; moistening [wetting] preparations for use in dyeing; moistening [wetting] preparations for use in bleaching; enzyme preparations for the food industry; enzyme preparations for industrial purposes; filtering preparations for the beverages industry; vine disease preventing chemicals; chemical preparations to prevent mildew; chemical preparations for protection against wheat blight [smut]; chemical condensation preparations; chemical preparations for smoking meat; chemical preparations for facilitating the alloying of metals; engine-decarbonising chemicals; fulling preparations; fuel-saving preparations; coal saving preparations; damp-proofing chemicals, except paints, for masonry; anti-sprouting preparations for vegetables; preparations of the distillation of wood alcohol; benzene derivatives; cellulose derivatives [chemicals]; promethium; protactinium; protein [raw material]; mordants for metals; radium for scientific purposes; radon; solvents for varnishes; anti-frothing solutions for accumulators; drilling muds; solutions for cyanotyping; galvanizing baths; silver salt solutions for silvering; toning baths [photography]; rhenium; mercury; rubidium; carbon black for industrial purposes; soot for industrial or agricultural purposes; lamp black for industrial purposes; samarium; saccharin; selenium; saltpeter; sulfur; silver nitrate; carbon disulfide; silicates; silicones; scandium; foundry molding [moulding] preparations; acrylic resins, unprocessed; artificial resins, unprocessed; synthetic resins, unprocessed; epoxy resins, unprocessed; soda ash; calcined soda; caustic soda for industrial purposes; barium compounds; fluorspar compounds; salts [fertilisers]; salts [chemical preparations]; ammoniacal salts; ammonium salts; salts of precious metals for industrial purposes; salts for galvanic cells; salt for preserving, other than for foodstuffs; salts for coloring [coloring] metal; salts for industrial purposes; iron salts; gold salts; iodised salts; calcium salts; salt, raw; salts

from rare earth metals; mercury salts; toning salts [photography]; chrome salts; chromic salts; salts of alkaline metals; fire extinguishing compositions; compositions for the manufacture of phonograph records; compositions for the manufacture of technical ceramics; compositions for repairing inner tubes of tires [tyres]; compositions for repairing tires [tyres]; acid proof chemical compositions; glutinous tree-grafting preparations; adhesive preparations for surgical bandages; fireproofing preparations; compositions for threading; sauce for preparing tobacco; amyl alcohol; vinic alcohol; wood alcohol; sal ammoniac spirits; ethyl alcohol; alcohol; cement for footwear; concrete preservatives, except paints and oils; water glass [soluble glass]; strontium; substrates for soil-free growing [agriculture]; barium sulfate; sulfates; antimony sulfide; sulfides; benzoic sulfimide; sulfonic acids; sumac for use in tanning; superphosphates [fertilisers]; antimony; thallium; talc [magnesium silicate]; tannin; cream of tartar for the food industry; cream of tartar for industrial purposes; cream of tartar for chemical purposes; tellurium; terbium; tetrachlorides; carbon tetrachloride; acetylene tetrachloride; technetium; thiocarbanilide; titanite; biological tissue cultures other than for medical or veterinary purposes; sensitized cloth for photography; blueprint cloth; toluene; fuel for atomic piles; thorium; peat [fertiliser]; gum tragacanth for industrial purposes; thulium; carbonic hydrates; carbon; activated carbon; carbon for filters; animal charcoal; animal carbon; bone charcoal; blood charcoal; fertilizing preparations; nitrogenous fertilisers; fertilizers; fish meal fertilizers; wood vinegar [pyro-ligneous acid]; uranium; chemical intensifiers for paper; chemical intensifiers for rubber; vulcanisation accelerators; enzymes for the food industry; enzymes for industrial purposes; ferments for chemical purposes; milk ferments for the food industry; milk ferments for industrial purposes; milk ferments for chemical purposes; fermium; ferrocyanides; fixing solutions [photography]; soldering fluxes; brazing fluxes; formic aldehyde for chemical purposes; phosphatides; phosphates [fertilisers]; phosphorus; photographic paper; photosensitive plates; sensitized photographic plates; sensitized films, unexposed; photographic developers; photographic sensitizers; chemical preparations for use in photography; photographic emulsions; francium; fluorine; chemicals for use in forestry, except fungicides, herbicides, insecticides and parasiticides; glass-frosting chemicals; leather-renovating chemicals; glass-staining chemicals; enamel-staining chemicals; oil-separating chemicals; water-purifying chemicals; oil-purifying chemicals; welding chemicals; condensation-preventing chemicals; stain-preventing chemicals for use on fabrics; anti-tarnishing chemicals for windows; leather-waterproofing chemicals; textile-waterproofing chemicals; chemical preparations, except pigments, for the manufacture of enamel; radiator flus-

hing chemicals; leather-impregnating chemicals; textile-impregnating chemicals; horticultural chemicals, except fungicides, herbicides, insecticides and parasiticides; agricultural chemicals, except fungicides, herbicides, insecticides and parasiticides; soil conditioning preparations; chimney cleaners, chemical; industrial chemicals; color- [colour-] brightening chemicals for industrial purposes; refrigerants; coolants for vehicle engines; chlorine; chlorates; hydrochlorates; aluminium chloride; magnesium chloride; chlorides; palladium chloride; chromates; flowers of sulfur for chemical purposes; caesium; cellulose; cerium; cyanides [prussiates]; calcium cyanamide [fertilizer]; cymene; loam; slag [fertilisers]; size for finishing and priming; alkalies; caustic alkali; radioactive elements for scientific purposes; fissionable chemical elements; emulsifiers; erbium; ethane; methyl ether; sulfuric ether; ethyl ether; glycol ether; ethers; esters; cellulose ethers for industrial purposes; cellulose esters for industrial purposes; reagent paper, other than for medical or veterinary purposes; artificial sweeteners [chemical preparations]; fissionable material for nuclear energy; gluten [glue], other than for stationery or household purposes; starch paste [adhesive], other than for stationery or household purposes; bate for dressing skins; sensitized plates for offset printing; bacterial preparations other than for medical and veterinary use; sodium salts [chemical compounds]; chemical reagents, other than for medical or veterinary purposes; by-products of the processing of cereals for industrial purposes; chemical substances for analyses in laboratories, other than for medical or veterinary purposes; chemical preparations for scientific purposes, other than for medical or veterinary use; preparations of microorganisms, other than for medical and veterinary use; metal annealing preparations; metal tempering preparations; diagnostic preparations, other than for medical or veterinary purposes; biological preparations, other than for medical or veterinary purposes; bacteriological preparations other than for medical and veterinary use.

4 – Anthracite; petrol; benzene; benzol; wood briquettes; combustible briquettes; petroleum jelly for industrial purposes; wax [raw material]; ozocerite [ozokerite]; illuminating wax; industrial wax; belting wax; carnauba wax; beeswax; gas for lighting; oil-gas; fuel gas; gasoline; producer gas; solidified gases [fuel]; fuel; lubricating graphite; additives, non-chemical, to motor-fuel; firewood; paper spills for lighting; cutting fluids; fish oil, not edible; illuminating grease; grease for leather; grease for boots; tallow; industrial grease; kerosene; coke; xylene; xylol; lignin; wood spills for lighting; mazut; fuel oil; oils for paints; oils for releasing form work [building]; oil for the preservation of masonry; oil for the preservation of leather; textile oil; lubricating oil; industrial oil; moistening oil; coal tar oil; coal naphtha; castor oil for technical purposes; bone oil for industrial

purposes; motor oil; sunflower oil for industrial purposes; rape oil for industrial purposes; lubricants; naphtha; petroleum, raw or refined; nightlights [candles]; oleine; paraffin; dust removing preparations; soya bean oil preparations for non-stick treatment of cooking utensils; non-slipping preparations for belts; coal dust [fuel]; firelighters; perfumed candles; Christmas tree candles; candles; grease for arms [weapons]; lubricating grease; grease for belts; vaporized fuel mixtures; dust binding compositions for sweeping; dust laying compositions; alcohol [fuel]; stearine; diesel oil; lighting fuel; mineral fuel; carburants; fuel with an alcoholic base; peat [fuel]; peat briquettes [fuel]; tinder; lignite; charcoal [fuel]; coal; coal briquettes; lamp wicks; wicks for candles; cere-sine; electrical energy; ethanol [fuel]; petroleum ether; lanolin; methylated spirit; preservatives for leather [oils and greases].

12 – Motor buses; motor coaches; motor homes; cars; sports cars; concrete mixing vehicles; refrigerated vehicles; caravans; shock absorbers for automobiles; suspension shock absorbers for vehicles; space vehicles; aircraft; aeronautical apparatus, machines and appliances; air cushion vehicles; air balloons; luggage carriers for vehicles; ski carriers for cars; bumpers for automobiles; vehicle bumpers; tires for vehicle wheels; barges; brake shoes for vehicles; tailboard lifts [parts of land vehicles]; buffers for railway rolling stock; dining cars [carriages]; wag-gons; tilt trucks; carriages [railways]; sleeping cars; dining cars; refrigerated wagons [railroad vehicles]; transmission shafts for land vehicles; bicycles; valves for vehicle tires [tyres]; automobile hoods; push-chair hoods; hoods for vehicles; oars; sculls; paddles for canoes; screws [propellers] for ships; hydroplanes; seaplanes; flanges for railway wheel tires [tyres]; trucks; horns for vehicles; treads for vehicles [tractor type]; doors for vehicles; motors for cycles; engines for land vehicles; jet engines for land vehicles; driving motors for land vehicles; screw-propellers; screw-propellers for boats; dirigible balloons [airships]; brake discs for vehicles; telpher railways [cable cars]; dredgers [boats]; trolleys; adhesive rubber patches for repairing inner tubes; rearview mirrors; portholes; cars for cable transport installations; inner tubes for bicycles, cycles; inner tubes for pneumatic tires [tyres]; hoods for vehicle engines; crankcases for land vehicle components, other than for engines; boats; caissons [vehicles]; wheels for bicycles, cycles; vehicle wheels; mine cart wheels; casters for trolleys [vehicles] [carts (Am.)]; brake pads for automobiles; hub caps; pushchairs; side cars; brake linings for vehicles; ships; baskets adapted for cycles; gear boxes for land vehicles; ships' hulls; panniers adapted for cycles; fenders for ships; bands for wheel hubs; ejector seats for aircraft; wheelchairs; caps for vehicle petrol [gas] tanks; boat hooks; automobile bodies; tipping bodies for lorries [trucks]; bodies for vehicles; treads for retreading tires [ty-

res]; traction engines; locomotives; masts for boats; sprinkling trucks; propulsion mechanisms for land vehicles; mopeds; cycle cars; motorcycles; freewheels for land vehicles; clutches for land vehicles; repair outfits for inner tubes; air pumps [vehicle accessories]; pumps for bicycles, cycles; upholstery for vehicles; rims for wheels of bicycles, cycles; rims for vehicle wheels; windows for vehicles; omnibuses; axles for vehicles; headlight wipers; parachutes; ferry boats; pedals for cycles; gearing for land vehicles; carts; head-rests for vehicle seats; stands for bicycles, cycles [parts of bicycles, cycles]; vehicle running boards; air bags [safety devices for automobiles]; ski lifts; chairlifts; casings for pneumatic tires [tyres]; sleeping berths for vehicles; pontoons; torque converters for land vehicles; cigar lighters for automobiles; anti-glare devices for vehicles; anti-theft devices for vehicles; sun-blinds adapted for automobiles; non-skid devices for vehicle tires [tyres]; balance weights for vehicle wheels; shock absorbing springs for vehicles; frames for bicycles, cycles; spars for ships; reduction gears for land vehicles; safety belts for vehicle seats; security harness for vehicle seats; vehicle suspension springs; steering wheels for vehicles; rudders; handle bars for bicycles, cycles; cranks for cycles; aeroplanes; amphibious airplanes; sleighs [vehicles]; kick sledges; brake segments for vehicles; saddles for bicycles, cycles or motorcycles; bicycle saddles; luggage nets for vehicles; dress guards for bicycles, cycles; anti-theft alarms for vehicles; reversing alarms for vehicles; safety seats for children, for vehicles; vehicle seats; hydraulic circuits for vehicles; scooters [vehicles]; snowmobiles; rolling stock for railways; rolling stock for funicular railways; spokes for bicycles, cycles; vehicle wheel spokes; spoilers for vehicles; air vehicles; vehicles for locomotion by land, air, water or rail; ambulances; water vehicles; remote control vehicles, other than toys; electric vehicles; tricycles; delivery tricycles; inclined ways for boats; windscreens; windshield wipers; cycle stands; cycle hubs; hubs for vehicle wheels; saddlebags adapted for bicycles; railway couplings; trailer hitches for vehicles; couplings for land vehicles; wheelbarrows; handling carts; two-wheeled trolleys; golf carts; shopping trolleys [carts (Am.)]; hose carts; bogies for railway cars; casting carriages; tilting-carts; lifting cars [lift cars]; cleaning trolleys; brakes for bicycles, cycles; brakes for vehicles; torsion bars for vehicles; tractors; tramcars; transmissions, for land vehicles; military vehicles for transport; aerial conveyors; trailers [vehicles]; funnels for ships; funnels for locomotives; cleats [nautical]; turbines for land vehicles; direction indicators for bicycles; direction signals for vehicles; rowlocks; disengaging gear for boats; steering gears for ships; cable transport apparatus and installations; spoke clips for wheels; tipping apparatus, parts of trucks and waggons; funiculars; vans [vehicles]; automobile chains; chains for bi-

cycles, cycles; driving chains for land vehicles; anti-skid chains; transmission chains for land vehicles; stroller covers [pushchairs]; spare wheel covers; covers for vehicle steering wheels; saddle covers for bicycles or motorcycles; seat covers for vehicles; vehicle covers [shaped]; automobile chassis; vehicle chassis; connecting rods for land vehicles, other than parts of motors and engines; axle journals; gears for cycles; tubeless tires [tyres] for bicycles, cycles; bicycle tires [tyres]; automobile tires [tyres]; vehicle wheel tires [tyres]; pneumatic tires [tyres]; spikes for tires [tyres]; davits for boats; launches; timbers [frames] for ships; mudguards; cycle mudguards; motors, electric, for land vehicles; yachts; undercarriages for vehicles.

16 – Fountain pens; aquarelles; albums; almanacs; document laminators for office use; mimeograph apparatus and machines; atlases; posters; paper bows; table linen of paper; tickets; forms, printed; announcement cards [stationery]; note books; pads [stationery]; drawing pads; loose-leaf binders; wristbands for the retention of writing instruments; pamphlets; booklets; paper sheets [stationery]; waxed paper; paper for recording machines; paper for radiograms; electrocardiograph paper; wood pulp paper; carbon paper; copying paper [stationery]; parchment paper; writing paper; luminous paper; Xuan paper for Chinese painting and calligraphy; toilet paper; wrapping paper; filter paper; paper; blotters; newsletters; rollers for typewriters; house painters' rollers; obliterating stamps; modelling wax, not for dental purposes; signboards of paper or cardboard; patterns for making clothes; patterns for dressmaking; newspapers; electrotypes; hectographs; modelling clay; terrestrial globes; drawing sets; engravings; slate pencils; pencil leads; document holders [stationery]; pencil holders; chalk holders; holders for checkbooks [cheque books]; holders for stamps [seals]; diagrams; engraving plates; writing slates; blackboards; galley racks [printing]; drawing boards; advertisement boards of paper or cardboard; duplicators; punches [office requisites]; cream containers of paper; magazines [periodicals]; money clips; tags for index cards; pen clips; bookmarkers; etching needles; tracing needles for drawing purposes; periodicals; printed publications; cardboard articles; paper shredders for office use; graphic representations; credit card imprinters, non-electric; graining combs; drawing instruments; calendars; tracing paper; tracing cloth; tracing patterns; gums [adhesives] for stationery or household purposes; lithographic stones; ink stones [ink reservoirs]; pencils; pencil lead holders; charcoal pencils; pictures; transfers [decalcomanias]; paintings [pictures], framed or unframed; wood pulp board [stationery]; cardboard; hat boxes of cardboard; files [office requisites]; cards; index cards [stationery]; geographical maps; paper tapes and cards for the recordal of computer programmes; trading cards other than for games; perforated cards

for Jacquard looms; catalogues; spools for inking ribbons; covers of paper for flower pots; paintbrushes; painters' brushes; writing brushes; typewriter keys; glue for stationery or household purposes; gluten [glue] for stationery or household purposes; starch paste [adhesive] for stationery or household purposes; printing blocks; books; manifolds [stationery]; comic books; drawing pins; cigar bands; envelopes [stationery]; cases for stamps [seals]; boxes of cardboard or paper; paint boxes [articles for use in school]; correcting fluids [office requisites]; stencils [stationery]; French curves; paper ribbons; typewriter ribbons; gummed tape [stationery]; adhesive bands for stationery or household purposes; correcting tapes [office requisites]; inking ribbons; inking ribbons for computer printers; adhesive tapes for stationery or household purposes; self-adhesive tapes for stationery or household purposes; drawing rulers; square rulers; absorbent sheets of paper or plastic for foodstuff packaging; humidity control sheets of paper or plastic for foodstuff packaging; viscose sheets for wrapping; sheets of reclaimed cellulose for wrapping; plastic bubble packs for wrapping or packaging; steel letters; type [numerals and letters]; lithographs; paint trays; architects' models; postage stamps; plastics for modelling; graphic prints; modelling materials; teaching materials [except apparatus]; sealing compounds for stationery purposes; adhesives [glues] for stationery or household purposes; bookbinding material; packaging material made of starches; filtering materials [paper]; addressing machines; pencil sharpening machines, electric or non-electric; bookbinding apparatus and machines [office equipment]; typewriters, electric or non-electric; folders [stationery]; franking machines for office use; chalk for lithography; writing chalk; tailors' chalk; marking chalk; bags [envelopes, pouches] of paper or plastics, for packaging; garbage bags of paper or of plastics; painters' easels; hand-rests for painters; writing cases [stationery]; printing sets, portable [office requisites]; bibs of paper; stickers [stationery]; finger-stalls [office requisites]; cords for bookbinding; paper knives [cutters] [office requisites]; numbering apparatus; bottle envelopes of cardboard or paper; sealing wafers; covers [stationery]; passport holders; plastic cling film, extensible, for palletization; embroidery designs [patterns]; handwriting specimens for copying; oleographs; musical greeting cards; greeting cards; postcards; etchings; conical paper bags; bags for microwave cooking; palettes for painters; ink sticks; pantographs [drawing instruments]; folders for papers; papier mâché; pastels [crayons]; modelling paste; pen cases; bookbindings; pen wipers; office perforators; pens [office requisites]; nibs of gold; nibs; steel pens; drawing pens; song books; seals [stamps]; sealing stamps; clipboards; address plates for addressing machines; handkerchiefs of paper; plastic film for wrapping; letter trays; trays

for sorting and counting money; coasters of paper; bookends; stamp stands; mats for beer glasses; stands for pens and pencils; photograph stands; inking pads; stamp pads; binding strips [bookbinding]; towels of paper; inking sheets for document reproducing machines; inking sheets for duplicators; bookbinding cloth; gummed cloth for stationery purposes; printers' blankets, not of textile; portraits; paperweights; writing cases [sets]; inkstands; office requisites, except furniture; writing materials; writing instruments; drawing materials; school supplies [stationery]; adhesive tape dispensers [office requisites]; hand labelling appliances; printed matter; lithographic works of art; prospectuses; printed timetables; ledgers [books]; printers' galleys; indexes; rubber erasers; elastic bands for offices; drawing T-squares; graphic reproductions; penholders; marking pens [stationery]; napkins of paper for removing make-up; face towels of paper; table napkins of paper; place mats of paper; tablemats of paper; tablecloths of paper; paper clasps; document files [stationery]; scrapers [erasers] for offices; paper-clips; staples for offices; erasing products; biological samples for use in microscopy [teaching materials]; histological sections for teaching purposes; steatite [tailor's chalk]; writing board erasers; composing frames [printing]; sealing wax; arithmetical tables; placards of paper or cardboard; writing or drawing books; fabrics for bookbinding; stationery; pencil sharpeners, electric or non-electric; transparencies [stationery]; stencil plates; cardboard tubes; Indian inks; moisteners [office requisites]; moisteners for gummed surfaces [office requisites]; drawing squares; chart pointers, non-electronic; bottle wrappers of cardboard or paper; envelope sealing machines, for offices; sealing machines for offices; vignetting apparatus; apparatus for mounting photographs; stapling presses [office requisites]; manuals [handbooks]; figurines [statuettes] of papier mâché; paper coffee filters; flags of paper; flyers; silver paper; molds for modelling clays [artists' materials]; photo-engravings; photographs [printed]; stencil cases; canvas for painting; chromolithographs [chromos]; compasses for drawing; numbers [type]; watercolor [watercolour] saucers for artists; correcting ink [heliography]; ink; inkwells; blueprints; rosaries; stencils; erasing shields; balls for ball-point pens; cabinets for stationery [office requisites]; printing type; address stamps; stamps [seals]; shields [paper seals]; prints [engravings]; labels, not of textile; drawer liners of paper, perfumed or not; isinglass for stationery or household purposes.

25 – Wimples; bandanas [neckerchiefs]; underwear; sweat-absorbent underwear; berets; overalls; boas [necklets]; teddies [undergarments]; half-boots; ski boots; boots for sports; breeches for wear; trousers; football shoes; brassieres; detachable collars; collars [clothing]; shirt yokes; veils [clothing]; gabardines [clothing]; galoshes; neckties; ascots; leggings [leg

warmers]; gaiters; boot uppers; corselets; jerseys [clothing]; vests; sports jerseys; hosiery; heels; hoods [clothing]; hat frames [skeletons]; pockets for clothing; collar protectors; visors [headwear]; cap peaks; tights; slippers [undergarments]; combinations [clothing]; wet suits for water-skiing; bodices [lingerie]; corsets [underclothing]; suits; bathing suits; masquerade costumes; beach clothes; jackets [clothing]; stuff jackets [clothing]; fishing vests; leggings [trousers]; liveries; camisoles; cuffs; short-sleeve shirts; mantillas; coats; sleep masks; furs [clothing]; mittens; miters [hats]; muffs [clothing]; footmuffs, not electrically heated; heelpieces for footwear; bibs, not of paper; fur stoles; ear muffs [clothing]; socks; beach shoes; sports shoes; footwear; paper clothing; outerclothing; ready-made clothing; motorists' clothing; cyclists' clothing; clothing for gymnastics; clothing of imitations of leather; clothing of leather; uniforms; clothing; fittings of metal for footwear; maniples; overcoats; parkas; pelerines; gloves [clothing]; ski gloves; pajamas (Am.); bathing trunks; shirt fronts; scarfs; pocket squares; dresses; headbands [clothing]; garters; sock suspenders; stocking suspenders; ready-made linings [parts of clothing]; dress shields; soles for footwear; braces for clothing [suspenders]; lace boots; ponchos; girdles; belts [clothing]; money belts [clothing]; layettes [clothing]; non-slipping devices for footwear; heelpieces for stockings; welts for footwear; chasubles; shirts; wooden shoes; sandals; bath sandals; boots; sarongs; jumper dresses; saris; sweaters; footwear uppers; inner soles; bath slippers; togas; knitwear [clothing]; underpants; gymnastic shoes; slippers; shoes; skull caps; turbans; headgear for wear; aprons [clothing]; tee-shirts; dressing gowns; bath robes; top hats; tips for footwear; stockings; sweat-absorbent stockings; shawls; caps [headwear]; paper hats [clothing]; shower caps; bathing caps; sashes for wear; studs for football boots; hats; babies' pants [clothing]; trouser straps; pelisses; esparto shoes or sandals; skirts; petticoats; skorts.

35 – Arranging subscriptions to telecommunication services for others; import-export agencies; commercial information agencies; advertising agencies; cost price analysis; rental of advertising space; business auditing; employment agencies; computerized file management; book-keeping; invoicing; demonstration of goods; opinion polling; marketing studies; business information; commercial information and advice for consumers [consumer advice shop]; business investigations; business research; marketing research; personnel recruitment; business management and organization consultancy; business organization consultancy; business management consultancy; personnel management consultancy; professional business consultancy; layout services for advertising purposes; marketing; business management of performing artists; business management of sports people; news clipping services; updating of

advertising material; word processing; organization of exhibitions for commercial or advertising purposes; arranging newspaper subscriptions for others; organization of fashion shows for promotional purposes; organization of trade fairs for commercial or advertising purposes; shop window dressing; business appraisals; payroll preparation; data search in computer files for others; sponsorship search; business management assistance; commercial or industrial management assistance; economic forecasting; auctioneering; retail or wholesale services for pharmaceutical, veterinary and sanitary preparations and medical supplies; sales promotion for others; production of advertising films; office machines and equipment rental; rental of advertising time on communication media; publicity material rental; rental of vending machines; rental of photocopying machines; publication of publicity texts; radio advertising; bill-posting; distribution of samples; dissemination of advertising matter; direct mail advertising; writing of publicity texts; advertising; on-line advertising on a computer network; advertising by mail order; television advertising; document reproduction; compilation of statistics; compilation of information into computer databases; business inquiries; systemization of information into computer databases; tax preparation; drawing up of statements of accounts; telemarketing services; psychological testing for the selection of personnel; business management of hotels; commercial administration of the licensing of the goods and services of others; administrative processing of purchase orders; public relations; modelling for advertising or sales promotion; typing; relocation services for businesses; price comparison services; secretarial services; procurement services for others [purchasing goods and services for other businesses]; shorthand; outsourcing services [business assistance]; telephone answering for unavailable subscribers; photocopying services; business efficiency expert services; presentation of goods on communication media, for retail purposes; advisory services for business management.

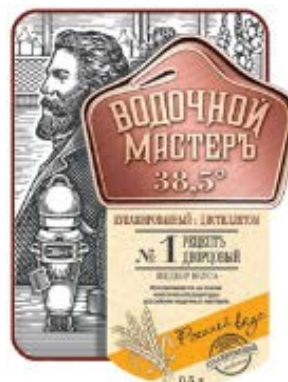
41 – Modelling for artists; academies [education]; rental of sports grounds; rental of tennis courts; lending libraries; booking of seats for shows; videotaping; physical education; discotheque services; animal training; dubbing; gambling; publication of books; education information; recreation information; entertainment information; movie studios; night clubs; layout services, other than for advertising purposes; microfilming; videotape editing; production of radio and television programmes; music-halls; production of music; game services provided on-line from a computer network; religious education; gymnastic instruction; correspondence courses; practical training [demonstration]; organization of balls; organization of exhibitions for cultural or educational purposes; providing recreation facilities;



arranging and conducting of colloquiums; arranging and conducting of congresses; arranging and conducting of conferences; arranging and conducting of concerts; arranging and conducting of workshops [training]; arranging and conducting of seminars; arranging and conducting of symposiums; organization of competitions [education or entertainment]; arranging of beauty contests; operating lotteries; organization of fashion shows for entertainment purposes; organization of shows [impresario services]; organization of sports competitions; vocational guidance [education or training advice]; amusement parks; sign language interpretation; television entertainment; mobile library services; vocational retraining; providing karaoke services; providing golf facilities; providing sports facilities; providing amusement arcade services; cinema presentations; presentation of live performances; theatre productions; conducting fitness classes; educational examination; timing of sports events; film production, other than advertising films; rental of audio equipment; rental of video cameras; rental of video cassette recorders; rental of videotapes; rental of show scenery; rental of sound recordings; toy rental; rental of movie projectors and accessories; rental of motion pictures; games equipment rental; rental of stadium facilities; rental of lighting apparatus for theatrical sets or television studios; rental of radio and television sets; rental of skin diving equipment; rental of sports equipment, except vehicles; rental of stage scenery; electronic desktop publishing; publication of electronic books and journals on-line; publication of texts, other than publicity texts; radio entertainment; entertainer services; entertainment; writing of texts, other than publicity texts; zoological garden services; news reporters services; party planning [entertainment]; music composition services; subtitling; holiday camp services [entertainment]; disc jockey services; personal trainer services [fitness training]; providing casino facilities [gambling]; calligraphy services; club services [entertainment or education]; providing museum facilities [presentation, exhibitions]; teaching; orchestra services; translation; scriptwriting services; ticket agency services [entertainment]; coaching [training]; sport camp services; recording studio services; language interpreter services; services of schools [education]; nursery schools; photography; photographic reporting; circuses; boarding schools; production of shows; health club services [health and fitness training]; providing on-line electronic publications, not downloadable.

(260) AM 2015 79499 A  
 (800) 1221906  
 (891) 2014 09 05  
 (731) NEMIROFF INTELLECTUAL PROPERTY ESTABLISHMENT  
 Städtle 31, FL-9490 Vaduz, Liechtenstein

(540)



(591) Black, white, brown, beige, grey and yellow  
 (526) The trademark is protected as a whole.  
 "КУПАЖИРОВАННЫЙ с ДИСТИЛЛЯТОМ №1 РЕЦЕПТЪ ДВОРЦОВЫЙ ШЕДЕВР ВКУСА Изготавливается на основе классической рецептуры российских водочных мастеров Ржаной Вкус" shall not be subject to independent legal protection.  
 (511)

3 – Alcoholic beverages (except beers).

35 – Advertising; business management; business administration; office functions; import and export agencies services of alcoholic beverages; retail and wholesale services with alcoholic beverages.

(260) AM 2015 79504 A  
 (800) 1222047  
 (891) 2014 07 30  
 (731) PREMIER BEVERAGES P.B. LIMITED  
 Arch. Makariou III, 2-4, Capital Center, 9-th floor, CY-1065 Nicosia, Cyprus

(540)



(591) Black, white  
 (511)

32 – Beers.

(260) AM 2015 79507 A  
 (800) 1222103  
 (891) 2014 06 05  
 (731) PAYPAL, INC.  
 2211 North First Street San Jose CA 95131, USA

(540)



(591) The color(s) dark blue, medium blue and light blue is/are claimed as a feature of the mark

(511)

9 – Computer software for processing electronic payments and for transferring funds to and from others; authentication software for controlling access to and communications with computers and computer networks; magnetically encoded credit cards and payment cards.

35 – Promoting the goods of others, namely, providing information regarding discounts, coupons, rebates, vouchers and special offers for the goods of others; promoting the goods and services of others by providing hypertext links to the web sites of others; promoting the goods and services of others by providing a web site featuring links to the online retail web sites of others; business consulting services in the field of online payments; managing and tracking credit card, debit card, ACH, prepaid cards, payment cards, and other forms of payment transactions via electronic communications networks for business purposes; business information management, namely, electronic reporting of business analytics relating to payment processing, authentication, tracking, and invoicing; business management, namely, optimization of payments for businesses.

36 – Financial services, namely, electronic funds transfer; clearing and reconciling financial transactions; providing a wide variety of payment and financial services, namely, credit card services, issuing credit cards and lines of credit, processing and transmission of bills and payments thereof, bill payment services with guaranteed payment delivery, and brokerage of money market funds, all conducted via a global communications network; credit card and debit card transaction processing services; reimbursement of funds for disputed items in the field of electronic payment purchases; providing purchase protection services for goods and services purchased by others via a global computer network and wireless networks; credit card transaction processing services; credit services, namely, providing revolving credit account services; bill payment services; providing electronic mobile payment services for others; credit card and payment processing services; electronic foreign exchange payment processing; payment processing services, namely, providing virtual currency transaction processing services for others.

42 – Providing temporary use of on-line non-downloadable software for processing electronic payments; providing temporary use of on-line non-downloadable authentication software for controlling access to and communications with computers and computer networks.

(260) AM 2015 79509 A

(800) 1222129

(891) 2014 05 22

(731) EXCEMED

14, Rue du Rhône, CH-1204 Genève,  
Switzerland

(540)



(591) Gray, maroon, blue, azure, green, orange and white

(511)

41 – Education in the field of pathologies, diagnoses and the prevention and treatment of diseases; training relating thereto; online publication and training services; editing and publishing of journals, books and of all sound and/or visual media for the transmission of information relating to science and medicine, particularly for medical research; organization and conducting of colloquiums, conferences, seminars; practical training demonstration aimed at reducing risks in the field of health; correspondence courses, organization of congresses and symposiums; production of films other than advertising films; organization and conducting of training workshops; hosting of training workshops; organization of exhibitions for educational purposes, all these services in the field of science and medicine.

(260) AM 2015 79510 A

(800) 1222139

(891) 2014 04 11

(731) GRUP FLORENCE NIGHTINGALE  
HASTANELERİ ANONİM ŞİRKETİ  
İzzetpaşa Mah. Abide-i Hürriyet, Caddesi  
No:164 Şişli İstanbul, Turkey

(540)



(526) The trademark is protected as a whole. "hospital" shall not be subject to independent legal protection.

(511)

5 – Pharmaceutical and veterinary preparations for medical purposes; chemical preparations and chemical elements for pharmaceutical purposes; dietary supplements, including those adapted for medical purposes; nutritional supplements; dietary supplements for slimming purposes; food for babies; herbs and herbal beverages adapted for medicinal purposes; preparations for use in dentistry, other than tools and apparatus; deodorants, other than for human beings or for animals; air deodorising preparations; disinfectants; antiseptic detergents for medical purposes.

10 – Surgical, medical, dental and veterinary apparatus and instruments; furniture especially made for medical purposes; artificial limbs and prostheses; medical orthopaedic articles; surgical gowns and surgical sterile sheets; adult sexual aids; condoms; babies' bottles; babies' pacifiers; teats; teethers for babies.

20 – Furniture, made of any kind of material; mattresses, pillows, air mattresses and cushions, not for medical purposes, sleeping bags for camping, water beds, not for medical purposes; mirrors; beehives, artificial honeycombs and sections of wood for honeycombs; bouncing chairs for babies, playpens for babies, cradles, infant walkers; display boards, frames for pictures and paintings, identification plates, identification tags, nameplates, identification labels made of wood or synthetic materials; packaging containers of wood or plastics, casks for use in transportation or storage, barrels, storage drums, tanks, boxes, storage containers, transportation containers, chests, loading pallets and closures for the aforementioned goods, of wood or plastics; small hardware goods of wood or synthetic materials included in this class, furniture fittings, of wood or synthetic materials, opening and closing mechanisms of wood or synthetic materials; ornaments and decorative goods of wood, wax, beeswax, plastic or plaster bone, ivory or plaster, included in this class; baskets, fishing baskets; kennels, nesting boxes and beds for household pets; portable ladders and mobile boarding stairs of wood or synthetic materials; bamboo curtains, roller indoor blinds, slatted indoor blinds, trip curtains, bead curtains for decoration, curtain hooks, curtain rings, curtain tie-backs, curtain rods.

44 – Medical services; beauty care services; veterinary services, animal breeding; agriculture, horticulture and forestry services.

(260) AM 2015 79680 A

(800) 1222833

(891) 2014 06 09

(731) NEW LOOK LIMITED

New Look House, Mercery Road, Mount Pleasant, Weymouth, Dorset DT3 5HJ, United Kingdom

(540)

## PEMBRIDGE AND ROSE

(511)

14 – Jewellery; articles of precious metal or coated therewith, namely jewellery, earrings, trinkets, jewellery boxes, clothing ornaments, keyrings and fobs; bracelets, necklaces, brooches, rings and earrings; watches and clocks; watch straps; watch bracelets and watch chains; jewellery boxes, trinket boxes; parts, fittings and accessories for the aforesaid goods.

18 – Handbags; clutch bags; travelling bags; garment bags for travel; suitcases; backpacks; beach bags; shopping bags; bags for sports; vanity cases, not fitted; toiletry bags; cosmetic bags; purses; pocket wallets; key cases [leatherware]; umbrellas.

25 – Clothing; footwear; headgear; coats; jackets [clothing]; raincoats; suits; dresses; sweaters; knitwear [clothing]; blouses; shirts; t-shirts; cardigans; trousers; skirts; jeans; shorts; swimwear; underwear; pants; bras; hosiery; tights; stockings; socks; vests; pyjamas; dressing gowns; hats; caps [headwear]; berets; scarves; gloves [clothing]; mittens; belts [clothing]; shoes; boots.

(260) AM 2015 79681 A

(800) 1222966

(891) 2014 08 07

(731) TORREFAZIONE POLI S.R.L.

Via Galvani, 2, Curnasco, I-24048  
TREVIOLO (BG), Italy

(540)



(591) Black, white

(511)

30 – Coffee, coffee capsules, coffee beans and powder, coffee blends, decaffeinated coffee, coffee extracts; waffles.

(260) AM 2015 79682 A

(800) 1222967

(891) 2014 07 24

(731) MONINI S.p.A.

Strada Statale Flaminia km. 129, I-06049  
Spoleto (PG), Italy

(540)

## MONINI

(511)

29 – Edible oils, preserved olives, olive paste, olive pâté, vegetable pâté, olive products, vegetable products included in this class, tapenade, butter.

30 – Bakery goods, condiments, spices, vinegar, balsamic vinegar, vinegar-based products and balsamic vinegar-based products included in this class, mayonnaise, pesto, mustard, vegetable sauces, tomato sauces.

(260) AM 2015 79684 A

(800) 1223006

(891) 2014 03 05

(731) SUD ALIMENTATION

Les Oliviers, Villa 11, 957 chemin de la  
Chèvre d'Or F-06410 Biot, France

(540)

## SAVENCIA

(511)

5 – Dietetic food and substances for medical or veterinary use; food for babies; food supplements for medical use; herbal teas; medical preparations for slimming; appetite suppressants for medical use; dietetic foods for medical use; dietetic beverages for medical use; dietetic substances for medical use; dietary fibers; medicinal infusions; lacteal flour for babies; malted milk beverages for medical use; lactose for pharmaceutical use; medicinal tea; herbal teas; sugar for medical use; sweeteners for medical use; sodium salt substitutes for medical and dietetic use.

29 – Meat and meat-based preparations, fish and fish-based preparations, poultry and game and preparations based on poultry and game; meat extracts; preserved, frozen, dried and cooked fruits and vegetables; jellies, jams, compotes; eggs, milk and dairy products; cheese and cheese-based foods; butter; yogurts; edible oils and fats; fats for food; charcuterie; ham; salted products (meat and fish); crustaceans (not live); canned meat or fish; milk beverages, milk predominating; milk desserts consisting principally of milk; milk desserts, mainly of milk with fruit or flavored with fruit; milk-based mousses; jellied milk; egg flans; puddings (based on milk or dairy cream); meat, fish, poultry, game, vegetable and cheese-based cooked dishes; charcuterie; ham; offal, rillettes, black pudding; liver pâté; fish mousses; vegetable mousses; sausages of all kinds; processed fish spawn; pickles; chips (potato); preparations for making soup and broth; canned meat, fish, fruit or vegetables; deep-frozen, dried and freeze-dried meat, fish, fruit or vegetable-based canned food; candied fruits, crystallized fruits; protein for human consumption.

30 – Coffee, tea, cocoa, chocolate and chocolate products; cocoa products; coffee, tea, cocoa and choco-

late-based beverages; sugar, rice, tapioca, sago, artificial coffee; flour and preparations made from cereals, bread, pastry and confectionery, edible ices (ice creams and sorbets); coffee or chocolate-based desserts; semolina, rice or cereal-based desserts; chocolate milk desserts; pastry desserts, particularly clafoutis, babas, charlottes; honey, treacle; yeast, baking powder; salt, mustard; vinegar, sauces (condiments); spices; ice for refreshment; sandwiches, pizzas; cooked dishes made with rice, pasta; pancakes; cookies; Viennese pastries; cakes; rusks; sugar confectionery.

31 – Live animals; fresh fruits and vegetables; foodstuffs for animals; malt; live crustaceans; shrubs; plants; fresh flowers; agricultural products (neither prepared nor processed); grains, seeds; algae for human or animal consumption; pet food; salt for cattle; raw cocoa beans; unprocessed cereal seeds; milk flour for animals; strengthening animal forage; milk-derived cattle feed; grains for animal consumption; fresh garden herbs; fish spawn.

32 – Mineral and aerated waters, beers, lemonades, syrups, fruit juices and other non-alcoholic beverages, preparations for making beverages; non-alcoholic aperitifs; essences for making beverages; powders for effervescing beverages; isotonic beverages; mixed fruit or vegetable beverages (smoothies); seltzer water; table waters.

35 – Business, namely, business management assistance, business management and organization consultancy, business management consultancy, professional business consultancy, efficiency experts, business information, business inquiries, business management, business administration, business investigations, commercial information agencies; rental of advertising space; online advertising on a computer network; organization of exhibitions for commercial or advertising purposes; commercial information and advice for consumers (consumer advice shop); retail sale services for foodstuffs excluding wines, including for sale online or by mail-order catalog; advertising and promotional operations for commercial purposes, all the aforesaid services in connection with the manufacture, production and marketing of food products, food ingredients, or ingredients obtained from food substances.

42 – Biological research, bacteriological research, chemical research; research in the field of environmental protection; scientific and technical research in the field of human and animal consumption; quality control; food analysis laboratories; packaging design services.

43 – Services for providing food and drink; food and drink catering; home cooking services; organization of parties (catering); bar, café, cafeteria services.

(260) AM 2015 79685 A  
 (800) 1223017  
 (891) 2014 07 10  
 (731) DD IP HOLDER LLC  
 130 Royall St., Canton MA 02021, USA  
 (540)

## COOLATTA

(511)  
 30 – Coffee-flavored slush-type drinks.  
 32 – Fruit-flavored slush-type drinks.

(260) AM 2015 79687 A  
 (800) 1223036  
 (891) 2014 09 22  
 (731) BEIERSDORF AG  
 Unnastr. 48, 20253 Hamburg, Germany  
 (540)



(591) Blue, white and grey  
 (511)  
 3 – Soaps; cosmetics.

(260) AM 2015 79690 A  
 (800) 1223038  
 (891) 2014 09 09  
 (731) KRKA, tovarna zdravil, d.d., Novo mesto  
 Šmarješka cesta 6, SI-8501 Novo mesto,  
 Slovenia  
 (540)

## TENLISA

(511)  
 5 – Pharmaceutical preparations.

(260) AM 2015 79692 A  
 (800) 1223047  
 (891) 2014 03 31  
 (731) JT International S.A.  
 1, Rue de la Gabelle, CH-1211 Genève 26;  
 Zandera Ltd  
 Zandera House, 18 Buntsford Park Road,  
 Bromsgrove B60 3DX; Switzerland, United  
 Kingdom  
 (540)

## E-LITES

(511)  
 5 – Tobacco free cigarettes for medical purposes;  
 imitation cigarettes for medical purposes.

9 – Batteries and electric accumulators for electric  
 and/or electronic cigarettes; chargers for electric  
 and/or electronic cigarettes.

11 – Apparatus for heating tobacco and tobacco pro-  
 ducts; apparatus for heating liquids; apparatus for  
 generating vapour.

30 – Flavourings, other than essential oils.

34 – Electronic cigarettes; liquids for electronic ci-  
 garettes; tobacco substitutes, none being for medici-  
 nal or curative purposes; liquids for electric and/or  
 electronic cigarettes; vaporising devices for tobacco,  
 tobacco products and tobacco substitutes; cigarettes  
 containing tobacco substitutes; smokers articles for  
 electric and/or electronic cigarettes; pouches for car-  
 rying electric and/or electronic cigarettes; mouth  
 pieces for electric and/or electronic cigarettes; toba-  
 cco whether manufactured or un-manufactured; ci-  
 garettes; cigars; tobacco products.

(260) AM 2015 79693 A  
 (800) 1223098  
 (891) 2014 07 24  
 (731) SOREMARTEC SA  
 Findel Business Center, Complexe B, Rue de  
 Treves, L-2632 Findel, Luxembourg  
 (540)

## TIC TAC MIXERS

(511)  
 30 – Confectionery, candy and chewing gum, choco-  
 late-based products, sugar-free candy and chewing  
 gum.

(260) AM 2015 79697 A  
 (800) 1223126  
 (891) 2014 08 01  
 (731) Obchtchestvo s ogranitchennoy  
 otvetstvennostyou "MIRROLLA"  
 ul. Ivana Fomina, 6, RU-194295  
 SANKT-PETERSBURG, Russian Federation  
 (540)

## СУЛЬМИТЕ

(511)  
 3 – Abrasives; balms other than for medical purpo-  
 ses; beauty masks; cosmetic kits; creams for leather;  
 hair lotions; lotions for cosmetic purposes; medica-  
 ted soap; nail care preparations; oils for cosmetic  
 purposes; shampoos; soap.

5 – Adhesive plasters; balms for medical purposes;  
 drugs for medical purposes; liniments; lotions for  
 pharmaceutical purposes; medicinal hair growth pre-  
 parations; medicinal oils; medicines for veterinary  
 purposes; ointments for pharmaceutical purposes;  
 pharmaceutical preparations for treating dandruff;  
 therapeutic preparations for the bath.

(260) AM 2015 79699 A  
 (800) 1223198  
 (891) 2014 07 10

(731) DLR Associates Inc  
125F Trade Center # 9, Mooresville NC  
28117-5539, USA

(540)

## KOMA UNWIND

(511)

32 – Energy drinks; sports drinks for relaxation; fruit flavored beverages; soft drinks.

(260) AM 2015 79700 A

(800) 1223210

(891) 2013 09 05

(731) MARKS AND SPENCER plc  
Waterside House, 35 North Wharf Road,  
London W2 1NW, United Kingdom

(540)

## MARKS & SPENCER

(511)

8 – Hand tools and implements (hand-operated); cutlery; side arms; razors; knives; manicure sets (non-electric); manicure implements; nail buffers for use in manicure; nail files; irons, steam irons; manicure sets (electric); curling tongs; hair straighteners and irons.

9 – Scientific, nautical, surveying, photographic, cinematographic, optical, weighing, measuring, signalling, checking (supervision), life-saving and teaching apparatus and instruments; apparatus and instruments for conducting, switching, transforming, accumulating, regulating or controlling electricity; apparatus for recording, transmission or reproduction of sound or images; magnetic data carriers, recording discs; compact discs, DVDs and other digital recording media; mechanisms for coin-operated apparatus; cash registers, calculating machines, data processing equipment, computers; computer software; fire-extinguishing apparatus; radios; tape measures, spirit levels; radios incorporating alarm clocks; sunglasses; electric plug adapters; adapters; laptop cases; mobile telephone cases; sunglasses; cases for sunglasses.

14 – Precious metals and their alloys and goods in precious metals or coated therewith, not included in other classes; jewellery, precious stones; horological and chronometric instruments; electric alarm clocks; clocks; watches; cufflinks.

18 – Leather and imitations of leather, and goods made of these materials and not included in other classes; animal skins, hides; trunks and travelling bags; umbrellas, parasols and walking sticks; whips, harness and saddlery; bags; rucksacks; briefcases; suitcases, luggage; luggage straps, luggage tags; bags for toiletries, make-up bags; wallets; purses; leather laces.

21 – Household or kitchen utensils and containers; combs and sponges; brushes (except paint brushes); brush-making materials; articles for cleaning purposes; steelwool; unworked or semi-worked glass (except glass used in building); glassware, porcelain and earthenware not included in other classes; coffee makers (non-electric); juicers (non-electric); citrus press (non-electric); milk frothers (non-electric); pepper and salt mills (manually operated); bread bins; chopping boards; cake tins, biscuit tins; storage containers (for food and drink), storage jars; ironing boards, ironing cloths; clothes pegs; soap dishes, soap dispensers, toilet brushes, toilet roll holders, towel rails; wash baskets; bins, namely, bins for household refuse and dust bins; thermally insulated containers (household) for food and drink, thermally insulated mugs; plant pots, seed trays; bird feeders; utensil holders, tumbler holders; cutlery trays; crockery, dinner sets; drinking glasses; diffusers for air fresheners; incense diffusers; vases, ornaments and garden ornaments made from glass, china, porcelain, earthenware, terra-cotta; candelabra; cookware; oven dishes; toilet sponges; sponges for the skin; body puffs; powder puffs; nail brushes; combs; make-up brushes; clothes brushes; toothbrushes; electric toothbrushes; toothbrush containers, holders for toothbrushes, toothbrush cases; aluminium baking cases, baking trays; baking cases of paper and cardboard.

24 – Textiles and textile goods, not included in other classes; bed and table covers; shower curtains; mattress protectors; bed linen; duvets; towels; place mats (not of paper or cardboard); coasters (table linen); coasters (fabric); fabrics for the home; curtains; flannels.

28 – Games and playthings; gymnastic and sporting articles not included in other classes; decorations for Christmas trees; toys; playing cards.

29 – Meat, fish, poultry and game; products made from any of the aforesaid goods; meat extracts; preserved, frozen, dried and cooked fruits and vegetables; fruit products and vegetable products not included in other classes; jellies, jams, compotes; eggs, milk and milk products; edible oils and fats, butter, margarine and other butter substitutes; fillings for sandwiches; food preserves; pickles; edible nuts, seeds and pulses and products prepared therefrom; snacks, namely, roasted, dried, or salted nuts and vegetables, vegetable and fruit chips, potato crisps; prepared meals and prepared dishes not included in other classes; ready meals not included in other classes; soups and preparations for making soups.

31 – Agricultural, horticultural and forestry products and grains not included in other classes; live animals; fresh fruits and vegetables; seeds, natural plants and flowers; fresh pulses; flower bouquets; planted herbs and vegetables; plants; foodstuffs for animals, malt; dried flowers.



32 – Beers; mineral and aerated waters and other non-alcoholic drinks; fruit drinks and fruit juices; syrups and other preparations for making beverages.

33 – Alcoholic beverages (except beers); wines; sparkling wine.

(260) AM 2015 79701 A

(800) 1223241

(891) 2014 06 25

(731) KARAPARSIAN 110 CO.

P.O.Box:13145/838, Number 13, Mahdiyeh passaged, In front of Akbar Abadi hospital, Crossroad Molavi, Tehran; Iran (Islamic Republic of)

(540)



(591) Black, white

(511)

34 – Tobacco (molasses tobacco).

(260) AM 2015 79702 A

(800) 1223248

(891) 2014 06 26

(731) RIXOS LICENSING B.V.

Kaya Richard J. Beaujon z/n, Willemstad, Curaçao

(540)

**RIXOS**

(511)

3 – Soaps; perfumery, essential oils, cosmetics, hair lotions; dentifrices.

16 – Paper, cardboard and goods made from these materials, not included in other classes; printed matter; bookbinding material; photographs; stationery; adhesives for stationery or household purposes; artists' materials; paint brushes; typewriters and office requisites (except furniture); instructional and teaching material (except apparatus); plastic materials for packaging (not included in other classes); printers' type; printing blocks.

32 – Beers; mineral and aerated waters and other non-alcoholic beverages; fruit beverages and fruit juices; syrups and other preparations for making beverages.

34 – Tobacco; smokers' articles; matches.

35 – Advertising; business management; business administration; office functions.

36 – Insurance; financial affairs; monetary affairs; real estate affairs.

39 – Transport; packaging and storage of goods; travel arrangement.

41 – Education; providing of training; entertainment; sporting and cultural activities.

43 – Services for providing food and drink; temporary accommodation.

44 – Hygienic and beauty care for human beings or animals.

(260) AM 2015 79706 A

(800) 1223357

(891) 2013 11 28

(731) WORLD MEDICINE İLAÇLARI LİMİTED ŞİRKETİ

Evren Mah., Camiyolu Cad. No.50 K.2, GÜNEŞLİ/BAĞCILAR/İSTANBUL, Turkey

(540)



(591) Black, white

(511)

5 – Medicines for human purposes, medicines for veterinary purposes, vitamin preparations, chemical preparations and elements for medical purposes, dietetic substances adapted for medical use; dietetic products adapted for medical purposes; food for babies; medicinal herbs, herbal beverages adapted for medical purposes; dietary supplements for human and veterinary purposes (non-medical dietetic substances, pollen, protein as dietary supplements including non-medical animal feeding supplements); medicines for dental purposes, hygienic products for medical purposes (pads, waddings for medical purposes, plasters for medical purposes, dressings for medical purposes, diapers made of paper and textile); vermin, pestilential herbs, fungi destroying preparations; deodorants (except for humans and animal usage), air purifying preparations; disinfectants, anti-septics, detergents for medical purposes.

29 – Meat, fish; poultry and game meat, and all kinds of processed meat products; dried beans; dried peas; instant soups and bouillon; olives and olive paste; milk and milk products including butter; edible vegetable oils; all kinds of dried, canned, frozen, cooked, smoked and brined fruits and vegetables; dried fruits; hazelnut and pistachio pastes, tahini (sesame seed paste); eggs, egg powders; potato chips.

30 – Coffee, cocoa, coffee or cocoa based beverages, chocolate based beverages; macaroni, meat pastry, semolina; pastry and bakery products, desserts; honey, royal jelly, propolis for human consumption; flavourings and seasonings; yeasts, baking powder; all kinds of flour, semolina, corn starch; crystal sugar, cubed sugar, powdered sugar; tea, iced tea; confectionery, chocolates, biscuits, crackers, waffles,



chewing gums; ice creams, edible ices; salt; processed grains and products made from cereal, thick syrup of grape juice.

31 – Agricultural products, horticultural products and seeds, forestry products included in this class, live animals including eggs for incubation, fertilized eggs, live and dried plants and herbs, fodders, malt other than for human consumption.

32 – Beers; preparations for making beer; mineral waters [beverages]; spring water; carbonated waters; drinking water; non-alcoholic vegetable and fruit juice drinks; concentrated vegetable and fruit juices; non-alcoholic vegetable and fruit nectars.

35 – Services related to advertising, marketing and public relations including organization of exhibitions and fairs for commercial or advertising purposes, office services, business management and administration, consultancy for business management and administration including accountancy services, import export agency services, commercial and industrial management expertise services, organization of auctioneering services and auctioneering, the bringing together of meat, fish; poultry and game meat, and all kinds of processed meat products; dried beans; dried peas; instant soups and bouillon; olives and olive paste; milk and milk products including butter; edible vegetable oils; all kinds of dried, canned, frozen, cooked, smoked and brined fruits and vegetables; dried fruits; hazelnut and pistachio pastes, tahini (sesame seed paste); eggs, egg powders; potato chips; coffee, cocoa, coffee or cocoa based beverages, chocolate based beverages; macaroni, meat pastry, semolina; pastry and bakery products, desserts; honey, royal jelly, propolis for human consumption; flavourings and seasonings; yeasts, baking powder; all kinds of flour, semolina, corn starch; crystal sugar, cubed sugar, powdered sugar; tea, iced tea; confectionery, chocolates, biscuits, crackers, waffles, chewing gums; ice creams, edible ices; salt; processed grains and products made from cereal, thick syrup of grape juice; agricultural products, horticultural products and seeds, forestry products included in this class, live animals including eggs for incubation, fertilized eggs, live and dried plants and herbs, fodders, malt other than for human consumption; beers; preparations for making beer; mineral waters [beverages]; spring water; carbonated waters; drinking water; non-alcoholic vegetable and fruit juice drinks; concentrated vegetable and fruit juices; non-alcoholic vegetable and fruit nectars, enabling customers to conveniently view and purchase those goods, the mentioned services can be provided by wholesale outlets, retail stores, by means of electronic media or through mail order catalogues and other similar methods.

43 – Food and drink catering; temporary accommodation reservations; accommodation bureaux [hotels,

boarding houses]; day-nurseries [crèches]; boarding for animals

(260) AM 2015 79824 A

(800) 1224627

(891) 2014 09 09

(731) KRKA, tovarna zdravil, d.d., Novo mesto  
Šmarješka cesta 6, SI-8501 Novo mesto,  
Slovenia

(540)

**МОФЛАКСА**

(511)

5 – Pharmaceutical preparations.

(260) AM 2015 79848 A

(800) 1224824

(891) 2014 06 06

(731) FARMAK INTERNATIONAL HOLDING  
GMBH

Mariahilferstrasse 136, A-1150 Wien, Austria

(540)

**Торн  
Torn**

(591) Black, white

(511)

5 – Pharmaceutical preparations; medicines for human purposes; anti-diabetic preparations; insulin.

(260) AM 2015 79851 A

(800) 1224854

(891) 2014 09 05

(731) RICHTER GEDEON NYRT.

Gyömrői út 19-21, H-1103 Budapest, Hungary

(540)

**Диротон Плюс**

(511)

5 – Pharmaceutical preparations.

(260) AM 2015 79852 A

(800) 1224858

(891) 2014 03 27

(731) WIKIMEDIA FOUNDATION, INC.

149 New Montgomery Street, 3rd Floor,  
San Francisco CA 94105, USA

(540)

**WIKIPEDIA**

(511)

9 – Downloadable publications, namely, e-books in the nature of textbooks, manuals, and instructional media of others.

36 – Charitable fundraising services; charitable services, namely, collecting, developing, and disseminating educational content under a free license or in the public domain; fundraising services for the support of free knowledge and the sharing of educational content; providing grants for dissemination and promotion of free knowledge and educational content.

38 – Electronic transmission of data and documents via the Internet and other databases; electronic transmission of text and multimedia; telecommunication services, namely, providing online electronic bulletin boards and messaging services for the transmission of messages among users concerning encyclopedia articles and the administration of an encyclopedia project; transmission of online-based information accessed via a visual reference, namely, a QR code or other visual code, via computer or mobile devices or any combination thereof, for purposes of sharing, distributing and providing historical, educational, and background information; providing online forums where users can view, discuss, write, edit, contribute to an online encyclopedia.

41 – Providing a collaboratively created and maintained online multilingual encyclopedia; providing online publications on the use of and contribution to an online encyclopedia; educational services, namely, conferences and workshops about an online encyclopedia; arranging and conducting contests and incentive award programs.

42 – Hosting an online website featuring open source technology that enables users to view, discuss, write, edit, contribute to, and maintain an online encyclopedia; computer services, namely, maintaining an online encyclopedia.

(260) AM 2015 79853 A  
(800) 1224872  
(891) 2014 05 14  
(731) COOPERATIVA CERAMICA D'IMOLA S.C.  
Via Vittorio Veneto, 13, I-40026 IMOLA  
(BOLOGNA), Italy  
(540)



(591) Black, white  
(511)

19 – Non-metallic building materials, namely, construction materials, namely, non-metal flooring materials; non-metallic tiles; non-metallic tiles for walls,

floors and ceilings; non-metal panels for non-metallic walls; non-metal panels for non-metallic floors.

(260) AM 2015 79855 A  
(800) 1224882  
(891) 2014 06 06  
(731) IPEK KAGIT SANAYI VE TICARET  
ANONIM SIRKETI  
Kanyon Ofis Buyukdere Cad., No:185 Levent  
Istanbul, Turkey  
(540)

### Selpak. Always by your side.

(511)  
3 – Bleaching preparations and other substances for laundry use; cleaning, polishing, scouring and abrasive preparations; soaps; perfumery, essential oils, cosmetics, hair lotions; dentifrices; wet wipes, tissues impregnated with cosmetic lotions; cotton sticks for cosmetic purposes.

16 – Paper, cardboard and goods made from these materials, not included in other classes; table napkins of paper, handkerchiefs of paper, toilet paper, towels of paper, face towels of paper, bibs of paper, table cloths of paper, table mats of paper, party ornaments made of paper; plastic materials for packaging (not included in other classes); sheets, sacks and bags (envelopes, pouches) of paper or plastics, for packaging; printed matter; bookbinding material; photographs; stationery; paint brushes; typewriters and office requisites (except furniture); instructional and teaching material (except apparatus); printers' type; printing blocks.

(260) AM 2015 79856 A  
(800) 1224930  
(891) 2014 06 17  
(731) FERRERO S.P.A.  
Piazzale Pietro Ferrero, 1, I-12051 ALBA,  
CUNEO IT, Italy  
(540)

**nutella**  
*B-ready*

(591) Black, red  
(511)

30 – Pastry and confectionery containing cocoa, filled wafers containing cocoa, filled cookies containing cocoa, chocolate and chocolate-based products, spread based on cocoa and nuts, edible ices containing cocoa.

(260) AM 2015 79857 A  
(800) 1224931  
(891) 2014 06 27

(731) JANSSEN PHARMACEUTICA NV  
Turnhoutseweg 30, B-2340 Beerse, Belgium  
(540)

**BRAVO**

(511)  
10 – Medical equipment and instruments, namely flow diverter stents, which are used in aneurysm barriers, and other stents; leads (for medical applications).

(260) AM 2015 79858 A  
(800) 1224945  
(891) 2014 08 08  
(731) FARMAK INTERNATIONAL HOLDING  
GMBH  
Mariahilferstrasse 136, A-1150 Wien, Austria  
(540)

**Стрим**  
**Strim**

(591) Black, white  
(511)  
5 – Pharmaceutical preparations; medicines for human purposes; anti-diabetic preparations; insulins.

(260) AM 2015 79859 A  
(800) 1224951  
(891) 2014 07 16  
(731) LAARA ENTERPRISES LIMITED Suite  
1003, Khalid Al Attar Tower, P.O. Box  
No:71241, Sheikh Zayed Road, Dubai,  
United Arab Emirates  
(540)

**Dr. Clean**  
**Доктор Клин**

(591) Black, white  
(511)  
5 – Fly catching paper; mothproofing paper; insecticides; fly glue; preparations for destroying noxious animals; larvae exterminating preparations; fly destroying preparations; vermin destroying preparations; mothproofing preparations; insect repellents; insect repellent incense; parasiticides.

35 – Presentation of goods on communication media, for retail purposes; sales promotion for others; publication of publicity texts; distribution of samples; dissemination of advertising matter; advertising; on-line advertising on a computer network; advertising by mail order; television advertising; procurement services for others [purchasing goods and services for other businesses]; outsourcing services [business assistance].

(260) AM 2015 79860 A  
(800) 1224971  
(891) 2014 08 27  
(731) HELSINN HEALTHCARE SA  
Via Pian Scairolo 9, CH-6912 Lugano,  
Switzerland  
(540)



(591) Blue (Pantone 307), black, white, gray, beige and brown

(511)  
5 – Pharmaceutical products, veterinary products; sanitary products for medical purposes; dietetic substances for medical use, food for babies; plasters, materials for dressings; material for dental fillings and dental impressions; disinfectants; products for destroying vermin; fungicides, herbicides.

40 – Treatment and transformation of pharmaceutical products for others.

42 – Research and development of pharmaceutical products, scientific and industrial research for the development of medicines and active ingredients, as well as consultancy in the field of chemical and pharmaceutical technology; engineering services, including expertise in the field of chemical and pharmaceutical technology.

45 – Reviewing standards and practices to ensure compliance with pharmaceutical laws and rules, and consultancy relating to regulatory compliance in the pharmaceutical field; licensing of intellectual property in the field of chemical and pharmaceutical technology; exploitation of intellectual property rights, particularly licensing of intellectual property, including know-how in the field of chemical and pharmaceutical technology.

(260) AM 2015 79861 A  
(800) 1224994  
(891) 2014 09 12  
(731) VANDERLANDE INDUSTRIES B.V.  
Vanderlandelaan 2, NL-5466 RB VEGHEL,  
Netherlands

(540)  
**VANDERLANDE**

(591) Black and orange

(511)

7 – Gravity and power conveyors [machines], conveyor systems [machines], sorting equipment [machines], assembly line conveyor equipment [machines], order selection equipment [machines], baggage conveyors, integrated material handling systems [machines], front-end automatic storage and retrieval systems [machines], pallet handling equipment [machines], manual and automatic work stations for assembly operations [machines], continuous and reciprocating vertical conveyors; rail-borne conveyor carriages for the sorting and transportation of goods [machines]; robots.

9 – Electric and electronic automatic control apparatus, sensing apparatus, measuring apparatus, electronic signal processing apparatus, and computers and computer programs sold therewith, all for use in sorting, storage and distribution.

12 – Air cushion vehicles; air vehicles; electric vehicles; handling carts; trolleys; waggons.

(260) AM 2015 79877 A

(800) 1174397

(891) 2014 09 17

(731) GUANGDONG ARCHIE HARDWARE CO., LTD.

Dali Chang Hong Ridge Industrial Park,  
Nanhai District, Foshan City, 528231  
Guangdong Province, China

(540)



(591) Black, white

(511)

6 – Aluminum alloy profiles; pipes of metal; windows of metal; locks of metal, other than electric; signboards of metal; bells for animals; works of art of common metal; clothes hooks of metal; door handles of metal; towel dispensers, fixed, of metal; fittings of metal for windows; door closers, non-electric; hinges of metal.

9 – Time clocks [time recording devices]; signal lanterns; wires, electric; switches, electric; sockets, plugs and other contacts [electric connections]; protection devices for personal use against accidents; locks, electric; theft prevention installations, electric; eyeglass frames.

11 – Electric lights for Christmas trees; electric fans for personal use; hydrants; heating installations; fountains; bath installations; toilet seats; roasting apparatus; disinfectant distributors for toilets; filters for drinking water.

21 – Containers for household or kitchen use; glassware for daily use; ceramics for household purposes; works of art, of porcelain, terracotta or glass; tea

services [tableware]; soap holders; rails and rings for towels; scrubbing brushes; vacuum bottles; crystal [glassware].

(260) AM 2015 79885 A

(800) 1225098

(891) 2014 07 26

(731) Griesson – de Beukelaer GmbH & Co. KG  
August-Horch-Strasse 23, 56751 Polch,  
Germany

(540)

## NAT SNACK

(526) The trademark is protected as a whole. "snack" shall not be subject to independent legal protection.

(511)

30 – Flour; cereal preparations; bread; pastry and confectionery; crackers; savoury biscuits; cheese flavored biscuits; snacks made from cereals; biscuits; cakes; chocolate; chocolate based confectionery; chocolates; sugar confectionery; marzipan; ready-made pastry mixes.

(260) AM 2015 80028 A

(800) 1225772

(891) 2014 08 27

(731) MARUSSIA BEVERAGES B.V.  
Siriusdreef 22, NL-2132 WT Hoofddorp,  
Netherlands

(540)

## MEZAN

(511)

33 – Rum

(260) AM 2015 80029 A

(800) 1225781

(891) 2014 09 19

(731) G. Pohl-Boskamp GmbH & Co. KG  
Kieler Straße 11, 25551 Hohenlockstedt,  
Germany

(540)

## Myrtol

(511)

5 – Pharmaceutical preparations.

(260) AM 2015 80030 A

(800) 1225793

(891) 2014 10 30

(731) VEYANCE TECHNOLOGIES, INC.  
703 S. Cleveland-Massillon Rd, Fairlawn OH  
44333, USA

(540)

## Powerspan

(511)  
7 – Power transmission belts for machines, motors and engines used in industrial applications.

(260) AM 2015 80031 A  
(800) 1225809  
(891) 2014 09 17  
(731) SHENZHEN ZTE MOBILE TELECOM CO., LTD.  
6-8/F, 10-11/F Tower A, 6/F Tower B and  
6-10/F Tower C, Hans Innovation Bldg., 9018  
Beihuan Blvd., Hi-Tech Park Nanshan  
District, Shenzhen, China

(540)  


(591) Gray  
(511)  
9 – Computers; computer peripheral devices; computer software, recorded; integrated circuit cards [smart cards]; notebook computers; phototelegraphy apparatus; navigational instruments; telephone apparatus; portable telephones; global positioning system [GPS] apparatus.

(260) AM 2015 80032 A  
(800) 1225833  
(891) 2014 08 05  
(731) VANDA PHARMACEUTICALS INC.  
2200 Pennsylvania Ave. NW, Suite 300E  
Washington, DC 20037, USA

(540)  


(591) Black and White  
(526) tasimelton, capsules  
(511)  
5 – Pharmaceutical preparations for use in the treatment of diseases and disorders of the central nervous system, diseases and disorders having an impact on the central nervous system, and diseases and disorders having a central nervous system manifestation.

(260) AM 2015 80034 A  
(800) 1225842  
(891) 2013 11 18  
(731) ECEM OTOMOTİV KAUÇUK MAKİNA VE  
YEDEK PARÇA SANAYİ TİCARET  
LİMİTED ŞİRKETİ  
Ankara Asfaltı No:317, Bornova, TR-35050  
İzmir, Turkey

(540)



(591) Black and White  
(511)  
12 – Automobiles, trucks, buses, tow truck, tractors, refrigerated vehicles, concrete mixing trucks, military vehicles for transport, ambulances, hose carts, golf carts, garbage trucks, vehicles for washing dead bodies as part of funeral procedures, vehicles having catering facilities, fork lift trucks, vacuum truck, engines for land vehicles; vehicle parts, namely, chassis, shafts, axles, rods, ball joint, gear, reduction gears for land vehicles, clutch, piston, fitted liners for the cargo area of vehicles, turbines, transmission chains, wheel suspensions, wheel rims for vehicles, running board, vehicle bodies, bumpers for vehicles, car door, bonnet, vehicle bumper covers, fender for bicycle and motorcycle, bicycle, motorcycle, mopeds and handlebar, transmission cases for land vehicles, dampers for vehicles (shock absorbers), tractor trailer, refrigerated trailer, parts of motorcycles damper for vehicles, lifting cars, shock absorbers, shock absorbers, hydraulic, pneumatic, electrical or mechanical springs for vehicles, brake cylinders for vehicles, brake repair kits and components, brake systems for motor vehicles and parts, brakes, brake pads and shoes, vehicle seats, head rests for seats, children's safety seats for automobiles, direction signals for vehicles, windshield wipers for automobiles, windshield wiper blades, automobile tires (tyres), tubeless tires (tyres) for bicycles, cycles, repair outfits for inner tubes, adhesive rubber patches for repairing inner tubes, valves for vehicle tires (tyres), windshields for vehicles, windscreens, rearview mirrors, anti-skid chains, non-skid devices for vehicle tires (tyres), fuel tanks for vehicles, luggage racks for vehicles, bicycle carriers for vehicles, air pumps (vehicle accessories), anti-theft alarms for vehicles, horns for vehicles, safety belts for vehicle seats, air bags for vehicles, seat covers for vehicles, car cover, sun visor, trailer hitch; umbrellas to be affixed to baby strollers, parasols to be affixed to baby strollers, pushchairs, wheelchairs; wheelbarrows, shopping trolleys (carts), dollies (hand trucks), cable car, carriages (railways), locomotives, passenger trains, tramcars, railcars, ski lifts, chairlifts, rub rails for marine vessels; air vehicles; boats, motors for land vehicles, boats, yachts, jet boats, recreational watercraft, boats, ferries, canoes; parts for water for vessels, namely, idler arms, rudders, boom poles, screw propellers, air balloons, air-planes, helicopters, space vehicles, namely, space rockets, parachutes.

17 – Rubber, plastic, gutta-percha, gum, asbestos, mica and goods made from these materials and not

included in other classes; rubber and rubber buffers (shock absorber), wedges, rubber to protect machine parts, foam, arms, seals, gaskets, o'ring, washers, cylinder seals, tap gaskets, rubber or rubber reinforcement materials elbow; plastics in extruded form for use in manufacture; packing, stopping and insulating materials; flexible pipes, not of metal; insulation materials and ingredients for sound, heat and electrical; insulators, glass wools, foams, insulation plates; insulation plates, insulating mesh, fibreglass (fibreglass) fabrics, for insulation, coatings, asbestos paper, paperboard, and floors; insulating paints, and oils, insulating tapes, insulating tapes for vehicle doors and windows; asbestos, asbestos and asbestos sheets, asbestos felts and asbestos fabrics, rubber or plastic filler and buffer materials; rubber, plastic or rubber tube bent tubes, hoses, textile hoses, non-metallic pipe conduits and fittings, hose fittings, radiator hoses for vehicles; synthetic form of semi-finished materials (block, plate, rod and foil form); rubbers, synthetic resins; packaging or wrapping for rubber, cellulose, plastic and viscous films and foils; partially processed linings, clutch linings, rubber non-textile yarns, synthetic fibers, rubber thread, rubber or rubber packing bags (sacks); engine gaskets.

(260) AM 2015 80035 A

(800) 1225868

(891) 2014 05 16

(731) DAW SE

Roßdörfer Str. 50, 64372 Ober-Ramstadt,  
Germany

(540)

## DAW

(511)

1 – Chemicals used in industry; preservative and damp-proofing preparations for masonry, roofing tiles, cement and concrete, except paints and oils; artificial resins, synthetic resins and unprocessed plastics (in the form of powders, granules, liquids or pastes); solvents for paints, varnishes and lacquers; adhesives used in industry; adhesives for paperhanging; adhesives for constructions; filler for treating subsurfaces for paints (not included in other classes).

2 – Paints, varnishes, lacquers, glazes (included in this class), anti-corrosion preparations; primers; colorants, dyestuffs, dye pastes, mordants; thickeners for colours; fixatives, siccatives for paints; natural resins (included in this class); thinning and binding preparations for paints and lacquers; wood preservatives, wood mordants and wood preserving oils; paints (included in this class), including structuring paints; bactericidal and fungicidal paints; preservatives against rust; protective preparations for metals; metals in foil and powder form for painters, decorators, printers and artists.

16 – Paper, cardboard and goods made from these materials, not included in other classes; printed matter; stickers (included in this class); photographs; stationery, other than charcoal pencils; adhesives for stationery or household purposes; artists' materials; paint brushes; instructional and teaching material (except apparatus); plastic materials for packaging (not included in other classes); paint and/or pattern charts, paint and/or sample cards, paint and sample card collections, paint and/or pattern boards, paint and pattern board collections (all the aforesaid goods included in this class); coloured paper.

17 – Packing, thermal protection and insulating materials (included in this class); insulating paints, varnishes, fabrics and plaster; substances for insulating buildings against moisture; artificial and synthetic resins [semi-finished products]; fibreglass fabrics for insulation; insulating tape and band; heat insulators; insulating panels, grid mats of glass fibre fabric and/or plastics, expansion joint profiles of glass fibre fabric and/or plastics (all for heat insulating bonded systems); plastic film, not for wrapping; adhesive tapes and strips for building; moisture-insulating paints for roofs, walls and floors; fillers for insulating purposes.

19 – Building materials (non-metallic); non-metallic building materials, namely, base rails, corner protections, expansion joints and plaster boards; adjusting and levelling parts, not of metal, for building; non-metallic building materials, namely spacers; sills (not of metal); natural and artificial stone; mortar and quartz (building materials); plaster (included in this class); coatings (building materials); wall and ceiling panels (non-metallic, for building); fabric embedding compounds for building.

35 – Advertising; business management; import and export, and wholesaling and retailing, including via the internet, in the fields of chemicals, paints, building materials and construction articles, wall and floor coverings, packing, stopping and insulating materials, DIY articles and garden articles, hobby requisites and craft supplies, computer software, furnishings and decorative articles.

37 – Building construction; construction consultation; repair in the construction sector, in particular of facades; construction consultation; consultancy with regard to the use of paints, plasters and other coating materials in the construction industry; painting, interior and exterior.

42 – Architecture; consultancy in the field of energy-saving; architectural consultancy; consultancy with regard to the interior and exterior colour designing of buildings (buildings and premises) [architectural consultancy].

(260) AM 2015 80037 A  
 (800) 1225897  
 (891) 2014 08 01  
 (731) BEATS ELECTRONICS, LLC  
 8600 Hayden Place, Culver City CA 90232  
 (US), USA  
 (540)

## BEATS

(511)  
 9 – Speaker stands; protective cases for speakers; remote controls for speakers; plug adaptors; chargers for use with headphones and speakers; multifunctional electronic devices for displaying, measuring, and uploading to the internet information including time, date, body and heart rates, global positioning, direction, distance, altitude, speed, steps taken, calories burned, navigational information, weather information, the temperature, wind speed, and the declination of body and heart rates, altitude and speed; electronic monitoring devices incorporating microprocessors, digital display, and accelerometers, for detecting, storing, reporting, monitoring, uploading and downloading sport, fitness training, and activity data to the internet, wearable digital electronic devices in the form of a wrist watch, wrist band or bangle capable of providing access to the internet and for sending and receiving phone calls, electronic mails and messages; tablets; televisions; carrying cases for headphones and portable speakers; portable speaker mount for bicycles; computer software, namely, software for updating wireless speakers and headphones; remote controls for digital music systems; remote controls for stereos; handheld devices for playing, organizing, downloading, transmitting, manipulating and reviewing audio, and media files; handheld devices for controlling speakers, amplifiers, stereo systems and entertainment systems; computer software for use in playing, organizing, downloading, transmitting, manipulating, and reviewing audio files, and media files; computer software for use in controlling speakers, amplifiers, stereo systems, home theater systems, and home entertainment systems; computer software for use in controlling digital music systems; home theater systems comprised of digital music players, digital music controllers, speakers, amplifiers, and wireless handheld controllers; home entertainment systems comprised of digital music players, digital music controllers, speakers, amplifiers, and wireless handheld controllers; downloadable audio and video recordings featuring music, music performances, and music videos; prerecorded music, namely, digital downloads; computer software for use in the delivery, distribution and transmission of digital music and entertainment-related audio, video, text and multimedia content.

14 – Watches; smart watches; watches and bracelets incorporating functions for monitoring and reporting

fitness, training, and activity data, namely, time, distance, pace, calories burned, and cumulative activity level; watches and bracelets that communicate data to personal digital assistants, smart phones, and personal computers through internet websites and other computer and electronic communication networks.

35 – On-line retail store services featuring consumer electronics and accessories therefor.

38 – Providing online electronic bulletin boards for transmission of messages among computer users concerning media, music, video, film, book and television; streaming of video content via a global computer network; streaming of audio content via a global computer network.

(260) AM 2015 80040 A  
 (800) 1225936  
 (891) 2014 08 28  
 (731) YUYAO XINTAI HARDWARE CO., LTD.  
 Huangjiabu Village, Huangjiabu Town, Yuyao  
 City, Zhejiang Province, China  
 (540)

## XTANCHOR

(511)  
 6 – Washers of metal; nails; wall plugs of metal; screws of metal; pins [hardware]; eye bolts; rivets of metal; bungs of metal; buckles of common metal [hardware]; nuts of metal; chains of metal; clothes hooks of metal; fittings of metal for furniture; fittings of metal for beds; door fittings, of metal.

(260) AM 2015 80044 A  
 (800) 1225981  
 (891) 2014 09 15  
 (731) DIVERSE BRAND & MARKETING  
 SP. Z O.O.  
 ul.Grzybowska 5A PL-00-132 Warszawa  
 (PL), Poland  
 (540)

## DVRS

(511)  
 3 – Body haircare preparations, perfumery, essential oils, toiletries for washing and shaving.

9 – Spectacle, spectacle cases.

18 – Travelling bags, sports bags, shopping bags, beach bags, rucksacks, bags for campers, suitcases, school haversacks, office attache cases, attache cases, cases, key cases, ladies handbags, wallets, purses.

25 – Clothing, footwear, headgear, furs, coats, jackets, waistcoats, sweatshirts, suits, trousers, shorts, skirts, shirts, blouses, dresses, jumpers, pullovers,

tracksuits, babyware and adults underwear, socks, tights, stocking, hats, caps, belts, neckerchiefs, shawls, ties, bow ties.

32 – Beers, mineral and aerated waters and other non-alcoholic drinks, fruit drinks and fruit juices, syrups and other preparations for making beverages, energy drinks.

35 – Wholesale and retail shop services with beers, mineral and aerated waters and non-alcoholic drinks, fruit drinks and fruit juices, syrups and other preparations for making beverages, energy drinks.

(260) AM 2015 80045 A

(800) 1226009

(891) 2014 09 25

(731) MAGIC BODYFASHION B.V.

Twentepoort West 51, NL-7609 RD Almelo,  
Netherlands

(540)

**MAGIC BODYFASHION**

(511)

25 – Underwear, lingerie.

(260) AM 2015 80053 A

(800) 1226140

(891) 2014 08 11

(731) EVERGRANDE REAL ESTATE GROUP  
LIMITED

Room 3801, No:78, Huangpu Avenue W.,  
Tianhe District, Guangzhou, Guangdong,  
China

(540)

**EVERGRANDE SPRING**

(511)

32 – Beer; fruit extracts (non-alcoholic); fruit juices; waters (beverages); vegetable juices (beverages); non-alcoholic beverages; aerated water; plant beverages; bean beverages; preparations for making beverages.

(260) AM 2015 80182 A

(800) 1227840

(891) 2014 09 26

(731) ARARAT COGNAC FACTORY "A.K.Z."

LTD

12, str. Pushkin, Ararat, marz Ararat,  
Armenia

(540)

**ՎԱՐՇԱՊԵՏՅԱՆ**

**VARZHAPETYAN**

**ВАРЖАПЕТЯН**

(591) Black, white

(511)

33 – Alcoholic beverages (except beers).

(260) AM 2015 80198 A

(800) 1228001

(891) 2014 09 17

(731) EGIS GYÓGYSZERGYÁR ZRT.

Keresztúri út 30-38, H-1106 Budapest,  
Hungary

(540)

**LONAMO**

(511)

5 – Pharmaceutical preparations for human use.

(260) AM 2015 80324 A

(800) 590402

(891) 2014 10 08

(731) GOUSSON-CONSULTADORIA E

MARKETING S.r.l.

Strada Settecamini, 116, I-63811

SANTE'LPIDIO A MARE, FERMO, Italy

(540)

**ROGER VIVIER**

(511)

25 – Clothing, including boots, shoes and slippers; headwear; ties, foulards, scarves and stoles, belts, gloves, clothing made of skin or hide.



---

**INTERNATIONAL TRADEMARKS PROTECTED IN GEORGIA**

(260) AM 2015 76286 A  
(800) 1066904  
(151) 2010 12 22  
(181) 2020 12 22  
(891) 2014 01 17  
(511) 33

---

(260) AM 2015 76963 A  
(800) 1199491  
(151) 2013 12 18  
(181) 2023 12 18  
(891) 2013 12 18  
(511) 03, 35

---

(260) AM 2015 76291 A  
(800) 1177306  
(151) 2013 08 07  
(181) 2023 08 07  
(891) 2013 12 10  
(511) 03

---

(260) AM 2015 77323 A  
(800) 1122593  
(151) 2012 05 11  
(181) 2022 05 11  
(891) 2014 02 19  
(511) 25

---

(260) AM 2015 76345 A  
(800) 1194116  
(151) 2013 07 16  
(181) 2023 07 16  
(891) 2013 07 16  
(511) 05, 35, 44

---

(260) AM 2015 77430 A  
(800) 1204099  
(151) 2014 02 12  
(181) 2024 02 12  
(891) 2014 02 12  
(511) 37

---

(260) AM 2015 76346 A  
(800) 1194125  
(151) 2013 09 14  
(181) 2023 09 14  
(891) 2013 09 14  
(511) 05, 16

---

(260) AM 2015 77437 A  
(800) 1204122  
(151) 2014 02 28  
(181) 2024 02 29  
(891) 2014 02 28  
(511) 34

---

(260) AM 2015 76347 A  
(800) 1194133  
(151) 2013 09 19  
(181) 2023 09 19  
(891) 2013 09 19  
(511) 03, 20

---

(260) AM 2015 77438 A  
(800) 1204167  
(151) 2013 12 06  
(181) 2023 12 06  
(891) 2013 12 06  
(511) 05, 29, 30

---

(260) AM 2015 76354 A  
(800) 1194285  
(151) 2013 07 02  
(181) 2023 07 02  
(891) 2013 07 02  
(511) 09, 37, 38, 41, 42

---

(260) AM 2015 77440 A  
(800) 1204320  
(151) 2013 08 14  
(181) 2023 08 14  
(891) 2013 08 14  
(511) 05, 10

---

(260) AM 2015 76360 A  
(800) 1194296  
(151) 2013 09 13  
(181) 2023 09 13  
(891) 2013 09 13  
(511) 03, 09, 18, 24, 25, 35

---

(260) AM 2015 77441 A  
(800) 1204365  
(151) 2014 02 25  
(181) 2024 02 25  
(891) 2014 02 25  
(511) 32, 33

---

(260) AM 2015 77455 A  
(800) 1103657  
(151) 2011 12 22  
(181) 2021 12 22  
(891) 2014 05 05  
(511) 25, 35

---

(260) AM 2015 77511 A  
(800) 1204990  
(151) 2014 02 05  
(181) 2024 02 05  
(891) 2014 02 05  
(511) 03, 09, 14, 16, 25, 32, 33, 34, 41, 42, 43

---

(260) AM 2015 77533 A  
(800) 1205079  
(151) 2014 01 21  
(181) 2024 01 21  
(891) 2014 01 21  
(511) 05

---

(260) AM 2015 77534 A  
(800) 1205080  
(151) 2014 01 21  
(181) 2024 01 21  
(891) 2014 01 21  
(511) 05

---

(260) AM 2015 77535 A  
(800) 1205081  
(151) 2014 01 21  
(181) 2024 01 21  
(891) 2014 01 21  
(511) 05

---

(260) AM 2015 77593 A  
(800) 1205629  
(151) 2014 04 03  
(181) 2024 04 03  
(891) 2014 04 03  
(511) 03, 21, 35

---

(260) AM 2015 77596 A  
(800) 1205729  
(151) 2013 07 17  
(181) 2023 07 17  
(891) 2013 07 17  
(511) 13, 37

---

(260) AM 2015 77825 A  
(800) 1207028  
(151) 2013 10 04  
(181) 2023 10 04

(891) 2013 10 04  
(511) 09, 18, 25

---

(260) AM 2015 77829 A  
(800) 1207093  
(151) 2014 04 14  
(181) 2024 04 14  
(891) 2014 04 14  
(511) 32, 33, 35, 43

---

(260) AM 2015 77831 A  
(800) 682707  
(151) 1997 10 13  
(181) 2017 10 13  
(891) 2014 06 06  
(511) 14

---

(260) AM 2015 77832 A  
(800) 737052  
(151) 2000 07 06  
(181) 2020 07 06  
(891) 2014 06 05  
(511) 03, 09, 18, 25

---

(260) AM 2015 77834 A  
(800) 1008239  
(151) 2009 04 08  
(181) 2019 04 08  
(891) 2014 06 10  
(511) 18, 25

---

(260) AM 2015 77835 A  
(800) 1051988  
(151) 2010 06 18  
(181) 2020 06 18  
(891) 2014 06 10  
(511) 14, 18

---

(260) AM 2015 78031 A  
(800) 1209019  
(151) 2014 04 15  
(181) 2024 04 15  
(891) 2014 04 15  
(511) 03, 08, 21

---

(260) AM 2015 78183 A  
(800) 1210467  
(151) 2014 03 05  
(181) 2024 03 05  
(891) 2014 03 05  
(511) 01, 04, 06, 09, 11, 17, 19, 25, 37, 39, 40, 42

---

(260) AM 2015 78327 A  
(800) 1210966  
(151) 2014 04 08  
(181) 2024 04 08  
(891) 2014 04 08  
(511) 28

---

(260) AM 2015 78328 A  
(800) 1210981  
(151) 2013 12 02  
(181) 2023 12 02  
(891) 2013 12 02  
(511) 29, 30, 43

---

(260) AM 2015 78332 A  
(800) 1211050  
(151) 2013 11 04  
(181) 2023 11 04  
(891) 2013 11 04  
(511) 29, 30

---

(260) AM 2015 78333 A  
(800) 1211054  
(151) 2013 12 30  
(181) 2023 12 30  
(891) 2013 12 30  
(511) 43

---

(260) AM 2015 78364 A  
(800) 1211327  
(151) 2014 04 07  
(181) 2024 04 07  
(891) 2014 04 07  
(511) 05

---

(260) AM 2015 78365 A  
(800) 1211328  
(151) 2014 04 07  
(181) 2024 04 07  
(891) 2014 04 07  
(511) 05

---

(260) AM 2015 78367 A  
(800) 1211365  
(151) 2014 03 17  
(181) 2024 03 17  
(891) 2014 03 17  
(511) 05

---

(260) AM 2015 78368 A  
(800) 1211419  
(151) 2014 04 04  
(181) 2024 04 04

(891) 2014 04 04  
(511) 14

---

(260) AM 2015 78370 A  
(800) 1211446  
(151) 2014 05 16  
(181) 2024 05 16  
(891) 2014 05 16  
(511) 34

---

(260) AM 2015 78371 A  
(800) 1211459  
(151) 2014 03 31  
(181) 2024 03 31  
(891) 2014 03 31  
(511) 25, 35

---

(260) AM 2015 78372 A  
(800) 1211461  
(151) 2014 04 03  
(181) 2024 04 03  
(891) 2014 04 03  
(511) 19

---

(260) AM 2015 78423 A  
(800) 1211972  
(151) 2014 01 14  
(181) 2024 01 14  
(891) 2014 01 14  
(511) 18, 25

---

(260) AM 2015 78424 A  
(800) 1211997  
(151) 2013 12 02  
(181) 2023 12 02  
(891) 2013 12 02  
(511) 29, 30, 43

---

(260) AM 2015 78425 A  
(800) 1212039  
(151) 2014 04 01  
(181) 2024 04 01  
(891) 2014 04 01  
(511) 29, 30

---

(260) AM 2015 78427 A  
(800) 1212044  
(151) 2014 04 07  
(181) 2024 04 07  
(891) 2014 04 07  
(511) 41

---

(260) AM 2015 78429 A  
(800) 1212081  
(151) 2014 04 16  
(181) 2024 04 16  
(891) 2014 04 16  
(511) 05

---

(260) AM 2015 78430 A  
(800) 1212082  
(151) 2014 04 29  
(181) 2024 04 29  
(891) 2014 04 29  
(511) 05

---

(260) AM 2015 78432 A  
(800) 1212160  
(151) 2014 05 27  
(181) 2024 05 27  
(891) 2014 05 27  
(511) 05

---

(260) AM 2015 78433 A  
(800) 1212244  
(151) 2014 05 28  
(181) 2024 05 28  
(891) 2014 05 28  
(511) 12

---

(260) AM 2015 78434 A  
(800) 581992  
(151) 1992 01 30  
(181) 2022 01 30  
(891) 2014 05 19  
(511) 03

---

(260) AM 2015 78436 A  
(800) 1043183  
(151) 2010 06 11  
(181) 2020 06 11  
(891) 2014 07 21  
(511) 17

---

(260) AM 2015 78485 A  
(800) 586907  
(151) 1992 06 12  
(181) 2022 06 12  
(891) 2014 04 24  
(511) 03

---

(260) AM 2015 78486 A  
(800) 780633  
(151) 2001 12 18  
(181) 2021 12 18

(891) 2014 05 22  
(511) 07

---

(260) AM 2015 78488 A  
(800) 892249  
(151) 2005 09 20  
(181) 2025 09 20  
(891) 2014 06 04  
(511) 30

---

(260) AM 2015 78489 A  
(800) 1071147  
(151) 2010 12 23  
(181) 2020 12 23  
(891) 2014 03 06  
(511) 03, 05, 28

---

(260) AM 2015 78490 A  
(800) 1160308  
(151) 2013 01 04  
(181) 2023 01 04  
(891) 2014 04 16  
(511) 20

---

(260) AM 2015 78492 A  
(800) 1180724  
(151) 2013 08 09  
(181) 2023 08 09  
(891) 2014 04 28  
(511) 05

---

(260) AM 2015 78493 A  
(800) 1200972  
(151) 2013 11 21  
(181) 2023 11 21  
(891) 2014 05 12  
(511) 05, 32

---

(260) AM 2015 78497 A  
(800) 1213012  
(151) 2014 03 28  
(181) 2024 03 28  
(891) 2014 03 28  
(511) 05

---

(260) AM 2015 78628 A  
(800) 1214620  
(151) 2014 07 24  
(181) 2024 07 24  
(891) 2014 07 24  
(511) 33

---

(260) AM 2015 78629 A  
(800) 1214627  
(151) 2014 04 25  
(181) 2024 04 25  
(891) 2014 04 25  
(511) 03, 14, 18, 25, 35

---

(260) AM 2015 78630 A  
(800) 1214631  
(151) 2014 04 30  
(181) 2024 04 30  
(891) 2014 04 30  
(511) 30

---

(260) AM 2015 78631 A  
(800) 1214632  
(151) 2014 04 30  
(181) 2024 04 30  
(891) 2014 04 30  
(511) 30

---

(260) AM 2015 78634 A  
(800) 1214665  
(151) 2014 04 30  
(181) 2024 04 30  
(891) 2014 04 30  
(511) 30

---

(260) AM 2015 78635 A  
(800) 1214675  
(151) 2013 12 20  
(181) 2023 12 20  
(891) 2013 12 20  
(511) 03, 16, 21

---

(260) AM 2015 78637 A  
(800) 1214701  
(151) 2014 03 12  
(181) 2024 03 12  
(891) 2014 03 12  
(511) 09, 14, 18, 25, 26

---

(260) AM 2015 78655 A  
(800) 1140448  
(151) 2012 09 21  
(181) 2022 09 21  
(891) 2014 04 17  
(511) 05, 10

---

(260) AM 2015 78656 A  
(800) 1159963  
(151) 2013 01 04

(181) 2023 01 04  
(891) 2014 04 16  
(511) 20

---

(260) AM 2015 78669 A  
(800) 1214840  
(151) 2014 03 31  
(181) 2024 03 31  
(891) 2014 03 31  
(511) 05

---

(260) AM 2015 78681 A  
(800) 1215000  
(151) 2014 03 31  
(181) 2024 03 31  
(891) 2014 03 31  
(511) 05

---

---

# GEOGRAPHICAL INDICATIONS

## APPLICATIONS APPROVED FOR REGISTRATION

In accordance with Article 8(4) of the Law of Georgia on Appellations of Origins and Geographical Indications of Goods of June 22, 1999, LEPL National Intellectual Property Center of Georgia "SAKPATENTI" publishes materials on the applications of the geographical indications.

If additional information is submitted to SAKPATENTI within 3 months from publication of the application materials, it shall be sent for examination to the Ministry of Agriculture of Georgia.

The decision can be appealed at the Chamber of Appeal of Sakpatenti within 3 months from the publication or at the Mtskheta District Court Administrative Cases Board (Address: №17, Samkhedro str., Mtskheta), within 3 month following the publication.

**Application №** 4713/07

**Date of Application:** 2015 01 29

**Geographical Indication: "Machakhela Honey"**

**Name of Good for which Registration is Required:** Class 30 – Honey

**Name of Applicant and Address:** Association "Machakhela Honey", Didachara St. 17, Chkhutuneti Village, Khelvachauri, Georgia

**1. Name:** MACHAKHELA HONEY (Machakhela Datunia)

**2. Description of the Product.** Machakhela Honey is a food product made by bees from flowers growing in the Machakhela Valley. Machakhela Honey can be of four kinds – May honey, acacia honey, chestnut honey and lime (white) honey.

May honey is collected in the early spring from the early flowering plants and is distinguished by varied taste and aroma.

Acacia honey is the early spring honey, the color of which is so light that is practically transparent. Robinia (the so-called "white acacia") is considered to be the best early melliferous plant. Because of the high level of fructose the product granulates slowly to produce a soft fine-grained white mass. The acacia honey has a smell of fragrant acacia.

Lime honey in the liquid state is of light yellow color. Crystallized lime honey becomes of peach or chestnut color and fine-grained, smell is mentholated and taste slightly bitter.

Chestnut honey is light to dark brown in color, smell is reminiscent of overripe apples and taste is tannic and slightly stringent, is not easy granulated.

**3. Geographical Area.** The production area of "Machakhela Honey" consists of the territories of the villages: Machakhlispira, Ked-Kedi, Acharisaghamarti, Chkhutuneti and Chikuneti.

**4. Link with Geographical Area:**

**4.1 Distinctive Features Linked to the Geographical Area.** The Machakhela Valley is noted for well-pronounced natural and climatic conditions favorable for production of diverse honey.

Summers in the Machakhela Valley are relatively cool and warm, while winters are rather mild. It is always warm during the day. In summer the temperature may vary between +30°C to +35° C, and between 5°C to +10° C in winter. The snow cover in winter may reach from 0.5 to 3 meters, although because of the warm climate it is short-lived. The Machakhela valley is surrounded by mountains covered with softwoods.

In general, black soils prevail in the Valley (best for growing honey-yielding plants) with vertical- zonal location of plants, which conditions abundance and diversity of melliferous plants and the possibility of making quality honey.

The length of the Machakhela Valley is 45 km. In the beginning of the Valley, the village of Machakhlispiri is located at 70 m above sea level. In the end of the valley, at 1200 m above sea level there are chestnut groves, also lime forests a little higher, and more higher begin the Alpine zone, where the honey-yielding bushy plants grow. The percentage of glucose increases in the nectar in proportion to the elevation growth, creating thus favorable conditions for producing quality honey there.

The nectar productivity of the melliferous plants of the same variety is known to gradually increase from the south to the north; an increase in the percentage of sugar in the nectar is subject to the same regularity. The honey-yielding plants located on the deep mountain slopes in the Machakhela Valley, mostly on the northern slopes, are in full compliance with these conditions.

The Machakhela Valley is noted for one more unique characteristic essential for producing quality honey. Namely, in the east where the Machakhela Valley is bordered with Karchkhali Mountains the snow cover does not melt until the late June, because of which the Valley retains the permanent moisture and is protected from the dangerous for nectar production phenomena, such as droughts and dry winds. The moisture nearing the optimum value (60-80%) provides in plants a continuous discharge of nectar during the day.

It should be noted that the Machakhela Valley is rich in wild hazelnuts, which in the early spring produce pollen - the best material for beebread, the production of which is necessary for feeding young bees. The great numbers of the latter are necessary for collecting nectar in the early spring and producing brood. The local bee is healthy and well reproduced.

The Machakhela Valley is ecologically safe and less liable to the effects of environmental pollution that is characteristic of modern civilization. The local population do not apply, in general, herbicides or pesticides. The Machakhela Valley abounds in ecologically safe spring waters, which honeybees use daily. All this makes it possible to produce ecologically safe honey, which the most important factor for ensuring the making of high quality and competitive products.

**4.2. Reputation.** The historic Machakhela Valley with century-old experience is the classical region of traditional beekeeping. Beekeeping practices are being passed here from old to new generations. The region has been known for producing ecologically safe natural honey with medicinal properties. The Chronicle of Tbeti Spirits, which is a monument of the XII-XVII centuries, mentions the family of Meputkrizdze, the son of Putkara, while in the Machakhela Valley, where the Putkaradzese used to compactly reside, their village is called Saputkreti (putkari means bee in Georgian). Three forms of beekeeping prevail in the Machakhela Valley – forest (rock bee, wood bee), half-domesticated (arrangement of hives on trees) and domesticated (artificial log hive (geja) and specially arranged apiary).

**5. Production.** Hives are placed in an area in which the forest or floral species are found that correspond to the type of honey sought: acacia, lime, chestnut, etc. The honey is extracted when ripe without heating, is decanted, stored and packaged. Each batch is subjected to a physico-chemical and sensory analysis. The honey must also comply with the physico-chemical and organoleptic criteria set out in the specification.

**6. Origin.** The honey should be extracted, decanted and accredited within the fixed geographical area. The process of accreditation shall encompass a declaration of the production hives on the place with the data indicating the time of placement, number and exact location of each of them, as well as a yearly declaration of the Association of Producers concerning the total number of hives, total extracted honey, including the honey that may be qualified as honey of local origin (appellation of origin).

Each producer is obliged to make yearly declarations on own honey reserves. The data on the origin of honey, its amount, designed supply and placement on the market should be entered in the registration book.

The results of the product's analysis and organoleptic testing are used to corroborate its origin.

**7. Labeling.** The words "Machakhela Honey" must figure on the label together with a reference to the type of honey according to the established specifications.

With Latin Letters: MACHAKHELA HONEY

With Russian Letters: МАЧАХЕЛИНСКИЙ МЁД

**8. Control.**

The official control over compliance of the product "Machakhela Honey" with the established specifications should be exercised by the Ministry of Agriculture of Georgia

---

**Application №** 4714/07

**Date of Application:** 2015 01 29

**Geographical Indication: "Akhalkalaki Potato"**

**Name of Good for which Registration is Required:** Class 31 – Potato

**Name of Applicant and Address:** Association "Akhalkalaki Potato"

Apartment 6, 2<sup>nd</sup> Lane of David Aghmashenebeli St., Akhalkalaki, Georgia

**Name:** AKHALKALAKI POTATO

**Description of the Product.** The "Akhalkalakis Kartopili" is well-known for its two significant properties: it can be kept for a long time and reveals high organoleptic and culinary properties, is characterized by pleasant color and fragrance. Thanks to the above properties it is in high demand among consumers, both domestically and abroad.

**Used varieties.** On the basis of a special survey conducted in 2006 it has been found that the consumer gives preference to the smooth and thin-skinned potato with natural taste. As regards the tuber form and size, most consumers prefer average-sized ovate, ovate-orbicular and ovate-acuminate tubers. In respect of the tuber flesh color, consumer preferences have been practically equally divided between the yellow and whitish flesh. Given the above, the following potato varieties have been selected: Marfona, Agria, Picasso, Jelly, Arinda and Kondor.

With due regard for appearance of new quality potato varieties and the market conditions, a list of the varieties to be used for production of the "Akhalkalakis Kartopili" is periodically revised and approved at the General Meeting of the Association members.

**Shape:** ovate-orbicular and ovate-acuminate.

**Size:** No less than 65 mm.

**Quality:** when released for sale the potatoes must be healthy, without sprouts, whole, clean, with no blemishes (unripe, dried out, greened, with mechanical damages, with fungal diseases, earth-covered) over 3 mm deep or pest damage. There may be physical damages (cuts and/or scratches and/or abrasions) on a quantity of potatoes less than 5 % of the total.

**Geographical Area.** The production area of the "Akhalkalakis Kartopili" is made up of the villages located within the Akhalkalaki and Ninotsminda Municipalities.

**Link with Geographical Area.** The Javakheti Plateau occupies 6 500 square kilometers. Its mountainous relief is located at 1600-1800 m above sea level. The climate is extremely dry in summer and cold in winter. The mean annual temperature on the Akhalkalaki Plateau is 5.5 degrees. The highest temperature (31.1) is recorded in the late July and early August. The plateau is noted for small precipitation. Recorded temperatures increase in the period between April and May which is therefore ideal for sowing. The growth of the plant is further favored by the daily range of temperatures and the extended radiation which makes it possible to obtain uniform and slow growth which is favorable for long conservation without the need for chemical and anti-sprouting



treatments. That important property is present from the time of harvesting, which takes place in cool temperatures generally not exceeding 15 to 18°C. The area is entirely cut off from sources of air and water pollution. The plants here require minimum treatments since parasites are extremely rare, confined and therefore easy to control, owing to the very marked summer temperature range between day and night, the harsh winter and snow which cleans the environment of countless agents which are harmful to the crop. The mountain-meadow black soils predominate generally in the villages of the Akhalkalaki and Ninotsminda Municipalities. The content of organic substance of these soils makes 4.4 to 5.1 %, of hydrolyzed nitrogen – 8-10 mg, that of phosphorus – 10-12 mg, potassium 35-40 mg per 100 g of soil, pH – 5,9, which creates favorable conditions for potato production.

**Production.** The growing, storage and packaging of the "Akhalkalakis Kartopili" should take place within the geographical area defined for production, which furthers the preservation of special properties of the "Akhalkalakis Kartopili" and less damage before delivery to the consumer.

**Production is carried out based on the schedule of operations given below.**

№	Operation	November	December	January	February	March	April	May	June	July	August	September	October
1.	Purchase of seed potato												
2.	Seed potato sorting												
3.	Pre-sowing treatment of seeds with chemicals												
4.	Spring plowing												
5.	Pre-sowing cultivation/tillage												
6.	Seed potato loading and transporting for sowing												
7.	Sowing												
8.	I cultivation												
9.	II cultivation (shallow tillage/ridging)												
10.	Fertilizer application												
11.	III cultivation (ridging)												
12.	Treatment with insecticides (Colorado beetle control operations)												
13.	Irrigation 2-3 times												
14.	Hilling												
15.	Harvest transporting												
16.	Harvest sorting and storage												
17.	Sale												

**Packaging.** The potatoes should be sold in new and clean packaging. All the packaging must be made from material enabling good aeration, transportation and storage of the potatoes. The packaging should be made in 1, 2, 3, 4, 5, 10 and 15 kg batches. 20 and 25 kg packages are allowed if they are intended for use in catering facilities.

**Labeling.** The packaging must bear GI logo and the words "Akhalkalakis Kartopili". Each package should also be attached with a numbered label with the geographic indication logo.

With Latin Letters: AKHALKALAKI POTATO

With Russian Letters: АХАЛКАЛАКСКИЙ КАРТОФЕЛЬ

**Control.** The official control over compliance of the product "Akhalkalakis Kartopili" with specifications shall be exercised by the Ministry of Agriculture of Georgia.

---

**Application №No.** 4715/07

**Date of Application:** 2015 01 29

**Geographical Indication: "Tkibuli Mountain Tea"**

**Name of Good for which Registration is Required:** Class 30 – Tea

**Name of Applicant and Address:** Association "Tkibuli Mountain Tea"  
Gabriadze St. №20, Tkibuli, Georgia

**Description of the Product:** The evergreen, perennial tea crop belongs to the family "Theaceae", the botanical homeland of which is deemed to be China. According to one of the versions, in Georgia, the first tea seeds were sown in the estate of the Samegrelo Governor in the village of Goraberezhouli, being further spread to other subtropical areas of West Georgia. As for Tkibuli area, the propagation of tea started here in the 30s.

The Okribi zone, where tea is being cultivated, is surrounded by mountain ranges. West winds predominate here, bringing abundant precipitation from the Black Sea area, which together with the mountain temperature regime create favorable conditions for growing and developing quality teas.

Tea bushes of the northern Chinese tea varieties of the "Theasinensis" group (Kimin, Ningzhou, Kangra) and Georgian selection varieties, which are well adapted to rather cold climatic mountain conditions, are cultivated on the slopes of Okribi Mountain.

The tea varieties grown in Okriba are noted for high content of many chemical components, which is conditioned by the local soil structure, such as: dry matter – 24 %, unoxidizable polyphenols 20-25 %, glucosides – 25 %, proteins - 10-12%, caffeine – 3-3.5 %, amino acids – 2,0%, sugars – 2-3 %, mineral matter – 2-2.5%, cellulose, hemicellulose - 16-18 %, pectin – 10%, resins – 2-3%, chlorophyll – 0.6-0.8% and different vitamins.

The tea bush in the Okriba plantations is 50-100 cm in height and 60-80 cm in width. The vegetation period of the tea leaf of intensive green color and of average size makes 150-180 days. The intensive growth of flush starts in the late April, whereas the growth of shoots ends in September. The local tea bush is distinguished by a great number of bright green shoots and fluffy silvery reclinated long buds (tips), which gives a visual pleasure to its viewer. Tea is plucked manually by skilled tea pickers, which essentially conditions the top quality of the tea leaf plucked under the complex local geographical conditions.

According to its organoleptic properties, the "Tkibuli Mountain Tea" has a soft, pleasant, delicate, ripe and lively taste, it is manufactured as green, black loose-leaf tea in packs and tea in bags.

**Production.** Tea plucking in full-age plantations starts in the end of April, when the tea leaf growth is most strong and constitutes a major share of the yearly harvest; in June, owing to the small amount of precipitation, the tea plant is characterized of weak growth; in August, the technically ripe 3-4-leaf shoots are maximally plucked; thereafter, the productivity gradually reduces and in the late September, from the mid-

October the plant goes to the winter regime, the period of extended rest - dormancy. For the purpose of fertilizing the soil under tea, nitrogenous fertilizers are applied in the amounts determined by a laboratory analysis of soil; also in the early spring, the so-called espallier tea leaf pruning in tea plantations takes place. The local tea bush yields 3174 kg/ha green leaf in a year.

The inherently sensitive nature of the finely plucked green leaf requires a deep and comprehensive knowledge at each stage of its treatment, because the leaf variety (young, rather coarse and coarse) and the kinds of processed tea (black, green loose tea and tea in bags) are to be processed under different process flowsheets.

Since tea plantations are rather distanced from the tea processing factory, the plucked tea consignments, prior to their transporting to the factory, are kept in special tare designated for tea storing, in peripheral points, wherefrom they are delivered to the factory. The quality of the coming tea leaf is examined in the first turn at the factory; thereafter the raw tea leaf undergoes processing under the traditional technology; The withering, rolling, drying, sorting and packing are exclusively carried out in different shops of the factory, first of all, in the course of black tea processing, depending on the amount, the leaf goes to the withering shop (natural withering on "troughs") or to the rolling machine, in both cases. Once the leaf reaches the factory, it is "withered".

The objective of withering is to evaporate the moisture from the green leaves slowly. The leaf shrinks and becomes soft so that it can withstand twisting and rolling mechanically. The brew characteristics also begin to develop following physical and chemical changes within the leaf structure. Each trough is an air chamber which enables fresh dry air to be passed in a regulated manner through the green leaves until the desired 'wither' is achieved. Approximately, 62-64% of the water content in the fresh green leaf is evaporated at this stage.

The withered leaf is then removed from the trough and loaded and twisted in the rolling machines of 50-200 kg. which, by subjecting the withered leaf to a rolling movement under pressure, twist the leaf, rupture the cells and release natural juices, promoting oxidation and accelerating pigmentation. Rolling pressures and sequences are very meticulously supervised to ensure that the optimum style is imparted, without the detrimental effect of overheating.

Next, the leaf is thinly spread in a cool, well-ventilated room to slowly oxidize (ferment) (92-95% humidity on 22-24°C). This stage, in which the flavanols combine with oxygen in the air, extends over a period ranging from two to four hours, mainly depending on ambient temperature and relative humidity. An experienced tea maker judges at regular intervals the extent of quality development from the fragrance progressively expressed by the leaf. This sensory judgment is critical to the quality of the infused brew. For the visitor, the rich floral aroma emanating from tea rolling and fermenting (oxidization) room is heady and definitely unforgettable.

Once optimum fermentation (oxidization) has been achieved, the oxidized leaf is taken for roasting (or drying) to a tea dryer at 100 °C to arrest further fermentation (oxidization) by deactivating the enzymes, and to remove almost all of the remaining moisture in the leaf. The tea dryer is a chamber which exposes the fermented (oxidized) leaf to hot dry air at regulated, varying temperatures within its parts, for duration of 20 to 30 minutes. A good roast reduces moisture content in the final product to about 4-5 %, resulting in crisp dry tea which is then goes to the tea sifter.

After final grading has been completed, nomenclatures are assigned to the size of the grades. These falls into three categories: 1)Whole Leaf, 2)Broken Leaf; 3)Fanning. In contrast to the black tea, the withered green tea leaf undergoes fixation (decomposition of oxidizing ferments, which proceeds by the hot moist air (160-180 °C); the length of fixation is 3-4 minutes; thereafter, the leaf is weathered until it becomes of amber color; the moist in it should be 58-59 %. The green tea leaf drying proceeds in the same treatment as that of the black tea and finally the semi-finished product of greenish color is produced and delivered for further grading as the black tea.

For tea in bags a special blend is prepared and the dry mass (powder) is delivered to the grading and packing machine, where it is packed first in 2-2.5 g bags and then in cartons, 25 bags in each.

**Geographical Area.** The green tea for the "Tkibuli Mountain Tea" is grown in the Okribi area, in particular in the following villages of Tkibuli district: Akhalsopeli, Satsire, Khresili, Bziauri, Manchiori, Dabadzveli.

**Link with the Geographical Area.** The rare flavor of both the black and green teas of the mountainous Okribi area is a result of the unique combination of plant genes soil chemistry and the climatic conditions, as well as the soil rich in minerals, abundant rainfall (1373 mm/year), the altitude between 600 to 1200 m above sea level, and the unique temperature variation from – 12 to +30<sup>0</sup>C. It is important to note that the steep slopes provide ideal natural drainage for the generous rainfall the district receives.

All these natural and agro-climatic conditions play a leading role in the formation of special properties and high quality of the product. It should be noted that the local tea varieties reveal in different places different organoleptic characteristics.

The originality of the region is conditioned by a number of factors: the scenic Nakerala Range located at an altitude of 1200 m interferes with the movement of clouds, contributing thus to the drain of large amount of rainfall within the area, where the "Tkibuli Mountain Tea" is grown. Intermittent clouds, mist, and direct fall of sun rays on tea bushes located on steep hill slopes, as well as cold winters greatly determine the particular composition of green tea and contribute to the development of its fine aroma and properties.

The tea bushes of Okribi area are nurtured by intermittent natural rainfall, do not require artificial irrigation and the employment of chemical weed- or pest-killers thanks to the cold winter. The high tea quality is also conditioned by the traditional and cultural practices of tea management, plucking and production, which pass from generation to generation in the local population. All sorts of 'Tkibuli Mountain Tea' rich in natural elements are a pleasant beverage for consumers at any time of a year

Due to the unique and complex combination of natural and agro-climatic conditions prevailing in the region as well as the rich experience of tea growing that the local population has accumulated during decades, tea produced in this region has the distinctive and naturally occurring organoleptic characteristic of taste, aroma and texture which have won the recognition of discerning consumers on both the local and foreign market.

Unique is the tea produced by using the "bouquet" material (two leaves and the bud), which is plucked in relatively small amounts in the Okribi region, for its copper-color, pleasant pungent, floral (rose) flavor, creamy infusion characteristic of quality teas. All these properties put the "Tkibuli Mountain Tea" as a niche luxury product. As it is narrated, the tea was greatly appreciated during the Big Three meeting at Yalta.

A tea with relatively different characteristics, the so-called broken tea and tea in bags, is produced from three and more leaves.

#### **Labeling**

Any quantity of brought in green leaf or brought out finished product is registered in a special log; each lot/batch is subjected to on-site analysis in the production and technical laboratory.

**Packaging.** The properly finished and packaged product is delivered to the warehouse, where it is stored under optimal conditions; each tea package (individual packs or bags intended for wholesale) shall bear a logo indicating the geographical area and the words "ტყიბულის მთის ჩაი, ТКИБУЛЬСКИЙ ГОРНЫЙ ЧАЙ, TKIBULI MOUNTAIN TEA"; as well as date of manufacture, shelf life, weight, and storage conditions.

**Control.** The official control over compliance of the product "Tkibuli Mountain Tea" with specifications shall be exercised by the Ministry of Agriculture of Georgia.

---

**Application №** 4716/07

**Date of Application:** 2015 01 29

**Geographical Indication:** "Kutaisi Greens"

**Name of Good for which Registration is Required:** Class 31 – Greens

**Name of Applicant and Address:** Association "Kutaisi Greens"

Patriketi Village, Tskaltubo, Georgia

**Description of the Product.** Special qualities and high quality of "Kutaisi Greens" are conditioned by the unique microclimate conditions within the territories adjoining the middle end of the Rioni River, which further the growing there of greens with special taste and fragrance. The peculiar local climatic conditions have a special favorable effect on such leaf vegetables as: dill, parsley, coriander and celery. The greens grown in the region enjoy high reputation and are in great demand both on the Georgian and foreign markets, primarily in Ukraine and Russia, as well as in some European countries.

**Dill** (*Anethum graveolens*) is an annual herb in the celery family Apiaceae, with slender hollow stems and alternate, finely divided softly delicate leaves; the ultimate leaf divisions are broad and threadlike. After emergence of 3-4 primary leaves, rapid stemming begins and in 35-40 days from sowing the stem's length reaches 8-10 cm, being shaped as an umbrella on the 50-60 day. Dill is a long-day plant. Under conditions of extended radiation it quickly stems. Under conditions of weak radiation the total yield of dill reduces and its quality deteriorates, especially in terms of fragrance. Its green leaves are used as aromatic dressing for different dishes. Its young shoots can also be used as greens. By its chemical composition the dill is considered as vegetable of high nutritive value. On average, it contains 83.8% water, 3.5% nitrogenous substance, 7.3% carbohydrates, including dietary fiber – 2.1% and ash – 2.4%. The dill contains aromatic essential oils, large quantities of vitamins C, B1, B2, PP, P, carotene, potassium, calcium, phosphorus, iron and salts of other microelements.

**Parsley** (*Petroselinum*) belongs to the Umbelliferae family of plants. It is an annual or biannual herb. Three types of parsley are known. Garden parsley (*Petroselinum sativum*) is a biannual herb in temperate climates; in the first year, it forms a rosette of tripinnate leaves 10-25 cm long with numerous 103 cm leaflets and a taproot; in the second year, it grows a flowering stem to 75-150 cm tall with sparser leaves and flat-topped 3-10 cm diameter umbels with numerous 2 mm diameter yellow to yellowish-green flowers. The seeds are ovoid, 2-3 mm long, with prominent style remnants at the apex. Parsley grows best in moist, well-drained soil, with full sun. It grows best between 22–30 °C, and usually is grown from seed. High temperature, especially as it is associated with the lack of moisture in soil, increases the content of essential oil in parsley, intensifying thus its aroma, i.e. improves the quality, although the yield in this case reduces. Parsley is a sun-loving plant. The chemical composition of parsley leaves is on average as follows: dry matter – 14.9 %; nitrogen – 3.7 %; carbohydrates – 9 % in total, including dietary fibers – 1.5 %, ash – 1.7 %. Parsley is rich in vitamins C (150 mg), B1 and B2, folic acid, carotene provitamin A, mineral substances and essential oils. It is used both fresh and dried in culinary and canning industry.

**Coriander** (*Coriandrum sativum*) is an annual herb in the family Apiaceae. It is a soft plant growing to 50 cm tall. The leaves are variable in shape, broadly lobed at the base of the plant, and slender and feathery higher on the flowering stems. The flowers are borne in small umbels, white or very pale pink, asymmetrical, with the petals pointing away from the centre of the umbel longer (5–6 mm) than those pointing toward it (only 1–3 mm long). The fruit is a globular, dry schizocarp 3–5 mm in diameter. Although sometimes eaten alone, the seeds often are used as a spice or an added ingredient in other foods. Coriander contains water – 92.2 g, proteins – 2.1 g, carbohydrates – 1.9 g, dietary fiber – 2.8 g, also carotene, volatile oils, vitamins C, B1 and B2 and potassium. Its seeds contain up to 2 percent of essential oil and other useful substances.

**Celery** (*Apium graveolens*) is a biennial plant in the family Apicaceae which produces in the first year an upright rosette of leaves (40 to 60 cm in height) with closely appressed succulent leaf stalks. In the second year, it produces a tall flowering stem with terminal an axillary umbels of small, greenish-white flowers that give rise to tiny 1.5 mm long fruits. Two types of celery are known: leaf and root. The first has rather weak coloring and less fibrous well-developed palmate leaves. These cultivars have well-developed roots, but without a taproot. The blanched (etiolated) stems together with leaf blades, raw or boiled, are used for eating. Leaf celery types

predominate generally in Georgia. Celery is rich in vitamins A, B, PP, C, K, iron, magnesium, phosphorus, folic acid, sodium and manganese. It also contains essential for human acids and volatile oils.

Geographical Area – The production area of ‘Kutaisi Mtsvanili’ includes:

Vani district: Chkvishi, Shuamta, Mtsdziri, Tobanieri, Tsikhe Sulori, Amaghleba, Zeindari

Samtredia district: Jikhaishi, Etseri, Ghaniri, Sajavakho, Vazisubani, Bashi, Kulashi, Mitsabogira, Ianeti, Akhalsopeli;

Terjola district: Godogani, Nakhshirghele, Simoneti

Zestaponi district: Ajameti, Sviri

Baghdati district: Dimi, Rokhi, Didvela, Vartsikhe

Khoni district: Gubi, Kukhi, Akhalsopeli, Kutiri, Mitsatsiteli, Ivandidi

Tskaltubo district: Geguti, Patriketi, Tkachiri, Opshkviti, Sakulia, Mukhiani, Meskheti, Ukaneti, Maghlaki, Kvitiri, Partskhanakanebi, Gumbra, Banoja, Gvishtibi, v. Tskaltubo, Opurchkheti, Rioni, Gumati.

**Link with the Geographical Area.** The territorial units of Tskaltubo, Vani and Samtredia are located in a semi-humid subtropical region. The average temperature of the coldest month, January, varies within +4.1-5.3 °C, while that of the hottest months – July and August equals 24-25°C. Average precipitation makes 1500-1700 mm/year; in the vegetation period the accumulated temperatures above 10 °C makes 4200-4500°, which makes it possible to gather several harvest during a year. The average estimate humidity is 73 %. The length of annual solar radiation exceeds 2000 hours. The maximum autumn-spring average accumulated temperatures, natural ventilation (the prevailing east wind), the proximity of subsoil waters (influencing the soil temperature) and high temperature range have a particular effect on the formation of the product’s unique taste and aroma. The product obtained under such conditions is characterized of particular extended shelf-life under proper storage conditions (approximately up to a month).

**Production.** The "Kutaisi Greens" is produced under two types of greenhouse conditions and in open field. The ideal temperature for growth and development is 22-30°C. It is sown in 8-12 cm rows at a 5 cm distance, approximately at 1-1.5 cm depth.

Harvestable, when reaches 18-22 cm. To grow certified greens, the rotted organic fertilizer (manure) in the amount of 30-40 m<sup>3</sup> is applied on 1000 sq meters, which enriches the soil with minerals and improves its structure (loosens and ensures aeration).

Dill – Grows optimally under conditions of enough moisture in 7-10 days, depending on the ambient temperature. For best results dill should usually be started indoors or in a glasshouse and transplanted to the garden or field. Under greenhouse conditions it is sown during September and harvested till the end of April, approximately 11-12 times. Its average yield makes about 0.35 kg per square meter, for one harvest, or about 4-5.5 kg per meter in total. Under conditions of open field, it is sown from April and is harvested during several months, approximately 3 times.

Parsley – Parsley grows best in moist, well-drained soil, with full sun, sprouting in 20-25 days. It is sown in the end of August through September and is harvested till the end of April, approximately 5 times. Its average yield is about 0.9 kg per square meter, for one harvest, or about 4.5-5 kg per square meter in total. Under open field conditions, it is sown in February and is harvested during the year 4-5 times. Its average yield makes about 1.3 kg/m<sup>2</sup>, for one harvest, or 5 kg/m<sup>2</sup> in total.

Coriander – Grows optimally under conditions of sufficient moisture in 7-10 days. Under hothouse conditions, it is sown in the end of August through September and is harvested till the end of April, approximately 5-7 times. Its average yield is about 0.9 kg/m<sup>2</sup>, for one harvest, or about 4.5-5 kg/m<sup>2</sup> in total. Under open field conditions, it is sown from March and is harvested during several months, about 3 times. Its average yield makes about 1.3 kg/m<sup>2</sup>, for one harvest, or 3-5 kg/m<sup>2</sup> in total.

Celery – Grows optimally under conditions of enough moisture in 20-25 days. Under greenhouse conditions it is sown in the late August through September and is harvested till the end of April, approximately 4-5 times. Its average yield makes about 1-1.5 kg per square meter, for one harvest, or about 5-5.5 kg per meter

in total. Under conditions of open field, it is sown in August and is harvested from March during the year 4-5 times. Its average yield makes about 1.3 kg/m<sup>2</sup>, for one harvest, or 5-5.5 kg/m<sup>2</sup> in total.

**Packaging.** Greens should be sold in new and clean packaging. The material used for this purpose must ensure good conditions for ventilation, transportation and storage of the product.

**Labeling.** Each packaging should bear the logo of the product origin and the words – "ქუთაისის მწვანელო, КУТАЙССКАЯ ЗЕЛЕНЬ, KUTAISI GREEN". As well as the attached numbered label indicating the appellation of origin.

**Control.** The official control of over compliance of the product "Kutaisis Mtsvanili" with the specifications shall be exercised by the Ministry of Agriculture of Georgia.

---

---

**OFFICIAL NOTIFICATIONS**  
**TRADEMARKS**  
**RENEWAL OF REGISTRATIONS**

(111) M 1995 1013 R2  
(156) 2015 09 25  
(186) 2025 09 25  
(732) YAMAHA CORPORATION  
10-1, Nakazawa-cho, Hamamatsu-shi,  
Shizuoka-ken, Japan

---

(111) M 1995 1036 R2  
(156) 2015 09 26  
(186) 2025 09 26  
(732) STANLEY BLACK & DECKER, INC.  
1000 Stanley Drive, New Britain,  
Connecticut 06053, USA

---

(111) M 1995 1045 R2  
(156) 2015 09 26  
(186) 2025 09 26  
(732) YOKOGAWA ELECTRIC CORPORATION  
9-32, Nakacho 2-chome, Musashino-shi,  
Tokyo, Japan

---

(111) M 1995 1046 R2  
(156) 2015 09 26  
(186) 2025 09 26  
(732) YOKOGAWA ELECTRIC CORPORATION  
9-32, Nakacho 2-chome, Musashino-shi,  
Tokyo, Japan

---

(111) M 1995 1080 R2  
(156) 2015 09 28  
(186) 2025 09 28  
(732) UNISTRUT INTERNATIONAL  
CORPORATION  
35005 Michigan Avenue West, Wayne,  
Michigan 48184, USA

---

(111) M 1995 1211 R2  
(156) 2015 11 22  
(186) 2025 11 22  
(732) OCE-TECHNOLOGIES B.V.  
Sint Urbanusweg 43 5914 CA Venlo,  
Netherlands

---

(111) M 2005 15830 R1  
(156) 2015 06 30  
(186) 2025 01 14  
(732) Marsa Yag Gida Sanayi ve Ticaret Anonim  
Şirketi  
Organize Sanayi Bolgesi;  
Cumhuriyet Cad., No: 2/26 Manisa, Turkey

---

(111) M 2005 15971 R1  
(156) 2015 08 11  
(186) 2025 06 06  
(732) Spirits Product International Intellectual  
Property B.V.  
3, riu du Fort Rheinsheim, L-2419  
Luxembourg, Luxembourg

---

(111) M 2005 15973 R1  
(156) 2015 08 11  
(186) 2025 06 06  
(732) Spirits Product International Intellectual  
Property B.V.  
3, riu du Fort Rheinsheim, L-2419  
Luxembourg, Luxembourg

---

(111) M 2005 15992 R1  
(156) 2015 06 17  
(186) 2025 06 13  
(732) OOO Pivovarennaya kompaniya  
"BALTIKA"  
194292 Sankt-Peterburg, 6-Verkhniy per. 3,  
Russian Federation

---

(111) M 2005 16004 R1  
(156) 2015 07 14  
(186) 2025 06 13  
(732) COLGATE-PALMOLIVE COMPANY  
300 Park Avenue, New York, NY 10022,  
USA

---

(111) M 2005 16005 R1  
(156) 2015 07 14  
(186) 2025 06 13  
(732) COLGATE-PALMOLIVE COMPANY  
300 Park Avenue, New York, NY 10022,  
USA

---



(111) M 2005 16051 R1  
 (156) 2015 07 14  
 (186) 2025 07 14  
 (732) HEMOFARM AKCIONARSKO DRUŠTVO  
 FARMACEUTSKO-HEMIJSKA  
 INDUSTRIJA Vršac (HEMOFARM A.D.  
 Vršac)  
 Beogradski Put BB, 26300 Vršac, Serbia and  
 Montenegro

6501 William Cannon Drive West, Austin,  
 Texas 78735, USA

(111) M 2005 16052 R1  
 (156) 2015 07 14  
 (186) 2025 07 14  
 (732) SAQARTVELOS BILIARDIS EROVNULI  
 FEDERATSIA – SBEF  
 M. Tsinamdzgvrishvilis q. 190, 0107, Tbilisi,  
 Georgia

(111) M 2005 16093 R1  
 (156) 2015 07 14  
 (186) 2025 07 14  
 (732) KIDDE IP HOLDINGS LIMITED  
 Mathisen Way, Colnbrook, Slough, Berkshire  
 SL3 0HB, United Kingdom

(111) M 2005 16061 R1  
 (156) 2015 07 14  
 (186) 2025 07 14  
 (732) Starbucks Corporation d/b/a Starbucks  
 Coffee Company (a Washington Corporation)  
 2401 Utah Avenue South, Seattle,  
 Washington 98134, USA

(111) M 2005 16123 R1  
 (156) 2015 07 28  
 (186) 2025 07 28  
 (732) LTD "TIFLISSKI VINNI POGREB"  
 Iumashevis q. 27, 0198, Tbilisi, Georgia

(111) M 2005 16062 R1  
 (156) 2015 07 14  
 (186) 2025 07 14  
 (732) Starbucks Corporation d/b/a Starbucks Coffee  
 Company (a Washington Corporation)  
 2401 Utah Avenue South, Seattle,  
 Washington 98134, USA

(111) M 2005 016123 R1  
 (111) M 2005 16124 R1  
 (156) 2015 07 28  
 (186) 2025 07 28  
 (732) LTD "TIFLISSKI VINNI POGREB"  
 Iumashevis q. 27, 0198, Tbilisi, Georgia

(111) M 2005 16063 R1  
 (156) 2015 07 14  
 (186) 2025 07 14  
 (732) Starbucks Corporation d/b/a Starbucks Coffee  
 Company (a Washington Corporation)  
 2401 Utah Avenue South, Seattle,  
 Washington 98134, USA

(111) M 2005 16126 R1  
 (156) 2015 07 28  
 (186) 2025 07 28  
 (732) LTD "TIFLISSKI VINNI POGREB"  
 Iumashevis q. 27, 0198, Tbilisi, Georgia

(111) M 2005 16068 R1  
 (156) 2015 07 14  
 (186) 2025 07 14  
 (732) HAMSARD 3145 LIMITED  
 Windrush House, Windrush Park, Witney,  
 Oxfordshire OX29 7DX, United Kingdom

(111) M 2005 16127 R1  
 (156) 2015 07 28  
 (186) 2025 07 28  
 (732) LTD "TIFLISSKI VINNI POGREB"  
 Iumashevis q. 27, 0198, Tbilisi, Georgia

(111) M 2005 16091 R1  
 (156) 2015 07 14  
 (186) 2025 07 14  
 (732) FREESCALE SEMICONDUCTOR, INC.  
 Delaware Corporation

(111) M 2005 16154 R1  
 (156) 2015 08 12  
 (186) 2025 08 12  
 (732) LTD "AVERSI-PHARMA"  
 Davit Agmasheneblis gamz., 148/2, 0112,  
 Tbilisi, Georgia

(111) M 2005 16156 R1  
 (156) 2015 08 12  
 (186) 2025 08 12  
 (732) LTD "AVERSI-PHARMA"  
 Davit Agmasheneblis gamz., 148/2, 0112,  
 Tbilisi, Georgia

(111) M 2005 16157 R1  
 (156) 2015 08 12  
 (186) 2025 08 12

(732) LTD "AVERSI-PHARMA"  
Davit Agmasheneblis gamz., 148/2, 0112,  
Tbilisi, Georgia

---

(111) M 2005 16205 R1  
(156) 2015 09 19  
(186) 2025 09 19  
(732) HYUNDAI MOTOR COMPANY  
(a Korean limited liability company  
incorporated under the laws of Republic of  
Korea)  
231, Yangjae-Dong, Seocho-Gu, Seoul,  
137-938, Republic of Korea

---

(111) M 2005 16216 R1  
(156) 2015 09 19  
(186) 2025 09 19  
(732) Zoetis P LLC  
100 Campus Drive, Florham Park, NJ 07932,  
USA

---

(111) M 2005 16348 R1  
(156) 2015 11 29  
(186) 2025 11 29  
(732) STARBUCKS CORPORATION doing  
business as STARBUCKS COFFEE  
COMPANY  
2401 Utah Avenue South, Seattle,  
Washington 98134, USA

---

(111) M 2005 16364 R1  
(156) 2015 11 29  
(186) 2025 11 29  
(732) DIAGEO SCOTLAND LIMITED  
Edinburgh Park, 5 Lochside Way, Edinburgh,  
EH12 9DT, Scotland, United Kingdom

---

(111) M 2005 16370 R1  
(156) 2015 11 29  
(186) 2025 11 29  
(732) STARBUCKS CORPORATION doing  
business as STARBUCKS COFFEE  
COMPANY  
2401 Utah Avenue South, Seattle,  
Washington 98134, USA

---

(111) M 2005 16383 R1  
(156) 2015 12 16  
(186) 2025 12 16  
(732) INTERSUN HOLDING FZCO  
P.O. box: 61051 Jebel Ali Free Zone, Dubai,  
United Arab Emirates

---

(111) M 2005 16389 R1  
(156) 2015 12 16  
(186) 2025 12 16  
(732) LTD "TIFLISSKI VINNI POGREB"  
Iumashevis q. 27, 0198, Tbilisi, Georgia

---

(111) M 2005 16390 R1  
(156) 2015 12 16  
(186) 2025 12 16  
(732) LTD "TIFLISSKI VINNI POGREB"  
Iumashevis q. 27, 0198, Tbilisi, Georgia

---

(111) M 2006 16500 R1  
(156) 2016 02 15  
(186) 2026 02 15  
(732) STARBUCKS CORPORATION d/b/a  
STARBUCKS COFFEE COMPANY  
(a Washington corporation)  
2401 Utah Avenue South, Seattle,  
Washington 98134, USA

---

(111) M 1995 680 R2  
(156) 2015 06 28  
(186) 2025 06 28  
(732) Scandinavian Tobacco Group Eersel B.V.  
Nieuwstraat 75, 5521 CB Eersel, Netherlands

---

(111) M 1995 684 R2  
(156) 2015 07 05  
(186) 2025 07 05  
(732) RENAULT s.a.s.  
92100 BOULOGNE-BILLANCOURT,  
France

---

(111) M 1995 685 R2  
(156) 2015 07 05  
(186) 2025 07 05  
(732) RENAULT s.a.s.  
92100 BOULOGNE-BILLANCOURT,  
France

---

(111) M 1995 703 R2  
(156) 2015 07 17  
(186) 2025 07 17  
(732) MERISANT COMPANY 2 SARL  
(a Limited liability company)  
Neuchatel, Switzerland, USA

---

(111) M 1995 706 R2  
(156) 2015 07 17  
(186) 2025 07 17

---

(732) MERISANT COMPANY 2 SARL (a Limited liability company) Neuchatel, Switzerland	(111) M 1995 776 R2 (156) 2015 07 31 (186) 2025 07 31 (732) ESTEE LAUDER COSMETICS LTD 161 Commander boulevard, Agincourt, Ontario, Canada
(111) M 1995 711 R2 (156) 2015 07 17 (186) 2025 07 17 (732) GEORGIA-PACIFIC S.a.r.l. 25, route d'Esch, L-1470, Luxembourg	(111) M 1995 789 R2 (156) 2015 07 31 (186) 2025 07 31 (732) ESTEE LAUDER COSMETICS LTD 161 Commander boulevard, Agincourt, Ontario, Canada
(111) M 1995 714 R2 (156) 2015 07 18 (186) 2025 07 18 (732) COLGATE-PALMOLIVE COMPANY, a Delavare corporation 300 Park Avenue, New York, New York 10022, USA	(111) M 1995 790 R2 (156) 2015 07 31 (186) 2025 07 31 (732) ESTEE LAUDER COSMETICS LTD 161 Commander boulevard, Agincourt, Ontario, Canada
(111) M 1995 733 R2 (156) 2015 07 22 (186) 2025 07 21 (732) PERNOD RICARD 12, Place des Etats-Unis, 75016 Paris, France	(111) M 1995 813 R2 (156) 2015 08 17 (186) 2025 08 09 (732) EVONIK DEGUSSA GmbH Rellinghauser Strasse 1-11, 45128 Essen, Germany
(111) M 1995 772 R2 (156) 2015 07 31 (186) 2025 07 31 (732) HELENA RUBINSTEIN S.A. PARIS, France	(111) M 1995 816 R2 (156) 2015 08 11 (186) 2025 08 09 (732) PIZZA HUT INTERNATIONAL LLC 7100 Corporate Drive, Plano, Texas 75024, USA
(111) M 1995 773 R2 (156) 2015 07 31 (186) 2025 07 31 (732) HELENA RUBINSTEIN S.A. PARIS, France	(111) M 1995 834 R2 (156) 2015 08 17 (186) 2025 08 11 (732) EVONIK DEGUSSA GmbH Rellinghauser Strasse 1-11, 45128 Essen, Germany
(111) M 1995 774 R2 (156) 2015 07 31 (186) 2025 07 31 (732) ESTEE LAUDER COSMETICS LTD 161 Commander boulevard, Agincourt, Ontario, Canada	(111) M 1995 839 R2 (156) 2015 08 11 (186) 2025 08 11 (732) THE PROCTER & GAMBLE COMPANY One Procter & Gamble Plaza, Cincinnati, Ohio, USA
(111) M 1995 775 R2 (156) 2015 07 31 (186) 2025 07 31 (732) ESTEE LAUDER COSMETICS LTD 161 Commander boulevard, Agincourt, Ontario, Canada	

---

(111) M 1995 844 R2  
(156) 2015 08 14  
(186) 2025 08 14  
(732) MONSANTO TECHNOLOGY LLC  
800 Lindbergh Boulevard, St. Louis,  
Missouri, USA

---

(111) M 1995 920 R2  
(156) 2015 08 17  
(186) 2025 08 17  
(732) MONSANTO TECHNOLOGY LLC  
800 Lindbergh Boulevard, St. Louis,  
Missouri, USA

---

(111) M 1995 945 R2  
(156) 2015 08 18  
(186) 2025 08 18  
(732) SANOFI  
54, rue La Boétie, 75008 Paris, France

---

(111) M 1995 951 R2  
(156) 2015 08 18  
(186) 2025 08 18  
(732) HILTON WORLDWIDE HOLDING LLP  
Maple Court Central Park, Reeds Crescent,  
Watford, WD24 4QQ, United Kingdom

---

(111) M 1995 958 R2  
(156) 2015 09 15  
(186) 2025 09 15  
(732) BAYER INTELLECTUAL PROPERTY  
GMBH  
Alfred-Nobel-Strasse 10, 40789 Monheim am  
Rhein, Germany

---

(111) M 1995 959 R2  
(156) 2015 09 15  
(186) 2025 09 15  
(732) BAYER INTELLECTUAL PROPERTY  
GMBH  
Alfred-Nobel-Strasse 10, 40789 Monheim am  
Rhein, Germany

---

(111) M 1995 974 R2  
(156) 2015 09 21  
(186) 2025 09 21  
(732) STANLEY BLACK & DECKER, INC.  
1000 Stanley Drive, New Britain,  
Connecticut 06053, USA

---

(111) M 1995 976 R2  
(156) 2015 09 21  
(186) 2025 09 21

(732) STANLEY BLACK & DECKER, INC.  
1000 Stanley Drive, New Britain,  
Connecticut 06053, USA

---

(111) M 1995 982 R2  
(156) 2015 09 21  
(186) 2025 09 21  
(732) ASCO GROUP LIMITED  
Chancery Housem The Mall, Freeport,  
Bahamas

---

---

**CHANGES IN NAMES AND/OR ADDRESSES OF OWNERS**

(111) M 2005 016123 R1  
(732) LTD "TIFLISSKI VINNI POGREB"  
Iumashevis q. 27, 0198, Tbilisi, Georgia  
(770) LTD "TIFLISSKI VINNI POGREB"  
Gamsakhurdias gamz. 44, 0160, Tbilisi,  
Georgia  
(580) 2015 08 21

---

(111) M 2005 016124 R1  
(732) LTD "TIFLISSKI VINNI POGREB"  
Iumashevis q. 27, 0198, Tbilisi, Georgia  
(770) LTD "TIFLISSKI VINNI POGREB"  
Gamsakhurdias gamz. 44, 0160, Tbilisi,  
Georgia  
(580) 2015 08 21

---

(111) M 2005 016126 R1  
(732) LTD "TIFLISSKI VINNI POGREB"  
Iumashevis q. 27, 0198, Tbilisi, Georgia  
(770) LTD "TIFLISSKI VINNI POGREB"  
Gamsakhurdias gamz. 44, 0160, Tbilisi,  
Georgia  
(580) 2015 08 21

---

(111) M 2005 016127 R1  
(732) LTD "TIFLISSKI VINNI POGREB"  
Iumashevis q. 27, 0198, Tbilisi, Georgia  
(770) LTD "TIFLISSKI VINNI POGREB"  
Gamsakhurdias gamz. 44, 0160, Tbilisi,  
Georgia  
(580) 2015 08 21

---

(111) M 2005 016389 R1  
(732) LTD "TIFLISSKI VINNI POGREB"  
Iumashevis q. 27, 0198, Tbilisi, Georgia  
(770) LTD "TIFLISSKI VINNI POGREB"  
Gamsakhurdias gamz. 44, 0160, Tbilisi,  
Georgia  
(580) 2015 08 21

---

(111) M 2005 016390 R1  
(732) LTD "TIFLISSKI VINNI POGREB"  
Iumashevis q. 27, 0198, Tbilisi, Georgia  
(770) LTD "TIFLISSKI VINNI POGREB"  
Gamsakhurdias gamz. 44, 0160, Tbilisi,  
Georgia  
(580) 2015 08 21

---

---

# CLASSIFICATION INDEXES

## INVENTIONS

### CONCORDANCE TABLE OF INTERNATIONAL CLASSIFICATION INDEX, PATENT NUMBERS AND PUBLICATION NUMBERS

INTERNATIONAL CLASSIFICATION INDEX (51)	NUMBER OF PATENT (11)	NUMBER OF PUBLISHED APPLICATION (10)
A 61 K 9/16	P 2015 6363 B	AP 2015 13011 A
B 01 J 19/08; B 01 F 5/04; C 10 J 3/00	P 2015 6364 B	AP 2015 13171 A
C 07 C 231/02; C 07 C 233/18; C 07 C 253/30; C 07 C 255/37; C 07 C 255/40	P 2015 6365 B	AP 2015 13180 A
C 07 C 317/22; C 07 C 323/20; A 61 K 8/46; A 61 Q 5/08; A 61 Q 19/02; A 61 Q 19/08; A 61 P 17/00; A 01 N 31/16; A 01 N 39/00; A 01 N 41/10; A 01 P 1/00	P 2015 6360 B	AP 2015 12441 A
C 10 G 9/00; C 10 G 1/04; E 21 B 43/00	P 2015 6359 B	AP 2015 12377 A
E 21 B 7/00	P 2015 6361 B	AP 2015 12820 A
F 03 B 7/00; F 03 B 17/06	P 2015 6362 B	AP 2015 12886 A

### CONCORDANCE TABLE OF PATENT NUMBERS, PUBLICATION NUMBERS AND INTERNATIONAL CLASSIFICATION INDEX

NUMBER OF PATENT (11)	NUMBER OF PUBLISHED APPLICATION (10)	INTERNATIONAL CLASSIFICATION INDEX (51)
P 2015 6359 B	AP 2015 12377 A	C 10 G 9/00; C 10 G 1/04; E 21 B 43/00
P 2015 6360 B	AP 2015 12441 A	C 07 C 317/22; C 07 C 323/20; A 61 K 8/46; A 61 Q 5/08; A 61 Q 19/02; A 61 Q 19/08; A 61 P 17/00; A 01 N 31/16; A 01 N 39/00; A 01 N 41/10; A 01 P 1/00
P 2015 6361 B	AP 2015 12820 A	E 21 B 7/00
P 2015 6362 B	AP 2015 12886 A	F 03 B 7/00; F 03 B 17/06
P 2015 6363 B	AP 2015 13011 A	A 61 K 9/16
P 2015 6364 B	AP 2015 13171 A	B 01 J 19/08; B 01 F 5/04; C 10 J 3/00
P 2015 6365 B	AP 2015 13180 A	C 07 C 231/02; C 07 C 233/18; C 07 C 253/30; C 07 C 255/37; C 07 C 255/40

### CONCORDANCE TABLE OF APPLICATION NUMBERS, PUBLICATION NUMBERS AND PATENTS

NUMBER OF APPLICATION (21)	NUMBER OF PUBLISHED APPLICATION (10)	NUMBER OF PATENT (11)
AP 2010 012377	AP 2015 12377 A	P 2015 6359 B
AP 2010 012441	AP 2015 12441 A	P 2015 6360 B
AP 2007 012820	AP 2015 12820 A	P 2015 6361 B
AP 2012 012886	AP 2015 12886 A	P 2015 6362 B
AP 2011 013011	AP 2015 13011 A	P 2015 6363 B
AP 2011 013171	AP 2015 13171 A	P 2015 6364 B
AP 2012 013180	AP 2015 13180 A	P 2015 6365 B

**DESIGNS****CONCORDANCE TABLE OF INTERNATIONAL CLASSIFICATION INDEX  
AND PUBLICATION NUMBERS**

INTERNATIONAL CLASSIFICATION INDEXES (51)	NUMBER OF PUBLISHED APPLICATION (10)
25-01	AD 2015 857 S

**CONCORDANCE TABLE OF PUBLICATION NUMBERS  
AND INTERNATIONAL CLASSIFICATION INDEX**

NUMBER OF PUBLISHED APPLICATION (10)	INTERNATIONAL CLASSIFICATION INDEXES (51)
AD 2015 857 S	25-01

**CONCORDANCE TABLE OF INTERNATIONAL CLASSIFICATION INDEX,  
PATENT NUMBERS AND PUBLICATION NUMBERS**

INTERNATIONAL CLASSIFICATION INDEX (51)	NUMBER OF PATENT (11)	NUMBER OF PUBLISHED APPLICATION (10)
09-01	D 2015 644 S	AD 2015 817 S
09-03	D 2015 638 S	AD 2015 840 S
14-02	D 2015 637 S	AD 2015 836 S
19-08	D 2015 642 S	AD 2015 838 S
26-04	D 2015 639 S	AD 2015 841 S
32-00	D 2015 643 S	AD 2015 837 S

**CONCORDANCE TABLE OF PATENT NUMBERS,  
PUBLICATION NUMBERS AND INTERNATIONAL CLASSIFICATION INDEX**

NUMBER OF PATENT (11)	NUMBER OF PUBLISHED APPLICATION (10)	INTERNATIONAL CLASSIFICATION INDEX (51)
D 2015 637 S	AD 2015 836 S	14-02
D 2015 638 S	AD 2015 840 S	09-03
D 2015 639 S	AD 2015 841 S	26-04
D 2015 642 S	AD 2015 838 S	19-08
D 2015 643 S	AD 2015 837 S	32-00
D 2015 644 S	AD 2015 817 S	09-01



**CONCORDANCE TABLE OF APPLICATION NUMBERS, PUBLICATION NUMBERS  
AND PATENTS**

NUMBER OF APPLICATION (21)	NUMBER OF PUBLISHED APPLICATION (10)	NUMBER OF PATENT (11)
AD 2014 000817	AD 2015 817 S	D 2015 644 S
AD 2015 000836	AD 2015 836 S	D 2015 637 S
AD 2015 000837	AD 2015 837 S	D 2015 643 S
AD 2015 000838	AD 2015 838 S	D 2015 642 S
AD 2015 000840	AD 2015 840 S	D 2015 638 S
AD 2015 000841	AD 2015 841 S	D 2015 639 S

**DESIGN REGISTERED ACCORDING TO THE  
ACCELERATED PROCEDURE**

**CONCORDANCE TABLE OF INTERNATIONAL CLASSIFICATION INDEX  
AND PATENTS NUMBERS**

INTERNATIONAL CLASSIFICATION INDEX (51)	NUMBER OF PATENT (11)
27-01	D 2015 640 S
32-00	D 2015 641 S

**CONCORDANCE TABLE OF PATENT NUMBERS AND INTERNATIONAL  
CLASSIFICATION INDEX**

NUMBER OF PATENT (11)	INTERNATIONAL CLASSIFICATION INDEX (51)
D 2015 640 S	27-01
D 2015 641 S	32-00

**CONCORDANCE TABLE OF APPLICATION NUMBERS  
AND PATENT NUMBERS**

NUMBER OF APPLICATION (21)	NUMBER OF PATENT (11)
AD 2015 000872	D 2015 640 S
AD 2015 000873	D 2015 641 S

## TRADEMARKS

### CONCORDANCE TABLE OF REGISTRATION NUMBERS, APPLICATION NUMBERS, PUBLICATION NUMBERS AND BULLETIN NUMBERS

NUMBER OF REGISTRATION (111)	NUMBER OF APPLICATIONS (210)	NUMBER OF PUBLISHED APPLICATIONS (260)	NUMBER OF BULLETIN
1	2	3	4
M 2015 26193 R	AM 75720	AM 2015 75720 A	4(416) 2015
M 2015 26194 R	AM 75759	AM 2015 75759 A	5(417) 2015
M 2015 26195 R	AM 75764	AM 2015 75764 A	5(417) 2015
M 2015 26196 R	AM 75788	AM 2014 75788 A	1(413) 2015
M 2015 26197 R	AM 76072	AM 2015 76072 A	2(414) 2015
M 2015 26198 R	AM 76223	AM 2015 76223 A	7(419) 2015
M 2015 26199 R	AM 76723	AM 2015 76723 A	7(419) 2015
M 2015 26200 R	AM 76827	AM 2015 76827 A	9(429) 2015
M 2015 26201 R	AM 80231	-	17(429) 2015
M 2015 26202 R	AM 81630	-	17(429) 2015
M 2015 26203 R	AM 75787	AM 2014 75787 A	1(413) 2015
M 2015 26204 R	AM 76474	AM 2015 76474 A	2(414) 2015
M 2015 26205 R	AM 76828	AM 2015 76828 A	9(421) 2015
M 2015 26206 R	AM 77445	AM 2015 77445 A	2(414) 2015
M 2015 26207 R	AM 77454	AM 2015 77454 A	7(419) 2015
M 2015 26208 R	AM 77622	AM 2015 77622 A	3(415) 2015
M 2015 26209 R	AM 77697	AM 2015 77697 A	7(419) 2015
M 2015 26210 R	AM 77720	AM 2015 77720 A	5(417) 2015
M 2015 26211 R	AM 77859	AM 2015 77859 A	13 (425) 2015
M 2015 26212 R	AM 77862	AM 2015 77862 A	6(418) 2015
M 2015 26213 R	AM 77998	AM 2015 77998 A	5(417) 2015
M 2015 26214 R	AM 78009	AM 2015 78009 A	5(417) 2015
M 2015 26215 R	AM 78023	AM 2015 78023 A	8(420) 2015
M 2015 26216 R	AM 78024	AM 2015 78024 A	8(420) 2015
M 2015 26217 R	AM 78027	AM 2015 78027 A	5(417) 2015
M 2015 26218 R	AM 78111	AM 2015 78111 A	4(416) 2015
M 2015 26219 R	AM 78157	AM 2015 78157 A	7(419) 2015
M 2015 26220 R	AM 78174	AM 2015 78174 A	5(417) 2015
M 2015 26221 R	AM 78212	AM 2015 78212 A	10(422) 2015
M 2015 26222 R	AM 78232	AM 2015 78232 A	9(421) 2015
M 2015 26223 R	AM 78247	AM 2015 78247 A	5(417) 2015
M 2015 26224 R	AM 78248	AM 2015 78248 A	5(417) 2015
M 2015 26225 R	AM 78249	AM 2015 78249 A	5(417) 2015
M 2015 26226 R	AM 78250	AM 2015 78250 A	5(417) 2015
M 2015 26227 R	AM 78262	AM 2015 78262 A	7(419) 2015
M 2015 26228 R	AM 78275	AM 2015 78275 A	8(420) 2015
M 2015 26229 R	AM 78281	AM 2015 78281 A	8(420) 2015
M 2015 26230 R	AM 78384	AM 2015 78384 A	9(421) 2015
M 2015 26231 R	AM 78524	AM 2015 78524 A	10(422) 2015
M 2015 26232 R	AM 78532	AM 2015 78532 A	10(422) 2015
M 2015 26233 R	AM 78802	AM 2015 78802 A	7(419) 2015
M 2015 26234 R	AM 78803	AM 2015 78803 A	7(419) 2015
M 2015 26235 R	AM 78851	AM 2015 78851 A	7(419) 2015
M 2015 26236 R	AM 78852	AM 2015 78852 A	7(419) 2015
M 2015 26237 R	AM 83232	-	17(429) 2015
M 2015 26238 R	AM 83350	-	17(429) 2015
M 2015 26239 R	AM 83431	-	17(429) 2015

1	2	3	4
M 2015 26240 R	AM 69810	AM 2015 69810 A	5(417) 2015
M 2015 26241 R	AM 72645	AM 2015 72645 A	2(414) 2015
M 2015 26242 R	AM 74099	AM 2015 74099 A	2(414) 2015
M 2015 26243 R	AM 75101	AM 2015 75101 A	3(415) 2015
M 2015 26244 R	AM 74373	AM 2015 74373 A	1(413) 2015
M 2015 26245 R	AM 74374	AM 2015 74374 A	1(413) 2015
M 2015 26246 R	AM 83424	-	17(429) 2015
M 2015 26247 R	AM 83340	-	17(429) 2015
M 2015 26248 R	AM 83391	-	17(429) 2015
M 2015 26249 R	AM 83393	-	17(429) 2015

CONCORDANCE TABLE OF PUBLICATION NUMBERS  
AND APPLICATION NUMBERS

NUMBER OF PUBLISHED APPLICATION (260)	NUMBER OF APPLICATION (210)	1	2
		1	2
AM 2015 78254 A	AM 78254	AM 2015 79809 A	AM 79809
AM 2015 78350 A*	AM 78350	AM 2015 79819 A	AM 79819
AM 2015 78453 A*	AM 78453	AM 2015 79825 A	AM 79825
AM 2015 78579 A	AM 78579	AM 2015 79845 A	AM 79845
AM 2015 78816 A	AM 78816	AM 2015 79846 A	AM 79846
AM 2015 78956 A	AM 78956	AM 2015 79879 A	AM 79879
AM 2015 79069 A	AM 79069	AM 2015 79880 A	AM 79880
AM 2015 79112 A	AM 79112	AM 2015 79884 A	AM 79884
AM 2015 79113 A	AM 79113	AM 2015 79924 A	AM 79924
AM 2015 79114 A	AM 79114	AM 2015 79926 A	AM 79926
AM 2015 79118 A	AM 79118	AM 2015 79927 A	AM 79927
AM 2015 79164 A	AM 79164	AM 2015 79929 A	AM 79929
AM 2015 79188 A	AM 79188	AM 2015 79939 A	AM 79939
AM 2015 79359 A	AM 79359	AM 2015 79944 A	AM 79944
AM 2015 79581 A	AM 79581	AM 2015 79949 A	AM 79949
AM 2015 79695 A	AM 79695	AM 2015 79950 A	AM 79950
AM 2015 79752 A	AM 79752	AM 2015 79952 A	AM 79952
AM 2015 79786 A	AM 79786	AM 2015 79957 A	AM 79957
AM 2015 79787 A	AM 79787	AM 2015 79958 A	AM 79958
AM 2015 79788 A	AM 79788	AM 2015 79959 A	AM 79959
AM 2015 79802 A	AM 79802	AM 2015 79966 A	AM 79966
AM 2015 79803 A	AM 79803	AM 2015 79985 A	AM 79985
AM 2015 78254 A	AM 78254	AM 2015 79988 A	AM 79988
AM 2015 78350 A*	AM 78350	AM 2015 80437 A	AM 80437
AM 2015 78453 A*	AM 78453	AM 2015 80497 A	AM 80497
		AM 2015 80502 A	AM 80502
		AM 2015 80561 A	AM 80561
		AM 2015 79809 A	AM 79809
		AM 2015 79819 A	AM 79819

CONCORDANCE TABLE OF INDEX OF GOODS AND/OR SERVICES  
AND APPLICATION NUMBERS

INDEX OF GOODS AND/OR SERVICES (511)	NUMBER OF PUBLISHED APPLICATIONS (260)	1	2
1	2		
1	AM 2015 78956 A	30	AM 2015 79113 A
3	AM 2015 79939 A	30	AM 2015 79114 A
4	AM 2015 79929 A	30	AM 2015 79949 A
5	AM 2015 78350 A*	30	AM 2015 79950 A
5	AM 2015 79327 A	30	AM 2015 79952 A
5	AM 2015 79581 A	31	AM 2015 78453 A*
5	AM 2015 79752 A	31	AM 2015 79113 A
5	AM 2015 79802 A	31	AM 2015 79114 A
5	AM 2015 79803 A	31	AM 2015 79114 A
5	AM 2015 79939 A	32	AM 2015 79113 A
5	AM 2015 79988 A	32	AM 2015 79114 A
6	AM 2015 79809 A	32	AM 2015 79884 A
9	AM 2015 79164 A	32	AM 2015 79884 A
9	AM 2015 79695 A	33	AM 2015 78816 A
9	AM 2015 79825 A	33	AM 2015 79113 A
9	AM 2015 79924 A	33	AM 2015 79114 A
9	AM 2015 79926 A	33	AM 2015 79188 A
9	AM 2015 79927 A	33	AM 2015 79957 A
11	AM 2015 79695 A	33	AM 2015 79958 A
16	AM 2015 79825 A	33	AM 2015 79959 A
16	AM 2015 80502 A	33	AM 2015 79966 A
17	AM 2015 79819 A	33	AM 2015 80437 A
18	AM 2015 78579 A	34	AM 2015 79069 A
18	AM 2015 79786 A	34	AM 2015 79118 A
18	AM 2015 79787 A	35	AM 2015 79113 A
18	AM 2015 79788 A	35	AM 2015 79114 A
18	AM 2015 79949 A	35	AM 2015 79164 A
18	AM 2015 79950 A	35	AM 2015 79327 A
18	AM 2015 79952 A	35	AM 2015 79359 A
19	AM 2015 79809 A	35	AM 2015 79578 A
19	AM 2015 79819 A	35	AM 2015 79581 A
21	AM 2015 79113 A	35	AM 2015 79786 A
21	AM 2015 79114 A	35	AM 2015 79787 A
21	AM 2015 80502 A	35	AM 2015 79788 A
25	AM 2015 79786 A	35	AM 2015 79788 A
25	AM 2015 79787 A	35	AM 2015 79788 A
25	AM 2015 79788 A	35	AM 2015 79819 A
25	AM 2015 79949 A	35	AM 2015 79879 A
25	AM 2015 79950 A	35	AM 2015 79880 A
25	AM 2015 79952 A	36	AM 2015 79164 A
25	AM 2015 79966 A	36	AM 2015 79845 A
28	AM 2015 79949 A	36	AM 2015 79846 A
28	AM 2015 79950 A	36	AM 2015 79879 A
28	AM 2015 79952 A	36	AM 2015 79880 A
29	AM 2015 79113 A	38	AM 2015 79164 A
29	AM 2015 79114 A	41	AM 2015 79112 A
29	AM 2015 79985 A	41	AM 2015 79164 A
29	AM 2015 80497 A	41	AM 2015 79845 A
		41	AM 2015 79846 A
		41	AM 2015 79924 A
		41	AM 2015 79926 A
		41	AM 2015 79927 A
		41	AM 2015 79949 A
		41	AM 2015 79950 A
		41	AM 2015 79952 A
		42	AM 2015 79164 A
		42	AM 2015 79825 A

1	2
42	AM 2015 79924 A
42	AM 2015 79926 A
43	AM 2015 79113 A
43	AM 2015 79114 A
43	AM 2015 79944 A

1	2
44	AM 2015 79112 A
44	AM 2015 79879 A
44	AM 2015 79880 A
45	AM 2015 79112 A

CONCORDANCE TABLE OF INDEX OF GOODS AND/OR SERVICES  
AND NUMBERS OF TRADEMARKS REGISTERED ACCORDING  
TO THE ACCELERATED PROCEDURE

INDEX OF GOODS AND/OR SERVICES (511)	NUMBERS OF REGISTERED ACCORDING TO THE ACCELERATED PROCEDURE (111)
6	M 2015 26239 R
30	M 2015 26246 R
34	M 2015 26248 R
34	M 2015 26249 R
35	M 2015 26238 R
37	M 2015 26237 R
37	M 2015 26238 R
41	M 2015 26247 R

# OFFICIAL BULLETIN OF THE INDUSTRIAL PROPERTY

## 17(429)

EDITOR-IN-CHIEF: N. Bebrishvili

EDITORS-TRANSLATORS: E. Gabunia

PROOFREADER: A. Shikhashvili

COMPUTER LAYOUT: M. Ordenidze  
K. Svanidze

[www.sakpatenti.org.ge](http://www.sakpatenti.org.ge)

E-mail: [info@sakpatenti.org.ge](mailto:info@sakpatenti.org.ge)