

# Official Bulletin of the Industrial Property

Inventions

Utility Models

Designs

Trademarks

Appellation of Origin of Good



საქართველოს ინტელექტუალური  
საკუთრების ეროვნული ცენტრი

**საქპატენტი**

**SAKPATENTI**

NATIONAL INTELLECTUAL PROPERTY  
CENTER OF GEORGIA

[www.sakpatenti.gov.ge](http://www.sakpatenti.gov.ge)

Date of Publication – 2020 09 25

**18(550)**

# INID CODES FOR IDENTIFICATION OF BIBLIOGRAPHIC DATA

## INVENTIONS, UTILITY MODELS

- (10) Number of publication for application, which has been examined
- (11) Number of patent and kind of document
- (21) Serial number of application
- (22) Date of filing of the application
- (23) Date of exhibition or the date of the earlier filing and the number of application, if any
- (24) Date from which patent may have effect
- (31) Number of priority application
- (32) Date of filing of priority application
- (33) Code of the country or regional organization allotting priority application number
- (44) Date of publication of application not granted, but examined and number of bulletin
- (45) Date of publication of registered document
- (51) International Patent Classification Index

- (54) Title of the invention
- (57) Abstract
- (60) Number of examined patent document granted by foreign patent office, date from which patent has effect and country code
- (62) Number of the earlier application and in case of divided application, date of filing an application
- (71) Name, surname and address of applicant (country code)
- (72) Name, surname of inventor (country code)
- (73) Name, surname and address of patent owner (country code)
- (74) Name, surname of representative or patent attorney
- (85) Date of commencement of the national phase of International Application
- (86) Number and date of filing of international application
- (87) Number and date of publication of international application
- (94) Calculated date of expiry of the SPC or the duration of the SPC

## DESIGNS

- (10) Number of publication for application
- (11) Number of patent and kind of document or number of registration
- (15) Date of registration/Date of patent renewal
- (18) Expected expiration date of patent or registration
- (21) Serial number of application
- (22) Date of filing of the application
- (23) Date of exhibition or the date of the earlier filing and the number of application, if any
- (24) Date from which patent may have effect
- (28) Number of designs included in the application
- (30) Data relating to priority (number of application, date of filing of application, two-letter code identifying the authority with whom the priority application was made)
- (31) Number of priority application
- (32) Date of filing of priority application
- (33) Code of the country or regional organization allotting priority application number
- (34) Two-letter code according to WIPO St.3 identifying the authority with which the priority application was made
- (44) Date of publication of design and number of bulletin (the first publication)
- (45) Date of publication of design registered by WIPO and number of bulletin

- (51) International Classification for designs (class and subclass of the Locarno Classification)
- (54) Title of the invention
- (55) Reproduction of the design
- (57) Description of characteristic features of the design including indication of colors
- (58) Date of recording of any kind of amendment in the Register
- (62) Number of the earlier application, registration and document number and if available the date of filing an application in case of divided application
- (71) Name, surname and address of applicant (country code)
- (72) Name, surname of creator (country code)
- (73) Name, surname and address of patent owner (country code)
- (74) Name, surname of representative or patent attorney
- (81) Contracting states concerned
  - II designated contracting states according to the 1960 Act
  - III designated contracting states according to the 1999 Act
- (85) Owner's permanent address
- (86) Owner's nationality
- (87) Owner's residence
- (88) State in which the owner has a real and effective industrial or commercial establishment

## TRADEMARKS

- (111) - Number of registration
- (151) - Date of registration
- (156) - Date of the renewal
- (181) - Expected expiration date of registration
- (186) - Renewal expiration date of registration
- (141) - Date of cancel of duration of the mark
- (210) - Serial number of application
- (220) - Date of filing of the application
- (230) - Data concerning exhibition
- (260) - Number of application, for which favorable decision of examination about registration has been taken (publication number)
- (310) - Number of the first application
- (320) - Date of filing of the first application
- (330) - Code, identifying national or regional Office where the first application was made
- (511) - International Classification of Goods and Services for the purposes of registration of trade marks and/or list of goods and/or services classified according thereto
- (526) - Disclaimer
- (531) - Description of figurative elements of Trade Marks according to the International Classification of the Figurative Elements of Marks

- (540) - Reproduction of Trade Mark
- (550) - Nature and kind of Trade Mark
- (551) - Indication to the effect that the mark is a collective mark, a certification mark or a guarantee mark
- (554) - Three-dimensional mark
- (580) - Date of recording of any kind changes in respect of applications or registrations
- (591) - Information concerning colors claimed
- (731) - Name and address of the applicant
- (732) - Name and address of the holder of the registration
- (740) - Name and address of the representative
- (750) - Addreses for correspondence
- (770) - Name and address of the previous applicant or holder in case of change in ownership
- (771) - Previous name and address of the applicant or holder in case of change in ownership
- (791) - Name and address of the licensee
- (793) - Indication of conditions and/or restrictions under the license (Type of license, number of license agreement, data of license, data of validity of license)
- (800) - Certain data relating to the international registration of Trade Marks under the Protocol Relating to Madrid Agreement (International registration number
- (852) - Partial cancellation of the list of goods and services
- (891) - Date of subsequent designation

## CODES FOR PUBLICATION IN BULLETIN

- (21) AP 0000 000000 - serial number of application for invention
- (10) AP 0000 0000 A - number of published application for invention (first publication)
- (11) P 0000 0000 B - number of patent for invention (second publication)
- (21) API 0000 000000 - number of application for imported patent
- (11) PI 0000 0000 A - number of imported patent (first publication)
- (21) AU 0000 000000 - serial number of application for utility model
- (10) AU 0000 000 U - number of published application for utility model (first publication)
- (11) U 0000 000 Y - number of patent for utility model (second publication)
- (21) AD 0000 000000 - serial number of application for design
- (10) AD 0000 000 S - number of published application for design (first publication)
- (11) D 0000 000 S - registered design

## INTERNATIONAL PATENT CLASSIFICATION FOR INVENTIONS AND UTILITY MODELS

- SECTION A - HUMAN NECESSITIES
- SECTION B - PERFORMING OPERATIONS; TRANSPORTING
- SECTION C - CHEMISTRY; METALLURGY
- SECTION D - TEXTILES; PAPER
- SECTION E - FIXED CONSTRUCTIONS
- SECTION F - MECHANICAL ENGINEERING; LIGHTING; HEATING; WEAPONS; BLASTING
- SECTION G - PHYSICS
- SECTION H - ELECTRICITY

- 
- M - Trade Mark
  - (210) AM 0000 000000 - Serial number of application;
  - (260) AAM 0000 00000 A - Publication number of application;
  - (111) M 0000 00000 R - Number of registration;
  - (111) MMM0000 00000 Rn - Number of renewals, in which n=1,2,3;
  - (111) M 0000 00000 R(P) - Number of registration under partial assignment of rights
-

# Official Bulletin of the Industrial Property

Inventions

Utility Models

Designs

Trademarks

Appellation of Origin of Good

# CONTENTS

<b>PUBLISHED TITLES OF PROTECTION</b> .....	3
<b>INVENTIONS</b>	
▪ APPLICATIONS APPROVED FOR GRANTING PATENTS .....	4
▪ PATENTED INVENTIONS .....	7
<b>DESIGNS</b>	
▪ REGISTERED DESIGN .....	8
▪ DESIGNS, WHICH HAVE BEEN REGISTERED WITH THE INTERNATIONAL BUREAU CLAIMING PRIORITY ON THE TERRITORY OF GEORGIA .....	9
<b>TRADEMARKS</b>	
▪ APPLICATIONS FILED UNDER THE NATIONAL PROCEDURE APPROVED FOR REGISTRATION .....	49
▪ REGISTERED TRADEMARKS .....	58
▪ TRADEMARKS REGISTERED ACCORDING TO THE ACCELERATED PROCEDURE .....	62
▪ INTERNATIONAL TRADEMARKS FOR WHICH A DECISION ON GRANTING PROTECTION IS TAKEN .....	64
▪ INTERNATIONAL TRADEMARKS PROTECTED IN GEORGIA .....	143
<b>APPELLATIONS OF ORIGIN OF GOODS</b>	
PROTECTED APPELLATIONS OF ORIGIN .....	147
<b>OFFICIAL NOTIFICATIONS</b>	
<b>INVENTIONS</b>	
▪ ABOLITION OF PATENTS WITH THE RIGHT TO RESTORE .....	148
▪ EXPIRATION OF TERM OF RESTORATION OF PATENTS .....	149
<b>UTILITY MODELS</b>	
▪ EXPIRATION OF TERM OF RESTORATION OF PATENT .....	150
<b>TRADEMARKS</b>	
▪ RENEWAL OF REGISTRATIONS .....	151
▪ COMPLETE TRANSFER OF RIGHTS .....	153
▪ TERMINATION OF TRADEMARKS REGISTRATION .....	154
▪ INTERNATIONAL LICENSE AGREEMENT .....	156
▪ CANCELLATION OF LICENSE AGREEMENT .....	156
<b>CLASSIFICATION INDEXES</b>	
INVENTIONS .....	157
DESIGN .....	158
TRADEMARKS .....	159

# PUBLISHED TITLES OF PROTECTION

## INVENTIONS

- **APPLICATIONS APPROVED FOR GRANTING PATENT:**  
51155; 14932; 14950; 14994; 15135
- **PATENTED INVENTIONS:**  
7151, 7152

## DESIGNS

- **REGISTERED DESIGN:**  
864
- **DESIGNS, WHICH HAVE BEEN REGISTERED WITH THE INTERNATIONAL BUREAU CLAIMING PRIORITY ON THE TERRITORY OF GEORGIA:**  
209339; 209341; 205917; 206569; 208355; 109145

## TRADEMARKS

- **APPLICATIONS FILED UNDER THE NATIONAL PROCEDURE APPROVED FOR REGISTRATION:**  
103021; 103860; 104455\*; 105431; 106610; 106612, 106613; 106801; 106811; 106813, 106814; 106821; 106824; 106931; 106938; 106946, 106947; 106951; 106958; 106962, 106963; 106965; 107031; 107035; 107043; 107046; 107051; 107053; 107059, 107060; 107064; 107150; 107153; 107169; 107181; 107184; 107264; 107268; 107289, 107290; 107295; 107385, 107386; 107405; 107457; 107459, 107460; 107473; 107493-107496; 107548, 107549
- **REGISTERED TRADEMARKS:**  
33095-33138
- **TRADEMARKS REGISTERED ACCORDING TO THE ACCELERATED PROCEDURE:**  
33088-33094
- **INTERNATIONAL TRADEMARKS FOR WHICH A DECISION ON GRANTING PROTECTIONS IS TAKEN:**  
104788; 104838; 105072; 105374; 105600; 105851; 105864; 105894, 105895; 105900-105904; 105912; 105917-105919; 105928, 105929; 105938-105944; 105947; 105952; 105955-105958; 105998, 105999; 106003-106005; 106007; 106010, 106011; 106013-106015; 106024-106026; 106028-106030; 106032-106040; 106101-106106; 106108-106111; 106113; 106115; 106117; 106127, 106128; 106138; 106207, 106208; 106292; 106294; 106379-106386; 106388-106392; 106394; 106397-106400; 106403, 106404; 106406, 106407; 106441-106443; 106454, 106455; 106543, 106544; 106718; 106877; 106913-106916; 106975, 106976; 106979; 106993-106995; 107016-107018; 107136-107139; 107141-107143
- **INTERNATIONAL TRADEMARKS PROTECTED IN GEORGIA:**  
101138; 101468; 102763; 103278; 103418; 103552; 103650; 104153; 104279; 104464; 104466; 104468; 104509, 104510; 104582; 104588; 104617; 104629, 104630; 104635; 104645; 104647, 104648; 104650-104652; 104686-104688; 104692; 104695; 104716; 104721; 104793; 104802-104804; 104863; 104885-104887; 104979; 104981; 105611-105613

## APPELLATION OF ORIGIN OF GOOD

- **PROTECTED APPELLATION OF ORIGIN:**  
1132

# INVENTIONS

## APPLICATIONS APPROVED FOR GRANTING PATENTS

The decision can be appealed at the Chamber of Appeal of Sakpatenti within 3 months from the publication or at the Mtskheta District Court Administrative Cases Board (Address: №17, Samkhedro str., Mtskheta), within 1 month following the publication.

### PART A

#### A 01

(10) AP 2020 15155 A (51) Int. Cl. (2006)  
A 01 G 17/00

- (21) AP 2019 15155 (22) 2019 07 26  
(71) Aleksandre Kharibegashvili (GE);  
Komunaluri St. 2, 2200, Telavi, Georgia (GE);  
Vladimer Miruashvili (GE)  
V. Dolidze St. 132, 0115, Tbilisi, Georgia (GE);  
Manana Kevlishvili (GE)  
Alazani Ave. 18, 2200, Telavi, Georgia (GE);  
Levan Shavadze (GE)  
Street 9/37, Vill. Shalauri, 2200, Telavi,  
Georgia (GE);  
Mzia Ghagholishvili (GE)  
Dumbadze St. 20/8, 2200, Telavi, Georgia (GE);  
Telavi State University (GE)  
Georgian University St. 1, 2200, Telavi,  
Georgia (GE)  
(72) Aleksandre Kharibegashvili (GE);  
Vladimer Miruashvili (GE);  
Manana Kevlishvili (GE);  
Levan Shavadze (GE);  
Mzia Ghagholishvili (GE)

(54) **GRAPE TRELLIS**

(57) Grape trellis includes supporting poles 1, whereto having wires 4 the trellis carrier with inclination angle controlling mechanism is connected hingedly. Trellis carrier is executed as disposed symmetrically on supporting pole upper part the couple of sticks 5, whereto unfolding brackets 7 are connected hingedly. Trellis carrier inclination angle controlling mechanism is executed as hingedly connected to each supporting pole basis the levers 11 connected to supporting rod 9 from one hand, and connected to a winch the rope 13, from another. Furthermore, unfolding brackets are connected to each other and supporting rod hingedly and together with the sticks they are creating parallelogram mechanism 6.

Claims: 1 independent

1 dependent

Fig.: 4

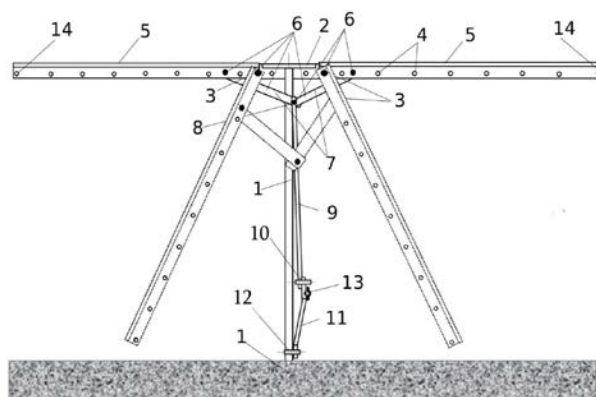


Fig. 1

#### A 61

(10) AP 2020 14932 A (51) Int. Cl. (2006)  
A 61 K 31/4439  
A 61 P 35/00  
A 61 P 37/00  
A 61 P 27/00  
A 61 P 9/00  
C 07 D 401/12

- (21) AP 2017 14932 (22) 2017 04 25  
(31) 16167650.7; 16167649.9  
(32) 2016 04 29; 2016 04 29  
(33) EP; EP  
(71) Bayer Pharma Aktiengesellschaft (DE)  
Müllerstraße 178, 13353 Berlin, Germany (DE)  
(72) PLATZEK, Johannes (DE);  
GUIMOND, Nicolas (DE);  
THALER, Tobias (DE)  
(74) Tamar Kochlamazashvili  
(85) 2018 11 22  
(86) PCT/EP2017/059764, 2017 04 25  
(54) **CRYSTALLINE FORMS OF N-[2-(3-HYDROXY-3-METHYLBUTYL)-6-(2-HYDROXYPROPAN-2-YL)-2H-INDAZOL-5-YL]-6-(TRIFLUOROMETHYL)PYRIDINE-2-CARBOXAMIDE**  
(57) Crystalline forms of N-[2-(3-Hydroxy-3-methylbutyl)-6-(2-hydroxypropan-2-yl)-2H-indazol-5-yl]-6-(trifluoromethyl)pyridine-2-carboxamide, proces-

ses for their preparation, pharmaceutical compositions comprising them and their usage in the control of disorders.

Claims: 10 independents

7 dependents

Fig.: 7

## PART B

### B 01

(10) AP 2020 14950 A (51) Int. Cl. (2006)

B 01 D 47/06

B 01 D 47/10

B 01 D 53/58

C 05 C 9/00

C 07 C 273/16

(21) AP 2017 14950

(22) 2017 05 09

(31) 16168796.7

(32) 2016 05 09

(33) EP

(71) STAMICARBON B.V. (NL)

Mercator, 3 NL-6135 KW Sittard, Netherlands (NL)

(72) HIGGINS, Brian Sayre (NL);

TATE III, John Marshall (NL);

YATES, Robert Arthur (NL);

POMERLEAU, Marcel Julien (NL);

HEON, Jon Michael (NL);

DIRKX, Wilfried Marc Renaat (NL);

COLOMA GONZÁLEZ, Juan (NL)

(74) Liliana Darakhvelidze

(85) 2018 12 07

(86) PCT/NL2017/050287, 2017 05 09

(54) **SUBMICRON PARTICLE REMOVAL FROM GAS STREAMS**

(57) A method provides contacting gas stream containing submicron particles in the Venturi ejector with injected high velocity scrubbing liquid to provide pumping action, wherein the scrubbing liquid has an initial velocity of at least 25 m/s and wherein the ratio of scrubbing liquid and gas flow is between 0.0005 and 0.0015 (m<sup>3</sup>/h) / (m<sup>3</sup>/h). The method provides scrubbing in tandem couple of steps of Venturi, wherein each therefrom contains horizontally disposed Venturi ejector; at that, Venturi steps are disposed one above another and both therefrom are connected to scrubbing tower. The invention also relates to prilling tower having gas flow treatment system at the top of prilling tower comprising Venturi ejector, and the method of modifying an existing prilling tower.

Claims: 6 independents

12 dependents

Fig.: 4

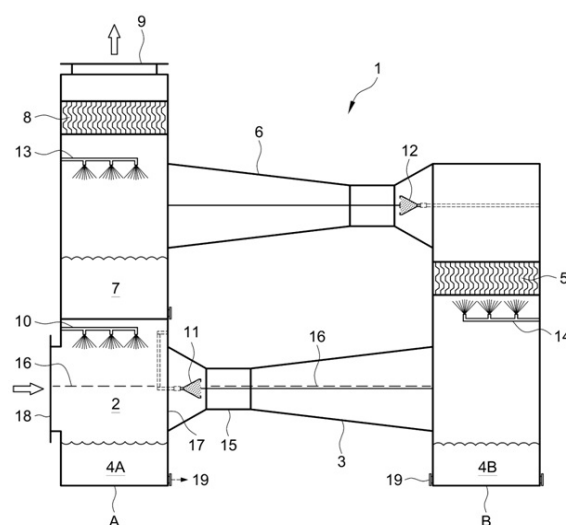


Fig. 1

## PART C

### C 07

(10) AP 2020 14994 A (51) Int. Cl. (2006)

C 07 C 275/26

C 07 D 295/06

(21) AP 2017 14994

(22) 2017 07 07

(31) P1700197 ; P1600420

(32) 2017 05 09; 2016 07 08

(33) HU; HU

(71) RICHTER GEDEON NYRT. (HU)

Gyömrői út 19-21, H-1103 Budapest, Hungary (HU)

(72) NEU, József (HU);

GARADNAY, Sándor (HU);

SZABÓ, Tamás (HU)

(74) Liliana Darakhvelidze

(85) 2019 02 07

(86) PCT/IB2017/054094, 2017 07 07

(54) **INDUSTRIAL PROCESS FOR THE PREPARATION OF CARIPRAZINE**

(57) Cariprazine is prepared by converting (trans-4-amino-cyclohexyl)-acetic acid ethyl ester hydrochloride to trans-4-aminocyclohexyl acetic acid or its hydrochloride by hydrolysis from obtained product with addition of dimethylcarbamoyl derivative as suitable reagent (trans-4-[[[(dimethylamino) carbonyl]amino}cyclohexyl) acetic acid is formed, then obtained compound is linked to 1-{2,3-dichlorophenyl)piperazine in the presence of carboxylic acid activating coupling reagent, and so 1,1-dimethyl-3-[trans-4-(2-oxo-2-(4-(2,3-dichlorophenyl)piperazin-1-yl-ethyl)cyclohexyl) urea is formed, which is

converted to cariprazine borane adduct of formula (2) in the presence of reducing agent, and finally the product itself is eliminated directly or is obtained from its salt by known method.

Claims: 2 independents  
12 dependents

wherein values of x, y, k and l variables are provided in the claims.

Claims: 1 independent

Table: 2

Fig.: 4

## C 08

(10) AP 2020 15135 A (51) Int. Cl. (2006)

C 08 G 73/00

C 08 G 63/00

(21) AP 2019 15135 (22) 2019 07 11

(71) Georgian State Agrarian University (GE)

Davit Aghmashenebeli Alley 240, 0131, Tbilisi,  
Georgia (GE)

(72) Nino Zavrashvili (GE);

Sopio Kobauri (GE);

Nino Kupatadze (GE);

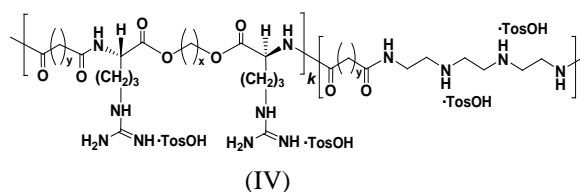
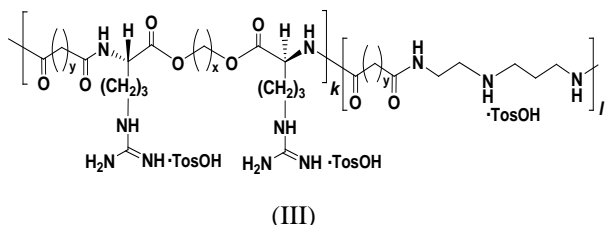
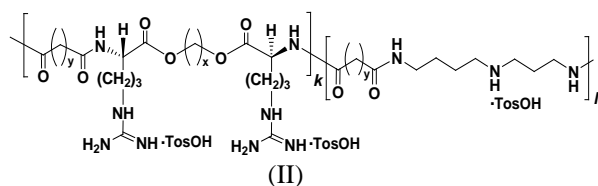
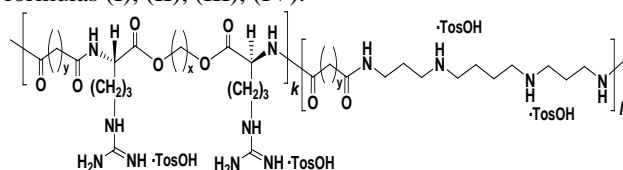
Tengiz Kantaria (GE);

Davit Tughushi (GE);

Ramaz Katsarava (GE)

(54) **MULTIAMINES AND L-ARGININE BASED  
BIODEGRADABLE CATIONIC PSEUDO-  
PROTEINS AND METHOD OF THEIR  
SYNTHESIS**

(57) Cationic copolymers, with general structural formulas (I), (II), (III), (IV):





---

**PATENTED INVENTIONS**
**PART A****A 61**

- (11) **P 2020 7151 B** (51) **Int. Cl. (2006)**  
**A 61 P 39/395**  
**A 61 P 25/28**  
**A 61 P 25/16**  
**C 07 K 16/18**
- (10) AP 2020 14670 A (44) 9(541)/2020  
(21) AP 2016 14670  
(22) 2016 07 12  
(24) 2016 07 12  
(31) 1512203,9  
(32) 2015 07 13  
(33) GB  
(86) PCT/EP2016/066476, 2016 07 12  
(73) H. LUNDBECK A/S (DK)  
Ottiliavei 9, DK-2500 Valby (DK)  
(72) SOTTY, Florence (DK);  
MONTEZINHO, Liliana, Christina,  
Pereira (DK);  
SATIJN, David (NL);  
KALLUNKI, Pekka (DK);  
FOG, Karina (DK);  
VESTERAGER, Louise, Buur (DK);  
BERGSTRÖM, Ann-Louise (DK);  
PARREN, Paul (NL);  
VAN DEN BRINK, Edward (NL);  
RADEMAKER, Rik (NL);  
VINK, Tom (NL);  
MALIK, Ibrahim, John (DK)  
(74) Tamaz Shilakadze  
(85) 2018 01 09  
(86) PCT/EP2016/066476, 2016 07 12  
(54) **AGENTS, USAGE AND METHODS**  
**FOR SYNUCLEINOPATHY TREATMENT**
- 

**PART C****C 04**

- (11) **P 2020 7152 B** (51) **Int. Cl. (2006)**  
**C 04 B 41/00**  
**C 09 D 7/00**
- (10) AP 2020 14646 A (44) 7(539)/2020  
(21) AP 2017 14646  
(22) 2017 12 07  
(24) 2017 12 07  
(31) 16202727.0  
(32) 2016 12 07  
(33) EP  
(73) DAW SE (DE)  
Roßdörfer Straße 50, 64372 Ober-  
Ramstadt (DE)  
(72) BRENNER, Thomas (DE);  
PTATSCHEK, Volker (DE);  
BEFURT, Uwe (DE);  
GENGEBACH, Patrick (DE);  
RICHTER, Maike (DE);  
WISCHHUSEN, York (DE);  
MEDER, Michael (DE);  
SCHMIDT, Patrick (DE)  
(74) Liliana Darakhvelidze  
(54) **AQUEOUS COMPOSITION FOR A**  
**TINTING SYSTEM, KIT-OF-PARTS**  
**TINTING SYSTEM, TINTED PAINT**  
**AND PLASTER SYSTEMS AND PAINTS**  
**AND PLASTERS OBTAINABLE BY**  
**APPLYING THE TINTED PAINT OR**  
**PLASTER SYSTEMS**
-

---

# DESIGNS

## REGISTERED DESIGN

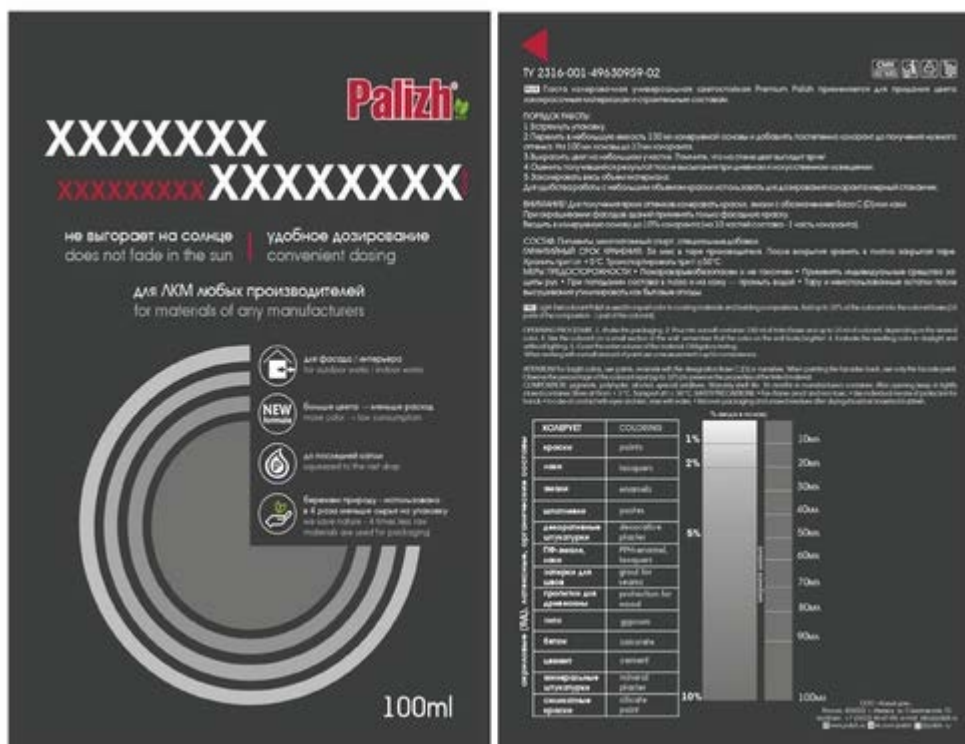
(11) **D 2020 864 S**      (51) **20-02**  
(10) AD 2020 1142 S      (44) 2020 06 10 №11  
(21) AD 2020 1142  
(22) 2020 02 06  
(24) 2020 02 06  
(28) 2  
(18) 2025 02 06  
(73) PAOLINI, Julien Dominique Edouard (FR)  
    Rue De La Gare 1, 20136, Bocognano (FR)  
(72) PAOLINI, Julien Dominique Edouard (FR)  
(74) Nato Lashkhi (GE)  
(54) **1.-2. COMMERCIAL STAND**

---

## DESIGNS, WHICH HAVE BEEN REGISTERED WITH THE INTERNATIONAL BUREAU CLAIMING PRIORITY ON THE TERRITORY OF GEORGIA

The decision can be appealed at the Chamber of Appeal of Sakpatenti within 3 months from the publication or at the Mtskheta District Court Administrative Cases Board (Address: №17, Samkhedro Str., Mtskheta), within 1 month following the publication.

- (11) **DM/209 339**                      **(51) 09-03**
- (15) 2019 08 30                      (44) 31/2020 (2020 07 31)
- (22) 2019 08 30
- (28) 1
- (73) LLC Noviy Dom  
Ulitsa Saliutovskaya, 31, 426053 Izhevsk (RU)
- (85) –
- (86) –
- (87) –
- (88) RU
- (89) RU
- (81) III. ES, HU, AM, UA, HR, LV, TM, AZ, MD, SI, TJ, MN, RS, EE, TR, GE, KG, PL, LT, BG, EG
- (72) Elena Elicyna  
Ulica 40 Let Pobedi, Dom № 140, Kv. 254, 426072, Izhevsk (RU)
- (74) Proskura Vladislav  
Patent Bureau "IP PRAVO", LLC, Leninskaya Sloboda, 26/28, Office 302, 115280 Moscow (RU)
- (54) 1. Ornamentation for packaging
- (55)



1

**(11) DM/209 341**

(15) 2020 06 19

(22) 2020 06 19

(28) 1

(73) Taras Vynnytskyi

115 Mykulyntska Str., Section 11, 46005 Ternopil (UA)

(85) –

(86) UA

(87) –

(88) –

(89) UA

(81) II. NE, MA III. AM, UA, AZ, MD, MC, NO, RS, US, CA, TR, GE, LI, GB, EM, CH, RU, IL, EG

(72) Taras Vynnytskyi

115 Mykulyntska Str., Section 11, 46005 Ternopil (UA)

(74) Denys Borukha

17-25 Gerzena Str., 168 Of., 04050 Kyiv (UA)

(54) 1. Container for gel flavoring

(55)

**(51) 09-03**

(44) 31/2020 (2020 07 31)





1.5



1.6



1.7

(11) DM/205 917

(51) 11-01

(15) 2020 01 30

(44) 31/2020 (2020 07 31)

(22) 2020 01 30

(28) 7

(73) HARRY WINSTON SA

Chemin Du Tourbillon 8, 1228 Plan-les-Ouates (CH)

(85) CH

(86) CH

(87) CH

(88) CH

(89) CH

(81) IL, MA, III, AM, UA, AL, AZ, BZ, ME, MD, MC, SG, MN, NO, BA, MK, TR, CA, GE, OM, LI, KG, GB, TN, EM, CH

(72) 1; 7 Dominique RIVIERE

C/o Harry Winston Inc. 718 Fifth Avenue, 10019, New York (US);

2; 4 Tobias WUEST

C/o Harry Winston Inc. 718 Fifth Avenue, 10019, New York (US);

3; 5 Chaeree KWON

C/o Harry Winston Inc. 718 Fifth Avenue, 10019, New York (US);

6 Rie YATSUGI-KANG

C/o Harry Winston Inc. 718 Fifth Avenue, 10019, New York (US)

(74) The Swatch Group AG (The Swatch Group SA) (The Swatch Group Ltd.)

Faubourg Du Lac 6, 2501 Biel/Bienne (CH)

(54) 1. Bracelet, 2.-5. Finger ring, 6. Pair of earrings, 7. Finger ring

(55)

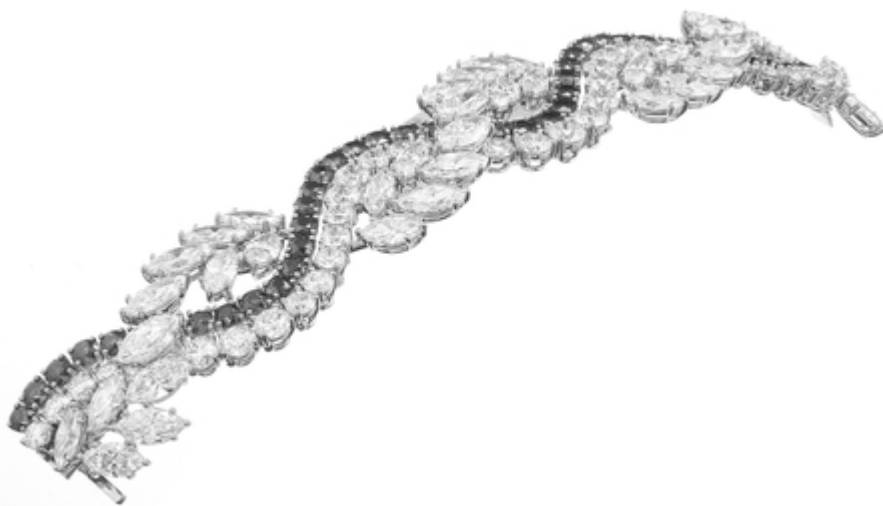




1.5



1.6



1.7



1.8



2.1



2.2



2.3



2.4



2.5



2.6



2.7



2.8



3.1



3.2





3.3



3.4



3.5



3.6



3.7



3.8



4.1



4.2



4.3



4.4



4.5



4.6



4.7



4.8



5.1



5.2



5.3



5.4



5.5



5.6



5.7



5.8



6.1



6.2



6.3



6.4



6.5



6.6

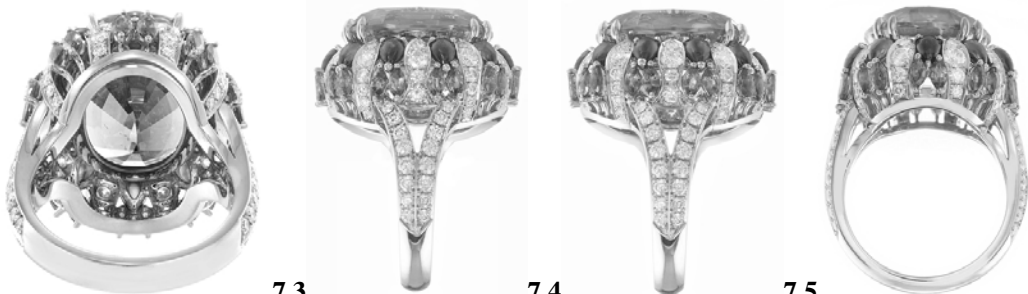


6.7



6.8

7.1



7.2

7.3

7.4

7.5



7.6

7.7

7.8

**(11) DM/206 569****(51) 10-07**

(15) 2020 02 07

(44) 32/2020 (2020 08 07)

(22) 2020 02 07

(28) 12

(73) HARRY WINSTON SA

Chemin du Tourbillon 8, 1228 Plan-les-Ouates (CH)

(85) CH

(86) CH

(87) CH

(88) CH

(89) CH

(81) II. MA III. AM, UA, AL, AZ, BZ, ME, MD, MC, SG, MN, NO, BA, OM, MK, GE, TR, CA, LI, KG, GB, TN, EM, CH

(72) 11: Carole PIERRE

c/o Harry Winston SA, Chemin du Tourbillon 8, 1228, Plan-les-Ouates (CH);

1; 3: Steve KAMILINDI

c/o Harry Winston SA, Chemin du Tourbillon 8, 1228, Plan-les-Ouates (CH);

2 Christophe LASSERRE

C/o Harry Winston SA, Chemin Du Tourbillon 8, 1228, Plan-les-Ouates (CH);

4: Sandra GARSAUD

c/o Harry Winston SA, Chemin du Tourbillon 8, 1228, Plan-les-Ouates (CH);

5-10; 12: Emmanuelle DOMINGUEZ

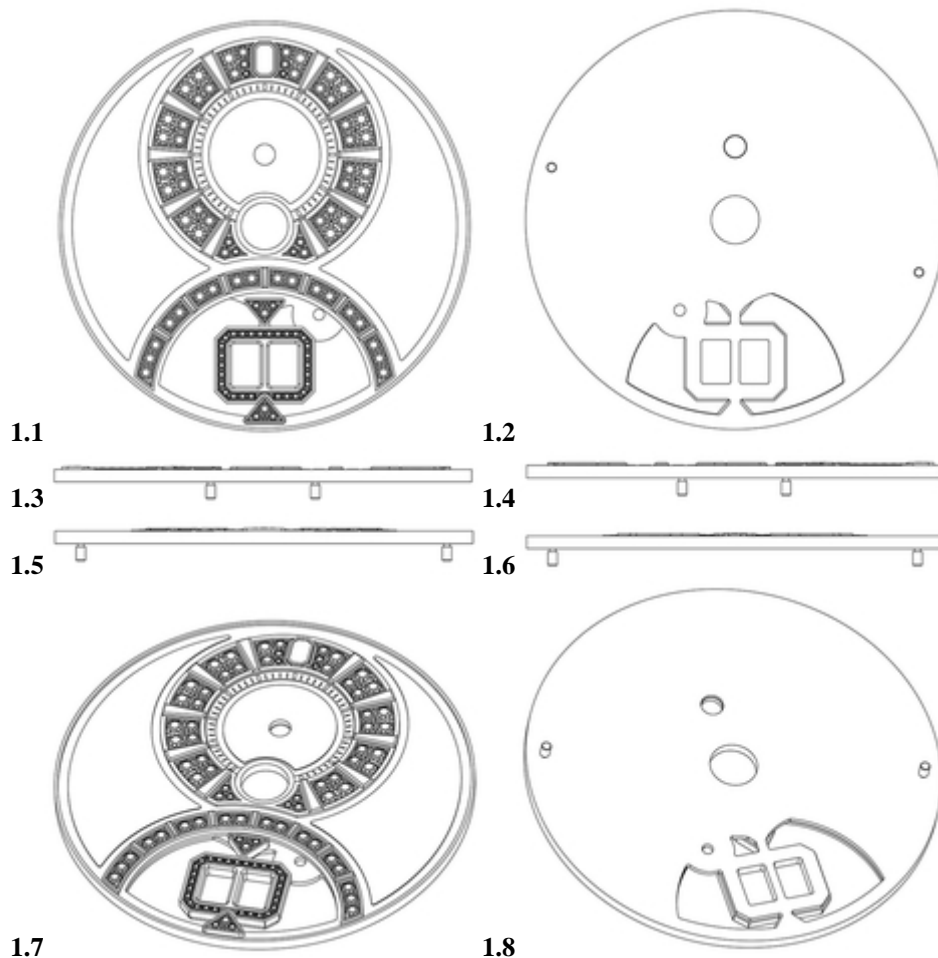
c/o Harry Winston SA, Chemin Du Tourbillon 8, 1228, Plan-les-Ouates (CH)

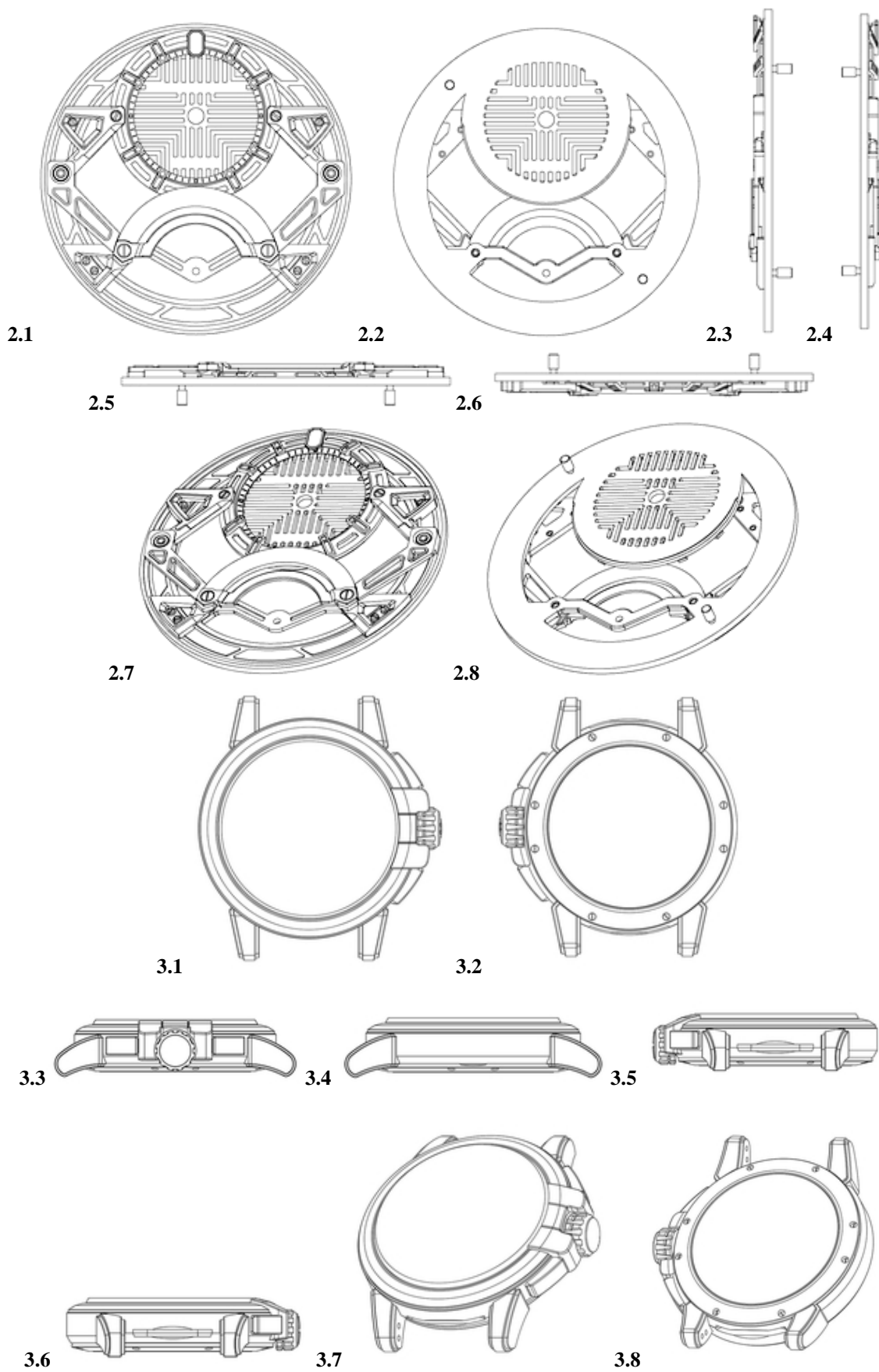
(74) The Swatch Group AG (The Swatch Group SA) (The Swatch Group Ltd.)

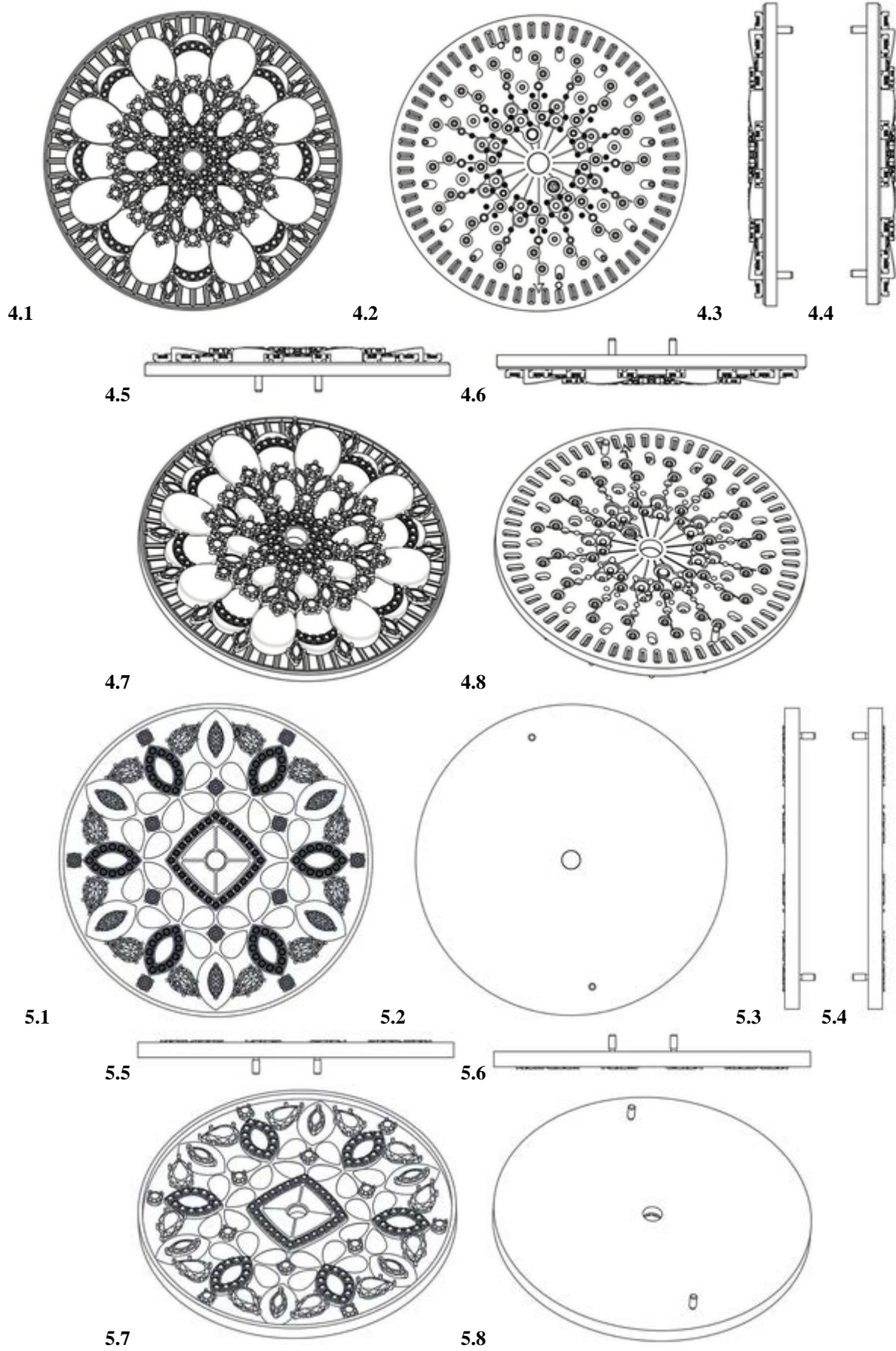
Faubourg du Lac 6, 2501 Biel/Bienne (CH)

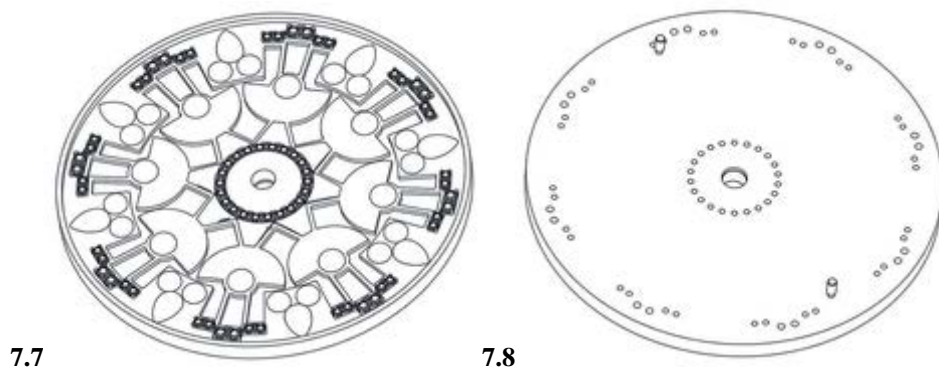
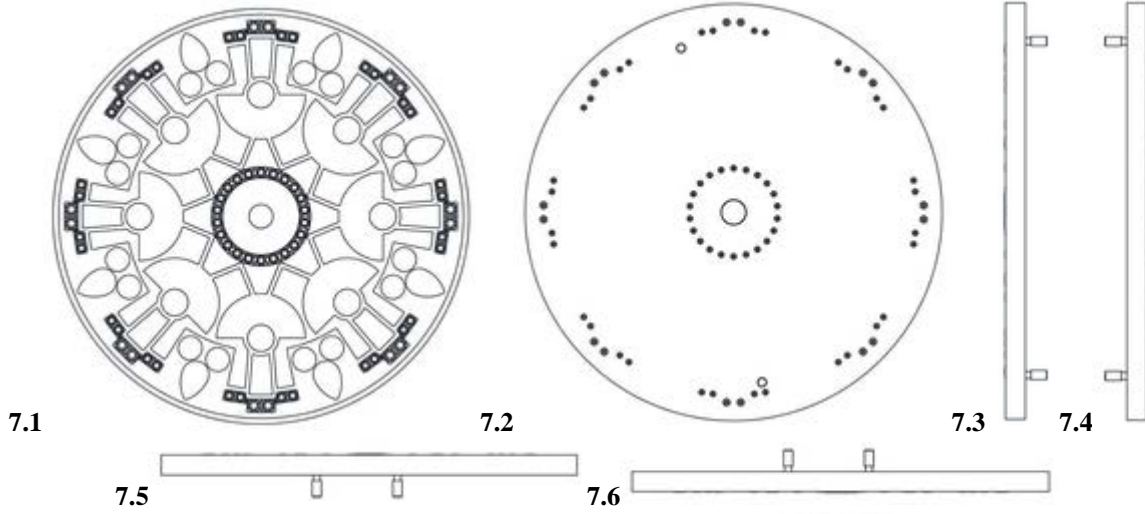
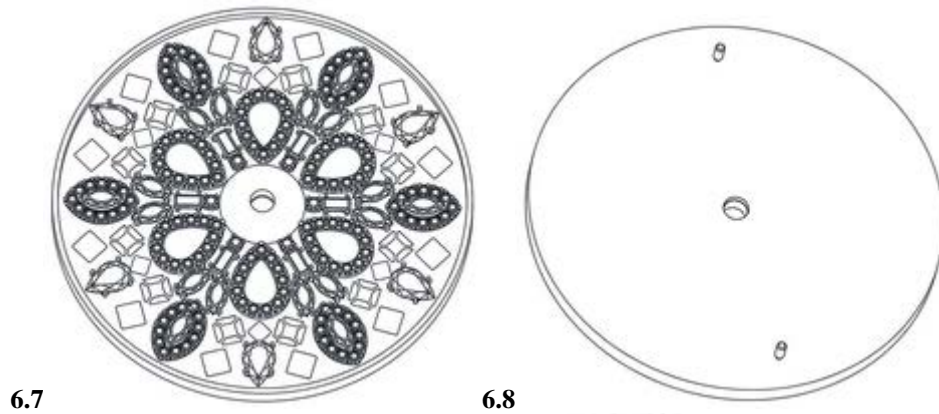
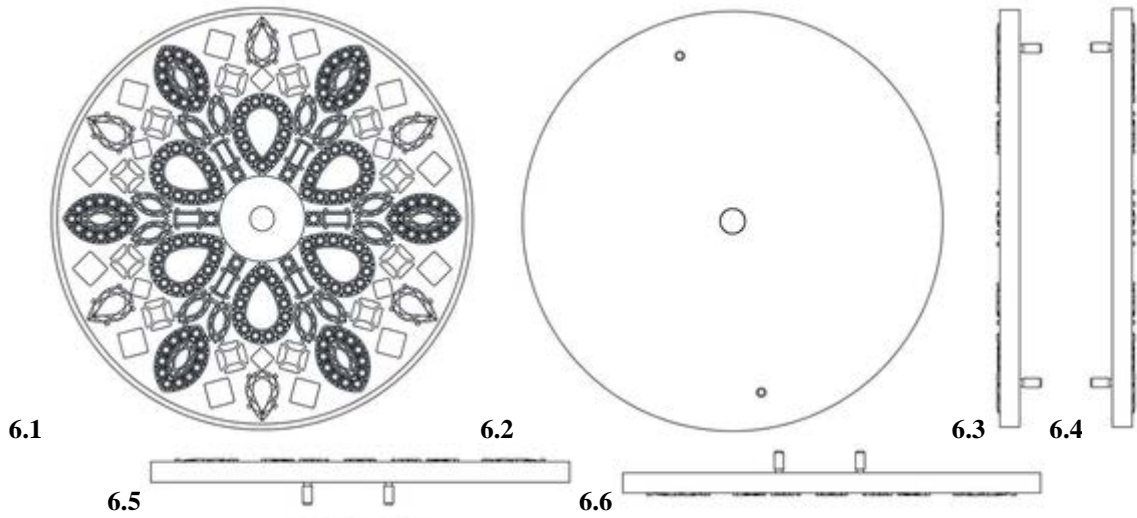
(54) 1.-2. Dia, 3. Watch case, 4.-12. Dial

(55)

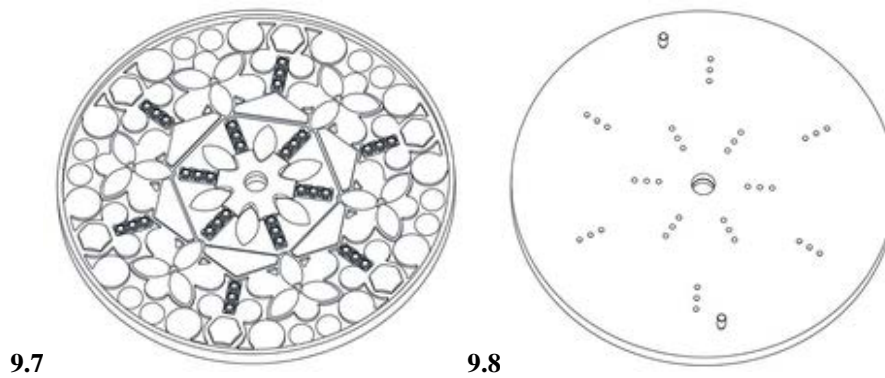
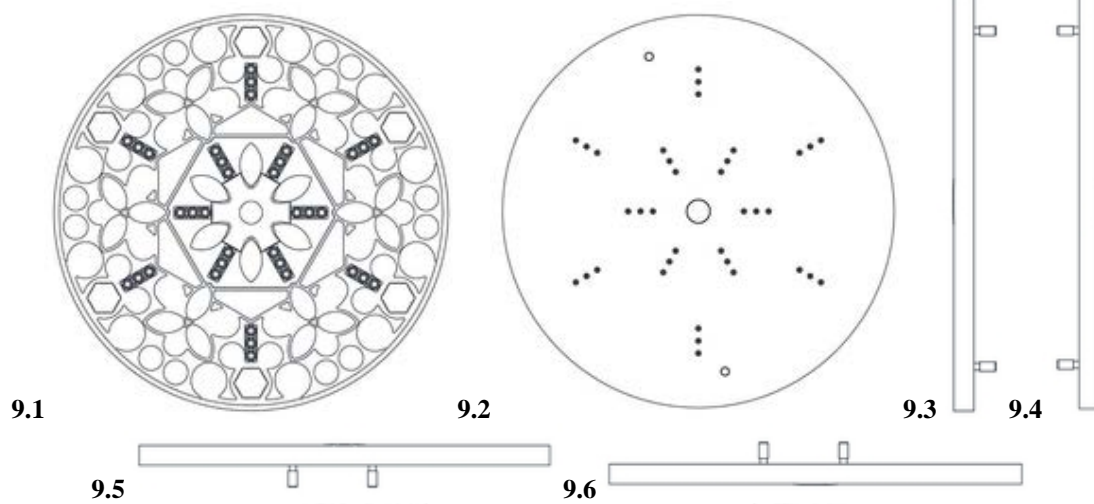
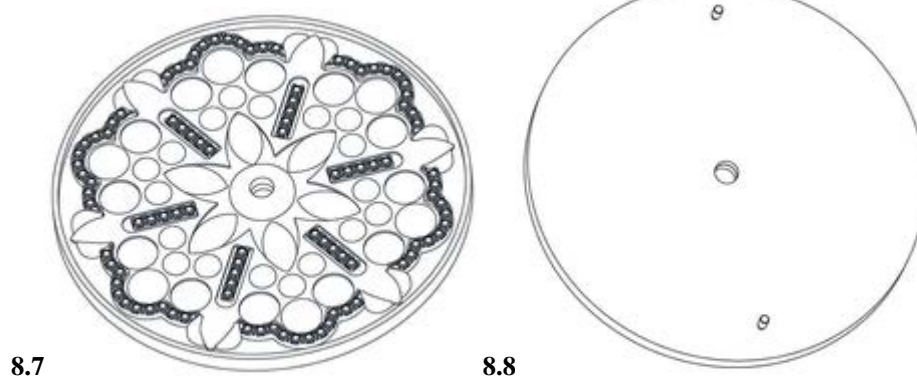
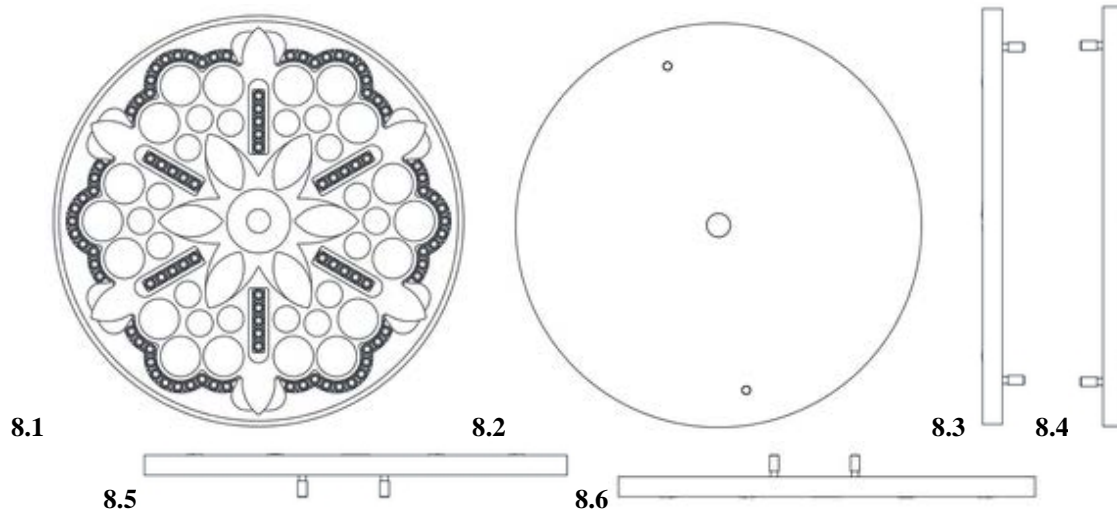


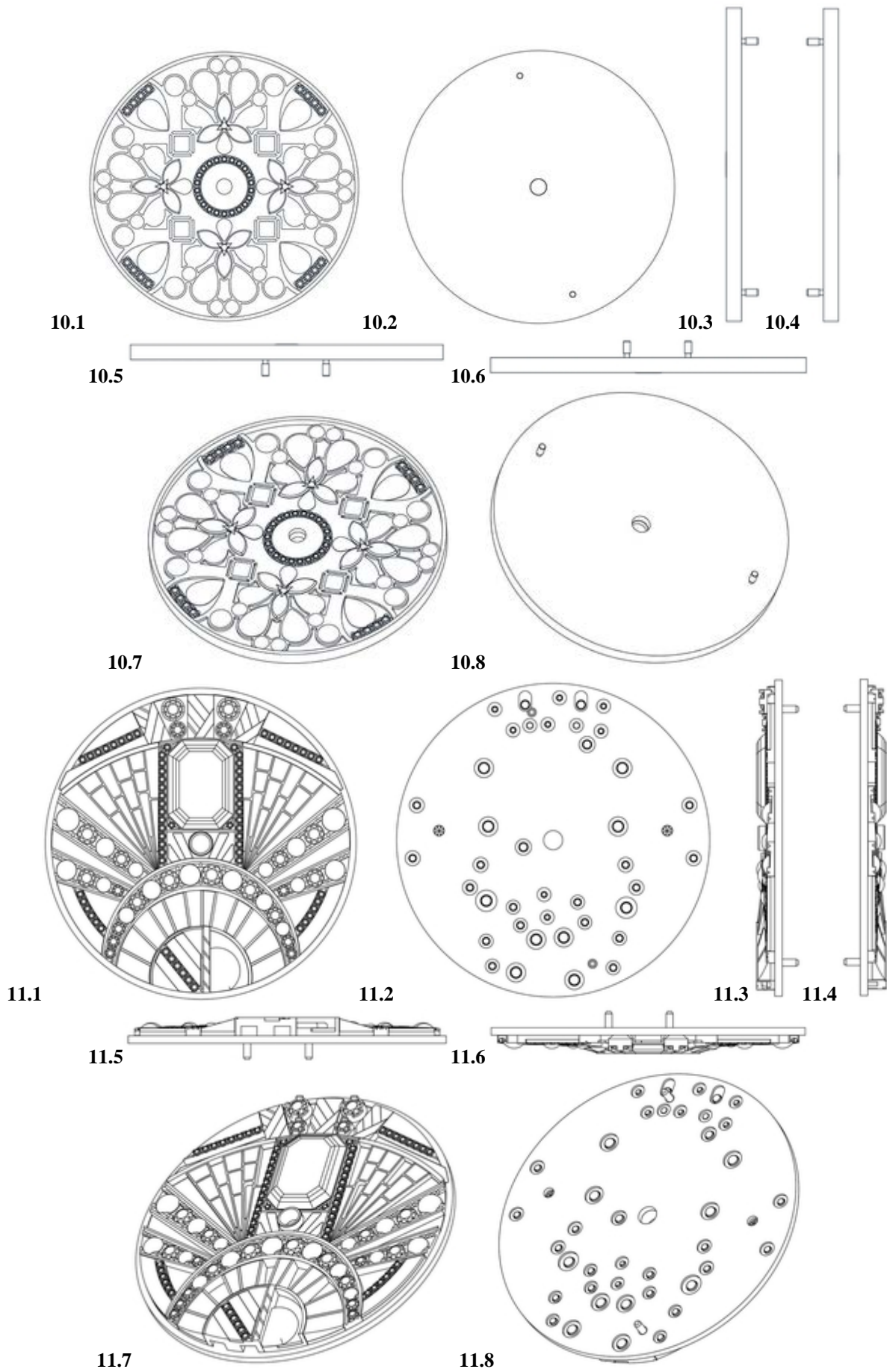


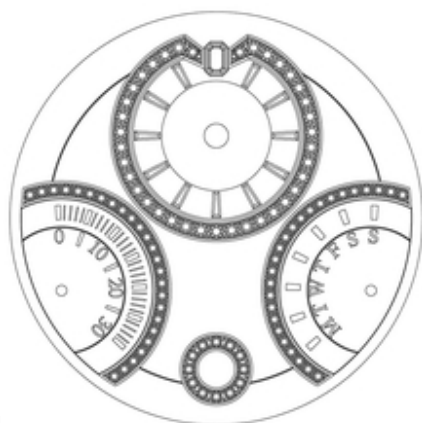




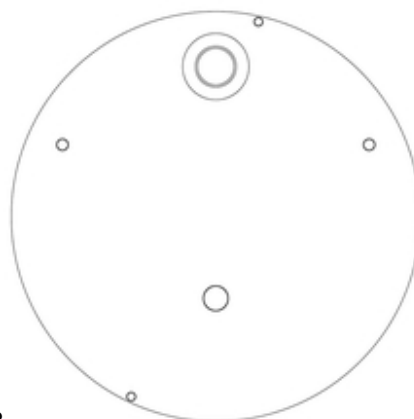








12.1



12.2



12.3



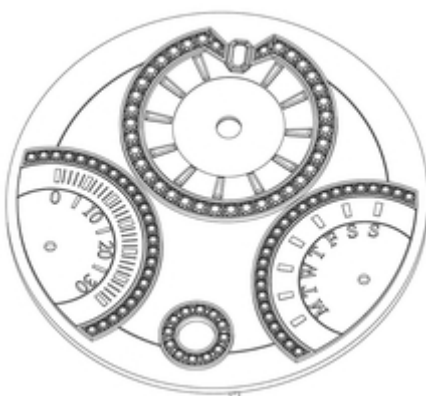
12.4



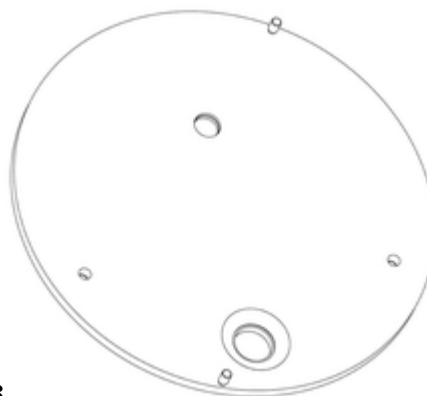
12.5



12.6



12.7



12.8

(11) DM/208 355

(15) 2020 02 02

(22) 2020 02 02

(28) 1

(73) BUDMAT Bogdan Wiecek  
ul. Otolńska 25, 09-407 Plock (PL)

(85) PL

(86) PL

(87) PL

(88) PL

(89) PL

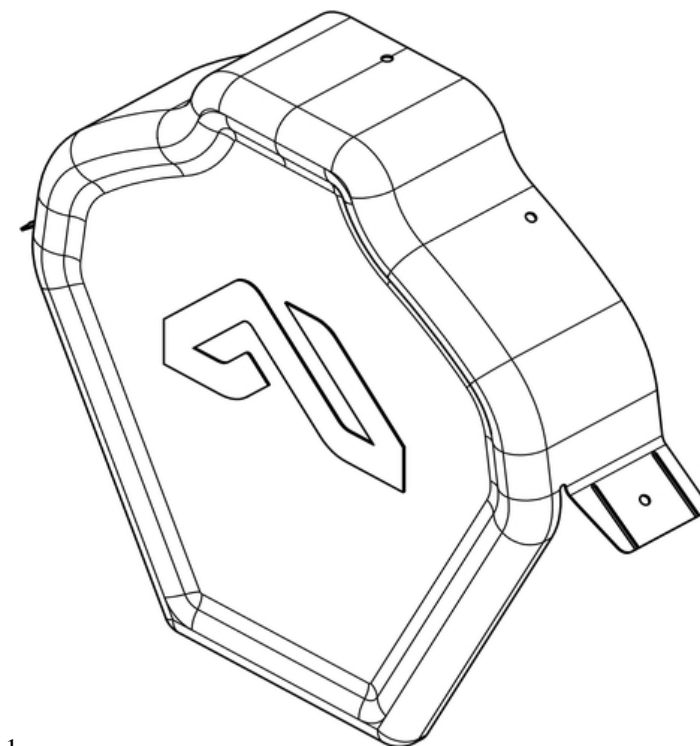
(81) III. NO, CA, US, GE, KG, UA, AM, GB, EM, CH, RU

(72) Marek Wiśniewski  
Wiosenna 15, 09-100, Brody (PL);  
Bogdan Wiecek  
ul. Otolinska 25, 09-407, Plock (PL)

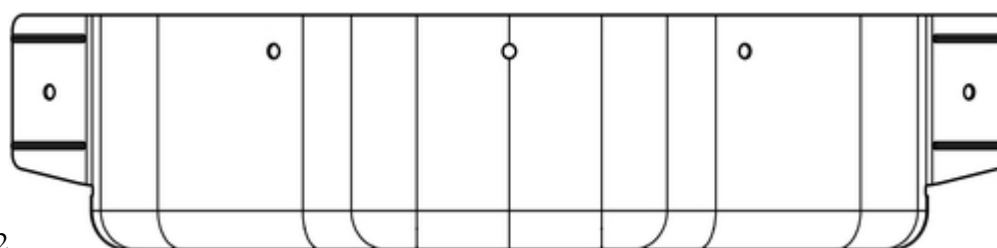
(74) Wojciech Zielinski  
Armii Polskiej 18/5, 66-400 Gorzow Wielkopolski (PL)

(54) 1. Half-round ridge end cap

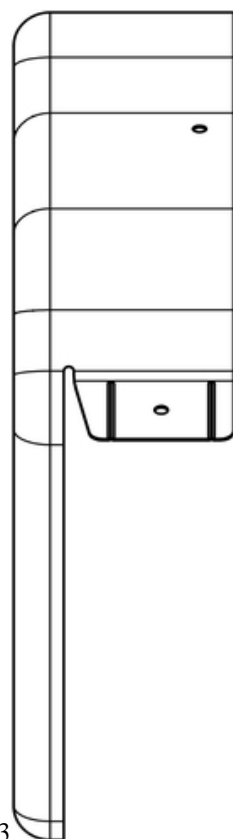
(55)



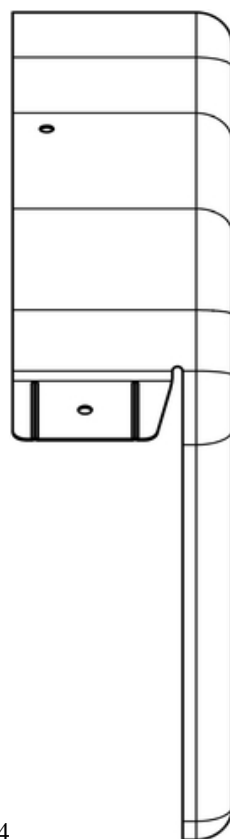
1.1



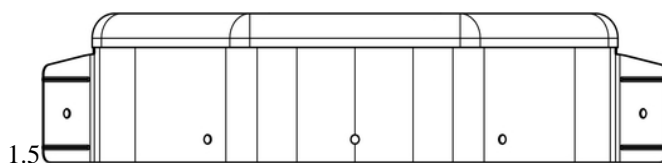
1.2



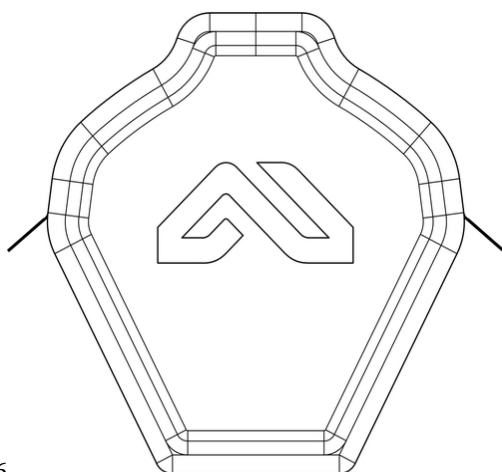
1.3



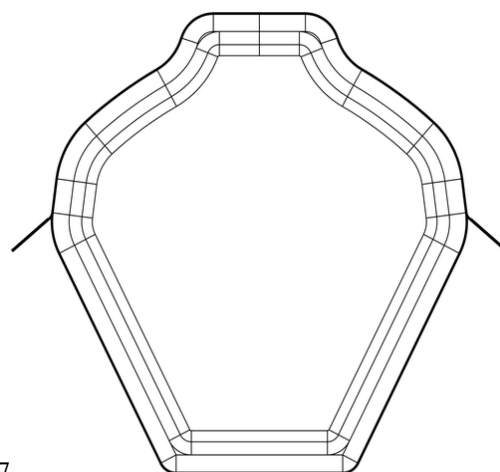
1.4



1.5



1.6



1.7

**(11) DM/209 145**

(15) 2020 03 24

(22) 2020 03 24

(28) 32

(30) No1: 24.09.2019; 6910139; EM; No2: 24.09.2019; 6910139; EM; No3: 24.09.2019; 6910139; EM; No4: 24.09.2019; 6910139; EM; No5: 24.09.2019; 6910139; EM; No6: 24.09.2019; 6910139; EM; No7: 24.09.2019; 6910139; EM; No8: 24.09.2019; 6910139; EM; No9: 24.09.2019; 6910139; EM; No10: 24.09.2019; 6910139; EM; No11: 24.09.2019; 6910139; EM; No12: 24.09.2019; 6910139; EM; No13: 24.09.2019; 6910139; EM; No14: 24.09.2019; 6910139; EM; No15: 24.09.2019; 6910139; EM; No16: 24.09.2019; 6910139; EM; No17: 24.09.2019; 6910139; EM; No18: 24.09.2019; 6910139; EM; No19: 24.09.2019; 6910139; EM; No20: 24.09.2019; 6910139; EM; No21: 24.09.2019; 6910139; EM; No22: 24.09.2019; 6910139; EM; No23: 24.09.2019; 6910139; EM; No24: 24.09.2019; 6910139; EM; No25: 24.09.2019; 6910139; EM; No26: 24.09.2019; 6910139; EM; No27: 24.09.2019; 6910139; EM; No28: 24.09.2019; 6910139; EM; No29: 24.09.2019; 6910139; EM; No30: 24.09.2019; 6910139; EM; No31: 24.09.2019; 6910139; EM; No32: 24.09.2019; 6910139; EM

(73) JT International S.A.

8 Rue Kazem Radjavi, 1202 Geneva (CH)

(85) –

(86) –

(87) –

(88) CH

(89) CH

(81) II. MA III. UA, AZ, OA, TR, US, GE, KR, JP, CH, RU, IL, EG

(72) Norihiko Inoue

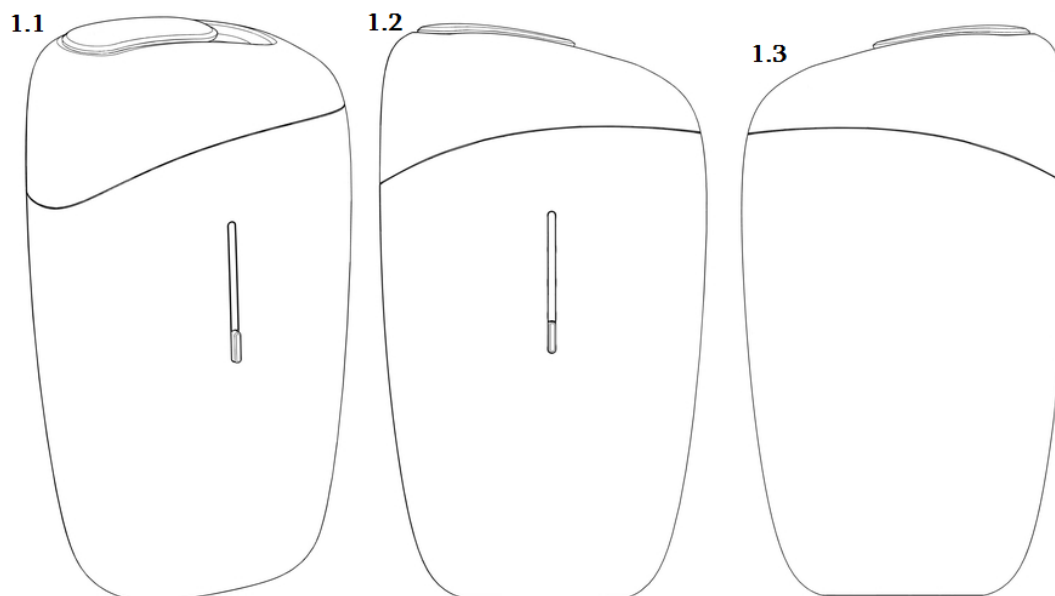
127 Ashfield Street, E1 3EX, London (GB)

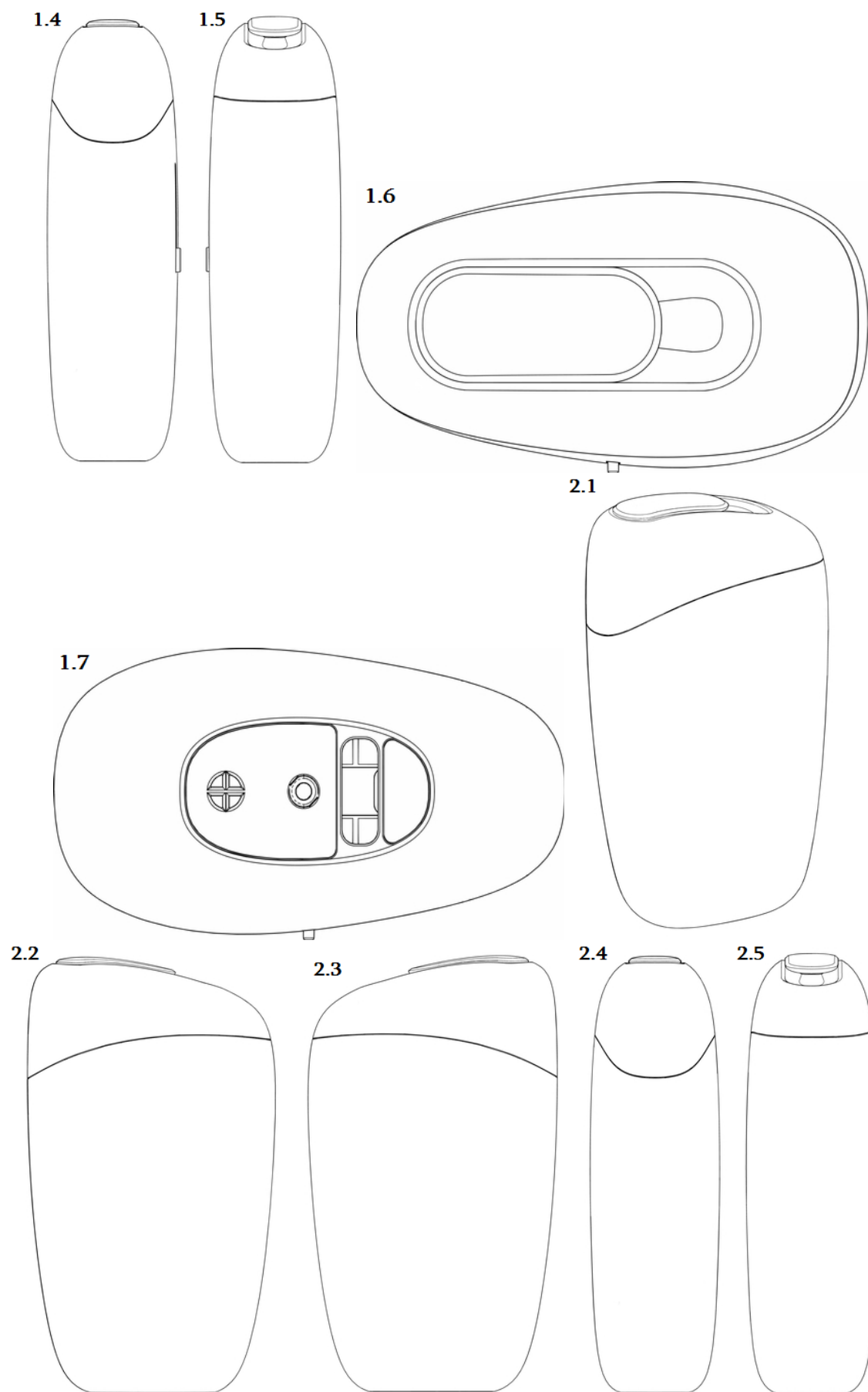
(74) BARDEHLE PAGENBERG Partnerschaft MbB

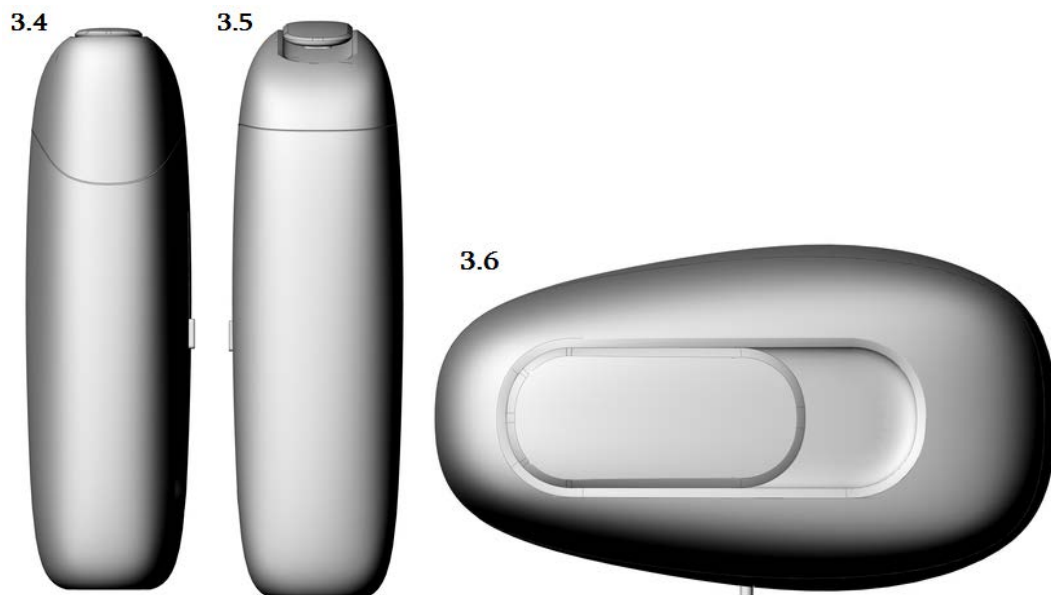
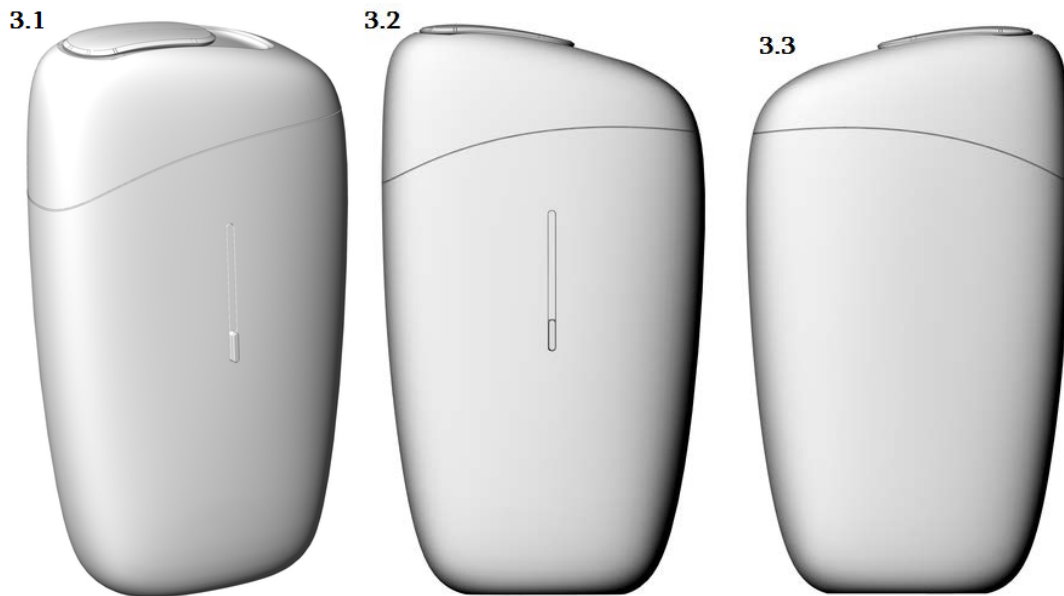
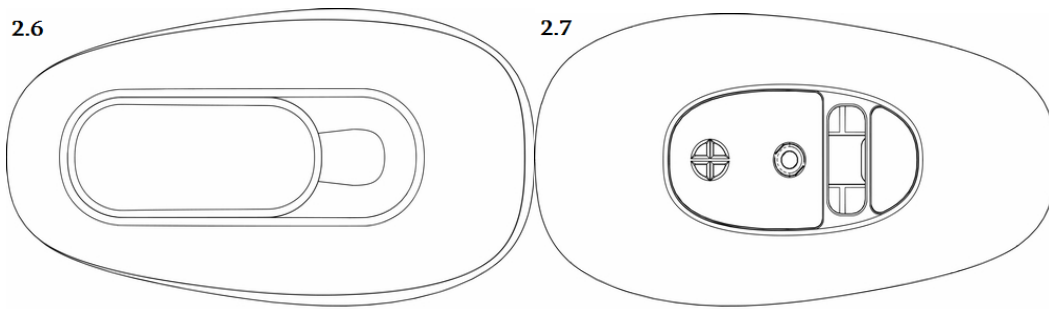
Prinzregentenplatz 7, 81675 Munich (DE)

(54) 1.-4. Electronic cigarette, 22.-32. Electronic cigarette, 5.-21. Electronic cigarette (part of -)

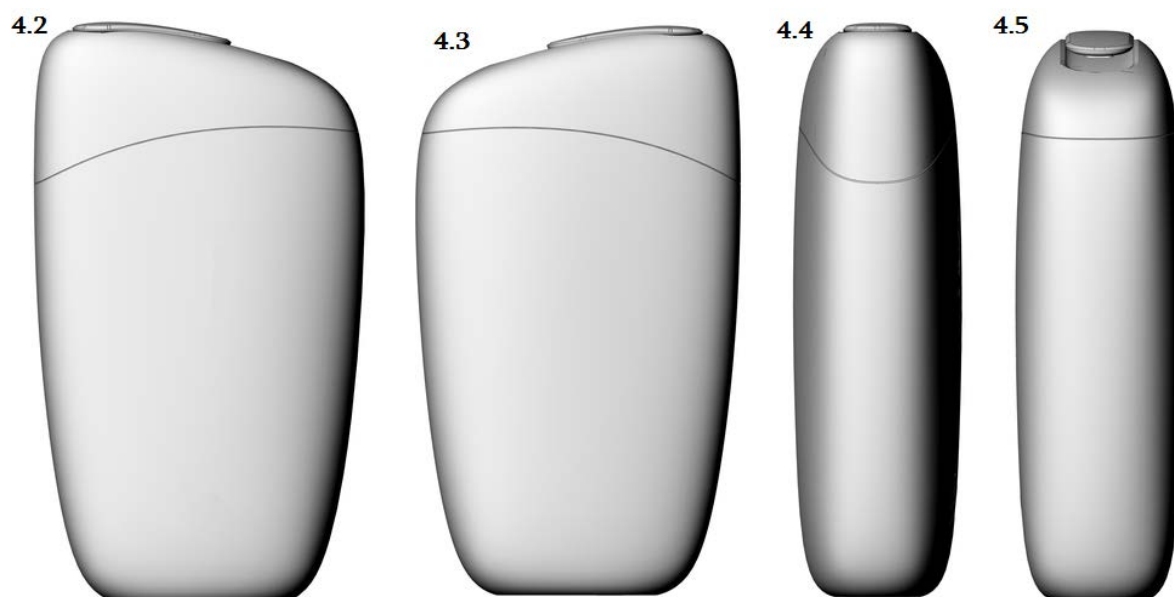
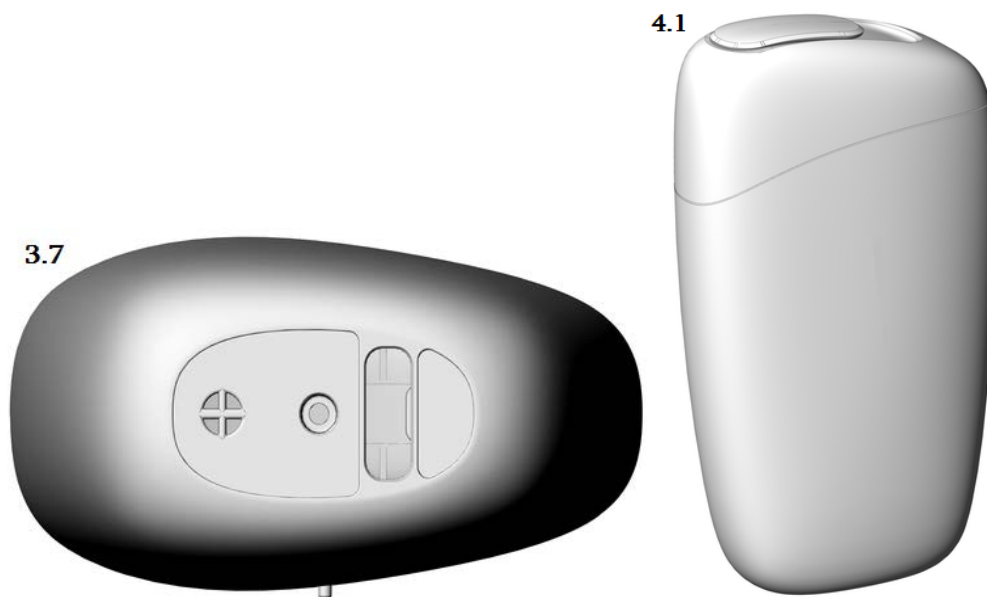
(55)

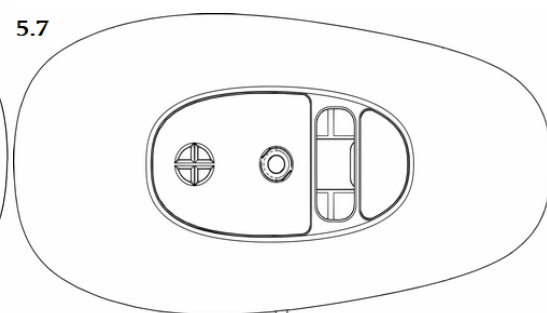
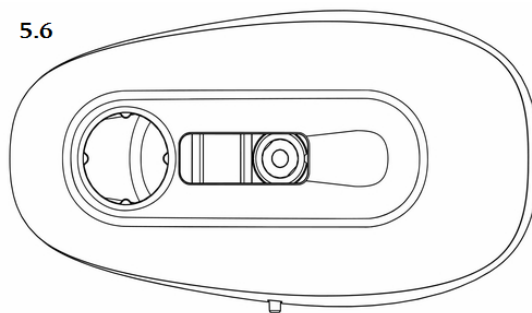
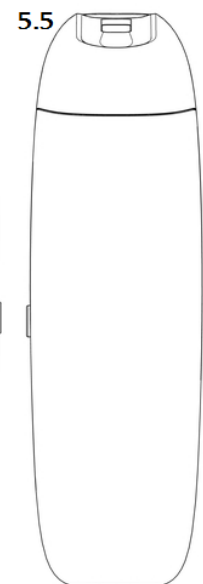
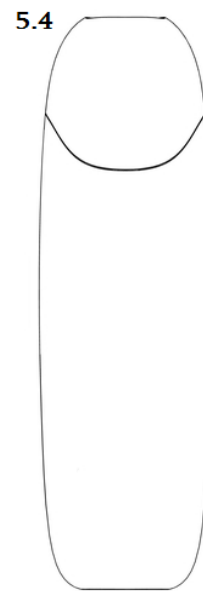
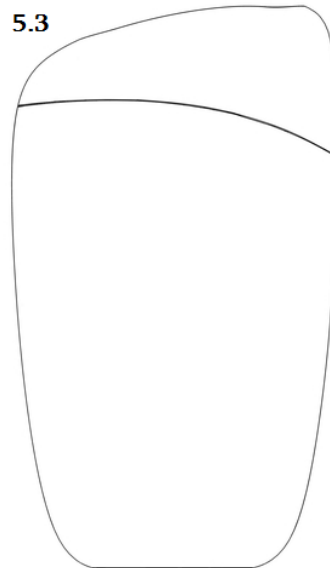
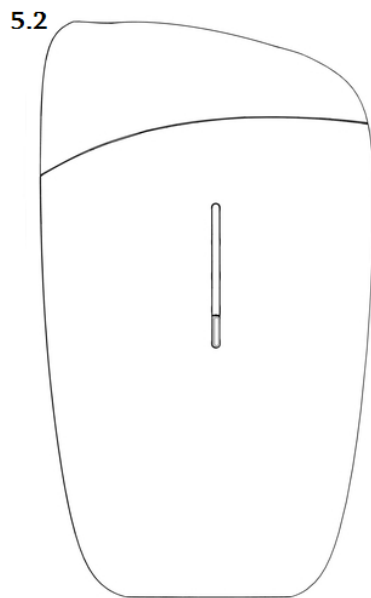
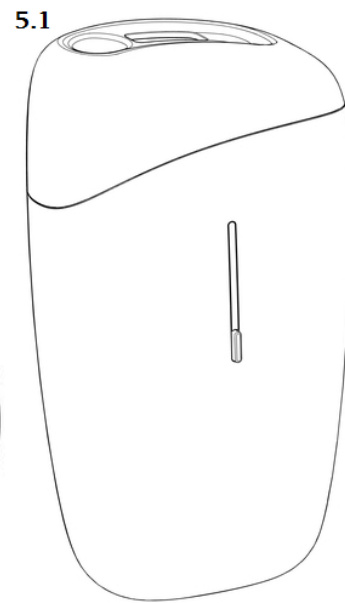




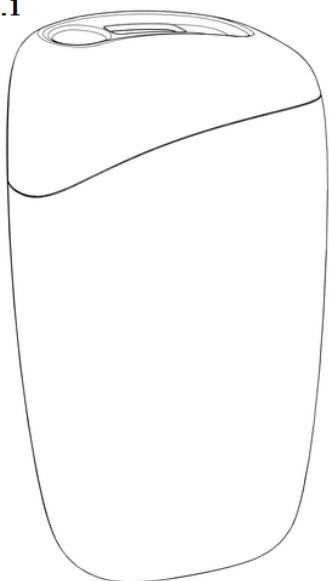




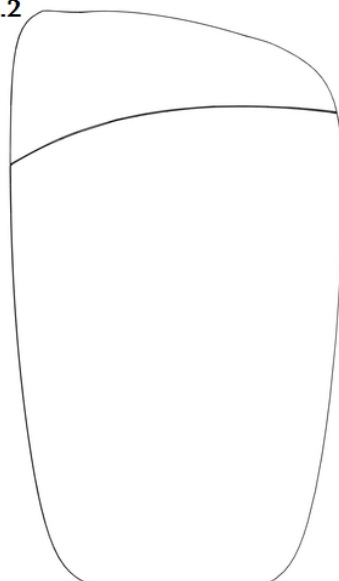




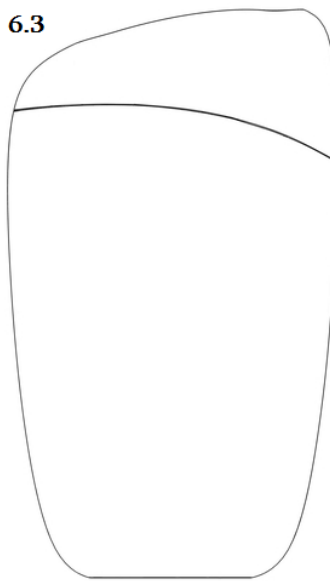
6.1



6.2



6.3



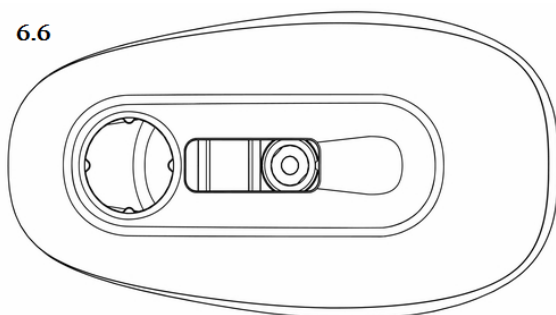
6.4



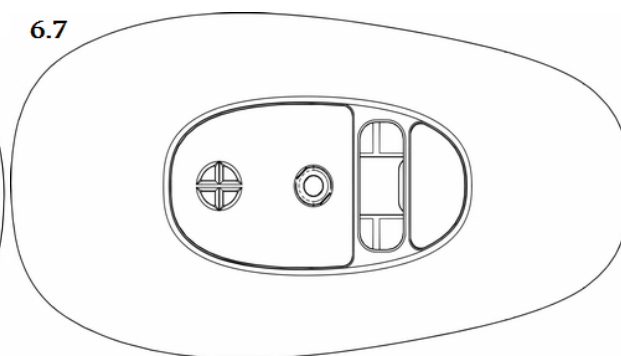
6.5

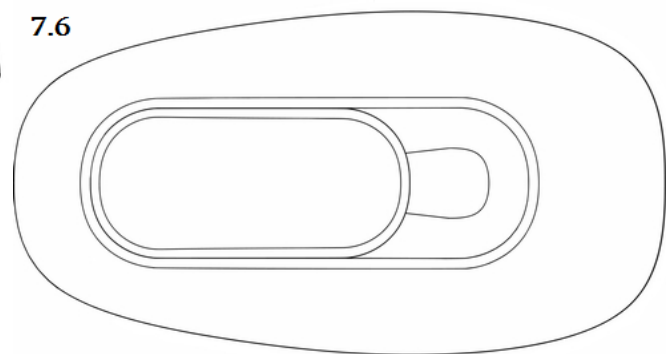
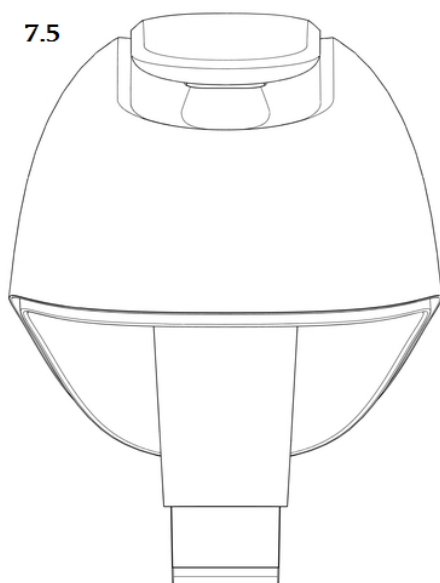
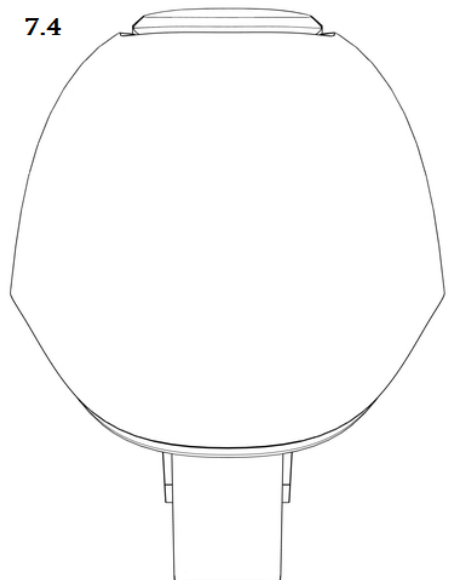
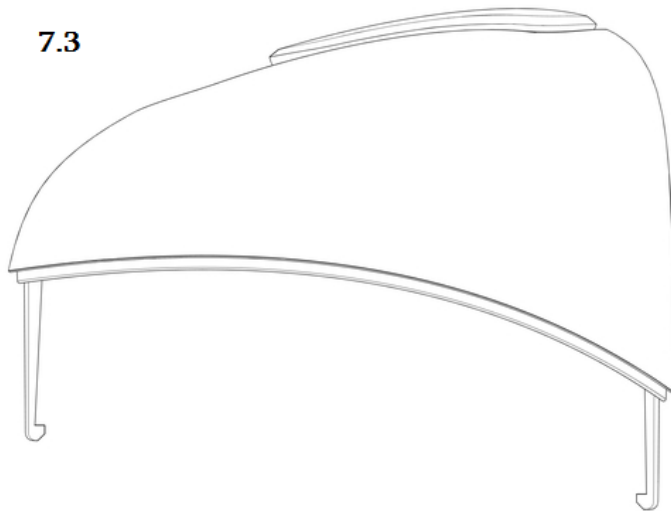
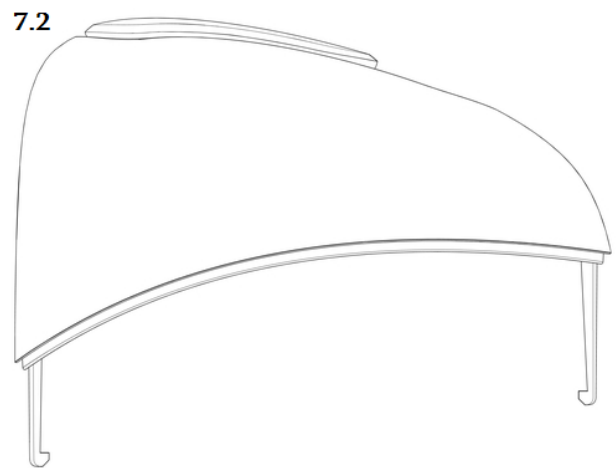
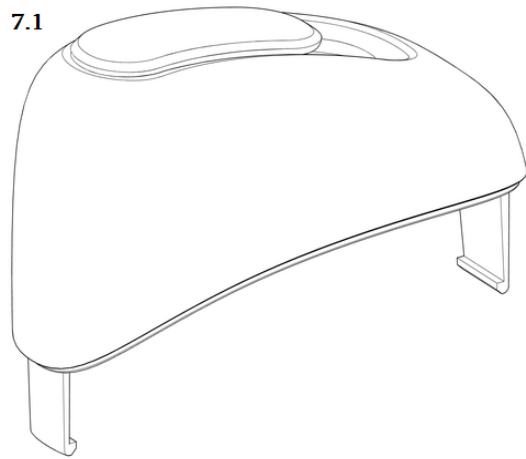


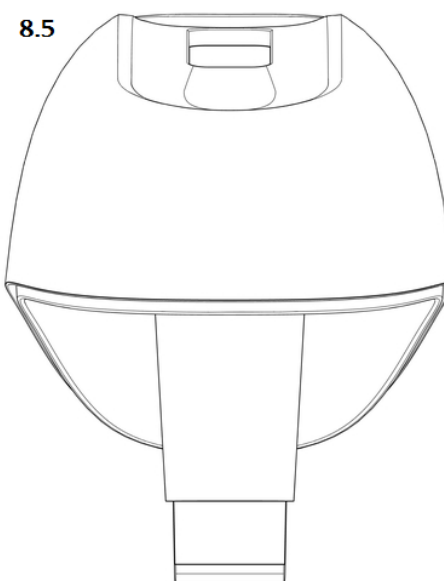
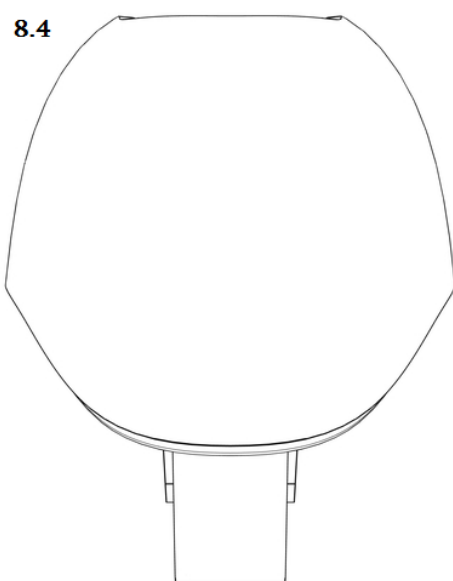
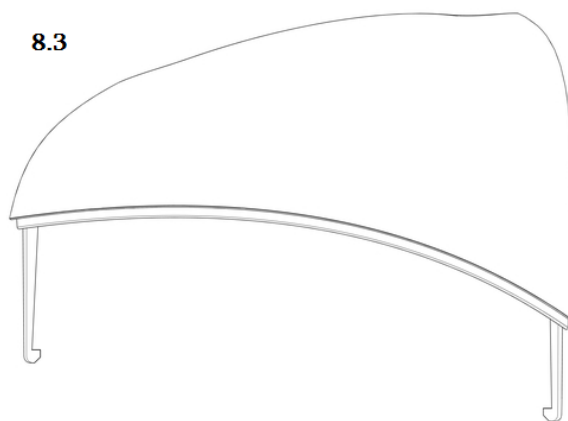
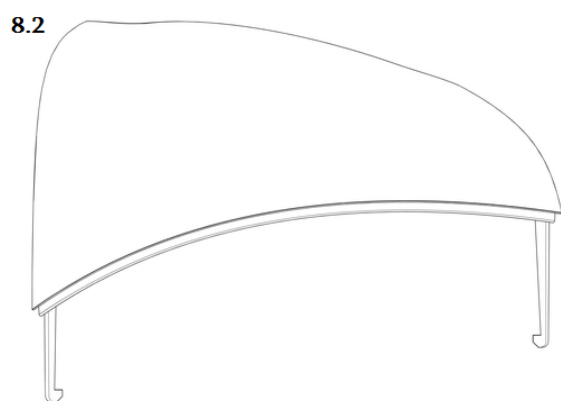
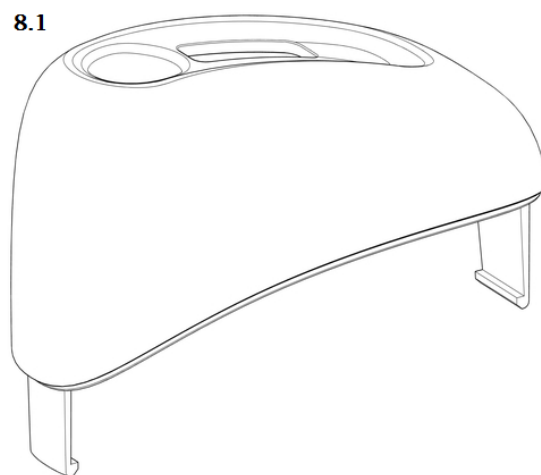
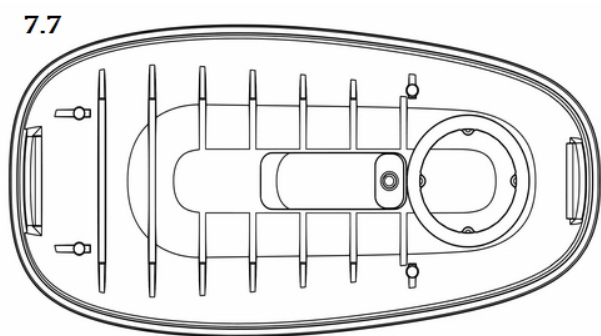
6.6



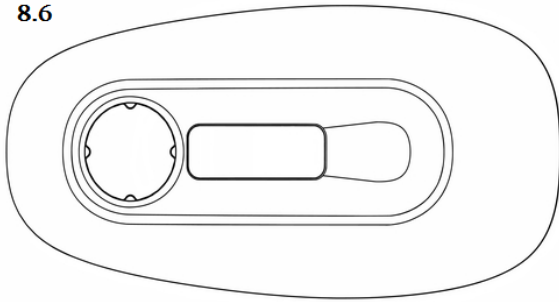
6.7



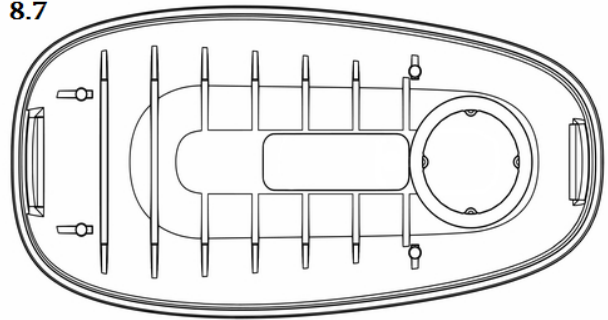




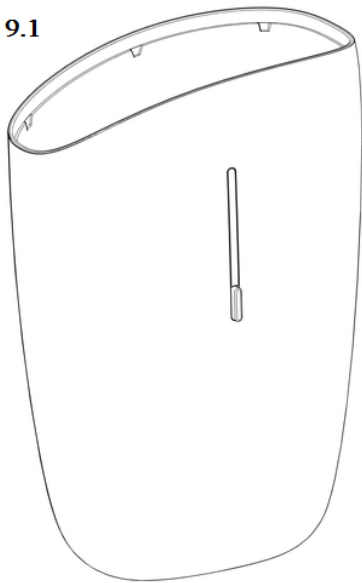
8.6



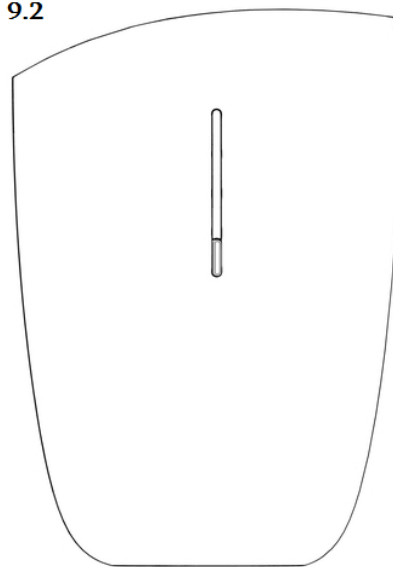
8.7



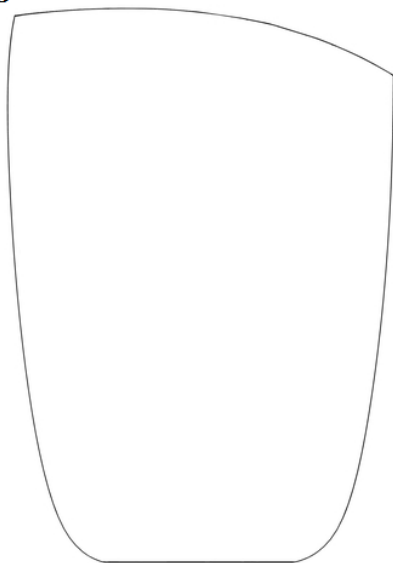
9.1



9.2



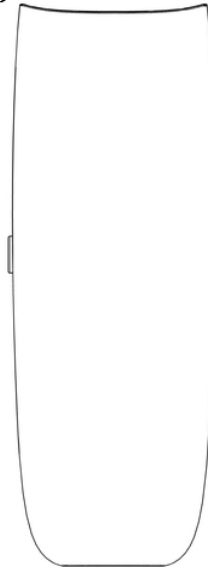
9.3

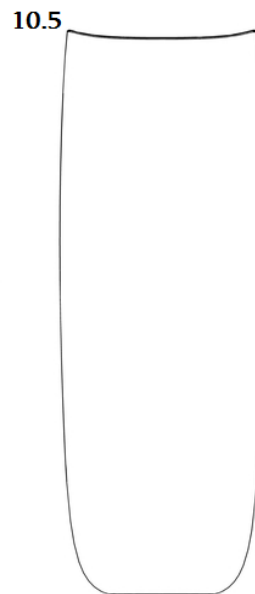
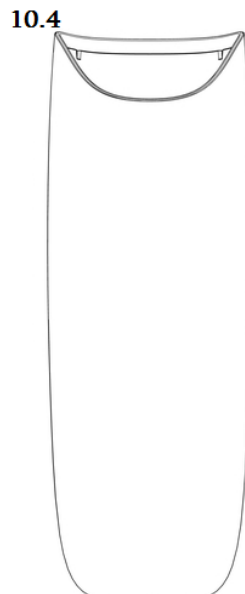
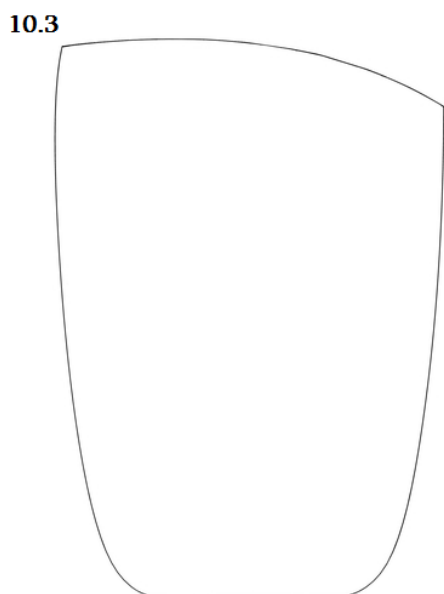
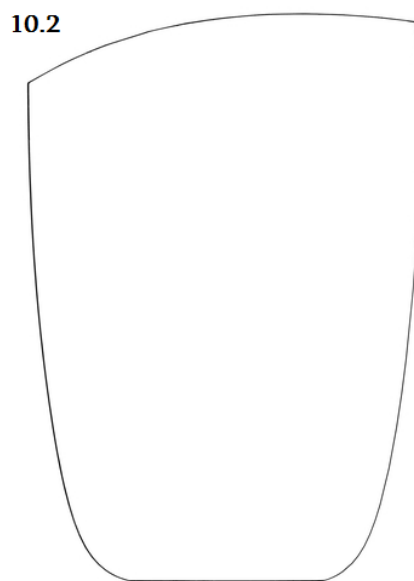
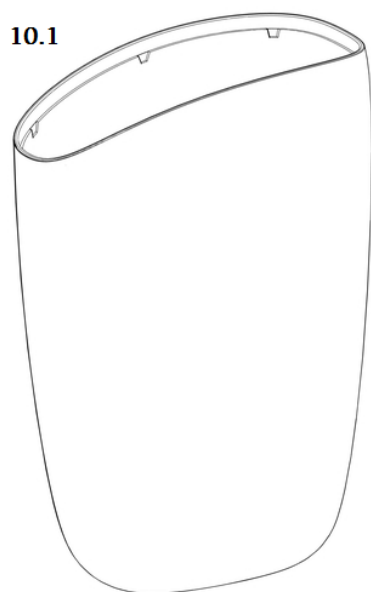
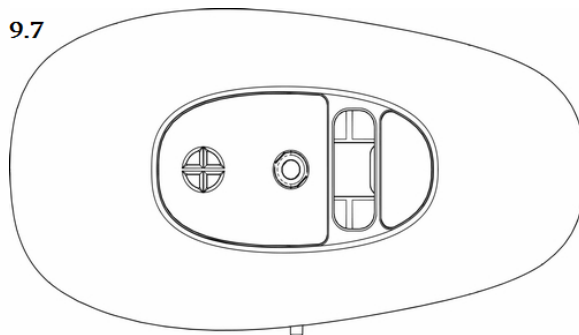
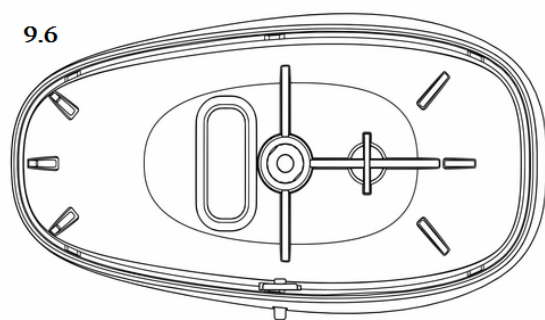


9.4

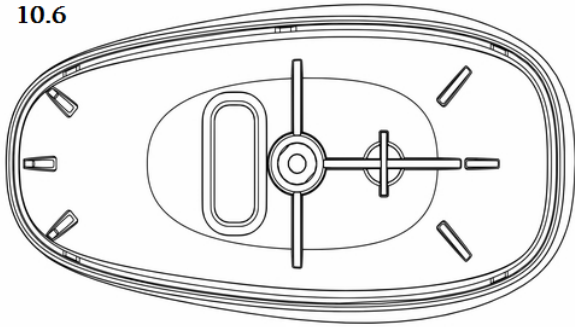


9.5

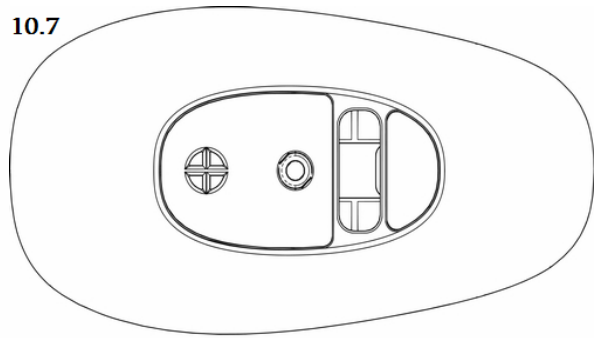




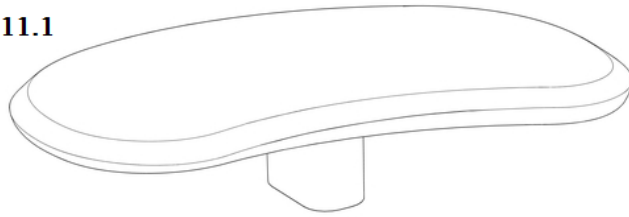
10.6



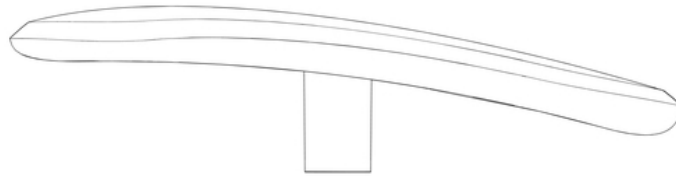
10.7



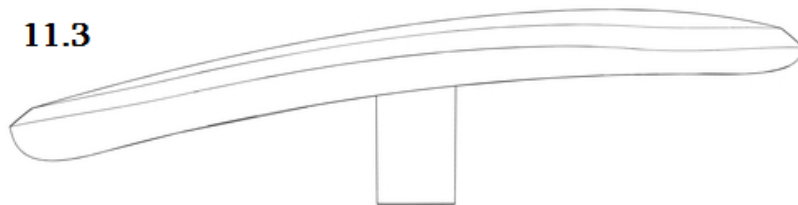
11.1



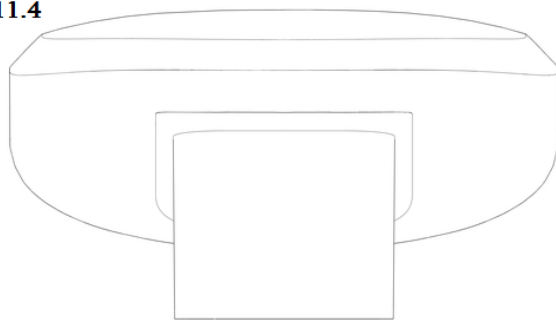
11.2



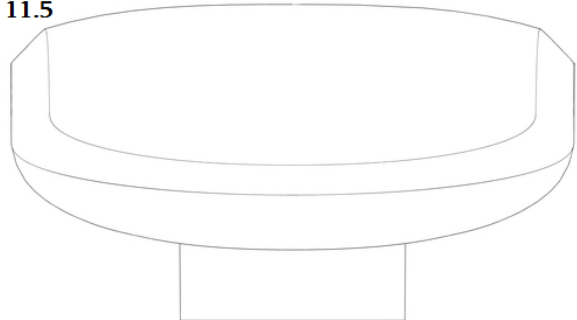
11.3



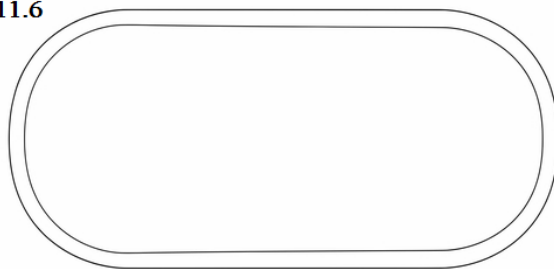
11.4



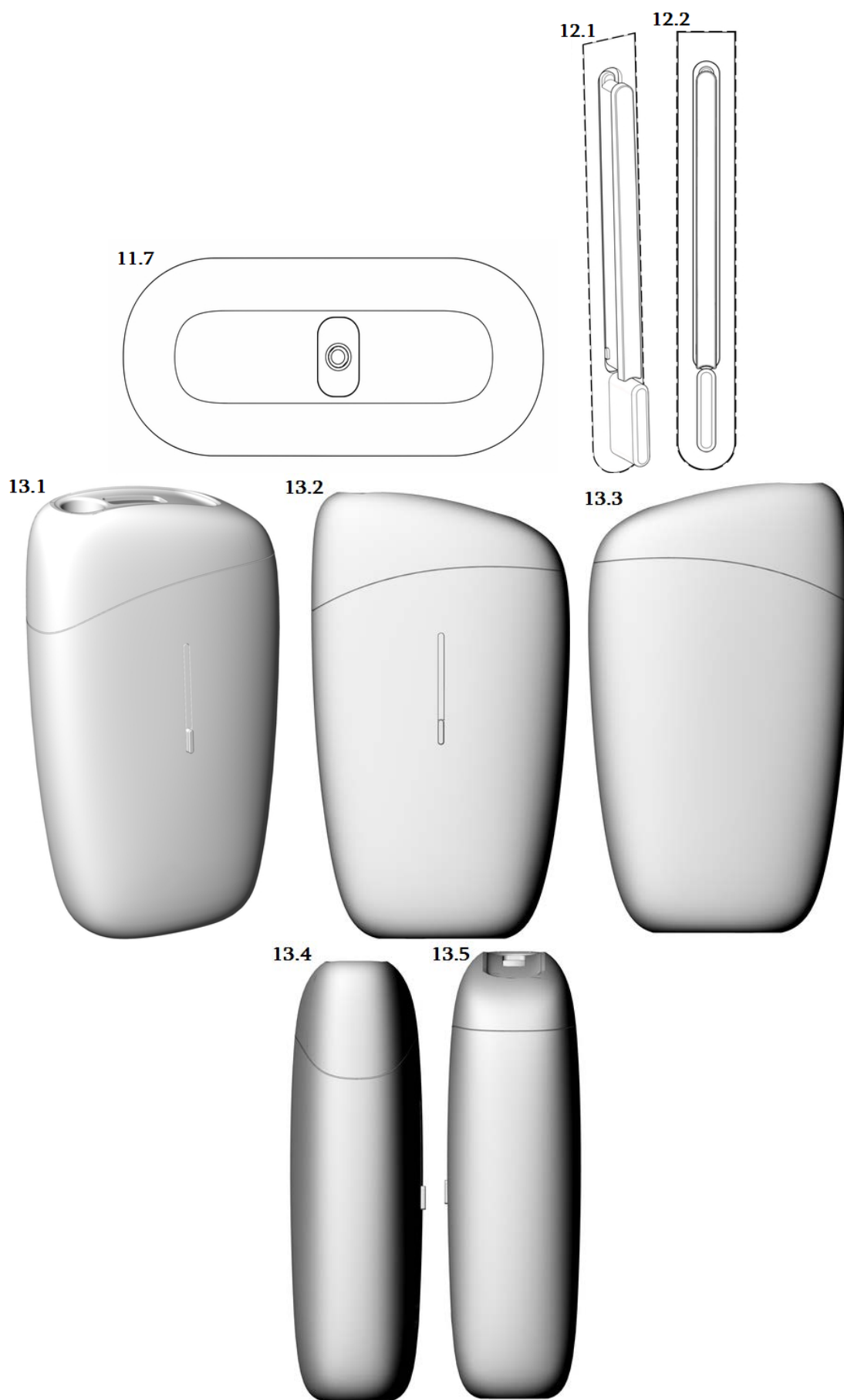
11.5



11.6







13.6



13.7



14.1



14.2



14.3



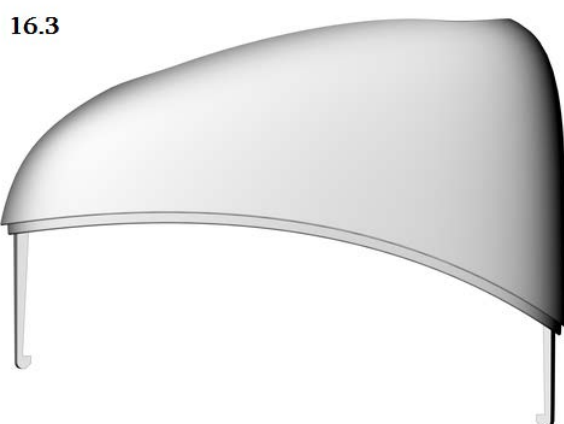
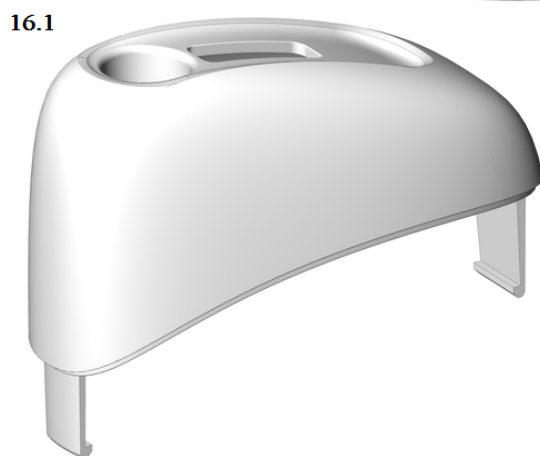
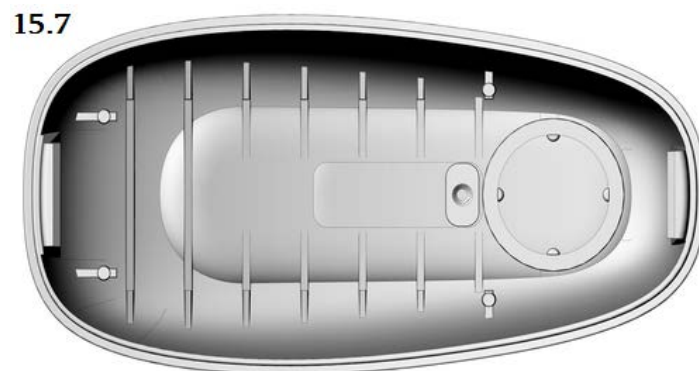
14.4



14.5



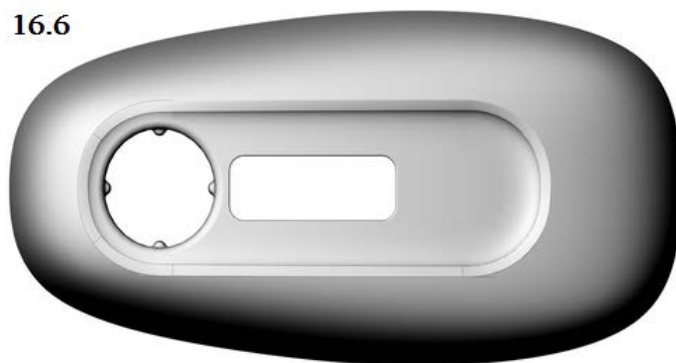




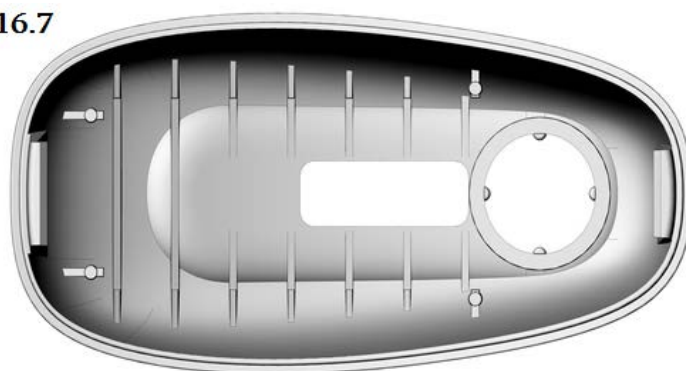
16.5



16.6



16.7



17.1



17.2



17.3



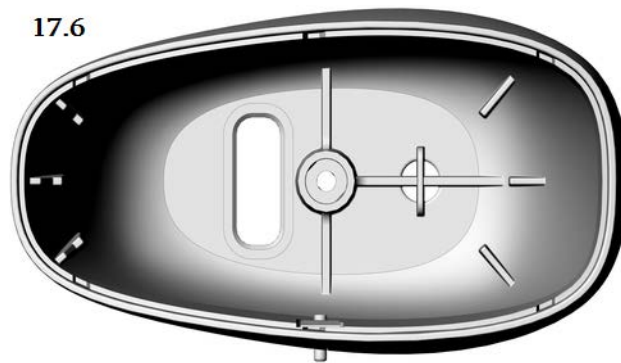
17.4



17.5

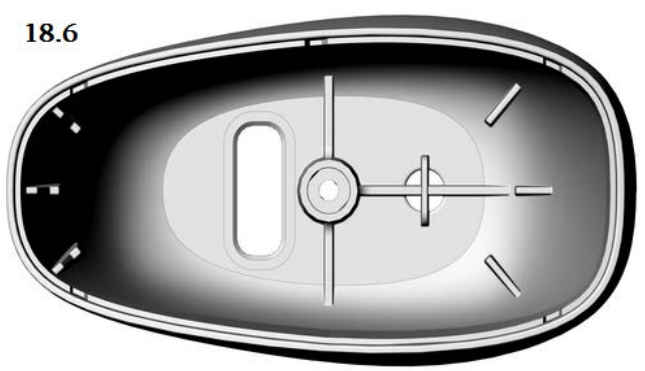


17.6



17.7

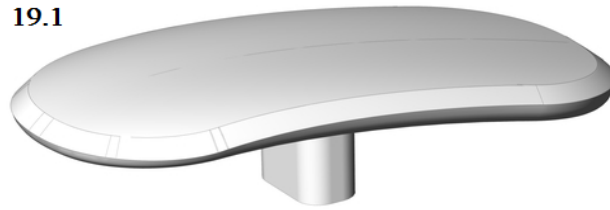




18.7



19.1



19.2



19.3



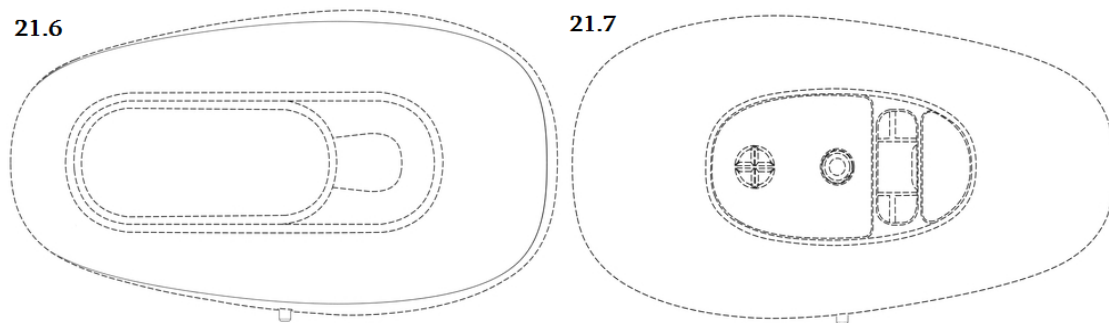
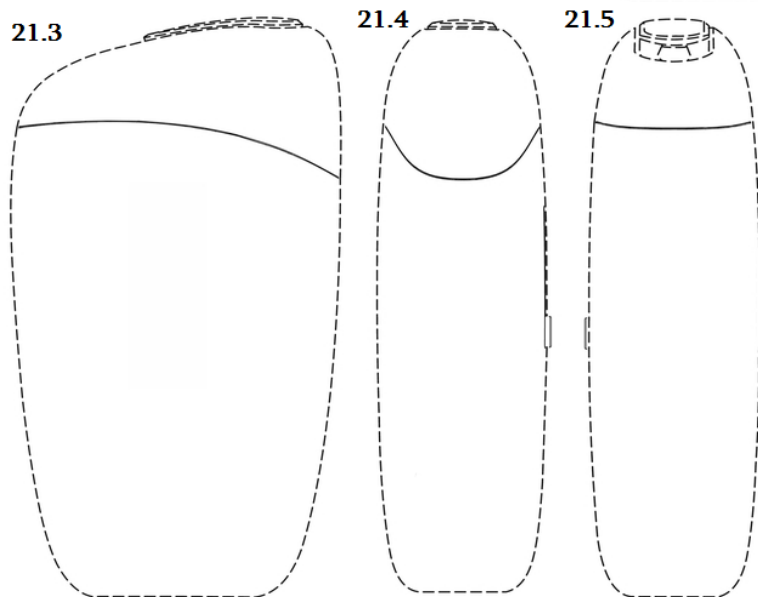
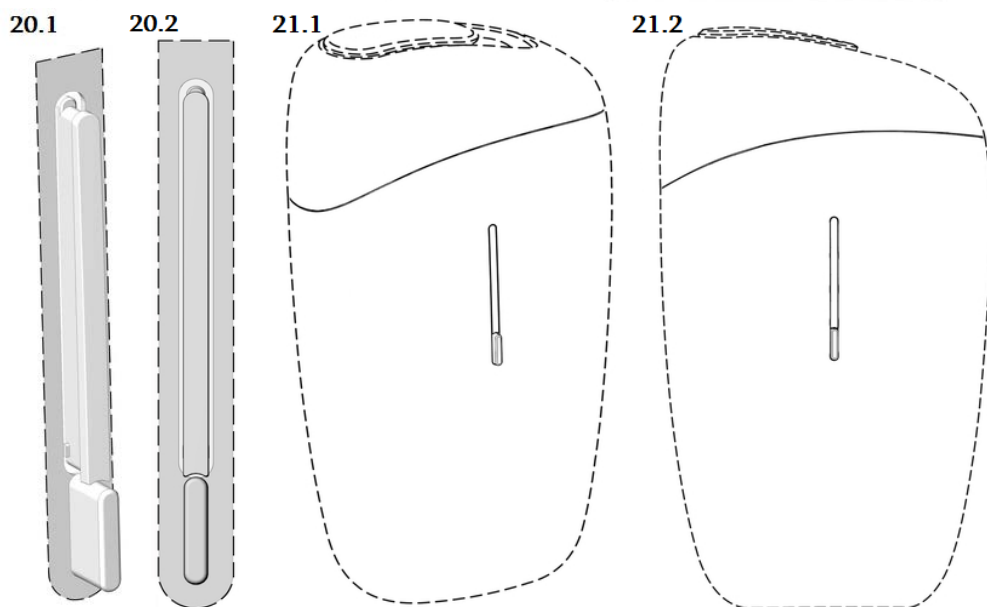
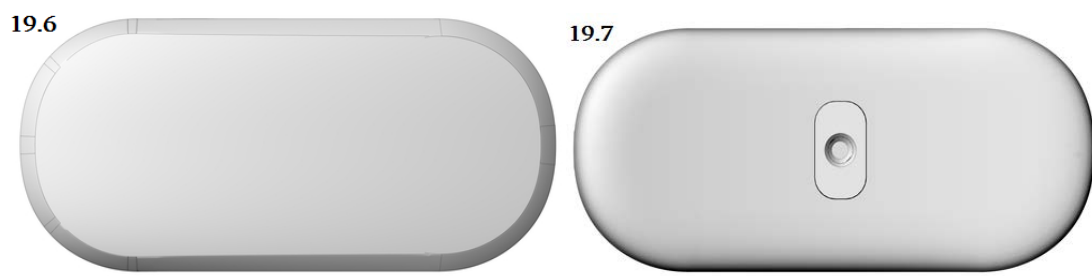
19.4

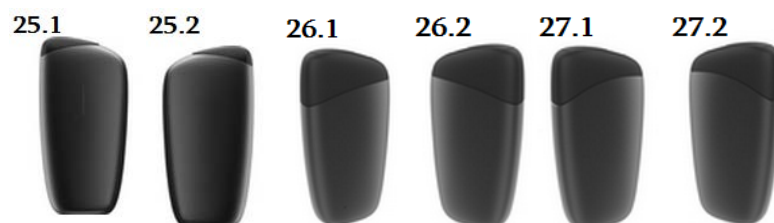


19.5









---

# TRADEMARKS

## APPLICATIONS FILED UNDER THE NATIONAL PROCEDURE APPROVED FOR REGISTRATION

The decision can be appealed at the Chamber of Appeal of Sakpatenti within 3 months from the publication or at the Mtskheta District Court Administrative Cases Board (Address: №17, Samkhedro St., Mtskheta), within 1 month following the publication.

(260) AM 2020 103021 A  
(210) AM 103021  
(220) 2020 02 27  
(731) LLC "GEOPLANT"  
Vill. Rukhi, Zugdidi, Georgia  
(740) Vladimer Meskhi  
(540)



(591) White, cherry color  
(531) 02.01.01; 26.04.02; 26.04.24; 27.05.01; 27.05.24;  
28.19; 29.01.13  
(511) 32

---

(260) AM 2020 103860 A  
(210) AM 103860  
(220) 2020 02 26  
(731) LTD "VIPGROUP"  
Kekelidze St. 25, corp. 6, app. 1, Tbilisi,  
Georgia  
(540)

რედაბერი

REDBERRY

(591) White, red  
(531) 27.05.01; 28.01; 28.19; 29.01.01  
(511) 14, 35

---

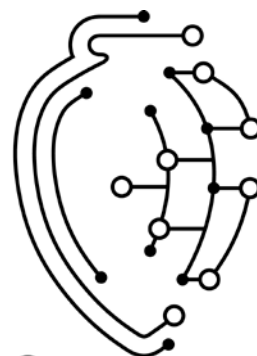
(260) AM 2020 104455 A\*  
(210) AM 104455  
(220) 2019 08 08  
(731) Hyundai Heavy Industries Holdings CO., LTD  
50, Techno sunhwan-ro 3-gil, Yuga-eup,  
Dalseong-gun, Daegu, Republic of Korea  
(740) Pavle Meipariani  
(540)

**HYUNDAI**

(591) Black-white  
(531) 27.05.01; 27.05.17  
(511) 9, 11

---

(260) AM 2020 105431 A  
(210) AM 105431  
(220) 2020 03 17  
(731) LLC "Qvevry Research Company"  
Barakoni St. 4, Tbilisi, Georgia  
(540)



**Qvevry.com**

(591) Black-white  
(531) 19.09.02; 26.11.03; 26.11.05; 26.11.11; 26.11.12;  
26.11.25  
(511) 1, 42

---

(260) AM 2020 106610 A  
(210) AM 106610  
(220) 2020 01 16  
(731) LTD "Tbilisi Free University"  
David Agmashenebeli Alley 240, Tbilisi,  
Georgia  
(740) Sopiko Kizivadze

---

(540)



(591) Yellow, black, white  
 (531) 24.17.08; 26.04.01; 26.04.05; 26.04.18; 26.04.19;  
 27.05.01; 27.05.21; 28.19; 29.01.13  
 (511) 41

(260) AM 2020 106612 A  
 (210) AM 106612  
 (220) 2020 01 16  
 (731) N(N)LE "Georgian Agrarian University"  
 David Agmashenebeli Alley 240, Tbilisi,  
 Georgia  
 (740) Sopiko Kizivadze  
 (540)



(591) Green, black, white  
 (531) 24.17.08; 26.04.01; 26.04.18; 26.04.19; 27.05.01;  
 28.19; 29.01.13  
 (511) 41

(260) AM 2020 106613 A  
 (210) AM 106613  
 (220) 2020 01 16  
 (731) N(N)LE "Georgian Agrarian University"  
 David Agmashenebeli Alley 240, Tbilisi,  
 Georgia  
 (740) Sopiko Kizivadze  
 (540)



(591) Cornelian-red, black, white  
 (531) 24.17.08; 26.04.01; 26.04.05; 26.04.16; 26.04.18;  
 26.04.19; 27.05.01; 28.19; 29.01.12  
 (511) 41

(260) AM 2020 106801 A  
 (210) AM 106801  
 (220) 2020 01 30  
 (731) LTD "MAGTI"  
 Davit Agmashenebeli Av. 152, 0112, Tbilisi,  
 Georgia  
 (740) Irakli Sharabidze  
 (540)



გერმული სხვაობის სპონსორის მუზეუმი  
 GEORGIAN MUSEUM OF FINE ARTS

(591) Black-white  
 (531) 03.07.01; 03.07.02; 03.07.16; 27.05.01; 28.19  
 (511) 43

(260) AM 2020 106811 A  
 (210) AM 106811  
 (220) 2020 01 30  
 (731) LTD "MAGTI"  
 Davit Agmashenebeli Av. 152, 0112, Tbilisi,  
 Georgia  
 (740) Irakli Sharabidze  
 (540)



(591) Black-white  
 (531) 26.04.02; 26.04.04; 26.04.09; 27.01.05; 28.19  
 (511) 41, 43

(260) AM 2020 106813 A  
 (210) AM 106813  
 (220) 2020 01 30  
 (731) LTD "MAGTI"  
 Davit Agmashenebeli Av. 152, 0112, Tbilisi,  
 Georgia

(740) Irakli Sharabidze  
(540)

**ბრასერი ბუვეტ**

(591) Black-white  
(511) 43

(260) AM 2020 106814 A  
(210) AM 106814  
(220) 2020 01 30  
(731) LTD "MAGTI"  
Davit Aghmashenebeli Av. 152, 0112, Tbilisi,  
Georgia  
(740) Irakli Sharabidze  
(540)

**BRASSERIE BUVETTE**

(591) Black-white  
(511) 43

(260) AM 2020 106821 A  
(210) AM 106821  
(220) 2020 01 31  
(731) LLC "CryptX IQ"  
Vill. Tsinandali, I Lane 1, Telavi District,  
Georgia  
(740) Margarita Panchvidze  
(540)

**კრიპტექს აი ქიუ  
CryptX IQ**

(591) Black-white  
(511) 42

(260) AM 2020 106824 A  
(210) AM 106824  
(220) 2020 01 31  
(731) LLC "CITRON"  
O. Lortkipanidze St. 18/5, Tbilisi, Georgia  
(540)



(591) White, brown, light green, dark green  
(531) 05.03.13; 05.03.16; 05.03.17; 25.01.19; 27.05.01;  
28.19; 29.01.13  
(511) 30, 43

(260) AM 2020 106931 A  
(210) AM 106931  
(220) 2020 02 03  
(731) LTD "ENKENY FILMS"  
Kote Apkhazi St. 55, 0105, Tbilisi, Georgia  
(540)



(591) Black-white  
(531) 03.05.05; 03.05.20; 03.05.24; 27.05.01; 27.05.10  
(511) 41

(260) AM 2020 106938 A  
(210) AM 106938  
(220) 2020 02 04  
(731) LLC "G-M-P"  
Vill. Ponitchala 65, 0165, Tbilisi, Georgia  
(740) Nugzar Ksovreli  
(540)

**სელიო  
CELIO  
SELIO**

(591) Black-white  
(511) 5

(260) AM 2020 106946 A  
(210) AM 106946  
(220) 2020 02 05  
(731) LTD "RANAM"  
Rustavi Highway 19, corp. 3, floor I,  
0165, Tbilisi, Georgia  
(740) Teona Kakhidze  
(540)

**LadyGiz**

(591) Black-white  
(531) 04.05.21; 27.05.01; 27.05.17  
(511) 25

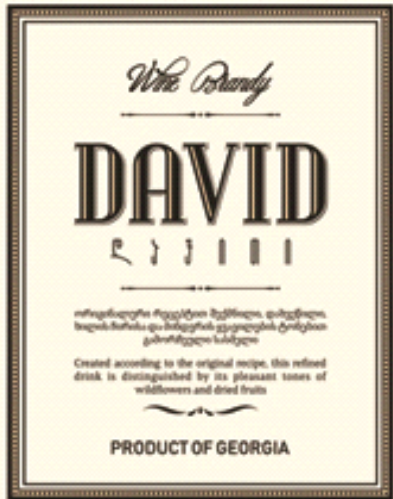
(260) AM 2020 106947 A  
(210) AM 106947  
(220) 2020 02 05  
(731) LTD "RANAM"

Rustavi Highway 19, corp. 3, floor I,  
0165, Tbilisi, Georgia  
(740) Teona Kakhidze  
(540)

**Mr. Giz**

(591) Black-white  
(531) 04.05.21; 27.05.01; 27.05.17  
(511) 5

(260) AM 2020 106951 A  
(210) AM 106951  
(220) 2020 02 05  
(731) LTD "GEO ALCO"  
Sarajishvili Av. 4, 0153, Tbilisi, Georgia  
(740) Anano Managadze  
ანანო მანაგაძე  
(540)



(591) Black, golden, cream  
(531) 25.01.10; 25.01.15; 25.01.19; 26.04.02; 26.04.09;  
26.04.22; 27.05.01; 27.05.09; 27.05.10; 28.19;  
29.01.13  
(511) 33

(260) AM 2020 106958 A  
(210) AM 106958  
(220) 2020 02 06  
(731) LTD "KEVRI"  
B. Khmelnitskiy St. 5, 0136, Tbilisi, Georgia  
(740) Giorgi Taktakishvili

(540)

კვირი

(591) Black-white  
(511) 43

(260) AM 2020 106962 A  
(210) AM 106962  
(220) 2020 02 06  
(731) ABLE C & C CO., LTD  
13F, 12, Seocho-daero 38-gil, Seocho-gu, Seoul,  
06655, Republic of Korea  
(740) Shalva Gvaramadze  
(540)

**A'pieu**

(591) Black-white  
(531) 27.05.01  
(511) 3

(260) AM 2020 106963 A  
(210) AM 106963  
(220) 2020 02 06  
(731) ABLE C & C CO., LTD  
13F, 12, Seocho-daero 38-gil, Seocho-gu, Seoul,  
06655, Republic of Korea  
(740) Shalva Gvaramadze  
(540)

**M** MISSHA

(591) Black-white  
(531) 26.01.18; 27.05.01  
(511) 3

(260) AM 2020 106965 A  
(210) AM 106965  
(220) 2020 02 06  
(731) LLC "TSNORI BEER"  
D. Aghmashenebeli St. 42, Tsnori, Georgia  
(540)



(591) Golden, white, green, grey  
 (531) 03.01.02; 03.01.20; 06.07.11; 07.01.01; 07.11.10;  
 11.03.03; 25.01.09; 25.01.10; 28.19; 29.01.15  
 (511) 32

(260) AM 2020 107031 A  
 (210) AM 107031  
 (220) 2020 02 07  
 (731) LTD "VIJI"  
 Isaakyan St. 1, Tbilisi, Georgia  
 (540)

## MASTERO

(591) Black-white  
 (511) 29, 30

(260) AM 2020 107035 A  
 (210) AM 107035  
 (220) 2020 02 07  
 (731) LTD "VIJI"  
 Isaakyan St. 1, Tbilisi, Georgia  
 (540)

## ЗА РОДИНУ

(591) Black-white  
 (511) 29

(260) AM 2020 107043 A  
 (210) AM 107043  
 (220) 2020 02 10  
 (731) Deshen Hatzafon  
 Bet She'an, 1082000, Israel  
 (740) Pavle Meipariani  
 (540)

## SHEFFA

(591) Black-white  
 (511) 1

(260) AM 2020 107046 A  
 (210) AM 107046  
 (220) 2020 02 10  
 (731) Deshen Hatzafon  
 Bet She'an, 1082000, Israel  
 (740) Pavle Meipariani  
 (540)



(591) Green, black, white  
 (531) 26.04.09; 26.04.22; 27.05.01; 29.01.12  
 (511) 1

(260) AM 2020 107051 A  
 (210) AM 107051  
 (220) 2020 02 11  
 (731) LTD "KAPILON"  
 Chabua Amirejibi St. 7, Telavi, Georgia  
 (740) Giorgi Taktakishvili  
 (540)



პაილონი

WINEHALL RESTAURANT

(591) White, red, bordeaux, brown  
 (531) 01.15.05; 01.15.15; 26.13.25; 27.05.01; 28.19;  
 29.01.13  
 (511) 43

(260) AM 2020 107053 A  
 (210) AM 107053  
 (220) 2020 02 11  
 (731) LLC "BRAVO 18"  
 Chabua Amirejibi St. 7, Telavi, Georgia  
 (740) Giorgi Taktakishvili  
 (540)



(591) White, beige, dark brown  
 (531) 26.01.01; 26.01.04; 26.01.22; 26.04.02; 26.04.05;  
 26.04.10; 26.04.24; 27.05.01; 27.05.09; 27.05.10;  
 27.05.24  
 (511) 43

(260) AM 2020 107059 A  
 (210) AM 107059  
 (220) 2020 02 11  
 (731) Iana Bedoidze  
 Tskneti St. 13/23, Tbilisi, Georgia

(540)



(591) White, black, grey

(531) 02.01.01; 02.01.16; 02.03.01; 02.03.16; 02.03.23;  
02.05.01; 02.05.02; 02.05.03; 02.05.23;  
02.05.27; 26.01.02; 26.01.17; 26.04.02;  
26.04.10; 26.04.14; 26.04.22; 26.04.24

(511) 30

(260) AM 2020 107060 A

(210) AM 107060

(220) 2020 02 11

(731) Eldar Mghebrishvili  
Moskow Av., V quart., corp. 3, app. 43, 0137,  
Tbilisi, Georgia

(540)



(591) Black-white

(531) 27.05.22

(511) 18, 25, 35

(260) AM 2020 107064 A

(210) AM 107064

(220) 2020 02 12

(731) Khayrat Al-Manafa for General Trade and  
Public Transport Limited Liability Company  
27, Saborni Str. Varna, Bulgaria

(740) Liliana Darakhvelidze

(540)

**BON EUROPEAN LIGHTS**

(591) Black-white

(511) 34

(260) AM 2020 107150 A

(210) AM 107150

(220) 2020 02 14

(731) LTD "NEOLET"

Liziko Kavtaradze St. 1, ent. 3, block 3, app. 63,  
0179, Tbilisi, Georgia

(540)



(591) Sky-blue, turquoise, light green, dark green

(531) 26.11.13; 27.05.21; 29.01.13; 29.01.14

(511) 36

(260) AM 2020 107153 A

(210) AM 107153

(220) 2020 02 14

(731) LLC "TUMBO"

Tashkenti St. 17, fl. 1, app. 1, 0160,  
Tbilisi, Georgia

(540)

**TUMBO**

(591) Black-white

(511) 11, 35, 37

(260) AM 2020 107169 A

(210) AM 107169

(220) 2020 02 19

(731) LLC "BORAN LIGHT"

Marneuli St. 44, 0165, Ponichala, Tbilisi,  
Georgia

(540)

**HILINN**

(591) Black-white

(511) 7

(260) AM 2020 107181 A

(210) AM 107181

(220) 2020 02 20

(731) LTD "KANT"

Sandor Petofi St. 4, 0190, Tbilisi, Georgia

(540)

**CUERVO NEGRO**

(591) Black-white

(511) 35

(260) AM 2020 107184 A

(210) AM 107184

(220) 2020 02 21

(731) LTD "KANT"

Sandor Petefi St. 4, 0190, Tbilisi, Georgia



(540)

**CUERVO BLANCO**(591) Black-white  
(511) 35

(260) AM 2020 107264 A

(210) AM 107264

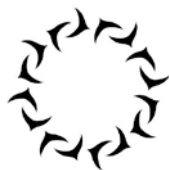
(220) 2020 02 21

(731) LTD "BASSIANI"

I. Mosashvili St. 7/7, Tbilisi, Georgia

(740) Gela Peradze

(540)

**HOROOM NIGHTS**

(591) Black-white

(531) 03.07.16; 03.07.24; 03.09.04; 03.09.24; 26.01.15;  
27.05.01

(511) 41, 43

(260) AM 2020 107268 A

(210) AM 107268

(220) 2020 02 21

(731) Vans Inc.

1588 South Coast Drive, Costa Mesa, California  
92626, USA

(740) Shalva Gvaramadze

(540)



(591) Black-white

(531) 27.05.11; 27.05.17

(511) 18, 35

(260) AM 2020 107289 A

(210) AM 107289

(220) 2020 02 24

(731) LTD "GN-Invest"

Murman Lebanidze (former Borjomi) St. 8,  
0112, Tbilisi, Georgia

(540)



(554) Three-dimensional

(591) Gradation of blue, gradation of sky-blue,  
gradation of turquoise, black, grey(531) 02.01.08; 26.01.01; 26.01.11; 26.01.12; 26.01.14;  
29.01.12

(511) 44

(260) AM 2020 107290 A

(210) AM 107290

(220) 2020 02 25

(731) Obshchestvo s Ogranichennoy

Otvettstvennostoyu "Proizvodstvennaya  
Company Siabri"

247007, Gomelskaya Obl., Gomelsky R,

Ulukovsky S / S, 54, Vblizi P. Jubilee, Belarus

(740) Giorgi Taktakishvili

(540)



(591) Red, brown, orange, purple, black

(531) 24.01.03; 24.01.05; 24.01.10; 25.01.06; 25.01.10;  
25.01.25; 26.05.01; 26.05.06; 26.05.22; 26.05.24;  
27.05.01; 27.05.10; 28.05; 29.01.15

(511) 33

(260) AM 2020 107295 A

(210) AM 107295

(220) 2020 02 26

(731) BASF SE

Carl-Bosch-Strasse 38, Ludwigshafen am Rhein,  
Germany

(740) Giorgi Taktakishvili

(540)

**AXALION**

(591) Black-white

(511) 1, 5

(260) AM 2020 107385 A  
 (210) AM 107385  
 (220) 2020 02 28  
 (731) LLC "NOVA"  
 R. Agladze St. 45, 0119, Tbilisi, Georgia  
 (540)



(591) Blue, red  
 (531) 07.03.11; 26.03.19; 26.03.23; 26.04.04; 26.04.05;  
 26.07.25; 27.05.17; 29.01.12  
 (511) 6, 17, 20, 35

(260) AM 2020 107386 A  
 (210) AM 107386  
 (220) 2020 02 28  
 (731) LLC "Meat Products Factory – VAKE"  
 Hero Cadets St., II Lane 7, Tbilisi, Georgia  
 (540)



(591) Red, white  
 (531) 08.05.03; 08.05.25; 25.03.05; 26.01.01; 26.01.15;  
 26.01.16; 26.01.17; 26.01.20; 27.07.01;  
 27.07.24; 28.19; 29.01.12  
 (511) 29, 35, 43

(260) AM 2020 107405 A  
 (210) AM 107405  
 (220) 2020 03 05  
 (731) Maka Macharashvili  
 Irakli Abashidze St. 29, app. 1, Tbilisi, Georgia  
 (540)



(591) White, golden

(531) 02.03.01; 02.03.16; 27.05.01; 27.05.09; 28.19;  
 29.01.02  
 (511) 44

(260) AM 2020 107457 A  
 (210) AM 107457  
 (220) 2020 03 06  
 (731) SALİH ZEREY  
 Yüzyıl Mah. Barbaros, Cad. 7. Sok. № 14  
 Bağcılar, İstanbul, Turkey  
 (740) Nino Bakhtadze  
 (540)



(591) Black, red  
 (531) 05.03.13; 05.03.15; 26.04.04; 27.01.02; 27.03.11;  
 29.01.12  
 (511) 25

(260) AM 2020 107459 A  
 (210) AM 107459  
 (220) 2020 03 06  
 (731) LTD "Georgian Wine Corporation"  
 Simon Chikovani St. 35, Tbilisi, Georgia  
 (540)

იაგუნდი  
**iagundi**

(591) Black-white  
 (511) 33

(260) AM 2020 107460 A  
 (210) AM 107460  
 (220) 2020 03 06  
 (731) LTD "Georgian Wine Corporation"  
 Simon Chikovani St. 35, Tbilisi, Georgia  
 (540)

საღიღინო  
**sagigino**

(591) Black-white  
 (511) 33

(260) AM 2020 107473 A  
 (210) AM 107473  
 (220) 2020 03 09  
 (731) The Coca-Cola Company  
 One Coca-Cola Plaza, Atlanta, Georgia  
 30313, USA

(740) Giorgi Taktakishvili  
(540)



(591) Various tones of blue, white, silver, grey  
(531) 01.15.15; 01.15.17; 01.15.21; 24.17.08; 27.05.01;  
28.19; 29.01.13  
(511) 32

(260) AM 2020 107493 A  
(210) AM 107493  
(220) 2020 03 12  
(731) Sipsmith Limited  
83 Cranbrook Road, London, England W42LJ,  
United Kingdom  
(740) Shalva Gvaramadze  
(540)

**SIPSMITH**

(591) Black-white  
(511) 33

(260) AM 2020 107494 A  
(210) AM 107494  
(220) 2020 03 12  
(731) Living Proof Inc.  
301 Binney Street, Cambridge Massachusetts  
02142, USA  
(740) Shalva Gvaramadze  
(540)

**LIVING PROOF**

(591) Black-white  
(511) 3

(260) AM 2020 107495 A  
(210) AM 107495  
(220) 2020 03 12  
(731) ORION CORPORATION  
Orionintie 1, Espoo, 02200, Finland  
(740) Tamaz Shilakadze  
(540)

**LINEFLORUM**

(591) Black-white  
(511) 3, 5

(260) AM 2020 107496 A  
(210) AM 107496  
(220) 2020 03 12  
(731) ORION CORPORATION  
Orionintie 1, Espoo, 02200, Finland  
(740) Tamaz Shilakadze  
(540)

**ЛИНЕФЛОРУМ**

(591) Black-white  
(511) 3, 5

(260) AM 2020 107548 A  
(210) AM 107548  
(220) 2020 03 13  
(731) LTD "SHEVI"  
Ilia Chavchavadze Av. 78, corp. 1, app. 4, 0179,  
Tbilisi, Georgia  
(740) Nato Lashkhi  
(540)

**L8A**

(591) Black-white  
(531) 27.05.01; 27.05.12; 27.07.02; 27.07.11  
(511) 3

(260) AM 2020 107549 A  
(210) AM 107549  
(220) 2020 03 13  
(731) Kraft Foods Schweiz Holding GmbH  
Chollerstrasse 4, Zug 6301, Switzerland  
(740) Giorgi Taktakishvili  
(540)



(591) White, blue, purple, brown, yellow, red  
(531) 03.04.02; 08.01.01; 08.01.09; 08.01.14; 08.03.01;  
27.05.01; 27.05.04; 27.05.09; 27.05.10; 28.05;  
29.01.15  
(511) 30

---

**REGISTERED TRADEMARKS**

(111) M 2020 33095 R  
(151) 2020 09 18  
(181) 2030 09 18  
(260) AM 2019 100925 A  
(220) 2019 10 08  
(732) LTD "INDECO"  
Ninoshvili St. 44, Tbilisi, Georgia

---

(111) M 2020 33096 R  
(151) 2020 09 18  
(181) 2030 09 18  
(260) AM 2019 101628 A  
(220) 2019 02 12  
(732) MCCANN-ERICKSON MARKETING INC.  
622 Third Avenue, New York, NY 10017, USA

---

(111) M 2020 33097 R  
(151) 2020 09 18  
(181) 2030 09 18  
(260) AM 2019 102733 A  
(220) 2019 10 03  
(732) LTD "NEOGAS"  
Gazapkhuli St. 18, 0177, Tbilisi, Georgia

---

(111) M 2020 33098 R  
(151) 2020 09 18  
(181) 2030 09 18  
(260) AM 2019 102734 A  
(220) 2019 10 03  
(732) LTD "NEOGAS"  
Gazapkhuli St. 18, 0177, Tbilisi, Georgia

---

(111) M 2020 33099 R  
(151) 2020 09 18  
(181) 2030 09 18  
(260) AM 2019 103685 A  
(220) 2019 06 20  
(732) LTD "Global Beer Georgia"  
Vill. Tsilkani, 3319, Mtskheta District,  
Georgia

---

(111) M 2020 33100 R  
(151) 2020 09 18  
(181) 2030 09 18  
(260) AM 2019 103686 A  
(220) 2019 06 20  
(732) LTD "Global Beer Georgia"  
Vill. Tsilkani, 3319, Mtskheta District,  
Georgia

---

(111) M 2020 33101 R  
(151) 2020 09 18  
(181) 2030 09 18  
(260) AM 2019 103694 A  
(220) 2019 06 21  
(732) LTD "Bolero & Company"  
Kuchishvili St. 12-14-16, fl. 6, 0179,  
Tbilisi, Georgia

---

(111) M 2020 33102 R  
(151) 2020 09 18  
(181) 2030 09 18  
(260) AM 2019 104092 A  
(220) 2019 07 16  
(732) JSC "EXSTRA AREA"  
D. Aghmashenebeli Av. 79, 0102,  
Tbilisi, Georgia

---

(111) M 2020 33103 R  
(151) 2020 09 18  
(181) 2030 09 18  
(260) AM 2019 104093 A  
(220) 2019 07 16  
(732) JSC "DIGITAL AREA"  
D. Aghmashenebeli Av. 79, 0102, Tbilisi,  
Georgia

---

(111) M 2020 33104 R  
(151) 2020 09 18  
(181) 2030 09 18  
(260) AM 2019 104209 A  
(220) 2019 07 24  
(732) Gia Ghviniashvili  
Bogdan Khmelnitskiy St. 3a, ap. 22, Tbilisi,  
Georgia

---

(111) M 2020 33105 R  
(151) 2020 09 18  
(181) 2030 09 18  
(260) AM 2019 104218 A  
(220) 2019 07 25  
(732) "KARTVELI"  
Kakheti Highway 110a, 0198, Tbilisi, Georgia

---

(111) M 2020 33106 R  
(151) 2020 09 18  
(181) 2030 09 18  
(260) AM 2019 104539 A  
(220) 2019 08 13  
(732) LTD "Georgian Education Group"

---

Petre Melikishvili Av. 8a/Erekle Tatishvili  
St. 1, 0179, Mtatsminda district, Tbilisi,  
Georgia

(111) M 202033107 R  
(151) 2020 09 18  
(181) 2030 09 18  
(260) AM 2019 104561 A  
(220) 2019 08 21  
(732) LTD "ITANI"

Gr. Robakidze Av. 7, Tbilisi, Georgia

(111) M 2020 33108 R  
(151) 2020 09 18  
(181) 2030 09 18  
(260) AM 2019 104670 A  
(220) 2019 08 23

(732) JANET LANKA (PVT) LTD  
15, Sinsapa Road, Colombo 6, Sri Lanka

(111) M 2020 33109 R  
(151) 2020 09 18  
(181) 2030 09 18  
(260) AM 2019 104830 A  
(220) 2019 09 12

(732) JSC "LOMISI"  
Vill. Natakhtari, 3308, Mtskheta, Georgia

(111) M 2020 33110 R  
(151) 2020 09 18  
(181) 2030 09 18  
(260) AM 2019 104835 A  
(220) 2019 09 12

(732) LTD "GEORGIAN ALLIANCE"  
Giorgi Nadareishvili St. 9, 0120, Tbilisi,  
Georgia

(111) M 2020 33111 R  
(151) 2020 09 18  
(181) 2030 09 18  
(260) AM 2019 104889 A  
(220) 2019 09 13

(732) LTD "Georgian Alliance"  
Giorgi Nadareishvili St. 9, 0120, Tbilisi,  
Georgia

(111) M 2020 33112 R  
(151) 2020 09 18  
(181) 2030 09 18  
(260) AM 2019 104899 A  
(220) 2019 09 13

(732) JSC "LOMISI"  
Vill. Natakhtari, Mtskheta, 3308, Georgia

(111) M 2020 33113 R  
(151) 2020 09 18  
(181) 2030 09 18  
(260) AM 2019 104935 A  
(220) 2019 09 19  
(732) LTD "British-Georgian Academy"  
Leo Kvachadze St. 17, Saburtalo  
District, Tbilisi, Georgia

(111) M 2020 33114 R  
(151) 2020 09 18  
(181) 2030 09 18  
(260) AM 2019 104937 A  
(220) 2019 09 19  
(732) LTD "British-Georgian Academy"  
Leo Kvachadze St. 17, Saburtalo  
District, Tbilisi, Georgia

(111) M 2020 33115 R  
(151) 2020 09 18  
(181) 2030 09 18  
(260) AM 2019 105003 A  
(220) 2019 09 20  
(732) McDonald's International Property Company,  
Ltd  
A corporation organized and existing  
under the laws of the State of Delaware  
110 N. Carpenter Street, Chicago, Illinois  
60607, USA

(111) M 2020 33116 R  
(151) 2020 09 18  
(181) 2030 09 18  
(260) AM 2019 105015 A  
(220) 2019 09 23  
(732) PHILIP MORRIS BRANDS SÀRL  
Quai Jeanrenaud 3, 2000 Neuchâtel,  
Switzerland

(111) M 2020 33117 R  
(151) 2020 09 18  
(181) 2030 09 18  
(260) AM 2019 105023 A  
(220) 2019 09 24  
(732) Ina Nemsadze  
Rustaveli St. 162, ap. 38, Kobuleti, Georgia;  
Luka Akhvlediani  
Sulkhan-Saba St. 48, ap. 21, Kutaisi, Georgia

(111) M 2020 33118 R  
(151) 2020 09 18  
(181) 2030 09 18  
(260) AM 2019 105024 A  
(220) 2019 09 24

(732) Ina Nemsadze  
Rustaveli St. 162, ap. 38, Kobuleti, Georgia;  
Luka Akhvlediani  
Sul Khan-Saba St. 48, ap. 21, Kutaisi, Georgia

(260) AM 2019 105219 A  
(220) 2019 10 07  
(732) LTD "AMERI"  
Vill. Karaleti, Gori district, 1414, Georgia

(111) M 2020 33119 R  
(151) 2020 09 18  
(181) 2030 09 18  
(260) AM 2019 105025 A  
(220) 2019 09 24  
(732) SMS Tobacco Trading  
28 Jala Teratai J4, Taman Indah Jaia,  
36000 Teluk Intan, Peraki, Malaysia

(111) M 2020 33125 R  
(151) 2020 09 18  
(181) 2030 09 18  
(260) AM 2019 105243 A  
(220) 2019 10 09  
(732) TOYOTA JIDOSHA KABUSHIKI KAISHA  
(also trading as Toyota Motor Corporation)  
1, Toyota-cho, Toyota-shi, Aichi-ken, Japan

(111) M 2020 33120 R  
(151) 2020 09 18  
(181) 2030 09 18  
(260) AM 2019 105158 A  
(220) 2019 10 04  
(732) Merck Sharp & Dohme Corp.  
One Merck Drive, Whitehouse Station,  
New Jersey 08889, USA

(111) M 2020 33126 R  
(151) 2020 09 18  
(181) 2030 09 18  
(260) AM 2019 105336 A  
(220) 2019 10 14  
(732) Nikai Gulf FZCO  
P.O. Box 9200, Dubai, United Arab Emirates

(111) M 2020 33121 R  
(151) 2020 09 18  
(181) 2030 09 18  
(260) AM 2019 105211 A  
(220) 2019 10 07  
(732) LTD "ULTRA PLUS 2010"  
Vill. Kizilajlo, Marneuli district, 3017,  
Georgia

(111) M 2020 33127 R  
(151) 2020 09 18  
(181) 2030 09 18  
(260) AM 2019 105356 A  
(220) 2019 10 16  
(732) Natia Abuladze  
Temka, III mkr., V kvart., korp. 5, entrance 4,  
ap. 65, Tbilisi, Georgia

(111) M 2020 33122 R  
(151) 2020 09 18  
(181) 2030 09 18  
(260) AM 2019 105212 A  
(220) 2019 10 07  
(732) JSC "4 FINANCE"  
Lielirbe St, build. 17, office 8, Riga,  
LV-1046, Latvia

(111) M 2020 33128 R  
(151) 2020 09 18  
(181) 2030 09 18  
(260) AM 2019 105434 A  
(220) 2019 10 18  
(732) LTD "ALL PROPERTY GE"  
Besiki St. 4, Plot 46/10, 0108, Tbilisi,  
Georgia

(111) M 2020 33123 R  
(151) 2020 09 18  
(181) 2030 09 18  
(260) AM 2019 105213 A  
(220) 2019 10 07  
(732) JSC "4 FINANCE"  
Lielirbe St, build. 17, office 8, Riga,  
LV-1046, Latvia

(111) M 2020 33129 R  
(151) 2020 09 18  
(181) 2030 09 18  
(260) AM 2019 105462 A  
(220) 2019 10 24  
(732) ROBLOX CORPORATION  
970 Park Place, San Mateo, California,  
94403, USA

(111) M 2020 33124 R  
(151) 2020 09 18  
(181) 2030 09 18

(111) M 2020 33130 R  
(151) 2020 09 18  
(181) 2030 09 18  
(260) AM 2019 105541 A

(220) 2019 10 25  
(732) LTD "GRADO"  
Shmidti St. 100, app. 5, 0194, Tbilisi,  
Georgia

---

(111) M 2020 33131 R  
(151) 2020 09 18  
(181) 2030 09 18  
(260) AM 2019 105546 A  
(220) 2019 10 28  
(732) JSC "TBC BANK"  
Marjanishvili St. 7, 0102, Tbilisi, Georgia

---

(111) M 2020 33132 R  
(151) 2020 09 18  
(181) 2030 09 18  
(260) AM 2019 105550 A  
(220) 2019 10 29  
(732) LTD "BANI"  
Il. Chavchavadze Av. 17d, app. 16, 0179,  
Tbilisi, Georgia

---

(111) M 2020 33133 R  
(151) 2020 09 18  
(181) 2030 09 18  
(260) AM 2019 105557 A  
(220) 2019 10 29  
(732) JSC "GEORGIAN BEER COMPANY"  
Vill. Saguramo, 3311, Mtskheta, Georgia

---

(111) M 2020 33134 R  
(151) 2020 09 18  
(181) 2030 09 18  
(260) AM 2019 105637 A  
(220) 2019 11 04  
(732) LTD "ATLAS MENEGMENT GROUP"  
M. Kostava I Lane 33, Tbilisi, Georgia

---

(111) M 2020 33135 R  
(151) 2020 09 18  
(181) 2030 09 18  
(260) AM 2019 105663 A  
(220) 2019 11 06  
(732) CHENG SHIN RUBBER IND. CO., LTD  
№ 215, MEEI-KONG ROAD, HUANG-TS'O  
VILLAGE, TA-SUEN, CHANG-HWA  
HSIEN, Taiwan, Province of China

---

(111) M 2020 33136 R  
(151) 2020 09 18  
(181) 2030 09 18  
(260) AM 2019 105668 A  
(220) 2019 11 07

(732) LTD "BORAN CONSTRUCTION"  
S. Kandelaki St. 8, app. 56, Vake-Saburtalo  
district, 0116, Tbilisi, Georgia

---

(111) M 2020 33137 R  
(151) 2020 09 18  
(181) 2030 09 18  
(260) AM 2019 105796 A  
(220) 2019 11 18  
(732) Zaza Tevtidze  
Sh. Khimshiashvili St.1, 6004, Batumi,  
Georgia

---

(111) M 2020 33138 R  
(151) 2020 09 18  
(181) 2030 09 18  
(260) AM 2019 105888 A  
(220) 2019 11 28  
(732) JSC "Georgian Beer Company"  
Vill. Saguramo, 3311, Mtskheta, Georgia

---

## TRADEMARKS REGISTERED ACCORDING TO THE ACCELERATED PROCEDURE

The decision can be appealed at the Chamber of Appeal of Sakpatenti within 3 months from the publication.

(111) M 2020 33088 R

(151) 2020 09 10

(181) 2030 09 10

(210) AM 109597

(220) 2020 09 01

(732) LTD "KANT"

Sandor Petefi St. 4, Isani District,  
0190, Tbilisi, Georgia

(740) Shalva Gvaramadze

(540)



(591) Black-white

(531) 05.01.05; 05.01.13; 05.01.14; 05.01.16;  
05.01.19

(511) 33

(111) M 2020 33090 R

(151) 2020 09 11

(181) 2030 09 11

(210) AM 109435

(220) 2020 08 19

(732) Irakli Kiladze

Chonkadze St. 7, 0105, Tbilisi, Georgia

(540)



(591) Dark blue, dark sky-blue

(531) 03.03.01; 03.03.15; 03.03.25; 09.07.05;  
29.01.04

(511) 32

(111) M 2020 33089 R

(151) 2020 09 10

(181) 2030 09 10

(210) AM 109598

(220) 2020 09 01

(732) LTD "KANT"

Sandor Petefi St. 4, Isani District,  
0190, Tbilisi, Georgia

(740) Shalva Gvaramadze

(540)



(591) Red, white

(531) 25.01.09; 25.01.10; 25.01.13; 26.01.01;  
26.01.18; 29.01.12

(511) 33

(111) M 2020 33091 R

(151) 2020 09 12

(181) 2030 09 12

(210) AM 107292

(220) 2020 02 25

(732) Giorgi Ghambashidze

Mtatsminda St. 27, app. 30, 0108, Tbilisi,  
Georgia

(740) David Dzamukashvili

(540)

### Geospirtprom

(591) Black-white

(511) 33

(111) M 2020 33092 R

(151) 2020 09 14

(181) 2030 09 14

(210) AM 109515

(220) 2020 08 26

(732) JAPAN TOBACCO INC.

2-2-1 Toranomom, Minato-ku, Tokyo, Japan

(740) Shalva Gvaramadze



(540)

**WINSTON/XS REIMAGINED:  
WINSTON  
PREMIUM BLEND WITH LSS  
TECHNOLOGY,  
FLOWTECH & TACTILE  
FILTER**

(591) Black-white

(526) XS REIMAGINED, PREMIUM BLEND  
WITH TECHNOLOGY & TACTILE  
FILTER

(511) 34

(111) M 2020 33093 R

(151) 2020 09 16

(181) 2030 09 16

(210) AM 109509

(220) 2020 08 25

(732) LTD "SKA GROUP"

S. Chikovani St. 9-11, corp. 2, app. 42, 0171,  
Tbilisi, Georgia

(740) Giorgi Miladze

(540)



(591) White, orange

(531) 02.01.01; 02.01.16; 02.03.01; 02.03.02;  
02.09.25; 26.01.01; 27.05.23; 29.01.12

(511) 43

(111) M 2020 33094 R

(151) 2020 09 17

(181) 2030 09 17

(210) AM 109732

(220) 2020 09 11

(732) JSC "GEFA"

Ak. Beliashvili St. 142, 1059, Tbilisi, Georgia

(740) Salome Jeladze

(540)



(591) Yellow, blue, turquoise, white

(531) 24.13.01; 24.13.09; 24.13.14; 27.05.01;  
27.05.17; 29.01.14

(511) 35, 44

## INTERNATIONAL TRADEMARKS FOR WHICH A DECISION ON GRANTING PROTECTIONS IS TAKEN

The decision can be appealed at the Chamber of Appeal of Sakpatenti within 3 months from the publication or at the Mtskheta District Court Administrative Cases Board (Address: №17, Samkhedro str., Mtskheta), within 1 month following the publication.

(260) AM 2020 104788 A

(800) 1485898

(151) 2019 06 27

(891) 2019 06 27

(731) Ace of Spades Holdings, LLC  
540 West 26th Street, New York NY 10001,  
USA

(540)

**LES JUMELLES D'ARMAND DE  
BRIGNAC**

(591) Black, white

(511)

33 – Sparkling wine.

(260) AM 2020 104838 A

(800) 1486228

(151) 2019 06 27

(891) 2019 06 27

(731) ACE OF SPADES HOLDINGS, LLC  
540 West 26th Street, New York NY 10001,  
USA

(540)

**DEUX FLUTES - ARMAND DE  
BRIGNAC**

(591) Black, white

(511)

33 – Sparkling wine.

(260) AM 2020 105072 A

(800) 1488720

(151) 2019 04 15

(891) 2019 04 15

(731) ANKER INNOVATIONS TECHNOLOGY  
CO., LTD.  
Room 701, Bldg 7, Zhongdian Software Park,  
No. 39 Jianshan Road, HIGH-TECH Zone,  
Changsha City, Hunan, China

(540)

**ANKER**

(591) Black, white

(531) 01.15.03; 27.05.01

(511)

7 – Mixing machines; electric juicers; shearing machines for animals; milking machines; electric food

processors; dishwashers; industrial robots; igniting magnetos; silencers for motors and engines; electric machines and apparatus for cleaning; dust exhausting installations for cleaning purposes; suction nozzles for vacuum cleaners; brushes for vacuum cleaners; electrically operated curtain drawing devices; 3D printers; electromechanical beverage preparation machines; sewing machines; electric welding machines; washing machines [laundry]; electrostatic eliminator.

11 – Light-emitting diodes [LED] lighting apparatus; lighting apparatus for vehicles; heating installations; electric heaters for feeding bottles; steam generating installations; steam facial apparatus [saunas]; cooling installations and machines; lighters; household humidifiers; pocket warmers.

(260) AM 2020 105374 A

(800) 1492448

(151) 2018 10 15

(891) 2018 10 15

(731) INDUSTRIA DE DISEÑO TEXTIL, S.A.  
(INDITEX, S.A.)

Av. de la Diputación, Edificio Inditex,  
E-15142 ARTEIXO (A CORUÑA), Spain

(540)

**PACIFIC REPUBLIC**

(591) Black, white

(531) 27.05.01

(511)

3 – Non-medicinal toiletry preparations and cosmetic products; non-medicinal dentifrices; perfumery products, essential oils; bleaching preparations and other substances for laundry use; cleaning, polishing, degreasing and abrasive preparations; non-medicinal soaps; cosmetics; non-medicinal hair lotions; shoe polish, creams; tailors' wax; shoemakers' wax; waxes for leather; depilatory wax; laundry wax; parquet floor wax; shampoos; cosmetic kits; depilatory products; make-up removing preparations; deodorants for human beings or animals [perfumery products]; lipsticks; pencils for cosmetic use; hair sprays; nail varnish; lacquer-removing products; tissues impregnated with cosmetic lotions; cloths impregnated with a detergent for cleaning; after-shave lotions; lotions for cosmetic use; make-up products; pomades for cosmetic use; stain removers; sachets for perfuming

linen; nail care products; bleaches for cosmetic use; flower extracts (perfumery); incense; scented wood; decorative patterns for cosmetic use; false eyelashes and nails; pumice stone; potpourris [fragrances]; cosmetic preparations for slimming; bath preparations for cosmetic use; hair waving preparations; laundry preparations; toiletries; oral hygiene products other than for medical use; bath salts other than for medical use; oils for toiletry purposes; sunscreen products; eau de Cologne; deodorant soaps; talcum powder, for toilet use; adhesives for cosmetic use; greases for cosmetic use; abrasives; shaving products; color-brightening chemicals for household use (laundry); cotton sticks for cosmetic use; beauty masks; mustache wax; bleaching products for household use; hair colorants; eyebrow cosmetics; cleaning chalk; shampoos for pets [non-medicinal sanitary preparations]; cosmetics for animals; cosmetic creams; bars of soap; antiperspirant deodorants; detergents other than for use in manufacturing operations and for medical use; laundry starch; cleansing milk for toilet purposes; Javelle water; dry-cleaning products; scented water; perfumes; cosmetic preparations for eyelashes; cosmetic products for skin care; make-up powder; adhesives for affixing false hair; fabric softeners for laundry use; cosmetic dyes; color-removing products; eau de toilette.

9 – Scientific, nautical, surveying, photographic, cinematographic, optical, weighing, measuring, signaling, checking (supervision), life-saving and teaching apparatus and instruments; apparatus and instruments for conducting, switching, transforming, accumulating, regulating or controlling electricity; apparatus for recording, transmission or reproduction of sound or images; magnetic recording media, sound recording disks; compact disks, DVDs and other digital recording media; mechanisms for coin-operated apparatus; cash registers, calculating machines, data processing equipment, computers; software; fire extinguishers; computer peripheral devices; anti-glare glasses; eyeglasses; optical lenses; chains for pince-nez; contact lenses; cords for pince-nez; spectacles (optics); spectacle glasses; spectacle cases; spectacle frames; sunglasses; eyeglass cases; containers for contact lenses; footwear for protection against accidents, irradiation and fire; bullet-proof vests; life jackets; clothing for protection against accidents, irradiation and fire; gloves for divers; gloves for protection against accidents; diving suits; encoded magnetic cards; protective suits for aviators; electronic agendas; telephone apparatus; weighbridges (weighing apparatus); directional compasses; accounting machines; protective helmets; telescopes; chronographs (time recording apparatus); measuring spoons; pedometers; optical compact disks; mirrors (optics); binoculars (optics); temperature indicators; computer game software; cassette players; bar code readers; signal lanterns, magnifying glasses (optics);

dictating machines; mechanisms for counter-operated apparatus; weights; electric, galvanic and solar cells and batteries; recorded computer programs; electronic pocket translators; transistors (electronics); thermometers not for medical use; intercommunication apparatus; video cassettes; animated cartoons; walkie-talkies; downloadable electronic publications; egg timers [sandglasses]; acoustic (sound) alarms; anti-theft alarms; fire alarms; mouse pads; loudspeakers; sound amplification apparatus; antennas; anti-glare visors; headsets (for music); answering machines; counterfeit (false) coin detectors; teeth protectors; money counting and sorting machines; apparatus for measuring the thickness of skins and leather; electronic tags for goods; goggles for sports; magnets; light-emitting electronic pointers; mobile telephones; enlarging apparatus (photography); apparatus and instruments for astronomy; thermionic valves for radio; coin-operated musical automata [juke boxes]; scales; life-saving rafts; magnetic tape recorders; head cleaning tapes; videotapes; magnetic tapes; demagnetizing apparatus for magnetic tapes; barometers; ticket dispensers; thermostats; cameras [photography]; cinematographic apparatus; video cameras; Video game cartridges (software); magnetic encoders; revolution counters; transparencies; slide projectors; dynamometers; reflecting disks for wear, for the prevention of traffic accidents; hemline markers; dosage dispensers; radiotelephony sets; scanners (data processing equipment); flash-bulbs (photography); photocopiers; holograms; compact disc players; luminous signs; neon signs (advertising); video recorders; megaphones; computer memory devices; microphones; microprocessors; modems; diving snorkels; objectives (lenses) (optics); ozonizers; projection screens; electric switches; dog whistles; push buttons for bells; radios; receivers (audio, video); wrist rests for use with computers; balances (steelyards); television apparatus; record players; word processing equipment; video telephones; cases adapted for laptops and covers adapted for laptops, mobile phones, smart phones, digital book readers, smart phones; smart watches; magnetic wires; radiological apparatus for industrial use; personal stereos.

14 – Precious metals and their alloys; jewelry articles, precious and semi-precious stones; timepieces and chronometric instruments; ornamental pins; tie pins; works of art of precious metal; novelty key rings of precious metals; medals; coins; badges of precious metal; footwear ornaments of precious metal; hat ornaments of precious metal; cuff links; watch chains; clock cases; threads of precious metal (jewelry); jewelry cases; ornaments (jewelry); jewelry of yellow amber; pins (jewelry) and amulets (jewelry); rings (jewelry); jet ornaments; bracelets (jewelry); brooches (jewelry); chains (jewelry); boxes of precious metal; necklaces (jewelry); tie clips;

watch glasses; chronographs (watches); alarm clocks; diamonds; charms (jewelry); costume jewelry; cases for watchmaking costume jewelry; ivory ornaments (jewelry); medallions (jewelry); earrings; pearls (jewelry); watch straps; watches; rosaries; tiaras.

16 – Paper and cardboard; printing products (printed matter); bookbinding material; photographs; stationery and office supplies, except furniture; adhesives (glues) for stationery or household use; artists' materials and drawing materials; paintbrushes; instructional or teaching material; sheets, films and bags of plastic materials for wrapping and packaging; printing type, printing blocks; works of art (engravings); boxes of cardboard or paper; printed patterns for dressmaking; tissues of paper for removing make-up; stencil cases; labels of paper or cardboard; table linen of paper; table napkins of paper; handkerchiefs (of paper); pen cases; cases for checkbooks; writing cases [sets]; inking sheets for duplicators [duplicators]; pouches of plastic materials for packaging; tailors' chalk tailors' soap; face towels of paper; hat boxes of cardboard; tracing cloth; bookbinding cloth; painting cloth (linens); towels of paper; albums; almanacs; hand-labeling apparatus; files [office requisites]; writing instruments; transfers (decals); calendars; posters; document files; catalogs; trading cards; drawing sets; newspapers; periodicals; magazines (periodicals); books; lithographs; wrapping paper; toilet paper; paperweights; mats for beer glasses; bookmarkers; bookends; inks; inkwells; bibs of paper; drawing materials; drawings (graphic); school supplies [stationery]; writing slates; comic books; trays for sorting and counting money; embroidery designs [patterns]; garbage bags made of paper or plastic; geographical maps; terrestrial globes; moisteners [office requisites]; modeling materials; plans; stencils (stationery); placards of paper or cardboard; cards; steel letters; steel pens; aquarelles; adhesive tape dispensers (stationery); adhesive tapes for stationery or household use and adhesive strips for stationery or household use; stickers (stationery goods); rings cigar (bands); files (office requisites); modeling clay; arithmetical tables; drawer liners of paper, perfumed or not; architects' models; atlases; flags of paper; tickets; pads; ball-point pens; bags for microwave cooking; writing board erasers; rubber erasers; erasing products; bottle wrappers of cardboard or paper; painters' easels; song books; charcoal pencils; letter paper (finished products); advertisement boards of paper or cardboard; booklets; ink sticks; modeling wax not for dental use; sealing wax; pins (stationery); paper gift wrapping ribbons; paper gift wrapping bows; inking ribbons for computer printers; ribbons for typewriters; clip boards (office requisites); stationery sets (office requisites); compasses for drawing; paper clasps; paper knives (letter openers); writing or drawing books; paintings (pictu-

res), framed or unframed; finger-stalls (office requisites); bookbinding material; gummed cloth for stationery purposes; inking pads; drawing squares (rulers); shields (paper seals); greeting cards; filter paper; book covers; photograph stands; rubber bands for office use; staplers (stationery); clips (office requisites); loose leaf paper (stationery); electric or non-electric pencil sharpeners; pencil holders; luminous paper; palettes for painters; silver paper; waxed paper; modeling paste; punches (office requisites); painters' brushes; house painters' rollers; postcards; printed publications; desk blotters; envelopes (stationery); stickers.

18 – Leather and imitation leather; animal skins; luggage and carrier bags; umbrellas and parasols; walking sticks; whips, harness and saddlery items; collars, leashes and clothing for animals; bags for climbers; bags for campers; beach bags; handbag frames; frames for umbrellas or parasols; alpenstocks; bags for sports; net bags for shopping; travel bags; bags (envelopes, pouches) of leather, for packaging; bags; bags; traveling sets (leatherware); key cases; attaché cases; coin purses, not of precious metal; boxes of leather; leather backpacks for carrying infants; wheeled shopping bags boxes of leather or leather board; boxes of vulcanized fiber; card cases (wallets); wallets; school satchels; vanity cases; leather laces; umbrella covers; saddle covers; haversacks; backpacks; reins made of rope; leather thread; suitcase handles; walking stick handles; umbrella handles; whips; horse blankets; furniture coverings of leather; umbrella rings; blinders (harness); harness for animals; harness fittings; canes incorporating seats; shoulder belts [straps] of leather; empty tool bags of leather; muzzles; bridles [harness]; horse halters; leather board; bands of leather; traveling trunks; shopping bags; straps for soldiers' equipment; harness straps; straps (thongs) of leather; straps for skates; leather straps; leather butt hides; curried skins; whips; blankets for animals; stirrups; parts of rubber for stirrups; bits for animals; reins (harness); suitcases; moleskin (imitation of leather); nosebags; casings, of leather, for springs; knee-pads for horses; horse-riding saddles; bands of leather; harness for animals; valves of leather.

24 – Fabrics and their substitutes; household linen; curtains of textile or plastic materials; bed linen; table linen of textile; bath linen, except clothing; tissues of cloth for removing make-up; labels of cloth; linings [textile]; wall hangings of textile; handkerchiefs of textile; washing mitts; shrouds; household linen; towels of textile; traveling rugs (lap robes); net curtains; curtain holders of textile; banners and flags (not of paper); duvets (down coverlets); covers [loose] for furniture; covers for cushions; mattress covers; pillowcases; mosquito nets; glass cloths [towels]; billiard cloth; tablecloths, not of paper; traced cloths for embroidery; face towels of textile; sheets

sewn in the shape of sleeping bags; cotton fabrics; hair sackcloth (cloth); brocades; lining fabric for footwear; fabric for footwear; bed covers; bed blankets; trellis (hemp cloth); zephyr (cloth); chevrets (textiles); tick (mattress cover); shower curtains of textile or plastic; crepe fabric; crepon; coverlets [bedspreads]; damask; elastic fabrics; oil cloths (tablecloth); gummed cloth other than for stationery; esparto fabric; chenille fabric; felt; flannel (fabric); toilet covers of textile; gauze (cloth); jersey (fabric); woolen fabrics; woolen fabrics; lingerie fabric; linen fabrics; place mats, not of paper; non-paper tablecloths; printer's blankets of textile; marabout (cloth); woven fabrics for furniture; fabric of imitation animal skins; knitted fabrics; cheese cloth; ramie fabric; rayon fabrics; silk [cloth]; taffeta (cloth); fiberglass fabrics for textile use; adhesive fabric for application by heat; textiles with designs for use in embroidery; velvet; tulle; table runners, not of paper.

25 – Clothing, footwear, headwear; clothing for motorists and cyclists; bibs not of paper; headbands (clothing); bath robes; bathing suits; bathing caps and sandals; boas (necklets); scarves; footwear for sports and beach shoes; hoods [clothing]; shawls; belts (clothing); money belts (clothing); wet suits for water-skiing; neckties; corsets (girdles); fur stoles; foulards; caps [headwear]; caps; gloves (clothing); raincoats; girdles (underwear); body linen [garments]; mantillas; stockings; socks; neckerchiefs; furs (clothing); pajamas; soles (for footwear); heels; veils [clothing]; suspenders; layettes (clothing); capes; sports jerseys; mittens; ear muffs (clothing); inner soles; wristbands (clothing); dress shields; beach wear; dressing gowns; pockets for clothing; sock suspenders; stocking suspenders; petticoats; tights; aprons (clothing); masquerade costumes; uniforms; visors (headwear); wooden shoes; caps; coats; esparto shoes or sandals; non-slip devices for footwear; bath slippers; birettas; blouses; body suits (clothing); berets; footmuffs, not electrically heated; lace boots; boots; boot uppers; studs for football boots; half-boots; fittings of metal for footwear; toe caps for footwear; heelpieces for footwear; shirts; shirt yokes; shirt fronts; T-shirts; short-sleeved tee-shirts; bodices [lingerie]; vests; jackets; fishing vests; stuff jackets; slippers (underwear); ready-made clothing; detachable collars and collars; clothing of leather; clothing of imitation leather; shower caps; slippers; skirts; trousers; ready-made linings (parts of clothing); top coats; trench coats (clothing); gymnastic shoes; jerseys (clothing); pullovers; sweaters; liveries; muffs (clothing); footwear uppers; pocket squares; parkas; pelerines; pelisses; spats; leggings (trousers); knitwear [clothing]; clothing for gymnastics; underwear; sandals; saris; underpants; hats; wimples (clothing); togas; trouser straps; suits; turbans; clothing; slippers; shoes; footwear for sports.

26 – Lace and embroidery, ribbons and braid; buttons, hooks and eyes, pins and needles; artificial flowers; hair ornaments; hairpieces; trimmings for clothing; boxes for needles; pin and needle cushions; shoe ornaments, not of precious metal; ornaments and for hats not of precious metal; haberdashery, except threads; hair bands; armbands; brooches [clothing accessories]; sewing boxes; belt clasps; shoe laces; wreaths of artificial flowers; ornamental badges; thimbles [for sewing]; needle cases; buckles [clothing accessories]; buckles [for footwear]; shoulder pads for clothing; hair pins; badges for wear not of precious metal; spangles for clothing; numbers or letters for marking linen; bodkins; hair slides; lace trimmings; feathers [clothing accessories]; top-knots (pompoms); picot [lace]; zipper fasteners [haberdashery]; competitors' numbers; heat-adhesive patches for decorating textile articles [haberdashery]; rug hooks; snap fasteners; ostrich feathers [clothing accessories]; whalebones for corsets; prize ribbons; rimming cords for clothing; tassels [haberdashery]; expanding bands for holding sleeves; hair nets; shoe eyelets; chenille [passementerie]; frills [lacework]; trouser clips for cyclists; fastenings for clothing; self adhesive tapes [haberdashery]; elastic ribbons; tapes for curtain headings; cords for clothing; collar supports; false hems; rosettes [passementerie]; festoons [embroidery]; fringes; artificial fruit; braids; hair coloring caps; artificial garlands; darning lasts; trimmings for clothing; tresses of hair; wigs; silver embroidery for clothing; edgings for clothing; rosettes [haberdashery]; fastenings for braces; skirt flounces; braids; toupees; shoe hooks.

28 – Games and toys; video game apparatus; articles for gymnastics and sports; decorations for Christmas trees; fishing tackle; rods for fishing; toy masks; theatrical masks, dolls' houses; climbers' harness; novelties for parties, dances [party favors]; gloves for games; baseball gloves; boxing gloves; fencing gauntlets; golf gloves; puppets; physical training apparatus; Christmas trees made of synthetic materials; bladders of balls for games; elbow guards [sports articles]; knee guards [sports articles]; kites; rattles; kaleidoscopes; rocking horses; building games; amusement machines, automatic and coin-operated; decks of playing cards; teddy bears; dolls; dolls' clothes; air pistols [toys]; chess games; flippers for swimming; ring games; Christmas tree stands; archery implements; water wings; practical jokes [novelties]; balls for games; dolls' feeding bottles; building blocks [toys]; body boards; bowling games; stationary exercise bicycles; bags for golf clubs; dolls' beds; marbles for games; butterfly nets; swings; confetti; cups for dice; dice; checkers [games]; checkerboards; darts; discuses for sports; flying discs [toys]; dominoes; counters [discs] for games; skis; covers for skis; covers for surfboards; tables for indoor table football [babyfoot]; appliances for gymnastics;

horseshoe games; hockey sticks; soap bubbles (toys); board games; toys for domestic pets; scale model vehicles; skateboards; mobiles [toys]; paintballs [ammunition for paintball guns] [sports apparatus]; artificial snow for Christmas trees; golf clubs; billiard cues; billiard tables; skating boots with skates attached; in-line roller skates; ice skates; roller skates; scooters [toys]; stuffed toys; spinning tops [toys]; piñatas; swimming pools [sports or play articles]; punching bags; puzzles (toys); conjuring apparatus; rackets; parlor games; surf boards; sailboards; chessboards; slingshots [sports articles]; slides; trampolines [sports articles]; sleighs [sports articles]; toy vehicles; remote-controlled vehicles; drones [toys]; camouflage screens [sports articles]; shuttlecocks.

35 – Advertising services; commercial business management; commercial administration; office functions; retail sale and wholesale services in stores, via global computer networks, by means of catalogs, mail, by telephone, via radio and television, and via other electronic media for tanning substances, adhesives [glues] for industry, paints, varnishes, lacquers, colorants, ink for leather, indigo [colorant], ink for skin-dressing, bleaching preparations and other substances for laundry use, cleaning preparations, polishing preparations, scouring and abrasive preparations [abrasive preparations], soaps, perfumery, essential oils, cosmetics, hair lotions, dentifrices, shaving products, waxes, shampoos, cosmetic kits, depilatory products, deodorants for personal use, make-up products, products for perfuming linen, incense, eau de cologne, perfumes, lubricants, candles, deodorants other than for human beings or for animals, common metals and their alloys, metal chests, money boxes of metal, poles of metal, knobs not of metal, handles of metal, door handles of metal, cutlery, forks and spoons, razors, manicure sets, cases and razor cases, scientific, nautical apparatus and instruments, surveying apparatus and instruments, photographic apparatus and instruments, cinematographic apparatus and instruments, optical apparatus and instruments, weighing apparatus and instruments, measuring apparatus and instruments, signaling apparatus and instruments, checking [supervision] apparatus and instruments, rescue [life-saving] apparatus and instruments, teaching apparatus and instruments, apparatus and instruments for conducting electricity, power distribution, transforming electricity, accumulating electricity, regulating electricity, controlling electricity, apparatus for recording of sound or images, transmission of sound or images, reproduction of sound or images, recording discs, automatic vending machines and mechanisms for coin-operated apparatus, cash registers, data processing equipment and computers, fire-extinguishing apparatus, peripheral computer devices, contact lenses, pince-nez cords, dressmakers' measures, spectacle cases, cases for lenses [pince-nez] and for contact lenses, spectacle

frames and lenses [pince-nez], spectacles [optics], sunglasses, magnetic cards, telephone apparatus, protective helmets, chronographs [time recording apparatus], compact discs [audio-video], printers for use with computers, game programs, bathroom code readers, magnifying glasses [optics], computer programs [recorded programs], mouse [computer], apparatus for games adapted for use with television receivers only, intercommunication apparatus, electronic publications [downloadable electronically], sandglasses, headphones, mouse pads, protective helmets for sports, goggles for sports, computer memories, apparatus for lighting, heating apparatus, steam generating apparatus, cooking apparatus, refrigerating apparatus, drying apparatus, ventilating apparatus, apparatus for water supply and sanitary installations, lanterns, lamp globes, lamps, lanterns, screens, vehicles, safety seats for children [for vehicles], covers for vehicle seats, bicycles, structural parts of bicycles, parts of media for bicycles, parts and accessories for land vehicles, trolleys for babies with removable media for children, covers for baby carriages, dashboards for baby carriages, covers and hoods for baby carriages, safety belt for use with baby carriages, baby carriages, covers, hoods, canopies, integrated cradle, all for prams, precious metals and their alloys, jewelry, costume jewelry, precious stones, horological and chronometric instruments, ornamental pins, key rings, badges of precious metal, shoe and hat ornaments of precious metal, cuff links, watches, watch cases, watch bands, jewelry boxes, charms [jewelry], pearls [costume jewelry], earrings, rings, musical instruments, musical boxes, cases for musical instruments, paper, cardboard, printed matter, publications, photographs, stationery, adhesives [glues] for stationery or household use, artists' materials, paintbrushes, office requisites [except furniture], instructional or teaching material [except apparatus], plastic materials for packaging, boxes of cardboard or paper, hat boxes, albums, almanacs, calendars, posters, catalogs, wrapping paper, paperweights, mats for beer glasses [discs] bookmarks, book holder, terrestrial globes, leather and imitations of leather, animal skins, trunks and suitcases, umbrellas, parasols and walking sticks, whips and saddle-ry, bags for climbers, bags for campers, beach bags, handbag frames, frames for umbrellas or parasols [sun umbrellas], mountaineering sticks, bags, handbags, bags for travel, travel and key cases [leatherware], attaché cases, purses not of precious metal school bags, garment cover bags [for travel], bags of leather [or cloth] for carrying infants, wheeled shopping bags, boxes of leather or leather board, briefcases [folders], pocket wallets, briefcases [leatherware], collars for animals, backpacks, briefcases, moleskin [imitation of leather], furniture, mirrors, frames, fans, pillows, curtain tie-backs, benches, furniture, table tops, chests for toys, screens, boxes of wood or plastic, beds, settees [armchairs], baskets,

not of metal, cushions, mattresses, cradles, desks [furniture], shelves, jewelry cases not of precious metal, tables, umbrella stands, coat hangers, coat stands and hats, door handles, not of metal, desks [desks], chairs, armchairs, sofas, stools, corks for bottles, high chairs for babies, utensils and containers for household and kitchen [not of precious metal], combs and sponges, brushes [except paintbrushes], glassware, porcelain and earthenware, bottle openers, oil cruets, candle extinguishers, sugar bowls, plates, bowls, tea balls, candy boxes, bottles, boxes, shoe horns, candlesticks, centerpieces, fitted picnic baskets [including dishes], shakers, ice buckets, ice buckets, decanters, salad bowls, dishes, shoe trees [forms], piggy banks, not of metal, soap dishes, jugs, vases, bird cages, butter dishes, plates, knobs of porcelain, coasters not of paper and other than table linen, perfume burners [perfume], crumb collector pans, plates, corkscrews, saltshakers, tea and coffee services, napkin holders, soup bowls, cups, mugs, teapots, tableware, glasses, cruets, ropes, strings nets, tents, bags, padding and stuffing materials [except rubber or plastic materials], duvet [feathers], yarns and threads for textile use, textiles and textile products, bed and table covers, bath linen [except clothing], towels of textile, travel blankets, duvets [down coverlets], covers for cushions, sleeping bags [sleeping bags sheets], bedspreads, tablecloths [not of paper], sheets, table napkins [textiles], bed covers, pillow cases, bed blankets, ready-made clothing for women, ready-made clothing for men and children, footwear [except orthopedic], headgear, clothing for motorists and cyclists, bibs, not of paper, headbands [clothing], bath robes, bathing suits, bathing caps and sandals, boas [necklets], underwear, scarves, hoods [clothing], shawls, belts [clothing], money belts [clothing], water ski suits, ties, scarves, stoles [furs], girdles [underwear], filiales, caps, caps, gloves [clothing], underwear, shawls, stockings, socks, neck scarves, handkerchiefs furs [clothing], pyjamas, veils [clothing], suspenders, gymnastic and sports outfits, layettes, jerseys, mittens, ear muffs [clothing], bow ties, sarongs, masquerade costumes, visors [headgear], dressing gowns, petticoats, tights [complete stockings or leotards], aprons [clothing], headgear, wooden shoes, headgear, caps [headwear], blouses, bodysuits [underwear], berets, heated footmuffs not electric, boots, shirts, combinations [clothing], collars, pelerines, gaiters [stockings], saris, brassieres, wimples [clothing], togas, turbans, lace and embroidery, ribbons and braid, buttons, hooks and eyes, pins and needles, artificial flowers, hair ornaments, hat and shoe ornaments [not of precious metal], hair bands, carpets, rugs, mats, wallpaper, wallpaper, games, toys, gymnastic and sporting articles, decorations for Christmas trees, meat, fish, poultry and game, meat extracts, fruits and vegetables, preserved vegetables, vegetables and frozen vegetables, dried and cooked vegetables, jellies, jams,

compotes, eggs, milk and milk products, edible oils and fats, coffee, tea, cocoa, sugar, rice, tapioca, sago, coffee substitute, flour and preparations made from cereals, bread, pastry and confectionery, ices, honey, treacle, yeast, baking powder, salt, mustard, vinegar, sauces [condiments], spices, ice, agricultural, horticultural products, forestry products and grains, live animals, fresh fruit and vegetables, seeds, natural plants and flowers, foodstuffs for animals, malt, beer, mineral and sparkling waters, non-alcoholic beverages, fruit beverages and fruit juices, syrups and other preparations for making beverages, alcoholic beverages [except beers], tobacco, smokers' articles, matches, cigar boxes [with humidifiers], cigarette cases, tobacco pouches, cigarette cases, ashtrays for smokers, lighters for smokers; commercial or Industrial company management and operation assistance services; organization of exhibitions for commercial or advertising purposes; promotion of third-party goods and services through loyalty card programs; modeling for advertising or sales promotion; editing of advertising texts; shop-window dressing; services providing assistance with the operation of a franchised business; demonstration of goods; organization of trade fairs for commercial or advertising purposes; sales promotion for others; auctioneering; promotion and management of shopping malls; import-export agencies; online advertising on a computer network; procurement services for others (purchasing of goods and services for other businesses); newspaper subscription services (for others); dissemination of advertising material leaflets, prospectuses, printed matter, samples; computer file management; public relations; commercial information agencies; advertising agencies; rental of vending machines; rental of advertising space; dissemination of advertisements; business management assistance; data search in computer files (for others); compilation of data in computer databases; transcription of communications; distribution of advertising matter by mail; business management of performing artists; updating of advertising material; document reproduction; market study; bill posting (ads); opinion polling; systemization of information into computer databases; advertising; advertising by mail order; radio advertising; television advertising; presentation of goods on communication media for retail purposes.

---

(260) AM 2020 105600 A

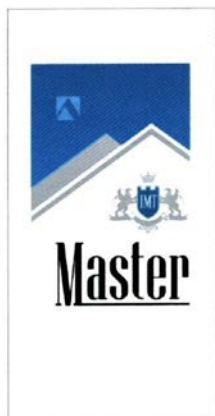
(800) 1495687

(151) 2019 06 20

(891) 2019 06 20

(731) "INTERNATIONAL MASIS TABAK" LLC  
10 Hrant Vardanyan str., Masis, 0802  
Ararat region, Armenia

(540)



(591) White, blue, azure, light silver, dark silver and black

(531) 04.03.07; 24.01.18; 24.01.19; 24.09.02; 25.01.19; 25.05.25; 27.05.11; 29.01.14

(511)

34 – Raw and manufactured tobacco; cigarettes; cigarettes without filter and with paper mouthpiece; cigarillos; cigars; chewing tobacco; cigarettes containing tobacco substitutes, not for medical purposes; herbs for smoking; snuff; electronic cigarettes; liquid solutions for use in electronic cigarettes; flavourings, other than essential oils, for use in electronic cigarettes; matches; match holders; match boxes; lighters for smokers; gas containers for cigar lighters; firestones; ashtrays for smokers; spittoons for tobacco users; smokers' articles; tips of yellow amber for cigar and cigarette holders; tobacco pouches; cigarette tips; cigarette filters; tobacco pipes; cigar holders; mouthpieces for cigarette holders; pipe cleaners for tobacco pipes; books of cigarette papers; absorbent paper for tobacco pipes; cigarette paper; cigar cutters; cigar cases; cigarette cases; pipe racks for tobacco pipes; tobacco jars; snuff boxes; humidors; pocket machines for rolling cigarettes; oral vaporizers for smokers; hookah; accessories and articles for hookahs, molasses for using in tobacco production; smokers' articles, including molasses non-medical; cigarette and molasses' aromatic mixtures for use in hookah.

(260) AM 2020 105851 A

(800) 1499427

(151) 2019 05 10

(891) 2019 05 10

(731) Velvet Care sp. z.o.o.

Klucze-Osada 3, PL-32-310 Klucze, Poland

(540)



(591) White, dark blue and light blue

(531) 26.11.12; 27.05.01; 27.05.24; 29.01.12

(511)

3 – Cleaning, polishing, scouring and abrasive preparations; impregnated cloths; moist cloths; cloths impregnated with a detergent; wipes for sanitary purposes; moist wipes for sanitary and cosmetic purposes (terms considered too vague by the International Bureau – rule 13 (2) (b) of the Common Regulations); impregnated tissues for cleaning [non-medicated, for use on the person]; pre-moistened cosmetic wipes; tissues impregnated with cosmetic lotions; disposable wipes impregnated with cleansing compounds for use on the face; facial wipes impregnated with cosmetics; feminine hygiene cleansing towelettes; baby wipes; baby wipes impregnated with cleaning preparations; cotton sticks for cosmetic purposes; cotton puffs impregnated with make-up removing preparations; cotton pads and cotton sticks; paper hand towels impregnated with cleaning agents; cleaning pads impregnated with toilet preparations and cosmetic purposes; moist paper hand towels impregnated with a cosmetic lotion.

5 – Sanitary pads and pantyliners; tampons; intimate hygiene wipes; disposable paper diapers; disposable diaper pants of paper; disposable pants of paper for babies; disposable paper diapers for adults; sanitary panties; hygienic pads; moist paper hand towels impregnated with a pharmaceutical lotion; disposable napkins for babies.

16 – Paper and cardboard; matter of cardboard and paper, namely: packaging, calendars, notepads, jotters, agendas, blotters, catalogues, brochures, information booklets, magazines [periodicals], bulletins, newspapers, printed pictures, printed news releases, printed informational cards, printed visuals, printed invitations, greeting cards, forms, printed forms, posters, placards, labels, writing paper, headed notepaper, envelopes, stationery, paper folders, paper creators, conical paper bags, bags and articles for packaging, wrapping and storage of paper or cardboard, decorative wrapping paper, paper bows, bookmarkers, visiting cards, paper signboards, printed boards, paper gift bags, cartons of cardboard for packaging, boxes made of paper, paper stationery, paper office supplies, educational equipment, printed publications, promotional publications, printed matter, absorbent sheets of paper for foodstuff packaging; adhesive tapes for stationery and household purposes; filter paper; paper filters for coffee; water filters of paper; table linen of paper; paper table covers; place mats of paper, coasters of paper; sanitary goods of paper; handkerchiefs of paper; tissues; hygienic paper; coarse tissue for cosmetic purposes; napkins of cellulose for cosmetic purposes; paper tissues; face or facial tissues of paper; napkins of paper for removing make-up; babies' paper tissues; moisture absorbing wipes of paper; toilet paper; toi-



let paper rolls; paper towels; paper kitchen towels; paper toilet towels; face towels of paper; disposable towels for babies; paper towel rolls; collapsible paper towels; paper towels for machines cleaning; paper napkins; disposable napkins; make-up removing towelettes made of paper; table napkins of paper; tablemats of paper; make-up pads of paper for removing make-up; paper table cloths; face cloths made of paper; bibs of paper; disposable sheets of paper; paper pads for changing diapers; paper refuse bags for used babies' diapers and napkins; paper toilet bowl liners.

21 – Disposable cloths made of non-woven fabrics; cleaning cloths; scouring pads; containers for household use; paper towel dispensers; toilet paper dispensers; toilet paper holders; kitchen paper holders.

(260) AM 2020 105864 A

(800) 1026384

(151) 2009 11 13

(891) 2019 10 25

(731) Federal state unitary enterprise "Trading house "Kremlevskiy" Administration of the President of the Russian Federation  
ul. Tikhvinskaya, d.4, RU-127055 Moscow, Russian Federation

(540)

## КРЕМЛЕВСКИЕ СЫРОВАРНИ

(591) Black, white

(531) 28.05

(526) Syrovarni (cheese dairy).

(511)

29 – Casein for food; milk; milk products; cheese.

(260) AM 2020 105894 A

(800) 1499812

(151) 2019 10 07

(891) 2019 10 07

(731) Obshchestvo s ogranichennoi otvetstvennost'yu "AURUM"  
ul. Inzhenernaya, 4a, RU-630090 Novosibirsk, Russian Federation

(540)



(591) Black, white

(531) 26.01.01; 26.01.06; 26.01.24; 27.05.10

(511)

3 – Antistatic preparations for household purposes; bleaching preparations [decolorants] for household purposes; chemical cleaning preparations for household purposes; cleaning preparations; cloths impregnated with a detergent for cleaning; color-brightening chemicals for household purposes [laundry]; degreasers, other than for use in manufacturing processes; deodorant soap; detergents, other than for use in manufacturing operations and for medical purposes; dry-cleaning preparations; fabric softeners for laundry use; refurbishing preparations; laundry bleaching preparations; laundry preparations; preparations for soaking laundry; polishing preparations; preparations to make the leaves of plants shiny; leather preservatives [polishes]; sachets for perfuming linen; scented water; scouring solutions; shining preparations [polish]; shoe wax; smoothing preparations [starching]; soap for brightening textile; stain removers; windscreen cleaning liquids.

(260) AM 2020 105895 A

(800) 1499819

(151) 2019 10 01

(891) 2019 10 01

(731) Alcon Inc.

Rue Louis-d'Affry 6, CH-1701 Fribourg, Switzerland

(540)

## CLAREON XD

(591) Black, white

(511)

10 – Medical and surgical ophthalmic instruments and apparatus; intraocular lenses.

(260) AM 2020 105900 A

(800) 1499879

(151) 2019 09 17

(891) 2019 09 17

(731) The limited liability company "SUNFRUT"

Promyshlennaya street, building 96,  
RU-614055 Perm, Russian Federation

(540)



(591) Green, dark-green, red, dark-red and gray

(531) 09.03.13; 28.05; 29.01.12

(511)

32 – Non-alcoholic beverages; non-alcoholic fruit beverages; fruit juices; vegetable juices [beverages]; tomato juice [beverage]; fruit nectars, non-alcoholic; cider, non-alcoholic; smoothies.

(260) AM 2020 105901 A  
 (800) 1499880  
 (151) 2019 10 10  
 (891) 2019 10 10  
 (731) JT International SA  
 8 rue Kazem-Radjavi, CH-1202 Genève,  
 Switzerland  
 (540)



(591) Black, white  
 (531) 10.01.01; 10.01.05; 10.01.18; 10.01.25;  
 25.07.07; 26.01.03; 26.01.18; 26.01.24;  
 26.02.03; 27.05.09

(511)  
 9 – Electronic chargers, batteries.

34 – Electronic cigarettes; cases for electronic cigarettes; cases for electronic cigarette accessories; cigarettes; cigars; electronic cigarette tips for smokers; flavorings, other than essential oils, for use in electronic cigarettes; tobacco spraying apparatus; tobacco-related atomizers; oral atomizers for smokers; liquid aromatic cartridges for electronic cigarettes; liquids for electronic cigarettes containing flavorings, other than essential oils, for refilling electronic cigarette cartridges; liquid nicotine solutions for electronic cigarettes; tobacco substitutes; tobacco; cigarettes containing tobacco substances, not for medical purposes; ashtrays; lighters for smokers; smokers' articles, tobacco products.

(260) AM 2020 105902 A  
 (800) 1499881  
 (151) 2019 07 15  
 (891) 2019 07 15  
 (731) adp Gauselmann GmbH  
 Merkur-Allee 1-15, 32339 Espelkamp,  
 Germany  
 (540)

## Wicked Temptations

(591) Black, white  
 (511)  
 9 – Computer software; coin-operated mechanisms; computer and video games software; games software in particular for use on any computer platform, inc-

luding electronic entertainment and games consoles; computer game programs; video games (software); computer games provided through a global computer network or supplied by means of multi-media electronic broadcast or through telecommunications or electronic transmission or via the internet; computer games, leisure and recreational software, video games and computer software, all being provided in the form of storage media; programs for operating electric and electronic apparatus for games, amusement and/or entertainment purposes; computer software for computer games on the internet; online games (software) in particular for online betting games, online prize games, online gambling games, online games of skill and online casino games; computer software in the form of an app for mobile devices and computers; calculating apparatus in coin-operated machines and parts for the aforesaid goods; electric, electronic, optical or automatic apparatus, for identifying data carriers, identity cards and credit cards, bank notes and coins; software in particular for casino and/or amusement arcade games, for gaming machines and/or slot machines each one with or without prize payouts; gaming software that generates or displays wager outcomes of gaming machines; operational computer games software; computer software for managing of games (game collection); video game collections (software).

28 – Games; toys; gaming apparatus (including coin-operated apparatus); coin-operated arcade games machines; games for amusement arcades (included in this class); coin-operated video gaming apparatus; video games apparatus adapted for use with external screens or monitors only; casino linings, namely roulette tables, roulette wheels; coin-operated automatic gaming machines and gaming machines, in particular for gaming arcades, with or without a prize payout; electronic or electrotechnical gaming apparatus, automatic gaming machines, gaming machines, slot machines operated by coins, tokens, banknotes, tickets or by means of electronic, magnetic or biometric storage media, in particular for commercial use in casinos and amusement arcades, with or without a prize payout; automatic gaming machines and gaming machines, in particular for commercial use in casinos and gaming arcades, with or without a prize payout; coin-operated gaming machines and for electronic money-based gaming apparatus (machines), with or without prizes; housings adapted for gaming machines, gaming apparatus and automatic gaming machines, operated by means of coins, tokens, tickets or by means of electronic, magnetic or biometric storage media, in particular for commercial use in casinos and gaming arcades, with or without a prize payout; electronic games; electronic game entertainment apparatus and parts thereof; video output game machines; drawing apparatus for prize games and lotteries, draws or raffles; housings of metal,

plastic and/or wood for coin-operated automatic machines; apparatus for games (including video games), other than adapted for use with external screens or monitors only; electropneumatic and electric slot machines with pulling handles (gaming machines); gaming tables, in particular for table football, billiards, sliding games; flying discs (toys) and darts; gaming machines, namely electric, electronic or electromechanical apparatus for bingo games, lotteries or video lottery games and for betting offices, connected or unconnected to a computer network; LCD games consoles; automatic gaming machines; all the aforesaid automatic machines operating in networks; apparatus and devices for accepting and storing money, being fittings for the aforesaid automatic machines, included in this class; automatic lottery machines.

(260) AM 2020 105903 A

(800) 1499884

(151) 2019 09 24

(891) 2019 09 24

(731) Hyundai Motor Company

12, Heolleung-ro, Seocho-gu, Seoul 06797,  
Republic of Korea

(540)

**eG70**

(591) Black, white

(531) 27.05.01; 27.05.10; 27.07.01; 27.07.11

(511)

12 – Automobiles; passenger cars; vans; sports cars; electric cars; hybrid cars; sport utility vehicles; light trucks; hydrogen fuel cell electric cars.

(260) AM 2020 105904 A

(800) 1499886

(151) 2019 08 29

(891) 2019 08 29

(731) SOOFT ITALIA S.p.A.

Contrada Molino, 17, I-63833  
MONTEGIORGIO (FM), Italy

(540)

**RIBOLISIN**

(591) Black, white

(531) 26.01.03; 26.01.24; 27.05.01; 27.05.04

(511)

5 – Chemical preparations for medical purposes; diagnostic preparations for medical purposes; collyrium for tear supplementation after corneal surgery; vitamin preparations.

(260) AM 2020 105912 A

(800) 1499933

(151) 2019 10 11

(891) 2019 10 11

(731) JT International SA

8 rue Kazem-Radjavi, CH-1202 Genève,  
Switzerland

(5400)



(591) Yellow

(531) 10.01.01; 10.01.05; 10.01.25; 25.07.22;  
26.01.01; 26.01.18; 26.01.24; 26.02.03;  
26.02.12; 26.04.05; 26.04.18; 26.04.24;  
27.05.09; 29.01.14

(511)

9 – Electronic chargers, batteries.

34 – Electronic cigarettes; cases for electronic cigarettes; cases for electronic cigarette accessories; cigarettes; cigars; electronic cigarette tips for smokers; flavorings, other than essential oils, for use in electronic cigarettes; tobacco spraying apparatus; tobacco-related atomizers; oral atomizers for smokers; liquid aromatic cartridges for electronic cigarettes; liquids for electronic cigarettes containing flavorings, other than essential oils, for refilling electronic cigarette cartridges; liquid nicotine solutions for electronic cigarettes; tobacco substitutes; tobacco; cigarettes containing tobacco substances, not for medical purposes; ashtrays; lighters for smokers; smokers' articles, tobacco products.

(260) AM 2020 105917 A

(800) 1499974

(151) 2019 10 29

(891) 2019 10 29

(731) Shenzhen Ginto E-Commerce Co., Limited

1308-1309, Block B, Huihai Square,  
Chuangye Road, Longhua Street, Longhua  
District, Shenzhen, 518000 Guangdong, China

(540)

**dudios**

(591) Black, white

(531) 27.05.01

(511)

9 – Earphone; radios; cabinets for loudspeakers; loudspeakers; sound transmitting apparatus; transmitters of electronic signals; headphones; audio- and video-receivers; microphones; horns for loudspeakers.

(260) AM 2020 105918 A  
 (800) 1500003  
 (151) 2019 10 04  
 (891) 2019 10 04  
 (731) Lundbeck Seattle BioPharmaceuticals, Inc.  
 11804 North Creek Parkway South Bothell  
 WA 98011, USA

(540)



(591) Black, white  
 (531) 26.01.06; 26.01.24; 27.05.10  
 (526) BIOPHARMACEUTICALS  
 (511)

5 – Pharmaceutical preparations used for the prevention, management and treatment of headaches, migraines, pain, immune and inflammatory disorders and diseases, and neurological disorders and conditions.

(260) AM 2020 105919 A  
 (800) 1500009  
 (151) 2019 07 26  
 (891) 2019 07 26  
 (731) Tovarichtchestvo s ogranitchennoy  
 otvetstvennostyu "Logistock"  
 zdaniye 573, selo Zharmukhambet,  
 Karasayskiy rayon, Almatinskaya oblast,  
 Kazakhstan

(540)

**TSVANDARI**

(591) Black, white  
 (531) 27.05.01  
 (511)  
 35 – Market studies; opinion polling; telemarketing services; television advertising; advertising by mail order; advertising; online advertising on a computer network; bill-posting, radio advertising; sales promotion for others; procurement services for others [purchasing goods and services for other businesses].

(260) AM 2020 105928 A  
 (800) 1500141  
 (151) 2019 08 28  
 (891) 2019 08 28  
 (731) INMAXO HOLDINGS LTD.  
 Amathountos 5, Pirilides Building, CY-3105  
 Limassol, Cyprus

(540)

**Parade**

(591) Black, white  
 (531) 27.05.01; 27.05.17  
 (511)

7 – Holding devices for machine tools; electric hand drills; hand-held tools, other than hand-operated; agricultural implements, other than hand-operated; blenders, electric, for household purposes; mixers [machines]; pneumatic hammers; tilt hammers; shears, electric; scissors, electric; soldering irons, gas-operated; soldering irons, electric; drilling machines; glue guns, electric; compressed air guns for the extrusion of mastics; pneumatic transporters; loom shafts; gears for weaving looms; whisks, electric, for household purposes; pigs for cleaning pipes; glaziers' diamonds [parts of machines]; adhesive tape dispensers [machines]; screwdrivers, electric; air brushes for applying colour; machines and apparatus for wax-polishing, electric; machines and apparatus for cleaning, electric; machines and apparatus for polishing [electric].

8 – Glaziers' diamonds [parts of hand tools]; sharpening steels; gimlets [hand tools]; borers; augers [hand tools]; weeding forks [hand tools]; rakes [hand tools]; cutter bars [hand tools]; cutlery; edge tools [hand tools]; abrading instruments [hand instruments]; numbering punches; sharpening instruments; tube cutting instruments; wire strippers [hand tools]; riveters [hand tools]; expanders [hand tools]; cutting tools [hand tools]; hand tools, hand-operated; stamping-out tools [hand tools]; mallets [hand instruments]; pliers; punch pliers [hand tools]; jig-saws; blades [hand tools]; fullers [hand tools]; stone hammers; masons' hammers; riveting hammers [hand tools]; hammers [hand tools]; files [tools]; emery files; knives; braiders [hand tools]; box cutters; scissors; shears; screwdrivers, non-electric; stirring sticks for mixing paint; perforating tools [hand tools]; drill holders [hand tools]; saws [hand tools]; guns, hand-operated, for the extrusion of mastics; guns [hand tools]; dies [hand tools]; rasps [hand tools]; cutters; handles for hand-operated hand tools; planes; hatchets; vices; bench vices [hand implements]; hoop cutters [hand tools]; squares [hand tools]; embossers [hand tools]; spatulas [hand tools]; wallpaper smoothers [hand tools]; wallpaper seam rollers [hand tools]; palette knives; knife handles; sharpening tools and instruments, hand-operated.

16 – Paint rollers; house painters' rollers; paint roller handles; paint roller covers; paint boxes and brushes; painting mitts for applying paint; pencils; paintbrushes; paper tapes; self-adhesive tapes for stationery or household purposes; adhesive bands for stationery or household purposes; adhesive tapes for stationery or household purposes; glue for stationery or household purposes; adhesives [glues] for stationery or household purposes; adhesive tape dispensers [office requisites].

21 – Cosmetic spatulas; paint bucket grids; animal bristles [brushware]; polishing apparatus and machines, for household purposes, non-electric.

(260) AM 2020 105929 A

(800) 1500187

(151) 2019 10 09

(891) 2019 10 09

(731) SCALE AVIATION MANAGEMENT  
DESIGNATED ACTIVITY COMPANY  
25-28 North Wall Quay, IFSC, Dublin 1  
D01H104, Ireland

(540)

**STRATEGIC COMMERCIAL  
AVIATION LIQUIDITY  
ENTERPRISE**

(591) Black, white

(511)

36 – Aircraft financing services; investment in aircraft; investment consultation in the field of aviation and aircraft ownership; financial services; financial and investment services, namely, aircraft asset and investment acquisition, consultation, advisory and development.

39 – Leasing of aircraft.

(260) AM 2020 105938 A

(800) 1500468

(151) 2019 07 13

(891) 2019 07 13

(731) HASCEVHER METAL SANAYİ VE  
TİCARET ANONİM ŞİRKETİ  
Organize Sanayi Bölgesi 17., Cad. No:4  
Onikişubat, Kahramanmaraş, Turkey

(540)

  
**home  
PERFECT**

(591) Black, red

(531) 07.03.11; 26.03.23; 27.05.09; 27.05.10;  
29.01.12

(511)

8 – Forks, spoons, knives and non-electric cutters, slicers, peelers for kitchen use, including those made of precious metals; side arms and blades (weapons); tools and apparatus included in this class for shaving, epilation, manicure and pedicure and personal beauty care use; scissors; hand-operated [non-electric] hand tools included in this class for the repair of machines, apparatus and vehicles and for use in construction, agriculture, horticulture and forestry, none of them being power tools.

11 – Lighting installations; lights for vehicles and interior-exterior spaces; heating and steam generating installations; stoves for heating purposes using solid, liquid or gas fuels; electric stoves for heating purposes; kitchen stoves; installations for air-conditioning and ventilating; cooling installations and freezers; electric and gas-powered devices, installations and apparatus for cooking, drying and boiling; electric laundry driers; hair driers; hand drying apparatus; sanitary installations, taps [faucets]; water softening apparatus; water purification apparatus; water purification installations; waste water purification installations; electric bed warmers and electric blankets, not for medical use; electric pillow warmers; electric or non-electric footwarmers; hot water bottles; filters for aquariums and aquarium filtration apparatus; industrial type installations for cooking, drying and cooling purposes; pasteurizers and sterilizers.

21 – Hand-operated non-electric cleaning instruments and appliances, brushes, other than paintbrushes, sponges for cleaning, steel wool for cleaning, cloths of textile for cleaning, gloves for dishwashing, non-electric polishing machines for household purposes, brooms for carpets, mops; toothbrushes, electric toothbrushes, dental floss, shaving brushes, hair brushes, combs; non-electric household or kitchen utensils, included in this class, pots and pans; ironing boards and shaped covers therefor, drying racks for washing, clothes drying hangers; cages for household pets, indoor aquariums, vivariums and indoor terrariums for animals and plant cultivation; ornaments and decorative goods of glass, porcelain, earthenware or clay; mouse traps, insect traps, electric devices for attracting and killing flies and insects, fly catchers, fly swatters; perfume burners, perfume sprayers, perfume vaporizers, electric or non-electric make-up removing appliances, powder puffs, toilet cases; nozzles for sprinkler hose, nozzles for watering cans, watering devices, garden watering cans; unworked or semi-worked glass, except building glass, mosaics of glass and powdered glass for decoration, except for building, glass wool other than for insulation or textile use.

(260) AM 2020 105939 A

(800) 1500469

(151) 2019 11 01

(891) 2019 11 01

(731) Beijing Absoulute Health Ltd.  
RM. 1318, F13, BLDG. 2, NO.19, NORTH  
3RD RING EAST ROAD, CHAOYANG  
DIST, BEIJING, China

(540)

**DeeDa**

(591) Black, white  
 (531) 27.05.01; 27.05.17  
 (511)  
 36 – Art appraisal; charitable fund raising; lending against security.

(260) AM 2020 105940 A  
 (800) 1500498  
 (151) 2019 05 28  
 (891) 2019 05 28  
 (731) Gorenje HVAC, d.o.o.  
 Partizanska cesta 12, SI-3320 Velenje,  
 Slovenia  
 (540)



(591) Violet and black  
 (531) 26.11.01; 26.11.12; 27.05.01; 29.01.12  
 (511)  
 7 – Pumps for heating installations (circulation pumps), heat pumps (machine parts) (terms too vague in the opinion of the International Bureau – Rule 13 (2) (b) of the Common Regulations); collectors of boiler scale of for machine boilers.

11 – Water heaters and boilers, gas water heaters, solar water heaters, solar water heaters, circulators (water heaters), electric water heaters, storage water heaters, refrigerators and water heaters, water heaters for showers, water heaters for bathrooms, water heaters for industrial use, electric water heaters for preparation of beverages, gas water heaters for household use; heat pumps, heat pumps for energy recovery, heating equipment, ventilation, air conditioning and air purification (terms too vague in the opinion of the International Bureau – Rule 13 (2) (b) of the Common Regulations); oil radiators, radiators (heating), gas radiators, articulated radiators (terms too vague in the opinion of the International Bureau – Rule 13 (2) (b) of the Common Regulations), convectors (radiators), electric radiators, radiators (electric), infrared radiators, radiators for household, electrically heated radiators, radiators filled with oil, radiators for central heating, heating radiators for heating of buildings, electric radiators for heating of buildings, radiators for central heating systems, radiators for central heating installations, radiators (for industrial air conditioners), flat radiators for central heating installations; boilers, heating boilers, gas boilers, electric boilers, boilers for heating, boilers for heating installations, burners, boilers and heaters, boilers for hot water, central heating boilers, boilers for central heating installations, gas boilers for water heating, central heating boilers, electric boilers for heating water, electric boilers for central heating sys-

tems, boilers for use in heating systems, boilers that are parts of central heating installations, gas-heated boilers for central heating of households, gas boilers for domestic hot water heating, boilers for hot water supply installations, gas-fired boilers for hot water systems for households; fireplaces, gas fireplaces, electric fireplaces, fireplaces made of metal castings, gas fireplaces for the household, simulated fireplaces using wood (household).

(260) AM 2020 105941 A  
 (800) 1500513  
 (151) 2019 05 15  
 (891) 2019 05 15  
 (731) Nick Bremicker  
 Enneststr. 6, 51702 Bergneustadt,  
 Germany  
 (540)

## Lizenzfuchs

(591) Black, white  
 (511)  
 9 – Computer and control programs stored on magnetic data carriers, perforated cards, perforated rolls; compact discs; computers; interfaces for computers; interfaces for computers; computer interface boards; software; peripherals adapted for use with computers; computer software; computer keyboards; floppy discs; floppy disk drives; data processing apparatus; electronic publications, downloadable; electronic input pens; electronic pens; laptop computers; loudspeakers; magnetic tapes; magnetic data media; computer mice; mouse pads; mouse pads; mouse pads; microprocessors; cell phones; modems; led monitors; notebook computers; optical data media; optical discs; optical disk drives; physics (apparatus and instruments for -); relays, electric; image scanning apparatus; transmitters of electronic signals; transmitters; smart card readers; computer software applications, downloadable; computer software packages; games software; computer memory devices; central processing units.

35 – Cost price analysis; procurement services for others relating to office requisites; procurement services for others [purchasing goods and services for other businesses]; computerized file management; auctioneering services; carrying out auction sales; carrying out auction sales; business investigation; commercial or industrial management assistance; commercial administration of the licensing of the goods and services of others; marketing services; data search in computer files for others; computerised business research; on-line advertising on a computer network; outsourcing services [business assistance]; organisational project management in the field of electronic data processing; organization of exhibitions for commercial or advertising purposes; personnel

management assistance; business management consulting; personnel consultancy; presentation of goods on communication media, for retail purposes; systemization of information into computer databases; dissemination of advertising matter; rental of advertising space; rental of advertising time on communication media; arranging subscriptions to telecommunication services for others; sales promotion for others; publicity and sales promotion services; sample distribution; distribution of advertising material; administrative order processing; document reproduction; demonstration of goods; provision of business data; compilation of information into computer databases; compilation of information into computer databases.

42 – Updating of computer software; consultancy in the field of computers (term considered too vague by the International Bureau – Rule 13.2.b) of the Common Regulations); professional advisory services relating to computers (term considered too vague by the International Bureau – Rule 13.2.b) of the Common Regulations); professional advisory services relating to computers (term considered too vague by the International Bureau – Rule 13.2.b) of the Common Regulations); advisory services relating to computer programming; computer software consultancy; computer diagnostic services; computer software consultancy; consultancy in the field of computers (term considered too vague by the International Bureau – Rule 13.2.b) of the Common Regulations); maintenance of computer programs; monitoring of computer systems by remote access; installation of software; configuration of computer firmware; software customisation services; customized design of computer hardware; custom design of software packages; testing of computing equipment; repair of computer software; testing of computers; rental of computer hardware and computer software.

(260) AM 2020 105942 A  
(800) 1500522  
(151) 2019 06 27  
(891) 2019 06 27  
(731) American Lebanese Syrian Associated Charities, Inc.  
501 St. Jude Place, Memphis TN 38105,  
USA

(540)



**St. Jude Children's  
Research Hospital**

(591) Black, white  
(531) 02.05.01; 02.05.27  
(511)  
36 – Charitable fund-raising.

41 – Educational services, namely, conducting seminars, lectures, meetings, grand rounds and symposiums in the fields of medicine and research and distributing course materials in connection therewith; training of clinicians and scientists in the field of biomedical research; development and dissemination of educational materials of others in the field of medicine.

44 – Hospital and medical services; medical clinics; medical evaluation services namely, functional assessment program for patients receiving medical rehabilitation services for purposes of guiding treatment and assessing program effectiveness; providing medical information; providing information in the field of catastrophic diseases in children, primarily pediatric cancers via the internet; nursing care; home nursing aid services; physical rehabilitation; nutrition counseling; dental care and treatment.

(260) AM 2020 105943 A  
(800) 1500529  
(151) 2019 10 09  
(891) 2019 10 09  
(731) SCALE AVIATION MANAGEMENT  
DESIGNATED ACTIVITY COMPANY  
25-28 North Wall Quay, IFSC, Dublin 1  
D01H104, Ireland

(540)

**STRATEGIC COMMERCIAL  
AIRCRAFT LIQUIDITY  
ENTERPRISE**

(591) Black, white  
(511)  
36 – Aircraft financing services; investment in aircraft; investment consultation in the field of aviation and aircraft ownership; financial services; financial and investment services, namely, aircraft asset and investment acquisition, consultation, advisory and development.

39 – Leasing of aircraft.

(260) AM 2020 105944 A  
(800) 1500688  
(151) 2019 11 01  
(891) 2019 11 01  
(731) ROGO INDUSTRIAL (SHANGHAI) CO.,  
LTD  
Room 5360, Building 1, No.2458, Dongda  
Highway, Datuan Town, Pudong New  
District, 200120 Shanghai, China

(540)

**ROGOSTEEL**

(591) Black, white

(531) 27.05.01  
(511)  
6 – Steel sheets; tinplate; laths of metal; partitions of metal; roof coverings of metal; slabs of metal for building; pantiles of metal; roller blinds of steel; wrapping or binding bands of metal; cladding of metal for building.

(260) AM 2020 105947 A  
(800) 1500739  
(151) 2019 10 23  
(891) 2019 10 23  
(731) MAJOR PRODOTTI DENTARI S.P.A.  
Via Luigi Einaudi 23, I-10024 MONCALIERI  
(Torino), Italy  
(540)



(591) Black, white  
(531) 26.04.01; 26.04.05; 26.04.18; 26.04.24;  
27.05.01  
(511)  
10 – Dental prostheses; artificial teeth; protective cups for teeth; dental braces; dental apparatus and instruments.

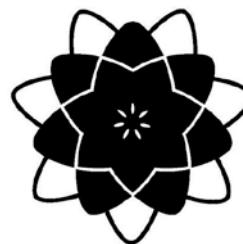
(260) AM 2020 105952 A  
(800) 1500886  
(151) 2019 09 09  
(891) 2019 09 09  
(731) HIC MIDDLE EAST PERFUMES &  
COSMETICS TRADING LLC  
PO BOX 89289, Dubai, United Arab Emirates  
(540)

*Jardin de  
Parfums*

(591) Black, white  
(531) 27.05.01  
(511)  
3 – Soaps; perfumery; essential oils; cosmetics; toiletries; hair lotions; dentifrices.

(260) AM 2020 105955 A  
(800) 1500933  
(151) 2019 10 04

(891) 2019 10 04  
(731) Hogan Lovells International LLP  
Atlantic House, 50 Holborn Viaduct,  
London EC1A 2FG, United Kingdom  
(540)



Total Brand Care

(591) Black, white  
(531) 05.05.20; 05.05.21  
(511)  
9 – Computer software, namely software for managing, searching, tracking and retrieving information relating to intellectual property rights, their infringement and enforcement, in particular trade marks, designs patents, domain names, corporate names, pharmaceutical names and any other rights; computer software to manage, enforce and monitor intellectual property rights, in particular trade marks, designs, patents, domain names, corporate names, pharmaceutical names and any other rights; computer software to manage product regulatory and product liability cases; computer software to identify and track counterfeits; downloadable electronic publications, namely, reports in the fields of intellectual property, product regulatory and commercial litigation.

16 – Printed publications, all relating to legal services, including intellectual property, trademark, company name, domain name research, clearance, registration and maintenance as well as management of product regulatory and product liability cases.

35 – Business consultancy services in the field of brand selection, brand clearance, brand enforcement, brand monitoring, brand management as well as product regulatory and product liability cases.

41 – Publishing of reports and articles relating to legal services, in particular intellectual property, trade marks, designs, patents, domain names, corporate names, pharmaceutical names and any other rights, in particular in relation to selection, clearance, registration, enforcement and maintenance of brands; educational services, namely, providing training in the use of computer software and computer databases; providing training and educational classes and webinars in the fields of legal and business research; arranging and providing education services in the nature of classes, seminars, workshops, webinars, training and courses relating to legal services, in particular intellectual property relating to trade marks, designs patents, domain names, corporate names, pharmaceutical names and any other rights as well as



in the field of product regulatory and commercial litigation; arranging and providing education services in the nature of classes, seminars, workshops, webinars, training and courses research, clearance, registration and maintenance; publication of reports featuring statistical information; arranging, conducting and organizing online forums, online committees, seminars, lectures and conferences for educational, cultural or recreation purposes, all in the field of legal services, in particular intellectual property, product regulatory and commercial litigation.

42 – Application service provider featuring software for conducting research, generating reports, and tracking information in the fields of intellectual property, trade marks, designs, patents, domain names, corporate names, pharmaceutical names and any other rights; hosting a website that gives registered users the ability to research, view, copy, print, download, share and manage access to documents and information relating to intellectual property, trade marks, designs, patents, domain names, corporate names, pharmaceutical names and any other rights; providing temporary use of non-downloadable software for database management via a website; providing on-line non-downloadable computer search engine software for obtaining data in the field of intellectual property, trade marks, designs, patents, domain names, corporate names, pharmaceutical names and any other rights; providing temporary use of on-line non-downloadable cloud computing software that allows users to manage, save, search, track, and retrieve information relating to intellectual property, trade marks, designs, patents, domain names, corporate names, pharmaceutical names and any other rights; providing temporary use of on-line non-downloadable cloud computing software that allows users the management of product liability and product regulatory cases; providing temporary use of on-line non-downloadable software that allows users to access and retrieve information from intellectual property and government regulatory offices; providing temporary use of on-line non-downloadable software that provides information from intellectual property and government regulatory offices; providing temporary use of on-line non-downloadable software that delivers reports, allows users to review reports, create charts, and collaborate with others; providing temporary use of web-based software applications for use on mobile devices for managing, saving, searching, tracking, and retrieving information related to legal services, intellectual property, trade marks, designs patents, domain names, corporate names, pharmaceutical names and any other rights.

45 – Legal and legal support services, in particular in the field of trade marks, designs patents, domain names, corporate names, pharmaceutical names and any other rights as well as government regulatory

and commercial litigation; providing legal information for legal research from online interactive databases; providing information in the field of trade marks, designs, patents, domain names, corporate names, pharmaceutical names and any other rights from online searchable databases; providing information in the field of law via the Internet.

(260) AM 2020 105956 A

(800) 1500950

(151) 2019 08 29

(891) 2019 08 29

(731) Sievert AG

Mühlenschweg 6, 49090 Osnabrück,  
Germany

(540)

## **sievert**

(591) Black, white

(511)

1 – Chemical products for building purposes (as far as included in this class); preservatives, waterproofing agents, mould-release preparations, fire proofing preparations and anti-freeze (except paints and oils) for mortars, concrete or masonry; adhesive (not for stationery); unprocessed artificial resins, unprocessed plastics; glaziers' putty.

2 – Paints (as far as included in this class), coatings (as far as included in this class), lacquers, binding preparations for paints, thinners for paints, coatings (paints), fungicide coatings and algacide coatings, anti corrosive preparations for structural works, primers; raw natural resins.

17 – Sealing compounds, sealants, insulating paints, substances for insulating buildings against moisture, sealant compounds for joints, insulating materials, plastic film, other than for wrapping, insulating plaster, soundproofing materials, non-conducting materials for retaining heat, mineral wool (insulating material), semi finished plastics, expansion joint profiles.

19 – Building materials (not of metal); gravel, sand (except foundry sand), pourable building materials (non-metallic) for dry filling; cement, limestone, plaster; gypsum, cement and lime mastics (building materials), mortar (building materials), plaster (building materials), plastering agents; concrete; bitumen, bituminous products for building; additives for cement, mortar and concrete (as far as included in this class); concrete building elements; beams, ceilings, walls, staircases, discs for building purposes, not of metal.

35 – Conducting market research, cost price analysis; arranging and conducting of exhibitions and trade fairs for commercial and advertising purposes; business management consultancy; compilation of

data in computer databases, computerised file management, business investigation into computer files (for third parties); public relations; online advertising on computer networks; business management and organization consultancy; employment agencies, personnel recruitment services; operation of businesses [for others], namely goods purchasing.

37 – Rental of construction equipment; construction information and consulting in building matters, building construction, included in this class.

39 – Delivery of goods, wrapping of goods, unloading of freight; providing information relating to the storage of goods; freight forwarding, transportation information; transport of building materials (transport).

40 – Recycling of construction materials, disposal of construction materials by termination and burning, grading by building refuse.

41 – Arranging and conducting of congresses, conferences and seminars; practical training [demonstration], teaching.

42 – Creating, updating and installation of computer software; chemical analysis; architectural consultancy, civil engineering, calibration (measuring); research in the field of structural engineering; research and development for others; construction drafting, materials testing, quality testing, constructional surveying, advisory services relating to pollution control.

(260) AM 2020 105957 A

(800) 1096644

(151) 2011 10 12

(891) 2019 10 01

(731) **PRODUITS PETROLIERS  
ORGANISATION S.A.S.**

44 rue de la Bienfaisance, F-75008 PARIS,  
France

(540)



(591) Red and black

(531) 26.11.12; 27.05.10; 29.01.12

(511)

4 – Industrial oils and greases; lubricants; dust absorbing, wetting and binding compositions; fuels (including motor spirit) and illuminants; candles and wicks for lighting.

(260) AM 2020 105958 A

(800) 1153330

(151) 2012 07 26

(891) 2019 09 27

(731) **JOYETECH EUROPE HOLDING GMBH**  
General-Guisan-Strasse 6, CH-6303 Zug,  
Switzerland

(540)

**eLeaf**

(591) Black, white

(511)

34 – Electronic cigarettes, electronic nicotine inhalation devices, namely, electronic cigarette cartridges, electronic cigarette atomizers, electronic cigarette cartomizers; liquid nicotine solutions, namely liquid nicotine for use in electronic cigarettes; refill liquid nicotine solutions; vaporizable solutions for inhalation through electronic cigarettes; electronic smoking vaporizers; smokeless cigarette vaporizer pipe.

(260) AM 2020 105998 A

(800) 1501194

(151) 2019 09 13

(891) 2019 09 13

(731) **Johann Huber**

Via Chiesa, 54, I-39018 Terlano (BZ), Italy

(540)



(591) Black, white

(531) 05.03.13; 05.03.14; 05.07.13; 27.05.01

(511)

31 – Agricultural, horticultural, forestry products and grains, live animals; fresh fruits and vegetables, seeds, natural plants and flowers, foodstuffs for animals, malt.

(260) AM 2020 105999 A

(800) 1501202

(151) 2019 09 13

(891) 2019 09 13

(731) **IMPERIAL S.P.A.**

VIA DEI LANAIOLI 42, BLOCCO 11

CENTERGROSS, I-40050 FUNO DI

ARGELATO (BO), Italy

(540)

**PLEASE**

(591) Black, white

(531) 26.11.01; 26.11.08; 27.05.08

(511)

25 – Clothing articles; dresses; suits; skirts; trousers; shorts; leggings [trousers]; jerseys [clothing]; undershirts; polo shirts; t-shirts; short-sleeved t-shirts;

long-sleeved t-shirts; shirts; cardigans; jackets; parkas; heavy jackets; sweaters; pullovers; blouses; coats; overcoats; raincoats; furs (clothing); combinations (clothing); scarves; neckerchiefs; foulard; shawls; stoles; neck ties; braces for clothing; gloves; stockings; socks; belts (clothing); swimming costumes; swimming trunks; beach dresses; bath robes; pyjamas; underwear; brassieres; tank tops; vest tops; underpants; hats; bonnets; berets; visors [headwear]; footwear; shoes; gymnastic shoes; sports shoes; boots; sandals; flip-flops [footwear]; slippers; clogs.

(260) AM 2020 106003 A  
 (800) 1501316  
 (151) 2019 10 11  
 (891) 2019 10 11  
 (731) Henkel AG & Co. KGaA  
 Henkelstr. 67, 40589 Düsseldorf, Germany  
 (540)

**STMNT**  
**S T A T E M E N T**  
**G R O O M I N G G O O D S**

(591) Black, white  
 (531) 26.04.02; 26.04.05; 26.04.22; 26.04.24;  
 26.04.24; 27.05.10  
 (511)  
 3 – Non-medicated soaps; perfumery, essential oils; non-medicated cosmetics; non-medicated dentifrices; preparations for the conditioning, cleaning, tinting, dyeing, bleaching, fixing and waving of hair, hair lotions and shampoos for cosmetic purposes.

(260) AM 2020 106004 A  
 (800) 1501334  
 (151) 2019 09 17  
 (891) 2019 09 17  
 (731) BAUSCH HEALTH IRELAND LIMITED  
 Citywest Business Campus, 3013 Lake  
 Drive, Dublin 24, Ireland  
 (540)

**EyeCee**

(591) Black, white  
 (511)  
 10 – Surgical, medical, dental and veterinary instruments and apparatus, artificial limbs, eyes and teeth, in particular intraocular lenses (IOLs) for cataract surgery, used exclusively intraoperatively in operating theatres by ophthalmologists.

(260) AM 2020 106005 A  
 (800) 1501363  
 (151) 2019 08 14  
 (891) 2019 08 14

(731) Euro Games Technology Ltd.  
 4, "Maritsa" Str., "Vranya-Lozen-  
 Triugulnika", BG-1151 Sofia, Bulgaria  
 (540)

**SANDS**  
**PRINCESS**

(591) Yellow, red, orange, white, black, brown and gray

(531) 27.05.02; 27.05.03; 27.05.14; 29.01.15  
 (511)

9 – Software; computer gaming software; computer software packages; computer operating system software; computer software, recorded; software drivers; virtual reality software; games software; entertainment software for computer games; computer programs for network management; operating computer software for mainframe computers; monitors (computer hardware); computer hardware; apparatus for recording images; monitors (computer programs); computer game programs; computer programs for recorded games; apparatus for recording, transmission or reproduction of sound or images; communications servers [computer hardware]; electronic components for gambling machines; computer application software featuring games and gaming; computer software for the administration of on-line games and gaming; computer hardware for games and gaming; electronic components and computer software for gambling, gambling machines, gambling games on the Internet and via telecommunication network.

28 – Gaming machines for gambling; chips for gambling; mah-jong; arcade games; gambling machines operating with coins, notes and cards; games; electronic games; parlor games; gaming chips; gaming tables; slot machines [gaming machines]; LCD game machines; slot machines and gaming devices; coin-operated amusement machines; roulette chips; poker chips; chips and dice [gaming equipment]; equipment for casinos; roulette tables; gaming roulette wheels; casino games; gambling machines and amusement machines, automatic and coin-operated; coin-operated amusement machines and/or electronic coin-operated amusement machines with or without the possibility of gain; boxes for coin-operated machines, slot machines and gaming machines; electronic or electrotechnical amusement machines and apparatus, gaming machines, coin-operated entertainment machines; housings for coin-operated machines, gaming equipment, gaming machines, machines for gambling; electropneumatic and electrical gambling machines (slot machines).

41 – Gambling; services related to gambling; gaming services for entertainment purposes; casino, gaming and gambling services; training in the deve-

lopment of software systems; provision of equipment for gambling halls; providing casino equipment [gambling]; gaming machine entertainment services; providing casino facilities [gambling]; gaming hall services; amusement arcade services; games equipment rental; rental of gaming machines; providing amusement arcade services; rental of gaming machines with images of fruits; editing or recording of sounds and images; sound recording and video entertainment services; hire of sound reproducing apparatus; provision of gaming equipment for casinos; providing of casino facilities; online gambling services; casino, gaming and gambling services; provision of gaming establishments, gaming halls, Internet casinos, online gaming services.

(260) AM 2020 106007 A

(800) 1501382

(151) 2019 09 18

(891) 2019 09 18

(731) adp Gauselmann GmbH  
Merkur-Allee 1-15, 32339 Espelkamp,  
Germany

(540)

**MEXX**

(591) Black, white

(511)

9 – Computer software; coin-operated mechanisms; computer and video game software; games software, in particular for use on any computer platforms, including electronic entertainment and games consoles; computer game programs; video games (software); computer games provided through a global computer network or supplied by means of multi-media electronic broadcast or through telecommunications or electronic transmission or via the internet; computer games, leisure and recreational software, video games and computer software, all being provided in the form of storage media; programs for operating electric and electronic apparatus for games, amusement and/or entertainment purposes; computer software for computer games on the internet; online games (software), in particular for online betting games, online prize games, online gambling games, online games of skill and online casino games; computer software in the form of an app for mobile devices and computers; calculating apparatus in coin-operated machines and parts for the aforesaid goods; electric, electronic, optical or automatic apparatus, for identifying data carriers, identity cards and credit cards, bank notes and coins; software in particular for casino and/or amusement arcades games, for gaming machines and/or slot machines each one with or without prize payouts; gaming software that generates or displays wager outcomes of gaming machines; operational computer games software; computer software for managing of games (games collection);

computer programs for video games; computer video game software.

28 – Games; toys; gaming apparatus (including coin-operated apparatus); coin-operated arcade games (machines); games for amusement arcade (included in this class); coin-operated video gaming apparatus; video games apparatus adapted for use with external screens or monitors only; casino fittings, namely roulette tables, roulette wheels; coin-operated automatic gaming machines and gaming machines, in particular for gaming arcades, with or without a prize payout; electronic or electrotechnical gaming apparatus, automatic gaming machines, gaming machines, slot machines operated by coins, tokens, banknotes, tickets or by means of electronic, magnetic or biometric storage media, in particular for commercial use in casinos and amusement arcades, with or without a prize payout; automatic gaming machines and gaming machines, in particular for commercial use in casinos and gaming arcades, with or without a prize payout; coin-operated gaming machines and/or electronic money-based gaming apparatus (machines), with or without prizes; housings adapted for gaming machines, gaming apparatus and automatic gaming machines, operated by means of coins, tokens, tickets or by means of electronic, magnetic or biometric storage media, in particular for commercial use in casinos and gaming arcades, with or without a prize payout; electronic games; electronic game entertainment apparatus and parts thereof; video output game machines; drawing apparatus for prize games and lotteries, draws or raffles; housings of metal, plastic and/or wood adapted for coin-operated automatic amusement machines; apparatus for games (including video games), other than adapted for use with external screens or monitors only; electropneumatic and electric slot machines with pulling handles (gaming machines); gaming tables, in particular for table football, billiards, sliding games; flying discs (toys) and darts; gaming machines, namely electric, electronic or electromechanical apparatus for bingo games, lotteries or video lottery games and for betting offices, connected or unconnected to a computer network; LCD games consoles; automated gaming machines; all the aforesaid automatic machines in networks; apparatus and devices for accepting and storing money, being fittings for the aforesaid automatic machines, included in this class; automatic lottery machines.

(260) AM 2020 106010 A

(800) 1501491

(151) 2019 08 06

(891) 2019 08 06

(731) Obshchestvo s ogranichennoy  
otvetstvennostyu "Upravlyayushchaya  
kompania Miksit"

p. Moskovskiy, 22-y km Kievskogo sh.,  
domovl. 4, str. 5, office 713-E, RU-125362  
Moscow, Russian Federation

(540)



(591) Black, yellow, purple, dark pink and blue

(531) 25.05.03; 25.05.06; 25.05.25; 26.03.04;  
27.05.21; 29.01.15

(511)

8 – Hand tools and implements, hand-operated; cutlery; side arms, other than firearms; razors; glaziers' diamonds [parts of hand tools]; apparatus for tattooing; laser hair removal apparatus, other than for medical purposes; razors, electric or non-electric; sharpening steels; scythe stones; gimlets [hand tools]; borers; augers [hand tools]; carpenters' augers; hand drills, hand-operated; pickhammers; levers; table forks; weeding forks [hand tools]; agricultural forks [hand tools]; lawn clippers [hand instruments]; harpoons; harpoons for fishing; nail pullers, hand-operated; rakes [hand tools]; sand trap rakes; cutter bars [hand tools]; whetstone holders; priming irons [hand tools]; sculptors' chisels; lifting jacks, hand-operated; truncheons; clamps for carpenters or coopers; spades [hand tools]; rabbeting planes; chisels; engraving needles; tattoo needles; edge tools [hand tools]; garden tools, hand-operated; abrading instruments [hand instruments]; numbering punches; goffering irons; implements for decanting liquids [hand tools]; depilation appliances, electric and non-electric; sharpening instruments; blade sharpening instruments; livestock marking tools; nail clippers, electric or non-electric; oyster openers; polishing irons [glazing tools]; ear-piercing apparatus; tube cutting instruments; wire strippers [hand tools]; riveters [hand tools]; expanders [hand tools]; cutting tools [hand tools]; ski edge sharpening tools, hand-operated; hand tools, hand-operated; sterile body piercing instruments; stamping-out tools [hand tools]; picks [hand tools]; sharpening stones; punch rings [knuckle dusters]; trowels; centre punches [hand tools]; daggers; pickaxes; mallets [hand instruments]; pliers; punch pliers [hand tools]; blades [weapons]; annular screw plates; wrenches [hand tools]; tap wrenches; ladles [hand tools]; foundry ladles [hand tools]; meat claws; breast drills; lasts [shoemakers' hand tools]; scythe rings; instruments for punching tickets; diggers [hand tools]; rams [hand tools]; scythes; hainault scythes; fire irons; emery grinding wheels; grindstones [hand tools]; sledgehammers; thistle extrac-

tors [hand tools]; nail nippers; tree pruners; nail drawers [hand tools]; ice picks; blades [hand tools]; razor blades; blades for planes; plane irons; jig-saws; table knives, forks and spoons for babies; table knives, forks and spoons of plastic; crow bars; trowels [gardening]; shovels [hand tools]; palette knives; machetes; beard clippers; hair clippers for personal use, electric and non-electric; hair clippers for animals [hand instruments]; taps [hand tools]; fireplace bellows [hand tools]; swords; hammers [hand tools]; emergency hammers; fullers [hand tools]; stone hammers; masons' hammers; riveting hammers [hand tools]; mattocks; ditchers [hand tools]; mincing knives [hand tools]; manicure sets; manicure sets, electric; pedicure sets; needle files; bits [hand tools]; files [tools]; emery files; air pumps, hand-operated; hand pumps; shaving cases; cheese slicers, non-electric; fruit segmenters; egg slicers, non-electric; pizza cutters, non-electric; scaling knives; hobby knives [scalpels]; fruit corers; molding irons; ceramic knives; can openers, non-electric; tin openers, non-electric; farriers' knives; budding knives; hunting knives; penknives; grafting tools [hand tools]; braiders [hand tools]; box cutters; bill-hooks; paring knives; knives; cleavers; wick trimmers [scissors]; shears; cattle shearers; border shears; pruning shears; shearers [hand instruments]; scissors; sword scabbards; vegetable slicers; kitchen mandolines; vegetable spiralizers, hand-operated; vegetable peelers [hand tools]; agricultural implements, hand-operated; stropping instruments; screwdrivers, non-electric; sabres; stirring sticks for mixing paint; reamer sockets; drill holders [hand tools]; perforating tools [hand tools]; pestles for pounding [hand tools]; emery boards; nail files; nail files, electric; saws [hand tools]; bow saws; tweezers; hair-removing tweezers; guns [hand tools]; non-electric caulking guns; guns, hand-operated, for the extrusion of mastics; dies [hand tools]; fruit pickers [hand tools]; saw blades [parts of hand tools]; shear blades; tool belts [holders]; hair braiders, electric; table cutlery [knives, forks and spoons]; crimping irons; hand implements for hair curling; vegetable choppers; money scoops; instruments and tools for skinning animals; fingernail polishers, electric or non-electric; nail buffers, electric or non-electric; hackles [hand tools]; pin punches; nail punches; fish tapes [hand tools]; punches [hand tools]; insecticide sprayers [hand tools]; syringes for spraying insecticides; reamers; frames for handsaws; saw holders; rasps [hand tools]; cutters; paring irons [hand tools]; graving tools [hand tools]; milling cutters [hand tools]; razor strops; leather strops; planes; scythe handles; knife handles; handles for hand-operated hand tools; marline spikes; bits [parts of hand tools]; hollowing bits [parts of hand tools]; secateurs; silver plate [knives, forks and spoons]; pruning knives; sickles; drawing knives; scrapers [hand tools]; scrapers for skis; mortise chisels; caulking irons; gouges [hand tools]; mortars for pounding

[hand tools]; mitre boxes [hand tools]; branding irons; hatchets; adzes [tools]; vices; bench vices [hand implements]; hoop cutters [hand tools]; axes; holing axes; fulling tools [hand tools]; earth rammers [hand tools]; tube cutters [hand tools]; squares [hand tools]; extension pieces for braces for screw taps; embossers [hand tools]; apparatus for destroying plant parasites, hand-operated; metal wire stretchers [hand tools]; metal band stretchers [hand tools]; flat irons; irons [non-electric hand tools]; razor cases; ratchets [hand tools]; scraping tools [hand tools]; awls; choppers [knives]; spatulas [hand tools]; spatulas for use by artists; wine bottle foil cutters, hand-operated; bayonets; curling tongs; cuticle tweezers; eyelash curlers.

9 – Scientific, research, navigation, surveying, photographic, cinematographic, audiovisual, optical, weighing, measuring, signalling, detecting, testing, inspecting, life-saving and teaching apparatus and instruments; apparatus and instruments for conducting, switching, transforming, accumulating, regulating or controlling the distribution or use of electricity; apparatus and instruments for recording, transmitting, reproducing or processing sound, images or data; recorded and downloadable media, computer software, blank digital or analogue recording and storage media; mechanisms for coin-operated apparatus; cash registers, calculating devices; computers and computer peripheral devices; diving suits, divers' masks, ear plugs for divers, nose clips for divers and swimmers, gloves for divers, breathing apparatus for underwater swimming; fire extinguishing apparatus; 3D spectacles; DVD players; nanoparticle size analyzers; ticket dispensers; coin-operated musical automata [juke boxes]; fire engines; answering machines; electrical adapters; batteries for electronic cigarettes; accumulators, electric; accumulators, electric, for vehicles; accelerometers; actinometers; alidades; altimeters; ear pads for headphones; ammeters; anemometers; anodes; antennas; anticathodes; apertometers [optics]; high-frequency apparatus; testing apparatus not for medical purposes; electro-dynamic apparatus for the remote control of railway points; electro-dynamic apparatus for the remote control of signals; remote control apparatus; monitoring apparatus, other than for medical purposes; sound recording apparatus; Global Positioning System [GPS] apparatus; distillation apparatus for scientific purposes; diffraction apparatus [microscopy]; air analysis apparatus; apparatus to check franking; sound transmitting apparatus; apparatus for fermentation [laboratory apparatus]; breathing apparatus for underwater swimming; breathing apparatus, except for artificial respiration; apparatus and installations for the production of X-rays, not for medical purposes; electric apparatus for commutation; magnetic resonance imaging [MRI] apparatus, not for medical purposes; intercommunication apparatus; stills for laboratory

experiments; projection apparatus; radiological apparatus for industrial purposes; X-ray apparatus not for medical purposes; blueprint apparatus; flashing lights [luminous signals]; stereoscopic apparatus; telephone apparatus; facsimile machines; phototelegraphy apparatus; igniting apparatus, electric, for igniting at a distance; acid hydrometers; salinometers; acidimeters for batteries; aerometers; beacons, luminous; battery jars; automated teller machines [ATM]; barometers; anode batteries; galvanic batteries; batteries for lighting; solar batteries; solar panels for the production of electricity; batteries, electric; balances [steelyards]; betatrons; binoculars; biochips; electronic tags for goods; lens hoods; magnetic tape units for computers; computer memory devices; fire hose nozzles; encoded identification bracelets, magnetic; connected bracelets [measuring instruments]; safety tarpaulins; electronic key fobs being remote control apparatus; bulletproof clothing; signalling buoys; life buoys; marking buoys; directional compasses; vacuum gauges; electrolyzers; variometers; verniers; scales; baby scales; bathroom scales; letter scales; weighbridges; precision balances; scales with body mass analysers; levelling staffs [surveying instruments]; camcorders; video baby monitors; video cassettes; video telephones; video screens; viewfinders, photographic; electric plugs; micrometer screws for optical instruments; viscosimeters; circuit closers; wavemeters; voltmeters; mechanical signs; signs, luminous; switchboxes [electricity]; current rectifiers; gas testing instruments; gasometers [measuring instruments]; galvanometers; hands-free kits for telephones; heliographic apparatus; hygrometers; hydrometers; weights; peepholes [magnifying lenses] for doors; hairdressing training heads [teaching apparatus]; holograms; plotters; loudspeakers; sounding leads; plumb bobs; range finders; piezoelectric sensors; densimeters; densitometers; detectors; smoke detectors; infrared detectors; counterfeit coin detectors; joysticks for use with computers, other than for video games; transparencies [photography]; slide projectors; diaphragms [photography]; dictating machines; dynamometers; light-emitting diodes [LED]; quantum dot light-emitting diodes [QLED]; organic light-emitting diodes [OLED]; floppy disks; sound recording discs; disks, magnetic; optical discs; circular slide rules; disk drives for computers; juke boxes for computers; wearable video display monitors; electronic numeric displays; DNA chips; electronic interactive whiteboards; electronic notice boards; electric wire harnesses for automobiles; bullet-proof waistcoats; life jackets; reflective safety vests; identification threads for electric wires; nose clips for divers and swimmers; locks, electric; bells [warning devices]; alarm bells, electric; electric door bells; signal bells; audio interfaces; acoustic conduits; mirrors for inspecting work; road signs, luminous or mechanical; downloadable emoticons for mobile phones; marine depth

finders; probes for scientific purposes; buzzers; needles for surveying compasses; needles for record players; eyewear; reflective articles for wear, for the prevention of accidents; measures; pressure measuring apparatus; simulators for the steering and control of vehicles; inverters [electricity]; pressure indicators; automatic indicators of low pressure in vehicle tires; temperature indicators; incubators for bacteria culture; measuring instruments; cosmographic instruments; mathematical instruments; levelling instruments; instruments containing eyepieces; surveying instruments; azimuth instruments; interfaces for computers; ionization apparatus not for the treatment of air or water; satellite finder meters; spark-guards; coaxial cables; fiber optic cables; cables, electric; calipers; slide calipers; screw-tapping gauges; calorimeters; calculating machines; pocket calculators; decompression chambers; rearview cameras for vehicles; cinematographic cameras; thermal imaging cameras; mouth guards for sports; life-saving capsules for natural disasters; electronic pens [visual display units]; holders for electric coils; identity cards, magnetic; video game cartridges; toner cartridges, unfilled, for printers and photocopiers; ink cartridges, unfilled, for printers and photocopiers; memory cards for video game machines; encoded magnetic cards; riding helmets; protective helmets; carriers for dark plates [photography]; cathodes; spools [photography]; choking coils [impedance]; coils, electric; electromagnetic coils; cinematographic film, exposed; computer keyboards; solenoid valves [electromagnetic switches]; wire connectors [electricity]; thin client computers; encoded key cards; electronic book readers; electronic agendas; push buttons for bells; mouse pads; magnetic encoders; visors for helmets; collectors, electric; calibrating rings; smart rings; ring sizers; protective suits for aviators; commutators; compact discs [audio-video]; compact discs [read-only memory]; comparators; marine compasses; laptop computers; tablet computers; notebook computers; wearable computers; condensers [capacitors]; contacts, electric; wind socks for indicating wind direction; traffic cones; branch boxes [electricity]; distribution boxes [electricity]; junction boxes [electricity]; connectors [electricity]; battery boxes; cabinets for loudspeakers; diving suits; galena crystals [detectors]; covers for electric outlets; logs [measuring instruments]; lasers, not for medical purposes; lactodensimeters; lactometers; vacuum tubes [radio]; darkroom lamps [photography]; thermionic tubes; amplifying tubes; flashlights [photography]; head cleaning tapes [recording]; magnetic tapes; videotapes; surveying chains; fire escapes; rulers [measuring instruments]; square rulers for measuring; slide-rules; contact lenses; correcting lenses [optics]; close-up lenses; optical lenses; optical condensers; sounding lines; electricity conduits; measuring spoons; magnifying glasses [optics]; thread counters; magnets; decorative magnets;

crash test dummies; resuscitation mannequins [teaching apparatus]; mouse [computer peripheral]; trackballs [computer peripherals]; pressure gauges; security tokens [encryption devices]; divers' masks; solderers' helmets; protective masks; respiratory masks, other than for artificial respiration; materials for electricity mains [wires, cables]; voting machines; money counting and sorting machines; material testing instruments and machines; furniture especially made for laboratories; megaphones; portable media players; diaphragms [acoustics]; diaphragms for scientific apparatus; metal detectors for industrial or military purposes; digital weather stations; metronomes; rules [measuring instruments]; carpenters' rules; dressmakers' measures; mechanisms for counter-operated apparatus; coin-operated mechanisms for television sets; shutter releases [photography]; micrometers; microprocessors; microscopes; microtomes; microphones; audio mixers; modems; lightning rods; monitors [computer hardware]; monitors [computer programs]; selfie sticks [hand-held monopods]; terminals [electricity]; junction sleeves for electric cables; teeth protectors; temperature indicator labels, not for medical purposes; knee-pads for workers; headphones; surveyors' levels; sound recording carriers; magnetic data media; optical data media; electronic sheet music, downloadable; computer software, recorded; sheaths for electric cables; identification sheaths for electric wires; weighing machines; computer hardware; punched card machines for offices; life saving apparatus and equipment; shoes for protection against accidents, irradiation and fire; objectives [lenses] [optics]; lenses for astrophotography; selfie lenses; egg-candlers; fire extinguishers; rescue laser signalling flares; electrified fences; limiters [electricity]; clothing for protection against accidents, irradiation and fire; clothing for protection against fire; asbestos clothing for protection against fire; clothing especially made for laboratories; survival blankets; ozonisers [ozonators]; octants; eyepieces; ohmmeters; wrist rests for use with computers; eyeglass frames; oscillographs; plumb lines; mirrors [optics]; eyeglasses; sunglasses; goggles for sports; electronic collars to train animals; finger sizers; signalling panels, luminous or mechanical; wah-wah pedals; radio pagers; pince-nez; electronic pocket translators; transmitters [telecommunication]; telephone transmitters; transmitters of electronic signals; switches, electric; periscopes; data gloves; gloves for divers; gloves for protection against accidents; gloves for protection against X-rays for industrial purposes; asbestos gloves for protection against accidents; furnaces for laboratory use; droppers for measuring, other than for medical or household purposes; laboratory pipettes; pyrometers; planimeters; plane tables [surveying instruments]; plates for batteries; computer software platforms, recorded or downloadable; wafers for integrated circuits; printed circuit boards; compact disc players; cassette play-

ers; protective films adapted for computer screens; protective films adapted for smartphones; sound recording strips; X-ray films, exposed; films, exposed; life-saving rafts; laboratory trays; digital signs; stands adapted for laptops; semi-conductors; polarimeters; personal digital assistants [PDAs]; fire pumps; measuring glassware; life belts; fuses; circuit breakers; converters, electric; telerupters; food analysis apparatus; diagnostic apparatus, not for medical purposes; distance recording apparatus; distance measuring apparatus; speed measuring apparatus [photography]; appliances for measuring the thickness of leather; apparatus for measuring the thickness of skins; speed checking apparatus for vehicles; time recording apparatus; apparatus and instruments for astronomy; nautical apparatus and instruments; apparatus and instruments for physics; chemistry apparatus and instruments; measuring apparatus; measuring devices, electric; boiler control instruments; meteorological instruments; naval signalling apparatus; observation instruments; navigation apparatus for vehicles [on-board computers]; satellite navigational apparatus; regulating apparatus, electric; telecommunication apparatus in the form of jewellery; precision measuring apparatus; audio- and video-receivers; prisms [optics]; computer software applications, downloadable; printers for use with computers; hemline markers; retorts' stands; apparatus for changing record player needles; drainers for use in photography; cleaning apparatus for sound recording discs; fire beaters; telescopic sights for firearms; telescopic sights for artillery; test tubes; pressure indicator plugs for valves; magnetic wires; telegraph wires; telephone wires; wires, electric; conductors, electric; copper wire, insulated; fuse wire; computer programs, recorded; computer game software, downloadable; computer game software, recorded; computer programs, downloadable; computer operating programs, recorded; computer screen saver software, recorded or downloadable; record players; processors [central processing units]; rods for water diviners; electronic publications, downloadable; distribution consoles [electricity]; control panels [electricity]; radar apparatus; baby monitors; masts for wireless aerials; transmitting sets [telecommunication]; radios; vehicle radios; sprinkler systems for fire protection; frames for photographic transparencies; screens for photoengraving; flowmeters; walkie-talkies; voltage surge protectors; voltage regulators for vehicles; stage lighting regulators; light regulators [dimmers], electric; speed regulators for record players; cell switches [electricity]; washing trays [photography]; marking gauges [joinery]; T-squares for measuring; time switches, automatic; relays, electric; safety restraints, other than for vehicle seats and sports equipment; X-ray photographs, other than for medical purposes; rheostats; respirators for filtering air; retorts; refractometers; refractors; grids for batteries; security surveillance robots; laboratory

robots; teaching robots; telepresence robots; humanoid robots with artificial intelligence; electric sockets; height measuring instruments; speaking tubes; horns for loudspeakers; subwoofers; saccharometers; optical fibers [light conducting filaments]; traffic-light apparatus [signalling devices]; dog whistles; signalling whistles; sports whistles; sextants; inductors [electricity]; safety nets; nets for protection against accidents; fire alarms; signals, luminous or mechanical; rescue flares, non-explosive and non-pyrotechnic; sirens; electronic access control systems for interlocking doors; scanners [data processing equipment]; hand-held electronic dictionaries; integrated circuit cards [smart cards]; smartglasses; smartphones; smartwatches; connections for electric lines; couplings, electric; sonars; sound locating instruments; lighting ballasts; resistances, electric; spectrograph apparatus; spectroscopes; speed indicators; alcoholmeters; satellites for scientific purposes; protection devices for personal use against accidents; audiovisual teaching apparatus; charging stations for electric vehicles; radiotelegraphy sets; radiotelephony sets; spectacle lenses; anti-glare glasses; optical glass; personal stereos; stereoscopes; stands for photographic apparatus; stroboscopes; fire boats; sulfotometers; bags adapted for laptops; drying racks [photography]; spherometers; integrated circuits; printed circuits; counters; parking meters; kilometer recorders for vehicles; revolution counters; abacuses; egg timers [sandglasses]; taximeters; ear plugs for divers; tachometers; television apparatus; telegraphs [apparatus]; telescopes; teleprompters; teleprinters; cellular phones; cordless telephones; theodolites; interactive touch screen terminals; thermo-hygrometers; thermometers, not for medical purposes; thermostats; thermostats for vehicles; climate control digital thermostats; crucibles [laboratory]; tone arms for record players; totalizers; transistors [electronic]; transponders; protractors [measuring instruments]; transformers [electricity]; step-up transformers; resuscitation training simulators; vehicle breakdown warning triangles; triodes; starter cables for motors; discharge tubes, electric, other than for lighting; capillary tubes; neon signs; Pitot tubes; X-ray tubes not for medical purposes; telephone receivers; headgear being protective helmets; squares for measuring; gauges; quantity indicators; gasoline gauges; water level indicators; electric loss indicators; light-emitting electronic pointers; slope indicators; levels [instruments for determining the horizontal]; mercury levels; spirit levels; urinometers; amplifiers; particle accelerators; electric installations for the remote control of industrial operations; steering apparatus, automatic, for vehicles; balancing apparatus; video recorders; sound reproduction apparatus; invoicing machines; tape recorders; protection devices against X-rays, not for medical purposes; railway traffic safety appliances; data processing apparatus; oxygen transvasing apparatus; theft prevention installations,



electric; devices for the projection of virtual keyboards; film cutting apparatus; drying apparatus for photographic prints; optical character readers; centering apparatus for photographic transparencies; dosage dispensers; battery chargers; chargers for electric batteries; chargers for electronic cigarettes; acoustic alarms; sounding apparatus and machines; apparatus for editing cinematographic film; cathodic anti-corrosion apparatus; couplers [data processing equipment]; wearable activity trackers; anti-theft warning apparatus; computer peripheral devices; anti-interference devices [electricity]; demagnetizing apparatus for magnetic tapes; acoustic couplers; alarms; fog signals, non-explosive; whistle alarms; adding machines; readers [data processing equipment]; heat regulating apparatus; photocopiers [photographic, electrostatic, thermic]; electric and electronic effects units for musical instruments; bar code readers; downloadable ring tones for mobile phones; downloadable image files; downloadable music files; animated cartoons; filters for respiratory masks; filters for ultraviolet rays, for photography; filters for use in photography; USB flash drives; magic lanterns; optical lamps; signal lanterns; cameras [photography]; glazing apparatus for photographic prints; shutters [photography]; darkrooms [photography]; photometers; flash-bulbs [photography]; digital photo frames; enlarging apparatus [photography]; photovoltaic cells; containers for contact lenses; eyeglass cases; containers for microscope slides; cases for smartphones; cases especially made for photographic apparatus and instruments; chromatography apparatus for laboratory use; chronographs [time recording apparatus]; laboratory centrifuges; eyeglass chains; cyclotrons; compasses for measuring; frequency meters; time clocks [time recording devices]; Petri dishes; sleeves for laptops; covers for personal digital assistants [PDAs]; covers for tablet computers; covers for smartphones; fire blankets; chips [integrated circuits]; jigs [measuring instruments]; pedometers; meteorological balloons; electrified rails for mounting spot lights; asbestos screens for firemen; fire hose; virtual reality headsets; protective helmets for sports; head guards for sports; lifeboats; snorkels; cell phone straps; eyeglass cords; tripods for cameras; switchboards; distribution boards [electricity]; equalizers [audio apparatus]; screens [photography]; workmen's protective face-shields; projection screens; radiology screens for industrial purposes; fluorescent screens; exposure meters [light meters]; ducts [electricity]; galvanic cells; downloadable graphics for mobile phones; epidiascopes; ergometers; armatures [electricity]; black boxes [data recorders].

10 – Surgical, medical, dental and veterinary apparatus and instruments; artificial limbs, eyes and teeth; orthopedic articles; suture materials; therapeutic and assistive devices adapted for the disabled; massage apparatus; apparatus, devices and articles for nursing

infants; sexual activity apparatus, devices and articles; analyzers for bacterial identification for medical purposes; cholesterol meters; blood testing apparatus; testing apparatus for medical purposes; apparatus for use in medical analysis; anaesthetic apparatus; galvanic therapeutic appliances; apparatus for artificial respiration; apparatus for the treatment of deafness; physical exercise apparatus for medical purposes; body rehabilitation apparatus for medical purposes; dental apparatus and instruments; surgical apparatus and instruments; resuscitation apparatus; dental apparatus, electric; physiotherapy apparatus; bed vibrators; hot air therapeutic apparatus; diagnostic apparatus for medical purposes; traction apparatus for medical purposes; radiotherapy apparatus; microdermabrasion apparatus; fumigation apparatus for medical purposes; apparatus for the regeneration of stem cells for medical purposes; apparatus for DNA and RNA testing for medical purposes; apparatus and installations for the production of X-rays, for medical purposes; magnetic resonance imaging [MRI] apparatus for medical purposes; orthodontic appliances; radiological apparatus for medical purposes; X-ray apparatus for medical purposes; hearing aids; nasal aspirators; trusses; maternity belts; bandages, elastic; cupping glasses; biomagnetic rings for therapeutic or medical purposes; dental burs; acupressure bands; bracelets for medical purposes; anti-nausea wristbands; anti-rheumatism bracelets; feeding bottles; air cushions for medical purposes; vaporizers for medical purposes; hot air vibrators for medical purposes; vibromassage apparatus; gastroscopes; haemocytometers; glucose meters; lice combs; surgical sponges; defibrillators; dialyzers; containers especially made for medical waste; clips, surgical; mirrors for dentists; mirrors for surgeons; probes for medical purposes; urethral probes; artificial teeth; acupuncture needles; suture needles; needles for medical purposes; pill crushers; biodegradable bone fixation implants; surgical implants comprised of artificial materials; inhalers; hydrogen inhalers; injectors for medical purposes; incubators for medical purposes; incubators for babies; obstetric apparatus; obstetric apparatus for cattle; electric acupuncture instruments; surgical cutlery; insufflators; endoscopy cameras for medical purposes; cannulae; droppers for medical purposes; dropper bottles for medical purposes; heart monitors; heart pacemakers; catheters; catgut; draw-sheets for sick beds; enema apparatus for medical purposes; clips for dummies; artificial skin for surgical purposes; menstrual cups; teething rings; anti-rheumatism rings; compressors [surgical]; thermo-electric compresses [surgery]; abdominal corsets; corsets for medical purposes; crutches; dentists' armchairs; armchairs for medical or dental purposes; waterbeds for medical purposes; air beds for medical purposes; beds specially made for medical purposes; feeding bottle valves; love dolls [sex dolls]; lasers for medical purposes; lamps for

medical purposes; curing lamps for medical purposes; quartz lamps for medical purposes; ultraviolet ray lamps for medical purposes; lancets; lenses [intraocular prostheses] for surgical implantation; sponges for administering medicine; masks for use by medical personnel; respiratory masks for artificial respiration; anaesthetic masks; therapeutic facial masks; gum massagers for babies; childbirth mattresses; air mattresses for medical purposes; furniture especially made for medical purposes; water bags for medical purposes; douche bags; breast pumps; body fat monitors; body composition monitors; urinals being vessels; portable hand-held urinals; teeth protectors for dental purposes; temperature indicator labels for medical purposes; knee bandages, orthopaedic; tips for crutches; finger guards for medical purposes; medical guidewires; pumps for medical purposes; thread, surgical; knives for surgical purposes; scissors for surgery; ambulance stretchers; stretchers, wheeled; boots for medical purposes; orthopaedic footwear; clothing especially for operating rooms; compression garments; blankets, electric, for medical purposes; supports for flat feet; ophthalmometers; ophthalmoscopes; cooling pads for first aid purposes; slings [supporting bandages]; gloves for massage; gloves for medical purposes; pessaries; saws for surgical purposes; ear picks; cooling patches for medical purposes; spittoons for medical purposes; plaster bandages for orthopaedic purposes; supportive bandages; suspensory bandages; abdominal pads; cushions for medical purposes; pads for preventing pressure sores on patient bodies; air pillows for medical purposes; soporific pillows for insomnia; heating cushions, electric, for medical purposes; abdominal belts; galvanic belts for medical purposes; hypogastric belts; belts for medical purposes; orthopaedic belts; umbilical belts; belts, electric, for medical purposes; condoms; aerosol dispensers for medical purposes; sphygmomanometers; pulse meters; esthetic massage apparatus; veterinary apparatus and instruments; medical apparatus and instruments; urological apparatus and instruments; brushes for cleaning body cavities; invalids' hoists; appliances for washing body cavities; corn knives; incontinence sheets; sterile sheets, surgical; surgical drapes; hair prostheses; artificial breasts; artificial jaws; ice bags for medical purposes; toe separators for orthopaedic purposes; surgical bougies; orthodontic rubber bands; X-ray photographs for medical purposes; respirators for artificial respiration; surgical robots; ear trumpets; strait jackets; sex toys; scalpels; tongue scrapers; dummies for babies; feeding bottle teats; baby feeding dummies; receptacles for applying medicines; spirometers [medical apparatus]; vaginal syringes; implantable subcutaneous drug delivery devices; hearing protectors; contraceptives, non-chemical; orthopaedic soles; stents; stethoscopes; operating tables; commode chairs; basins for medical purposes; bed pans; instrument cases for

use by doctors; arch supports for footwear; ear plugs [ear protection devices]; thermal packs for first aid purposes; thermometers for medical purposes; tomographs for medical purposes; trocars; walking sticks for medical purposes; quad canes for medical purposes; drainage tubes for medical purposes; X-ray tubes for medical purposes; radium tubes for medical purposes; balling guns; protection devices against X-rays, for medical purposes; apparatus for acne treatment; filters for ultraviolet rays, for medical purposes; patient examination gowns; wheeled walkers to aid mobility; walking frames for disabled persons; cases fitted for medical instruments; elastic stockings for surgical purposes; stockings for varices; splints, surgical; tongue depressors for medical purposes; syringes for injections; syringes for medical purposes; hypodermic syringes; uterine syringes; urethral syringes; pins for artificial teeth; castrating pincers; forceps; robotic exoskeleton suits for medical purposes; radiology screens for medical purposes; electrodes for medical use; electrocardiographs; brain pacemakers.

11 – Apparatus and installations for lighting, heating, cooling, steam generating, cooking, drying, ventilating, water supply and sanitary purposes; lamp shades; steam accumulators; heat accumulators; defrosters for vehicles; disinfectant apparatus for medical purposes; distillation apparatus; desiccating apparatus; hydromassage bath apparatus; disinfectant apparatus; air deodorizing apparatus; tanning apparatus [sun beds]; ionization apparatus for the treatment of air or water; coffee roasters; beverage cooling apparatus; hand drying apparatus for washrooms; fruit roasters; water purifying apparatus and machines; refrigerating apparatus and machines; drying apparatus and installations; freezers; heating and cooling apparatus for dispensing hot and cold beverages; drying apparatus; coolers for furnaces; expansion tanks for central heating installations; flushing tanks; refining towers for distillation; bidets; boilers, other than parts of machines; bath tubs; spa baths [vessels]; bath tubs for sitz baths; waffle irons, electric; fans [air-conditioning]; fans [parts of air-conditioning installations]; electric fans for personal use; roasting spits; refrigerating display cabinets; heated display cabinets; water heaters; water heaters [apparatus]; water flushing installations; air reheaters; extractor hoods for kitchens; gas condensers, other than parts of machines; acetylene generators; microbubble generators for baths; hydrants; string lights for festive decoration; burners; acetylene burners; gas burners; burners for lamps; germicidal burners; incandescent burners; oxyhydrogen burners; laboratory burners; oil burners; alcohol burners; hot water bottles; footwarmers, electric or non-electric; bed warmers; USB-powered hand warmers; pocket warmers; warming pans; grills [cooking appliances]; food dehydrators, electric; lampshade hol-

ders; stills; showers; refrigerating containers; gas lighters; lighters; friction lighters for igniting gas; chimney blowers; coils [parts of distilling, heating or cooling installations]; furnace ash boxes; evaporators; electric appliances for making yoghurt; shower enclosures; Turkish bath cabinets, portable; heating apparatus; cool boxes, electric; refrigerating chambers; fireplaces, domestic; chimney flues; structural framework for ovens; air valves for steam heating installations; level controlling valves in tanks; thermostatic valves [parts of heating installations]; electrically heated carpets; light bulbs; light bulbs, electric; solar thermal collectors [heating]; distillation columns; furnace grates; ventilation hoods; ventilation hoods for laboratories; lamp globes; air-conditioning apparatus; air conditioners for vehicles; gas boilers; laundry room boilers; heating boilers; coffee machines, electric; faucets for pipes and pipelines; taps; mixer faucets for water pipes; forges, portable; lava rocks for use in barbecue grills; couscous cookers, electric; electric lights for Christmas trees; acetylene flares; safety lamps; gas lamps; curling lamps; nail lamps; curing lamps, not for medical purposes; germicidal lamps for purifying air; light bulbs for directional signals for vehicles; arc lamps; laboratory lamps; oil lamps; ultraviolet ray lamps, not for medical purposes; miners' lamps; electric lamps; chandeliers; barbecues; bread baking machines; watering machines for agricultural purposes; ice-cream making machines; pounded rice cake making machines, electric, for household purposes; multicookers; foot-muffs, electrically heated; heaters for baths; heaters for heating irons; immersion heaters; brackets for gas burners; anti-splash tap nozzles; heat pumps; filaments for electric lamps; magnesium filaments for lighting; heating filaments, electric; luminous house numbers; socks, electrically heated; heating apparatus for defrosting vehicle windows; hot air bath fittings; bath fittings; loading apparatus for furnaces; kiln furniture [supports]; sauna bath installations; refrigerating appliances and installations; directional lights for bicycles; electrically heated clothing; blankets, electric, not for medical purposes; fabric steamers; lamp reflectors; vehicle reflectors; hearths; electric cooktops; food steamers, electric; steam boilers, other than parts of machines; pasteurisers; lamp mantles; sockets for electric lights; coffee percolators, electric; stoves [heating apparatus]; bakers' ovens; hot air ovens; kitchen ranges [ovens]; microwave ovens [cooking apparatus]; microwave ovens for industrial purposes; incinerators; kilns; solar furnaces; dental ovens; furnaces, other than for laboratory use; urinals being sanitary fixtures; feeding apparatus for heating boilers; heating plates; cookers; hot plates; wine cellars, electric; heaters, electric, for feeding bottles; aquarium heaters; USB-powered cup heaters; aquarium lights; heating cushions, electric, not for medical purposes; clean chambers [sanitary installations]; tortilla presses, electric;

water intake apparatus; deodorizing apparatus, not for personal use; apparatus for dehydrating food waste; fumigation apparatus, not for medical purposes; gas scrubbing apparatus; oil-scrubbing apparatus; glue-heating appliances; forage drying apparatus; water filtering apparatus; air purifying apparatus and machines; ice machines and apparatus; cooling appliances and installations; cooking apparatus and installations; lighting apparatus and installations; sanitary apparatus and installations; cooking rings; lighting apparatus for vehicles; light-emitting diodes [LED] lighting apparatus; heating apparatus for solid, liquid or gaseous fuels; heating apparatus, electric; hot air apparatus; steam facial apparatus [saunas]; safety accessories for water or gas apparatus and pipes; regulating and safety accessories for gas apparatus; regulating accessories for water or gas apparatus and pipes; regulating and safety accessories for water apparatus; regulating and safety accessories for gas pipes; anti-glare devices for vehicles [lamp fittings]; roasting jacks; plate warmers; rotisseries; radiator caps; searchlights; diving lights; washers for water faucets; heat guns; radiators [heating]; central heating radiators; radiators, electric; sinks; disinfectant dispensers for toilets; drip irrigation emitters [irrigation fittings]; light diffusers; nuclear reactors; heat regenerators; pressure water tanks; roasters; lamps; standard lamps; floor lamps; ceiling lights; toilet seats; hydroponic growing systems; lighting installations for air vehicles; sous-vide cookers, electric; pressure cookers, electric; gas scrubbers [parts of gas installations]; lamp glasses; sterilizers; water sterilizers; air sterilizers; air dryers; laundry dryers, electric; hair dryers; malt roasters; tobacco roasters; tajines, electric; heat exchangers, other than parts of machines; thermo-pots, electric; bread toasters; discharge tubes, electric, for lighting; lamp chimneys; luminous tubes for lighting; pipes [parts of sanitary installations]; flues for heating boilers; boiler pipes [tubes] for heating installations; toilets [water-closets]; toilets, portable; humidifiers for central heating radiators; wash-hand basins [parts of sanitary installations]; toilet bowls; water conduits installations; bath plumbing fixtures; air-conditioning installations; desalination plants; installations for processing nuclear fuel and nuclear moderating material; watering installations, automatic; cooling installations for water; cooling installations for liquids; milk cooling installations; cooling installations for tobacco; water purification installations; purification installations for sewage; steam generating installations; water distribution installations; air filtering installations; swimming pool chlorinating apparatus; ventilation [air-conditioning] installations and apparatus; ventilation [air-conditioning] installations for vehicles; water softening apparatus and installations; cooling installations and machines; heating installations; heaters for vehicles; hot water heating installations; polymerisation installations; water sup-

ply installations; flare stacks for use in the oil industry; ash conveyor installations, automatic; whirlpool-jet apparatus; air cooling apparatus; aquarium filtration apparatus; cooking utensils, electric; flaming torches; headlights for automobiles; vehicle headlights; filters for air conditioning; filters for drinking water; wicks adapted for oil stoves; lights for automobiles; bicycle lights; motorcycle lights; lights for vehicles; electric torches; head torches; lanterns for lighting; candle lanterns; street lamps; Chinese lanterns; fountains; ornamental fountains; chocolate fountains, electric; air fryers; deep fryers, electric; fittings, shaped, for ovens; oven fittings made of fireclay; bread-making machines; refrigerators; refrigerators, cooling apparatus and freezers for medical storage purposes; chromatography apparatus for Industrial purposes; kettles, electric; dampers [heating]; book sterilization apparatus; refrigerating cabinets; carbon for arc lamps; heating elements.

14 – Precious metals and their alloys; jewellery, precious and semi-precious stones; horological and chronometric instruments; agates; diamonds; amulets [jewelry]; anchors [clock- and watchmaking]; barrels [clock- and watchmaking]; bracelets [jewelry]; bracelets made of embroidered textile [jewelry]; watch bands; charms for key rings; jewellery charms; brooches [jewelry]; alarm clocks; pins [jewelry]; ornamental pins; tie pins; jewellery hat pins; beads for making jewelry; pearls made of ambroid [pressed amber]; busts of precious metal; jewelry rolls; jet, unwrought or semi-wrought; jewelry findings; key rings [split rings with trinket or decorative fob]; retractable key rings; pearls [jewelry]; copper tokens; tie clips; cufflinks; clasps for jewelry; badges of precious metal; gold, unwrought or beaten; cloisonné jewelry; works of art of precious metal; ivory jewelry; jewelry of yellow amber; iridium; cabochons; spun silver [silver wire]; necklaces [jewelry]; split rings of precious metal for keys; rings [jewelry]; boxes of precious metal; presentation boxes for jewelry; watch cases [parts of watches]; clock cases; pendulums [clock- and watchmaking]; medals; lockets [jewelry]; precious metals, unwrought or semi-wrought; movements for clocks and watches; clockworks; misbaha [prayer beads]; coins; gold thread [jewelry]; threads of precious metal [jewelry]; silver thread [jewelry]; olivine [gems]; osmium; palladium; platinum [metal]; watch springs; crucifixes of precious metal, other than jewelry; crucifixes as jewelry; rhodium; ruthenium; stopwatches; silver, unwrought or beaten; earrings; ingots of precious metals; statues of precious metal; figurines of precious metal; watch glasses; paste jewelry [costume jewelry]; watch hands; clock hands; ornaments of jet; shoe jewelry; hat jewelry; presentation boxes for watches; chronographs [watches]; chronometers; chronoscopes; chains [jewelry]; watch chains; dials [clock- and watchmaking]; atomic clocks; watches;

sundials; clocks and watches, electric; control clocks [master clocks]; clocks; wristwatches; rosaries; jewelry boxes; spinel [precious stones].

18 – Leather and imitations of leather; animal skins; luggage and carrying bags; umbrellas and parasols; walking sticks; whips, harness and saddlery; collars, leashes and clothing for animals; mountaineering sticks; slings for carrying infants; luggage tags; pocket wallets; saddlecloths for horses; business card cases; reins for guiding children; sling bags for carrying infants; harness fittings; credit card cases [wallets]; parts of rubber for stirrups; chamois leather, other than for cleaning purposes; umbrellas; parasols; saddlery; frames for umbrellas or parasols; handbag frames; card cases [notecases]; cases of leather or leatherboard; valves of leather; imitation leather; leather, unworked or semi-worked; leatherboard; casings, of leather, for springs; umbrella rings; hat boxes of leather; boxes of leather or leatherboard; boxes of vulcanized fiber; purses; chain mesh purses; fastenings for saddles; butts [parts of hides]; saddle trees; bags [envelopes, pouches] of leather, for packaging; moleskin [imitation of leather]; travelling sets [leatherware]; knee-pads for horses; muzzles; halters; vanity cases, not fitted; furniture coverings of leather; clothing for pets; covers for animals; trimmings of leather for furniture; hiking sticks; conference folders; music cases; goldbeaters' skin; cat o' nine tails; leather leashes; pads for horse saddles; horseshoes; girths of leather; leathercloth; horse blankets; garment bags for travel; shoulder belts [straps] of leather; briefcases; traces [harness]; fur; randfels [Japanese school satchels]; haversacks; leather straps; straps for soldiers' equipment; harness straps; straps for skates; straps of leather [saddlery]; chin straps, of leather; stirrup leathers; umbrella handles; walking stick handles; suitcase handles; grips for holding shopping bags; rucksacks; travelling bags; riding saddles; net bags for shopping; umbrella or parasol ribs; stirrups; bags for climbers; tool bags, empty; handbags; beach bags; saddlebags; compression cubes adapted for luggage; bags for sports; bags for campers; shopping bags; wheeled shopping bags; school satchels; bags; pouch baby carriers; travelling trunks; trunks [luggage]; nose bags [feed bags]; bridoons; umbrella sticks; walking stick seats; tefillin [phylacteries]; bits for animals [harness]; bridles [harness]; harness for animals; key cases; horse collars; suitcases; motorized suitcases; suitcases with wheels; valises; attaché cases; covers for horse saddles; umbrella covers; kid; curried skins; cattle skins; leather cord; blinkers [harness]; labels of leather; game bags [hunting accessories].

24 – Textiles and substitutes for textiles; frieze [cloth]; banners of textile or plastic; velvet; household linen; diapered linen; bath linen, except clothing; bed linen; table linen, not of paper; cot bumpers [bed linen]; buckram; fustian; sleeping bag li-

ners; felt; bunting of textile or plastic; gauze [cloth]; damask; jersey [fabric]; table runners, not of paper; drugget; shower curtains of textile or plastic; curtains of textile or plastic; net curtains; zephyr [cloth]; canvas for tapestry or embroidery; bolting cloth; baby buntings; crepe [fabric]; crepon; marabouts [cloth]; furniture coverings of textile; fabrics for textile use; filtering materials of textile; wall hangings of textile; non-woven textile fabrics; plastic material [substitute for fabrics]; textile material; tablemats of textile; bivouac sacks being covers for sleeping bags; sleeping bags; sleeping bags for babies; moleskin [fabric]; muslin fabric; pillowcases; mattress covers; bed blankets; blankets for household pets; brocades; diaper changing cloths for babies; handkerchiefs of textile; picnic blankets; travelling rugs [lap robes]; coasters of textile; bed valances; linings [textile]; hat linings, of textile, in the piece; curtain holders of textile material; bed covers; bed covers of paper; furniture coverings of plastic; towels of textile; hemp cloth; gummed cloth, other than for stationery purposes; printers' blankets of textile; cloth; door curtains; sheets [textile]; eiderdowns [down coverlets]; bath mitts; shrouds; glass cloths [towels]; cloths for removing make-up; face towels of textile; place mats of textile; table napkins of textile; mosquito nets; calico; oilcloth for use as tablecloths; tablecloths, not of paper; billiard cloth; taffeta [cloth]; ticks [mattress covers]; tick [linen]; lingerie fabric; fabric, impervious to gases, for aeronautical balloons; jute fabric; fabric for footwear; ramie fabric; esparto fabric; rayon fabric; fiberglass fabrics for textile use; adhesive fabric for application by heat; linen cloth; upholstery fabrics; hemp fabric; lining fabric for footwear; traced cloth for embroidery; chenille fabric; printed calico cloth; knitted fabric; cotton fabrics; silk fabrics for printing patterns; woollen cloth; elastic woven material; fabric; fabric of imitation animal skins; haircloth [sackcloth]; cheese cloth; tulle; flags of textile or plastic; flannel [fabric]; trellis [cloth]; covers for cushions; fitted toilet lid covers of fabric; covers [loose] for furniture; pillow shams; cheviots [cloth]; silk [cloth]; labels of textile.

25 – Clothing, footwear, headgear; wimples; bandanas [neckerchiefs]; underwear; sweat-absorbent underwear; berets; overalls; boas [necklets]; teddies [underclothing]; boxer shorts; ankle boots; ski boots; boots for sports; breeches for wear; trousers; football boots; brassieres; valenki [felted boots]; mittens; collars [clothing]; detachable collars; shirt yokes; veils [clothing]; gabardines [clothing]; galoshes; neckties; ascots; leggings [leg warmers]; gaiters; boot uppers; corselets; jerseys [clothing]; vests; sports jerseys; hosiery; heels; hoods [clothing]; hat frames [skeletons]; pockets for clothing; neck scarfs [mufflers]; caps being headwear; kimonos; cap peaks; visors being headwear; tights; slips [underclothing]; combina-

tions [clothing]; wet suits for water-skiing; bodices [lingerie]; corsets [underclothing]; suits; bathing suits; masquerade costumes; beach clothes; leotards; jackets [clothing]; stuff jackets [clothing]; fishing vests; leggings [trousers]; liveries; camisoles; sports singlets; cuffs; short-sleeve shirts; mantillas; coats; sleep masks; furs [clothing]; hand warmers [fingerless gloves]; fingerless gloves; miters [hats]; muffs [clothing]; footmuffs, not electrically heated; bibs, not of paper; bibs, sleeved, not of paper; fur stoles; hairdressing capes; heel protectors for shoes; ear muffs [clothing]; socks; sweat-absorbent socks; beach shoes; sports shoes; paper clothing; outerclothing; embroidered clothing; ready-made clothing; motorists' clothing; cyclists' clothing; clothing for gymnastics; clothing of imitations of leather; clothing of leather; waterproof clothing; uniforms; clothing containing slimming substances; fittings of metal for footwear; maniples; overcoats; panties; parkas; pelerines; gloves [clothing]; ski gloves; pajamas; bathing trunks; shirt fronts; scarfs; pocket squares; dresses; headbands [clothing]; garters; sock suspenders; stocking suspenders; ready-made linings [parts of clothing]; dress shields; soles for footwear; heelpieces for footwear; braces for clothing [suspenders]; half-boots; lace boots; ponchos; girdles; belts [clothing]; money belts [clothing]; layettes [clothing]; non-slipping devices for footwear; sweaters; heelpieces for stockings; welts for footwear; chasubles; shirts; wooden shoes; sandals; bath sandals; boots; jumper dresses; saris; sarongs; footwear uppers; inner soles; albs; bath slippers; togas; knitwear [clothing]; underpants; gymnastic shoes; slippers; shoes; skull caps; turbans; aprons [clothing]; judo uniforms; karate uniforms; tee-shirts; dressing gowns; bath robes; top hats; tips for footwear; stockings; sweat-absorbent stockings; shawls; paper hats [clothing]; shower caps; bathing caps; sashes for wear; studs for football boots; hats; babies' pants [underwear]; trouser straps; pelisses; esparto shoes or sandals; skirts; petticoats; skorts.

26 – Lace, braid and embroidery, and haberdashery ribbons and bows; buttons, hooks and eyes, pins and needles; artificial flowers; hair decorations; false hair; appliqués [haberdashery]; haberdashery bows; fringes; mica spangles; shoe eyelets; false beards; charms, other than for jewellery, key rings or key chains; brooches [clothing accessories]; hat pins, other than jewellery; entomological pins; pins, other than jewelry; beads, other than for making jewelry; wreaths of artificial flowers; artificial Christmas wreaths; artificial Christmas wreaths incorporating lights; human hair; lace for edgings; artificial garlands; artificial Christmas garlands; artificial Christmas garlands incorporating lights; darning lasts; expanding bands for holding sleeves; frills [lacework]; trouser clips for cyclists; bobby pins; hair barrettes; heat adhesive patches for repairing textile articles;

blouse fasteners; shoe fasteners; fastenings for clothing; fastenings for suspenders; belt clasps; hook and pile fastening tapes; zippers; zippers for bags; badges for wear, not of precious metal; competitors' numbers; embroidery needles; needles for wool combing machines; binding needles; saddlers' needles; shoemakers' needles; sewing needles; darning needles; boxes for needles; lace trimmings; haberdashery [dressmakers' articles], except thread; decorative articles for the hair; heat adhesive patches for decoration of textile articles [haberdashery]; edgings for clothing; braids; gold embroidery; silver embroidery; bobbins for retaining embroidery floss or wool [not parts of machines]; tassels [haberdashery]; snap fasteners; sewing boxes; tresses of hair; false hems; hooks [haberdashery]; crochet needles; rug hooks; hooks for corsets; shoe hooks; haberdashery ribbons; ribbons for the hair; ribbons and bows, not of paper, for gift wrapping; prize ribbons; hatbands; elastic ribbons; letters for marking linen; numerals for marking linen; numerals or letters for marking linen; sewing kits; toupees; sewing thimbles; needle-threaders; skirt flounces; bows for the hair; spangles for clothing; hair curling papers; wigs; feathers [clothing accessories]; birds' feathers [clothing accessories]; ostrich feathers [clothing accessories]; eyelets for clothing; picot [lace]; whalebones for corsets; hair bands; brassards; tapes for curtain headings; shoulder pads for clothing; pin cushions; needle cushions; top-knots [pompoms]; hair curlers, electric and non-electric, other than hand implements; buckles [clothing accessories]; shoe buckles; ornamental novelty badges [buttons]; artificial plants, other than Christmas trees; rosettes [haberdashery]; frills for clothing; hair nets; chenille [passementerie]; knitting needles; cords for trimming; shoe trimmings; trimmings for clothing; hat trimmings; false moustaches; festoons [embroidery]; artificial fruit; needle cases; shuttles for making fishing nets; hair coloring caps; bodkins; hair extensions; shoe laces; cords for clothing; woollen laces; hair pins; hair curling pins; collar supports.

(260) AM 2020 106011 A  
 (800) 1501495  
 (151) 2019 10 04  
 (891) 2019 10 04  
 (731) PASCHAL-Werk G. Maier GmbH  
 Kreuzbühlstraße 5, 77790 Steinach, Germany  
 (540)

## Secuset

(591) Black, white  
 (511)  
 6 – Building and construction materials and elements of metal; formwork of metal; formwork elements with formwork shell mainly made of metal; accessories [of metal] for formwork and formwork

elements; lateral protection [of metal] for formwork and formwork elements; small items of metal hardware, in particular nuts, bolts and fasteners of metal; formwork parts of metal for concrete, in particular formwork boards and panels, formwork tables for slab formwork, formwork corners, compensation parts, connecting bolts, formwork tension rods, spacers of metal, conical stop elements for spacers; spacers being building elements made of metal; shuttering and cladding of metal for use in moulding concrete; scaffolding and scaffolding parts of metal, in particular the aforesaid for application on or of formwork walls, panels and railings for panels in the form of mounts for formwork walkways, formwork supports; profile rails, end rails and crossbeams for overlapping and aligning adjacent formwork, panels; girders and beams of metal; building panels of metal; metal frames of metal for building; wall formwork, ceiling formwork and support formwork of metal; work platforms, concreting platforms and support scaffolding of metal.

(260) AM 2020 106013 A  
 (800) 1501523  
 (151) 2019 05 30  
 (891) 2019 05 30  
 (731) Apple Inc.  
 One Apple Park Way, Cupertino CA 95014,  
 USA  
 (540)

## CLOSE YOUR RINGS

(591) Black, white  
 (511)  
 9 – Computers; computer hardware; telecommunications apparatus and instruments; mobile telephones; smartphones; wireless communication devices for the transmission of voice, data, images, audio, video, and multimedia content; network communication apparatus; handheld digital electronic devices capable of providing access to the Internet and for the sending, receiving, and storing telephone calls, electronic mail, and other digital data; wearable computer hardware; wearable digital electronic devices capable of providing access to the Internet, for sending, receiving and storing of telephone calls, electronic mail, and other digital data; smartwatches; wearable activity trackers; connected bracelets; computer software for tracking, storing, viewing, monitoring, displaying, transmitting and managing user interaction data concerning exercise, physical activity, steps taken, distance walked or run, time standing or sitting, calories consumed, calories burned; computer software for tracking, monitoring and managing information and goals regarding a health and fitness program; computer software for wireless communication devices, wearable wireless communication devices, and mobile digital electronic devices; accelero-

meters; distance measuring apparatus; distance recording apparatus; pedometers; global positioning systems (GPS devices).

44 – Wellness and health-related services; providing health and wellness related information; health care services, namely, wellness programs; providing information about health and wellness via a website.

(260) AM 2020 106014 A

(800) 1501570

(151) 2019 04 30

(891) 2019 04 30

(731) Aktsionernoie obschestvo Gruppa SverdlovElektro  
ul. Cherniakhovskogo, 61, Ekaterinburg,  
RU-620010 Sverdlovskaya Oblast,  
Russian Federation

(540)

**SVEL**

(591) Black, white

(531) 27.05.17

(511)

6 – Brackets of metal; staircases of metal, railings of metal; masts of metal for lighting; palings of metal; props of metal, in particular for apparatus and equipment, poles of metal for power lines.

7 – Expansion tanks [parts of machines]; generators of electricity, alternators, dynamos; motors, motors, electric, other than for land vehicles; housings [parts of machines]; steam engine boilers; stators [parts of machines]; boiler tubes [parts of machines]; turbines, other than for land vehicles; brushes [parts of machines].

17 – Dielectrics [insulators]; insulators; insulators for electric mains.

19 – Brackets, not of metal; staircases, not of metal, railings, not of metal; palings, not of metal; poles, not of metal, for power lines.

37 – Repair information; construction information; construction consultancy; building construction supervision; construction; machinery installation, maintenance and repair.

42 – Engineering; scientific research; technological research; technological consultancy; quality control; conducting technical project studies; construction drafting; computer software design; consultancy in the field of energy-saving; technical writing; scientific laboratory services; surveying.

(260) AM 2020 106015 A

(800) 1501609

(151) 2019 10 29

(891) 2019 10 29

(731) Exxon Mobil Corporation  
5959 Las Colinas Blvd, Irving TX 75039,  
USA

(540)

**MOBIL DELVAC XHP**

(591) Black, white

(511)

4 – Lubricating oils; diesel oils.

(260) AM 2020 106024 A

(800) 1501887

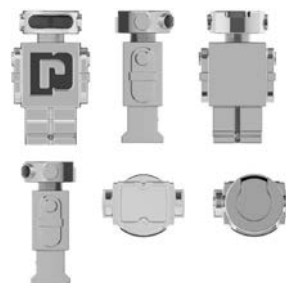
(151) 2019 09 11

(891) 2019 09 11

(731) PUIG FRANCE

65-67 avenue des Champs Elysées, F-75008  
Paris, France

(540)



(591) Black, white

(531) 04.05.02; 04.05.04; 27.05.08; 27.05.21

(554) მოცულობითი

(511)

3 – Non-medicated toiletry preparations and cosmetic products; perfumery products, essential oils; fragrances for personal use; eau de Cologne; eau de parfum, eaux de toilette; scented waters, perfumes; extracts of flowers [perfumes]; lotions, milks and creams for the body not for medical use; deodorants for personal use; non-medicinal soaps in liquid or gel form for personal use; bath gels not for medical use; shower gels not for medical use; bathing preparations not for medical use; preparations for skin care other than for medical use; shampoos other for medical use; non-medicinal shaving products; non-medicinal pre-shave products; non-medicinal after-shave lotions.

(260) AM 2020 106025 A

(800) 1501891

(151) 2019 07 16

(891) 2019 07 16

(731) Joint-Stock Company "Research and Production Corporation "Uralvagonzavod" named after F. E. Dzerzhinsky"  
Vostochnoye Highway 28, city of Nizhny Tagil, RU-622007 the Sverdlovsk region,  
Russian Federation

(540)

**ARMATA**

(591) Black, white

(531) 27.05.01

(511)

28 – Toy models; scale model kits [toys]; scale model vehicles; radio-controlled toy vehicles; toy vehicles; toys; toy figures.

35 – Bill-posting; dissemination of advertising matter; demonstration of goods; organization of exhibitions for commercial or advertising purposes; organization of trade fairs for commercial or advertising purposes; sales promotion for others; publication of publicity texts; procurement services for others [purchasing goods and services for other businesses].

(260) AM 2020 106026 A

(800) 1501959

(151) 2019 08 06

(891) 2019 08 06

(731) MOSER, a.s.

Kpt. Jaroše 46/19, CZ-360 06 Karlovy Vary,  
Dvory, Czech Republic

(540)

**Moser**

(591) Black, white

(531) 27.05.01; 27.05.19

(511)

21 – Glass (receptacles); glasses (receptacles); glass bowls; works of art made of glass; crystal (glassware); figurines (statuettes) of porcelain, ceramic, earthenware, terra-cotta or glass; boxes of glass; jugs; drinking vessels; stemware; bottles; dishes; glass stoppers; glass jars; saucers; glass flasks (containers); vinegar cruets; kitchen containers; painted glassware; cruets; services (dishes); glass mugs; candle jars (holders); cooking pot sets.

(260) AM 2020 106028 A

(800) 1502028

(151) 2019 10 29

(891) 2019 10 29

(731) HOLDING SOPREMA

14 rue de Saint-Nazaire, F-67000 Strasbourg,  
France

(540)



(591) Black, white

(531) 03.02.01; 03.02.24; 03.02.26

(511)

1 – Chemical products for use in industry; chemicals intended for use in sealants; unprocessed artificial resins; unprocessed synthetic resins; unprocessed plastics; adhesives for use in industry; water-proofing preparations for cement and concrete (excluding paints); masonry, brickwork, cement, concrete and tile preservatives (excluding paints and oils); products for preventing moisture in masonry (excluding paints); cellulose, unprocessed cellulose acetate, cellulose derivatives, cellulose esters for industrial use, cellulose ethers for industrial use, acids, filtering materials (unprocessed plastics), filtering materials (chemical products), filtering materials (mineral substances), filtering materials (plant-derived substances), unprocessed plastics, dispersions of plastics, glues for insulating panels; glues for use in industry; glues for bituminous membranes; glues for insulating materials, chemical preparations for protecting bituminous products against the sun and light; fire-extinguishing compositions; chemical compounds for fire prevention; filtering additives made from expanded perlite; rot-proof perlite; tempering and soldering preparations; chemical products used in agriculture, horticulture and forestry; manure; plant cultivation substrate; earth for growing; mineral and organic soil; metal earths; fertilizers; horticulture chemicals excluding fungicides, herbicides and insecticides; hydroponic nutrients (fertilizers); expanded-clay for hydroponic plant growing (substrate); green roof substrates, substrates for soil-free growing (agriculture), preparations for plant growth regulation, soil for crops, loam, humus; flame retardant agents.

2 – Natural resins (unprocessed); anti-rust products (preservatives against rust); anti-corrosive bands; coatings for roofing felt (paints); gum resins; paints; binders for paints and thinners for paints; paints, varnishes, lacquers; coatings (paints); fixatives (varnishes); mastic (natural resin); mordants.

3 – Bleaching preparations and other substances for laundry use; glue, for stripping compound for paints, varnishes and coatings; cleaning products; abrasives; cleaning, polishing, scouring and abrasive preparations, rust removing preparations, stain removers, detergents.

4 – Industrial oils and greases, fuels; lubricants.

6 – Aluminum, metal reinforcements for building; frames of metal (for building); partitions of metal; transportable buildings of metal; studs of metal (building); wall linings of metal (building); building materials of metal; ironmongery and small items of metal hardware; metal skylights, metal smoke vents, metal doors and windows, door frames; metal rein-



forcing materials for building, non-electrical metal cables, door frames; door frames; pegs of metal; metal fasteners [hardware]; metal fixation devices; screws of metal; ducts of metal for ventilating and air-conditioning installations, metal partitions, metal cornices; angle irons; metal gutters, metal roof coverings, door stops, door rollers; door fittings; door closers, window closers, non-electric skylight and smoke vent closers, metal fittings for doors, metal guard rails, metal doors and windows, metal floors and ceilings, metal wall linings (building), springs (metal hardware), metal locks (other than electric), metal outdoor blinds, metal roof coverings, metal roofing, metal casement windows, metal shutters, metal locks; fire barrier and flame shield closings, metal fire wall and flame protection doors and partitions; common metals and alloys thereof; skylights; skylight frames for lighting, profile rails for connecting roof strips to light well framing, metal exhaust chimneys [ventilation], metal smoke dampers, building openings for smoke evacuation and ventilation of facades, metal drainage pipes and profiles for roof drainage; roof and balcony gutters; ladders of metal; steps [ladders] of metal; scaffolding of metal; metal catwalks for scaffolding and rooftops; metal duckboards; tension links of metal, covers, strips and plates of metal; metal framework; tiles of metal for building; metal guard rails for protection against accidents.

17 – Screeds and joints for sealing, waterproofing and rendering impervious; water-tight rings; adhesive bands other than stationery and not for medical or household purposes; insulating tapes; weatherstripping; caulking materials; bark coverings for sound insulation; waterproof packings; stuffing materials; insulating felt; fiberglass fabrics for insulation; fiberglass for insulation; threads of plastic materials, not for textile use; filtering materials (semi-processed foams or plastic materials); gutta-percha; substances for insulating buildings against moisture; soundproofing materials; insulating paper; insulating materials; insulators; insulating tapes; insulating fabrics; insulating varnish; insulators, slag wool (insulator); glass wool for insulation; mineral wool (insulator); semi-processed plastic materials; plastic film, other than for wrapping; caulking materials of rubber or plastics; artificial resins (semi-finished products); synthetic resins (semi-finished products); films and/or boards of polymeric plastic for waterproofing dams, basins, roofs, terraces and similar places; materials in the form of films or membranes for waterproofing roads and constructions in general; rubber; liquid rubber; Sealing, insulating, heat-proofing and waterproofing materials used in building, coverings for sealing; coatings (insulators), plates, sheets, membranes, screeds and joints for sealing, waterproofing and rendering impervious, water-tight rings; insulators in the form of plates with bituminous coatings;

waterproofing sheets; damp-proofing compositions; panels for thermal and acoustic insulation; semi-processed cellulose acetate, regenerated cellulose sheets other than for packaging.

19 – Asphalt; pitch; tarred strips (construction); bitumen; bituminous products for building; building materials, not of metal; roof coverings, not of metal; felt for building; tar; insulating glass (building); wall claddings (for building) not of metal; ceilings not of metal; floors not of metal; cladding not of metal (for building); bituminous products for roofing; building glass; building materials of plastics, including multi-layer, basins and swimming pools (constructions not of metal); building lumber; bituminous membranes, roofing felt, coatings (building materials), cement; geotextiles; aggregates for concrete; concrete; ready-to-use concrete; quick-setting concrete; concrete construction elements; non-metallic spacers; transportable buildings not of metal; non-metallic roofing and roofing elements; non-metallic roof ridges; non-metallic framework; skylights (non-metallic), light wells (non-metallic), windows (non-metallic); smoke dampers (non-metallic); roof drainage systems (non-metallic); non-metallic skylights, non-metallic smoke vents; door frames; door frames; door frames; partitions not of metal; non-metallic cornices, non-metallic angle irons; door frames not of metal; wall claddings, not of metal (for building); non-metallic ceilings, non-metallic flooring; casement windows not of metal, shutters not of metal; paving slabs not of metal; non-metallic guard rails for protection against accidents.

21 – Sponges; brushes (except paintbrushes); brush-making materials; cleaning material; steel wool.

27 – Wall and floor coverings; wall hangings not of textile; wallpapers.

37 – Construction services; Installation, maintenance and repair of tools and materials for building, insulating, heat-proofing, water-proofing and sealing; construction services, particularly in the field of sealing; building sealing services; roofing services, siding installation; information and advice relating to construction; building construction supervision; demolition of buildings; scaffolding; fire alarm installation and repair; information and advice relating to repair; masonry; painting, interior and exterior; asphaltting; road paving; civil engineering (construction, insulation and sealing of buildings, communication channels, hydraulic works and dams); installation, maintenance and repair of skylights, smoke vents, mobile partitioning screens; maintenance, repair and inspection of fire-resistant closings, fire barriers, flame-retardant closings; rental of building site machines; cleaning of buildings (internal), windows, exterior surface of buildings and roads; elevator installation and repair; burglar alarm installation and repair; repair of locks; rustproofing; plumbing; plastering;

paper hanging; fitting of sealing and insulation for buildings; construction consultancy; application of coatings for buildings.

40 – Recycling services; Recycling of plastic materials; treatment of materials, treatment of materials and fossil plant material; treatment [recycling] of waste from building materials; treatment (recovery) of waste materials; treatment of materials by laser beam or chemicals; waste treatment (transformation); treatment (recycling) of waste and packaging; sorting of waste and recyclable raw material (transformation); recycling of waste and materials; chemical recycling of waste; processing (recovery) of waste materials; treatment of toxic materials; processing (recycling) of dangerous goods materials; information, advice and assistance relating to the material treatment.

(260) AM 2020 106029 A  
(800) 1502144  
(151) 2019 06 05  
(891) 2019 06 05  
(731) Lanxess Deutschland GmbH  
Kennedyplatz 1, 50569 Köln, Germany  
(540)

# Реолюб

(591) Black, white  
(531) 28.05; 28.05  
(511)

1 – Chemical preparations and materials for film, photography and printing; unprocessed plastics; adhesives used in industry; growing media, fertilizers and chemicals for use in agriculture, horticulture and forestry; detergents for use in manufacture and industry; chemical substances, chemical materials and chemical preparations, and natural elements (term considered too vague by the International Bureau – Rule 13 (2) (b) of the Common Regulations); salts for industrial purposes; unprocessed artificial and synthetic resins; starches for use in manufacturing and industry; putties, and fillers and pastes for use in industry; chemical and organic compositions for use in the manufacture of food and beverages; filtering materials [chemical, mineral, vegetable and other unprocessed materials].

2 – Dyes, colorants, pigments and inks; thinners and thickeners for coatings, dyes and inks; coatings; raw natural resins; and additives in connection with the aforesaid goods, included in this class.

3 – Toiletries; animal grooming preparations; essential oils and aromatic extracts; grinding preparations; cleaning and fragrancing preparations; tailors' and cobblers' wax.

4 – Fuels and illuminants; electrical energy; dust controlling compositions; lubricants and industrial

greases, waxes and fluids; and additives in connection with the aforesaid goods, included in the class.

(260) AM 2020 106030 A  
(800) 1502191  
(151) 2019 10 11  
(891) 2019 10 11  
(731) Goli Nutrition Inc.  
Suite 1500, 1 Westmount Square, Westmount  
QC H3Z 2P9, Canada  
(540)

# GOLI

(591) Black, white  
(511)  
5 – Healthcare products, namely, dietary supplements, nutritional supplements, vitamins, and gummy vitamins.

(260) AM 2020 106032 A  
(800) 1502231  
(151) 2019 09 19  
(891) 2019 09 19  
(731) Public Joint Stock Company, TATNEFT,  
named after V.D. Shashin  
Lenina str., 75; Almetyevsk; RU-423450  
Republic of Tatarstan, Russian Federation  
(540)



(591) White, red, dark green and green  
(531) 01.15.05; 25.07.20; 28.05; 29.01.13  
(526) ПРОГРАММА ЛОЯЛЬНОСТИ  
(511)

1 – Hydraulic oils; anti-knock substances for internal combustion engines; antifreeze; fluids for hydraulic circuits; power steering fluid; brake fluid; transmission fluid; transmission oil; anti-boil preparations for engine coolants; engine-decarbonising chemicals; coolants for vehicle engines; synthetic materials for absorbing oil; chemical additives for oils; chemical additives for lubricating oils; oil-purifying chemicals; detergent additives for motor oil; detergent additives to petrol; additives, chemical, to motor fuel; combusting preparations [chemical additives to motor fuel].

4 – Fuels, including motor spirit, and illuminants; benzene; petrol; kerosene; ligroin; mazut; naphtha; petroleum, raw or refined; benzene fuel; diesel oil; xylene fuel; fuel; fuel oil; vaporized fuel mixtures;

carburants; lubricating oil; lubricating grease; lubricating oil for motor vehicle engines; automotive greases; industrial oil; motor oil; cutting fluids; industrial oils and greases; lubricants; industrial lubricants; additives, non-chemical, to motor fuel; non-chemical additives for fuels, lubricants and greases; dust absorbing compositions; dust laying compositions; dust removing preparations; alcohol and mixed alcohol fuel; alcohol [fuel]; petroleum ether; fuel gas.

9 – Encoded loyalty cards; encoded membership cards; smart cards [integrated circuit cards]; identity cards, magnetic; encoded identity cards; encoded magnetic cards; magnetically encoded payment cards; magnetically encoded gift cards; magnetically encoded key cards; magnetically encoded debit cards; magnetically encoded credit cards; magnetically encoded bank cards; encoded key cards; electronic identification cards; encoded payment cards; magnetically encoded cards for carrying data; encoded reward cards; encoded prepaid payment cards; encoded prepaid magnetic cards; encoded prepaid credit cards; encoded gift cards; encoded electronic chip cards; encoded debit cards; encoded credit cards; encoded bank cards; electronic key cards; electronic chip cards; terminals for electronically processing credit card payments; USB flash drives; encoded identification bracelets, magnetic; computer software applications, downloadable; application software for smartphones; software and applications for mobile devices; computer software, recorded; computer software platforms, recorded or downloadable; computer screen saver software, recorded or downloadable; software for smartphones; computer software for virtual cards; computer software for database management; software for administration of consumer loyalty programs; software for facilitating secure credit card transactions; computer communication software to allow customers to access bank account information and transact bank business; computer e-commerce software to allow users to perform electronic business transactions via a global computer network.

16 – Booklets; flyers; file folders; printed matter; pads [stationery]; folders for papers; pencils; pencil lead holders; forms, printed; fountain pens; penholders; colored pens; ink pens; ball-point pens; marking pens [stationery]; calendars; greeting cards; postcards; writing instruments; pen and pencil cases; stationery cases; bags [envelopes, pouches] of paper or plastics, for packaging; gift bags of paper or plastic; flags of paper; name badges [office requisites]; conical paper bags; banners of paper; bunting of paper; signboards of paper or cardboard; printed coupons; prospectuses; shields [paper seals]; labels of paper or cardboard; posters; almanacs; pamphlets; newsletters; newspapers; magazines [periodicals]; periodicals; printed publications; books.

35 – Business administration services for gas stations; retail sales services related to gas stations and shops located at gas stations; services of shops selling consumer goods, including food, bakery products, beverages, printed materials, toys; services of shops selling automobile goods, including oils and liquids; retail sale of goods at gas stations and stores located at gas stations; vending machine services; services of convenience stores within walking distance for the sale of goods; retail sales of automotive and related products at gas stations; advertising; outdoor advertising; advertising on vehicles; commercial information and advice for consumers in the choice of products and services; online advertising on a computer network; shop window dressing; distribution of samples; dissemination of advertising matter; advertising by mail order; television advertising; wholesale and retail sale services for petroleum products, gas, oils, lubricants, automotive fluids; organization of trade fairs for commercial or advertising purposes; presentation of goods on communication media, for retail purposes; business management of reimbursement programs for others; promoting the goods and services of others through discount card programs; promoting the goods and services of others on the Internet; promoting the goods and services of others using mobile applications; sales promotion for others by means of privileged user cards; promoting the goods and services of others by means of a preferred customer program; promoting the goods and services of others through advertisements on Internet web sites; promoting the goods and services of others by distributing advertising materials through a variety of methods; sales promotion for others; administration of incentive award programs to promote the sale of the goods and services of others; provision of commercial and business contact information via the Internet; providing consumer product information via the Internet; online ordering services; internet marketing; internet advertising services; providing customer loyalty discount cards for advertising purposes; organization and management of discount card loyalty schemes; promoting the goods and services of others by means of a loyalty rewards card scheme; administration of a discount program for enabling participants to obtain discounts on goods and services through use of a discount membership card; administration of consumer loyalty programs; administration of loyalty rewards programs; administration of customer loyalty and incentive schemes; administration of loyalty programs involving discounts or incentives; market research services regarding customer loyalty; organization and management of customer loyalty programs; organization of loyalty and incentive schemes; providing customer loyalty coupons for advertising purposes; providing customer loyalty discount codes for advertising purposes; providing customer loyalty points for advertising purposes; providing customer

loyalty programs for advertising purposes; providing customer loyalty programs for commercial purposes; sales promotion through customer loyalty programs; administration of loyalty rewards programs featuring trading stamps; organization of customer loyalty programs for commercial, promotional or advertising purposes.

36 – Issuance of customer loyalty discount cards; loyalty discount card payment processing services; providing cash and other rebates for credit card use as part of a customer loyalty program; providing rebates at participating establishments of others through use of a membership card; conducting cashless payment transactions; issuance of electronic payment cards in connection with bonus and reward schemes; electronic processing of electronic payments via a global computer network; processing of payment transactions via the Internet; processing electronic payments made with pre-paid cards; loyalty discount code payment processing services; financial services relating to payment cards; credit card and payment card services; collection of payments for goods and services; processing of debit card payments; processing of credit card payments; on-line bill payment services; loyalty point payment processing services; loyalty coupon payment processing services; issuance of prepaid payment cards; processing of payment transactions.

37 – Vehicle maintenance; vehicle service stations [refuelling and maintenance].

42 – Graphic design of promotional materials; industrial design; graphic arts design; computer software design; maintenance of computer software; software as a service [SaaS]; updating of computer software.

---

(260) AM 2020 106033 A  
(800) 1502298  
(151) 2019 05 15  
(891) 2019 05 15

(731) Nick Bremicker  
Enneststr. 6, 51702 Bergneustadt, Germany  
(540)

## Lizengo

(591) Black, white  
(511)

9 – Computer and control programs stored on magnetic data carriers, perforated cards, perforated rolls; magnetic encoders; compact discs; computers; interfaces; computer operating programs; peripherals adapted for use with computers; computer programs; computer software; computer keyboards; floppy discs; floppy disk drives; data processing apparatus; electronic publications, downloadable; electronic pens; laptop computers; loudspeakers; magnetic tape

units; magnetic data carriers; mice; mouse pads; microprocessors; cell phones; modems; monitors; notebook computers; optical data carriers; discs (optical); physics (apparatus and instruments for -); relays, electric; image scanning apparatus; transmitters of electronic signals; transmitters; smart cards; software apps for computers; computer software packages; games software; computer memory devices; games software; central processing units.

35 – Cost price analysis; procurement for others; retail services via the internet in these fields: computer software, sound recording carriers and data carriers; computerised file management; auctioneering; business investigation; commercial or industrial management assistance; commercial administration of the licensing of the goods and services of others; marketing services; research in computer data files; on-line advertising on a computer network; outsourcing services; organizational project management in the field of electronic data processing; exhibitions for commercial or advertising purposes; personal management consulting; presentation of goods on communication media, for retail purposes; systemization of information into computer databases; dissemination of advertising matter; rental of advertising space; rental of advertising time on communication media; arranging subscriptions to telecommunication services for others; commercial promotions; sample distribution; distribution of advertising material; administrative order processing; document reproduction; demonstration of goods; compilation of information into computer databases.

42 – Updating of computer software; consultancy relating to computers (term considered too vague by the International Bureau – Rule 13 (2) (b) of the Common Regulations); computer and software consultancy (term considered too vague by the International Bureau – Rule 13 (2) (b) of the Common Regulations); computer diagnostic services; computer program and software consultancy (term considered too vague by the International Bureau – Rule 13 (2) (b) of the Common Regulations); advisory services relating to computer programming; design and development of computer and control programs; monitoring of computer systems by remote access; installation of software; configuration of computer software and firmware; customization of computer hardware and software; custom design of software packages; testing of computing equipment; repair of computer software; technical advice and consultancy (term considered too vague by the International Bureau – Rule 13 (2) (b) of the Common Regulations); technical project management in the field of electronic data processing; testing of computers; rental of computer hardware and computer software.

---

(260) AM 2020 106034 A

(800) 1502300

(151) 2019 08 22

(891) 2019 08 22

(731) Vuelos Baratos Limited

Magazine Studios 5-6 Magazine Street,  
Derry BT48 6HJ, United Kingdom

(540)



(591) Black, white

(531) 03.07.07; 03.07.16; 28.05

(511)

9 – Software applications for mobile telephones; application software for wireless devices; collaborative software; computer application software for mobile phones; computer applications for streaming audiovisual material via the Internet; hardware for computers; computer software for data processing; recorded computer programs; recorded software; computer programs for accessing, consulting and searching databases online; software; downloadable computer applications; software for calculating costs; computer programs which can be downloaded from the Internet; computer software for the analysis of market data; software for the authorization of access to databases; computer software for communication between computers via a local network; computer software for creating dynamic websites; software for creating searchable databases of information and data; database management software; software for electronic bulletin boards; computer programs for scanning images and documents; computer software for compiling positioning data; computer software for the treatment of positioning data; computer software for the transmission of positioning data; computer software for time control; computer programs for use in controlling access to computers; computer software for use in hand-held mobile digital electronic devices and other consumer electronic products; computer software in the field of electronic publishing; software to enable data retrieval; computer programs enabling teleconferencing, Videoconferencing and videophone services; software enabling the transmission of information via the Internet; computer software for data mining; devices for broadcasting content on local wireless networks; computer software for document management; downloadable applications for use with mobile devices; computer gaming software downloadable via a global computer network and wireless devices; downloadable mobile applications for data management; downloadable mobile applications for information management; downloadable mobile applications for the transmission of information; hardware for computers; instruction manuals in electronic format; interactive computer programs; interactive computer software that provides navigation and travel information; mobile

applications for ordering a taxi; mobile data devices; podcasts; software and applications for mobile devices; software for information mining on computer networks; software for digital tablets; traveling distance monitors; wireless communication devices; data processing apparatus; apparatus for recording data; apparatus for reproducing data; apparatus for transmitting data; software applications for social networking via the Internet; comparators; computer databases; computer hardware for the compilation of positioning data; search-engine computer software; computer programs for online use of social networks; software for use as an application programming interface (API); computer programs for searching and retrieving data; electronic databases; data mining software; software for cleaning data; electronically recorded data; downloadable electronic newsletters; receivers for data communication; electronic data media; downloadable electronic publications; electronic publications recorded on computer media; apparatus for data processing in real time; recorded data files; software for designing on-line advertising on web pages; software for embedding on-line advertising on websites; software for the rental of on-line advertising on websites; software for business data analysis; transmission pipes; weekly publications which can be downloaded in electronic form from the Internet; downloadable information relating to travel, flights, ferries, trains, coaches, tours, vehicle rental, combined travel, tours and accommodations; mobile applications relating to travel, flights, ferries, trains, coaches, tours, vehicle rental, combined travel, tours and accommodations; mobile applications relating to travel price comparisons; mobile applications with user reviews concerning hotels and accommodation; screen scraping applications; computer software for screen scraping applications; computer software for price comparison applications; computer software for price reviews; computer software for integrating data from web services; computer software for extracting data and fares from web pages; tourist guides [publications] [downloadable]; hotel and accommodation guides [downloadable]; airport guides [downloadable]; travel planning software; price comparison application; user review mobile applications; travel planning application programs; software for compare prices; travel planning mobile application; downloadable price comparison applications; application programs for desktop computers, laptop computers, mobile phones, PDAs, portable data media players and mobile devices for supplying reviews and recommendations on events, bars, restaurants, hotels and local attractions; application programs for desktop computers, laptop computers, mobile phones, PDAs, portable data media players and mobile devices for supplying reviews and recommendations on online travel agencies, accommodation, accommodation reservation services, ferries, trains, vehicle rental, cruises, airport parking

in combined travel, airport transfer services, tourist destinations, travel and travel insurance products and services; radio direction search apparatus; mobile applications; mobile software; downloadable software applications; computer programs [downloadable software]; software which can be downloaded from the Internet; downloadable application software for smartphones; downloadable computer software for data transmission; downloadable coupons for mobile devices; software for mobile phones (Apps); computer software platforms for social networks; software for desktop publishing; downloadable application programs for comparing flight and travel prices; downloadable software enabling access to a search engine with price comparison services relating to travel; downloadable software for search engines with price comparison services relating to travel; application programs enabling users to access, show and search opinions, reviews, ratings, comments and recommendations of users in relation to travel; downloadable mobile applications enabling advertisers to manage advertising on a global network; application programs enabling advertisers to manage advertising on a global network; application programs enabling partners and associated companies to manage recommendations on a global network; application programs showing statistical and performance information on advertising, exchange rates, costs per click, costs per purchase, other data relating to advertisements and account and invoice information; application programs enabling advertisers to show statistical and performance information on advertising, exchange rates, costs per click, costs per purchase, other data relating to advertisements and account and invoice information; application programs enabling advertisers to review statistical and performance information on advertising, exchange rates, costs per click, costs per purchase, other data relating to advertisements and account and invoice information; application programs enabling users to review statistical and performance information on sales, exchange rates, costs per click, costs per purchase, other data relating to advertisements and account and invoice information; travel planning mobile applications; downloadable travel planning software; application programs enabling users to search and compare travel offers; application programs for storing, collecting, managing, filtering and obtaining private information; downloadable software for auctions of travel tickets, travel offers and travel goods and services; downloadable software for searching, comparing and booking travel offers; application programs enabling filtering of search results of flights and flight prices on the basis of price, departure and arrival airport, departure and arrival time, airline, travel agency, duration of travel, the number of stops, credit card fees and payment systems, the number of permitted pieces of travel baggage, user comments and reviews and other available data and

parameters; application programs enabling filtering of search results of hotels and accommodation on the basis of price, dates, category, accommodation class, stars, rooms, services available, accommodation functions, hotel chains, user topics, reviews and comments and other available data and parameters; application programs providing access to a forum enabling users to purchase, sell and switch travel reservations, travel offers and travel products and services; application programs for desktop computers, laptop computers, mobile phones, PDAs, portable data media players and mobile devices enabling users to search and compare offers relating to flights; application programs for desktop computers, laptop computers, mobile phones, PDAs, portable data media players and mobile devices enabling users to book offers relating to flights; application programs enabling users of desktop computers, laptop computers, mobile phones, PDAs, portable data media players and mobile devices to search and compare offers relating to travel; application programs enabling users compare flight prices with prices of bus, train, vehicle rental, shared vehicles, ferries and private transport services; application programs providing access to an Internet search engine by means of which users can compare travel offers on a map; application programs showing the flight price history and predictions; application programs showing the history and predictions of accommodation prices, vehicle rental, trains, ferries, cruises and buses; application programs providing links to information regarding travel; application programs providing access to a forum for the sale of travel offers; application programs providing an Internet search engine enabling users to compare flight prices with prices of bus, train, vehicle rental, shared vehicles, ferries and private transport services; application programs enabling users to compare travel offers on a map; application programs enabling users to search and compare flight offers; application programs enabling users to book flight offers; application programs enabling users to search and compare accommodation offers; application programs enabling users to book accommodation; application programs enabling users to search, compare and book vehicle rental offers; application programs providing access to travel search results; web-based software enabling users to search, compare and book train offers; application programs enabling users to search, compare and book train offers; application programs enabling users to search, compare and book travel offers; application programs providing access to travel directories on the Internet; application programs providing access to directories enabling users to search, show, rate and filter flight prices on the basis of departure and arrival airport, price, departure and arrival time, airline, travel agency, duration of travel, the number of stops, credit card fees and payment systems, the number of permitted pieces of travel baggage, user

comments and reviews and other available data and parameters; application programs providing access to directories enabling users to search, show, rate and filter accommodation offers on the basis of cost, dates, category, accommodation class, stars, rooms, services available, accommodation functions, hotel chains, user topics, reviews and comments and other available data and parameters; application programs providing access to directories enabling users to search, show, rate and filter vehicle rental offers; application programs providing access to online directories enabling users to search, show, rate and filter travel offers; application programs providing access to directories relating to travel, to travel offers and other information; application programs providing access to online control panels enabling advertisers to show statistical and performance information on advertising, exchange rates, costs per click, costs per purchase, other data relating to advertisements and account and invoice information; application programs providing access to online control panels enabling users to show statistical and performance information on sales, exchange rates, costs per click, costs per purchase, other data relating to advertisements and account and invoice information; application programs providing access to partner network software; artificial intelligence software for flight and transport services price comparison services; artificial intelligence software for travel price comparison services; artificial intelligence software for searching and booking airplane tickets; artificial intelligence software for searching and booking train, bus and ferry tickets; artificial intelligence software for searching and booking accommodation; artificial intelligence software for searching and booking car parks and transfer services to airports; artificial intelligence software for searching and booking vehicle rental and shared vehicles; artificial intelligence software for searching fares for airplane, train, bus, ferry, accommodation prices, vehicle rental and shared vehicles; artificial intelligence software for searching for travel insurance; artificial intelligence software; artificial intelligence software and computer training; voice recognition software; voice processors; voice operated encoders; voice identifiers; biometric voice recognition systems; voice processing systems; digital voice recorders; software for web applications; business software; computer software for integrating applications and databases; software for web applications and web servers; application programs for search engines with price comparison services relating to travel; application programs enabling users to access an online web page enabling users to publish their opinions, reviews, ratings, comments and recommendations on any subject relating to travel; application programs enabling users to publish their opinions, reviews, ratings, comments and recommendations in relation to hotel chains, ferry reservation services, ferry operators, train reser-

vation services, railway operators, cruise reservation services, cruise operators, airport transport services, bus companies, bus reservation services, travel booking services and other companies of the travel sector; application programs enabling users to publish their opinions, reviews, ratings, comments and recommendations in relation to tourist destinations, airlines, online travel agencies, vehicle rental companies, vehicle rental services, accommodation reservation services, hotels and accommodation, bars, restaurants, events, tours and sightseeing, museums, local attractions, musical performance venues, another venue type and theaters.

35 – Marketing services relating to travel; information index compilation for commercial or advertising purposes; computerized compilation of customer indexes; market study; business information, research and analysis services; provision of business information from online databases; market study services relating to the customer loyalty; compilation of advertisements; web indexing for commercial or advertising purposes; banner advertising; compilation of data for others; collection and analysis of information and data relating to business management; compilation of business directories; compilation of mailing lists; compilation of commercial information; maintenance of an information register; compilation of indexed addresses; compilation of statistical information; compilation of mathematical data; compilation of computer databases; compilation of company information; compilation, production and dissemination of advertising matter; compilation of information in computer databases; compilation of online business directories; preparation of advertising statistics; computerized compilation of order lists; collection and systemization of information in data banks; compilation of advertisements for use as web pages on the Internet; compilation of business directories for publication on the Internet; gathering and providing price and statistical information concerning business and trade; compilation of directories for publication on other global computer networks or the Internet; management of customer loyalty schemes, incentive or promotional schemes; organization, operation and supervision of loyalty and incentive programs; organization, operation and supervision of incentive and loyalty programs; promotion marketing services using audiovisual means; advertising services relating to the tourist sector; organizing competitions for advertising purposes; advertising the products and services of online vendors via an online search guide; promotion [advertising] of travel; sales promotion of third-party goods and services through distribution of printed matter and competitions for promotion; promoting products and services via sponsorship; organizing of prize draws for promotional purposes; advertising and promotion services; promotion of the sale of third-party goods

and services via promotional events; Advertising via electronic media and specifically the Internet; electronic commerce services, specifically, provision of information on goods via telecommunication networks for advertising and sales purposes; providing advertising space on electronic media; advertising by transmission of on-line advertising for third parties through electronic communication networks; advertising, including online advertising via a computer network; arranging and conducting of auction sales via the Internet; online auctioneering services via the Internet; price comparison services; evaluation of accommodation price comparison; provision of online price comparison services; consultancy services for searching for sponsors; promoting goods and services of others via discount card schemes; compilation and systematization of information used in electronic transmissions; commercial information services provided by access to a computer database; updating and maintenance of data on computer databases; updating of advertising information in a computer database; advertising and marketing services provided via blogs; Updating of business information in a computer database; placing of advertisements; advertising via mobile phone networks; administration of incentive award programs to promote the sale of products and third party services; Internet advertising for others; distribution of advertising, marketing and materials for promotional purposes; advertising agents; advertising for others; advertising services provided via a database; advertising services provided via the Internet; advertising of commercial web sites; advertising services for e-commerce promotion; Advertising services relating to the transport industries; compilation of advertisements for use on the Internet; business promotion by computer; copywriting; affiliate marketing; arranging advertising contracts, for others; arranging and conducting of marketing events; arranging and conducting of promotional events; organization of presentations for advertising purposes; advertising services relating to real estate; advertising services relating to books; advertising services relating to hotels; advertising services relating to the sale of products; business promotion services provided via audiovisual media; marketing via the Internet; provision of information relating to advertising; graphic advertising services; digital advertising services; direct marketing; displaying advertisements for others; editing services for advertising purposes; event marketing; design of marketing studies; financial marketing; design of advertising materials; writing of texts for advertising and promotional purposes; promoting the products and services of others through the administration of sales and promotional incentive schemes including coupons; database marketing; dissemination of data relating to advertising; data search in computer files for third parties; data processing services in the field of transport; data processing for

the compilation of data for business purposes; online data processing services; design of advertising brochures; online advertising; negotiating advertising contracts; mediation for advertising; computer management of files; marketing services relating to restaurants; advertising in magazines; publication of advertising brochures; forwarding and updating of advertising texts; pay-per-click advertising services; placing of advertisements for others; marketing strategy planning; online community management services; preparation of mailing lists for direct mail advertising services [other than for sale]; provision of business data; preparation of marketing plans; preparation of audiovisual presentations for use in advertising; presentation of companies on the Internet and other media; promoting the products and services of others via agreements with sponsors in order to associate their products and services with sports competitions; product launch services; press advertising services; production of video tapes, video discs and audio-visual recordings for promotional purposes; promotion of third-party goods and services through loyalty card programs; promotion of special events; promotion of music concerts; promotion of insurance services for others; promotion of sports competitions and events; promotion of sales; promotion, advertising and marketing of websites online; publication of online advertising material; publication of advertising materials and texts; marketing services in search engines; search engine optimization; sponsorship search; response advertising; reproduction of advertising material; Sales promotions at points of purchase or sale for others; sales promotion aided by audiovisual media; optimization of traffic web page; updating of advertising material; television advertising; administrative processing of telephone or computerized purchase orders; organization of subscriptions to Internet services; organization of subscriptions to electronic newspapers; organization of subscriptions of publications of others; computerized online ordering services; coupon procurement services for others; electronic processing of orders; product and service price quotation; provision of an on-line marketplace for buyers and sellers of goods and services; providing information on consumer products; price analysis services; subscriptions to electronic newspapers; sales management services; order services for the wholesale business; compiling, for the benefit of others, a variety of telecommunication services enabling consumers to compare and conveniently purchase these services; compiling, for the benefit of others, a variety of insurance services enabling consumers to compare and conveniently purchase these services; telemarketing services; compilation of lists of potential customers; compilation of statistics relating to business; consultancy relating to the preparation of business statistics; financial records management; computerized commercial research; commercial informa-



tion services, via the Internet; business expertise; commercial information agencies for providing business information, including demographic data or marketing; economic forecasting; providing a guide of websites of others for facilitating business transactions; news clipping services; market reports and studies; information and opinions provided by experts in relation to companies and businesses; expert evaluations and reports relating to business matters; preparation of surveys for businesses; providing business statistical information relating to medical matters; providing business information relating to companies; providing commercial information in the field of social media; providing commercial information via web sites; providing an online business information directory on the Internet; information and advisory services relating to tariffs; business information research; providing sales analysis; surveys for commercial purposes; provision of information relating to data processing; information and advice to consumers regarding the selection of products and items for sale; conducting market research based on opinion polling; analysis of public advertising awareness; market research by means of a computer database; Market opinion poll studies; pricing fixing surveys; profit surveys; preparation of public opinion polling; opinion polling; analysis of market studies; marketing studies provided by telephone; market study services regarding Internet usage habits; market research and analysis services; online retail services for suitcases; retail services for suitcases; commercial wholesale services for articles of luggage; market research for compiling information on viewers; market research for compiling information on publication readers; advisory services relating to data processing; counseling on the analysis of buying habits and needs of customers provided with the help of sensory data and data relating to quality and quantity; data collection; compilation and systemization of business databases; advertising of transport and delivery; direct mail advertising; direct mail advertising; advertising of products for others sellers for enabling customers viewing and comparing the products of those vendors; advisory services relating to advertising; services including the registering of statistical data; services for compilation of statistics; providing computerized commercial information; electronic data processing; sales promotion for others; commercial information and counseling for consumers in the selection of goods and services; business information services provided online from a global computer network or via the Internet; commercial consultancy; services in connection with bonus, incentive and customer loyalty programs; promotional, marketing and advertising services; advertising; online advertising via a computer network; services for the promotion of products and services of others; customer loyalty services for commercial, promotional or advertising purposes; dissemination of adver-

tising for others via the Internet; providing online financial services comparisons; providing an online advertising reference guide featuring the products and services of other online vendors on the Internet; providing online advertising reference guides; compilation and systemization of information on computer databases; checking computerized data; computer data processing; data input services; data input; services for obtaining data from a data management system; transcription of data; dissemination of business data; interpretation of market research data; management and compilation of computerized databases; analysis of market research data; market research data collection services; market research data recovery services; provision of commercial information, via the Internet, cable networks or other forms of data transfer; preparation of business statistical data; recording of written communications and data; subscriptions to database services via telecommunications; statistical evaluation of marketing data; systemization of information into computer databases; provision of hotel price comparison reports; advertising and marketing services provided via social media; provision of marketing consultancy in the field of social media; data input and processing services; data processing for businesses; data and information analysis; data and information updating; extraction of information from data banks; extraction of information from cache files; price comparison services in the flight sector; price comparison services in the travel sector; price comparison services in the sector of hotels, hostels, guesthouses, accommodation, camping sites and private homes; price comparison services in the vehicle rental sector; price comparison services in relation to parking in airports; price comparison services in the airport transfer sector; electronic dissemination of information and statistical data in relation to travel; provision of statistical data in relation to travel; provision of information and statistical data in relation to the preferences of travelers; electronic dissemination of advertising material and information; electronic dissemination of information and advertising material in relation to flights and air transport; provision of price comparison services via the Internet in relation to flights and hotels; access to an online marketplace for buyers and sellers of products and services; provision of consumer information services and recommendations on products and services in the travel services sector; advertising services in connection with network association services for travel agencies, enabling advertisers to connect with web pages; compilation and systemization of information; financial services by computer; online advertising network mail order services for connecting advertisers to websites; promotion of third-party products and services by means of advertisements on websites; flight price comparison services; vehicle rental price comparison services; compilation and storage in data

banks of reviews, opinions and recommendations regarding travel agencies, online travel agencies, accommodation, accommodation reservation offices, ferries, trains, vehicle rental companies, cruises, airport parking for organized travel, airport transfer companies, tourist destinations, travel products, travel and travel insurance services; flight price comparison services, including airport charges, credit card fees and luggage charges; provision of links to airlines, ferry operators, railway companies, bus companies, online travel agencies, tour operators and accommodation reservation offices; travel and flight directory services; provision of flight price historical data; flight price analysis; users survey regarding travel and travel habits; provision of data representing the most visited tourist destinations of Europe and the world; provision of travel price comparison services for desktop computers, laptop computers, mobile phones, PDAs, portable data media players and mobile devices; provision of control panels enabling advertisers to show statistical and performance information on advertising, exchange rates, costs per click, costs per purchase, other data relating to advertisements and account and invoice information; provision of control panels enabling users to show statistical and performance information on sales, exchange rates, earnings per click, costs per purchase, other data relating to advertisements and account and invoice information; compilation, extraction, search and maintenance of data regarding travel; compilation, extraction, search and maintenance of travel prices, flight schedules and other data in a data bank; provision of flight price comparison services via the Internet; provision of price comparison services for transport by train, bus and ferry via the Internet; provision of hotel price comparison services via the Internet; provision of vehicle rental price and shared vehicle fee comparison services via the Internet; provision of airport parking price comparison services via the Internet; provision of airport transfer price comparison services via the Internet; provision of cruise price comparison services via the Internet; provision of travel insurance price comparison services via the Internet; product or service price quotation; provision of web page directory services featuring hyperlinks to web pages of others; provision of a web page featuring a market study panel directory for consumers; accommodation service reviews; preparation of independent ratings and reviews of other companies for commercial purposes; provision of a web page featuring consumer reviews of the services of others in the sector of flights and transport services; provision of a web page featuring consumer reviews of the services of others in the sector of transport by train and bus; provision of a web page featuring consumer reviews of the services of others in the sector of accommodation; provision of a web page featuring consumer reviews of the services of others in the sector of

vehicle rental and shared vehicle; provision of a web page featuring consumer reviews of the services of others in the sector of airport parking and airport transfers; provision of a web page featuring consumer reviews of the services of others in the sector of cruises; web page directories for advertising purposes; web page indexes for price comparison services; web page indexes for search engine optimization; web page indexes regarding travel; web page indexes for travel directories; advertising services of other vendors for enabling customers viewing and comparing the services of those vendors; purchase facilitation services, specifically, providing an online purchase and comparison search engine for obtaining information regarding shopping; promotion of sales of products and services of others by means of a web page featuring coupons, discounts, price comparisons, comments regarding products, links to the retail web pages of others, and information regarding discounts, advice and information regarding client services and product management and prices on Internet sites in connection with purchases made via the Internet; access to an online computer database relating to product localization, product descriptions, product classification, product price fixing and product price comparison; provision of information regarding online sales directories; advertising and directory services, specifically promotion of sales of services of others by means of a web page featuring links to web pages of others; commercial evaluation and rating of consumer products for others prior to purchase; access to a website where users can send ratings, reviews and recommendations on products and services for commercial use sent by users.

36 – Organization of travel insurance; consultancy and brokerage services relating to travel insurance; credit services relating to travel; currency exchange and advice; listings of currency exchange rates; discount card services to young people for travel; economic and financial research services; emergency financial services for travelers; financial database services; financial services relating to travel; financial sponsorship and patronage; currency services; payment guarantees on medical expenses for foreign travelers; travel insurance services; issuing of vouchers in connection with customer loyalty schemes; issuing of travelers' checks and monetary receipts; issuing of prepaid cards for use as electronic transport documents; issuing of travelers' checks by travel agencies; foreign exchange online real time; provision of information regarding online insurance extracted from an electronic data bank or the Internet; issuing of travel vouchers; fundraising services via a microfinancing website; currency conversion in prices for flights, accommodation, vehicle rental and travel offers, for price comparison services.

38 – Arranging access to databases on the Internet; dissemination of audio, video and multimedia con-

tent via the Internet and other communication networks; dissemination of audio; broadcasting of audiovisual and multimedia content via the Internet; provision of Internet chat rooms; chat room services for social networking; communication via online blogs; communication of data by means of telecommunications; communication services, in particular the electronic transmission of data and documents among computer users; communication services between data banks; communication services for the electronic transmission of data; communications services for accessing a database; communication services for exchange of data in electronic format; transmission of information by computer; computerized data transmission services; data radio broadcasting services; data communication by electronic means; data communication services; data communication services accessible by access code; data communication services accessible via passwords; data broadcasting in real time; data transmission; data transmission and data dissemination; transmission of information by means of electronic mail; data transmission services by means of telecommunication networks; digital broadcasting of audio; electronic exchange of data stored in databases accessible via telecommunication networks; dispatch, reception and forwarding of electronic messages; electronic transmission and retransmission of sound, images, documents, messages and data; electronic transmission of data and documents via computer terminals and electronic devices; electronic transmission of instant messages and data; electronic mail data services; international data transfer; radio broadcasting services by means of the Internet; live transmissions accessible by means of an Internet site [webcams]; music broadcasting; services for uploading photographs to the Internet; multimedia broadcasting services for portable devices [podcasting]; provision of access to databases; providing access to data in computer networks; providing access to online computer databases; providing access to Internet portals; Online chat rooms for social networking; provision of on-line forums; access to telecommunication connections to the Internet or to databases; user access services for a global computer network and online sites containing information on a wide range of topics; user access to computer programs in data networks; user access services for search engines; access to web sites, portals and content; providing access to data available on communication networks; provision of access to data or documents stored electronically in central files for remote consultation; provision of access to data via the Internet; provision of electronic communication links; provision of electronic data links; providing electronic video links; provision of access to telecommunications and connections with computer databases and the Internet; provision of access to databases and to the Internet via telecommunications; secure transmission servi-

ces for data, sound or images; transmission of streamed data [streaming]; telecommunication services by means of platforms and portals on the Internet; telecommunications gateway services; telecommunication services for providing access to databases; transfer of information and data via on-line services and the Internet; transference and dissemination of information and data via computer networks and the Internet; transmission and reception [transmission] of database information by means of the telecommunications network; audio data transmission via the Internet; transmission of data, audio, video and multimedia files; assignment of data and audio, video and multimedia files including downloadable files and files streamed via a global computer network; transmission of messages, data and content via the Internet and other communication networks; transmission of portable audio files; transmission of short messages [SMS], images, speech, sound, music and text communications between mobile telecommunications devices; video broadcasting services; on-demand video transmission; downloading of videos to the Internet; website dissemination services; wireless broadcasting services; wireless transmission and broadcasting of television programs; provision of links to information on websites; provision of links to information on websites regarding travel; provision of access to travel insurance systems; provision of access to data and travel reservation service prices; provision of access to data and airlines charges; provision of access to data and hotel reservation service prices; provision of access to price search engines; provision of online communications links taking the user of the network to local and global web pages and websites of others; provision of access to airline and travel agency reviews on the Internet; provision of access to accommodation reviews on the Internet; provision of access to vehicle rental reviews; provision of access to travel insurance reviews on the Internet; electronic transmission of reviews and information regarding airlines and travel agencies via computer and communication networks; electronic transmission of reviews and information regarding accommodation, accommodation booking offices, ferries, trains, vehicle rental companies, cruises, airport parking for organized travel, tourist destinations, travel products, travel and travel insurance services via computer and communications networks; provision of access to a portal for travel price comparison services; provision of access to a search engine comparing flight prices, train links, bus links and ferry links; provision of online chat forums for the social networking; electronic transmission of travel reports and information via computer and communication networks; provision of access to a travel comparison search engine; provision of access to an Internet search engine showing travel offers; provision of access to a private control panel enabling users to manage advertising, measure

and track the performance of advertising, show statistical data and manage bill payments; provision of access to a search engine for online travel price comparison services; provision of access to an online web page enabling users to publish their opinions, reviews, ratings, comments and recommendations on any subject relating to travel; provision of access to an Internet or mobile telephone interface showing opinions, reviews, ratings, comments and recommendations of users concerning travel; provision of access to an online web page providing users with hotels and accommodation, bars, restaurants, events, tours and sightseeing tours; provision of access to an online web page providing users with museums, local attractions, concerts and event venues, theaters; provision of access to an online web page providing users with hotel chains, ferry reservation services, ferry operators, train reservation services, railway operators, cruise reservation services, cruise operators, airport transfer services, bus companies, bus reservation services, travel booking services and other companies relating to travel; provision of access to an online web page enabling users to give their opinion, reviews, ratings, comments and recommendations on tourist destinations, airlines, online travel agencies, vehicle rental providers, vehicle rental companies and accommodation reservation services; provision of temporary access to an online interface for the management of advertising on a global network; provision of access to downloadable mobile applications enabling users to manage advertising on a global network; provision of access to mobile applications enabling users to manage advertising on a global network; provision of access to online control panels enabling users to manage advertising on a global network; provision of access to an online control panel showing statistical and performance information on advertising, exchange rates, costs per click, costs per purchase, other data relating to advertisements and account and invoice information; provision of access to downloadable mobile applications enabling users to show statistical and performance information on advertising, exchange rates, costs per click, costs per purchase, other data relating to advertisements and account and invoice information; provision of access to online partner software enabling advertisers to show statistical and performance information on advertising, exchange rates, costs per click, costs per purchase, other data relating to advertisements and account and invoice information; provision of access to an online partner software enabling users to show statistical and performance information on advertising, exchange rates, costs per click, costs per purchase, other data relating to advertisements and account and invoice information; provision of access to travel planning mobile applications; provision of temporary use of non-downloadable travel planning software; provision of temporary use of a non-downloadable travel

planning web page; provision of access to online software for the searching and comparing travel offers; provision of access to online software for storing, compiling, managing, filtering and obtaining private information; provision of access to online software for storing, compiling, managing, searching, filtering and obtaining information regarding travel; provision of access to non-downloadable auction software regarding transport tickets, travel offers, travel products and travel services; provision of access to non-downloadable software for searching, comparing and booking travel offers; provision of access to online software enabling filtering of search results and prices on the basis of price, departure and arrival airport, departure and arrival time, airline, travel agency, duration of travel, the number of stops, ticket class, credit card fees and payment systems, the number of permitted pieces of travel baggage and other available data and parameters; provision of access to online software enabling filtering of search results of hotels and accommodation on the basis of price, dates, category, accommodation class, stars, rooms, services available, accommodation functions, hotel chains, user topics, reviews and comments and other available data and parameters; provision of access to a forum enabling users to purchase, sell and switch travel reservations, travel offers and travel products and services; provision of access to a price comparison service web page enabling users of desktop computers, laptop computers, mobile phones, PDAs, portable data media players and mobile devices to search and compare offers relating to flights; provision of access to a price comparison service web page enabling users of desktop computers, laptop computers, mobile phones, PDAs, portable data media players and mobile devices to book flight offers; provision of access to a software-based application on the Internet enabling users of desktop computers, laptop computers, mobile phones, PDAs, portable data media players and mobile devices to search and compare offers relating to travel; provision of access to a software-based application on the Internet enabling users of desktop computers, laptop computers, mobile phones, PDAs, portable data media players and mobile devices to book travel offers; provision of access to an Internet search engine enabling users to compare flight prices with prices of bus, train, vehicle rental, shared vehicles, ferries and private transport services; provision of access to an Internet search engine by means of which users can compare travel offers on a map; provision of access to online software showing the flight price history and predictions; provision of access to online software showing the history and predictions of accommodation prices, vehicle rental, trains, ferries, cruises and buses; provision of access to links to information regarding travel; provision of an automatic redirection of users to web pages of providers of selected travel offers; provision of access to a travel

offer forum; provision of access to a price comparison service web page enabling users of desktop computers, laptop computers, mobile phones, PDAs, portable data media players and mobile devices to book travel offers; provision of access to a price comparison service web page enabling users of desktop computers, laptop computers, mobile phones, PDAs, portable data media players and mobile devices to search and compare travel offers; provision of access to an Internet search engine via a pre-downloaded mobile application; provision of access to search results via a pre-downloaded mobile application; provision of access to a travel price comparison service via a pre-downloaded mobile application; provision of access to web-based software enabling users to search and compare flights prices; provision of access to web-based software enabling users to book flights offers; provision of access to web-based software enabling users to check the availability of accommodation offers and compare the prices; provision of access to web-based software enabling users to book accommodation offers; provision of access to web-based software enabling users to search, compare and book vehicle rental offers; provision of access to search results via a pre-downloaded mobile application; provision of access to web-based software enabling users to search and compare train prices; provision of access to web-based software enabling users to book train offers; provision of access to online software for storing, compiling, managing, searching, filtering and obtaining travel information; provision of access to web-based software enabling users to search, compare and book travel offers; provision of access to travel directories on the Internet; provision of access to online directories enabling users to search, show, rate and filter flight prices on the basis of departure and arrival airport, price, departure and arrival time, airline, travel agency, duration of travel, the number of stops, ticket class, credit card fees and payment systems, the number of permitted pieces of travel baggage, user comments and reviews and other available data and parameters; provision of access to online directories enabling users to search, show, rate and filter accommodation offers on the basis of price, dates, category, accommodation class, stars, rooms, services available, accommodation functions, hotel chains, user topics, reviews and comments and other available data and parameters; provision of access to online directories enabling users to search, show, rate and filter vehicle rental offers; provision of access to on-line directories that users to search, showing, rating and filtering travel offers; provision of access to directories relating to travel, with travel offers and other information; provision of access to online control panels enabling advertisers to show statistical and performance information on advertising, exchange rates, costs per click, costs per purchase, other data relating to advertisements and account and invoice in-

formation; provision of access to online control panels enabling users to show statistical and performance information on sales, exchange rates, earnings per click, costs per purchase, other data relating to advertisements and account and invoice information; publication of online tourist guides [publications]; publication of travels and answers regarding travel; publication of online directories regarding travel, classified according to the dates of travel, airports, countries, regions, prices and tourist destinations; publication of online directories regarding travel; provision of access to partner network software; provision of automatic redirection of users to web pages of selected travel offer providers.

39 – Provision of information regarding transport and travel via telecommunications apparatus and equipment; organization of travel; travel reservation; travel consultancy; travel services; travel agent services for arranging travel; travel agency services for business travel; travel guide services; travel guide services; organization of tours; air travel services; itinerary planning services; tourist guide and travel information services; travel reservation agencies; advice services regarding travel itineraries; organization of business travel; booking services of seats for travel; services of transport of travelers; Travel agency services for arranging holiday travel; travel ticket reservation services; organization of tours by coach; travel reservation; provision of tourist information relating to travel; booking of seats for travel; issuing of travel tickets; cruise travel services; information and consultancy services relating to travel; reservation services for airline travel; arranging of tour packages; computerized information services relating to travel; Planning, arranging and booking travel; booking of seats for travel by train; booking of seats for travel by bus; booking of seats for air travel; provision of information regarding travel via computer; schedule consultancy services relating to travel; booking of travel and holiday tours; reservation services for travel by land; provision of information regarding travel itineraries; escorting of travelers; transport of travelers; organization of travel to and from hotels; organization of overseas travel for cultural purposes; provision of information regarding travel via the Internet; services for the provision of information relating to travel routes; physical storage of data, photographs and digital audio and image files stored electronically; physical storage of electronically-stored data or documents; travel information regarding alterations due to adverse weather conditions; transport reservation; reservations in air transport; booking of rental vehicles; booking of train tickets; booking of airport parking places; booking of boat tickets; arranging and booking of sightseeing tours; arranging and booking of excursions; arranging and booking of cruises; booking agency services for tours; arranging and booking of city

sightseeing tours; provision of taxi booking services via mobile applications; arranging and booking of travel in the package holiday market; booking and organization of access to airport lounges; provision of information for the planning and booking via electronic means of airline travel; provision of information regarding the planning and booking of travel and transport via electronic means; provision of information via the Internet in relation to the booking of business travel; planning, arranging and booking of travel via electronic means; booking of seats for transport in motor vehicles; passenger shuttle services between airport car parks and terminals; provision of information regarding travel and transport; provision of online information relating to travel; provision of information relating to flights via electronic means; reservation services for tours; cruise reservation services; air ticket reservation services; tourist travel reservation services; reservation services for holiday travel; reservation services for car rental; reservation services for bus transport; reservation services for travel by sea; priority boarding, check-in, seating and reservation assignment services for frequent flyers; travel agencies, in particular reservation and booking of transport; computerized reservation services relating to passenger transport; computerized information services relating to travel reservations; provision of information regarding temporary safekeeping of personal belongings; information regarding urban transport; arranging the rental of all kinds of transport means; computerized information relating to transport services; organization of the transportation of passengers by road, rail, air and boat; consultancy services relating to transport provided by telephone call centers and telephone hotlines; provision of information relating to motor racing routes; provision of information relating to flight arrival; provision of information regarding flights; provision of data relating to schedules; provision of data relating to methods of transport; provision of information services relating to aviation; provision of information regarding the state of roads and traffic; provision of information regarding air transport; professional consultancy services relating to transport services; providing information relating to postal codes; information regarding road transport; providing information relating to fares [transport]; provision of information relating to aircraft departure; providing information regarding airline flight programming; services for providing information relating to railway transport; services for arranging transport; transportation information; reservation agency services for car rental; providing information regarding bicycle rental; arranging the rental of cars as part of tour packages; arranging and booking of guided sightseeing tours; arranging and booking of day excursions; planning and organization of guided sightseeing tours and day excursions; providing information regarding excursions and guided

tourist routes; arranging the transport of passengers via helicopter; organization of tours as a bonus program for credit card customers; organization of urgent changes of airplane tickets; organization of traveler escorting; traveler transport organization services; organization of excursions and cruises; organization of holiday transport; organization of expeditions; organization of air travel; vehicle rental service with driver; computerized travel reservation services; consultancy for travel route planning; preparation of travel visas, passports and travel documents for persons traveling abroad; arranging of travel plans for individuals and for groups; providing information regarding flight arrival and departure; travel arrangement; transport and transfer services for disabled persons; charter services for yachts and ships; boat rental; chartering of transport; chartering of vehicles for travel; transport of valuables by air; information services relating to the transport of merchandise; maritime transport agency services for organizing the transport of goods; luggage transport services; organization of transfer of luggage; arranging the collection of goods; organization of transportation of goods; organization of air cargo transport; organization of transport of merchandise by sea; international air freight shipping services; providing information relating to the transport of goods; provision of advice regarding transportation of goods; route planning [navigation services]; personalized driving directions; providing information regarding to vehicle parking services; Rental of vehicle parking; agency services for organizing the transport of passengers' baggage; organization for the storage of baggage; organization of flights; organization of transport for tourist circuits; Baggage collection; consultancy services relating to travel provided by telephone call centers and telephone hotlines; providing information regarding travel via the Internet; reservation of cabins; travel ticket issuing services; physical storage of data, documents, digital photographs, music, image, videos and computer games, all stored electronically; provision of data relating to passenger transport; car rental; travel services in shared car; tourist operator services for reservation of seats for travel; information relating to travel (services for the provision of); provision of reviews regarding global tourist destinations; provision of reviews regarding airport facilities; provision of reviews regarding airlines; provision of reviews regarding travel service providers; organization of transport for commercial users; travel planning services; planning and reservation via electronic means of airline travel; reservation agency services for airlines; processing airline tickets, cruise tickets and train tickets; airline and online travel agency reviews; airline and online travel agency user reviews; travel planning ideas shared by users; travel reports and travelers' opinions; travel planning and reservations via desktop computers, laptop computers, mobile phones, PDAs, por-

table data media players and mobile devices; providing information regarding prices, flights, trains, ferries, buses, accommodation and vehicle rental, airport parking prices, airport transfers, cruises, travel insurance and other travel offers via desktop computers, laptop computers, mobile phones, PDAs, portable data media players and mobile devices; provision of information and recommendations regarding travel via desktop computers, laptop computers, mobile phones, PDAs, portable data media players and mobile devices; provision of travel reservations via desktop computers, laptop computers, mobile phones, PDAs, portable data media players and mobile devices; providing information regarding travel via the Internet; provision of information regarding travel via smartphones; provision of travel reservations via the Internet; provision of travel reservations via smartphones; provision of access to travel reservation software via smartphones; provision of access to travel reservation software via the Internet; reservations of seats for travel and ecological routes via a web page; providing information to travelers relating to fares, schedules and public transport; reservation of seats for transport by train.

41 – Reservation of venues for shows and sports events; booking of sports facilities; reservation services for concerts; educational courses relating to the travel industry; printed material rental; providing information regarding entertainment and entertainment events via online networks and the Internet; information related to education provided online from a computer database or from the Internet; library services relating to data stored and retrieved by electronic means; multimedia publishing of electronic publications; electronic publication of books and newspapers online; online library research services; preparation of entertainment programs for broadcast; preparation of news programs for broadcast; provision of electronic publications; providing non-downloadable electronic publications via a global computer network or the Internet; providing information regarding cultural activities; provision of information on recreational activities; supply of electronic publications online, not downloadable; providing non-downloadable online electronic publications regarding music; entertainment services using portable audio files; Providing instruction relating to computer programming; publication of directories relating to travel; publication of manuals; publication of material accessible from databases or from the Internet; online publication of guides, travel maps, street maps, and city leisure guides for travelers, not downloadable; publication of texts and images also in electronic form, except for advertising purposes; publication of art reviews; rental of sound and image recordings; rental of sound and video recordings; booking services for concert and theater tickets; services for the reservation of seats for shows; editing of

newsletters; services for the publication of tourist guides; theater booking services; information on tickets for sport events; services for the reservation of venues for cultural events; ticket reservation services for entertainment events; services for the reservation of venues for music concerts; services for the reservation of venues for recreational and leisure events; services for the reservation of venues for sporting events; training services relating to design; blogging services; library services provided by means of a computer database; provision of information on recreational activities; information related to entertainment provided online from a computer database or from the Internet; conducting photo library research; Entertainment services provided online from a computer database or the Internet; training; entertainment services; sporting and cultural activities; organization of cultural activities; entertainment reservation services; education; providing entertainment information via a global computer network; provision of news relating to travel; provision of newsletters relating to travel; online tourist guides [publications]; online airport guides; tourist guides [publications] in the form of video recordings; tourist guides [publications] in the form of audio recordings; online information from an electronic database or from the Internet in relation to travel; provision of online information from an electronic data bank on the Internet in relation to leisure; publication of reviews online in the field of entertainment; publication of comments online in the field of accommodation; publication of reviews online regarding flights; publication of comments online regarding travel; publication of maps; electronic desktop publishing; publication of travelers' opinions; publication of reviews online in relation to flights; publication of travelers' reviews and their opinion; provision of reviews, opinions and recommendations online regarding travel agencies, online travel agencies, accommodation, accommodation reservation offices, ferries, trains, vehicle rental companies, cruises, airport parking for organized travel, airport transfer companies, tourist destinations, travel products, travel and travel insurance services; publication of expert reviews regarding airlines, online travel agencies, airports, tourist destinations, accommodation; reservation services of accommodation, ferries, trains; services for vehicle rental, cruises, airport parking for organized travel, airport transfer companies, tourist destinations, travel products; travel and travel insurance services; publication of coupons and discount codes; publication of travel trends; publication of accommodation reviews; publication of travel plans provided by users of web pages and mobile applications; publication of travel plans; publication of travelers' opinions; publication of comments online regarding flights; publication of travel reports and travelers' opinions; publication of comments, reviews and recommendations online regarding tourist

destinations; publication of comments, reviews and recommendations online regarding airlines and online travel agencies; publication of information, comments and personalized recommendations regarding travel; publication of information, comments and personalized recommendations regarding travel via a global communications network; provision of non-downloadable directory publications online regarding flight destinations, airlines and flight prices; publication of information, reviews and personalized recommendations regarding travel via global communications networks; provision of online reviews, reviews and recommendations regarding airlines, online travel agencies, accommodation, accommodation providers, ferries, trains, vehicle rental companies, cruises, combined travel, airport parking, airport transfers, tourist destinations, travel products, travel and travel insurance services; publication of content, news, articles, comments and opinions regarding travel; publication of reviews of airlines and online travel agencies via the Internet; publication of accommodation reviews via the Internet; publication of comments regarding accommodation reservation services via the Internet; publication of railway company reviews via the Internet; publication of airport parking reviews via the Internet; publication of airport transfer services reviews via the Internet; publication of cruise and cruise company reviews via the Internet; publication of vehicle rental company reviews via the Internet; publication of travel insurance reviews via the Internet; publication of comments regarding bus companies via the Internet; publication of tourist destination reviews via the Internet; publication of travel reviews and information via computer and communications networks; publication of reviews and information regarding airlines and travel agencies via computer and communications networks; publication of opinions, scores, ratings, reviews and recommendations regarding all subjects relating to travel via the Internet; publication of information regarding travel; publication of Internet directories regarding travel; publication of online tourist guides [publications]; publication of questions and answers regarding travel; publication of online travel directories, sorted by dates of travel, airports, countries, regions, prices and destinations; provision of links to information regarding travel; publication of online directories regarding travel; publication of online directories regarding travel enabling users to search, show, rate and filter flight prices on the basis of departure and arrival airport, price, departure and arrival time, airline, travel agency, duration of travel, the number of stops, ticket class, credit card fees and payment systems, the number of permitted pieces of travel baggage, user ratings and reviews and other available data and parameters; publication of online directories enabling users to search and filter by offers, prices, dates, category of accommodation, accommodation class, number of stars, rooms; services

available characteristics of overnight stay, hotel chains, user topics, ratings and reviews and other available data and parameters; publication of online directories enabling users to search, show, rate and filter vehicle rental offers; publication of online directories enabling users to search, show, rate and filter travel offers; publication of directories relating to travel, with travel offers and other information; publication of a global flight price directory by cities, airports, countries, regions, categories of flight and prices via the Internet; publication of flight price history and predictions via the Internet; publication of price history and predictions for accommodation, vehicle rental, trains, ferries, travel and buses via the Internet; publication of a forum with travel offers; publication of flights, accommodation and travel offers via the Internet; publication of an online forum with travel reservations, travel offers and travel products and services; publication of travel offers on a map on the Internet; online publishing services; publication of electronic texts; provision of publications online.

42 – Software upgrading; repair of computer software; development of computer programs for others; configuration of computer networks via software; design and development of computer software; quality control relating to software; design and development of database software; rental of travel software; design, maintenance and updating of computer software; rental of software to read a database containing price quotations; design and development of software for evaluating and calculating data; design and development of software for reading, transmitting and organizing data; Provision of temporary use online of non-downloadable software for language translation; custom writing of computer programs, software and codes for creating web pages on the Internet; development and creation of computer programs for data processing; providing temporary use of non-downloadable software for use in the creation and publication of online journals and blogs; rental of hardware; search engine management; search engine services on the Internet with specific search options; provision of search engines for obtaining data on a global computer networks; electronic data storage; temporary electronic storage of information and data; design and development of systems for the input, output, processing, display and storage of data; providing computer facilities for the electronic storage of digital data; design and development of data storage systems; data compression for electronic storage; creation and design of web-based information indexes for others [information technology services]; illustration services (design); website design; product design; computer design services; technological services and design related to the above; design services for data processing systems; design services relating to data processors;



services for the design of maps; advisory services relating to the design of computer programs; design of computer hardware; computer system design; design services relating to document reproduction; design services relating to the development of computerized systems for data processing; computer research services; provision of research services; research and development services; advisory services relating to technological research; research relating to computer programs; weather forecasting; providing meteorological information; providing meteorological information relating to snow conditions and road closures; creation and maintenance of software for blogs; hosting of digital content, namely online journals and blogs; development of software for multimedia data storage and retrieval; provision of temporary access to non-downloadable software applications via a website; application service provider [ASP], namely hosting of software applications of others; installation and personalization of application software for computers; providing temporary use of online non-downloadable software for importing and managing data; providing temporary use of non-downloadable software enabling the sharing of multimedia content and comments among users; providing temporary use of on-line non-downloadable operating software for accessing and using computer networks in the cloud; temporary use of online non-downloadable software for data transmission; provision of temporary use of online non-downloadable software for data management; temporary use of online non-downloadable software for transmitting information; provision of temporary access to non-downloadable software for financial analysis and production of reports; provision of temporary use of online non-downloadable software for creating websites; providing temporary use of on-line non-downloadable inventory management software; hosting of portable audio files; compilation of computer programs; compilation of environmental information; compilation of web pages for the Internet; compilation of information relating to environmental conditions; compilation of data processing programs; graphic design for compilation of web pages on the Internet; programming of software for reading, transmitting and organizing data; Hosting of web portals; programming of software for portals, chat rooms, chat lines and Internet forums; hosting of digital content on the Internet; Updating software databases; development, updating and maintenance of software systems and databases; updating of software for data processing; installation, maintenance and updating of database software; maintenance of databases; creation and maintenance of web sites for others; creation, design and maintenance of web pages; creation and maintenance of websites for mobile telephones; creation, maintenance and upgrading of computer software; data collection service regarding air quality; conversion of data or documents from

physical to electronic media; computer programming for data processing; database design; design and development of software for importing and managing data; development of databases; development of data processing systems; hosting of databases; installation and maintenance of database software; programming of software for importing and managing data; programming of data processing programs; providing scientific research information and results from an online searchable database; Internet search engines; providing search engines for obtaining data via communications networks; search engine design services; computer programming for data processing and communication systems; computer programming services for data storage [data warehousing]; computer data analysis services; computer services concerning electronic data storage; conversion of computer programs and data, other than physical conversion; conversion of computer programs and data (except physical modifications); creation of programs for data processing; data backup services; electronic information data conversion; analysis of large quantities of data and relations between the data; duplication and data conversion services; data reproduction services; data decoding; design and development of computer databases; design and development of software for data processing; design and development of systems for data input; design and development of data recovery software; design services relating to data processing tools; development of data-processing apparatus; development and maintenance of computer database software; development of data programs; development of programs for data processing; development of software for web; development of software for mobile telephony; provision of software for planning travel online enabling users to store tourist routes, travel plans, travel reservations and data; creation, maintenance, updating and provision of online blogs; provision of online blogs; search engine management with information relating to travel; search engine management with information relating to travel insurance; search engine management with information relating to world currencies; storage of data and information; provision of online reservation systems; provision of online reservation systems relating to accommodation; provision of online reservation systems relating to leisure and cultural activities; provision of online reservation systems relating to travel; provision of online reservation systems relating to the vehicle rental; development of web pages; provision of information regarding travel from an online data bank enabling searches; search engine management for consulting data on a global computer network; engineering services relating to data processing; providing temporary use of online non-downloadable software for processing electronic payments; search engine for travel offers without need for indicating the destination; search engine combining offers of

different airlines; provision of temporary use of on-line software showing the history and predictions of accommodation prices, vehicle rental, trains, ferries, cruises and buses; provision of temporary use of a search engine for online travel price comparison services; provision of temporary use of an online web page enabling users to publish their opinions, reviews, ratings, comments and recommendations on any subject relating to travel; provision of temporary use of an Internet or mobile telephone interface showing opinions, reviews, ratings, comments and recommendations of users concerning travel; provision of temporary access to an online interface for the management of advertising on a global network; provision of temporary use of mobile applications for managing advertising on a global network; provision of temporary use of a control panel online showing statistical, performance and invoice information; provision of temporary use of travel planning mobile applications; provision of temporary use of non-downloadable travel planning software; provision of temporary use of a non-downloadable travel planning web page; provision of temporary use of online software for the searching and comparing travel offers; provision of temporary use of online software for storing, compiling, managing, filtering and obtaining private information; provision of temporary use of online software for storing, compiling, managing, searching, filtering and obtaining information relating to travel; provision of temporary use of non-downloadable auction software regarding transport tickets, travel offers, travel products and travel services; provision of temporary use of non-downloadable software for searching, comparing and booking travel offers; provision of temporary use of online software enabling filtering of flight search results and prices on the basis of cost, departure and arrival times, airline, travel agency, airport, duration of travel, the number of stops, ticket class, credit card fees and payment systems and the number of permitted pieces of travel baggage; provision of temporary use of online computer software enabling filtering of search results for hotels and accommodation on the basis of price, dates, category, accommodation class, stars, rooms; services available, accommodation functions, hotel chains, user topics, reviews and comments; provision of temporary use of translations of web pages; provision of temporary use of a forum enabling users to purchase, sell and switch travel reservations, travel offers and travel products and services; provision of temporary use of a price comparison service web page enabling users of desktop computers, laptop computers, mobile phones, PDAs, portable data media players and mobile devices to search, compare and reserve offers relating to travel; provision of temporary use of a web-based application program enabling users of desktop computers, laptop computers, mobile phones, PDAs, portable data media players and mobile

devices to search, compare and reserve offers relating to travel; provision of temporary use of an Internet search engine enabling users to compare flight prices with prices of bus, train, vehicle rental, shared vehicles, ferries and private transport services; provision of temporary use of a search engine enabling users to compare travel offers on a map; provision of temporary use of online software showing the flight price history and predictions; provision of links to information regarding travel; provision of automatic redirection of users to web pages of selected travel providers; provision of temporary use of localized versions and translations of web pages; provision of temporary use of a forum for the sale of travel offers; provision of temporary use of a travel search engine by means of a pre-downloaded mobile application; provision of temporary use of a flight price comparator by means of a pre-downloaded mobile application; provision of temporary use of web-based software enabling users to search, compare and book flight offers; provision of temporary use of web-based software enabling users to search, compare and book accommodation offers; provision of temporary use of web-based software enabling users to search, compare and book vehicle rental offers; provision of temporary use of web-based software enabling users to search, compare and book train offers; provision of temporary use of web-based software enabling users to search, compare and book travel offers; provision of temporary use of travel directories via the Internet; provision of temporary use of online directories enabling users to search, show, rate and filter flight prices on the basis of departure and arrival airport, price, departure and arrival time, airline, travel agency, duration of travel, the number of stops, credit card fees and payment systems, the number of permitted pieces of travel baggage, user comments and reviews and other available data and parameters; provision of temporary use of online directories enabling users to search, show, rate and filter accommodation offers on the basis of cost, dates, category, accommodation class, stars, rooms, services available, accommodation functions, hotel chains, user topics, reviews and comments and other available data and parameters; provision of temporary use of online directories enabling users to search, show, rate and filter vehicle rental offers; provision of temporary use of online directories enabling users to search, show, rate and filter travel offers; provision of temporary use of directories relating to travel, with travel offers and other information; provision of temporary use of an online control panel enabling advertisers to show statistical and performance information on advertising, exchange rates, costs per click, costs per purchase, other data relating to advertisements and account and invoice information; provision of temporary use of an online control panel enabling users to show statistical and performance information on sales, exchange rates,

value per click, costs per purchase, other data relating to advertisements and account and invoice information; provision of temporary use of partner network software; provision of a web page featuring a flight price search engine; provision of a web page featuring a flight search engine; provision of a web page featuring a search engine for fares for flights, buses, trains and ferries; provision of a web page featuring an accommodation search engine; provision of a web page featuring a cruise search engine; provision of a web page featuring an airport car park and airport transfer search engine; design and development of search engines; application service provider featuring software for application programming interface (API) for the integration of flight prices and information on flights on web pages; application service provider featuring software for application programming interface (API) for the integration of accommodation prices and information on accommodation on web pages; application service provider featuring software for application programming interface [API] for the integration of prices of trains, buses and ferries and information with respect to web pages; application service provider featuring software for application programming interface (API) for the integration of prices of airport car parks and prices of airport transfers and corresponding information on web pages; application service provider featuring software for application programming interface (API) for the integration of cruise prices and information on web pages; application service provider featuring software for application programming interface (API) for the integration of travel insurances and information with respect to web pages; application service provider featuring software for application programming interface (API) for the integration of vehicle rental and shared vehicles on web pages; development and administration of application programs for the provision of multimedia content provided by museums and other events venues for use in different types of wireless mobile devices; advanced research regarding products in the field of artificial intelligence; development, maintenance and updating of a search engine of a telecommunications network; development of computer software application solutions; provision of temporary use of web-based application software enabling users of desktop computers, laptop computers, mobile phones, PDAs, portable data media players and mobile devices to search travel, means of transport, temporary accommodation, vehicle rental, shared vehicles and group travel, airport car parks and lists of temporary car parks, airport transfer services and travel insurances.

43 – Time share accommodation reservation services; agency services for booking temporary accommodation; accommodation reservation services for travelers; reservation of camping accommodation;

reservation of hotel accommodation; reservation of hotel rooms for travelers; reservation of tables in restaurants; electronic hotel information services; hotel reservation via the Internet; reservation of restaurants and food; provision of reviews of restaurants and bars; providing information regarding accommodation and accommodation reservation office services for travelers; provision of information relating to restaurants; provision of information relating to accommodation reservation; reservation services for booking meals; restaurant information services; restaurant reservation services; provision of temporary accommodation; room reservation services; accommodation reservation services provided by travel agencies; restaurant reservation services provided by travel agencies; hotel accommodation reservation services provided by travel agencies; provision of access to a data bank containing information regarding accommodation; provision of information in relation to hotels and accommodation; provision of information in relation to restaurants, bars and cafeterias; providing hotels and temporary accommodation reviews; temporary accommodation rating; accommodation ratings; hotel and flight combinations; holiday accommodation rating; provision of comments online regarding restaurants and hotels; room reservations.

45 – Compilation of legal information; consultancy services relating to legal matters; online social networking services; Internet services relating to social networks; providing legal information; software licensing [legal services]; assignment of licenses regarding databases [legal services]; online services on social networks accessible via downloadable mobile applications; Authentication of information on personal identity [identity validation services]; providing information relating to flight safety; legal information services for travelers; provision of legal information relating to travel; social network regarding travel on the Internet, where travelers can share information and interact with each other; social network services relating to travel enabling travelers to solicit and provide suggestions, comments, responses and recommendations via an online forum; social network regarding travel enabling travelers to solicit and provide suggestions, comments, responses and recommendations via a social network; social network regarding travel enabling travelers to solicit and provide suggestions, comments, responses and recommendations via desktop computers, laptop computers, mobile phones, PDAs, portable data media players and mobile devices.

(260) AM 2020 106035 A  
(800) 1172109  
(151) 2013 06 07  
(891) 2019 07 26

(731) DELTRON d.o.o.  
Vukovarska 148, HR-21000 Split,  
Croatia

(540)



(591) Blue and light blue

(531) 27.05.01; 27.05.21; 29.01.04

(511)

11 – Apparatus for lighting, heating, steam generating, cooking, refrigerating, drying, ventilating, water supply and sanitary purposes; air conditioning apparatus; air conditioners for vehicles; apparatus and machines for purifying, filtering, cooling and conditioning air, air deodorising apparatus; fans (air-conditioning); parts and equipment for all above mentioned goods, not included in other classes.

(260) AM 2020 106036 A

(800) 1226540

(151) 2014 09 25

(891) 2019 11 18

(731) CIMA FOOTWEAR S.L.

Manuel de Falla 13 -, Elche Parque  
Empresarial, E-03203 Elche (Alicante),  
Spain

(540)

**VERBENAS**



(591) Black, white

(531) 26.03.01; 26.03.05; 26.03.24

(511)

25 – Clothing; footwear; headgear.

(260) AM 2020 106037 A

(800) 1387668

(151) 2017 09 15

(891) 2019 10 23

(731) Ocean Network Express Holdings, Ltd.

3-2, Marunouchi 2 Chome, Chiyoda-ku,  
100-0005 Tokyo, Japan

(540)

**ONE**  
OCEAN NETWORK EXPRESS

(591) Ruby red

(531) 27.05.10; 27.05.17; 29.01.01

(511)

35 – Advertising and publicity services; promoting the goods and services of others through the administration of sales and promotional incentive schemes involving trading stamps; business management analysis or business consultancy; marketing research or analysis; providing information concerning commercial sales; import-export agency services; administration of frequent flyer programs; rental of advertising space.

37 – Construction; custom shipbuilding; repair or maintenance of vessels; repair and maintenance of transport containers; installation, maintenance and repair of ballast apparatus for ships; burner maintenance or repair; repair or maintenance of boilers; pump repair or maintenance; repair or maintenance of telecommunication machines and apparatus; repair or maintenance of loading-unloading machines and apparatus; repair or maintenance of air conditioners for industrial purposes; repair or maintenance of packing or wrapping machines and apparatus.

39 – Railway transport; car transport; vessel transport; packing of cargo; freight brokerage; cargo handling; shipbrokerage; warehousing services; temporary safekeeping of personal belongings; rental of warehouse space; providing vessel mooring facilities; rental of loading-unloading machines and apparatus; rental of vessels; rental of packing or wrapping machines and apparatus; storage of containers and cargo; rental of transport and storage containers; stevedoring; rental of freezing machines and apparatus for industrial purposes.

41 – Educational and instruction services relating to arts, crafts, sports or general knowledge; arranging, conducting and organization of seminars; providing electronic publications; organization of sports events and competitions.

42 – Providing meteorological information; architectural services; surveying; marine surveying services; computer software design, computer programming, or maintenance of computer software; technological advice relating to computers, automobiles and Industrial machines; rental of computers.

(260) AM 2020 106038 A

(800) 1408886

(151) 2018 03 23

(891) 2019 11 07  
 (731) KASTAMONU ENTEGRE AĞAÇ SAN VE  
 TİC A.Ş.  
 Altunizade Mahallesi, Kısıklı Caddesi No: 13,  
 Üsküdar, TR-34662 İstanbul, Turkey

(540)  
**Floormax**

(591) Black, white

(531) 27.05.01

(511)

19 – Sand, gravel, crushed stone, asphalt, bitumen, cement, gypsum for use in construction, road construction, repair and covering work, building materials (as finished products) made of concrete, gypsum, clay, potters' clay, natural or artificial stone, wood, plastics and synthetic materials for building, construction, road construction purposes, included in this class; non-metallic building materials, non-metallic transportable buildings, poles not of metal, barriers not of metal, doors and windows of wood and synthetic materials, traffic signs not of metal, non-luminous and non-mechanical, for roads, monuments and statuettes of stone, concrete and marble, natural and synthetic surface coatings in the form of panels and sheets, being building materials; heat adhesive synthetic surface coating, being building materials; bitumen cardboard coatings for roofing; bitumen coating for roofing, building glass, prefabricated swimming pools not of metal (structures), aquarium sand.

(260) AM 2020 106039 A

(800) 1428706

(151) 2018 07 12

(891) 2019 11 19

(731) SHENZHEN ZUN YI PIN TECHNOLOGY  
 CO., LTD  
 3/F, No.45 Futang Road, Tangxiayong  
 Industrial Area, Songgang Sub-district, Bao'  
 an District, Shenzhen City, Guangdong  
 Province, China

(540)

**TESLACIGS**

(591) Black, white

(531) 27.05.01

(511)

34 – Tobacco; cigarettes containing tobacco substitutes, not for medical purposes; tobacco pipes; cigarettes; electronic cigarettes; liquid solutions for use in electronic cigarettes; cigarette cases; mouthpieces for cigarette holders; oral vaporizers for smokers; flavorings, other than essential oils, for use in electronic cigarettes.

(260) AM 2020 106040 A

(800) 1477566

(151) 2019 01 09

(891) 2019 11 19

(731) QIWI PLC

Kennedy 12, Kennedy Business Centre,  
 2nd floor, CY-1087 Nicosia, Cyprus

(540)



(591) Orange

(531) 03.07.18; 03.07.19; 26.01.15; 27.03.03;  
 27.05.10; 29.01.12

(511)

9 – Ticket dispensers; juke boxes, musical; payment terminals, including automated self-service payment terminals and electronic cash terminals; automated teller machines; apparatus for the remote control of payment terminals, vending machines and automated teller machines network; cash registers; magnetic tape units for computers; computer memory devices; electronic notice boards; interfaces for computers; identity cards, magnetic; encoded magnetic cards; automated teller machines [ATM]; electronic agendas; magnetic encoders; commutators; computers; money counting and sorting machines; mechanisms for coin-operated apparatus; modems; monitors [computer hardware]; transmitters of electronic signals; printers for use with computers; computer operating programs of network of payment terminals, vending machines, automated teller machines; software for network of payment terminals, vending machines, automated teller machines; electronic publications, downloadable; processors for control of payment terminals network [data processing devices]; scanners [data processing equipment]; smart cards [integrated circuit cards]; counters; invoicing machines; data processing apparatus; time clocks [time recording devices]; couplers [data processing equipment]; computer peripheral devices; readers [data processing equipment]; bar code readers; monitors for payment terminals, automated teller machines, apparatus.

35 – Arranging subscriptions to telecommunication services for others; commercial information agency services; advertising agencies; computerized file management; invoicing; demonstration of goods; transcription of communications [office functions]; business information; commercial information and advice for consumers in the choice of products and services; business investigations; marketing research; business management and organization consultancy; business organization consultancy; business management consultancy; professional business consultan-

cy; business management of performing artists; word processing; updating of advertising material; organization of exhibitions for commercial or advertising purposes; organization of trade fairs for commercial or advertising purposes; shop window dressing; business appraisals; payroll preparation; data search in computer files for others; business management assistance; commercial or industrial management assistance; presentation of goods on communication media, for retail purposes; economic forecasting; sales promotion for others; publicity material rental; rental of vending machines; publication of publicity texts; radio advertising; distribution of samples; dissemination of advertising matter; writing of publicity texts; advertising; on-line advertising on a computer network; advertising by mail order; document reproduction; compilation of statistics; compilation of information into computer databases; business inquiries; systemization of information into computer databases; copywriting; drawing up of statements of accounts; administrative processing of purchase orders; modelling for advertising or sales promotion; public relations; telephone answering for unavailable subscribers; business efficiency expert services.

36 – Credit bureau services; financial analysis; lease-purchase financing; savings bank services; issuance of travelers' checks; issuance of credit cards; issuance of tokens of value; capital investment; financial information; clearing, financial; financial consultancy; stock exchange quotations; brokerage; financial management; exchanging money; processing of debit card payments; processing of credit card payments; online banking; factoring; organization of collections; financial evaluation [insurance, banking, real estate]; electronic funds transfer; surety services; securities brokerage; real estate brokerage; insurance brokerage; loans [financing]; pawnbrokerage; check verification; charitable fund raising; financial sponsorship; mortgage banking; instalment loans; insurance underwriting; actuarial services; banking; mutual funds; financing services; safe deposit services; deposits of valuables; fiscal valuation; rental of terminals.

38 – Electronic bulletin board services [telecommunications services]; information about telecommunication; telecommunications routing and junction services; providing internet chatrooms; providing user access to global computer networks; providing access to databases; providing telecommunications connections to a global computer network; providing telecommunication channels for teleshopping services; computer aided transmission of messages and images; rental of message sending apparatus; rental of modems; rental of telecommunication equipment; communications by fibre optic networks; communications by cellular phones; communications by computer terminals; paging services [radio, telephone or other means of electronic communication].

41 – Gambling services; recreation information; entertainment information; game services provided on-line from a computer network; providing on-line electronic publications, not downloadable; practical training [demonstration]; providing recreation facilities; organization of competitions [education or entertainment]; organization of lotteries; electronic desktop publishing; ticket agency services [entertainment]; booking of seats for shows.

42 – Computer system analysis; technical research, design and development of network of payment terminals, apparatus and automated teller machines; conducting technical project studies; engineering; installation of computer software; consultancy in the design and development of computer hardware; computer software consultancy; updating of computer software; scientific and technological services and research and design relating thereto; maintenance of computer software; conversion of computer programs and data, other than physical conversion; computer system design; computer rental; rental of computer software; design and development of hardware and software used in payment terminals, apparatus and automated teller machines; computer software design; computer programming for payment terminals, apparatus and automated teller machines; surveying.

45 – Personal and social services rendered by others to meet the needs of individuals; registration of domain names [legal services]; legal services; licensing of computer software [legal services].

---

(260) AM 2020 106101 A  
 (800) 1502377  
 (151) 2019 10 31  
 (891) 2019 10 31  
 (731) Geberit International AG  
 Schachenstrasse 77, CH-8645 Jona,  
 Switzerland  
 (540)

## SELNOVA

(591) Black, white  
 (511)

11 – Apparatus for water distribution and sanitary installations; sanitary fittings and installations; toilets, floor-mounted toilets, wall-mounted toilets, shower toilets, toilet bowls, urinals, bidets; toilet seats (WC), toilet covers; water flushing installations, flushing devices for toilets and urinals, water flushing installations, fitted flushing apparatus; installations and component parts comprising coverings and casings for parts of sanitary installations, sanitary ducts and/or heating ducts, water flushing installations and parts of sanitary installations; sanitary modules, systems and installation casings for sanitary equipment, fittings and supports for systems and ins-

tallation casings; water flushing buttons and plates; washbasins, double washbasins, sinks, holders and stands for washbasins; kitchen sinks and utility sinks; baths, spa baths, bath installations and fittings; showers, shower pans, shower cabinets, shower cubicles, shower screens for bathtubs; water distribution and ducts, installations, pipes, valves and fittings for sanitary installations; taps and mixer taps; mixer taps for washbasins, sinks, bath tubs and showers; lamps for mirrors and furniture; electrically heated towel rails and radiators; air dryers and air filtering installations, apparatus for purifying and deodorizing the air; distributors and dispensers for cleaning and disinfectant substances for toilets and flushing apparatus; parts and components of all the aforesaid goods.

20 – Bathroom furniture; cabinets and shelving units for bathrooms, wall cabinets, side cabinets, upper cabinets, basic cabinets with drawers and connected panels, cupboards, storage units; mirrors, mirror cabinets; frames for mirrors and picture frames; mirror supports; liners, door handles, hooks, poles; legs for furniture; sliding doors; parts and components of all the aforesaid goods.

21 – Brushes and holders for toilet brushes; soap dishes, baskets, bowls, soap dispensers; paper dispensers and holders, toilet roll holders, napkin holders, towel rails, towel rings; toothbrush holders, toothbrush mug holders, glasses for toothbrushes; parts and fittings for the aforementioned products.

---

(260) AM 2020 106102 A

(800) 1502419

(151) 2019 10 24

(891) 2019 10 24

(731) Apple Inc.

One Apple Park Way, Cupertino CA 95014,  
USA

(540)

## APPLE AFTERBURNER

(591) Black, white

(511)

9 – Computer peripherals, namely, cards used to accelerate video performance in computers.

---

(260) AM 2020 106103 A

(800) 1502422

(151) 2019 10 24

(891) 2019 10 24

(731) Apple Inc.

One Apple Park Way, Cupertino CA 95014,  
USA

(540)

## AFTERBURNER

(591) Black, white

(511)

9 – Computer peripherals, namely, cards used to accelerate video performance in computers.

---

(260) AM 2020 106104 A

(800) 1502580

(151) 2019 09 02

(891) 2019 09 02

(731) MEHRMINA ELECTRONIC CO

Unit 9, No 16, Telefonkhaneh Alley,  
Yaghma Alley, Jomhuri Street, Tehran,  
Islamic Republic of Iran

(540)

دناى

DENAY

(591) Black, white

(531) 27.05.01; 28.01

(511)

9 – Mobile phones, tablets.

11 – LED lamps.

35 – Export agency services in the field of mobile phones, tablets, LED lamps.

---

(260) AM 2020 106105 A

(800) 1502623

(151) 2019 10 08

(891) 2019 10 08

(731) Put Corporation

1500 District Ave, Suite 2100, Burlington  
MA 01803, USA

(540)

## HAULTAIL

(591) Black, white

(511)

22 – Heavy-duty bags for disposal of building materials and refuse.

39 – Transport and storage of trash, garbage collections, removal and transport services; shipping and delivery services, namely, pickup, transportation, and delivery of goods by various modes of transportation.

---

(260) AM 2020 106106 A

(800) 1502716

(151) 2019 09 18

(891) 2019 09 18

(731) TOYOTA MOTOR EUROPE, en abrégé TME

Avenue du Bourget 60, B-1140 Bruxelles,  
Belgium

(540)

**KINTO**

(591) Black, white

(511)

9 – Computer application software for providing travel and transport information, namely rental of motor vehicles, car sharing services, carpooling services and itinerary planning; computer application software for providing information on transport services; computer software platforms for providing travel and transport information, namely rental of motor vehicles, car sharing services, carpooling services and itinerary planning; computer software platforms for providing information on transport services; interactive computer software that provides navigational and travel information; software for travel services, travel information and mapping; software that provides information services in relation to the destination and payment services; software for services related to electronic wallets; magnetic encoded cards; identity cards, encoded; keys (encoded -); encoded tapes; diskettes; cards with integrated circuits; smart cards; encoded cards and smart cards to provide access to a site and/or the retrieval, the provision and arranging of services; encoded cards and smart cards to enable the provision of transportation services; monitoring instruments; remote monitoring apparatus; readers [data processing equipment]; computer programs allowing access from computers to networks and/or appropriate databases; software systems for processing bulk payments in respect of transport and payment of transportation.

12 – Vehicles; parts and fittings for vehicles.

36 – Insurance; vehicle insurance services; issue of tokens, coupons and vouchers of value; issue and redemption of tokens of value; issuing of travelers' checks; issue of tokens of value in the nature of transportation vouchers; electronic payment services in respect of travel; issue of credit cards and related identification cards; lease-purchase financing of vehicles.

37 – Vehicle repair, maintenance and refueling; garage services for vehicle repair; information and consultancy services relating to vehicle repair; vehicle breakdown assistance [repair].

38 – Telecommunication services, particularly through portals on the Internet; providing access to information on the Internet; providing access to platforms and portals on the Internet; providing access to Internet portals in the field of travel information, especially about available transport options, including timetables of public transport, on locating of cars and bicycles, on bike rental and cycling routes; teleconferencing and video conferencing services; providing access to platforms on the internet.

39 – Transport; travel agency services for arranging travel; providing transport and travel information; providing information relating to vehicle driving services; itinerary planning services; car pooling services; information services relating to transport timetables; fares (provision of information relating to -); booking agency services for travel; issuing of tickets for travel; rental of transport vehicles; rental of bicycles; motorcycle rental; vehicle parking; vehicle location services; arranging vehicle breakdown recovery; vehicle recovery services; providing road and traffic information; providing roadside assistance vehicles; vehicle breakdown assistance [towing]; car sharing services.

42 – Industrial analysis and research services; providing information about the design and development of computer hardware and software; software as a service, namely intelligent mobility solutions; software as a service, namely the provision of software enabling owners and users to connect remotely with their vehicle to access vehicle information and control functions; software as a service, namely connectivity services enabling accident, maintenance and breakdown management, provision of emergency calls and telediagnosis; software as a service, namely vehicle location and recovery; software as a service, namely provision of online access to customer service and automated booking services, enabling customers to find and contact a partner of their choice online; providing online, non-downloadable software; providing online, non-downloadable software for linking to service providers of car rental, short term car rental, car parking, chauffeur services, taxi services and public transport.

(260) AM 2020 106108 A

(800) 1502773

(151) 2019 05 15

(891) 2019 05 15

(731) LITOKOL S.P.A.

Via G. Falcone, 13/1, I-42048 RUBIERA  
(RE), Italy

(540)

**LITOKOL**

(591) Black, white

(531) 26.11.08; 27.05.01; 27.05.11

(511)

1 – Detergents for industrial use; impregnants for exterior surfaces of buildings [other than paints or oils]; chemical compositions for use in construction; adhesives for floor, ceiling and wall tiles; unprocessed artificial and synthetic resins; adhesives for the building industry; adhesives for laying ceramic tiles; adhesives for applying floor tiles; adhesives for wall



tiles; detergents for building industry use; putties [fillers]; mastics.

17 – Caulking materials; general purpose silicone rubber sealant; adhesive sealant compounds; silicon rubber joint sealing compounds; insulating fabrics; substances for insulating buildings against moisture; stopping materials; insulating materials; chemical compositions for repairing leaks; insulating water proofing membranes.

19 – Adhesive mortar for building purposes; ready mixed mortar; stair-treads [steps], not of metal; PVC membrane for building; building materials, not of metal; dry screed; binding agents for making stones; binding agents for making briquettes; screeds ready for the realization of subfloors before forming a floor; facing plaster; water repellent grout for grouting ceramic tiles.

---

(260) AM 2020 106109 A

(800) 1502795

(151) 2019 08 07

(891) 2019 08 07

(731) Celerium Inc.

Suite 203, 100 N Sepulveda Blvd, El Segundo  
CA 90345, USA

(540)



(591) Black, white

(531) 15.09.01; 15.09.18; 24.01.25

(511)

9 – Recorded computer software and hardware for digital security; computer security products, namely, computer peripherals; computer hardware and recorded software, namely, network security appliances, email security appliances, digital data and media security appliances, security software applications, and management stations related to the foregoing; recorded computer software and computer hardware for detection, blocking, and facilitating removal and remediation of computer viruses, Trojan horses, adware, spyware, rootkits, bootkits, backdoors, zero-day attacks, data exfiltration, phishing, bots, time bombs, worms, cyber-attacks, malicious attacks, and advanced persistent threats; recorded computer software for identifying and preventing malicious attacks on, and unauthorized activities and intrusions in computers, computer systems, networks, hardware, software applications, digital devices, and mobile devices;

recorded computer software and hardware for use in providing secure networks, virtual computer systems and virtual computer environments; computer hardware; computer peripherals.

42 – Technical support and consulting services related to security and vulnerability of, and cyber-attacks and threats against computers, computer systems, networks, hardware, software applications, digital devices, digital data, and mobile devices; technical and consulting services related to designing, developing, customizing, configuring, deploying, installing, maintaining, analyzing, integrating, repairing, and managing of cyber-security systems for others; technical support services in the nature of detecting and diagnosing computer hardware and software security problems and vulnerabilities, updating and maintenance of computer software relating to computer security and to prevention and mitigation of computer risks; updating and maintaining computer software for others; cloud computing services featuring software and databases for use in computer security and prevention and mitigation of computer risks; computer consultation and research in the field of design and development of computer hardware, computer software and network security; computer security consultancy in the field of malware, intrusion and penetration testing and diagnosis of computers and networks to assess information technology security and vulnerability; information technology security services in the nature of providing network access to cyber-threat intelligence, to cyber-attack verification, emails, files, media computer software, and mobile applications (term considered too vague by the International Bureau – Rule 13 (2) (b) of the Common Regulations); application service provider (ASP) featuring software for use for detection, blocking, and facilitating removal and remediation of computer viruses, rootkits, advanced persistent threats, malware and malicious attacks in computers, computer systems, networks, hardware, software applications, digital devices, and mobile digital devices; application service provider (ASP) featuring software that provides secure virtual computer systems and virtual computing environments; software as a service (SAAS) services featuring software for use in security threat analysis, namely, software for collecting, filtering, sanitizing, normalizing, tracking, converting, interpreting, indexing, analyzing and managing data and intelligence from communication and computer network systems, and providing reports and alerts in connection therewith.

---

(260) AM 2020 106110 A

(800) 1502807

(151) 2019 09 16

(891) 2019 09 16

(731) Closed Joint Stock Company "Sotex  
"PharmFirm"  
Sergievo-Posadsky municipal district, selskoe  
poselenie Bereznvakovskoe, pos. Belikovo,  
d. 11, RU-141345 Moscow Region, Russian  
Federation

(540)



(591) Blue, white

(531) 01.01.01; 01.01.02; 01.01.09; 01.01.12;  
01.05.23; 26.01.12; 26.11.08; 27.05.17;  
29.01.12

(511)

5 – Dietetic substances adapted for medical use;  
pharmaceutical preparations; vitamin preparations.

(260) AM 2020 106111 A

(800) 1502877

(151) 2019 10 11

(891) 2019 10 11

(731) CERERIA TRENZI EVELINO SRL  
Via dei Faggi, 101, I-47842 SAN GIOVANNI  
IN MARRIGNANO (RN), Italy

(540)

**TIZIANA TRENZI**

(591) Black, white

(511)

3 – Abrasives; eau de cologne; lavender water; toilet  
water; scented water; nail art stickers; adhesives for  
cosmetic purposes; adhesives for affixing false hair;  
adhesives for affixing false eyelashes; scouring solu-  
tions; ammonia [volatile alkali] [detergent]; amber  
[perfume]; starch glaze for laundry purposes; fabric  
softeners for laundry use; canned pressurized air for  
cleaning and dusting purposes; food flavorings [es-  
sential oils]; aromatics [essential oils]; flavorings for  
beverages [essential oils]; cake flavorings [essential  
oils]; astringents for cosmetic purposes; lipstick cas-  
ses; balms, other than for medical purposes; hair  
conditioners; basma [cosmetic dye]; bases for flower  
perfumes; joss sticks; cotton sticks for cosmetic pur-  
poses; whitening; laundry blueing; javelle water; mas-  
sage candles for cosmetic purposes; carbides of met-  
al [abrasives]; silicon carbide [abrasive]; polishing  
paper; emery paper; sandpaper; abrasive paper; vol-  
canic ash for cleaning; non-slipping wax for floors;  
shoemakers' wax; depilatory wax; mustache wax;  
polishing wax; floor wax; wax for parquet floors;  
tailors' wax; shoe wax; polish for furniture and floo-

ring; gel eye patches for cosmetic purposes; false  
eyelashes; make-up powder; mouthwashes, not for  
medical purposes; hair dyes; colorants for toilet pur-  
poses; corundum [abrasive]; quillaia bark for was-  
hing; cosmetics; cosmetics for animals; cosmetics  
for children; cosmetic preparations for eyelashes;  
eyebrow cosmetics; cosmetic creams; shoe cream;  
creams for leather; polishing creams, skin whitening  
creams; washing soda, for cleaning; bleaching pre-  
parations [decolorants] for cosmetic purposes; denti-  
frices; deodorants for pets; deodorants for human  
beings or for animals; detergents, other than for use  
in manufacturing operations and for medical purpo-  
ses; vaginal washes for personal sanitary or deodo-  
rant purposes; cleansers for intimate personal hygie-  
ne purposes, non medicated; diamantine [abrasive];  
air fragrance reed diffusers; heliotropine; badian es-  
sence; mint essence [essential oil]; oil of turpentine  
for degreasing; bergamot oil; ethereal essences; dry-  
ing agents for dishwashing machines; herbal extracts  
for cosmetic purposes; extracts of flowers [perfu-  
mes]; petroleum jelly for cosmetic purposes; massa-  
ge gels, other than for medical purposes; dental blea-  
ching gels; geraniol; cleaning chalk; greases for  
cosmetic purposes; henna [cosmetic dye]; incense;  
ionone [perfumery]; hair spray; almond milk for cos-  
metic purposes; cleansing milk for toilet purposes;  
scented wood; non-slipping liquids for floors; wind-  
shield cleaning liquids; soda lye; after-shave lotions;  
hair lotions; lotions for cosmetic purposes; lip glo-  
sses; shoe polish; mascara; beauty masks; eyebrow  
pencils; cosmetic pencils; mint for perfumery; deco-  
rative transfers for cosmetic purposes; musk [perfu-  
mery]; cosmetic kits; neutralizers for permanent wa-  
ving; oils for toilet purposes; essential oils; essential  
oils of cedarwood; essential oils of lemon; essential  
oils of citron; gaultheria oil; lavender oil; almond  
oil; rose oil; oils for perfumes and scents; oils for  
cleaning purposes; oils for cosmetic purposes; cotton  
wool for cosmetic purposes; pastes for razor strops;  
cobblers' wax; hydrogen peroxide for cosmetic pur-  
poses; smoothing stones; polishing stones; pumice  
stone; shaving stones [astringents]; alum stones [as-  
tringents]; pomades for cosmetic purposes; potpou-  
rris [fragrances]; sun-tanning preparations [cosme-  
tics]; chemical cleaning preparations for household  
purposes; cosmetic preparations for baths; aloe vera  
preparations for cosmetic purposes; collagen prepa-  
rations for cosmetic purposes; douching preparations  
for personal sanitary or deodorant purposes [toilet-  
ries]; descaling preparations for household purposes;  
phytocosmetic preparations; preparations to make  
the leaves of plants shiny; bath preparations, not for  
medical purposes; laundry glaze; preparations for  
cleaning dentures; bleaching preparations [decolo-  
rants] for household purposes; toiletry preparations;  
eye-washes, not for medical purposes; hair straigh-  
tening preparations; polishing preparations; hair wa-  
ving preparations; denture polishes; sunscreen pre-

parations; preparations for unblocking drain pipes; breath freshening preparations for personal hygiene; cosmetic preparations for slimming purposes; color-brightening chemicals for household purposes [laundry]; antistatic preparations for household purposes; cosmetic preparations for skin care; depilatory preparations; perfumery; laundry preparations; antiperspirants [toiletries]; grinding preparations; fumigation preparations [perfumes]; laundry bleach; dry-cleaning preparations; make-up preparations; preservatives for leather [polishes]; nail care preparations; cleaning preparations; shaving preparations; smoothing preparations [starching]; shining preparations [polish]; laundry soaking preparations; sachets for perfuming linen; wallpaper cleaning preparations; rust removing preparations; leather bleaching preparations; degreasers, other than for use in manufacturing processes; make-up removing preparations; paint stripping preparations; lacquer-removing preparations; color-removing preparations; varnish-removing preparations; perfumes; air fragrancing preparations; lipsticks; polishing rouge; safrol; laundry starch; bath salts, not for medical purposes; bleaching salts; tissues impregnated with make-up removing preparations; baby wipes impregnated with cleaning preparations; almond soap; shaving soap; cakes of toilet soap; soap; soap for foot perspiration; antiperspirant soap; deodorant soap; soap for brightening textile; shampoos; shampoos for pets [non-medicated grooming preparations]; shampoos for animals [non-medicated grooming preparations]; dry shampoos; stain removers; nail polish; emery; bleaching soda; nail varnish removers; refurbishing preparations; breath freshening sprays; breath freshening strips; teeth whitening strips; cloths impregnated with a detergent for cleaning; floor wax removers [scouring preparations]; talcum powder, for toilet use; abrasive cloth; emery cloth; glass cloth [abrasive cloth]; terpenes [essential oils]; cosmetic dyes; beard dyes; tissues impregnated with cosmetic lotions; turpentine for degreasing; tripoli stone for polishing; make-up; false nails; jasmine oil.

(260) AM 2020 106113 A  
 (800) 1502941  
 (151) 2019 08 12  
 (891) 2019 08 12  
 (731) Essity Hygiene and Health Aktiebolag  
 Mölndals bro 2, SE-405 03 Göteborg,  
 Sweden

(540)



(591) Magenta and dark blue.  
 (531) 26.03.23; 26.04.03; 29.01.13  
 (511)

3 – Skin care products, namely wash cream, wash mousse, perineal wash cream and mousse; hair conditioner, cleansing cream, soaps, perfumery, essential oils and gels, moisturizers, lotions; disposable pre-moistened washcloths impregnated with cleansing preparations or compounds for personal use (non-medical).

5 – Absorbent sanitary preparations, sanitary napkins, tampons, towels, slips for use as menstruation or incontinence protection; sanitary pads; sanitary towels; preparations for use in vaginal hygiene (medical); panty liners; wet wipes (medical); underpants for sanitary purposes; nursing pads; breast feeding pads; maternity pads; diapers made of paper or cellulose.

16 – Paper and paper goods (as far as not included in other classes), in particular paper towels for cleaning and drying purposes; toilet paper, hygienic paper; towels of paper; tissues of paper for removing make-up; paper towels; washcloths made of paper; articles made of cellulose material including facial tissues, napkins, handkerchiefs, toilet paper; printed matter, newspapers and magazines, books; photographs; educational materials and instructional materials.

(260) AM 2020 106115 A  
 (800) 1502957  
 (151) 2019 10 02  
 (891) 2019 10 02  
 (731) Zdesenko Andrii  
 13 Titova Street, Apartment 44, Dnipro 49055,  
 Ukraine

(540)

# Pop Star

(591) Black, white  
 (511)

5 – Babies' napkins; disposable babies' napkins made of paper and/or cellulose; babies' napkins, disposable; babies' diapers; disposable babies' diapers made of paper and/or cellulose; babies' diapers, disposable; babies' diaper-pants; disposable babies' diaper-pants made of paper and/or cellulose; babies' diaper-pants, disposable; babies' napkin-pants; disposable babies' napkin-pants made of paper and/or cellulose; babies' napkin-pants, disposable; diapers for incontinence; diapers for incontinence, disposable; pants, absorbent, for incontinence; pants, absorbent, for incontinence, disposable; sanitary panties; sanitary panties, disposable; sanitary pants; sanitary pants, disposable.

(260) AM 2020 106117 A  
 (800) 1502968  
 (151) 2019 10 02  
 (891) 2019 10 02  
 (731) Zdesenko Andrii  
 13 Titova Street, Apartment 44, Dnipro 49055,  
 Ukraine  
 (540)

# Pop Art

(591) Black, white  
 (511)  
 5 – Babies' napkins; disposable babies' napkins made of paper and/or cellulose; babies' napkins, disposable; babies' diapers; disposable babies' diapers made of paper and/or cellulose; babies' diapers, disposable; babies' diaper-pants; disposable babies' diaper-pants made of paper and/or cellulose; babies' diaper-pants, disposable; babies' napkin-pants; disposable babies' napkin-pants made of paper and/or cellulose; babies' napkin-pants, disposable; diapers for incontinence; diapers for incontinence, disposable; pants, absorbent, for incontinence; pants, absorbent, for incontinence, disposable; sanitary panties; sanitary panties, disposable; sanitary pants; sanitary pants, disposable.

(260) AM 2020 106127 A  
 (800) 1503248  
 (151) 2019 10 24  
 (891) 2019 10 24  
 (731) Richter Gedeon Nyrt.  
 Gyömrői út 19-21, H-1103 Budapest, Hungary  
 (540)

# КАРИССИЛА

(591) Black, white  
 (531) 28.05  
 (511)  
 5 – Pharmaceutical preparations.

(260) AM 2020 106128 A  
 (800) 1503250  
 (151) 2019 10 24  
 (891) 2019 10 24  
 (731) Richter Gedeon Nyrt.  
 Gyömrői út 19-21, H-1103 Budapest, Hungary  
 (540)

# ФУТАГИН

(591) Black, white  
 (531) 28.05  
 (511)  
 5 – Pharmaceutical preparations.

(260) AM 2020 106138 A  
 (800) 1503397  
 (151) 2019 09 25  
 (891) 2019 09 25  
 (731) ÖZGÜR ŞAHİN  
 NİSPETİYE MAH. TÖREN SOKAK NO:25,  
 DAİRE:24, BEŞİKTAŞ, İSTANBUL, Turkey  
 (540)

# UNIQSO

(591) Black, white  
 (531) 27.05.01  
 (511)  
 35 – The bringing together, for the benefit of others, of a variety of goods, namely, non-medicated cosmetics, toiletry preparations, non-medicated dentifrices, perfumery, essential oils, bleaching preparations, other substances for laundry use, cleaning, polishing, scouring, abrasive preparations, pharmaceuticals, medical, veterinary preparations, sanitary preparations for medical purposes, dietetic food, substances adapted for medical or veterinary use, food for babies, dietary supplements for humans, animals, plasters, materials for dressings, material for stopping teeth, dental wax, disinfectants, preparations for destroying vermin, fungicides, herbicides, hand tools, implements, hand-operated, cutlery, side arms, except firearms, razors, scientific, nautical, surveying, photographic, cinematographic, optical, weighing, measuring, signalling, checking [supervision], life-saving, teaching apparatus, instruments, apparatus, instruments for conducting, switching, transforming, accumulating, regulating or controlling electricity, apparatus for recording, transmission or reproduction of sound or images, magnetic data carriers, recording discs, compact discs, DVDs, other digital recording media, mechanisms for coin-operated apparatus, cash registers, calculating machines, data processing equipment, computers, computer software, fire-extinguishing apparatus, precious metals, their alloys, jewellery, precious, semi-precious stones, horological, chronometric instruments, paper, cardboard, printed matter, bookbinding material, photographs, stationery, office requisites, except furniture, adhesives for stationery or household purposes, drawing materials, materials for artists, paintbrushes, instructional, teaching materials, plastic sheets, films, bags for wrapping, packaging, printers' type, printing blocks, leather, imitations of leather, animal skins, hides, luggage, carrying bags, umbrellas, parasols, walking sticks, whips, harness, saddlery, collars, leashes, clothing for animals, furniture, mirrors, picture frames, containers, not of metal, for storage or transport, unworked or semi-worked bone, horn, whalebone or mother-of-pearl, shells, meerschaum, yellow amber, household or kitchen utensils, containers, cookware, tableware, except forks, kni-

ves, spoons, combs, sponges, brushes, except paint-brushes, brush-making materials, articles for cleaning purposes, unworked or semi-worked glass, except building glass, glassware, porcelain and earthenware, textiles, substitutes for textiles, household linen, curtains of textile or plastic, clothing, footwear, headgear, lace, embroidery, ribbons, braid, buttons, hooks, eyes, pins, needles, artificial flowers, hair decorations, false hair, games, toys, playthings, video game apparatus, gymnastic, sporting articles, decorations for Christmas trees enabling customers to conveniently view and purchase those goods, such services may be provided by retail stores, wholesale outlets, by means of electronic media or through mail order catalogues.

(260) AM 2020 106207 A

(800) 1503835

(151) 2019 11 01

(891) 2019 11 01

(731) LTD "VALENTA-INTELLEKT"

ul. Generala Dorokhova, d. 18, str. 2,  
RU-119530 Moscow, Russian Federation

(540)



(591) White, silver-white, light-gray, dark-gray, red, deep pink, light-beige, dark-blue, black

(531) 01.15.21; 02.09.14; 05.07.08; 05.07.09;  
11.03.04; 11.03.20; 28.05; 29.01.15

(526) ОРВИ НЕО Устраняет симптомы гриппа и ОРВИ

(511)

5 – Drugs for medical purposes; medicines for human purposes; pharmaceutical preparations; chemico-pharmaceutical preparations.

(260) AM 2020 106208 A

(800) 1503858

(151) 2019 11 01

(891) 2019 11 01

(731) Koninklijke Luchtvaart Maatschappij N.V.

Amsterdamseweg 55, NL-1182 GP  
Amstelveen, Netherlands

(540)



(591) Light blue

(531) 24.09.03; 24.09.07; 29.01.04

(511)

35 – Advertising, publicity, business management; business administration; clerical services.

39 – Airline transportation services; transport; packaging and storage of goods; organisation of trips; advisory services in relation to freighting of airplanes.

43 – Hotel and catering services; technical consultancy in the field of food and drink catering.

(260) AM 2020 106292 A

(800) 1497349

(151) 2019 08 21

(891) 2019 08 21

(731) Obschestvo s ogranichennoi otvetstvennostyu "Sonet"

Serdobolskaya ulitsa, 68, RU-197342 Saint-Petersburg, Russian Federation

(540)

# DECOLA

(591) Black, white

(511)

2 – Aluminium powder for painting; binding preparations for paints; ceramic paints; colorants; distempers; dyes; enamels for painting; enamels [varnishes]; engraving ink; fireproof paints; fixatives for watercolors; food dyes; gamboge for painting; glazes [paints, lacquers]; gum-lac; gum resins; lacquers; mastic [natural resin]; metal foil for use in painting, decorating, printing and art; metals in powder form for use in painting, decorating, printing and art; mordants; paints; paper for dyeing Easter eggs; pigments; preservatives against rust and against deterioration of wood; primers; silver emulsions [pigments]; sumac for varnishes; thinners for lacquers; thinners for paints; varnishes; white lead; wood stains.

16 – Adhesives [glues] for stationery or household purposes; albums; almanacs; canvas for painting; drawing materials; drawing pads; glue for stationery or household purposes; hand-rests for painters; Indian inks; ink; modelling wax, not for dental purposes; office requisites, except furniture; paint boxes for use in schools; paintbrushes; painters' brushes; painters' easels; palettes for painters; pastels [crayons]; pencils; school supplies [stationery]; typewriter keys; writing brushes; writing chalk; writing materials.

(260) AM 2020 106294 A

(800) 1497358

(151) 2019 07 01

(891) 2019 07 01  
 (731) PRIVATE INSTITUTION "UNIVERSITY  
 "KYIV SCHOOL OF ECONOMICS"  
 92-94, Dmytrivska St., Kyiv 01135, Ukraine

(540)  
The logo for Kyiv School of Economics (KSE) features the letters 'KSE' in a large, bold, black serif font. To the right of 'KSE' is a vertical line, followed by the text 'Kyiv School of Economics' in a smaller, black, sans-serif font, arranged in three lines.

(591) Black, white  
 (531) 26.11.07; 27.05.11; 27.05.15; 27.05.23  
 (511)  
 41 – Educational services.  
 42 – Scientific and technological services and research and design relating thereto.

(260) AM 2020 106379 A  
 (800) 1506204  
 (151) 2019 10 18  
 (891) 2019 10 18  
 (731) "ArtGrand" Limited Liability Company  
 9ZH Zhurnalystov str., Dnepr city 49005,  
 Ukraine

(540)  
The logo for ASSORTI features the word 'ASSORTI' in a stylized, multi-colored font. The letters are outlined and filled with various colors including white, pink, blue, and purple. The letter 'O' is a circle with a blue gradient.

(591) White, pink, blue, purple and black  
 (531) 20.05.25; 27.03.15; 27.05.01; 27.05.09;  
 29.01.14  
 (511)  
 1 – Glue for industrial purposes; adhesives for paperhanging; adhesives for industrial purposes; gum solvents; separating and unsticking [ungluing] preparations; wallpaper removing preparations.  
 27 – Decorative wall hangings, not of textile; wallpaper; textile wallpaper.

(260) AM 2020 106380 A  
 (800) 1506237  
 (151) 2019 05 31  
 (891) 2019 05 31  
 (731) SCAVOLINI S.P.A.  
 Via Risara, 60/70-74/78, I-61025  
 Montelabbate (PU), Italy

(540)  
The logo for SCAVOLINI features the word 'SCAVOLINI' in a bold, black, sans-serif font.

(591) Black, white  
 (531) 27.05.01  
 (511)  
 11 – Apparatus and installations for lighting, including bathroom, kitchen and living room lighting apparatus and installations, for household purposes,

lighting apparatus and installations for range hoods, for household purposes, apparatus and installations for heating for household purposes, apparatus and installations for cooling for household purposes, apparatus and installations for steam generating for household purposes, cooking, heating, cooling equipment for preservation food and beverages, installations for heating foodstuffs, food warming lamps, electric sous-vide cookers, cooling electric appliances for food preservation, drying apparatus and installations for household purposes, including tumble dryers, hair and hand drying devices, apparatus and installations for ventilating, water supply and sanitary purposes for household purposes, water purifying apparatus and installations, air purifiers, filters for air purifiers for household purposes, bathroom sanitary apparatus and installations including shower cubicles, sinks, wash-hand basins, basins, bath tubs, water closets, bidets, taps, apparatus and installations for kitchens for household purposes, namely, kitchen sinks and tap water faucets, refrigerators, freezers, ovens, ovens build-in, built-in ovens, pyrolytic ovens, microwave ovens, built-in microwave ovens, cooktops, induction cooktops, barbecues, blast chillers, refrigerator drawer units equipped for marinating food and vacuum sealing function, warming drawers for food, warming drawers equipped for leavening function, extractor hoods, electric wine coolers, electrical household appliances including electric coffee machines, electric egg-boilers, toasters, electric pressure cookers, electric slow cookers, electric rice cookers, electric egg cookers, electric deep fryers, electric waffle makers, electric coffee makers, electric kettles; parts and accessories for the abovementioned goods included in this class.

20 – Furniture and furnishings, namely, furniture for kitchens, fitted kitchen furniture, height adjustable kitchen furniture, furniture for bathrooms, modular bathroom furniture, living room furniture, lounge furniture, bedroom furniture, furniture being convertible into beds, furniture incorporating beds, transformable furniture, upholstered convertible furniture, upholstered furniture, composable furniture, furniture modular storage systems, furniture modular storage units, fitted furniture, furniture adapted for use by those with mobility difficulties, seating furniture, stools, benches, chairs, armchairs, pouffes [furniture], divans and sofas, divan beds, extendible sofas, divan bases, divans incorporating storage space, beds, foldaway beds, mattress bases, mattress supports, mattresses, pillows, cushions, tables [furniture], consoles [furniture], vanity units [furniture], shower chairs, bathroom cupboards, bathroom vanities [furniture], washstands [furniture], pedestal cabinets, cupboards fitted with mirrors, basin cabinets, towel stands [furniture], fixed towel dispensers, not of metal, bins, not of metal, clothes hooks not of metal, fitted cupboards, room dividing cupboards, cup-

boards for bedrooms, bedside cabinets, dressers, wardrobes, wardrobe sliding doors, wardrobe fittings, namely clothes baskets, clothing racks and rails, cabinet storage systems, drawers, clothes hangers, clothes lockers, buffets and cabinets [furniture], cupboards, containers not of metal for storage, cabinets for bowls and dishes, cupboards and credenzas being furniture, cupboards with dish drainers inside, cabinets for waste bins, kitchen cabinets, cupboard units, kitchen display units, cookbook holders, wine racks [furniture], kitchen tables, kitchen units, book holders [furniture], brochure holders [furniture], coat hangers, clothes hangers, clothes stands [furniture] and clothes hooks, clothes rails, tie rack, trouser rack, coat racks [furniture], hat racks [furniture], boot trays [furniture], desks [furniture], display furniture, serving trolleys [furniture], dinner wagons, ceramic pulls for cabinets, drawers and furniture, furniture fittings (non-metallic -), corner units [furniture], feet for furniture, legs for furniture, decorative wooden panels [furniture], drawer slides [furniture hardware], furniture frames, mobile storage racks [furniture], modular shelving [furniture], multi-purpose stands [furniture], stands [furniture] for use with television, partitions in the nature of furniture, partitions of metal [furniture], partitions of plastics [furniture], partitions of wood for furniture, furniture panels, furniture parts, furniture racks, furniture shelves, worktops, furniture units, drawers [furniture parts], sliding dividers [furniture partitions] for rooms, sliding doors for furniture, sliding panel systems being furniture, space dividers [furniture], wall partitions [furniture], wall shelves [furniture], wall units [furniture], room divider panels [furniture], rotating stands [furniture], parts of furniture (non-metallic -), doors for furniture, furniture locks (non-metallic -), furniture made from wood, furniture made from substitutes for wood, furniture made of rattan, furniture made of steel, furniture made principally of glass, furniture of metal, furniture of plastic materials, mirrors, picture frames; containers, not of metal, for storage or transport; unworked or semi-worked bone, horn, whalebone or mother-of-pearl; shells; meerschaum; yellow amber.

(260) AM 2020 106381 A

(800) 1506249

(151) 2019 09 24

(891) 2019 09 24

(731) THE DREAMER S.r.l.

Via Armistizio 13, I-35142 PADOVA, Italy

(540)



PHILIP MARTIN'S

(591) Black, white

(531) 25.01.25; 27.05.01

(511)

3 – Hair moisturising conditioners; hair conditioners; hair dyes; hair care lotions; tints for the hair; hair wax; cosmetics for the use on the hair; hair creams; creams for fixing hair; hair care creams; hair protection creams; hair bleaching preparations; hair emollients; hair fixers; hair gel; hair moisturisers; permanent wave preparations; hair spray; hair liquids; hair lotions; cosmetic hair lotions; hair strengthening treatment lotions; colouring lotions for the hair; hair glaze; hair masks; hair care masks; hairstyling masks; hair protection mousse; hair nourishers; oils for hair conditioning; combing oil; hair fixing oil; styling paste for hair; hair powder; hair pomades; hair preparations and treatments; hair lighteners; hair mousse; shampoos; hair frosts; hair serums; hair tints; hair care serums; hair tonic; wax preparations for the hair; massage candles for cosmetic purposes; air fragrancing preparations; cosmetics; sun-tanning and sun protection preparations; beauty care preparations; cosmetics and cosmetic preparations; natural cosmetics; cosmetics for use in the treatment of wrinkled skin; cosmetic preparations for skin care; lip cosmetics; cosmetics for use on the skin; cosmetics for personal use; cosmetics in the form of lotions; cosmetics in the form of powders; cosmetics in the form of eye shadow; cosmetics in the form of creams; cosmetics in the form of milks; self tanning creams; night creams; cosmetic sun-protecting preparations; creams lotions; toning creams [cosmetic]; face and body creams; skin cleansers [cosmetic]; facial scrubs [cosmetic]; sun-tanning gels; tanning gels [cosmetics]; cleansing milk for toilet purposes; skin masks [cosmetics]; cosmetic preparations for the hair and scalp; cosmetic preparations for body care; make-up; cosmetic preparations for the bath and shower; moisturising preparations; sun care preparations; lip coatings [cosmetic]; paper hand towels impregnated with cosmetics; impregnated cleaning pads impregnated with cosmetics; facial wipes impregnated with cosmetics; cosmetic soaps; cosmetic body scrubs; facial toners [cosmetic]; body oils [for cosmetic use]; body glitters; scented body lotions and creams; deodorants for body care; exfoliating scrubs for the body; massage oils; body powder; body sprays; body cleaning and beauty care preparations; make-up for the face and body; perfumes; perfumes in solid form; liquid perfumes; aromatics for perfumes; extracts of perfumes; fumigation preparations [perfumes]; room perfumes in spray form.

(260) AM 2020 106382 A

(800) 1506275

(151) 2019 07 31

(891) 2019 07 31

(731) Joint Stock Company "Belavia Belarusian Airlines"

ul. Nemiga 14A, 220004 Minsk, Belarus

(540)


 The logo for Belavia features the word "Belavia" in a blue, sans-serif font. Above the letter 'i' is a small, stylized blue starburst or snowflake icon.

(591) Blue

(531) 05.05.20; 05.05.21; 27.05.07; 29.01.04

(511)

35 – Advertising; promotion of goods; dissemination of advertising matter; online advertising on a computer network; publication of publicity texts.

37 – Airplane maintenance and repair; anti-rust treatment for vehicles.

39 – Airline services for the transportation of passengers; booking of seats for travel; delivery of goods; transportation of freight by air.

(260) AM 2020 106383 A

(800) 1506280

(151) 2019 11 07

(891) 2019 11 07

(731) GPS Avion LLC

1209 Orange Street, Wilmington DE 19801,  
USA

(540)

## AIRTAG

(591) Black, white

(511)

9 – Radio transmitters and receivers; global positioning systems (GPS devices); computers; wearable computer hardware; mobile telephones; smart phones; wireless communication devices for the transmission of data and audio; computer software; peripheral devices for computers, mobile telephones, and mobile electronic devices; wearable computer peripherals; sound reproducing apparatus; electronic tags for goods; lanyards for mobile digital electronic devices and wearable electronic devices.

(260) AM 2020 106384 A

(800) 1506311

(151) 2019 11 08

(891) 2019 11 08

(731) Apple Inc.

One Apple Park Way, Cupertino CA 95014,  
USA

(540)



(591) Orange, purple, violet, magenta, pink, red and grey

(531) 26.01.03; 26.01.16; 29.01.13

(511)

9 – Downloadable computer software used to monitor, track, record, analyze, and chart information about menstrual cycles and fertility.

(260) AM 2020 106385 A

(800) 1506317

(151) 2019 11 13

(891) 2019 11 13

(731) ADVANCE POLYBAG, INC

12682 Cardinal Meadow Dr, Sugar Land  
TX 77478, USA

(540)

## API

(591) Black, white

(511)

40 – Manufacture of plastic bags to the order and specification of others; printing of plastic bags to the order and specification of others; manufacture of plastic packaging to the order and specification of others; printing of plastic flexible packaging film to the order and specification of others; manufacture of plastic film rollstock for flexible packaging to the order and specification of others, printing of plastic film rollstock for flexible packaging to the order and specification of others.

(260) AM 2020 106386 A

(800) 1506334

(151) 2019 11 13

(891) 2019 11 13

(731) Bpmonline LTD

Kinyra 1, Kinyras Tower, 3rd floor, Agios  
Andreas, CY-1102 NICOSIA, Cyprus

(540)

## CREATIO

(591) Black, white

(511)

9 – Downloadable computer software for use in customer relationship management (CRM), business process management (BPM), and low-code development.

42 – Software as a service (SAAS) featuring software for use in customer relationship management (CRM), business process management (BPM), and low-code development.

(260) AM 2020 106388 A

(800) 978549

(151) 2008 07 22

(891) 2019 12 10



(731) S.D.E. MOTOR SPORT S.R.L.  
Via Caradosso, 8, I-20123 Milano, Italy

(540)



(591) Black, white

(531) 26.11.12; 26.11.25; 27.05.01

(511)

9 – Protective footwear.

25 – Footwear, shoes, boots, boots for motorcyclists.

(260) AM 2020 106389 A

(800) 1031145

(151) 2009 12 09

(891) 2019 12 11

(731) NORSK INSTITUTT FOR SKOG OG  
LANDSKAP

Raveien 9, N-1430 Ås, Norway

(540)



(591) Black, white

(531) 05.01.16; 27.03.03; 27.03.11; 27.05.10

(511)

16 – Printed matter; information material (paper).

35 – Advertising; marketing, obtaining and systemizing information for use in databases, administration of data archives; business management; business administration; documentation (updating information material); market studies, market surveys, organizing exhibitions and fairs for information and marketing, public relations, marketing studies, evaluation of standing timber.

41 – Education; providing of training; entertainment; cultural activities; organizing and managing study groups, seminars, conferences, congresses and symposiums, translation services; text writing (not for advertising), publishing of texts (not for advertisements), publishing of books and printed matter; organizing of exhibitions for cultural and educational purposes.

42 – Scientific and technological services and research and design relating thereto; industrial analysis and research services; design and development of computer software, research and analysis for the utilization of forests and woods; research services in connection with forestry and environment protection.

(260) AM 2020 106390 A

(800) 1096338

(151) 2011 10 21

(891) 2019 12 11

(731) Geberit International AG

Schachenstrasse 77, CH-8645 Jona,  
Switzerland

(540)



(591) Black, white

(531) 25.03.01

(511)

11 – Apparatus for lighting, heating, steam generating, cooking, refrigerating, drying, ventilating, water supply and sanitary purposes.

20 – Furniture, mirrors, picture frames; goods (not included in other classes) of wood, cork, reed, cane, wicker, horn, bone, ivory, whalebone, shell, amber, mother-of-pearl, meerschaum and substitutes for all these materials, or of plastics.

(260) AM 2020 106391 A

(800) 1101293

(151) 2011 09 29

(891) 2019 11 21

(731) MATALAN LIMITED

Matalan Head Office, Perimeter Road,  
Knowsley Industrial Park, Liverpool L33 7SZ,  
United Kingdom

(540)

**LINCOLN**

(591) Black, white

(511)

25 – Clothing, footwear, headgear; belts for clothing.

(260) AM 2020 106392 A

(800) 1107298

(151) 2012 01 11

(891) 2019 11 21

(731) MATALAN LIMITED

Matalan Head Office, Perimeter Road,  
Knowsley Industrial Park, Liverpool L33 7SZ,  
United Kingdom

(540)

**FALMER HERITAGE**

(591) Black, white

(511)

25 – Articles of clothing, footwear and headgear; lingerie, swimwear; hosiery.

(260) AM 2020 106394 A  
 (800) 1311656  
 (151) 2016 04 06  
 (891) 2019 12 05  
 (731) TOSKANI, S.L.  
 Pasaje Ciudadanos, 4, Piso BJ, E-08005  
 BARCELONA, Spain  
 (540)



**TOSKANI**

(591) Green, gray, black and white  
 (531) 26.04.09; 29.01.13  
 (511)  
 3 – Bleaching preparations and other substances for laundry use; cleaning, polishing, degreasing and abrasive preparations; soaps; perfumery products, essential oils, cosmetics, hair lotions; cosmetic products for skin care, dentifrices.

5 – Pharmaceutical and veterinary products; sanitary products for medical use; dietetic substances for medical use, food for babies; plasters, material for dressings; teeth filling and dental impression materials; disinfectants; products for destroying vermin.

(260) AM 2020 106397 A  
 (800) 1481492  
 (151) 2019 06 06  
 (891) 2019 11 21  
 (731) Skyscanner Limited  
 Floor 6, The Avenue, 1 Bedford Avenue,  
 LONDON WC1B 3AU, United Kingdom  
 (540)

**SKYSCANNER**

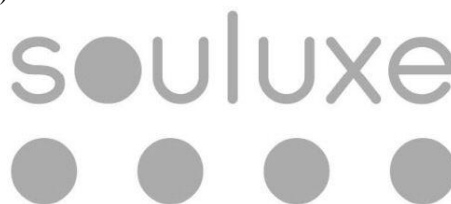
(591) Black, white  
 (511)  
 43 – Booking of temporary accommodation; agency services for booking temporary accommodation; information and booking services in relation to temporary accommodation provided from an Internet website; providing information relating to temporary accommodation via means of a global computer network; information relating to temporary accommodation provided online from a computer database; information relating to temporary accommodation accessible via a mobile phone utilising wireless application protocol technology; restaurant booking services; provision of information relating to restaurants and bars.

(260) AM 2020 106398 A  
 (800) 1490869  
 (151) 2019 08 14  
 (891) 2019 11 27  
 (731) F. Hoffmann-La Roche AG  
 Grenzacherstrasse 124, CH-4070 Basel,  
 Switzerland  
 (540)

**PHESGO**

(591) Black, white  
 (511)  
 5 – Pharmaceutical preparations.

(260) AM 2020 106399 A  
 (800) 1496818  
 (151) 2019 07 31  
 (891) 2019 11 21  
 (731) Matalan Limited  
 Matalan Head Office, Perimeter Road,  
 Knowsley Industrial Park, Liverpool L33 7SZ,  
 United Kingdom  
 (540)



(591) Black, white  
 (531) 26.01.06; 26.01.24; 27.05.01; 27.05.04  
 (511)  
 18 – Bags made of leather; bags made of imitation leather; sports bags made of leather; sports bags made of imitation leather; trunks and travelling bags; travel cases; luggage; suitcases; hold-alls; portmanteaux; valises; bags; handbags; shoulder bags; toilet bags; carrying bags; rucksacks; backpacks; bum bags; sports bags; casual bags; satchels; beauty cases; wallets; purses; umbrellas; parasols; walking sticks; shooting sticks; parts and fittings for all the aforesaid goods.

25 – Clothing; footwear; headgear; articles of outerwear; underwear; sportswear; maternity wear; casual wear; coats; jackets; jumpers; cardigans; sweatshirts; articles of knitwear; t-shirts; sweaters; shirts; trousers; jeans; leggings; shorts; skirts; dresses; sports clothing; sports hats; sports footwear; sports shoes; gymnastic clothing; beach clothes; beach shoes; swimwear; swimsuits; bathing suits and bathing trunks; boots, shoes and slippers; hats; caps; earmuffs; sun visors; stoles; gloves; scarves and shawls; headbands; hosiery; stockings; tights; ties; cravats; belts (clothing).

28 – Games, toys and playthings; gymnastic and sporting articles; balls for sports; rackets and bats for

games; rackets and bats [sporting articles]; apparatus for use in physical exercise and in weight training; skateboards; sports training aids; body training aids; bar-bells; dumb-bells; baseball gloves; batting gloves; boxing gloves; golf gloves; golf bags; golf clubs; hockey sticks; cricket bats; knee guards; shin guards; body building and body training apparatus; punching bags; weight lifting belts; roller skates; yoga blocks; yoga straps; gym balls for yoga; parts and fittings for all the aforesaid goods.

(260) AM 2020 106400 A

(800) 1498517

(151) 2019 08 29

(891) 2019 12 06

(731) SAIGON BEER-ALCOHOL-BEVERAGE CORPORATION

187 Nguyen Chi Thanh, Ward 12, District 5, Ho Chi Minh City, Viet Nam

(540)



(591) Yellow, red and white

(531) 04.03.03; 27.05.10; 29.01.13

(526) EST., 1875, BIA

(511)

32 – Beer.

(260) AM 2020 106403 A

(800) 1498130

(151) 2019 09 06

(891) 2019 09 06

(731) ETSUN DIS TICARET A.S.

Cavusoglu Mahallesi, Sanayi Caddesi No:27, TR-34873 Kartal / Istanbul, Turkey

(540)



(591) Blue

(531) 01.01.02; 01.01.10; 26.11.03; 26.11.06; 26.11.07; 26.11.09; 27.05.17

(511)

3 – Non-medicated cosmetics and toiletry preparations; non-medicated dentifrices; perfumery, essential oils; bleaching preparations and other substances for laundry use; cleaning, polishing, scouring and abrasive preparations.

5 – Pharmaceuticals, medical and veterinary preparations; sanitary preparations for medical purposes; dietetic food and substances adapted for medical or veterinary use, food for babies; dietary supplements for human beings and animals; plasters, materials for dressings; material for stopping teeth, dental wax; disinfectants; preparations for destroying vermin; fungicides, herbicides.

16 – Paper and cardboard; printed matter; bookbinding material; photographs; stationery and office requisites, except furniture; adhesives for stationery or household purposes; drawing materials and materials for artists; paintbrushes; instructional and teaching materials; plastic sheets, films and bags for wrapping and packaging; printers' type, printing blocks.

29 – Meat, fish, poultry and game; meat extracts; preserved, frozen, dried and cooked fruit and vegetables; jellies, jams, compotes; eggs; milk, cheese, butter, yoghurt and other milk products; oils and fats for food.

30 – Coffee, tea, cocoa and artificial coffee; rice, pasta and noodles; tapioca and sago; flour and preparations made from cereals; bread, pastries and confectionery; chocolate; ice cream, sorbets and other edible ices; sugar, honey, treacle; yeast, baking-powder; salt, seasonings, spices, preserved herbs; vinegar, sauces and other condiments; ice [frozen water].

31 – Raw and unprocessed agricultural, aquacultural, horticultural and forestry products; raw and unprocessed grains and seeds; fresh fruits and vegetables, fresh herbs; natural plants and flowers; bulbs, seedlings and seeds for planting; live animals; foodstuffs and beverages for animals; malt.

32 – Beers; non-alcoholic beverages; mineral and aerated waters; fruit beverages and fruit juices; syrups and other non-alcoholic preparations for making beverages.

35 – Advertising; business management; business administration; office functions.

(260) AM 2020 106404 A

(800) 1498242

(151) 2019 07 15

(891) 2019 07 15

(731) LACOTE S.R.L.

Via San Geminiano 2/A, I-41030 SAN PROSPERO (MO), Italy

(540)

**GUAM**

(591) Black, white

(511)

25 – Clothing; shoes; headgear; shirts; blouses; camisoles; knitwear; sweaters; cardigan; pullovers; knitted garments; shoulder scarves; jerseys (clot-

hing); T-shirts; polo shirts; sweatshirts; clothes; trousers; shorts; leggings; leggings (leg warmers); jeans; neck bands; scarves; neck warmer; ties; bow ties; skirts; vests; overcoats; coats; parkas; windbreakers; raincoats (clothing); cloaks; jackets; jackets; blouses; jackets; gymnastic clothing; tracksuits; coveralls (clothing); underwear; bras; corsets; tank tops; petticoats; socks; tights; culottes (underwear); boxer shorts; suspenders; slippers; night dresses; night shirts; pajamas; dressing gowns; shawls; bath robes; swimwear; swim trunks; beach clothes; hats; caps; head bands; earmuffs; gloves; ready-made clothing; shoes; boots; slippers; sandals; beach shoes.

(260) AM 2020 106406 A

(800) 1498278

(151) 2019 09 25

(891) 2019 09 25

(731) CTEK Sweden AB

Rostugnsvägen 3, SE-776 70

VIKMANSHYTTAN, Sweden

(540)

## CHARGESTORM

(591) Black, white

(511)

9 – Apparatus and instruments for conducting, switching, transforming, accumulating, regulating or controlling electricity; electric batteries for vehicles; battery chargers; chargers for electric batteries; charging stations for electric vehicles; chargers for electrical vehicles; portable chargers for electrical vehicles; electric charging cables; plugs, sockets and other contacts [electric connections]; connectors; plug-in electrical connectors for powering electrical vehicles; apparatus and instruments for controlling of charging stations for electrical vehicles.

(260) AM 2020 106407 A

(800) 1498284

(151) 2019 08 01

(891) 2019 08 01

(731) Meguin GmbH & Co. KG Mineraloelwerke

Rodener Str. 25, 66740 Saarlouis, Germany

(540)

## MEGUIN

(591) Black, white

(511)

1 – Chemicals used in industry, science and photography, as well as in agriculture, horticulture and forestry; unprocessed artificial resins; unprocessed plastics; manures; fire extinguishing compositions; tempering and soldering preparations; chemical substances for preserving foodstuffs; tanning substances; adhesives used in industry; chemicals used in industry, in particular chemical additives for lubricants, greases, technical oils and oils for motors, transmissions, compressors and hydraulic oils as well as additives for fuels, particularly gasoline and diesel fuel; chemical additives for radiator fluids; anti-freeze for vehicle radiators and windshield washer systems; anti-freeze; chemical agents for impregnating automobile convertible tops; actinium; alum; ammonium aldehyde; aldehydes; alginates for industrial purposes; alkalis; alkaline iodides for industrial purposes; alkaline metals; salts of alkaline metals; alkaloids; alcohol; aluminum alum; aluminum chloride; aluminum iodide; aluminum oxide; aluminum silicate; ammonia; americium; acidulated water for recharging accumulators; anhydrides; antimony; antimony oxide; ethyl alcohol; caustic soda for industrial purposes; antioxidants for use in manufacture; acetates [chemicals]; acetone; acetylene; bases [chemical preparations]; benzene [hydrocarbon]; benzoic acid; berkelium; biochemical catalysts; bromine for chemical purposes; engine-decarbonising chemicals; chemical preparations for facilitating the alloying of metals; chemical preparations, except pigments, for the manufacture of enamel; chemical preparations to prevent mildew; colour-brightening chemicals for industrial purposes; damp-proofing chemicals, except paints, for masonry; textile-waterproofing chemicals; cement-waterproofing chemicals, except paints; catalysts; chemical condensation preparations; cryogenic preparations; leather-renovating chemicals; chemicals for the manufacture of paints; chlorine; chlorates; hydrochlorates; chlorides; chromates; chromium oxide; chromic salts; curium; detergents for use in manufacturing processes; esters; ferments for chemical purposes; iron salts; fluorine; gums [adhesives] for industrial purposes; ion exchangers [chemicals]; potassium; carbonates; carbon; coolants for vehicle engines; glues for industrial use; anti-frothing solutions for batteries; solvents for varnishes and lacquers; magnesium chloride; magnesium carbonate; methane; methyl ether; methyl benzene; methyl benzol; sodium; neon; nitrates; phenol for industrial use; preparations for preventing overheating of coolants for vehicles; compositions for repairing tyres; mastic for tyres; salts [chemical preparations]; acid-resistant chemical compositions; acids; benzene-based acids; sulfuric acid; fissionable chemical elements; tungstic acid; xenon; cellulose; unprocessed cellulose acetate; chemical products, namely chemical additives for lubricants; transmission oils and hydraulic oils.

2 – Preservatives against rust; anti-corrosive preparations; protective preparations for metals; anti-tarnishing preparations for metals; anti-rust greases; anti-rust oils; paints; lacquers.

3 – Washing preparations; bleaching preparations; cleaning preparations; polishing preparations; degreasing preparations; abrasives; soaps; perfumery; essential oils; cosmetics; hair lotions; dentifrices;

4 –

scouring solutions; astringents for cosmetic purposes; aloe vera preparations for cosmetic purposes; aromatic essential oils; breath freshening sprays; essential oils of cedarwood; balms, other than for medical purposes; bergamot oil; pumice stone; bleaching salts; polish for furniture and flooring; deodorants for humans or for animals; deodorant soap; detergents, other than for use in manufacturing operations and for medical purposes; diamantine [abrasives]; compressed air in cans for cleaning and dusting; scented wood; descaling preparations for household purposes; colour-brightening chemicals for household purposes [laundry]; color-removing preparations; degreasing preparations, other than for use in manufacturing processes; varnish-removing preparations; stain removers; shining preparations [polish]; starch glaze for laundry purposes; smoothing preparations [starching]; cosmetic creams; skin care products [cosmetic]; cosmetics; lacquer-removing preparations; lavender oil; lotions for cosmetic use; cleaning agents; impregnated cleaning cloths; preparations for unblocking drain pipes; washing soda, for cleaning; soda lye; oils for cleaning purposes; polishing creams; polishing paper; polishing stones; polishing wax; polyester fabric conditioners; potpourris [fragrances]; dry-cleaning preparations; quillaia bark for washing; fumigation preparations [perfumes]; incense sticks; windshield cleaning liquids; cleaning agents for fuel lines; cleaning agents for automobile convertible tops; rose oil; rust removers; ammonia [volatile alkali] [detergent]; sandpaper; abrasive paper; abrasives; emery; emery cloth; emery paper; abrasive cloth; tailors' wax; shoe cream; shampoos; terpenes [essential oils]; turpentine for degreasing; tissues impregnated with cosmetic lotions; petroleum jelly for cosmetic purposes; volcanic ash for cleaning; wax for laundry use; essential oils of lemon.

4 – Industrial oils and greases; lubricants; dust absorption, wetting and binding compositions; fuels [including motor spirits]; illuminants; candles and wicks for lighting; industrial oils and greases, including motor oils; industrial oils for compressors; penetrating oils; contact oils and contact greases for industrial purposes; lubricants, namely lubricating lacquers, not chemical; non-chemical additives for oils and fuels, particularly for gasoline and diesel fuel; non-chemical additives for industrial greases, Industrial oils, motor oils, transmission oils, compressor oils and hydraulic oils; oils for paints; benzene fuel; gasoline [fuel]; ethanol [fuel]; gas oil; petroleum ether; fuel; mineral fuels; non-chemical additives for fuels; industrial oil; raw or refined petroleum; lubricating greases; peat [fuel].

(260) AM 2020 106441 A  
(800) 1506450  
(151) 2019 08 09

(891) 2019 08 09  
(731) WORLD MEDICINE İLAÇ SANAYİ VE  
TİCARET ANONİM ŞİRKETİ  
15 Temmuz Mah. Camiyolu Cad. No.50,  
K.2 Güneşli Bağcılar, İstanbul, Turkey

(540)

**VILDARA – ВИЛДАРА**

(591) Black, white

(531) 28.05

(511)

5 – Pharmaceutical and veterinary preparations for medical purposes, chemical preparations for medical purposes, dietary supplements, including those adapted for medical purposes, dietary supplements for slimming purposes, food for babies, herbs and herbal beverages adapted for medicinal purposes, dental preparations and articles, sanitary preparations for medical use, hygienic pads, hygienic tampons, plasters, materials for dressings, diapers, including those made of paper and textiles, preparations for destroying vermin, fungicides, herbicides, deodorants, other than for human beings or for animals, air deodorising preparations, disinfectants, antiseptics, detergents for medical purposes.

(260) AM 2020 106442 A

(800) 1506454

(151) 2019 08 09

(891) 2019 08 09

(731) WORLD MEDICINE İLAÇ SANAYİ VE  
TİCARET ANONİM ŞİRKETİ  
15 Temmuz Mah. Camiyolu Cad. No.50  
K.2, Güneşli Bağcılar, İstanbul, Turkey

(540)

**DRONEDA – ДРОНЕДА**

(591) Black, white

(531) 24.17.01; 27.05.01; 28.05

(511)

5 – Pharmaceutical and veterinary preparations for medical purposes, chemical preparations for medical purposes, dietary supplements, including those adapted for medical purposes, dietary supplements for slimming purposes, food for babies, herbs and herbal beverages adapted for medicinal purposes, dental preparations and articles, sanitary preparations for medical use, hygienic pads, hygienic tampons, plasters, materials for dressings, diapers, including those made of paper and textiles, preparations for destroying vermin, fungicides, herbicides, deodorants, other than for human beings or for animals, air deodorising preparations, disinfectants, antiseptics, detergents for medical purposes.

(260) AM 2020 106443 A  
 (800) 1506465  
 (151) 2019 11 26  
 (891) 2019 11 26  
 (731) Green Cross Corporation  
 107, Ihyeon-ro 30beon-gil, Giheung-gu,  
 Yongin-si, Gyeonggi-do 16924, Republic  
 of Korea

(540)  
**BARYCELA**

(591) Black, white  
 (531) 27.05.01  
 (511)  
 5 – Pharmaceuticals; drugs for medical purposes;  
 medicines for human purposes; human vaccine pre-  
 parations.

(260) AM 2020 106454 A  
 (800) 1506765  
 (151) 2019 09 06  
 (891) 2019 09 06  
 (731) "SCIENTIFIC & MANUFACTURING  
 COMPANY "ECOPHARM" LTD  
 9-V, Stepana Bandery Avenue, Kyiv 04073,  
 Ukraine

(540)  
**ПРОТЕФЛАЗІД**  
**PROTEFLAZIDUM**

(591) Black, white  
 (531) 27.05.01; 28.05  
 (511)  
 5 – Pharmaceutical preparations; elixirs [pharmaceu-  
 tical preparations]; syrups for pharmaceutical purpo-  
 ses; drops for pharmaceutical purposes.

(260) AM 2020 106455 A  
 (800) 1506812  
 (151) 2019 10 09  
 (891) 2019 10 09  
 (731) Chen qing ming  
 Unit 8 Beilei 1 village, Fotang Town, Yiwu,  
 Zhejiang Province, China

(540)  


(591) Black, white  
 (531) 22.01.15; 22.01.21; 27.05.03; 27.05.08;  
 27.05.10

(511)  
 16 – Document files [stationery]; writing cases [sta-  
 tionery]; stationery; writing instruments; drawing ru-  
 lers; note books.

(260) AM 2020 106543 A  
 (800) 1507954  
 (151) 2019 12 02  
 (891) 2019 12 02  
 (731) Limited liability company "Confectionery  
 Complex "Ozersky souvenir"  
 Lenina street, 13, lit. M, room 3, Ozery,  
 RU-140560 Moscow region, Russian  
 Federation

(540)



(591) White, black, gray, brown and its shades, light  
 green, blue  
 (531) 04.05.01; 05.07.06; 16.03.13; 28.05; 29.01.13  
 (511)  
 29 – Almonds, ground; almond milk; almond milk  
 for culinary purposes; almond milk-based beverages;  
 flavored nuts; candied nuts; nuts, prepared; nut-  
 based spreads.

30 – Cereal bars; high-protein cereal bars; zephyr  
 [confectionery]; candy decorations for cakes; con-  
 fectionery for decorating Christmas trees; cakes;  
 pastries; almond confectionery; frozen yogurt [con-  
 fectionery ices]; caramels [candy]; sweetmeats [can-  
 dy]; liquorice [confectionery]; macarons [pastry];  
 marzipan; ice cream; nut flours; dessert mousses  
 [confectionery]; muesli; chocolate-coated nuts; stick  
 liquorice [confectionery]; pastila [confectionery];  
 pastilles [confectionery]; cookies; fondants [confec-  
 tionery]; pralines; gingerbread; petits fours [cakes];  
 puddings; confectionery; sherbets [ices]; chocolate  
 spreads containing nuts; almond paste; halvah; cho-  
 colate.

(260) AM 2020 106544 A  
 (800) 1507968  
 (151) 2019 08 30  
 (891) 2019 08 30  
 (731) Koninklijke Douwe Egberts B.V.  
 Oosterdoksstraat 80, NL-1011 DK  
 Amsterdam, Netherlands

(540)



(591) Different shades of gold, black and white

(531) 01.15.09; 26.04.05; 26.04.18; 26.04.24;  
27.05.19; 27.05.22; 27.05.24; 29.01.12

(511)

11 – Electric heating and cooling apparatus for dispensing hot and cold beverages; electric apparatus for making coffee and tea; electric coffee machines; electric coffee percolators.

(260) AM 2020 106718 A

(800) 1509963

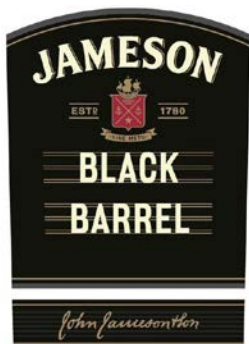
(151) 2019 12 06

(891) 2019 12 06

(731) IRISH DISTILLERS INTERNATIONAL LIMITED

Simmons Court House, Simmons Court Road,  
Ballsbridge, Dublin 4, Ireland

(540)



(591) Black, white, brown, gold

(531) 18.03.23; 24.01.03; 24.01.05; 24.01.18;  
25.01.06; 26.04.06; 26.04.09; 26.04.16;  
26.04.18; 26.04.24; 27.05.09; 27.05.10;  
27.05.11; 27.05.24; 29.01; 29.01.15

(511)

33 – Alcoholic beverages except beers.

(260) AM 2020 106877 A

(800) 1511035

(151) 2019 09 19

(891) 2019 09 19

(731) Public Joint Stock Company TATNEFT  
named after V.D. ShashinLenina str., 75, Almet'yevsk, RU-423450  
Republic of Tatarstan, Russian Federation

(540)



(591) White, red, dark green, green

(531) 01.15.05; 25.07.20; 28.05; 29.01.13

(526) ПРОГРАММА ЛОЯЛЬНОСТИ

(511)

1 – Hydraulic oils; anti-knock substances for internal combustion engines; antifreeze; fluids for hydraulic circuits; power steering fluid; brake fluid; transmission fluid; transmission oil; anti-boil preparations for engine coolants; engine-decarbonising chemicals; coolants for vehicle engines; synthetic materials for absorbing oil; chemical additives for oils; chemical additives for lubricating oils; oil-purifying chemicals; detergent additives for motor oil; detergent additives to petrol; additives, chemical, to motor fuel; combusting preparations [chemical additives to motor fuel].

4 – Fuels, including motor spirit, and illuminants; benzene; petrol; kerosene; ligroin; mazut; naphtha; petroleum, raw or refined; benzene fuel; diesel oil; xylene fuel; fuel; fuel oil; vaporized fuel mixtures; carburants; lubricating oil; lubricating grease; lubricating oil for motor vehicle engines; automotive greases; industrial oil; motor oil; cutting fluids; industrial oils and greases; lubricants; industrial lubricants; additives, non-chemical, to motor fuel; non-chemical additives for fuels, lubricants and greases; dust absorbing compositions; dust laying compositions; dust removing preparations; alcohol and mixed alcohol fuel; alcohol [fuel]; petroleum ether; fuel gas.

9 – Encoded loyalty cards; encoded membership cards; smart cards [integrated circuit cards]; identity cards, magnetic; encoded identity cards; encoded magnetic cards; magnetically encoded payment cards; magnetically encoded gift cards; magnetically encoded key cards; magnetically encoded debit cards; magnetically encoded credit cards; magnetically encoded bank cards; encoded key cards; electronic identification cards; encoded payment cards; magnetically encoded cards for carrying data; encoded reward cards; encoded prepaid payment cards; encoded prepaid magnetic cards; encoded prepaid credit cards; encoded gift cards; encoded electronic chip cards; encoded debit cards; encoded credit cards; encoded bank cards; electronic key cards; electronic chip cards; terminals for electronically processing credit card payments; USB flash drives; encoded identification bracelets, magnetic; computer software applications, downloadable; application

software for smartphones; software and applications for mobile devices; computer software, recorded; computer software platforms, recorded or downloadable; computer screen saver software, recorded or downloadable; software for smartphones; computer software for virtual cards; computer software for database management; software for administration of consumer loyalty programs; software for facilitating secure credit card transactions; computer communication software to allow customers to access bank account information and transact bank business; computer e-commerce software to allow users to perform electronic business transactions via a global computer network.

16 – Booklets; prospectuses; flyers; printed coupons; file folders; printed matter; pads [stationery]; folders for papers; pencils; pencil lead holders; forms, printed; fountain pens; penholders; colored pens; ink pens; ball-point pens; marking pens [stationery]; calendars; greeting cards; postcards; writing instruments; pen and pencil cases; stationery cases; bags [envelopes, pouches] of paper or plastics, for packaging; gift bags of paper or plastic; flags of paper; name badges [office requisites]; conical paper bags; banners of paper; bunting of paper; signboards of paper or cardboard; shields [paper seals]; labels of paper or cardboard; posters; almanacs; pamphlets; newsletters; newspapers; magazines [periodicals]; periodicals; printed publications; books.

35 – Business administration services for gas stations; retail sales services related to gas stations and retail services provided by shops located at gas stations; retail services provided by shops relating consumer goods, including food, bakery products, beverages, printed materials, toys; retail services provided by shops relating to automobile goods, including oils and liquids; retail sales services of goods at gas stations and retail services provided by shops located at gas stations; vending machine services; retail services provided by convenience stores; promoting the goods and services of others; retail sales of automotive and related products at gas stations; advertising; outdoor advertising; advertising on vehicles; commercial information and advice for consumers in the choice of products and services; online advertising on a computer network; shop window dressing; distribution of samples; dissemination of advertising matter; advertising by mail order; television advertising; wholesale and retail sale services for petroleum products, gas, oils, lubricants, automotive fluids; organization of trade fairs for commercial or advertising purposes; presentation of goods on communication media, for retail purposes; business management of reimbursement programs for others; promoting the goods and services of others through discount card programs; promoting the goods and services of others on the Internet; promoting the goods and services of others using mobile applications; sales

promotion for others by means of privileged user cards; promoting the goods and services of others by means of a preferred customer program; promoting the goods and services of others through advertisements on Internet web sites; promoting the goods and services of others by distributing advertising materials through a variety of methods; sales promotion for others; administration of incentive award programs to promote the sale of the goods and services of others; provision of commercial and business contact information via the Internet; providing consumer product information via the Internet; on-line ordering services; internet marketing; internet advertising services; providing customer loyalty discount cards for advertising purposes; organization and management of discount card loyalty schemes; promoting the goods and services of others by means of a loyalty rewards card scheme; administration of a discount program for enabling participants to obtain discounts on goods and services through use of a discount membership card; administration of consumer loyalty programs; administration of loyalty rewards programs; administration of customer loyalty and incentive schemes; administration of loyalty programs involving discounts or incentives; market research services regarding customer loyalty; organization and management of customer loyalty programs; organization of loyalty and incentive schemes; providing customer loyalty coupons for advertising purposes; providing customer loyalty discount codes for advertising purposes; providing customer loyalty points for advertising purposes; providing customer loyalty programs for advertising purposes; providing customer loyalty programs for commercial purposes; sales promotion through customer loyalty programs; administration of loyalty rewards programs featuring trading stamps; organization of customer loyalty programs for commercial, promotional or advertising purposes.

36 – Issuance of customer loyalty discount cards; loyalty discount card payment processing services; providing cash and other rebates for credit card use as part of a customer loyalty program; providing rebates at participating establishments of others through use of a membership card; conducting cashless payment transactions; issuance of electronic payment cards in connection with bonus and reward schemes; electronic processing of electronic payments via a global computer network; processing of payment transactions via the Internet; processing electronic payments made with pre-paid cards; loyalty discount code payment processing services; financial services relating to payment cards; credit card and payment card services; collection of payments for goods and services; processing of debit card payments; processing of credit card payments; on-line bill payment services; loyalty point payment processing services; loyalty coupon payment processing



services; issuance of prepaid payment cards; processing of payment transactions.

37 – Vehicle maintenance; vehicle service stations [refuelling and maintenance].

42 – Graphic design of promotional materials; industrial design; graphic arts design; computer software design; maintenance of computer software; software as a service [SaaS]; updating of computer software.

(260) AM 2020 106913 A

(800) 1511822

(151) 2019 09 17

(891) 2019 09 17

(731) GUANGZHOU SHANGKE INFORMATION TECHNOLOGY CO., LTD  
12th Floor, R&F To-Win Building, No.30  
Huaxia Road, Tianhe District, Guangzhou,  
Guangdong Province, China

(540)



(591) Black, white

(531) 26.01.03; 26.01.18; 27.05.09; 28.03

(511)

9 – Wrist rests for use with computers; toner cartridges, unfilled, for printers and photocopiers; protective films adapted for computer screens; all-in-one PC; mouse [computer peripheral]; stands specially adapted for tablet computers; virtual reality headsets; couplers [data processing equipment]; USB flash drives; display screen protectors for specially adapted to cell phones; electronic book readers; portable media players; juke boxes for computers; USB cables; computers; computer memory devices; processors [central processing units]; flat panel display screens; liquid crystal displays; computer motherboards; smart glasses; computer operating programs, recorded; chronographs [time recording apparatus]; headsets; wearable activity trackers; global positioning system [GPS] apparatus; network communication equipment; sound transmitting apparatus; cabinets for loudspeakers; display screens for television; computer peripheral devices; tablet computers; computer hardware; computer keyboards; notebook computers; stands specially adapted for display screens of computers; solid state drives; computer software applications, downloadable; bags adapted for laptops; data processing apparatus; memory boards; pedometers; GPS navigation device; talking books; graphics cards for computers; cell phones; mobile power (rechargeable battery); plugs, sockets and other contacts [electric connections]; face recognition device; scales; measures; LED display panels; selfie sticks [hand-held monopods]; surveying apparatus and instruments; optical apparatus and instruments; materials for electricity mains [wires, cables]; elec-

trical resistors; remote control apparatus; automated installation in power station; radiology screens for industrial purposes; life saving apparatus and equipment; theft prevention installations, electric; 3D spectacles; animated cartoons; electric apparatus for remote ignition for cars.

(260) AM 2020 106914 A

(800) 1511835

(151) 2019 07 16

(891) 2019 07 16

(731) LIMITED LIABILITY MANUFACTURING AND TRADING COMPANY "ACME"  
5 Promyslova Str., Ukrainka, Obukhivsky r-n,  
Kyivska obl. 08720, Ukraine

(540)



(591) Black, white

(531) 02.09.01; 24.17.10; 24.17.14; 24.17.25;

26.05.01; 26.13.01; 27.05.07; 27.05.24

(511)

3 – Soap; perfumery products; essential oils; makeup; hair lotions; dental powders and pastes; cosmetic preparations for hygienic needs; deodorants for people; cosmetic kits; shaving preparations; cosmetic preparations for baths; cosmetic products for skin care; shampoos.

(260) AM 2020 106915 A

(800) 603604

(151) 1993 07 05

(891) 2019 11 19

(731) PILEJE

37 quai de Grenelle, F-75015 PARIS,  
France

(540)

**LACTIBIANE**

(591) Black, white

(531) 27.05.01; 27.05.17

(511)

5 – Pharmaceutical, veterinary and sanitary preparations; dietetic substances adapted for medical use, food for babies; plasters, materials for dressings; material for stopping teeth, dental wax; disinfectants; preparations for destroying vermin; fungicides, herbicides.

29 – Meat, fish, poultry and game; meat extracts; preserved, dried and cooked fruits and vegetables;

jellies, jams, compotes, eggs, milk and milk products; edible oils and fats.

30 – Coffee, tea, cocoa, sugar, rice, tapioca, sago, artificial coffee; flours and preparations made from cereals, bread, pastry and confectionery, edible ices; honey, treacle; yeast, baking-powder; salt, mustard; vinegar, sauces (condiments); spices; ices for refreshment.

32 – Beers; mineral and aerated waters and other non-alcoholic drinks; fruit drinks and fruit juices; syrups and other preparations for making beverages.

(260) AM 2020 106916 A  
(800) 694487  
(151) 1998 05 05  
(891) 2019 12 17  
(731) Grupa Maspex Sp. z o. o. Sp. k.  
Legionów 37, PL-34-100 Wadowice, Poland  
(540)

## LA FESTA

(591) Black, white  
(511)  
30 – Instant cappuccino, instant chocolate, instant chocolate beverage, instant tea-based beverage, sweetmeats.

(260) AM 2020 106975 A  
(800) 1512236  
(151) 2019 10 16  
(891) 2019 10 16  
(731) Hermann Hartje KG  
Deichstr. 120-122, 27318 Hoya, Germany  
(540)

## 266

(591) Black, white  
(511)  
6 – Small items of metal hardware; containers as well as transport and packaging objects made of metal; locks of metal for vehicles.

8 – Hand-operated equipment and tools for working materials and for repair and maintenance work; fastening and connecting tools; hand-operated tools.

9 – Recorded content; databases; software; communications equipment; apparatus and instruments for accumulating and storing electricity; electrical and electronic components; apparatus and instruments for regulating electricity; spectacles, sunglasses and contact lenses; protective and safety equipment; head protection; eye protection; navigation, guidance, tracking, targeting and map making devices; batteries [electric]; anti-glare glasses; protective helmets; bicycle helmets; battery chargers; tachometers; computers for use with bicycles.

11 – Lighting and light reflectors for vehicles; vehicle headlights; lighting apparatus for bicycles.

12 – Land vehicles and conveyances; human-powered carts; wheels for vehicles; tyres for vehicles; anti-theft, security and safety devices and equipment for vehicles; parts and fittings for land vehicles; powertrains, including motors and engines, for land vehicles; bicycles; bicycle parts, as far as included in this class; luggage nets for vehicles; panniers adapted for bicycles.

25 – Clothing, footwear, headgear; cyclists' clothing.

(260) AM 2020 106976 A  
(800) 1512258  
(151) 2019 10 10  
(891) 2019 10 10  
(731) WEIFANG HUADONG RUBBER CO., LTD  
Liujiayetou Village, Taitou Town, Shouguang City, Weifang City, 262700 Shandong  
Provincne, China  
(540)

## ZMAX

(591) Black, white  
(511)  
12 – Tires for vehicle wheels; solid tires for vehicle wheels; automobile tires; inner tubes for pneumatic tires; repair outfits for inner tubes; spikes for tires; pneumatic tires; casings for pneumatic tires [tyres]; adhesive rubber patches for repairing inner tubes; inner tubes for bicycle tires.

(260) AM 2020 106979 A  
(800) 1512292  
(151) 2019 12 09  
(891) 2019 12 09  
(731) Bayer Aktiengesellschaft  
Kaiser-Wilhelm-Allee, 51373 Leverkusen,  
Germany  
(540)

## Витракви

(591) Black, white  
(531) 28.05  
(511)  
5 – Pharmaceutical preparations.

(260) AM 2020 106993 A  
(800) 1512594  
(151) 2020 01 03  
(891) 2020 01 03  
(731) APPLE INC.  
One Apple Park Way, Cupertino CA 95014,  
USA

(540)

**APPLE**

(591) Black, white

(511)

36 – Extension of retail credit services for the purchase of computers and related accessories.

(260) AM 2020 106994 A

(800) 1512639

(151) 2019 10 16

(891) 2019 10 16

(731) Hermann Hartje KG

Deichstr. 120-122, 27318 Hoya, Germany

(540)

*twosixsix*

(591) Black, white

(531) 28.03

(511)

6 – Small items of metal hardware; containers as well as transport and packaging objects made of metal; locks of metal for vehicles.

8 – Hand-operated equipment and tools for working materials and for repair and maintenance work; fastening and connecting tools; hand-operated tools.

9 – Recorded content; databases; software; communications equipment; apparatus and instruments for accumulating and storing electricity; apparatus and instruments for regulating electricity; electrical and electronic components; spectacles, sunglasses and contact lenses; protective and safety equipment; head protection; eye protection; navigation, guidance, tracking, targeting and map making devices; batteries [electric]; anti-glare glasses; protective helmets; bicycle helmets; battery chargers; tachometers; computers for use with bicycles.

11 – Lighting and light reflectors for vehicles; vehicle headlights; lighting apparatus for bicycles.

12 – Land vehicles and conveyances; human-powered carts; wheels for vehicles; tyres for vehicles; anti-theft, security and safety devices and equipment for vehicles; parts and fittings for land vehicles; powertrains, including motors and engines, for land vehicles; bicycles; bicycle parts, as far as included in this class; luggage nets for vehicles; panniers adapted for bicycles.

25 – Clothing, footwear, headgear; cyclists' clothing.

(260) AM 2020 106995 A

(800) 1512654

(151) 2019 12 27

(891) 2019 12 27

(731) Joint Stock Company "Institut vzryva"

ul. Akademika Vargi, d. 8, korp. 1, floor 13,  
off. 9, RU-117133 Moscow, Russian  
Federation

(540)

**KORSHUN**

(591) Black, white

(531) 27.05.01

(511)

13 – Explosives for industrial use; ammonium nitrate explosives for industrial use; primings [fuses] for industrial use; detonators for industrial use; detonating fuses for explosives for industrial use.

17 – Pipe mufflers, not of metal; junctions, not of metal, for pipes.

(260) AM 2020 107016 A

(800) 1109334

(151) 2011 08 26

(891) 2019 12 20

(731) Aliseika Uladzimir

kv.27, d. 27a, pr-t Mira, 212030 Mogilev,  
Belarus

(540)

**ARESA**

(591) Black, white

(531) 27.05.17

(511)

7 – Water heaters (parts of machines); electric hand drills; electric grinders/crushers for household purposes; coffee grinders other than hand-operated; hair clipping machines for animals; grinding machines; electric machines and apparatus for cleaning; electric machines and apparatus for carpet shampooing; electric kitchen machines; rinsing machines; wringing machines for laundry; filling machines; washing machines; washing machines (laundry); clippers (machines); drying machines; sewing machines; mills for household purposes, other than hand-operated; mixers (machines); electric blenders for household purposes; vacuum cleaner bags; meat choppers (machines); electric knives; electric food processors; vacuum cleaners; robots (machines); electric whisks for household purposes; electric fruit presses for household purposes; sharpening machines; food preparation machines, electromechanical; centrifugal machines, electric motors other than for land vehicles; electric parquet wax-polishers; dishwashers; mixers; blenders.

8 – Razors electric or non-electric; lawn clippers (hand instruments); drills; cutlery; electric and non-electric depilation appliances; cutting tools (hand tools); razor blades; beard clippers; electric and non-electric hair clippers for personal use; fleshing knives (hand tools); electric manicure sets; shaving cases; knives; razor cases; choppers (knives); nippers; curling tongs.

9 – Sound recording apparatus; cash registers; projection apparatus; blueprint apparatus; telephone apparatus; facsimile machines; scales; camcorders; video telephones; dictating machines; calculating machines; pocket calculators; electronic agendas; electronic pocket translators; audio receivers and video receivers; record players; personal stereos; portable telephones; telephone receivers; video recorders; electric flat irons; cameras (photography).

11 – Lamp shades; desiccating apparatus; disinfectant apparatus; air deodorising apparatus; tanning apparatus (sun beds); ionisation apparatus for the treatment of air; beverages cooling apparatus; water purifying apparatus and machines; refrigerating apparatus and machines; drying apparatus; roasting spits; gas generators (installations); refrigerating containers; gas lighters; lighters; refrigerating chambers; light bulbs; electric light bulbs; solar collectors (heating); electric lights for Christmas trees; acetylene flares; safety lamps; gas lamps; arc lamps; ultraviolet ray lamps, not for medical purposes; electric lamps; chandeliers; barbecues; bath linings; hot air bath fittings; bath fittings; sauna bath installations; refrigerating appliances and installations; lamp reflectors; steam boilers, other than parts of machines; lamp casings; sockets for electric lights; bakers' ovens; griddles (cooking appliances); water filtering apparatus; air purifying apparatus and machines; cooling appliances and installations; cooking apparatus and installations; lighting apparatus and installations; sanitary apparatus and installations; heating apparatus for solid, liquid or gaseous fuels; steam facial apparatus (saunas); plate warmers; radiators (heating); light diffusers; air driers (dryers); electric discharge tubes for lighting; lamp chimneys; luminous tubes for lighting; cooling installations for water; water purification installations; air cooling apparatus; filters for drinking water; lanterns; refrigerating cabinets; heating elements; water heaters (apparatus); freezers; bidets; boilers, other than parts of machines; bath tubs; electric waffle irons; electric fans for personal use; water heaters; air reheaters; extractor hoods for kitchens; showers; shower cubicles (enclosures (am.)); sauna cabinets; heating apparatus; domestic fireplaces; electric air conditioners; electric coffee machines; deep freezers; microwave ovens (cooking apparatus); cookers; kitchen ranges (ovens); cooking rings; electric heating apparatus; radiators (heating); electric radiators; sinks; flushing tanks; roasters; lamps; standard lamps; ceiling lights;

hair driers, fan heaters, bread toasters; toilets (water-closets); wash-hand basins (parts of sanitary installations); toilet bowls; air conditioning installations; ventilation (air-conditioning) installations and apparatus; heating installations; hair dryers; electric pocket torches; electric deep fryers; refrigerators; electric kettles; ventilation hoods.

21 – Dishes; saucers; goblets; lunch boxes; waffle irons, non-electric; ice buckets; cooking skewers of metal; ironing boards; cutting boards for the kitchen; bread boards; smoke absorbers for household purposes; containers for household or kitchen use; frying pans; toothpicks; brush goods; cleaning instruments, hand-operated; stew-pans; shaving brushes; non-electric coffee percolators; non-electric coffeepots; hand-operated coffee grinders; covers for dishes; insect traps; cooking pot sets; knife rests for the table; flat-iron stands; cooking pots; pressure cookers (autoclaves), non-electric; soap dispensers; hot pots, not electrically heated; non-electric blenders for household purposes; non-electric fruit presses for household purposes; non-electric domestic grinders; kitchen utensils; non-electric cooking utensils; strainers for household purposes; non-electric coffee filters; bottle gourds; mops.

(260) AM 2020 107017 A

(800) 1191650

(151) 2013 09 27

(891) 2020 01 23

(731) Frontify AG

Unterstrasse 4, CH-9000 St. Gallen,  
Switzerland

(540)

## FRONTIFY

(591) Black, white

(511)

42 – Scientific and technological services and research and design relating thereto; industrial analysis and research services; design and development of computers and software; programming of software for data import, data management and data processing; programming of software for online data management; programming of operating software for accessing and using a cloud computing network; conversion of digital files; design, development, maintenance and updating of software for digital file processing; conversion of images, texts, graphics, photographs, videos, audio files, games, websites; design, development, maintenance and updating of software for processing of images, texts, graphics, photographs, videos, audio files, websites; design, development, maintenance and updating of websites; provision of software (Software as a service, SaaS); provision of Internet platforms (software); rental of software; rental of operating software for accessing

and using a cloud computing network; making software available via data lines; provision of temporary use of non-downloadable software applications accessible via a website; provision of temporary use of web-based software; provision of temporary use of non-downloadable software for data management, project management and collaboration; maintenance, repair and updating of software; technical information and advice relating to temporary use of web-based software; technical information and advice relating to design, development and use of software; hosting of computer sites (web sites); hosting of platforms on the Internet; consultancy and information related to the aforesaid services.

(260) AM 2020 107018 A

(800) 1196466

(151) 2013 11 14

(891) 2020 01 22

(731) Impact Hub Association – Verein zur Förderung sozialer, Innovationen  
Lindengasse 56/18-19, A-1070 Wien, Austria

(540)

## IMPACT HUB

(591) Black, white

(511)

35 – Marketing; professional business consultancy; business organization consultancy; arranging of commercial and business contacts.

36 – Rental and leasing of office space (working and office space); credit bureaux; financial consultancy.

41 – Providing electronic publications (not downloadable); providing of training and further training; arranging and conducting of lectures, training, courses and workshops, in particular relating to training and further training; conducting of media training (training and further training); publishing of publications in electronic form online, also on the Internet.

(260) AM 2020 107136 A

(800) 1164936

(151) 2012 04 27

(891) 2020 01 17

(731) ECZACIBASI HOLDING ANONIM  
SIRKETI  
Kanyon Ofis Buyukdere Cad. No: 185,  
Levent, Istanbul, Turkey

(540)

VitrA

(591) Black, white

(531) 27.05.01

(511)

6 – Metal valves; metal bath grab bars.

11 – Apparatus for water supply and sanitary purposes; sanitary wares, sanitary fittings and sanitary installations; ceramic sanitary wares; bidets, urinals, cisterns, toilets, toilet bowls, wash-basins and wash bowls, sinks, toilet seats, shower trays, bath tubs, whirlpool baths, outdoor whirlpool baths, shower dividing screens and bath screens; showers, shower enclosures, shower columns; taps, basin taps, bath taps, bidet taps, mixer taps, shower taps; fittings for bidets, urinals, cisterns, concealed cisterns, toilets, toilet bowls, wash-basins and wash bowls, sinks, toilet seats, bath tubs and showers included in this class; heaters for baths; heated towel rails.

19 – Drain traps, water control valves, water inlet valves and outlet valves, water pipe valves and water regulating valves, none of metal or plastic; tiles; ceramic wall tiles, ceramic floor tiles, porcelain floor tiles, tiles for adjoining partitions, external tiles for buildings.

21 – Ceramics for household purposes; articles made of ceramics, glass, porcelain or earthenware which are not included in other classes; dispensers and holders for paper wipes, hand towels and toilet paper; toilet brushes and toilet brush holders; towel rings; towel rails and towel rail mountings; soap dispensers.

(260) AM 2020 107137 A

(800) 1182079

(151) 2013 05 22

(891) 2020 01 27

(731) Montblanc-Simplo GmbH  
Hellgrundweg 100, 22525 Hamburg, Germany

(540)

**MONT  
BLANC** 

(591) Black, white

(531) 05.05.20; 26.01.03; 26.01.15; 27.05.01

(511)

3 – Soaps; perfumery; essential oils; preparations for body and beauty care.

9 – Optical apparatus and instruments; eyeglasses, sunglasses; eyeglass frames and cases; magnifying glasses; computer and tablets carrying cases and bags; holders and cases for telephones, portable telephones and smartphones; accessories for portable telephones, smartphones and tablets; data recording and storage media device and instruments (including USB keys); rulers [measuring instruments].

14 – Jewellery; precious stones; precious metals and their alloys; cufflinks; tie clips; rings; bracelets;

earrings; necklaces; brooches (jewellery); key rings of precious metal; jewellery cases; boxes of precious metals; horological and chronometric instruments; watches; chronometers; clocks; small clocks; watch cases; watch bands; watch bracelets; key rings [trinkets or fobs].

16 – Paper, cardboard and goods made in these materials not included in other classes; printed matter; stationery; articles of paper or cardboard, namely, boxes, bags, envelopes and pouches for packaging; wrapping paper; writing instruments; pouches for writing instruments; cases for writing instruments; inks and ink refills for writing instruments; desk sets; writing books; calendars, note books, indexes, covers [stationery], files [office requisites], announcement cards [stationery]; writing paper, envelopes, index cards [stationery]; business cards; writing pads; writing instrument holders; paperweights; diaries, cover for diaries, replacement papers for diaries; inkwells; check book holders, passport holders; document holders and cases; albums; bookends; money clips; writing cases (sets).

18 – Leather and imitation leather, goods made in these materials and not included in other classes, handbags, travelling bags, rucksacks, garment bags for travel, traveling sets (leatherware), bags for sports, wheeled bags, wallets, purses, name cards cases, briefcases, attache cases, key cases of leather or imitation leather; trays made of leather; travelling trunks; vanity cases (not fitted); evening purses (handbags); leather straps; boxes of leather or leather board, trunks and suitcases; credit card holders.

(260) AM 2020 107138 A

(800) 1325181

(151) 2016 05 06

(891) 2020 01 13

(731) Giacomini S.p.A.

Via per Alzo, 39, I-28017 San Maurizio  
d'Opaglio (NO), Italy

(540)



(591) Black, white

(531) 02.03.17; 19.01.04; 26.01.14; 27.05.17

(511)

6 – Ceilings of metal; ceiling boards of metal; ceiling panels of metal; collars of metal for fastening pipes; copper rings; drain traps [valves] of metal; ducts of metal for air conditioning installations; ducts of metal, for central heating installations; ducts of metal for ventilating and air conditioning installations; fittings of metal for building; fittings of metal for flexible pipes; fittings of metal for pipes; fittings of metal for rigid pipes; flanges of metal [co-

llars]; fittings of metal for compressed air lines; junctions of metal for pipes; manifolds of metal for pipelines; manually operated metal valves, other than parts of machines; nozzles of metal; nuts of metal; pipe fittings [junctions] of metal; reinforcing materials, of metal, for concrete; metal fluid storage tanks; tanks of metal; valves of metal, other than parts of machines; ventilating ducts of metal; water-pipe valves of metal; water storage tanks of metal for industrial purposes; water tanks of metal; water tanks of metal for household purposes; water tanks of metal for industrial purposes.

7 – Clack valves [parts of machines]; circulating pumps; de-aerators for feedwater; hand-held tools, other than hand-operated; machine tools; pressure reducers [parts of machines]; pressure regulators being parts of machines; pressure regulators [parts of machines]; pressure valves being parts of machines; pressure valves [parts of machines]; pumps for heating installations; soldering apparatus, electric; water separators.

9 – Air analysis apparatus; calorimeters; counters; diagnostic apparatus, not for medical purposes; electrolyzers; fire alarms; fire hose; fire hose nozzles; fire extinguishing apparatus; flowmeters; heat regulating apparatus; hygrometers; intercommunication apparatus; measuring apparatus; measuring devices, electric; measuring instruments; photovoltaic cells; pressure gauges; pressure indicator plugs for valves; pressure measuring apparatus; pressure indicators; remote control apparatus; regulating apparatus, electric; smoke detectors; software and applications for mobile devices; software for creating, facilitating, and managing remote access to and communication with local area networks and global networks; solar batteries; solar panels for the production of electricity; sprinkler systems for fire protection; temperature indicator labels, not for medical purposes; temperature indicators; temperature sensors; thermometers, not for medical purposes; thermostats; water level indicators; water meters; water temperature gauges; wireless controllers to monitor and control the functioning of electronic devices, other than controllers for gaming apparatus; wireless controllers to remotely monitor and control the function and status of other electrical, electronic, and mechanical devices or systems; wireless receivers; wireless routers; wireless telephony apparatus; wireless transmitters; wireless weather stations.

11 – Air conditioning apparatus; air conditioning installations; air cooling apparatus; air reheaters; air purifying apparatus and machines; bath fittings; bath installations; boiler pipes [tubes] for heating installations; boilers for heating installations; boilers, other than parts of machines; cooling appliances and installations; cooling installations and machines; cooling installations for liquids; cooling installations

for water; expansion tanks for central heating installations; fans [parts of air-conditioning installations]; fans [air-conditioning]; feeding apparatus for heating boilers; filters for air conditioning; filters for drinking water; fire hydrants; fittings, shaped, for ovens; gas boilers; gas burners; heat accumulators; heat exchangers, not parts of machines; heating apparatus; heating boilers; heat pumps; heating installations; heating apparatus, electric; heating elements; heating plates; hydrants; ionization apparatus for the treatment of air or water; level controlling valves in tanks; mixer taps for water pipes; mixing valves for faucets; pipes for heating boilers; pipes [parts of sanitary installations]; pressure water tanks; radiator caps; radiators [heating]; refrigerating cabinets; refrigerating apparatus and machines; refrigerators; regulating accessories for gas pipes and lines; regulating accessories for water or gas apparatus and pipes; regulating and safety accessories for gas apparatus; regulating and safety accessories for gas pipes; regulating and safety accessories for water apparatus; safety accessories for water or gas apparatus and pipes; sanitary apparatus and installations; solar thermal collectors [heating]; solar water heaters; storage water heaters; taps [cocks, spigots] [faucets (Am.)] for pipes; taps [faucets]; thermostatic radiator valves; thermostatic valves [parts of heating installations]; ventilation [air-conditioning] installations and apparatus; water conduits installations; water distribution installations; water filtering apparatus; water filtering installations; water filtering units; water filters; water filtration and purification apparatus; water flushing installations; water heaters; water heaters [apparatus]; water heaters for household purposes; water heaters for industrial purposes; watering installations, automatic; water intake apparatus; water purification installations; water purifying apparatus and machines; water supply installations; water softening apparatus and installations.

17 – Fiberglass for insulation; fittings, not of metal, for compressed air lines; flexible hoses, not of metal; flexible pipes, not of metal; flexible plastic conduits for plumbing purposes; flexible plastic hoses for use with ventilation systems; flexible plastic pipes for conveying natural gas; flexible plastic pipes for plumbing purposes; flexible tubes, not of metal; flexible tubes of plastic; foils of metal for insulating; glass wool for insulation; hose fittings, not of metal; hoses of textile material; hydraulic hoses of plastic; industrial hoses of plastic; insulating materials; insulating materials for building; insulating tapes; insulation materials for pipes; junctions, not of metal, for pipes; insulating plaster; insulating refractory materials; pipe couplings and joints, not of metal; pipe couplings, not of metal; pipe fittings comprised primarily of plastic; pipe gaskets; pipe muffers, not of metal; plastic film, other than for wrapping; rings of metal for use as pipe connection seals; soundproof-

ing materials; compositions to prevent the radiation of heat; watering hose.

---

(260) AM 2020 107139 A  
 (800) 1363475  
 (151) 2017 07 14  
 (891) 2020 01 27  
 (731) Montblanc-Simplo GmbH  
 Hellgrundweg 100, 22525 Hamburg, Germany  
 (540)



(591) Black, white  
 (531) 01.01.01; 01.01.02; 01.01.10; 05.05.20;  
 26.01.13; 26.01.15; 26.01.24  
 (511)  
 34 – Cigar cutters; ashtrays for smokers, not of precious metal; lighters for smokers; smokers' articles; cigarette cases and cigarette holders; cigar cases and cigar holders; pipe cleaners; tobacco pouches, tobacco jars not of precious metal.

---

(260) AM 2020 107141 A  
 (800) 1389261  
 (151) 2017 11 09  
 (891) 2020 01 27  
 (731) Santen SAS  
 1 rue Pierre Fontaine, Bâtiment Genavenir IV,  
 F-91000 Evry, France  
 (540)



(591) Golden yellow, white, cream and beige  
 (531) 01.15.15; 15.07.01; 24.13.01; 24.17.07;  
 29.01.13  
 (511)  
 5 – Pharmaceutical preparations; collyriums; eye-washes; eye drops; ophthalmic preparations; eye lubricating preparations; pharmaceutical preparations for cataract treatment; pharmaceutical preparations

for glaucoma treatment; pharmaceutical preparations for the treatment of ocular hypertension; ophthalmic ointments; pharmaceutical preparations for use in eye injections; pharmaceutical preparations for pinguecula treatment; pharmaceutical preparations for the treatment of chalazion; pharmaceutical preparations for the treatment of uveitis; drops for the treatment of corneal and conjunctival epithelium disorders; antibacterial eye drops; anti-allergic eye drops.

(260) AM 2020 107142 A

(800) 1416098

(151) 2017 09 08

(891) 2020 01 09

(731) AGUGIARO & FIGNA MOLINI S.p.A.

Strada dei Notari, 25/27, I-43044

COLLECCHIO (PR), Italy

(540)



(591) Black, white

(531) 05.07.02; 24.17.25; 26.04.02; 26.04.05;  
26.04.15; 26.04.18

(526) S.p.A.

(511)

30 – Sea water for cooking; gluten additives for culinary purposes; pasta; starch for food; flour-based food; aromatic preparations for food; flavorings, other than essential oils, for cakes; food flavorings, other than essential oils; high-protein cereal bars; cookies; flour; cereal preparations; waffles; corn flakes; crackers; cake powder; hominy; pies; wheat germ for human consumption; gluten prepared as foodstuff; wheat flour; flour mill food; corn flour; baking powder; malt for human consumption; muesli; barley meal; bread; pastries; pizzas; oatmeal; cereal-based snack food; soya flour; tarts.

(260) AM 2020 107143 A

(800) 1417242

(151) 2018 06 11

(891) 2020 01 29

(731) Global Blood Therapeutics, Inc.

171 Oyster Point Blvd., Suite 300,

South San Francisco CA 94080, USA

(540)

**OXBRYTA**

(591) Black, white

(511)

5 – Pharmaceutical preparations for the treatment of hematological disorders such as sickle cell disease; pharmaceutical preparations for the treatment of hypoxic and hypoxemic conditions.



---

**INTERNATIONAL TRADEMARKS PROTECTED IN GEORGIA**

(260) AM 2020 101138 A  
(800) 1443350  
(151) 2018 06 19  
(181) 2028 06 19  
(891) 2018 06 19  
(511) 16, 29, 29, 30, 35

---

(260) AM 2020 104153 A  
(800) 1477834  
(151) 2019 05 13  
(181) 2029 05 13  
(891) 2019 05 13  
(511) 30, 33

---

(260) AM 2020 101468 A  
(800) 1447605  
(151) 2018 10 10  
(181) 2028 10 10  
(891) 2018 10 10  
(511) 09

---

(260) AM 2020 104279 A  
(800) 1479310  
(151) 2019 03 12  
(181) 2029 03 12  
(891) 2019 03 12  
(511) 03

---

(260) AM 2020 102763 A  
(800) 1461598  
(151) 2019 01 22  
(181) 2029 01 22  
(891) 2019 01 22  
(511) 03, 05

---

(260) AM 2020 104464 A  
(800) 1480831  
(151) 2019 05 17  
(181) 2029 05 17  
(891) 2019 05 17  
(511) 05

---

(260) AM 2020 103278 A  
(800) 1468378  
(151) 2019 02 22  
(181) 2029 02 22  
(891) 2019 02 22  
(511) 03

---

(260) AM 2020 104466 A  
(800) 1480850  
(151) 2019 05 17  
(181) 2029 05 17  
(891) 2019 05 17  
(511) 05

---

(260) AM 2020 103418 A  
(800) 1469690  
(151) 2018 11 30  
(181) 2028 11 30  
(891) 2018 11 30  
(511) 09, 12, 36, 37, 38, 39

---

(260) AM 2020 104468 A  
(800) 1480873  
(151) 2019 05 17  
(181) 2029 05 17  
(891) 2019 05 17  
(511) 05

---

(260) AM 2020 103552 A  
(800) 1247756  
(151) 2015 03 23  
(181) 2025 03 23  
(891) 2019 05 08  
(511) 10

---

(260) AM 2020 104509 A  
(800) 1481777  
(151) 2019 04 26  
(181) 2029 04 26  
(891) 2019 04 26  
(511) 09, 28

---

(260) AM 2020 103650 A  
(800) 1362406  
(151) 2017 07 07  
(181) 2027 07 07  
(891) 2019 05 08  
(511) 35

---

(260) AM 2020 104510 A  
(800) 1481786  
(151) 2019 03 15  
(181) 2029 03 15  
(891) 2019 03 15  
(511) 05, 10, 35, 39, 40, 42

---

(260) AM 2020 104582 A  
(800) 1482440  
(151) 2019 07 09  
(181) 2029 07 09  
(891) 2019 07 09  
(511) 09, 42

---

(260) AM 2020 104588 A  
(800) 1482580  
(151) 2019 07 09  
(181) 2029 07 09  
(891) 2019 07 09  
(511) 09, 42

---

(260) AM 2020 104617 A  
(800) 1483463  
(151) 2019 07 03  
(181) 2029 07 03  
(891) 2019 07 03  
(511) 16, 41, 44

---

(260) AM 2020 104629 A  
(800) 1483799  
(151) 2018 12 20  
(181) 2028 12 20  
(891) 2018 12 20  
(511) 03, 05, 09, 10, 16, 41, 42, 44

---

(260) AM 2020 104630 A  
(800) 1483801  
(151) 2019 06 20  
(181) 2029 06 20  
(891) 2019 06 20  
(511) 29

---

(260) AM 2020 104635 A  
(800) 1483881  
(151) 2019 03 18  
(181) 2029 03 18  
(891) 2019 03 18  
(511) 09

---

(260) AM 2020 104645 A  
(800) 1483994  
(151) 2019 03 25  
(181) 2029 03 25  
(891) 2019 03 25  
(511) 03

---

(260) AM 2020 104647 A  
(800) 1484015  
(151) 2019 06 20  
(181) 2029 06 20

(891) 2019 06 20  
(511) 33

---

(260) AM 2020 104648 A  
(800) 1484018  
(151) 2019 07 02  
(181) 2029 07 02  
(891) 2019 07 02  
(511) 10

---

(260) AM 2020 104650 A  
(800) 1484048  
(151) 2019 07 24  
(181) 2029 07 24  
(891) 2019 07 24  
(511) 34

---

(260) AM 2020 104651 A  
(800) 1484050  
(151) 2019 07 05  
(181) 2029 07 05  
(891) 2019 07 05  
(511) 12

---

(260) AM 2020 104652 A  
(800) 1484057  
(151) 2019 03 22  
(181) 2029 03 22  
(891) 2019 03 22  
(511) 41

---

(260) AM 2020 104686 A  
(800) 1484488  
(151) 2019 05 29  
(181) 2029 05 29  
(891) 2019 05 29  
(511) 36

---

(260) AM 2020 104687 A  
(800) 1484489  
(151) 2019 05 29  
(181) 2029 05 29  
(891) 2019 05 29  
(511) 36

---

(260) AM 2020 104688 A  
(800) 1484496  
(151) 2019 05 29  
(181) 2029 05 29  
(891) 2019 05 29  
(511) 36

---

(260) AM 2020 104692 A  
(800) 1484577  
(151) 2019 06 07  
(181) 2029 06 07  
(891) 2019 06 07  
(511) 42

---

(260) AM 2020 104695 A  
(800) 1484659  
(151) 2019 05 15  
(181) 2029 05 15  
(891) 2019 05 15  
(511) 29

---

(260) AM 2020 104716 A  
(800) 1485121  
(151) 2019 02 18  
(181) 2029 02 18  
(891) 2019 02 18  
(511) 25, 35

---

(260) AM 2020 104721 A  
(800) 1485201  
(151) 2019 07 11  
(181) 2029 07 11  
(891) 2019 07 11  
(511) 09

---

(260) AM 2020 104793 A  
(800) 1486097  
(151) 2019 04 26  
(181) 2029 04 26  
(891) 2019 04 26  
(511) 35, 41

---

(260) AM 2020 104802 A  
(800) 1355121  
(151) 2016 10 27  
(181) 2026 10 27  
(891) 2019 05 24  
(511) 14

---

(260) AM 2020 104803 A  
(800) 1368320  
(151) 2017 07 28  
(181) 2027 07 28  
(891) 2019 07 01  
(511) 14

---

(260) AM 2020 104804 A  
(800) 1442635  
(151) 2018 10 30  
(181) 2028 10 30

(891) 2019 08 19  
(511) 05

---

(260) AM 2020 104863 A  
(800) 1486875  
(151) 2019 05 30  
(181) 2029 05 30  
(891) 2019 05 30  
(511) 05, 10, 42, 44

---

(260) AM 2020 104885 A  
(800) 1223882  
(151) 2014 03 04  
(181) 2024 03 04  
(891) 2019 08 29  
(511) 11, 21, 35

---

(260) AM 2020 104886 A  
(800) 1348495  
(151) 2017 02 01  
(181) 2027 02 01  
(891) 2019 07 22  
(511) 30, 43

---

(260) AM 2020 104887 A  
(800) 1385915  
(151) 2017 10 19  
(181) 2027 10 19  
(891) 2019 07 18  
(511) 09

---

(260) AM 2020 104979 A  
(800) 1487958  
(151) 2019 04 26  
(181) 2029 04 26  
(891) 2019 04 26  
(511) 03

---

(260) AM 2020 104981 A  
(800) 1488020  
(151) 2019 04 25  
(181) 2029 04 25  
(891) 2019 04 25  
(511) 03

---

(260) AM 2020 105611 A  
(800) 1495901  
(151) 2019 03 15  
(181) 2029 03 15  
(891) 2019 03 15  
(511) 06, 07, 09, 19, 36, 37, 39, 40, 41, 42, 43, 45

---

(260) AM 2020 105612 A  
(800) 1495908  
(151) 2019 07 18  
(181) 2029 07 18  
(891) 2019 07 18  
(511) 05

---

(260) AM 2020 105613 A  
(800) 1495928  
(151) 2019 09 03  
(181) 2029 09 03  
(891) 2019 09 03  
(511) 05

---

---

# APPELLATION OF ORIGIN OF GOOD

## PROTECTED APPELLATION OF ORIGIN

(800) 1132  
(151) 2019 10 15  
(540)

### RAICILLA

(732) INSTITUTO MEXICANO DE LA PROPIEDAD INDUSTRIAL  
Periférico Sur No. 3106, Colonia Jardines del Pedregal, Delegación Álvaro Obregón, C.P. 01900,  
Ciudad de México, México  
(511)  
33 – Agave alcoholic beverage.

---

---

# OFFICIAL NOTIFICATIONS

## INVENTIONS

### ABOLITION OF PATENTS WITH THE RIGHT TO RESTORE

(21) AP 2006 10602

**(11) P 2010 5044 B**

(73) TAKEDA PHARMACEUTICAL COMPANY LIMITED

(54) **1-HETEROCYCLYLSULFONYL, 2-AMINOMETHYL, 5- (HETERO-) ARYL SUBSTITUTED  
1-H-PYRROLE DERIVATIVES AS ACID SECRETION INHIBITORS**

DATE OF CANCELLATION OF PATENT: 2020 08 29

THE TERM OF RESTORATION OF PATENT: 2021 08 29

---

(21) AP 2008 11754

**(11) P 2012 5540 B**

(73) HYGEN SIA

(54) **METHOD FOR COMPRESSING GASEOUS FUEL FOR FUELLING VEHICLE AND DEVICE FOR  
IMPLEMENTATION THEREOF**

DATE OF CANCELLATION OF PATENT: 2020 09 09

THE TERM OF RESTORATION OF PATENT: 2021 09 09

---

(21) AP 2012 12852

**(11) P 2015 6255 B**

(73) LLC "GEORGIAN MANGANESE"

(54) **METHOD OF CARBONATE-OXIDE MANGANESE ORE CONCENTRATION**

DATE OF CANCELLATION OF PATENT: 2020 09 05

THE TERM OF RESTORATION OF PATENT: 2021 09 05

---

(21) AP 2014 13562

**(11) P 2016 6463 B**

(73) GEORGIAN TECHICAL UNIVERSITY

(54) **METHOD FOR PLANTING STOCK AND PLANTATION BIOACTIVATION**

DATE OF CANCELLATION OF PATENT: 2020 08 29

THE TERM OF RESTORATION OF PATENT: 2021 08 29

---

(21) AP 2013 13760

**(11) P 2017 6789 B**

(73) TRACON PHARMACEUTICALS INC.

(54) **ANTIBODY FORMULATIONS AND USES THEREOF**

DATE OF CANCELLATION OF PATENT: 2020 09 05

THE TERM OF RESTORATION OF PATENT: 2021 09 05

---

(21) AP 2016 14256

**(11) P 2018 6918 B**

(73) Besik Surguladze

(54) **INDUCTION HEATING SYSTEM UNIT FOR LOCATOR HYPERTHERMIA  
DEVICE AND METHOD FOR HYPERTHERMIA**

DATE OF CANCELLATION OF PATENT: 2020 09 01

THE TERM OF RESTORATION OF PATENT: 2021 09 01

---

## EXPIRATION OF TERM OF RESTORATION OF PATENTS

(21) AP 2009 11437

**(11) P 2012 5409 B**

(73) LES LABORATOIRES SERVIER

(54) **NEW METHOD FOR RESOLUTION OF ENANTIOMERS OF (3,4-DIMETHOXY-BICYCLO [4.2.0] OCTA-1,3,5-TRIEN-7-YL)NITRILE AND THEIR APPLICATION TO THE SYNTHESIS OF IVABRADINE**

DATE OF CANCELLATION OF PATENT: 2019 08 25

THE TERM OF RESTORATION OF PATENT VALIDITY HAS EXPIRED: 2020 08 25

---

(21) AP 2011 13046

**(11) P 2017 6606 B**

(73) SANTEN SAS

(54) **WATER-IN-OIL TYPE EMULSION FOR TREATING A DISEASE OF THE EYE**

DATE OF CANCELLATION OF PATENT: 2019 09 02

THE TERM OF RESTORATION OF PATENT VALIDITY HAS EXPIRED: 2020 09 02

---

(21) AP 2016 14258

**(11) P 2018 6919 B**

(73) Giorgi Lekvinadze

(54) **INDIVIDUAL ALL-TERRAIN VEHICLE**

DATE OF CANCELLATION OF PATENT: 2019 09 02

THE TERM OF RESTORATION OF PATENT VALIDITY HAS EXPIRED: 2020 09 02

---

(21) AP 2006 9610

**(11) P 2009 4741 B**

(73) LES LABORATOIRES SERVIER

(54) **NEW ASSOCIATION BETWEEN AGOMELATINE AND THYMOREGULATOR AND THE PHARMACEUTICAL COMPOSITIONS THAT CONTAIN IT**

DATE OF CANCELLATION OF PATENT: 2019 09 07

THE TERM OF RESTORATION OF PATENT VALIDITY HAS EXPIRED: 2020 09 07

---

(21) AP 2006 9612

**(11) P 2009 4742 B**

(73) LES LABORATOIRES SERVIER

(54) **NEW ASSOCIATION OF AGOMELATINE AND A NORADRENALIN REUPTAKE INHIBITOR, AND PHARMACEUTICAL COMPOSITIONS CONTAINING THEM**

DATE OF CANCELLATION OF PATENT: 2019 09 07

THE TERM OF RESTORATION OF PATENT VALIDITY HAS EXPIRED: 2020 09 07

---

(21) AP 2005 9978

**(11) P 2012 5470 B**

(73) INTERDIGITAL TECHNOLOGY CORPORATION

(54) **WIRELESS COMMUNICATION METHODS AND DEVICE THAT IMPLEMENT HANDOFF IN WIRELESS LOCAL AREA NETWORKS**

DATE OF CANCELLATION OF PATENT: 2019 09 08

THE TERM OF RESTORATION OF PATENT VALIDITY HAS EXPIRED: 2020 09 08

---

## UTILITY MODEL

### EXPIRATION OF TERM OF RESTORATION OF PATENT

(21) AU 2011 12361

**(11) U 2014 1821 Y**

(73) Vladimer Loladze;

Giorgi Loladze;

Nino Loladze;

Vakhtang Loladze;

Irakli Zubitashvili

(54) **METHOD OF MINERALS TRANSPORTATION OBTAINED FROM WATER AREA BOTTOM**

DATE OF CANCELLATION OF PATENT: 2019 09 01

THE TERM OF RESTORATION OF PATENT VALIDITY HAS EXPIRED: 2020 09 01

---



# TRADEMARKS

## RENEWAL OF REGISTRATIONS

(111) M 2000 13553 R2  
 (156) 2000 10 30  
 (186) 2030 10 30  
 (732) SUZUKI MOTOR CORPORATION  
 300 Takatsuka-cho, Hamamatsu-shi, Shizuoka-ken, Japan

(111) M 2000 13542 R2  
 (156) 2000 10 27  
 (186) 2030 10 27  
 (732) DELPHI TECHNOLOGIES, INC.  
 5725 Delphi Drive, City of Troy, State of Michigan 48098, USA

(111) M 2000 13473 R2  
 (156) 2000 09 11  
 (186) 2030 09 11  
 (732) FILA LUXEMBOURG S.A.R.L.  
 26, Boulevard Royal, L-2449, Luxembourg, Luxembourg

(111) M 2000 13530 R2  
 (156) 2000 10 11  
 (186) 2030 10 11  
 (732) MITSUI CHEMICALS INC.  
 Shiodome City Center, 1-5-2 Higashi-Shimbashi, Minato-ku, Tokyo 105-7117, Japan

(111) M 2000 13550 R2  
 (156) 2000 10 30  
 (186) 2030 10 30  
 (732) SUZUKI MOTOR CORPORATION  
 300 Takatsuka-cho, Hamamatsu-shi, Shizuoka-ken, Japan

(111) M 2000 13626 R2  
 (156) 2000 12 21  
 (186) 2030 12 21  
 (732) MASTERCARD INTERNATIONAL  
 INCORPORATED  
 2000 Purchase Street, Purchase, New York 10577-2509, USA

(111) M 2000 13252 R2  
 (156) 2000 04 25  
 (186) 2030 04 25  
 (732) TARKETT AB  
 P.O. Box 3004, S-37281 Ronneby, Sweden

(111) M 2000 13627 R2  
 (156) 2000 12 21  
 (186) 2030 12 21  
 (732) MASTERCARD INTERNATIONAL  
 INCORPORATED  
 2000 Purchase Street, Purchase, New York 10577-2509, USA

(111) M 2000 13484 R2  
 (156) 2000 09 15  
 (186) 2030 09 15  
 (732) CommScope, Inc., of North Carolina  
 1100 CommScope Place, SE, Hickory, North Carolina 28602, USA

(111) M 2000 13596 R2  
 (156) 2000 11 15  
 (186) 2030 11 15  
 (732) Pfizer Health AB  
 Vetenskapsvägen 10, 191 90, Sollentuna, Sweden

(111) M 2000 13493 R2  
 (156) 2000 09 19  
 (186) 2030 09 19  
 (732) Glaxo Group Limited  
 980 Great West Road, Brentford, Middlesex TW8 9GS, United Kingdom

(111) M 2000 13597 R2  
 (156) 2000 11 15  
 (186) 2030 11 15  
 (732) Pfizer Health AB  
 Vetenskapsvägen 10, 191 90, Sollentuna, Sweden

(111) M 2000 13482 R2  
 (156) 2000 09 15  
 (186) 2030 09 15  
 (732) Menarini International Operations  
 Luxembourg S.A.  
 18 Rue Dicks, 1417 Luxembourg, Luxembourg

(111) M 2000 13649 R2  
 (156) 2000 12 21  
 (186) 2030 12 21

(732) MASTERCARD INTERNATIONAL  
INCORPORATED  
2000 Purchase Street, Purchase, New York  
10577-2509, USA

---

2525, Dupont Drive, Irvine, California  
92612, USA

---

(111) M 2000 13650 R2  
(156) 2000 12 21  
(186) 2030 12 21  
(732) MASTERCARD INTERNATIONAL  
INCORPORATED  
2000 Purchase Street, Purchase, New York  
10577-2509, USA

---

(111) M 2010 20675 R1  
(156) 2010 08 16  
(186) 2030 08 16  
(732) LTD "AsPharma" – Georgian Pharmaceutical  
Company  
Shevchenko St. 12, 0108, Tbilisi, Georgia

---

(111) M 2000 13651 R2  
(156) 2000 12 21  
(186) 2030 12 21  
(732) MASTERCARD INTERNATIONAL  
INCORPORATED  
2000 Purchase Street, Purchase, New York  
10577-2509, USA

---

(111) M 2010 20747 R1  
(156) 2010 09 15  
(186) 2030 09 15  
(732) LTD "AVERSI-PHARMA"  
Davit Aghmashenebeli Av. 148/2, 0112,  
Tbilisi, Georgia

---

(111) M 2000 13669 R2  
(156) 2000 12 28  
(186) 2030 12 28  
(732) Edelweiss GmbH & Co.KG  
Oberstdorfer Strasse 7, 87435 Kempten,  
Germany

---

(111) M 2010 20935 R1  
(156) 2010 11 25  
(186) 2030 11 25  
(732) SOCIÉTÉ DES PRODUITS NESTLÉ S.A.  
CH-1800 Vevey, Switzerland

---

(111) M 2009 19621 R1  
(156) 2009 07 31  
(186) 2029 07 31  
(732) LTD "GLAVSPIRTPROM"  
Paliashvili St. 26, 0179, Tbilisi, Georgia

---

(111) M 2010 20738 R1  
(156) 2010 09 13  
(186) 2030 09 13  
(732) LTD "KARMEN"  
Iagluja, 3000, Marneuli district, Georgia

---

(111) M 2010 20868 R1  
(156) 2010 10 25  
(186) 2030 10 25  
(732) PANASONIC CORPORATION  
1006, Oaza- Kadoma, Kadoma-shi, Osaka  
571-8501, Japan

---

(111) M 2010 20909 R1  
(156) 2010 11 12  
(186) 2030 11 12  
(732) BUNSHA  
100 rue du calvaire 59510 HEM, France

---

(111) M 2010 20671 R1  
(156) 2010 08 16  
(186) 2030 08 16  
(732) ALLERGAN Inc.

## COMPLETE TRANSFER OF RIGHTS

(111) M 2020 32888 R  
(732) LTD "ORVIBO"  
T. Tabidze St. 43, app. 37, Vake district,  
Tbilisi, Georgia  
(770) Levani Losaberidze  
Eristavi St. 15, room 22, Kutaisi, Georgia  
(580) 2020 09 01

---

(111) M 2007 17498 R  
(732) IRISH DISTILLERS INTERNATIONAL  
LIMITED  
Simmonscourt House, Simmonscourt Road,  
Ballsbridge, Dublin 4, Ireland  
(770) IRISH DISTILLERS LIMITED  
Simmonscourt House, Simmonscourt Road,  
Ballsbridge, Dublin 4, Ireland  
(580) 2020 08 12

---

## TERMINATION OF TRADEMARKS REGISTRATION

(111) M 2010 20278 R  
(151) 2010 02 26  
(732) JSC "G-P-C"  
K. Marjanishvili St. 26, 0102, Tbilisi, Georgia  
(141) 2020 09 11

---

(111) M 2010 20279 R  
(151) 2010 02 26  
(732) JSC "G-P-C"  
K. Marjanishvili St. 26, 0102, Tbilisi, Georgia  
(141) 2020 09 11

---

(111) M 2010 20281 R  
(151) 2010 02 26  
(732) Grigor Devejivi  
Tsinandli St. 9, 0144, Tbilisi, Georgia  
(141) 2020 09 11

---

(111) M 2010 20282 R  
(151) 2010 02 26  
(732) George Aleksidze  
N. Nikoladze St. 2, 0108, Tbilisi, Georgia  
(141) 2020 09 11

---

(111) M 2010 20283 R  
(151) 2010 02 26  
(732) George Aleksidze  
N. Nikoladze St. 2, 0108, Tbilisi, Georgia  
(141) 2020 09 11

---

(111) M 2010 20284 R  
(151) 2010 02 26  
(732) George Aleksidze  
N. Nikoladze St. 2, 0108, Tbilisi, Georgia  
(141) 2020 09 11

---

(111) M 2010 20285 R  
(151) 2010 02 26  
(732) George Aleksidze  
N. Nikoladze St. 2, 0108, Tbilisi, Georgia  
(141) 2020 09 11

---

(111) M 2010 20286 R  
(151) 2010 02 26  
(732) George Aleksidze  
N. Nikoladze St. 2, 0108, Tbilisi, Georgia  
(141) 2020 09 11

---

(111) M 2010 20287 R  
(151) 2010 02 26  
(732) George Aleksidze  
N. Nikoladze St. 2, 0108, Tbilisi, Georgia  
(141) 2020 09 11

---

(111) M 2010 20288 R  
(151) 2010 02 26  
(732) George Aleksidze  
N. Nikoladze St. 2, 0108, Tbilisi, Georgia  
(141) 2020 09 11

---

(111) M 2010 20289 R  
(151) 2010 02 26  
(732) George Aleksidze  
N. Nikoladze St. 2, 0108, Tbilisi, Georgia  
(141) 2020 09 11

---

(111) M 2010 20290 R  
(151) 2010 02 26  
(732) George Aleksidze  
N. Nikoladze St. 2, 0108, Tbilisi, Georgia  
(141) 2020 09 11

---

(111) M 2010 20292 R  
(151) 2010 02 26  
(732) LTD "PIPKI"  
Dolidze St. 13, app. 1, 0171, Tbilisi, Georgia  
(141) 2020 09 11

---

(111) M 2010 20294 R  
(151) 2010 02 26  
(732) LTD "New-Wey"  
Mitropane Laghidze St. 21, 0108, Tbilisi,  
Georgia  
(141) 2020 09 11

---

(111) M 2010 20295 R  
(151) 2010 02 26  
(732) LTD "New-Wey"  
Mitropane Laghidze St. 21, 0108, Tbilisi,  
Georgia  
(141) 2020 09 11

---

(111) M 2010 20296 R  
(151) 2010 02 26  
(732) OTIS ELEVATOR COMPANY

---

10 Farm Springs, Farmington, Connecticut  
06032, USA  
(141) 2020 09 11

---

(111) M 2010 20297 R  
(151) 2010 02 26  
(732) OTIS ELEVATOR COMPANY  
10 Farm Springs, Farmington, Connecticut  
06032, USA  
(141) 2020 09 11

---

(111) M 2010 20298 R  
(151) 2010 02 26  
(732) BACARDI & COMPANY LIMITED  
Aeulestrasse 5, 9490 Vaduz, Liechtenstein,  
Liechtenstein  
(141) 2020 09 11

---

(111) M 2010 20300 R  
(151) 2010 02 26  
(732) Elguja Bubuteishvili  
Z. Paliashvili St. 62, 0179, Tbilisi, Georgia  
(141) 2020 09 11

---

(111) M 2010 20301 R  
(151) 2010 02 26  
(732) NOVARTIS AG  
CH-4002 Basel, Switzerland  
(141) 2020 09 11

---

(111) M 2010 20303 R  
(151) 2010 02 26  
(732) Nissan Jidosha Kabushiki Kaisha (also trading  
as Nissan Motor Co., Ltd.)  
No.2 Takaracho, Kanagawa-ku, Yokohama-shi,  
Kanagawa-ken, Japan  
(141) 2020 09 11

---

(111) M 2010 20304 R  
(151) 2010 02 26  
(732) GENENTECH, INC  
Legal Department-Trademarks, 1 DNA VAY,  
South San Francisco, CA 94080-4918, USA  
(141) 2020 09 11

---

## INTERNATIONAL LICENSE AGREEMENT

(800) 1148318

(791) Obshchestvo s Ogranichennoy Otvetstvennostyu "TDM"

Ul. Dorozhnaya 60b, fl. 6, Office 647, 117405, Moscow, Russia Federation

(793) №1605; Type of license: Special

Registered number: 01 10 2019

Validity period: The validity period of the trademark

(511) 9, 11, 35

---

## CANCELLATION OF LICENSE AGREEMENT

(800) 760818

(793) №1055

Termination date: 14 08 2020

---

(800) 1148318

(793) №1582

Termination date: 11 08 2020

---

# CLASSIFICATION INDEXES

## INVENTIONS

### CONCORDANCE TABLE OF INTERNATIONAL CLASSIFICATION INDEX AND PUBLICATION NUMBERS

INTERNATIONAL CLASSIFICATION INDEXES (51)	NUMBER OF PUBLISHED APPLICATION (10)
A 01 G 17/00	AP 2020 15155 A
A 61 K 31/4439; A 61 P 35/00; A 61 P 37/00; A 61 P 27/00; A 61 P 9/00; C 07 D 401/12	AP 2020 14932 A
B 01 D 47/06; B 01 D 47/10; B 01 D 53/58; C 05 C 9/00; C 07 C 273/16	AP 2020 14950 A
C 07 C 275/26; C 07 D 295/06	AP 2020 14994 A
C 08 G 73/00; C 08 G 63/00	AP 2020 15135 A

### CONCORDANCE TABLE OF PUBLICATION NUMBERS AND INTERNATIONAL CLASSIFICATION INDEX

NUMBER OF PUBLISHED APPLICATION (10)	INTERNATIONAL CLASSIFICATION INDEXES (51)
AP 2020 14932 A	A 61 K 31/4439; A 61 P 35/00; A 61 P 37/00; A 61 P 27/00; A 61 P 9/00; C 07 D 401/12
AP 2020 14950 A	B 01 D 47/06; B 01 D 47/10; B 01 D 53/58; C 05 C 9/00; C 07 C 273/16
AP 2020 14994 A	C 07 C 275/26; C 07 D 295/06
AP 2020 15135 A	C 08 G 73/00; C 08 G 63/00
AP 2020 15155 A	A 01 G 17/00

### CONCORDANCE TABLE OF INTERNATIONAL CLASSIFICATION INDEX, PATENT NUMBERS AND PUBLICATION NUMBERS

INTERNATIONAL CLASSIFICATION INDEX (51)	NUMBER OF PATENT (11)	NUMBER OF PUBLISHED APPLICATION (10)
A 61 P 39/395; A 61 P 25/28; A 61 P 25/16; C 07 K 16/18	P 2020 7151 B	AP 2020 14670 A
C 04 B 41/00; C 09 D 7/00	P 2020 7152 B	AP 2020 14646 A

### CONCORDANCE TABLE OF PATENT NUMBERS, PUBLICATION NUMBERS AND INTERNATIONAL CLASSIFICATION INDEX

NUMBER OF PATENT (11)	NUMBER OF PUBLISHED APPLICATION (10)	INTERNATIONAL CLASSIFICATION INDEX (51)
P 2020 7151 B	AP 2020 14670 A	A 61 P 39/395; A 61 P 25/28; A 61 P 25/16; C 07 K 16/18
P 2020 7152 B	AP 2020 14646 A	C 04 B 41/00; C 09 D 7/00

**CONCORDANCE TABLE OF APPLICATION NUMBERS, PUBLICATION NUMBERS  
AND PATENTS**

NUMBER OF APPLICATION (21)	NUMBER OF PUBLISHED APPLICATION (10)	NUMBER OF PATENT (11)
AP 2017 14646	AP 2020 14646 A	P 2020 7152 B
AP 2016 14670	AP 2020 14670 A	P 2020 7151 B

**DESIGNS**

**CONCORDANCE TABLE OF INTERNATIONAL CLASSIFICATION INDEX,  
PATENT NUMBERS AND PUBLICATION NUMBERS**

INTERNATIONAL CLASSIFICATION INDEX (51)	NUMBER OF PATENT (11)	NUMBER OF PUBLISHED APPLICATION (10)
20-02	D 2020 864 S	AD 2020 1142 S

**CONCORDANCE TABLE OF PATENT NUMBERS,  
PUBLICATION NUMBERS AND INTERNATIONAL CLASSIFICATION INDEX**

NUMBER OF PATENT (11)	NUMBER OF PUBLISHED APPLICATION (10)	INTERNATIONAL CLASSIFICATION INDEX (51)
D 2020 864 S	AD 2020 1142 S	20-02

**CONCORDANCE TABLE OF APPLICATION NUMBERS, PUBLICATION NUMBERS  
AND PATENTS**

NUMBER OF APPLICATION (21)	NUMBER OF PUBLISHED APPLICATION (10)	NUMBER OF PATENT (11)
AD 2020 1142	AD 2020 1142 S	D 2020 864 S



## TRADEMARKS

### CONCORDANCE TABLE OF REGISTRATION NUMBERS, APPLICATION NUMBERS, PUBLICATION NUMBERS AND BULLETIN NUMBERS

NUMBER OF REGISTRATION (111)	NUMBER OF APPLICATIONS (210)	NUMBER OF PUBLISHED APPLICATIONS (260)	NUMBER OF BULLETIN
1	2	3	4
M 2020 33088 R	AM 109597	–	18(550)2020
M 2020 33089 R	AM 109598	–	18(550)2020
M 2020 33090 R	AM 109435	–	18(550)2020
M 2020 33091 R	AM 107292	–	18(550)2020
M 2020 33092 R	AM 109515	–	18(550)2020
M 2020 33093 R	AM 109509	–	18(550)2020
M 2020 33094 R	AM 109732	–	18(550)2020
M 2020 33095 R	AM 100925	AM 2020 100925 A	10(542)2020
M 2020 33096 R	AM 101628	AM 2020 101628 A	7(539)2020
M 2020 33097 R	AM 102733	AM 2020 102733 A	10(542)2020
M 2020 33098 R	AM 102734	AM 2020 102734 A	10(542)2020
M 2020 33099 R	AM 103685	AM 2020 103685 A	4(536)2020
M 2020 33100 R	AM 103686	AM 2020 103686 A	4(536)2020
M 2020 33101 R	AM 103694	AM 2020 103694 A	4(536)2020
M 2020 33102 R	AM 104092	AM 2020 104092 A	9(541)2020
M 2020 33103 R	AM 104093	AM 2020 104093 A	9(541)2020
M 2020 33103 R	AM 04093	AM 2020 104093 A	9(541)2020
M 2020 33104 R	AM 104209	AM 2020 104209 A	5(537)2020
M 2020 33105 R	AM 104218	AM 2020 104218 A	4(536)2020
M 2020 33106 R	AM 104539	AM 2020 104539 A	10(542)2020
M 2020 33107 R	AM 104561	AM 2020 104561 A	6(538)2020
M 2020 33108 R	AM 104670	AM 2020 104670 A	7(539)2020
M 2020 33109 R	AM 104830	AM 2020 104830 A	8(540)2020
M 2020 33110 R	AM 104835	AM 2020 104835 A	10(542)2020
M 2020 33111 R	AM 104889	AM 2020 104889 A	8(540)2020
M 2020 33112 R	AM 104899	AM 2020 104899 A	8(540)2020
M 2020 33113 R	AM 104935	AM 2020 104935 A	8(540)2020
M 2020 33114 R	AM 104937	AM 2020 104937 A	8(540)2020
M 2020 33115 R	AM 105003	AM 2020 105003 A	7(539)2020
M 2020 33116 R	AM 105015	AM 2020 105015 A	8(540)2020
M 2020 33117 R	AM 105023	AM 2020 105023 A	8(540)2020
M 2020 33118 R	AM 105024	AM 2020 105024 A	8(540)2020
M 2020 33119 R	AM 105025	AM 2020 105025 A	9(541)2020
M 2020 33120 R	AM 105158	AM 2020 105158 A	10(542)2020
M 2020 33121 R	AM 105211	AM 2020 105211 A	10(542)2020
M 2020 33122 R	AM 105212	AM 2020 105212 A	10(542)2020
M 2020 33123 R	AM 105213	AM 2020 105213 A	10(542)2020
M 2020 33124 R	AM 105219	AM 2020 105219 A	10(542)2020
M 2020 33125 R	AM 105243	AM 2020 105243 A	11(543)2020
M 2020 33126 R	AM 105336	AM 2020 105336 A	10(542)2020
M 2020 33127 R	AM 105356	AM 2020 105356 A	10(542)2020
M 2020 33128 R	AM 105434	AM 2020 105434 A	11(543)2020
M 2020 33129 R	AM 105462	AM 2020 105462 A	10(542)2020
M 2020 33130 R	AM 105541	AM 2020 105541 A	11(543)2020
M 2020 33131 R	AM 105546	AM 2020 105546 A	11(543)2020
M 2020 33132 R	AM 105550	AM 2020 105550 A	11(543)2020

1	2	3	4
M 2020 33133 R	AM 105557	AM 2020 105557 A	11(543)2020
M 2020 33134 R	AM 105637	AM 2020 105637 A	11(543)2020
M 2020 33135 R	AM 105663	AM 2020 105663 A	10(542)2020
M 2020 33136 R	AM 105668	AM 2020 105668 A	11(543)2020
M 2020 33137 R	AM 105796	AM 2020 105796 A	11(543)2020
M 2020 33138 R	AM 105888	AM 2020 105888 A	11(543)2020

CONCORDANCE TABLE OF PUBLICATION NUMBERS  
AND APPLICATION NUMBERS

NUMBER OF PUBLISHED APPLICATION (260)	NUMBER OF APPLICATION (210)	1	2
		1	2
AM 2020 103021 A	AM 103021	AM 2020 107046 A	AM 107046
AM 2020 103860 A	AM 103860	AM 2020 107051 A	AM 107051
AM 2020 104455 A*	AM 104455	AM 2020 107053 A	AM 107053
AM 2020 105431 A	AM 105431	AM 2020 107059 A	AM 107059
AM 2020 106610 A	AM 106610	AM 2020 107060 A	AM 107060
AM 2020 106612 A	AM 106612	AM 2020 107064 A	AM 107064
AM 2020 106613 A	AM 106613	AM 2020 107150 A	AM 107150
AM 2020 106801 A	AM 106801	AM 2020 107153 A	AM 107153
AM 2020 106811 A	AM 106811	AM 2020 107169 A	AM 107169
AM 2020 106813 A	AM 106813	AM 2020 107181 A	AM 107181
AM 2020 106814 A	AM 106814	AM 2020 107184 A	AM 107184
AM 2020 106821 A	AM 106821	AM 2020 107264 A	AM 107264
AM 2020 106824 A	AM 106824	AM 2020 107268 A	AM 107268
AM 2020 106931 A	AM 106931	AM 2020 107289 A	AM 107289
AM 2020 106938 A	AM 106938	AM 2020 107290 A	AM 107290
AM 2020 106946 A	AM 106946	AM 2020 107295 A	AM 107295
AM 2020 106947 A	AM 106947	AM 2020 107385 A	AM 107385
AM 2020 106951 A	AM 106951	AM 2020 107386 A	AM 107386
AM 2020 106958 A	AM 106958	AM 2020 107405 A	AM 107405
AM 2020 106962 A	AM 106962	AM 2020 107457 A	AM 107457
AM 2020 106963 A	AM 106963	AM 2020 107459 A	AM 107459
AM 2020 106965 A	AM 106965	AM 2020 107460 A	AM 107460
AM 2020 107031 A	AM 107031	AM 2020 107473 A	AM 107473
AM 2020 107035 A	AM 107035	AM 2020 107473 A	AM 107473
AM 2020 107043 A	AM 107043	AM 2020 107493 A	AM 107493
		AM 2020 107494 A	AM 107494
		AM 2020 107495 A	AM 107495
		AM 2020 107496 A	AM 107496
		AM 2020 107548 A	AM 107548
		AM 2020 107549 A	AM 107549

CONCORDANCE TABLE OF INDEX OF GOODS AND/OR SERVICES  
AND APPLICATION NUMBERS

INDEX OF GOODS AND/OR SERVICES (511)	NUMBER OF PUBLISHED APPLICATIONS (26)	1	2
1	2	32	AM 2020 103021 A
1	AM 2020 105431 A	32	AM 2020 106965 A
1	AM 2020 107043 A	32	AM 2020 107473 A
1	AM 2020 107046 A	33	AM 2020 106951 A
1	AM 2020 107295 A	33	AM 2020 107290 A
3	AM 2020 106962 A	33	AM 2020 107459 A
3	AM 2020 106963 A	33	AM 2020 107460 A
3	AM 2020 107494 A	33	AM 2020 107493 A
3	AM 2020 107495 A	34	AM 2020 107064 A
3	AM 2020 107496 A	35	AM 2020 103860 A
3	AM 2020 107548 A	35	AM 2020 107060 A
5	AM 2020 106938 A	35	AM 2020 107153 A
5	AM 2020 107295 A	35	AM 2020 107181 A
5	AM 2020 107495 A	35	AM 2020 107184 A
5	AM 2020 107496 A	35	AM 2020 107184 A
6	AM 2020 107385 A	35	AM 2020 107268 A
7	AM 2020 107169 A	35	AM 2020 107385 A
9	AM 2020 104455 A*	35	AM 2020 107386 A
11	AM 2020 104455 A*	36	AM 2020 107150 A
11	AM 2020 107153 A	37	AM 2020 107153 A
14	AM 2020 103860 A	41	AM 2020 106610 A
17	AM 2020 107385 A	41	AM 2020 106612 A
18	AM 2020 107060 A	41	AM 2020 106613 A
18	AM 2020 107268 A	41	AM 2020 106811 A
20	AM 2020 107385 A	41	AM 2020 106931 A
25	AM 2020 106946 A	41	AM 2020 107264 A
25	AM 2020 106947 A	42	AM 2020 105431 A
25	AM 2020 107060 A	42	AM 2020 106821 A
25	AM 2020 107457 A	43	AM 2020 106801 A
29	AM 2020 107031 A	43	AM 2020 106811 A
29	AM 2020 107035 A	43	AM 2020 106813 A
29	AM 2020 107386 A	43	AM 2020 106814 A
30	AM 2020 106824 A	43	AM 2020 106824 A
30	AM 2020 107031 A	43	AM 2020 106958 A
30	AM 2020 107059 A	43	AM 2020 107051 A
30	AM 2020 107549 A	43	AM 2020 107053 A
		43	AM 2020 107264 A
		43	AM 2020 107386 A
		44	AM 2020 107289 A
		44	AM 2020 107405 A

CONCORDANCE TABLE OF INDEX OF GOODS AND/OR SERVICES  
AND NUMBERS OF TRADEMARKS REGISTERED ACCORDING  
TO THE ACCELERATED PROCEDURE

INDEX OF GOODS AND/OR SERVICES (511)	NUMBERS OF REGISTERED ACCORDING TO THE ACCELERATED PROCEDURE (111)
32	M 2020 33090 R
33	M 2020 33091 R
33	M 2020 33088 R
33	M 2020 33089 R
34	M 2020 33092 R
35	M 2020 33094 R
43	M 2020 33093 R
44	M 2020 33094 R

# OFFICIAL BULLETIN OF THE INDUSTRIAL PROPERTY

INVENTIONS  
UTILITY MODELS  
DESIGNS  
TRADEMARKS  
APPELLATION OF ORIGIN OF GOOD

## 18(550)

EDITOR-IN-CHIEF: N. Bebrishvili

EDITOR-TRANSLATOR: E. Gabunia

PROOFREADER: A. Shikhashvili

COMPUTER LAYOUT: M. Ordenidze  
K. Svanidze

[www.sakpatenti.gov.ge](http://www.sakpatenti.gov.ge)

E-mail: [info@sakpatenti.org.ge](mailto:info@sakpatenti.org.ge)

**LIST OF CODES, IN ALPHABETIC SEQUENCE, AND THE CORRESPONDING (SHORT) NAMES OF STATES, OTHER ENTITIES AND INTERGOVERNMENTAL ORGANIZATIONS  
(WIPO STANDARD ST.3)**

AD	Andorra				
AE	United Arab Emirates	GD	Grenada	NE	Niger
AF	Afghanistan	GG	Guernsey	NG	Nigeria
AG	Antigua and Barbuda	GH	Ghana	NI	Nicaragua
AI	Anguilla	GI	Gibraltar	NL	Netherlands
AL	Albania	GT	Guatemala	NO	Norway
AM	Armenia	GW	Guinea- Bissau	NP	Nepal
AN	Netherlands Antilles	GY	Guyana	NR	Nauru
AO	Angola	HK	The Hong Kong Special Administrative Region of the People's Republic of China	NZ	New Zealand
AP	African Regional Intellectual Property Organization (ARIPO)	HN	Honduras	OA	African Intellectual Property Organization (OAPI)
AR	Argentina	HR	Croatia	OM	Oman
AT	Austria	HT	Haiti	PA	Panama
AU	Australia	HU	Hungary	PE	Peru
AW	Aruba	IB	International Bureau of the World Intellectual Property Organization (WIPO)	PG	Papua New Guinea
AZ	Azerbaijan	ID	Indonesia	PH	Philippines
BA	Bosnia and Herzegovina	IE	Ireland	PK	Pakistan
BB	Barbados	IL	Israel	PL	Poland
BD	Bangladesh	IM	Isle of Man	PT	Portugal
BE	Belgium	IN	India	PW	Palau
BF	Burkina Faso	IQ	Iraq	PY	Paraguay
BG	Bulgaria	ID	Indonesia	QA	Qatar
BH	Bahrain	IE	Ireland	QZ	Community Plant Variety Office (European Community) (CPVO)
BI	Burundi	IL	Israel	RO	Romania
BJ	Benin	IM	Isle of Man	RS	Serbia
BM	Bermuda	IN	India	RU	Russian Federation
BN	Brunei Darussalam	IQ	Iraq	RW	Rwanda
BO	Bolivia	IR	Iran (Islamic Republic of)	SA	Saudi Arabia
BR	Brazil	IS	Iceland	SB	Solomon Islands
BS	Bahamas	IT	Italy	SC	Seychelles
BT	Bhutan	JE	Jersey	SD	Sudan
BV	Bouvet Island	JM	Jamaica	SG	Singapore
BW	Botswana	JO	Jordan	SH	Saint Helena
BX	Benelux Office for Intellectual Property (BOIP)	JP	Japan	SI	Slovenia
BY	Belarus	KE	Kenya	SK	Slovakia
BZ	Belize	KG	Kyrgyzstan	SL	Sierra Leone
CA	Canada	KH	Cambodia	SM	San Marino
CD	Democratic Republic of the Congo	KI	Kiribati	SN	Senegal
CF	Central African Republic	KM	Saint Kitts and Nevis	SO	Somalia
CG	Congo	KP	Democratic People's Republic of Korea	SR	Suriname
CH	Switzerland	KR	Republic of Korea	ST	Sao Tome and Principe
CI	Cote d'Ivoire	KW	Kuwait	SV	El Salvador
CK	Cook Islands	KY	Cayman Islands	SY	Syrian Arab Republic
CL	Chile	KZ	Kazakhstan	SZ	Swaziland
CM	Cameroon	LA	Lao People's Democratic Republic	TC	Turks and Caicos Islands
CN	China	LB	Lebanon	TD	Chad
CO	Colombia	LC	Saint Lucia	TG	Togo
CR	Costa Rica	LI	Liechtenstein	TH	Thailand
CU	Cuba	LK	Sri Lanka	TJ	Tajikistan
CV	Cape Verde	LR	Liberia	TL	Timor-Leste
CY	Cyprus	LS	Lesotho	TM	Turkmenistan
CZ	Czech Republic	LT	Lithuania	TN	Tunisia
DE	Germany	LU	Luxembourg	TO	Tonga
DJ	Djibouti	LV	Latvia	TR	Turkey
DM	Dominica	LY	Libyan Arab Jamahiriya	SE	Sweden
DO	Dominican Republic	MA	Morocco	TT	Trinidad and Tobago
DZ	Algeria	MC	Monaco	TV	Tuvalu
EA	Eurasian Patent Organization (EAPO)	MD	Republic of Moldova	TW	Taiwan, Province of China
EC	Ecuador	ME	Montenegro	TZ	United Republic of Tanzania
EE	Estonia	MG	Madagascar	UA	Ukraine
EG	Egypt	MK	The former Yugoslav Republic of Macedonia	UG	Uganda
EH	Western Sahara	ML	Mali	US	United States of America
EM	Office for Harmonization in the Internal Market (Trademarks and Designs)(OHIM)	MM	Myanmar	UY	Uruguay
EP	European Patent Office (EPO)	MN	Mongolia	UZ	Uzbekistan
ER	Eritrea	MO	Macao	VA	Holy See
ES	Spain	MP	Northern Mariana Islands	VC	Saint Vincent and the Grenadines
ET	Ethiopia	MR	Mauritania	VE	Venezuela
FI	Finland	MS	Montserrat	VG	Virgin Islands (British)
FJ	Fiji	MT	Malta	VN	Viet Nam
FK	Falkland Islands (Malvinas)	MU	Mauritius	VU	Vanuatu
FO	Faroe Islands	MV	Maldives	WO	World Intellectual Property Organization (WIPO)
FR	France	MW	Malawi	WS	Samoa
GA	Gabon	MX	Mexico	XN	Nordic Patent Institute (NPI)
GB	United Kingdom	MY	Malaysia	YE	Yemen
GC	Patent Office of the Cooperation Council for the Arab States of the Gulf (GCC)	MZ	Mozambique	ZA	South Africa
		NA	Namibia	ZM	Zambia
				ZW	Zimbabwe